

1996
WV221RD

G46

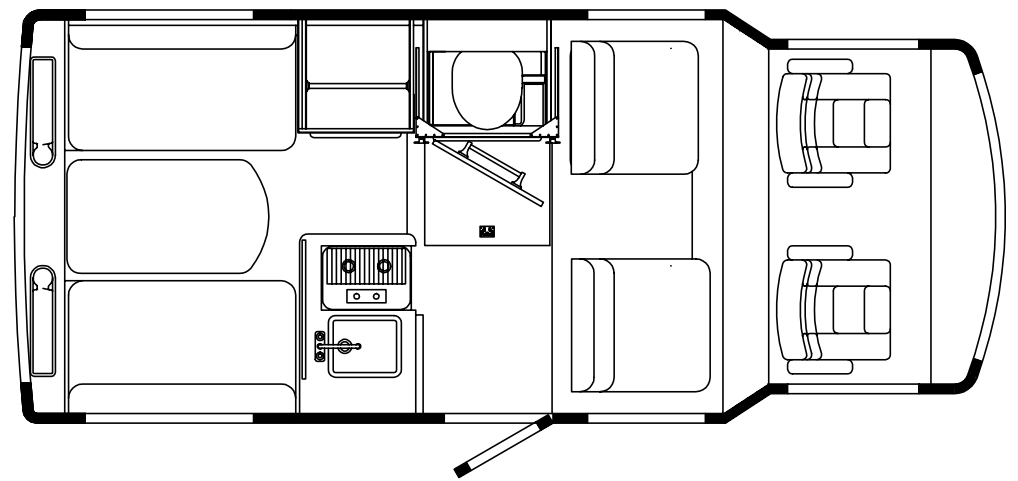
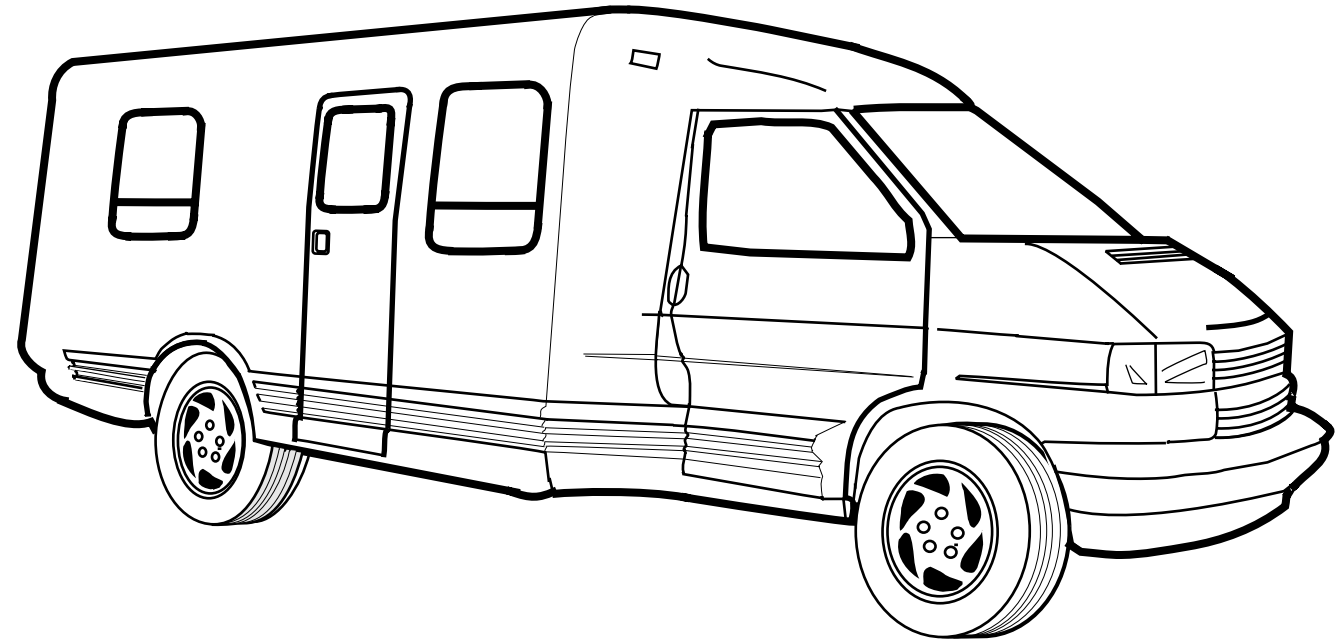
BAHAUS

G47

GRANITE

G48

SAHARA



**ACCESSORIES GROUP
OPERATORS MANUAL & BINDER**

KEY	PART NUMBER	U/M DESCRIPTION
	054185-D5-000	EA MANUAL-OPERATOR, 1996 RIALTA
	120779-01-000	EA MANUAL-MAINTENANCE, 1996 USA/CANADA
	120781-01-000	EA MANUAL-OWNER'S, 1996 EUROVAN
	120782-01-000	EA MANUAL-PROTECTION LAW, USA
	092318-01-000	EA BINDER - 3 RING, MOTOR HOME MANUAL
	092319-01-000	EA POCKET PAGE - 3 RING BINDER, PLASTIC
	119878-01-000	DW TOP LEVEL DRAWING FOR 1996 RIALTA

**AUDIO VIDEO GROUP
RADIO SYSTEM COMPONENTS**

KEY	PART NUMBER	U/M DESCRIPTION
	074014-01-000	EA GRILLE-SPEAKER, ROUND - AUDIOVOX 102X-1479
	074979-17-000	EA COVER-SPEAKER, VW TAUPE
	094097-01-000	EA SPEAKER-RADIO, W/O GRILLE - 5.25" DIA - AUDIOVOX 110C3030
	114365-01-000	EA ADAPTOR-RADIO, POWER - SPEAKERS - RIVERPARK
	114366-01-000	EA ADAPTOR-RADIO, ANTENNA - RIVERPARK
	097460-08-000	EA RADIO-AM/FM STEREO, CASSETTE - SONY XR-1700
	116148-02-000	EA RADIO-AM/FM STEREO, CD PLAYER - CLARION RDB515B

AUDIOVOX TELEVISION W/REMOTE CONTROL

KEY	PART NUMBER	U/M DESCRIPTION	VENDOR NO.
	086231-07-000	EA TV-COLOR, 10" - DC - AUDIOVOX AVT-975	
	086231-07-700	EA REMOTE F/TV - AVT-975	0822329

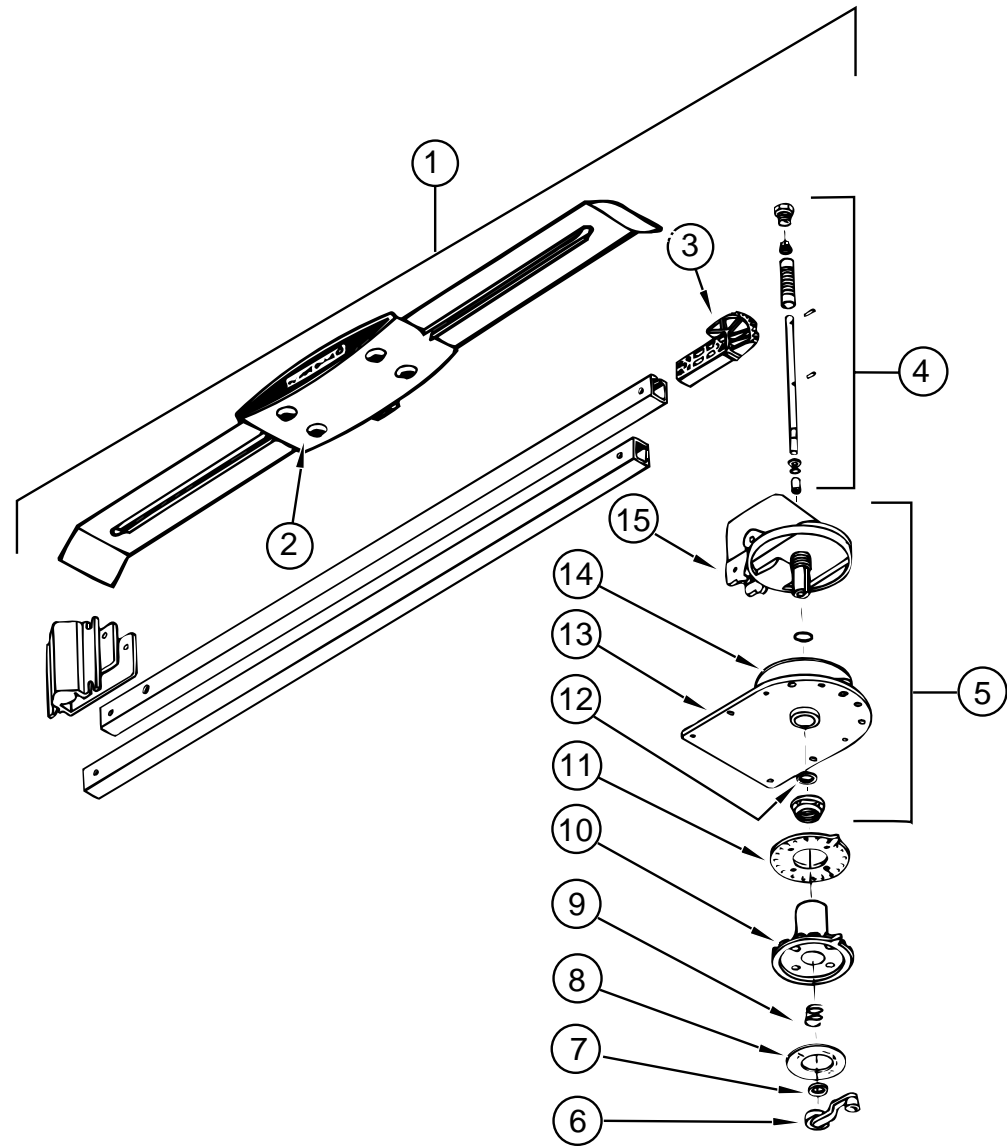
AUDIOVOX VIDEO CASSETTE PLAYER, COVER, & SWITCH

KEY	PART NUMBER	U/M DESCRIPTION
	094487-03-000	EA VIDEO CASSETTE PLAYER W/O REMOTE - AUDIOVOX AVP-6750
	120551-01-01A	EA COVER-VIDEO CASSETTE PLAYER, VW TAUPE
	120663-01-000	EA SWITCH-VIDEO, A/B - WINNEGARD TV-0051

TV CABLE, CONNECTORS, & WALLPLATES

KEY	PART NUMBER	U/M DESCRIPTION
	082134-01-000	EA ADAPTER-TV, CABLE TO CABLE - WINEGARD F-81M
	093901-03-000	EA PLATE-CABLE TV ADAPTER, 45 MM X 64 MM - STEEL - BLACK
	076319-03-000	FT CABLE-COAXIAL, 75 OHM
	076319-06-000	EA ADAPTOR-CABLE ROOF PLATE, WINEGARD RPJ-1
	076319-12-000	EA CONNECTOR-COAXIAL, ONE PIECE
	086777-02-000	EA WALLPLATE-TV CABLE, W/ANTENNA SWITCH - BROWN

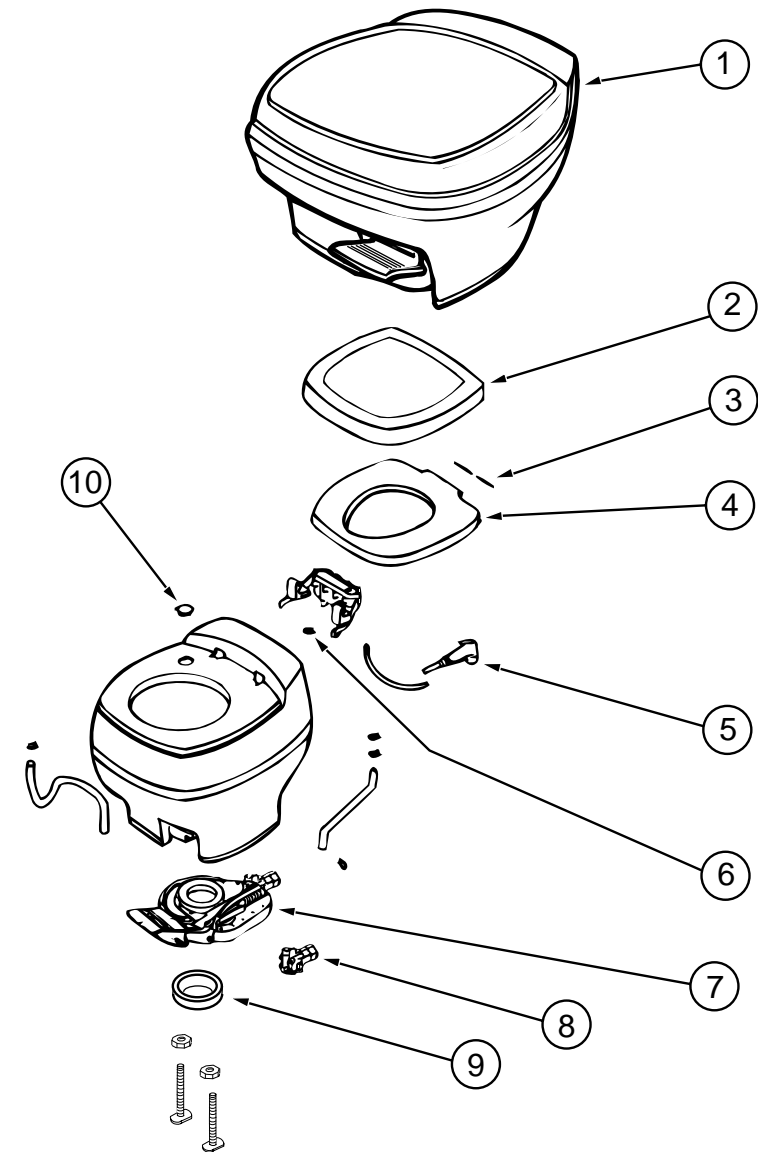
AUDIO VIDEO GROUP (CONTINUED)



WINEGARD TV ANTENNA

KEY	PART NUMBER	U/M DESCRIPTION	VENDOR NO.
1	076319-02-000	EA ANTENNA-TV, ROOF MOUNT - 23.5" MAST - WINEGARD RVA-W01	
2	076319-01-700	EA HEAD-ANTENNA, AMPLIFIED	RVSA U/V
3	076319-01-701	EA GEAR-ELEVATING, PLASTIC	2200046
4	076319-01-702	EA SHAFT ASM-ELEVATING	RVP-400A
5	076319-01-711	EA BASE & LIFT ASM	2762802
6	076319-01-706	EA CRANK-ELEVATING, W/SET SCREW	5755100
7	076319-01-705	EA GROMMET-NYLON, 7/8" ID	3200658
8	076319-01-708	EA DECAL-CRANK	5413002
9	076319-01-707	EA SPRING-HANDLE	5160800
10	076319-01-709	EA PLATE-DIRECTIONAL, FOR HEAD	3200644
11	076319-01-712	EA PLATE-CEILING, DIRECTIONAL	3200608
12	076319-01-704	EA BEARING-NYLON, 1.25" OD	3200657
13	076319-01-713	EA PLATE-BASE, STEEL - WINEGARD	3100523
14	076319-01-703	EA BEARING-NYLON, 5" OD	3200656
15	076319-01-714	EA HOUSING-ROTATING GEAR	2200049
	082136-01-000	EA NUT-HEX JAM 3/8-32 - WINEGARD	

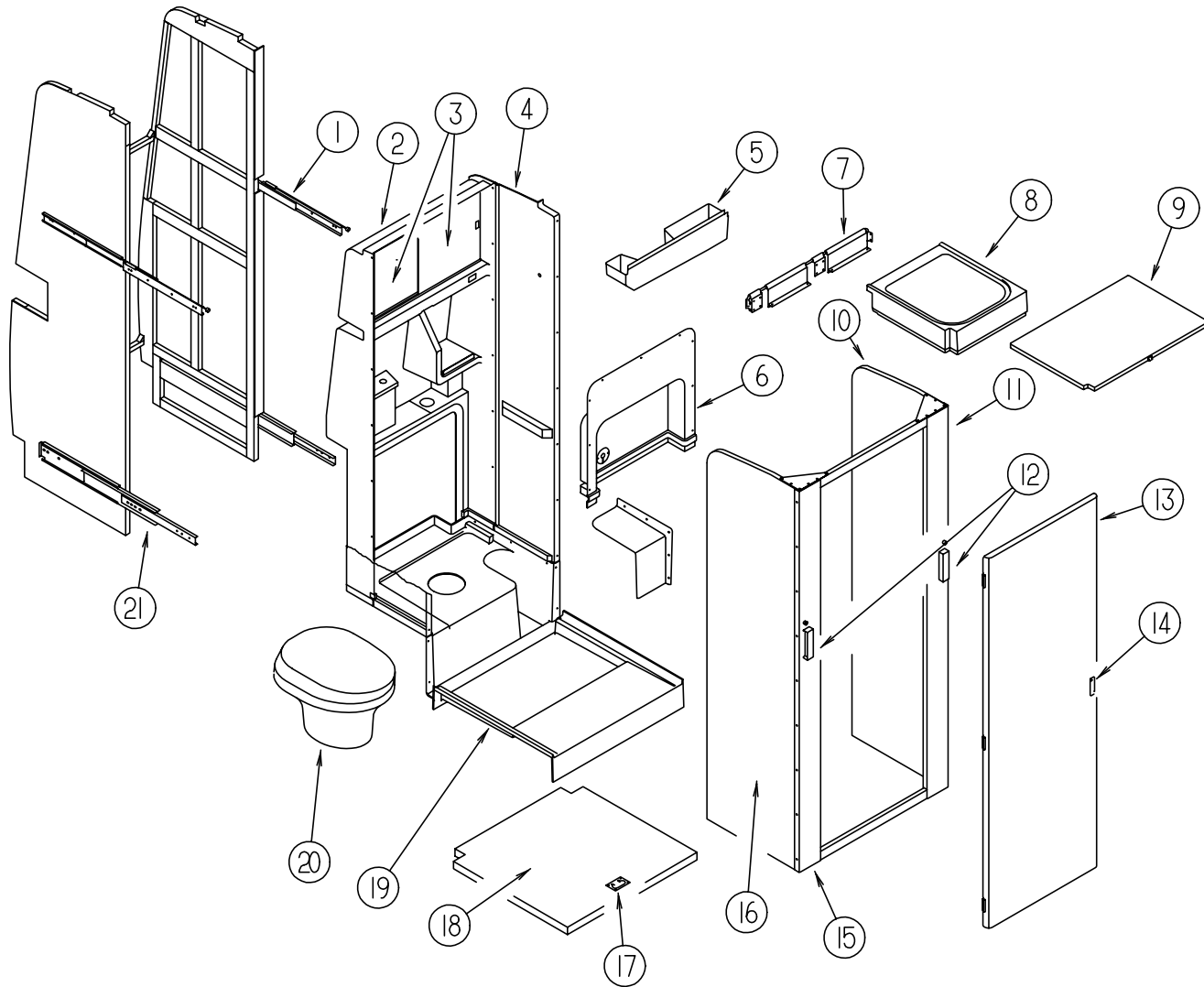
BATH GROUP



STARLITE LOW TOILET

KEY	PART NUMBER	U/M DESCRIPTION	VENDOR NO.
1	064076-01-000	EA TOILET - 11.25" TALL, IVORY - THETFORD 50	
2	039341-02-700	EA COVER-SEAT, TOILET - IVORY	037151
3	039341-02-707	EA PIN-HINGE	12986
4	039341-02-704	EA SEAT/COVER SET, NEW STYLE IV	08855
5	067487-01-701	EA WATER SAVER PACKAGE	08993
6	067487-01-702	EA CLAMP	03752
7	064076-01-701	EA MECHANISM-FLUSHING	14622
8	064076-01-705	EA VALVE-BALL, REPLACEMENT PACKAGE	09868
9	039341-02-705	EA FLANGE-FLOOR, W/SEAL & BOLTS	08975 A.M.
10	039341-02-703	EA PLUG-HOLE, TOILET - IVORY	03895-10

BATH GROUP (CONTINUED)
BATH & SHOWER CABINETS

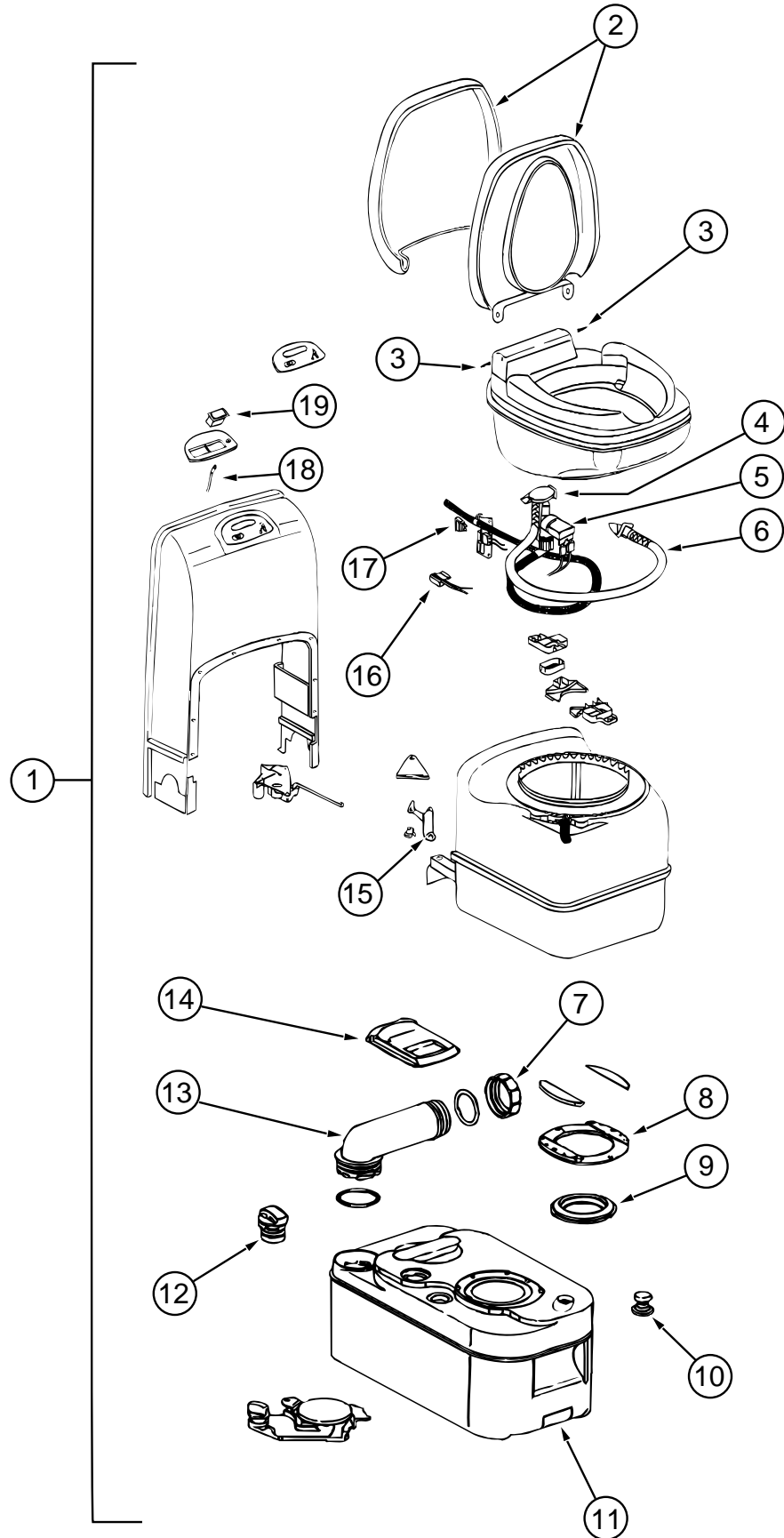


KEY	PART NUMBER	U/M DESCRIPTION
1	116173-01-000	EA SLIDE-PULLOUT, BATH CABINET - RH - W/LOCK
1	116173-02-000	EA SLIDE-PULLOUT, BATH CABINET - LH - W/LOCK
2	111950-01-01A	EA SURROUND-SHOWER, BACK - PLASTIC - OFF WHITE
3	058331-B0-000	EA MIRROR-GLASS, SAFETY - 320 MM X 320 MM
	023320-01-000	EA PAD-FELT, 3/8" DIAMETER - BROWN
	074383-01-000	EA TRACK-SLIDING MIRRORS, LOWER - OFF WHITE
	002324-02-000	FT CHANNEL-PILE, FLEX - LOWER TRACK
4	111986-01-01A	EA SURROUND-SHOWER, SIDE - RH - OFF WHITE PLASTIC
	111986-02-01A	EA SURROUND-SHOWER, SIDE - LH - OFF WHITE PLASTIC
5	P12114-01-01A	EA BASIN ASM-CATCH, LAVATORY W/STRAINER - OFF WHITE PLASTIC
	106116-01-01A	EA STRAINER-SINK, W/STOPPER TAILPIECE GASKET & NUT - PLASTIC
	112114-01-01A	EA BASIN-CATCH, LAVATORY - OFF WHITE PLASTIC
6	112151-01-01A	EA COVER-ACCESS, DRAINAGE - OFF WHITE PLASTIC
	120591-01-01A	EA COVER-ACCESS, DRAINAGE - OFF WHITE PLASTIC - JAPAN ONLY
	057671-01-000	EA COVER-SCREW, #8 - PLASTIC - OFF WHITE
7	113982-01-F45	EA HINGE ASM-FOLD UP SINK & DOOR PANEL
	086235-03-000	EA BEARING-SNAP IN, 5/16" ID X 5/16" - THOMPSON 5L5-F
8	112244-01-F45	EA SINK ASM-FOLD UP - OFF WHITE PLASTIC
	057534-02-000	EA TIEBACK-SINK, 3" - PLASTIC - CLEAR
9	113183-01-F45	EA PANEL ASM-DOOR W/LATCH - OFF WHITE PLASTIC
	074453-01-000	EA LATCH-PADDLE, SINK & MEDICINE CABINET - METAL
	057898-01-000	EA LATCH-HIDDEN W/STRIKER, PLASTIC - BLACK
10	113929-01-F45	EA WALL-BATH, SLIDING - RH
11	116246-01-01A	EA CORNER-BATH, RH - VW TAUPE
12	074762-01-000	EA PULL-CABINET, 4.8" X .9" - PLASTIC - BLACK
13	113756-01-F45	EA DOOR-BATH, W/O HARDWARE
14	058335-03-000	EA LATCH-SHOWER/BATH DOOR, W/O LOCK - PLASTIC - BLACK
	075453-02-000	EA BAR-TOWEL, 18" BRASS
	075452-02-000	EA HOLDER-TOILET TISSUE, BRASS
15	116246-02-01A	EA CORNER-BATH, LH - VW TAUPE
16	113929-02-F45	EA WALL-BATH, SLIDING - LH
	116044-01-000	EA BUMPER-MOLDED, 1/2" DIAMETER - RUBBER
17	072871-01-000	EA PULL-FLUSH, CHROME
18	113092-02-F45	EA COVER-SHOWER PAN, CARPETED
18	113092-03-G46	EA COVER-SHOWER PAN, CARPETED - JAPAN ONLY
19	118605-01-01A	EA SHOWER PAN, OFF WHITE PLASTIC
19	120590-01-01A	EA SHOWER PAN, OFF WHITE PLASTIC - JAPAN ONLY
	066436-01-000	EA NUT-SLIP, TAILPIECE - 1.5"
20	064076-01-000	EA TOILET - 11.25" TALL, IVORY - THETFORD 50
20	121003-01-01A	EA TOILET-CASSETTE - THETFORD C-200 CS - JAPAN ONLY
21	116174-01-000	EA SLIDE-PULLOUT, BATH CABINET - RH OR LH - FULL EXTENSION
	103092-01-000	EA SHOWER HEAD - W/60" HOSE
	103092-02-000	EA SHOWER HEAD - W/60" HOSE - CSA
	103092-01-700	EA BRACKET ONLY-CLEAR, F/SHOW HEAD - 2328028
	103092-01-702	EA SEALS-SPRAY HEAD
	011048-03-700	EA BRACKET/F SHOWER HEAD - BPC
	115000-01-01A	EA FAUCET-LAVATORY & SHOWER, PARCHMENT - BPC 20173P03

VENDOR NO.

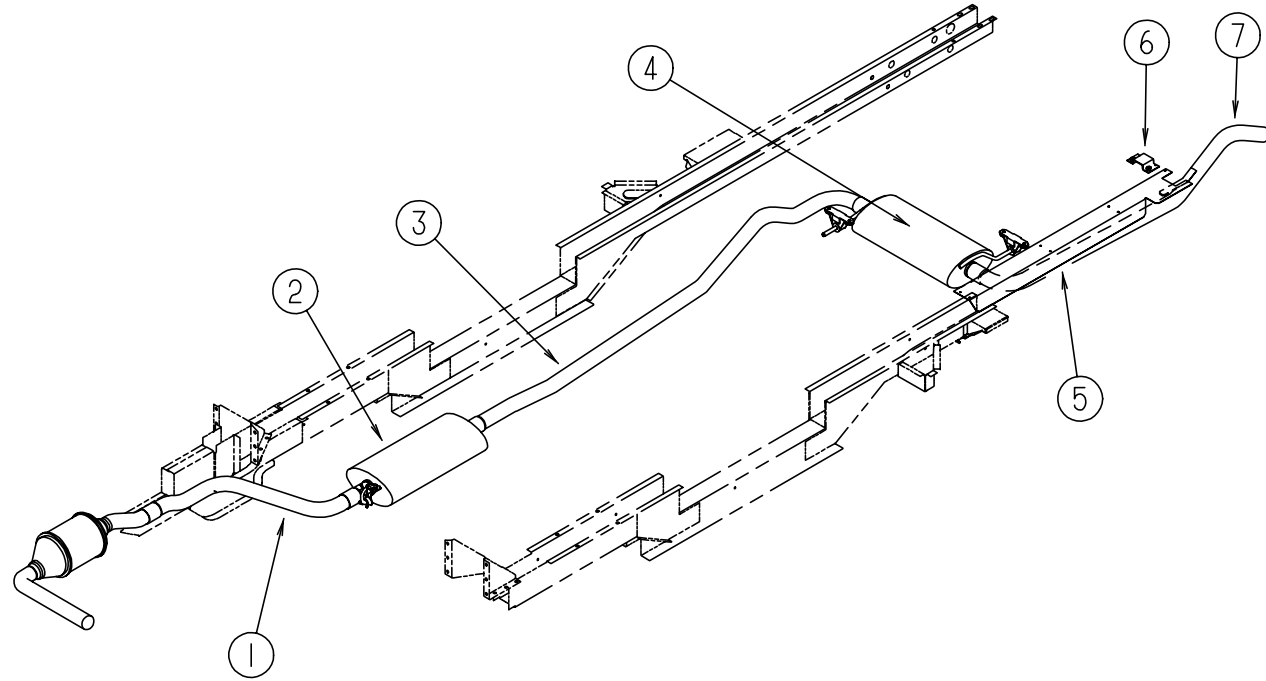
24466
 2328029-3

BATH GROUP (CONTINUED)
THETFORD CASSETTE TOILET - JAPAN



KEY	PART NUMBER	U/M DESCRIPTION	VENDOR NO.
1	121003-01-01A	EA TOILET-CASSETTE - THETFORD C-200 CS	
2	121003-01-700	EA SEAT & COVER ASM - WHITE	2370662
3	121003-01-701	EA PIN-HINGE, WHITE	2370762
4	121003-01-703	EA VALVE ASSEMBLY W/VACUUM BREAKER, ELECTRIC	16833
5	121003-01-702	EA BREAKER ASM-VACUUM, WHITE	2370862
6	121003-01-704	EA TUBE-FLUSH	2370962
7	121003-01-711	EA CAP-SPOUT	1638462
8	121003-01-714	EA SEAL-COVER W/SCREWS	2372074
9	121003-01-715	EA SEAL-LIP	23721
10	121003-01-717	EA BUTTON-VENT	2134478
11	121003-01-710	EA TANK-HOLDING, COMPLETE	2371974
12	121003-01-716	EA VENT ASM-PRESSURE RELEASE	2372274
13	121003-01-712	EA SPOUT-DRAIN	1619674
14	121003-01-713	EA COVER-SLIDING	2133374
15	121003-01-705	EA HANDLE-VALVE, BLADE	2371362
16	121003-01-706	EA SWITCH-REED	2371462
17	121003-01-707	EA FUSE, 2 PACK	23715
18	121003-01-709	EA INDICATOR-WARNING LEVEL	23718
19	121003-01-708	EA SWITCH-FLUSH	23716

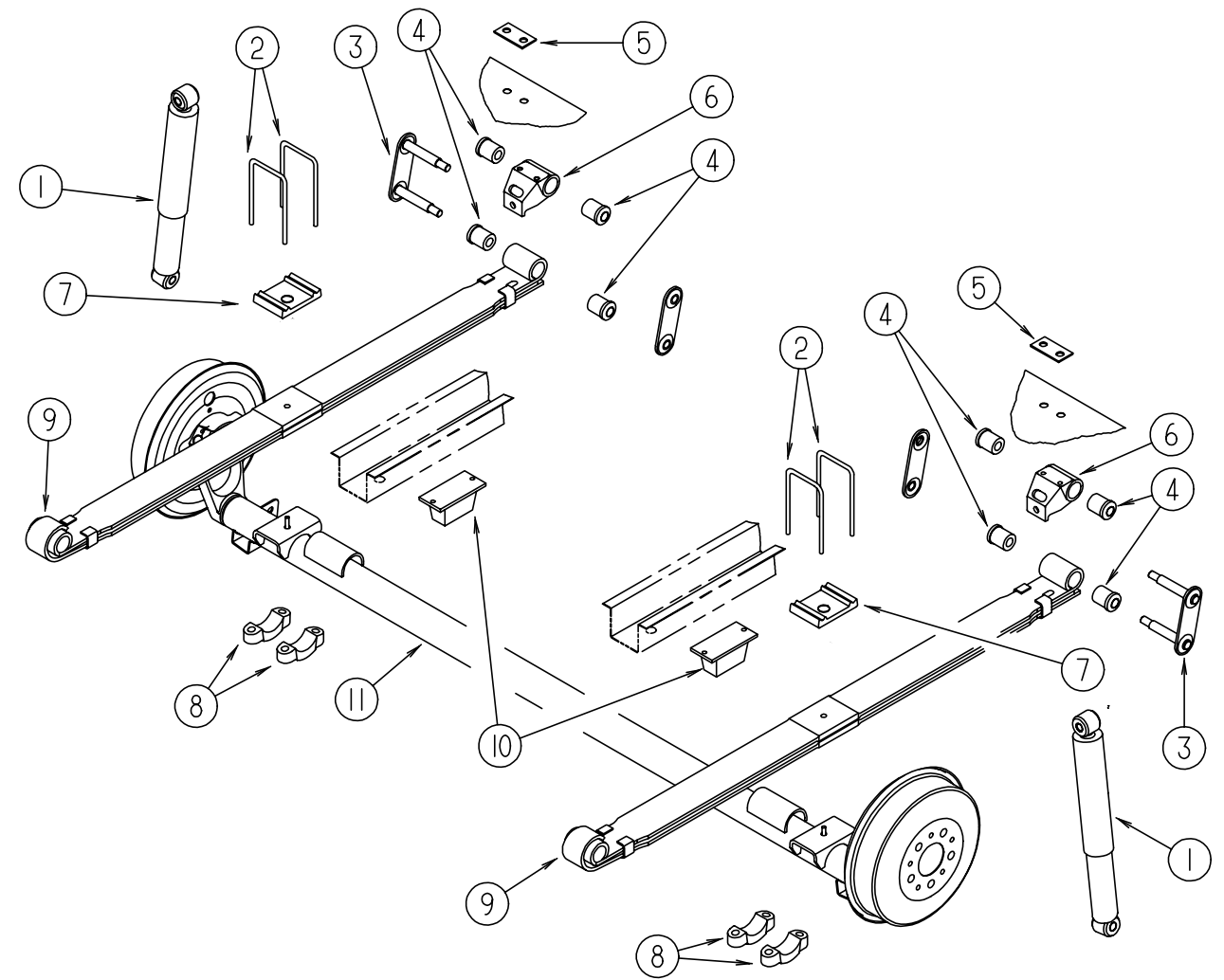
CHASSIS GROUP



EXHAUST SYSTEM COMPONENTS

KEY	PART NUMBER	U/M DESCRIPTION
1	113098-01-000	EA PIPE-EXHAUST, FRONT
2	115680-01-000	EA MUFFLER-FRONT
3	113099-01-000	EA PIPE-EXHAUST, MIDDLE
4	113237-01-000	EA MUFFLER-REAR
5	115396-01-09B	EA SHIELD-EXHAUST PIPE, GALVANIZED
6	095190-01-000	EA HANGER-EXHAUST, 4" X 1.4"
7	113097-01-000	EA PIPE-EXHAUST, TAIL
	082716-01-000	EA CLAMP-EXHAUST, 50.8 MM - AMC 8952002512

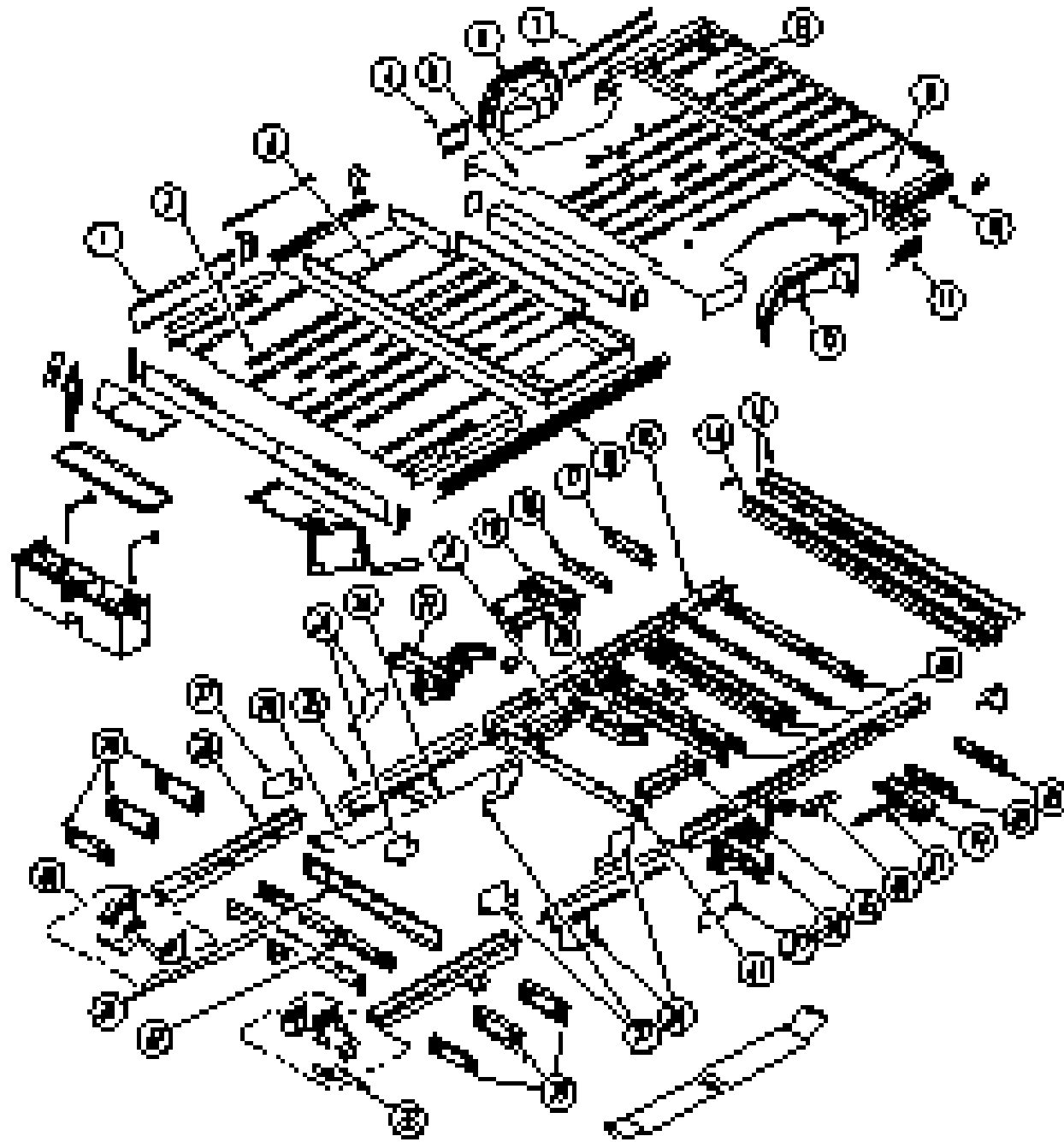
CHASSIS GROUP (CONTINUED)



SUSPENSION COMPONENTS

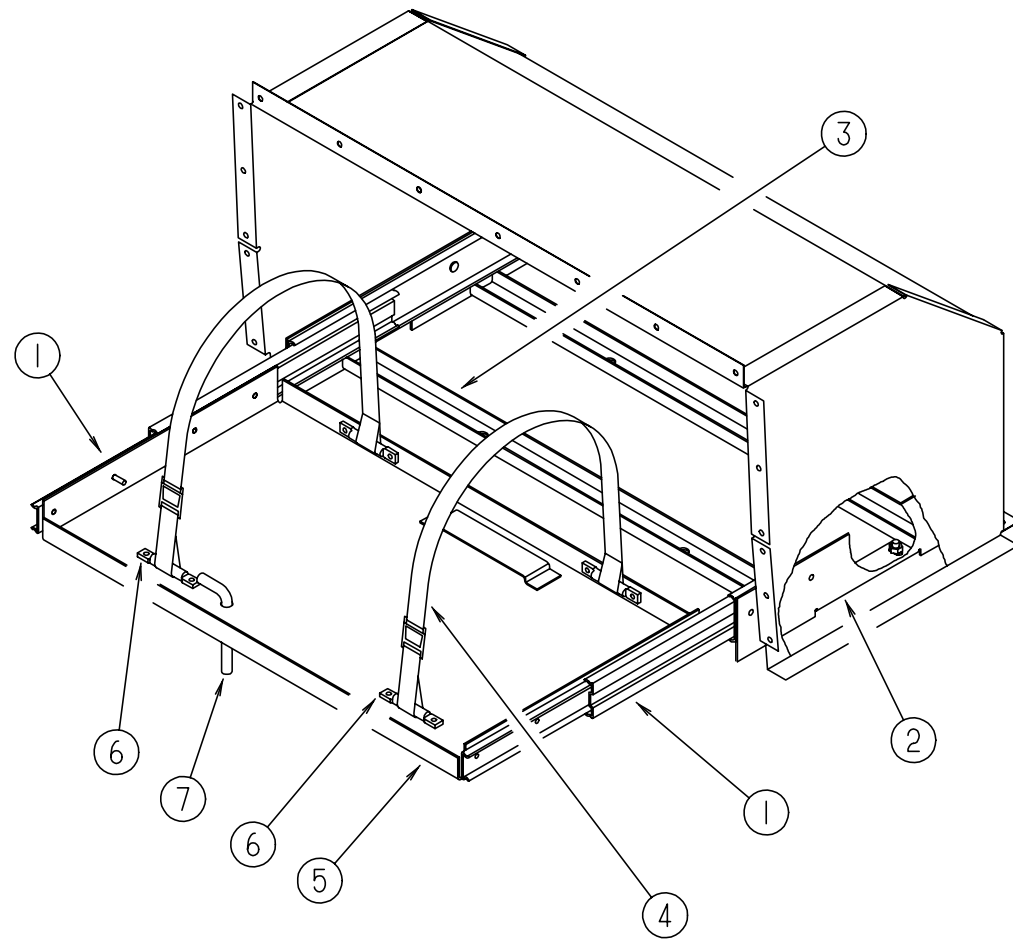
KEY	PART NUMBER	U/M DESCRIPTION
1	112033-02-700	EA SHOCK ABSORBER-REAR, DRIVER AND PASSENGER SIDE (PAIR)
2	112410-01-000	EA BOLT-U, REAR SPRING
3	112560-01-000	EA SHACKLE-SPRING, REAR
4	112503-01-000	EA BUSHING-SPRING, REAR
5	071231-01-000	EA PLATE-FLOOR DOUBLER
6	112415-01-000	EA SUPPORT-SHACKLE, REAR
7	112414-01-000	EA PLATE-SPRING CLAMP, DRIVER OR PASSENGER SIDE
8	112413-01-000	EA BRACKET-U BOLT, REAR SUSPENSION
9	112032-01-000	EA SPRING ASM-REAR W/FRONT SHACKLE BUSHING, DRIVER OR PASSENGER SIDE
	116712-01-000	EA BUSHING-SPRING, FRONT
10	113876-01-000	EA PAD-JOUNCE, REAR SPRING - METALASTIK 151437
11	112030-01-02B	EA AXLE ASM-REAR
	112030-03-000	EA HOUSING-WHEEL BEARING, REAR AXLE

CHASSIS GROUP (CONTINUED)
FLOOR COMPONENTS



KEY	PART NUMBER	U/M DESCRIPTION
1	113600-01-01B	EA ROCKER ASM-FRONT, PASSENGER SIDE - MILL - STEEL
2	110695-01-000	EA PANEL-FLOOR, FRONT - STEEL
3	112883-01-01B	EA PANEL-FLOOR, LOWER - MILL - STEEL
4	113601-01-01B	EA ROCKER ASM-CENTER, PASSENGER SIDE - MILL - STEEL
5	112222-01-000	EA PANEL-FLOOR, BETWEEN REAR WHEELS - MILL - STEEL
6	112345-01-000	EA WHEELHOUSE ASM W/SHOCK MOUNT-REAR, PASSENGER SIDE - STEEL
7	071434-05-000	EA ROCKER ASM-REAR, PASSENGER SIDE - MILL - STEEL
8	112758-01-01B	EA PANEL-FLOOR, REAR - MILL - STEEL
9	112818-01-02B	EA TRAY-LUGGAGE, REAR - DRIVER SIDE - E-COAT - W/O GENERATOR OPTION
10	112808-01-02B	EA ROCKER ASM-REAR, DRIVER SIDE - E-COAT - STEEL
10	112808-02-02B	EA ROCKER ASM-REAR, DRIVER SIDE - E-COAT - STEEL - EUROPEAN OPTION
11	113005-01-01B	EA ROCKER ASM-CENTER, DRIVER SIDE - MILL - STEEL
12	112345-02-000	EA WHEELHOUSE ASM W/SHOCK MOUNT-REAR, DRIVER SIDE - STEEL
13	112004-01-000	EA EXTENSION ASM-FLOOR, REAR - MILL - STEEL
14	072382-01-000	EA CROSSMEMBER ASM-REAR, STEEL
15	071220-01-000	EA RAIL-FRAME, REAR - DRIVER OR PASSENGER SIDE - STEEL
16	071366-01-000	EA ROCKER ASM-FRONT, DRIVER SIDE - MILL - STEEL
17	071232-02-000	EA OUTRIGGER-PASSENGER SIDE, LH REAR - 15.5" - STEEL
18	071232-01-000	EA OUTRIGGER-PASSENGER SIDE, RH REAR - 15.5" - STEEL
19	071162-01-000	EA STRUT-SPRING MOUNTING, DRIVER OR PASSENGER SIDE - STEEL
20	112550-01-01B	EA CROSSMEMBER-MOUNT, SWAY BAR - MILL - STEEL
21	072778-01-000	EA BRACKET-SWAY BAR MOUNTING, PASSENGER SIDE - STEEL
22	071188-01-000	EA BRACKET-SPRING MOUNT, FRONT - PASSENGER SIDE - STEEL
23	071729-01-000	EA PLATE-RAIL, LOWER - REAR - DRIVER OR PASSENGER SIDE - STEEL
24	071223-02-000	EA GUSSET-FRAME, LOWER - LH - STEEL
25	071200-01-000	EA RAIL-FRAME, LOWER - DRIVER OR PASSENGER SIDE - STEEL
26	071212-01-000	EA PLATE-RAIL, LOWER - FRONT - DRIVER OR PASSENGER SIDE - STEEL
27	071223-01-000	EA GUSSET-FRAME, LOWER - RH - STEEL
28	117865-03-01B	EA RAIL-FRAME, FRONT - PASSENGER SIDE - STEEL
	117865-04-01B	EA RAIL-FRAME, FRONT - DRIVER SIDE - STEEL
29	071225-01-000	EA OUTRIGGER-FRONT, DRIVER OR PASSENGER SIDE - STEEL
30	117866-01-01B	EA BRACKET-FRAME, PASSENGER SIDE - STEEL
31	071226-01-000	EA CROSSMEMBER-STEEL
32	071774-01-000	EA CROSSMEMBER-STEEL
33	117866-02-01B	EA BRACKET-FRAME, DRIVER SIDE - STEEL
34	071188-02-000	EA BRACKET-SPRING MOUNT, FRONT - DRIVER SIDE - STEEL
35	072778-02-000	EA BRACKET-SWAY BAR MOUNTING, DRIVER SIDE - STEEL
36	112315-01-000	EA OUTRIGGER-WHEELHOUSE, REAR - DRIVER OR PASSENGER SIDE - STEEL
37	112314-01-000	EA REINFORCEMENT-WHEELHOUSE, DRIVER OR PASSENGER SIDE - STEEL
38	112726-04-01B	EA OUTRIGGER ASM-DRIVER SIDE, LH REAR - MILL - STEEL
39	112726-03-01B	EA OUTRIGGER ASM-DRIVER SIDE, RH REAR - MILL - STEEL
40	071229-01-000	EA CROSSMEMBER-REAR, CENTER - 45" LONG - STEEL
	065450-08-000	EA TIEDOWN-BATTERY
	R77030-74-150	EA PLUG, RNO 7703074150
	056748-01-000	EA PLUG-CAP, 1.5" DIAMETER - BLACK
	061420-04-000	EA PLUG-CAP, 1.25" DIAMETER - CAPLUG BP1.25
	061420-05-000	EA PLUG-CAP, 1.8" DIAMETER - BLACK PLASTIC

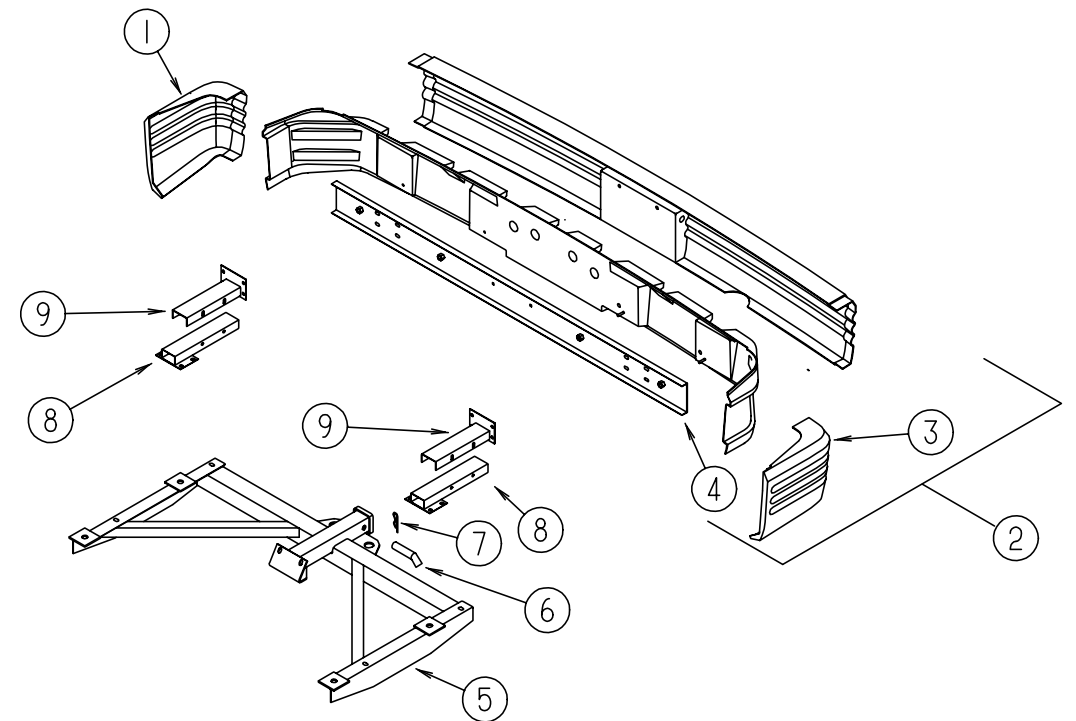
CHASSIS GROUP (CONTINUED)



LP COMPARTMENT COMPONENTS - JAPAN

KEY	PART NUMBER	U/M	DESCRIPTION
1	116985-01-000	EA	SLIDE ASM-LP TRAY, 3 SECTION - JOHNATHAN 310-12
2	116937-01-02B	EA	BRACKET-SUPPORT, LP TRAY - E-COAT - STEEL
3	116935-01-04B	EA	SUPPORT ASM-LP TRAY, E-COAT - STEEL
4	099717-08-000	EA	TIEDOWN-STRAP, 7.9" FEMALE END & 26" MALE END - FRONT OR REAR
5	116955-01-02B	EA	TRAY ASM-LP, E-COAT - STEEL
6	064219-01-000	EA	RETAINER - 2.75" LONG, ALUMINUM - 2 PER TIEDOWN
7	015365-01-000	EA	PIN - L, 3/8" DIAMETER - CADMIUM PLATED

CHASSIS GROUP (CONTINUED)



REAR BUMPER, TRAILER HITCH & COMPONENTS

KEY	PART NUMBER	U/M	DESCRIPTION
1	113481-01-01A	EA	BUMPER-CORNER, REAR - RH - VW WHITE
2	113477-01-F45	EA	BUMPER ASM-REAR W/CORNERS, LIGHTS & INNER SUPPORT - VW WHITE
2	113477-02-F45	EA	BUMPER ASM-REAR W/CORNERS, LIGHTS & INNER SUPPORT - VW WHITE JAPAN ONLY
3	113481-02-01A	EA	BUMPER-CORNER, REAR - LH - VW WHITE
4	087108-01-000	EA	SUPPORT-INNER, REAR BUMPER
5	112600-01-04B	EA	HITCH-TRAILER, CLASS 1 - BLACK
6	034512-01-000	EA	PIN-LOCKING, DRAWBAR
7	034513-01-000	EA	PIN-HITCH, 3/16" WIRE
8	115947-01-02B	EA	SUPPORT ASM-REAR BUMPER, LOWER - E-COAT
9	115944-01-02B	EA	SUPPORT ASM-REAR BUMPER, UPPER - E-COAT
	113589-01-000	EA	CONNECTOR-PLUG, TRAILER - GENERAL 433501
	113589-02-000	EA	CONNECTOR-SOCKET, TRAILER - GENERAL 433601

CHASSIS GROUP (CONTINUED)

FUEL SYSTEM COMPONENTS

KEY	PART NUMBER	U/M DESCRIPTION
	007063-01-000	FT HOSE-GAS, 1/4" ID X 1/2" OD
	084884-01-000	EA PLUG-BRASS, 3/8"
	088258-01-000	EA CLIP-RETAINING, FUEL LINE - DOUBLE - FORD N802769
	088258-02-000	EA CLIP-RETAINING, FUEL LINE - SINGLE - MC-90
	113378-01-000	EA FUEL LINE-GENERATOR, FRONT
	113378-02-000	EA FUEL LINE-GENERATOR, REAR
	113378-03-000	EA FUEL LINE-GENERATOR, MIDDLE
	114253-01-000	EA ELBOW - 1/4" SINGLE BARB X 1/8" MPT - WEATHERHEAD 1582

DICOR 15" WHEEL COVERS

KEY	PART NUMBER	U/M DESCRIPTION	VENDOR NO.
	114193-01-000	EA COVER-WHEEL, 15" - SET OF 4 - DICOR PC9054-15	
	114193-01-700	EA COVER-WHEEL, 15" - 1 ONLY - DICOR	PC9054-15-COV
	077030-02-000	EA EXTENSION-VALVE STEM, 1.25"	

FRONT & REAR MUDFLAP & RETAINER BRACKET

KEY	PART NUMBER	U/M DESCRIPTION
	073905-02-000	EA MUDFLAP-FRONT, 12.2" X 9.3"
	073905-01-000	EA MUDFLAP-REAR, 10.1" X 9.3"
	073913-01-000	EA RETAINER-MUDFLAP, METAL

LUG WRENCH , TIRE JACK & HANDLE

KEY	PART NUMBER	U/M DESCRIPTION
	116029-01-000	EA WRENCH-LUG, 19 MM
	114387-01-000	EA JACK-SCREW, 4,000 LB - AUSCO 95-55900
	114387-02-000	EA HANDLE-SCREW JACK, 1 PIECE - AUSCO 1-55872

REAR AIR BAGS

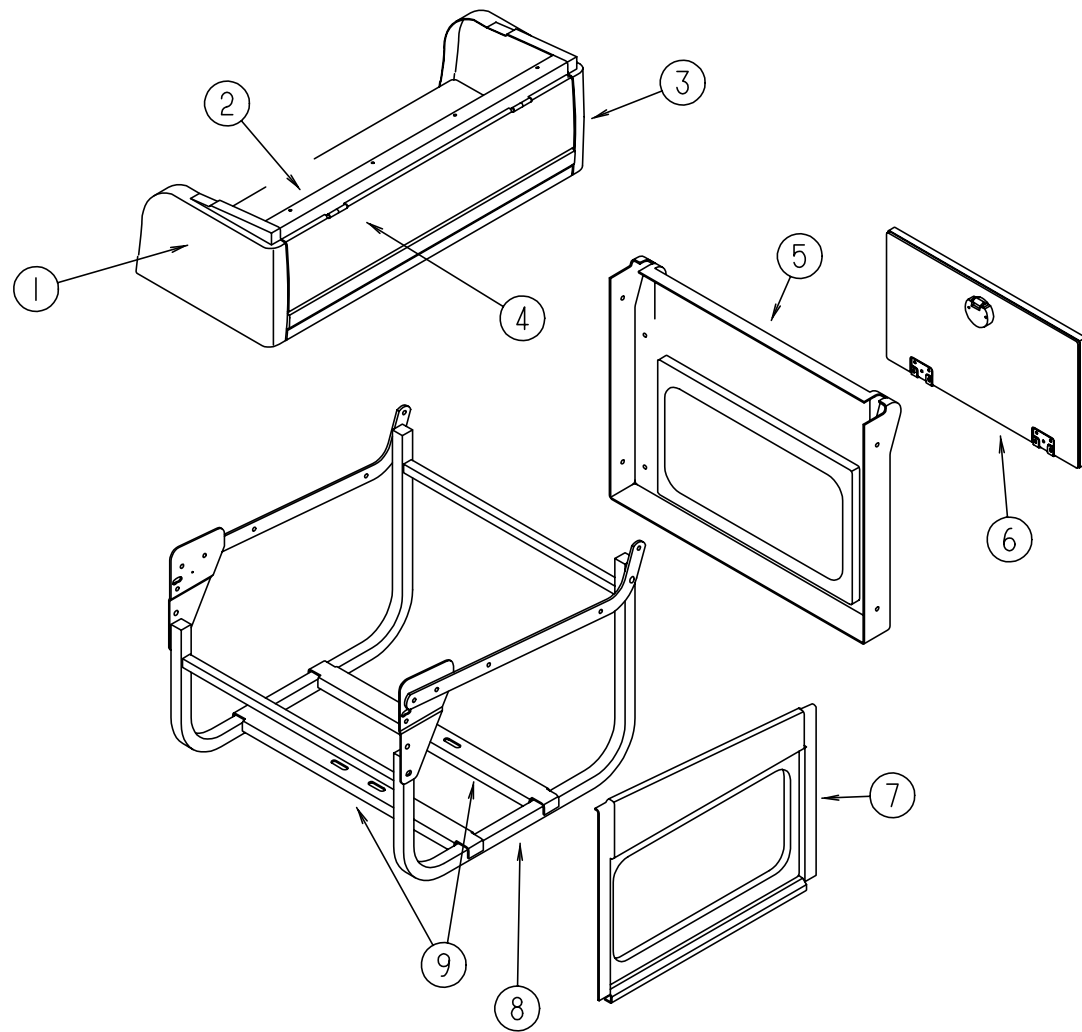
KEY	PART NUMBER	U/M DESCRIPTION
	701390-04-700	EA AIR BAG COMPLETE KIT - VW H-BODY, LEFT HAND & RIGHT HAND
	100293-03-700	EA AIR BAG REPAIR KIT - VW H-BODY, LEFT HAND KIT CONTAINS: (1) AIR BAG, (1) ELBOW FITTING, (1) ELBOW FILL VALVE, (1) 3' 1/4" AIR LINE, (1) INSTRUCTIONS
	100293-03-701	EA AIR BAG REPAIR KIT - VW H-BODY, RIGHT HAND KIT CONTAINS: (1) AIR BAG, (1) ELBOW FITTING, (1) ELBOW FILL VALVE, (1) 3' 1/4" AIR LINE, (1) INSTRUCTIONS

CHASSIS GROUP (CONTINUED)

MISCELLANEOUS CHASSIS COMPONENTS

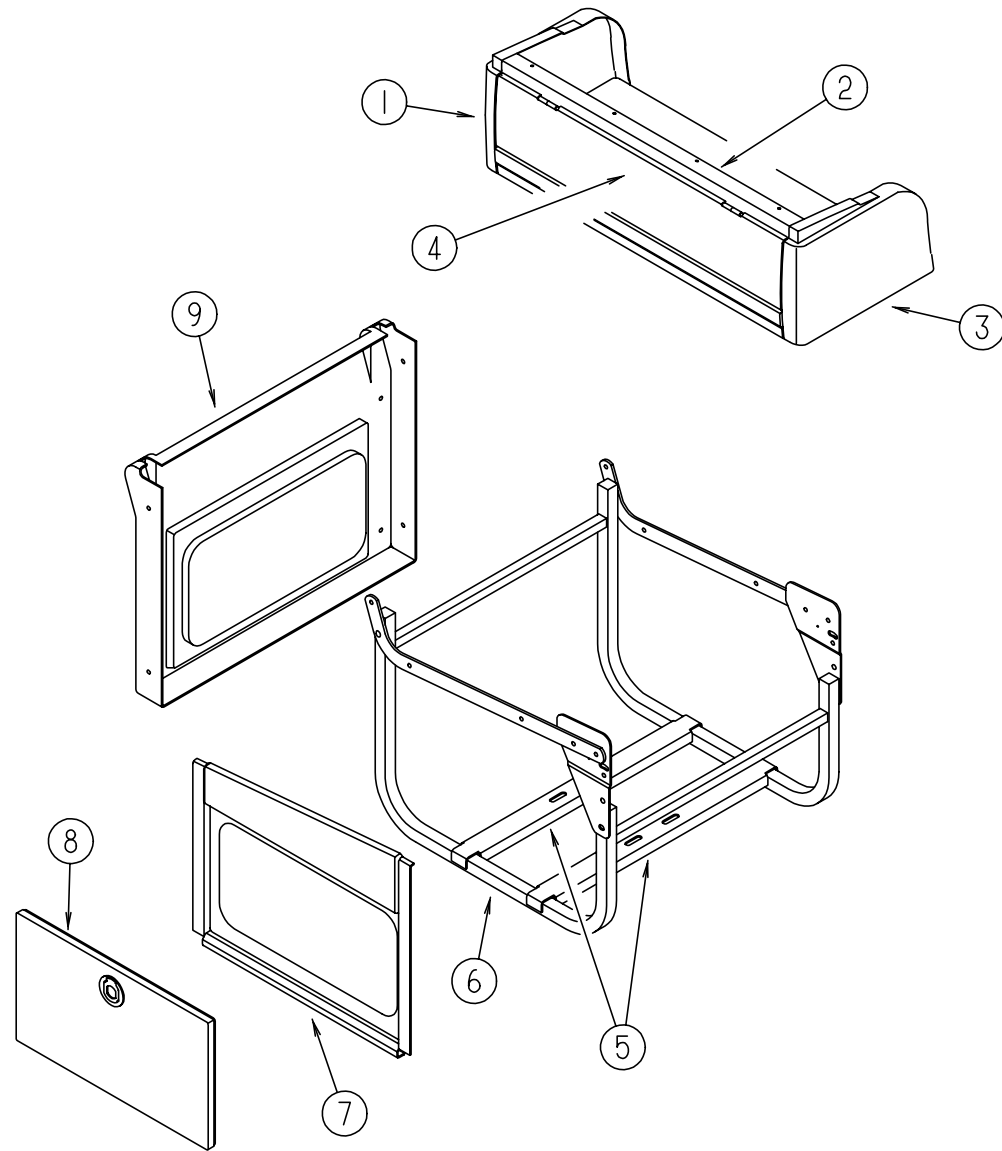
KEY	PART NUMBER	U/M DESCRIPTION
	112638-01-000	EA HOSE ASM-BRAKE LINE, REAR - CONTINENTAL HOSE# 4106
	112638-02-000	EA CLIP-SPRING, BRAKE HOSE - CONTINENTAL HOSE# 20A790
	100424-01-000	EA ANGLE-BRAKE CABLE - MC-90
	086235-08-000	EA BEARING-SNAPIN, 3/4" ID - FOR PARKING BRAKE CABLE FROM: 00-00-00 THRU: 11-05-95
	121406-01-01A	EA BUSHING-THREADED, 2 PC - NYLON FROM: 11-06-95 THRU: 99-99-99
	111420-07-000	EA PLATE-SUPPORT, CAB ROOF - 30 MM X 30 MM - STEEL
	112081-02-000	EA ANGLE-CAB ROOF SUPPORT, CENTER - 38 MM X 19 MM X 518.2 MM - STEEL
	112538-01-000	EA PILLAR ASM - B, RH - STEEL
	112538-02-000	EA PILLAR ASM - B, LH - STEEL
	114254-01-000	EA ADAPTER - 1/4" SINGLE BARB X 1/8" MPT - WEATHERHEAD 1537
	114255-01-000	EA COUPLING - 5/8" THD X 1/8" FPT - PARKER 207ACBH-2
	076776-02-000	EA TEE-BEADED, 3/4" X 3/4" X 3/4"
	075243-01-000	EA UNION - M10 X 1, FLARE/FLARE - WHITEHEAD 112-06187
	099717-04-000	EA TIEDOWN-STRAP, 21.3" FEMALE END & 27.2" MALE END
	010281-01-000	EA TEE-BRASS, 3/8 F
	103491-02-000	EA BRACKET-LICENSE PLATE, FRONT - JAPAN OPTION

**COMPANION SEAT GROUP
PASSENGER SIDE**



KEY	PART NUMBER	U/M DESCRIPTION
1	112374-02-01A	EA CAP-END, OVERHEAD CABINET - FRONT - VW TAUPE
2	116853-03-F45	EA CABINET-OVERHEAD, W/END CAPS - W/O DOOR
3	112374-01-01A	EA CAP-END, OVERHEAD CABINET - REAR - VW TAUPE
4	116832-01-F45	EA DOOR-W/O HARDWARE
	M07459-06-F45	EA PANELS ASM-COMPANION SEAT - VW TAUPE (ITEMS 5, 6 & 7)
5	113441-02-01A	EA PANEL-COMPANION SEAT, REAR - VW TAUPE
6	116854-01-F45	EA DOOR-COMPANION SEAT W/O HARDWARE
7	117949-02-01A	EA PANEL-COMPANION SEAT, LH - VW TAUPE
8	113991-01-000	EA FRAME-BASE, COMPANION - W/O BRACKETS - RH - FLEXSTEEL# XP1631-PA
9	113283-01-02B	EA BRACKET-SEAT FRAME, COMPANION - E-COATED
	116071-01-01A	EA CAP-BOLT COVER, 21.35 MM DIAMETER - PLASTIC
	114280-01-01A	EA COVER-BRACKET, SEAT BELT - RH COMPANION SEAT - VW TAUPE
	114279-03-02B	EA BRACKET-SEAT BELT - E-COATED
	109146-01-000	EA BOLT-SHOULDER, SEAT BELT

COMPANION SEAT GROUP (CONTINUED)
DRIVER SIDE

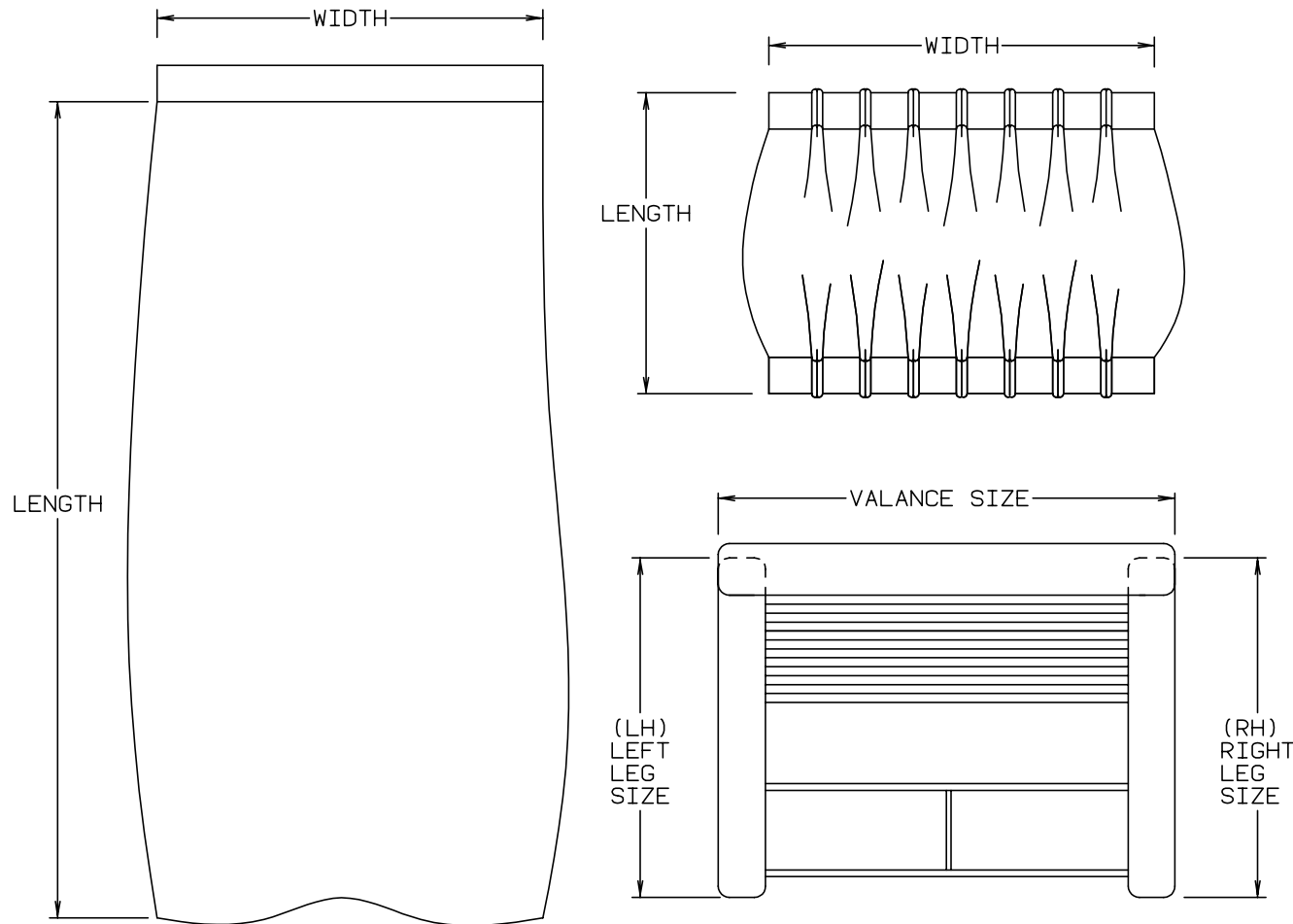


KEY	PART NUMBER	U/M	DESCRIPTION
1	112374-02-01A	EA	CAP-END, OVERHEAD CABINET - REAR - VW TAUPE
2	116853-03-F45	EA	CABINET-OVERHEAD, W/END CAPS - W/O DOOR
3	112374-01-01A	EA	CAP-END, OVERHEAD CABINET - FRONT - VW TAUPE
4	116832-01-F45	EA	DOOR-W/O HARDWARE
	M07459-07-F45	EA	PANELS ASM-COMPANION SEAT - VW TAUPE (ITEMS 7, 8 & 9)
5	113283-01-02B	EA	BRACKET-SEAT FRAME, COMPANION - E-COATED
6	113991-02-000	EA	FRAME-BASE, COMPANION - W/O BRACKETS - LH - FLEXSTEEL# XP1631-DR
7	117949-01-01A	EA	PANEL-COMPANION SEAT, RH - VW TAUPE
8	116854-01-F45	EA	DOOR-COMPANION SEAT W/O HARDWARE
9	113441-01-01A	EA	PANEL-COMPANION SEAT, REAR - VW TAUPE
	116071-01-01A	EA	CAP-BOLT COVER, 21.35 MM DIAMETER - PLASTIC
	114280-02-01A	EA	COVER-BRACKET, SEAT BELT - LH COMPANION SEAT - VW TAUPE
	114279-03-02B	EA	BRACKET-SEAT BELT - E-COATED
	109146-01-000	EA	BOLT-SHOULDER, SEAT BELT

**CURTAIN & CUSHION GROUP
NOTICE**

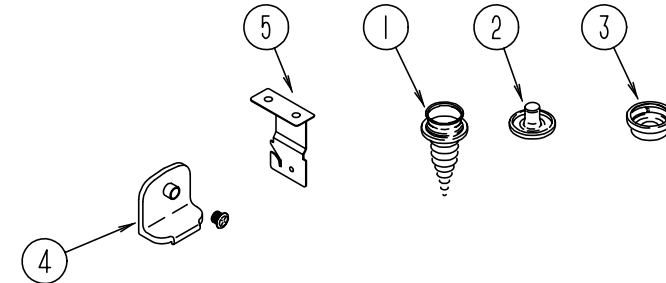
IN ORDER TO ASSIST OUR PARTS SALES DEPT. IN PROVIDING INTERIOR SOFTGOODS ITEMS, PLEASE INCLUDE THE SERIAL NUMBER AND THE COLOR CODE NUMBER FROM THE VEHICLE CERTIFICATION LABEL WHEN ORDERING. THIS LABEL IS LOCATED ON THE LEFT SIDEWALL AT THE END OF THE DASH (A-BODY), OR ON THE DRIVER'S DOOR LATCH PLATE (C-BODY).

AN EXAMPLE OF A COLOR CODE NUMBER IS B07, WHICH DESIGNATES AN OVERALL COLOR SCHEME OF A PARTICULAR UNIT. THE COLOR LISTED AFTER THE ITEM DESCRIPTION ON THE MICROFICHE, INDICATES THE OVERALL UNIT COLOR. ORDER THE ITEM YOU DESIRE ACCORDING TO UNIT COLOR CODE.



NOTE: USE THIS ILLUSTRATION WHEN DETERMINING LENGTH AND WIDTH MEASUREMENTS FOR CURTAINS. YOU WILL NOTE THE WIDTH MEASUREMENT IS TAKEN ON THE TOP OF THE CURTAIN WITH THE CURTAIN FULLY EXTENDED. THE LENGTH MEASUREMENT IS TAKEN FROM TOP TO BOTTOM. LEFT AND RIGHT WINDOW LEGS ARE DETERMINED WHEN FACING THE WINDOW.

CURTAIN & CUSHION GROUP (CONTINUED)

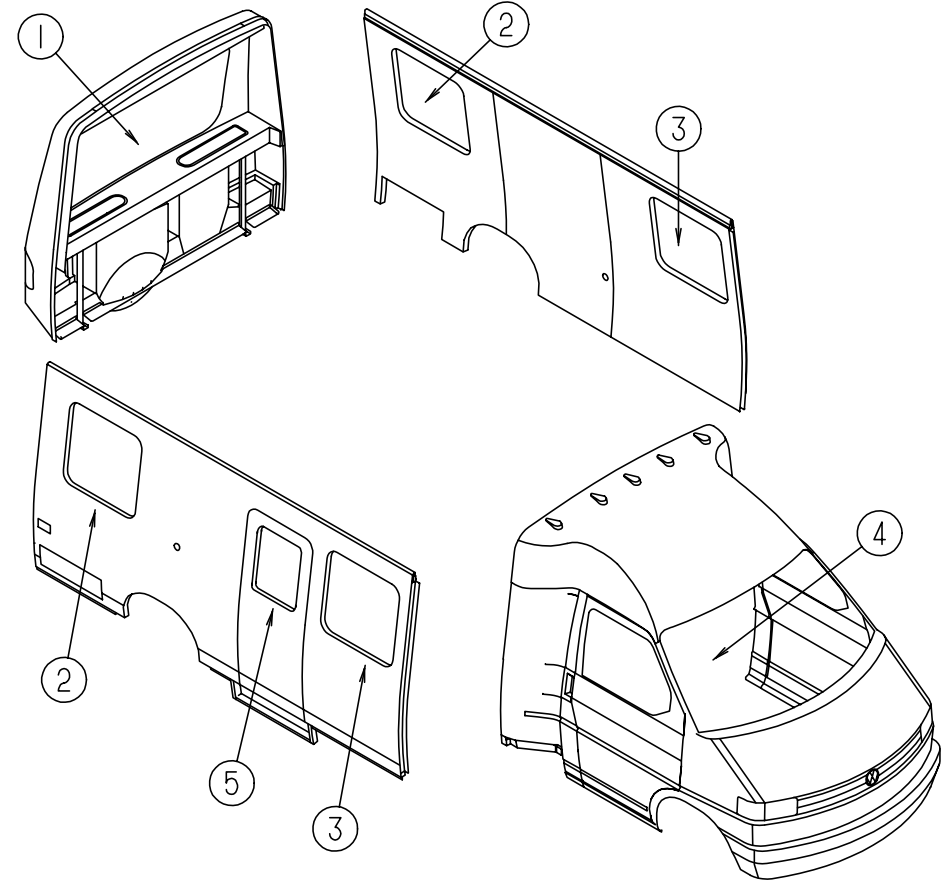


CURTAIN, BLIND & SHADE HARDWARE

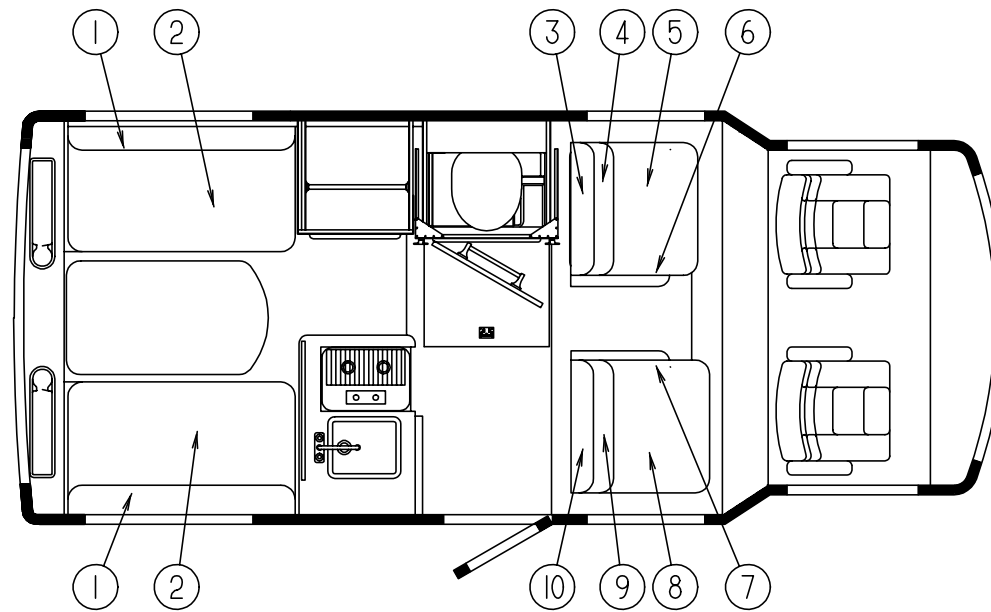
KEY	PART NUMBER	U/M DESCRIPTION
1	029130-01-000	EA SCREW-SNAP SOCKET, #8 PH X 5/8"
1	029130-03-000	EA SCREW-SNAP SOCKET, #8 PH X 1"
1	029130-04-000	EA SCREW-SNAP SOCKET, 8-16 X 5/8" PFH
2	029155-01-000	EA CAP-SNAP NICKEL
3	029156-01-000	EA SOCKET-SNAP, 9/16" OD
3	029156-02-000	EA SOCKET-SNAP, 27/64" OD
4	106544-01-000	EA PULL-SHADE, BRASS
4	106544-01-001	EA SCREW-SHADE PULL, BRASS
5	084434-01-000	EA BRACKET-MOUNTING, ROLLER SHADE - 1 3/8"
	096843-01-000	EA SPRING-REWIND, ROLLER SHADE
	048394-02-000	YD VELCRO TAPE-HOOK, ADHESIVE BACK - .75" WIDE - BEIGE
	088792-06-000	YD VELCRO TAPE-LOOP, NONADHESIVE BACK - .75" WIDE - BUFF MED
	103242-01-000	EA VELCRO TAPE-HOOK - 7/8" WIDE - BEIGE
	086276-01-000	EA TAPE-DOUBLE SIDED, 1/2"
	094896-02-000	EA GROMMET-CORD, PLEATED BLIND - NYLON - GRAY
	094907-05-000	EA END CAP-BOTTOM, PLEATED BLIND - PLASTIC
	094907-06-000	EA END CAP-TOP, PLEATED BLIND - PLASTIC
	094908-03-000	FT RIDGED PVC
	097564-01-000	EA HANDLE-T, EZ LIFT SHADE
	097565-02-000	EA BRACKET-MOUNTING, EZ LIFT SHADE
	097591-01-000	EA SPRING-EXTENSION, PLEATED BLIND
	097592-01-000	EA SPOOL-CORD, ELEVATED BLIND HOLDUP - CLEAR PLASTIC
	097593-02-000	FT CORD-BLIND, PLEATED - GRAY
	110943-01-000	FT FELTSTRIP - 3/8", W/ADHESIVE

CURTAIN & CUSHION GROUP (CONTINUED)
WINDOW TREATMENT & SHOWER CURTAIN

KEY	PART NUMBER	U/M DESCRIPTION
1	119405-06-HA6	EA BLIND-PLEATED, 61" X 32" DROP (G46/G47)
1	119405-06-G48	EA BLIND-PLEATED, 61" X 32" DROP (G48)
2	113637-16-G46	EA VALANCE - 30", ROSEANNE (G46)
2	113637-16-G47	EA VALANCE - 30", ROSEANNE (G47)
2	105923-25-F47	EA VALANCE - 30", RODEWAY (G48)
2	119405-04-F45	EA BLIND-PLEATED, 29" X 28" DROP (G46/G47)
2	119405-04-G48	EA BLIND-PLEATED, 29" X 28" DROP (G48)
3	113637-23-G46	EA VALANCE - 30", ROSEANNE (G46)
3	113637-23-G47	EA VALANCE - 30", ROSEANNE (G47)
3	105923-44-F47	EA VALANCE - 30", RODEWAY (G48)
3	119405-04-F45	EA BLIND-PLEATED, 29" X 28" DROP (G46/G47)
3	119405-04-G48	EA BLIND-PLEATED, 29" X 28" DROP (G48)
4	077591-12-F45	EA CURTAIN-VELCRO TOP, 26" X 144" (G46/G47/G48)
5	113637-24-G46	EA VALANCE - 27.5" (G46)
5	113637-24-G47	EA VALANCE - 27.5" (G47)
5	105923-42-F47	EA VALANCE - 27.5" (G48)
5	084755-39-E01	EA SHADE-PULL, 26.25" (G46/G47/G48)
	117640-01-G46	EA CURTAIN-SHOWER, RH - SNAP TOP - 70" X 36.75" - VINYL (G46/G48)
	117640-02-G46	EA CURTAIN-SHOWER, LH - SNAP TOP - 70" X 36.75" - VINYL (G46/G48)
	117640-01-G47	EA CURTAIN-SHOWER, RH - SNAP TOP - 70" X 36.75" - VINYL (G47)
	117640-02-G47	EA CURTAIN-SHOWER, LH - SNAP TOP - 70" X 36.75" - VINYL (G47)
	057534-01-000	EA TIEBACK/TIEDOWN-BED/CURTAIN/DOOR, 6" - PLASTIC - CLEAR
	057534-02-000	EA TIEBACK-CLEAR PLASTIC, 3"



CURTAIN & CUSHION GROUP (CONTINUED)



DINETTE CUSHIONS

KEY	PART NUMBER	U/M DESCRIPTION
1	121029-02-G46	EA CUSHION-BACKREST (G46)
1	121029-02-G47	EA CUSHION-BACKREST (G47)
1	114942-04-F47	EA CUSHION-BACKREST (G48)
1	P21029-02-G46	EA COVER-CUSHION, BACKREST (G46)
1	P21029-02-G47	EA COVER-CUSHION, BACKREST (G47)
1	P14942-04-F47	EA COVER-CUSHION, BACKREST (G48)
	113992-03-000	EA FRAME-BACK, DINETTE - FLEXSTEEL XP1630
2	121029-01-G46	EA CUSHION-SEAT (G46)
2	121029-01-G47	EA CUSHION-SEAT (G47)
2	114942-03-F47	EA CUSHION-SEAT (G48)
2	P21029-01-G46	EA COVER-CUSHION, SEAT (G46)
2	P21029-01-G47	EA COVER-CUSHION, SEAT (G47)
2	P14942-03-F47	EA COVER-CUSHION, SEAT (G48)
	113992-02-000	EA FRAME-SEAT, DINETTE - FLEXSTEEL XP1630
	113992-01-000	EA FRAME-BASE, DINETTE - FLOOR MOUNTED - FLEXSTEEL XP1630

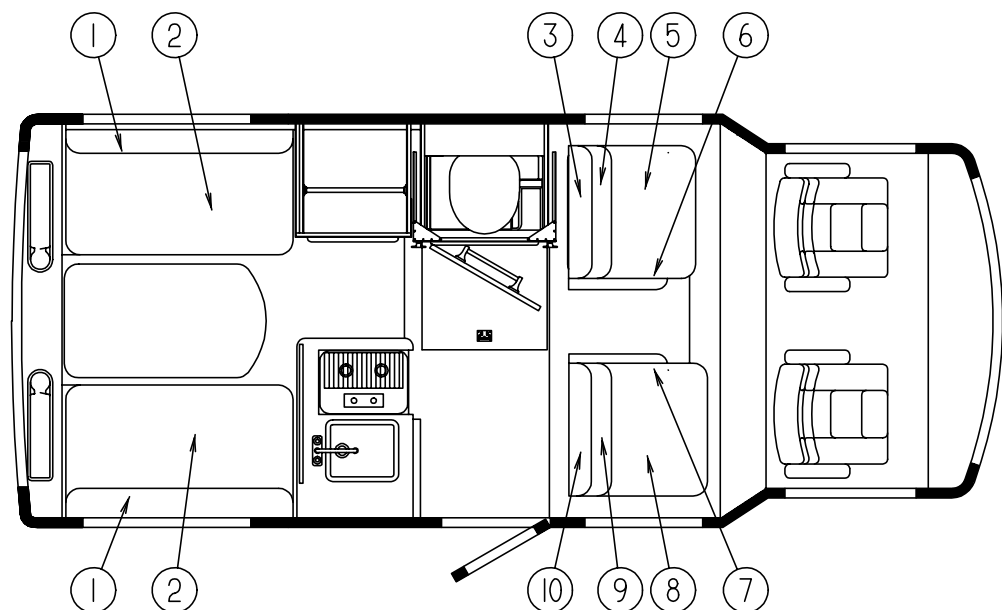
COMPANION SEAT CUSHIONS

KEY	PART NUMBER	U/M DESCRIPTION
3	121021-01-G46	EA HEADREST ASM-COMPANION
3	121021-01-G47	EA HEADREST ASM-COMPANION
3	114941-04-F47	EA HEADREST ASM-COMPANION
3	P21021-01-G46	EA COVER-HEADREST, COMPANION
3	P21021-01-G47	EA COVER-HEADREST, COMPANION
3	P14941-04-F47	EA COVER-HEADREST, COMPANION
	113991-12-000	EA FRAME-HEADREST BRACKET, FLEXSTEEL# XP1631-DR
	113991-10-000	EA FRAME-GROMMET, HEADREST - FLEXSTEEL# XP1631-PA & D
4	121019-02-G46	EA CUSHION ASM-BACKREST W/ARMREST, LH (G46)
4	121019-02-G47	EA CUSHION ASM-BACKREST W/ARMREST, LH (G47)
4	114937-04-F47	EA CUSHION ASM-BACKREST W/ARMREST, LH (G48)
4	P21019-02-G46	EA COVER-BACKREST, LH (G46)
4	P21019-02-G47	EA COVER-BACKREST, LH (G47)
4	P14937-04-F47	EA COVER-BACKREST, LH (G48)
	113991-05-000	EA FRAME-BACKREST, LH - FLEXSTEEL# XP1631-DR
	115987-01-01A	EA PANEL-BACKREST, 530 MM X 190 MM - TAUPE PLASTIC

COMPANION SEAT CUSHIONS (CONTINUED)

KEY	PART NUMBER	U/M DESCRIPTION
5	121020-02-G46	EA CUSHION ASM-SEAT - LH (G46)
5	121020-02-G47	EA CUSHION ASM-SEAT - LH (G47)
5	114938-04-F47	EA CUSHION ASM-SEAT - LH (G48)
5	P21020-02-G46	EA COVER-SEAT, LH (G46)
5	P21020-02-G47	EA COVER-SEAT, LH (G47)
5	P14938-04-F47	EA COVER-SEAT, LH (G48)
	113991-04-000	EA FRAME-SEAT, LH - FLEXSTEEL# XP1631-DR
6	114940-02-F45	EA ARMREST ASM-LH COMPANION BACKREST (G46/G47)
6	114940-02-F47	EA ARMREST ASM-LH COMPANION BACKREST (G48)
6	P14940-02-F45	EA COVER-ARMREST (G46/G47)
6	P14940-02-F47	EA COVER-ARMREST (G48)
	113991-07-000	EA FRAME-ARMREST BRACKET - FLEXSTEEL# XP1631-PA & D
7	114940-01-F45	EA ARMREST ASM-RH COMPANION BACKREST (G46/G47)
7	114940-01-F47	EA ARMREST ASM-RH COMPANION BACKREST (G48)
7	P14940-01-F45	EA COVER-ARMREST (G46/G47)
7	P14940-01-F47	EA COVER-ARMREST (G48)
	113991-07-000	EA FRAME-ARMREST BRACKET - FLEXSTEEL# XP1631-PA & D
8	121020-01-G46	EA CUSHION ASM-SEAT - RH (G46)
8	121020-01-G47	EA CUSHION ASM-SEAT - RH (G47)
8	114938-03-F47	EA CUSHION ASM-SEAT - RH (G48)
8	P21020-01-G46	EA COVER-SEAT, RH (G46)
8	P21020-01-G47	EA COVER-SEAT, RH (G47)
8	P14938-03-F47	EA COVER-SEAT, RH (G48)
	113991-03-000	EA FRAME-SEAT, RH - FLEXSTEEL# XP1631-PA
9	121019-01-G46	EA CUSHION ASM-BACKREST W/ARMREST, RH (G46)
9	121019-01-G47	EA CUSHION ASM-BACKREST W/ARMREST, RH (G47)
9	114937-03-F47	EA CUSHION ASM-BACKREST W/ARMREST, RH (G48)
9	P21019-01-G46	EA COVER-BACKREST, RH (G46)
9	P21019-01-G47	EA COVER-BACKREST, RH (G47)
9	P14937-03-F47	EA COVER-BACKREST, RH (G48)
	113991-11-000	EA FRAME-BACKREST, RH - FLEXSTEEL# XP1631-PA
	115987-01-01A	EA PANEL-BACKREST, 530 MM X 190 MM - TAUPE PLASTIC

CURTAIN & CUSHION GROUP (CONTINUED)



COMPANION SEAT CUSHIONS (CONTINUED)

KEY	PART NUMBER	U/M DESCRIPTION
10	121021-01-G46	EA HEADREST ASM-COMPANION (G46)
10	121021-01-G47	EA HEADREST ASM-COMPANION (G47)
10	114941-04-F47	EA HEADREST ASM-COMPANION (G48)
10	P21021-01-G46	EA COVER-HEADREST, COMPANION (G46)
10	P21021-01-G47	EA COVER-HEADREST, COMPANION (G47)
10	P14941-04-F47	EA COVER-HEADREST, COMPANION (G48)
	113991-12-000	EA FRAME-HEADREST BRACKET, FLEXSTEEL# XP1631-DR
	113991-10-000	EA FRAME-GROMMET, HEADREST - FLEXSTEEL# XP1631-PA & D
	114939-01-G46	EA CUSHION ASM-COMPANION, CENTER - LH (G46)
	114939-01-G47	EA CUSHION ASM-COMPANION, CENTER - LH (G47)
	114939-03-G48	EA CUSHION ASM-COMPANION, CENTER - LH (G48)
	114939-02-G46	EA CUSHION ASM-COMPANION, CENTER - RH (G46)
	114939-02-G47	EA CUSHION ASM-COMPANION, CENTER - RH (G47)
	114939-04-G48	EA CUSHION ASM-COMPANION, CENTER - RH (G48)
	P14939-01-G46	EA COVER-CENTER COMPANION CUSHION - LH OR RH (G46)
	P14939-01-G47	EA COVER-CENTER COMPANION CUSHION - LH OR RH (G47)
	P14939-03-G48	EA COVER-CENTER COMPANION CUSHION - LH (G48)
	P14939-04-G48	EA COVER-CENTER COMPANION CUSHION - RH (G48)
	113991-06-000	EA FRAME-CENTER COMPANION CUSHION - FLEXSTEEL# XP1631-PA & D
	113991-14-000	EA GUIDE-CENTER COMPANION CUSHION SUPPORT
	113991-15-000	EA SUPPORT-CENTER COMPANION CUSHION
	113991-16-000	EA LOCATOR-CENTER COMPANION CUSHION, DRIVER SIDE
	113991-17-000	EA LOCATOR-CENTER COMPANION CUSHION, PASSENGER SIDE
	115327-01-000	EA PANEL-CENTER COMPANION CUSHION, PLYWOOD

SEATBELTS & WELTING

KEY	PART NUMBER	U/M DESCRIPTION
	114099-01-000	EA CABLE ASM-RECEIVER, SEAT BELT - DRIVER OR PASSENGER SEAT
	114258-01-01A	EA BELT ASM - 2" X 90" - DINETTE LAP BELT - BLACK I-90ER-02
	114259-01-01A	EA BELT ASM-COMPANION SEAT - 3 POINT - RH - BLACK I-1063R
	114259-02-01A	EA BELT ASM-COMPANION SEAT - 3 POINT - LH - BLACK I-1063L
	079349-04-G48	YD WELT ASM-NARROW, ACCENT (G48)

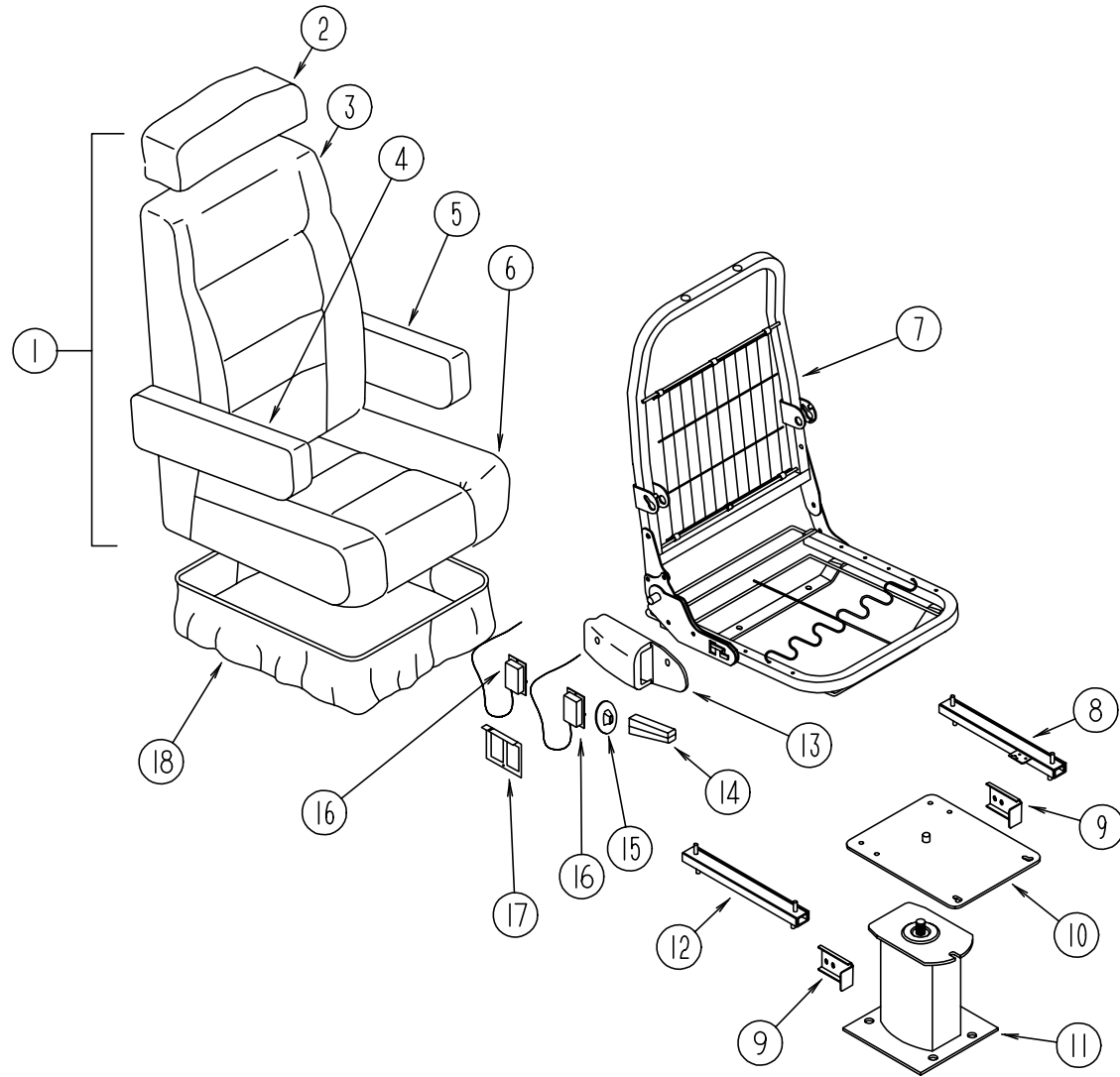
CURTAIN & CUSHION GROUP (CONTINUED)

RIALTA FABRICS

COLOR CODES	G46	G47	G48
	BAHAUS	GRANITE	SAHARA
CEILING VINYL	113979-03-01A 113979-02-01A	113979-03-01A 113979-02-01A	113979-03-01A 113979-02-01A
VINYL	079680-19-000	079680-19-000	079680-22-000
DRAPERY LINING	087272-03-000	087272-03-000	087272-03-000
BUCKET SEATS	108446-K1-000	108446-K2-000	079680-22-000
DINETTE	108446-K1-000	108446-K2-000	108446-A3-000
DINETTE WINDOWS	108446-K1-000	108446-K2-000	108446-A3-000
COMPANION SEATS	108446-K1-000	108446-K2-000	108446-A3-000
COMPANION SEAT WINDOWS	108446-K1-000	108446-K2-000	108446-A3-000
SWIVEL CHAIR	108446-K1-000	108446-K2-000	
SWIVEL CHAIR WINDOWS	108446-K1-000	108446-K2-000	
ENTRY DOOR WINDOW	108446-K1-000	108446-K2-000	108446-A3-000
FITTED SHEET	108446-K1-000	108446-K2-000	
PILLOW SHAMS	108446-K1-000	108446-K2-000	
FRONT WRAP AROUND	072333-85-000	072333-85-000	072333-85-000

NOTE: FABRIC LISTED FIRST, IN A BLOCK, IS THE LARGEST QUANTITY OF FABRIC USED.

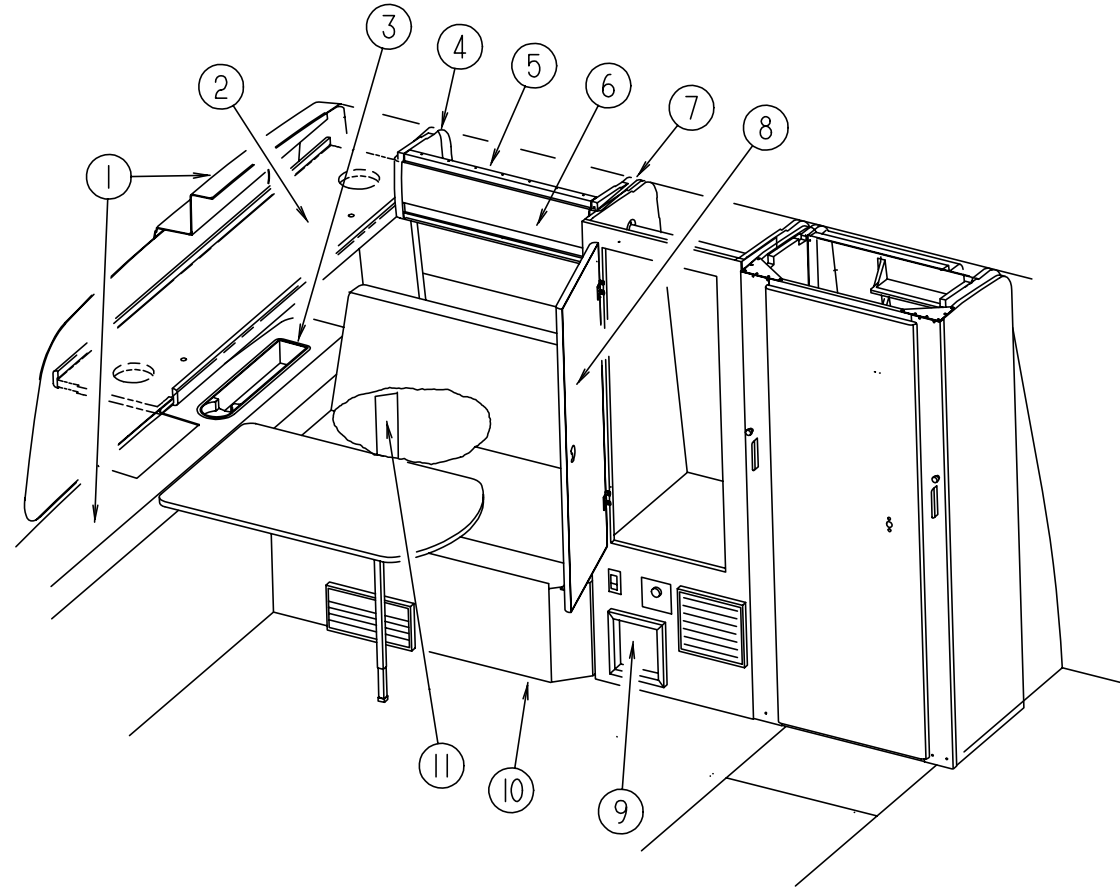
CURTAIN & CUSHION GROUP (CONTINUED)
DRIVER & PASSENGER BUCKET SEATS



KEY	PART NUMBER	U/M DESCRIPTION
1	118807-05-G46	EA SEAT-BUCKET, WARMRESTS & HEADREST - W/O SKIRT
1	118807-05-G47	EA SEAT-BUCKET, WARMRESTS & HEADREST - W/O SKIRT
2	119626-03-G46	EA HEADREST W/COVER-BUCKET SEAT
2	119626-03-G47	EA HEADREST W/COVER-BUCKET SEAT
2	P19626-03-G46	EA COVER-HEADREST, BUCKET SEAT
2	P19626-03-G47	EA COVER-HEADREST, BUCKET SEAT
3	M05962-31-G46	EA COVER-BACKREST, BUCKET SEAT
3	M05962-31-G47	EA COVER-BACKREST, BUCKET SEAT
4	119627-01-G46	EA ARMREST W/COVER-BUCKET SEAT, RH
4	119627-01-G47	EA ARMREST W/COVER-BUCKET SEAT, RH
4	P19627-01-G46	EA COVER-ARMREST, BUCKET SEAT - RH
4	P19627-01-G47	EA COVER-ARMREST, BUCKET SEAT - RH
	115617-01-000	EA BRACKET-ARM, RH - MOLDED - PLYFOAM
5	119627-02-G46	EA ARMREST W/COVER-BUCKET SEAT, LH
5	119627-02-G47	EA ARMREST W/COVER-BUCKET SEAT, LH
5	P19627-02-G46	EA COVER-ARMREST, BUCKET SEAT -LH
5	P19627-02-G47	EA COVER-ARMREST, BUCKET SEAT -LH
	115617-02-000	EA BRACKET-ARM, LH - MOLDED - PLYFOAM
6	M05962-32-G46	EA COVER-SEAT, BUCKET SEAT
6	M05962-32-G47	EA COVER-SEAT, BUCKET SEAT
7	M80906-12-000	EA FRAME-SEAT, BACK & SPRING
8	119952-02-000	EA SLIDE-SEAT, HD - NONLOCKING - 4 STUDS - ATWOOD 83731
9	114889-01-000	EA STOP BAR-UNIVERSAL, SHROCK
10	107921-08-000	EA TOP PLATE-W/O SEAT BELT BAR - FLEXSTEEL 2759PDTP
	107921-06-000	EA BEARING KIT-PEDESTAL, FLEXSTEEL
11	107921-12-000	EA PEDESTAL-SEAT, 6 INCH - PASSENGER - FLEXSTEEL 3108PDLB
11	107921-13-000	EA PEDESTAL-SEAT, 6 INCH - DRIVER - FLEXSTEEL 3107PDLB
12	119952-04-000	EA SLIDE-SEAT, HD - LOCKING - 4 STUDS - ATWOOD 83785
	117125-01-02B	EA BRACKET-CABLE MOUNT, ADJUSTER W/LOCK - STEEL - E-COAT
13	080730-09-000	EA SHIELD-RECLINER HANDLE
14	080730-08-000	EA HANDLE-RECLINER, BLACK
15	080730-11-000	EA BOOT-RUBBER
16	108049-03-000	EA CABLE-REMOTE, 26" W/Z END-SWITCH LEVER
17	097683-02-000	EA BRACKET-REMOTE, SIDE MOUNT - DOUBLE
18	071126-51-F45	EA SKIRT-BUCKET SEAT (G46/G47)

NOTE: BUCKET SEATS FOR COLOR CODE G48 ARE VOLKSWAGEN SUPPLIED.

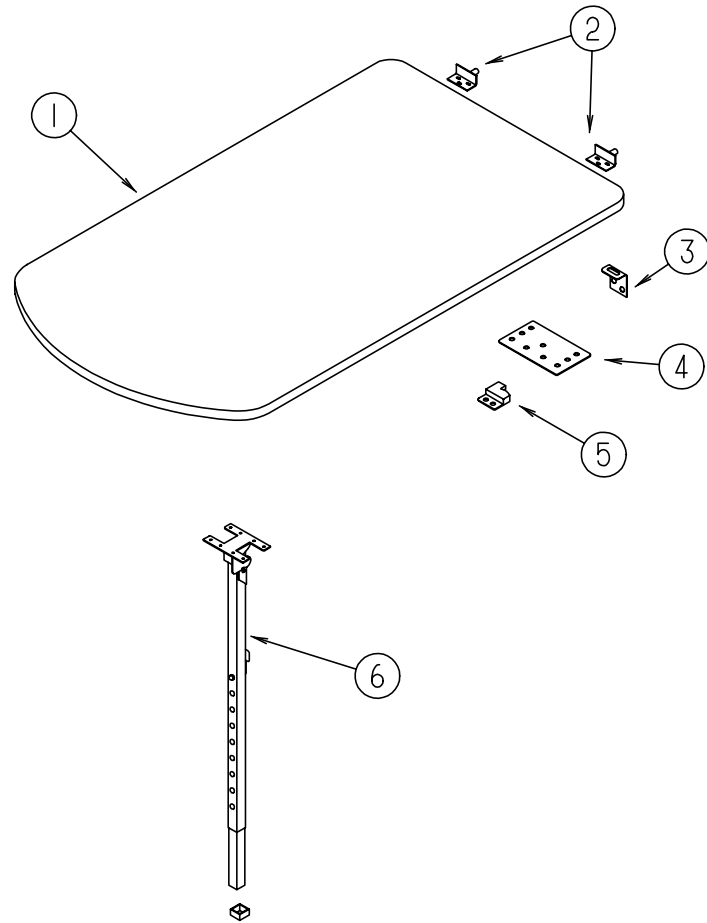
DINETTE GROUP
DINETTE CABINETRY



KEY	PART NUMBER	U/M DESCRIPTION
1	112807-07-G46	EA PANEL ASM-BACKWALL W/VIDEO PLAYER, UPPER - INNER - VW TAUPE PLASTIC
1	112807-03-F45	EA PANEL ASM-BACKWALL W/O VIDEO PLAYER, UPPER - INNER - VW TAUPE PLASTIC
2	113526-01-G46	EA CABINET-BLANKET SHELF, OVERHEAD
2	113526-01-G47	EA CABINET-BLANKET SHELF, OVERHEAD
2	113526-01-G48	EA CABINET-BLANKET SHELF, OVERHEAD
3	112731-01-01A	EA TRAY-BACKWALL, DRIVER OR PASSENGER SIDE - VW WHITE
4	112374-04-01A	EA CAP-END, OVERHEAD CABINET - REAR DRIVER SIDE - VW TAUPE
	112374-01-01A	EA CAP-END, OVERHEAD CABINET - REAR PASSENGER SIDE - VW TAUPE
5	116853-02-F45	EA CABINET-OVERHEAD, W/END CAPS - W/O DOOR - DRIVER SIDE
		FROM: 00-00-00 THRU: 11-28-95
5	116853-04-G46	EA CABINET-OVERHEAD, W/END CAPS - W/O DOOR - DRIVER SIDE
		FROM: 11-29-95 THRU: 99-99-99
	116853-01-F45	EA CABINET-OVERHEAD, W/END CAPS - W/O DOOR - PASSENGER SIDE
6	116832-01-F45	EA DOOR-W/O HARDWARE - DRIVER OR PASSENGER SIDE
7	112374-03-01A	EA CAP-END, OVERHEAD CABINET - FRONT DRIVER SIDE - VW TAUPE
		FROM: 00-00-00 THRU: 11-28-95
7	112374-05-01A	EA CAP-END, OVERHEAD CABINET - REAR DRIVER SIDE - VW TAUPE
		FROM: 11-29-95 THRU: 99-99-99
	112374-02-01A	EA CAP-END, OVERHEAD CABINET - FRONT PASSENGER SIDE - VW TAUPE

KEY	PART NUMBER	U/M DESCRIPTION
8	117437-01-F45	EA DOOR-CABINET, W/O HARDWARE
	009112-01-000	EA FLANGE - 1" ROD, CLOTHES - PLASTIC - OFF WHITE
	041953-03-000	FT CONDUIT-CONVOLUTE SLIT, 1" ID (CLOTHES ROD COVER)
	042438-01-000	EA DOWEL-WOOD, CLOTHES ROD - 1" DIAMETER X 4'
9	119860-15-G46	EA TRIM ASM-REAR AUTO HEATER, WOOD
10	113831-02-G46	EA PANEL ASM-COVER, DINETTE - DRIVER SIDE
10	113831-02-G47	EA PANEL ASM-COVER, DINETTE - DRIVER SIDE
10	113831-02-G48	EA PANEL ASM-COVER, DINETTE - DRIVER SIDE
10	113831-03-F45	EA PANEL ASM-COVER, DINETTE - DRIVER SIDE - JAPAN OPTION (G46/G47)
10	113831-03-F47	EA PANEL ASM-COVER, DINETTE - DRIVER SIDE - JAPAN OPTION (G48)
10	113831-04-F45	EA PANEL ASM-COVER, DINETTE - DRIVER SIDE - EUROPEAN OPTION (G46/G47)
10	113831-04-F47	EA PANEL ASM-COVER, DINETTE - DRIVER SIDE - EUROPEAN OPTION (G48)
	113831-01-F45	EA PANEL ASM-COVER, DINETTE - PASSENGER SIDE (G46/G47)
	113831-01-F47	EA PANEL ASM-COVER, DINETTE - PASSENGER SIDE (G48)
	024283-01-000	EA CLIP-PANEL, 1" - 1.125" OD - BLACK
11	113844-02-F45	EA PANEL ASM-TRIM, 486 MM X 75 MM TAPERED - LOWER - DRIVER SIDE (G46/G47)
11	113844-02-F47	EA PANEL ASM-TRIM, 486 MM X 75 MM TAPERED - LOWER - DRIVER SIDE (G48)
	113844-01-F45	EA PANEL ASM-TRIM, 486 MM X 75 MM TAPERED - LOWER - PASS SIDE (G46/G47)
	113844-01-F47	EA PANEL ASM-TRIM, 486 MM X 75 MM TAPERED - LOWER - PASS SIDE (G48)

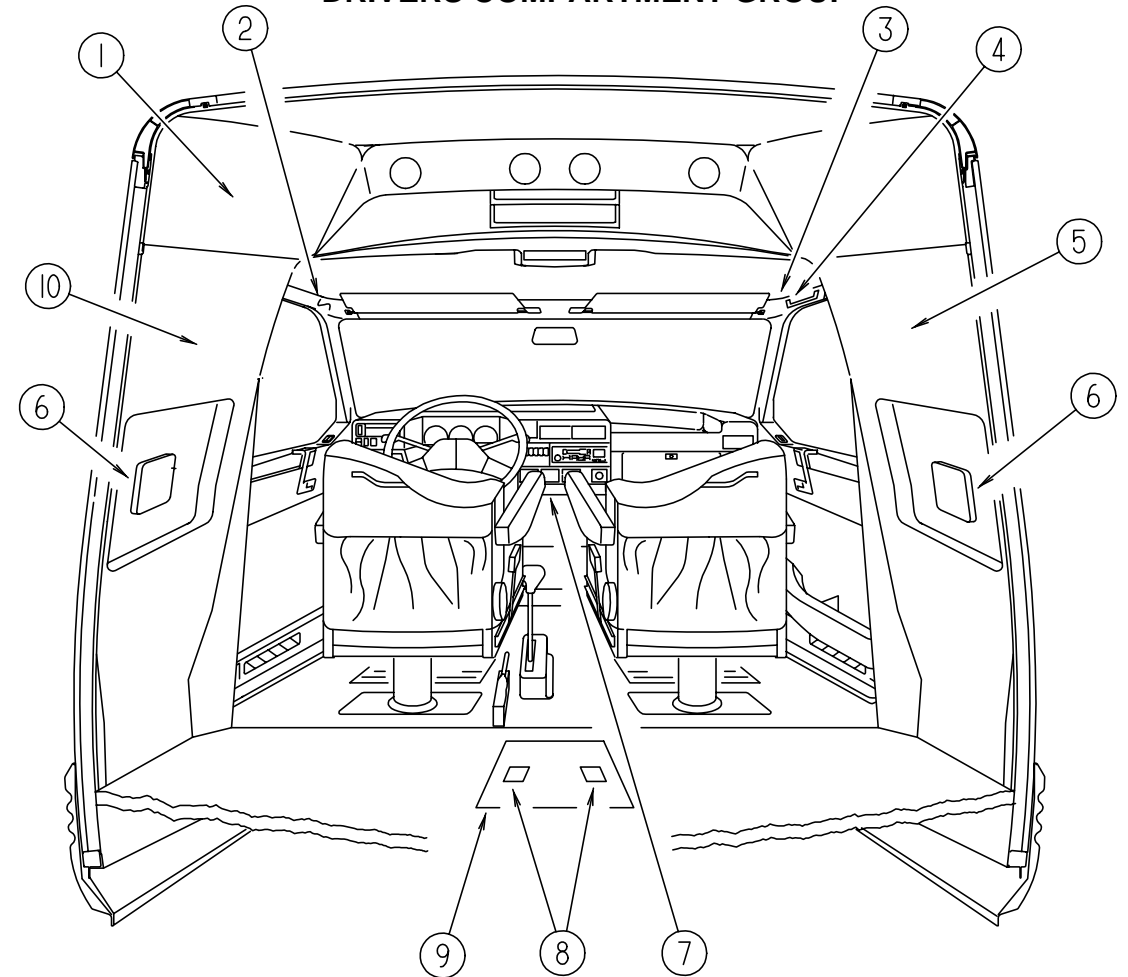
DINETTE GROUP (CONTINUED)



DINETTE TABLE

KEY	PART NUMBER	U/M	DESCRIPTION
1	M06946-01-F45	EA	TABLE-DINETTE W/O HARDWARE
2	115766-02-02B	EA	BRACKET-TABLE, E-COAT
3	115765-01-02B	EA	BRACKET-CATCH, E-COAT
4	120194-01-04B	EA	PLATE-LATCH, BLACK
5	117126-01-01A	EA	LATCH-LINK LOCK, 2 - 5
6	108483-01-000	EA	LEG-TABLE, ADJUSTABLE 597 MM TO 902 MM - LE JOHNSON 88ADJ-SP

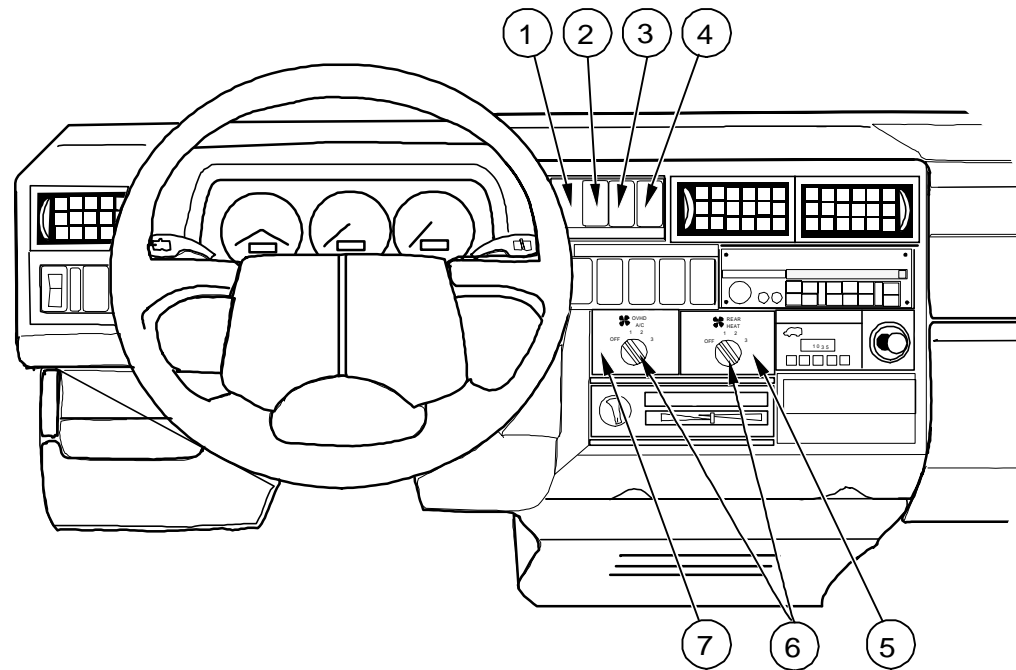
DRIVERS COMPARTMENT GROUP



DRIVERS COMPARTMENT

KEY	PART NUMBER	U/M	DESCRIPTION
1	117256-01-01A	EA	HEADLINER-FRONT, PLASTIC - VW TAUPE
1	117256-02-01A	EA	HEADLINER-FRONT, PLASTIC - VW TAUPE - TV OPTION
	100128-02-000	FT	SEAL-FOAM, ADHESIVE BACK - .37" X .37" - PLASTIC TRANSITION PANELS
	086285-03-000	EA	SPACER-NYLON - PLASTIC HEADLINER
	103242-01-000	EA	VELCRO-VEL, STICK - HOOK - BEIGE - #195368-55/64" - PLASTIC HEADLINER
2	115447-02-01A	EA	A-PILLAR COVER - DRIVER SIDE - TAUPE
3	115447-01-01A	EA	A-PILLAR COVER - PASSENGER SIDE - TAUPE
	115453-01-01A	EA	COVER-SCREW TAUPE
4	115449-01-01A	EA	HANDLE-GRAB, RH - VW 705 857 607 9VW
	115451-01-000	EA	SCREW-HANDLE - VW N904 345 01
5	116454-01-01A	EA	PANEL-TRANSITION, INNER - RH - PLASTIC
	117555-01-G46	EA	PAD-DECORATIVE, TRANSITION PANEL - RH (G46)
	117555-01-G47	EA	PAD-DECORATIVE, TRANSITION PANEL - RH (G47)
	117555-01-F47	EA	PAD-DECORATIVE, TRANSITION PANEL - RH (G48)
6	084902-08-000	EA	HOLDER-MUG, COLLAPSIBLE - BLACK - ELKHART
			FROM: 00-00-00 THRU: 11-26-95
	118718-01-01A	EA	HOLDER-DRINK, COLLAPSIBLE
			FROM: 11-27-95 THRU: 99-99-99
7	118445-01-G46	EA	TRAY ASM-BEVERAGE
	119822-01-01A	EA	HOLDER-CUP, BEVERAGE TRAY - INNOCORP MODEL100
8	097111-02-04A	EA	POCKET-LOCK, BATTERY DOOR, BLACK
8	102330-01-000	EA	LATCH-SINGLE HOLE, VISE ACTION - SOUTHCOE3-55-715-50
	102328-01-000	EA	KEY-BARREL, NICKEL PLATED - SOUTHCOE 3-26-715-19
	064075-07-000	EA	SEAL-BULB, W/WIRED U CHANNEL - .3" X .5" CHANNEL - BLACK
9	P18892-01-F45	EA	LID ASM-BATTERY COMPARTMENT W/CARPET, POCKETS & LATCHES
10	116454-02-01A	EA	PANEL-TRANSITION, INNER - LH - PLASTIC - TAUPE
10	116454-07-01A	EA	PANEL-TRANSITION, INNER - LH - PLASTIC - TAUPE - TV OPTION
	117555-02-G46	EA	PAD-DECORATIVE, TRANSITION PANEL - LH (G46)
	117555-02-G47	EA	PAD-DECORATIVE, TRANSITION PANEL - LH (G47)
	117555-02-F47	EA	PAD-DECORATIVE, TRANSITION PANEL - LH (G48)

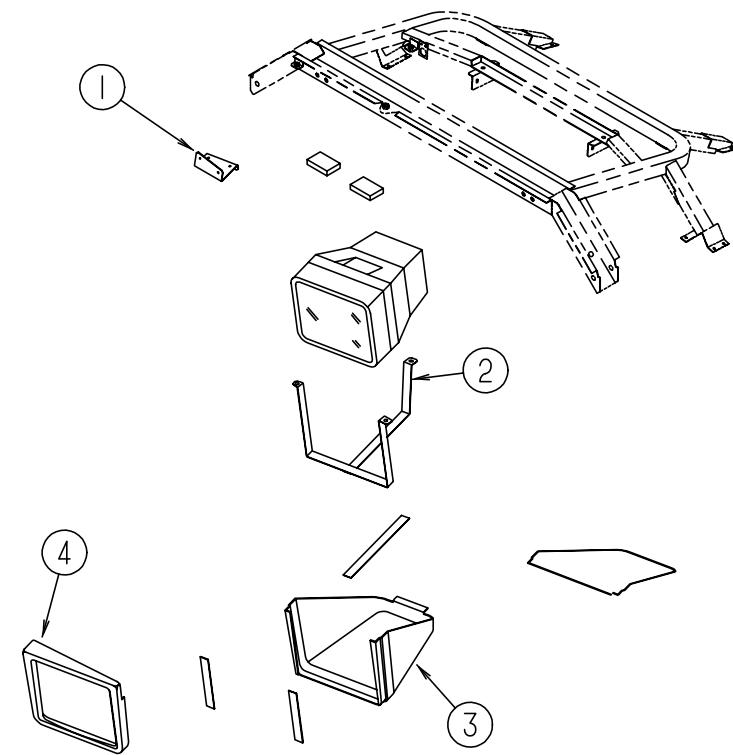
DRIVERS COMPARTMENT GROUP (CONTINUED)



DASH KNOBS, SWITCHES & LABELS

KEY	PART NUMBER	U/M DESCRIPTION
1	114444-01-000	EA APPLIQUE-BEZEL
2	108356-09-01A	EA COVER-SWITCH W/DIMPLES & LENS, CARLING VVAACXX-XGO
2	108357-13-000	EA SWITCH-ROCKER, DPDT MOM/ON/OFF - REAR WIPER/WASHER OPTION CARLING VMD17HNB-0
2	096241-03-000	EA SWITCH-BLANK
3	108356-08-01A	EA COVER-SWITCH W/DIMPLES & LENS, CARLING VVAACXX-XWB
3	108357-12-000	EA SWITCH-ROCKER, DPST OFF/NONE/MOM - REAR DEFOGGER OPTION CARLING VMD17HNB-0
3	096241-03-000	EA SWITCH-BLANK
4	108356-07-01A	EA COVER-SWITCH W/DIMPLES & LENS, CARLING VVAACXX-XWB
4	108357-09-000	EA SWITCH-ROCKER, SPDT ON/NONE/MOM - AUXILIARY START CARLING V5D1000B-0
5	114332-01-000	EA LABEL-FAN SWITCH, REAR HEAT
6	087202-02-000	EA SWITCH - 4 POSITION, W/O KNOB
6	090977-01-000	EA KNOB-SWITCH, ROTARY - ROGAN NK-2-WL
7	114332-02-000	EA LABEL-FAN SWITCH, OVERHEAD A/C
	108067-03-000	EA STUD-WELD, 1/4-20 X 1/2 CD
	117038-01-000	EA SPEEDOMETER-ELECTRIC, METRIC - VW - CANADIAN
	100138-01-000	EA MODULE-DAYTIME RUNNING LIGHT - CANADIAN

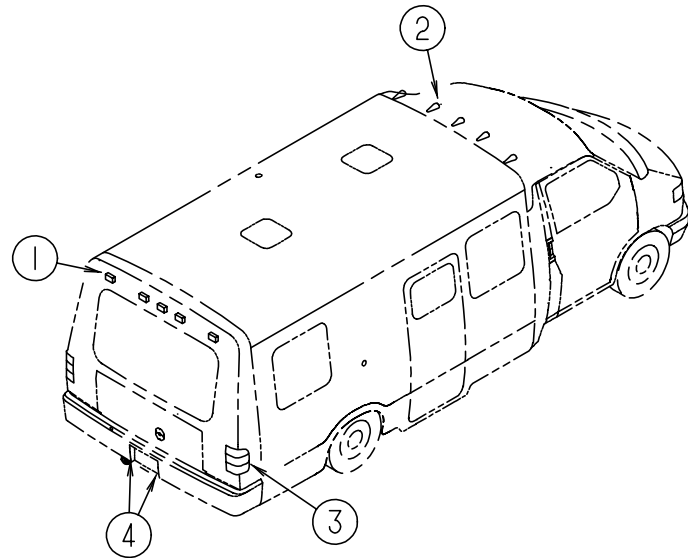
DRIVERS COMPARTMENT GROUP (CONTINUED)



TV COVERS & BRACKETS

KEY	PART NUMBER	U/M DESCRIPTION
1	114325-01-02B	EA BRACKET-TV MOUNT, E-COATED
2	114705-01-02B	EA STRAP-TV MOUNT, E-COATED
3	114315-01-01A	EA COVER-TV, OVERHEAD - VW TAUPE
4	114314-01-01A	EA COVER-TV, OVERHEAD - VW TAUPE

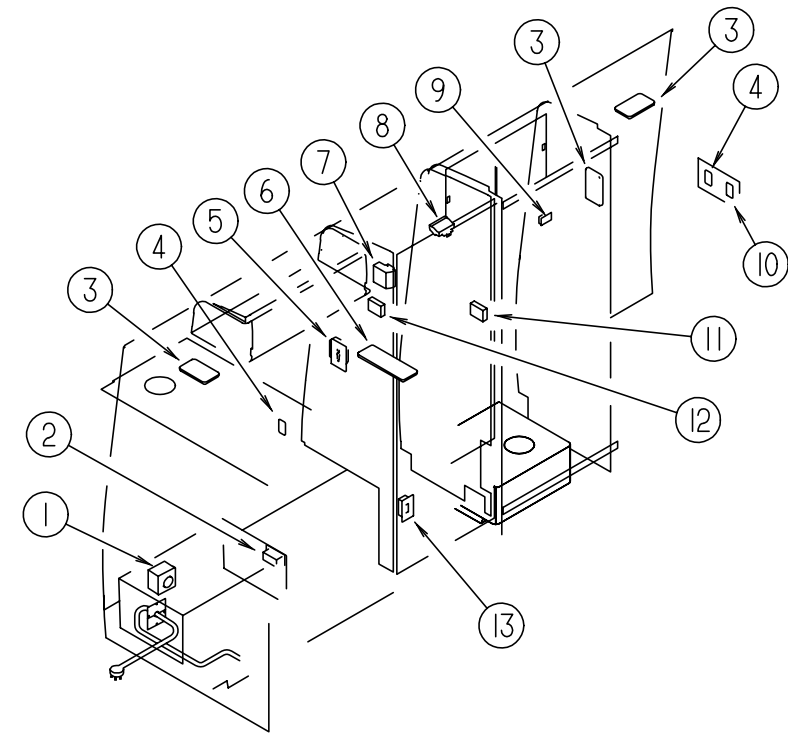
ELECTRICAL GROUP



EXTERIOR LIGHTS

KEY	PART NUMBER	U/M DESCRIPTION
1	102520-02-000	EA LIGHT-CLEARANCE, W/O SOCKET CONNECTIONS - RED
	036196-01-000	EA BULB - 12V, #194 - .27AMP - BAYONETTE
	067789-02-000	EA SOCKET-LAMP
	102582-01-000	EA BRACKET-LIGHT, CLEARANCE - L-SHAPED METAL - 2.2" X 4.7"
	102540-01-000	EA SEAL-SCREW, ROUND - RUBBER
	102541-01-000	EA GASKET-CLEARANCE LIGHT
2	113709-01-000	EA LIGHT-CLEARANCE, AMBER - KD 500-0-1-888
3	112126-01-000	EA TAILLIGHT-REAR, PASSENGER SIDE - FORD F37Z-13404-A
	112126-02-000	EA TAILLIGHT-REAR, DRIVER SIDE - FORD F37Z-13405-A
	112707-01-000	EA BULB - 12 V - #3156 - 2.10 AMP - SYLVANIA 3156
	112708-01-000	EA BULB - 12 V - #3157 - 0.59/2.10 AMP - SYLVANIA 3157
	112709-01-000	EA SOCKET-LAMP, S8 WEDGE SF - ZANXX ZX-88372
	112709-02-000	EA SOCKET-LAMP, S8 WEDGE SF - ZANXX ZX-90445
	112709-03-000	EA SOCKET-LAMP, S8 WEDGE DF - ZANXX ZX-88371
	106646-02-000	EA REFLECTOR-STICK ON, RED - JAPAN
3	120742-01-000	EA TAILLIGHT-REAR, DRIVER OR PASS SIDE - HELLA 2SK004460-037 - JAPAN
4	087201-01-000	EA LIGHT-HALF ROUND, 1" X 1.7" - PLASTIC - BLACK

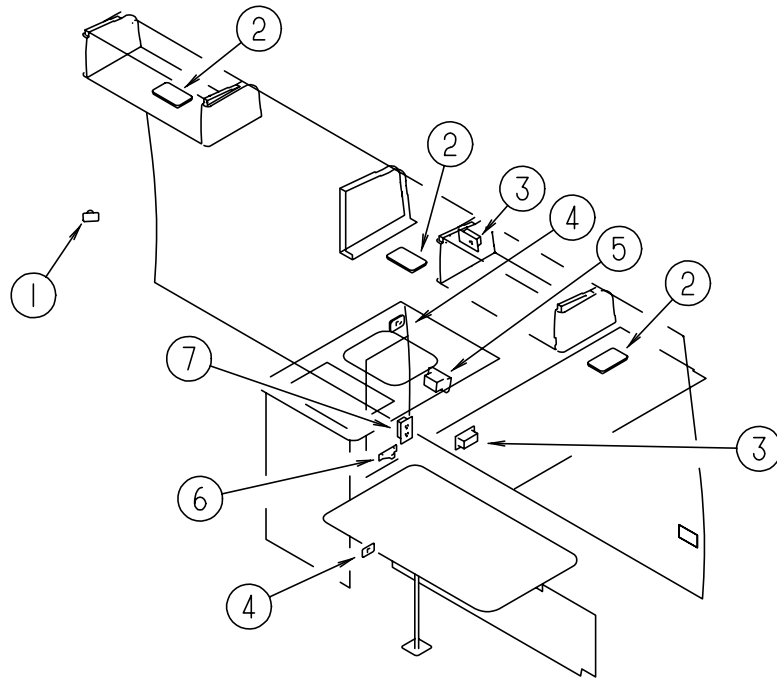
ELECTRICAL GROUP (CONTINUED)



LIGHTS, RECEPTACLES & SWITCHES - DRIVER SIDE

KEY	PART NUMBER	U/M DESCRIPTION	VENDOR NO.
1	024924-02-000	EA RECEPTACLE-POWER CORD, W/PARTIAL PLATE	
2	058707-01-000	EA RECEPTACLE-ELECTRIC, SINGLE - BROWN	
3	098024-01-01A	EA LIGHT-DOME, 1 BULB - IVORY	
3	098024-01-700	EA LENS-DOME LIGHT	
3	008218-01-000	EA BULB-DOME LIGHT, 12V - #1141	
4	111414-01-000	EA RECEPTACLE - 12V W/O BIMETAL, INTERTEK	
5	084076-01-000	EA RECEPTACLE-GFI, 15A - 125V - IVORY	
5	084076-02-000	EA RECEPTACLE-GFI, 15A - 125V - BROWN	
6	098024-03-01A	EA LIGHT-DOME, 2 BULB - IVORY	
6	098024-01-700	EA LENS-DOME LIGHT	
6	008218-01-000	EA BULB-DOME LIGHT, 12V - #1141	
7	091927-01-000	EA COVER-RECEPTACLE, DOUBLE - IVORY	
8	087694-01-000	EA LIGHT-WARDROBE/CLOSET, W/SWITCH	
8	087694-01-700	EA BULB-WARDROBE/CLOSET LIGHT, GE	561
9	108356-10-01A	EA COVER-SWITCH W/DIMPLES & LENS, CARLING VVAJCSXX-X - SUMP PUMP	
9	108357-14-000	EA SWITCH-ROCKER, SPST - ON/OFF - CARLING VIDIA60C-0 - SUMP PUMP	
10	079364-01-000	EA SWITCH-ON/OFF, ROCKER, 2 PRONGS - BROWN	
10	079364-04-000	EA SWITCH-ON/OFF, ROCKER - BLACK	
11	108356-02-01A	EA SWITCH COVER W/ 2 DIMPLES - CARLING CCAZC00	
11	108357-05-000	EA ROCKER SWITCH, SPDT ON/NONE/ON - CARLING V4D1000B-0	
12	081087-01-000	EA LIGHT-INDICATOR, THERMOSTAT - LVS 1436 - JAPAN OPTION	
13	084420-01-000	EA SWITCH-TOGGLE, 15A - 120V - BROWN - T&B WDS151	
	108355-01-000	EA HOUSING-SWITCH - CARLING VCH	
	097734-01-02A	EA EXTENSION-RECEPTACLE, 3.2" X 5" X .7" - PLASTIC - BROWN	
	115450-01-01A	EA LIGHT-CAB, DELUXE - VW 357 947 105B 5YX	

ELECTRICAL GROUP (CONTINUED)



LIGHTS, RECEPTACLES & SWITCHES - PASSENGER SIDE

KEY	PART NUMBER	U/M DESCRIPTION
1	111414-01-000	EA RECEPTACLE - 12V W/O BIMETAL, INTERTEK
2	098024-01-01A	EA LIGHT-DOME, 1 BULB - IVORY
2	098024-01-700	EA LENS-DOME LIGHT
2	008218-01-000	EA BULB-DOME LIGHT, 12V - #1141
3	058707-01-000	EA RECEPTACLE-ELECTRIC, SINGLE - BROWN
3	112590-01-000	EA RECEPTACLE - 16A, 240V - 2 POLE W/GROUND - EUROPEAN OPTION
4	079364-01-000	EA SWITCH-ON/OFF, ROCKER, 2 PRONGS - BROWN
4	079364-04-000	EA SWITCH-ON/OFF, ROCKER - BLACK
4	098351-01-01A	EA PLATE-SWITCH, 1 GANG - POLISHED BRASS - JENSEN
5	112822-01-01A	EA RECEPTACLE-DUPLEX, EXTERIOR - IVORY - WIRECON WDRU15IV
5	112824-01-03A	EA COVER-EXTERIOR DUPLEX RECEPTACLE, WHITE - P&S 3780-SC-WH
6	061424-01-000	EA LIGHT-DASH/AISLE, 12V - RECTANGULAR
6	008103-01-000	EA BULB-DASH/AISLE LIGHT, #53 - 12 V - .12 AMP
7	058708-01-000	EA RECEPTACLE-ELECTRIC, DOUBLE - BROWN
7	058708-02-000	EA RECEPTACLE-ELECTRIC, DOUBLE - IVORY
	097734-01-02A	EA EXTENSION-RECEPTACLE, 3.2" X 5" X .7" - PLASTIC - BROWN
	108355-01-000	EA HOUSING-SWITCH - CARLING VCH
	115450-01-01A	EA LIGHT-CAB, DELUXE - VW 357 947 105B 5YX

ELECTRICAL GROUP (CONTINUED) ELECTRICAL CONNECTORS

KEY	PART NUMBER	U/M DESCRIPTION
	007940-01-000	EA RECEPTACLE-SLIDE, 16 TO 12 AWG - FEMALE END
	080015-02-000	EA RECEPTACLE-FLAG, .185 - 16/14 GA - AMP 3
	008314-01-000	EA CONNECTOR-WIRE NUT, INSULATED - GRAY
	008355-01-000	EA CONNECTOR-CABLE CLAMPING, 3/4"
	008356-01-000	EA CONNECTOR-PLASTIC, 3/8" AVG
	112721-01-000	EA CONNECTOR - 3 PIN W/12" LEADS COLE-HERSEE 11173-0
	041480-01-000	EA CONNECTOR-STRAIGHT, 1/2" FLEX CONDUIT
	058028-01-000	EA CONNECTOR-ELECTRICAL PIGTAIL, NYLON - CLEAR
	007942-01-000	EA TAB-WIRE, 18 TO 14 AWG
	008326-01-000	EA TERMINAL-RING, 16/14 WIRE - 3/8" STUD
	008328-01-000	EA TERMINAL-RING, 12/10 WIRE - #10 STUD FIT
	008331-01-000	EA TERMINAL-RING, TONGUE - #4 WIRE - 3/8" STUD - COPPER
	008348-01-000	EA TERMINAL-RING, 3/8" STUD - #2 WIRE
		CONNECTS CABLE TO DISCONNECT RELAY AND BATTERY
	035416-04-000	EA TERMINAL-RING #10 STUD FIT, INSULATED BARREL #16/14
	047443-01-000	EA TERMINAL - .250 RECEPTACLE FIT, INSULATED - 16/14 AWG
	047443-02-000	EA TERMINAL - .250 RECEPTACLE FIT, INSULATED - 12/10 AWG
	088267-01-000	EA TERMINAL-FEMALE, 1/4
	102777-02-000	EA TERMINAL-RING, #6 STUD - 10 AWG
	106655-01-000	EA TERMINAL-FUSE BLOCK, 14-16AWG - PACKARD 12020321
	106655-02-000	EA TERMINAL-FUSE BLOCK, 10-12AWG - PACKARD 12020400
	113074-01-000	EA TERMINAL-TAILLAMP - AUGAT 101395
	098262-01-000	EA SEAL-CONNECTOR, WEATHER PACK PACKARD 12010293
	063910-01-000	EA HOUSING-RELAY, BOSCH 3-334-485-008
	088473-03-000	EA HOUSING-PIN, 9 CAVITY - AMP 1-480706-0
	088473-06-000	EA HOUSING-PIN, 6 CAVITY - AMP 1-480704-0
	088473-08-000	EA HOUSING-PIN, 4 CAVITY - AMP 1-480702-0
	088473-09-000	EA HOUSING-PIN, 3 CAVITY - AMP 1-480700-0
	088473-10-000	EA HOUSING-PIN, 2 CAVITY - AMP 1-480698-0
	088474-01-000	EA HOUSING-SOCKET, 12 CAVITY - AMP 1-480709-0
	088474-02-000	EA HOUSING-SOCKET, 12 CAVITY - AMP 1-480711-0
	088474-03-000	EA HOUSING-SOCKET, 9 CAVITY - AMP 1-480707-0
	088474-06-000	EA HOUSING-SOCKET, 6 CAVITY - AMP 1-480705-0
	088474-08-000	EA HOUSING-SOCKET, 4 CAVITY - AMP 1-480703-0
	088474-09-000	EA HOUSING-SOCKET, 3 CAVITY - AMP 1-480701-0
	088474-10-000	EA HOUSING-SOCKET, 2 CAVITY - AMP 1-480699-0
	098264-01-000	EA HOUSING - 2 PIN, WEATHER PACK M - PACKARD 12015792
	098264-02-000	EA HOUSING - 2 PIN, WEATHER PACK F - PACKARD-12010973
	113072-01-000	EA HOUSING-TAILLAMP, TURN - ZANXX ZX-88389
	113072-02-000	EA HOUSING-TAILLAMP, BACKUP - ZANXX ZX-90441
	113072-03-000	EA HOUSING-TAILLAMP, STOP/MARKER - ZANXX ZX-88390
	113073-01-000	EA WEDGELOCK-HOUSING, TAILLAMP - ZANXX ZX-88389-3
	113073-02-000	EA WEDGELOCK-HOUSING, TAILLAMP - ZANXX ZX-90424
	110178-01-000	EA HOUSING-WIPER MOTOR - UT6237440-EC25WJ
	113468-01-000	EA HOUSING - 2 POSITION, FEMALE - 56-SERIES - PACKARD 02965981
		USED ON WIPER/WASHER WIRE ASM
	119222-01-000	EA HOUSING - 3 POSITION, FEMALE - 56-SERIES - PACKARD 02973386
	088475-01-000	EA PIN-CONNECTOR, 14 TO 20 AWG
	088475-02-000	EA PIN-CONNECTOR, 10 TO 12 AWG
	098265-02-000	EA PIN-CONNECTOR, WEATHER PACK - PACKARD 12089305
	088476-01-000	EA SOCKET-CONNECTOR, BRASS - PRE-TIN
	088476-02-000	EA SOCKET-CONNECTOR, 12-10 GA - PHOS. BRZ - PRE-TIN
	098261-02-000	EA SOCKET-CONNECTOR, WEATHERPACK - PACKARD 12124580

ELECTRICAL GROUP (CONTINUED)
BOXES, CONDUIT & COVERS

KEY	PART NUMBER	U/M DESCRIPTION
	008289-01-000	EA BOX-ELECTRIC, STEEL - 1/2" AND 3/4" KNOCKOUTS - 4" X 4"
	091910-01-000	EA BOX-ELECTRICAL, 3.75" X 3.5" X 1.75" - PLASTIC
	091910-02-000	EA BOX-ELECTRICAL, PLASTIC - 57 X 88MM
	093257-02-000	EA BOX-ELECTRIC, CIRCUIT BREAKER - B&W RV80-9
	041953-01-000	FT CONDUIT-CONVOLUTE SLIT, .5" ID - POLYETHYLENE - BLACK
	041953-03-000	FT CONDUIT-CONVOLUTE SLIT, 1" ID - POLYETHYLENE - BLACK
	041953-04-000	FT CONDUIT-CONVOLUTE SLIT, .50" ID - POLYETHYLENE - GRAY
	041953-06-000	FT CONDUIT-CONVOLUTE SLIT, .375" ID - POLYETHYLENE - BLACK
	041953-07-000	FT CONDUIT-CONVOLUTE SLIT, .25" ID - POLYETHYLENE - BLACK
	041953-08-000	FT CONDUIT-CONVOLUTE SLIT, 1.50" ID - POLYETHYLENE - BLACK
	041953-09-000	FT CONDUIT-CONVOLUTE SLIT, .50" ID - NYLON - BLACK W/GRAY STRIPE
	008294-01-000	EA COVER-ELECTRICAL BOX, BLANK/STEEL - 4" X 4" - GRAY
	069238-01-000	EA COVER-ELECTRICAL BOX, W/HOLE - 4" X 4" - GRAY USED WITH 30 AMP RECEPTACLE

SOLENOID, RELAYS, POWER CONVERTER, POWER CORDS & CABLE

KEY	PART NUMBER	U/M DESCRIPTION
	008188-01-000	EA SOLENOID - 3 POST, BATTERY CHANGE OVER
	063912-02-000	EA RELAY-CANISTER, SPDT - BOSCH 0332204101
	114965-01-000	EA RELAY - 12V, 2A - DELAY OFF 10MIN - AMPERITE 12DP10MHLG
	109171-01-000	EA CONVERTER - 40 AMP, ELECTRONIC - MAGNETEK 7240X
	083208-05-000	EA CONTROL CENTER-45 AMP 100V/12V - BW J6345CNI
	008052-01-000	EA CORD-POWER, 10/3 - 30 AMP - 25' - CANADIAN
	008054-02-000	EA CORD-POWER, 10-3 - 30 AMP - 33'

WIRE ASSEMBLIES

KEY	PART NUMBER	U/M DESCRIPTION
	096449-01-000	EA WIRE ASSEMBLY-WATER TANK TO MONITOR PANEL
	097618-01-000	EA WIRE ASM-MONITOR PANEL, W/3 WIRES & ORANGE RESISTOR - LVS ORANGE RESISTOR W/3 (ORANGE-GREEN-BLUE) WIRES

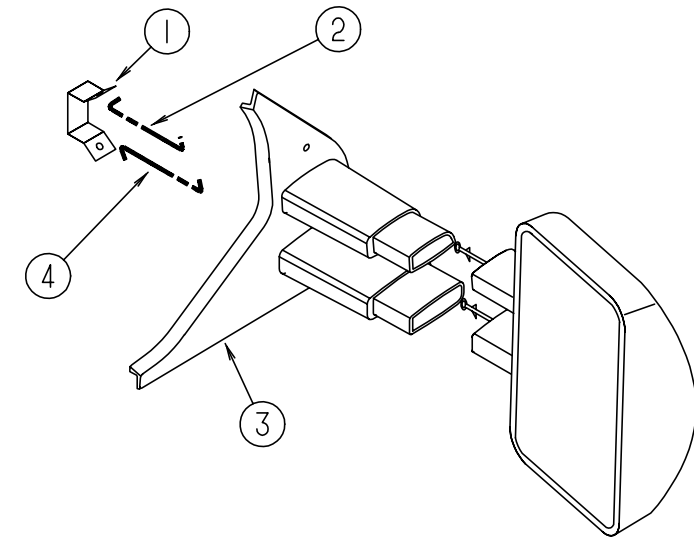
CIRCUIT BREAKERS & FUSES

KEY	PART NUMBER	U/M DESCRIPTION
	062901-02-000	EA FUSE - 5 AMPS, AUTOMOTIVE
	062901-05-000	EA FUSE - 15 AMPS, AUTOMOTIVE
	062901-06-000	EA FUSE - 20 AMPS, AUTOMOTIVE
	062901-07-000	EA FUSE - 25 AMPS, AUTOMOTIVE
	106656-01-000	EA FUSE BLOCK - 4 CAVITY AUTOFUSE - PACKARD 12004943
	108669-01-000	EA HOUSING-AUTO FUSE HOLDER - PACKARD 12010105
	083209-01-000	EA CIRCUIT BREAKER - 15 AMP, 120V - BW G-15
	083209-02-000	EA CIRCUIT BREAKER - 15/15 AMP, 120 V - BW H-15/15
	083209-03-000	EA CIRCUIT BREAKER - 15/20 AMP, 120 V - BW 0-15/20
	083209-05-000	EA CIRCUIT BREAKER - 20 AMP, 120V - BW G-15
	083209-06-000	EA CIRCUIT BREAKER - 30/15 AMP, 120 V - BW D-30/15
	083209-07-000	EA CIRCUIT BREAKER - 20/20 AMP, 120 V - BW K-20/20
	097611-01-000	EA CIRCUIT BREAKER - 10 AMP, 12 V - VB3-A10-F57
	108567-01-000	EA CIRCUIT BREAKER - 40 AMP, 12 V - FASCO 17414063

ELECTRICAL MISCELANEOUS

KEY	PART NUMBER	U/M DESCRIPTION
	112594-01-000	FT INLET - 16A, 240V - 2 POLE W/GROUND - EUROPEAN OPTION
	007956-05-000	EA INSULATOR-SHRINK, .25 ID X 1.50 - BLACK
	087225-01-000	FT SLEEVING - 1/2", TYPE H - VARFLEX

EXTERIOR BODY GROUP



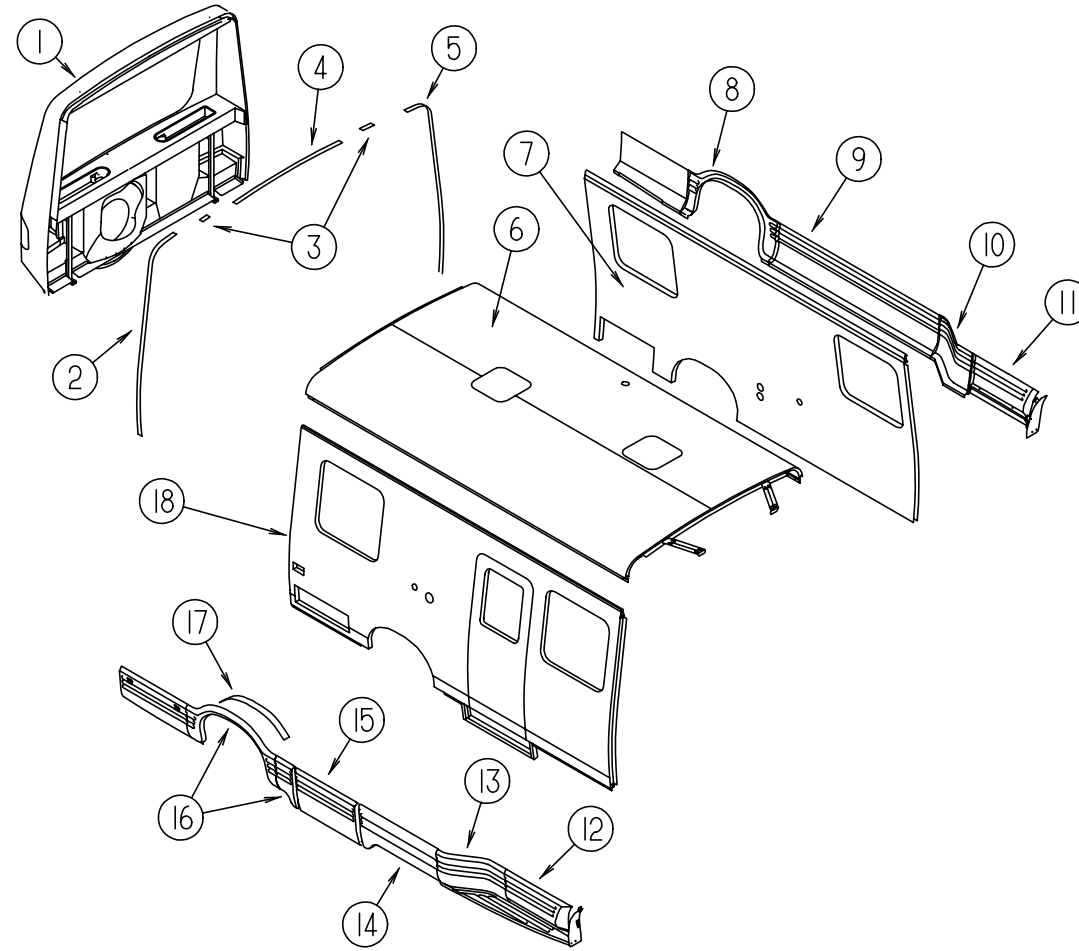
MIRROR BRACKETS FOR VW EXTERIOR MIRRORS

KEY	PART NUMBER	U/M DESCRIPTION
	1	115334-01-02B EA BRACKET-MIRROR, E-COAT
	2	115752-02-01A EA MIRROR ROD - 3.3" LONG
	3	114494-01-02A EA BRACKET-MIRROR, RH - BLACK - LESUER INCORPORATED
		114494-02-02A EA BRACKET-MIRROR, LH - BLACK - LESUER INCORPORATED
	4	115752-01-01A EA MIRROR ROD - 3.9"

ALUMINUM & STYROFOAM

KEY	PART NUMBER	U/M DESCRIPTION
	112695-01-700	EA SHEET-ALUMINUM, (ROOF) - .024" X 42.25" X 135.8" - VW WHITE
	112696-01-700	EA SHEET-ALUMINUM, (SIDEWALL) - .032" X 58" X 136.2" - VW WHITE
	044487-01-001	EA ALUMINUM SHEET - .019" X 96" X 360" - MILL FINISH
	058804-01-000	EA ALUMINUM SHEET - .032" X 36" X 64" - 1/4 HEX - PERFORATED .79 OPEN
	000870-08-000	SF STYROFOAM - 3/4" X 48" X 96" - PLANED
	100619-01-000	BF FOAM-EXPANDED POLYSTYRENE, 1.34" X 48" X 96"
	100619-04-000	BF FOAM-EXPANDED POLYSTYRENE, .5" X 48" X 96"
	100619-06-000	EA FOAM-EXPANDED POLYSTYRENE, .875" X 20.35" X 63.35"
	100619-07-000	EA FOAM-EXPANDED POLYSTYRENE, .630" X 48" X 96"
	100619-10-000	BF FOAM-EXPANDED POLYSTYRENE, 1.5" X 48" X 96"

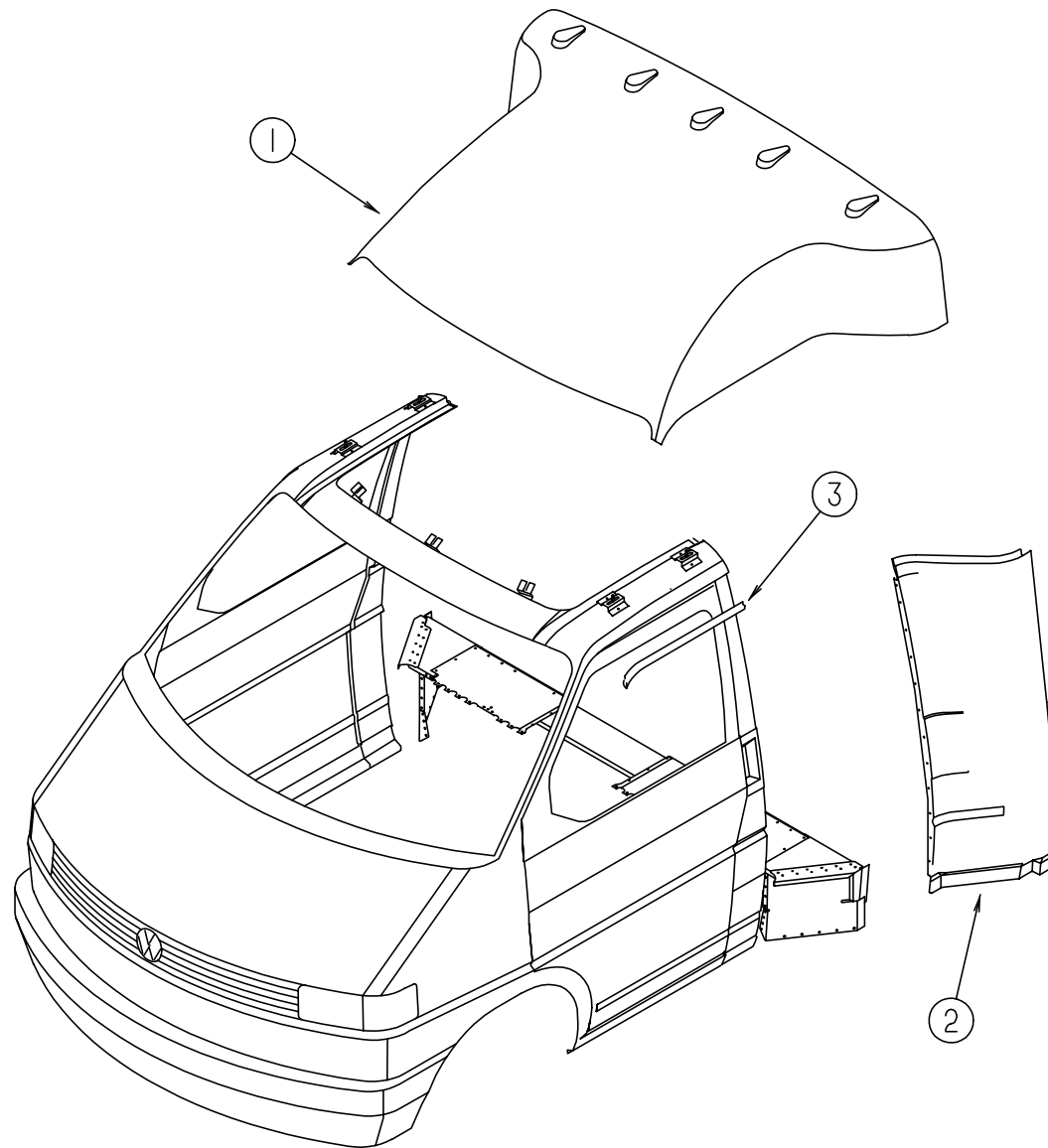
EXTERIOR BODY GROUP (CONTINUED)
EXTERIOR BODY PANELS & TRIM



KEY	PART NUMBER	U/M DESCRIPTION
1	P16924-01-700	EA CAP ASM - REAR W/DOORS, VW WHITE - US & CANADA
1	P16924-02-700	EA CAP ASM - REAR W/DOORS, VW WHITE - EUROPE & JAPAN
	112049-01-01A	EA CAP-REAR, LOWER - VW WHITE - US ONLY
	116915-03-02B	EA SUPPORT-BACKWALL, 81.8" LONG - METAL
2	112544-01-01A	EA TRIM-SIDEWALL TO REAR CAP, RH - VW WHITE
3	086754-10-000	EA CAP-TRIM, VW WHITE
4	112548-01-01A	EA TRIM-ROOF TO REAR CAP, VW WHITE
5	112544-02-01A	EA TRIM-SIDEWALL TO REAR CAP, LH - VW WHITE
6	P11343-01-F45	EA ROOF ASSEMBLY-W/O VENTS
7	P11341-01-F45	EA SIDEWALL-DRIVER SIDE, W/O DOORS OR WINDOWS
7	P11341-02-F45	EA SIDEWALL-DRIVER SIDE, W/O DOORS OR WINDOWS - EUROPEAN
7	M07489-03-G46	EA SIDEWALL-DRIVER SIDE, W/O DOORS OR WINDOWS - JAPAN
8	112024-03-F45	EA PANEL-VALANCE, WHEEL LIP - DRIVER SIDE - PLASTIC - VW WHITE
9	112022-02-F45	EA PANEL-VALANCE, FRONT - DRIVER SIDE - PLASTIC - VW WHITE
9	120613-02-G46	EA PANEL-VALANCE, FRONT - DRIVER SIDE - PLASTIC - VW WHITE - JAPAN
10	112020-03-F45	EA PANEL-VALANCE, TRANSITION - DRIVER SIDE - PLASTIC - VW WHITE
11	112019-03-F45	EA PANEL-VALANCE, CAB DOOR - DRIVER SIDE - PLASTIC - VW WHITE

KEY	PART NUMBER	U/M DESCRIPTION
	117046-01-000	EA BUMPER-RUBBER, ROUND END
12	112019-04-F45	EA PANEL-VALANCE, CAB DOOR - PASSENGER SIDE - PLASTIC - VW WHITE
13	112020-04-F45	EA PANEL-VALANCE, TRANSITION - PASSENGER SIDE - PLASTIC - VW WHITE
14	112021-02-F45	EA PANEL-VALANCE, FRONT - PASSENGER SIDE - PLASTIC - VW WHITE
15	112026-02-F45	EA PANEL-VALANCE, ENTRY DOOR - PLASTIC - VW WHITE
16	M08029-01-F45	EA PANEL-VALANCE, WHEEL LIP/CENTER - PASSENGER SIDE - PLASTIC - VW WHITE
17	113012-01-01A	EA TRIM-WHEELWELL, REAR - MILL FINISH - DRIVER OR PASSENGER SIDE
18	P11342-01-F45	EA SIDEWALL-PASSENGER SIDE, W/O DOORS OR WINDOWS
18	M07489-01-F45	EA SIDEWALL-PASSENGER SIDE, W/O DOORS OR WINDOWS - EUROPEAN
18	P11342-02-F45	EA SIDEWALL-PASSENGER SIDE, W/O DOORS OR WINDOWS - JAPAN
	055278-51-259	EA TUBING-STEEL, .75" X 1.5" X 12.5'
	002754-01-001	EA ANGLE-EXTRUDED, .75" X .75" X 18' - MILL ALUMINUM
	099418-01-000	FT SEAL-D, W/SIDE AHESIVE - .4" X .10" - SPONGE RUBBER - BLACK
	073050-04-000	EA CLIP-MOUNTING, VALANCE PANELS
	068938-03-000	EA BEARING-SNAP IN, .38" ID - TYPE 7 - NYLINER 6L1-FF
		FROM: 12-04-95 THRU: 99-99-99
	081914-01-000	FT BUMPER-RUBBER, ROUND - .43" DIAMETER - BLACK

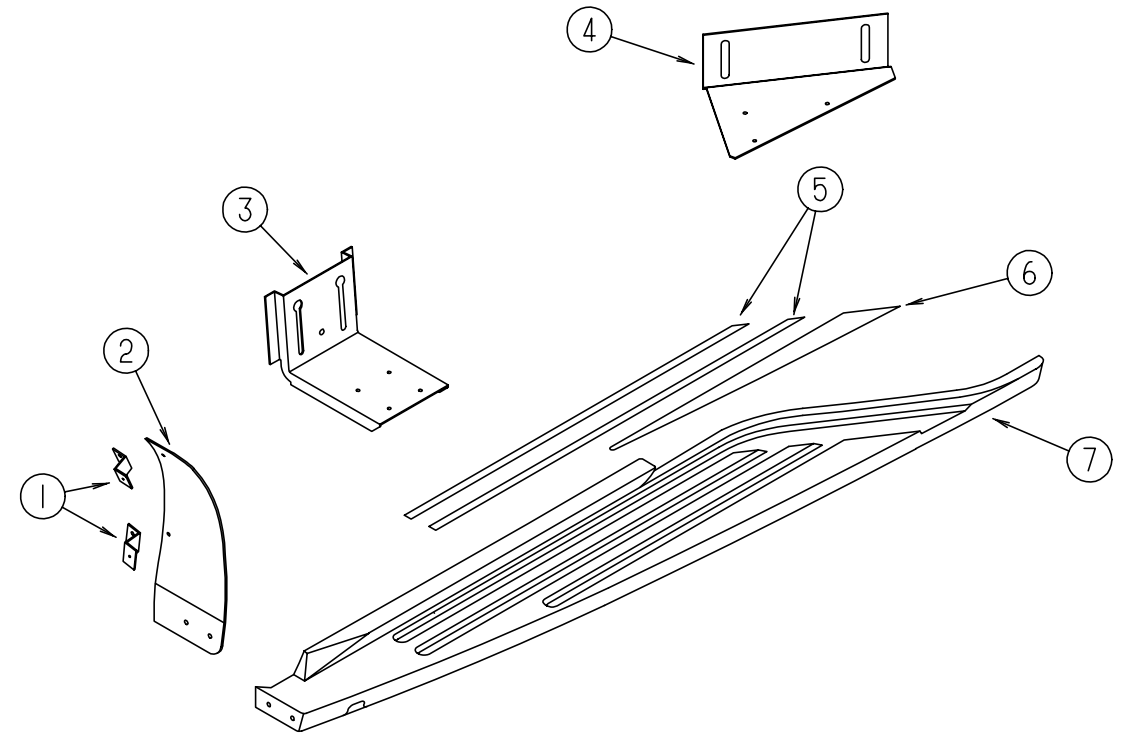
EXTERIOR BODY GROUP (CONTINUED)



FRONT CAP & TRANSITION PANELS

KEY	PART NUMBER	U/M DESCRIPTION
1	111207-02-G46	EA CAP ASM-FRONT W/CLEARANCE LIGHTS, VW WHITE
1	111207-03-G46	EA CAP ASM-FRONT W/CLEARANCE LIGHTS, VW WHITE - EUROPEAN OPTION
1	111207-04-G46	EA CAP ASM-FRONT W/CLEARANCE LIGHTS, VW WHITE - JAPAN OPTION
	070579-06-000	EA PLATE-ANCHOR, W/7/16 WELD NUT - 1.5" X 3.3"
	112127-01-000	FT MOLDING-REVEAL, FRONT CAP TO WINSHIELD
2	111276-04-F45	EA PANEL-TRANSITION, DRIVER SIDE - STEEL & FIBERGLASS - VW WHITE
	111276-03-F45	EA PANEL-TRANSITION, PASSENGER SIDE - STEEL & FIBERGLASS - VW WHITE
3	115022-02-01A	EA RAIL-DRIP, DRIVER SIDE - VW WHITE
	115022-01-01A	EA RAIL-DRIP, PASSENGER SIDE - VW WHITE

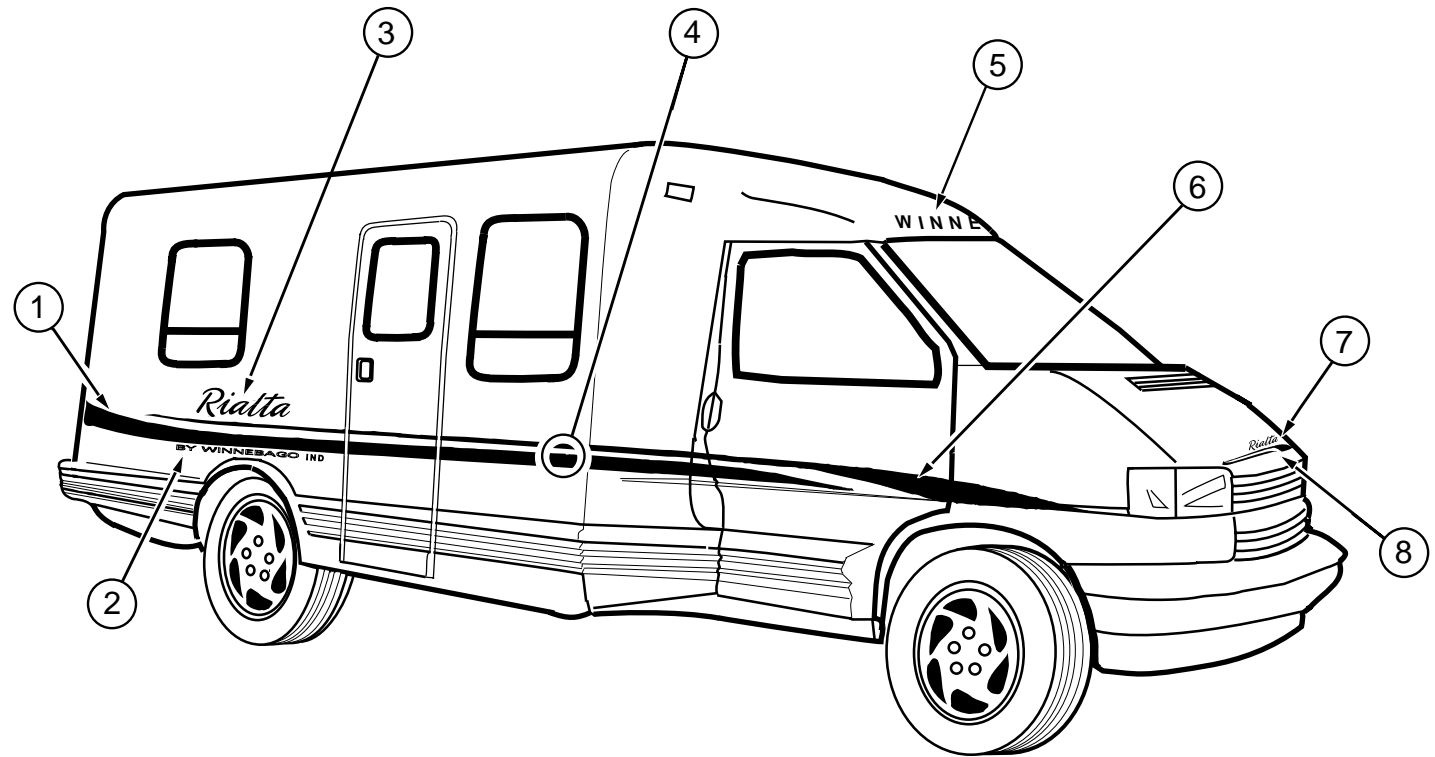
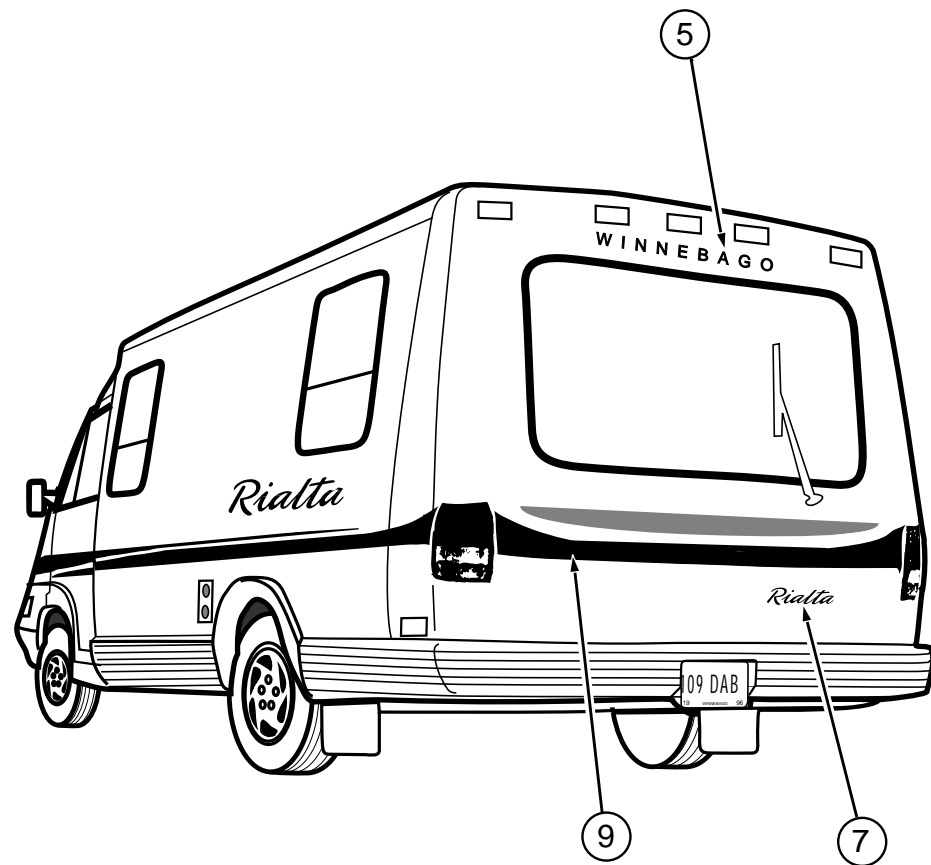
EXTERIOR BODY GROUP (CONTINUED)



RUNNING BOARDS

KEY	PART NUMBER	U/M DESCRIPTION
1	112507-01-02B	EA BRACKET-MUD FLAP, SUPPORT - FRONT - E-COAT
2	112242-01-02A	EA SUPPORT-MUD FLAP, FRONT LH - VW WHITE
	112242-02-02A	EA SUPPORT-MUD FLAP, FRONT RH - VW WHITE
3	112230-02-02B	EA BRACKET ASM-RUNNING BOARD, FRONT LH OR RH - E-COAT
4	112231-01-000	EA BRACKET-RUNNING BOARD, REAR - LH
	112231-02-000	EA BRACKET-RUNNING BOARD, REAR - RH
5	038327-03-000	EA TAPE-ANTI SLIP, 1/2" X 60 FT
6	102570-04-000	EA MAT-ANTI SLIP, OUTER - LH - SAFETY TRACK #310
	102570-03-000	EA MAT-ANTI SLIP, OUTER - RH - SAFETY TRACK #310
7	112233-03-F45	EA RUNNING BOARD-LH W/TAPE & MAT, VW WHITE
	112233-04-F45	EA RUNNING BOARD-RH W/TAPE & MAT, VW WHITE
	115003-01-01A	EA MOLDING-REVERSE COVE, VW WHITE

EXTERIOR BODY GROUP (CONTINUED)
DECALS, STRIPES & PAINT

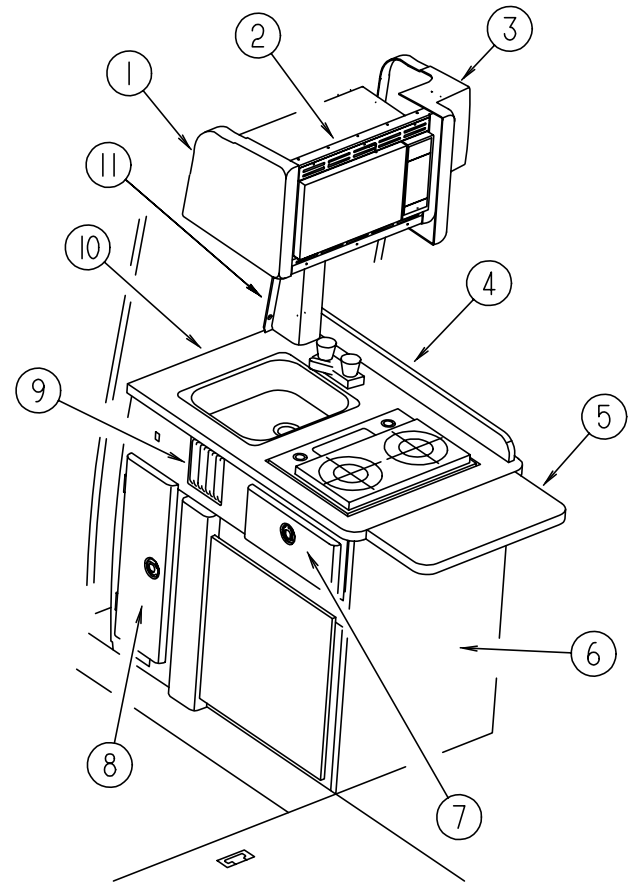


KEY	PART NUMBER	U/M	DESCRIPTION
1	117111-01-01A	EA	DECAL-SWEEPS, REAR - RH - TURQUOISE/BLUE-GREEN/BOYSENBERRY
	117111-02-01A	EA	DECAL-SWEEPS, REAR - LH - TURQUOISE/BLUE-GREEN/BOYSENBERRY
2	084075-09-000	EA	DECAL-"BY WINNEBAGO IND" - BLUE-GREEN
3	115045-01-02A	EA	DECAL-RIALTA, LARGE - BLUE-GREEN
4	094423-06-01A	FT	FILM-MULTISTRIPE, OVERLAY - 4 STRIPES - 133.4 MM TURQUOISE/BLUE-GREEN/BOYSENBERRY
5	110889-04-01A	EA	DECAL-LOGO, WINNEBAGO - BLUE-GREEN
6	117112-01-01A	EA	DECAL-SWEEPS, FRONT - RH - TURQUOISE/BLUE-GREEN/BOYSENBERRY
6	117112-02-01A	EA	DECAL-SWEEPS, FRONT - LH - TURQUOISE/BLUE-GREEN/BOYSENBERRY
7	115045-02-02A	EA	DECAL-LOGO, RIALTA - SMALL - BLUE-GREEN
8	117113-01-01A	EA	DECAL-HOOD - TURQUOISE/BLUE-GREEN/BOYSENBERRY
9	117114-01-01A	EA	DECAL-BACK - TURQUOISE/BLUE-GREEN/BOYSENBERRY
	034618-84-700	EA	PAINT-SPRAY, VW WHITE - RAABE 46055

DUPONT COLOR CODES

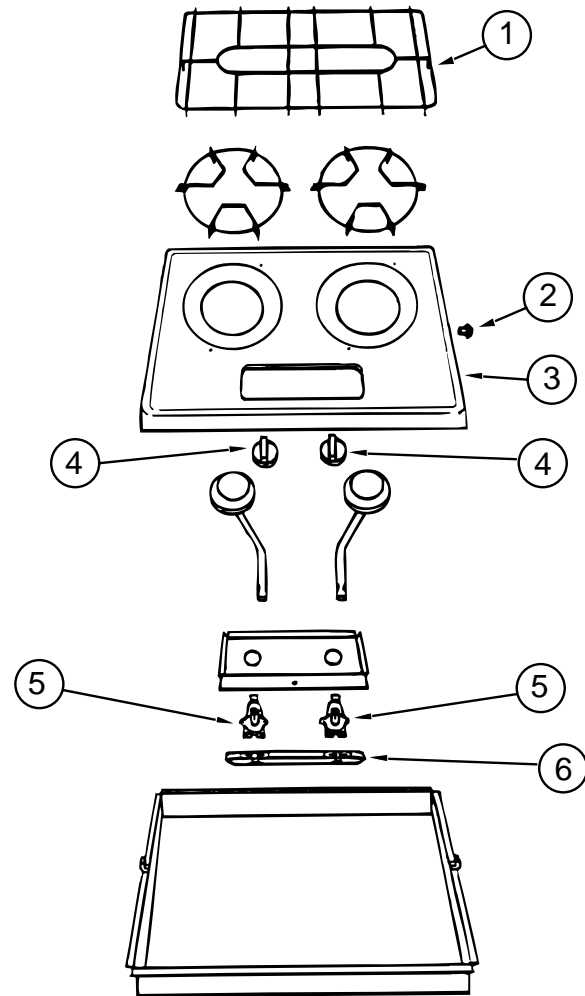
VW WHITE W9670

GALLEY GROUP
GALLEY CABINETS & COMPONENTS



KEY	PART NUMBER	U/M DESCRIPTION
1	112805-04-01A	EA CAP-END, CABINET - FRONT - VW TAUPE
2	112943-02-04B	EA FRAME ASM - E-COATED
	116899-01-01A	EA TRIM-TAUPE, W/O MICROWAVE OPTION
3	112805-03-01A	EA CAP-END, CABINET - REAR - VW TAUPE
		FROM: 00-00-00 THRU: 12-03-95
	112805-05-01A	EA CAP-END, CABINET - REAR - VW TAUPE
		FROM: 12-04-95 THRU: 99-99-99
	116857-01-F45	EA DOOR-CABINET, W/O HARDWARE (W/O MICROWAVE)
	112809-03-01A	EA PANEL-BOTTOM, CABINET - VW TAUPE
		FROM: 00-00-00 THRU: 12-03-95
	112809-04-01A	EA PANEL-BOTTOM, CABINET - VW TAUPE
		FROM: 12-04-95 THRU: 99-99-99
4	098335-09-F45	EA RAIL-GALLEY, 875 MM X 38 MM X 19 MM
5	080812-07-F45	EA EXTENSION-GALLEY
6	118606-01-F45	EA CABINET-GALLEY, W/O DOOR, DRAWER OR HARDWARE
6	118606-03-F45	EA CABINET-GALLEY, W/O DOOR, DRAWER OR HARDWARE - EUROPEAN EXPORT
	113782-01-F45	EA COVER-SINK
	011029-01-000	EA SINK-SINGLE, STAINLESS STEEL - W/BOLTS
	066437-01-000	EA STRAINER-SINK, GALLEY W/BASKET
	066437-01-700	EA BASKET-STRAINER, GALLEY SINK
	011069-03-000	EA TAILPIECE-GALLEY SINK, 1 1/2" X 1 3/4" X 1.75" LONG - PLASTIC
	066436-01-000	EA NUT-SLIP, TAILPIECE - 1.5"
	069735-01-000	EA WASHER-STRAINER TO TAILPIECE, 1.5" - PLASTIC
	113798-01-01A	EA FAUCET-GALLEY, SINGLE CONTROL - BPC 20PA805BH
7	P10163-L0-F45	EA DRAWER-CABINET
8	116855-01-F45	EA DOOR-CABINET, W/O HARDWARE
9	109918-02-02A	EA VENT-RETURN AIR, 157 MM X 139 MM - VW TAUPE
10	118606-11-F45	EA COUNTERTOP-GALLEY CABINET
10	118606-16-F45	EA COUNTERTOP-GALLEY CABINET - EUROPEAN EXPORT
11	121445-01-01A	EA COVER-PIPE, VW TAUPE
		FROM: 12-04-95 THRU: 99-99-99

GALLEY GROUP (CONTINUED)



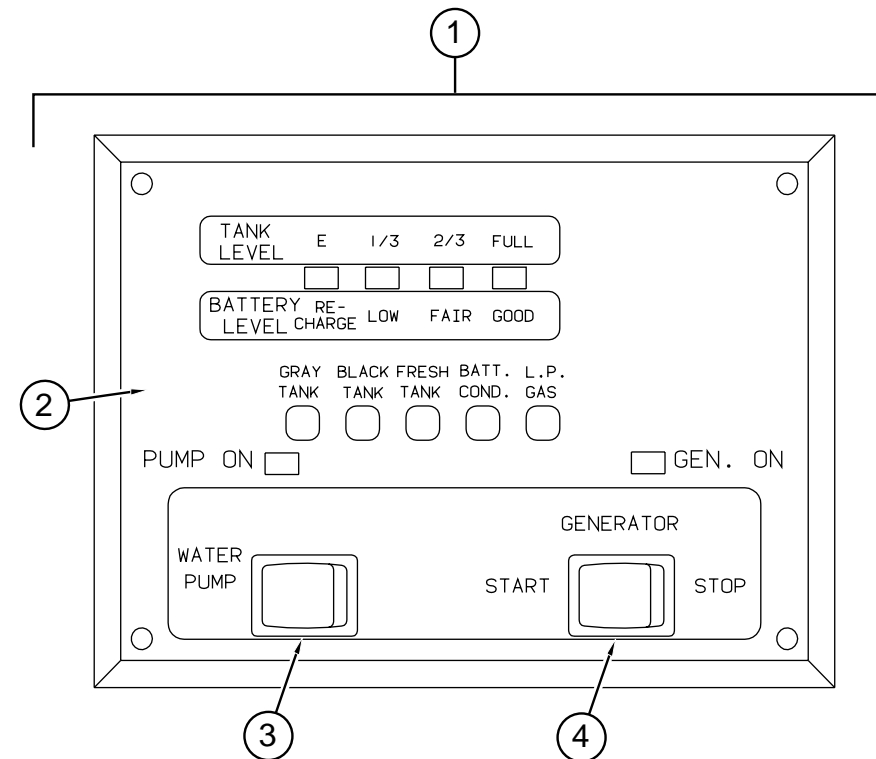
ATWOOD RANGE

KEY	PART NUMBER	U/M DESCRIPTION
	113947-01-01A	EA RANGE - 2 BURNER, W/O OVEN - ATWOOD 53359
1	101593-01-700	EA GRATE, DESIGNER STYLE
2	101593-01-701	EA THUMB SCREW
3	113947-01-704	EA TOP-STOVE, STAINLESS STEEL
4	101593-01-703	EA BURNER KNOB
5	101593-01-704	EA BURNER VALVE
6	101593-01-705	EA MANIFOLD
	107323-01-711	EA CUSHION-GRATE, RUBBER
	107323-01-716	EA CLIP-GRATE, GREEN
	106689-01-704	EA REGULATOR
	106693-01-700	EA BUMPER-RUBBER, 1/4"
	113947-01-701	EA ANTIRATTLE MOLDING - LONG
	113947-01-702	EA ANTIRATTLE MOLDING - SHORT
	113947-01-705	EA DECAL-KNOB
	113947-01-706	EA GROMMET-STOVE COVER
	113947-01-707	EA COVER-STOVE TOP W/GROMMET & ANTIRATTLE

MICROWAVE OVEN & TRIM

KEY	PART NUMBER	U/M DESCRIPTION
	115303-01-000	EA OVEN-MICROWAVE - MCD-DM15K-7B
	115303-01-700	EA TRIM F/VENT, TOP - MCD
	115401-01-01A	EA TRIM-MICROWAVE, BLACK

GALLEY GROUP (CONTINUED)

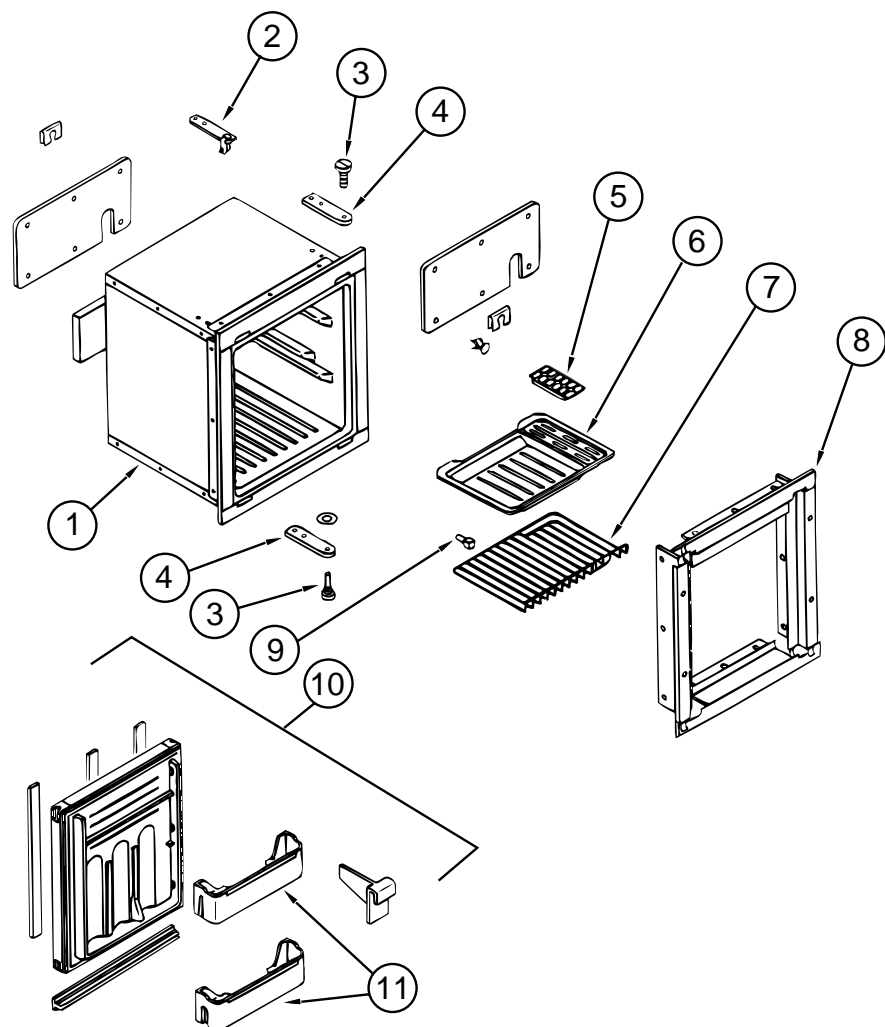


VENTLINE MONITOR PANEL

VENDOR NO.	KEY	PART NUMBER	U/M DESCRIPTION	VENDOR NO.
	1	114014-01-01A	EA PANEL-MONITOR, VENTLINE L9151	
53304				FROM: 00-00-00 THRU: 10-01-95
52537	1	114014-02-01A	EA PANEL-MONITOR, VENTLINE L9189	
52452				FROM: 10-02-95 THRU: 99-99-99
53000	2	114014-01-700	EA OVERLAY-SILKSCREEN	CD212
52506	3	096983-01-700	EA SWITCH-ON/OFF	108
52503				FROM: 00-00-00 THRU: 10-01-95
53008	3	096983-01-703	EA SWITCH-ON/ON	115
50005				FROM: 10-02-95 THRU: 99-99-99
52154	4	096983-01-702	EA SWITCH-MOM/OFF/MOM, 3 TERM	112
53016		113566-01-701	EA RESISTOR-TANK HARNESS	7306
52452		114014-01-701	EA BOARD-CIRCUIT	5070-6
52454				
52436				
91439				
52446				

VENDOR NO.
2100309

GALLEY GROUP (CONTINUED)

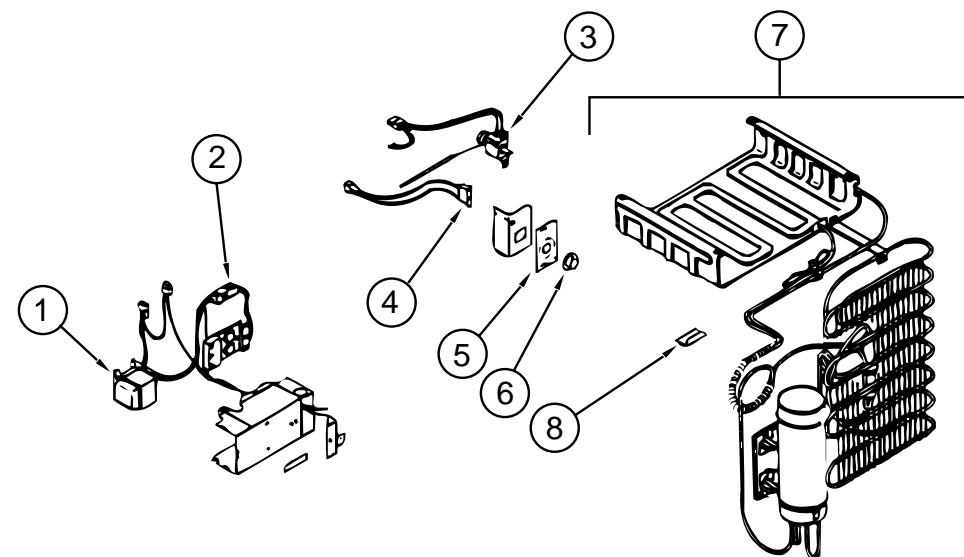


NORCOLD REFRIGERATOR CABINET ASM & DOOR - EUROPEAN

KEY	PART NUMBER	U/M DESCRIPTION
	118162-01-01A	EA REFRIGERATOR - 12 VOLT, NORCOLD DC-351D
1	118162-01-700	EA CABINET ASSEMBLY - W/FRAME
2	118162-01-701	EA HOLDER ASSEMBLY - DOOR
3	118162-01-702	EA PIN - HINGE
4	118162-01-703	EA HINGE
5	118162-01-706	EA TRAY - ICE CUBE
6	118162-01-707	EA PAN - DRAINAGE
7	118162-01-708	EA SHELF
8	118162-01-704	EA FRAME ASSEMBLY
9	118162-01-709	EA HOLDER - SHELF
10	118162-01-718	EA DOOR ASSEMBLY - BLACK
11	118162-01-719	EA POCKET - DOOR - NORCOLD
	118162-01-705	EA COVER-HOLE, BRACKET - PLASTIC

VENDOR NO.
1600-290-20
1609-243-00
5055-023-30
3041-110-00
1602-030-00
4330-014-01
5230-032-10
1609-258-00
6451-094-00
1600-276-00
4225-088-00
4221-078-00

GALLEY GROUP (CONTINUED)

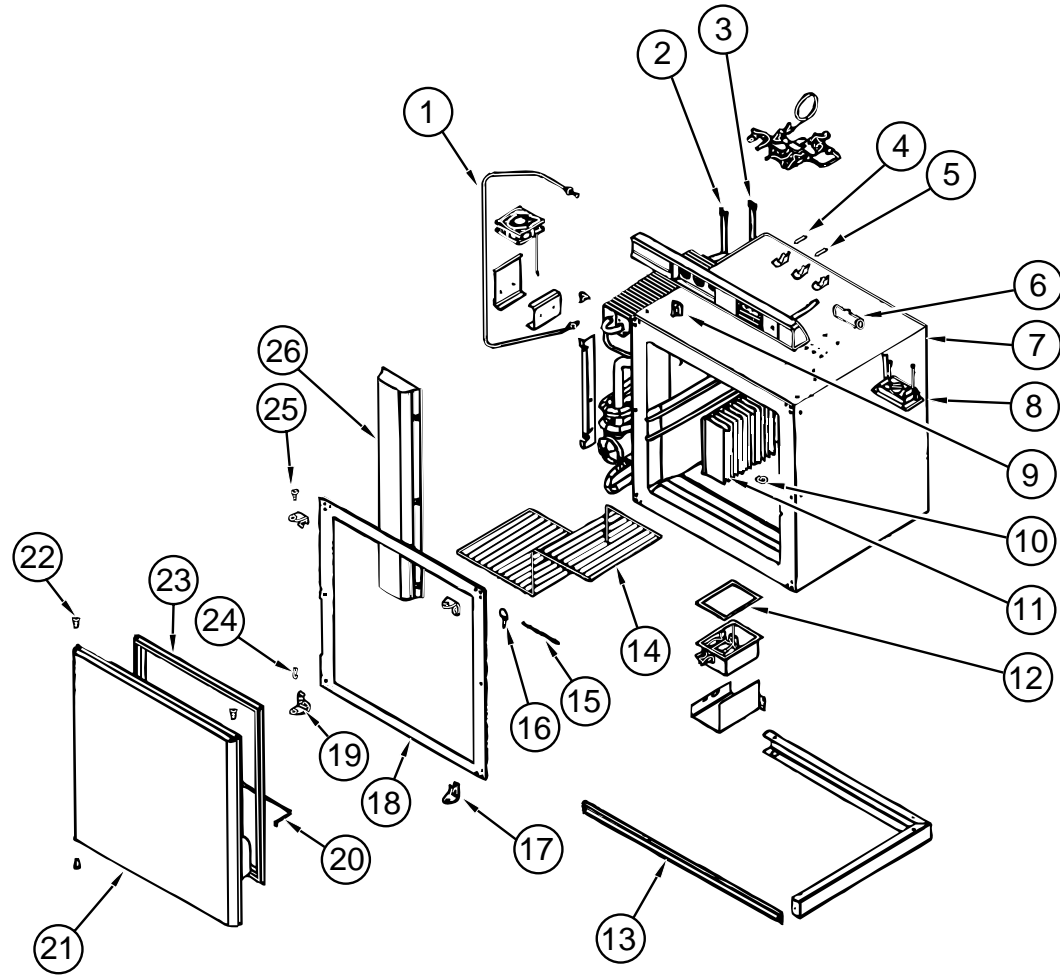


NORCOLD REFRIGERATOR COOLING COIL & COMPONENTS - EUROPEAN

KEY	PART NUMBER	U/M DESCRIPTION	VENDOR NO.
	118162-01-01A	EA REFRIGERATOR - 12 VOLT, NORCOLD DC-351D	
1	118162-01-714	EA TRANSFORMER ASSEMBLY	1960-087-20
2	118162-01-715	EA OSCILLATOR ASSEMBLY	1630-085-00
3	118162-01-710	EA THERMOSTAT	6032-009-21
4	118162-01-711	EA BREAKER - CIRCUIT	6036-040-00
5	118162-01-712	EA PLATE - MARKING, THERMOSTAT	5450-207-30
6	118162-01-713	EA DIAL-THERMOSTAT	1602-032-00
7	118162-01-716	EA COIL - COOLING, HFC 134A	1610-082-20
8	118162-01-717	EA HOLDER - THERMOSTAT	3202-000-01

REFRIGERATOR TIEDOWN BRACKETS - EUROPEAN		
KEY	PART NUMBER	U/M DESCRIPTION
	118652-01-02B	EA BRACKET-TIEDOWN, REFRIGERATOR - RH - E-COAT STEEL
	118652-02-02B	EA BRACKET-TIEDOWN, REFRIGERATOR - LH - E-COAT STEEL

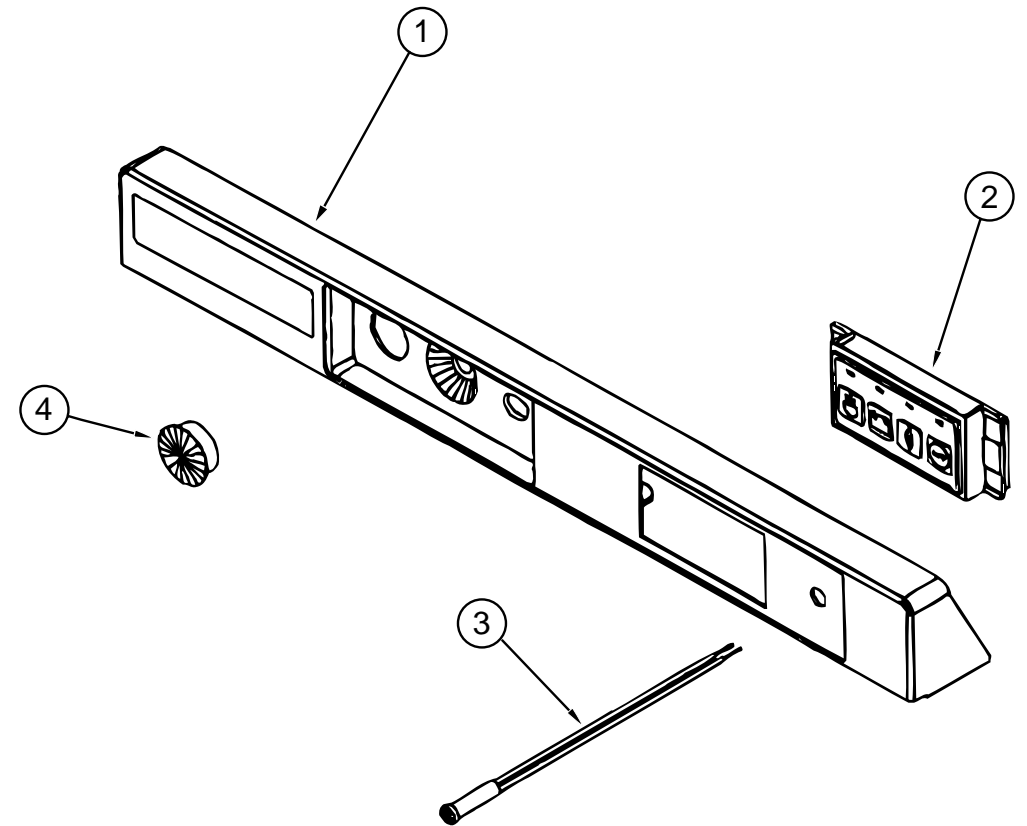
GALLEY GROUP (CONTINUED)



NORCOLD REFRIGERATOR CABINET ASM & DOOR

KEY	PART NUMBER	U/M DESCRIPTION	VENDOR NO.
	113737-01-02A	EA REFRIGERATOR - 3 WAY, 2.3 CU FT - NORCOLD	
1	113737-01-746	EA TUBE-BURNER	617989
2	113737-01-722	EA HEATER - DC (3-WAY)	61745422
3	113737-01-721	EA HEATER - AC	61745322
4	113737-01-714	EA FUSE 20 AMP (3-WAY)	61440522
5	113737-01-720	EA FUSE 3 AMP - 32 V OR LESS	61654622
6	113737-01-731	EA BLOCK - TERMINAL	617979
7	113737-01-707	EA CABINET-COOLING UNIT (FOAMED)	617993
8	113737-01-728	EA RELIGHTER	617964
9	113737-01-740	EA KNOB-THERMOSTAT	617971
10	113737-01-705	EA FIN CLIP	61728722
11	113737-01-706	EA FIN ASSEMBLY	61721122
	113737-01-741	EA SCREW, #10 X 1/2"	61554022
12	113737-01-748	EA GASKET-BURNER BOX	617977
13	113737-01-734	EA GRILLE (AIR INLET BLACK)	617938
14	113737-01-711	EA SHELF L-SHAPED (WHITE)	618063
15	113737-01-752	EA CHAIN (TRAVEL LATCH)	618047
16	113737-01-753	EA PIN (TRAVEL LATCH)	618046
17	113737-01-724	EA HINGE (RH BOTTOM & LH TOP)	61748722
18	113737-01-712	EA BREAKER (BLACK TRIM)	617912
19	113737-01-725	EA HINGE (LH BOTTOM & RH TOP)	61748822
20	113737-01-733	EA DOOR RAIL - WHITE POWDER	618064
21	113737-01-737	EA DOOR ASSEMBLY (TAUPE)	617914
	113737-01-742	EA LINER-DOOR, FOAMED TAUPE	61800
22	113737-01-701	EA BUSHING-HINGE	61742022
23	113737-01-704	EA GASKET-DOOR, GRAY	617906
24	113737-01-710	EA PIN-HINGE, BOTTOM	61550722
25	113737-01-708	EA PIN-HINGE, TOP	61114600
26	113737-01-739	EA COVER-SYSTEM, TAUPE	617905

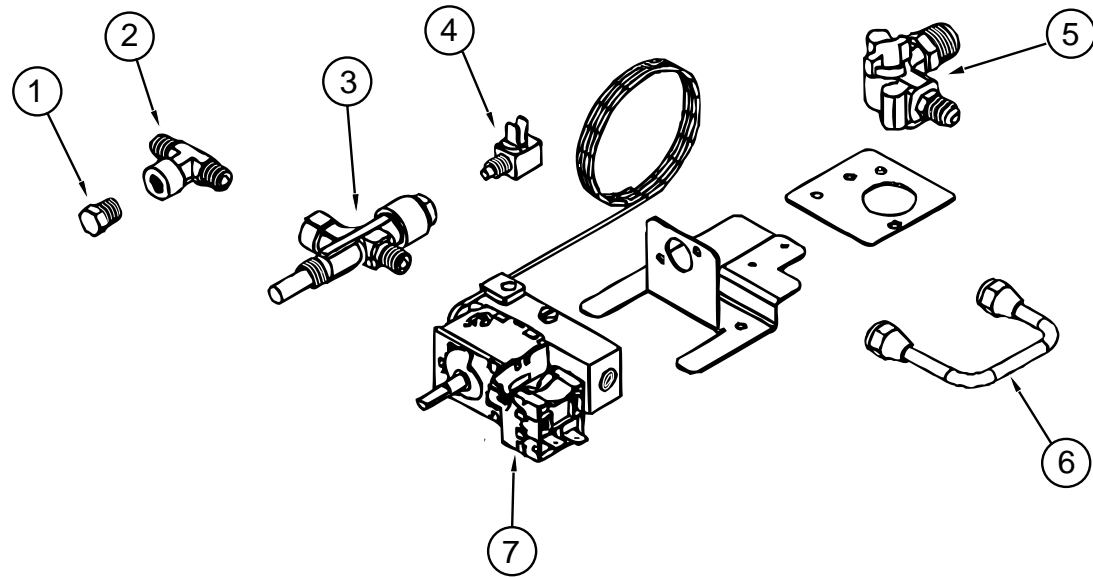
GALLEY GROUP (CONTINUED)



NORCOLD REFRIGERATOR CONTROL PANEL & COMPONENTS

KEY	PART NUMBER	U/M DESCRIPTION	VENDOR NO.
	113737-01-02A	EA REFRIGERATOR - 3 WAY, 2.3 CU FT - NORCOLD	
1	113737-01-723	EA PANEL-CONTROL	617913
2	113737-01-729	EA SWITCH (PUSH BUTTON)	617945
3	113737-01-703	EA LIGHT-FLAME INDICATOR GRN RED	61609022
4	113737-01-713	EA PLUG-HOLE, 1" BLACK	617981

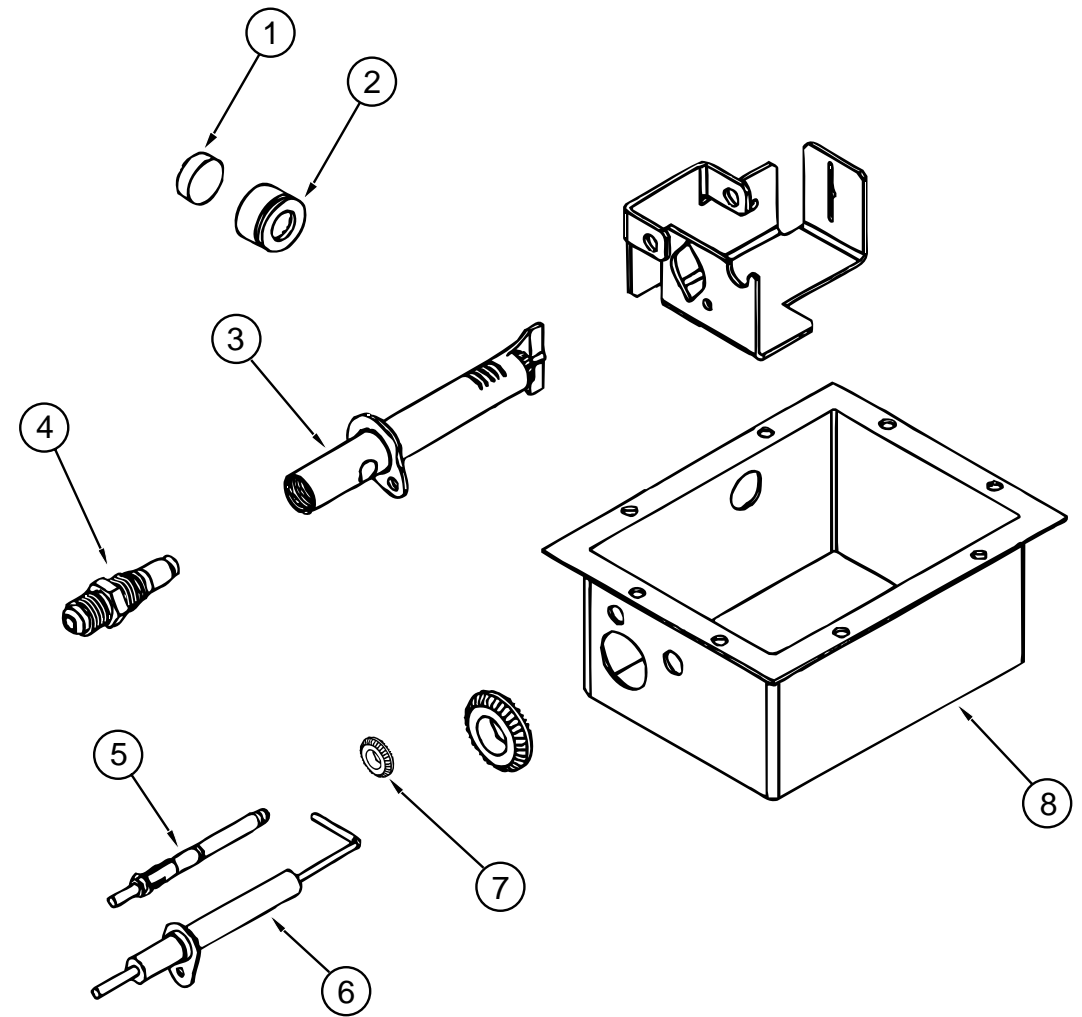
GALLEY GROUP (CONTINUED)



NORCOLD REFRIGERATOR THERMOSTAT & COMPONENTS

KEY	PART NUMBER	U/M DESCRIPTION
	113737-01-02A	EA REFRIGERATOR - 3 WAY, 2.3 CU FT - NORCOLD
1	113737-01-702	EA PLUG - 1/8" F/PRESSURE TAP
2	113737-01-716	EA TAP-PRESSURE
3	113737-01-730	EA VALVE-SAFETY
4	113737-01-709	EA INTERRUPTER
5	113737-01-719	EA VALVE-SHUT-OFF-MANUAL
6	113737-01-750	EA TUBE-UNION
7	113737-01-735	EA THERMOSTAT-GAS VALVE

GALLEY GROUP (CONTINUED)



NORCOLD REFRIGERATOR BURNER ASM & COMPONENTS

KEY	PART NUMBER	U/M DESCRIPTION	VENDOR NO.
	113737-01-02A	EA REFRIGERATOR - 3 WAY, 2.3 CU FT - NORCOLD	
1	113737-01-732	EA GLASS-SIGHT	617995
2	113737-01-751	EA GROMMET F/SIGHT GLASS	617933
3	113737-01-726	EA BURNER ASSEMBLY	617936
4	113737-01-727	EA ORIFICE ADAPTER ASSEMBLY	61753137
5	113737-01-717	EA THERMOCOUPLE	617983
6	113737-01-715	EA ELECTRODE-SPARK	617966
7	113737-01-755	EA GROMMET-THERMOCOUPLE	617997
8	113737-01-747	EA BOX-BOTTOM F/BURNER	617925

REFRIGERATOR LEVEL & GRILLE

KEY	PART NUMBER	U/M DESCRIPTION
	054450-01-000	EA LEVEL-REFRIGERATOR
	086297-02-000	EA GRILLE-REFRIGERATOR VENT

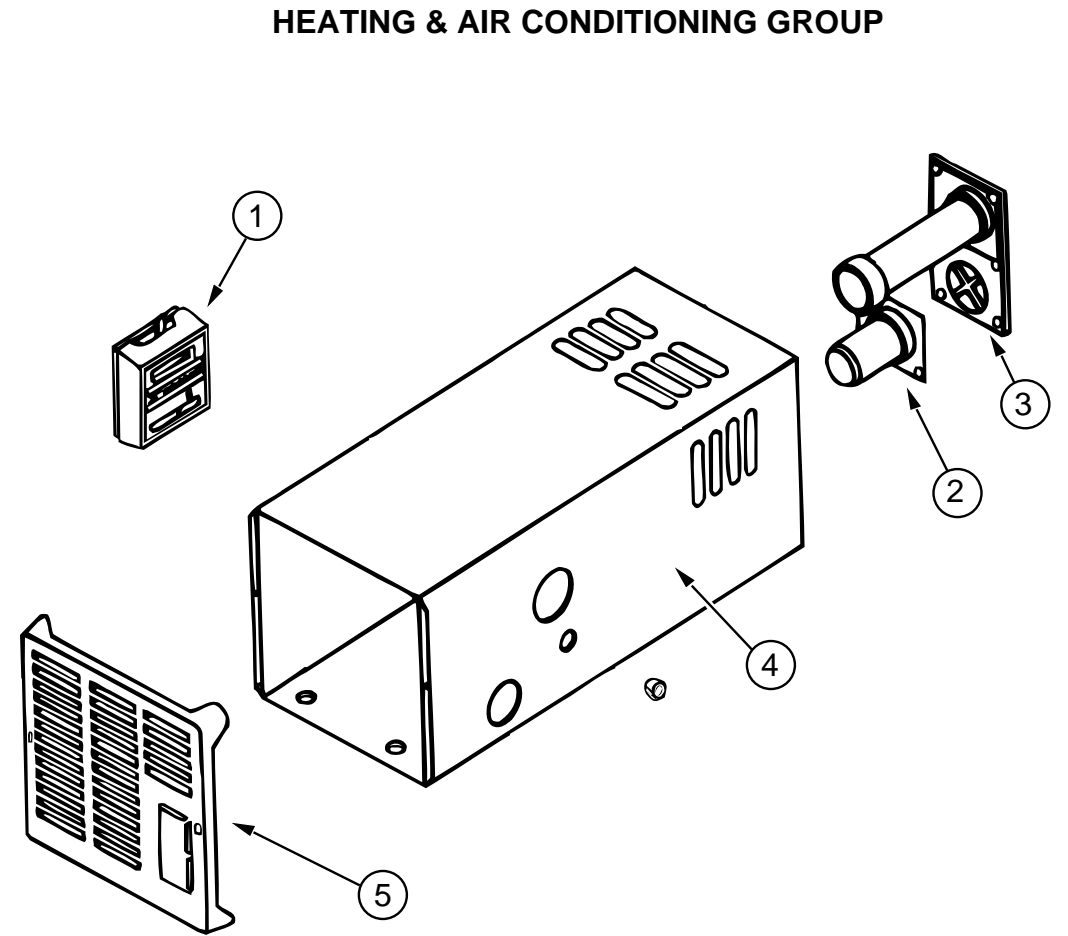
GENERATOR GROUP

3,000 WATT GENERAC GENERATOR

KEY	PART NUMBER	U/M DESCRIPTION
	113458-01-000	EA GENERATOR - 3,000 WATT, GENERAC NP30G, 9557-0
	007067-01-000	SF INSULATION-FIBERGLASS, 1" THICK X 4' - INCREMENTS OF 4 SF
	007125-03-000	EA CLAMP-MUFFLER, 1.5" DIA
	007125-04-000	EA CLAMP-MUFFLER, 1.1" DIA
	007131-01-000	EA HANGER-TAILPIPE, 6 SLOTS
	113841-01-000	EA PIPE-EXHAUST, GENERATOR
	115112-01-02B	EA BRACKET-MOUNT, GENERATOR - RH - E-COAT
	115112-02-02B	EA BRACKET-MOUNT, GENERATOR - LH - E-COAT

3,000 WATT GENERAC GENERATOR - JAPAN GENERATOR OPTION

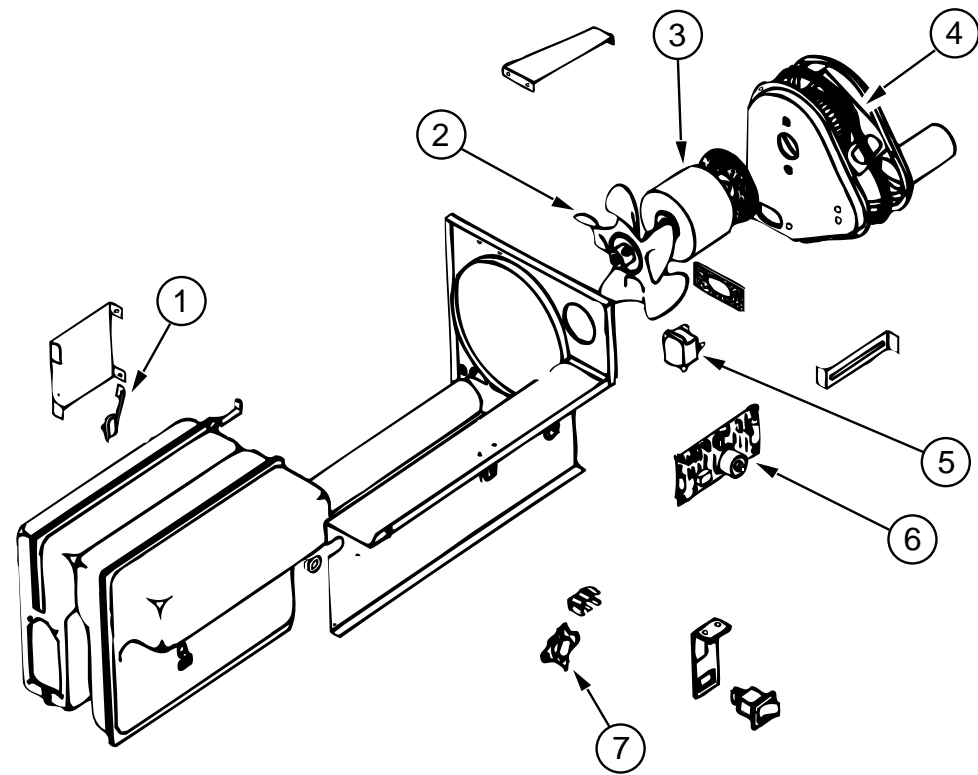
KEY	PART NUMBER	U/M DESCRIPTION
	113458-02-000	EA GENERATOR - 3,000 WATT, GENERAC NP30G, 9890
	007067-01-000	SF INSULATION-FIBERGLASS, 1" THICK X 4' - INCREMENTS OF 4 SF
	007125-03-000	EA CLAMP-MUFFLER, 1.5" DIA
	007125-04-000	EA CLAMP-MUFFLER, 1.1" DIA
	007131-01-000	EA HANGER-TAILPIPE, 6 SLOTS
	113841-01-000	EA PIPE-EXHAUST, GENERATOR
	115112-01-02B	EA BRACKET-MOUNT, GENERATOR - RH - E-COAT
	115112-02-02B	EA BRACKET-MOUNT, GENERATOR - LH - E-COAT



SUBURBAN FURNACE CABINET ASM & COMPONENTS - MODEL NT-20SE

KEY	PART NUMBER	U/M DESCRIPTION	VENDOR NO.
	075697-01-000	EA FURNACE - NONDUCTED, BLOW THROUGH, SUBURBAN	
1	115764-01-01A	EA THERMOSTAT-WALL, FURNACE - SUBURBAN 160902	
2	075697-06-000	EA TUBE-INTAKE, FURNACE, SUBURBAN 050712	
3	075697-01-701	EA VENT CAP & EXHAUST ASSEMBLY, SUBURBAN	260098
4	075697 01 707	EA CABINET ASSEMBLY, SUBURBAN	100957
5	075697-01-704	EA CABINET-FRONT, SUBURBAN	030785

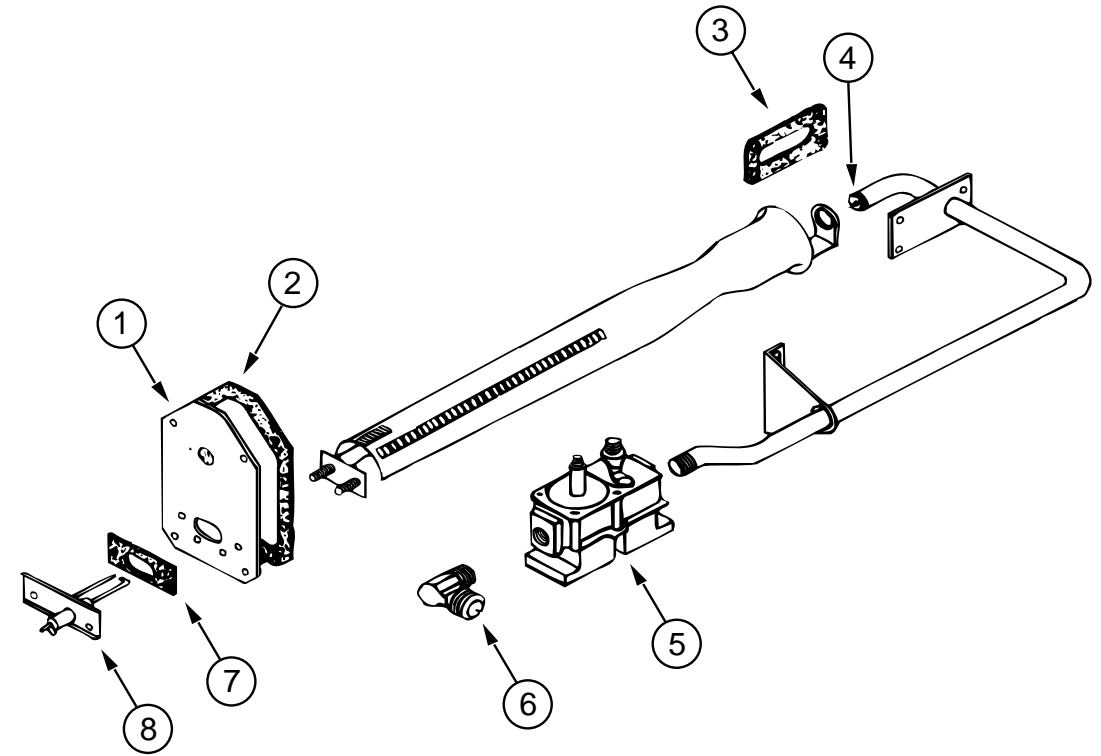
HEATING & AIR CONDITIONING GROUP (CONTINUED)



SUBURBAN FURNACE BLOWER MOTOR & COMPONENTS - MODEL NT-20SE

KEY	PART NUMBER	U/M DESCRIPTION	VENDOR NO.
	075697-01-000	EA FURNACE - NONDUCTED, BLOW THROUGH, SUBURBAN	
1	075697-05-701	EA MICRO SWITCH ASSEMBLY, SUBURBAN	230933
2	075697-04-702	EA WHEEL-ROOM AIR, SUBURBAN	350083
3	075697-04-701	EA MOTOR, SUBURBAN	230634
4	074035-01-706	EA WHEEL-COMBUSTION AIR, SUBURBAN	350082
5	074466-01-702	EA RELAY-TIME DELAY, SUBURBAN	230625
6	098668-01-712	EA MODULE BOARD, SUBURBAN	520741
7	074035-01-707	EA SWITCH-LIMIT, SUBURBAN	230849

HEATING & AIR CONDITIONING GROUP (CONTINUED)

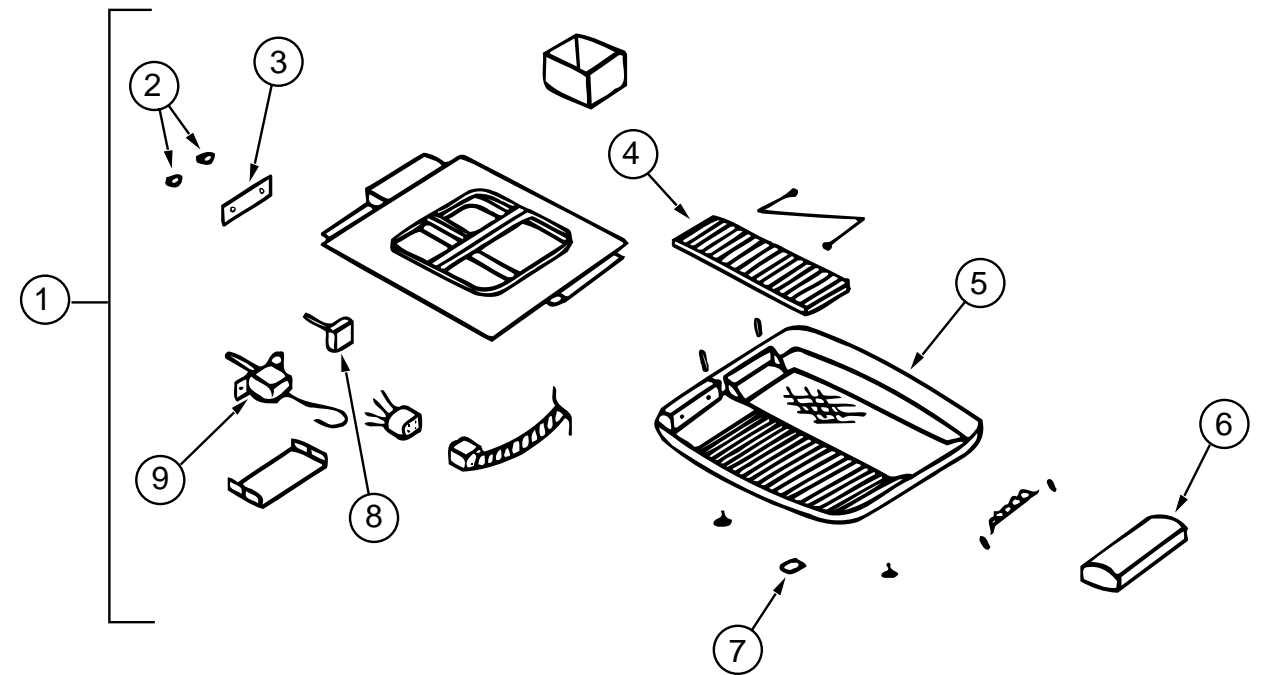
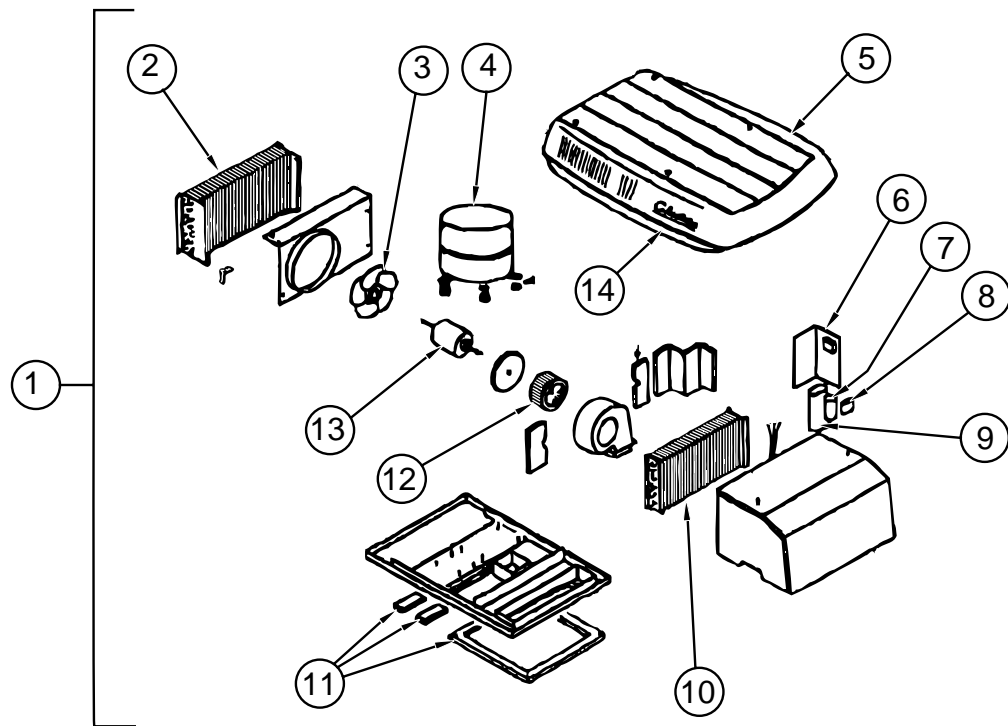


SUBURBAN FURNACE - GAS VALVE & COMPONENTS - MODEL NT-20SE

KEY	PART NUMBER	U/M DESCRIPTION	VENDOR NO.
	075697-01-000	EA FURNACE - NONDUCTED, BLOW THROUGH, SUBURBAN	
1	075697-04-704	EA DOOR-BURNER ACCESS, SUBURBAN	030621
2	069634-01-732	EA GASKET-BURNER ACCESS DOOR, SUBURBAN	070398
3	075697-01-709	EA GASKET-MANIFOLD - SUBURBAN	070449
4	074035-01-709	EA ORIFICE, SUBURBAN	180231
5	069634-01-729	EA VALVE-GAS, JOHNSON - SUBURBAN	161078
6	092300-01-718	EA ELBOW - 90', SUBURBAN	170374
7	092300-01-704	EA GASKET-ELECTRODE, SUBURBAN	070163
8	075697-01-708	EA ELECTRODE-SINGLE PROBE, SUBURBAN	231931

HEATING & AIR CONDITIONING GROUP (CONTINUED)

HEATING & AIR CONDITIONING GROUP (CONTINUED)



7,100 BTU COLEMAN ROOF A/C

COLEMAN CEILING ASSEMBLY

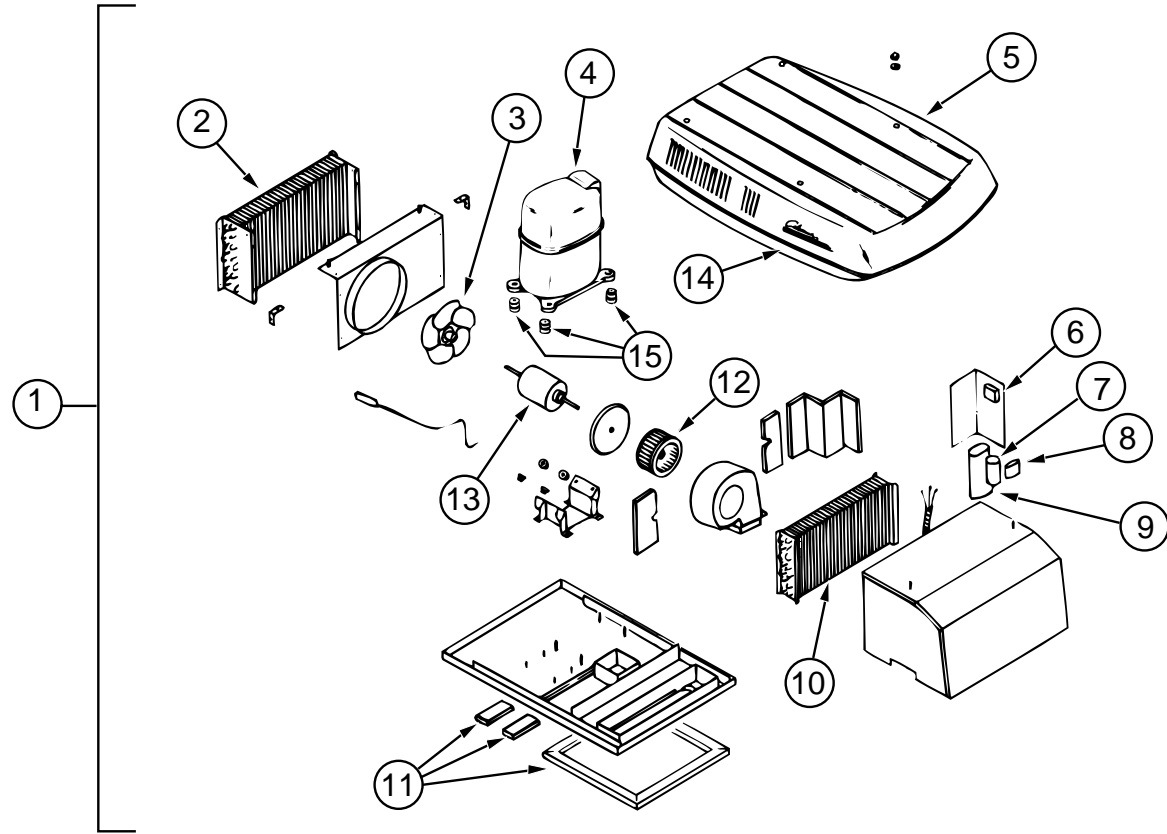
KEY	PART NUMBER	U/M DESCRIPTION
1	093306-01-02A	EA A/C ROOF - 7,100 BTU, ROTARY - WHITE - COLEMAN 6727-736
2	093306-01-711	EA COIL-CONDENSER
3	093306-01-703	EA FAN - 4 BLADE, 9" DIAMETER
4	093306-01-717	EA COMPRESSOR-PANASONIC
	093306-01-719	EA OVERLOAD
5	093306-01-722	EA SHROUD, ARTIC WHITE NO LOGO
6	093306-01-721	EA RELAY-START
7	093306-01-720	EA CAPACITOR-START, 21-25 MFD/33 - COLEMAN
8	093306-01-718	EA CAPACITOR-FAN, 5MFD/370V
9	108889-01-707	EA CAPACITOR-RUN, COMPRESSOR-25MFD/370
10	093306-01-713	EA COIL-EVAPORATOR
11	037648-01-714	EA GASKET PACKAGE
12	093306-01-706	EA WHEEL-BLOWER, 6 5/16" X 2 7/8"
13	093306-01-705	EA MOTOR - (115V1 6A60H2-RPM)
14	093306-01-701	EA DECAL PACKAGE, LEFT & RIGHT

VENDOR NO.
14520701
67073321
1450-2019
1450A0011
6727-5761
1497-5051
1497-3351
1499-5421
1499-5661
14520601
6759-3281
67073281
67273119
6798B3591

KEY	PART NUMBER	U/M DESCRIPTION
1	093307-01-000	EA CEILING ASM-A/C COOL, IVORY - COLEMAN 6727D714
2	076303-01-701	EA KNOB-CONTROL
3	093306-01-709	EA DECAL-SELECTOR, THERMOSTAT
4	093766-02-702	EA FILTER-PACKAGE OF 2 - 6 X 14.5 X 1/8
5	093306-01-710	EA SHROUD-CEILING, IVORY-DECAL
6	076303-01-708	EA KNOB & BOLT PACKAGE
7	093307-01-700	EA DECAL PACKAGE
8	093306-01-714	EA SWITCH-SELECTOR
9	076303-01-710	EA THERMOSTAT
	102289-01-000	EA SPRING-SCREW, ROOF A/C GASKET - COLEMAN 6757-150

VENDOR NO.
6733A3241
6727A3341
67033303
67273511
67275841
6733A3331
67273251
67333411

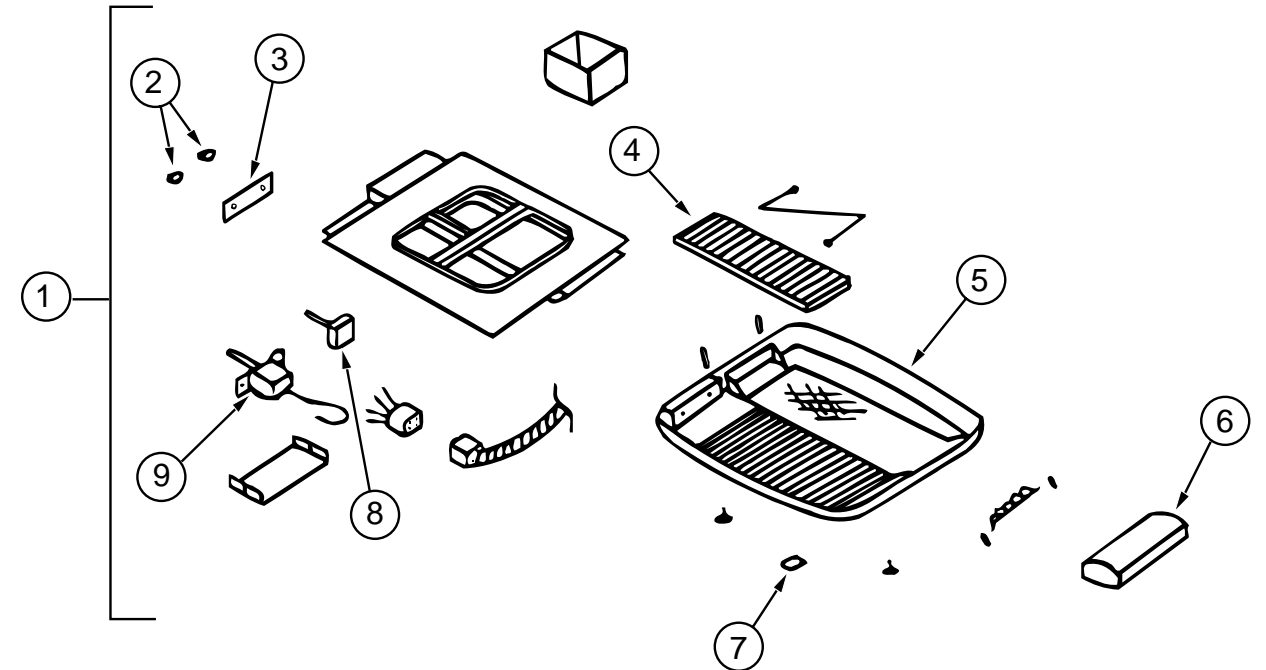
HEATING & AIR CONDITIONING GROUP (CONTINUED)



7,100 BTU COLEMAN ROOF A/C - EUROPEAN

KEY	PART NUMBER	U/M DESCRIPTION	VENDOR NO.
1	093306-02-01A	EA A/C ROOF - 7,100 BTU, 220V - WHITE - COLEMAN 6727-856	
2	093306-01-711	EA CONDENSER COIL - COLEMAN	14520701
3	093306-01-703	EA FAN - 4 BLADE, 9" DIAMETER - COLEMAN	67073321
4	093306-02-701	EA COMPRESSOR - TEC #AK 5483E, COLEMAN	6727-3679
	093306-02-700	EA OVERLOAD - MRA #8903-114, COLEMAN	6727-3961
5	093306-01-722	EA SHROUD-ARTIC WHITE/ARCTIC WHITE - W/O LOGO - COLEMAN	6727-5761
6	093306-02-702	EA START RELAY, COLEMAN	1497-5151
7	093306-01-720	EA START CAPACITOR, 21-25 MFD/33 - COLEMAN	1497-3351
8	108889-01-708	EA FAN CAPACITOR (FAN 7.5 MFD. 370U), COLEMAN	1499-5461
9	093306-02-703	EA RUN CAPACITOR (COMPRESSOR-15MFD), COLEMAN	1499-5621
10	093306-01-713	EA EVAPORATOR, COLEMAN	14520601
11	037648-01-714	EA PACKAGE-GASKET, COLEMAN	6759-3281
12	093306-01-706	EA BLOWER WHEEL, 6 5/16" X 2 7/8" WVD - COLEMAN	67073281
13	093306-02-704	EA MOTOR - FAN - COLEMAN	6713-3119
14	093306-01-701	EA DECAL PACKAGE, LEFT & RIGHT - COLEMAN	6798B3591
15	108890-01-703	EA FOOT PACKAGE-COMPRESSOR, 4 PER PACKAGE	6240B3031

HEATING & AIR CONDITIONING GROUP (CONTINUED)



COLEMAN CEILING ASSEMBLY - EUROPEAN

KEY	PART NUMBER	U/M DESCRIPTION	VENDOR NO.
1	093307-01-000	EA CEILING ASM-A/C COOL, IVORY - COLEMAN 6727D714	
2	076303-01-701	EA KNOB-CONTROL	6733A3241
3	093306-01-709	EA DECAL-SELECTOR, THERMOSTAT	6727A3341
4	093766-02-702	EA FILTER-PACKAGE OF 2 - 6 X 14.5 X 1/8	67033303
5	093306-01-710	EA SHROUD-CEILING, IVORY-DECAL	67273511
6	076303-01-708	EA KNOB & BOLT PACKAGE	67275841
7	093307-01-700	EA DECAL PACKAGE	6733A3331
8	093306-01-714	EA SWITCH-SELECTOR	67273251
9	076303-01-710	EA THERMOSTAT	67333411
	102289-01-000	EA SPRING-SCREW, ROOF A/C GASKET - COLEMAN 6757-150	

HEATING & AIR CONDITIONING GROUP (CONTINUED)

EVANS REAR HEATER

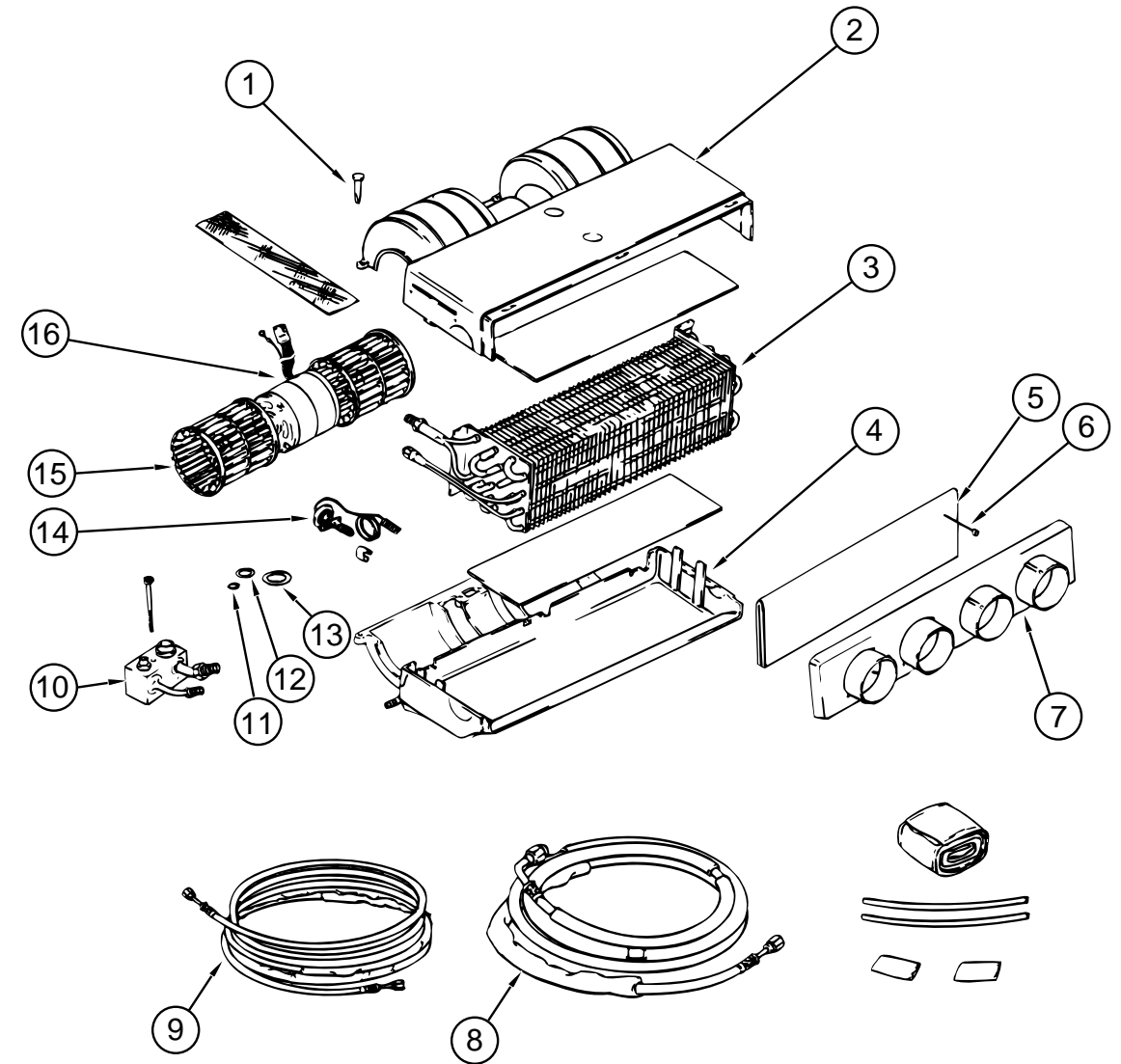
KEY	PART NUMBER	U/M DESCRIPTION
	049401-04-000	EA HEATER ASSEMBLY-REAR, W/O SWITCH
	049401-01-705	EA VALVE - 3 PORT 2-WAY
	049401-03-700	EA HEATER CORE
	049401-03-701	EA FAN-CCW
	049401-03-702	EA RESISTOR
	049401-04-700	EA CABLE-CONTROL
	049401-04-701	EA MOTOR - 12V SS/PM
	058906-06-000	EA PANEL-CONTROL, REAR HEATER - VW TAUPE
	088753-01-000	FT TUBE-ALUMINIZED STEEL, 5/8" - 18 GAUGE

VENDOR NO.

HV032126
FT200027
HV029931
HV027838
HV033639
HV033107

MOTOR AID COMPONENTS

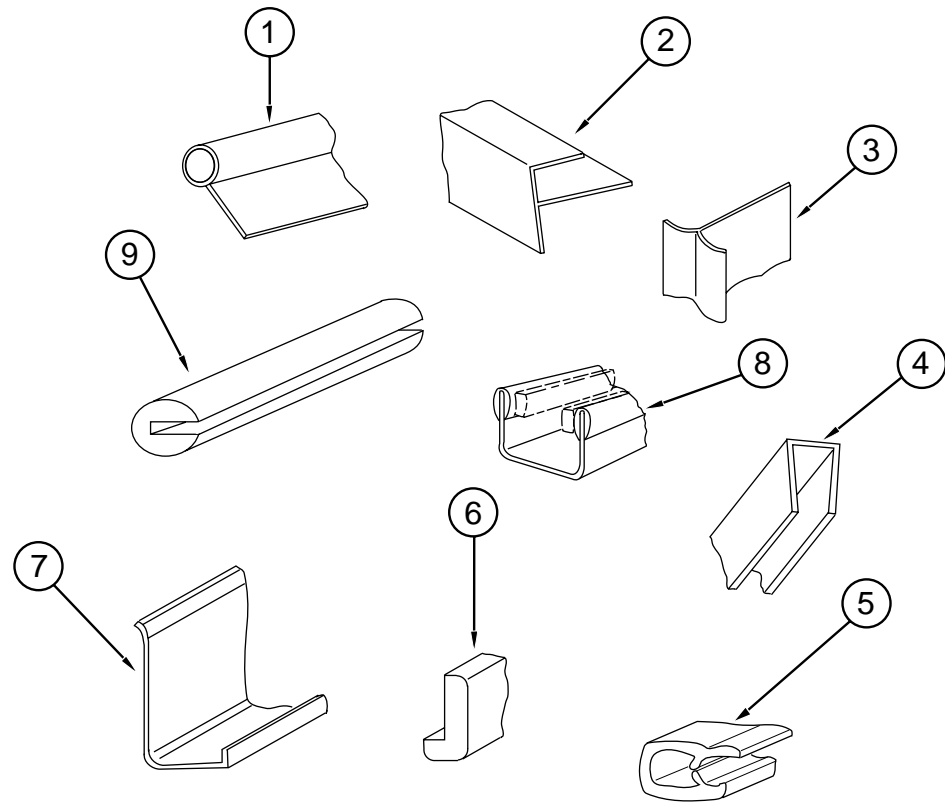
KEY	PART NUMBER	U/M DESCRIPTION
	083081-01-000	EA HOSE-FORMED, 90 DEGREES - 5/8" ID
	007108-01-000	FT HOSE-HEATER, 5/8" ID - HI-TEMP - FORD ESE-M2D192-A
	007108-02-000	FT HOSE-HEATER, 3/4" ID - HI-TEMP - FORD ESE-M2D192-A
	058893-01-000	EA BRACKET-L-ANGLE, .75" X .75" X 2.25" - ALUMINUM
	083088-01-000	EA PIPE-COOLANT RETURN, AUXILIARY REAR HEATER
	084190-01-000	EA GUARD-MOTOR AID, 5.9" X 5.7" X 5.3" - ANGLED GALVANIZED STEEL
	088753-01-000	FT TUBE-ALUMINIZED STEEL, 5/8" - 18 GAUGE



SCS AUTO A/C & COMPONENTS

KEY	PART NUMBER	U/M DESCRIPTION	VENDOR NO.
	113245-01-000	EA EVAPORATOR/AC, OVERHEAD R134A - SCS	090-00075
1	113245-01-701	EA PIN-PLASTIC	062-0027
	113245-01-702	EA COVER-SLOT	062-0141
2	113245-01-717	EA CASE, TOP ONLY	062-0139
3	113245-01-705	EA COIL-EVAPORATOR	041-0034
4	113245-01-716	EA CASE, BOTTOM ONLY	062-0140
5	113245-01-713	EA SCREEN-CONDENSATION	045-0173
6	113245-01-714	EA PIN-SCREEN RETAINER	062-0164
7	113245-01-703	EA BEZEL-W/4 OUTLETS	062-0142
8	113245-01-709	EA HOSE ASSEMBLY, #10	085-0116
9	113245-01-708	EA HOSE ASSEMBLY, #6 - EVAP-DRIER	085-0115
10	113245-01-712	EA FITTING BLOCK	050-0129
11	113245-01-711	EA GASKET - #6	045-0129
12	103930-17-702	EA GASKET OR SAE 015:#10 33-781	045-0127
13	113245-01-710	EA GASKET, #12	045-0128
14	113245-01-706	EA VALVE-EXPANSION, 134 A I 5 TON	034-0026
15	113245-01-700	EA WHEEL-BLOWER W/CLIP	062-0028
16	113245-01-704	EA MOTOR-BLOWER, 12V3SP, DBL	030-0028
	113245-01-707	EA GASKET, #8	045-0126
	007281-01-000	EA HOSE-FLEXIBLE, PVC - 2.5"ID X 50' - ATCOFLEX A-182-355	
	109918-01-05A	EA VENT-RETURN AIR, BLACK - 314 MM X 139 MM - CARY 760	
	109918-03-01A	EA VENT-RETURN AIR, BLACK - 314 MM X 70 MM - CARY 761	
	113244-01-01A	EA LOUVER ASM-BALL, 3" - BLACK - CARY 10.370.04	

INTERIOR FINISH GROUP



MOLDINGS & TRIMS

KEY	PART NUMBER	U/M DESCRIPTION
1	009767-12-000	FT MOLDING-SIDEWALL TO CEILING/CABINET - WELTING - OFF WHITE
2	009812-28-000	EA MOLDING-CORNER, OUTSIDE - .5" - PLASTIC - VW TAUPE
3	022992-12-000	FT MOLDING-REVERSE COVE, T-SHAPED - VINYL - VW TAUPE
4	070504-33-000	FT U-CHANNEL-PLASTIC, .815" WIDE - VW TAUPE - INCREMENTS OF 8'
5	072368-02-000	EA TRIM-VINYL, EDGE - BLACK - GM 14004305
6	077840-01-E37	EA MOLDING-CAP, L-SHAPED - .75 MM X 1.42 MM X 2438 MM LONG - PICKLED ASH
7	099571-02-01A	EA TRIM-COVE, INTERIOR - 2.9" X 11.3' - PLASTIC - OFF WHITE
8	002324-02-000	FT CHANNEL-WEATHERSTRIP, U-SHAPED
9	115870-01-000	FT SEAL-TRIM, EDGE - TRIM LOK X1002

INTERIOR FINISH GROUP (CONTINUED) FIRE EXTINGUISHER, SMOKE DETECTOR & CO DETECTOR

KEY	PART NUMBER	U/M DESCRIPTION
	094499-01-000	EA EXTINGUISHER-FIRE, DRY W/MOUNTING BRACKET - 10 BC
	094499-01-700	EA BRACKET-MOUNTING, W/PLASTIC STRAP - FIRE EXTINGUISHER
	094499-02-000	EA EXTINGUISHER-FIRE, DRY - 1A10BC - CANADIAN
	072852-01-000	EA DETECTOR-SMOKE, W/9 VOLT BATTERY
	072852-02-000	EA DETECTOR-SMOKE, W/9 VOLT BATTERY - CANADIAN
	112320-01-000	EA DETECTOR-CO GAS, MODEL 9B-I - COSTAR 940000000 FROM: 00-00-00 THRU: 09-03-95
	112320-02-000	EA BATTERY/SENSOR-CO GAS, COSTAR 940001000 FROM: 00-00-00 THRU: 09-03-95
	112320-03-000	EA DETECTOR-CO GAS, MODEL 9D-I - COSTAR 946000001 FROM: 09-04-95 THRU: 99-99-99
	112320-04-000	EA DETECTOR-CO SENSOR ASSEMBLY - COSTAR 946001001 FROM: 09-04-95 THRU: 99-99-99

PANELING & LAMINATES

KEY	PART NUMBER	U/M DESCRIPTION
	074498-66-000	SF LAMINATE-PLASTIC, GRAY - 5' X 8' - INCREMENTS OF 40 SF
	076325-62-000	FT MOLDING-EDGE BAND, 1161 TAUPE - .875" X .024"
	076325-63-000	FT MOLDING-EDGE BAND, 1161 TAUPE - 1 5/16" X .030"
	088272-D2-000	SF PANELING-SIDEWALLS - 4' X 7' - INCREMENTS OF 28 SF
	088272-D4-000	SF PANELING-CABINETRY - 4' X 7' - INCREMENTS OF 28 SF
	088272-98-000	SF PANELING-SHOWER, OFF WHITE - 4' X 7' - INCREMENTS OF 28 SF FROM: 00-00-00 THRU: 01-14-96
	088272-G1-000	SF PANELING-SHOWER, PEBBLE EMBOSS - 4' X 7' - INCREMENTS OF 28 SF FROM: 01-15-96 THRU: 99-99-99
	089297-01-000	SF PLYWOOD-LUAN, OVERLAY GRADE - 4' X 8' - INCREMENTS OF 32 SF

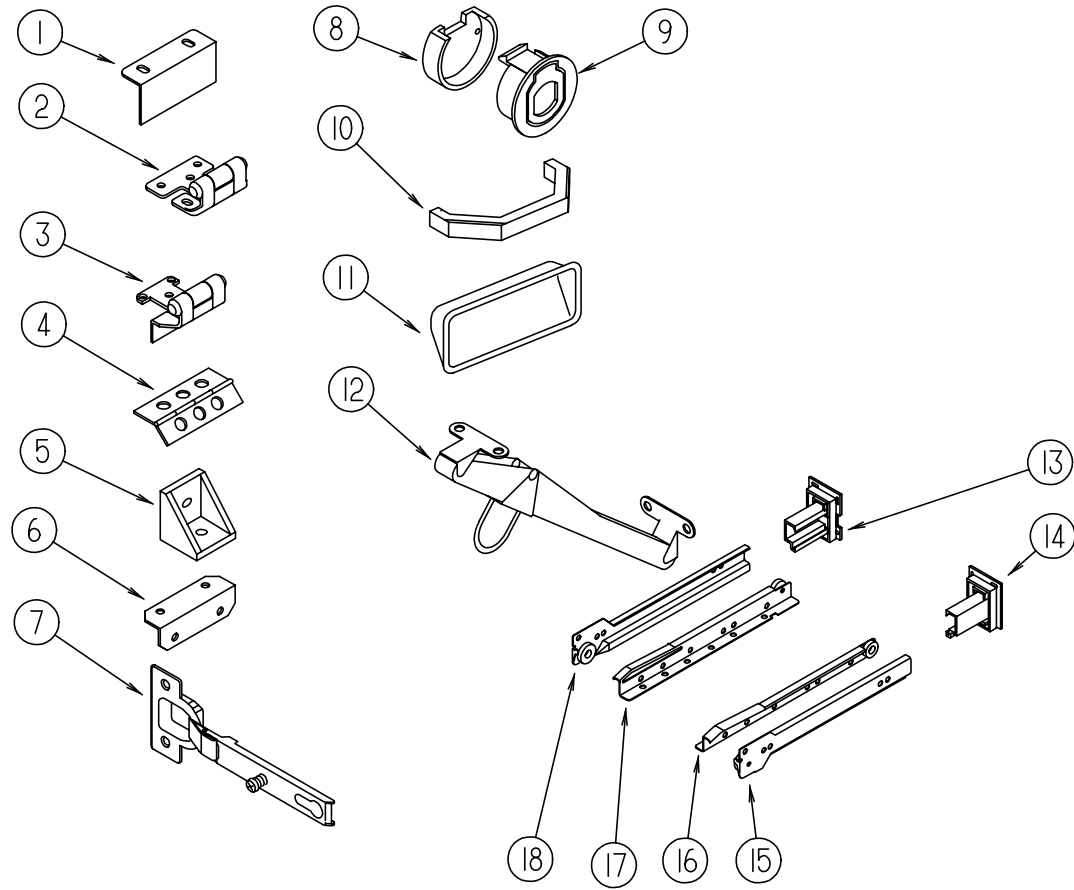
BATT STRIPS

KEY	PART NUMBER	U/M DESCRIPTION
	085284-A1-000	FT BATT STRIP-DECORATIVE, ADHESIVE BACKED
	085284-76-000	FT BATT STRIP-SHOWER, ADHESIVE BACKED - OFF WHITE FROM: 00-00-00 THRU: 01-14-96
	085284-D6-000	FT BATT STRIP-SHOWER, ADHESIVE BACKED - PEBBLE EMBOSS FROM: 01-15-96 THRU: 99-99-99
	086229-13-000	EA BATT STRIP-MODERN IVORY
	088263-A9-000	EA BATT STRIP-DECORATIVE, 8' LONG
	088263-78-000	EA BATT STRIP-SHOWER, 8' LONG - OFF WHITE FROM: 00-00-00 THRU: 01-14-96
	088263-E3-000	EA BATT STRIP-SHOWER, 8' LONG - PEBBLE EMBOSS FROM: 01-15-96 THRU: 99-99-99

CARPETING & FLOOR MATS

KEY	PART NUMBER	U/M DESCRIPTION
	096060-B0-000	SY CARPET - 12' ROLL, INCREMENTS OF 4 SY (G46/G47/G48)
	117477-01-F45	EA CARPET ASM-CAB AREA (G46/G47/G48)
	047034-06-000	SF PLASTIC - CARPET - 2' WIDE - CLEAR POLY
	105924-02-F45	EA MAT-FLOOR, CARPET - ENTRY DOOR (G46/G47/G48)
	091261-01-000	FT SLIPNOT-ANTISLIP, 1' WIDE (100' ROLL)
	115381-01-01A	EA MAT-FLOOR, DRIVER - BROWN/BLACK (G46/G47/G48)
	115381-02-01A	EA MAT-FLOOR, PASSENGER - BROWN/BLACK (G46/G47/G48)

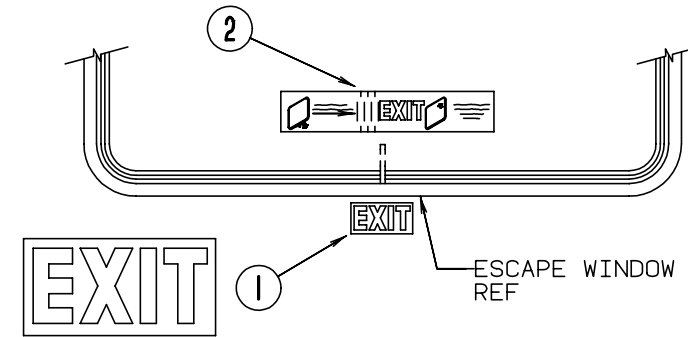
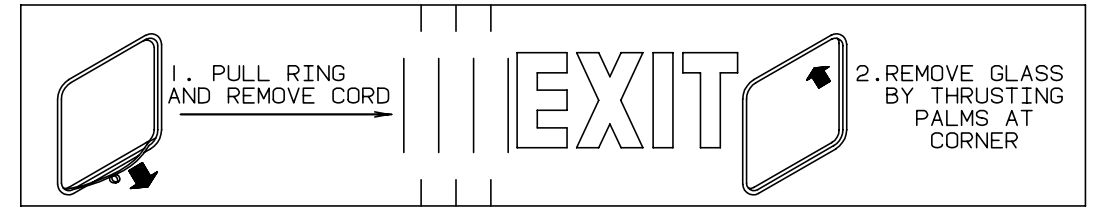
INTERIOR FINISH GROUP (CONTINUED)



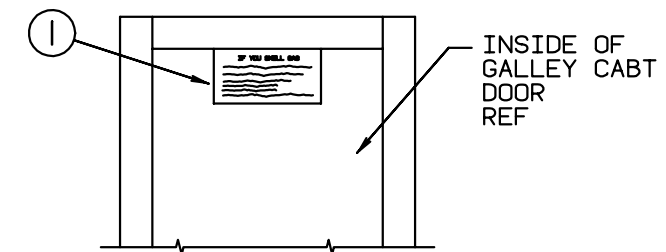
CABINET DOOR & DRAWER HARDWARE

KEY	PART NUMBER	U/M DESCRIPTION
1	113375-02-01A	EA STRIKE-LATCH, CABINET DOOR - CHROME - SOUTHCO M1-519-4
2	113676-01-01A	EA HINGE-OVERLAY, VARIABLE - BURNISHED BRASS
3	113677-01-01A	EA HINGE-OVERLAY, 1/4" - BURNISHED BRASS
4	009059-01-000	EA HINGE-DOOR, 2" X 1.4" - BRASS
5	065740-01-000	EA BRACE-CABINET CORNER, PLASTIC
6	016604-01-000	EA BRACE-CABINET, ANGLE - 2.5" - METAL - UNPAINTED
6	016604-03-000	EA BRACE-CABINET, ANGLE - 2.5" - METAL - BEIGE
6	016604-05-000	EA BRACE-CABINET, ANGLE - 2.5" - METAL - OFF WHITE
7	114443-01-01A	EA HINGE-DOOR, CABINET - AMEROCK 4841M-SLCA
8	113375-03-01A	EA LATCH-SLAM, BACK - BLACK - 14.4 MM THICK - SOUTHCO M1-557-2
8	113375-05-01A	EA LATCH-SLAM, BACK - BLACK - 20.5 MM THICK - SOUTHCO M1-558-2
9	113375-04-01A	EA LATCH-SLAM, FACE - BLACK - 24.5 MM THICK - SOUTHCO M1-561
9	113375-06-01A	EA LATCH-SLAM, FACE - BLACK - 18.5 MM THICK - SOUTHCO M1-551-2
10	112146-01-000	EA PULL-CABINET, BRASS - AMEROCK D-1180-3
11	115994-01-01A	EA PULL-DRAWER - SOUTHCO P2-41
12	104181-01-01A	EA SUPPORT-LEAF, 5.3" - EXTENDS TO 7.5" - SAFETY RING - METAL
13	114045-01-000	EA BACKSOCKET-ADJUSTABLE, LEFT - HOUCK 751-1 N/A ORDER SLIDE KIT ACCORDING TO LENGTH - SEE NUMERICAL LISTING OF #114031-??-700 IN THE \$ FICHE F/DESIRED LENGTH
14	114045-02-000	EA BACKSOCKET-ADJUSTABLE, RIGHT - HOUCK 751-2 N/A ORDER SLIDE KIT ACCORDING TO LENGTH - SEE NUMERICAL LISTING OF #114031-??-700 IN THE \$ FICHE F/DESIRED LENGTH
15	114031-18-000	EA SLIDE-DRAWER, CABINET MOUNT - 20" - RIGHT N/A ORDER #114031-17-700 SLIDE DRAWER KIT
16	114031-20-000	EA SLIDE-DRAWER, DRAWER MOUNT - 20" - RIGHT N/A ORDER #114031-17-700 SLIDE DRAWER KIT
17	114031-19-000	EA SLIDE-DRAWER, DRAWER MOUNT - 20" - LEFT N/A ORDER #114031-17-700 SLIDE DRAWER KIT
18	114031-17-000	EA SLIDE-DRAWER, CABINET MOUNT - 20" - LEFT N/A ORDER #114031-17-700 SLIDE DRAWER KIT
	004354-01-000	EA BUMPER-RUBBER, .5" DIA - BROWN
	023320-01-000	EA PAD-FELT, 3/8" DIAMETER - BROWN

LABELS GROUP



KEY	PART NUMBER	U/M DESCRIPTION
1	039290-01-000	EA LABEL-WARNING, EXIT
2	107571-01-000	EA LABEL-ESCAPE/EXIT WINDOW

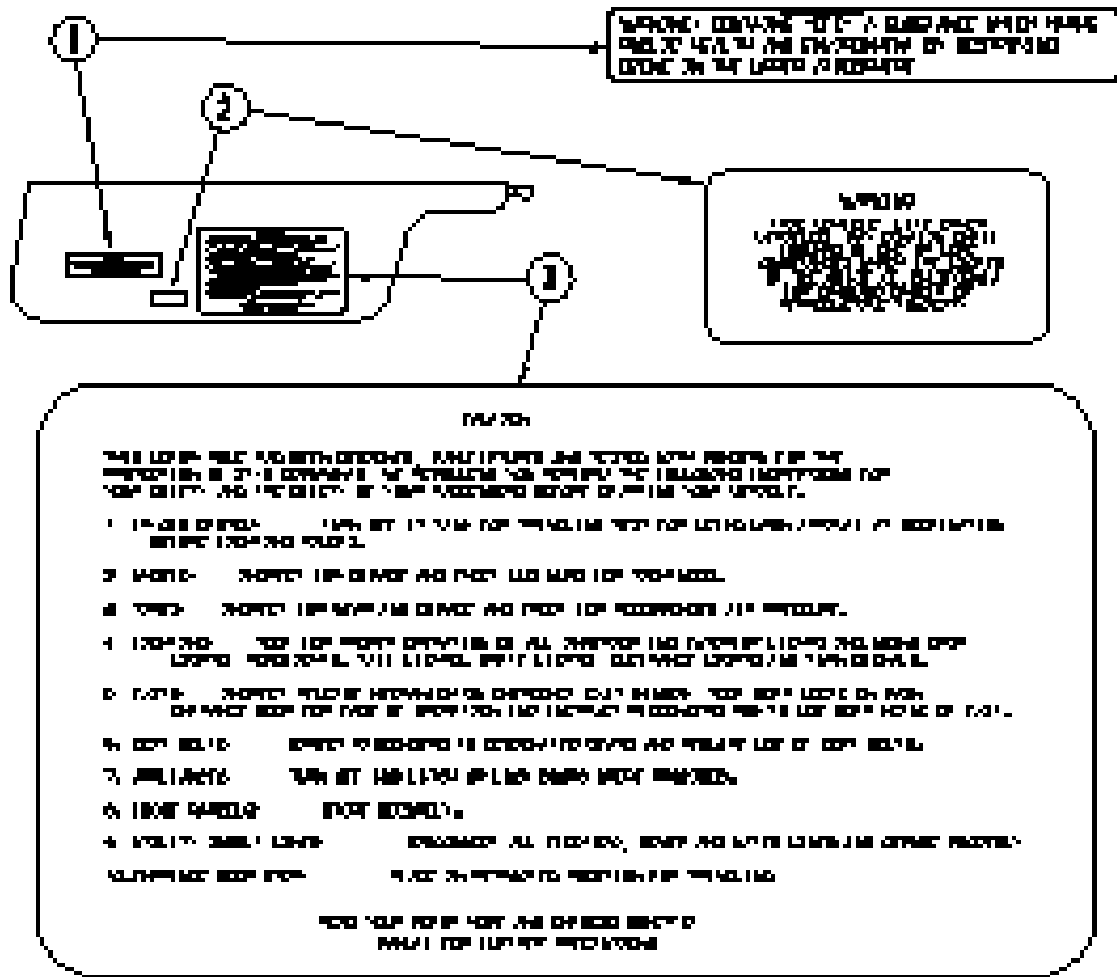


IF YOU SMELL GAS

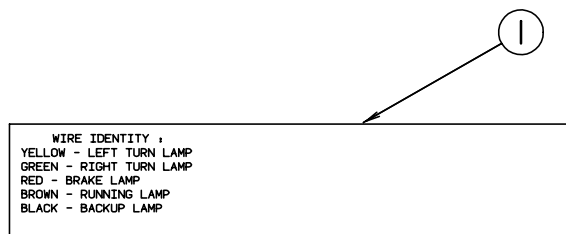
1. EXTINGUISH ANY OPEN FLAME, PILOT LIGHTS AND ALL SMOKING MATERIALS.
2. SHUT OFF THE GAS SUPPLY AT THE TANK VALVE (OR GAS SUPPLY CONNECTION).
3. OPEN DOORS AND OTHER VENTILATING OPENINGS.
4. DO NOT TOUCH ELECTRICAL SWITCHES.
5. LEAVE THE AREA UNTIL ODOR CLEARS.
6. HAVE THE GAS SYSTEM CHECKED AND LEAKAGE SOURCE CORRECTED BEFORE USING AGAIN.

KEY	PART NUMBER	U/M DESCRIPTION
1	073998-01-000	EA LABEL-LPG ODOR WARNING

LABELS GROUP (CONTINUED)

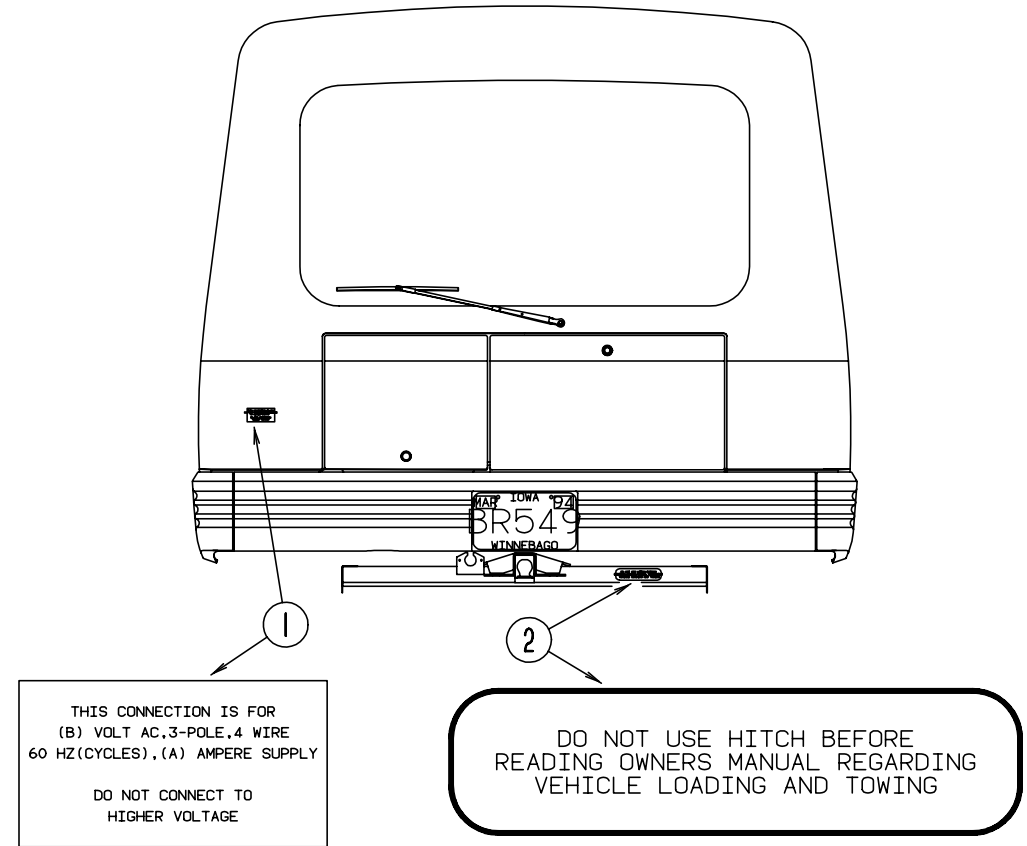


KEY	PART NUMBER	U/M DESCRIPTION
1	111802-01-000	EA LABEL-CFC WARNING
2	099689-01-000	EA LABEL-WARNING, CANCER/TOXICITY
3	056259-01-000	EA LABEL-SAFETY CHECK LIST

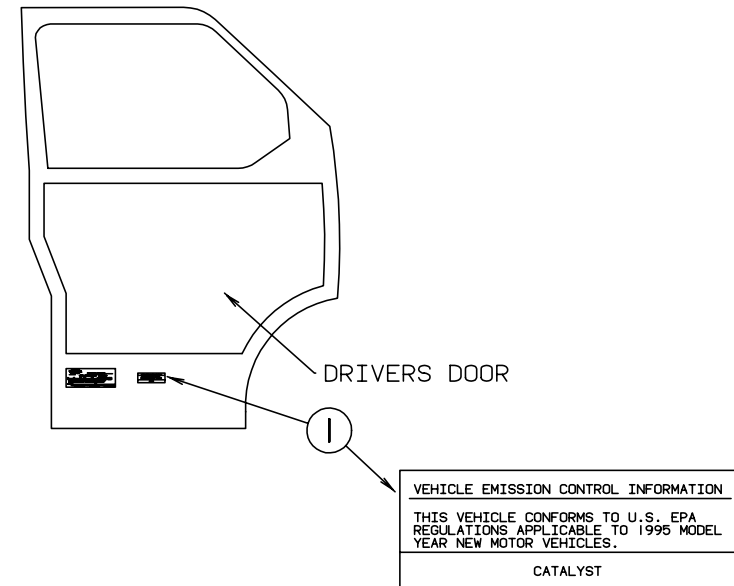


KEY	PART NUMBER	U/M DESCRIPTION
1	091224-02-000	EA LABEL-TRAILER LIGHTING

LABELS GROUP (CONTINUED)

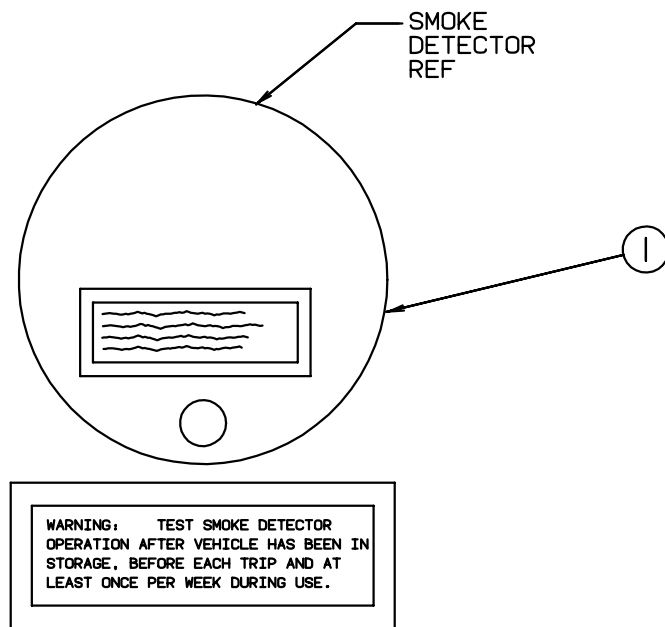


KEY	PART NUMBER	U/M DESCRIPTION
1	006062-01-000	EA LABEL-ELECTRIC, 110 V CONNECTION
1	006062-03-000	EA LABEL-ELECTRIC, 110 V CONNECTION - JAPAN OPTION
1	006062-05-000	EA LABEL-ELECTRIC, 220 V CONNECTION - EUROPEAN OPTION
2	111104-01-000	EA LABEL-HITCH, READ MANUAL



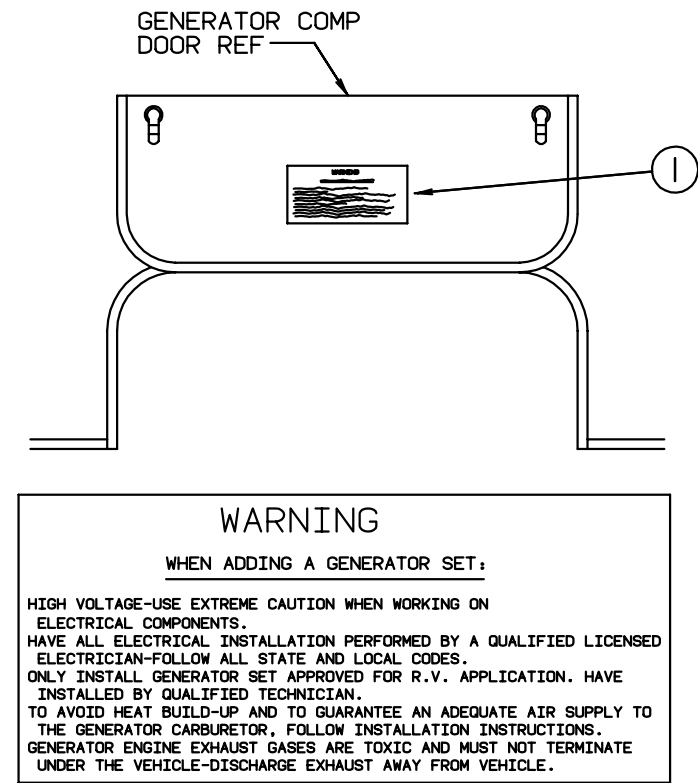
KEY	PART NUMBER	U/M DESCRIPTION
1	072887-07-000	EA LABEL-EPA, 1995 MODEL YEAR

LABELS GROUP (CONTINUED)

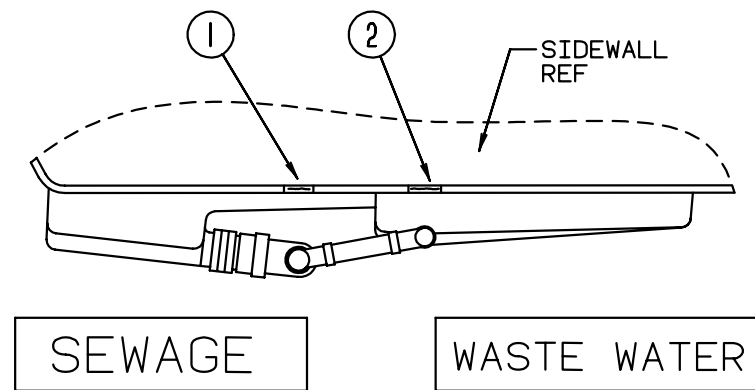


KEY	PART NUMBER	U/M DESCRIPTION
1	077956-01-000	EA LABEL-WARNING, SMOKE DETECTOR

LABELS GROUP (CONTINUED)

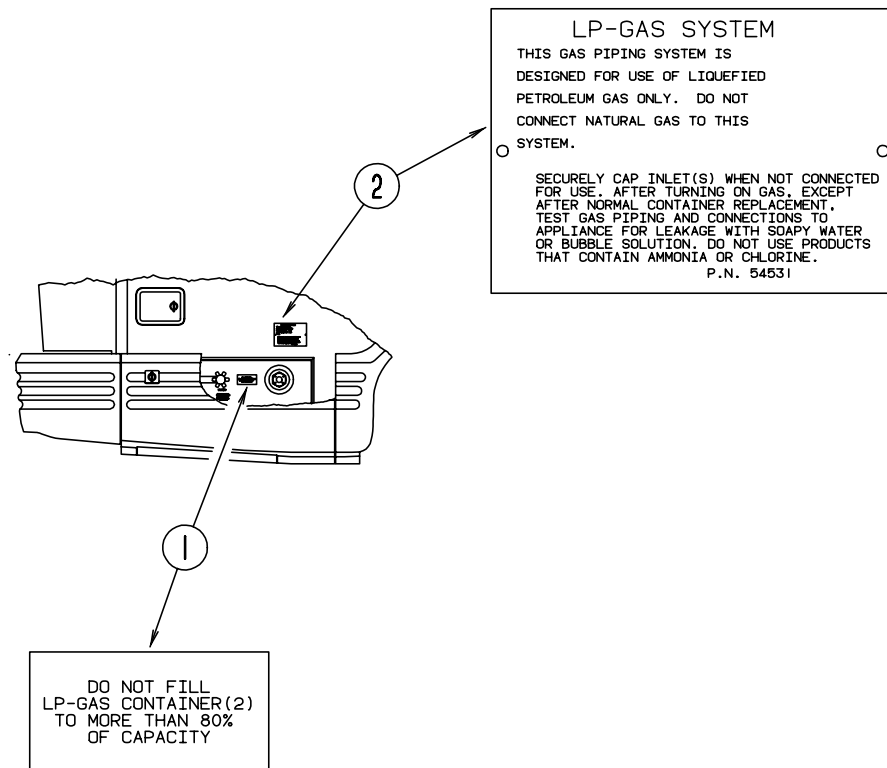


KEY	PART NUMBER	U/M DESCRIPTION
1	077510-01-000	EA LABEL-GENERATOR PREP

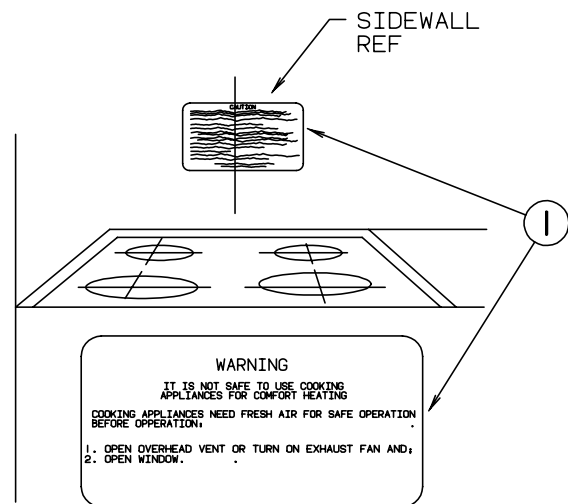


KEY	PART NUMBER	U/M DESCRIPTION
1	006187-01-000	EA LABEL-SEWAGE
2	006188-01-000	EA LABEL-WASTE WATER

LABELS GROUP (CONTINUED)

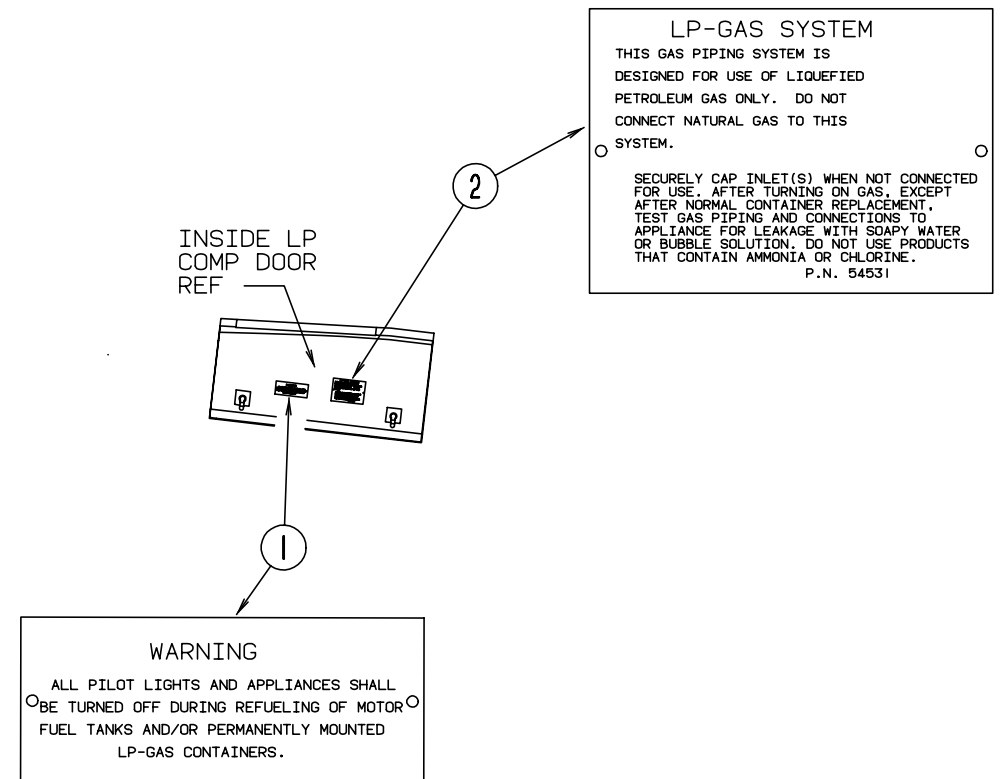


KEY	PART NUMBER	U/M	DESCRIPTION
1	079965-01-000	EA	LABEL-LPG 80 CAPACITY
2	054531-01-000	EA	LABEL-LP GAS ONLY

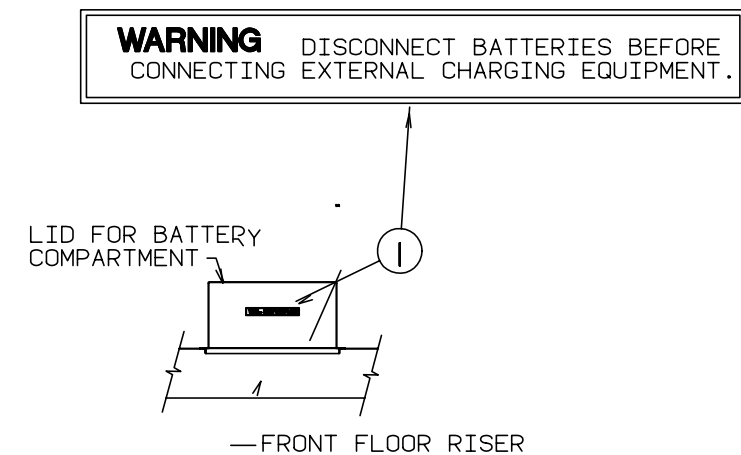


KEY	PART NUMBER	U/M	DESCRIPTION
1	050225-01-000	EA	LABEL-WARNING, STOVE VENT - US
1	050222-01-000	EA	LABEL-WARNING, STOVE VENT - CANADIAN

LABELS GROUP (CONTINUED)

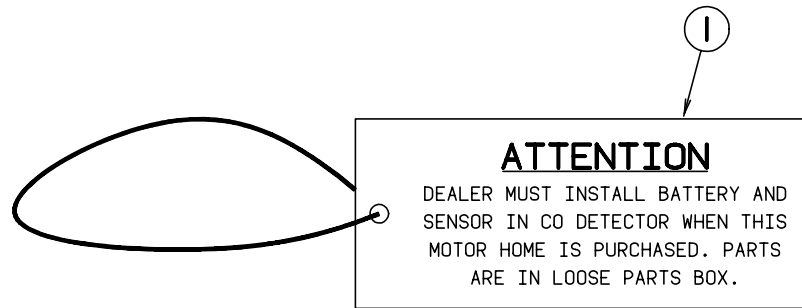


KEY	PART NUMBER	U/M	DESCRIPTION
1	006040-01-000	EA	TAG-GAS REFUELING WARNING
1	006040-02-000	EA	TAG-GAS REFUEL WARNING, CANADIAN
2	023769-01-000	EA	LABEL-WARNING, LPG - CANADIAN



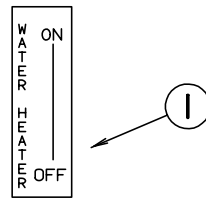
KEY	PART NUMBER	U/M	DESCRIPTION
1	065748-01-000	EA	LABEL-CAUTION, BATTERY CHARGING

LABELS GROUP (CONTINUED)

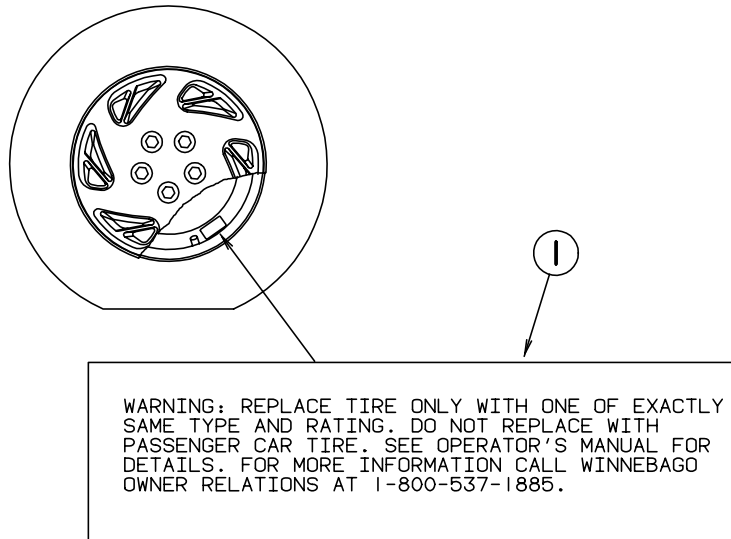


KEY	PART NUMBER	U/M DESCRIPTION
1	112518-01-000	EA LABEL-HANG TAG, CO DETECTOR

FROM: 00-00-00 THRU: 09-10-95



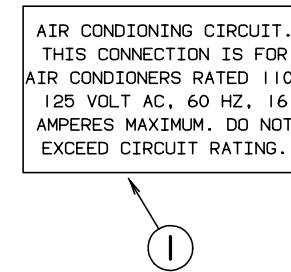
KEY	PART NUMBER	U/M DESCRIPTION
1	083588-01-000	EA LABEL-ON/OFF, WATER HEATER



(ATTACH TO ALL WHEELS, INCLUDING SPARE, NEAR VALVE STEM)

KEY	PART NUMBER	U/M DESCRIPTION
1	115869-01-000	EA LABEL-WARNING, TIRE

LABELS GROUP (CONTINUED)

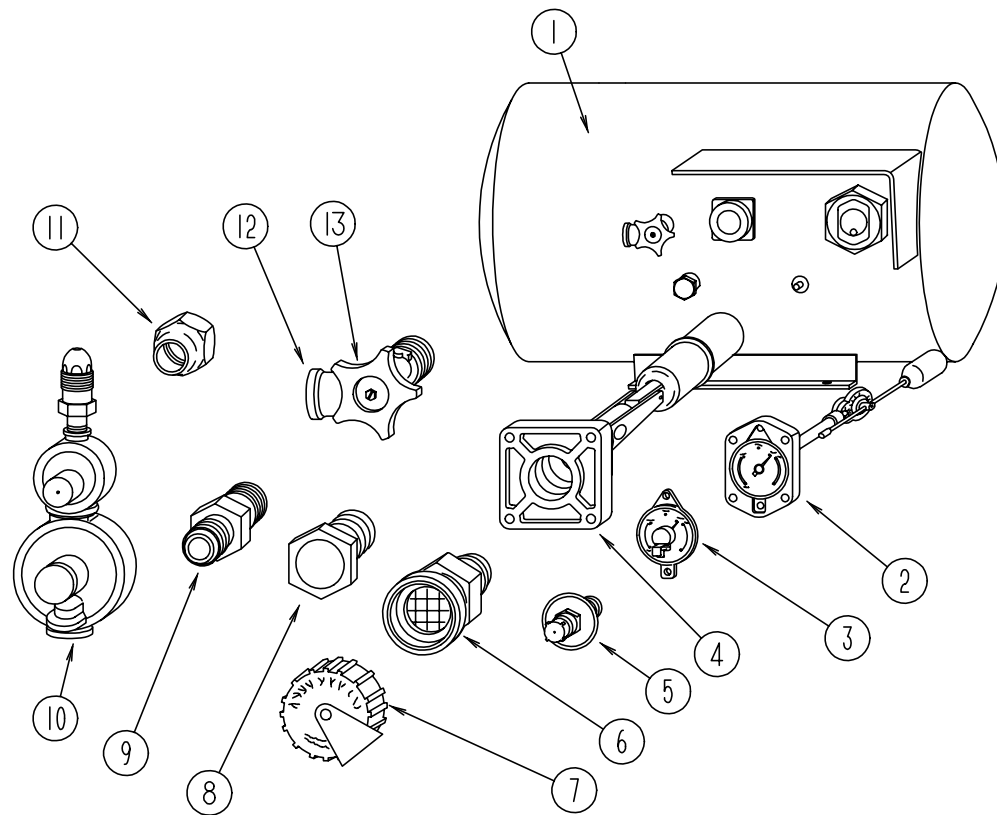


KEY	PART NUMBER	U/M DESCRIPTION
1	091243-01-000	EA LABEL-A/C COVER

MISCELLANEOUS LABELS

KEY	PART NUMBER	U/M DESCRIPTION
	120677-01-000	EA LABEL-TV
	087236-01-000	EA LABEL-CABLE, INPUT

LP GROUP



BRUNNER LP TANK & COMPONENTS

KEY	PART NUMBER	U/M DESCRIPTION	VENDOR NO.
1	074039-04-000	EA TANK-LP, 28 LB - BOTTOM MOUNT - 10" DIA X 23" LONG	
2	074039-01-700	EA FLOAT ASM. (SIGHT GAUGE) BOLT	10C
3	040440-02-000	EA DIAL-TRANSMITTER, 0-90 OHM	
4	074039-04-700	EA VALVE - 80% FILL W/AUTO STOP	LVTL290C9010
5	040421-01-700	EA VALVE-LIQUID LEVEL, 20%	G-1013
6	040421-01-701	EA VALVE-FILL-SHORT, LP	75478
7	040421-01-702	EA CAP-FILL VALVE, PLASTIC	G-1014-A
8	040421-01-713	EA VALVE-VAPOR ONLY	29000587
9	010323-01-000	EA ADAPTER-BRASS, 3/8" F X 1/2" MPT	
10	106150-03-000	EA REGULATOR-TWO STAGE LPG, M'BRASS 295-00	
11	010377-02-000	EA NUT-BRASS, 3/8" FEMALE - FORGED	
12	040421-01-712	EA VALVE, SERV. W/O VAPOR RELIEF	29000853
13	040421-01-708	EA HANDWHEEL-SERVICE VALVE	G-1015-A
	103613-01-000	EA DETECTOR-LP GAS	
	074458-01-000	EA ELBOW - 3/8"M FL TO 3/8"F FL SVL - ANCHOR BRASS A800	
	010252-01-000	EA ELBOW-BRASS, 90 DEGREE - 3/8" F X 1/2" MPT	
	010265-01-000	EA ELBOW-BRASS, 90 DEGREE - 3/8" F X 1/2" FPT	
	033759-01-000	EA ELBOW-BRASS, 90 DEGREE - 3/8" F X 3/8" F	
	024250-01-000	EA ADAPTER-BRASS, 3/8" F X 1/2" FPT	
	008042-01-000	FT TUBING-VINYLL, .65" ID	

SEALANTS & FASTENERS GROUP

NUTS, BOLTS AND WASHERS

KEY	PART NUMBER	U/M DESCRIPTION
	044364-02-000	EA NUT-SPEED, FLAT - ROUND
	087234-01-000	EA NUT-JACK, 1/4" X 20 THREADS, MOLLY - ARDEN 8-L,JN BRASS
		MOUNTS LICENSE PLATES TO REAR BUMPER
	063729-01-000	EA RIVNUT, 1/4 X 20 UNC - .030-.125
		MOUNTS LICENSE PLATES TO FRONT BUMPER
	0MD16K-10-000	EA NUT-HEX PREV TORQUE M10X1,50 - CLASS 8
	0MD39K-12-000	EA NUT-HEX W/NYLON LOK M12 X 1,75 RNO--7703034095
	0MD40K-14-000	EA NUT-HEX W/NYLON LOK M14 X 2,00 RNO--7703034104
	000D24-10-00B	EA NUT-HEX, SF/LK - 10-32 - ZN
	000D34-04-00B	EA NUT-HEX, LK 1/4 - 20 - ZN
	000D39-04-00B	EA NUT-HEX, SER FLG LK - 1/4 - 20 - ZN
	000D39-05-00B	EA NUT-HEX, SER FLG LK - 5/16 - 18 - ZN
	000D39-06-00B	EA NUT-HEX, SER FLG LK - 3/8 - 16 - ZN
	000D39-08-00B	EA NUT-HEX, SER FLG LK - 1/2 - 13 - ZN
	000D44-07-00B	EA NUT-HEX, SER FLG LK - 7/16 - 20 - ZN
	000D46-04-00A	EA NUT-HEX, WELD - 1/4 - 20 - PLAIN - SHORT PILOT
	084406-01-000	EA NUT-CAPPED, CROSS RECESS - BLACK - 1/4 - 20 THD
	0MC13K-14-070	EA BOLT-HEX, M14 X 2.00 X 070
	0MC31K-08-020	EA BOLT-HEX, SERRATED FLANGE - M8 X 020
	0MC32K-10-030	EA BOLT-HEX, SERRATED FLANGE - M10 X 1,50 9
	000C12-04-12A	EA BOLT-HEX, 1/4-20 X .75 - PLAIN 5
	000C12-05-16B	EA BOLT-HEX, 5/16-18 X 1 - ZINC 5
	000C12-05-64B	EA BOLT-HEX, 5/16-18 X 4
	000C12-06-16B	EA BOLT-HEX, 3/8-16 X 1LG - ZINC 5
	000C12-08-24B	EA BOLT-HEX, 1/2-13 X 1 1/2 - ZINC 5
	000C26-04-14B	EA BOLT-HEX, 1/4-20 X 7/8 - SERRATED FLANGE - ZINC
	000C26-04-10B	EA BOLT-HEX, 1/4-20 X 5/8 - SERRATED FLANGE - ZINC
	000C26-05-12B	EA BOLT-HEX, 5/16-18 X 3/4 - SERRATED FLANGE - ZINC
	000C26-06-12B	EA BOLT-HEX, 3/8-16 X 3/4 - SERRATED FLANGE - ZINC
	000C27-05-16B	EA BOLT-CARRIAGE, 5/16-18 X 1.0 - ZN
	051387-06-000	EA BOLT-CARRIAGE, W/O HOLE - 5/16-18 X 9.5 - ZINC
	087718-01-000	EA BOLT-MONO, 3/16" DIAMETER - STEEL
	113985-01-000	EA BOLT-FLANGE, M10-1.5 X 40CL10.9 - ZINC & CL
	113985-02-000	EA BOLT-FLANGE, M10-1.5 X 30CL10.9 - ZINC & CL
	0ME06K-14-280	EA WASHER-FLAT, 14 ID X 28,0 OD
	000E11-05-00B	EA WASHER-LK, 5/16 MED SPLIT - ZINC
	000E11-08-00B	EA WASHER-LK, 1/2 MED SPLIT - ZINC
	000E13-14-00B	EA WASHER-FL, 1/4 WIDE - ZINC
	000E13-17-00B	EA WASHER-FL, 3/8" AR - ZINC
	000E13-18-00B	EA WASHER-FL, 3/8" WIDE - ZINC
	000E13-18-00K	EA WASHER-FL, 3/8" WIDE - YELLOW CHROMATE
	000E13-20-00B	EA WASHER-FL, 7/16" WIDE - ZINC
	041322-01-000	EA WASHER-FL, 15/32" ID X 2 3/8" OD

SEALANTS & FASTENERS GROUP (CONTINUED)

SCREWS

KEY	PART NUMBER	U/M DESCRIPTION
	000G11-08-12D	EA SCREW, 8-18 X 3/4 PPH - BLACK
	000G11-08-10B	EA SCREW, 8-18 X 5/8 PPH - ZINC
	000G11-10-10X	EA SCREW, 10-16 X 5/8 PPH - GRAY
	000G11-10-12D	EA SCREW, 10-16 X 3/4 PPH - BLACK
	000G11-10-12S	EA SCREW, 10-16 X .75 PPH - OFF WHITE
	000G11-06-08B	EA SCREW, 6-20 X 1/2 PPH - ZINC
	000G11-06-10J	EA SCREW, 7-19 X 1/2 PPH - ZINC
	000G11-06-24B	EA SCREW, 6-20 X 1.5 PPH - ZINC
	000G11-07-08B	EA SCREW, 7-19 X 1/2 PPH - ZINC
	000G11-08-06B	EA SCREW, 8-18 X 3/8 PPH - ZINC
	000G11-08-08B	EA SCREW, 8-18 X 1/2 PPH - ZINC
	000G11-08-08T	EA SCREW, 8-18 X 1/2 PPH - FLUROCARBON COATING
	000G11-08-12B	EA SCREW, 8-18 X 3/4 PPH - ZINC
	000G11-08-12D	EA SCREW, 8-18 X 3/4 PPH - BLACK
	000G11-08-12P	EA SCREW, 8-18 X 3/4 PPH - DARK BROWN
	000G11-08-12S	EA SCREW, 8-18 X .75 PPH - OFF WHITE
	000G11-08-20B	EA SCREW, 8-18 X 1 1/4 PPH - ZINC
	000G12-06-08T	EA SCREW, 6-20 X .50 POH - BLACK
	000G13-06-08B	EA SCREW, 6-20 X 1/2 PFH - ZINC
	000G13-06-08G	EA SCREW, 6-20 X 1/2 PPH - ANTIQUE BRASS
	000G13-06-12B	EA SCREW, 6-20 X .75 PFH - ZINC
	000G13-06-16E	EA SCREW, 6-20 X 1.00 PFH - CHROME
	000G13-07-10H	EA SCREW, 7-19 X 5/8 PFH - BLACK
	000G13-07-12B	EA SCREW, 7-19 X 3/4 PFH - ZINC
	000G13-08-10B	EA SCREW, 8-18 X 5/8 PFH - ZINC
	000G13-08-10S	EA SCREW, 8-18 X 5/8 PFH - OFF WHITE
	000G13-08-16B	EA SCREW, 8-18 X 1 PFH - ZINC
	000G13-10-12B	EA SCREW, 10-16 X 3/4 PFH - ZINC
	000G16-04-24B	EA SCREW-MACH, 1/4-20 X 1.5" PPH - ZINC
	000G19-10-08B	EA SCREW-MACH, 10-32 X 1/2" PPH - ZINC
	000G37-08-12B	EA SCREW, 8-18 X 3/4 PPH - ZINC
	000G38-04-229	EA SCREW-MACH, 1/4-20 X 1.38 PFH - STALGARD
	000G39-06-08B	EA SCREW-DR, 6-18 X 1/2 - ZINC
	000G39-06-10T	EA SCREW-SF/DR, 6-20 X 5/8 PPH - BLACK
	000G39-06-16T	EA SCREW-SF/DR, 6-20 X 1 PPH - BLACK
	000G39-08-06B	EA SCREW-SF/DR, 8-18 X 3/8 PPH - ZINC
	000G39-08-08B	EA SCREW-SF/DR, 8-18 X 1/2 PPH - ZINC
	000G39-08-08T	EA SCREW-SF/DR, 8-18 X .50 PPH - BLACK
	000G39-08-12B	EA SCREW-SF/DR, 8-18 X 3/4 PPH - ZINC
	000G39-08-12T	EA SCREW-SF/DR, 8-18 X 3/4 PPH - BLACK
	000G39-08-16B	EA SCREW-SF/DR, 8-18 X 1.00 PPH - ZINC
	000G39-08-16R	EA SCREW-SF/DR, 8-18 X 1.00 PPH - BEIGE

SEALANTS & FASTENERS GROUP (CONTINUED)

SCREWS (CONTINUED)

KEY	PART NUMBER	U/M DESCRIPTION
	000G39-08-08S	EA SCREW-SF/DR, 8-18 X 1/2 PPH - OFF WHITE
	000G39-08-16T	EA SCREW-SF/DR, 8-18 X 1.00 PPH - BLACK
	000G39-08-24B	EA SCREW-SF/DR, 8-18 X 1 1/2 PPH - ZINC
	000G39-10-08B	EA SCREW-SF/DR, 10-16 X 1/2 P&H - ZINC
	000G39-10-10B	EA SCREW-SF/DR, 10-16 X .625 - ZINC
	000G39-10-10S	EA SCREW-SF/DR, 10-16 X .62" - PPH - OFF WHITE
	000G39-10-12B	EA SCREW-SF/DR, 10-16 X .75 PPH - ZINC
	000G39-10-20B	EA SCREW-SF/DR, 10-16 X 1 1/4 PPH - ZINC
	000G39-10-32B	EA SCREW-SF/DR, 10-16 X 2.00 PPH - ZINC
	000G39-10-32I	EA SCREW-SF/DR, 10-16 X 2.00 PPH - ZINC
	000G39-10-088	EA SCREW-SF/DR, 10-16 X .50 P&H - FLUOROCARBON
	000G39-10-20B	EA SCREW-SF/DR, 10-16 X 1 1/4 PPH - ZINC
	000G39-10-129	EA SCREW-SF/DR, 10-16 X 3/4 PPH - FLUOROCARBON SILVER
	000G42-04-12B	EA SCREW-SF/DR, 1/4-14 X 3/4 HWH - ZINC
	000G42-04-16B	EA SCREW-SF/DR, 1/4-14 X 1 HWH - ZINC
	000G50-04-12B	EA SCREW-MACH, 1/4-20 X 3/4 PPH - ZINC
	000G55-08-12S	EA SCREW-SF/DR, 8-18 X 3/4 PWH - OFF WHITE
	000G57-05-16J	EA SCREW, 5-20 X 1 PFH - BRASS
	000G67-10-08B	EA SCREW, 10-12 X 1/2 PPH - ZINC
	000G67-10-10B	EA SCREW, 10-12 X 5/8 PPH - ZINC - TYPE A
	000G67-10-10D	EA SCREW, 10-12 X 5/8 PPH - BLACK - TYPE A
	000G67-10-12B	EA SCREW, 10-12 X 3/4 PPH - ZINC
	000G68-06-10G	EA SCREW, 6-18 X 5/8 POH - ANTIQUE BRASS
	0G1106-08-130	EA SCREW, 6-20 X 1/2 PPH - TAUPE
	0G1108-08-130	EA SCREW, 8-18 X 1/2 PPH - VW TAUPE
	0G1108-12-130	EA SCREW, 8-18 X .75 PPH - VW TAUPE
	0G1110-12-130	EA SCREW, 10-16 X .75 PPH - VW TAUPE
	0G3908-16-130	EA SCREW-SF/DR, 8-18 X 1.00 PPH - VW TAUPE
	0G3910-32-160	EA SCREW-SF/DR, 10-16 X 2.00 PPH - VW WHITE
	0G5508-08-130	EA SCREW-SF/DR, 8-18 X .5 PWH - VW TAUPE
	0G5508-12-130	EA SCREW-SF/DR, 8-18 X .75 PWH - VW TAUPE
	0G6710-08-130	EA SCREW, 10-12 X 1/2 PPH - VW TAUPE
	049465-03-000	EA SCREW, 10-16 X 1 POH W/WASHER - OFF WHITE
	090033-01-000	EA SCREW, 1/4 - 20 X 5/8 RD - W/WASHER - HD - BEIGE W/ADHESIVE
	101618-01-000	EA SCREW, 1/4-20 X 3/4 HEX/TAPPING - STALGARD TYPE F
	113563-01-01A	EA SCREW, 8 X .62 LG SHOULD/WASH HD - HWH TEKS SCREW
	086256-01-000	EA SCREW ASM-SF/DR 8 X .75 HWH LG - PL BODY PNL MT
	116111-02-01A	EA SCREW-TAPTITE, 1/4-20 X 3/8 PPH - ZINC
	117478-01-01A	EA SCREW, 8-18 X .75" PPH W/WASHER - VW TAUPE
	057671-01-000	EA COVER-SCREW, #8 - PLASTIC - OFF WHITE
	057671-09-000	EA COVER-SCREW, #8 - PLASTIC - TAUPE - PRO-DEC PRODUCT

SEALANTS & FASTENERS GROUP (CONTINUED)

ADHESIVE AND SEALANTS

KEY	PART NUMBER	U/M DESCRIPTION
	004001-05-000	EA EPOXY ADHESIVE - CLEAR - DP-100
	004020-01-000	QT ADHESIVE-ABS CEMENT - QUART
	112902-01-000	EA NOZZLE-ELEMENT, 3/8 X 24
	900390-01-000	EA TIP - 2 1/2" X 1/8" ORIFICE, ELLSWORTH#TS216
	900390-03-000	EA NOZZLES-SILICONE TUBE, CSL# D10
	034552-14-000	EA SILICONE-TUBE, 300 ML - VW WHITE
	063642-01-000	FT TAPE-ADHESIVE, 10 MM X 15" WIDE
	069640-02-000	FT SEALER-RIBBON, 1/2" X 1/8" - INCREMENTS OF 60'
	069640-03-000	FT SEALER-RIBBON, 3/4" X 1/8" - INCREMENTS OF 60'
	076322-01-000	FT TAPE-FOAM, DOUBLE COATED ADHESIVE BACKED - .75" X 216'
	076322-02-000	FT TAPE-FOAM, DOUBLE COATED ADHESIVE BACKED - 1" X 108'
	076322-03-000	FT TAPE-FOAM, DOUBLE COATED ADHESIVE BACKED - .5" X 108'
	076322-05-000	FT TAPE-FOAM, DOUBLE COATED - .025" X 1.5"
	076322-07-000	FT TAPE-FOAM, DOUBLE COATED - .045" X .50" - NORT V2000
	087211-01-000	GL PROMOTER-ADHESIVE
	102352-01-000	EA SEALER-PUMPABLE, BLACK
	103202-02-000	FT TAPE-FOAM ADHESIVE, ONE SIDE GRAY - NORTON V412 5/8 IN
	107828-01-000	EA SEALANT-SB 190 - EVERSEAL - SURE BOND INC
	112901-01-000	EA ADHESIVE-PLEXUS MA 330 - 400 ML - P33000
	112901-02-000	EA ADHESIVE-PLEXUS MA 330 - 50 ML - P33500

SEALANTS & FASTENERS GROUP (CONTINUED)

MISCELLANEOUS FASTENERS

KEY	PART NUMBER	U/M DESCRIPTION
	000H14-04-08R	EA RIVET-MANDREL BLIND, 4/32 AL -CHERRY BSP-48
	000H16-06-10R	EA RIVET-POP, AL 3/16 X .501-.625
	008384-01-000	EA GROMMET-SNAP, 3/4" DIAMETER - NYLON
	008386-01-000	EA GROMMET-SNAP, 3/8"
	016188-03-000	EA GROMMET-L/P LINE, 3/8" HOLE X 2 1/2" LONG - RUBBER
	023942-01-000	EA GROMMET-RUBBER, 2" OD
	071015-13-000	EA GROMMET-RUBBER, .62" ID X 1" OD W/.09" GROOVE - BLACK
	071015-22-000	EA GROMMET-RUBBER, .62" ID X 1.12" OD W/.19" GROOVE - BLACK
	071015-31-000	EA GROMMET-RUBBER, .69" ID X 1.31" OD W/.12" GROOVE - BLACK
	071015-32-000	EA GROMMET-RUBBER, .75" ID X 1.375" OD W/.187" GROOVE - BLACK
	077953-01-000	EA GROMMET-EDGE LINER, FITS 1"
	114208-01-000	EA GROMMET-EDGE LINER, FITS 1.75" - HEYCO 2300
	114208-03-000	EA GROMMET-EDGE LINER, FITS 2.50" - HEYCO 2420
	007161-01-000	EA CLAMP-HOSE, SPRING TYPE - 1/2"
	010495-01-000	EA CLAMP-CABLE, 9/16"
	010495-02-000	EA CLAMP-CABLE, 3/8"
	010497-01-000	EA CLAMP-CLOSED, 5/8" ID
	010497-04-000	EA CLAMP-CLOSED, 1.62 ID - ADEL,945-2717
	010497-05-000	EA CLAMP-CLOSED, 1/2" ID
	010497-07-000	EA CLAMP-CLOSED, 3/8" ID
	062401-01-000	EA CLAMP-HOSE, WORMGEAR .25" - 1"
	062401-02-000	EA CLAMP-HOSE, WORMGEAR 1.56" - 2.5"
	062401-03-000	EA CLAMP-HOSE, WORMGEAR .22" - 1"
	062401-04-000	EA CLAMP-HOSE, WORMGEAR .69" - 1.25"
	062401-06-000	EA CLAMP-HOSE, WORMGEAR .22" - .62"
	075148-02-000	EA CLAMP-GROUNDING, BRONZE SCREWS
	083610-01-000	EA CLAMP-WIRE, DUAL - UNEQUAL DIAMETERS - .75" & 1.25"
	077955-01-000	EA CLIP-J, VINYL COATED - 3/8"
	080211-03-000	EA CLIP-MOUNTING, (CHRISTMAS TREE)
	080734-02-000	EA CLIP-WIRE, NYLON
	091952-02-000	EA CLIP-GRIPPER, 3/4"
	008343-01-000	EA TIE-WIRE, 6"
	108046-01-000	EA CABLE TIE-SCREW MOUNT, 8"
	034141-02-000	EA PLUG-HOLE, 3/8" - NYLON - BLACK
	061420-07-000	EA PLUG - 1.8" DIAMETER, PLASTIC - CAPLUG BP-1.8
	085774-01-000	FT FASTENER-DUAL HOOK, 1" WIDE - ADHESIVE BACK - BLACK
	085774-02-000	FT FASTENER-DUAL LOOP, 1" WIDE - ADHESIVE BACK - BLACK
	085774-03-000	FT FASTENER-DUAL LOCK, 1/2" WIDE - 3M-3541
	085774-04-000	FT FASTENER-DUAL LOCK, 1/2" WIDE - 3M-3541

**WATER & SEWAGE GROUP
FRESH WATER TANK**

KEY	PART NUMBER	U/M DESCRIPTION
	074510-07-000	EA TANK ASM-WATER, 16 GAL - W/FITTINGS - 850 MM X 290 MM X 270 MM
	074510-01-000	EA TANK ASM-WATER, 16 GAL - W/O FITTINGS - 850 MM X 290 MM X 270 MM
	077954-02-000	EA FILTER-WATER TANK, SCREEN IN TANK
	079381-01-000	FT TUBING-SMOOTH, FLEXIBLE - 1 1/4" ID
	042989-03-000	EA FITTING-WATER TANK, SPINWELD - 1 1/4"NPT - PLASTIC - WHITE
	042989-04-000	EA FITTING-WATER TANK, SPINWELD - 3/8" FPT - PLASTIC - WHITE
	042989-05-000	EA FITTING-WATER TANK, SPINWELD - 1/2" FPT - PLASTIC - WHITE
	049032-01-000	EA PATCH-SPINWELD, 3/8" - PLASTIC
	039861-01-000	EA SENDING UNIT W/SCREW, WASHER, WELL NUT AND TERMINAL RING
	035539-01-000	EA ELBOW-PLASTIC, 3/8" MPT X 3/8" BARB
	039798-01-000	EA TEE - 1/2" MPT X 1/2" MPT X 1/2" MPT, PLASTIC
	044927-01-000	EA ADAPTER-HOSE TO PIPE, 1 1/4" MPT X 1 1/4" BARB - BLACK PLASTIC
	074462-02-000	FT TUBING-VINYL, 3/8" ID - CLEAR

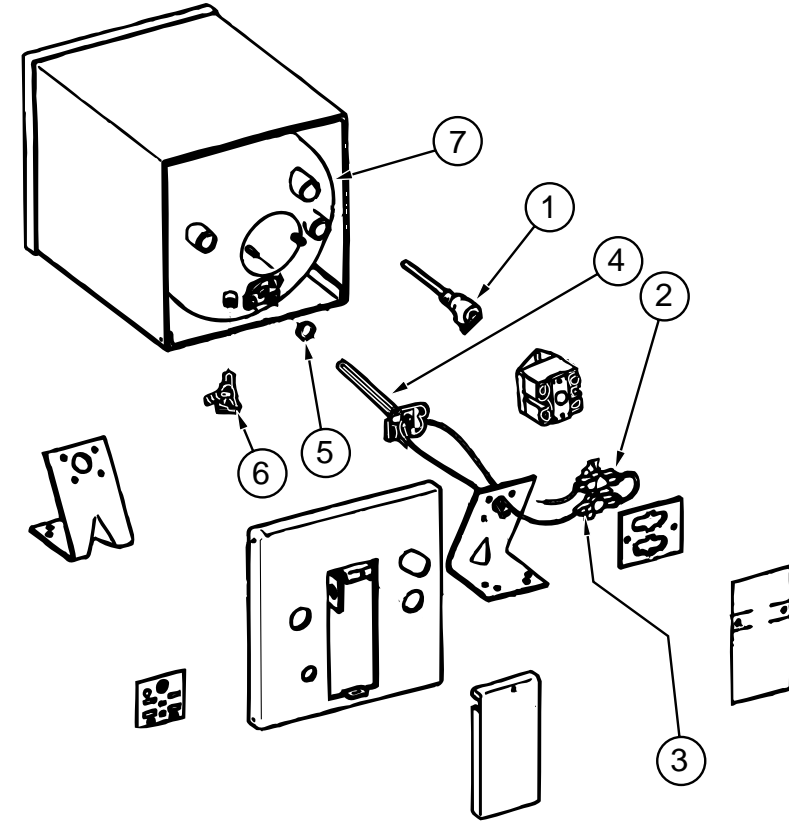
WATER SYSTEM

KEY	PART NUMBER	U/M DESCRIPTION
	110915-01-01A	EA FILL-WATER, CITY - CHROME - KEVCO 64713
	090338-03-000	EA FITTING-HOSE, 3/4" ID - 2" LENGTH - BRASS
	110934-02-000	EA CONNECTOR-BARB, 3/8" PLASTIC - KEVCO TC-7066
	118809-01-000	EA ADAPTER - 1/2" MPT X 3/8" BARB - PLASTIC - KEVCO TA-1086
	114428-01-000	EA TEE - 1/2" P X 1/2" P X 1/2" P - FLAIR-IT 02820
	114428-02-000	EA TEE-SWIVEL, 1/2" P X 1/2" P X 1/2" FPT - FLAIR-IT 02821
	114428-03-000	EA TEE - 1/2" P X 1/2" P X 1/2" MPT - FLAIR-IT 02822
	114429-01-000	EA ELBOW - 1/2" P X 1/2" P - FLAIR-IT 02800
	114429-03-000	EA ELBOW - 1/2" P X 1/2" FPT - FLAIR-IT 02816
	114429-05-000	EA ELBOW - 1/2" P X 3/4" MPT - FLAIR-IT 02812
	114430-01-000	EA ADAPTER - 1/2" P X 1/2" P - FLAIR-IT 02840
	114430-02-000	EA ADAPTER-SWIVEL, 1/2" P X 1/2" FPT - FLAIR-IT 02873
	114431-01-000	EA VALVE-LINE DRAIN, 1/2" P - FLAIR-IT 02914
	114431-03-000	EA VALVE - 1/2" P X 1/2" P - FLAIR-IT 02884
	114431-04-000	EA VALVE-WATER - STRAIGHT THRU - "SHUT OFF VALVE"
	039800-02-000	FT TUBING-POLYBUTYL, 5/8" OD - INCREMENTS OF 20' - BLACK

EXTERIOR SHOWER

KEY	PART NUMBER	U/M DESCRIPTION	VENDOR NO.
	079563-04-01A	EA FAUCET-SHOWER - P442SVB	
	103092-01-000	EA SHOWER HEAD - W/60" HOSE	
	103092-02-000	EA SHOWER HEAD - W/60" HOSE - CSA	
	103092-01-700	EA BRACKET ONLY-CLEAR, F/SHOW HEAD - 2328028	
	103092-01-702	EA SEALS-SPRAY HEAD	24466
	011048-03-700	EA BRACKET/F SHOWER HEAD - BPC	2328029-3
	108356-02-01A	EA COVER-SWITCH W/DIMPLES, CARLING VVAZC00 BLA	
	108357-08-000	EA ROCKER SWITCH, SPDT ON/NONE/ON - 6 TERMINAL - CARLING VDD1S00C-0	
	121473-01-01A	EA COMPARTMENT-EXTERIOR SHOWER, OFF WHITE PLASTIC	
	120592-01-01A	EA COMPARTMENT-EXTERIOR SHOWER, OFF WHITE PLASTIC - JAPAN	

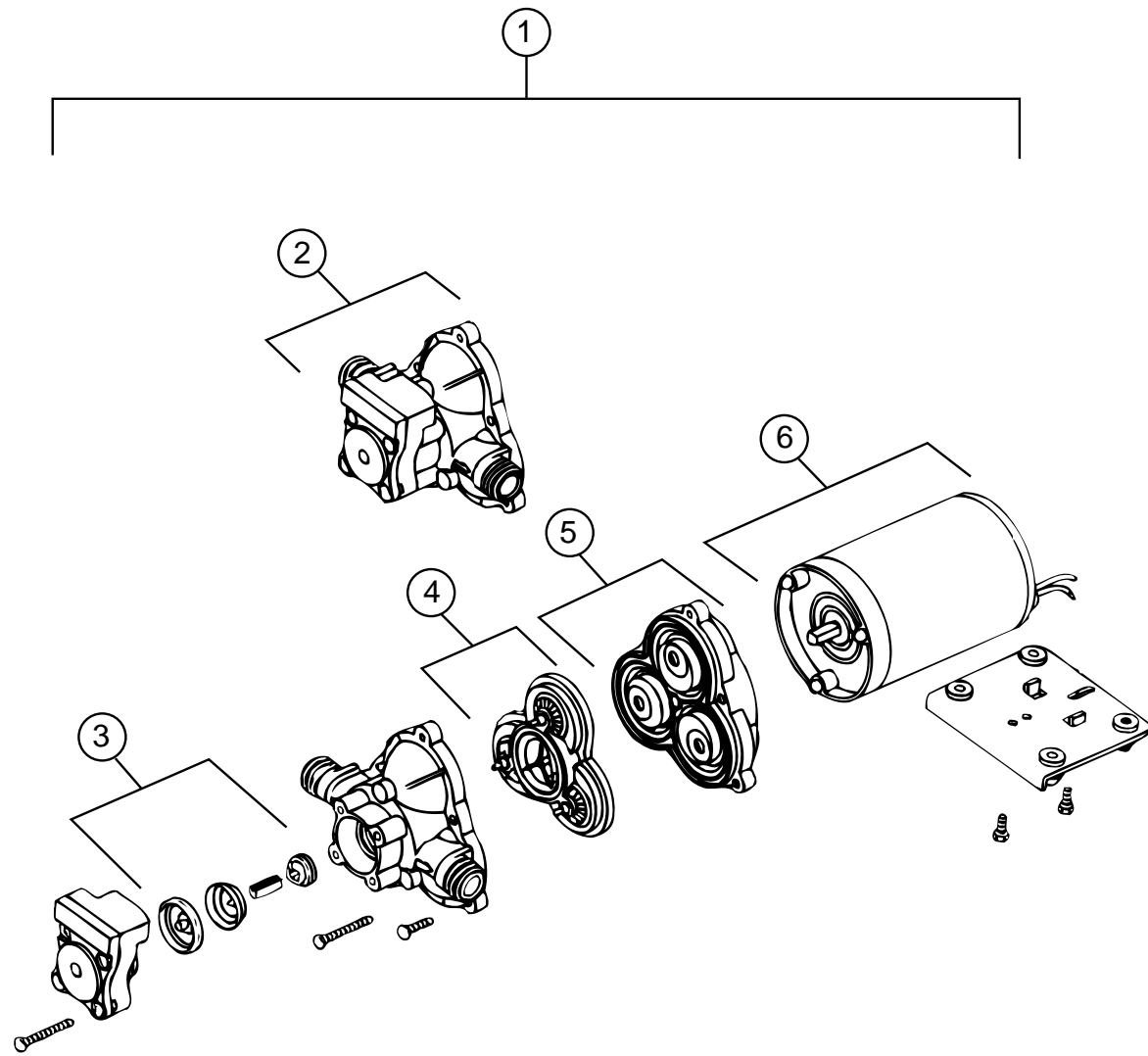
WATER & SEWAGE GROUP (CONTINUED)



ATWOOD ELECTRIC WATER HEATER

KEY	PART NUMBER	U/M DESCRIPTION	VENDOR NO.
	113122-01-000	EA WATER HEATER-ELECTRIC, 4 GL - ATWOOD EHM4-SM	
	113122-02-000	EA WATER HEATER-ELECTRIC, 4 GL - ATWOOD EHM4-220 - EUROPEAN OPTION	
1	051391-01-704	EA VALVE-RELIEF, 1/2" FITTING	91604
2	074034-01-700	EA SWITCH	92942
2	113122-02-700	EA SWITCH, ECO 220 V - EUROPEAN OPTION	91740
3	074034-01-701	EA THERMOSTAT	92943
4	074034-01-702	EA ELEMENT-IMMERSION, 1500 W	93089
4	113122-02-701	EA ELEMENT-HEATING, 220 V - EUROPEAN OPTION	91097
5	074034-01-703	EA GASKET	92679
5	113122-02-702	EA GASKET (220 V) - EUROPEAN OPTION	91098
6	074034-01-704	EA VALVE-DRAIN, PETCOCK - NADA	93755
7	113122-01-700	EA TANK-INNER	92245

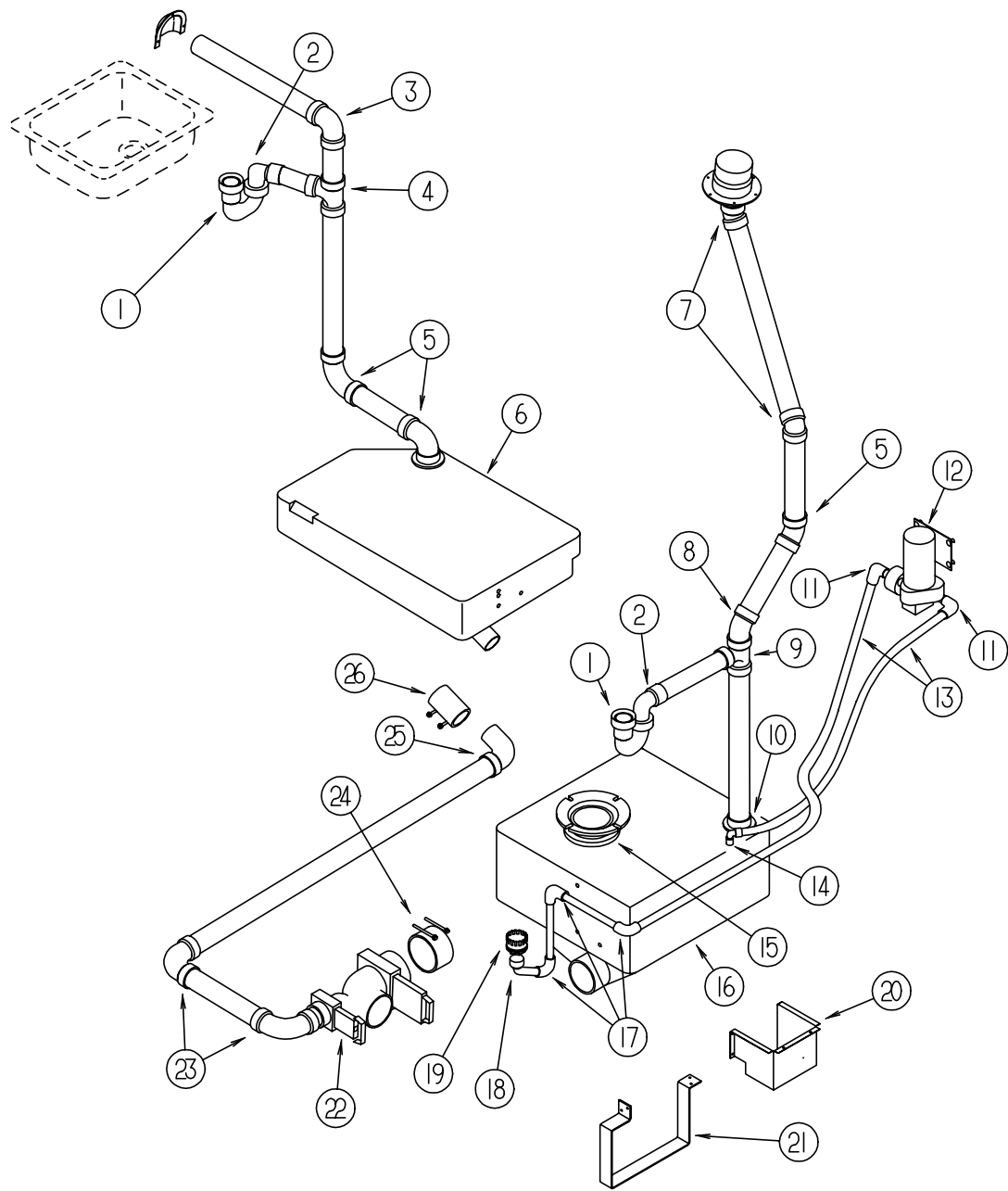
WATER & SEWAGE GROUP (CONTINUED)
SHURFLO WATER PUMP OR SUMP PUMP & COMPONENTS



KEY	PART NUMBER	U/M	DESCRIPTION
1	098607-01-000	EA	PUMP-WATER/SUMP, W/.5" MPT FITTING - FLOW 2.8 GPM - UL
2	098607-01-706	EA	HOUSING W/SWITCH ONLY
3	098607-01-705	EA	VALVE-CHECK, KIT
4	098607-01-703	EA	VALVE KIT
5	098607-01-702	EA	DIAPHRAGM/DRIVE ASSEMBLY KIT
6	098607-01-707	EA	MOTOR W/BASEPLATE

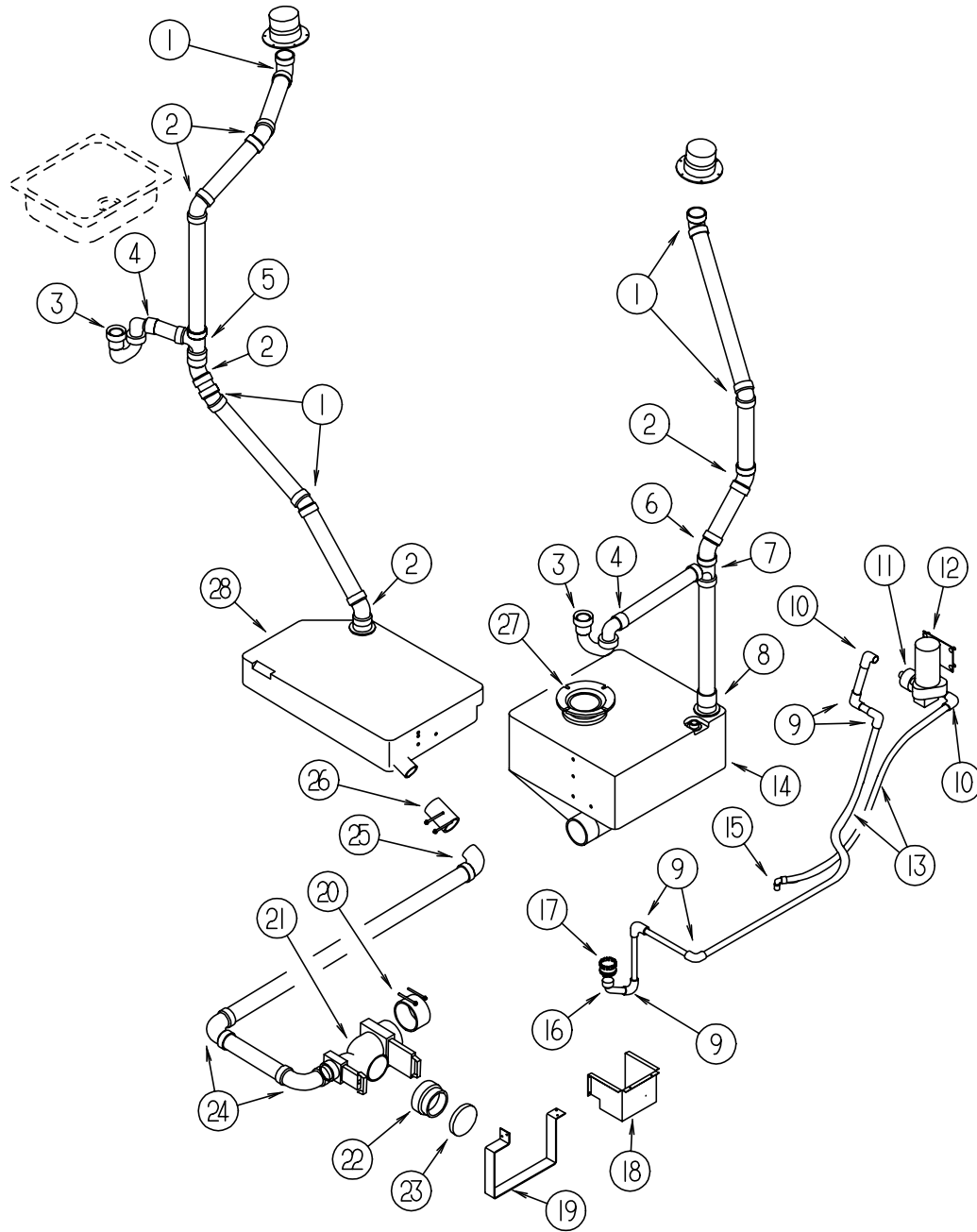
VENDOR NO.
94-231-20
94-237-00
94-232-00
94-238-04
94-234-03

WATER & SEWAGE GROUP (CONTINUED)
DRAINAGE SYSTEM (FROM: 00-00-00 THRU: 12-03-95) US & CANADA



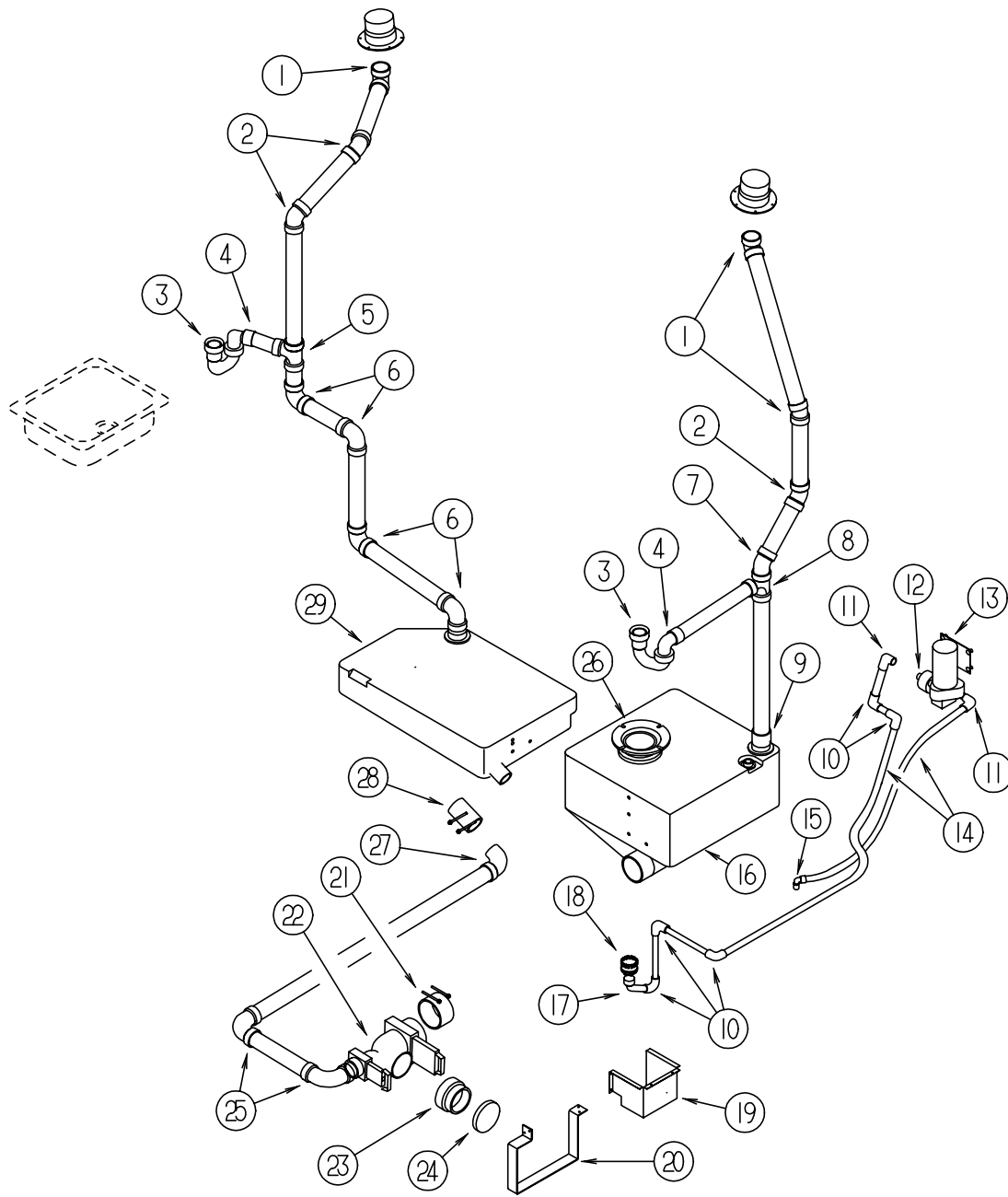
KEY	PART NUMBER	U/M DESCRIPTION
1	107538-01-000	EA P-TRAP-PLASTIC, 1 1/4" W/EXT ARM - US
1	011066-03-700	EA P-TRAP KIT - 1 1/2" X 1 1/4" P-TRAP W/1 1/2 TO 1 1/4 REDUCER - CANADIAN
2	109571-01-000	EA ADAPTER-P TRAP, 1 1/2" P X 1 1/4" MPT
3	037101-01-000	EA ELBOW-PLASTIC, 1/4 BEND VENT 1 1/2" H - SLOANE 2201
4	010071-02-000	EA TEE-SANITARY W/BAFFLE, 1 1/2" HUB X HUB X HUB - PLASTIC - BLACK
5	010006-01-000	EA ELBOW - 45 DEGREE , 1/8 BEND - 1 1/2" HUB X HUB - BLACK PLASTIC
6	111881-01-000	EA TANK-HOLDING, 6 GAL - 640 MM X 413 MM X 115 MM
	061607-01-000	EA GROMMET-HOLDING TANK, 1 1/2" NPS
	039861-01-000	EA SENDING UNIT W/SCREW, WASHER, WELL NUT AND TERMINAL RING
7	010005-01-000	EA ELBOW - 22 1/2 DEGREE, 1/16 BEND - 1 1/2" HUB X HUB - PLASTIC - BLACK
8	010051-01-000	EA ELBOW - 45 DEGREE BEND, 1 1/2" SPIGOT AND HUB - PLASTIC - BLACK
9	010071-01-000	EA TEE-SANITARY, 1 1/2" HUB X HUB X HUB - PLASTIC - BLACK
10	010115-01-000	EA COUPLING - 1 1/2" HUB X HUB, PLASTIC
11	114429-03-000	EA ELBOW-SWIVEL, 1/2" P X 1/2" FPT - FLAIR-IT 02816 - SHOWER OPTION
	114966-01-000	EA FILTER-IN LINE, TWIST ON - 1/2" - SHURFLO #170-061-09 - SHOWER OPTION
12	098607-01-000	EA PUMP-SUMP, W/.5" MPT FITTING - FLOW 2.8 GPM - UL - SHOWER OPTION
13	039800-02-000	FT TUBING-POLYBUTYL, 5/8" OD - INCREMENTS OF 20' - BLACK
14	114429-02-000	EA ELBOW - 1/2" P X 1/2" MPT - FLAIR-IT 02803
15	063641-01-000	EA FLANGE-CLOSET, 4" X 3"
16	111884-01-000	EA TANK-HOLDING, 13 GAL - 486 MM X 466 MM X 330 MM
	061607-01-000	EA GROMMET-HOLDING TANK, 1 1/2" NPS
	061607-02-000	EA GROMMET-HOLDING TANK, 3" NPS
	039861-01-000	EA SENDING UNIT W/SCREW, WASHER, WELL NUT AND TERMINAL RING
17	114429-01-000	EA ELBOW - 1/2" P X 1/2" P - FLAIR-IT 02800
18	114429-06-000	EA ELBOW-SWIVEL, 1/2" P X 3/4" FPT - FLAIR-IT 02811
19	114974-01-000	EA CONNECTOR-HULL, W/STRAINER - ATTWOOD 3886-1
	069735-01-000	EA WASHER-STRAINER TO TAILPIECE, 1.5" - PLASTIC
20	114987-01-09B	EA PANEL-COVER, SUMP - BOTTOM - 144.4 MM X 130.9 MM X 54 MM - GALV STEEL
20	114988-01-09B	EA PANEL-COVER, SUMP - 173.4 MM X 146.4 MM X 114 MM - GALVANIZED STEEL
21	117271-01-02B	EA SHROUD-DRAINAGE, E-COAT - 304.1 MM X 210.7 MM X 38.1 MM - STEEL
22	070916-01-000	EA VALVE-DUAL DUMP, W/CAP - 3" X 1 1/2" - PLASTIC - BLACK
	070916-01-700	EA VALVE ONLY, 3"
	070916-01-701	EA VALVE ONLY, 1 1/2"
	109450-01-000	EA ADAPTER-HOSE, SEWER - PLAS - KEVCO 40738
	062416-01-000	EA ADAPTER-SEWER HOSE TO 3" PIPE
	062415-01-000	EA CAP-SEWER, 3" DIAMETER
	062415-01-700	EA STRING-SEWER CAP
	010201-01-000	EA HOSE-SEWER, 3" ID X 8'
23	010008-01-000	EA ELBOW - 90 DEGREE , 1/4 BEND - 1 1/2" HUB X HUB - BLACK PLASTIC
24	078406-01-000	EA COUPLER-RUBBER, W/CLAMPS - 3" X 3"
25	033761-01-000	EA ELBOW-TURN, 1/4 BEND X 1.5" HUB X 1.5" SPIGOT - PLASTIC - BLACK
26	089355-01-000	EA COUPLER-RUBBER, 1 1/2" X 1 1/2"
	092321-01-000	FT INSULATION-FIBERGLASS, W/ALUMINUM FOIL
	114427-02-000	EA PLUG - 1/2" P - FLAIR-IT 02863

WATER & SEWAGE GROUP (CONTINUED)
DRAINAGE SYSTEM (FROM: 12-04-95 THRU: 99-99-99) US & CANADA



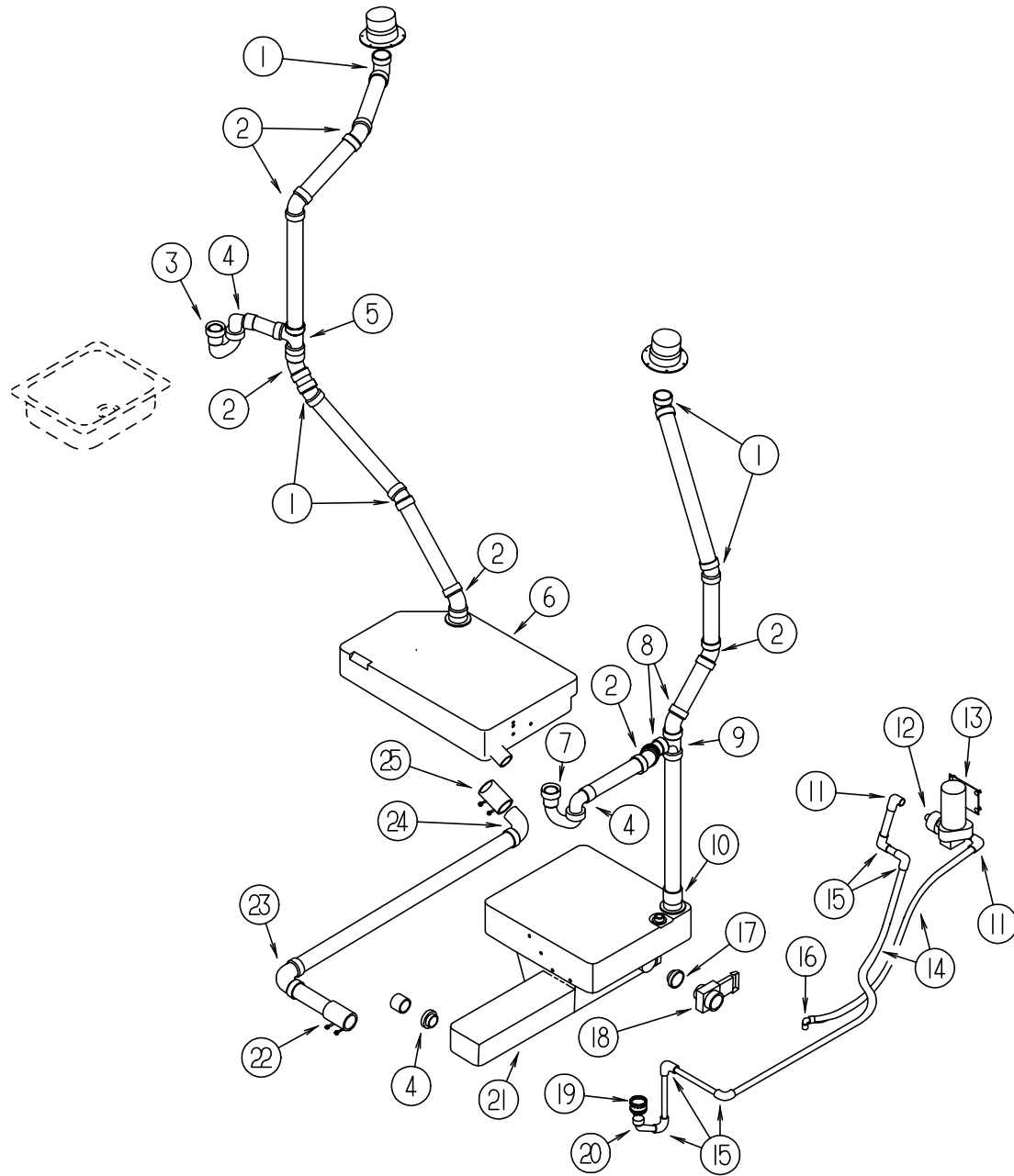
KEY	PART NUMBER	U/M	DESCRIPTION
1	010005-01-000	EA	ELBOW - 22 1/2 DEGREE, 1/16 BEND - 1 1/2" HUB X HUB - PLASTIC - BLACK
2	010006-01-000	EA	ELBOW - 45 DEGREE , 1/8 BEND - 1 1/2" HUB X HUB - BLACK PLASTIC
3	107538-01-000	EA	P-TRAP-PLASTIC, 1 1/4" W/EXT ARM - US
3	011066-03-700	EA	P-TRAP KIT - 1 1/2" X 1 1/4" P-TRAP W/1 1/2 TO 1 1/4 REDUCER - CANADIAN
4	109571-01-000	EA	ADAPTER-P TRAP, 1 1/2" P X 1 1/4" MPT
5	010071-02-000	EA	TEE-SANITARY W/BAFFLE, 1 1/2" HUB X HUB X HUB - PLASTIC - BLACK
6	010051-01-000	EA	ELBOW - 45 DEGREE BEND, 1 1/2" SPIGOT AND HUB - PLASTIC - BLACK
7	010071-01-000	EA	TEE-SANITARY, 1 1/2" HUB X HUB X HUB - PLASTIC - BLACK
8	010115-01-000	EA	COUPLING - 1 1/2" HUB X HUB, PLASTIC
9	114429-01-000	EA	ELBOW - 1/2" P X 1/2" P - FLAIR-IT 02800
10	114429-03-000	EA	ELBOW-SWIVEL, 1/2" P X 1/2" FPT - FLAIR-IT 02816 - SHOWER OPTION
11	114966-01-000	EA	FILTER-IN LINE, TWIST ON - 1/2" - SHURFLO #170-061-09 - SHOWER OPTION
12	098607-01-000	EA	PUMP-SUMP, W/.5" MPT FITTING - FLOW 2.8 GPM - UL - SHOWER OPTION
13	039800-02-000	FT	TUBING-POLYBUTYL, 5/8" OD - INCREMENTS OF 20' - BLACK
14	111884-01-000	EA	TANK-HOLDING, 13 GAL - 486 MM X 466 MM X 330 MM
	061607-01-000	EA	GROMMET-HOLDING TANK, 1 1/2" NPS
	061607-02-000	EA	GROMMET-HOLDING TANK, 3" NPS
	039861-01-000	EA	SENDING UNIT W/SCREW, WASHER, WELL NUT AND TERMINAL RING
15	114429-02-000	EA	ELBOW - 1/2" P X 1/2" MPT - FLAIR-IT 02803
16	114429-06-000	EA	ELBOW-SWIVEL, 1/2" P X 3/4" FPT - FLAIR-IT 02811
17	114974-01-000	EA	CONNECTOR-HULL, W/STRAINER - ATTWOOD 3886-1
	069735-01-000	EA	WASHER-STRAINER TO TAILPIECE, 1.5" - PLASTIC
18	114987-01-09B	EA	PANEL-COVER, SUMP - BOTTOM - 144.4 MM X 130.9 MM X 54 MM - GALV STEEL
18	114988-01-09B	EA	PANEL-COVER, SUMP - 173.4 MM X 146.4 MM X 114 MM - GALVANIZED STEEL
19	117271-01-02B	EA	SHROUD-DRAINAGE, E-COAT - 304.1 MM X 210.7 MM X 38.1 MM - STEEL
20	078406-01-000	EA	COUPLER-RUBBER, W/CLAMPS - 3" X 3"
21	070916-01-000	EA	VALVE-DUAL DUMP, W/CAP - 3" X 1 1/2" - PLASTIC - BLACK
	070916-01-700	EA	VALVE ONLY, 3"
	070916-01-701	EA	VALVE ONLY, 1 1/2"
	109450-01-000	EA	ADAPTER-HOSE, SEWER - PLAS - KEVCO 40738
22	062416-01-000	EA	ADAPTER-SEWER HOSE TO 3" PIPE
23	062415-01-000	EA	CAP-SEWER, 3" DIAMETER
	062415-01-700	EA	STRING-SEWER CAP
	010201-01-000	EA	HOSE-SEWER, 3" ID X 8'
24	010008-01-000	EA	ELBOW - 90 DEGREE , 1/4 BEND - 1 1/2" HUB X HUB - BLACK PLASTIC
25	033761-01-000	EA	ELBOW-TURN, 1/4 BEND X 1.5" HUB X 1.5" SPIGOT - PLASTIC - BLACK
26	089355-01-000	EA	COUPLER-RUBBER, 1 1/2" X 1 1/2"
27	063641-01-000	EA	FLANGE-CLOSET, 4" X 3"
28	111881-01-000	EA	TANK-HOLDING, 6 GAL - 640 MM X 413 MM X 115 MM
	061607-01-000	EA	GROMMET-HOLDING TANK, 1 1/2" NPS
	039861-01-000	EA	SENDING UNIT W/SCREW, WASHER, WELL NUT AND TERMINAL RING
	092321-01-000	FT	INSULATION-FIBERGLASS, W/ALUMINUM FOIL
	114427-02-000	EA	PLUG - 1/2" P - FLAIR-IT 02863

WATER & SEWAGE GROUP (CONTINUED)
DRAINAGE SYSTEM - EUROPEAN



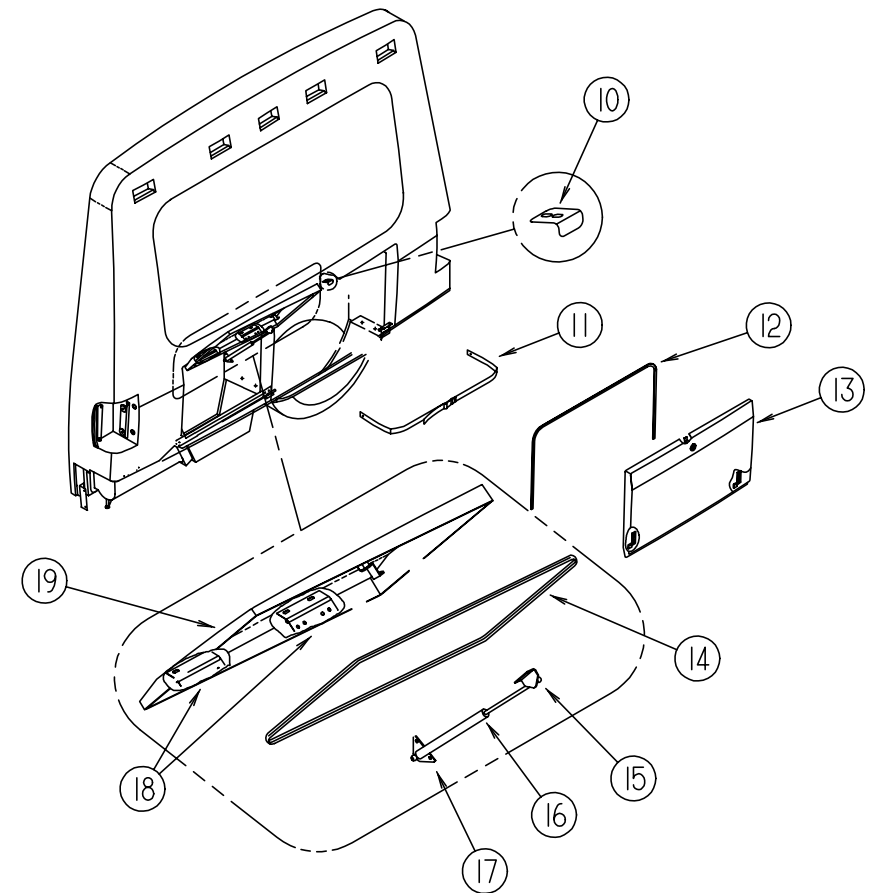
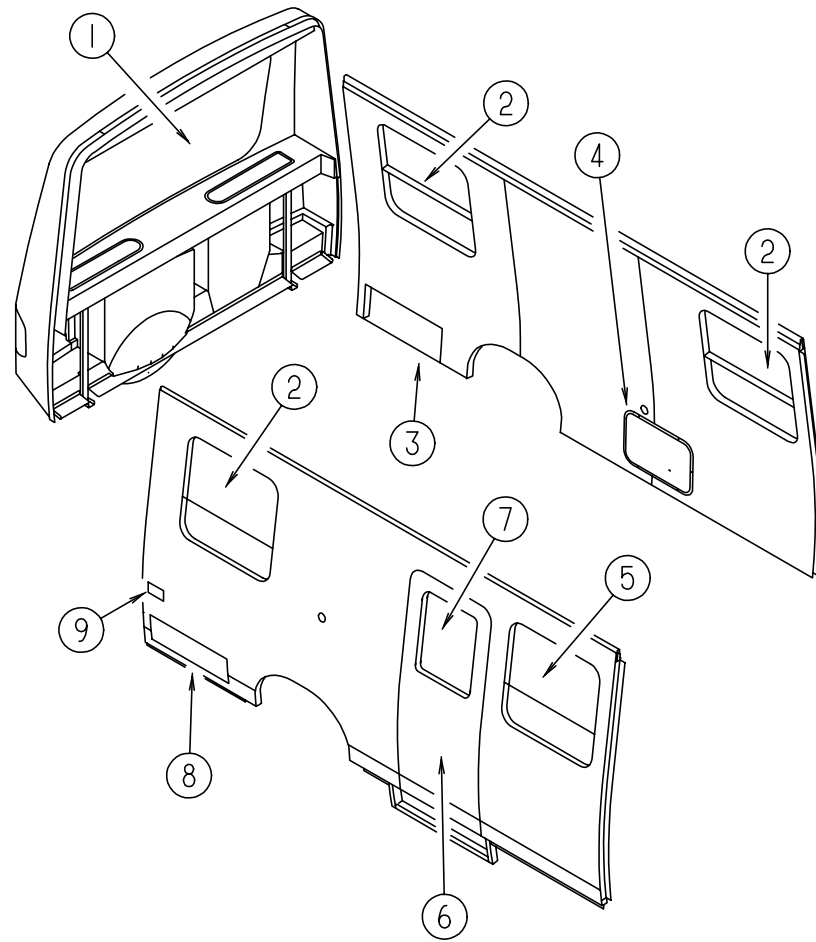
KEY	PART NUMBER	U/M DESCRIPTION
1	010005-01-000	EA ELBOW - 22 1/2 DEGREE, 1/16 BEND - 1 1/2" HUB X HUB - PLASTIC - BLACK
2	010006-01-000	EA ELBOW - 45 DEGREE , 1/8 BEND - 1 1/2" HUB X HUB - BLACK PLASTIC
3	107538-01-000	EA P-TRAP-PLASTIC, 1 1/4" W/EXT ARM - US
4	109571-01-000	EA ADAPTER-P TRAP, 1 1/2" P X 1 1/4" MPT
5	010071-02-000	EA TEE-SANITARY W/BAFFLE, 1 1/2" HUB X HUB X HUB - PLASTIC - BLACK
6	037101-01-000	EA ELBOW-PLASTIC, 1/4 BEND VENT 1 1/2" H - SLOANE 2201
7	010051-01-000	EA ELBOW - 45 DEGREE BEND, 1 1/2" SPIGOT AND HUB - PLASTIC - BLACK
8	010071-01-000	EA TEE-SANITARY, 1 1/2" HUB X HUB X HUB - PLASTIC - BLACK
9	010115-01-000	EA COUPLING - 1 1/2" HUB X HUB, PLASTIC
10	114429-01-000	EA ELBOW - 1/2" P X 1/2" P - FLAIR-IT 02800
11	114429-03-000	EA ELBOW-SWIVEL, 1/2" P X 1/2" FPT - FLAIR-IT 02816 - SHOWER OPTION
12	114966-01-000	EA FILTER-IN LINE, TWIST ON - 1/2" - SHURFLO #170-061-09 - SHOWER OPTION
13	098607-01-000	EA PUMP-SUMP, W/.5" MPT FITTING - FLOW 2.8 GPM - UL - SHOWER OPTION
14	039800-02-000	FT TUBING-POLYBUTYL, 5/8" OD - INCREMENTS OF 20' - BLACK
15	114429-02-000	EA ELBOW - 1/2" P X 1/2" MPT - FLAIR-IT 02803
16	111884-01-000	EA TANK-HOLDING, 13 GAL - 486 MM X 466 MM X 330 MM
	061607-01-000	EA GROMMET-HOLDING TANK, 1 1/2" NPS
	061607-02-000	EA GROMMET-HOLDING TANK, 3" NPS
	039861-01-000	EA SENDING UNIT W/SCREW, WASHER, WELL NUT AND TERMINAL RING
17	114429-06-000	EA ELBOW-SWIVEL, 1/2" P X 3/4" FPT - FLAIR-IT 02811
18	114974-01-000	EA CONNECTOR-HULL, W/STRAINER - ATTWOOD 3886-1
	069735-01-000	EA WASHER-STRAINER TO TAILPIECE, 1.5" - PLASTIC
19	114987-01-09B	EA PANEL-COVER, SUMP - BOTTOM - 144.4 MM X 130.9 MM X 54 MM - GALV STEEL
19	114988-01-09B	EA PANEL-COVER, SUMP - 173.4 MM X 146.4 MM X 114 MM - GALVANIZED STEEL
20	117271-01-02B	EA SHROUD-DRAINAGE, E-COAT - 304.1 MM X 210.7 MM X 38.1 MM - STEEL
21	078406-01-000	EA COUPLER-RUBBER, W/CLAMPS - 3" X 3"
22	070916-01-000	EA VALVE-DUAL DUMP, W/CAP - 3" X 1 1/2" - PLASTIC - BLACK
	070916-01-700	EA VALVE ONLY, 3"
	070916-01-701	EA VALVE ONLY, 1 1/2"
	109450-01-000	EA ADAPTER-HOSE, SEWER - PLAS - KEVCO 40738
23	062416-01-000	EA ADAPTER-SEWER HOSE TO 3" PIPE
24	062415-01-000	EA CAP-SEWER, 3" DIAMETER
	062415-01-700	EA STRING-SEWER CAP
	010201-01-000	EA HOSE-SEWER, 3" ID X 8'
25	010008-01-000	EA ELBOW - 90 DEGREE , 1/4 BEND - 1 1/2" HUB X HUB - BLACK PLASTIC
26	063641-01-000	EA FLANGE-CLOSET, 4" X 3"
27	033761-01-000	EA ELBOW-TURN, 1/4 BEND X 1.5" HUB X 1.5" SPIGOT - PLASTIC - BLACK
28	089355-01-000	EA COUPLER-RUBBER, 1 1/2" X 1 1/2"
29	111881-01-000	EA TANK-HOLDING, 6 GAL - 640 MM X 413 MM X 115 MM
	061607-01-000	EA GROMMET-HOLDING TANK, 1 1/2" NPS
	039861-01-000	EA SENDING UNIT W/SCREW, WASHER, WELL NUT AND TERMINAL RING
	092321-01-000	FT INSULATION-FIBERGLASS, W/ALUMINUM FOIL
	114427-02-000	EA PLUG - 1/2" P - FLAIR-IT 02863

WATER & SEWAGE GROUP (CONTINUED)
DRAINAGE SYSTEM - JAPAN



KEY	PART NUMBER	U/M	DESCRIPTION
1	010005-01-000	EA	ELBOW - 22 1/2 DEGREE, 1/16 BEND - 1 1/2" HUB X HUB - PLASTIC - BLACK
2	010006-01-000	EA	ELBOW - 45 DEGREE , 1/8 BEND - 1 1/2" HUB X HUB - BLACK PLASTIC
3	107538-01-000	EA	P-TRAP-PLASTIC, 1 1/4" W/EXT ARM - US
4	109571-01-000	EA	ADAPTER-P TRAP, 1 1/2" P X 1 1/4" MPT
5	010071-02-000	EA	TEE-SANITARY W/BAFFLE, 1 1/2" HUB X HUB X HUB - PLASTIC - BLACK
6	111881-01-000	EA	TANK-HOLDING, 6 GAL - 640 MM X 413 MM X 115 MM
	061607-01-000	EA	GROMMET-HOLDING TANK, 1 1/2" NPS
	039861-01-000	EA	SENDING UNIT W/SCREW, WASHER, WELL NUT AND TERMINAL RING
7	011066-03-700	EA	P-TRAP KIT - 1 1/2" X 1 1/4" P-TRAP W/1 1/2 TO 1 1/4 REDUCER
8	010051-01-000	EA	ELBOW - 45 DEGREE BEND, 1 1/2" SPIGOT AND HUB - PLASTIC - BLACK
9	010071-01-000	EA	TEE-SANITARY, 1 1/2" HUB X HUB X HUB - PLASTIC - BLACK
10	010115-01-000	EA	COUPLING - 1 1/2" HUB X HUB, PLASTIC
11	114429-03-000	EA	ELBOW-SWIVEL, 1/2" P X 1/2" FPT - FLAIR-IT 02816 - SHOWER OPTION
12	114966-01-000	EA	FILTER-IN LINE, TWIST ON - 1/2" - SHURFLO #170-061-09 - SHOWER OPTION
13	098607-01-000	EA	PUMP-SUMP, W/.5" MPT FITTING - FLOW 2.8 GPM - UL - SHOWER OPTION
14	039800-02-000	FT	TUBING-POLYBUTYL, 5/8" OD - INCREMENTS OF 20' - BLACK
15	114429-01-000	EA	ELBOW - 1/2" P X 1/2" P - FLAIR-IT 02800
16	114429-02-000	EA	ELBOW - 1/2" P X 1/2" MPT - FLAIR-IT 02803
17	109571-02-000	EA	ADAPTER - 1 1/2" HUB X 1 1/2" MPT - NIBCO 5801-7
18	114112-01-000	EA	VALVE ASM-WASTE, 1.5" - VALTERRA T1001E
	114112-01-700	EA	CAP-VALVE
	010201-01-000	EA	HOSE-SEWER, 1.5" - VALTERRA D04-0059
19	114974-01-000	EA	CONNECTOR-HULL, W/STRAINER - ATTWOOD 3886-1
	069735-01-000	EA	WASHER-STRAINER TO TAILPIECE, 1.5" - PLASTIC
20	114429-06-000	EA	ELBOW-SWIVEL, 1/2" P X 3/4" FPT - FLAIR-IT 02811
21	120589-02-000	EA	TANK-HOLDING, 8 GAL - 854 MM X 480 MM X 223 MM
	061607-01-000	EA	GROMMET-HOLDING TANK, 1 1/2" NPS
	039861-01-000	EA	SENDING UNIT W/SCREW, WASHER, WELL NUT AND TERMINAL RING
22	089355-01-000	EA	COUPLER-RUBBER, 1 1/2" X 1 1/2"
23	010008-01-000	EA	ELBOW - 90 DEGREE , 1/4 BEND - 1 1/2" HUB X HUB - BLACK PLASTIC
24	033761-01-000	EA	ELBOW-TURN, 1/4 BEND X 1.5" HUB X 1.5" SPIGOT - PLASTIC - BLACK
25	089355-01-000	EA	COUPLER-RUBBER, 1 1/2" X 1 1/2"
	092321-01-000	FT	INSULATION-FIBERGLASS, W/ALUMINUM FOIL
	114427-02-000	EA	PLUG - 1/2" P - FLAIR-IT 02863

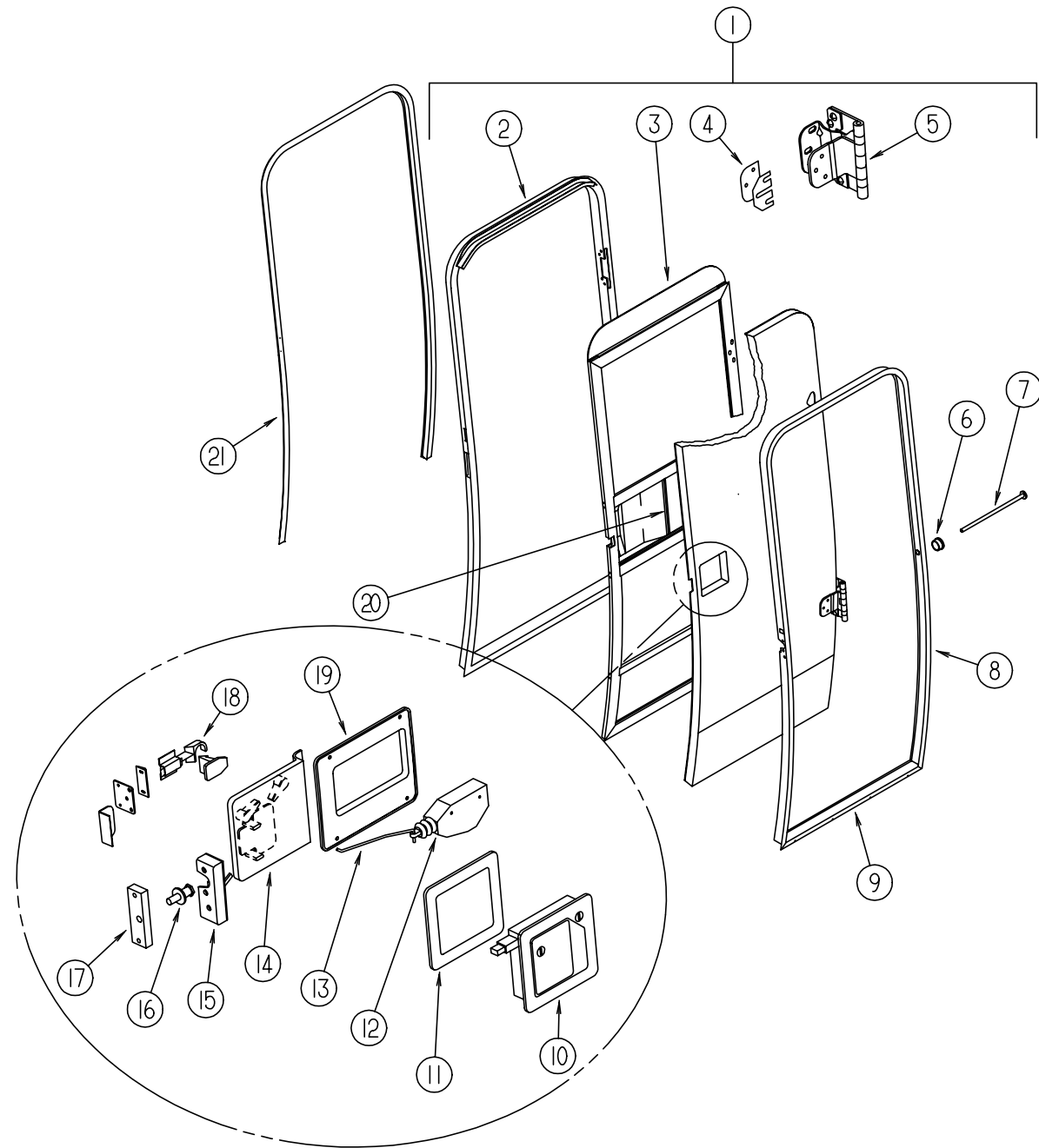
WINDOW, VENT & EXTERIOR DOOR GROUP
WINDOWS & DOORS



KEY	PART NUMBER	U/M	DESCRIPTION
1	084886-04-000	EA	GLASS-WINDOW, REAR ESCAPE
1	084886-05-000	EA	GLASS-WINDOW, REAR ESCAPE - HEATED
	002285-01-000	FT	FILLER-WEATHER STRIP, RUBBER - BLACK
	084423-03-000	EA	WEATHERSTRIP-VULCANIZED, 1.2" W/LIP X 14' - RUBBER - BLACK
	077066-01-702	EA	TAPE ASM-ESCAPE WINDOW
2	104691-07-01A	EA	WINDOW ASM-TIPOUT, OFF WHITE - EXCEL CH78-G1W59
2	112898-12-01A	EA	WINDOW ASM-VERTICAL SLIDER, EXCEL DC78-EG2W66 EUROPEAN WINDOW OPTION
3	112027-02-F45	EA	DOOR-GENERATOR, REAR - LH - VW WHITE
3	112027-03-F45	EA	DOOR-LUGGAGE, REAR - LH - VW WHITE
4	111017-05-G46	EA	DOOR-EXTERIOR SHOWER, VW WHITE
4	120593-01-G46	EA	DOOR-EXTERIOR SHOWER, VW WHITE - JAPAN
5	098644-10-01A	EA	WINDOW ASM-VERTICAL SLIDER, EXCEL H464-G1W66
5	112898-12-01A	EA	WINDOW ASM-VERTICAL SLIDER, EXCEL DC78-EG2W66 EUROPEAN WINDOW OPTION
6	113594-01-F45	EA	DOOR-ENTRANCE, W/O WINDOW - W/SCREEN DOOR - W/POWER LOCK
7	079733-04-T03	EA	WINDOW-ENTRY DOOR, 17" X 25" - W/O INSIDE FRAME FROM: 00-00-00 THRU: 01-08-95
7	117053-01-F45	EA	WINDOW-ENTRY DOOR, 17" X 25" - W/O INSIDE FRAME FROM: 01-09-95 THRU: 99-99-99
7	113733-04-01A	EA	WINDOW-ENTRY DOOR W/INSIDE FRAME - EXCEL DH456-EG2W66 EUROPEAN WINDOW OPTION
8	112027-01-F45	EA	DOOR-LP, REAR - RH - VW WHITE
8	112027-04-F45	EA	DOOR-LP, REAR - RH - VW WHITE - JAPAN
9	081240-14-000	EA	FILL-WATER, LOCKABLE - VW WHITE

KEY	PART NUMBER	U/M	DESCRIPTION
10	113745-01-02B	EA	STRIKE-SPARE TIRE DOOR, E-COATED
11	099717-04-000	EA	TIEDOWN ASM-STRAP W/BUCKLE
12	112160-01-000	FT	SEAL-D SECTION, 6 MM X 10 MM - 256M ADHESIVE - BLACK - LAUREN 1153
13	113694-01-F45	EA	DOOR-SPARE TIRE ACCESS, VW WHITE
14	112160-01-000	FT	SEAL-D SECTION, 6 MM X 10 MM - 256M ADHESIVE - BLACK - LAUREN 1153
15	107796-03-000	EA	BRACKET-GAS SPRING, SMALL - SPDI SPD-1015
16	108998-01-000	EA	SPRING-GAS - SPD-5300-30
17	107796-03-000	EA	BRACKET-GAS SPRING, SMALL - SPDI SPD-1015
18	116291-01-01A	EA	HINGE-POWER CORD ACCESS DOOR, 360 MM LONG - VW WHITE
18	093030-01-000	EA	HINGE-CONTINUOUS, ALUMINUM - 2" X 96" MILL FINISH
19	113693-01-F45	EA	DOOR-POWER CORD ACCESS, VW WHITE
	009426-01-000	EA	HATCH-POWER CORD, WHITE - ROUND

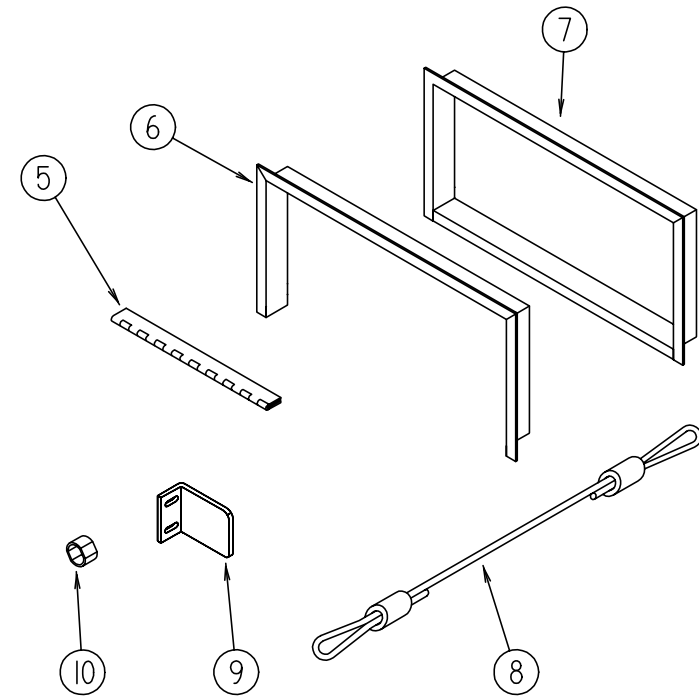
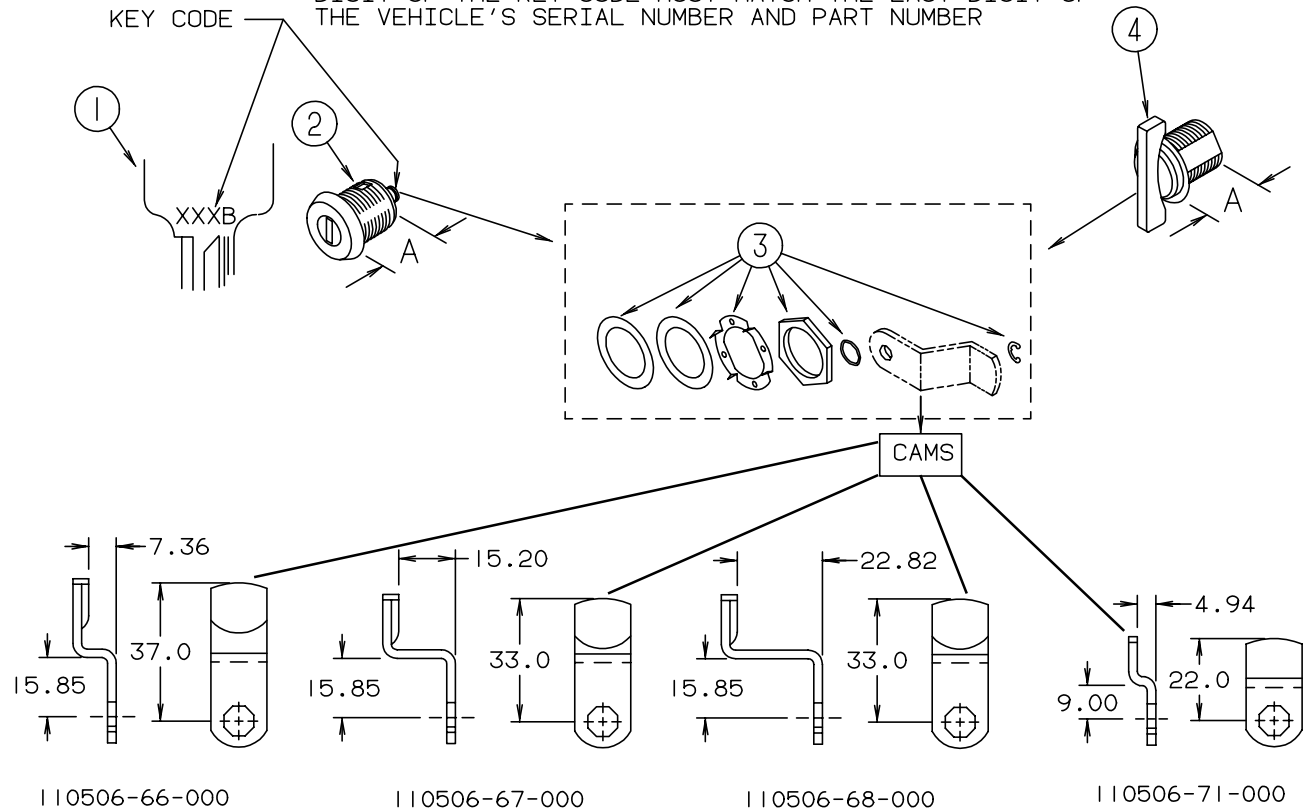
WINDOW, VENT & EXTERIOR DOOR GROUP (CONTINUED)
ENTRANCE DOOR



KEY	PART NUMBER	U/M	DESCRIPTION
1	113594-01-F45	EA	DOOR-ENTRANCE, W/O WINDOW - W/SCREEN DOOR - W/POWER LOCK
2	113642-01-F45	EA	JAMB ASSEMBLY-ENTRANCE DOOR W/DRIP CAP & BOTTOM
	112160-01-000	FT	SEAL-D SECTION, 6 MM X 10 MM - 256M ADHESIVE - BLACK - LAUREN 1153 MOUNTED TO ENTRANCE DOOR JAMB ASSEMBLY
	058806-01-000	EA	PLUG-TAPERED, PLASTIC - .94" DIA - RED
	063729-01-000	EA	RIVNUT - 1/4" X 20 UNC - .030 - .125
3	113621-01-01A	EA	DOOR-SCREEN, OFF WHITE
	002293-02-000	SF	SCREENING-WINDOW/DOOR, 26" - CHARCOAL
	002294-01-000	FT	SPLINE-SCREENING, .135" X .138" - BLACK
	075673-01-000	FT	SEAL-PILE, ADHESIVE BACK - GRAY - .27" X .45" - AMESBURY 71345-270
	075673-04-000	FT	SEAL-PILE, .27" X .80" - 80027082GYWP
	113616-01-01A	FT	EXTR-VINYL, SEAL TRACK - 20.2 MM WIDE - GRAY
	116485-01-03B	EA	BRACKET-SCREEN DOOR, Z - 76 MM X 56 MM X 31 MM - OFF WHITE
4	113668-01-01A	EA	GASKET-HINGE, UPPER OR LOWER - BLACK
5	113460-01-01A	EA	HINGE-ENTRANCE DOOR, UPPER - MILL
	113461-01-01A	EA	HINGE-ENTRANCE DOOR, LOWER - MILL
	113680-01-01A	EA	COVER-ACCESS, HINGE - INTERIOR - DOOR - PLASTIC - OFF WHITE
	117196-01-01A	EA	COVER-HINGE, UPPER - EXTERIOR - PLASTIC - VW WHITE - EXPORT
	117196-02-01A	EA	COVER-HINGE, LOWER - EXTERIOR - PLASTIC - VW WHITE - EXPORT
	073050-03-000	EA	CLIP-MOUNTING, HINGE COVER - STEEL - JAPAN
6	008384-01-000	EA	GROMMET-SNAP, 3/4" DIAMETER - NYLON
7	077222-01-000	EA	SPRING-WIRE GUARD, ENTRY DOOR - GM 08905080 W/POWER LOCK
8	113376-01-01A	EA	TRIM-ENTRANCE DOOR, UPPER W/O BOTTOM - VW WHITE
	111536-01-000	FT	SEAL-ENTRANCE DOOR TRIM, W/ADHESIVE - BLACK - LAUREN 17 MM X 20 MM MOUNTED TO ENTRANCE DOOR UPPER TRIM
9	113395-01-01A	EA	TRIM-ENTRANCE DOOR, BOTTOM - VW WHITE
	112160-02-000	FT	SEAL-D SECTION, 6 MM X 10 MM - 3M HATS ADHESIVE - BLACK - LAUREN 1153 MOUNTED TO ENTRANCE DOOR BOTTOM TRIM
10	113636-01-01A	EA	LATCH ASM-ROTARY, OFF WHITE - TRIMARK 12150-37
	045017-11-701	EA	KEY-BLANK, SILVER - TRI/MARK
	113636-01-700	EA	KEY-BLANK, DEADBOLT
	113636-07-01A	EA	SCREWS-MOUNTING, ROTARY LATCH - MILL FINISH - TRIMARK 81066-39
11	113669-01-01A	EA	GASKET-LATCH, DOOR - FOAM - GRAY
	113638-02-000	EA	CONNECTOR-ELECTRIC, ACTUATOR - EURAMETEC ST2-01 - W/POWER LOCK
12	117050-01-000	EA	ACTUATOR-LOCK, ELECTRIC - VW 701959783 - W/POWER LOCK
13	113834-01-01A	EA	ROD-DOOR LATCH - TRIMARK W/POWER LOCK
	114209-01-01A	EA	PUSHNUT-CAP, 1/8" - WHITE - ARDEN KPS125105 W/POWER LOCK
14	113636-02-01A	EA	PLATE-INSIDE, W/DEADBOLT - BLACK - TRIMARK 12880-01
	113636-06-01A	EA	SCREWS-MOUNTING, INSIDE PLATE - MILL FINISH - TRIMARK 81599-15
15	113636-03-01A	EA	LATCH-SINGLE ROTOR, MILL FINISH - TRIMARK 12159-16
16	092927-03-000	EA	STRIKER-ROUND, JAMB MOUNTED - TRI/MARK 10335-16
17	113636-05-01A	EA	NUT ASM-CAGED, MILL FINISH - TRIMARK 11920-16
18	110529-01-000	EA	LATCH-BULLET, SCREEN DOOR - PHILIPS-D4234
19	113960-01-01A	EA	COVER-ACTUATOR, OFF WHITE
20	079086-02-000	EA	SLIDER-SCREEN DOOR, OFF WHITE
	079087-02-000	EA	STRIKE-SLIDER, SCREEN DOOR - 1.5" X 8.6" - OFF WHITE
21	113658-01-01A	EA	GARNISH-ENTRANCE DOOR, OFF WHITE
	113750-01-04B	EA	PLATE-LATCH STRIKER, BLACK - 38.1 MM X 44 MM - STEEL
	115750-01-02B	EA	BRACKET-LATCH, DOOR - E-COAT
	090340-01-000	FT	SEAL-FOAM, CLOSED CELL - 1/4" X 1/2" X 50'
	069726-02-000	EA	BUMPER - .88" DIAMETER X .40", BLACK

WINDOW, VENT & EXTERIOR DOOR GROUP (CONTINUED)
BRIGGS & STRATTON LOCKS & EXTERIOR DOOR COMPONENTS

NOTE:
 WHEN ORDERING THE LOCK CASE, THE KEY CODE MUST MATCH THE LAST DIGIT OF THE VEHICLE'S SERIAL NUMBER AND PART NUMBER; WHEN ORDERING THE KEYS, THE THIRD DIGIT OF THE KEY CODE MUST MATCH THE LAST DIGIT OF THE VEHICLE'S SERIAL NUMBER AND PART NUMBER

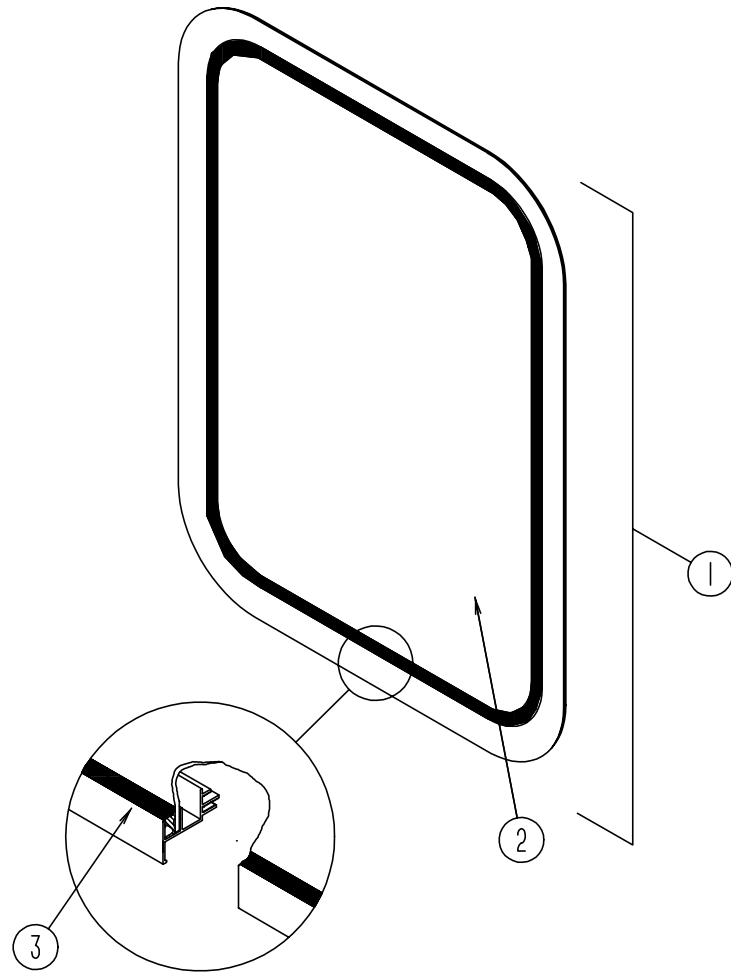


KEY	PART NUMBER	U/M	DESCRIPTION	VENDOR NO.
1	110506-59-000	EA	KEYS-SET OF 2	596720
2	110506-52-000	EA	CASE-LOCK, A=17MM	702370
2	110506-53-000	EA	CASE-LOCK, A=25MM	702380
1	110506-59-001	EA	KEYS-SET OF 2	596721
2	110506-52-001	EA	CASE-LOCK, A=17MM	702371
2	110506-53-001	EA	CASE-LOCK, A=25MM	702381
1	110506-59-002	EA	KEYS-SET OF 2	596722
2	110506-52-002	EA	CASE-LOCK, A=17MM	702372
2	110506-53-002	EA	CASE-LOCK, A=25MM	702382
1	110506-59-003	EA	KEYS-SET OF 2	596723
2	110506-52-003	EA	CASE-LOCK, A=17MM	702373
2	110506-53-003	EA	CASE-LOCK, A=25MM	702383
1	110506-59-004	EA	KEYS-SET OF 2	596724
2	110506-52-004	EA	CASE-LOCK, A=17MM	702374
2	110506-53-004	EA	CASE-LOCK, A=25MM	702384
1	110506-59-005	EA	KEYS-SET OF 2	596725
2	110506-52-005	EA	CASE-LOCK, A=17MM	702375
2	110506-53-005	EA	CASE-LOCK, A=25MM	702385
1	110506-59-006	EA	KEYS-SET OF 2	596726
2	110506-52-006	EA	CASE-LOCK, A=17MM	702376
2	110506-53-006	EA	CASE-LOCK, A=25MM	702386
1	110506-59-007	EA	KEYS-SET OF 2	596727
2	110506-52-007	EA	CASE-LOCK, A=17MM	702377
2	110506-53-007	EA	CASE-LOCK, A=25MM	702387
1	110506-59-008	EA	KEYS-SET OF 2	596728
2	110506-52-008	EA	CASE-LOCK, A=17MM	702378
2	110506-53-008	EA	CASE-LOCK, A=25MM	702388
1	110506-59-009	EA	KEYS-SET OF 2	596729
2	110506-52-009	EA	CASE-LOCK, A=17MM	702379
2	110506-53-009	EA	CASE-LOCK, A=25MM	702389

KEY	PART NUMBER	U/M	DESCRIPTION	VENDOR NO.
3	110506-40-700	EA	HARDWARE KIT-LOCK, W/GASKET, NUT, CLIP & WASHERS	
	110506-59-700	EA	SET-KEYS W/RING, 0 - 9 (FOR DEALER USE ONLY. DO NOT RETAIL.)	
	110506-59-701	EA	KEY BLANK	
4	110506-51-000	EA	CASE-TWIST LOCK, A=25MM	596669
5	112246-01-01A	EA	HINGE - 2" X 16.3", VW WHITE	
5	081801-AG-000	EA	HINGE - 2" X 96", VW WHITE	
6	113752-01-01A	EA	JAMB ASM-TRIM, GENERATOR DOOR - VW WHITE	
6	113752-02-01A	EA	JAMB ASM-TRIM, LP DOOR - VW WHITE - JAPAN	
7	113752-03-01A	EA	JAMB ASM-TRIM, LUGGAGE DOOR - VW WHITE	
7	113753-01-01A	EA	JAMB ASM-TRIM, LP DOOR - VW WHITE	
8	076767-05-000	EA	CABLE-DOOR SUPPORT, 1/16" X 15.5" - STAINLESS STEEL	
9	112245-01-000	EA	BRACKET-CATCH, LOCK	
10	107997-51-001	EA	SPACER - .86" X .6", ALUMINUM	
	115359-01-000	FT	SEAL-D SECTION, 10 MM X 12 MM - SPONGE RUBBER	
	112160-01-000	FT	SEAL-D SECTION, 6 MM X 10 MM - 256M ADHESIVE - BLACK - LAUREN 1153	

WINDOW, VENT & EXTERIOR DOOR GROUP (CONTINUED)

WINDOW, VENT & EXTERIOR DOOR GROUP (CONTINUED)



ENTRANCE DOOR WINDOW - STANDARD

KEY	PART NUMBER	U/M DESCRIPTION
	114507-02-01A	EA FRAME-WINDOW, ENTRY DOOR - OFF WHITE - STANDARD
1	117053-01-F45	EA WINDOW-ENTRY DOOR, 17" X 25" - W/O INSIDE FRAME - STANDARD
2	002181-28-000	EA GLASS-WINDOW, .115" X 609 MM X 412 MM - STANDARD
3	087561-01-000	FT SEAL-GLASS, EXTERIOR - .5" WIDE - VINYL - BLACK - STANDARD

ENTRANCE DOOR WINDOW - EUROPEAN WINDOW OPTION

KEY	PART NUMBER	U/M DESCRIPTION
	113733-04-01A	EA WINDOW-ENTRY DOOR W/INSIDE FRAME - EXCEL DH456-EG2W66

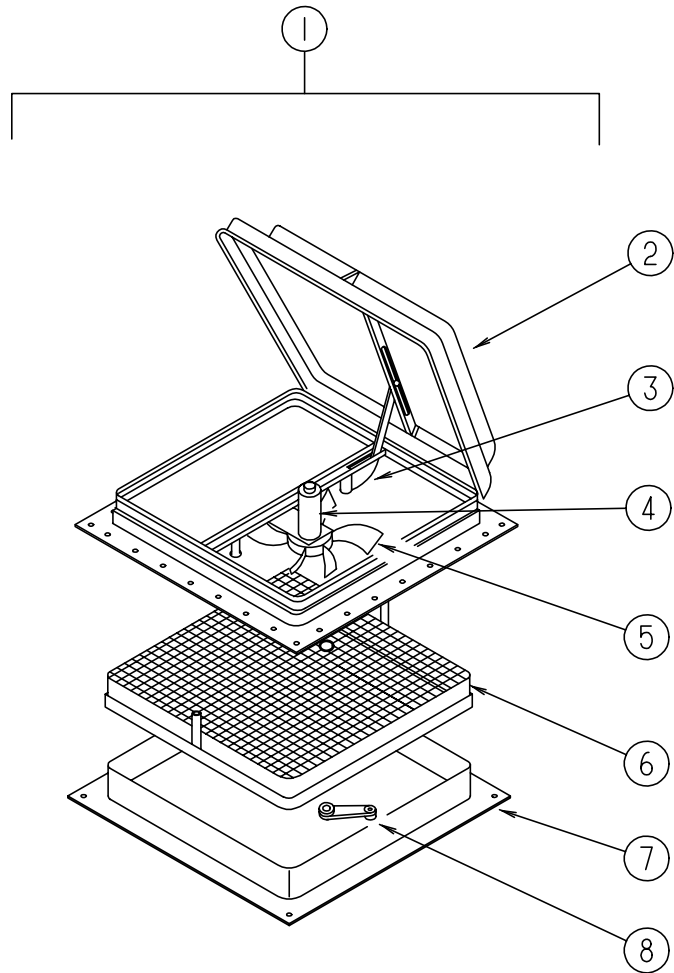
TIPOUT WINDOW

KEY	PART NUMBER	U/M DESCRIPTION	VENDOR NO.
	104691-07-01A	EA WINDOW ASM-TIPOUT, OFF WHITE - EXCEL CH78-G1W59	
	100322-01-703	FT STRIP-GLAZING, BUTYL - EXCEL	132-010723
	100322-01-718	EA HANDLE-DIAL, EXCEL	410-016081
	104691-07-700	EA GLASS-VENT, TIPOUT LOWER - EXCEL	CH78-D9
	104691-07-701	EA GLASS-TOP, STATIONARY - EXCEL	106-018753
	104691-07-702	EA SCREEN W/ WEATHERSTRIPING - EXCEL	410-018744

VERTICAL SLIDER WINDOW

KEY	PART NUMBER	U/M DESCRIPTION	VENDOR NO.
	112898-12-01A	EA WINDOW ASM-VERTICAL SLIDER, EXCEL DC78-EG2W66	
	112795-01-700	EA LATCH ASM-BLACK - EXCEL	DH287-CK

WINDOW, VENT & EXTERIOR DOOR GROUP (CONTINUED)



JENSEN POWERED ROOF VENT

KEY	PART NUMBER	U/M DESCRIPTION
1	110051-03-01A	EA VENT-ROOF, POWERED - 2" ROOF - JENSEN 7757 WHE
2	064470-01-700	EA COVER-ROOF VENT, W/O (SLIDE BAR)
3	110051-01-702	EA ARM LIFT ASSEMBLY W/O HANDLE
4	048648-01-000	EA MOTOR-ROOF VENT, 1/8 SHAFT - 12V - JENSEN
5	048649-01-000	EA FAN-ROOF VENT, 6 BLADES - 6" - JENSEN
6	110051-01-700	EA SCREEN & FRAME - 2", JENSEN
7	110051-01-706	EA GARNISH-INTERIOR, 2"
8	110051-01-703	EA HANDLE-CRANK
	064470-01-701	EA SLIDE BAR, (VENT-LID)

VENDOR NO.

7291
RP-1000B

29-800-02

RP-1031-B
JRP1291B

JENSEN NONPOWERED ROOF VENT

KEY	PART NUMBER	U/M DESCRIPTION
	110051-01-01A	EA VENT-ROOF, NONPOWERED - 2" ROOF - JENSEN 7724 WHE
	064470-01-700	EA COVER-ROOF VENT, W/O (SLIDE BAR)
	064470-01-701	EA SLIDE BAR, VENT-LID
	110051-01-700	EA SCREEN & FRAME - 2", JENSEN
	110051-01-702	EA ARM LIFT ASSEMBLY W/O HANDLE
	110051-01-703	EA HANDLE-CRANK
	110051-01-706	EA GARNISH-INTERIOR, 2"

VENDOR NO.

7291
JRP1291B
29-800-02
RP-1000B
RP-1031-B

WINDOW, VENT & EXTERIOR DOOR GROUP (CONTINUED)

FANTASTIC VENT - US

KEY	PART NUMBER	U/M DESCRIPTION	VENDOR NO.
	084079-03-000	EA VENT-CEILING, POWERED EXHAUST - OFF WHITE - FANTASTIC VENT	
	084079-01-700	EA COVER - VENT, W/HINGE & SLIDE	1020-19
	084079-01-703	EA KNOB-LIFT, W/EXT. AND SCREW	1140K-00
	084079-01-704	EA BLADE-FAN	1070-00
	084079-01-705	EA MOTOR	1080-00
	084079-01-707	EA SWITCH-SAFETY	1120.00
	084079-01-709	EA SWITCH-MAIN, 3 SPEED	1100.00
	084079-01-711	EA H-MOLDING, MOTOR MOUNT	
	084079-01-712	EA GARNISH-INTERIOR, 1 7/8" - OFF WHITE	

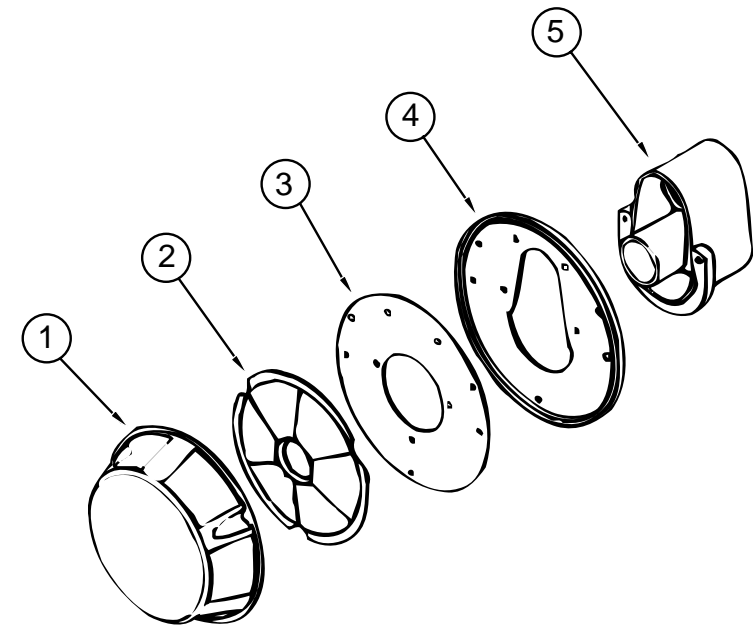
FANTASTIC VENT - CANADIAN

KEY	PART NUMBER	U/M DESCRIPTION	VENDOR NO.
	084079-08-000	EA VENT-CEILING, POWERED EXHAUST - OFF WHITE - FANTASTIC VENT	
	084079-01-700	EA COVER - VENT, W/HINGE & SLIDE	1020-19
	084079-01-703	EA KNOB-LIFT, W/EXT. AND SCREW	1140K-00
	084079-01-704	EA BLADE-FAN	1070-00
	084079-01-707	EA SWITCH-SAFETY	1120.00
	084079-01-709	EA SWITCH-MAIN, 3 SPEED	1100.00
	084079-01-711	EA H-MOLDING, MOTOR MOUNT	
	084079-01-712	EA GARNISH-INTERIOR, 1 7/8" - OFF WHITE	
	084079-08-700	EA MOTOR-THIN ROOF	101703

PLUMBING VENTS

KEY	PART NUMBER	U/M DESCRIPTION
	083558-06-000	EA VENT-PLUMBING PIPE ROOF W/COVER - VW WHITE
	111222-01-01A	EA COVER-VENT, DRAINAGE - SIDEWALL - KEVCO R1007

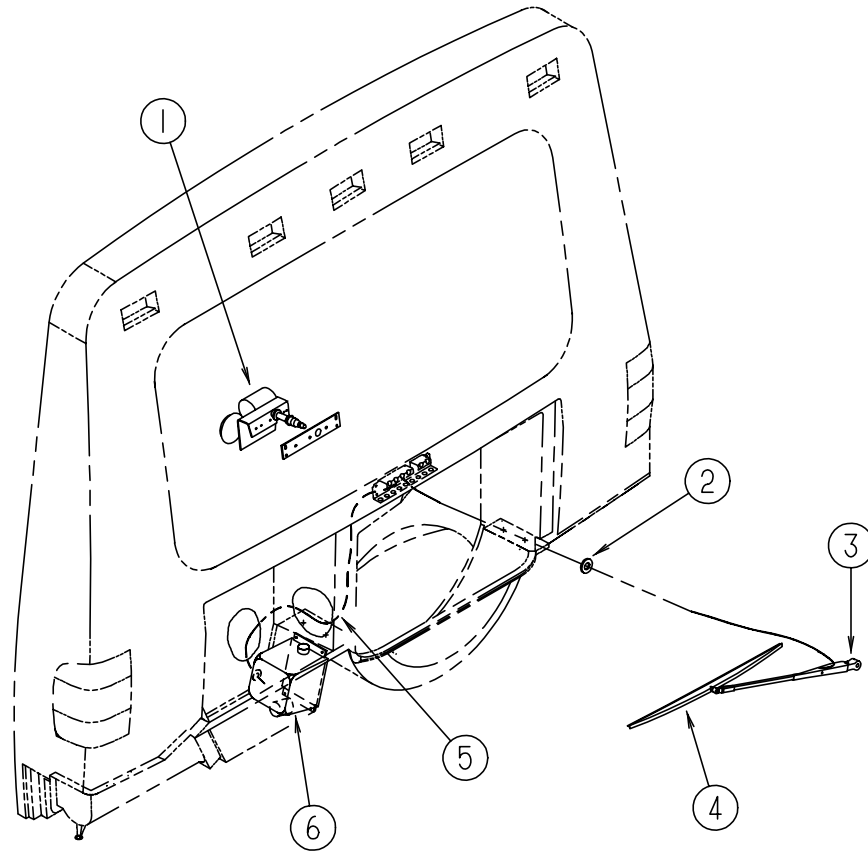
FROM: 00-00-00 THRU: 10-08-95



NORCOLD REFRIGERATOR VENT

KEY	PART NUMBER	U/M DESCRIPTION	VENDOR NO.
	113736-01-01A	EA VENT KIT-REFRIGERATOR, NORCOLD	
1	113736-01-700	EA COVER-VENT	617920
2	113736-01-701	EA DISK-EXHAUST	617921
3	113736-01-702	EA PLATE-BACKING	617922
4	113736-01-703	EA GASKET-VENT TERMINAL	617924
5	113736-01-704	EA HOUSING-VENT TERMINAL	617923

WIPER & WASHER (REAR) GROUP
REAR WIPER & WASHER



KEY	PART NUMBER	U/M DESCRIPTION
1	085721-02-000	EA MOTOR ASM-WIPER, 108 DEGREE - UT 19227-25-M012WC
2	061603-01-000	EA GROMMET-SNAP, 3/16"ID - 3/8" HOLE - PLASTIC - BLACK
3	096931-01-000	EA ARM-WIPER, 20"
	096931-01-700	FT HOSE-WIPER, TO BLADE
	096931-01-701	EA NOZZLE-HARDWARE KIT, INCLUDES NOZZEL, NUT, SHORT THREAD SCREW, LONG THREAD SCREW, AND PLASTIC CAP
	096931-01-702	EA NUT - 52695-40-NT27WC
	096931-01-703	EA SHORT SCREW - 52696-40-SC27WC
	096931-01-704	EA LONG SCREW - 52697-40-SC27WC
	096931-01-705	EA PLASTIC CAP - 52699-40-CP27WC
	096931-01-706	EA SPRAY NOZZLE - 52698-40-NZ27WC
4	097978-01-000	EA BLADE-WIPER, FLEX - 22" - UT 51916-20BD27WC
5	045794-01-000	FT HOSE-WASHER, WINDSHIELD - 5/32" ID - BLACK
6	056000-05-000	EA WASHER ASM-WINDSHIELD WIPER - MCCORD 600367
		FROM: 00-00-00 THRU: 09-19-95
	117766-02-000	EA RESERVOIR/PUMP ASM - MCCORD 600328
		FROM: 09-20-95 THRU: 99-99-99
	117765-04-000	EA CONNECTOR - 1/8" X 3/16" W/SWSH - MCCORD 102815
	116272-01-01A	EA COVER-REAR WIPER MOTOR, TAUPE PLASTIC