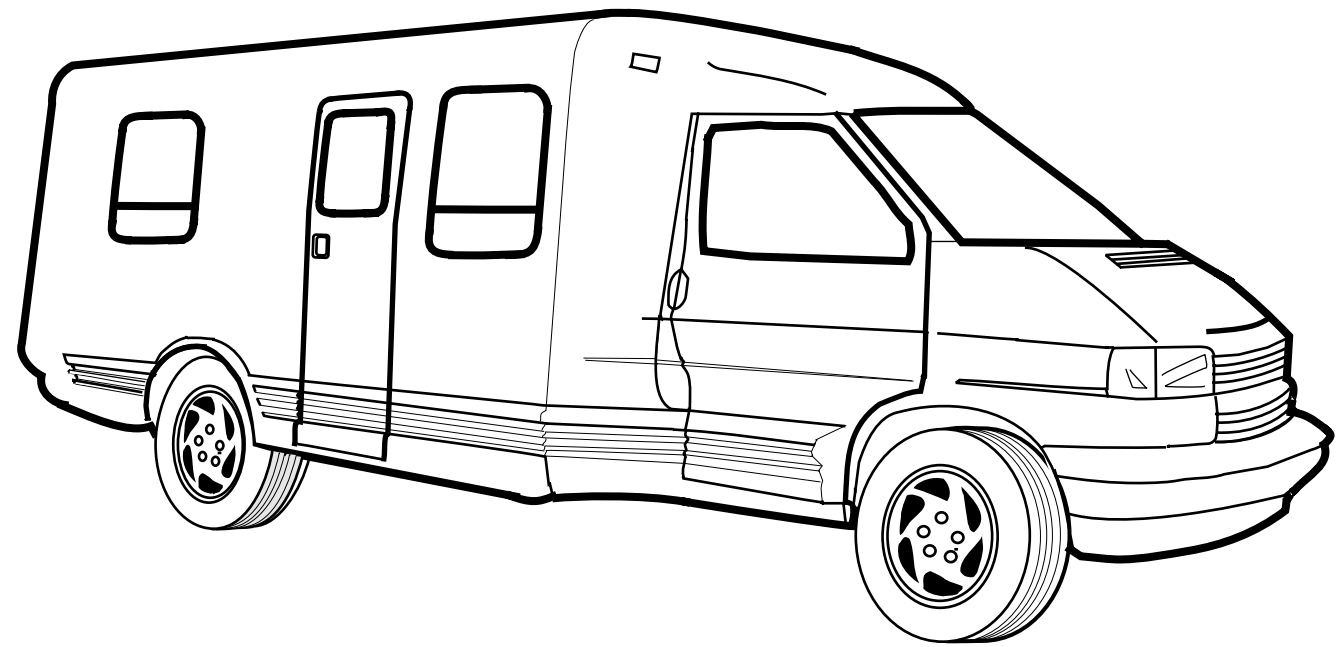


**1999
WV222HD**

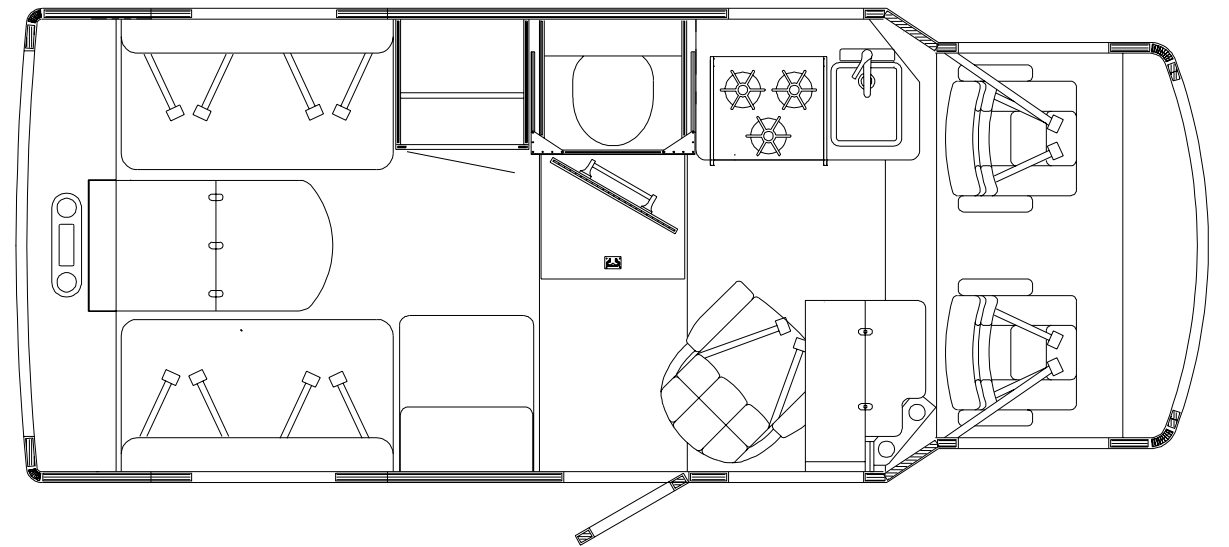


K77

CYBER (STEEL GRAY)

K79

SLATE (MEDIUM GRAY)



ACCESSORIES GROUP

OPERATORS MANUAL & BINDER

KEY	PART NUMBER	U/M	DESCRIPTION
	054185-J7-000	EA	MANUAL - OPERATOR 99 RIALTA
	129079-01-01A	EA	CASE - VINYL/BLACK - EXPANDABLE ACCORDION SIDES - 7"W X 9"H X14"L
	130495-01-000	EA	TOP LEVEL - H,1999
	701674-48-000	EA	WIRING DIAGRAMS 1999 RIALTA
	701674-49-000	EA	PLUMBING DIAGRAMS 99 RIALTA

AUDIO VIDEO GROUP

RADIO SYSTEM COMPONENTS

KEY	PART NUMBER	U/M	DESCRIPTION	VENDOR NO.
	124881-01-000	EA	AMPLIFIER - AUDIO - DELUXE SOUND SYSTEM OPTION	
	124883-03-000	EA	SPEAKER - CUBE - W/O CASE - DELUXE SOUND SYSTEM OPTION	
	124883-04-000	EA	SPEAKER - GRILLE - CUBE - DELUXE SOUND SYSTEM OPTION	
	124884-01-000	EA	SPEAKER - 6" X 9" - SUB-WOOFER - DELUXE SOUND SYSTEM OPTION	
	124885-01-000	EA	GRILLE - SPEAKER - 6" X 9" - SUB-WOOFER - DELUXE SOUND SYSTEM OPTION	
	089340-02-000	EA	GRILLE - SPEAKER - 6.5" SQUARE	
	089340-03-000	EA	SPACER - SPEAKER GRILLE	
	094097-01-000	EA	SPEAKER - RADIO/TV - W/O GRILLE - 5.25" DIAMETER	
	074979-01-000	EA	SHIELD - SPEAKER - BACK - MOLDED PLASTIC - 8" X 9"	
	114365-02-000	EA	ADAPTER - RADIO POWER/SPEAKERS	
	114366-01-000	EA	ADAPTER - RADIO - ANTENNA	
	127516-03-000	EA	RADIO - AM/FM STEREO - CD PLAYER - PANASONIC - CQ-DP930	
				FROM: 00-00-00 THRU: 07-11-99
	127516-03-700	EA	FACE - REMOVABLE	YEP0FX3300
	127516-05-000	EA	RADIO - AM/FM STEREO - CD PLAYER	
				FROM: 07-12-99 THRU: 99-99-99
	127264-01-000	EA	RADIO - AM/FM STEREO - CASSETTE - PANASONIC CQ-R111U	
	127264-01-700	EA	TRIM RING	YFC054C044ZB
	127264-01-701	EA	KNOB - VOLUME	YFE074C045ZA
	127264-01-702	EA	KNOB - FADER	YEFE074C026
	127264-01-703	EA	FACTORY HARNESS	YAJ024C048ZB

TV CABLE, CONNECTORS, & WALLPLATES

KEY	PART NUMBER	U/M	DESCRIPTION
	076319-03-000	FT	CABLE - COAXIAL - 75 OHM
	076319-06-000	EA	ADAPTER - CABLE ROOF PLATE
	076319-12-000	EA	CONNECTOR - COAXIAL - ONE PIECE
	082134-01-000	EA	ADAPTER - TV - CABLE TO CABLE
	082136-01-000	EA	NUT - HEX JAM - 3/8-32
	086777-02-000	EA	WALLPLATE - TV CABLE - W/ANTENNA SWITCH - BROWN
	093901-03-000	EA	PLATE - TV COAX - EXTERIOR - 1.8" X 2.5"

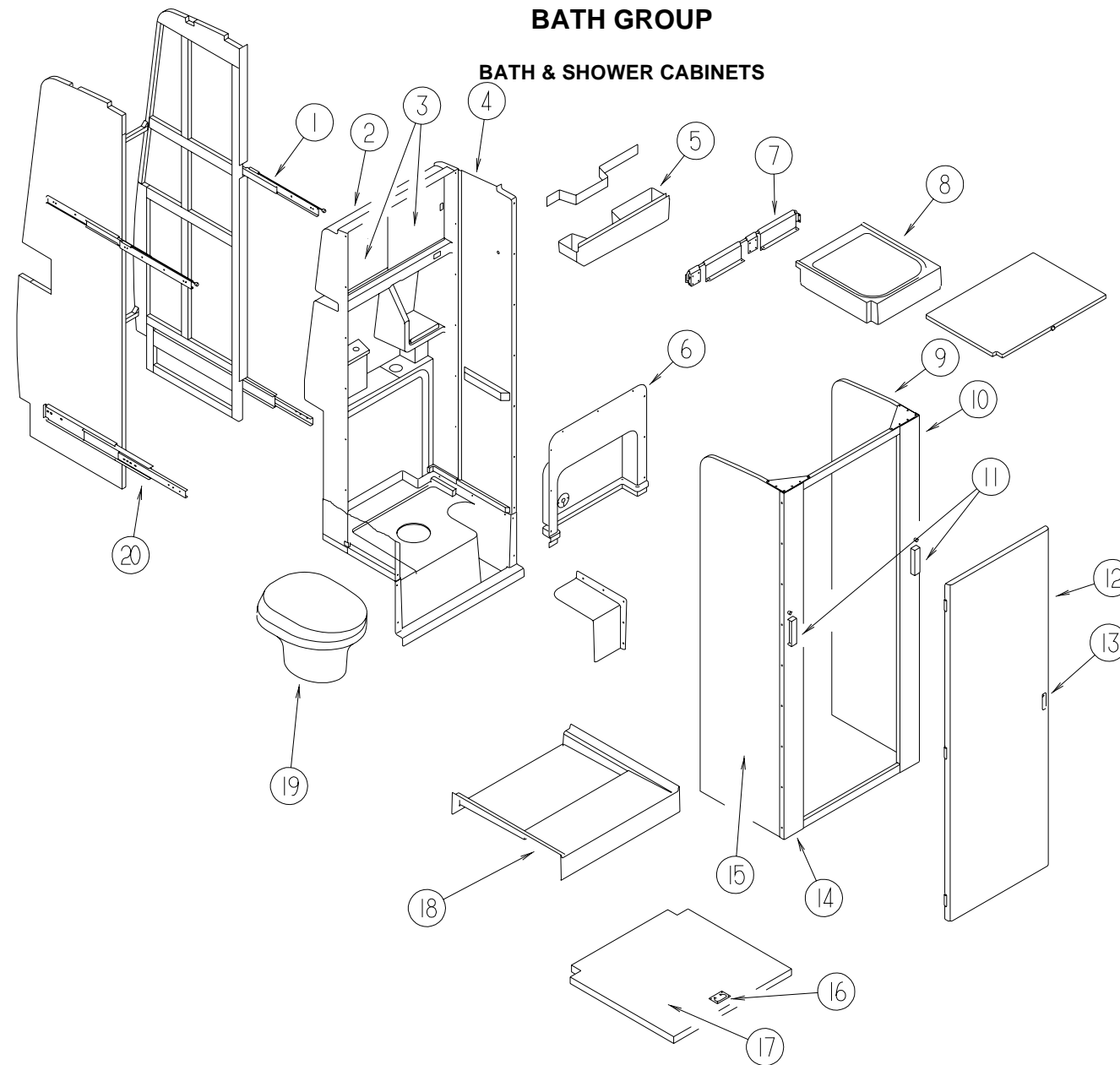
WINEGARD TV ANTENNA

KEY	PART NUMBER	U/M	DESCRIPTION
*	076319-24-000	EA	ANTENNA - TV ROOF MOUNT - 25.5" MAST
*	076319-25-000	EA	KIT - HARDWARE INTERIOR

* PRESS TO SEE ILLUSTRATED SERVICE PARTS LIBRARY

BATH GROUP

BATH & SHOWER CABINETS

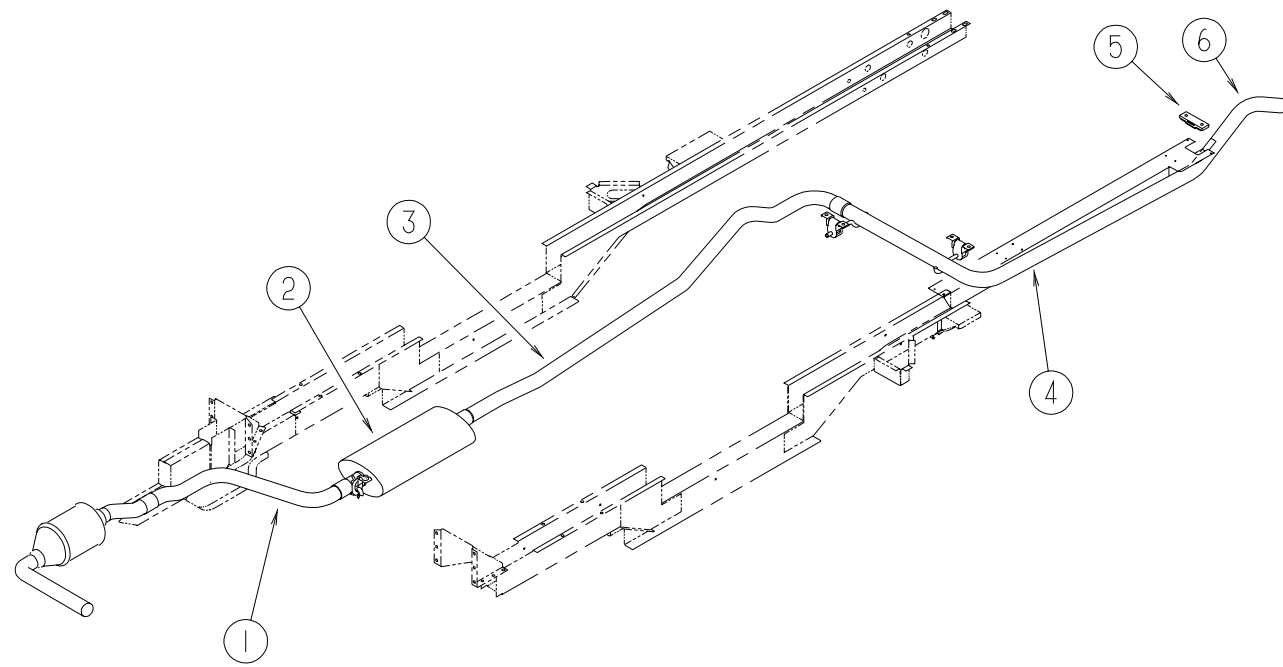


KEY	PART NUMBER	U/M DESCRIPTION	VENDOR NO.
1	116173-01-000	EA SLIDE - LOCKING - LEFT HAND FACING CABINET	A-033-01-0004-40-0
	116173-02-000	EA SLIDE - LOCKING - RIGHT HAND FACING CABINET	
	074317-01-700	EA KNOB - F/SLIDE ASSEMBLY	
2	111950-01-02A	EA SURROUND - SHOWER/BACK - VW LIGHT GRAY	
3	058331-B0-000	EA MIRROR - SAFETY GLASS - 12.6" X 12.6	
	023320-01-000	EA PAD - FELT 3/8" DIAMETER	
	074383-09-000	EA TRACK - SLIDING DOOR - 24.5"	
	002324-02-000	FT CHANNEL - WEATHERSTRIP - GLASS RUN - U-SHAPED	
4	111986-01-02A	EA SURROUND - SHOWER/RIGHT HAND SIDE - VW LIGHT GRAY	
	111986-02-02A	EA SURROUND - SHOWER/LEFT HAND SIDE - VW LIGHT GRAY	
5	P12114-01-02A	EA BASIN - CATCH - W/STRAINER	
	106116-01-01A	EA STRAINER/PLASTIC - STOPPER/TAIPIECE/GASKET & NUT-LAVATORY	
	112114-01-02A	EA BASIN - CATCH - LAVATORY - VW LIGHT GRAY	
6	112151-01-02A	EA COVER - DRAINAGE ACCESS - VW LIGHT GRAY	
	057671-01-000	EA COVER - SCREW - #8 - PLASTIC - OFF WHITE	
	113183-02-K76	EA PANEL - DOOR/SINK	
	127346-01-02A	EA PLUG - HOLE - 3/4" DIAMETER - STEEL	
7	113982-01-K76	EA HINGE - FOLD UP SINK W/DOOR PANEL	
	086235-03-000	EA BEARING - SNAPIN - 5/16ID X 5/16	
8	M06944-02-K76	EA BATH SINK/FOLD UP - W/DOOR ATTACHED	
	057534-02-000	EA TIEBACK - CLEAR PLASTIC - 3"	
9	113929-01-K76	EA CABINET - WALL - BATH SLIDER - W/O HARDWARE	

KEY	PART NUMBER	U/M DESCRIPTION	VENDOR NO.
10	116246-01-03A	EA CORNER - BATH/RH - VW LT GRAY	
11	074762-01-000	EA PULL - CABINET - 4.8" X .9" - BLACK PLASTIC	
12	113756-01-K76	EA DOOR - BATH	
13	058335-03-000	EA LATCH - W/O LOCK - BATHROOM DOOR BLACK	
	075452-02-000	EA HOLDER - TOILET TISSUE - BRASS	
	075453-02-000	EA BAR - TOWEL - 18" BRASS	
14	116246-02-03A	EA CORNER - BATH/LH - VW LT GRAY	
15	113929-02-K76	EA CABINET - WALL - BATH SLIDER - W/O HARDWARE	
	116044-01-000	EA BUMPER - MOLDED	
16	072871-01-000	EA PULL - FLUSH - CHROME	
17	113092-02-H70	EA COVER - SHOWER PAN - 24.5" X 25.5"	
18	118605-01-02A	EA SHOWER PAN - W/STRAINER - VW LIGHT GRAY	
19*	064076-03-000	EA TOILET - STARLITE - LOW - WHITE	
20	116174-01-000	EA SLIDE - FULL EXTENDED	
	131383-01-02A	EA SHOWER HEAD - W/60" HOSE & BRACKET - WHITE	
	131383-02-02A	EA SHOWER HEAD - W/60" HOSE & BRACKET - WHITE - CSA	
	131383-03-02A	EA BRACKET - SHOWER HEAD - WHITE	
	114898-01-02A	FT VINYL - 1.6" X 38.1" - VW LIGHT GRAY	
	P11998-01-01A	EA PLATFORM - TOILET W/DRAIN FITTING	
	109800-01-02A	EA FAUCET - LAVATORY - WHITE/SMOKE HANDLES	
	115000-01-02A	EA FAUCET - LAVATORY/SHOWER - WHITE/CLEAR HANDLES	

* PRESS TO SEE ILLUSTRATED SERVICE PARTS LIBRARY

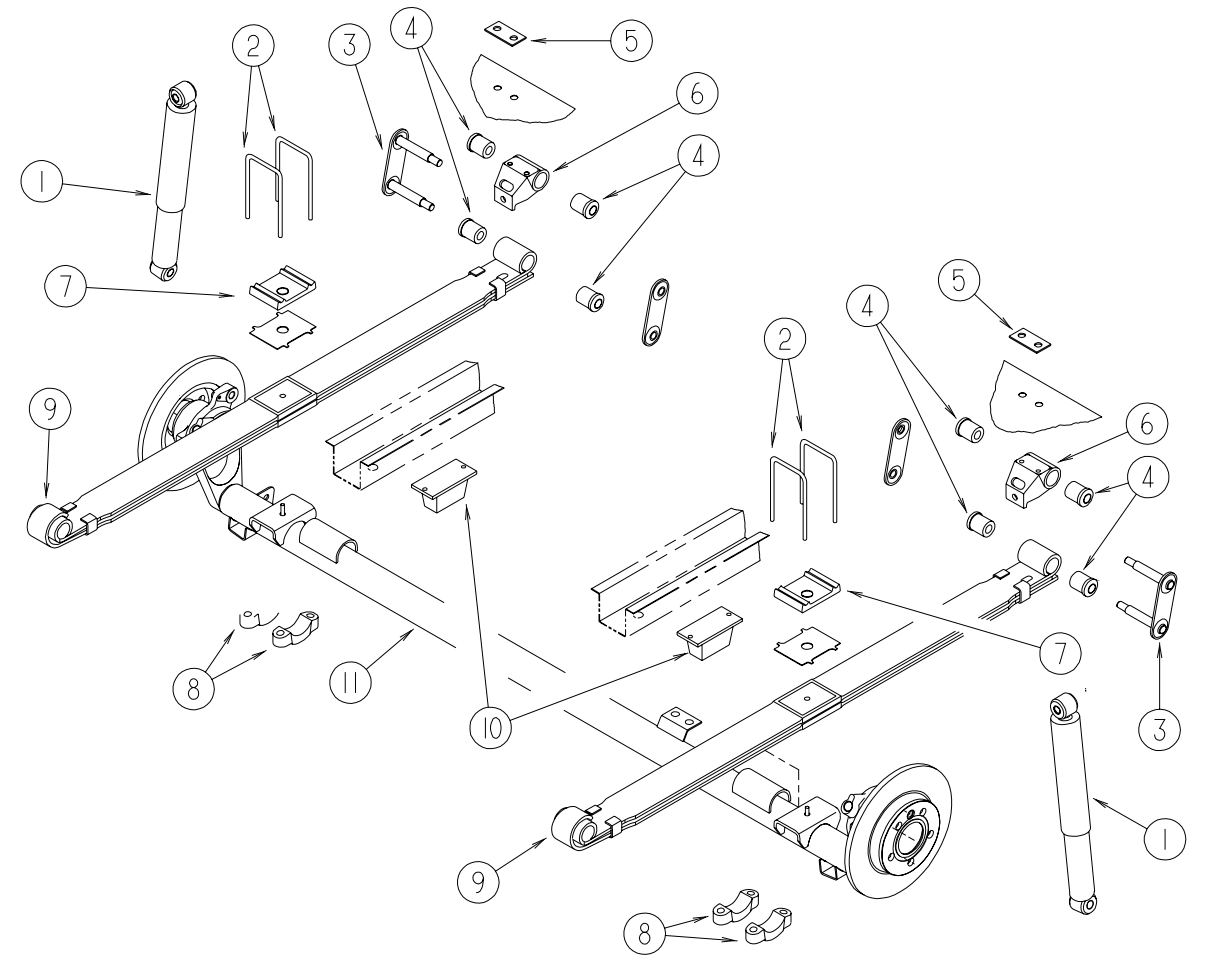
CHASSIS GROUP



EXHAUST SYSTEM COMPONENTS

KEY	PART NUMBER	U/M	DESCRIPTION
1	113098-02-000	EA	PIPE - EXHAUST/FRONT
2	121261-01-000	EA	MUFFLER - FRONT
3	113099-01-000	EA	PIPE - EXHAUST/ MIDDLE
4	115396-01-09B	EA	SHIELD - EXHAUST - TAIL PIPE - GALVANIZED
5	095190-01-000	EA	HANGER - EXHAUST - 4" X 1.4"
6	113097-02-000	EA	PIPE - EXHAUST/TAIL
	082716-01-000	EA	CLAMP - EXHAUST - 2"
	082716-02-000	EA	CLAMP - EXHAUST - 2.24"

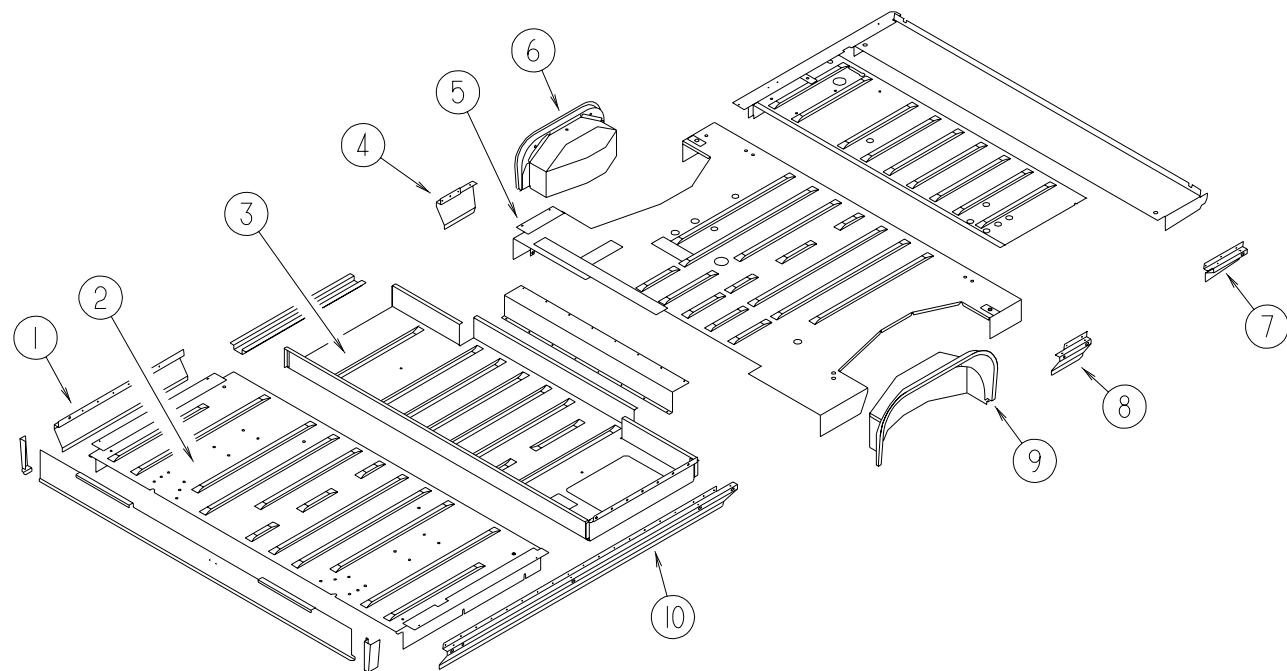
CHASSIS GROUP (CONTINUED)



SUSPENSION COMPONENTS

KEY	PART NUMBER	U/M	DESCRIPTION
1	112033-02-000	EA	SHOCK ABSORBER - REAR VW H-BODY - NEW DESIGN
2	112410-01-000	EA	BOLT-U - REAR SPRING
3	112560-01-000	EA	SHACKLE - SPRING - REAR
4	112503-01-000	EA	BUSHING - SPRING - REAR
5	071231-01-000	EA	PLATE - FLOOR DOUBLER
6	112415-01-000	EA	SUPPORT - SHACKLE - REAR
7	112414-01-000	EA	PLATE - SPRING CLAMP
8	112413-01-000	EA	BRACKET - U BOLT - REAR SUSPENSION
9	112032-01-000	EA	SPRING - REAR LEAF W/O BUSHINGS
	116712-01-000	EA	BUSHING - SPRING - FRONT
10	113876-01-000	EA	PAD - JOUNCE - REAR SPRING
11	120493-01-000	EA	AXLE - REAR - DISC BRAKE

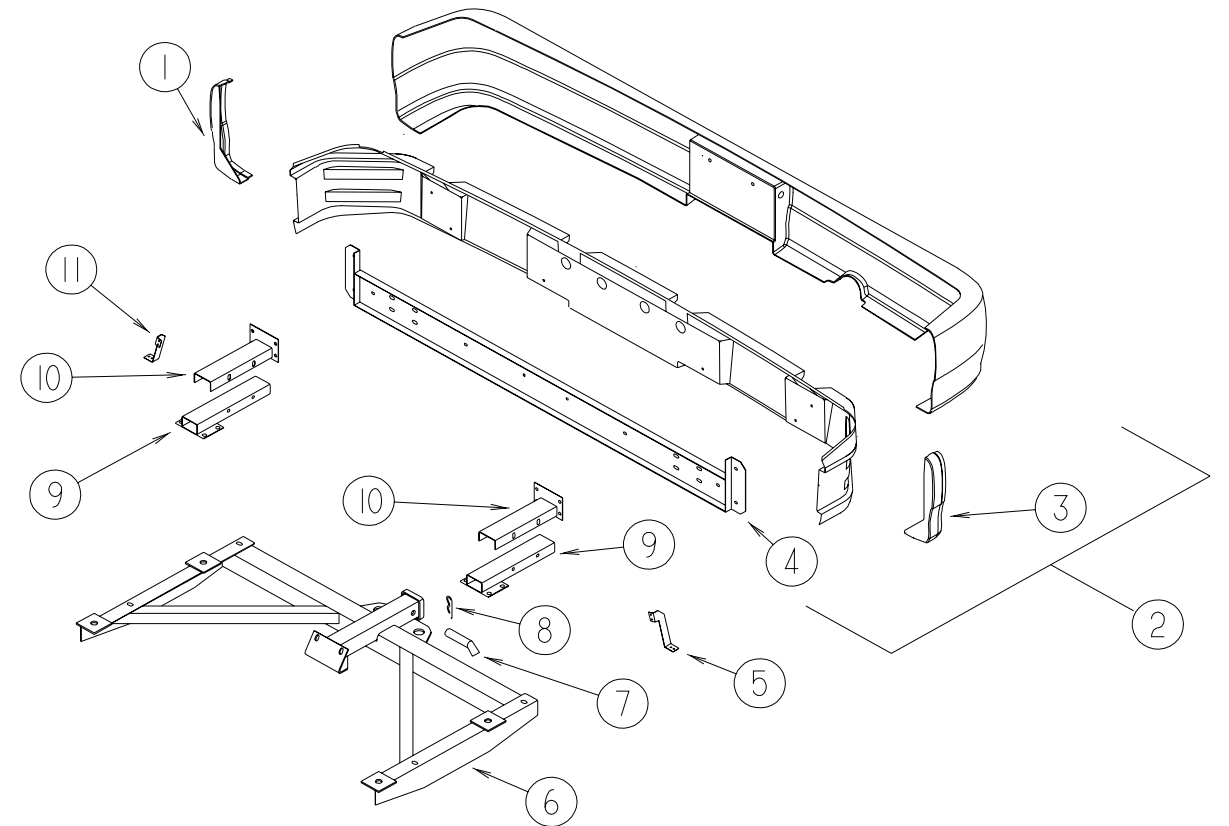
CHASSIS GROUP (CONTINUED)



FLOOR COMPONENTS

KEY	PART NUMBER	U/M	DESCRIPTION
1	113600-01-01B	EA	ROCKER ASM - FRONT,RH,MILL
2	110695-01-000	EA	PANEL - FLOOR - FRONT
3	112883-01-01B	EA	PANEL - FLOOR - LOWER - MILL
4	113601-01-01B	EA	ROCKER ASM - CENTER - RH - MILL
5	112222-01-000	EA	PANEL - FLOOR - REAR
6	112345-01-000	EA	WHEELHOUSE W/SHOCK MOUNT - REAR DRIVER SIDE - STEEL
7	112808-01-02B	EA	ROCKER - REAR - LEFT HAND
8	113005-01-01B	EA	ROCKER - REAR - LEFT HAND
9	112345-02-000	EA	WHEELHOUSE W/SHOCK MOUNT - REAR PASSENGER SIDE - STEEL
10	071366-01-000	EA	ROCKER ASM - FRONT - LH
	112818-01-02B	EA	COMPARTMENT - REAR - LEFT HAND
	072877-03-000	EA	INSULATION - SOUND BARRIER - 1" X 36" X 57"

CHASSIS GROUP (CONTINUED)

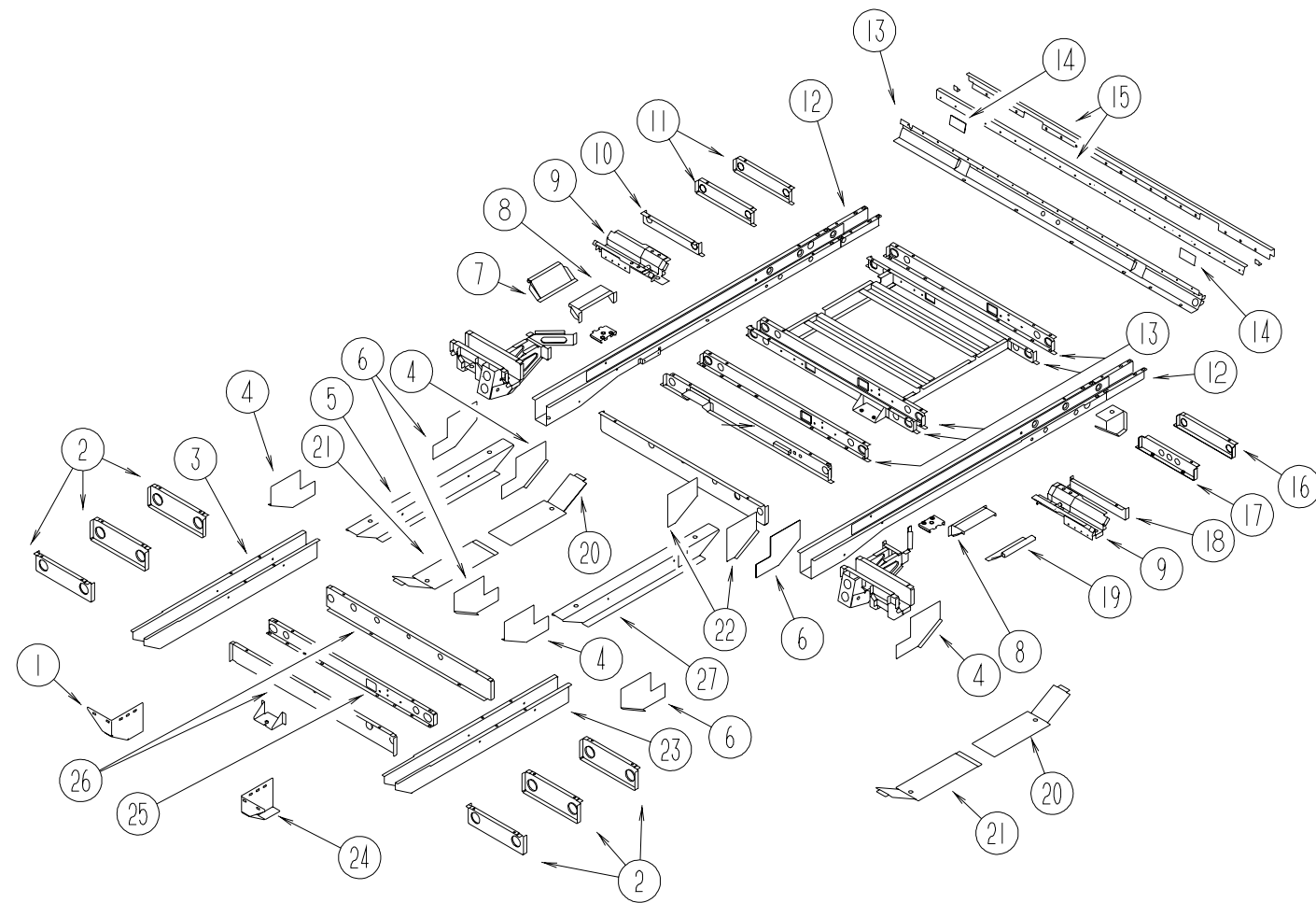


REAR BUMPER, TRAILER HITCH & COMPONENTS

KEY	PART NUMBER	U/M	DESCRIPTION
1	130623-01-02A	EA	CAP - BUMPER END - PASSENGER - BLACK
2	130621-01-K76	EA	BUMPER - REAR
3	130623-02-02A	EA	CAP - BUMPER END - DRIVER - BLACK
4	087108-02-000	EA	SUPPORT - BUMPER/REAR
5	131451-02-02B	EA	BRACKET - SUPPORT/BUMPER - E-COATED
6	130339-06-000	EA	HITCH RECEIVER - BOLT ON CLASS I
7	034512-01-000	EA	PIN - LOCKING - DRAWBAR
8	034513-01-000	EA	PIN - HITCH - 3/16" WIRE
9	115947-01-02B	EA	SUPPORT - LOWER - BUMPER/REAR
10	115944-01-02B	EA	SUPPORT - UPPER - BUMPER/REAR
11	131451-01-02B	EA	BRACKET - BUMPER SUPPORT/OUTER - E-COATED
	113589-01-000	EA	CONNECTOR - PLUG - TRAILER
	113589-02-000	EA	CONNECTOR - SOCKET - TRAILER
	121681-01-000	EA	LAMP - LICENSE PLATE - HELLA 2KA004331067

CHASSIS GROUP (CONTINUED)

FLOOR FRAME ASM



KEY	PART NUMBER	U/M	DESCRIPTION
1	117866-01-01B	EA	BRACKET - FRAME - FLOOR - MILL - RIGHT HAND
2	071225-01-000	EA	OUTRIGGER - FRONT
3	117865-03-01B	EA	RAIL ASM - FRAME - FRONT - RIGHT HAND - MILL
4	071223-01-000	EA	GUSSET - FRAME - LOWER RIGHT HAND
5	126977-02-01B	EA	RAIL - FRAME - LOWER - MILL
6	071223-02-000	EA	GUSSET - FRAME - LOWER - LEFT HAND
7	071188-01-000	EA	BRACKET - SPRING MOUNT - FRONT - PASSENGER SIDE
8	112314-01-000	EA	REINFORCEMENT - WHEELHOUSE
9	112357-01-000	EA	BRACE ASM - STRUT - REAR
10	071232-02-000	EA	OUTRIGGER - REAR - PASSENGER - 15.5" - STEEL
11	071232-01-000	EA	OUTRIGGER - REAR - RIGHT HAND
12	071220-01-000	EA	RAIL - FRAME - REAR
13	071229-01-000	EA	CROSSMEMBER - REAR - CENTER - 45" LONG - STEEL
14	070579-13-000	EA	PLATE - ANCHOR - W/1/5" WELD NUT - 2.5" X 3.3"
15	072382-01-000	EA	CROSSMEMBER ASM - REAR
16	112726-01-01B	EA	OUTRIGGER - GENERATOR - MILL
17	112726-03-01B	EA	OUTRIGGER ASM - GENERATOR - RIGHT HAND - MILL
18	112726-04-01B	EA	OUTRIGGER ASM - GENERATOR - LEFT HAND - MILL
19	071188-02-000	EA	BRACKET - SPRING MOUNT - FRONT - DRIVER SIDE
20	071729-01-000	EA	PLATE - RAIL - LOWER REAR

KEY	PART NUMBER	U/M	DESCRIPTION
21	071212-01-000	EA	PLATE - RAIL - LOWER
22	112315-01-000	EA	OUTRIGGER - WHEELHOUSE - REAR
23	126977-01-01B	EA	RAIL - FRAME - LOWER - MILL
24	117866-02-01B	EA	BRACKET - FRAME - FLOOR - MILL - LEFT HAND
25	071774-01-000	EA	CROSSMEMBER - FRONT
26	071226-01-000	EA	CROSSMEMBER - STEPBOX
	061420-07-000	EA	PLUG - PLASTIC - 1.8" DIAMETER
	061420-08-000	EA	PLUG - PLASTIC - 2.5" DIAMETER
	073913-01-000	EA	RETAINER - MUDFLAP - METAL
	112248-01-000	EA	BRACKET - MOUNT - SHOCK - LOWER
	112248-02-000	EA	BRACKET - MOUNT - SHOCK - LOWER
	112249-01-000	EA	BRACKET-MOUNT - SHOCK - UPPER
	112250-01-000	EA	PLATE - BACKING - MOUNT - SHOCK
	112312-01-000	EA	MOUNT - UPPER REAR PASSENGER SHOCK - STEEL
	112312-02-000	EA	MOUNT - UPPER REAR DRIVER SHOCK - STEEL
	112314-01-000	EA	REINFORCEMENT - WHEELHOUSE
	112724-01-01B	EA	PANEL - ROCKER - OUT REAR RIGHT HAND - MILL
	112725-01-01B	EA	PANEL - ROCKER - INNER - REAR - RIGHT HAND - MILL

CHASSIS GROUP (CONTINUED)

FUEL SYSTEM COMPONENTS

KEY	PART NUMBER	U/M	DESCRIPTION
	125187-02-000	FT	HOSE - FUEL - LOW PERMEABILITY - 12.71 ID
	007063-01-000	FT	HOSE - FUEL - 1/4"ID X 1/2"OD
			FROM: 00-00-00 THRU: 01-25-99
	128139-03-000	FT	HOSE - FUEL - LOW PERMEABILITY - 1/4" DIAMETER
			FROM: 01-26-99 THRU: 99-99-99
	084884-01-000	EA	PLUG - BRASS - 3/8"
	113378-01-000	EA	FUEL LINE - GENERATOR - FRONT
	113378-02-000	EA	FUEL LINE - GENERATOR - REAR
	114253-01-000	EA	ELBOW - 1/4 SINGLE BARB X 1/8 MPT
	114254-01-000	EA	ADAPTER - 1/4 BARB X 1/8 MPT

DICOR 15" WHEEL COVERS

KEY	PART NUMBER	U/M	DESCRIPTION	VENDOR NO.
	114193-01-000	EA	COVER - WHEEL - 15" - SET OF 4	
	114193-01-700	EA	COVER-WHEEL(1 EA = 1 ONLY)	PC9054-15-COV
	077030-02-000	EA	EXTENSION - VALVE STEM - 1.25"	

FRONT & REAR MUDFLAP & RETAINER BRACKET

KEY	PART NUMBER	U/M	DESCRIPTION
	073905-01-000	EA	MUDFLAP - REAR - 10.1" X 19.3"
	073905-03-000	EA	MUDFLAP - REAR - 10.1" X 9.3"
	120293-01-02B	EA	RETAINER - MUDFLAP - E-COATED
	120299-01-01A	EA	MUDGUARD

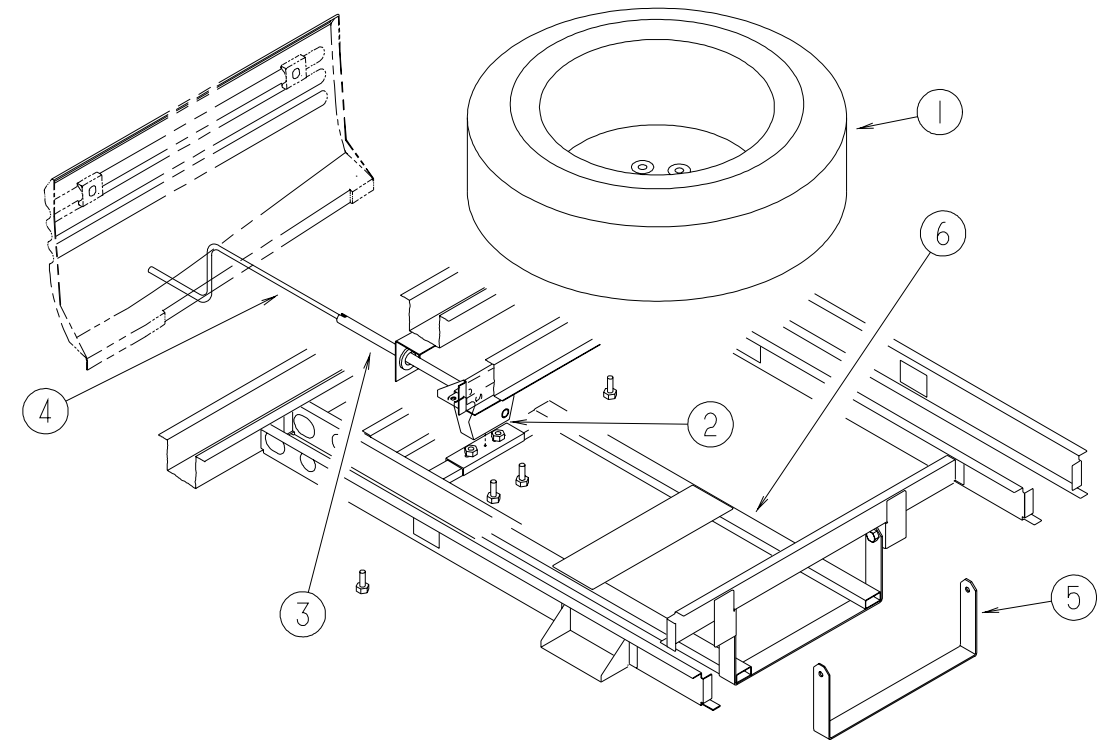
REAR AIR BAGS

KEY	PART NUMBER	U/M	DESCRIPTION	VENDOR NO.
	701390-04-700	EA	AIR BAG SYSTEM - COMPLETE INSTALLATION - REAR VW H-BODY	
	100293-03-700	EA	BAG - PRECHARGED KIT LT. VW	RK-W2L
			KIT CONTAINS: (1)AIR BAG, (1)ELBOW FITTING, (1)ELBOW FILL VALVE, (1)3' 1/4" AIR LINE, (1)INSTRUCTIONS	
	100293-03-701	EA	BAG - PRECHARGED KIT RT. VW	RK-W2R
			KIT CONTAINS: (1)AIR BAG, (1)ELBOW FITTING, (1)ELBOW FILL VALVE, (1)1/4" AIR LINE, (1)INSTRUCTIONS	

MISCELLANEOUS CHASSIS COMPONENTS

KEY	PART NUMBER	U/M	DESCRIPTION
	076776-02-000	EA	TEE - BEADED - 3/4 X 3/4 X 3/4
	120406-02-02B	EA	ROD - THREADED - PARK BRAKE
	130075-01-02B	EA	BRACKET - PARK BRAKE CABLE/LEFT HAND - E-COATED
	130075-02-02B	EA	BRACKET - PARK BRAKE CABLE/RIGHT HAND - E-COATED
	112638-01-000	EA	HOSE - BRAKE LINE/REAR
	112638-02-000	EA	CLIP - SPRING - BRAKE HOSE
	100424-01-000	EA	ANGLE - BRAKE CABLE
	114255-01-000	EA	COUPLING - 5/8 THD X 1/8 FPT
	076776-02-000	EA	TEE - BEADED - 3/4 X 3/4 X 3/4
	130307-01-000	EA	FITTING - REDUCE - HOSE - 1/2-5/8
	111420-07-000	EA	PLATE - SUPPORT
	112081-02-000	EA	ANGLE - ROOF SUPPORT - CENTER
	112538-01-000	EA	PILLAR - RIGHT HAND
	112538-02-000	EA	PILLAR - LEFT HAND
	065450-08-000	EA	TIEDOWN - BATTERY
	061420-04-000	EA	PLUG/PLASTIC - 1.25" DIAMETER
	008401-01-000	EA	STRAP - CONDUIT - 3/4" - 1 HOLE - GALVANIZED STEEL

CHASSIS GROUP (CONTINUED)



SPARE TIRE/MOUNT & HOIST

KEY	PART NUMBER	U/M	DESCRIPTION
1	116271-02-000	EA	TIRE - 215/70 R15 C 109/107P - F/REAR
1	116271-01-000	EA	TIRE - LT 195/70T 15C 104/102P - F/Front & SPARE
	051377-04-000	EA	VALVE STEM - .5" X 2"
2	093267-03-000	EA	HOIST - SPARE TIRE - #100 LB
3	093375-15-000	EA	EXTENSION - TIRE HOIST
4	093376-02-000	EA	HANDLE - CRANK - TIRE HOIST
	114376-01-000	EA	PIN - DRIVE - .156 X .750 - TYPE E - TIRE HOIST
5	116350-02-01B	EA	BRACKET - SPARE TIRE - E-COATED
6	124645-01-02B	EA	CRADLE - SPARE TIRE
	113007-04-000	EA	PIN - SPRING - .007" X 1.25"

LUG WRENCH , TIRE JACK & HANDLE

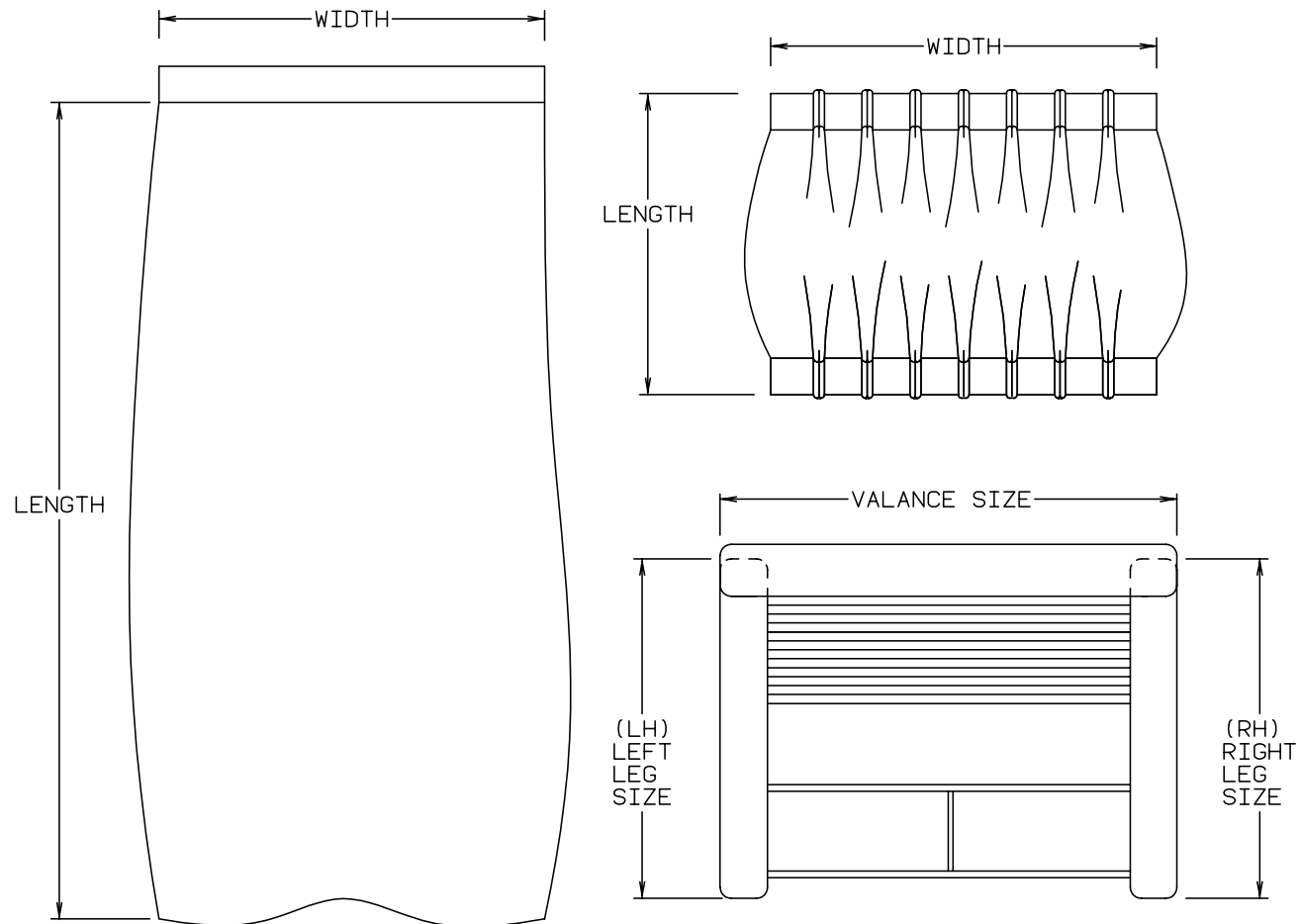
KEY	PART NUMBER	U/M	DESCRIPTION
	116209-01-000	EA	WRENCH - LUG - .75"
	114387-01-000	EA	JACK - SCREW - 4000 LB
	114387-02-000	EA	HANDLE - SCREW JACK - 1 PIECE

CURTAIN & CUSHION GROUP

NOTICE

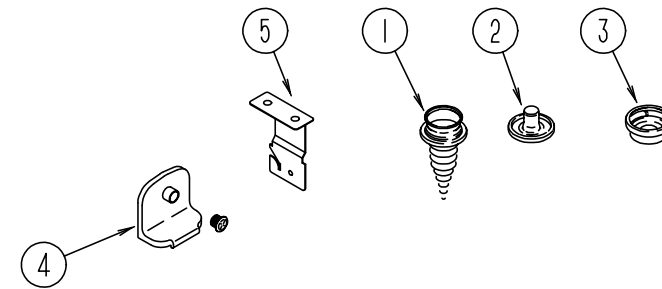
IN ORDER TO ASSIST OUR PARTS SALES DEPT. IN PROVIDING INTERIOR SOFTGOODS ITEMS, PLEASE INCLUDE THE SERIAL NUMBER AND THE COLOR CODE NUMBER FROM THE VEHICLE CERTIFICATION LABEL WHEN ORDERING. THIS LABEL IS LOCATED ON THE LEFT SIDEWALL AT THE END OF THE DASH (A-BODY), OR ON THE DRIVER'S DOOR LATCH PLATE (C-BODY).

AN EXAMPLE OF A COLOR CODE NUMBER IS B07, WHICH DESIGNATES AN OVERALL COLOR SCHEME OF A PARTICULAR UNIT. THE COLOR LISTED AFTER THE ITEM DESCRIPTION ON THE MICROFICHE, INDICATES THE OVERALL UNIT COLOR. ORDER THE ITEM YOU DESIRE ACCORDING TO UNIT COLOR CODE.



NOTE: USE THIS ILLUSTRATION WHEN DETERMINING LENGTH AND WIDTH MEASUREMENTS FOR CURTAINS. YOU WILL NOTE THE WIDTH MEASUREMENT IS TAKEN ON THE TOP OF THE CURTAIN WITH THE CURTAIN FULLY EXTENDED. THE LENGTH MEASUREMENT IS TAKEN FROM TOP TO BOTTOM. LEFT AND RIGHT WINDOW LEGS ARE DETERMINED WHEN FACING THE WINDOW.

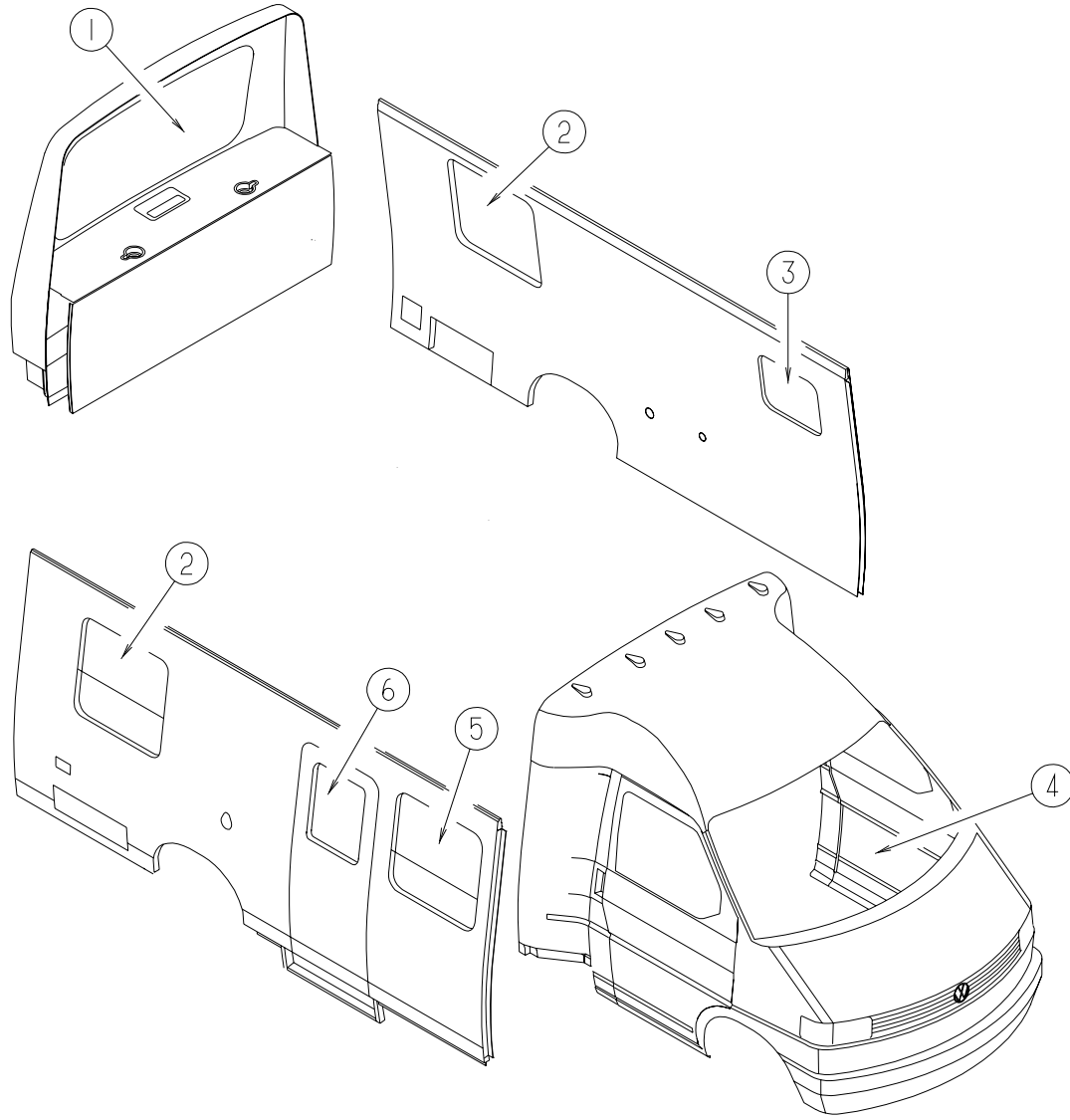
CURTAIN & CUSHION GROUP (CONTINUED)



CURTAIN, BLIND & SHADE HARDWARE

KEY	PART NUMBER	U/M DESCRIPTION
1	029130-01-000	EA SCREW - SNAP SOCKET - #8 PH X 5/8"
1	029130-03-000	EA SCREW - SNAP SOCKET - #8 PH X 1"
2	029155-01-000	EA CAP - SNAP - 5/32" OUTSIDE DIAMETER OF PIN
3	029156-01-000	EA SOCKET - SNAP - 9/16" O.D.
3	029156-02-000	EA SOCKET - SNAP - 27/64" OD
4	106544-01-000	EA PULL - SHADE/BRASS
4	106544-01-001	EA SCREW - SHADE/BRASS
5	084434-01-000	EA BRACKET - MOUNTING - ROLLER SHADE - 1 3/8"
	048394-02-000	YD VELCRO TAPE - HOOK - ADHESIVE BACK - .75" WIDE - BEIGE
	083170-01-000	EA BRACKET - BLIND - LEFT SIDE WHEN FACING WINDOW
	083170-02-000	EA BRACKET - BLIND - RIGHT SIDE WHEN FACING WINDOW
	103242-01-000	EA VELCRO HOOK - BEIGE 7/8" ROUND W/CENTER HOLE
	103242-02-000	EA VELCRO HOOK - BLACK 7/8" ROUND W/CENTER HOLE
	086276-01-000	EA TAPE - DOUBLE SIDED - 1/2"
	089275-01-000	FT STRIP - 3/4" X 96" - CLEAR POLYETHYLENE
	094896-02-000	EA GROMMET - CORD/PLEATED BLIND - NYLON - GRAY
	094907-05-000	EA END CAP - BOTTOM/PLEATED BLIND - PULL TYPE - PLASTIC
	094907-05-700	EA END CAP - RH BOTTOM BLIND
	094907-05-701	EA END CAP - LH BOTTOM BLIND
	094907-06-000	EA HARDWARE - END CAP - E-Z LIFT - TOP
	094908-03-000	FT HARDWARE - SEMI-RIDGED PVC - EZ LIFT
	096843-01-000	EA SPRING - REWIND/ROLLER SHADE
	097565-01-000	EA BRACKET - MOUNTING - PLEATED BLIND
	097591-01-000	EA SPRING - EXTENSION/PLEATED BLIND
	097592-01-000	EA SPOOL - CORD - ELEVATED BLIND HOLDUP - SMALL - CLEAR
	097593-06-000	FT CORD - BLIND - PLEATED - PEWTER
	109441-03-000	EA HOLD DOWN - BLIND (CLOUDY)
	109353-04-000	EA CLIP - VALANCE SLAT MOUNTING - CLEAR PLASTIC
	132504-01-K76	EA BRACKET - SHADE

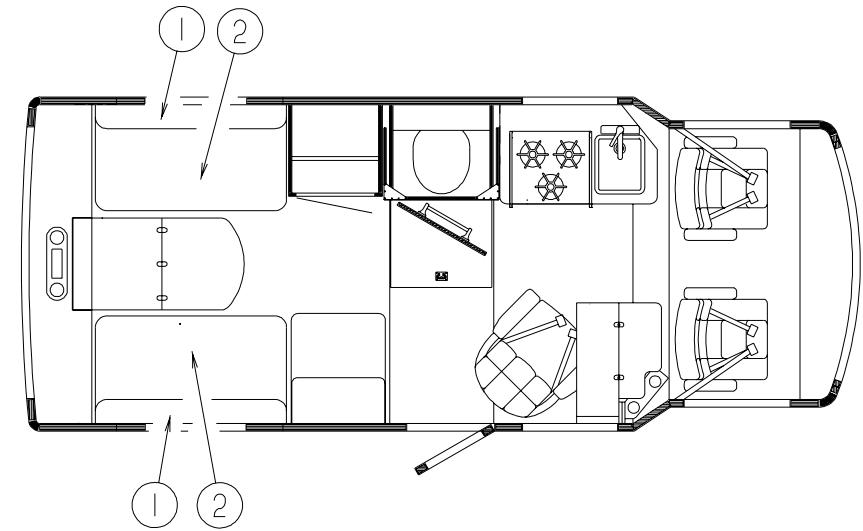
CURTAIN & CUSHION GROUP (CONTINUED)



WINDOW TREATMENT

KEY	PART NUMBER	U/M	DESCRIPTION
1	119405-16-K77	EA	BLIND - MICRO PLEAT - 62" X 32"
2	113637-31-K77	EA	VALANCE - ROSEANNE - 42"
2	113637-31-K79	EA	VALANCE - ROSEANNE - 42"
2	119405-14-K77	EA	BLIND - MICRO PLEAT - 40" X 26.5"
3	111861-08-01A	EA	BLIND - MICRO MINI - 21" X 18.5"
4	077591-14-H70	EA	CURTAIN - 26" X 114"
5	113637-32-K77	EA	VALANCE - ROSEANNE - 30.5"
5	113637-32-K79	EA	VALANCE - ROSEANNE - 30.5"
5	119405-15-K77	EA	BLIND - MICRO PLEAT - 28" X 26.5"
6	113637-33-K77	EA	VALANCE - ROSEANNE - 30"
6	113637-33-K79	EA	VALANCE - ROSEANNE - 30"
6	084755-57-E07	EA	SHADE - PULL - 27.25"
	117640-01-G46	EA	CURTAIN - SHOWER - RIGHT HAND - 33.75" FROM: 00-00-00 THRU: 09-15-98
	117640-03-G47	EA	CURTAIN - SHOWER - RIGHT HAND - 33.75" FROM: 09-16-98 THRU: 99-99-99
	117640-02-G46	EA	CURTAIN - SHOWER - LEFT HAND - 33.75" FROM: 00-00-00 THRU: 09-15-98
	117640-04-G47	EA	CURTAIN - SHOWER - LEFT HAND - 33.75" FROM: 09-16-98 THRU: 99-99-99

CURTAIN & CUSHION GROUP (CONTINUED)



DINETTE CUSHIONS

KEY	PART NUMBER	U/M	DESCRIPTION
1	114942-06-K76	EA	BACK - DINETTE SEAT (K77)
1	114942-06-K78	EA	BACK - DINETTE SEAT (K79)
1	127861-01-K76	EA	BACK - DINETTE CUSHION - LEATHER
	P14942-06-K76	EA	COVER - BACK - DINETTE (K77)
	P14942-06-K78	EA	COVER - BACK - DINETTE (K79)
	P27861-01-K76	EA	COVER - DINETTE BACK - LEATHER
	123241-03-000	EA	FRAME - DINETTE BACK
2	114942-05-K76	EA	SEAT - BOTTOM - DINETTE (K77)
2	114942-05-K78	EA	SEAT - BOTTOM - DINETTE (K79)
2	127861-02-K76	EA	SEAT - DINETTE CUSHION - LEATHER
	P14942-05-K76	EA	COVER - BOTTOM - DINETTE (K77)
	P14942-05-K78	EA	COVER - BOTTOM - DINETTE (K79)
	127861-02-K76	EA	COVER - DINETTE SEAT - LEATHER
	123241-02-000	EA	FRAME - DINETTE SEAT
	123241-01-000	EA	FRAME - DINETTE BASE

CURTAIN & CUSHION GROUP (CONTINUED)

SEATBELTS, WELTING & MISCELLANEOUS

KEY	PART NUMBER	U/M	DESCRIPTION
	114258-01-01A	EA	SEAT BELT - 2" X 90" - BLACK
	079349-04-H70	YD	WELT - NARROW
	057534-02-000	EA	TIEBACK - CLEAR PLASTIC - 3"

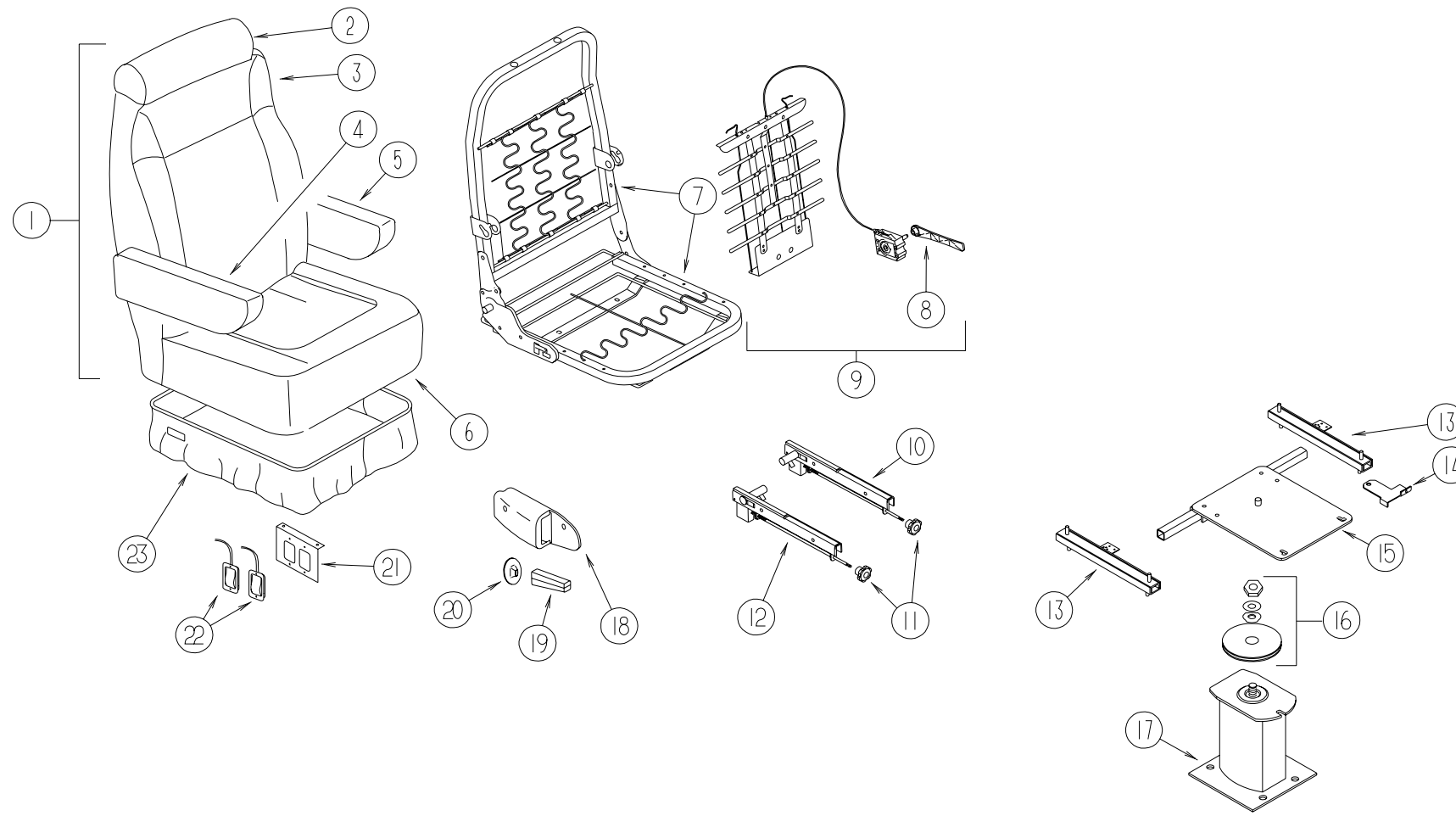
CURTAIN & CUSHION GROUP (CONTINUED)

1999 RIALTA FABRICS		
COLOR CODES	K77	K79
COLORS	CYBER (STEEL GRAY)	SLATE (MEDIUM GRAY)
CEILING VINYL	113979-02-01A 113979-03-01A	113979-02-01A 113979-03-01A
CUSHION & VALANCE VINYL FROM: 00-00-00 THRU 04-04-99	079680-29-000	079680-29-000
CUSHION & VALANCE VINYL FROM: 04-05-99 THRU 099-99-99	079680-30-000	079680-30-000
DRAPERY LINING	087272-03-000	087272-03-000
BUCKET SEATS	126883-30-000	126883-29-000
DINETTE	126883-30-000	126883-29-000
DINETTE WINDOWS	126883-30-000	126883-29-000
LOUNGE WINDOWS	126883-30-000	126883-29-000
SWIVEL CHAIR	126883-30-000	126883-29-000
FRONT WRAP AROUND	072333-88-000	072333-88-000

NOTE: FABRIC LISTED FIRST, IN A BLOCK, IS THE LARGEST QUANTITY OF FABRIC USED.

CURTAIN & CUSHION GROUP (CONTINUED)

BUCKET SEAT - DRIVER SIDE

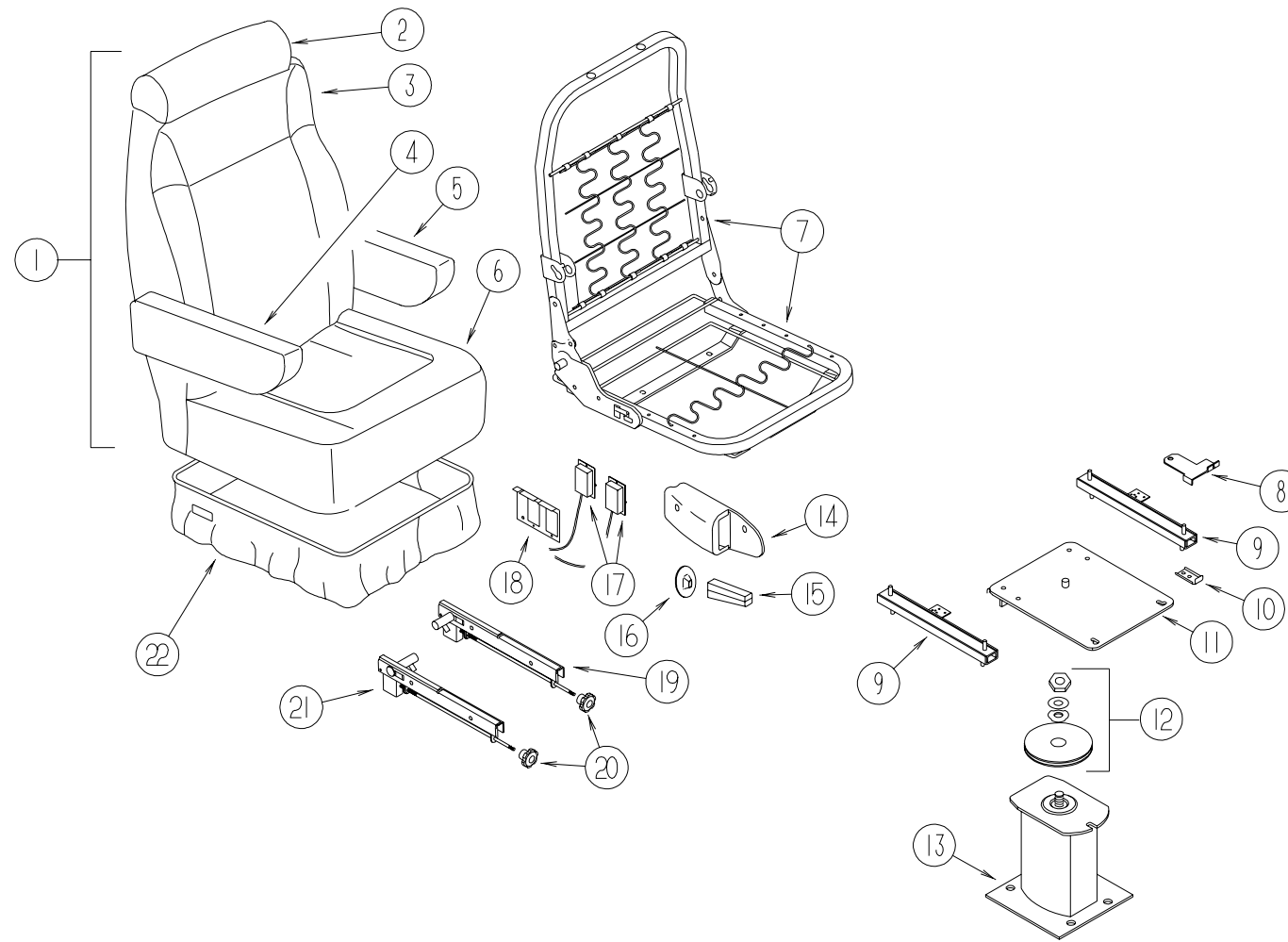


KEY	PART NUMBER	U/M	DESCRIPTION	VENDOR NO.
1	127540-08-K77	EA	SEAT - BUCKET - DRIVER-W/LUMBAR SUPPORT/ADJUSTABLE ARMREST	
1	127540-08-K79	EA	SEAT - BUCKET - DRIVER-W/LUMBAR SUPPORT/ADJUSTABLE ARMREST	
1	127851-01-K77	EA	SEAT - BUCKET - W/LUMBAR SUPPORT - ADJUSTABLE ARM - LEATHER OPTION	
2	119509-01-K76	EA	HEADREST - BUCKET SEAT (K77)	
2	119509-01-K78	EA	HEADREST - BUCKET SEAT (K79)	
2	119509-03-K76	EA	HEADREST - BUCKET SEAT - LEATHER OPTION	
2	P19509-01-K76	EA	COVER - HEADREST (K77)	
2	P19509-01-K78	EA	COVER - HEADREST (K79)	
2	P19509-03-K76	EA	COVER - HEADREST - LEATHER OPTION	
3	M05962-75-K77	EA	COVER - BACK (K77)	
3	M05962-75-K78	EA	COVER - BACK (K79)	
3	M05962-76-K77	EA	COVER - BACK - LEATHER OPTION	
4	129666-05-K76	EA	ARMREST - ADJUSTABLE/RIGHT HAND (K77,K79)	
4	123962-05-K76	EA	ARMREST - ADJUSTABLE RIGHT HAND - LEATHER OPTION	
4	P29666-05-K76	EA	COVER - ARMREST - RIGHT HAND (K77,K79)	
4	P23962-05-K76	EA	COVER - ARMREST - RIGHT HAND - LEATHER OPTION	
5	129666-06-K76	EA	ARMREST - ADJUSTABLE/LEFT HAND (K77,K79)	
5	123962-06-K76	EA	ARMREST - ADJUSTABLE/LEFT HAND - LEATHER OPTION	
5	P29666-06-K76	EA	COVER - ARMREST - LEFT HAND (K77,K79)	
5	P23962-06-K76	EA	COVER - ARMREST - LEFT HAND - LEATHER OPTION	
6	M05962-52-K77	EA	COVER - SEAT (K77)	
6	M05962-52-K78	EA	COVER - SEAT (K79)	
6	M05962-77-K77	EA	COVER - SEAT - LEATHER OPTION	
7	122695-02-01B	EA	FRAME - SEAT/BACK	
8	122611-02-701	EA	LUMBAR - LEVER	412
9	122611-02-000	EA	LUMBAR - W/LEVER	

KEY	PART NUMBER	U/M	DESCRIPTION
10	122622-05-000	EA	BRACKET - ADJUSTABLE/ARMREST - LEFT HAND
11	122622-06-000	EA	BRACKET - ADJUSTABLE KNOB - 3/8"
12	122622-04-000	EA	BRACKET - ADJUSTABLE/ARMREST - RIGHT HAND
13	119952-04-000	EA	SLIDE/SEAT - HEAVY DUTY LOCKING - 4 STUDS
	119952-07-000	EA	WIRE - LATCH RELEASE/ROTARY
14	117125-01-02B	EA	BRACKET - CABLE MOUNT - ADJUSTER W/LOCK
15	107921-08-000	EA	TOP PLATE - PEDESTAL - W/O SEAT BELT BAR
16	107921-06-000	EA	BEARING KIT - PEDESTAL
17	107921-12-000	EA	PEDESTAL - SEAT - 6" - DRIVER
18	080730-09-000	EA	SHIELD - RECLINER HANDLE
19	080730-08-000	EA	HANDLE - RECLINER
20	080730-11-000	EA	SHIELD - RUBBER BOOT
21	117125-01-02B	EA	BRACKET - CABLE MOUNT - ADJUSTER W/LOCK
22	108049-04-000	EA	CABLE - W/SWITCHES - W/26" MINI LEVER ACTION
23	071126-41-K77	EA	SKIRT - SINGLE - 7" W/SLOT (K77,K79)
	071126-41-K77	EA	SKIRT - SINGLE - 7" W/SLOT - LEATHER OPTION
	113977-12-000	EA	HEADREST INSERT - W/O LOCK
	113977-13-000	EA	HEADREST INSERT - W/ LOCK
	116104-04-02B	EA	BRACKET - ZEE W/HOLES - 3.2"

CURTAIN & CUSHION GROUP (CONTINUED)

BUCKET SEAT - PASSENGER SIDE

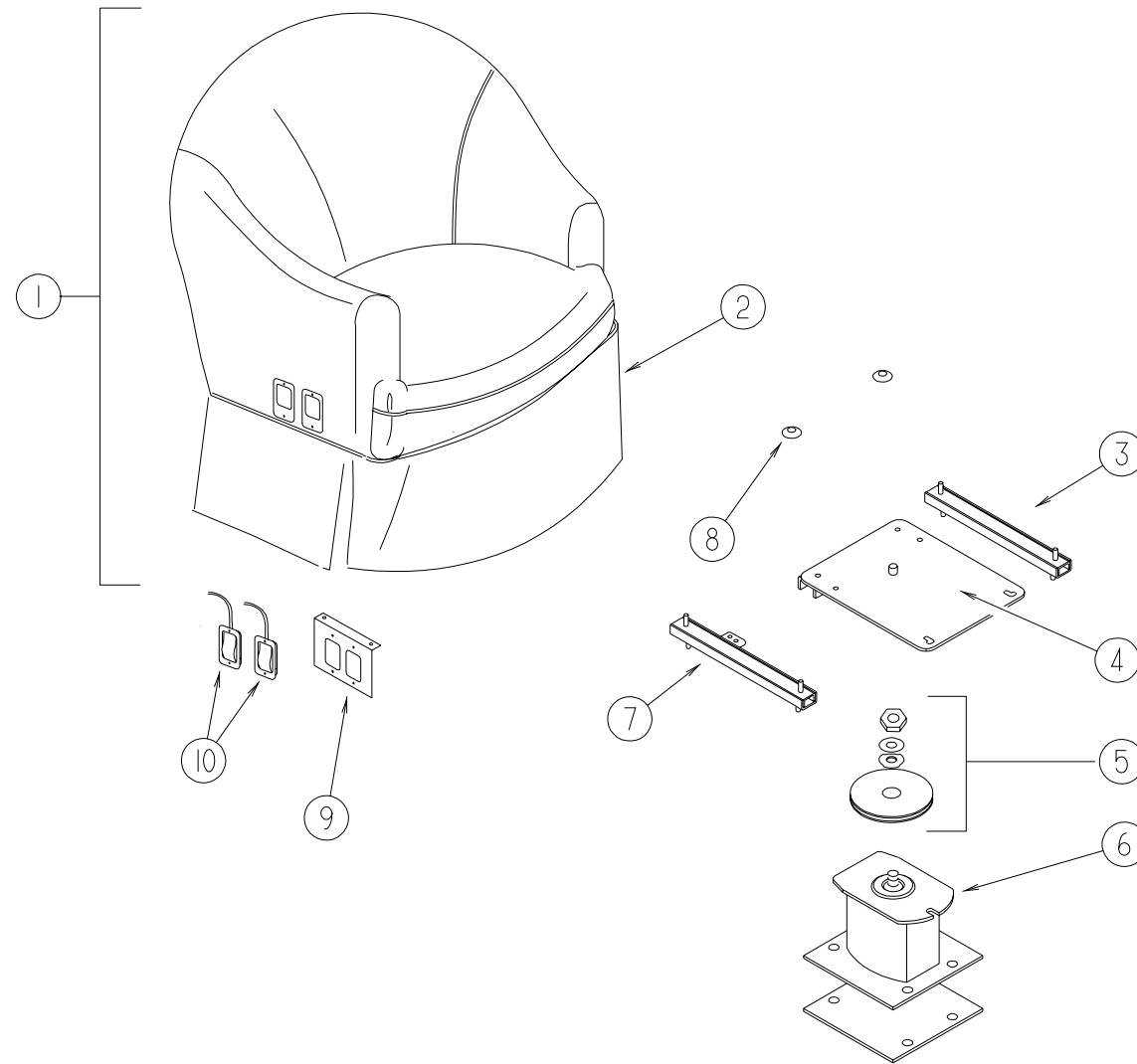


KEY	PART NUMBER	U/M DESCRIPTION
1	127540-13-K77	EA SEAT - BUCKET - ADJUSTABLE ARMREST/DRIVER
1	127540-13-K79	EA SEAT - BUCKET - ADJUSTABLE ARMREST/DRIVER
1	127851-03-K77	EA SEAT - BUCKET - ADJUSTABLE ARMREST - LEATHER OPTION
2	119509-01-K76	EA HEADREST - BUCKET SEAT (K77)
2	119509-01-K78	EA HEADREST - BUCKET SEAT (K79)
2	119509-03-K76	EA HEADREST - BUCKET SEAT - LEATHER OPTION
3	M05962-75-K77	EA COVER - BACK (K77)
3	M05962-75-K78	EA COVER - BACK (K79)
3	M05962-76-K77	EA COVER - BACK - LEATHER OPTION
4	129666-05-K76	EA ARMREST - ADJUSTABLE RIGHT HAND (K77,K79)
4	129716-01-K77	EA ARMREST - ADJUSTABLE RIGHT HAND - LEATHER OPTION
4	P29666-05-K76	EA COVER - ARMREST - RIGHT HAND (K77,K79)
4	P29716-01-K77	EA COVER - ARMREST - RIGHT HAND - LEATHER OPTION
5	129666-06-K76	EA ARMREST - ADJUSTABLE LEFT HAND (K77,K79)
5	129716-02-K77	EA ARMREST - ADJUSTABLE LEFT HAND - LEATHER OPTION
5	P29666-06-K76	EA COVER - ARMREST - LEFT HAND (K77,K79)
5	P29716-02-K77	EA COVER - ARMREST - LEFT HAND - LEATHER OPTION
6	M05962-52-K77	EA COVER - SEAT (K77)
6	M05962-52-K78	EA COVER - SEAT (K79)
6	M05962-77-K77	EA COVER - SEAT - LEATHER OPTION

KEY	PART NUMBER	U/M DESCRIPTION
7	122695-03-01B	EA FRAME - SEAT/BACK
8	117125-01-02B	EA BRACKET - CABLE MOUNT - ADJUSTER W/LOCK
9	119952-03-000	EA SLIDE/SEAT - HEAVY DUTY LOCKING - 2 STUDS
	119952-07-000	EA WIRE - LATCH RELEASE/ROTARY
10	114889-01-000	EA STOP BAR - UNIVERSAL
11	107921-08-000	EA TOP PLATE - PEDESTAL - W/O SEAT BELT BAR
12	107921-06-000	EA BEARING KIT
13	107921-13-000	EA PEDESTAL - SEAT - 6" - PASSENGER
14	080730-09-000	EA SHIELD - RECLINER HANDLE
15	080730-08-000	EA HANDLE - RECLINER
16	080730-11-000	EA SHIELD - RUBBER BOOT
17	108049-03-000	EA CABLE/CONTROL 25.5" SHEATH/28.5" CABLE W/DOG LEG
18	117125-01-02B	EA BRACKET - CABLE MOUNT - ADJUSTER W/LOCK
19	122622-05-000	EA BRACKET - ADJUSTABLE/ARMREST - LEFT HAND
20	122622-06-000	EA BRACKET - ADJUSTABLE KNOB - 3/8"
21	122622-04-000	EA BRACKET - ADJUSTABLE/ARMREST - RIGHT HAND
22	071126-41-K77	EA SKIRT - SINGLE - 7" W/SLOT (K77,K79)
22	071126-41-K77	EA SKIRT - SINGLE - 7" W/SLOT - LEATHER OPTION
	113977-12-000	EA HEADREST INSERT - W/O LOCK
	113977-13-000	EA HEADREST INSERT - W/ LOCK

CURTAIN & CUSHION GROUP (CONTINUED)

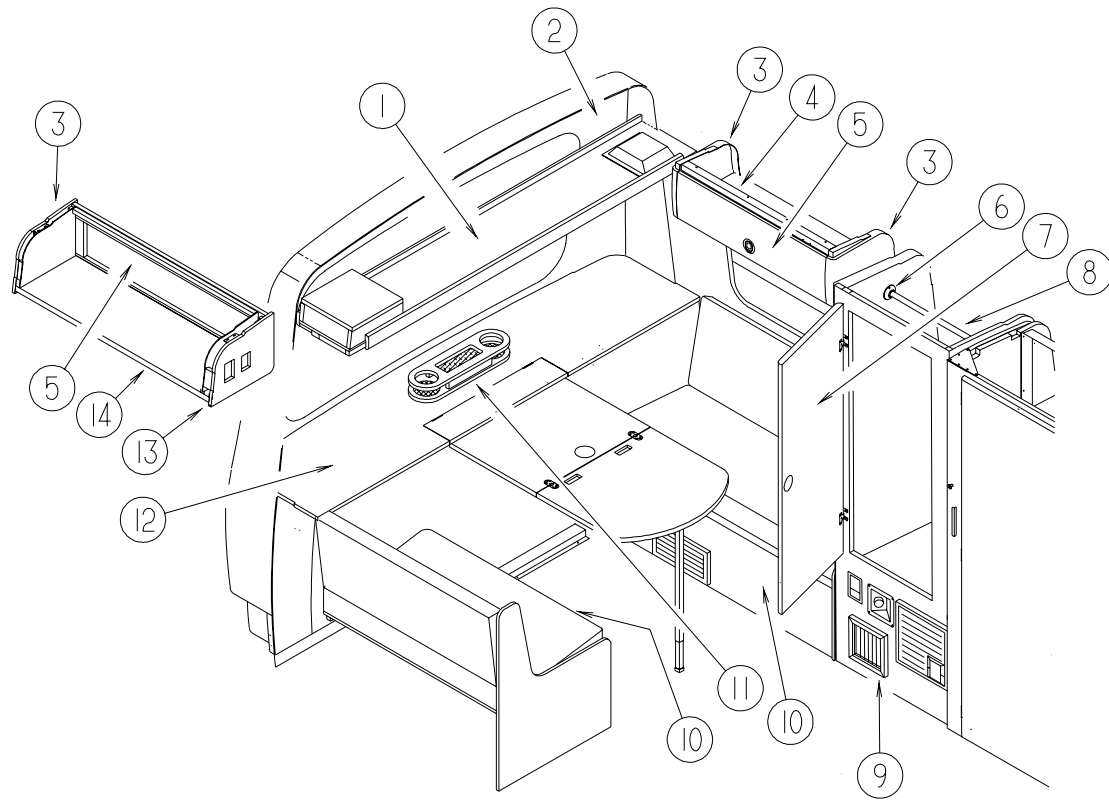
CHAIR - SWIVEL



KEY	PART NUMBER	U/M	DESCRIPTION
1	115470-02-K77	EA	CHAIR - SWIVEL
1	115470-02-K79	EA	CHAIR - SWIVEL
1	115470-03-K77	EA	CHAIR - SWIVEL- LEATHER OPTION
1	P15470-02-K77	EA	COVER - CHAIR
1	P15470-02-K79	EA	COVER - CHAIR
1	P15470-03-K77	EA	COVER - CHAIR - LEATHER
2	P07977-03-K77	EA	COVER - SKIRT
2	P07977-03-K79	EA	COVER - SKIRT
2	P07977-01-K77	EA	COVER - SKIRT - LEATHER OPTION
3	119952-01-000	EA	SLIDE/SEAT - HEAVY DUTY NON LOCKING
4	107921-08-000	EA	TOP PLATE - PEDESTAL - W/O SEAT BELT BAR

KEY	PART NUMBER	U/M	DESCRIPTION
5	107921-06-000	EA	BEARING KIT - PEDESTAL
6	107921-15-000	EA	FLOOR MOUNTED PEDESTAL - W/9.75" EXTENSION
7	119952-03-000	EA	SLIDE/SEAT - HEAVY DUTY LOCKING - 2 STUDS
8	007221-01-000	EA	SPACER - SEAT/ADJUSTER
9	127159-02-02B	EA	BRACKET - SEAT RELEASE - DUAL REMOTE
10	108049-03-000	EA	CABLE - W/SWITCHES - 25.5" SHEATH/28.5" CABLE W/DOG LEG
	117125-01-02B	EA	BRACKET - CABLE MOUNT - ADJUSTER W/LOCK
	108049-02-000	EA	CLIP - CABLE/PEDESTAL
	010495-01-000	EA	CLAMP - CABLE - 9/16"
	007021-01-000	EA	SEAT BELT - 2" X 90" - BLACK
	057759-01-000	EA	WASHER - FLAT F/SEAT BELT - 4" DIAMETER

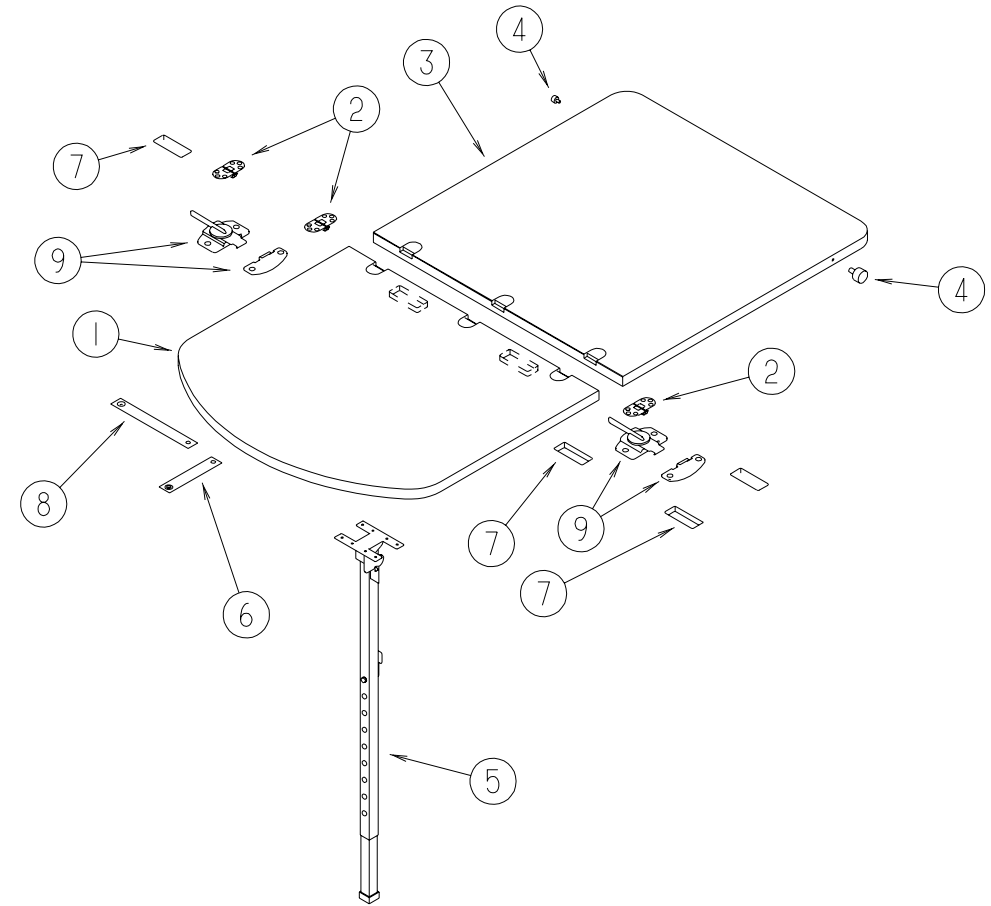
DINETTE GROUP



DINETTE CABINETRY

KEY	PART NUMBER	U/M	DESCRIPTION
1	131581-01-K77	EA	CABINET - OVERHEAD/SHELF - W/O DOORS/HARDWARE
1	131581-01-K79	EA	CABINET - OVERHEAD/SHELF - W/O DOORS/HARDWARE
	M07527-02-K76	EA	TRIM - SHELF/FRONT - FABRIC COVERED (K77)
	M07527-03-K76	EA	TRIM - SHELF/FRONT - FABRIC COVERED (K77)
	M07527-02-K78	EA	TRIM - SHELF/FRONT - FABRIC COVERED (K79)
	M07527-03-K78	EA	TRIM - SHELF/FRONT - FABRIC COVERED (K79)
2	123060-02-K76	EA	PANEL - BACKWALL - UPPER/INNER
3	119132-11-K77	EA	END CAP - OVERHEAD CABINET
4	131105-02-K77	EA	CABINET - OVERHEAD/DINETTE - W/O DOORS/HARDWARE
5	M05992-CB-K77	EA	DOOR - STRAIGHT CORNER/OGEE EDGE - 7.3" X 36.9" - W/O HDW FROM: 00-00-00 THRU: 11-29-98
5	131995-N1-K77	EA	DOOR - SOLID PANEL - 7.3" X 36.9" - W/O HARDWARE FROM: 11-30-98 THRU: 99-99-99
6	009112-01-000	EA	FLANGE - PLASTIC - 1" CLOTHES ROD - OFF WHITE
7	M06803-CU-K77	EA	DOOR - MIRROR/MTRD CORNER - 15.5"H X 45.4"W - W/O HDW FROM: 00-00-00 THRU: 11-29-98
7	132006-04-K77	EA	DOOR - MIRROR/MTRD CORNER - 15.5" X 45.4" - W/O HDW FROM: 11-30-98 THRU: 99-99-99
8	041953-03-000	FT	CONDUIT - CONVOLUTE SLIT - 1" ID (CLOTHES ROD COVER)
8	042438-01-000	EA	DOWEL - WOOD - CLOTHES ROD - 1" DIAMETER X 4'
9	119860-15-J80	EA	GRILL - WARDROBE CABINET
10	124309-02-K77	EA	PANEL - COVER - DINETTE/LEFT HAND
10	124309-05-K77	EA	PANEL - COVER - DINETTE/RIGHT HAND
11	127567-01-J80	EA	TRAY - BEVERAGE
	122717-01-01A	EA	PAD - NON SKID - 4" DIA. ROUND
12	124468-01-K76	EA	CABINET - REAR SHELF - W/O HARDWARE
	124468-16-J80	EA	SHELF - W/EDGE MOLDING - FLIP UP FOR TABLE
	124468-15-J80	EA	SHELF - W/EDGE MOLDING - BEHIND TABLE
13	119132-08-K77	EA	END CAP - OVERHEAD
14	131105-01-K77	EA	CABINET - OVERHEAD/DINETTE - W/O DOORS/HARDWARE

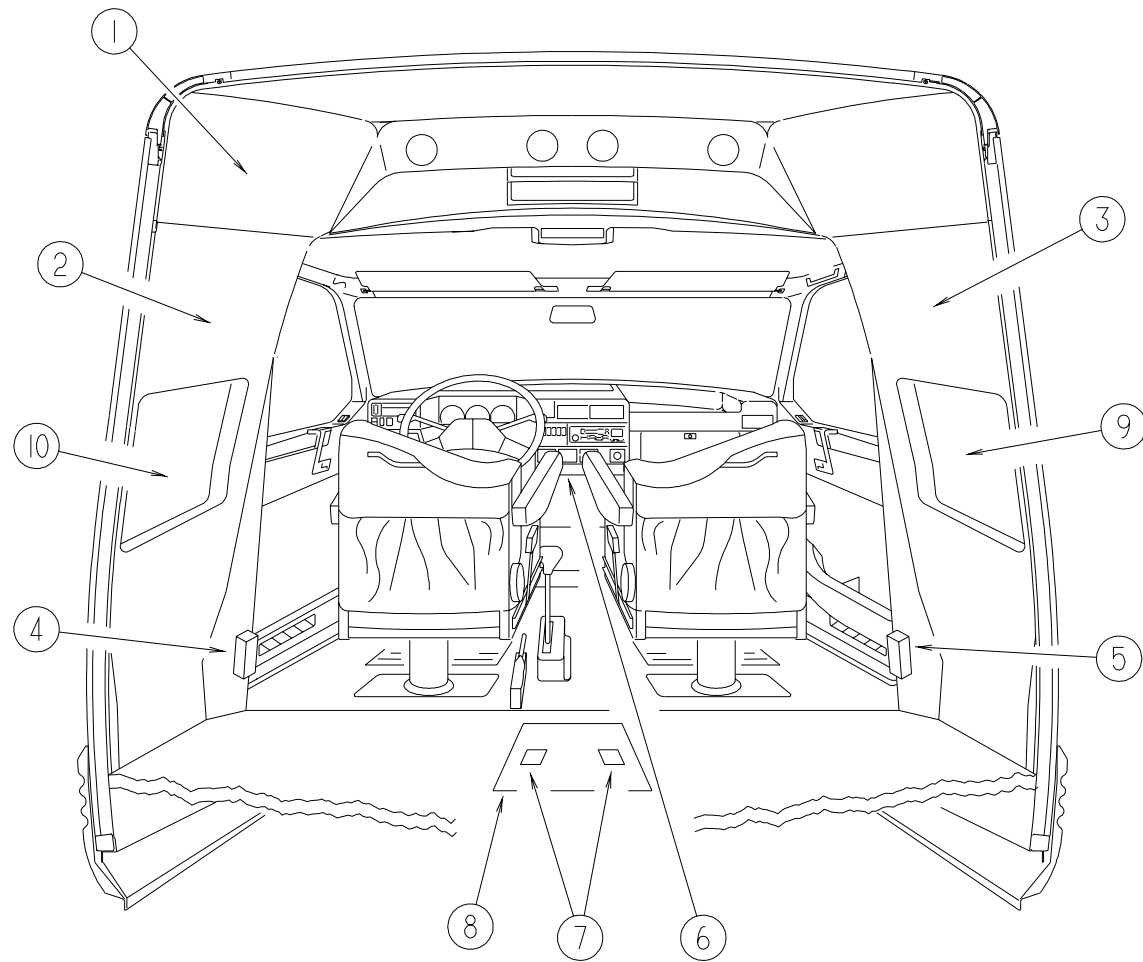
DINETTE GROUP (CONTINUED)



DINETTE TABLE

KEY	PART NUMBER	U/M	DESCRIPTION
1	124485-13-J80	EA	TABLE - DINETTE
2	111535-01-000	EA	HINGE - TABLE/FOLDING
3	124485-12-J80	EA	TABLE - DINETTE - FRONT FOLDDOWN - W/O HARDWARE
4	079921-01-000	EA	ROLLER - NYLON - W/STEEL SHAFT - BARBED
5	108483-02-000	EA	LEG - TABLE - ADJUSTABLE 18.47" - 30.5"
	024283-01-000	EA	CLIP - LEG - 1" - 1.125" OD - BLACK
6	057534-02-000	EA	TIEBACK - CLEAR PLASIC - 3"
7	124311-01-01A	EA	HANDLE - RECESSED - BRASS
8	057534-01-000	EA	TIEBACK/TIEDOWN - 6" CLEAR PLASTIC
	029155-01-000	EA	CAP - SNAP - 5/32" OUTSIDE DIAMETER OF PIN
	029156-01-000	EA	SOCKET - SNAP - 9/16" O.D.
	029130-01-000	EA	SCREW - SNAP SOCKET - #8 PH X 5/8"
9	124753-01-000	EA	LOCK - SASH - TIGHT SEAL

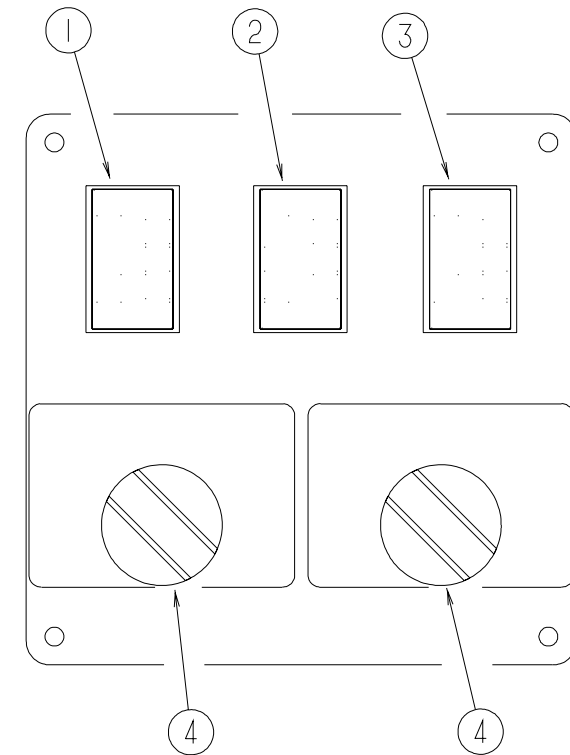
DRIVERS COMPARTMENT GROUP



PANELS, BEVERAGE TRAY, & BATTERY COMPARTMENT LID

KEY	PART NUMBER	U/M	DESCRIPTION
1	117256-03-03A	EA	HEADLINER - CAB - VW LT GRAY ABS PLASTIC
1	117256-07-03A	EA	HEADLINER - CAB - VW LT GRAY ABS PLASTIC - W/DELUXE SOUND OPTION
2	P27844-02-02A	EA	PANEL - TRANSITION - INNER - VW LT GRAY
3	P27844-01-02A	EA	PANEL - TRANSITION - INNER - VW LT GRAY
4	128914-01-01A	EA	COVER - RETRACTOR - DRIVER SIDE - BLACK
5	128914-02-01A	EA	COVER - RETRACTOR - PASSENGER SIDE - BLACK
6	126959-02-J80	EA	TRAY - FLIP-DOWN BEVERAGE W/CUP HOLDERS - MODIFIED/VW
	125807-01-01A	EA	COVER - BEVERAGE TRAY - VW BLACK
	125955-01-02B	EA	BRACKET - BEVERAGE TRAY - E-COATED
7	097111-02-04A	EA	POCKET - LOCK - REAR DOOR
	102330-01-000	EA	LATCH - VISE ACTION/KEY OPERATED
	102328-01-000	EA	KEY - BARREL - NICKEL PLATED
8	P18892-01-H70	EA	LID - COMPARTMENT/BATTERY - W/CARPET
	064075-07-000	FT	SEAL - BULB - W/WIRED U CHANNEL - .3" X .5" CHANNEL-BLACK
	065450-08-000	EA	TIEDOWN - BATTERY
	129349-01-000	EA	CLUSTER - INSTRUMENT PANEL - KILOMETERS/CANADIAN - GAS FROM: 00-00-00 THRU: 11-16-98
	132227-01-000	EA	CLUSTER - INSTRUMENT PANEL - KILOMETERS/CANADA - GAS FROM: 11-17-98 THRU: 99-99-99
9	117555-01-K78	EA	PANEL-TRANSITION - RIGHT HAND
10	117555-02-K78	EA	PANEL-TRANSITION - LEFT HAND
	100128-02-000	FT	SEAL - FOAM/ADHESIVE BACK - .37" WIDE X .37" THICK

DRIVERS COMPARTMENT GROUP (CONTINUED)

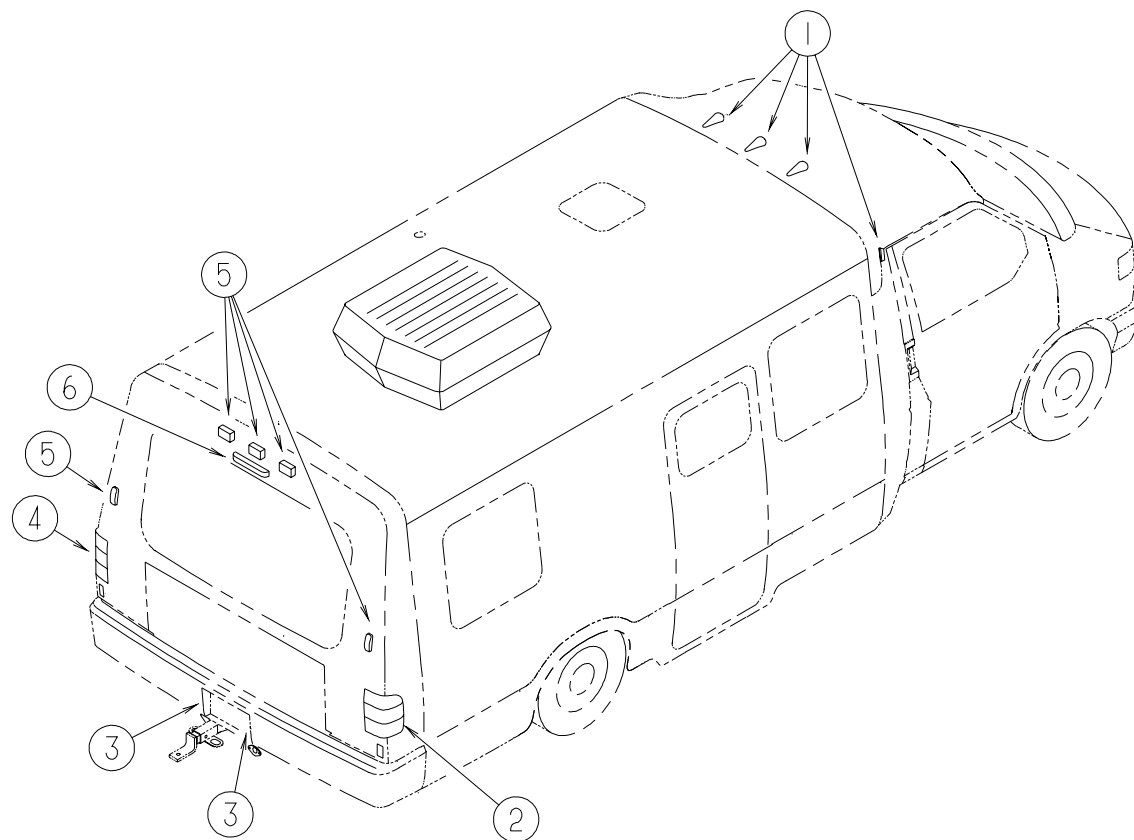


OVERHEAD PANEL SWITCHES

KEY	PART NUMBER	U/M	DESCRIPTION
1	108356-09-01A	EA	COVER/ACTUATOR SWITCH - 2 ROWS DIMPLES W/LENS - WASH/BLACK
1	108357-13-000	EA	SWITCH - ROCKER DPDT W/LIGHT - MOM/ON-OFF/OFF - 7 TERMINAL
1	096241-03-000	EA	SWITCH - BLANK - BLACK
2	108356-08-01A	EA	COVER/ACTUATOR SWITCH - 2 ROWS DIMPLES W/LENS - REAR-BLACK
2	108357-12-000	EA	SWITCH - ROCKER DPST W/LIGHT - MOM/NONE/OFF - 7 TERMINAL
2	096241-03-000	EA	SWITCH - BLANK - BLACK
3	108356-07-01A	EA	COVER/ACTUATOR SWITCH - 2 ROWS DIMPLES - AUX START - BLACK
3	108357-09-000	EA	SWITCH - ROCKER SPDT - ON/NONE/MOM - 3 TERMINAL
4	087202-02-000	EA	SWITCH - 4 POSITION - W/O KNOB/BEZEL - 5 TERMINAL
4	090977-01-000	EA	KNOB - ROTARY SWITCH/SLIP ON - REAR HEATER/DASH/REAR PANEL

ELECTRICAL GROUP

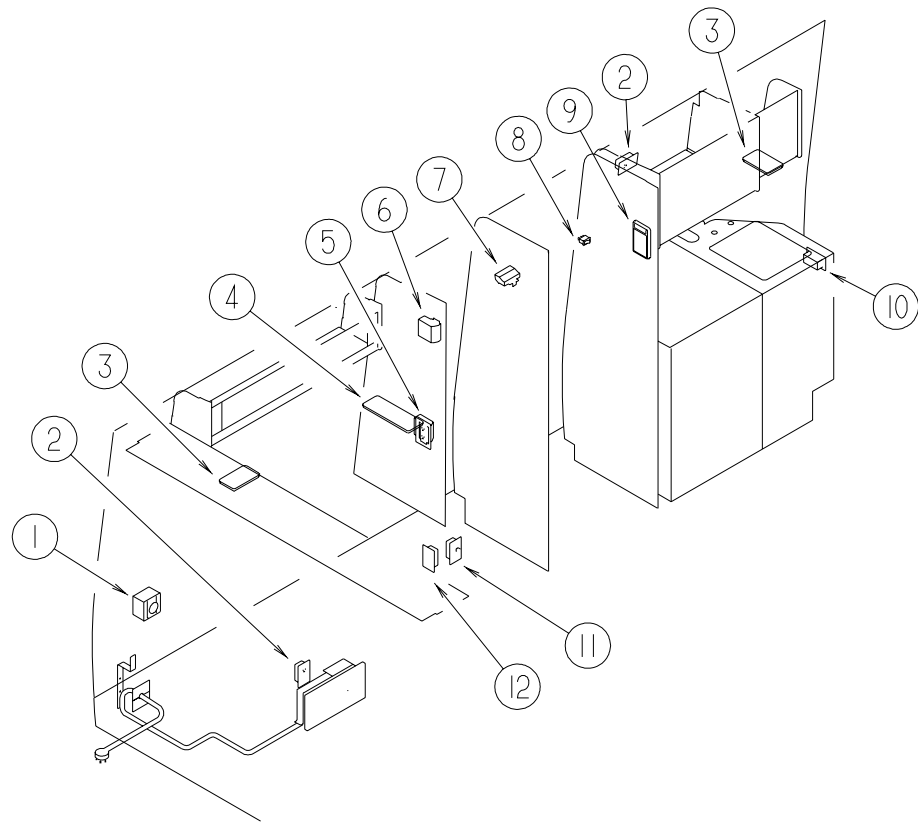
EXTERIOR LIGHTS



KEY	PART NUMBER	U/M	DESCRIPTION
1	113709-01-000	EA	LAMP - CLEARANCE - AMBER
2	112126-03-000	EA	LAMP - REAR/RIGHT HAND
2	112709-01-000	EA	SOCKET - TURN LIGHT
2	112709-02-000	EA	SOCKET - BACK-UP LIGHT
2	112709-03-000	EA	SOCKET - BRAKE LIGHT/MARKER LIGHT
2	112707-01-000	EA	BULB - 12 VOLT - #3156 - 2.10 AMP
2	112708-01-000	EA	BULB - 12 VOLT - #3157 - .59/2.10 AMP
2	113777-01-02B	EA	BRACKET - TAIL LAMP - 7.7" LONG - E-COATED
2	113778-03-02B	EA	BRACKET - TAIL LAMP - 6.4" LONG - E-COATED
2	113689-01-02B	EA	BRACKET - TAIL LAMP - RH - E-COATED
3	087201-01-000	EA	LIGHT - HALF ROUND - 1" X 1.7" - PLASTIC - BLACK
4	112126-04-000	EA	LAMP - REAR/LEFT HAND

KEY	PART NUMBER	U/M	DESCRIPTION
4	112709-01-000	EA	SOCKET - TURN LIGHT
4	112709-02-000	EA	SOCKET - BACK-UP LIGHT
4	112709-03-000	EA	SOCKET - BRAKE LIGHT/MARKER LIGHT
4	112707-01-000	EA	BULB - 12 VOLT - #3156 - 2.10 AMP
4	112708-01-000	EA	BULB - 12 VOLT - #3157 - .59/2.10 AMP
4	113777-01-02B	EA	BRACKET - TAIL LAMP - 7.7" LONG - E-COATED
4	113778-03-02B	EA	BRACKET - TAIL LAMP - 6.4" LONG - E-COATED
4	113689-02-02B	EA	BRACKET - TAIL LAMP - LH - E-COATED
5	111102-01-000	EA	BASE - MARKER LAMP
5	111102-03-000	EA	LENS - RED - MARKER LAMP
5	036196-01-000	EA	BULB - 12V - #194 - .27 AMP - BAYONETTE
6	121950-01-000	EA	LIGHT - BRAKE - CENTER MOUNT

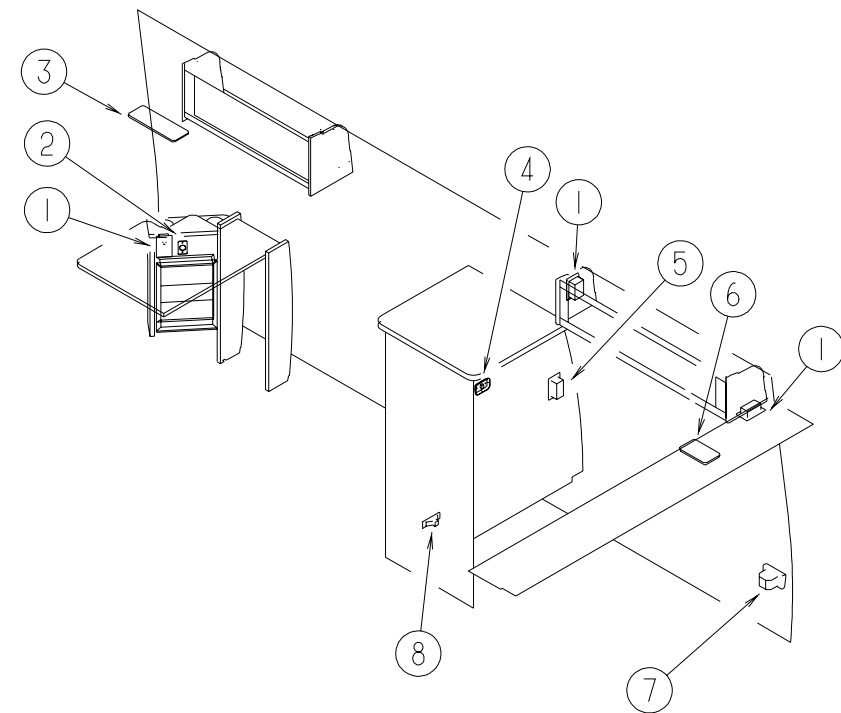
ELECTRICAL GROUP (CONTINUED)



LIGHTS, RECEPTACLES & SWITCHES - DRIVER SIDE

KEY	PART NUMBER	U/M	DESCRIPTION	VENDOR NO.
1	024924-02-000	EA	RECEPTACLE - POWER CORD - W/PARTIAL PLATE	
2	058707-01-000	EA	RECEPTACLE - ELECTRIC - SINGLE - BROWN - CONVERTER OR MICROWAVE	
3	098024-05-02A	EA	LIGHT - DOME - 1 BULB - SKYLITE - WHITE	
	008218-01-000	EA	BULB - 12 VOLT - #1141 - 1.44 AMP	
	098024-01-701	EA	LENS - OPTI CLEAR - SKYLITE	809902
4	098024-03-02A	EA	LIGHT - DOME - 2 BULB - WHITE	
	008218-01-000	EA	BULB - 12 VOLT - #1141 - 1.44 AMP	
	098024-01-700	EA	LENS-LIGHT	807877
5	084076-01-000	EA	RECEPTACLE - GFI - 15 AMP/125 VOLT - IVORY - W/COVER	
6	091927-01-000	EA	COVER - RECEPTACLE - DOUBLE - IVORY - W/O ROOF A/C OPTION	
7	087694-01-000	EA	LIGHT - WARDROBE/CLOSET - W/SWITCH	
	087694-01-700	EA	BULB	GE561
8	108357-14-000	EA	SWITCH - ROCKER SPDT W/LIGHT - ON/NONE/OFF - 4 TERMINAL-SHOWER DRAIN	
8	108356-10-01A	EA	COVER/ACTUATOR SWITCH - 2 ROWS DIMPLES W/LENS-SHOWER DRAIN	
9	098024-01-03A	EA	LIGHT - DOME - 1 BULB - WHITE	
	008218-01-000	EA	BULB - 12 VOLT - #1141 - 1.44 AMP	
	098024-01-700	EA	LENS-LIGHT	807877
10	058708-02-000	EA	RECEPTACLE - ELECTRIC - DOUBLE - IVORY	
11	084420-01-000	EA	SWITCH - TOGGLE - 15 AMP - 120 VOLT - BROWN	
12	058707-02-000	EA	RECEPTACLE - BLANK - JUNCTION BOX	

ELECTRICAL GROUP (CONTINUED)



LIGHTS, RECEPTACLES & SWITCHES - PASSENGER SIDE

KEY	PART NUMBER	U/M	DESCRIPTION	VENDOR NO.
1	058708-01-000	EA	RECEPTACLE - ELECTRIC - DOUBLE - BROWN	
2	111414-01-000	EA	RECEPTACLE - 12V - W/O BIMETAL	
	111386-01-04B	EA	PLATE - RECEPTACLE - 12 VOLT - BLACK	
3	098024-03-02A	EA	LIGHT - DOME - 2 BULB - WHITE	
	008218-01-000	EA	BULB - 12 VOLT - #1141 - 1.44 AMP	
	098024-01-700	EA	LENS-LIGHT	807877
4	079364-01-000	EA	SWITCH - ON/OFF ROCKER - 2 TERMINAL - BROWN	
	098351-01-01A	EA	PLATE - SWITCH - 1 GANG POLISHED BRASS	
5	058707-01-000	EA	RECEPTACLE - ELECTRIC - SINGLE - BROWN - REFRIGERATOR	
6	098024-05-02A	EA	LIGHT - DOME - 1 BULB - SKYLITE - WHITE	
	008218-01-000	EA	BULB - 12 VOLT - #1141 - 1.44 AMP	
	098024-01-701	EA	LENS - OPTI CLEAR - SKYLITE	809902
7	112822-01-01A	EA	RECEPTACLE - DUPLEX - IVORY	
			FROM: 00-00-00 THRU: 11-15-98	
7	112824-01-03A	EA	COVER - EXTERIOR DUPLEX RECEPTACLE - WHITE PLASTIC	
			FROM: 00-00-00 THRU: 11-15-98	
7	131826-01-01A	EA	RECEPTACLE - EXTERIOR - W/COVER/GASKET - WHITE	
			FROM: 11-16-98 THRU: 99-99-99	
8	061424-01-000	EA	LIGHT - AISLE - 12 VOLT - RECTANGULAR	
	008103-01-000	EA	BULB - DASH/AISLE LIGHT - #53 - 12 VOLT - .12 AMP	

ELECTRICAL GROUP (CONTINUED)**ELECTRICAL CONNECTORS**

KEY	PART NUMBER	U/M	DESCRIPTION
	080015-02-000	EA	RECEPTACLE - FLAG - .185 - 16/14 GAUGE
	008313-01-000	EA	CONNECTOR - WIRE NUT - INSULATED - YELLOW
	008314-01-000	EA	CONNECTOR - WIRE NUT - INSULATED - GRAY
	008355-01-000	EA	CONNECTOR - CABLE CLAMPING - 3/4"
	008356-01-000	EA	CONNECTOR - PLASTIC - 3/8" AVG
	008356-02-000	EA	CONNECTOR - PLASTIC - 21/32
	058028-01-000	EA	CONNECTOR - ELECTRICAL PIGTAIL - NYLON - CLEAR
	008328-01-000	EA	TERMINAL - RING - 12/10 WIRE - #10 STUD FIT
	008348-01-000	EA	TERMINAL - RING - 3/8" STUD 2 GA. WIRE
	047443-01-000	EA	TERMINAL - .250 RECEPTACLE FIT - INSULATED - 16/14 AWG
	088476-01-000	EA	TERMINAL - ELECTRICAL
	116811-01-000	EA	TERMINAL - .110 RECEPTACLE - 16-14 AWG
	098262-01-000	EA	SEAL - CONNECTOR - WEATHERPACK
	088473-01-000	EA	HOUSING - PIN - 12 CAVITY (3 ROWS OF 4)
	088473-03-000	EA	HOUSING - PIN - 9 CAVITY (3 ROWS OF 3)
	088473-08-000	EA	HOUSING - PIN - 4 CAVITY - IN-LINE
	088473-09-000	EA	HOUSING - PIN - 3 CAVITY - IN-LINE
	088473-10-000	EA	HOUSING - PIN - 2 CAVITY - IN LINE
	088474-02-000	EA	HOUSING - SOCKET - 15 CAVITY
	088474-09-000	EA	HOUSING - SOCKET - 3 CAVITY
	088474-10-000	EA	HOUSING - SOCKET - 2 CAVITY
	098264-01-000	EA	HOUSING - 2 PIN - WEATHERPACK - MALE W/FEMALE PINS
	088475-01-000	EA	PIN - CONNECTOR - 14-20 AWG
	088476-02-000	EA	SOCKET - CONNECTOR - 12-10 GA - PRE-TIN
	098261-02-000	EA	SOCKET - CONNECTOR - WEATHERPACK - 14-18 AWG

SOLENOID, RELAYS, POWER CONVERTER, POWER CORDS & CABLE

KEY	PART NUMBER	U/M	DESCRIPTION	VENDOR NO.
	008188-01-000	EA	SOLENOID - 3 POST - BATTERY CHANGE OVER	
	063912-02-000	EA	RELAY - CANISTER - SPDT	
	114965-01-000	EA	RELAY/TIMER MODULE - 12 VOLT/2 AMP - DELAY OFF 10 MIN	
	123058-02-000	EA	CONVERTER - 45 AMP - ELECTRONIC - 4 1/8"H X 7"W X 12 3/8"L	
	093257-02-000	EA	CONTROL CENTER - W/O CIRCUIT BREAKERS/FUSES	
	093257-02-700	EA	GROUND BAR - 8 POINT	13507201
	093257-02-701	EA	FUSE BLOCK - DC- 11 POINT	30507060
	093257-02-702	EA	STAB ASSEMBLY - BREAKER	M91500008
	093257-02-703	EA	DEAD FRT ASM.-AC BREAKER CVR	M91500011
	093257-02-704	EA	NEUTRAL BAR ASM.W/GROUND BAR	M91500009
	008052-01-000	EA	CORD - POWER - 10/3 WIRE - 30 AMP - 25' - CANADIAN	
	008054-02-000	EA	CORD - POWER - 10/3 WIRE - 30 AMP - 35'	

ELECTRICAL GROUP (CONTINUED)**BOXES, CONDUIT & COVERS**

KEY	PART NUMBER	U/M	DESCRIPTION
	008289-01-000	EA	BOX - ELECTRIC/STEEL - 1/2" & 3/4" KNOCKOUTS - 4" X 4"
	091910-01-000	EA	BOX - ELECTRIC - 3.8" X 3.5" X 1.8" - PLASTIC
	091910-02-000	EA	BOX - ELECTRIC - 2.2" X 3.5" X 1.8" - PLASTIC
	008394-01-000	FT	CONDUIT - FLEXIBLE - 1/2"
	041953-01-000	FT	CONDUIT - CONVOLUTE SLIT - .5" ID - POLYETHYLENE
	041953-03-000	FT	CONDUIT - CONVOLUTE SLIT - 1" ID (CLOTHES ROD COVER)
	041953-05-000	FT	CONDUIT - CONVOLUTE SOLID - .62" ID - POLYETHYLENE
	041953-06-000	FT	CONDUIT - CONVOLUTE SLIT - .375" ID - POLYETHYLENE
	041953-07-000	FT	CONDUIT - CONVOLUTE SLIT - .25" ID - POLYETHYLENE
	041953-08-000	FT	CONDUIT - CONVOLUTE SLIT - 1.50" ID - POLYETHYLENE
	041953-09-000	FT	CONDUIT - CONVOLUTE SLIT - .50" ID - NYLON
	008294-01-000	EA	COVER - ELECTRICAL BOX - BLANK/STEEL - 4" X 4" - GRAY
	069238-01-000	EA	COVER - ELECTRICAL BOX - W/HOLE - 4" X 4" - GRAY

WIRE ASSEMBLIES

KEY	PART NUMBER	U/M	DESCRIPTION
	093057-04-000	EA	WIRE ASSEMBLY - POWER LOCK ENTRANCE
	096449-01-000	EA	WIRE ASSEMBLY - WATER TANK TO MONITOR PANEL
	124843-01-000	EA	WIRE ASSEMBLY - SPEAKER ADAPTER - DELUXE SOUND SYSTEM OPTION

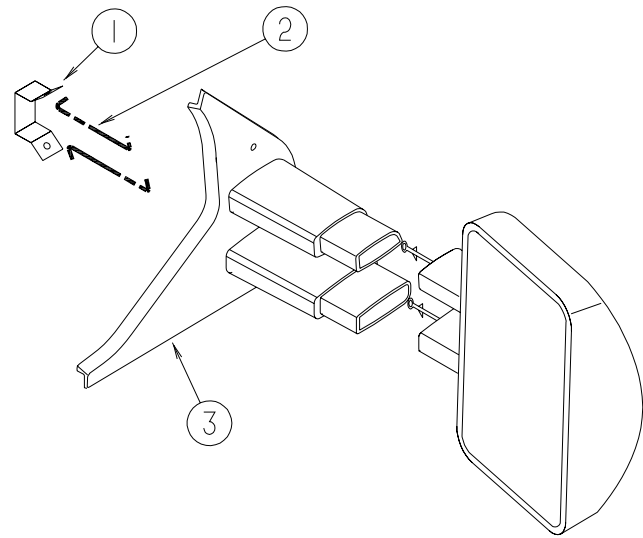
CIRCUIT BREAKERS & FUSES

KEY	PART NUMBER	U/M	DESCRIPTION
	062901-02-000	EA	FUSE - 5 AMP - AUTOMOTIVE
	062901-05-000	EA	FUSE - 15 AMP - AUTOMOTIVE
	062901-06-000	EA	FUSE - 20 AMPS - AUTOMOTIVE
	062901-07-000	EA	FUSE - 25 AMPS - AUTOMOTIVE
	083209-02-000	EA	CIRCUIT BREAKER - 15/15 AMP - 120 VOLT
	083209-03-000	EA	CIRCUIT BREAKER - 15/20 AMP - 120 VOLT
	083209-06-000	EA	CIRCUIT BREAKER - 30/15 AMP - 120 VOLT
	083209-07-000	EA	CIRCUIT BREAKER - 20/20 AMP - 120 VOLT
	097611-01-000	EA	CIRCUIT BREAKER - 10 AMP - 12 VOLT
	108567-01-000	EA	CIRCUIT BREAKER - 40 AMP - 12 VOLT - TYPE II

ELECTRICAL MISCELLANEOUS

KEY	PART NUMBER	U/M	DESCRIPTION
	007956-05-000	EA	INSULATOR - SHRINK - .25 ID X 1.50
	054250-04-000	EA	COVER/ANGLED - W/O HOLE 3.6" X 4.5" - PLASTIC ELECTRICAL PLATE SUPPORT
	054250-05-000	EA	COVER/ANGLED - W/O HOLE 1.9" X 4.5" - PLASTIC
	087225-01-000	FT	SLEEVING - 1/2" - TYPE H
	092985-02-000	EA	BRACKET - POWER CORD
	108355-01-000	EA	HOUSING - SWITCH

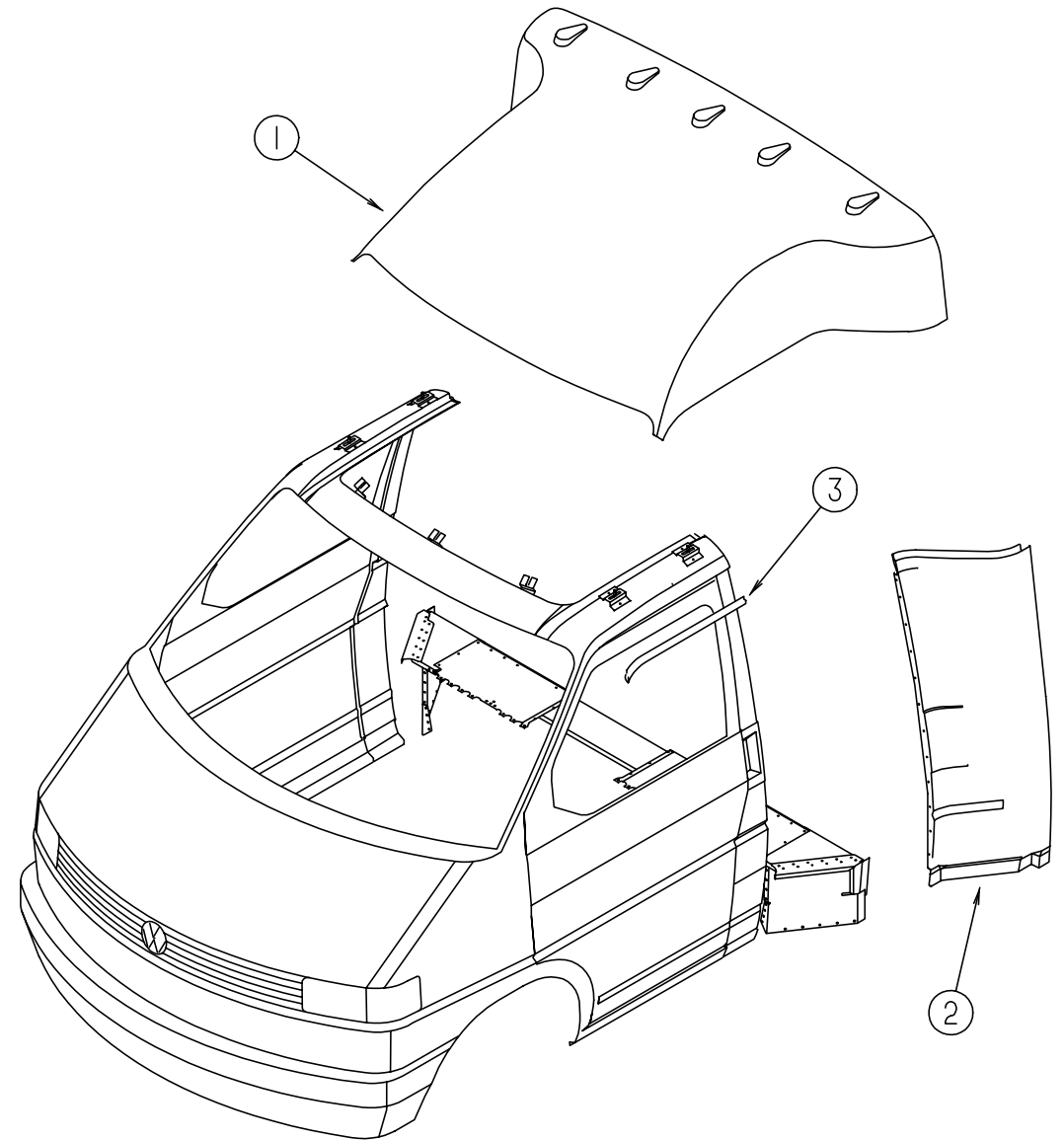
EXTERIOR BODY GROUP



MIRROR BRACKETS FOR VW EXTERIOR MIRRORS

KEY	PART NUMBER	U/M	DESCRIPTION
1	115334-01-02B	EA	HOOK - BRACKET - MIRROR
2	115752-02-01A	EA	MIRROR ROD - 3.3" LONG
3	114494-01-03A	EA	BRACKET - MIRROR - PASSENGER - VW WHITE
	114494-02-03A	EA	BRACKET - MIRROR - DRIVER - VW WHITE
	127984-01-01A	EA	SCREW - EXTERIOR MIRROR - VW WHITE
	074487-02-000	EA	PLUG - HOLE - .375 - .093 - .171 THICK

EXTERIOR BODY GROUP (CONTINUED)

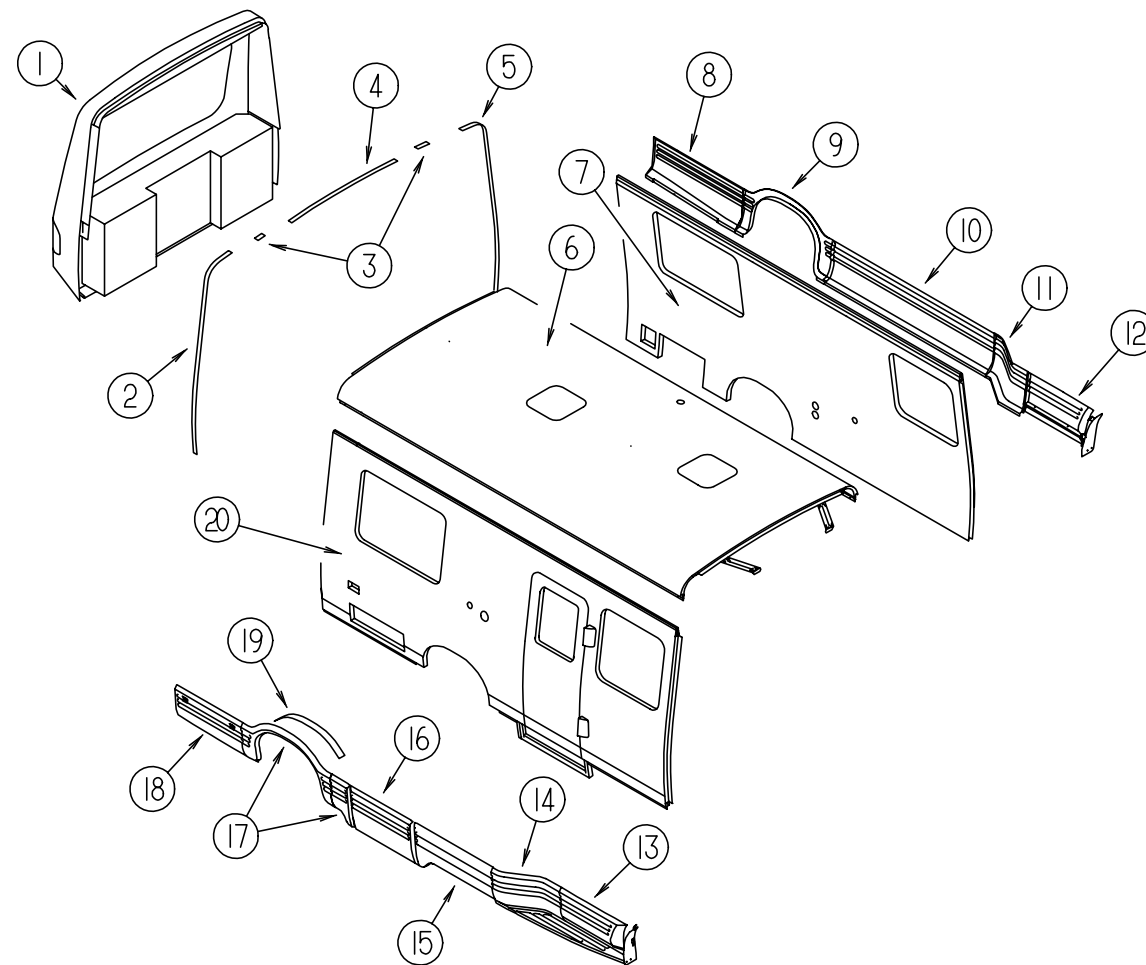


FRONT CAP & TRANSITION PANELS

KEY	PART NUMBER	U/M	DESCRIPTION
1	111207-06-K76	EA	CAP - ROOF
	070579-06-000	EA	PLATE - ANCHOR - W/7/16 WELD NUT - 1.5" X 3.3"
	070579-07-000	EA	PLATE - ANCHOR - W/O WELD NUT - 1.5" X 3.3"
	070579-10-000	EA	PLATE - ANCHOR - W/O WELD NUT - 1.5" X 8.9"
	070579-11-000	EA	PLATE - ANCHOR - W/7/16" WELD NUT - 1.5" X 8.9"
	070579-12-000	EA	PLATE - ANCHOR - W/O WELD NUT - 2.5" X 3.3"
	070579-13-000	EA	PLATE - ANCHOR - W/1/5" WELD NUT - 2.5" X 3.3"
	112127-02-000	FT	MOLDING - REVEAL - WINDOW - FRONT CAP TO WINDSHIELD
2	111276-04-F45	EA	PANEL - TRANSITION - LEFT - STEEL/FIBERGLASS - VW WHITE
	111276-03-F45	EA	PANEL - TRANSITION - RIGHT - STEEL/FIBERGLASS - VW WHITE
3	115022-02-01A	EA	RAIL - DRIP - LEFT HAND
	115022-01-01A	EA	RAIL - DRIP - RIGHT HAND

EXTERIOR BODY GROUP (CONTINUED)

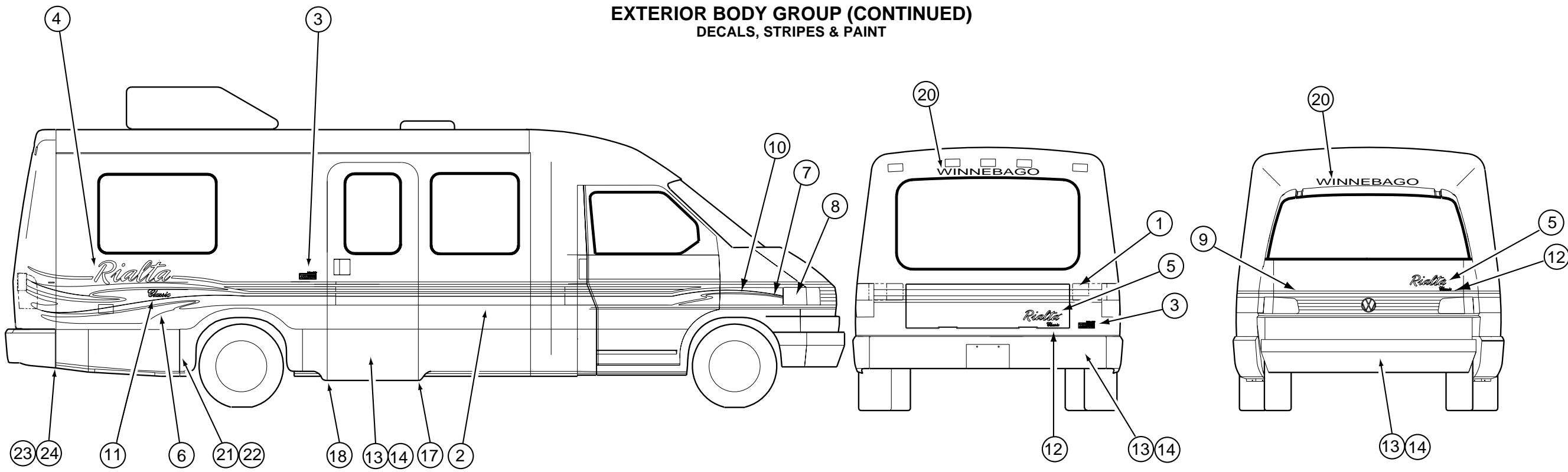
EXTERIOR BODY PANELS & TRIM



KEY	PART NUMBER	U/M	DESCRIPTION
1	P30529-01-K76	EA	CAP - REAR - W/O ANGLE
2	112544-01-01A	EA	TRIM - SIDEWALL TO REAR CAP - RIGHT HAND
3	086754-10-000	EA	CAP - TRIM
4	112548-01-01A	EA	TRIM - ROOF TO REAR CAP
5	112544-02-01A	EA	TRIM - SIDEWALL TO REAR CAP - LEFT HAND
6	124810-02-K77	EA	ROOF - W/O LIGHTS/VENTS - W/WIRING
	112083-01-000	EA	BRACKET - ROOF SUPPORT
7	124106-05-K77	EA	SIDEWALL - DRIVER - W/O WINDOWS/TRIMS
8	130833-02-K76	EA	VALANCE/DOOR - DRIVER (GEN) - 14.6"F X 38.2"W X 12.8"R - W/GENERATOR
8	130833-06-K76	EA	VALANCE/DOOR - DRIVER - 14.6"F X 38.2" X 12.8"R - W/O GENERATOR
9	130648-04-K76	EA	VALANCE/WHEEL LIP - DRIVER
10	130645-05-K76	EA	VALANCE/DOOR - FRONT/DRIVER - W/O HARDWARE
11	130611-04-K76	EA	VALANCE/PANEL - TRANSITION/DRIVER
12	130612-04-K76	EA	VALANCE/PANEL - CAB DOOR/DRIVER - W/O HARDWARE
13	130612-03-K76	EA	VALANCE/PANEL - CAB DOOR/PASSENGER - W/O HARDWARE

KEY	PART NUMBER	U/M	DESCRIPTION
14	130611-03-K76	EA	VALANCE/PANEL - TRANSITION/PASSENGER
15	130645-04-K76	EA	VALANCE/PANEL - FRONT/PASSENGER - W/O HARDWARE
16	130649-02-K76	EA	VALANCE/PANEL - ENTRANCE DOOR
17	130648-03-K76	EA	VALANCE/WHEEL LIP - PASSENGER
18	130833-01-K76	EA	VALANCE/DOOR - PASSENGER (LP) - 14.6"F X 38.2"W X 12.8"R
19	113012-02-01A	EA	TRIM - WHEELWELL - REAR - MILL
20	124107-05-K77	EA	SIDEWALL - PASSENGER - W/O WINDOWS/TRIMS
	002754-01-001	EA	ANGLE - EXTRUDED - .75" X .75" X 16' - MILL ALUMINUM
	073050-03-000	EA	MOUNTING CLIP - VALANCE PANEL
			FROM: 00-00-00 THRU: 05-11-99
	073050-04-000	EA	MOUNTING CLIP - VALANCE PANEL
			FROM: 05-12-99 THRU: 99-99-99
	090897-51-001	EA	TUBE - EXTRUDED - SIDEWALL - REAR
	099418-01-000	FT	SEAL - D-SECTION/ADHESIVE BACK - .44" X .44"- BLK RUBBER

EXTERIOR BODY GROUP (CONTINUED)
DECALS, STRIPES & PAINT

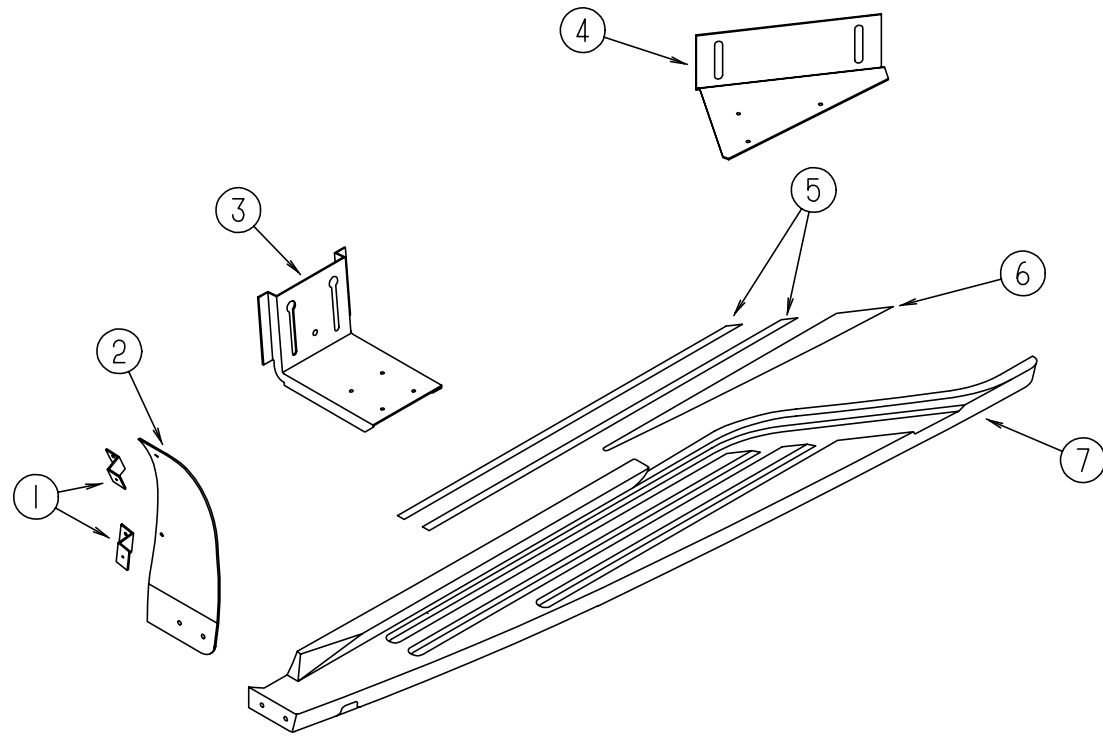


KEY	PART NUMBER	U/M	DESCRIPTION
1	105781-71-01A	FT	FILM - MULTISTRIPE - 4.1"
2	130780-01-01A	FT	FILM - OVERLAP - MULTISTRIPE
3	122770-02-17A	EA	DECAL - "BUILT PROUDLY BY WINNEBAGO INDUSTRIES"
4	122792-01-02A	EA	DECAL - LOGO - RIALTA/LARGE
5	122792-02-04A	EA	DECAL - LOGO - RIALTA/SMALL
6	130778-01-01A	EA	DECAL - WAVES - PASSENGER
6	130778-02-01A	EA	DECAL - WAVES - DRIVER
7	130779-01-01A	EA	DECAL - CAB - PASSENGER
	130779-02-01A	EA	DECAL - CAB - DRIVER
8	122797-01-02A	EA	DECAL - CORNER/FRONT/PASSENGER
	122797-02-02A	EA	DECAL - CORNER/FRONT/DRIVER
9	122798-01-02A	EA	DECAL - HOOD
10	093681-42-06A	FT	FILM - .75"
11	131024-01-01A	EA	DECAL - LOGO - LARGE CLASSIC
			FROM: 00-00-00 THRU: 10-15-98
12	131024-02-01A	EA	DECAL - LOGO - SMALL CLASSIC
			FROM: 00-00-00 THRU: 10-15-98
13	099399-59-000	GL	PAINT-SMOKE MET DUPONT F9417U
14	099399-58-000	GL	PAINT-PLUM HAZE MET DUPONT F6380U
	093681-14-24A	FT	FILM - 1.5"
	093681-14-25A	FT	FILM - 1.5"
17	131730-01-01A	EA	DECAL - VALANCE PANEL END/RIGHT HAND V-W/PLUM HAZE GRAPHIC PKG.
17	131730-01-02A	EA	DECAL - VALANCE PANEL END/RIGHT HAND V-W/SMOKE MET GRAPHIC PKG.
18	131730-02-01A	EA	DECAL - VALANCE PANEL END/LEFT HAND - PAINT-W/PLUM HAZE GRAPHIC PKG.
18	131730-02-02A	EA	DECAL - VALANCE PANEL END/LEFT HAND - PAINT-W/SMOKE MET GRAPHIC PKG.
	122886-02-01A	EA	DECAL - MOBILIE - SMALL - JAPAN
20	120702-03-07A	EA	DECAL - LOGO - WINNEBAGO/SMALL
21	132324-01-01A	EA	DECAL - VALANCE/DOOR END - LARGE/RIGHT HAND - PAINT-W/PLUM HAZE GRAPHIC PKG.
21	132324-01-02A	EA	DECAL - VALANCE/DOOR END - LARGE/RIGHT HAND - PAINT-W/SMOKE MET GRAPHIC PKG.
22	132324-02-01A	EA	DECAL - VALANCE/DOOR END - LARGE/LEFT HAND - PAINT-W/PLUM HAZE GRAPHIC PKG.
22	132324-02-02A	EA	DECAL - VALANCE/DOOR END - LARGE/LEFT HAND - PAINT-W/SMOKE MET GRAPHIC PKG.
23	132325-01-01A	EA	DECAL - VALANCE/DOOR END - SMALL/RIGHT HAND - PAINT-W/PLUM HAZE GRAPHIC PKG.
23	132325-01-02A	EA	DECAL - VALANCE/DOOR END - SMALL/RIGHT HAND - PAINT-W/SMOKE MET GRAPHIC PKG.
24	132325-02-01A	EA	DECAL - VALANCE/DOOR END - SMALL/LEFT HAND - PAINT-W/PLUM HAZE GRAPHIC PKG.
24	132325-02-02A	EA	DECAL - VALANCE/DOOR END - SMALL/LEFT HAND - PAINT-W/SMOKE MET GRAPHIC PKG.
	041561-03-000	EA	PAINT - 16 OUNCE SPRAY - OFF WHITE

DUPONT COLOR CODES

VW WHITE	W9670
PLUM & HAZE MET.	F6380U
SMOKE MET.	F9417U

EXTERIOR BODY GROUP (CONTINUED)



RUNNING BOARDS

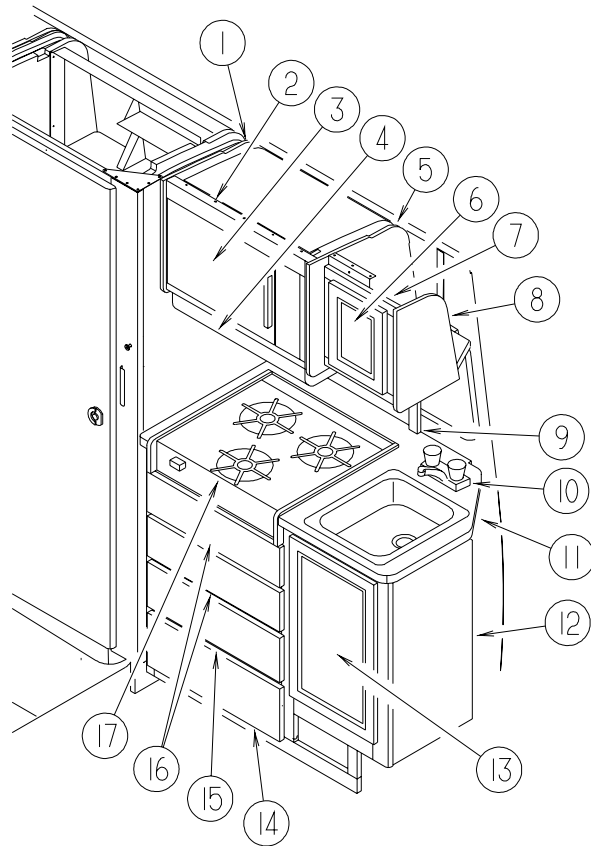
KEY	PART NUMBER	U/M DESCRIPTION
1	112507-01-02B	EA BRACKET - MUD FLAP - FRONT
2	131135-01-02A	EA SUPPORT - MUD FLAP - RIGHT HAND - VW WHITE
	131135-02-02A	EA SUPPORT - MUD FLAP - LEFT HAND - VW WHITE
3	131573-01-02B	EA BRACKET ASM-RUNNING BD,E-C
4	131574-01-02B	EA BRACKET - RUNNING BOARD - DRIVER REAR - E-COATED
	131574-02-02B	EA BRACKET - RUNNING BOARD - PASSENGER REAR - E-COATED
5	038327-05-000	EA TAPE - ANTI SLIP - 5/8"X 60' - BLACK
6	102570-06-000	EA MAT - ANTI SLIP - UPPER/LEFT HAND
	102570-05-000	EA MAT - ANTI SLIP - UPPER/RIGHT HAND
7	130613-04-K76	EA RUNNING BOARD - FIBERGLASS/DRIVER - VW WHITE
	130613-03-K76	EA RUNNING BOARD - FIBERGLASS/PASSENGER - VW WHITE

EXTERIOR BODY GROUP (CONTINUED)

ALUMINUM, STYROFOAM, & MISC.

KEY	PART NUMBER	U/M DESCRIPTION
	000870-08-000	SF STYROFOAM - 3/4" X 48" X 96" PLANED EXPANDED BEAD BOARD
	100619-01-000	BF FOAM - EXPANDED POLYSTYRENE - 1.34" X 48" X 96"
	100619-04-000	BF FOAM - EXPANDED POLYSTYRENE - .5" X 48" X 96"
	100619-06-000	EA FOAM - EXPANDED POLYSTYRENE - .875" X 20.35" X 63.35"
	100619-07-000	EA FOAM - EXPANDED POLYSTYRENE - .63" X 48" X 96"
	112695-02-700	EA ALUMINUM SKIN - VW WHITE - ROOF - 42.25" X 145.8"
	112696-02-700	EA ALUMINUM SKIN - VW WHITE - .032" X 58" X 145.8" W/CRIMP
	112696-02-701	EA ALUMINUM SKIN - VW WHITE -.032" X 58" X 145.8" - W/O CRIMP

GALLEY GROUP

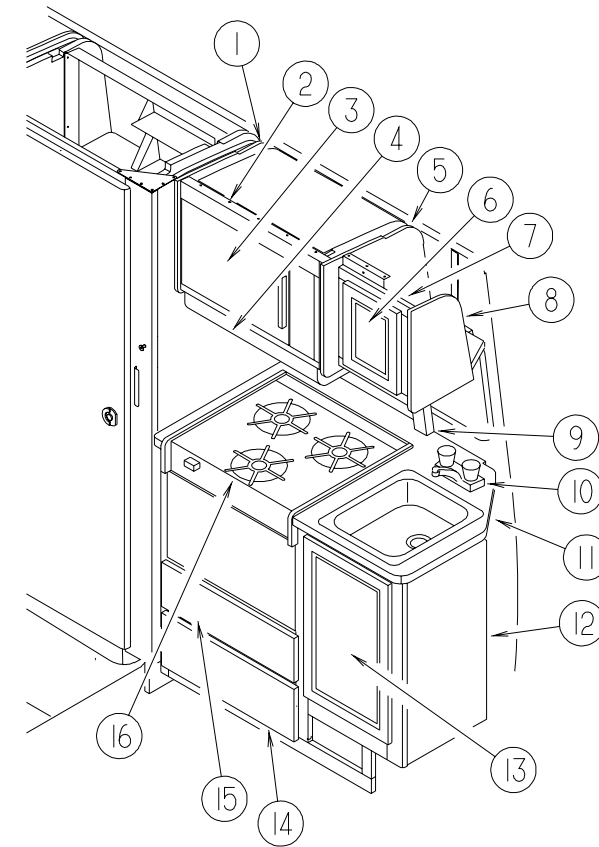


GALLEY CABINETS & COMPONENTS - W/O STOVE OPTION

KEY	PART NUMBER	U/M	DESCRIPTION
1	119132-09-K77	EA	END CAP - OVERHEAD CABINET
2	M07494-25-K77	EA	CABINET - OVERHEAD/MICROWAVE - W/O DOORS/HARDWARE
3	128642-01-000	EA	TRIM KIT W/VENT - MICROWAVE - .9 CU FT SAMSUNG
3	128527-03-000	EA	OVEN - MICROWAVE - .9 CUBIC FEET
4	119142-02-04B	EA	PANEL - MICROWAVE BOTTOM - BLACK
5	119132-10-K77	EA	END CAP - OVERHEAD CABINET
6	M05992-R7-K77	EA	DOOR - STRAIGHT CORNER/OGEE EDGE - 9.8" X 13" - W/O HDW FROM: 00-00-00 THRU: 11-29-98
6	131995-M8-K77	EA	DOOR - SOLID PANEL - 9.8" X 12.9" - W/O HARDWARE FROM: 11-30-98 THRU: 99-99-99
7	119213-01-J80	EA	CABINET - GALLEY/OVERHEAD - W/O DOORS/HARDWARE
8	119132-03-J80	EA	END CAP - OVERHEAD
9	074700-05-000	EA	COVER - PIPE - VW LT GRAY PLASTIC
10	113798-01-01A	EA	FAUCET - GALLEY - SINGLE CONTROL
	011029-03-000	EA	SINK - STAINLESS STEEL - SINGLE W/RAILS
	066437-02-000	EA	STRAINER - W/BASKET - SINK
	126545-01-H70	EA	COVER - SINK (K77,K79)
11	131134-11-K77	EA	COUNTERTOP - GALLEY CABINET (K77,K79)
12	131134-02-K77	EA	CABINET - GALLEY - W/COUNTERTOP - W/O DOORS/DRAWERS/HDW
13	M05992-CA-K77	EA	DOOR - STRAIGHT CORNER/OGEE EDGE - 13.7" X 23.2" - W/O HDW FROM: 00-00-00 THRU: 11-29-98
13	131995-N2-K77	EA	DOOR - RAIL/SOLID PANEL - 13.7" X 23.2" - W/O HARDWARE FROM: 11-30-98 THRU: 99-99-99
14	M09316-62-K77	EA	DRAWER - OGEE EDGE - 19.8"W X 19.6"D - W/O SLIDES/HARDWARE
15	M09316-63-K77	EA	DRAWER - OGEE EDGE - 19.8"W X 19.6"D - W/O SLIDES/HARDWARE
16	M09316-64-K77	EA	DRAWER - OGEE EDGE - 19.8"W X 19.6"D - W/O SLIDES/HARDWARE
17*	114030-02-01A	EA	RANGE - 3 BURNER TOP - W/O OVEN - BLACK - UL
	131198-03-01B	EA	BRACKET - TIEDOWN/STOVE - E-COATED - RIGHT HAND
	131198-04-01B	EA	BRACKET - TIEDOWN/STOVE - E-COATED - LEFT HAND
	126022-02-01A	EA	COVER - RANGE - BI-FOLD - 22" - BLACK TEXTURED
	126022-01-700	EA	BUMPER - RANGE BIFOLD COVER MAGIC 8003P007-60

* PRESS TO SEE ILLUSTRATED SERVICE PARTS LIBRARY

GALLEY GROUP (CONTINUED)



GALLEY CABINETS & COMPONENTS - W/STOVE OPTION

KEY	PART NUMBER	U/M	DESCRIPTION
1	119132-09-K77	EA	END CAP - OVERHEAD CABINET
2	M07494-25-K77	EA	CABINET - OVERHEAD/MICROWAVE - W/O DOORS/HARDWARE
3	128642-01-000	EA	TRIM KIT W/VENT - MICROWAVE - .9 CU FT SAMSUNG
3	128527-03-000	EA	OVEN - MICROWAVE - .9 CUBIC FEET
4	119142-02-04B	EA	PANEL - MICROWAVE BOTTOM - BLACK
5	119132-10-K77	EA	END CAP - OVERHEAD CABINET
6	M05992-R7-K77	EA	DOOR - STRAIGHT CORNER/OGEE EDGE - 9.8" X 13" - W/O HDW FROM: 00-00-00 THRU: 11-29-98
6	131995-M8-K77	EA	DOOR - SOLID PANEL - 9.8" X 12.9" - W/O HARDWARE FROM: 11-30-98 THRU: 99-99-99
7	119213-01-J80	EA	CABINET - GALLEY/OVERHEAD - W/O DOORS/HARDWARE
8	119132-03-J80	EA	END CAP - OVERHEAD
9	074700-05-000	EA	COVER - PIPE - VW LT GRAY PLASTIC
10	113798-01-01A	EA	FAUCET - GALLEY - SINGLE CONTROL
	011029-03-000	EA	SINK - STAINLESS STEEL - SINGLE W/RAILS
	066437-02-000	EA	STRAINER - W/BASKET - SINK
	126545-01-H70	EA	COVER - SINK (K77,K79)
11	131134-11-K77	EA	COUNTERTOP - GALLEY CABINET (K77,K79)
12	131134-01-K77	EA	CABINET - GALLEY - W/COUNTERTOP - W/O DOORS/DRAWERS/HDW
13	M05992-CA-K77	EA	DOOR - STRAIGHT CORNER/OGEE EDGE - 13.7" X 23.2" - W/O HDW FROM: 00-00-00 THRU: 11-29-98
13	131995-N2-K77	EA	DOOR - RAIL/SOLID PANEL - 13.7" X 23.2" - W/O HARDWARE FROM: 11-30-98 THRU: 99-99-99
14	M09316-62-K77	EA	DRAWER - OGEE EDGE - 19.8"W X 19.6"D - W/O SLIDES/HARDWARE
15	M09316-63-K77	EA	DRAWER - OGEE EDGE - 19.8"W X 19.6"D - W/O SLIDES/HARDWARE
16*	112881-02-03A	EA	RANGE - 16" - 3 BURNER - FRONT HI-OUTPUT BRNR - BLK TOP/DR
	131198-01-01B	EA	BRACKET - TIEDOWN/STOVE - E-COATED - RIGHT HAND
	131198-02-01B	EA	BRACKET - TIEDOWN/STOVE - E-COATED - LEFT HAND
	126022-03-01A	EA	COVER - RANGE - BIFOLD - 16" - RECESSED/BLACK
	126022-01-700	EA	BUMPER - RANGE BIFOLD COVER MAGIC 8003P007-60

* PRESS TO SEE ILLUSTRATED SERVICE PARTS LIBRARY

GALLEY GROUP (CONTINUED)

GALLEY GROUP (CONTINUED)

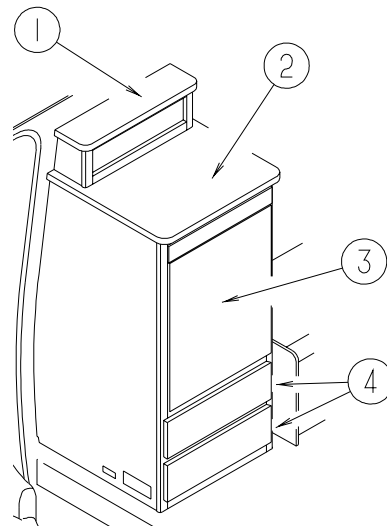
GALLEY SKYLIGHT

KEY	PART NUMBER	U/M DESCRIPTION
	114495-02-02A	EA PANEL - INNER SKYLIGHT - 28.6" X 30"
	114496-02-02A	EA PANEL - OUTER SKYLIGHT - 30.2" X 31.6"

LVS MONITOR PANEL

KEY	PART NUMBER	U/M DESCRIPTION
*	114014-02-02A	EA PANEL - MONITOR 2 TANK W/REMOTE

* PRESS TO SEE ILLUSTRATED SERVICE PARTS LIBRARY



REFRIGERATOR CABINET & COMPONENTS

KEY	PART NUMBER	U/M DESCRIPTION	VENDOR NO.
1	131026-14-K77	EA COUNTERTOP - REFRIGERATOR CABINET (K77,K79)	
2	131026-13-K77	EA COUNTERTOP - REFRIGERATOR CABINET (K77,K79)	
3*	131147-01-01A	EA REFRIGERATOR - SINGLE DOOR - TOP ROTARY KNOBS	
4	M09316-65-K77	EA DRAWER - OGEE EDGE - 19.8"W X 19.6"D - W/O SLIDES/HARDWARE	

* PRESS TO SEE ILLUSTRATED SERVICE PARTS LIBRARY

GENERATOR GROUP

3,000 WATT GENERAC GENERATOR

KEY	PART NUMBER	U/M	DESCRIPTION
	113458-01-000	EA	GENERATOR - 3.0 KW GENERAC W/HOUR METER
	100258-10-01A	EA	GAUGE - HOUR METER W/SWITCH - SCREW ON STYLE
	007067-01-000	SF	INSULATION - FIBERGLASS - 1" THICK X 4' - INCREMENTS 4 SF
	007125-03-000	EA	CLAMP - MUFFLER - 1.5" DIAMETER
	007125-04-000	EA	CLAMP - MUFFLER - 1.12" DIAMETER
	007131-01-000	EA	HANGER - TAILPIPE - 6 SLOTS
	113841-02-000	EA	PIPE - EXHAUST - GENERATOR - 31.7"
	113378-04-000	EA	FUEL LINE - GENERATOR - MIDDLE

NOTE: ADDITIONAL GENERATOR COMPONENTS ARE FOUND IN THE CHASSIS GROUP

HEATING & AIR CONDITIONING GROUP

SUBURBAN FURNACE - MODEL NT-20SE

KEY	PART NUMBER	U/M	DESCRIPTION
*	075697-07-000	EA	FURNACE - FORCED AIR - 20,000 BTU FROM: 00-00-00 THRU: 12-06-98
*	075697-08-000	EA	FURNACE - FORCED AIR - 20000 BTU - GRAY FROM: 12-07-98 THRU: 99-99-99
	115764-01-01A	EA	THERMOSTAT - FURNACE

* PRESS TO SEE ILLUSTRATED SERVICE PARTS LIBRARY

7,100 BTU ROOF A/C & CEILING ASM

KEY	PART NUMBER	U/M	DESCRIPTION
*	093306-01-02A	EA	A/C - ROOF - 7,100 BTU - ROTARY - WHITE
*	093307-03-000	EA	CEILING ASSEMBLY - COOL ONLY - WHITE

* PRESS TO SEE ILLUSTRATED SERVICE PARTS LIBRARY

ROOF A/C COVER

KEY	PART NUMBER	U/M	DESCRIPTION
	092633-02-02A	EA	COVER - BLANK - ROOF A/C - 5.1" X 5.1"
	022756-03-000	EA	COVER - A/C - OFF WHITE PLASTIC

REAR AUTO HEATER

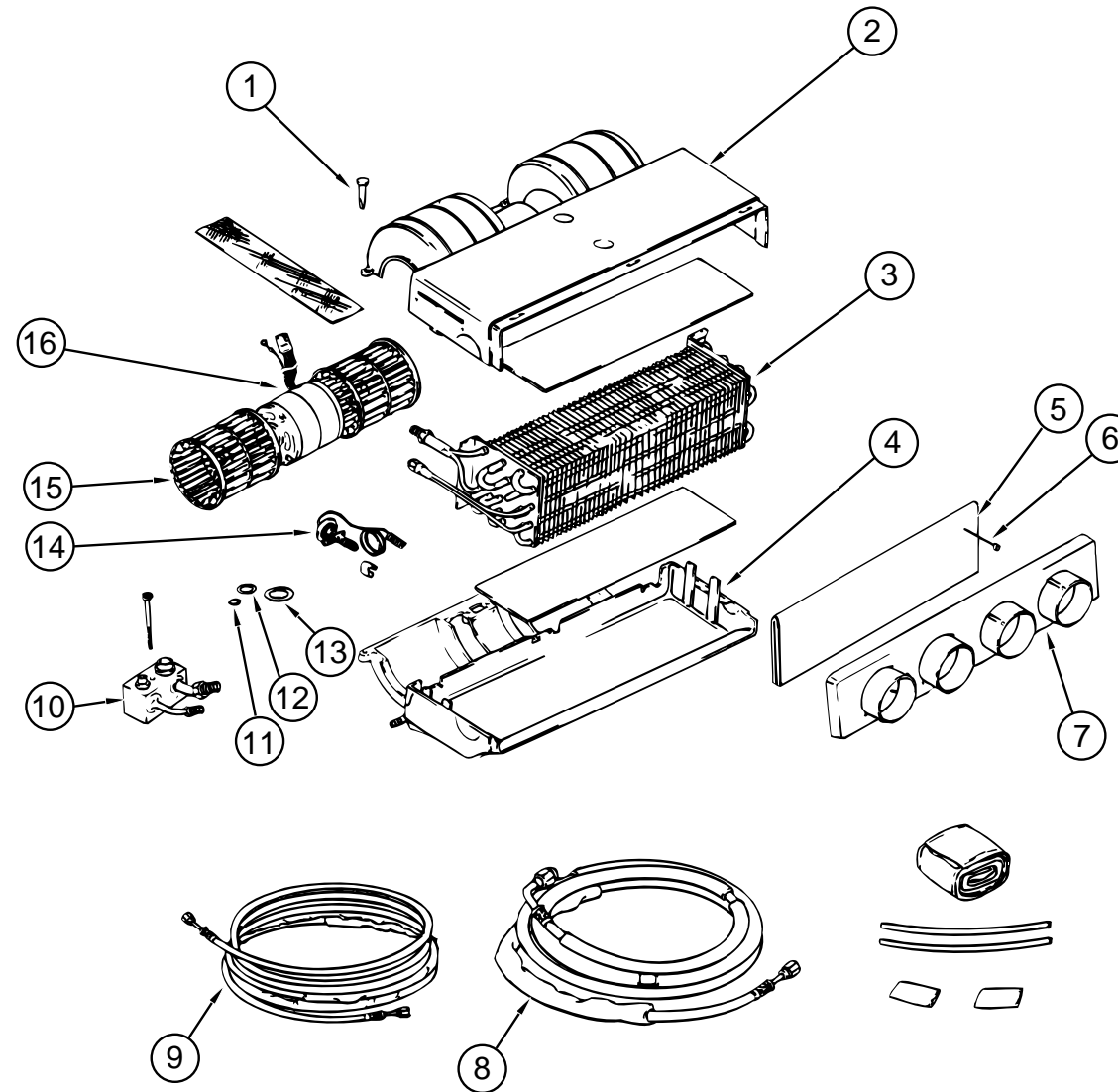
KEY	PART NUMBER	U/M	DESCRIPTION	VENDOR NO.
	049401-04-000	EA	HEATER - REAR - W/O SWITCH	
	049401-01-705	EA	VALVE 3 PORT 2 WAY	HV032126
	049401-03-700	EA	HEATER CORE	FT200027
	049401-03-702	EA	RESISTOR	RV212103
	049401-04-700	EA	CABLE-CONTROL	HV033639
	090977-02-000	EA	KNOB - CABLE/SET SCREW - REAR HEATER	
	049401-04-701	EA	MOTOR 12V SS/PM	HV033107
	084405-01-701	EA	FAN BLADES	HV029931

MOTOR AID COMPONENTS

KEY	PART NUMBER	U/M	DESCRIPTION
	007108-01-000	FT	HOSE - HEATER - 5/8" ID - HI-TEMP
	007108-02-000	FT	HOSE - HEATER - 3/4" ID - HI-TEMP
	058893-01-000	EA	BRACKET - L-ANGLE - .75" X .75" X 2.25 - ALUMINUM
	084190-01-000	EA	GUARD - MOTOR AID - 5.9" X 5.7" X 5.3" - ANGLED/GALV STEEL
	058906-08-000	EA	PANEL - CONTROL - AUXILIARY HEATER - VW LIGHT GRAY
	076776-02-000	EA	TEE - BEADED - 3/4 X 3/4 X 3/4
	079059-02-000	EA	HOSE - 90 DEGREE - .61" ID X 4" X 6"
	083081-01-000	EA	HOSE - FORMED - 90 DEGREES - 5/8" ID
	083088-01-000	EA	PIPE - COOLANT RETURN - AUXILIARY REAR HEATER
	119081-01-000	EA	TUBE - MOTOR AID - 71.2"
	119081-02-000	EA	TUBE - MOTOR AID - 72.4"

HEATING & AIR CONDITIONING GROUP (CONTINUED)

SCS AUTO A/C & COMPONENTS



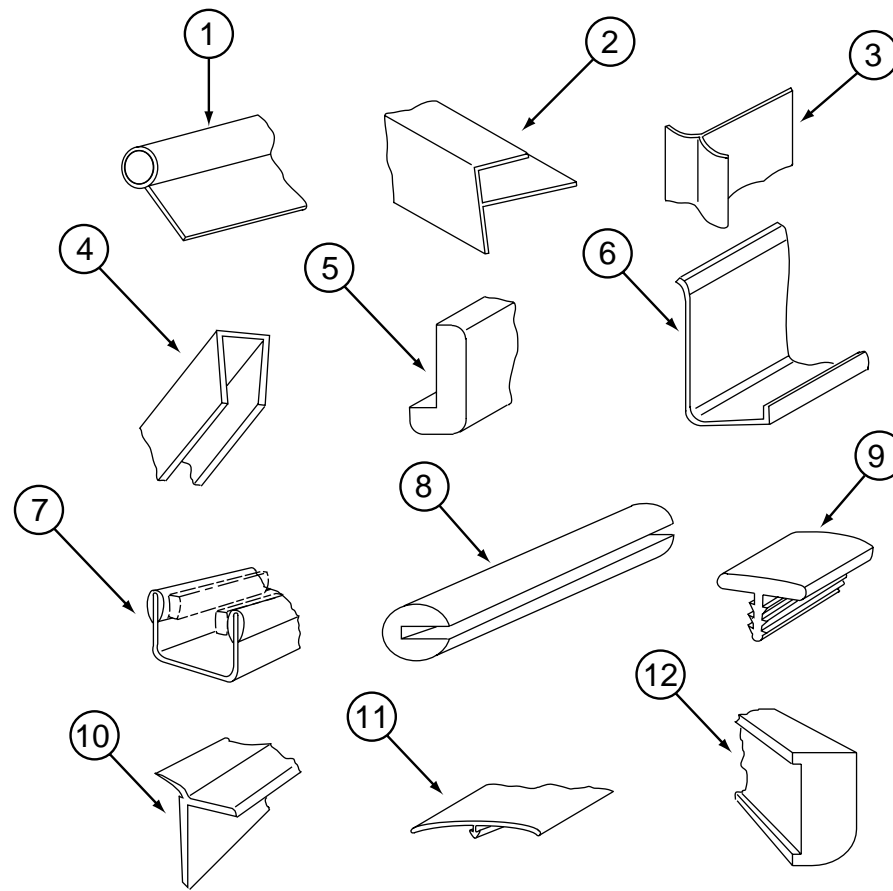
KEY	PART NUMBER	U/M	DESCRIPTION	VENDOR NO.
	113245-01-000	EA	EVAPORATOR/AC - OVERHEAD	
	113245-02-000	EA	BLOWER - OVERHEAD	
1	113245-01-701	EA	PIN - PLASTIC	062-0027
	113245-01-702	EA	COVER - SLOT	062-0141
2	113245-01-717	EA	CASE, TOP ONLY	062-0139
3	113245-01-705	EA	COIL - EVAPORATOR	041-0034
4	113245-01-716	EA	CASE, BOTTOM W/90 DEG ELBOWS	062-140
5	113245-01-713	EA	SCREEN - CONDENSATION	045-0173
6	113245-01-714	EA	PIN - SCREEN RETAINER	062-0164
7	113245-01-703	EA	BEZEL - W/4 OUTLETS	062-0142
8	113245-01-709	EA	HOSE ASM #10 EVAPORATOR/COMP	085-0116
9	113245-01-708	EA	HOSE ASM #6 EVAPORATOR/DRIER	085-0115
10	113245-01-712	EA	FITTING BLOCK	050-0129
11	113245-01-711	EA	O'RING #6	045-0129
12	103930-17-702	EA	O'RING #10	045-0127

KEY	PART NUMBER	U/M	DESCRIPTION	VENDOR NO.
13	113245-01-710	EA	O'RING, #12	045-0128
14	113245-01-706	EA	VALVE-EXPANSION, 134A 5 TON	034-0026
15	113245-01-700	EA	WHEELBLOWER W/CLIP	062-0028
16	113245-01-704	EA	MOTOR-BLOWER, 12V, 3 SPEED, DBL	030-0028
	113245-01-707	EA	O'RING #8	045-0126
	113245-01-718	EA	HOSE - DRAIN/1/2" X 6"	051-0002
	109918-01-05A	EA	VENT - RETURN AIR - 12.3" X 5.5" - BLACK	
	109918-03-01A	EA	VENT - RETURN AIR - 12.3" X 2.75"	
	113244-01-01A	EA	LOUVER - BALL - 3" - BLACK	
	134002-01-000	EA	CLAMP - PIPE - DOUBLE - 5/8" DIAMETER	

FROM: 06-11-99 THRU: 99-99-99

INTERIOR FINISH GROUP

MOLDINGS & TRIMS

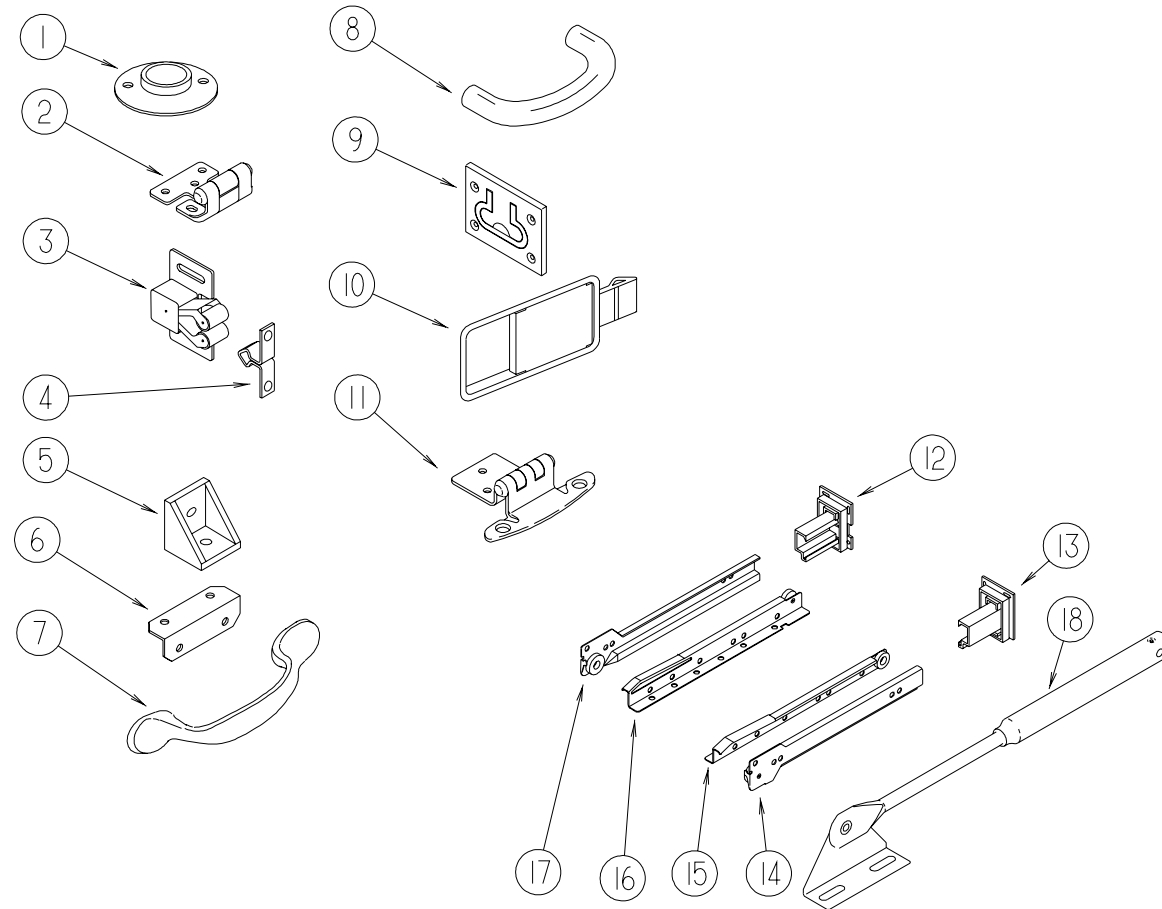


KEY	PART NUMBER	U/M DESCRIPTION
1	009767-12-000	FT WELTING - SIDEWALL/CEILING/CABINET - OFF/WHT
2	009812-33-000	EA MOLDING - CORNER - 1/2" W/1/4" CHAN X 84" - WASHED MAPLE
3	022992-15-000	FT MOLDING - REVERSE COVE - VW GRAY
4	070504-50-000	FT U-CHANNEL - PLASTIC - .13" X 84" - WASHED MAPLE
5	077840-01-J70	EA MOLDING - WALL CAP - 8' - WASHED MAPLE
6	099571-03-01A	EA TRIM - ROOF COVE - 2.9" X 146.2" - SMOKEY WHITE
7	002324-02-000	FT U-CHANNEL - WEATHERSTRIP W/FUZZ - F/1/8" GLASS

KEY	PART NUMBER	U/M DESCRIPTION
8	085746-04-000	FT TRIM-J - CARPET 1.2" X .5" ANGLE - 12' LONG - OFF WHITE
9	104676-02-06A	FT MOLDING-T - 1/2" - WASHED MAPLE
10	115003-01-01A	FT MOLDING - REVERSE COVE - VW WHITE
11	086229-15-000	EA BATTEN - 1" X 96" - MODERN IVORY
11	086229-20-000	EA BATTEN - 1" X 96" - BEIGE
12	126204-D2-134	EA MOLDING - VINYL WRAPPED - .7" X 1.6" X 84" - WASHED MAPLE

INTERIOR FINISH GROUP (CONTINUED)

CABINET DOOR & DRAWER HARDWARE



KEY	PART NUMBER	U/M	DESCRIPTION
1	009112-01-000	EA	FLANGE - PLASTIC - 1" CLOTHES ROD - OFF WHITE
2	113676-01-01A	EA	HINGE - OVERLAY - VARIABLE
3	093586-06-000	EA	CATCH - SPRING ROLLER - .236"
4	093586-05-000	EA	STRIKE - SPRING STEEL - .943"
5	065740-01-000	EA	BRACE - CABINET/CORNER - PLASTIC
6	016604-01-000	EA	BRACE - CABINET - ANGLE - 2.5" - UNPAINTED METAL
6	016604-05-000	EA	BRACE - CABINET - ANGLE - 2.5" - OFF WHITE METAL
6	016604-07-000	EA	BRACE - SEAT ANGLE - 2.50" - VW GRAY
7	121891-01-01A	EA	PULL - CABINET - BRASS
8	131964-01-01A	EA	PULL - CABINET - POLISHED BRASS
			FROM: 00-00-00 THRU: 06-06-99
			FROM: 06-07-99 THRU: 99-99-99
9	072871-01-000	EA	PULL - FLUSH - CHROME
10	127349-01-01A	EA	LATCH - PADDLE
11	108138-01-000	EA	HINGE - CABINET DOOR - BURNISHED BRASS
12	128811-01-01A	EA	BACKSOCKET - ADJUSTABLE - LEFT
13	128811-02-01A	EA	BACKSOCKET - ADJUSTABLE - RIGHT

KEY	PART NUMBER	U/M	DESCRIPTION
14	128810-02-01A	EA	SLIDE - 12" - RIGHT SIDE/CABINET
14	128810-14-01A	EA	SLIDE - 18" - RIGHT SIDE/CABINET
14	128810-18-01A	EA	SLIDE - 20" - RIGHT SIDE/CABINET
15	128810-04-01A	EA	SLIDE - 12" - RIGHT SIDE/DRAWER
15	128810-16-01A	EA	SLIDE - 18" - RIGHT SIDE/DRAWER
15	128810-20-01A	EA	SLIDE - 20" - RIGHT SIDE/DRAWER
16	128810-03-01A	EA	SLIDE - 12" - LEFT SIDE/DRAWER
16	128810-15-01A	EA	SLIDE - 18" - LEFT SIDE/DRAWER
16	128810-19-01A	EA	SLIDE - 20" - LEFT SIDE/DRAWER
17	128810-01-01A	EA	SLIDE - 12" - LEFT SIDE/CABINET
17	128810-13-01A	EA	SLIDE - 18" - LEFT SIDE/CABINET
17	128810-17-01A	EA	SLIDE - 20" - LEFT SIDE/CABINET
18	074493-02-000	EA	SUPPORT - PISTON SPRING - CABINET DOOR - 26 LBS
	023320-01-000	EA	PAD - FELT 3/8" DIAMETER
	042438-01-000	EA	DOWEL - WOOD - CLOTHES ROD - 1" DIAMETER X 4'
	069726-02-000	EA	BUMPER - .88" OD X .40" THICK - BLACK

INTERIOR FINISH GROUP (CONTINUED)

FIRE EXTINGUISHER, SMOKE DETECTOR & CO DETECTOR

KEY	PART NUMBER	U/M DESCRIPTION	VENDOR NO.
	094499-03-000	EA EXTINGUISHER/FIRE - DRY - 10BC - W/GAUGE - W/O BRACKET	
	094499-04-000	EA BRACKET - FIRE EXTINGUISHER	
	094499-02-000	EA EXTINGUISHER/FIRE - DRY - 1A10BC - CANADIAN	
	094499-01-700	EA BRACKET MTG. W/PLAS. STRAP	294039
	072852-01-000	EA DETECTOR - SMOKE - W/9 VOLT BATTERY - US	
	072852-02-000	EA DETECTOR - SMOKE - W/9 VOLT BATTERY - CANADIAN	
	125136-01-000	EA CO DETECTOR - GAS - ROUND W/2 SCREWS - 9 VOLT	

PANELING & LAMINATES

KEY	PART NUMBER	U/M DESCRIPTION
	000846-01-000	SF PLYWOOD - 5/16" X 48" X 96" - CD GRADE
	000885-90-000	SF PARTICLE BOARD - 1/2" X 48" X 96" - WASHED MAPLE - 2-SIDED
	074497-39-000	SF PANELING - WASHED MAPLE - 4' X 8'
	074498-65-000	SF LAMINATE - PLASTIC - MEDIUM GRAY - 4' X 8'
	074498-82-000	SF LAMINATE - PLASTIC - WASHED MAPLE - 4' X 8'
	076325-71-000	FT MOLDING - EDGE BAND - 1 5/16" X .038" - GREY
	083618-07-000	SF PLYWOOD - MAPLE - 1 SIDE 3/16"
	088272-G1-000	SF PANELING - PEBBLE EMBOSSED - ANTIQUE WHITE - 4' X 7'
	088272-H2-000	SF PANELING - TUSCAN MINK - 4' X 7'
	088272-J2-000	SF PANELING - BOSSANOVA/EMBOSSSED - LT GRAY - 48" X 84"
	089297-01-000	SF PLYWOOD - LUAN - OVERLAY GRADE - 4' X 8'
	126205-D2-438	EA LUMBER - VINYL WRAPPED - .7" X 1.5" X 96" - WASHED MAPLE
	126205-E2-438	EA LUMBER - VINYL WRAPPED - .7" X 2" X 96" - WASHED MAPLE
	126205-F2-438	EA LUMBER - VINYL WRAPPED - .7" X 2.5" X 96" - WASHED MAPLE
	126205-G2-438	EA LUMBER - VINYL WRAPPED - .7" X 3" X 96" - WASHED MAPLE
	126205-J2-438	EA LUMBER - VINYL WRAPPED - .7" X 5.5" X 96" - WASHED MAPLE
	126339-01-000	SF BOARD - WHEAT - 60" X 72"

FROM: 03-02-99 THRU: 99-99-99

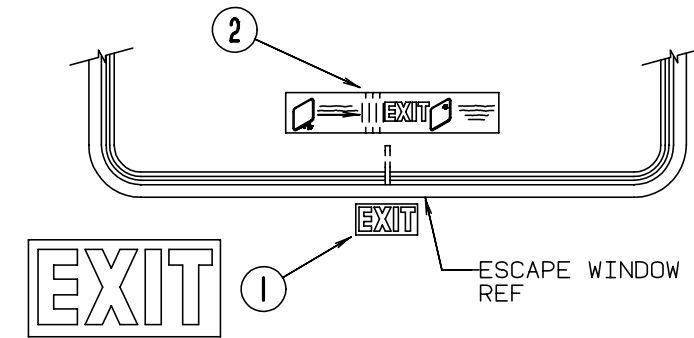
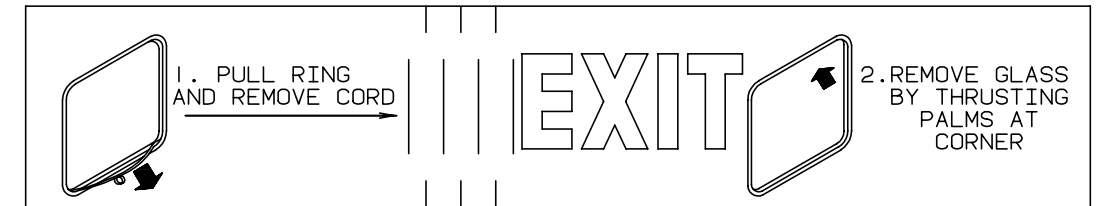
BATT STRIPS & BATT TAPES

KEY	PART NUMBER	U/M DESCRIPTION
	085284-E7-000	FT BATT TAPE - ADHESIVE BACKED - DECORATIVE - TUSCAN MINK
	085284-D6-000	FT BATT TAPE - ADHESIVE BACKED - DECORATIVE-EMBOSSSED ANTIQUE
	085284-F5-000	FT BATT TAPE - ADHESIVE BACKED - WASHED MAPLE
	069733-86-000	EA BATT STRIP - WOODGRAINED/WASHED MAPLE - 8'
	088263-E3-000	EA BATT STRIP - DECORATIVE - PEBBLE EMBOSSED/ANTIQUUE - 8'
	088263-F2-000	EA BATT STRIP - DECORATIVE - TUSCAN MINK - 8' LENGTHS

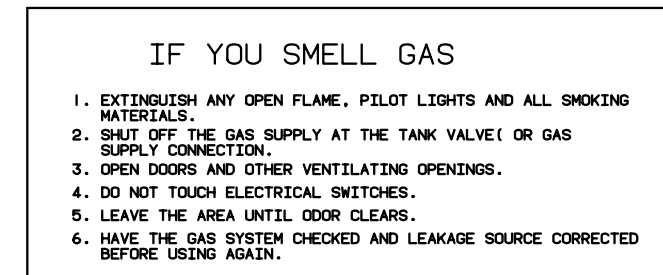
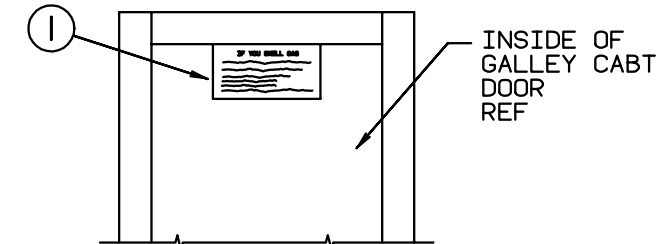
CARPETING & FLOOR MATS

KEY	PART NUMBER	U/M DESCRIPTION
	096060-D1-000	SY CARPET - JUBILATION/SEAL GRAY - INCREMENTS OF 4 SY
	117477-01-J80	EA CARPET - RIALTA CAB
	115381-01-01A	EA MAT - FLOOR - DRIVER - GRAY/BLACK
	115381-02-01A	EA MAT - FLOOR - PASSENGER - GRAY/BLACK

LABELS GROUP

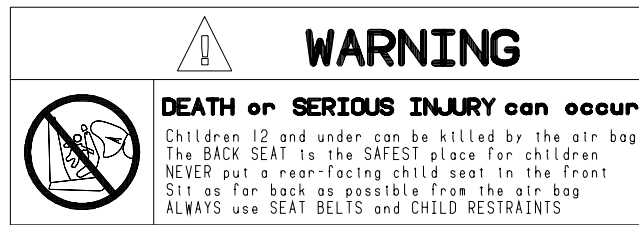


KEY	PART NUMBER	U/M DESCRIPTION
1	039290-01-000	EA LABEL - WARNING - EXIT
2	107571-01-000	EA LABEL - EXIT/ESCAPE WINDOW

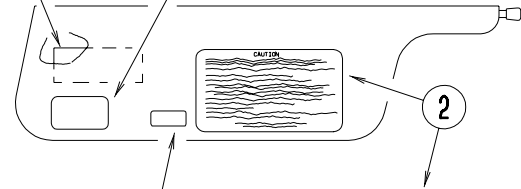


KEY	PART NUMBER	U/M DESCRIPTION
1	073998-01-000	EA LABEL - LPG ODOR WARNING

LABELS GROUP (CONTINUED)



3
4
WARNING: CONTAINS "CFC" A SUBSTANCE WHICH HARMS PUBLIC HEALTH AND ENVIRONMENT BY DESTROYING OZONE IN THE UPPER ATMOSPHERE.



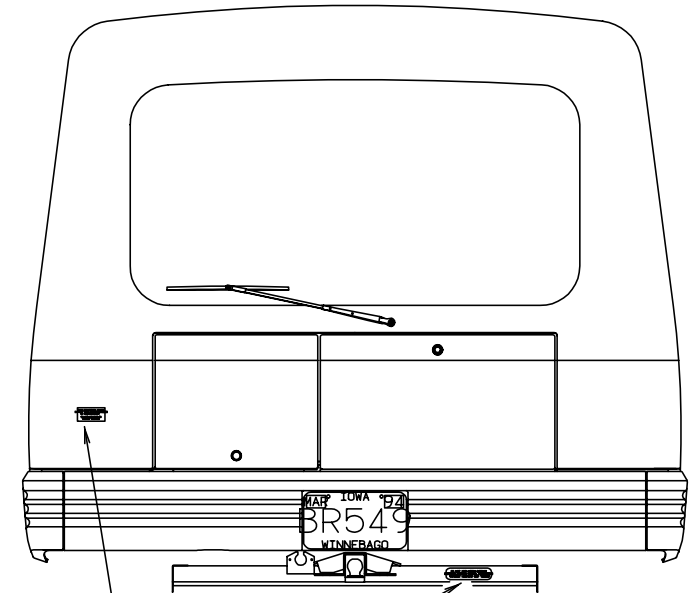
WARNING
THIS VEHICLE, LIKE OTHER VEHICLES, MAY CONTAIN SMALL AMOUNTS OF ONE OR MORE SUBSTANCES WHICH ARE LISTED BY THE STATE OF CALIFORNIA FOR CAUSING CANCER OR REPRODUCTIVE TOXICITY.

CAUTION
THIS MOTOR HOME HAS BEEN DESIGNED, MANUFACTURED AND TESTED WITH CONCERN FOR THE PROTECTION OF IT'S OCCUPANTS. WE RECOMMEND YOU PERFORM THE FOLLOWING INSPECTIONS FOR YOUR SAFETY AND THE SAFETY OF YOUR PASSENGERS BEFORE STARTING YOUR VEHICLE.

1. LP GAS SYSTEM- TURN OFF AT TANK FOR TRAVELING. TEST FOR LEAKS UPON ARRIVAL AT DESTINATION. BEFORE LIGHTING PILOTS.
2. WHEELS- INSPECT FOR DAMAGE AND CHECK LUG NUTS FOR TIGHTNESS.
3. TIRES- INSPECT FOR WEAR AND DAMAGE AND CHECK FOR RECOMMENDED AIR PRESSURE.
4. LIGHTING- TEST FOR PROPER OPERATION OF ALL INTERIOR AND EXTERIOR LIGHTS INCLUDING DASH LIGHTS, HEADLIGHTS, TAIL LIGHTS, BRAKE LIGHTS, CLEARANCE LIGHTS AND TURN SIGNALS.
5. EXITS- INSPECT RELEASE MECHANISM ON EMERGENCY EXIT WINDOW. TEST BOTH LOCKS ON MAIN ENTRANCE DOOR FOR EASE OF OPERATION AND INSTRUCT PASSENGERS HOW TO USE BOTH MEANS OF EXIT.
6. SEAT BELTS- DIRECT PASSENGERS TO DESIGNATED SEATS AND REQUIRE USE OF SEAT BELTS.
7. APPLIANCES- TURN OFF AND LATCH OR LOCK DOORS WHERE PROVIDED.
8. LOOSE PARCELS- STORE SECURELY.
9. UTILITY SUPPLY LINES- DISCONNECT ALL ELECTRIC, SEWER AND WATER LINES AND SECURE PROPERLY.
10. ENTRANCE DOOR STEP- PLACE IN RETRACTED POSITION FOR TRAVELING.

READ YOUR MOTOR HOME AND CHASSIS OWNER'S MANUAL FOR FURTHER PRECAUTIONS

LABELS GROUP (CONTINUED)



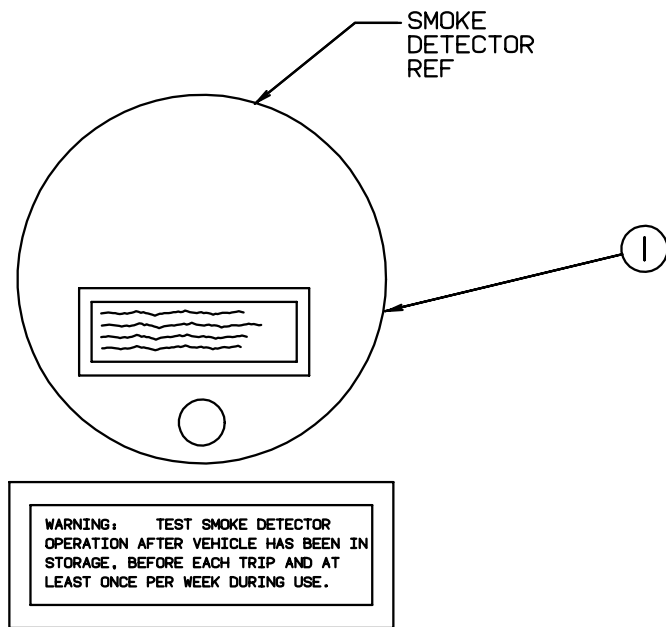
1
THIS CONNECTION IS FOR (B) VOLT AC, 3-POLE, 4 WIRE 60 HZ (CYCLES), (A) AMPERE SUPPLY
DO NOT CONNECT TO HIGHER VOLTAGE

2
DO NOT USE HITCH BEFORE READING OWNERS MANUAL REGARDING VEHICLE LOADING AND TOWING

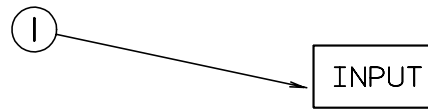
KEY	PART NUMBER	U/M DESCRIPTION
1	099689-01-000	EA LABEL - WARNING - CANCER/TOXICITY - CALIFORNIA
2	056259-01-000	EA LABEL - SAFETY CHECK LIST
3	126611-01-000	EA LABEL - AIR BAG - VISOR
4	111802-01-000	EA LABEL - CFC WARNING

KEY	PART NUMBER	U/M DESCRIPTION
1	125306-01-01A	EA LABEL - ELECTRICAL ENTRANCE - 110VOLT 30AMP
2	111104-01-000	EA LABEL - HITCH - READ MANUAL - WHITE

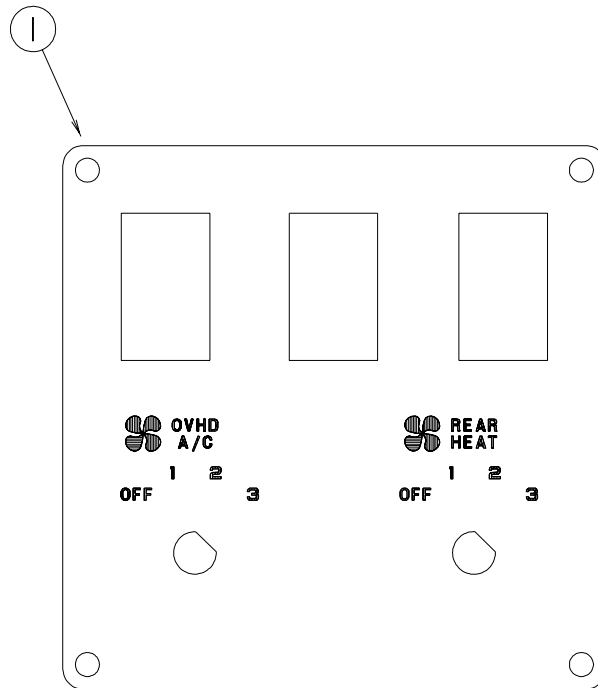
LABELS GROUP (CONTINUED)



KEY	PART NUMBER	U/M DESCRIPTION
1	077956-01-000	EA LABEL - WARNING - SMOKE DETECTOR

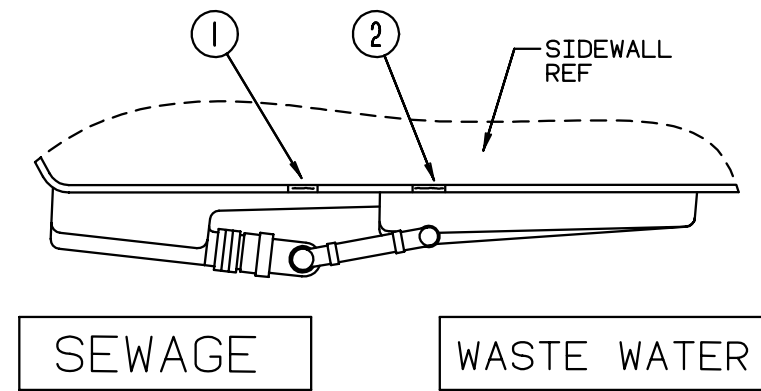


KEY	PART NUMBER	U/M DESCRIPTION
1	087236-01-000	EA LABEL - CABLE - INPUT

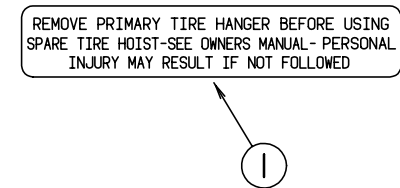


KEY	PART NUMBER	U/M DESCRIPTION
1	124572-01-000	EA LABEL - SWITCHES

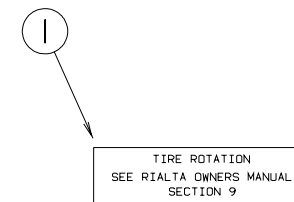
LABELS GROUP (CONTINUED)



KEY	PART NUMBER	U/M DESCRIPTION
1	006187-01-000	EA LABEL - SEWAGE
2	006188-01-000	EA LABEL - WASTE WATER

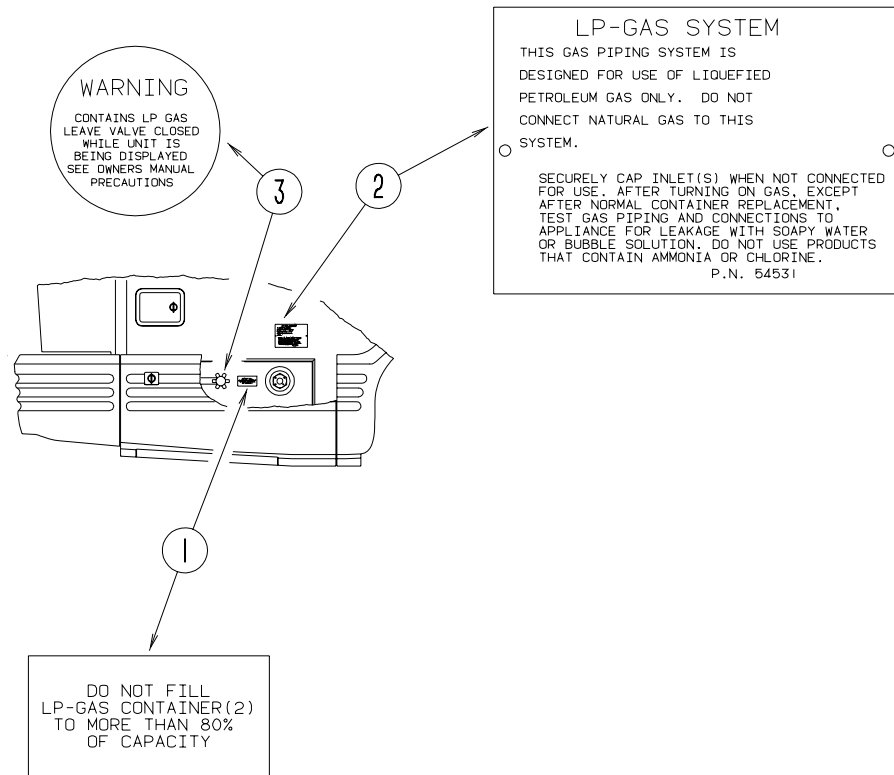


KEY	PART NUMBER	U/M DESCRIPTION
1	126024-01-000	EA LABEL- TIRE HANGER REMOVAL

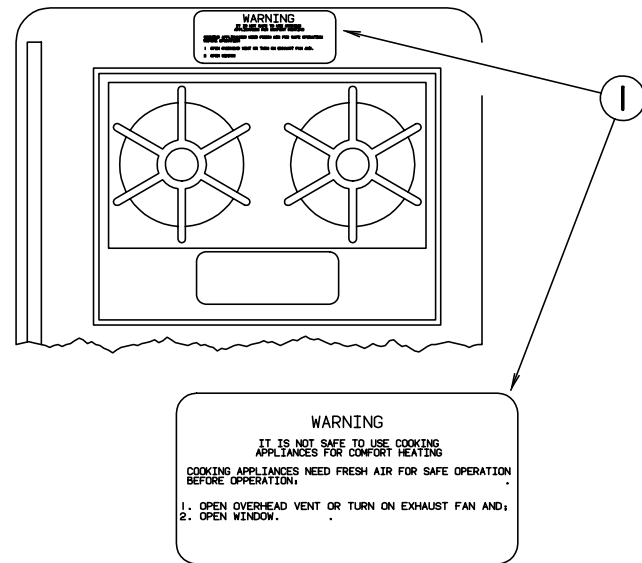


KEY	PART NUMBER	U/M DESCRIPTION
1	129684-01-000	EA LABEL - TIRE ROTATION

LABELS GROUP (CONTINUED)

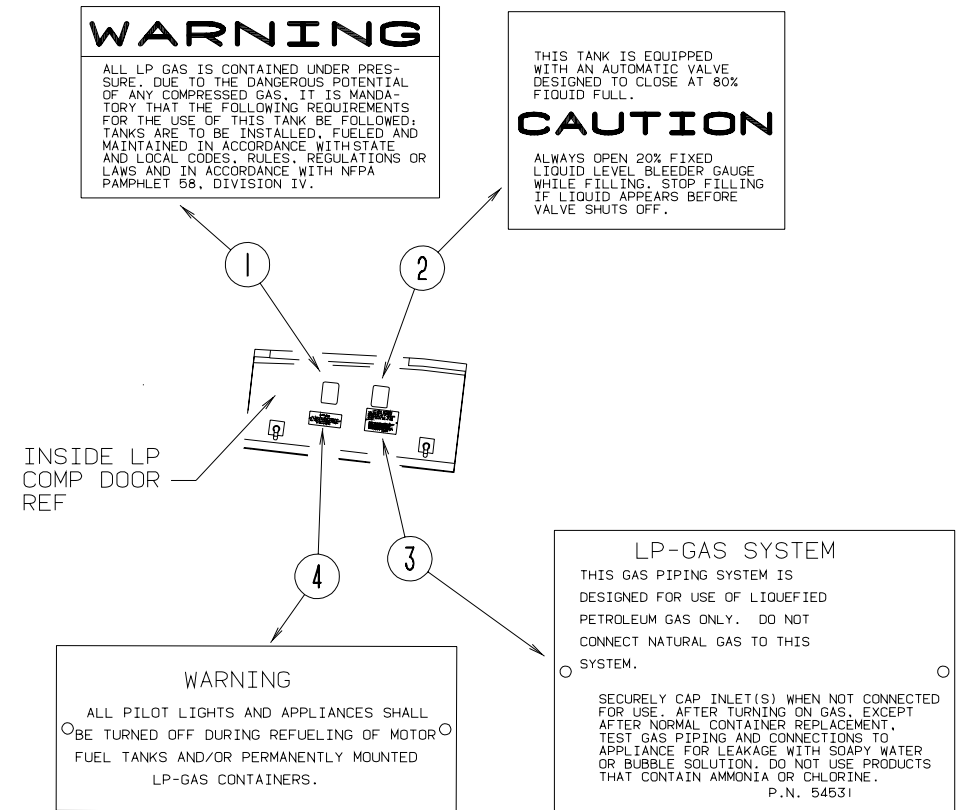


KEY	PART NUMBER	U/M DESCRIPTION
1	079965-01-000	EA LABEL - LPG - 80% CAPACITY
2	124520-01-01A	EA LABEL - LP GAS ONLY - BLACK ON CLEAR
3	115600-01-000	EA LABEL - WARNING LPG VALVE

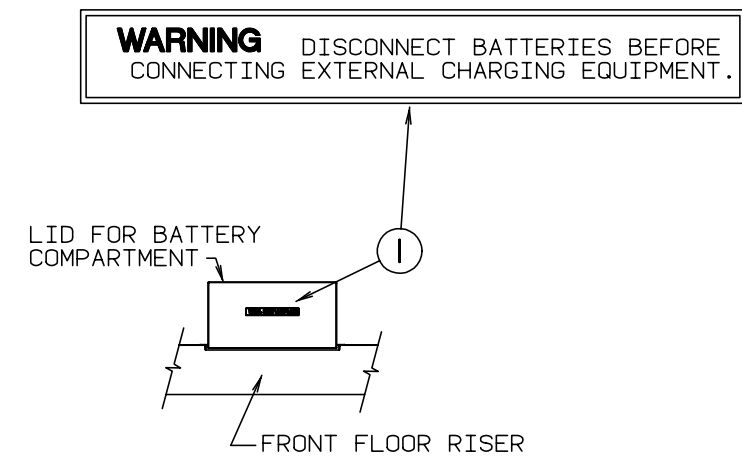


KEY	PART NUMBER	U/M DESCRIPTION
1	050225-01-000	EA LABEL - STOVE VENT - US
1	050222-01-000	EA LABEL - STOVE VENT - CANADIAN

LABELS GROUP (CONTINUED)

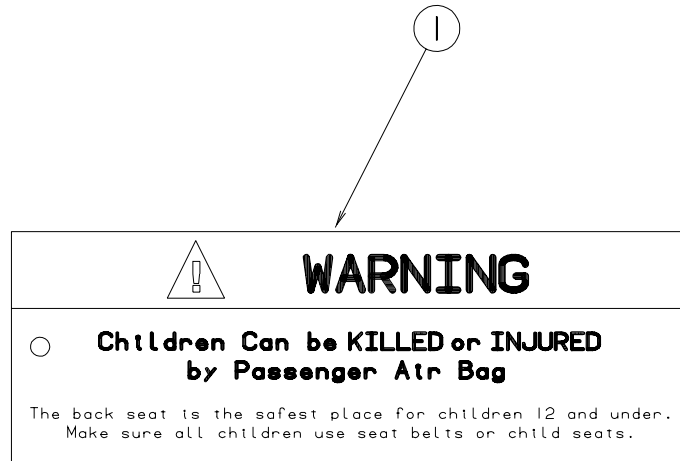


KEY	PART NUMBER	U/M DESCRIPTION
1	116112-01-000	EA LABEL - WARNING - LP
2	116113-01-000	EA LABEL - CAUTION - LP
3	023769-01-000	EA LABEL - WARNING - LPG - CANADIAN

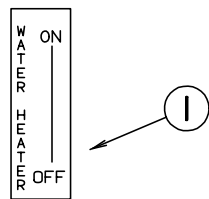


KEY	PART NUMBER	U/M DESCRIPTION
1	065748-01-000	EA LABEL - CAUTION - BATTERY CHARGING

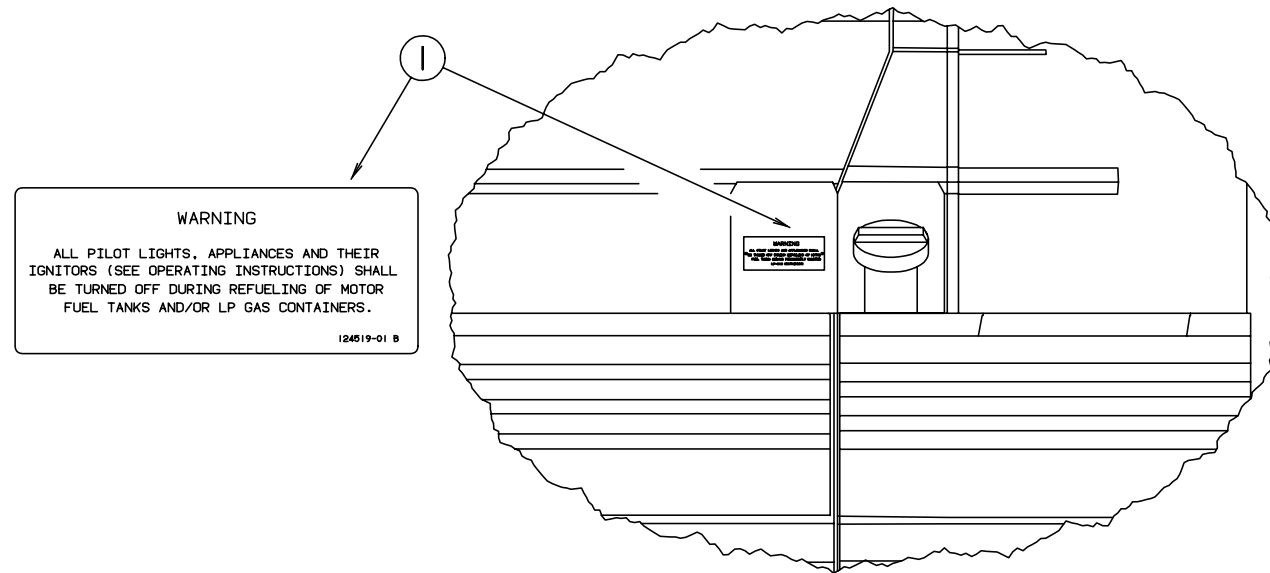
LABELS GROUP (CONTINUED)



KEY	PART NUMBER	U/M DESCRIPTION
1	126612-01-000	EA LABEL - HANG TAG - AIR BAG - DASH

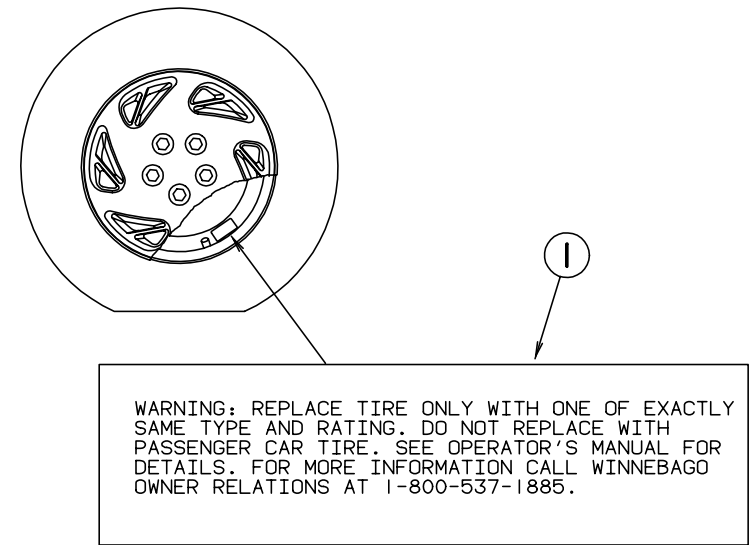


KEY	PART NUMBER	U/M DESCRIPTION
1	083588-01-000	EA LABEL - ON/OFF - WATER HEATER



KEY	PART NUMBER	U/M DESCRIPTION
1	124519-01-01A	EA TAG - WARNING/REFUELING - BLACK ON CLEAR
1	124519-02-01A	EA TAG - WARNING/REFUELING - CSA

LABELS GROUP (CONTINUED)



(ATTACH TO ALL WHEELS, INCLUDING SPARE, NEAR VALVE STEM)

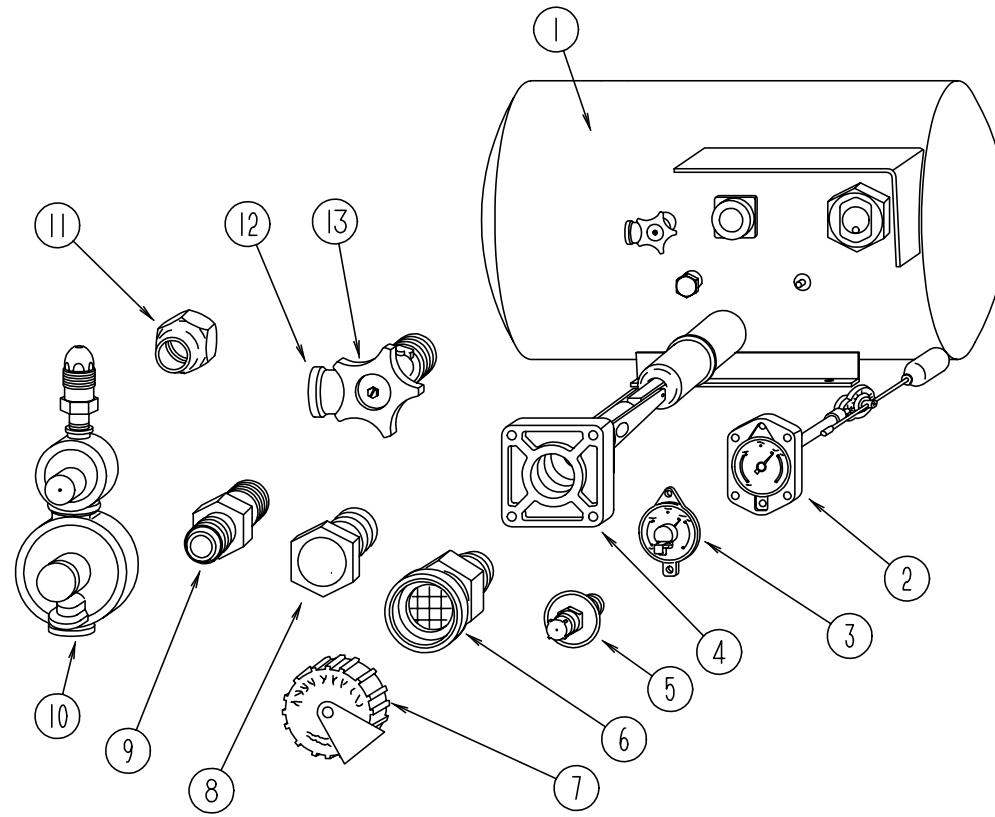
KEY	PART NUMBER	U/M DESCRIPTION
1	115869-01-000	EA LABEL - WARNING - TIRE

AIR CONDITIONING CIRCUIT. THIS CONNECTION IS FOR AIR CONDITIONERS RATED 110-125 VOLT AC, 60 HZ, 16 AMPERES MAXIMUM. DO NOT EXCEED CIRCUIT RATING.

KEY	PART NUMBER	U/M DESCRIPTION
1	091243-01-000	EA LABEL - A/C COVER "AIR CONDITIONING CIRCUIT ETC."

LP GROUP

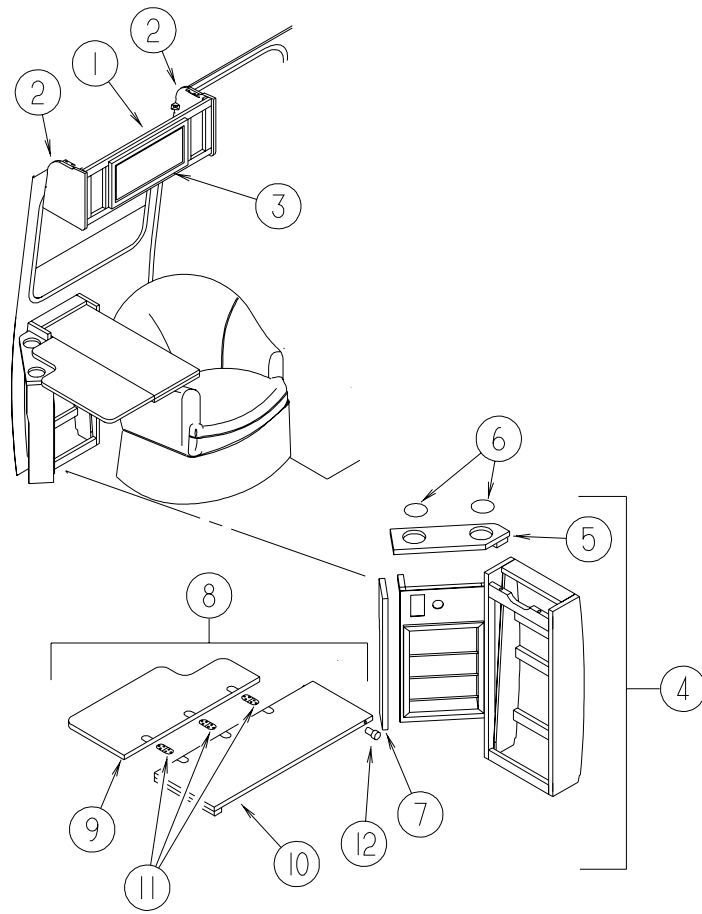
BRUNNER LP TANK & COMPONENTS



KEY	PART NUMBER	U/M	DESCRIPTION	VENDOR NO.
1	074039-04-000	EA	TANK - LP - 28 LB - BOTTOM MOUNT - 10" DIAMETER X 23" LONG	
2	074039-01-700	EA	FLOAT ASM. (SIGHT GAUGE) BOLT	10C
3	040440-02-000	EA	TRANSMITTER - DIAL - 0-90 OHM -2 TERMINAL (POWER & GROUND)	
4	074039-04-700	EA	VALVE - 80% FILL W/AUTO STOP	LVTL290C9010
5	040421-01-700	EA	VALVE - LIQUID LEVEL, 20%	G-1013
6	040421-01-701	EA	VALVE - FILL - SHORT - LP	75478
7	040421-01-702	EA	CAP - FILL VALVE - PLASTIC	G-1014-A
8	040421-01-713	EA	VALVE-RELIEF 1" W/SPRING 7"	29000587
9	010323-01-000	EA	ADAPTER - BRASS - 3/8"F X 1/2" MPT	
10	106150-03-000	EA	REGULATOR -TWO STAGE-7/8-14 UNS2A LH INLET/3/8" FPT OUTLET	

KEY	PART NUMBER	U/M	DESCRIPTION	VENDOR NO.
11	010377-02-000	EA	NUT - BRASS - 3/8" FLARE - FORGED	
11	010380-02-000	EA	NUT - BRASS - 1/2" FLARE - FORGED	
12	040421-01-712	EA	VALVE,SERV. W/O VAPOR RELIEF	29000853
13	040421-01-708	EA	HANDWHEEL - SERVICE VALVE	G-1015-A
	074458-01-000	EA	ELBOW - 3/8 MALE FL TO 3/8 FEMALE FL SWIVEL	
	010252-01-000	EA	ELBOW - BRASS - 90 DEGREE - 3/8" F X 1/2" MPT	
	010265-01-000	EA	ELBOW - BRASS - 90 DEGREE - 3/8" F X 1/2" FPT	
	024250-01-000	EA	ADAPTER - BRASS - 3/8"F X 1/2" FPT	
	010329-01-000	FT	ADAPTER - BRASS - 1/2" F X 1/2" MPT	
	103613-03-000	EA	DETECTOR - LP GAS - W/O SHUT-OFF VALVE	

LOUNGE GROUP



LOUNGE CABINETRY & PULLOUT TABLE

KEY	PART NUMBER	U/M DESCRIPTION
1	124888-01-J80	EA CABINET - OVERHEAD/FRONT/RIGHT HAND - W/O DOORS/HARDWARE
2	119132-07-J80	EA END CAP - OVERHEAD
3	M05992-R9-K77	EA DOOR - STRAIGHT CORNER/OGEE EDGE - 10" X 19.1" - W/O HDW FROM: 00-00-00 THRU: 11-29-98
3	131995-M5-K77	EA DOOR - SOLID PANEL - 10" X 19" - W/O HARDWARE FROM: 11-30-98 THRU: 99-99-99
4	P19113-02-J80	EA CABINET/TABLE - W/O HARDWARE
5	P19113-14-J80	EA CUPHOLDER
6	122717-04-01A	EA PAD - NON SKID - 3" DIA. ROUND
7	P19113-15-J80	EA STICK-W/STAIN
8	119113-17-J80	EA TABLE - PULL UP STYLE - W/O HARDWARE
9	119113-18-J80	EA TABLE - LEFT HALF - W/O HARDWARE
10	119113-19-J80	EA TABLE - RIGHT HALF - W/O HARDWARE
11	111535-01-000	EA HINGE - TABLE/FOLDING
12	079921-01-000	EA ROLLER - NYLON - W/STEEL SHAFT - BARBED
	117047-01-000	EA BUMPER - RUBBER - WASHER INSERT

SEALANTS & FASTENERS GROUP

NUTS, BOLTS AND WASHERS

KEY	PART NUMBER	U/M DESCRIPTION
	0MC04K-06-016	EA BOLT - HEX - M06 X 1 X 016
	0MC05K-08-055	EA BOLT - HEX M.3 X 1.25 X 2.2
	0MC13K-14-070	EA BOLT - HEX M14 X 2.00 X 2.75
	0MC31K-08-020	EA BOLT - HEX - SERRATED FLANGE - M8 X 020
	0MC32K-10-030	EA BOLT - HEX - SERRATED FLANGE - M10 X 1.50
	0MD16K-10-000	EA NUT - HEX PREV TORQUE M10 X 1.50 CLASS 8
	0MD39K-12-000	EA NUT - HEX W/NYLON LOCK - M12 X 1.75
	0ME06K-14-280	EA WASHER - FLAT - 14 ID X 28.00 OD
	000C12-04-12A	EA BOLT - HEX - 1/4-20 X .75 - PLAIN 5
	000C12-05-64B	EA BOLT - HEX - 5/16-18 X 4
	000C12-05-16B	EA BOLT - HEX - 5/16-18 X 1 - GRADE #5 - ZINC
	000C12-06-16B	EA BOLT - HEX - 3/8-16 X 1 - GRADE #5 - ZINC
	000C13-07-48B	EA BOLT - HEX - 7/16-20 X 3" - GRADE #5 - ZINC
	000C26-04-14B	EA BOLT - HEX - SERRATED FLANGE - 1/4-20 X 7/8 - ZINC
	000C26-04-10B	EA BOLT - HEX - SERRATED FLANGE - 1/4-20 X 5/8 - ZINC
	000C26-05-12B	EA BOLT - HEX - SERRATED FLANGE - 5/16-18 X 3/4 - ZINC
	000C26-05-16B	EA BOLT - HEX - SERRATED FLANGE - 5/16-18 X 1 - ZINC
	000C26-06-16B	EA BOLT - HEX - SERRATED FLANGE - 3/8-16 X 1 - ZINC
	000C26-06-12B	EA BOLT - HEX - SERRATED FLANGE - 3/8-16 X 3/4 - ZINC
	000C26-08-24B	EA BOLT - HEX - SERRATED FLANGE - 1/2-13 X 1 1/2 - ZINC
	000C27-05-16B	EA BOLT - CARRIAGE - 5/16-18 X 1.0 - ZINC
	000D24-10-00B	EA NUT - HEX - SELF LOCKING - 10-32 ZINC
	000D29-04-00B	EA NUT - HEX - SELF LOCKING - 1/4 X 20 - ZINC
	000D34-04-00B	EA NUT - HEX - LOCKING - 1/4-20 ZINC
	000D34-06-00B	EA NUT - HEX - LOCKING - 3/8-16 GRADE C - ZINC
	000D39-04-00B	EA NUT - HEX - LOCKING W/SERRATED FLANGE - 1/4-20 - ZINC
	000D39-05-00B	EA NUT - HEX - LOCKING W/SERRATED FLANGE - 5/16-18 - ZINC
	000D39-06-00B	EA NUT - HEX - LOCKING W/SERRATED FLANGE - 3/8-18 - ZINC
	000D39-07-00B	EA NUT - HEX - LOCKING W/SERRATED FLANGE - 7/16-14 - ZINC
	000D39-08-00B	EA NUT - HEX - LOCKING W/SERRATED FLANGE - 1/2-13 - ZINC
	000D44-07-00B	EA NUT - HEX - LOCKING W/SERRATED FLANGE - 7/16-20 - ZINC
	000D46-04-00A	EA NUT - HEX - WELD - 1/4-20 - PLAIN
	000D65-08-00B	EA NUT - HEX - LOCKING W/SERRATED FLANGE - 8-32 - ZINC
	000E11-08-00B	EA WASHER - LOCKING - 1/2 MED SPLIT - ZINC
	000E13-17-00B	EA WASHER - FLAT - 3/8 AR - ZINC
	000E13-18-00B	EA WASHER - FLAT - 3/8 WIDE - ZINC
	000E13-18-00K	EA WASHER - FLAT - 3/8" WIDE
	000E13-20-00B	EA WASHER - FLAT - 7/16 WIDE - ZINC
	000E13-26-00B	EA WASHER - FLAT - 5/8 WIDE - ZINC
	000E14-10-00B	EA WASHER - LOCKING - #10 EXTERNAL TOOTH - ZINC
	041322-01-000	EA WASHER - FLANGE - 15/32 ID X 2 3/8 OD - F/SEAT BELT MTG
	044364-02-000	EA NUT - SPEED - FLAT - ROUND
	051387-06-000	EA BOLT - CARRIAGE W/O HOLE - 5/16-18 X 9.5 - ZINC
	084406-01-000	EA NUT - CAPPED - CROSS RECESSED - BLACK - 1/4-20 THD
	087234-01-000	EA NUT - JACK - 1/4 X 20 THD - MOLLY MOUNTS LICENSE PLATES USING BOLT #000G500412B
	087718-01-000	EA MONOBOLT - STEEL - 3/16 DIAMETER
	103020-02-000	EA BOLT-U - #8-32 - GRADE 5 ZINC
	113985-01-000	EA BOLT - FLANGE - M10-1.5 X 40CL10.9
	113985-02-000	EA BOLT - FLANGE - M10-1.5 X 30CL10.9
	114257-01-000	EA GASKET - NEOPRENE RUBBER - .62" X 1.1" X .11" FROM: 00-00-00 THRU: 12-16-98
	131377-01-000	EA NUT-HEX HEAD W/WASHER-1/4-20 X 2" STEEL W/3/4" OD WASHER

SEALANTS & FASTENERS GROUP (CONTINUED)

SCREWS

KEY	PART NUMBER	U/M	DESCRIPTION	KEY	PART NUMBER	U/M	DESCRIPTION
	0G1106-08-240	EA	SCREW - 6-20 X 1/2 PPH - VW LIGHT GRAY		000G42-04-12B	EA	SCREW - SF/DR - 1/4-14 X 3/4 HWH - ZINC
	0G1108-12-240	EA	SCREW - 8-18 X .75 PPH - VW LIGHT GRAY		000G42-04-20B	EA	SCREW - SF/DR - 1/4-14 X 1 1/4 - ZINC
	0G1308-10-240	EA	SCREW - 8-18 X 5/8 PFH - VW LIGHT GRAY		000G42-04-16B	EA	SCREW - SF/DR - 1/4-14 X 1 HWH - ZINC
	0G3908-12-240	EA	SCREW - SF/DR - 8-18 X .75 PPH - VW LIGHT GRAY		000G50-04-12B	EA	SCREW - MACHINE - 1/4-20 X 3/4 PPH - ZINC
	0G3910-10-240	EA	SCREW - SF/DR - 10-16 X .62 PPH - VW LIGHT GRAY		000G50-04-06B	EA	SCREW - MACHINE - 1/4-20 X 38 PTH - ZINC
	0G5508-08-240	EA	SCREW - SF/DR - 8-18 X .5 PWH - VW LIGHT GRAY		000G52-08-18B	EA	SCREW - MACHINE - 8-32 X 1 1/8 PTH - ZINC
	0G5508-08-130	EA	SCREW-SF/DR-8-18X.5 PWH - TAUPE		000G57-05-16J	EA	SCREW - 5-20 X 1 PFH - BRASS
	0G6710-08-240	EA	SCREW - 10-12 X .50 PPH TAUPE - VW LIGHT GRAY		000G67-10-08B	EA	SCREW - 10-12 X 1/2 PPH - ZINC
	0G6710-12-170	EA	SCREW - 10-12 X .75 PPH - BRIGHT WHITE		000G67-10-16B	EA	SCREW - 10-12 X 1 PPH - ZINC
	000G11-06-24B	EA	SCREW - 6-20 X 1.5 PPH ZINC		000G67-10-12B	EA	SCREW - 10-12 X 3/4 PPH - ZINC
	000G11-06-10J	EA	SCREW - 6-20 X 5/8 PPH - BRASS		000G67-10-10D	EA	SCREW - 10-12 X 5/8 PPH - BLACK - TYPE A
	000G11-06-08B	EA	SCREW - 6-20 X 1/2 PPH - ZINC		000G67-10-10B	EA	SCREW - 10-12 X 5/8 PPH - ZINC - TYPE A
	000G11-07-08B	EA	SCREW - 7-19 X 1/2 PPH - ZINC		000G68-06-10G	EA	SCREW - 6-18 X 5/8 POH - ANTIQUE BRASS
	000G11-08-20B	EA	SCREW - 8-18 X 1 1/4 PPH - ZINC		049465-18-000	EA	SCREW-10-16 X 1POH W/WASHER *VW GRAY
	000G11-08-16B	EA	SCREW - 8-18 X 1 PPH - ZINC		057671-15-000	EA	COVER - SCREW - BRIGHT WHITE
	000G11-08-12T	EA	SCREW - 8-18 X 3/4 PPH - BLACK		076790-01-000	EA	SCREW - 6-20 X 1 1/4 PPH - BLACK
	000G11-08-12P	EA	SCREW - 8-18 X 3/4 PPH - DARK BROWN		086256-01-000	EA	SCREW - SF/DR - 8 X 3/4 HWH
	000G11-08-12D	EA	SCREW - 8-18 X 3/4 PPH - BLACK		090033-02-000	EA	SCREW - 1/4-20 X 5/8 - ROUND WASHER HEAD - OFF/WHITE
	000G11-08-12B	EA	SCREW - 8-18 X 3/4 PPH - ZINC		101618-01-000	EA	SCREW - 1/4-20 X 3/4 HEX - TAPPING - STALGARD TYPE F
	000G11-08-08B	EA	SCREW - 8-18 X 1/2 PPH - ZINC		113563-01-01A	EA	SCREW - 8 X .62 LONG SHOULDER/WASHER HEAD
	000G11-10-12D	EA	SCREW - 10-16 X 3/4 PPH - BLACK		057671-01-000	EA	COVER-SCREW - #8 - PLASTIC - OFF WHITE
	000G11-10-12S	EA	SCREW - 10-16 X 3/4 PPH - OFF WHITE		057671-13-000	EA	COVER-SCREW - #8 - PLASTIC - DK GRAY
	000G12-06-08T	EA	SCREW - 6-20 X 1/2 POH - BLACK		061420-04-000	EA	PLUG-PLASTIC - 1.25 DIA
	000G13-06-08G	EA	SCREW - 6-20 X .50 PFH - ANTIQUE BRASS		118383-02-05A	EA	RETAINER - SCREW - .27" SCREW RECESS - VW LIGHT GRAY
	000G13-06-08B	EA	SCREW - 6-20 X 1/2 PFH - ZINC		118383-04-05A	EA	CAP - RETAINER SCREW
	000G13-06-16E	EA	SCREW - 6-20 X 1.00 PFH - CHROME				
	000G13-06-10G	EA	SCREW - 6-20 X 5/8 PFH - ANTIQUE BRASS				
	000G13-07-12B	EA	SCREW - 7-19 X 3/4 PFH - ZINC				
	000G13-07-10H	EA	SCREW - 7-19 X 5/8 PFH - BLACK				
	000G13-08-16B	EA	SCREW - 8-18 X 1 PFH - ZINC				
	000G13-10-12B	EA	SCREW, 10-16 X 3/4 PFH ZN				
	000G18-08-22B	EA	SCREW - MACHINE - 8-32 X 1 3/8 PPH - ZINC				
			FROM: 00-00-00 THRU: 06-06-99				
	000G18-08-20B	EA	SCREW - MACHINE - 8-32 X 1 1/4 PPH - ZINC				
			FROM: 06-07-99 THRU: 99-99-99				
	000G19-10-12F	EA	SCREW - MACHINE - 10-32 X 3/4 PPH - STAINLESS STEEL				
	000G38-04-229	EA	SCREW - MACHINE - 1/4-20 X 1.38PFH				
	000G39-06-10T	EA	SCREW - SF/DR - 6-20 X 5/8 PPH - BLACK				
	000G39-06-08B	EA	SCREW - SF/DR - 6-18 X 1/2 - ZINC				
	000G39-06-16T	EA	SCREW - SF/DR - 6-20 X 1 PPH - BLACK				
	000G39-06-10T	EA	SCREW - SF/DR - 6-20 X 5/8 PPH - BLACK				
	000G39-08-12B	EA	SCREW - SF/DR - 8-18 X 3/4 PPH - ZINC				
	000G39-08-08T	EA	SCREW - SF/DR - 8-18 X 1/2 PPH - BLACK				
	000G39-08-08B	EA	SCREW - SF/DR - 8-18 X 1/2 PPH - ZINC				
	000G39-08-24B	EA	SCREW - SF/DR - 8-18 X 1 1/2 PPH - ZINC				
	000G39-08-16T	EA	SCREW - SF/DR - 6-20 X 1 PPH - BLACK				
	000G39-08-16B	EA	SCREW - SF/DR - 8-18 X 1 PPH - ZINC				
	000G39-08-12T	EA	SCREW - SF/DR - 8-18 X 3/4 PPH - BLACK				
	000G39-10-48B	EA	SCREW - SF/DR - 10-16 X 3 - PPH - ZINC				
	000G39-10-32I	EA	SCREW - SELF TAPPING - 10-16 X 2" PPH - BLACK				
	000G39-10-24B	EA	SCREW - SF/DR - 10-16 X 1.50 PPH - ZINC				
	000G39-10-209	EA	SCREW - SF/DR - 10-16 X 1 1/4 PPH - FLUOROCARBON SILVER				
	000G39-10-20B	EA	SCREW - SF/DR - 10-16 X 1 1/4 PPH - ZINC				
	000G39-10-129	EA	SCREW - SF/DR - 10-16 X 3/4 PPH - FLUOROCARBON SILVER				
	000G39-10-12D	EA	SCREW - SF/DR - 10-16 X 3/4 PPH - BLACK				
	000G39-10-12B	EA	SCREW - SF/DR - 10-16 X 3/4 PPH - ZINC				
	000G39-10-10B	EA	SCREW - SF/DR - 10-16 X 5/8 - ZINC				
	000G39-10-088	EA	SCREW - SF/DR - 10-16 X 1/2 PPH - FLEX FLUOROCARBON				
	000G39-10-08B	EA	SCREW - SF/DR - 10-16 X 1/2 PPH - ZINC				

SEALANTS & FASTENERS GROUP (CONTINUED)

ADHESIVE AND SEALANTS

KEY	PART NUMBER	U/M	DESCRIPTION
	004001-05-000	EA	EPOXY ADHESIVE (CLEAR) - DP-100
	063642-01-000	FT	TAPE - ADHESIVE - .4" X 1.5" X 180"
	069640-02-000	FT	SEALER - TAPE - .13"THICK X .5"WIDE X 60' - GRAY
	069640-09-000	FT	SEALER - TAPE - .032"THICK X 2.50"WIDE X 80' - GRAY
	069640-19-000	FT	SEALER - TAPE - .75"THICK X 1/8"WIDE X 60'- BRIGHT WHITE
	072889-09-000	EA	SEALANT - URETHANE - BLACK - TUBE FROM: 00-00-00 THRU: 09-06-98
	072889-13-000	EA	SEALANT - URETHANE - VW WHITE - TUBE FROM: 00-00-00 THRU: 09-20-98
	076322-02-000	FT	TAPE - DOUBLE COATED/ADHESIVE BACK - .045"THK X 1"W X 9'
	076322-03-000	FT	TAPE - DOUBLE COATED/ADHESIVE BACK - .045"THK X .50"W X 9'
	076322-05-000	FT	TAPE - DOUBLE COATED/ADHESIVE BACK - .045"THK X .75"W X 9'
	087211-01-000	GL	PROMOTER - ADHESIVE
	091255-02-000	FT	SEAL - ADHESIVE BACKED/FOAM - 3/64" THICK X 3/16" WIDE
	102352-01-000	EA	SEALER - PUMPABLE - TUBE - BLACK
	103202-02-000	FT	TAPE - FOAM/ADHESIVE ONE SIDE - GRAY FROM: 00-00-00 THRU: 04-19-99
	104692-01-000	FT	SEAL - ADHESIVE BACKED FOAM-.75"THICK X .75"WIDE X 25'
	107828-01-000	EA	SEALANT - SB - 190 EVERSEAL
	108353-01-000	FT	SEAL - FOAM - 5/16" X 1/2" - ADHESIVE BACKED
	112901-01-000	EA	ADHESIVE - PLEXUS - 400 ML CARTRIDGE
	112901-02-000	EA	ADHESIVE - PLEXUS - 50ML
	112902-01-000	EA	NOZZLE - ELEMENT - 3/8 X 24 FROM: 01-29-99 THRU: 99-99-99
	113366-01-000	EA	ADHESIVE - INSTANT
	120074-02-01A	EA	SEALANT - W/O NOZZLE - OFF/WHITE
	123816-01-000	FT	TAPE - DOUBLE SIDED - 1"
	123816-02-000	FT	TAPE - DOUBLE SIDED - 1/2" X 1 1/3" - THICK
	123816-03-000	FT	TAPE - DOUBLE SIDED - 1/2" X 3/4" - THICK
	131264-01-01A	EA	SILICONE - W/O NOZZLE - BLACK ALSO ORDER NOZZLE #90039003000
	131264-01-02A	EA	SILICONE - W/O NOZZLE - CLEAR ALSO ORDER NOZZLE #90039003000
	131264-02-01A	EA	SILICONE - W/O NOZZLE - VW GRAY - BATH ONLY ALSO ORDER NOZZLE #90039003000
	900390-03-000	EA	NOZZLE - SILICONE TUBE

SEALANTS & FASTENERS GROUP (CONTINUED)

MISCELLANEOUS FASTENERS

KEY	PART NUMBER	U/M	DESCRIPTION
	008343-01-000	EA	TIE - WIRE - 6"
	034141-02-000	EA	PLUG - HOLE - 3/8" NYLON/BLACK
	061420-05-000	EA	PLUG/PLASTIC - 1.8" DIAMETER
	085774-01-000	FT	FASTENER - DUAL LOCK - 1" WIDE - ADHESIVE BACK - BLACK USE WITH #08577402000 DUAL HOOK TAPE
	085774-02-000	FT	FASTENER - DUAL HOOK - 1" WIDE - ADHESIVE BACK - BLACK USE WITH #08577401000 DUAL LOCK TAPE
	088792-02-000	YD	VELCRO TAPE - LOOP - 3/4" - ADHESIVE BACKED - BEIGE
	088792-04-000	YD	VELCRO TAPE - LOOP - 5/8" - NON-ADHESIVE BACK - WHITE
	088792-05-000	YD	VELCRO TAPE - LOOP - 5/8" - NON-ADHESIVE BACKED - WHITE
	110943-02-000	FT	FELTSTRIP - 3/8" - ADHESIVE BACK - WHITE
	000H14-04-08R	EA	RIVET - MANDREL BLIND - 4/32 ALUMINUM
	000H16-04-06R	EA	RIVET - POP ALUMINUM - 1/8 X .313 - .375
	000H16-06-10R	EA	RIVET - POP ALUMINUM - 3/16 X .501-.625
	007161-01-000	EA	CLAMP - HOSE - SPRING TYPE - 1/2"
	010495-01-000	EA	CLAMP - CABLE - 9/16"
	010495-02-000	EA	CLAMP - CABLE - 3/8"
	010497-01-000	EA	CLAMP - CLOSED - 5/8" ID
	010497-04-000	EA	CLAMP - CLOSED - 1.62" ID
	010497-05-000	EA	CLAMP - CLOSED - 1/2 ID
	010497-07-000	EA	CLAMP - CLOSED - 3/8" ID
	008384-01-000	EA	GROMMET - SNAP - 3/4 DIAMETER - NYLON
	008386-01-000	EA	GROMMET - SNAP - 3/8"
	016188-03-000	EA	GROMMET - L/P LINE - 3/8" HOLE X 2 1/2" LONG - RUBBER
	016188-04-000	EA	GROMMET - GAS LINE - 1/2" HOLE X 2 1/2" LONG - RUBBER
	023942-01-000	EA	GROMMET - RUBBER - 2" OD
	062401-01-000	EA	CLAMP - HOSE - WORMGEAR - .25" - 1"
	062401-03-000	EA	CLAMP - HOSE - WORMGEAR - .22" - 1"
	062401-04-000	EA	CLAMP - HOSE - WORMGEAR - .69" - 1.25"
	062401-06-000	EA	CLAMP - HOSE - WORMGEAR - .22" - .62" ID
	062401-12-000	EA	CLAMP - HOSE - WORMGEAR - .79" X 1.26"
	069592-02-000	EA	RIVET-T - POP - 1/4 X .093 - .156 FROM: 00-00-00 THRU: 04-04-99
	071015-11-000	EA	GROMMET - 1.00 ID - FITS .12 MATERIAL
	071015-13-000	EA	GROMMET - RUBBER - .62" ID X 1" OD W/.09" GROOVE - BLACK
	071015-22-000	EA	GROMMET - RUBBER - .62"ID X 1.12"OD W/.19" GROOVE - BLACK
	077953-01-000	EA	GROMMET - EDGE LINER - FITS 1"
	077955-01-000	EA	CLIP-J - VINYL COATED - 3/8"
	080211-03-000	EA	CLIP - X-MAS TREE W/PANEL RETAINING HEAD - 3/4" SHANK
	080734-02-000	EA	CLIP - WIRE NYLON
	083610-01-000	EA	CLAMP - WIRE - DUAL - UNEQUAL DIAMETERS - 3/4" & 1 1/4"
	088756-01-000	EA	GROMMET - WEB - 1 1/8 " I.D.
	114208-03-000	EA	GROMMET - EDGE LINER - FITS 2.50"
	114208-04-000	EA	GROMMET - EDGE LINER - FITS 1.00"

WATER & SEWAGE GROUP

FRESH WATER TANK

KEY	PART NUMBER	U/M	DESCRIPTION
	074510-07-000	EA	TANK - WATER - 16 GALLON - W/FITTINGS - 33.4"X11.4" X 10"
	074510-01-000	EA	TANK - WATER - 16 GALLON - W/O FITTINGS - 33.4"X 11.4"X10"
	077954-02-000	EA	FILTER - WATER TANK - W/SCREEN IN TANK
	079381-01-000	FT	TUBING - RIBBED FLEXIBLE - WATER FILL - 1.4" I.D.
	042989-03-000	EA	FITTING - SPINWELD - 1 1/4"NPT - PLASTIC
	042989-04-000	EA	FITTING - SPINWELD - 3/8"FPT - PLASTIC
	042989-05-000	EA	FITTING - SPINWELD - 1/2"FPT - PLASTIC
	049032-01-000	EA	PATCH - SPINWELD - 3/8" - PLASTIC
	039861-01-000	EA	SENDING UNIT - W/SCREW - WASHER - WELL NUT/TERMINAL RING
	035539-01-000	EA	ELBOW - PLASTIC - 3/8" MPT X 3/8" BARB
	039798-01-000	EA	TEE - 1/2" MPT X 1/2" MPT X 1/2" MPT - PLASTIC
	044927-01-000	EA	ADAPTER - HOSE TO PIPE - 1 1/4" MPT X 1 1/4" BARB - BLACK PLASTIC
	074462-02-000	FT	TUBING - VINYL - 3/8 ID X 20' - CLEAR
	056337-21-000	EA	STRAP - RETAINING - WATER TANK

WATER SYSTEM

KEY	PART NUMBER	U/M	DESCRIPTION
	110915-01-01A	EA	FILL - CITY WATER - CHROME
	090338-03-000	EA	FITTING - HOSE - 3/4" ID - 2" LENGTH - BRASS
	111223-02-000	EA	ELBOW - PLASTIC - 1/2MPT X 3/8 BARB
	111223-04-000	EA	ELBOW - 1/2" MPT X 1/2" BARB - PLASTIC
	114428-01-000	EA	TEE - 1/2"P X 1/2"P X 1/2"P
	114428-03-000	EA	TEE - 1/2"P X 1/2"P X 1/2"MPT
	114429-01-000	EA	ELBOW - 1/2"P X 1/2"P
	114429-02-000	EA	ELBOW - 1/2"P X 1/2"MPT
	114429-03-000	EA	ELBOW - SWIVEL - 1/2"P X 1/2"FPT
	114429-08-000	EA	ELBOW - SWIVEL - 1/2"MPT X 1/2"FPT SWIVEL
			FROM: 00-00-00 THRU: 03-18-99
			FROM: 03-19-99 THRU: 99-99-99
	114429-05-000	EA	ELBOW - 1/2"P X 3/4"MPT
	114429-06-000	EA	ELBOW - SWIVEL - 1/2 P X 3/4 FPT
	114430-02-000	EA	ADAPTER - SWIVEL - 1/2"P X 1/2"FPT
	114431-01-000	EA	VALVE - 180 DEGREE/CENTER DRAIN - 1/2"P - THREE WAY
	114431-03-000	EA	VALVE - 90 DEGREE DRAIN - 1/2"P
	123150-01-000	EA	ELBOW - 1/2 FPT X 1/2 BARB - SWIVEL
	124188-01-000	FT	TUBING - PEX - 1/2" ID X 20' - BLUE(COLD)
	124188-02-000	FT	TUBING - PEX - 1/2" ID X 20' - RED(HOT)

EXTERIOR SHOWER

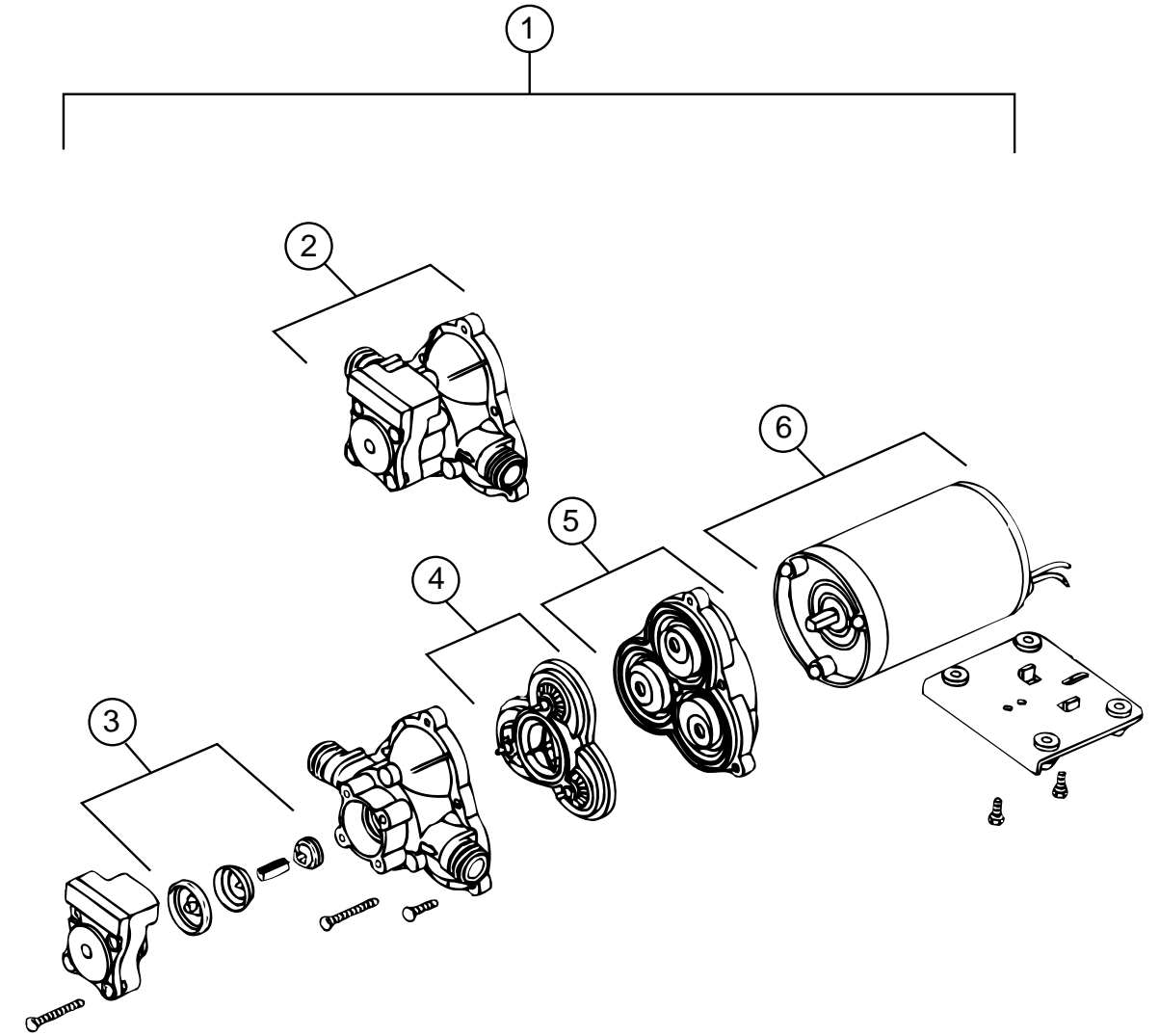
KEY	PART NUMBER	U/M	DESCRIPTION
	075241-06-000	EA	FAUCET/SHOWER - BRIGHT WHITE - 1/2"MPT X 1.9" INLET PIPES
	131383-01-02A	EA	SHOWER HEAD - W/60" HOSE & BRACKET - WHITE
	131383-02-02A	EA	SHOWER HEAD - W/60" HOSE & BRACKET - WHITE - CSA
	131383-03-02A	EA	BRACKET - SHOWER HEAD - WHITE
	108357-08-000	EA	SWITCH - ROCKER DPDT - ON/NONE/ON - 6 TERMINAL
	108356-02-01A	EA	COVER/ACTUATOR SWITCH - 2 ROWS DIMPLES- CONTURA II - BLACK
	121473-01-01A	EA	COMPARTMENT - SHOWER - EXTERIOR

ATWOOD ELECTRIC WATER HEATER

KEY	PART NUMBER	U/M	DESCRIPTION
*	113122-01-000	EA	WATER HEATER - EHM4 (ELECTRICAL/MOTOR AID) - 4 GAL

* PRESS TO SEE ILLUSTRATED SERVICE PARTS LIBRARY

WATER & SEWAGE GROUP (CONTINUED)

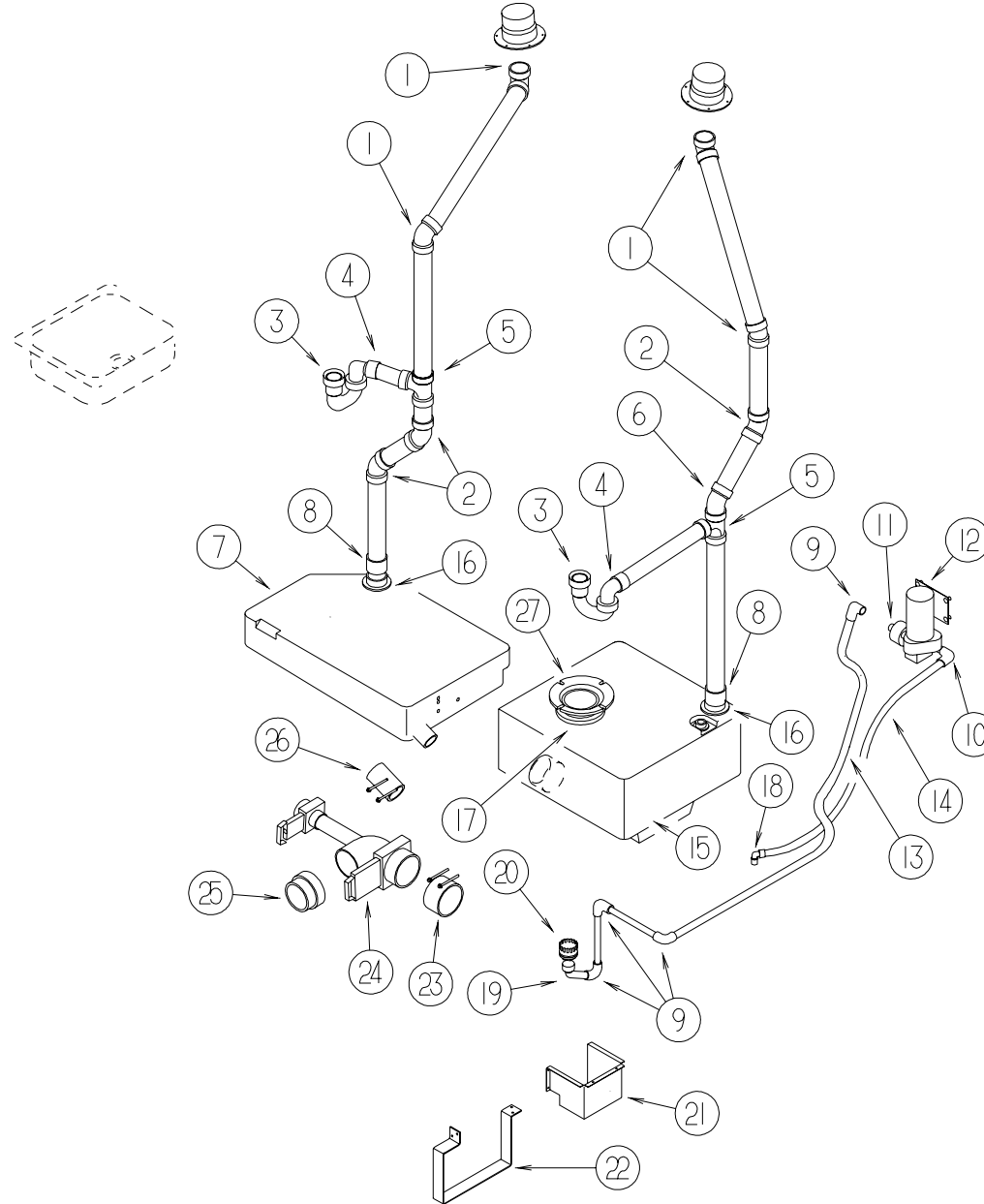


SHURFLO WATER PUMP OR SUMP PUMP & COMPONENTS

KEY	PART NUMBER	U/M	DESCRIPTION	VENDOR NO.
1	098607-01-000	EA	PUMP - WATER - W/.5" MPT FITTING - FLOW 2.8 GPM	
2	098607-01-706	EA	HOUSING - W/SWITCH ONLY	94-231-20
3	098607-01-705	EA	VALVE - CHECK, KIT	94-237-00
4	098607-01-703	EA	VALVE KIT	94-232-00
5	098607-01-702	EA	DIAPHRAM/DRIVE ASSEMBLY KIT	94-238-04
6	098607-01-707	EA	MOTOR W/BASEPLATE	94-234-03

WATER & SEWAGE GROUP (CONTINUED)

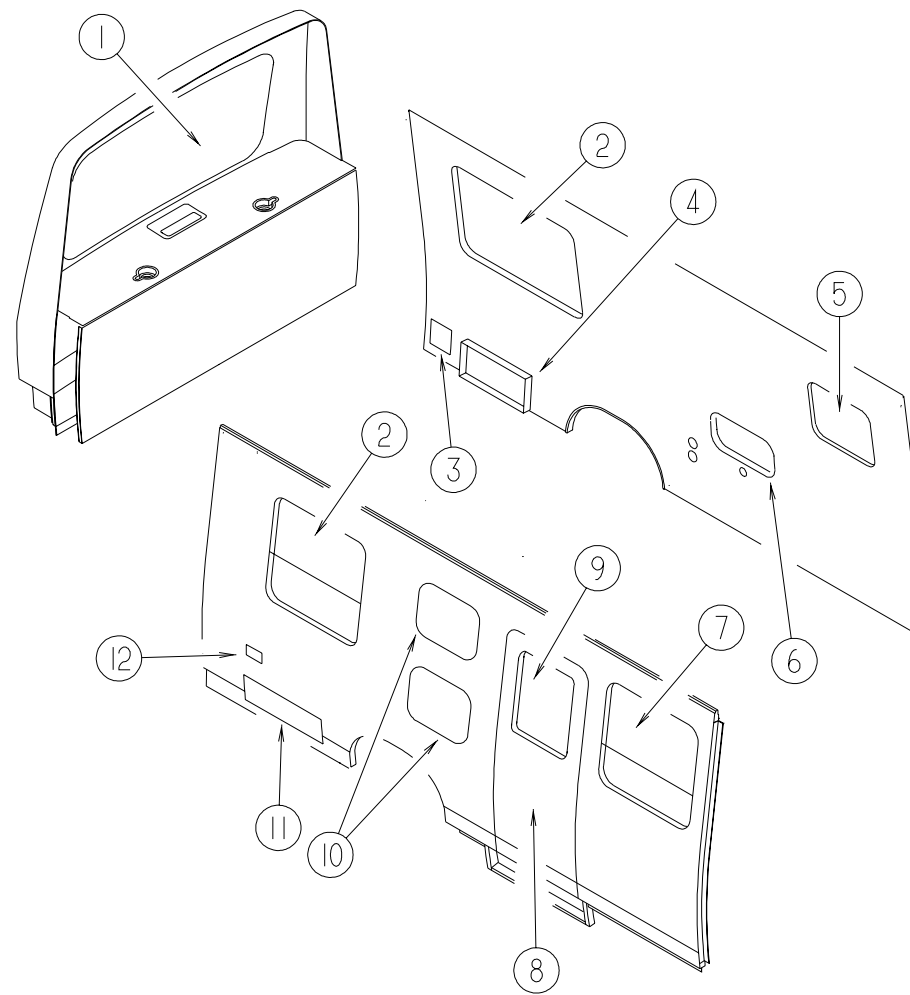
DRAINAGE SYSTEM



KEY	PART NUMBER	U/M	DESCRIPTION	KEY	PART NUMBER	U/M	DESCRIPTION	VENDOR NO.
1	010005-01-000	EA	ELBOW - 22.5 DEGREE - 1 1/2" HUB X HUB - PLASTIC	15	111884-02-000	EA	TANK - HOLDING - 13 GALLON - W/FITTINGS	
2	010006-01-000	EA	ELBOW - 45 DEGREE - 1 1/2" HUB X HUB - PLASTIC	15	111884-01-000	EA	TANK - HOLDING - 13 GALLON - W/O FITTINGS	
3	107538-01-000	EA	P TRAP - PLASTIC - 1 1/4" W/EXTENSION ARM - US		039861-01-000	EA	SENDING UNIT - W/SCREW - WASHER - WELL NUT/TERMINAL RING	
3	011071-01-000	EA	P-TRAP - PLASTIC - 1 1/2" - CSA	16	061607-01-000	EA	GROMMET - HOLDING TANK - 1 1/2" NPS	
	011069-03-000	EA	TAILPIECE - TUB/SHOWER - 1 1/2" X 1 3/4" - PLASTIC	17	061607-02-000	EA	GROMMET - HOLDING TANK - 3" NPS	
4	109571-01-000	EA	ADAPTER - P TRAP - 1 1/2" P X 1 1/4" MPT - US	18	111223-04-000	EA	ELBOW - 1/2" MPT X 1/2" BARB - PLASTIC - W/SHOWER OPTION	
5	010071-01-000	EA	TEE - SANITARY - 1 1/2" HUB X HUB X HUB - PLASTIC	19	114429-06-000	EA	ELBOW - SWIVEL - 1/2" P X 3/4" FPT - W/SHOWER OPTION	
6	010051-01-000	EA	ELBOW - 45 DEGREE - 1 1/2" SPIGOT & HUB - PLASTIC	20	114974-01-000	EA	CONNECTOR - HULL - W/STRAINER - W/SHOWER OPTION	
7	118979-01-700	EA	TANK - HOLDING - 6.4 GALLON W/1.5" OUTLET NIPPLE	20	114427-02-000	EA	PLUG - W/COMP NUT - 1/2" PLASTIC PIPE/1/2" FLAIR-IT - W/O SHOWER OPTION	
	039861-01-000	EA	SENDING UNIT - W/SCREW - WASHER - WELL NUT/TERMINAL RING	21	114987-01-09B	EA	PANEL - COVER - SUMP - BOTTOM - GALVANIZED	
8	010115-01-000	EA	COUPLING - 1 1/2" HUB X HUB - PLASTIC	21	114988-01-09B	EA	PANEL - COVER - SUMP - GALVANIZED	
9	114429-01-000	EA	ELBOW - 1/2" P X 1/2" P - W/SHOWER OPTION		092321-01-000	FT	INSULATION - FIBERGLASS W/FOIL BACKING	
9	114427-02-000	EA	PLUG - W/COMP NUT - 1/2" PLASTIC PIPE/1/2" FLAIR-IT - W/O SHOWER OPTION	22	117271-01-02B	EA	SHROUD - DRAINAGE	
10	123150-01-000	EA	ELBOW - 1/2 FPT X 1/2 BARB - SWIVEL - W/SHOWER OPTION	23	078406-01-000	EA	COUPLER - RUBBER - W/CLAMPS - 3" X 3"	
10	114427-02-000	EA	PLUG - W/COMP NUT - 1/2" PLASTIC PIPE/1/2" FLAIR-IT - W/O SHOWER OPTION	24	070916-01-000	EA	VALVE - DUAL DUMP - W/CAP - 3" X 1 1/2"	
11	114966-01-000	EA	FILTER - IN LINE - TWIST ON - 1/2" - W/SHOWER OPTION		070916-01-700	EA	VALVE ONLY (WASTE) 3"	T1003BU
12	098607-01-000	EA	PUMP - WATER - W/.5" MPT FITTING - FLOW 2.8 GPM - W/SHOWER OPTION		070916-01-701	EA	VALVE ONLY (WASTE) 1 1/2"	T1001BU
13	124188-01-000	FT	TUBING - PEX - 1/2" ID X 20' - BLUE(COLD)	25	062416-01-000	EA	ADAPTER - SEWER HOSE TO 3" PIPE	
14	112176-01-000	FT	TUBING - VINYL - REINFORCED - 1/2" ID		010201-01-000	EA	HOSE - SEWER - 3" ID X 8'	
				26	089355-01-000	EA	COUPLER - RUBBER - 1 1/2" X 1 1/2"	
				27	063641-01-000	EA	FLANGE - CLOSET - 4" X 3"	

WINDOW, VENT & EXTERIOR DOOR GROUP

WINDOWS & DOORS

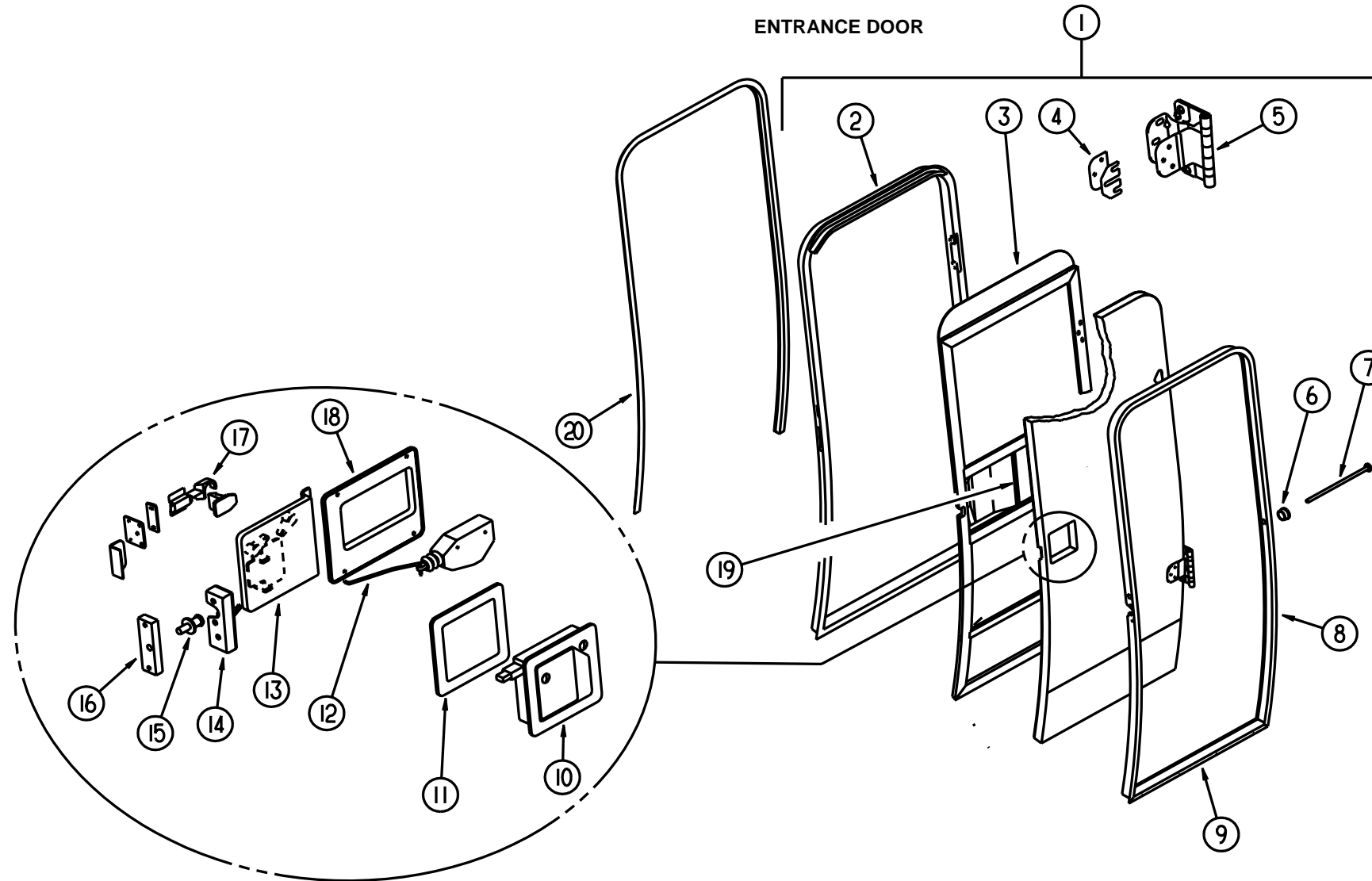


KEY	PART NUMBER	U/M	DESCRIPTION
1	084886-05-000	EA	WINDOW - REAR ESCAPE W/DEFROSTER - 58.6" X 29"
1	084423-03-000	EA	WEATHERSTRIP - VULCANIZED - 1/2" W/LIP X 14'- BLACK RUBBER
1	002285-01-000	FT	FILLER - WEATHERSTRIP - RUBBER - BLACK
2*	104691-17-01A	EA	WINDOW - DOUBLE TIPOUT - TINTED - 36.2" X 24.5"
3	123664-01-01A	EA	COMPARTMENT - SEWER HOSE
4	130833-02-K76	EA	VALANCE/DOOR - DRIVER (GEN) - 14.6"F X 38.2"W X 12.8"R - W/GENERATOR
4	130833-06-K76	EA	VALANCE/DOOR - DRIVER - 14.6"F X 38.2" X 12.8"R - W/O GENERATOR OPTION
5*	098647-46-01A	EA	WINDOW - DR HORIZ SLIDER W/TRIM - TINTED - 15.2" X 18.3"

KEY	PART NUMBER	U/M	DESCRIPTION
6	126945-06-J80	EA	DOOR/STORAGE - W/O HARDWARE - 18.3" X 9.3" - W/EXTERIOR SHOWER OPTION
	121577-04-01A	EA	PLATE - EXTERIOR SHOWER - BRIGHT WHITE
7*	098644-10-01A	EA	WINDOW - VERTICAL SLIDER W/TRIM - TINTED - 25" X 27"
8	P13594-02-K76	EA	DOOR - ENTRY - W/SCREEN DOOR - W/O WINDOW
9*	117053-01-F45	EA	WINDOW - PICTURE - 60% TINTING - 17.1" X 24.8"
9	114507-02-01A	EA	FRAME - WINDOW/INSIDE
10	084103-10-000	EA	DOOR - VENT/REFRIGERATOR - W/O JAMB - VW WHITE
10	084104-10-000	EA	JAMB - VENT DOOR/REFRIGERATOR - VW WHITE
11	130833-01-K76	EA	VALANCE/DOOR - PASSENGER (LP) - 14.6"F X 38.2"W X 12.8"R
12	081240-19-000	EA	DOOR - WATER FILL - W/O LOCK - VW WHITE
	009426-01-000	EA	HATCH - POWER CORD - WHITE

* PRESS TO SEE ILLUSTRATED SERVICE PARTS LIBRARY

WINDOW, VENT & EXTERIOR DOOR GROUP (CONTINUED)



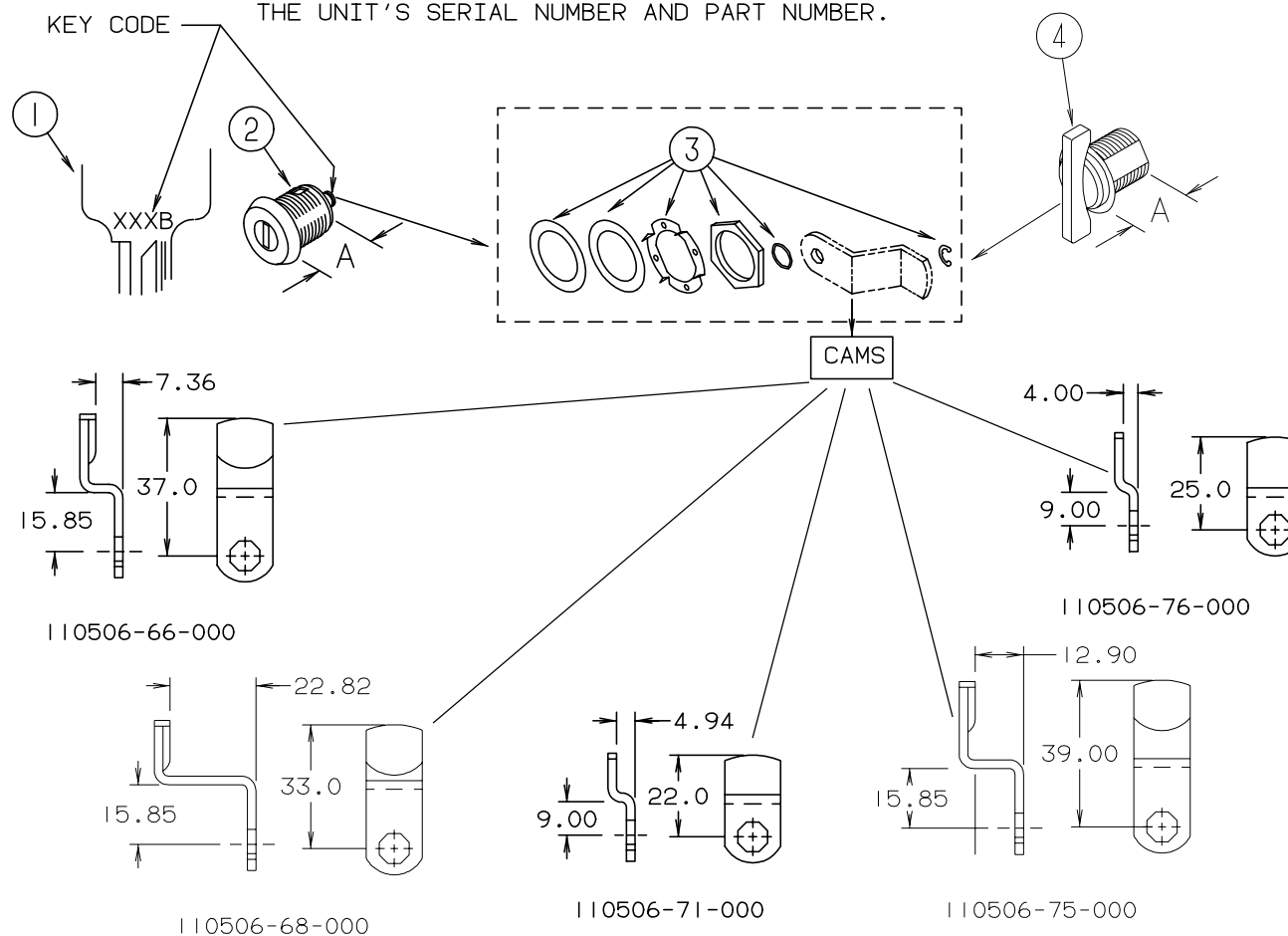
KEY	PART NUMBER	U/M	DESCRIPTION	VENDOR NO.
1	P13594-02-K76	EA	DOOR - ENTRY - W/SCREEN DOOR - W/O WINDOW	
2	113642-01-F45	EA	JAMB - DOOR/ENTRY	
	111536-03-000	FT	SEAL - ENTRY DOOR	
3	113621-01-01A	EA	DOOR - SCREEN	
	002293-02-000	SF	SCREEN - 26" - CHARCOAL	
	002294-01-000	FT	SPLINE - SCREENING - .135" X .138"	
	075673-01-000	FT	SEAL - PILE - ADHESIVE BACK - GRAY	
			FROM: 00-00-00 THRU: 11-23-98	
	075673-05-000	FT	SEAL - PILE - ADHESIVE BACK - BLACK	
			FROM: 11-24-98 THRU: 99-99-99	
	075673-04-000	FT	SEAL - PILE - ADHESIVE BACK	
	113616-01-01A	FT	EXTRUDED - VINYL - SEAL TRACK - 7'	
	116485-01-03B	EA	BRACKET - SCREEN DOOR - OFF WHITE	
	120863-07-000	EA	BUMPER - RUBBER - .7" DIA X .7" THICK	
4	113668-01-01A	EA	GASKET - HINGE - DOOR	
5	113460-01-02A	EA	HINGE - ENTRANCE DOOR/UPPER	
	113461-01-02A	EA	HINGE - ENTRANCE DOOR/LOWER	
	113680-01-01A	EA	COVER - ACCESS - DOOR HINGE	
6	068938-03-000	EA	BEARING - SNAP IN - .38"ID - TYPE 7	
7	077222-01-000	EA	SPRING - WIRE GUARD - ENTRY DOOR	
8	113376-02-01A	EA	TRIM - ENTRY DOOR - VW/WHITE	
9	113395-02-01A	EA	TRIM - ENTRY DOOR/BOTTOM - VW WHITE	
	112160-01-000	FT	SEAL - D SECTION - .2 X .3" - FOAM RUBBER - BOTTOM OF DOOR ONLY	
	038327-01-000	EA	TAPE - ANTI-SLIP - 2" X 60'	

KEY	PART NUMBER	U/M	DESCRIPTION	VENDOR NO.
10	113636-01-01A	EA	LATCH/PADDLE - ENTRY W/DEADBOLT - W/KEYS - OFF WHITE	
	045017-11-701	EA	KEY (F) BLANK - TM201-250	14264-01-2001
	113636-01-700	EA	KEY BLANK - DEADBOLT - "G" SERIES LOCK - #TRI 001-#TRI 099	
	130444-01-01A	EA	CAP - KEY IDENTIFIER - GRAY	
11	113669-01-01A	EA	GASKET - LATCH - DOOR	
12	113834-01-01A	EA	ROD - DOOR LATCH - POWER	
	114209-01-01A	EA	PUSHNUT - CAP - 1/8" - WHITE	
13	113636-02-01A	EA	PLATE - INSIDE - W/DEADBOLT	
	111203-06-01A	EA	SCREW - MOUNTING/PLATE - ZINC	
14	113636-03-01A	EA	LATCH - SINGLE ROTOR	
15	092927-03-000	EA	STRIKER - ROUND - JAMB MOUNTED	
16	113636-05-01A	EA	NUT - CAGED	
17	110529-01-000	EA	LATCH - BULLET - SCREEN DOOR	
18	113960-01-01A	EA	COVER - ACTUATOR - POWER LOCK	
19	079086-02-000	EA	SLIDER - SCREEN DOOR	
	078777-08-000	FT	CHANNEL - SLIDER	
	079087-02-000	EA	STRIKE- SLIDER W/LIP FOR ELBOW CATCH-1.5" X 8.6" - OFF WHT	
20	113658-01-01A	EA	GARNISH/TRIM - UPPER - OFF/WHITE	
	113750-01-04B	EA	PLATE - LATCH STRIKER	
	115750-01-02B	EA	BRACKET - LATCH - DOOR	
	016454-12-000	EA	INSERT - SCREEN DOOR - CENTER	
	110529-01-000	EA	LATCH - BULLET - SCREEN DOOR	
	117046-01-000	EA	BUMPER - RUBBER/ROUND END - .9"	
	117046-02-000	EA	BUMPER - RUBBER/ROUND END - 1.5"	
	116111-02-01A	EA	SCREW - TAPTITE - 1/4-20 X 3/8 PPH - ZINC	
	090340-01-000	FT	SEAL - FOAM - CLOSED CELL - 1/4" X 1/2" X 50'	

WINDOW, VENT & EXTERIOR DOOR GROUP (CONTINUED)

BRIGGS & STRATTON LOCKS & COMPONENTS

NOTE:
WHEN ORDERING THE LOCK CASE, THE KEY CODE MUST MATCH THE LAST DIGIT OF THE UNIT'S SERIAL NUMBER AND PART NUMBER; WHEN ORDERING THE KEYS, THE THIRD DIGIT OF THE KEY CODE MUST MATCH THE LAST DIGIT OF THE UNIT'S SERIAL NUMBER AND PART NUMBER.

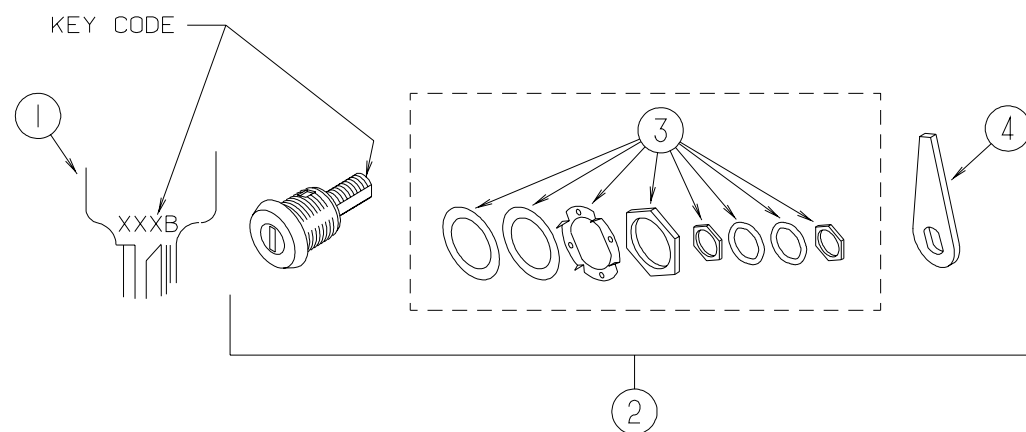


KEY	PART NUMBER	U/M	DESCRIPTION	VENDOR NO.	KEY	PART NUMBER	U/M	DESCRIPTION	VENDOR NO.
1	110506-59-000	EA	KEYS - SET OF 2	596720	1	110506-59-007	EA	KEYS - SET OF 2	596727
2	110506-52-000	EA	CASE/CYLINDER - LOCKING - W/O CAM/KEY - .65"	702370	2	110506-52-007	EA	CASE/CYLINDER - LOCKING - W/O CAM/KEY - .65"	702377
2	110506-54-000	EA	CASE/CYLINDER - LOCKING - W/O CAM/KEY - 1.25"	703170	2	110506-54-007	EA	CASE/CYLINDER - LOCKING - W/O CAM/KEY - 1.25"	703177
1	110506-59-001	EA	KEYS - SET OF 2	596721	1	110506-59-008	EA	KEYS - SET OF 2	596728
2	110506-52-001	EA	CASE/CYLINDER - LOCKING - W/O CAM/KEY - .65"	702371	2	110506-52-008	EA	CASE/CYLINDER - LOCKING - W/O CAM/KEY - .65"	702378
2	110506-54-001	EA	CASE/CYLINDER - LOCKING - W/O CAM/KEY - 1.25"	703171	2	110506-54-008	EA	CASE/CYLINDER - LOCKING - W/O CAM/KEY - 1.25"	703178
1	110506-59-002	EA	KEYS - SET OF 2	596722	1	110506-59-009	EA	KEYS - SET OF 2	596729
2	110506-52-002	EA	CASE/CYLINDER - LOCKING - W/O CAM/KEY - .65"	702372	2	110506-52-009	EA	CASE/CYLINDER - LOCKING - W/O CAM/KEY - .65"	702379
2	110506-54-002	EA	CASE/CYLINDER - LOCKING - W/O CAM/KEY - 1.25"	703172	2	110506-54-009	EA	CASE/CYLINDER - LOCKING - W/O CAM/KEY - 1.25"	703179
1	110506-59-003	EA	KEYS - SET OF 2	596723	3	110506-40-700	EA	HDWE KIT	596950AAL
2	110506-52-003	EA	CASE/CYLINDER - LOCKING - W/O CAM/KEY - .65"	702373		110506-59-701	EA	KEY BLANK (GOLD)	
2	110506-54-003	EA	CASE/CYLINDER - LOCKING - W/O CAM/KEY - 1.25"	703173	4	110506-55-000	EA	CASE/CYLINDER - TWIST LOCK - W/O CAM - 1.25"	597312AA1
1	110506-59-004	EA	KEYS - SET OF 2	596724		110506-66-000	EA	CAM - LATCHING - DOG LEGGED 1.5" LONG	
2	110506-52-004	EA	CASE/CYLINDER - LOCKING - W/O CAM/KEY - .65"	702374		110506-68-000	EA	CAM - LATCHING - DOG LEGGED 1.3" LONG	
2	110506-54-004	EA	CASE/CYLINDER - LOCKING - W/O CAM/KEY - 1.25"	703174		110506-71-000	EA	CAM - LATCHING - DOG LEGGED .86" LONG	
1	110506-59-005	EA	KEYS - SET OF 2	596725		110506-75-000	EA	CAM - LOCK	
2	110506-52-005	EA	CASE/CYLINDER - LOCKING - W/O CAM/KEY - .65"	702375		110506-76-000	EA	CAM - LOCK	
2	110506-54-005	EA	CASE/CYLINDER - LOCKING - W/O CAM/KEY - 1.25"	703175					
1	110506-59-006	EA	KEYS - SET OF 2	596726					
2	110506-52-006	EA	CASE/CYLINDER - LOCKING - W/O CAM/KEY - .65"	702376					
2	110506-54-006	EA	CASE/CYLINDER - LOCKING - W/O CAM/KEY - 1.25"	703176					

WINDOW, VENT & EXTERIOR DOOR GROUP (CONTINUED)

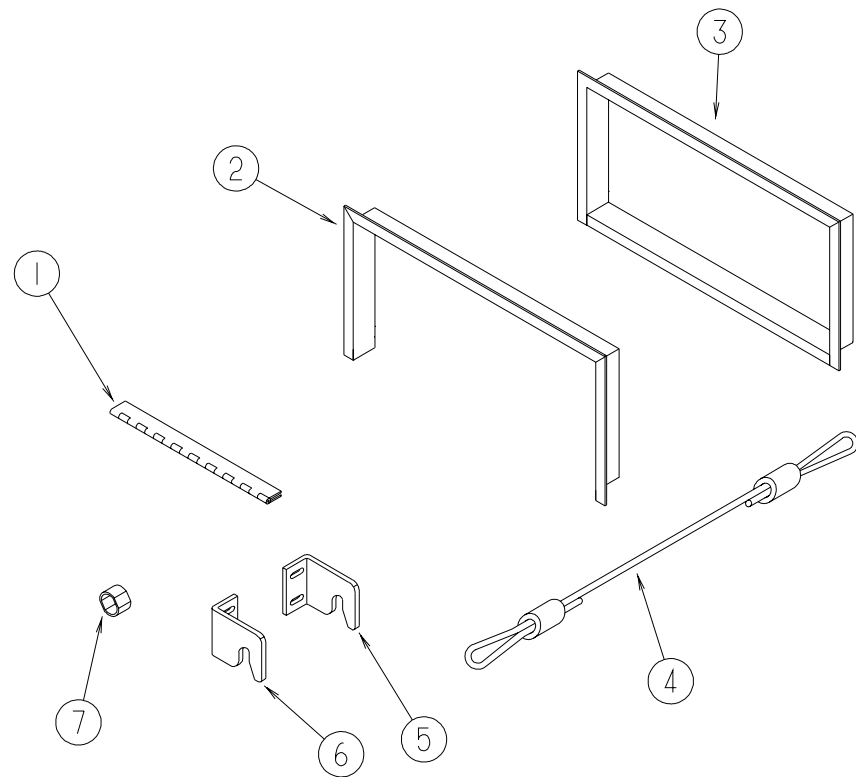
BRIGGS & STRATTON TRUNK DOOR LOCKS & COMPONENTS

NOTE:
 WHEN ORDERING THE LOCK ASM, THE KEY CODE MUST MATCH THE LAST DIGIT OF THE VEHICLE'S SERIAL NUMBER AND PART NUMBER; WHEN ORDERING THE KEYS, THE THIRD DIGIT OF THE KEY CODE MUST MATCH THE LAST DIGIT OF THE VEHICLE'S SERIAL NUMBER AND PART NUMBER



KEY	PART NUMBER	U/M	DESCRIPTION	VENDOR NO.	KEY	PART NUMBER	U/M	DESCRIPTION	VENDOR NO.
1	110506-59-000	EA	KEYS - SET OF 2	596720	1	110506-59-006	EA	KEYS - SET OF 2	596726
2	131035-01-710	EA	LOCK ASSEMBLY - KEYED		2	131035-01-706	EA	LOCK ASSEMBLY - KEYED	
1	110506-59-001	EA	KEYS - SET OF 2	596721	1	110506-59-007	EA	KEYS - SET OF 2	596727
2	131035-01-701	EA	LOCK ASSEMBLY - KEYED		2	131035-01-707	EA	LOCK ASSEMBLY - KEYED	
1	110506-59-002	EA	KEYS - SET OF 2	596722	1	110506-59-008	EA	KEYS - SET OF 2	596728
2	131035-01-702	EA	LOCK ASSEMBLY - KEYED		2	131035-01-708	EA	LOCK ASSEMBLY - KEYED	
1	110506-59-003	EA	KEYS - SET OF 2	596723	1	110506-59-009	EA	KEYS - SET OF 2	596729
2	131035-01-703	EA	LOCK ASSEMBLY - KEYED		2	131035-01-709	EA	LOCK ASSEMBLY - KEYED	
1	110506-59-004	EA	KEYS - SET OF 2	596724	3	131035-01-700	EA	HARDWARE PACKAGE STRATEC	
2	131035-01-704	EA	LOCK ASSEMBLY - KEYED			131035-01-700	EA	KEY BLANK (GOLD)	
1	110506-59-005	EA	KEYS - SET OF 2	596725	4	131035-60-000	EA	CAM - LOCK - COMPRESSION	
2	131035-01-705	EA	LOCK ASSEMBLY - KEYED						

WINDOW, VENT & EXTERIOR DOOR GROUP (CONTINUED)



EXTERIOR ACCESS DOOR COMPONENTS

KEY	PART NUMBER	U/M DESCRIPTION
1	081801-AF-000	EA HINGE - ALUMINUM - 2" X 12.2"
1	112246-05-01A	EA HINGE - VALANCE DOOR - VW WHITE
1	112246-06-01A	EA HINGE - VALANCE DOOR - VW WHITE
2	113752-01-01A	EA JAMB - TRIM - GENERATOR - VW WHITE
3	113752-03-01A	EA JAMB - TRIM - GENERATOR - VW WHITE
3	113753-01-01A	EA JAMB - TRIM - LP - VW WHITE
4	076767-05-000	EA CABLE - STORAGE DOOR SUPPORT - 1/16" X 15.5"-STAINLESS STL
5	127289-02-02B	EA BRACKET - LOCK CATCH - LH - E-COAT
6	127289-01-02B	EA BRACKET - LOCK CATCH - RH - E-COAT
7	107997-51-001	EA SPACER - DOOR LOCK - .6" DEEP
7	107997-51-002	EA EXTRUDED - SPACER - 16'
	106850-02-000	FT SEAL-E - SPONGE RUBBER - .43" X .75"
	112160-02-000	FT SEAL - D SECTION - .2 X .3" - FOAM RUBBER
	057534-01-000	EA TIEBACK/TIEDOWN - 6" CLEAR PLASTIC

WINDOW, VENT & EXTERIOR DOOR GROUP (CONTINUED)

ELIXIR POWERED ROOF VENT

KEY	PART NUMBER	U/M DESCRIPTION
*	122882-02-01A	EA VENT - ROOF - W/FAN - W/O INSIDE GARNISH - UL
*	122882-03-01A	EA VENT - ROOF - W/FAN - W/O INSIDE GARNISH - CSA
	122882-06-01A	EA GARNISH - ROOF VENT - 1" TO 2.5"

ELIXIR NONPOWERED ROOF VENT

KEY	PART NUMBER	U/M DESCRIPTION
*	122882-01-01A	EA VENT - ROOF - NONPOWERED - W/O INSIDE GARNISH
	122882-06-01A	EA GARNISH - ROOF VENT - 1" TO 2.5"

FANTASTIC VENT

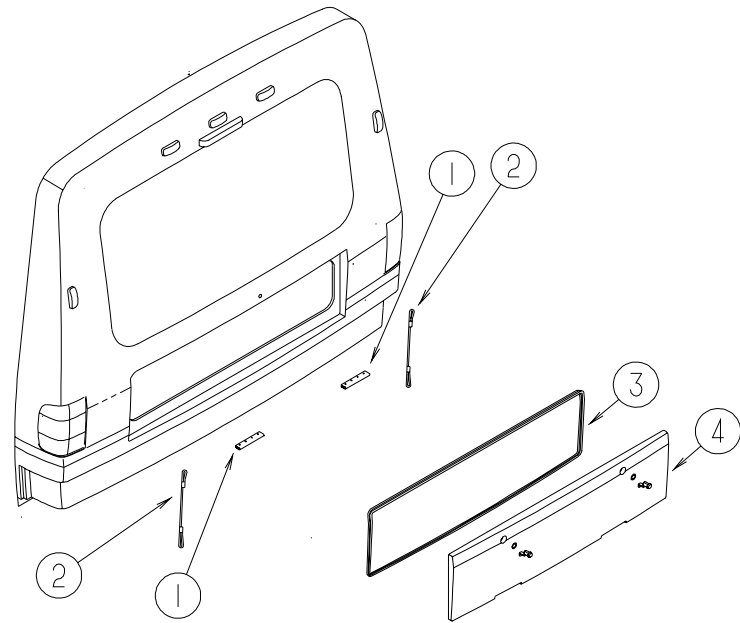
KEY	PART NUMBER	U/M DESCRIPTION
*	123780-01-01A	EA VENT - ROOF - 1" - W/FAN/POWER LIFT - W/O THERMOSTAT

PLUMBING VENTS

KEY	PART NUMBER	U/M DESCRIPTION
	083558-06-000	EA VENT - ROOF PLUMBING PIPE - COVERED

* PRESS TO SEE ILLUSTRATED SERVICE PARTS LIBRARY

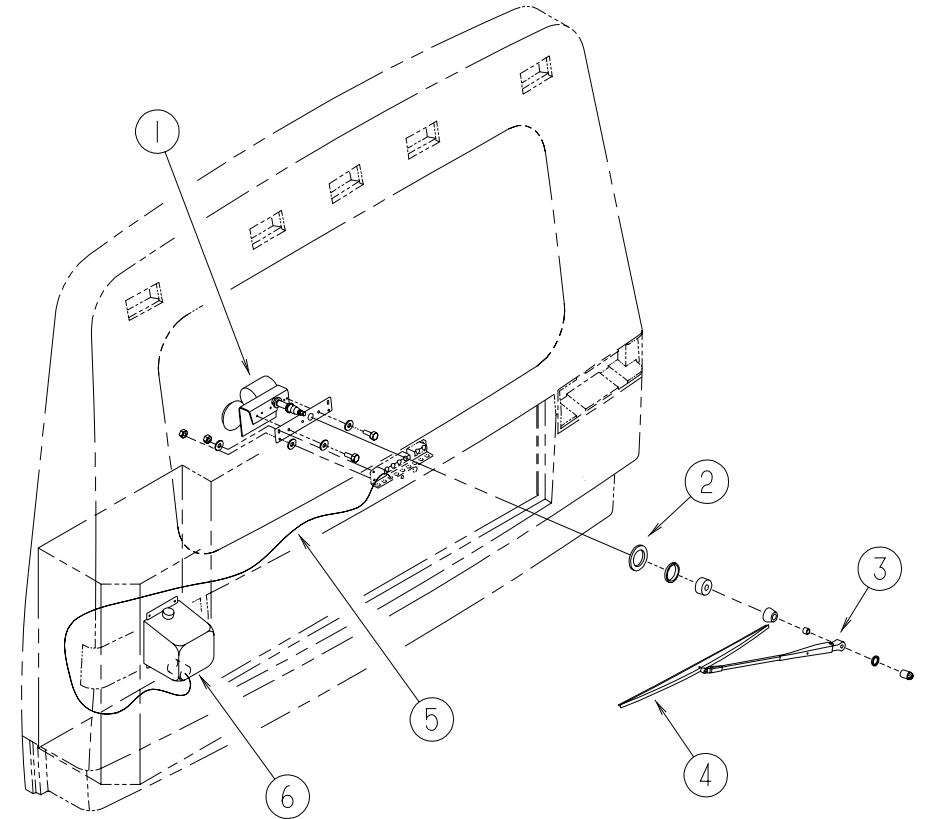
WINDOW, VENT & EXTERIOR DOOR GROUP (CONTINUED)



REAR LUGGAGE COMPARTMENT DOOR

KEY	PART NUMBER	U/M	DESCRIPTION
1	124242-01-02A	EA	HINGE - TRUNK DOOR - VW WHITE
	124242-01-01A	EA	HINGE - TRUNK DOOR
2	076767-05-000	EA	CABLE - STORAGE DOOR SUPPORT - 1/16" X 15.5"-STAINLESS STL
3	107721-07-000	FT	SEAL - ACCESS DOOR
4	124392-02-K76	EA	DOOR - COMPARTMENT/REAR - W/O HARDWARE
	009426-01-000	EA	HATCH - POWER CORD - WHITE

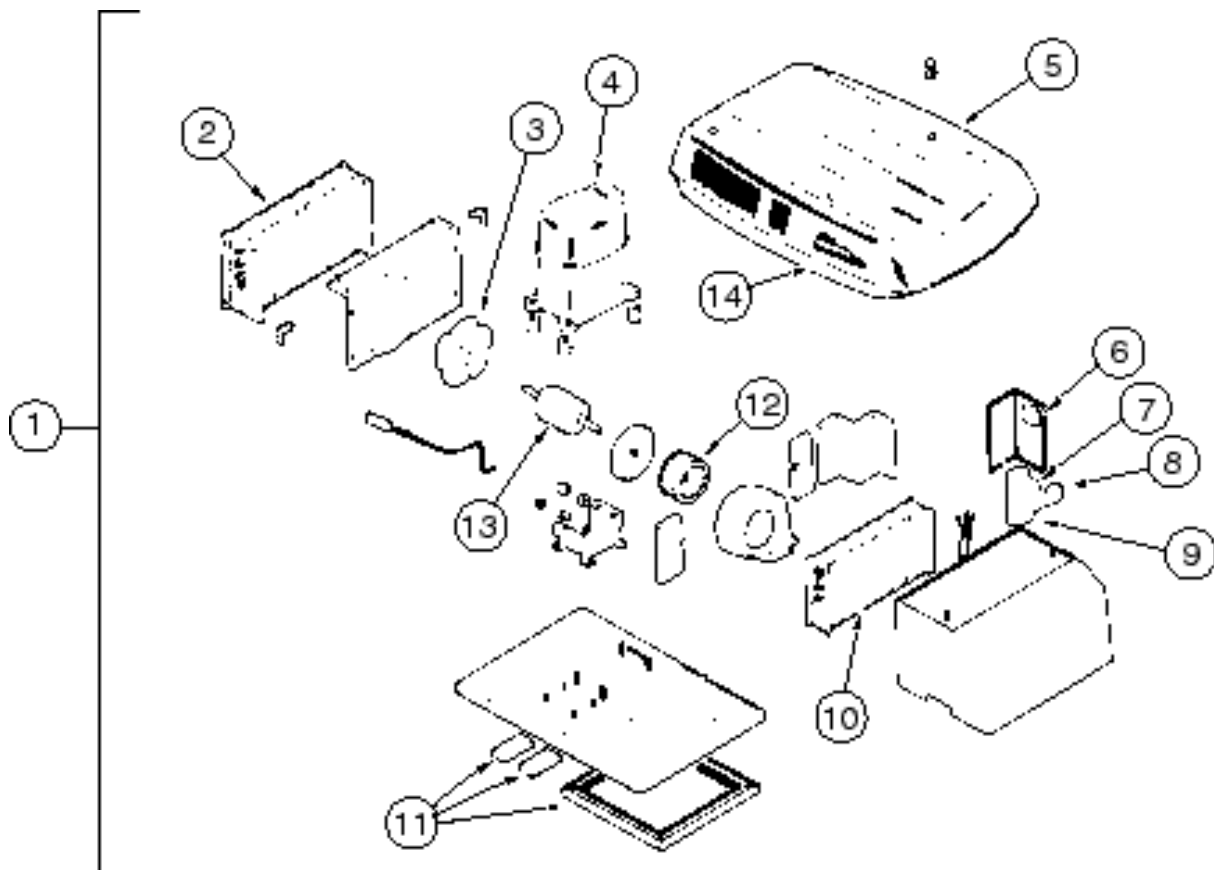
WIPER & WASHER (REAR) GROUP



REAR WIPER & WASHER

KEY	PART NUMBER	U/M	DESCRIPTION	VENDOR NO.
1	085721-03-000	EA	MOTOR - WIPER - 108 DEGREE - REAR WINDOW	
	085721-02-700	EA	ARM-DRIVE,F/REAR MTR.108'DEG	6211140LE25WJ
	085721-03-700	EA	PIVOT	62714-40-SH25WJ
	085721-03-701	EA	LINK - CONNECTING	LK721014
	085721-03-702	EA	BRACKET	620570-40-BK25WJ
	085721-03-703	EA	CLIP-SPRING	17815
2	061603-01-000	EA	GROMMET - SNAP - 3/16"ID - 3/8" HOLE - PLASTIC BLACK	
3	096931-01-000	EA	ARM - WIPER - 20"	
	096931-01-700	FT	HOSE-WIPER	XTU-66-0001
	096931-01-701	EA	NOZZLE-HARDWARE KIT	
			KIT CONTAINS: LOCK NUT,SCREWS,CAP,AND SPRAY NOZZLE	
4	097978-01-000	EA	BLADE - WIPER - FLEX 22 INCH	
5	045794-01-000	FT	HOSE - WASHER - WINDSHIELD - 5/32" ID - BLACK	
6	117766-02-000	EA	RESERVOIR/PUMP - WINDSHIELD WASHER	
	096057-02-000	EA	FITTING - WINDSHIELD WASHER	

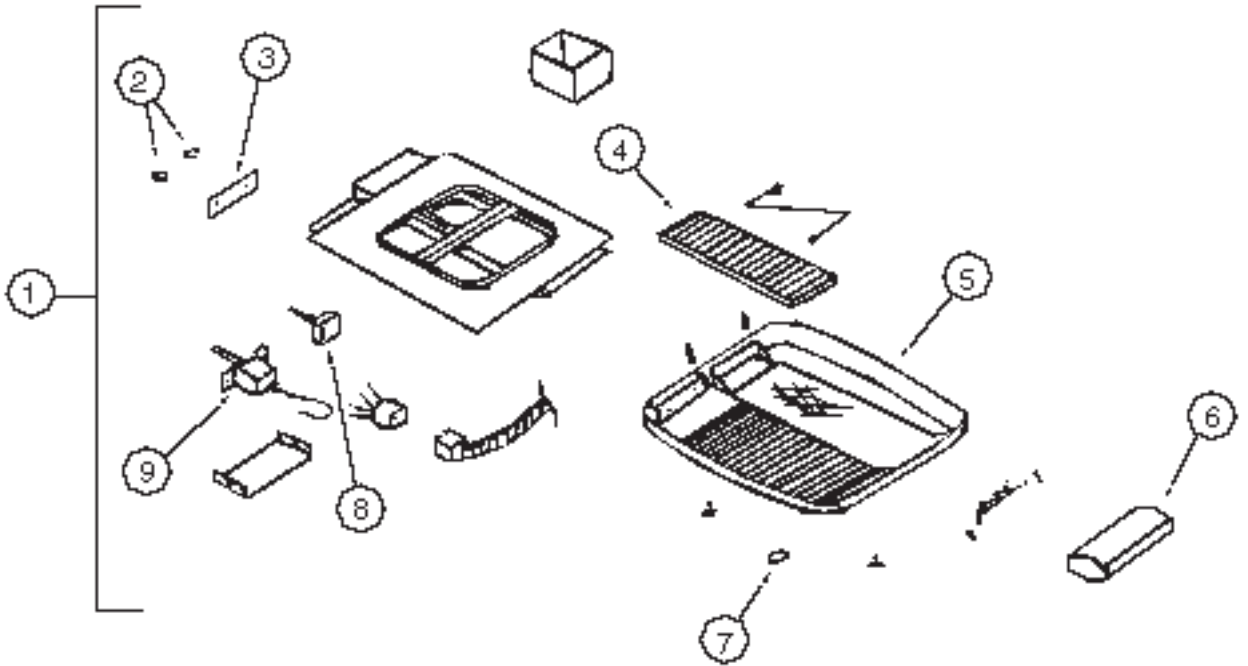
**COLEMAN
MODEL 6727-736**



KEY	PART NUMBER	U/M	DESCRIPTION	VENDOR NO.
1	093306-01-02A	EA	A/C - ROOF - 7,100 BTU - ROTARY	
2	093306-01-711	EA	COIL - CONDENSER	14520701
3	093306-01-703	EA	FAN - 4 BLADE - 9" DIAMETER	67073321
4	093306-01-717	EA	COMPRESSOR - PANASONIC	1450-2019
	093306-01-719	EA	OVERLOAD	1450A0011
5	093306-01-722	EA	SHROUD - ARCTIC WHITE - NO LOGO	6727-5761
6	093306-01-721	EA	RELAY - START	1497-5051
7	093306-01-720	EA	CAPACITOR - START - 21-25 MFD/33 - COLEMAN	1497-3351
8	093306-01-718	EA	CAPACITOR - FAN - 5MFD/370V	1499-5421
9	108889-01-707	EA	CAPACITOR - RUN - COMPRESSOR - 25MFD/370	1499-5661
10	093306-01-713	EA	COIL - EVAPORATOR	14520601
11	037648-01-714	EA	GASKET PACKAGE	6759-3281
12	093306-01-706	EA	WHEEL - BLOWER - 6 5/16" X 2 7/8"	67073281
13	093306-01-705	EA	MOTOR - (115V1 6A60H2-RPM)	67273119
14	093306-01-701	EA	DECAL PACKAGE - LEFT & RIGHT	6798B3591



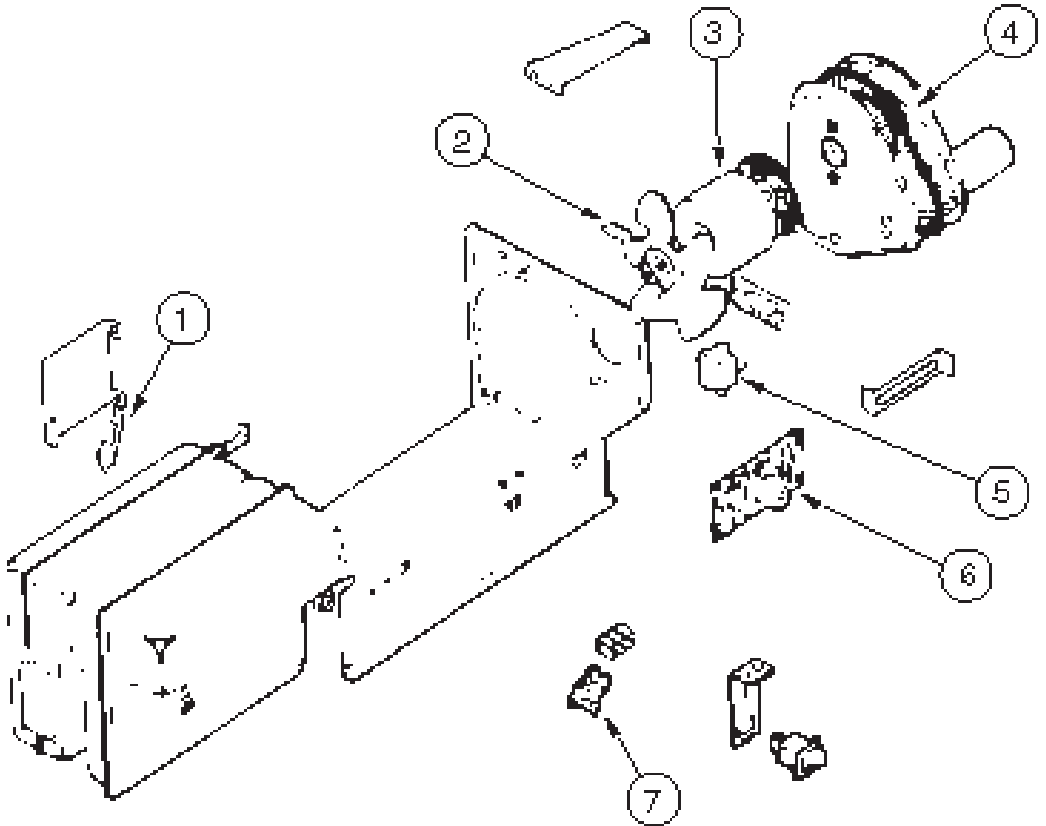
**COLEMAN
MODEL 6727E713**



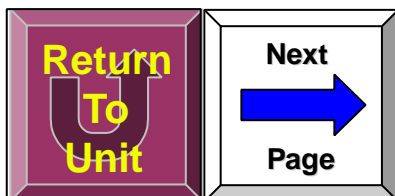
KEY	PART NUMBER	U/M	DESCRIPTION	VENDOR NO.
1	093307-03-000	EA	CEILING ASSEMBLY - COOL ONLY - WHITE	
2	076303-01-701	EA	KNOB - CONTROL	6733A3241
3	093306-01-709	EA	DECAL - SELECTOR - THERMOSTAT	6727A3341
4	093766-02-702	EA	FILTER - PACKAGE OF 2 - 6 X 14.5 X 1/8	67033303
5	093306-03-700	EA	SHROUD - CEILING - WHITE-DECAL	67273511
6	076303-01-708	EA	KNOB & BOLT PACKAGE	67275841
7	093307-01-700	EA	DECAL PACKAGE	6733A3331
8	093306-01-714	EA	SWITCH - SELECTOR	67273251
9	076303-01-710	EA	THERMOSTAT	67333411
	091227-01-700	EA	WASHER PACKAGE - PLASTIC	6250-3241 6703A3341



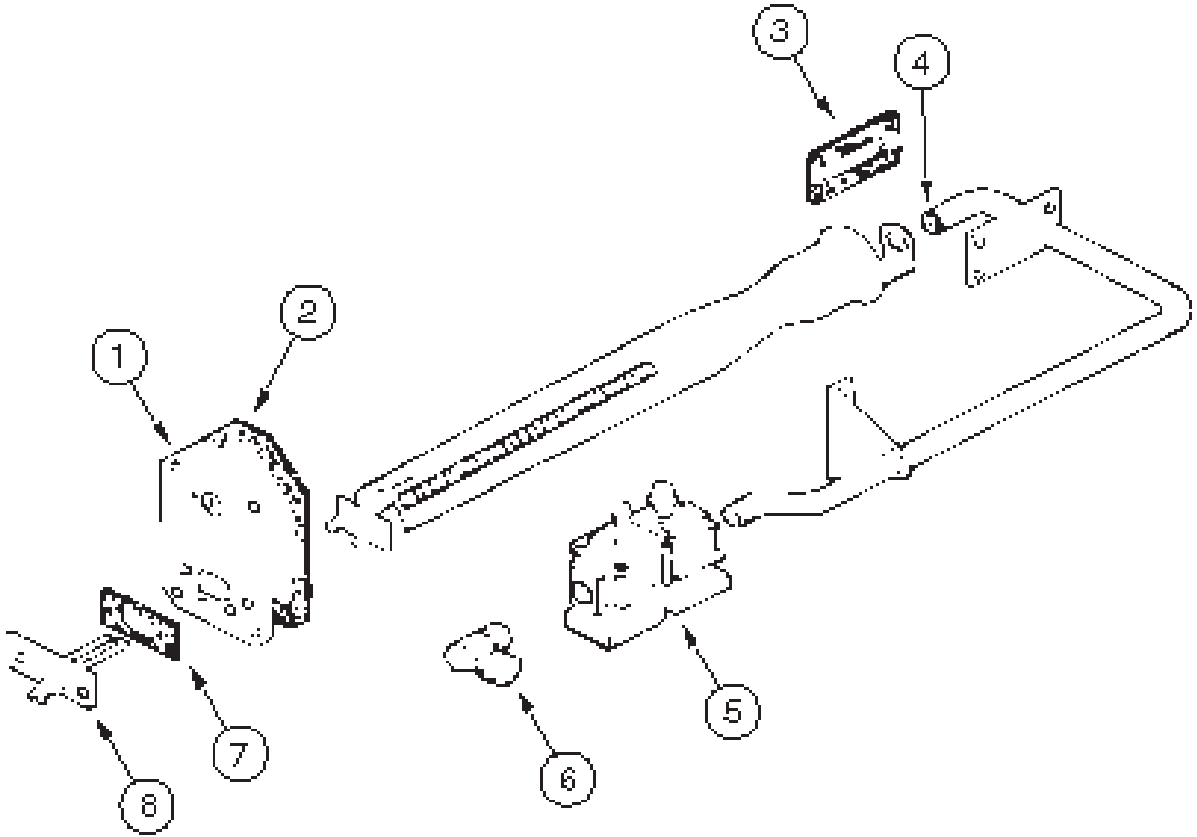
**SUBURBAN
BLOWER MOTOR & COMPONENTS
MODEL NT-20SE**



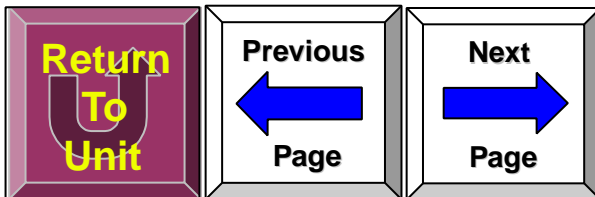
KEY	PART NUMBER	U/M	DESCRIPTION	VENDOR NO.
	075697-07-000	EA	FURNACE FORCED AIR 20000 BTU	
1	075697-05-701	EA	MICRO SWITCH ASSEMBLY - SUBURBAN	230933
2	075697-04-702	EA	IMPELLER - ROOM AIR - SUBURBAN	350083
3	075697-04-701	EA	MOTOR - SUBURBAN	230634
4	074035-01-706	EA	WHEEL - COMBUSTION AIR - SUBURBAN	350082
5	074466-01-702	EA	RELAY - TIME DELAY - SUBURBAN	230625
6	098668-01-712	EA	MODULE BOARD - SUBURBAN	520741
7	074035-01-707	EA	SWITCH - LIMIT - SUBURBAN	230849



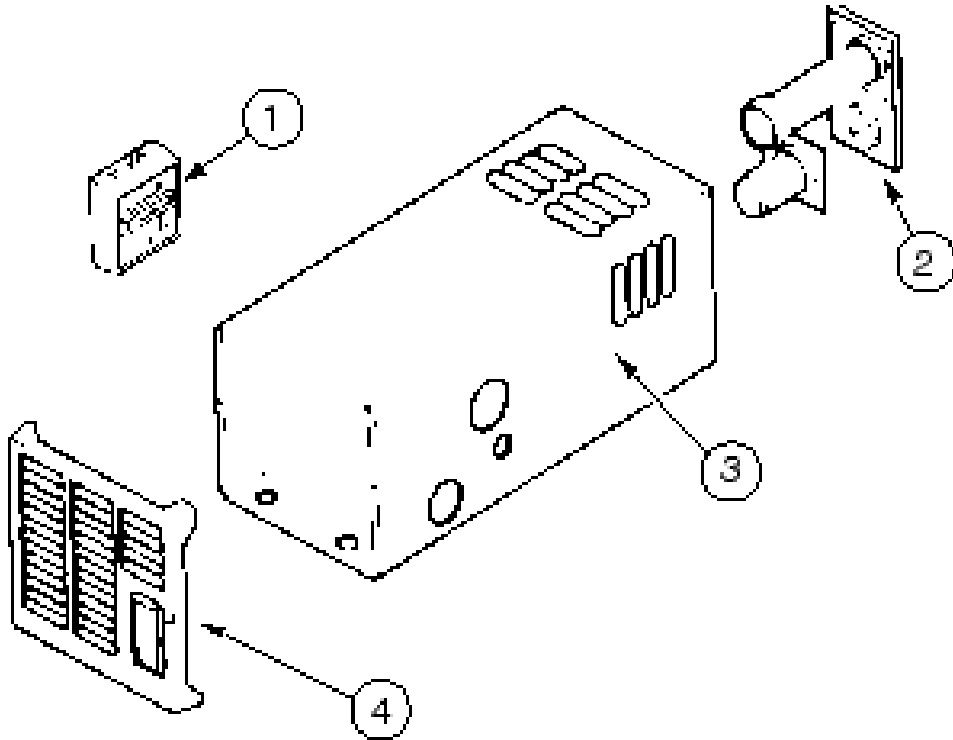
**SUBURBAN
GAS VALVE & COMPONENTS
MODEL NT-20SE**



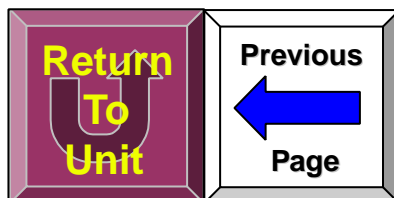
KEY	PART NUMBER	U/M	DESCRIPTION	VENDOR NO.
	075697-07-000	EA	FURNACE FORCED AIR 20000 BTU	
1	075697-04-704	EA	DOOR - BURNER ACCESS - SUBURBAN	030621
2	069634-01-732	EA	GASKET - BURNER ACCESS DOOR - SUBURBAN	070398
3	075697-01-709	EA	GASKET - MANIFOLD - SUBURBAN	070449
4	074035-01-709	EA	ORIFICE - SUBURBAN	180231
5	069634-01-729	EA	VALVE-GAS - JOHNSON - SUBURBAN	161078
6	092300-01-718	EA	ELBOW - 90 - SUBURBAN	170374
7	092300-01-704	EA	GASKET - ELECTRODE - SUBURBAN	070163
8	075697-01-708	EA	ELECTRODE - SINGLE PROBE - SUBURBAN	231931



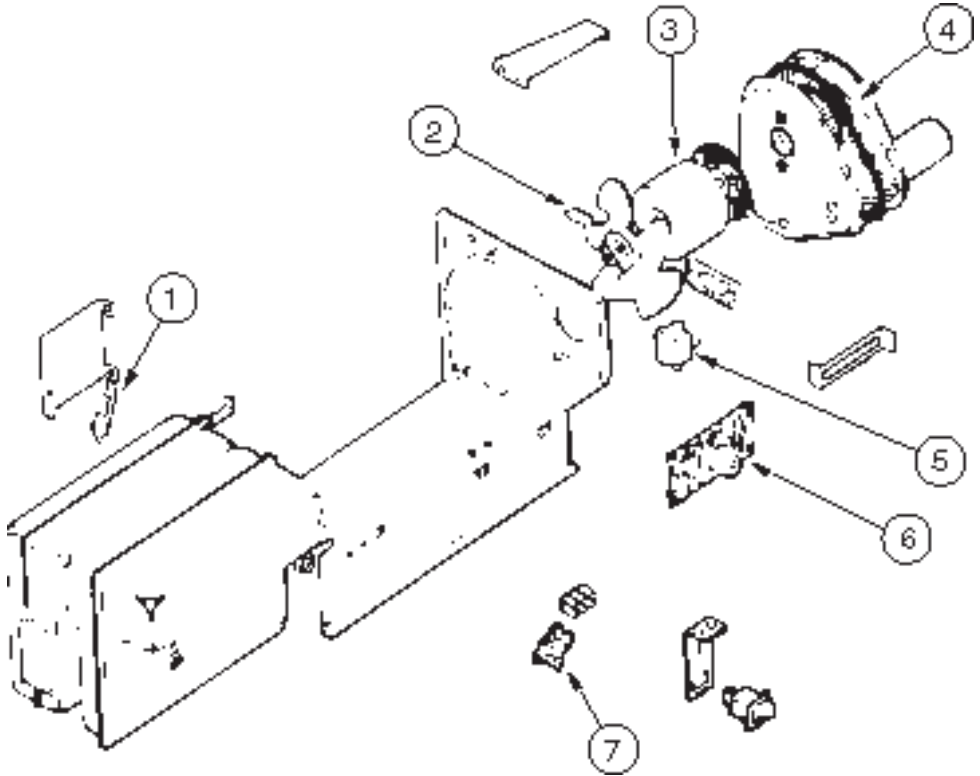
**SUBURBAN
MODEL NT-20SE**



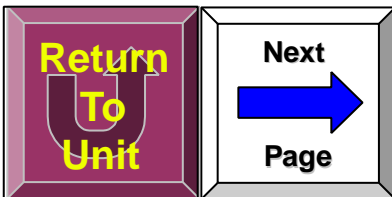
KEY	PART NUMBER	U/M	DESCRIPTION	VENDOR NO.
	075697-07-000	EA	FURNACE FORCED AIR 20000 BTU	
1	115764-01-01A	EA	THERMOSTAT - WALL, FURNACE - SUBURBAN - 160902	
2	075697-01-701	EA	VENT CAP & EXHUST ASSEMBLY - SUBURBAN	260098
3	075697-01-707	EA	CABINET ASSEMBLY - SUBURBAN	100957
4	075697-07-700	EA	CABINET - FRONT - SUBURBAN	030785



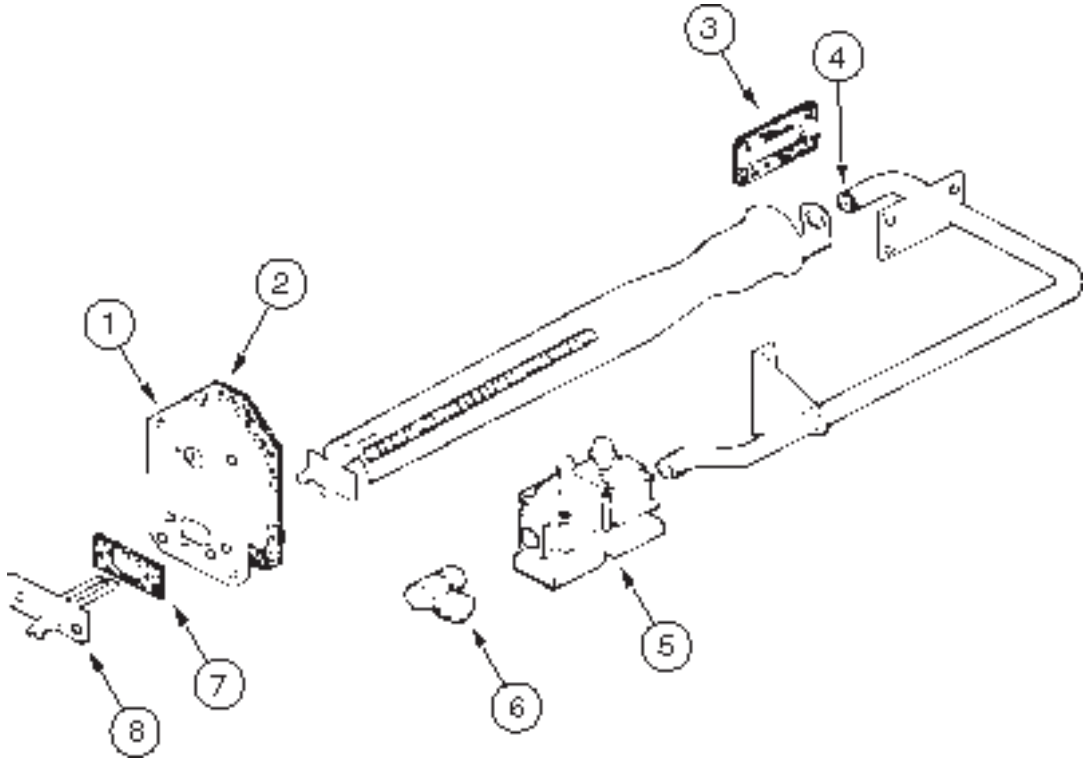
**SUBURBAN
BLOWER MOTOR & COMPONENTS**



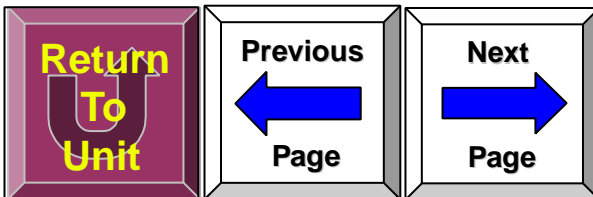
KEY	PART NUMBER	U/M	DESCRIPTION	VENDOR NO.
	075697-08-000	EA	FURNACE FORCED AIR 20000 BTU	
1	075697-05-701	EA	MICRO SWITCH ASSEMBLY - SUBURBAN	230933
2	075697-04-702	EA	IMPELLER - ROOM AIR - SUBURBAN	350083
3	075697-01-705	EA	MOTOR - SUBURBAN	230634
4	074035-01-706	EA	WHEEL - COMBUSTION AIR - SUBURBAN	350082
5	074466-01-702	EA	RELAY - TIME DELAY - SUBURBAN	230625
6	098668-01-712	EA	MODULE BOARD - SUBURBAN	520741
7	074035-01-707	EA	SWITCH - LIMIT - SUBURBAN	230849



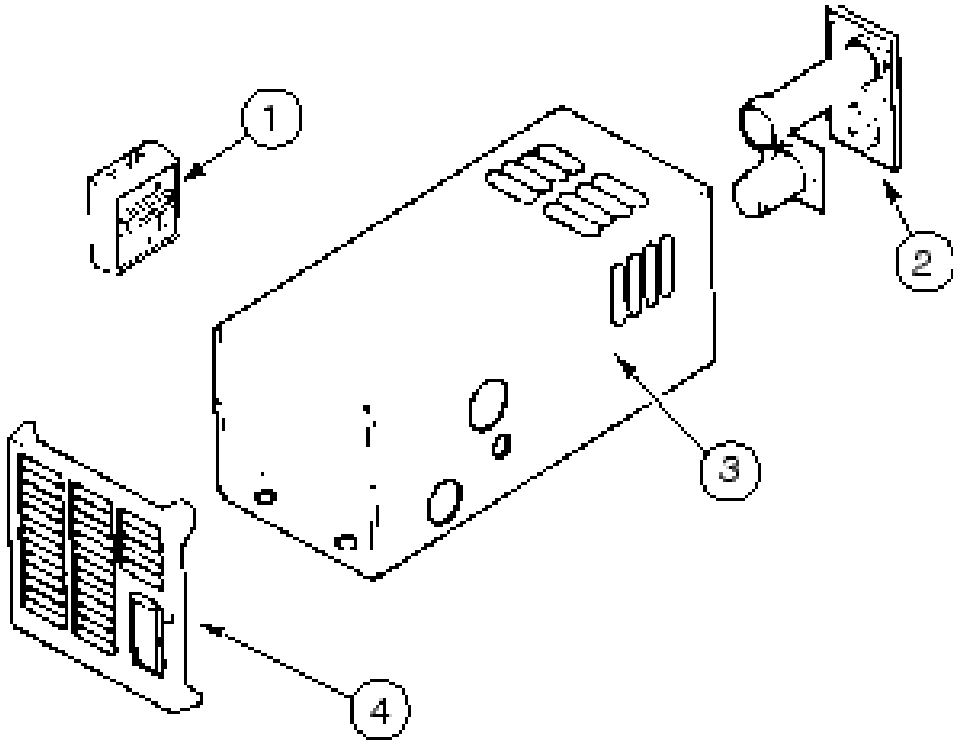
**SUBURBAN
GAS VALVE & COMPONENTS**



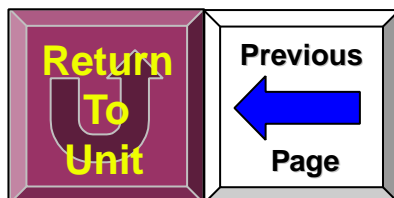
KEY	PART NUMBER	U/M	DESCRIPTION	VENDOR NO.
	075697-08-000	EA	FURNACE FORCED AIR 20000 BTU	
1	075697-04-704	EA	DOOR - BURNER ACCESS - SUBURBAN	030621
2	069634-01-732	EA	GASKET - BURNER ACCESS DOOR - SUBURBAN	070398
3	075697-01-709	EA	GASKET - MANIFOLD - SUBURBAN	070449
4	074035-01-709	EA	ORIFICE - SUBURBAN	180231
5	069634-01-729	EA	VALVE-GAS - JOHNSON - SUBURBAN	161078
6	092300-01-718	EA	ELBOW - 90 - SUBURBAN	170374
7	092300-01-704	EA	GASKET - ELECTRODE - SUBURBAN	070163
8	075697-01-708	EA	ELECTRODE - SINGLE PROBE - SUBURBAN	231931



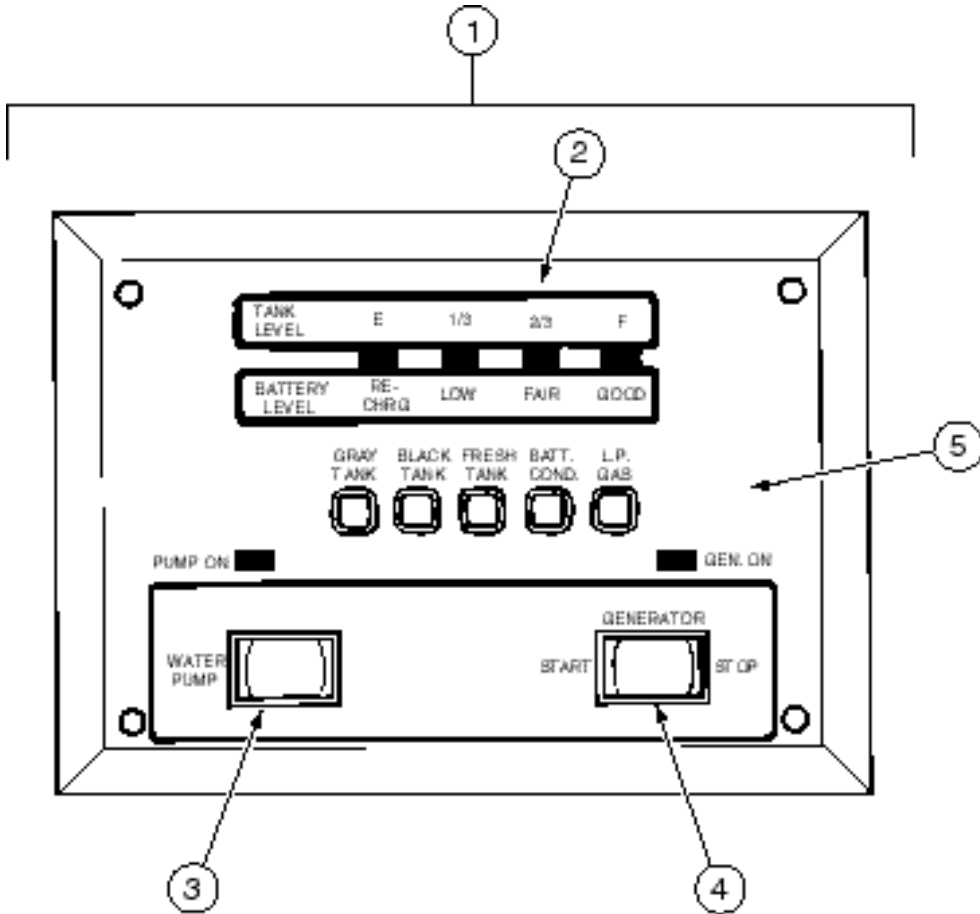
**SUBURBAN
MODEL NT-20SE**



KEY	PART NUMBER	U/M	DESCRIPTION	VENDOR NO.
	075697-08-000	EA	FURNACE FORCED AIR 20000 BTU	
1	115764-01-01A	EA	THERMOSTAT - WALL, FURNACE - SUBURBAN - 160902	
2	075697-01-701	EA	VENT CAP & EXHUST ASSEMBLY - SUBURBAN	260098
3	075697-01-707	EA	CABINET ASSEMBLY - SUBURBAN	100957
4	075697-01-704	EA	CABINET - FRONT - SUBURBAN	030785



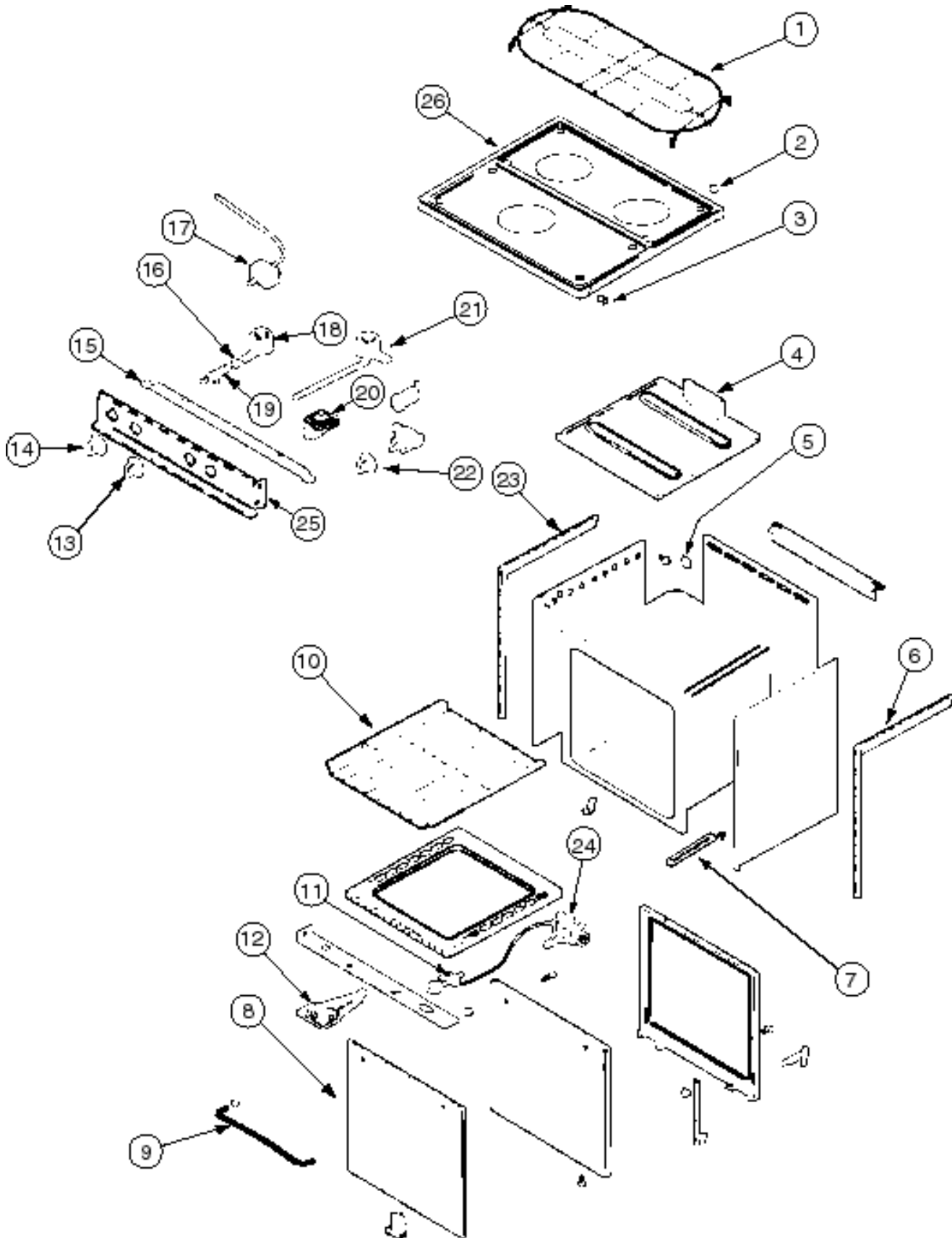
**MONITOR PANEL
VENTLINE LA1023-00**



KEY	PART NUMBER	U/M	DESCRIPTION	VENDOR NO
1	114014-02-02A	EA	PANEL - MONITOR 2 TANK W/REMOTE	
2	114014-01-700	EA	OVERLAY-SILKSCREEN	CD212
3	096983-01-700	EA	SWITCH - ON/OFF	L0108-00
4	096983-01-702	EA	SWITCH - MOM/OFF/MOM/3 TERM	L0112-00
5	114014-01-701	EA	BOARD-CIRCUIT	5070-06SPC
	113566-01-701	EA	RESISTOR-TANK HARNESS	L7306



MAGIC CHEF RANGE
CLY1631BDL

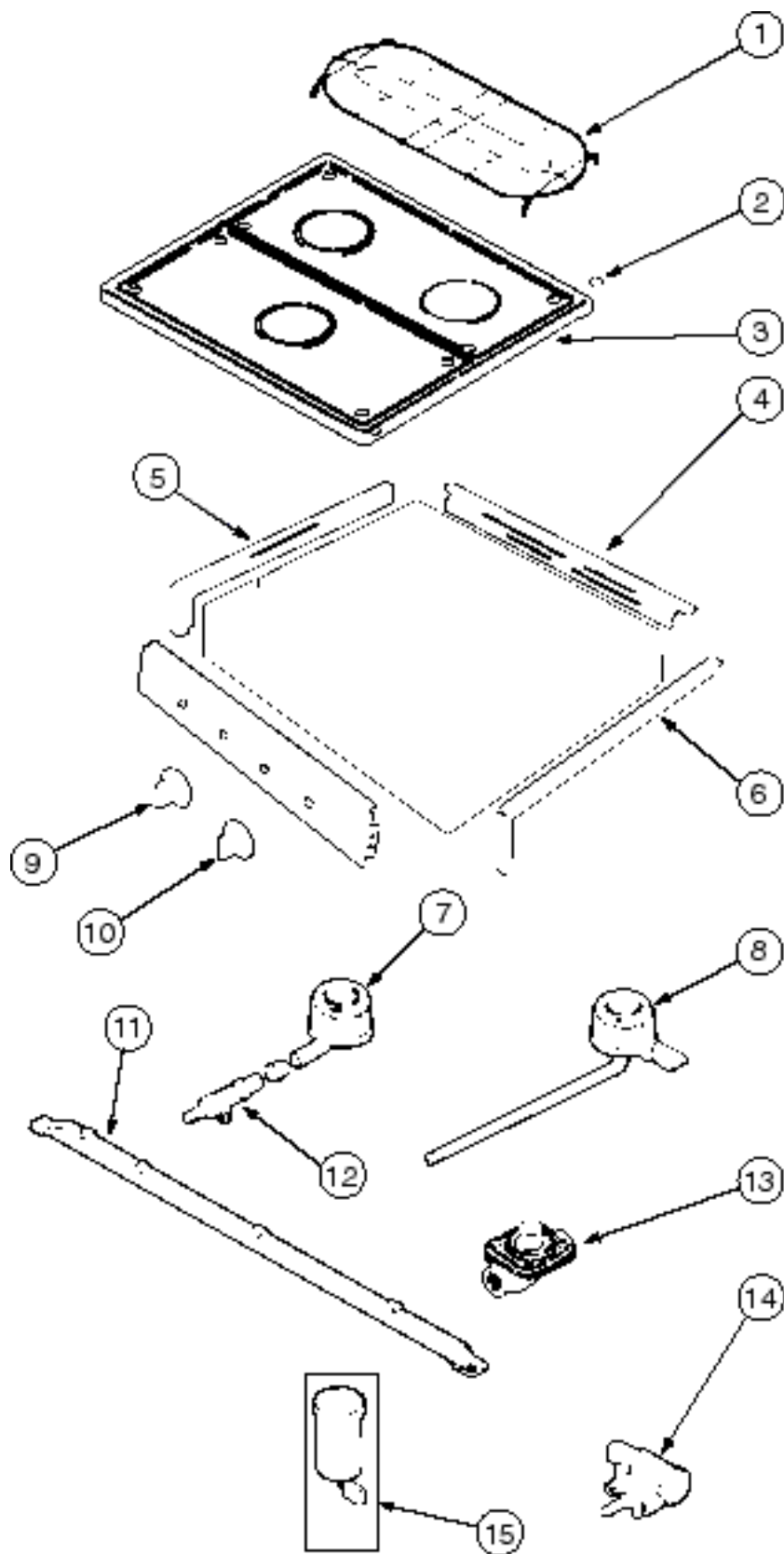


KEY	PART NUMBER	U/M	DESCRIPTION	VENDOR NO.
	112881-02-03A	EA	RANGE - 16" - 3 BURNER - ALMOND	
1	126023-01-703	EA	GRATE - TOP	74003358
2	102020-01-709	EA	BUMPER - GRATE	8007-P020-60
3	102020-01-724	EA	BUMPER - MAIN TOP	8003P008-60
4	126023-01-718	EA	FLUE BOX ASSEMBLY	4006W075-80
5	112881-02-701	EA	CLIP - MAIN TOP - REAR	7112P071-60
6	112881-01-720	EA	TRIM - FLAT - RIGHT - BLACK TEXTURED	74002813
7	112881-02-702	EA	SPRING - OVEN DOOR	7803P051-60
8	112881-01-713	EA	DOOR - OVEN - TEXTURED - BLACK	2401F126-70
9	102020-01-701	EA	HANDLE - DOOR	7701P092-60
10	126023-01-716	EA	SHELF - OVEN	74003106
11	102020-01-714	EA	PILOT - OVEN	968-143
12	126023-01-717	EA	BURNER - OVEN	74003343
13	112881-01-705	EA	KNOB - TOP BURNER	7733P072-60
13	112881-01-718	EA	KNOB - HIGH OUTPUT - FLAME INDICATOR	74001794
14	126023-01-704	EA	KNOB - THERMOSTAT	7731P109-60
15	126023-01-705	EA	PIPE - MANIFOLD	7513P161-60
16	098507-02-701	EA	INSERT - BURNER - SLOTTED VENT	7214P015-60
17	112881-01-722	EA	THERMOSTAT	7515P029-60
18	126023-01-710	EA	VALVE - BURNER - FRONT	74003349
19	126023-01-709	EA	VALVE - BURNER - REAR	74003348
20	102022-01-708	EA	REGULATOR - PRESSURE - 1/4 IN 1/2 OUT	7510P041-60
21	112881-01-717	EA	BURNER - TOP - REAR	7505P181-60
22	112881-02-703	EA	BURNER - TOP - HIGH OUTPUT	7505P142-60
23	112881-01-719	EA	TRIM - FLAT - LEFT - BLACK - TEXTURED	74002813
24	112881-02-700	EA	VALVE - OVEN	7501P056-60
25	126023-01-715	EA	MANIFOLD PANEL	74003350
26	126023-01-708	EA	TOP - MAIN - ALMOND	74003324



MAGIC CHEF RANGE
MODEL 85TB-3BK

KEY	PART NUMBER	U/M	DESCRIPTION	VENDOR NO.
	114030-02-01A	EA	RANGE - 3 BURNER TOP - W/O OVEN - BLACK	
1	126023-01-703	EA	GRATE - TOP	74003358
2	102020-01-709	EA	BUMPER - GRATE	8007-P020-60
3	126023-01-706	EA	TOP - MAIN (WHITE)	74003322
3	126023-01-707	EA	TOP - MAIN (BLACK)	74003323
3	126023-01-708	EA	TOP - MAIN (ALMOND)	74003324
4	114030-01-706	EA	TRIM - REAR/BLACK TEXTURED	74002841
5	114030-01-705	EA	TRIM - LEFT/BLACK TEXTURED	74002840
6	114030-01-704	EA	TRIM - RIGHT/BLACK TEXTURED	74002839
7	126023-01-702	EA	BURNER - TOP (FRONT)	7505P144-60
8	126023-01-700	EA	BURNER - TOP (RT-REAR)	7505P195-60
8	126023-01-701	EA	BURNER - TOP (LT-REAR)	7505P196-60
9	112881-01-705	EA	KNOB - TOP BURNER	7733P072-60
9	112881-01-718	EA	KNOB - TOP BURNER HI-OUTPUT	74001794
10	126023-01-720	EA	KNOB - IGNITER	74002414
11	126023-01-705	EA	PIPE - MANIFOLD	7513P161-60
12	126023-01-709	EA	VALVE - BURNER (REAR)	74003348
12	126023-01-710	EA	VALVE - BURNER (FRONT)	74003349
13	102020-01-729	EA	REGULATOR - PRESSURE	7510P043-60
14	126023-01-719	EA	IGNITER - TOP BURNER	74002413
15	126023-01-711	EA	ELECTRODE - IGNITER	7432P077-60
	114030-02-700	EA	GUARD/FABRIC - TOWEL BAR	3609F006-70



COUNTERTOP REFRIGERATOR

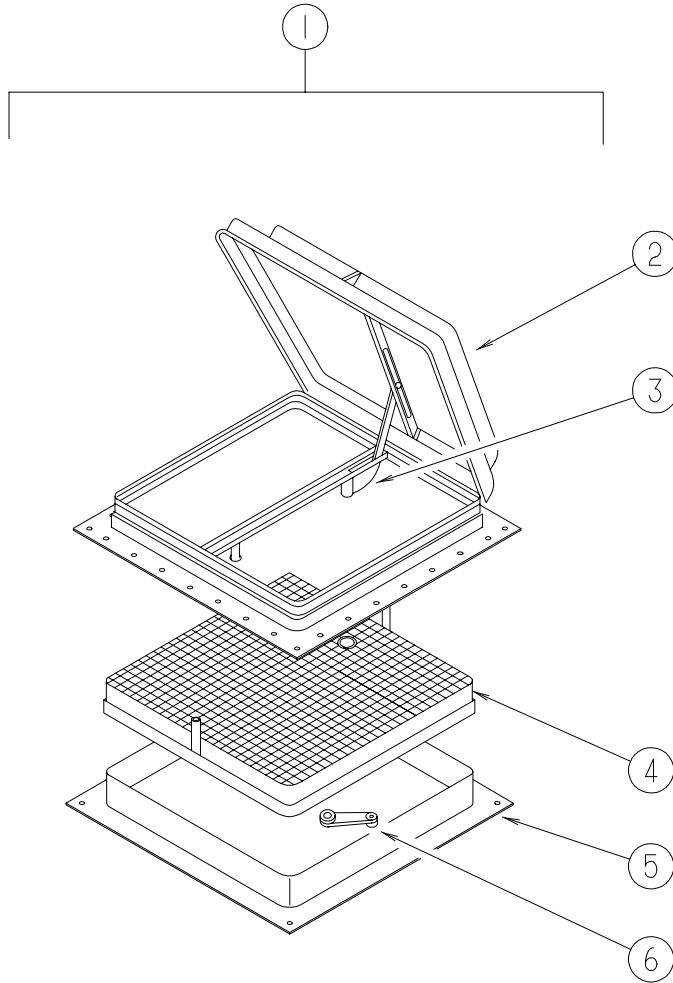
KEY	PART NUMBER	U/M DESCRIPTION	VENDOR NO.	KEY	PART NUMBER	U/M DESCRIPTION	VENDOR NO.
	131147-01-01A	EA REFRIGERATOR - SINGLE DOOR - TOP ROTARY KNOBS			131147-01-719	EA MANUAL SHUT OFF VALVE	617976
	102621-04-703	EA HOLDER-SPRING, RH WHITE	61632830		131147-01-720	EA COOLING SYSTEM - SERVICE KIT	619088
	102621-04-707	EA HOLDER-SPRING, LH WHITE EVAP	61632730		131147-01-721	EA CABINET BAFFLE	619122
	102621-04-708	EA CLIP-MTG.,LH WHITE EVAP DOOR	61633030		131147-01-722	EA BURNER AND ELECTRODE ASM.	619151
	102621-04-709	EA CLIP-MTG.,RH WHITE EVAP DOOR	61632930		131147-01-723	EA HEATER - DC	619065
	104137-06-724	EA ICE TRAY	61630422		131147-01-724	EA HEATER - AC	619063
	113737-01-701	EA BUSHING-HINGE	61742022		131147-01-725	EA ELBOW - BRASS/90 DEG - 2 PC	61621622
	113737-01-705	EA CLIP-FIN	61728722		131147-01-726	EA ADAPTER - PIPE	619055
	113737-01-708	EA PIN-HINGE, TOP	61114600		131147-01-727	EA VALVE - SAFETY	617965
	113737-01-709	EA INTERRUPTER	61750522		131147-01-728	EA PLUG/EXTENSION-SAFETY VALVE	619044
	113737-01-710	EA PIN-HINGE, BOTTOM	61550722		131147-01-729	EA THERMOCOUPLE	619154
	113737-01-735	EA THERMOSTAT-GAS VALVE	617944		131147-01-730	EA O-RING/SAFETY VALVE	
	125242-01-750	EA CLIP	61409622		131147-01-731	EA CONTROL PANEL - 3-WAY	619146
	131147-01-700	EA FOAMED CABINET	619120		131147-01-732	EA SWITCH/SELECTOR- 4-POSITION	619168
	131147-01-701	EA GAS CONTROL	619147		131147-01-733	EA SPARK IGNITOR	61645622
	131147-01-702	EA CONTROL PANEL ASSEMBLY	619145		131147-01-734	EA FLAME METER	61481322
	131147-01-703	EA KNOB - SELECTOR	619070		131147-01-735	EA HINGE/FREEZER DOOR - RH	61632930
	131147-01-704	EA KNOB - THERMOSTAT	619069		131147-01-736	EA HINGE/FREEZER DOOR - LH	61633030
	131147-01-705	EA FREEZER DOOR	619117		131147-01-738	EA SPRING PIN	619133
	131147-01-707	EA SPRING HOLDER ASSEMBLY - LH	619042		131147-01-739	EA TORSION SPRING - RH CABINET	619066
	131147-01-708	EA DOOR LATCH	619103		131147-01-740	EA TORSION SPRING - LH CABINET	619064
	131147-01-709	EA HINGE/CABINET-UPR/LH-LWR/RH	619096		131147-01-741	EA FOAMED DOOR ASSEMBLY	619030
	131147-01-710	EA HINGE/CABINET-UPR/RH-LWR/LH	619095		131147-01-742	EA PANEL RETAINER- NEED 2 PCS	619035
	131147-01-711	EA DOOR ASSEMBLY	619030		131147-01-743	EA PLUG - BEIGE	619048
	131147-01-712	EA WIRE - SHELF UPPER	619123		131147-01-744	EA LATCH PLATE	619104
	131147-01-713	EA WIRE SHELF - LOWER	619102		111222-01-02A	EA COVER - VENT - SIDE - BRIGHT WHITE - REFRIGERATOR TRAY DRAIN - CSA	
	131147-01-714	EA DOOR - BIN - WHITE	619033		090329-01-000	FT SEAL/T - REFRIGERATOR CABINET	
	131147-01-715	EA DRIP TRAY	61618930		054450-01-000	EA LEVEL - REFRIGERATOR	
	131147-01-716	EA BURNER TUBE	619156		116751-07-01A	EA TRAY - REFRIGERATOR - BLACK - US	
	131147-01-717	EA GAS INLET TUBE	619157		116751-14-01A	EA TRAY - REFRIGERATOR - CSA	
	131147-01-718	EA TERMINAL BLOCK	619173				
					116751-07-01A	EA TRAY - REFRIGERATOR - BLACK - CSA	

FROM: 00-00-00 THRU: 06-22-99

FROM: 06-23-99 THRU: 99-99-99



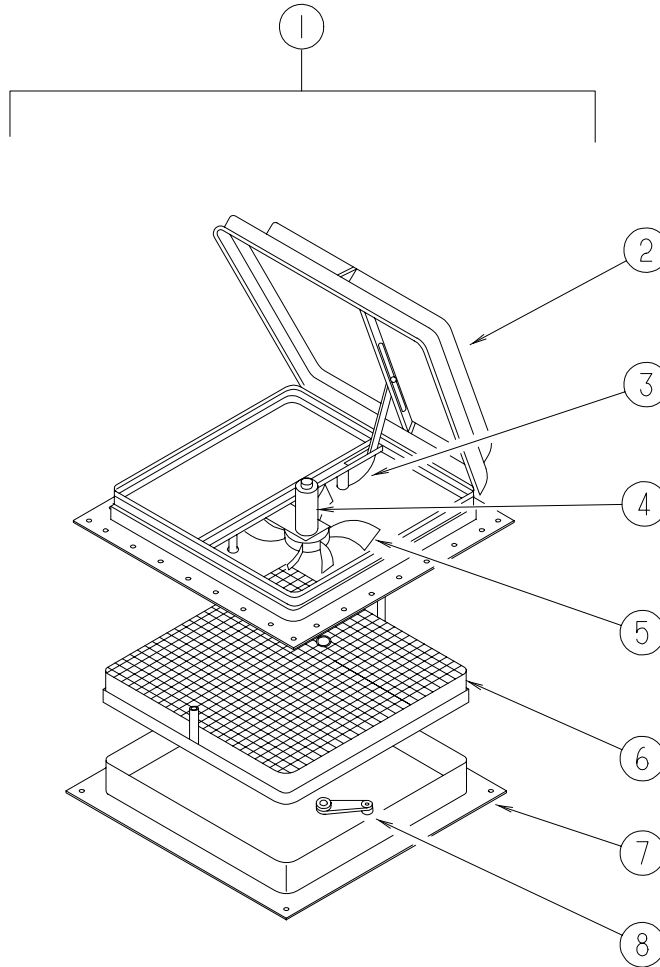
ELIXIR



KEY	PART NUMBER	U/M	DESCRIPTION	VENDOR NO.
1	122882-01-01A	EA	VENT - ROOF - NONPOWERED - W/O INSIDE GARNISH	
2	064470-01-700	EA	COVER - VENT - W/O SLIDE BAR	J7291B
3	009440-01-000	EA	GEAR/ARM - LIFT - ROOF VENT COVER	
4	122882-01-701	EA	SCREEN	JRP-1124-B
5	122882-06-01A	EA	GARNISH - ROOF VENT - 1" TO 2.56"	
5	122882-07-01A	EA	GARNISH - ROOF VENT - 2.50" TO 4.12"	90128
6	122882-01-700	EA	HANDLE - CRANK - BLACK	JRP1291B
	064470-01-701	EA	SLIDE BAR - VENT LID	



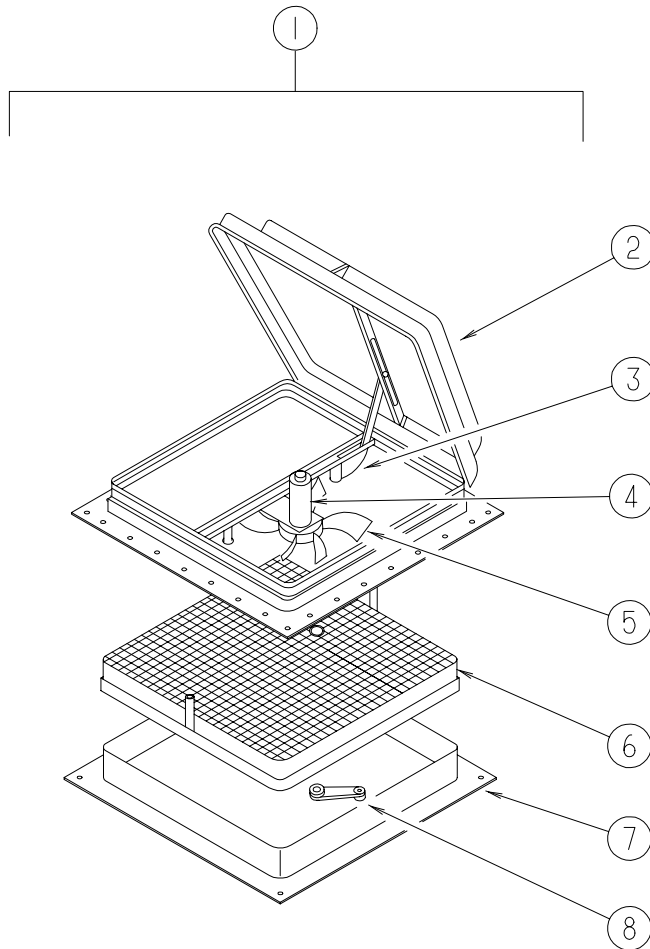
ELIXIR



KEY	PART NUMBER	U/M	DESCRIPTION	VENDOR NO.
1	122882-02-01A	EA	VENT - ROOF - W/FAN - POWERED - W/O INSIDE GARNISH	
2	064470-01-700	EA	COVER - VENT - W/O SLIDE BAR	J7291B
3	009440-01-000	EA	GEAR/ARM - LIFT - ROOF VENT COVER	
4	048648-01-000	EA	MOTOR - ROOF VENT - 1/8 SHAFT - 12VOLT	
5	048649-01-000	EA	FAN - ROOF VENT - 6 BLADES - 6"	
6	122882-01-701	EA	SCREEN	JRP-1124-B
7	122882-06-01A	EA	GARNISH - ROOF VENT - 1" TO 2.56"	
7	122882-07-01A	EA	GARNISH - ROOF VENT - 2.50" TO 4.12"	
8	122882-01-700	EA	HANDLE - CRANK - BLACK	90128
	064470-01-701	EA	SLIDE BAR - VENT LID	JRP1291B
	110051-03-700	EA	SWITCH - BLACK/PUSH BUTTON	27-0164



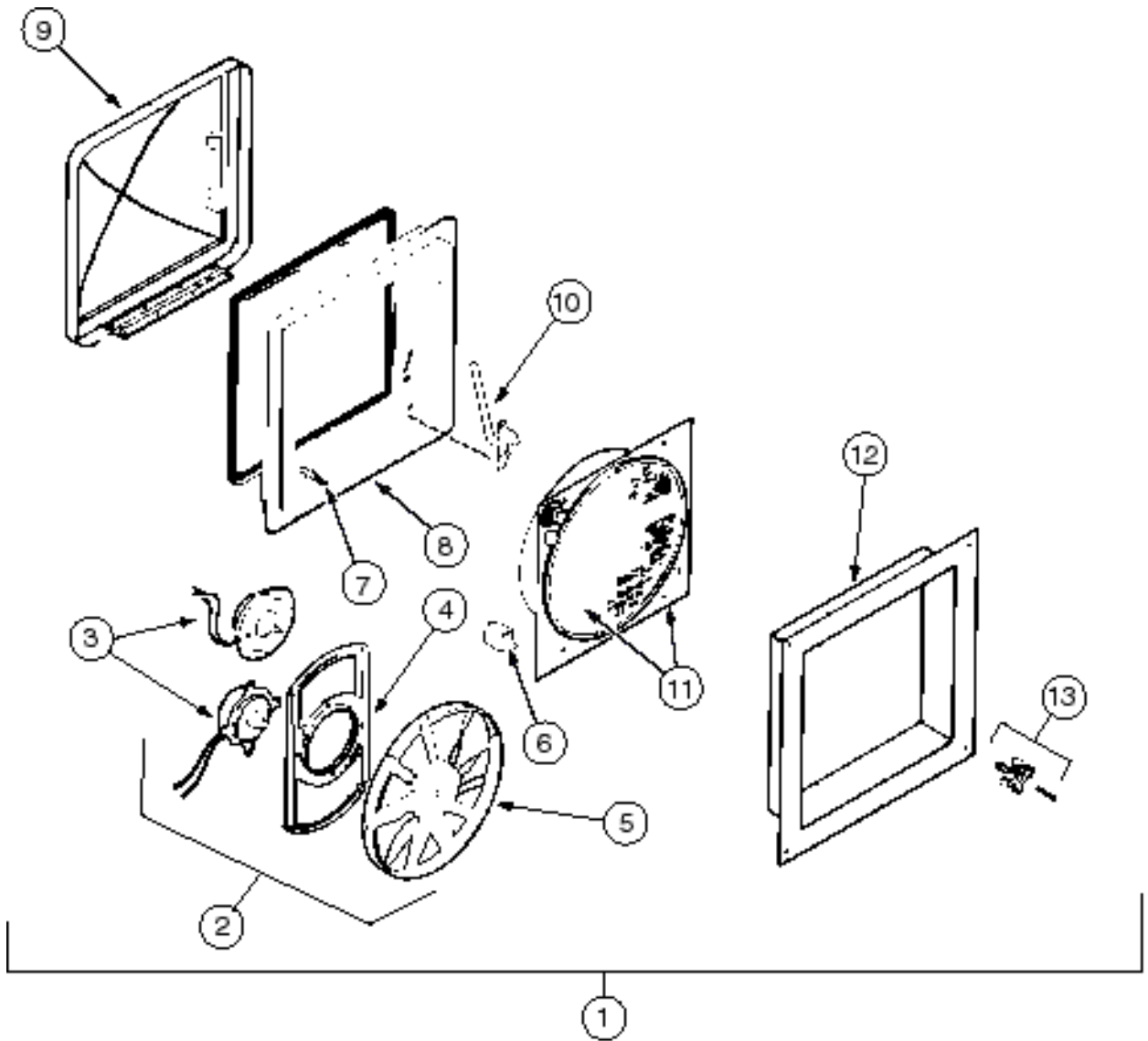
ELIXIR



KEY	PART NUMBER	U/M	DESCRIPTION	VENDOR NO.
1	122882-03-01A	EA	VENT - ROOF - W/FAN - POWERED - W/O INSIDE GARNISH	
2	064470-01-700	EA	COVER - VENT - W/O SLIDE BAR	J7291B
3	009440-01-000	EA	GEAR/ARM - LIFT - ROOF VENT COVER	
4	048648-01-000	EA	MOTOR - ROOF VENT - 1/8 SHAFT - 12VOLT	
5	048649-01-000	EA	FAN - ROOF VENT - 6 BLADES - 6"	
6	122882-01-701	EA	SCREEN	JRP-1124-B
7	122882-06-01A	EA	GARNISH - ROOF VENT - 1" TO 2.56"	
7	122882-07-01A	EA	GARNISH - ROOF VENT - 2.50" TO 4.12"	
8	122882-01-700	EA	HANDLE - CRANK - BLACK	90128
	064470-01-701	EA	SLIDE BAR - VENT LID	JRP1291B
	110051-03-700	EA	SWITCH - BLACK/PUSH BUTTON	27-0164



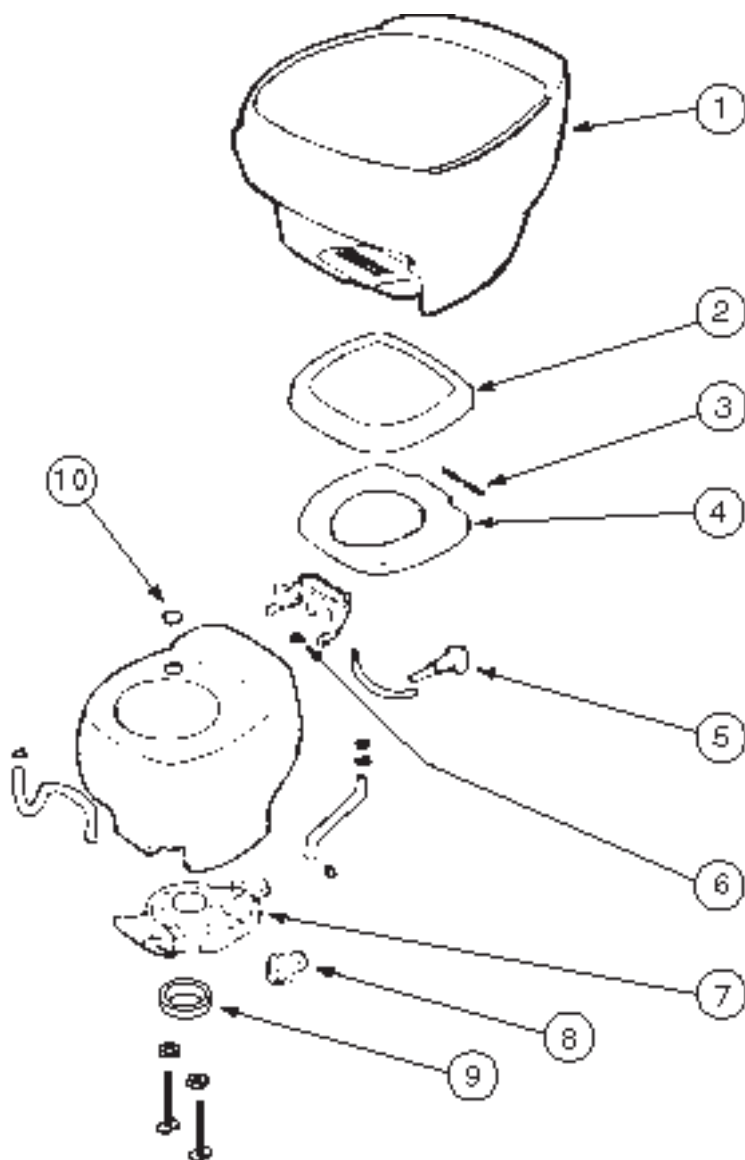
FANTASTIC
MODEL 4000-1-WDW



KEY	PART NUMBER	U/M	DESCRIPTION	VENDOR NO.
1	123780-01-01A	EA	VENT - ROOF - 1" - W/FAN/POWER LIFT - W/O THERMOSTAT 4000-1-WDW	
2	084079-11-700	EA	MOTOR, BRKT., FAN BLADE, KIT	4017K-09
3	084079-01-705	EA	MOTOR	1080-00
4	084079-01-711	EA	H-MOLDING, MOTOR MOUNT	
5	084079-01-704	EA	BLADE-FAN	1070-00
6	084079-01-709	EA	SWITCH - MAIN - 3 SPEED	1031-05
7	084079-01-707	EA	SWITCH - SAFETY	1122.05
8	123780-05-700	EA	BASE - MAIN BRIGHT WHITE	1010K-81
9	123780-01-700	EA	COVER - VENT W/HINGE & SLIDE	1020K-81
10	084079-01-702	EA	ARM LIFT ASSEMBLY, MANUAL	101105
11	123780-01-702	EA	SCREEN W/FRAME	103581
12	123780-03-700	EA	GARNISH - INT. 3"-4" BRT/WHT	2040-81
12	123780-01-701	EA	GARNISH - INT 3/4-1" BRT/WHT	0040-81
13	084079-01-703	EA	KNOB-LIFT, W/EXT. & SCREW	1140K-00
	009440-01-000	EA	GEAR-ARM-ROOF VENT 705221K38	
	084079-01-706	EA	PLUG, 12 VOLT	1090



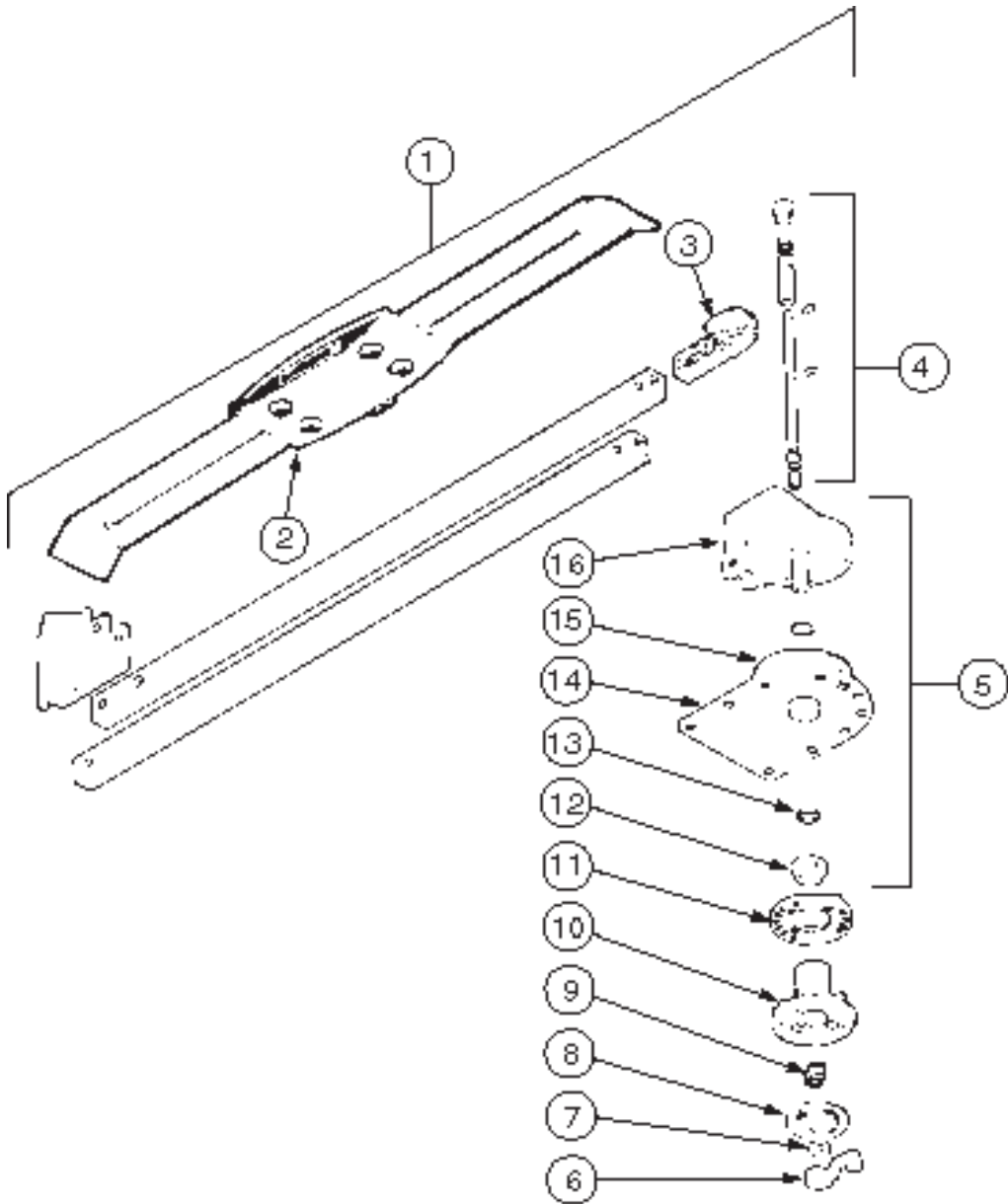
**THETFORD
MODEL STARLITE
MODEL - 20900-AM SL - SH WHITE**



KEY	PART NUMBER	U/M	DESCRIPTION	VENDOR NO.
1	064076-03-000	EA	TOILET - 11.25" TALL - IVORY - WATERSAVER	
2	064076-03-700	EA	COVER - SEAT - TOILET - IVORY	2092362
3	039341-02-707	EA	PIN - HINGE	12986
4	064076-03-701	EA	SEAT	1656462
5	067487-01-701	EA	WATER SAVER PACKAGE	08993
6	067487-01-702	EA	CLAMP	03752
7	064076-03-703	EA	MECHANISM - FLUSHING	2420362
8	064076-01-705	EA	VALVE - BALL - REPLACEMENT PACKAGE	09868
9	039341-02-705	EA	SEAL & BOLT PKG - W/O FLANGE	08975
10	039341-03-704	EA	PLUG-HOLE - TOILET -WHITE	03895-10
	064076-03-702	EA	BREAKER - VACUUM - WHITE	2070262



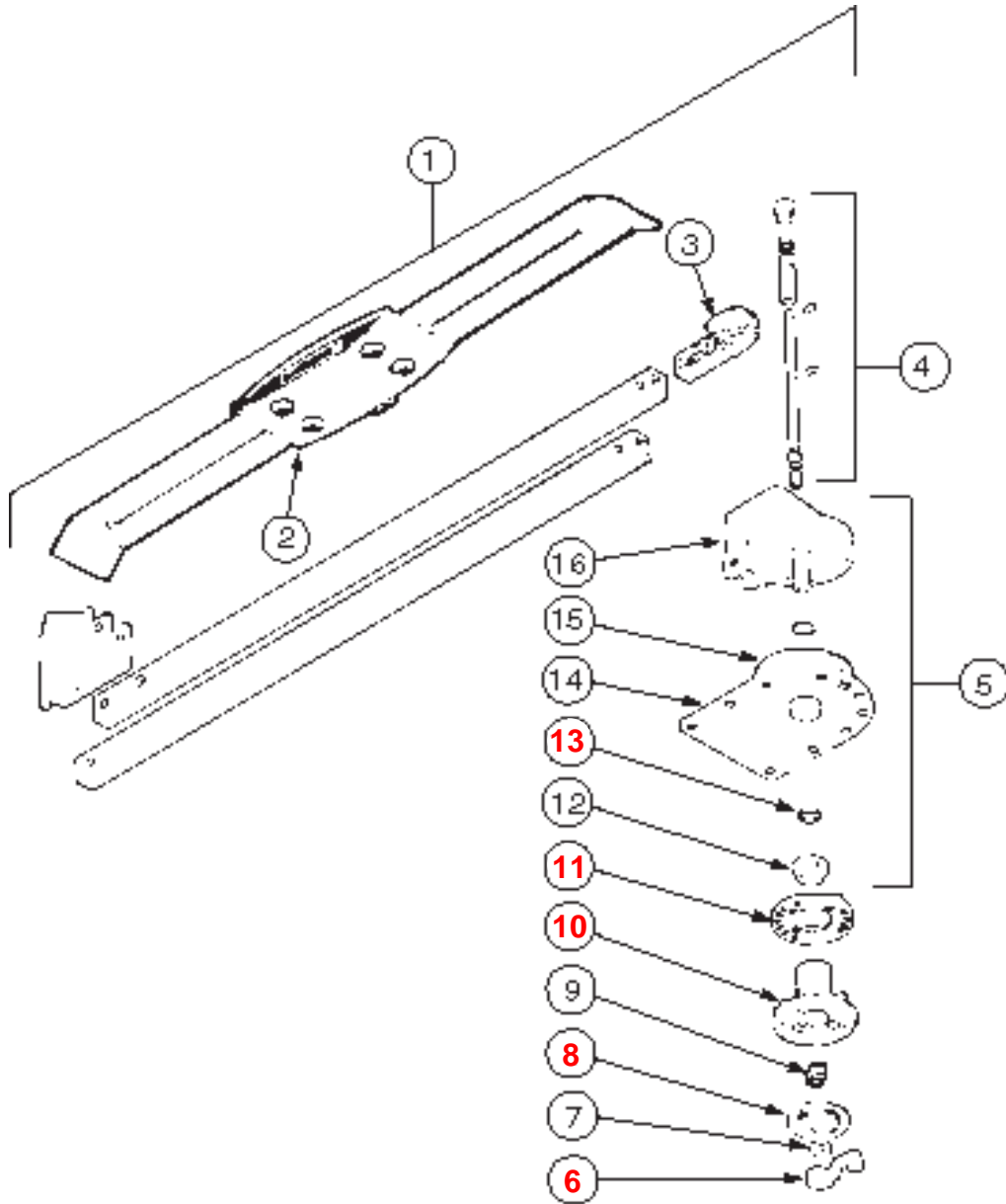
WINEGARD
MODEL RV-7184



KEY	PART NUMBER	U/M	DESCRIPTION	VENDOR NO.
1	076319-24-000	EA	ANTENNA - TV ROOF MOUNT - 25.5" MAST	
2	076319-01-700	EA	HEAD - ANTENNA - AMPLIFIED	RVSA U/V
3	076319-01-701	EA	GEAR - ELEVATING - PLASTIC	2200046
4	076319-01-702	EA	SHAFT ASM - ELEVATING	RVP-400A
5	076319-01-711	EA	BASE & LIFT ASM	2762802
6	076319-01-706	EA	CRANK-ELEVATING W/SET SCREW	2750897
7	076319-01-705	EA	GROMMET - NYLON - 7/8"ID	3200658
8	076319-01-708	EA	DECAL-CRANK	5413002
9	076319-01-707	EA	SPRING - HANDLE	5160822
10	076319-25-700	EA	DIRECTIONAL HANDLE(WHITE)	3200612
11	076319-01-709	EA	PLATE - CEILING - (IVORY)	3200621
11	076319-01-712	EA	PLATE - CEILING	3200608
12	076319-01-715	EA	NUT (GEAR HOUSING)	2200047
13	076319-01-704	EA	BEARING - NYLON - 1.25" O.D.	3200657
14	076319-01-713	EA	BASE PLATE	3100523
15	076319-01-703	EA	BEARING - NYLON - 5"OD	3200656
16	076319-01-714	EA	HOUSING - ROTATING GEAR	2200049
	076319-01-716	EA	TUBING, ELEVATING	RP-2900



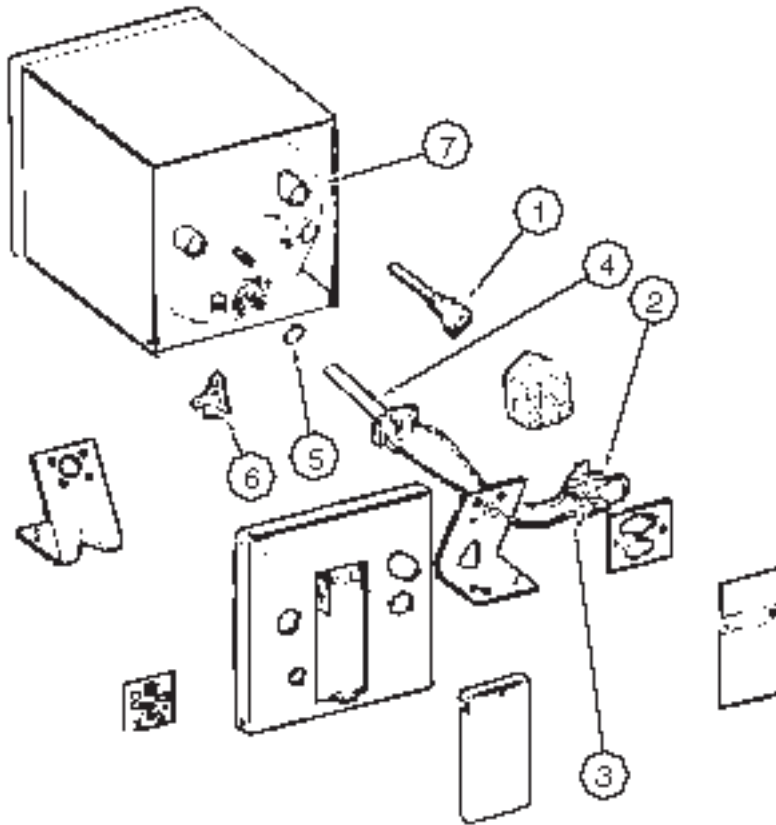
**WINEGARD
INTERIOR HARDWARE KIT**



KEY	PART NUMBER	U/M	DESCRIPTION	VENDOR NO.
	076319-25-000	EA	KIT - HARDWARE INTERIOR	
6	076319-01-706	EA	CRANK-ELEVATING W/SET SCREW	2750897
8	076319-01-708	EA	DECAL-CRANK	5413002
10	076319-25-700	EA	DIRECTIONAL HANDLE(WHITE)	3200612
11	076319-25-701	EA	PLATE - CEILING(WHITE)	3200609
13	120233-01-709	EA	WASHER-NYLON	RP-2658
	120233-01-710	EA	HANDLE-CRANK	RP-6795



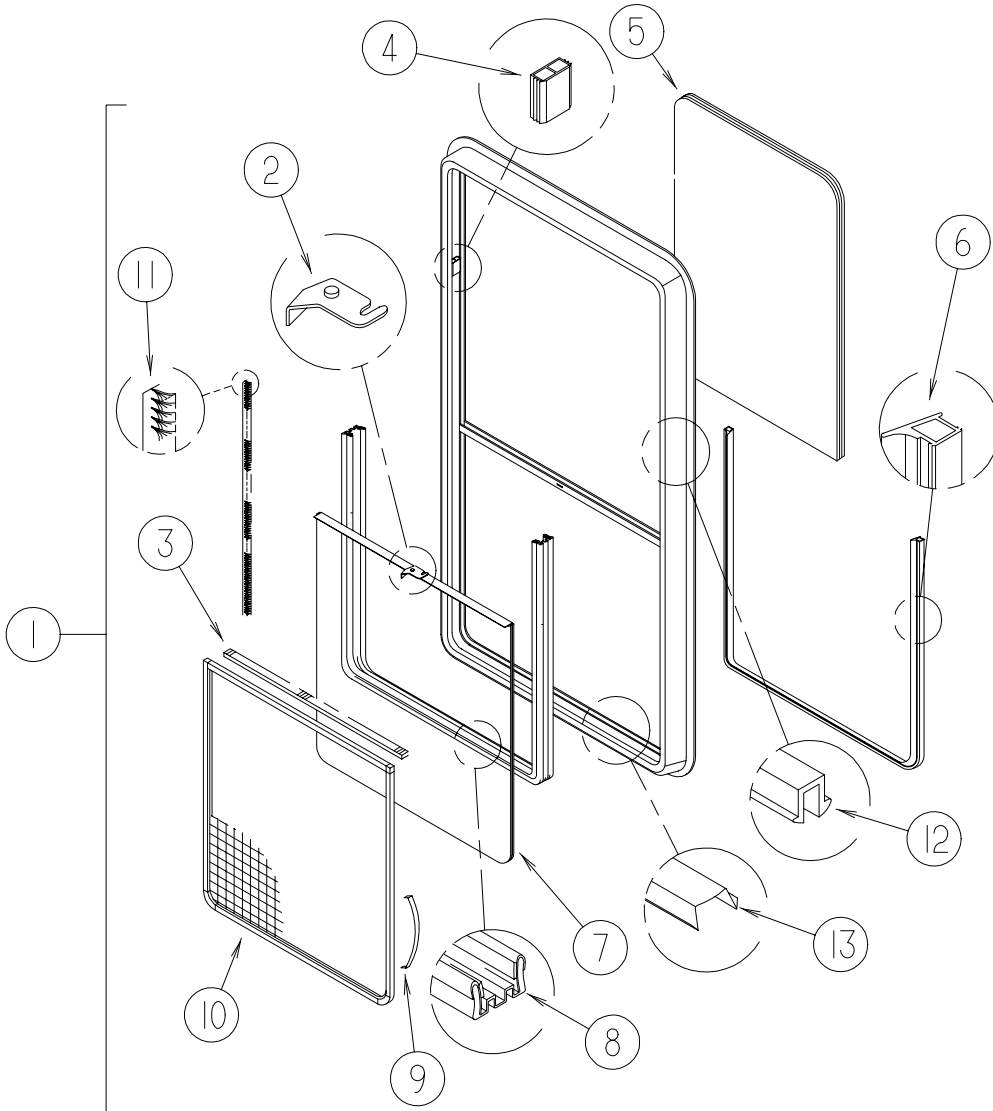
**ATWOOD
MODEL EHM4 - SM**



KEY	PART NUMBER	U/M	DESCRIPTION	VENDOR NO.
	113122-01-000	EA	WATER HEATER - ELECTRIC - 4 GALLON	
1	051391-01-704	EA	VALVE - RELIEF - 1/2" FITTING	91604
2	074034-01-700	EA	SWITCH	92942
3	074034-01-701	EA	THERMOSTAT	92943
4	074034-01-702	EA	ELEMENT - IMMERSION - 1500 W	93089
5	074034-01-703	EA	GASKET	92679
6	074034-01-704	EA	VALVE - DRAIN - PETCOCK - NADA	93755
7	113122-01-700	EA	TANK - INNER	92245



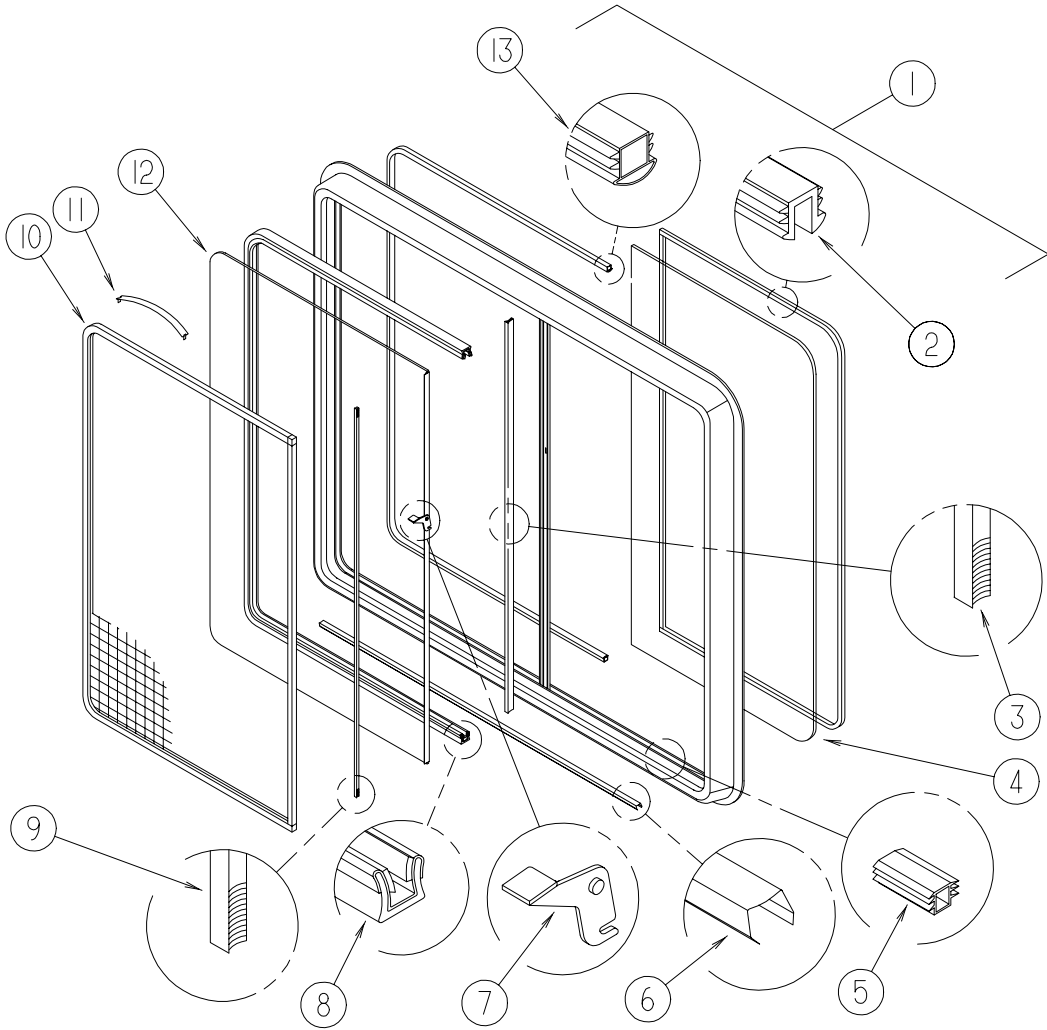
**WINDOW - SLIDER
EXCEL H464-G1W66**



KEY	PART NUMBER	U/M	DESCRIPTION	VENDOR NO.
1	098644-10-01A	EA	WINDOW - VERTICAL SLIDER W/TRIM - TINTED - 25" X 27"	
2	098644-01-700	EA	LATCH - REPAIR KIT (BLACK)	B801-CK
3	098644-01-706	FT	WEATHERSTRIP - GLASS	122-016543
4	098644-01-719	EA	STOP - SLIDER GLASS	132-014203
5	098644-10-702	EA	GLASS - STATIONARY	106-025019
6	098644-01-716	EA	PLUG - FILLER	132-014470
7	098644-10-701	EA	GLASS - SLIDING - W/SASH & LATCH	H464-G9
8	098644-01-708	FT	CHANNEL - RUN - PIERCED	122-016543
9	098644-01-713	EA	CLIP - SCREEN - METAL	226-016966
10	098644-10-700	EA	SCREEN ASSEMBLY - W/SEALS & CLIPS	410-019683
11	098644-01-711	EA	WEATHERSTRIP - SCREEN - BLACK	171-016965
12	098644-01-705	FT	GLAZING - STRIP	132-010231
13	098644-01-710	FT	TRACK - SCREEN SPACER - 12'	132-017135
	098644-01-717	FT	SPLINE - SCREEN	132-004716
	098644-10-703	EA	RETAINER - TRIM	CW78-66



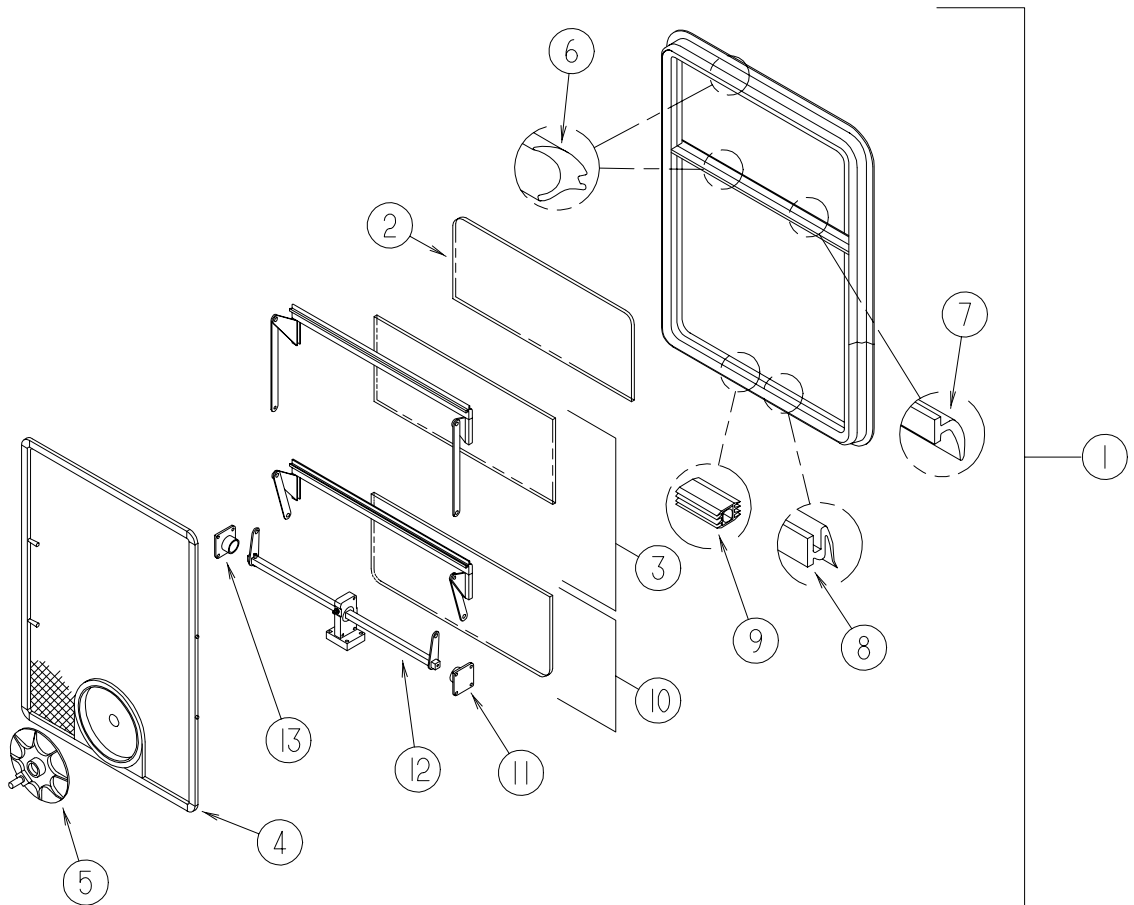
THERMOPANE



KEY	PART NUMBER	U/M	DESCRIPTION	VENDOR NO.
1	098647-46-01A	EA	WINDOW - PASS HORIZ SLIDER W/TRIM - TINTED - 15.2" X 18.3"	
2	098644-01-705	FT	GLAZING - STRIP	132-010231
3	098644-01-706	FT	WEATHERSTRIP - GLASS	171-010668
4	098647-46-700	EA	GLASS - STATIONARY	106-011181
5	098644-01-719	EA	STOP - SLIDER GLASS	132-014203
6	098644-01-710	FT	TRACK - SCREEN SPACER 12'	132-017135
7	098644-01-700	EA	LATCH - REPAIR KIT (BLACK)	B801-CK
8	098644-01-708	FT	CHANNEL - RUN PIERCED	122-016543
9	098644-01-711	FT	WEATHERSTRIP - SCREEN BLACK	171-016965
10	098647-46-702	EA	SCREEN ASM - W/SEALS & CLIPS	410-025286
11	125582-01-701	EA	CLIP - SCREEN - PLASTIC	130005153
11	098644-01-713	EA	CLIP - SCREEN - METAL	226-016966
12	098647-46-701	EA	GLASS-SLIDING W/SASH & LATCH	B809-G9
13	098644-01-716	FT	PLUG - FILLER	132-014470
	098644-01-717	FT	SPLINE - SCREEN	132-004716
	098647-46-703	EA	RETAINER - TRIM	V409-66



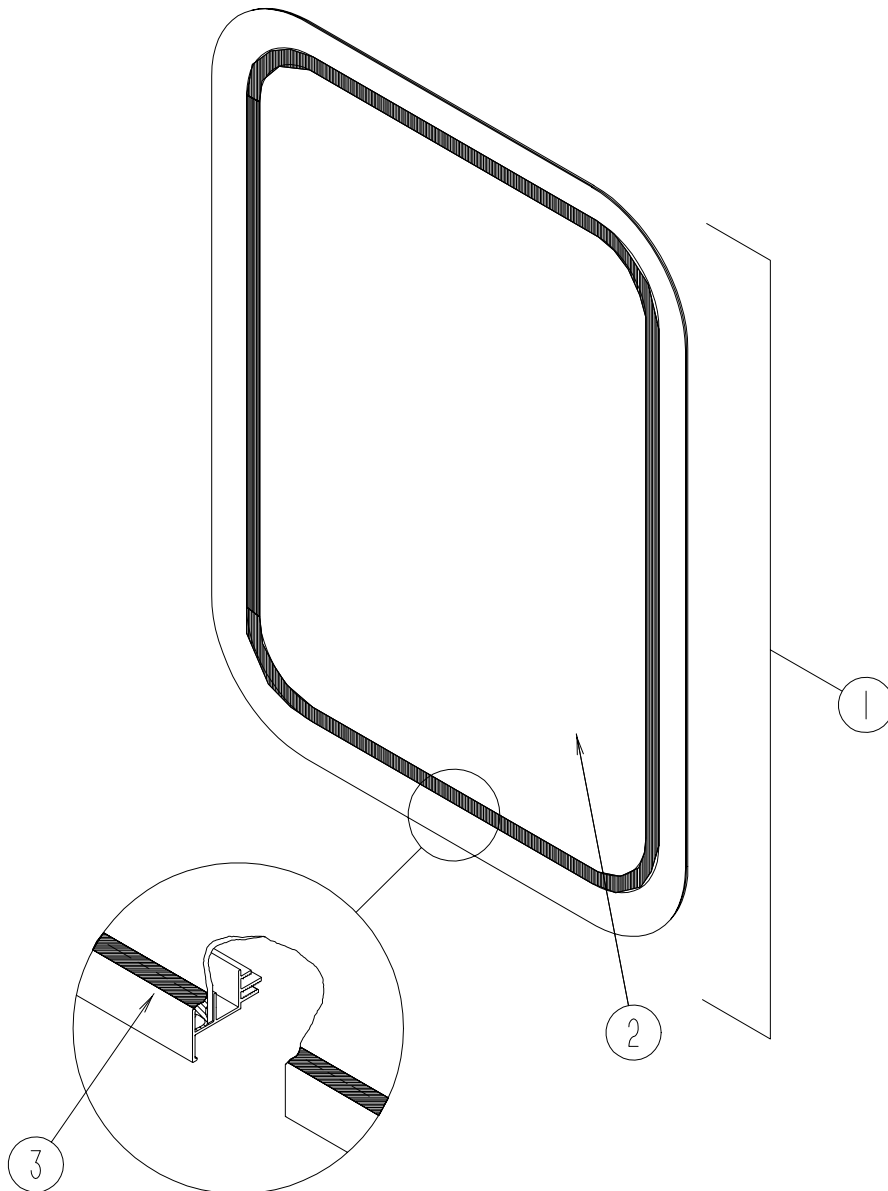
**WINDOW - DOUBLE TIPOUT
EXCEL CH03-G1W59**



KEY	PART NUMBER	U/M	DESCRIPTION	VENDOR NO.
1	104691-17-01A	EA	WINDOW - DOUBLE TIPOUT - TINTED - 36.2" X 24.5"	
2	104691-17-703	EA	GLASS - STATIONARY	106-025766
3	104691-17-701	FT	GLASS - VENT ASSEMBLY - UPPER	CH03-G7
4	104691-17-702	EA	SCREEN ASSEMBLY - W/SEALS & CLIPS	410-016019
5	100322-01-718	EA	HANDLE - DIAL	410-016081
6	100322-01-703	EA	VINYL - GLAZING - BUTYL	132-010723
7	100322-01-702	EA	WEATHERSTRIP - HORIZONTAL RAIL	132-015976
8	100322-01-701	FT	SEAL - VENT	122-016071
9	116976-01-702	FT	FILLER - PLUG	132-016065
10	104691-17-700	EA	GLASS - VENT ASSEMBLY - LOWER	CH03-G9
11	100322-01-715	EA	SUPPORT - TORQUE BAR - RH	130-015979
12	100322-01-716	EA	SUPPORT - TORQUE BAR - CENTER RAIL	130-015980
13	100322-01-714	EA	SUPPORT - TORQUE BAR - LH	130-015978
	112519-01-706	EA	CLIP - SCREEN	CH21-50
	100322-01-704	EA	TAPE - BUTYL	154-016083
	100322-01-717	EA	E - RING	245-015975
	112519-01-702	EA	OPERATOR - VENT	410-016123



THERMOPANE



KEY	PART NUMBER	U/M	DESCRIPTION
1	117053-01-F45	EA	WINDOW - PICTURE - 60% TINTING - 17.1" X 24.8"
2	002181-28-000	EA	GLASS - PICTURE - 23.9" X 16.19"
3	087561-01-000	FT	SEAL - GLASS - EXTERIOR - .5" WIDE - VINYL BLACK
	114507-02-01A	EA	FRAME - WINDOW - INSIDE

