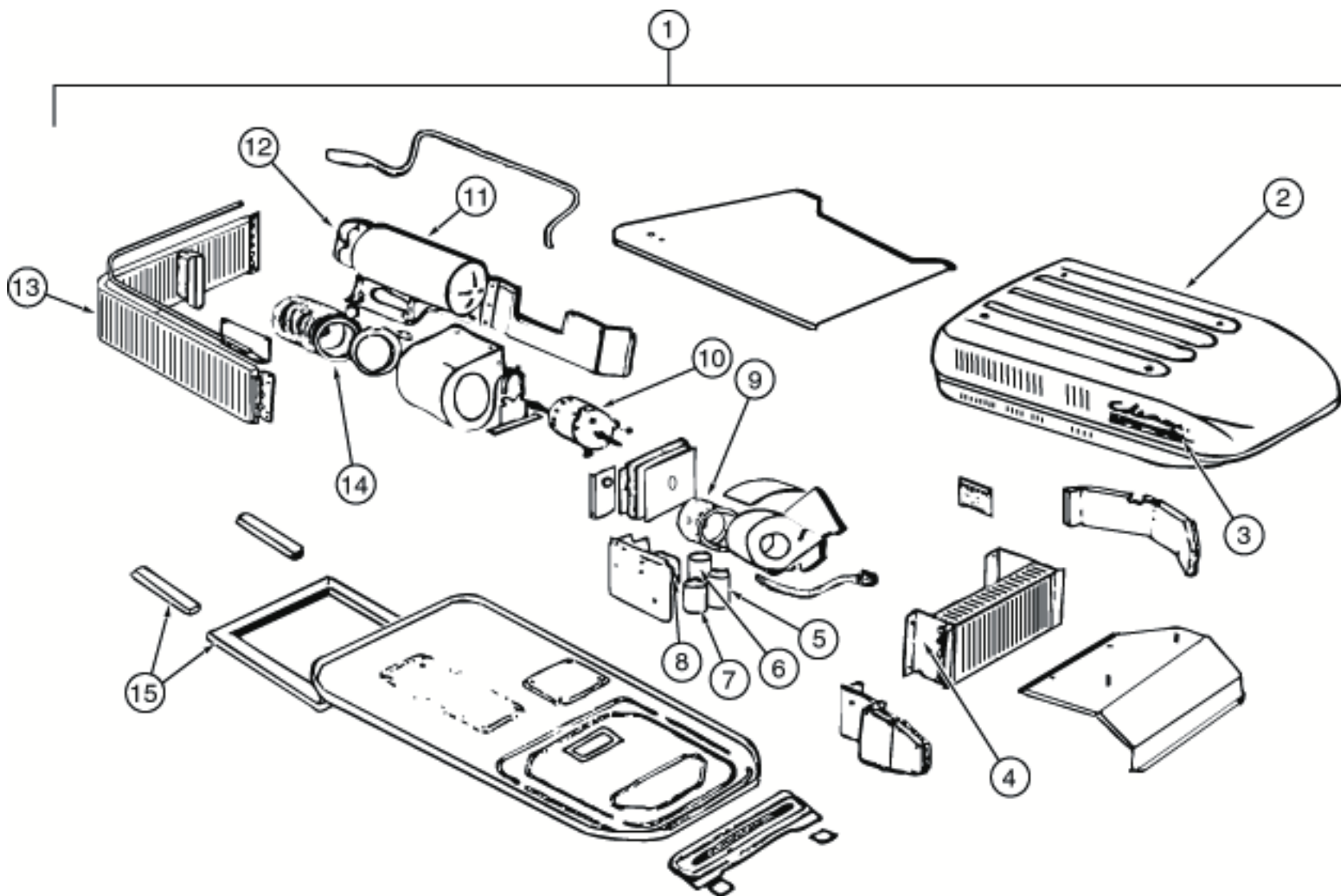
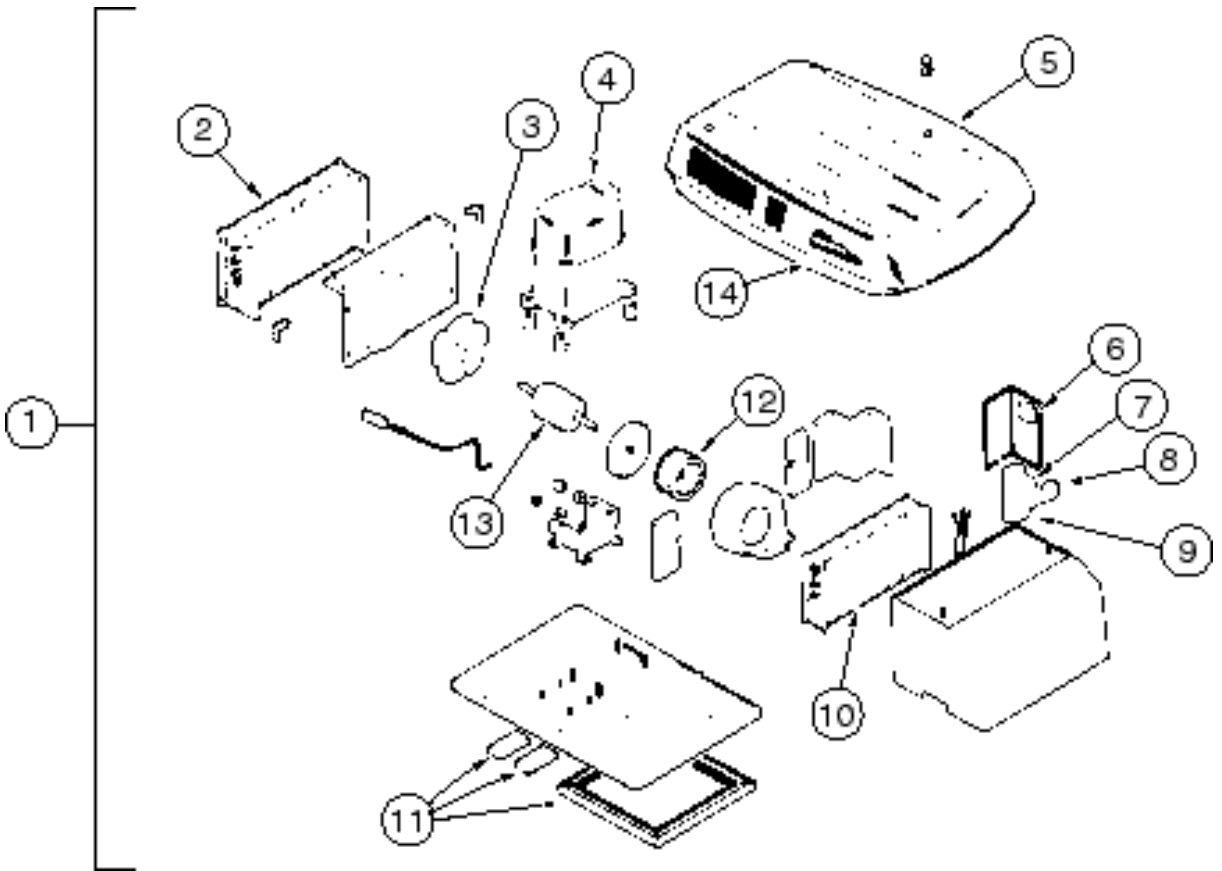


**AIR CONDITIONER
COLEMAN 6799-806**



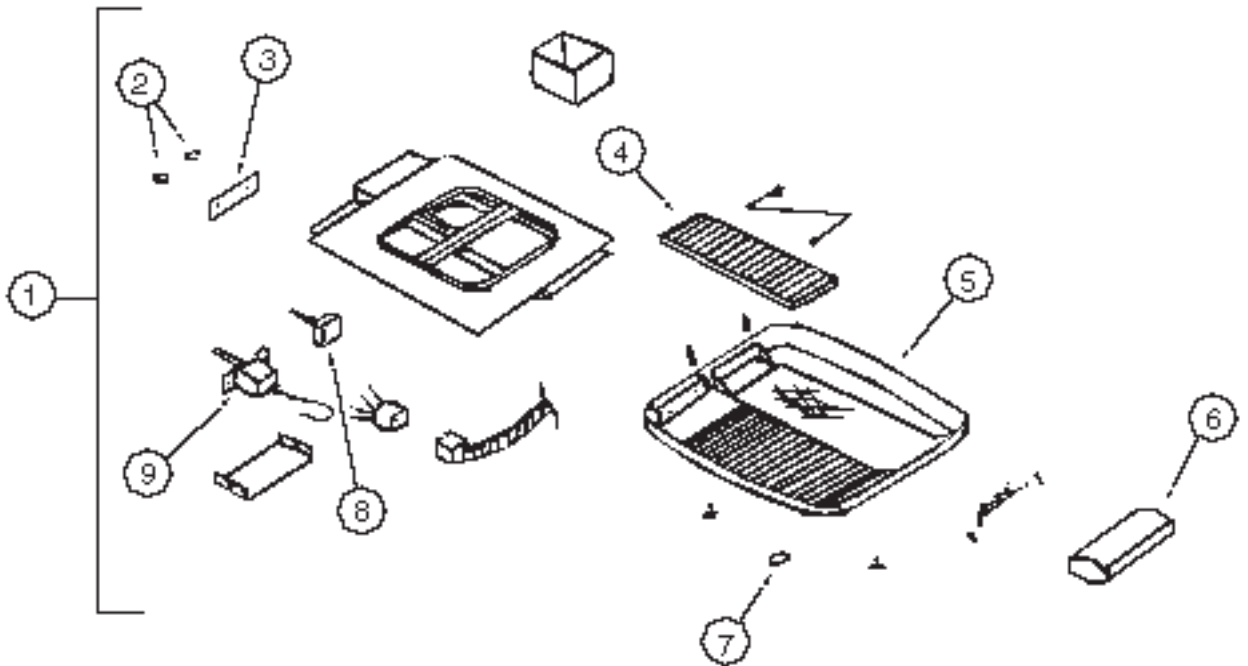
KEY	PART NUMBER	U/M	DESCRIPTION	VENDOR NO.
1	091225-08-000	EA	A/C - ROOF - 13500 - SUPER MAC - BRIGHT/WHITE	
2	091225-08-700	EA	SHROUD - ARTIC WHITE - LESS LOGO	0799-4761
3	093306-01-701	EA	DECAL PACKAGE - LEFT & RIGHT	6798B3591
4	093765-01-702	EA	COIL - EVAPORATOR	1452-1381
5	105620-01-718	EA	CAPACITOR - FAN - 12.5 MFD/370V	1499-5631
6	091225-07-703	EA	CAPACITOR - COMPRESSOR - RUN	1499-5681
7	091225-01-710	EA	CAPACITOR - COMPRESSOR - START	1497-0881
8	091225-01-709	EA	RELAY - START	1497-4131
9	091225-01-708	EA	WHEEL - BLOWER - EVAPORATOR	6799-3391
10	091225-01-707	EA	MOTOR - 115V - 2.8A - 1650 RPM	6799-3199
11	091225-07-701	EA	COMPRESSOR - TECUMSEH	6798A3609
12	091225-07-702	EA	OVERLOAD	6746-3991
13	091225-01-704	EA	COIL - CONDENSER	1452A1271
14	091225-01-705	EA	WHEEL - BLOWER - CONDENSER	6799-3381
15	037648-01-714	EA	GASKET PACKAGE	6759-3281

**COLEMAN
MODEL 6727-736**



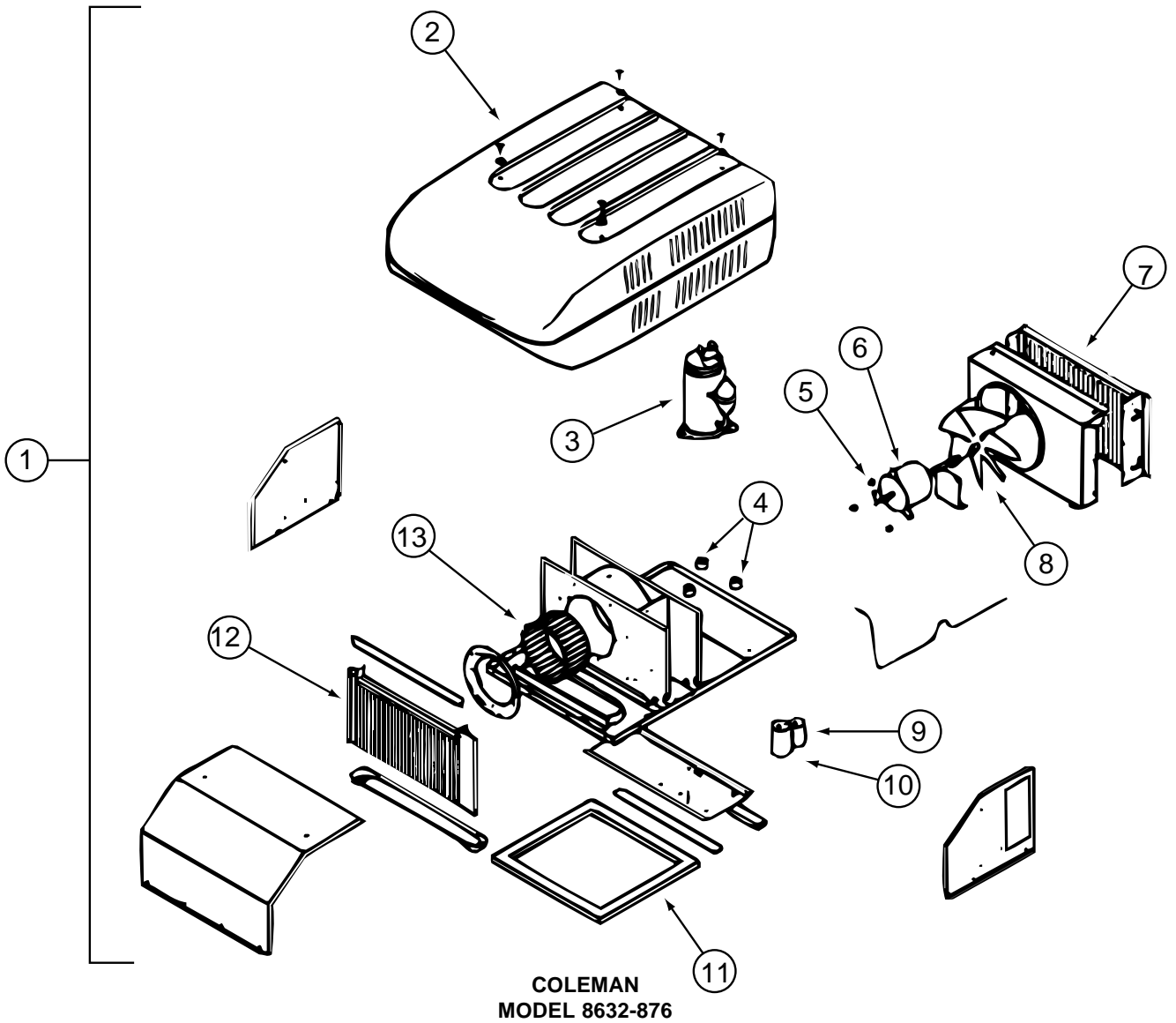
KEY	PART NUMBER	U/M	DESCRIPTION	VENDOR NO.
1	093306-01-02A	EA	A/C - ROOF - 7,100 BTU - ROTARY	
2	093306-01-711	EA	COIL - CONDENSER	14520701
3	093306-01-703	EA	FAN - 4 BLADE - 9" DIAMETER	67073321
4	093306-01-717	EA	COMPRESSOR - PANASONIC	1450-2019
	093306-01-719	EA	OVERLOAD	1450A0011
5	093306-01-722	EA	SHROUD - ARCTIC WHITE - NO LOGO	6727-5761
6	093306-01-721	EA	RELAY - START	1497-5051
7	093306-01-720	EA	CAPACITOR - START - 21-25 MFD/33 - COLEMAN	1497-3351
8	093306-01-718	EA	CAPACITOR - FAN - 5MFD/370V	1499-5421
9	108889-01-707	EA	CAPACITOR - RUN - COMPRESSOR - 25MFD/370	1499-5661
10	093306-01-713	EA	COIL - EVAPORATOR	14520601
11	037648-01-714	EA	GASKET PACKAGE	6759-3281
12	093306-01-706	EA	WHEEL - BLOWER - 6 5/16" X 2 7/8"	67073281
13	093306-01-705	EA	MOTOR - (115V1 6A60H2-RPM)	67273119
14	093306-01-701	EA	DECAL PACKAGE - LEFT & RIGHT	6798B3591

**COLEMAN
MODEL 6727E713**



KEY	PART NUMBER	U/M	DESCRIPTION	VENDOR NO.
1	093307-03-000	EA	CEILING ASSEMBLY - COOL ONLY - WHITE	
2	076303-01-701	EA	KNOB - CONTROL	6733A3241
3	093306-01-709	EA	DECAL - SELECTOR - THERMOSTAT	6727A3341
4	093766-02-702	EA	FILTER - PACKAGE OF 2 - 6 X 14.5 X 1/8	67033303
5	093306-03-700	EA	SHROUD - CEILING - WHITE-DECAL	67273511
6	076303-01-708	EA	KNOB & BOLT PACKAGE	67275841
7	093307-01-700	EA	DECAL PACKAGE	6733A3331
8	093306-01-714	EA	SWITCH - SELECTOR	67273251
9	076303-01-710	EA	THERMOSTAT	67333411
	091227-01-700	EA	WASHER PACKAGE - PLASTIC	6250-3241 6703A3341

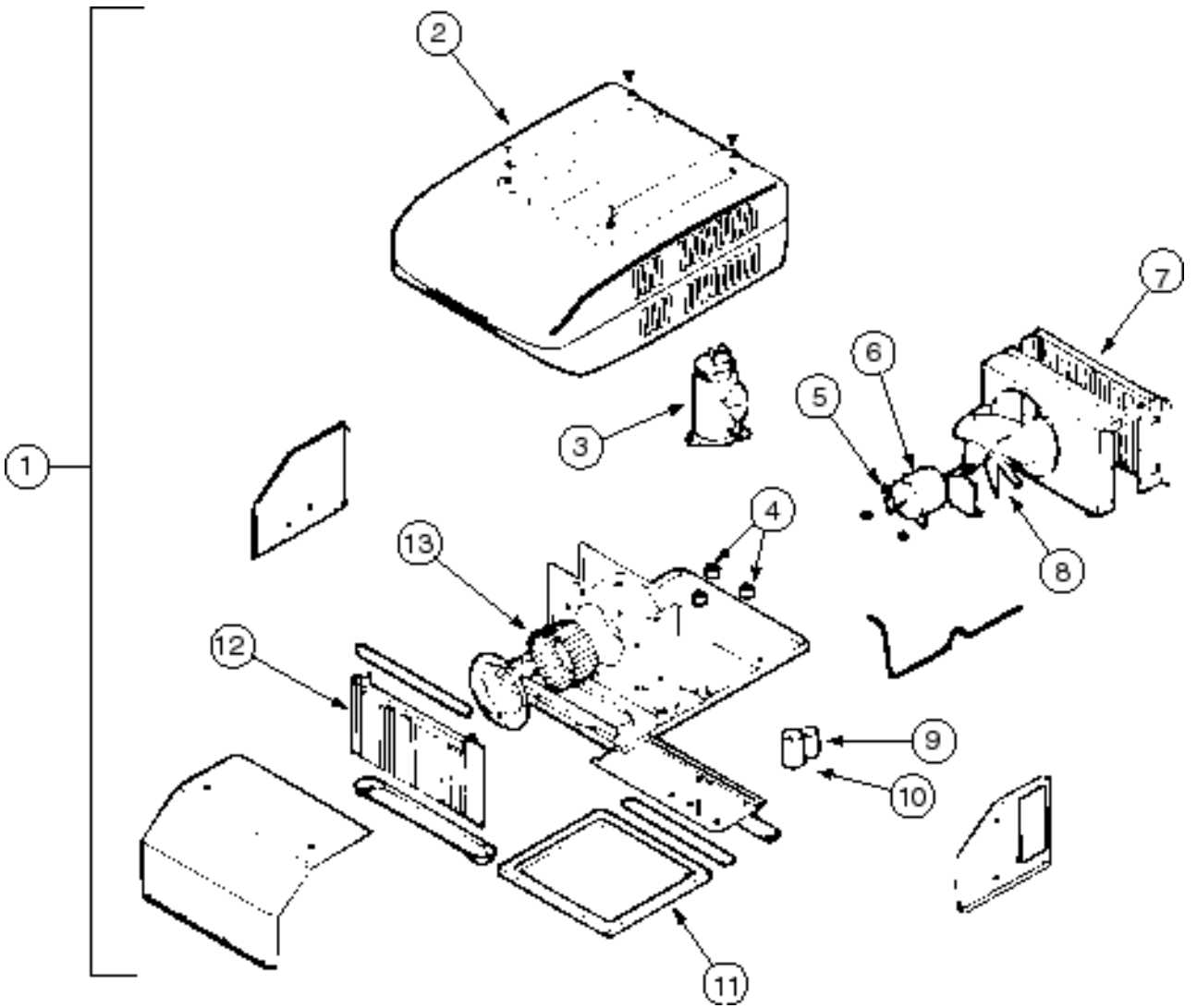
AIR CONDITIONING (CONTINUED)



**COLEMAN
MODEL 8632-876**

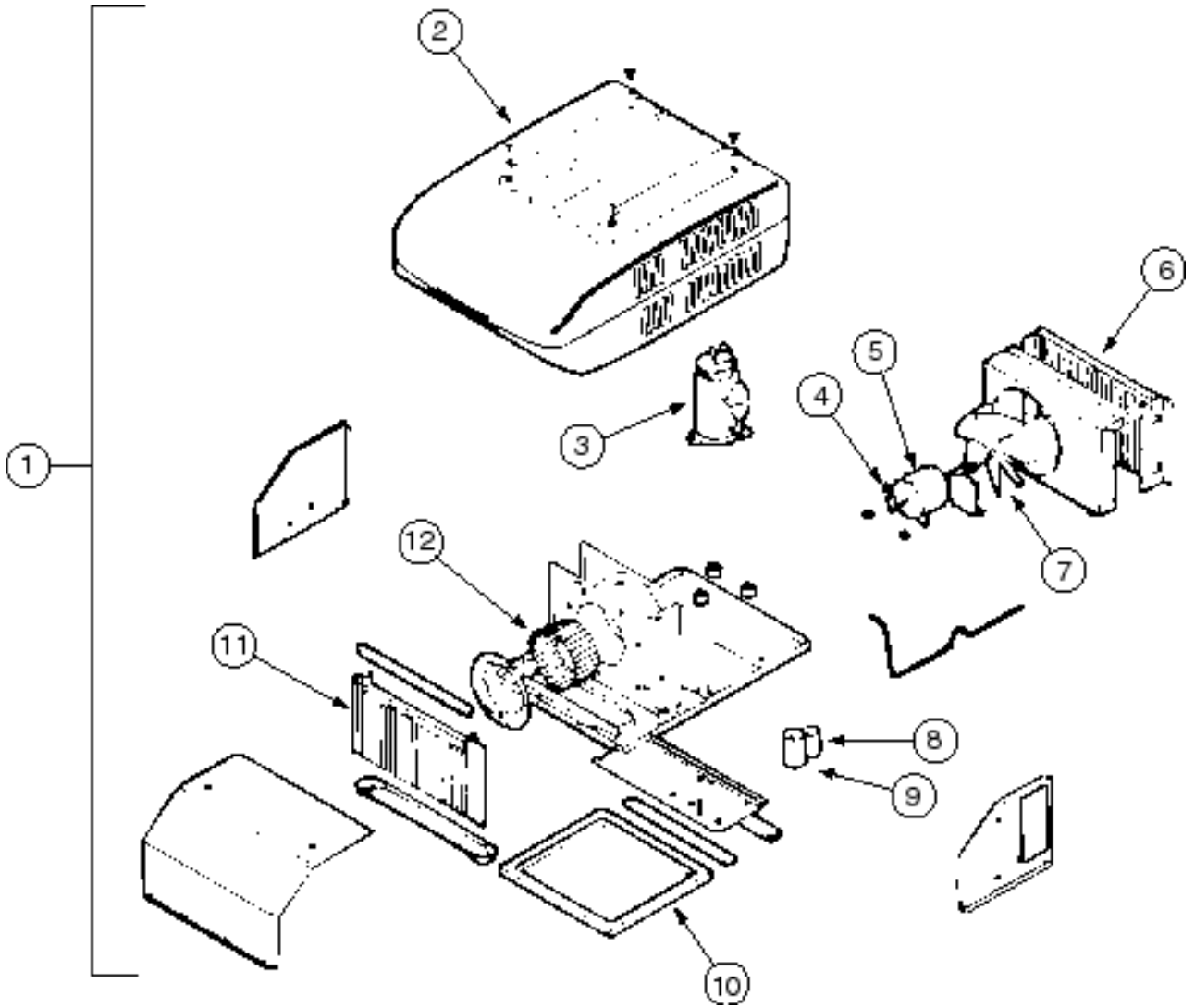
KEY	PART NUMBER	U/M	DESCRIPTION	VENDOR NO.
1	108889-01-01A	EA	A/C-ROOF,13,500 TSR HO IVORY 8632-876	
2	108889-01-701	EA	SHROUD(IVORY/IVORY)LESS/LOGO	6759-4601
3	108889-01-722	EA	COMPRESSOR TSR3 C & D ONLY	1450-2099
4	105620-01-706	EA	MOUNTING PKG.,COMP., 3 PER	6759-3081
5	108889-01-715	EA	MOTOR MOUNT & SHAFT SEAL KIT	6792A3361
6	108889-01-705	EA	MOTOR (115, 60HZ)	1468-3049
7	108889-01-703	EA	COIL-CONDENSER	1452A1301
8	093763-01-712	EA	BLADE-FAN-CONDENSER	6733-3221
9	093763-01-704	EA	CAPACITOR-FAN	1499-5461
10	108889-01-707	EA	CAPACITOR-RUN,COMP-25MFD/3701499-5661	
11	108889-01-711	EA	GASKET PKG	6792A3301
12	108889-01-709	EA	COIL-EVAPORATOR	1452A1311
13	108889-01-706	EA	IMPELLOR	1472-1041
	108889-01-710	EA	PAD-FILLER, CONDENSER SEAL	6759B3971
	108889 01-712	EA	LINE-SUCTION,REDUCER 3/8X1/2	1215-2161
	091225-01-709	EA	RELAY-START	1497-4131
	091225-01-710	EA	CAPACITOR-START	1497-0881
	093306-01-701	EA	DECAL PACKAGE, LEFT & RIGHT	6798B3591
	108889-01-704	EA	OVERLOAD (MRA#98693)	6749-3541
	108889-01-713	EA	LINE-SUCTION, 3/8ODX032 WALL	6792-130
	108889-01-714	EA	LINE ASSEMBLY-DISCHARGE	6792-531
	108889-01-720	EA	TUBE-CAP	6792-1351
	108889-01-721	EA	COMPRESSOR TSR3'S A & B'S	1450-2079
	108889-01-722	EA	COMPRESSOR TSR3 C & D ONLY	1450-2099

COLEMAN
MODEL 7333A886



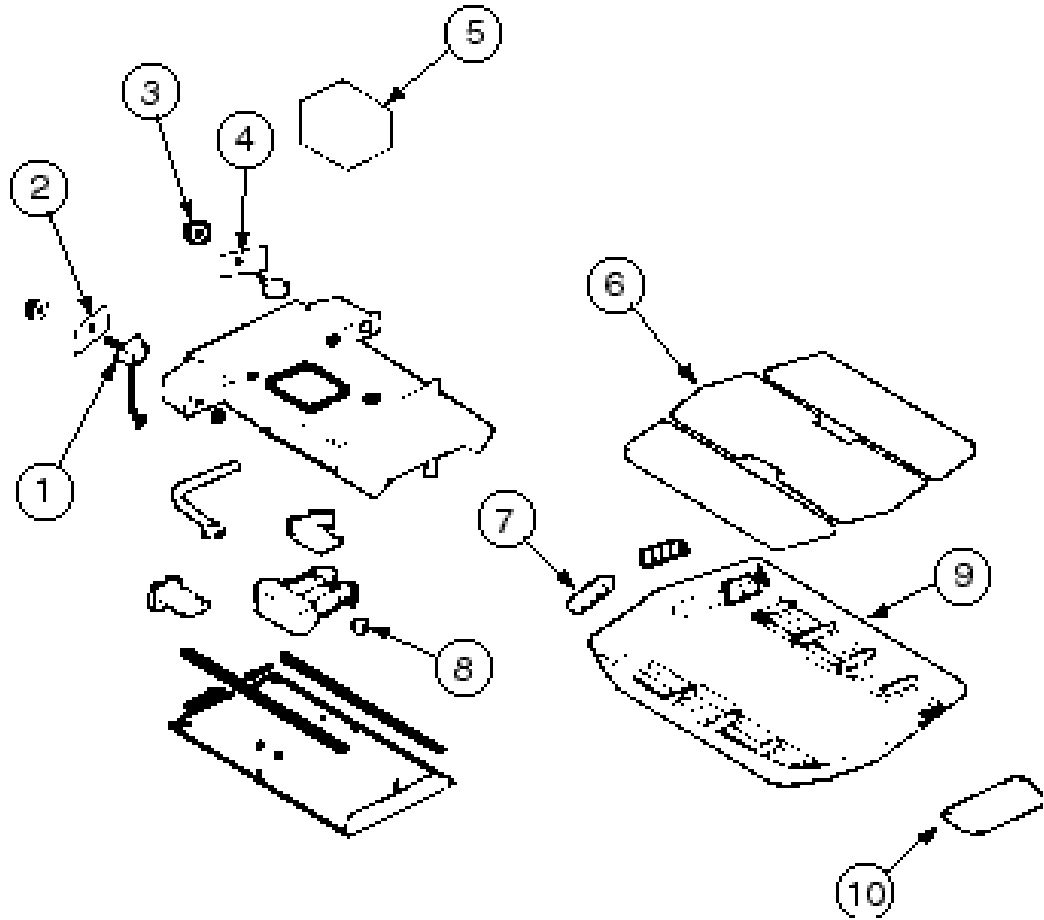
KEY	PART NUMBER	U/M	DESCRIPTION	VENDOR NO.
1	108889-01-05A	EA	A/C - ROOF - 13,500 TSR	7333-4601
2	108889-05-700	EA	SHROUD-BRIGHT/WHT. W/O LOGO	1450-2099
3	108889-01-722	EA	COMPRESSOR TSR3 C & D ONLY	6759-3081
4	105620-01-706	EA	MOUNTING PKG.,COMP., 3 PER	6792A3361
5	108889-01-715	EA	MOTOR MOUNT & SHAFT SEAL KIT	1468-3049
6	108889-01-705	EA	MOTOR (115, 60HZ)	1452A1301
7	108889-01-703	EA	COIL-CONDENSER	6733-3221
8	093763-01-712	EA	BLADE-FAN-CONDENSER	1499-5461
9	093763-01-704	EA	CAPACITOR-FAN	1499-5661
10	108889-01-707	EA	CAPACITOR-RUN,COMP-25MFD/370	6792A3301
11	108889-01-711	EA	GASKET PKG	1452A1311
12	108889-01-709	EA	COIL-EVAPORATOR	1472-1041
13	108889-01-706	EA	IMPELLOR	1497-4131
	091225-01-709	EA	RELAY-START	1497-0881
	091225-01-710	EA	CAPACITOR-START	6798B3591
	093306-01-701	EA	DECAL PACKAGE, LEFT & RIGH	6749-3541
	108889-01-704	EA	OVERLOAD (MRA#98693)	6759B3971
	108889-01-710	EA	PAD-FILLER, CONDENSER SEAL	1215-2161
	108889-01-712	EA	LINE-SUCTION,REDUCER 3/8X1/2	6792-130
	108889-01-713	EA	LINE-SUCTION, 3/8ODX032 WALL	6792-531
	108889-01-714	EA	LINE ASSEMBLY-DISCHARGE	6792-1351
	108889-01-720	EA	TUBE-CAP	1450-2079
	108889-01-721	EA	COMPRESSOR TSR3'S A & B'S	

COLEMAN
MODEL 7373A891



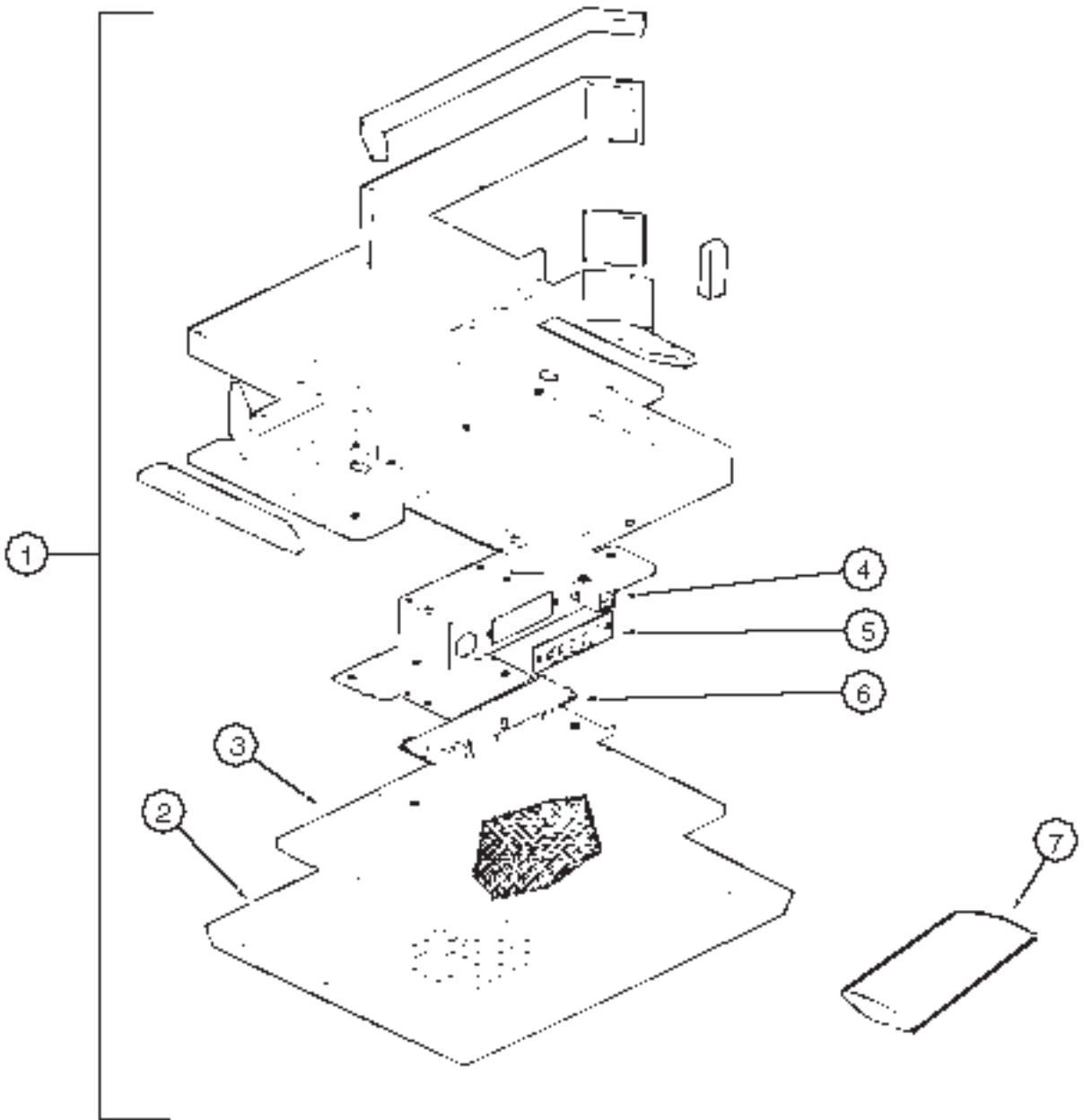
KEY	PART NUMBER	U/M	DESCRIPTION	VENDOR NO.
1	108889-02-03A	EA	A/C-ROOF, 13,500 BTU - TSR - 220 VOLT - BRIGHT WHITE	
	093306-01-701	EA	DECAL PACKAGE-LEFT & RIGHT	6798B3591
2	108889-05-700	EA	SHROUD-BRIGHT/WHT. W/O LOGO	7333-4601
3	108889-02-700	EA	COMPRESSOR-TECUMSEH	1450A2029
	105620-01-706	EA	FOOT PACKAGE-COMPRESSOR, 3 PER PKG	6759-3081
4	108889-01-715	EA	MOTOR MOUNT & SHAFT SEAL KIT	6792A3361
5	108889-02-701	EA	MOTOR	1468-3059
6	108889-01-703	EA	COIL-CONDENSER	1452A1301
7	093763-01-712	EA	FAN BLADE-CONDENSER	6733-3221
8	093763-01-704	EA	CAPACITOR-FAN	1499-5461
9	108889-01-707	EA	CAPACITOR-RUN, COMPRESSOR-25MFD/370	1499-5661
10	108889-01-711	EA	GASKET PACKAGE	6792A3301
11	108889-01-709	EA	COIL-EVAPORATOR	1452A1311
12	108889-01-706	EA	IMPELLOR	1472-1041
	105620-01-705	EA	PROTECTOR-OVERLOAD, RH & LH	6759-3791
	108889-01-710	EA	PAD-FILLER, CONDENSER SEAL	6759B3971
	108889-01-713	EA	SUCTION LINE, 3/8" OD X .032" WALL	6792-130
	108889-01-714	EA	LINE ASSEMBLY-DISCHARGE	6792-531
	108889-02-702	EA	CAPACITOR-START	1497-0891
	108889-02-703	EA	RELAY-START	1497-4141

**COLEMAN
COLEMAN 7330-713 W**



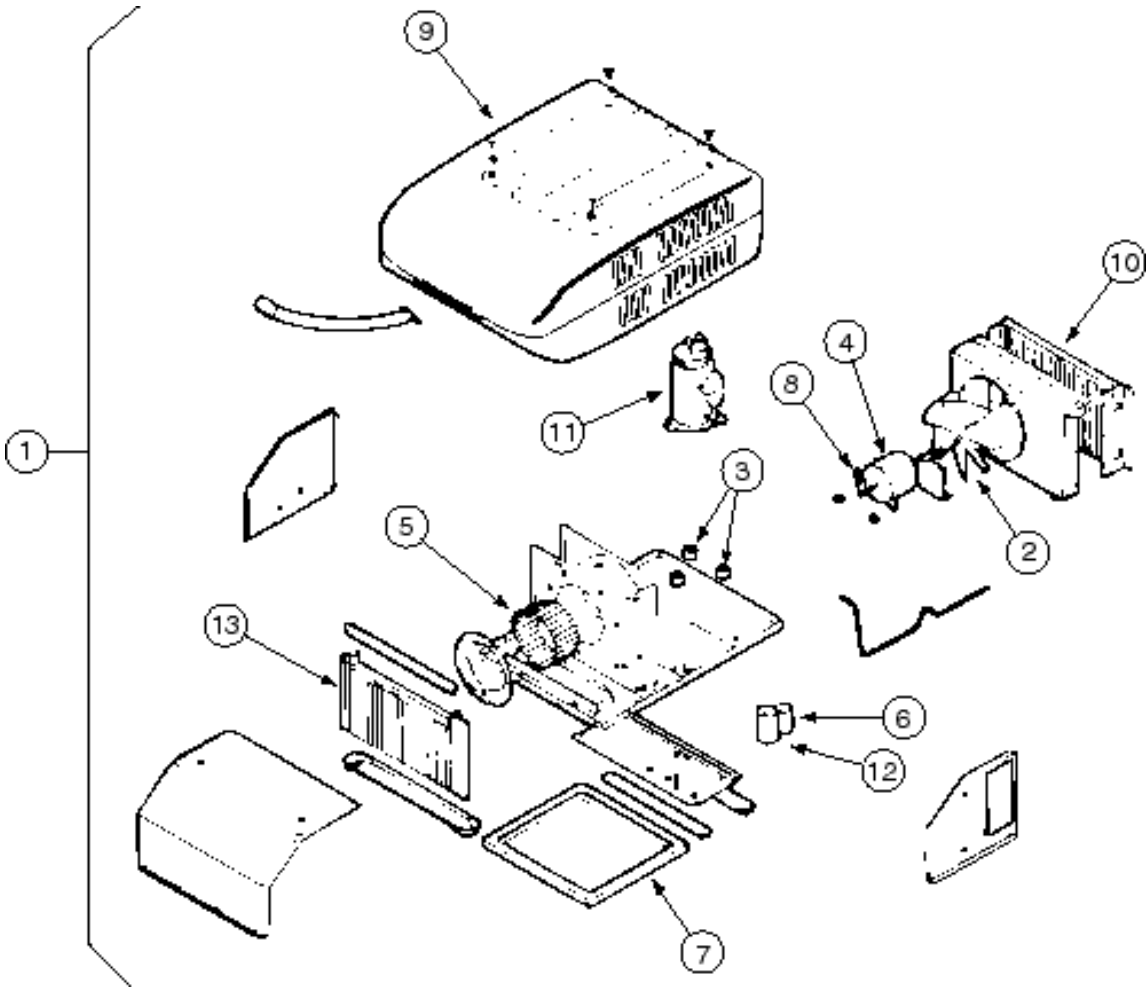
KEY	PART NUMBER	U/M	DESCRIPTION	VENDOR NO.
	108891-01-02A	EA	CEILING ASSEMBLY - A/C COOL	
1	042204-01-709	EA	THERMOSTAT-IN 64 OUT 58	6701-3401
2	091225-01-717	EA	DECAL-THERMOSTAT, COOL ONLY	6799A3441
3	091225-01-713	EA	KNOB	6701-3351
4	073742-01-702	EA	DECAL-COOL ONLY	6759C3431
5	108891-01-702	EA	COLLAR-DUCT, W/METL FLANGE	6792-4541
6	076303-01-707	EA	FILTER-6" X 143/4 X 1/2(24)	6703-A3151
	093766-02-701	EA	DECAL-LEFT	6799-3971
7	063903-01-702	EA	LOUVER	6703A5191
8	073742-01-701	EA	SWITCH - SELECTOR/5 TERMINAL	6759-3251
9	108891-01-703	EA	SHROUD - CEILING WHITE	6769-5051
10	108891-01-700	EA	PARTS PKG. SGL (KNOB & NUTS)	6792-5991
	108891-01-701	EA	CLIP-FILTER RETAINER, 6 PER	6799-3141

COLEMAN 7330-730 I



KEY	PART NUMBER	U/M	DESCRIPTION	VENDOR NO.
1	108892-01-01A	EA	CEILING ASM-A/C DUCTED	6798-3041
2	108892-01-704	EA	GRILLE (PLASTIC)	6798A3761
3	108892-01-703	EA	FILTER	7330-540
4	108892-01-700	EA	PLUG ASSEMBLY	7330-3201
5	108892-01-701	EA	BOARD-TERMINAL	7330A3211
6	108892-01-702	EA	BOARD-P.C.	7330A6101
7	108892-01-705	EA	SMALL PARTS PKG	

COLEMAN
COLEMAN 7335B896

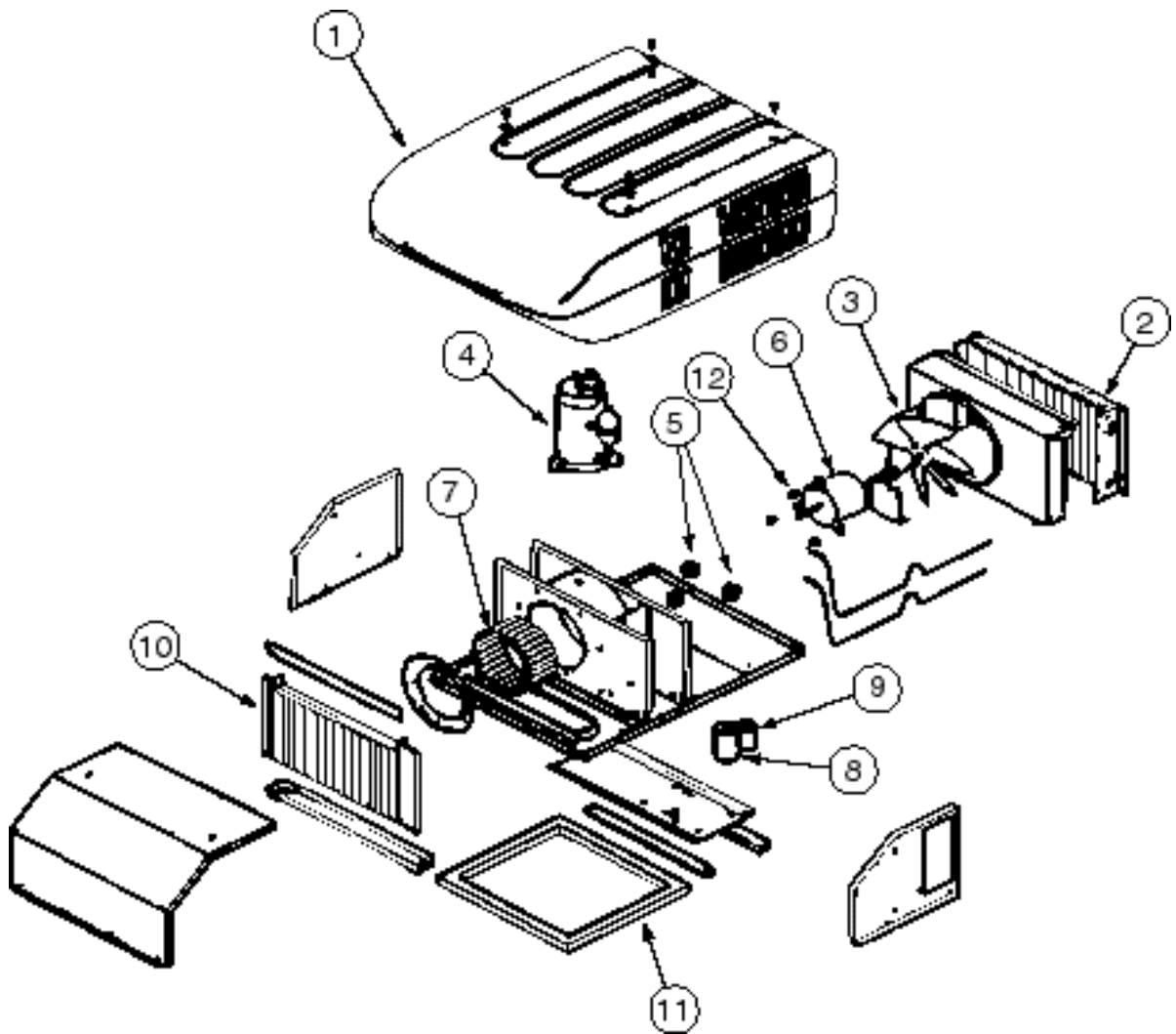


KEY	PART NUMBER	U/M	DESCRIPTION	VENDOR NO.
1	115219-01-03A	EA	A/C-ROOF,14,800 MACH 15 B/WT - *COLEMAN 7335B896	
2	093763-01-712	EA	BLADE-FAN-CONDENSER	6733-3221
3	105620-01-706	EA	MOUNTING PKG.,COMP., 3 PER	6759-3081
4	108889-01-705	EA	MOTOR (115, 60HZ)	1468-3049
5	108889-01-706	EA	IMPELLOR	1472-1041
6	093763-01-704	EA	CAPACITOR-FAN	1499-5461
	108889-01-710	EA	PAD-FILLER, CONDENSER SEAL	6759A3971
7	108889-01-711	EA	GASKET PKG	6792-3301
8	108889-01-715	EA	MOTOR MOUNT & SHAFT SEAL KIT	6792-3361
9	108889-05-700	EA	SHROUD-BRIGHT/WHT. W/O LOGO	7333-4601
10	115219-01-700	EA	COIL-CONDENSER	1452-1321
11	N/A	EA	COMPRESSOR - PANASONIC	1450-2039
12	115219-01-702	EA	CAPACITOR-RUN, COMPRESSOR	1499-5741
	115219-01-703	EA	RELAY-START	1497-4151
13	115219-01-704	EA	COIL-EVAPORATOR	1452-1331
	115219-01-705	EA	LINE-SUCTION, LOWER	7335-130
	115219-01-706	EA	LINE-SUCTION, UPPER	7335-131
	115219-01-707	EA	LINE ASSEMBLY, DISCHARGE	7335A132
	093306-01-701	EA	DECAL PACKAGE, LEFT & RIGHT	6798B3591
	093306-01-720	EA	CAPACITOR-START, 21-25 MFD33	1497-3351
	102289-01-000	EA	SPRING - SCREW - ROOF A/C GASKET	
	084077-03-000	EA	COVER-BLANK, ROOF A/C - 5.2" X 3.5" - IVORY	
	092633-01-02A	EA	FRAME - PLATE - ROOF A/C - 5.7" X 3.9" ANY COLOR	

FROM: 10-14-96 THRU: 99-99-99

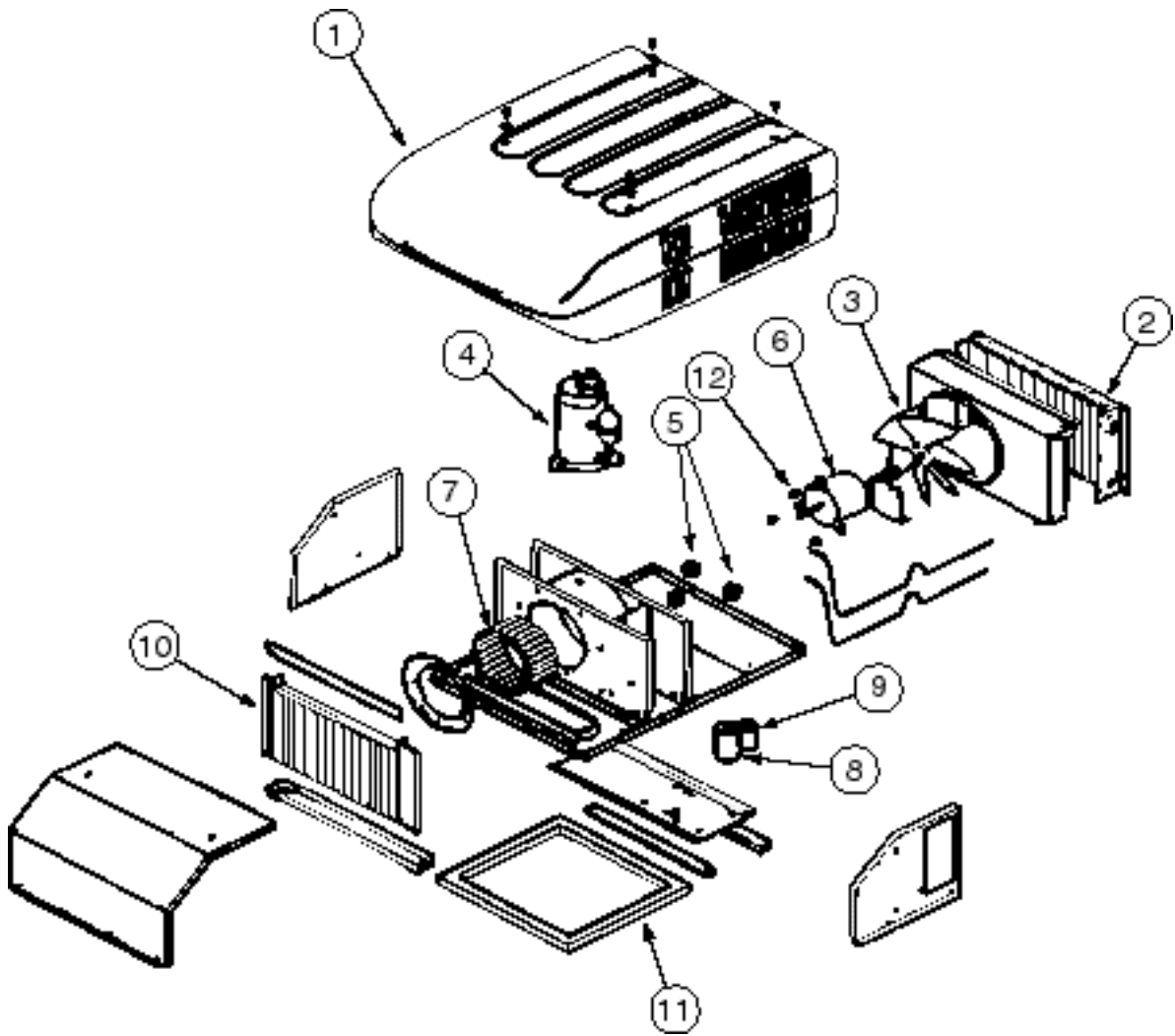
117238-01-01A EA THERMOSTAT - A/C AND FURNACE

COLEMAN
MODEL 7632A8964



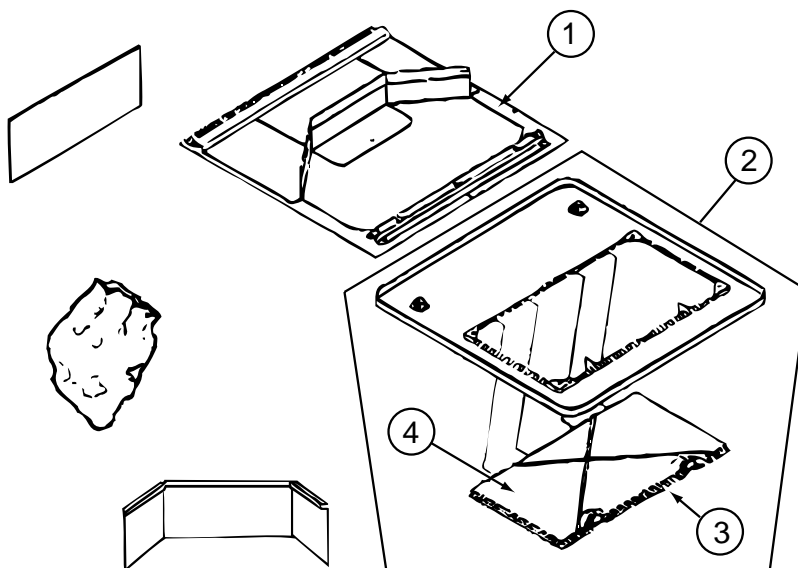
KEY	PART NUMBER	U/M	DESCRIPTION	VENDOR NO.
	126859-01-01A	EA	A/C - ROOF MACH 1 POWERSAVER	
1	063903-01-700	EA	SHROUD	6759-4601
1	108889-05-700	EA	SHROUD - BRIGHT/WHT. W/O LOGO	7333-4601
2	115219-01-700	EA	COIL - CONDENSER	1452A1321
3	093763-01-712	EA	BLADE - FAN - CONDENSER	6733-3221
4	126859-01-700	EA	COMPRESSOR - RK124AT-001-A4Y	1450-2109
5	105620-01-706	EA	MOUNTING PACKAGE - COMPRESSOR - (3 PER)	6759-3081
6	126859-01-702	EA	MOTOR - 115V, 60HZ	1468-3099
7	093306-01-706	EA	WHEEL - BLOWER - 6 5/16" X 2 7/8"	6707-3281
8	126859-01-703	EA	CAPACITOR - RUN	1499-5671
9	093763-01-704	EA	CAPACITOR - FAN	1499-5461
10	126859-01-705	EA	COIL - EVAPORATOR	1452B1331
11	108889-01-711	EA	GASKET PACKAGE	6792A3301
12	108889-01-715	EA	MOTOR MOUNT & SHAFT SEAL KIT	6792A3361
	091225-01-709	EA	RELAY - START	1497-4131
	093306-01-701	EA	DECAL PACKAGE, LEFT & RIGHT	6798B3591
	108892-01-703	EA	FILTER	6798A3761
	108892-01-705	EA	SMALL PARTS PACKAGE	7330A6101
	126859-01-701	EA	OVERLOAD PROTECTOR - MRA# 4761	1450-0061
	126859-01-704	EA	CAPACITOR - START	1497-0871
	126859-01-706	EA	LINE - SUCTION	7532A130
	126859-01-707	EA	LINE ASSEMBLY - DISCHARGE	7633-131

COLEMAN
MODEL 7633A8964



KEY	PART NUMBER	U/M	DESCRIPTION	VENDOR NO.
	126860-01-01A	EA	A/C - ROOF MACH 3 POWERSAVER	
1	063903-01-700	EA	SHROUD	6759-4601
1	108889-05-700	EA	SHROUD - BRIGHT/WHT. W/O LOGO	7333-4601
2	115219-01-700	EA	COIL - CONDENSER	1452A1321
3	093763-01-712	EA	BLADE - FAN - CONDENSER	6733-3221
4	126860-01-700	EA	COMPRESSOR RK136AT-002-A4Y	1450-2119
5	105620-01-706	EA	MOUNTING PACKAGE - COMPRESSOR - (3 PER)	6759-3081
6	126859-01-702	EA	MOTOR - 115V, 60HZ	1468-3099
7	093306-01-706	EA	WHEEL - BLOWER - 6 5/16" X 2 7/8"	6707-3281
8	126859-01-703	EA	CAPACITOR - RUN	1499-5671
9	093763-01-704	EA	CAPACITOR - FAN	1499-5461
10	126859-01-705	EA	COIL - EVAPORATOR	1452B1331
11	108889-01-711	EA	GASKET PACKAGE	6792A3301
12	108889-01-715	EA	MOTOR MOUNT & SHAFT SEAL KIT	6792A3361
	091225-01-709	EA	RELAY - START	1497-4131
	093306-01-701	EA	DECAL PACKAGE, LEFT & RIGHT	6798B3591
	108892-01-703	EA	FILTER	6798A3761
	108892-01-705	EA	SMALL PARTS PACKAGE	7330A6101
	126860-01-701	EA	OVERLOAD PROTECTOR - MRA# 1460	1450-0071
	126859-01-704	EA	CAPACITOR - START	1497-0871
	126859-01-706	EA	LINE - SUCTION	7532A130
	126859-01-707	EA	LINE ASSEMBLY - DISCHARGE	7633-131

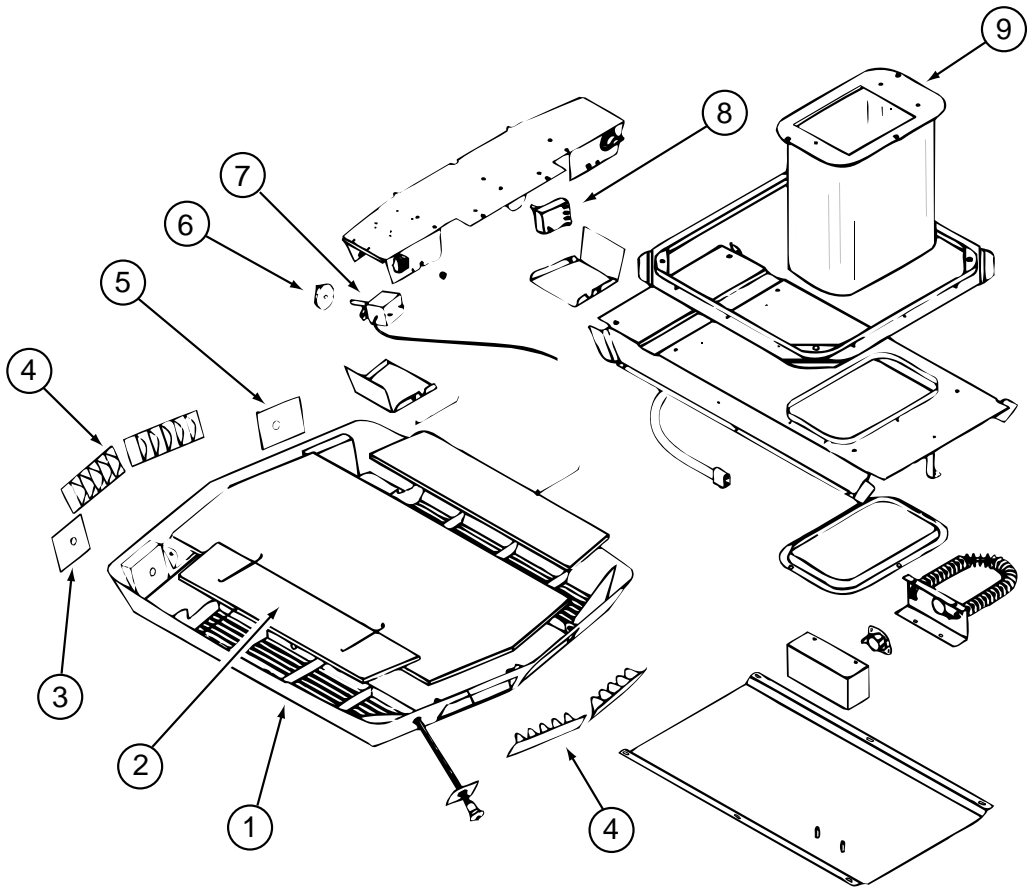
AIR CONDITIONING (CONTINUED)



**COLEMAN
MODEL 3105935.01**

KEY	PART NUMBER	U/M	DESCRIPTION	VENDOR NO.
	130671-02-01A	EA	CEILING ASM-A/C DUCTED,WHT	
1	130671-02-702	EA	TEMPLATE CEILING	310500.016
2	130671-02-700	EA	GRILL ASSEMBLY - POLAR WHITE	3105958.015
3	130671-02-701	EA	GRILL - RETURN AIR/POLAR WHT	3104928.019
4	130671-02-703	EA	FILTER	3105012.003

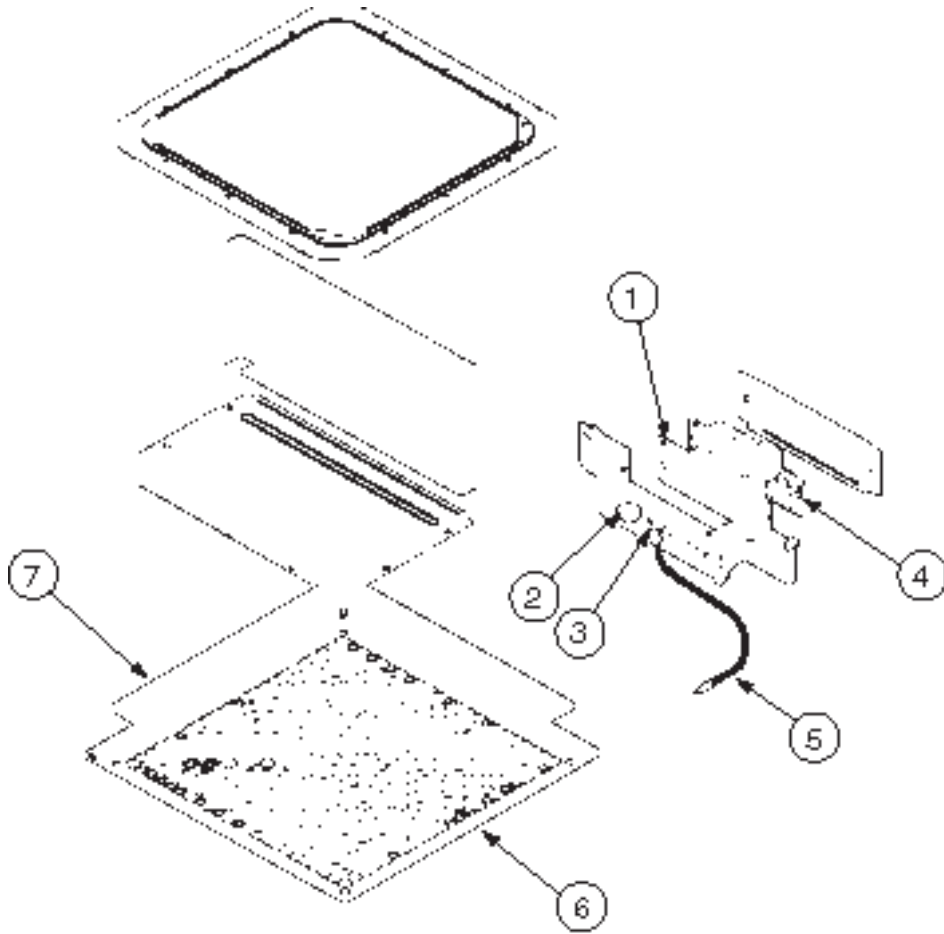
AIR CONDITIONING (CONTINUED)



**COLEMAN
MODEL 8330-713**

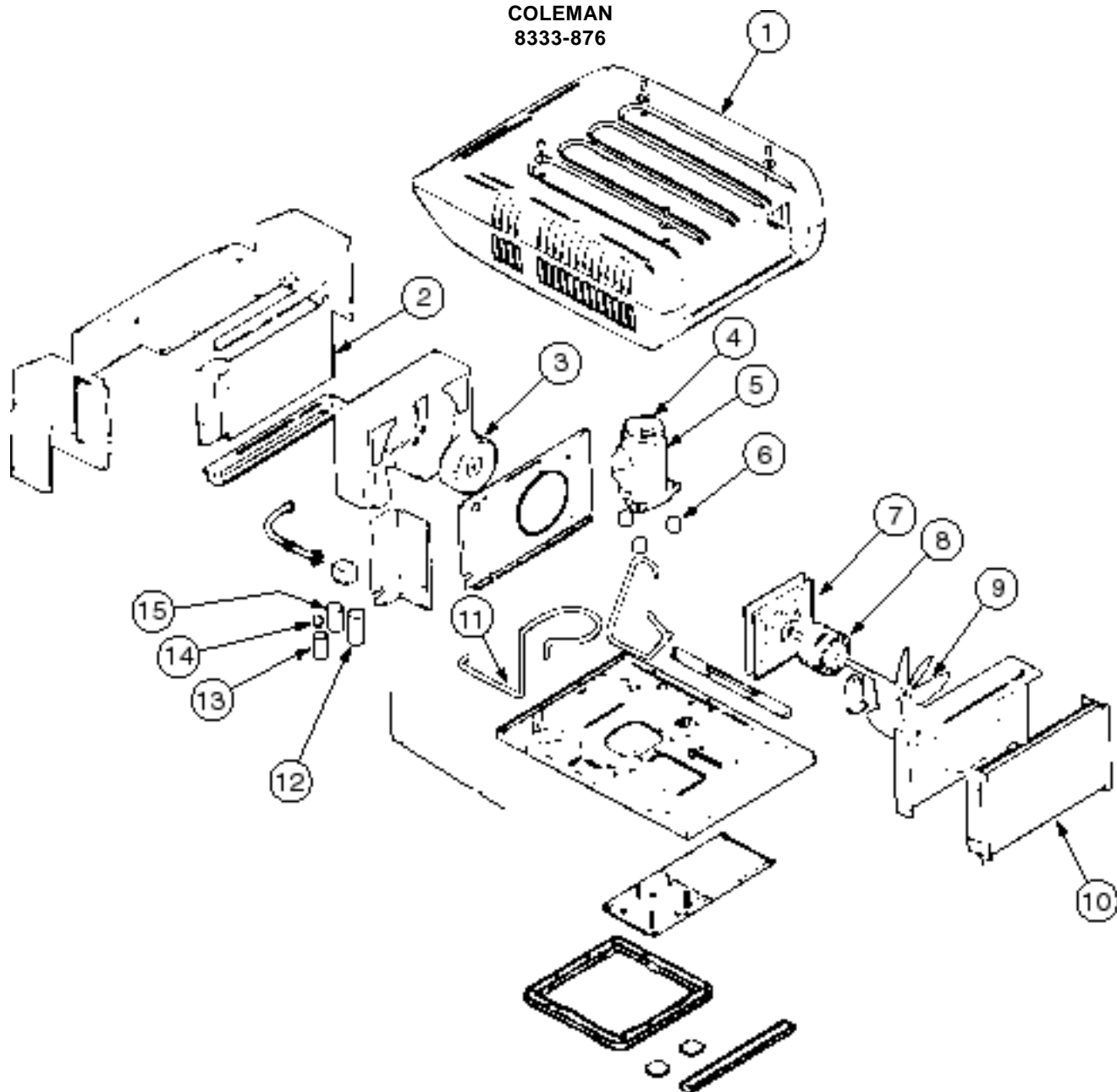
KEY	PART NUMBER	U/M	DESCRIPTION	VENDOR NO.
	131183-01-01A	EA	CEILING ASM-A/C COOL MACH,WH	
1	108891-01-703	EA	SHROUD - CEILING WHITE	6769-5051
2	093766-02-702	EA	FILTER-PKG OF 2-5 X14.5 X1/8	6703-3303
3	091225-01-717	EA	DECAL-THERMOSTAT, COOL ONLY	6799A3441
4	131183-01-700	EA	LOUVER - WHITE - W/WASHER	6703-6191
5	073742-01-702	EA	DECAL-COOL ONLY	6759C3431
6	091225-01-713	EA	KNOB	6701-3351
7	042204-01-709	EA	THERMOSTAT-IN 64 OUT 58	6701-3401
8	073742-01-701	EA	SWITCH - SELECTOR/5 TERMINAL	6759-3251
9	108889-02-704	EA	AIR DUCT PKG PLASTIC FLANGED	6792B4541
	108891-01-701	EA	CLIP-FILTER RETAINER, 6 PER	6799-3141

**CEILING ASSEMBLY
COLEMAN 8330-7332**



KEY	PART NUMBER	U/M	DESCRIPTION	VENDOR NO.
	131184-01-01A	EA	CEILING ASSEMBLY - A/C DUCTED - WHITE	COLEMAN 8330-7332
1	131184-01-702	EA	ISOLATOR - BLANK	7330A365
2	131184-01-700	EA	PLUG ASSEMBLY	7330A389
3	131184-01-701	EA	TERMINAL BOARD	7330B3201
4	108892-01-702	EA	BOARD-P.C.	7330A3211
5	131184-01-704	EA	COIL SENSOR	7330-6111
6	108892-01-704	EA	GRILLE 16 3/8X16 3/8 RETURN	6798-3041
7	108892-01-703	EA	FILTER	6798A3761
	131184-01-703	EA	SMALL PARTS PKG	8330-5961
	131184-01-705	EA	JUNCTION BOX ASSEMBLY	7330B5551

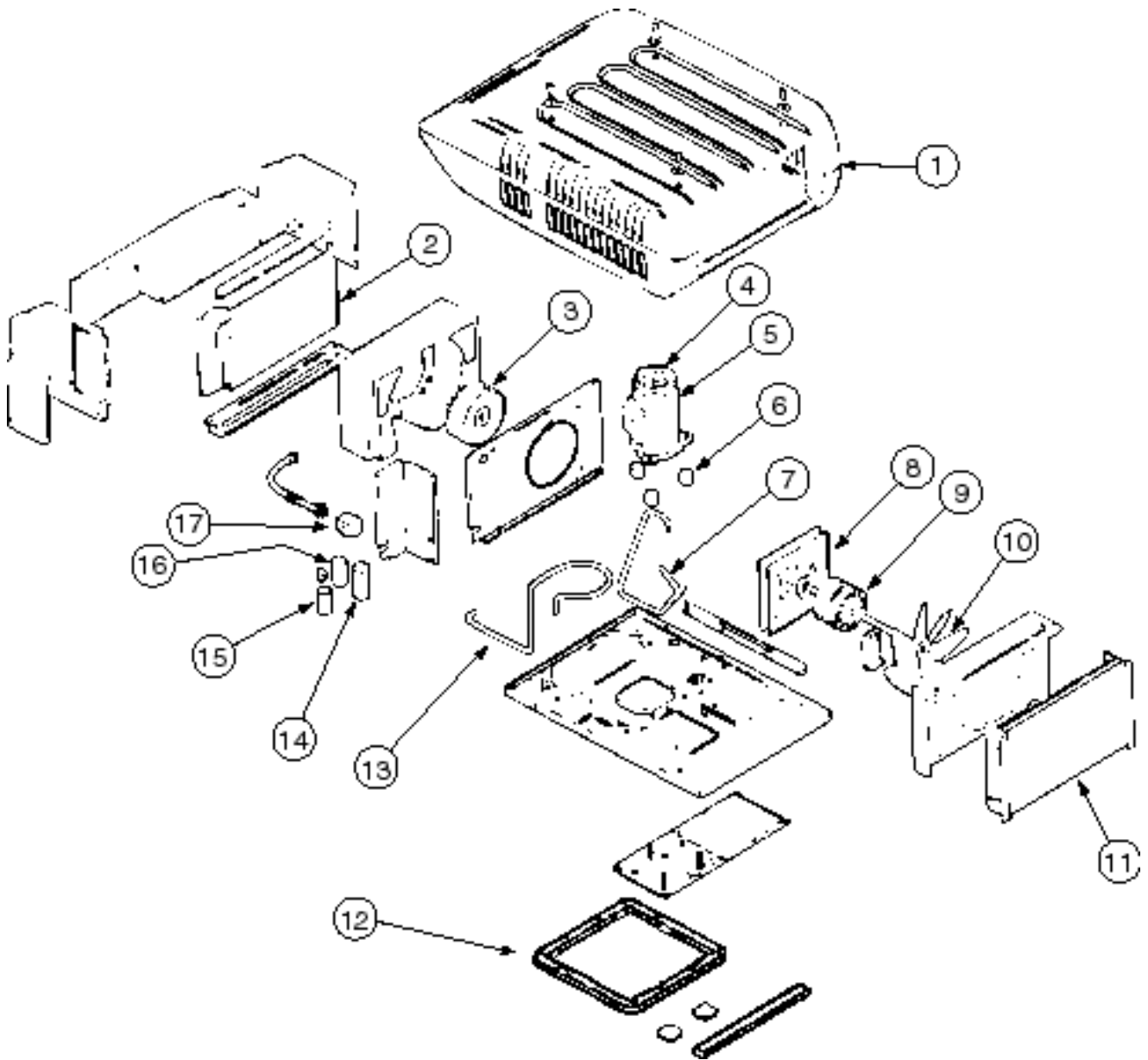
AIR CONDITIONER
COLEMAN
8333-876



KEY	PART NUMBER	U/M	DESCRIPTION	VENDOR NO.
	131185-01-01A	EA	A/C - ROOF - 13,500 BTU - WHITE	
1	108889-05-700	EA	SHROUD BRIGHT/WHITE W/O LOGO	7333-4601
2	131185-01-703	EA	EVAPORATOR COIL	1452-1491
3	131185-01-702	EA	IMPELLOR	1472-1091
4	105620-01-705	EA	OVERLOAD PROTECTOR - RH/LH	6759-3791
5	108889-01-722	EA	COMPRESSOR - TSR3 C&D ONLY	1450-2099
6	105620-01-706	EA	MOUNTING PACKAGE - COMPRESSOR - 3 PER	6759-3081
7	131185-01-704	EA	MOTOR MOUNT & SEAL KIT	8333-5151
8	131185-01-701	EA	MOTOR - 115V - 60HZ	1468-3069
9	093763-01-712	EA	BLADE - FAN - CONDENSER	6733-3221
10	131185-01-700	EA	COIL - CONDENSER	1452A1451
11	131185-01-705	EA	LINE - SUCTION	6792B130
12	108889-01-707	EA	CAPACITOR - RUN - COMPRESSOR - 25MFD/370	1499-5661
13	105620-10-704	EA	CAPACITOR - START	1497-0861
14	105620-10-705	EA	PTCR (START DEVICE)	1497-9021
15	108889-01-708	EA	CAPACITOR - FAN - 7.5 MFD/370U	1499-5461
	093306-01-701	EA	DECAL PACKAGE - LEFT & RIGHT	6798B3591
	108889-01-710	EA	PAD - FILLER - CONDENSER SEAL	6759B3971
	131185-01-706	EA	DISCHARGE LINE	7333A136

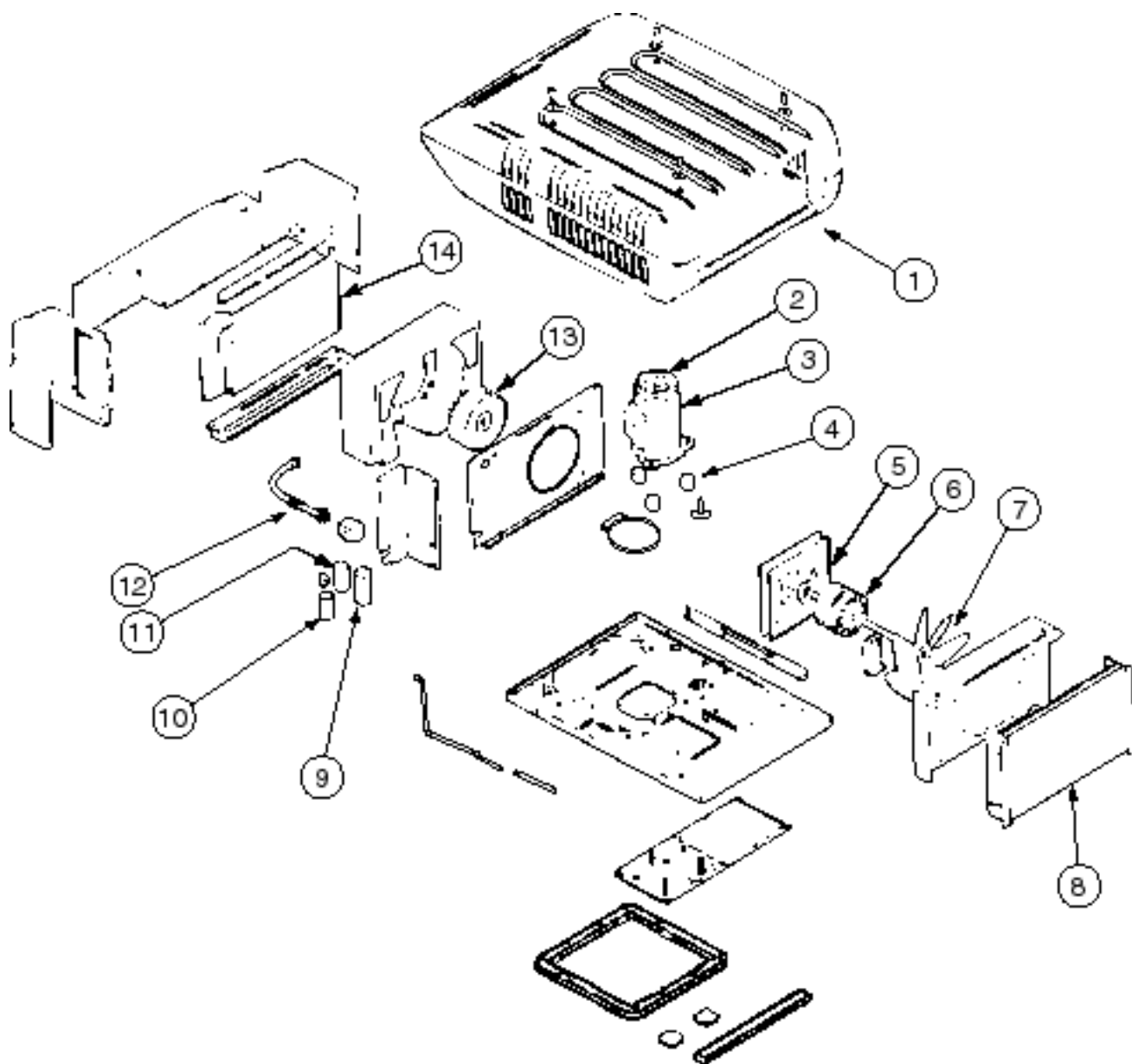
AIR CONDITIONING

13,500 BTU 220V
COLEMAN 8373-897



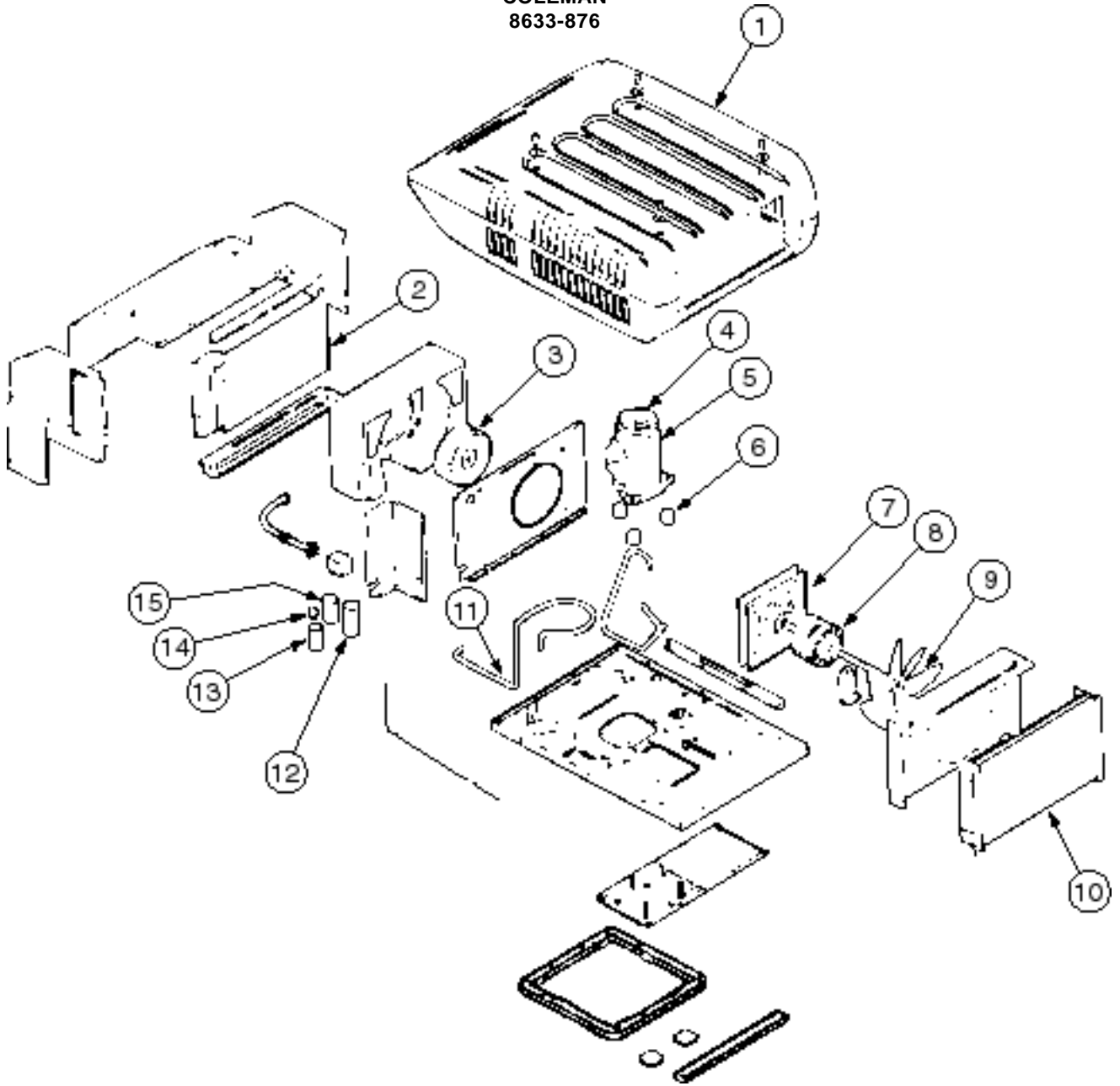
KEY	PART NUMBER	U/M	DESCRIPTION	VENDOR NO.
	131185-02-01A	EA	A/C - ROOF - 13,500 BTU - 220V - WHITE	
1	108889-05-700	EA	SHROUD BRIGHT/WHITE W/O LOGO	7333-4601
2	131185-01-703	EA	EVAPORATOR COIL	1452-1491
3	131185-01-702	EA	IMPELLOR	1472-1091
4	105620-01-705	EA	OVERLOAD PROTECTOR - RH/LH	6759-3791
5	108889-02-700	EA	COMPRESSOR - TECUMSEH	1450A2029
6	105620-01-706	EA	MOUNTING PACKAGE - COMPRESSOR - 3 PER	6759-3081
7	131185-02-703	EA	LINE - DISCHARGE	6792B131
8	131185-01-704	EA	MOTOR MOUNT & SEAL KIT	8333-5151
9	131185-02-701	EA	MOTOR - 115V - 60HZ	1468-3069
10	093763-01-712	EA	BLADE - FAN - CONDENSER	6733-3221
11	131185-01-700	EA	COIL - CONDENSER	1452A1451
12	037648-01-714	EA	GASKET PACKAGE	8332-3301
13	131185-01-705	EA	LINE - SUCTION	6792B130
14	108889-01-707	EA	CAPACITOR - RUN - COMPRESSOR - 25MFD/370	1499-5661
15	105620-10-704	EA	CAPACITOR - START	1497-0861
16	093763-01-704	EA	CAPACITOR - FAN	1499-5461
17	108889-02-703	EA	RELAY - START	1497-4141
	093306-01-701	EA	DECAL PACKAGE - LEFT & RIGHT	6798B3591
	108889-01-710	EA	PAD - FILLER - CONDENSER SEAL	6759B3971

**AIR CONDITIONER
COLEMAN
8632-876**



KEY	PART NUMBER	U/M	DESCRIPTION	VENDOR NO.
	131186-01-01A	EA	A/C - ROOF MACH 1 POWERSAVER - WHITE	
1	108889-05-700	EA	SHROUD BRIGHT/WHITE W/O LOGO	7333-4601
2	126859-01-701	EA	OVERLOAD PROTECTOR - RA#4761	1450-0061
3	126859-01-700	EA	COMPRESSOR - RK124AT-001-A4Y	1450-0061
4	105620-01-706	EA	MOUNTING PACKAGE - COMPRESSOR - 3 PER	6759-3081
5	131185-01-704	EA	MOTOR MOUNT & SEAL KIT	8333-5151
6	131186-01-700	EA	MOTOR - 115V - 60HZ	1468-3109
7	093763-01-712	EA	BLADE - FAN - CONDENSER	6733-3221
8	115219-01-700	EA	COIL - CONDENSER	1452A1321
9	126859-01-703	EA	CAPACITOR - RUN	1499-5671
10	093763-01-704	EA	CAPACITOR - FAN	1499-5461
11	105620-10-704	EA	CAPACITOR - START	1497-0861
12	105620-10-705	EA	PTCR (START DEVICE)	1497-9021
13	131185-01-702	EA	IMPELLOR	1472-1091
14	131186-01-701	EA	EVAPORATOR COIL	1452-1521
	093306-01-701	EA	DECAL PACKAGE - LEFT & RIGHT	6798B3591
	108889-01-710	EA	PAD - FILLER - CONDENSER SEAL	6759B3971
	126859-01-706	EA	LINE - SUCTION	7532A130

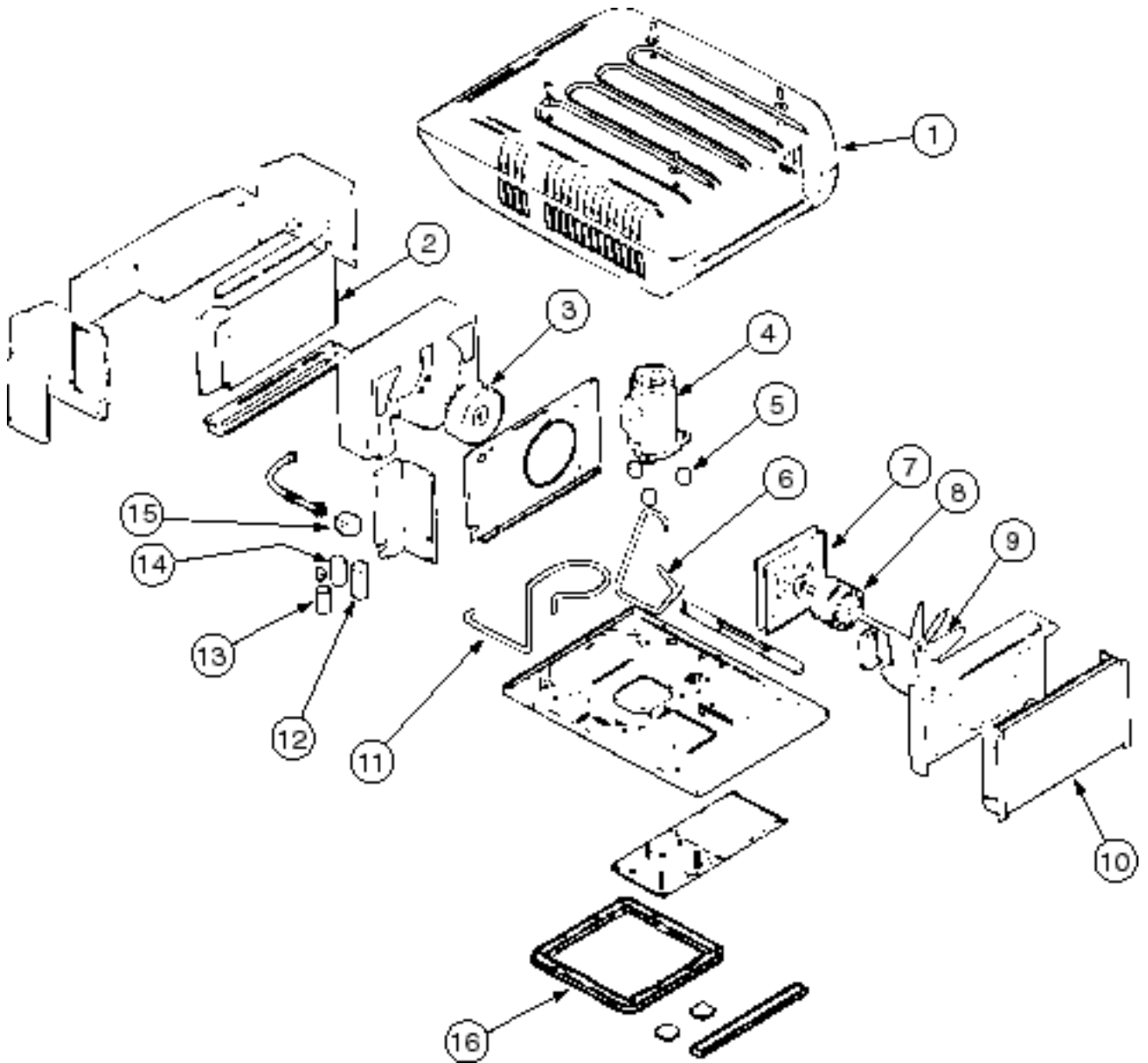
**AIR CONDITIONER
COLEMAN
8633-876**



KEY	PART NUMBER	U/M	DESCRIPTION	VENDOR NO.
	131187-01-01A	EA	A/C - ROOF MACH 3 POWERSAVER - WHITE	
1	108889-05-700	EA	SHROUD BRIGHT/WHITE W/O LOGO	7333-4601
2	131186-01-701	EA	EVAPORATOR COIL	1452-1521
3	131185-01-702	EA	IMPELLOR	1472-1091
4	126860-01-701	EA	OVERLOAD PROTECTOR - MRA#1460	1450-0071
5	126860-01-700	EA	COMPRESSOR - RK136AT-002-A4Y	1450-2119
6	105620-01-706	EA	MOUNTING PACKAGE - COMPRESSOR - 3 PER	6759-3081
7	131185-01-704	EA	MOTOR MOUNT & SEAL KIT	8333-5151
8	131186-01-700	EA	MOTOR - 115V - 60HZ	1468-3109
9	093763-01-712	EA	BLADE - FAN - CONDENSER	6733-3221
10	115219-01-700	EA	COIL - CONDENSER	1452A1321
11	126859-01-706	EA	LINE - SUCTION	7532A130
12	126859-01-703	EA	CAPACITOR - RUN	1499-5671
13	105620-10-704	EA	CAPACITOR - START	1497-0861
14	105620-10-705	EA	PTCR (START DEVICE)	1497-9021
	093306-01-701	EA	DECAL PACKAGE - LEFT & RIGHT	6798B3591
	108889-01-710	EA	PAD - FILLER - CONDENSER SEAL	6759B3971

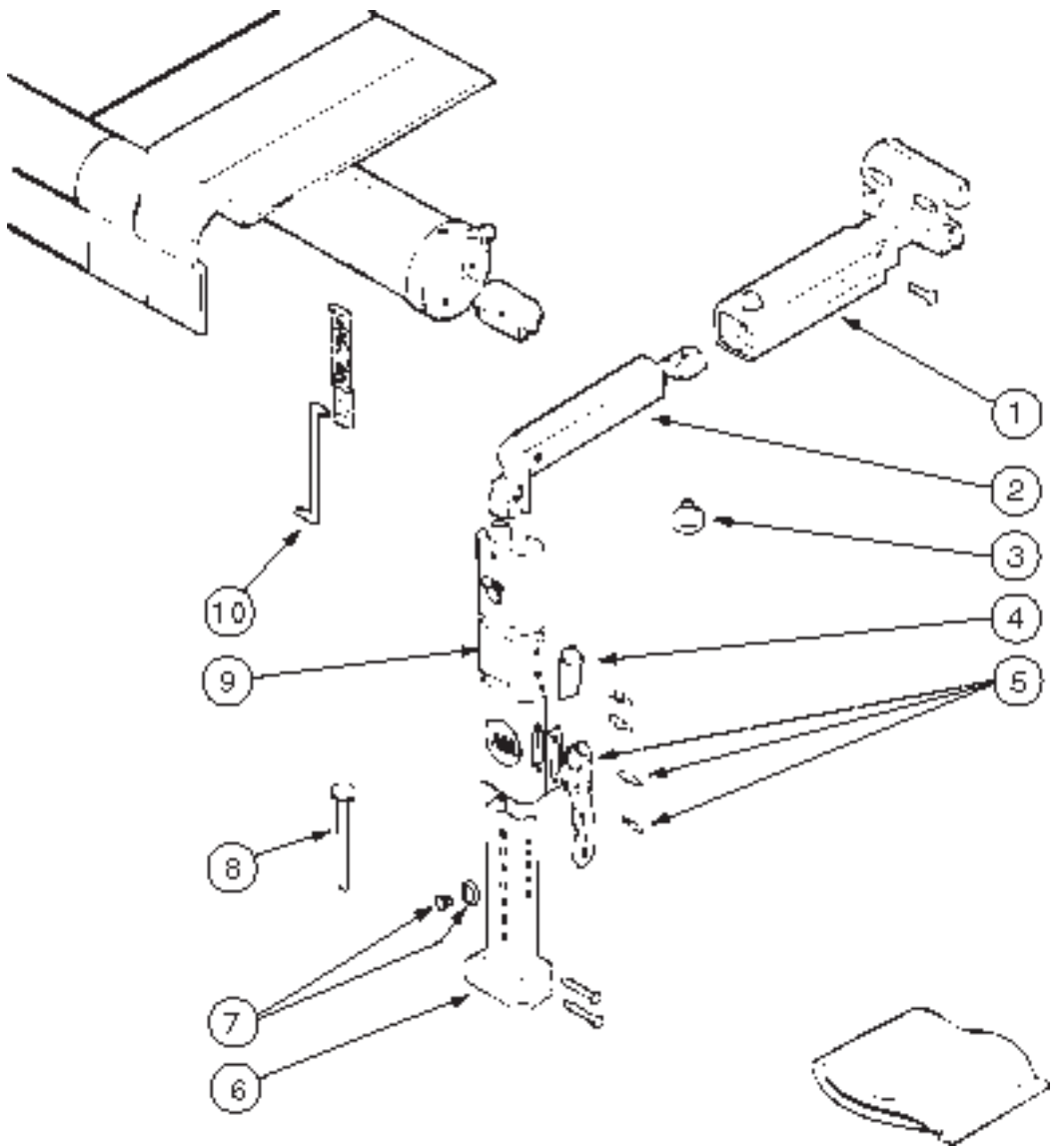
AIR CONDITIONING

14,800 BTU
COLEMAN 8335-896



KEY	PART NUMBER	U/M DESCRIPTION	VENDOR NO.
	131188-01-01A	EA A/C - ROOF - 14,800 MACH 15 - WHITE	
1	108889-05-700	EA SHROUD BRIGHT/WHITE W/O LOGO	7333-4601
2	131186-01-701	EA EVAPORATOR COIL	1452-1521
3	131185-01-702	EA IMPELLOR	1472-1091
4	131188-01-700	EA COMPRESSOR - TECUMSEH	1450A2609
5	105620-01-706	EA MOUNTING PACKAGE - COMPRESSOR - 3 PER	6759-3081
6	131188-01-703	EA LINE DISCHARGE	7335A135
7	131185-01-704	EA MOTOR MOUNT & SEAL KIT	8333-5151
8	131185-01-701	EA MOTOR - 115V - 60HZ	1468-3069
9	093763-01-712	EA BLADE - FAN - CONDENSER	6733-3221
10	115219-01-700	EA COIL - CONDENSER	1452A1321
11	131188-01-702	EA LINE - SUCTION	7335A134
12	131188-01-701	EA CAPACITOR - COMPRESSOR - RUN - 40 MFD 370V	1499-5721
13	126859-01-704	EA CAPACITOR - COMPRESSOR - START	1497-0871
14	108889-01-708	EA CAPACITOR - FAN - 7.5 MFD 370V	1499-5461
15	091225-01-709	EA RELAY - START	1497-4131
16	037648-01-714	EA GASKET PACKAGE	8332-3301
	093306-01-701	EA DECAL PACKAGE - LEFT & RIGHT	6798B3591
	108889-01-710	EA PAD - FILLER - CONDENSER SEAL	6759B3971

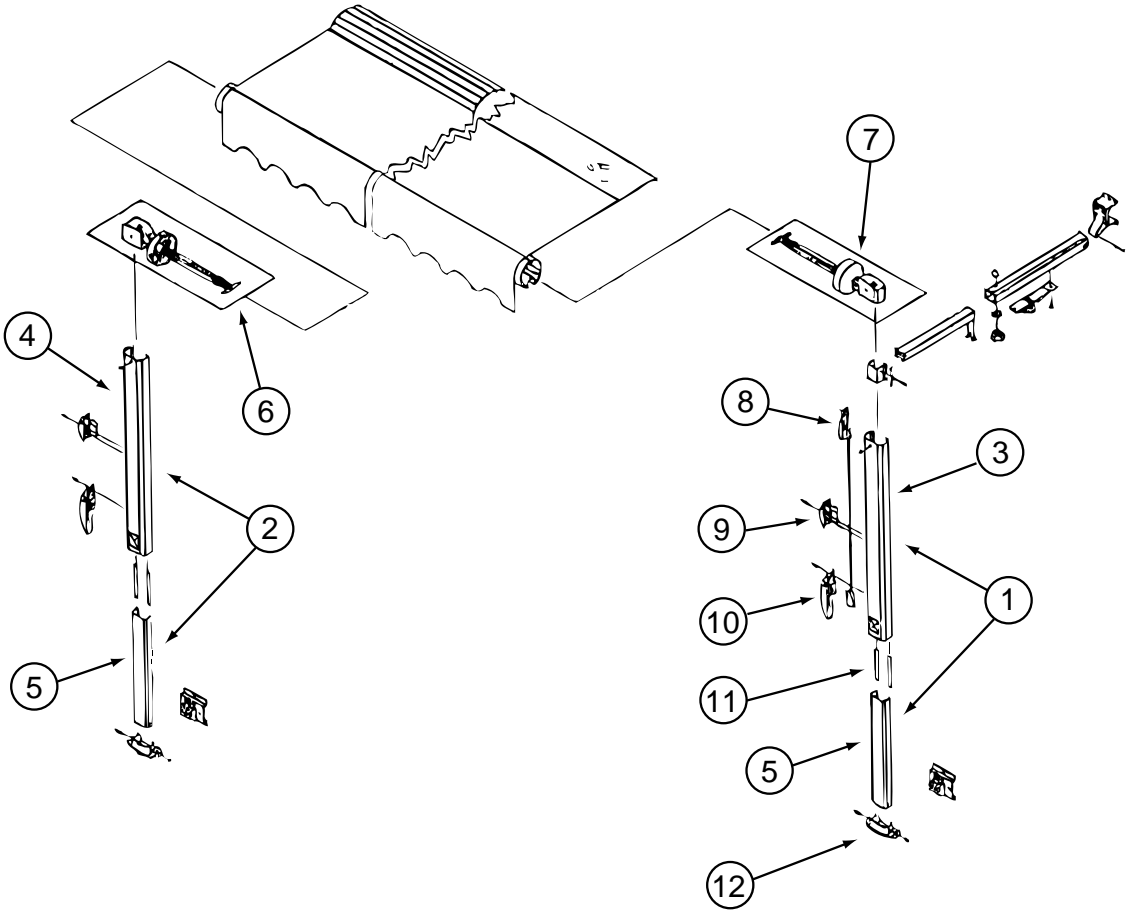
**DOMETIC A & E
MODEL 8500 SERIES**



KEY	PART NUMBER	U/M	DESCRIPTION	VENDOR NO.
	113874-01-02A	EA	HARDWARE KIT - AWNING- W/O STANDOFF BRACKET - BRIGHT WHITE	
1	113874-01-714	EA	RAFTER - MAIN RH/LH - BRIGHT WHITE	830295.536F
2	113874-01-715	EA	RAFTER - SECONDARY - BRIGHT WHITE	830463.511F
3	113874-01-702	EA	KNOB - ADJUSTING	3105421.014
4	113874-01-706	EA	LOCK - TRAVEL	830587.001
5	113874-01-707	EA	HANDLE - LIFT W/RIVETS	830644
6	113874-01-712	EA	FOOT - PATIO	730366-001
7	113874-01-710	EA	PLUG-STOP KIT	830456
8	113874-01-709	EA	NAIL-SPIKE, 8"	113006
9	113874-01-716	EA	ARM - MAIN SUPPORT - BRIGHT WHITE	3104502.293/F
10	113874-01-703	EA	ROD-CENTER PULL W/ACCESSORY	830152.102

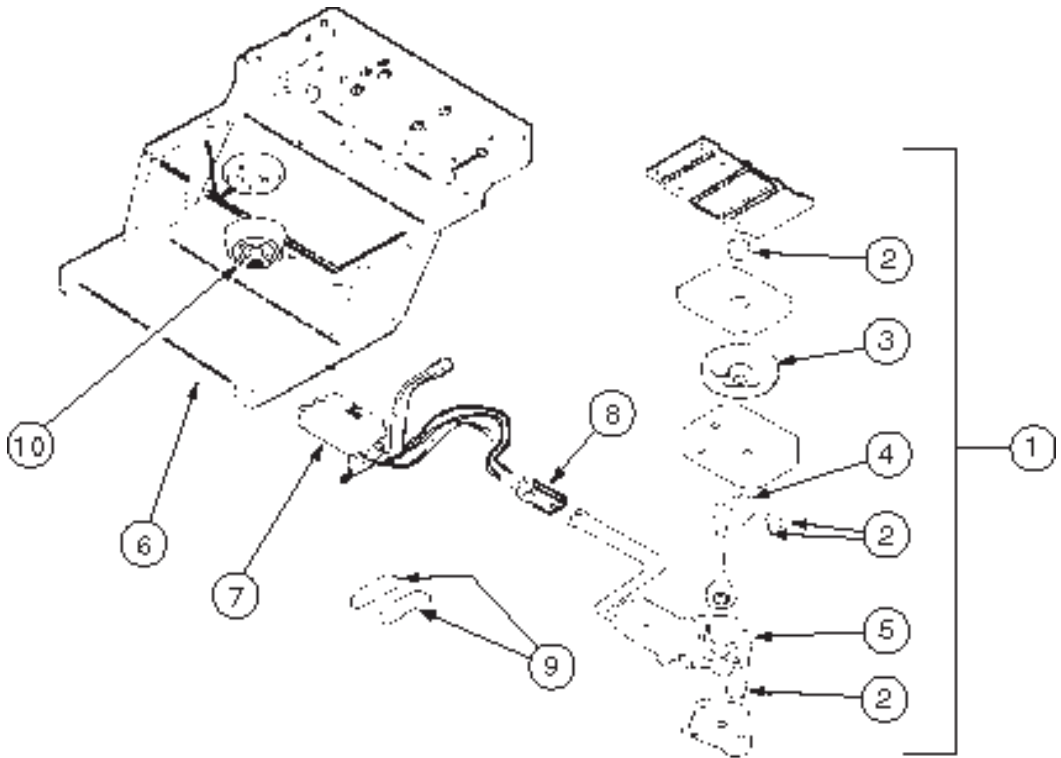
AWNING - HARDWARE KIT

CFC 475501WHT-MW



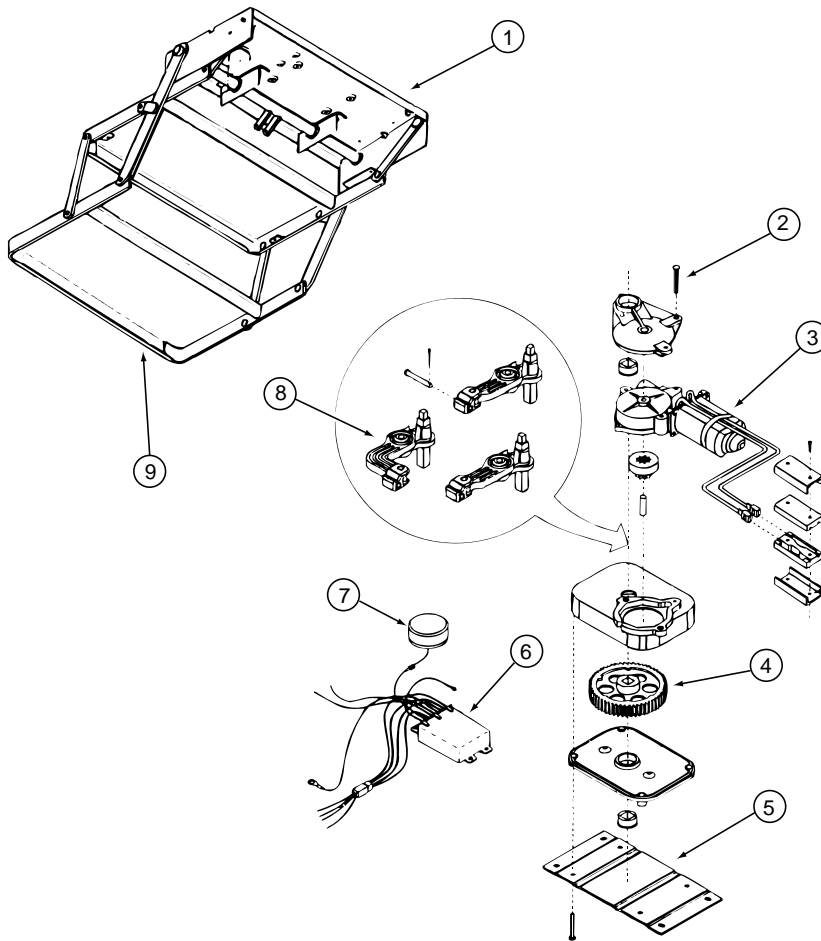
KEY	PART NUMBER	U/M	DESCRIPTION	VENDOR NO.
	130483-01-01A	EA	AWNING-HARDWARE KIT, BRIGHT WHITE	
1	130483-01-700	EA	HARDWARE SET/FRONT 1/2 (WW)	R00415-101-55
2	130483-01-701	EA	HARDWARE SET/REAR 1/2 (WW)	R00416-101-55
3	130483-01-702	EA	ARM/UPPER - FRONT - UNI (WW)	R00410-101-55
4	130483-01-703	EA	ARM/UPPER - REAR - UNI (WW)	R00411-101-55
5	130483-01-704	EA	ARM/LOWER - RT/LT - UNI (WW)	R00412-101-55
6	130483-01-705	EA	SPRINGS/ REAR - (WW)	R012408WHT
7	130483-01-706	EA	SPRINGS/FRONT - (WW)	R012407WHT
8	130483-01-707	EA	LOCK/REMOTE - UNIVERSAL	R00631W
9	130483-01-708	EA	LOCK/TRAVEL	901017W
10	130483-01-709	EA	HANDLE	901015W
11	130483-01-710	EA	GLIDE - PLASTIC	041178-001
12	130483-01-711	EA	FOOT/CARPORT	901020W
13	130483-01-712	EA	STANDOFF/TOP BRACKET (WW)	249153WHT

**KWIKEE
MODEL 3200 SERIES**



KEY	PART NUMBER	U/M	DESCRIPTION	VENDOR NO.
1	094707-01-01A	EA	STEP ASSEMBLY W/O SWITCH	
2	094707-02-703	EA	BEARINGS & PINS	909530
3	094707-02-702	EA	GEAR KIT - W/ BEARINGS & PIN-CASE	909525
4	094707-02-701	EA	LINKAGE ASSEMBLY - W/ BEARINGS & PINS	909523
5	094707-02-700	EA	MOTOR ASSEMBLY - W/ BEARINGS & PINS	909520
6	094707-01-702	EA	FRAME W/DOUBLE STEP	908032
7	094707-02-705	EA	CONTROL UNIT - WHITE	909513
8	094707-02-704	EA	CONNECTOR - MOTOR ASSEMBLY - W/ PLATES	909537
10	088746-01-705	EA	LIGHT - UNDER STEP	9004
	088733-01-700	EA	BULB	9004
	094707-02-707	EA	TREAD - NON SKID - BLACK - 6"X21"	909333
	094707-02-708	EA	TREAD - NON-SKID - YELLOW	909331

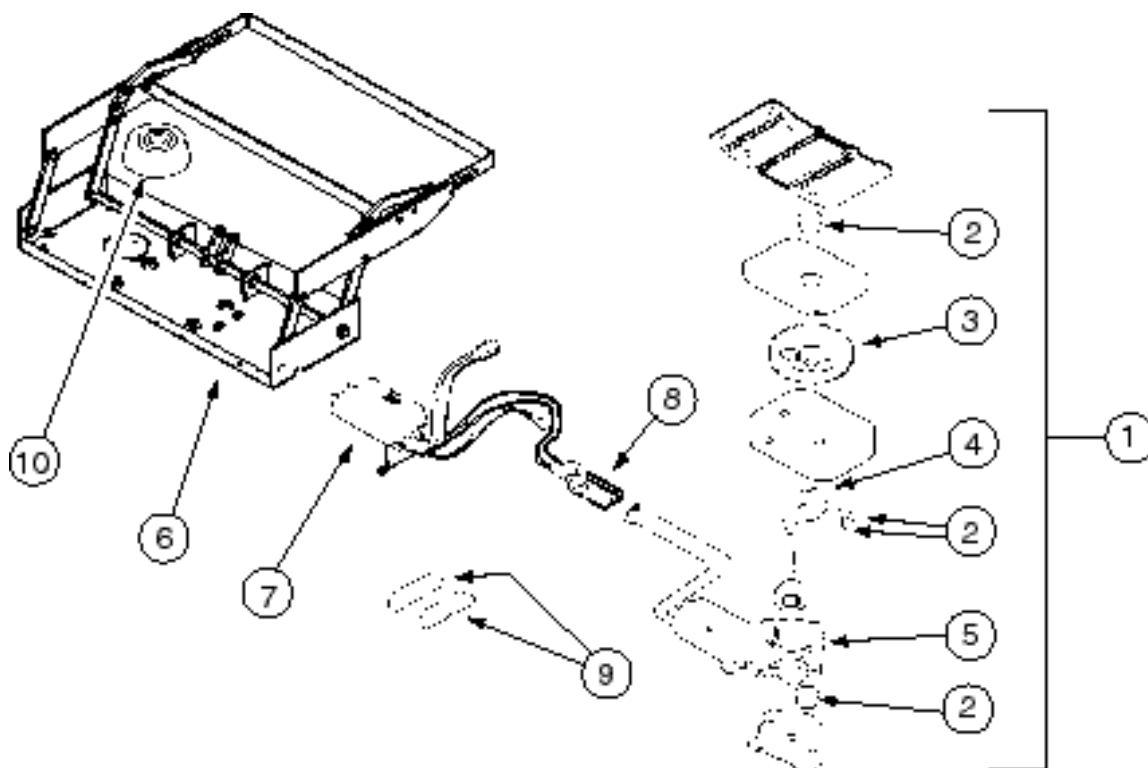
ELECTRIC STEP (CONTINUED)



KWIKEE MODEL 903206000

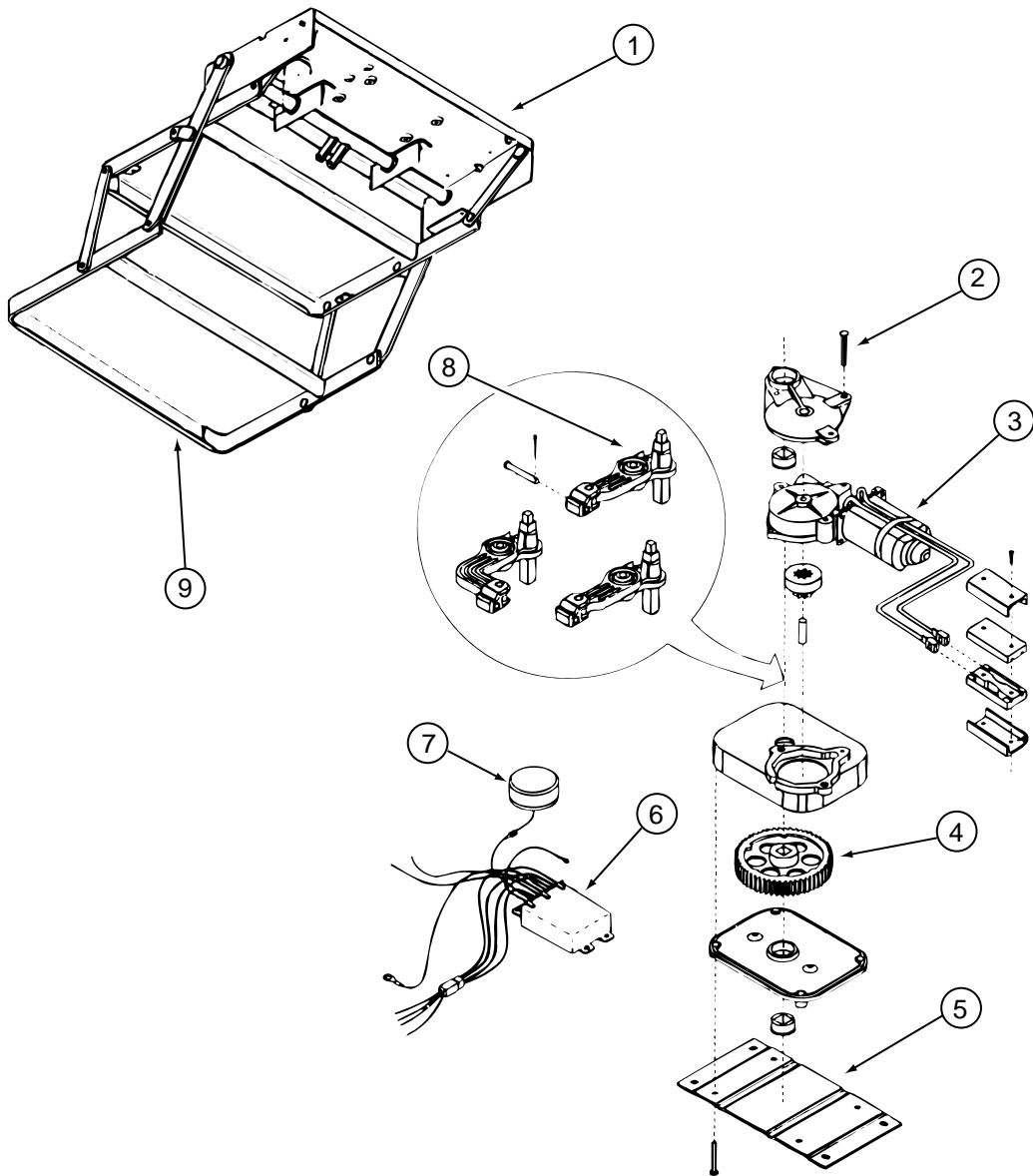
KEY	PART NUMBER	U/M	DESCRIPTION	VENDOR NO.
	094707-03-01A	EA	STEP ASM-ELECTRIC,DOUBLE BLK	
1	094707-01-702	EA	FRAME W/DBL STEP,3200 SERIES	908032
2	094707-02-703	EA	BEARING & PINS	909530
3	094707-02-700	EA	MOTOR ASM.,W/BEARINGS & PINS	909520
4	094707-02-702	EA	GEAR KIT(GEAR-BEARING-PINS)	909525
5	094707-02-704	EA	CONNECTOR-MOTOR ASM.W/PLATES	909537
6	094707-03-700	EA	KIT CONTROL/SWITCH-RETROFIT	909506005
7	088733-01-700	EA	BULB	9004
	088746-01-705	EA	LIGHT-UNDER STEP	9004
8	094707-02-701	EA	LINKAGE ASM. W/BEARINGS-PINS	909534
9	094707-02-707	EA	TREAD - NON-SKID - BLACK	909333
	094707-02-706	EA	GEAR BOX ASM. W/O MOTOR	9524
	094707-02-708	EA	TREAD - NON-SKID - YELLOW	909331
	094707-03-701	EA	PLUG - 4-WAY - PACKARD	909306

**KWIKEE
MODEL 2800 SERIES**



KEY	PART NUMBER	U/M	DESCRIPTION	VENDOR NO.
1	094708-01-01A	EA	STEP - ENTRY DOOR - ELECTRIC - SINGLE - W/O DOOR SWITCH	
2	094707-02-703	EA	BEARINGS & PINS	909530
3	094707-02-702	EA	GEAR KIT - W/ BEARINGS & PIN-CASE	909525
4	094708-03-700	EA	LINKAGE ASSEMBLY - SERIES 28	909533
5	094707-02-700	EA	MOTOR ASSEMBLY - W/ BEARINGS & PINS	909520
6	088746-01-709	EA	FRAME W/SINGLE STEP - SERIES 2800	908028
7	094707-02-705	EA	CONTROL UNIT - WHITE	909513
8	094707-02-704	EA	CONNECTOR - MOTOR ASSEMBLY - W/ PLATES	909537
10	088746-01-705	EA	LIGHT - UNDER STEP	9004
	088733-01-700	EA	BULB	9004
	094707-02-707	EA	TREAD - NON SKID - BLACK - 6"X21"	909333
	094707-02-708	EA	TREAD - NON-SKID - YELLOW	909331

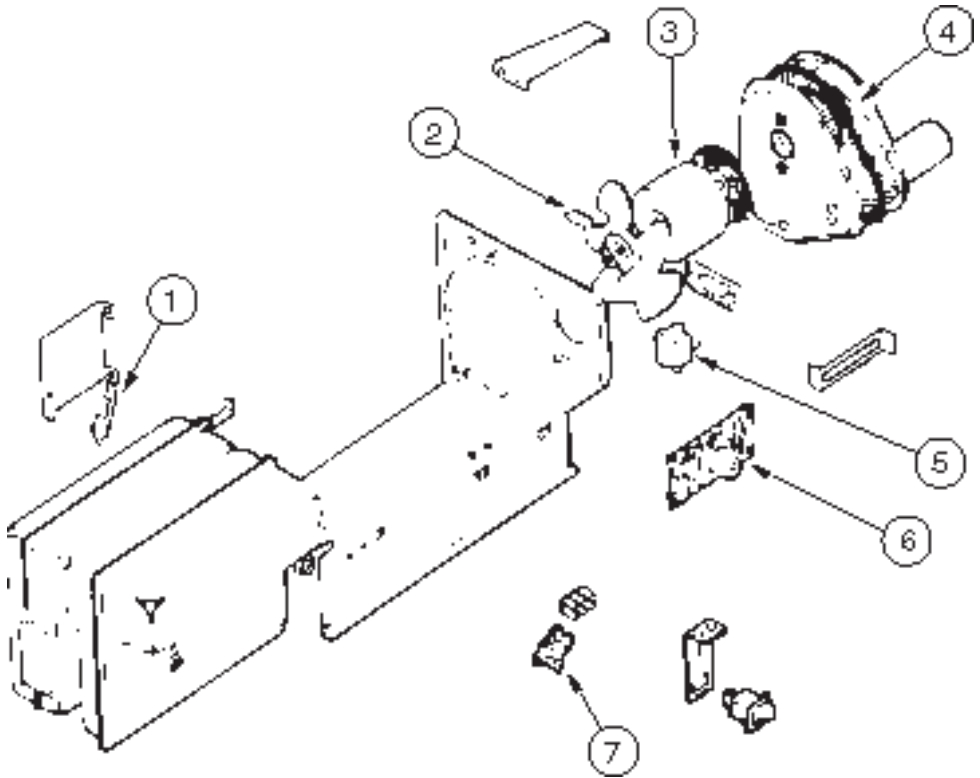
ELECTRIC STEP (CONTINUED)



KWIKEE MODEL 902806000

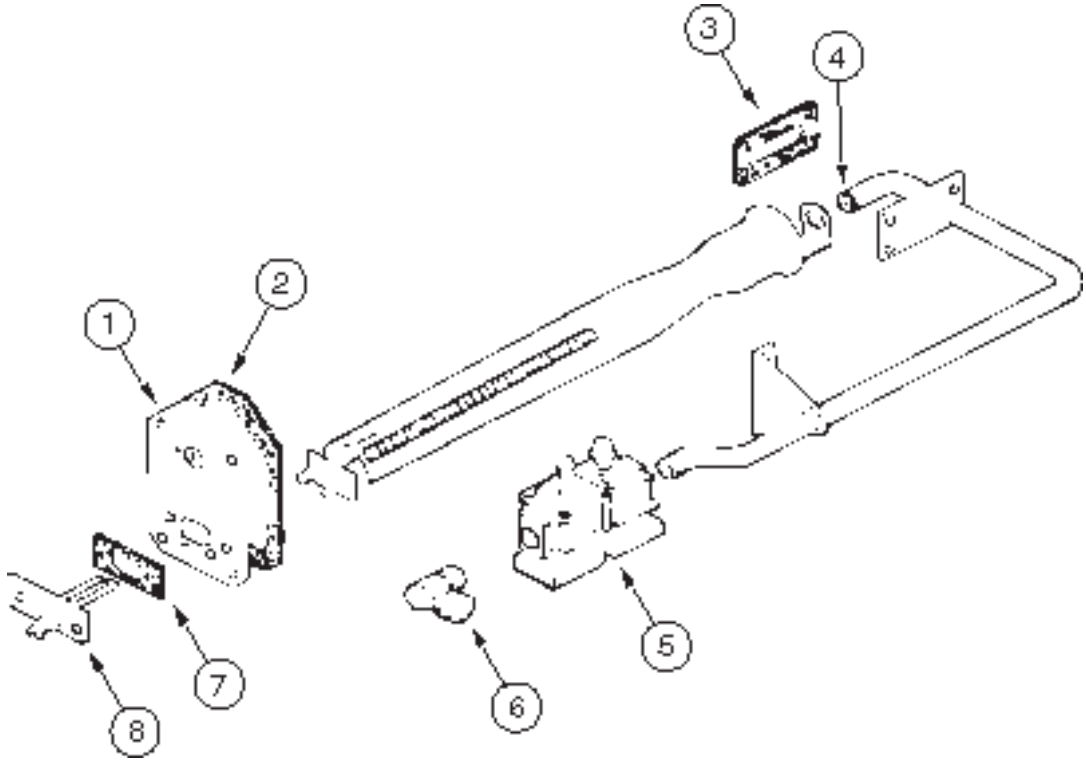
KEY	PART NUMBER	U/M	DESCRIPTION	VENDOR NO.
	094708-03-01A	EA	STEP ASM-ELECTRIC,SINGLE BLK	
1	088746-01-709	EA	FRAME W/SGL STEP,2800 SERIES	908028
2	094707-02-703	EA	BEARING & PINS	909530
3	094707-02-700	EA	MOTOR ASM.,W/BEARINGS & PINS	909520
4	094707-02-702	EA	GEAR KIT(GEAR-BEARING-PINS)	909525
5	094707-02-704	EA	CONNECTOR-MOTOR ASM.W/PLATES	909537
6	094707-03-700	EA	KIT CONTROL/SWITCH-RETROFIT	909506005
7	088733-01-700	EA	BULB	9004
7	088746-01-705	EA	LIGHT-UNDER STEP	9004
9	094707-02-707	EA	TREAD - NON-SKID - BLACK	909333
	094707-03-701	EA	PLUG - 4-WAY - PACKARD	

**SUBURBAN
BLOWER MOTOR & COMPONENTS
MODEL NT-20SE**



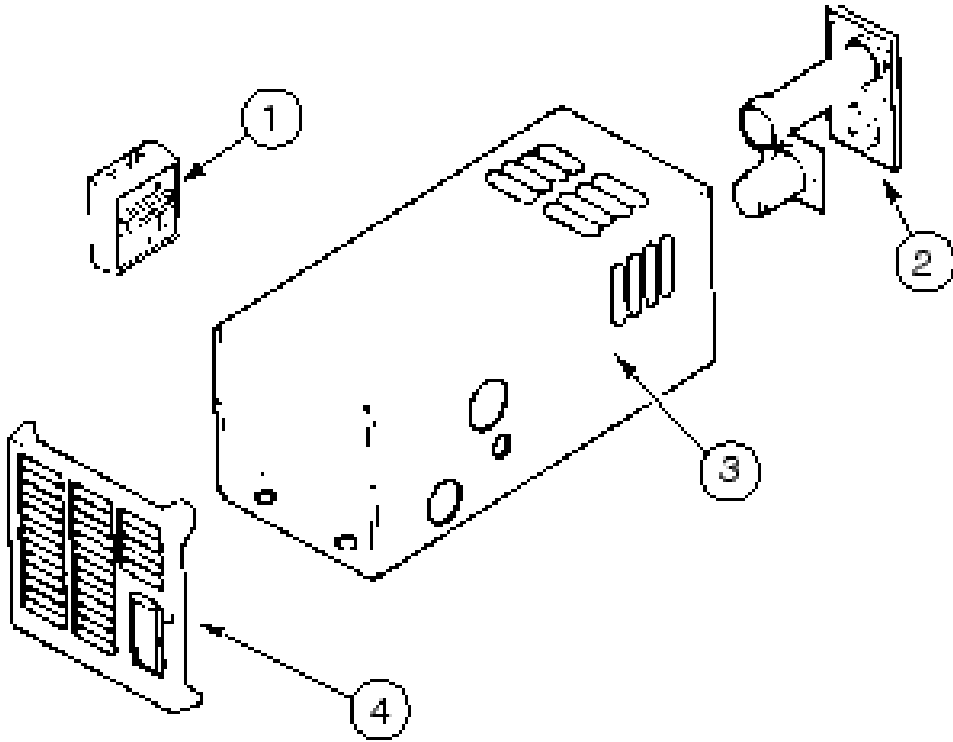
KEY	PART NUMBER	U/M	DESCRIPTION	VENDOR NO.
	075697-01-000	EA	FURNACE FORCED AIR 20000 BTU	
1	075697-05-701	EA	MICRO SWITCH ASSEMBLY - SUBURBAN	230933
2	075697-04-702	EA	IMPELLER - ROOM AIR - SUBURBAN	350083
3	075697-04-701	EA	MOTOR - SUBURBAN	230634
4	074035-01-706	EA	WHEEL - COMBUSTION AIR - SUBURBAN	350082
5	074466-01-702	EA	RELAY - TIME DELAY - SUBURBAN	230625
6	098668-01-712	EA	MODULE BOARD - SUBURBAN	520741
7	074035-01-707	EA	SWITCH - LIMIT - SUBURBAN	230849

**SUBURBAN
GAS VALVE & COMPONENTS
MODEL NT-20SE**



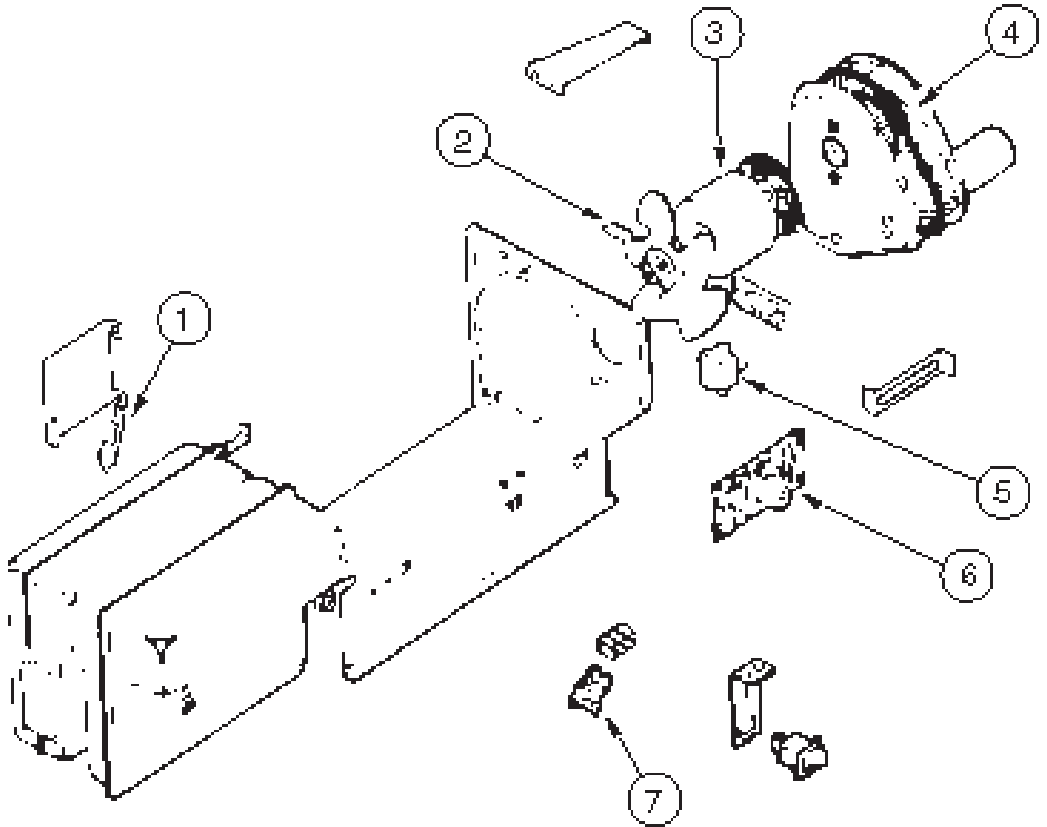
KEY	PART NUMBER	U/M	DESCRIPTION	VENDOR NO.
	075697-01-000	EA	FURNACE FORCED AIR 20000 BTU	
1	075697-04-704	EA	DOOR - BURNER ACCESS - SUBURBAN	030621
2	069634-01-732	EA	GASKET - BURNER ACCESS DOOR - SUBURBAN	070398
3	075697-01-709	EA	GASKET - MANIFOLD - SUBURBAN	070449
4	074035-01-709	EA	ORIFICE - SUBURBAN	180231
5	069634-01-729	EA	VALVE-GAS - JOHNSON - SUBURBAN	161078
6	092300-01-718	EA	ELBOW - 90 - SUBURBAN	170374
7	092300-01-704	EA	GASKET - ELECTRODE - SUBURBAN	070163
8	075697-01-708	EA	ELECTRODE - SINGLE PROBE - SUBURBAN	231931

**SUBURBAN
MODEL NT-20SE**



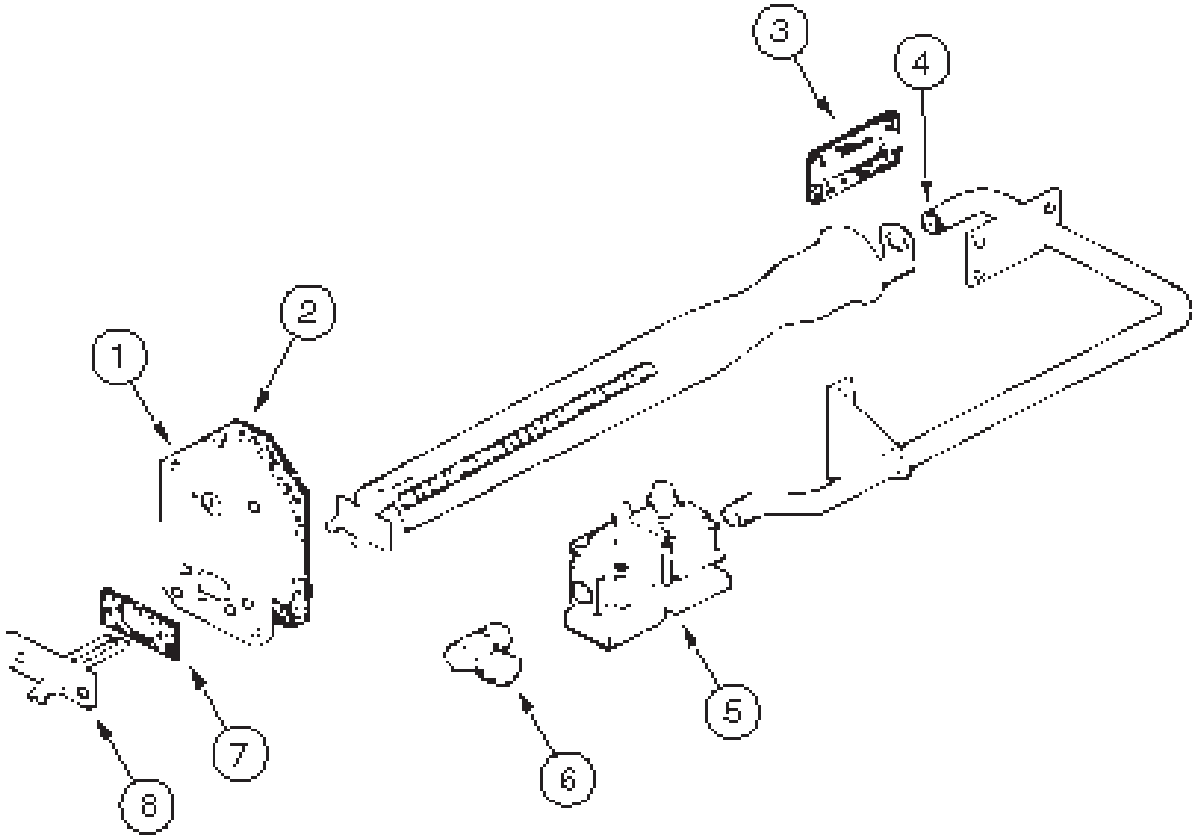
KEY	PART NUMBER	U/M DESCRIPTION	VENDOR NO.
	075697-01-000	EA FURNACE FORCED AIR 20000 BTU	
1	115764-01-01A	EA THERMOSTAT - WALL, FURNACE - SUBURBAN - 160902	
2	075697-01-701	EA VENT CAP & EXHUST ASSEMBLY - SUBURBAN	260098
3	075697-01-707	EA CABINET ASSEMBLY - SUBURBAN	100957
4	075697-07-700	EA CABINET - FRONT - SUBURBAN	030785

**SUBURBAN
BLOWER MOTOR & COMPONENTS
MODEL NT-20SE**



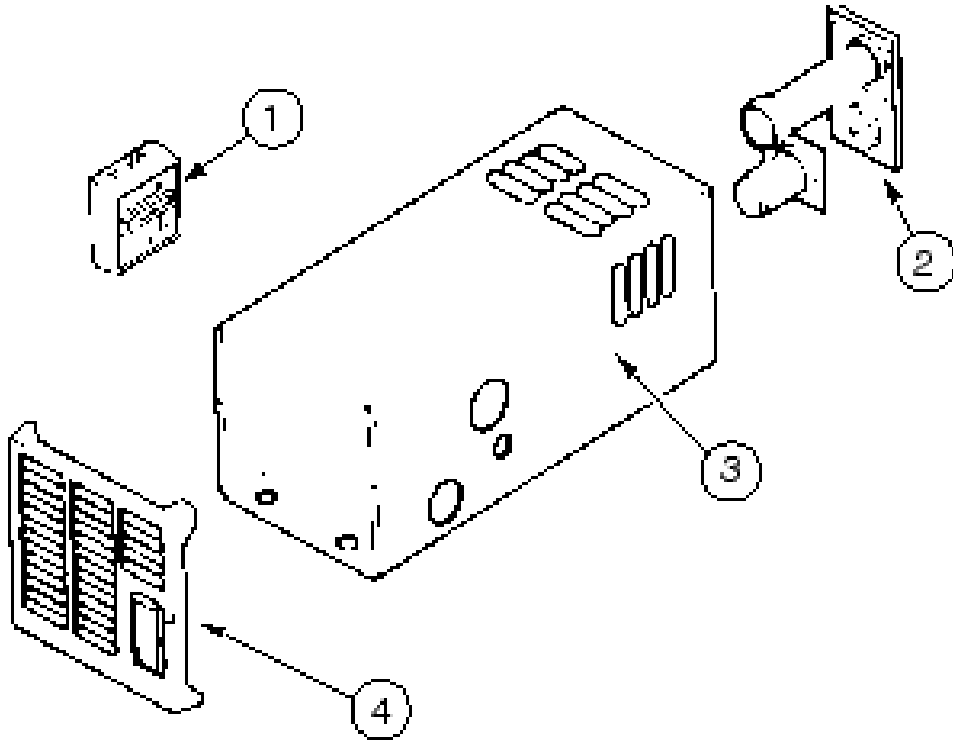
KEY	PART NUMBER	U/M	DESCRIPTION	VENDOR NO.
	075697-07-000	EA	FURNACE FORCED AIR 20000 BTU	
1	075697-05-701	EA	MICRO SWITCH ASSEMBLY - SUBURBAN	230933
2	075697-04-702	EA	IMPELLER - ROOM AIR - SUBURBAN	350083
3	075697-04-701	EA	MOTOR - SUBURBAN	230634
4	074035-01-706	EA	WHEEL - COMBUSTION AIR - SUBURBAN	350082
5	074466-01-702	EA	RELAY - TIME DELAY - SUBURBAN	230625
6	098668-01-712	EA	MODULE BOARD - SUBURBAN	520741
7	074035-01-707	EA	SWITCH - LIMIT - SUBURBAN	230849

**SUBURBAN
GAS VALVE & COMPONENTS
MODEL NT-20SE**



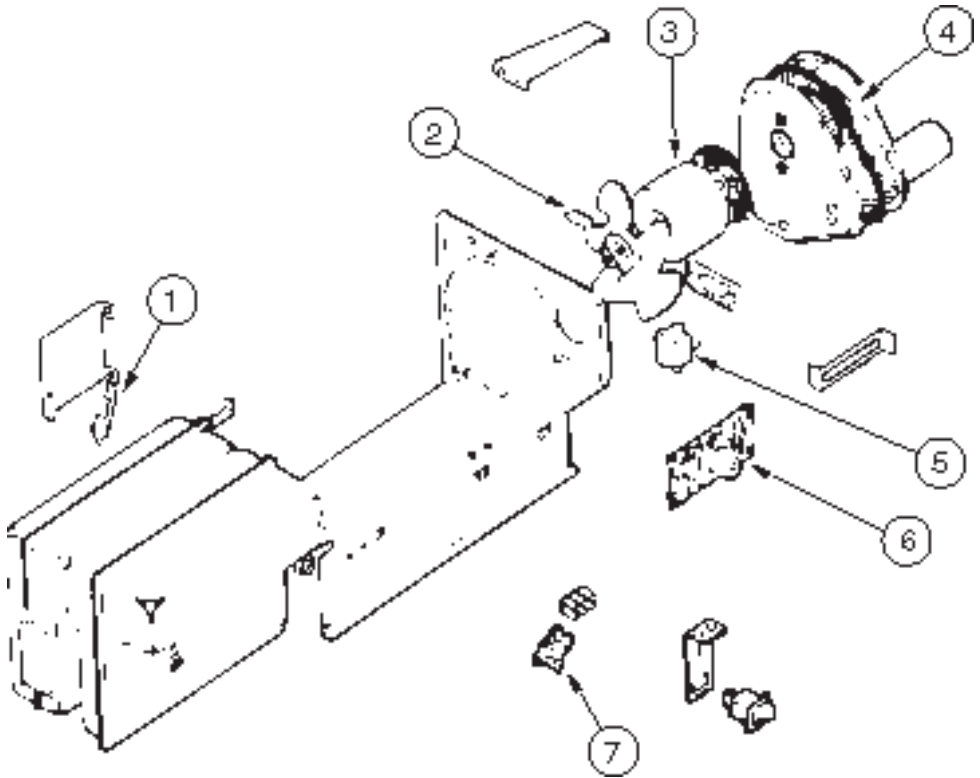
KEY	PART NUMBER	U/M	DESCRIPTION	VENDOR NO.
	075697-07-000	EA	FURNACE FORCED AIR 20000 BTU	
1	075697-04-704	EA	DOOR - BURNER ACCESS - SUBURBAN	030621
2	069634-01-732	EA	GASKET - BURNER ACCESS DOOR - SUBURBAN	070398
3	075697-01-709	EA	GASKET - MANIFOLD - SUBURBAN	070449
4	074035-01-709	EA	ORIFICE - SUBURBAN	180231
5	069634-01-729	EA	VALVE-GAS - JOHNSON - SUBURBAN	161078
6	092300-01-718	EA	ELBOW - 90 - SUBURBAN	170374
7	092300-01-704	EA	GASKET - ELECTRODE - SUBURBAN	070163
8	075697-01-708	EA	ELECTRODE - SINGLE PROBE - SUBURBAN	231931

**SUBURBAN
MODEL NT-20SE**



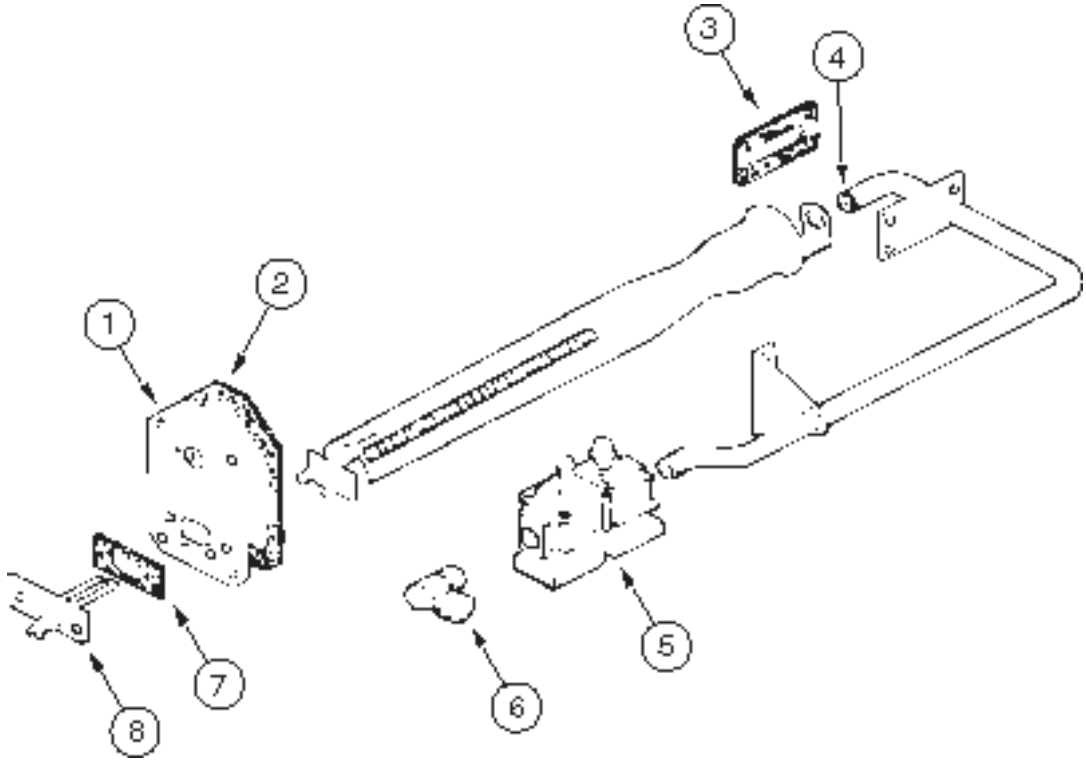
KEY	PART NUMBER	U/M	DESCRIPTION	VENDOR NO.
	075697-07-000	EA	FURNACE FORCED AIR 20000 BTU	
1	115764-01-01A	EA	THERMOSTAT - WALL, FURNACE - SUBURBAN - 160902	
2	075697-01-701	EA	VENT CAP & EXHUST ASSEMBLY - SUBURBAN	260098
3	075697-01-707	EA	CABINET ASSEMBLY - SUBURBAN	100957
4	075697-07-700	EA	CABINET - FRONT - SUBURBAN	030785

**SUBURBAN
BLOWER MOTOR & COMPONENTS**



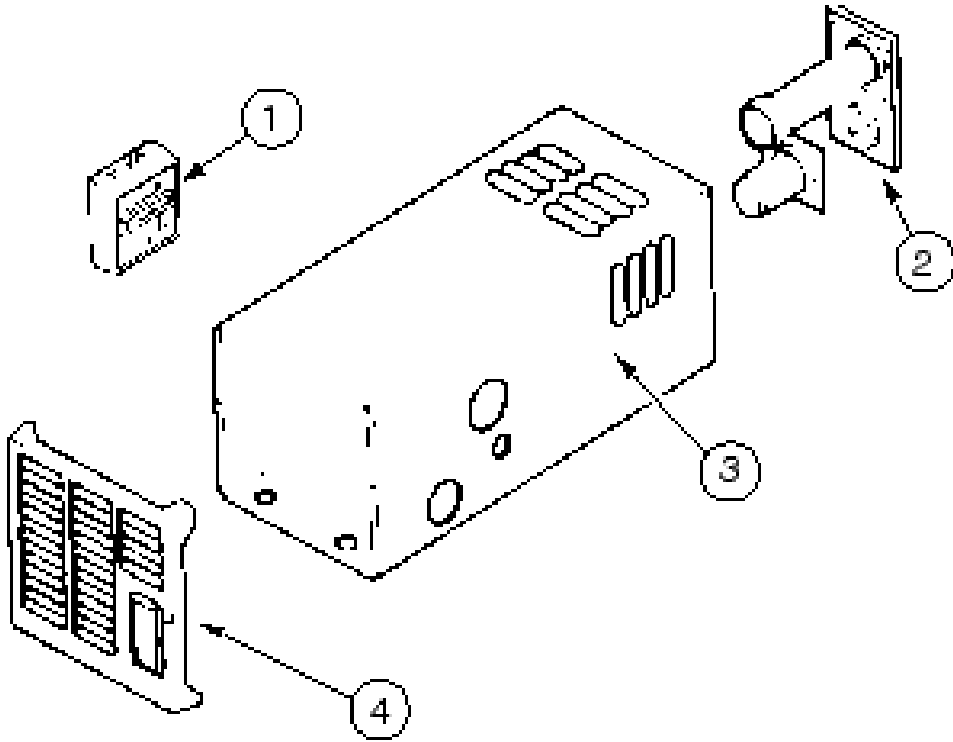
KEY	PART NUMBER	U/M	DESCRIPTION	VENDOR NO.
	075697-08-000	EA	FURNACE FORCED AIR 20000 BTU	
1	075697-05-701	EA	MICRO SWITCH ASSEMBLY - SUBURBAN	230933
2	075697-04-702	EA	IMPELLER - ROOM AIR - SUBURBAN	350083
3	075697-01-705	EA	MOTOR - SUBURBAN	230634
4	074035-01-706	EA	WHEEL - COMBUSTION AIR - SUBURBAN	350082
5	074466-01-702	EA	RELAY - TIME DELAY - SUBURBAN	230625
6	098668-01-712	EA	MODULE BOARD - SUBURBAN	520741
7	074035-01-707	EA	SWITCH - LIMIT - SUBURBAN	230849

**SUBURBAN
GAS VALVE & COMPONENTS**



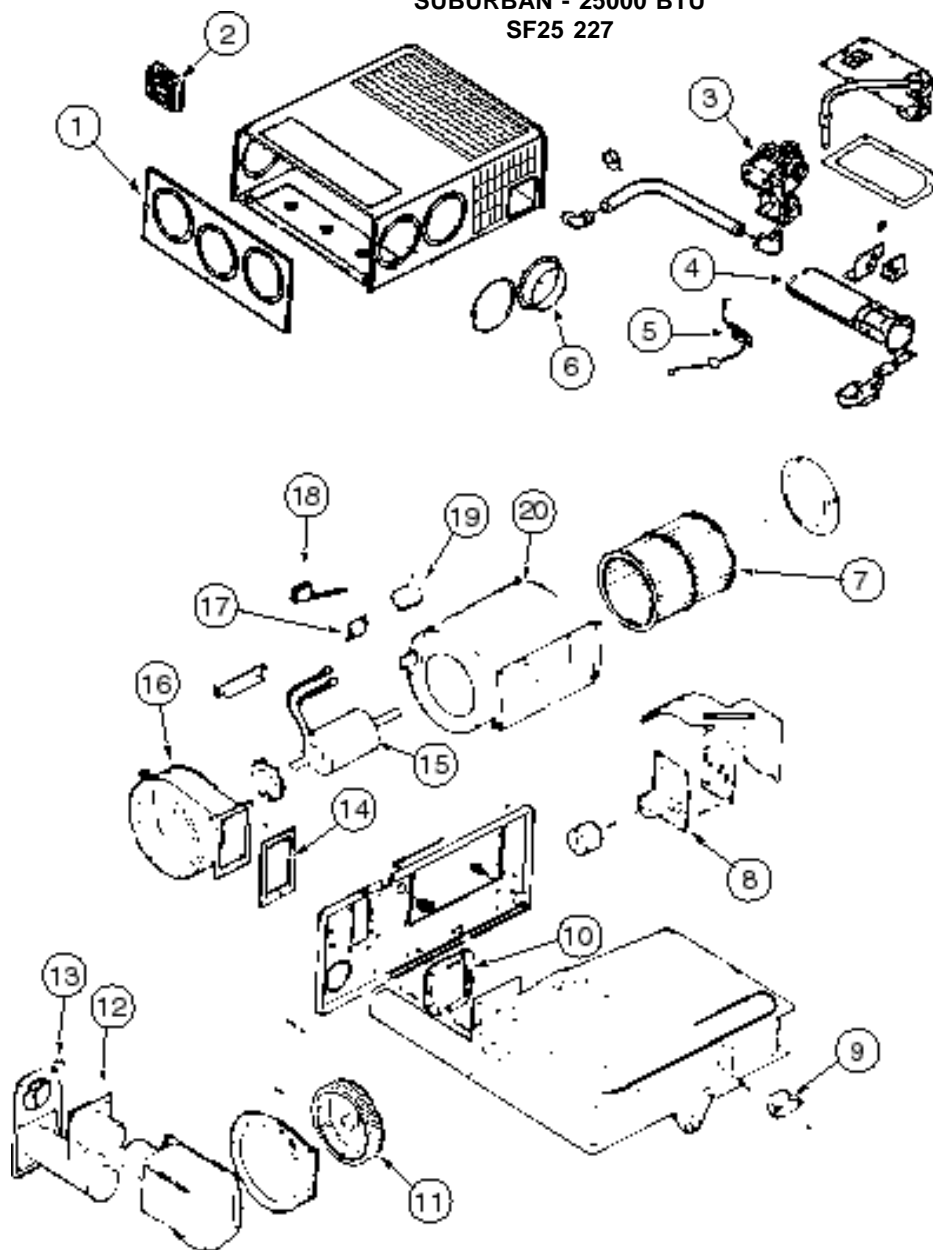
KEY	PART NUMBER	U/M	DESCRIPTION	VENDOR NO.
	075697-08-000	EA	FURNACE FORCED AIR 20000 BTU	
1	075697-04-704	EA	DOOR - BURNER ACCESS - SUBURBAN	030621
2	069634-01-732	EA	GASKET - BURNER ACCESS DOOR - SUBURBAN	070398
3	075697-01-709	EA	GASKET - MANIFOLD - SUBURBAN	070449
4	074035-01-709	EA	ORIFICE - SUBURBAN	180231
5	069634-01-729	EA	VALVE-GAS - JOHNSON - SUBURBAN	161078
6	092300-01-718	EA	ELBOW - 90 - SUBURBAN	170374
7	092300-01-704	EA	GASKET - ELECTRODE - SUBURBAN	070163
8	075697-01-708	EA	ELECTRODE - SINGLE PROBE - SUBURBAN	231931

**SUBURBAN
MODEL NT-20SE**



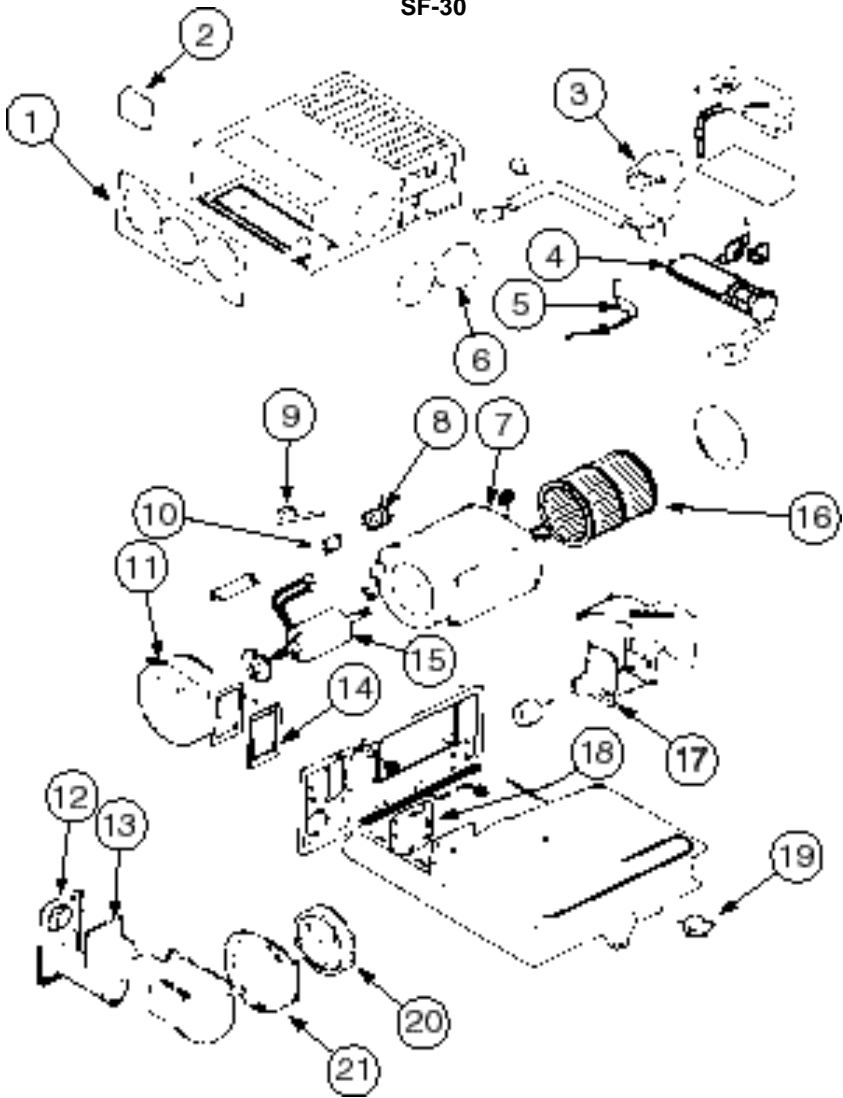
KEY	PART NUMBER	U/M	DESCRIPTION	VENDOR NO.
	075697-08-000	EA	FURNACE FORCED AIR 20000 BTU	
1	115764-01-01A	EA	THERMOSTAT - WALL, FURNACE - SUBURBAN - 160902	
2	075697-01-701	EA	VENT CAP & EXHUST ASSEMBLY - SUBURBAN	260098
3	075697-01-707	EA	CABINET ASSEMBLY - SUBURBAN	100957
4	075697-01-704	EA	CABINET - FRONT - SUBURBAN	030785

**SUBURBAN - 25000 BTU
SF25 227**



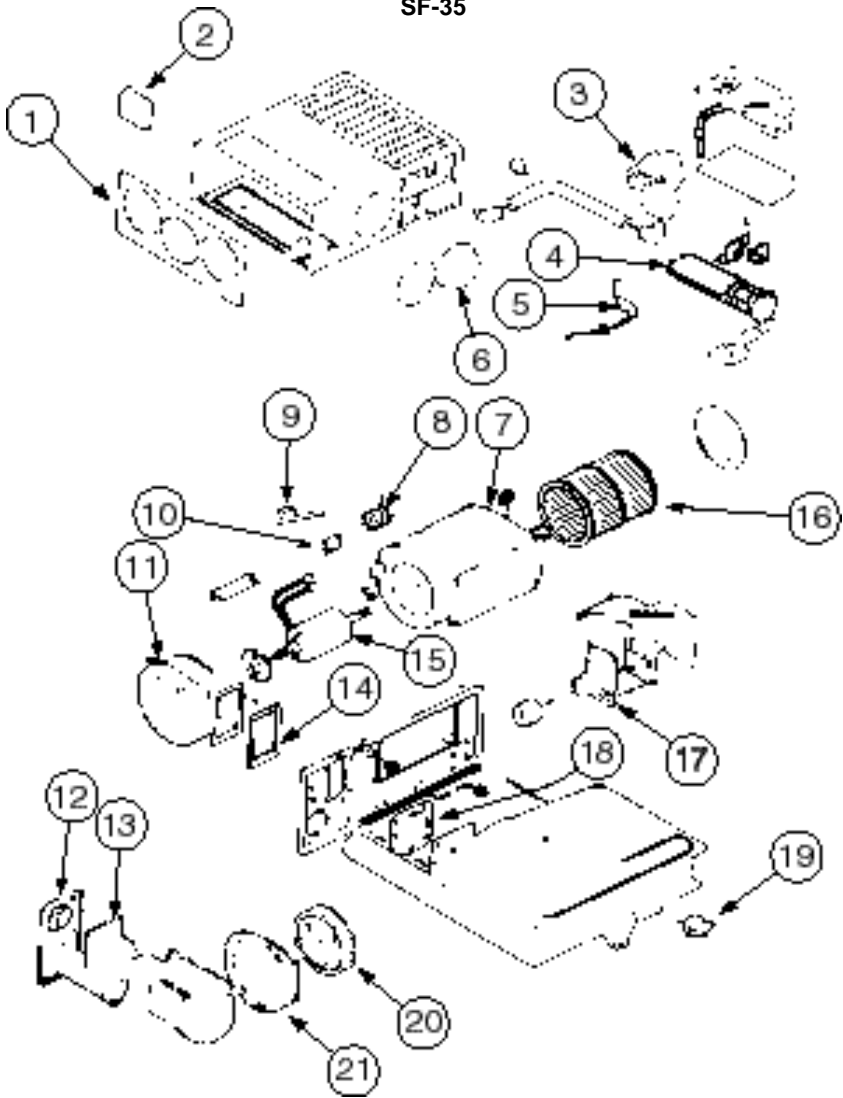
KEY	PART NUMBER	U/M	DESCRIPTION	VENDOR NO.
	098668-19-000	EA	FURNACE - 25000 BTU SUBURBAN SF-25 227	
	098039-01-703	EA	ORIFICE-MAIN BURNER	180193
1	098668-01-700	EA	CABINET FRONT	101242
2	115764-01-01A	EA	THERMOSTAT-FURNACE,SUBURBAN	
3	098668-01-714	EA	VALVE-GAS,SF S.N. 921401821	161070
4	098668-01-703	EA	BURNER ASSEMBLY	010762
5	098668-01-715	EA	ELECTRODE ASM., SINGLE PROBE	232166
6	075696-02-703	EA	COLLAR-DUCT	050715
7	098668-01-708	EA	HOUSING-BLOWER, COMBUSTION	390441
8	098668-01-712	EA	BOARD-MODULE	520741
9	098668-21-701	EA	SWITCH - LIMIT	231799
10	098668-01-717	EA	GASKET-FIREWALL, BLOWER SIDE	070809
11	098668-01-706	EA	WHEEL-COMBUSTION AIR	350184
12	098668-01-713	EA	TUBE ASSEMBLY, INTAKE	051248
13	098668-01-707	EA	TUBE ASSEMBLY, EXHAUST W/CAP	260231
14	098668-01-716	EA	GASKET-FIREWALL,CHAMBER SIDE	070808
15	098668-01-709	EA	MOTOR ASM., F/SF-25, SF-30	231706
16	098668-01-711	EA	WHEEL-BLOWER, ROOM AIR	350129
17	101990-01-714	EA	GASKET-MICROSWITCH	230877
18	098668-21-700	EA	SWITCH-MICRO-W/O FLAG 3 1/4"	232261
19	074466-01-702	EA	RELAY, TIME DELAY	230625
20	098668-01-710	EA	HOUSING-BLOWER, ROOM AIR	390440
	098668-01-702	EA	ELECTRODE	231740

**SUBURBAN - 30,000 BTU
SF-30**



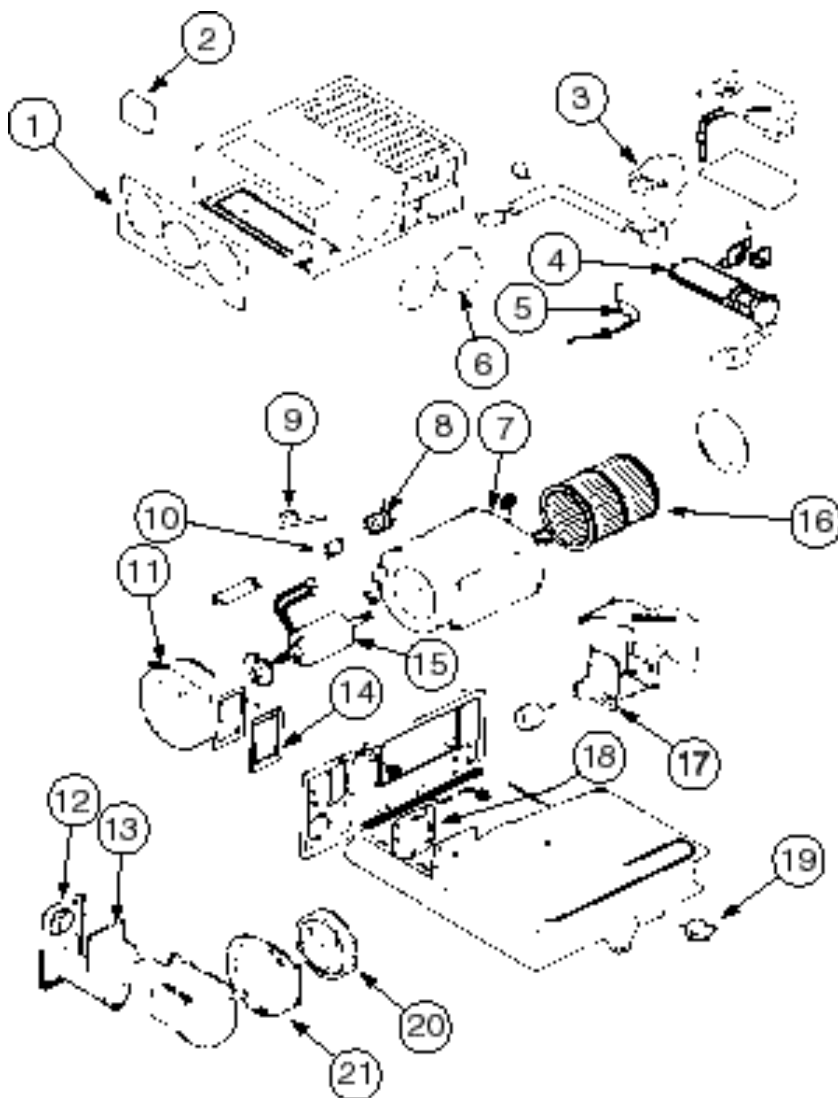
KEY	PART NUMBER	U/M	DESCRIPTION	VENDOR NO.
	098668-20-000	EA	FURNACE-30,000 BTU	
	092300-02-701	EA	ORIFICE-MAIN BURNER (NT-30BW)	180214
1	098668-01-700	EA	CABINET FRONT	101242
2	115764-01-01A	EA	THERMOSTAT-FURNACE, SUBURBAN 160902	
2	117238-01-01A	EA	THERMOSTAT - A/C - FURNACE - COLEMAN 7330-3371	
2	117238-02-01A	EA	THERMOSTAT - A/C ONLY 7330-3381	
3	098668-01-714	EA	VALVE-GAS,SF S.N. 921401821	161070
4	098668-02-700	EA	BURNER ASSEMBLY,SF-30 & SF35	010745
5	098668-01-715	EA	ELECTRODE ASM., SINGLE PROBE	232166
6	075696-02-703	EA	COLLAR-DUCT	050715
7	098668-01-710	EA	HOUSING-BLOWER, ROOM AIR	390440
8	074466-01-702	EA	RELAY, TIME DELAY	230625
9	098668-21-700	EA	SWITCH-MICRO-W/O FLAG 3 1/4"	232261
10	101990-01-714	EA	GASKET-MICROSWITCH	230877
11	098668-01-708	EA	HOUSING-BLOWER, COMBUSTION	390441
12	098668-01-707	EA	TUBE ASSEMBLY, EXHAUST W	260231
13	098668-01-713	EA	TUBE ASSEMBLY, INTAKE	051248
14	098668-01-717	EA	GASKET-FIREWALL, BLOWER SIDE	070809
15	098668-01-709	EA	MOTOR ASM., F/SF-25, SF-30	231706
16	098668-01-711	EA	WHEEL-BLOWER, ROOM AIR	350129
17	098668-01-712	EA	BOARD-MODULE	520741
18	098668-01-716	EA	GASKET-FIREWALL,CHAMBER SIDE	070808
19	098668-21-701	EA	SWITCH - LIMIT	231799
20	098668-01-706	EA	WHEEL-COMBUSTION	350184
21	098668-22-703	EA	GASKET	070811

**SUBURBAN - 35,000 BTU
SF-35**



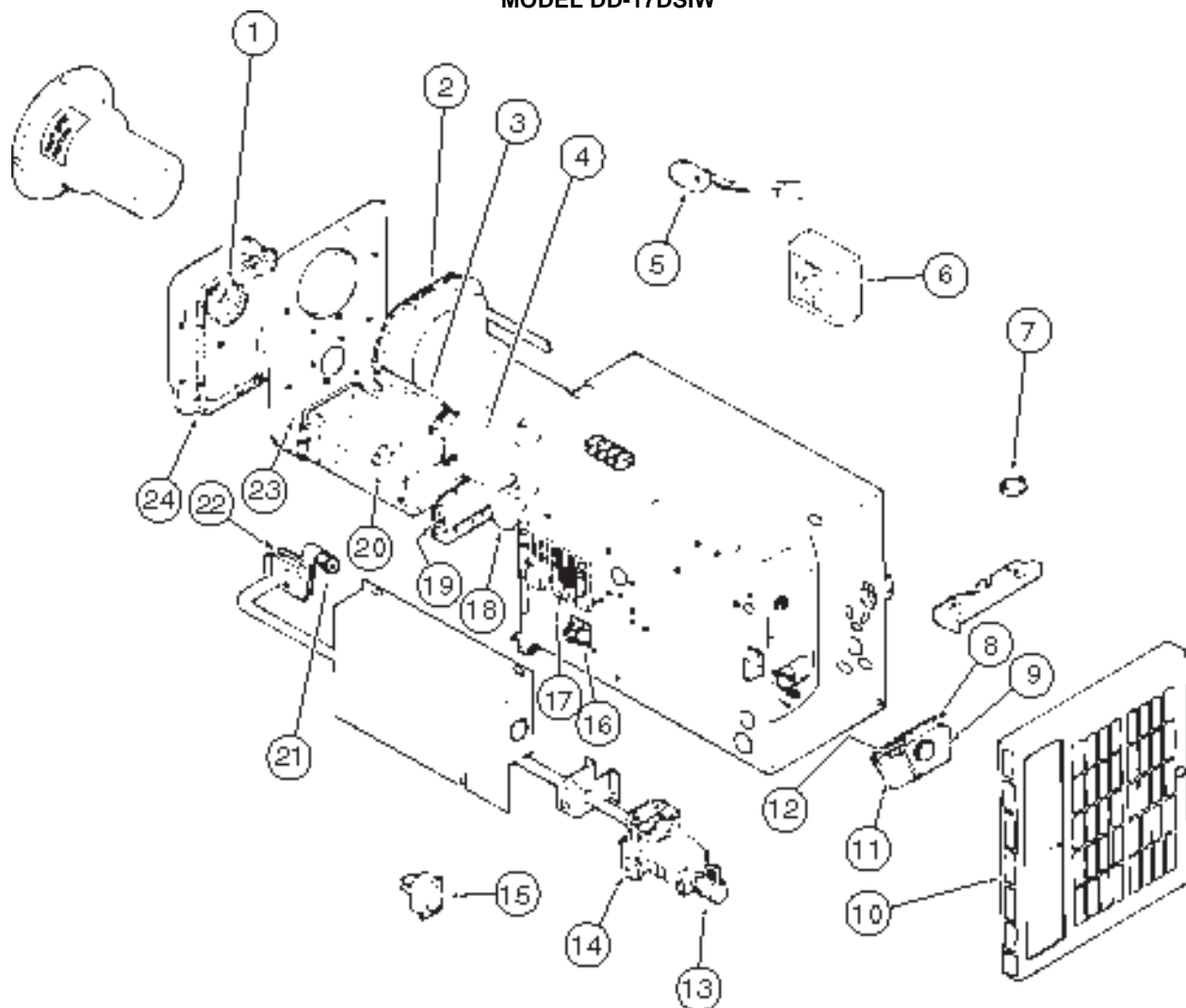
KEY	PART NUMBER	U/M	DESCRIPTION	VENDOR NO.
	098668-21-000	EA	FURNACE - 35,000 BTU	
	069634-01-720	EA	ORIFICE - MAIN BURNER	180222
1	098668-01-700	EA	CABINET FRONT	101242
2	115764-01-01A	EA	THERMOSTAT - FURNACE - SUBURBAN 160902	
2	117238-01-01A	EA	THERMOSTAT - A/C - FURNACE - COLEMAN 7330-3371	
3	098668-01-714	EA	VALVE - GAS - SF S.N. 921401821	161070
4	098668-02-700	EA	BURNER ASSEMBLY - SF-30 & SF35	010745
5	098668-01-715	EA	ELECTRODE ASSEMBLY - SINGLE PROBE	232166
6	075696-02-703	EA	COLLAR - DUCT	050715
7	098668-01-710	EA	HOUSING - BLOWER - ROOM AIR	390440
8	074466-01-702	EA	RELAY - TIME DELAY	230625
9	098668-21-700	EA	SWITCH - MICRO - W/O FLAG 3 1/4"	232261
10	101990-01-714	EA	GASKET - MICROSWITCH	230877
11	098668-01-708	EA	HOUSING - BLOWER - COMBUSTION	390441
12	098668-01-707	EA	TUBE ASSEMBLY - EXHAUST	260231
13	098668-01-713	EA	TUBE ASSEMBLY - INTAKE	051248
14	098668-01-717	EA	GASKET - FIREWALL - BLOWER SIDE	070809
15	098668-03-700	EA	MOTOR ASSEMBLY - SF-35	231707
16	098668-01-711	EA	WHEEL - BLOWER - ROOM AIR	350129
17	098668-01-712	EA	BOARD - MODULE	520741
18	098668-01-716	EA	GASKET - FIREWALL - CHAMBER SIDE	070808
19	098668-21-701	EA	SWITCH - LIMIT	231799
20	098668-01-706	EA	WHEEL - COMBUSTION	350184
21	098668-22-703	EA	GASKET	070811

**SUBURBAN - 40,000 BTU
MODEL SF-42**



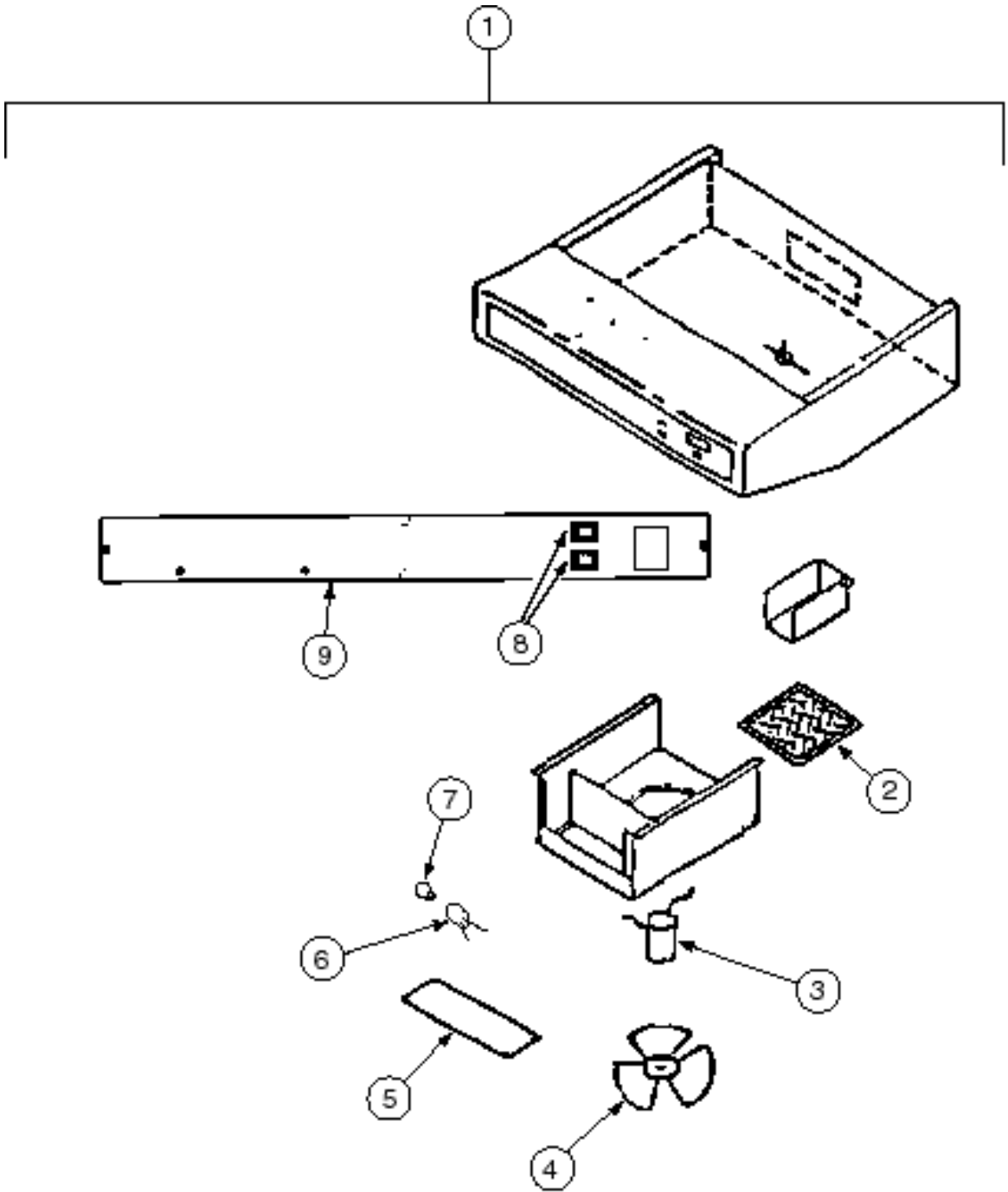
KEY	PART NUMBER	U/M	DESCRIPTION	VENDOR NO.
	098668-22-000	EA	FURNACE, 40,000 BTU., SUBURBAN SF-42	
1	098668-01-700	EA	CABINET FRONT	101242
2	115764-01-01A	EA	THERMOSTAT-FURNACE, SUBURBAN 160902	
2	117238-01-01A	EA	THERMOSTAT - A/C - FURNACE - COLEMAN 7330-3371	
2	117238-02-01A	EA	THERMOSTAT - A/C ONLY - 7330-3381	
3	098668-01-714	EA	VALVE-GAS, SF	161070
4	098668-11-701	EA	BURNER ASSEMBLY, SF-42F	010799
5	098668-01-715	EA	ELECTRODE ASM., SINGLE PROBE	232166
6	075696-02-703	EA	COLLAR-DUCT	050715
7	098668-11-704	EA	BLOWER ASM., ROOM AIR SF-42F	390698
8	074466-01-702	EA	RELAY, TIME DELAY	230625
9	098668-11-703	EA	SWITCH-SAIL, SF-42F	232216
10	101990-01-714	EA	GASKET-MICROSWITCH	230877
11	098668-01-708	EA	HOUSING-BLOWER, COMBUSTION	390441
12	098668-01-707	EA	TUBE ASSEMBLY, EXHAUST W/CAP	260231
13	098668-01-713	EA	TUBE ASSEMBLY, INTAKE	051248
14	098668-01-717	EA	GASKET-FIREWALL, BLOWER SIDE	070809
	098668-11-700	EA	ORIFICE-MAIN BURNER, SF-42F	180216
15	098668-11-702	EA	MOTOR ASSEMBLY, SF-42F	232212
16	098668-01-711	EA	WHEEL-BLOWER, ROOM AIR	350129
17	098668-01-712	EA	BOARD-MODULE	520741
18	098668-01-716	EA	GASKET-FIREWALL, CHAMBER SIDE	070808
19	098668-11-706	EA	SWITCH-LIMIT, SF42 & SF42F	232217
20	098668-22-702	EA	WHEEL-COMBUSTION AIR	350183
21	098668-22-703	EA	GASKET	070811

**SUBURBAN - 17,000 BTU
MODEL DD-17DSIW**



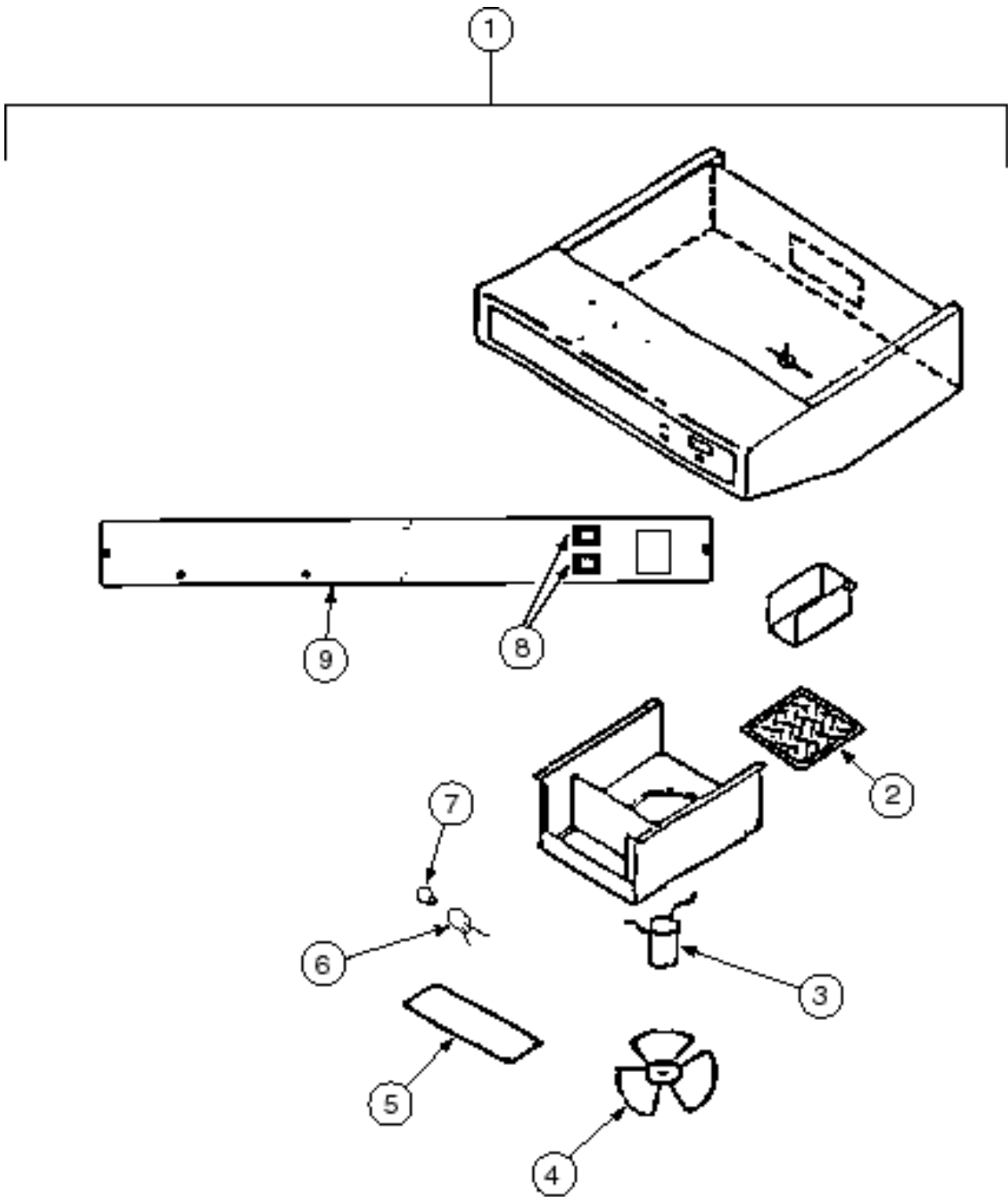
KEY	PART NUMBER	U/M	DESCRIPTION	VENDOR NO.
	101990-05-000	EA	FURNACE - 17,000 BTU - DUCTED	
1	101990-05-700	EA	GASKET - FRONT - COMBUSTION AIR	070862
2	101990-01-713	EA	GASKET - MOTOR	070849
3	101990-05-702	EA	MOTOR	231916
4	101990-01-703	EA	WHEEL - ROOM AIR	350125
5			N/A	
6	101990-01-720	EA	SWITCH - SAIL/NEW STYLE - BEND	231930
7			N/A	
8	101990-01-710	EA	SWITCH - LIMIT	231768
9	101990-01-718	EA	GASKET - BURNER DOOR - ACCESS	070850
10	101990-05-708	EA	DOOR - BURNER ACCESS	030767
11	101990-05-707	EA	GRILLE ASSEMBLY	030966
12	101990-05-706	EA	ELECTRODE	231934
13	101990-01-721	EA	GASKET - ELECTRODE	070851
14	092300-01-718	EA	ELBOW - 90 DEG	170374
15	101990-05-705	EA	VALVE	161071
16	101990-05-704	EA	SWITCH - ON/OFF	023251
17	101990-01-705	EA	RELAY - TIME DELAY	231769
18	098668-01-712	EA	BOARD-MODULE	520741
19	101990-05-703	EA	GASKET - BURNER - TUNNEL - END	070848
20	101990-01-711	EA	ORIFACE	530415
21	101990-01-717	EA	GASKET - MANIFOLD	070847
22	101990-01-702	EA	BURNER	010763
23	101990-01-722	EA	GASKET - BURNER TUNNEL	070859
24	101990-05-701	EA	GASKET - REAR - COMBUSTION AIR	070906
	101990-01-701	EA	WHEEL - COMBUSTION AIR	350126

VENTLINE
MODEL TCS-5008-NBDLG



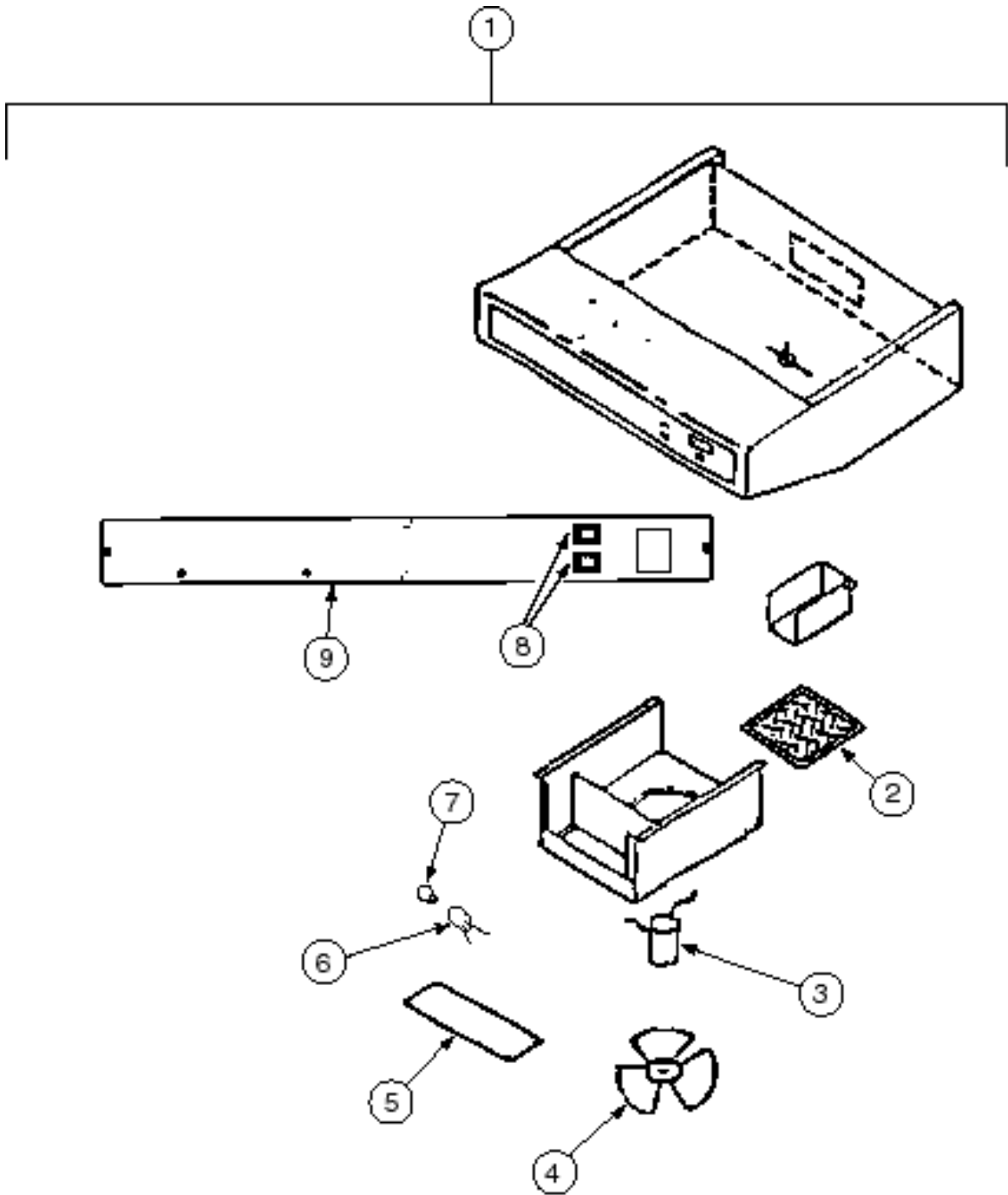
KEY	PART NUMBER	U/M	DESCRIPTION	VENDOR NO.
1	100258-16-03A	EA	HOOD - RANGE - W/O MONITOR PANEL - W/O HOUR METER & SWITCH	
2	096983-01-707	EA	FILTER-MESH	CC246
3	090973-01-700	EA	MOTOR-12 VOLT, CSA & UL	CA508-1
4	090973-01-702	EA	BLADE-FAN	VA183-1
5	092696-02-701	EA	LENS-LAMP	CC179-2
6	092696-01-710	EA	HOLDER-LAMP	CB267-2
7	092696-01-709	EA	LAMP #912	VA415
8	096983-01-700	EA	SWITCH-ON/OFF	108
9	100258-01-700	EA	LABEL-HOOD NOSE	CC428

VENTLINE
MODEL TCS-5008-NBDLG



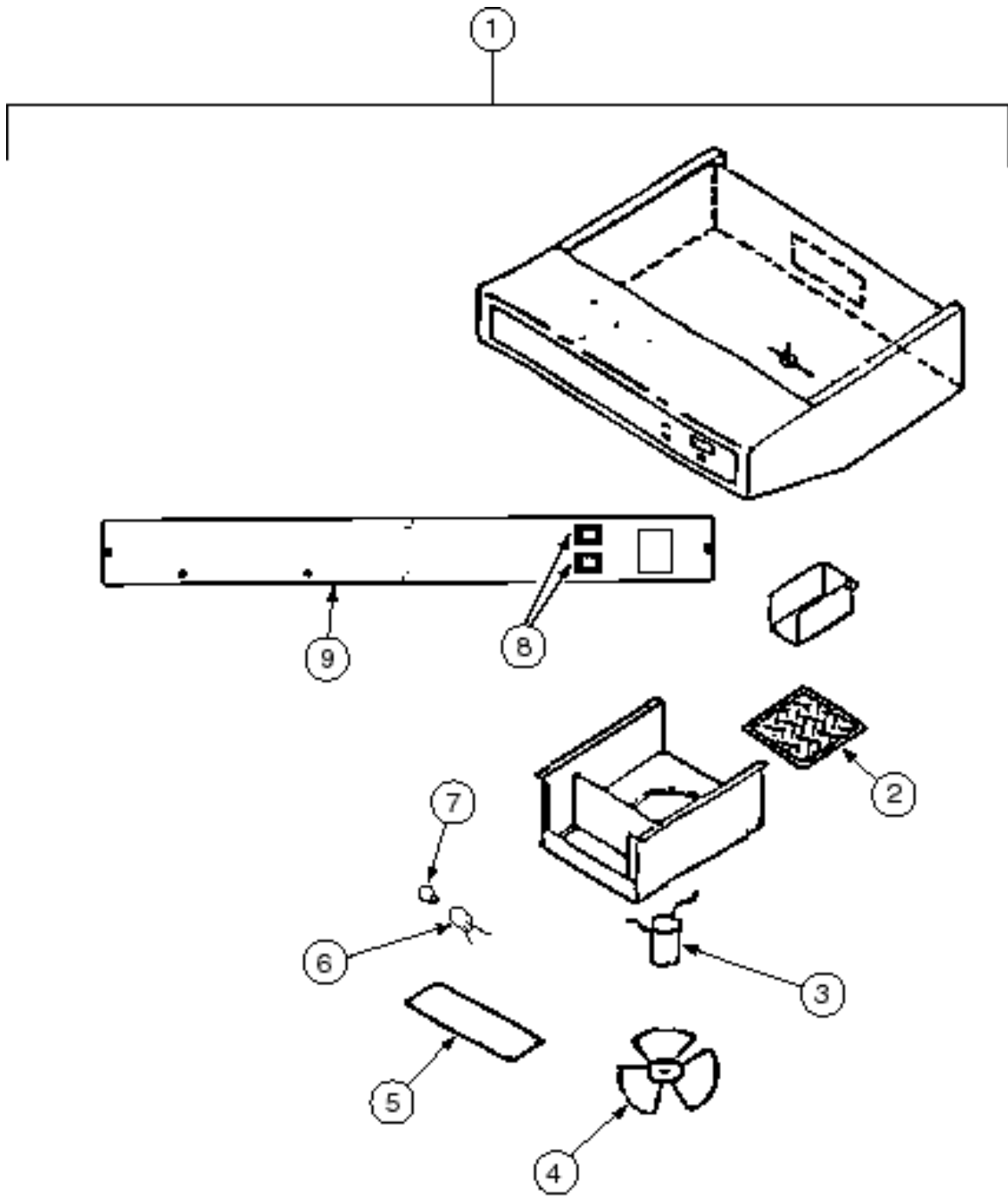
KEY	PART NUMBER	U/M	DESCRIPTION	VENDOR NO.
1	100258-16-04A	EA	HOOD - RANGE - W/O MONITOR PANEL-W/O HOUR METER/SWITCH-US	
2	096983-01-707	EA	FILTER-MESH	CC246
3	090973-01-700	EA	MOTOR-12 VOLT, CSA & UL	CA508-1
4	090973-01-702	EA	BLADE-FAN	VA183-1
5	092696-02-701	EA	LENS-LAMP	CC179-2
6	092696-01-710	EA	HOLDER-LAMP	CB267-2
7	092696-01-709	EA	LAMP #912	VA415
8	096983-01-700	EA	SWITCH-ON/OFF	108
9	100258-01-700	EA	LABEL-HOOD NOSE	CC428

VENTLINE
MODEL TCS-5008-NBDLG



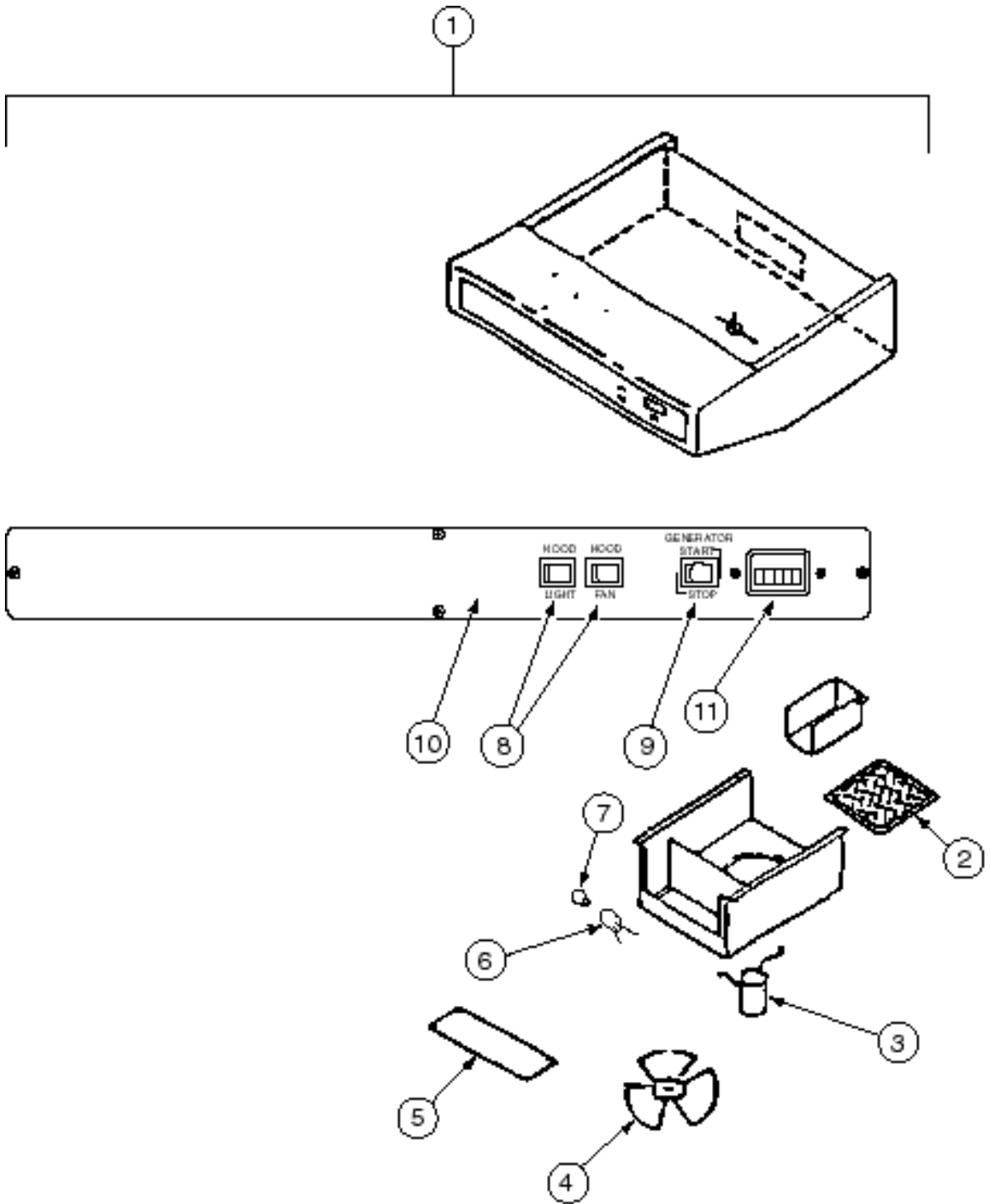
KEY	PART NUMBER	U/M	DESCRIPTION	VENDOR NO.
1	100258-17-03A	EA	HOOD - RANGE - W/O MONITOR PANEL - W/O HOUR METER & SWITCH	
2	096983-01-707	EA	FILTER-MESH	CC246
3	090973-01-700	EA	MOTOR-12 VOLT, CSA & UL	CA508-1
4	090973-01-702	EA	BLADE-FAN	VA183-1
5	092696-02-701	EA	LENS-LAMP	CC179-2
6	092696-01-710	EA	HOLDER-LAMP	CB267-2
7	092696-01-709	EA	LAMP #912	VA415
8	096983-01-700	EA	SWITCH-ON/OFF	108
9	100258-01-700	EA	LABEL-HOOD NOSE	CC428

VENTLINE
MODEL TCS-5008-NBDLG



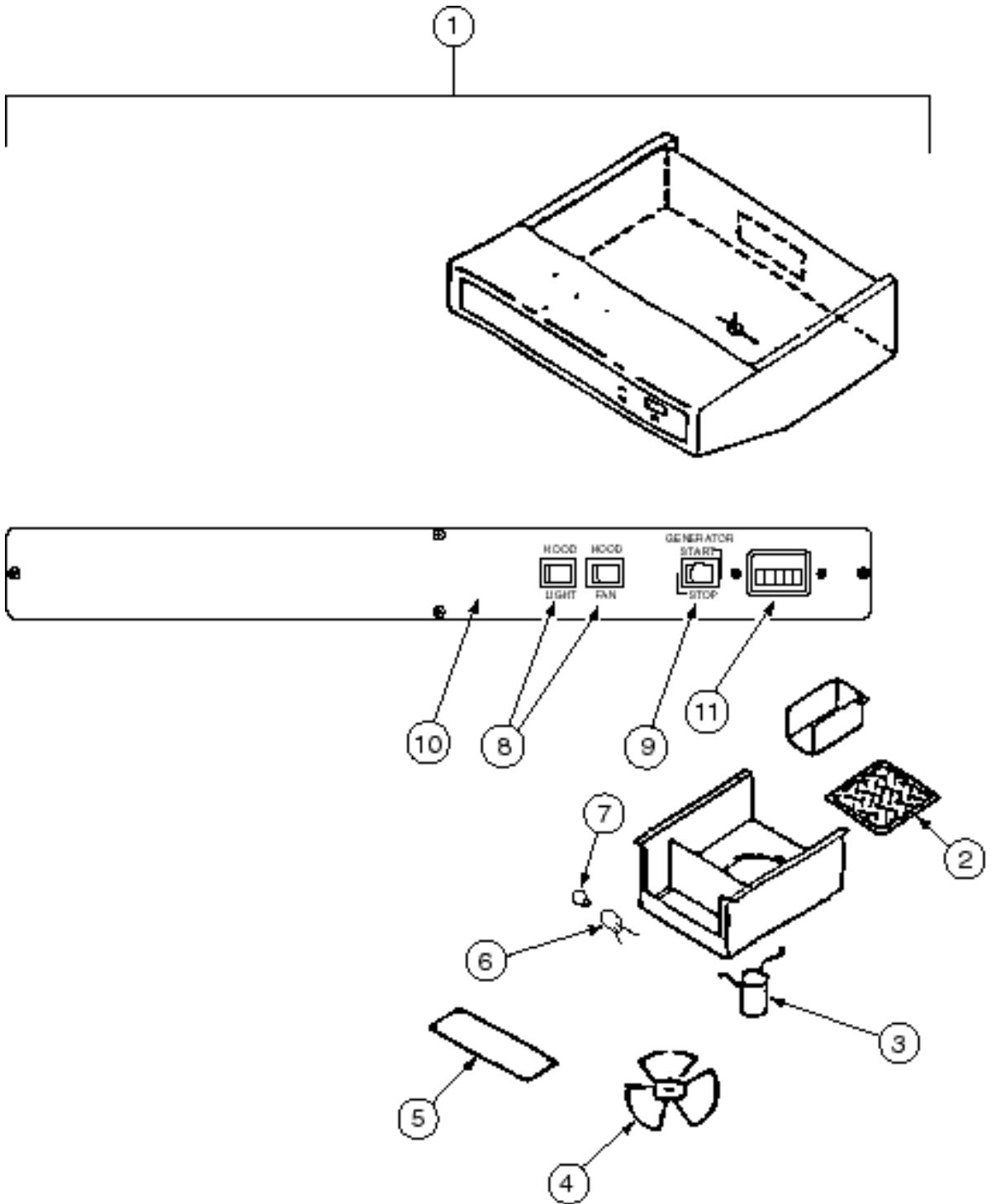
KEY	PART NUMBER	U/M	DESCRIPTION	VENDOR NO.
1	100258-17-04A	EA	HOOD - RANGE - W/O MONITOR PANEL-W/O HOUR METER/SWITCH-CSA	
2	096983-01-707	EA	FILTER-MESH	CC246
3	090973-01-700	EA	MOTOR-12 VOLT, CSA & UL	CA508-1
4	090973-01-702	EA	BLADE-FAN	VA183-1
5	092696-02-701	EA	LENS-LAMP	CC179-2
6	092696-01-710	EA	HOLDER-LAMP	CB267-2
7	092696-01-709	EA	LAMP #912	VA415
8	096983-01-700	EA	SWITCH-ON/OFF	108
9	100258-01-700	EA	LABEL-HOOD NOSE	CC428

VENTLINE
MODEL TPS-5009-SADL



KEY	PART NUMBER	U/M	DESCRIPTION	VENDOR NO.
1	100258-18-02A	EA	HOOD - RANGE - W/O MONITOR PANEL - W/HOUR METER & SWITCH	
2	096983-01-707	EA	FILTER-MESH	CC246
3	090973-01-700	EA	MOTOR-12 VOLT, CSA & UL	CA508-1
4	090973-01-702	EA	BLADE-FAN	VA183-1
5	092696-02-701	EA	LENS-LAMP	CC179-2
6	092696-01-709	EA	LAMP #912	VA415
7	092696-01-710	EA	HOLDER-LAMP	CB267-2
8	096983-01-700	EA	SWITCH - ON/OFF	L0108-00
9	096983-01-702	EA	SWITCH - MOM/OFF/MOM/3 TERM	L0112-00
10	100258-01-700	EA	LABEL-HOOD NOSE	CC428
11	100258-10-01A	EA	HOUR METER 150	

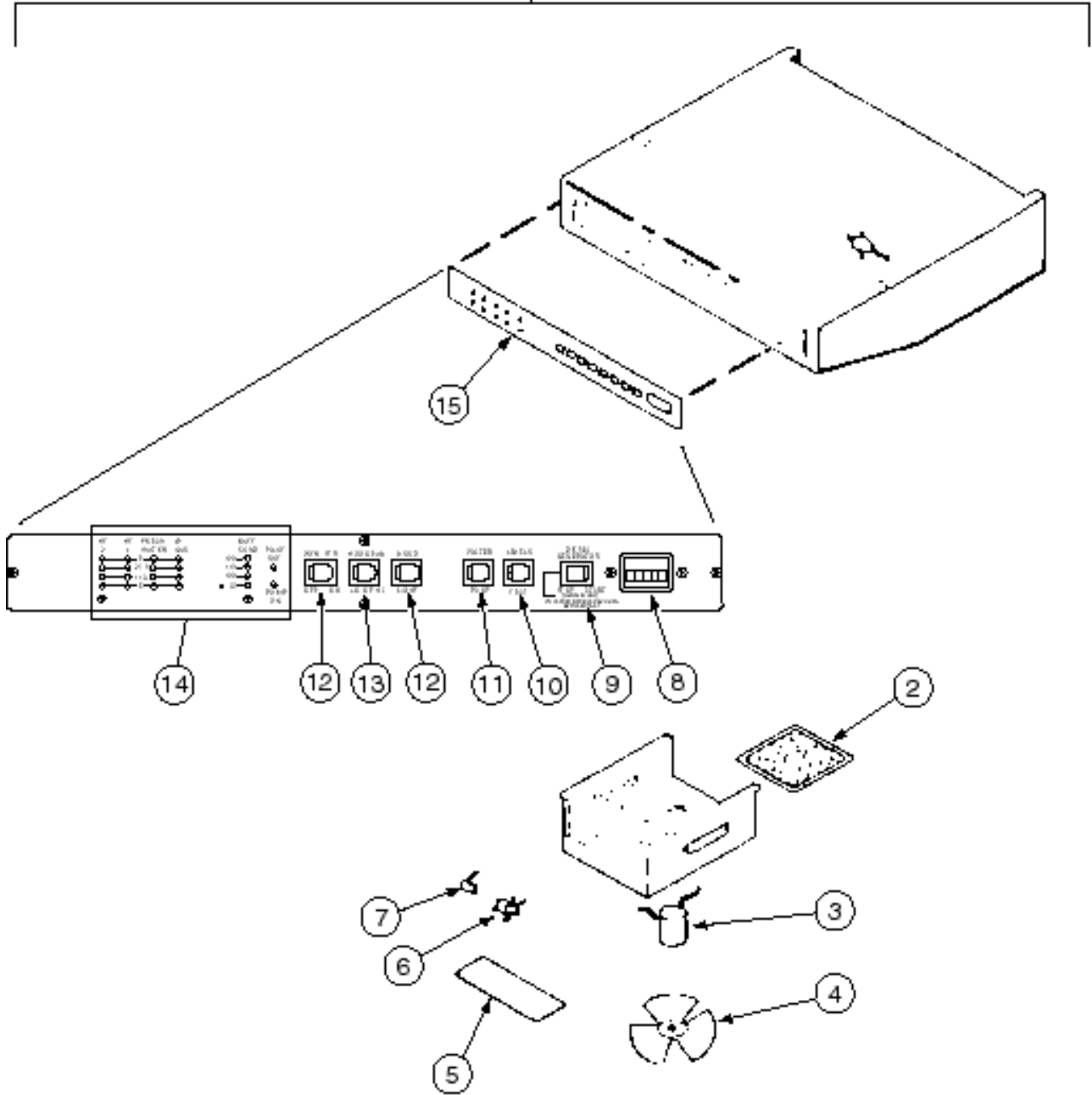
VENTLINE
MODEL TCS 500-NBCLG



KEY	PART NUMBER	U/M	DESCRIPTION	VENDOR NO.
1	100258-18-03A	EA	HOOD - RANGE - W/O MONITOR PANEL-W/HOUR METER/SWITCH - US	
2	096983-01-707	EA	FILTER-MESH	CC246
3	090973-01-700	EA	MOTOR-12 VOLT, CSA & UL	CA508-1
4	090973-01-702	EA	BLADE-FAN	VA183-1
5	092696-02-701	EA	LENS-LAMP	CC179-2
6	092696-01-709	EA	LAMP #912	VA415
7	092696-01-710	EA	HOLDER-LAMP	CB267-2
8	096983-01-700	EA	SWITCH - ON/OFF	L0108-00
9	096983-01-702	EA	SWITCH - MOM/OFF/MOM/3 TERM	L0112-00
10	100258-01-700	EA	LABEL-HOOD NOSE	CC428
11	100258-10-01A	EA	HOUR METER 150	

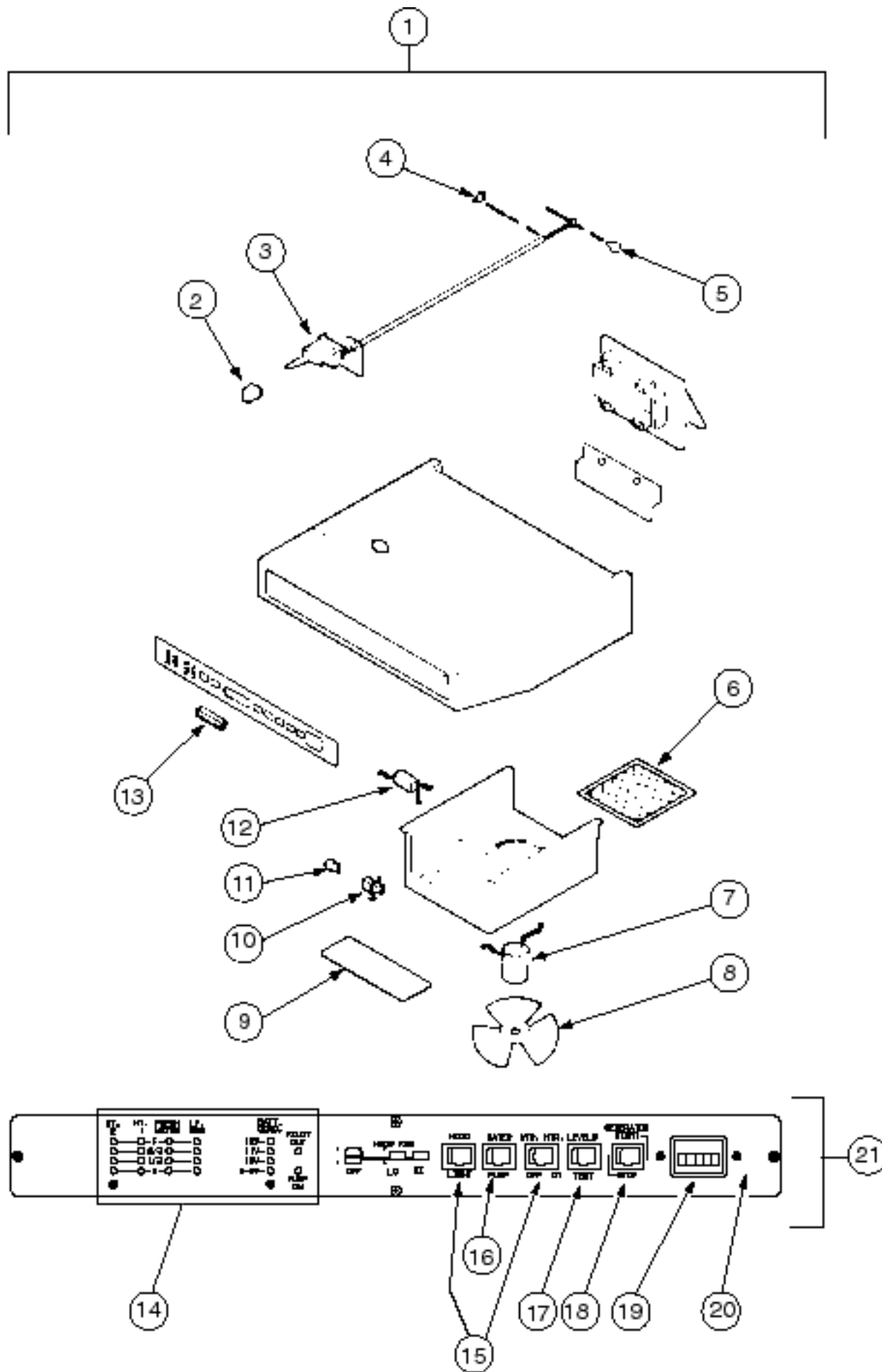
VENTLINE
MODEL TMR-5040 SBDL

1



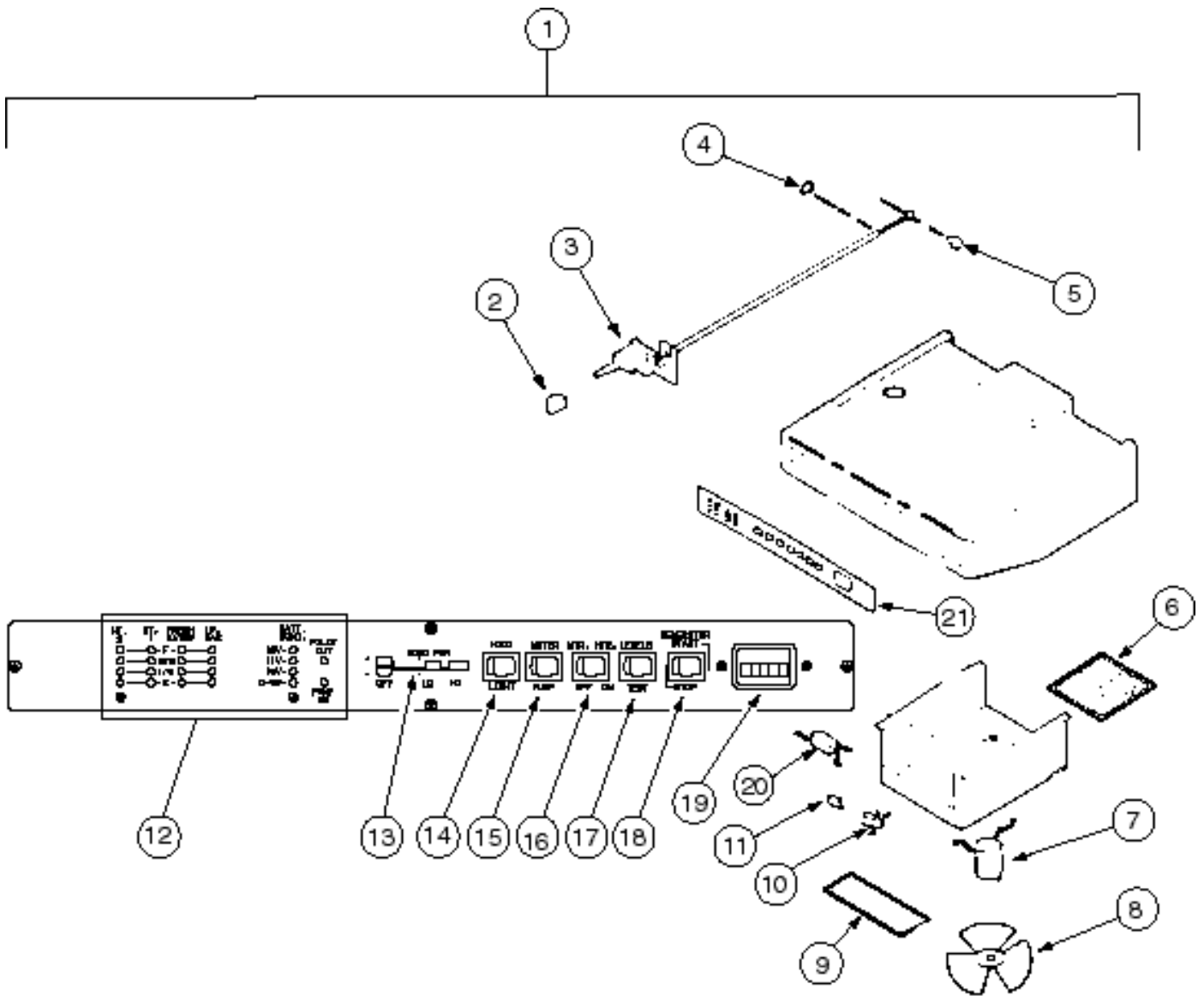
KEY	PART NUMBER	U/M	DESCRIPTION	VENDOR NO.
1	100258-21-02A	EA	HOOD - RANGE - 22" - W/MONITOR PANEL	
2	096983-01-707	EA	FILTER-MESH	CC246
3	090973-01-700	EA	MOTOR-12 VOLT, CSA & UL	CA508-1
4	090973-01-702	EA	BLADE-FAN	VA183-1
5	092696-02-701	EA	LENS-LAMP	CC179-2
6	092696-01-710	EA	HOLDER-LAMP	CB267-2
7	092696-01-709	EA	LAMP #912	VA415
8	100258-10-01A	EA	HOUR METER 150	
9	096983-01-702	EA	SWITCH - MOM/OFF/MOM/3 TERM	L0112-00
10	075470-01-703	EA	SWITCH - ON/MOMENTARY	RP1016
11	096983-01-703	EA	SWITCH - ON/ON	L0115-00
12	096983-01-700	EA	SWITCH - ON/OFF	L0108-00
13	100258-08-701	EA	SWITCH - FAN/2 SPEED	L122-00
14	100258-11-700	EA	BOARD-CIRCUIT	L5099-01
15	100258-11-701	EA	PANEL-CONTROL ASSEMBLY	LA9080
	092698-02-700	EA	FASTENER - PUSH	VB430

**VENTLINE
MODEL TMS-5012-SBDL**



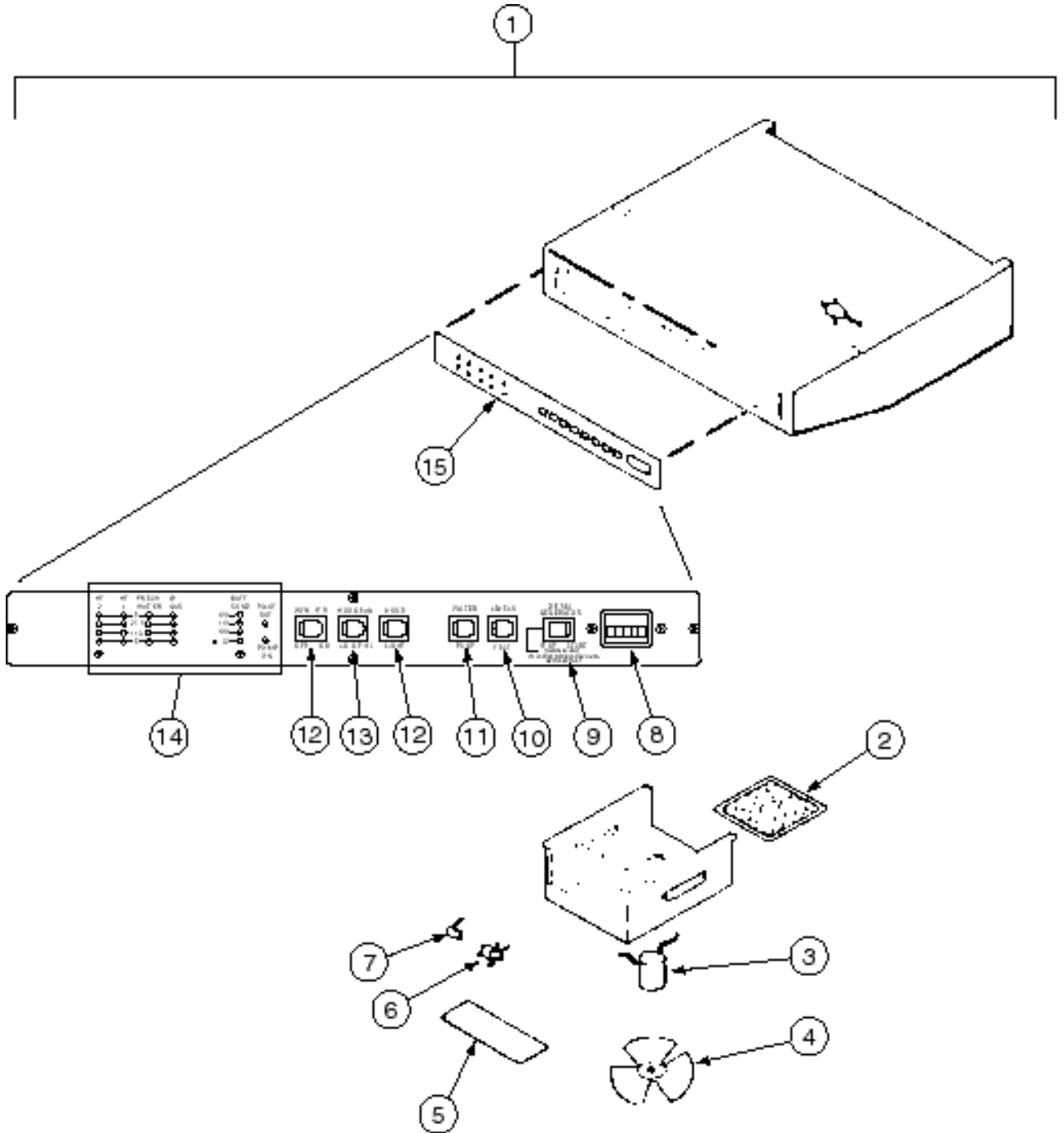
KEY	PART NUMBER	U/M	DESCRIPTION	VENDOR NO.
1	100258-22-03A	EA	HOOD - RANGE - 22" - W/MONITOR PANEL	
2	092696-01-701	EA	KNOB - PLASTIC	CC 225
3	100258-04-702	EA	SWITCH - LEVER - W/CABLE	CB547-1
4	092698-02-701	EA	CLAMP - CONDUIT	VB334
5	092698-02-700	EA	FASTENER - PUSH	VB430
6	096983-01-707	EA	FILTER - MESH	CC246
7	090973-01-700	EA	MOTOR - 12 VOLT - CSA & UL	CA508-1
8	090973-01-702	EA	BLADE - FAN	VA183-1
9	092696-02-701	EA	LENS - LAMP	CC179-2
10	092696-01-710	EA	HOLDER - LAMP	CB267-2
11	092696-01-709	EA	LAMP - #912	VA415
12	092696-01-702	EA	RESISTER - WIRE	L7314
13	100258-04-701	EA	BEZEL - SWITCH LEVER	CC116
14	100258-11-700	EA	BOARD - CIRCUIT - ADJUSTABLE POTENTIOMETER	L5099-01
15	096983-01-703	EA	SWITCH - ON/ON	L0115-00
16	096983-01-700	EA	SWITCH - ON/OFF	L0108-00
17	096983-01-701	EA	SWITCH - SPST/MOM 2 TERMINAL	L0111-00
18	096983-01-702	EA	SWITCH - MOM/OFF/MOM/3 TERM	L0112-00
19	100258-10-700	EA	GAUGE - HOUR METER - SCREW ON	150
19	100258-10-701	EA	GAUGE - HOUR METER - CLIP ON	L0775-00
20	100258-14-700	EA	PLATE - FACE - SCREENED	9077
21	100258-12-700	EA	PANEL - CONTROL ASSEMBLY	LA9076

**VENTLINE
MODEL TMS-5012-SBCL**



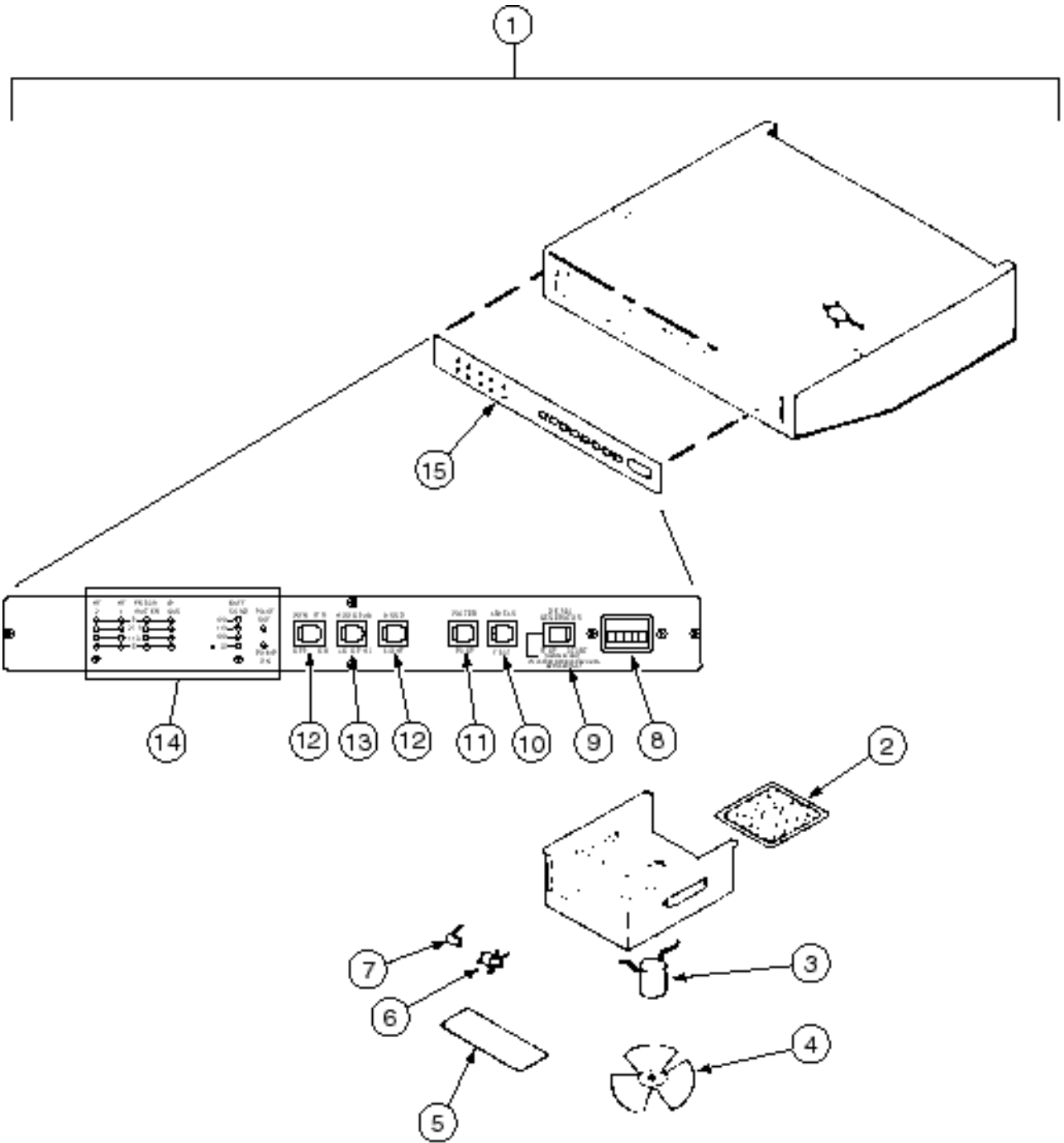
KEY	PART NUMBER	U/M	DESCRIPTION	VENDOR NO.
1	100258-23-03A	EA	HOOD - RANGE - 22" - W/MONITOR PANEL	VENT TMS-5012-SBCL
2	092696-01-701	EA	KNOB-PLASTIC	CC 225
3	100258-04-702	EA	SWITCH - LEVER - W/CABLE	CB547-1
4	092698-02-701	EA	CLAMP-CONDUIT	VB334
5	092698-02-700	EA	FASTENER - PUSH	VB430
6	096983-01-707	EA	FILTER-MESH	CC246
7	090973-01-700	EA	MOTOR-12 VOLT, CSA & UL	CA508-1
8	090973-01-702	EA	BLADE-FAN	VA183-1
9	092696-02-701	EA	LENS-LAMP	CC179-2
10	092696-01-710	EA	HOLDER-LAMP	CB267-2
11	092696-01-709	EA	LAMP #912	VA415
13	100258-04-701	EA	BEZEL-SWITCH LEVER	CC116
14	096983-01-700	EA	SWITCH - ON/OFF	L0108-00
15	100258-11-700	EA	BOARD-CIRCUIT	L5099-01
16	096983-01-703	EA	SWITCH - ON/ON	L0115-00
17	096983-01-700	EA	SWITCH - ON/OFF	L0108-00
18	075470-01-703	EA	SWITCH - ON/MOMENTARY	RP1016
19	096983-01-702	EA	SWITCH - MOM/OFF/MOM/3 TERM	L0112-00
20	100258-10-700	EA	GAUGE-HOUR METER, SCREW ON	150
21	092696-01-702	EA	RESISTER-WIRE	L7314
21	100258-12-700	EA	PANEL-CONTROL ASSEMBLY	LA9076

VENTLINE
MODEL TMR-5-52 SBCL



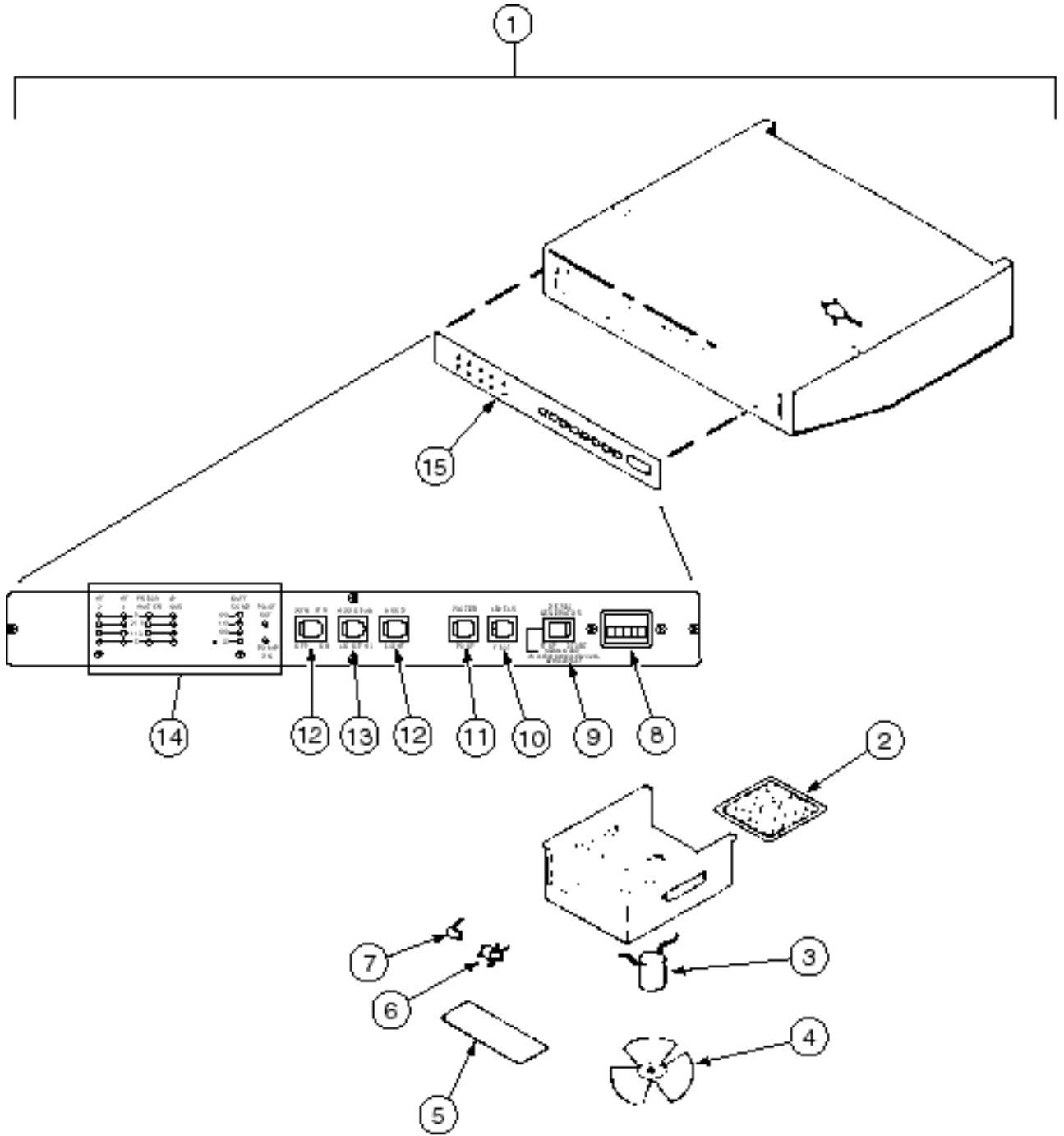
KEY	PART NUMBER	U/M	DESCRIPTION	VENDOR NO.
1	100258-24-02A	EA	HOOD - RANGE - 22" - W/MONITOR PANEL	
2	096983-01-707	EA	FILTER-MESH	CC246
3	090973-01-700	EA	MOTOR-12 VOLT, CSA & UL	CA508-1
4	090973-01-702	EA	BLADE-FAN	VA183-1
5	092696-02-701	EA	LENS-LAMP	CC179-2
6	092696-01-710	EA	HOLDER-LAMP	CB267-2
7	092696-01-709	EA	LAMP #912	VA415
8	100258-10-01A	EA	HOUR METER 150	
9	096983-01-702	EA	SWITCH - MOM/OFF/MOM/3 TERM	L0112-00
10	075470-01-703	EA	SWITCH - ON/MOMENTARY	RP1016
11	096983-01-703	EA	SWITCH - ON/ON	L0115-00
12	096983-01-700	EA	SWITCH - ON/OFF	L0108-00
13	100258-08-701	EA	SWITCH - FAN/2 SPEED	L122-00
14	100258-11-700	EA	BOARD-CIRCUIT	L5099-01
15	100258-11-701	EA	PANEL-CONTROL ASSEMBLY	LA9080
	092698-02-700	EA	FASTENER - PUSH	VB430

VENTLINE
MODEL TMR-5053-SBDL



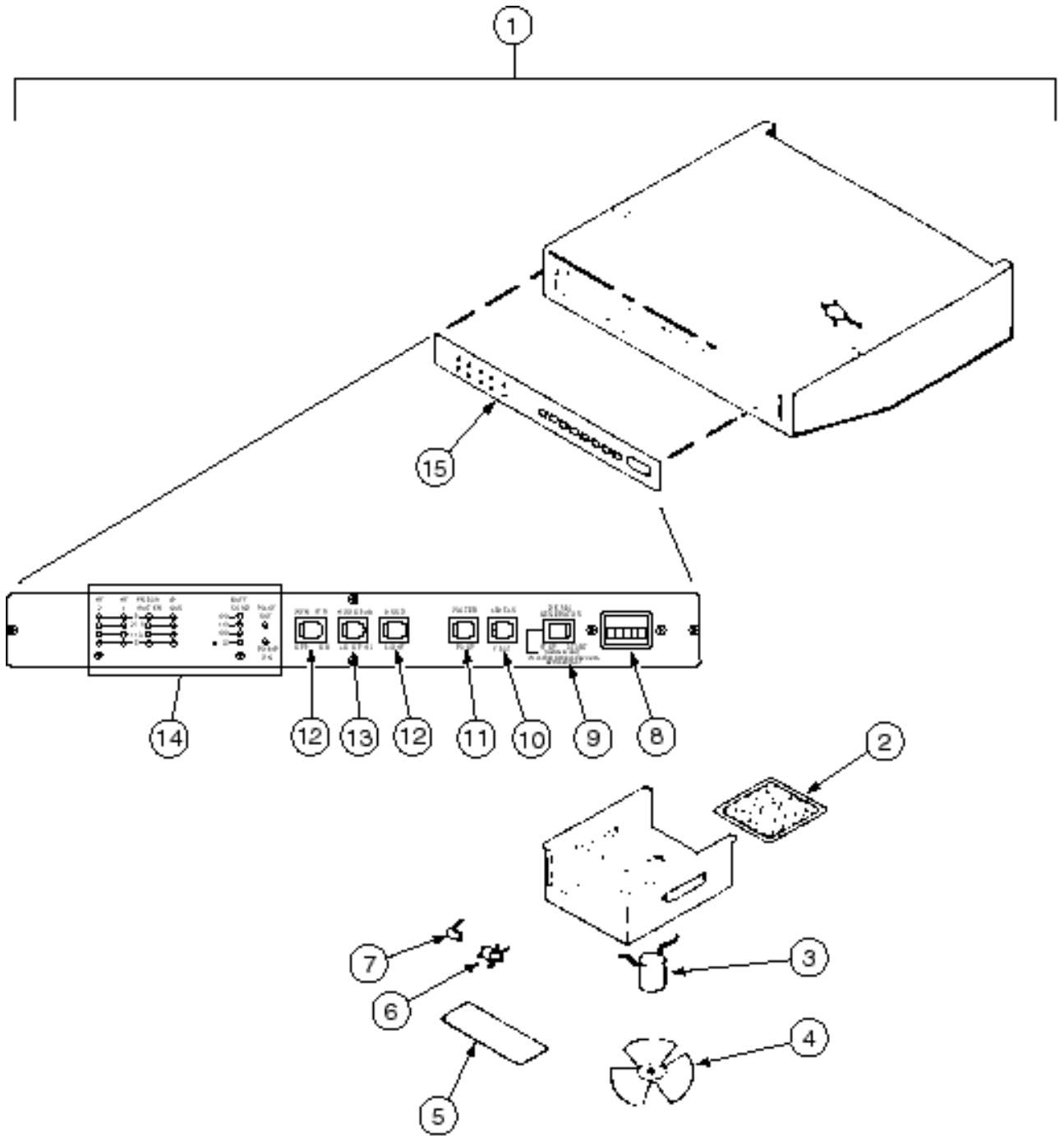
KEY	PART NUMBER	U/M	DESCRIPTION	VENDOR NO.
1	100258-25-02A	EA	HOOD - RANGE - 22" - W/MONITOR PANEL	
2	100258-05-700	EA	FILTER - CHARCOAL	CC248
3	090973-01-700	EA	MOTOR-12 VOLT, CSA & UL	CA508-1
4	090973-01-702	EA	BLADE-FAN	VA183-1
5	092696-02-701	EA	LENS-LAMP	CC179-2
6	092696-01-710	EA	HOLDER-LAMP	CB267-2
7	092696-01-709	EA	LAMP #912	VA415
8	100258-10-01A	EA	HOUR METER 150	
9	096983-01-702	EA	SWITCH - MOM/OFF/MOM/3 TERM	L0112-00
10	096983-01-701	EA	SWITCH - SPST/MOMENTARY 2 TERMINAL	L0111-00
11	096983-01-703	EA	SWITCH - ON/ON	L0115-00
12	075470-01-702	EA	SWITCH - ON/OFF - (VARIOUS)	L0108
13	100258-05-701	EA	SWITCH - FAN/2 SPEED	117
14	100258-11-700	EA	BOARD-CIRCUIT	L5099-01
15	100258-14-701	EA	PANEL-CONTROL ASSEMBLY	LA9078

VENTLINE
MODEL TMR-5053-SBCL



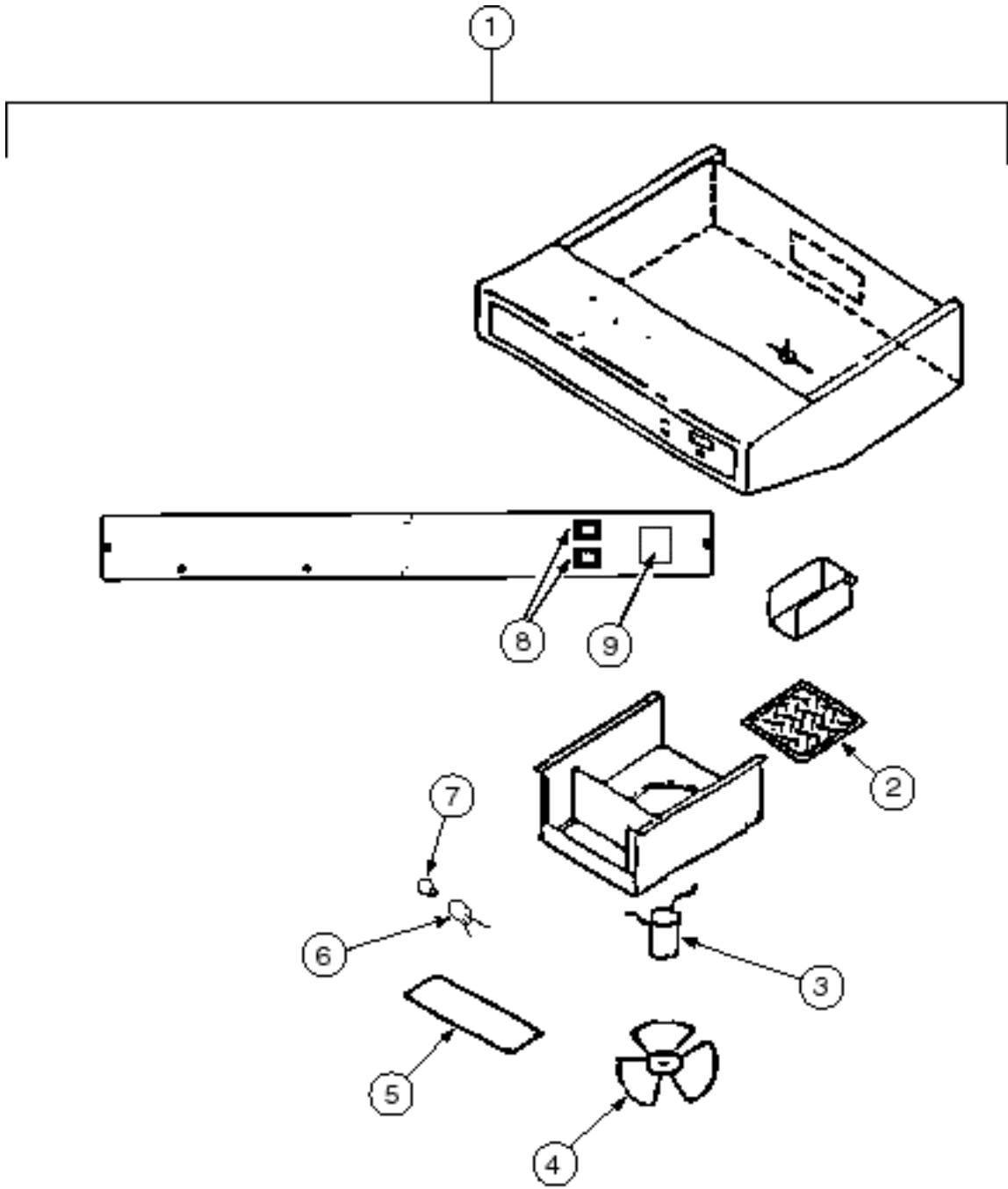
KEY	PART NUMBER	U/M	DESCRIPTION	VENDOR NO.
1	100258-26-02A	EA	HOOD - RANGE - 22" - W/MONITOR PANEL	
2	100258-05-700	EA	FILTER - CHARCOAL	CC248
3	090973-01-700	EA	MOTOR-12 VOLT, CSA & UL	CA508-1
4	090973-01-702	EA	BLADE-FAN	VA183-1
5	092696-02-701	EA	LENS-LAMP	CC179-2
6	092696-01-710	EA	HOLDER-LAMP	CB267-2
7	092696-01-709	EA	LAMP #912	VA415
8	100258-10-01A	EA	HOUR METER 150	
9	096983-01-702	EA	SWITCH - MOM/OFF/MOM/3 TERM	L0112-00
10	096983-01-701	EA	SWITCH - SPST/MOMENTARY 2 TERMINAL	L0111-00
11	096983-01-703	EA	SWITCH - ON/ON	L0115-00
12	075470-01-702	EA	SWITCH - ON/OFF - (VARIOUS)	L0108
13	100258-05-701	EA	SWITCH - FAN/2 SPEED	117
14	100258-11-700	EA	BOARD-CIRCUIT	L5099-01
15	100258-14-701	EA	PANEL-CONTROL ASSEMBLY	LA9078

**VENTLINE
MODEL TMR-5040 SBDL**



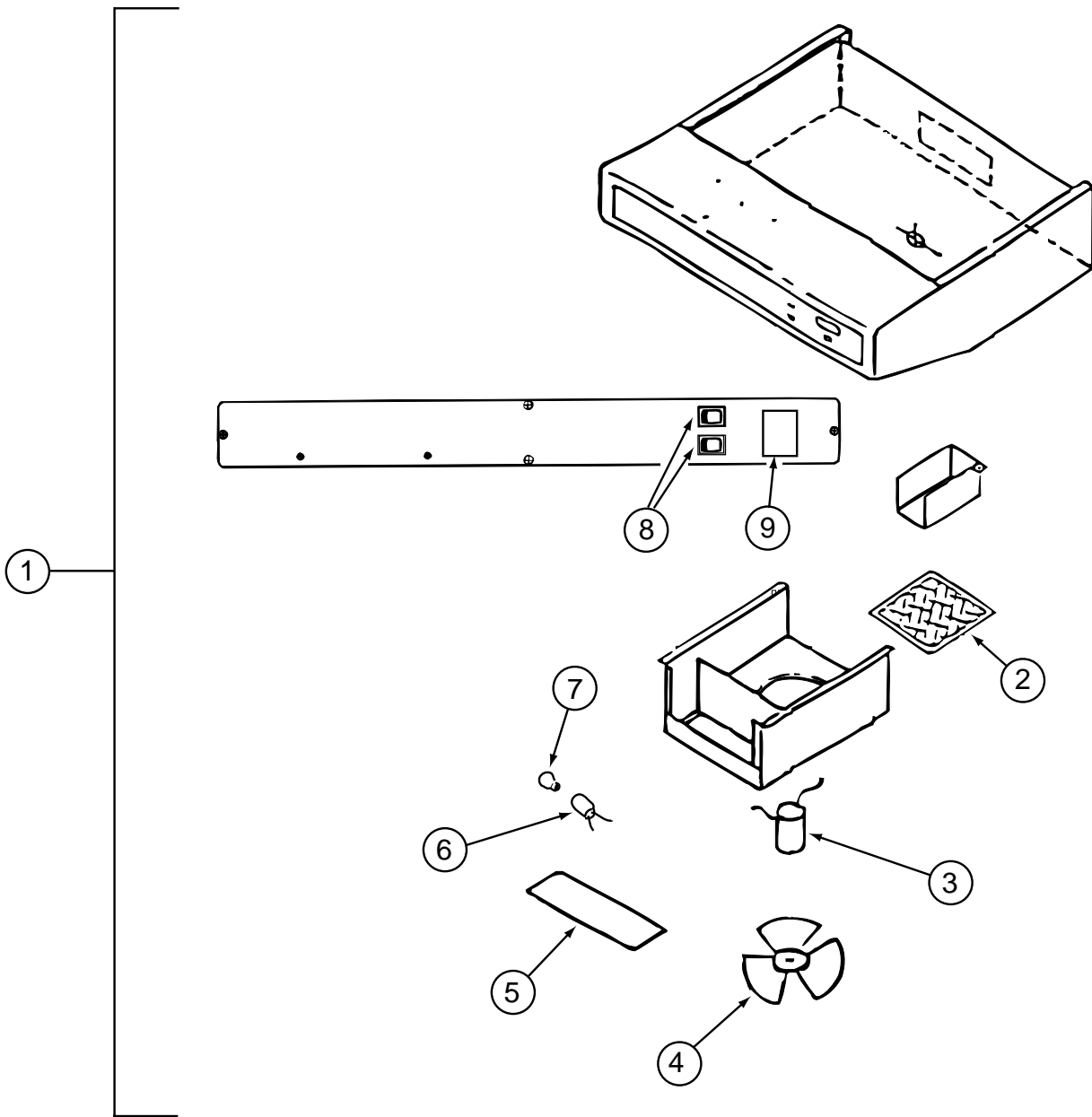
KEY	PART NUMBER	U/M	DESCRIPTION	VENDOR NO.
1	100258-29-01A	EA	HOOD-RANGE 22 W/MON TMR-5040 SBDL	
2	100258-05-700	EA	FILTER-CHARCOAL	CC248
3	090973-01-700	EA	MOTOR-12 VOLT, CSA & UL	CA508-1
4	090973-01-702	EA	BLADE-FAN	VA183-1
5	092696-02-701	EA	LENS-LAMP	CC179-2
6	092696-01-710	EA	HOLDER-LAMP	CB267-2
7	092696-01-709	EA	LAMP #912	VA415
8	100258-10-01A	EA	HOUR METER	150
9	096983-01-702	EA	SWITCH - MOM/OFF/MOM/3 TERM	L0112-00
10	075470-01-703	EA	SWITCH - ON/MOMENTARY	RP1016
11	096983-01-703	EA	SWITCH - ON/ON	L0115-00
12	096983-01-700	EA	SWITCH - ON/OFF	L0108-00
13	100258-05-701	EA	SWITCH - FAN/2 SPEED	117
14	100258-11-700	EA	BOARD-CIRCUIT	L5099-01
15	100258-29-700	EA	PANEL-CONTROL ASSEMBLY	LA9170

**VENTLINE
MODEL TCR 5041 NADL**



KEY	PART NUMBER	U/M	DESCRIPTION	VENDOR NO.
1	100258-31-01A	EA	HOOD - RANGE - 22" - W/O MONITOR PANEL/HOUR METER	
2	100258-05-700	EA	FILTER - CHARCOAL	CC246
3	090973-01-700	EA	MOTOR-12 VOLT, CSA & UL	CA508-1
4	090973-01-702	EA	BLADE-FAN	VA183-1
5	092696-02-701	EA	LENS-LAMP	CC179-2
6	092696-01-710	EA	HOLDER-LAMP	CB267-2
7	092696-01-709	EA	LAMP #912	VA415
8	096983-01-700	EA	SWITCH-ON/OFF	108
9	100258-03-700	EA	PLATE - COVER - HOUR METER	L6052

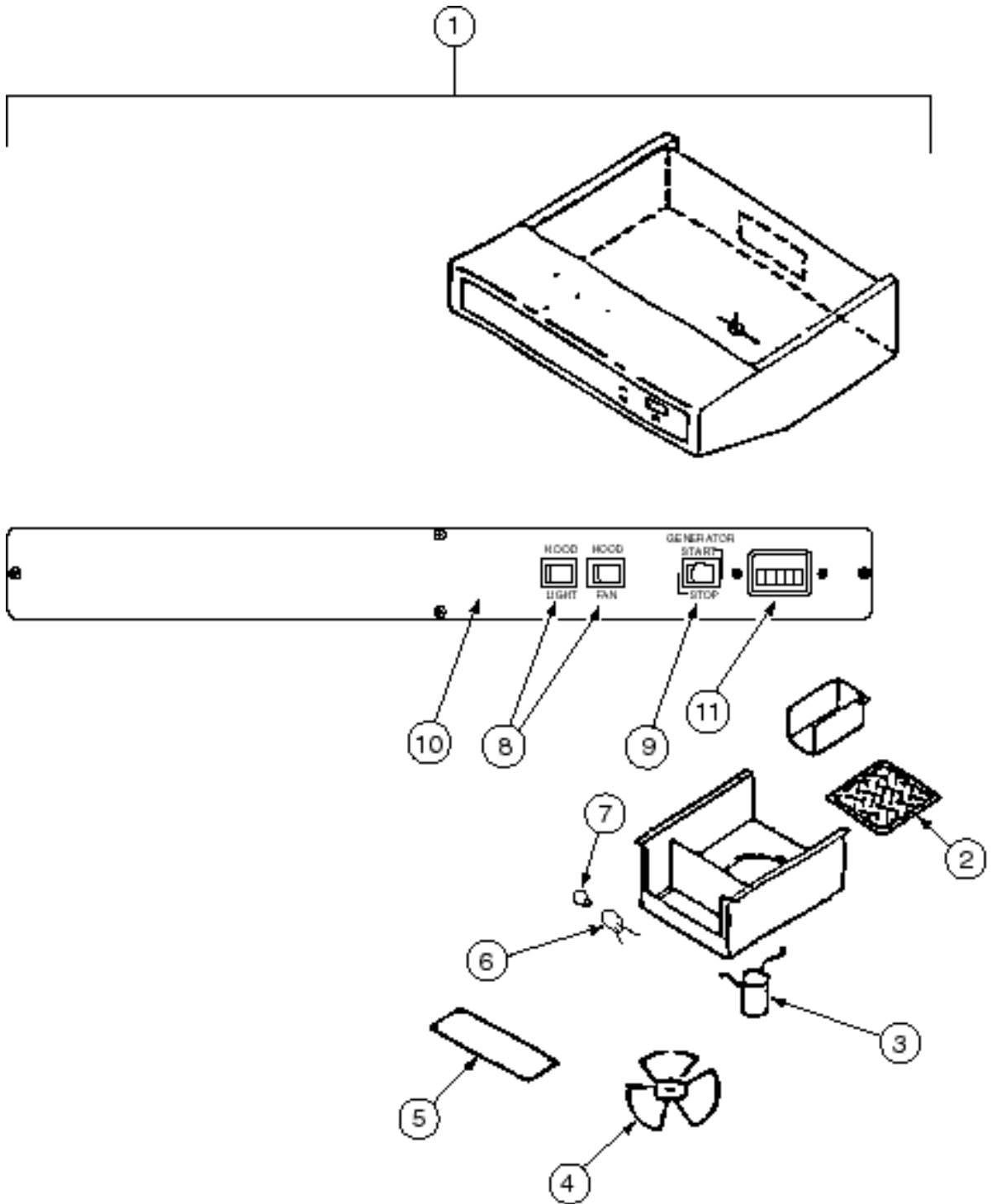
RANGE HOOD



100258-32-01A

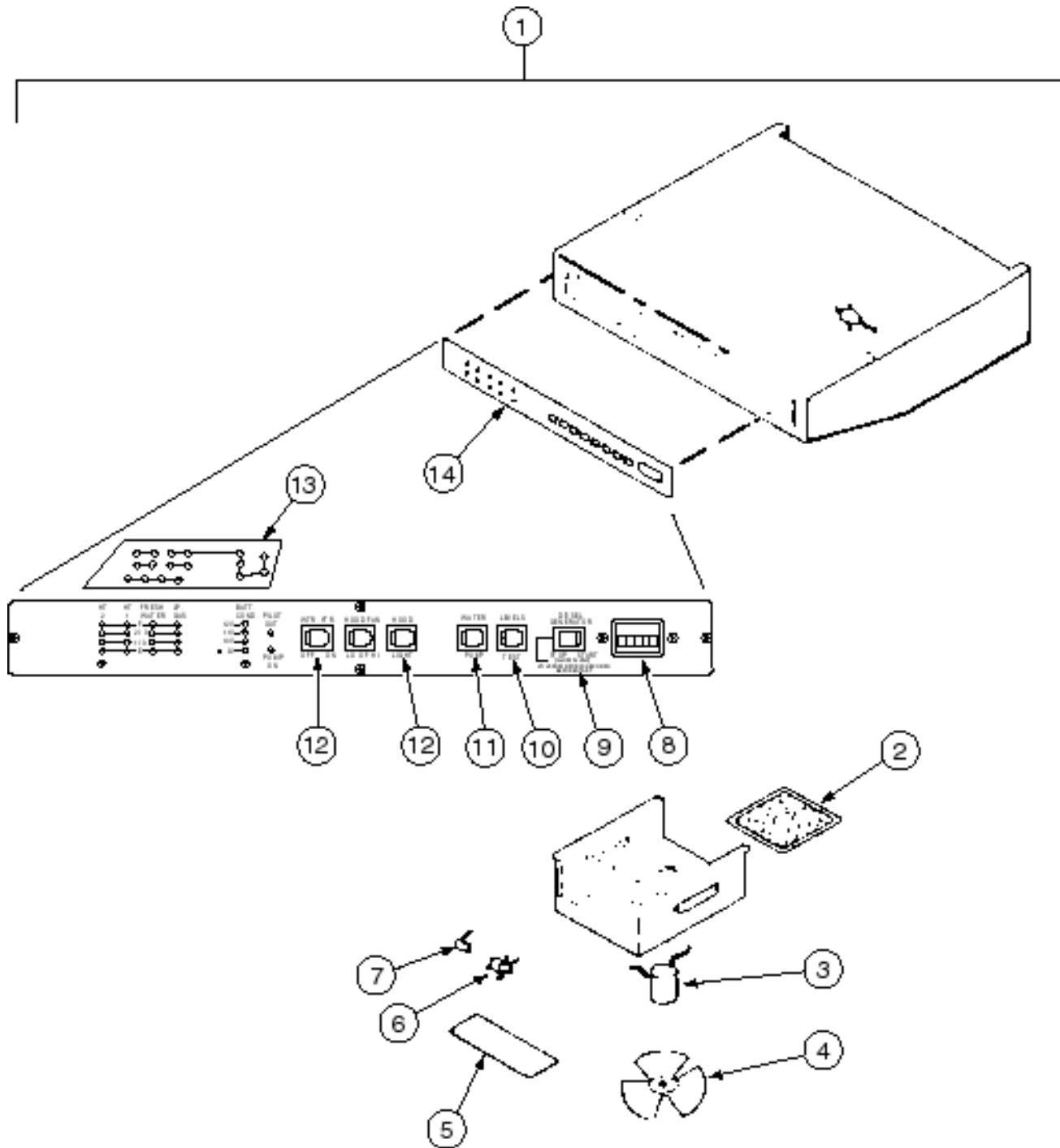
KEY	PART NUMBER	U/M	DESCRIPTION	VENDOR NO.
	100258-32-01A	EA	HOOD - RANGE - 22" - W/O MONITOR PANEL/HOUR METER	VENT TCR 5041 NACL
2	100258-05-700	EA	FILTER-CHARCOAL	CC248
3	090973-01-700	EA	MOTOR-12 VOLT, CSA & UL	CA508-1
4	090973-01-702	EA	BLADE-FAN	VA183-1
5	092696-02-701	EA	LENS-LAMP	CC179-2
6	092696-01-710	EA	HOLDER-LAMP	CB267-2
7	092696-01-709	EA	LAMP #912	VA415
8	096983-01-700	EA	SWITCH - ON/OFF	L0108-00
8	096983-01-702	EA	SWITCH - MOM/OFF/MOM/3 TERM	L0112-00
9	097944-03-700	EA	PLATE-COVER, HOUR METER	L6052
	100258-10-01A	EA	HOUR METER	150

VENTLINE
MODEL TPR 5042 NADL



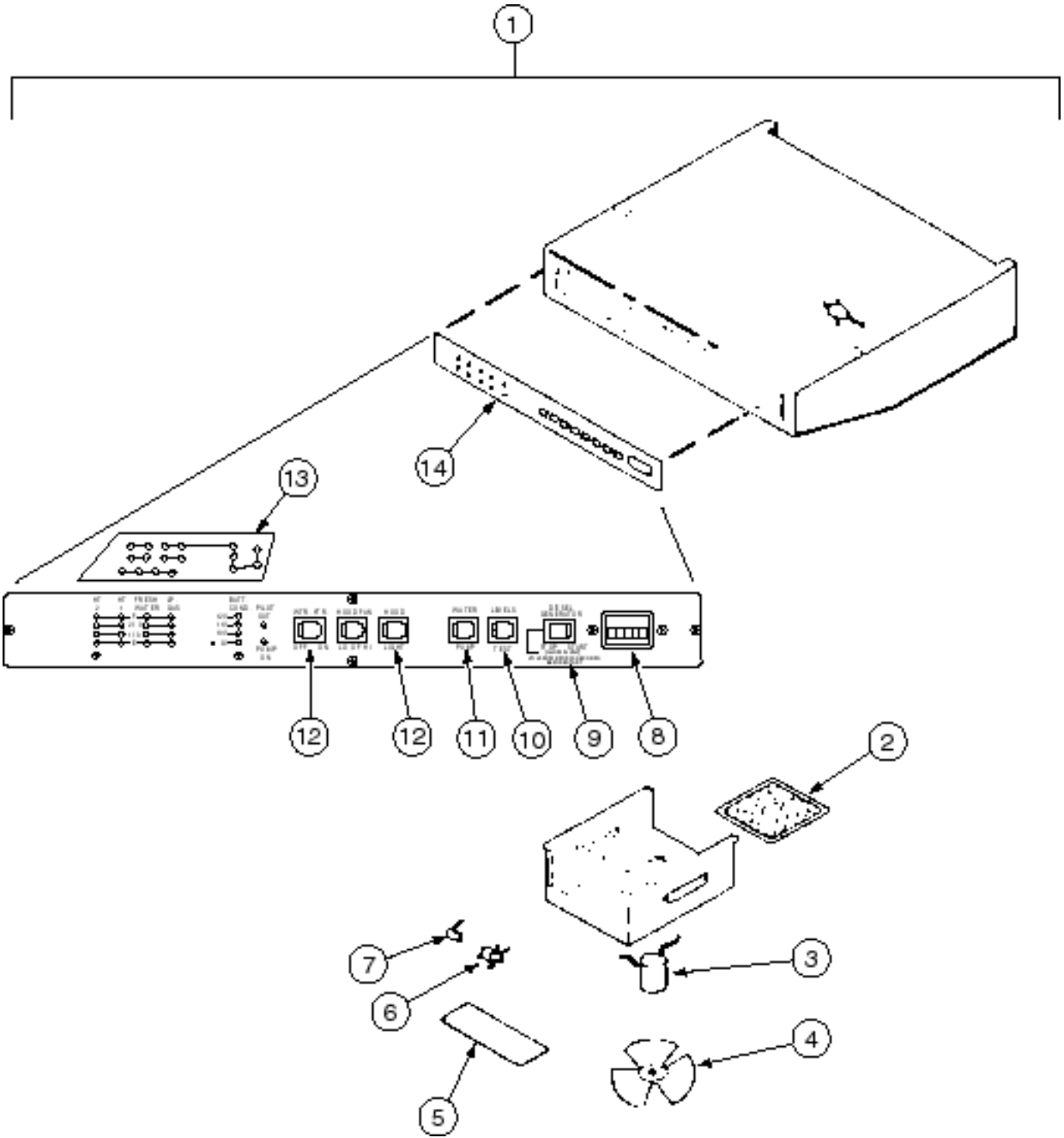
KEY	PART NUMBER	U/M	DESCRIPTION	VENDOR NO.
1	100258-33-01A	EA	HOOD - RANGE - 22" - W/O MONITOR PANEL - W/HOUR METER	
2	100258-05-700	EA	FILTER - CHARCOAL	CC248
3	090973-01-700	EA	MOTOR-12 VOLT, CSA & UL	CA508-1
4	090973-01-702	EA	BLADE-FAN	VA183-1
5	092696-02-701	EA	LENS - LAMP	CC179-2
6	092696-01-709	EA	LAMP #912	VA415
7	092696-01-710	EA	HOLDER - LAMP	CB267-2
8	096983-01-700	EA	SWITCH - ON/OFF	L0108-00
9	096983-01-702	EA	SWITCH - MOM/OFF/MOM - 3 TERM INAL	L0112-00
10	100258-01-700	EA	LABEL-HOOD NOSE	CC428
11	100258-10-01A	EA	HOUR METER 150	

**RANGE HOOD
VENTLINE
TMS 5057-SBDL**



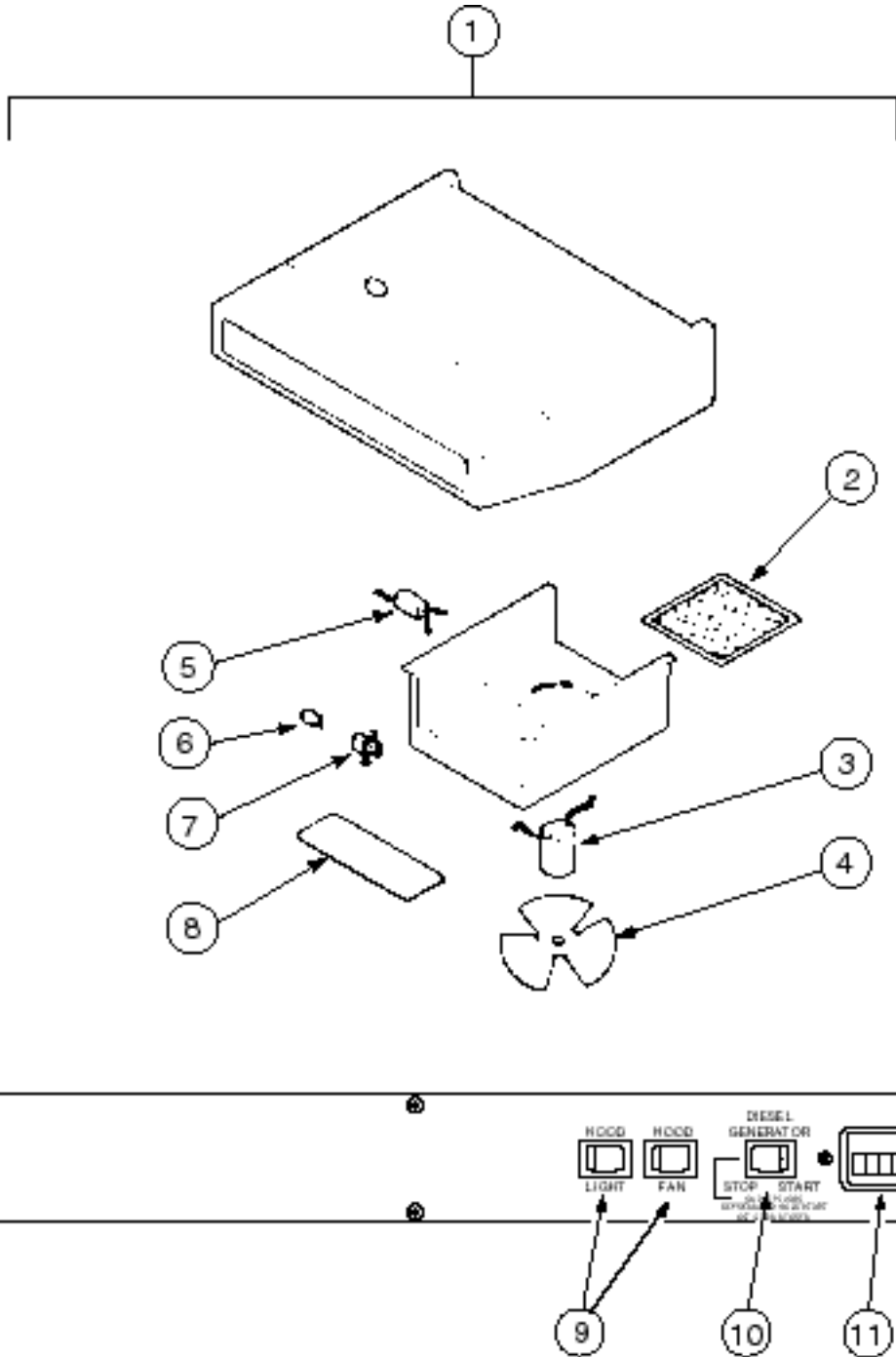
KEY	PART NUMBER	U/M	DESCRIPTION	VENDOR NO.
1	100258-34-01A	EA	HOOD - RANGE 22 W/MONITOR PANEL	
2	096983-01-707	EA	FILTER - MESH	CC246
3	090973-01-700	EA	MOTOR - 12 VOLT - CSA & UL	CA508-1
4	090973-01-702	EA	BLADE - FAN	VA183-1
5	092696-02-701	EA	LENS - LAMP	CC179-2
6	092696-01-710	EA	HOLDER - LAMP	CB267-2
7	092696-01-709	EA	LAMP #912	VA415
8	100258-10-701	EA	GAUGE - HOUR METER - CLIP ON	L0775-00
9	096983-01-702	EA	SWITCH - MOM/OFF/MOM - 3 TERMINAL	L0112-00
10	096983-01-701	EA	SWITCH - SPST/MOM - 2 TERMINAL	L0111-00
11	096983-01-703	EA	SWITCH - ON/ON	L0115-00
12	096983-01-700	EA	SWITCH - ON/OFF	L0108-00
13	100258-11-700	EA	BOARD - CIRCUIT	L5099-01
14	100258-34-700	EA	CHASSIS - SILKSCREENED	CC531
	092696-01-702	EA	RESISTER - WIRE	L7314

RANGE HOOD
VENTLINE
TMS 5057-SBCL



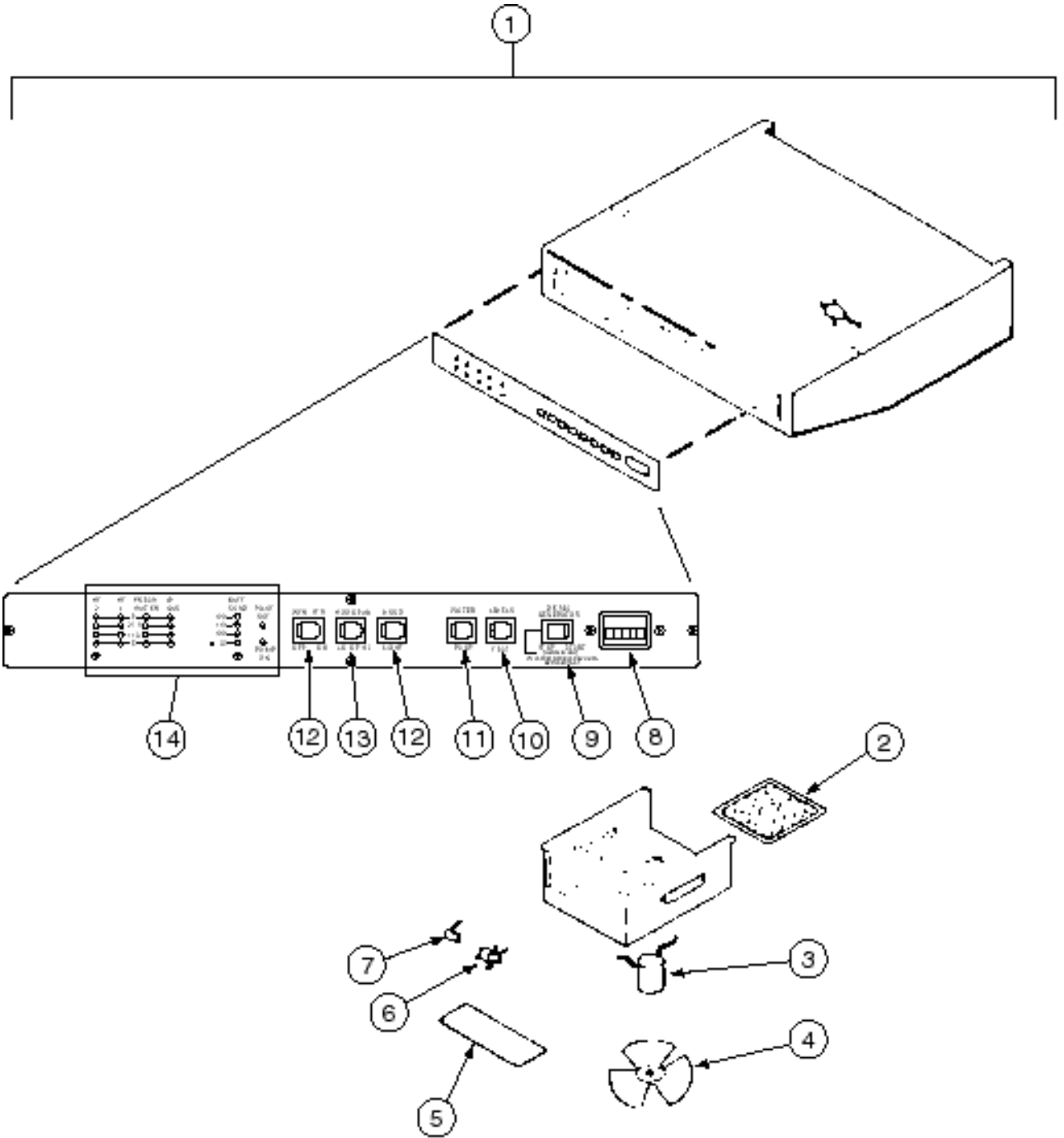
KEY	PART NUMBER	U/M	DESCRIPTION	VENDOR NO.
1	100258-35-01A	EA	HOOD - RANGE 22 W/MONITOR PANEL	
2	096983-01-707	EA	FILTER - MESH	CC246
3	090973-01-700	EA	MOTOR - 12 VOLT - CSA & UL	CA508-1
4	090973-01-702	EA	BLADE - FAN	VA183-1
5	092696-02-701	EA	LENS - LAMP	CC179-2
6	092696-01-710	EA	HOLDER - LAMP	CB267-2
7	092696-01-709	EA	LAMP #912	VA415
8	100258-10-701	EA	GAUGE - HOUR METER - CLIP ON	L0775-00
9	096983-01-702	EA	SWITCH - MOM/OFF/MOM - 3 TERMINAL	L0112-00
10	096983-01-701	EA	SWITCH - SPST/MOM - 2 TERMINAL	L0111-00
11	096983-01-703	EA	SWITCH - ON/ON	L0115-00
12	096983-01-700	EA	SWITCH - ON/OFF	L0108-00
13	100258-11-700	EA	BOARD - CIRCUIT	L5099-01
14	100258-34-700	EA	CHASSIS - SILKSCREENED	CC531
	092696-01-702	EA	RESISTER - WIRE	L7314

RANGE HOOD
VENTLINE
TPS-5056-SBDL



KEY	PART NUMBER	U/M	DESCRIPTION	VENDOR NO.
1	100258-36-01A	EA	HOOD - RANGE - W/O MONITOR PANEL-W/HOUR METER/SWITCH - US	
2	096983-01-707	EA	FILTER - MESH	CC246
3	090973-01-700	EA	MOTOR - 12 VOLT - CSA & UL	CA508-1
4	090973-01-702	EA	BLADE - FAN	VA183-1
5	092696-02-701	EA	LENS - LAMP	CC179-2
6	092696-01-709	EA	LAMP #912	VA415
7	092696-01-710	EA	HOLDER - LAMP	CB267-2
8	096983-01-700	EA	SWITCH - ON/OFF	L0108-00
9	096983-01-702	EA	SWITCH - MOM/OFF/MOM - 3 TERMINAL	L0112-00
10	100258-01-700	EA	LABEL - HOOD NOSE	CC428
11	100258-10-01A	EA	HOUR METER 150	
12	100258-36-700	EA	CHASSIS - SILKSCREENED	CC530
	092696-01-702	EA	RESISTER - WIRE	L7314

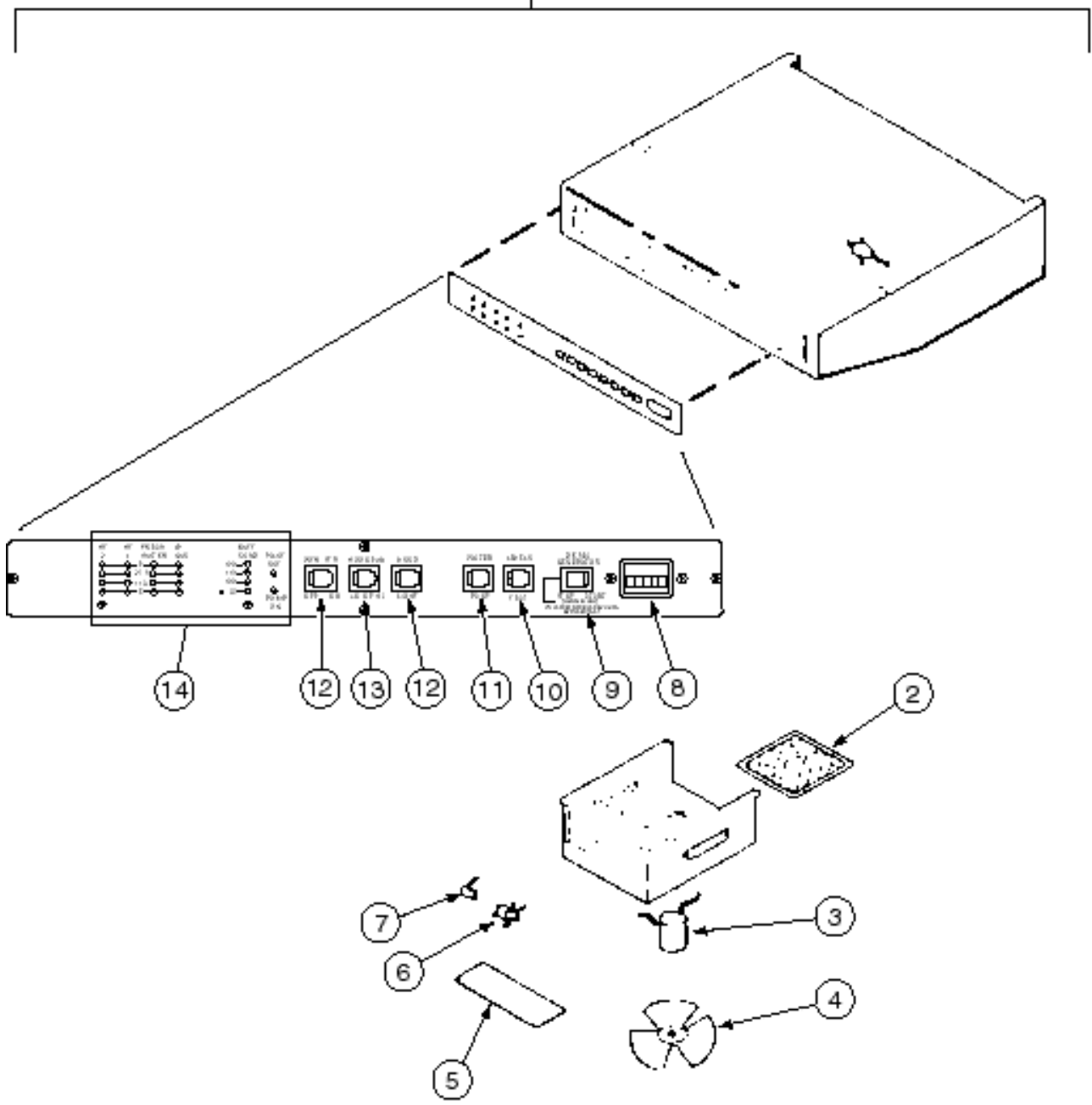
**VENTLINE
MODEL TMR-5059-SBDL**



KEY	PART NUMBER	U/M	DESCRIPTION	VENDOR NO.
1	100258-38-01A	EA	HOOD - RANGE - 22" W/MONITOR PANEL	
2	100258-05-700	EA	FILTER - CHARCOAL	CC248
3	090973-01-700	EA	MOTOR-12 VOLT, CSA & UL	CA508-1
4	090973-01-702	EA	BLADE-FAN	VA183-1
5	092696-02-701	EA	LENS-LAMP	CC179-2
6	092696-01-710	EA	HOLDER-LAMP	CB267-2
7	092696-01-709	EA	LAMP #912	VA415
8	100258-10-01A	EA	HOUR METER 150	
9	096983-01-702	EA	SWITCH - MOM/OFF/MOM/3 TERM	L0112-00
10	096983-01-701	EA	SWITCH - SPST/MOMENTARY 2 TERMINAL	L0111-00
11	096983-01-703	EA	SWITCH - ON/ON	L0115-00
12	075470-01-700	EA	SWITCH - ON/OFF	L0108-00
13	100258-05-701	EA	SWITCH - FAN/2 SPEED	117
14	100258-11-700	EA	BOARD-CIRCUIT	L5099-01

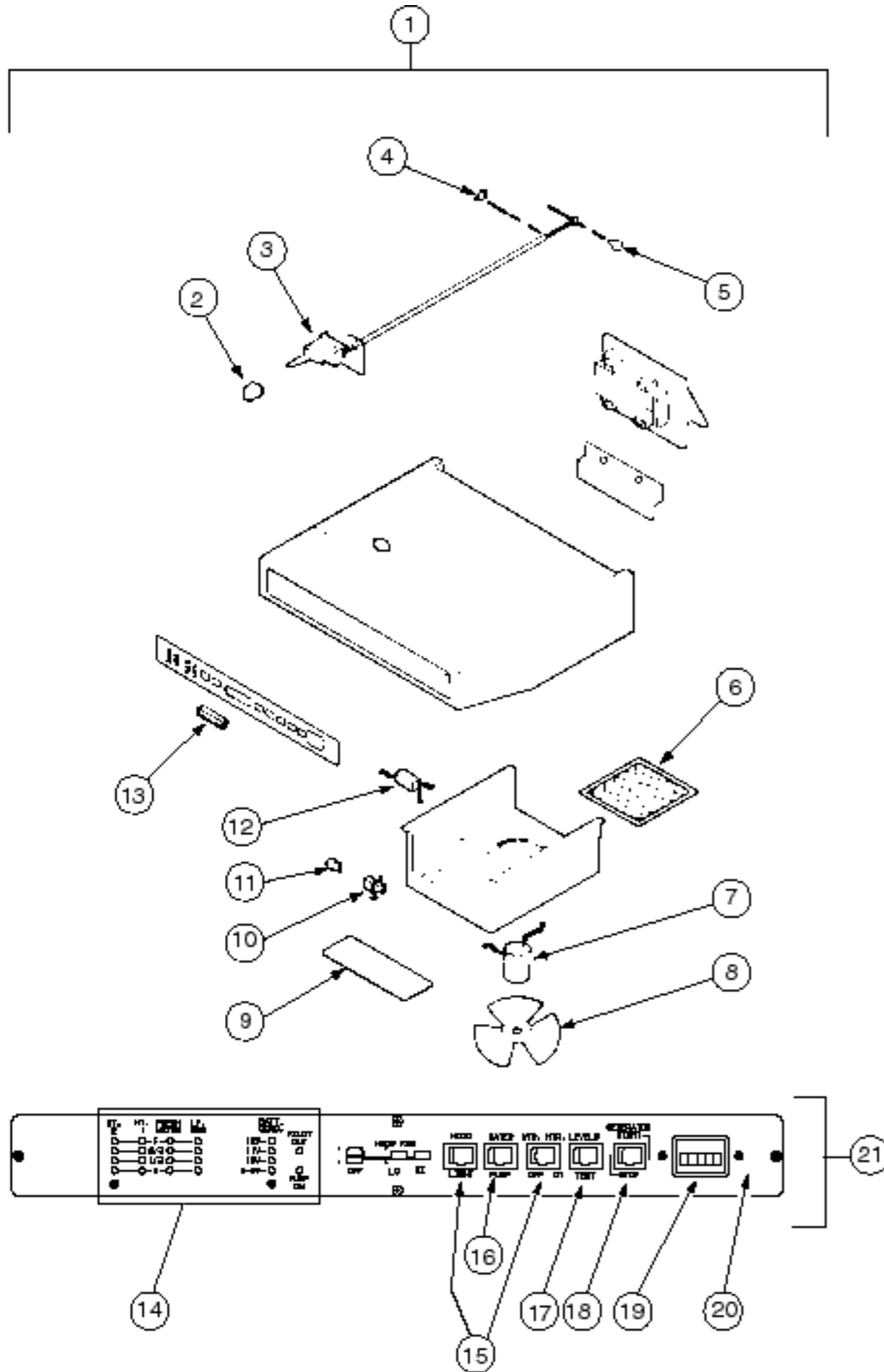
VENTLINE
MODEL TMR-5059-SBCL

1



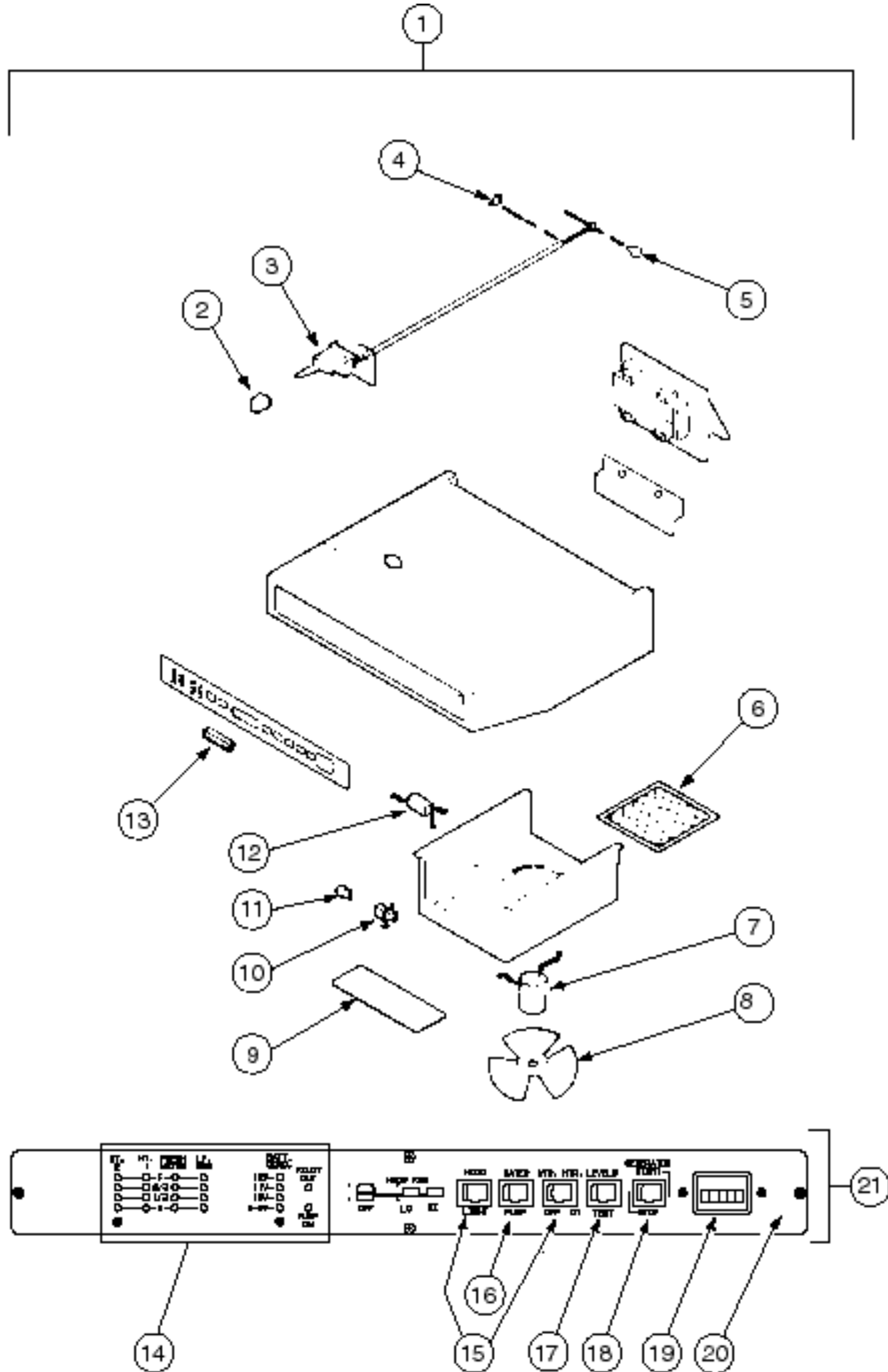
KEY	PART NUMBER	U/M	DESCRIPTION	VENDOR NO.
1	100258-39-01A	EA	HOOD - RANGE - 22" W/MONITOR PANEL	
2	100258-05-700	EA	FILTER - CHARCOAL	CC248
3	090973-01-700	EA	MOTOR-12 VOLT, CSA & UL	CA508-1
4	090973-01-702	EA	BLADE-FAN	VA183-1
5	092696-02-701	EA	LENS-LAMP	CC179-2
6	092696-01-710	EA	HOLDER-LAMP	CB267-2
7	092696-01-709	EA	LAMP #912	VA415
8	100258-10-01A	EA	HOUR METER 150	
9	096983-01-702	EA	SWITCH - MOM/OFF/MOM/3 TERM	L0112-00
10	096983-01-701	EA	SWITCH - SPST/MOMENTARY 2 TERMINAL	L0111-00
11	096983-01-703	EA	SWITCH - ON/ON	L0115-00
12	075470-01-700	EA	SWITCH - ON/OFF	L0108-00
13	100258-05-701	EA	SWITCH - FAN/2 SPEED	117
14	100258-11-700	EA	BOARD-CIRCUIT	L5099-01

**VENTLINE
MODEL TMS-5062-SBDLG**



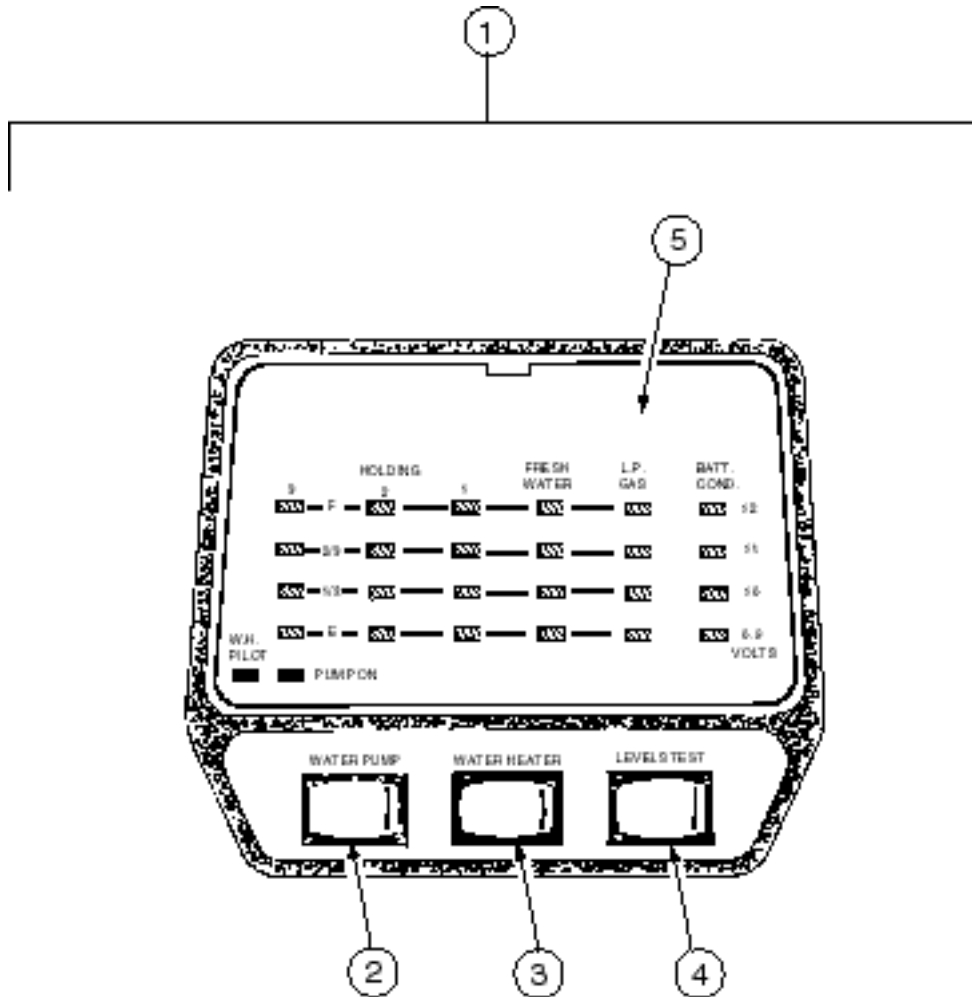
KEY	PART NUMBER	U/M	DESCRIPTION	VENDOR NO.
1	100258-40-01A	EA	HOOD - RANGE 22" - W/MONITOR PANEL - BLACK TEXTURED	
2	092696-01-701	EA	KNOB - PLASTIC	CC 225
3	100258-40-700	EA	SWITCH/LEVER CABLE ASSEMBLY	CB0547-03
4	092698-02-701	EA	CLAMP - CONDUIT	VB334
5	092698-02-700	EA	FASTENER - PUSH	VB430
6	096983-01-707	EA	FILTER - MESH	CC246
7	090973-01-700	EA	MOTOR - 12 VOLT - CSA & UL	CA508-1
8	090973-01-702	EA	BLADE - FAN	VA183-1
9	092696-02-701	EA	LENS - LAMP	CC179-2
10	092696-01-710	EA	HOLDER - LAMP	CB267-2
11	092696-01-709	EA	LAMP - #912	VA415
12	092696-01-702	EA	RESISTER - WIRE	L7314
13	100258-04-701	EA	BEZEL - SWITCH LEVER	CC116
14	100258-11-700	EA	BOARD - CIRCUIT - ADJUSTABLE POTENTIOMETER	L5099-01
15	096983-01-703	EA	SWITCH - ON/ON	L0115-00
16	096983-01-700	EA	SWITCH - ON/OFF	L0108-00
17	096983-01-701	EA	SWITCH - SPST/MOM 2 TERMINAL	L0111-00
18	096983-01-702	EA	SWITCH - MOM/OFF/MOM/3 TERM	L0112-00
19	100258-10-700	EA	GAUGE - HOUR METER - SCREW ON	150
19	100258-10-701	EA	GAUGE - HOUR METER - CLIP ON	L0775-00
20	100258-14-700	EA	PLATE - FACE - SCREENED	9077
21	100258-12-700	EA	PANEL - CONTROL ASSEMBLY	LA9076

**VENTLINE
MODEL TMS-5062-SBCLG**



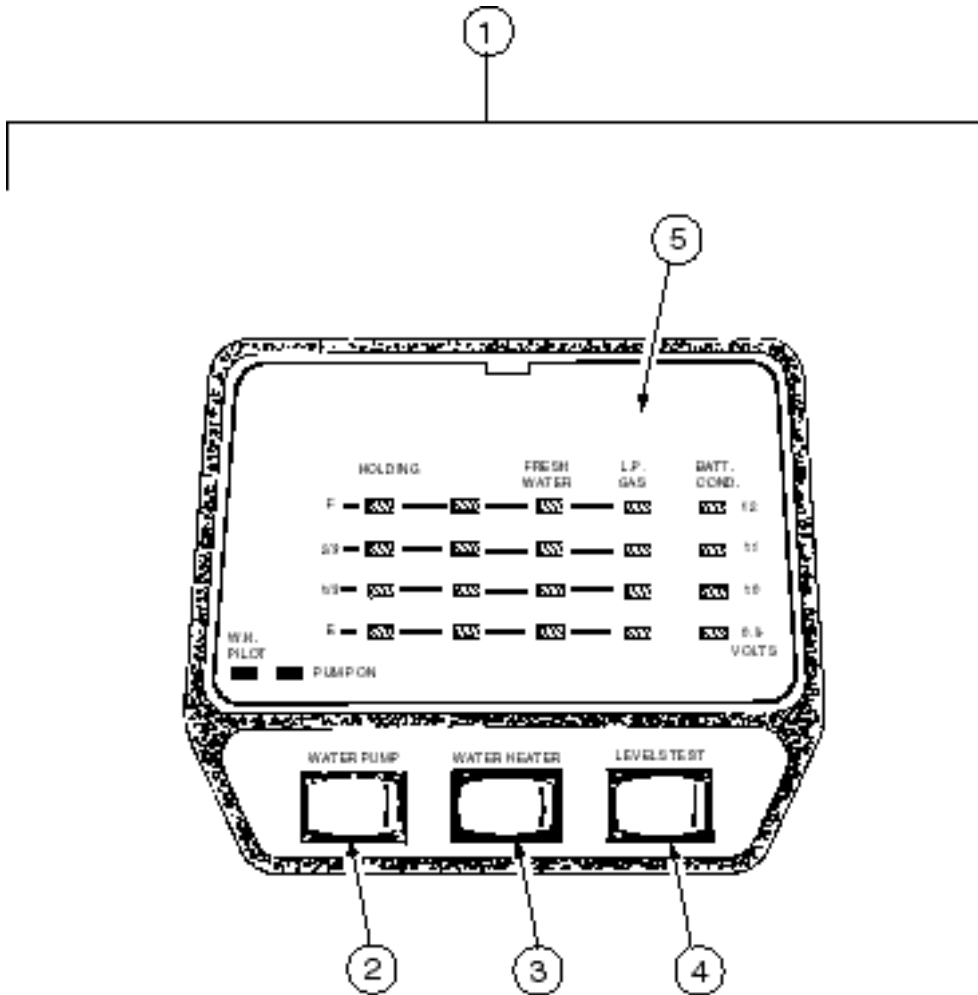
KEY	PART NUMBER	U/M	DESCRIPTION	VENDOR NO.
1	100258-41-01A	EA	HOOD - RANGE 22" - W/MONITOR PANEL - BLACK TEXTURED - CSA	
2	092696-01-701	EA	KNOB - PLASTIC	CC 225
3	100258-40-700	EA	SWITCH/LEVER CABLE ASSEMBLY	CB0547-03
4	092698-02-701	EA	CLAMP - CONDUIT	VB334
5	092698-02-700	EA	FASTENER - PUSH	VB430
6	096983-01-707	EA	FILTER - MESH	CC246
7	090973-01-700	EA	MOTOR - 12 VOLT - CSA & UL	CA508-1
8	090973-01-702	EA	BLADE - FAN	VA183-1
9	092696-02-701	EA	LENS - LAMP	CC179-2
10	092696-01-710	EA	HOLDER - LAMP	CB267-2
11	092696-01-709	EA	LAMP - #912	VA415
12	092696-01-702	EA	RESISTER - WIRE	L7314
13	100258-04-701	EA	BEZEL - SWITCH LEVER	CC116THETFORD
14	100258-11-700	EA	BOARD - CIRCUIT - ADJUSTABLE POTENTIOMETER	L5099-01
15	096983-01-703	EA	SWITCH - ON/ON	L0115-00
16	096983-01-700	EA	SWITCH - ON/OFF	L0108-00
17	096983-01-701	EA	SWITCH - SPST/MOM 2 TERMINAL	L0111-00
18	096983-01-702	EA	SWITCH - MOM/OFF/MOM/3 TERM	L0112-00
19	100258-10-700	EA	GAUGE - HOUR METER - SCREW ON	150
19	100258-10-701	EA	GAUGE - HOUR METER - CLIP ON	L0775-00
20	100258-14-700	EA	PLATE - FACE - SCREENED	9077
21	100258-12-700	EA	PANEL - CONTROL ASSEMBLY	LA9076

**LVS MONITOR PANEL
W/PLUG ALMOND
(3 HOLDING TANK)**



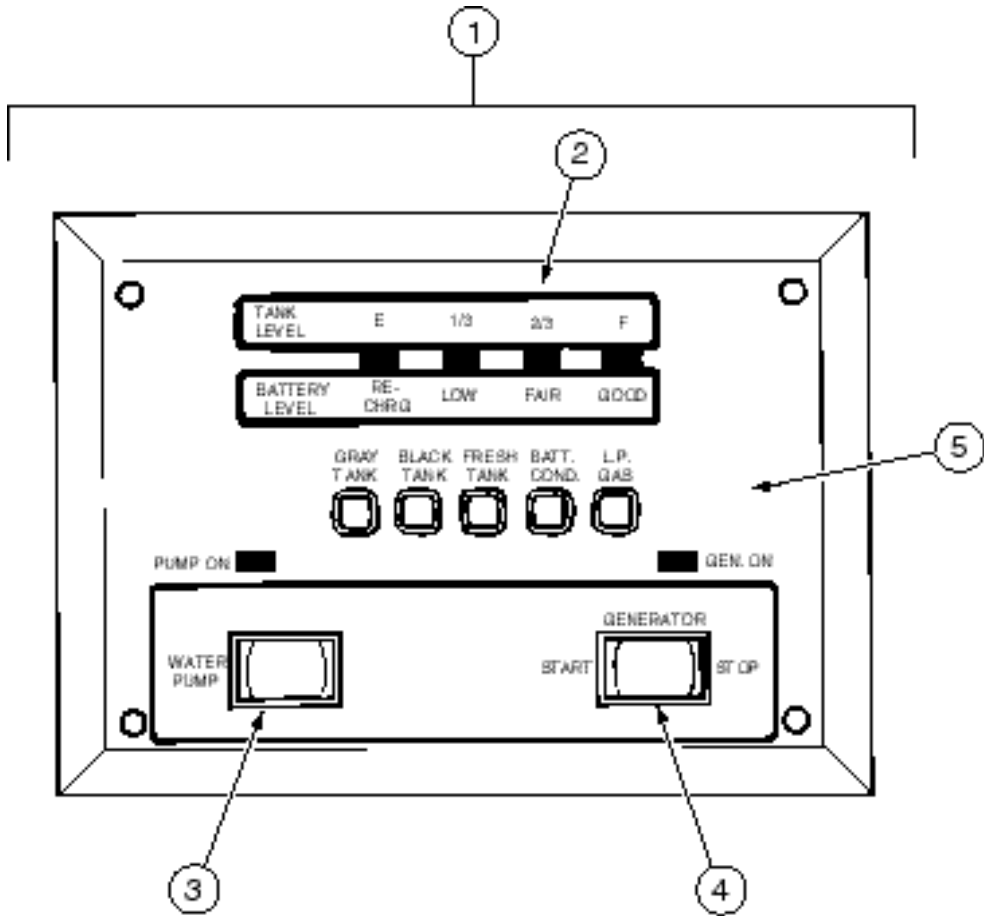
KEY	PART NUMBER	U/M	DESCRIPTION	VENDOR NO
1	102765-03-01A	EA	PANEL - MONITOR - 3 TANK/WATER HEATER	LVS W/PLUG ALMOND
2	097617-01-702	EA	SWITCH (ALMOND)	107
3	097617-01-701	EA	SWITCH - ON/OFF - ALMOND	106
4	102765-01-700	EA	SWITCH - ON/ON - ALMOND	110-01
5	102765-03-700	EA	BOARD-CIRCUIT,3 HOLDING TANK	L5097-42

**LVS MONITOR PANEL
W/PLUG ALMOND
(2 HOLDING TANK)**



KEY	PART NUMBER	U/M	DESCRIPTION	VENDOR NO
1	102765-04-01A	EA	PANEL - MONITOR - 2 HOLDING TANKS - ADJUSTABLE	
2	097617-01-702	EA	SWITCH (ALMOND)	107
3	097617-01-701	EA	SWITCH - ON/OFF - ALMOND	106
4	102765-01-700	EA	SWITCH - ON/ON - ALMOND	110-01
5	102765-04-700	EA	BOARD-CIRCUIT,2 HOLDING TANK	L5097-41

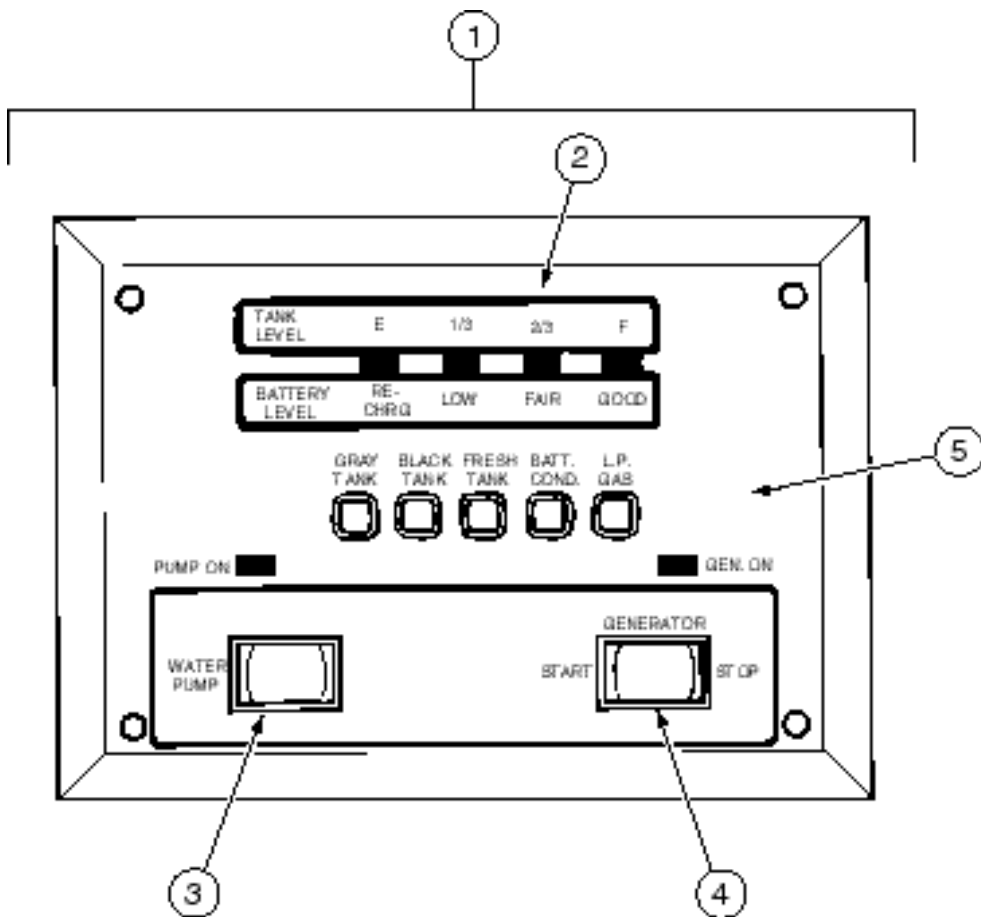
**MONITOR PANEL
VENTLINE LA1023-00**



KEY	PART NUMBER	U/M	DESCRIPTION
1	114014-01-01A	EA	PANEL - MONITOR 2 TANK W/REMOTE
2	114014-01-700	EA	OVERLAY-SILKSCREEN
3	096983-01-700	EA	SWITCH - ON/OFF
4	096983-01-702	EA	SWITCH - MOM/OFF/MOM/3 TERM
5	114014-01-701	EA	BOARD-CIRCUIT
	113566-01-701	EA	RESISTOR-TANK HARNESS

VENDOR NO
CD212
L0108-00
L0112-00
5070-06SPC
L7306

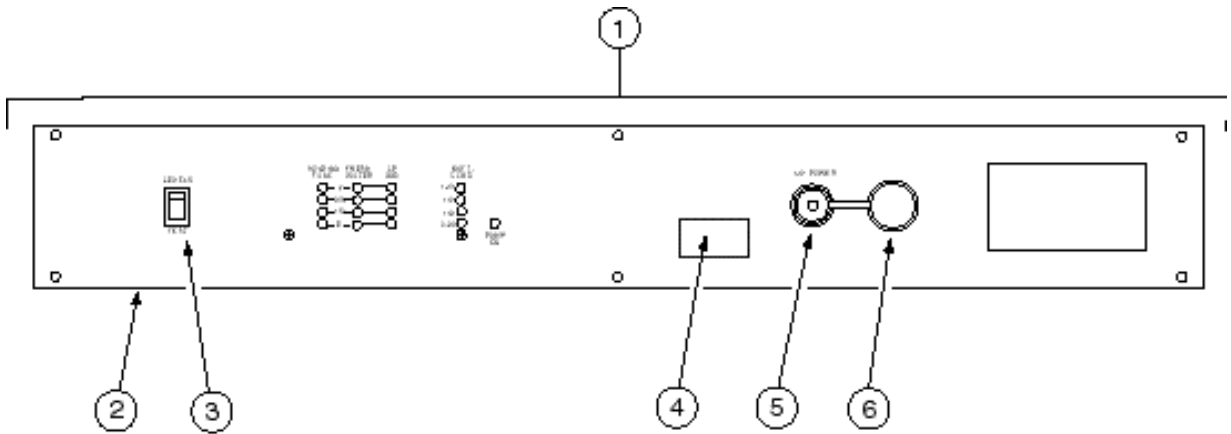
**MONITOR PANEL
VENTLINE LA1023-00**



KEY	PART NUMBER	U/M	DESCRIPTION
1	114014-02-02A	EA	PANEL - MONITOR 2 TANK W/REMOTE
2	114014-01-700	EA	OVERLAY-SILKSCREEN
3	096983-01-700	EA	SWITCH - ON/OFF
4	096983-01-702	EA	SWITCH - MOM/OFF/MOM/3 TERM
5	114014-01-701	EA	BOARD-CIRCUIT
	113566-01-701	EA	RESISTOR-TANK HARNESS

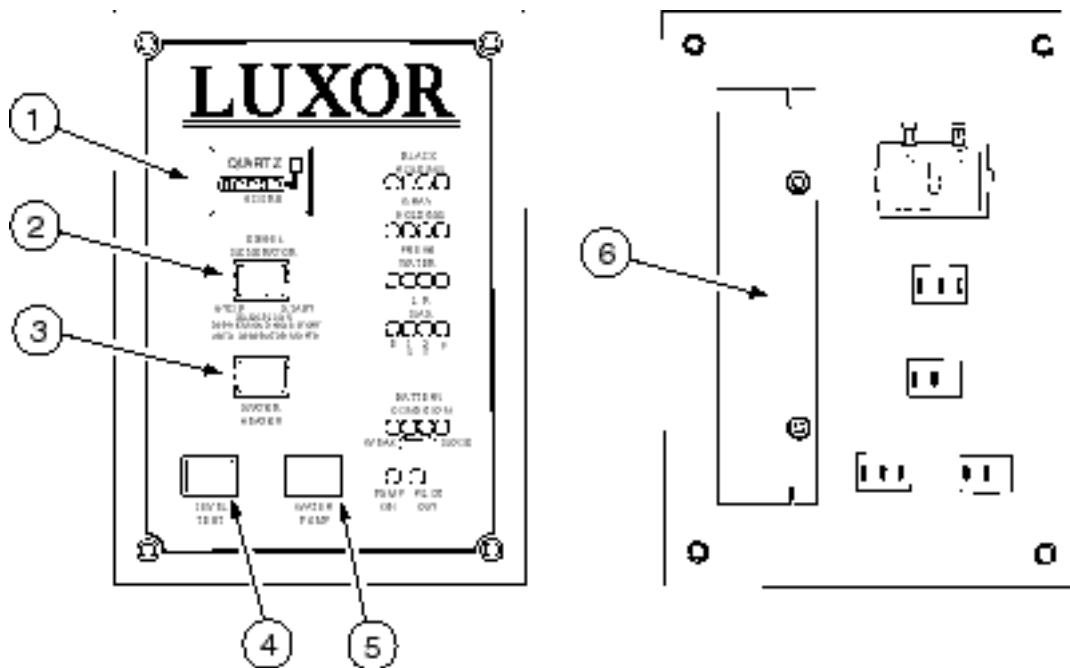
VENDOR NO
CD212
L0108-00
L0112-00
5070-06SPC
L7306

**VENTLINE
MODEL LA1032-00**



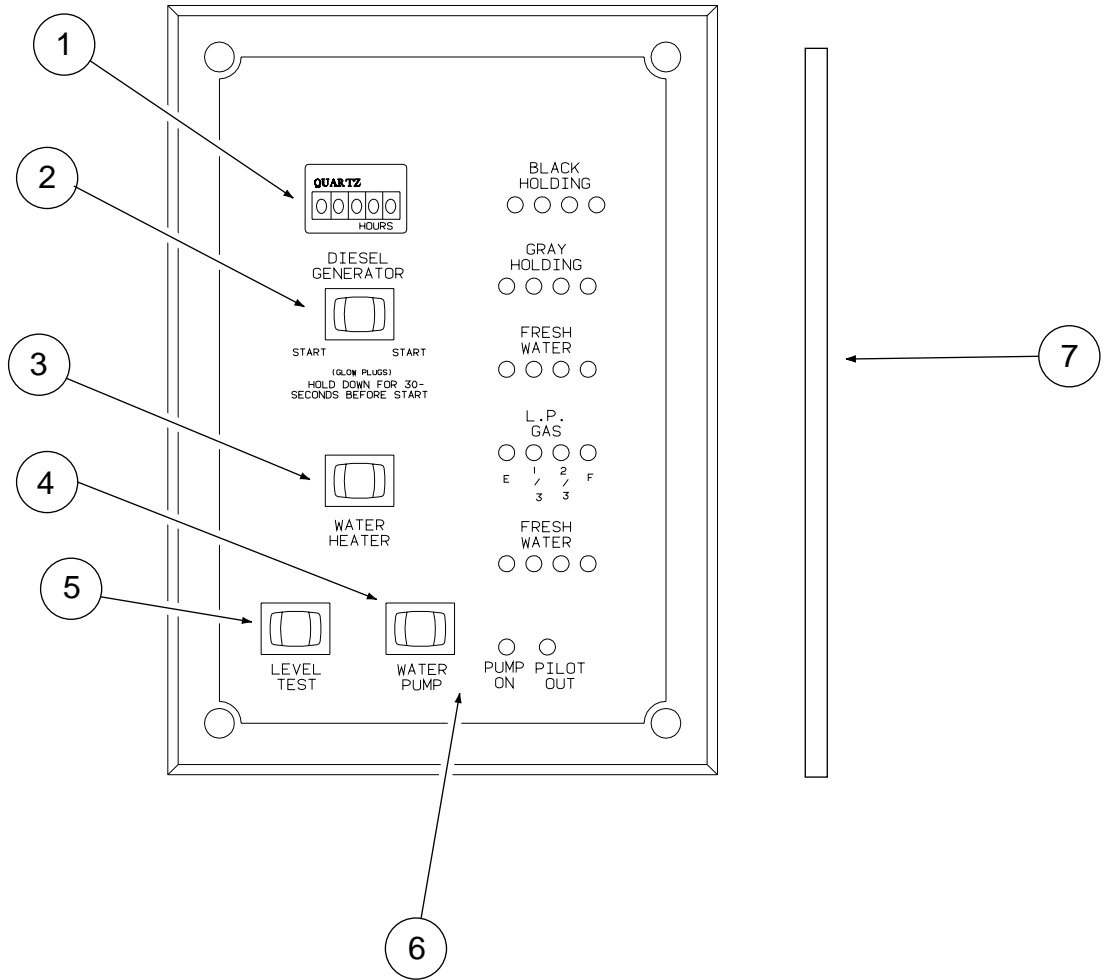
KEY	PART NUMBER	U/M	DESCRIPTION	VENDOR NO.
1	113566-03-01A	EA	PANEL - MONITOR - 1 TANK	VENTLINE LA1032-00
2	113566-03-703	EA	SILKSCREENED CHASSIS	CD0438-00
3	113566-01-707	EA	SWITCH - OFF/MOM	L0111-00
4	113566-03-702	EA	LABEL	L0451-00
5	113566-03-705	EA	RECEPTACLE - 12V	L0444-01
6	113566-03-704	EA	CAP - RUBBER 12V RECEPTACLE	L0444-02
	113566-03-700	EA	HARNESS	L7702-00
	113566-03-701	EA	PC BOARD	L5099-122

**MONITOR PANEL
PHILLIPS - 2 TANK PUMP**



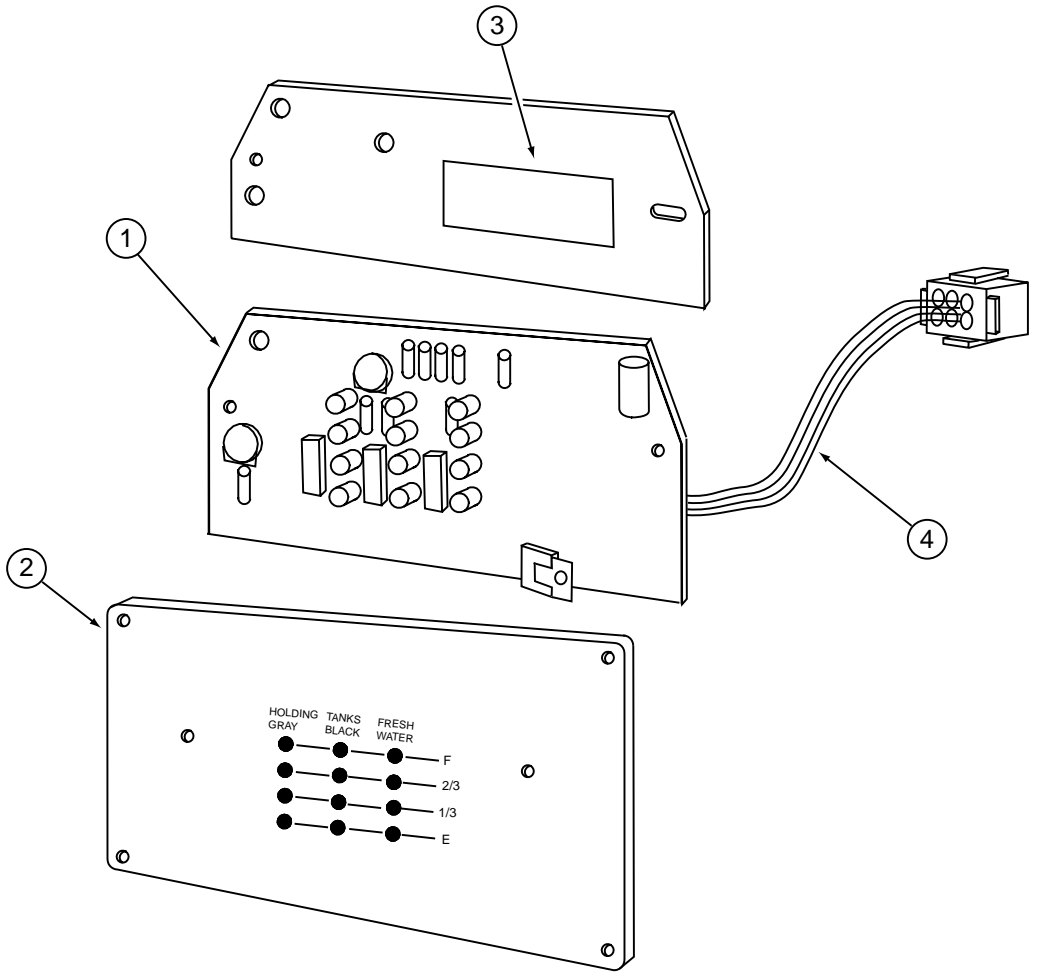
KEY	PART NUMBER	U/M	DESCRIPTION	VENDOR NO.
	121148-03-01A	EA	PANEL - MONITOR - 2 TANK PUMP	
1	100258-10-701	EA	GAUGE - HOUR METER - CLIP ON	L0775-00
2	096983-01-702	EA	SWITCH - MOM/OFF/MOM/3 TERMINAL	L0112-00
3	096983-01-700	EA	SWITCH - ON/OFF	L0108-00
4	096983-01-701	EA	SWITCH - SPST/MOM - 2 TERMINAL	L0111-00
5	096983-01-703	EA	SWITCH - ON/ON	L0115-00
6	121148-02-700	EA	BOARD - CIRCUIT	L5099-20

RANGE HOOD & MONITOR PANELS



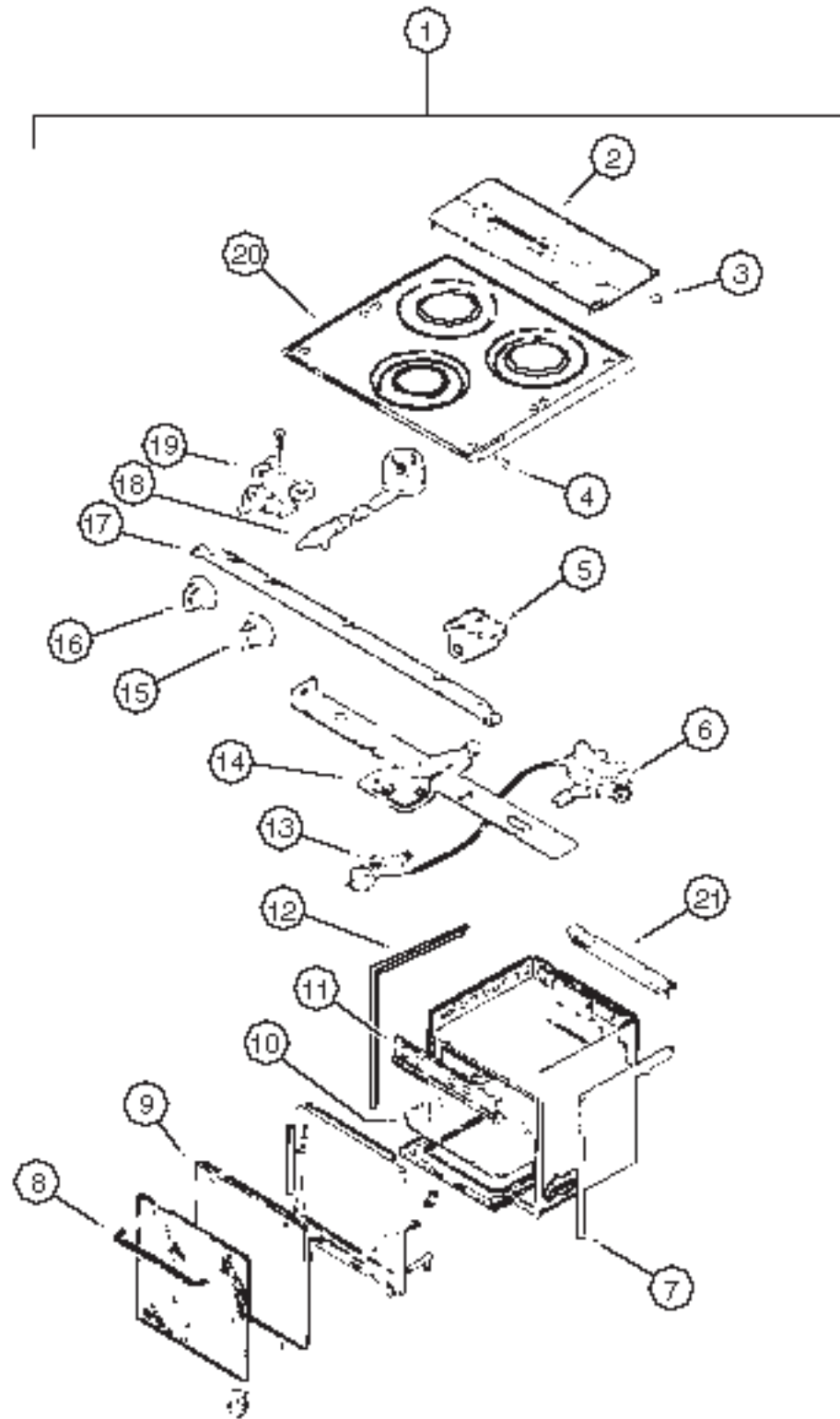
KEY	PART NUMBER	U/M	DESCRIPTION	VENDOR NO.
	121148-04-01A	EA	PANEL - MONITOR - 2 TANK LOW	L0775-00
1	100258-10-701	EA	GAUGE-HOUR METER-CLIP ON LCD	L0112-00
2	096983-01-702	EA	SWITCH - MOM/OFF/MOM/3 TERM	L0108-00
3	096983-01-700	EA	SWITCH - ON/OFF	L0111-00
4	096983-01-701	EA	SWITCH - SPST/MOM 2 TERMINAL	L0115-00
5	096983-01-703	EA	SWITCH - ON/ON	L0451-00
6	113566-03-702	EA	LABEL	L5099-20
7	121148-02-700	EA	BOARD - CIRCUIT	

VENTLINE
#LA1029-00



KEY	PART NUMBER	U/M	DESCRIPTION	VENDOR NO.
	129561-01-01A	EA	PANEL/MONITOR - READ OUT ONLY - HOLDING/WATER TANK	
1	129561-01-700	EA	PC BOARD	L5097-09
2	129561-01-701	EA	CHASSIS SCREENED	C00399
3	129561-01-702	EA	LABEL	L0451-00
4	129561-01-703	EA	HARNESS	L7694-00

**MAGIC CHEF RANGE
MODEL 16TB-3B**



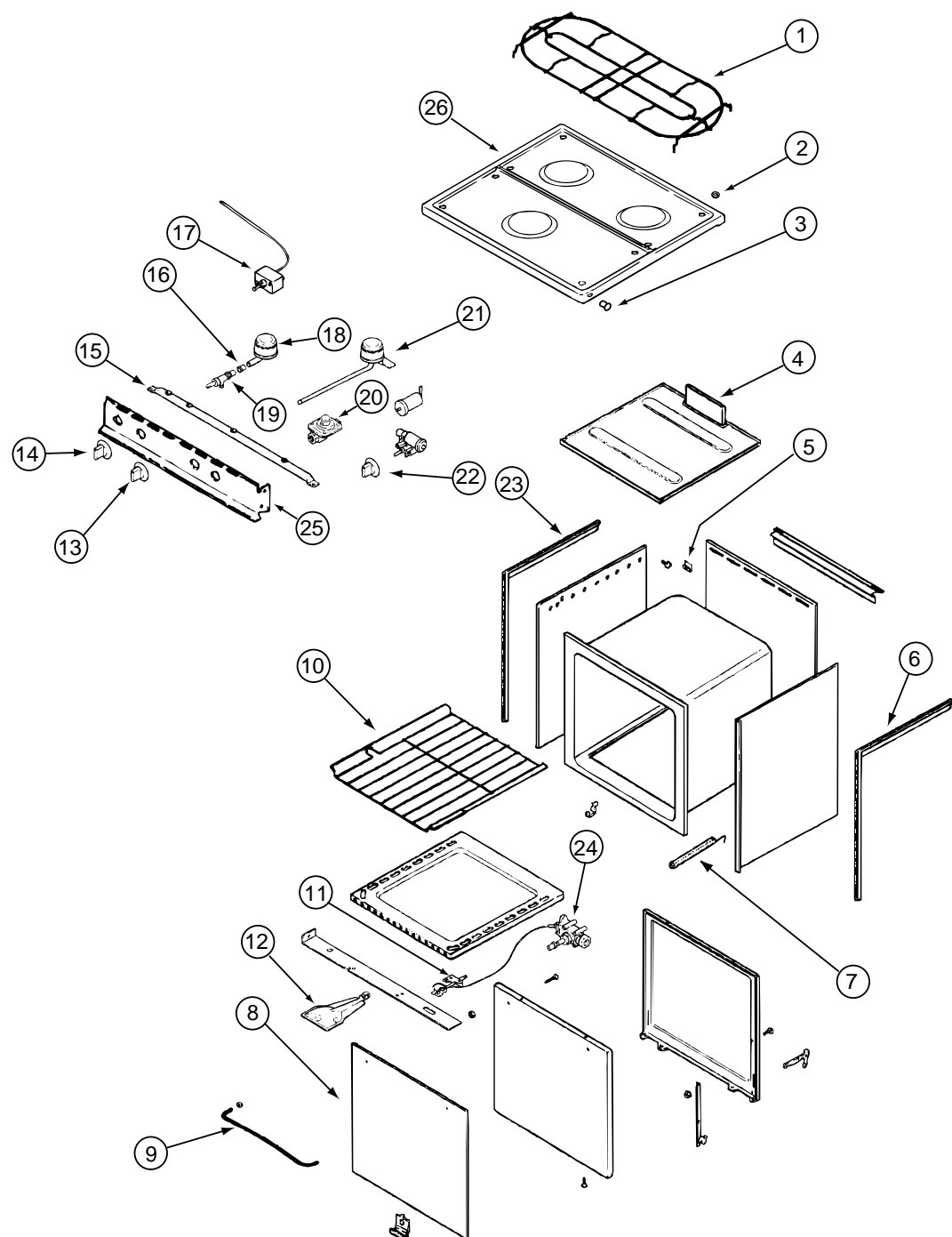
KEY	PART NUMBER	U/M	DESCRIPTION	VENDOR NO.
1	112881-01-04A	EA	RANGE - 16", 3 BURNER	
2	102020-01-711	EA	GRATE-TOP	7518P012-60
3	102020-01-709	EA	BUMPER-GRATE	8007-P020-60
4	102020-01-724	EA	BUMPER-MAIN TOP	8003P008-60
5	102022-01-708	EA	REGULATOR-PRESSURE, 1/4 IN 1/2 OUT	7510P041-60
6	112881-01-702	EA	VALVE-MERCURY, SAFETY VALVE	7501-P121-60
7	112881-01-720	EA	TRIM-FLAT, RIGHT - BLACK TEXTURED	74002813
8	102020-01-701	EA	HANDLE-DOOR	7701P092-60
9	112881-01-713	EA	DOOR-OVEN, TEXTURED	2401F079-70
10	102020-01-700	EA	SHELF-OVEN	7801-P027-60
11	112881-01-701	EA	MANIFOLD PANEL	2616F091-70
12	112881-01-719	EA	TRIM-FLAT, LEFT - BLACK TEXTURED	74002813
13	112881-01-710	EA	PILOT-OVEN	7505P202-60
14	112881-01-711	EA	BURNER ASSEMBLY-OVEN	3404W025045
15	112881-01-705	EA	KNOB-TOP BURNER	7733P072-60
15	112881-01-718	EA	KNOB-HIGH OUTPUT, FLAME INDICATOR	74001794
16	112881-01-704	EA	KNOB-THERMOSTAT	7731P067-60
16	112881-01-716	EA	KNOB-THERMOSTAT, REF. SER. # 03C	7731P107-60
17	112881-01-709	EA	PIPE-MANIFOLD	7513P097-60
18	102020-01-722	EA	VALVE-TOP BURNER	7502P181-60
18	112881-01-703	EA	VALVE-TOP BURNER, HI-OUTPUT	7502P180-60
19	112881-01-706	EA	THERMOSTAT - REF. SER. # 02C	12400026
19	112881-01-715	EA	THERMOSTAT - REF. SER. # 03C	7515P037-60
19	112881-01-722	EA	THERMOSTAT - REF. SER. # 01C, 11, 12, 13, ETC.	7515P029-60
20	112881-01-712	EA	TOP-MAIN, BLACK	740101486
21	112881-01-721	EA	DEFLECTOR-FLUE, BLACK TEXTURED	74002809

NOTE: (REF. SER. #) REFERS TO THE FIRST THREE CHARACTERS OF THE RANGE'S SERIAL NUMBER

RANGE/OVEN (CONTINUED)

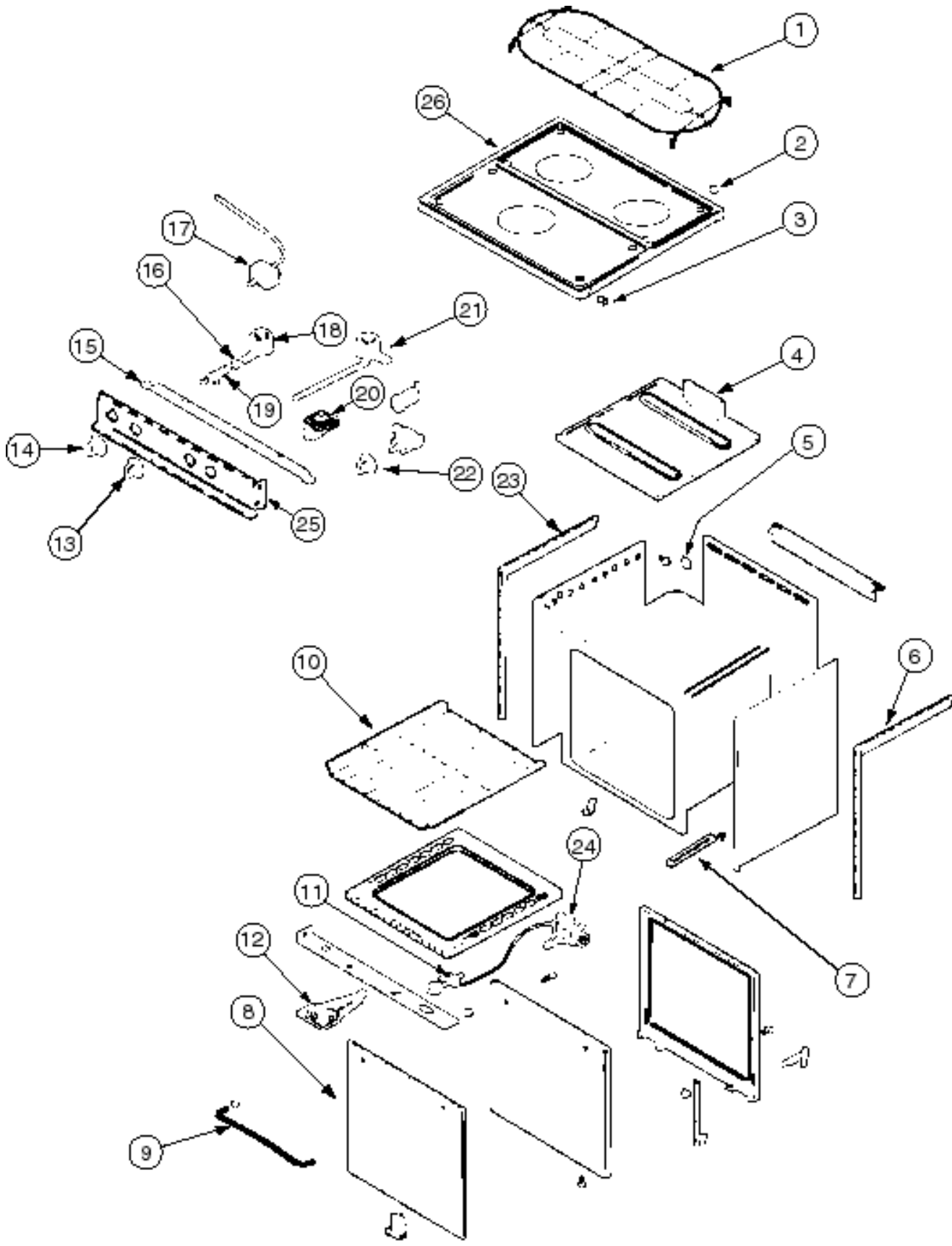
MAGIC CHEF RANGE

MODEL CLY1641BDB



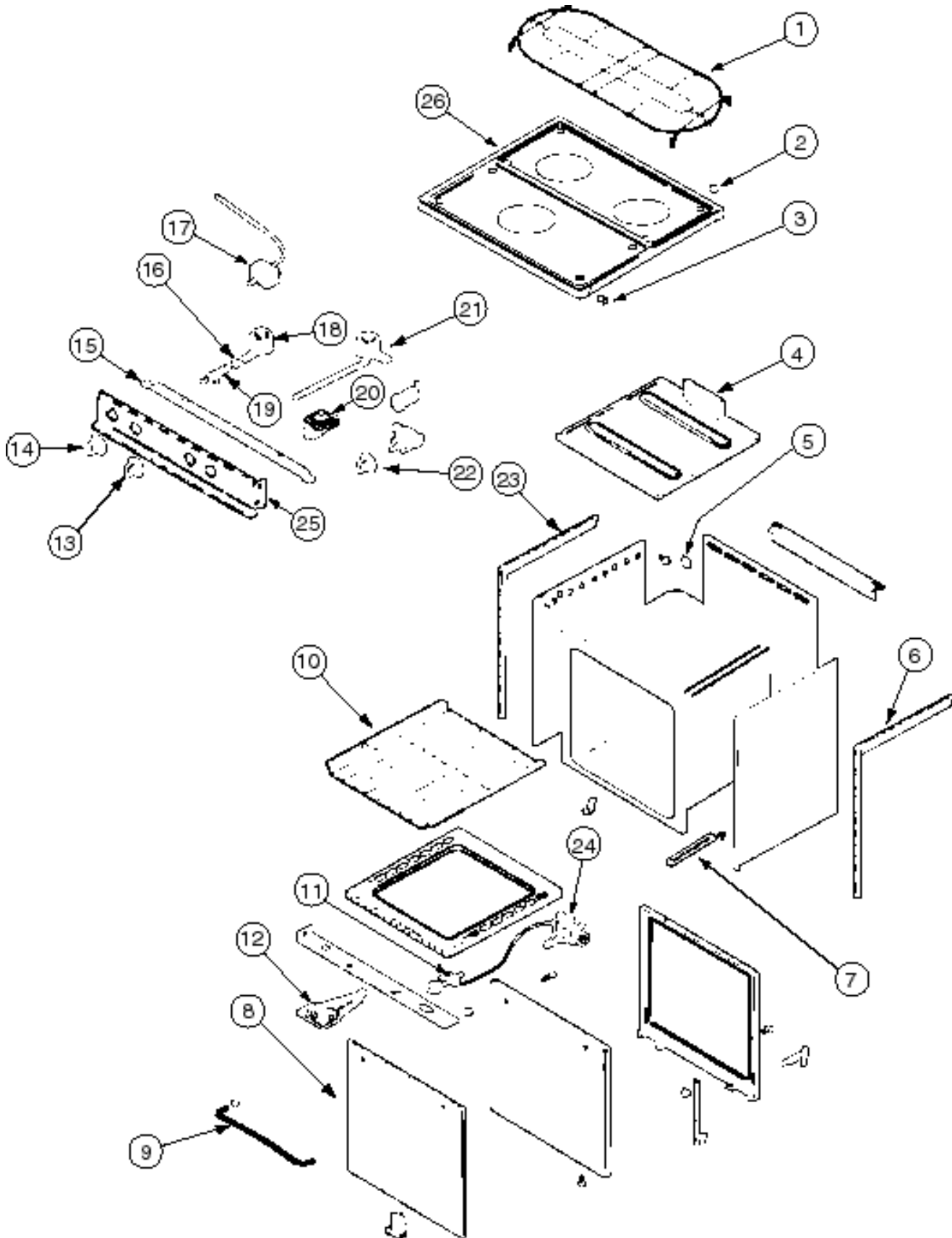
KEY	PART NUMBER	U/M	DESCRIPTION	VENDOR NO.
	112881-02-01A	EA	RANGE - 16" - 3 BURNER - FRONT 9100/REAR 6500 BTU-BLK TOP	
1	126023-01-703	EA	GRATE - TOP	74003358
2	102020-01-709	EA	BUMPER-GRATE	8007-P020-60
3	102020-01-724	EA	BUMPER-MAIN TOP	8003P008-60
4	126023-01-718	EA	FLUE BOX ASSEMBLY	4006W075-80
5	112881-02-701	EA	CLIP - MAIN TOP (REAR)	7112P071-60
6	112881-01-720	EA	TRIM-FLAT RH BLACK TEXTURED	74002812
7	112881-02-702	EA	SPRING - OVEN DOOR	7803P051-60
8	112881-02-705	EA	PANEL - OVEN DOOR (BLACK)	74001273
9	102020-01-701	EA	HANDLE, DOOR	7701P092-60
10	126023-01-716	EA	RACK - OVEN	74003106
11	102020-01-714	EA	PILOT-OVEN	968-143
12	126023-01-717	EA	BURNER - OVEN	74003343
13	112881-01-705	EA	KNOB-TOP BURNER	7733P072-60
14	126023-01-704	EA	KNOB - THERMOSTAT	7731P109-60
15	126023-01-705	EA	PIPE - MANIFOLD	7513P161-60
16	098507-02-701	EA	INSERT-BURNER, SLOTTED VENT	7214P015-60
17	112881-01-722	EA	THERMOSTAT	7515P029-60K
18	112881-02-703	EA	BURNER - FRONT HIGH OUTPUT	7505P142-60
19	126023-01-710	EA	VALVE - BURNER (FRONT)	74003349
19	126023-01-709	EA	VALVE - BURNER (REAR)	74003348
20	102022-01-708	EA	REGULATOR, 1/4 & 1/2 OUT	7510P041-60
21	112881-01-717	EA	BURNER, TOP REAR	7505P181-60
22	112881-01-718	EA	KNOB - TOP BURNER HI-OUTPUT	74001794
23	112881-01-719	EA	TRIM-FLAT LH BLACK TEXTURED	74002813
24	112881-02-700	EA	VALVE - OVEN	7501P056-60
25	126023-01-715	EA	PANEL - MANIFOLD	74003350
26	112881-01-712	EA	RANGE TOP-MAIN BLACK	740101486
26	126023-01-707	EA	TOP - MAIN (BLACK)	74003323

MAGIC CHEF RANGE
CLY1631BDL



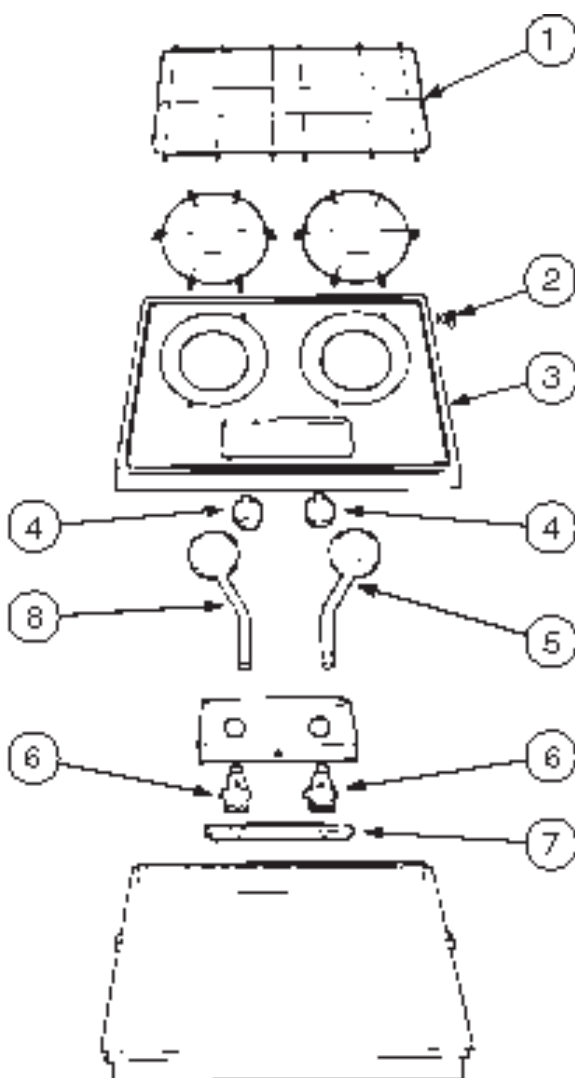
KEY	PART NUMBER	U/M	DESCRIPTION	VENDOR NO.
	112881-02-02A	EA	RANGE - 16" - 3 BURNER - ALMOND	
1	126023-01-703	EA	GRATE - TOP	74003358
2	102020-01-709	EA	BUMPER - GRATE	8007-P020-60
3	102020-01-724	EA	BUMPER - MAIN TOP	8003P008-60
4	126023-01-718	EA	FLUE BOX ASSEMBLY	4006W075-80
5	112881-02-701	EA	CLIP - MAIN TOP - REAR	7112P071-60
6	112881-01-720	EA	TRIM - FLAT - RIGHT - BLACK TEXTURED	74002813
7	112881-02-702	EA	SPRING - OVEN DOOR	7803P051-60
8	112881-01-713	EA	DOOR - OVEN - TEXTURED - BLACK	2401F126-70
9	102020-01-701	EA	HANDLE - DOOR	7701P092-60
10	126023-01-716	EA	SHELF - OVEN	74003106
11	102020-01-714	EA	PILOT - OVEN	968-143
12	126023-01-717	EA	BURNER - OVEN	74003343
13	112881-01-705	EA	KNOB - TOP BURNER	7733P072-60
13	112881-01-718	EA	KNOB - HIGH OUTPUT - FLAME INDICATOR	74001794
14	126023-01-704	EA	KNOB - THERMOSTAT	7731P109-60
15	126023-01-705	EA	PIPE - MANIFOLD	7513P161-60
16	098507-02-701	EA	INSERT - BURNER - SLOTTED VENT	7214P015-60
17	112881-01-722	EA	THERMOSTAT	7515P029-60
18	126023-01-710	EA	VALVE - BURNER - FRONT	74003349
19	126023-01-709	EA	VALVE - BURNER - REAR	74003348
20	102022-01-708	EA	REGULATOR - PRESSURE - 1/4 IN 1/2 OUT	7510P041-60
21	112881-01-717	EA	BURNER - TOP - REAR	7505P181-60
22	112881-02-703	EA	BURNER - TOP - HIGH OUTPUT	7505P142-60
23	112881-01-719	EA	TRIM - FLAT - LEFT - BLACK - TEXTURED	74002813
24	112881-02-700	EA	VALVE - OVEN	7501P056-60
25	126023-01-715	EA	MANIFOLD PANEL	74003350
26	126023-01-707	EA	TOP - MAIN - BLACK	74003323

MAGIC CHEF RANGE
CLY1631BDL



KEY	PART NUMBER	U/M	DESCRIPTION	VENDOR NO.
	112881-02-03A	EA	RANGE - 16" - 3 BURNER - ALMOND	
1	126023-01-703	EA	GRATE - TOP	74003358
2	102020-01-709	EA	BUMPER - GRATE	8007-P020-60
3	102020-01-724	EA	BUMPER - MAIN TOP	8003P008-60
4	126023-01-718	EA	FLUE BOX ASSEMBLY	4006W075-80
5	112881-02-701	EA	CLIP - MAIN TOP - REAR	7112P071-60
6	112881-01-720	EA	TRIM - FLAT - RIGHT - BLACK TEXTURED	74002813
7	112881-02-702	EA	SPRING - OVEN DOOR	7803P051-60
8	112881-01-713	EA	DOOR - OVEN - TEXTURED - BLACK	2401F126-70
9	102020-01-701	EA	HANDLE - DOOR	7701P092-60
10	126023-01-716	EA	SHELF - OVEN	74003106
11	102020-01-714	EA	PILOT - OVEN	968-143
12	126023-01-717	EA	BURNER - OVEN	74003343
13	112881-01-705	EA	KNOB - TOP BURNER	7733P072-60
13	112881-01-718	EA	KNOB - HIGH OUTPUT - FLAME INDICATOR	74001794
14	126023-01-704	EA	KNOB - THERMOSTAT	7731P109-60
15	126023-01-705	EA	PIPE - MANIFOLD	7513P161-60
16	098507-02-701	EA	INSERT - BURNER - SLOTTED VENT	7214P015-60
17	112881-01-722	EA	THERMOSTAT	7515P029-60
18	126023-01-710	EA	VALVE - BURNER - FRONT	74003349
19	126023-01-709	EA	VALVE - BURNER - REAR	74003348
20	102022-01-708	EA	REGULATOR - PRESSURE - 1/4 IN 1/2 OUT	7510P041-60
21	112881-01-717	EA	BURNER - TOP - REAR	7505P181-60
22	112881-02-703	EA	BURNER - TOP - HIGH OUTPUT	7505P142-60
23	112881-01-719	EA	TRIM - FLAT - LEFT - BLACK - TEXTURED	74002813
24	112881-02-700	EA	VALVE - OVEN	7501P056-60
25	126023-01-715	EA	MANIFOLD PANEL	74003350
26	126023-01-708	EA	TOP - MAIN - ALMOND	74003324

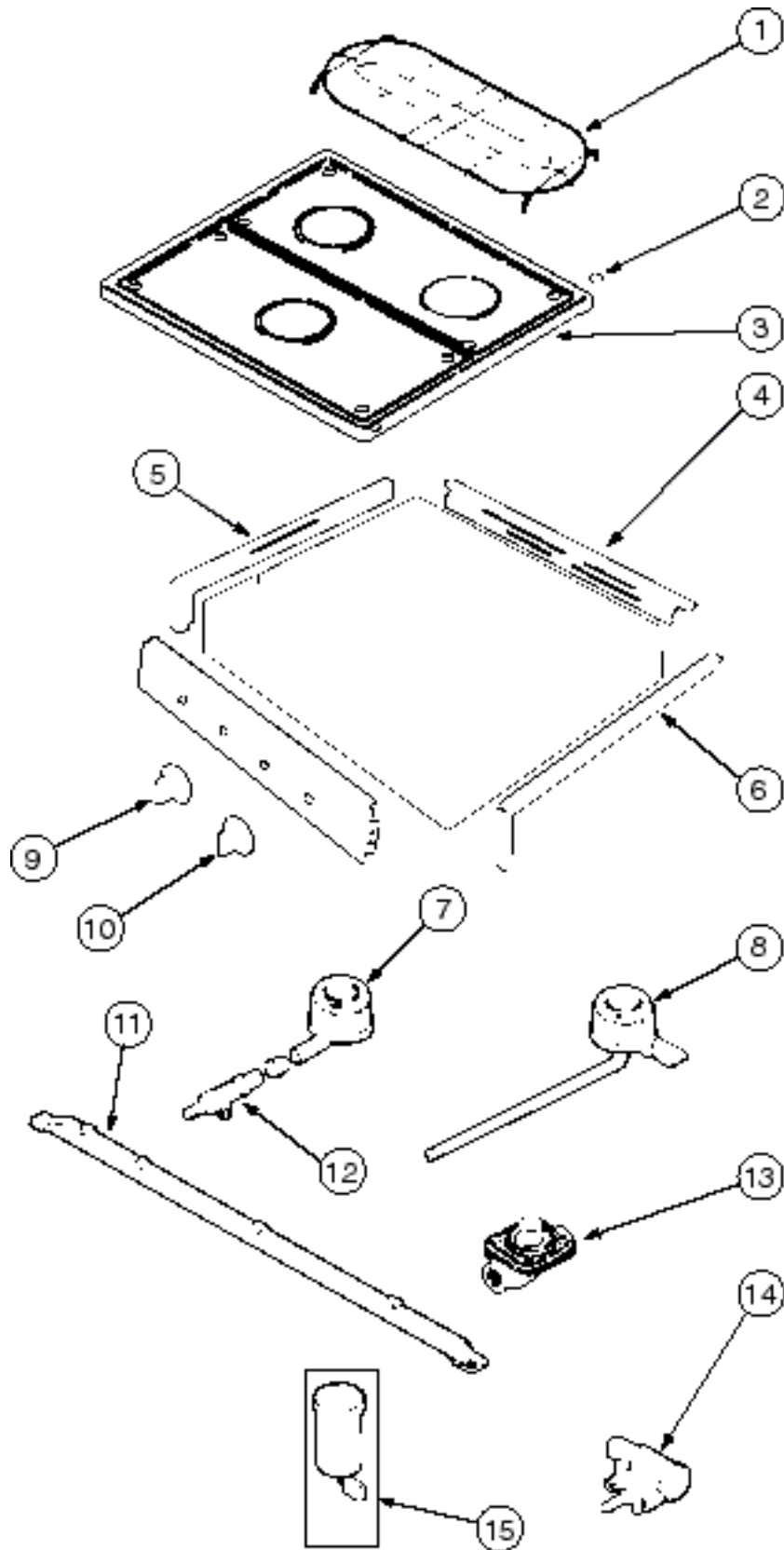
**WEDGEWOOD RANGE
MODEL D26SG - ST G**



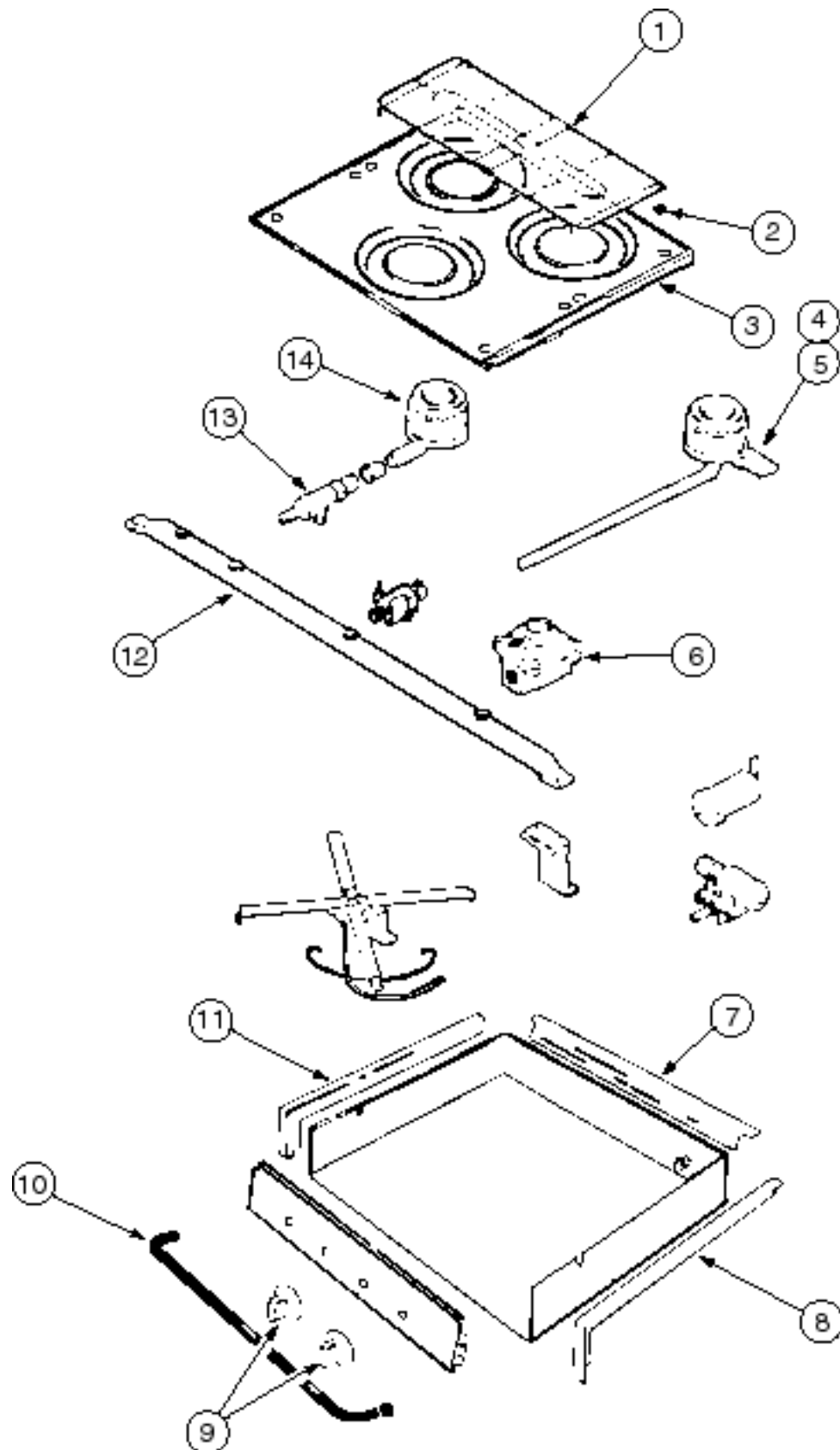
KEY	PART NUMBER	U/M	DESCRIPTION	VENDOR NO.
	113947-02-02A	EA	RANGE - 2 BURNER W/COVER	
1	101593-01-700	EA	GRATE, DESIGNER STYLE	53304
2	101593-01-701	EA	THUMB SCREW	52537
3	113947-02-701	EA	COVER - STOVE TOP, GRAY	56204
4	101593-01-703	EA	BURNER KNOB	53000
5	113947-02-702	EA	BURNER - RIGHT	56076
6	113947-02-700	EA	BURNER VALVE	56089
7	113948-02-702	EA	MANIFOLD	56079
8	113947-02-703	EA	BURNER - LEFT	56075
	107323-01-711	EA	CUSHION-GRATE, RUBBER	53008
	106689-01-704	EA	REGULATOR	51062
	113948-01-702	EA	DECAL- BURNER CONTROL	51454
	113948-01-703	EA	TOP - STOVE, W/GRATE & BAR	51443

MAGIC CHEF RANGE
MODEL 85TB-3BK

KEY	PART NUMBER	U/M	DESCRIPTION	VENDOR NO.
	114030-02-01A	EA	RANGE - 3 BURNER TOP - W/O OVEN - BLACK	
1	126023-01-703	EA	GRATE - TOP	74003358
2	102020-01-709	EA	BUMPER - GRATE	8007-P020-60
3	126023-01-706	EA	TOP - MAIN (WHITE)	74003322
3	126023-01-707	EA	TOP - MAIN (BLACK)	74003323
3	126023-01-708	EA	TOP - MAIN (ALMOND)	74003324
4	114030-01-706	EA	TRIM - REAR/BLACK TEXTURED	74002841
5	114030-01-705	EA	TRIM - LEFT/BLACK TEXTURED	74002840
6	114030-01-704	EA	TRIM - RIGHT/BLACK TEXTURED	74002839
7	126023-01-702	EA	BURNER - TOP (FRONT)	7505P144-60
8	126023-01-700	EA	BURNER - TOP (RT-REAR)	7505P195-60
8	126023-01-701	EA	BURNER - TOP (LT-REAR)	7505P196-60
9	112881-01-705	EA	KNOB - TOP BURNER	7733P072-60
9	112881-01-718	EA	KNOB - TOP BURNER HI-OUTPUT	74001794
10	126023-01-720	EA	KNOB - IGNITER	74002414
11	126023-01-705	EA	PIPE - MANIFOLD	7513P161-60
12	126023-01-709	EA	VALVE - BURNER (REAR)	74003348
12	126023-01-710	EA	VALVE - BURNER (FRONT)	74003349
13	102020-01-729	EA	REGULATOR - PRESSURE	7510P043-60
14	126023-01-719	EA	IGNITER - TOP BURNER	74002413
15	126023-01-711	EA	ELECTRODE - IGNITER	7432P077-60
	114030-02-700	EA	GUARD/FABRIC - TOWEL BAR	3609F006-70

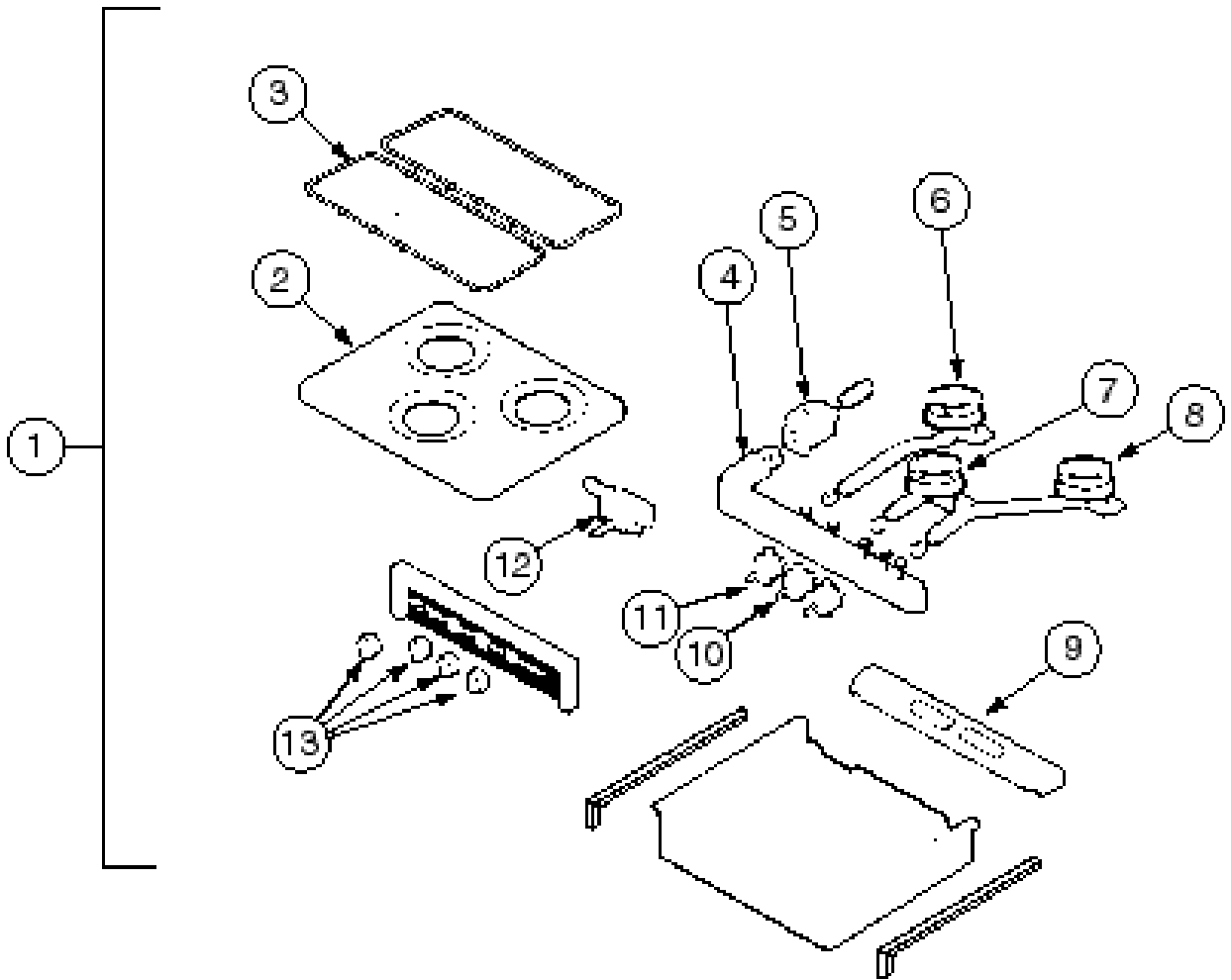


MAGIC CHEF RANGE
MODEL CLZ8508 BDB



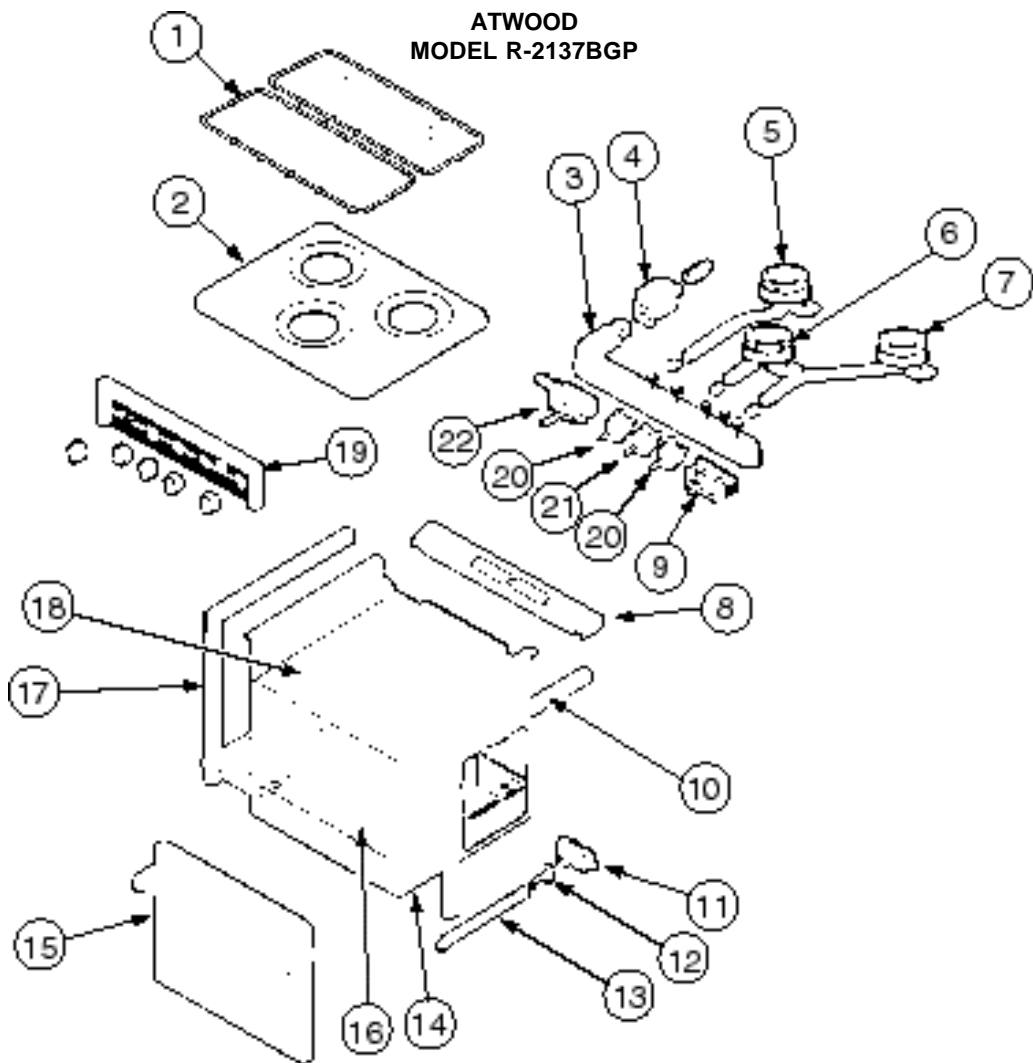
KEY	PART NUMBER	U/M	DESCRIPTION	VENDOR NO.
	114030-03-01A	EA	RANGE - 3 BURNER TOP - W/O OVEN - BLACK - CSA	
1	126023-01-703	EA	GRATE - TOP	74003358
2	102020-01-709	EA	BUMPER - GRATE	8007-P020-60
3	126023-01-706	EA	TOP - MAIN (WHITE)	74003322
3	126023-01-707	EA	TOP - MAIN (BLACK)	74003323
3	126023-01-708	EA	TOP - MAIN (ALMOND)	74003324
4	126023-01-701	EA	BURNER - TOP (LT-REAR)	7505P196-60
5	126023-01-700	EA	BURNER - TOP (RT-REAR)	7505P195-60
6	102020-01-729	EA	REGULATOR - PRESSURE	7510P043-60
7	114030-01-706	EA	TRIM - REAR/BLACK TEXTURED	74002841
8	114030-01-704	EA	TRIM - RIGHT/BLACK TEXTURED	74002839
9	112881-01-718	EA	KNOB - TOP BURNER HI-OUTPUT	74001794
9	112881-01-705	EA	KNOB - TOP BURNER	7733P072-60
10	114030-02-700	EA	GUARD/FABRIC - TOWEL BAR	3609F006-70
11	114030-01-705	EA	TRIM - LEFT/BLACK TEXTURED	74002840
12	126023-01-705	EA	PIPE - MANIFOLD	7513P161-60
13	126023-01-709	EA	VALVE - BURNER (REAR)	74003348
13	126023-01-710	EA	VALVE - BURNER (FRONT)	74003349
14	126023-01-702	EA	BURNER - TOP (FRONT)	7505P144-60
	126023-01-711	EA	ELECTRODE - IGNITER	7432P077-60
	126023-01-719	EA	IGNITER - TOP BURNER	74002413
	126023-01-720	EA	KNOB - IGNITER	74002414

MAGIC CHEF RANGE
MODEL C-37BP



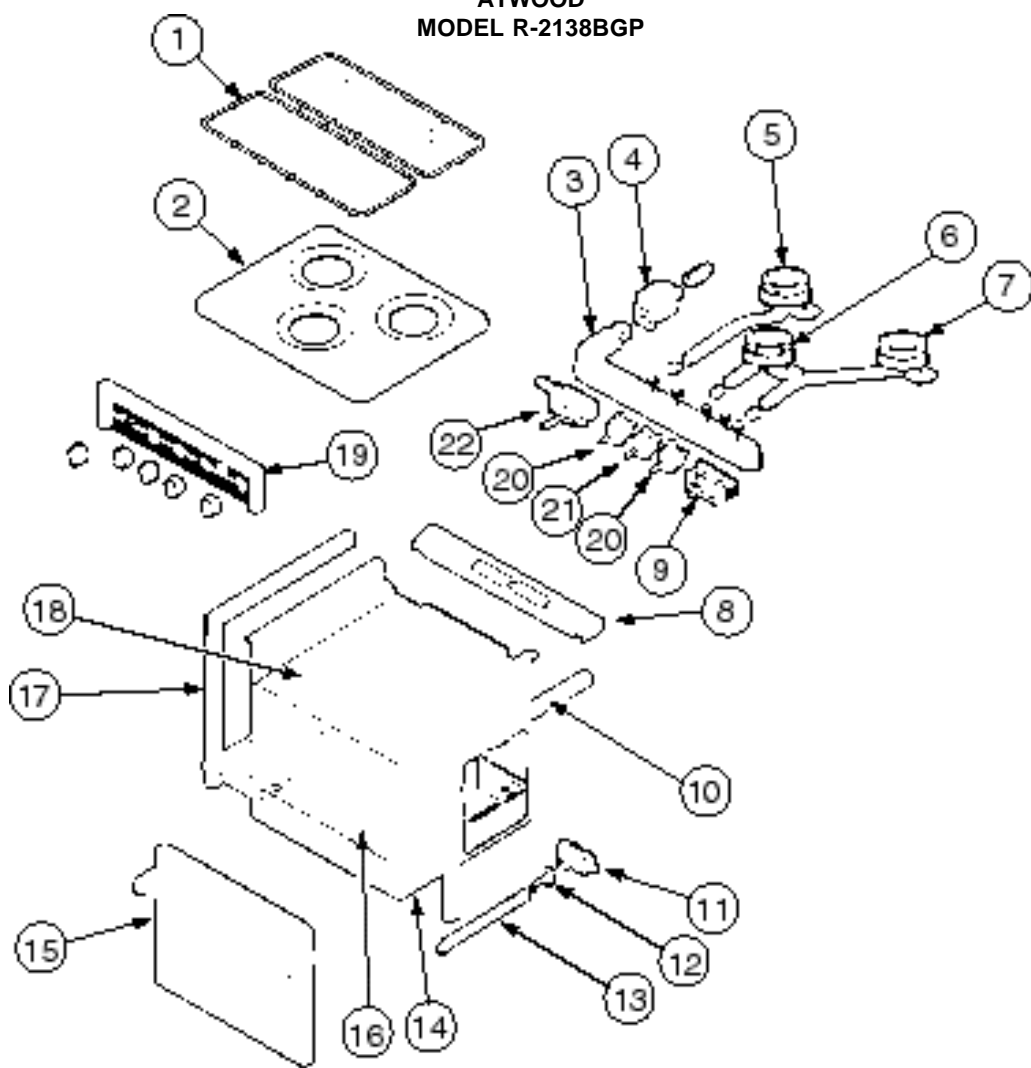
KEY	PART NUMBER	U/M	DESCRIPTION	VENDOR NO.
1	121757-01-01A	EA	RANGE TOP - 3 BURNER/BLACK ATWOOD C-37BP	
2	107246-01-700	EA	TOP - MAIN - BLK 3-BURNER	53083
3	121758-02-700	EA	GRATE - SINGLE	56261
4	121757-01-700	EA	MANIFOLD - 3 BURNER	56072
5	106689-01-704	EA	REGULATOR-EXTREME PRESSURE	51062
6	121758-01-707	EA	BURNER LEFT REAR PIEZO	56066
7	121758-01-708	EA	BURNER CENTER (HIGH OUTPUT)	56068
8	121758-01-706	EA	BURNER RIGHT REAR PIEZO	56067
9	107323-01-705	EA	TRIM-VENT	53525
10	121758-01-705	EA	VALVE HIGH OUTPUT	56087
11	121758-01-710	EA	VALVE - BURNER	56086
12	121758-01-701	EA	IGNITOR PIEZO (ROTARY)	56096
13	121757-01-701	EA	KNOB KIT - MODEL C37	51129
	121758-01-702	EA	ELECTRODE WIRE/PIEZO IGNITOR	56097
	107323-01-711	EA	CUSHION - GRATE BOOTS-RUBBER	53008
	121758-02-701	EA	CLIP - GRATE - BLACK	56117

**ATWOOD
MODEL R-2137BGP**



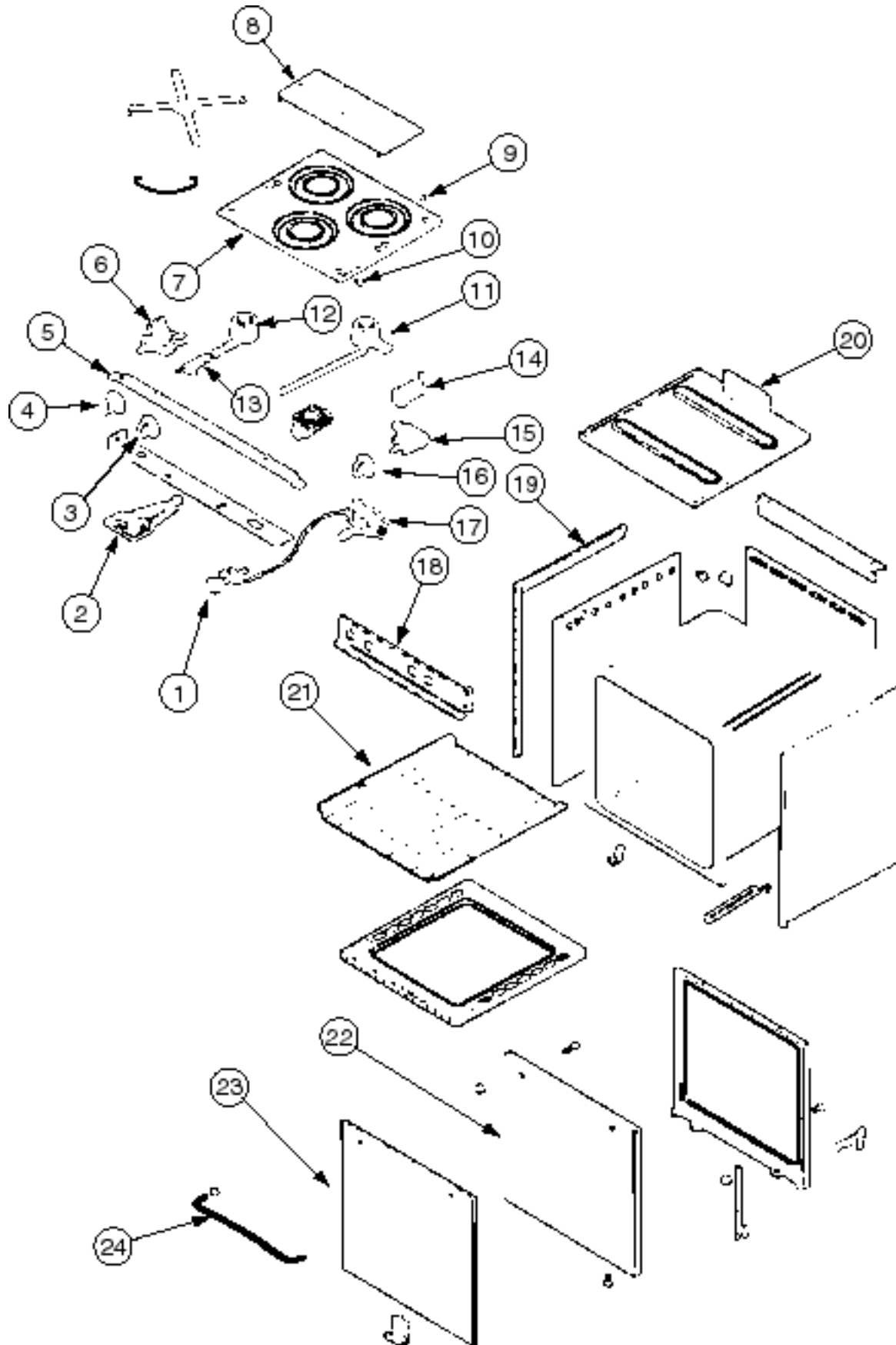
KEY	PART NUMBER	U/M	DESCRIPTION	VENDOR NO.
	121758-01-01A	EA	RANGE-W/OVEN, 21" 3 BURNER	
1	121758-02-700	EA	GRATE-SINGLE	56261
	107323-01-711	EA	CUSHION-GRATE, RUBBER	53008
	121758-02-701	EA	CLIP-GRATE	56117
2	121758-01-714	EA	RANGE-TOP, ALMOND	53082
3	121758-01-709	EA	MANIFOLD - 3 BURNER	51272
4	106689-01-704	EA	REGULATOR-EXTREME PRESSURE	51062
5	121758-01-707	EA	BURNER-LEFT REAR PIEZO	56066
6	121758-01-708	EA	BURNER-CENTER (HIGH OUTPUT)	56068
7	121758-01-706	EA	BURNER-RIGHT REAR PIEZO	56067
8	107323-01-705	EA	TRIM-VENT	53525
9	107246-01-703	EA	THERMOSTAT, ROBERT SHAW	52122
10	107323-01-703	EA	TRIM-RIGHT	53024
12	107246-01-706	EA	PILOT ASM, ONLY (OVEN)	51065
13	107246-01-721	EA	BURNER-OVEN	52017
14	107323-01-706	EA	TRIM-BOTTOM	53526
15	107323-01-714	EA	HANDLE ASM. DESIGNER STYLE	51112
16	107246-01-704	EA	RACK-OVEN	51069
	107246-01-708	EA	SHELF-OVEN, LOWER	51657
17	107323-01-702	EA	TRIM-LEFT	53023
	121758-01-715	EA	KNOB-KIT	51128
	107323-01-713	EA	GLASS-BLACK, INSERT OVEN DOOR	3426
18	121758-01-711	EA	BURNER BOX	51684
19	121758-01-713	EA	COVER-MANIFOLD	56107
20	121758-01-710	EA	VALVE, BURNER (2)	56086
21	121758-01-705	EA	VALVE-HIGH OUTPUT	56087
22	121758-01-701	EA	IGNITOR PIEZO (R11 OTARY)	56096
	121758-01-702	EA	ELECTRODE WIRE-PIEZO IGNITOR	56097
	107246-01-707	EA	VALVE-SAFETY W/PILOT COMP.	51063

**ATWOOD
MODEL R-2138BGP**



KEY	PART NUMBER	U/M	DESCRIPTION	VENDOR NO.
	121758-02-01A	EA	RANGE-W/OVEN, 21" 3 BURNER	
1	121758-02-700	EA	GRATE-SINGLE	56261
	107323-01-711	EA	CUSHION-GRATE, RUBBER	53008
	121758-02-701	EA	CLIP-GRATE	56117
2	107246-01-700	EA	TOP - MAIN - BLK 3-BURNER	53083
3	121758-01-709	EA	MANIFOLD - 3 BURNER	51272
4	106689-01-704	EA	REGULATOR-EXTREME PRESSURE	51062
5	121758-01-707	EA	BURNER-LEFT REAR PIEZO	56066
6	121758-01-708	EA	BURNER-CENTER (HIGH OUTPUT)	56068
7	121758-01-706	EA	BURNER-RIGHT REAR PIEZO	56067
8	107323-01-705	EA	TRIM-VENT	53525
9	107246-01-703	EA	THERMOSTAT, ROBERT SHAW	52122
10	107323-01-703	EA	TRIM-RIGHT	53024
12	107246-01-706	EA	PILOT ASM, ONLY (OVEN)	51065
13	107246-01-721	EA	BURNER-OVEN	52017
14	107323-01-706	EA	TRIM-BOTTOM	53526
15	107323-01-714	EA	HANDLE ASM. DESIGNER STYLE	51112
16	107246-01-704	EA	RACK-OVEN	51069
	107246-01-708	EA	SHELF-OVEN, LOWER	51657
17	107323-01-702	EA	TRIM-LEFT	53023
	121758-01-715	EA	KNOB-KIT	51128
	107323-01-713	EA	GLASS-BLACK, INSERT OVEN DOOR	3426
18	121758-01-711	EA	BURNER BOX	51684
19	121758-01-713	EA	COVER-MANIFOLD	56107
20	121758-01-710	EA	VALVE, BURNER (2)	56086
21	121758-01-705	EA	VALVE-HIGH OUTPUT	56087
22	121758-01-701	EA	IGNITOR PIEZO (R11 OTARY)	56096
	121758-01-702	EA	ELECTRODE WIRE-PIEZO IGNITOR	56097
	107246-01-707	EA	VALVE-SAFETY W/PILOT COMP.	51063

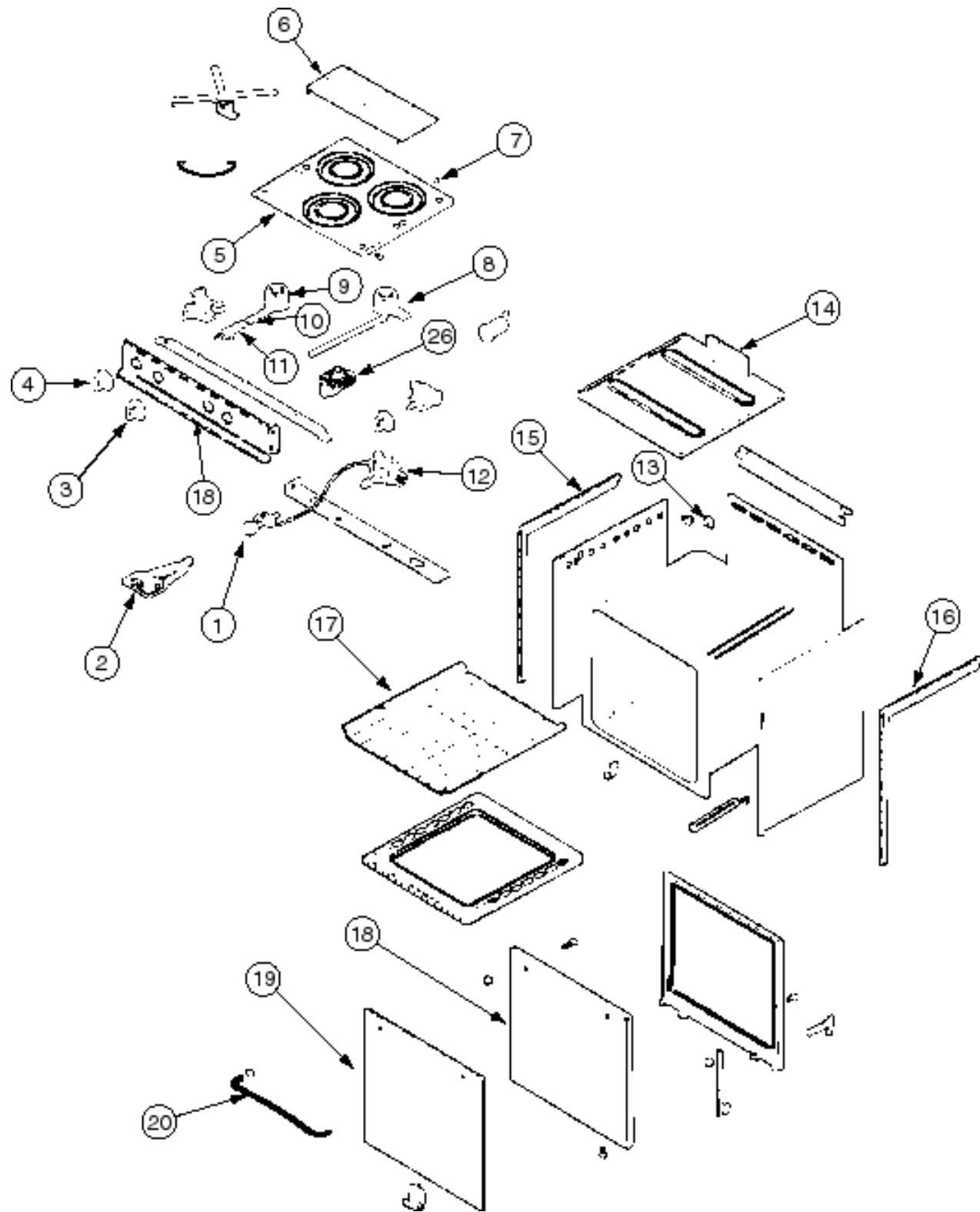
**MAGIC CHEF
MODEL #22TB-3BKZ**



KEY	PART NUMBER	U/M	DESCRIPTION	VENDOR NO.
	126023-01-01A	EA	RANGE - W/OVEN 22" - 3 BURNER/BLACK GLASS DOOR	
1	102020-01-714	EA	PILOT - OVEN	968-143
2	112881-01-711	EA	BURNER - OVEN	3403W025045
3	112881-01-705	EA	KNOB-TOP BURNER	7733P072-60
3	112881-01-718	EA	KNOB - TOP BURNER HI-OUTPUT	74001794
4	126023-01-704	EA	KNOB - THERMOSTAT	7731P109-60
5	126023-01-705	EA	PIPE - MANIFOLD	7513P161-60
6	112881-01-722	EA	THERMOSTAT	7515P029-60K
7	126023-01-722	EA	TOP - MAIN (WHITE)	74001333
7	126023-01-723	EA	TOP - MAIN (BLACK)	74001486
7	126023-01-724	EA	TOP - MAIN (ALMOND)	74001503
8	102020-01-711	EA	GRATE - TOP	7518P012-60
9	102020-01-709	EA	BUMPER - GRATE	8007-P020-60
10	102020-01-724	EA	BUMPER - MAIN TOP	8003P008-60
11	126023-01-700	EA	BURNER - TOP (RT-REAR)	7505P195-60
11	126023-01-701	EA	BURNER - TOP (LT-REAR)	7505P196-60
12	126023-01-721	EA	BURNER - TOP FRONT	74001746
13	126023-01-725	EA	VALVE - TOP BURNER	74001795
14	126023-01-711	EA	ELECTRODE - IGNITER	7432P077-60
15	126023-01-719	EA	IGNITER - TOP BURNER	74002413
16	126023-01-720	EA	KNOB - IGNITER	74002414
17	102020-01-720	EA	VALVE - MERCURY CONTROL	7501P056-60
18	126023-01-726	EA	PANEL - MANIFOLD	2616F116-70
18	102020-01-729	EA	REGULATOR - PRESSURE	7510P043-60
19	126023-01-713	EA	TRIM - SIDE (RIGHT)	74002827
19	126023-01-714	EA	TRIM - SIDE (LEFT)	74002828
20	126023-01-718	EA	FLUE BOX ASSEMBLY	4006W075-80
21	102020-01-700	EA	SHELF - OVEN	7801-P027-60
22	126023-01-712	EA	PANEL - DOOR (BLACK)	74001190
23	102020-01-725	EA	GLASS - OUTER	7902P266-60
24	102020-01-701	EA	HANDLE - DOOR	7701P092-60

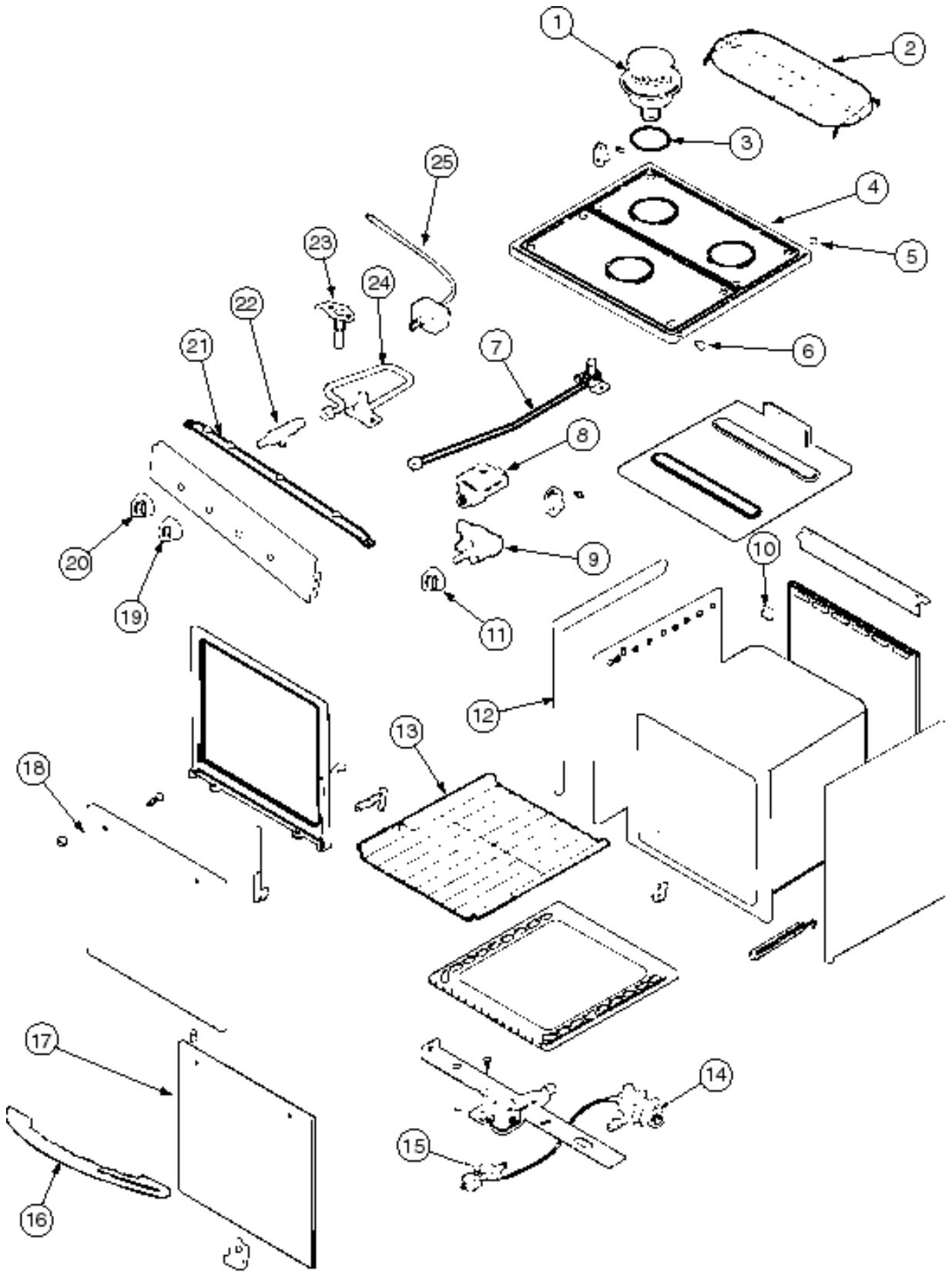
**MAGIC CHEF
MODEL CLY2248 BDB**

(USE IN PLACE OF 128727-02-01A)



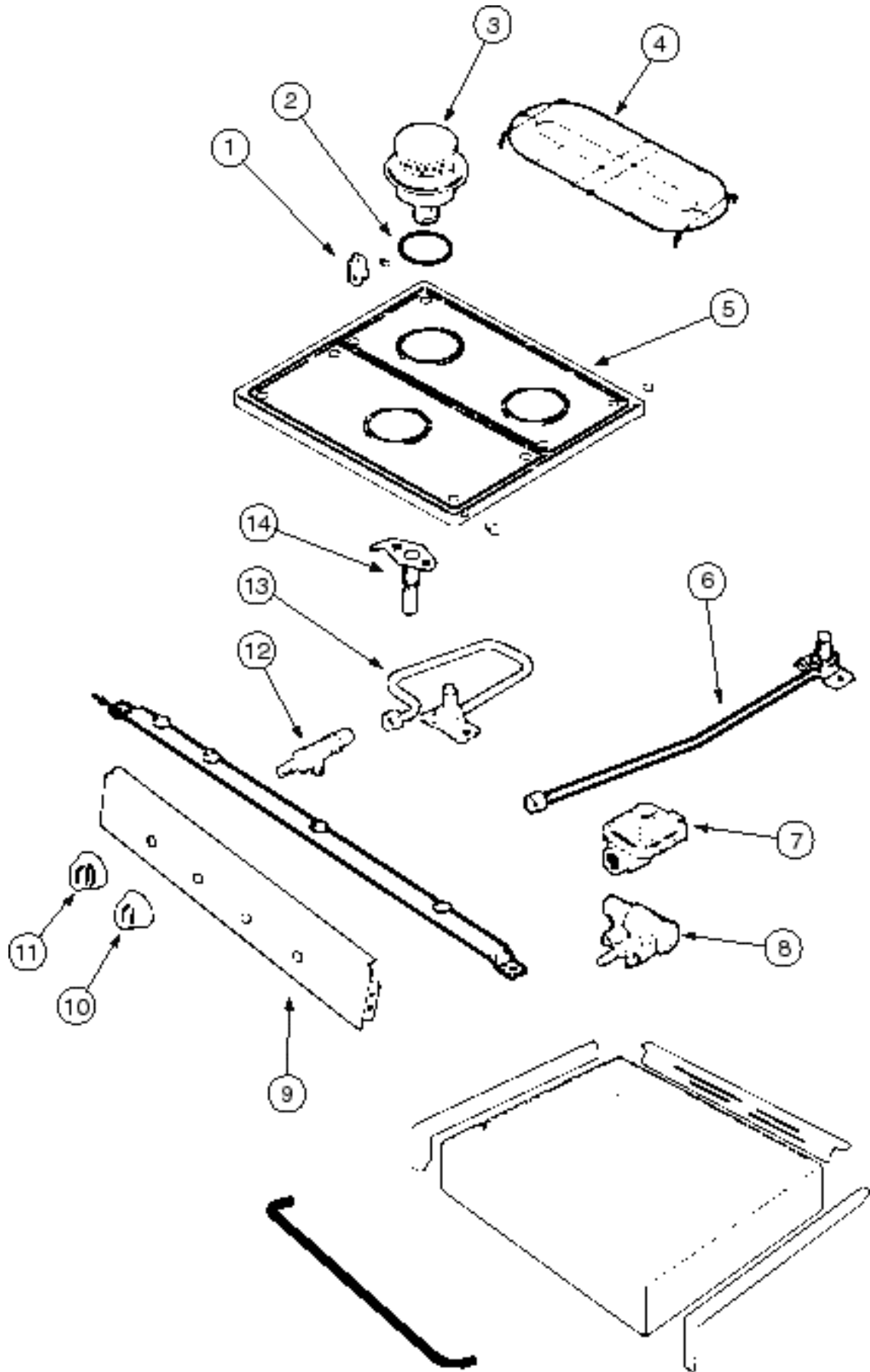
KEY	PART NUMBER	U/M	DESCRIPTION	VENDOR NO.
	126023-02-01A	EA	RANGE-W/OVEN 22"3BUR BLK CGA	
1	102020-01-714	EA	PILOT - OVEN	968-143
2	126023-01-717	EA	BURNER - OVEN	74003343
3	112881-01-705	EA	KNOB-TOP BURNER	7733P072-60
3	112881-01-718	EA	KNOB - TOP BURNER - HI-OUTPUT	74001794
4	126023-01-704	EA	KNOB - THERMOSTAT	7731P109-60
5	126023-01-728	EA	TOP - MAIN (BLACK) W/BRACE	74003323
6	126023-01-703	EA	GRATE - TOP	74003358
7	102020-01-709	EA	BUMPER - GRATE	8007-P020-60
8	126023-01-701	EA	BURNER - TOP (LT-REAR) - 5100 BTU	7505P196-60
8	126023-01-700	EA	BURNER - TOP (RT-REAR) - 5100 BTU	7505P195-60
9	126023-01-702	EA	BURNER - TOP (FRONT)	7505P144-60
10	098507-02-701	EA	INSERT - BURNER - SLOTTED VENT	7214P015-60
11	126023-01-709	EA	VALVE - BURNER (REAR)	74003348
11	126023-01-710	EA	VALVE - BURNER (FRONT)	74003349
12	102020-01-720	EA	VALVE - MERCURY CONTROL	7501P056-60
12	126023-02-700	EA	VALVE - OVEN	7501P056-60
13	126023-02-701	EA	CLIP - MAIN TOP (REAR)	7112P071-60
14	126023-01-718	EA	FLUE BOX ASSEMBLY	4006W075-80
15	126023-01-714	EA	TRIM - SIDE (LEFT)	74002828
16	126023-01-713	EA	TRIM - SIDE (RIGHT)	74002827
17	126023-01-716	EA	RACK - OVEN	74003106
18	126023-01-712	EA	PANEL - DOOR (BLACK)	74001190
19	102020-01-725	EA	GLASS - OUTER	7902P266-60
20	102020-01-701	EA	HANDLE - DOOR	7701P092-60
	126023-01-711	EA	ELECTRODE - IGNITER	7432P077-60
	126023-01-719	EA	IGNITER - TOP BURNER	74002413
	126023-01-720	EA	KNOB - IGNITER	74002414
	128728-01-703	EA	T-NUT - F/HINGE	7103P109-60

**MAYTAG
MODEL MLY2245ADB**



KEY	PART NUMBER	U/M	DESCRIPTION	VENDOR NO.
	128727-01-01A	EA	RANGE - 3 BURNER W/OVEN - 22" BLACK GLASS DOOR	MAYTAG MLY2245ADB
1	128728-01-715	EA	BURNER ASSEMBLY	74003949
2	128728-01-700	EA	GRATE - BURNER	74003948
3	128728-01-711	EA	GASKET - BURNER	74002745
4	128728-01-705	EA	TOP - MAIN - BLACK	74003928
4	128728-01-706	EA	TOP - MAIN - WHITE	74003955
5	102020-01-709	EA	BUMPER-GRATE	8007-P020-60
6	102020-01-724	EA	BUMPER-MAIN TOP	8003P008-60
7	128728-01-708	EA	FITTING - ORFICE TUBE - REAR	74003931
8	102020-01-729	EA	REGULATOR-PRESS. (SER. #04C)	7510P043-60
8	128728-01-712	EA	FITTING - HALF UNION	7507P083-60
9	128728-01-716	EA	BURNER - IGNITOR	74003946
10	112881-02-701	EA	CLIP - MAIN TOP (REAR)	7112P071-60
11	128728-01-707	EA	KNOB - IGNITOR	74003944
12	126023-01-713	EA	TRIM - SIDE (RIGHT)	74002827
12	126023-01-714	EA	TRIM - SIDE (LEFT)	74002828
13	126023-01-716	EA	RACK - OVEN	74003106
14	112881-02-700	EA	VALVE - OVEN	7501P056-60
15	102020-01-714	EA	PILOT-OVEN	968-143
16	128727-01-701	EA	HANDLE - OVEN DOOR	74003929
17	102020-01-725	EA	GLASS OUTER	7902P266-60
18	126023-01-712	EA	PANEL - DOOR (BLACK)	74001190
19	128728-01-701	EA	KNOB - BURNER - REAR	74003941
19	128728-01-702	EA	KNOB - BURNER - FRONT	74003942
20	128727-01-700	EA	KNOB - THERMOSTAT	74003943
21	126023-01-705	EA	PIPE - MANIFOLD	7513P161-60
22	128728-01-713	EA	VALVE - BURNER - REAR	74003932
22	128728-01-714	EA	VALVE - BURNER - FRONT	74003933
23	128728-01-709	EA	ELECTRODE - IGNITOR	7432P073-60
24	128728-01-710	EA	FITTING - ORFICE TUBE - FRT	74003930
25	112881-01-722	EA	THERMOSTAT	7515P029-60K
	128728-01-717	EA	WIRES - IGNITOR	74003947

**MAYTAG RANGE
#MLZ8505ADB**

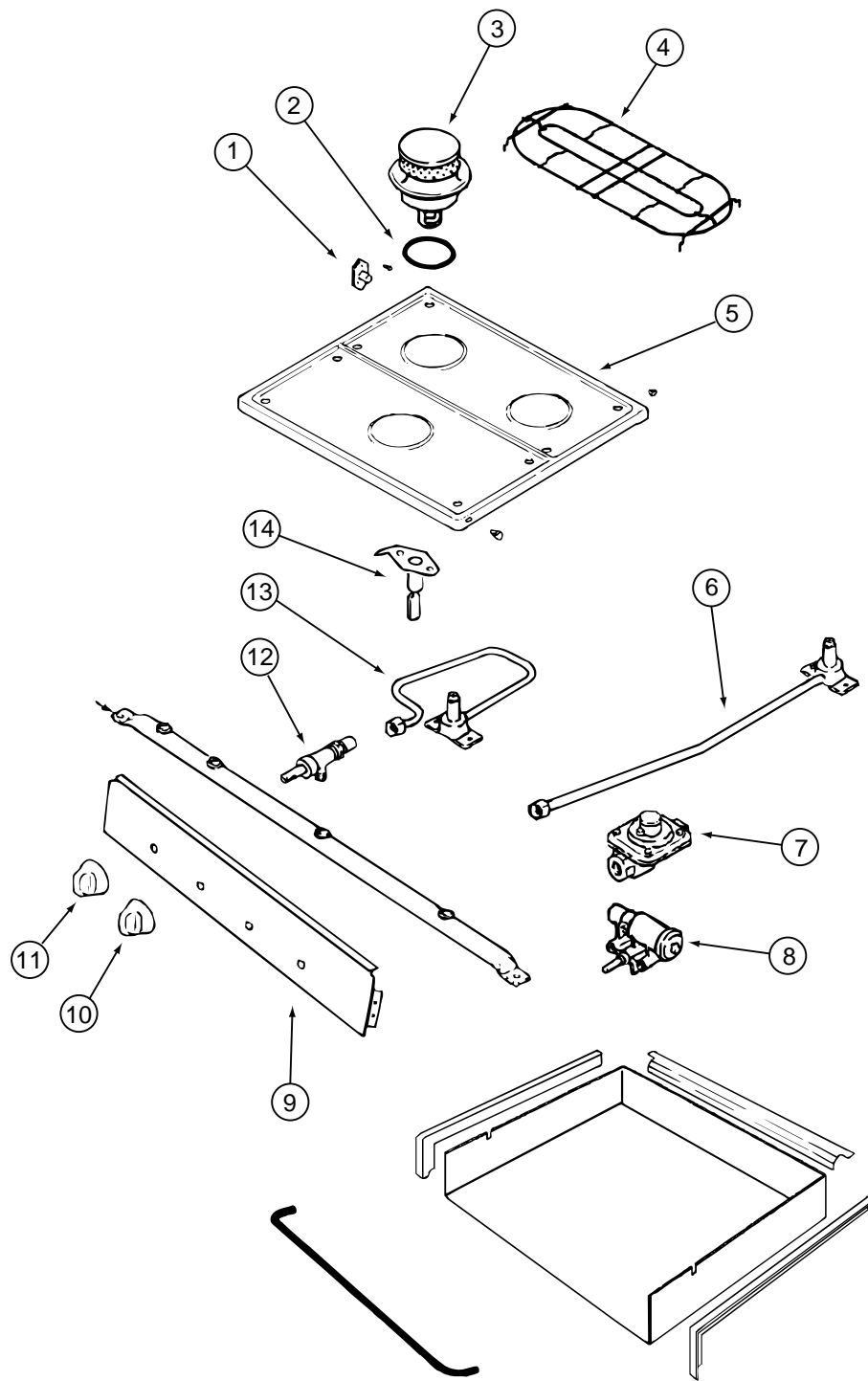


KEY	PART NUMBER	U/M	DESCRIPTION	VENDOR NO.
	128728-01-01A	EA	RANGE - 3 BURNER W/O OVEN - BLACK MAYTAG #MLZ8505ADB	
1	128728-01-703	EA	T-NUT - F/HINGE	7103P109-60
2	128728-01-711	EA	GASKET - BURNER	74002745
3	128728-01-715	EA	BURNER ASSEMBLY	74003949
4	128728-01-700	EA	GRATE - BURNER	74003948
5	128728-01-705	EA	TOP - MAIN - BLACK	74003928
5	128728-01-706	EA	TOP - MAIN - WHITE	74003955
6	128728-01-708	EA	FITTING - ORFICE TUBE	74003931
7	128728-01-712	EA	FITTING - HALF UNION	7507P083-60
8	128728-01-716	EA	BURNER - IGNITOR	74003946
9	128728-01-704	EA	PANEL - MANIFOLD	74003957
10	128728-01-707	EA	KNOB - IGNITOR	74003944
11	128728-01-701	EA	KNOB - BURNER - REAR	74003941
11	128728-01-702	EA	KNOB - BURNER - FRONT	74003942
12	128728-01-713	EA	VALVE - BURNER - REAR	74003932
12	128728-01-714	EA	VALVE - BURNER - FRONT	74003933
13	128728-01-710	EA	FITTING - ORFICE TUBE - FRT	74003930
14	128728-01-709	EA	ELECTRODE - IGNITOR	7432P073-60

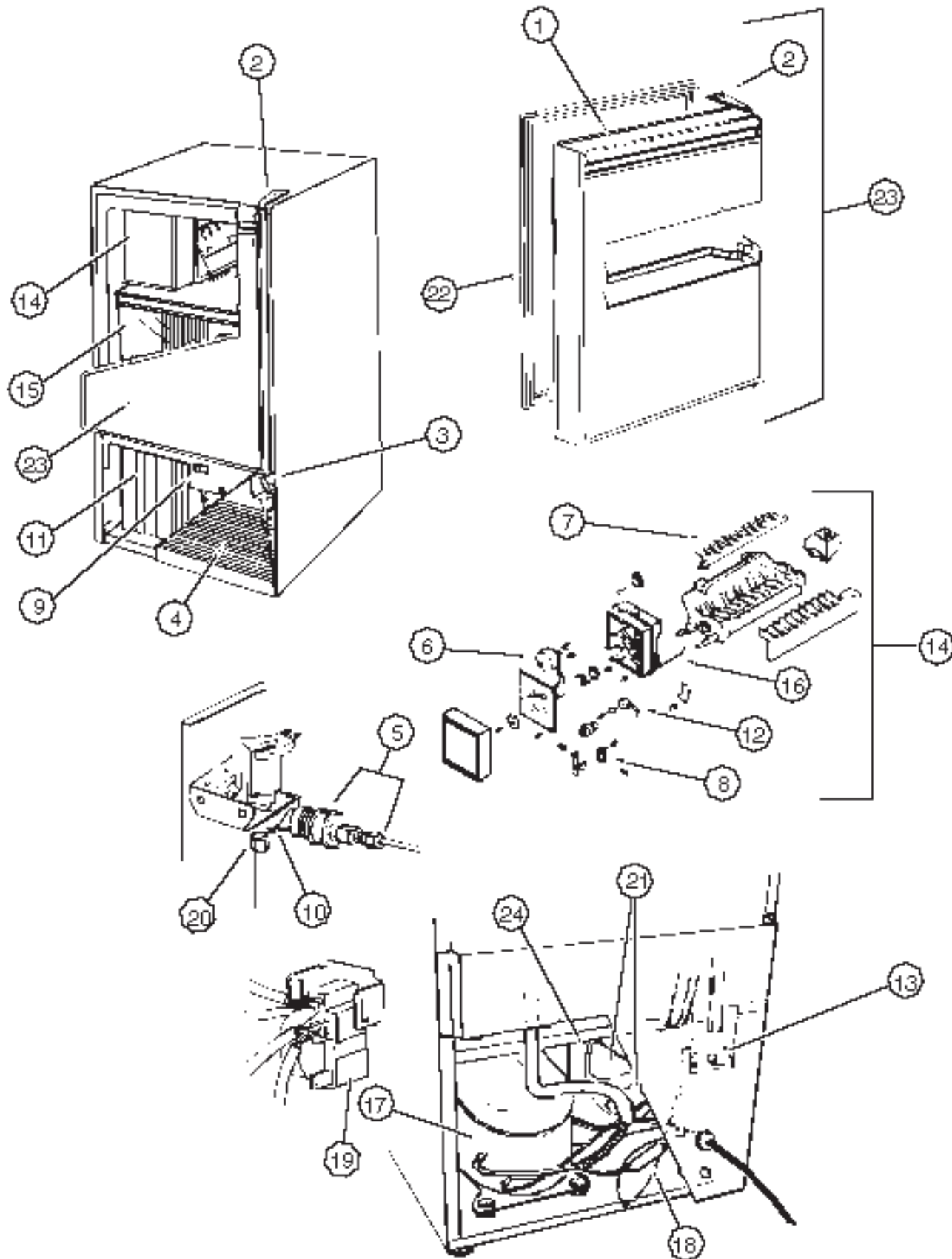
RANGE/OVEN (CONTINUED)

MAYTAG RANGE

KEY	PART NUMBER	U/M DESCRIPTION	VENDOR NO.
	128728-02-01A	EA RANGE - 3 BURNER/SEALED - W/O OVEN - BLACK -	CSA MAYTAG
1	128728-01-703	EA T-NUT - F/HINGE	7103P109-60
2	128728-01-711	EA GASKET - BURNER	74002745
3	128728-01-715	EA BURNER ASSEMBLY	74003949
4	128728-01-700	EA GRATE - BURNER	74003948
5	128728-01-705	EA TOP - MAIN - BLACK	74003928
5	128728-01-706	EA TOP - MAIN - WHITE	74003955
6	128728-01-708	EA FITTING - ORFICE TUBE - REAR	74003931
7	128728-01-712	EA FITTING - HALF UNION	7507P083-60
8	128728-01-716	EA BURNER - IGNITOR	74003946
9	128728-01-704	EA PANEL - MANIFOLD	74003957
10	128728-01-707	EA KNOB - IGNITOR	74003944
11	128728-01-701	EA KNOB - BURNER - REAR	74003941
11	128728-01-702	EA KNOB - BURNER - FRONT	74003942
12	128728-01-713	EA VALVE - BURNER - REAR	74003932
12	128728-01-714	EA VALVE - BURNER - FRONT	74003933
13	128728-01-710	EA FITTING - ORFICE TUBE - FRT	74003930
14	128728-01-709	EA ELECTRODE - IGNITOR	7432P073-60

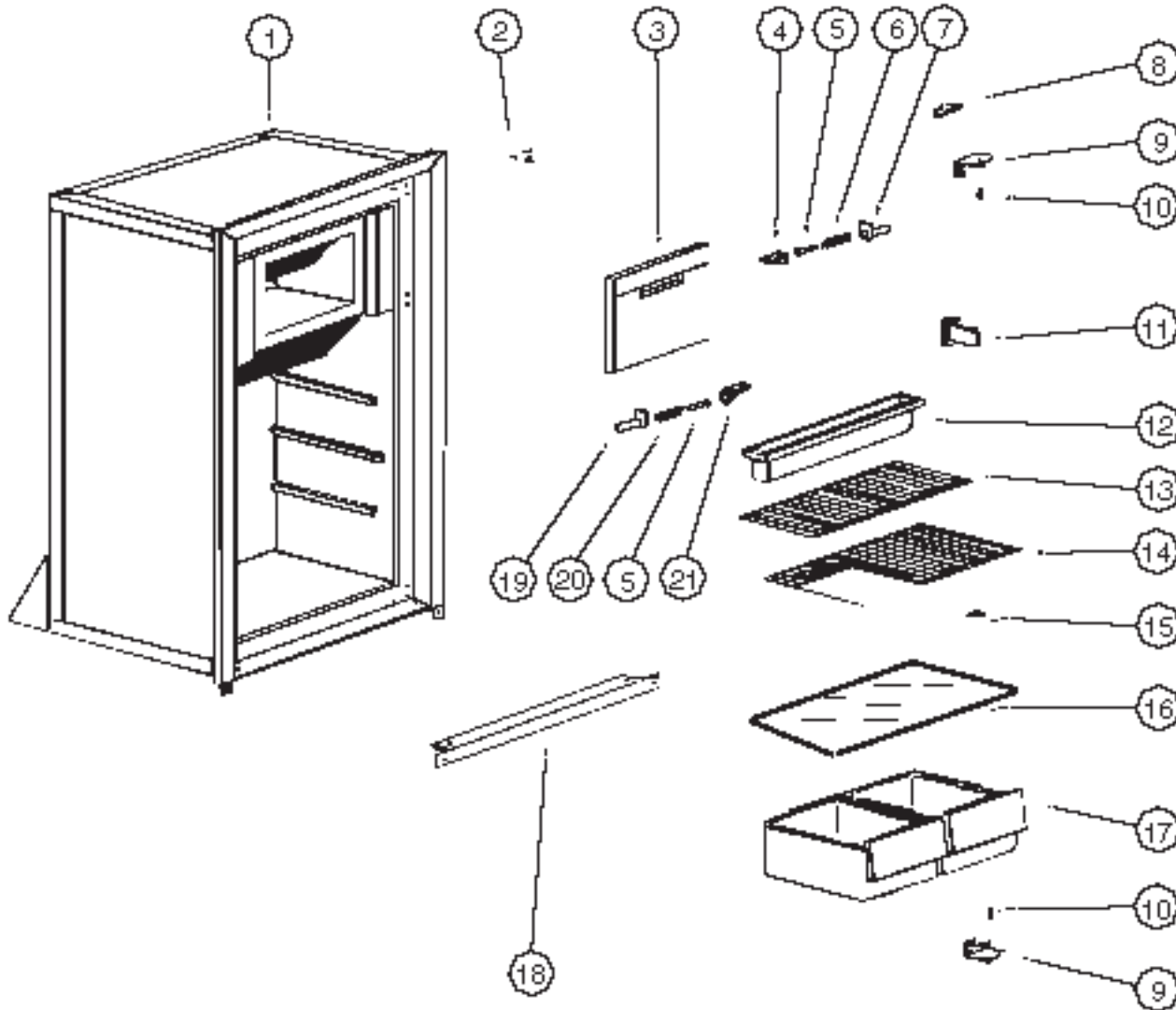


**U-LINE DOMETIC
DI23BG
ICE MAKER**

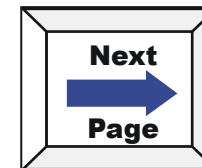


KEY	PART NUMBER	U/M DESCRIPTION	VENDOR NO.
	076799-01-000	EA ICE MAKER-- 14" X 14.5" X 24.5"	
1	076799-01-701	EA HANDLE - DOOR	31489-1
2	076799-01-704	EA HINGE - PIVOT - UPPER - BLACK	11697-S
3	076799-01-705	EA HINGE - PIVOT - LOWER - BLACK	11695-S
4	076799-01-706	EA GRILLE - VINYL COATED - BLACK	11662
5	076799-01-707	EA CONNECTION - WATER LINE	405
	076799-01-710	EA TRAVEL PIN ASSEMBLY	5000
6	076799-01-711	EA MOTOR	627973
7	076799-01-712	EA EJECTOR - 12 CAVITY	627375
8	076799-01-713	EA SWITCH - MICRO - SPDT	2506
9	076799-01-714	EA SWITCH - SPST	2053
10	076799-01-716	EA VALVE - SOLENOID	2552A
11	076799-01-717	EA CONDENSER ASSEMBLY	2628S
12	076799-01-718	EA SWITCH - LIMIT	2579
13	076799-01-719	EA CONTROL	4548
14	076799-01-720	EA ICE MAKER ASSEMBLY	402
15	076799-01-721	EA BUCKET - ICE	31429
16	076799-01-722	EA ARM - SHUT OFF	2603
17	076799-01-723	EA COMPRESSOR	5266S U-LINE
18	076799-01-724	EA DRYER	2544
19	076799-01-725	EA RELAY - OVERLOAD	5239
20	076799-01-726	EA PLASTIC NUT & SLEEVE ASM.	41254
21	076799-01-727	EA BLADE - FAN	5188
22	076799-01-728	EA GASKET - DOOR - GRAY (SVC3002)	31493-1
23	076799-01-729	EA DOOR ASSEMBLY - COMPLETE	95BG
24	076799-01-730	EA MOTOR - FAN	5263
	077841-01-000	EA BRACKET - TIEDOWN/RIGHT HAND - TRIANGULAR STEEL	
	077841-02-000	EA BRACKET - TIEDOWN/LEFT HAND - TRIANGULAR STEEL	

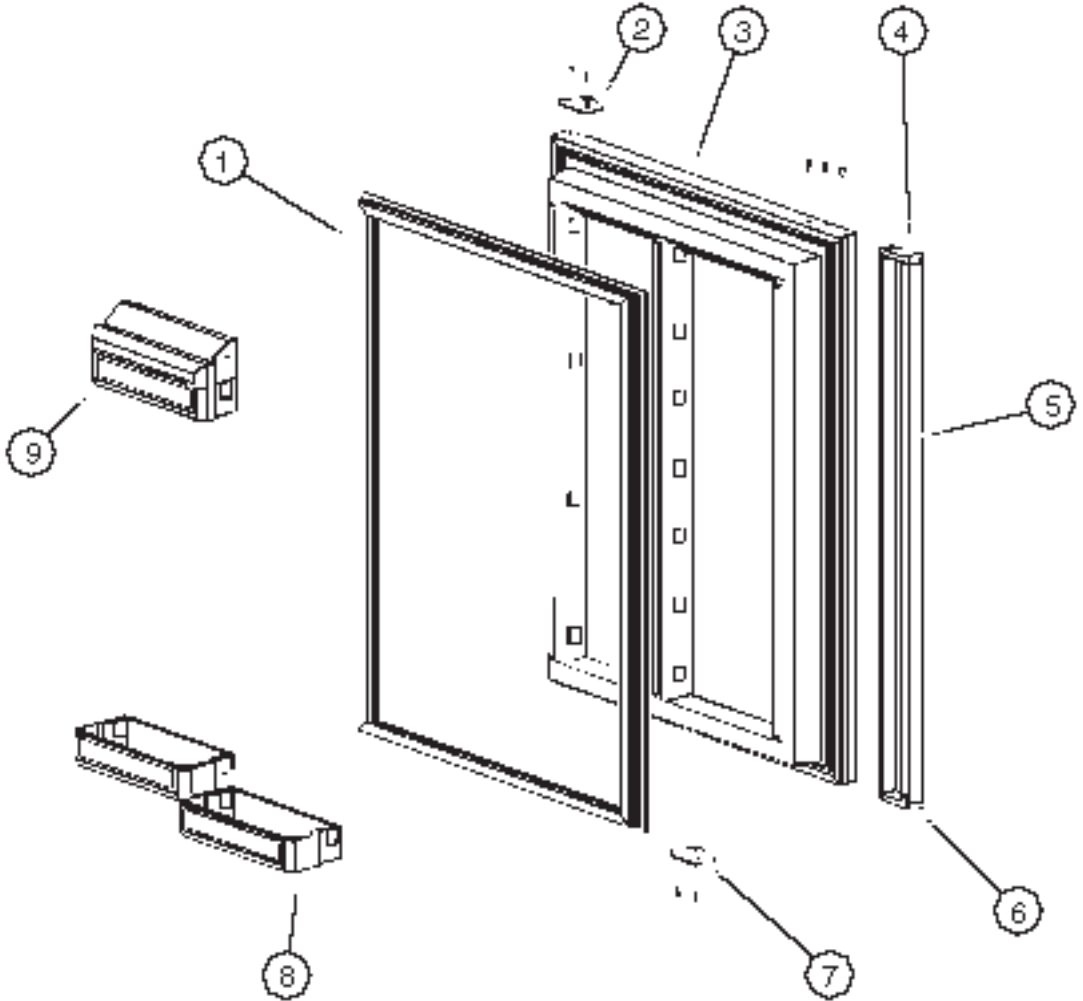
NORCOLD REFRIGERATOR 2-WAY
MODEL 6052 RH



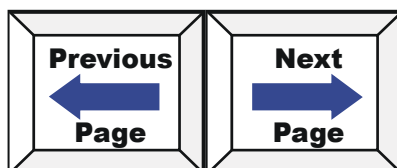
KEY	PART NUMBER	U/M	DESCRIPTION	VENDOR NO.
	102621-04-01A	EA	REFRIGERATOR - LARGE SINGLE DOOR - 2-WAY	
1	102621-01-701	EA	CABINET - FOAMED - BLACK	61620238
2	094039-01-722	EA	HOLE PLUG - HINGE HOLES - BLACK	61582030
3	102621-01-700	EA	DOOR - EVAPORATOR ASSEMBLY	61620738
4	102621-04-709	EA	CLIP - MOUNTING - EVAPORATOR DOOR - RH - WHITE	61632930
5	102621-04-710	EA	SPRING - PIN	61632622
6	102621-04-711	EA	SPRING TORSION - EVAPORATOR DOOR - RH	61633222
7	102621-04-703	EA	HOLDER - SPRING - RH - WHITE	61632830
8	084880-01-760	EA	CLIP - THERMISTER	61689122
9	094039-01-723	EA	BRACKET - HINGE - TOP RH - BOTTOM LH - BLACK	61580838
9	094039-01-724	EA	BRACKET - HINGE TOP LH - BOTTOM RH - BLACK	61580938
10	094039-01-725	EA	PIN - HINGE - MALE - BLACK	61578130
	094039-01-730	EA	PIN - HINGE - CENTER - BLACK	61566730
	084880-03-702	EA	PIN - HINGE - TOP/BOTTOM - FEMALE	61580630
11	084880-01-732	EA	LATCH	61578522
12	102621-04-704	EA	TRAY - DRIP - WHITE	61619930
13	104137-06-706	EA	WIRE SHELF - SHORT	61718222
14	094039-01-739	EA	SHELF - CUTOUT	61646722
15	102621-04-705	EA	RETAINER - GLASS SHELF	61580322
16	084880-01-722	EA	COVER - CRISPER	61564122
17	104137-06-707	EA	CRISPER - WHITE	61571325
18	094039-01-732	EA	FRONT COVER - BOTTOM TRIM - BLACK	61622130
19	102621-04-707	EA	HOLDER - SPRING - EVAPORATOR DOOR - LH	61632730
20	102621-04-706	EA	SPRING - EVAPORATOR DOOR - TORSION - LH	61633122
21	102621-04-708	EA	CLIP - MOUNTING - EVAPORATOR DOOR - LH	61633030
	064472-01-749	EA	PLUG 1/8"	61445322
	104137-06-725	EA	SHELF - SHORT - WHITE - W/O RISER	618059
	104137-06-730	EA	SHELF - BOTTOM - W/CUTOUT - WHITE	618055
	054450-01-000	EA	LEVEL - REFRIGERATOR	



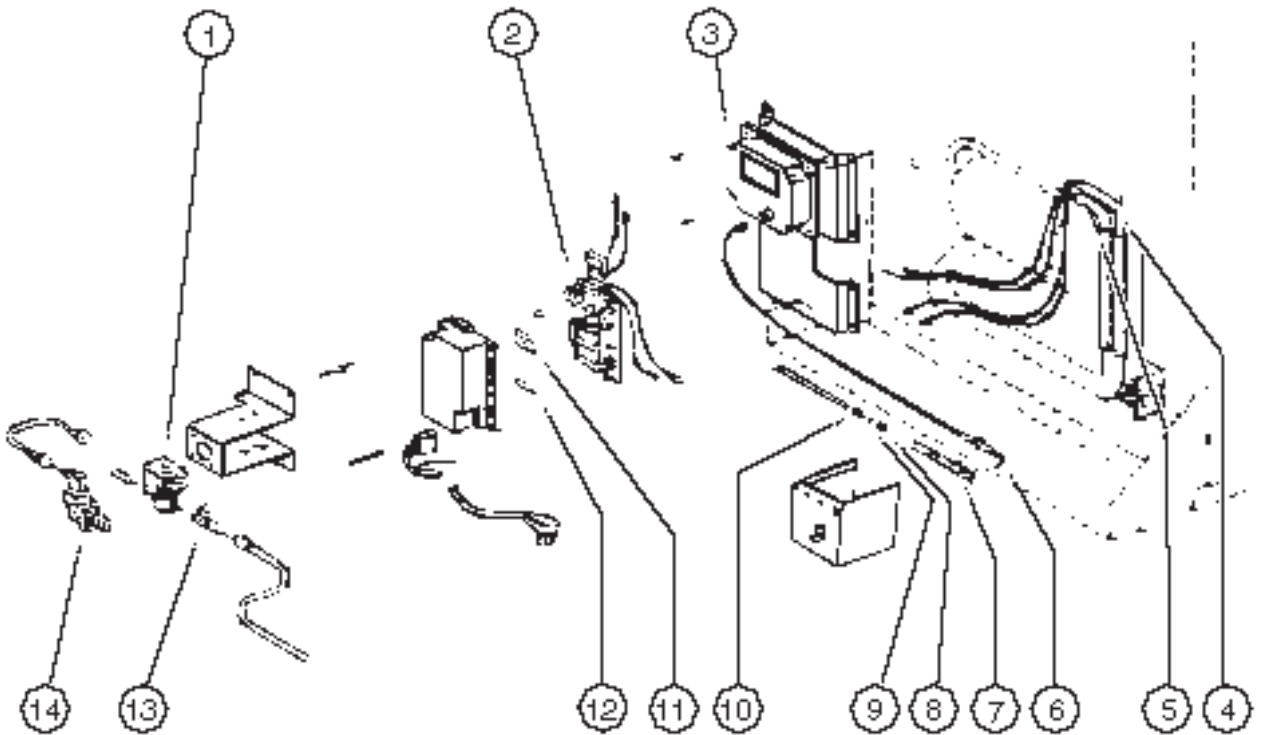
**NORCOLD REFRIGERATOR - 2-WAY
MODEL 6052 RH**



KEY	PART NUMBER	U/M	DESCRIPTION	VENDOR NO.
	102621-04-01A	EA	REFRIGERATOR - LARGE SINGLE DOOR - 2-WAY	
1	094039-01-713	EA	DOOR GASKET - LOWER - GRAY	61568030
2	094039-01-710	EA	PLATE - HINGE - BLACK	61631330
3	094039-01-715	EA	LINER - LOWER DOOR - FOAMED BLACK/WHITE	61581738-B
4	084880-01-761	EA	END CAP - SPRING CATCH - UPPER - BLACK	61593730
5	094039-01-717	EA	HANDLE - W/CAP & SPRING - BLACK	61649938
	084880-01-720	EA	SPRING - DOOR HANDLE	61558822
6	084880-01-740	EA	END CAP - STOP CATCH	61593830
7	094039-01-704	EA	PLATE - HINGE - BLACK	61631430
8	104137-06-703	EA	BIN - DOOR SHELF - WHITE	61564025
9	104137-06-704	EA	BIN - MILK - WHITE	61579425

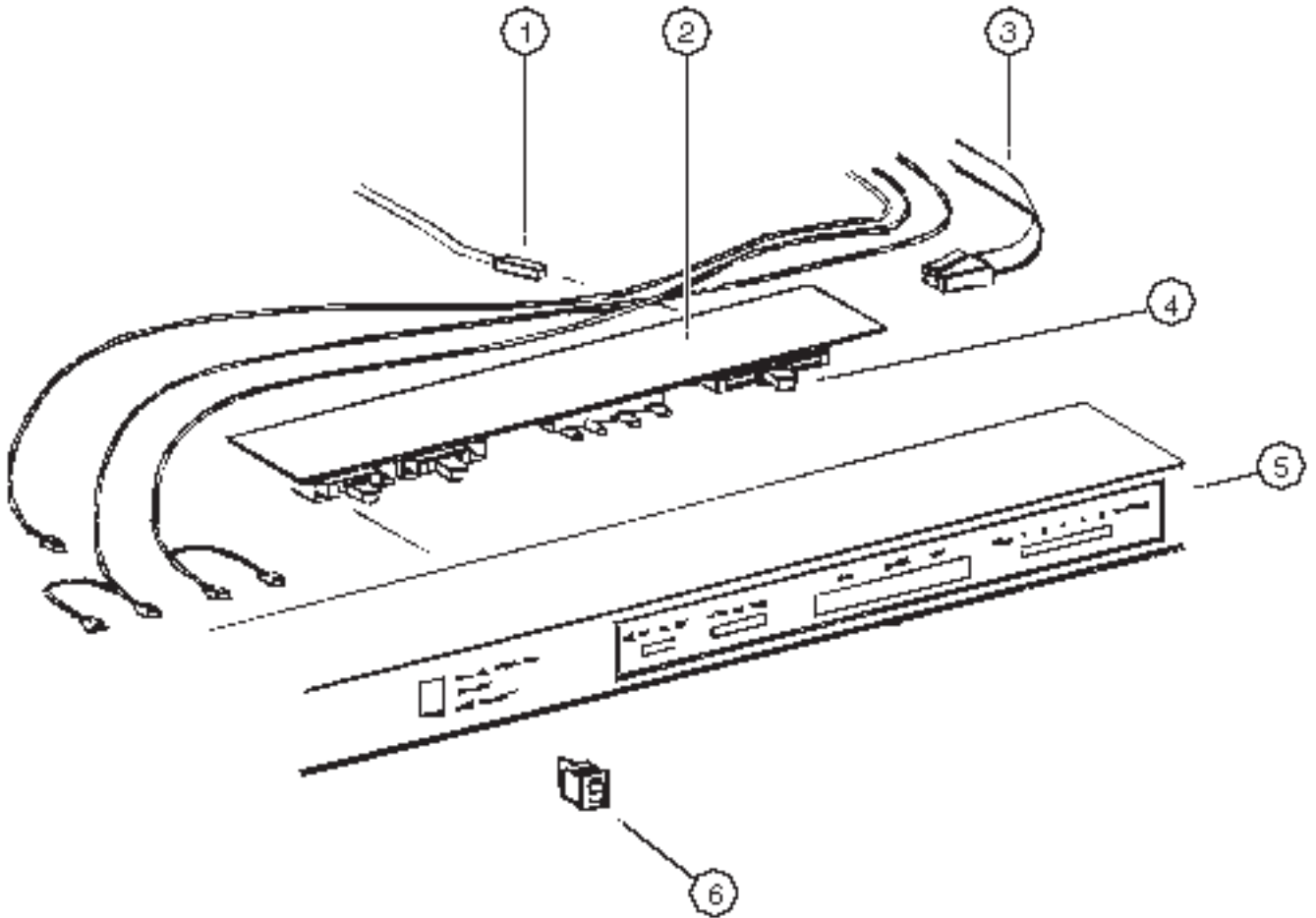


**NORCOLD REFRIGERATOR
MODEL 6052**



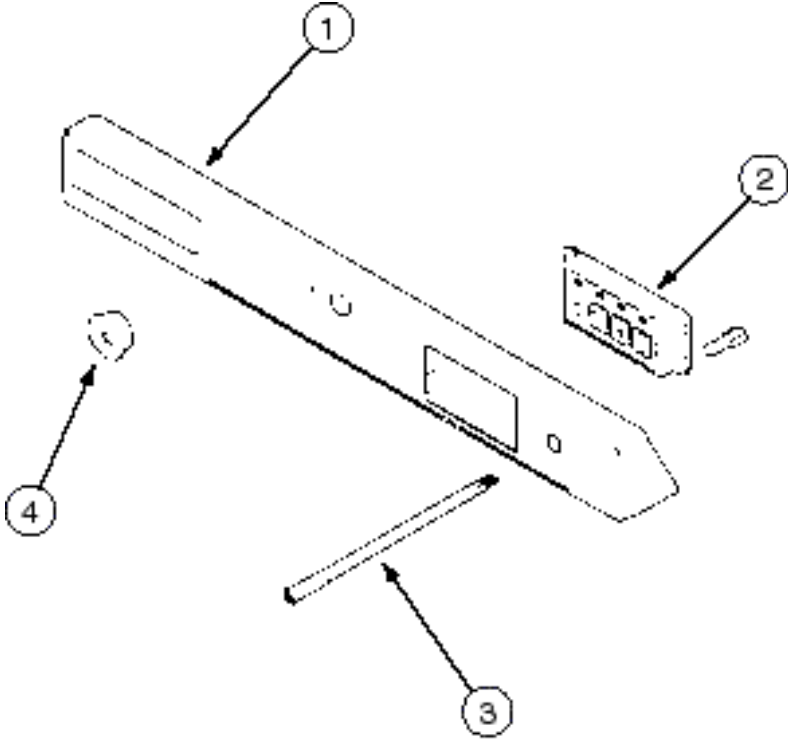
KEY	PART NUMBER	U/M	DESCRIPTION	VENDOR NO.
	102621-04-01A	EA	REFRIGERATOR - LARGE SINGLE DOOR - 2-WAY	
1	084880-01-718	EA	VALVE - GAS	61551822
2	094039-04-702	EA	POWER SUPPLY - 2 WAY	61647422
3	102621-01-702	EA	MODULE - IGNITION	61688922
	104137-02-700	EA	MODULE - CONTROL - CHANNEL - NORCOLD	61717037
4	102621-04-712	EA	HEATER - DC - HORIZONTAL BURNER	61562622
5	064473-03-701	EA	HEATER - AC - HORIZONTAL BURNER	61562522
	064473-03-718	EA	COOLING UNIT - HORIZONTAL BURNER	61687137
6	104137-06-715	EA	SPARK/SENSE ELECTRODE - SINGLE	61692222
7	104137-06-714	EA	BURNER ASSEMBLY - 5-SLOT	61705222
8	064473-01-702	EA	ORIFICE - 6EG-2	61452122
9	104137-06-713	EA	GASKET - ORIFICE	61475122
10	104137-06-712	EA	FITTING - GAS TUBE CONNECTION	61692722
11	075217-01-734	EA	FUSE - 3 AMP	61538822
	104137-06-711	EA	FUSE - 5 AMP	61611622
13	104137-06-710	EA	PRESSURE TAP	61594422
14	104137-06-709	EA	VALVE - SHUT OFF - MANUAL	61694922

**NORCOLD REFRIGERATOR
MODEL 6052**

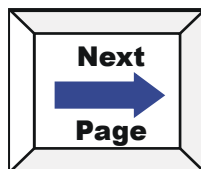


KEY	PART NUMBER	U/M	DESCRIPTION	VENDOR NO.
	102621-04-01A	EA	REFRIGERATOR - LARGE SINGLE DOOR - 2-WAY	
1	084880-01-753	EA	THERMISTOR 78"	61693822
	084880-01-760	EA	CLIP - THERMISTOR	61689122
2	094039-04-700	EA	PRINTED CIRCUIT BOARD - 2 WAY	61647322
3	084880-01-746	EA	CABLE - NORCOLD	61571522
4	102621-01-703	EA	BUTTON - THERMOSTAT - ADJUSTABLE	61587422
5	094039-04-701	EA	EYEBROW SHELL - 2-WAY - W/O HUMIDITY SWITCH HOLE	61669822
5	104137-06-700	EA	EYEBROW SHELL - 2-WAY - W/HUMIDITY SWITCH HOLE	61726622
6	075217-01-738	EA	SWITCH - HUMIDITY	61525922

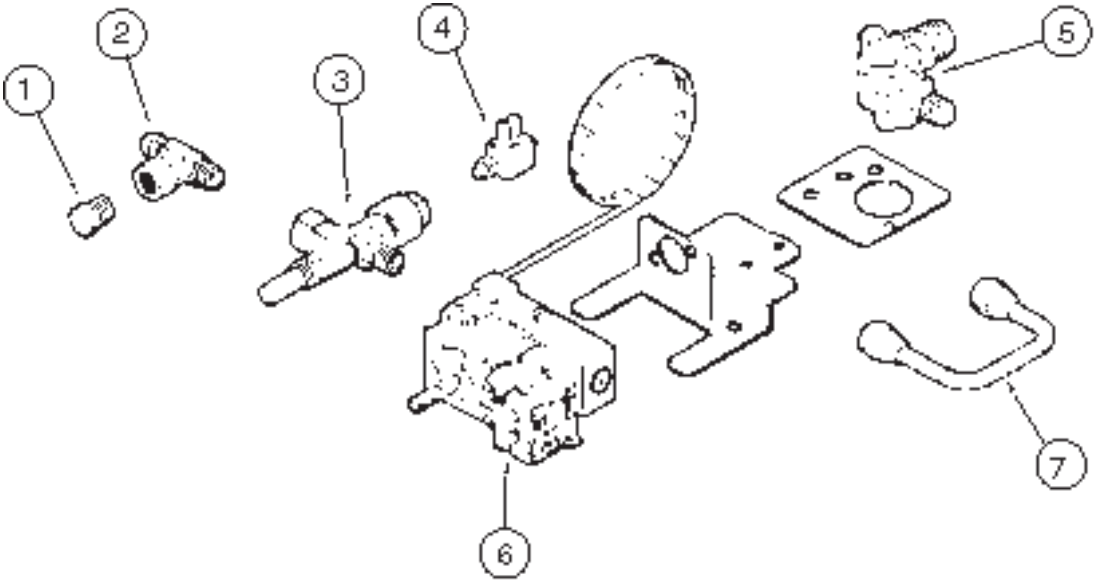
**REFRIGERATOR
SINGLE DOOR - VW
NORCOLD**



KEY	PART NUMBER	U/M	DESCRIPTION	VENDOR NO.
	113737-01-03A	EA	REFRIGERATOR - SMALL SINGLE DOOR - 3 WAY	
1	113737-01-723	EA	PANEL - CONTROL	617913
2	113737-01-729	EA	SWITCH - SELECTION - MODE	617945
3	113737-01-703	EA	LIGHT - FLAME INDICATOR - GREEN/RED	61609022
4	113737-01-713	EA	PLUG - HOLE - 1" - BLACK	617981

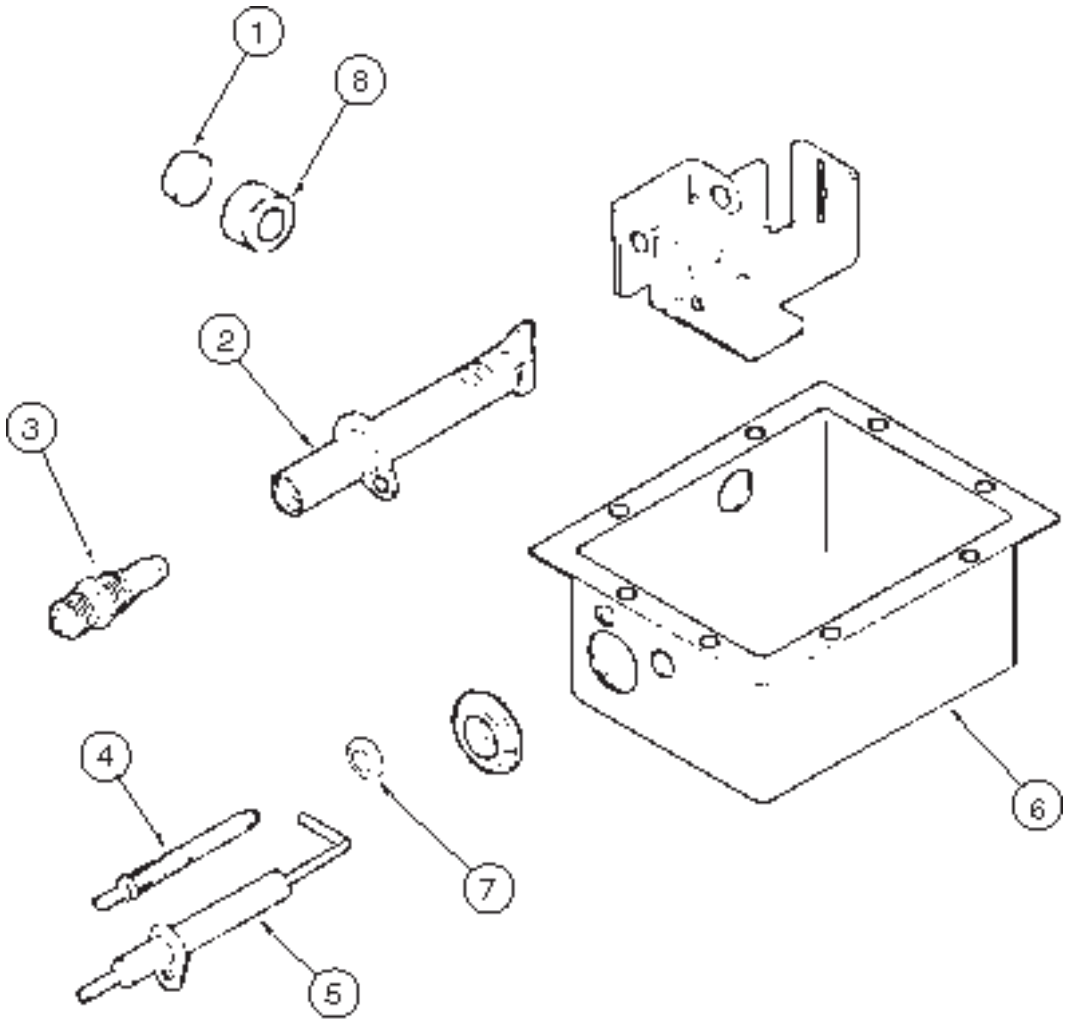


**REFRIGERATOR
SINGLE DOOR - VW
NORCOLD**



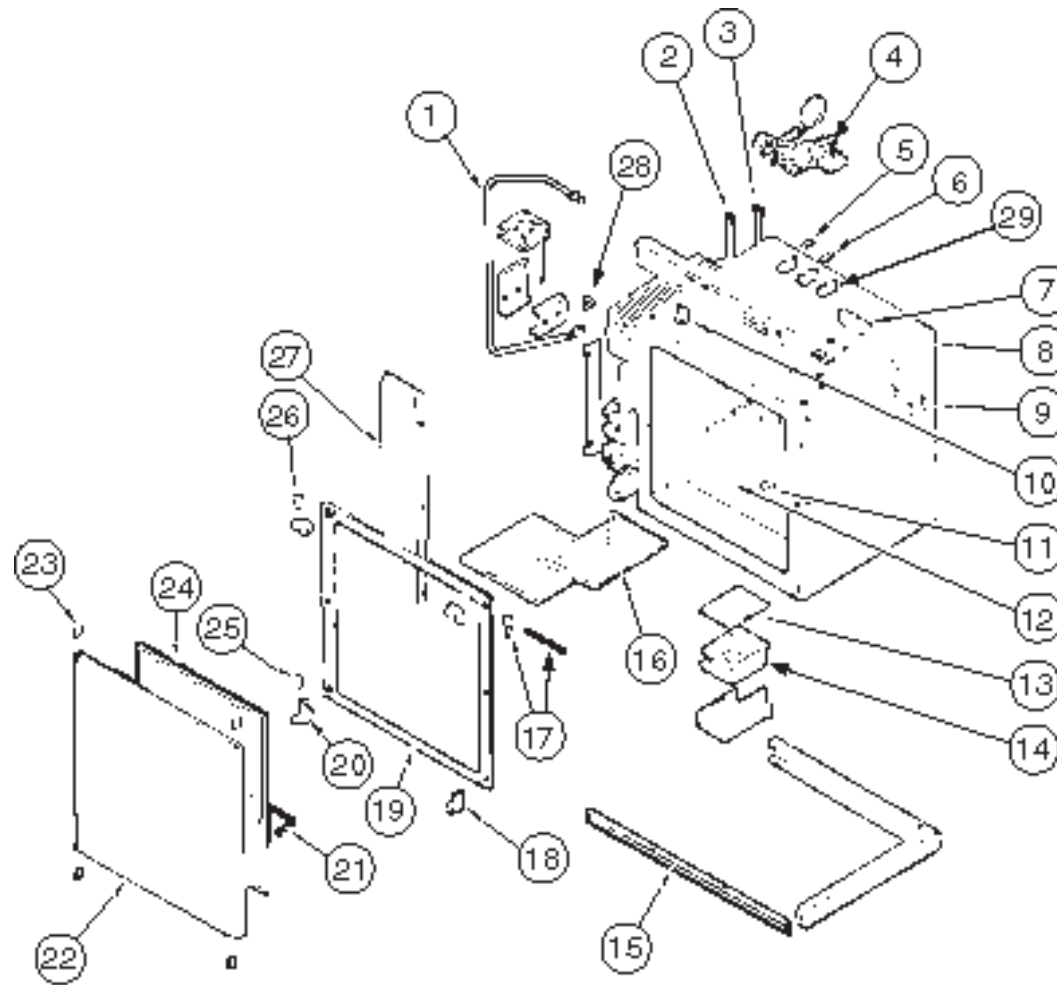
KEY	PART NUMBER	U/M	DESCRIPTION	VENDOR NO.
	113737-01-03A	EA	REFRIGERATOR - SMALL SINGLE DOOR - 3 WAY	
1	113737-01-702	EA	PLUG 1/8" - F/PRESSURE TAP	61445322
2	113737-01-716	EA	TAP - PRESSURE	61594422
3	113737-01-730	EA	VALVE - SAFETY IGNITION	617965
4	113737-01-709	EA	INTERRUPTER	61750522
5	113737-01-719	EA	VALVE - SHUT - OFF - MANUAL	617976
6	113737-01-735	EA	THERMOSTAT - GAS VALVE	617944
7	113737-01-750	EA	TUBE - UNION	61694622

**REFRIGERATOR
SINGLE DOOR - VW
NORCOLD**



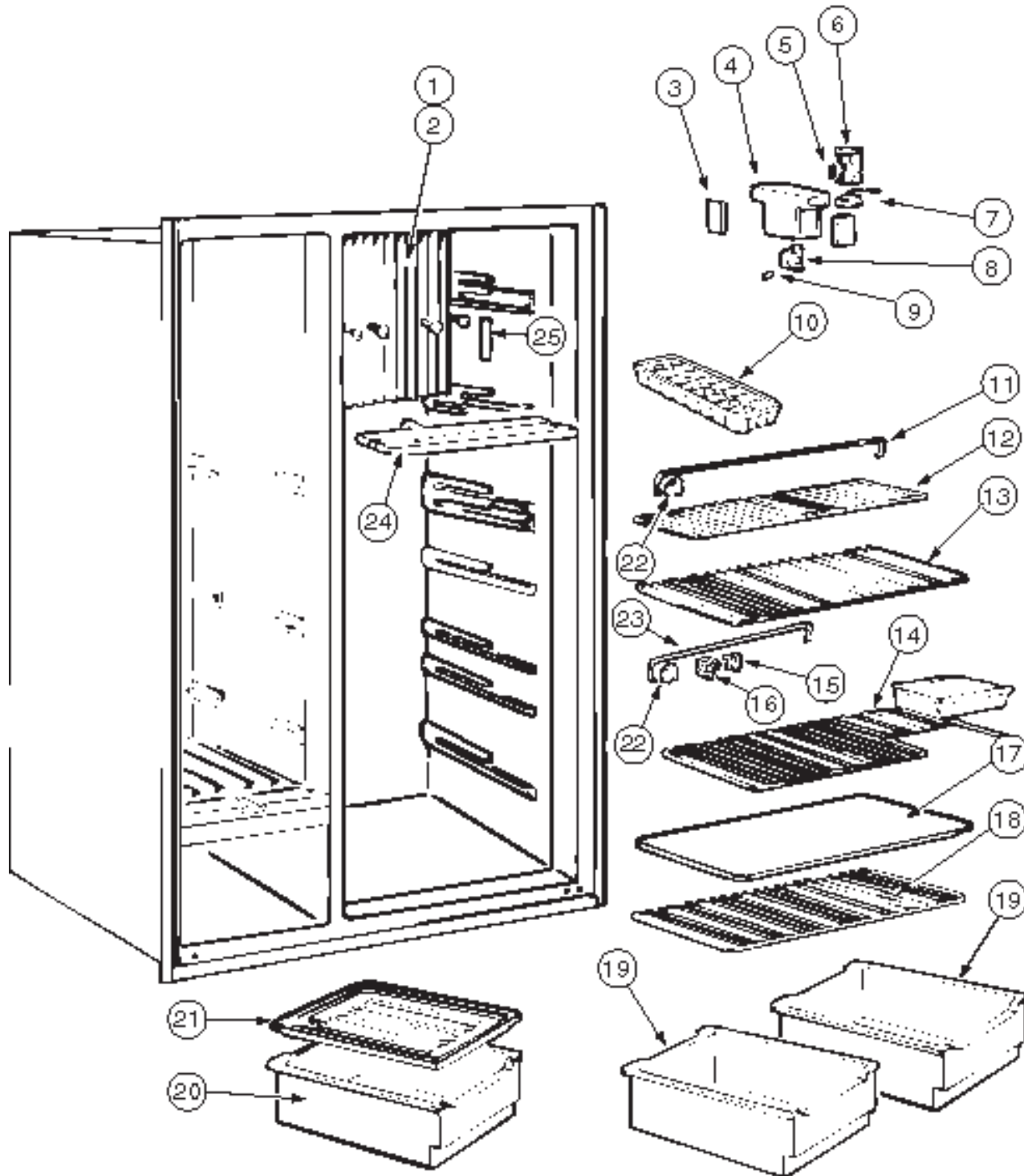
KEY	PART NUMBER	U/M	DESCRIPTION	VENDOR NO.
	113737-01-03A	EA	REFRIGERATOR - SMALL SINGLE DOOR - 3 WAY	
1	113737-01-732	EA	GLASS - SIGHT	617995
2	113737-01-726	EA	BURNER ASSEMBLY	617936
3	113737-01-727	EA	ORIFICE - ADAPTER ASSEMBLY	61753137
4	113737-01-717	EA	THERMOCOUPLE	617983
5	113737-01-715	EA	ELECTRODE - SPARK IGNITION	617966
6	113737-01-747	EA	BOX - BOTTOM F/BURNER	617925
7	113737-01-755	EA	THERMOCOUPLE GROMMET	617997
8	113737-01-751	EA	GROMMET F/SIGHT GLASS	617933

**REFRIGERATOR
SINGLE DOOR - VW
NORCOLD**

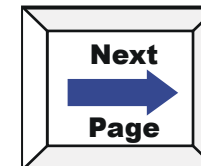


KEY	PART NUMBER	U/M DESCRIPTION	VENDOR NO.	KEY	PART NUMBER	U/M DESCRIPTION	VENDOR NO.
	113737-01-03A	EA REFRIGERATOR - SMALL SINGLE DOOR - 3 WAY		16	113737-01-711	EA SHELF - L-SHAPED - WHITE	618063
1	113737-01-746	EA TUBE - BURNER	617989	17	113737-01-753	EA PIN - TRAVEL LATCH	618046
2	113737-01-722	EA HEATER - DC (3-WAY)	61745422	17	113737-01-752	EA CHAIN - TRAVEL LATCH	618047
3	113737-01-721	EA HEATER - AC	61745322	18	113737-01-725	EA HINGE (LH BOTTOM & RH TOP)	617911
4	113737-01-718	EA CONTROL ASSEMBLY - THERMOSTAT	617998	19	113737-01-712	EA BREAKER - BLACK TRIM	617912
5	113737-01-714	EA FUSE - 20 AMP (3-WAY)	61440522	20	113737-01-724	EA HINGE (RH BOTTOM & LH TOP)	617910
6	113737-01-720	EA FUSE - 3 AMP (32V OR LESS)	61654622	21	113737-01-733	EA DOOR - RAIL - WHITE POWDER	618064
7	113737-01-731	EA BLOCK - TERMINAL	617979	22	113737-01-757	EA DOOR COMPLETE - VWG DARK GRAY	618678
8	113737-01-707	EA CABINET - COOLING UNIT (FOAMED)	617993	23	113737-01-701	EA BUSHING - HINGE	61742022
9	113737-01-728	EA RELIGHTER	617964	24	113737-01-704	EA GASKET - DOOR - GRAY	617906
10	113737-01-740	EA KNOB - THERMOSTAT	617971	25	113737-01-710	EA PIN - HINGE - BOTTOM	61550722
11	113737-01-705	EA CLIP - FIN	61728722	26	113737-01-708	EA PIN - HINGE - TOP	61114600
12	113737-01-706	EA FIN ASSEMBLY	617948	27	113737-01-756	EA SYSTEM COVER - VWG DARK GRAY	618676
13	113737-01-748	EA GASKET - BURNER BOX	617977	28	113737-01-754	EA THERMOSTAT - FAN - 12VDC	618093
14	113737-01-749	EA BURNER BOX ASSEMBLY	617937	29	113737-01-759	EA FUSE HOLDER	61584222
15	113737-01-734	EA GRILL - AIR INLET - BLACK	617938		113737-01-758	EA LINER - FOAMED - VWG DARK GRAY	618679

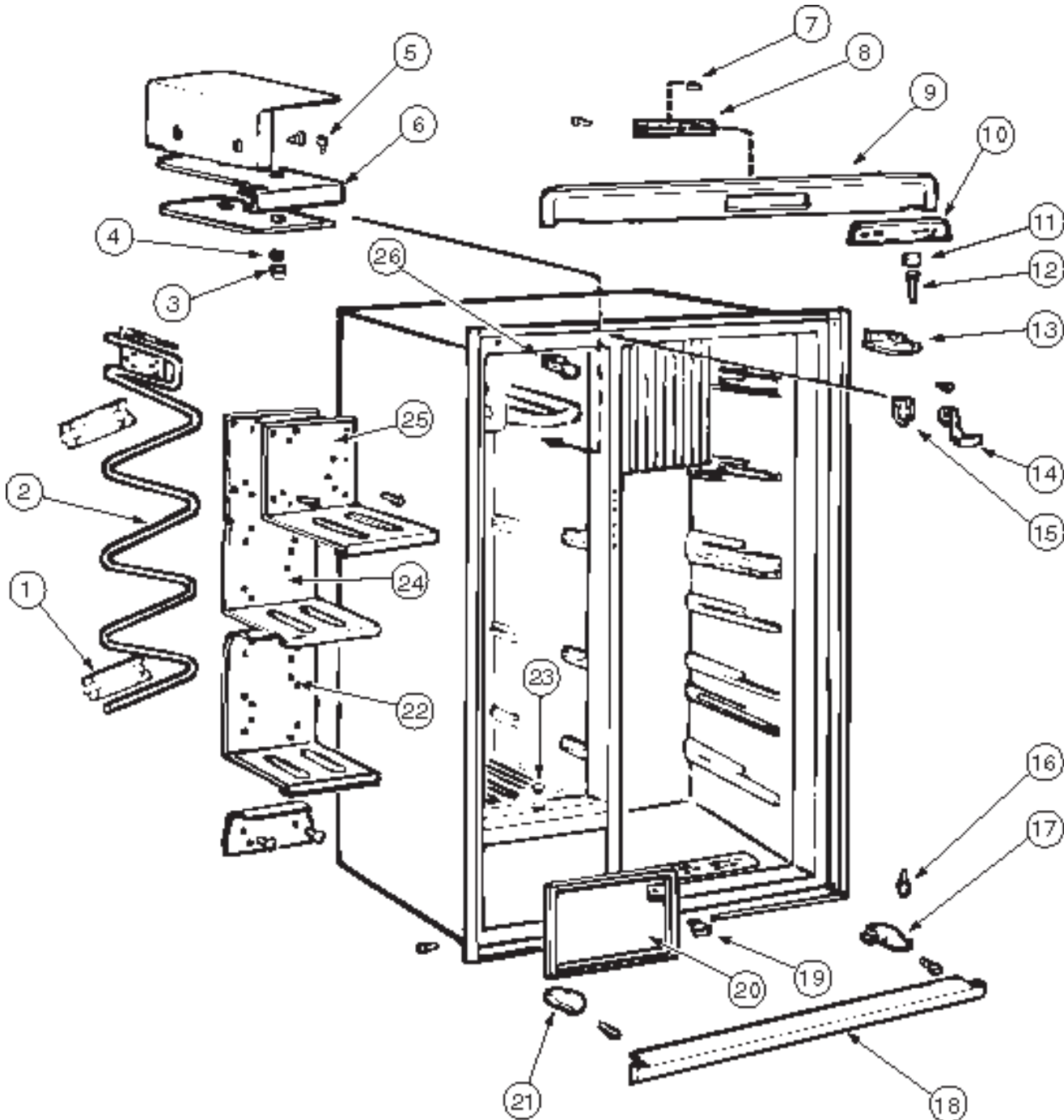
**DOMETIC RM 7732IM
REFRIGERATOR**



KEY	PART NUMBER	U/M	DESCRIPTION	VENDOR NO.
	118367-01-01A	EA	REFRIGERATOR - SIDE BY SIDE DOOR - 2 WAY	DOMETIC RM 7732IM
1	118367-01-739	EA	FLANGE-COOLING COIL, LEFT	293 16 61-02/5
2	118367-01-740	EA	FLANGE-COOLING COIL, RIGHT	293 16 61-03/3
3	118367-01-757	EA	CAP-END LAMP PROTECTION	200 40 43-00/2
4	118367-01-753	EA	COVER-SWITCH & LIGHT	200 40 44-09/1
5	118367-01-759	EA	LAMP, 10W-12VOLT	200 72 90-00/6
6	118367-01-758	EA	LIGHTING	293 07 44-01/2
7	118367-01-754	EA	SWITCH-DOOR	294 08 25 00/9
8	118367-01-756	EA	SUPPORT-THERMOSTAT	200 40 42-00/4
9	118367-01-763	EA	PIN-LOCKING	200 12 81-01/9
10	118367-01-746	EA	TRAY-ICE	293 04 00-00/3
11	118367-01-760	EA	RACK-UPPER	200 73 37-15/3
12	118367-01-741	EA	SHELF-UPPER, (REFRIG)	293 15 41-05/2
13	118367-01-742	EA	SHELF #2, (REFRIG)	293 15 41-04/5
14	118367-01-743	EA	SHELF #3, (REFRIG)	293 15 42-02/7
15	118367-01-748	EA	LOCK-FLAP, OUTER	200 73 93-02/4
16	118367-01-747	EA	LOCK-FLAP, INNER	200 73 92-02/6
17	118367-01-744	EA	SHELF #4, (REFRIG)	293 11 17-06/9
18	118367-01-745	EA	SHELF #5, (REFRIG)	293 15 41-06/0
19	118367-01-749	EA	BOX-VEGETABLE	293 14 71-02/9
20	118367-01-750	EA	BOX-VEGETABLE	293 14 71-03/7
21	118367-01-751	EA	LID-VEGETABLE	293 26 93-01/9
22	118367-01-762	EA	RETAINER-RACKS	293 06 93-04/5
23	118367-01-761	EA	RACK-LOWER	200 73 37-16/1
24	118367-01-752	EA	PAN-DRIP	293 61 63-01/3
25	118367-01-755	EA	RETAINER-PROBE	293 19 76-01/9

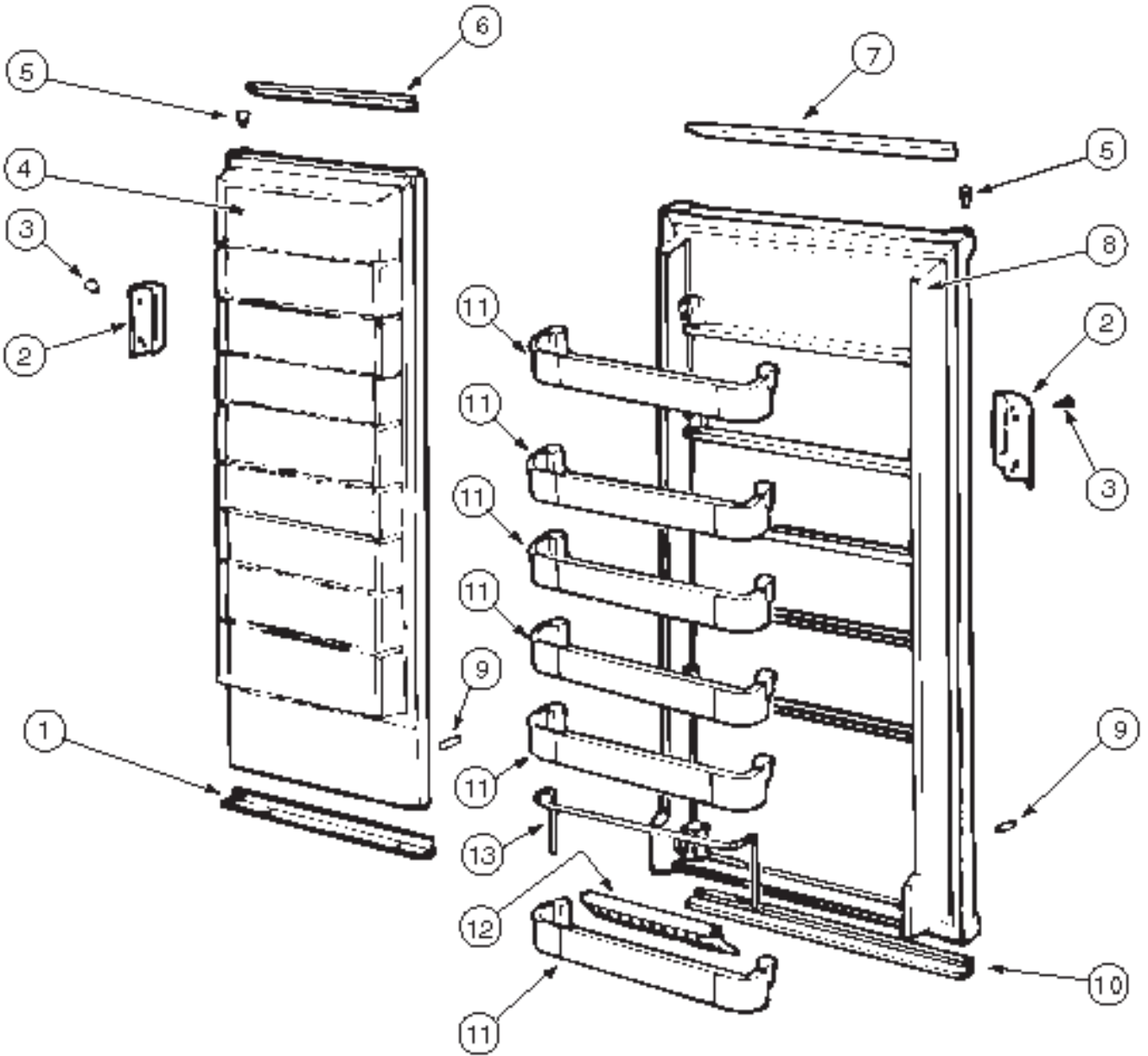


**DOMETIC RM 7732IM
REFRIGERATOR**



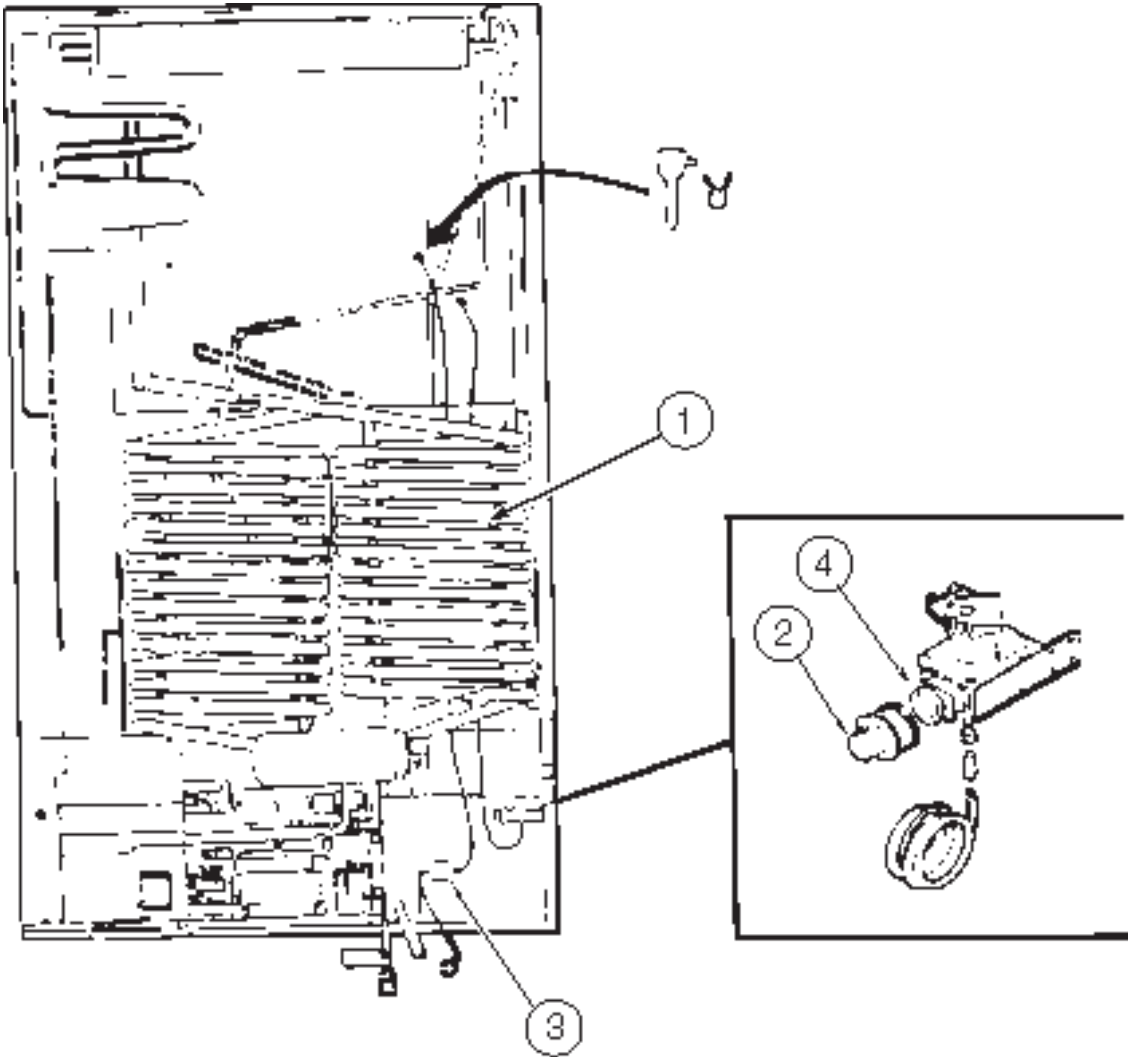
KEY	PART NUMBER	U/M	DESCRIPTION	VENDOR NO.
1	118367-01-738	EA	BRACKET-SHELF, FREEZER	293 14 84-01/4
2	118367-01-734	EA	COIL-FREEZER	293 14 74-01/5
3	118367-01-729	EA	PLUG - UPPER	293 04 87-00/0
4	118367-01-718	EA	NUT, M5, BRASS, FN	731 43 14-13/4
5	118367-01-717	EA	SCREW, M6S,5X20,FN	725 23 30-13/4
6	118367-01-733	EA	SHELF-UPPER, FREEZER	293 14 77-02/6
7	118367-01-721	EA	BUTTON	95 50 24-13/8
8	118367-01-719	EA	BOARD-CIRCUIT, AES ASM.	293 26 97-05/1
9	118367-01-722	EA	DECORATION-FRONT	293 26 63-01/2
10	118367-01-720	EA	DECORATION	95 50 24-53/4
11	118367-01-713	EA	PLUG	293 27 36-01/6
12	118367-01-714	EA	PIN-HINGE, UPPER	293 26 47-01/5
13	118367-01-716	EA	HINGE-UPPER, RIGHT	293 26 46-02/5
14	118367-01-723	EA	BOW-LOCKING	293 27 45-01/7
15	118367-01-724	EA	RETAINER	293 27 46-01/5
16	118367-01-727	EA	PIN-HINGE, LOWER	293 26 49-02/9
17	118367-01-726	EA	HINGE-LOWER, RIGHT (REFRIG)	293 26 45-02/7
18	118367-01-730	EA	STRIP-FRONT	293 26 64-01/0
19	118367-01-732	EA	SWITCH-DOOR	293 26 80-01/6
20	118367-01-731	EA	FLAP	293 26 55-01/8
21	118367-01-725	EA	HINGE-LOWER, LEFT (FREEZER)	293 26 45-01/9
22	118367-01-737	EA	SHELF-#4, FREEZER	293 14 82-02/6
23	118367-01-728	EA	PLUG - LOWER	293 17 15-01/1
24	118367-01-736	EA	SHELF-#3, FREEZER	293 19 82-02/5
25	118367-01-735	EA	SHELF-#2, FREEZER	293 19 83-02/3
26	118367-01-715	EA	HINGE-UPPER, LEFT(FREEZER)	293 26 46-01/7

**DOMETIC RM 7732IM
REFRIGERATOR**



KEY	PART NUMBER	U/M	DESCRIPTION	VENDOR NO.
1	118367-01-709	EA	DECORATION-DOOR, FREEZER LWR	293 26 42-02/4
2	118367-01-704	EA	HANDLE, FREEZER-REFRIGERATOR	293 27 29-01/1
3	118367-01-705	EA	SCREW-HANDLE, FREEZER-REFRIG	724 13 23-61/2
4	118367-01-701	EA	DOOR-FREEZER	293 25 89-11/8
5	118367-01-702	EA	BUSHING-HINGE, FREEZER-REFRIG	293 11 71-01/7
6	118367-01-708	EA	DECORATION-DOOR FREEZER, UPR	293 26 42-12/3
7	118367-01-706	EA	DECORATION-DOOR, REFRIG. UPR	293 26 42-08/1
8	118367-01-700	EA	DOOR-REFRIGERATOR	293 25 90-11/6
9	118367-01-703	EA	STOP-LOWER, FREEZER-REFRIG)	293 25 88-01/1
10	118367-01-707	EA	DECORATION-DOOR, REFRIG. LWR	293 26 42-03/2
11	118367-01-711	EA	SHELF-DOOR, REFRIGERATOR	293 25 83-02/0
12	118367-01-710	EA	HOLDER-BOTTLE, DOOR, REFRIG.	293 26 58-01/2
13	118367-01-712	EA	RACK-DOOR, REFRIGERATOR	293 25 85-04/1

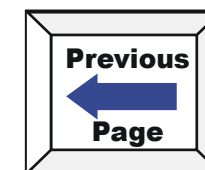
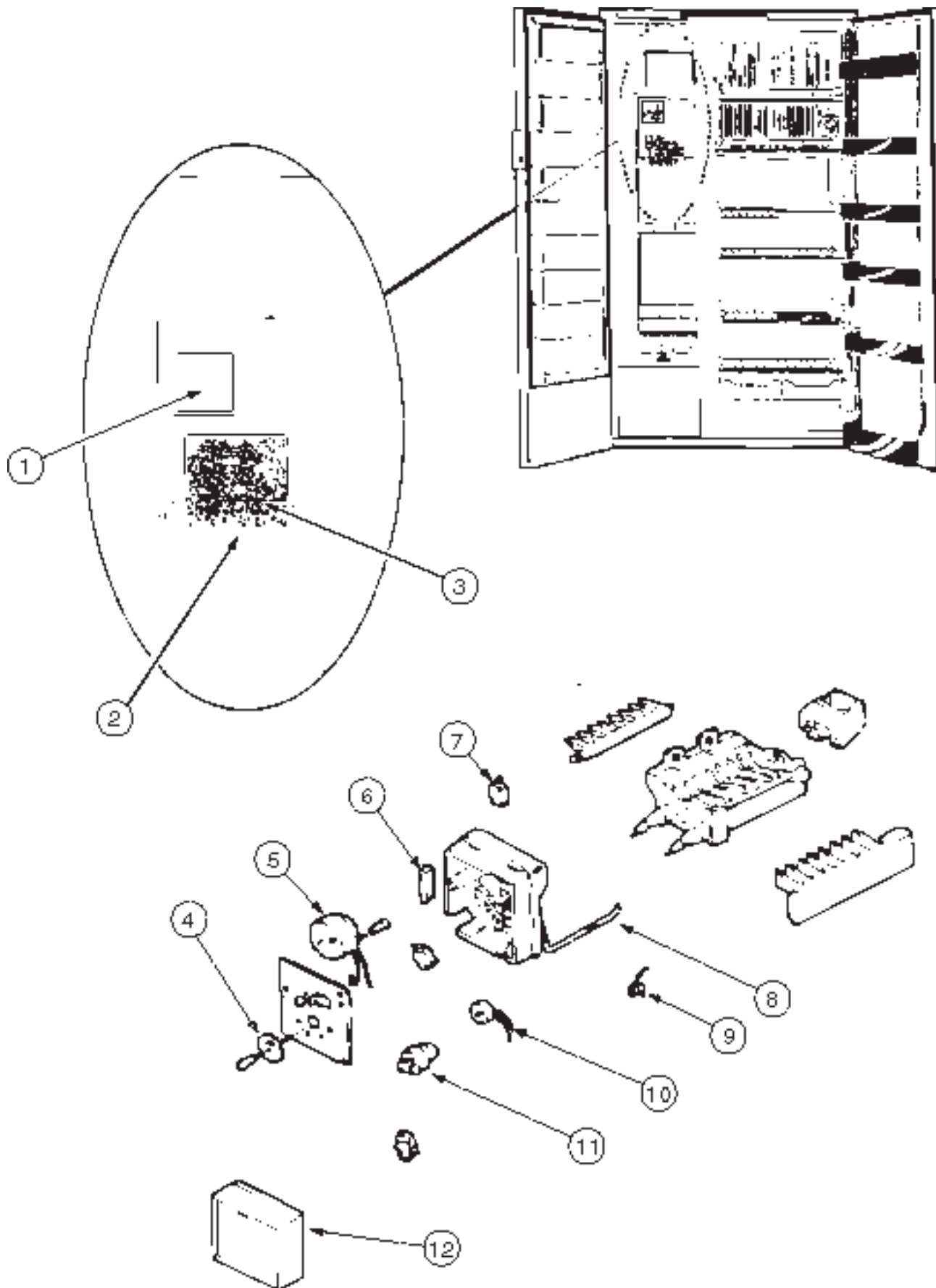
**DOMETIC RM 7732IM
REFRIGERATOR(CONTINUED)**



KEY	PART NUMBER	U/M	DESCRIPTION	VENDOR NO.
1	118367-01-783	EA	COIL-COOLING	293 49 45-09/4
2	118367-01-785	EA	CONNECTION-WATER, COMPLETE	2930916024
3	118367-01-788	EA	BLOCK-TERMINAL	2931963017
4	118367-01-790	EA	VALVE-WATER	2931972026

**DOMETIC RM 7732IM
REFRIGERATOR(CONTINUED)**

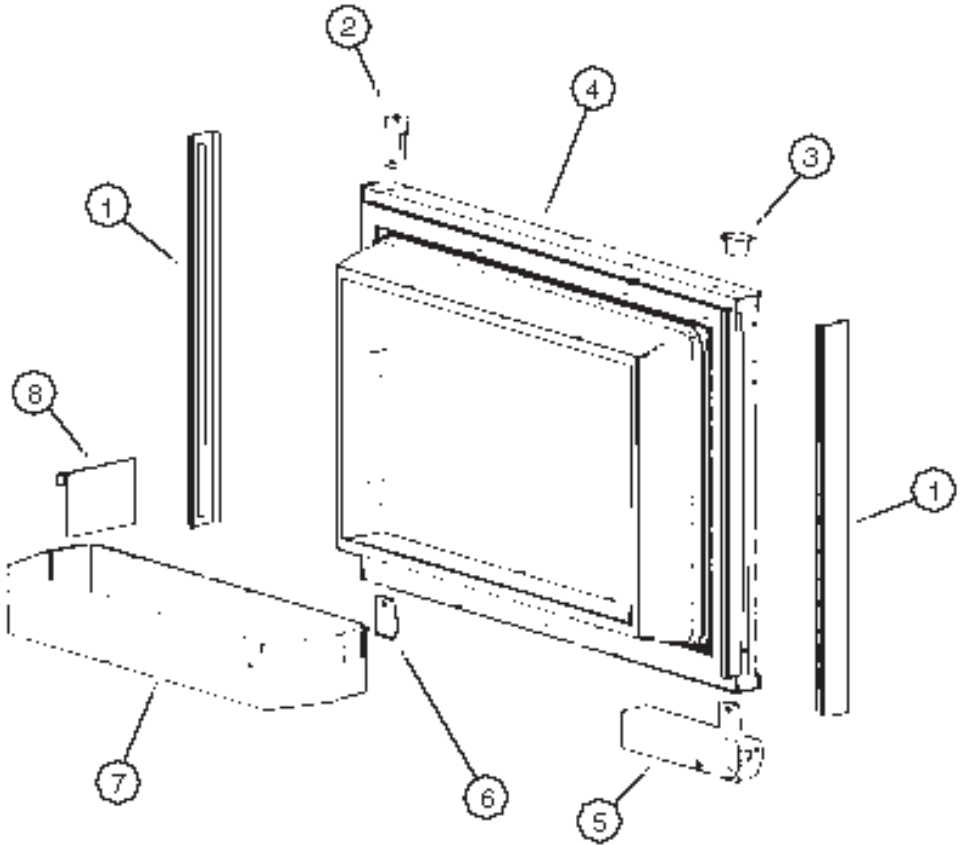
KEY	PART NUMBER	U/M	DESCRIPTION	VENDOR NO.
1	118367-01-789	EA	ICEMAKER	3108703.517
2	118367-01-787	EA	SHELF-ICE BUCKET WIRE	293 19 85010
3	118367-01-784	EA	BUCKET-ICE	3108702.998
4	118367-01-795	EA	GEAR	3108703.491
5	118367-01-793	EA	MOTOR	3108703.475
6	118367-01-799	EA	PLUG, 4 PRONG FEMALE	3108702.907
7	118367-01-791	EA	SWITCH (3 REQ)	8108703.459
8	118367-01-797	EA	ARM, SHUT OFF	3108702.881
9	118367-01-798	EA	SPRING, SHUT OFF ARM	3108702.899
10	118367-01-792	EA	THERMOSTAT, MOLDING	3108703.467
11	118367-01-794	EA	CAM	3108703.483
12	118367-01-796	EA	COVER, CYCLE FRONT	2930874025
	118367-01-786	EA	STRIP-DOOR DECORATION	293 1163-11
	118367-01-800	EA	BOARD-CIRCUIT	293 26 95-01/4
	118367-01-764	EA	CONDUCTOR-ELECTRODE	200 76 68-04/5
	118367-01-765	EA	NIPPLE	293 20 63-01/5
	118367-01-766	EA	HOUSING-BURNER	293 21 61-01/7
	118367-01-767	EA	VALVE-SOLENOID	294 3298-03/0
	118367-01-768	EA	ELECTRODE	293 14 95-01/0
	118367-01-769	EA	GAS SHUTOFF	293 26 16-01/0
	118367-01-770	EA	NIPPLE	293 18 24-01/1
	118367-01-771	EA	THERMOSTAT	293 18 26-01/6
	118367-01-772	EA	BOARD-CIRCUIT, COMPLETE	293 18 42-03/9
	118367-01-773	EA	CONDUCTOR-CIRCUIT BOARD	293 18 62-02/9
	118367-01-774	EA	CONDUCTOR-THERMISTOR	293 18 63-02/7
	118367-01-775	EA	CONDUCTOR-GAS VALVE	295 44 37-02/2
	118367-01-776	EA	ORFICE-JET, NR76	200 74 19-33/2
	118367-01-777	EA	HEATER-210WATT, 120VOLT	17 37 58-03/8
	118367-01-778	EA	RETAINER	293 06 60-01/0
	118367-01-779	EA	WASHER	200 74 57-00/1
	118367-01-780	EA	BLOCK-TERMINAL	293 04 63-01/9
	118367-01-781	EA	SCREW,RXS,B6X25,STAINLESS	729 52 87-40/8
	118367-01-782	EA	IGNITION-SPARK	293 11 32-01/9



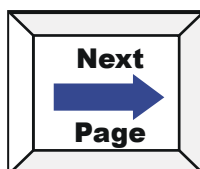
NORCOLD FREEZER MRFT-340

KEY	PART NUMBER	U/M DESCRIPTION	VENDOR NO.
	119296-01-01A	EA FREEZER - PORTABLE NORCOLD #MRFT-340	
	119296-01-700	EA DOOR ASSEMBLY	1600 262 00
	119296-01-701	EA LATCH ASSEMBLY	6260 005 00
	119296-01-702	EA HANDLE-DOOR	4225 004 01
	119296-01-703	EA GASKET-DOOR	4148 016 00
	119296-01-704	EA COVER ASM.,F/CLG & TEMP CONT	1602 092 00
	119296-01-705	EA BASKET, MRFT-340D	5230 008 00
	119296-01-706	EA CASE-INNER, MRFT-340D	4332 011 40
	119296-01-707	EA HANDLE-CARRYING	3233 005 50
	119296-01-708	EA CABINET-EXTERIOR, MRFT-340D	1600 255 00
	119296-01-709	EA DIAL ASSEMBLY, THERMOSTAT	1602 067 00
	119296-01-710	EA PLATE-MARKING, THERMOSTAT	5450 261 05
	119296-01-711	EA COVER ASM., REAR, MRFT-340D	1609 221 00
	119296-01-712	EA TRANSFORMER ASSEMBLY	1960 131 00
	119296-01-713	EA OSCILLATOR ASSEMBLY	1630 081 00
	119296-01-714	EA CUSHION-CORNER	4274 009 00
	119296-01-715	EA BLOCK-TERMINAL	1632 055 02
	119296-01-716	EA CORD ASSEMBLY, DC	1912 223 00
	119296-01-717	EA THERMISTOR-EVAPORATOR	6055 032 00
	119296-01-718	EA WIRE-CONDENSER, THERMISTOR	6055 033 01
	119296-01-719	EA CONTROL ASSEMBLY,TEMPERATURE	1601 072 50
	119296-01-720	EA COIL-COOLING, HFC-134A	1610 077 10

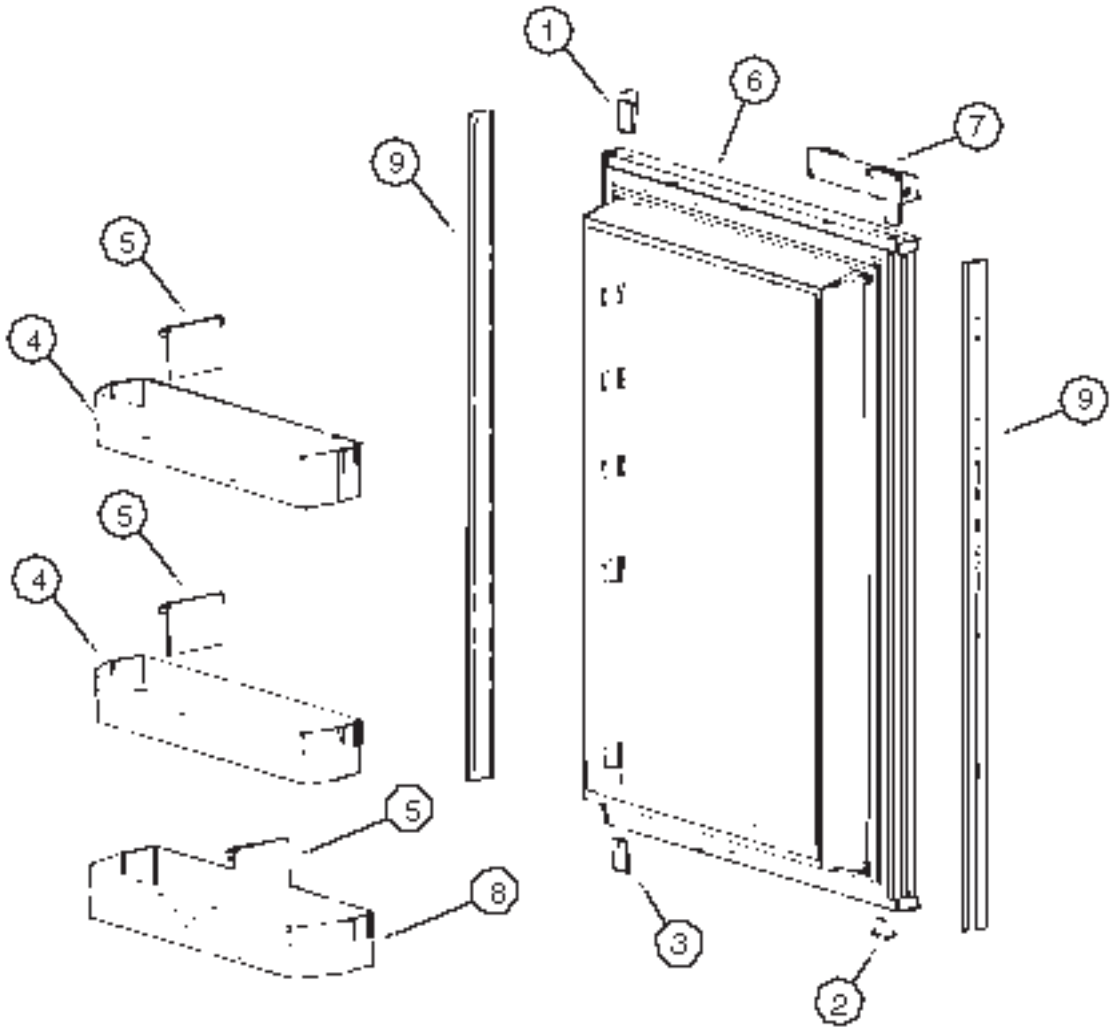
NORCOLD
MODEL 982



KEY	PART NUMBER	U/M	DESCRIPTION	VENDOR NO.
	120075-01-01A	EA	REFRIGERATOR - LARGE DOUBLE DOOR/RIGHT HAND - 2-WAY	
1	120075-01-700	EA	RETAINER - DOOR DECOR PANEL	618128
2	120075-01-701	EA	HINGE - TOP RH/BOTTOM LH	618511
3	120075-01-702	EA	CAP - (HINGE PLUG)	618160
4	120075-01-703	EA	DOOR ASM. - FOAMED - W/GASKET	618205
5	120075-01-704	EA	DOOR HANDLE - UPR RH/LWR LH	618230
6	120075-01-705	EA	HINGE - TOP LH/BOTTOM RH	618510
7	120075-01-706	EA	BIN - DOOR	618635
8	120075-01-707	EA	DIVIDER - DOOR BIN	618637

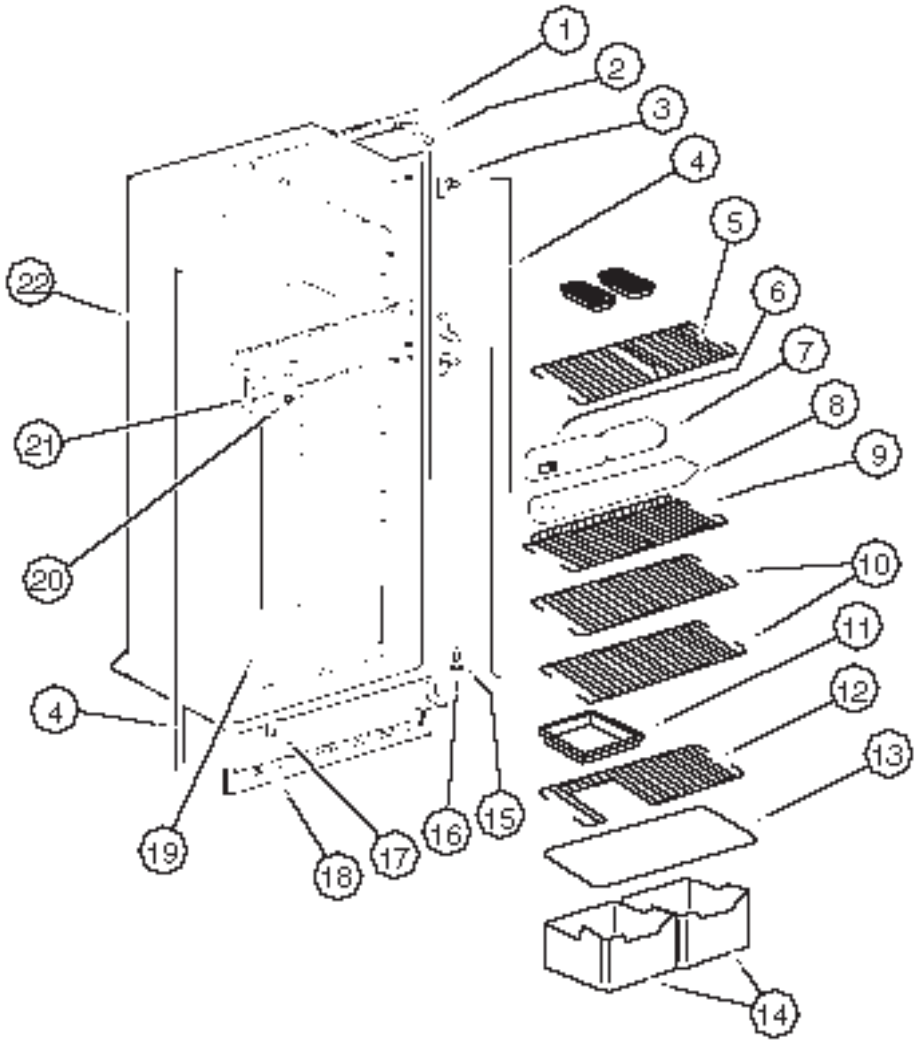


**NORCOLD
MODEL 982**



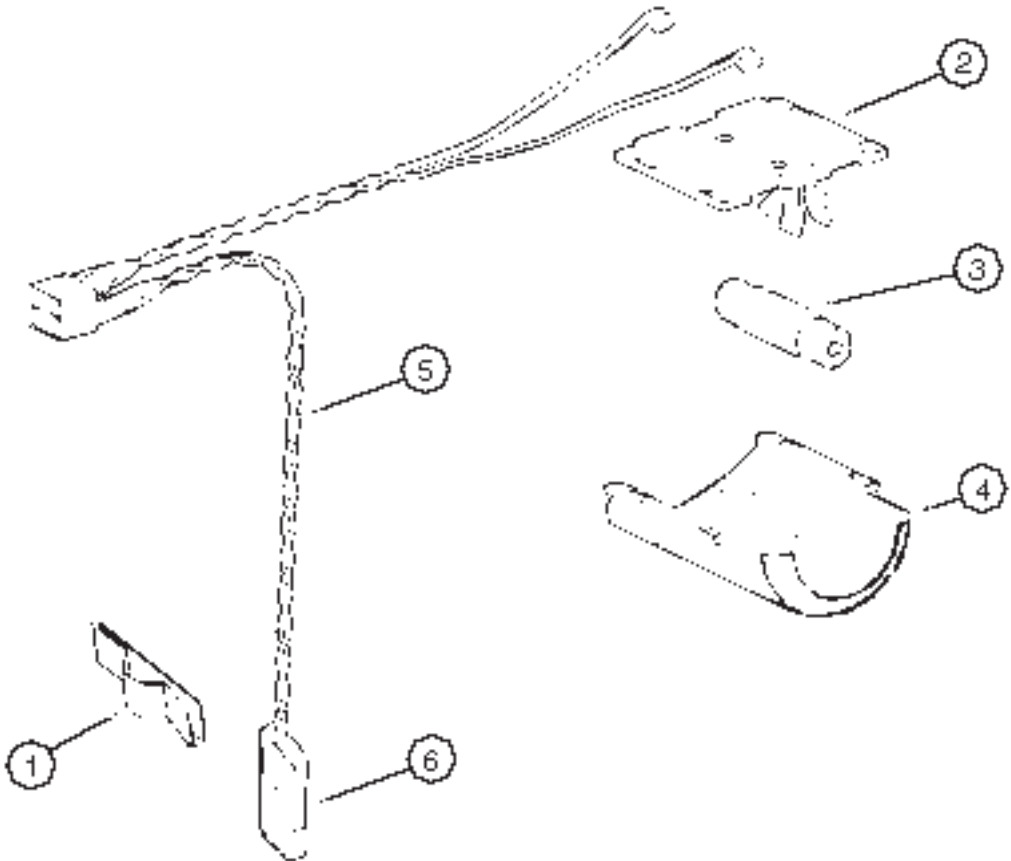
KEY	PART NUMBER	U/M	DESCRIPTION	VENDOR NO.
	120075-01-01A	EA	REFRIGERATOR - LARGE DOUBLE DOOR/RIGHT HAND - 2-WAY	
1	120075-01-701	EA	HINGE - TOP RH/BOTTOM LH	618511
2	120075-01-702	EA	CAP - (HINGE PLUG)	618160
3	120075-01-705	EA	HINGE - TOP LH/BOTTOM RH	618510
4	120075-01-706	EA	BIN - DOOR	618635
5	120075-01-707	EA	DIVIDER - DOOR BIN	618637
6	120075-01-710	EA	DOOR - LOWER - FOAMED - W/GASKET	618270
7	120075-01-704	EA	DOOR HANDLE - UPR RH/LWR LH	618230
8	120075-01-712	EA	BIN - DOOR/BOTTOM - LARGE	618634
9	121568-01-703	EA	RETAINER - PANEL LOWER DOOR	618129

**NORCOLD
MODEL982**



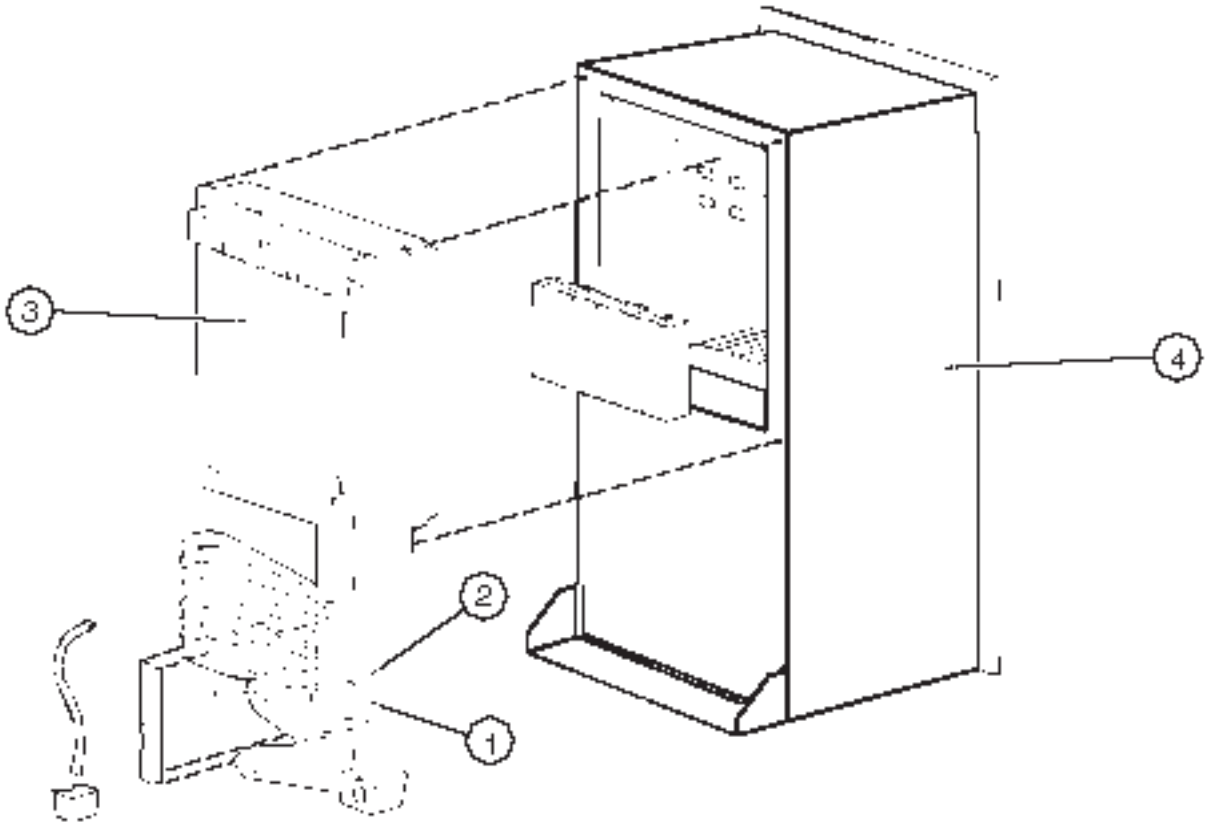
KEY	PART NUMBER	U/M	DESCRIPTION	VENDOR NO.
	120075-01-01A	EA	REFRIGERATOR - LARGE DOUBLE DOOR/RIGHT HAND - 2-WAY	
1	120075-01-713	EA	TRIM - TOP PIECE	618124
2	120075-01-714	EA	PLUG - HOLE	618170
3	120075-01-715	EA	HINGE - CABINET	618512
4	120075-01-716	EA	TRIM - SIDE PIECE	618134
5	120075-01-717	EA	SHELF - FREEZER - WIRE	618172
6	120075-01-719	EA	OPTICAL CONTROL BOX ASSEMBLY	618245
7	120075-01-718	EA	BOX - FILLER	618112
8	120075-01-720	EA	TRAY - DRIP	618137
	120075-01-721	EA	LOUVER - DRIP TRAY	618176
9	120075-01-722	EA	SHELF - WIRE - SHORT	618239
10	120075-01-723	EA	SHELF - WIRE	618114
11	104137-06-718	EA	SHELF - TRAY - WHITE - W/CUTOUT	617756
12	120075-01-724	EA	SHELF - WIRE - W/CUTOUT	618177
13	120075-01-725	EA	COVER - CRISPER	618158
14	120075-01-726	EA	CRISPER	618154
15	120075-01-727	EA	PIN - HINGE	618145
16	120075-01-708	EA	BUSHING - DOOR HINGE	618144
17	120075-01-728	EA	COVER - HINGE HOLE	618171
18	120075-01-729	EA	TRIM - BOTTOM PIECE	618136
19	120075-01-730	EA	RETAINER - SHELF	618181
20	120075-01-731	EA	PLUG - FACADE	618184
21	120075-01-732	EA	PLATE - STRIKE	618167
22	120075-01-733	EA	CABINET - FOAMED	618265

**NORCOLD
MODEL 982**

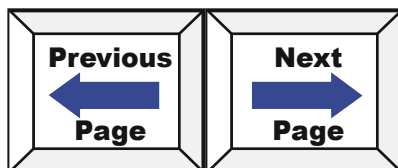


KEY	PART NUMBER	U/M	DESCRIPTION	VENDOR NO.
	120075-01-01A	EA	REFRIGERATOR - LARGE DOUBLE DOOR/RIGHT HAND - 2-WAY	
1	084880-01-760	EA	CLIP (THERMISTER)	61689122
2	084880-03-705	EA	BRACKET - LIGHT - INTERIOR	61629722
3	084880-03-706	EA	BULB - LAMP	61628922
4	120075-01-734	EA	COVER - LENS	618190
5	120075-01-735	EA	THERMISTER W/LAMP & WIRE/ASM	618548
6	120075-01-742	EA	THERMISTER ONLY	618288

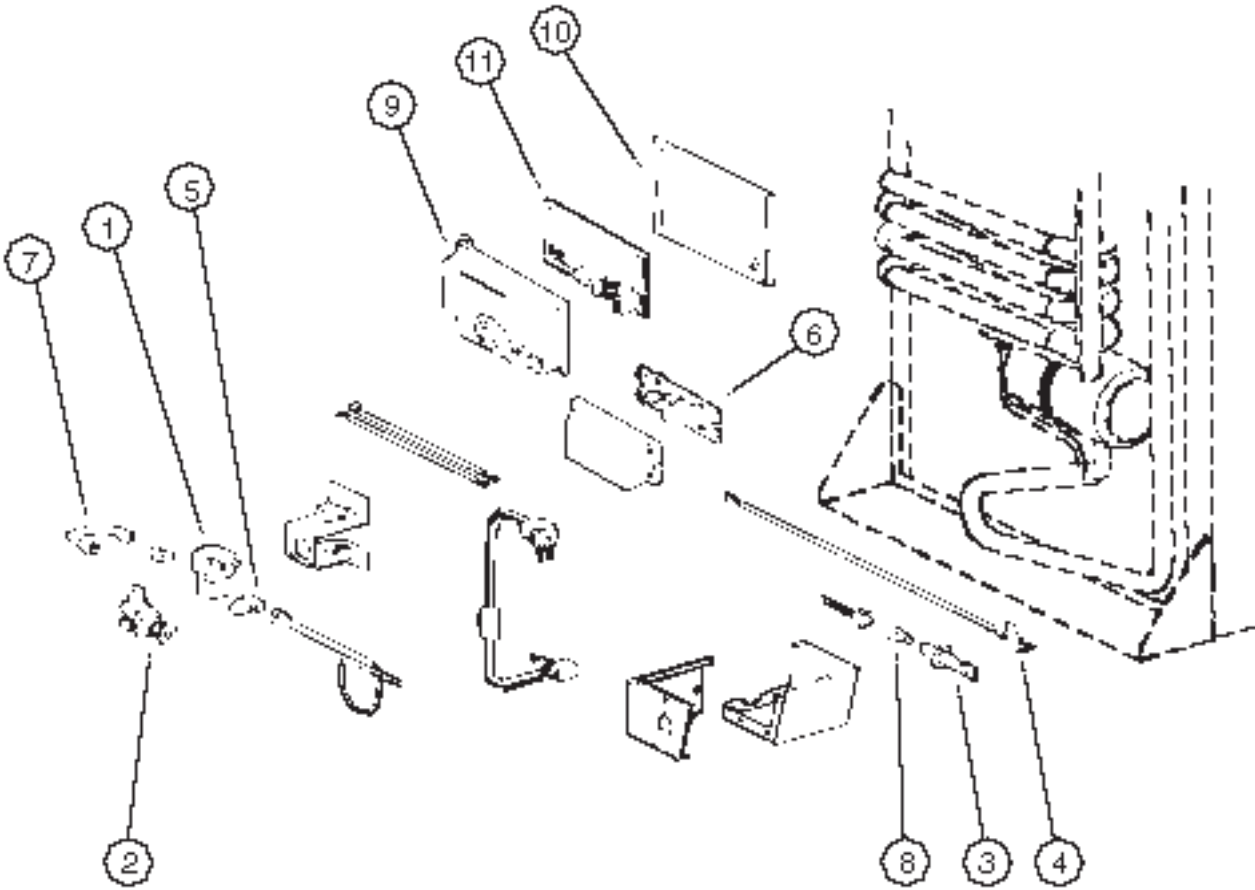
NORCOLD
MODEL 982



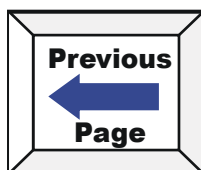
KEY	PART NUMBER	U/M	DESCRIPTION	VENDOR NO.
	120075-01-01A	EA	REFRIGERATOR - LARGE DOUBLE DOOR/RIGHT HAND - 2-WAY	
1	088248-01-709	EA	HEATER - AC (HORIZONTAL)	61562722
2	088248-01-710	EA	HEATER DC (HORIZONTAL)	61562822
3	120075-01-736	EA	COOLING UNIT - SERVICE PACK	618542
4	120075-03-700	EA	CABINET - FOAMED	618285



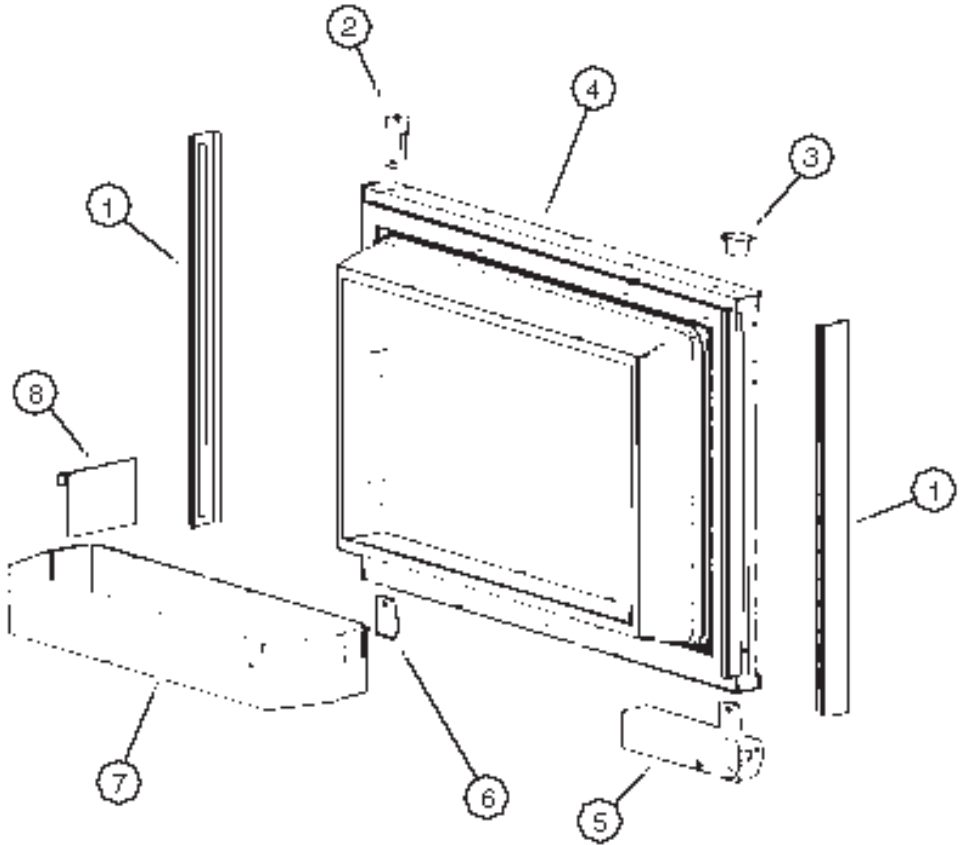
**NORCOLD
MODEL 982**



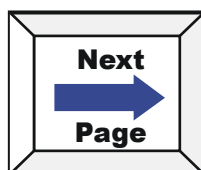
KEY	PART NUMBER	U/M	DESCRIPTION	VENDOR NO.
	120075-01-01A	EA	REFRIGERATOR - LARGE DOUBLE DOOR/RIGHT HAND - 2-WAY	
1	084880-01-718	EA	VALVE - GAS - (ASCO)	61551822
2	104137-06-709	EA	VALVE - SHUT OFF - MANUAL	61694922
3	104137-06-714	EA	BURNER ASSEMBLY - 5-SLOT	61705222
4	104137-06-715	EA	ELECTRODE - SPARK/SENSOR - SGL	61692222
5	113737-01-716	EA	TAP - PRESSURE	61594422
6	113737-01-702	EA	PLUG 1/8" F/PRESSURE TAP	61445322
7	113737-01-750	EA	TUBE - UNION	61694622
8	120075-01-737	EA	ORFICE - JEWEL - .0155	618284
9	120075-01-738	EA	COVER - POWER BOARD	618185
10	120075-01-739	EA	BOARD - POWER - 2-WAY	618198
11	120075-01-740	EA	COVER - BASE - POWER BOARD	618186



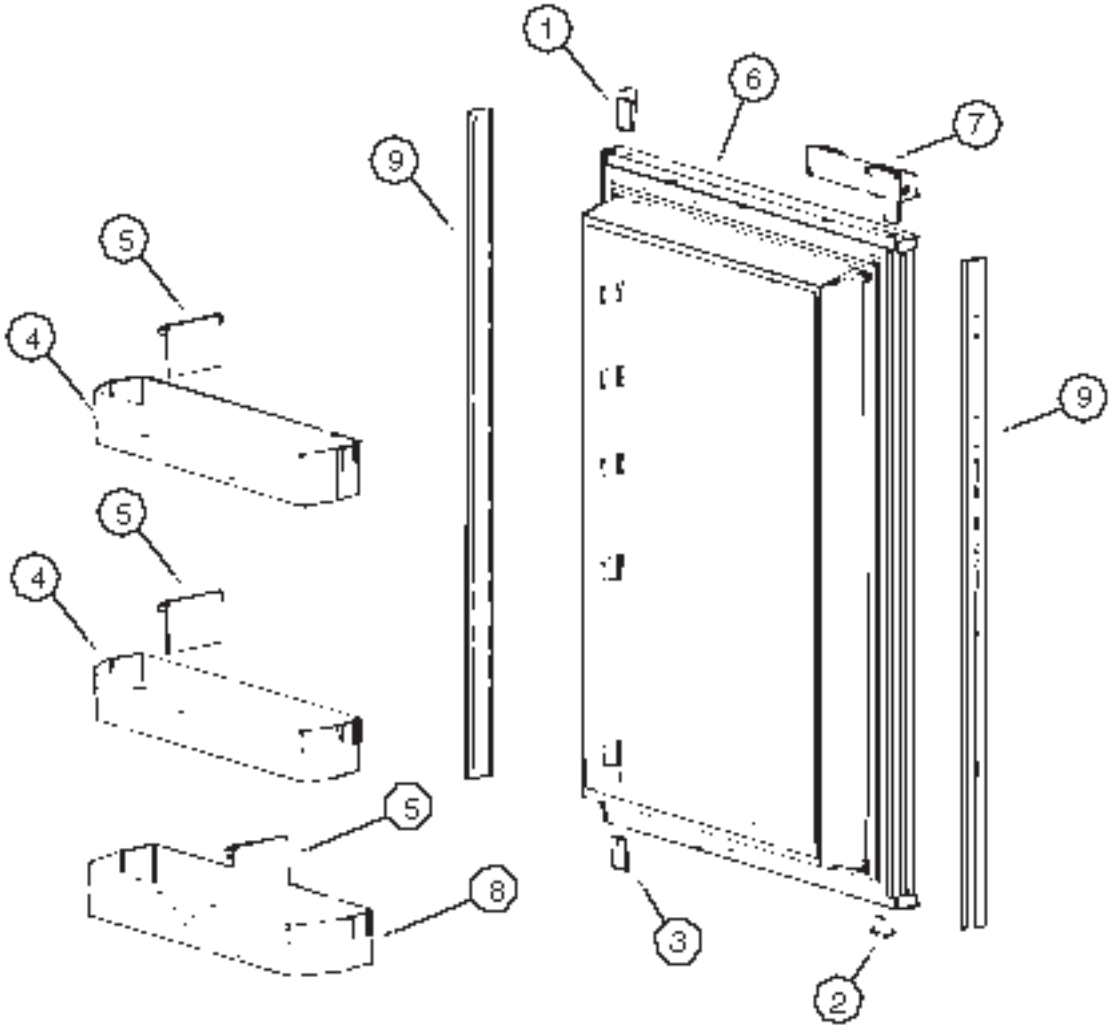
**NORCOLD
MODEL 982**



KEY	PART NUMBER	U/M	DESCRIPTION	VENDOR NO.
	120075-02-01A	EA	REFRIGERATOR - LARGE DOUBLE DOOR/LEFT HAND - 2-WAY	
1	120075-01-700	EA	RETAINER - DOOR DECOR PANEL	618128
2	120075-01-701	EA	HINGE - TOP RH/BOTTOM LH	618511
3	120075-01-702	EA	CAP - (HINGE PLUG)	618160
4	120075-01-703	EA	DOOR ASM. - FOAMED - W/GASKET	618205
5	120075-01-704	EA	DOOR HANDLE - UPR RH/LWR LH	618230
6	120075-01-705	EA	HINGE - TOP LH/BOTTOM RH	618510
7	120075-01-706	EA	BIN - DOOR	618635
8	120075-01-707	EA	DIVIDER - DOOR BIN	618637

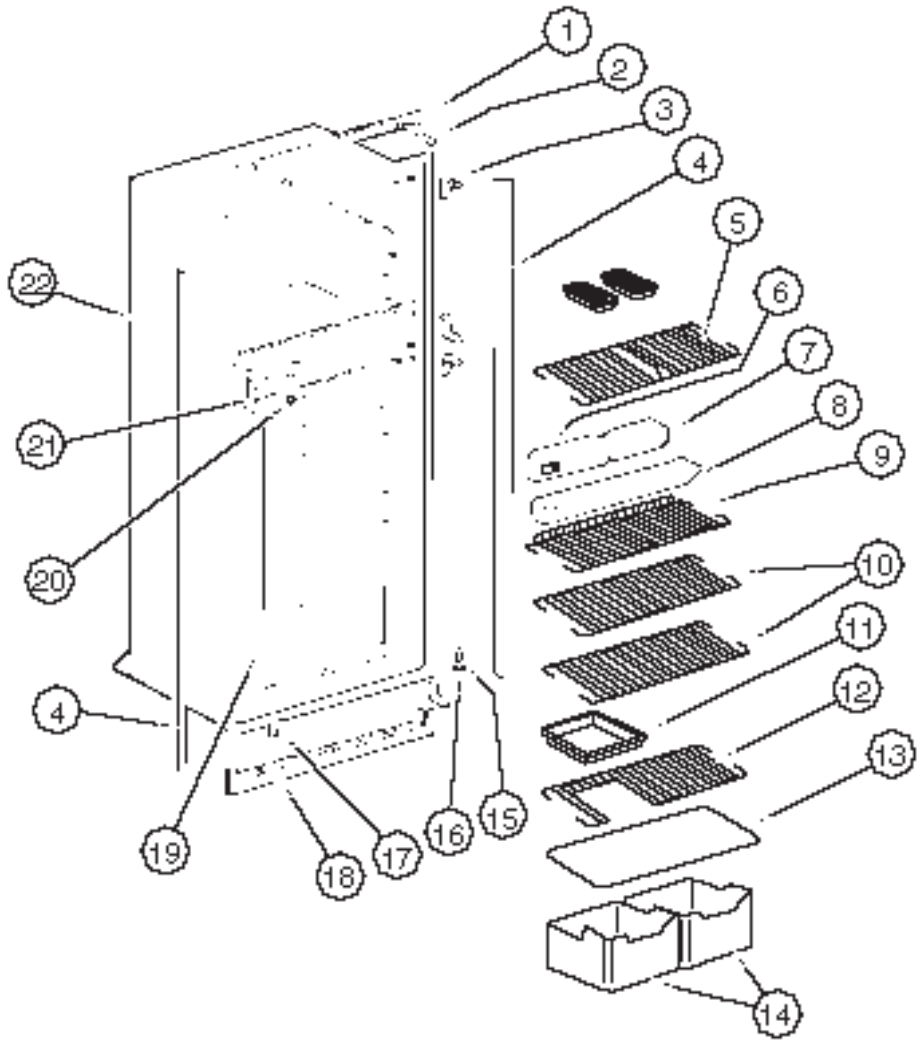


**NORCOLD
MODEL 982**



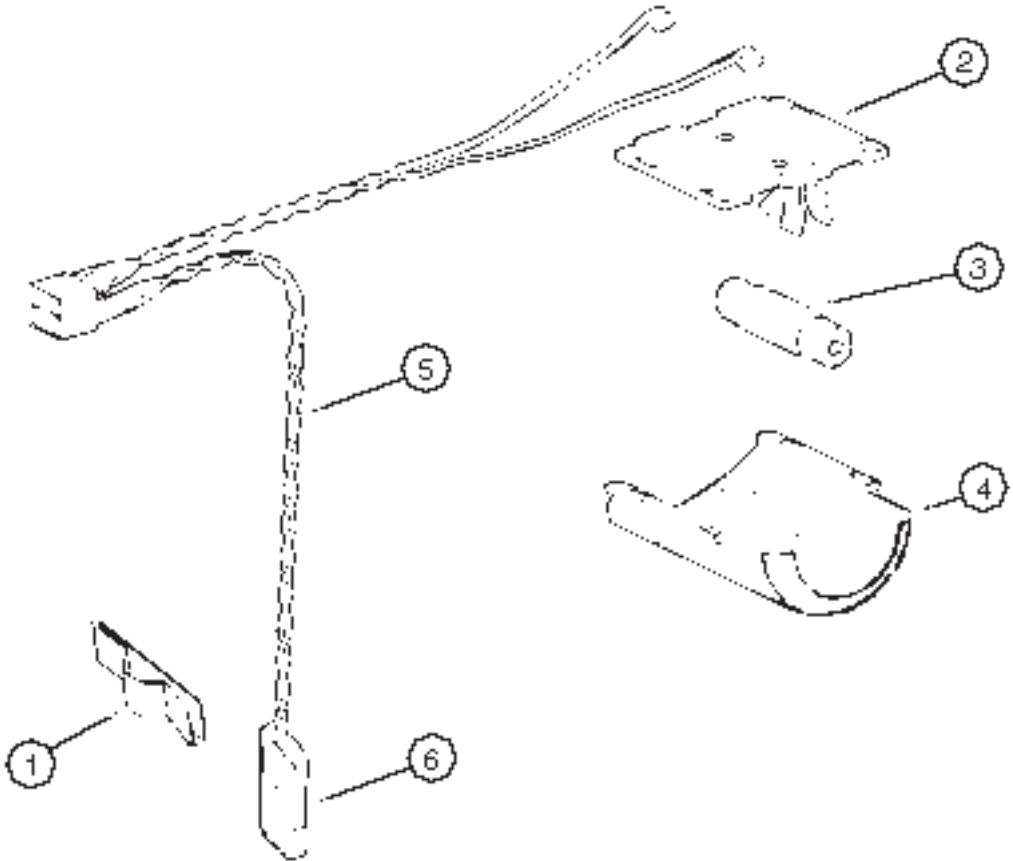
KEY	PART NUMBER	U/M	DESCRIPTION	VENDOR NO.
	120075-02-01A	EA	REFRIGERATOR - LARGE DOUBLE DOOR/LEFT HAND - 2-WAY	
1	120075-01-701	EA	HINGE - TOP RH/BOTTOM LH	618511
2	120075-01-702	EA	CAP - (HINGE PLUG)	618160
3	120075-01-705	EA	HINGE - TOP LH/BOTTOM RH	618510
4	120075-01-706	EA	BIN - DOOR	618635
5	120075-01-707	EA	DIVIDER - DOOR BIN	618637
6	120075-01-710	EA	DOOR - LOWER - FOAMED - W/GASKET	618270
7	120075-01-704	EA	DOOR HANDLE - UPR RH/LWR LH	618230
8	120075-01-712	EA	BIN - DOOR/BOTTOM - LARGE	618634
9	121568-01-703	EA	RETAINER - PANEL LOWER DOOR	618129

**NORCOLD
MODEL982**

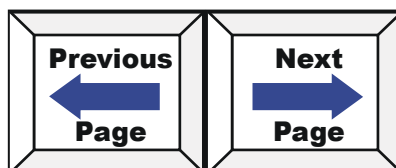


KEY	PART NUMBER	U/M	DESCRIPTION	VENDOR NO.
	120075-02-01A	EA	REFRIGERATOR - LARGE DOUBLE DOOR/LEFT HAND - 2-WAY	
1	120075-01-713	EA	TRIM - TOP PIECE	618124
2	120075-01-714	EA	PLUG - HOLE	618170
3	120075-01-715	EA	HINGE - CABINET	618512
4	120075-01-716	EA	TRIM - SIDE PIECE	618134
5	120075-01-717	EA	SHELF - FREEZER - WIRE	618172
6	120075-01-719	EA	OPTICAL CONTROL BOX ASSEMBLY	618245
7	120075-01-718	EA	BOX - FILLER	618112
8	120075-01-720	EA	TRAY - DRIP	618137
	120075-01-721	EA	LOUVER - DRIP TRAY	618176
9	120075-01-722	EA	SHELF - WIRE - SHORT	618239
10	120075-01-723	EA	SHELF - WIRE	618114
11	104137-06-718	EA	SHELF - TRAY - WHITE - W/CUTOUT	617756
12	120075-01-724	EA	SHELF - WIRE - W/CUTOUT	618177
13	120075-01-725	EA	COVER - CRISPER	618158
14	120075-01-726	EA	CRISPER	618154
15	120075-01-727	EA	PIN - HINGE	618145
16	120075-01-708	EA	BUSHING - DOOR HINGE	618144
17	120075-01-728	EA	COVER - HINGE HOLE	618171
18	120075-01-729	EA	TRIM - BOTTOM PIECE	618136
19	120075-01-730	EA	RETAINER - SHELF	618181
20	120075-01-731	EA	PLUG - FACADE	618184
21	120075-01-732	EA	PLATE - STRIKE	618167
22	120075-01-733	EA	CABINET - FOAMED	618265

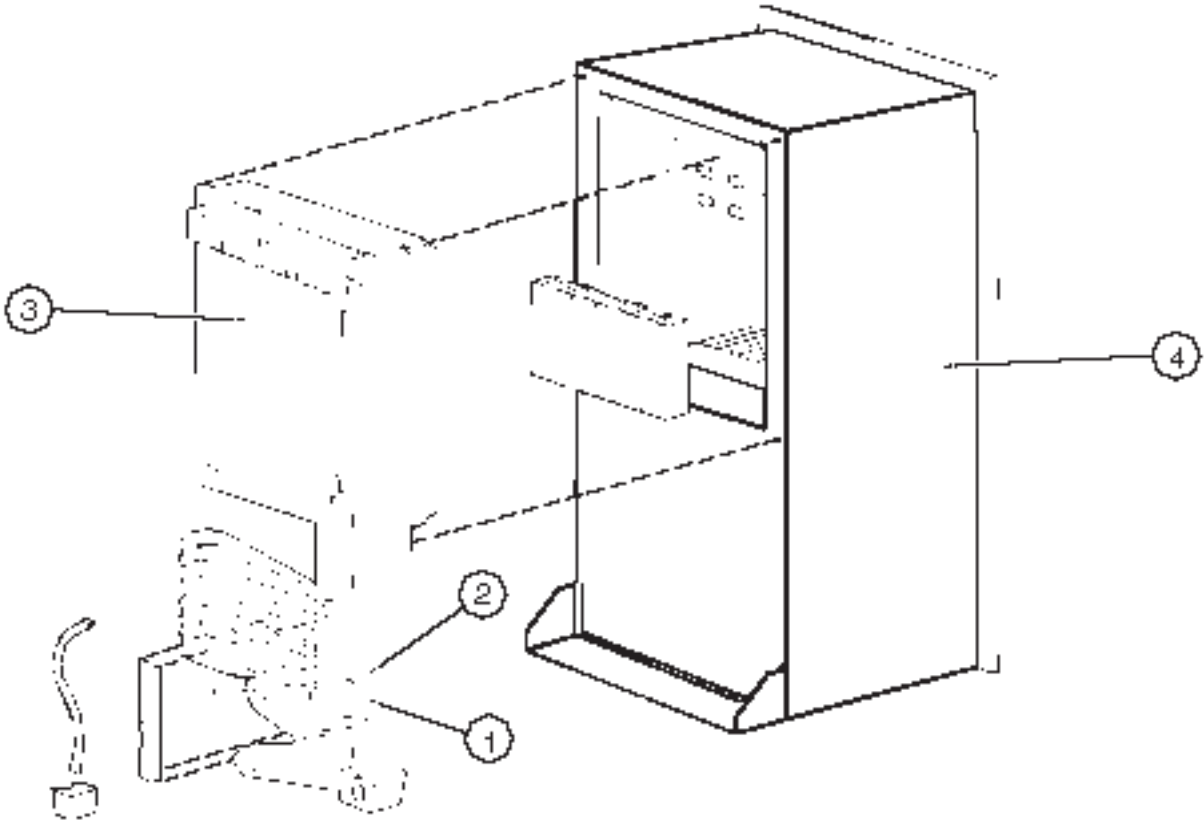
NORCOLD
MODEL 982



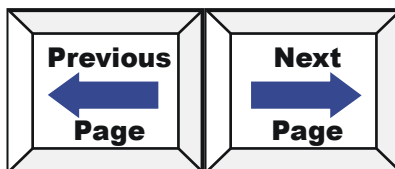
KEY	PART NUMBER	U/M	DESCRIPTION	VENDOR NO.
	120075-02-01A	EA	REFRIGERATOR - LARGE DOUBLE DOOR/LEFT HAND - 2-WAY	
1	084880-01-760	EA	CLIP (THERMISTER)	61689122
2	084880-03-705	EA	BRACKET - LIGHT - INTERIOR	61629722
3	084880-03-706	EA	BULB - LAMP	61628922
4	120075-01-734	EA	COVER - LENS	618190
5	120075-01-735	EA	THERMISTER W/LAMP & WIRE/ASM	618548
6	120075-01-742	EA	THERMISTER ONLY	618288



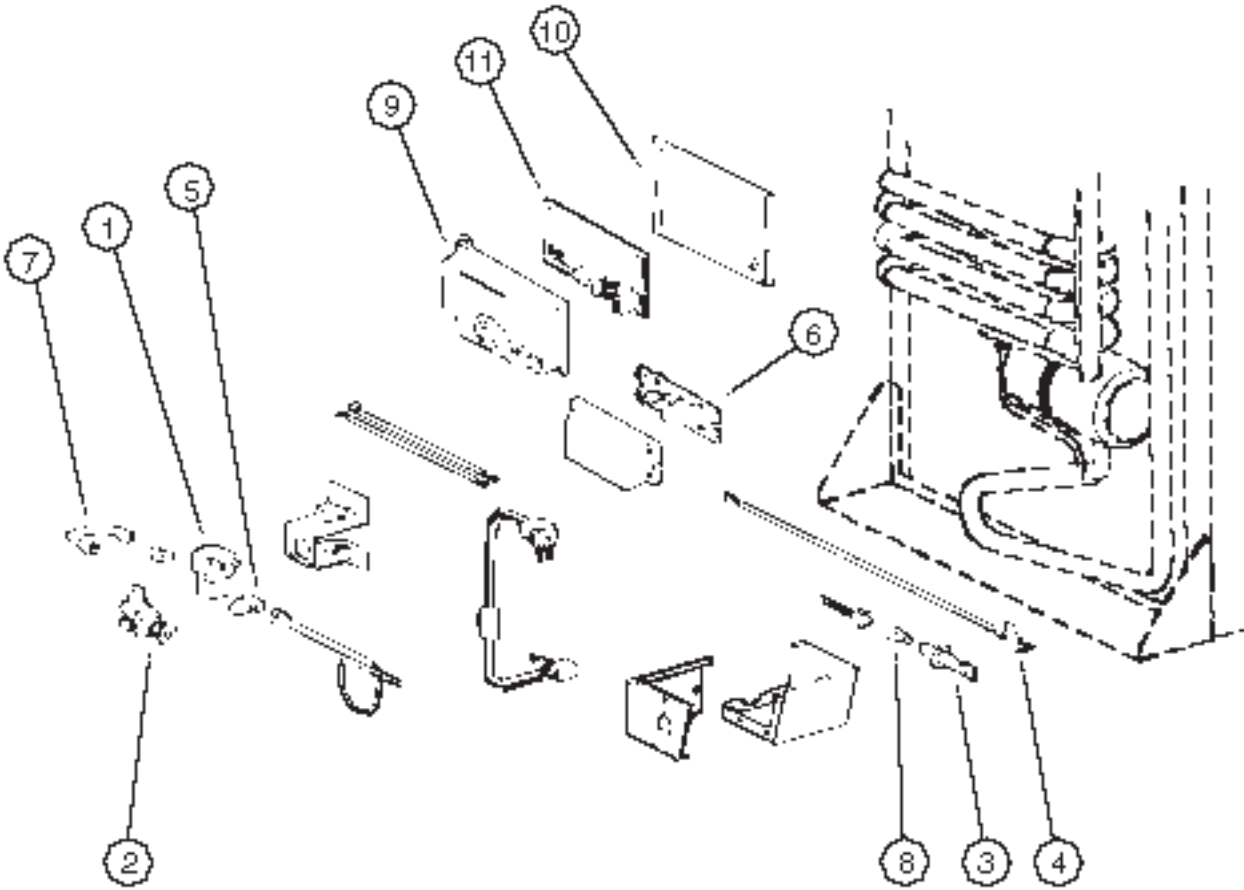
**NORCOLD
MODEL 982**



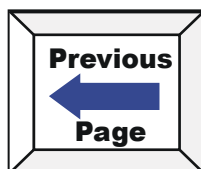
KEY	PART NUMBER	U/M	DESCRIPTION	VENDOR NO.
	120075-02-01A	EA	REFRIGERATOR - LARGE DOUBLE DOOR/LEFT HAND - 2-WAY	
1	088248-01-709	EA	HEATER - AC (HORIZONTAL)	61562722
2	088248-01-710	EA	HEATER DC (HORIZONTAL)	61562822
3	120075-01-736	EA	COOLING UNIT - SERVICE PACK	618542
4	120075-03-700	EA	CABINET - FOAMED	618285



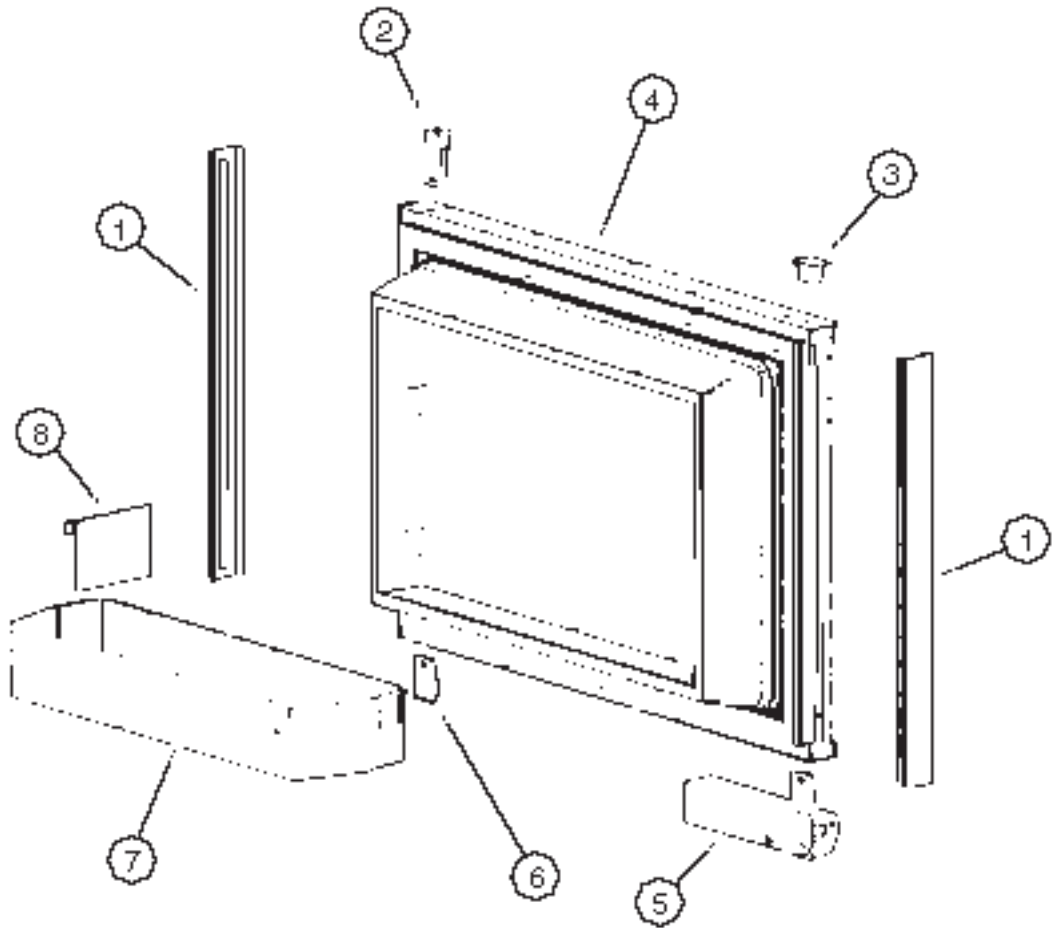
**NORCOLD
MODEL 982**



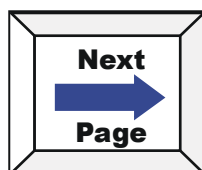
KEY	PART NUMBER	U/M	DESCRIPTION	VENDOR NO.
	120075-02-01A	EA	REFRIGERATOR - LARGE DOUBLE DOOR/LEFT HAND - 2-WAY	
1	084880-01-718	EA	VALVE - GAS - (ASCO)	61551822
2	104137-06-709	EA	VALVE - SHUT OFF - MANUAL	61694922
3	104137-06-714	EA	BURNER ASSEMBLY - 5-SLOT	61705222
4	104137-06-715	EA	ELECTRODE - SPARK/SENSOR - SGL	61692222
5	113737-01-716	EA	TAP - PRESSURE	61594422
6	113737-01-702	EA	PLUG 1/8" F/PRESSURE TAP	61445322
7	113737-01-750	EA	TUBE - UNION	61694622
8	120075-01-737	EA	ORFICE - JEWEL - .0155	618284
9	120075-01-738	EA	COVER - POWER BOARD	618185
10	120075-01-739	EA	BOARD - POWER - 2-WAY	618198
11	120075-01-740	EA	COVER - BASE - POWER BOARD	618186



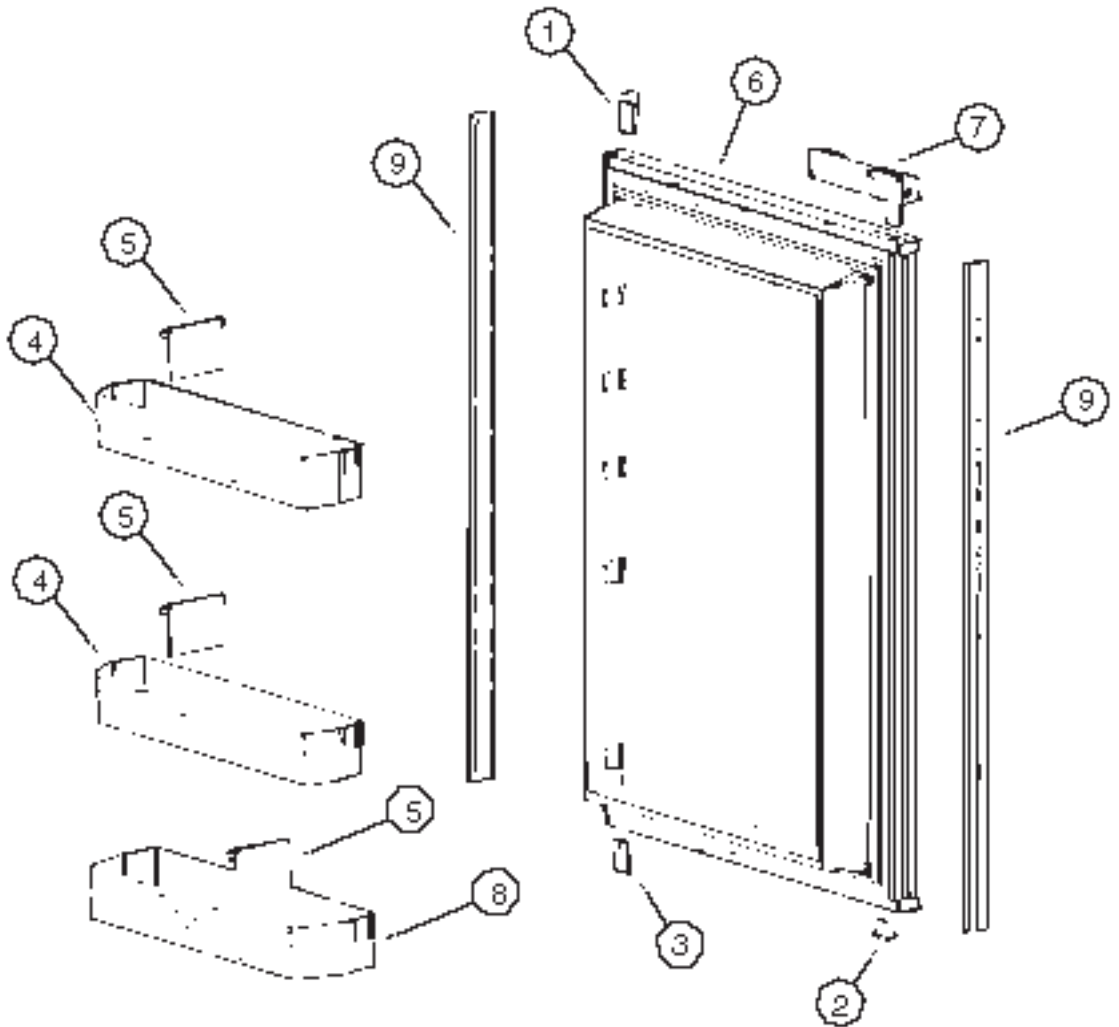
**NORCOLD
2-WAY W/ ICEMAKER
MODEL 982 RIM**



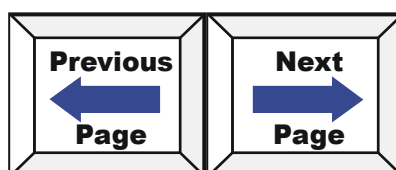
KEY	PART NUMBER	U/M	DESCRIPTION	VENDOR NO.
	120075-03-01A	EA	REFRIGERATOR - LARGE DOUBLE DOOR/RIGHT HAND - 2-WAY W/ICE	
1	120075-01-700	EA	RETAINER - DOOR DECOR PANEL	618128
2	120075-01-701	EA	HINGE - TOP RH/BOTTOM LH	618511
3	120075-01-702	EA	CAP - (HINGE PLUG)	618160
4	120075-01-703	EA	DOOR ASM. - FOAMED, W/GASKET	618205
5	120075-01-704	EA	DOOR HANDLE - UPR RH/LWR LH	618230
6	120075-01-705	EA	HINGE - TOP LH/BOTTOM RH	618510
	120075-01-706	EA	BIN - DOOR	618635
8	120075-01-707	EA	DIVIDER - DOOR BIN	618637
	103251-07-01A	EA	INSERT - ACRYLIC/BLACK - 21.60" X 14.53"	



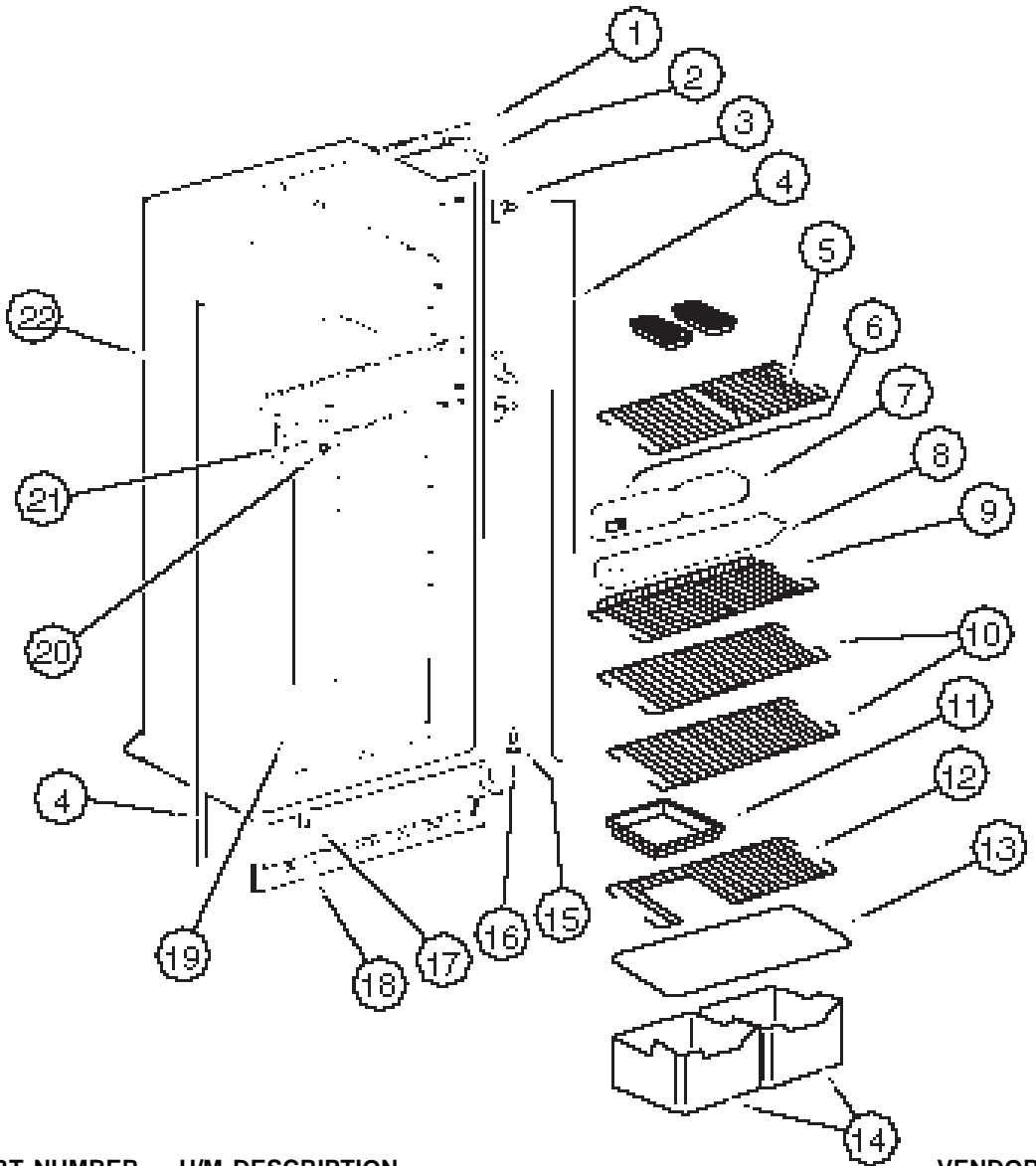
**NORCOLD
2-WAY W/ ICEMAKER
MODEL 982 RIM**



KEY	PART NUMBER	U/M	DESCRIPTION	VENDOR NO.
	120075-03-01A	EA	REFRIGERATOR - LARGE DOUBLE DOOR/RIGHT HAND - 2-WAY W/ICE	
1	120075-01-701	EA	HINGE - TOP RH/BOTTOM LH	618511
2	120075-01-702	EA	CAP - (HINGE PLUG)	618160
3	120075-01-705	EA	HINGE - TOP LH/BOTTOM RH	618510
4	120075-01-706	EA	BIN - DOOR	618635
5	120075-01-707	EA	DIVIDER -DOOR BIN	618637
6	120075-01-710	EA	DOOR - LOWER - FOAMED - W/GASKET	618270
7	120075-01-704	EA	DOOR HANDLE - UPR RH/LWR LH	618230
8	120075-01-712	EA	BIN - DOOR/BOTTOM - LARGE	618634
9	121568-01-703	EA	RETAINER - PANEL LOWER DOOR	618129
	103251-09-01A	EA	INSERT - ACRYLIC/BLACK - 21.60" X 38.62"	

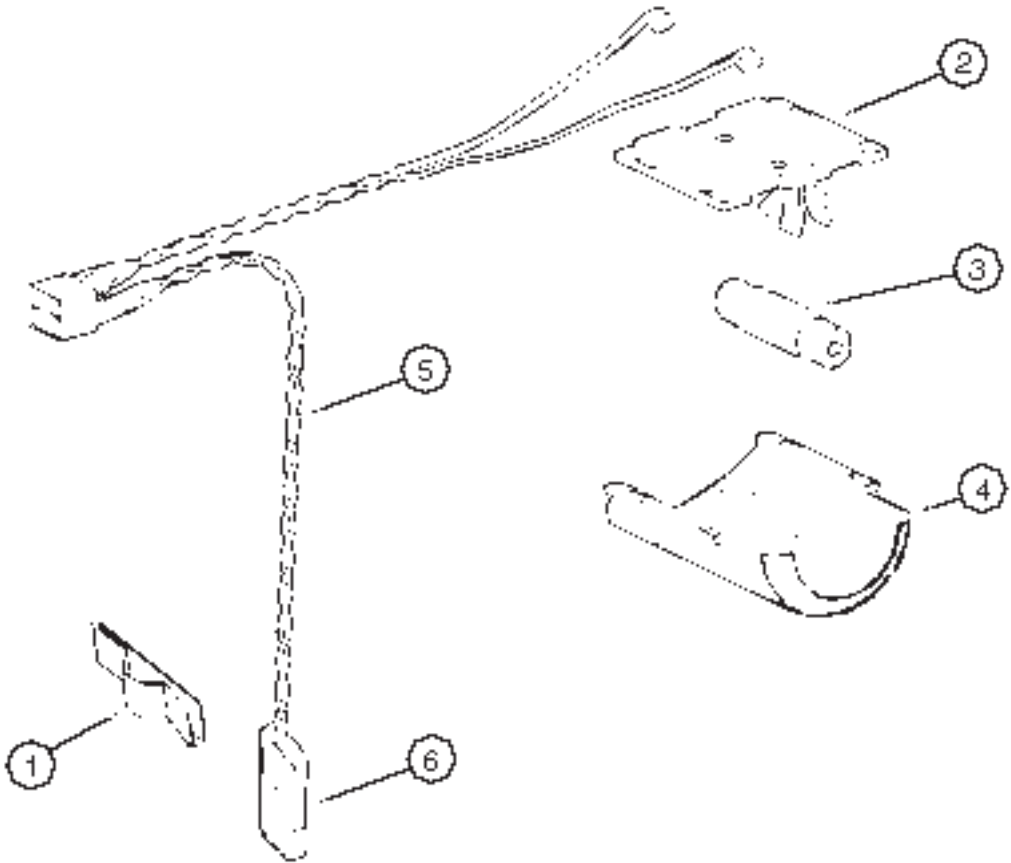


**NORCOLD
2-WAY W/ ICEMAKER
MODEL 982 RIM**

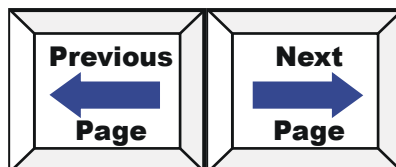


KEY	PART NUMBER	U/M	DESCRIPTION	VENDOR NO.
	120075-03-01A	EA	REFRIGERATOR - LARGE DOUBLE DOOR/RIGHT HAND - 2-WAY W/ICE	
1	120075-01-713	EA	TRIM - TOP PIECE	618124
2	120075-01-714	EA	PLUG - HOLE	618170
3	120075-01-715	EA	HINGE - CABINET	618512
4	120075-01-716	EA	TRIM - SIDE PIECE	618134
5	120075-01-717	EA	SHELF - FREEZER - WIRE	618172
6	120075-01-719	EA	OPTICAL CONTROL BOX ASSEMBLY	618245
7	120075-01-718	EA	BOX - FILLER	618112
8	120075-01-720	EA	TRAY - DRIP	618137
	120075-01-721	EA	LOUVER - DRIP TRAY	618176
9	120075-01-722	EA	SHELF - WIRE - SHORT	618239
10	120075-01-723	EA	SHELF - WIRE	618114
11	104137-06-718	EA	SHELF - TRAY - WHITE - W/CUTOUT	617756
12	120075-01-724	EA	SHELF - WIRE - W/CUTOUT	618177
13	120075-01-725	EA	COVER - CRISPER	618158
14	120075-01-726	EA	CRISPER	618154
15	120075-01-727	EA	PIN - HINGE	618145
16	120075-01-708	EA	BUSHING - DOOR HINGE	618144
17	120075-01-728	EA	COVER - HINGE HOLE	618171
18	120075-01-729	EA	TRIM - BOTTOM PIECE	618136
19	120075-01-730	EA	RETAINER - SHELF	618181
20	120075-01-731	EA	PLUG - FACADE	618184
21	120075-01-732	EA	PLATE - STRIKE	618167
22	120075-01-733	EA	CABINET - FOAMED	618265

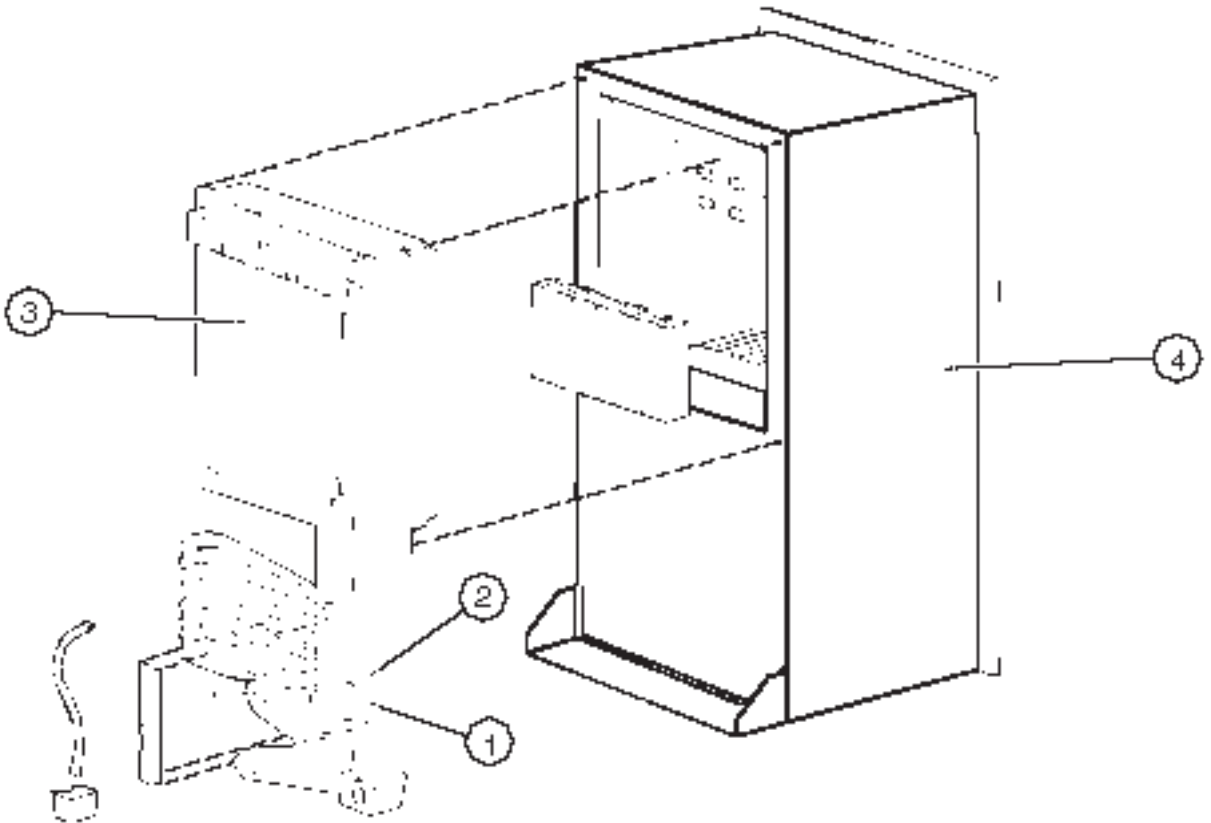
**NORCOLD
2-WAY W/ ICEMAKER
MODEL 982 RIM**



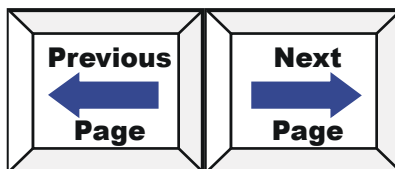
KEY	PART NUMBER	U/M	DESCRIPTION	VENDOR NO.
	120075-03-01A	EA	REFRIGERATOR - LARGE DOUBLE DOOR/RIGHT HAND - 2-WAY W/ICE	
1	084880-01-760	EA	CLIP (THERMISTER)	61689122
2	084880-03-705	EA	BRACKET - LIGHT-INTERIOR	61629722
3	084880-03-706	EA	BULB - LAMP	61628922
4	120075-01-734	EA	COVER - LENS	618190
5	120075-01-735	EA	THERMISTER W/LAMP & WIRE/ASM	618548
6	120075-01-742	EA	THERMISTER ONLY	618288



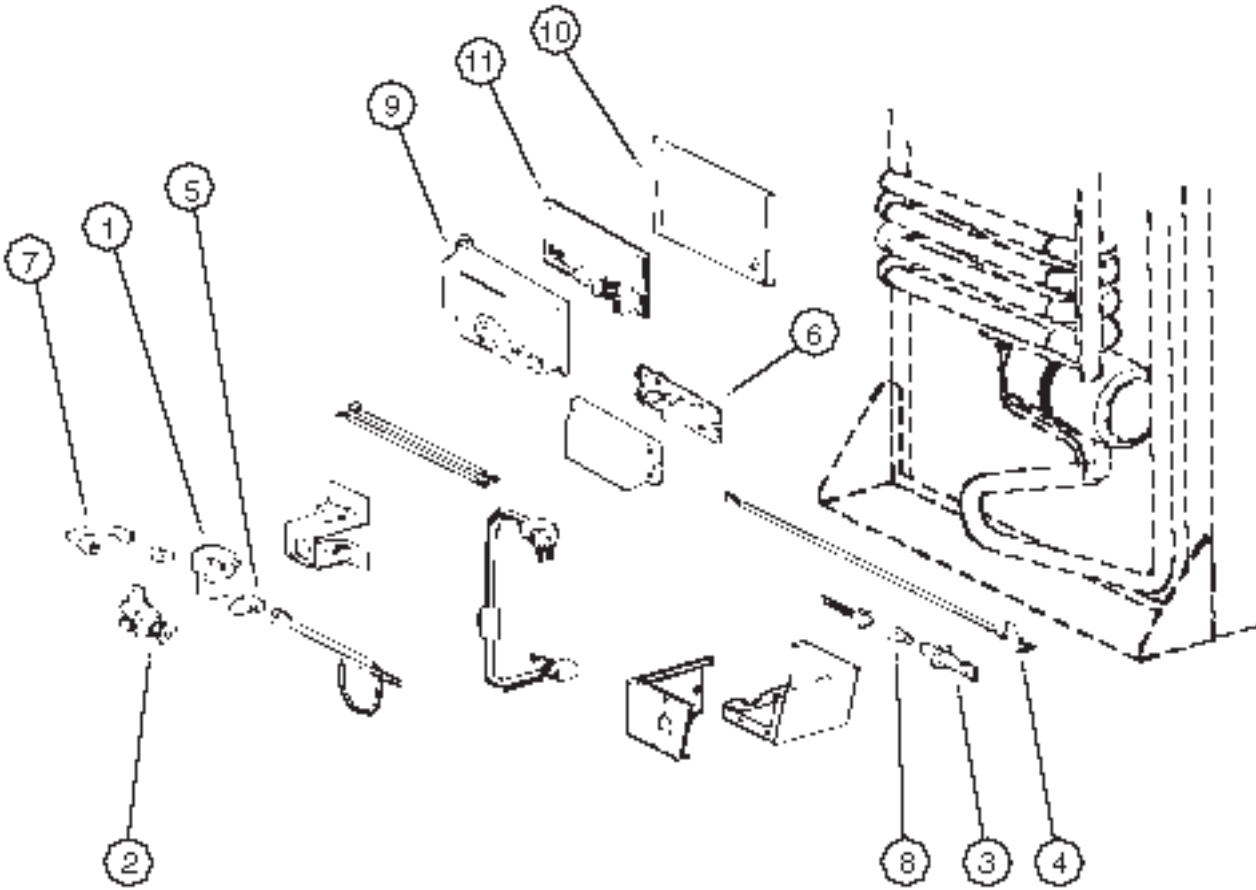
**NORCOLD
2-WAY W/ ICEMAKER
MODEL 982 RIM**



KEY	PART NUMBER	U/M	DESCRIPTION	VENDOR NO.
	120075-03-01A	EA	REFRIGERATOR - LARGE DOUBLE DOOR/RIGHT HAND - 2-WAY W/ICE	
1	088248-01-709	EA	HEATER - AC (HORIZONTAL)	61562722
2	088248-01-710	EA	HEATER - DC (HORIZONTAL)	61562822
3	120075-01-736	EA	COOLING UNIT - SERVICE PACK	618542
4	120075-03-700	EA	CABINET - FOAMED	618285

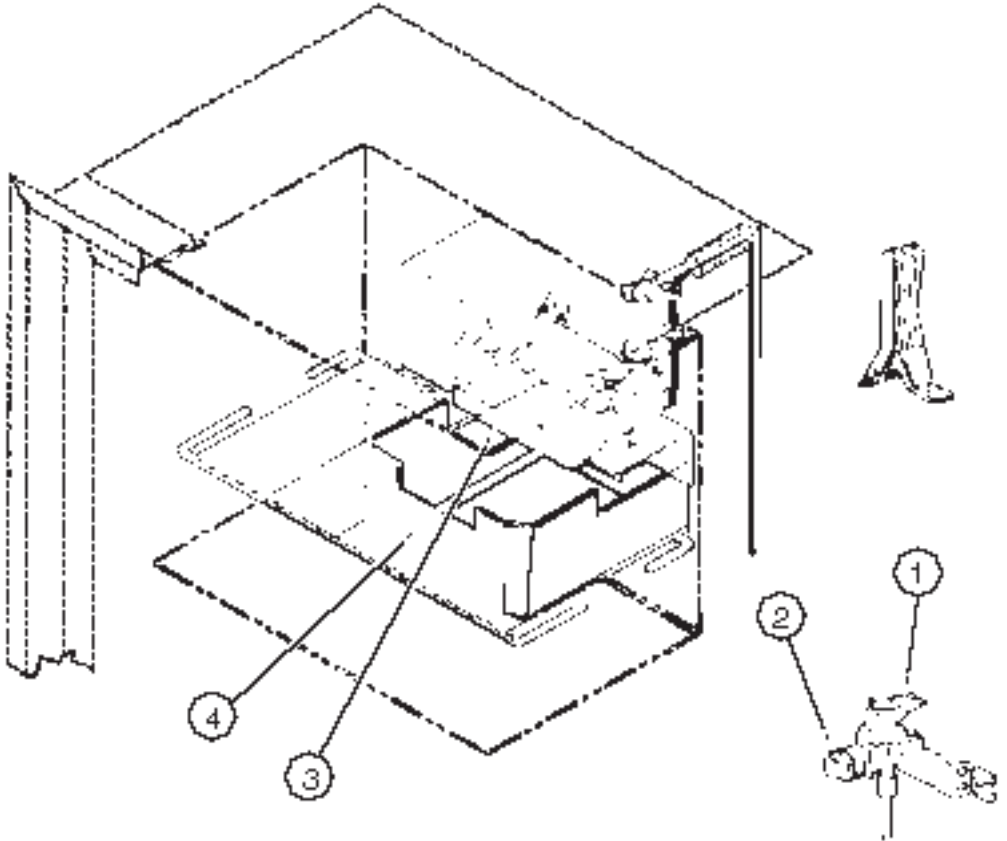


**NORCOLD
2-WAY W/ ICEMAKER
MODEL 982 RIM**

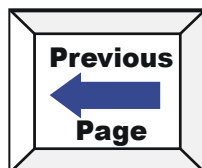


KEY	PART NUMBER	U/M	DESCRIPTION	VENDOR NO.
	120075-03-01A	EA	REFRIGERATOR - LARGE DOUBLE DOOR/RIGHT HAND - 2-WAY W/ICE	
1	084880-01-718	EA	VALVE - GAS - (ASCO)	61551822
2	104137-06-709	EA	VALVE - SHUT OFF - MANUAL	61694922
3	104137-06-714	EA	BURNER ASSEMBLY - 5-SLOT	61705222
4	104137-06-715	EA	ELECTRODE - SPARK/SENSOR - SGL	61692222
5	113737-01-702	EA	PLUG 1/8" F/PRESSURE TAP	61445322
6	113737-01-716	EA	TAP - PRESSURE	61594422
7	113737-01-750	EA	TUBE - UNION	61694622
8	120075-01-737	EA	ORFICE - JEWEL - .0155	618284
9	120075-01-738	EA	COVER - POWER BOARD	618185
10	120075-01-739	EA	BOARD - POWER - 2-WAY	618198
11	120075-01-740	EA	COVER - BASE - POWER BOARD	618186

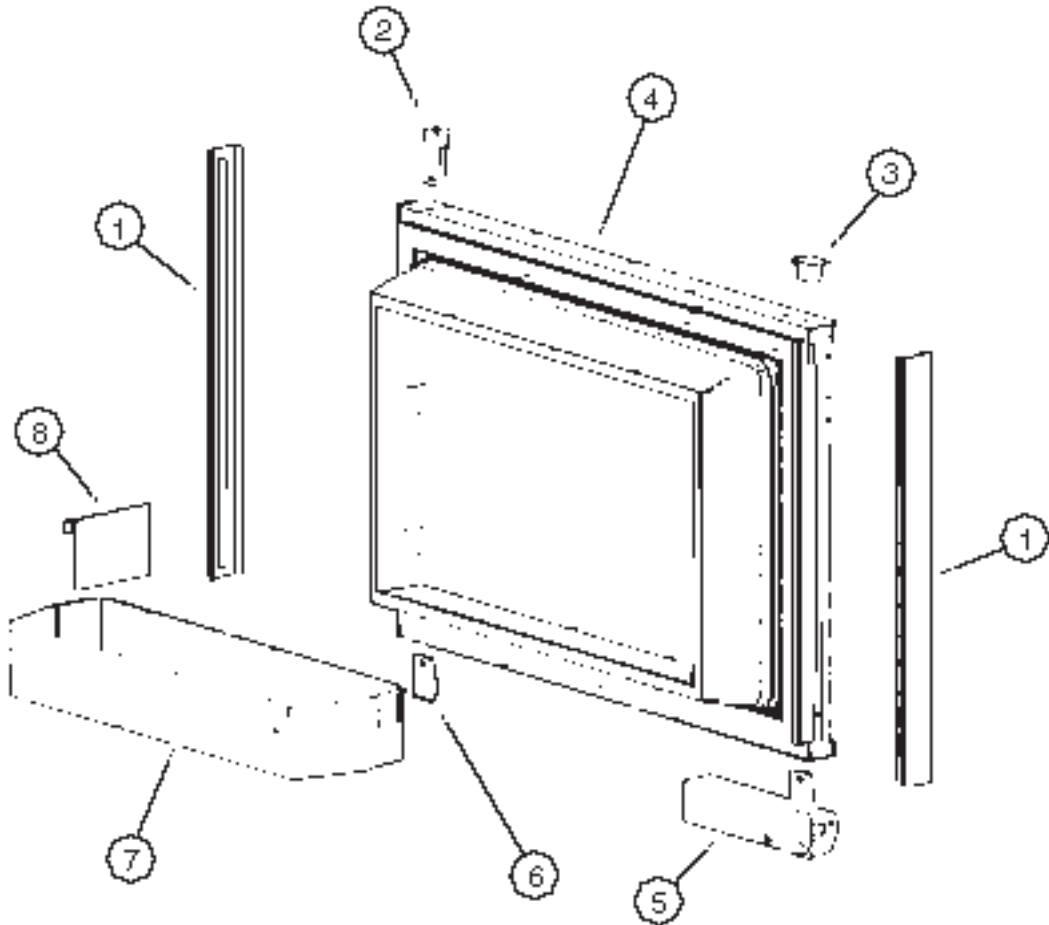
**NORCOLD
2-WAY W/ ICEMAKER
MODEL 982 RIM**



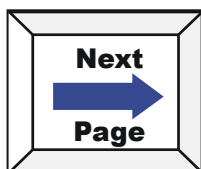
KEY	PART NUMBER	U/M	DESCRIPTION	VENDOR NO.
	120075-03-01A	EA	REFRIGERATOR - LARGE DOUBLE DOOR/RIGHT HAND - 2-WAY W/ICE	
1	120075-03-701	EA	VALVE ASM. - WATER - W/BRACKET	618253
2	120075-03-702	EA	NUT/COMPRESSION - FITTING	61678722
3	120075-03-703	EA	ARM - SHUT OFF	61656922
4	120075-03-704	EA	BIN - ICE CUBE	618154



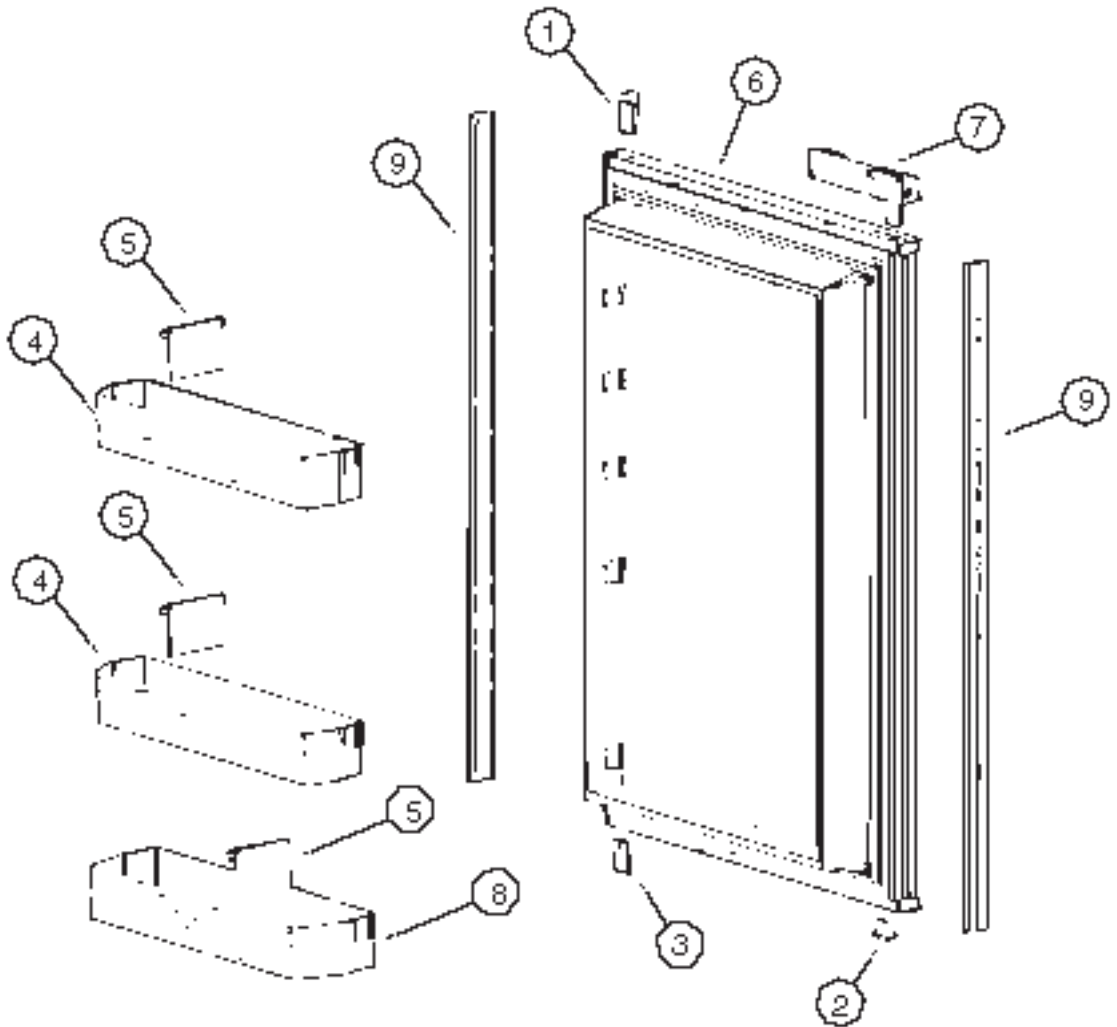
**NORCOLD
2-WAY W/ ICEMAKER
MODEL 982 LIM**



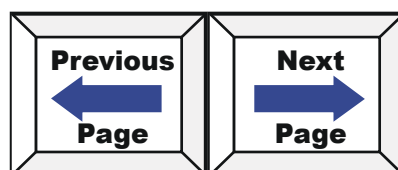
KEY	PART NUMBER	U/M	DESCRIPTION	VENDOR NO.
	120075-04-01A	EA	REFRIGERATOR - LARGE DOUBLE DOOR/LEFT HAND - 2-WAY W/ICE	
1	120075-01-700	EA	RETAINER - DOOR DECOR PANEL	618128
2	120075-01-701	EA	HINGE - TOP RH/BOTTOM LH	618511
3	120075-01-702	EA	CAP - (HINGE PLUG)	618160
4	120075-01-703	EA	DOOR ASM. - FOAMED, W/GASKET	618205
5	120075-01-704	EA	DOOR HANDLE - UPR RH/LWR LH	618230
6	120075-01-705	EA	HINGE - TOP LH/BOTTOM RH	618510
7	120075-01-706	EA	BIN - DOOR	618635
8	120075-01-707	EA	DIVIDER - DOOR BIN	618637
	103251-07-01A	EA	INSERT - ACRYLIC/BLACK - 21.60" X 14.53"	



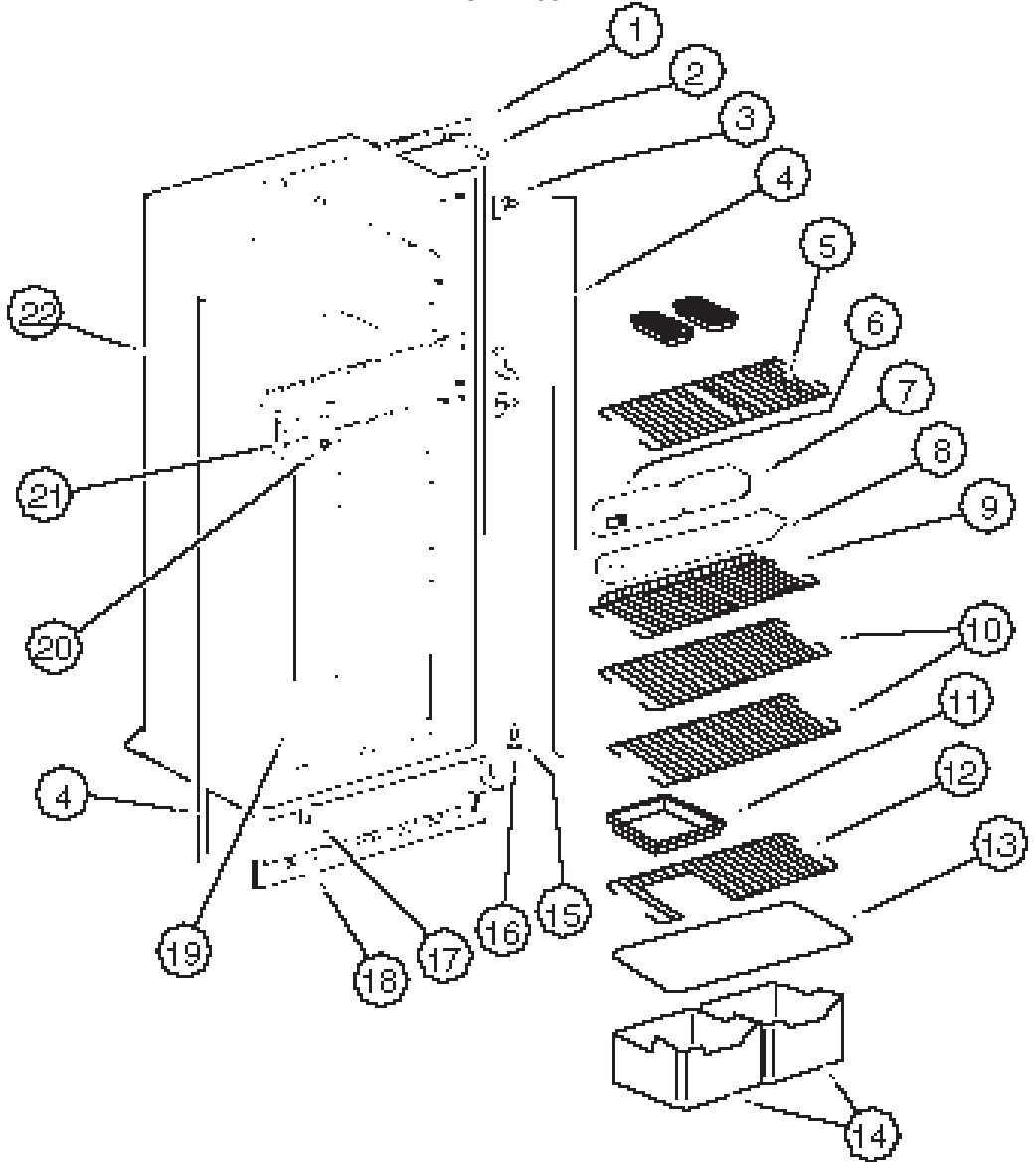
**NORCOLD
2-WAY W/ ICEMAKER
MODEL 982 LIM**



KEY	PART NUMBER	U/M	DESCRIPTION	VENDOR NO.
	120075-04-01A	EA	REFRIGERATOR - LARGE DOUBLE DOOR/LEFT HAND - 2-WAY W/ICE	
1	120075-01-701	EA	HINGE - TOP RH/BOTTOM LH	618511
2	120075-01-702	EA	CAP - (HINGE PLUG)	618160
3	120075-01-705	EA	HINGE - TOP LH/BOTTOM RH	618510
4	120075-01-706	EA	BIN - DOOR	618635
5	120075-01-707	EA	DIVIDER -DOOR BIN	618637
6	120075-01-710	EA	DOOR - LOWER - FOAMED - W/GASKET	618270
7	120075-01-704	EA	DOOR HANDLE - UPR RH/LWR LH	618230
8	120075-01-712	EA	BIN - DOOR/BOTTOM - LARGE	618634
9	121568-01-703	EA	RETAINER - PANEL LOWER DOOR	618129
	103251-09-01A	EA	INSERT - ACRYLIC/BLACK - 21.60" X 38.62"	

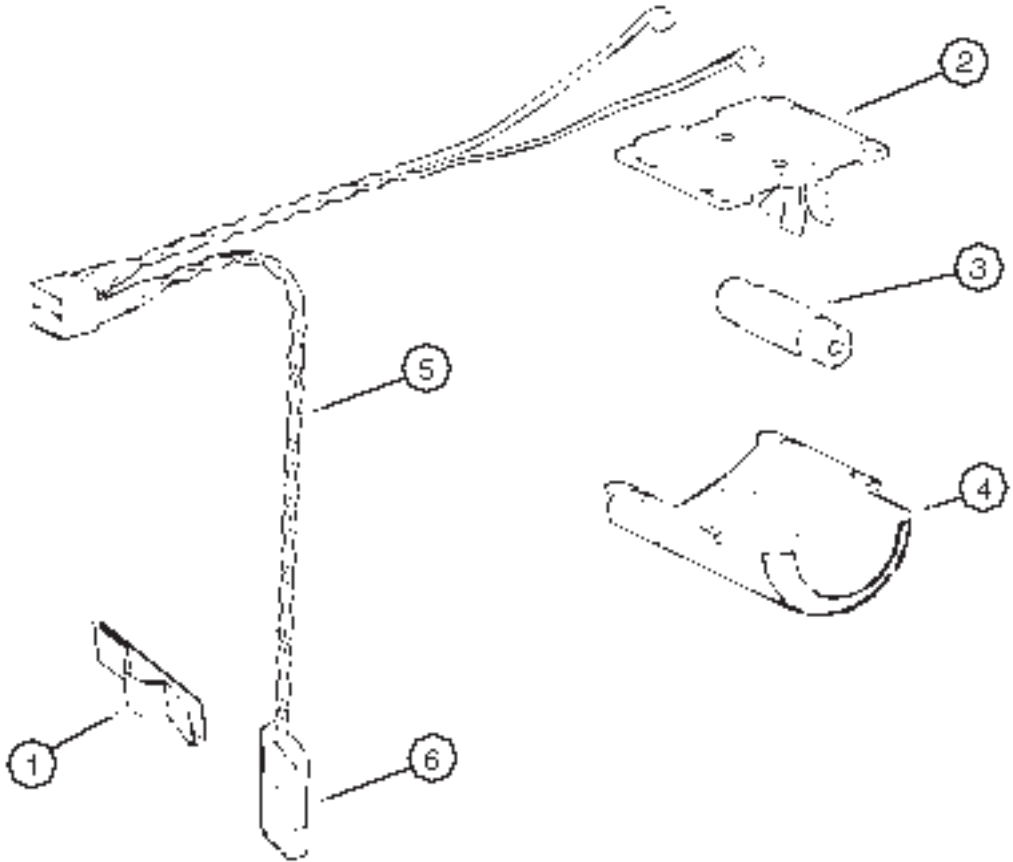


NORCOLD
2-WAY W/ ICEMAKER
MODEL 982 LIM

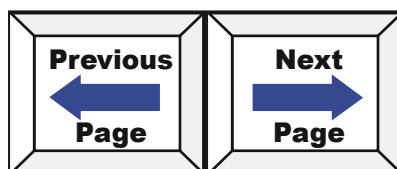


KEY	PART NUMBER	U/M DESCRIPTION	VENDOR NO.
	120075-04-01A	EA REFRIGERATOR - LARGE DOUBLE DOOR/LEFT HAND - 2-WAY W/ICE	
1	120075-01-713	EA TRIM - TOP PIECE	618124
2	120075-01-714	EA PLUG - HOLE	618170
3	120075-01-715	EA HINGE - CABINET	618512
4	120075-01-716	EA TRIM - SIDE PIECE	618134
5	120075-01-717	EA SHELF - FREEZER - WIRE	618172
6	120075-01-719	EA OPTICAL CONTROL BOX ASSEMBLY	618245
7	120075-01-718	EA BOX - FILLER	618112
8	120075-01-720	EA TRAY - DRIP	618137
	120075-01-721	EA LOUVER - DRIP TRAY	618176
9	120075-01-722	EA SHELF - WIRE - SHORT	618239
10	120075-01-723	EA SHELF - WIRE	618114
11	104137-06-718	EA SHELF - TRAY - WHITE - W/CUTOUT	617756
12	120075-01-724	EA SHELF - WIRE - W/CUTOUT	618177
13	120075-01-725	EA COVER - CRISPER	618158
14	120075-01-726	EA CRISPER	618154
15	120075-01-727	EA PIN - HINGE	618145
16	120075-01-708	EA BUSHING - DOOR HINGE	618144
17	120075-01-728	EA COVER - HINGE HOLE	618171
18	120075-01-729	EA TRIM - BOTTOM PIECE	618136
19	120075-01-730	EA RETAINER - SHELF	618181
20	120075-01-731	EA PLUG - FACADE	618184
21	120075-01-732	EA PLATE - STRIKE	618167
22	120075-01-733	EA CABINET - FOAMED	618265

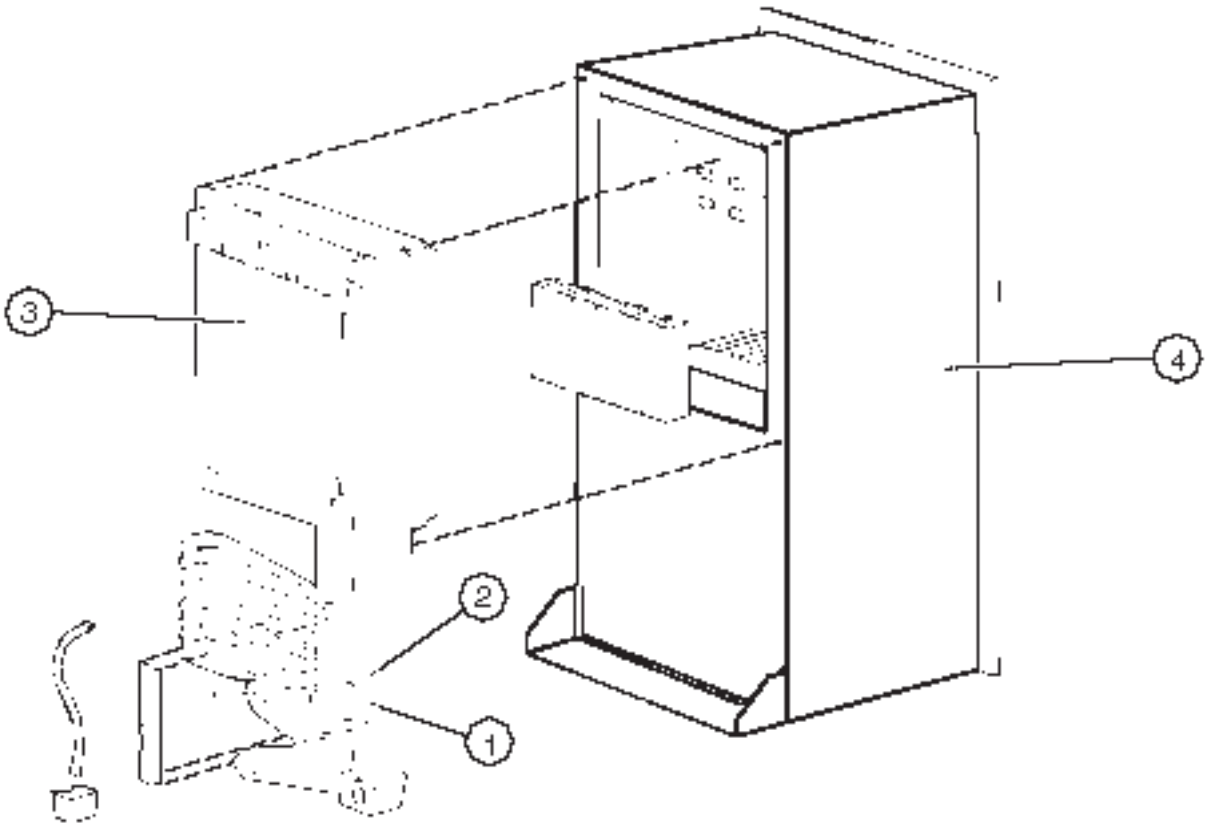
**NORCOLD
2-WAY W/ ICEMAKER
MODEL 982 LIM**



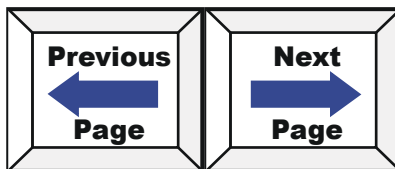
KEY	PART NUMBER	U/M	DESCRIPTION	VENDOR NO.
	120075-04-01A	EA	REFRIGERATOR - LARGE DOUBLE DOOR/LEFT HAND - 2-WAY W/ICE	
1	084880-01-760	EA	CLIP (THERMISTER)	61689122
2	084880-03-705	EA	BRACKET - LIGHT-INTERIOR	61629722
3	084880-03-706	EA	BULB - LAMP	61628922
4	120075-01-734	EA	COVER - LENS	618190
5	120075-01-735	EA	THERMISTER W/LAMP & WIRE/ASM	618548
6	120075-01-742	EA	THERMISTER ONLY	618288



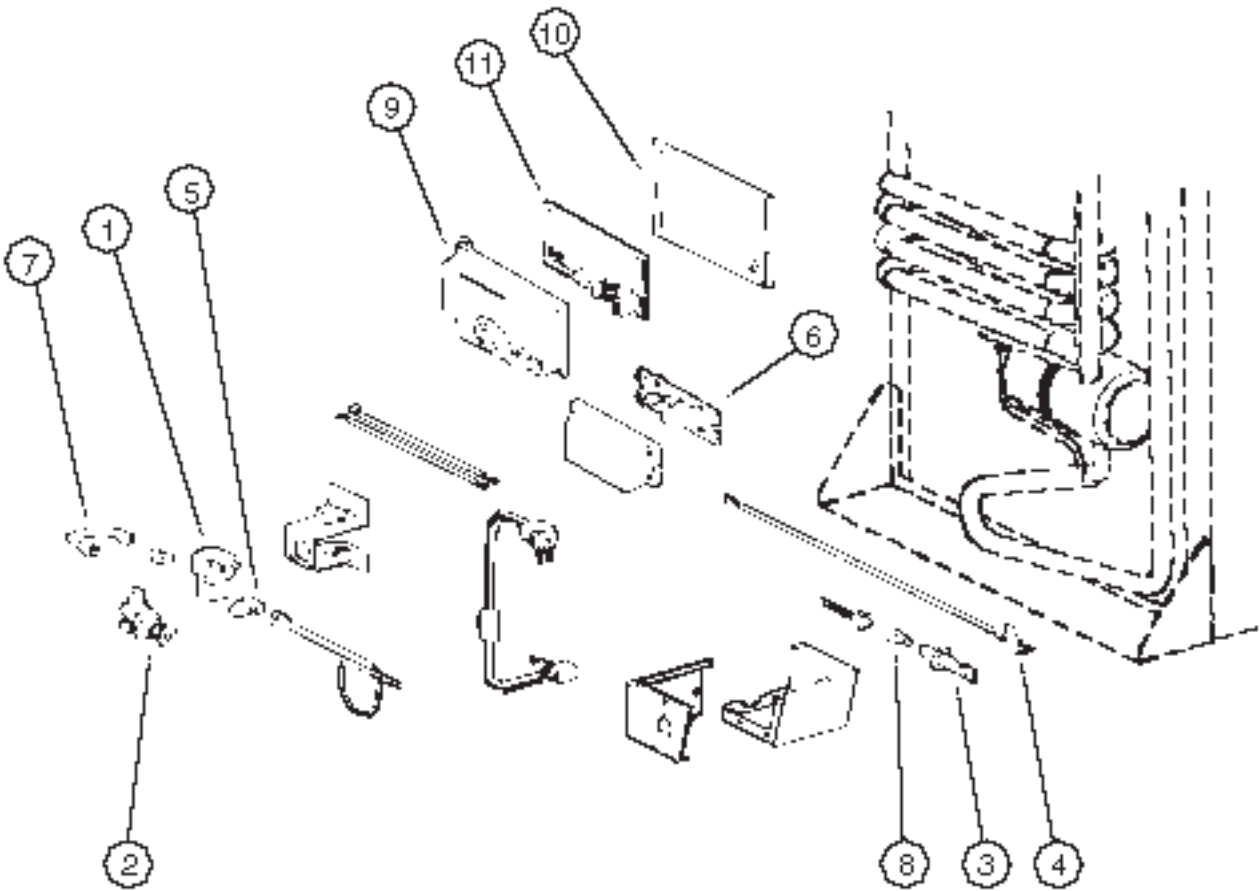
**NORCOLD
2-WAY W/ ICEMAKER
MODEL 982 LIM**



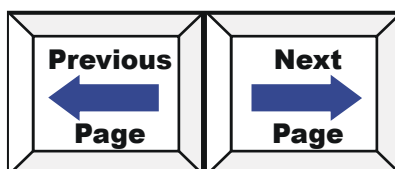
KEY	PART NUMBER	U/M	DESCRIPTION	VENDOR NO.
	120075-04-01A	EA	REFRIGERATOR - LARGE DOUBLE DOOR/LEFT HAND - 2-WAY W/ICE	
1	088248-01-709	EA	HEATER - AC (HORIZONTAL)	61562722
2	088248-01-710	EA	HEATER - DC (HORIZONTAL)	61562822
3	120075-01-736	EA	COOLING UNIT - SERVICE PACK	618542
4	120075-03-700	EA	CABINET - FOAMED	618285



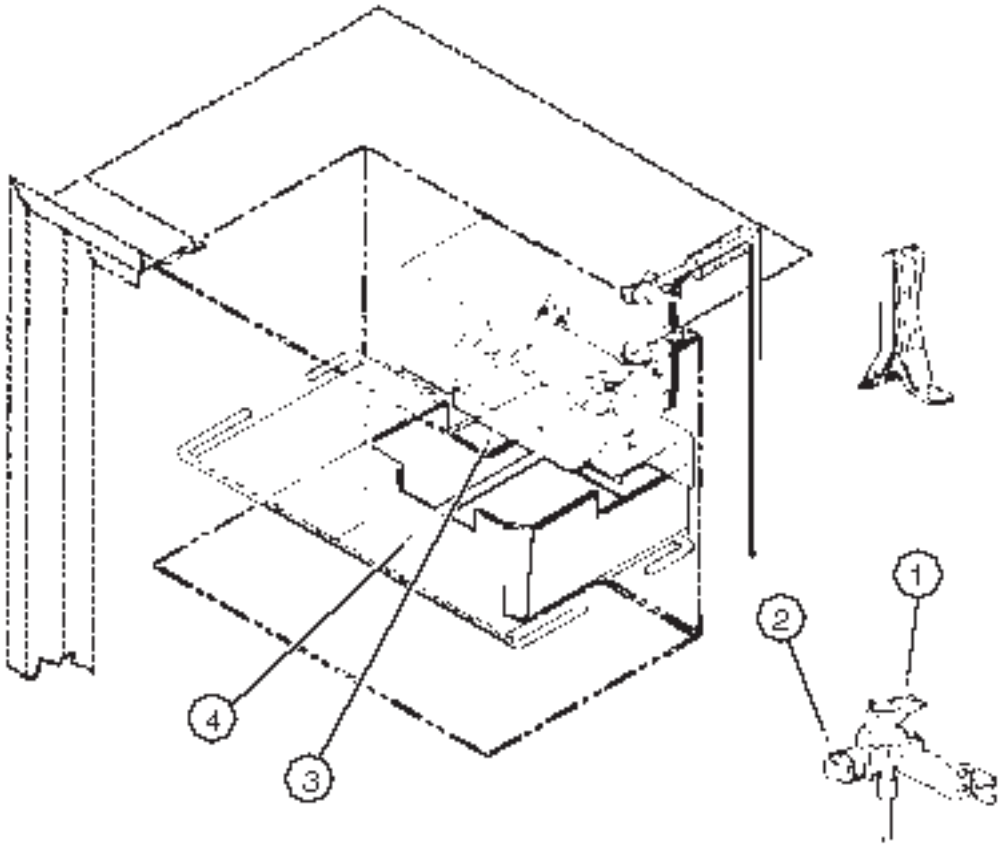
**NORCOLD
2-WAY W/ ICEMAKER
MODEL 982 LIM**



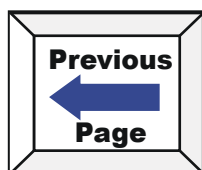
KEY	PART NUMBER	U/M	DESCRIPTION	VENDOR NO.
	120075-04-01A	EA	REFRIGERATOR - LARGE DOUBLE DOOR/LEFT HAND - 2-WAY W/ICE	
1	084880-01-718	EA	VALVE - GAS - (ASCO)	61551822
2	104137-06-709	EA	VALVE - SHUT OFF - MANUAL	61694922
3	104137-06-714	EA	BURNER ASSEMBLY - 5-SLOT	61705222
4	104137-06-715	EA	ELECTRODE - SPARK/SENSOR - SGL	61692222
5	113737-01-702	EA	PLUG 1/8" F/PRESSURE TAP	61445322
6	113737-01-716	EA	TAP - PRESSURE	61594422
7	113737-01-750	EA	TUBE - UNION	61694622
8	120075-01-737	EA	ORFICE - JEWEL - .0155	618284
9	120075-01-738	EA	COVER - POWER BOARD	618185
10	120075-01-739	EA	BOARD - POWER - 2-WAY	618198
11	120075-01-740	EA	COVER - BASE - POWER BOARD	618186



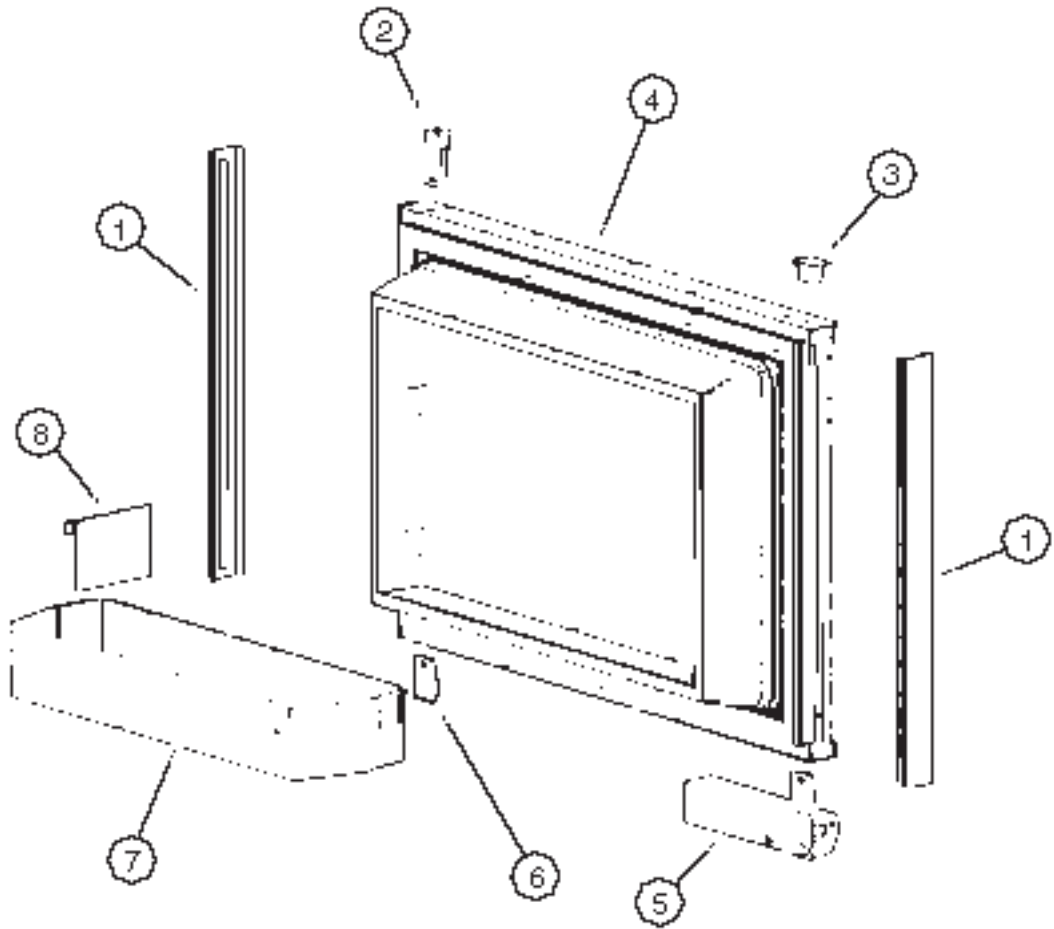
**NORCOLD
2-WAY W/ ICEMAKER
MODEL 982 LIM**



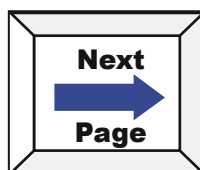
KEY	PART NUMBER	U/M	DESCRIPTION	VENDOR NO.
	120075-04-01A	EA	REFRIGERATOR - LARGE DOUBLE DOOR/LEFT HAND - 2-WAY W/ICE	
1	120075-03-701	EA	VALVE ASM. - WATER - W/BACKET	618253
2	120075-03-702	EA	NUT/COMPRESSION - FITTING	61678722
3	120075-03-703	EA	ARM - SHUT OFF	61656922
4	120075-03-704	EA	BIN - ICE CUBE	618154



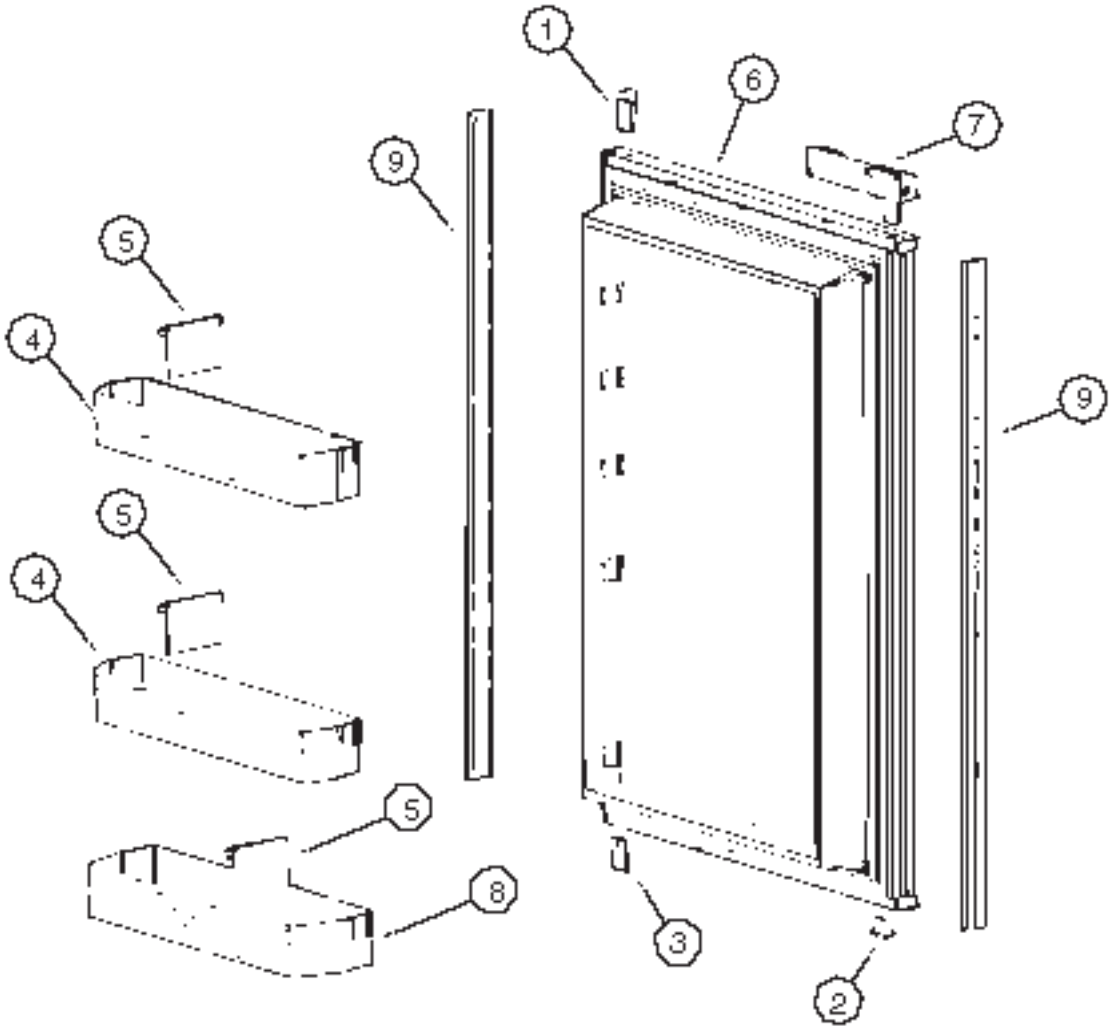
**NORCOLD
3-WAY W/ ICEMAKER
MODEL 983 LH**



KEY	PART NUMBER	U/M	DESCRIPTION	VENDOR NO.
	120075-06-01A	EA	REFRIGERATOR - DOUBLE DOOR - BLACK	
1	120075-01-700	EA	RETAINER - DOOR DECOR PANEL	618128
2	120075-01-701	EA	HINGE - TOP RH/BOTTOM LH	618511
3	120075-01-702	EA	CAP - (HINGE PLUG)	618160
4	120075-01-703	EA	DOOR ASM. - FOAMED, W/GASKET	618205
5	120075-01-704	EA	DOOR HANDLE - UPR RH/LWR LH	618230
6	120075-01-705	EA	HINGE - TOP LH/BOTTOM RH	618510
7	120075-01-706	EA	BIN - DOOR	618635
8	120075-01-707	EA	DIVIDER - DOOR BIN	618637
	120075-01-708	EA	BUSHING - DOOR HINGE	618144
	103251-07-01A	EA	INSERT - ACRYLIC/BLACK - 21.60" X 14.53"	

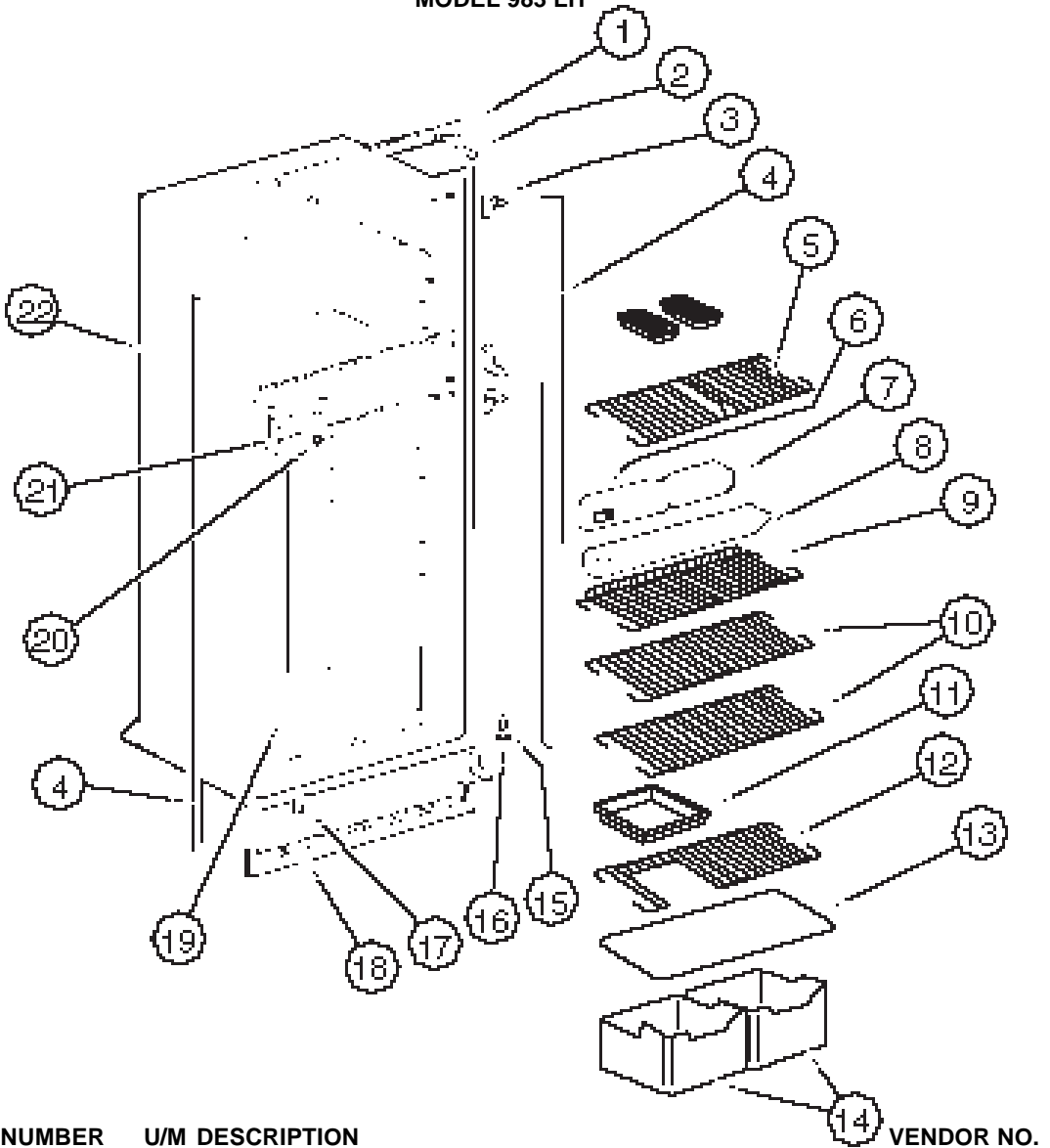


**NORCOLD
3-WAY W/ ICEMAKER
MODEL 983 LH**



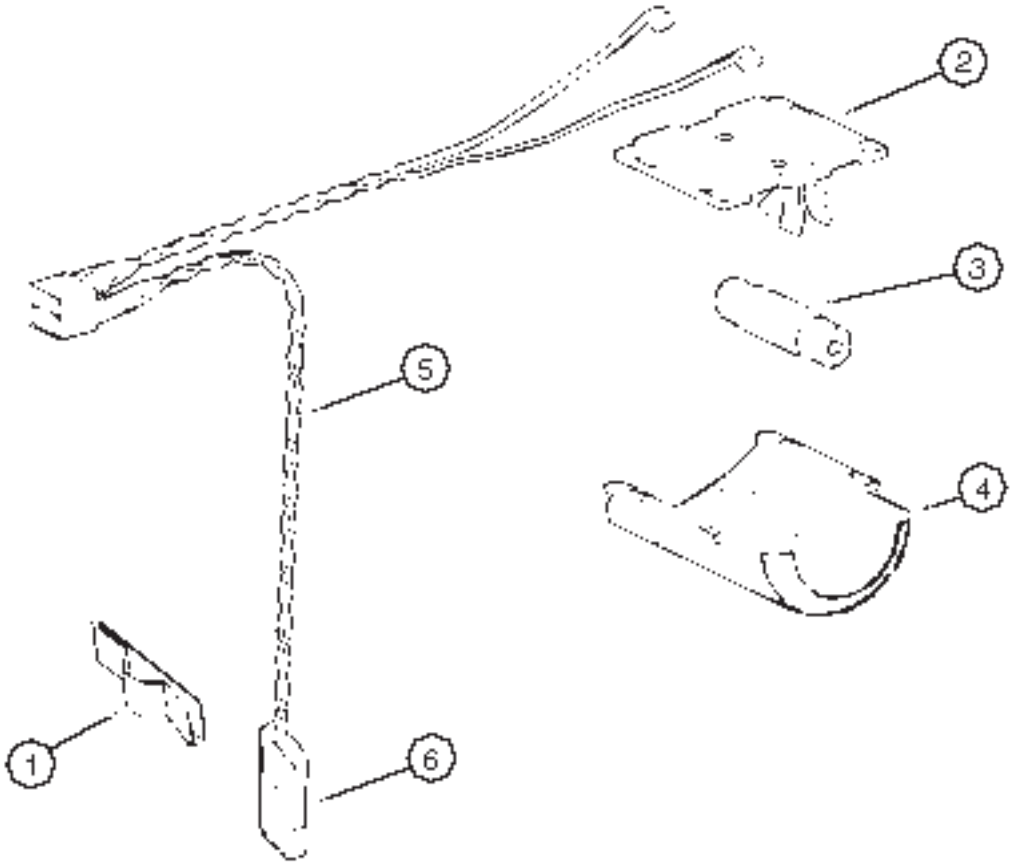
KEY	PART NUMBER	U/M	DESCRIPTION	VENDOR NO.
	120075-06-01A	EA	REFRIGERATOR - DOUBLE DOOR - BLACK	
1	120075-01-701	EA	HINGE - TOP RH/BOTTOM LH	618511
2	120075-01-702	EA	CAP - (HINGE PLUG)	618160
3	120075-01-705	EA	HINGE - TOP LH/BOTTOM RH	618510
4	120075-01-706	EA	BIN - DOOR	618635
5	120075-01-707	EA	DIVIDER -DOOR BIN	618637
6	120075-01-710	EA	DOOR - LOWER - FOAMED - W/GASKET	618270
7	120075-01-704	EA	DOOR HANDLE - UPR RH/LWR LH	618230
8	120075-01-712	EA	BIN - DOOR/BOTTOM - LARGE	618634
9	121568-01-703	EA	RETAINER - PANEL LOWER DOOR	618129
	103251-09-01A	EA	INSERT - ACRYLIC/BLACK - 21.60" X 38.62"	

**NORCOLD
3-WAY W/ ICEMAKER
MODEL 983 LH**



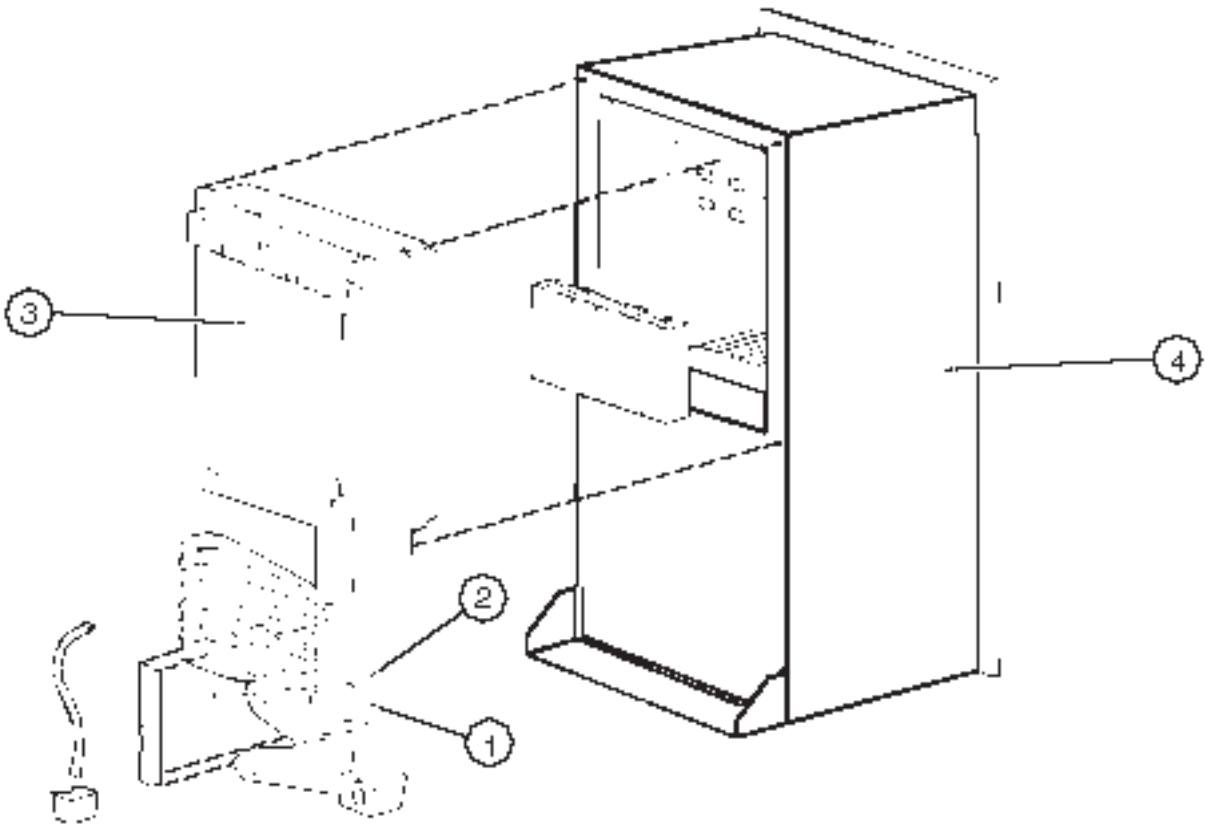
KEY	PART NUMBER	U/M	DESCRIPTION	VENDOR NO.
	120075-06-01A	EA	REFRIGERATOR - DOUBLE DOOR - BLACK	
1	120075-01-713	EA	TRIM - TOP PIECE	618124
1	120075-01-743	EA	TRIM - TOP W/GOLD INSERTS	619568
2	120075-01-714	EA	PLUG - HOLE	618170
3	121568-01-712	EA	HINGE - SLOTTED/ADJUSTABLE - (CABINET)	618988
4	120075-01-716	EA	TRIM - SIDE PIECE	618134
5	120075-01-717	EA	SHELF - FREEZER - WIRE	618172
6	120075-01-719	EA	OPTICAL CONTROL BOX ASSEMBLY	618245
7	120075-01-718	EA	BOX - FILLER	618112
8	120075-01-720	EA	TRAY - DRIP	618137
	120075-01-721	EA	LOUVER - DRIP TRAY	618176
9	120075-01-722	EA	SHELF - WIRE - SHORT	618239
10	120075-01-723	EA	SHELF - WIRE	618114
11	104137-06-718	EA	SHELF - TRAY - WHITE - W/CUTOUT	617756
12	120075-01-724	EA	SHELF - WIRE - W/CUTOUT	618177
13	120075-01-725	EA	COVER - CRISPER	618158
14	120075-01-726	EA	CRISPER	618154
	120075-01-727	EA	PIN - HINGE	618145
16	120075-01-708	EA	BUSHING - DOOR HINGE	618144
17	120075-01-728	EA	COVER - HINGE HOLE	618171
18	120075-01-729	EA	TRIM - BOTTOM PIECE	618136
19	120075-01-730	EA	RETAINER - SHELF	618181
20	120075-01-731	EA	PLUG - FACADE	618184
21	120075-01-732	EA	PLATE - STRIKE	618167
22	120075-03-700	EA	CABINET - FOAMED	618285

**NORCOLD
3-WAY W/ ICEMAKER
MODEL 983 LH**

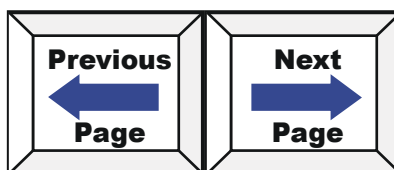


KEY	PART NUMBER	U/M	DESCRIPTION	VENDOR NO.
	120075-06-01A	EA	REFRIGERATOR - DOUBLE DOOR - BLACK	
1	084880-01-760	EA	CLIP (THERMISTER)	61689122
2	084880-03-705	EA	BRACKET - LIGHT-INTERIOR	61629722
3	084880-03-706	EA	BULB - LAMP	61628922
4	120075-01-734	EA	COVER - LENS	618190
5	120075-01-735	EA	THERMISTER W/LAMP & WIRE/ASM	618548
6	120075-01-742	EA	THERMISTER ONLY	618288

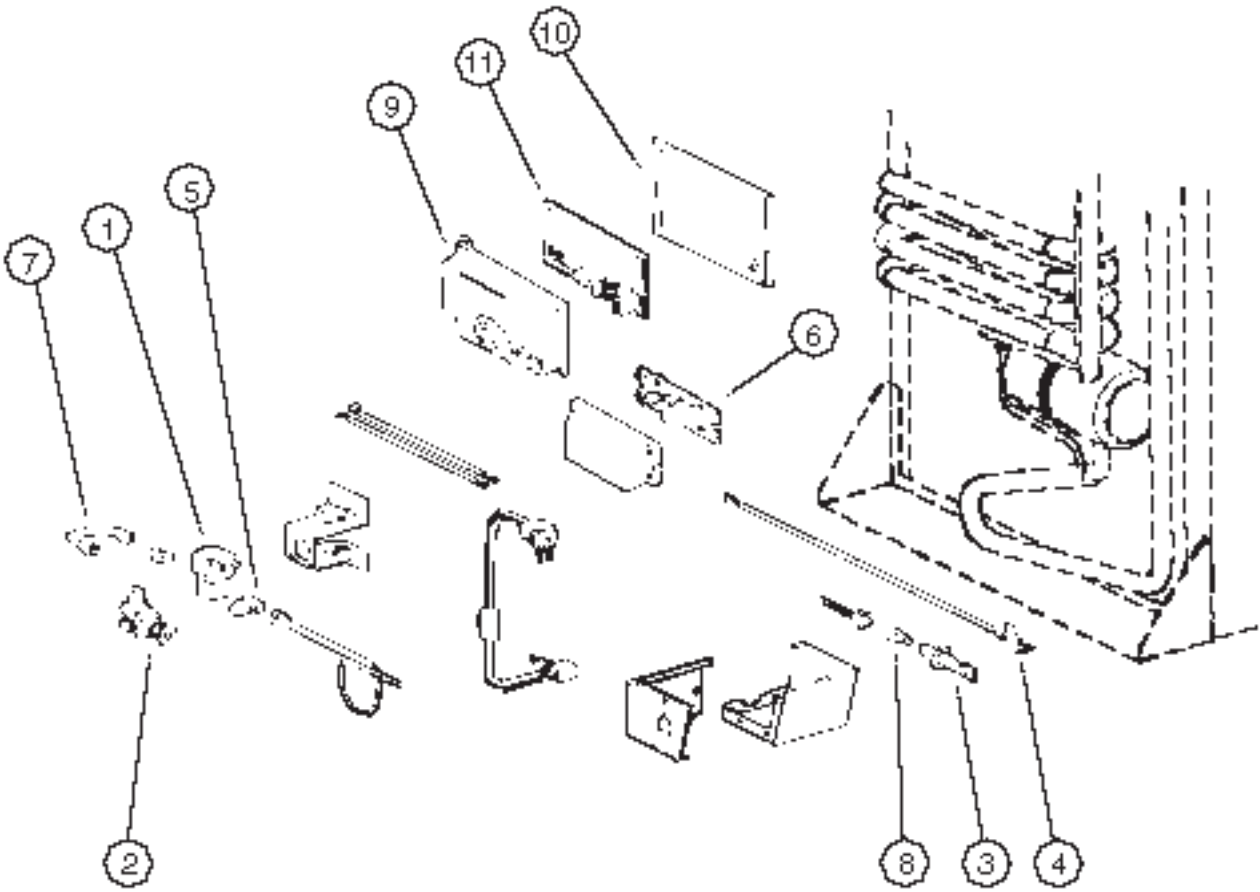
**NORCOLD
3-WAY W/ ICEMAKER
MODEL 983 LH**



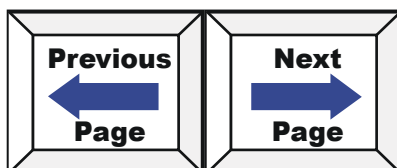
KEY	PART NUMBER	U/M	DESCRIPTION	VENDOR NO.
	120075-06-01A	EA	REFRIGERATOR - DOUBLE DOOR - BLACK	
1	088248-01-709	EA	HEATER - AC (HORIZONTAL)	61562722
2	088248-01-710	EA	HEATER - DC (HORIZONTAL)	61562822
3	120075-01-736	EA	COOLING UNIT - SERVICE PACK	618542
4	120075-03-700	EA	CABINET - FOAMED	618285



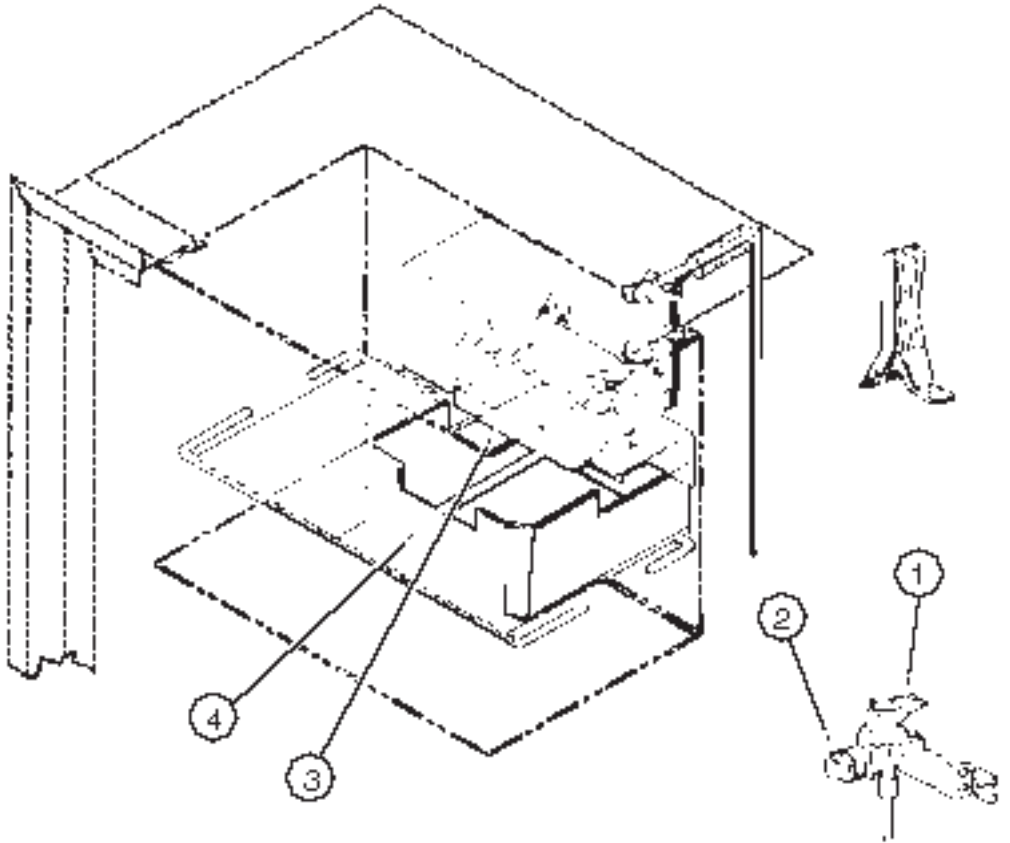
**NORCOLD
3-WAY W/ ICEMAKER
MODEL 983 LH**



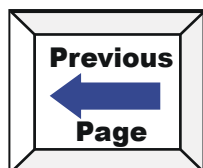
KEY	PART NUMBER	U/M	DESCRIPTION	VENDOR NO.
	120075-06-01A	EA	REFRIGERATOR - DOUBLE DOOR - BLACK	
1	084880-01-718	EA	VALVE - GAS - (ASCO)	61551822
2	104137-06-709	EA	VALVE - SHUT OFF - MANUAL	61694922
3	104137-06-714	EA	BURNER ASSEMBLY - 5-SLOT	61705222
4	104137-06-715	EA	ELECTRODE - SPARK/SENSOR - SGL	61692222
5	113737-01-702	EA	PLUG 1/8" F/PRESSURE TAP	61445322
6	113737-01-716	EA	TAP - PRESSURE	61594422
7	113737-01-750	EA	TUBE - UNION	61694622
8	120075-01-737	EA	ORFICE - JEWEL - .0155	618284
9	120075-01-738	EA	COVER - POWER BOARD	618185
10	120076-03-700	EA	BOARD - POWER - 3-WAY	618224
11	120075-01-740	EA	COVER - BASE - POWER BOARD	618186



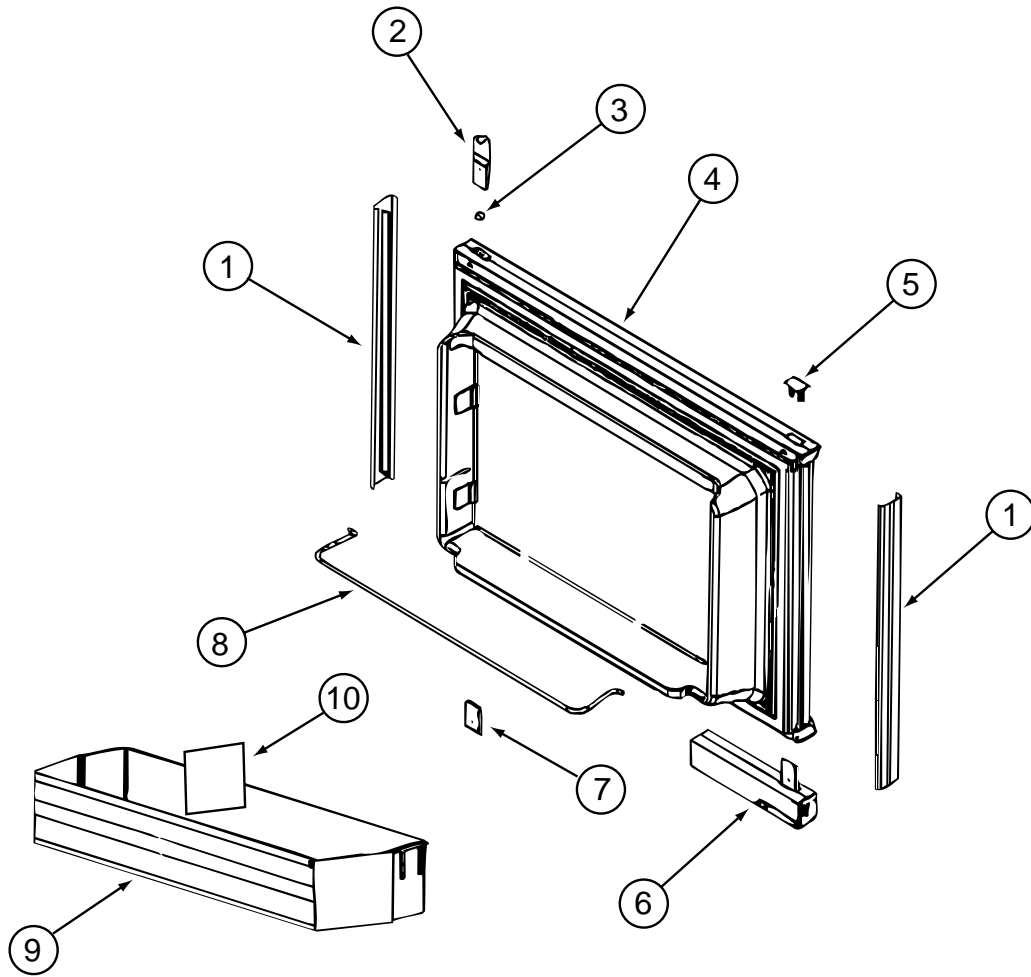
**NORCOLD
3-WAY W/ ICEMAKER
MODEL 983 LH**



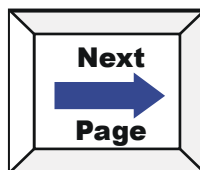
KEY	PART NUMBER	U/M	DESCRIPTION	VENDOR NO.
	120075-06-01A	EA	REFRIGERATOR - DOUBLE DOOR - BLACK	
1	120075-03-701	EA	VALVE ASM. - WATER - W/BRACKET	618253
2	120075-03-702	EA	NUT/COMPRESSION - FITTING	61678722
3	120075-03-703	EA	ARM - SHUT OFF	61656922
4	120075-01-726	EA	CRISPER/ICE CUBE BIN	618154



LARGE DOUBLE DOOR - RH - W/ICE MAKER
NORCOLD #N841R

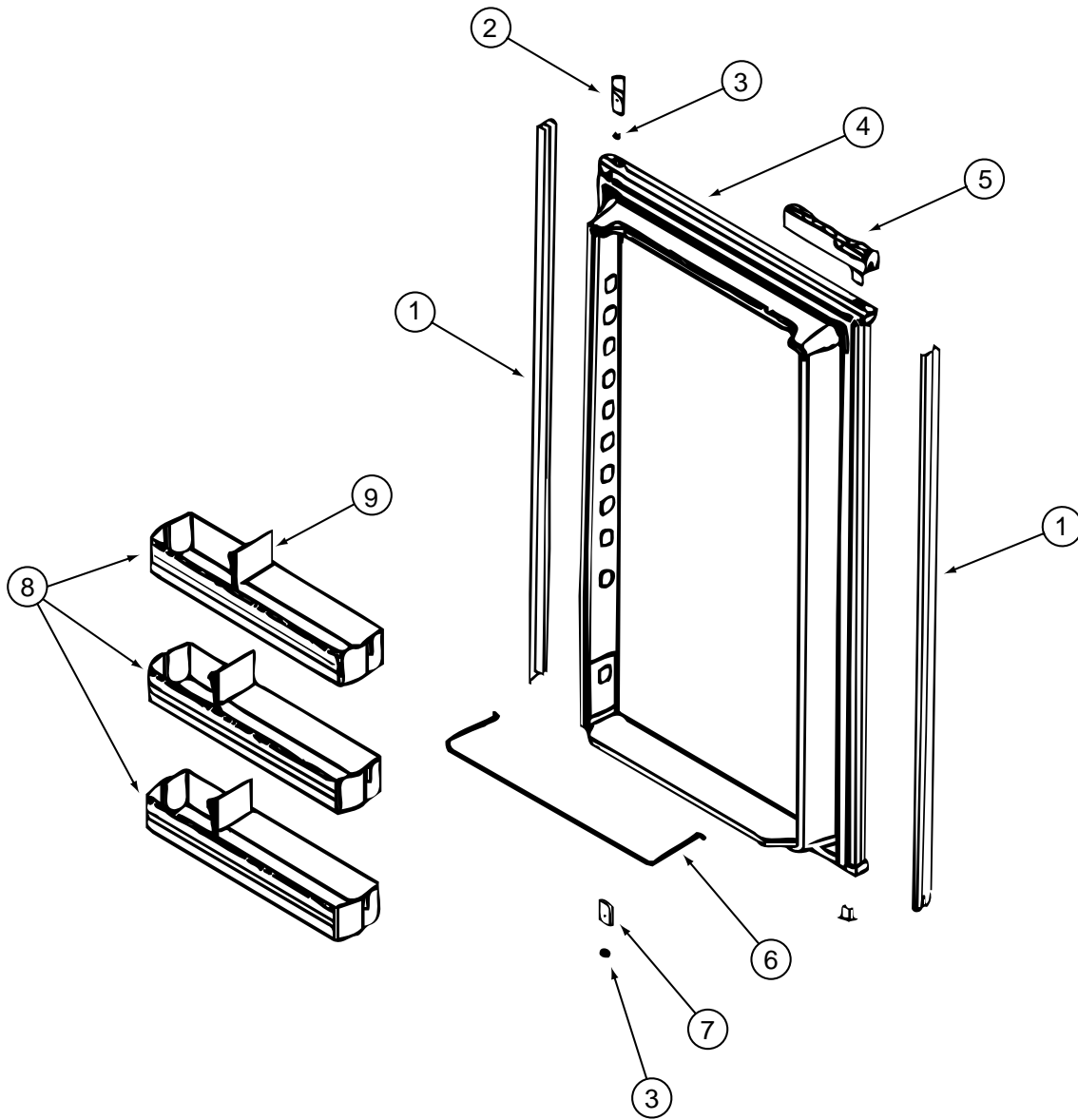


KEY	PART NUMBER	U/M	DESCRIPTION	VENDOR NO.
	120075-07-01A	EA	REFRIGERATOR - LARGE DBL DOOR RH - W/ICE MAKER-BLACK 2-WAY	
1	121568-03-700	EA	RETAINER - DOOR PANEL/BLACK	619558
2	120075-01-701	EA	HINGE-TOP RH/BOTTOM LH(DOOR)	618511
3	121568-03-701	EA	BUSHING - HINGE PIN/GRAY	619671
4	121568-03-702	EA	DOOR LINER - W/TRIM/BLACK	619627
5	120075-01-702	EA	CAP, (HINGE PLUG)	618160
6	121568-03-703	EA	HANDLE ASM TOP/RH-LWR/LH BLK	619865
7	120075-01-705	EA	HINGE-TOP LH/BOTTOM RH(DOOR)	618510
8	121568-01-700	EA	RAIL - DOOR UPPER	618618
9	120075-07-704	EA	DOOR BIN - LARGE/CLEAR	619005
10	120075-01-707	EA	DIVIDER-DOOR BIN	618637
	121568-03-704	EA	TRAVEL LATCH - GRAY	619647
	121568-03-705	EA	STORAGE LATCH - GRAY	619648

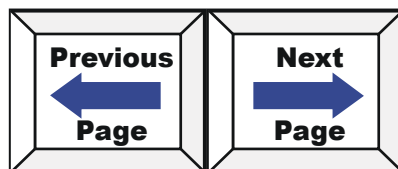


LARGE DOUBLE DOOR - RH - W/ICE MAKER

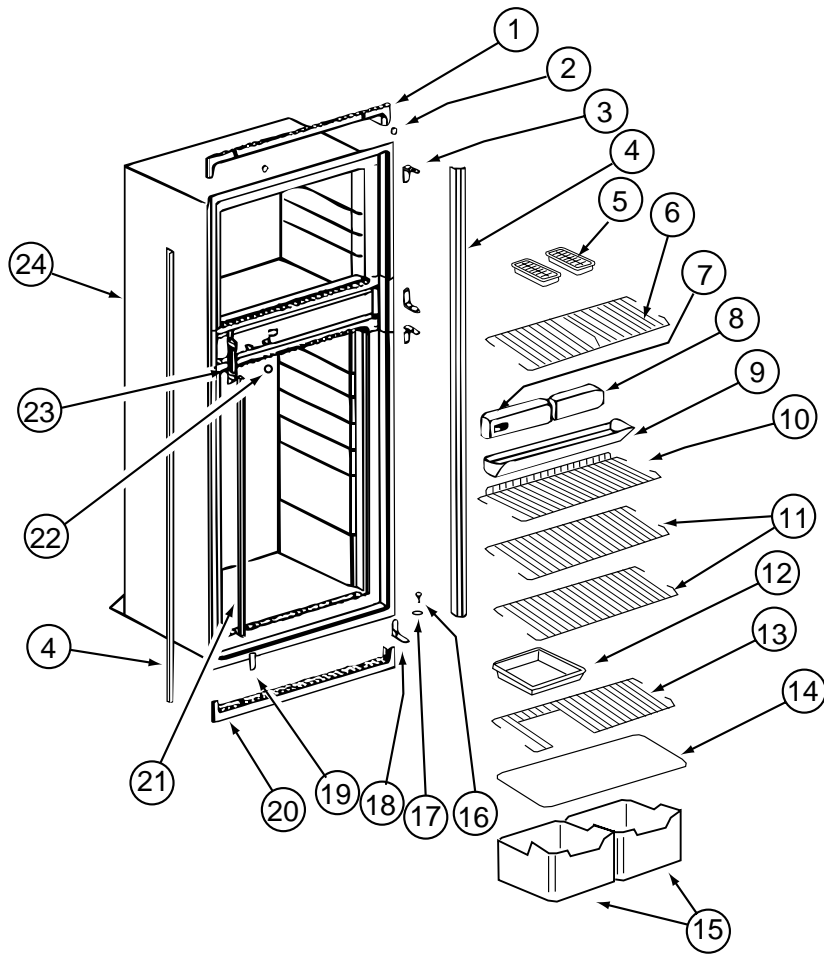
NORCOLD #N841R



KEY	PART NUMBER	U/M	DESCRIPTION	VENDOR NO.
	120075-07-01A	EA	REFRIGERATOR - LARGE DBL DOOR RH - W/ICE MAKER-BLACK 2-WAY	
1	120075-07-702	EA	RETAINER - DOOR PANEL/BLACK	619560
2	120075-01-701	EA	HINGE-TOP RH/BOTTOM LH(DOOR)	618511
3	121568-03-701	EA	BUSHING - HINGE PIN/GRAY	619671
4	120075-07-703	EA	DOOR LINER - BLACK	619631
5	121568-03-708	EA	HANDLE ASM - TOP/LH-LWR/RH	619866
7	120075-01-705	EA	HINGE-TOP LH/BOTTOM RH(DOOR)	618510
8	120075-07-700	EA	DOOR BIN - CLEAR	619006
9	120075-07-704	EA	DOOR BIN - LARGE/CLEAR	619005
	121568-03-703	EA	HANDLE ASM TOP/RH-LWR/LH BLK	619865
	121568-03-705	EA	STORAGE LATCH - GRAY	619648

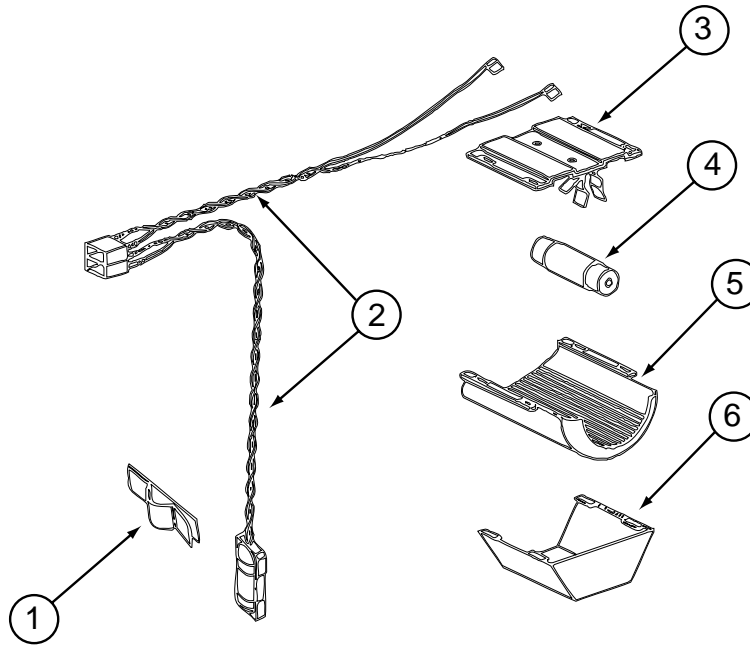


LARGE DOUBLE DOOR - RH - W/ICE MAKER
NORCOLD #N841R

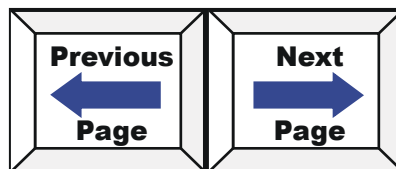


KEY	PART NUMBER	U/M	DESCRIPTION	VENDOR NO.
	120075-07-01A	EA	REFRIGERATOR - LARGE DBL DOOR RH - W/ICE MAKER-BLACK 2-WAY	
1	121568-03-709	EA	TRIM - TOP/BLACK	619687
2	120075-01-714	EA	PLUG-HOLE	618170
3	121568-03-710	EA	HINGE/CABINET-TOP/RH-LWR/LH	619335
4	120075-07-705	EA	TRIM - SIDE - BLACK	619802
5	104137-06-724	EA	ICE TRAY	61630422
6	120075-07-706	EA	SHELF - WIRE/FREEZER	620249
7	120075-07-707	EA	CONTROL BOX - BLACK	619665
9	120075-01-720	EA	TRAY-DRIP	618137
10	120075-01-722	EA	SHELF-WIRE, SHORT	618239
11	120075-01-723	EA	SHELF-WIRE	618114
12	104137-06-718	EA	SHELF-TRAY, WHITE, W/CUTOUT	617756
13	120075-01-724	EA	SHELF-WIRE, W/CUTOUT	618177
14	120075-01-725	EA	COVER-CRISPER	618158
15	120075-07-708	EA	CRISPER/ICE BIN	619007
16	120075-01-727	EA	PIN-HINGE	618145
17	121568-03-701	EA	BUSHING - HINGE PIN/GRAY	619671
18	121568-03-715	EA	HINGE/CABINET-TOP/LH-LWR/RH	619336
19	121568-03-716	EA	COVER - HINGE HOLES	619301
20	120075-01-729	EA	TRIM-BOTTOM PIECE	618136
21	120075-01-730	EA	RETAINER-SHELF	618181
22	121568-03-717	EA	HOLE PLUG - WHITE	619561
23	120075-01-732	EA	PLATE-STRIKE	618167
24	120075-07-709	EA	CABINET - FOAMED	619347
	120075-01-721	EA	LOUVER-DRIP TRAY	618176

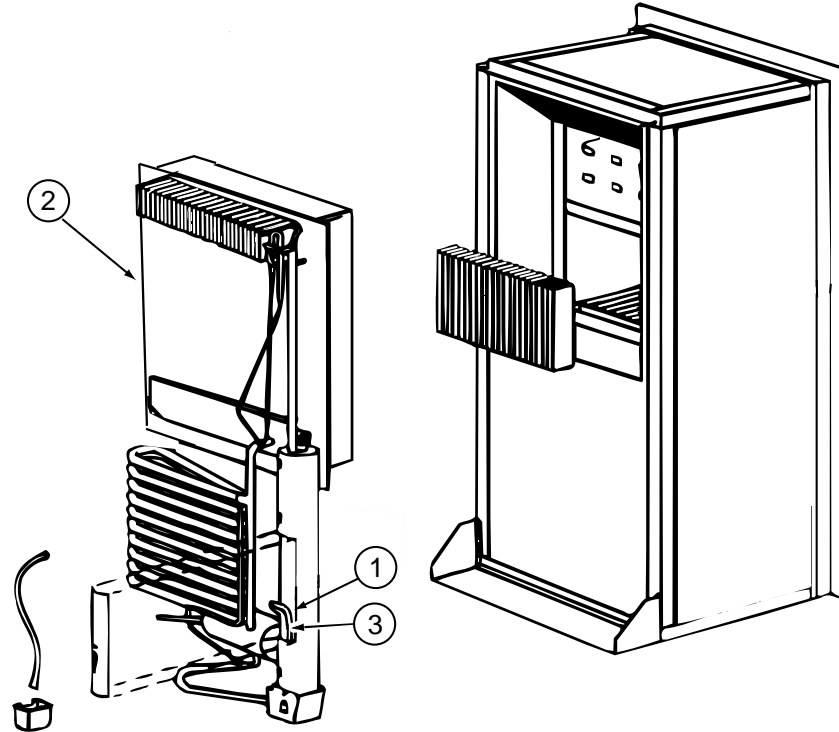
LARGE DOUBLE DOOR - RH - W/ICE MAKER
NORCOLD #N841R



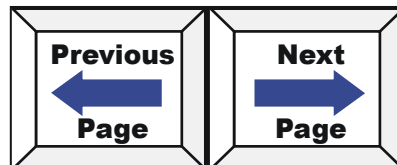
KEY	PART NUMBER	U/M	DESCRIPTION	VENDOR NO.
	120075-07-01A	EA	REFRIGERATOR - LARGE DBL DOOR RH - W/ICE MAKER-BLACK 2-WAY	
1	084880-01-760	EA	CLIP (THERMISTER)	61689122
2	120075-01-735	EA	THERMISTER W/LAMP & WIRE/ASM	618548
3	084880-03-705	EA	BRACKET-LIGHT-INTERIOR	61629722
4	084880-03-706	EA	BULB-LAMP	61628922
5	120075-01-734	EA	COVER-LENS	618190



LARGE DOUBLE DOOR - RH - W/ICE MAKER
NORCOLD #N841R

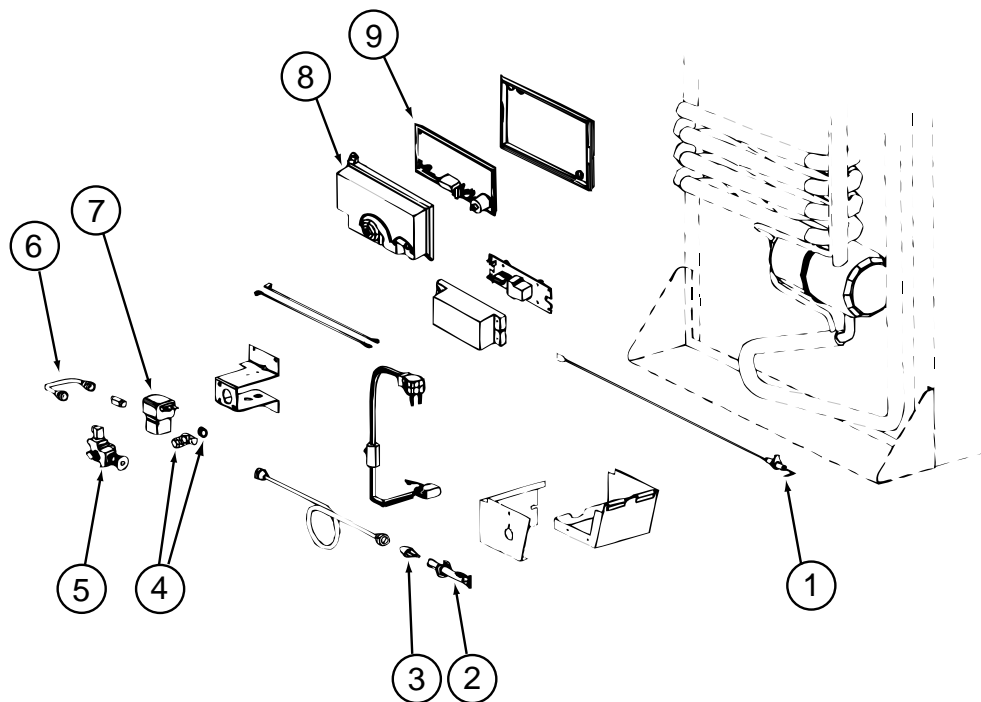


KEY	PART NUMBER	U/M	DESCRIPTION	VENDOR NO.
	120075-07-01A	EA	REFRIGERATOR - LARGE DBL DOOR RH - W/ICE MAKER-BLACK 2-WAY	
1	088248-01-710	EA	HEATER DC (HORIZONTAL)	61562822
2	120075-01-736	EA	COOLING UNIT, SERVICE PACK	618542
3	088248-01-709	EA	HEATER-AC (HORIZONTAL)	61562722

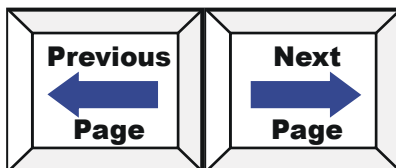


LARGE DOUBLE DOOR - RH - W/ICE MAKER

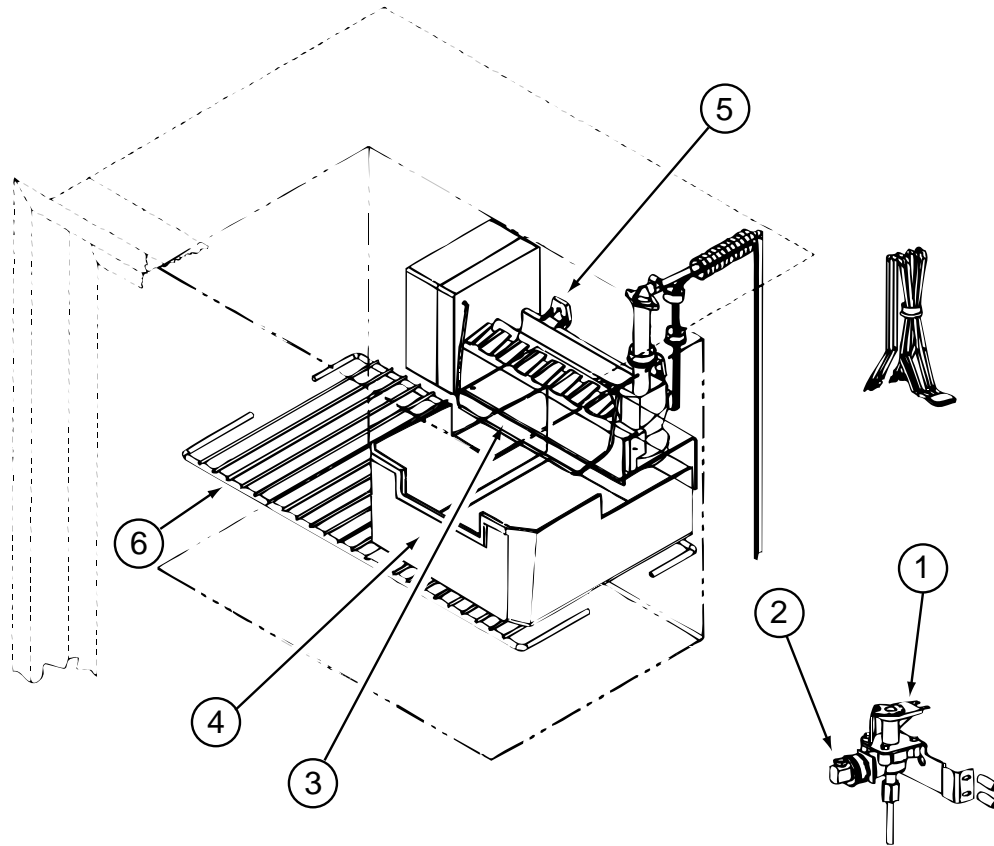
120075-07-01A



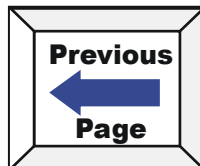
KEY	PART NUMBER	U/M	DESCRIPTION	VENDOR NO.
	120075-07-01A	EA	REFRIGERATOR - LARGE DBL DOOR RH - W/ICE MAKER-BLACK 2-WAY	
1	104137-06-715	EA	ELECTRODE-SPARK/SENSOR, SGL	61692222
2	104137-06-714	EA	BURNER ASSEMBLY, 5-SLOT	61705222
3	120075-01-737	EA	ORIFICE - JEWEL - .0155	618284
4	113737-01-702	EA	PLUG 1/8" F/PRESSURE TAP	61445322
4	113737-01-716	EA	TAP-PRESSURE	61594422
5	121568-03-720	EA	VALVE/SHUT OF-MANUAL ELECT.	618696
6	113737-01-750	EA	TUBE-UNION	61694622
7	084880-01-718	EA	VALVE-GAS, (ASCO)	61551822
8	120075-01-738	EA	COVER-POWER BOARD	618185
9	120075-07-710	EA	POWER - BOARD - 2-WAY	619360
	120075-01-744	EA	KIT - GAS VALVE/BURNER TUBE	620609



LARGE DOUBLE DOOR - RH - W/ICE MAKER
NORCOLD #N841R

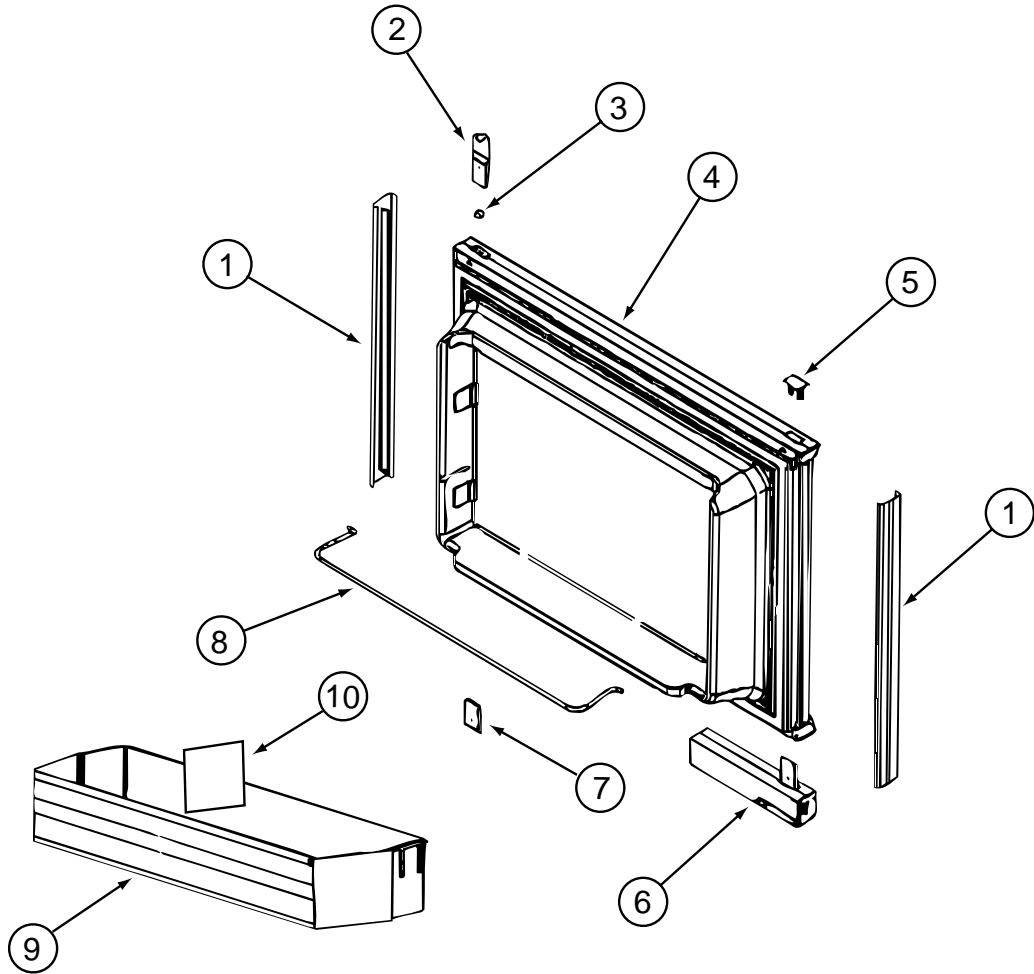


KEY	PART NUMBER	U/M	DESCRIPTION	VENDOR NO.
	120075-07-01A	EA	REFRIGERATOR - LARGE DBL DOOR RH - W/ICE MAKER-BLACK 2-WAY	
1	120075-09-701	EA	WATER VALVE W/BRACKET	618253
2	120075-03-702	EA	NUT/COMPRESSION - FITTING	61678722
3	120075-03-703	EA	ARM-SHUT OFF	61656922
4	120075-03-704	EA	BIN-ICE CUBE	618154
5	094039-07-706	EA	ICE MAKER W/O PLATES	61656522
6	120075-01-717	EA	SHELF-FREEZER, WIRE	618172

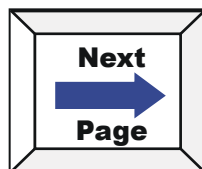


LARGE DOUBLE DOOR - RH - W/ICE MAKER

120075-09-01A

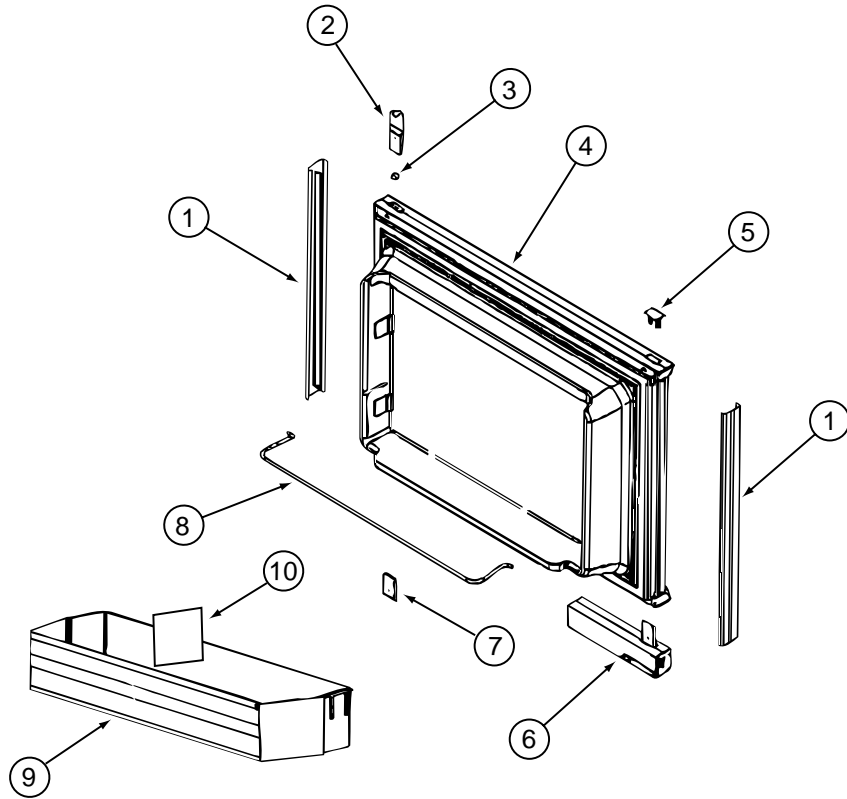


KEY	PART NUMBER	U/M	DESCRIPTION	VENDOR NO.
	120075-09-01A	EA	REFRIGERATOR - LARGE DBL DOOR RH - W/ICE MAKER-BLACK 2-WAY	
1	121568-03-700	EA	RETAINER - DOOR PANEL/BLACK	619558
2	120075-01-701	EA	HINGE-TOP RH/BOTTOM LH(DOOR)	618511
3	121568-03-701	EA	BUSHING - HINGE PIN/GRAY	619671
4	121568-03-702	EA	DOOR LINER - W/TRIM/BLACK	619627 - SMALL DOOR
5	120075-01-702	EA	CAP, (HINGE PLUG)	618160
6	121568-03-703	EA	HANDLE ASM TOP/RH-LWR/LH BLK	619865
7	120075-01-705	EA	HINGE-TOP LH/BOTTOM RH(DOOR)	618510
8	121568-01-700	EA	RAIL - DOOR UPPER	618618
9	120075-07-700	EA	DOOR BIN - CLEAR	619006
10	120075-07-701	EA	DIVIDER/DOOR BIN CLEAR	619008
	121568-03-704	EA	TRAVEL LATCH - GRAY	619647
	121568-03-705	EA	STORAGE LATCH - GRAY	619648

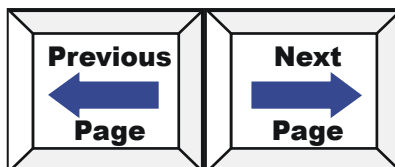


LARGE DOUBLE DOOR - RH - W/ICE MAKER

120075-09-01A

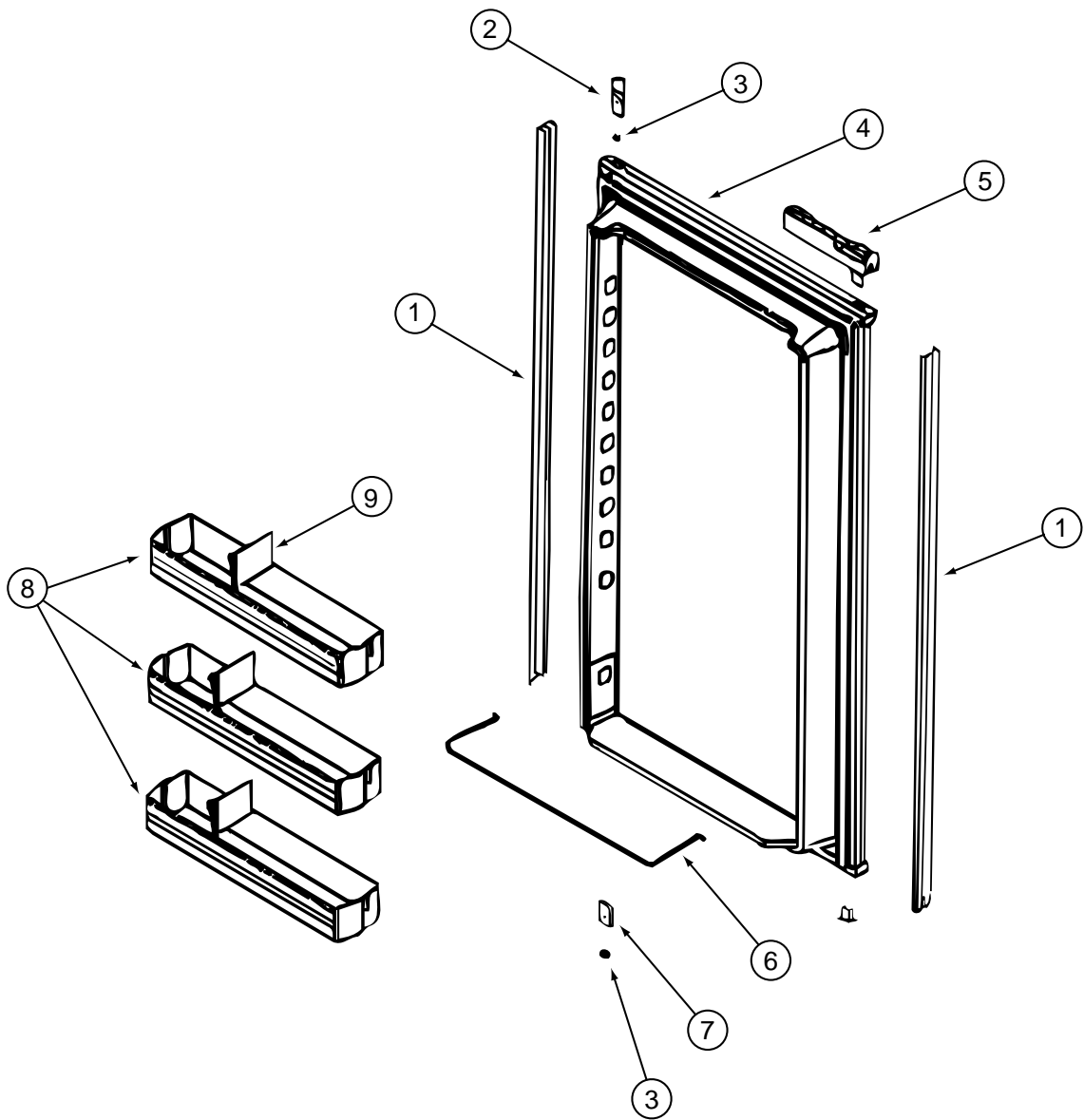


KEY	PART NUMBER	U/M	DESCRIPTION	VENDOR NO.
	120075-09-01A	EA	REFRIGERATOR - LARGE DBL DOOR RH - W/ICE MAKER-BLACK 2-WAY	
1	121568-03-700	EA	RETAINER - DOOR PANEL/BLACK	619558
2	120075-01-701	EA	HINGE-TOP RH/BOTTOM LH(DOOR)	618511
3	121568-03-701	EA	BUSHING - HINGE PIN/GRAY	619671
4	121568-03-702	EA	DOOR LINER - W/TRIM/BLACK	619627 - SMALL DOOR
5	120075-01-702	EA	CAP, (HINGE PLUG)	618160
6	121568-03-703	EA	HANDLE ASM TOP/RH-LWR/LH BLK	619865
7	120075-01-705	EA	HINGE-TOP LH/BOTTOM RH(DOOR)	618510
8	121568-01-700	EA	RAIL - DOOR UPPER	618618
9	120075-07-700	EA	DOOR BIN - CLEAR	619006
10	120075-07-701	EA	DIVIDER/DOOR BIN CLEAR	619008
	121568-03-704	EA	TRAVEL LATCH - GRAY	619647
	121568-03-705	EA	STORAGE LATCH - GRAY	619648

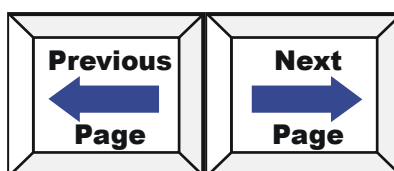


LARGE DOUBLE DOOR - RH - W/ICE MAKER

120075-09-01A

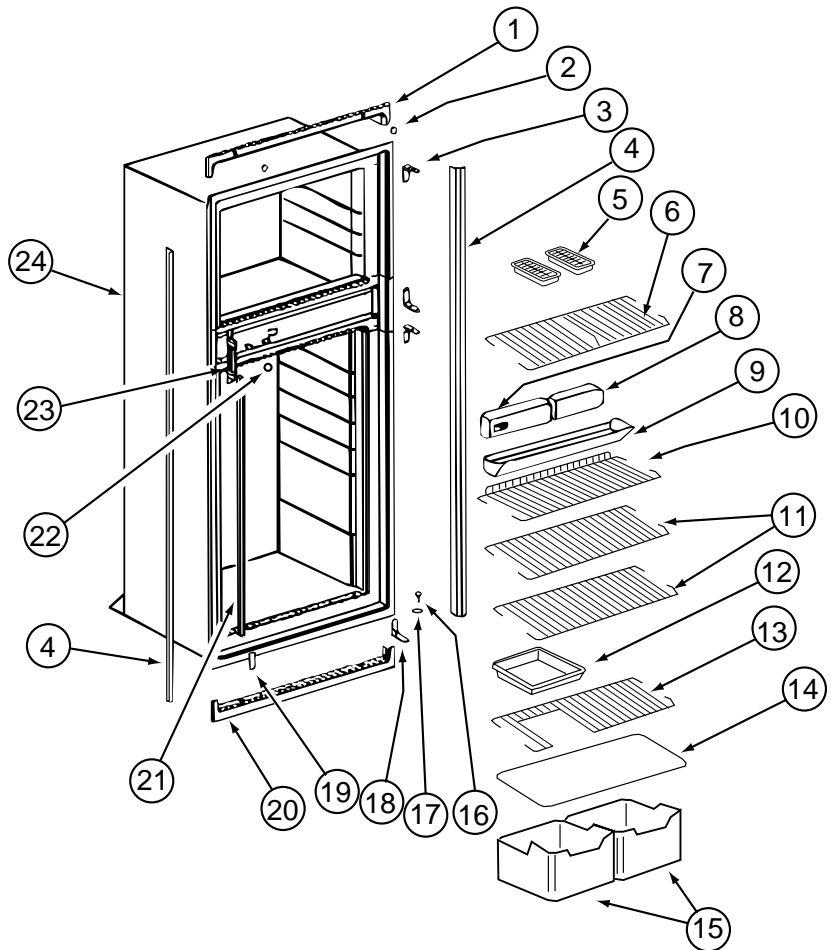


KEY	PART NUMBER	U/M	DESCRIPTION	VENDOR NO.
	120075-09-01A	EA	REFRIGERATOR - LARGE DBL DOOR RH - W/ICE MAKER-BLACK 2-WAY	
1	120075-07-702	EA	RETAINER - DOOR PANEL/BLACK	619560
2	120075-01-701	EA	HINGE-TOP RH/BOTTOM LH(DOOR)	618511
3	121568-03-701	EA	BUSHING - HINGE PIN/GRAY	619671
4	120075-07-703	EA	DOOR LINER - BLACK	619631 - LARGE DOOR
5	121568-03-708	EA	HANDLE ASM - TOP/LH-LWR/RH	6198669
6	121568-01-704	EA	RAIL - DOOR LOWER	618578
7	120075-01-705	EA	HINGE-TOP LH/BOTTOM RH(DOOR)	618510
8	121568-01-701	EA	BIN - DOOR WHITE	618619
9	120075-07-704	EA	DOOR BIN - LARGE/CLEAR	619005
	121568-03-704	EA	TRAVEL LATCH - GRAY	619647
	121568-03-705	EA	STORAGE LATCH - GRAY	619648
	120075-01-707	EA	DIVIDER-DOOR BIN	618637



LARGE DOUBLE DOOR - RH - W/ICE MAKER

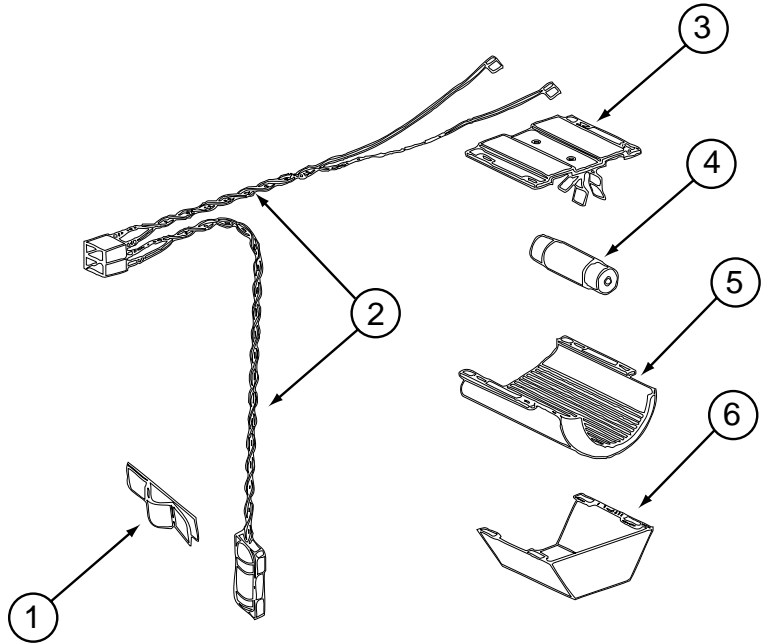
120075-09-01A



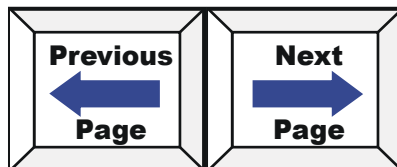
KEY	PART NUMBER	U/M	DESCRIPTION	VENDOR NO.
	120075-09-01A	EA	REFRIGERATOR - LARGE DBL DOOR RH - W/ICE MAKER-BLACK 2-WAY	
1	121568-03-709	EA	TRIM - TOP/BLACK	619687
2	120075-01-714	EA	PLUG-HOLE	618170
3	121568-03-710	EA	HINGE/CABINET-TOP/RH-LWR/LH	619335
4	120075-07-705	EA	TRIM - SIDE - BLACK	619802
5	104137-06-724	EA	ICE TRAY	61630422
6	120075-07-706	EA	SHELF - WIRE/FREEZER	620249
7	120075-07-707	EA	CONTROL BOX - BLACK	619665
8	121568-03-713	EA	FRONT BOX/DECORATIVE-BLACK	619282
9	120075-01-720	EA	TRAY-DRIP	618137
10	120075-01-722	EA	SHELF-WIRE, SHORT	618239
11	120075-01-723	EA	SHELF-WIRE	618114
12	104137-06-718	EA	SHELF-TRAY, WHITE, W/CUTOUT	617756
13	120075-01-724	EA	SHELF-WIRE, W/CUTOUT	618177
14	120075-01-725	EA	COVER-CRISPER	618158
15	120075-07-708	EA	CRISPER/ICE BIN	619007
16	120075-01-727	EA	PIN-HINGE	618145
17	121568-03-701	EA	BUSHING - HINGE PIN/GRAY	619671
18	121568-03-715	EA	HINGE/CABINET-TOP/LH-LWR/RH	619336
19	121568-03-716	EA	COVER - HINGE HOLES	619301
20	120075-01-729	EA	TRIM-BOTTOM PIECE	618136
21	120075-01-730	EA	RETAINER-SHELF	618181
22	121568-03-717	EA	HOLE PLUG - WHITE	619561
23	120075-01-732	EA	PLATE-STRIKE	618167
24	120075-09-700	EA	CABINET - FOAMED	619660
	120075-01-721	EA	LOUVER-DRIP TRAY	618176

LARGE DOUBLE DOOR - RH - W/ICE MAKER

120075-09-01A

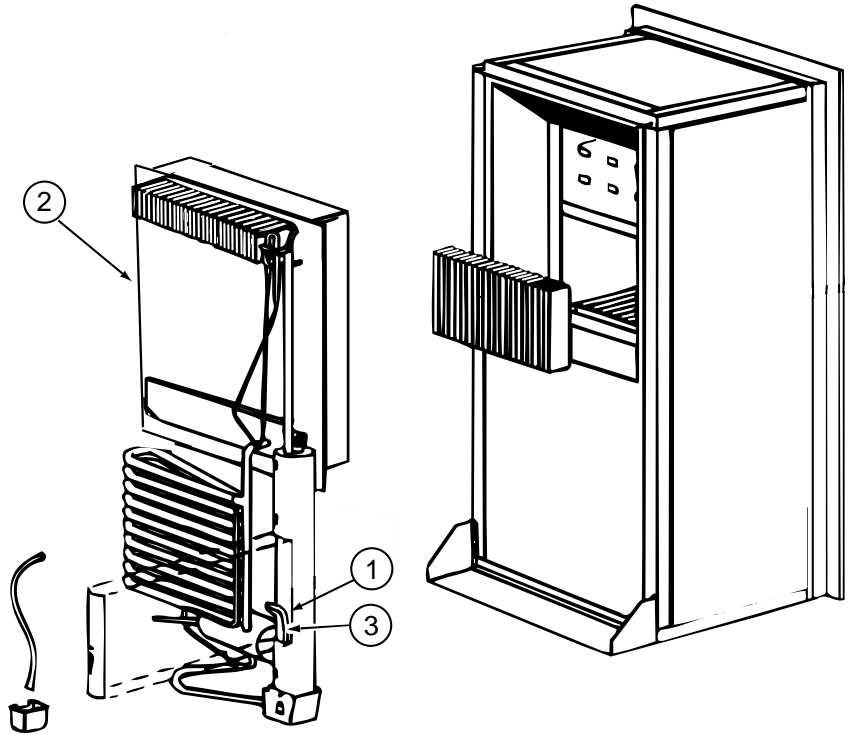


KEY	PART NUMBER	U/M	DESCRIPTION	VENDOR NO.
	120075-09-01A	EA	REFRIGERATOR - LARGE DBL DOOR RH - W/ICE MAKER-BLACK 2-WAY	
1	084880-01-760	EA	CLIP (THERMISTER)	61689122
2	120075-01-735	EA	THERMISTER W/LAMP & WIRE/ASM	618548
3	084880-03-705	EA	BRACKET-LIGHT-INTERIOR	61629722
4	084880-03-706	EA	BULB-LAMP	61628922
5	120075-01-734	EA	COVER-LENS	618190
6	084880-03-707	EA	COVER-LAMP, LENS	61627922

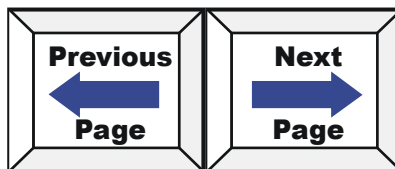


LARGE DOUBLE DOOR - RH - W/ICE MAKER

120075-09-01A

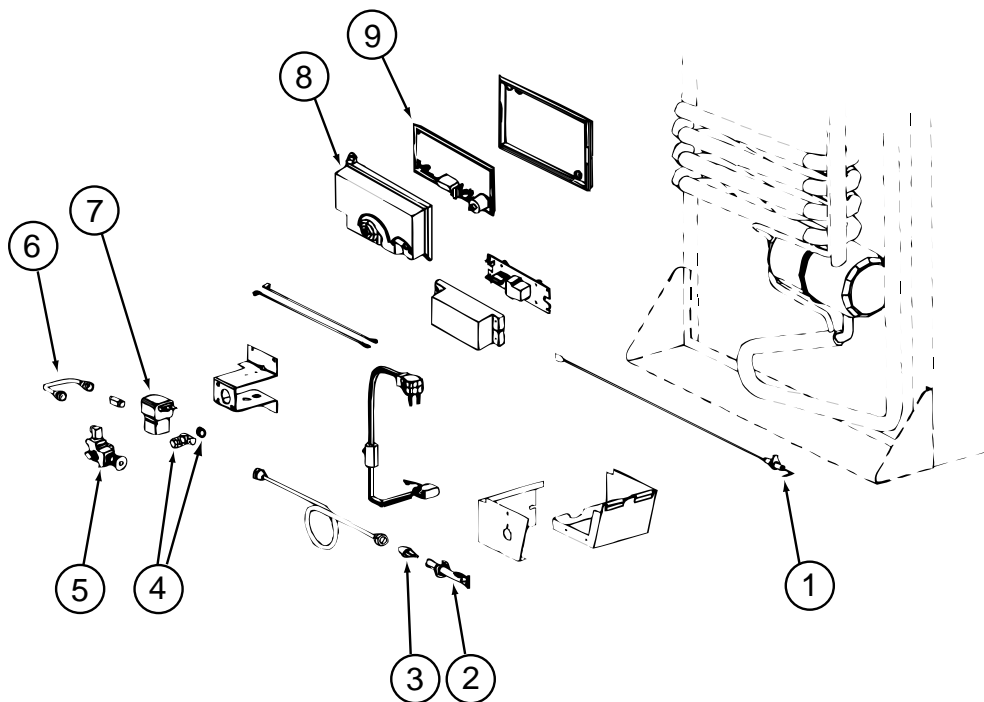


KEY	PART NUMBER	U/M	DESCRIPTION	VENDOR NO.
	120075-09-01A	EA	REFRIGERATOR - LARGE DBL DOOR RH - W/ICE MAKER-BLACK 2-WAY	
1	088248-01-710	EA	HEATER DC (HORIZONTAL)	61562822
2	120075-01-736	EA	COOLING UNIT, SERVICE PACK	618542
3	088248-01-709	EA	HEATER-AC (HORIZONTAL)	61562722

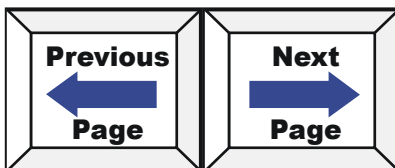


LARGE DOUBLE DOOR - RH - W/ICE MAKER

120075-09-01A

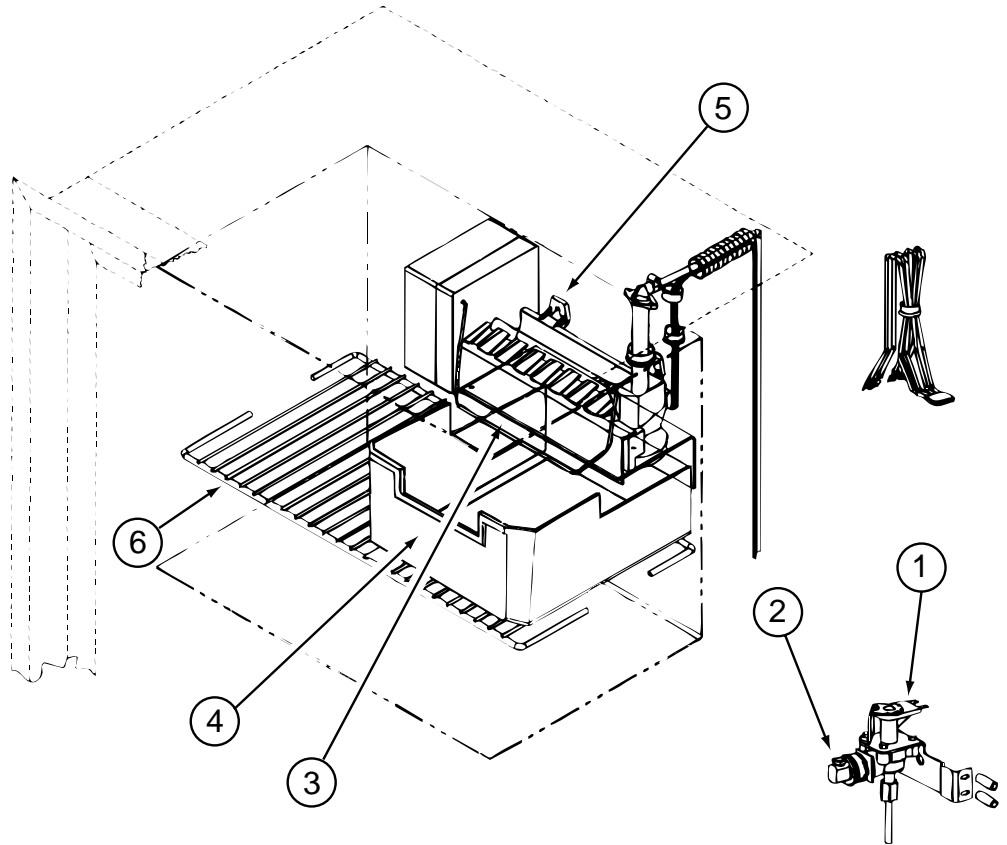


KEY	PART NUMBER	U/M	DESCRIPTION	VENDOR NO.
	120075-09-01A	EA	REFRIGERATOR - LARGE DBL DOOR RH - W/ICE MAKER-BLACK 2-WAY	
1	104137-06-715	EA	ELECTRODE-SPARK/SENSOR, SGL	61692222
2	104137-06-714	EA	BURNER ASSEMBLY, 5-SLOT	61705222
3	120075-01-737	EA	ORIFICE - JEWEL - .0155	618284
4	113737-01-702	EA	PLUG 1/8" F/PRESSURE TAP	61445322
4	113737-01-716	EA	TAP-PRESSURE	61594422
5	104137-06-709	EA	VALVE-SHUT OFF/MAN-OLD STYLE	61694922
6	113737-01-750	EA	TUBE-UNION	61694622
7	084880-01-718	EA	VALVE-GAS, (ASCO)	61551822
8	120075-01-738	EA	COVER-POWER BOARD	618185
9	120075-07-710	EA	POWER - BOARD - 2-WAY	619360
	104137-06-734	EA	VALVE-SHUT OFF/MAN-NEW STYLE	618696
	120075-01-744	EA	KIT - GAS VALVE/BURNER TUBE	620609

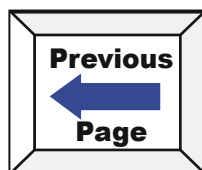


LARGE DOUBLE DOOR - RH - W/ICE MAKER

120075-09-01A

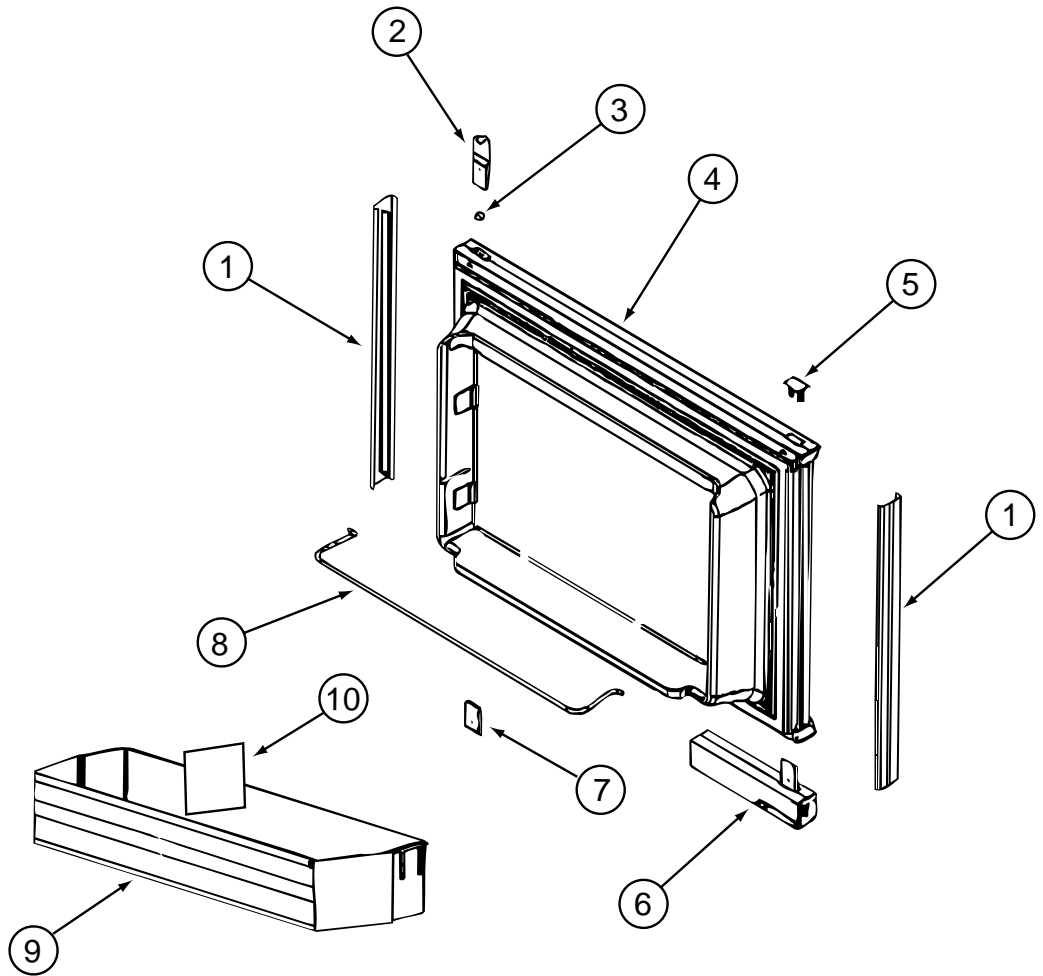


KEY	PART NUMBER	U/M	DESCRIPTION	VENDOR NO.
	120075-09-01A	EA	REFRIGERATOR - LARGE DBL DOOR RH - W/ICE MAKER-BLACK 2-WAY	
1	120075-09-701	EA	WATER VALVE W/BRACKET	618253
2	120075-03-702	EA	NUT/COMPRESSION - FITTING	61678722
3	120075-03-703	EA	ARM-SHUT OFF	61656922
4	120075-03-704	EA	BIN-ICE CUBE	618154
5	094039-07-706	EA	ICE MAKER W/O PLATES	61656522
6	120075-01-717	EA	SHELF-FREEZER, WIRE	618172

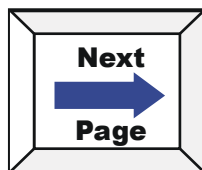


LARGE DOUBLE DOOR - RH - W/ICE MAKER

120075-10-01A

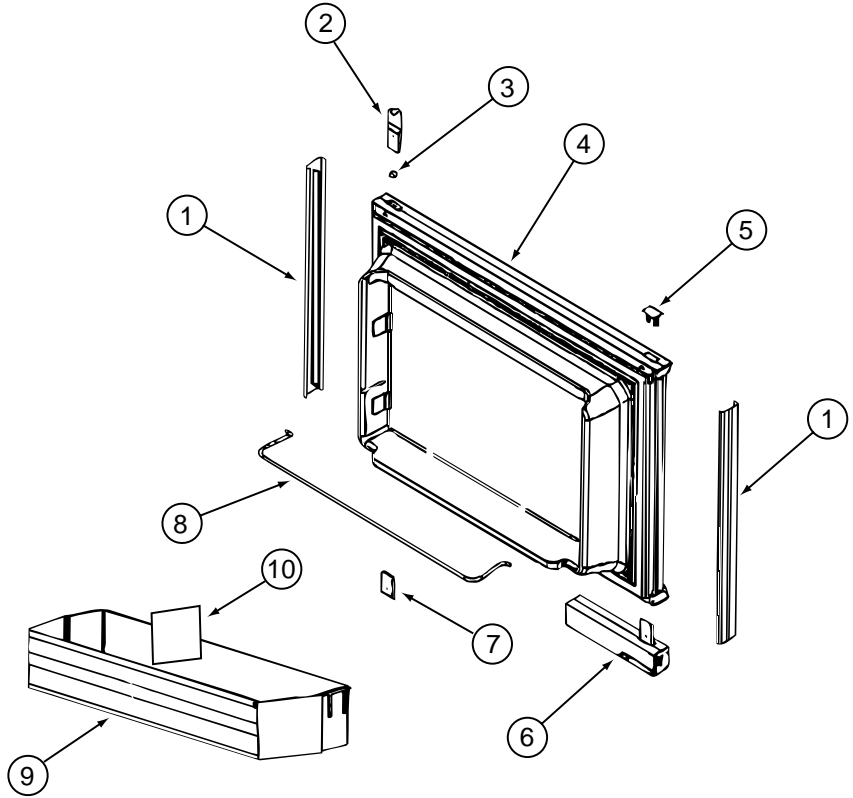


KEY	PART NUMBER	U/M	DESCRIPTION	VENDOR NO.
	120075-10-01A	EA	REFRIGERATOR - LARGE DBL DOOR LH- W/ICE MAKER-BLACK 2-WAY	
1	121568-03-700	EA	RETAINER - DOOR PANEL/BLACK	619558
2	120075-01-701	EA	HINGE-TOP RH/BOTTOM LH(DOOR)	618511
3	121568-03-701	EA	BUSHING - HINGE PIN/GRAY	619671
4	121568-03-702	EA	DOOR LINER - W/TRIM/BLACK	619627
5	120075-01-702	EA	CAP, (HINGE PLUG)	618160
6	121568-03-703	EA	HANDLE ASM TOP/RH-LWR/LH BLK	619865
7	120075-01-705	EA	HINGE-TOP LH/BOTTOM RH(DOOR)	618510
8	121568-01-700	EA	RAIL - DOOR UPPER	618618
9	120075-07-700	EA	DOOR BIN - CLEAR	619006
10	120075-07-701	EA	DIVIDER/DOOR BIN CLEAR	619008
	121568-03-704	EA	TRAVEL LATCH - GRAY	619647
	121568-03-705	EA	STORAGE LATCH - GRAY	619648

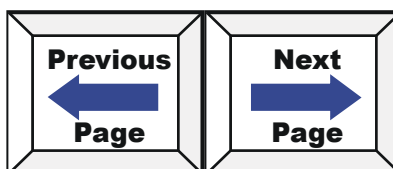


LARGE DOUBLE DOOR - RH - W/ICE MAKER

120075-10-01A

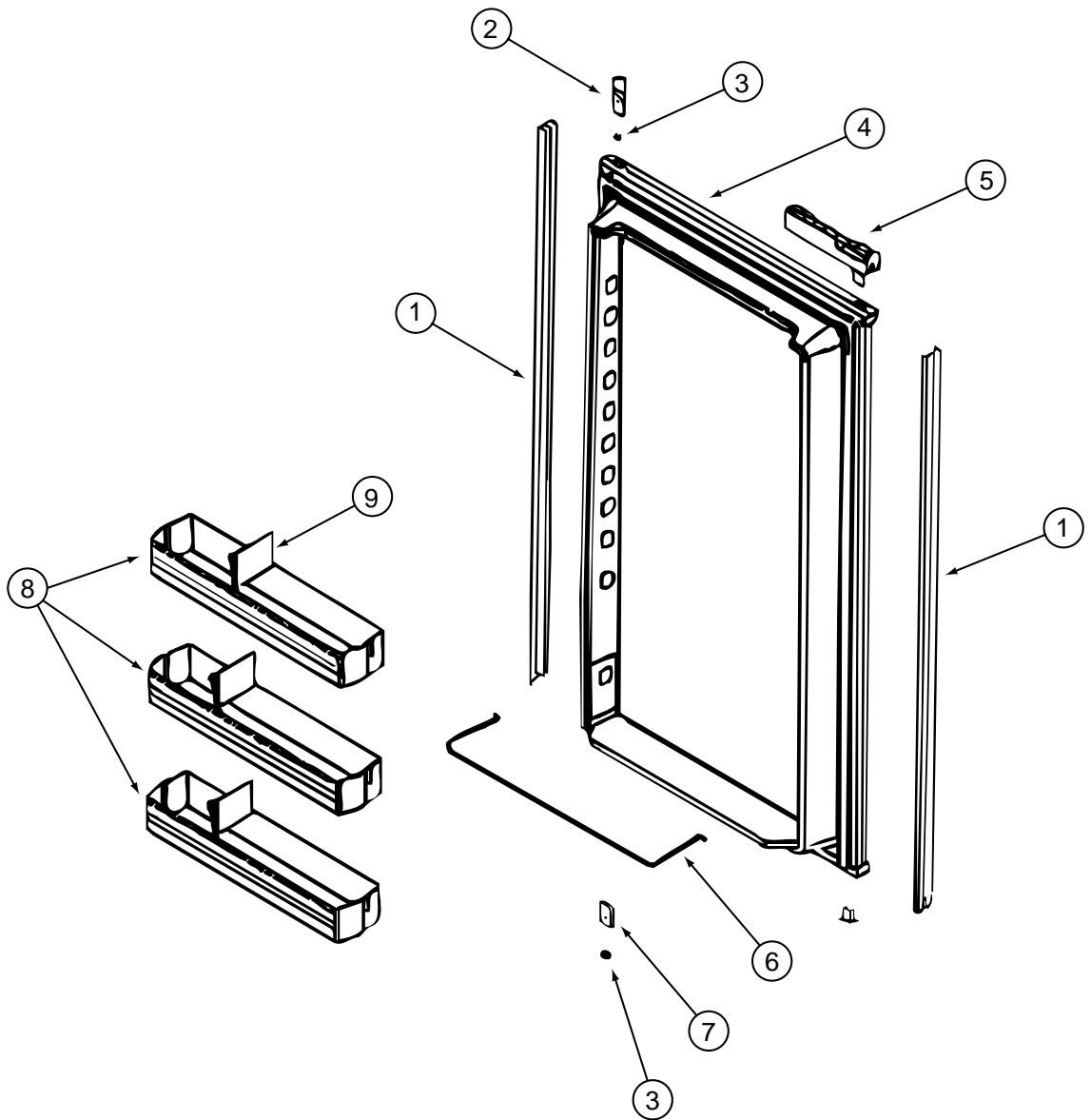


KEY	PART NUMBER	U/M	DESCRIPTION	VENDOR NO.
	120075-10-01A	EA	REFRIGERATOR - LARGE DBL DOOR LH- W/ICE MAKER-BLACK 2-WAY	
1	121568-03-700	EA	RETAINER - DOOR PANEL/BLACK	619558
2	120075-01-701	EA	HINGE-TOP RH/BOTTOM LH(DOOR)	618511
3	121568-03-701	EA	BUSHING - HINGE PIN/GRAY	619671
4	121568-03-702	EA	DOOR LINER - W/TRIM/BLACK	619627
5	120075-01-702	EA	CAP, (HINGE PLUG)	618160
6	121568-03-703	EA	HANDLE ASM TOP/RH-LWR/LH BLK	619865
7	120075-01-705	EA	HINGE-TOP LH/BOTTOM RH(DOOR)	618510
8	121568-01-700	EA	RAIL - DOOR UPPER	618618
9	120075-07-700	EA	DOOR BIN - CLEAR	619006
10	120075-07-701	EA	DIVIDER/DOOR BIN CLEAR	619008
	121568-03-704	EA	TRAVEL LATCH - GRAY	619647
	121568-03-705	EA	STORAGE LATCH - GRAY	619648

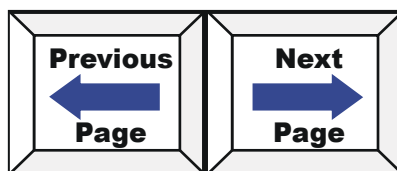


LARGE DOUBLE DOOR - RH - W/ICE MAKER

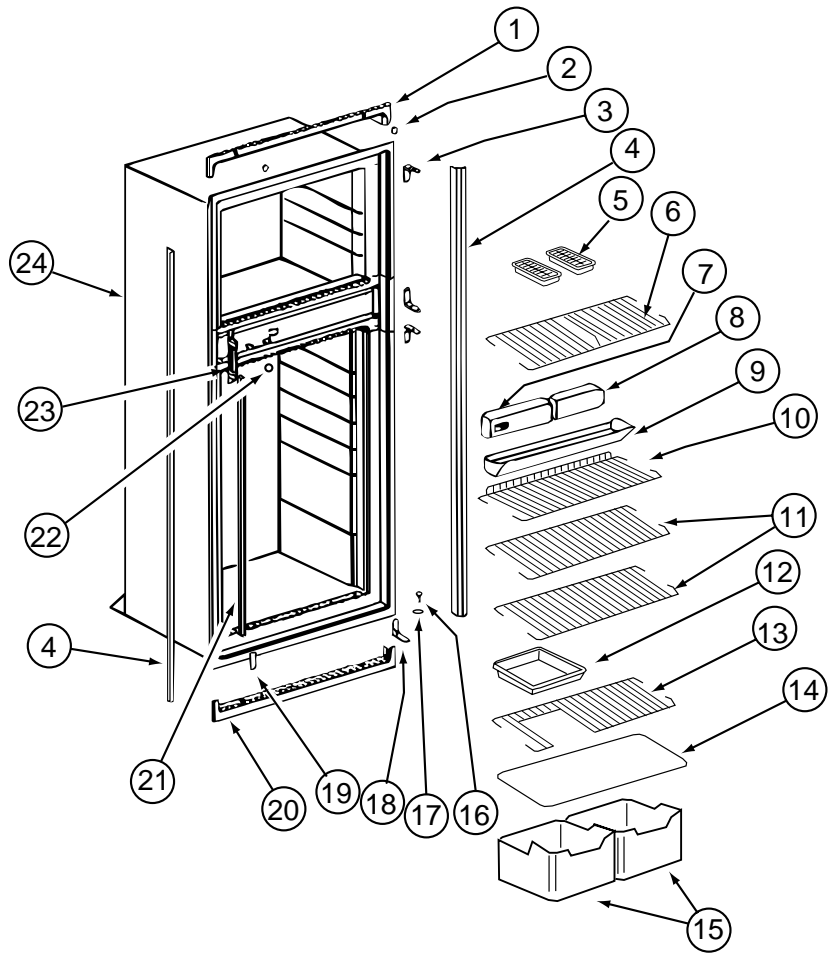
120075-10-01A



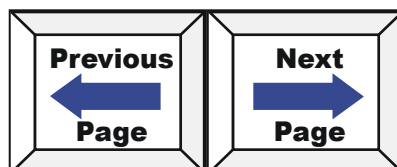
KEY	PART NUMBER	U/M	DESCRIPTION	VENDOR NO.
	120075-10-01A	EA	REFRIGERATOR - LARGE DBL DOOR LH- W/ICE MAKER-BLACK 2-WAY	
1	120075-07-702	EA	RETAINER - DOOR PANEL/BLACK	619560
2	120075-01-701	EA	HINGE-TOP RH/BOTTOM LH(DOOR)	618511
3	121568-03-701	EA	BUSHING - HINGE PIN/GRAY	619671
4	120075-07-703	EA	DOOR LINER - BLACK	619631
5	121568-03-708	EA	HANDLE ASM - TOP/LH-LWR/RH	6198669
6	121568-01-704	EA	RAIL - DOOR LOWER	618578
7	120075-01-705	EA	HINGE-TOP LH/BOTTOM RH(DOOR)	618510
8	121568-01-701	EA	BIN - DOOR WHITE	618619
9	120075-07-704	EA	DOOR BIN - LARGE/CLEAR	619005
	121568-03-704	EA	TRAVEL LATCH - GRAY	619647
	121568-03-705	EA	STORAGE LATCH - GRAY	619648
	120075-01-707	EA	DIVIDER-DOOR BIN	618637



LARGE DOUBLE DOOR - RH - W/ICE MAKER
120075-10-01A

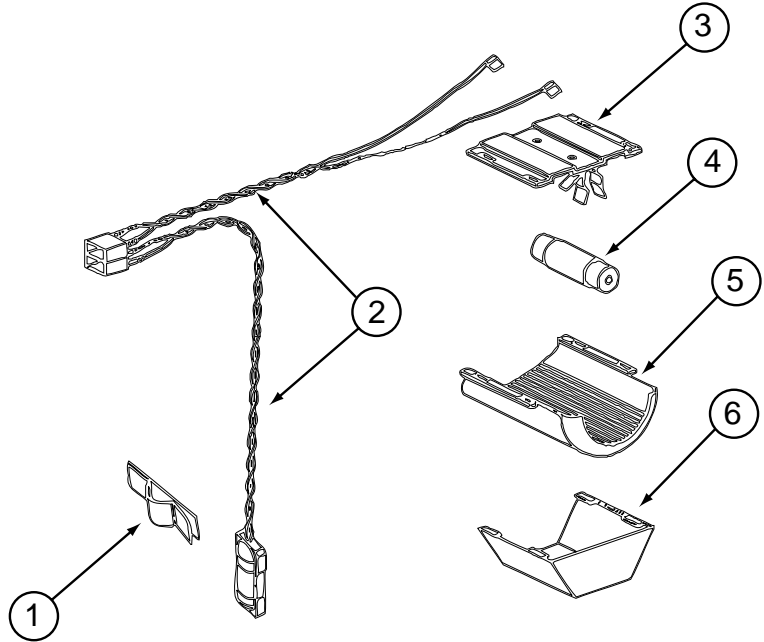


KEY	PART NUMBER	U/M	DESCRIPTION	VENDOR NO.
	120075-10-01A	EA	REFRIGERATOR - LARGE DBL DOOR LH- W/ICE MAKER-BLACK 2-WAY	
1	121568-03-709	EA	TRIM - TOP/BLACK	619687
2	120075-01-714	EA	PLUG-HOLE	618170
3	121568-03-710	EA	HINGE/CABINET-TOP/RH-LWR/LH	619335
4	120075-07-705	EA	TRIM - SIDE - BLACK	619802
5	104137-06-724	EA	ICE TRAY	61630422
6	120075-07-706	EA	SHELF - WIRE/FREEZER	620249
7	120075-07-707	EA	CONTROL BOX - BLACK	619665
8	121568-03-713	EA	FRONT BOX/DECORATIVE-BLACK	619282
9	120075-01-720	EA	TRAY-DRIP	618137
10	120075-01-722	EA	SHELF-WIRE, SHORT	618239
11	120075-01-723	EA	SHELF-WIRE	618114
12	104137-06-718	EA	SHELF-TRAY, WHITE, W/CUTOUT	617756
13	120075-01-724	EA	SHELF-WIRE, W/CUTOUT	618177
14	120075-01-725	EA	COVER-CRISPER	618158
15	120075-07-708	EA	CRISPER/ICE BIN	619007
16	120075-01-727	EA	PIN-HINGE	618145
17	121568-03-701	EA	BUSHING - HINGE PIN/GRAY	619671
18	121568-03-715	EA	HINGE/CABINET-TOP/LH-LWR/RH	619336
19	121568-03-716	EA	COVER - HINGE HOLES	619301
20	120075-01-729	EA	TRIM-BOTTOM PIECE	618136
21	120075-01-730	EA	RETAINER-SHELF	618181
22	121568-03-717	EA	HOLE PLUG - WHITE	619561
23	120075-01-732	EA	PLATE-STRIKE	618167
24	120075-09-700	EA	CABINET - FOAMED	619660
	120075-01-721	EA	LOUVER-DRIP TRAY	618176

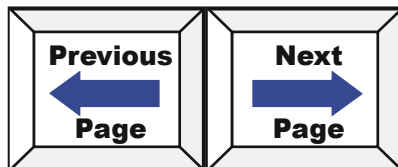


LARGE DOUBLE DOOR - RH - W/ICE MAKER

120075-10-01A

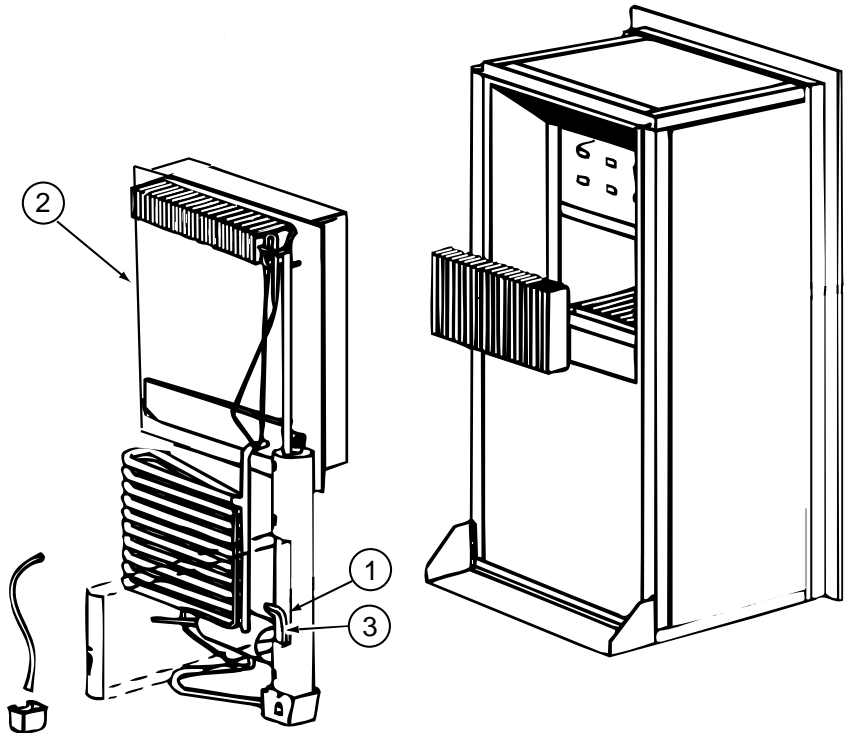


KEY	PART NUMBER	U/M	DESCRIPTION	VENDOR NO.
	120075-10-01A	EA	REFRIGERATOR - LARGE DBL DOOR LH- W/ICE MAKER-BLACK 2-WAY	
1	084880-01-760	EA	CLIP (THERMISTER)	61689122
2	120075-01-735	EA	THERMISTER W/LAMP & WIRE/ASM	618548
3	084880-03-705	EA	BRACKET-LIGHT-INTERIOR	61629722
4	084880-03-706	EA	BULB-LAMP	61628922
5	120075-01-734	EA	COVER-LENS	618190
6	084880-03-707	EA	COVER-LAMP, LENS	61627922

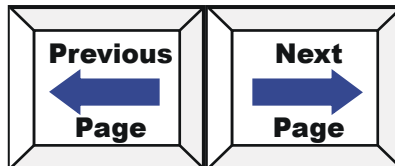


LARGE DOUBLE DOOR - RH - W/ICE MAKER

120075-10-01A

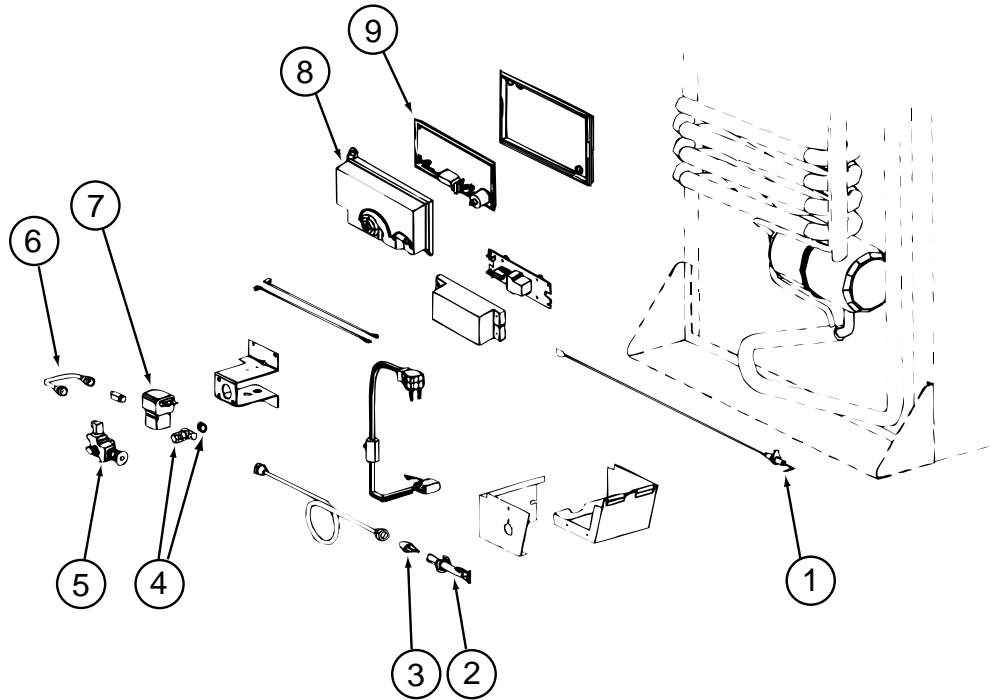


KEY	PART NUMBER	U/M	DESCRIPTION	VENDOR NO.
	120075-10-01A	EA	REFRIGERATOR - LARGE DBL DOOR LH- W/ICE MAKER-BLACK 2-WAY	
1	088248-01-710	EA	HEATER DC (HORIZONTAL)	61562822
2	120075-01-736	EA	COOLING UNIT, SERVICE PACK	618542
3	088248-01-709	EA	HEATER-AC (HORIZONTAL)	61562722

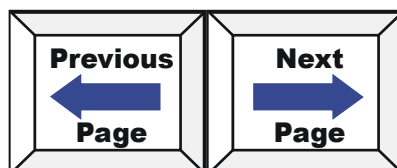


LARGE DOUBLE DOOR - RH - W/ICE MAKER

120075-10-01A

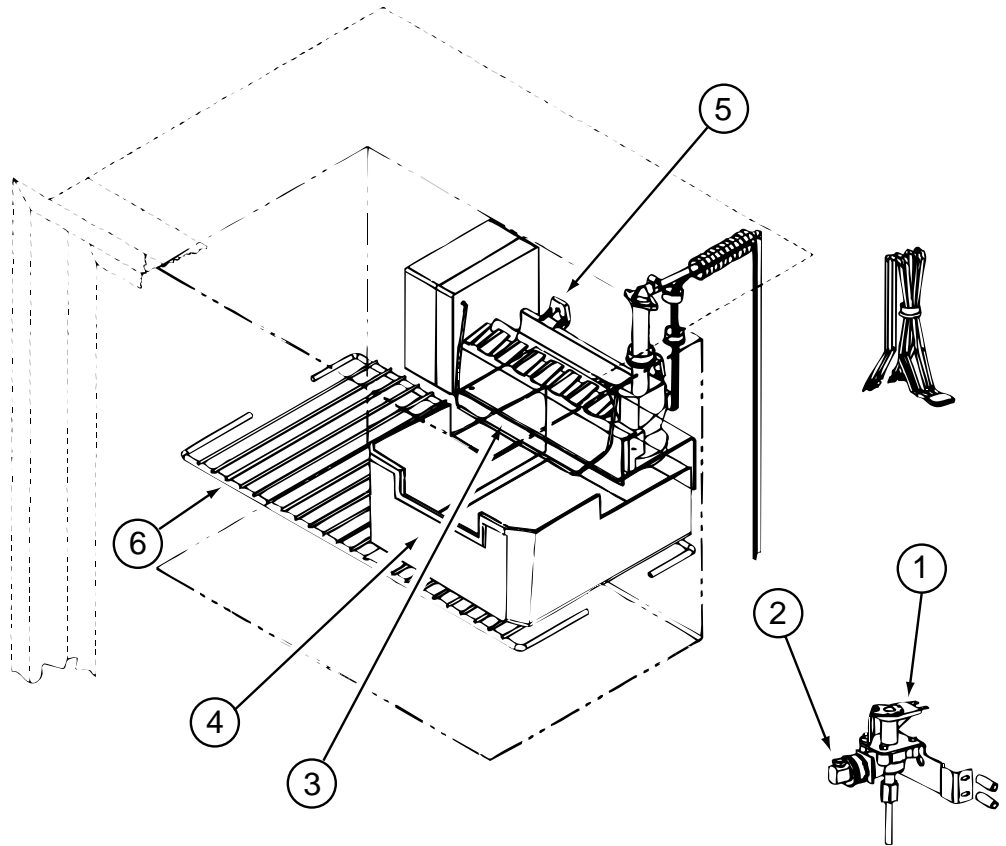


KEY	PART NUMBER	U/M	DESCRIPTION	VENDOR NO.
	120075-10-01A	EA	REFRIGERATOR - LARGE DBL DOOR LH- W/ICE MAKER-BLACK 2-WAY	
1	104137-06-715	EA	ELECTRODE-SPARK/SENSOR, SGL	61692222
2	104137-06-714	EA	BURNER ASSEMBLY, 5-SLOT	61705222
3	120075-01-737	EA	ORIFICE - JEWEL - .0155	618284
4	113737-01-702	EA	PLUG 1/8" F/PRESSURE TAP	61445322
4	113737-01-716	EA	TAP-PRESSURE	61594422
5	104137-06-709	EA	VALVE-SHUT OFF/MAN-OLD STYLE	61694922
6	113737-01-750	EA	TUBE-UNION	61694622
7	084880-01-718	EA	VALVE-GAS, (ASCO)	61551822
8	120075-01-738	EA	COVER-POWER BOARD	618185
9	120075-07-710	EA	POWER - BOARD - 2-WAY	619360
	104137-06-734	EA	VALVE-SHUT OFF/MAN-NEW STYLE	618696
	120075-01-744	EA	KIT - GAS VALVE/BURNER TUBE	620609

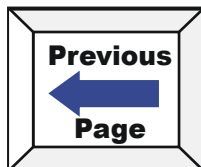


LARGE DOUBLE DOOR - RH - W/ICE MAKER

120075-10-01A



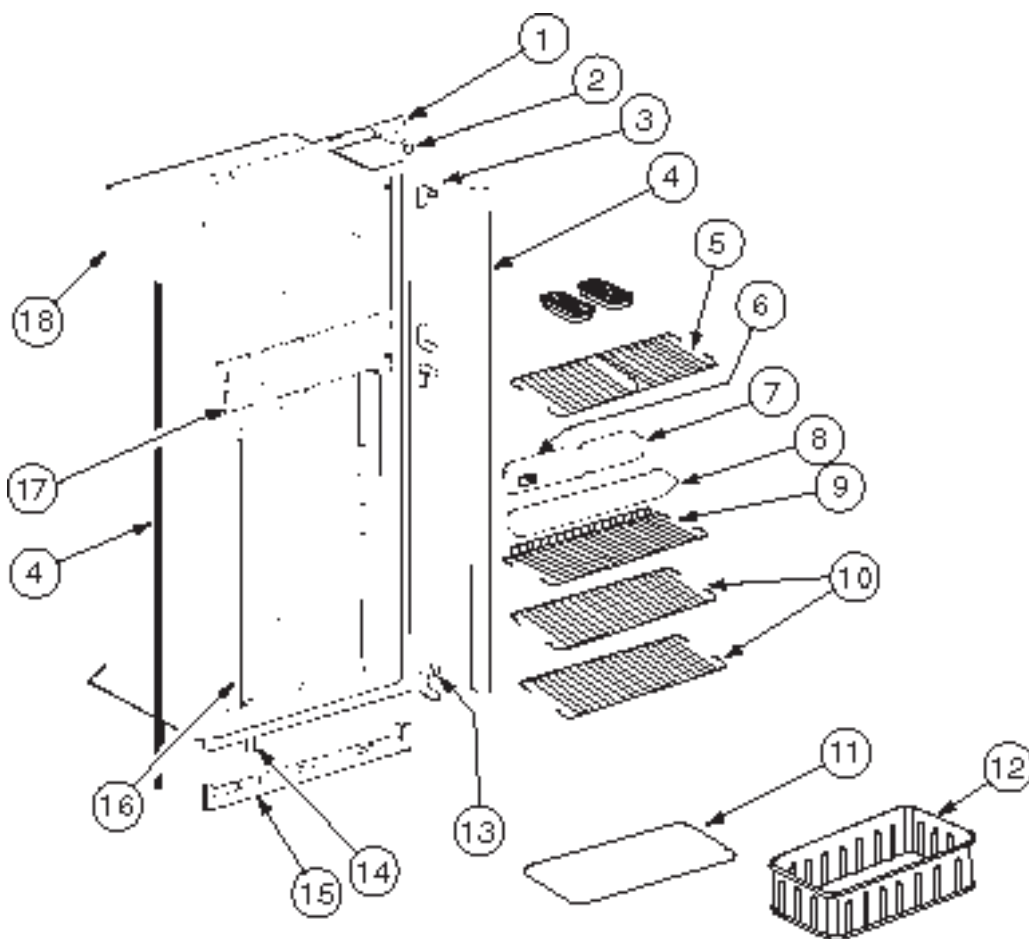
KEY	PART NUMBER	U/M	DESCRIPTION	VENDOR NO.
	120075-10-01A	EA	REFRIGERATOR - LARGE DBL DOOR LH- W/ICE MAKER-BLACK 2-WAY	
1	120075-09-701	EA	WATER VALVE W/BRACKET	618253
2	120075-03-702	EA	NUT/COMPRESSION - FITTING	61678722
3	120075-03-703	EA	ARM-SHUT OFF	61656922
4	120075-03-704	EA	BIN-ICE CUBE	618154
5	094039-07-706	EA	ICE MAKER W/O PLATES	61656522
6	120075-01-717	EA	SHELF-FREEZER, WIRE	618172



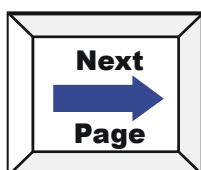
NORCOLD REFRIGERATOR SMALL DOUBLE DOOR - MODEL 633 RH - JAPAN EXPORT

KEY	PART NUMBER	U/M	DESCRIPTION	VENDOR NO.
	120076-03-01A	EA	REFRIG-SMALL DBL DR BL 3-WAY - RH	
	084880-01-718	EA	VALVE-GAS, (ASCO)	61551822
	084880-01-760	EA	CLIP (THERMISTER)	61689122
	084880-03-705	EA	BRACKET-LIGHT-INTERIOR	61629722
	084880-03-706	EA	BULB-LAMP	61628922
	088248-01-709	EA	HEATER-AC (HORIZONTAL)	61562722
	088248-01-710	EA	HEATER DC (HORIZONTAL)	61562822
	104137-06-709	EA	VALVE-SHUT OFF, MANUAL	61694922
	104137-06-714	EA	BURNER ASSEMBLY, 5-SLOT	61705222
	104137-06-715	EA	ELECTRODE-SPARK/SENSOR, SINGLE	61692222
	104137-06-718	EA	SHELF-TRAY, WHITE, W/CUTOUT	617756
	113737-01-702	EA	PLUG 1/8" F/PRESSURE TAP	61445322
	113737-01-716	EA	TAP-PRESSURE	61594422
	113737-01-750	EA	TUBE-UNION	61694622
	120075-01-700	EA	RETAINER-DOOR, DECOR PANEL	618128
	120075-01-701	EA	HINGE-TOP RH/BTM LH, PAINTED	618511
	120075-01-702	EA	CAP, (HINGE PLUG)	618160
	120075-01-703	EA	DOOR ASM., FOAMED, W/GASKET	618205
	120075-01-704	EA	HANDLE ASM, UPPER L./BTM RT	618230
	120075-01-705	EA	HINGE, PAINTED, TOP LH/BTM RT	618510
	120075-01-706	EA	BIN-DOOR	618635
	120075-01-707	EA	DIVIDER-DOOR BIN	618637
	120075-01-708	EA	BUSHING-DOOR HINGE	618144
	120075-01-711	EA	HANDLE ASM, UPPER RH/LOWER LH	618235
	120075-01-712	EA	BIN-DOOR/BOTTOM-LARGE	618634
	120075-01-713	EA	TRIM-TOP PIECE	618124
	120075-01-714	EA	PLUG-HOLE	618170
	120075-01-715	EA	HINGE-CABINET SIDE-PAINTED	618512
	120075-01-717	EA	SHELF-FREEZER, WIRE	618172
	120075-01-718	EA	BOX-FILLER	618112
	120075-01-719	EA	OPTICAL CONTROL BOX ASSEMBLY	618245
	120075-01-720	EA	TRAY-DRIP	618137
	120075-01-721	EA	LOUVER-DRIP TRAY	618176
	120075-01-722	EA	SHELF-WIRE, SHORT	618239
	120075-01-723	EA	SHELF-WIRE	618114
	120075-01-724	EA	SHELF-WIRE, W/CUTOUT	618177
	120075-01-725	EA	COVER-CRISPER	618158
	120075-01-726	EA	CRISPER	618154
	120075-01-727	EA	PIN-HINGE	618145
	120075-01-728	EA	COVER-HINGE HOLE	618171
	120075-01-729	EA	TRIM-BOTTOM PIECE	618136
	120075-01-730	EA	RETAINER-SHELF	618181
	120075-01-731	EA	PLUG-FACADE	618184
	120075-01-732	EA	PLATE-STRIKE	618167
	120075-01-734	EA	COVER-LENS	618190
	120075-01-735	EA	WIRE ASM.-LAMP	618548
	120076-01-700	EA	RETAINER-LOWER DOOR PANEL	618132
	120076-03 700	EA	BOARD - POWER/3-WAY	618224
	116751-01-01A	EA	TRAY-REFRIGERATOR BLK	
	054450-01-000	EA	LEVEL-REFRIGERATOR	

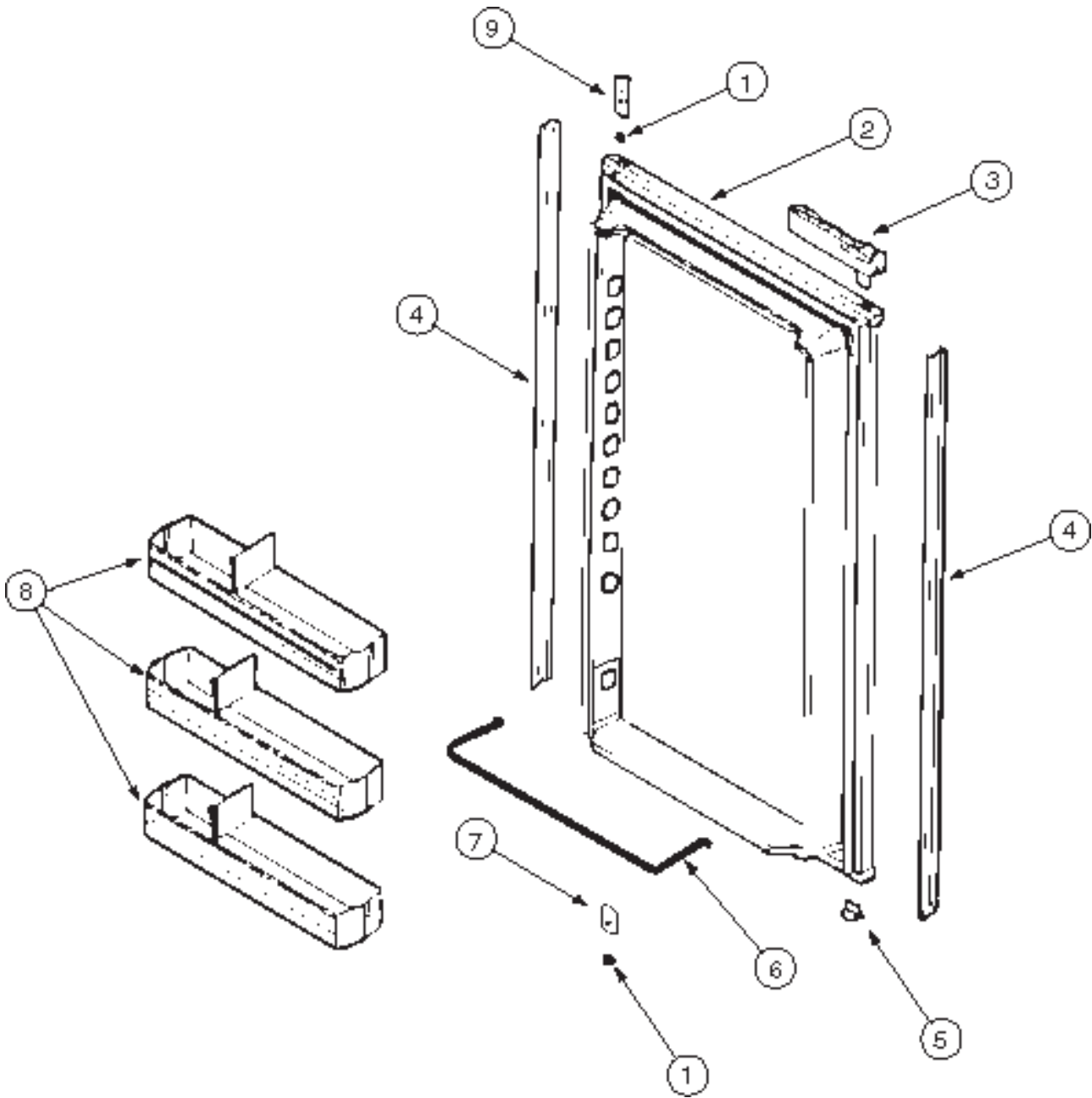
NORCOLD
MODEL 9162



KEY	PART NUMBER	U/M	DESCRIPTION	VENDOR NO.
	121568-01-01A	EA	REFRIGERATOR - SMALL DOUBLE DOOR - RIGHT HAND - 2-WAY	
1	120075-01-713	EA	TRIM-TOP PIECE	618124
2	120075-01-714	EA	PLUG-HOLE	618170
3	120075-01-715	EA	HINGE-CABINET SIDE, PAINTED	618512
	120075-01-708	EA	BUSHING-DOOR HINGE	618144
4	120076-01-702	EA	TRIM, SIDE PIECE	618133
5	121568-01-705	EA	SHELF-WIRE, FREEZER	618620
6	121568-01-706	EA	CONTROL BOX ASSEMBLY	618588
7	120075-01-718	EA	BOX-FILLER	618112
8	120075-01-720	EA	TRAY-DRIP	618137
	120075-01-721	EA	LOUVER-DRIP TRAY	618176
9	121568-01-707	EA	SHELF-WIRE, SHORT	618624
10	121568-01-708	EA	SHELF-WIRE	618589
11	120075-01-725	EA	COVER-CRISPER	618158
12	121568-01-709	EA	CRISPER	618571
13	120075-01-727	EA	PIN-HINGE	618145
14	120075-01-728	EA	COVER-HINGE HOLE	618171
15	120075-01-729	EA	TRIM-BOTTOMPIECE	618136
16	120075-01-730	EA	RETAINER-SHELF	618181
17	120075-01-732	EA	PLATE-STRIKE	618167
18	120076-01-703	EA	CABINET-FOAMED	618260
	120075-01-731	EA	PLUG-FACADE	618184
	116751-06-01A	EA	TRAY-REFRIGERATOR	

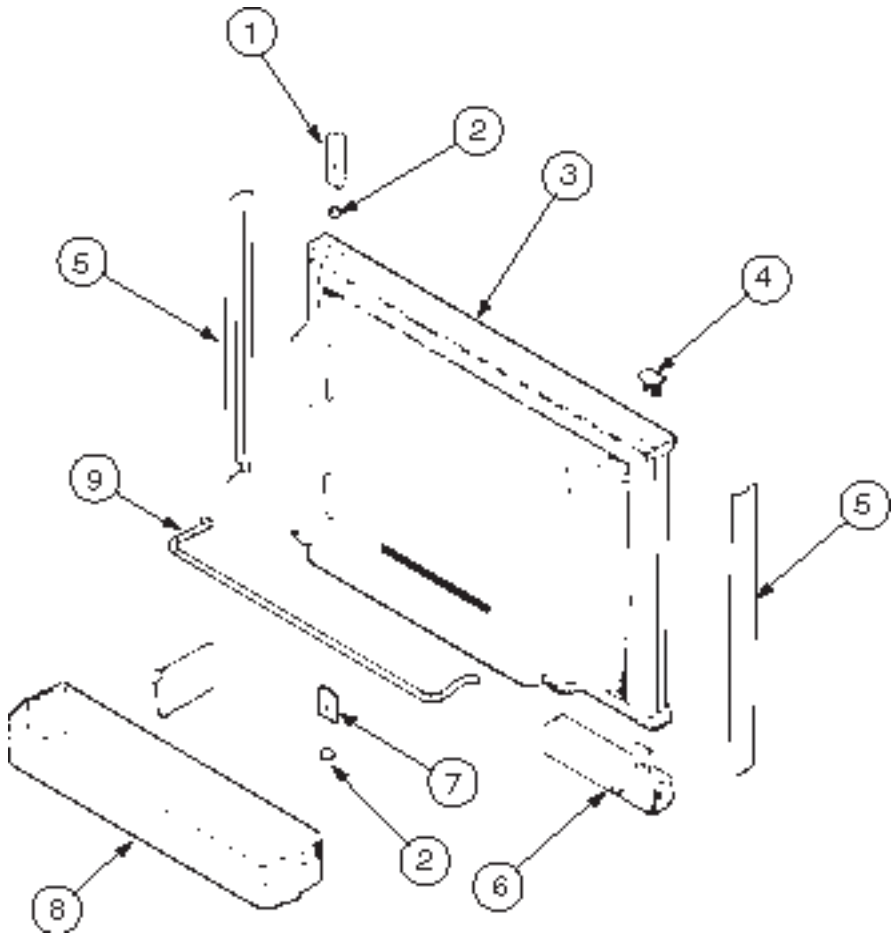


NORCOLD
MODEL 9162

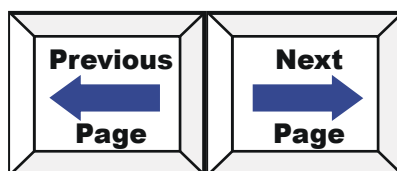


KEY	PART NUMBER	U/M	DESCRIPTION	VENDOR NO.
	121568-01-01A	EA	REFRIGERATOR - SMALL DOUBLE DOOR - RIGHT HAND - 2-WAY	
1	120075-01-708	EA	BUSHING-DOOR HINGE	618144
2	120076-01-701	EA	DOOR-LOWER-FOAMED, W/GASKET	618210
3	120075-01-711	EA	DOOR HANDLE - UPR LH/LWR RH	618235
3	121568-01-702	EA	DOOR HANDLE - UPR RH/LWR LH	18230
4	120076-01-700	EA	RETAINER-LOWER DOOR PANEL	618132
5	120075-01-702	EA	CAP-HINGE PLUG	618160
6	121568-01-704	EA	RAIL-DOOR, LOWER	618578
7	120075-01-705	EA	HINGE-PAINTED, TOP LH/BOTTOM RH	618510
8	121568-01-701	EA	BIN-DOOR, WHITE	618619
9	120075-01-701	EA	HINGE-TOP RH/BOTTOM LH, PAINTED	618511

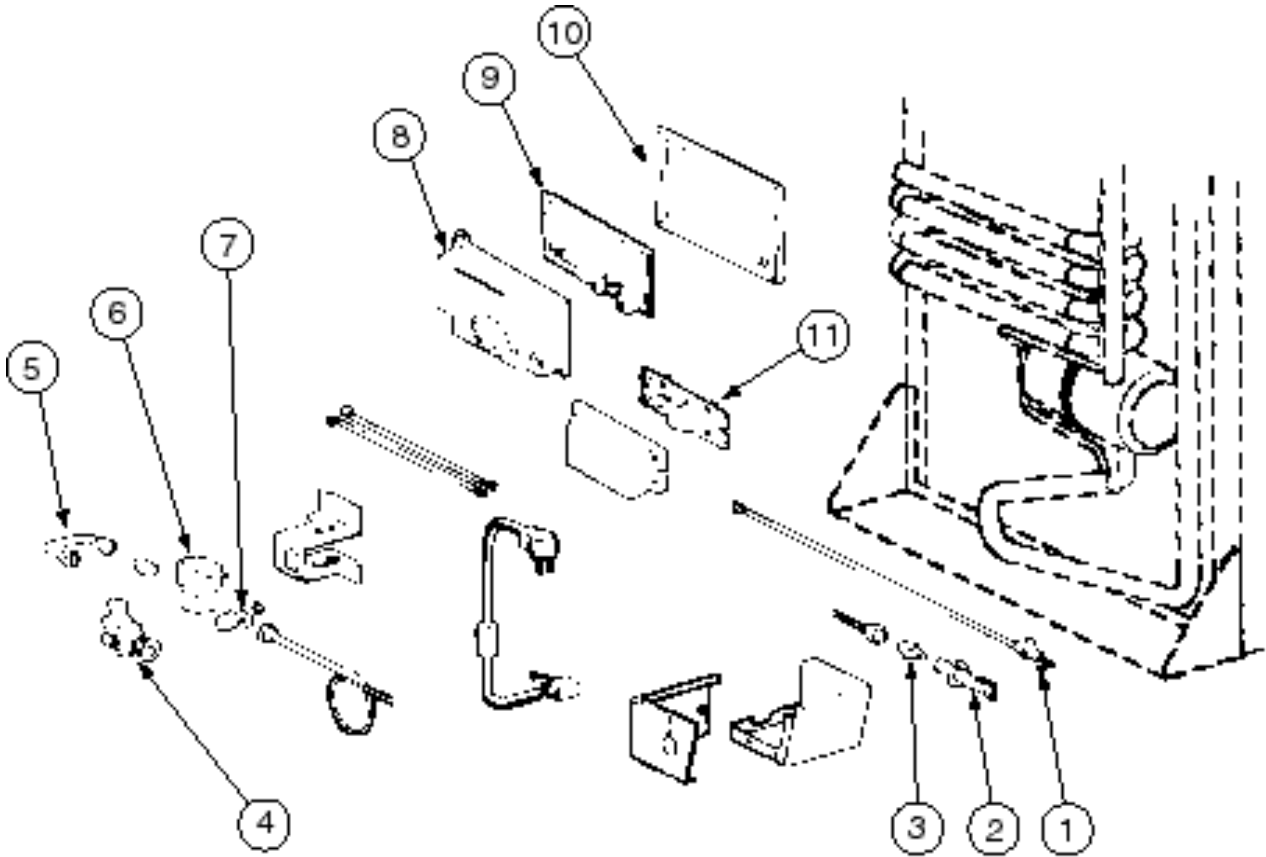
**NORCOLD
MODEL 9162**



KEY	PART NUMBER	U/M DESCRIPTION	VENDOR NO.
	121568-01-01A	EA REFRIGERATOR - SMALL DOUBLE DOOR - RIGHT HAND - 2-WAY	
1	120075-01-701	EA HINGE-TOP RH/BOTTOM LH, PAINTED	618511
2	120075-01-708	EA BUSHING-DOOR HINGE	618144
3	120075-01-703	EA DOOR ASSEMBLY-FOAMED, W/GASKET	618205
4	120075-01-702	EA CAP-HINGE PLUG	618160
5	120075-01-700	EA RETAINER-DOOR, DECOR PANEL	618128
6	121568-01-702	EA DOOR HANDLE - UPR RH/LWR LH FROM: 00-00-00 THRU: 02-26-97	618230
6	120075-01-711	EA DOOR HANDLE - UPR LH/LWR RH FROM: 02-27-97 THRU: 99-99-99	618235
7	120075-01-705	EA HINGE-PAINTED, TOP LH/BOTTOM RH	618510
8	121568-01-701	EA BIN-DOOR, WHITE	618619
9	121568-01-700	EA RAIL-DOOR, UPPER	618618

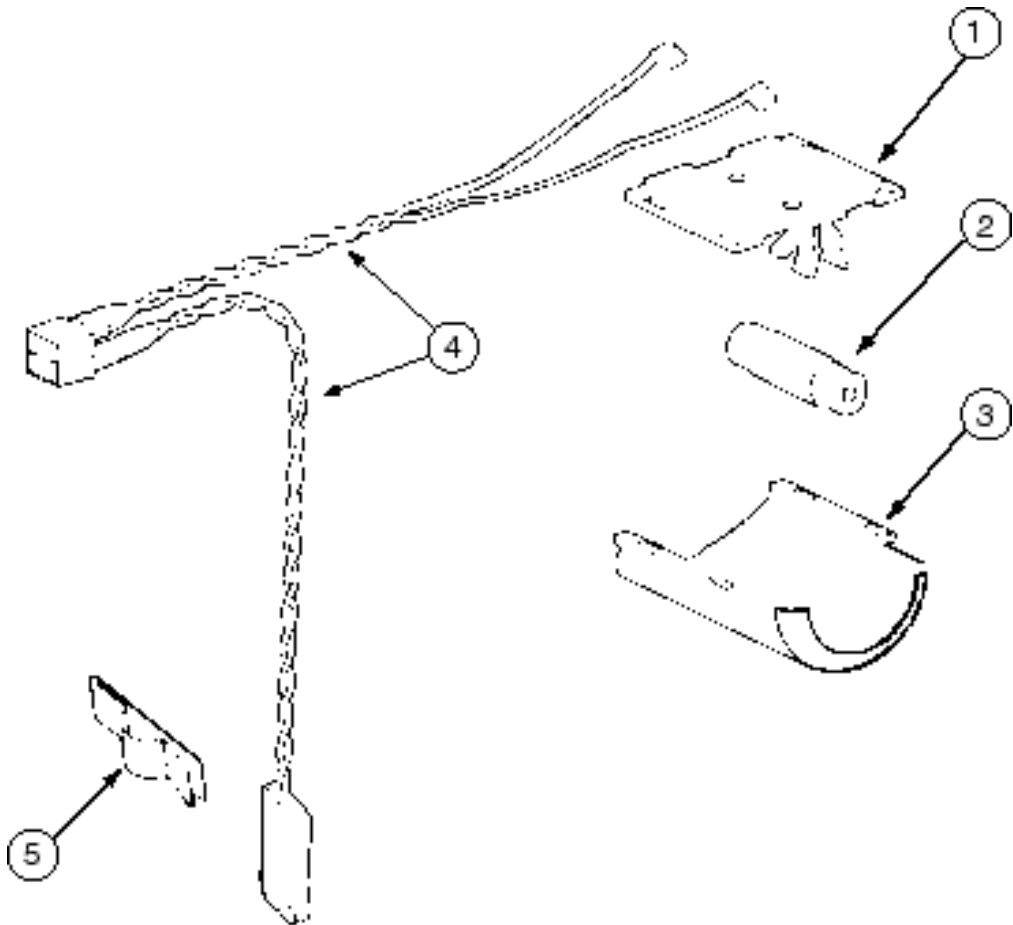


NORCOLD
MODEL 9162

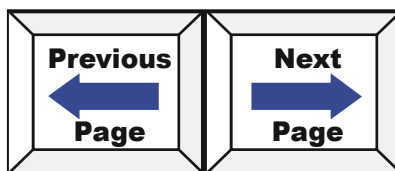


KEY	PART NUMBER	U/M	DESCRIPTION	VENDOR NO.
	121568-01-01A	EA	REFRIGERATOR - SMALL DOUBLE DOOR - RIGHT HAND - 2-WAY	
1	084880-01-718	EA	VALVE-GAS, ASCO	61551822
2	104137-06-709	EA	VALVE-SHUT OFF, MANUAL	61694922
3	104137-06-714	EA	BURNER ASSEMBLY, 5 SLOT	61705222
4	104137-06-715	EA	ELECTRODE-SPARK/SENSOR, SGL	61692222
5	113737-01-716	EA	TAP-PRESSURE	61594422
6	113737-01-702	EA	PLUG - 1/8" F/PRESSURE TAP	61445322
7	113737-01-750	EA	TUBE-UNION	61694622
8	120076-01-705	EA	ORIFICE-JEWEL, .015	618283
9	120075-01-738	EA	COVER-POWER BOARD	618185
10	120075-01-741	EA	BOARD-POWER, 2-WAY	618574
11	120075-01-740	EA	COVER-BASE, POWER BOARD	618186

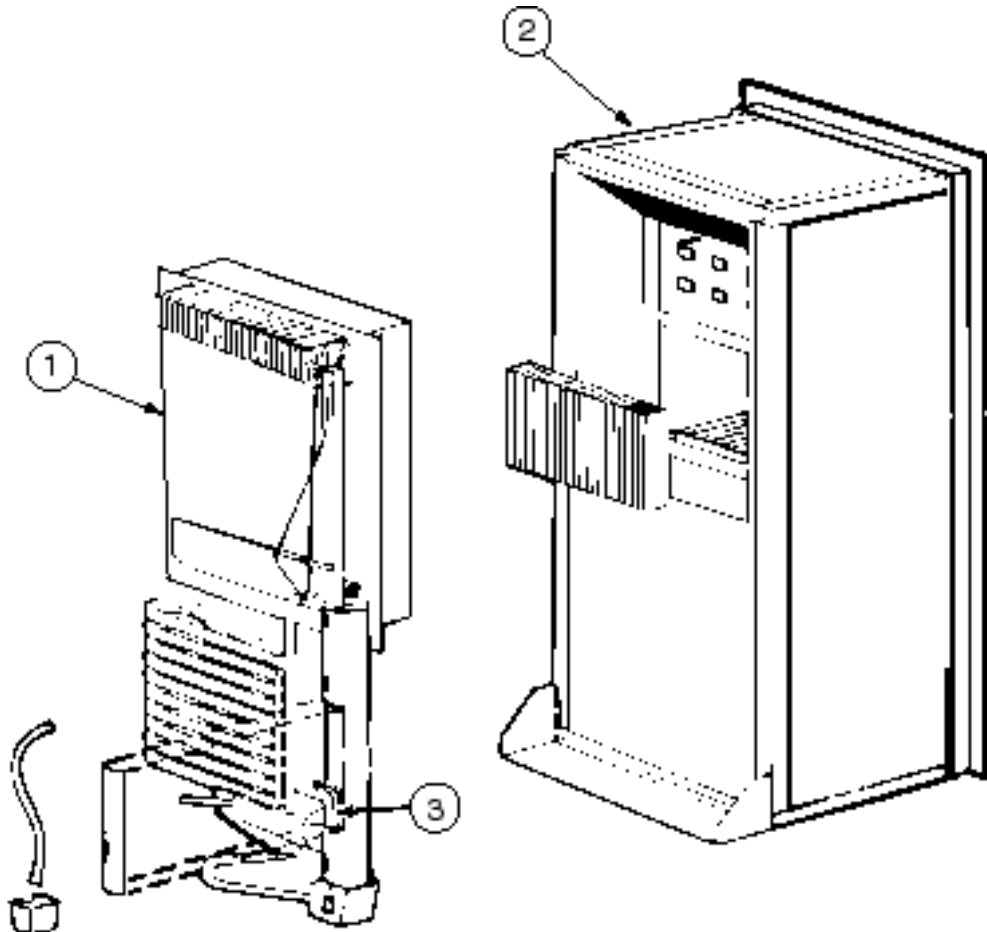
NORCOLD
MODEL 9162



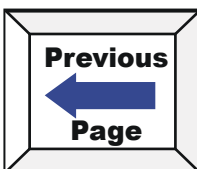
KEY	PART NUMBER	U/M	DESCRIPTION	VENDOR NO.
	121568-01-01A	EA	REFRIGERATOR - SMALL DOUBLE DOOR - RIGHT HAND - 2-WAY	
1	084880-03-705	EA	BRACKET-LIGHT, INTERIOR	61629722
2	084880-03-706	EA	BULB-LAMP	61628922
3	084880-03-707	EA	COVER-LAMP, LENS	61627922
4	120075-01-735	EA	THERMISTER W/LAMP & WIRE/ASM	618548
5	084880-01-760	EA	CLIP-THERMISTER	61689122



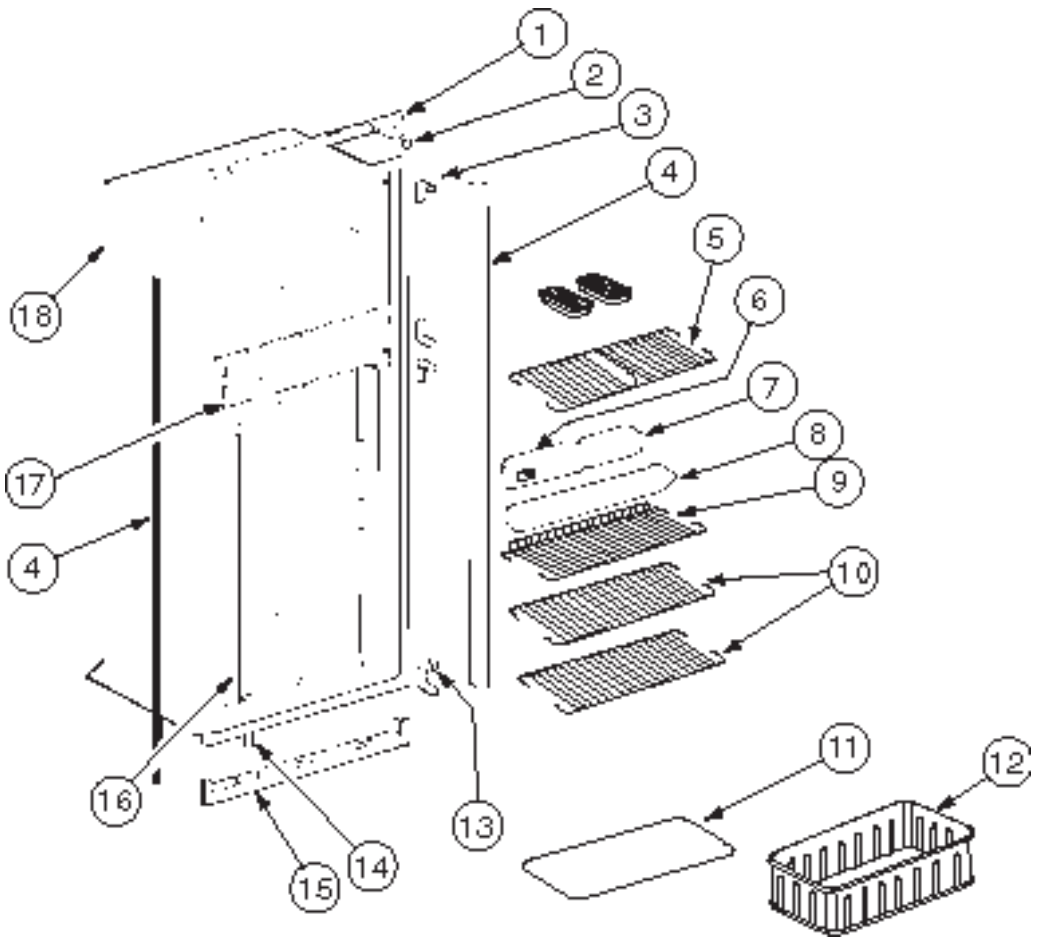
NORCOLD
MODEL 9162



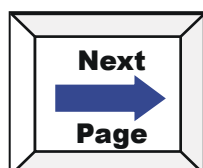
KEY	PART NUMBER	U/M	DESCRIPTION	VENDOR NO.
	121568-01-01A	EA	REFRIGERATOR - SMALL DOUBLE DOOR - RIGHT HAND - 2-WAY	
1	120076-01-704	EA	COOLING UNIT-SERVICE PACK	618543
2	120076-01-703	EA	CABINET-FOAMED	618260
3	088248-01-709	EA	HEATER-AC, HORIZONTAL	61562722



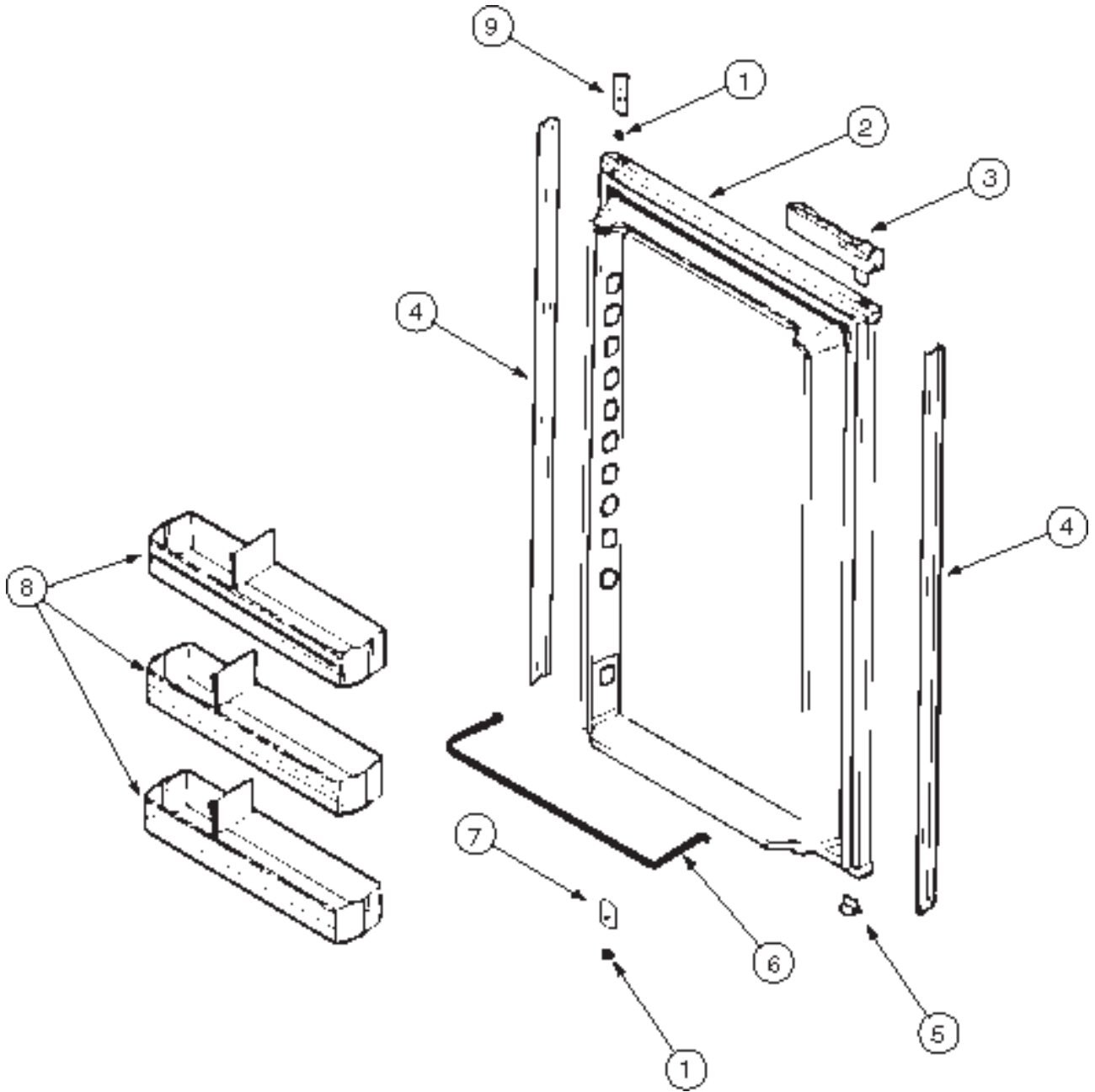
NORCOLD
MODEL 9162



KEY	PART NUMBER	U/M	DESCRIPTION	VENDOR NO.
	121568-02-01A	EA	REFRIGERATOR - SMALL DOUBLE DOOR - LEFT HAND - 2-WAY	
1	120075-01-713	EA	TRIM-TOP PIECE	618124
2	120075-01-714	EA	PLUG-HOLE	618170
3	120075-01-715	EA	HINGE-CABINET SIDE, PAINTED	618512
	120075-01-708	EA	BUSHING-DOOR HINGE	618144
4	120076-01-702	EA	TRIM, SIDE PIECE	618133
5	121568-01-705	EA	SHELF-WIRE, FREEZER	618620
6	121568-01-706	EA	CONTROL BOX ASSEMBLY	618588
7	120075-01-718	EA	BOX-FILLER	618112
8	120075-01-720	EA	TRAY-DRIP	618137
	120075-01-721	EA	LOUVER-DRIP TRAY	618176
9	121568-01-707	EA	SHELF-WIRE, SHORT	618624
10	121568-01-708	EA	SHELF-WIRE	618589
11	120075-01-725	EA	COVER-CRISPER	618158
12	121568-01-709	EA	CRISPER	618571
13	120075-01-727	EA	PIN-HINGE	618145
14	120075-01-728	EA	COVER-HINGE HOLE	618171
15	120075-01-729	EA	TRIM-BOTTOMPIECE	618136
16	120075-01-730	EA	RETAINER-SHELF	618181
17	120075-01-732	EA	PLATE-STRIKE	618167
18	120076-01-703	EA	CABINET-FOAMED	618260
	120075-01-731	EA	PLUG-FACADE	618184
	116751-06-01A	EA	TRAY-REFRIGERATOR	

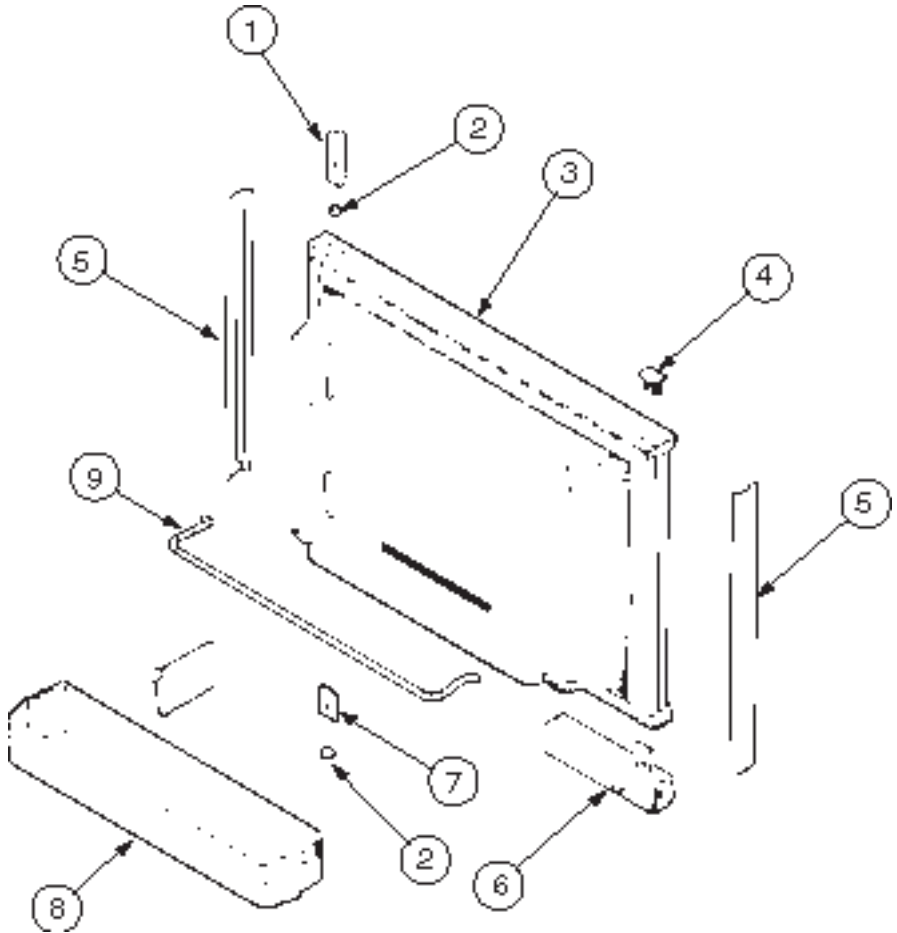


NORCOLD
MODEL 9162

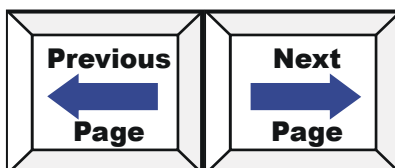


KEY	PART NUMBER	U/M	DESCRIPTION	VENDOR NO.
	121568-02-01A	EA	REFRIGERATOR - SMALL DOUBLE DOOR - LEFT HAND - 2-WAY	
1	120075-01-708	EA	BUSHING-DOOR HINGE	618144
2	120076-01-701	EA	DOOR-LOWER-FOAMED, W/GASKET	618210
3	120075-01-711	EA	DOOR HANDLE - UPR LH/LWR RH	618235
3	121568-01-702	EA	DOOR HANDLE - UPR RH/LWR LH	18230
4	120076-01-700	EA	RETAINER-LOWER DOOR PANEL	618132
5	120075-01-702	EA	CAP-HINGE PLUG	618160
6	121568-01-704	EA	RAIL-DOOR, LOWER	618578
7	120075-01-705	EA	HINGE-PAINTED, TOP LH/BOTTOM RH	618510
8	121568-01-701	EA	BIN-DOOR, WHITE	618619
9	120075-01-701	EA	HINGE-TOP RH/BOTTOM LH, PAINTED	618511

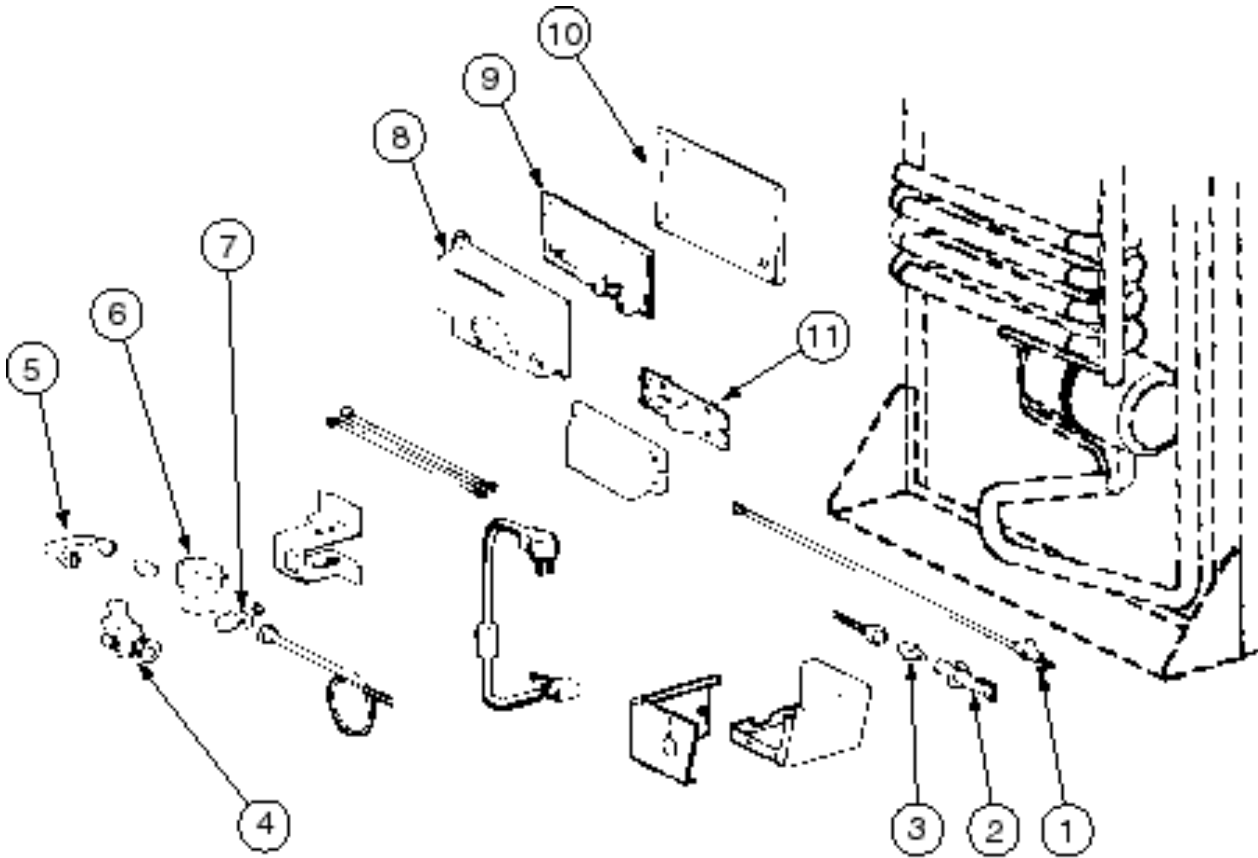
**NORCOLD
MODEL 9162**



KEY	PART NUMBER	U/M	DESCRIPTION	VENDOR NO.
	121568-02-01A	EA	REFRIGERATOR - SMALL DOUBLE DOOR - LEFT HAND - 2-WAY	
1	120075-01-701	EA	HINGE-TOP RH/BOTTOM LH, PAINTED	618511
2	120075-01-708	EA	BUSHING-DOOR HINGE	618144
3	120075-01-703	EA	DOOR ASSEMBLY-FOAMED, W/GASKET	618205
4	120075-01-702	EA	CAP-HINGE PLUG	618160
5	120075-01-700	EA	RETAINER-DOOR, DECOR PANEL	618128
6	121568-01-702	EA	DOOR HANDLE - UPR RH/LWR LH	618230
			FROM: 00-00-00 THRU: 02-26-97	
6	120075-01-711	EA	DOOR HANDLE - UPR LH/LWR RH	618235
			FROM: 02-27-97 THRU: 99-99-99	
7	120075-01-705	EA	HINGE-PAINTED, TOP LH/BOTTOM RH	618510
8	121568-01-701	EA	BIN-DOOR, WHITE	618619
9	121568-01-700	EA	RAIL-DOOR, UPPER	618618

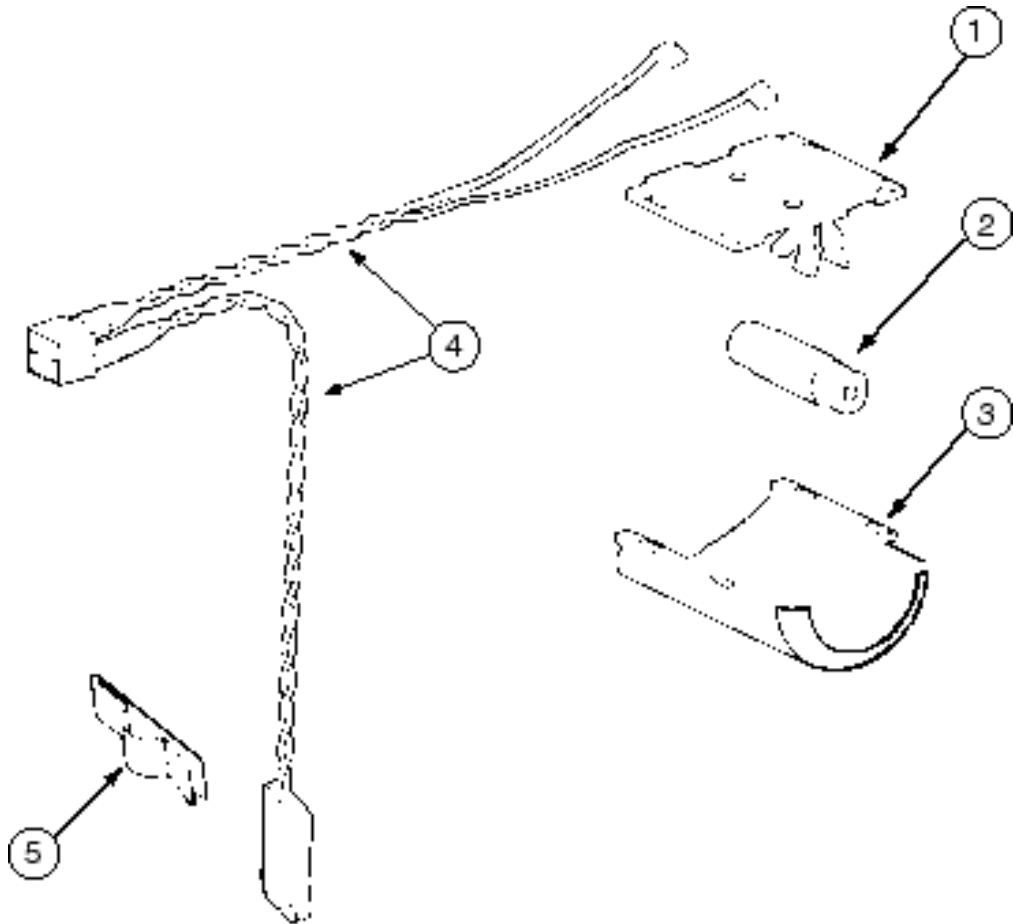


NORCOLD
MODEL 9162

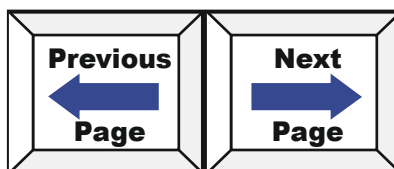


KEY	PART NUMBER	U/M	DESCRIPTION	VENDOR NO.
	121568-02-01A	EA	REFRIGERATOR - SMALL DOUBLE DOOR - LEFT HAND - 2-WAY	
1	084880-01-718	EA	VALVE-GAS, ASCO	61551822
2	104137-06-709	EA	VALVE-SHUT OFF, MANUAL	61694922
3	104137-06-714	EA	BURNER ASSEMBLY, 5 SLOT	61705222
4	104137-06-715	EA	ELECTRODE-SPARK/SENSOR, SGL	61692222
5	113737-01-716	EA	TAP-PRESSURE	61594422
6	113737-01-702	EA	PLUG - 1/8" F/PRESSURE TAP	61445322
7	113737-01-750	EA	TUBE-UNION	61694622
8	120076-01-705	EA	ORIFICE-JEWEL, .015	618283
9	120075-01-738	EA	COVER-POWER BOARD	618185
10	120075-01-741	EA	BOARD-POWER, 2-WAY	618574
11	120075-01-740	EA	COVER-BASE, POWER BOARD	618186

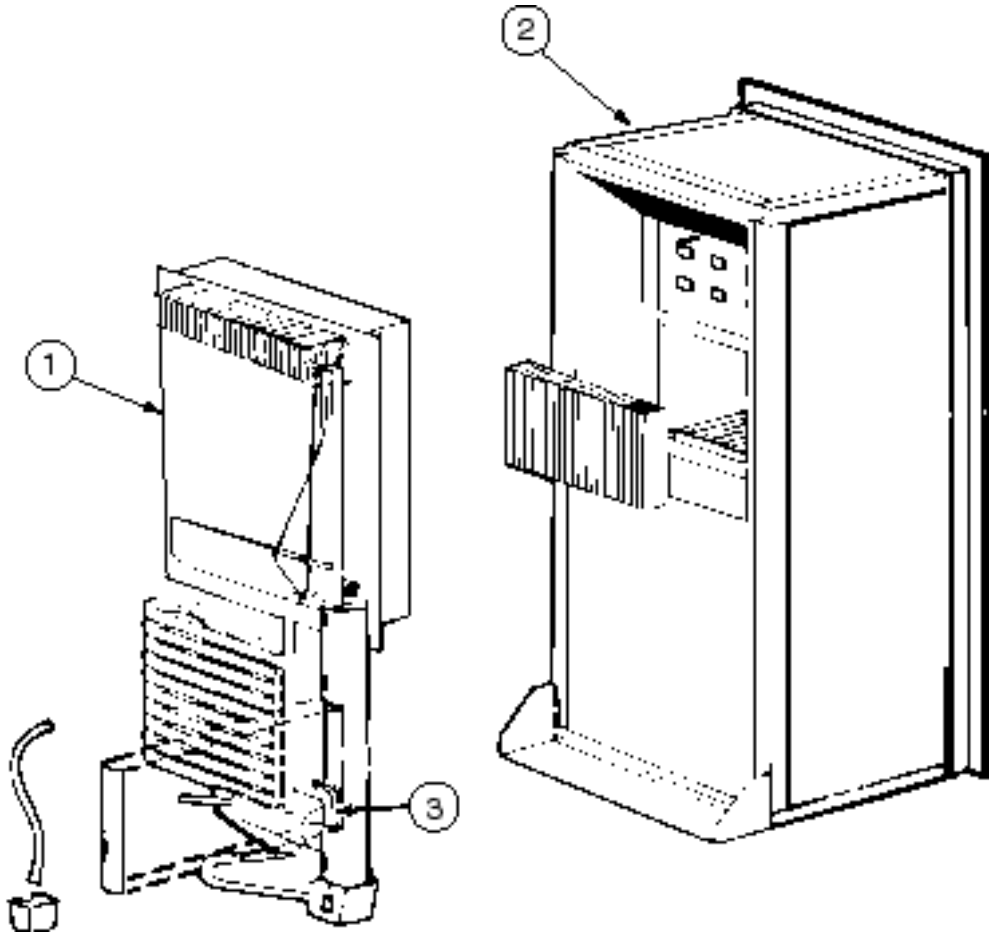
NORCOLD
MODEL 9162



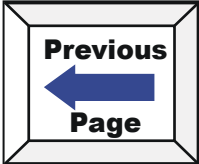
KEY	PART NUMBER	U/M	DESCRIPTION	VENDOR NO.
	121568-02-01A	EA	REFRIGERATOR - SMALL DOUBLE DOOR - LEFT HAND - 2-WAY	
1	084880-03-705	EA	BRACKET-LIGHT, INTERIOR	61629722
2	084880-03-706	EA	BULB-LAMP	61628922
3	084880-03-707	EA	COVER-LAMP, LENS	61627922
4	120075-01-735	EA	THERMISTER W/LAMP & WIRE/ASM	618548
5	084880-01-760	EA	CLIP-THERMISTER	61689122



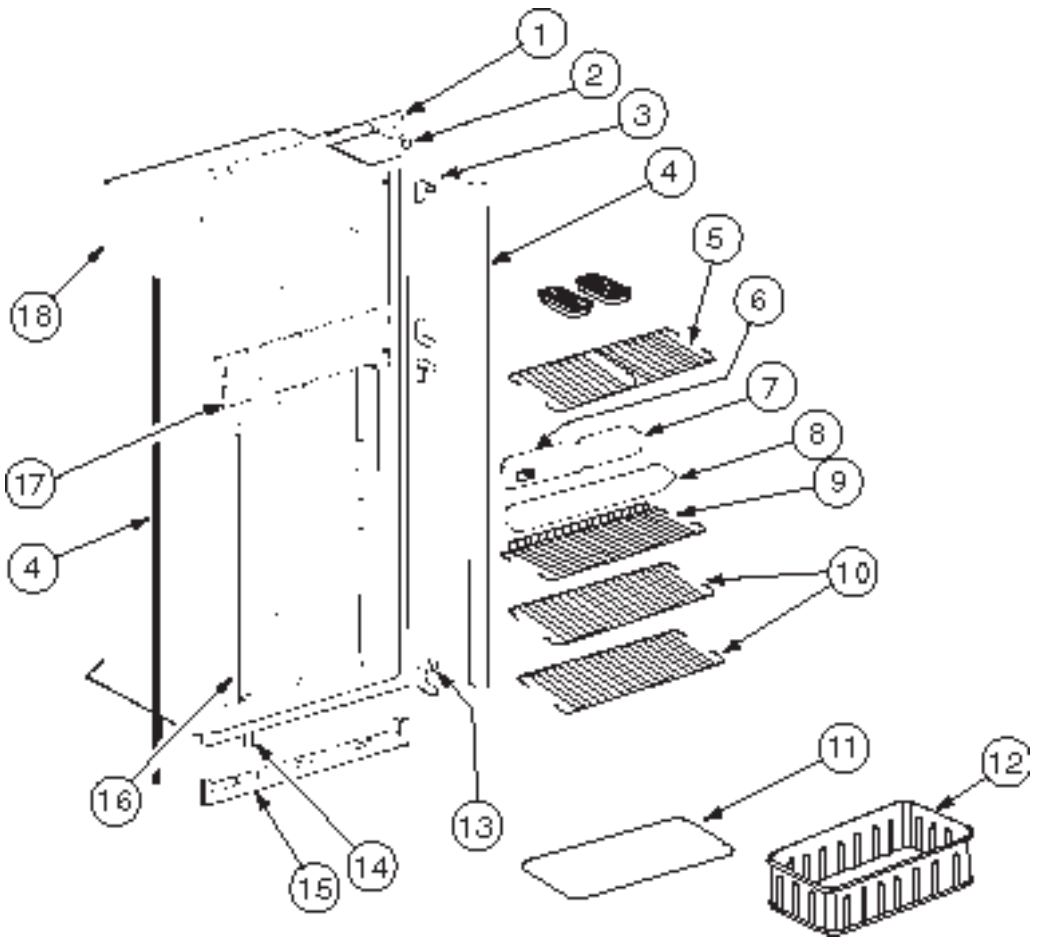
NORCOLD
MODEL 9162



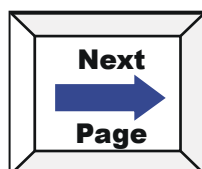
KEY	PART NUMBER	U/M	DESCRIPTION	VENDOR NO.
	121568-02-01A	EA	REFRIGERATOR - SMALL DOUBLE DOOR - LEFT HAND - 2-WAY	
1	120076-01-704	EA	COOLING UNIT-SERVICE PACK	618543
2	120076-01-703	EA	CABINET-FOAMED	618260
3	088248-01-709	EA	HEATER-AC, HORIZONTAL	61562722



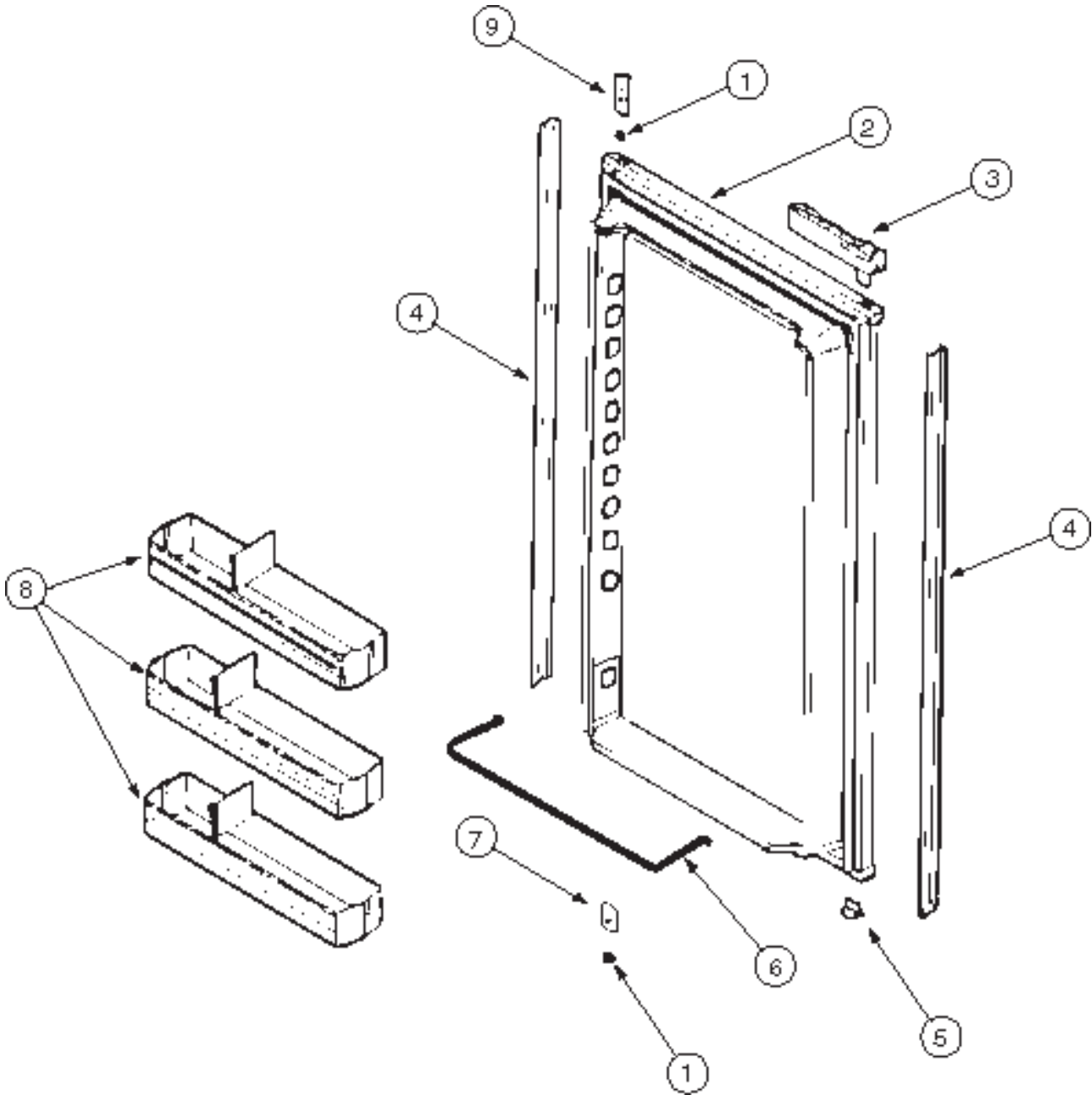
NORCOLD
MODEL 9162



KEY	PART NUMBER	U/M	DESCRIPTION	VENDOR NO.
	121568-03-01A	EA	REFRIGERATOR - SMALL DBL DOOR/BLK-52.8"HX23.5"WX24"D-2-WAY	
1	121568-03-709	EA	TRIM - TOP/BLACK	619687
2	120075-01-714	EA	PLUG-HOLE	618170
3	121568-03-710	EA	HINGE/CABINET - TOP/RH - LOWER/LH	619335
	121568-03-701	EA	BUSHING - HINGE PIN/GRAY	619671
4	121568-03-711	EA	TRIM - SIDE/BLACK	619801
5	121568-03-712	EA	SHELF - WIRE/ FREEZER	620250
6	121568-03-714	EA	CONTROL ASSEMBLY - 2 WAY - BLACK	619350
7	121568-03-713	EA	FRONT BOX/DECORATIVE - BLACK	619282
8	120075-01-720	EA	TRAY-DRIP	618137
	120075-01-721	EA	LOUVER-DRIP TRAY	618176
9	121568-01-707	EA	SHELF-WIRE, SHORT	618624
10	121568-01-708	EA	SHELF-WIRE	618589
11	120075-01-725	EA	COVER-CRISPER	618158
12	121568-01-709	EA	CRISPER	618571
13	120075-01-727	EA	PIN-HINGE	618145
14	121568-03-716	EA	COVER - HINGE HOLES	619301
15	120075-01-729	EA	TRIM-BOTTOMPIECE	618136
16	120075-01-730	EA	RETAINER-SHELF	618181
17	120075-01-732	EA	PLATE-STRIKE	618167
18	121568-03-718	EA	CABINET - FOAMED - N62	619658
	121568-03-717	EA	HOLE PLUG - WHITE	619561
	121568-03-704	EA	TRAVEL LATCH - GRAY	619647
	121568-03-705	EA	STORAGE LATCH - GRAY	619648

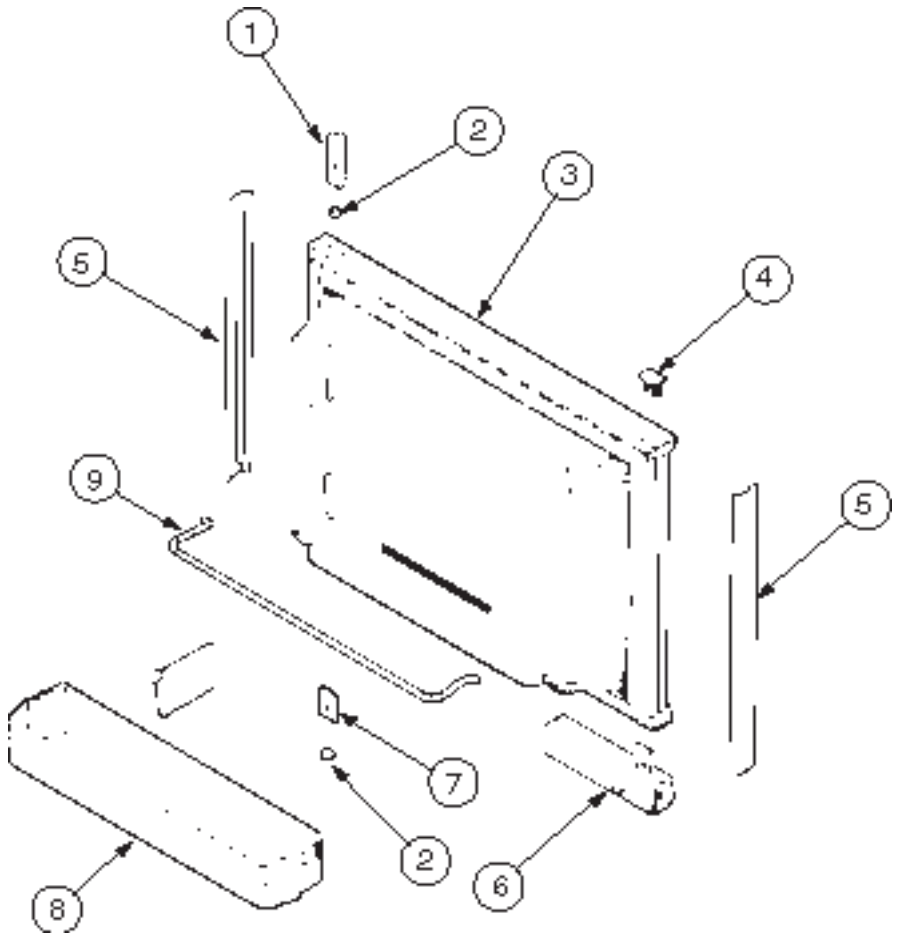


NORCOLD
MODEL 9162

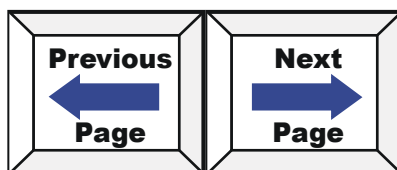


KEY	PART NUMBER	U/M	DESCRIPTION	VENDOR NO.
	121568-03-01A	EA	REFRIGERATOR - SMALL DBL DOOR/BLK-52.8"HX23.5"WX24"D-2-WAY	
1	121568-03-701	EA	BUSHING - HINGE PIN/GRAY	619671
2	121568-03-702	EA	DOOR LINER - W/TRIM/BLACK	619627
3	121568-03-708	EA	HANDLE ASSEMBLY - TOP/LH - LOWER/RH	619866
3	121568-03-703	EA	HANDLE ASSEMBLY - TOP/RH- LOWER/LH	619865
4	121568-03-706	EA	RETAINER - DOOR PANEL - BLACK	619559
5	120075-01-714	EA	PLUG - HOLE	618170
6	121568-01-704	EA	RAIL-DOOR, LOWER	618578
7	121568-03-715	EA	HINGE/CABINET - TOP/LH - LOWER/RH	619336
8	121568-01-701	EA	BIN-DOOR, WHITE	618619
9	121568-03-710	EA	HINGE/CABINET - TOP/RH - LOWER/LH	619335

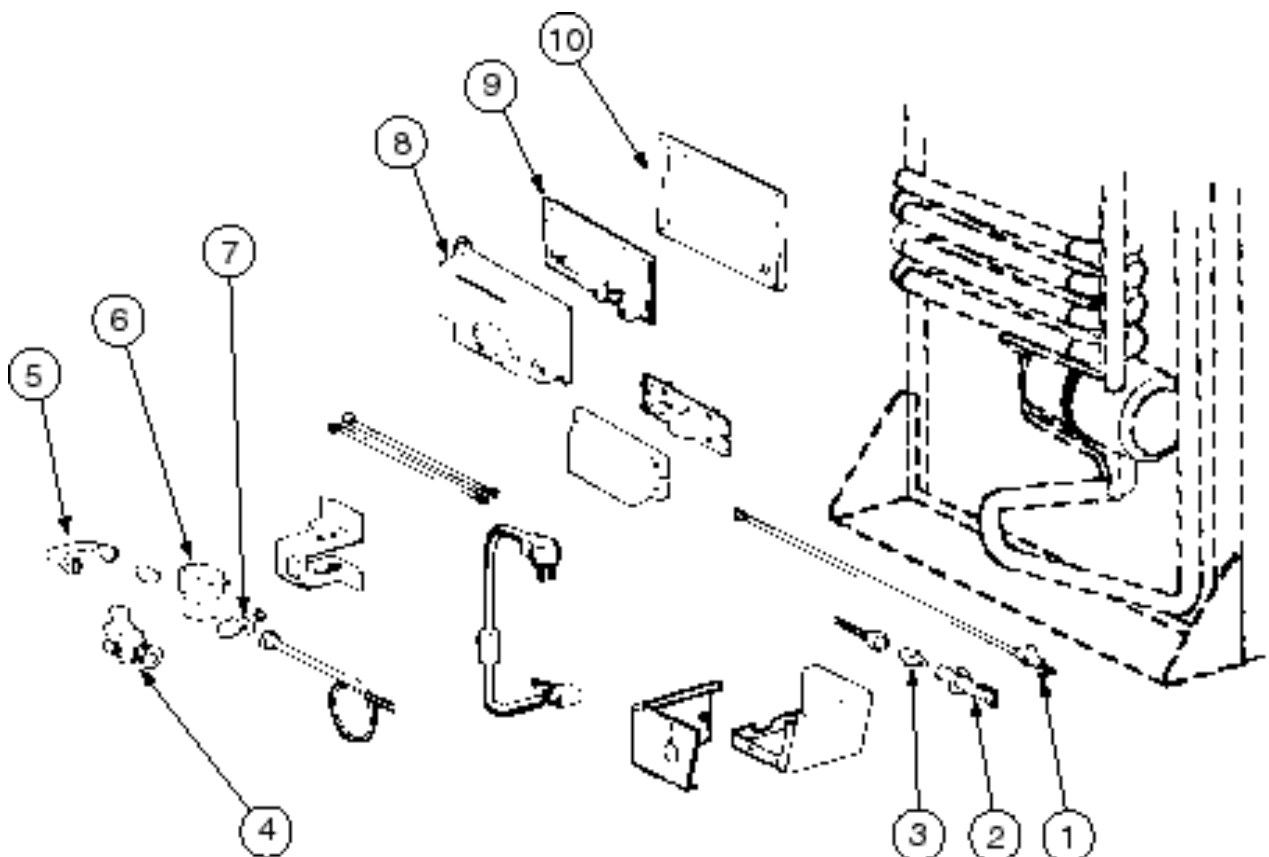
**NORCOLD
MODEL 9162**



KEY	PART NUMBER	U/M	DESCRIPTION	VENDOR NO.
	121568-03-01A	EA	REFRIGERATOR - SMALL DBL DOOR/BLK-52.8"HX23.5"WX24"D-2-WAY	
1	120075-01-701	EA	HINGE-TOP RH/BOTTOM LH, PAINTED	618511
2	121568-03-701	EA	BUSHING - HINGE PIN/GRAY	619671
3	121568-03-707	EA	DOOR LINER - BLACK	619629
4	120075-01-702	EA	CAP-HINGE PLUG	618160
5	121568-03-700	EA	RETAINER - DOOR PANEL/BLACK	619558
6	121568-03-703	EA	HANDLE ASM - TOP/RH - LOWER/LH BLACK	619865
7	120075-01-705	EA	HINGE-PAINTED, TOP LH/BOTTOM RH	618510
8	121568-01-701	EA	BIN-DOOR, WHITE	618619
9	121568-01-704	EA	RAIL - DOOR LOWER	618578

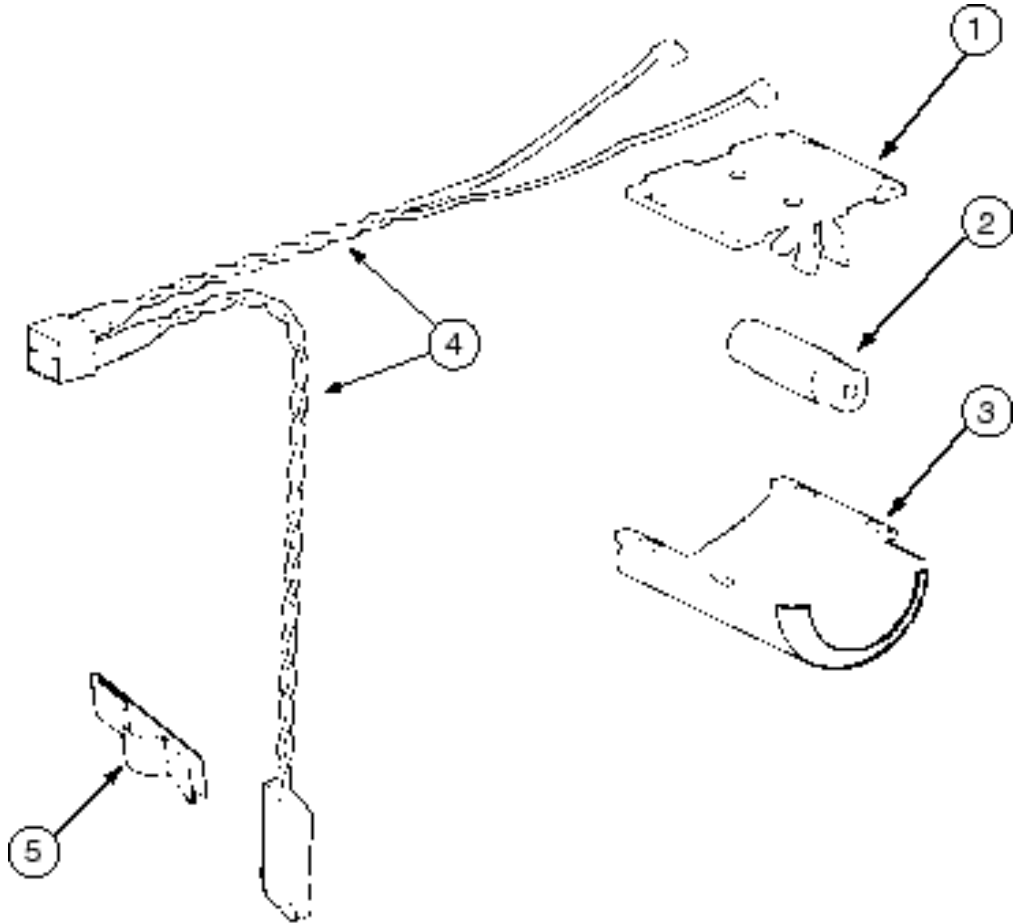


NORCOLD
MODEL 9162

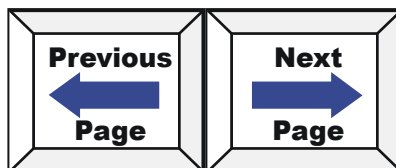


KEY	PART NUMBER	U/M	DESCRIPTION	VENDOR NO.
	121568-03-01A	EA	REFRIGERATOR - SMALL DBL DOOR/BLK-52.8"HX23.5"WX24"D-2-WAY	
1	084880-01-718	EA	VALVE-GAS, ASCO	61551822
2	104137-06-709	EA	VALVE-SHUT OFF, MANUAL	61694922
3	104137-06-714	EA	BURNER ASSEMBLY, 5 SLOT	61705222
4	104137-06-715	EA	ELECTRODE-SPARK/SENSOR, SGL	61692222
5	113737-01-716	EA	TAP-PRESSURE	61594422
6	113737-01-702	EA	PLUG - 1/8" F/PRESSURE TAP	61445322
7	113737-01-750	EA	TUBE-UNION	61694622
8	120076-01-705	EA	ORIFICE-JEWEL, .015	618283
9	120075-01-738	EA	COVER-POWER BOARD	618185
10	121568-03-719	EA	POWER - BOARD - 2 WAY	619353

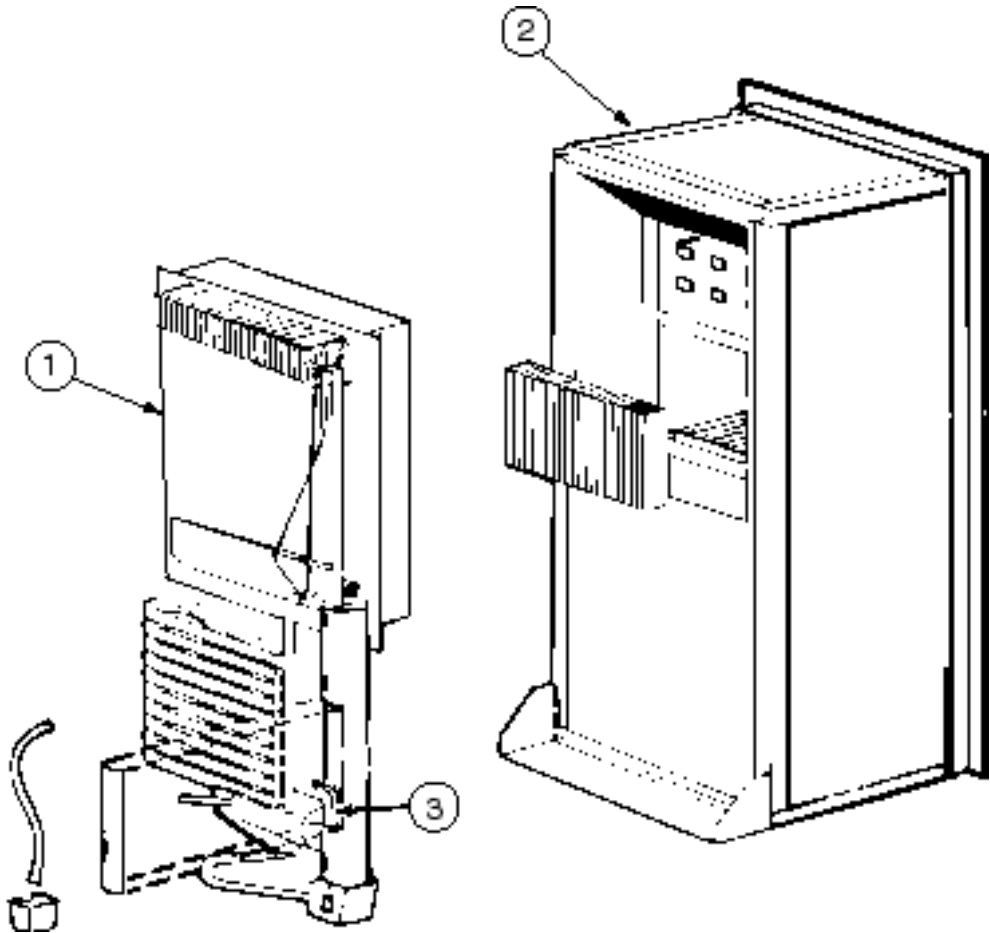
NORCOLD
MODEL 9162



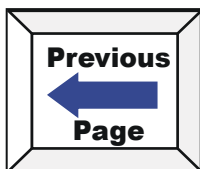
KEY	PART NUMBER	U/M	DESCRIPTION	VENDOR NO.
	121568-03-01A	EA	REFRIGERATOR - SMALL DBL DOOR/BLK-52.8"HX23.5"WX24"D-2-WAY	
1	084880-03-705	EA	BRACKET-LIGHT, INTERIOR	61629722
2	084880-03-706	EA	BULB-LAMP	61628922
3	084880-03-707	EA	COVER-LAMP, LENS	61627922
4	120075-01-735	EA	THERMISTER W/LAMP & WIRE/ASM	618548
5	084880-01-760	EA	CLIP-THERMISTER	61689122

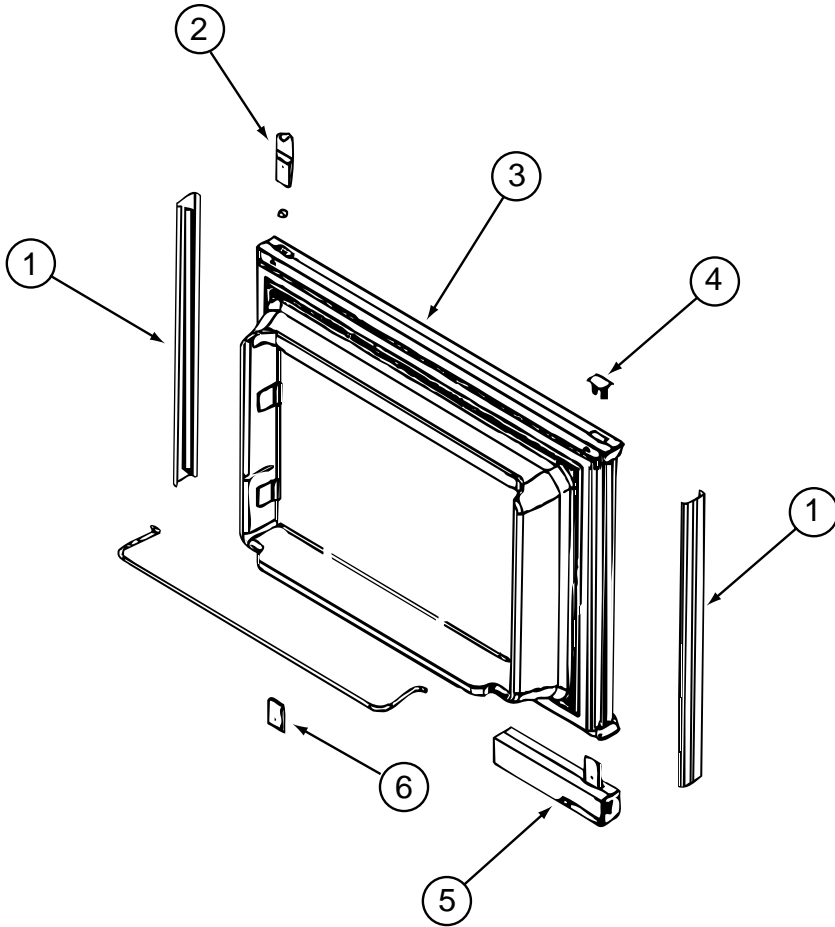


NORCOLD
MODEL 9162



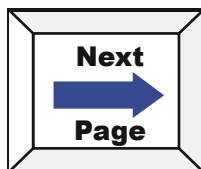
KEY	PART NUMBER	U/M	DESCRIPTION	VENDOR NO.
	121568-03-01A	EA	REFRIGERATOR - SMALL DBL DOOR/BLK-52.8"HX23.5"WX24"D-2-WAY	
1	120076-01-704	EA	COOLING UNIT-SERVICE PACK	618543
2	121568-03-718	EA	CABINET - FOAMED - N62	619658
3	088248-01-709	EA	HEATER-AC, HORIZONTAL	61562722

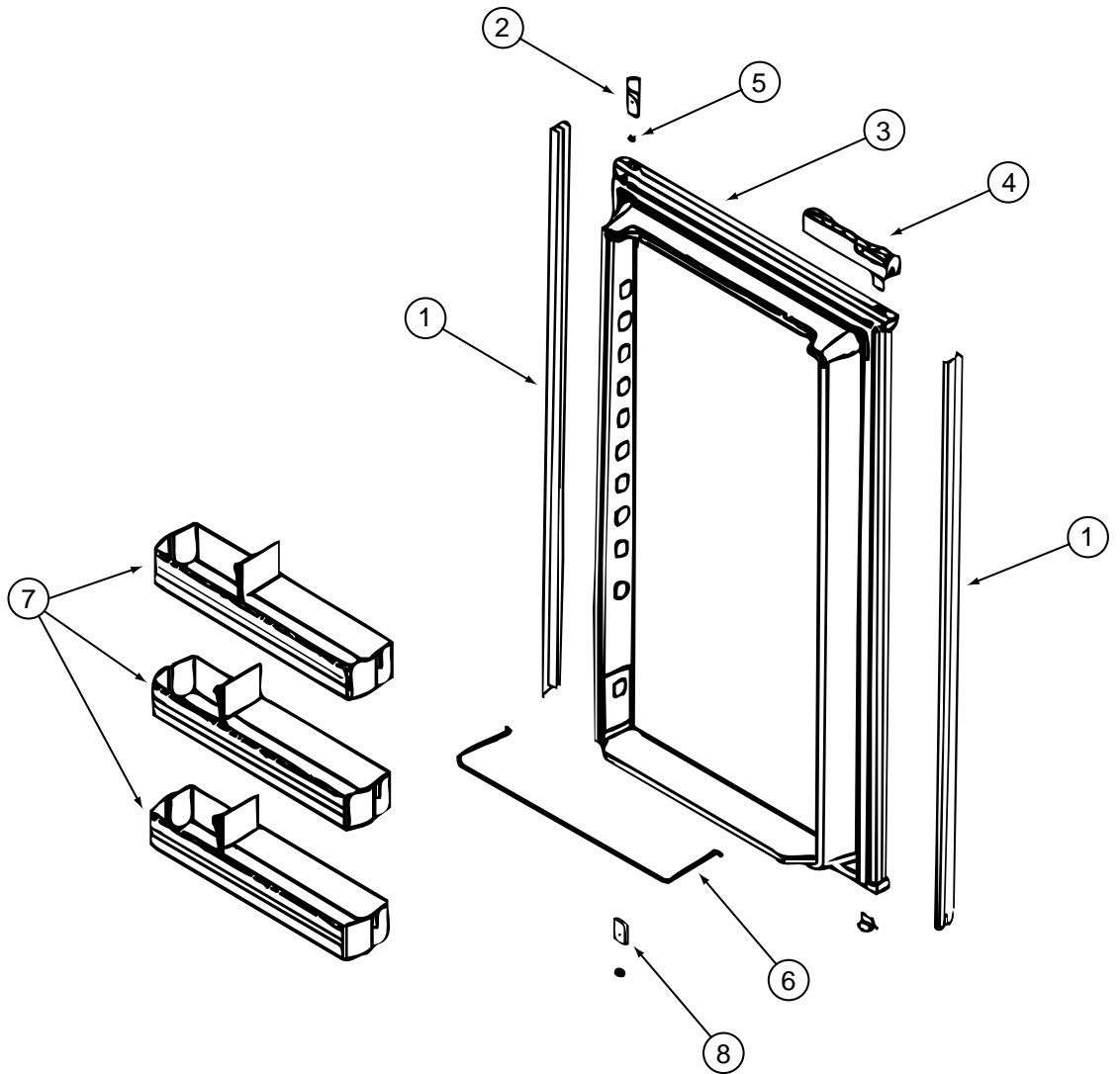




**NORCOLD
NORCOLD MODEL #N621R & #N621L**

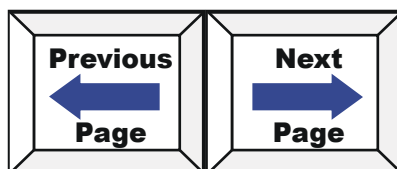
KEY	PART NUMBER	U/M	DESCRIPTION	VENDOR NO.
	121568-04-01A	EA	REFRIGERATOR - SMALL DOUBLE DOOR/LEFT HAND - 2-WAY - BLACK	
1	121568-03-700	EA	RETAINER - DOOR PANEL/BLACK	619558
1	121568-03-706	EA	RETAINER - DOOR PANEL/BLACK	619559
2	120075-01-701	EA	HINGE-TOP RH/BOTTOM LH(DOOR)	618511
3	121568-03-702	EA	DOOR LINER - W/TRIM/BLACK	619627 - SMALL DOOR
3	121568-03-707	EA	DOOR LINER - BLACK	619629
4	120075-01-702	EA	CAP, (HINGE PLUG)	618160
5	121568-03-703	EA	HANDLE ASM TOP/RH-LWR/LH BLK	619865
5	121568-03-708	EA	HANDLE ASM - TOP/LH-LWR/RH	619866
6	120075-01-705	EA	HINGE-TOP LH/BOTTOM RH(DOOR)	618510
	121568-03-704	EA	TRAVEL LATCH - GRAY	619647
	121568-03-705	EA	STORAGE LATCH - GRAY	619648

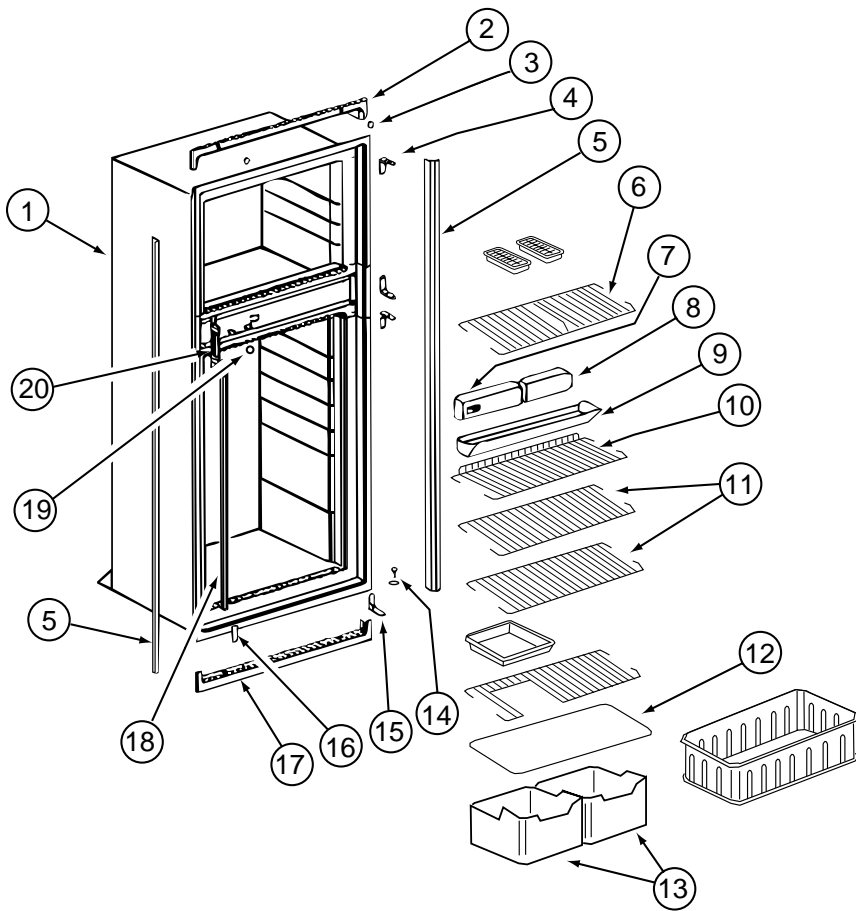




**NORCOLD
NORCOLD MODEL #N621R & #N621L**

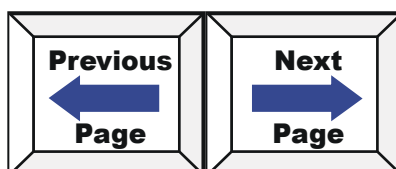
KEY	PART NUMBER	U/M	DESCRIPTION	VENDOR NO.
	121568-04-01A	EA	REFRIGERATOR - SMALL DOUBLE DOOR/LEFT HAND - 2-WAY - BLACK	
1	121568-03-700	EA	RETAINER - DOOR PANEL/BLACK	619558
1	121568-03-706	EA	RETAINER - DOOR PANEL/BLACK	619559
2	120075-01-701	EA	HINGE-TOP RH/BOTTOM LH(DOOR)	618511
3	121568-03-702	EA	DOOR LINER - W/TRIM/BLACK	619627 - SMALL DOOR
3	121568-03-707	EA	DOOR LINER - BLACK	619629
4	121568-03-703	EA	HANDLE ASM TOP/RH-LWR/LH BLK	619865
4	121568-03-708	EA	HANDLE ASM - TOP/LH-LWR/RH	619866
5	121568-03-701	EA	BUSHING - HINGE PIN/GRAY	619671
6	121568-01-704	EA	RAIL - DOOR LOWER	618578
7	121568-01-701	EA	BIN - DOOR WHITE	618619
8	120075-01-705	EA	HINGE-TOP LH/BOTTOM RH(DOOR)	618510

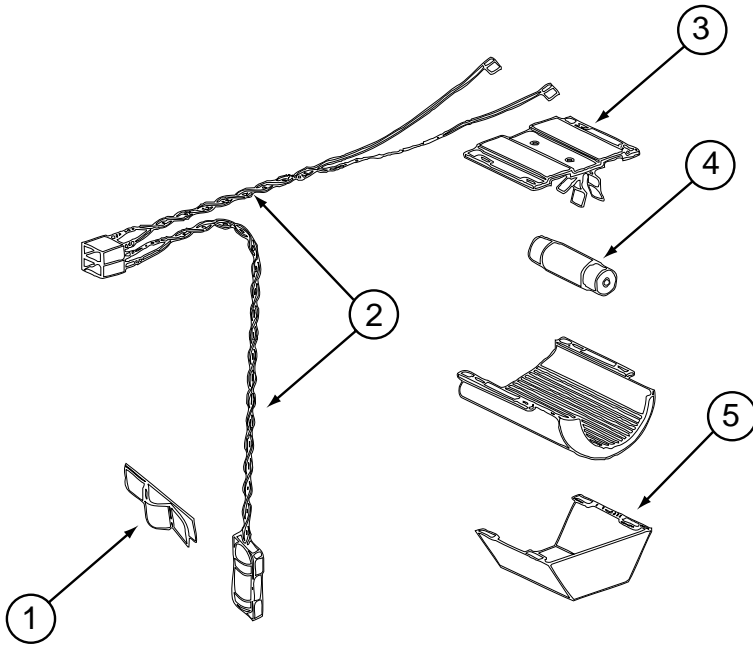




**NORCOLD
NORCOLD MODEL #N621R & #N621L**

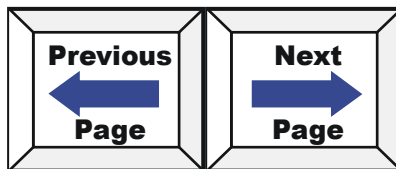
KEY	PART NUMBER	U/M	DESCRIPTION	VENDOR NO.
	121568-04-01A	EA	REFRIGERATOR - SMALL DOUBLE DOOR/LEFT HAND - 2-WAY - BLACK	
1	121568-03-718	EA	CABINET - FOAMED - N62	619658
2	121568-03-709	EA	TRIM - TOP/BLACK	619687
3	120075-01-714	EA	PLUG-HOLE	618170
4	121568-03-710	EA	HINGE/CABINET-TOP/RH-LWR/LH	619335
5	121568-03-711	EA	TRIM - SIDE/BLACK	619801
6	121568-03-712	EA	SHELF - WIRE/FREEZER	620250
7	121568-03-714	EA	CONTROL ASM - 2 WAY BLACK	619350
8	121568-03-713	EA	FRONT BOX/DECORATIVE-BLACK	619282
9	120075-01-720	EA	TRAY-DRIP	618137
10	121568-01-707	EA	SHELF - WIRE - SHORT	618624
11	121568-01-708	EA	SHELF - WIRE	618589
12	120075-01-725	EA	COVER-CRISPER	618158
13	121568-01-709	EA	CRISPER	618571
14	120075-01-727	EA	PIN-HINGE	618145
15	121568-03-715	EA	HINGE/CABINET-TOP/LH-LWR/RH	619336
16	121568-03-716	EA	COVER - HINGE HOLES	619301
17	120075-01-729	EA	TRIM-BOTTOM PIECE	618136
18	120075-01-730	EA	RETAINER-SHELF	618181
19	121568-03-717	EA	HOLE PLUG - WHITE	619561
20	120075-01-732	EA	PLATE-STRIKE	618167
	120075-01-721	EA	LOUVER-DRIP TRAY	618176

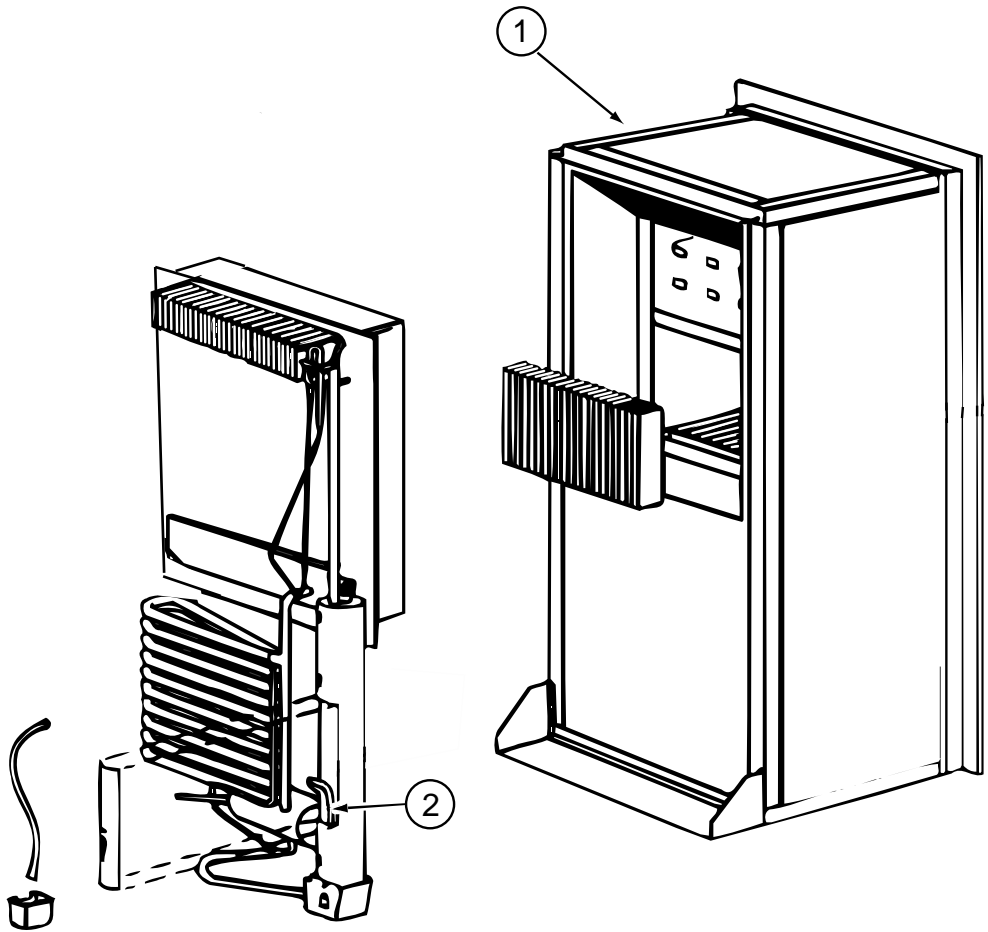




**NORCOLD
NORCOLD MODEL #N621R & #N621L**

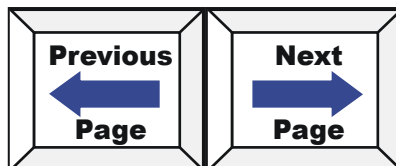
KEY	PART NUMBER	U/M	DESCRIPTION	VENDOR NO.
	121568-04-01A	EA	REFRIGERATOR - SMALL DOUBLE DOOR/LEFT HAND - 2-WAY - BLACK	
1	084880 01 760	EA	CLIP (THERMISTER)	61689122
2	120075 01 735	EA	THERMISTER W/LAMP & WIRE/ASM	618548
3	084880 03 705	EA	BRACKET-LIGHT-INTERIOR	61629722
4	084880 03 706	EA	BULB-LAMP	61628922
5	084880 03 707	EA	COVER-LAMP, LENS	61627922

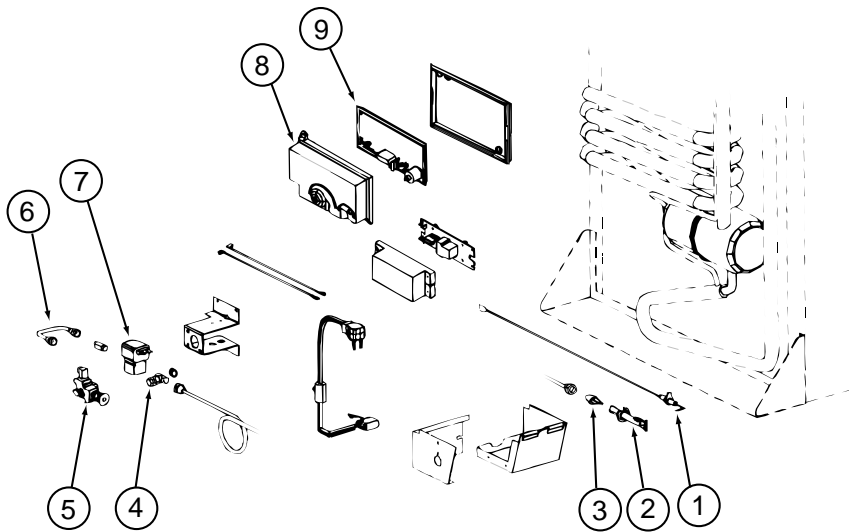




**NORCOLD
NORCOLD MODEL #N621R & #N621L**

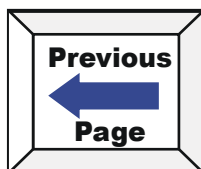
KEY	PART NUMBER	U/M	DESCRIPTION	VENDOR NO.
	121568-04-01A	EA	REFRIGERATOR - SMALL DOUBLE DOOR/LEFT HAND - 2-WAY - BLACK	
1	121568 03 718	EA	CABINET - FOAMED - N62	619658
2	088248 01 709	EA	HEATER-AC (HORIZONTAL)	61562722
	120076 01 704	EA	COOLING UNIT, SERVICE PACK	618543



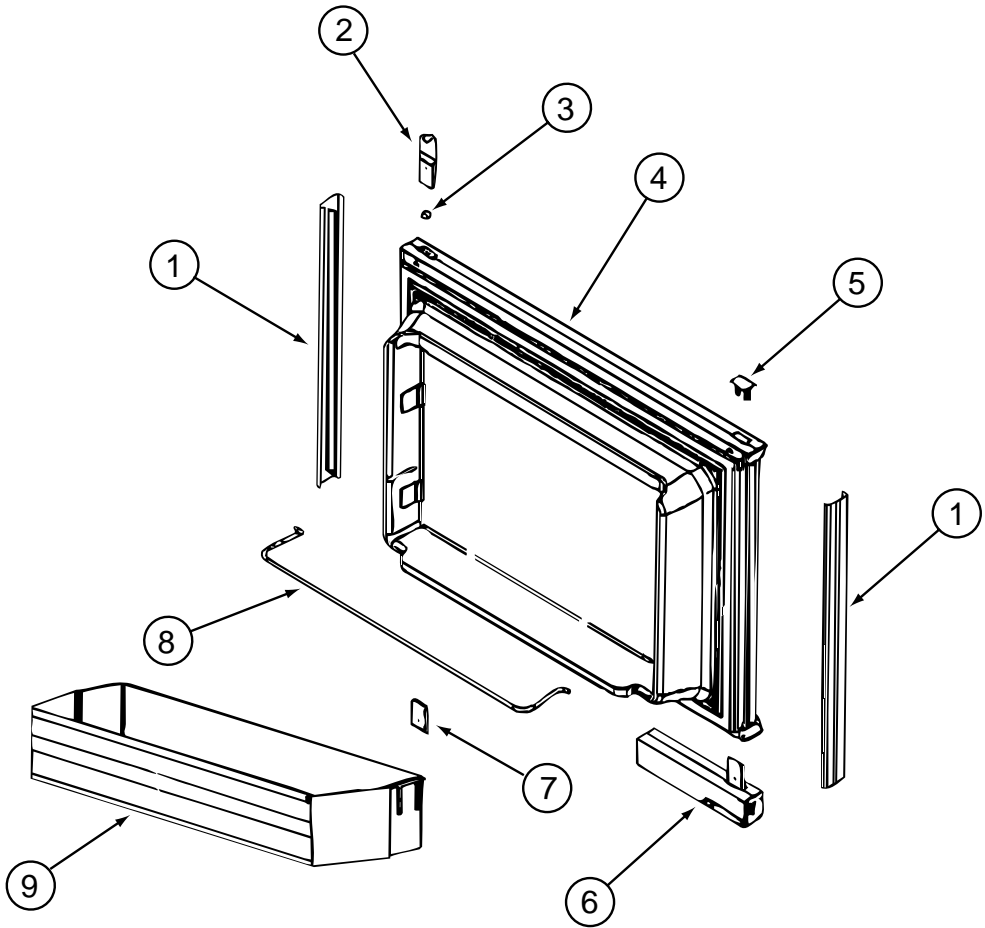


**NORCOLD
NORCOLD MODEL #N621R & #N621L**

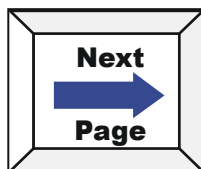
KEY	PART NUMBER	U/M	DESCRIPTION	VENDOR NO.
	121568-04-01A	EA	REFRIGERATOR - SMALL DOUBLE DOOR/LEFT HAND - 2-WAY - BLACK	
1	104137-06-715	EA	ELECTRODE-SPARK/SENSOR, SGL	61692222
2	104137-06-714	EA	BURNER ASSEMBLY, 5-SLOT	61705222
3	120076-01-705	EA	ORIFICE - JEWEL .015	618283
4	113737-01-702	EA	PLUG 1/8" F/PRESSURE TAP	61445322
4	113737-01-716	EA	TAP-PRESSURE	61594422
5	104137-06-709	EA	VALVE-SHUT OFF/MAN-OLD STYLE	61694922
6	113737-01-750	EA	TUBE-UNION	61694622
7	084880-01-718	EA	VALVE-GAS, (ASCO)	61551822
8	120075-01-738	EA	COVER-POWER BOARD	618185
9	121568-03-719	EA	POWER - BOARD - 2-WAY	619353



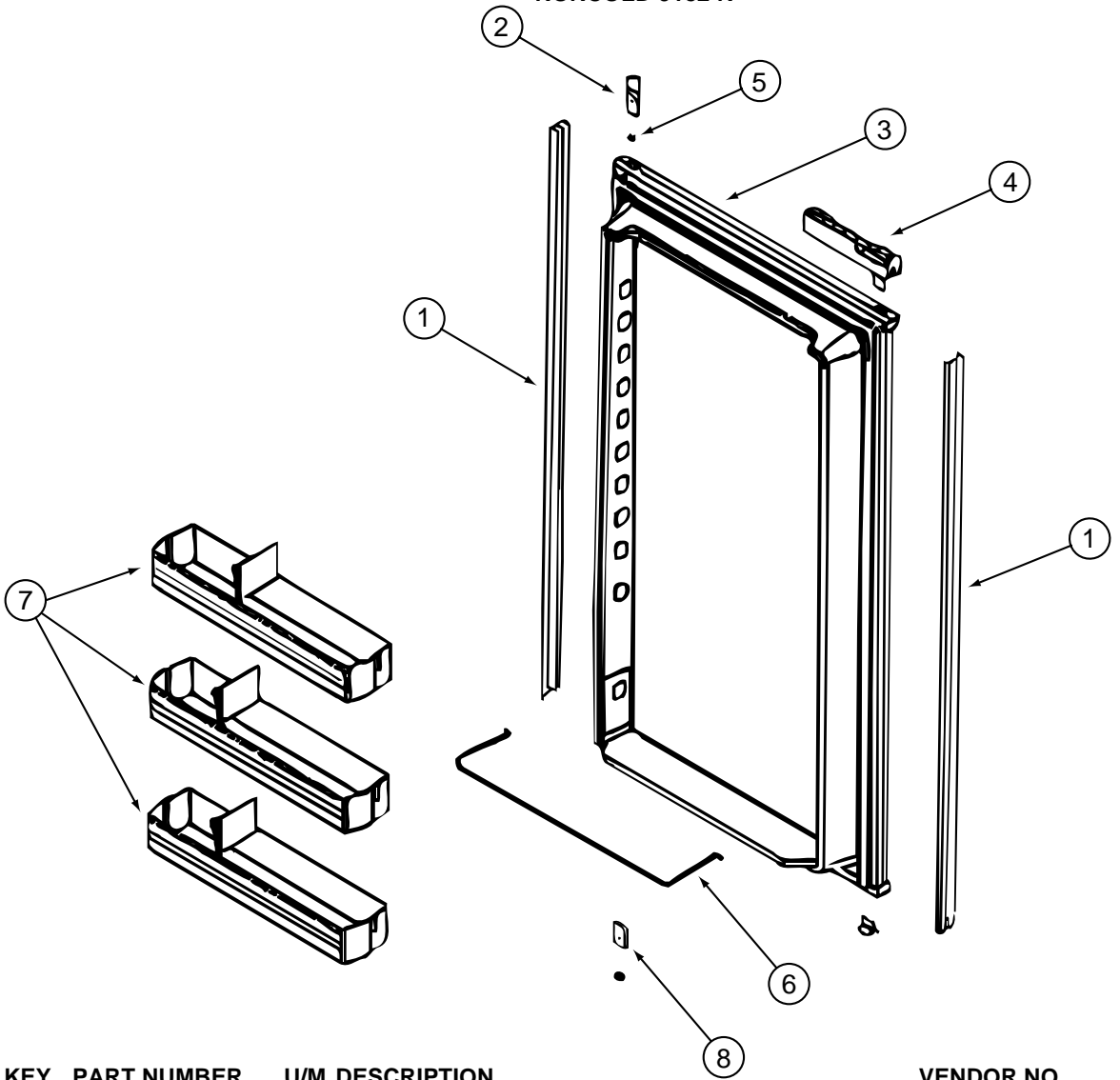
REFRIG-LARGE DBL DR BL 2-WAY
NORCOLD 9182 R



KEY	PART NUMBER	U/M	DESCRIPTION	VENDOR NO.
	121569-01-01A	EA	REFRIGERATOR - LARGE DBL DOOR/2 WAY - BLK-NON-FLUSH HANDLE	
1	120075-01-700	EA	RETAINER - DOOR DECOR PANEL	618128
2	120075-01-701	EA	HINGE-TOP RH/BOTTOM LH(DOOR)	618511
3	120075-01-708	EA	BUSHING-DOOR HINGE	618144
4	120075-01-703	EA	DOOR ASM., FOAMED, W/GASKET	618205
5	120075-01-702	EA	CAP, (HINGE PLUG)	618160
6	121568-01-702	EA	DOOR HANDLE - UPR/RH-LWR/LH	618230
7	120075-01-705	EA	HINGE-TOP LH/BOTTOM RH(DOOR)	618510
8	121568-01-700	EA	RAIL - DOOR UPPER	618618
9	121568-01-701	EA	BIN - DOOR WHITE	618619

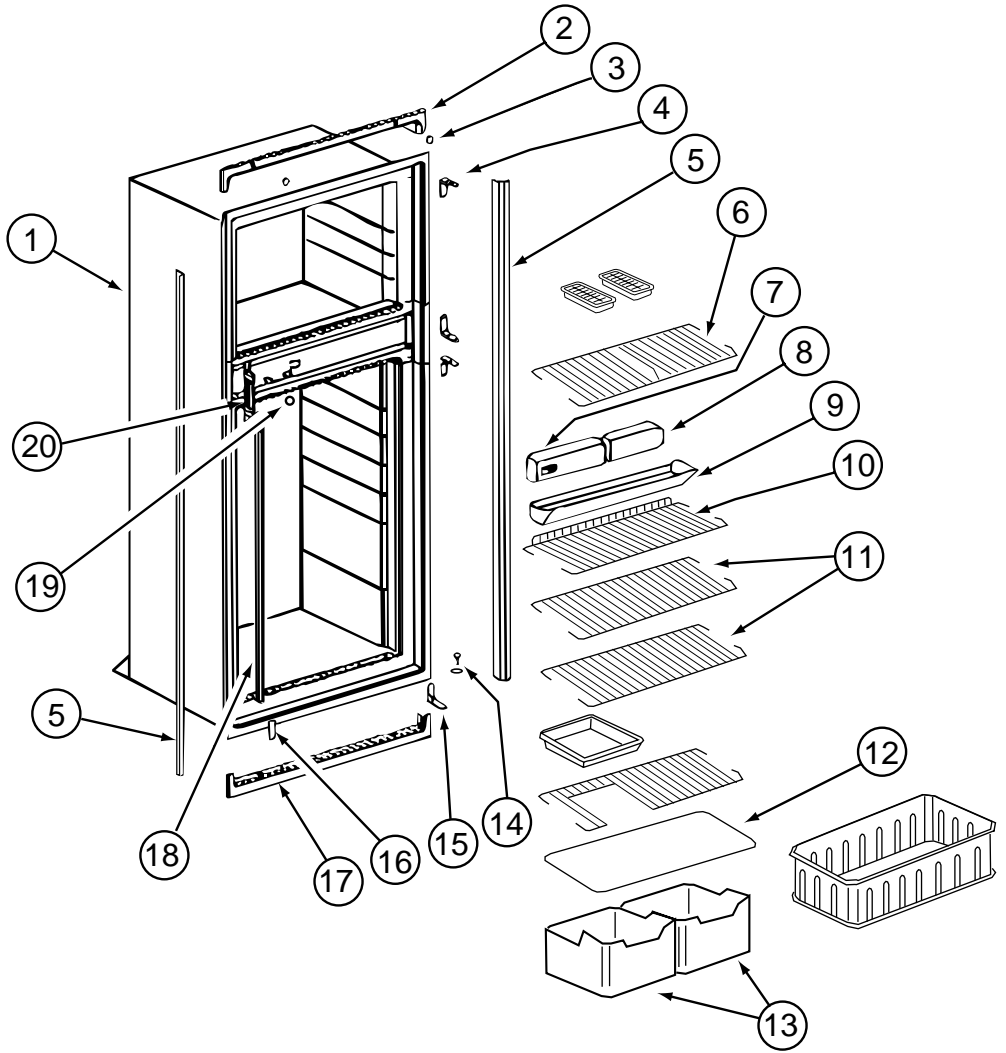


REFRIG-LARGE DBL DR BL 2-WAY
NORCOLD 9182 R



KEY	PART NUMBER	U/M	DESCRIPTION	VENDOR NO.
	121569-01-01A	EA	REFRIGERATOR - LARGE DBL DOOR/2 WAY - BLK-NON-FLUSH HANDLE	
1	120076-01-700	EA	RETAINER-LOWER DOOR PANEL	618132
1	121568-01-703	EA	RETAINER - PANEL LOWER DOOR	618129
2	120075-01-702	EA	CAP, (HINGE PLUG)	618160
3	120075-01-710	EA	DOOR-LOWER-FOAMED, W/GASKET	618270
4	120075-01-711	EA	DOOR HANDLE- UPR LH/LOWER RH	618235
5	120075-01-708	EA	BUSHING-DOOR HINGE	618144
6	121568-01-704	EA	RAIL - DOOR LOWER	618578
7	121568-01-701	EA	BIN - DOOR WHITE	618619
8	120075-01-701	EA	HINGE-TOP RH/BOTTOM LH(DOOR)	618511
8	120075-01-705	EA	HINGE-TOP LH/BOTTOM RH(DOOR)	618510

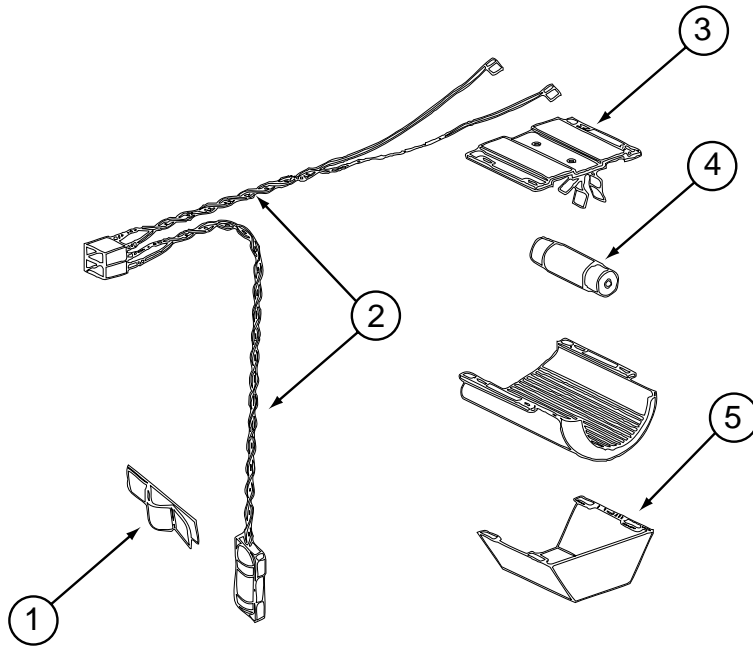
REFRIG-LARGE DBL DR BL 2-WAY
NORCOLD 9182 R



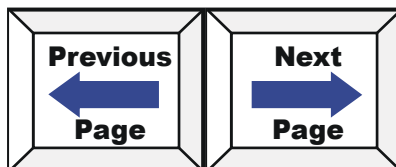
KEY	PART NUMBER	U/M	DESCRIPTION	VENDOR NO.
	121569-01-01A	EA	REFRIGERATOR - LARGE DBL DOOR/2 WAY - BLK-NON-FLUSH HANDLE	
1	120075-01-733	EA	CABINET-FOAMED	618265
2	120075-01-743	EA	TRIM - TOP W/GOLD INSERTS	619568
3	120075-01-714	EA	PLUG-HOLE	618170
4	121568-01-712	EA	HINGE - SLOTTED/ADJ(CABINET)	618988
5	120075-01-716	EA	TRIM-SIDE PIECE	618134
6	121568-01-705	EA	SHELF - WIRE FREEZER	618620
7	121568-01-706	EA	CONTROL BOX ASSEMBLY	618588
8	120075-01-718	EA	BOX-FILLER	618112
9	120075-01-720	EA	TRAY-DRIP	618137
11	121568-01-708	EA	SHELF - WIRE	618589
12	120075-01-725	EA	COVER-CRISPER	618158
13	121568-01-709	EA	CRISPER	618571
14	120075-01-727	EA	PIN-HINGE	618145
16	120075-01-728	EA	COVER-HINGE HOLE	618171
17	120075-01-729	EA	TRIM-BOTTOM PIECE	618136
18	120075-01-730	EA	RETAINER-SHELF	618181
19	120075-01-731	EA	PLUG-FACADE	618184
20	120075-01-732	EA	PLATE-STRIKE	618167
	120076-01-700	EA	RETAINER-LOWER DOOR PANEL	618132
	120075-01-708	EA	BUSHING-DOOR HINGE	618144
	120075-01-721	EA	LOUVER-DRIP TRAY	618176

REFRIG-LARGE DBL DR BL 2-WAY

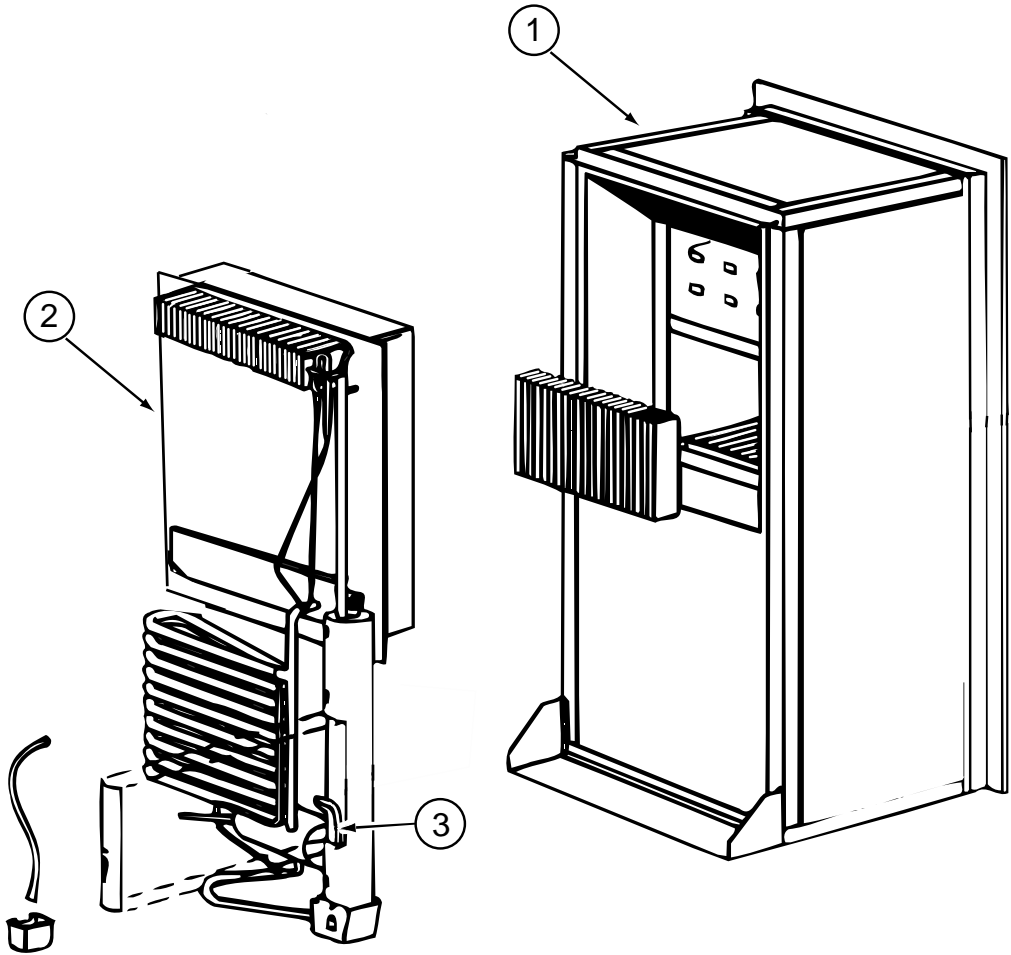
NORCOLD 9182 R



KEY	PART NUMBER	U/M	DESCRIPTION	VENDOR NO.
	121569-01-01A	EA	REFRIGERATOR - LARGE DBL DOOR/2 WAY - BLK-NON-FLUSH HANDLE	
1	084880-01-760	EA	CLIP (THERMISTER)	61689122
2	120075-01-735	EA	THERMISTER W/LAMP & WIRE/ASM	618548
3	084880-03-705	EA	BRACKET-LIGHT-INTERIOR	61629722
4	084880-03-706	EA	BULB-LAMP	61628922
5	084880-03-707	EA	COVER-LAMP, LENS	61627922

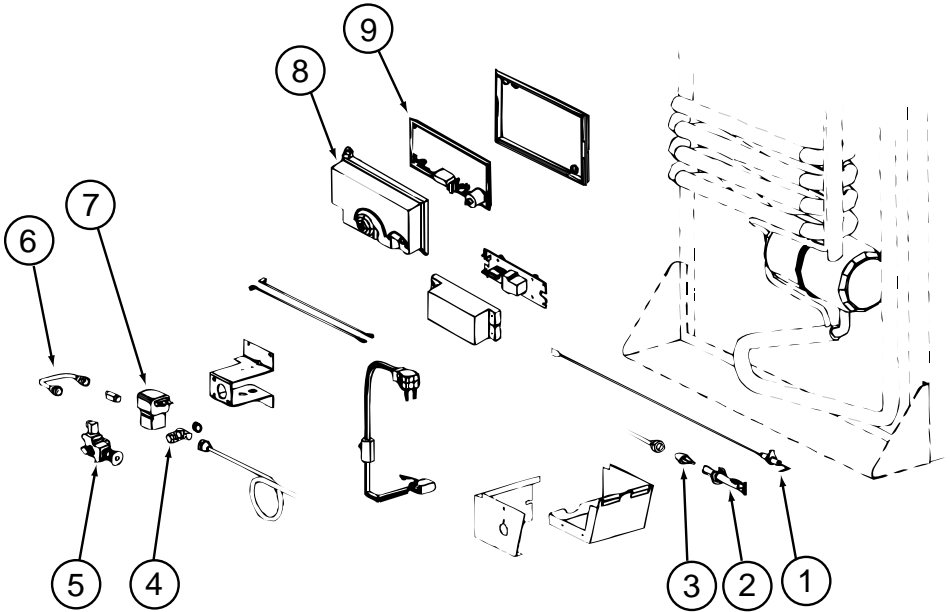


REFRIG-LARGE DBL DR BL 2-WAY
NORCOLD 9182 R

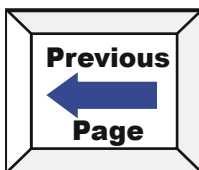


KEY	PART NUMBER	U/M	DESCRIPTION	VENDOR NO.
	121569-01-01A	EA	REFRIGERATOR - LARGE DBL DOOR/2 WAY - BLK-NON-FLUSH HANDLE	
1	120075-01-733	EA	CABINET-FOAMED	618265
2	088248-01-709	EA	HEATER-AC (HORIZONTAL)	61562722
3	120075-01-736	EA	COOLING UNIT, SERVICE PACK	618542

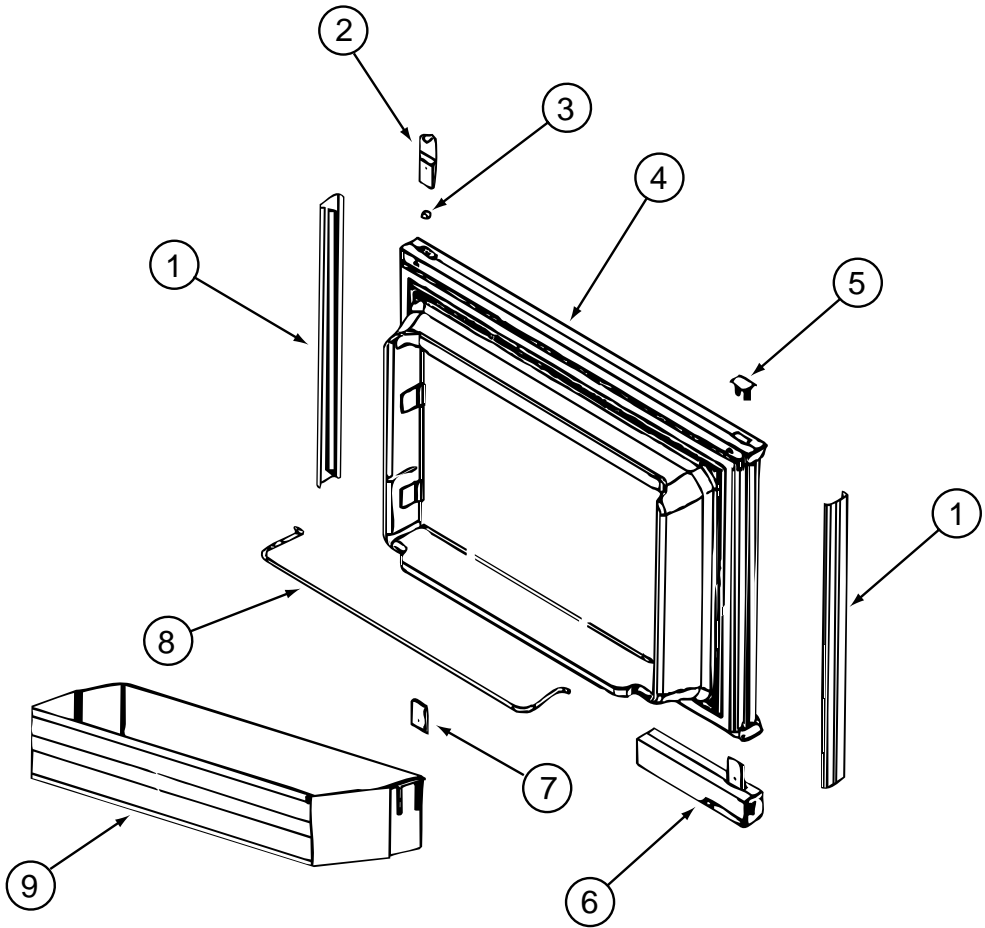
REFRIG-LARGE DBL DR BL 2-WAY
NORCOLD 9182 R



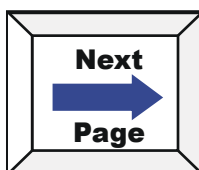
KEY	PART NUMBER	U/M	DESCRIPTION	VENDOR NO.
	121569-01-01A	EA	REFRIGERATOR - LARGE DBL DOOR/2 WAY - BLK-NON-FLUSH HANDLE	
1	104137-06-715	EA	ELECTRODE-SPARK/SENSOR, SGL	61692222
2	104137-06-714	EA	BURNER ASSEMBLY, 5-SLOT	61705222
3	120075-01-737	EA	ORIFICE - JEWEL - .0155	618284
4	113737-01-702	EA	PLUG 1/8" F/PRESSURE TAP	61445322
4	113737-01-716	EA	TAP-PRESSURE	61594422
5	104137-06-734	EA	VALVE-SHUT OFF/MAN-NEW STYLE	618696
6	113737-01-750	EA	TUBE-UNION	61694622
7	084880-01-718	EA	VALVE-GAS, (ASCO)	61551822
8	120075-01-738	EA	COVER-POWER BOARD	618185
8	120075-01-740	EA	COVER-BASE, POWER BOARD	618186
9	120075-01-741	EA	BOARD-POWER, 2-WAY	618574
	120075-01-744	EA	KIT - GAS VALVE/BURNER TUBE	620609



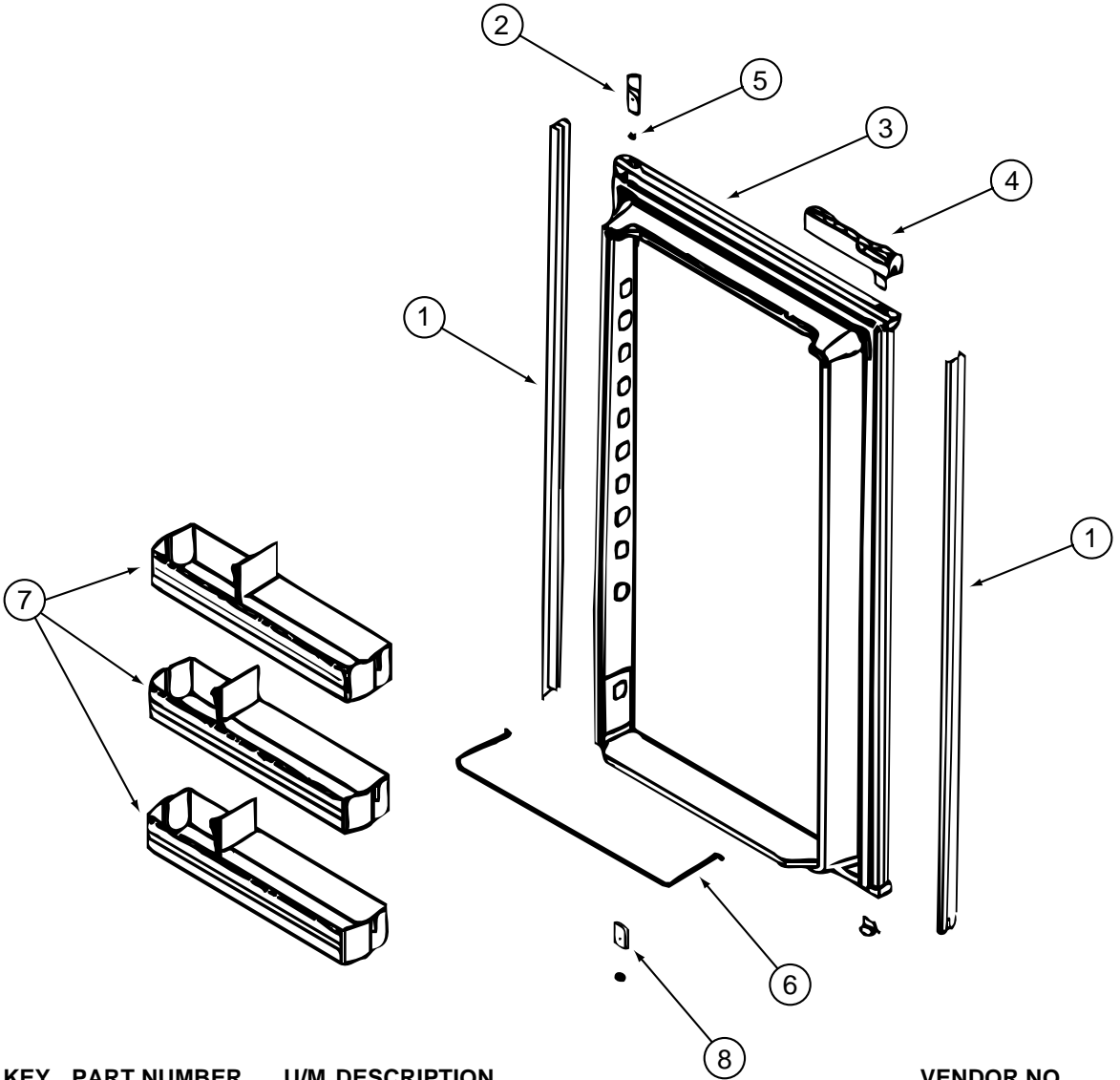
REFRIG-LARGE DBL DR BL 2-WAY
NORCOLD 9182 L



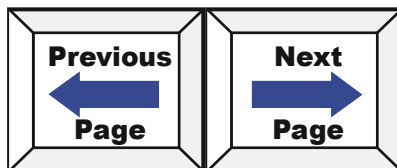
KEY	PART NUMBER	U/M	DESCRIPTION	VENDOR NO.
	121569-02-01A	EA	REFRIGERATOR - LARGE DBL DOOR/2 WAY - BLK-NON-FLUSH HANDLE	
1	120075-01-700	EA	RETAINER - DOOR DECOR PANEL	618128
2	120075-01-701	EA	HINGE-TOP RH/BOTTOM LH(DOOR)	618511
3	120075-01-708	EA	BUSHING-DOOR HINGE	618144
4	120075-01-703	EA	DOOR ASM., FOAMED, W/GASKET	618205
5	120075-01-702	EA	CAP, (HINGE PLUG)	618160
6	121568-01-702	EA	DOOR HANDLE - UPR/RH-LWR/LH	618230
7	120075-01-705	EA	HINGE-TOP LH/BOTTOM RH(DOOR)	618510
8	121568-01-700	EA	RAIL - DOOR UPPER	618618
9	121568-01-701	EA	BIN - DOOR WHITE	618619



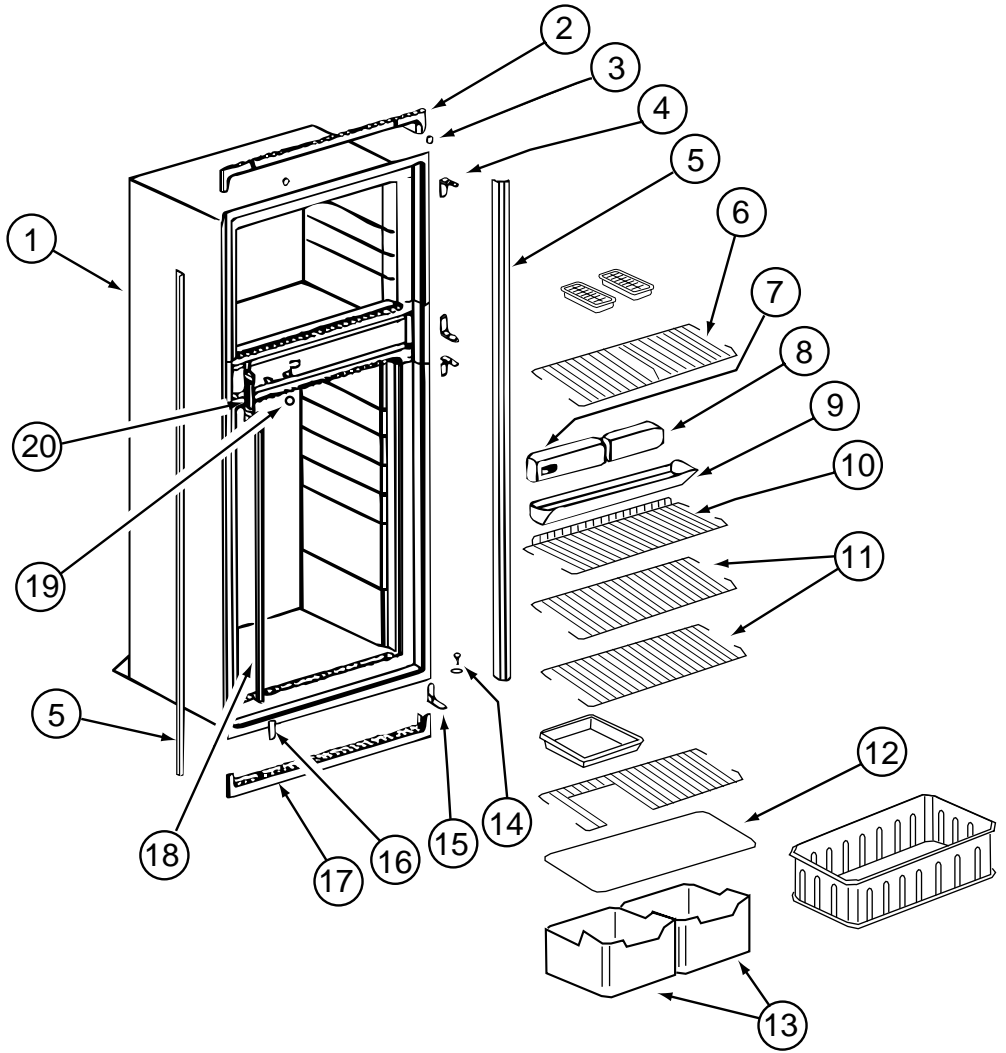
REFRIG-LARGE DBL DR BL 2-WAY
NORCOLD 9182 L



KEY	PART NUMBER	U/M	DESCRIPTION	VENDOR NO.
	121569-02-01A	EA	REFRIGERATOR - LARGE DBL DOOR/2 WAY - BLK-NON-FLUSH HANDLE	
1	120076-01-700	EA	RETAINER-LOWER DOOR PANEL	618132
1	121568-01-703	EA	RETAINER - PANEL LOWER DOOR	618129
2	120075-01-702	EA	CAP, (HINGE PLUG)	618160
3	120075-01-710	EA	DOOR-LOWER-FOAMED, W/GASKET	618270
4	120075-01-711	EA	DOOR HANDLE- UPR LH/LOWER RH	618235
5	120075-01-708	EA	BUSHING-DOOR HINGE	618144
6	121568-01-704	EA	RAIL - DOOR LOWER	618578
7	121568-01-701	EA	BIN - DOOR WHITE	618619
8	120075-01-701	EA	HINGE-TOP RH/BOTTOM LH(DOOR)	618511
8	120075-01-705	EA	HINGE-TOP LH/BOTTOM RH(DOOR)	618510



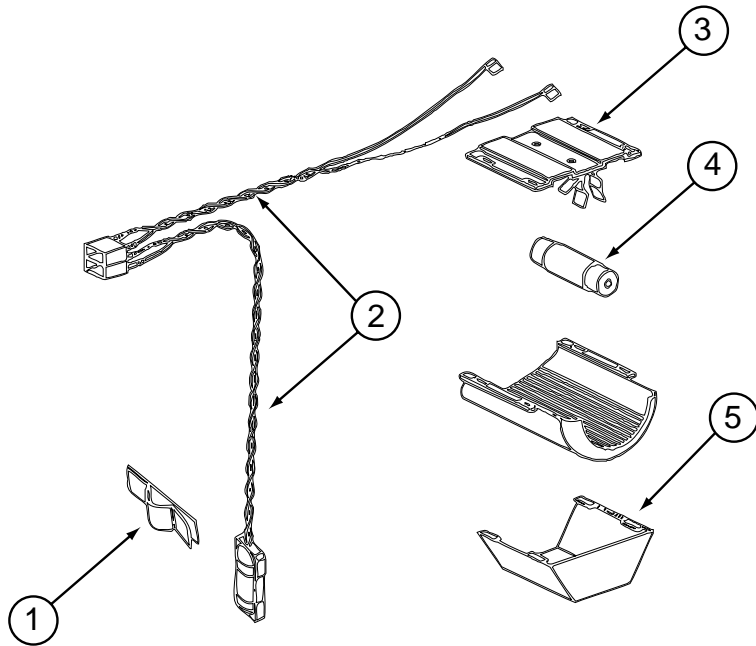
REFRIG-LARGE DBL DR BL 2-WAY
NORCOLD 9182 L



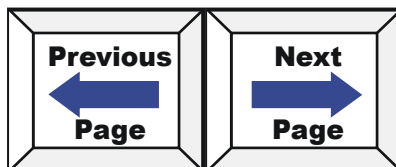
KEY	PART NUMBER	U/M	DESCRIPTION	VENDOR NO.
	121569-02-01A	EA	REFRIGERATOR - LARGE DBL DOOR/2 WAY - BLK-NON-FLUSH HANDLE	
1	120075-01-733	EA	CABINET-FOAMED	618265
2	120075-01-743	EA	TRIM - TOP W/GOLD INSERTS	619568
3	120075-01-714	EA	PLUG-HOLE	618170
4	121568-01-712	EA	HINGE - SLOTTED/ADJ(CABINET)	618988
5	120075-01-716	EA	TRIM-SIDE PIECE	618134
6	121568-01-705	EA	SHELF - WIRE FREEZER	618620
7	121568-01-706	EA	CONTROL BOX ASSEMBLY	618588
8	120075-01-718	EA	BOX-FILLER	618112
9	120075-01-720	EA	TRAY-DRIP	618137
11	121568-01-708	EA	SHELF - WIRE	618589
12	120075-01-725	EA	COVER-CRISPER	618158
13	121568-01-709	EA	CRISPER	618571
14	120075-01-727	EA	PIN-HINGE	618145
16	120075-01-728	EA	COVER-HINGE HOLE	618171
17	120075-01-729	EA	TRIM-BOTTOM PIECE	618136
18	120075-01-730	EA	RETAINER-SHELF	618181
19	120075-01-731	EA	PLUG-FACADE	618184
20	120075-01-732	EA	PLATE-STRIKE	618167
	120076-01-700	EA	RETAINER-LOWER DOOR PANEL	618132
	120075-01-708	EA	BUSHING-DOOR HINGE	618144
	120075-01-721	EA	LOUVER-DRIP TRAY	618176

REFRIG-LARGE DBL DR BL 2-WAY

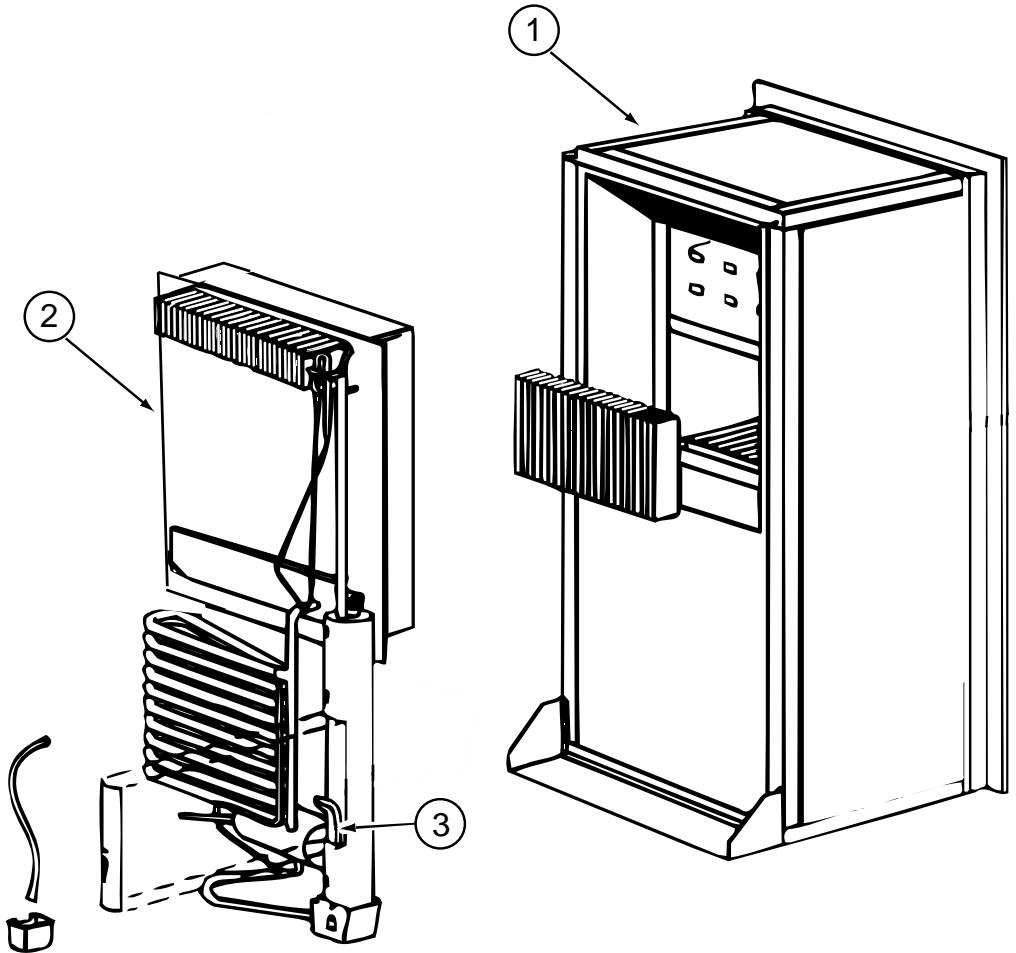
NORCOLD 9182 L



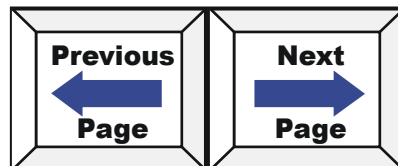
KEY	PART NUMBER	U/M	DESCRIPTION	VENDOR NO.
	121569-02-01A	EA	REFRIGERATOR - LARGE DBL DOOR/2 WAY - BLK-NON-FLUSH HANDLE	
1	084880-01-760	EA	CLIP (THERMISTER)	61689122
2	120075-01-735	EA	THERMISTER W/LAMP & WIRE/ASM	618548
3	084880-03-705	EA	BRACKET-LIGHT-INTERIOR	61629722
4	084880-03-706	EA	BULB-LAMP	61628922
5	084880-03-707	EA	COVER-LAMP, LENS	61627922



REFRIG-LARGE DBL DR BL 2-WAY
NORCOLD 9182 L

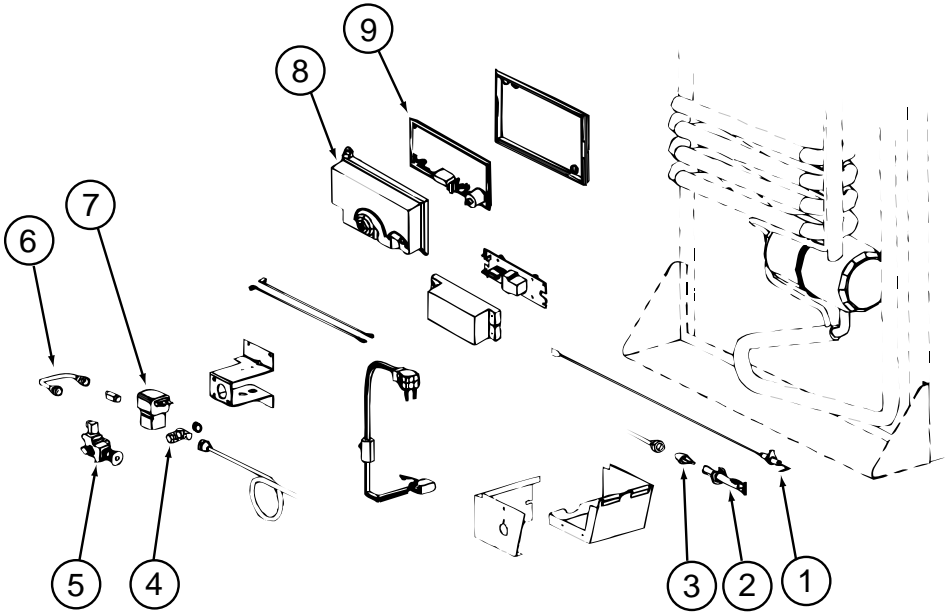


KEY	PART NUMBER	U/M	DESCRIPTION	VENDOR NO.
	121569-02-01A	EA	REFRIGERATOR - LARGE DBL DOOR/2 WAY - BLK-NON-FLUSH HANDLE	
1	120075-01-733	EA	CABINET-FOAMED	618265
2	088248-01-709	EA	HEATER-AC (HORIZONTAL)	61562722
3	120075-01-736	EA	COOLING UNIT, SERVICE PACK	618542

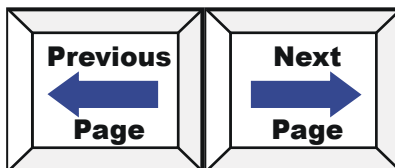


REFRIG-LARGE DBL DR BL 2-WAY

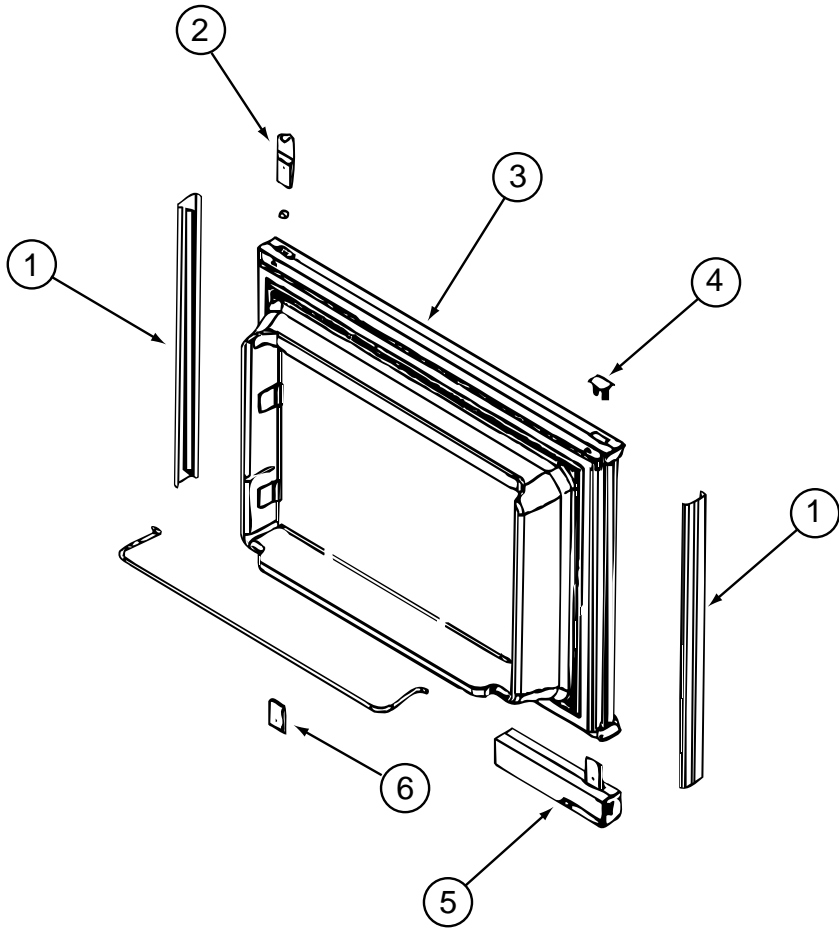
NORCOLD 9182 L



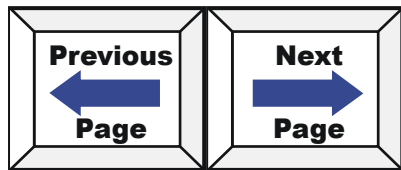
KEY	PART NUMBER	U/M	DESCRIPTION	VENDOR NO.
	121569-02-01A	EA	REFRIGERATOR - LARGE DBL DOOR/2 WAY - BLK-NON-FLUSH HANDLE	
1	104137-06-715	EA	ELECTRODE-SPARK/SENSOR, SGL	61692222
2	104137-06-714	EA	BURNER ASSEMBLY, 5-SLOT	61705222
3	120075-01-737	EA	ORIFICE - JEWEL - .0155	618284
4	113737-01-702	EA	PLUG 1/8" F/PRESSURE TAP	61445322
4	113737-01-716	EA	TAP-PRESSURE	61594422
5	104137-06-734	EA	VALVE-SHUT OFF/MAN-NEW STYLE	618696
6	113737-01-750	EA	TUBE-UNION	61694622
7	084880-01-718	EA	VALVE-GAS, (ASCO)	61551822
8	120075-01-738	EA	COVER-POWER BOARD	618185
8	120075-01-740	EA	COVER-BASE, POWER BOARD	618186
9	120075-01-741	EA	BOARD-POWER, 2-WAY	618574
	120075-01-744	EA	KIT - GAS VALVE/BURNER TUBE	620609



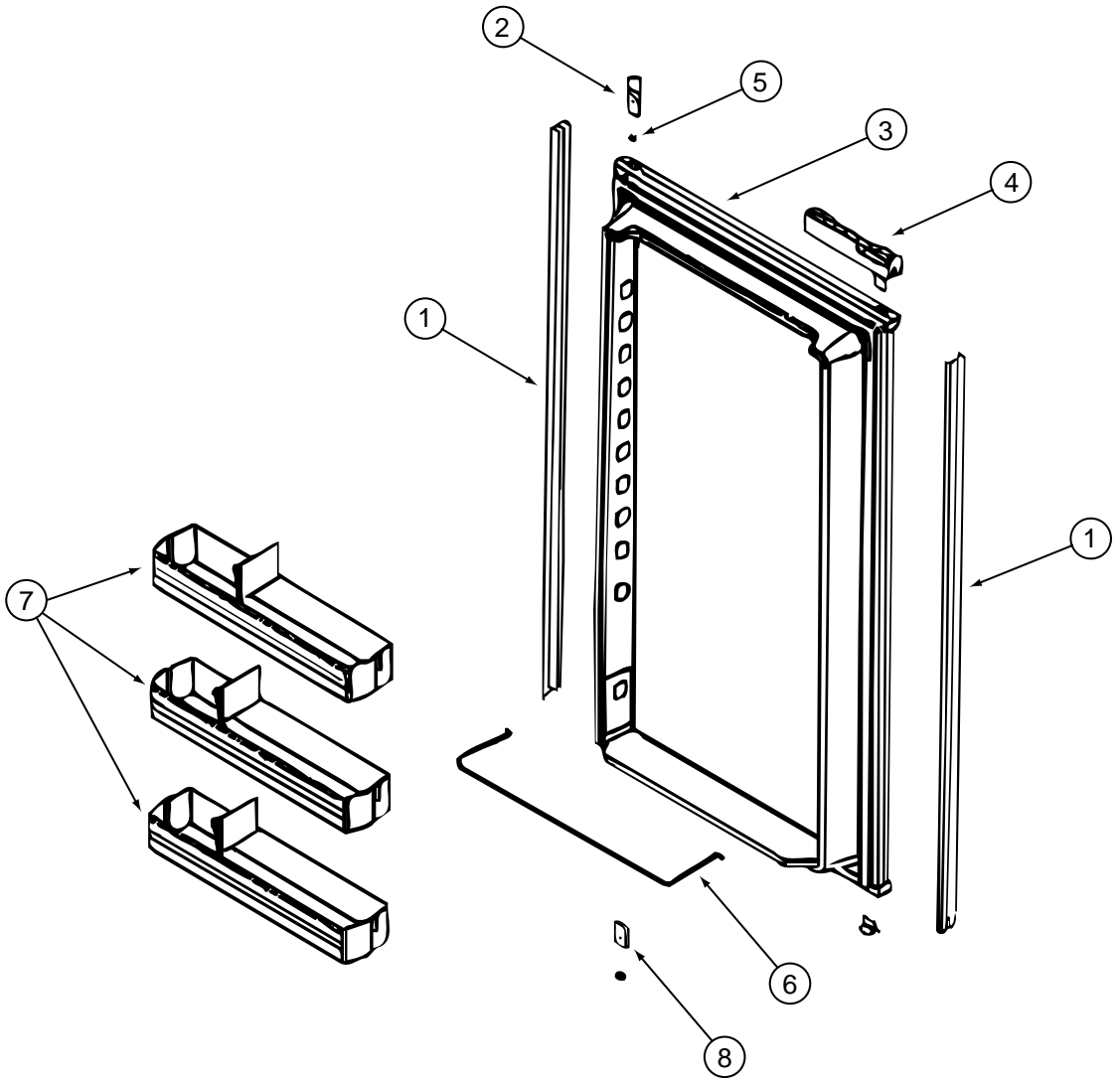
REFRIG-LARGE DOUBLE DOOR - BLACK - 2-WAY
NORCOLD #N821R



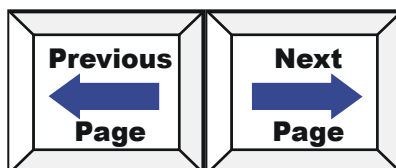
KEY	PART NUMBER	U/M	DESCRIPTION	VENDOR NO.
	121569-03-01A	EA	REFRIGERATOR - LARGE DOUBLE DOOR/LEFT HAND - 2-WAY - BLACK	
1	121568-03-700	EA	RETAINER - DOOR PANEL/BLACK	619558
2	120075-01-701	EA	HINGE-TOP RH/BOTTOM LH(DOOR)	618511
3	121568-03-702	EA	DOOR LINER - W/TRIM/BLACK	619627 - SMALL DOOR
4	120075-01-702	EA	CAP, (HINGE PLUG)	618160
5	121568-03-703	EA	HANDLE ASM TOP/RH-LWR/LH BLK	619865
6	120075-01-705	EA	HINGE-TOP LH/BOTTOM RH(DOOR)	618510
	121568-03-704	EA	TRAVEL LATCH - GRAY	619647
	121568-03-705	EA	STORAGE LATCH - GRAY	619648



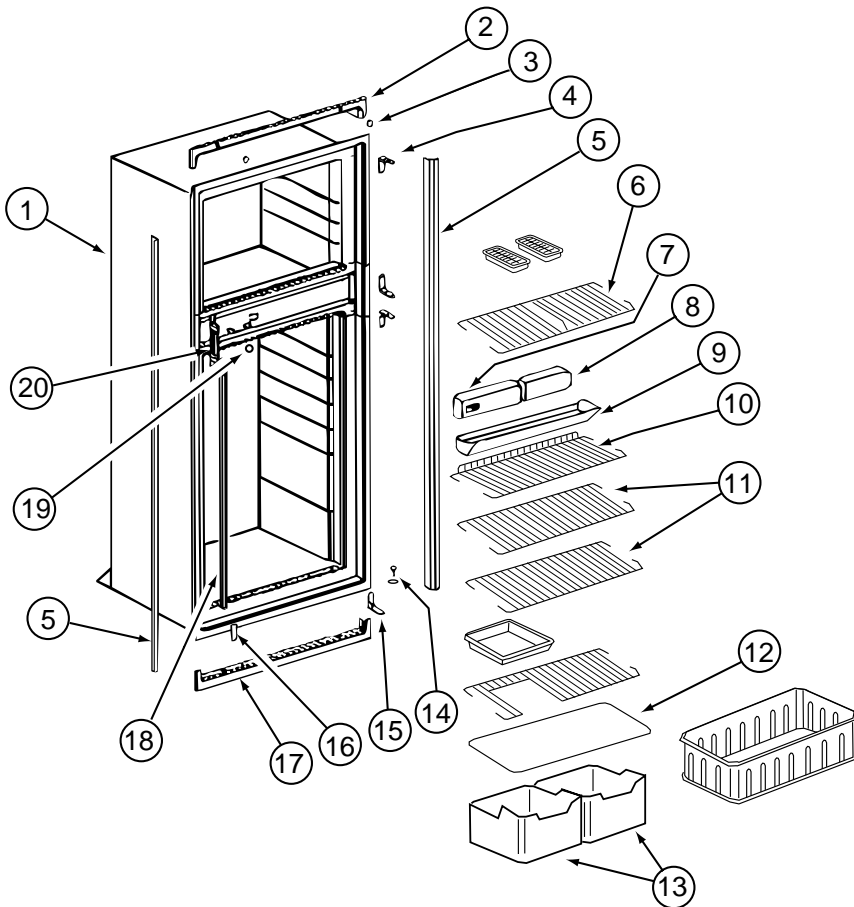
REFRIG-LARGE DOUBLE DOOR - BLACK - 2-WAY
NORCOLD #N821R



KEY	PART NUMBER	U/M	DESCRIPTION	VENDOR NO.
	121569-03-01A	EA	REFRIGERATOR - LARGE DOUBLE DOOR/LEFT HAND - 2-WAY - BLACK	
1	121568-03-706	EA	RETAINER - DOOR PANEL/BLACK	619559
2	120075-01-702	EA	CAP, (HINGE PLUG)	618160
3	120075-07-703	EA	DOOR LINER - BLACK	619631 - LARGE DOOR
4	121568-03-703	EA	HANDLE ASM TOP/RH-LWR/LH BLK	619865
5	121568-03-701	EA	BUSHING - HINGE PIN/GRAY	619671
6	121568-01-704	EA	RAIL - DOOR LOWER	618578
7	121568-01-701	EA	BIN - DOOR WHITE	618619
8	120075-01-705	EA	HINGE-TOP LH/BOTTOM RH(DOOR)	618510
	121568-03-704	EA	TRAVEL LATCH - GRAY	619647
	121568-03-705	EA	STORAGE LATCH - GRAY	619648

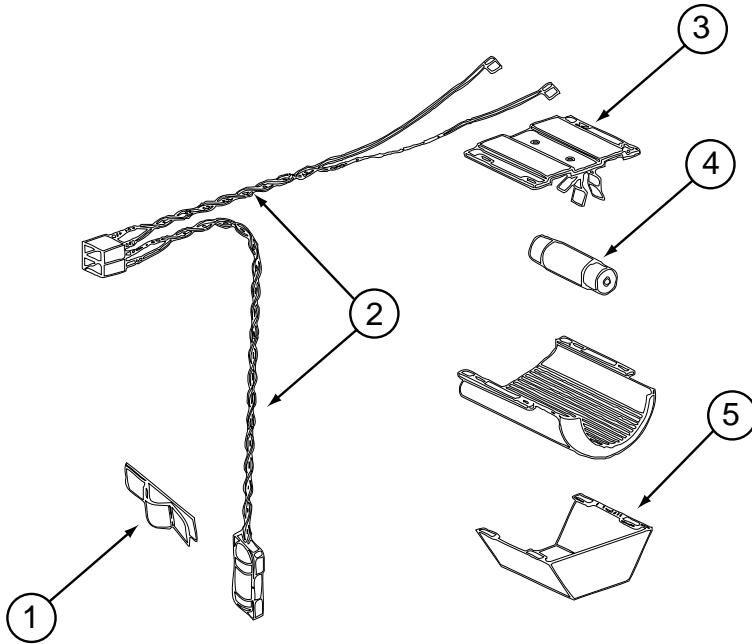


REFRIG-LARGE DOUBLE DOOR - BLACK - 2-WAY
NORCOLD #N821R

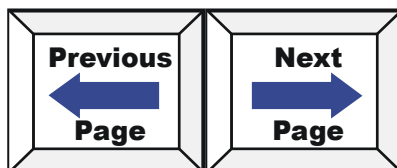


KEY	PART NUMBER	U/M	DESCRIPTION	VENDOR NO.
	121569-03-01A	EA	REFRIGERATOR - LARGE DOUBLE DOOR/LEFT HAND - 2-WAY - BLACK	
1	120075-07-709	EA	CABINET - FOAMED	619347
2	121568-03-709	EA	TRIM - TOP/BLACK	619687
3	120075-01-714	EA	PLUG-HOLE	618170
4	121568-03-710	EA	HINGE/CABINET-TOP/RH-LWR/LH	619335
5	120075-07-705	EA	TRIM - SIDE - BLACK	619802
6	121568-03-712	EA	SHELF - WIRE/FREEZER	620250
7	121568-03-714	EA	CONTROL ASM - 2 WAY BLACK	619350
8	121568-03-713	EA	FRONT BOX/DECORATIVE-BLACK	619282
9	120075-01-720	EA	TRAY-DRIP	618137
10	121568-01-707	EA	SHELF - WIRE - SHORT	618624
11	121568-01-708	EA	SHELF - WIRE	618589
12	120075-01-725	EA	COVER-CRISPER	618158
13	121568-01-709	EA	CRISPER	618571
14	120075-01-727	EA	PIN-HINGE	618145
15	121568-03-715	EA	HINGE/CABINET-TOP/LH-LWR/RH	619336
16	121568-03-716	EA	COVER - HINGE HOLES	619301
17	120075-01-729	EA	TRIM-BOTTOM PIECE	618136
18	120075-01-730	EA	RETAINER-SHELF	618181
19	121568-03-717	EA	HOLE PLUG - WHITE	619561
20	120075-01-732	EA	PLATE-STRIKE	618167
	120075-01-721	EA	LOUVER-DRIP TRAY	618176

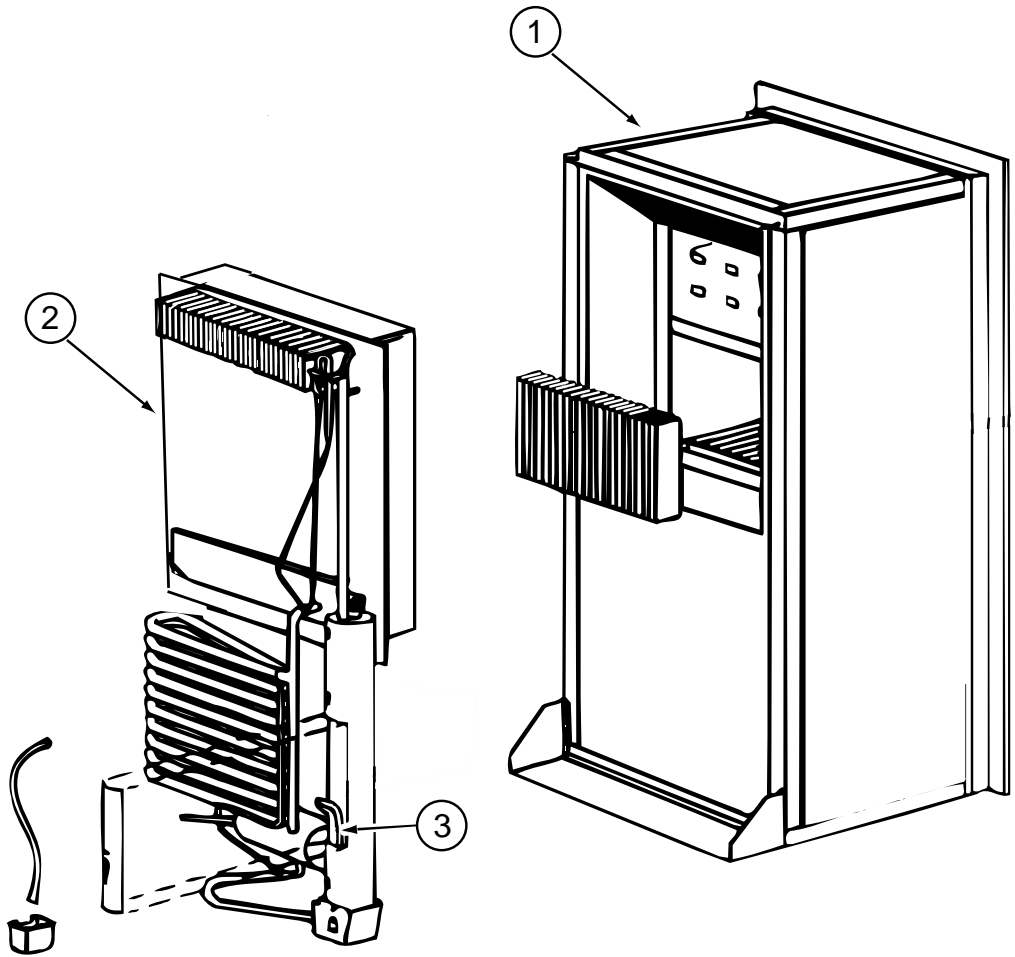
REFRIG-LARGE DOUBLE DOOR - BLACK - 2-WAY
NORCOLD #N821R



KEY	PART NUMBER	U/M	DESCRIPTION	VENDOR NO.
	121569-03-01A	EA	REFRIGERATOR - LARGE DOUBLE DOOR/LEFT HAND - 2-WAY - BLACK	
1	084880-01-760	EA	CLIP (THERMISTER)	61689122
2	120075-01-735	EA	THERMISTER W/LAMP & WIRE/ASM	618548
3	084880-03-705	EA	BRACKET-LIGHT-INTERIOR	61629722
4	084880-03-706	EA	BULB-LAMP	61628922
5	084880-03-707	EA	COVER-LAMP, LENS	61627922

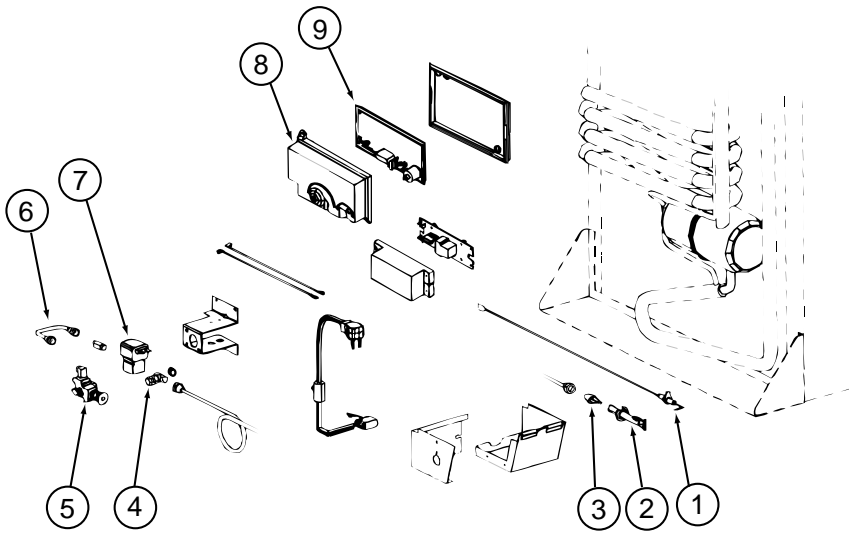


REFRIG-LARGE DOUBLE DOOR - BLACK - 2-WAY
NORCOLD #N821R

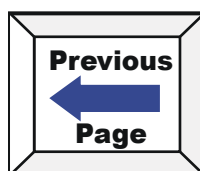


KEY	PART NUMBER	U/M DESCRIPTION	VENDOR NO.
1	121569-03-01A	EA REFRIGERATOR - LARGE DOUBLE DOOR/LEFT HAND - 2-WAY - BLACK	619347
2	120075-07-709	EA CABINET - FOAMED	61562722
3	088248-01-709	EA HEATER-AC (HORIZONTAL)	618542
	120075-01-736	EA COOLING UNIT, SERVICE PACK	620609
	120075-01-744	EA KIT - GAS VALVE/BURNER TUBE	

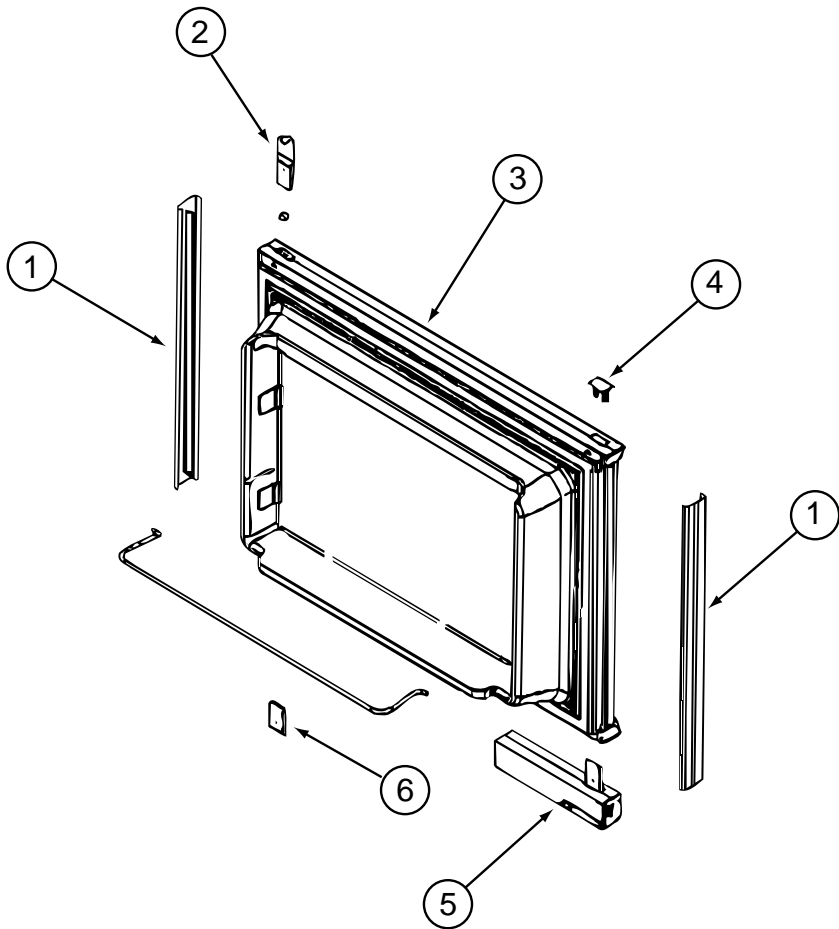
REFRIG-LARGE DOUBLE DOOR - BLACK - 2-WAY
NORCOLD #N821R



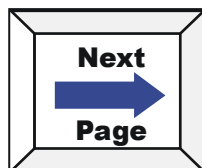
KEY	PART NUMBER	U/M	DESCRIPTION	VENDOR NO.
	121569-03-01A	EA	REFRIGERATOR - LARGE DOUBLE DOOR/LEFT HAND - 2-WAY - BLACK	
1	104137-06-715	EA	ELECTRODE-SPARK/SENSOR, SGL	61692222
2	104137-06-714	EA	BURNER ASSEMBLY, 5-SLOT	61705222
3	120075-01-737	EA	ORIFICE - JEWEL - .0155	618284
4	113737-01-702	EA	PLUG 1/8" F/PRESSURE TAP	61445322
4	113737-01-716	EA	TAP-PRESSURE	61594422
5	121568-03-720	EA	VALVE/SHUT OF-MANUAL ELECT.	618696
6	113737-01-750	EA	TUBE-UNION	61694622
7	084880-01-718	EA	VALVE-GAS, (ASCO)	61551822
8	120075-01-738	EA	COVER-POWER BOARD	618185
9	121568-03-719	EA	POWER - BOARD - 2-WAY	619353



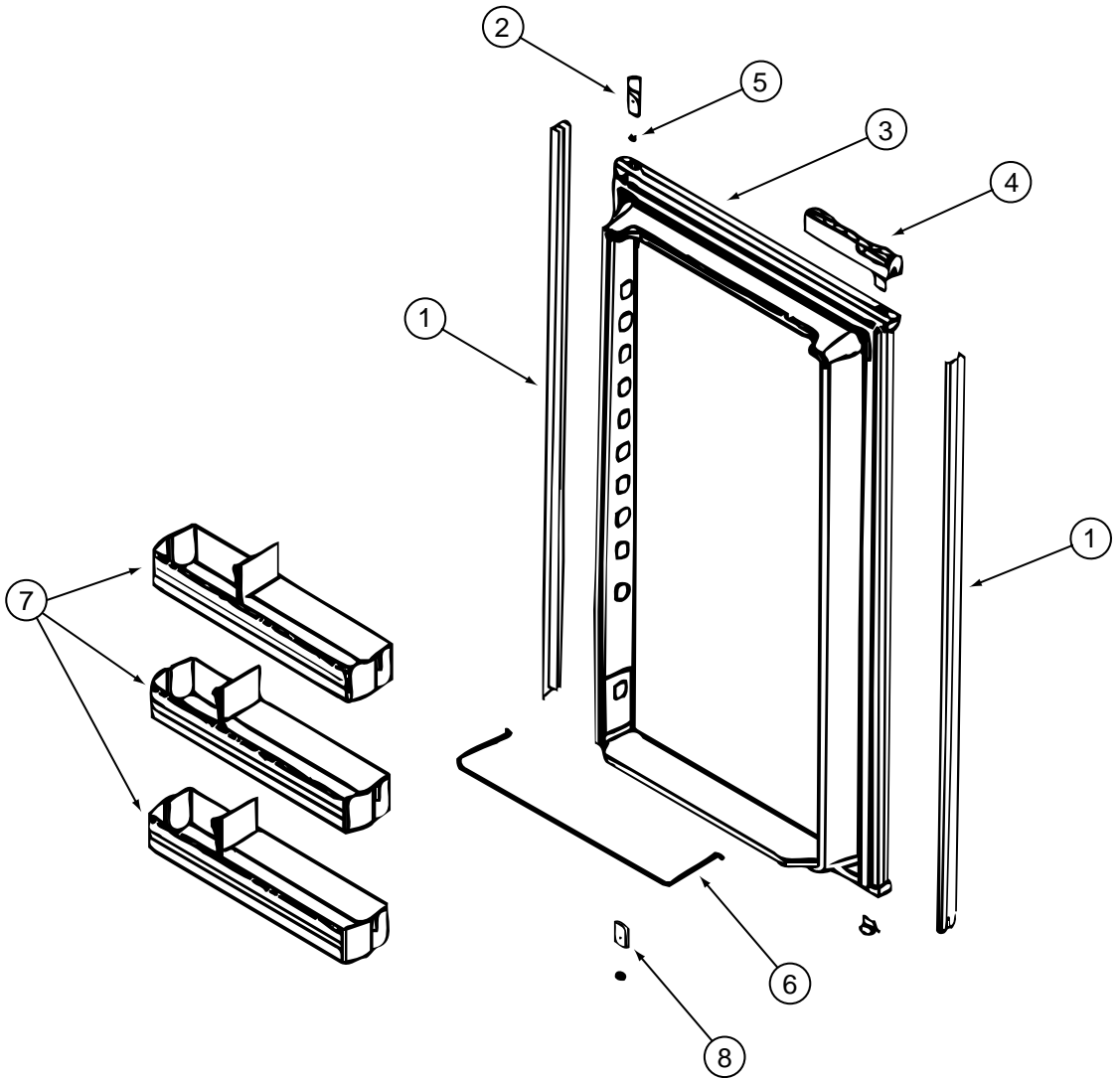
REFRIG-LARGE DOUBLE DOOR - BLACK - 2-WAY
NORCOLD #N821L



KEY	PART NUMBER	U/M	DESCRIPTION	VENDOR NO.
	121569-04-01A	EA	REFRIGERATOR - LARGE DOUBLE DOOR/LEFT HAND - 2-WAY - BLACK	
1	121568-03-700	EA	RETAINER - DOOR PANEL/BLACK	619558
2	120075-01-701	EA	HINGE-TOP RH/BOTTOM LH(DOOR)	618511
3	121568-03-702	EA	DOOR LINER - W/TRIM/BLACK	619627 - SMALL DOOR
4	120075-01-702	EA	CAP, (HINGE PLUG)	618160
5	121568-03-703	EA	HANDLE ASM TOP/RH-LWR/LH BLK	619865
6	120075-01-705	EA	HINGE-TOP LH/BOTTOM RH(DOOR)	618510
	121568-03-704	EA	TRAVEL LATCH - GRAY	619647
	121568-03-705	EA	STORAGE LATCH - GRAY	619648

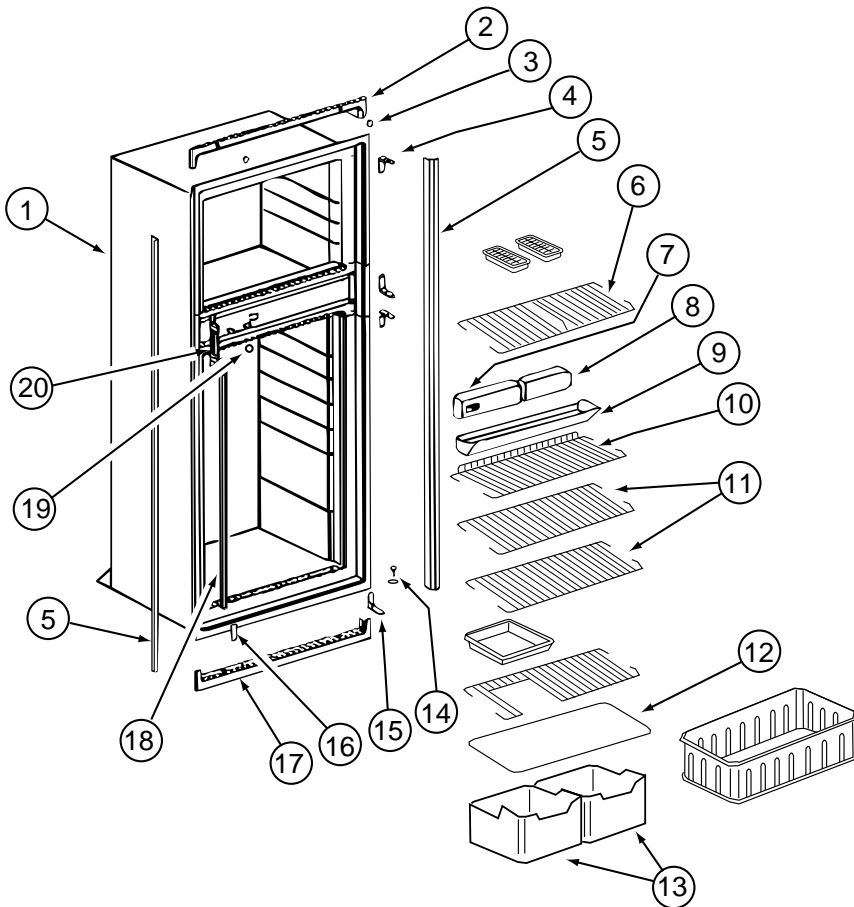


REFRIG-LARGE DOUBLE DOOR - BLACK - 2-WAY
NORCOLD #N821L



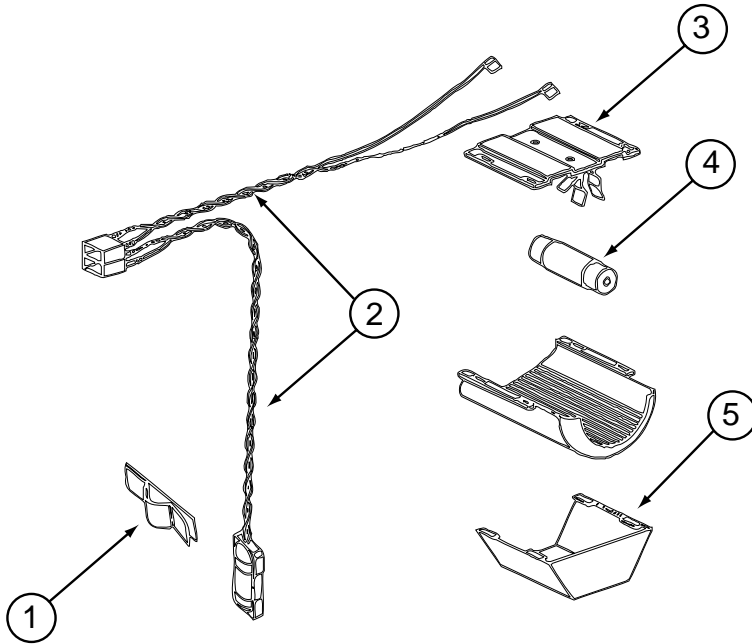
KEY	PART NUMBER	U/M	DESCRIPTION	VENDOR NO.
	121569-04-01A	EA	REFRIGERATOR - LARGE DOUBLE DOOR/LEFT HAND - 2-WAY - BLACK	
1	121568-03-706	EA	RETAINER - DOOR PANEL/BLACK	619559
2	120075-01-702	EA	CAP, (HINGE PLUG)	618160
3	120075-07-703	EA	DOOR LINER - BLACK	619631 - LARGE DOOR
4	121568-03-703	EA	HANDLE ASM TOP/RH-LWR/LH BLK	619865
5	121568-03-701	EA	BUSHING - HINGE PIN/GRAY	619671
6	121568-01-704	EA	RAIL - DOOR LOWER	618578
7	121568-01-701	EA	BIN - DOOR WHITE	618619
8	120075-01-705	EA	HINGE-TOP LH/BOTTOM RH(DOOR)	618510
	121568-03-704	EA	TRAVEL LATCH - GRAY	619647
	121568-03-705	EA	STORAGE LATCH - GRAY	619648

REFRIG-LARGE DOUBLE DOOR - BLACK - 2-WAY
NORCOLD #N821L

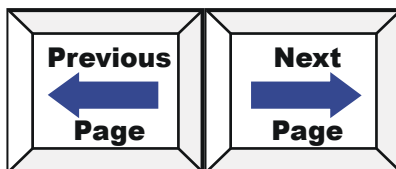


KEY	PART NUMBER	U/M	DESCRIPTION	VENDOR NO.
	121569-04-01A	EA	REFRIGERATOR - LARGE DOUBLE DOOR/LEFT HAND - 2-WAY - BLACK	
1	120075-07-709	EA	CABINET - FOAMED	619347
2	121568-03-709	EA	TRIM - TOP/BLACK	619687
3	120075-01-714	EA	PLUG-HOLE	618170
4	121568-03-710	EA	HINGE/CABINET-TOP/RH-LWR/LH	619335
5	120075-07-705	EA	TRIM - SIDE - BLACK	619802
6	121568-03-712	EA	SHELF - WIRE/FREEZER	620250
7	121568-03-714	EA	CONTROL ASM - 2 WAY BLACK	619350
8	121568-03-713	EA	FRONT BOX/DECORATIVE-BLACK	619282
9	120075-01-720	EA	TRAY-DRIP	618137
10	121568-01-707	EA	SHELF - WIRE - SHORT	618624
11	121568-01-708	EA	SHELF - WIRE	618589
12	120075-01-725	EA	COVER-CRISPER	618158
13	121568-01-709	EA	CRISPER	618571
14	120075-01-727	EA	PIN-HINGE	618145
15	121568-03-715	EA	HINGE/CABINET-TOP/LH-LWR/RH	619336
16	121568-03-716	EA	COVER - HINGE HOLES	619301
17	120075-01-729	EA	TRIM-BOTTOM PIECE	618136
18	120075-01-730	EA	RETAINER-SHELF	618181
19	121568-03-717	EA	HOLE PLUG - WHITE	619561
20	120075-01-732	EA	PLATE-STRIKE	618167
	120075-01-721	EA	LOUVER-DRIP TRAY	618176

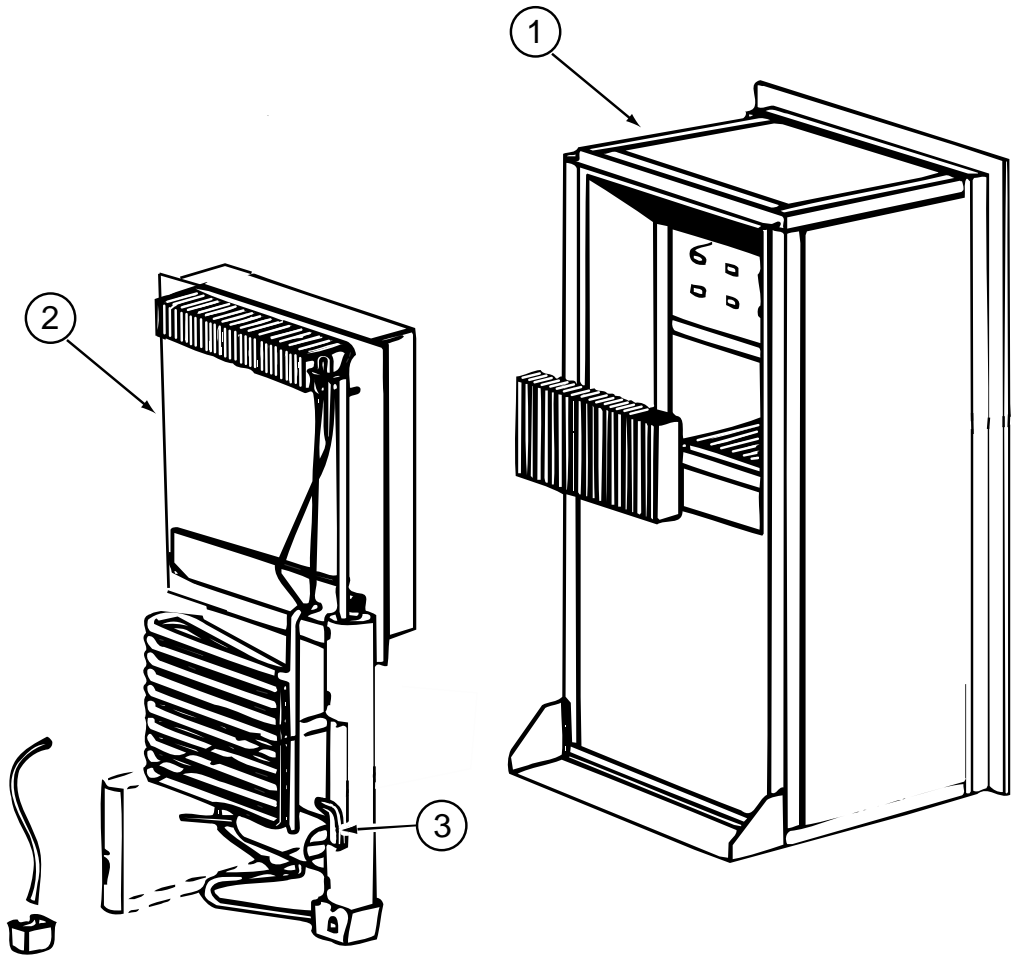
REFRIG-LARGE DOUBLE DOOR - BLACK - 2-WAY
NORCOLD #N821L



KEY	PART NUMBER	U/M	DESCRIPTION	VENDOR NO.
	121569-04-01A	EA	REFRIGERATOR - LARGE DOUBLE DOOR/LEFT HAND - 2-WAY - BLACK	
1	084880-01-760	EA	CLIP (THERMISTER)	61689122
2	120075-01-735	EA	THERMISTER W/LAMP & WIRE/ASM	618548
3	084880-03-705	EA	BRACKET-LIGHT-INTERIOR	61629722
4	084880-03-706	EA	BULB-LAMP	61628922
5	084880-03-707	EA	COVER-LAMP, LENS	61627922

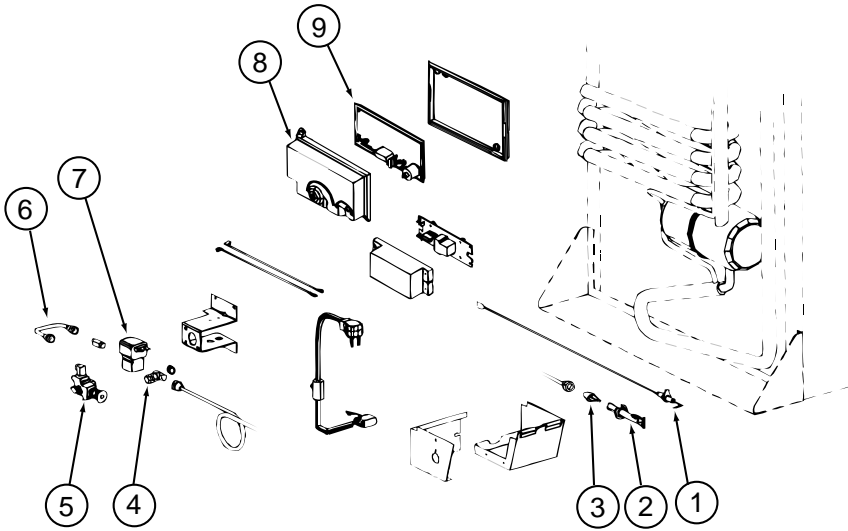


REFRIG-LARGE DOUBLE DOOR - BLACK - 2-WAY
NORCOLD #N821L

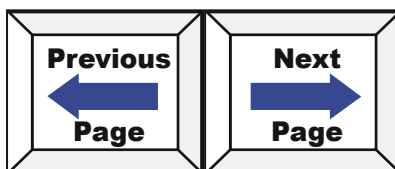


KEY	PART NUMBER	U/M DESCRIPTION	VENDOR NO.
1	121569-04-01A	EA REFRIGERATOR - LARGE DOUBLE DOOR/LEFT HAND - 2-WAY - BLACK	619347
2	120075-07-709	EA CABINET - FOAMED	61562722
3	088248-01-709	EA HEATER-AC (HORIZONTAL)	618542
	120075-01-736	EA COOLING UNIT, SERVICE PACK	620609
	120075-01-744	EA KIT - GAS VALVE/BURNER TUBE	

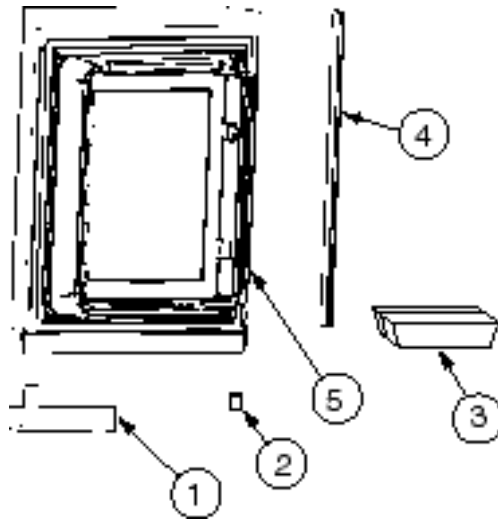
REFRIG-LARGE DOUBLE DOOR - BLACK - 2-WAY
NORCOLD #N821L



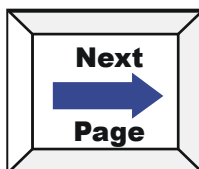
KEY	PART NUMBER	U/M	DESCRIPTION	VENDOR NO.
	121569-04-01A	EA	REFRIGERATOR - LARGE DOUBLE DOOR/LEFT HAND - 2-WAY - BLACK	
1	104137-06-715	EA	ELECTRODE-SPARK/SENSOR, SGL	61692222
2	104137-06-714	EA	BURNER ASSEMBLY, 5-SLOT	61705222
3	120075-01-737	EA	ORIFICE - JEWEL - .0155	618284
4	113737-01-702	EA	PLUG 1/8" F/PRESSURE TAP	61445322
4	113737-01-716	EA	TAP-PRESSURE	61594422
5	121568-03-720	EA	VALVE/SHUT OF-MANUAL ELECT.	618696
6	113737-01-750	EA	TUBE-UNION	61694622
7	084880-01-718	EA	VALVE-GAS, (ASCO)	61551822
8	120075-01-738	EA	COVER-POWER BOARD	618185
9	121568-03-719	EA	POWER - BOARD - 2-WAY	619353



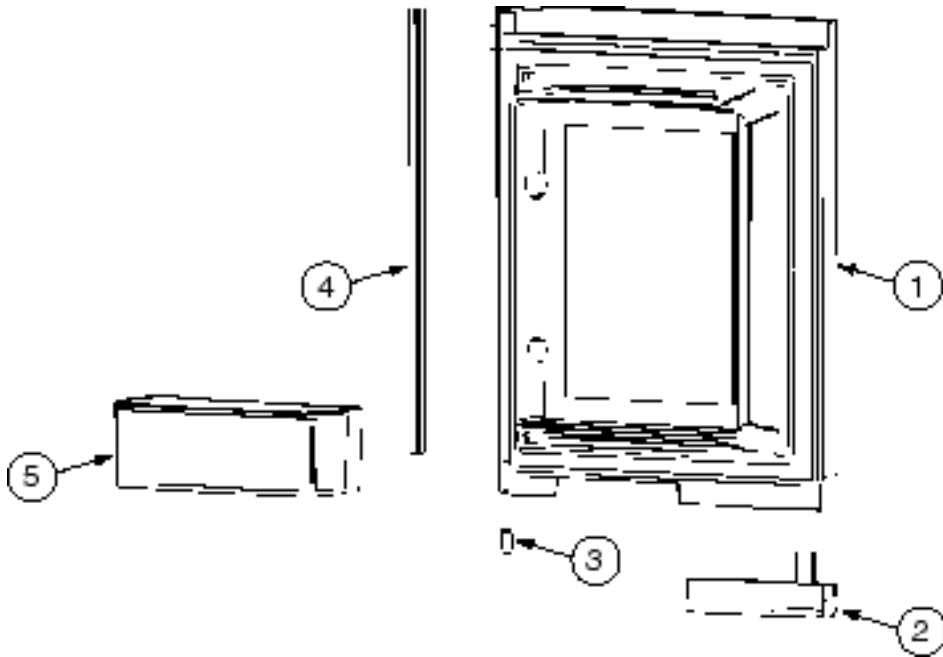
**NORCOLD
MODEL 1200 W/ICE MAKER**



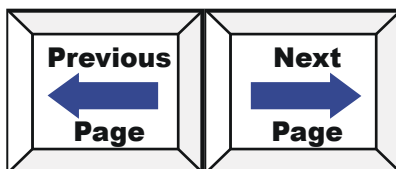
KEY	PART NUMBER	U/M	DESCRIPTION	VENDOR NO.
	125242-01-01A	EA	REFRIGERATOR - 4 DOOR W/ICE MAKER	
1	121568-01-702	EA	DOOR HANDLE - UPR/RH-LWR/LH	618230
2	125242-01-704	EA	BUSHING - HINGE MIDDLE	618746
3	125242-01-711	EA	DOOR BIN	618765
4	125242-01-719	EA	RETAINER - UPPER PANEL	618825
5	125242-01-702	EA	LINER - DOOR - FOAMED - UPPER LH	618730



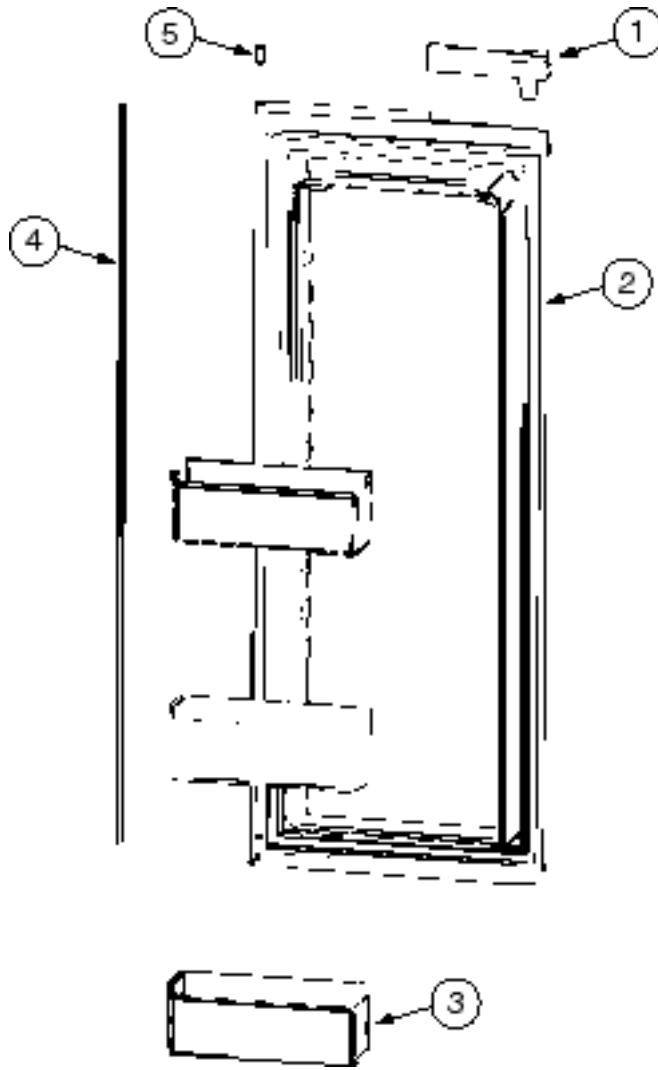
**NORCOLD
MODEL 1200 W/ICE MAKER (CONTINUED)**



KEY	PART NUMBER	U/M	DESCRIPTION	VENDOR NO.
	125242-01-01A	EA	REFRIGERATOR - 4 DOOR W/ICE MAKER	
1	125242-01-703	EA	LINER - DOOR FOAMED UPPER RH	618731
2	120075-01-711	EA	DOOR HANDLE - UPR LH/LOWER RH	618235
3	125242-01-704	EA	BUSHING - HINGE MIDDLE	618746
4	125242-01-719	EA	RETAINER - UPPER PANEL	618825
5	125242-01-711	EA	DOOR BIN	618765

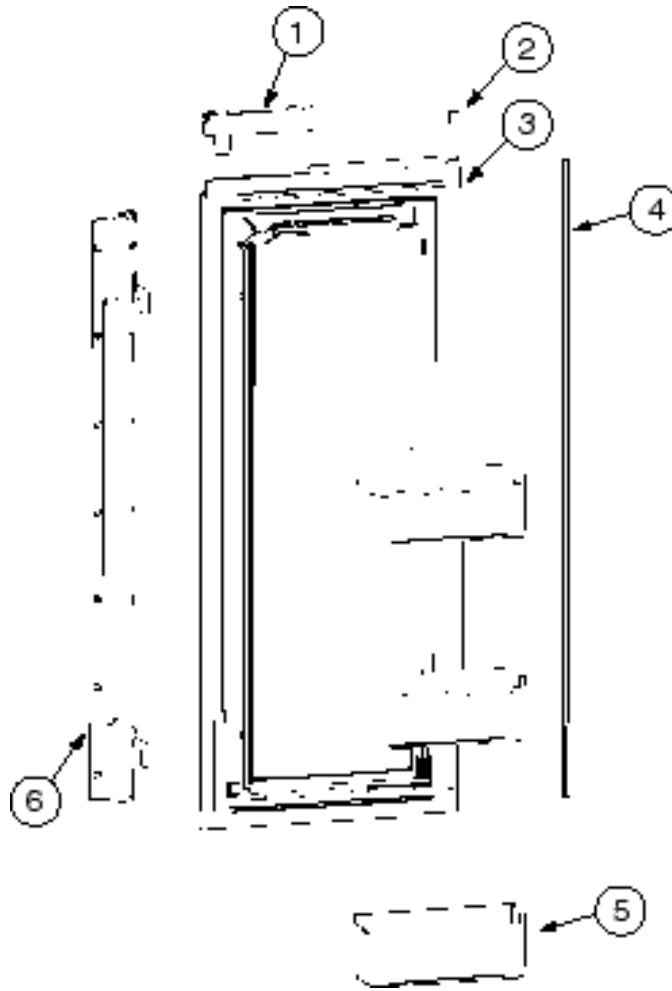


**NORCOLD
MODEL 1200 W/ICE MAKER (CONTINUED)**



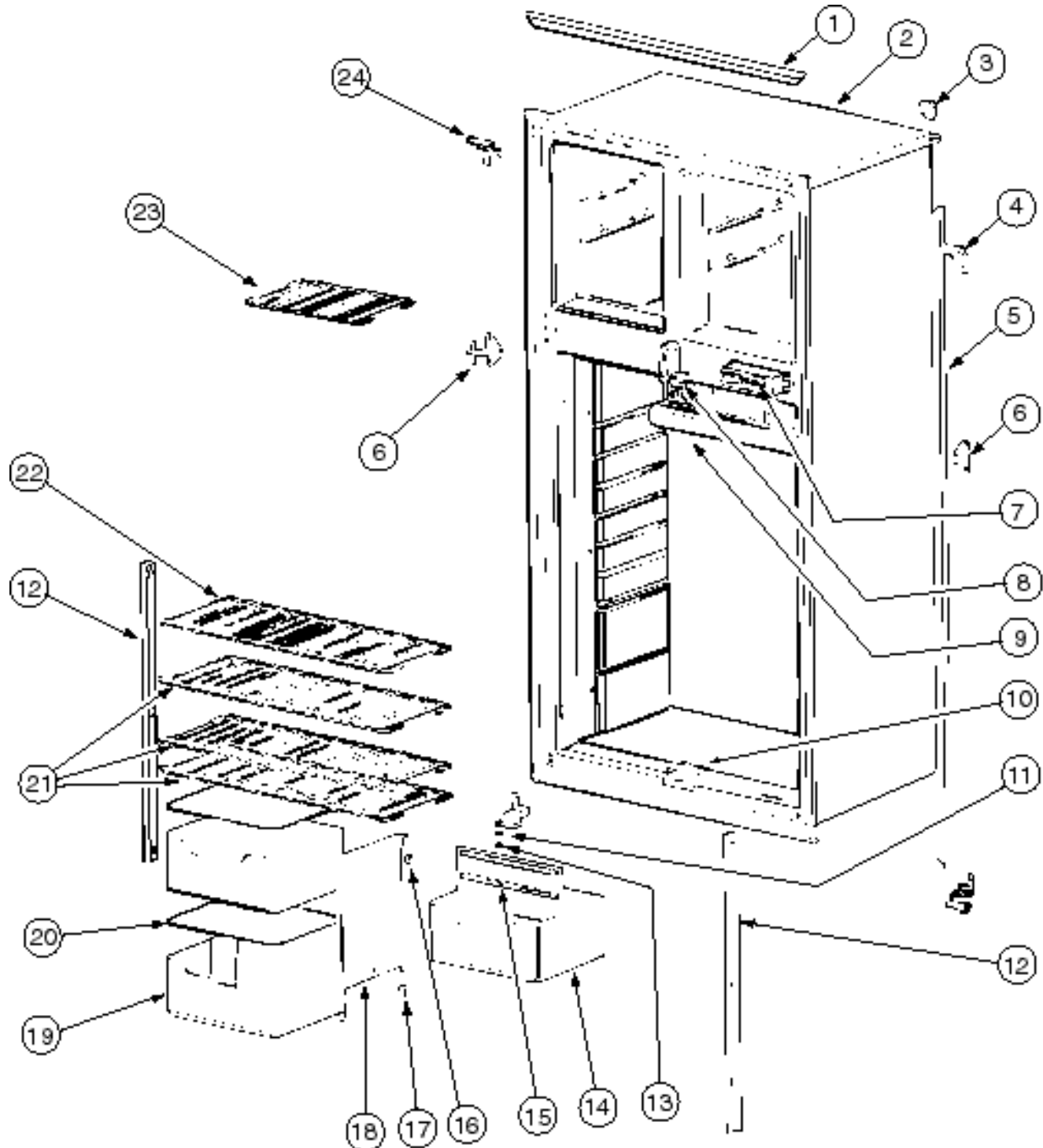
KEY	PART NUMBER	U/M	DESCRIPTION	VENDOR NO.
	125242-01-01A	EA	REFRIGERATOR - 4 DOOR W/ICE MAKER	
1	121568-01-702	EA	DOOR HANDLE - UPR/RH - LWR/LH	618230
2	125242-01-701	EA	LINER - DOOR - FOAMED - LWR RH	618729
3	125242-01-711	EA	DOOR BIN	618765
4	125242-01-718	EA	RETAINER - LOWER PANEL	618824
5	125242-01-704	EA	BUSHING - HINGE MIDDLE	618746

**NORCOLD
MODEL 1200 W/ICE MAKER (CONTINUED)**



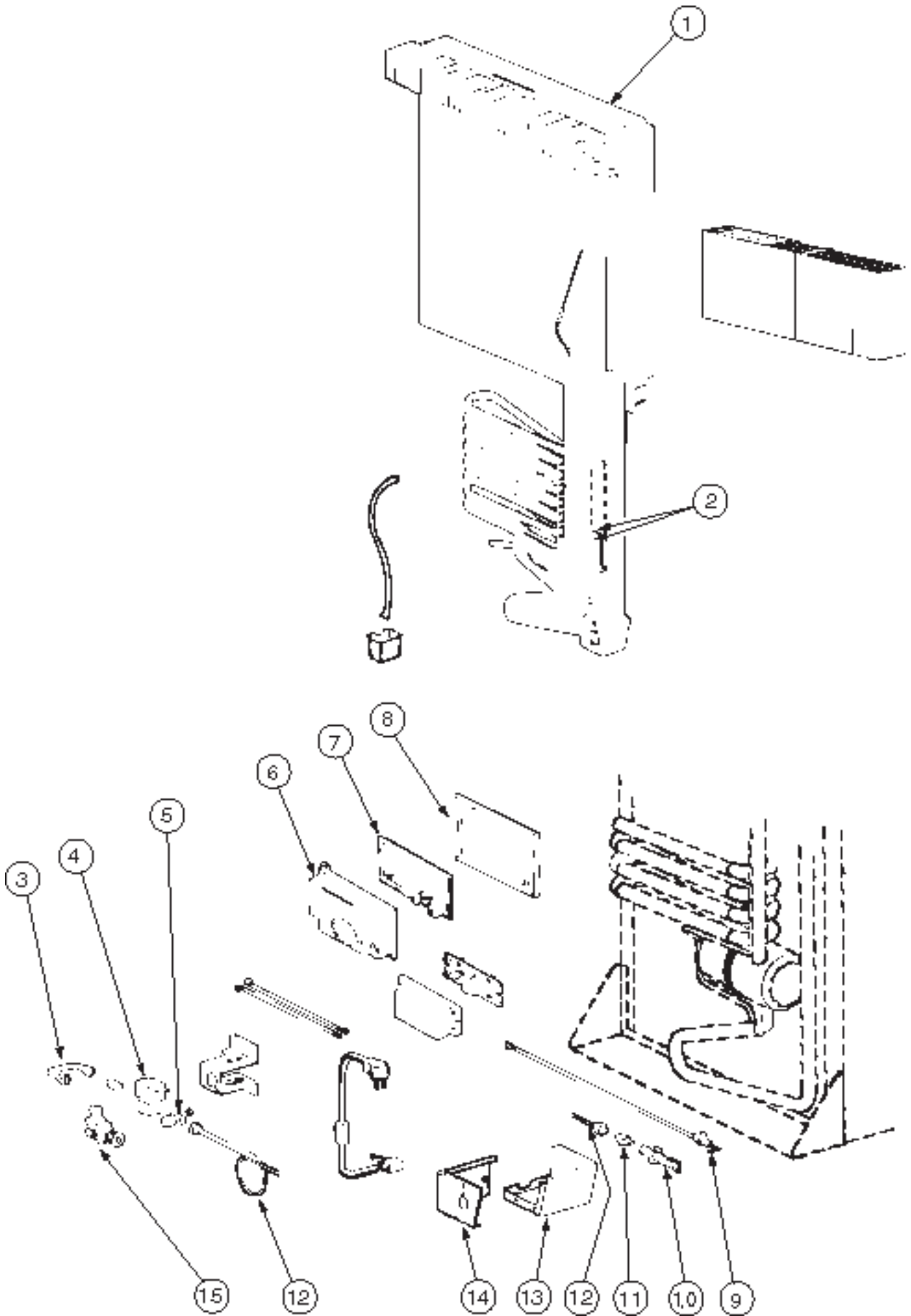
KEY	PART NUMBER	U/M	DESCRIPTION	VENDOR NO.
	125242-01-01A	EA	REFRIGERATOR - 4 DOOR W/ICE MAKER	
1	120075-01-711	EA	DOOR HANDLE - UPR LH/LOWER RH	618235
2	125242-01-704	EA	BUSHING - HINGE MIDDLE	618746
3	125242-01-700	EA	LINER - DOOR - FOAMED - LWR LH	618728
4	125242-01-718	EA	RETAINER - LOWER PANEL	618824
5	125242-01-711	EA	DOOR BIN	618765
6	125242-01-747	EA	SEAL/RETRACTABLE (DOOR ASM)	618787

NORCOLD
MODEL 1200 W/ICE MAKER (CONTINUED)



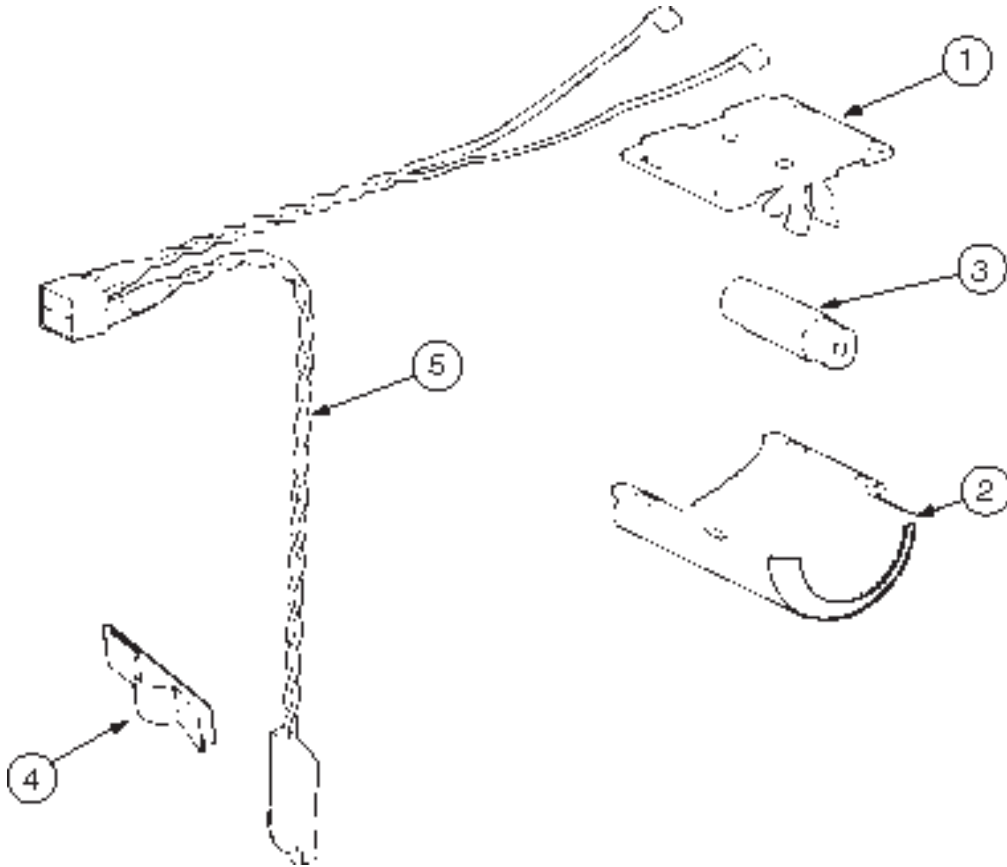
KEY	PART NUMBER	U/M	DESCRIPTION	VENDOR NO.
	125242-01-01A	EA	REFRIGERATOR - 4 DOOR W/ICE MAKER	
1	125242-01-723	EA	TRIM - HORIZONTAL	618845
2	125242-01-748	EA	CABINET/FOAMED ASSEMBLY	618748
3	125242-01-722	EA	TRIM - CORNER	618844
4	125242-01-715	EA	HINGE - TOP RH/BOTTOM LH	618798
5	125242-01-724	EA	TRIM - SIDE	618846
6	125242-01-713	EA	HINGE-MIDDLE (PAINTED)	618794
7	125242-01-705	EA	CONTROL ASM - OPTICAL	618750
8	125242-01-751	EA	BLOCK - GUIDE - UPPER	618789
9	125242-01-712	EA	DRIP TRAY	618774
10	125242-01-752	EA	BLOCK - GUIDE - LOWER	618788
11	120075-01-708	EA	BUSHING - DOOR HINGE	618144
12	120075-01-730	EA	RETAINER - SHELF	618181
13	120075-01-727	EA	PIN - HINGE	618145
14	125242-01-734	EA	CRISPER/BOTTLE BIN	618878
15	125242-01-733	EA	DIVIDER - BOTTLE CRISPER	618877
16	125242-01-750	EA	CLIP	61409622
17	113737-01-701	EA	BUSHING - HINGE	61742022
18	125242-01-749	EA	SUPPORT - WALL	618840
19	125242-01-734	EA	CRISPER/BOTTLE BIN	618878
20	125242-01-706	EA	COVER - CRISPER	618757
21	125242-01-726	EA	SHELF - WIRE (LONG)	618848
22	125242-01-727	EA	SHELF - WIRE (SHORT)	618849
23	125242-01-725	EA	SHELF - FREEZER (WIRE)	618847
24	125242-01-714	EA	HINGE - TOP LH/BOTTOM RH	618796
	125242-01-735	EA	SWITCH - DOOR LIGHT	618884

**NORCOLD
MODEL 1200 W/ICE MAKER (CONTINUED)**

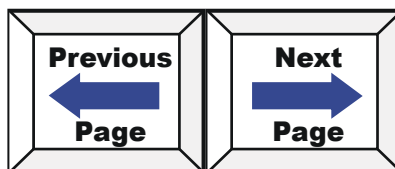


KEY	PART NUMBER	U/M	DESCRIPTION	VENDOR NO.
	125242-01-01A	EA	REFRIGERATOR - 4 DOOR W/ICE MAKER	
1	125242-01-746	EA	COOLING UNIT - 1200	618964
2	125242-01-732	EA	HEATER AC - 225W/110VAC	618872
3	113737-01-750	EA	TUBE - UNION	61694622
4	084880-01-718	EA	VALVE - GAS - (ASCO)	61551822
5	113737-01-716	EA	TAP - PRESSURE	61594422
6	120075-01-738	EA	COVER - POWER BOARD	618185
7	125242-01-720	EA	POWER BOARD	618828
8	120075-01-740	EA	COVER - BASE - POWER BOARD	618186
9	104137-06-715	EA	ELECTRODE - SPARK/SENSOR - SGL	61692222
10	125242-01-743	EA	BURNER - 8 SLOT	618932
11	125242-01-717	EA	ORIFICE - JEWELLED	618814
12	125242-01-744	EA	BURNER TUBE	618937
13	125242-01-739	EA	BASE - BURNER BOX	618902
14	125242-01-740	EA	COVER - BURNER BOX	618910
15	104137-06-709	EA	VALVE - SHUT OFF - MANUAL	61694922

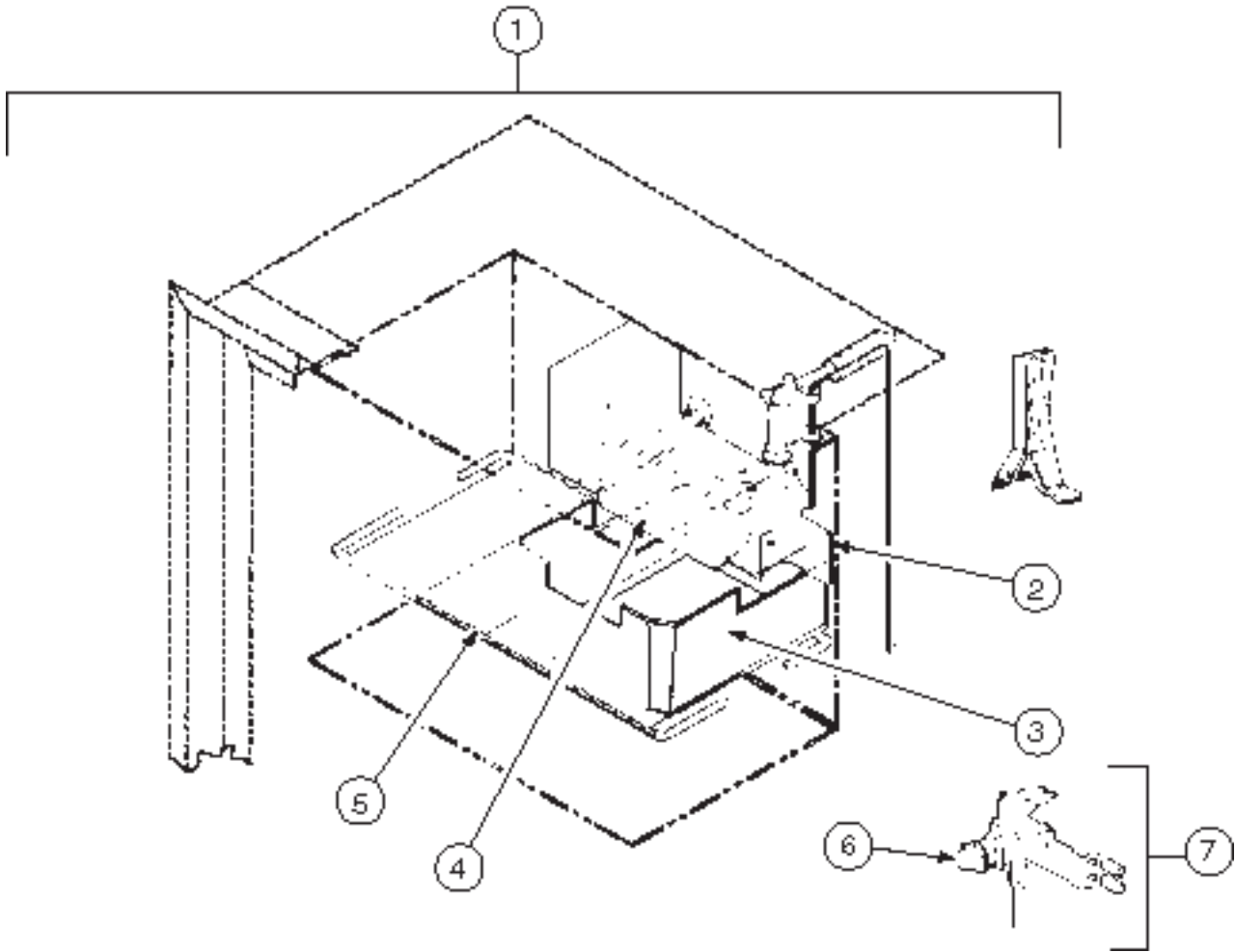
**NORCOLD
MODEL 1200 W/ICE MAKER (CONTINUED)**



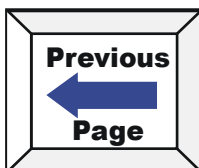
KEY	PART NUMBER	U/M	DESCRIPTION	VENDOR NO.
	125242-01-01A	EA	REFRIGERATOR - 4 DOOR W/ICE MAKER	
1	084880-03-705	EA	BRACKET - LIGHT - INTERIOR	61629722
2	120075-01-734	EA	COVER - LENS	618190
3	084880-03-706	EA	BULB - LAMP	61628922
4	084880-01-760	EA	CLIP (THERMISTER)	61689122
5	120075-01-735	EA	THERMISTER W/LAMP & WIRE/ASM	618548



**NORCOLD
MODEL 1200 W/ICE MAKER (CONTINUED)**



KEY	PART NUMBER	U/M	DESCRIPTION	VENDOR NO.
1	125242-01-01A	EA	REFRIGERATOR - 4 DOOR W/ICE MAKER	61656522
2	094039-07-706	EA	ICE MAKER W/O PLATES	618894
3	125242-01-737	EA	BRACKET - MOUNTING (ICE MAKER)	618803
4	125242-01-716	EA	ICE BIN	61656922
5	120075-03-703	EA	ARM - SHUT OFF	618847
6	125242-01-725	EA	SHELF - FREEZER (WIRE)	61678722
7	120075-03-702	EA	NUT/COMPRESSION - FITTING	618523
	120075-03-701	EA	VALVE - WATER - W/BRACKET	



COUNTERTOP REFRIGERATOR

KEY	PART NUMBER	U/M DESCRIPTION	VENDOR NO.	KEY	PART NUMBER	U/M DESCRIPTION	VENDOR NO.
	131147-01-01A	EA REFRIGERATOR - SINGLE DOOR - TOP ROTARY KNOBS			131147-01-719	EA MANUAL SHUT OFF VALVE	617976
	102621-04-703	EA HOLDER-SPRING, RH WHITE	61632830		131147-01-720	EA COOLING SYSTEM - SERVICE KIT	619088
	102621-04-707	EA HOLDER-SPRING, LH WHITE EVAP	61632730		131147-01-721	EA CABINET BAFFLE	619122
	102621-04-708	EA CLIP-MTG.,LH WHITE EVAP DOOR	61633030		131147-01-722	EA BURNER AND ELECTRODE ASM.	619151
	102621-04-709	EA CLIP-MTG.,RH WHITE EVAP DOOR	61632930		131147-01-723	EA HEATER - DC	619065
	104137-06-724	EA ICE TRAY	61630422		131147-01-724	EA HEATER - AC	619063
	113737-01-701	EA BUSHING-HINGE	61742022		131147-01-725	EA ELBOW - BRASS/90 DEG - 2 PC	61621622
	113737-01-705	EA CLIP-FIN	61728722		131147-01-726	EA ADAPTER - PIPE	619055
	113737-01-708	EA PIN-HINGE, TOP	61114600		131147-01-727	EA VALVE - SAFETY	617965
	113737-01-709	EA INTERRUPTER	61750522		131147-01-728	EA PLUG/EXTENSION-SAFETY VALVE	619044
	113737-01-710	EA PIN-HINGE, BOTTOM	61550722		131147-01-729	EA THERMOCOUPLE	619154
	113737-01-735	EA THERMOSTAT-GAS VALVE	617944		131147-01-730	EA O-RING/SAFETY VALVE	
	125242-01-750	EA CLIP	61409622		131147-01-731	EA CONTROL PANEL - 3-WAY	619146
	131147-01-700	EA FOAMED CABINET	619120		131147-01-732	EA SWITCH/SELECTOR- 4-POSITION	619168
	131147-01-701	EA GAS CONTROL	619147		131147-01-733	EA SPARK IGNITOR	61645622
	131147-01-702	EA CONTROL PANEL ASSEMBLY	619145		131147-01-734	EA FLAME METER	61481322
	131147-01-703	EA KNOB - SELECTOR	619070		131147-01-735	EA HINGE/FREEZER DOOR - RH	61632930
	131147-01-704	EA KNOB - THERMOSTAT	619069		131147-01-736	EA HINGE/FREEZER DOOR - LH	61633030
	131147-01-705	EA FREEZER DOOR	619117		131147-01-738	EA SPRING PIN	619133
	131147-01-707	EA SPRING HOLDER ASSEMBLY - LH	619042		131147-01-739	EA TORSION SPRING - RH CABINET	619066
	131147-01-708	EA DOOR LATCH	619103		131147-01-740	EA TORSION SPRING - LH CABINET	619064
	131147-01-709	EA HINGE/CABINET-UPR/LH-LWR/RH	619096		131147-01-741	EA FOAMED DOOR ASSEMBLY	619030
	131147-01-710	EA HINGE/CABINET-UPR/RH-LWR/LH	619095		131147-01-742	EA PANEL RETAINER- NEED 2 PCS	619035
	131147-01-711	EA DOOR ASSEMBLY	619030		131147-01-743	EA PLUG - BEIGE	619048
	131147-01-712	EA WIRE - SHELF UPPER	619123		131147-01-744	EA LATCH PLATE	619104
	131147-01-713	EA WIRE SHELF - LOWER	619102		111222-01-02A	EA COVER - VENT - SIDE - BRIGHT WHITE - REFRIGERATOR TRAY DRAIN - CSA	
	131147-01-714	EA DOOR - BIN - WHITE	619033		090329-01-000	FT SEAL/T - REFRIGERATOR CABINET	
	131147-01-715	EA DRIP TRAY	61618930		054450-01-000	EA LEVEL - REFRIGERATOR	
	131147-01-716	EA BURNER TUBE	619156		116751-07-01A	EA TRAY - REFRIGERATOR - BLACK - US	
	131147-01-717	EA GAS INLET TUBE	619157		116751-14-01A	EA TRAY - REFRIGERATOR - CSA	
	131147-01-718	EA TERMINAL BLOCK	619173				
					116751-07-01A	EA TRAY - REFRIGERATOR - BLACK - CSA	FROM: 00-00-00 THRU: 06-22-99
							FROM: 06-23-99 THRU: 99-99-99

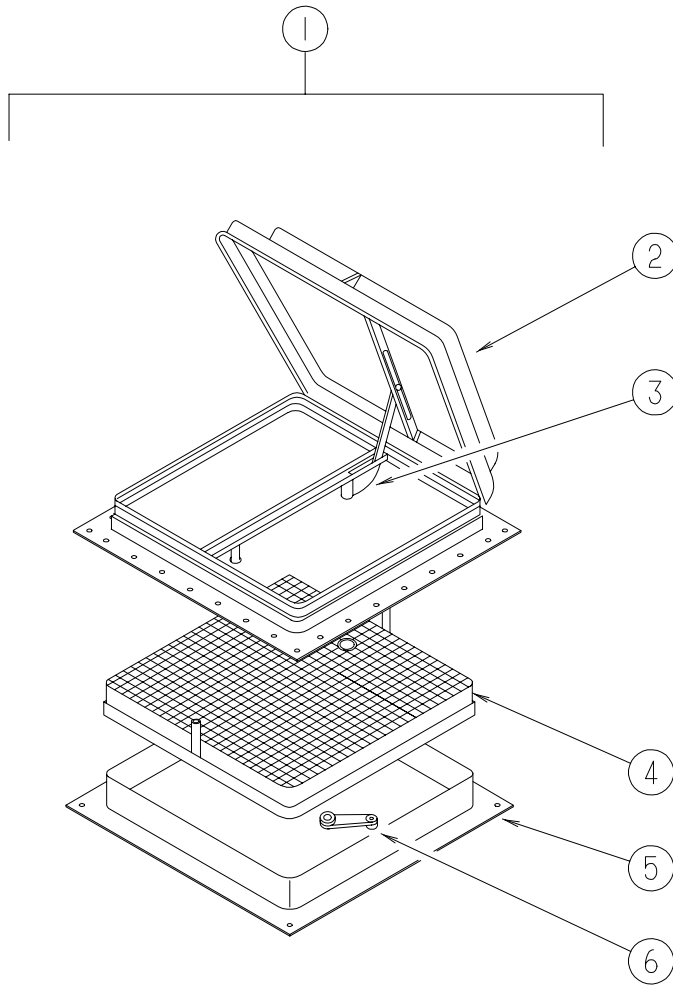
**FANTASTIC VENT
1000B - US**

KEY	PART NUMBER	U/M	DESCRIPTION	VENDOR NO.
	084079-01-000	EA	VENT - CEILING - EXHAUST - POWER - 1000B	
	084079-01-700	EA	COVER - VENT W/HINGE & SLIDE	1020K-19
	009440-01-000	EA	GEAR - ARM - ROOF VENT	705221K38
	084079-01-705	EA	MOTOR - ROOF VENT	1080-00
	084079-01-704	EA	BLADE - FAN	1070-00
	084079-11-700	EA	MOTOR - BRACKET - FAN BLADE KIT	4017K-09
	084079-01-711	EA	H-MOLDING - MOTOR MOUNT	
	084079-01-712	EA	GARNISH - INTERIOR - 1 7/8" - OFF WHITE	1040-80
	084079-01-703	EA	KNOB - LIFT - W/EXTENSION & SCREW	1140K-00
	084079-01-707	EA	SWITCH - SAFETY	1122.05
	084079-01-709	EA	SWITCH - MAIN - 3 SPEED	1031.05
	084079-03-700	EA	SCREEN ASSEMBLY - THIN ROOF - W/SWITCH	1030S-80

**FANTASTIC VENT
1000B - CANADIAN**

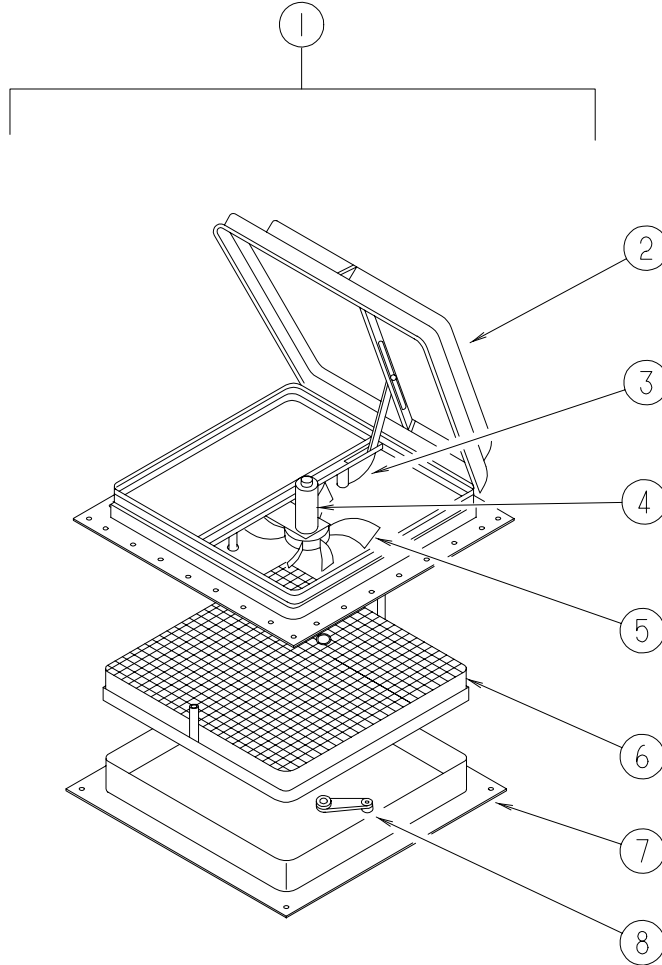
KEY	PART NUMBER	U/M	DESCRIPTION	VENDOR NO.
	084079-08-000	EA	VENT - CEILING - EXHAUST - POWER - OFF WHITE	
	084079-01-700	EA	COVER - VENT W/HINGE & SLIDE	1020K-19
	084079-08-710	EA	MOTOR - ROOF VENT	101703
	084079-01-704	EA	BLADE - FAN	1070-00
	084079-01-711	EA	H-MOLDING - MOTOR MOUNT	
	084079-01-712	EA	GARNISH - INTERIOR - 1 7/8" - OFF WHITE	1040-80
	084079-01-703	EA	KNOB - LIFT - W/EXTENSION & SCREW	1140K-00
	084079-01-707	EA	SWITCH - SAFETY	1122.05
	084079-01-709	EA	SWITCH - MAIN - 3 SPEED	1031.05
	084079-03-700	EA	SCREEN ASSEMBLY - THIN ROOF - W/SWITCH	1030S-80

ELIXIR



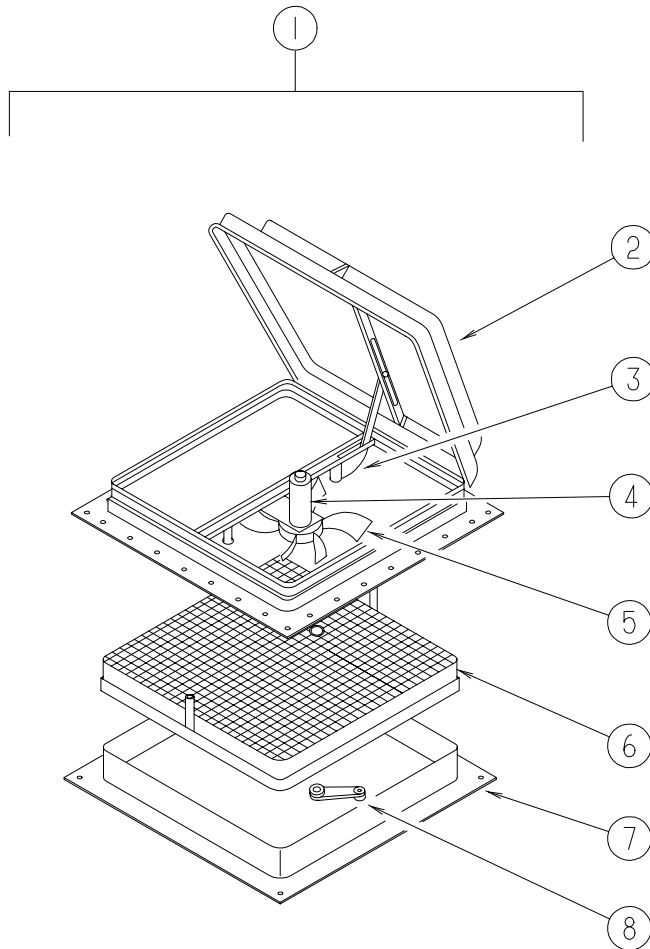
KEY	PART NUMBER	U/M	DESCRIPTION	VENDOR NO.
1	122882-01-01A	EA	VENT - ROOF - NONPOWERED - W/O INSIDE GARNISH	
2	064470-01-700	EA	COVER - VENT - W/O SLIDE BAR	J7291B
3	009440-01-000	EA	GEAR/ARM - LIFT - ROOF VENT COVER	
4	122882-01-701	EA	SCREEN	JRP-1124-B
5	122882-06-01A	EA	GARNISH - ROOF VENT - 1" TO 2.56"	
5	122882-07-01A	EA	GARNISH - ROOF VENT - 2.50" TO 4.12"	
6	122882-01-700	EA	HANDLE - CRANK - BLACK	90128
	064470-01-701	EA	SLIDE BAR - VENT LID	JRP1291B

ELIXIR



KEY	PART NUMBER	U/M	DESCRIPTION	VENDOR NO.
1	122882-02-01A	EA	VENT - ROOF - W/FAN - POWERED - W/O INSIDE GARNISH	
2	064470-01-700	EA	COVER - VENT - W/O SLIDE BAR	J7291B
3	009440-01-000	EA	GEAR/ARM - LIFT - ROOF VENT COVER	
4	048648-01-000	EA	MOTOR - ROOF VENT - 1/8 SHAFT - 12VOLT	
5	048649-01-000	EA	FAN - ROOF VENT - 6 BLADES - 6"	
6	122882-01-701	EA	SCREEN	JRP-1124-B
7	122882-06-01A	EA	GARNISH - ROOF VENT - 1" TO 2.56"	
7	122882-07-01A	EA	GARNISH - ROOF VENT - 2.50" TO 4.12"	
8	122882-01-700	EA	HANDLE - CRANK - BLACK	90128
	064470-01-701	EA	SLIDE BAR - VENT LID	JRP1291B
	110051-03-700	EA	SWITCH - BLACK/PUSH BUTTON	27-0164

ELIXIR



KEY	PART NUMBER	U/M	DESCRIPTION	VENDOR NO.
1	122882-03-01A	EA	VENT - ROOF - W/FAN - POWERED - W/O INSIDE GARNISH	
2	064470-01-700	EA	COVER - VENT - W/O SLIDE BAR	J7291B
3	009440-01-000	EA	GEAR/ARM - LIFT - ROOF VENT COVER	
4	048648-01-000	EA	MOTOR - ROOF VENT - 1/8 SHAFT - 12VOLT	
5	048649-01-000	EA	FAN - ROOF VENT - 6 BLADES - 6"	
6	122882-01-701	EA	SCREEN	JRP-1124-B
7	122882-06-01A	EA	GARNISH - ROOF VENT - 1" TO 2.56"	
7	122882-07-01A	EA	GARNISH - ROOF VENT - 2.50" TO 4.12"	
8	122882-01-700	EA	HANDLE - CRANK - BLACK	90128
	064470-01-701	EA	SLIDE BAR - VENT LID	JRP1291B
	110051-03-700	EA	SWITCH - BLACK/PUSH BUTTON	27-0164

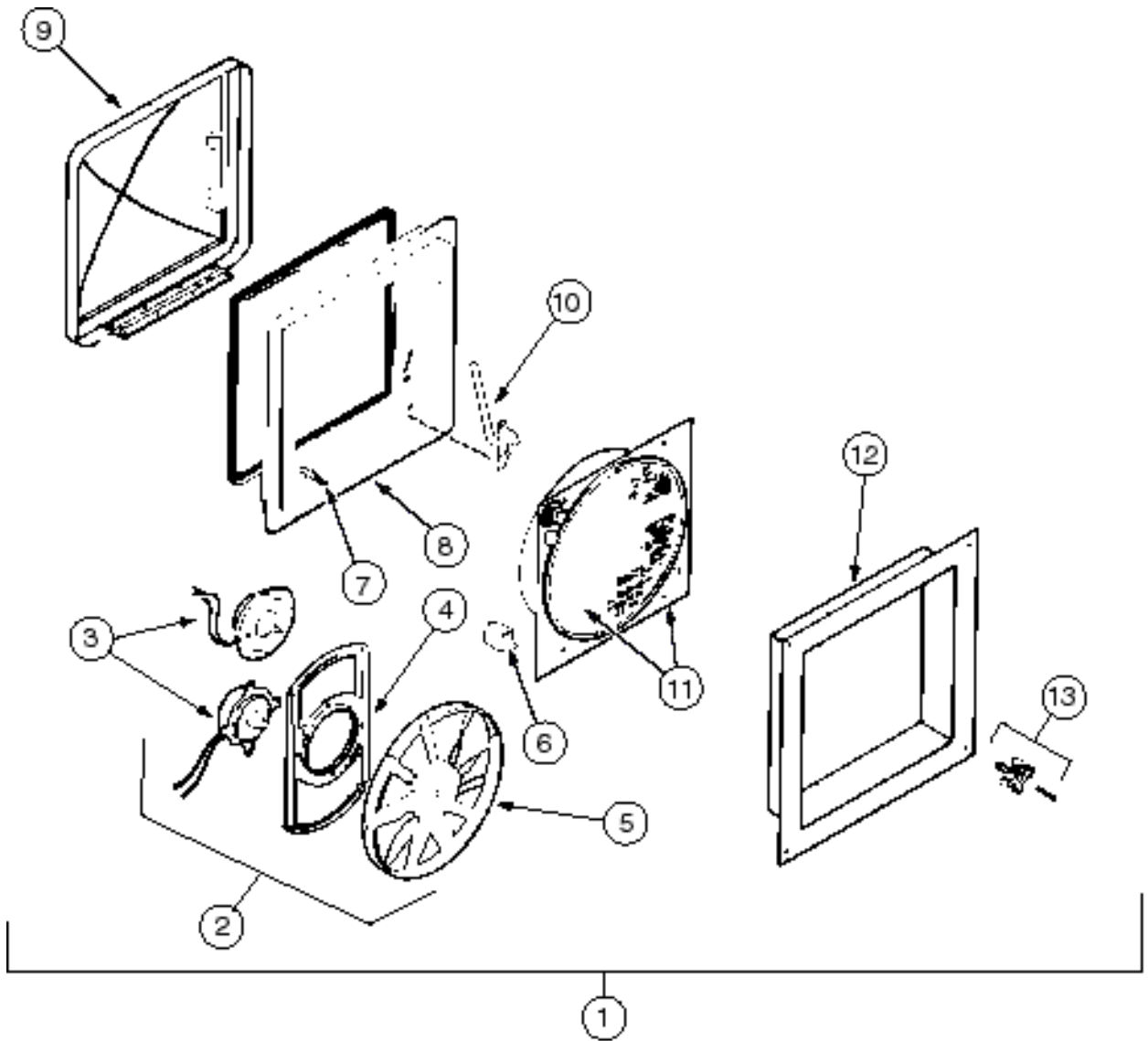
ELIXIR
MODEL V971232 WHT

KEY	PART NUMBER	U/M	DESCRIPTION	VENDOR NO.
	122882-04-01A	EA	VENT - ROOF - W/FAN/POWER LIFT - W/O INSIDE GARNISH - UL	V971232 WHT
	048648-01-000	EA	MOTOR-12V NONVENTED 1/8 SFT	
	048649-01-000	EA	FAN-PLAS-6 IN 6 BLADED	
	064469-03-708	EA	GEAR-DRIVE	RP-1024
	064469-03-709	EA	GEAR-PINION F-1/8" SHAFT	RP-1025
	064470-01-700	EA	COVER - VENT - W/O SLIDE BAR	J7291
	064470-01-701	EA	SLIDE BAR - VENT LID	JRP1291B
	110051-07-701	EA	MOTOR-LIFT, W/BRKT-GEAR 3/16	RP1099B
	122882-04-700	EA	SCREEN	J29-670-01A

**ELIXIR
MODEL V971235 WHT**

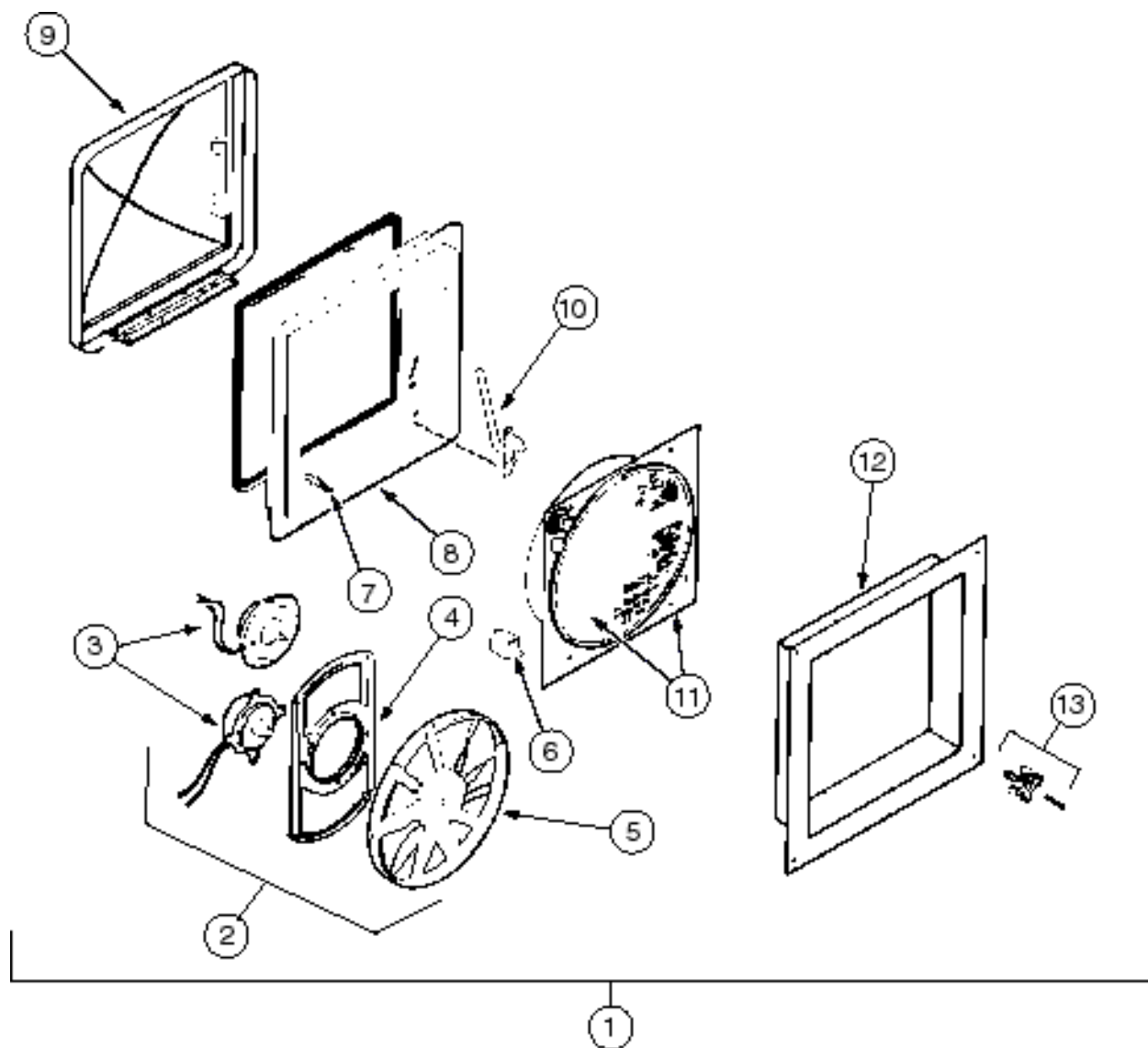
KEY	PART NUMBER	U/M	DESCRIPTION	VENDOR NO.
	122882-05-01A	EA	VENT - ROOF - W/FAN/POWER LIFT - W/O INSIDE GARNISH - CSA	V971235 WHT
	048648-01-000	EA	MOTOR-12V NONVENTED 1/8 SFT	
	048649-01-000	EA	FAN-PLAS-6 IN 6 BLADED	
	064469-03-708	EA	GEAR-DRIVE	RP-1024
	064469-03-709	EA	GEAR-PINION F-1/8" SHAFT	RP-1025
	064470-01-700	EA	COVER - VENT - W/O SLIDE BAR	J7291
	064470-01-701	EA	SLIDE BAR - VENT LID	JRP1291B
	110051-07-701	EA	MOTOR-LIFT, W/BRKT-GEAR 3/16	RP1099B
	122882-04-700	EA	SCREEN	J29-670-01A

FANTASTIC
MODEL 4000-1-WDW



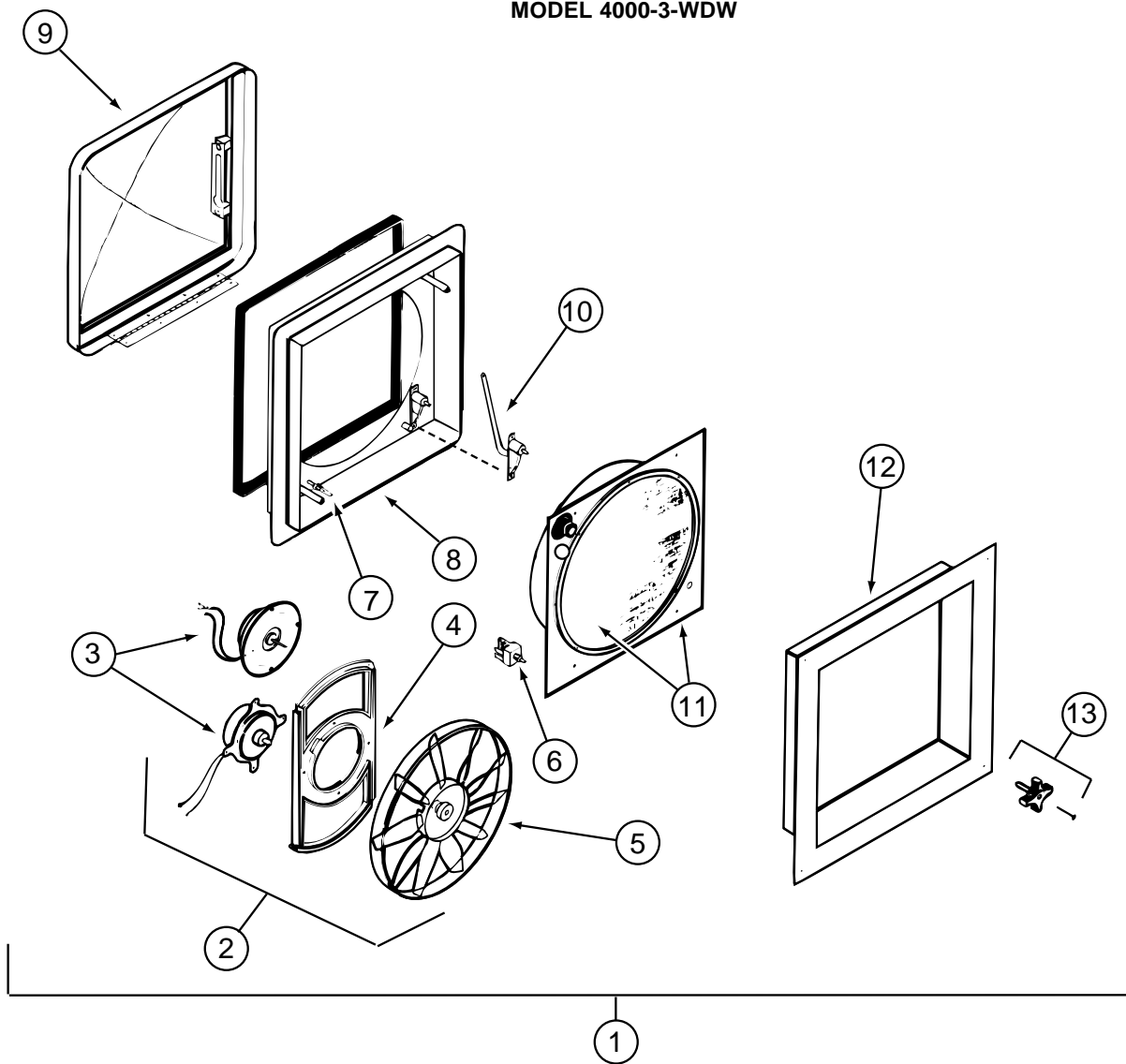
KEY	PART NUMBER	U/M	DESCRIPTION	VENDOR NO.
1	123780-01-01A	EA	VENT - ROOF - 1" - W/FAN/POWER LIFT - W/O THERMOSTAT 4000-1-WDW	
2	084079-11-700	EA	MOTOR, BRKT., FAN BLADE, KIT	4017K-09
3	084079-01-705	EA	MOTOR	1080-00
4	084079-01-711	EA	H-MOLDING, MOTOR MOUNT	
5	084079-01-704	EA	BLADE-FAN	1070-00
6	084079-01-709	EA	SWITCH - MAIN - 3 SPEED	1031-05
7	084079-01-707	EA	SWITCH - SAFETY	1122.05
8	123780-05-700	EA	BASE - MAIN BRIGHT WHITE	1010K-81
9	123780-01-700	EA	COVER - VENT W/HINGE & SLIDE	1020K-81
10	084079-01-702	EA	ARM LIFT ASSEMBLY, MANUAL	101105
11	123780-01-702	EA	SCREEN W/FRAME	103581
12	123780-03-700	EA	GARNISH - INT. 3"-4" BRT/WHT	2040-81
12	123780-01-701	EA	GARNISH - INT 3/4-1" BRT/WHT	0040-81
13	084079-01-703	EA	KNOB-LIFT, W/EXT. & SCREW	1140K-00
	009440-01-000	EA	GEAR-ARM-ROOF VENT 705221K38	
	084079-01-706	EA	PLUG, 12 VOLT	1090

FANTASTIC
MODEL 4000-2-WDW



KEY	PART NUMBER	U/M	DESCRIPTION	VENDOR NO.
1	123780-02-01A	EA	VENT - ROOF - 1" - W/FAN/POWER LIFT - W/O THERMOSTAT 4000-2-WDW	
2	084079-11-700	EA	MOTOR, BRKT., FAN BLADE, KIT	4017K-09
3	084079-01-705	EA	MOTOR	1080-00
4	084079-01-711	EA	H-MOLDING, MOTOR MOUNT	
5	084079-01-704	EA	BLADE-FAN	1070-00
6	084079-01-709	EA	SWITCH - MAIN - 3 SPEED	1031-05
7	084079-01-707	EA	SWITCH - SAFETY	1122.05
8	123780-05-700	EA	BASE - MAIN BRIGHT WHITE	1010K-81
9	123780-01-700	EA	COVER - VENT W/HINGE & SLIDE	1020K-81
10	084079-01-702	EA	ARM LIFT ASSEMBLY, MANUAL	101105
11	123780-01-702	EA	SCREEN W/FRAME	103581
12	123780-03-700	EA	GARNISH - INT. 3"-4" BRT/WHT	2040-81
12	123780-01-701	EA	GARNISH - INT 3/4-1" BRT/WHT	0040-81
13	084079-01-703	EA	KNOB-LIFT, W/EXT. & SCREW	1140K-00
	009440-01-000	EA	GEAR-ARM-ROOF VENT 705221K38	
	084079-01-706	EA	PLUG, 12 VOLT	1090

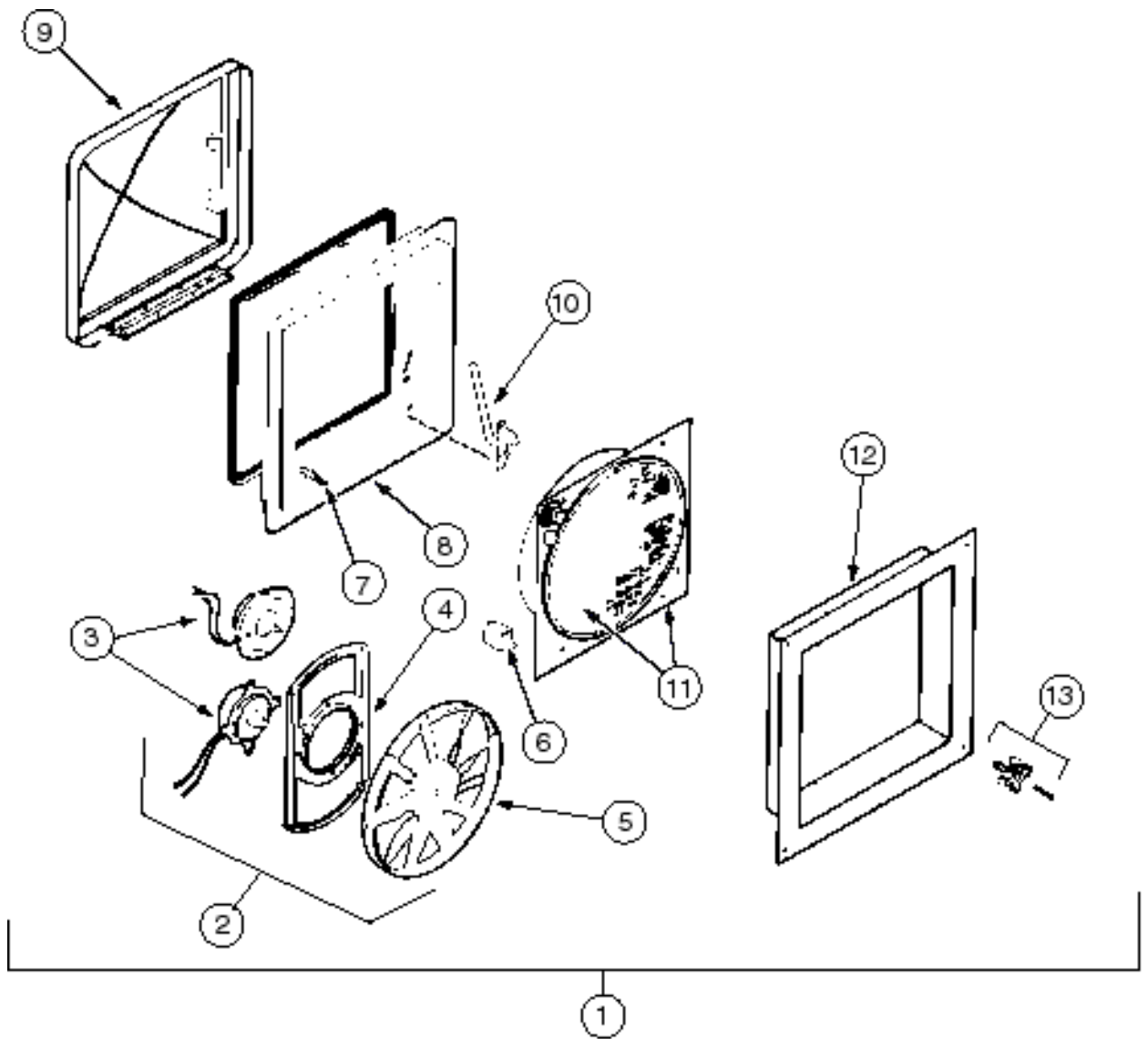
**ROOF VENT
MODEL 4000-3-WDW**



FANTASTIC

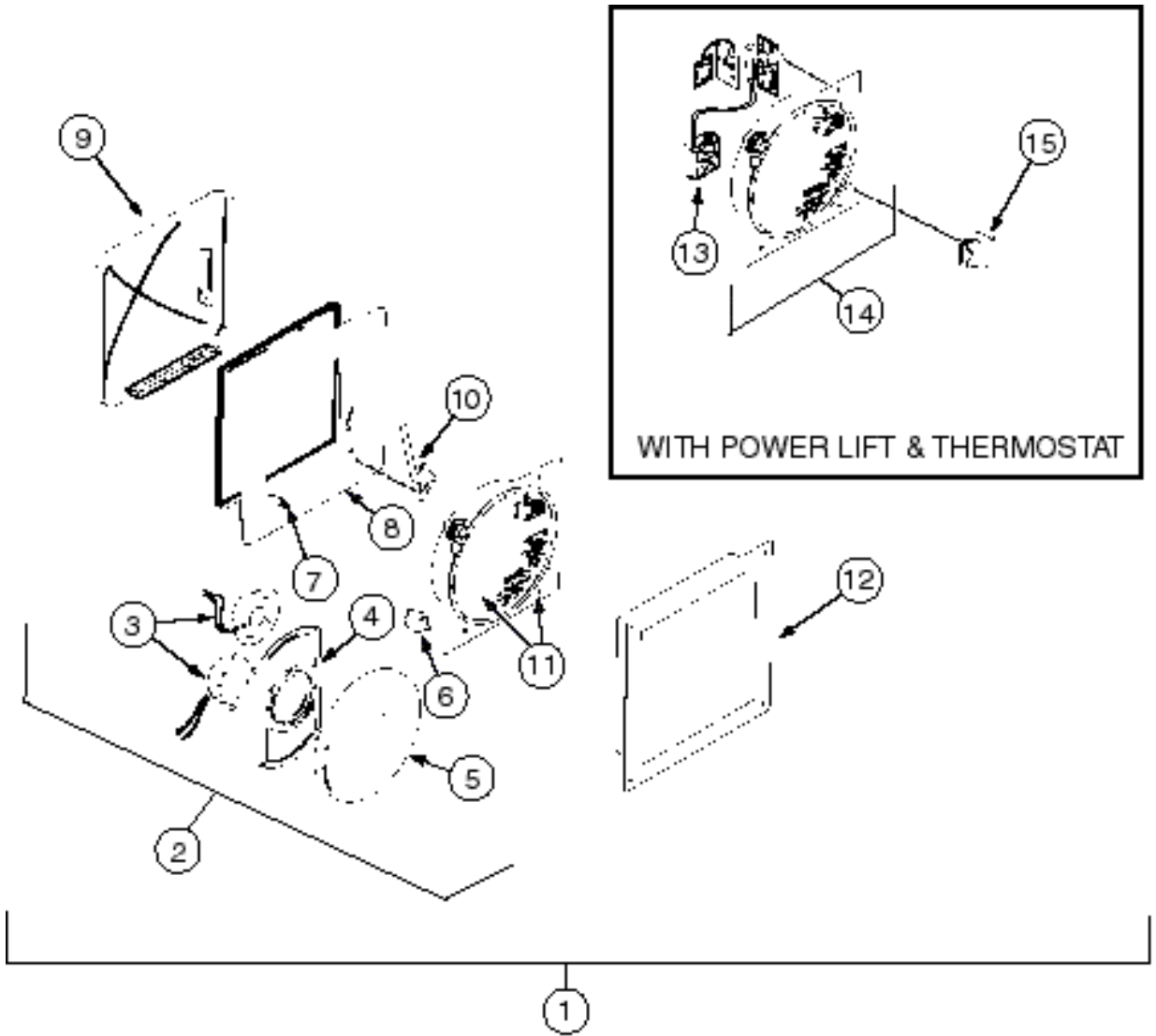
KEY	PART NUMBER	U/M	DESCRIPTION	VENDOR NO.
1	123780-03-01A	EA	VENT - EXHAUST - F/3" TO 4" ROOF - CSA	4000-3-WDW
2	084079-11-700	EA	MOTOR, BRKT., FAN BLADE, KIT	4017K-09
3	084079-01-705	EA	MOTOR	1080-00
4	084079-01-711	EA	H-MOLDING, MOTOR MOUNT	
5	084079-01-704	EA	BLADE-FAN	1070-00
6	084079-01-709	EA	SWITCH - MAIN - 3 SPEED	1031-05
7	084079-01-707	EA	SWITCH - SAFETY	1122-05
8	123780-05-700	EA	BASE - MAIN BRIGHT WHITE	1010K-81
9	123780-01-700	EA	COVER - VENT W/HINGE & SLIDE	1020K-81
10	084079-01-702	EA	ARM LIFT ASSEMBLY, MANUAL	101105
11	123780-01-702	EA	SCREEN W/FRAME	103581
12	123780-03-700	EA	GARNISH - INT. 3"-4" BRT/WHT	2040-81
12	123780-01-701	EA	GARNISH - INT 3/4-1" BRT/WHT	0040-81
13	084079-01-703	EA	KNOB-LIFT, W/EXT. & SCREW	1140K-00
	009440-01-000	EA	GEAR-ARM-ROOF VENT	705221K38
	084079-01-706	EA	PLUG, 12 VOLT	1090

FANTASTIC
MODEL 4000-3-WDW-CSA



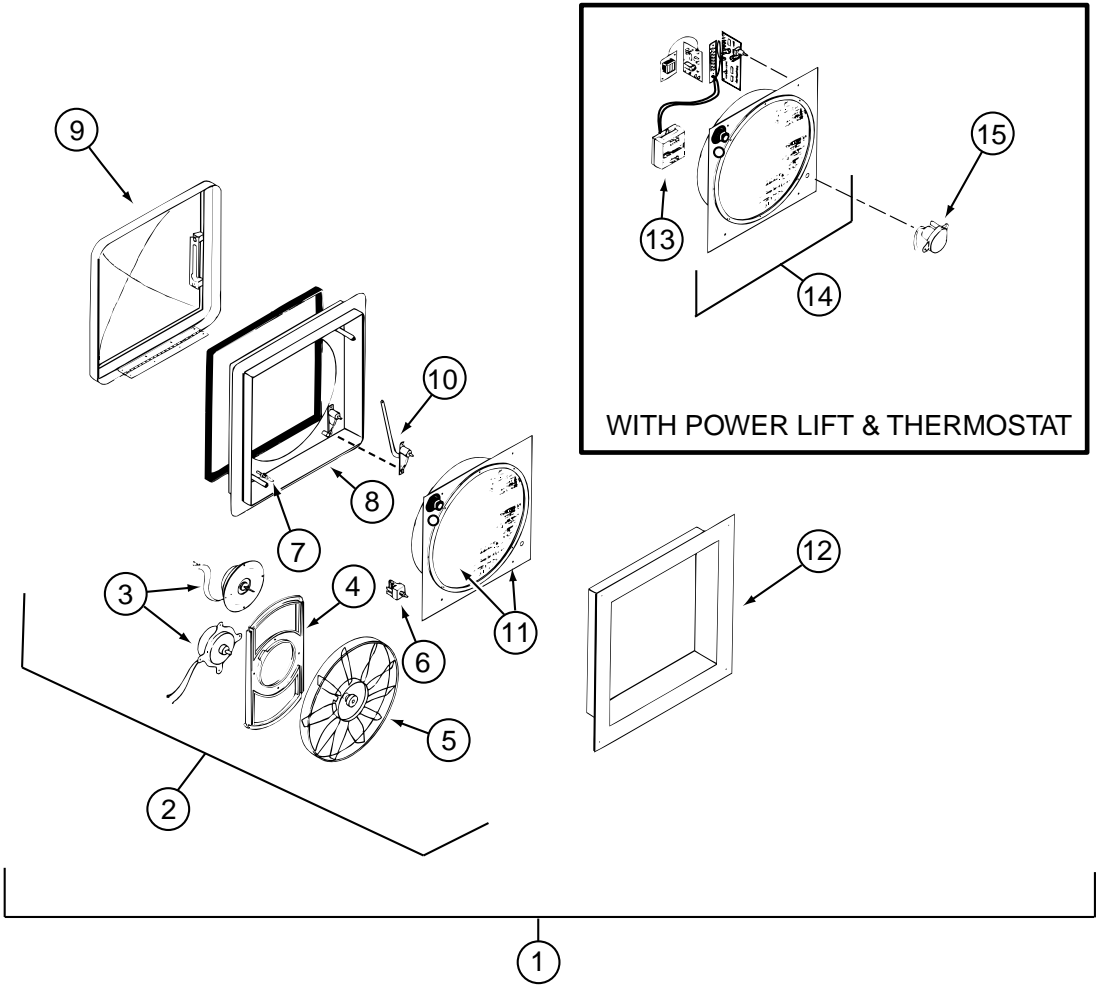
KEY	PART NUMBER	U/M	DESCRIPTION	VENDOR NO.
1	123780-04-01A	EA	VENT - EXHAUST - F/3" TO 4" ROOF - CSA	4000-3-WDW-CSA
2	084079-11-700	EA	MOTOR, BRKT., FAN BLADE, KIT	4017K-09
3	084079-01-705	EA	MOTOR	1080-00
4	084079-01-711	EA	H-MOLDING, MOTOR MOUNT	
5	084079-01-704	EA	BLADE-FAN	1070-00
6	084079-01-709	EA	SWITCH - MAIN - 3 SPEED	1031-05
7	084079-01-707	EA	SWITCH - SAFETY	1122.05
8	123780-05-700	EA	BASE - MAIN BRIGHT WHITE	1010K-81
9	123780-01-700	EA	COVER - VENT W/HINGE & SLIDE	1020K-81
10	084079-01-702	EA	ARM LIFT ASSEMBLY, MANUAL	101105
11	123780-01-702	EA	SCREEN W/FRAME	103581
12	123780-03-700	EA	GARNISH - INT. 3"-4" BRT/WHT	2040-81
12	123780-01-701	EA	GARNISH - INT 3/4-1" BRT/WHT	0040-81
13	084079-01-703	EA	KNOB-LIFT, W/EXT. & SCREW	1140K-00
	009440-01-000	EA	GEAR-ARM-ROOF VENT 705221K38	
	084079-01-706	EA	PLUG, 12 VOLT	1090

FANTASTIC
MODEL 2000T-3-WDW



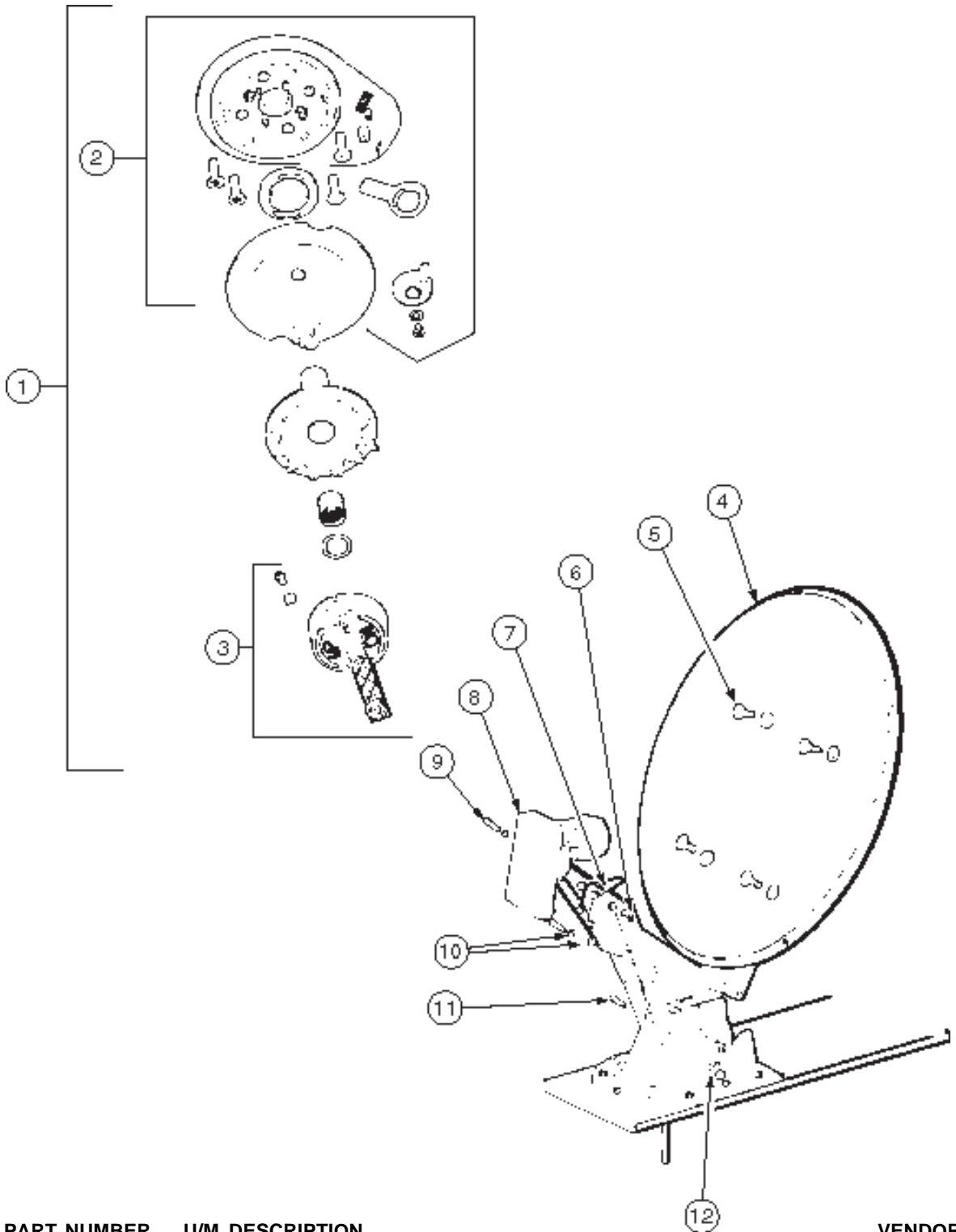
KEY	PART NUMBER	U/M DESCRIPTION	VENDOR NO.
1	123780-05-01A	EA VENT - ROOF - 3" TO 4" - W/FAN/POWER LIFT/THERMOSTAT 2000T-3-WDW	
2	084079-11-700	EA MOTOR, BRKT., FAN BLADE, KIT	4017K-09
3	084079-11-705	EA MOTOR - LIFT (BC MOTOR)	5050-40
4	084079-01-711	EA H-MOLDING, MOTOR MOUNT	
5	084079-01-704	EA BLADE-FAN	1070-00
6	084079-01-709	EA SWITCH - MAIN - 3 SPEED	1031-05
7	084079-01-707	EA SWITCH - SAFETY	1122.05
8	123780-05-700	EA BASE - MAIN BRIGHT WHITE	1010K-81
9	123780-01-700	EA COVER - VENT W/HINGE & SLIDE	1020K-81
10	084079-11-701	EA ARM-LIFT ASSEMBLY, AUTOMATIC	2011-05
11	123780-01-702	EA SCREEN W/FRAME	103581
12	123780-03-700	EA GARNISH - INT. 3"-4" BRT/WHT	2040-81
13	084079-01-710	EA THERMOSTAT, WALL MOUNT	9988-39
14	123780-05-701	EA SCREEN ASM., INT W/SWITCHES	2000TK-81
15	084079-11-703	EA MOTOR-LIFT (AUTOTROL) W/CAP	6050-05

FANTASTIC
2000T-3-WDW-C



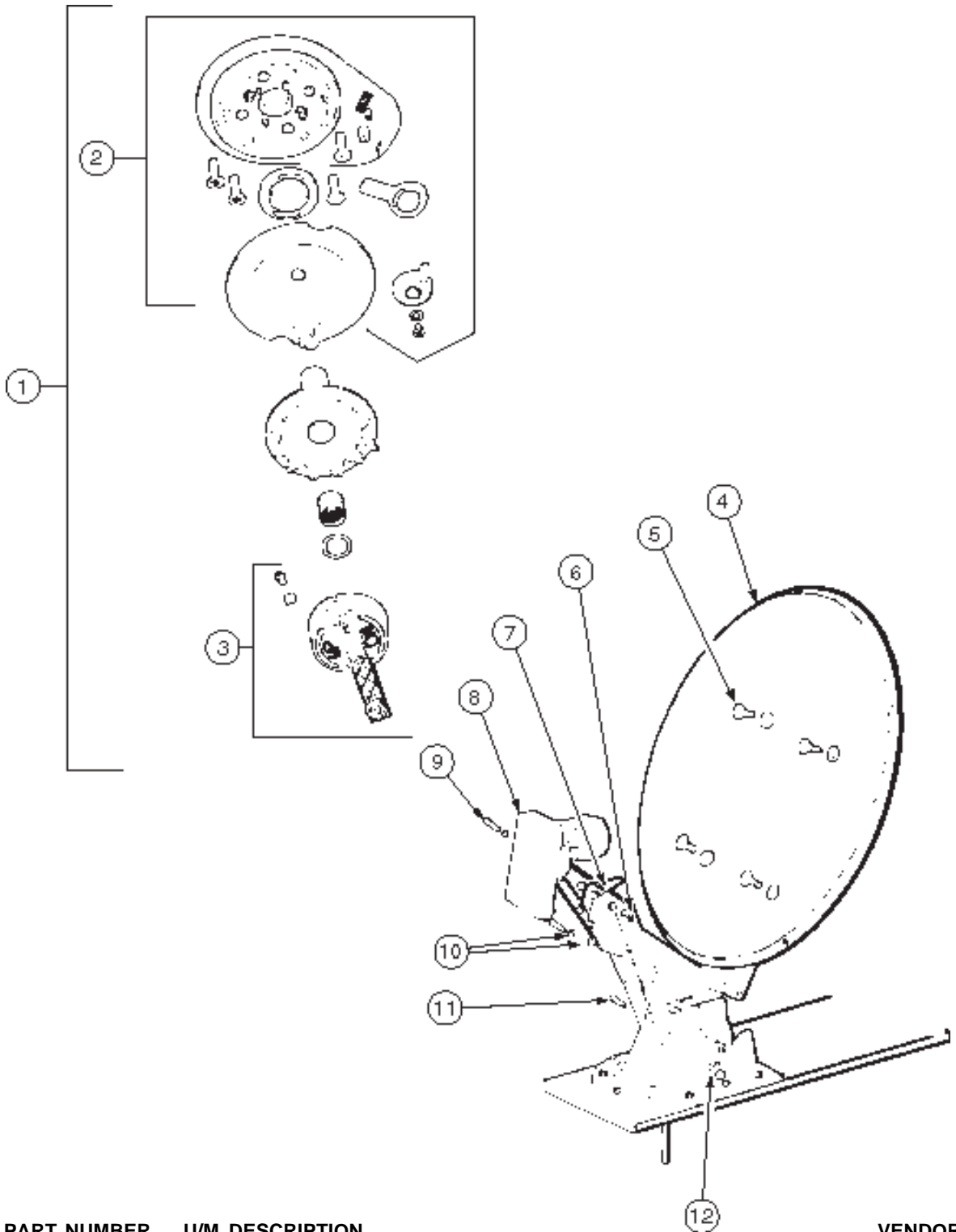
KEY	PART NUMBER	U/M	DESCRIPTION	VENDOR NO.
1	123780-06-01A	EA	VENTILATOR - ROOF/3"-4" - CSA - W/THERMOSTAT/POWER LIFT	
2	084079 11 700	EA	MOTOR, BRKT., FAN BLADE, KIT	4017K-09
3	084079 11 705	EA	MOTOR - LIFT (BC MOTOR)	5050-40
4	084079-01-711	EA	H-MOLDING, MOTOR MOUNT	
5	084079-01-704	EA	BLADE-FAN	1070-00
6	084079 01 709	EA	SWITCH - MAIN - 3 SPEED	1031-05
7	084079 01 707	EA	SWITCH - SAFETY	1122.05
8	123780 05 700	EA	BASE - MAIN BRIGHT WHITE	1010K-81
9	123780 01 700	EA	COVER - VENT W/HINGE & SLIDE	1020K-81
10	084079 11 701	EA	ARM-LIFT ASSEMBLY, AUTOMATIC	2011-05
11	123780 01 702	EA	SCREEN W/FRAME	103581
12	123780 03 700	EA	GARNISH - INT. 3"-4" BRT/WHT	2040-81
13	084079 01 710	EA	THERMOSTAT, WALL MOUNT	9988-39
14	123780 05 701	EA	SCREEN ASM., INT W/SWITCHES	2000TK-81
15	084079 11 703	EA	MOTOR-LIFT (AUTOTROL) W/CAP	6050-05
	084079 01 703	EA	KNOB-LIFT, W/EXT. & SCREW	1140K-00

**WINEGARD
(NEW STYLE)**



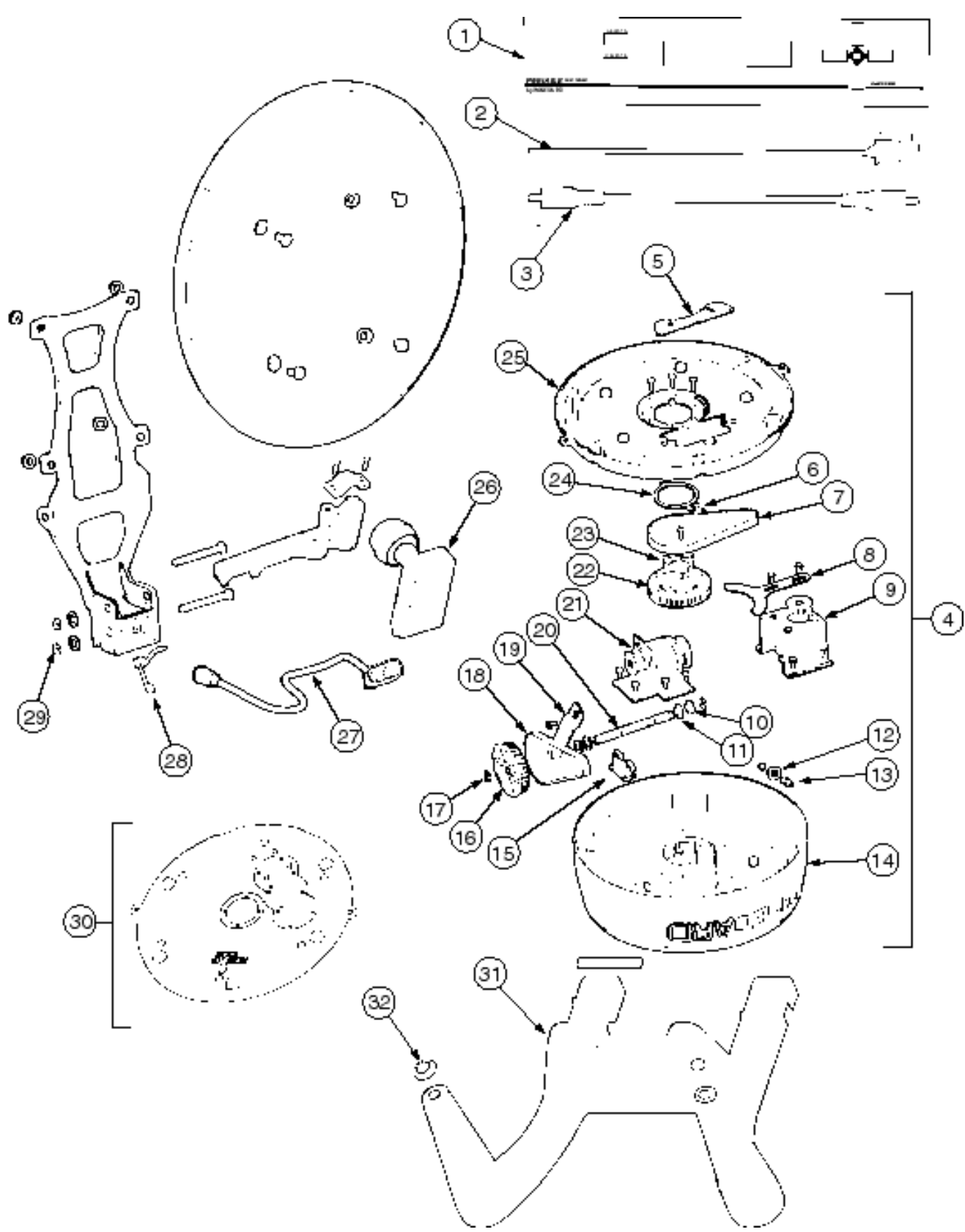
KEY	PART NUMBER	U/M	DESCRIPTION	VENDOR NO.
	120233-01-000	EA	ANTENNA-SATELLITE W/O RECEIVER (DISH & HDW KIT) MANUAL	
1	120233-01-720	EA	CEILING PLATE ASM (RETRO FIT)	RP-4100
2	120233-01-722	EA	PLATE ASSEMBLY (CEILING)	2762826
3	120233-01-721	EA	CRANK HANDLE ASSEMBLY	2762825
4	120233-01-711	EA	REFLECTOR - 46 CM	2745304
5	120233-01-712	EA	BOLT-FLAT HEAD	2160253
6	120233-01-714	EA	CLIP-E	5160818
7	120233-01-713	EA	SPRING	2160820
8	120233-01-715	EA	RCA LNB	278015
9	120233-01-716	EA	PIN	2160814
10	120233-01-717	EA	BEARING-NYLON	2200728
11	120233-01-718	EA	PIN	5160817
12	120233-01-719	EA	CLAMP-CABLE	2200060

**WINEGARD
(NEW STYLE)**



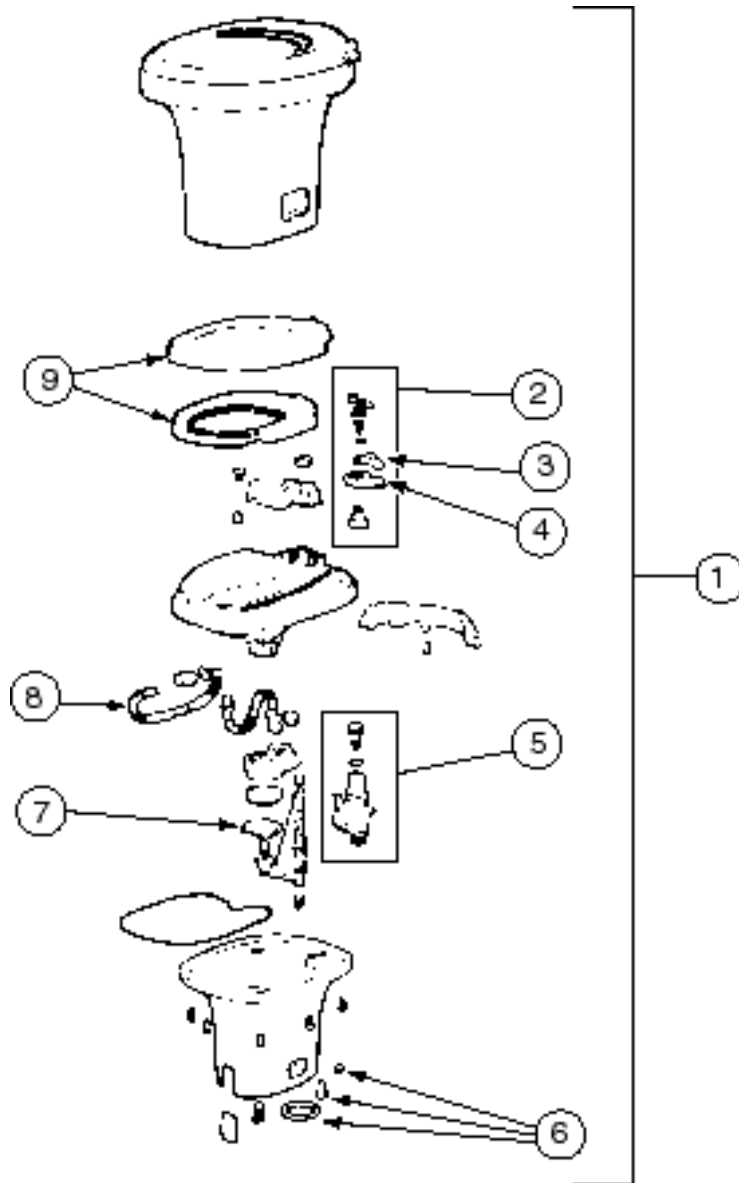
KEY	PART NUMBER	U/M	DESCRIPTION	VENDOR NO.
	120233-04-000	EA	ANTENNA-SATELLITE W/O RECEIVER (DISH & HDW KIT)	
1	120233-01-720	EA	CEILING PLATE ASM (RETRO FIT)	RP-4100
2	120233-01-722	EA	PLATE ASSEMBLY (CEILING)	2762826
3	120233-01-721	EA	CRANK HANDLE ASSEMBLY	2762825
4	120233-01-711	EA	REFLECTOR - 46 CM	2745304
5	120233-01-712	EA	BOLT-FLAT HEAD	2160253
6	120233-01-714	EA	CLIP-E	5160818
7	120233-01-713	EA	SPRING	2160820
8	120233-01-715	EA	RCA LNB	278015
9	120233-01-716	EA	PIN	2160814
10	120233-01-717	EA	BEARING-NYLON	2200728
11	120233-01-718	EA	PIN	5160817
12	120233-01-719	EA	CLAMP-CABLE	2200060
	076319-01-702	EA	SHAFT ASSEMBLY - ELEVATING	RP4000
	120233-04-700	EA	SENSOR	DE4600

**WINGARD
MODEL RD-9947**



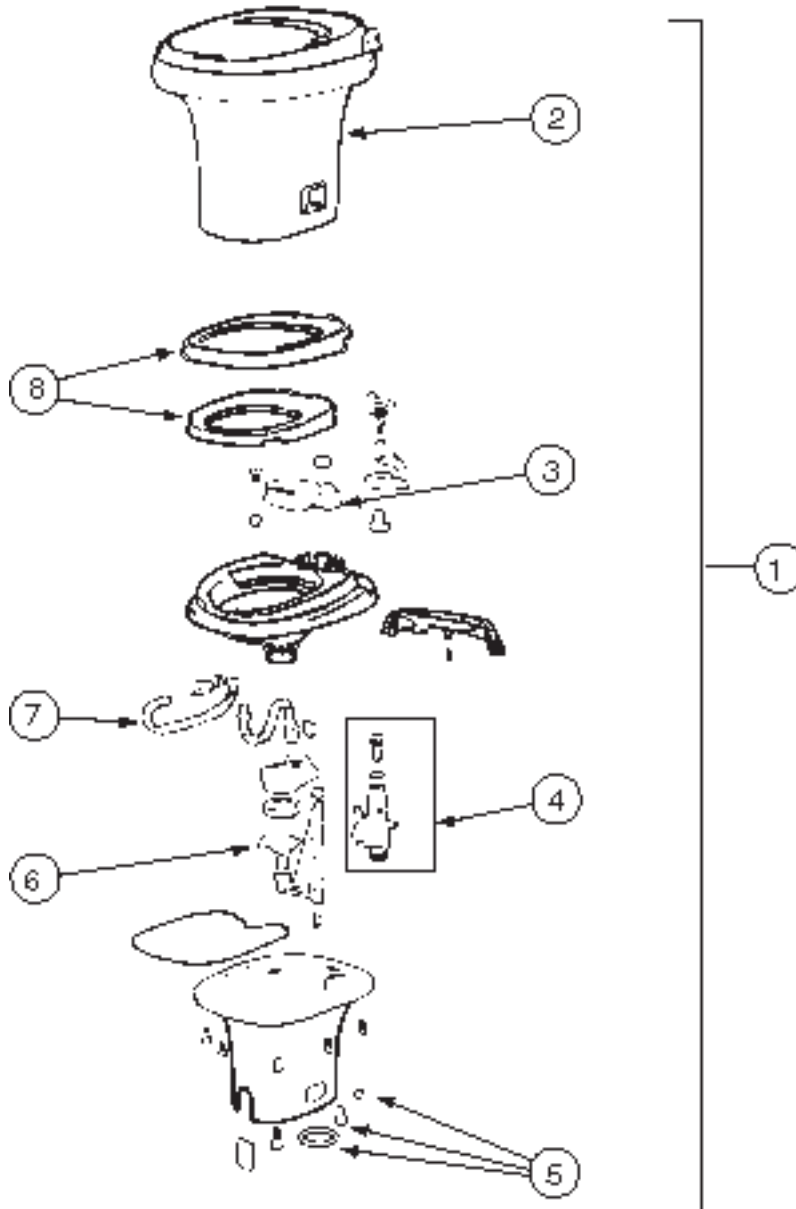
KEY	PART NUMBER	U/M	DESCRIPTION	VENDOR NO.
	128138-01-000	EA	ANTENNA/SATELLITE - AUTOMATIC	WINEGARD RD-9947
1	128138-01-700	EA	POSITIONER SATELLITE	RD-9900
2	128138-01-728	EA	WIRE HARNESS/WARNING DEVICE	2753254
3	128138-01-729	EA	CABLE 36" - RCA	2231044
4	128138-01-703	EA	MOUNT ASSEMBLY	2762832
5	128138-01-705	EA	SWITCH ASSEMBLY - ROTATION	2762835
6	128138-01-706	EA	SPRING - ROTATION	2160819
7	128138-01-707	EA	DRIVER BELT - ROTATION	2200140
8	128138-01-708	EA	TENSIONER - MOTOR ROTATE	3711303
9	128138-01-709	EA	MOTOR ASSEMBLY - ROTATION	2762838
10	128138-01-710	EA	BUSHING - OIL LUBE	2180509
11	128138-01-711	EA	SEAL - LIFT ARM SHAFT	2200851
12	128138-01-712	EA	BOOT COLLAR-F/F-8100 CON	3200206
13	128138-01-713	EA	CONNECTORF-8100 MALE/MALE	2360060
14	128138-01-714	EA	TOP COVER	2200844
15	128138-01-715	EA	SWITCH ASSEMBLY - ELEVATION	2762836
16	128138-01-716	EA	PULLEY - ELEVATION	2200850
17	128138-01-717	EA	E-CLIP	2160699
18	128138-01-718	EA	DRIVE BELT - ELEVATION	2200141
19	128138-01-719	EA	TENSIONER - MOTOR ELEVATION	3711304
20	128138-01-720	EA	SHAFT - LIFT ARM	2590345
21	128138-01-721	EA	MOTOR ASSEMBLY - ELEVATION	2762837
22	128138-01-722	EA	PULLEY - ROTATION	2201848
23	128138-01-723	EA	RING - STOP/FIXED	3711297
24	128138-01-724	EA	RING - STOP/ROTATION	3711295
25	128138-01-704	EA	MOUNT BASE ONLY	2200846
26	128138-01-730	EA	LOW NOISE BLOCK FILTER	2780160
27	128138-01-731	EA	CABLE-COAX/18' W/CONNECTORS	2753067
28	128138-01-732	EA	SPRING	2160821
29	128138-01-733	EA	E-CLIP	
30	128138-01-726	EA	MOUNT BASE ASSEMBLY	2762831
31	128138-01-701	EA	SUPPORT - ANTENNA	2200845
32	128138-01-702	EA	BUMPER - ANTENNA SUPPORT	2240025
	128138-01-725	EA	COAX CABLE 4' RG-6	2753018

**THETFORD
MODEL AQUA MAGIC IV
HIGH - IVORY**



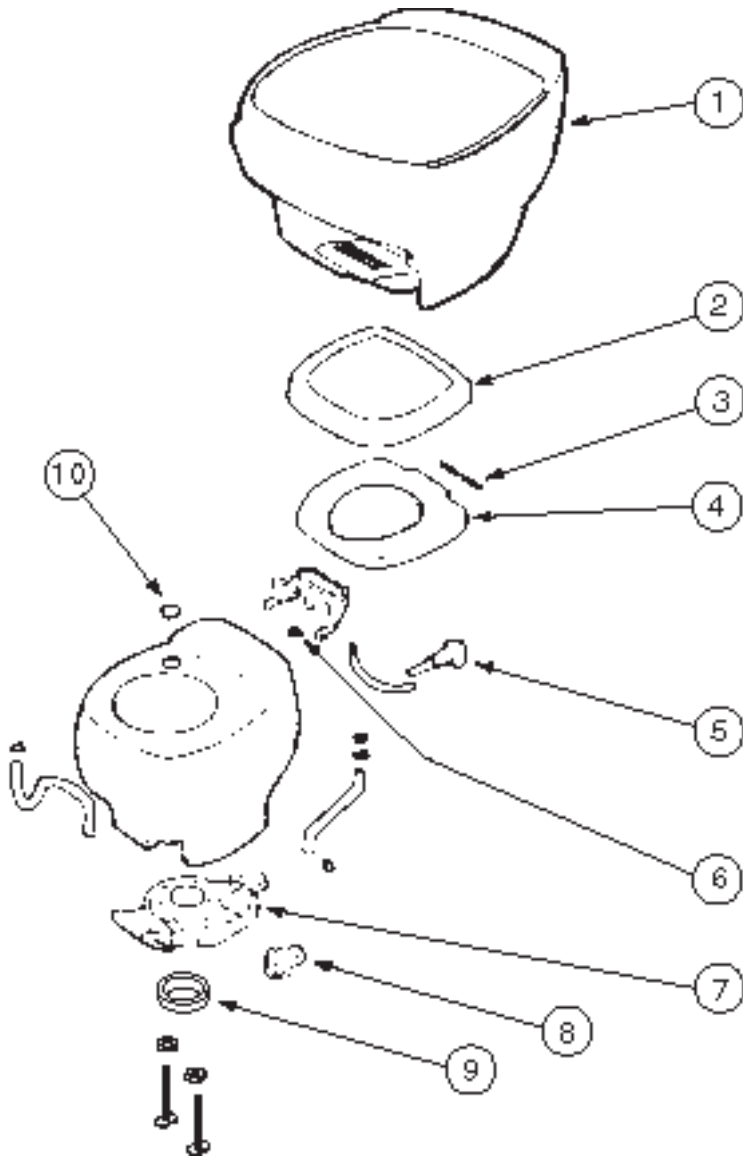
KEY	PART NUMBER	U/M	DESCRIPTION	VENDOR NO.
1	063740-01-000	EA	TOILET - 12.37" - IVORY - HAND FLUSH	THETFORD-HANDFLUSH
2	063740-01-700	EA	LEVER-WATER	12514
3	063740-01-701	EA	LEVER-FLUSH	12515
4	063740-01-720	EA	LEVER KIT - WATER - FLUSH - BEARING	24629
5	063740-01-714	EA	VALVE ASM (VALVE-BALL SEAL)	13168
6	063740-01-706	EA	BOLT PACKAGE-FLOOR FLANGE	12524
7	063740-01-721	EA	BLADE ONLY	1248232
8	063740-01-717	EA	TUBE-FLUSH	12509
9	063740-02-700	EA	SEAT & COVER, PARCHMENT	2464157

**THETFORD
MODEL AQUA MAGIC IV
HIGH - FOOT FLUSH**



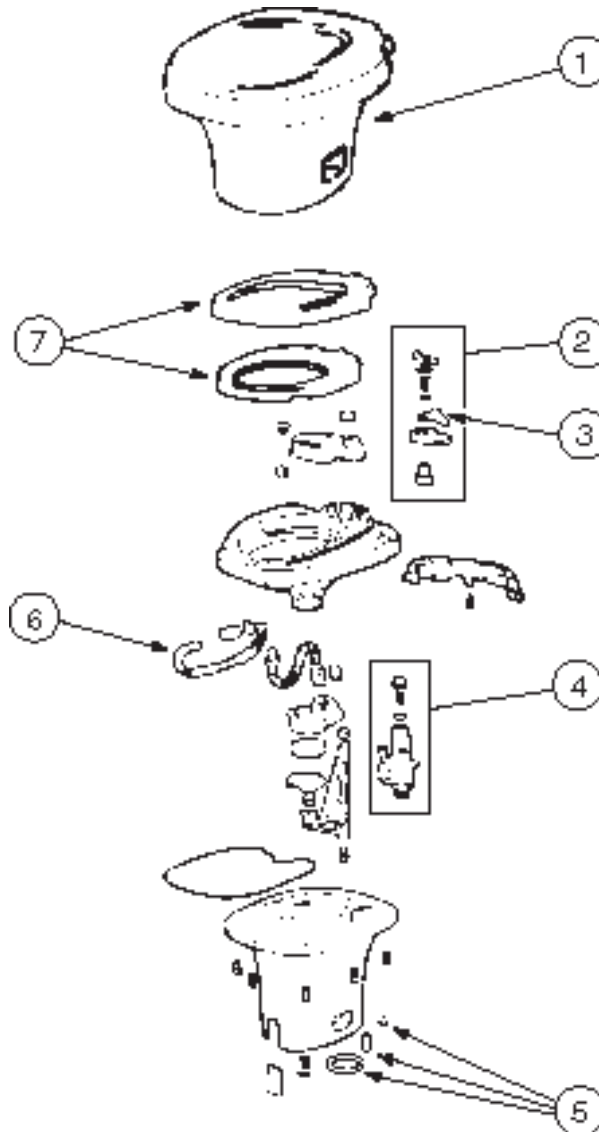
KEY	PART NUMBER	U/M	DESCRIPTION	VENDOR NO.
1	063740-02-000	EA	TOILET - HIGH - FOOT FLUSH	
2	063740-02-701	EA	RESERVOIR (TANK ASM.)	24630
3	063740-01-720	EA	LEVER KIT - WATER - FLUSH - BEARING	24629
4	063740-01-714	EA	VALVE ASM (VALVE-BALL SEAL)	13168
5	063740-01-706	EA	BOLT PACKAGE-FLOOR FLANGE	12524
6	063740-01-721	EA	BLADE ONLY	1248232
7	063740-01-717	EA	TUBE-FLUSH	12509
8	063740-02-700	EA	SEAT & COVER, PARCHMENT	2464157

**THETFORD
MODEL STARLITE
MODEL - 20900-AM SH LO**



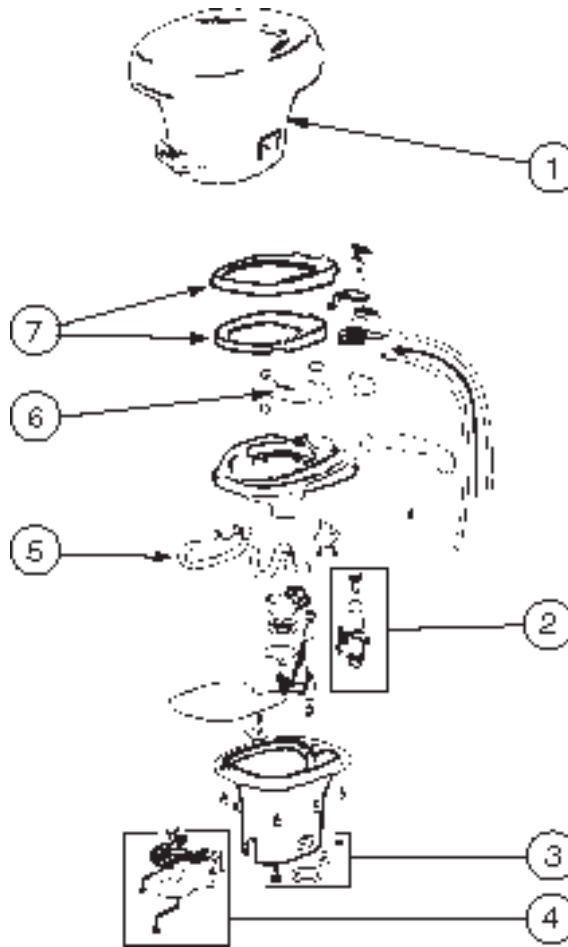
KEY	PART NUMBER	U/M	DESCRIPTION	VENDOR NO.
1	064076-01-000	EA	TOILET - 11.25" TALL - IVORY - WATERSAVER	
2	039341-02-700	EA	COVER - SEAT - TOILET - IVORY	037151
3	039341-02-707	EA	PIN - HINGE	12986
4	039341-02-704	EA	SEAT/COVER SET - NEW STYLE IV	08855
5	067487-01-701	EA	WATER SAVER PACKAGE	08993
6	067487-01-702	EA	CLAMP	03752
7	064076-01-701	EA	MECHANISM - FLUSHING	14622
8	064076-01-705	EA	VALVE - BALL - REPLACEMENT PACKAGE	09868
9	039341-02-705	EA	SEAL & BOLT PKG - W/O FLANGE	08975
10	039341-02-703	EA	PLUG-HOLE - TOILET - IVORY	03895-10
	700011-14-003	EA	BREAKER - VACUUM - WHITE - THETFORD 08200	

**THETFORD
MODEL AQUA MAGIC IV**



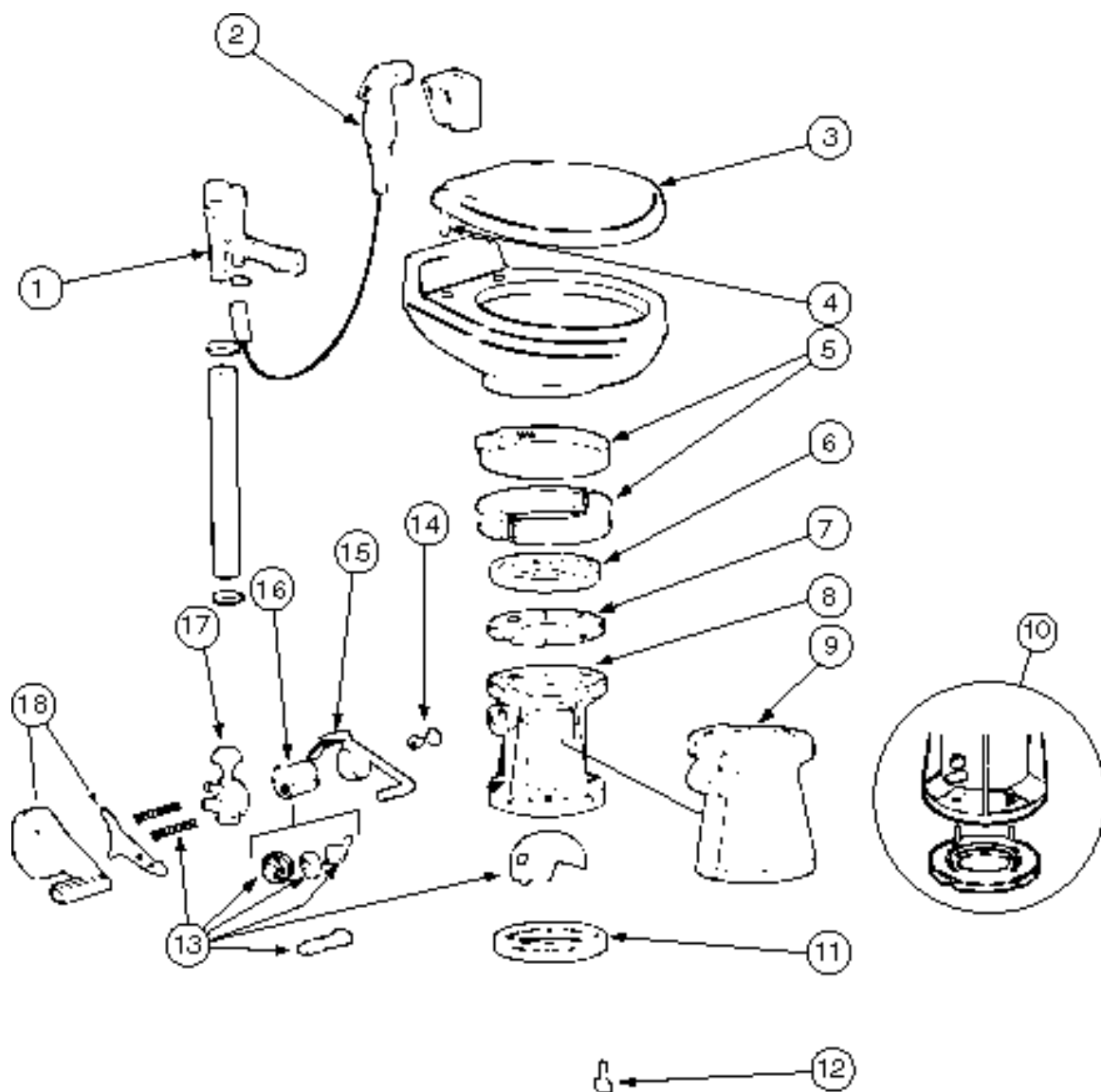
KEY	PART NUMBER	U/M	DESCRIPTION	VENDOR NO.
1	067487-01-000	EA	TOILET - 12.37" - IVORY - HAND FLUSH	THETFORD-HANDFLUSH
2	063740-01-700	EA	LEVER-WATER	12514
3	063740-01-701	EA	LEVER-FLUSH	12515
4	063740-01-714	EA	VALVE ASM (VALVE-BALL SEAL)	13168
5	063740-01-706	EA	BOLT PACKAGE-FLOOR FLANGE	12524
6	063740-01-717	EA	TUBE-FLUSH	12509
7	063740-02-700	EA	SEAT & COVER, PARCHMENT	2464157
	067487-02-702	EA	TANK-RESERVOIR	12507

**THETFORD
MODEL AQUA MAGIC IV**



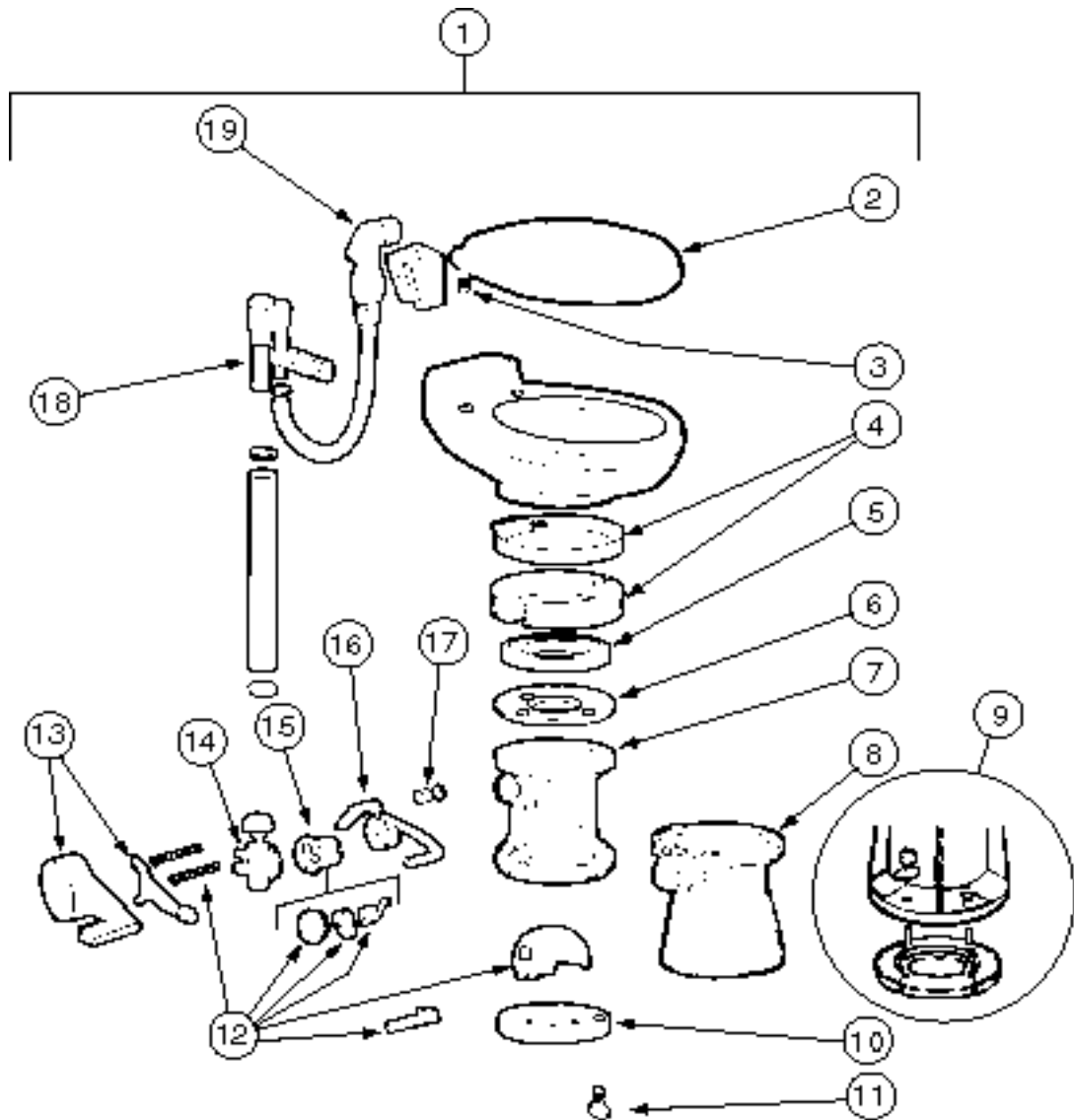
KEY	PART NUMBER	U/M	DESCRIPTION	VENDOR NO.
1	067487-02-000	EA	TOILET - 12.37" - IVORY - FOOT FLUSH	
2	063740-01-714	EA	VALVE ASM (VALVE-BALL SEAL)	13168
3	063740-01-706	EA	BOLT PACKAGE-FLOOR FLANGE	12524
4	067487-02-701	EA	PEDAL PKG. (FOOT FLUSH)	20821
5	063740-01-717	EA	TUBE-FLUSH	12509
6	063740-02-701	EA	RESERVOIR (TANK ASM.)	24630
7	063740-02-700	EA	SEAT & COVER, PARCHMENT	2464157

SEALAND
MODEL ML 510



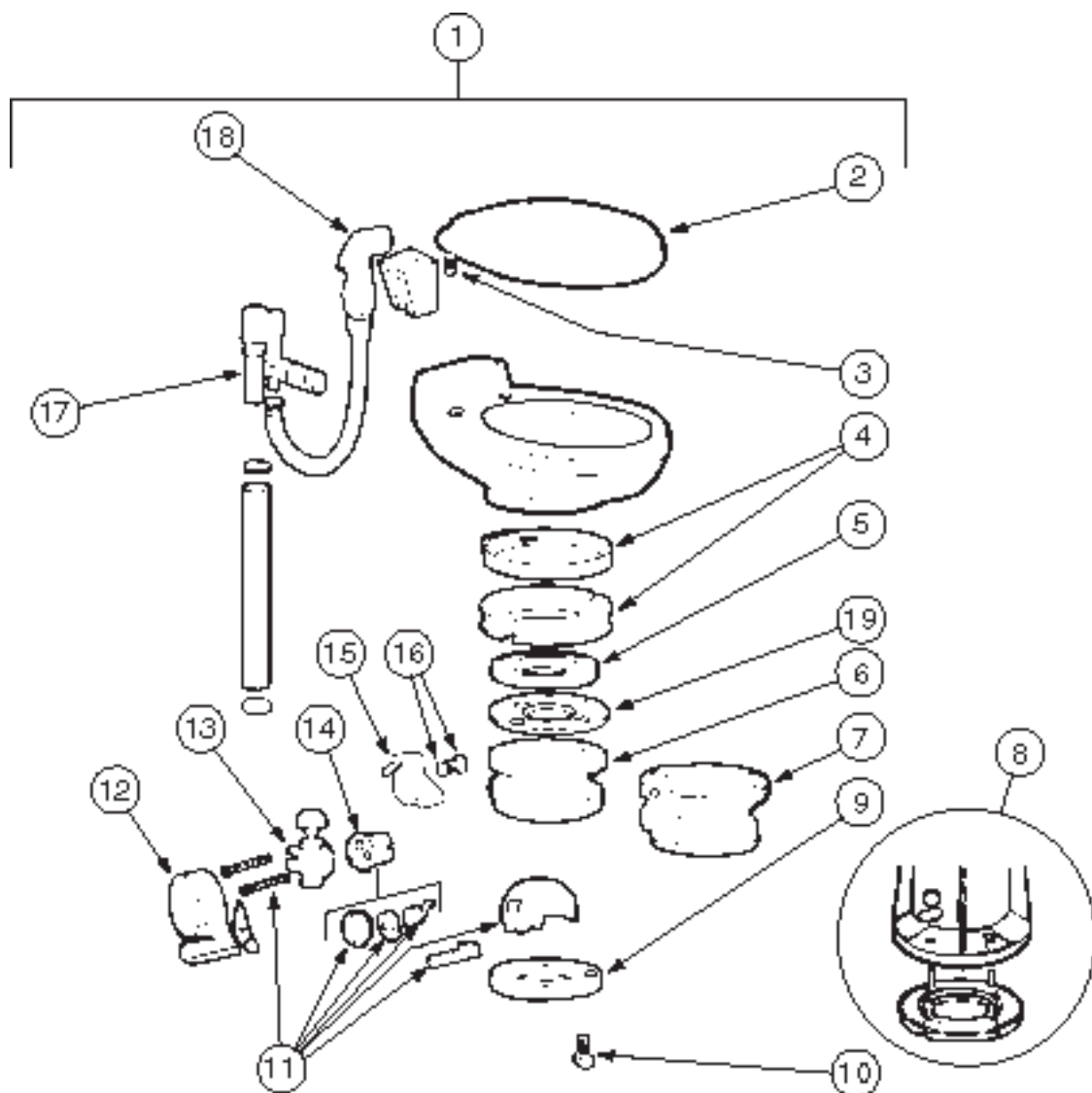
KEY	PART NUMBER	U/M	DESCRIPTION	VENDOR NO.
	085330-02-000	EA	TOILET - STANDARD BONE CHINA SEALAND ML 510	
1	085330-04-700	EA	BREAKER-VACUUM, F/HANDSPRAY	230325
2	085330-04-701	EA	HAND SPRAY W/HOSE(500 & 900)	340683
3	085330-04-707	EA	SEAT ASSEMBLY, BONE	340816
4	085330-01-720	EA	HINGE HARDWARE, (BONE) SET	341707
5	085330-01-703	EA	RING & HALF CLAMPS, BONE	385310048
6	085330-01-704	EA	TEFLON & RUBBER SEAL KIT	385316140
7	085330-01-705	EA	SUPPORT-SEAL, PLASTIC	390346405
8	085330-02-700	EA	BASE ASM	310121
9	085330-02-702	EA	COVER-PEDESTAL, BONE 510	310112
10	085330-01-718	EA	SEAL-FLANGE W/BOLT PACKAGE	3853100-63
11	085330-01-714	EA	SEAL-FLANGE, FLOOR	390343892
12	085330-01-717	EA	BOLT MOUNTING PACKAGE	3100-64
13	085330-01-706	EA	BALL(FLAPPER)SHAFT/CARTRIDGE	385318162
14	085330-01-710	EA	DRAIN-KIT, PLUG-CAP W/SEAL	230384
15	085330-06-703	EA	LEVER-FLUSH	340873
16	085330-01-707	EA	CARTRIDGE SPRING ASSEMBLY	381236096
17	085330-01-709	EA	VALVE-WATER	385314349
18	085330-02-703	EA	COVER-PEDAL, BONE NEW STYLE	310115

SEALAND
MODEL 910



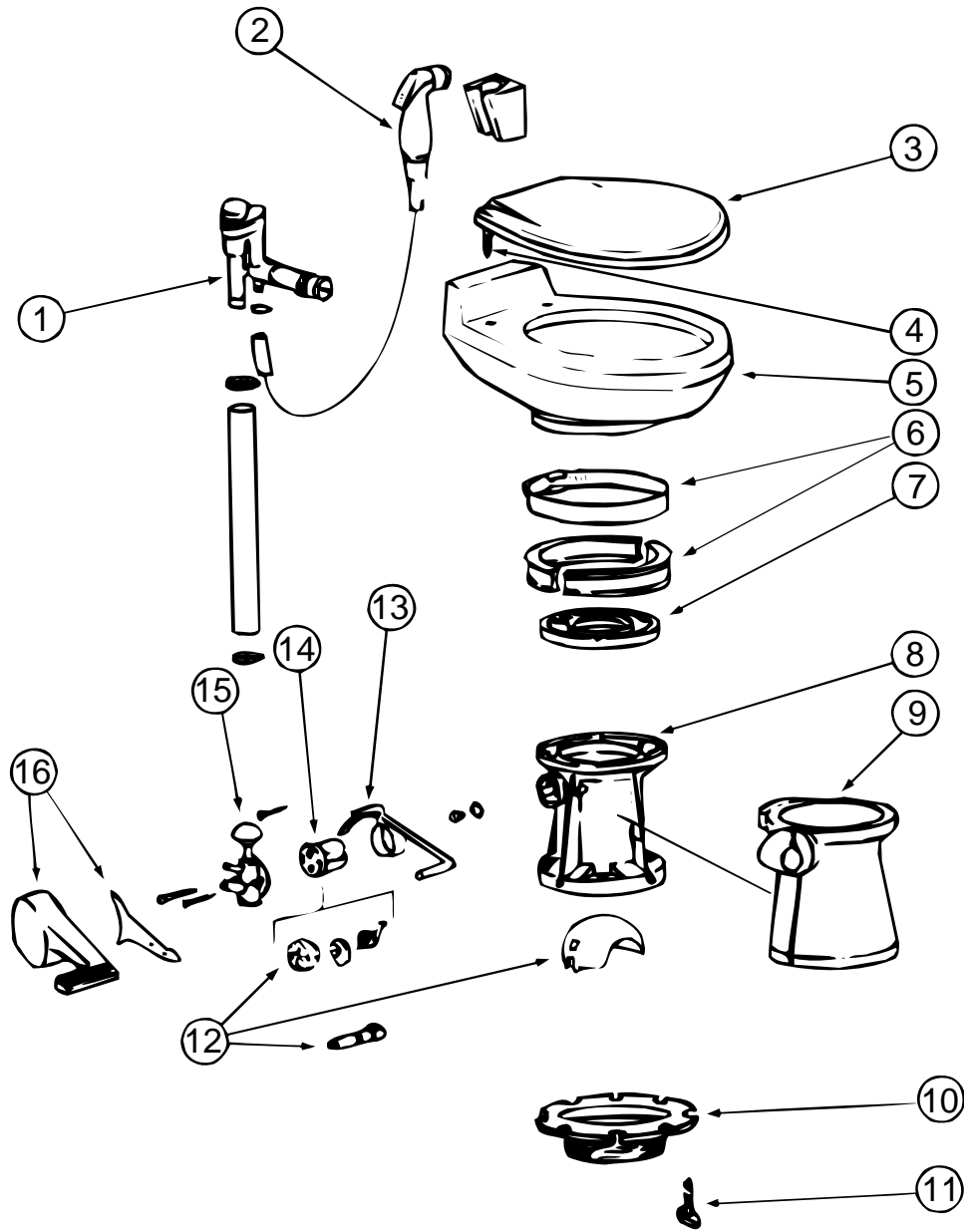
KEY	PART NUMBER	U/M	DESCRIPTION	VENDOR NO.
1	085330-06-000	EA	TOILET - CHINA - STANDARD (BONE) - 591003	
2	085330-06-700	EA	SEAT ASSEMBLY (BONE)	340591
3	085330-06-702	EA	HINGE HARDWARE (BONE) SET	342131
4	085330-01-703	EA	RING & HALF CLAMPS ASM (BONE)	385310048
5	085330-01-704	EA	TEFLON & RUBBER SEAL KIT	385316140
6	085330-01-705	EA	SUPPORT - SEAL - PLASTIC	390346405
7	085330-02-700	EA	BASE ASM	310121
8	085330-02-702	EA	COVER - PEDESTAL - BONE 510	310112
9	085330-01-718	EA	SEAL & BASE W/ MOUNTING HARDWARE	3853100-63
10	085330-01-714	EA	SEAL - FLANGE - FLOOR	390343892
11	085330-01-717	EA	STOOL MOUNTING PACKAGE - BOLT & SEAL	3100-64
12	085330-01-706	EA	BALL - SHAFT & CARTRIDGE	385318162
13	085330-02-703	EA	COVER - PEDAL - BONE NEW STYLE	310115
14	085330-01-709	EA	VALVE - WATER	385314349
15	085330-01-707	EA	CARTRIDGE - SPRING ASM.	381236096
16	085330-06-703	EA	LEVER - FLUSH	340873
17	085330-01-710	EA	DRAIN - KIT - PLUG - CAP W/ SEAL	230384
18	085330-06-701	EA	BREAKER - VACUUM/ DIVERTER (900)	230335
19	085330-04-701	EA	HAND SPRAY - W/ HOSE (500 & 900)	340683

SEALAND
MODEL 911



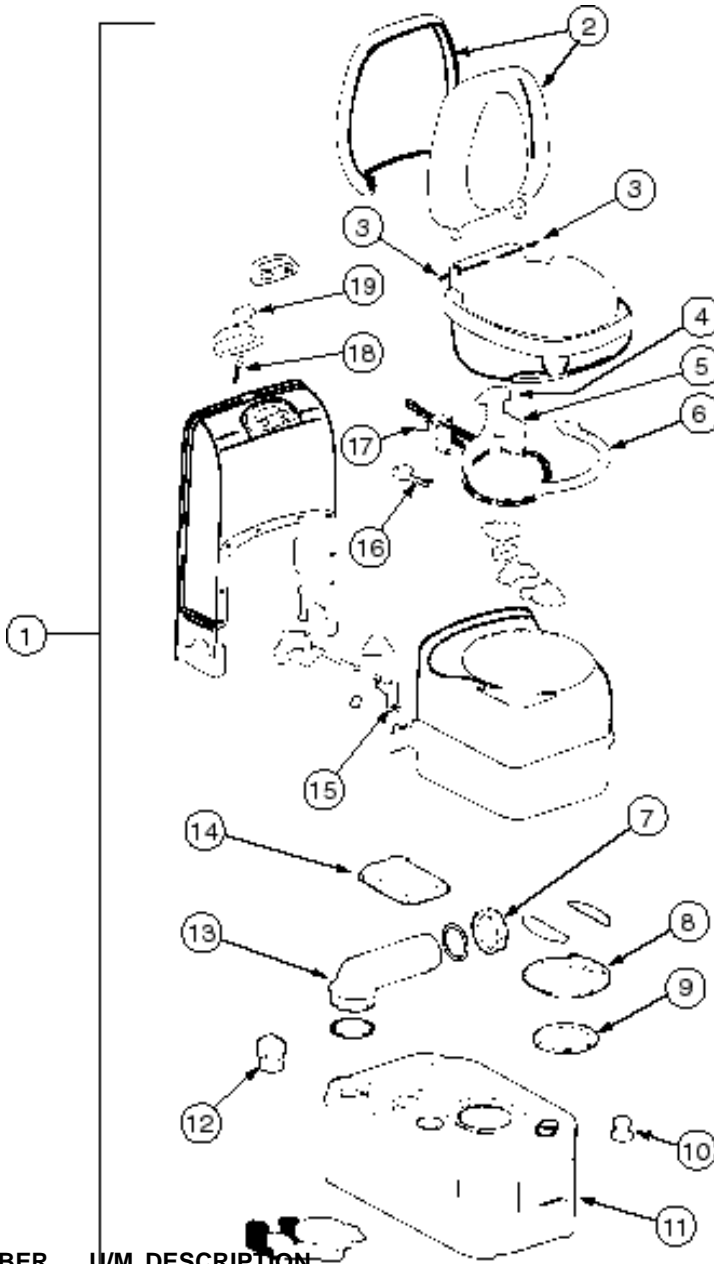
KEY	PART NUMBER	U/M	DESCRIPTION	VENDOR NO.
1	085330-07-000	EA	TOILET - CHINA - SHORTY W/SPRAY - BONE	
2	085330-06-700	EA	SEAT ASSEMBLY, BONE	340591
3	085330-06-702	EA	HINGE HARDWARE (BONE) SET	342131
4	085330-01-703	EA	RING & HALF CLAMPS, BONE	385310048
5	085330-01-704	EA	TEFLON & RUBBER SEAL KIT	385316140
6	085330-04-704	EA	BASE ASM-BONE	310124
7	085330-04-705	EA	COVER ASSEMBLY-PEDESTAL	310109
8	085330-01-718	EA	SEAL & BASE W/MOUNTING HDW	3853100-63
9	085330-01-714	EA	SEAL-FLANGE, FLOOR	390343892
10	085330-01-717	EA	STOOL MTG., PKG. BOLT & SEAL	3100-64
11	085330-01-706	EA	BALL(FLAPPER)SHAFT/CARTRIDGE	385318162
12	085330-04-703	EA	COVER ASSEMBLY-PEDAL	310118
13	085330-01-709	EA	VALVE-WATER	385314349
14	085330-01-707	EA	CARTRIDGE SPRING ASSEMBLY	381236096
15	085330-04-702	EA	LEVER-FLUSH	340825
16	085330-01-710	EA	DRAIN-KIT, PLUG-CAP W/SEAL	230384
17	085330-06-701	EA	BREAKER-VACUUM/DIVERTER(900)	230335
18	085330-04-701	EA	HAND SPRAY W/HOSE(500 & 900)	340683
19	085330-01-705	EA	SUPPORT-SEAL, PLASTIC	390346405

TOILET



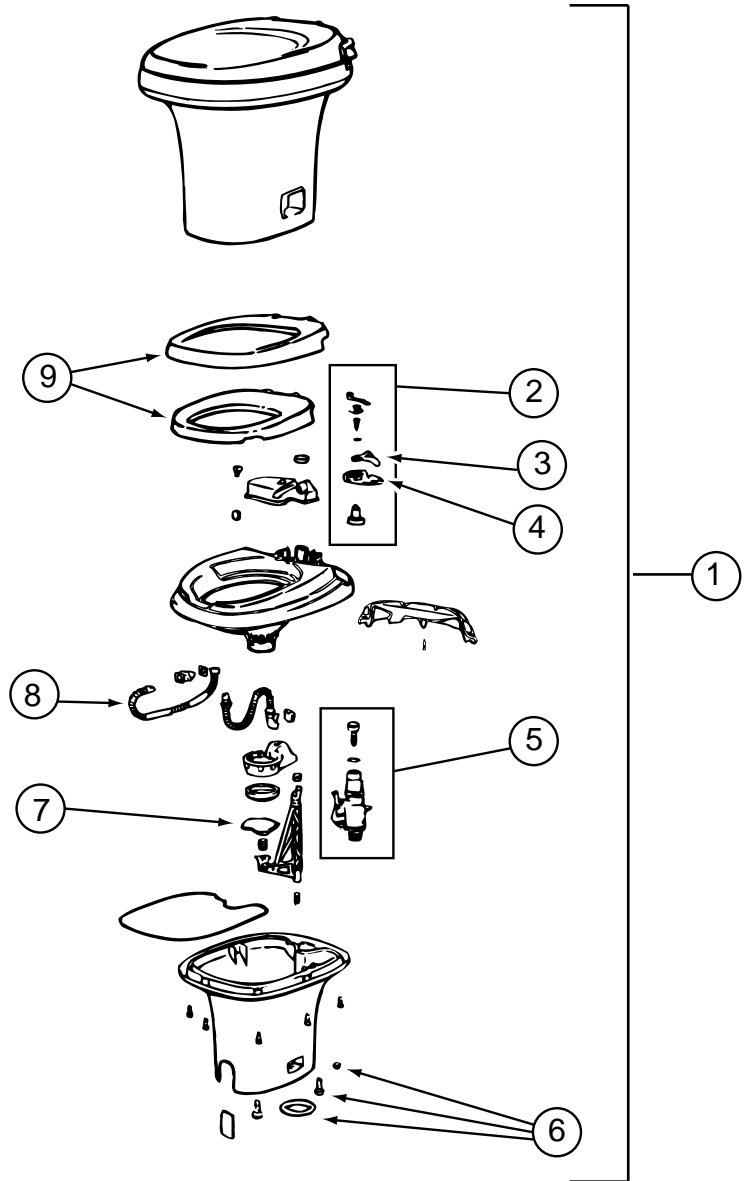
KEY	PART NUMBER	U/M	DESCRIPTION	VENDOR NO.
	085330-08-000	EA	TOILET - CHINA - STANDARD - GLACIER WHITE	SEALAND 510
1	085330-01-701	EA	BREAKER-VACUUM	385318065
2	085330-04-701	EA	HAND SPRAY W/HOSE(500 & 900)	340683
3	085330-08-701	EA	SEAT ASSEMBLY - WHITE	341605
4	085330-08-703	EA	HINGE-HARDWARE SET - (WHITE)	341706
5	085330-08-702	EA	BOWL/CHINA - WHITE	310080
6	085330-01-703	EA	RING & HALF CLAMPS, BONE	385310048
7	085330-01-704	EA	TEFLON & RUBBER SEAL KIT	385316140
8	085330-09-703	EA	BASE KIT - BONE	310120
9	085330-09-704	EA	PEDESTAL COVER - WHITE	310111
10	085330-01-716	EA	FLANGE-FLOOR, 3" MPT	345889
11	085330-01-717	EA	BOLT MOUNTING PACKAGE	3100-64
12	085330-01-706	EA	BALL(FLAPPER)SHAFT/CARTRIDGE	385318162
13	085330-06-703	EA	LEVER-FLUSH	340873
14	085330-01-707	EA	CARTRIDGE SPRING ASSEMBLY	381236096
15	085330-01-709	EA	VALVE-WATER	385314349
16	085330-09-702	EA	COVER/PEDAL KIT - WHITE	310114

THETFORD CASSETTE TOILET - JAPAN



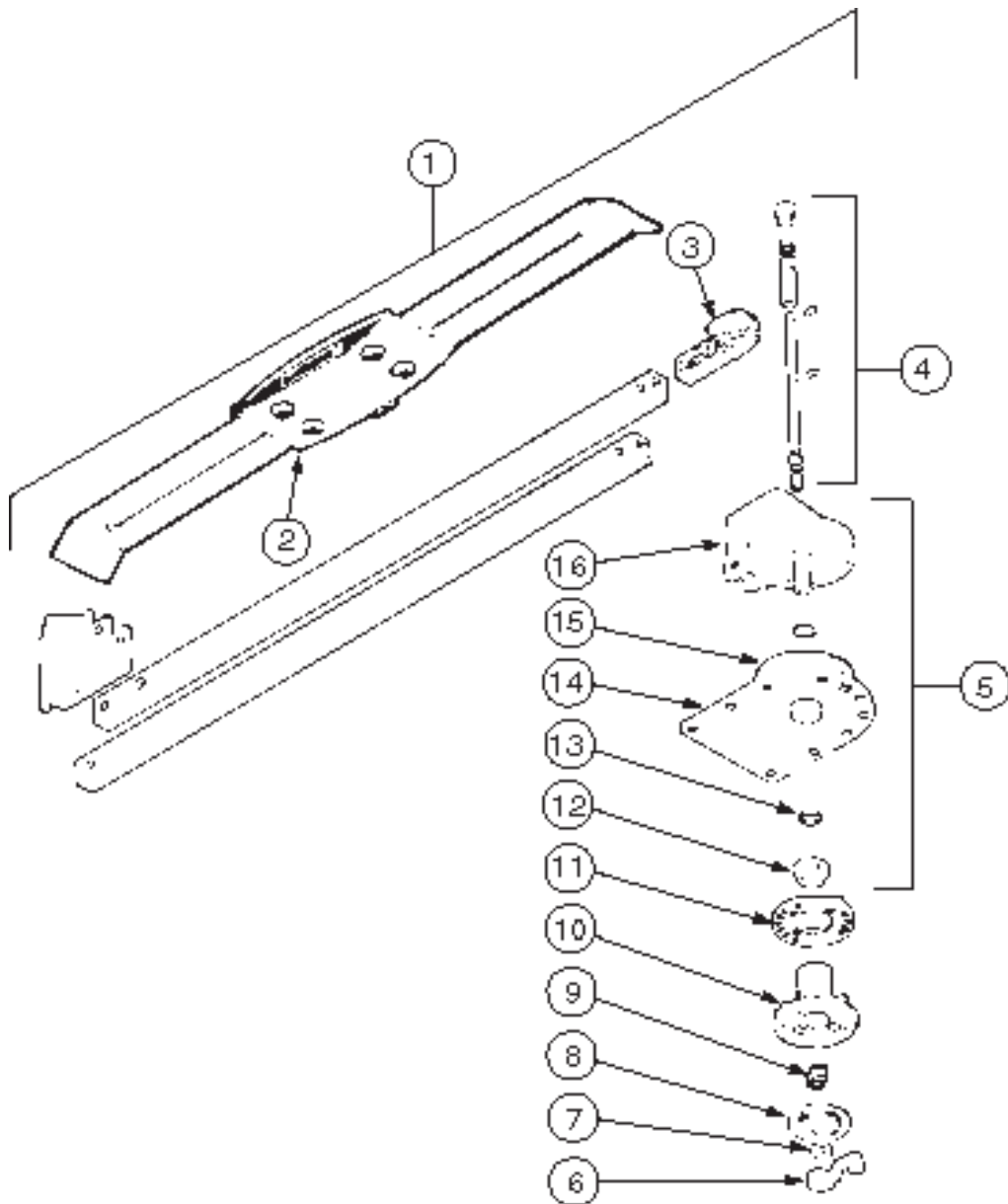
KEY	PART NUMBER	U/M	DESCRIPTION	VENDOR NO.
1	121003-01-01A	EA	TOILET	
2	121003-01-700	EA	SEAT & COVER ASM - WHITE	2370662
3	121003-01-701	EA	PIN-HINGE, WHITE	2370762
4	121003-01-703	EA	VALVE ASM - ELECTRIC - W/VACUUM	16833
5	121003-01-702	EA	BREAKER ASM - VACUUM - WHITE	2370862
6	121003-01-704	EA	TUBE - FLUSH	2370962
7	121003-01-711	EA	CAP - SPOUT	1638462
8	121003-01-714	EA	SEAL- COVER W/SCREWS	2372074
9	121003-01-715	EA	SEAL - LIP	23721
10	121003-01-717	EA	BUTTON - VENT	2134478
11	121003-01-710	EA	TANK - HOLDING, (COMPLETE)	2371974
12	121003-01-716	EA	VENT ASM - PRESSURE RELEASE	2372274
13	121003-01-712	EA	SPOUT - DRAIN	1619674
14	121003-01-713	EA	COVER - SLIDING	2133374
15	121003-01-705	EA	HANDLE - VALVE, BLADE	2371362
16	121003-01-706	EA	SWITCH - REED	2371462
17	121003-01-707	EA	FUSE (2PACK)	23715
18	121003-01-709	EA	INDICATOR - WARNING LEVEL	23718
19	121003-01-708	EA	SWITCH - FLUSH	23716

THETFORD 20920 HAND



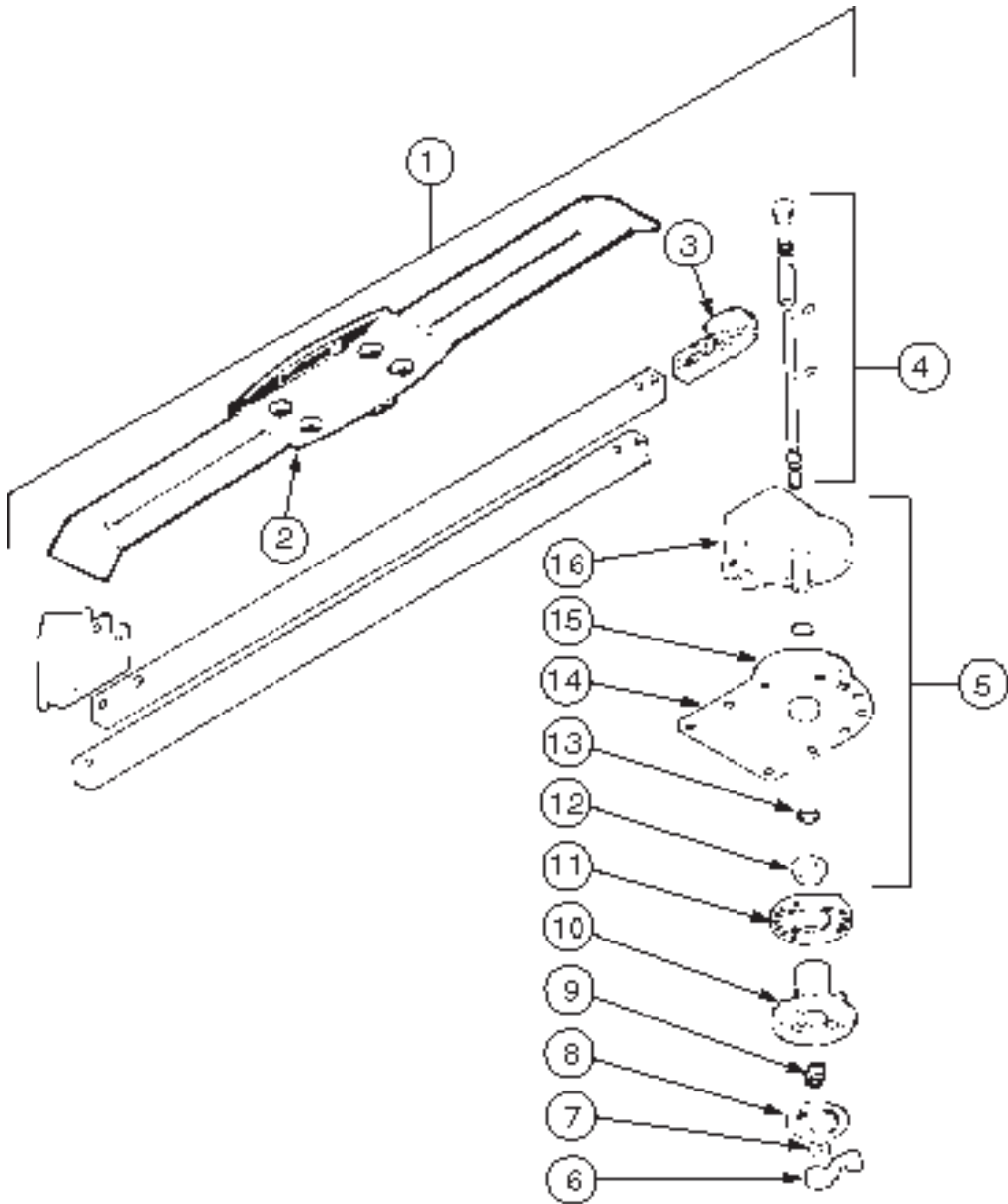
KEY	PART NUMBER	U/M	DESCRIPTION	VENDOR NO.
1	131932-01-01A	EA	TOILET - AQUA MAGIC 4 - HIGH/HAND FLUSH - IVORY	
2	063740-01-700	EA	LEVER-WATER	12514
3	063740-01-701	EA	LEVER-FLUSH	12515
4	063740-01-720	EA	LEVER KIT, WAT-FLUSH-BEARING	24629
5	063740-01-714	EA	VALVE ASM (VALVE-BALL SEAL)	13168
6	063740-01-706	EA	BOLT PACKAGE-FLOOR FLANGE	12524
7	063740-01-721	EA	BLADE ONLY	1248232
8	063740-01-717	EA	TUBE-FLUSH	12509
9	063740-02-700	EA	SEAT & COVER, PARCHMENT	2464157

WINEGARD
MODEL RV - 7004



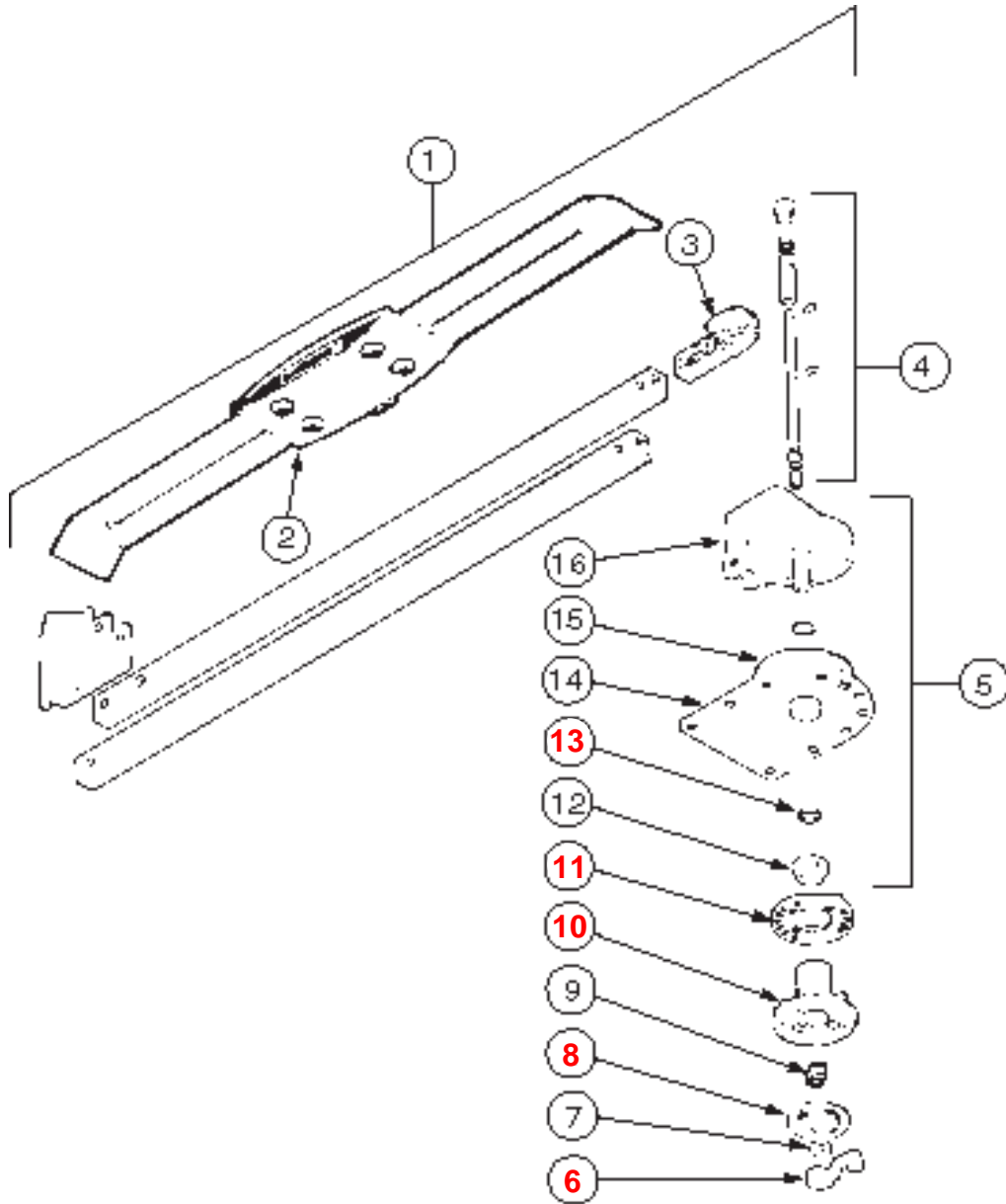
KEY	PART NUMBER	U/M	DESCRIPTION	VENDOR NO.
1	076319-23-000	EA	ANTENNA-TV - ROOF MOUNT - 44.5" MAST	
2	076319-01-700	EA	HEAD - ANTENNA - AMPLIFIED	RVSA U/V
3	076319-01-701	EA	GEAR - ELEVATING - PLASTIC	2200046
4	076319-01-702	EA	SHAFT ASM - ELEVATING	RVP-400A
5	076319-01-711	EA	BASE & LIFT ASM	2762802
	120233-01-710	EA	HANDLE-CRANK	RP-6795
6	076319-01-706	EA	CRANK-ELEVATING W/SET SCREW	2750897
7	076319-01-705	EA	BEARING - NYLON - 7/8"ID	3200658
8	076319-01-708	EA	DECAL-CRANK	5413002
9	076319-01-707	EA	SPRING - HANDLE	5160822
10	076319-25-700	EA	DIRECTIONAL HANDLE(WHITE)	3200612
11	076319-25-701	EA	PLATE - CEILING(WHITE)	3200609
12	076319-01-715	EA	NUT (GEAR HOUSING)	2200047
13	120233-01-709	EA	WASHER-NYLON	RP-2658
14	076319-01-713	EA	BASE PLATE	3100523
15	076319-01-703	EA	BEARING - NYLON - 5"OD	3200656
16	076319-01-714	EA	HOUSING - ROTATING GEAR	2200049
	076319-01-716	EA	TUBING, ELEVATING	RP-2900

WINEGARD
MODEL RV-7184



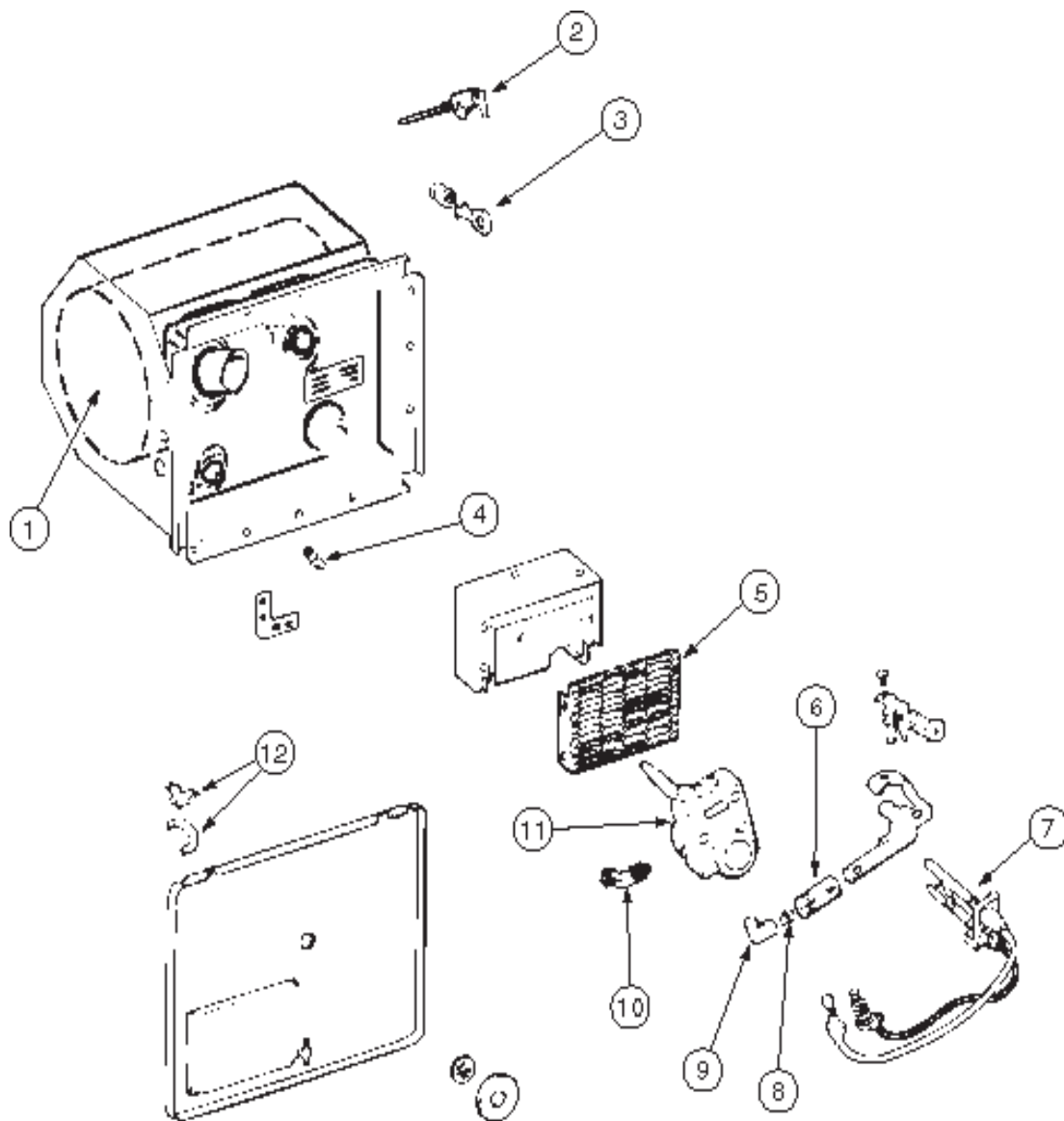
KEY	PART NUMBER	U/M	DESCRIPTION	VENDOR NO.
1	076319-24-000	EA	ANTENNA - TV ROOF MOUNT - 25.5" MAST	
2	076319-01-700	EA	HEAD - ANTENNA - AMPLIFIED	RVSA U/V
3	076319-01-701	EA	GEAR - ELEVATING - PLASTIC	2200046
4	076319-01-702	EA	SHAFT ASM - ELEVATING	RVP-400A
5	076319-01-711	EA	BASE & LIFT ASM	2762802
6	076319-01-706	EA	CRANK-ELEVATING W/SET SCREW	2750897
7	076319-01-705	EA	GROMMET - NYLON - 7/8"ID	3200658
8	076319-01-708	EA	DECAL-CRANK	5413002
9	076319-01-707	EA	SPRING - HANDLE	5160822
10	076319-25-700	EA	DIRECTIONAL HANDLE(WHITE)	3200612
11	076319-01-709	EA	PLATE - CEILING - (IVORY)	3200621
11	076319-01-712	EA	PLATE - CEILING	3200608
12	076319-01-715	EA	NUT (GEAR HOUSING)	2200047
13	076319-01-704	EA	BEARING - NYLON - 1.25" O.D.	3200657
14	076319-01-713	EA	BASE PLATE	3100523
15	076319-01-703	EA	BEARING - NYLON - 5"OD	3200656
16	076319-01-714	EA	HOUSING - ROTATING GEAR	2200049
	076319-01-716	EA	TUBING, ELEVATING	RP-2900

**WINEGARD
INTERIOR HARDWARE KIT**



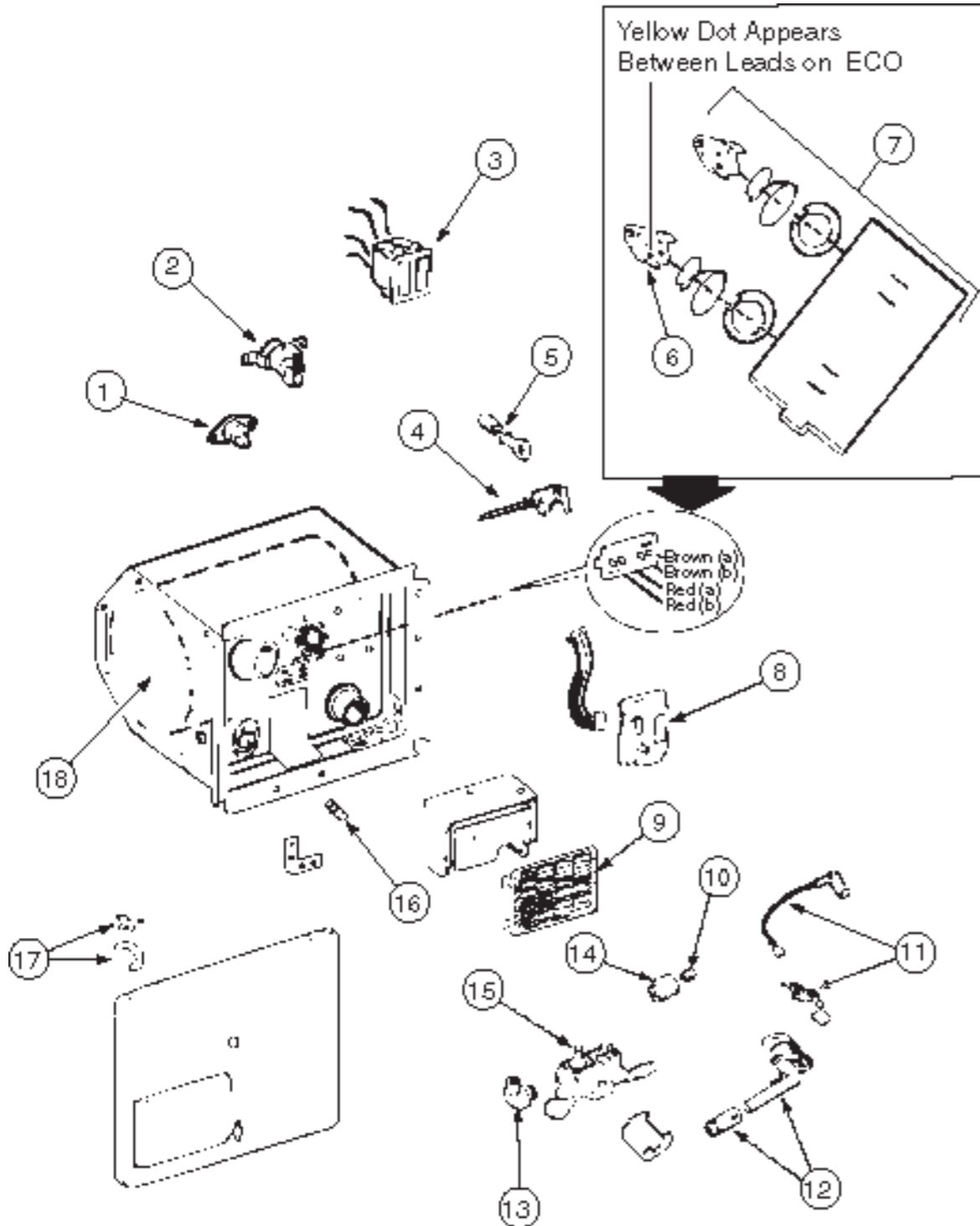
KEY	PART NUMBER	U/M	DESCRIPTION	VENDOR NO.
	076319-25-000	EA	KIT - HARDWARE INTERIOR	
6	076319-01-706	EA	CRANK-ELEVATING W/SET SCREW	2750897
8	076319-01-708	EA	DECAL-CRANK	5413002
10	076319-25-700	EA	DIRECTIONAL HANDLE(WHITE)	3200612
11	076319-25-701	EA	PLATE - CEILING(WHITE)	3200609
13	120233-01-709	EA	WASHER-NYLON	RP-2658
	120233-01-710	EA	HANDLE-CRANK	RP-6795

**ATWOOD
MODEL G6A-7**



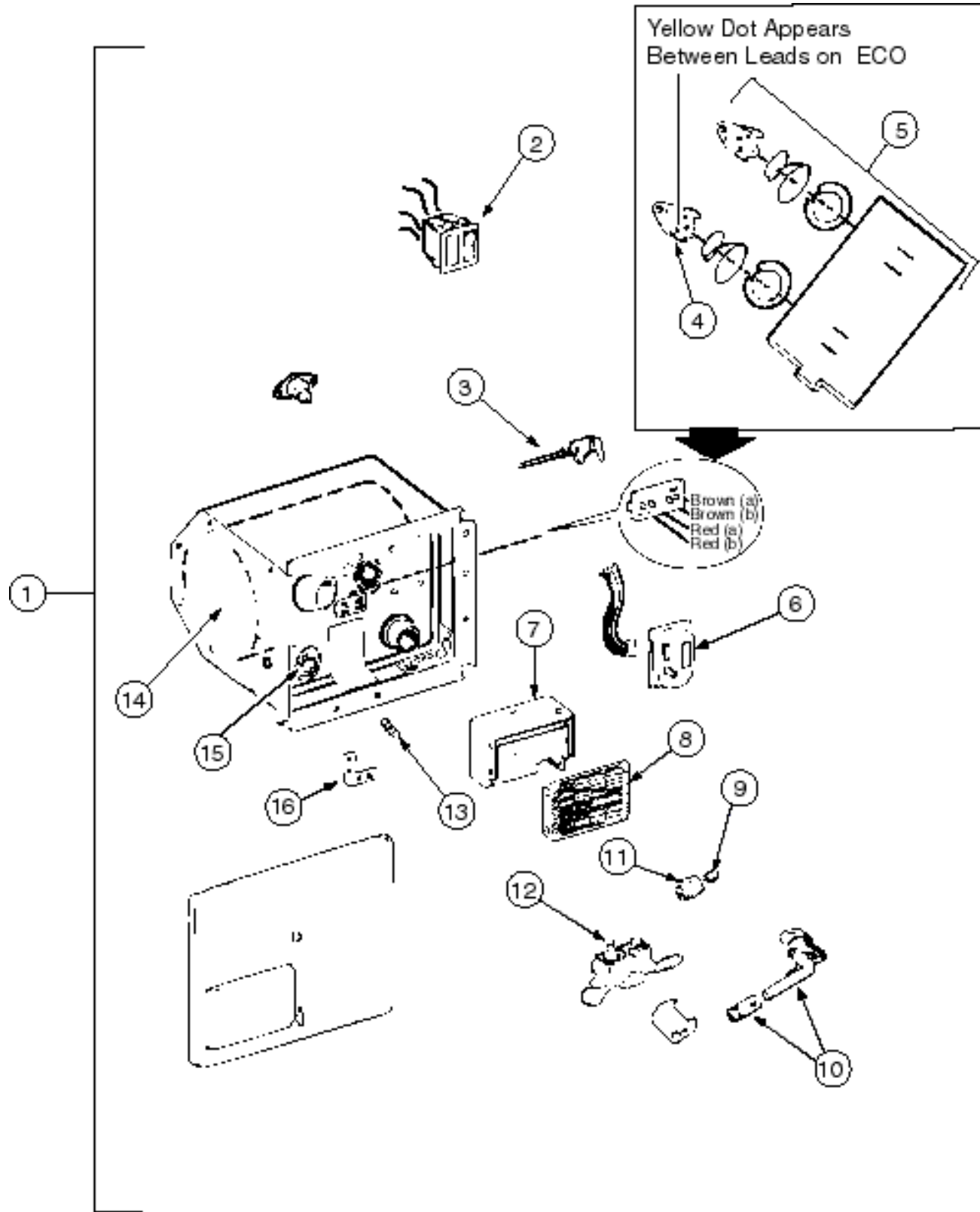
KEY	PART NUMBER	U/M	DESCRIPTION	VENDOR NO.
	051391-01-000	EA	WATER HEATER-ATWOOD G6A-7	
1	051391-01-702	EA	TANK-INNER F/G6A-2E-3E-6E	91412
2	051391-01-704	EA	VALVE-RELIEF, 1/2" FITTING	91604
3	051391-01-705	EA	FASTENER-CAMLOCK	92609
4	051391-01-715	EA	PLUG-DRAIN, 1 EA = 2 PER PKG	91857
5	051391-01-706	EA	KIT-EXHAUST, (FLUE & GASKET)	92787
6	051391-01-708	EA	BURNER-M051391-01-000AIN/PILOT MODEL	92615
7	051391-01-709	EA	PILOT ASM. W/THERMOCOUPLER	91603
8	051391-01-710	EA	ORIFICE-MAIN BURNER	92742
9	051391-01-711	EA	ELBOW-ORIFICE,MAIN BURNER	92741
10	051391-01-714	EA	FITTING-ELBOW 45,3/8F X 3/8	MPT 1044
11	051391-01-712	EA	THERMOSTAT-3/8"NPT INLET	91601
12	051391-01-700	EA	HINGE KIT, (PIN & CLIP)	92568&92559
	051391-03-700	EA	HOLDER-ORIFICE	91563

**ATWOOD
MODEL G6A-8E**



KEY	PART NUMBER	U/M	DESCRIPTION	VENDOR NO.
	051391-03-000	EA	WATER HEATER G6A-8E ELECTRONIC IGNITION	
1	051393-01-702	EA	SWITCH - ENERGY/CUT-OFF	91951
2	051393-01-703	EA	THERMOSTAT-12VDC-140 PRESET	91952
3	051393-01-701	EA	SWITCH - REMOTE - W/LIGHT	91959
4	051391-01-704	EA	VALVE-RELIEF, 1/2" FITTING	91604
5	051391-01-705	EA	FASTENER-CAMLOCK	92609
6	051391-04-701	EA	THERMOSTAT 12V DC-120 PRESET	91470
7	051393-01-721	EA	THERMOSTAT W/ECO, 140 FRT MT	91447
8	051393-01-704	EA	BOARD-CIRCUIT	93865
9	051391-01-706	EA	KIT-EXHAUST, (FLUE & GASKET)	92787
10	051391-01-710	EA	ORIFICE-MAIN BURNER	92742
11	051393-01-716	EA	SPARK & PROBE ASSEMBLY	91606
12	051391-01-708	EA	BURNER-MAIN/PILOT MODEL	92615
12	051391-04-703	EA	BURNER-MAIN/ELECTRONIC	91638
13	051391-01-714	EA	FITTING-ELBOW 45,3/8F X 3/8	MPT 1044
14	051391-03-700	EA	HOLDER-ORIFICE	91563
14	051393-01-705	EA	HOLDER-ORIFICE	91925
15	051393-01-718	EA	VALVE-GAS, DUAL SOLENOID	91605
16	051391-01-715	EA	PLUG-DRAIN, 1 EA = 2 PER PKG	91857
17	051391-01-700	EA	HINGE KIT, (PIN & CLIP)	92568&92559
18	051391-04-700	EA	TANK-INNER (G6A-3E) FRT MT	91608
18	051391-04-706	EA	TANK-INNER,G6A-4E&6E FRT. MT	91641
18	051393-03-700	EA	TANK-INNER (G6A-3E) REAR MT	91409
	051393-01-723	EA	SWITCH - THERMAL CUTOUT 2/PK	93866
	051393-01-724	EA	BOARD-CIRCUIT, SPADE TERMINAL	93865
	051393-01-725	EA	ELECTRODE-SGL SPADE CONNECT.	93868
	051393-01-726	EA	VALVE-SOLENOID, W/O BRACKET	93870

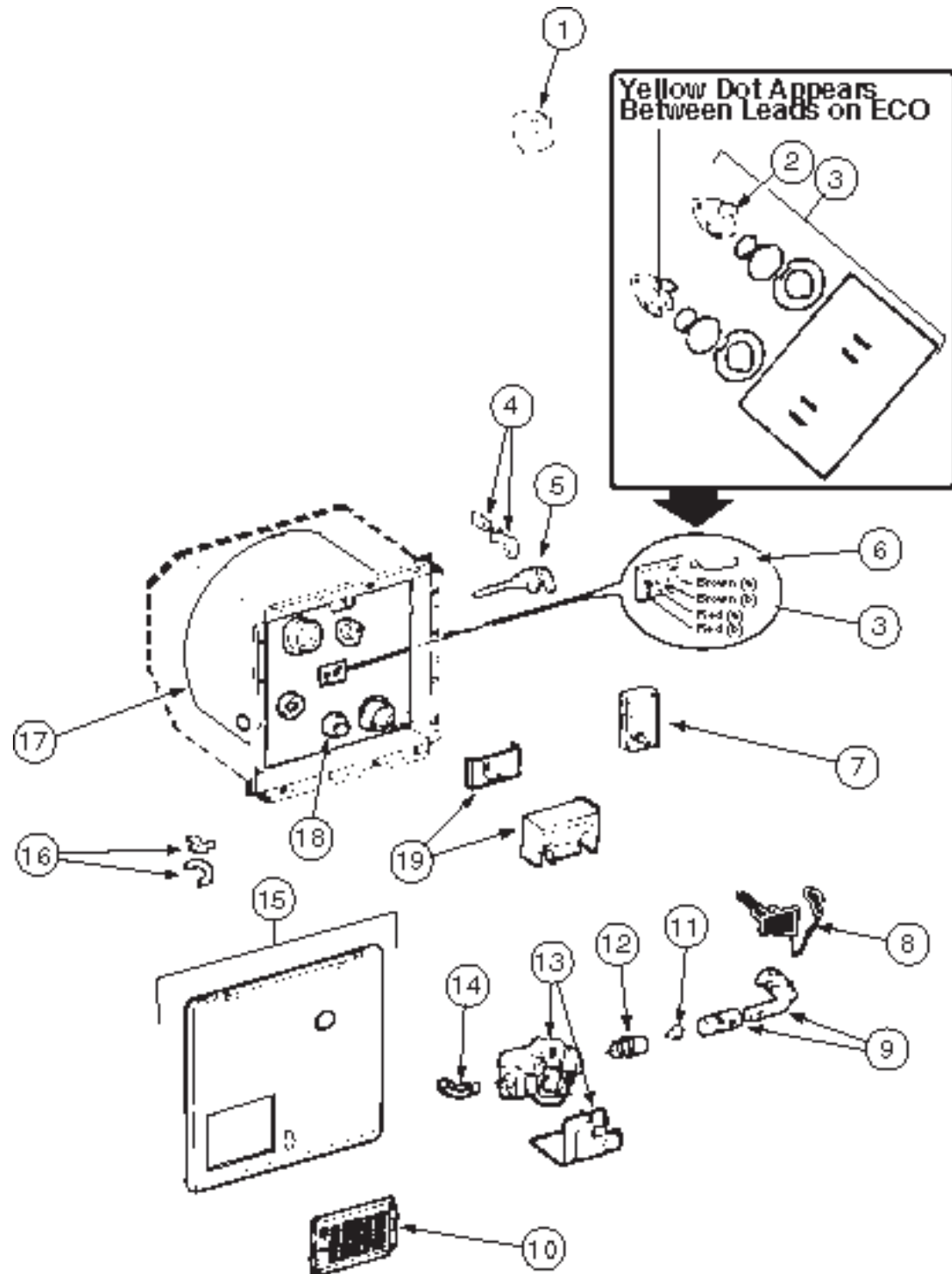
**ATWOOD
MODEL GCH10A-3E**



KEY	PART NUMBER	U/M	DESCRIPTION	VENDOR NO.
1	051391-05-000	EA	WATER HEATER - ELECTRONIC IGNITION - GCH10A-3E	
2	051393-01-701	EA	SWITCH - REMOTE - W/LIGHT	91959
3	051391-01-704	EA	VALVE - RELIEF - 1/2" FITTING	91604
4	051391-04-701	EA	THERMOSTAT - 12V DC-120 PRESET	91470
5	051393-01-721	EA	THERMOSTAT W/ECO - 140 FRT MT	91447
5	051391-05-707	EA	THERMOSTAT W/ECO - 110 VOLT	91873
6	051393-01-704	EA	BOARD - CIRCUIT	93865
7	051391-05-707	EA	KIT - EXHAUST - FLUE & GASKET	90960
8	051391-01-717	EA	GRILL - WATER HEATER DOOR	92640
9	051391-05-701	EA	ORIFICE - MAIN BURNER	93914
10	051391-05-700	EA	BURNER - MAIN	93221
11	051391-03-700	EA	HOLDER - ORIFICE	91563
12	051393-05-702	EA	VALVE-GAS - W/BRACKET	93869
13	051391-01-715	EA	PLUG - DRAIN - 1 EA = 2 PER PKG	91857
14	051391-05-704	EA	TANK - INNER	91594
15	051391-05-706	EA	ELEMENT - HEATING - 1500 WATT	91160
16	111129-01-711	EA	BRACKET - CORNER - SET OF 4	91928
	051393-01-723	EA	SWITCH - THERMAL CUTOUT 2/PK	93866
	051393-01-725	EA	ELECTRODE - SGL SPADE CONNECT.	93868

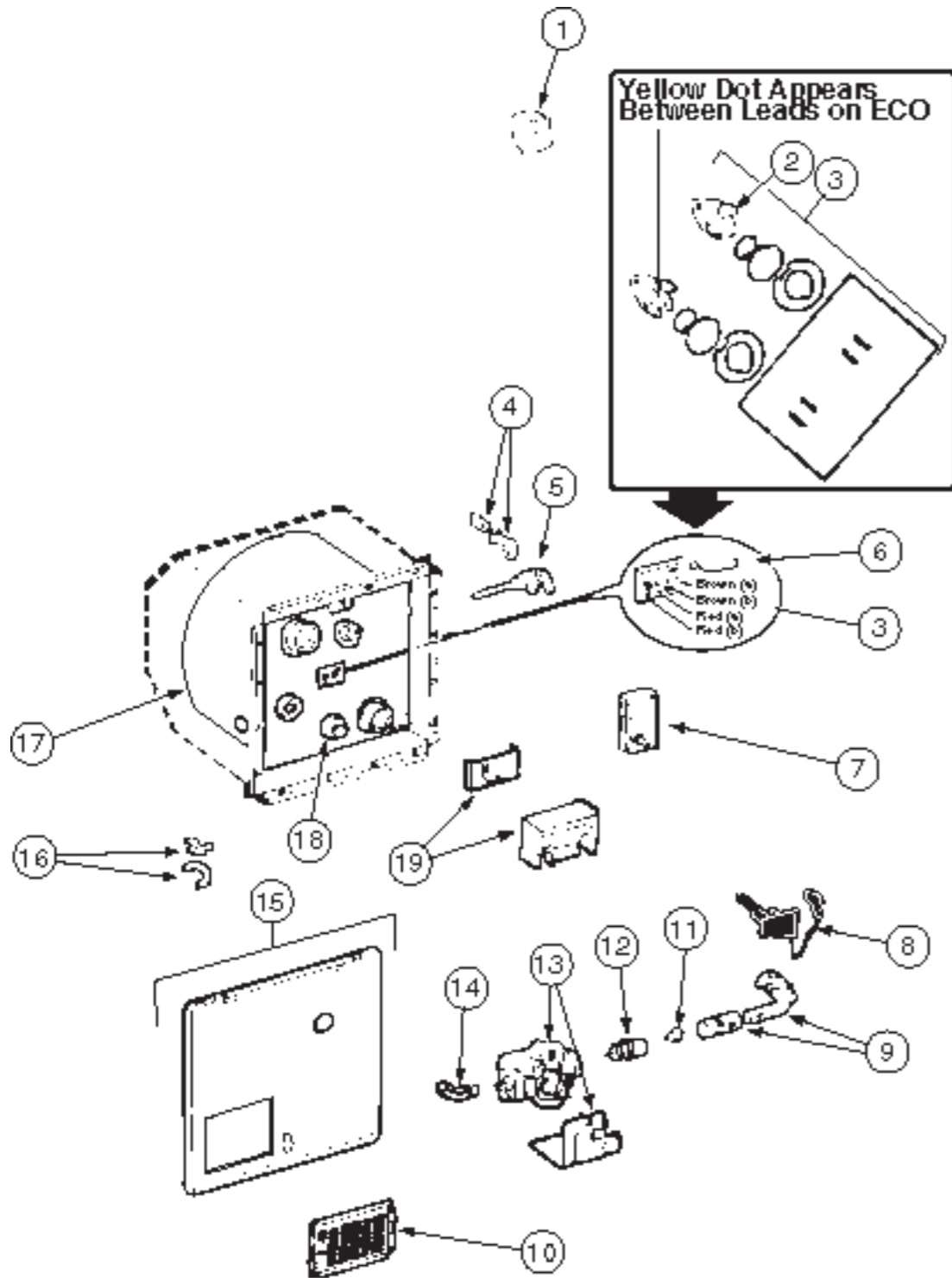
**ATWOOD
MODEL GH6-8E**

KEY	PART NUMBER	U/M	DESCRIPTION	VENDOR NO.
	051393-01-000	EA	WATER HEATER - W/ MOTOR AID - PILOTLESS IGNITION	
1	051393-01-701	EA	SWITCH PACKAGE	91959
2	051391-04-701	EA	THERMOSTAT 12V DC-120 PRESET	91470
3	051393-01-721	EA	ECO & THERMOSTAT ASM - FRONT MOUNT - 140°	91447
4	051391-01-705	EA	FASTENER - CAMLOC	92609
5	051391-01-704	EA	VALVE - RELIEF - 1/2" FITTING	91604
6	051393-01-723	EA	SWITCH - ENERGY CUT-OFF	93866
7	051393-01-724	EA	CIRCUIT BOARD - W/ SPADE TERMINAL	93867
8	051393-01-725	EA	ELECTRODE - SINGLE SPADE CONNECTION	93868
9	051391-04-703	EA	BURNER - MAIN	91638
10	051391-01-717	EA	GRILLE	92640
11	051391-01-710	EA	ORIFICE - MAIN BURNER	92742
12	051391-03-700	EA	ORIFICE HOLDER	91563
13	051393-01-726	EA	SOLENOID VALVE & BRACKET	93870
14	051391-01-714	EA	ELBOW - 45 DEGREE - 3/8"F X 3/8"MPT	91044
15	052009-06-000	EA	DOOR-WATER HEATER W/O LATCHES, BRIGHT WHITE	
16	051391-01-700	EA	HINGE KIT - W/CLIP	92568&92559
17	051391-04-704	EA	TANK - INNER	91642
18	051391-01-715	EA	DRAIN PLUG	91857
19	051391-04-707	EA	FLUE & GASKET	90960
	111129-01-711	EA	BRACKET-CORNER, SET OF FOUR	91928

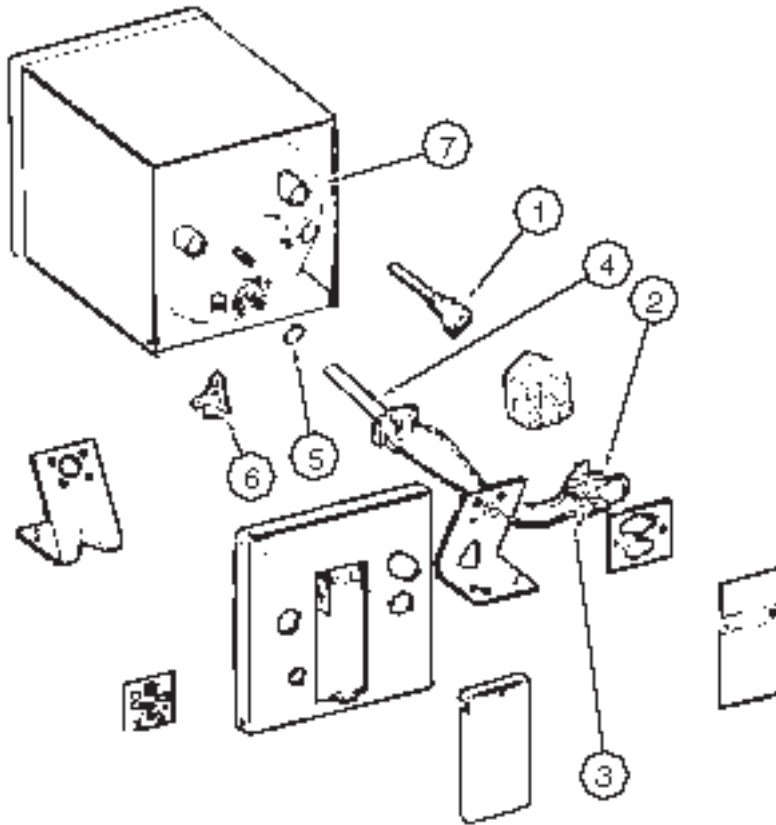


**ATWOOD WATER HEATER W/ELECTRIC IGNITION
MODEL ICH6-6E - (EUROPEAN)**

KEY	PART NUMBER	U/M	DESCRIPTION	VENDOR NO.
	111129-01-000	EA	WATER HEATER - ELECTRIC IGNITION - 220 VOLTS	
1	111129-01-700	EA	SWITCH - WALL PACKAGE	91208
2	111129-01-714	EA	THERMOSTAT - ELECTRIC - 220V	91287
3	111129-01-703	EA	THERMOSTAT (60*) ECO (82*) KIT	91191
4	051391-01-705	EA	FASTENER - CAMLOC	92609
5	111129-01-702	EA	VALVE - DRAIN PRESSURE - 3.5 BAR	91898
6	051393-01-723	EA	SWITCH - ENERGY CUT-OFF	93866
7	111129-01-704	EA	BOARD - IGNITION	91194
8	111129-01-708	EA	IGNITION KIT - SPARK & PROBE	91196
9	111129-01-707	EA	BURNER KIT - MAIN	91204
10	051391-01-717	EA	GRILLE	92640
11	111129-01-706	EA	ORIFICE - MAIN BURNER COMPLETE	91017
12	051391-03-700	EA	ORIFICE HOLDER	91563
13	051393-01-726	EA	SOLENOID VALVE & BRACKET	93870
14	051391-01-714	EA	ELBOW - 45 DEGREE - 3/8" F X 3/8" MPT	91044
15	111129-01-710	EA	DOOR - ACCESS - W/LOCK	91203
16	111129-01-712	EA	HARDWARE KIT - W/LOCK	91193
17	111129-01-713	EA	TANK INNER ICH6-6E	91188
18	051391-01-715	EA	DRAIN PLUG	91857
19	111129-01-709	EA	FLUE ASSEMBLY	91045
	111129-01-705	EA	REGULATOR - GAS PRESSURE #10	91198
	111129-01-711	EA	BRACKET - CORNER - SET OF FOUR	91928
	111129-01-715	EA	RELAY - 220 V/12 VDC	91206
	111129-01-716	EA	ELEMENT - HEATING - 220V/500WATT	91081
	111129-01-717	EA	BUSHING - STRAIN RELIEF	91372

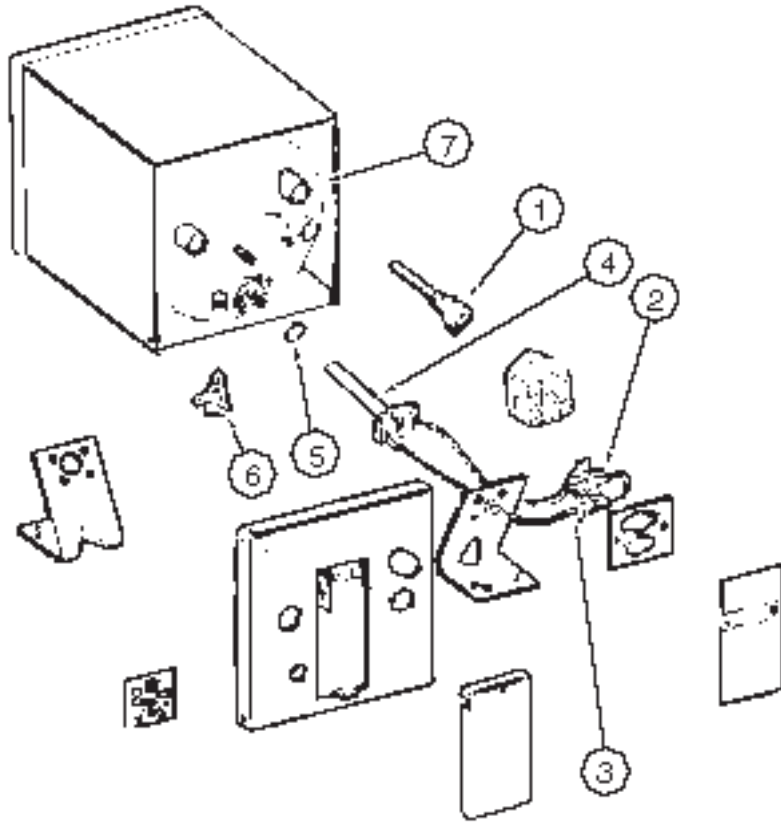


**ATWOOD
MODEL EHM4 - SM**



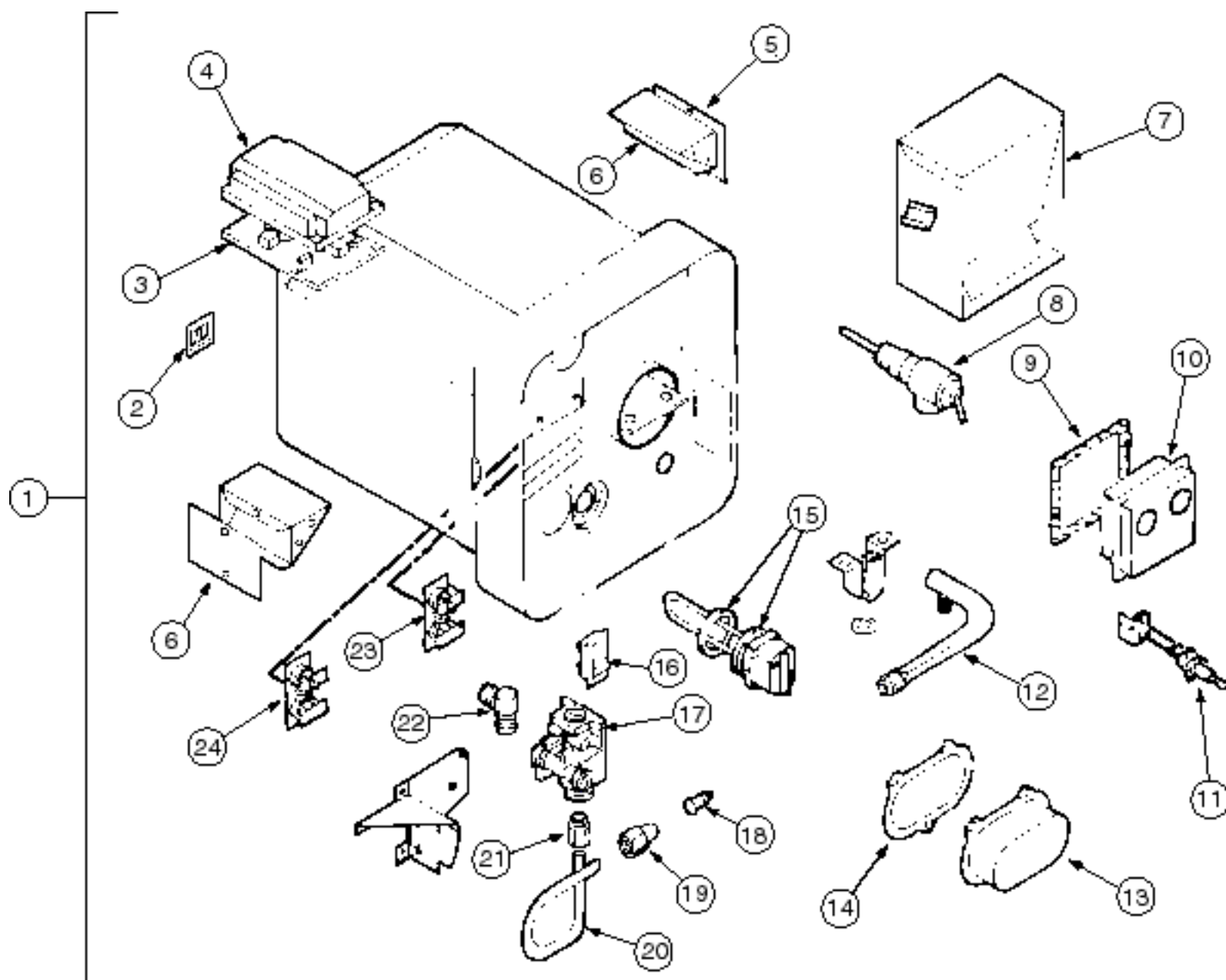
KEY	PART NUMBER	U/M	DESCRIPTION	VENDOR NO.
	113122-01-000	EA	WATER HEATER - ELECTRIC - 4 GALLON	
1	051391-01-704	EA	VALVE - RELIEF - 1/2" FITTING	91604
2	074034-01-700	EA	SWITCH	92942
3	074034-01-701	EA	THERMOSTAT	92943
4	074034-01-702	EA	ELEMENT - IMMERSION - 1500 W	93089
5	074034-01-703	EA	GASKET	92679
6	074034-01-704	EA	VALVE - DRAIN - PETCOCK - NADA	93755
7	113122-01-700	EA	TANK - INNER	92245

**ATWOOD
MODEL EHM4 - 220**



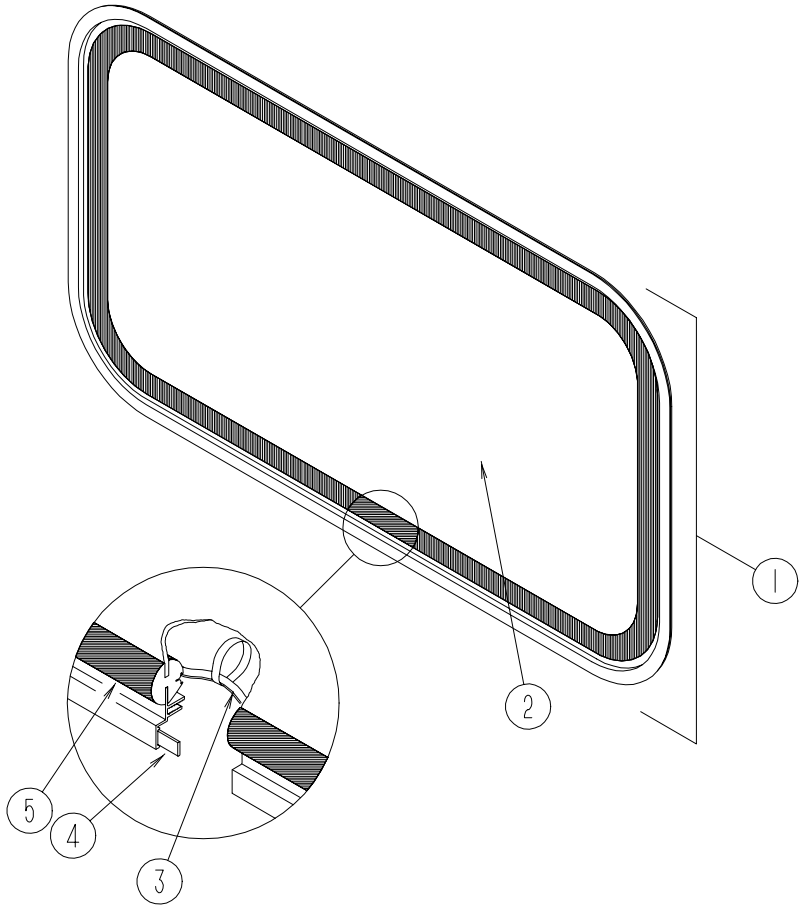
KEY	PART NUMBER	U/M	DESCRIPTION	VENDOR NO.
	113122-02-000	EA	WATER HEATER - 4 GALLON	
1	051391-01-704	EA	VALVE - RELIEF - 1/2" FITTING	91604
2	113122-02-700	EA	SWITCH - ECO 220 V	91740
3	074034-01-701	EA	THERMOSTAT	92943
4	113122-02-701	EA	ELEMENT - HEATING - 220 V	91097
5	113122-02-702	EA	GASKET - 220 V	91098
6	074034-01-704	EA	VALVE - DRAIN - PETCOCK - NADA	93755
7	113122-01-700	EA	TANK - INNER	92245

**SUBURBAN
MODEL SW10DE/5050A**



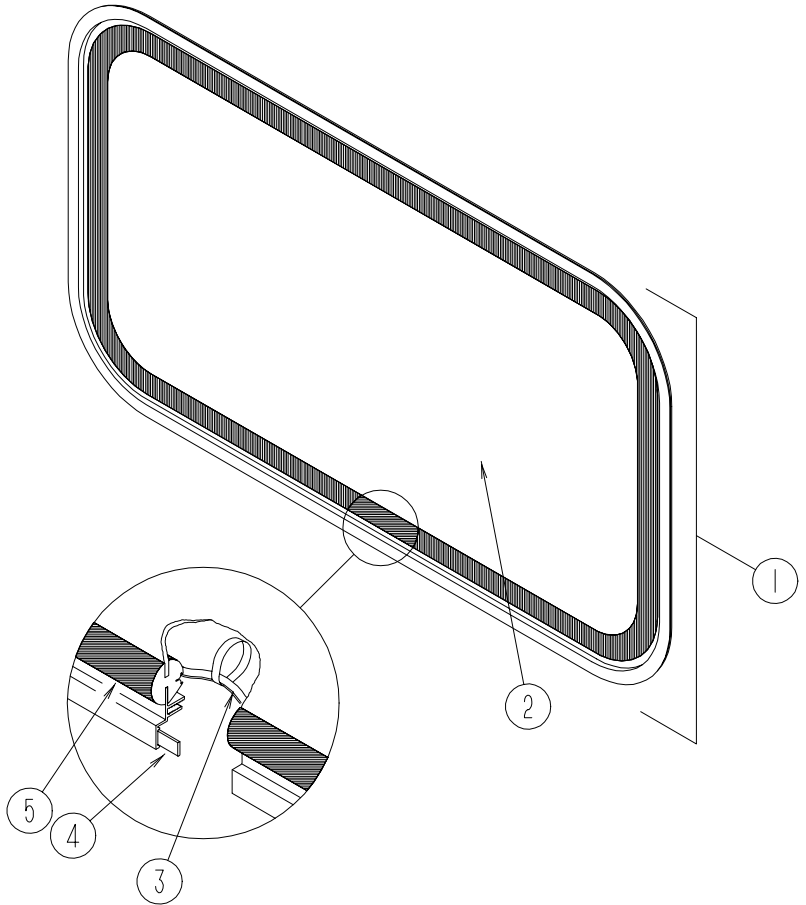
KEY	PART NUMBER	U/M	DESCRIPTION	VENDOR NO.	KEY	PART NUMBER	U/M	DESCRIPTION	VENDOR NO.
1	128994-01-000	EA	WATER HEATER - 10 GALLON - 110/GAS		13	128994-01-713	EA	COVER - ELEMENT	090445
2	128994-01-700	EA	SWITCH - LAMP - PLATE - ASSEMBLED	232229	14	128994-01-714	EA	GASKET - ELEMENT COVER	070988
3	128994-01-701	EA	MODULE BOARD	232391	15	128994-01-719	EA	ELEMENT - ELECTRIC - W/GASKET	520789
4	128994-01-702	EA	COVER - MODULE BOARD	090487	16	128994-01-717	EA	SWITCH - ELECTRIC ELEMENT	232259
5	128994-01-703	EA	COVER - JUNCTION BOX	090447	17	128994-01-720	EA	VALVE - GAS - LP	161109
6	128994-01-704	EA	JUNCTION BOX ASSEMBLY - DC	090498	18	128994-01-711	EA	ORFICE - CUP - 1.15MM	180300
7	128994-01-705	EA	COLLECTOR - FLUE - BACK - COMPLETE	101679	19	128994-01-722	EA	NUT - LOXIT - MANIFOLD/BURNER - 1/4"	171463
8	128994-01-706	EA	VALVE - PRESSURE RELIEF	160926	20	128994-01-721	EA	MANIFOLD OUTLET	171420
9	128994-01-707	EA	GASKET - THERMOSTAT COVER	070987	21	128994-01-712	EA	NUT - LOXIT - MANIFOLD/VALVE - 1/4"	171475
10	128994-01-708	EA	COVER - THERMOSTAT	090467	22	128994-01-718	EA	FITTING - GAS	170374
11	128994-01-709	EA	ELECTRODE	232258	23	128994-01-716	EA	SWITCH - HI-LIMIT - 120 V.D.C.	232319
12	128994-01-710	EA	BURNER	010815	24	128994-01-715	EA	SWITCH - HI-LIMIT - 120 V.A.C.	

ESCAPE WINDOW



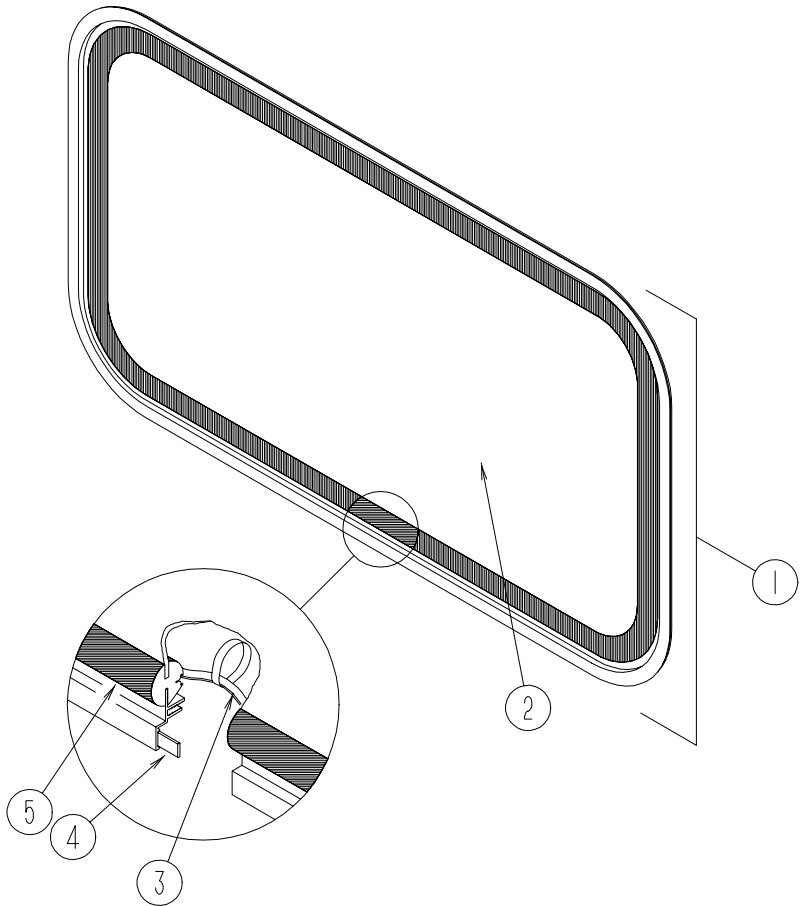
KEY	PART NUMBER	U/M	DESCRIPTION
1	078528-03-Y12	EA	WINDOW ASM - ESCAPE
2	076337-08-000	EA	GLASS - EGRESS - 1138.4 X 598.1
3	002285-01-000	FT	FILLER - WEATHERSTRIP - RUBBER - BLACK
4	069640-11-000	FT	SEALER - TAPE - .19"THICK X .38"WIDE X 40' - BLACK
5	002282-09-000	EA	W/STR-WINDOW,.125 BLK,130.53
	053752-09-000	GL	SEAM SEALER-5 GAL,CLEAR
	102922-01-000	FT	RED POLY.005X.500INX150'ROLL

ESCAPE WINDOW



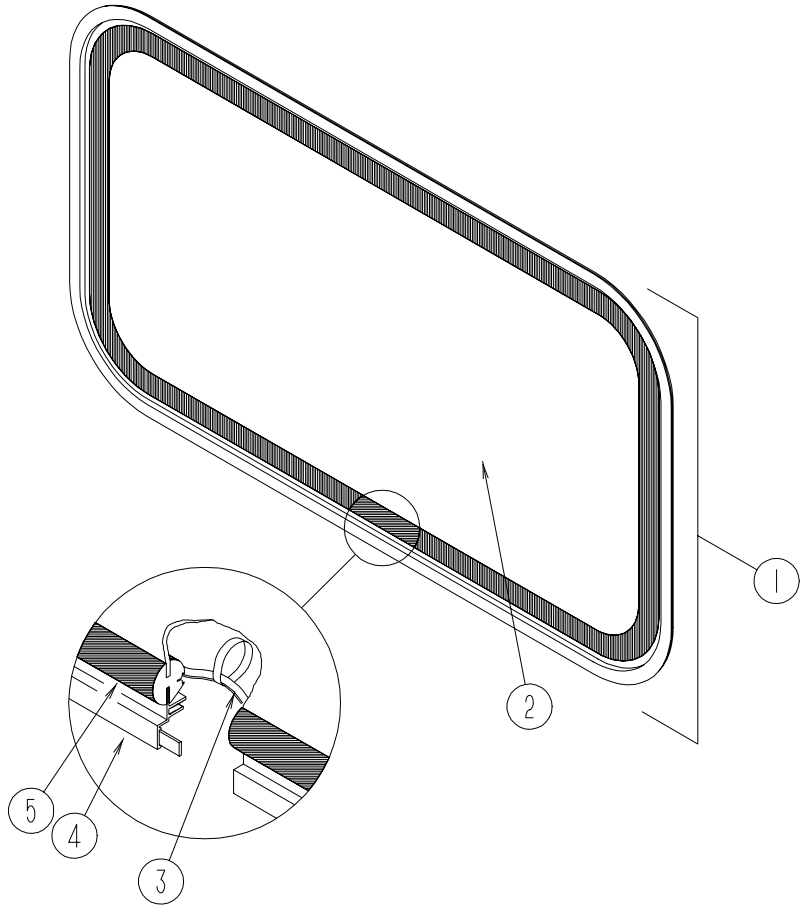
KEY	PART NUMBER	U/M	DESCRIPTION
1	078528-06-E10	EA	WINDOW ASM-ESCAPE
2	076337-12-000	EA	GLASS-EGRESS,1157.4 X 548.1
3	002285-01-000	FT	FILLER - WEATHERSTRIP - RUBBER - BLACK
4	069640-11-000	FT	SEALER - TAPE - .19"THICK X .38"WIDE X 40' - BLACK
5	002282-09-000	EA	W/STR-WINDOW,.125 BLK,130.53
	053752-09-000	GL	SEAM SEALER-5 GAL,CLEAR
	102922-01-000	FT	RED POLY.005X.500INX150'ROLL

ESCAPE WINDOW



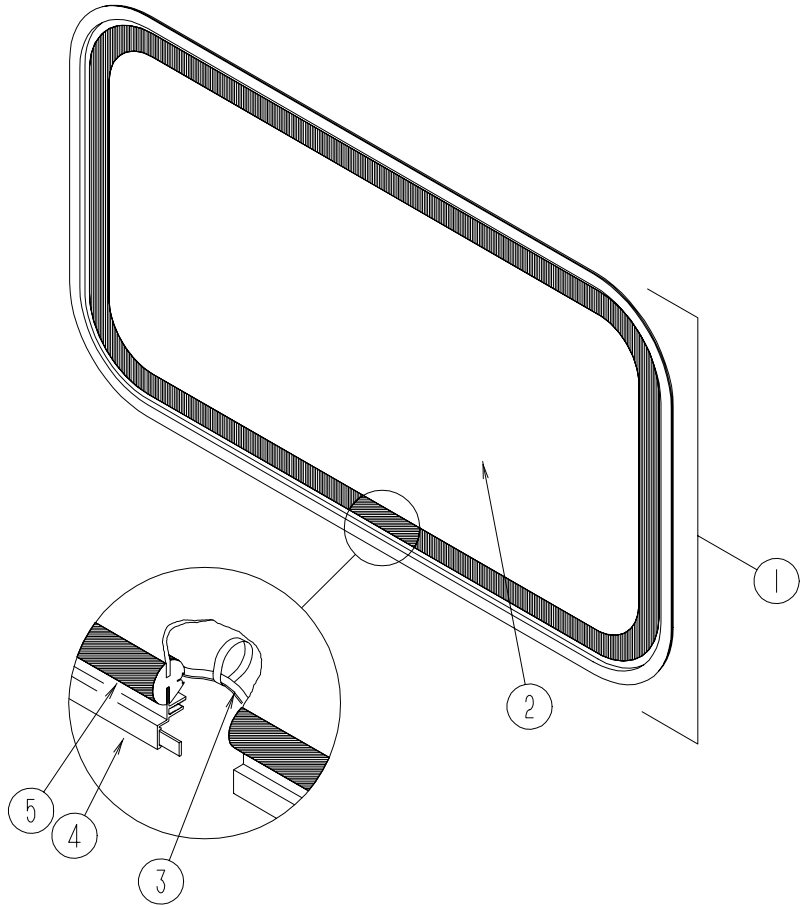
KEY	PART NUMBER	U/M	DESCRIPTION
1	078528-07-F15	EA	WINDOW ASM-ESCAPE CLEAR
2	076337-13-000	EA	GLASS-EGRESS 1157 X 548 CLR
3	002285-01-000	FT	FILLER - WEATHERSTRIP - RUBBER - BLACK
4	069640-11-000	FT	SEALER - TAPE - .19"THICK X .38"WIDE X 40' - BLACK
5	002282-09-000	EA	W/STR-WINDOW,.125 BLK,130.53
	004018-01-000	FT	ADHESIVE-COLDBOND
	053752-09-000	GL	SEAM SEALER-5 GAL,CLEAR
	102922-01-000	FT	RED POLY.005X.500INX150'ROLL

ESCAPE WINDOW



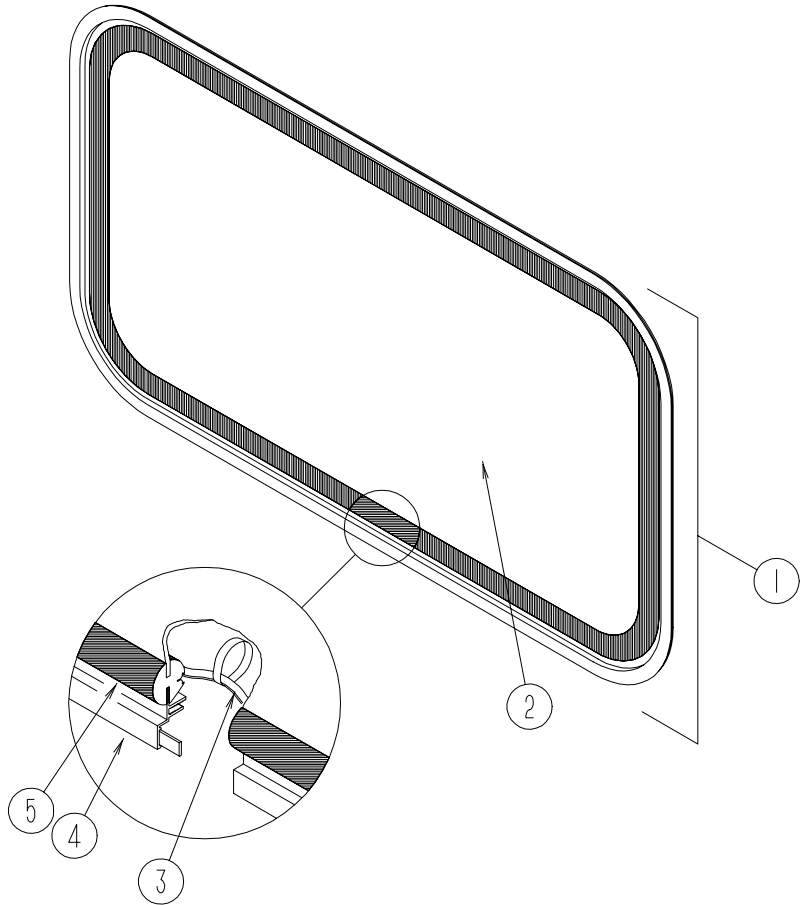
KEY	PART NUMBER	U/M	DESCRIPTION
1	078528-12-FB1	EA	WINDOW - ESCAPE - W/O INSIDE TRIM - TINTED - 35.6" X 26"
2	076337-17-000	EA	GLASS-EGRESS 589 X 830 GRAY
3	002285-01-000	FT	FILLER - WEATHERSTRIP - RUBBER - BLACK
4	074815-07-000	EA	FRAME - WINDOW - MAIN - ESCAPE - BLACK
5	002282-12-000	EA	WEATHERSTRIP - WINDOW - .125 BLACK - 108.75
	004018-01-000	FT	ADHESIVE - COLDBOND
	053752-02-000	GL	SEAM SEALER - 5 GALLON - BLACK
	102922-01-000	FT	RED POLY.005 X .500IN X 150' ROLL

ESCAPE WINDOW



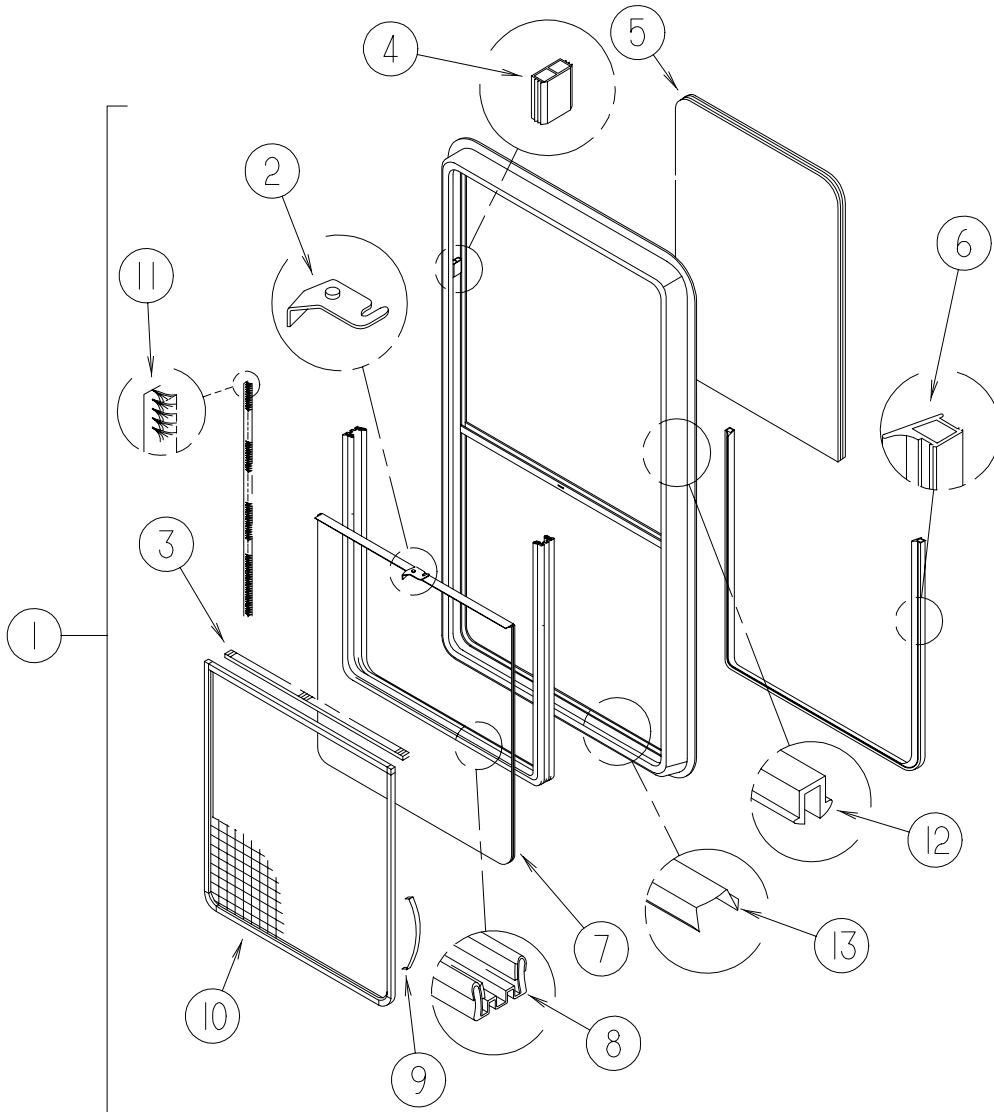
KEY	PART NUMBER	U/M	DESCRIPTION
1	078528-13-F11	EA	WINDOW ASSEMBLY - ESCAPE
2	076337-18-000	EA	GLASS-EGRESS 1443 X 589 GRAY
3	002285-01-000	FT	FILLER - WEATHERSTRIP - RUBBER - BLACK
4	004018-01-000	FT	ADHESIVE - COLDBOND
5	002282-13-000	EA	WEATHERSTRIP - WINDOW - .125 BLACK - 108.75
	053752-02-000	GL	SEAM SEALER - 5 GALLON - BLACK
	102922-01-000	FT	RED POLY.005 X .500IN X 150' ROLL

ESCAPE WINDOW



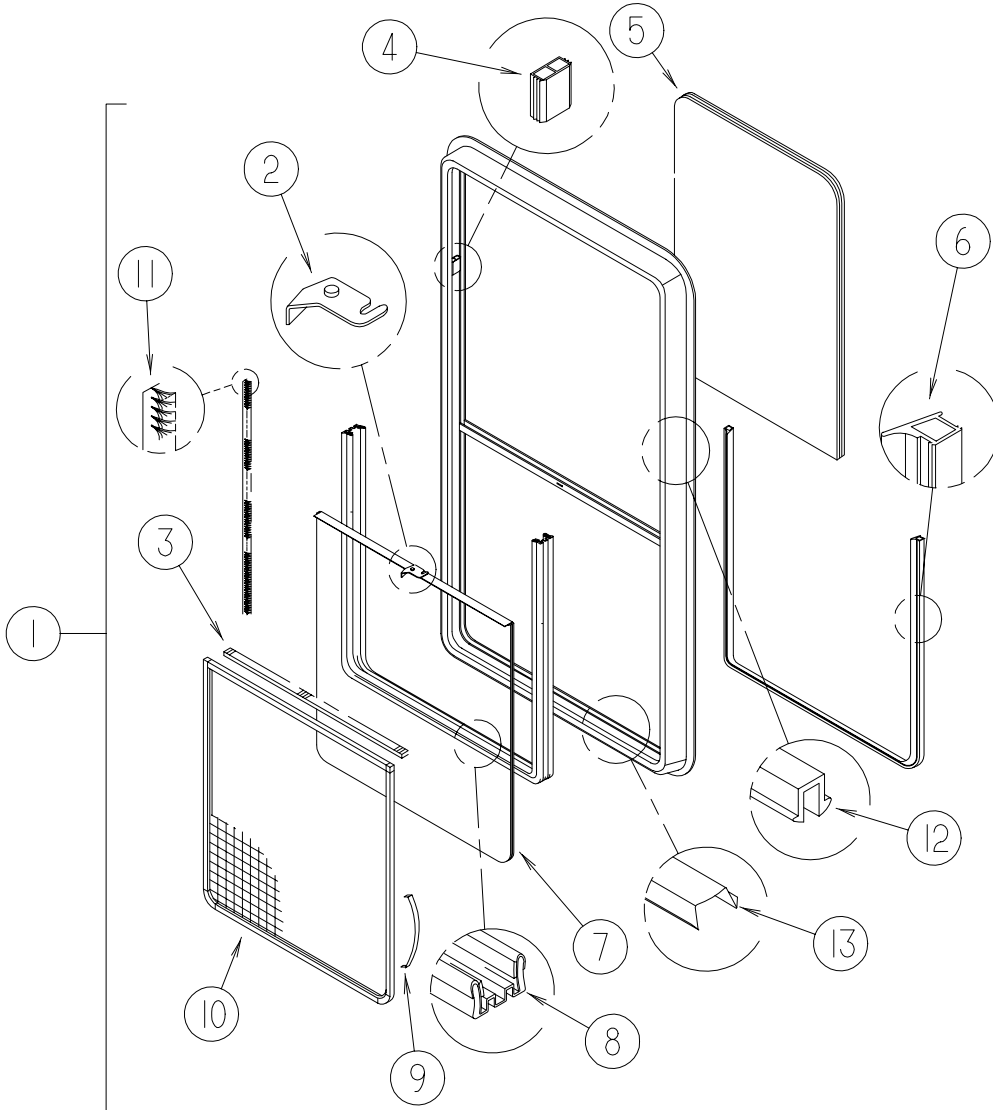
KEY	PART NUMBER	U/M	DESCRIPTION
1	087985-08-GV0	EA	WINDOW - ESCAPE - 28.5" X 47.5"
2	076337-16-000	EA	GLASS-EGRESS 1156 X 672 GRAY
3	002285-01-000	FT	FILLER - WEATHERSTRIP - RUBBER - BLACK
4	121130-01-01A	EA	FRAME - WINDOW - ESCAPE - BLACK
5	002282-11-000	EA	WEATHERSTRIP - WINDOW - .125 BLACK - 140.75
	004018-01-000	FT	ADHESIVE - COLDBOND
	053752-09-000	GL	SEAM SEALER - 5 GALLON - CLEAR
	102922-01-000	FT	RED POLY.005 X .500IN X 150' ROLL

**WINDOW - SLIDER
EXCEL H332-PR**



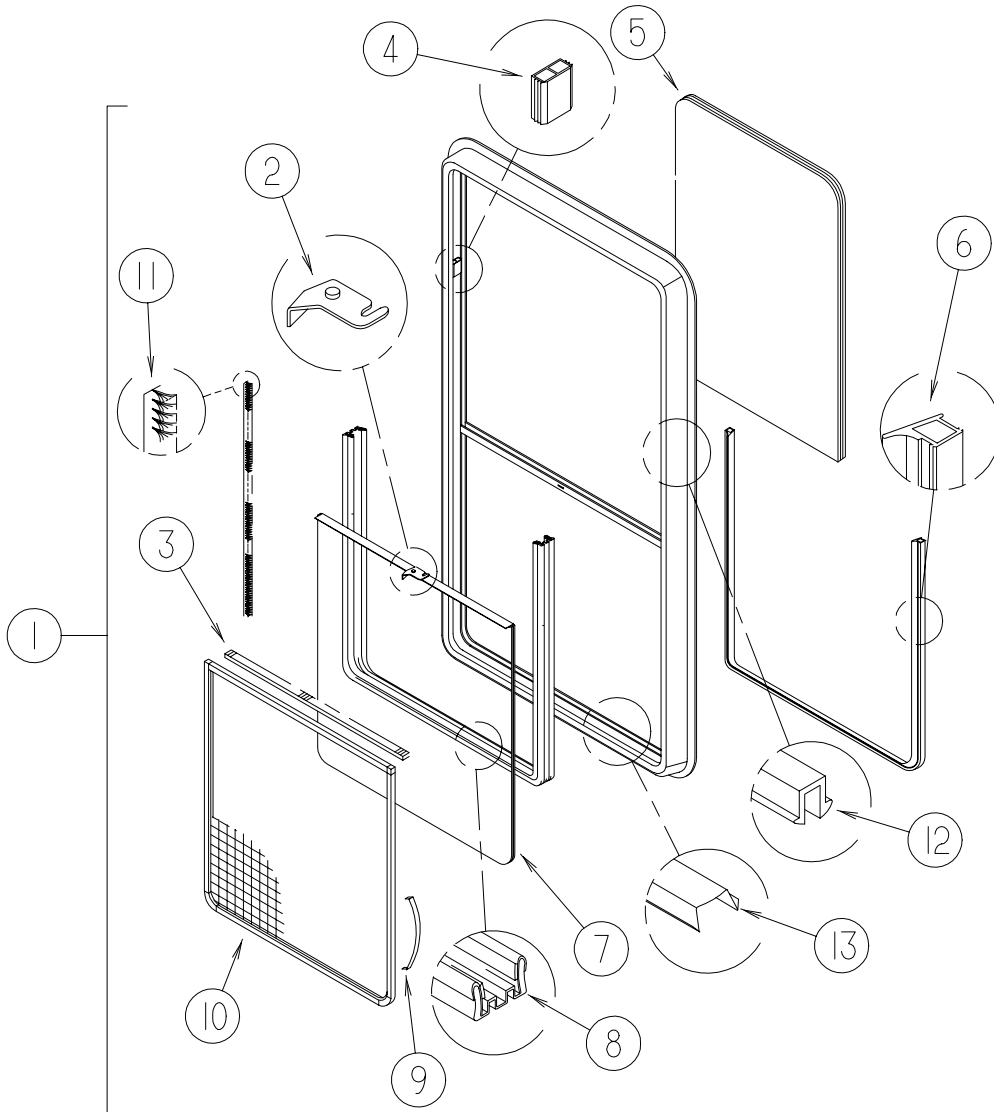
KEY	PART NUMBER	U/M	DESCRIPTION	VENDOR NO.
1	098644-04-02A	EA	WINDOW - VERTICAL SLIDER W/TRIM - TINTED - 31.7" X 21.1"	B801-CK
2	098644-01-700	EA	LATCH - REPAIR KIT (BLACK)	122-016543
3	098644-01-706	FT	WEATHERSTRIP - GLASS	132-014203
4	098644-01-719	EA	STOP - SLIDER GLASS	106-017953
5	098644-04-701	EA	GLASS - STATIONARY	132-014470
6	098644-01-716	EA	PLUG - FILLER	H332-G9
7	098644-04-702	EA	GLASS - SLIDING - W/SASH & LATCH	122-016543
8	098644-01-708	FT	CHANNEL - RUN - PIERCED	226-016966
9	098644-01-713	EA	CLIP - SCREEN - METAL	410-017955
10	098644-04-703	EA	SCREEN ASSEMBLY - W/SEALS & CLIPS	171-016965
11	098644-01-711	EA	WEATHERSTRIP - SCREEN - BLACK	132-010231
12	098644-01-705	FT	GLAZING - STRIP	132-017135
13	098644-01-710	FT	TRACK - SCREEN SPACER - 12'	132-004716
	098644-01-717	FT	SPLINE - SCREEN	132-004716
	098644-04-700	EA	RETAINER - TRIM	W332-67

**WINDOW - SLIDER
EXCEL H332-PR**



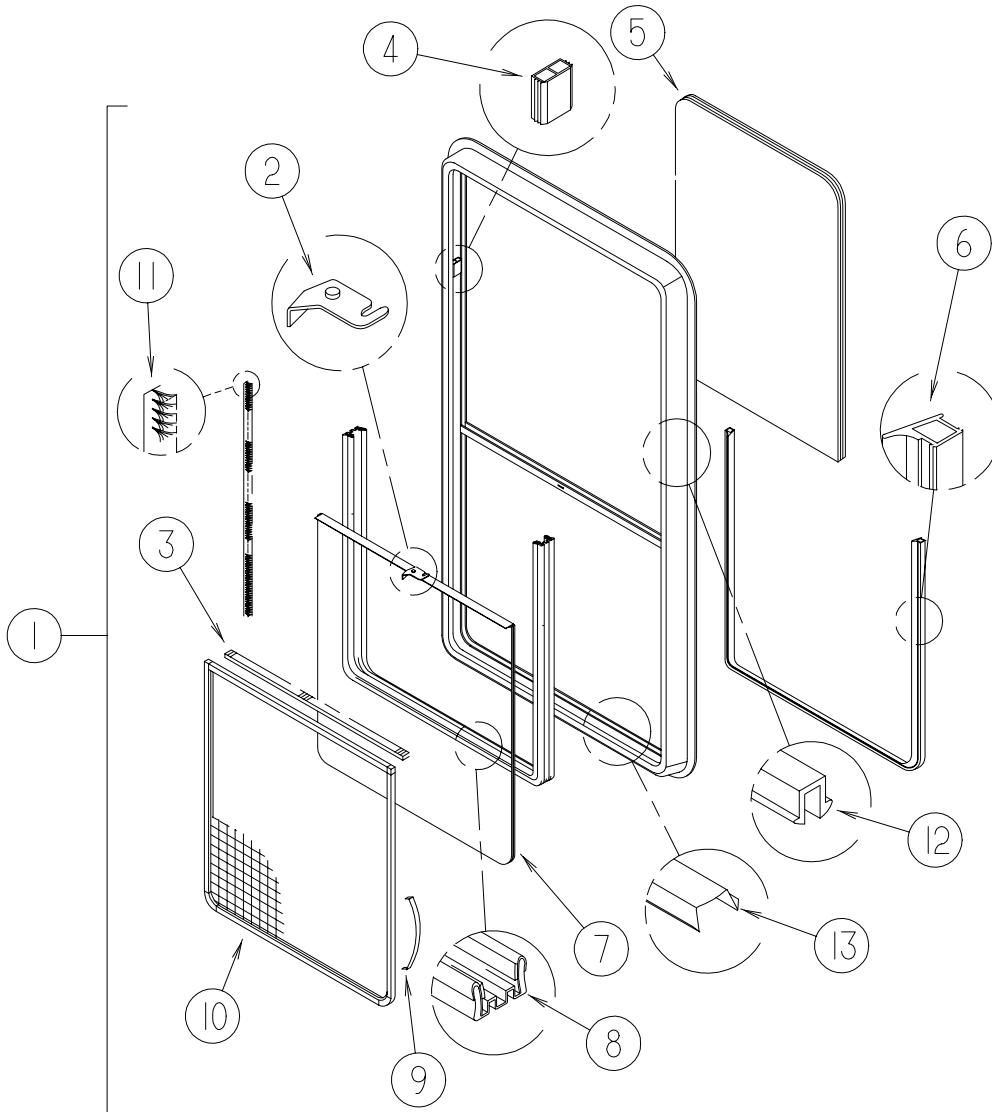
KEY	PART NUMBER	U/M	DESCRIPTION	VENDOR NO.
1	098644-07-01A	EA	WINDOW - VERTICAL SLIDER W/TRIM - TINTED - 30.2" X 14.3"	B801-CK
2	098644-01-700	EA	LATCH ASSEMBLY - BOLT ON	122-016543
3	098644-01-706	FT	WEATHERSTRIP - GLASS	132-014203
4	098644-01-719	EA	STOP - SLIDER GLASS	106-015777
5	098644-07-702	EA	GLASS - STATIONARY	132-014470
6	098644-01-716	EA	PLUG - FILLER	H170-G9
7	098644-07-703	EA	GLASS - SLIDING - W/SASH & LATCH	122-016543
8	098644-01-708	FT	CHANNEL - RUN - PIERCED	226-016966
9	098644-01-713	EA	CLIP - SCREEN - METAL	410-018863
10	098644-07-704	EA	SCREEN ASSEMBLY - W/SEALS & CLIPS	171-016965
11	098644-01-711	EA	WEATHERSTRIP - SCREEN - BLACK	132-010231
12	098644-01-705	FT	GLAZING - STRIP	132-017135
13	098644-01-710	FT	TRACK - SCREEN SPACER - 12'	132-004716
	098644-01-717	FT	SPLINE - SCREEN	132-004716
	098644-07-701	EA	RETAINER - TRIM	CW02-66

**WINDOW - SLIDER
EXCEL H332-PR**



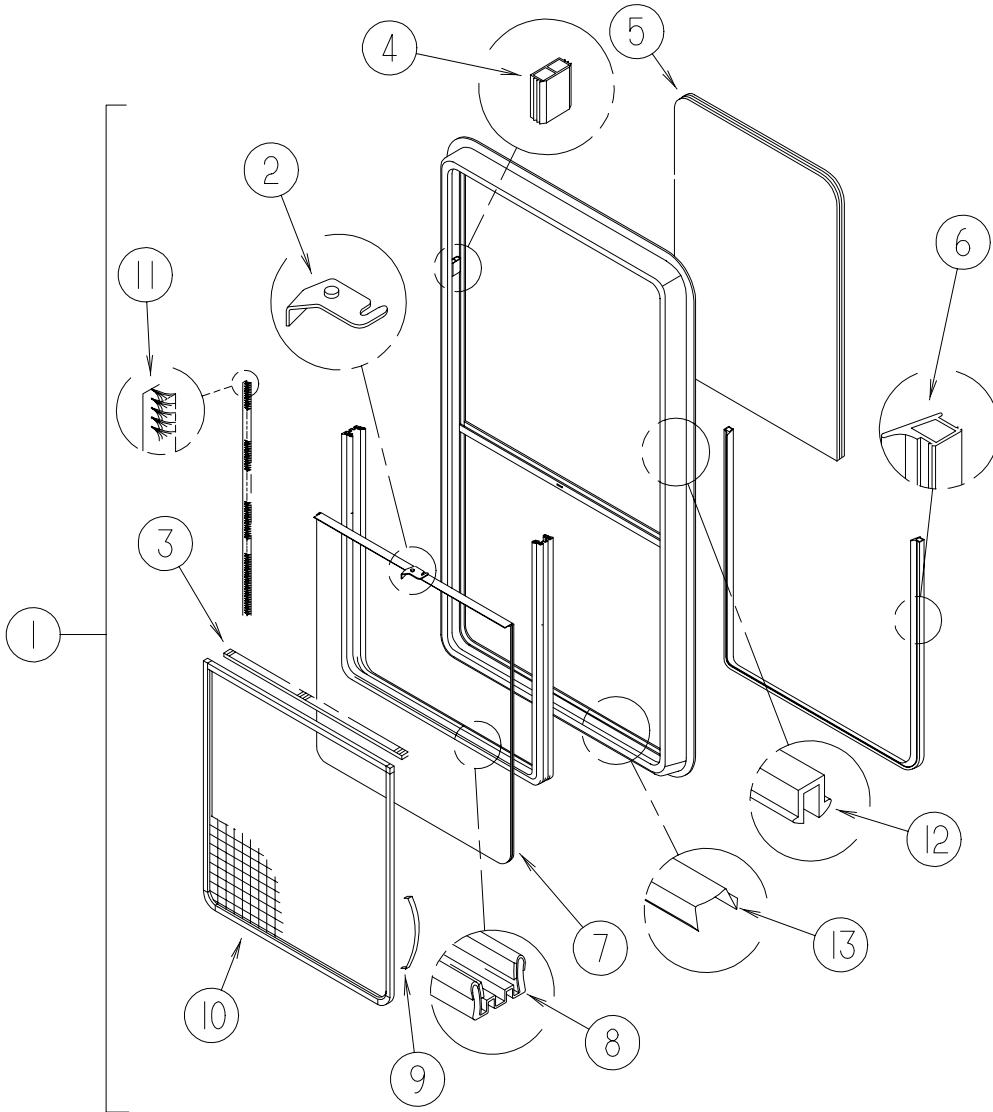
KEY	PART NUMBER	U/M	DESCRIPTION	VENDOR NO.
1	098644-09-01A	EA	WINDOW - VERTICAL SLIDER W/TRIM - TINTED - 31.7" X 21.1"	
2	098644-04-703	EA	VERTICAL LATCH (SASH KIT)	B801-CK
3	098644-01-706	FT	WEATHERSTRIP - GLASS	122-016543
4	098644-01-719	EA	STOP - SLIDER GLASS	132-014203
5	098644-09-702	EA	GLASS - STATIONARY	106-019509
6	098644-01-716	EA	PLUG - FILLER	132-014470
7	098644-09-703	EA	GLASS - SLIDING - W/SASH & LATCH	H446-G9
8	098644-01-708	FT	CHANNEL - RUN - PIERCED	122-016543
9	098644-01-713	EA	CLIP - SCREEN - METAL	226-016966
10	098644-09-704	EA	SCREEN ASSEMBLY - W/SEALS & CLIPS	410-019511
11	098644-01-711	EA	WEATHERSTRIP - SCREEN - BLACK	171-016965
12	098644-01-705	FT	GLAZING - STRIP	132-010231
13	098644-01-710	FT	TRACK - SCREEN SPACER - 12'	132-017135
	098644-01-717	FT	SPLINE - SCREEN	132-004716
	098644-09-701	EA	RETAINER - TRIM	W446-66

**WINDOW - SLIDER
EXCEL H464-G1W66**



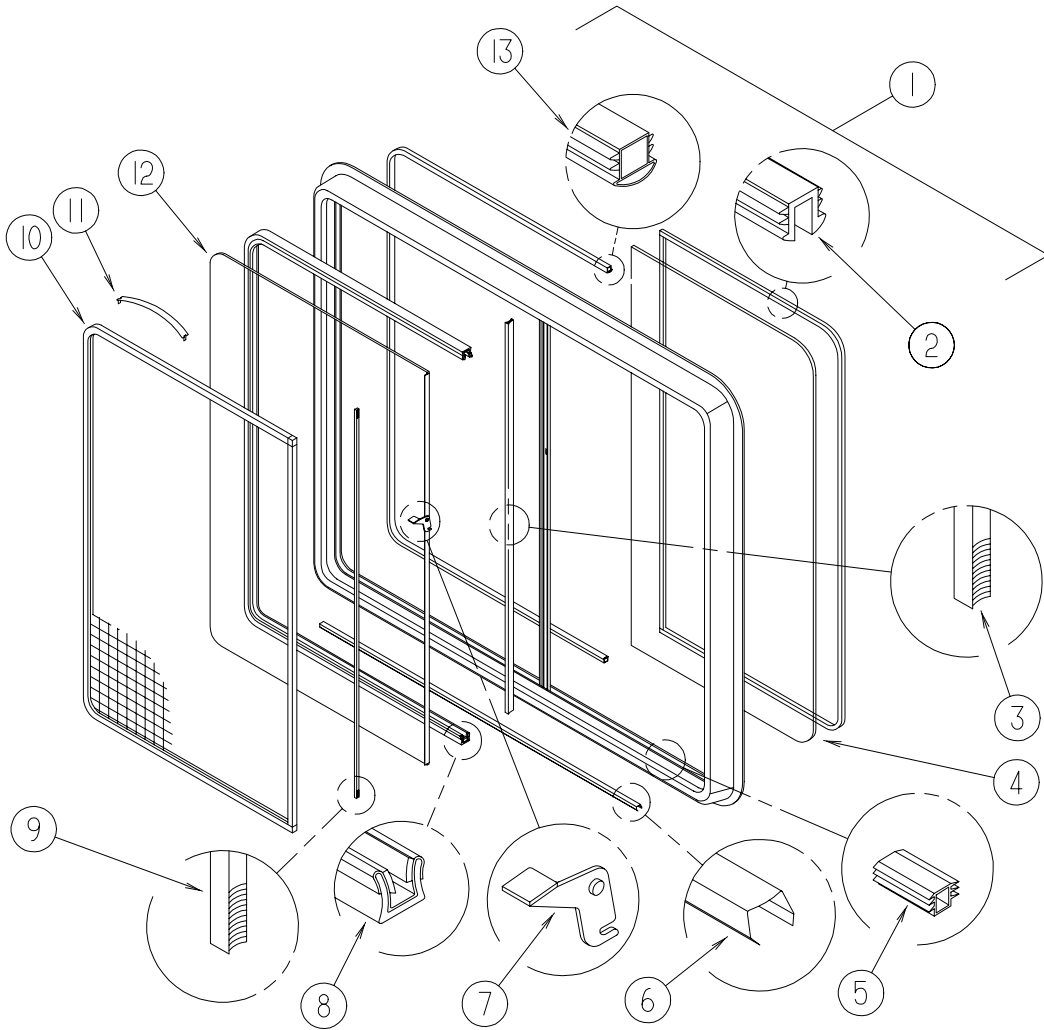
KEY	PART NUMBER	U/M	DESCRIPTION	VENDOR NO.
1	098644-10-01A	EA	WINDOW - VERTICAL SLIDER W/TRIM - TINTED - 25" X 27"	
2	098644-01-700	EA	LATCH - REPAIR KIT (BLACK)	B801-CK
3	098644-01-706	FT	WEATHERSTRIP - GLASS	122-016543
4	098644-01-719	EA	STOP - SLIDER GLASS	132-014203
5	098644-10-702	EA	GLASS - STATIONARY	106-025019
6	098644-01-716	EA	PLUG - FILLER	132-014470
7	098644-10-701	EA	GLASS - SLIDING - W/SASH & LATCH	H464-G9
8	098644-01-708	FT	CHANNEL - RUN - PIERCED	122-016543
9	098644-01-713	EA	CLIP - SCREEN - METAL	226-016966
10	098644-10-700	EA	SCREEN ASSEMBLY - W/SEALS & CLIPS	410-019683
11	098644-01-711	EA	WEATHERSTRIP - SCREEN - BLACK	171-016965
12	098644-01-705	FT	GLAZING - STRIP	132-010231
13	098644-01-710	FT	TRACK - SCREEN SPACER - 12'	132-017135
	098644-01-717	FT	SPLINE - SCREEN	132-004716
	098644-10-703	EA	RETAINER - TRIM	CW78-66

WINDOW - SLIDER



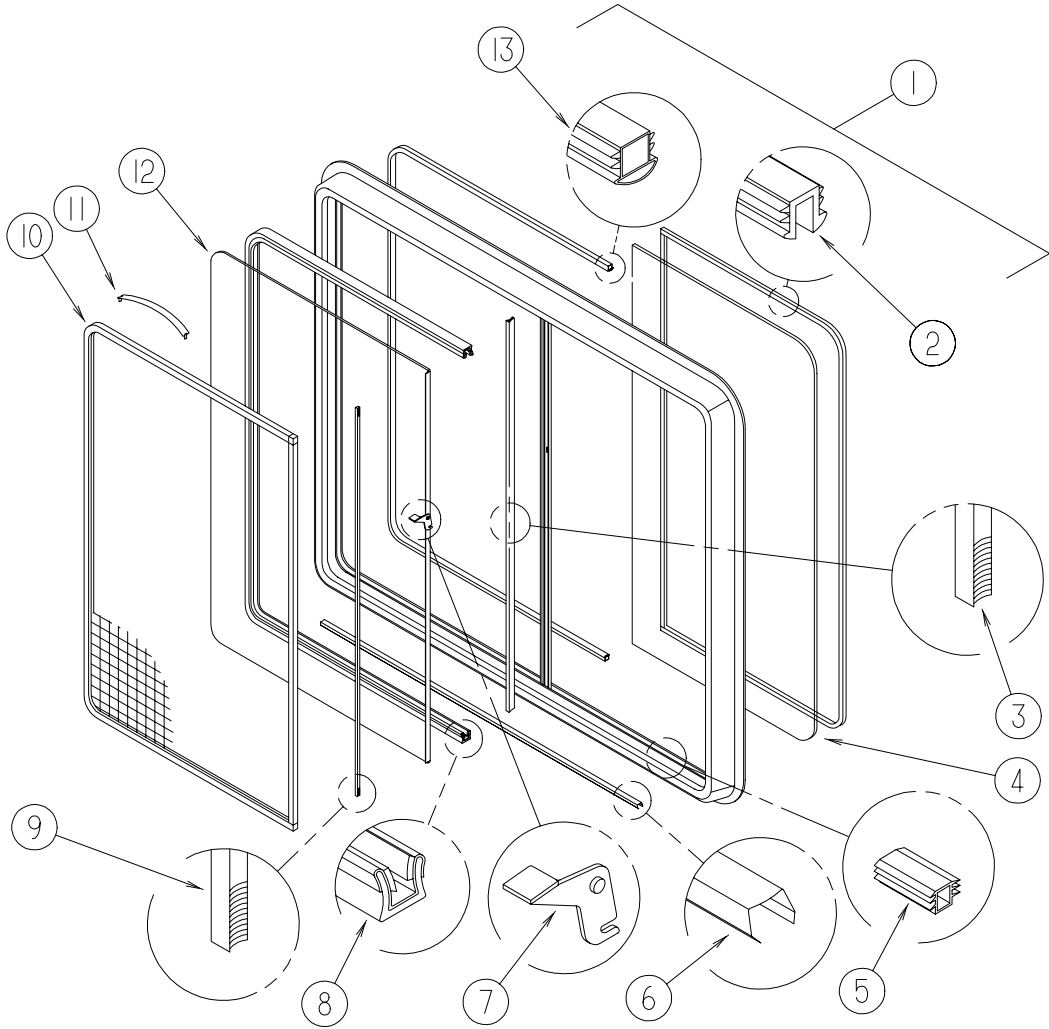
KEY	PART NUMBER	U/M	DESCRIPTION	VENDOR NO.
1	098644-11-01A	EA	WINDOW - VERTICAL SLIDER W/TRIM - TINTED - 26.4" X 27"	
2	098644-01-700	EA	LATCH - ASSEMBLY - BOLT ON	B801-CK
3	098644-01-706	FT	WEATHERSTRIP - GLASS	122-016543
4	098644-01-719	EA	STOP - SLIDER GLASS	132-014203
5	098644-11-700	EA	GLASS - STATIONARY	106-026280
6	098644-01-716	EA	PLUG - FILLER	132-014470
7	098644-11-701	EA	GLASS - SLIDING - W/SASH & LATCH	H464-G9
8	098644-01-708	FT	CHANNEL - RUN - PIERCED	122-016543
9	098644-01-713	EA	CLIP - SCREEN - METAL	226-016966
10	098644-19-702	EA	SCREEN ASSEMBLY - W/SEALS & CLIPS	410-026279
11	098644-01-711	EA	WEATHERSTRIP - SCREEN - BLACK	171-016965
12	098644-01-705	FT	GLAZING - STRIP	132-010231
13	098644-01-710	FT	TRACK - SCREEN SPACER - 12'	132-017135
	098644-01-717	FT	SPLINE - SCREEN	132-004716
	098644-19-703	EA	RETAINER - TRIM	W564-66

THERMOPANE



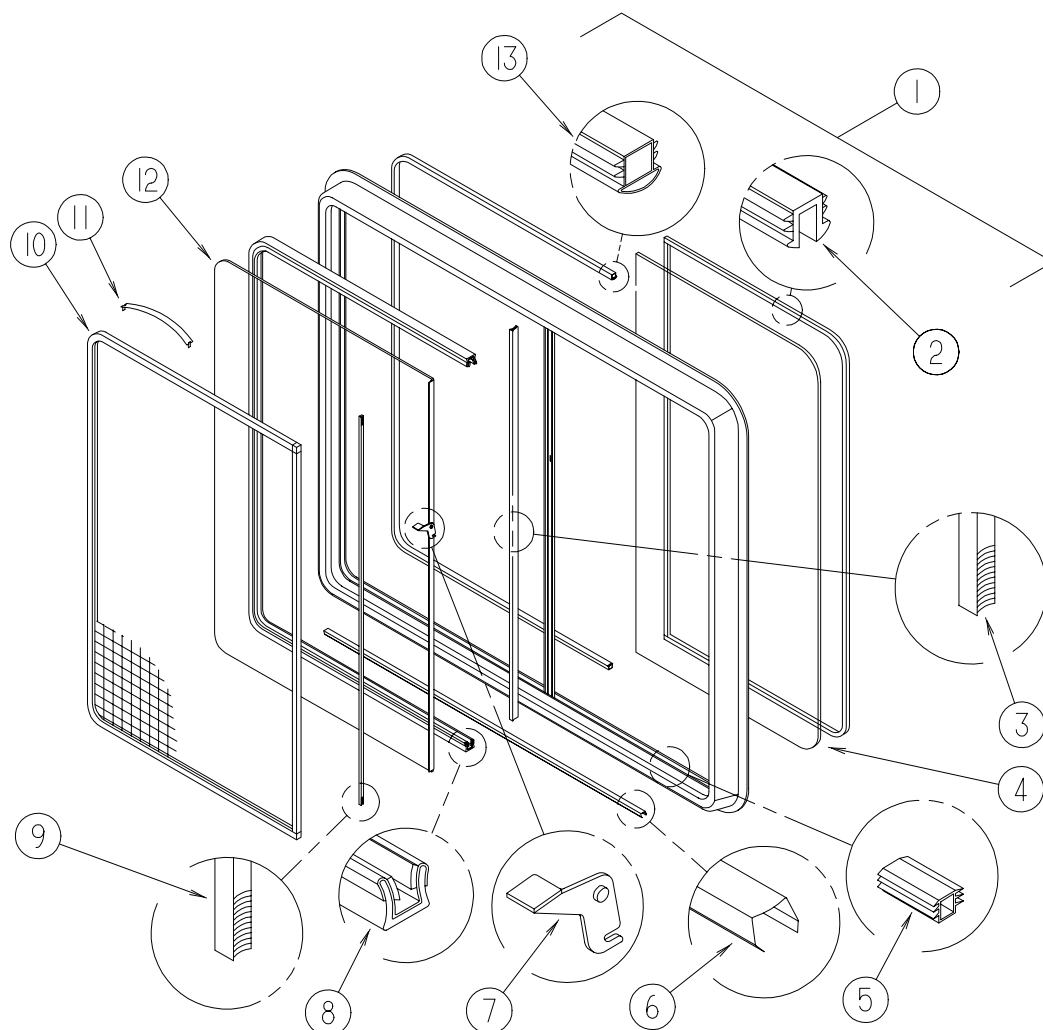
KEY	PART NUMBER	U/M	DESCRIPTION	VENDOR NO.
1	098647-01-02A	EA	WINDOW - PASS HORIZ SLIDER W/TRIM - TINTED - 30.5" X 57.5"	
2	098644-01-705	FT	GLAZING - STRIP	132-010231
3	098644-01-706	FT	WEATHERSTRIP - GLASS	171-010668
4	098647-01-700	EA	GLASS - STATIONARY 27.7X29.3	106-015631
5	098644-01-719	EA	STOP - SLIDER GLASS	132-014203
6	098644-01-710	FT	TRACK - SCREEN SPACER 12'	132-017135
7	098644-01-700	EA	LATCH - REPAIR KIT (BLACK)	B801-CK
8	098644-01-708	FT	CHANNEL - RUN PIERCED	122-016543
9	098644-01-711	FT	WEATHERSTRIP - SCREEN BLACK	171-016965
10	098647-01-706	EA	SCREEN ASM - W/SEALS & CLIPS	410-016472
11	125582-01-701	EA	CLIP - SCREEN - PLASTIC	130005153
11	098644-01-713	EA	CLIP - SCREEN - METAL	226-016966
12	098647-01-702	EA	GLASS-SLIDING W/SASH & LATCH	H112-G9
13	098644-01-716	FT	PLUG - FILLER	132-014470
	098644-01-717	FT	SPLINE - SCREEN	132-004716
	098647-01-707	EA	RETAINER - TRIM	W112-67

THERMOPANE



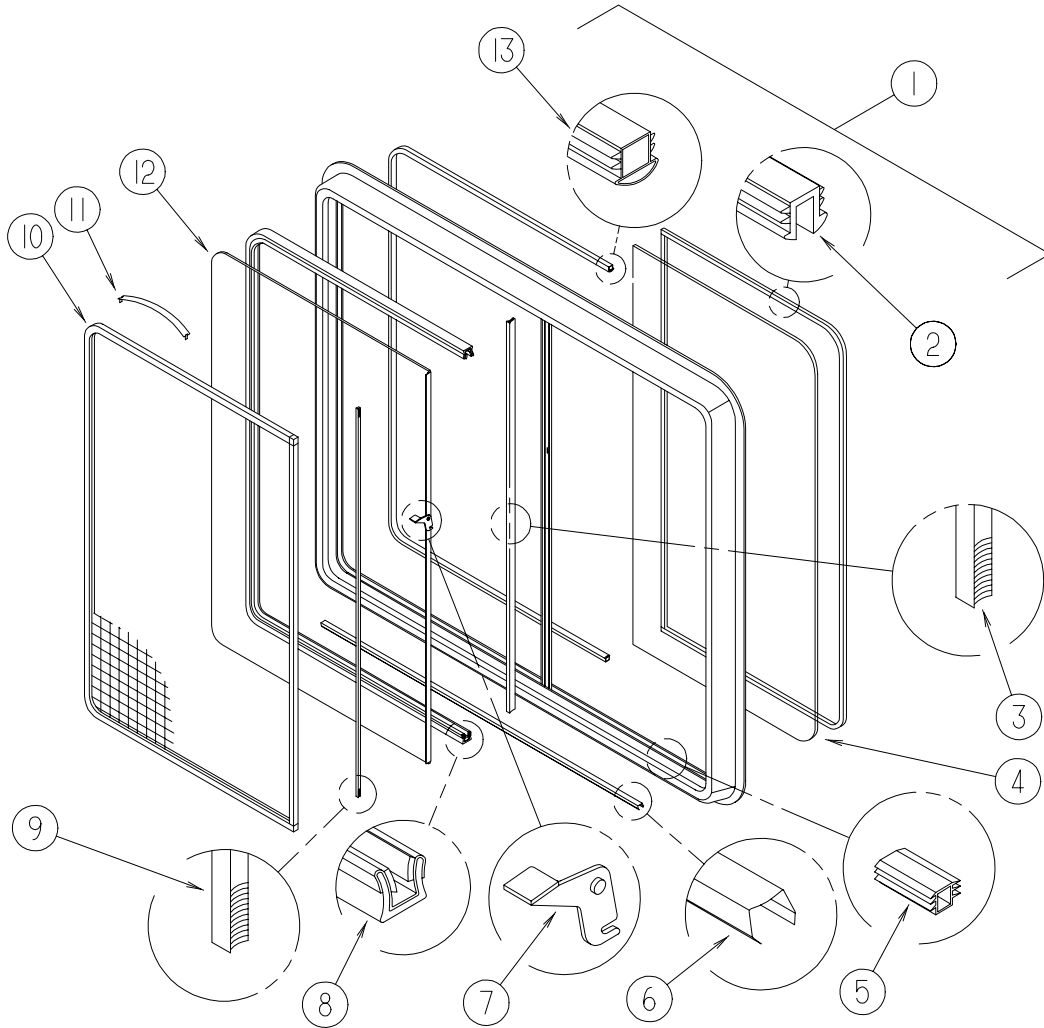
KEY	PART NUMBER	U/M	DESCRIPTION	VENDOR NO.
1	098647-07-01A	EA	WINDOW - DR HORIZ SLIDER W/TRIM - TINTED - 15" X 23.7"	
2	098644-01-705	FT	GLAZING - STRIP	132-010231
3	098644-01-706	FT	WEATHERSTRIP - GLASS	171-010668
4	098647-06-700	EA	GLASS - STATIONARY 10.9X13.8	106-016921
5	098644-01-719	EA	STOP - SLIDER GLASS	132-014203
6	098644-01-710	FT	TRACK - SCREEN SPACER 12'	132-017135
7	098644-01-700	EA	LATCH - REPAIR KIT (BLACK)	B801-CK
8	098644-01-708	FT	CHANNEL - RUN PIERCED	122-016543
9	098644-01-711	FT	WEATHERSTRIP - SCREEN BLACK	171-016965
10	098647-06-703	EA	SCREEN ASM - W/SEALS & CLIPS	410-016477
11	098644-01-713	EA	CLIP - SCREEN - METAL	226-016966
12	098647-06-702	EA	GLASS-SLIDING W/SASH & LATCH	B969-G9
13	098644-01-716	FT	PLUG - FILLER	132-014470
	098644-01-717	FT	SPLINE - SCREEN	132-004716
	098647-06-704	EA	RETAINER - TRIM	B969-67

THERMOPANE



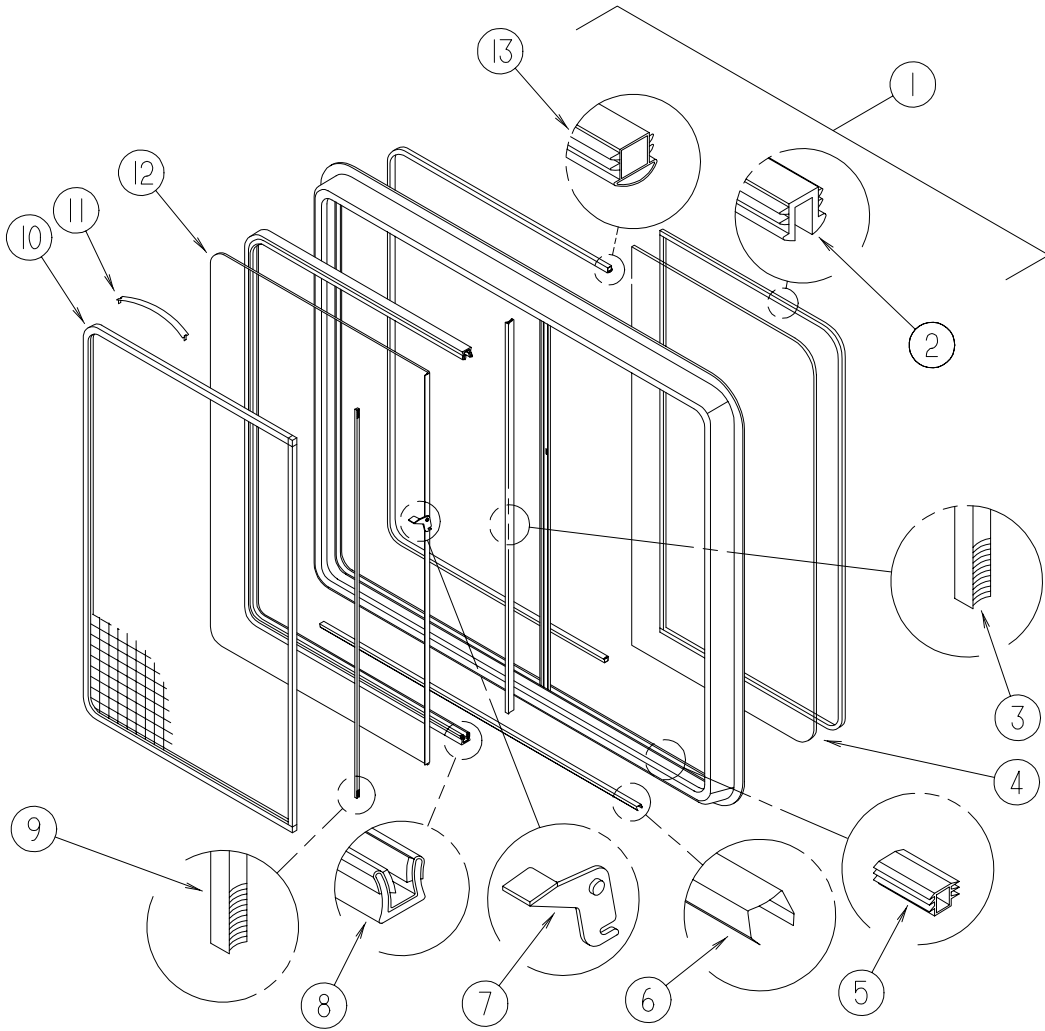
KEY	PART NUMBER	U/M	DESCRIPTION	VENDOR NO.
1	098647-07-02A	EA	WINDOW - DR HORIZ SLIDER W/TRIM - TINTED - 15" X 23.7"	B969G2W66L
2	098644-01-705	FT	GLAZING - STRIP	132-010231
3	098644-01-706	FT	WEATHERSTRIP - GLASS	171-010668
4	098647-06-700	EA	GLASS - STATIONARY 10.9X13.8	106-016921
5	098644-01-719	EA	STOP - SLIDER GLASS	132-014203
6	098644-01-710	FT	TRACK - SCREEN SPACER 12'	132-017135
7	098644-01-700	EA	LATCH - REPAIR KIT (BLACK)	B801-CK
8	098644-01-708	FT	CHANNEL - RUN PIERCED	122-016543
9	098644-01-711	FT	WEATHERSTRIP - SCREEN BLACK	171-016965
10	098647-06-703	EA	SCREEN ASM - W/SEALS & CLIPS	410-016477
11	125582-01-701	EA	CLIP - SCREEN - PLASTIC	130005153
11	098644-01-713	EA	CLIP - SCREEN - METAL	226-016966
12	098647-06-702	EA	GLASS-SLIDING W/SASH & LATCH	B969-G9
13	098644-01-716	FT	PLUG - FILLER	132-014470
	098647-06-701	EA	RAIL - LOCKING W/WEATHERSTRP	B938-17
	098644-01-717	FT	SPLINE - SCREEN	132-004716
	098647-06-706	EA	RETAINER - TRIM	V969-67

THERMOPANE



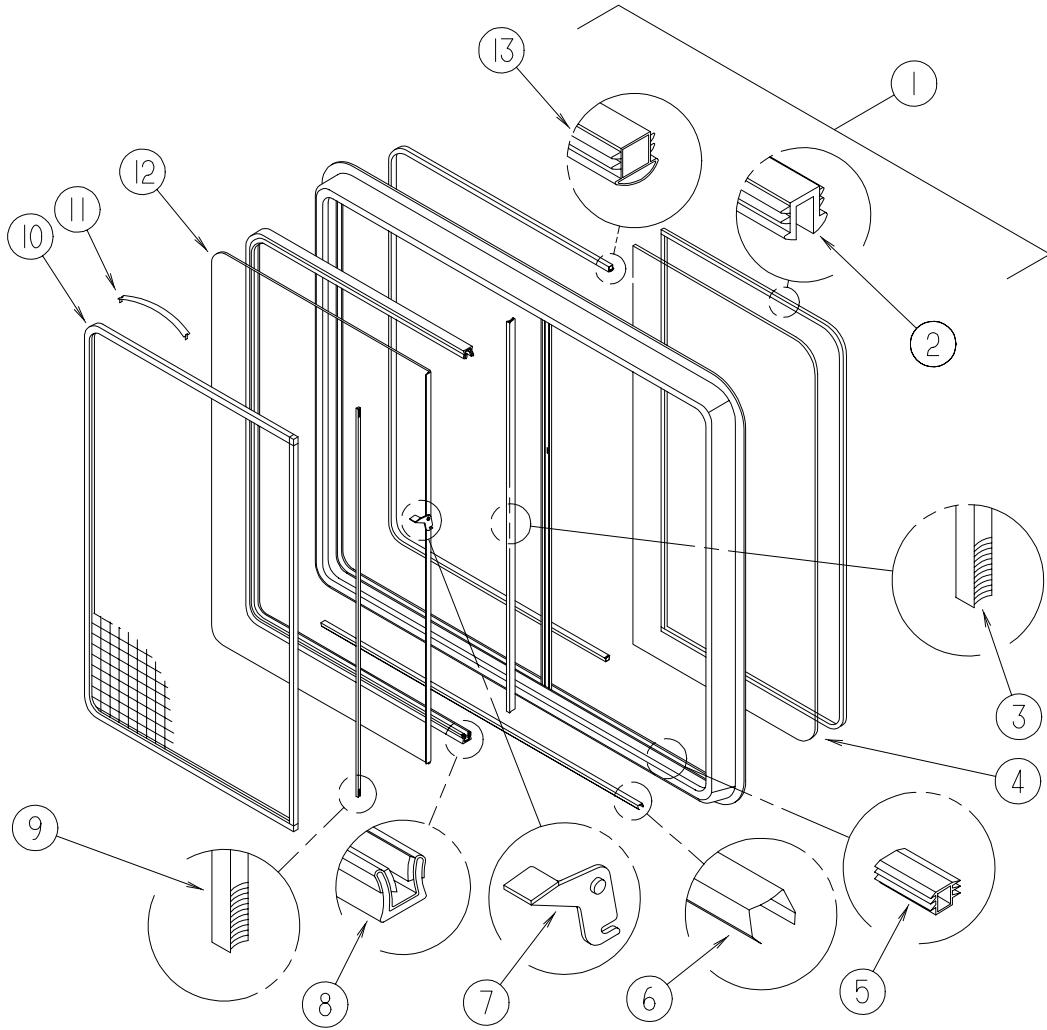
KEY	PART NUMBER	U/M	DESCRIPTION	VENDOR NO.
1	098647-22-01A	EA	WINDOW - DR HORIZ SLIDER W/TRIM - TINTED - 26.1" X 59.7"	132-010231
2	098644-01-705	FT	GLAZING - STRIP	171-010668
3	098644-01-706	FT	WEATHERSTRIP - GLASS	106-017622
4	098647-23-703	EA	GLASS - STATIONARY	132-014203
5	098644-01-719	EA	STOP - SLIDER GLASS	132-017135
6	098644-01-710	FT	TRACK - SCREEN SPACER 12'	132-017135
7	098644-01-700	EA	LATCH - REPAIR KIT (BLACK)	B801-CK
8	098644-01-708	FT	CHANNEL - RUN PIERCED	122-016543
9	098644-01-711	FT	WEATHERSTRIP - SCREEN BLACK	171-016965
10	098647-23-704	EA	SCREEN ASM - W/SEALS & CLIPS	410-019066
11	125582-01-701	EA	CLIP - SCREEN - PLASTIC	130005153
11	098644-01-713	EA	CLIP - SCREEN - METAL	226-016966
12	098647-23-700	EA	GLASS SLIDING W/SASH & LATCH	H287-G9
13	098644-01-716	FT	PLUG - FILLER	132-014470
	098644-01-717	FT	SPLINE - SCREEN	132-004716
	098647-23-702	EA	RETAINER - TRIM	W287-66

THERMOPANE



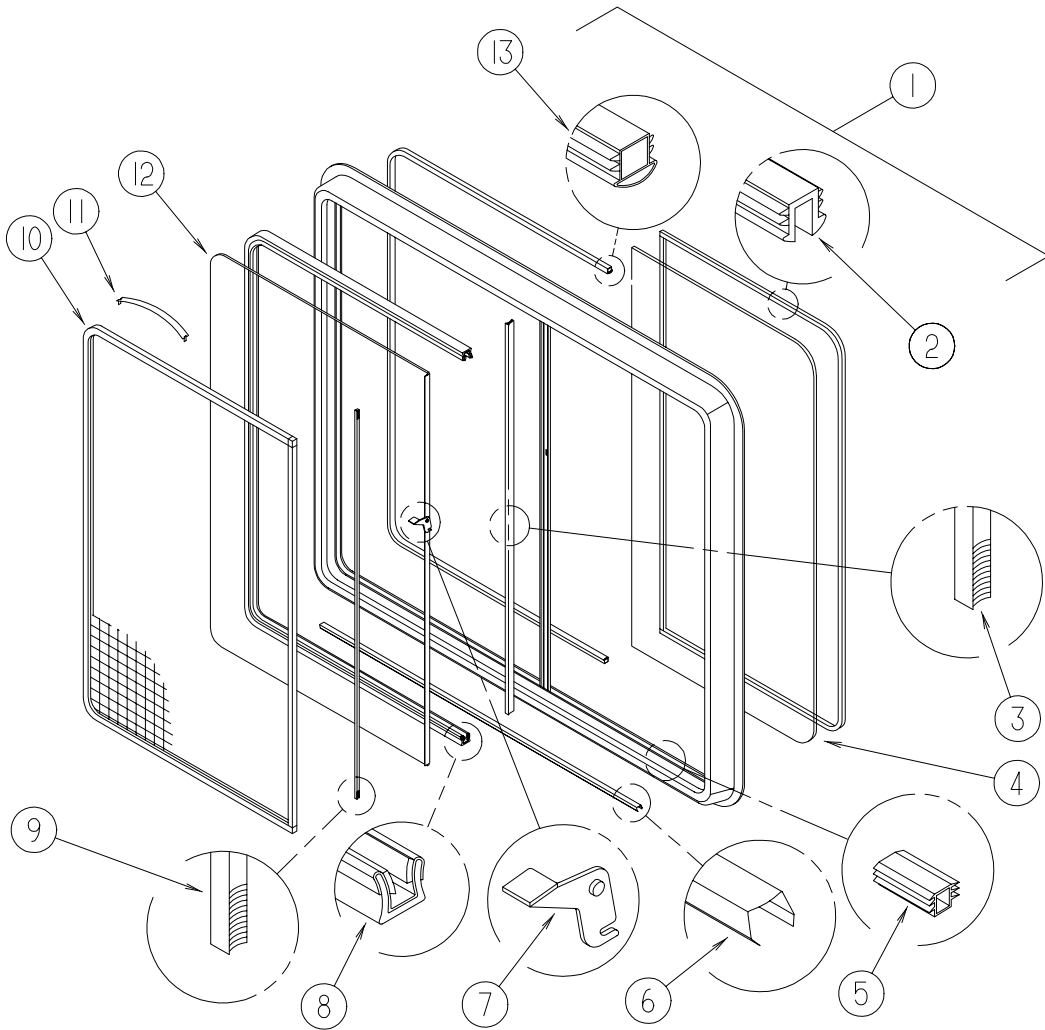
KEY	PART NUMBER	U/M	DESCRIPTION	VENDOR NO.
1	098647-23-01A	EA	WINDOW - PASS HORIZ SLIDER W/TRIM - TINTED - 26.1" X 59.7"	132-010231
2	098644-01-705	FT	GLAZING - STRIP	171-010668
3	098644-01-706	FT	WEATHERSTRIP - GLASS	106-017622
4	098647-23-703	EA	GLASS - STATIONARY	132-014203
5	098644-01-719	EA	STOP - SLIDER GLASS	132-017135
6	098644-01-710	FT	TRACK - SCREEN SPACER 12'	B801-CK
7	098644-01-700	EA	LATCH - REPAIR KIT (BLACK)	122-016543
8	098644-01-708	FT	CHANNEL - RUN PIERCED	171-016965
9	098644-01-711	FT	WEATHERSTRIP - SCREEN BLACK	410-019066
10	098647-23-704	EA	SCREEN ASM - W/SEALS & CLIPS	130005153
11	125582-01-701	EA	CLIP - SCREEN - PLASTIC	226-016966
11	098644-01-713	EA	CLIP - SCREEN - METAL	H287-G9
12	098647-23-700	EA	GLASS SLIDING W/SASH & LATCH	132-014470
13	098644-01-716	FT	PLUG - FILLER	132-004716
	098644-01-717	FT	SPLINE - SCREEN	W287-66
	098647-23-702	EA	RETAINER - TRIM	

WINDOW



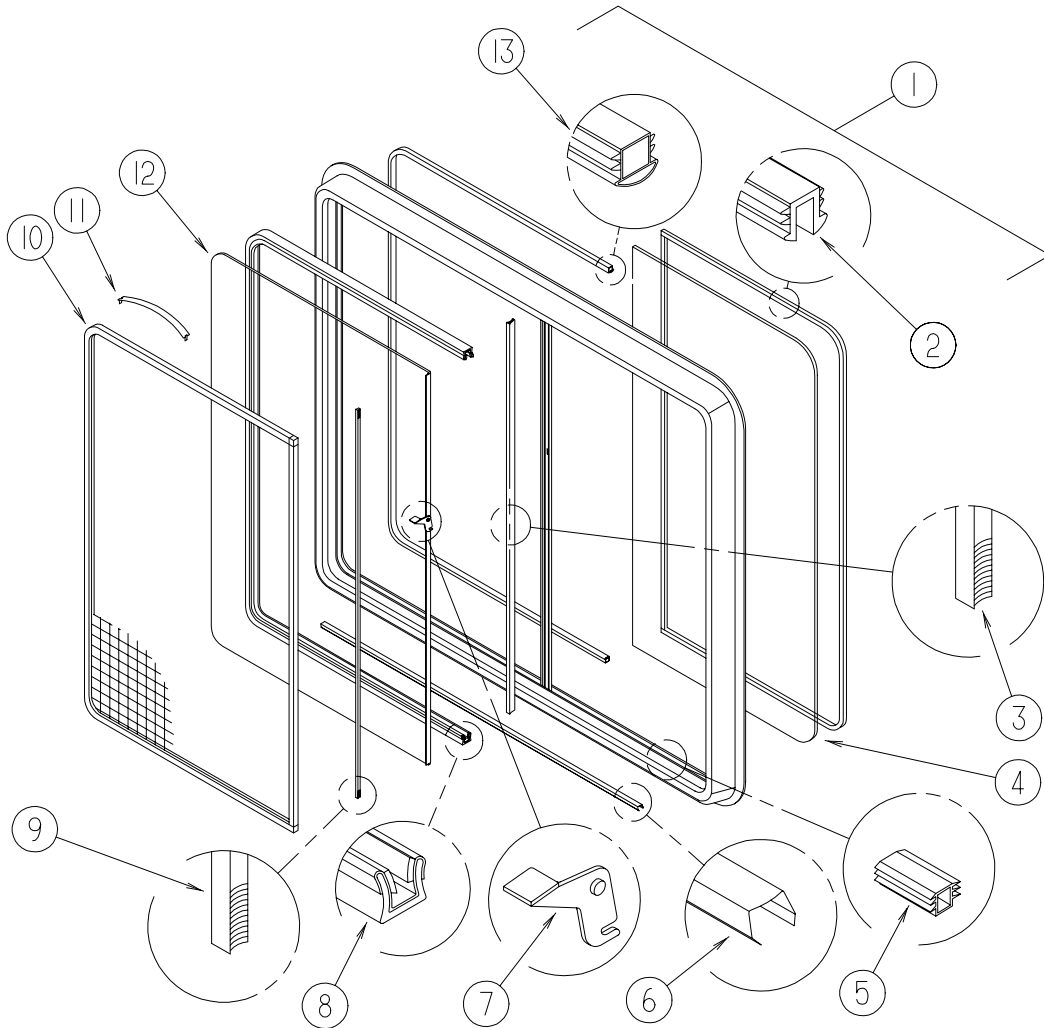
KEY	PART NUMBER	U/M	DESCRIPTION	VENDOR NO.
1	098647-24-01A	EA	WINDOW - PASS HORIZ SLIDER W/TRIM - TINTED - 26.1" X 53.8" H415-G2W66R	
2	098644-01-705	FT	GLAZING - STRIP	132-010231
3	098644-01-706	FT	WEATHERSTRIP - GLASS	171-010668
4	098647-35-701	EA	GLASS - STATIONARY	106-019119
5	098644-01-719	EA	STOP - SLIDER GLASS	132-014203
6	098644-01-710	FT	TRACK - SCREEN SPACER 12'	132-017135
7	098644-01-700	EA	LATCH - REPAIR KIT (BLACK)	B801-CK
8	098644-01-708	FT	CHANNEL - RUN PIERCED	122-016543
9	098644-01-711	FT	WEATHERSTRIP - SCREEN BLACK	171-016965
10	098647-36-704	EA	SCREEN ASM - W/SEALS & CLIPS	410-017750
11	098644-01-713	EA	CLIP - SCREEN - METAL	226-016966
12	098647-35-702	EA	GLASS-SLIDING W/SASH & LATCH	H279-G9
13	098644-01-716	FT	PLUG - FILLER	132-014470
	098644-01-717	FT	SPLINE - SCREEN	132-004716
	098647-36-701	EA	RETAINER - TRIM	CW80-66

THERMOPANE



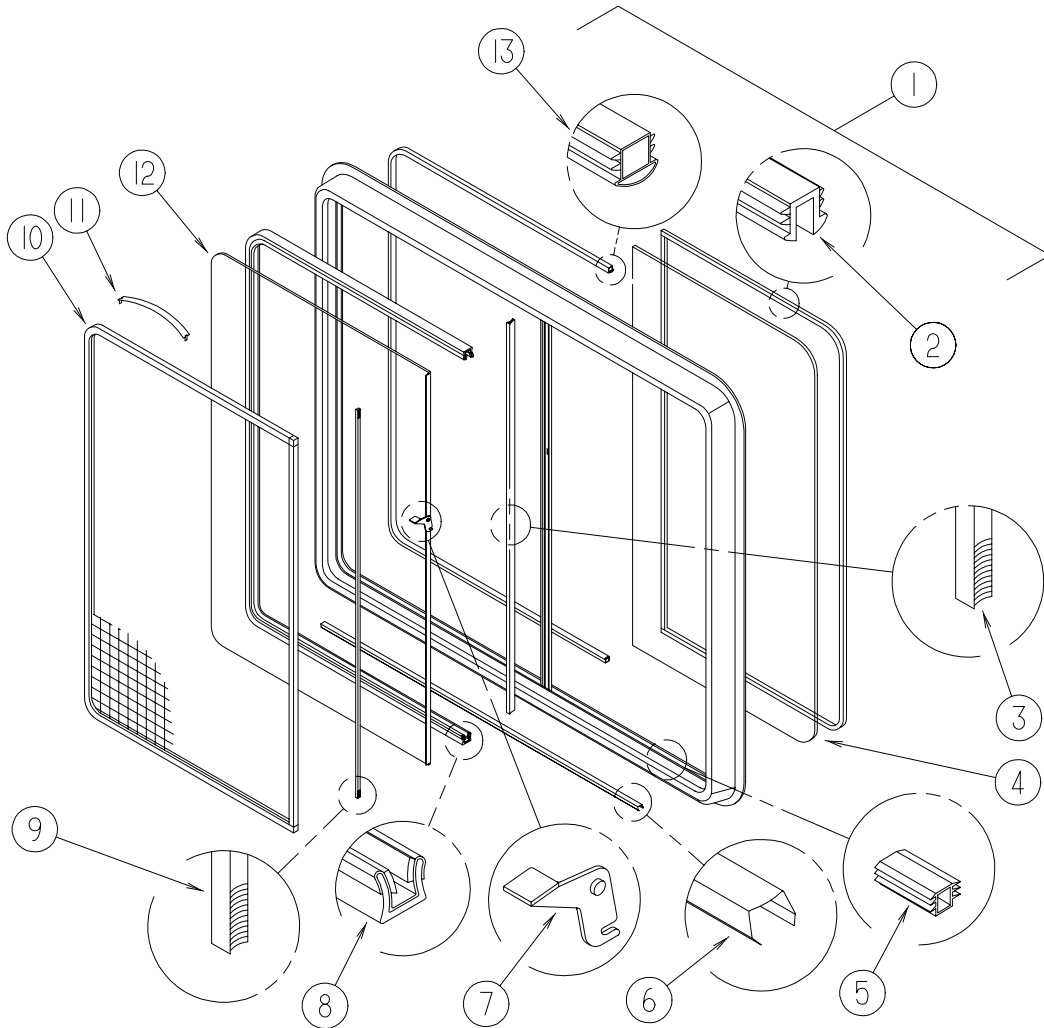
KEY	PART NUMBER	U/M	DESCRIPTION	VENDOR NO.
1	098647-25-01A	EA	WINDOW - PASS HORIZ SLIDER W/TRIM - TINTED - 26.1" X 29.6"	132-010231
2	098644-01-705	FT	GLAZING - STRIP	171-010668
3	098644-01-706	FT	WEATHERSTRIP - GLASS	106-017657
4	098647-25-702	EA	GLASS - STATIONARY	132-014203
5	098644-01-719	EA	STOP - SLIDER GLASS	132-017135
6	098644-01-710	FT	TRACK - SCREEN SPACER 12'	B801-CK
7	098644-01-700	EA	LATCH - REPAIR KIT (BLACK)	122-016543
8	098644-01-708	FT	CHANNEL - RUN PIERCED	171-016965
9	098644-01-711	FT	WEATHERSTRIP - SCREEN BLACK	410-019065
10	098647-25-704	EA	SCREEN ASM - W/SEALS & CLIPS	130005153
11	125582-01-701	EA	CLIP - SCREEN - PLASTIC	226-016966
11	098644-01-713	EA	CLIP - SCREEN - METAL	H286-G9
12	098647-25-703	EA	GLASS SLIDING W/SASH & LATCH	132-014470
13	098644-01-716	FT	PLUG - FILLER	132-004716
	098644-01-717	FT	SPLINE - SCREEN	W286-66
	098647-25-701	EA	RETAINER - TRIM	

**THERMOPANE
EXCEL H287-C1W66R**



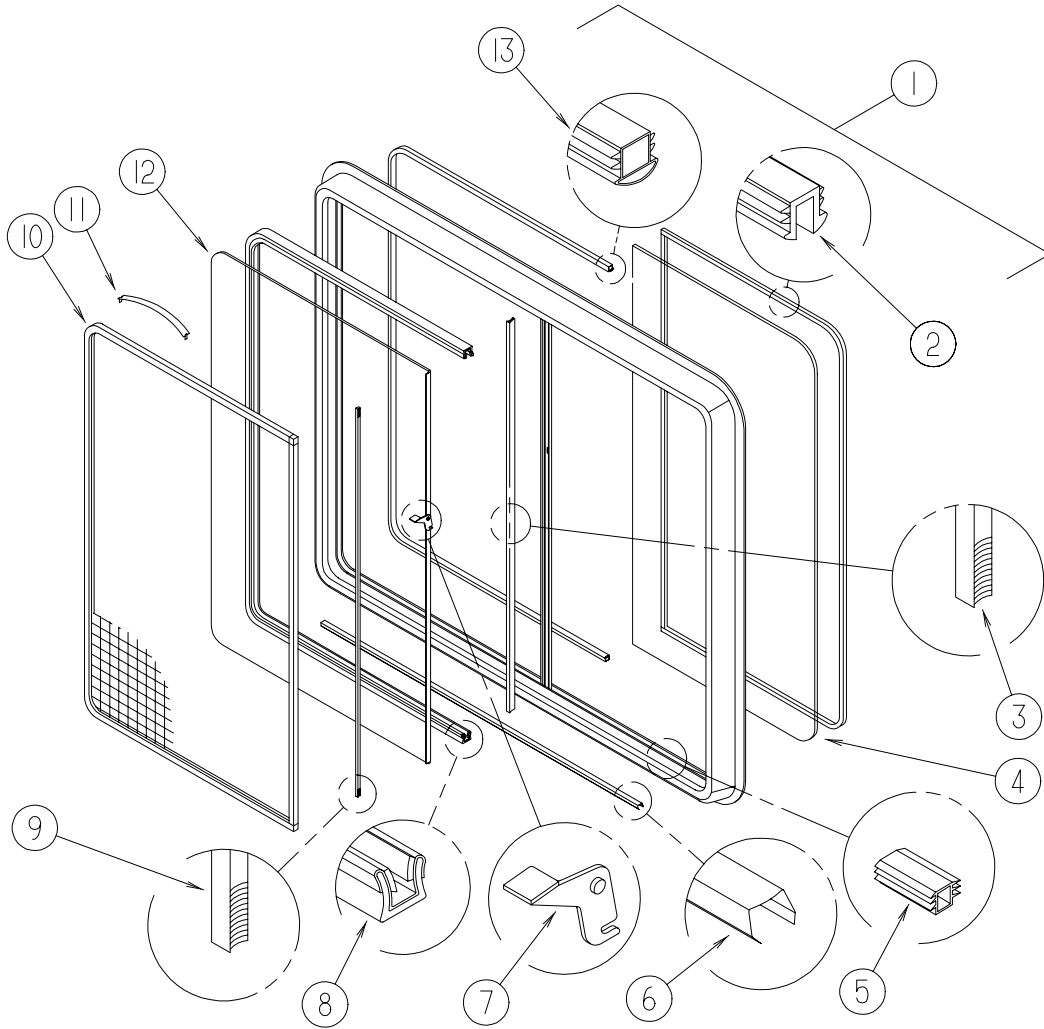
KEY	PART NUMBER	U/M	DESCRIPTION	VENDOR NO.
1	098647-27-01A	EA	WINDOW - PASS HORIZ SLIDER W/TRIM - CLEAR - 26.1" X 59.7"	
2	098644-01-705	FT	GLAZING - STRIP	132-010231
3	098644-01-706	FT	WEATHERSTRIP - GLASS	171-010668
4	098647-27-702	EA	GLASS - STATIONARY	096-017868
5	098644-01-719	EA	STOP - SLIDER GLASS	132-014203
6	098644-01-710	FT	TRACK - SCREEN SPACER 12'	132-017135
7	098644-01-700	EA	LATCH - REPAIR KIT (BLACK)	B801-CK
8	098644-01-708	FT	CHANNEL - RUN PIERCED	122-016543
9	098644-01-711	FT	WEATHERSTRIP - SCREEN BLACK	171-016965
10	098647-23-704	EA	SCREEN ASM - W/SEALS & CLIPS	410-019066
11	125582-01-701	EA	CLIP - SCREEN - PLASTIC	130005153
11	098644-01-713	EA	CLIP - SCREEN - METAL	226-016966
12	098647-27-703	EA	GLASS-SLIDING W/SASH & LATCH	H287-C8
13	098644-01-716	FT	PLUG - FILLER	132-014470
	098647-06-701	EA	RAIL - LOCKING W/WEATHERSTRP	B938-17
	098644-01-717	FT	SPLINE - SCREEN	132-004716
	098647-27-701	EA	RETAINER - TRIM	W287-66

THERMOPANE



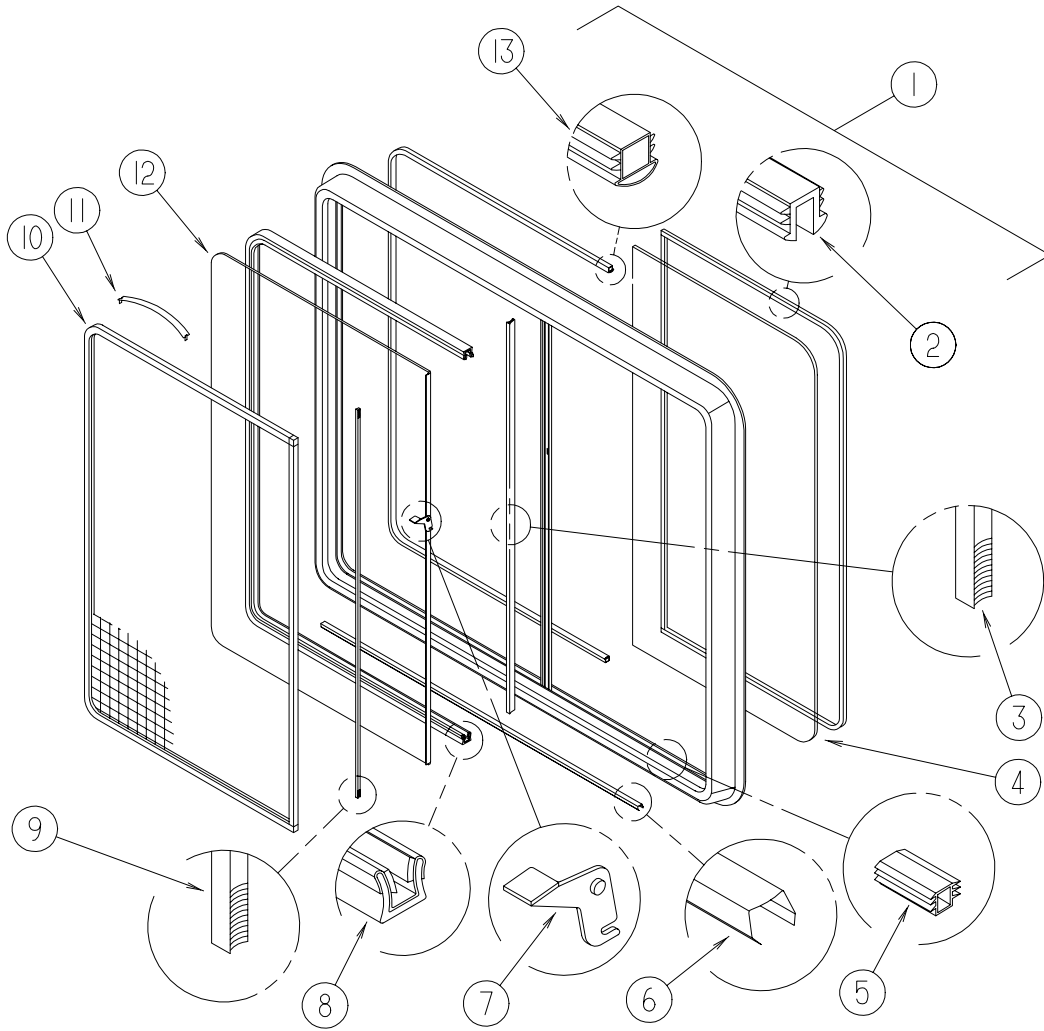
KEY	PART NUMBER	U/M	DESCRIPTION	VENDOR NO.
1	098647-28-01A	EA	WINDOW - DRVR HORIZ SLIDER W/TRIM - CLEAR - 26.1" X 59.7" H287-C1W66L	
2	098644-01-705	FT	GLAZING - STRIP	132-010231
3	098644-01-706	FT	WEATHERSTRIP - GLASS	171-010668
4	098647-27-702	EA	GLASS - STATIONARY	096-017868
5	098644-01-719	EA	STOP - SLIDER GLASS	132-014203
6	098644-01-710	FT	TRACK - SCREEN SPACER 12'	132-017135
7	098644-01-700	EA	LATCH - REPAIR KIT (BLACK)	B801-CK
8	098644-01-708	FT	CHANNEL - RUN PIERCED	122-016543
9	098644-01-711	FT	WEATHERSTRIP - SCREEN BLACK	171-016965
10	098647-23-704	EA	SCREEN ASM - W/SEALS & CLIPS	410-019066
11	125582-01-701	EA	CLIP - SCREEN - PLASTIC	130005153
11	098644-01-713	EA	CLIP - SCREEN - METAL	226-016966
12	098647-27-703	EA	GLASS-SLIDING W/SASH & LATCH	H287-C8
13	098644-01-716	FT	PLUG - FILLER	132-014470
	098647-06-701	EA	RAIL - LOCKING W/WEATHERSTRP	B938-17
	098644-01-717	FT	SPLINE - SCREEN	132-004716
	098647-27-701	EA	RETAINER - TRIM	W287-66

**THERMOPANE
EXCEL H172-C1W66R**



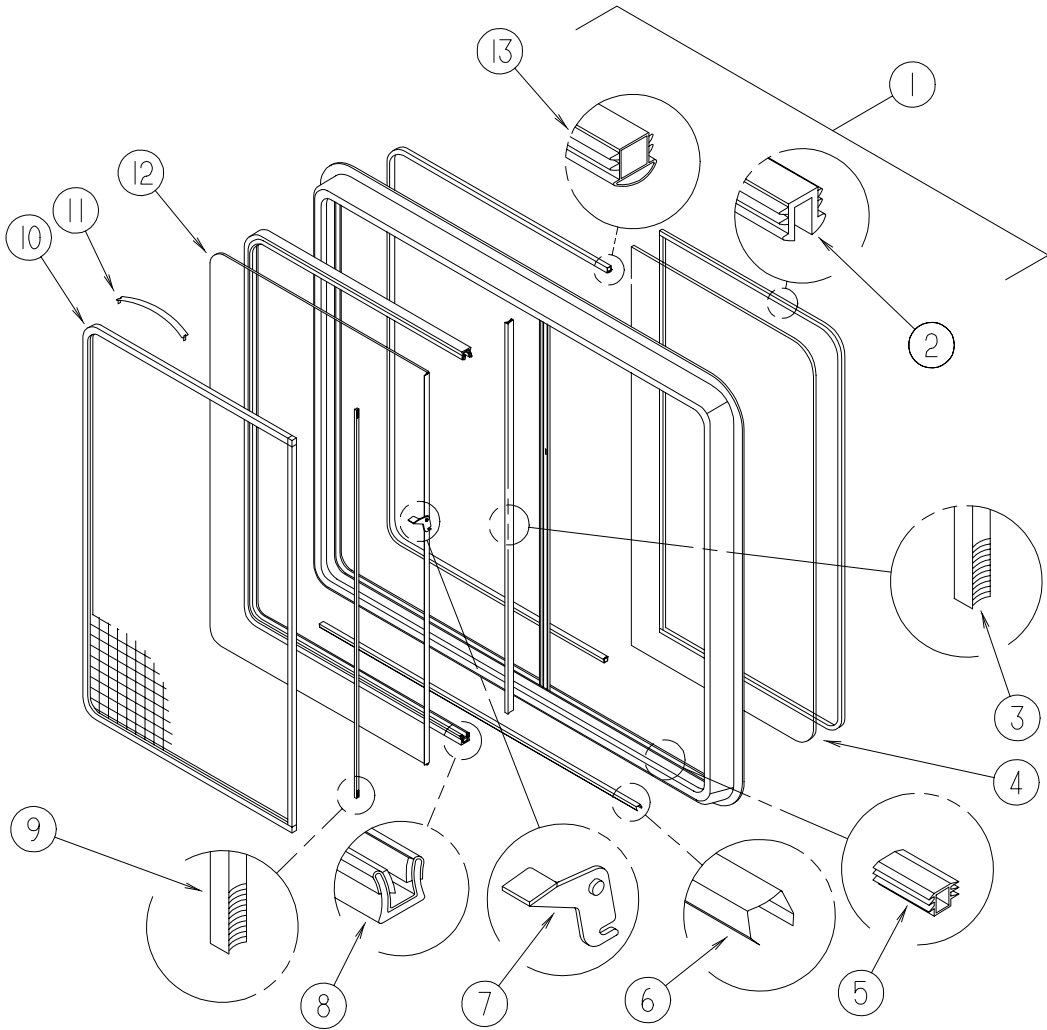
KEY	PART NUMBER	U/M	DESCRIPTION	VENDOR NO.
1	098647-29-01A	EA	WINDOW - PASS HORIZ SLIDER W/TRIM - CLEAR - 24.2" X 41"	
2	098644-01-705	FT	GLAZING - STRIP	132-010231
3	098644-01-706	FT	WEATHERSTRIP - GLASS	171-010668
4	098647-29-702	EA	GLASS - STATIONARY	096-019295
5	098644-01-719	EA	STOP - SLIDER GLASS	132-014203
6	098644-01-710	FT	TRACK - SCREEN SPACER 12'	132-017135
7	098644-01-700	EA	LATCH - REPAIR KIT (BLACK)	B801-CK
8	098644-01-708	FT	CHANNEL - RUN PIERCED	122-016543
9	098644-01-711	FT	WEATHERSTRIP - SCREEN BLACK	171-016965
10	098647-29-704	EA	SCREEN ASM - W/SEALS & CLIPS	410-018864
11	125582-01-701	EA	CLIP - SCREEN - PLASTIC	130005153
11	098644-01-713	EA	CLIP - SCREEN - METAL	226-016966
12	098647-29-703	EA	GLASS-SLIDING W/SASH & LATCH	H172-C8
13	098644-01-716	FT	PLUG - FILLER	132-014470
	098647-06-701	EA	RAIL - LOCKING W/WEATHERSTRP	B938-17
	098644-01-717	FT	SPLINE - SCREEN	132-004716
	098647-29-701	EA	RETAINER - TRIM	CW04-66

**THERMOPANE
EXCEL H172-C1W66L**



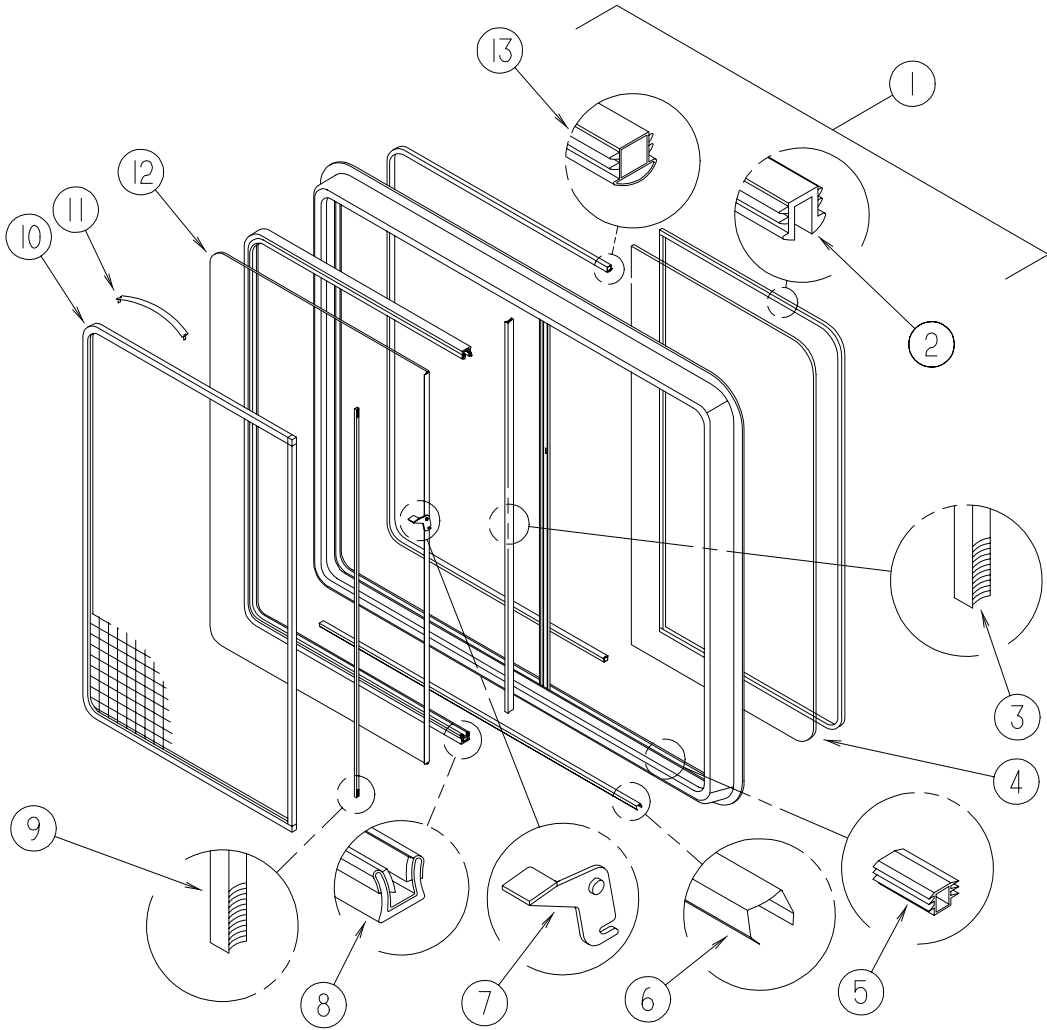
KEY	PART NUMBER	U/M	DESCRIPTION	VENDOR NO.
1	098647-30-01A	EA	WINDOW - DRVR HORIZ SLIDER W/TRIM - CLEAR - 24.2" X 41"	
2	098644-01-705	FT	GLAZING - STRIP	132-010231
3	098644-01-706	FT	WEATHERSTRIP - GLASS	171-010668
4	098647-29-702	EA	GLASS - STATIONARY	096-019295
5	098644-01-719	EA	STOP - SLIDER GLASS	132-014203
6	098644-01-710	FT	TRACK - SCREEN SPACER 12'	132-017135
7	098644-01-700	EA	LATCH - REPAIR KIT (BLACK)	B801-CK
8	098644-01-708	FT	CHANNEL - RUN PIERCED	122-016543
9	098644-01-711	FT	WEATHERSTRIP - SCREEN BLACK	171-016965
10	098647-29-704	EA	SCREEN ASM - W/SEALS & CLIPS	410-018864
11	125582-01-701	EA	CLIP - SCREEN - PLASTIC	130005153
11	098644-01-713	EA	CLIP - SCREEN - METAL	226-016966
12	098647-29-703	EA	GLASS-SLIDING W/SASH & LATCH	H172-C8
13	098644-01-716	FT	PLUG - FILLER	132-014470
	098647-06-701	EA	RAIL - LOCKING W/WEATHERSTRP	B938-17
	098644-01-717	FT	SPLINE - SCREEN	132-004716
	098647-29-701	EA	RETAINER - TRIM	CW04-66
	098647-30-700	EA	WINDOW - SLIDER	H172-C1L

THERMOPANE



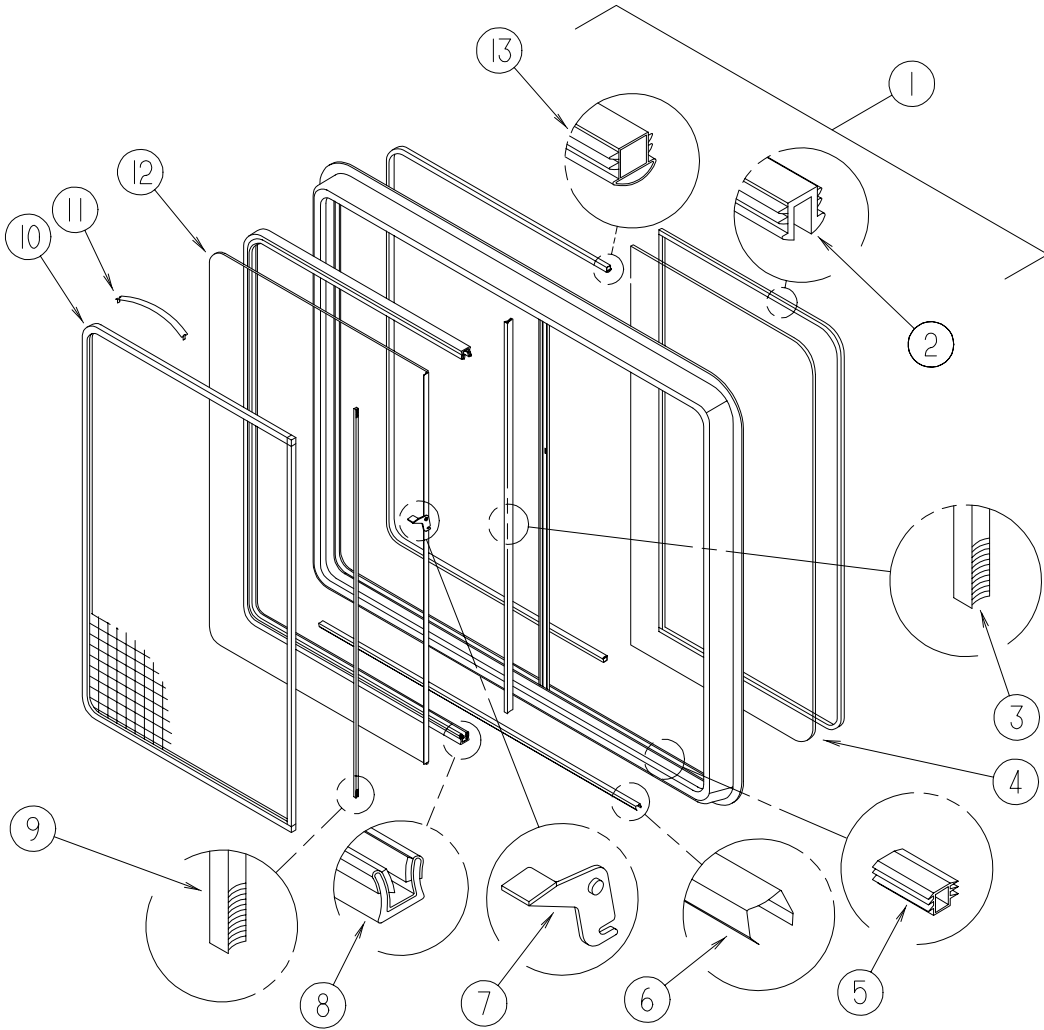
KEY	PART NUMBER	U/M	DESCRIPTION	VENDOR NO.
1	098647-31-01A	EA	WINDOW - PASS HORIZ SLIDER W/TRIM - CLEAR - 15.7" X 28.5"H425-C1W66R	
2	098644-01-705	FT	GLAZING - STRIP	132-010231
3	098644-01-706	FT	WEATHERSTRIP - GLASS	171-010668
4	098647-31-702	EA	GLASS - STATIONARY	096-019299
5	098644-01-719	EA	STOP - SLIDER GLASS	132-014203
6	098644-01-710	FT	TRACK - SCREEN SPACER 12'	132-017135
7	098644-01-700	EA	LATCH - REPAIR KIT (BLACK)	B801-CK
8	098644-01-708	FT	CHANNEL - RUN PIERCED	122-016543
9	098644-01-711	FT	WEATHERSTRIP - SCREEN BLACK	171-016965
10	098647-31-704	EA	SCREEN ASM - W/SEALS & CLIPS	410-019128
11	125582-01-701	EA	CLIP - SCREEN - PLASTIC	130005153
11	098644-01-713	EA	CLIP - SCREEN - METAL	226-016966
12	098647-31-703	EA	GLASS-SLIDING W/SASH & LATCH	H425-C8
13	098644-01-716	FT	PLUG - FILLER	132-014470
	098644-01-717	FT	SPLINE - SCREEN	132-004716
	098647-31-701	EA	RETAINER - TRIM	CW29-66

THERMOPANE



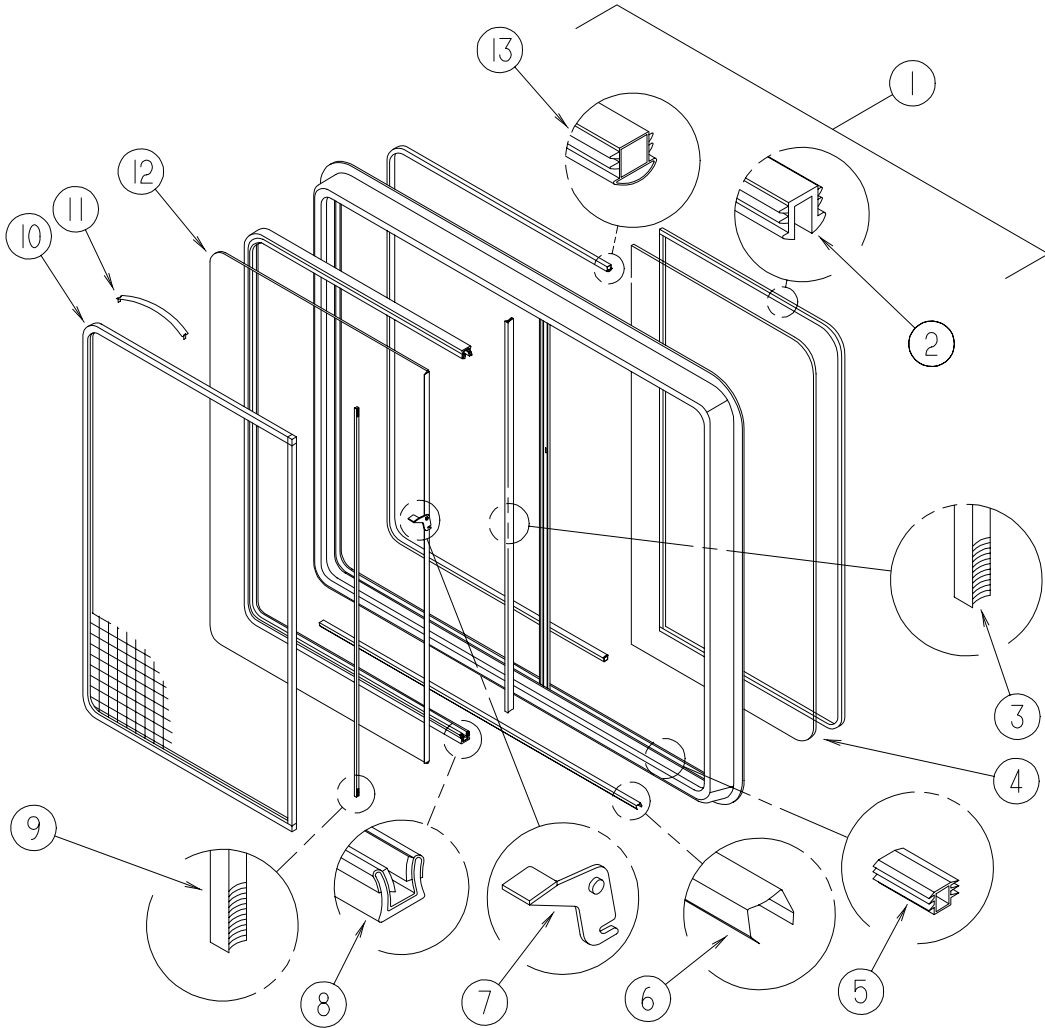
KEY	PART NUMBER	U/M	DESCRIPTION	VENDOR NO.
1	098647-32-01A	EA	WINDOW - DR HORIZ SLIDER W/TRIM - CLEAR - 15.7" X 28.5"	
2	098644-01-705	FT	GLAZING - STRIP	132-010231
3	098644-01-706	FT	WEATHERSTRIP - GLASS	171-010668
4	098647-31-702	EA	GLASS - STATIONARY	096-019299
5	098644-01-719	EA	STOP - SLIDER GLASS	132-014203
6	098644-01-710	FT	TRACK - SCREEN SPACER 12'	132-017135
7	098644-01-700	EA	LATCH - REPAIR KIT (BLACK)	B801-CK
8	098644-01-708	FT	CHANNEL - RUN PIERCED	122-016543
9	098644-01-711	FT	WEATHERSTRIP - SCREEN BLACK	171-016965
10	098647-31-704	EA	SCREEN ASM - W/SEALS & CLIPS	410-019128
11	125582-01-701	EA	CLIP - SCREEN - PLASTIC	130005153
11	098644-01-713	EA	CLIP - SCREEN - METAL	226-016966
12	098647-31-703	EA	GLASS SLIDING W/SASH & LATCH	H425-C8
13	098644-01-716	FT	PLUG - FILLER	132-014470
	098644-01-717	FT	SPLINE - SCREEN	132-004716
	098647-31-701	EA	RETAINER - TRIM	CW29-66

THERMOPANE



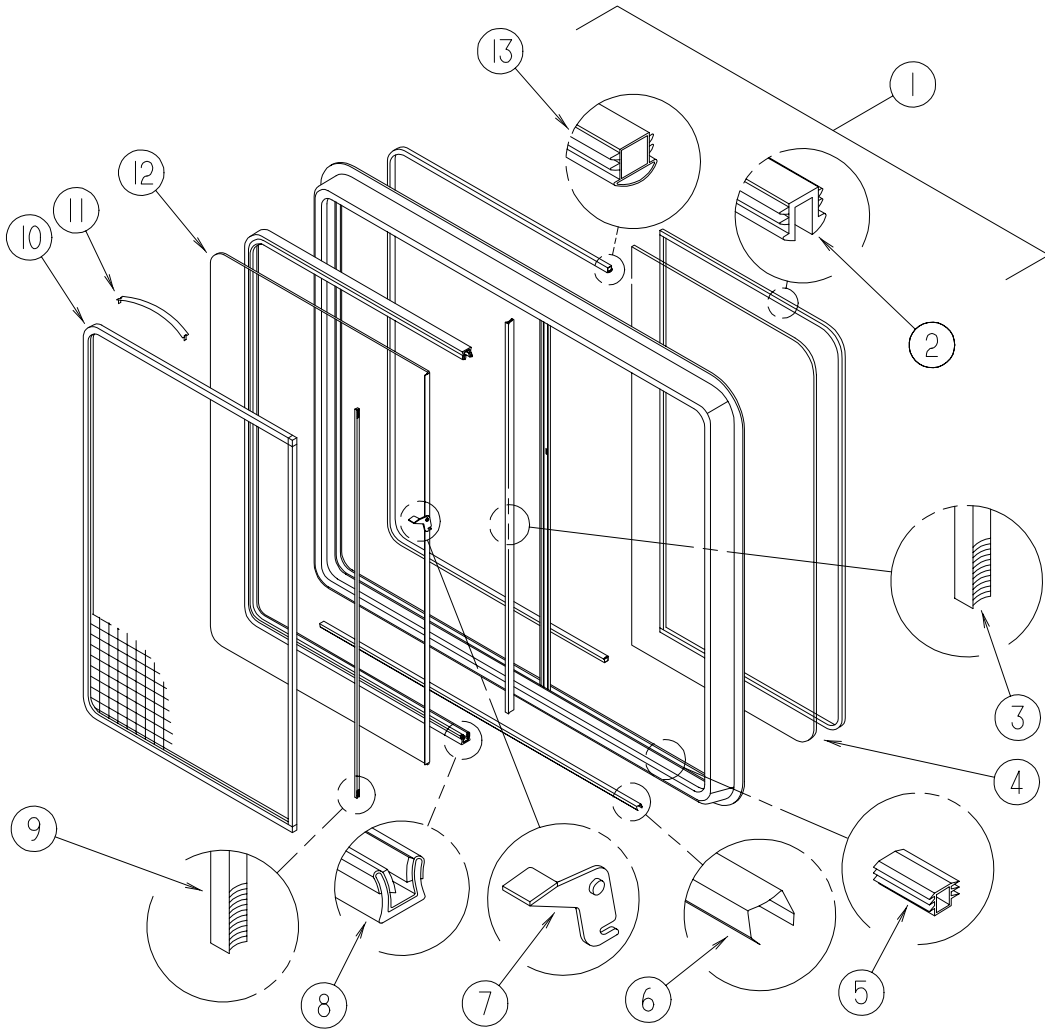
KEY	PART NUMBER	U/M	DESCRIPTION	VENDOR NO.
1	098647-33-01A	EA	WINDOW - PASS HORIZ SLIDER W/TRIM - TINTED - 15.7" X 28.5"	
2	098644-01-705	FT	GLAZING - STRIP	132-010231
3	098644-01-706	FT	WEATHERSTRIP - GLASS	171-010668
4	098647-33-702	EA	GLASS - STATIONARY	106-019297
5	098644-01-719	EA	STOP - SLIDER GLASS	132-014203
6	098644-01-710	FT	TRACK - SCREEN SPACER 12'	132-017135
7	098644-01-700	EA	LATCH - REPAIR KIT (BLACK)	B801-CK
8	098644-01-708	FT	CHANNEL - RUN PIERCED	122-016543
9	098644-01-711	FT	WEATHERSTRIP - SCREEN BLACK	171-016965
10	098647-33-704	EA	SCREEN ASM - W/SEALS & CLIPS	410-019134
11	125582-01-701	EA	CLIP - SCREEN - PLASTIC	130005153
11	098644-01-713	EA	CLIP - SCREEN - METAL	226-016966
12	098647-33-703	EA	GLASS SLIDING W/SASH & LATCH	H425-G9
13	098644-01-716	FT	PLUG - FILLER	132-014470
	098644-01-717	FT	SPLINE - SCREEN	132-004716
	098647-33-701	EA	RETAINER - TRIM	CW29-66

THERMOPANE



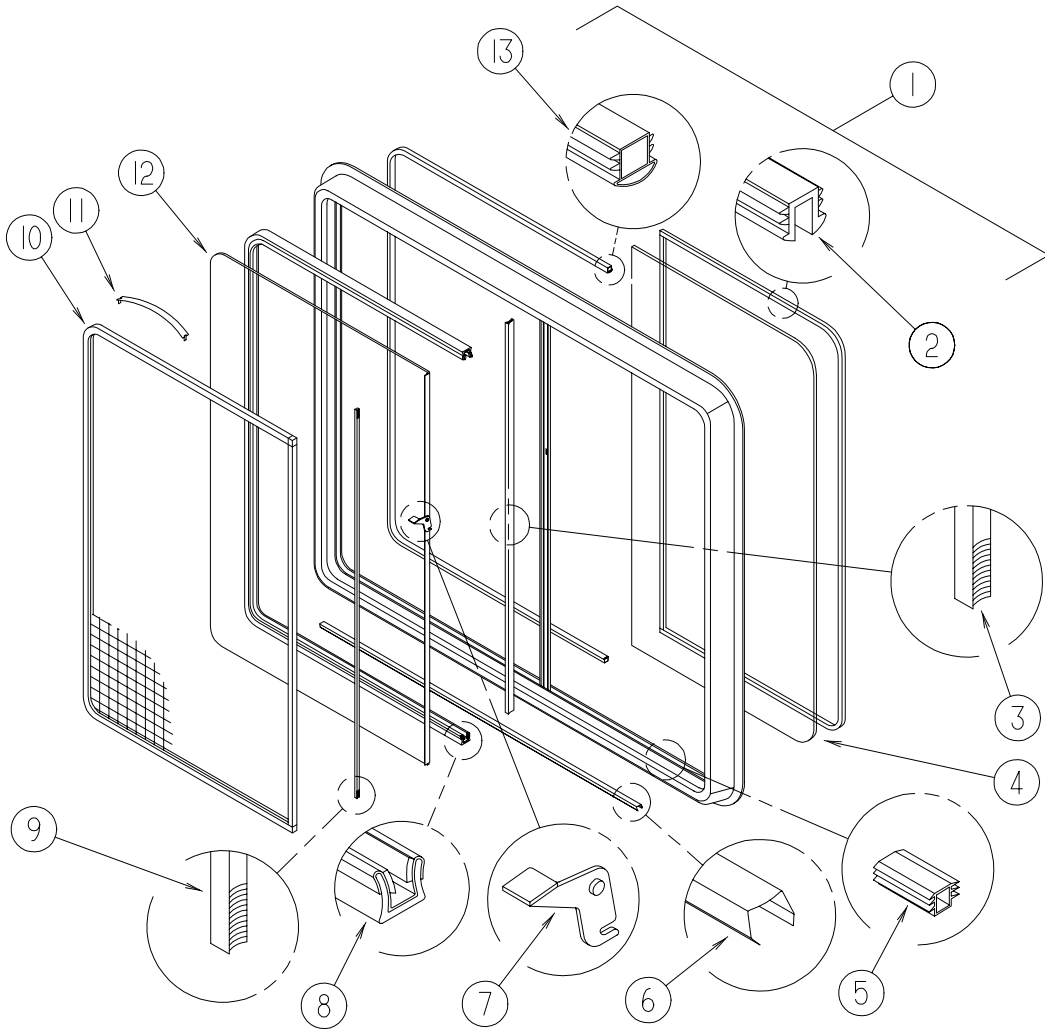
KEY	PART NUMBER	U/M	DESCRIPTION	VENDOR NO.
1	098647-34-01A	EA	WINDOW - DR HORIZ SLIDER W/TRIM - TINTED - 15.7" X 28.5"	132-010231
2	098644-01-705	FT	GLAZING - STRIP	171-010668
3	098644-01-706	FT	WEATHERSTRIP - GLASS	106-019297
4	098647-33-702	EA	GLASS - STATIONARY	132-014203
5	098644-01-719	EA	STOP - SLIDER GLASS	132-017135
6	098644-01-710	FT	TRACK - SCREEN SPACER 12'	B801-CK
7	098644-01-700	EA	LATCH - REPAIR KIT (BLACK)	122-016543
8	098644-01-708	FT	CHANNEL - RUN PIERCED	171-016965
9	098644-01-711	FT	WEATHERSTRIP - SCREEN BLACK	410-019134
10	098647-33-704	EA	SCREEN ASM - W/SEALS & CLIPS	130005153
11	125582-01-701	EA	CLIP - SCREEN - PLASTIC	226-016966
11	098644-01-713	EA	CLIP - SCREEN - METAL	H425-G9
12	098647-33-703	EA	GLASS SLIDING W/SASH & LATCH	132-014470
13	098644-01-716	FT	PLUG - FILLER	132-004716
	098644-01-717	FT	SPLINE - SCREEN	CW29-66
	098647-33-701	EA	RETAINER - TRIM	

THERMOPANE



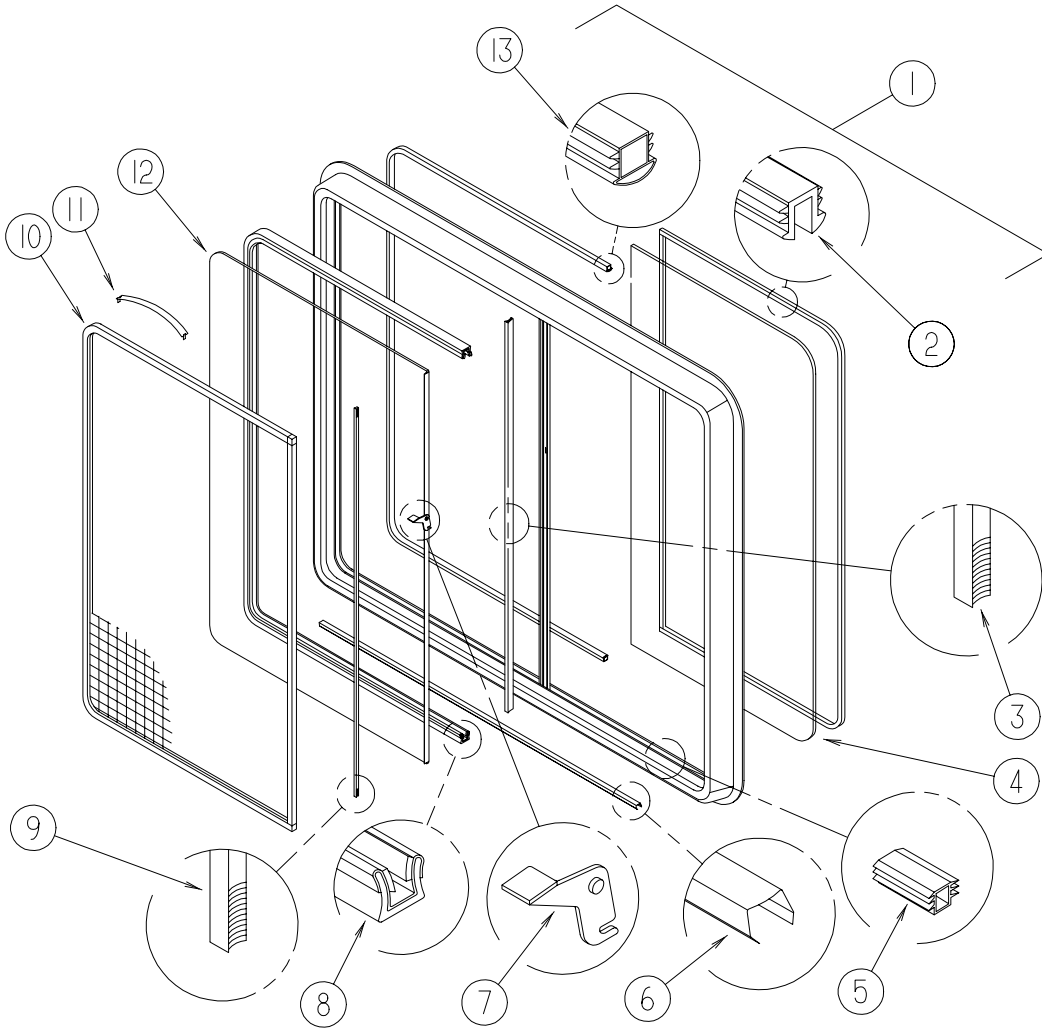
KEY	PART NUMBER	U/M	DESCRIPTION	VENDOR NO.
1	098647-38-01A	EA	WINDOW - PASS HORIZ SLIDER W/TRIM - CLEAR - 30.5" X 57.5"H320-C1W66R	
2	098644-01-705	FT	GLAZING - STRIP	132-010231
3	098644-01-706	FT	WEATHERSTRIP - GLASS	171-010668
4	098647-38-702	EA	GLASS - STATIONARY	096-017854
5	098644-01-719	EA	STOP - SLIDER GLASS	132-014203
6	098644-01-710	FT	TRACK - SCREEN SPACER 12'	132-017135
7	098644-01-700	EA	LATCH - REPAIR KIT (BLACK)	B801-CK
8	098644-01-708	FT	CHANNEL - RUN PIERCED	122-016543
9	098644-01-711	FT	WEATHERSTRIP - SCREEN BLACK	171-016965
10	098647-38-704	EA	SCREEN ASM - W/SEALS & CLIPS	410-019063
11	125582-01-701	EA	CLIP - SCREEN - PLASTIC	130005153
11	098644-01-713	EA	CLIP - SCREEN - METAL	226-016966
12	098647-38-703	EA	GLASS-SLIDING W/SASH & LATCH	H320-C8
13	098644-01-716	FT	PLUG - FILLER	132-014470
	098644-01-717	FT	SPLINE - SCREEN	132-004716
	098647-38-701	EA	RETAINER - TRIM	W303-66

THERMOPANE



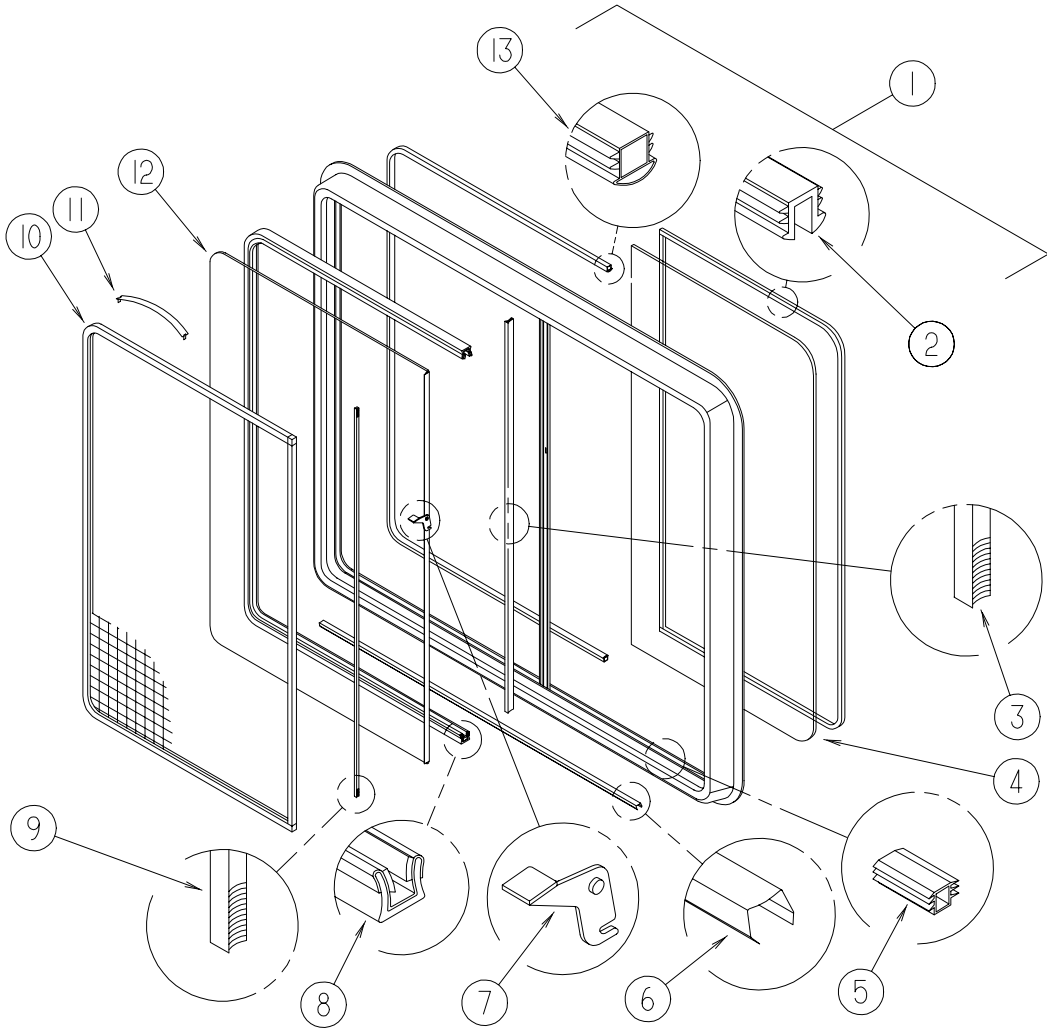
KEY	PART NUMBER	U/M	DESCRIPTION	VENDOR NO.
1	098647-40-01A	EA	WINDOW - PASS HORIZ SLIDER W/TRIM - TINTED - 29.5" X 41.3"	
2	098644-01-705	FT	GLAZING - STRIP	132-010231
3	098644-01-706	FT	WEATHERSTRIP - GLASS	171-010668
4	098647-40-701	EA	GLASS - STATIONARY	106-019914
5	098644-01-719	EA	STOP - SLIDER GLASS	132-014203
6	098644-01-710	FT	TRACK - SCREEN SPACER 12'	132-017135
7	098644-01-700	EA	LATCH - REPAIR KIT (BLACK)	B801-CK
8	098644-01-708	FT	CHANNEL - RUN PIERCED	122-016543
9	098644-01-711	FT	WEATHERSTRIP - SCREEN BLACK	171-016965
10	112795-31-704	EA	SCREEN ASM - W/SEALS & CLIPS	410-019068
11	125582-01-701	EA	CLIP - SCREEN - PLASTIC	130005153
11	098644-01-713	EA	CLIP - SCREEN - METAL	226-016966
12	098647-40-700	EA	GLASS-SLIDING W/SASH & LATCH	H291-G9
13	098644-01-716	FT	PLUG - FILLER	132-014470
	098644-01-717	FT	SPLINE - SCREEN	132-004716
	098647-31-701	EA	RETAINER - TRIM	CW29-66

THERMOPANE



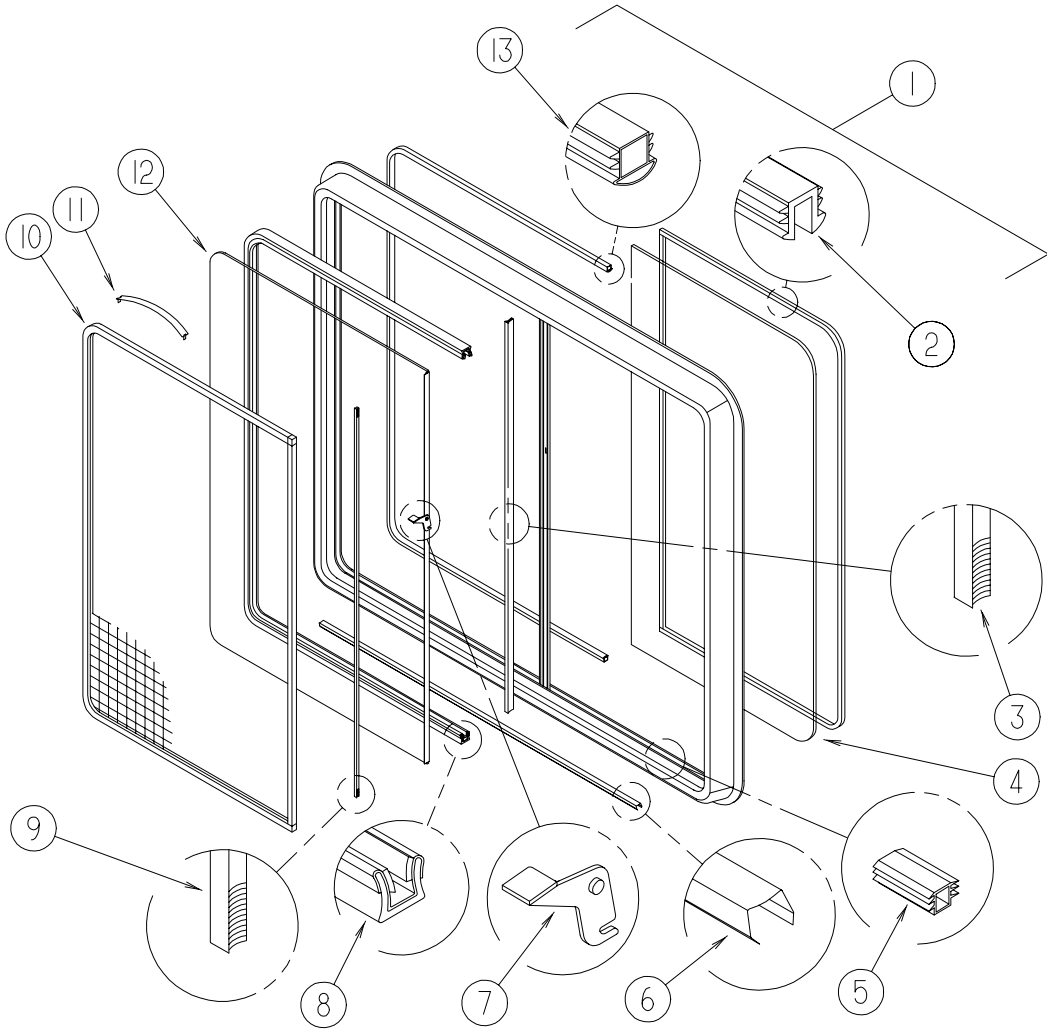
KEY	PART NUMBER	U/M	DESCRIPTION	VENDOR NO.
1	098647-41-01A	EA	WINDOW - PASS HORIZ SLIDER W/TRIM - TINTED - 24.2" X 41"	132-010231
2	098644-01-705	FT	GLAZING - STRIP	171-010668
3	098644-01-706	FT	WEATHERSTRIP - GLASS	106-015474
4	098647-41-701	EA	GLASS - STATIONARY	132-014203
5	098644-01-719	EA	STOP - SLIDER GLASS	132-017135
6	098644-01-710	FT	TRACK - SCREEN SPACER 12'	B801-CK
7	098644-01-700	EA	LATCH - REPAIR KIT (BLACK)	122-016543
8	098644-01-708	FT	CHANNEL - RUN PIERCED	171-016965
9	098644-01-711	FT	WEATHERSTRIP - SCREEN BLACK	410-018864
10	098647-29-704	EA	SCREEN ASM - W/SEALS & CLIPS	130005153
11	125582-01-701	EA	CLIP - SCREEN - PLASTIC	226-016966
11	098644-01-713	EA	CLIP - SCREEN - METAL	H172-G9
12	098647-41-700	EA	GLASS SLIDING W/SASH & LATCH	132-014470
13	098644-01-716	FT	PLUG - FILLER	132-004716
	098644-01-717	FT	SPLINE - SCREEN	CW04-66
	098647-29-701	EA	RETAINER - TRIM	

THERMOPANE



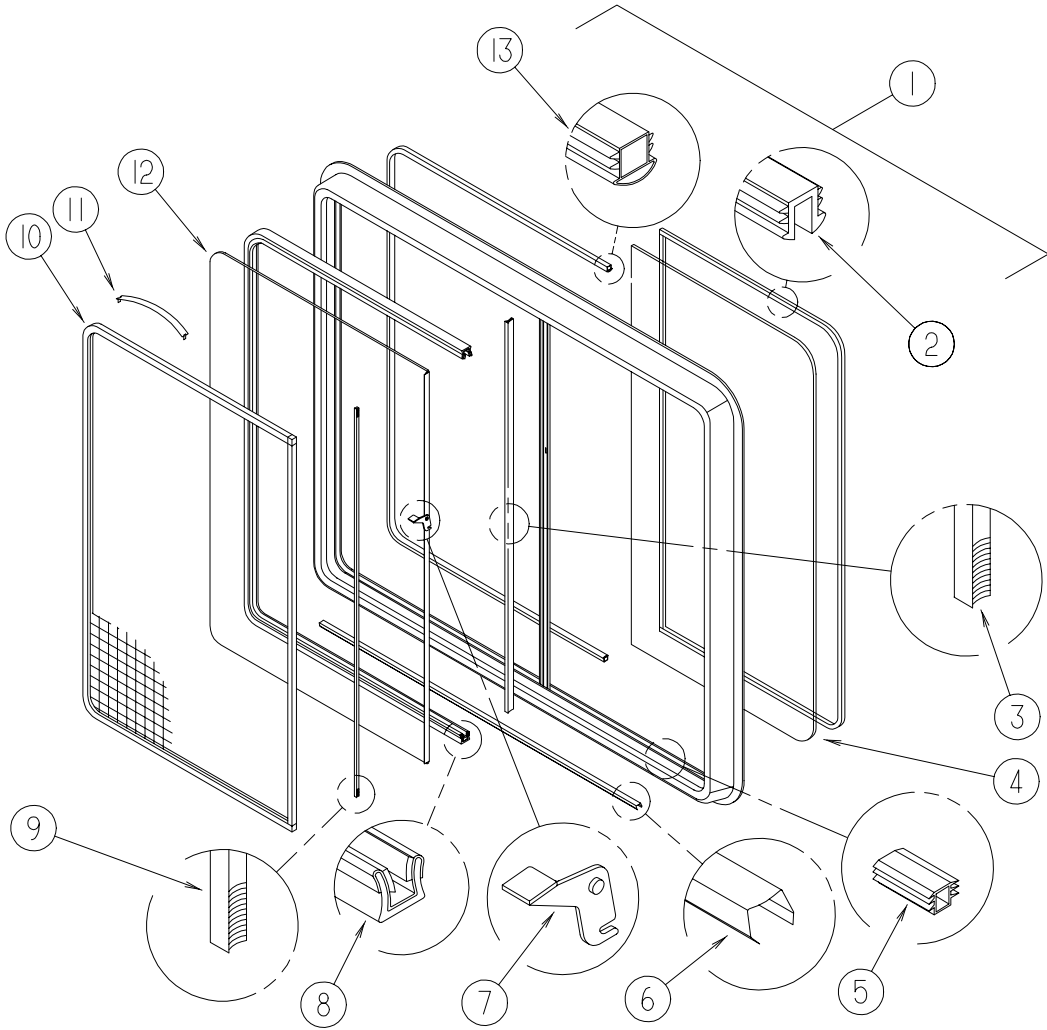
KEY	PART NUMBER	U/M	DESCRIPTION	VENDOR NO.
1	098647-45-01A	EA	WINDOW - PASS HORIZ SLIDER W/TRIM - TINTED - 23.6" X 24.5"	132-010231
2	098644-01-705	FT	GLAZING - STRIP	171-010668
3	098644-01-706	FT	WEATHERSTRIP - GLASS	106-025250
4	098647-45-700	EA	GLASS - STATIONARY	132-014203
5	098644-01-719	EA	STOP - SLIDER GLASS	132-017135
6	098644-01-710	FT	TRACK - SCREEN SPACER 12'	B801-CK
7	098644-01-700	EA	LATCH - REPAIR KIT (BLACK)	122-016543
8	098644-01-708	FT	CHANNEL - RUN PIERCED	171-016965
9	098644-01-711	FT	WEATHERSTRIP - SCREEN BLACK	410-025250
10	098647-45-703	EA	SCREEN ASM - W/SEALS & CLIPS	130005153
11	125582-01-701	EA	CLIP - SCREEN - PLASTIC	226-016966
11	098644-01-713	EA	CLIP - SCREEN - METAL	H467-G9
12	098647-45-701	EA	GLASS-SLIDING W/SASH & LATCH	132-014470
13	098644-01-716	FT	PLUG - FILLER	132-004716
	098644-01-717	FT	SPLINE - SCREEN	W467-66
	098647-45-704	EA	RETAINER - TRIM	

THERMOPANE



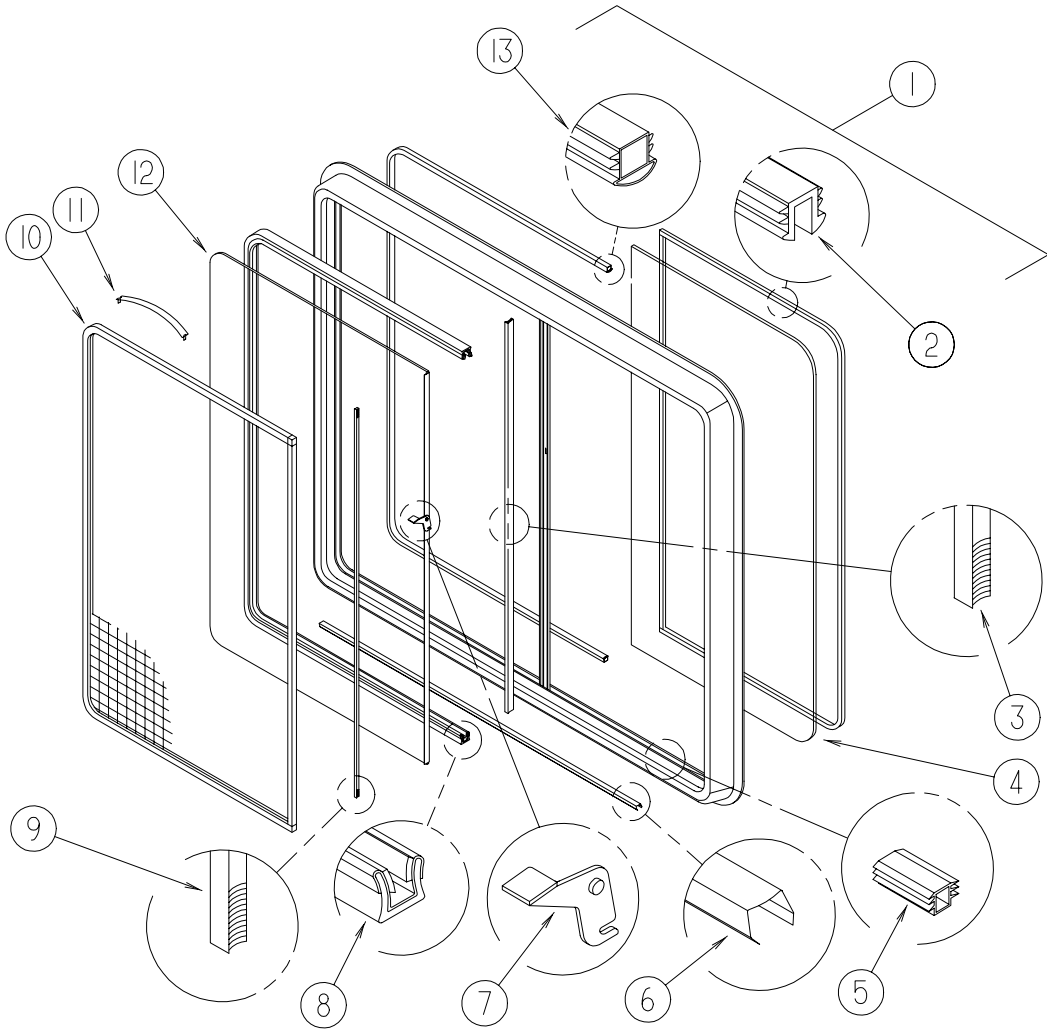
KEY	PART NUMBER	U/M	DESCRIPTION	VENDOR NO.
1	098647-46-01A	EA	WINDOW - PASS HORIZ SLIDER W/TRIM - TINTED - 15.2" X 18.3"	
2	098644-01-705	FT	GLAZING - STRIP	132-010231
3	098644-01-706	FT	WEATHERSTRIP - GLASS	171-010668
4	098647-46-700	EA	GLASS - STATIONARY	106-011181
5	098644-01-719	EA	STOP - SLIDER GLASS	132-014203
6	098644-01-710	FT	TRACK - SCREEN SPACER 12'	132-017135
7	098644-01-700	EA	LATCH - REPAIR KIT (BLACK)	B801-CK
8	098644-01-708	FT	CHANNEL - RUN PIERCED	122-016543
9	098644-01-711	FT	WEATHERSTRIP - SCREEN BLACK	171-016965
10	098647-46-702	EA	SCREEN ASM - W/SEALS & CLIPS	410-025286
11	125582-01-701	EA	CLIP - SCREEN - PLASTIC	130005153
11	098644-01-713	EA	CLIP - SCREEN - METAL	226-016966
12	098647-46-701	EA	GLASS-SLIDING W/SASH & LATCH	B809-G9
13	098644-01-716	FT	PLUG - FILLER	132-014470
	098644-01-717	FT	SPLINE - SCREEN	132-004716
	098647-46-703	EA	RETAINER - TRIM	V409-66

THERMOPANE



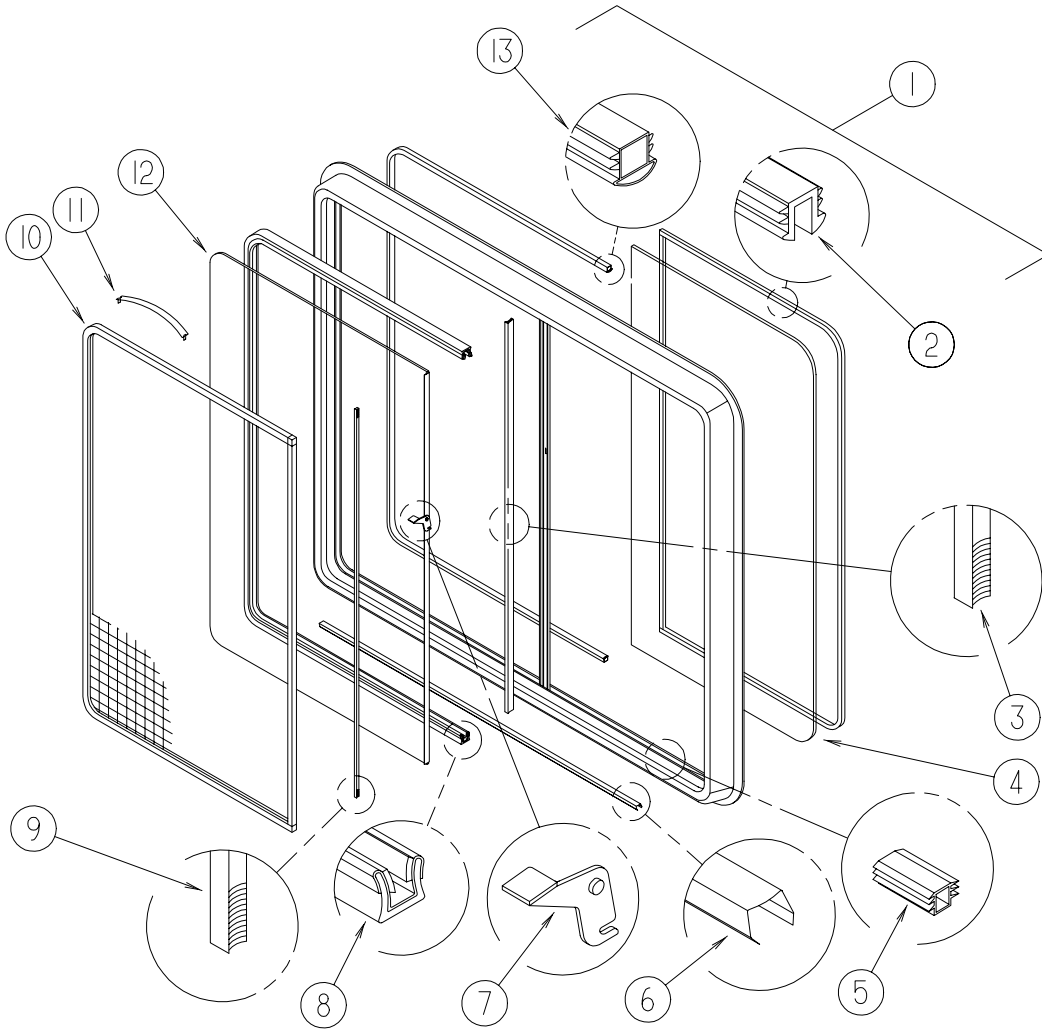
KEY	PART NUMBER	U/M	DESCRIPTION	VENDOR NO.
1	098647-47-01A	EA	WINDOW-DRVR HORIZ SLIDER W/TRIM - TINTED - 23.6" X 57.5"	
2	098644-01-705	FT	GLAZING - STRIP	132-010231
3	098644-01-706	FT	WEATHERSTRIP - GLASS	171-010668
4	098647-47-700	EA	GLASS - STATIONARY	106-025224
5	098644-01-719	EA	STOP - SLIDER GLASS	132-014203
6	098644-01-710	FT	TRACK - SCREEN SPACER 12'	132-017135
7	098644-01-700	EA	LATCH - REPAIR KIT (BLACK)	B801-CK
8	098644-01-708	FT	CHANNEL - RUN PIERCED	122-016543
9	098644-01-711	FT	WEATHERSTRIP - SCREEN BLACK	171-016965
10	098647-47-702	EA	SCREEN ASM - W/SEALS & CLIPS	410-025226
11	125582-01-701	EA	CLIP - SCREEN - PLASTIC	130005153
11	098644-01-713	EA	CLIP - SCREEN - METAL	226-016966
12	098647-47-701	EA	GLASS-SLIDING W/SASH & LATCH	H493-G9
13	098644-01-716	FT	PLUG - FILLER	132-014470
	098644-01-717	FT	SPLINE - SCREEN	132-004716
	098647-47-703	EA	RETAINER - TRIM	W493-66

THERMOPANE



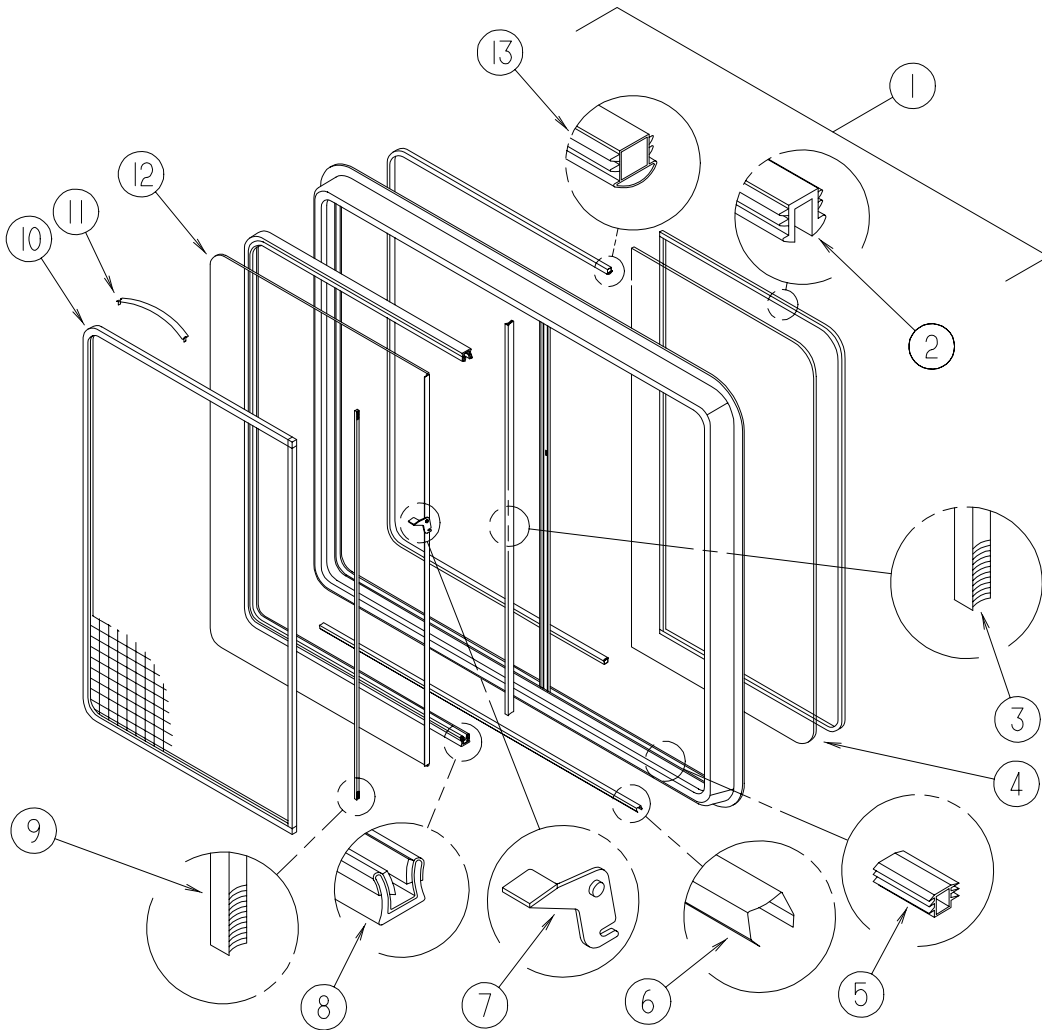
KEY	PART NUMBER	U/M	DESCRIPTION	VENDOR NO.
1	098647-48-01A	EA	WINDOW - DR HORIZ SLIDER W/TRIM - TINTED - 21.9" X 21.9"	132-010231
2	098644-01-705	FT	GLAZING - STRIP	171-010668
3	098644-01-706	FT	WEATHERSTRIP - GLASS	106-026129
4	098647-48-700	EA	GLASS - STATIONARY	132-014203
5	098644-01-719	EA	STOP - SLIDER GLASS	132-017135
6	098644-01-710	FT	TRACK - SCREEN SPACER 12'	B801-CK
7	098644-01-700	EA	LATCH - REPAIR KIT (BLACK)	122-016543
8	098644-01-708	FT	CHANNEL - RUN PIERCED	171-016965
9	098644-01-711	FT	WEATHERSTRIP - SCREEN BLACK	410-019188
10	098647-43-702	EA	SCREEN ASM - W/SEALS & CLIPS	130005153
11	125582-01-701	EA	CLIP - SCREEN - PLASTIC	226-016966
11	098644-01-713	EA	CLIP - SCREEN - METAL	H490-G9
12	098647-43-700	EA	GLASS-SLIDING W/SASH & LATCH	132-014470
13	098644-01-716	FT	PLUG - FILLER	132-004716
	098644-01-717	FT	SPLINE - SCREEN	W490-66
	098647-43-703	EA	RETAINER - TRIM	

**THERMOPANE
EXCEL B969C1W66R**



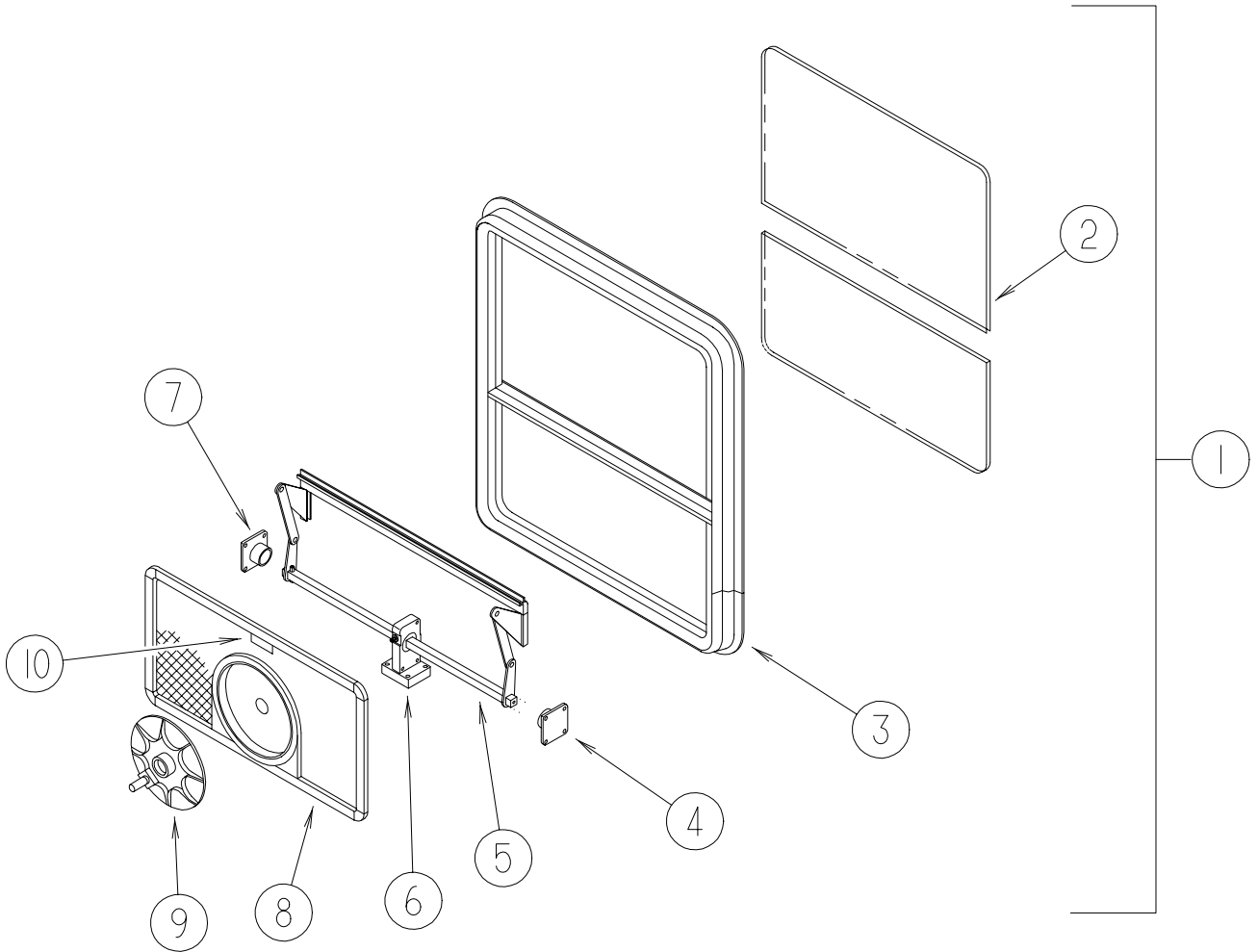
KEY	PART NUMBER	U/M	DESCRIPTION	VENDOR NO.
1	098647-49-01A	EA	WINDOW - PASS HORIZ SLIDER W/TRIM - CLEAR - 15" X 23.7"	132-010231
2	098644-01-705	FT	GLAZING - STRIP	171-010668
3	098644-01-706	FT	WEATHERSTRIP - GLASS	096-012066
4	098647-49-700	EA	GLASS - STATIONARY	132-014203
5	098644-01-719	EA	STOP - SLIDER GLASS	132-017135
6	098644-01-710	FT	TRACK - SCREEN SPACER 12'	B801-CK
7	098644-01-700	EA	LATCH - REPAIR KIT (BLACK)	122-016543
8	098644-01-708	FT	CHANNEL - RUN PIERCED	171-016965
9	098644-01-711	FT	WEATHERSTRIP - SCREEN BLACK	410-019414
10	112795-56-702	EA	SCREEN ASM - W/SEALS & CLIPS	130005153
11	125582-01-701	EA	CLIP - SCREEN - PLASTIC	226-016966
11	098644-01-713	EA	CLIP - SCREEN - METAL	B969-G8
12	098647-49-700	EA	GLASS-SLIDING W/SASH & LATCH	132-014470
13	098644-01-716	FT	PLUG - FILLER	132-004716
	098644-01-717	FT	SPLINE - SCREEN	V969-66
	112795-56-703	EA	RETAINER - TRIM	

THERMOPANE

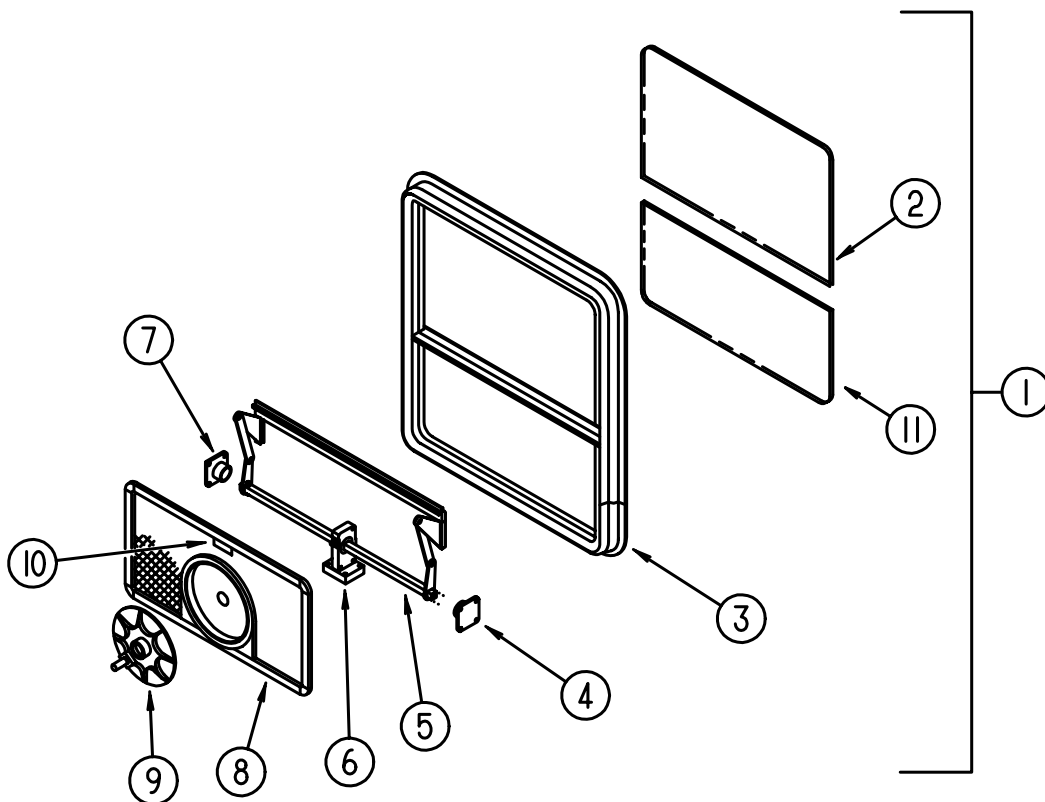


KEY	PART NUMBER	U/M	DESCRIPTION	VENDOR NO.
1	099480-03-000	EA	WINDOW - PASSENGER SLIDER - TINTED - 27.8" X 30.8"	
2	098644-01-705	FT	GLAZING - STRIP	132-010231
3	098644-01-706	FT	WEATHERSTRIP - GLASS	171-010668
4	099480-03-701	EA	GLASS - STATIONARY	106-018291
5	098644-01-719	EA	STOP - SLIDER GLASS	132-014203
6	098644-01-710	FT	TRACK - SCREEN SPACER 12'	132-017135
7	099480-01-700	EA	LATCH - REPAIR KIT	B801-CK
8	098644-01-708	FT	CHANNEL - RUN PIERCED	122-016543
9	098644-01-711	FT	WEATHERSTRIP - SCREEN BLACK	171-016965
10	099480-03-703	EA	SCREEN ASM - W/SEALS & CLIPS	
11	098644-01-713	EA	CLIP - SCREEN - METAL	226-016966
12	099480-03-702	EA	GLASS-SLIDING W/SASH & LATCH	H150-G8
13	098644-01-716	FT	PLUG - FILLER	132-014470
	098644-01-717	FT	SPLINE - SCREEN	132-004716
	099480-03-700	EA	RETAINER - TRIM	W150-66

SINGLE TIPOUT



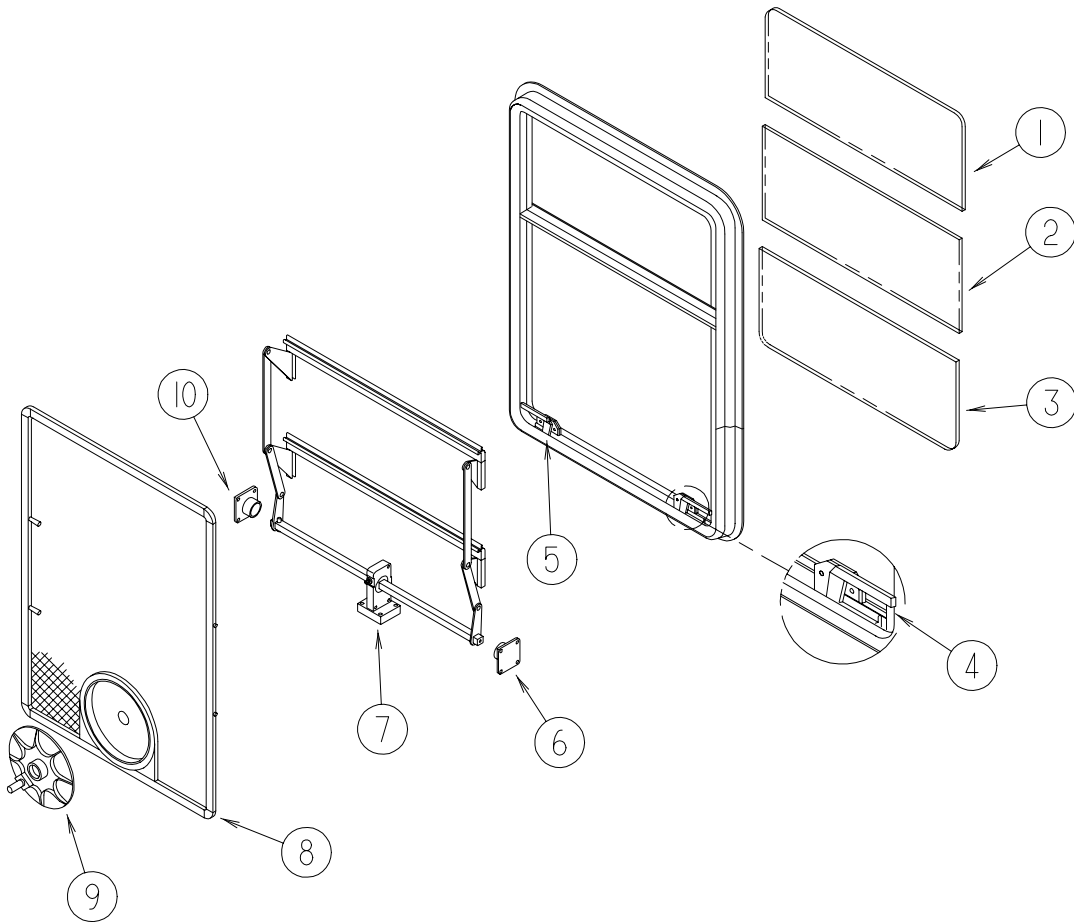
KEY	PART NUMBER	U/M	DESCRIPTION	VENDOR NO.
1	104691-07-01A	EA	WINDOW - SINGLE TIPOUT - TINTED - 27" X 25" - OFF/WHT TRIM	
2	104691-07-701	EA	GLASS - STATIONARY	106-018753
3	100322-01-703	FT	VINYL - GLAZING - BUTYL	132-010723
4	100322-01-715	EA	SUPPORT - TORQUE BAR - RH	130-015979
5	104691-15-703	EA	OPERATOR & BAR ASSEMBLY	CH56-15
6	112519-01-702	EA	OPERATOR - VENT	410-016123
7	100322-01-714	EA	SUPPORT - TORQUE BAR - LH	130-015978
8	104691-07-702	EA	SCREEN ASSEMBLY - W/SEALS & CLIPS	410-018755
9	100322-01-718	EA	HANDLE - DIAL	410-016081
10	112519-01-706	EA	CLIP - SCREEN	CH21-50
	100322-01-701	FT	SEAL - VENT	122-016071
	100322-01-702	EA	WEATHER STRIP - HORIZONTAL RAIL	132-015976
	100322-01-704	EA	TAPE - BUTYL	154-016083
	104691-07-700	EA	GLASS - VENT ASSEMBLY - LOWER	CH78-D9
	116976-01-702	FT	FILLER - PLUG	132-016065



WINDOW - TIPOUT

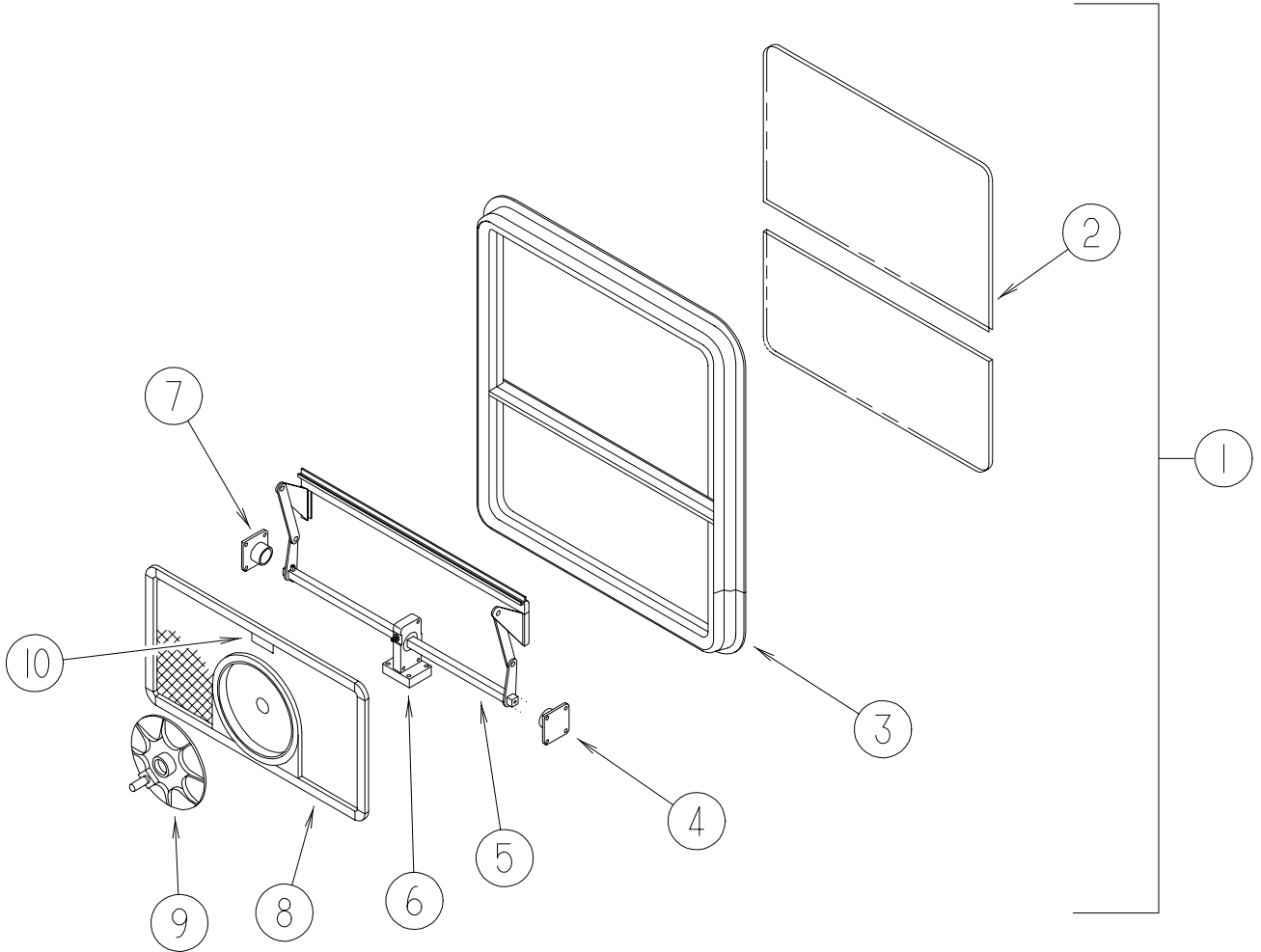
KEY	PART NUMBER	U/M	DESCRIPTION	VENDOR NO.
1	104691-13-01A	EA	WINDOW ASM-TIPOUT BLK/OW	
2	104691-13-702	EA	GLASS - STATIONARY	106-017670
3	100322-01-703	FT	VINYL-GLAZING, BUTYL	132-010723
4	100322-01-715	EA	SUPPORT-TORQUE BAR, RH	130-015979
5	104691-13-704	EA	OPERATOR & BAR ASSEMBLY	CH36-15
6	112519-01-702	EA	OPERATOR-VENT	410-016123
7	100322-01-714	EA	SUPPORT-TORQUE BAR, LH	130-015978
8	104691-13-705	EA	SCREEN ASM - W/SEALS & CLIPS	410-017763
9	100322-01-718	EA	HANDLE-DIAL	410-016081
10	112519-01-706	EA	CLIP-SCREEN	CH21-50
11	104691-13-703	EA	GLASS-VENT ASSEMBLY	CH37-G9
	100322-01-701	FT	SEAL-VENT	122-016071
	100322-01-702	EA	WEATHERSTRIP-HORIZONTAL RAIL	132-015976
	100322-01-704	FT	TAPE-BUTYL	154-016083
	104691-13-701	EA	RETAINER - TRIM	W303-59
	116976-01-702	FT	FILLER PLUG	132-016065

DOUBLE TIPOUT



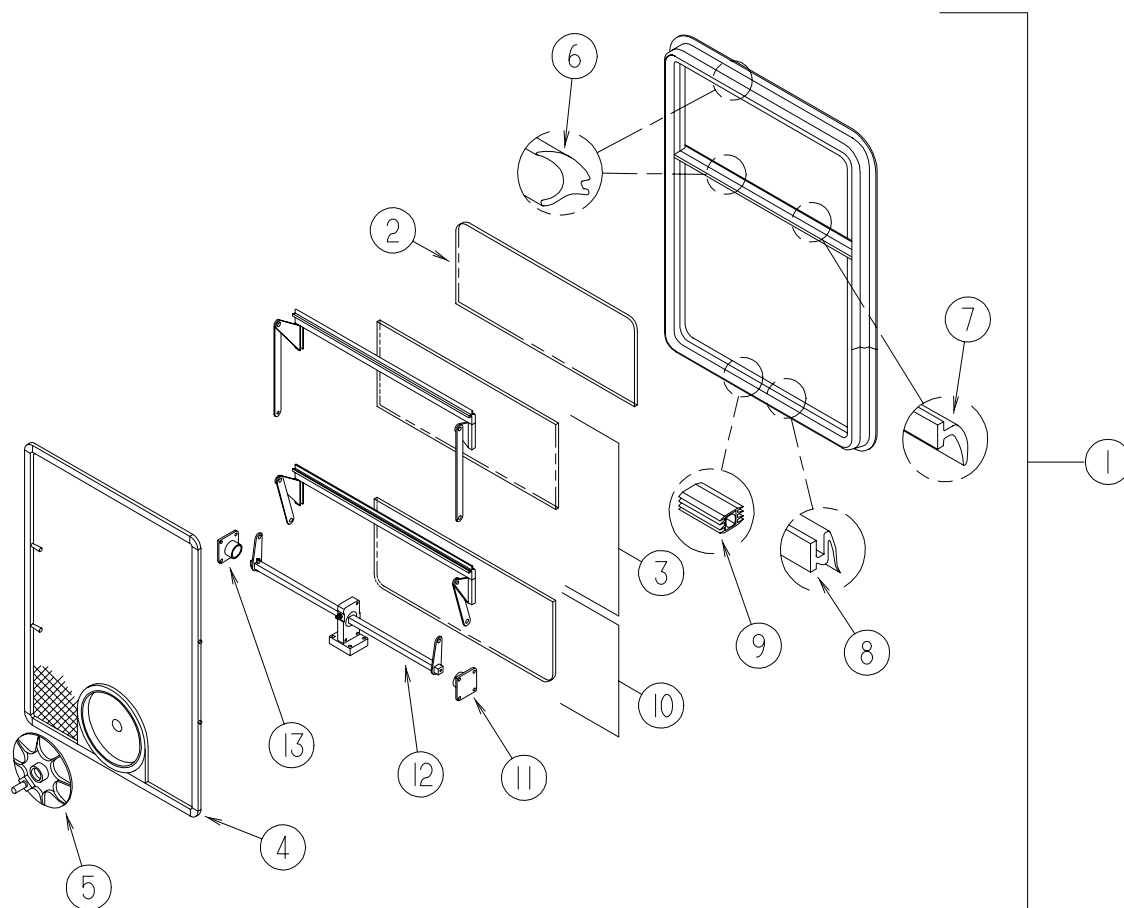
KEY	PART NUMBER	U/M	DESCRIPTION	VENDOR NO.
	104691-15-01A	EA	WINDOW - DOUBLE TIPOUT - TINTED - 25.7" X 30.2" - O/W TRIM	
1	104691-15-702	EA	GLASS - STATIONARY	106-019456
2	104691-15-704	EA	GLASS - VENT ASSEMBLY - UPPER	CH56-G7
3	104691-15-705	EA	GLASS - VENT ASSEMBLY - LOWER	CH56-G9
4	112898-06-704	FT	HANDLE - LATCH, RED-RH	182-11293
5	112898-06-705	EA	HANDLE - LATCH, RED-LH	182-11294
6	100322-01-715	EA	SUPPORT - TORQUE BAR - RH	130-015979
7	104691-15-703	EA	OPERATOR & BAR ASSEMBLY	CH56-15
	112519-01-702	EA	OPERATOR - VENT	410-016123
8	104691-15-706	EA	SCREEN ASSEMBLY - W/SEALS & CLIPS	410-018330
9	100322-01-718	EA	HANDLE - DIAL	410-016081
10	100322-01-714	EA	SUPPORT - TORQUE BAR - LH	130-015978
	100322-01-703	FT	VINYL - GLAZING - BUTYL	132-010723
	112519-01-706	EA	CLIP - SCREEN	CH21-50
	100322-01-701	FT	SEAL - VENT	122-016071
	100322-01-702	EA	WEATHERSTRIP - HORIZONTAL RAIL	132-015976
	100322-01-704	EA	TAPE - BUTYL	154-016083
	104691-15-701	EA	RETAINER - TRIM	CW56-59
	116976-01-702	FT	FILLER - PLUG	132-016065

SINGLE TIPOUT



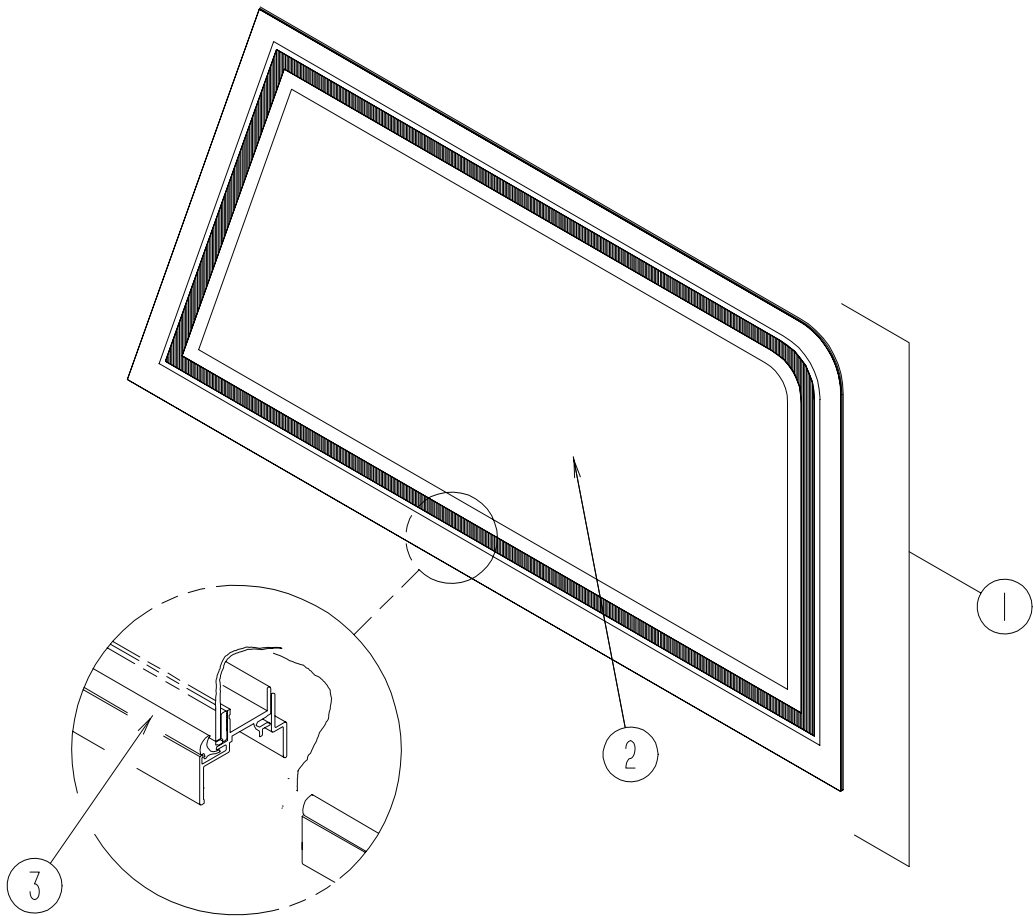
KEY	PART NUMBER	U/M	DESCRIPTION	VENDOR NO.
1	104691-16-01A	EA	WINDOW - SINGLE TIPOUT - TINTED - 22.8" X 21.1" - O/W TRIM	
2	104691-16-702	EA	GLASS - STATIONARY	106-019448
3	100322-01-703	FT	VINYL - GLAZING - BUTYL	132-010723
4	100322-01-715	EA	SUPPORT - TORQUE BAR - RH	130-015979
5	104691-16-703	EA	OPERATOR & BAR ASSEMBLY	CH91-18
6	100322-01-716	EA	SUPPORT - TORQUE BAR - CENTER RAIL	130-015980
7	100322-01-714	EA	SUPPORT - TORQUE BAR - LH	130-015978
8	104691-16-705	EA	SCREEN ASSEMBLY - W/SEALS & CLIPS	410-019479
9	100322-01-718	EA	HANDLE - DIAL	410-016081
10	112519-01-706	EA	CLIP - SCREEN	CH21-50
	100322-01-701	FT	SEAL - VENT	122-016071
	100322-01-702	EA	WEATHERSTRIP - HORIZONTAL RAIL	132-015976
	100322-01-704	EA	TAPE - BUTYL	154-016083
	104691-16-701	EA	RETAINER - TRIM	CW91-59
	104691-16-704	EA	GLASS - VENT ASSEMBLY	CH91-D9
	116976-01-702	FT	FILLER - PLUG	132-016065
	100322-01-717	EA	E - RING	245-015975
	112519-01-702	EA	OPERATOR - VENT	410-016123
	112898-06-704	EA	HANDLE - LATCH - RED - RH	182-11293
	112898-06-705	EA	HANDLE - LATCH - RED - LH	182-11294

**WINDOW - DOUBLE TIPOUT
EXCEL CH03-G1W59**



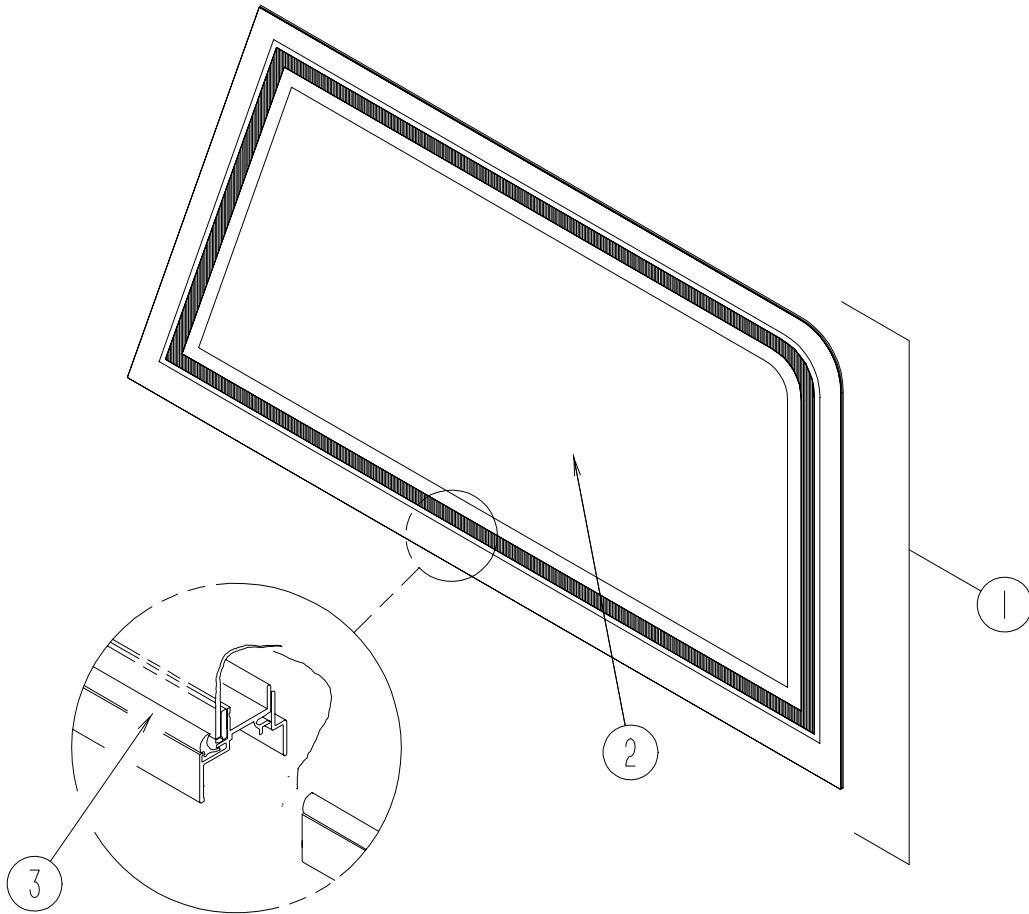
KEY	PART NUMBER	U/M	DESCRIPTION	VENDOR NO.
1	104691-17-01A	EA	WINDOW - DOUBLE TIPOUT - TINTED - 36.2" X 24.5"	
2	104691-17-703	EA	GLASS - STATIONARY	106-025766
3	104691-17-701	FT	GLASS - VENT ASSEMBLY - UPPER	CH03-G7
4	104691-17-702	EA	SCREEN ASSEMBLY - W/SEALS & CLIPS	410-016019
5	100322-01-718	EA	HANDLE - DIAL	410-016081
6	100322-01-703	EA	VINYL - GLAZING - BUTYL	132-010723
7	100322-01-702	EA	WEATHERSTRIP - HORIZONTAL RAIL	132-015976
8	100322-01-701	FT	SEAL - VENT	122-016071
9	116976-01-702	FT	FILLER - PLUG	132-016065
10	104691-17-700	EA	GLASS - VENT ASSEMBLY - LOWER	CH03-G9
11	100322-01-715	EA	SUPPORT - TORQUE BAR - RH	130-015979
12	100322-01-716	EA	SUPPORT - TORQUE BAR - CENTER RAIL	130-015980
13	100322-01-714	EA	SUPPORT - TORQUE BAR - LH	130-015978
	112519-01-706	EA	CLIP - SCREEN	CH21-50
	100322-01-704	EA	TAPE - BUTYL	154-016083
	100322-01-717	EA	E - RING	245-015975
	112519-01-702	EA	OPERATOR - VENT	410-016123

**EXCEL
THERMOPANE**



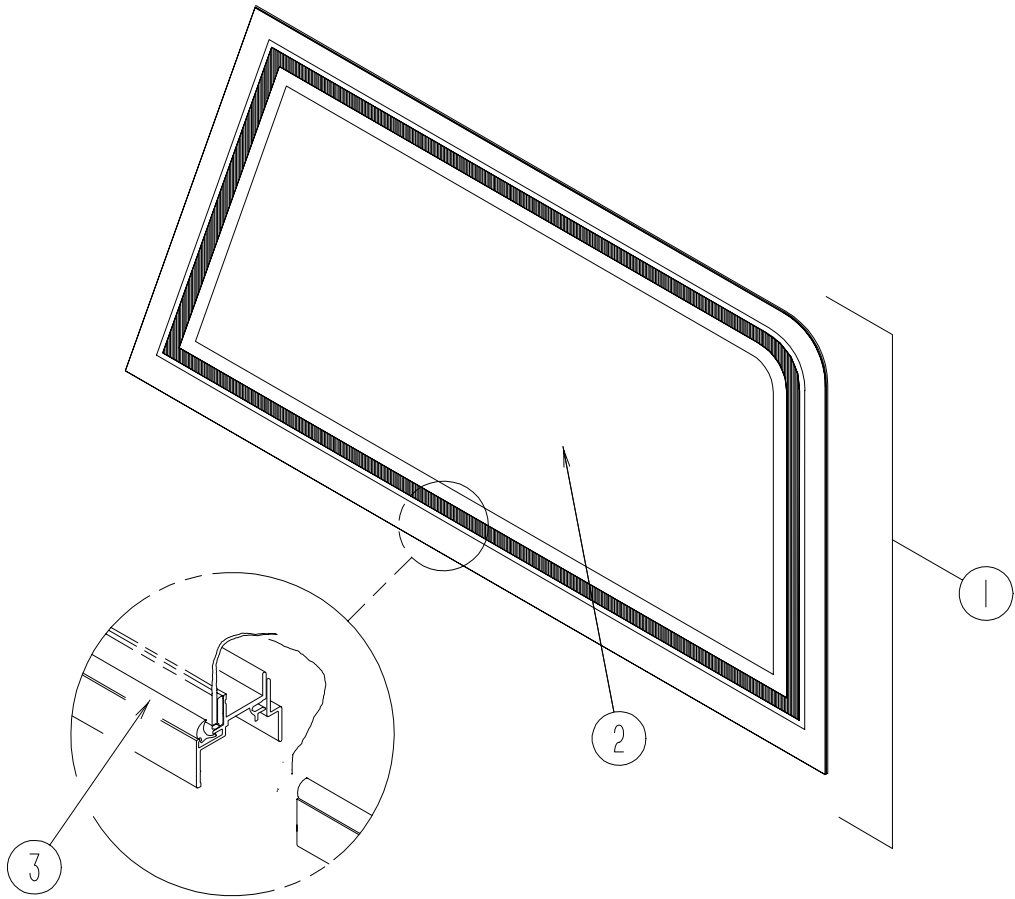
KEY	PART NUMBER	U/M	DESCRIPTION	VENDOR NO.
1	106467-04-01A	EA	WINDOW - DRIVER VISTA W/TRIM - 42.1"T X 44.9"B X 17.6"H	
2	106467-04-700	EA	GLASS - STATIONARY	106-019988
3	100322-01-703	FT	VINYL - GLAZING - BUTYL	132-010723
	106467-04-701	EA	RETAINER - TRIM - FRONT	H462-41L
	106467-04-702	EA	RETAINER - TRIM - FRONT	H462-42L

**EXCEL
THERMOPANE**



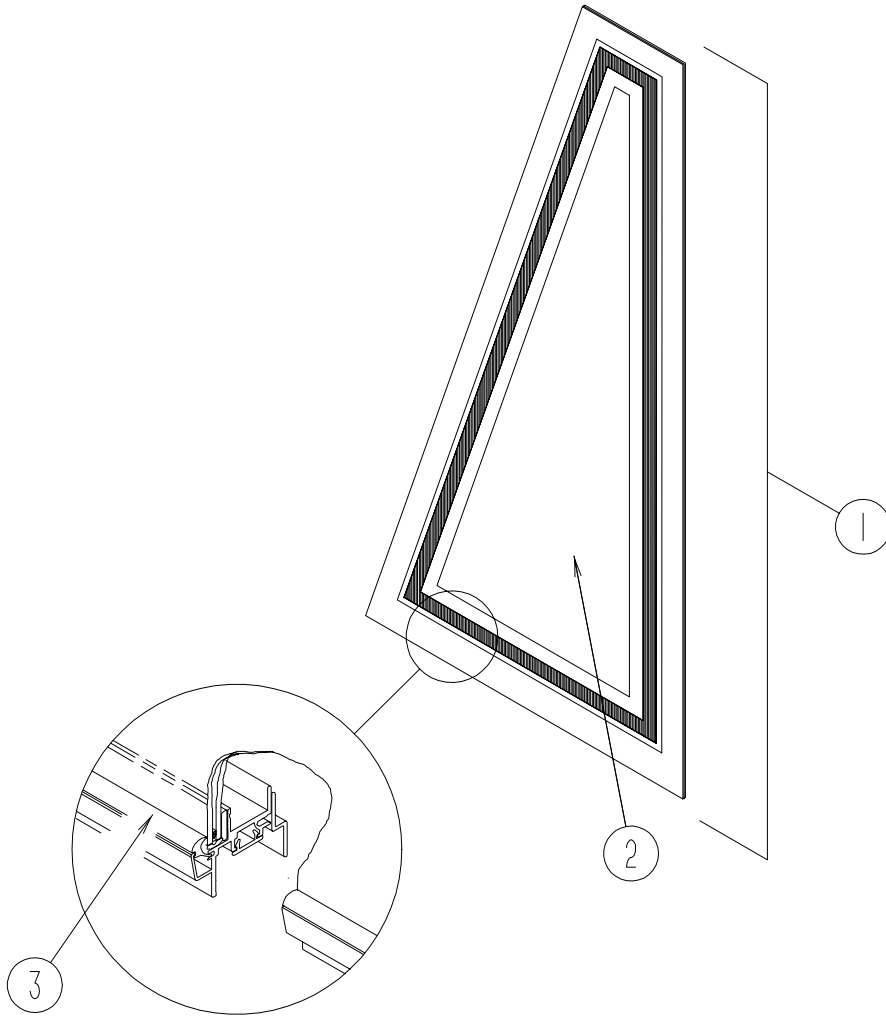
KEY	PART NUMBER	U/M	DESCRIPTION	VENDOR NO.
1	106467-06-01A	EA	WINDOW - DRIVER VISTA W/TRIM - 39.2"T X 40.6"B X 7.3"H	
2	106467-06-700	EA	GLASS - STATIONARY	106-025383
3	100322-01-703	FT	VINYL - GLAZING - BUTYL	132-010723
	116000-01-701	EA	RETAINER - TRIM RAIL - TOP/REAR	H508-41L
	116000-01-702	EA	RETAINER - TRIM RAIL - FRONT	H508-42L
	116000-01-703	EA	RETAINER - TRIM RAIL - BOTTOM	H508-43L

**EXCEL
THERMOPANE**



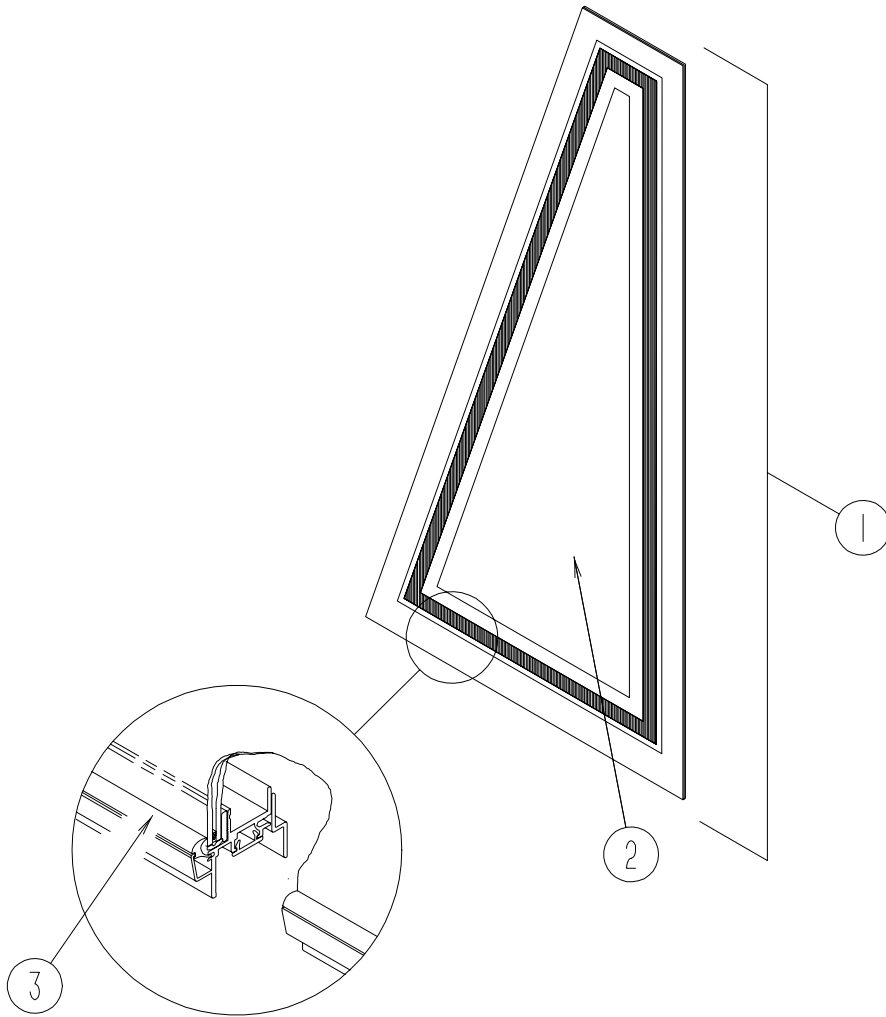
KEY	PART NUMBER	U/M	DESCRIPTION	VENDOR NO.
1	106467-08-01A	EA	WINDOW - PASSENGER VISTA/THERMO - 41.7"T X 44.2"B X 15.6"H	
2	106467-08-700	EA	GLASS - STATIONARY	390-025763
3	100322-01-703	FT	VINYL - GLAZING - BUTYL	132-010723
3	116000-01-704	FT	VINYL GLAZING	132-018161
	106467-08-701	EA	RETAINER - TRIM - BENT	H519-41R
	106467-08-702	EA	RETAINER - TRIM - BOTTOM	H519-42R
	106467-08-703	EA	RETAINER - TRIM - FRONT	H519-43R

**WINDOW
DRIVER WING**



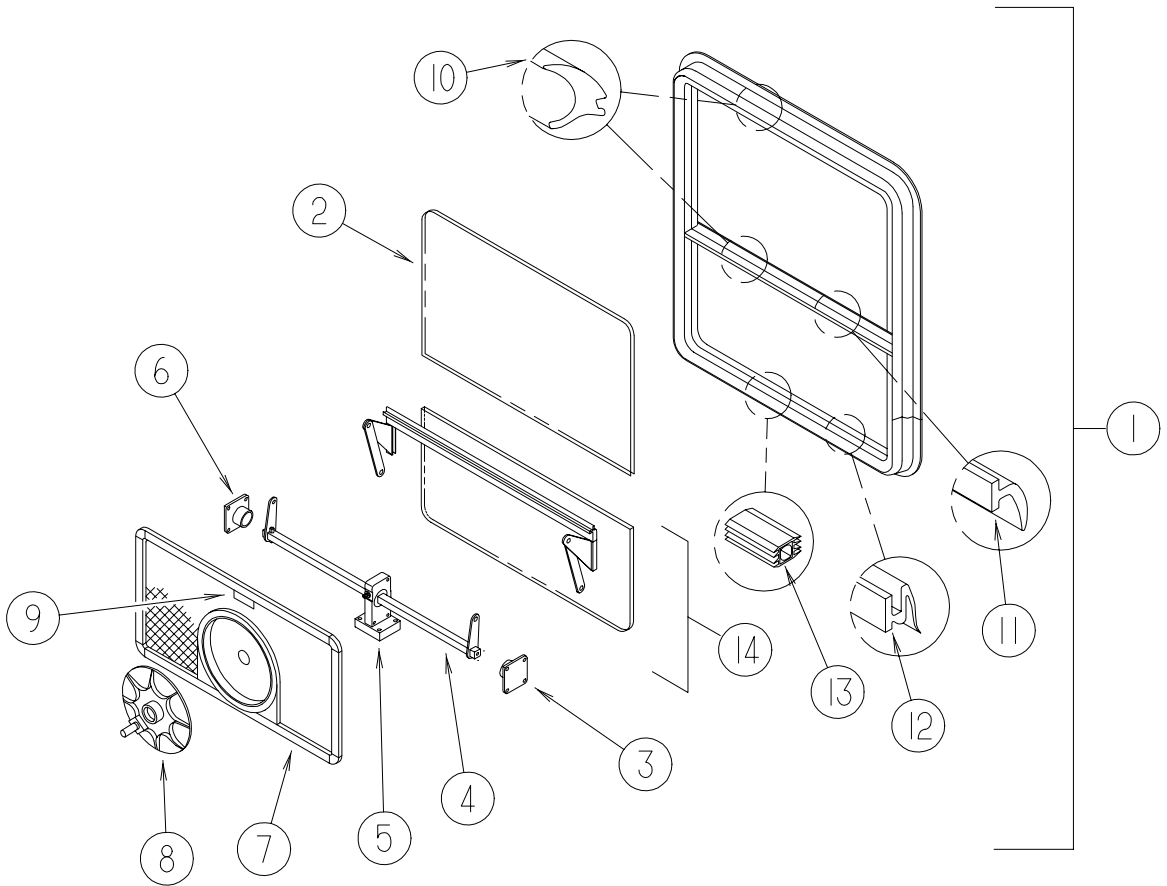
KEY	PART NUMBER	U/M	DESCRIPTION	VENDOR NO.
1	106468-03-01A	EA	WINDOW - DRIVER WING W/TRIM - 10.9"T X 14.2"B X 32.2"H	
2	106468-03-700	EA	GLASS - STATIONARY	106-019987
3	100322-01-703	FT	VINYL - GLAZING - BUTYL	132-010723
	106468-03-701	EA	RETAINER - TRIM - TOP	H463-42L
	106468-03-702	EA	RETAINER - TRIM - FRONT	H463-43L
	106468-03-703	EA	RETAINER - TRIM - REAR	H463-44L
	115999-03-703	EA	RETAINER - TRIM - RAIL REAR	H358-41L
	125582-01-708	EA	WEEPHOLE COVER - RIGHT HAND	130-026598
	125582-01-709	EA	WEEPHOLE COVER - LEFT HAND	130-026599

**WINDOW
DRIVER WING**



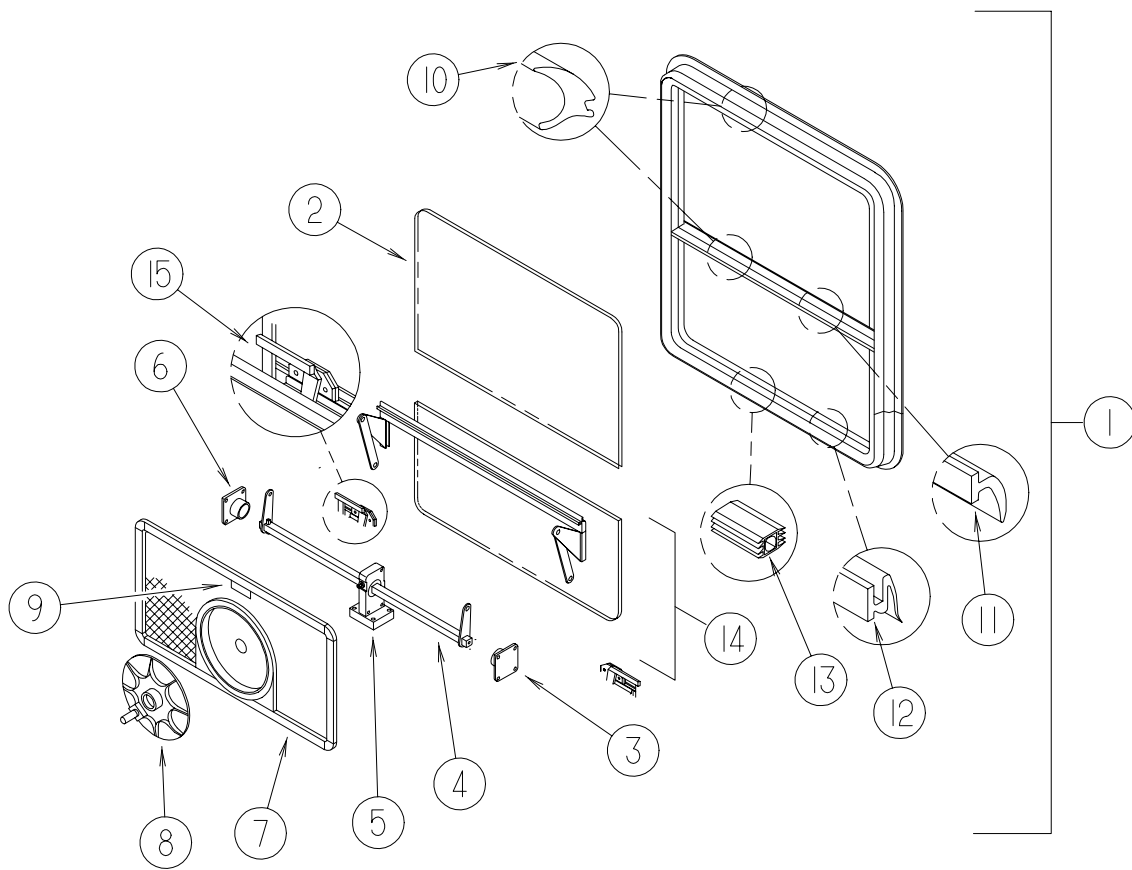
KEY	PART NUMBER	U/M	DESCRIPTION	VENDOR NO.
1	106468-05-01A	EA	WINDOW - DRIVER WING W/TRIM - 6.8"T X 12.2"B X 28.9"H	
2	106468-05-700	EA	GLASS - STATIONARY	106-025382
3	100322-01-703	FT	VINYL - GLAZING - BUTYL	132-010723
	115999-06-702	EA	RETAINER - TRIM RAIL - TOP	H507-42L
	115999-03-703	EA	RETAINER - TRIM RAIL - FRONT	H507-43L
	115999-03-704	EA	RETAINER - TRIM RAIL - BOTTOM	H463-44L
	115999-06-701	EA	RETAINER - TRIM RAIL - REAR	H507-41L
	125582-01-708	EA	WEEPHOLE COVER - RIGHT HAND	130-026598
	125582-01-709	EA	WEEPHOLE COVER - LEFT HAND	130-026599

THERMOPANE



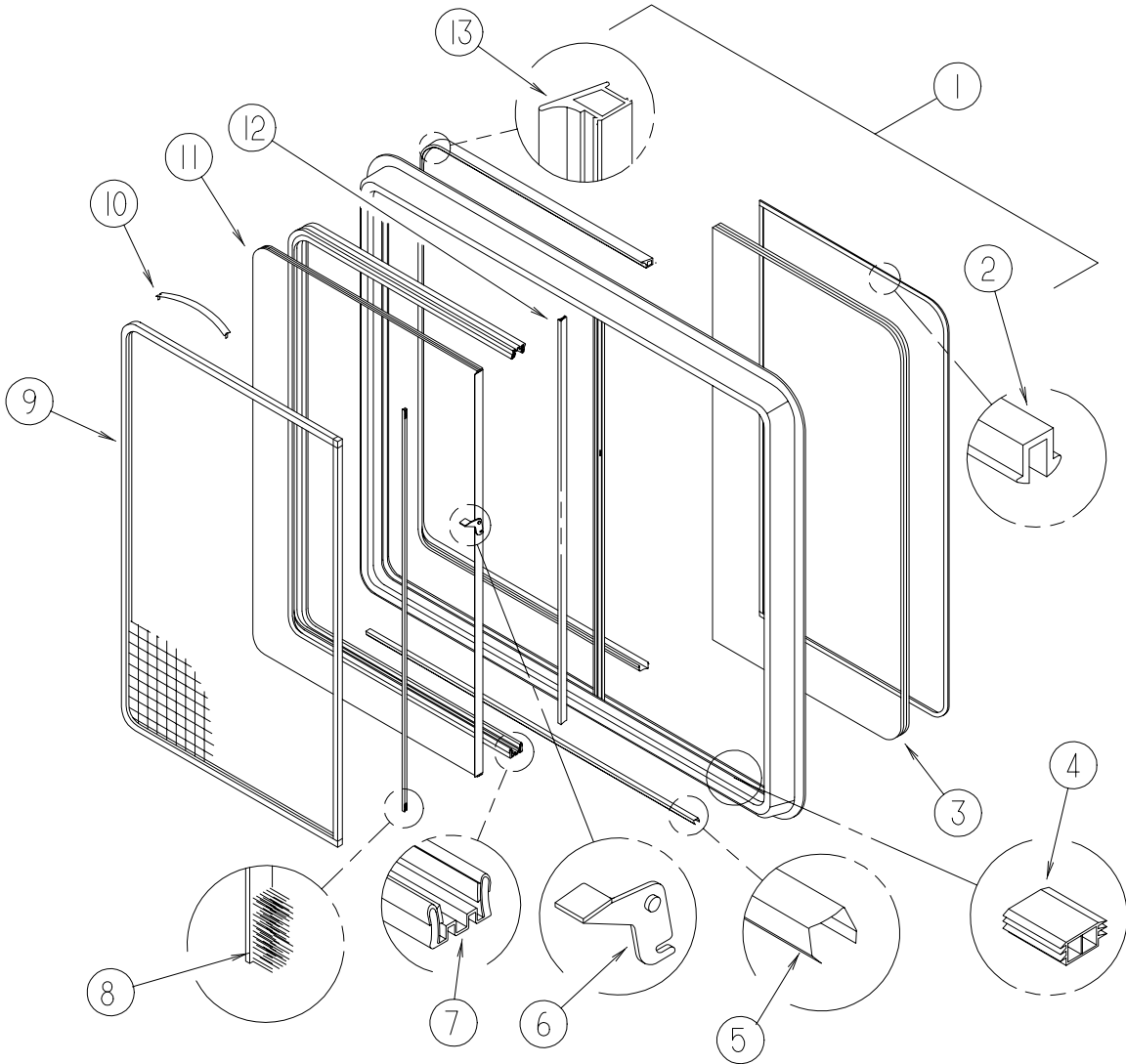
KEY	PART NUMBER	U/M	DESCRIPTION	VENDOR NO.
1	112463-03-01A	EA	WINDOW - TIPOUT W/RETAINER TRIM - 33.3" X 30.2"	
	113500-05-705	EA	RETAINER - TRIM	CW100-59
2	112463-03-701	EA	GLASS - STATIONARY	106-025377
3	100322-01-714	EA	SUPPORT - TORQUE BAR - LH	130-015978
4	112463-03-702	EA	OPERATOR & BAR ASSEMBLY	CH10-18
5	100322-01-716	EA	SUPPORT - TORQUE BAR - CTR RAIL	130-015980
6	100322-01-715	EA	SUPPORT - TORQUE BAR - RH	130-015979
7	112463-03-703	EA	SCREEN ASM - W/SEALS & CLIPS	410-018439
8	100322-01-718	EA	HANDLE - DIAL	410-016081
9	112519-01-706	EA	CLIP - SCREEN	CH21-50
10	100322-01-703	FT	VINYL - GLAZING - BUTYL	132-010723
11	100322-01-702	EA	WEATHERSTRIP - HORIZONTAL RAIL	132-015976
12	100322-01-701	FT	SEAL - VENT	122-016071
13	098644-01-716	FT	PLUG - FILLER	132-014470
14	112463-03-700	EA	VENT ASSEMBLY	CH100-G9
	100322-01-704	FT	TAPE - BUTYL	154-016083
	100322-01-717	EA	E-RING	245-015975

THERMOPANE



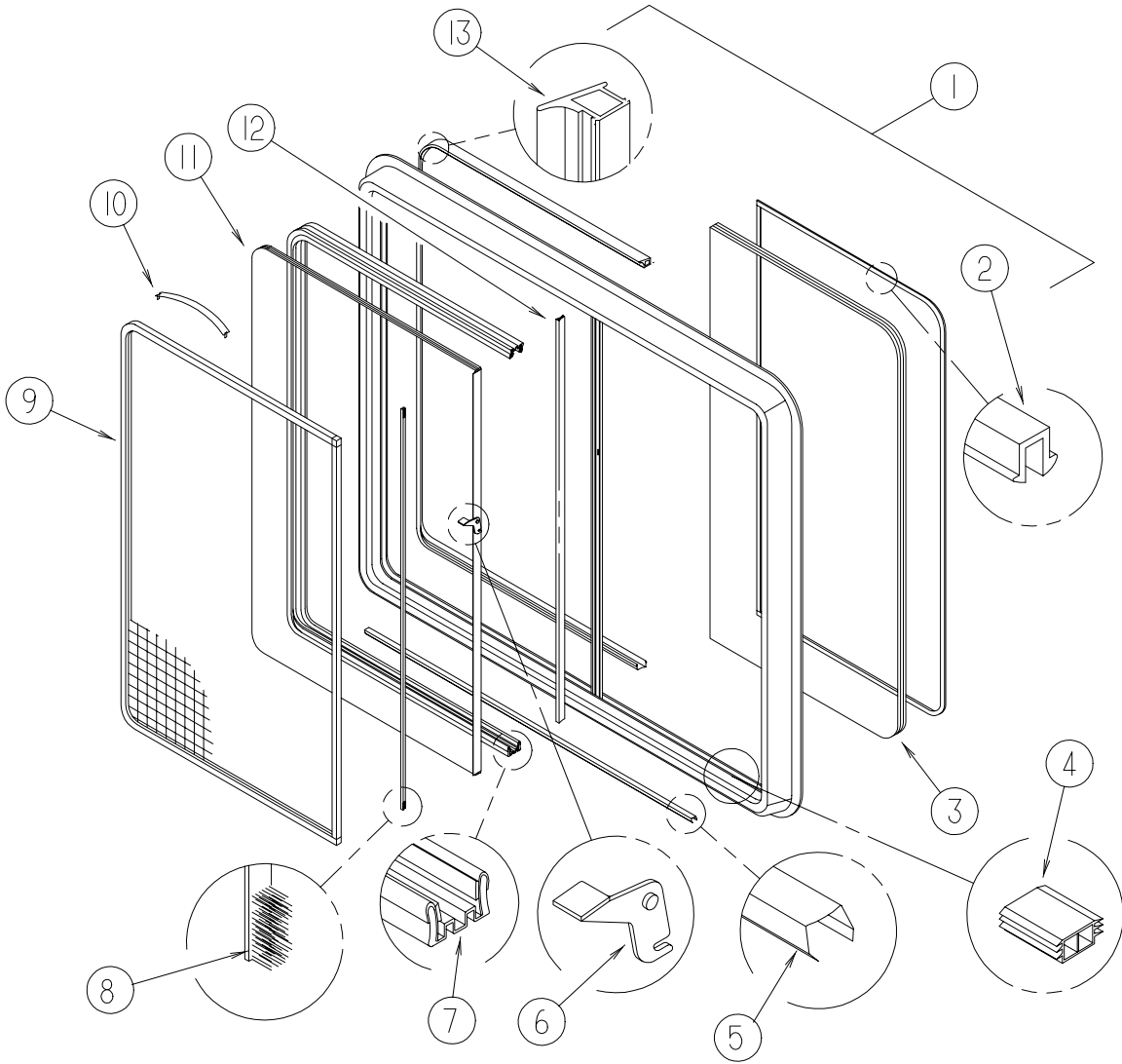
KEY	PART NUMBER	U/M	DESCRIPTION	VENDOR NO.
1	112463-05-01A	EA	WINDOW - TIPOUT/ESCAPE W/RETAINER TRIM - 33.3" X 30.2"	
	113500-06-705	EA	RETAINER - TRIM	CW101-59
2	112463-05-700	EA	GLASS - STATIONARY	106-025378
3	100322-01-714	EA	SUPPORT - TORQUE BAR - LH	130-015978
4	112463-05-702	EA	OPERATOR & BAR ASSEMBLY	CH65-18
5	100322-01-716	EA	SUPPORT - TORQUE BAR - CTR RAIL	130-015980
6	100322-01-715	EA	SUPPORT - TORQUE BAR - RH	130-015979
7	112463-05-701	EA	SCREEN ASM - W/SEALS & CLIPS	410-018441
8	100322-01-718	EA	HANDLE - DIAL	410-016081
9	112519-01-706	EA	CLIP - SCREEN	CH21-50
10	100322-01-703	EA	VINYL - GLAZING - BUTYL	132-010723
11	100322-01-702	EA	WEATHERSTRIP - HORIZONTAL RAIL	132-015976
12	100322-01-701	EA	SEAL - VENT	122-016071
13	098644-01-716	EA	PLUG - FILLER	132-014470
14	112463-05-703	EA	VENT- ASSEMBLY TIPOUT	106-018414
15	112898-06-705	EA	HANDLE - LATCH - RED - LH	182-11294
	112898-06-704	EA	HANDLE - LATCH - RED - RH	182-11293
	100322-01-704	EA	TAPE - BUTYL	154-016083
	100322-01-717	EA	E - RING	245-015975

THERMOPANE



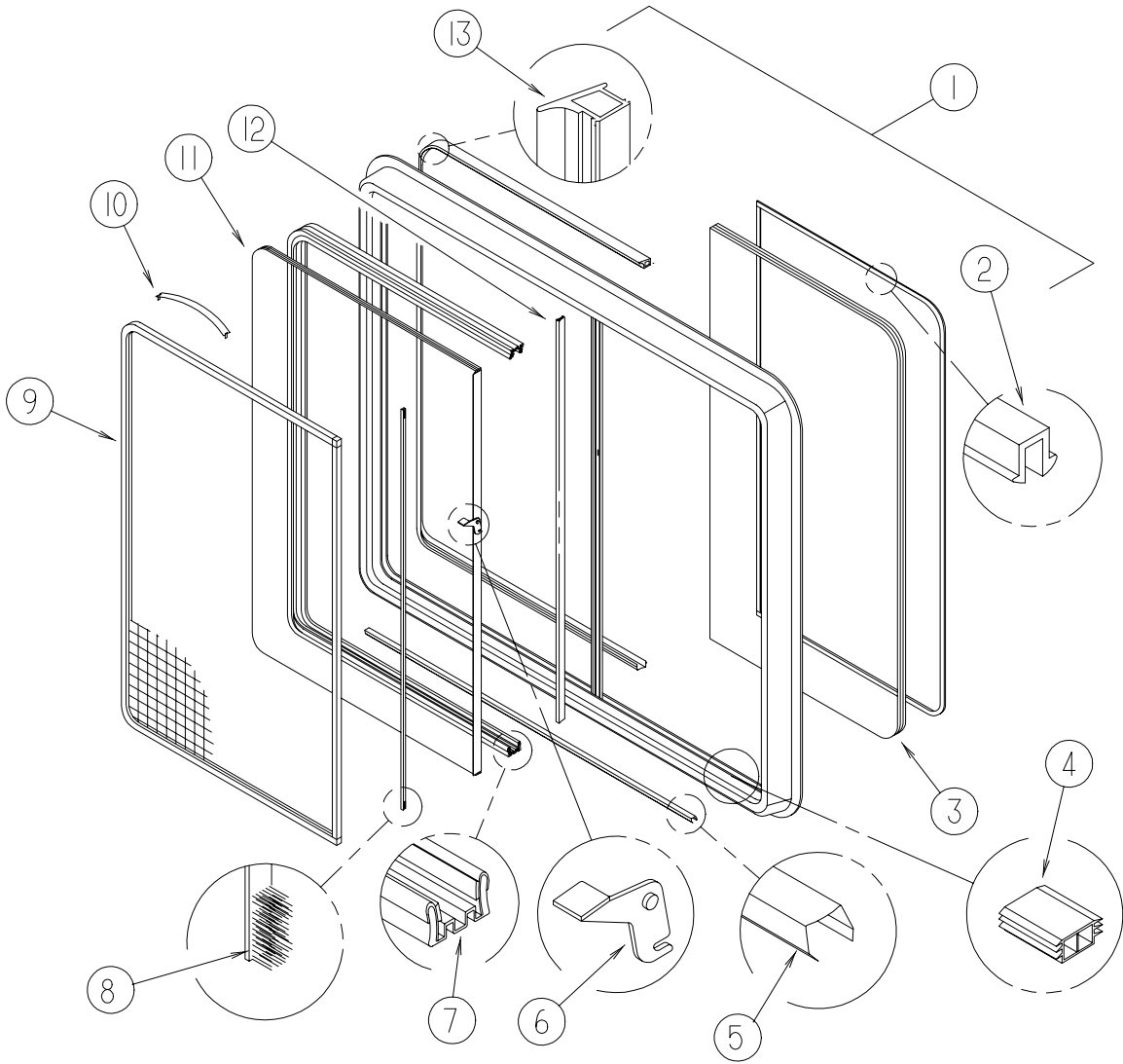
KEY	PART NUMBER	U/M	DESCRIPTION	VENDOR NO.
1	112795-15-01A	EA	WINDOW - DRIVER HORIZONTAL SLIDER - THERMO - 26.4" X 60"	
2	112795-01-705	FT	VINYL - GLAZING	132-025736
3	112795-15-701	EA	GLASS - STATIONARY	390-019045
4	112795-01-701	EA	SLIDE - STOP	132-019092
5	098644-01-710	FT	TRACK - SCREEN SPACER 12'	132-017135
6	112795-01-700	EA	LATCH ASSEMBLY - BLACK - (BOLT ON)	DH287-CK
7	112795-01-703	IN	CHANNEL - RUN (INCHES)	122-018736
8	098644-01-711	FT	WEATHERSTRIP - SCREEN BLACK	171-016965
9	098647-23-704	EA	SCREEN ASM - W/SEALS & CLIPS	410-019066
10	098644-01-713	EA	CLIP - SCREEN - METAL	226-016966
10	125582-01-701	EA	CLIP - SCREEN - PLASTIC	130005153
11	112795-15-702	EA	GLASS-SLIDING W/SASH & LATCH	DH287-G9
12	098644-01-706	FT	WEATHERSTRIP - GLASS	171-010668
13	112795-01-704	FT	PLUG - FILLER - (DOUBLE GLAZED)	122-018737
	098644-01-717	FT	SPLINE - SCREEN	132-004716
	098647-23-702	EA	RETAINER - TRIM	W287-66

THERMOPANE



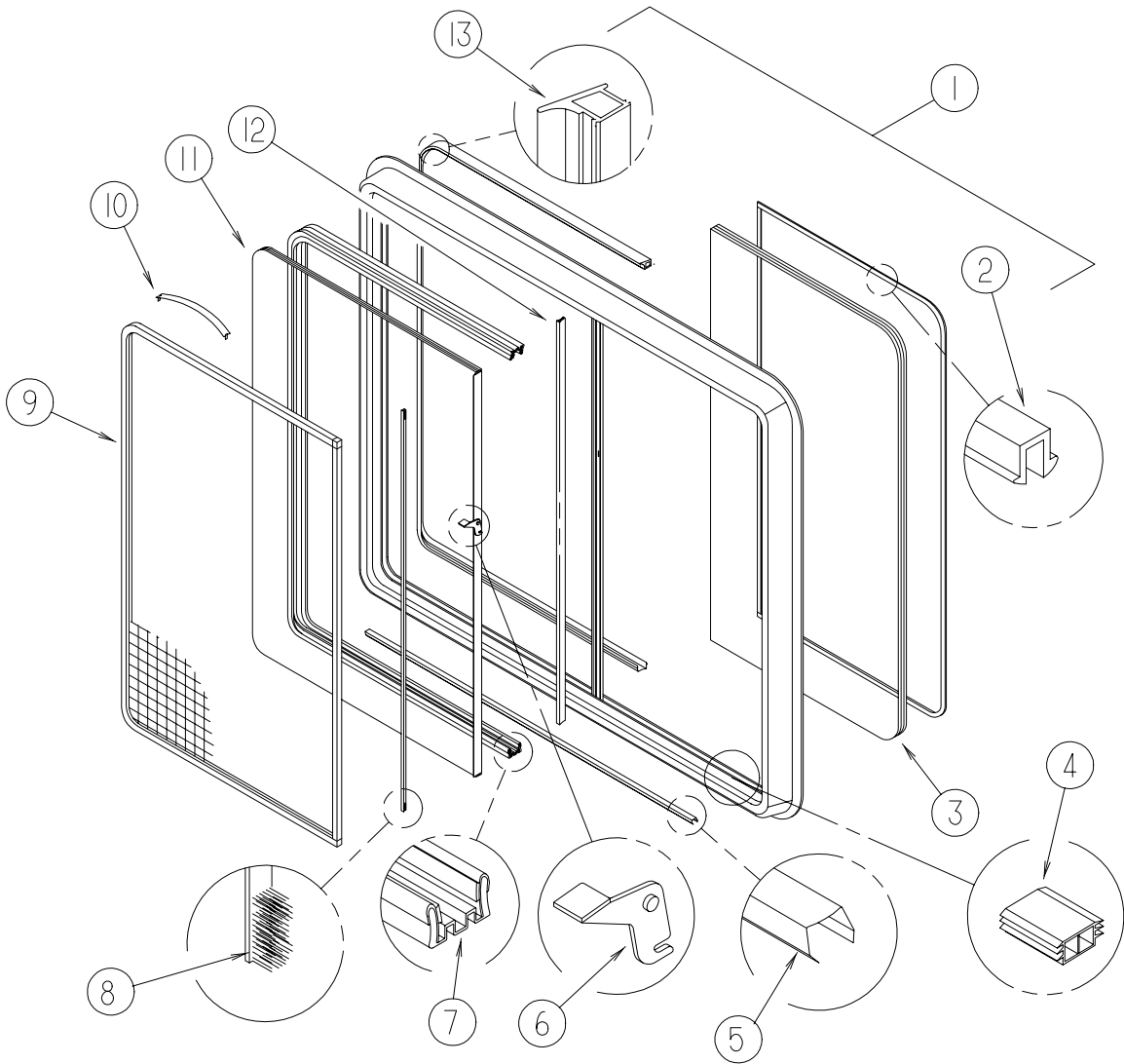
KEY	PART NUMBER	U/M	DESCRIPTION	VENDOR NO.
1	112795-16-01A	EA	WINDOW - PASSENGER HORIZ SLIDER - THERMO - 26.4" X 60"	
2	112795-01-705	FT	VINYL - GLAZING	132-025736
3	112795-15-701	EA	GLASS - STATIONARY	390-019045
4	112795-01-701	EA	SLIDE - STOP	132-019092
5	098644-01-710	FT	TRACK - SCREEN SPACER 12'	132-017135
6	112795-01-700	EA	LATCH ASSEMBLY - BLACK - (BOLT ON)	DH287-CK
7	112795-01-703	IN	CHANNEL - RUN (INCHES)	122-018736
8	098644-01-711	FT	WEATHERSTRIP - SCREEN BLACK	171-016965
9	098647-23-704	EA	SCREEN ASM - W/SEALS & CLIPS	410-019066
10	098644-01-713	EA	CLIP - SCREEN - METAL	226-016966
10	125582-01-701	EA	CLIP - SCREEN - PLASTIC	130005153
11	112795-15-702	EA	GLASS-SLIDING W/SASH & LATCH	DH287-G9
12	098644-01-706	FT	WEATHERSTRIP - GLASS	171-010668
13	112795-01-704	FT	PLUG - FILLER - (DOUBLE GLAZED)	122-018737
	098644-01-717	FT	SPLINE - SCREEN	132-004716
	098647-23-702	EA	RETAINER - TRIM	W287-66

THERMOPANE



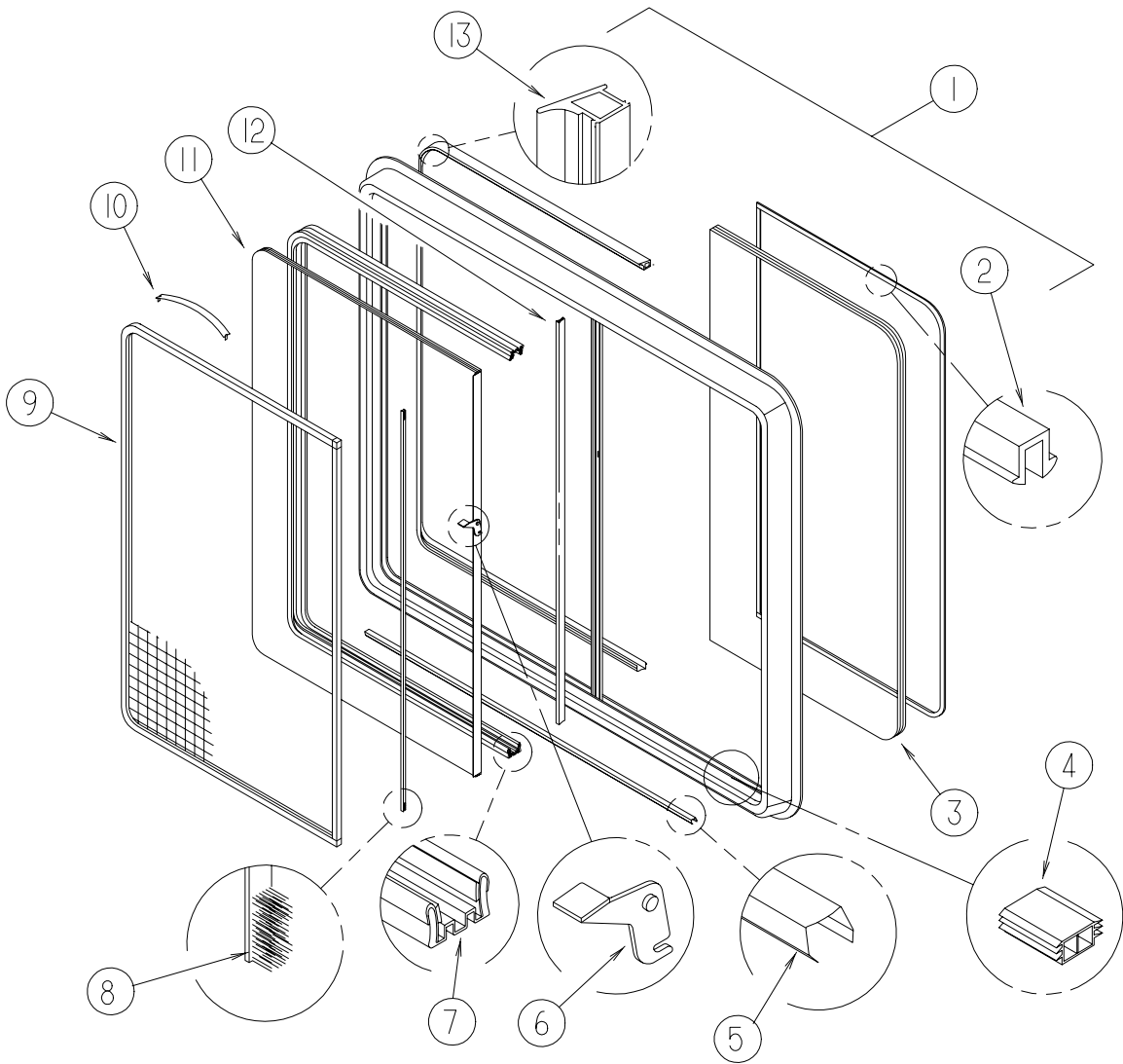
KEY	PART NUMBER	U/M	DESCRIPTION	VENDOR NO.
1	112795-17-01A	EA	WINDOW - PASSENGER HORIZ SLIDER - THERMO - 26.4" X 54" DC80-G2W66R	
2	112795-01-705	FT	VINYL - GLAZING	132-025736
3	112795-17-700	EA	GLASS - STATIONARY	390-019041
4	112795-01-701	EA	SLIDE - STOP	132-019092
5	098644-01-710	FT	TRACK - SCREEN SPACER 12'	132-017135
6	112795-01-700	EA	LATCH ASSEMBLY - BLACK - (BOLT ON)	DH287-CK
7	112795-01-703	IN	CHANNEL - RUN (INCHES)	122-018736
8	098644-01-711	FT	WEATHERSTRIP - SCREEN BLACK	171-016965
9	112795-17-702	EA	SCREEN ASM. W/SEALS & CLIPS	410-019064
10	098644-01-713	EA	CLIP - SCREEN - METAL	226-016966
10	125582-01-701	EA	CLIP - SCREEN - PLASTIC	130005153
11	112795-17-701	EA	GLASS-SLIDING W/SASH & LATCH	DC80-G9
12	098644-01-706	FT	WEATHERSTRIP - GLASS	171-010668
13	112795-01-704	FT	PLUG - FILLER - (DOUBLE GLAZED)	122-018737
	098644-01-717	FT	SPLINE - SCREEN	132-004716
	112795-17-703	EA	RETAINER - TRIM	CW80-66

THERMOPANE



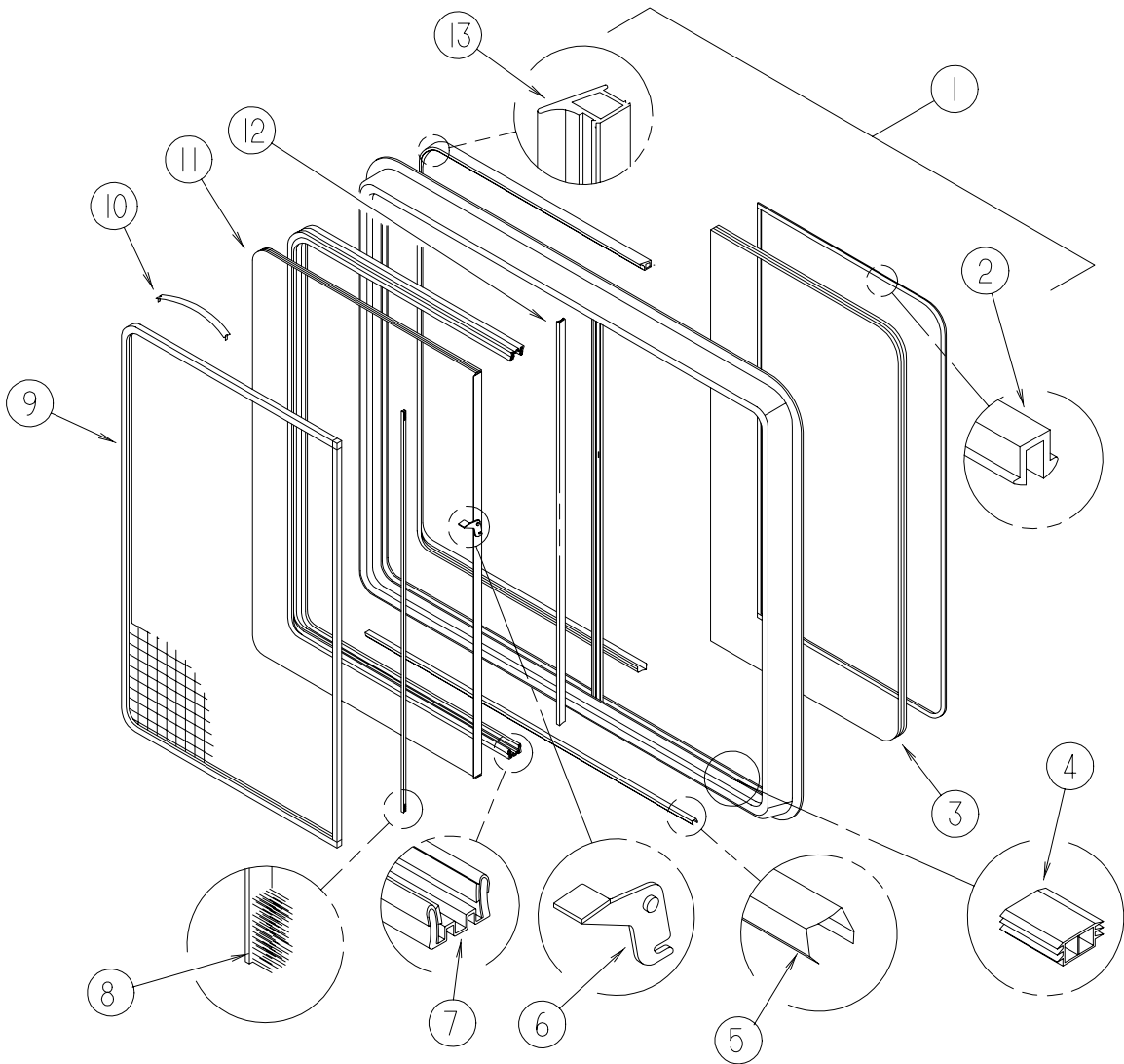
KEY	PART NUMBER	U/M	DESCRIPTION	VENDOR NO.
1	112795-18-01A	EA	WINDOW - PASSENGER HORIZ SLIDER - THERMO - 26.4" X 30"	
2	112795-01-705	FT	VINYL - GLAZING	132-025736
3	112795-18-700	EA	GLASS - STATIONARY	390-019043
4	112795-01-701	EA	SLIDE - STOP	132-019092
5	098644-01-710	FT	TRACK - SCREEN SPACER 12'	132-017135
6	112795-01-700	EA	LATCH ASSEMBLY - BLACK - (BOLT ON)	DH287-CK
7	112795-01-703	IN	CHANNEL - RUN (INCHES)	122-018736
8	098644-01-711	FT	WEATHERSTRIP - SCREEN BLACK	171-016965
9	098647-25-704	EA	SCREEN ASM - W/SEALS & CLIPS	410-019065
10	098644-01-713	EA	CLIP - SCREEN - METAL	226-016966
10	125582-01-701	EA	CLIP - SCREEN - PLASTIC	130005153
11	112795-18-701	EA	GLASS-SLIDING W/SASH & LATCH	DH286-G9
12	098644-01-706	FT	WEATHERSTRIP - GLASS	171-010668
13	112795-01-704	FT	PLUG - FILLER - (DOUBLE GLAZED)	122-018737
	098644-01-717	FT	SPLINE - SCREEN	132-004716
	098647-25-701	EA	RETAINER - TRIM	W286-66

THERMOPANE



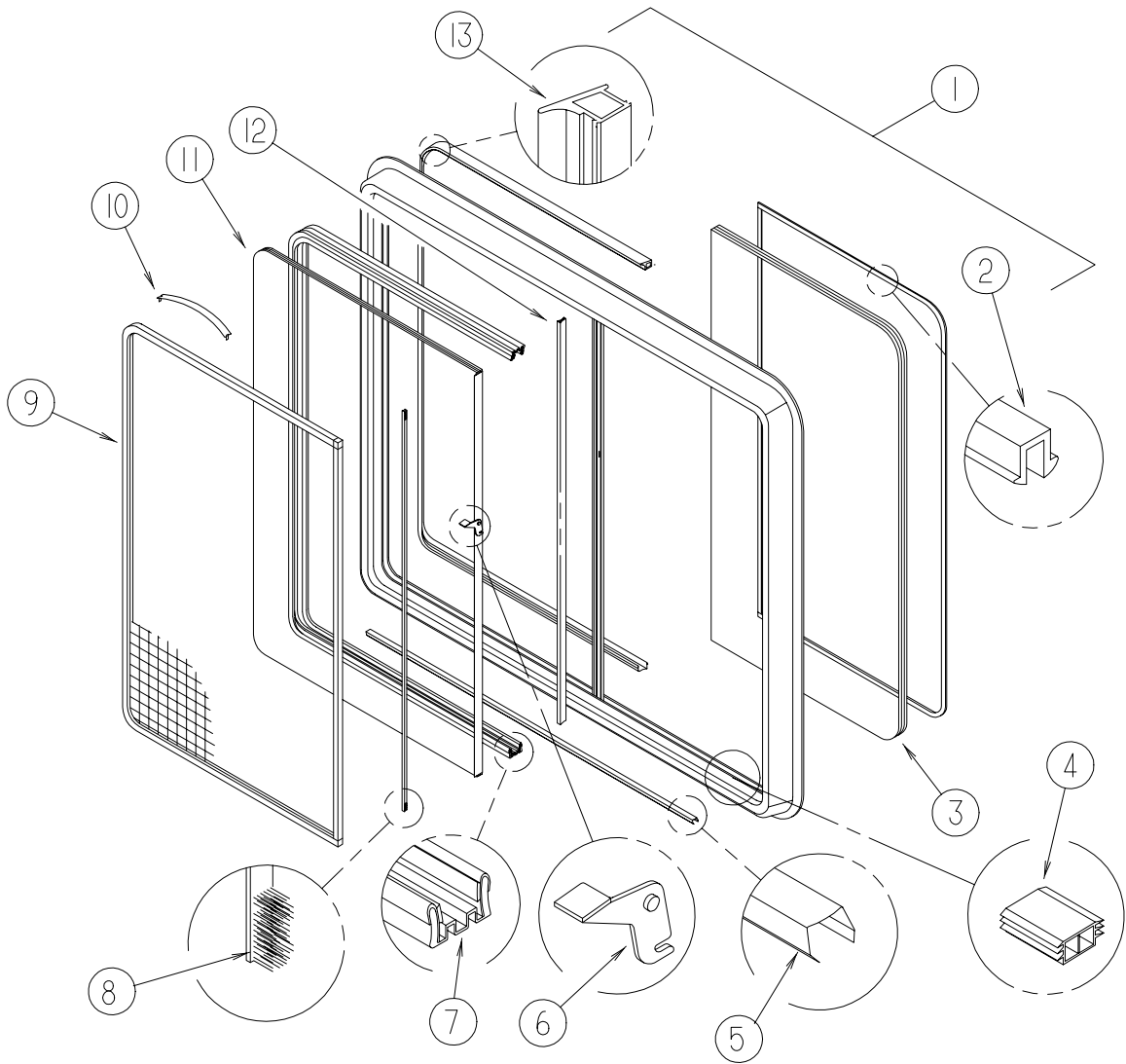
KEY	PART NUMBER	U/M	DESCRIPTION	VENDOR NO.
1	112795-19-01A	EA	WINDOW - PASSENGER HORIZ SLIDER - THERMO - 16" X 28.7"	
2	112795-01-705	FT	VINYL - GLAZING	132-025736
3	112795-19-701	EA	GLASS - STATIONARY	390-019134
4	112795-01-701	EA	SLIDE - STOP	132-019092
5	098644-01-710	FT	TRACK - SCREEN SPACER 12'	132-017135
6	112795-01-700	EA	LATCH ASSEMBLY - BLACK - (BOLT ON)	DH287-CK
7	112795-01-703	IN	CHANNEL - RUN (INCHES)	122-018736
8	098644-01-711	FT	WEATHERSTRIP - SCREEN BLACK	171-016965
9	098647-31-704	EA	SCREEN ASM - W/SEALS & CLIPS	410-019128
10	098644-01-713	EA	CLIP - SCREEN - METAL	226-016966
10	125582-01-701	EA	CLIP - SCREEN - PLASTIC	130005153
11	112795-19-702	EA	GLASS-SLIDING W/SASH & LATCH	DC29-G9
12	098644-01-706	FT	WEATHERSTRIP - GLASS	171-010668
13	112795-01-704	FT	PLUG - FILLER - (DOUBLE GLAZED)	122-018737
	098644-01-717	FT	SPLINE - SCREEN	132-004716
	098647-31-701	EA	RETAINER - TRIM	CW29-66

THERMOPANE



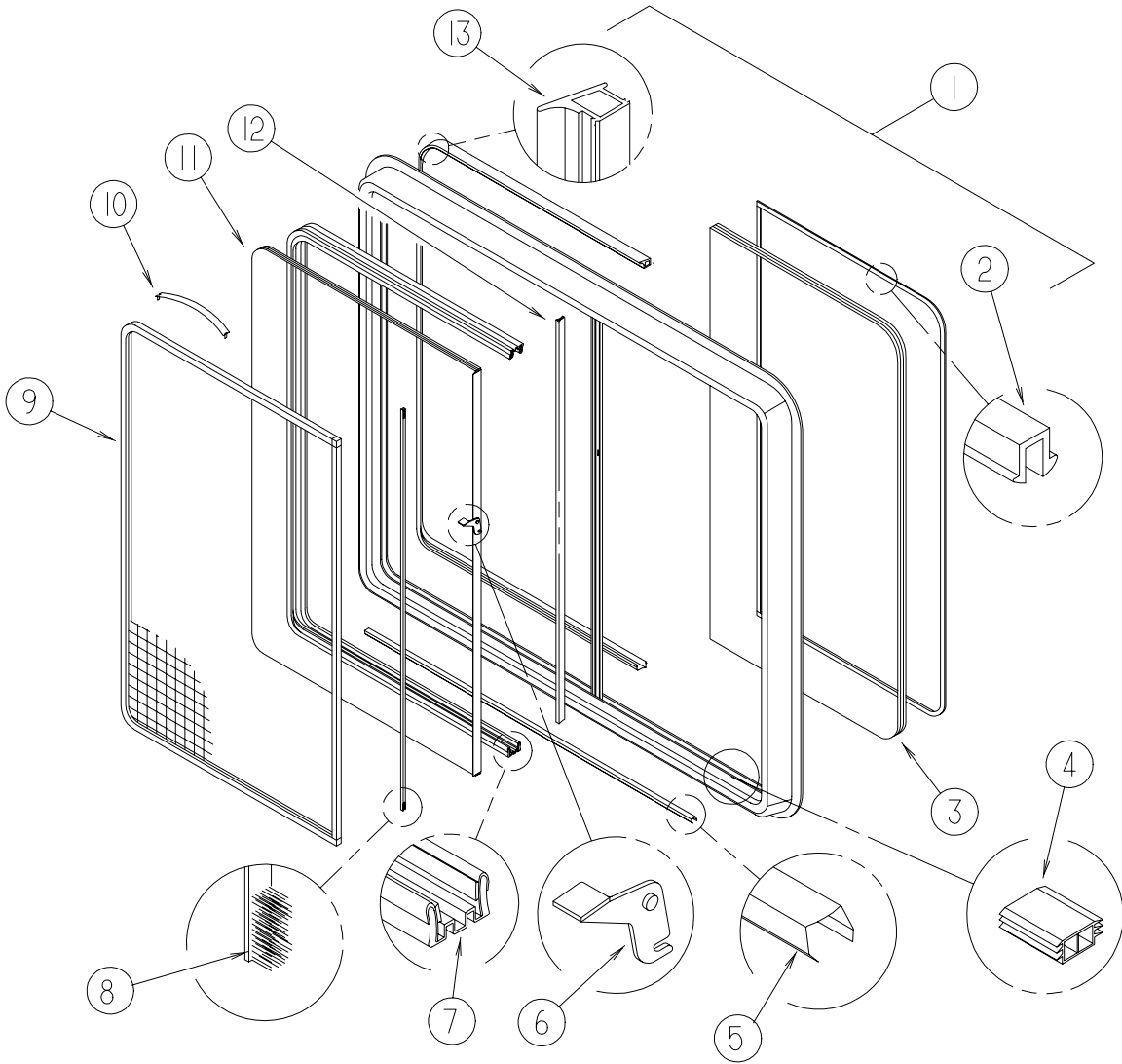
KEY	PART NUMBER	U/M	DESCRIPTION	VENDOR NO.
1	112795-20-01A	EA	WINDOW - DRIVER HORIZONTAL SLIDER - THERMO - 16" X 28.7"	
2	112795-01-705	FT	VINYL - GLAZING	132-025736
3	112795-19-701	EA	GLASS - STATIONARY	390-019134
4	112795-01-701	EA	SLIDE - STOP	132-019092
5	098644-01-710	FT	TRACK - SCREEN SPACER 12'	132-017135
6	112795-01-700	EA	LATCH ASSEMBLY - BLACK - (BOLT ON)	DH287-CK
7	112795-01-703	IN	CHANNEL - RUN (INCHES)	122-018736
8	098644-01-711	FT	WEATHERSTRIP - SCREEN BLACK	171-016965
9	098647-31-704	EA	SCREEN ASM - W/SEALS & CLIPS	410-019128
10	098644-01-713	EA	CLIP - SCREEN - METAL	226-016966
10	125582-01-701	EA	CLIP - SCREEN - PLASTIC	130005153
11	112795-19-702	EA	GLASS - SLIDING - W/SASH & LATCH	DC29-G9
12	098644-01-706	FT	WEATHERSTRIP - GLASS	171-010668
13	112795-01-704	FT	PLUG - FILLER - (DOUBLE GLAZED)	122-018737
	098644-01-717	FT	SPLINE - SCREEN	132-004716
	098647-31-701	EA	RETAINER - TRIM	CW29-66

THERMOPANE



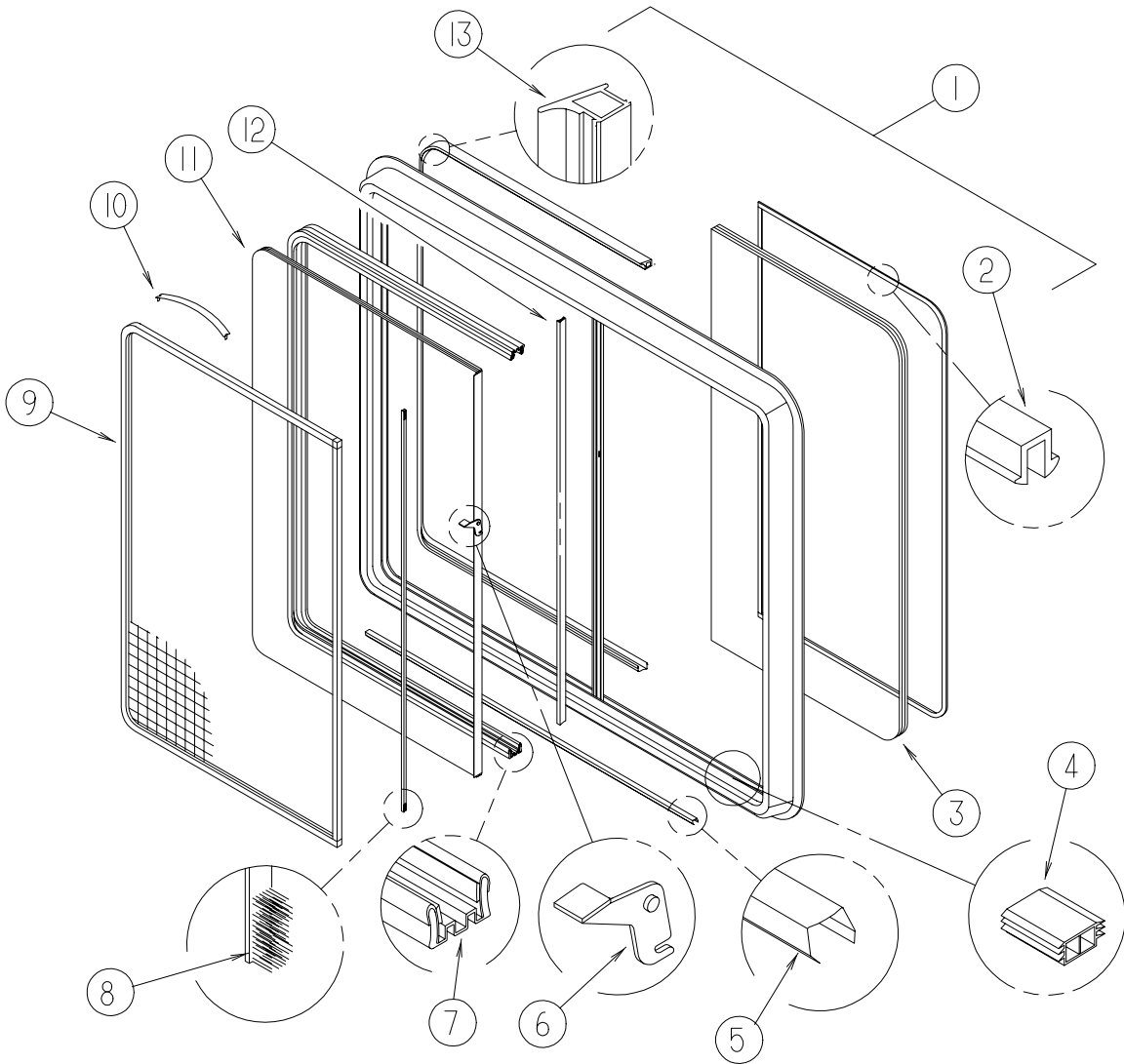
KEY	PART NUMBER	U/M	DESCRIPTION	VENDOR NO.
1	112795-21-01A	EA	WINDOW - PASSENGER HORIZ SLIDER - THERMO - 24.5" X 41.3"	
2	112795-01-705	FT	VINYL - GLAZING	132-025736
3	112795-21-701	EA	GLASS - STATIONARY	390-019132
4	112795-01-701	EA	SLIDE - STOP	132-019092
5	098644-01-710	FT	TRACK - SCREEN SPACER 12'	132-017135
6	112795-01-700	EA	LATCH ASSEMBLY - BLACK - (BOLT ON)	DH287-CK
7	112795-01-703	IN	CHANNEL - RUN (INCHES)	122-018736
8	098644-01-711	FT	WEATHERSTRIP - SCREEN BLACK	171-016965
9	098647-29-704	EA	SCREEN ASM - W/SEALS & CLIPS	410-018864
10	098644-01-713	EA	CLIP - SCREEN - METAL	226-016966
10	125582-01-701	EA	CLIP - SCREEN - PLASTIC	130005153
11	112795-21-702	EA	GLASS - SLIDING - W/SASH & LATCH	DC04-G9
12	098644-01-706	FT	WEATHERSTRIP - GLASS	171-010668
13	112795-01-704	FT	PLUG - FILLER - (DOUBLE GLAZED)	122-018737
	098644-01-717	FT	SPLINE - SCREEN	132-004716
	098647-29-701	EA	RETAINER - TRIM	CW04-66

THERMOPANE



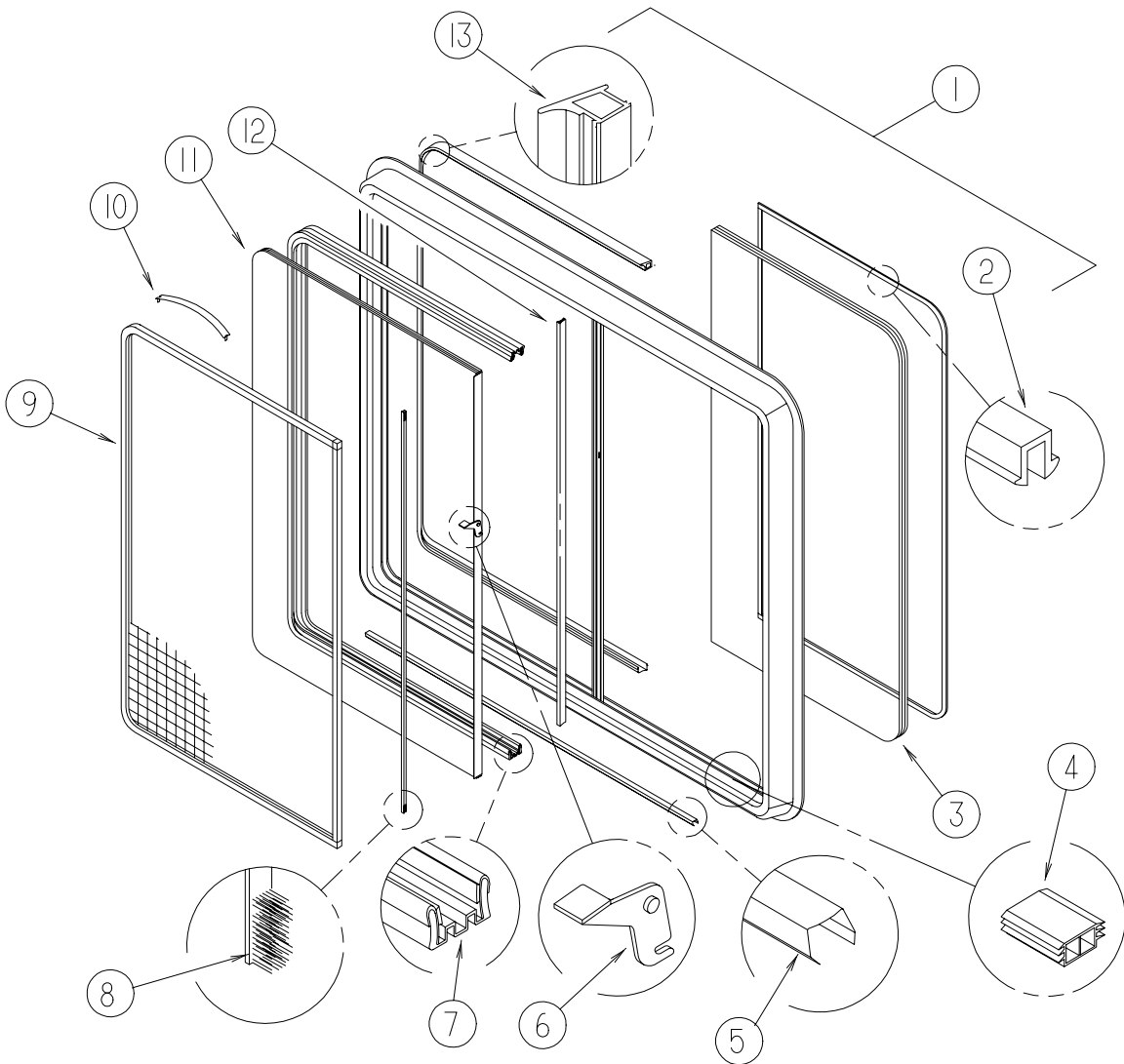
KEY	PART NUMBER	U/M	DESCRIPTION	VENDOR NO.
1	112795-22-01A	EA	WINDOW - PASSENGER HORIZONTAL SLIDER -THERMO-26.1" X 47.8"	
2	112795-01-705	FT	VINYL - GLAZING	132-025736
3	112795-22-702	EA	GLASS - STATIONARY	390-019039
4	112795-01-701	EA	SLIDE - STOP	132-019092
5	098644-01-710	FT	TRACK - SCREEN SPACER 12'	132-017135
6	112795-01-700	EA	LATCH ASSEMBLY - BLACK - (BOLT ON)	DH287-CK
7	112795-01-703	IN	CHANNEL - RUN (INCHES)	122-018736
8	098644-01-711	FT	WEATHERSTRIP - SCREEN BLACK	171-016965
9	098647-38-704	EA	SCREEN ASM - W/SEALS & CLIPS	410-019063
10	098644-01-713	EA	CLIP - SCREEN - METAL	226-016966
10	125582-01-701	EA	CLIP - SCREEN - PLASTIC	130005153
11	112795-22-703	EA	GLASS-SLIDING W/SASH & LATCH	DC48-G9
12	098644-01-706	FT	WEATHERSTRIP - GLASS	171-010668
13	112795-01-704	FT	PLUG - FILLER - (DOUBLE GLAZED)	122-018737
	098644-01-717	FT	SPLINE - SCREEN	132-004716
	112795-22-701	EA	RETAINER -	W303-66

THERMOPANE



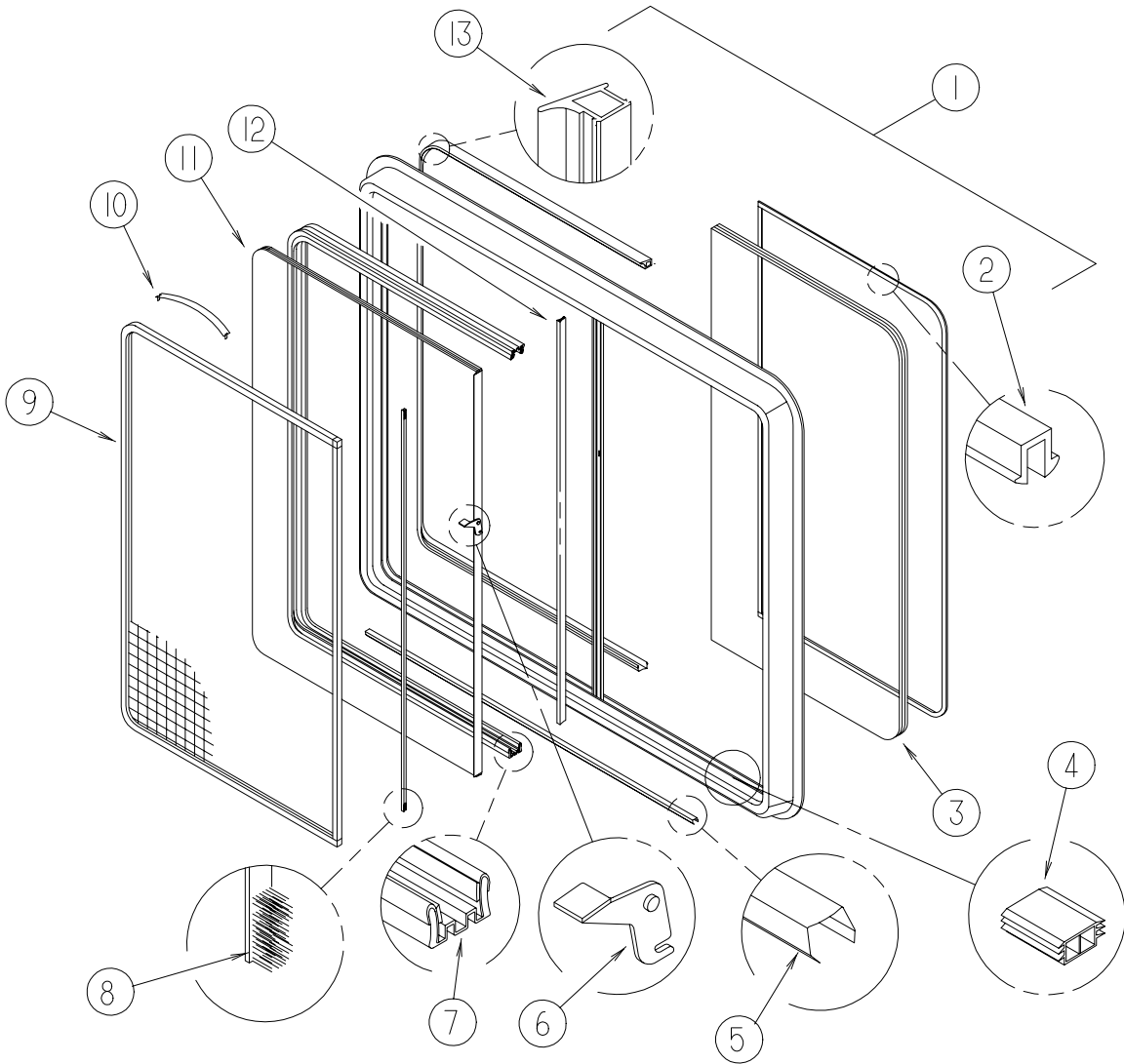
KEY	PART NUMBER	U/M	DESCRIPTION	VENDOR NO.
1	112795-23-01A	EA	WINDOW - DRIVER HORIZONTAL SLIDER - THERMO - 24.5" X 41.3"	
	098647-29-701	EA	RETAINER - TRIM	CW04-66
2	112795-01-705	FT	VINYL - GLAZING	132-025736
3	112795-21-701	EA	GLASS - STATIONARY	390-019132
4	112795-01-701	EA	SLIDE-STOP	132-019092
5	098644-01-710	FT	TRACK - SCREEN SPACER 12'	132-017135
6	112795-01-700	EA	LATCH ASM., BLK.,(BOLT ON)	DH287-CK
7	112795-01-703	IN	CHANNEL-RUN (INCHES)	122-018736
8	098644-01-711	FT	WEATHERSTRIP - SCREEN BLACK	171-016965
9	098647-29-704	EA	SCREEN ASM - W/SEALS & CLIPS	410-018864
10	098644-01-713	EA	CLIP - SCREEN - METAL	226-016966
10	125582-01-701	EA	CLIP - SCREEN - PLASTIC	130005153
11	112795-21-702	EA	GLASS-SLIDING W/SASH & LATCH	DC04-G9
12	098644-01-706	FT	WEATHERSTRIP - GLASS	171-010668
13	112795-01-704	FT	PLUG FILLER (DOUBLE GLAZED)	122-018737
	098644-01-717	FT	SPLINE - SCREEN	132-004716

THERMOPANE



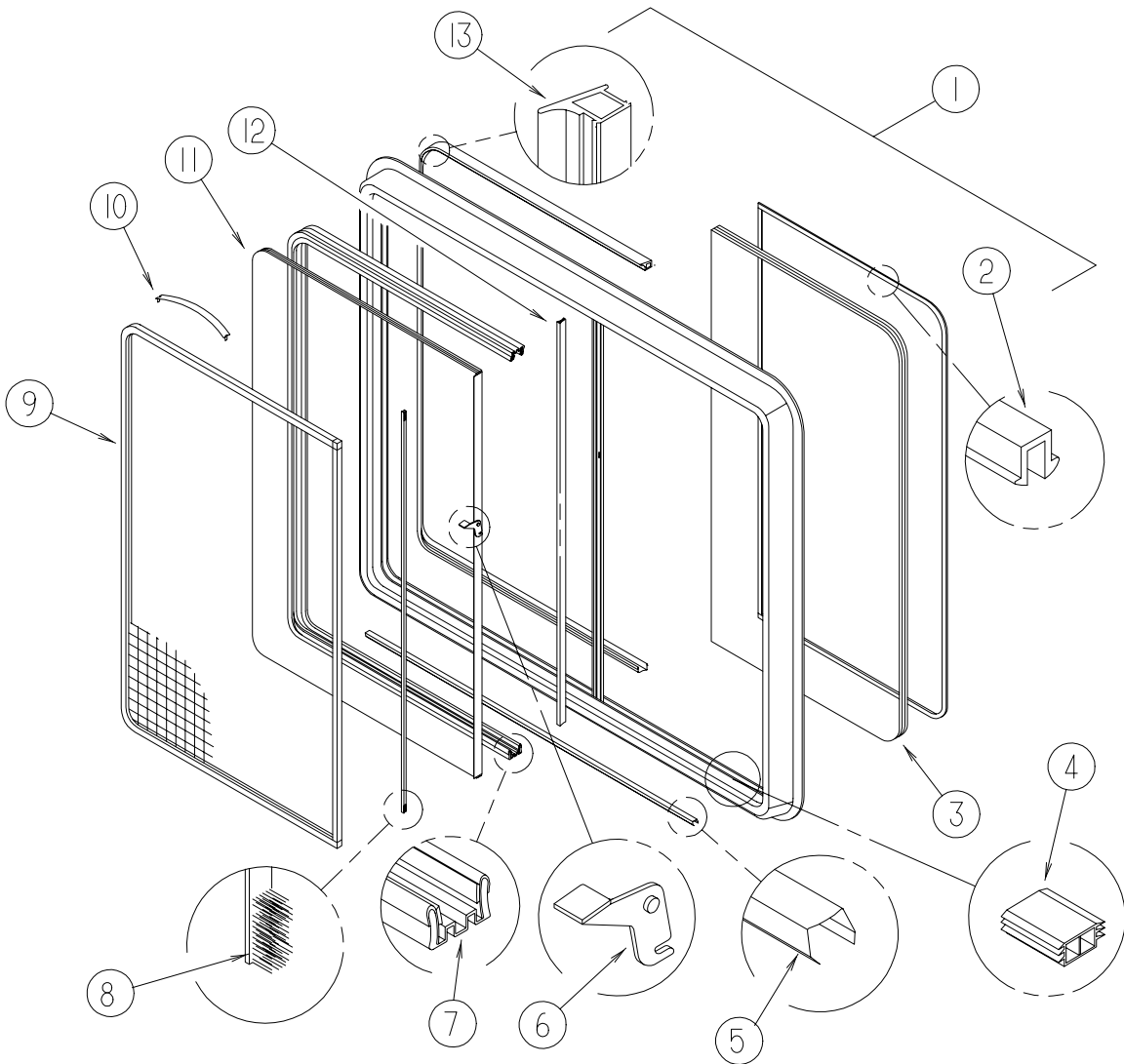
KEY	PART NUMBER	U/M	DESCRIPTION	VENDOR NO.
1	112795-25-01A	EA	WINDOW - DRIVER HORIZONTAL SLIDER - THERMO - 26.4" X 48"	
	112795-22-701	EA	RETAINER - TRIM	W303-66
2	112795-01-705	FT	VINYL - GLAZING	132-025736
3	112795-22-702	EA	GLASS - STATIONARY	390-019039
4	112795-01-701	EA	SLIDE-STOP	132-019092
5	098644-01-710	FT	TRACK - SCREEN SPACER 12'	132-017135
6	112795-01-700	EA	LATCH ASM., BLK., (BOLT ON)	DH287-CK
7	112795-01-703	IN	CHANNEL-RUN (INCHES)	122-018736
8	098644-01-711	FT	WEATHERSTRIP - SCREEN BLACK	171-016965
9	098647-38-704	EA	SCREEN ASM - W/SEALS & CLIPS	410-019063
10	098644-01-713	EA	CLIP - SCREEN - METAL	226-016966
10	125582-01-701	EA	CLIP - SCREEN - PLASTIC	130005153
11	112795-22-703	EA	GLASS-SLIDING W/SASH & LATCH	DC48-G9
12	098644-01-706	FT	WEATHERSTRIP - GLASS	171-010668
13	112795-01-704	FT	PLUG FILLER (DOUBLE GLAZED)	122-018737
	098644-01-717	FT	SPLINE - SCREEN	132-004716

THERMOPANE



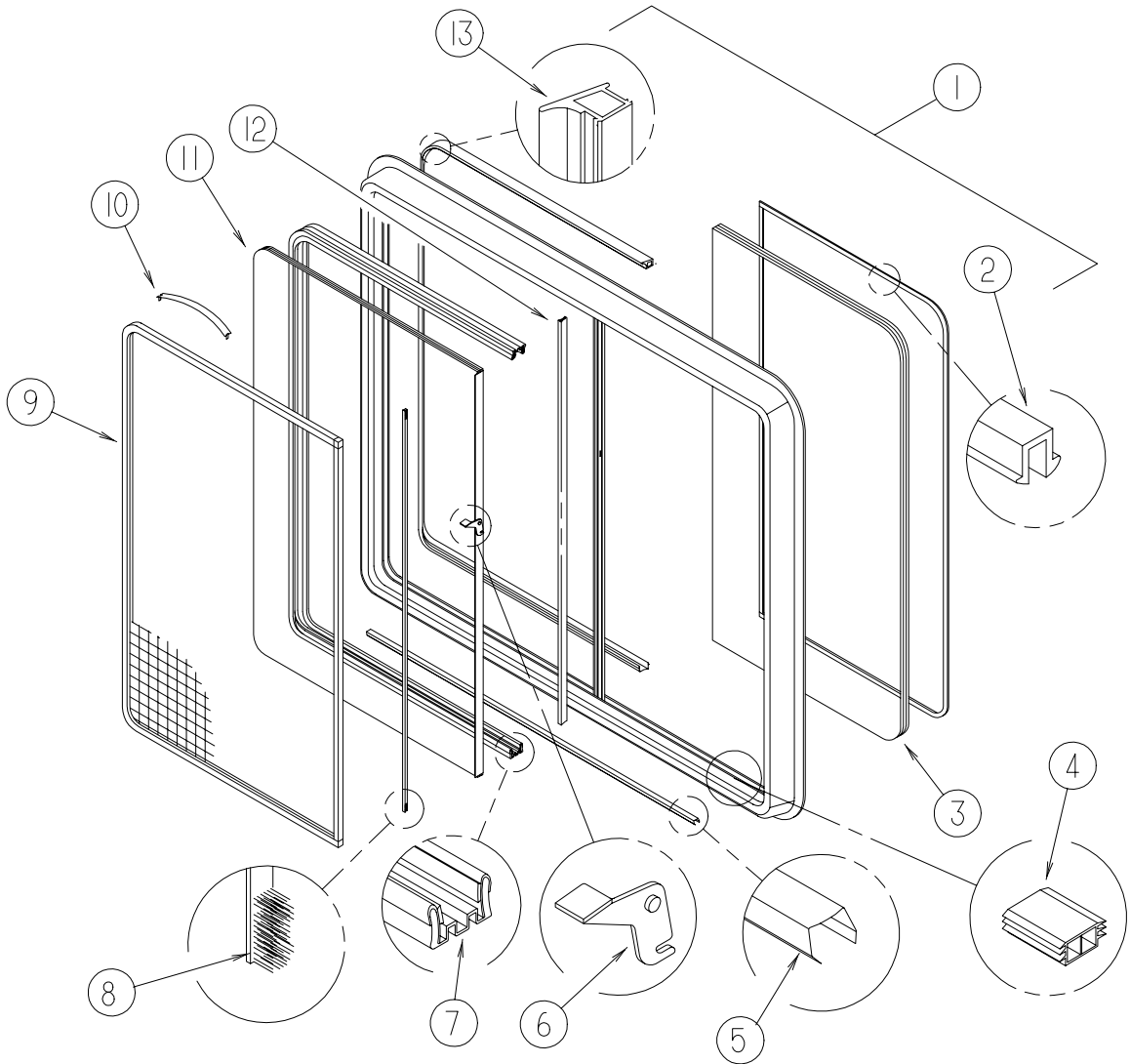
KEY	PART NUMBER	U/M	DESCRIPTION	VENDOR NO.
1	112795-26-01A	EA	WINDOW - DRIVER HORIZONTAL SLIDER - THERMO - 22" X 22"	
	112795-26-701	EA	RETAINER - TRIM	CW44-66
2	112795-01-705	FT	VINYL - GLAZING	132-025736
3	112795-26-702	EA	GLASS - STATIONARY	390-019168
4	112795-01-701	EA	SLIDE-STOP	132-019092
5	098644-01-710	FT	TRACK - SCREEN SPACER 12'	132-017135
6	112795-01-700	EA	LATCH ASM., BLK., (BOLT ON)	DH287-CK
7	112795-01-703	IN	CHANNEL-RUN (INCHES)	122-018736
8	098644-01-711	FT	WEATHERSTRIP - SCREEN BLACK	171-016965
9	112795-26-704	EA	SCREEN ASM - W/SEALS & CLIPS	410-019188
10	098644-01-713	EA	CLIP - SCREEN - METAL	226-016966
10	125582-01-701	EA	CLIP - SCREEN - PLASTIC	130005153
11	112795-26-703	EA	GLASS-SLIDING W/SASH & LATCH	DC44-G9
12	098644-01-706	FT	WEATHERSTRIP - GLASS	171-010668
13	112795-01-704	FT	PLUG FILLER (DOUBLE GLAZED)	122-018737
	098644-01-717	FT	SPLINE - SCREEN	132-004716

THERMOPANE



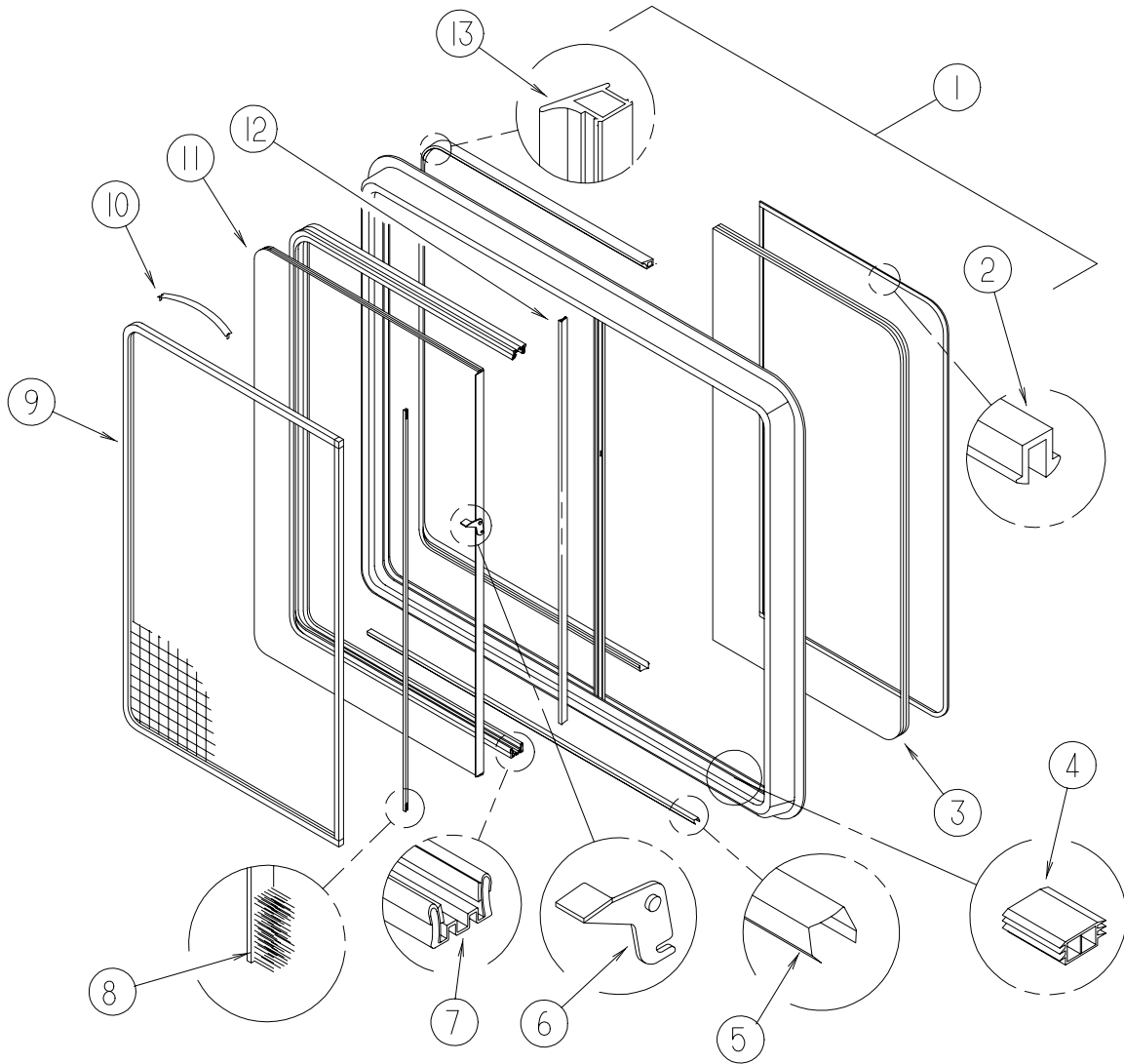
KEY	PART NUMBER	U/M	DESCRIPTION	VENDOR NO.
1	112795-29-01A	EA	WINDOW - PASS HORIZONTAL SLIDER - THERMO - 30.7" X 27.8"	
2	112795-01-705	FT	VINYL - GLAZING	132-025736
3	112795-29-702	EA	GLASS - STATIONARY	390-019178
4	112795-01-701	EA	SLIDE - STOP	132-019092
5	098644-01-710	FT	TRACK - SCREEN SPACER 12'	132-017135
6	112795-01-700	EA	LATCH ASSEMBLY - BLACK - (BOLT ON)	DH287-CK
7	112795-01-703	IN	CHANNEL - RUN (INCHES)	122-018736
8	098644-01-711	FT	WEATHERSTRIP - SCREEN BLACK	171-016965
9	112795-29-704	EA	SCREEN ASM - W/SEALS & CLIPS	410-019192
10	098644-01-713	EA	CLIP - SCREEN - METAL	226-016966
10	125582-01-701	EA	CLIP - SCREEN - PLASTIC	130005153
11	112795-29-703	EA	GLASS - SLIDING - W/SASH & LATCH	DH150-G9
12	098644-01-706	FT	WEATHERSTRIP - GLASS	171-010668
13	112795-01-704	FT	PLUG - FILLER - (DOUBLE GLAZED)	122-018737
	098644-01-717	FT	SPLINE - SCREEN	132-004716
	112795-29-701	EA	RETAINER - TRIM	W150-66

THERMOPANE



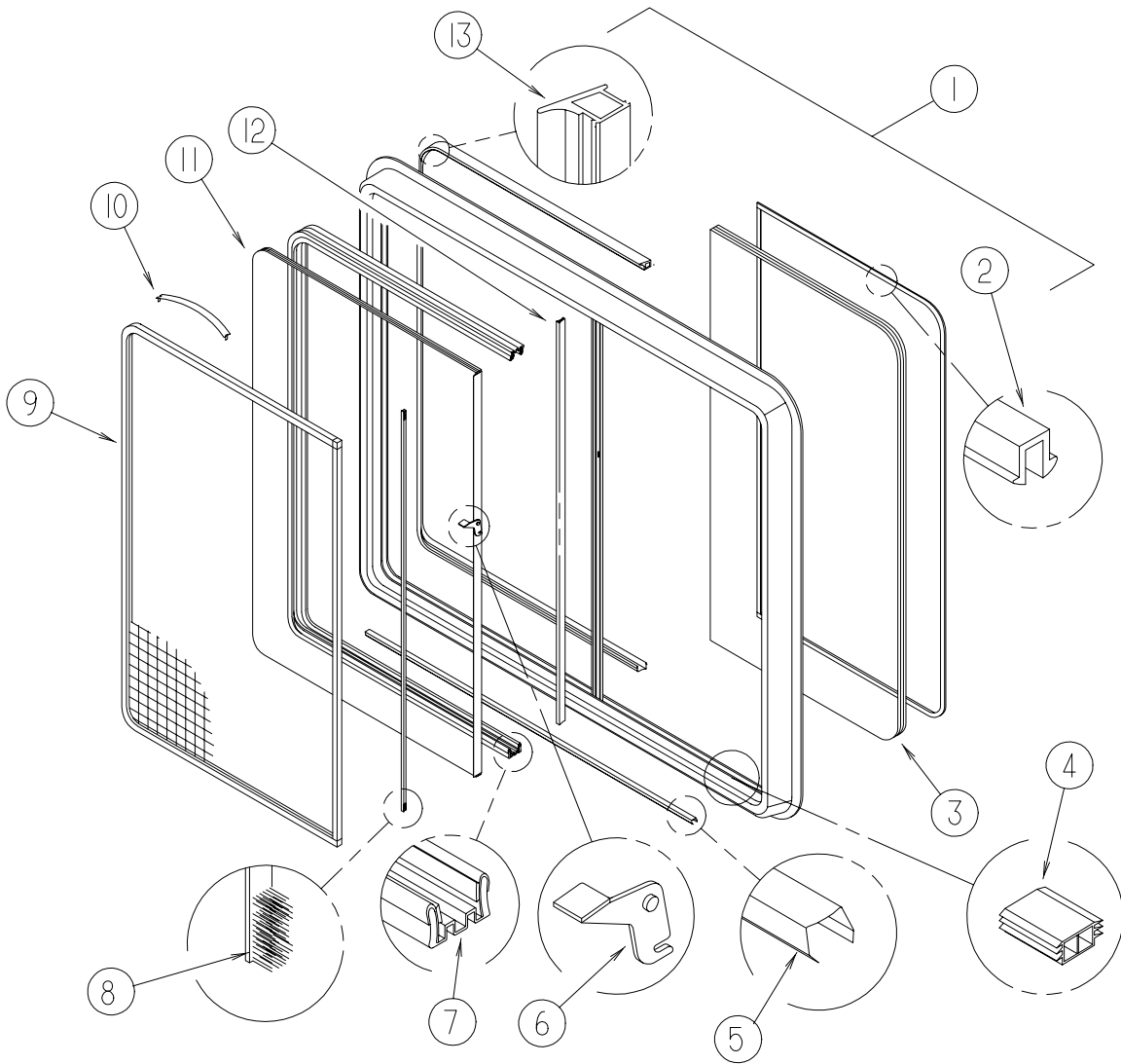
KEY	PART NUMBER	U/M	DESCRIPTION	VENDOR NO
1	112795-31-01A	EA	WINDOW - PASS HORIZONTAL SLIDER - THERMO - 29.8" X 41.5"	
2	112795-01-705	FT	VINYL - GLAZING	132-025736
3	112795-31-702	EA	GLASS - STATIONARY	390-019281
4	112795-01-701	EA	SLIDE - STOP	132-019092
5	098644-01-710	FT	TRACK - SCREEN SPACER 12'	132-017135
6	112795-01-700	EA	LATCH ASSEMBLY - BLACK - (BOLT ON)	DH287-CK
7	112795-01-703	IN	CHANNEL - RUN (INCHES)	122-018736
8	098644-01-711	FT	WEATHERSTRIP - SCREEN BLACK	171-016965
9	098647-31-704	EA	SCREEN ASM - W/SEALS & CLIPS	410-019068
10	098644-01-713	EA	CLIP - SCREEN - METAL	226-016966
10	125582-01-701	EA	CLIP - SCREEN - PLASTIC	130005153
11	112795-31-703	EA	GLASS-SLIDING W/SASH & LATCH	DH291-G9
12	098644-01-706	FT	WEATHERSTRIP - GLASS	171-010668
13	112795-01-704	FT	PLUG - FILLER - (DOUBLE GLAZED)	122-018737
	098644-01-717	FT	SPLINE - SCREEN	132-004716
	112795-31-701	EA	RETAINER - TRIM	W291-66

THERMOPANE



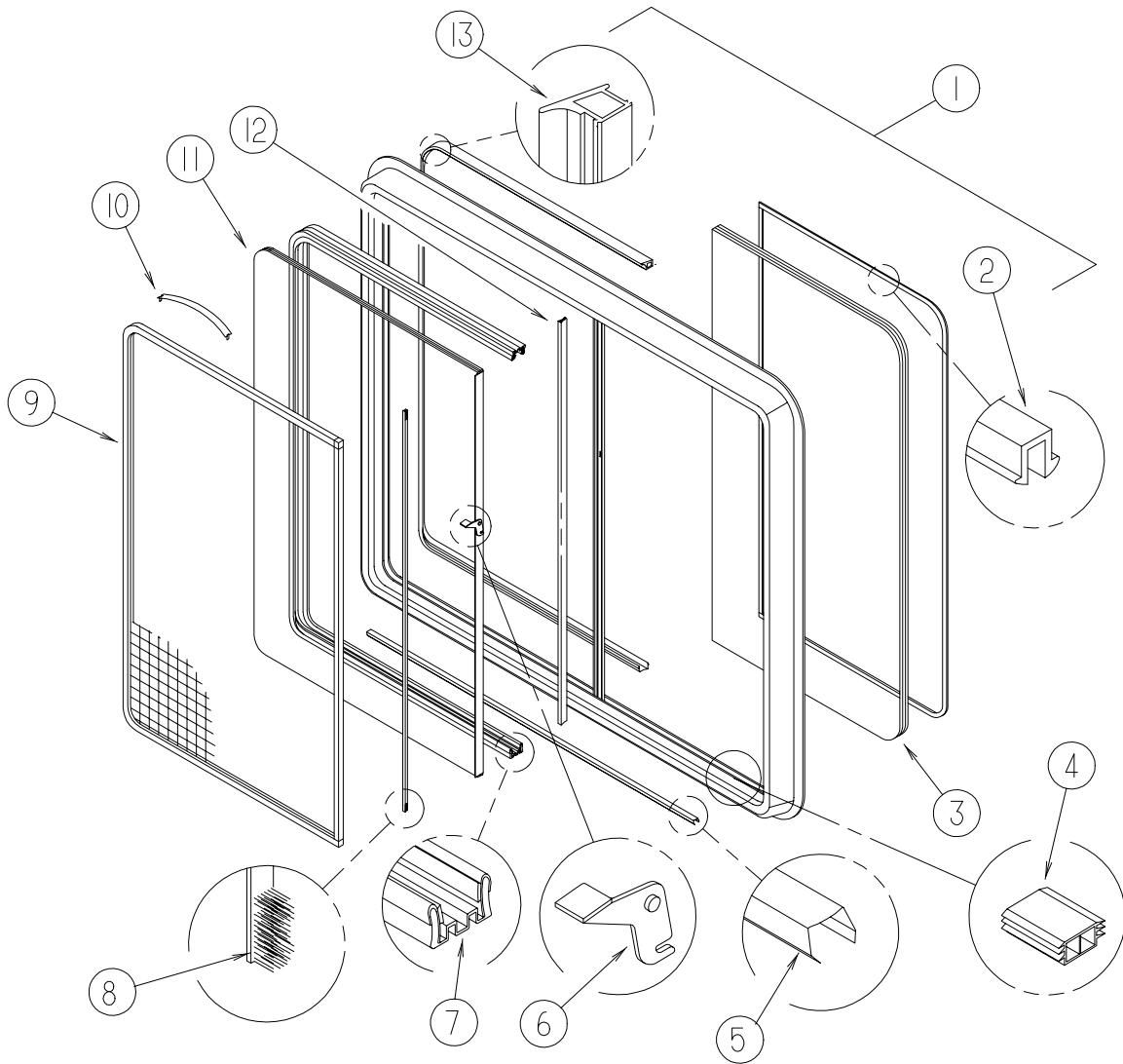
KEY	PART NUMBER	U/M	DESCRIPTION	VENDOR NO.
1	112795-33-01A	EA	WINDOW - PASS HORIZONTAL SLIDER - THERMO 30.7" X 57.8"	
2	112795-01-705	FT	VINYL - GLAZING	132-025736
3	112795-33-702	EA	GLASS - STATIONARY	390-019225
4	112795-01-701	EA	SLIDE - STOP	132-019092
5	098644-01-710	FT	TRACK - SCREEN SPACER 12'	132-017135
6	112795-01-700	EA	LATCH ASSEMBLY - BLACK - (BOLT ON)	DH287-CK
7	112795-01-703	IN	CHANNEL - RUN (INCHES)	122-018736
8	098644-01-711	FT	WEATHERSTRIP - SCREEN BLACK	171-016965
9	098647-33-704	EA	SCREEN ASM - W/SEALS & CLIPS	410-019134
10	098644-01-713	EA	CLIP - SCREEN - METAL	226-016966
10	125582-01-701	EA	CLIP - SCREEN - PLASTIC	130005153
11	112795-33-703	EA	GLASS - SLIDING - W/SASH & LATCH	DH112-G29
12	098644-01-706	FT	WEATHERSTRIP - GLASS	171-010668
13	112795-01-704	FT	PLUG - FILLER - (DOUBLE GLAZED)	122-018737
	098644-01-717	FT	SPLINE - SCREEN	132-004716
	112795-33-701	EA	RETAINER - TRIM	CW29-66

THERMOPANE



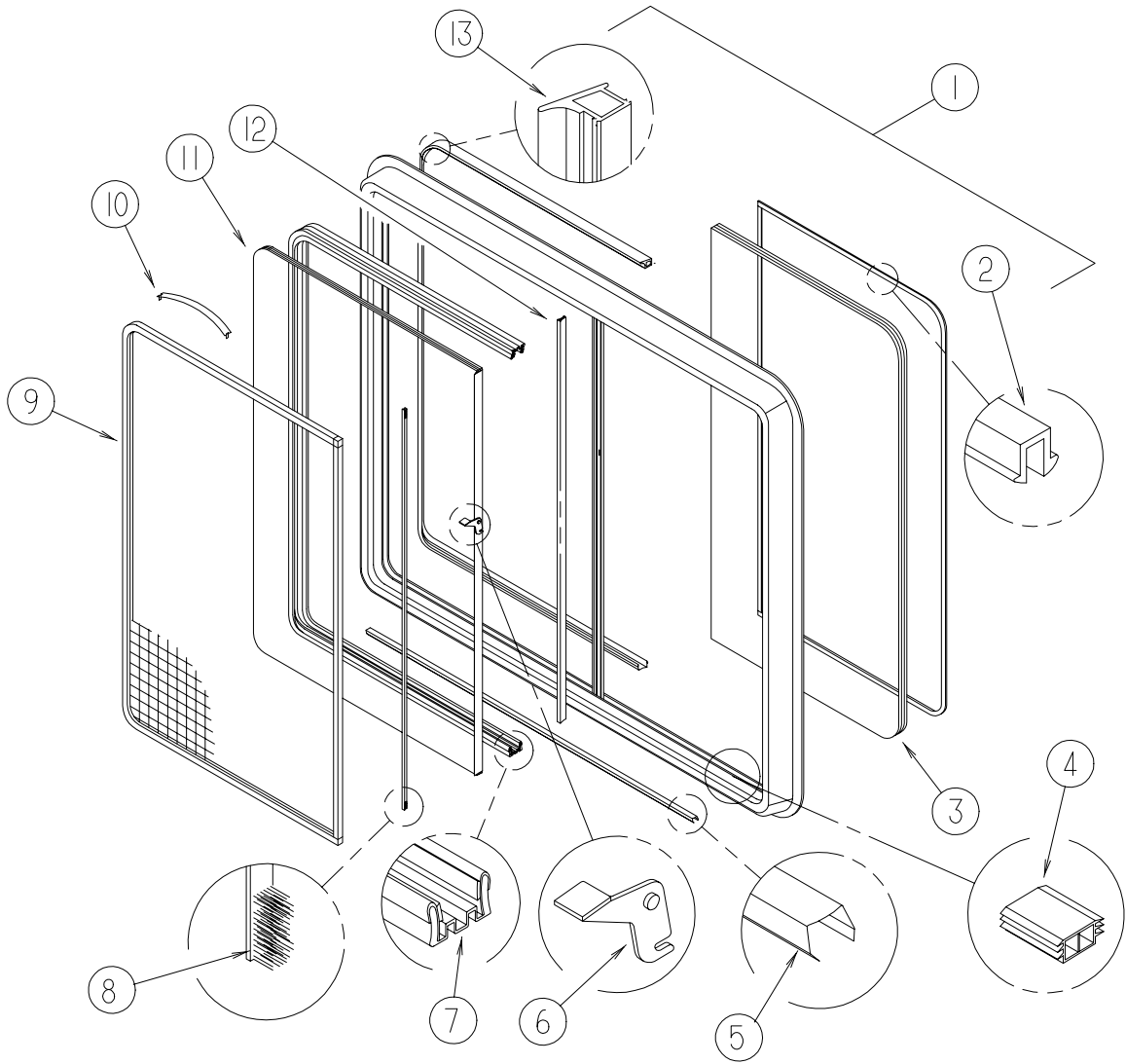
KEY	PART NUMBER	U/M	DESCRIPTION	VENDOR NO.
1	112795-34-01A	EA	WINDOW - DRIVER HORIZONTAL SLIDER - THERMO - 30.7" X 57.8"	
2	112795-01-705	FT	VINYL - GLAZING	132-025736
3	112795-33-702	EA	GLASS - STATIONARY	390-019225
4	112795-01-701	EA	SLIDE - STOP	132-019092
5	098644-01-710	FT	TRACK - SCREEN SPACER 12'	132-017135
6	112795-01-700	EA	LATCH ASSEMBLY - BLACK - (BOLT ON)	DH287-CK
7	112795-01-703	IN	CHANNEL - RUN (INCHES)	122-018736
8	098644-01-711	FT	WEATHERSTRIP - SCREEN BLACK	171-016965
9	112795-33-704	EA	SCREEN ASM - W/SEALS & CLIPS	410-019247
10	098644-01-713	EA	CLIP - SCREEN - METAL	226-016966
10	125582-01-701	EA	CLIP - SCREEN - PLASTIC	130005153
11	112795-33-703	EA	GLASS - SLIDING - W/SASH & LATCH	DH112-G29
12	098644-01-706	FT	WEATHERSTRIP - GLASS	171-010668
13	112795-01-704	FT	PLUG - FILLER - (DOUBLE GLAZED)	122-018737
	098644-01-717	FT	SPLINE - SCREEN	132-004716
	098647-33-701	EA	RETAINER - TRIM	CW29-66

THERMOPANE



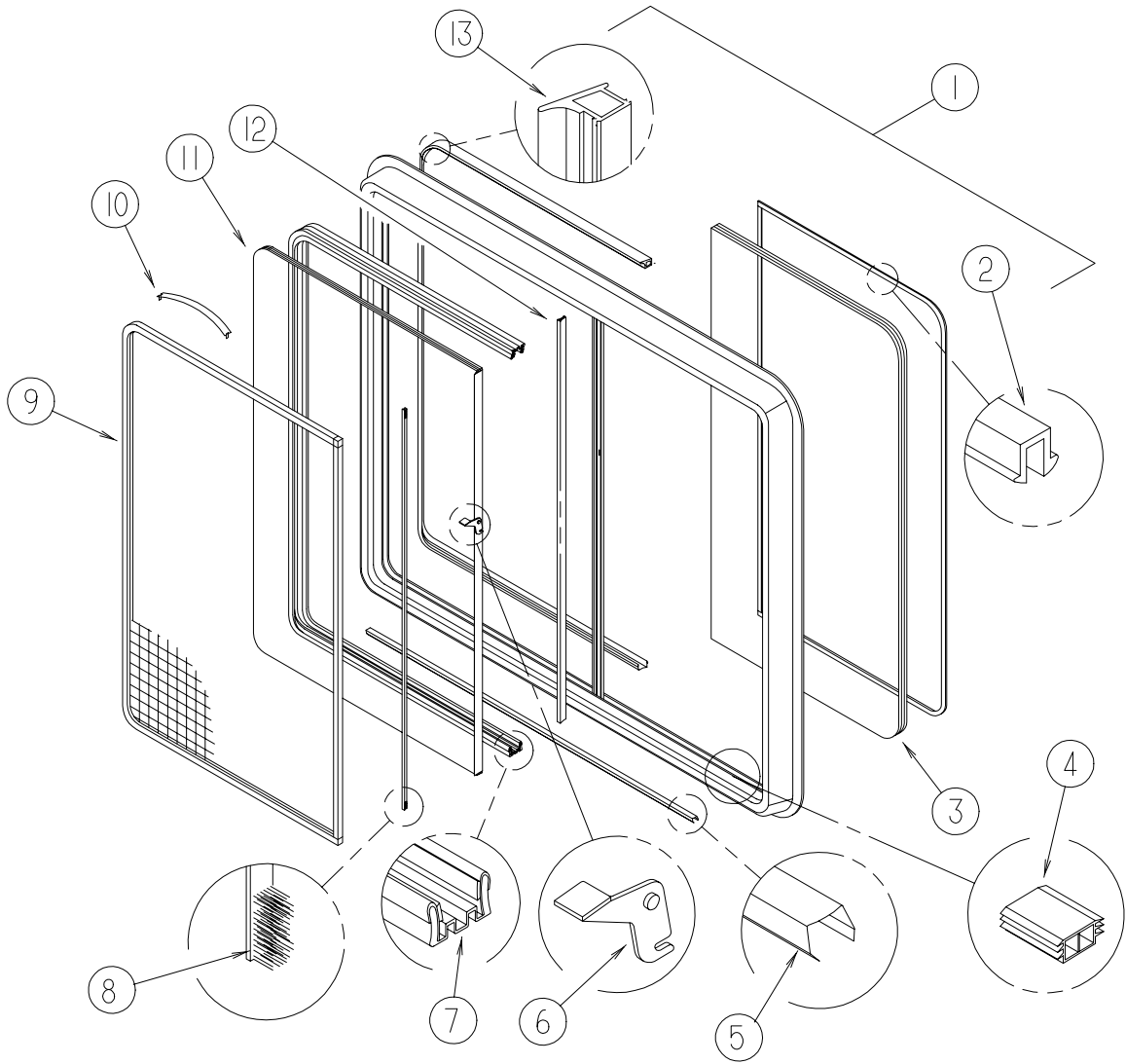
KEY	PART NUMBER	U/M	DESCRIPTION	VENDOR NO.
1	112795-37-01A	EA	WINDOW - DRIVER HORIZONTAL SLIDER - THERMO - 38" X 59.8"	
2	112795-01-705	FT	VINYL - GLAZING	132-025736
3	112795-37-702	EA	GLASS - STATIONARY	390-019499
4	112795-01-701	EA	SLIDE - STOP	132-019092
5	098644-01-710	FT	TRACK - SCREEN SPACER 12'	132-017135
6	112795-01-700	EA	LATCH ASSEMBLY - BLACK - (BOLT ON)	DH287-CK
7	112795-01-703	IN	CHANNEL - RUN (INCHES)	122-018736
8	098644-01-711	FT	WEATHERSTRIP - SCREEN BLACK	171-016965
9	112795-37-704	EA	SCREEN ASM - W/SEALS & CLIPS	410-019501
10	098644-01-713	EA	CLIP - SCREEN - METAL	226-016966
10	125582-01-701	EA	CLIP - SCREEN - PLASTIC	130005153
11	112795-37-703	EA	GLASS-SLIDING W/SASH & LATCH	DH442-G9
12	098644-01-706	FT	WEATHERSTRIP - GLASS	171-010668
13	112795-01-704	FT	PLUG - FILLER - (DOUBLE GLAZED)	122-018737
	098644-01-717	FT	SPLINE - SCREEN	132-004716
	098647-37-701	EA	RETAINER - TRIM	W288-66

THERMOPANE



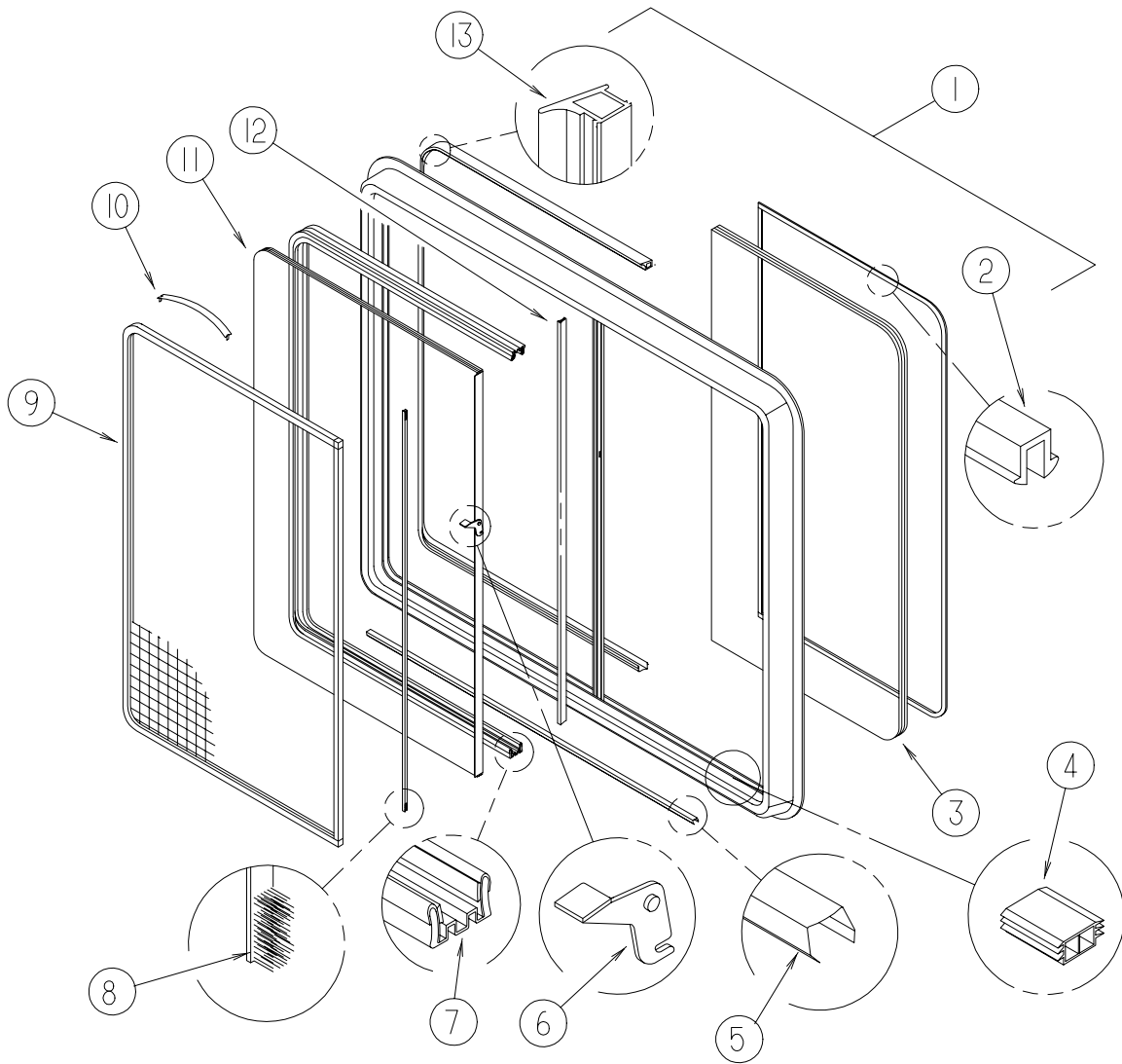
KEY	PART NUMBER	U/M	DESCRIPTION	VENDOR NO.
1	112795-39-01A	EA	WINDOW - PASSENGER HORIZONTAL SLDR - THERMO - 26.4" X 60"	
2	112795-01-705	FT	VINYL - GLAZING	132-025736
3	112795-39-701	EA	GLASS - STATIONARY	390-019792
4	112795-01-701	EA	SLIDE - STOP	132-019092
5	098644-01-710	FT	TRACK - SCREEN SPACER 12'	132-017135
6	112795-01-700	EA	LATCH ASSEMBLY - BLACK - (BOLT ON)	DH287-CK
7	112795-01-703	IN	CHANNEL - RUN (INCHES)	122-018736
8	098644-01-711	FT	WEATHERSTRIP - SCREEN BLACK	171-016965
9	098647-23-704	EA	SCREEN ASM - W/SEALS & CLIPS	410-019066
10	098644-01-713	EA	CLIP - SCREEN - METAL	226-016966
10	125582-01-701	EA	CLIP - SCREEN - PLASTIC	130005153
11	112795-39-700	EA	GLASS-SLIDING W/SASH & LATCH	DH287-EG9
12	098644-01-706	FT	WEATHERSTRIP - GLASS	171-010668
13	112795-01-704	FT	PLUG - FILLER - (DOUBLE GLAZED)	122-018737
	098644-01-717	FT	SPLINE - SCREEN	132-004716
	098647-27-701	EA	RETAINER - TRIM	W287-66

THERMOPANE



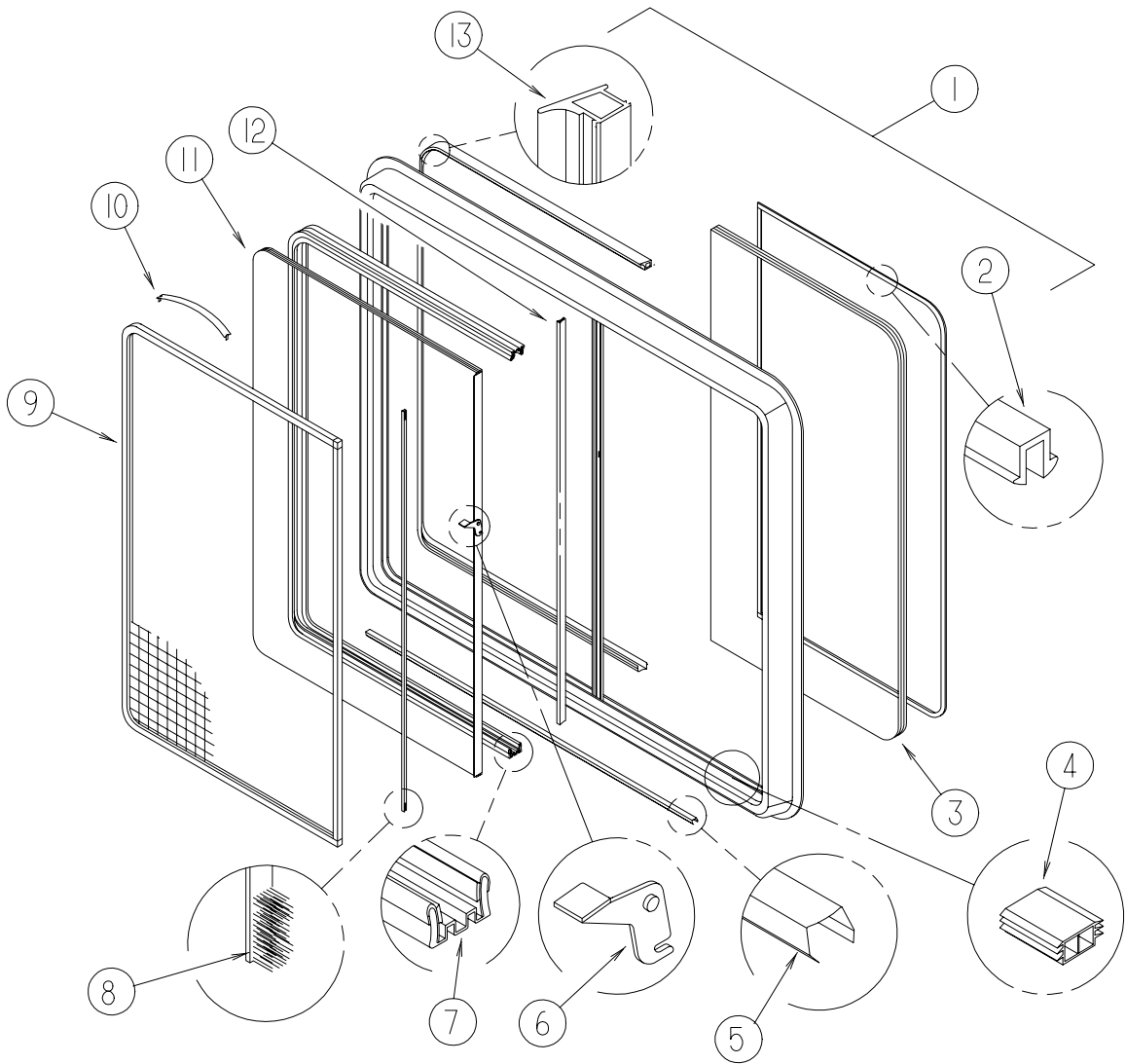
KEY	PART NUMBER	U/M	DESCRIPTION	VENDOR NO.
1	112795-40-01A	EA	WINDOW - DRVR HORIZONTAL SLDR - THERMO/EURO- 26.1" X 59.8"	
2	112795-01-705	FT	VINYL - GLAZING	132-025736
3	112795-39-701	EA	GLASS - STATIONARY	390-019792
4	112795-01-701	EA	SLIDE - STOP	132-019092
5	098644-01-710	FT	TRACK - SCREEN SPACER 12'	132-017135
6	112795-01-700	EA	LATCH ASSEMBLY - BLACK - (BOLT ON)	DH287-CK
7	112795-01-703	IN	CHANNEL - RUN (INCHES)	122-018736
8	098644-01-711	FT	WEATHERSTRIP - SCREEN BLACK	171-016965
9	098647-23-704	EA	SCREEN ASM - W/SEALS & CLIPS	410-019066
10	098644-01-713	EA	CLIP - SCREEN - METAL	226-016966
10	125582-01-701	EA	CLIP - SCREEN - PLASTIC	130005153
11	112795-39-700	EA	GLASS-SLIDING W/SASH & LATCH	DH287-EG9
12	098644-01-706	FT	WEATHERSTRIP - GLASS	171-010668
13	112795-01-704	FT	PLUG - FILLER - (DOUBLE GLAZED)	122-018737
	098644-01-717	FT	SPLINE - SCREEN	132-004716
	098647-27-701	EA	RETAINER - TRIM	W287-66

THERMOPANE



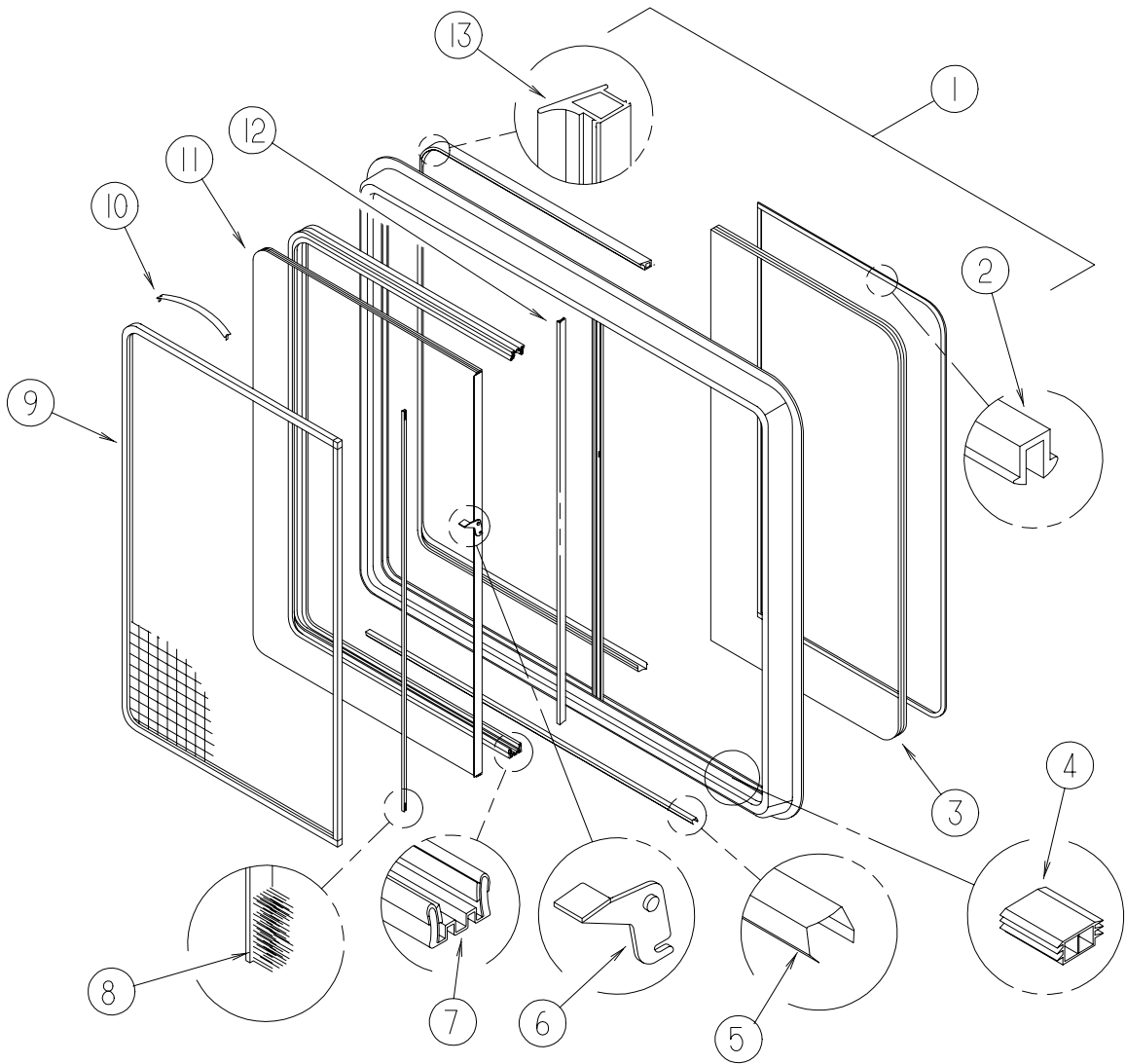
KEY	PART NUMBER	U/M	DESCRIPTION	VENDOR NO.
1	112795-41-01A	EA	WINDOW - PASSENGER HORIZONTAL SLIDER/THERMO - 16"X 28 3/4"	
2	112795-01-705	FT	VINYL - GLAZING	132-025736
3	112795-41-701	EA	GLASS - STATIONARY	390-019826
4	112795-01-701	EA	SLIDE - STOP	132-019092
5	098644-01-710	FT	TRACK - SCREEN SPACER 12'	132-017135
6	112795-01-700	EA	LATCH ASSEMBLY - BLACK - (BOLT ON)	DH287-CK
7	112795-01-703	IN	CHANNEL - RUN (INCHES)	122-018736
8	098644-01-711	FT	WEATHERSTRIP - SCREEN BLACK	171-016965
9	098647-31-704	EA	SCREEN ASM - W/SEALS & CLIPS	410-019128
10	098644-01-713	EA	CLIP - SCREEN - METAL	226-016966
10	125582-01-701	EA	CLIP - SCREEN - PLASTIC	130005153
11	112795-41-700	EA	GLASS-SLIDING W/SASH & LATCH	DC29-EG9
12	098644-01-706	FT	WEATHERSTRIP - GLASS	171-010668
13	112795-01-704	FT	PLUG - FILLER - (DOUBLE GLAZED)	122-018737
	098644-01-717	FT	SPLINE - SCREEN	132-004716
	098647-33-701	EA	RETAINER - TRIM	CW29-66

THERMOPANE



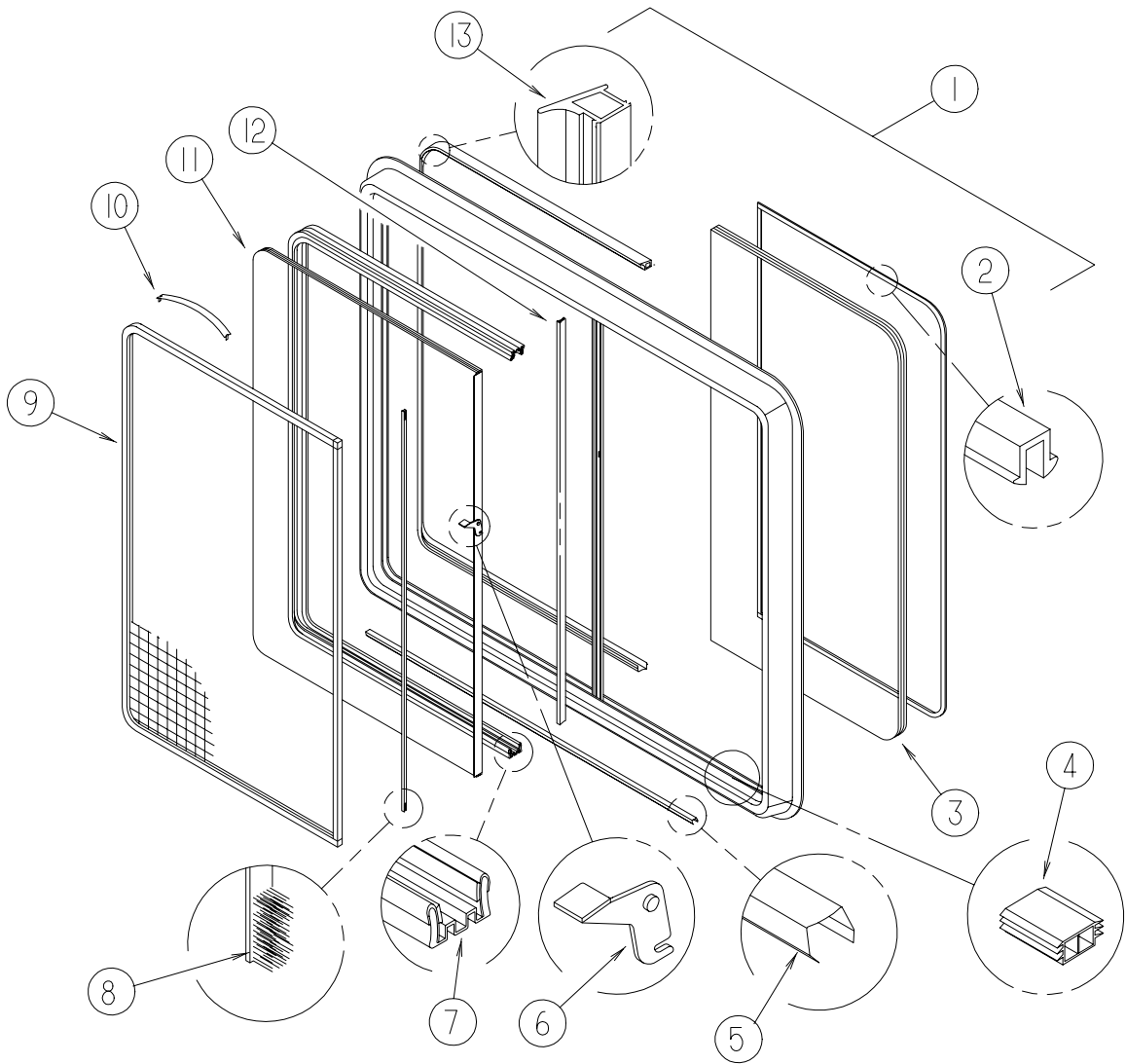
KEY	PART NUMBER	U/M	DESCRIPTION	VENDOR NO.
1	112795-42-01A	EA	WINDOW - DRVR HORIZONTAL SLIDER - THERMO/EURO-15.7"X 28.5"	
2	112795-01-705	FT	VINYL - GLAZING	132-025736
3	112795-41-701	EA	GLASS - STATIONARY	390-019826
4	112795-01-701	EA	SLIDE - STOP	132-019092
5	098644-01-710	FT	TRACK - SCREEN SPACER 12'	132-017135
6	112795-01-700	EA	LATCH ASSEMBLY - BLACK - (BOLT ON)	DH287-CK
7	112795-01-703	IN	CHANNEL - RUN (INCHES)	122-018736
8	098644-01-711	FT	WEATHERSTRIP - SCREEN BLACK	171-016965
9	098647-31-704	EA	SCREEN ASM - W/SEALS & CLIPS	410-019128
10	098644-01-713	EA	CLIP - SCREEN - METAL	226-016966
10	125582-01-701	EA	CLIP - SCREEN - PLASTIC	130005153
11	112795-41-700	EA	GLASS-SLIDING W/SASH & LATCH	DC29-EG9
12	098644-01-706	FT	WEATHERSTRIP - GLASS	171-010668
13	112795-01-704	FT	PLUG - FILLER - (DOUBLE GLAZED)	122-018737
	098644-01-717	FT	SPLINE - SCREEN	132-004716
	098647-33-701	EA	RETAINER - TRIM	CW29-66

**THERMOPANE
DC80-EG2W66R**



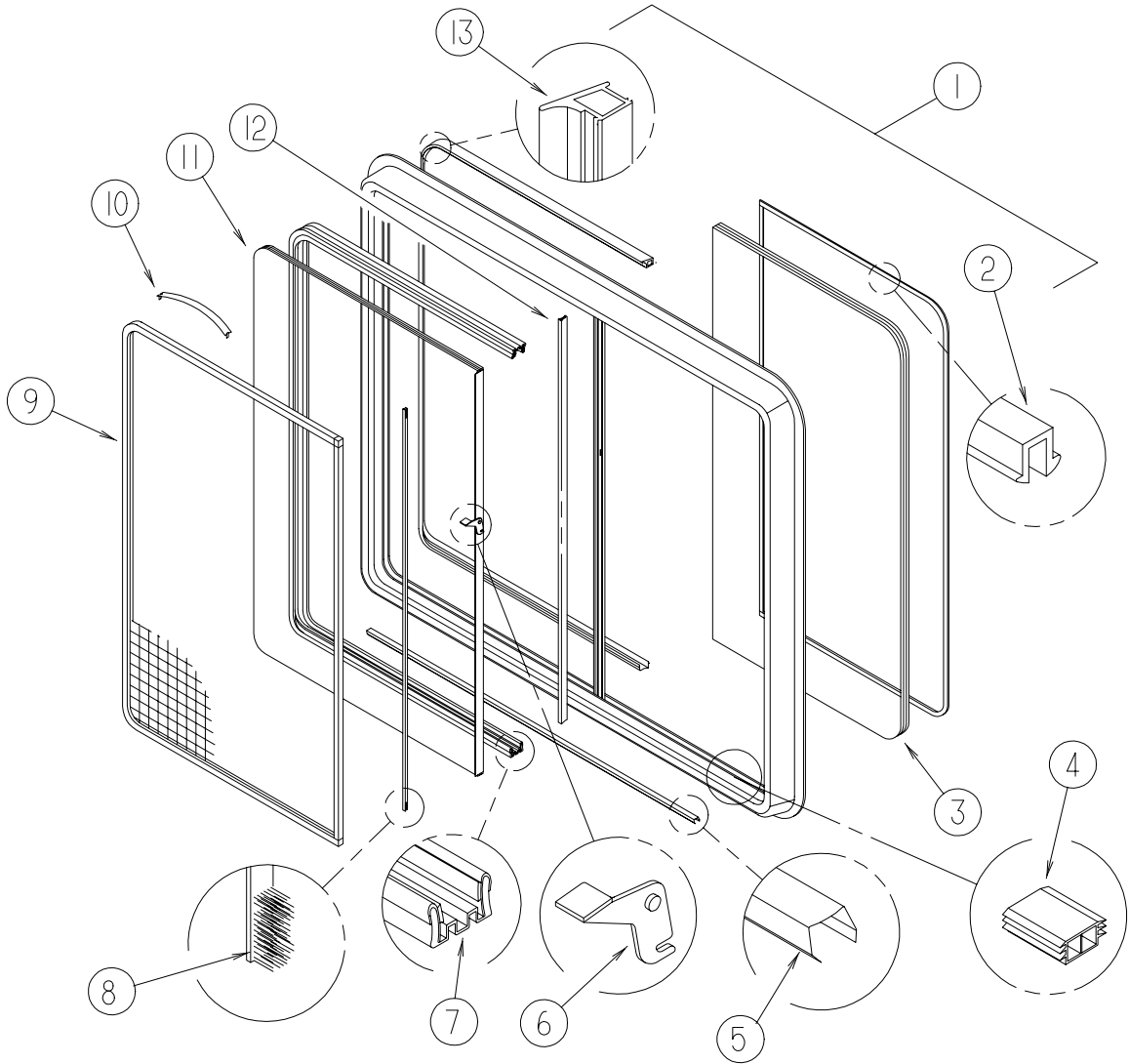
KEY	PART NUMBER	U/M	DESCRIPTION	VENDOR NO.
1	112795-43-01A	EA	WINDOW - PASSENGER - HORIZONTAL SLIDER - THERMO - 24.9" X 53.7"	
2	112795-01-705	FT	VINYL - GLAZING	132-025736
3	112795-43-701	EA	GLASS - STATIONARY	390-019784
4	112795-01-701	EA	SLIDE - STOP	132-019092
5	098644-01-710	FT	TRACK - SCREEN SPACER 12'	132-017135
6	112795-01-700	EA	LATCH ASSEMBLY - BLACK - (BOLT ON)	DH287-CK
7	112795-01-703	IN	CHANNEL - RUN (INCHES)	122-018736
8	098644-01-711	FT	WEATHERSTRIP - SCREEN BLACK	171-016965
9	112795-17-702	EA	SCREEN ASM - W/SEALS & CLIPS	410-019064
10	098644-01-713	EA	CLIP - SCREEN - METAL	226-016966
10	125582-01-701	EA	CLIP - SCREEN - PLASTIC	130005153
11	112795-43-700	EA	GLASS-SLIDING W/SASH & LATCH	DC80-EG9
12	098644-01-706	FT	WEATHERSTRIP - GLASS	171-010668
13	112795-01-704	FT	PLUG - FILLER - (DOUBLE GLAZED)	122-018737
	098644-01-717	FT	SPLINE - SCREEN	132-004716
	112795-17-703	EA	RETAINER - TRIM	CW80-66

**THERMOPANE
DC04-EG2W66R**



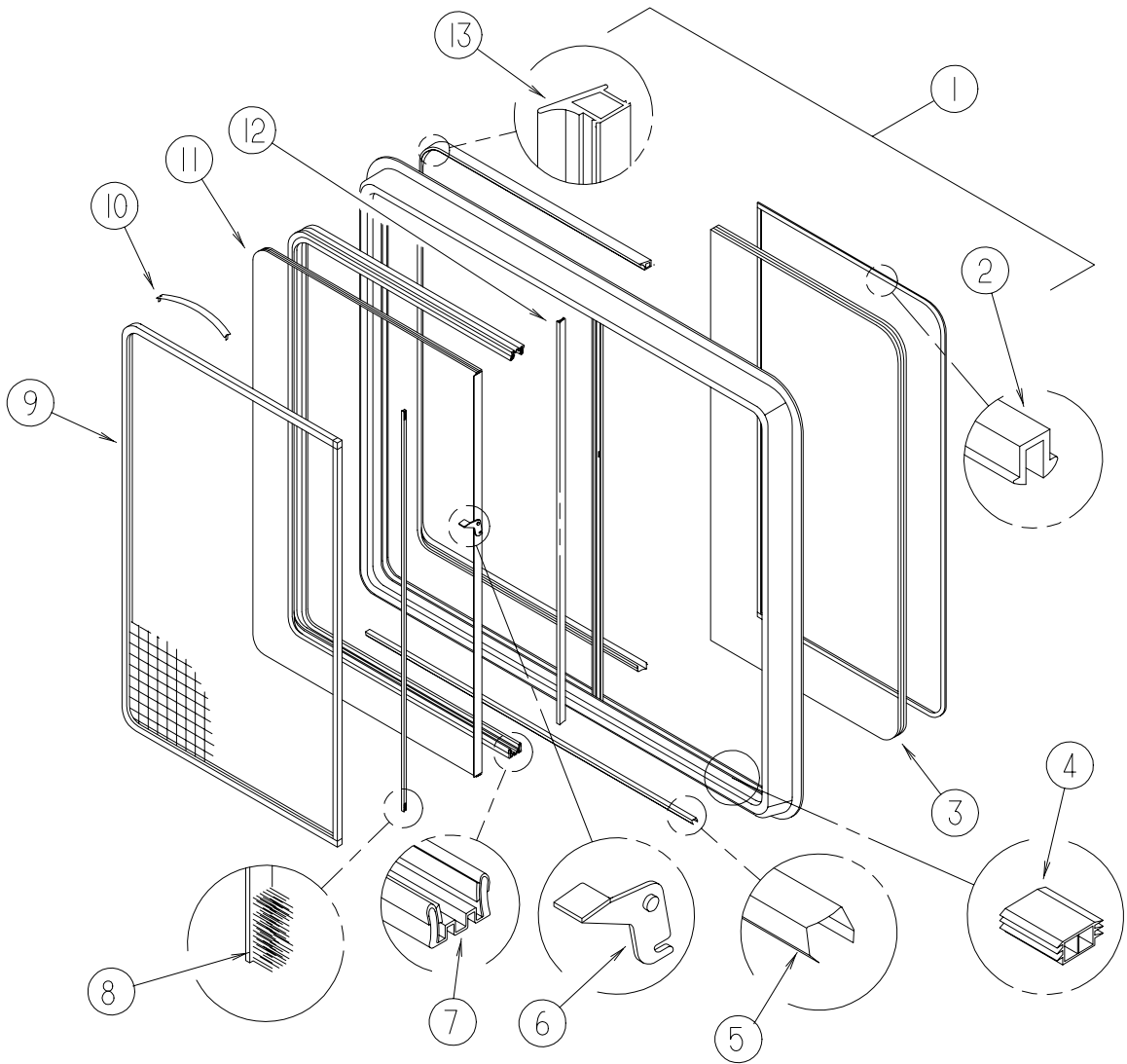
KEY	PART NUMBER	U/M	DESCRIPTION	VENDOR NO.
1	112795-44-01A	EA	WINDOW - PASSENGER - HORIZONTAL SLIDER - THERMO - 24.3" X 41"	
2	112795-01-705	FT	VINYL - GLAZING	132-025736
3	112795-44-701	EA	GLASS - STATIONARY	390-019780
4	112795-01-701	EA	SLIDE - STOP	132-019092
5	098644-01-710	FT	TRACK - SCREEN SPACER 12'	132-017135
6	112795-01-700	EA	LATCH ASSEMBLY - BLACK - (BOLT ON)	DH287-CK
7	112795-01-703	IN	CHANNEL - RUN (INCHES)	122-018736
8	098644-01-711	FT	WEATHERSTRIP - SCREEN BLACK	171-016965
9	098647-29-704	EA	SCREEN ASM - W/SEALS & CLIPS	410-018864
10	098644-01-713	EA	CLIP - SCREEN - METAL	226-016966
10	125582-01-701	EA	CLIP - SCREEN - PLASTIC	130005153
11	112795-44-700	EA	GLASS-SLIDING W/SASH & LATCH	DC04-EG9
12	098644-01-706	FT	WEATHERSTRIP - GLASS	171-010668
13	112795-01-704	FT	PLUG - FILLER - (DOUBLE GLAZED)	122-018737
	098644-01-717	FT	SPLINE - SCREEN	132-004716
	098647-29-701	EA	RETAINER - TRIM	CW04-66

**THERMOPANE
DC04-EG2W66L**



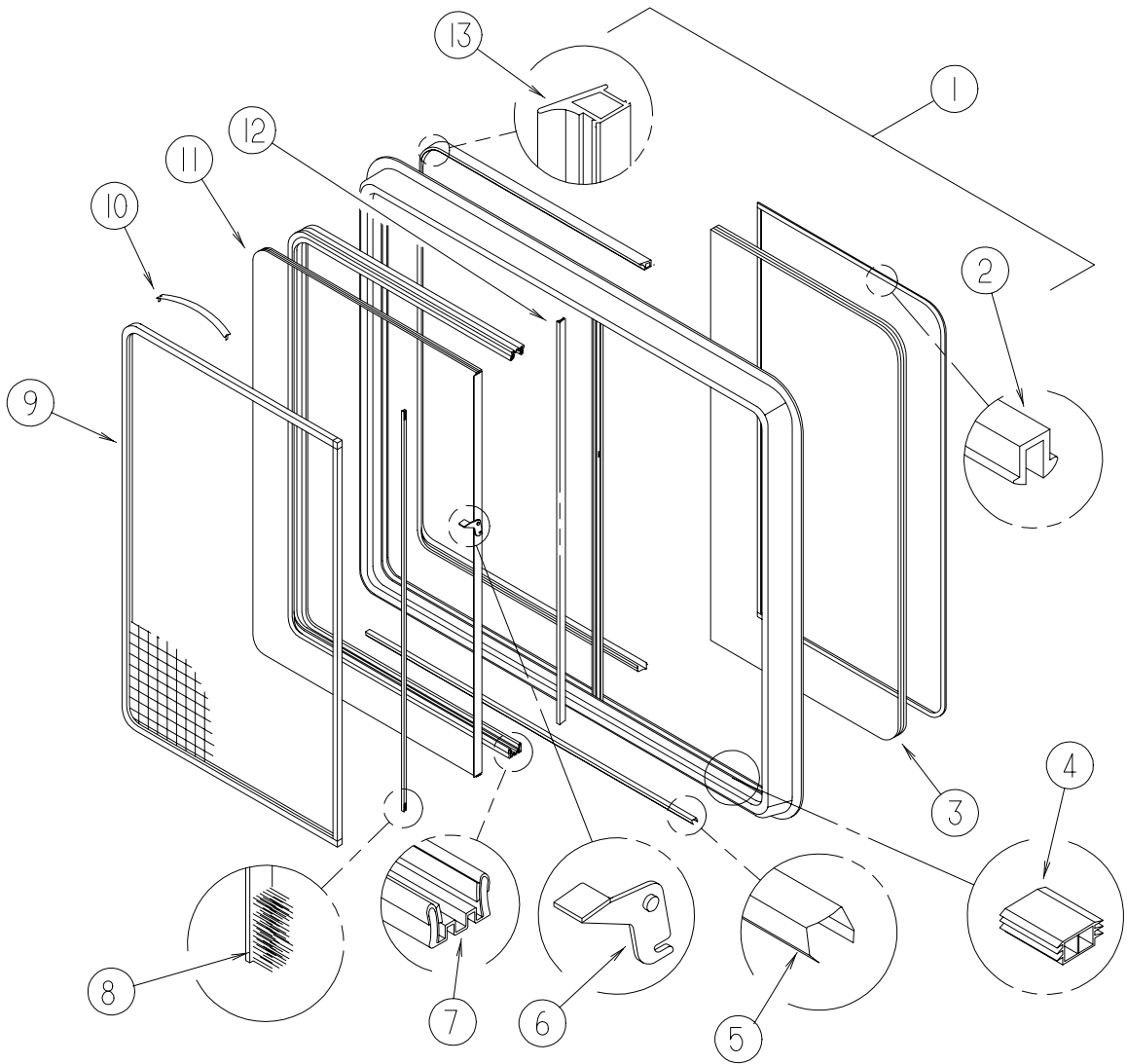
KEY	PART NUMBER	U/M	DESCRIPTION	VENDOR NO.
1	112795-45-01A	EA	WINDOW - DRIVER - HORIZONTAL SLIDER - THERMO - 24.2" X 40.9"	
2	112795-01-705	FT	VINYL - GLAZING	132-025736
3	112795-44-701	EA	GLASS - STATIONARY	390-019780
4	112795-01-701	EA	SLIDE - STOP	132-019092
5	098644-01-710	FT	TRACK - SCREEN SPACER 12'	132-017135
6	112795-01-700	EA	LATCH ASSEMBLY - BLACK - (BOLT ON)	DH287-CK
7	112795-01-703	IN	CHANNEL - RUN (INCHES)	122-018736
8	098644-01-711	FT	WEATHERSTRIP - SCREEN BLACK	171-016965
9	098647-29-704	EA	SCREEN ASM - W/SEALS & CLIPS	410-018864
10	098644-01-713	EA	CLIP - SCREEN - METAL	226-016966
10	125582-01-701	EA	CLIP - SCREEN - PLASTIC	130005153
11	112795-44-700	EA	GLASS-SLIDING W/SASH & LATCH	DC04-EG9
12	098644-01-706	FT	WEATHERSTRIP - GLASS	171-010668
13	112795-01-704	FT	PLUG - FILLER - (DOUBLE GLAZED)	122-018737
	098644-01-717	FT	SPLINE - SCREEN	132-004716
	098647-29-701	EA	RETAINER - TRIM	CW04-66

THERMOPANE



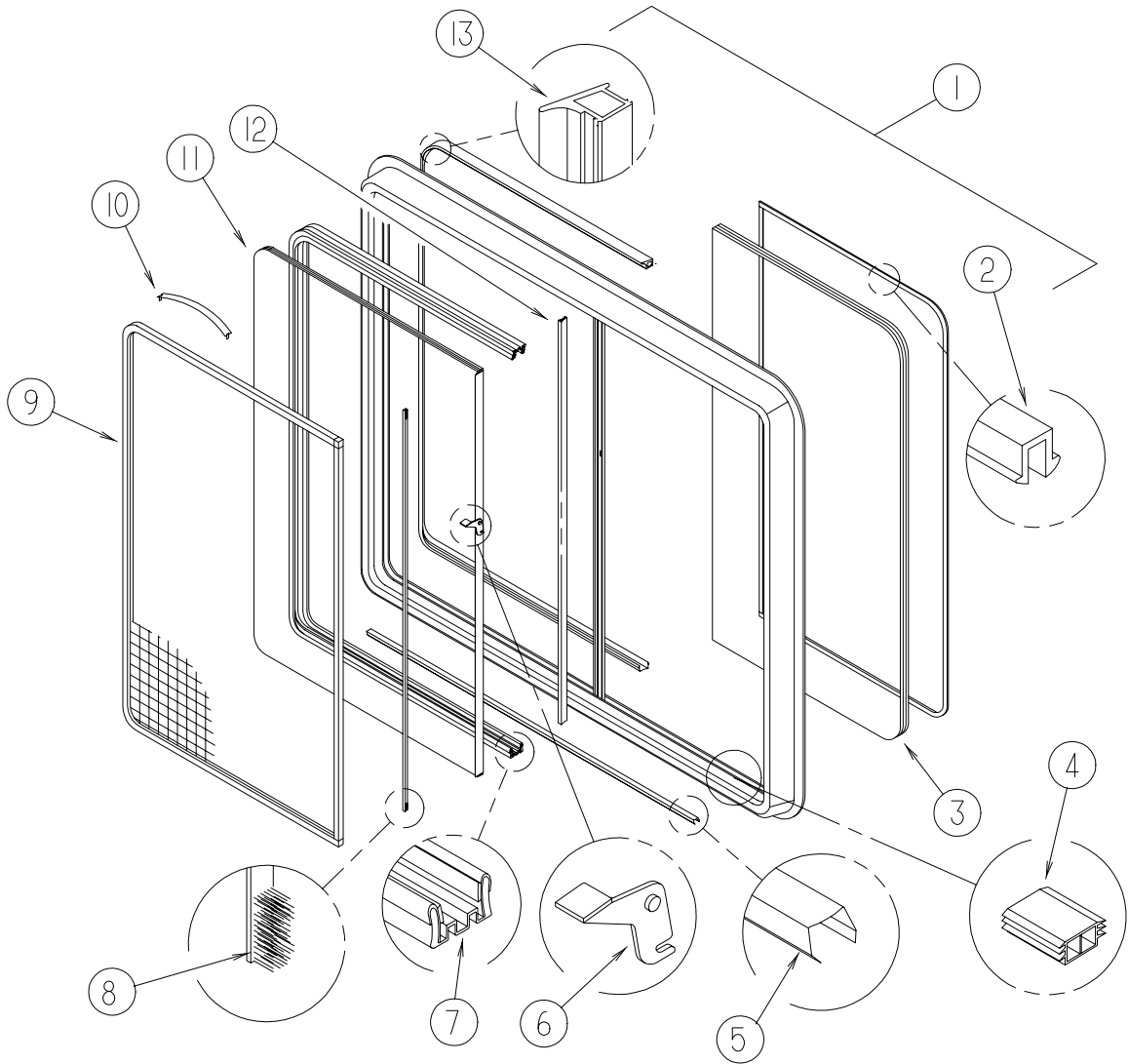
KEY	PART NUMBER	U/M	DESCRIPTION	VENDOR NO.
1	112795-46-01A	EA	WINDOW-PASSENGER HORIZONTAL SLIDER THERMO - 26 3/8" X 48"	
2	112795-01-705	FT	VINYL - GLAZING	132-025736
3	112795-46-701	EA	GLASS - STATIONARY	390-019830
4	112795-01-701	EA	SLIDE - STOP	132-019092
5	098644-01-710	FT	TRACK - SCREEN SPACER 12'	132-017135
6	112795-01-700	EA	LATCH ASSEMBLY - BLACK - (BOLT ON)	DH287-CK
7	112795-01-703	IN	CHANNEL - RUN (INCHES)	122-018736
8	098644-01-711	FT	WEATHERSTRIP - SCREEN BLACK	171-016965
9	098647-38-704	EA	SCREEN ASM - W/SEALS & CLIPS	410-019063
10	098644-01-713	EA	CLIP - SCREEN - METAL	226-016966
10	125582-01-701	EA	CLIP - SCREEN - PLASTIC	130005153
11	112795-46-700	EA	GLASS-SLIDING W/SASH & LATCH	DC48-EG9
12	098644-01-706	FT	WEATHERSTRIP - GLASS	171-010668
13	112795-01-704	FT	PLUG - FILLER - (DOUBLE GLAZED)	122-018737
	098644-01-717	FT	SPLINE - SCREEN	132-004716
	112795-22-701	EA	RETAINER - TRIM	W303-66

THERMOPANE



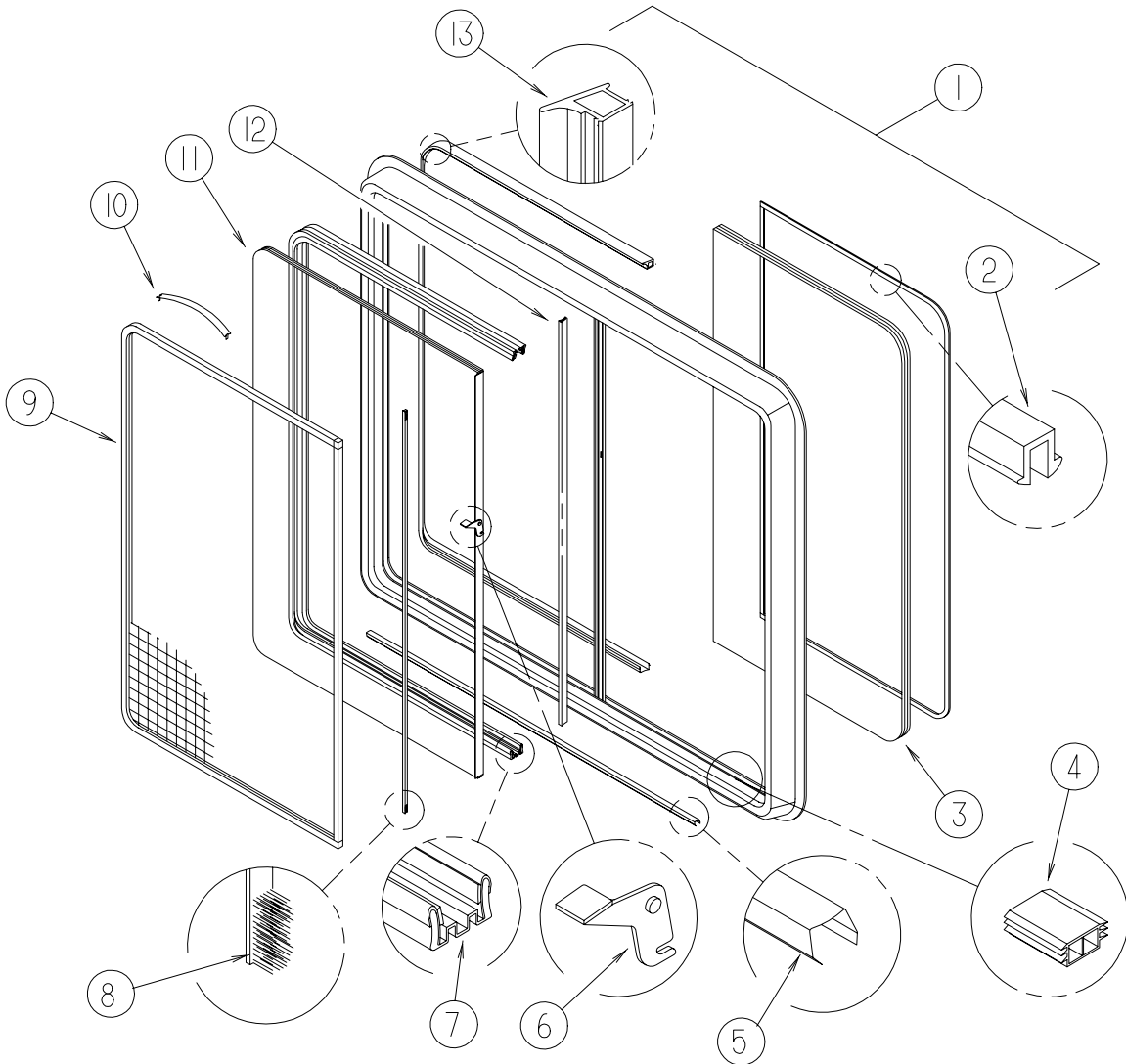
KEY	PART NUMBER	U/M	DESCRIPTION	VENDOR NO.
1	112795-47-01A	EA	WINDOW-PASSENGER HORIZONTAL SLIDE THERMO 30 1/4" X 25 3/4"	
2	112795-01-705	FT	VINYL - GLAZING	132-025736
3	112795-47-701	EA	GLASS - STATIONARY	390-019218
4	112795-01-701	EA	SLIDE - STOP	132-019092
5	098644-01-710	FT	TRACK - SCREEN SPACER 12'	132-017135
6	112795-01-700	EA	LATCH ASSEMBLY - BLACK - (BOLT ON)	DH287-CK
7	112795-01-703	IN	CHANNEL - RUN (INCHES)	122-018736
8	098644-01-711	FT	WEATHERSTRIP - SCREEN BLACK	171-016965
9	112898-05-704	EA	SCREEN ASM - W/SEALS & CLIPS	410-018862
10	098644-01-713	EA	CLIP - SCREEN - METAL	226-016966
10	125582-01-701	EA	CLIP - SCREEN - PLASTIC	130005153
11	112795-47-700	EA	GLASS-SLIDING W/SASH & LATCH	DC56-G9
12	098644-01-706	FT	WEATHERSTRIP - GLASS	171-010668
13	112795-01-704	FT	PLUG - FILLER - (DOUBLE GLAZED)	122-018737
	098644-01-717	FT	SPLINE - SCREEN	132-004716
	112795-47-702	EA	RETAINER - TRIM	CW56-66

THERMOPANE



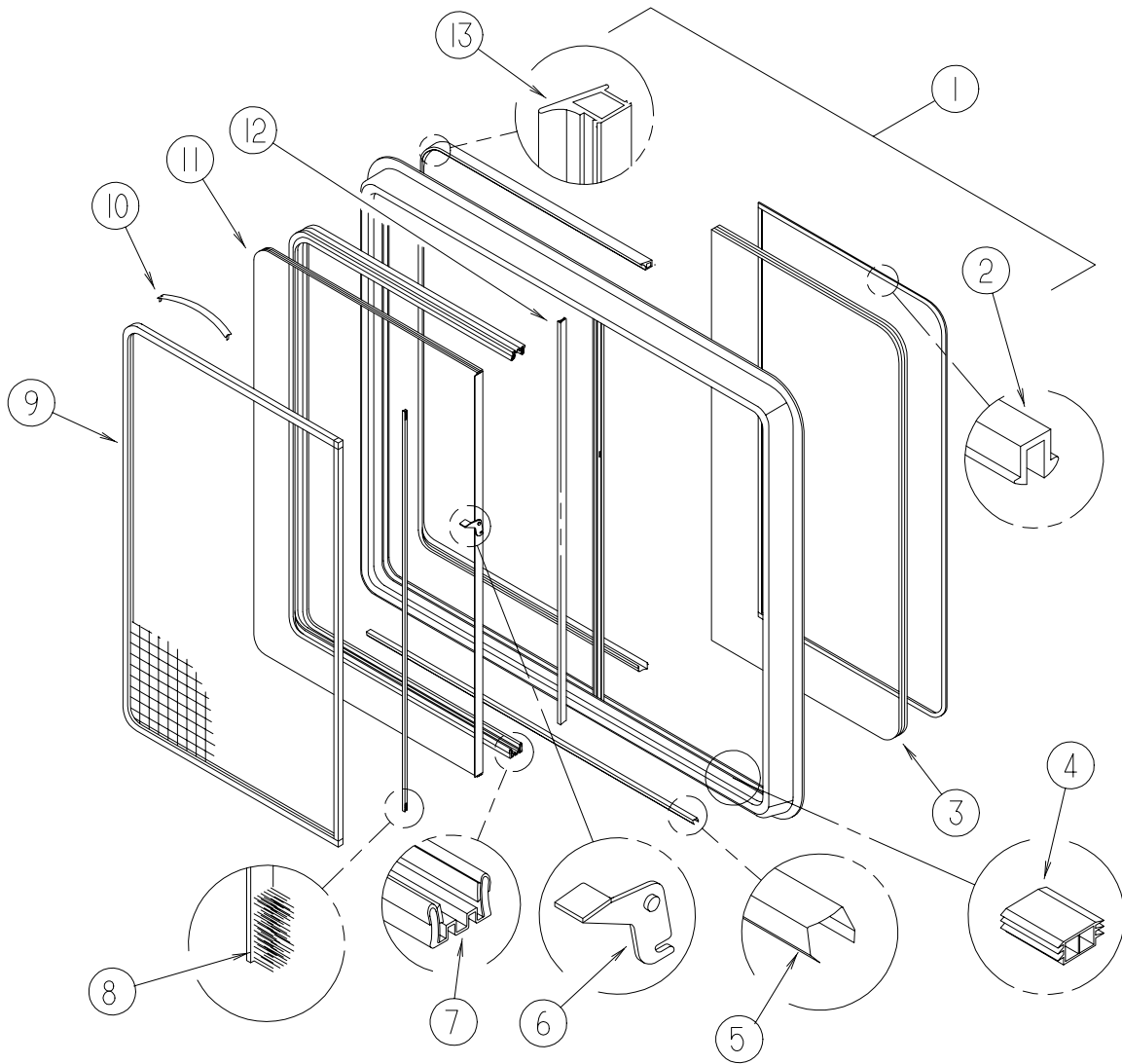
KEY	PART NUMBER	U/M	DESCRIPTION	VENDOR NO.
1	112795-50-01A	EA	WINDOW-PASSENGER HORIZONTAL SLIDE THERMO 30 3/4" X 57 3/4"	
2	112795-01-705	FT	VINYL - GLAZING	132-025736
3	112795-50-701	EA	GLASS - STATIONARY	390-025131
4	112795-01-701	EA	SLIDE - STOP	132-019092
5	098644-01-710	FT	TRACK - SCREEN SPACER 12'	132-017135
6	112795-01-700	EA	LATCH ASSEMBLY - BLACK - (BOLT ON)	DH287-CK
7	112795-01-703	IN	CHANNEL - RUN (INCHES)	122-018736
8	098644-01-711	FT	WEATHERSTRIP - SCREEN BLACK	171-016965
9	112795-33-704	EA	SCREEN ASM - W/SEALS & CLIPS	410-019247
10	098644-01-713	EA	CLIP - SCREEN - METAL	226-016966
10	125582-01-701	EA	CLIP - SCREEN - PLASTIC	130005153
11	112795-50-700	EA	GLASS-SLIDING W/SASH & LATCH	DH112-EG9
12	098644-01-706	FT	WEATHERSTRIP - GLASS	171-010668
13	112795-01-704	FT	PLUG - FILLER - (DOUBLE GLAZED)	122-018737
	098644-01-717	FT	SPLINE - SCREEN	132-004716
	112795-33-701	EA	RETAINER - TRIM	W112-66

THERMOPANE



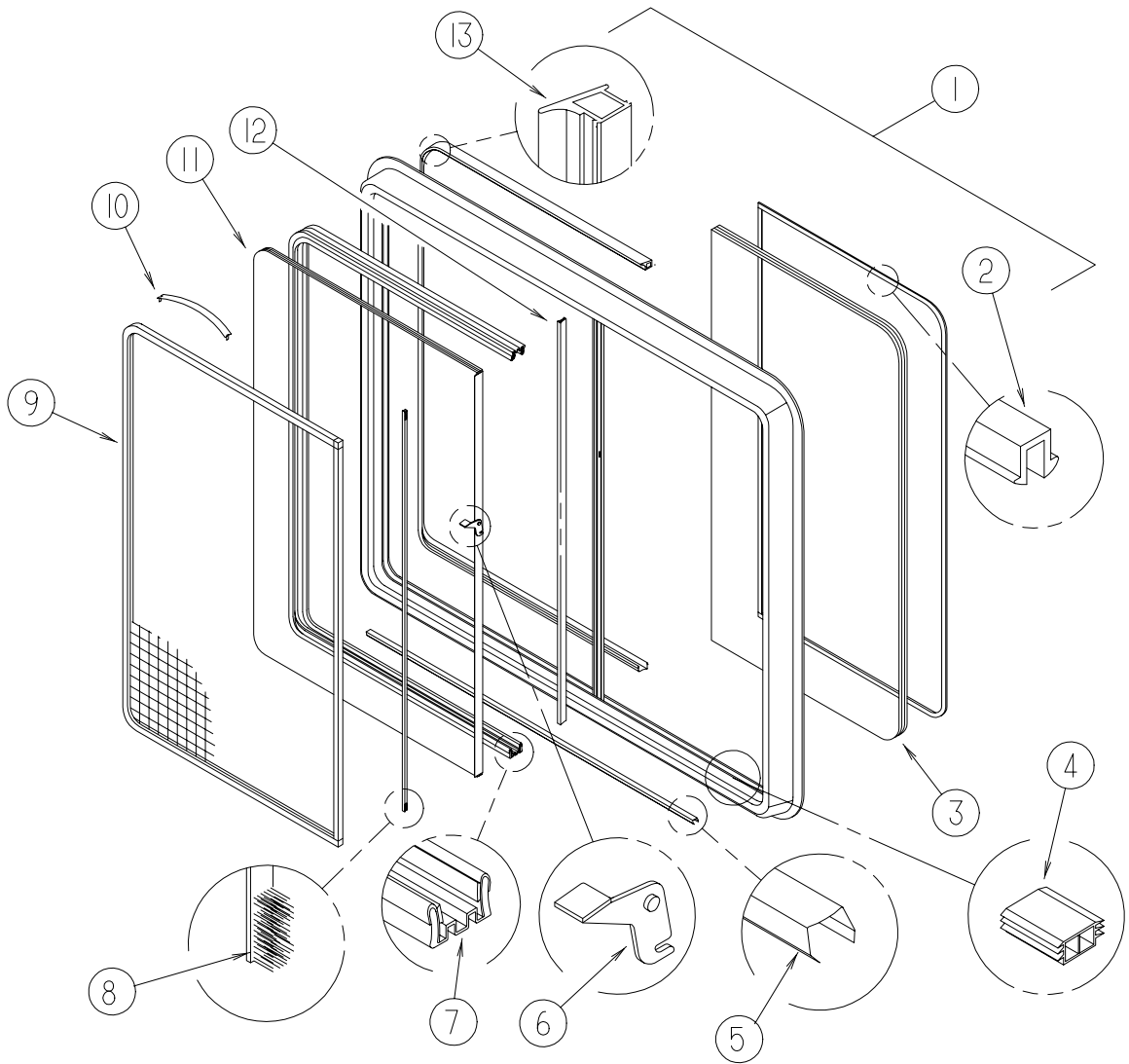
KEY	PART NUMBER	U/M	DESCRIPTION	VENDOR NO.
1	112795-53-01A	EA	WINDOW-DRIVER HORIZONTAL SLIDE THERMO 38 3/4" X 57 3/4"	
2	112795-01-705	FT	VINYL - GLAZING	132-025736
3	112795-53-702	EA	GLASS - STATIONARY	390-025207
4	112795-01-701	EA	SLIDE - STOP	132-019092
5	098644-01-710	FT	TRACK - SCREEN SPACER 12'	132-017135
6	112795-01-700	EA	LATCH ASSEMBLY - BLACK - (BOLT ON)	DH287-CK
7	112795-01-703	IN	CHANNEL - RUN (INCHES)	122-018736
8	098644-01-711	FT	WEATHERSTRIP - SCREEN BLACK	171-016965
9	098647-53-700	EA	SCREEN ASM - W/SEALS & CLIPS	410-025209
10	098644-01-713	EA	CLIP - SCREEN - METAL	226-016966
10	125582-01-701	EA	CLIP - SCREEN - PLASTIC	130005153
11	112795-53-701	EA	GLASS-SLIDING W/SASH & LATCH	DC97-G9
12	098644-01-706	FT	WEATHERSTRIP - GLASS	171-010668
13	112795-01-704	FT	PLUG - FILLER - (DOUBLE GLAZED)	122-018737
	098644-01-717	FT	SPLINE - SCREEN	132-004716
	112795-53-703	EA	RETAINER - TRIM	CW97-66

THERMOPANE



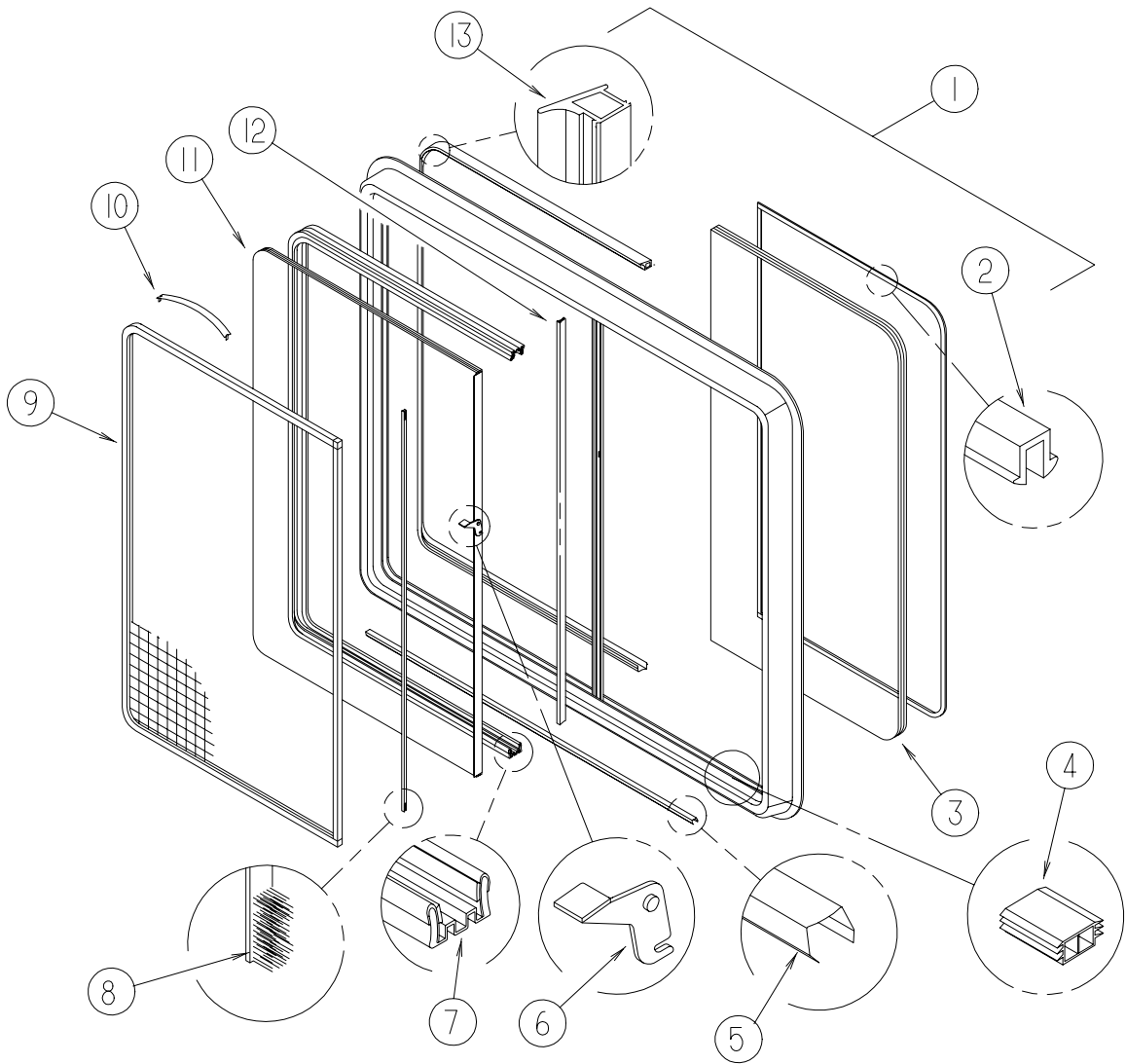
KEY	PART NUMBER	U/M	DESCRIPTION	VENDOR NO.
1	112795-54-01A	EA	WINDOW - DRIVER HORIZONTAL SLIDER - THERMO - 23.9" X 57.8"	DH493-G2W66L
2	112795-01-705	FT	VINYL - GLAZING	132-025736
3	112795-54-700	EA	GLASS-SLIDING W/SASH & LATCH	DH493-G9
4	112795-01-701	EA	SLIDE - STOP	132-019092
5	098644-01-710	FT	TRACK - SCREEN SPACER 12'	132-017135
6	112795-01-700	EA	LATCH ASSEMBLY - BLACK - (BOLT ON)	DH287-CK
7	112795-01-703	IN	CHANNEL - RUN (INCHES)	122-018736
8	098644-01-711	FT	WEATHERSTRIP - SCREEN BLACK	171-016965
9	098647-47-702	EA	SCREEN ASM - W/SEALS & CLIPS	410-025226
10	098644-01-713	EA	CLIP - SCREEN - METAL	226-016966
10	125582-01-701	EA	CLIP - SCREEN - PLASTIC	130005153
11	112795-54-700	EA	GLASS-SLIDING W/SASH & LATCH	DH493-G9
12	098644-01-706	FT	WEATHERSTRIP - GLASS	171-010668
13	112795-01-704	FT	PLUG - FILLER - (DOUBLE GLAZED)	122-018737
	098644-01-717	FT	SPLINE - SCREEN	132-004716
	098647-47-703	EA	RETAINER - TRIM	W493-66

**THERMOPANE
DB809-EG2W66**



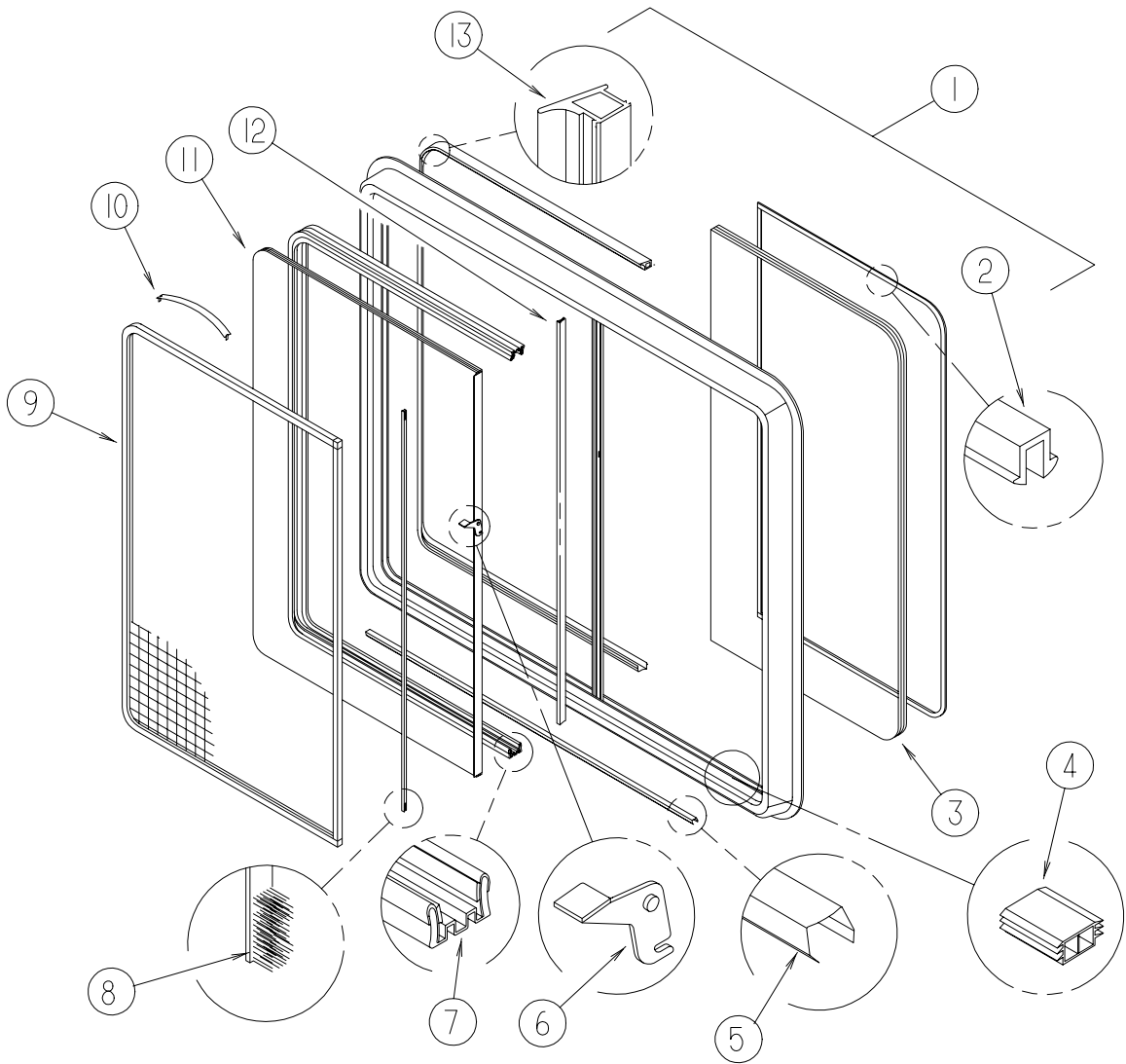
KEY	PART NUMBER	U/M	DESCRIPTION	VENDOR NO.
1	112795-55-01A	EA	WINDOW - DRIVER HORIZONTAL SLIDER - THERMO - 15.5" X 18.5"	
2	112795-01-705	FT	VINYL - GLAZING	132-025736
3	112795-55-701	EA	GLASS - STATIONARY	390-025284
4	112795-01-701	EA	SLIDE - STOP	132-019092
5	098644-01-710	FT	TRACK - SCREEN SPACER 12'	132-017135
6	112795-01-700	EA	LATCH ASSEMBLY - BLACK - (BOLT ON)	DH287-CK
7	112795-01-703	IN	CHANNEL - RUN (INCHES)	122-018736
8	098644-01-711	FT	WEATHERSTRIP - SCREEN BLACK	171-016965
9	112795-56-702	EA	SCREEN ASM - W/SEALS & CLIPS	410-019414
10	098644-01-713	EA	CLIP - SCREEN - METAL	226-016966
10	125582-01-701	EA	CLIP - SCREEN - PLASTIC	130005153
11	112795-55-700	EA	GLASS-SLIDING W/SASH & LATCH	DC809-EG9
12	098644-01-706	FT	WEATHERSTRIP - GLASS	171-010668
13	112795-01-704	FT	PLUG - FILLER - (DOUBLE GLAZED)	122-018737
	098644-01-717	FT	SPLINE - SCREEN	132-004716
	112795-56-703	EA	RETAINER - TRIM	V969-66

THERMOPANE



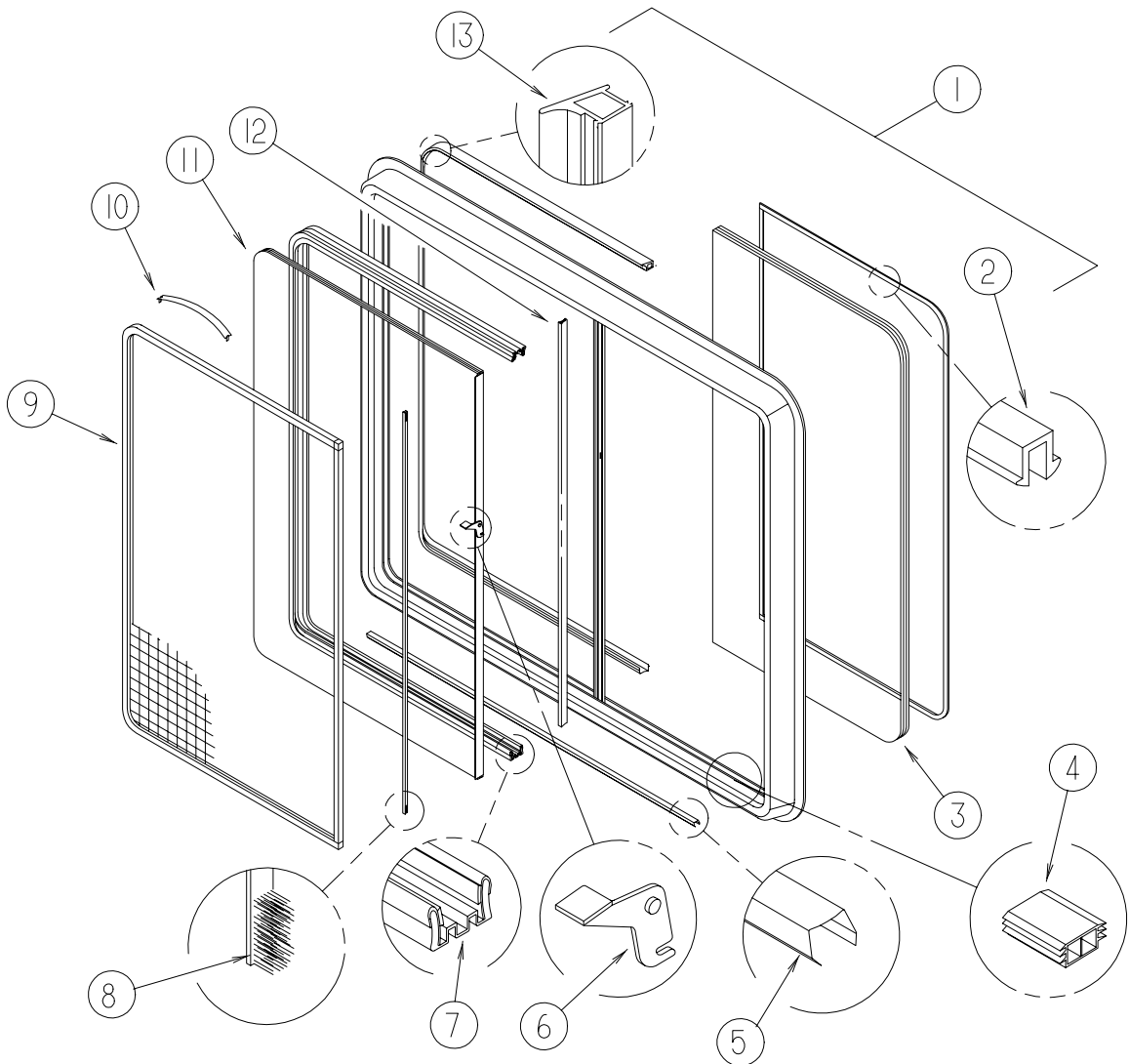
KEY	PART NUMBER	U/M	DESCRIPTION	VENDOR NO.
1	112795-56-01A	EA	WINDOW - DRIVER HORIZONTAL SLIDER - THERMO - 15.2" X 24" DB969G2W66L	
	112795-56-703	EA	RETAINER - TRIM	V969-66
2	112795-01-705	FT	VINYL - GLAZING	132-025736
3	112795-56-701	EA	GLASS - STATIONARY	390-019412
4	112795-01-701	EA	SLIDE-STOP	132-019092
5	098644-01-710	FT	TRACK - SCREEN SPACER 12'	132-017135
6	112795-01-700	EA	LATCH ASM., BLK.,(BOLT ON)	DH287-CK
7	112795-01-703	IN	CHANNEL-RUN (INCHES)	112795-01-703
8	098644-01-711	FT	WEATHERSTRIP - SCREEN BLACK	171-016965
9	112795-56-702	EA	SCREEN ASM - W/SEALS & CLIPS	410-019414
10	098644-01-713	EA	CLIP - SCREEN - METAL	226-016966
10	125582-01-701	EA	CLIP - SCREEN - PLASTIC	130005153
11	112795-56-700	EA	GLASS-SLIDING W/SASH & LATCH	DB969-G9
12	098644-01-706	FT	WEATHERSTRIP - GLASS	171-010668
13	112795-01-704	FT	PLUG FILLER (DOUBLE GLAZED)	122-018737
	098644-01-717	FT	SPLINE - SCREEN	132-004716

THERMOPANE



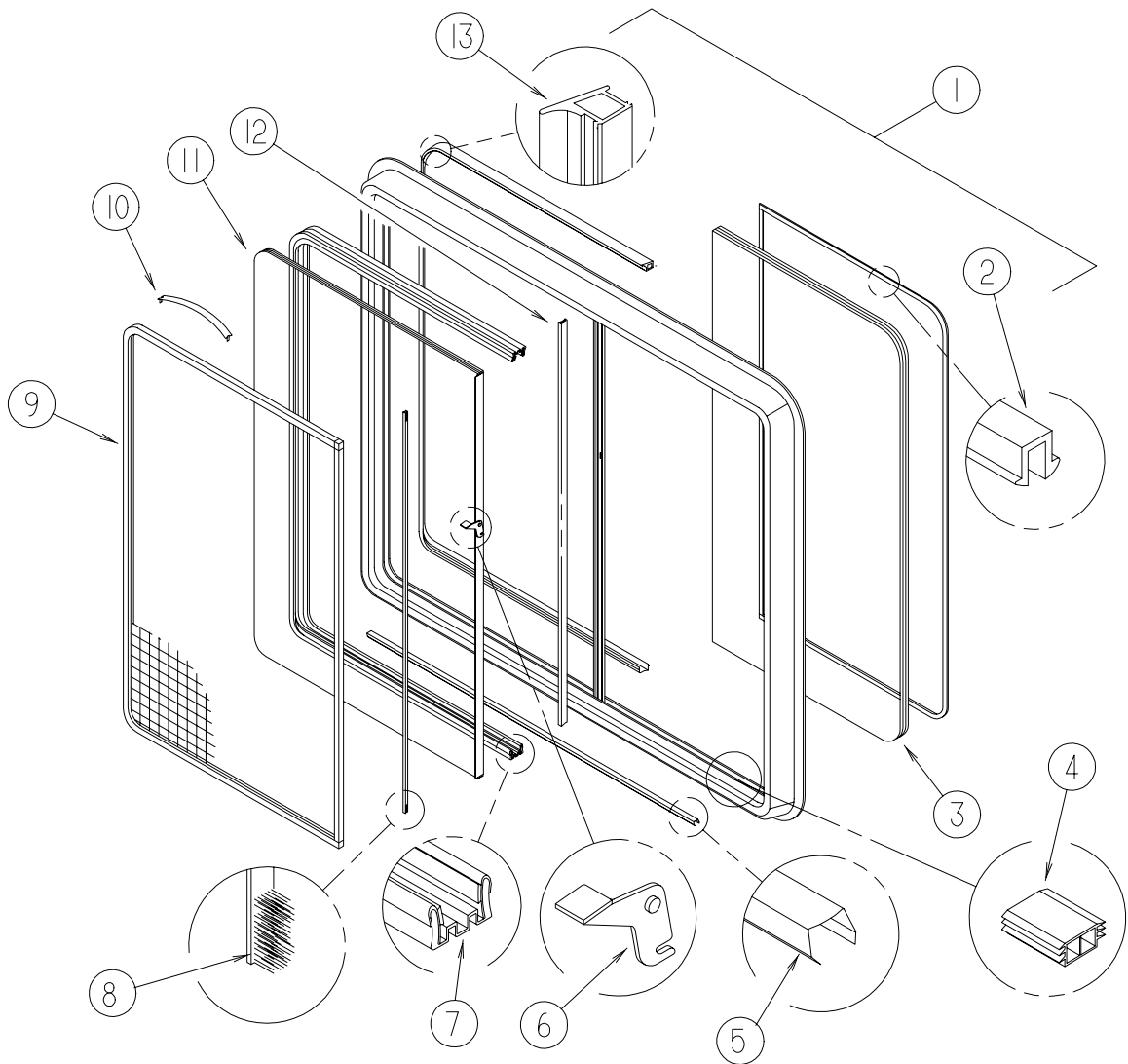
KEY	PART NUMBER	U/M	DESCRIPTION	VENDOR NO.
1	112795-57-01A	EA	WINDOW-PASSENGER HORIZONTAL SLIDE THERMO 24" X 57 3/4"	
	112795-47-703	EA	RETAINER - TRIM	W493-66
2	112795-01-705	FT	VINYL - GLAZING	132-025736
3	112795-54-701	EA	GLASS - STATIONARY	390-025248
4	112795-01-701	EA	SLIDE-STOP	132-019092
5	098644-01-710	FT	TRACK - SCREEN SPACER 12'	132-017135
6	112795-01-700	EA	LATCH ASM., BLK.,(BOLT ON)	DH287-CK
7	112795-01-703	IN	CHANNEL-RUN (INCHES)	112795-01-703
8	098644-01-711	FT	WEATHERSTRIP - SCREEN BLACK	171-016965
9	112795-47-702	EA	SCREEN ASM - W/SEALS & CLIPS	410-025226
10	098644-01-713	EA	CLIP - SCREEN - METAL	226-016966
10	125582-01-701	EA	CLIP - SCREEN - PLASTIC	130005153
11	112795-54-700	EA	GLASS-SLIDING W/SASH & LATCH	DH493-G9
12	098644-01-706	FT	WEATHERSTRIP - GLASS	171-010668
13	112795-01-704	FT	PLUG FILLER (DOUBLE GLAZED)	122-018737
	098644-01-717	FT	SPLINE - SCREEN	132-004716

THERMOPANE



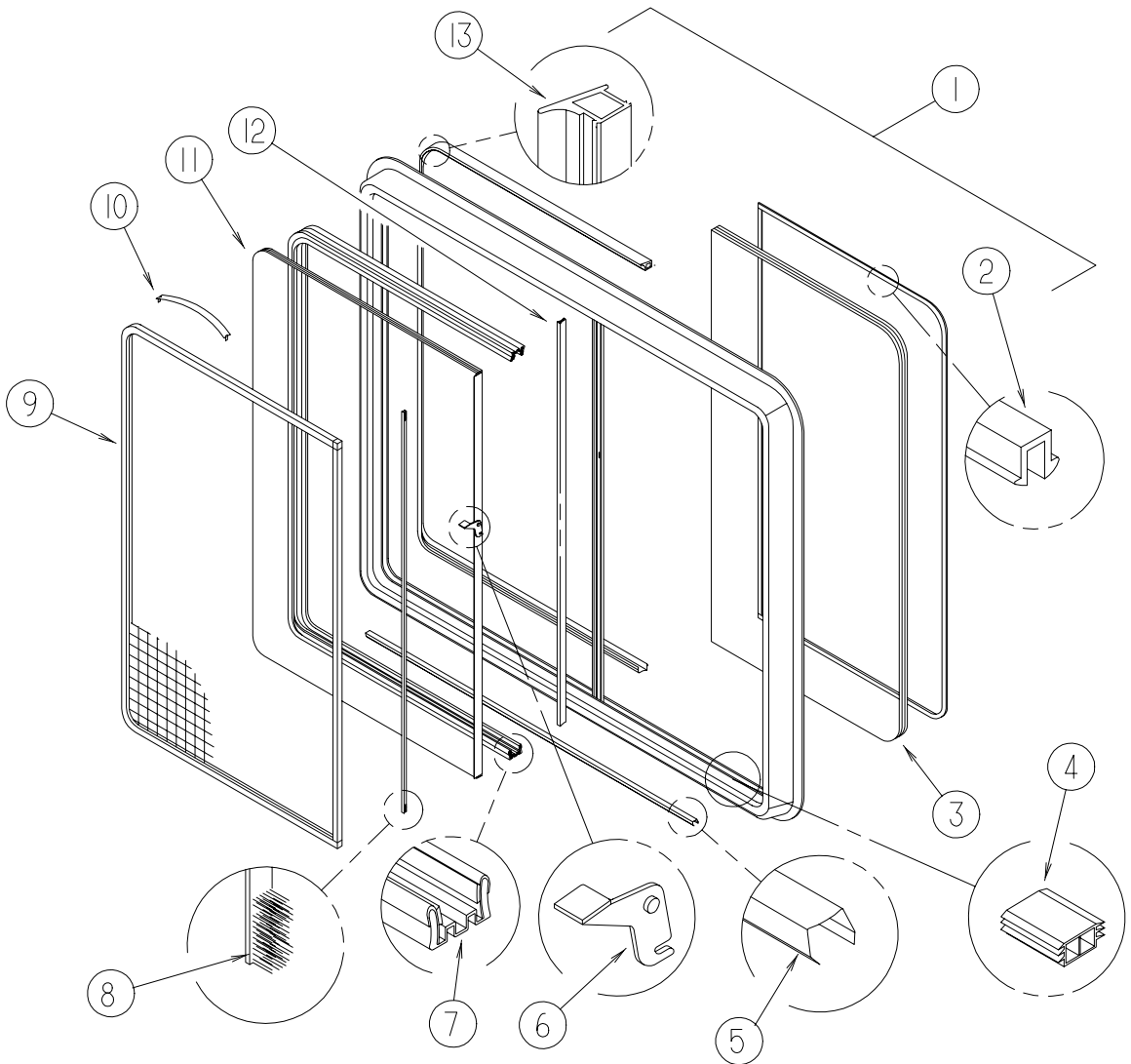
KEY	PART NUMBER	U/M	DESCRIPTION	VENDOR NO.
1	112795-58-01A	EA	WINDOW - PASSENGER HORIZ SLIDER - THERMO - 24.4" X 36.2"	
	112795-58-702	EA	RETAINER - TRIM	CW03-66
2	112795-01-705	FT	VINYL - GLAZING	132-025736
3	112795-58-701	EA	GLASS - STATIONARY	390-025875
4	112795-01-701	EA	SLIDE-STOP	132-019092
5	098644-01-710	FT	TRACK - SCREEN SPACER 12'	132-017135
6	112795-01-700	EA	LATCH ASSEMBLY - BLACK - (BOLT ON)	DH287-CK
7	112795-01-703	IN	CHANNEL-RUN (INCHES)	112795-01-703
8	098644-01-711	FT	WEATHERSTRIP - SCREEN BLACK	171-016965
9	112795-58-703	EA	SCREEN ASSEMBLY - W/SEALS & CLIPS	410-025877
10	098644-01-713	EA	CLIP - SCREEN - METAL	226-016966
10	125582-01-701	EA	CLIP - SCREEN - PLASTIC	130005153
11	112795-58-700	EA	GLASS - SLIDING W/SASH & LATCH	DC03-EG9
12	098644-01-706	FT	WEATHERSTRIP - GLASS	171-010668
13	112795-01-704	FT	PLUG - FILLER (DOUBLE GLAZED)	122-018737
	098644-01-717	FT	SPLINE - SCREEN	132-004716

THERMOPANE



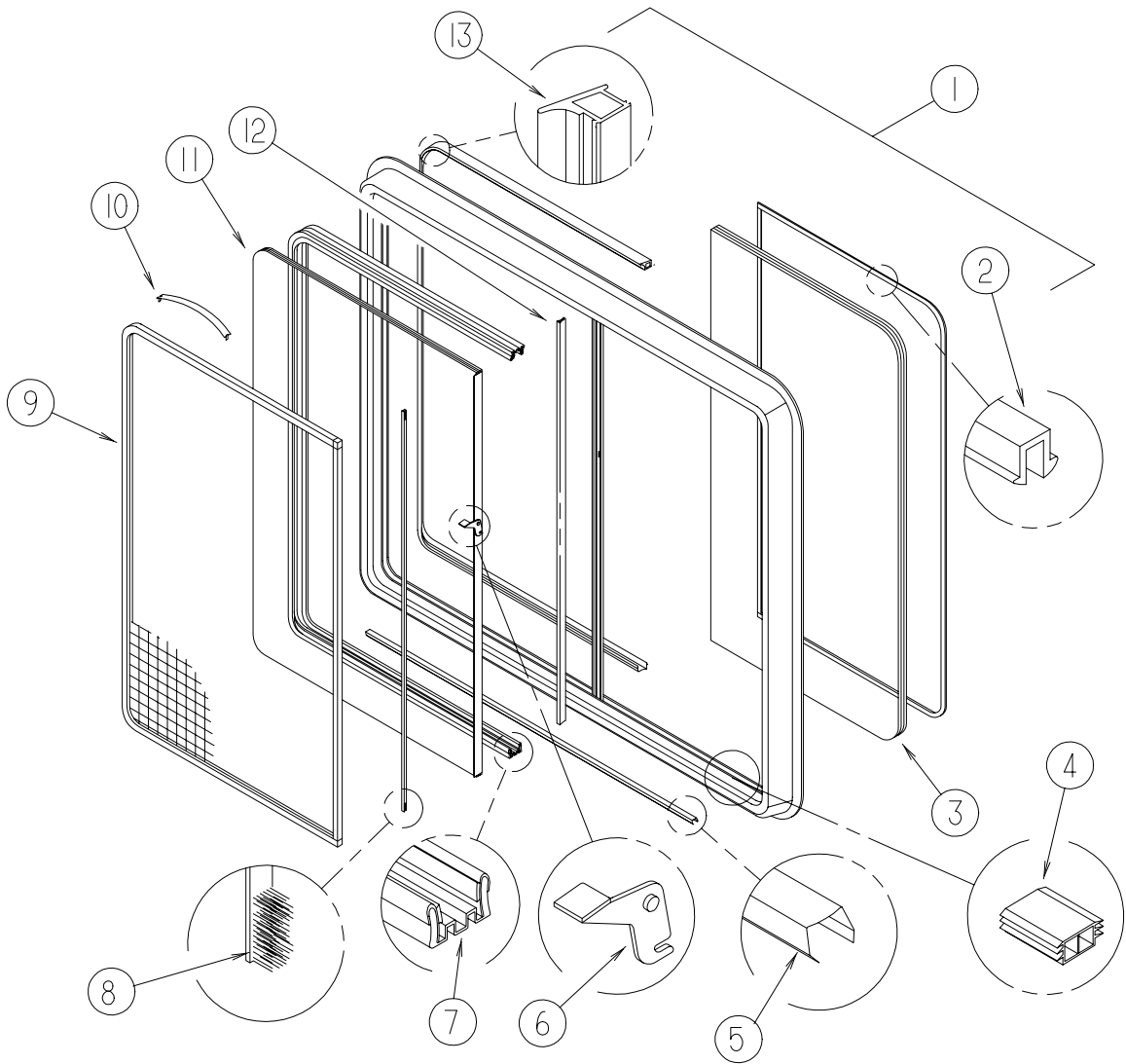
KEY	PART NUMBER	U/M	DESCRIPTION	VENDOR NO.
1	112795-59-01A	EA	WINDOW - DRIVER HORIZONTAL SLIDER - THERMO - 24.4" X 36.2"	
	112795-58-702	EA	RETAINER - TRIM	CW03-66
2	112795-01-705	FT	VINYL - GLAZING	132-025736
3	112795-58-701	EA	GLASS - STATIONARY	390-025875
4	112795-01-701	EA	SLIDE-STOP	132-019092
5	098644-01-710	FT	TRACK - SCREEN SPACER 12'	132-017135
6	112795-01-700	EA	LATCH ASSEMBLY - BLACK - (BOLT ON)	DH287-CK
7	112795-01-703	IN	CHANNEL-RUN (INCHES)	112795-01-703
8	098644-01-711	FT	WEATHERSTRIP - SCREEN BLACK	171-016965
9	112795-58-703	EA	SCREEN ASSEMBLY - W/SEALS & CLIPS	410-025877
10	098644-01-713	EA	CLIP - SCREEN - METAL	226-016966
10	125582-01-701	EA	CLIP - SCREEN - PLASTIC	130005153
11	112795-58-700	EA	GLASS - SLIDING W/SASH & LATCH	DC03-EG9
12	098644-01-706	FT	WEATHERSTRIP - GLASS	171-010668
13	112795-01-704	FT	PLUG - FILLER (DOUBLE GLAZED)	122-018737
	098644-01-717	FT	SPLINE - SCREEN	132-004716

THERMOPANE



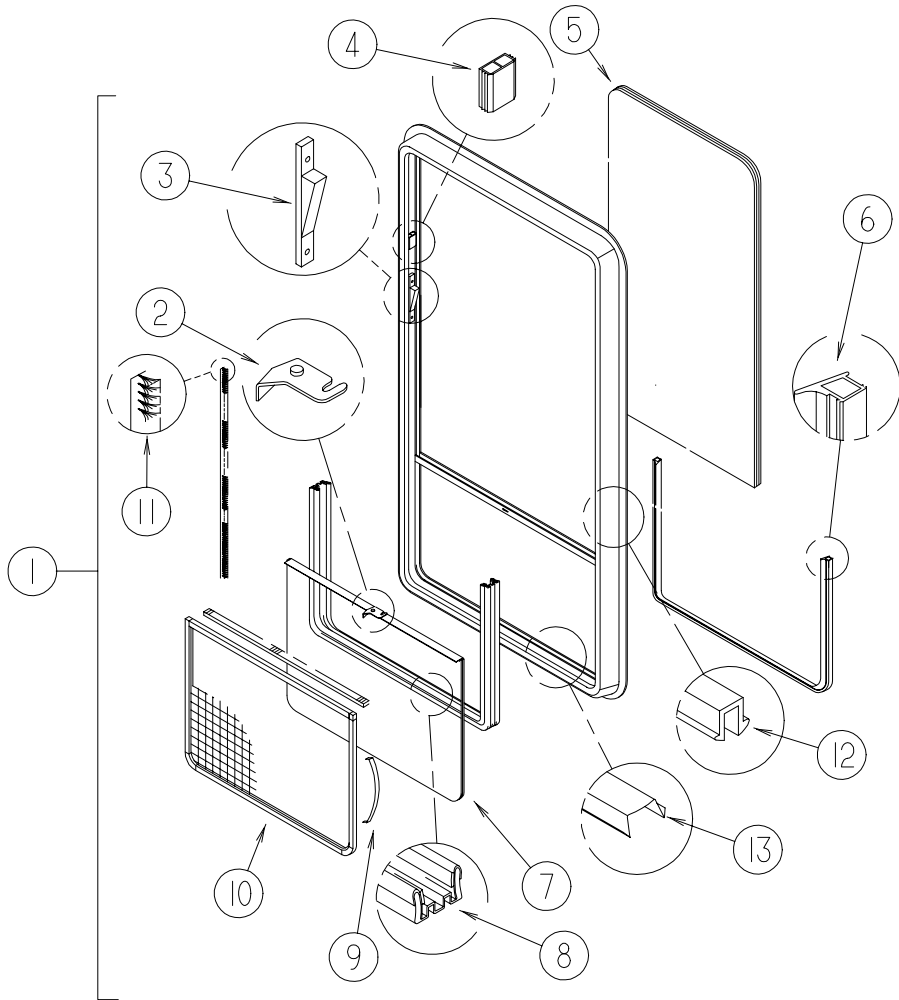
KEY	PART NUMBER	U/M	DESCRIPTION	VENDOR NO.
1	112795-60-01A	EA	WINDOW - SLIDER - HORIZONTAL THERMO - 30.5" X 41.2"	
2	112795-01-705	FT	VINYL - GLAZING	132-025736
3	112795-60-702	EA	GLASS-SLIDING W/SASH & LATCH	DH560-G9
4	112795-01-701	EA	SLIDE - STOP	132-019092
5	098644-01-710	FT	TRACK - SCREEN SPACER 12'	132-017135
6	112795-01-700	EA	LATCH ASSEMBLY - BLACK - (BOLT ON)	DH287-CK
7	112795-01-703	IN	CHANNEL - RUN (INCHES)	122-018736
8	098644-01-711	FT	WEATHERSTRIP - SCREEN BLACK	171-016965
9	112795-60-701	EA	SCREEN ASM W/SEALS & CLIP	410-025968
10	098644-01-713	EA	CLIP - SCREEN - METAL	226-016966
10	125582-01-701	EA	CLIP - SCREEN - PLASTIC	130005153
11	112795-60-703	EA	GLASS - STATIONARY	390-025966
12	098644-01-706	FT	WEATHERSTRIP - GLASS	171-010668
13	112795-01-704	FT	PLUG - FILLER - (DOUBLE GLAZED)	122-018737
	098644-01-717	FT	SPLINE - SCREEN	132-004716
	112795-60-700	EA	RETAINER - TRIM	W560-66

THERMOPANE



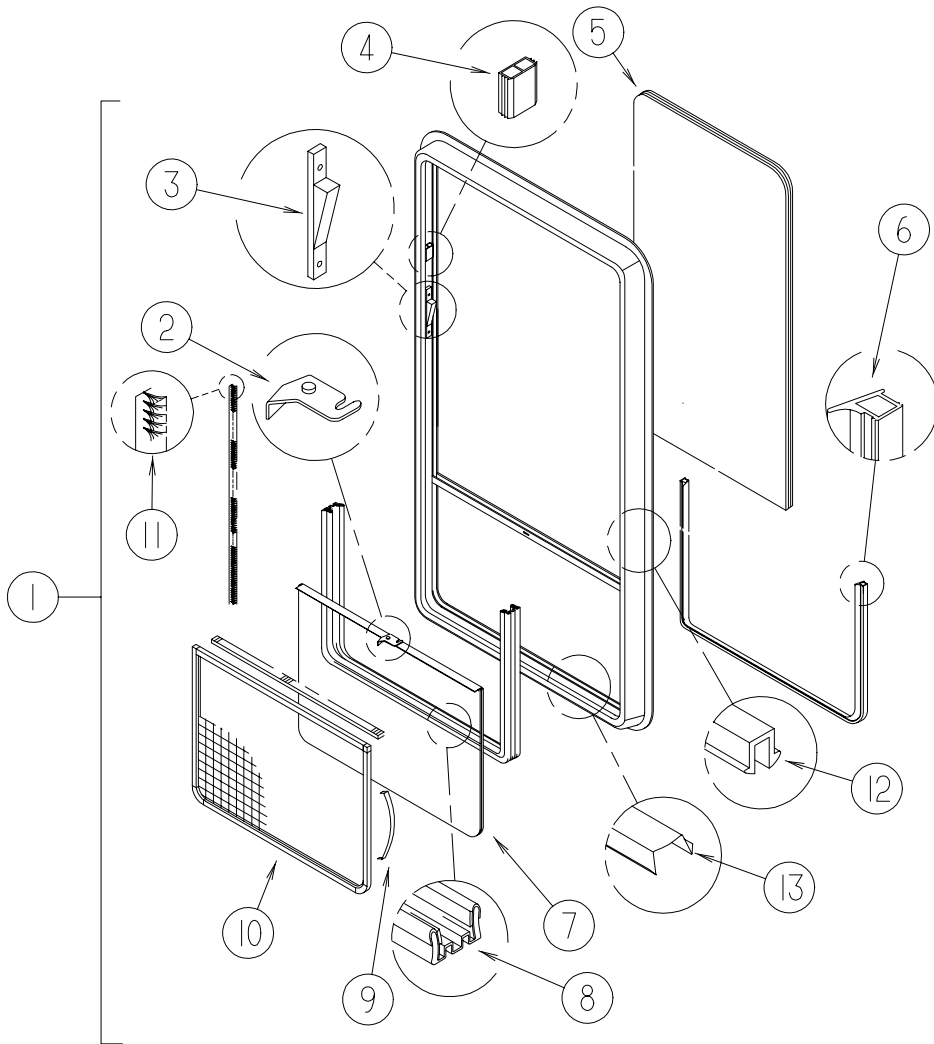
KEY	PART NUMBER	U/M	DESCRIPTION	VENDOR NO.
1	112795-61-01A	EA	WINDOW - SLIDER - HORIZONTAL - THERMO - 15.2" X 24"	
	112795-61-700	EA	RETAINER - TRIM	V969
2	112795-01-705	FT	VINYL - GLAZING	132-025736
3	112795-56-702	EA	GLASS - SLIDING W/SASH & LATCH	DB969-G9
4	112795-01-701	EA	SLIDE-STOP	132-019092
5	098644-01-710	FT	TRACK - SCREEN SPACER 12'	132-017135
6	112795-01-700	EA	LATCH ASSEMBLY - BLACK - (BOLT ON)	DH287-CK
7	112795-01-703	IN	CHANNEL-RUN (INCHES)	112795-01-703
8	098644-01-711	FT	WEATHERSTRIP - SCREEN BLACK	171-016965
9	112795-56-702	EA	SCREEN ASM - W/SEALS & CLIPS	410-019414
10	098644-01-713	EA	CLIP - SCREEN - METAL	226-016966
10	125582-01-701	EA	CLIP - SCREEN - PLASTIC	130005153
11	112795-56-701	EA	GLASS - STATIONARY	390-19412
12	098644-01-706	FT	WEATHERSTRIP - GLASS	171-010668
13	112795-01-704	FT	PLUG FILLER (DOUBLE GLAZED)	122-018737
	098644-01-717	FT	SPLINE - SCREEN	132-004716

THERMOPANE



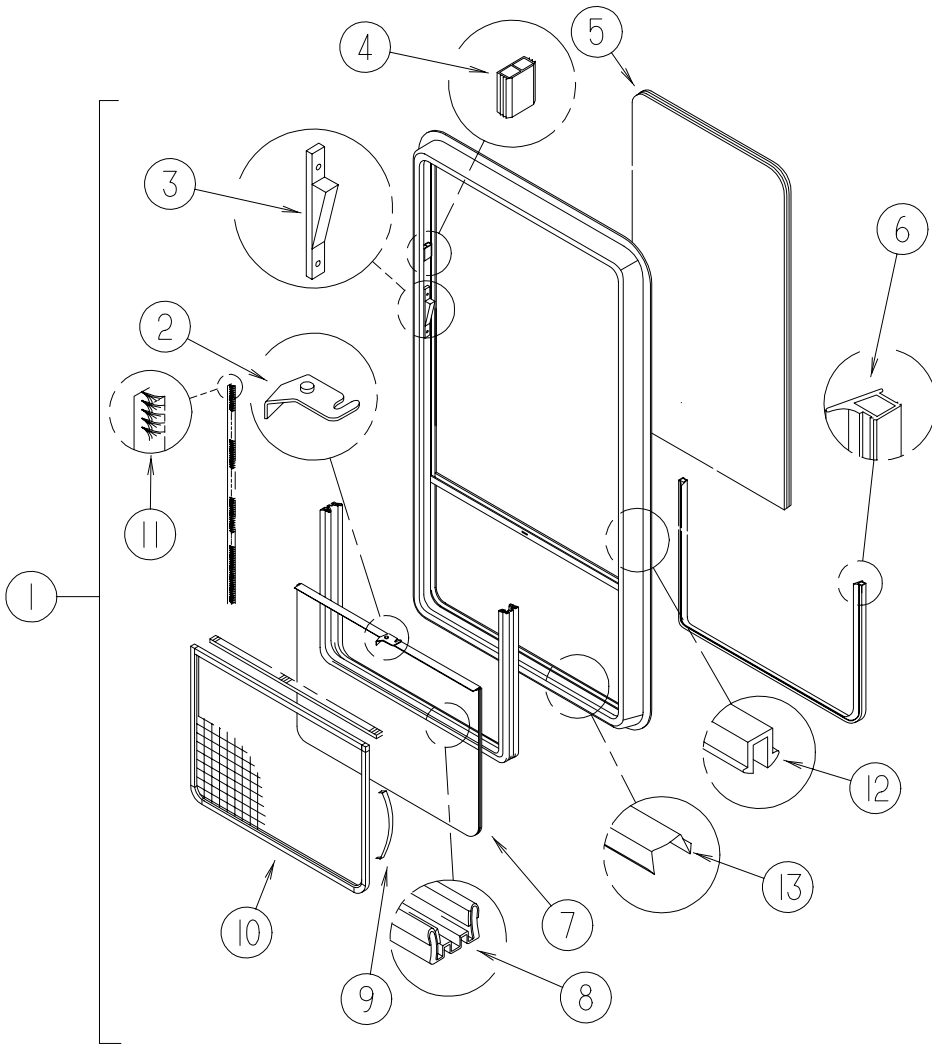
KEY	PART NUMBER	U/M	DESCRIPTION	VENDOR NO.
1	112898-04-01A	EA	WINDOW - VERTICAL SLIDER	
	098644-07-701	EA	RETAINER - TRIM	CW02-66
2	112795-01-700	EA	LATCH ASM., BLK.,(BOLT ON)	DH287-CK
3	112898-04-703	EA	SASH LATCH KIT, RAISED	DH343-CK
4	112795-01-701	EA	SLIDE-STOP	132-019092
5	112898-04-701	EA	GLASS - STATIONARY	390-019130
6	112795-01-704	FT	PLUG FILLER (DOUBLE GLAZED)	122-018737
7	112898-04-702	EA	GLASS SLIDING W/SASH & LATCH	DC02-G9
8	112795-01-703	IN	CHANNEL-RUN (INCHES)	122-018736
9	098644-01-713	EA	CLIP - SPRING - METAL	226-016966
10	098644-07-704	EA	SCREEN ASM - W/SEALS & CLIPS	410-018863
11	098644-01-711	FT	WEATHERSTRIP - SCREEN BLACK	171-016965
12	112795-01-705	FT	VINYL - GLAZING	132-025736
13	098644-01-710	FT	TRACK - SCREEN SPACER 12'	132-017135

THERMOPANE



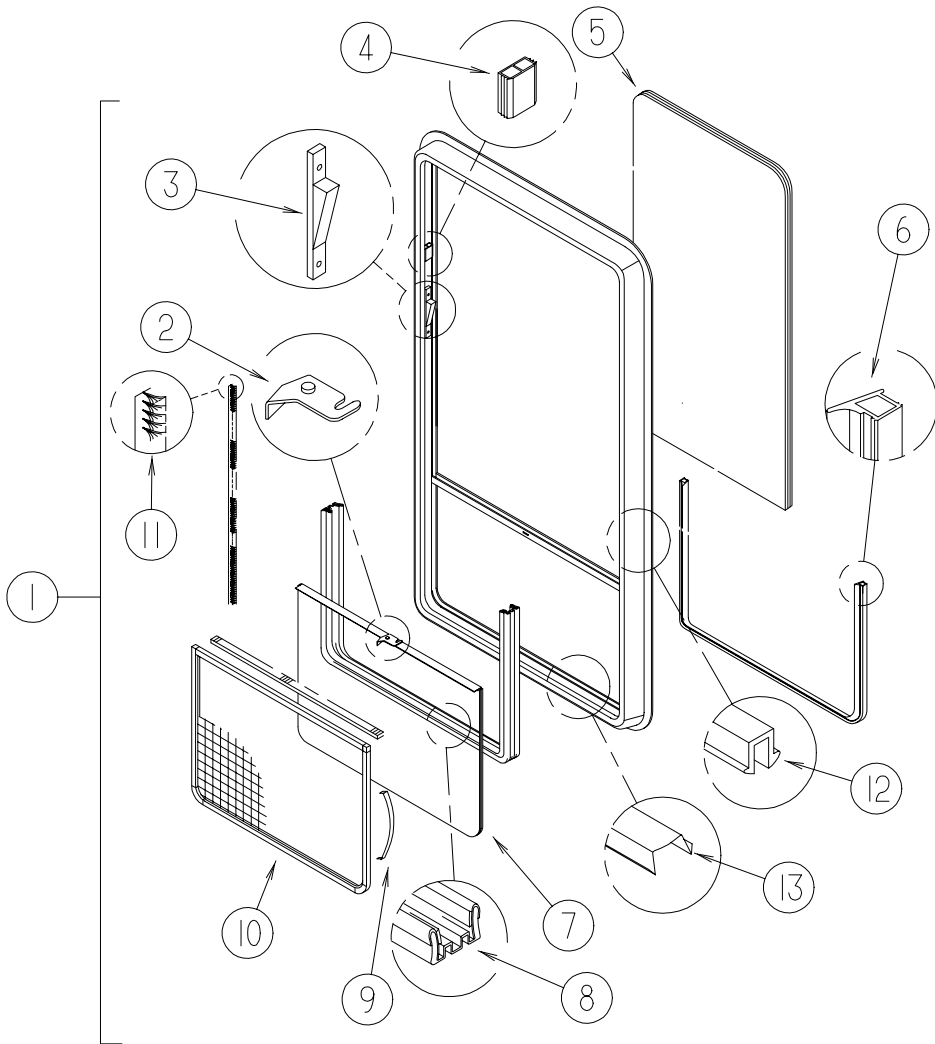
KEY	PART NUMBER	U/M	DESCRIPTION	VENDOR NO.
1	112898-05-01A	EA	WINDOW-SLIDING, VERTICAL	
	112898-05-701	EA	RETAINER - TRIM	CW61-66
2	112795-01-700	EA	LATCH ASM., BLACK	DH287-CK
3	112898-04-703	EA	SASH LATCH KIT, RAISED	DH343-CK
4	112795-01-701	EA	SLIDE-STOP	132-019092
5	112898-05-702	EA	GLASS - STATIONARY	390-019170
6	112795-01-704	FT	PLUG FILLER (DOUBLE GLAZED)	122-018737
7	112898-05-703	EA	GLASS-SLIDING W/SASH & LATCH	DC61-G9
8	112795-01-703	IN	CHANNEL-RUN (INCHES)	122-018736
9	098644-01-713	EA	CLIP - SPRING - METAL	226-016966
10	112898-05-704	EA	SCREEN ASM - W/SEALS & CLIPS	410-018862
11	098644-01-711	EA	WEATHERSTRIP-SCREEN, BLACK	171-016965
12	112795-01-705	FT	VINYL-GLAZING	132-019702
13	098644-01-710	FT	TRACK-SCREEN SPACER, 12'	132-017135

THERMOPANE



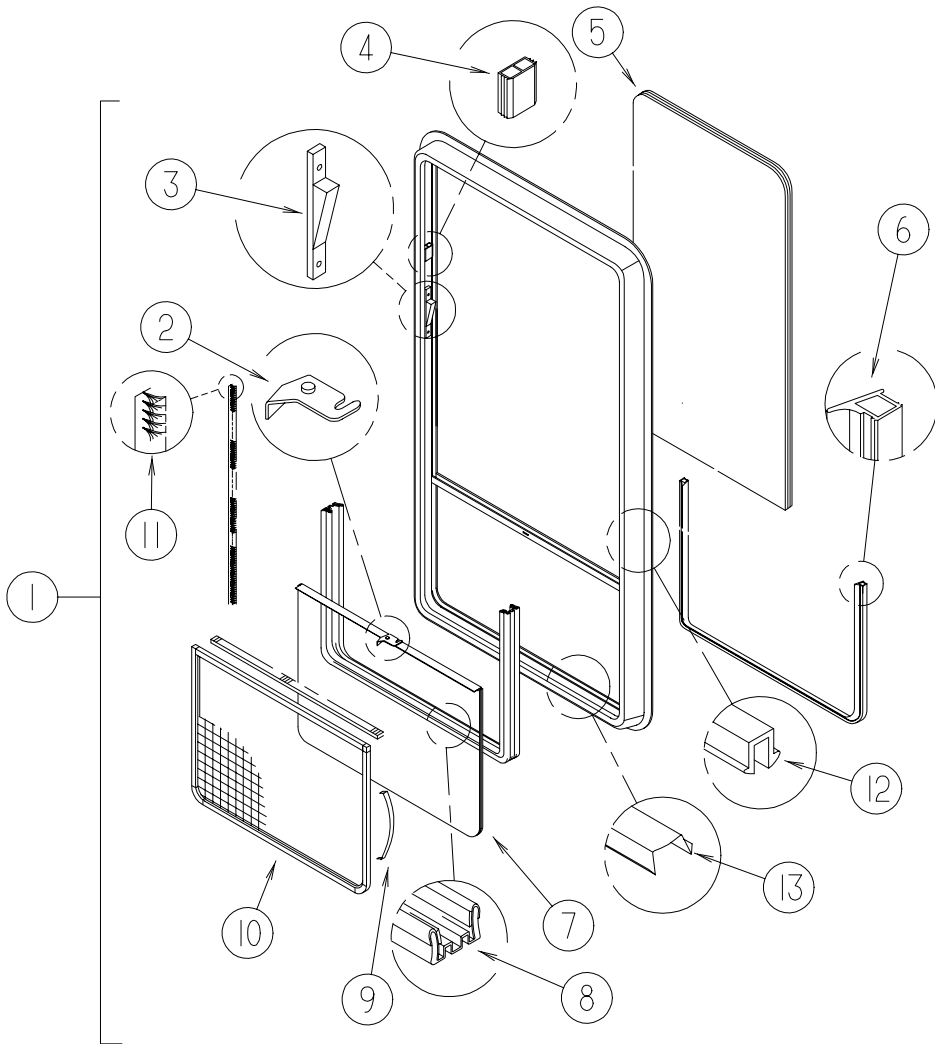
KEY	PART NUMBER	U/M	DESCRIPTION	VENDOR NO.
1	112898-06-01A	EA	WINDOW-SLIDING, VERTICLE	
	112898-06-701	EA	RETAINER - TRIM	W421-64
2	112795-01-700	EA	LATCH ASM., BLK.,(BOLT ON)	DH287-CK
3	112898-04-703	EA	SASH LATCH KIT, RAISED	DH343-CK
4	112795-01-701	EA	SLIDE-STOP	132-019092
5	112898-06-702	EA	GLASS - STATIONARY	390-019172
6	112795-01-704	FT	PLUG FILLER (DOUBLE GLAZED)	122-018737
7	112898-06-703	EA	GLASS-SLIDING W/SASH & LATCH	DH421-G9
8	112795-01-703	IN	CHANNEL-RUN (INCHES)	122-018736
9	098644-01-713	EA	CLIP - SPRING - METAL	226-016966
10	112898-06-706	EA	SCREEN ASM - W/SEALS & CLIPS	410-019189
11	098644-01-711	FT	WEATHERSTRIP - SCREEN BLACK	171-016965
12	112795-01-705	FT	VINYL - GLAZING	132-025736
13	098644-01-710	FT	TRACK - SCREEN SPACER 12'	132-017135
	112898-06-704	EA	HANDLE-LATCH, RED-RH	182-11293
	112898-06-705	EA	HANDLE-LATCH, RED-LH	182-11294

THERMOPANE



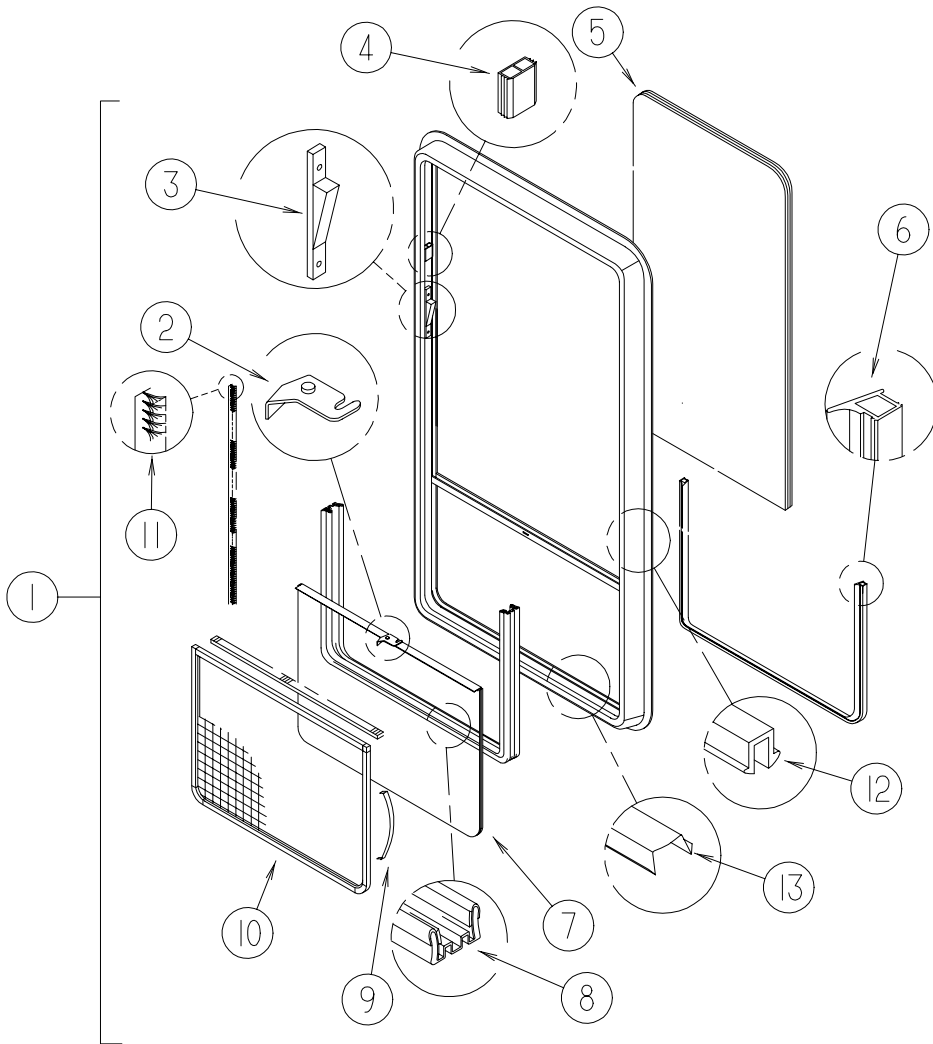
KEY	PART NUMBER	U/M	DESCRIPTION	VENDOR NO.
1	112898-07-01A	EA	WINDOW - VERTICAL SLIDER - THERMO - 22.8" X 21.1"	DH439-G2W66
	112898-07-701	EA	RETAINER - TRIM	CW91-66
2	112795-01-700	EA	LATCH ASM., BLK.,(BOLT ON)	DH287-CK
3	112898-04-703	EA	VERTICAL LATCH (SASH KIT)	DH343-CK
4	112795-01-701	EA	SLIDE-STOP	132-019092
5	112898-07-702	EA	GLASS (STATIONARY)	390-019468
6	112795-01-704	FT	PLUG FILLER (DOUBLE GLAZED)	122-018737
7	112898-07-703	EA	GLASS SLIDING W/SASH & LATCH	DH439-G9
8	112795-01-703	IN	CHANNEL-RUN (INCHES)	122-018736
9	098644-01-713	EA	CLIP - SPRING - METAL	226-016966
10	112898-07-704	EA	SCREEN ASM - W/SEALS & CLIPS	410-019475
11	098644-01-711	FT	WEATHERSTRIP - SCREEN BLACK	171-016965
12	112795-01-705	FT	VINYL - GLAZING	132-025736
13	098644-01-710	FT	TRACK - SCREEN SPACER 12'	132-017135
	112795-01-700	EA	LATCH ASM., BLK.,(BOLT ON)	DH287-CK

THERMOPANE



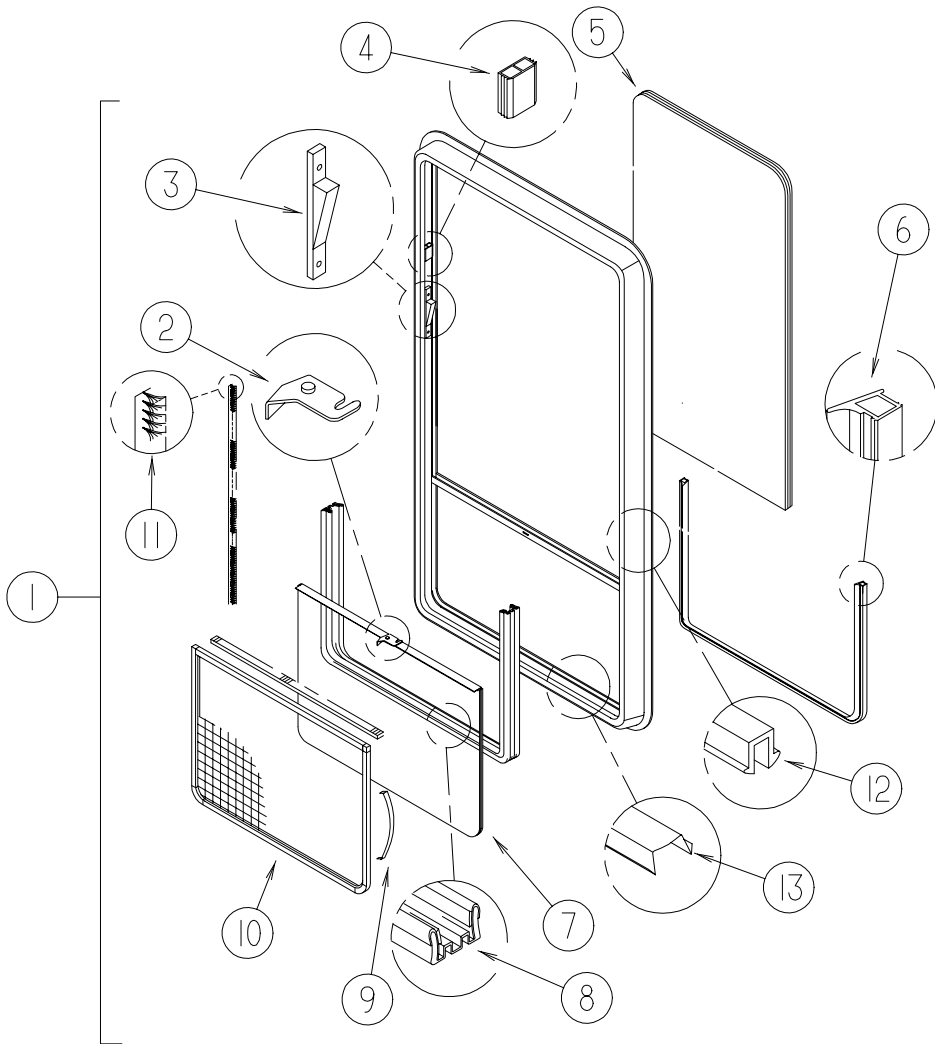
KEY	PART NUMBER	U/M	DESCRIPTION	VENDOR NO.
1	112898-10-01A	EA	WINDOW - VERTICAL SLIDER - THERMO/EXPORT - 14.3" X 30.2"	
	098644-07-701	EA	RETAINER - TRIM	CW02-66
2	112795-01-700	EA	LATCH ASM., BLK.,(BOLT ON)	DH287-CK
3	112898-04-703	EA	VERTICAL LATCH (SASH KIT)	DH343-CK
4	112795-01-701	EA	SLIDE-STOP	132-019092
5	112898-10-700	EA	GLASS - STATIONARY	390-019776
6	112795-01-704	FT	PLUG FILLER (DOUBLE GLAZED)	122-018737
7	112898-10-701	EA	GLASS - SLIDING W/SASH & LATCH	DC02-EG9
8	112795-01-703	IN	CHANNEL-RUN (INCHES)	122-018736
9	098644-01-713	EA	CLIP - SPRING - METAL	226-016966
10	098644-07-704	EA	SCREEN ASM - W/SEALS & CLIPS	410-018863
11	098644-01-711	FT	WEATHERSTRIP - SCREEN BLACK	171-016965
12	112795-01-705	FT	VINYL - GLAZING	132-025736
13	098644-01-710	FT	TRACK - SCREEN SPACER 12'	132-017135
	112795-01-700	EA	LATCH ASM., BLK.,(BOLT ON)	DH287-CK

THERMOPANE



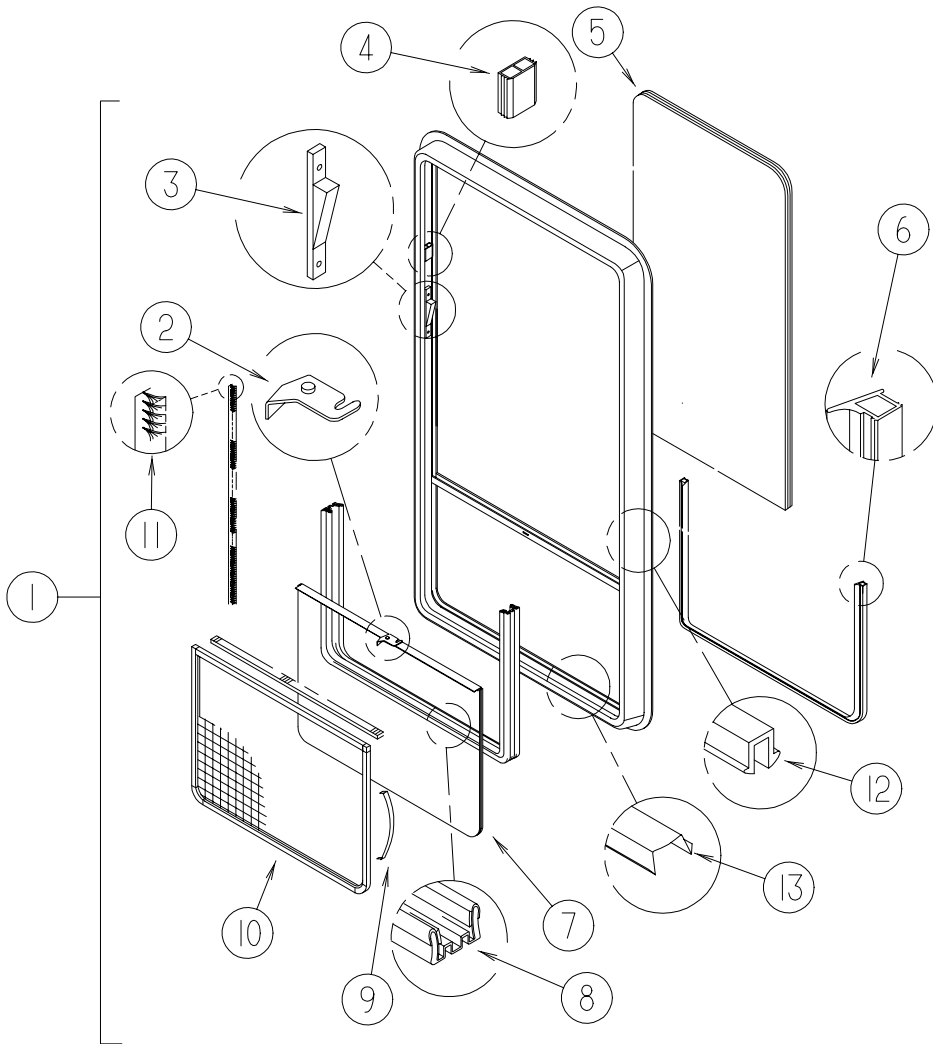
KEY	PART NUMBER	U/M	DESCRIPTION	VENDOR NO.
1	112898-11-01A	EA	WINDOW - VERTICAL SLIDER - THERMO - 22.1" X 55.5"	
	112898-09-701	EA	RETAINER - TRIM	W446-66
2	112795-01-700	EA	LATCH ASM., BLK.,(BOLT ON)	DH287-CK
3	112898-04-703	EA	VERTICAL LATCH (SASH KIT)	DH343-CK
4	112795-01-701	EA	SLIDE-STOP	132-019092
5	112898-11-701	EA	GLASS (STATIONARY)	390-019648
6	112795-01-704	FT	PLUG FILLER (DOUBLE GLAZED)	122-018737
7	112898-11-702	EA	GLASS SLIDING W/SASH & LATCH	DH446-G9
8	112795-01-703	IN	CHANNEL-RUN (INCHES)	122-018736
9	098644-01-713	EA	CLIP - SPRING - METAL	226-016966
10	112898-09-704	EA	SCREEN ASM - W/SEALS & CLIPS	410-019511
11	098644-01-711	FT	WEATHERSTRIP - SCREEN BLACK	171-016965
12	112795-01-705	FT	VINYL - GLAZING	132-025736
13	098644-01-710	FT	TRACK - SCREEN SPACER 12'	132-017135
	112795-01-700	EA	LATCH ASM., BLK.,(BOLT ON)	DH287-CK

THERMOPANE



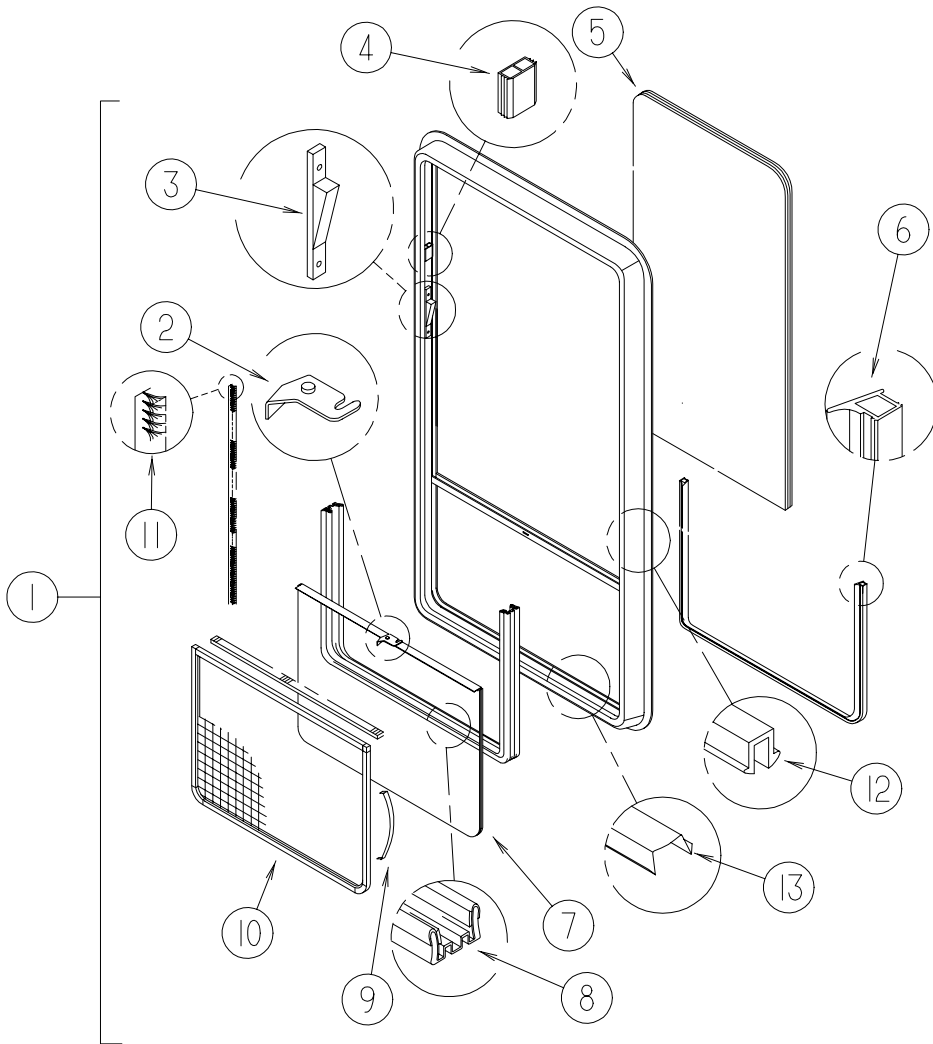
KEY	PART NUMBER	U/M	DESCRIPTION	VENDOR NO.
1	112898-12-01A	EA	WINDOW - VERTICAL SLIDER - THERMO/EXPORT - 27" X 25"	
	098644-10-703	EA	RETAINER - TRIM	CW78-66
2	112795-01-700	EA	LATCH ASM., BLK.,(BOLT ON)	DH287-CK
3	112898-04-703	EA	VERTICAL LATCH (SASH KIT)	DH343-CK
4	112795-01-701	EA	SLIDE-STOP	132-019092
5	112898-12-701	EA	GLASS (STATIONARY)	390-019681
6	112795-01-704	FT	PLUG FILLER (DOUBLE GLAZED)	122-018737
7	112898-12-700	EA	GLASS SLIDING W/SASH & LATCH	DC78-EG9
8	112795-01-703	IN	CHANNEL-RUN (INCHES)	122-018736
9	098644-01-713	EA	CLIP - SPRING - METAL	226-016966
10	098644-10-700	EA	SCREEN ASM - W/SEALS & CLIPS	410-019683
11	098644-01-711	FT	WEATHERSTRIP - SCREEN BLACK	171-016965
12	112795-01-705	FT	VINYL - GLAZING	132-025736
13	098644-01-710	FT	TRACK - SCREEN SPACER 12'	132-017135
	112795-01-700	EA	LATCH ASM., BLK.,(BOLT ON)	DH287-CK
	112795-24-706	FT	SEAL - SPLINE/GRAY - ESCAPE	132-010481

THERMOPANE



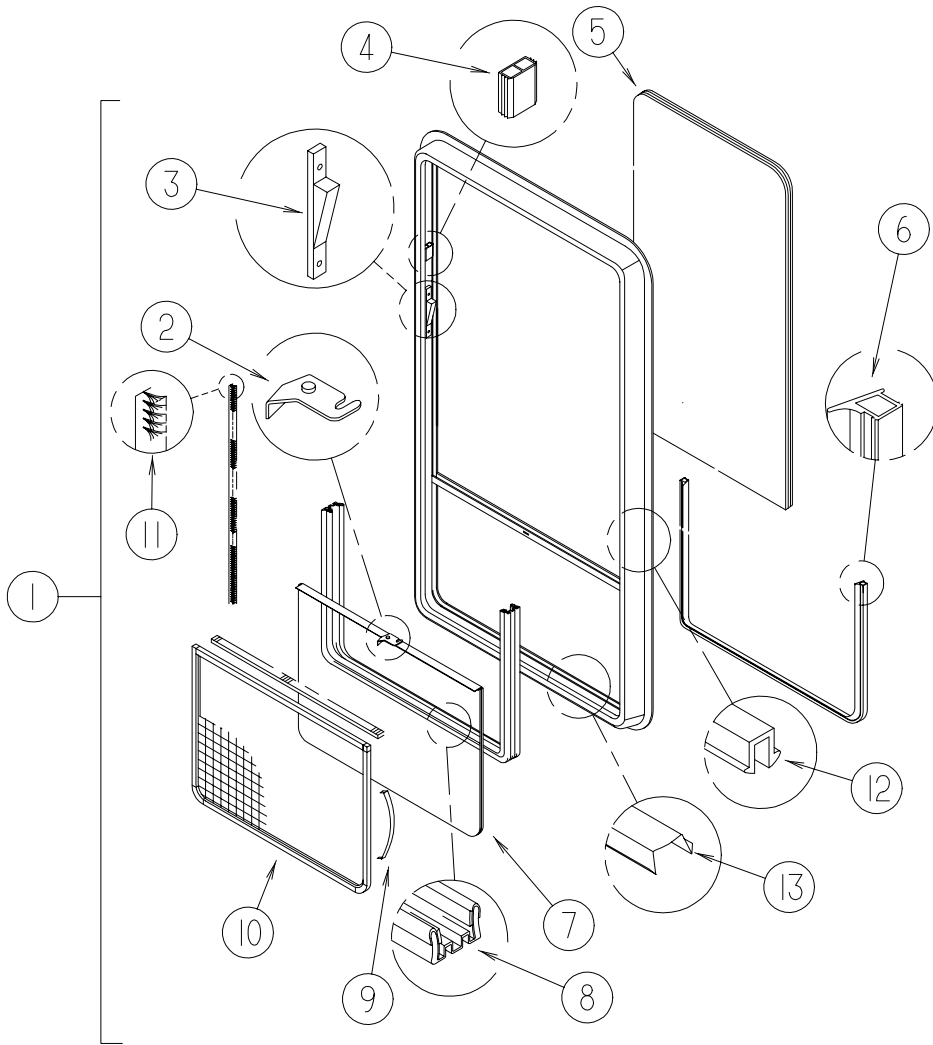
KEY	PART NUMBER	U/M	DESCRIPTION	VENDOR NO.
1	112898-16-01A	EA	WINDOW-SLIDING, VERTICAL	
	112898-16-701	EA	RETAINER - TRIM	
2	112795-01-700	EA	LATCH ASM., BLACK	DH287-CK
3	112898-04-703	EA	SASH LATCH KIT, RAISED	DH343-CK
4	112795-01-701	EA	SLIDE-STOP	132-019092
5	112898-05-702	EA	GLASS - STATIONARY	
6	112795-01-704	FT	PLUG FILLER (DOUBLE GLAZED)	122-018737
7	112898-16-703	EA	GLASS-SLIDING W/SASH & LATCH	
8	112795-01-703	IN	CHANNEL-RUN (INCHES)	122-018736
9	098644-01-713	EA	CLIP - SPRING - METAL	226-016966
10	112898-16-704	EA	SCREEN ASM - W/SEALS & CLIPS	
11	098644-01-711	EA	WEATHERSTRIP-SCREEN, BLACK	171-016965
12	112795-01-705	FT	VINYL-GLAZING	132-019702
13	098644-01-710	FT	TRACK-SCREEN SPACER, 12'	132-017135

THERMOPANE



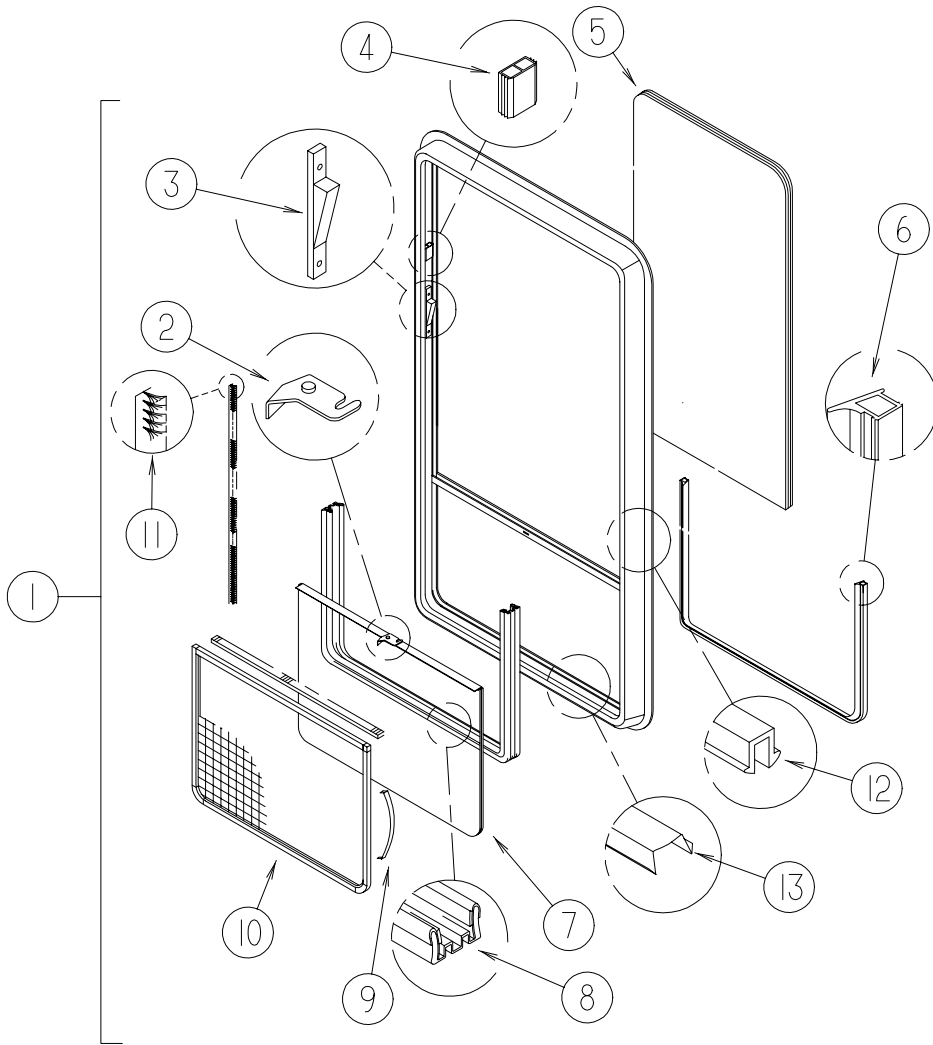
KEY	PART NUMBER	U/M	DESCRIPTION	VENDOR NO.
1	112898-17-01A	EA	WINDOW - VERTICAL SLIDER - THERMO/EXPORT - 30.2" X 33.2"	
	112898-16-702	EA	RETAINER - TRIM	CW100-66
2	112795-01-700	EA	LATCH ASSEMBLY - BLACK	DH287-CK
3	112898-04-703	EA	SASH LATCH KIT - RAISED	DH343-CK
4	112795-01-701	EA	SLIDE-STOP	132-019092
5	112898-17-701	EA	GLASS - STATIONARY	390-025437
6	112795-01-704	FT	PLUG FILLER (DOUBLE GLAZED)	122-018737
7	112898-17-700	EA	GLASS - SLIDING W/SASH & LATCH	DH510-EG9
8	112795-01-703	IN	CHANNEL - RUN (INCHES)	122-018736
9	098644-01-713	EA	CLIP - SPRING - METAL	226-016966
10	112898-05-704	EA	SCREEN ASM - W/SEALS & CLIPS	410-018862
11	098644-01-711	EA	WEATHERSTRIP - SCREEN - BLACK	171-016965
12	112795-01-705	FT	VINYL - GLAZING	132-019702
13	098644-01-710	FT	TRACK - SCREEN SPACER - 12'	132-017135

THERMOPANE



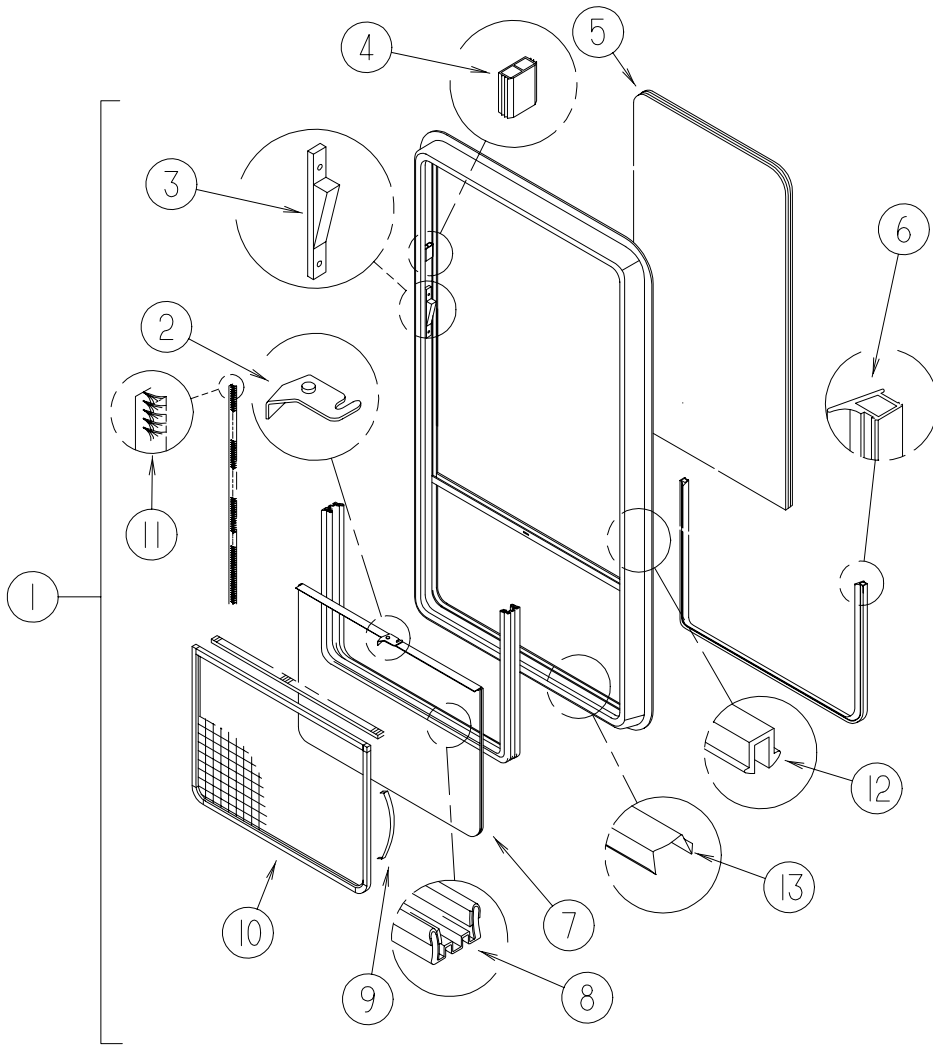
KEY	PART NUMBER	U/M	DESCRIPTION	VENDOR NO.
1	112898-18-01A	EA	WINDOW - VERTICAL SLIDER - THERMO - ESCAPE - 33.2" X 30.2"	
	112898-18-702	EA	RETAINER - TRIM	W511-64
2	112795-01-700	EA	LATCH - BLACK - (BOLT ON)	DH287-CK
3	112898-04-703	EA	SASH - LATCH KIT - RAISED	DH343-CK
4	112795-01-701	EA	SLIDE - STOP	132-019092
5	112898-18-701	EA	GLASS - STATIONARY	390-025500
6	112795-01-704	FT	PLUG - FILLER - (DOUBLE GLAZED)	122-018737
7	112898-18-700	EA	GLASS - SLIDING - W/SASH & LATCH	DH511-G9
8	112795-01-703	IN	CHANNEL - RUN (INCHES)	122-018736
9	098644-01-713	EA	CLIP - SCREEN - METAL	226-016966
10	112898-06-706	EA	SCREEN ASM - W/SEALS & CLIPS	410-019189
	098644-01-717	FT	SPLINE - SCREEN	132-004716
11	098644-01-711	FT	WEATHERSTRIP - SCREEN BLACK	171-016965
12	112795-01-705	FT	VINYL - GLAZING	132-025736
13	098644-01-710	FT	TRACK - SCREEN SPACER 12'	132-017135
	098644-01-706	FT	WEATHERSTRIP - GLASS	171-010668

**THERMOPANE
DH564G2W66**



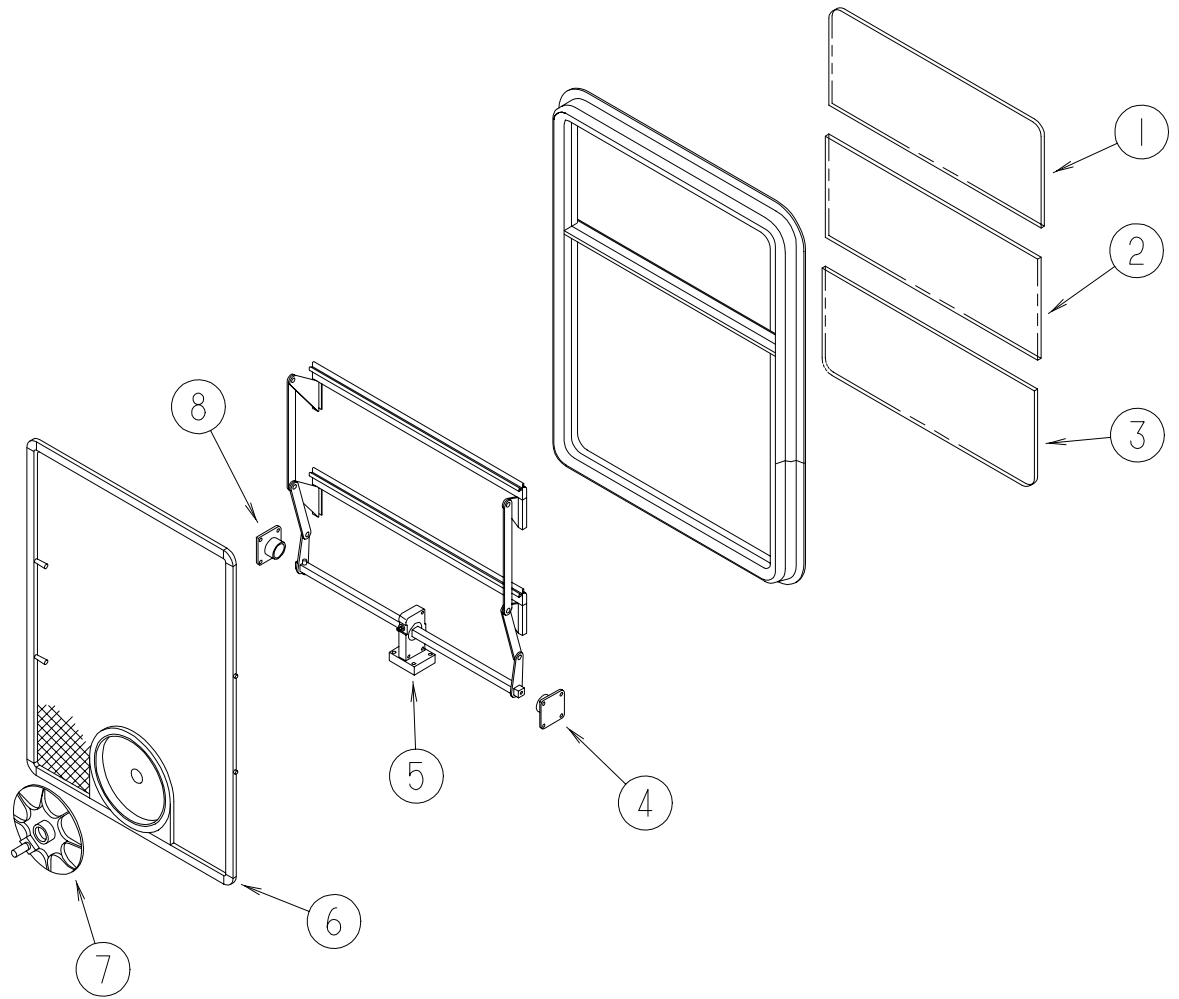
KEY	PART NUMBER	U/M	DESCRIPTION	VENDOR NO.
1	112898-19-01A	EA	WINDOW - VERTICAL SLIDER - THERMO - 27" X 26.4"	
	112898-19-703	EA	RETAINER - TRIM	W564-66
2	112795-01-700	EA	LATCH - BLACK - (BOLT ON)	DH287-CK
3	112898-04-703	EA	SASH - LATCH KIT - RAISED	DH343-CK
4	112795-01-701	EA	SLIDE - STOP	132-019092
5	112898-19-700	EA	GLASS - STATIONARY	390-026277
6	112795-01-704	FT	PLUG - FILLER - (DOUBLE GLAZED)	122-018737
7	112898-19-701	EA	GLASS - SLIDING - W/SASH & LATCH	DH564-G9
8	112795-01-703	IN	CHANNEL - RUN (INCHES)	122-018736
9	098644-01-713	EA	CLIP - SCREEN - METAL	226-016966
10	112898-19-702	EA	SCREEN ASM - W/SEALS & CLIPS	410-026279
	098644-01-717	FT	SPLINE - SCREEN	132-004716
11	098644-01-711	FT	WEATHERSTRIP - SCREEN BLACK	171-016965
12	112795-01-705	FT	VINYL - GLAZING	132-025736
13	098644-01-710	FT	TRACK - SCREEN SPACER 12'	132-017135
	098644-01-706	FT	WEATHERSTRIP - GLASS	171-010668

THERMOPANE



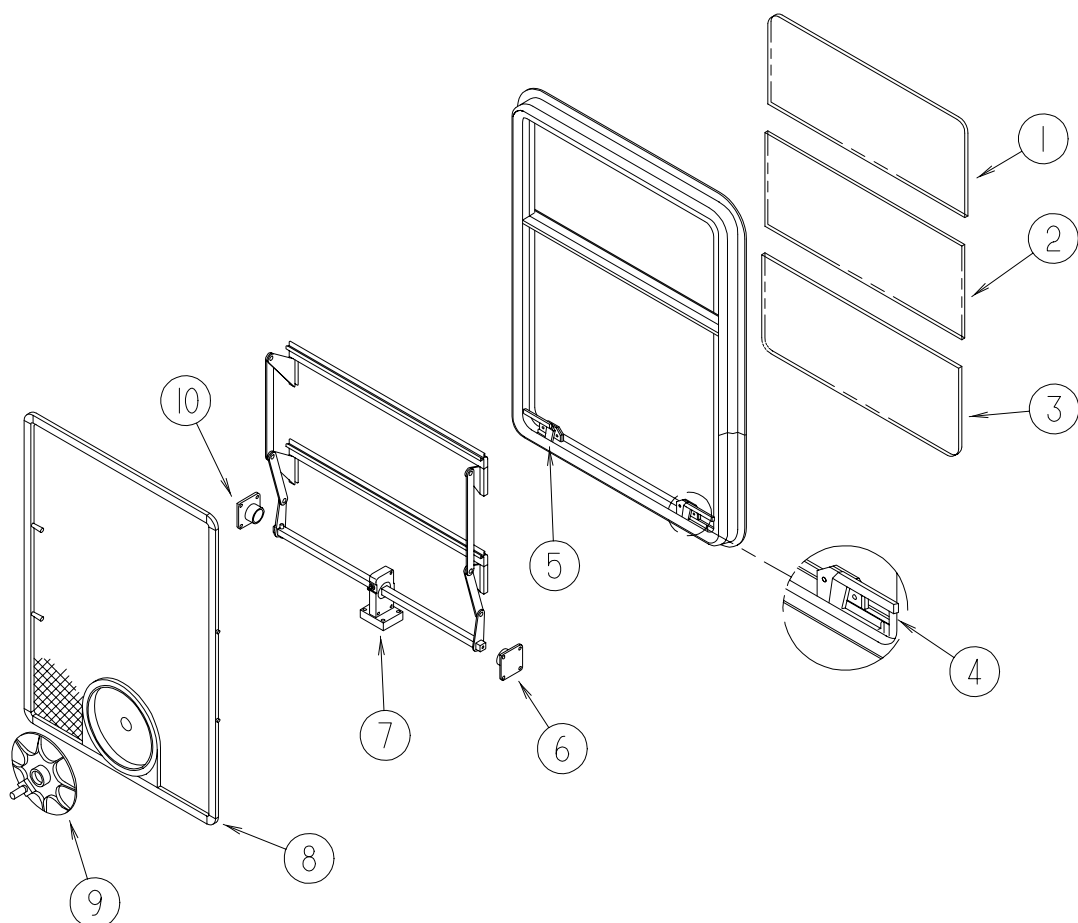
KEY	PART NUMBER	U/M	DESCRIPTION	VENDOR NO.
1	112898-20-01A	EA	WINDOW - VERTICAL SLIDER - THERMO - 21.1" X 31.7" DH33	
	098644-04-700	EA	RETAINER - TRIM	W332-67
2	112795-01-700	EA	LATCH - BLACK - (BOLT ON)	DH287-CK
3	112898-04-703	EA	VERTICAL LATCH (SASH KIT)	DH343-CK
4	112795-01-701	EA	SLIDE - STOP	132-019092
5	112898-20-700	EA	GLASS - STATIONARY	390-026624
6	112795-01-704	FT	PLUG - FILLER - (DOUBLE GLAZED)	122-018737
7	112898-20-701	EA	GLASS-SLIDING W/SASH & LATCH	DH332-G9
8	112795-01-703	IN	CHANNEL - RUN (INCHES)	122-018736
9	098644-01-713	EA	CLIP - SCREEN - METAL	226-016966
10	098644-04-703	EA	SCREEN ASM - W/SEALS & CLIPS	410-017955
	098644-01-717	FT	SPLINE - SCREEN	132-004716
11	098644-01-711	FT	WEATHERSTRIP - SCREEN BLACK	171-016965
12	112795-01-705	FT	VINYL - GLAZING	132-025736
13	098644-01-710	FT	TRACK - SCREEN SPACER 12'	132-017135
	098644-01-706	FT	WEATHERSTRIP - GLASS	171-010668

**DOUBLE TIPOUT
CH04-G2W59**



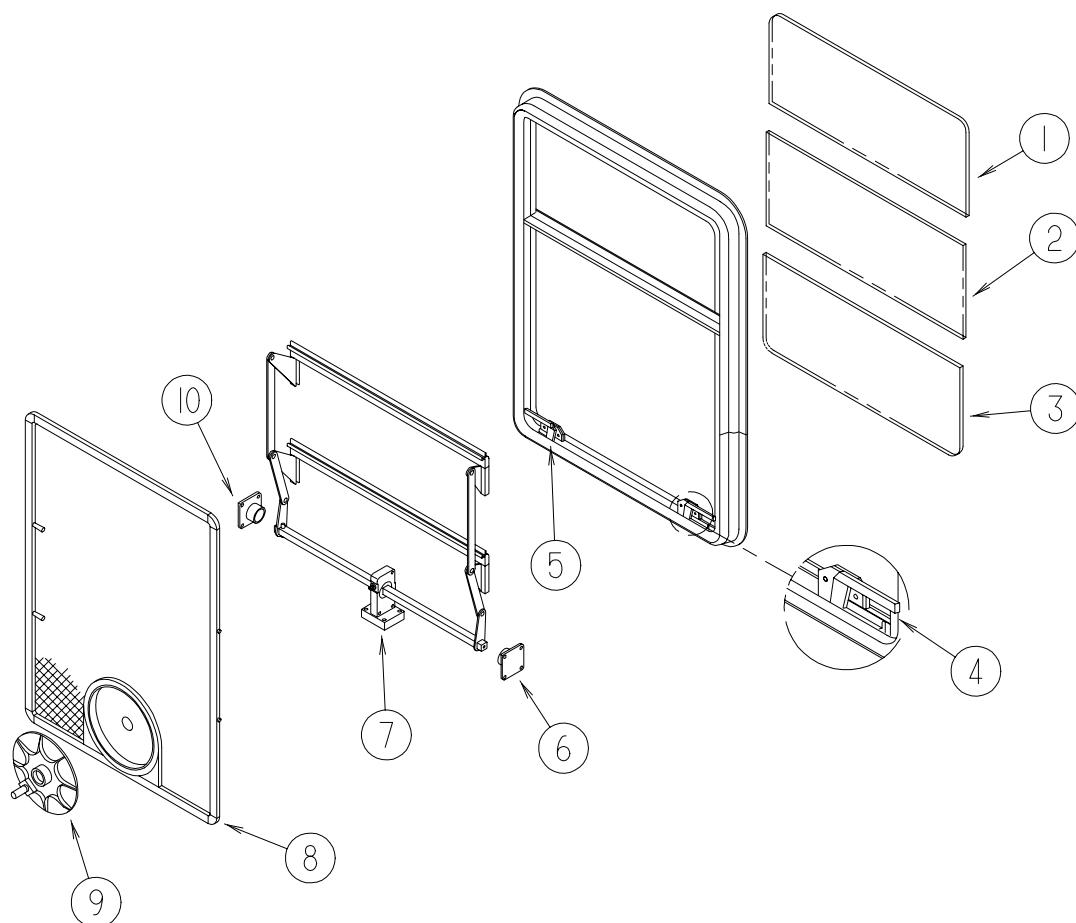
KEY	PART NUMBER	U/M	DESCRIPTION	VENDOR NO.
	113500-01-01A	EA	WINDOW - DOUBLE TIPOUT - TINTED - 24.5" X 41.3"	CH04-G2W59
	113500-01-702	EA	RETAINER - TRIM	CW04-59
1	113500-01-703	EA	GLASS - TOP STATIONARY	106-015970
2	113500-01-704	EA	GLASS - UPPER VENT ASSEMBLY	CH04-G7
3	113500-01-705	EA	GLASS - LOWER VENT ASSEMBLY	CH04-G9
4	113500-01-707	EA	SUPPORT - TORQUE BAR RH	130-015979
5	113500-01-706	EA	OPERATOR & BAR ASSEMBLY	CH04-15
	112519-01-702	EA	OPERATOR-VENT	410-016123
6	113500-01-700	EA	SCREEN ASM - W/SEALS & CLIPS	410-016020
7	100322-01-718	EA	HANDLE-DIAL	410-016081
8	113500-01-708	EA	SUPPORT - TORQUE BAR LH	130-015978
	098644-01-716	FT	PLUG - FILLER	132-014470
	100322-01-701	FT	SEAL-VENT	122-016071
	100322-01-702	EA	WEATHERSTRIP-HORIZONTAL RAIL	132-015976
	100322-01-703	FT	VINYL-GLAZING, BUTYL	132-010723
	100322-01-704	FT	TAPE-BUTYL	154-016083
	100322-01-717	EA	E-RING	245-015975

**DOUBLE TIPOUT
WITH ESCAPE**



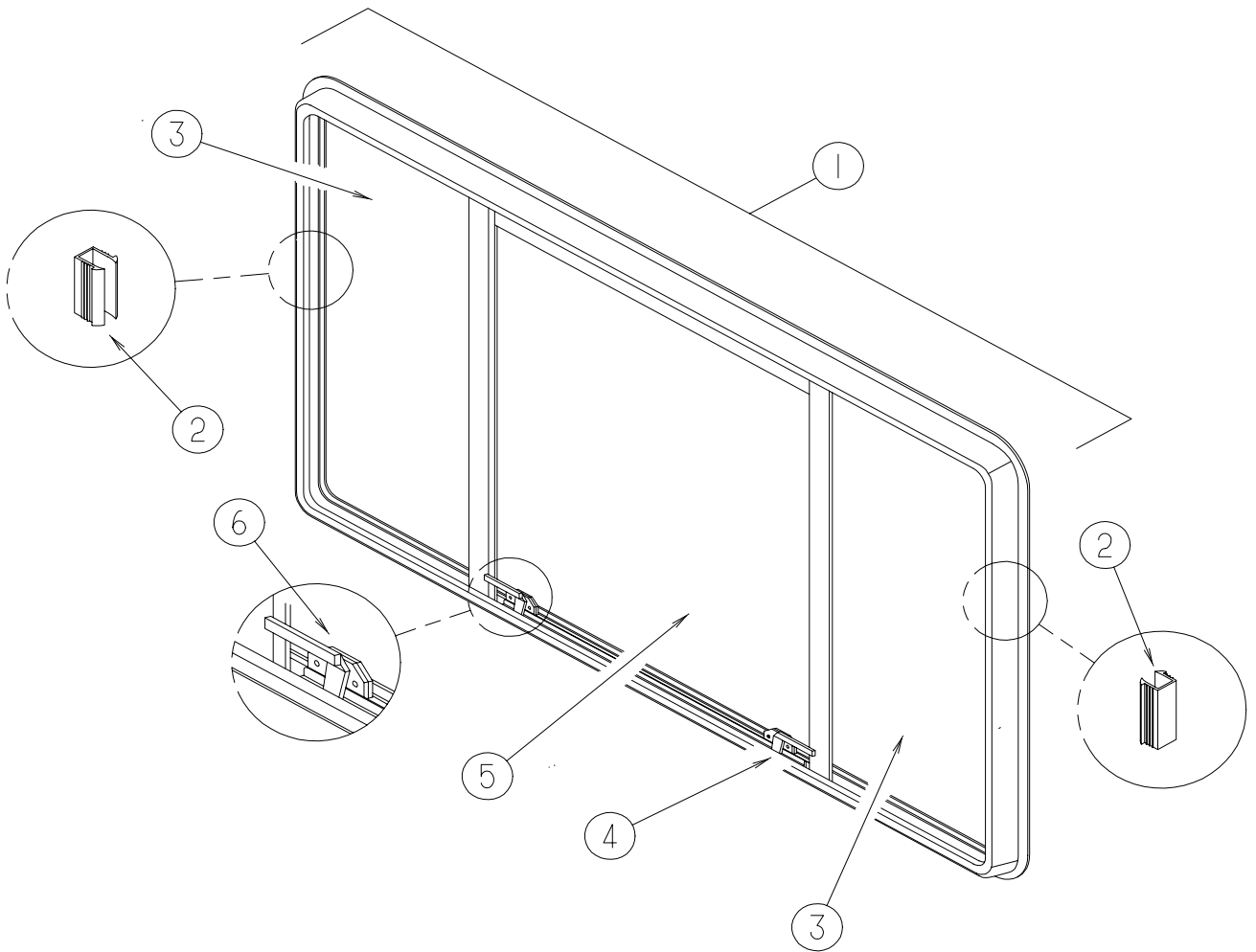
KEY	PART NUMBER	U/M	DESCRIPTION	VENDOR NO.
	113500-05-01A	EA	WINDOW - DOUBLE TIPOUT - TINTED - 33.2" X 30.2"	
	113500-05-705	EA	RETAINER - TRIM	CW100-59
1	113500-05-700	EA	GLASS - STATIONARY	106-025654
2	113500-05-701	EA	VENT ASM (UPPER)	CH104-D7
3	113500-05-702	EA	VENT ASM (LOWER)	CH104-D9
4	112898-06-704	EA	HANDLE-LATCH, RED-RH	182-11293
5	112898-06-705	EA	HANDLE-LATCH, RED-LH	182-11294
6	113500-01-707	EA	SUPPORT - TORQUE BAR RH	130-015979
7	113500-05-703	EA	OPERATOR BAR ASSEMBLY	CH10-15
	112519-01-702	EA	OPERATOR-VENT	410-016123
8	113500-05-704	EA	SCREEN ASM - W/SEALS & CLIPS	410-025657
9	100322-01-718	EA	HANDLE-DIAL	410-016081
10	113500-01-708	EA	SUPPORT - TORQUE BAR LH	130-015978
	098644-01-716	FT	PLUG - FILLER	132-014470
	100322-01-701	FT	SEAL-VENT	122-016071
	100322-01-702	EA	WEATHERSTRIP-HORIZONTAL RAIL	132-015976
	100322-01-703	FT	VINYL-GLAZING, BUTYL	132-010723
	100322-01-704	FT	TAPE-BUTYL	154-016083
	100322-01-717	EA	E-RING	245-015975
	112463-02-706	FT	SEAL - FOAM RUBBER	140-014727

**DOUBLE TIPOUT
WITH ESCAPE**



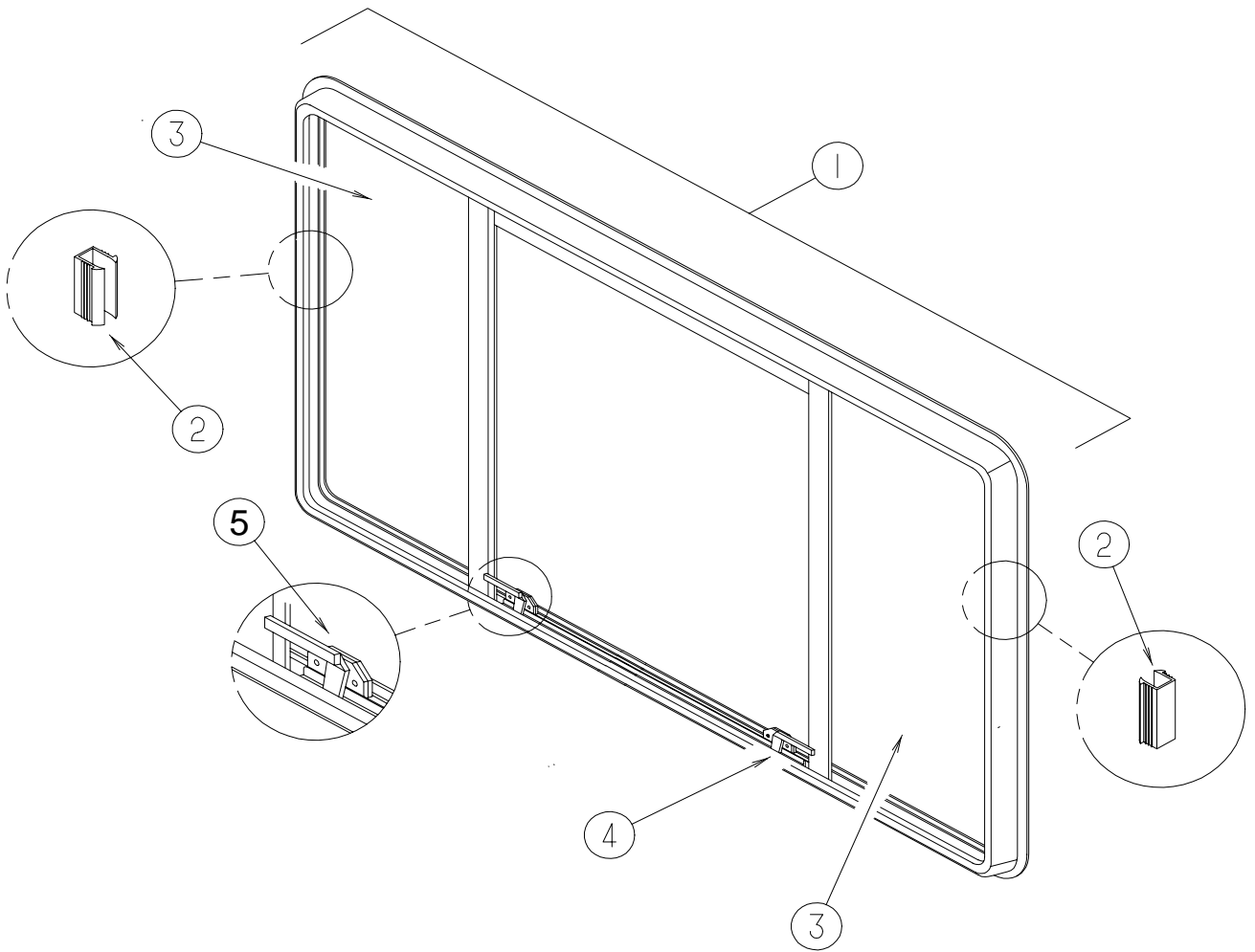
KEY	PART NUMBER	U/M	DESCRIPTION	VENDOR NO.
	113500-06-01A	EA	WINDOW - DOUBLE TIPOUT W/ESCAPE - TINTED - 33.2" X 30.2"	
	113500-06-705	EA	RETAINER - TRIM	CW101-59
1	113500-06-700	EA	GLASS - STATIONARY	106-025658
2	113500-06-701	EA	VENT ASM (UPPER)	CH105-D7
3	113500-06-702	EA	VENT ASM (LOWER)	CH105-D9
4	112898-06-704	EA	HANDLE-LATCH, RED-RH	182-11293
5	112898-06-705	EA	HANDLE-LATCH, RED-LH	182-11294
6	113500-01-707	EA	SUPPORT - TORQUE BAR RH	130-015979
7	113500-06-703	EA	OPERATOR BAR ASSEMBLY	CH65-15
	112519-01-702	EA	OPERATOR-VENT	410-016123
8	113500-06-704	EA	SCREEN ASM - W/SEALS & CLIPS	410-025661
9	100322-01-718	EA	HANDLE-DIAL	410-016081
10	113500-01-708	EA	SUPPORT - TORQUE BAR LH	130-015978
	098644-01-716	FT	PLUG - FILLER	132-014470
	100322-01-701	FT	SEAL-VENT	122-016071
	100322-01-702	EA	WEATHERSTRIP-HORIZONTAL RAIL	132-015976
	100322-01-703	FT	VINYL-GLAZING, BUTYL	132-010723
	100322-01-704	FT	TAPE-BUTYL	154-016083
	100322-01-717	EA	E-RING	245-015975
	112463-02-706	FT	SEAL - FOAM RUBBER	140-014727

**WINDOW
REAR ESCAPE B/OW**



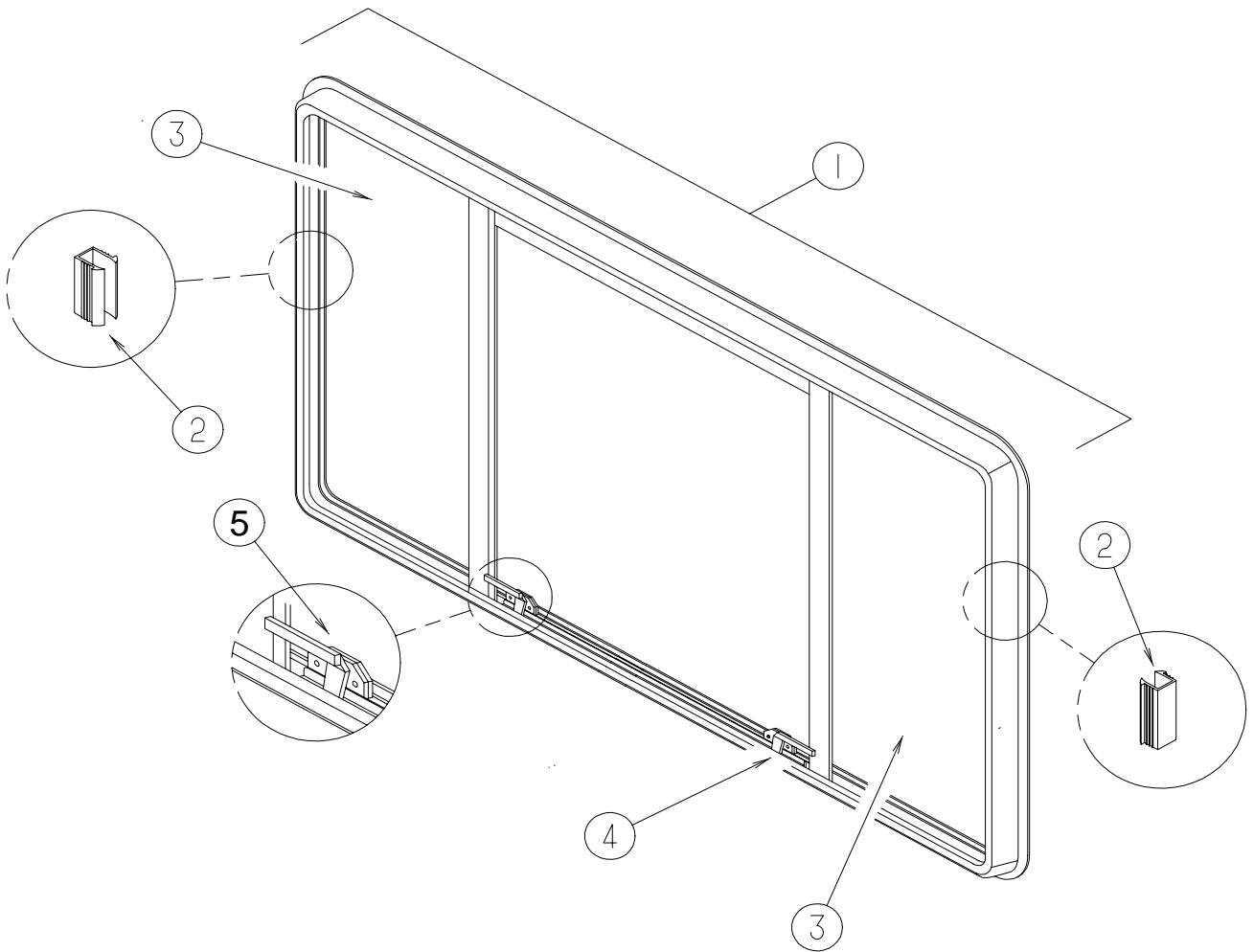
KEY	PART NUMBER	U/M	DESCRIPTION	VENDOR NO.
1	113502-01-01A	EA	WINDOW - REAR/CENTER ESCAPE - THERMO - 24.8" X 48.7"	
2	098644-01-705	FT	GLAZING - STRIP	132-010231
3	113502-01-703	EA	GLASS - STATIONARY - RH/LH	390-019083
4	112898-06-704	EA	HANDLE-LATCH, RED-RH	182-11293
5	113502-01-704	EA	GLASS - EGRESS CENTER - ESCP	DH153-G9
6	112898-06-705	EA	HANDLE-LATCH, RED-LH	182-11294

**WINDOW
REAR ESCAPE B/OW**



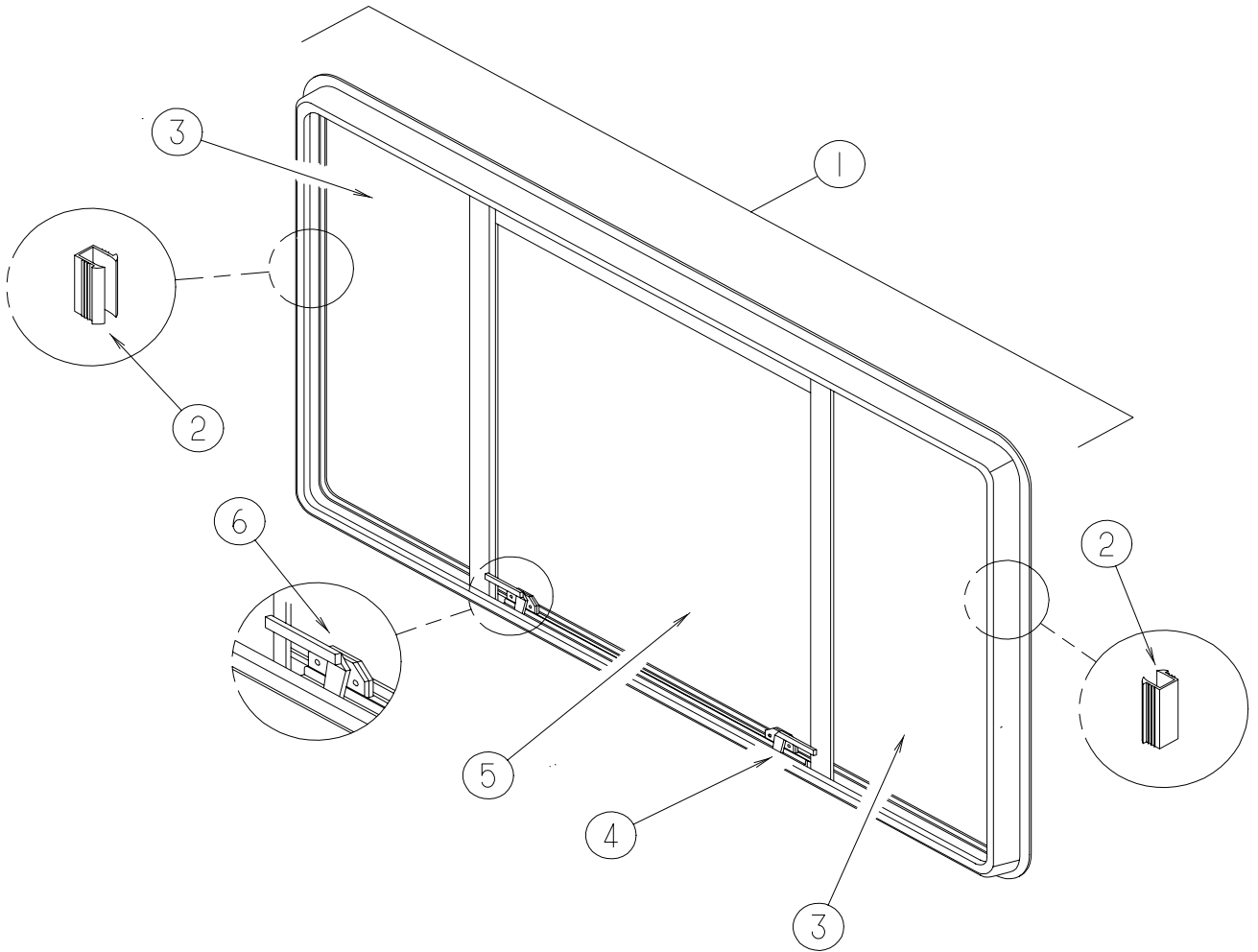
KEY	PART NUMBER	U/M	DESCRIPTION	VENDOR NO.
1	113502-03-01A	EA	WINDOW - REAR/CENTER ESCAPE - THERMO - 26.4" X 35.9"	
2	098644-01-705	FT	GLAZING - STRIP	132-010231
3	113502-03-702	EA	GLASS - STATIONARY	390-019466
4	112898-06-704	EA	HANDLE - LATCH - RED - RH	182-11293
5	112898-06-705	EA	HANDLE - LATCH - RED - LH	182-11294
	113502-03-701	EA	RETAINER - TRIM	W306-58

**WINDOW
THERMOPANE
REAR ESCAPE B/OW**



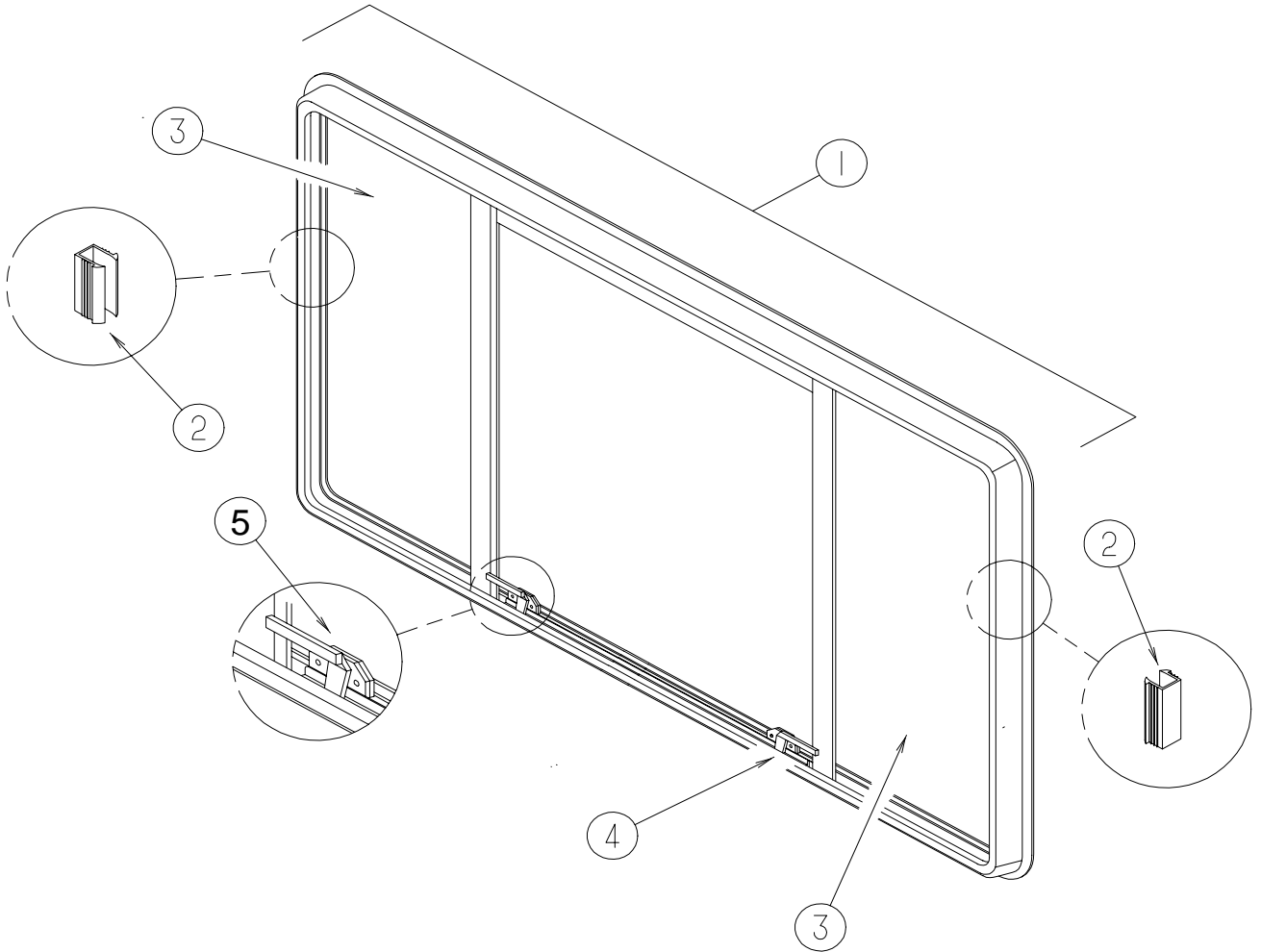
KEY	PART NUMBER	U/M	DESCRIPTION	VENDOR NO.
1	113502-04-01A	EA	WINDOW - REAR ESCAPE - THERMO - 26.4" X 26.3"	
	113502-04-701	EA	RETAINER - TRIM	W449-58
2	098644-01-705	FT	GLAZING - STRIP	132-010231
3	113502-04-702	EA	GLASS - STATIONARY	390-019460
4	112898-06-704	EA	HANDLE-LATCH, RED-RH	182-11293
5	112898-06-705	EA	HANDLE-LATCH, RED-LH	182-11294
	112795-24-706	FT	SEAL - SPLINE/GRAY - ESCAPE	132-010481

**ESCAPE WINDOW
DH153-EG2W58**



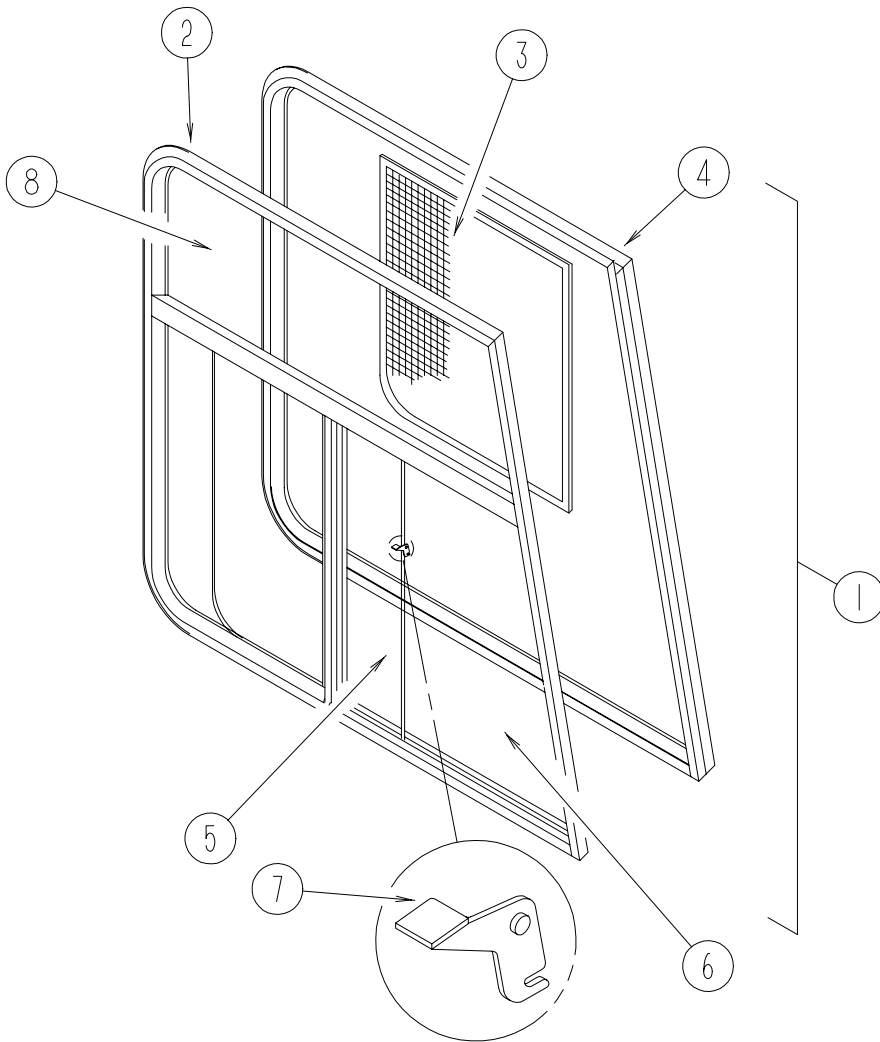
KEY	PART NUMBER	U/M	DESCRIPTION	VENDOR NO.
1	113502-06-01A	EA	WINDOW - REAR/CENTER ESCAPE - THERMO/EURO - 24.8" X 38.7"	
2	098644-01-705	FT	GLAZING - STRIP	132-010231
3	113502-06-702	EA	GLASS - STATIONARY (RT/LT)	390-019788
4	112898-06-704	EA	HANDLE-LATCH, RED-RH	182-11293
5	113502-06-703	EA	GLASS - STATIONARY CTR EGRESS	390-019789
6	112898-06-705	EA	HANDLE-LATCH, RED-LH	182-11294
	113502-06-701	EA	RETAINER - TRIM	W096-80

**WINDOW - REAR ESCAPE
DH437-EG2W60**



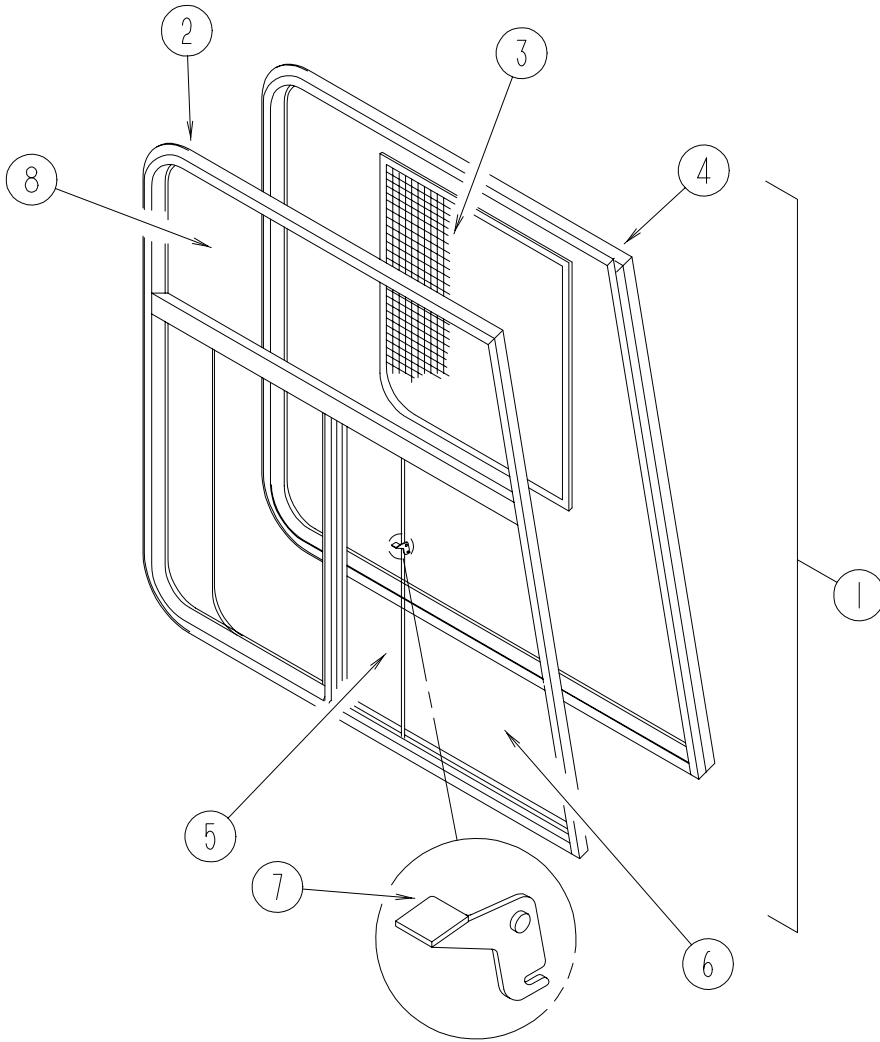
KEY	PART NUMBER	U/M	DESCRIPTION	VENDOR NO.
1	113502-07-01A	EA	WINDOW - REAR ESCAPE - THERMO/EURO - 26.4" X 35.9"	
2	098644-01-705	FT	GLAZING - STRIP	132-010231
3	113502-07-700	EA	GLASS - STATIONARY	390-025072
4	112898-06-704	EA	HANDLE - LATCH - RED - RH	182-11293
5	112898-06-705	EA	HANDLE - LATCH - RED - LH	182-11294
	112795-24-706	EA	SEAL - SPLINE/GRAY - ESCAPE	132-010481
	113502-07-701	EA	RETAINER - TRIM	W306-60

THERMOPANE



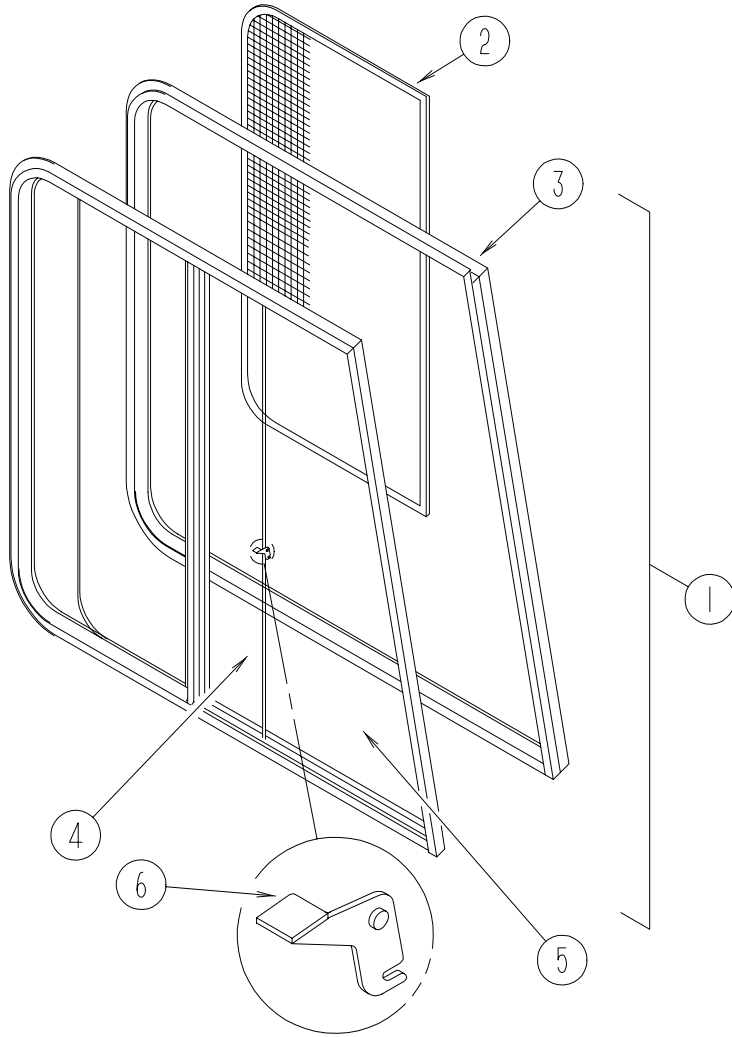
KEY	PART NUMBER	U/M	DESCRIPTION	VENDOR NO.
1	103658-07-01A	EA	WINDOW - DRIVER CAB 3 GLASS 25.3"T X 45.4"B X 45.2"H	
2	N/A	EA	WINDOW ASM. - W/O TRIM - DRIVER SIDE	H374-A2L
3	103658-01-700	EA	SCREEN ASM - W/ SEALS & CLIPS - DRIVER SIDE	H322-03L
4	103658-07-700	EA	RETAINER - TRIM - DRIVER SIDE	H374-66 &76L
5	103658-01-703	EA	GLASS - SLIDING - W/ SASH & LATCH - DRIVER SIDE	H322-A9L
6	103658-01-702	EA	GLASS - STATIONARY - BOTTOM - DRIVER SIDE	106-017700
7	098644-01-700	EA	LATCH - REPAIR KIT (BLACK)	B801-CK
8	103658-07-701	EA	GLASS - STATIONARY TOP	106-018481
	098644-01-706	FT	WEATHERSTRIP - GLASS	171-010668
	098644-01-708	FT	CHANNEL - RUN PIERCED	122-016543
	098644-01-710	FT	TRACK - SCREEN SPACER 12'	132-017135
	098644-01-711	FT	WEATHERSTRIP - SCREEN BLACK	171-016965
	098644-01-713	EA	CLIP - SPRING - METAL	226-016966
	098644-01-716	FT	PLUG - FILLER	132-014470
	098644-01-717	FT	SPLINE - SCREEN	132-004716

THERMOPANE



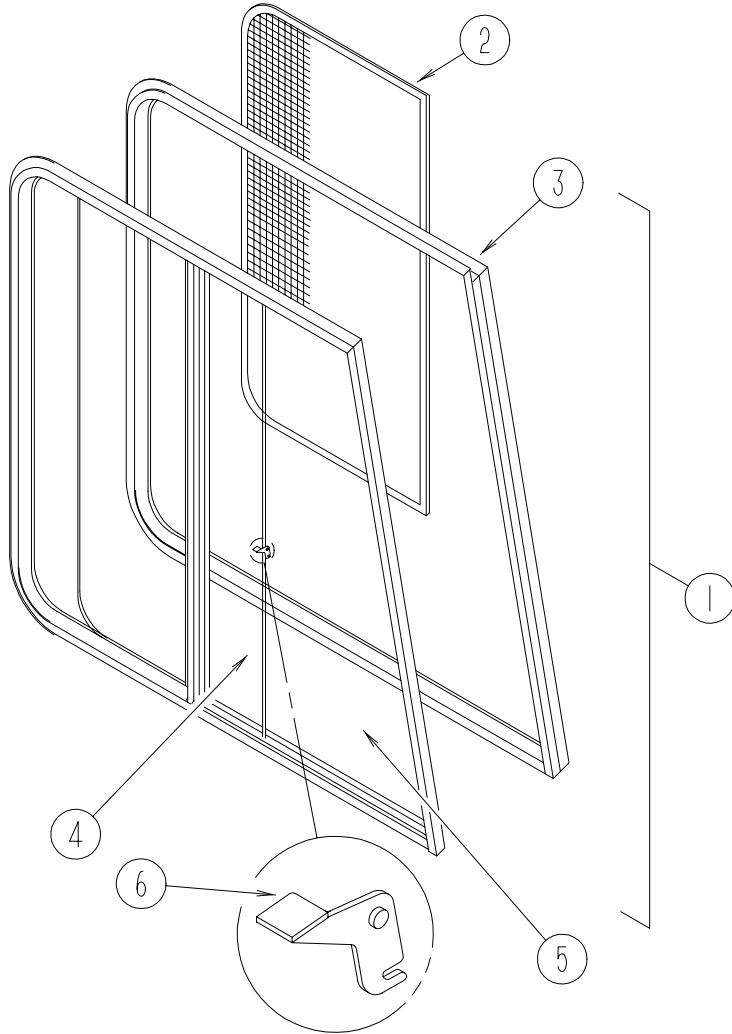
KEY	PART NUMBER	U/M	DESCRIPTION	VENDOR NO.
1	103658-08-01A	EA	WINDOW - PASSENGER CAB 3 GLASS 25.3"T X 45.4"B X 45.2"H	
2	N/A	EA	WINDOW ASM. - W/O TRIM - PASSENGER SIDE	H374-A2R
3	103658-02-700	EA	SCREEN ASM - W/ SEALS & CLIPS - PASSENGER SIDE	H322-03R
4	103658-08-701	EA	RETAINER - TRIM - PASSENGER SIDE	H374-66 &76R
5	103658-02-701	EA	GLASS - SLIDING - W/ SASH & LATCH - PASSENGER SIDE	322-A9R
6	103658-01-702	EA	GLASS - STATIONARY - BOTTOM - PASSENGER SIDE	106-017700
7	098644-01-700	EA	LATCH - REPAIR KIT (BLACK)	B801-CK
8	103658-07-701	EA	GLASS - STATIONARY TOP	106-018481
	098644-01-706	FT	WEATHERSTRIP - GLASS	171-010668
	098644-01-708	FT	CHANNEL - RUN PIERCED	122-016543
	098644-01-710	FT	TRACK - SCREEN SPACER 12'	132-017135
	098644-01-711	FT	WEATHERSTRIP - SCREEN BLACK	171-016965
	098644-01-713	EA	CLIP - SPRING - METAL	226-016966
	098644-01-716	FT	PLUG - FILLER	132-014470
	098644-01-717	FT	SPLINE - SCREEN	132-004716

THERMOPANE



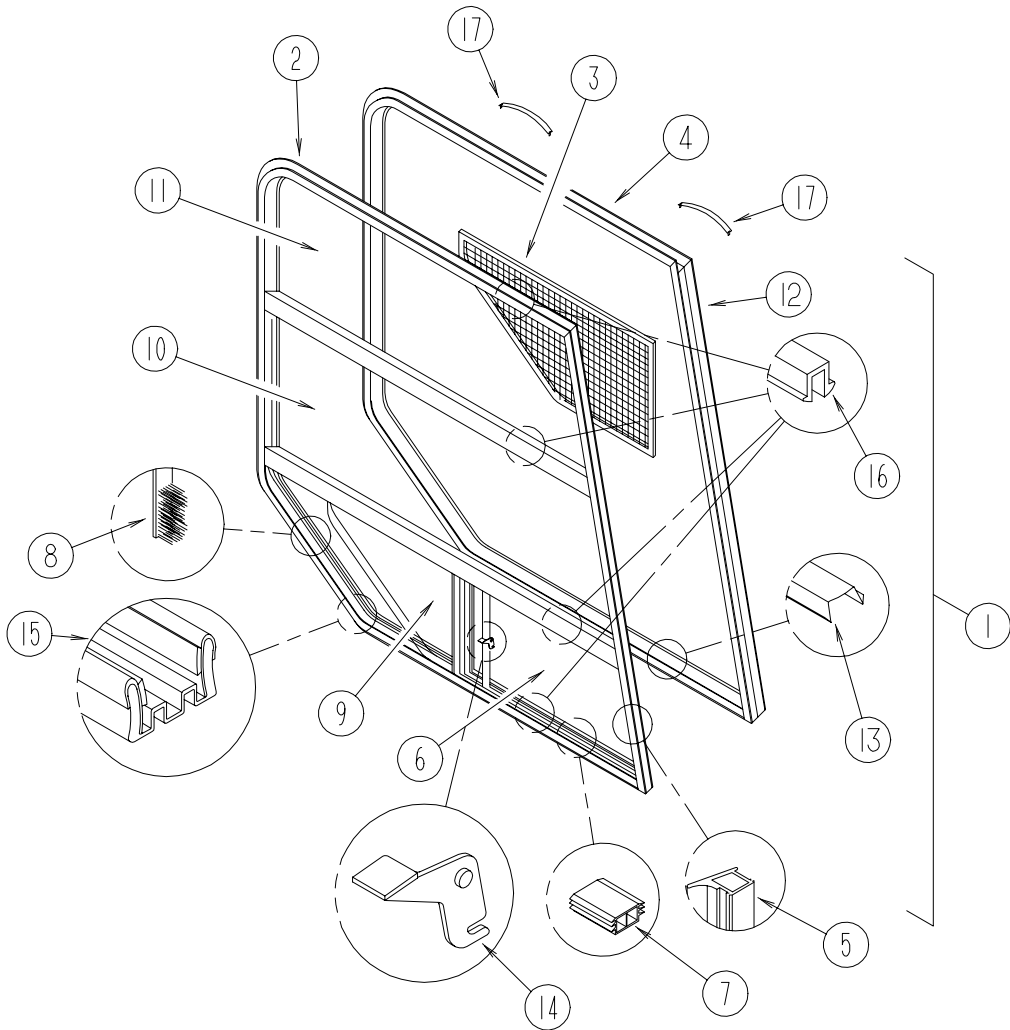
KEY	PART NUMBER	U/M	DESCRIPTION	VENDOR NO.
1	103658-11-01A	EA	WINDOW - DRIVER CAB	
2	113501-09-702	EA	SCREEN ASSEMBLY - W/SEALS & CLIPS	410-025381
	098644-01-717	FT	SPLINE-SCREEN	132-004716
	098644-01-713	EA	CLIP-SPRING, METAL	226-016966
	098644-01-710	FT	TRACK-SCREEN SPACER, 12' LENGTH	132-017135
	098644-01-711	FT	WEATHERSTRIP-SCREEN, BLACK	171-016965
3	113501-10-702	EA	RETAINER-TRIM, DRIVERS SIDE	H506-41L & H506-42L
4	103658-11-701	EA	GLASS - SLIDING - W/SASH & LATCH	H506-A9
5	103658-11-700	EA	GLASS - STATIONARY - RH/LH	106-025379
6	098644-01-700	EA	LATCH-REPAIR KIT, BLACK	B801-CK
	098644-01-706	FT	WEATHERSTRIP-GLASS	171-010668
	098644-01-708	FT	CHANNEL-RUN, PIERCED	122-016543
	098644-01-716	FT	PLUG-FILLER	132-014470

THERMOPANE



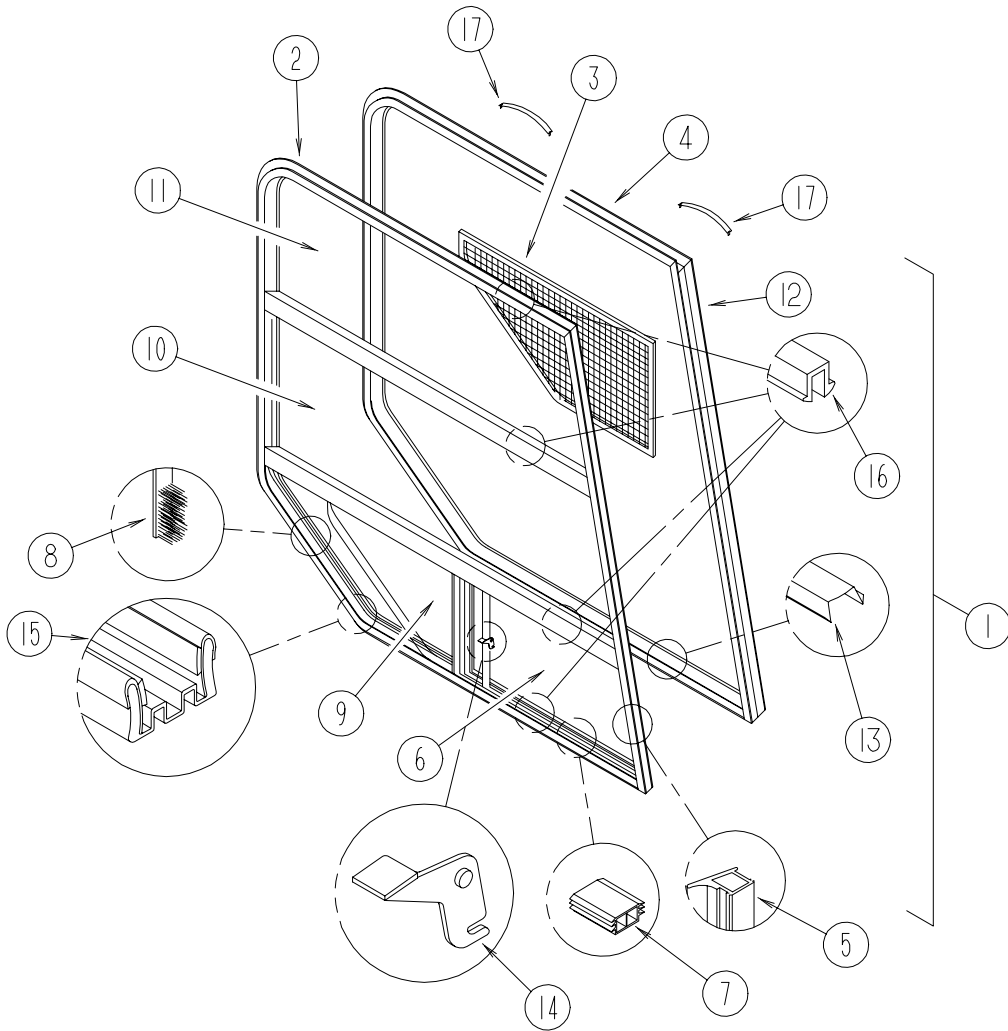
KEY	PART NUMBER	U/M	DESCRIPTION	VENDOR NO.
1	103658-12-01A	EA	WINDOW - PASSENGER CAB	410-025381
2	113501-09-702	EA	SCREEN ASSEMBLY - W/SEALS & CLIPS	132-004716
	098644-01-717	FT	SPLINE-SCREEN	226-016966
	098644-01-713	EA	CLIP-SPRING, METAL	132-017135
	098644-01-710	FT	TRACK-SCREEN SPACER, 12' LENGTH	171-016965
	098644-01-711	FT	WEATHERSTRIP-SCREEN, BLACK	H506-41R & H506-42R
3	113501-09-703	EA	RETAINER-TRIM, PASSENGERS SIDE	H506-A9
4	103658-11-701	EA	GLASS - SLIDING - W/SASH & LATCH	106-025379
5	103658-11-700	EA	GLASS - STATIONARY - RH/LH	B801-CK
6	098644-01-700	EA	LATCH-REPAIR KIT, BLACK	171-010668
	098644-01-706	FT	WEATHERSTRIP-GLASS	122-016543
	098644-01-708	FT	CHANNEL-RUN, PIERCED	132-014470
	098644-01-716	FT	PLUG-FILLER	

THERMOPANE



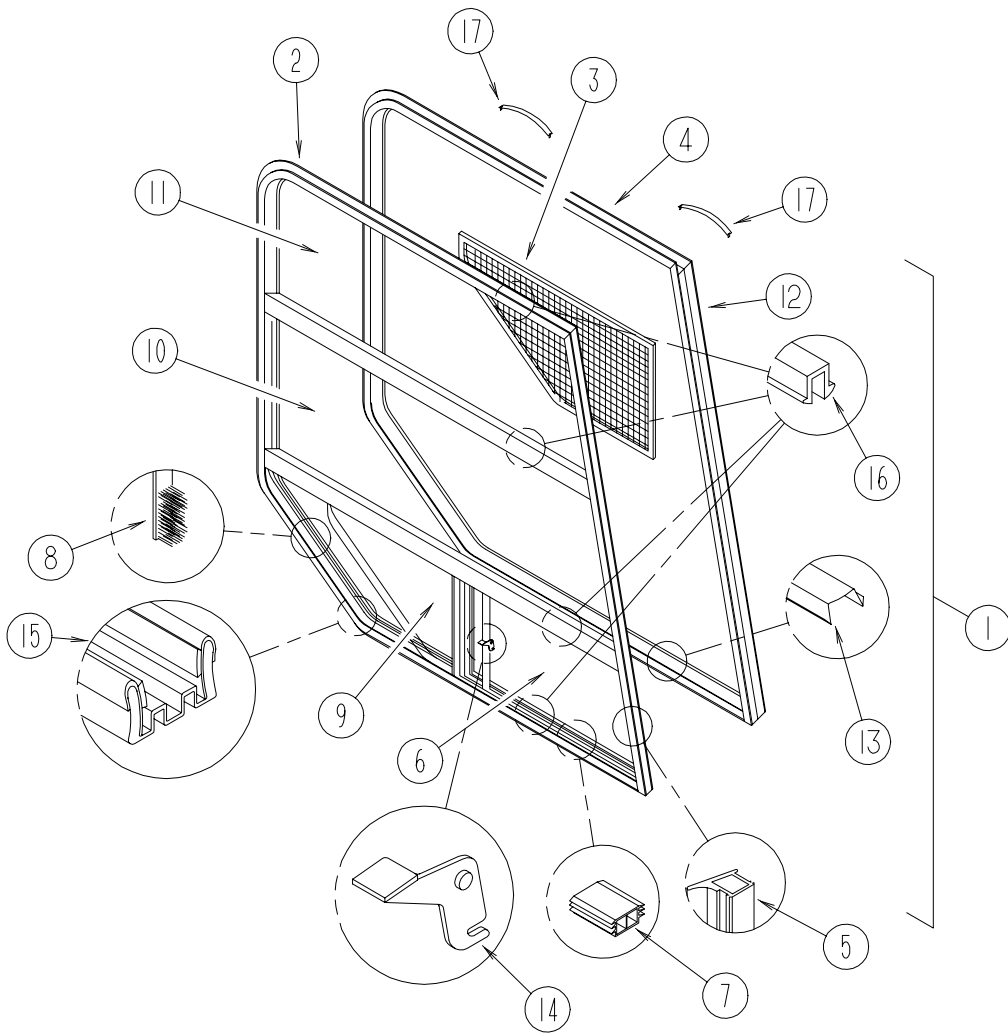
KEY	PART NUMBER	U/M	DESCRIPTION	VENDOR NO.
1	106466-04-01A	EA	WINDOW - PASSENGER CAB - 42.1"TW X 48.3"CW X 50.3"H	171-010668
2	098644-01-706	FT	WEATHERSTRIP - GLASS	H461-03L
3	106466-08-704	EA	SCREEN ASSEMBLY - W/SEALS & CLIPS	H461-42R
4	106466-04-702	EA	RETAINER - TRIM - CURVED	132-014470
5	098644-01-716	FT	PLUG - FILLER	H461A9R
6	106466-04-700	EA	GLASS - SLIDING - W/SASH & LATCH	132-014203
7	098644-01-719	EA	STOP - SLIDER GLASS	171-016965
8	098644-01-711	FT	WEATHERSTRIP - SCREEN - BLACK	106-019986
9	106466-08-701	EA	GLASS - STATIONARY - LOWER	106-019985
10	106466-08-702	EA	GLASS - STATIONARY - MIDDLE	106-019984
11	106466-08-700	EA	GLASS - STATIONARY - UPPER	H461-41R
12	106466-04-701	EA	RETAINER - TRIM - FRONT RAIL	132-017135
13	098644-01-710	FT	TRACK - SCREEN SPACER - 12' LENGTH	B801-CK
14	098644-01-700	EA	LATCH - REPAIR KIT (BLACK)	122-016543
15	098644-01-708	FT	CHANNEL - RUN - PIERCED	132-010231
16	098644-01-705	FT	GLAZING - STRIP	226-016966
17	098644-01-713	EA	CLIP - SPRING - METAL	132-004716
	098644-01-717	FT	SPLINE - SCREEN	

THERMOPANE



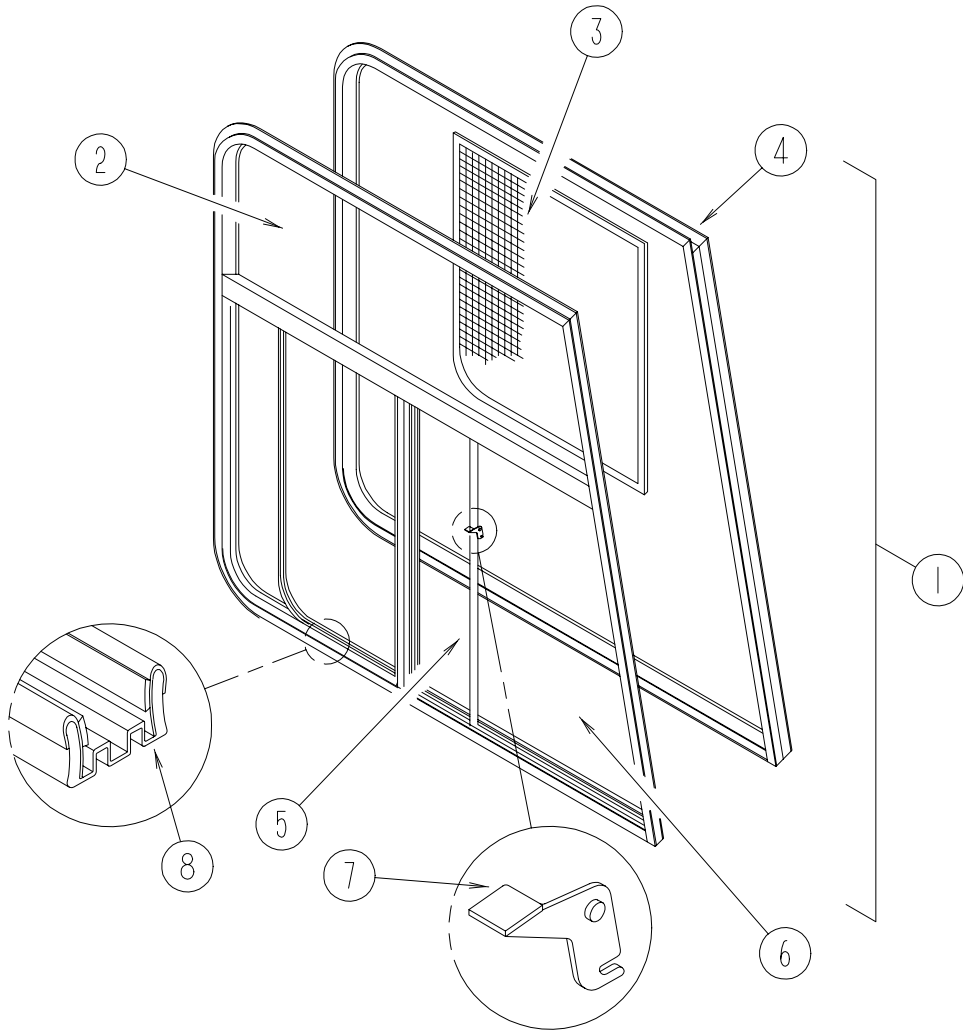
KEY	PART NUMBER	U/M	DESCRIPTION	VENDOR NO.
1	106466-06-01A	EA	WINDOW - PASSENGER CAB - THERMO-42.1"TW X 48.3"CW X 50.3"H	
2	098644-01-706	FT	WEATHERSTRIP-GLASS	171-010668
3	106466-08-704	EA	SCREEN ASSEMBLY - W/SEALS & CLIPS	H461-03L
4	106466-08-706	EA	RETAINER - TRIM - CURVED	H461-42L
5	112795-01-704	FT	PLUG-FILLER - DOUBLE GLAZED	132-018737
6	106466-09-703	EA	GLASS - SLIDING - W/SASH & LATCH	DH461A9L
7	112795-01-701	EA	SLIDE - STOP	132-019092
8	098644-01-711	FT	WEATHERSTRIP-SCREEN, BLACK	171-016965
9	106466-09-702	EA	GLASS - STATIONARY - LOWER	390-025906
10	106466-09-701	EA	GLASS - STATIONARY - MIDDLE	390-025905
11	106466-09-700	EA	GLASS - STATIONARY - UPPER	390-025904
12	106466-08-705	EA	RETAINER - TRIM - FRONT RAIL	H461-41L
13	098644-01-710	FT	TRACK-SCREEN SPACER, 12' LENGTH	132-017135
14	112795-01-700	EA	LATCH ASSEMBLY - BLACK - BOLT ON	DH287-CK
15	112795-01-703	FT	CHANNEL - RUN - INCHES	122-018736
16	112795-01-705	FT	VINYL - GLAZING	132-025736
17	098644-01-713	EA	CLIP-SPRING, METAL	226-016966

THERMOPANE



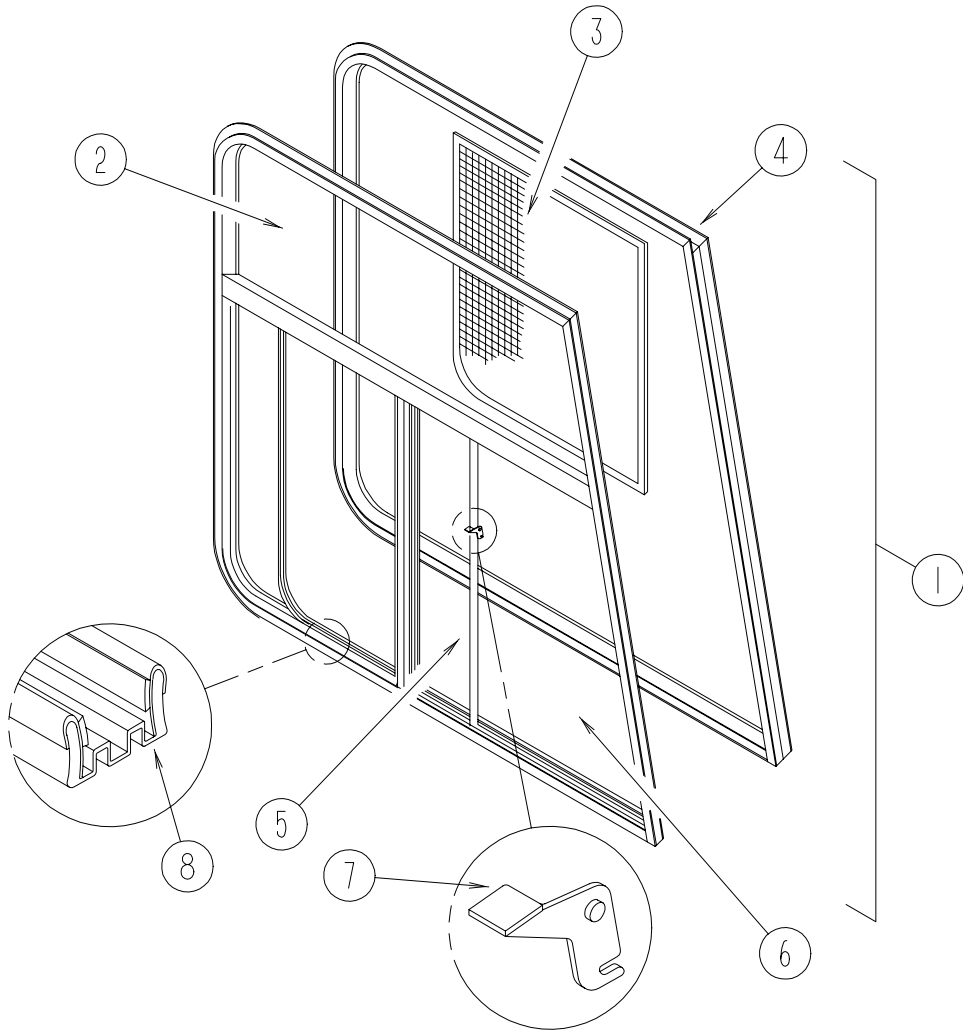
KEY	PART NUMBER	U/M	DESCRIPTION	VENDOR NO.
1	106466-09-01A	EA	WINDOW - DRIVER CAB - THERMO - 42.1"TW X 48.3"CW X 50.3"H	
2	098644-01-706	FT	WEATHERSTRIP-GLASS	171-010668
3	106466-08-704	EA	SCREEN ASSEMBLY - W/SEALS & CLIPS	H461-03L
4	106466-08-706	EA	RETAINER - TRIM - CURVED	H461-42L
5	112795-01-704	FT	PLUG-FILLER - DOUBLE GLAZED	132-018737
6	106466-09-703	EA	GLASS - SLIDING - W/SASH & LATCH	DH461A9L
7	112795-01-701	EA	SLIDE - STOP	132-019092
8	098644-01-711	FT	WEATHERSTRIP-SCREEN, BLACK	171-016965
9	106466-09-702	EA	GLASS - STATIONARY - LOWER	390-025906
10	106466-09-701	EA	GLASS - STATIONARY - MIDDLE	390-025905
11	106466-09-700	EA	GLASS - STATIONARY - UPPER	390-025904
12	106466-08-705	EA	RETAINER - TRIM - FRONT RAIL	H461-41L
13	098644-01-710	FT	TRACK-SCREEN SPACER, 12' LENGTH	132-017135
14	112795-01-700	EA	LATCH ASSEMBLY - BLACK - BOLT ON	DH287-CK
15	112795-01-703	FT	CHANNEL - RUN - INCHES	122-018736
16	112795-01-705	FT	VINYL - GLAZING	132-025736
17	098644-01-713	EA	CLIP-SPRING, METAL	226-016966

THERMOPANE



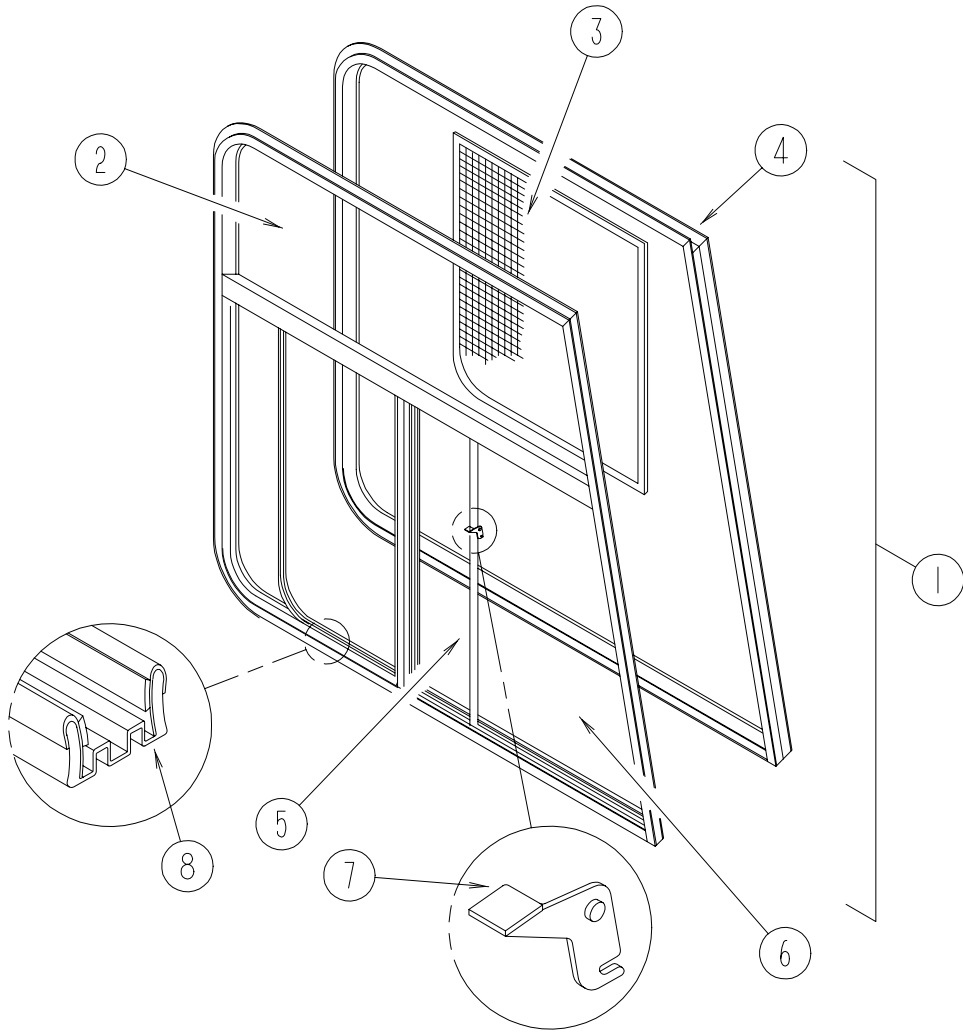
KEY	PART NUMBER	U/M	DESCRIPTION	VENDOR NO.
1	113501-01-01A	EA	WINDOW - DRIVER CAB THERMO (3 WINDOW) 44.3" X 24.4" X 44.1"	
2	N/A	EA	GLASS - STATIONARY - UPPER - DRIVER OR PASSENGER SIDE	390-019137
3	103658-01-700	EA	SCREEN ASM - W/ SEALS & CLIPS - DRIVER SIDE	H322-03L
	098644-01-717	FT	SPLINE - SCREEN	32-004716
	098644-01-713	EA	CLIP - SPRING - METAL	226-016966
4	103658-05-702	EA	RETAINER - TRIM - DRIVER SIDE	H373-66 & 76L
5	113501-01-703	EA	GLASS-SLIDING W/ SASH & LATCH - DRIVER SIDE	DH374-A9L
6	113501-01-702	EA	GLASS - STATIONARY - LOWER - DRIVER SIDE	390-019139L
7	112795-01-700	EA	LATCH ASM. - BLACK (BOLT ON)	DH287-CK
8	112795-01-703	IN	CHANNEL - RUN (INCHES)	122-018736
	098644-01-711	FT	WEATHERSTRIP - SCREEN BLACK	171-016965
	112795-01-701	EA	SLIDE - STOP	132-019092
	112795-01-704	FT	PLUG FILLER (DOUBLE GLAZED)	122-018737
	112795-01-705	FT	VINYL - GLAZING	132-09702
	112898-04-703	EA	SASH LATCH KIT - RAISED	DH343-CK

THERMOPANE



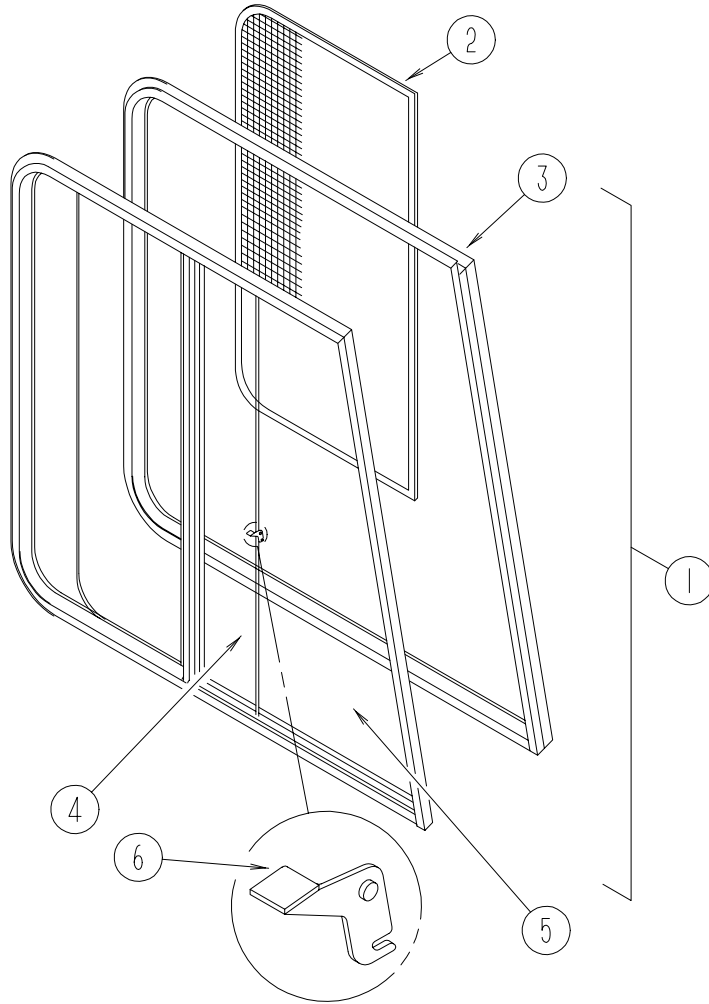
KEY	PART NUMBER	U/M	DESCRIPTION	VENDOR NO.
1	113501-02-01A	EA	WINDOW - PASS CAB THERMO (3 WINDOW) 44.3" X 24.4" X 44.1"	
2	N/A	EA	GLASS - STATIONARY - UPPER - DRIVER OR PASSENGER SIDE	390-019137
3	103658-02-700	EA	SCREEN ASM - W/ SEALS & CLIPS - PASSENGER SIDE	H322-03R
	098644-01-717	FT	SPLINE - SCREEN	32-004716
	098644-01-713	EA	CLIP - SPRING - METAL	226-016966
4	103658-10-701	EA	RETAINER - TRIM - PASSENGER SIDE	H373-66 & 76R
5	113501-02-702	EA	GLASS-SLIDING W/ SASH & LATCH - PASSENGER SIDE	DH374-A9R
6	113501-02-701	EA	GLASS - STATIONARY - LOWER - PASSENGER SIDE	390-019138R
7	112795-01-700	EA	LATCH ASM. - BLACK (BOLT ON)	DH287-CK
8	112795-01-703	IN	CHANNEL - RUN (INCHES)	122-018736
	098644-01-711	FT	WEATHERSTRIP - SCREEN BLACK	171-016965
	112795-01-701	EA	SLIDE - STOP	132-019092
	112795-01-704	FT	PLUG FILLER (DOUBLE GLAZED)	122-018737
	112795-01-705	FT	VINYL - GLAZING	132-09702
	112898-04-703	EA	SASH LATCH KIT - RAISED	DH343-CK

THERMOPANE



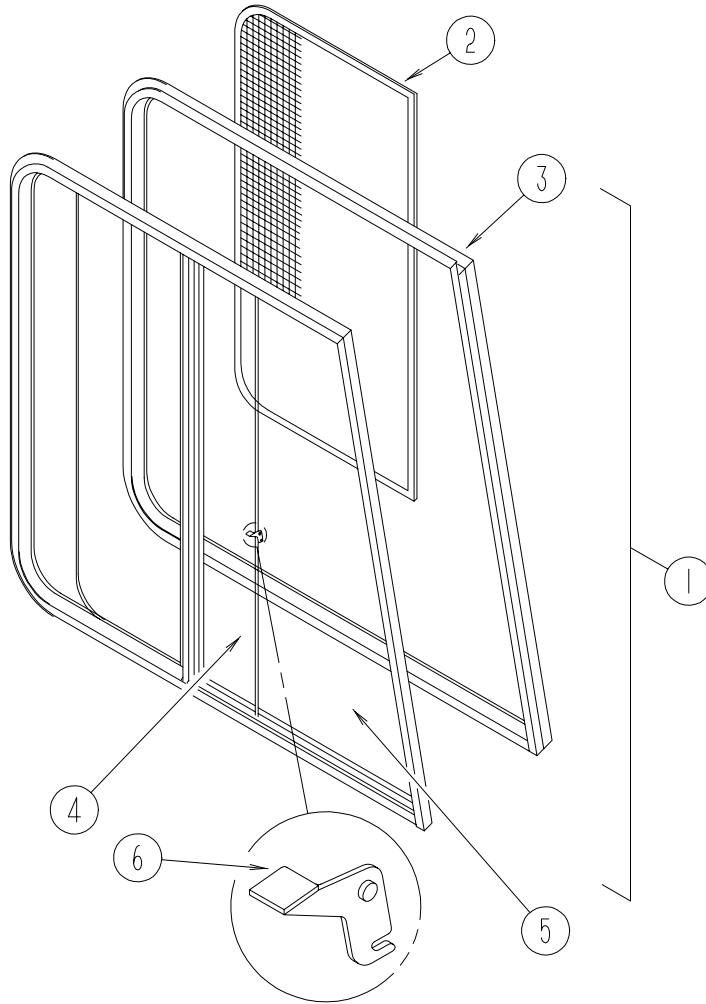
KEY	PART NUMBER	U/M	DESCRIPTION	VENDOR NO.
1	113501-05-01A	EA	WINDOW - PASS/CAB/THERMO/EURO(3 WINDOW) 24.4" T X 44.1" B X 44.3"	
2	113501-05-700	EA	GLASS - STATIONARY - UPPER	395-019799R&L
3	103658-02-700	EA	SCREEN ASM - W/ SEALS & CLIPS	H322-03R
	098644-01-717	FT	SPLINE - SCREEN	132-004716
	098644-01-713	EA	CLIP - SPRING - METAL	226-016966
4	103658-08-701	EA	RETAINER - TRIM - PASSENGER SIDE	H374-66 & 76R
5	113501-06-701	EA	GLASS-SLIDING W/ SASH & LATCH	DH374-EA9R
6	113501-06-700	EA	GLASS - STATIONARY - LOWER	395-019800R
7	112795-01-700	EA	LATCH ASM. - BLACK (BOLT ON)	DH287-CK
8	112795-01-703	IN	CHANNEL - RUN (INCHES)	122-018736
	098644-01-711	FT	WEATHERSTRIP - SCREEN BLACK	171-016965
	112795-01-701	EA	SLIDE - STOP	132-019092
	112795-01-704	FT	PLUG FILLER (DOUBLE GLAZED)	122-018737
	112795-01-705	FT	VINYL - GLAZING	132-025736
	112898-04-703	EA	VERTICAL LATCH (SASH KIT)	DH343-CK
	125582-01-708	EA	WEEPHOLE COVER - RIGHT HAND	130-026598
	125582-01-709	EA	WEEPHOLE COVER - LEFT HAND	130-026599

THERMOPANE



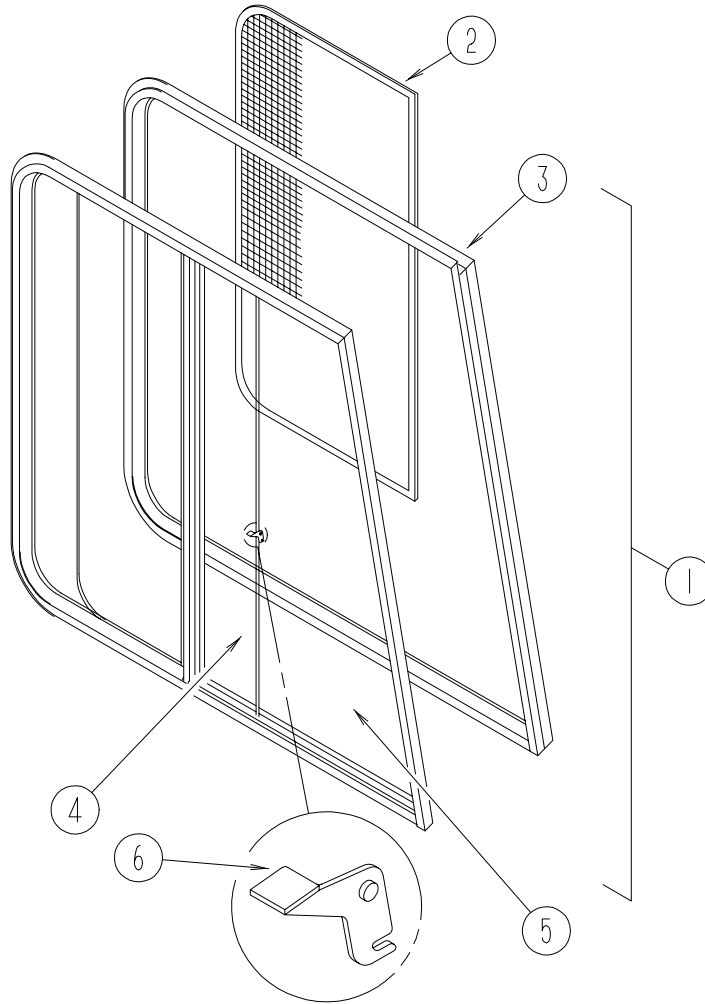
KEY	PART NUMBER	U/M	DESCRIPTION	VENDOR NO.
1	113501-09-01A	EA	WINDOW ASM-CAB, W/RETAINER - 35.7" X 37.2" X 43.9"	410-025381
2	103501-09-702	EA	SCREEN ASM-W/SEALS & CLIPS	H506-41R & H506-42R
3	113501-09-703	EA	RETAINER-TRIM, OFF WHITE	DH506-A9R
4	113501-09-701	EA	GLASS-SLIDING, W/SASH & LATCH	390-025839
5	113501-09-700	EA	GLASS-STATIONARY	DH287-CK
6	112795-01-700	EA	LATCH ASM-BLACK, BOLT ON	171-016965
	098644-01-711	FT	WEATHERSTRIP-SCREEN, BLACK	226-016966
	098644-01-713	EA	CLIP-SPRING, METAL	132-004716
	098644-01-717	FT	SPLINE-SCREEN	132-019092
	112795-01-701	FT	SLIDE-STOP	122-018736
	112795-01-703	IN	CHANNEL-RUN (INCHES)	122-018737
	112795-01-704	FT	PLUG FILLER (DOUBLE GLAZED)	132-025736
	112795-01-705	FT	VINYL-GLAZING	DH343-CK
	112898-04-703	EA	SASH LATCH KIT, RAISED	

THERMOPANE



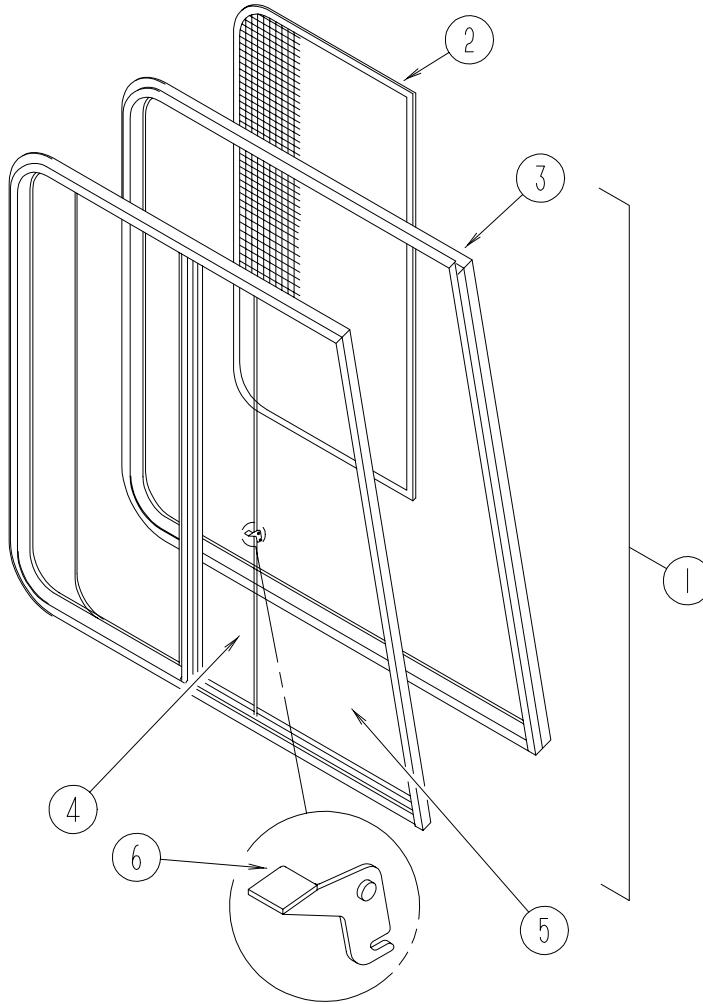
KEY	PART NUMBER	U/M	DESCRIPTION	VENDOR NO.
1	113501-10-01A	EA	WINDOW ASM-CAB, W/RETAINER	410-025381
2	103501-09-702	EA	SCREEN ASM-W/SEALS & CLIPS	H506-41L & H506-42L
3	113501-10-702	EA	RETAINER-TRIM, OFF WHITE	DH506-A9L
4	113501-10-701	EA	GLASS-SLIDING, W/SASH & LATCH	390-025388
5	113501-10-700	EA	GLASS-STATIONARY	DH287-CK
6	112795-01-700	EA	LATCH ASM-BLACK, BOLT ON	171-016965
	098644-01-711	FT	WEATHERSTRIP-SCREEN, BLACK	226-016966
	098644-01-713	EA	CLIP-SPRING, METAL	132-004716
	098644-01-717	FT	SPLINE-SCREEN	132-019092
	112795-01-701	FT	SLIDE-STOP	122-018736
	112795-01-703	IN	CHANNEL-RUN (INCHES)	122-018737
	112795-01-704	FT	PLUG FILLER (DOUBLE GLAZED)	132-025736
	112795-01-705	FT	VINYL-GLAZING	DH343-CK
	112898-04-703	EA	SASH LATCH KIT, RAISED	

THERMOPANE



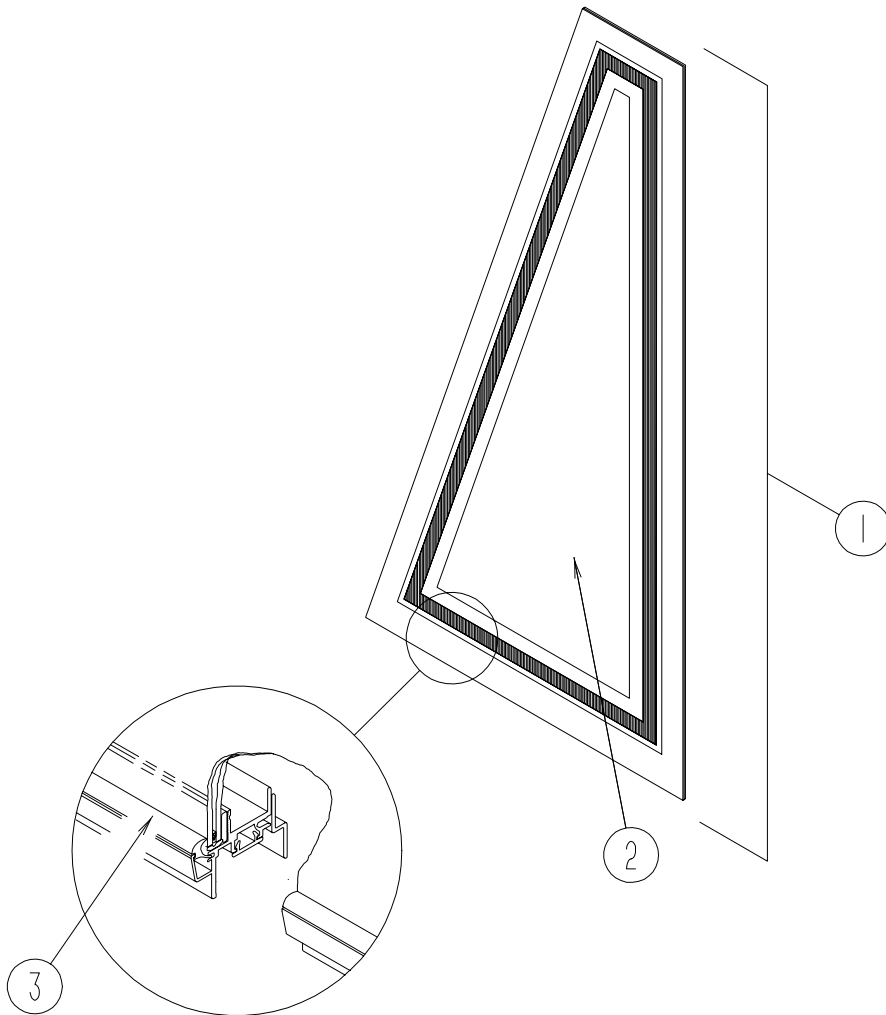
KEY	PART NUMBER	U/M	DESCRIPTION	VENDOR NO.
1	113501-11-01A	EA	WINDOW - PASS CAB THERMO (2 WINDOW)-35.7" X 37.2" X 43.9"	
2	113501-09-702	EA	SCREEN ASM - W/SEALS & CLIPS	410-025381
3	113501-09-703	EA	RETAINER - TRIM	H506-41R & 42R
4	113501-11-701	EA	GLASS ASM - W/SASH & LATCH	DH506-EA9R
5	113501-11-700	EA	GLASS - STATIONARY	390-025769
6	112795-01-700	EA	LATCH ASM. - BLK. (BOLT ON)	DH287-CK
	098644-01-711	FT	WEATHERSTRIP - SCREEN BLACK	171-016965
	098644-01-713	EA	CLIP - SPRING - METAL	226-016966
	098644-01-717	FT	SPLINE - SCREEN	132-004716
	112795-01-701	EA	SLIDE - STOP	132-019092
	112795-01-703	IN	CHANNEL - RUN (INCHES)	122-018736
	112795-01-704	FT	PLUG FILLER (DOUBLE GLAZED)	122-018737
	112795-01-705	FT	VINYL - GLAZING	132-025736
	112898-04-703	EA	SASH LATCH KIT - RAISED	DH343-CK

THERMOPANE



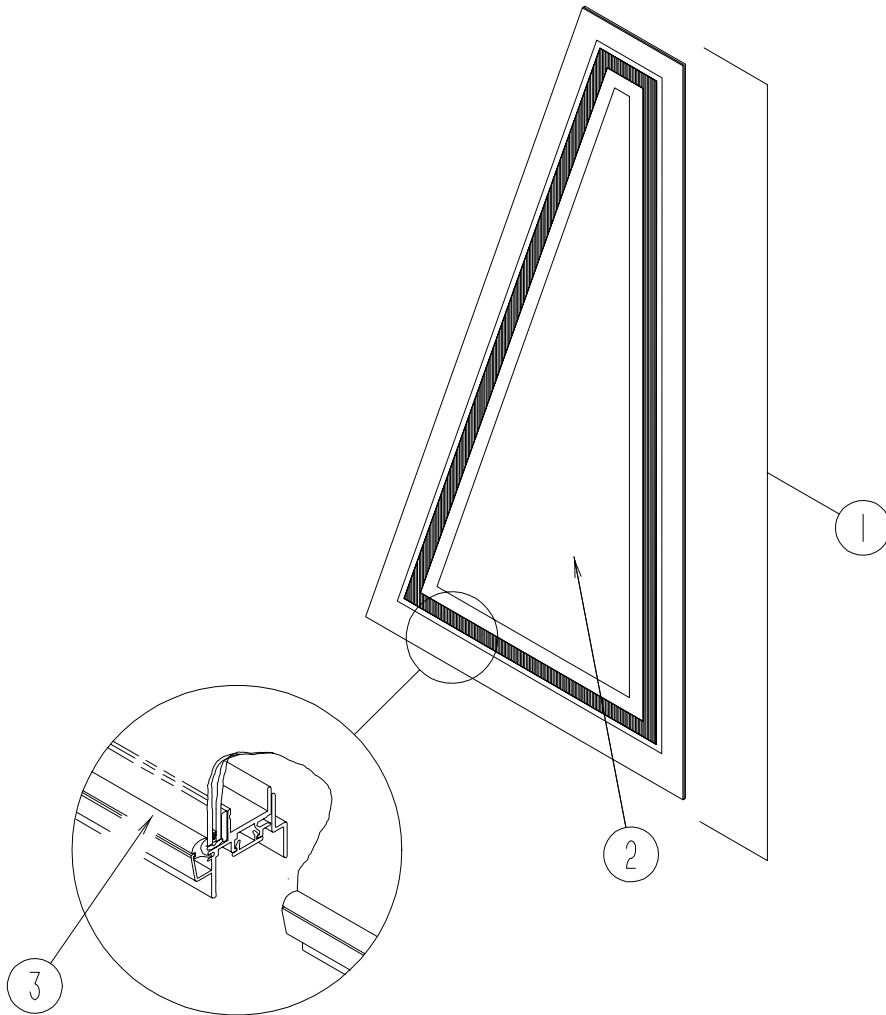
KEY	PART NUMBER	U/M	DESCRIPTION	VENDOR NO.
1	113501-12-01A	EA	WINDOW - DRIVER CAB THERMO (2 WINDOW)-35.7" X 37.2" X 43.9"	
2	113501-09-702	EA	SCREEN ASM - W/SEALS & CLIPS	410-025381
3	113501-10-702	EA	RETAINER - TRIM	H506-41L & 42L
4	113501-12-701	EA	GLASS ASM - W/SASH & LATCH	DH506-EA9L
5	113501-12-700	EA	GLASS - STATIONARY	390-025770
6	112795-01-700	EA	LATCH ASM. - BLK. (BOLT ON)	DH287-CK
	098644-01-711	FT	WEATHERSTRIP - SCREEN BLACK	171-016965
	098644-01-713	EA	CLIP - SPRING - METAL	226-016966
	098644-01-717	FT	SPLINE - SCREEN	132-004716
	112795-01-701	EA	SLIDE - STOP	132-019092
	112795-01-703	IN	CHANNEL - RUN (INCHES)	122-018736
	112795-01-704	FT	PLUG FILLER (DOUBLE GLAZED)	122-018737
	112795-01-705	FT	VINYL - GLAZING	132-025736
	112898-04-703	EA	SASH LATCH KIT - RAISED	DH343-CK

**WINDOW - DRIVER WING
DH383-EA2B27**



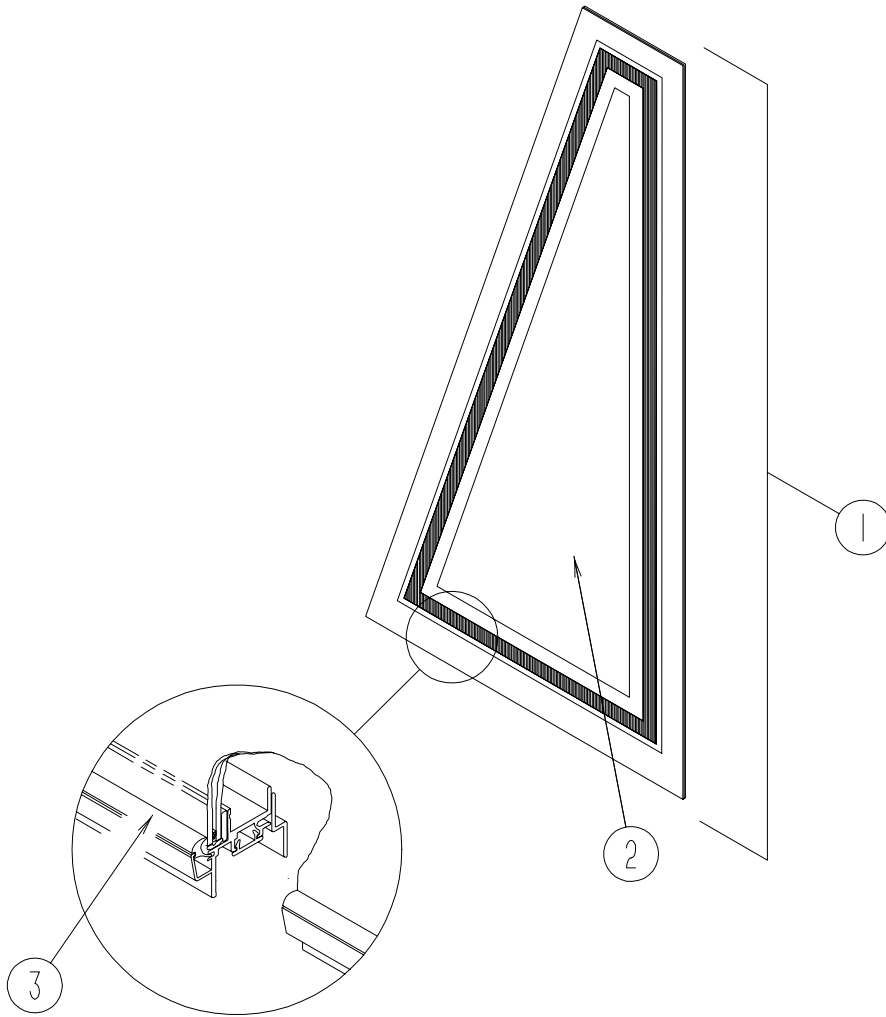
KEY	PART NUMBER	U/M	DESCRIPTION	VENDOR NO.
1	115999-03-01A	EA	WINDOW - DRIVER WING - TRI/THERMO/EURO -11.1"B X 28"F X 25.5"H	390-019550
2	115999-03-701	EA	GLASS - STATIONARY	132-018161
3	116000-01-704	FT	VINYL - GLAZING - BUTYL	H383-43L
	115999-02-702	EA	RETAINER - TRIM RAIL - FRONT	H358-41L
	115999-01-703	EA	RETAINER - TRIM RAIL - REAR	

**WINDOW - DRIVER WING
DH507-A2B27L**



KEY	PART NUMBER	U/M	DESCRIPTION	VENDOR NO.
1	115999-06-01A	EA	WINDOW - DRIVER WING - THERMO -5.8"T X 11"B X 27.9"H	
2	115999-06-700	EA	GLASS - STATIONARY	106-025392
3	116000-01-704	FT	VINYL - GLAZING - BUTYL	132-018161
	115999-06-702	EA	RETAINER - TRIM RAIL - TOP	H507-42L
	115999-06-701	EA	RETAINER - TRIM RAIL - REAR	H507-41L

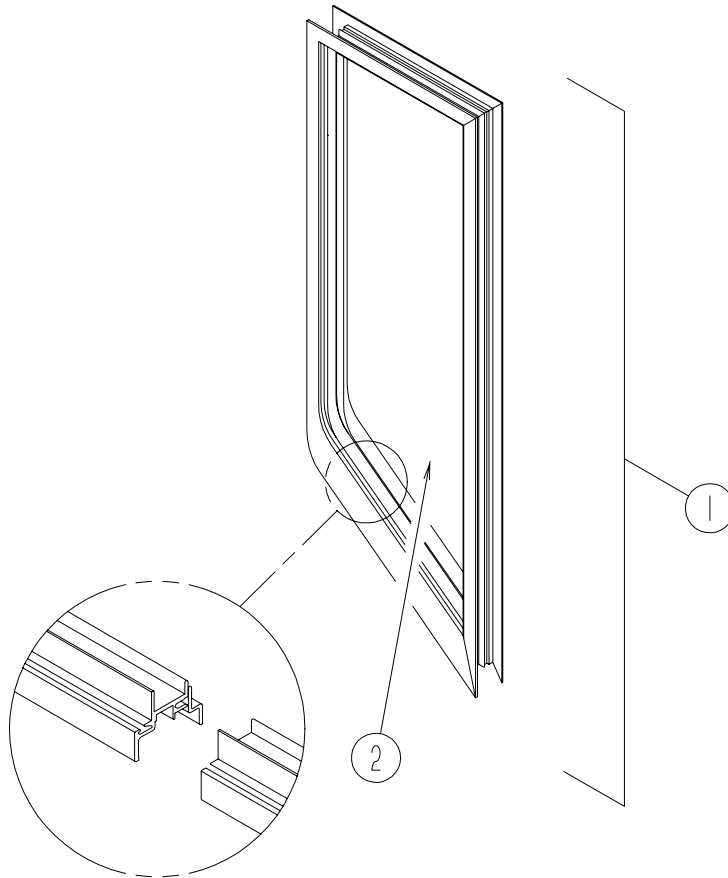
**WINDOW - DRIVER WING
SH507-EA2B27**



KEY	PART NUMBER	U/M	DESCRIPTION
1	115999-07-01A	EA	WINDOW - DRIVER WING - THERMO -5.8"T X 11"B X 27.9"H
2	115999-07-700	EA	GLASS - STATIONARY
3	116000-01-704	FT	VINYL - GLAZING - BUTYL
	115999-07-701	EA	RETAINER - TRIM

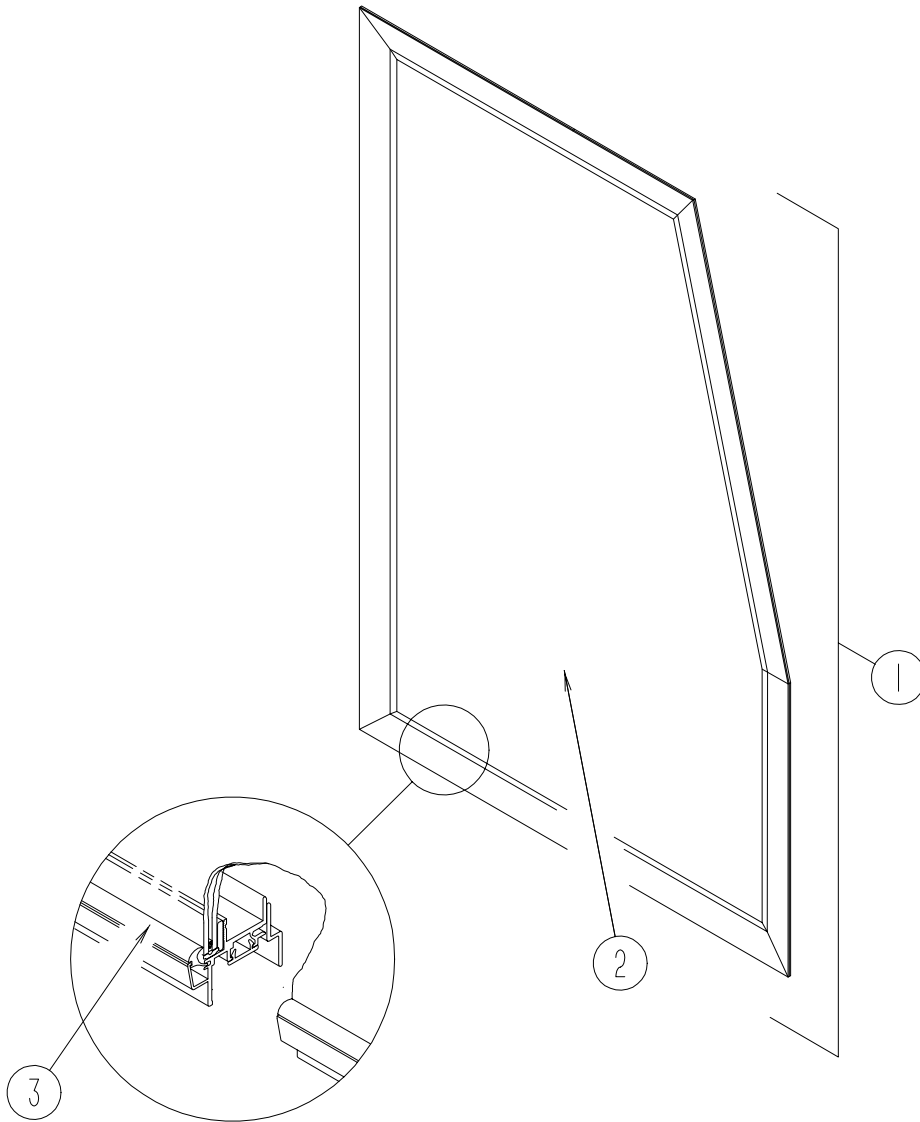
VENDOR NO.
390-025776
132-018161
H507-27L

**EXCEL
THERMOPANE**



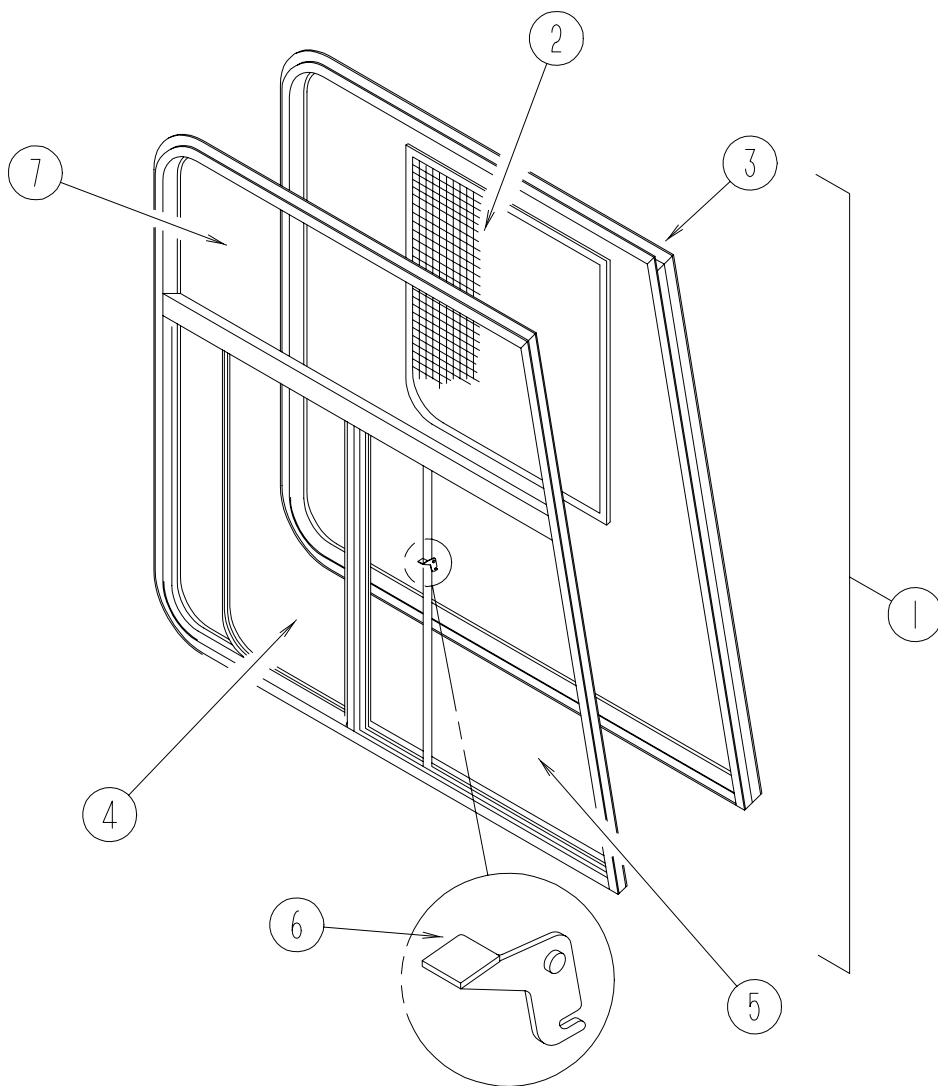
KEY	PART NUMBER	U/M	DESCRIPTION	VENDOR NO.
1	122757-02-01A	EA	WINDOW - REAR SLANT THERMO - PASSENGER	
2	122757-02-700	EA	GLASS - STATIONARY	390-025761
	116000-01-704	FT	VINYL - GLAZING	132-018161
	122757-02-701	EA	RETAINER - TRIM - BENT	H518-41R
	122757-02-702	EA	RETAINER - TRIM - FRONT	H518-42R
	122757-02-703	EA	RETAINER - TRIM - TOP	H518-43R

**EXCEL
THERMOPANE**



KEY	PART NUMBER	U/M	DESCRIPTION	VENDOR NO.
1	122758-02-01A	EA	WINDOW - ENTRANCE DOOR - THERMO 31.2"H X 27"TW X 29.2"BW	
2	122758-02-700	EA	GLASS - STATIONARY	390-025759
3	116000-01-704	FT	VINYL - GLAZING	132-018161
	122758-02-701	EA	RETAINER - TRIM - FRONT	H517-41R
	122758-02-702	EA	RETAINER - TRIM - TOP	H517-42R
	122758-02-703	EA	RETAINER - TRIM - REAR	H517-43R
	122758-02-704	EA	RETAINER - TRIM - BOTTOM	H517-43R

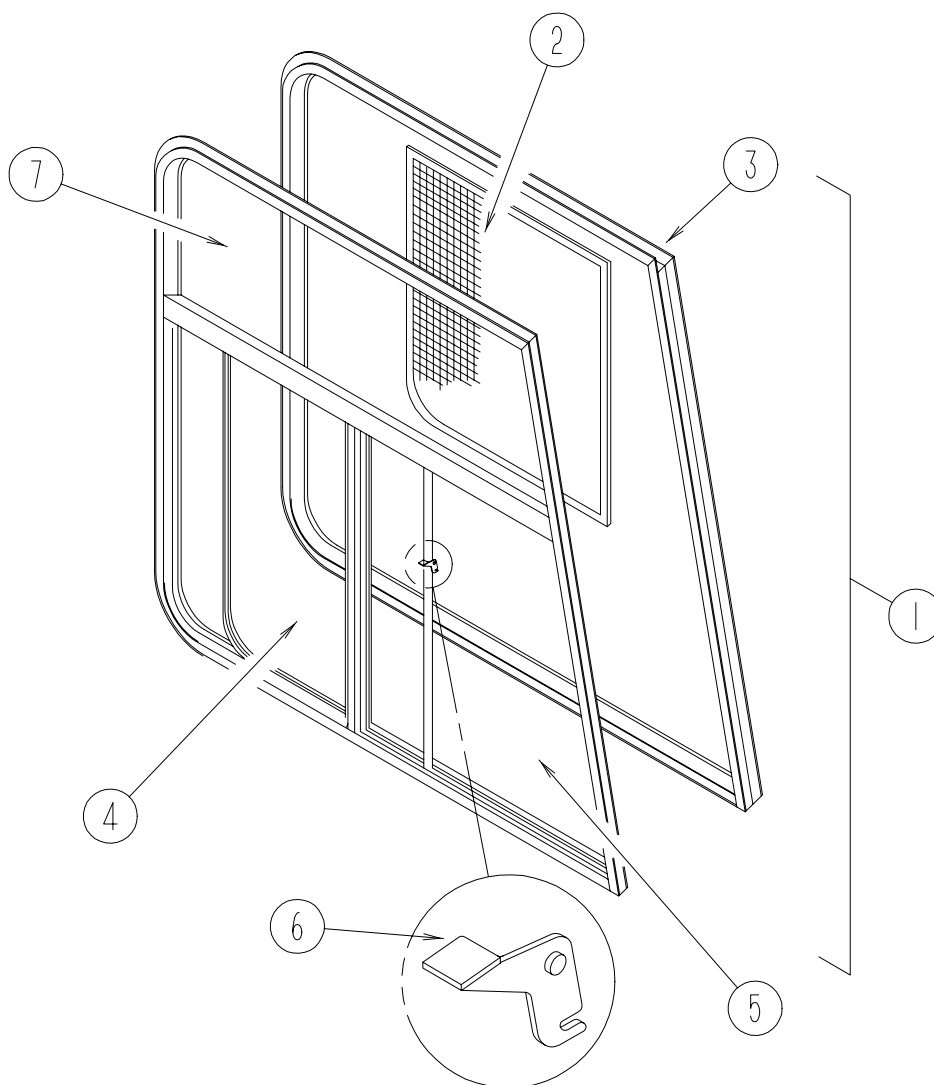
CAB WINDOW



PASSENGERS SIDE

KEY	PART NUMBER	U/M	DESCRIPTION	VENDOR NO.
1	125582-01-01A	EA	WINDOW - CAB - PASSENGER	
2	125582-01-705	EA	SCREEN ASM - W/SEALS & CLIPS	H57303R
3	125582-01-706	EA	RETAINER - TRIM	H57327R
4	125582-01-704	EA	GLASS - SLIDING - W/SASH & LATCH	H573A9R
5	125582-01-703	EA	GLASS - STATIONARY	106-026083
6	098644-01-700	EA	LATCH - REPAIR KIT (BLACK)	B801-CK
7	125582-01-702	EA	GLASS - STATIONARY - UPPER	106-026082
	098644-01-716	EA	PLUG - FILLER	132-014470
	098644-01-705	EA	GLAZING - STRIP	132-010231
	098644-01-706	EA	WEATHERSTRIP - GLASS	171-010668
	098644-01-708	EA	CHANNEL - RUN PIERCED	122-016543
	098644-01-710	EA	TRACK - SCREEN SPACER 12'	132-017135
	098644-01-711	EA	WEATHERSTRIP - SCREEN BLACK	171-016965
	098644-01-717	EA	SPLINE - SCREEN	132-004716
	098644-01-719	EA	STOP - SLIDER GLASS	132-014203
	112520-01-706	EA	WEATHERSTRIP - SCREEN - (FUZZY)	171-017245
	125582-01-701	EA	CLIP - SCREEN - PLASTIC	130005153

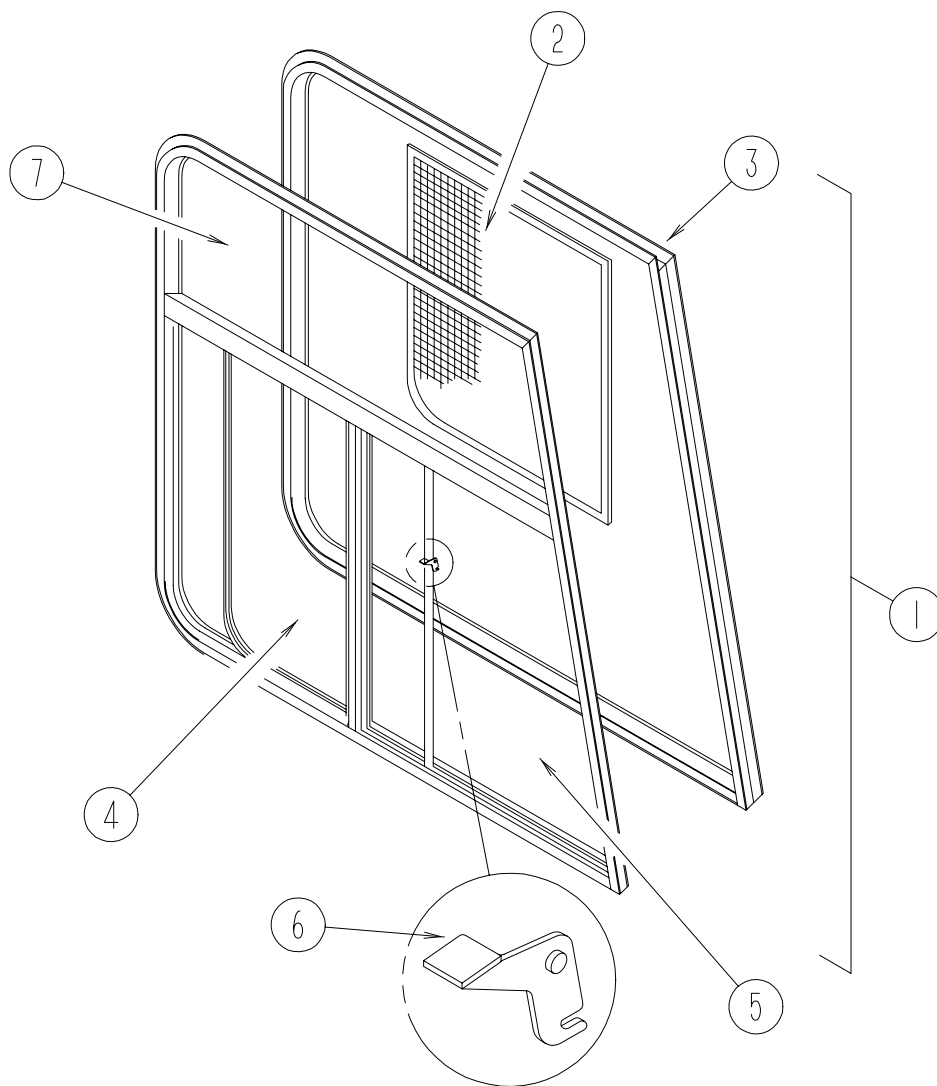
CAB WINDOW



DRIVERS SIDE

KEY	PART NUMBER	U/M	DESCRIPTION	VENDOR NO.
1	125582-02-01A	EA	WINDOW - CAB - DRIVER - H573A2B27L	
2	125582-02-701	EA	SCREEN ASM - W/SEALS & CLIPS	410-026546
3	125582-02-702	EA	RETAINER - TRIM	H573-27L
4	125582-02-700	EA	GLASS-SLIDING W/SASH & LATCH	H573-A9L
5	125582-01-703	EA	GLASS - STATIONARY - LOWER	106-026083
6	098644-01-700	EA	LATCH - REPAIR KIT (BLACK)	B801-CK
7	125582-01-702	EA	GLASS - STATIONARY - UPPER	106-026082
	098644-01-705	FT	GLAZING - STRIP	132-010231
	098644-01-706	FT	WEATHERSTRIP - GLASS	171-010668
	098644-01-708	FT	CHANNEL - RUN PIERCED	122-016543
	098644-01-710	FT	TRACK - SCREEN SPACER 12'	132-017135
	098644-01-711	FT	WEATHERSTRIP - SCREEN BLACK	171-016965
	098644-01-716	FT	PLUG - FILLER	132-014470
	098644-01-717	FT	SPLINE - SCREEN	132-004716
	098644-01-719	EA	STOP - SLIDER GLASS	132-014203
	112520-01-706	EA	WEATHERSTRIP-SCREEN, (FUZZY)	171-017245
	125582-01-701	EA	CLIP - SCREEN - PLASTIC	130-005153

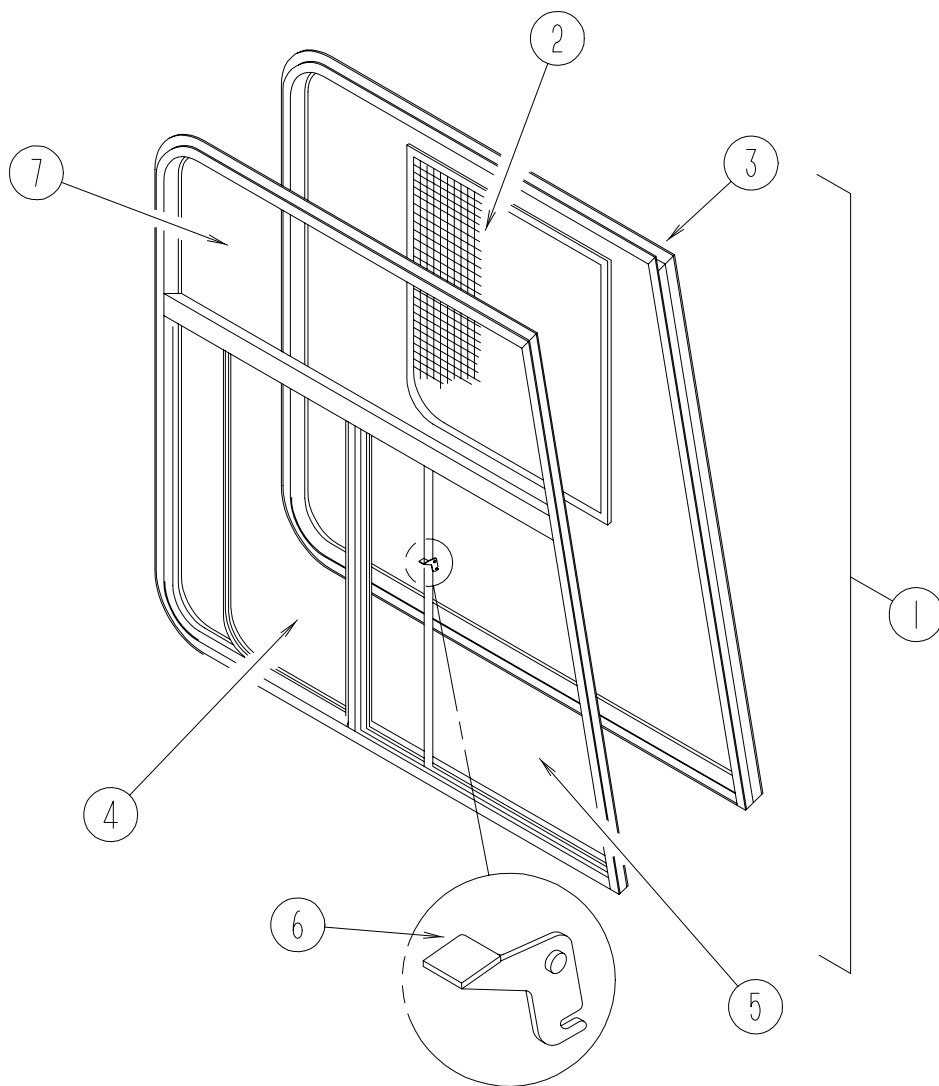
CAB WINDOW



PASSENGERS SIDE

KEY	PART NUMBER	U/M	DESCRIPTION	VENDOR NO.
1	125582-03-01A	EA	WINDOW - CAB - PASSENGER	
2	125582-03-703	EA	SCREEN ASM - W/SEALS & CLIPS	410-026543
3	125582-03-704	EA	RETAINER - TRIM	H56727R
4	125582-03-702	EA	GLASS - SLIDING - W/SASH & LATCH	H567A9R
5	125582-03-701	EA	GLASS - STATIONARY	106026060
6	098644-01-700	EA	LATCH - REPAIR KIT (BLACK)	B801-CK
7	125582-03-700	EA	GLASS - STATIONARY	106026059
	098644-01-716	EA	PLUG - FILLER	132-014470
	098644-01-705	EA	GLAZING - STRIP	132-010231
	098644-01-706	EA	WEATHERSTRIP - GLASS	171-010668
	098644-01-708	EA	CHANNEL - RUN PIERCED	122-016543
	098644-01-710	EA	TRACK - SCREEN SPACER 12'	132-017135
	098644-01-711	EA	WEATHERSTRIP - SCREEN BLACK	171-016965
	098644-01-717	EA	SPLINE - SCREEN	132-004716
	098644-01-719	EA	STOP - SLIDER GLASS	132-014203
	112520-01-706	EA	WEATHERSTRIP - SCREEN - (FUZZY)	171-017245
	125582-01-701	EA	CLIP - SCREEN - PLASTIC	130005153

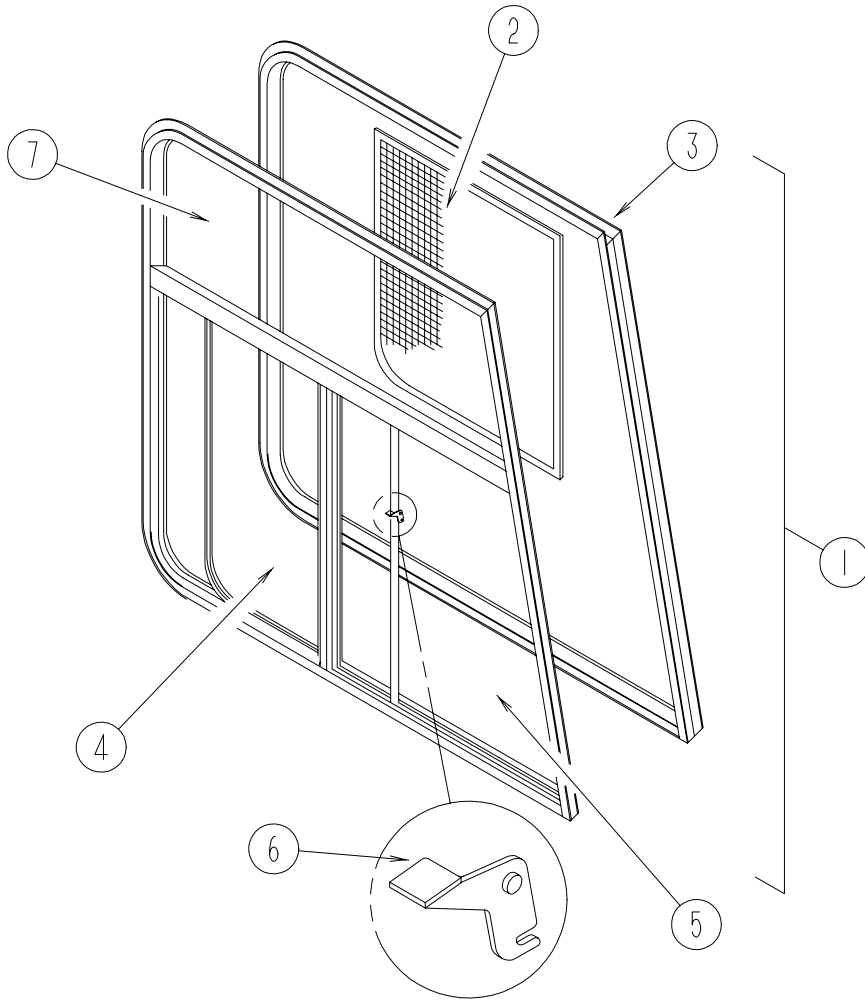
CAB WINDOW



DRIVERS SIDE

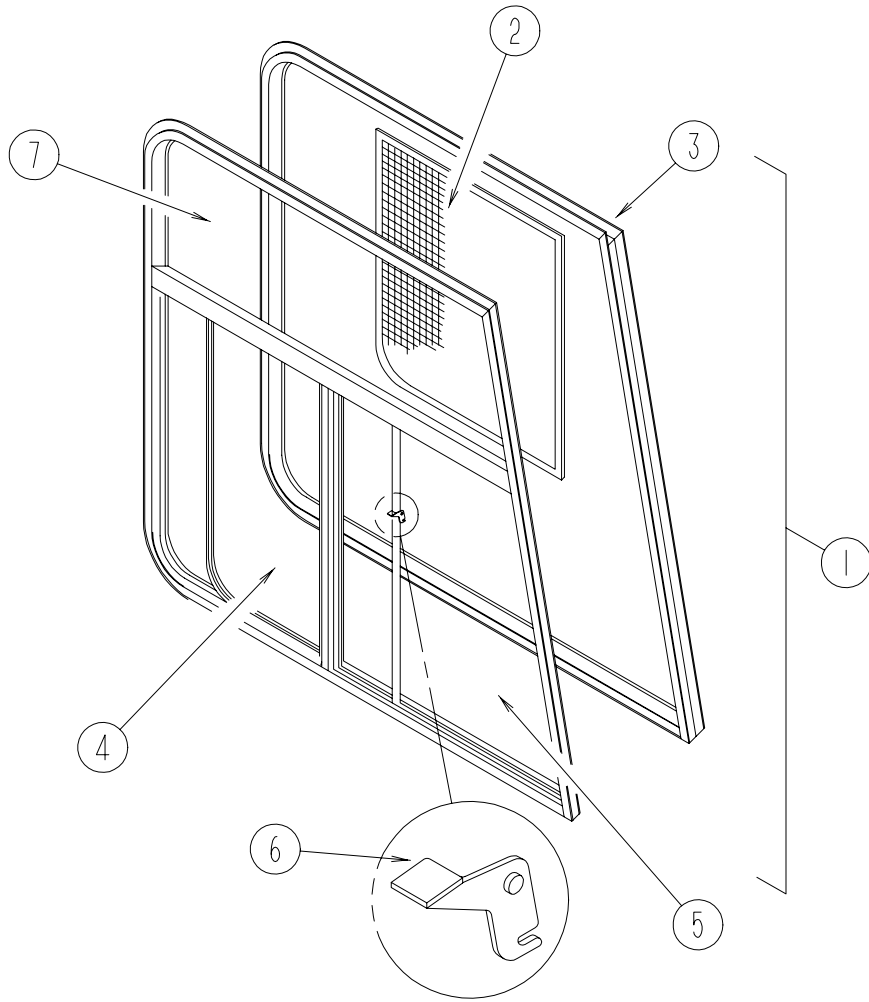
KEY	PART NUMBER	U/M	DESCRIPTION	VENDOR NO.
1	125582-04-01A	EA	WINDOW - CAB - DRIVER - H567A2B27L	
2	125582-04-701	EA	SCREEN ASM - W/SEALS & CLIPS	410-026544
3	125582-04-702	EA	RETAINER - TRIM	H567-27L
4	125582-04-700	EA	GLASS-SLIDING W/SASH & LATCH	H567-A9L
5	125582-03-701	EA	GLASS - STATIONARY	106-026060
6	098644-01-700	EA	LATCH - REPAIR KIT (BLACK)	B801-CK
7	125582-03-700	EA	GLASS - STATIONARY - TOP	106-026059
	098644-01-705	FT	GLAZING - STRIP	132-010231
	098644-01-706	FT	WEATHERSTRIP - GLASS	171-010668
	098644-01-708	FT	CHANNEL - RUN PIERCED	122-016543
	098644-01-710	FT	TRACK - SCREEN SPACER 12'	132-017135
	098644-01-711	FT	WEATHERSTRIP - SCREEN BLACK	171-016965
	098644-01-716	FT	PLUG - FILLER	132-014470
	098644-01-717	FT	SPLINE - SCREEN	132-004716
	098644-01-719	EA	STOP - SLIDER GLASS	132-014203
	112520-01-706	EA	WEATHERSTRIP-SCREEN, (FUZZY)	171-017245
	125582-01-701	EA	CLIP - SCREEN - PLASTIC	130-005153

**CAB WINDOW
PASSENGER SIDE**



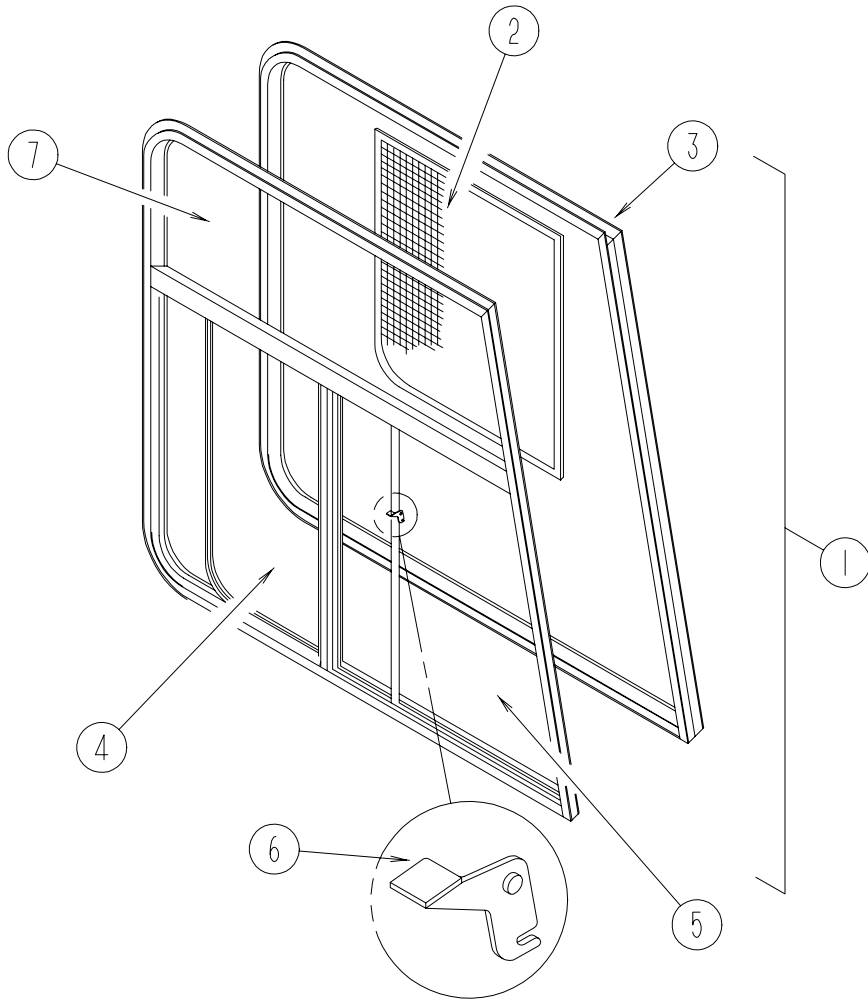
KEY	PART NUMBER	U/M	DESCRIPTION	VENDOR NO.
1	125582-07-01A	EA	WINDOW - CAB - PASSENGER - H574A2B27R	
2	125582-01-705	EA	SCREEN ASM - W/SEALS & CLIPS	410-026545
3	125582-07-701	EA	RETAINER - TRIM	H574-27R
5	125582-01-703	EA	GLASS - STATIONARY - LOWER	106-026083
6	098644-01-700	EA	LATCH - REPAIR KIT (BLACK)	B801-CK
7	125582-07-700	EA	GLASS - STATIONARY	106-026085
	098644-01-705	FT	GLAZING - STRIP	132-010231
	098644-01-706	FT	WEATHERSTRIP - GLASS	171-010668
	098644-01-708	FT	CHANNEL - RUN PIERCED	122-016543
	098644-01-710	FT	TRACK - SCREEN SPACER 12'	132-017135
	098644-01-711	FT	WEATHERSTRIP - SCREEN BLACK	171-016965
	098644-01-716	FT	PLUG - FILLER	132-014470
	098644-01-717	FT	SPLINE - SCREEN	132-004716
	098644-01-719	EA	STOP - SLIDER GLASS	132-014203
	112520-01-706	EA	WEATHERSTRIP-SCREEN, (FUZZY)	171-017245
	125582-01-701	EA	CLIP - SCREEN - PLASTIC	130-005153

**CAB WINDOW
DRIVERS SIDE**



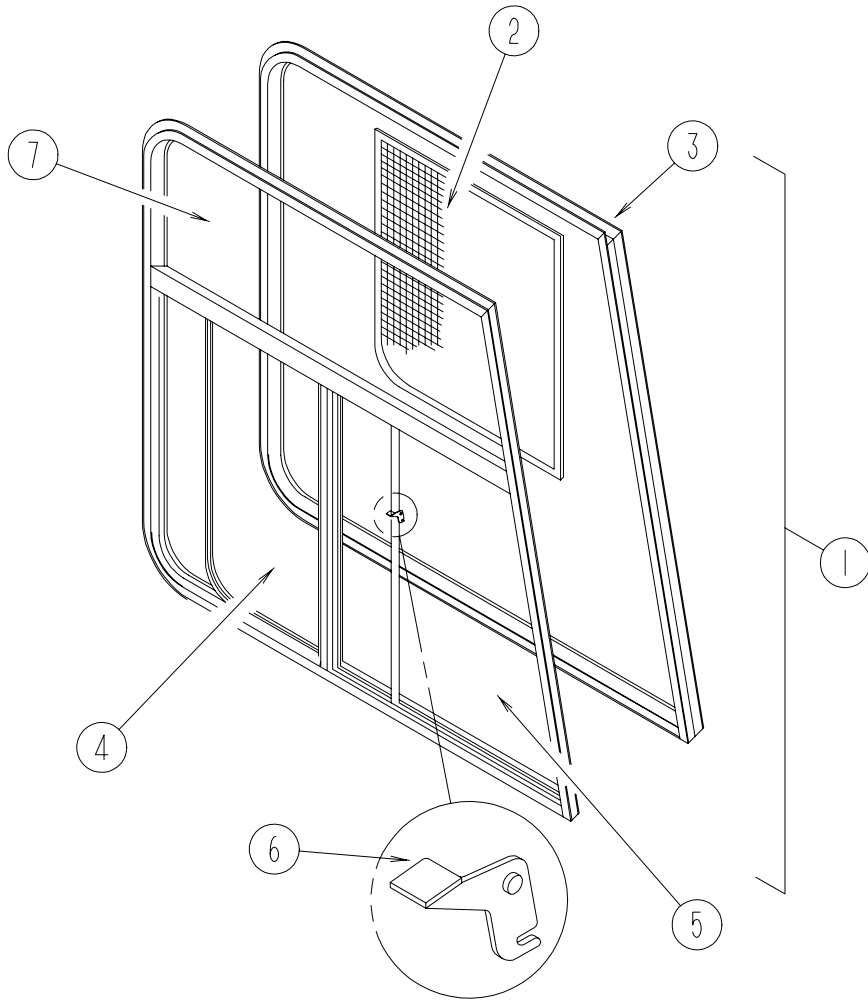
KEY	PART NUMBER	U/M	DESCRIPTION	VENDOR NO.
1	125582-08-01A	EA	WINDOW - CAB - DRIVER - H574A2B27L	
2	125582-02-701	EA	SCREEN ASM - W/SEALS & CLIPS	410-026546
3	125582-07-701	EA	RETAINER - TRIM	H574-27R
4	125582-02-700	EA	GLASS-SLIDING W/SASH & LATCH	H573-A9L
5	125582-01-703	EA	GLASS - STATIONARY - LOWER	106-026083
6	098644-01-700	EA	LATCH - REPAIR KIT (BLACK)	B801-CK
7	125582-07-700	EA	GLASS - STATIONARY	106-026085
	098644-01-705	FT	GLAZING - STRIP	132-010231
	098644-01-706	FT	WEATHERSTRIP - GLASS	171-010668
	098644-01-708	FT	CHANNEL - RUN PIERCED	122-016543
	098644-01-710	FT	TRACK - SCREEN SPACER 12'	132-017135
	098644-01-711	FT	WEATHERSTRIP - SCREEN BLACK	171-016965
	098644-01-716	FT	PLUG - FILLER	132-014470
	098644-01-717	FT	SPLINE - SCREEN	132-004716
	098644-01-719	EA	STOP - SLIDER GLASS	132-014203
	112520-01-706	EA	WEATHERSTRIP-SCREEN, (FUZZY)	171-017245
	125582-01-701	EA	CLIP - SCREEN - PLASTIC	130-005153

**CAB WINDOW
PASSENGER SIDE**



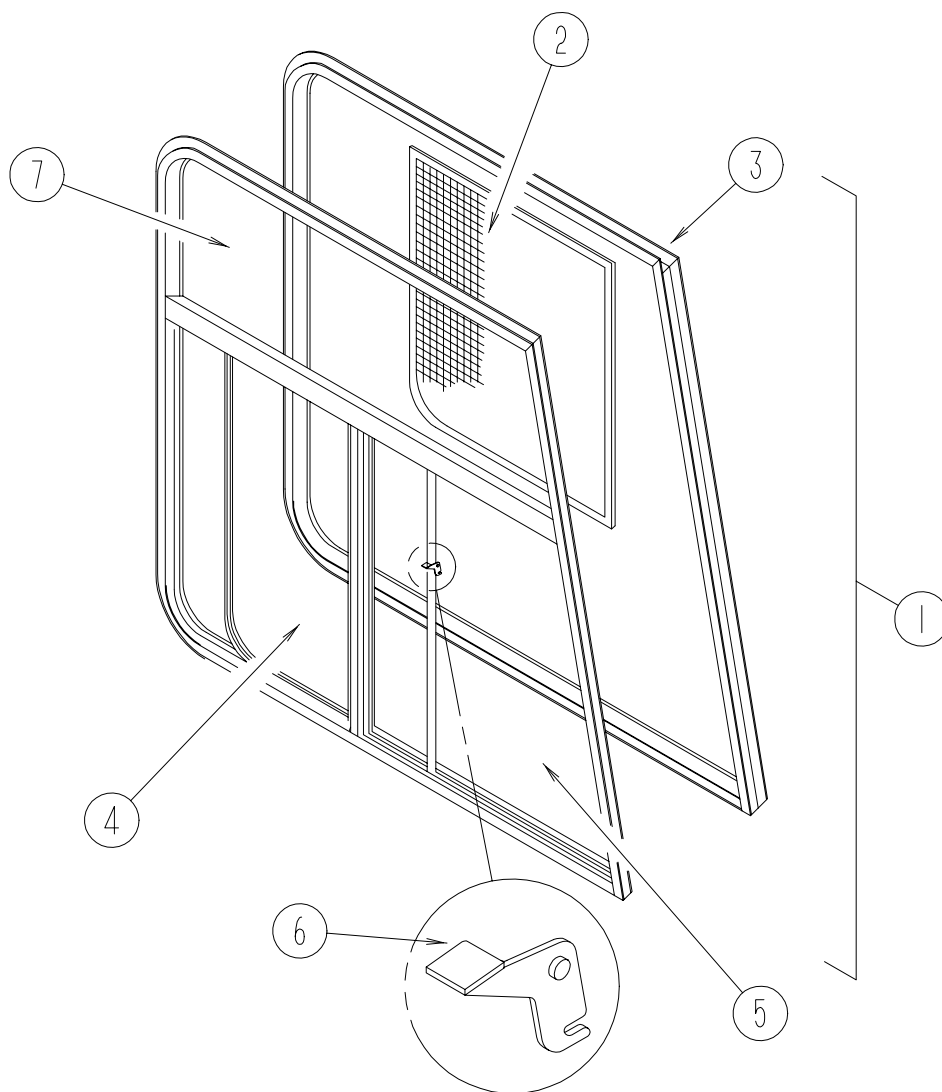
KEY	PART NUMBER	U/M	DESCRIPTION	VENDOR NO.
1	125582-09-01A	EA	WINDOW - PASSENGER CAB - 3 WINDOW - 34.7"T X 37"H X 51.6"B	
2	125582-03-703	EA	SCREEN ASM - W/SEALS & CLIPS	410-026543
3	125582-09-701	EA	RETAINER - TRIM	H575-27R
4	125582-03-702	EA	GLASS-SLIDING W/SASH & LATCH	H567-A9R
5	125582-01-700	EA	GLASS - STATIONARY	106-026086
6	098644-01-700	EA	LATCH - REPAIR KIT (BLACK)	B801-CK
7	125582-03-701	EA	GLASS - STATIONARY	106-026060
	098644-01-705	FT	GLAZING - STRIP	132-010231
	098644-01-706	FT	WEATHERSTRIP - GLASS	171-010668
	098644-01-708	FT	CHANNEL - RUN PIERCED	122-016543
	098644-01-710	FT	TRACK - SCREEN SPACER 12'	132-017135
	098644-01-711	FT	WEATHERSTRIP - SCREEN BLACK	171-016965
	098644-01-716	FT	PLUG - FILLER	132-014470
	098644-01-717	FT	SPLINE - SCREEN	132-004716
	098644-01-719	EA	STOP - SLIDER GLASS	132-014203
	112520-01-706	EA	WEATHERSTRIP-SCREEN, (FUZZY)	171-017245
	125582-01-701	EA	CLIP - SCREEN - PLASTIC	130-005153
	125582-01-708	EA	WEEPHOLE COVER - RIGHT HAND	130-026598
	125582-01-709	EA	WEEPHOLE COVER - LEFT HAND	130-026599

**CAB WINDOW
PASSENGER SIDE**



KEY	PART NUMBER	U/M	DESCRIPTION	VENDOR NO.
1	125582-10-01A	EA	WINDOW - DRIVER CAB/3 WINDOW - 34.7"T X 37"H X 51.6"B	
2	125582-04-701	EA	SCREEN ASM - W/SEALS & CLIPS	410-026544
3	125582-10-701	EA	RETAINER - TRIM	H575-27L
4	125582-04-700	EA	GLASS-SLIDING W/SASH & LATCH	H567-A9L
5	125582-09-700	EA	GLASS - STATIONARY	106-026086
6	098644-01-700	EA	LATCH - REPAIR KIT (BLACK)	B801-CK
7	125582-03-701	EA	GLASS - STATIONARY	106-026060
	098644-01-705	FT	GLAZING - STRIP	132-010231
	098644-01-706	FT	WEATHERSTRIP - GLASS	171-010668
	098644-01-708	FT	CHANNEL - RUN PIERCED	122-016543
	098644-01-710	FT	TRACK - SCREEN SPACER 12'	132-017135
	098644-01-711	FT	WEATHERSTRIP - SCREEN BLACK	171-016965
	098644-01-716	FT	PLUG - FILLER	132-014470
	098644-01-717	FT	SPLINE - SCREEN	132-004716
	098644-01-719	EA	STOP - SLIDER GLASS	132-014203
	112520-01-706	EA	WEATHERSTRIP-SCREEN, (FUZZY)	171-017245
	125582-01-701	EA	CLIP - SCREEN - PLASTIC	130-005153
	125582-01-708	EA	WEEPHOLE COVER - RIGHT HAND	130-026598
	125582-01-709	EA	WEEPHOLE COVER - LEFT HAND	130-026599

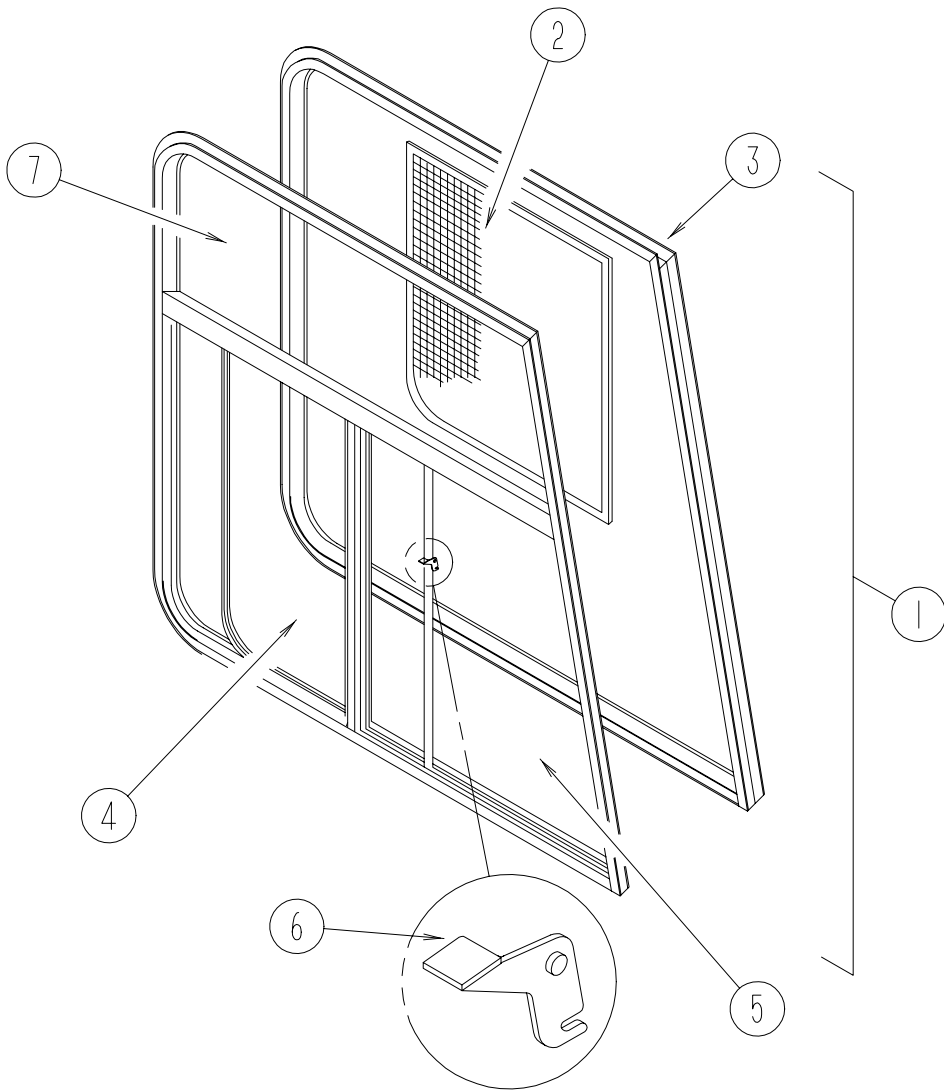
CAB WINDOW



PASSENGERS SIDE

KEY	PART NUMBER	U/M	DESCRIPTION	VENDOR NO.
1	125583-01-01A	EA	WINDOW - PASS CAB-3 GLASS THERMO- 42.9"X 51.2"B X 42.6"H	
2	125582-01-705	EA	SCREEN ASM - W/SEALS & CLIPS	H57303R
3	125582-01-706	EA	RETAINER - TRIM	H57327R
4	125583-01-700	EA	GLASS - SLIDING W/SASH & LATCH	DH573A9R
5	125583-01-702	EA	GLASS - STATIONARY	390026101
6	112795-01-700	EA	LATCH - BLACK - (BOLT ON)	DH287-CK
7	125583-01-701	EA	GLASS - STATIONARY	390026100
	098644-01-716	EA	PLUG - FILLER	132-014470
	098644-01-710	EA	TRACK - SCREEN SPACER 12'	132-017135
	098644-01-711	EA	WEATHERSTRIP - SCREEN BLACK	171-016965
	098644-01-713	EA	CLIP - SCREEN - METAL	226-016966
	098644-01-717	EA	SPLINE - SCREEN	132-004716
	112795-01-701	EA	SLIDE - STOP	132-019092
	112795-01-703	EA	CHANNEL - RUN - (INCHES)	122-018736
	112795-01-704	EA	PLUG - FILLER - (DOUBLE GLAZED)	122-018737
	125582-01-701	EA	CLIP - SCREEN - PLASTIC	130005153

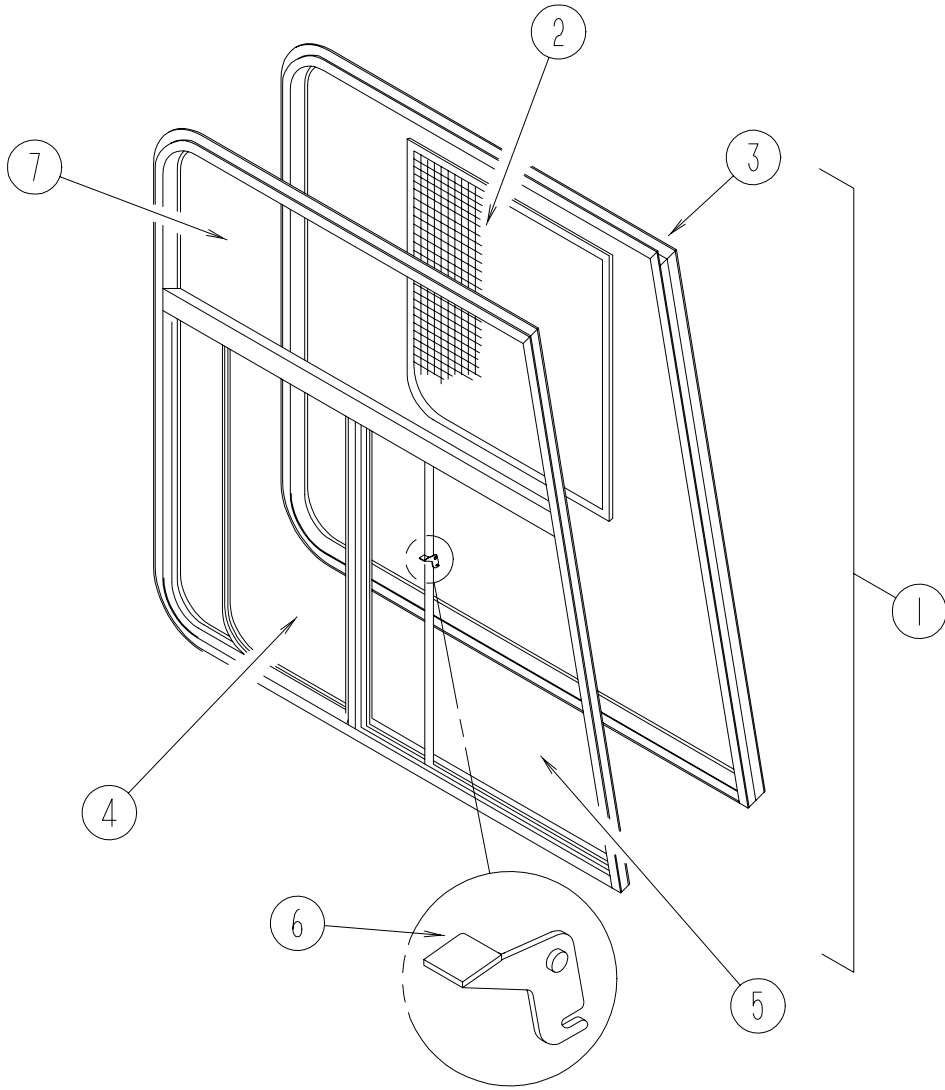
CAB WINDOW



DRIVERS SIDE

KEY	PART NUMBER	U/M	DESCRIPTION	VENDOR NO.
1	125583-02-01A	EA	WINDOW - DRVR CAB-3 GLASS THERMO-42.9"T X 51.2"B X 42.6"H	DH573A2B27L
2	125582-02-701	EA	SCREEN ASM - W/SEALS & CLIPS	410-026546
3	125582-02-702	EA	RETAINER - TRIM	H573-27L
4	125583-02-700	EA	GLASS-SLIDING W/SASH & LATCH	DH573-A9L
5	125583-02-701	EA	GLASS - STATIONARY	390-026102
6	112795-01-700	EA	LATCH ASM., BLK.,(BOLT ON)	DH287-CK
7	125583-01-701	EA	GLASS - STATIONARY - UPPER	390-026100
	098644-01-706	FT	WEATHERSTRIP - GLASS	171-010668
	098644-01-710	FT	TRACK - SCREEN SPACER 12'	132-017135
	098644-01-711	FT	WEATHERSTRIP - SCREEN BLACK	171-016965
	098644-01-713	EA	CLIP - SCREEN - METAL	226-016966
	098644-01-717	FT	SPLINE - SCREEN	132-004716
	112795-01-701	EA	SLIDE-STOP	132-019092
	112795-01-703	IN	CHANNEL-RUN (INCHES)	122-018736
	112795-01-704	FT	PLUG FILLER (DOUBLE GLAZED)	122-018737
	112795-01-705	FT	VINYL - GLAZING	132-025736
	125582-01-701	EA	CLIP - SCREEN - PLASTIC	130-005153

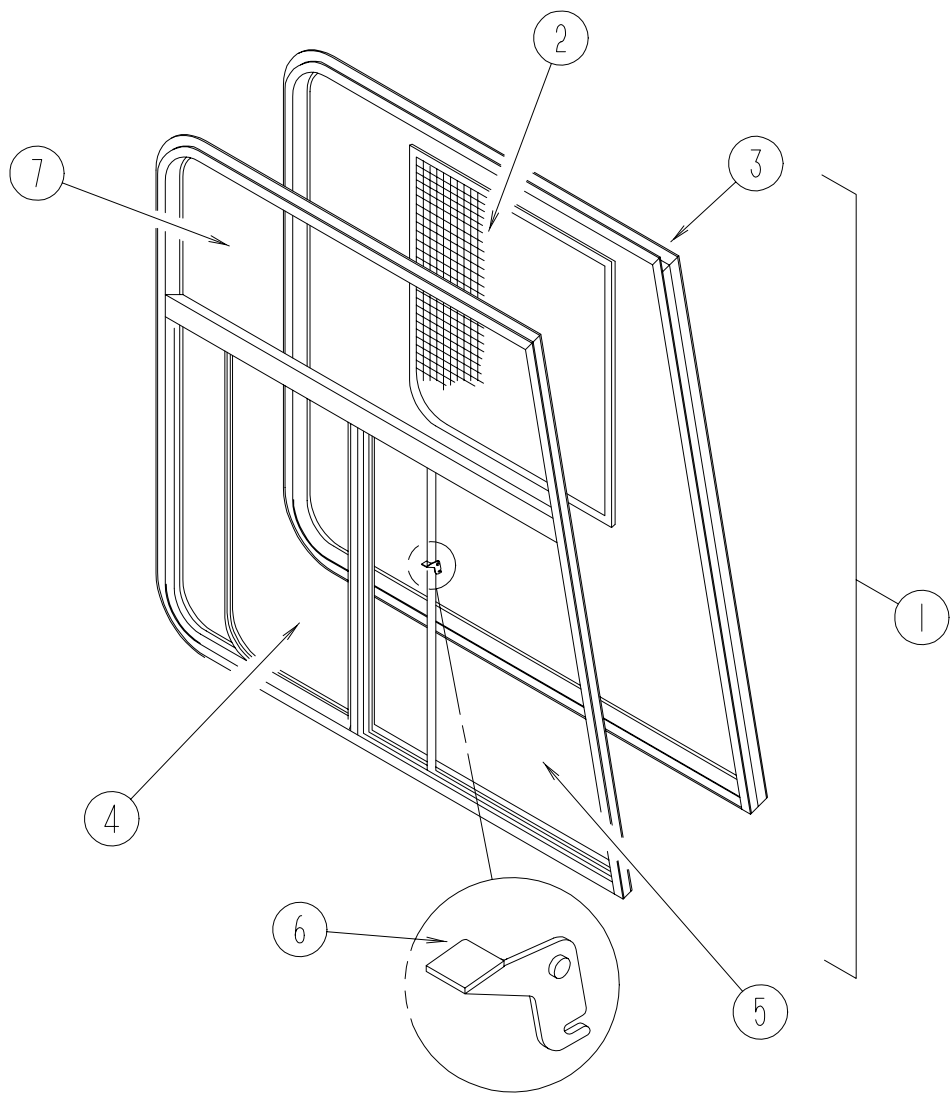
CAB WINDOW



PASSENGERS SIDE

KEY	PART NUMBER	U/M	DESCRIPTION	VENDOR NO.
1	125583-03-01A	EA	WINDOW - PASS CAB-3 GLASS THERMO- 31.8"T X 51.6"B X 42.6"H	
2	125582-03-703	EA	SCREEN ASM - W/SEALS & CLIPS	H56703R
3	125582-03-704	EA	RETAINER - TRIM	H56727R
4	125583-03-700	EA	GLASS - SLIDING - W/SASH & LATCH	DH567A9R
5	125583-03-701	EA	GLASS - STATIONARY	390026093
6	112795-01-700	EA	LATCH - BLACK - (BOLT ON)	DH287-CK
7	125583-03-702	EA	GLASS - STATIONARY	390026094
	098644-01-706	EA	WEATHERSTRIP - GLASS	171-010668
	098644-01-710	EA	TRACK - SCREEN SPACER 12'	132-017135
	098644-01-711	EA	WEATHERSTRIP - SCREEN BLACK	171-016965
	098644-01-713	EA	CLIP - SCREEN - METAL	226-016966
	098644-01-717	EA	SPLINE - SCREEN	132-004716
	112795-01-701	EA	SLIDE - STOP	132-019092
	112795-01-703	EA	CHANNEL - RUN - (INCHES)	122-018736
	112795-01-704	EA	PLUG - FILLER - (DOUBLE GLAZED)	122-018737
	125582-01-701	EA	CLIP - SCREEN - PLASTIC	130005153

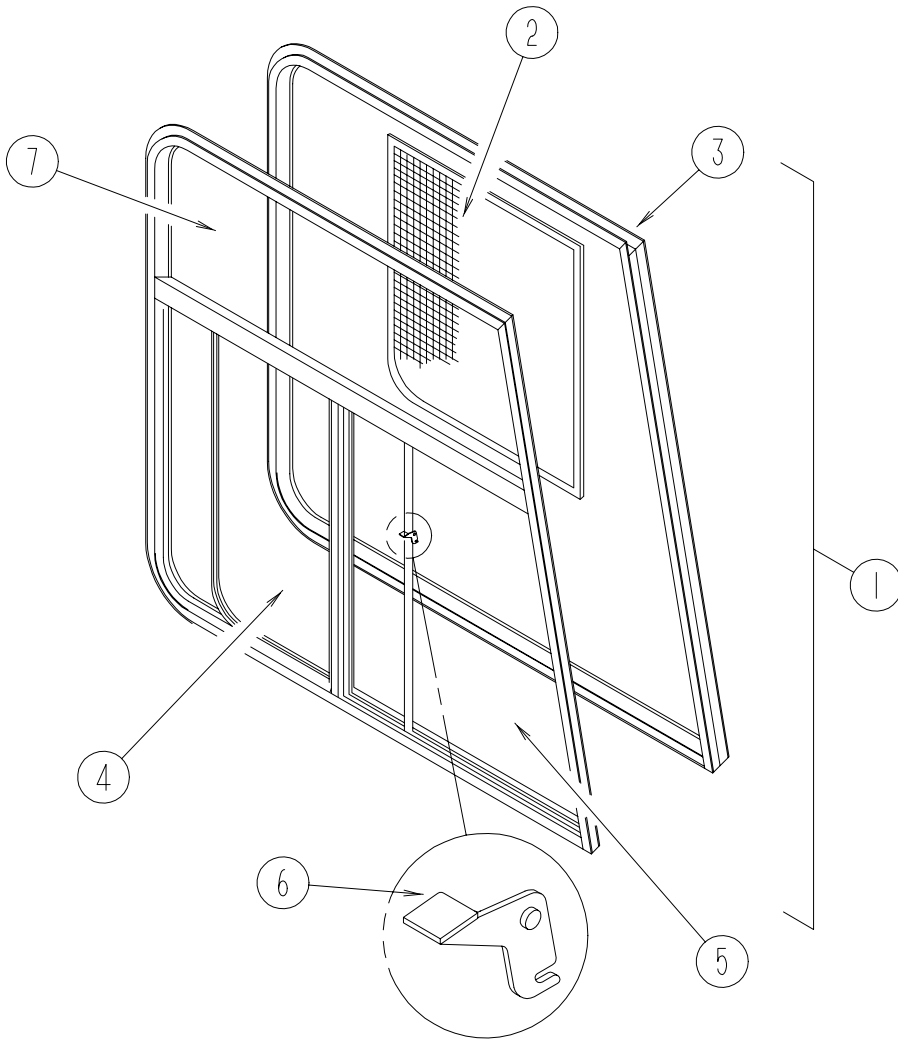
CAB WINDOW



DRIVERS SIDE

KEY	PART NUMBER	U/M	DESCRIPTION	VENDOR NO.
1	125583-04-01A	EA	WINDOW - DRVR CAB-3 GLASS THERMO-31.8" T X 51.6" B X 42.6" H	I,BSMT
2	125582-04-701	EA	SCREEN ASM - W/SEALS & CLIPS	410-026544
3	125582-04-702	EA	RETAINER - TRIM	H567-27L
4	125583-04-700	EA	GLASS-SLIDING W/SASH & LATCH	DH567-A9L
5	125583-04-701	EA	GLASS - STATIONARY	390-026095
6	112795-01-700	EA	LATCH ASM., BLK.,(BOLT ON)	DH287-CK
7	125583-03-701	EA	GLASS - STATIONARY - UPPER	390-026093
	098644-01-706	FT	WEATHERSTRIP - GLASS	171-010668
	098644-01-710	FT	TRACK - SCREEN SPACER 12'	132-017135
	098644-01-711	FT	WEATHERSTRIP - SCREEN BLACK	171-016965
	098644-01-713	EA	CLIP - SCREEN - METAL	226-016966
	098644-01-717	FT	SPLINE - SCREEN	132-004716
	112795-01-701	EA	SLIDE-STOP	132-019092
	112795-01-703	IN	CHANNEL-RUN (INCHES)	122-018736
	112795-01-704	FT	PLUG FILLER (DOUBLE GLAZED)	122-018737
	112795-01-705	FT	VINYL - GLAZING	132-025736
	125582-01-701	EA	CLIP - SCREEN - PLASTIC	130-005153

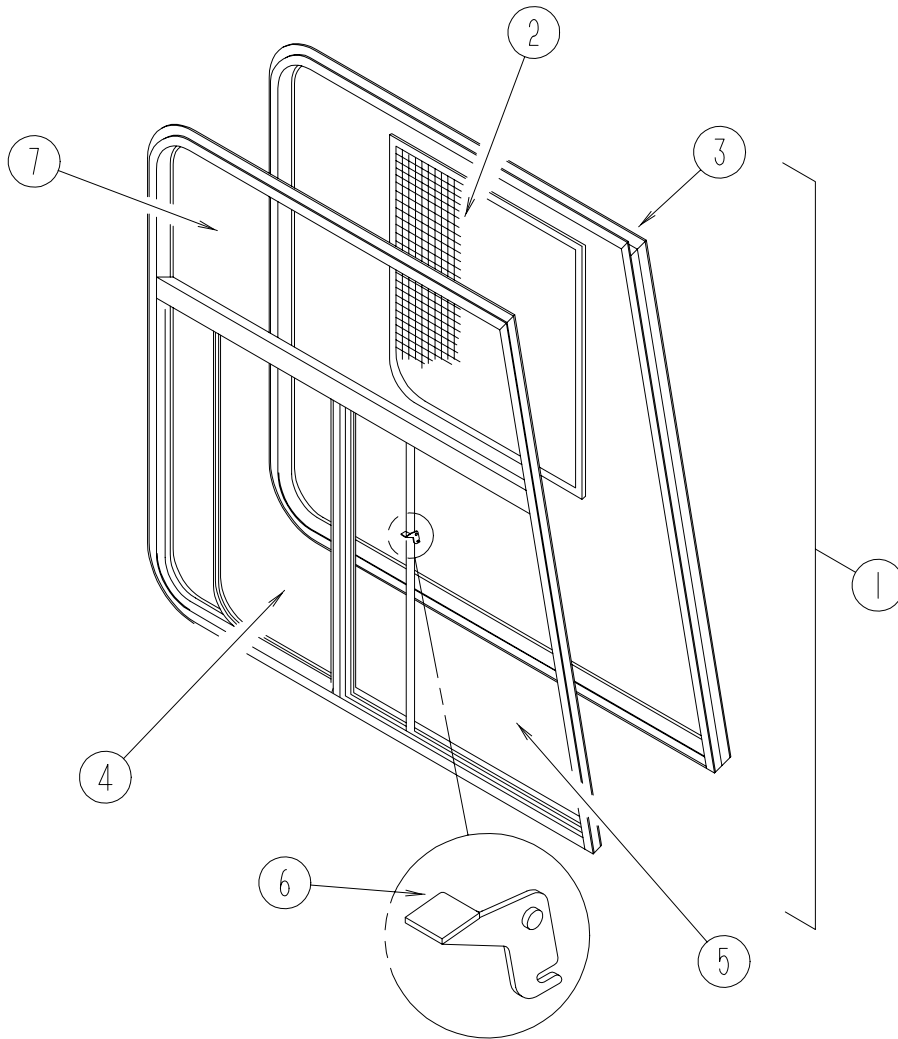
THERMO CAB WINDOW



PASSENGERS SIDE

KEY	PART NUMBER	U/M	DESCRIPTION	VENDOR NO.
1	125583-07-01A	EA	WINDOW - PASS CAB-3 GLASS THERMO-44.2"T X 51.2"B X 37"H	410-026545
2	125582-01-705	EA	SCREEN ASM - W/SEALS & CLIPS	H574-27R
3	125582-07-701	EA	RETAINER - TRIM	DH573-A9R
4	125583-01-700	EA	GLASS-SLIDING W/SASH & LATCH	390-026101
5	125583-01-702	EA	GLASS - STATIONARY - R.H.	DH287-CK
6	112795-01-700	EA	LATCH ASM., BLK.,(BOLT ON)	390-026287
7	125583-08-700	EA	GLASS - STATIONARY/TOP	171-010668
	098644-01-706	FT	WEATHERSTRIP - GLASS	132-017135
	098644-01-710	FT	TRACK - SCREEN SPACER 12'	171-016965
	098644-01-711	FT	WEATHERSTRIP - SCREEN BLACK	226-016966
	098644-01-713	EA	CLIP - SCREEN - METAL	132-004716
	098644-01-717	FT	SPLINE - SCREEN	132-019092
	112795-01-701	EA	SLIDE-STOP	122-018736
	112795-01-703	IN	CHANNEL-RUN (INCHES)	122-018737
	112795-01-704	FT	PLUG FILLER (DOUBLE GLAZED)	132-025736
	112795-01-705	FT	VINYL - GLAZING	130-005153
	125582-01-701	EA	CLIP - SCREEN - PLASTIC	

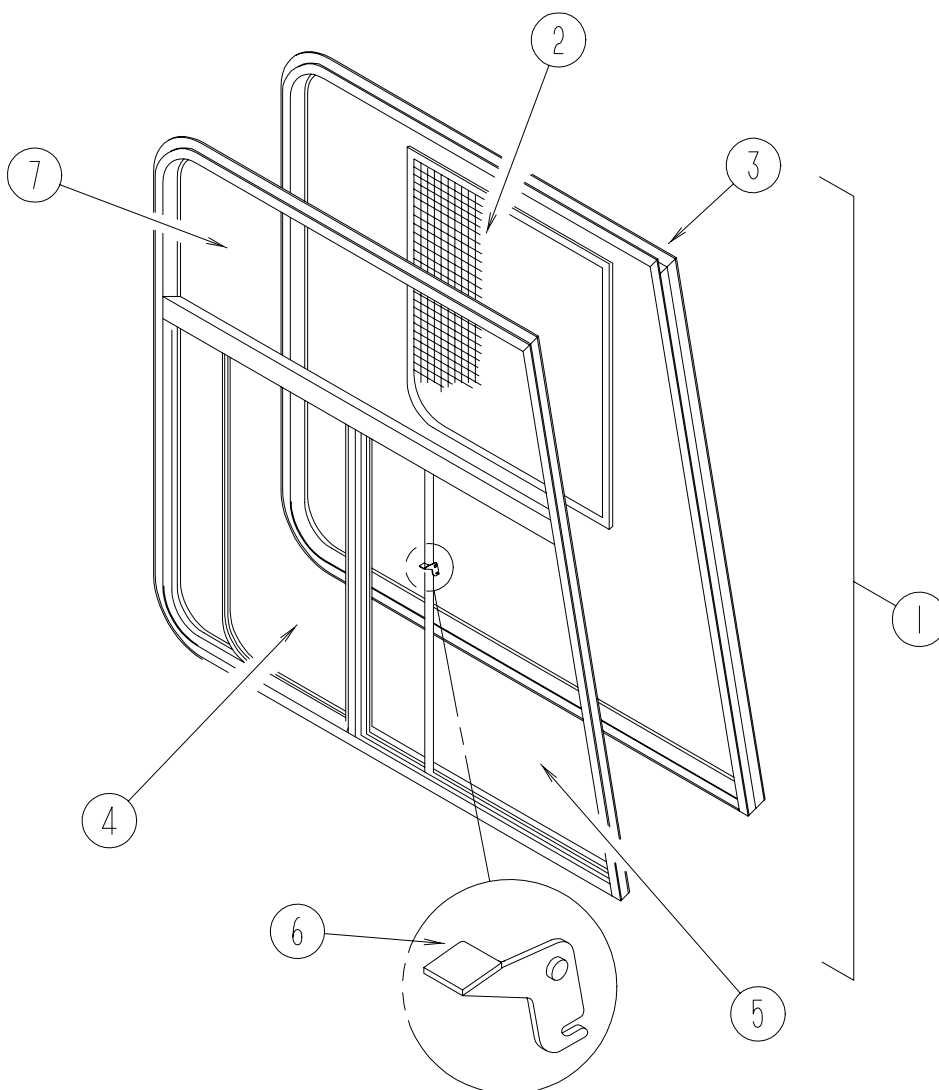
THERMO CAB WINDOW



DRIVERS SIDE

KEY	PART NUMBER	U/M	DESCRIPTION	VENDOR NO.
1	125583-08-01A	EA	WINDOW - DRVR CAB-3 GLASS THERMO-44.2"T X 51.2"B X 37"H	410-026546
2	125582-02-701	EA	SCREEN ASM - W/SEALS & CLIPS	H567-27L
3	125582-04-702	EA	RETAINER - TRIM	DH573-A9L
4	125583-02-700	EA	GLASS-SLIDING W/SASH & LATCH	390-026102
5	125583-02-701	EA	GLASS - STATIONARY	DH287-CK
6	112795-01-700	EA	LATCH ASM., BLK.,(BOLT ON)	390-026287
7	125583-08-700	EA	GLASS - STATIONARY/TOP	171-010668
	098644-01-706	FT	WEATHERSTRIP - GLASS	132-017135
	098644-01-710	FT	TRACK - SCREEN SPACER 12'	171-016965
	098644-01-711	FT	WEATHERSTRIP - SCREEN BLACK	226-016966
	098644-01-713	EA	CLIP - SCREEN - METAL	132-004716
	098644-01-717	FT	SPLINE - SCREEN	132-019092
	112795-01-701	EA	SLIDE-STOP	122-018736
	112795-01-703	IN	CHANNEL-RUN (INCHES)	122-018737
	112795-01-704	FT	PLUG FILLER (DOUBLE GLAZED)	132-025736
	112795-01-705	FT	VINYL - GLAZING	130-005153
	125582-01-701	EA	CLIP - SCREEN - PLASTIC	

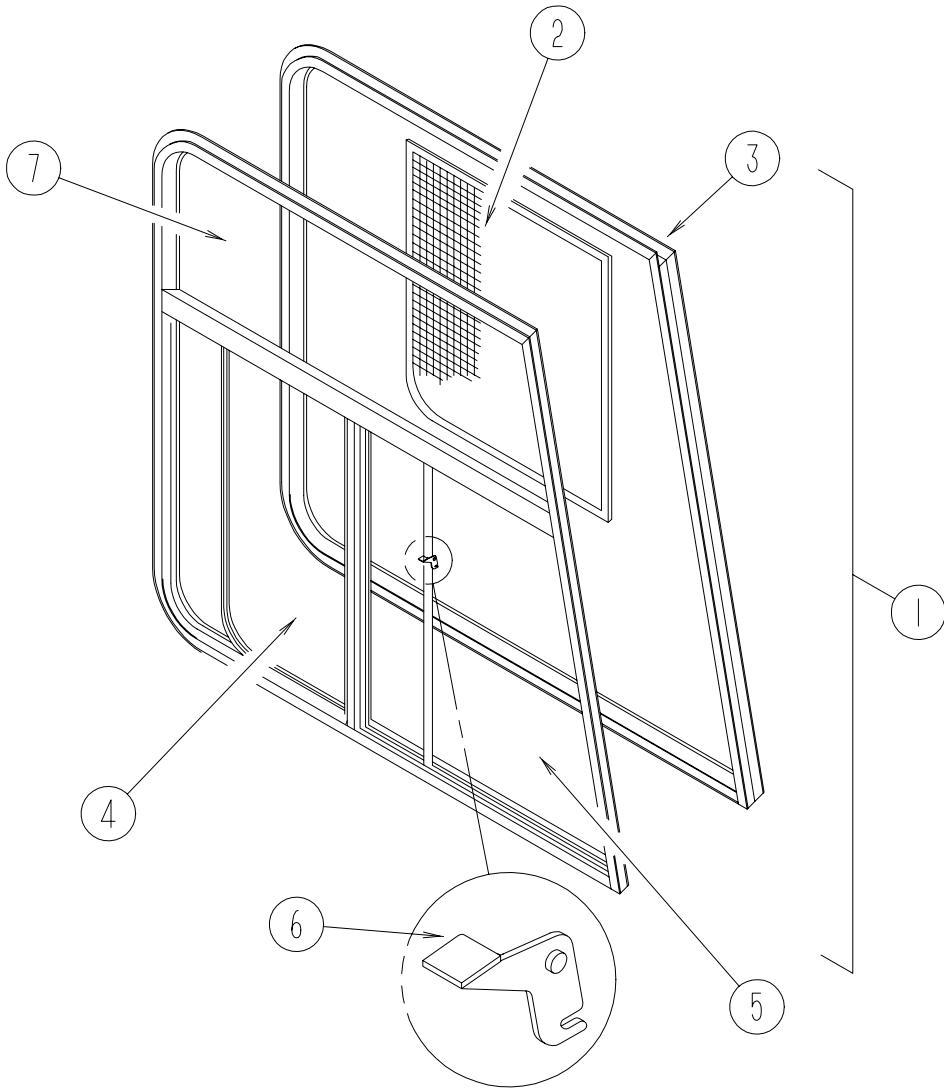
CAB WINDOW



PASSENGERS SIDE

KEY	PART NUMBER	U/M	DESCRIPTION	VENDOR NO.
1	125583-09-01A	EA	WINDOW - CAB PASS-3 GLASS THERMO- 34.7"T X 51.6"B X 37"H	
2	125582-03-703	EA	SCREEN ASM - W/SEALS & CLIPS	410-026543
3	125582-09-701	EA	RETAINER - TRIM	H575-27R
4	125583-03-700	EA	GLASS - SLIDING - W/SASH & LATCH	DH567-A9R
5	125583-09-700	EA	GLASS - STATIONARY	390-026323
6	112795-01-700	EA	LATCH - BLACK - (BOLT ON)	DH287-CK
7	125583-03-702	EA	GLASS - STATIONARY	390-026094
	098644-01-706	EA	WEATHERSTRIP - GLASS	171-010668
	098644-01-710	EA	TRACK - SCREEN SPACER 12'	132-017135
	098644-01-711	EA	WEATHERSTRIP - SCREEN BLACK	171-016965
	098644-01-713	EA	CLIP - SCREEN - METAL	226-016966
	098644-01-717	EA	SPLINE - SCREEN	132-004716
	112795-01-701	EA	SLIDE - STOP	132-019092
	112795-01-703	EA	CHANNEL - RUN - (INCHES)	122-018736
	112795-01-704	EA	PLUG - FILLER - (DOUBLE GLAZED)	122-018737
	125582-01-701	EA	CLIP - SCREEN - PLASTIC	130-005153
	125582-01-708	EA	WEEPHOLE COVER - RIGHT HAND	130-026598
	125582-01-709	EA	WEEPHOLE COVER - LEFT HAND	130-026599

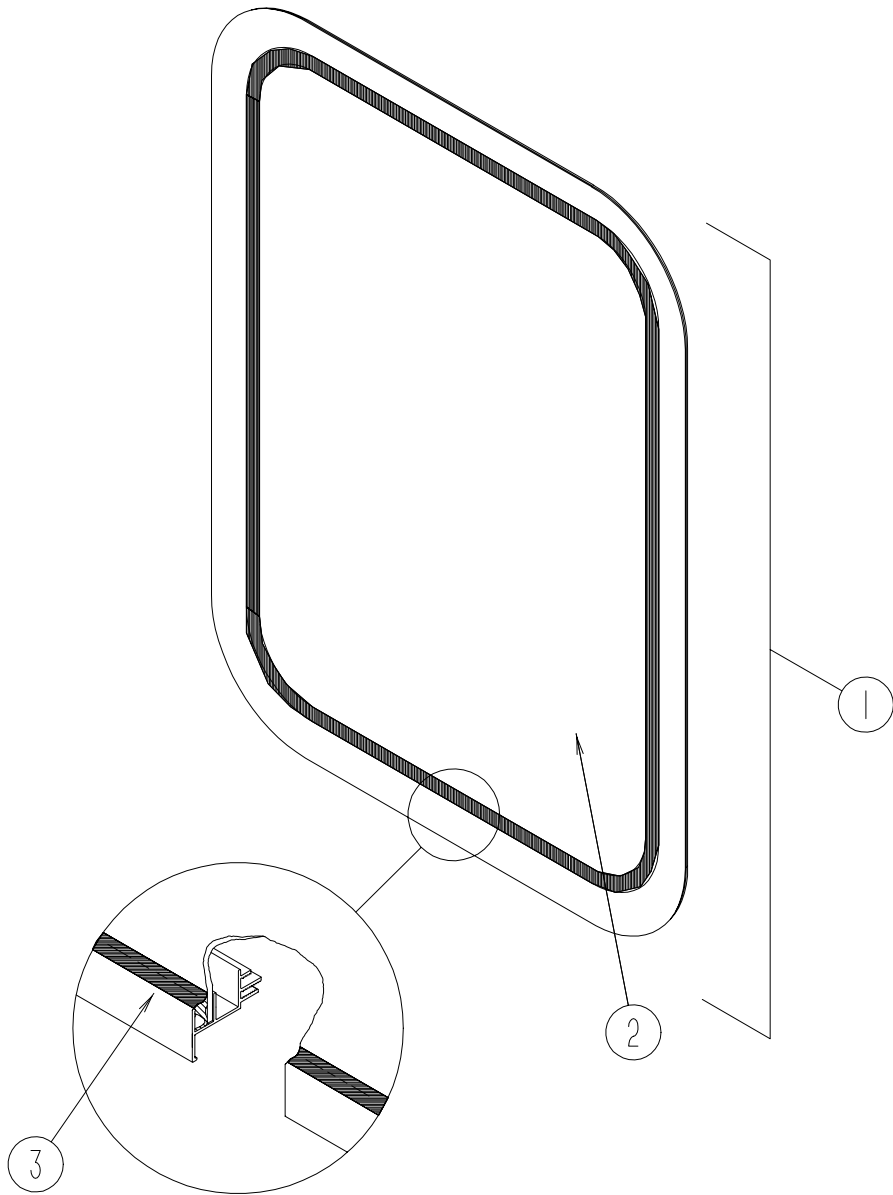
CAB WINDOW



PASSENGERS SIDE

KEY	PART NUMBER	U/M	DESCRIPTION	VENDOR NO.
1	125583-10-01A	EA	WINDOW-CAB DRVR-3 GLASS THERMO-34.7"T X 51.6"B X 37"H	
2	125582-04-701	EA	SCREEN ASM - W/SEALS & CLIPS	410-026544
3	125582-10-700	EA	RETAINER - TRIM	H575-27L
4	125583-04-700	EA	GLASS - SLIDING - W/SASH & LATCH	DH567-A9L
5	125583-09-700	EA	GLASS - STATIONARY	390-026323
6	112795-01-700	EA	LATCH - BLACK - (BOLT ON)	DH287-CK
7	125583-04-701	EA	GLASS - STATIONARY	390-026095
	098644-01-706	EA	WEATHERSTRIP - GLASS	171-010668
	098644-01-710	EA	TRACK - SCREEN SPACER 12'	132-017135
	098644-01-711	EA	WEATHERSTRIP - SCREEN BLACK	171-016965
	098644-01-713	EA	CLIP - SCREEN - METAL	226-016966
	098644-01-717	EA	SPLINE - SCREEN	132-004716
	112795-01-701	EA	SLIDE - STOP	132-019092
	112795-01-703	EA	CHANNEL - RUN - (INCHES)	122-018736
	112795-01-704	EA	PLUG - FILLER - (DOUBLE GLAZED)	122-018737
	125582-01-701	EA	CLIP - SCREEN - PLASTIC	130-005153
	125582-01-708	EA	WEEPHOLE COVER - RIGHT HAND	130-026598
	125582-01-709	EA	WEEPHOLE COVER - LEFT HAND	130-026599

THERMOPANE

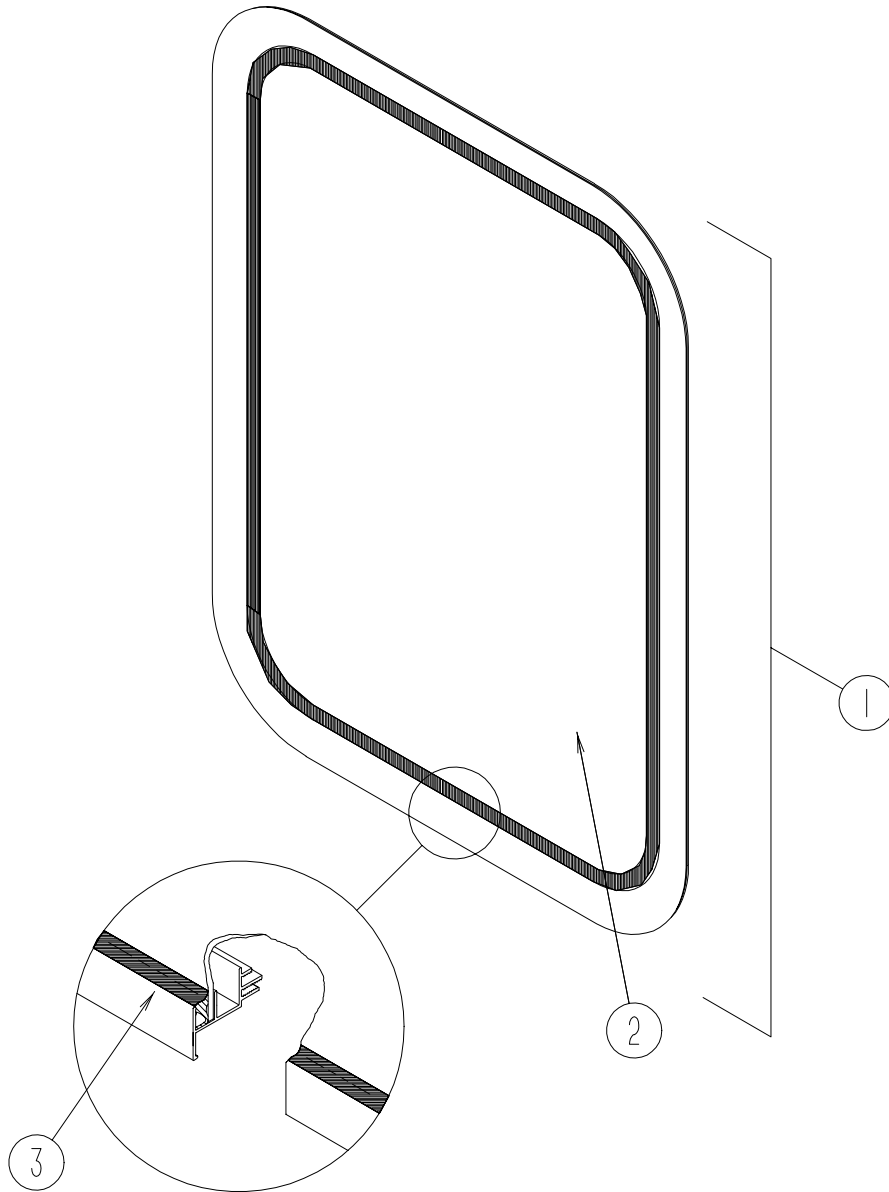


KEY	PART NUMBER	U/M	DESCRIPTION
1	113733-01-01A	EA	WINDOW - STATIONARY - THERMOPANE - 17" X 26.4"
2	113733-01-702	EA	GLASS - STATIONARY
3	112795-01-705	FT	VINYL-GLAZING

VENDOR NO.

390-019187
132-025736

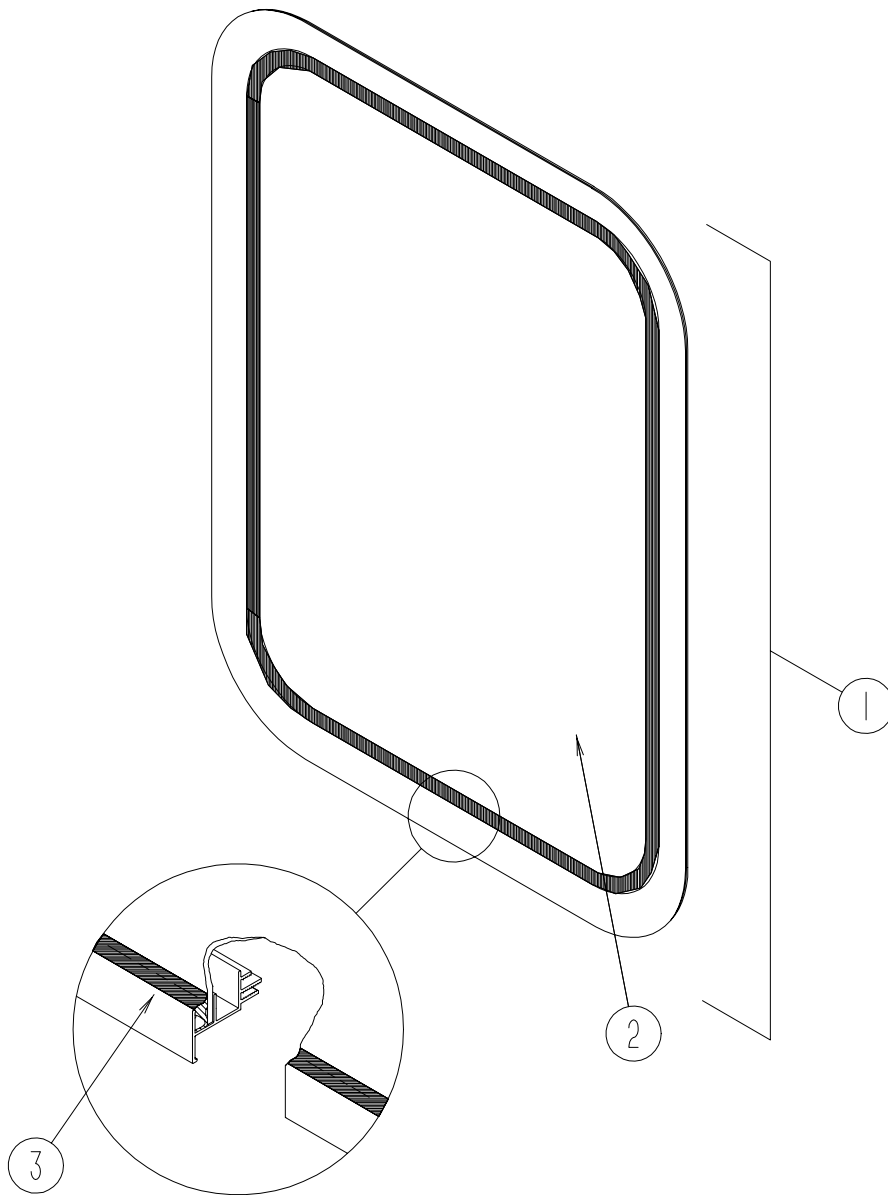
THERMOPANE



KEY	PART NUMBER	U/M	DESCRIPTION
1	113733-02-01A	EA	WINDOW - STATIONARY - THERMOPANE - 26.4" X 26.25"
2	113733-02-702	EA	GLASS - STATIONARY
3	112795-01-705	FT	VINYL-GLAZING

VENDOR NO.
390-019461
132-025736

THERMOPANE

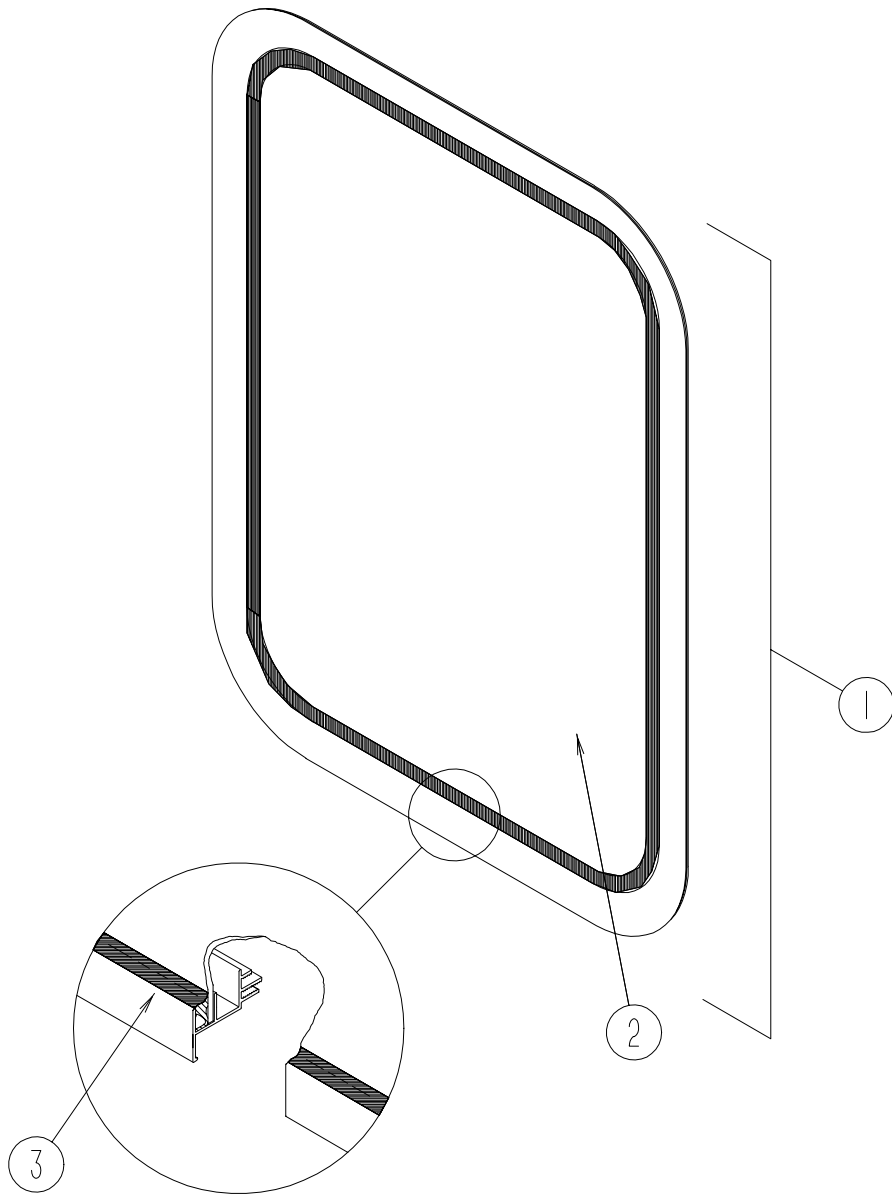


KEY	PART NUMBER	U/M	DESCRIPTION
1	113733-03-01A	EA	WINDOW - STATIONARY THERMOPANE - 26.4" X 17"
2	113733-03-700	EA	GLASS - STATIONARY
3	112795-01-705	FT	VINYL-GLAZING

VENDOR NO.

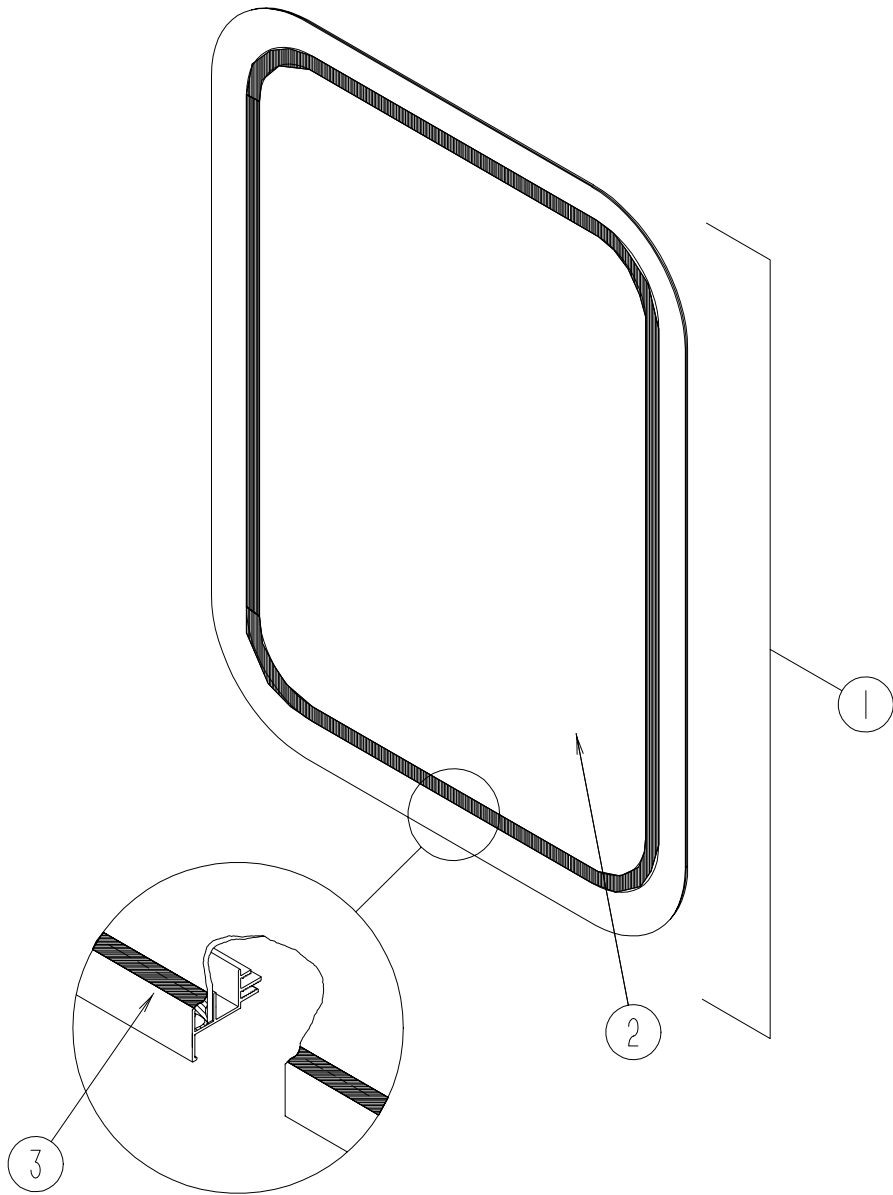
390-019685
132-025736

THERMOPANE



KEY	PART NUMBER	U/M	DESCRIPTION	VENDOR NO.
1	113733-04-01A	EA	WINDOW-STATIONARY THERMOPANE/EUROPEAN - 24.8" X 17.1"	
2	113733-04-701	EA	GLASS - STATIONARY	390-019687
3	112795-01-705	FT	VINYL-GLAZING	132-025736

THERMOPANE

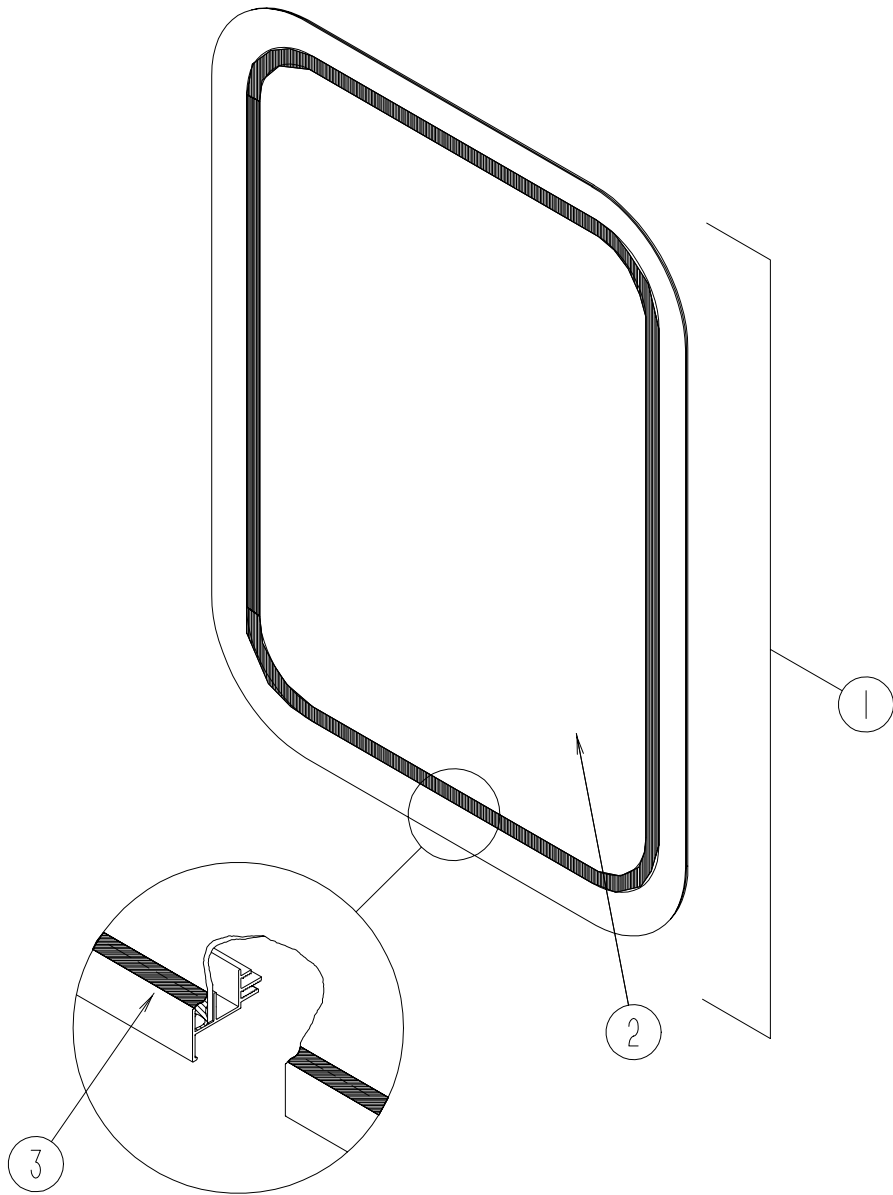


KEY	PART NUMBER	U/M	DESCRIPTION
1	113733-05-01A	EA	WINDOW - STATIONARY - THERMOPANE - 26.1" X 17"
2	113733-01-702	EA	GLASS - STATIONARY
3	112795-01-705	FT	VINYL-GLAZING
	113733-05-700	EA	RETAINER - TRIM

VENDOR NO.

390-019187
132-025736
W45559

THERMOPANE

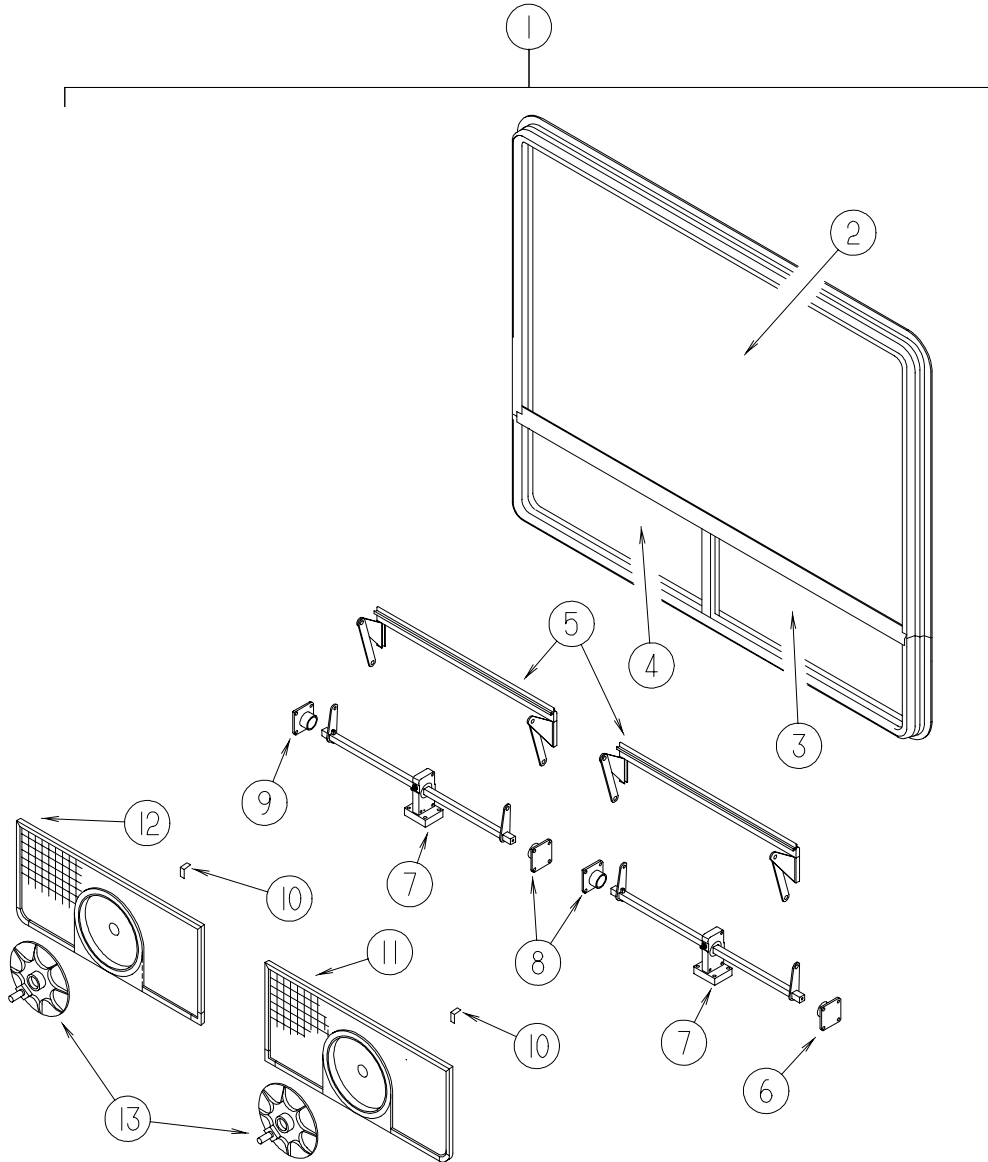


KEY	PART NUMBER	U/M	DESCRIPTION
1	113733-07-01A	EA	WINDOW - STATIONARY/THERMOPANE - 26.4" X 60"
2	113733-07-702	EA	GLASS - STATIONARY
3	112795-01-705	FT	VINYL-GLAZING

VENDOR NO.

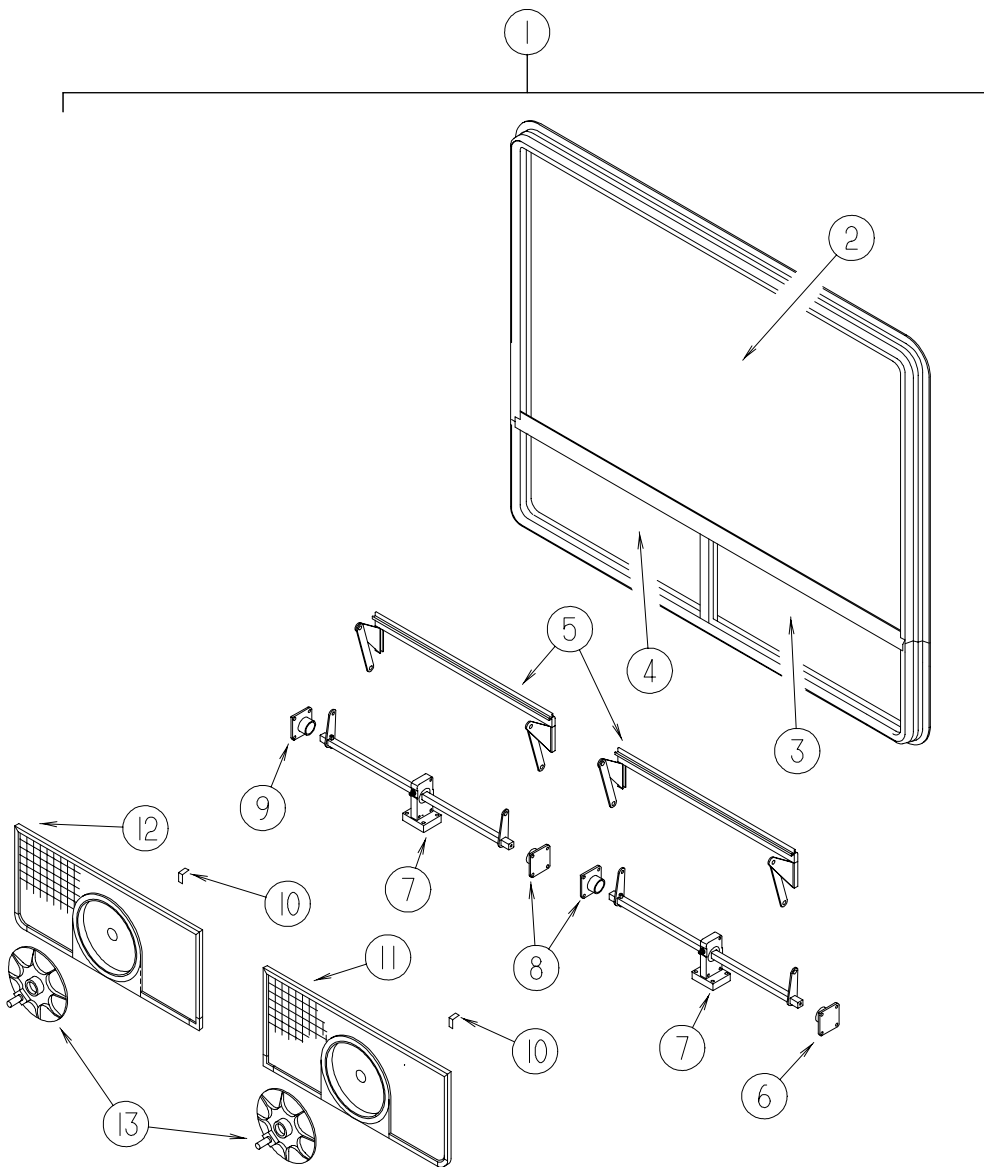
390-019051
132-025736

**WINDOW
DOUBLE TIPOUT**



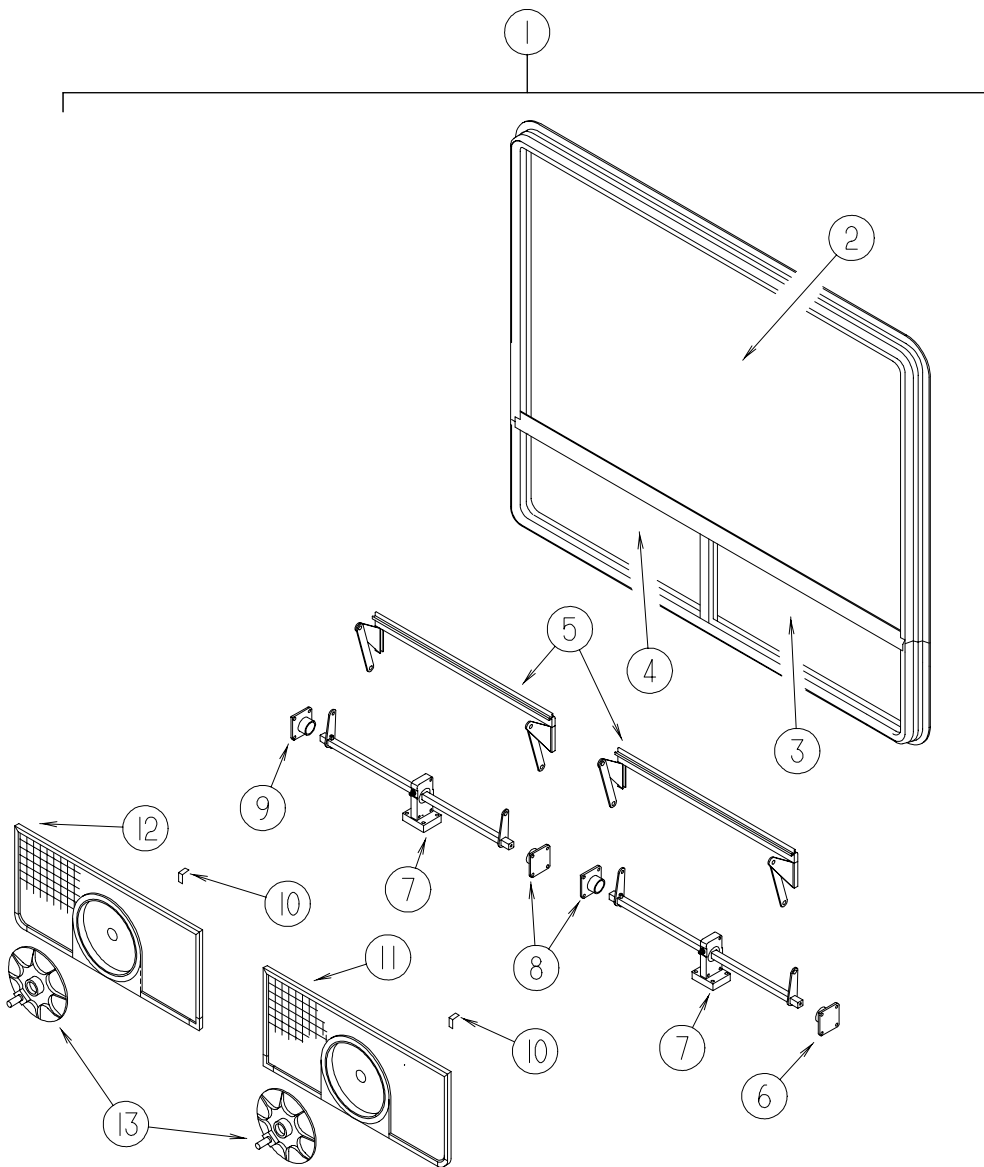
KEY	PART NUMBER	U/M	DESCRIPTION	VENDOR NO.
1	115360-01-01A	EA	WINDOW - DOUBLE HORIZONTAL TIPOUT - 30.8" X 56.5"	
2	115360-01-700	EA	GLASS STATIONARY	106-025022
3	115360-01-704	EA	GLASS - VENT ASM - RH-I/S	CH90-D9R
4	115360-01-703	EA	GLASS - VENT ASM - LH-I/S	CH90-D9L
5	100322-01-712	EA	RAIL - HORIZONTAL - RH OR LH	CH05-19
6	100322-01-715	EA	SUPPORT - TORQUE BAR - RH	130-015979
7	112519-01-702	EA	OPERATOR - VENT	410-016123
8	100322-01-716	EA	SUPPORT - TORQUE BAR - CTR RAIL	130-015980
9	100322-01-714	EA	SUPPORT - TORQUE BAR - LH	130-015978
10	112519-01-706	EA	CLIP - SCREEN	CH21-50
11	115360-01-702	EA	SCREEN W/SEAL/CLIPS - RH-I/S	410-019478R
12	115360-01-701	EA	SCREEN W/SEAL/CLIPS - LH-I/S	410-019477L
13	100322-01-718	EA	HANDLE - DIAL	410-016081
	098644-01-716	FT	PLUG - FILLER	132-014470
	100322-01-701	FT	SEAL-VENT	122-016071
	100322-01-702	EA	WEATHERSTRIP - HORIZONTAL RAIL	132-015976
	100322-01-703	FT	VINYL - GLAZING - BUTYL	132-010723
	100322-01-704	FT	TAPE - BUTYL	154-016083
	100322-01-713	EA	BAR - DIVISION - VERTICAL - RH & LH	HH19-20
	100322-01-717	EA	E - RING	245-015975
	115360-01-705	EA	RETAINER - TRIM	W112-59

**WINDOW
DOUBLE TIPOUT**



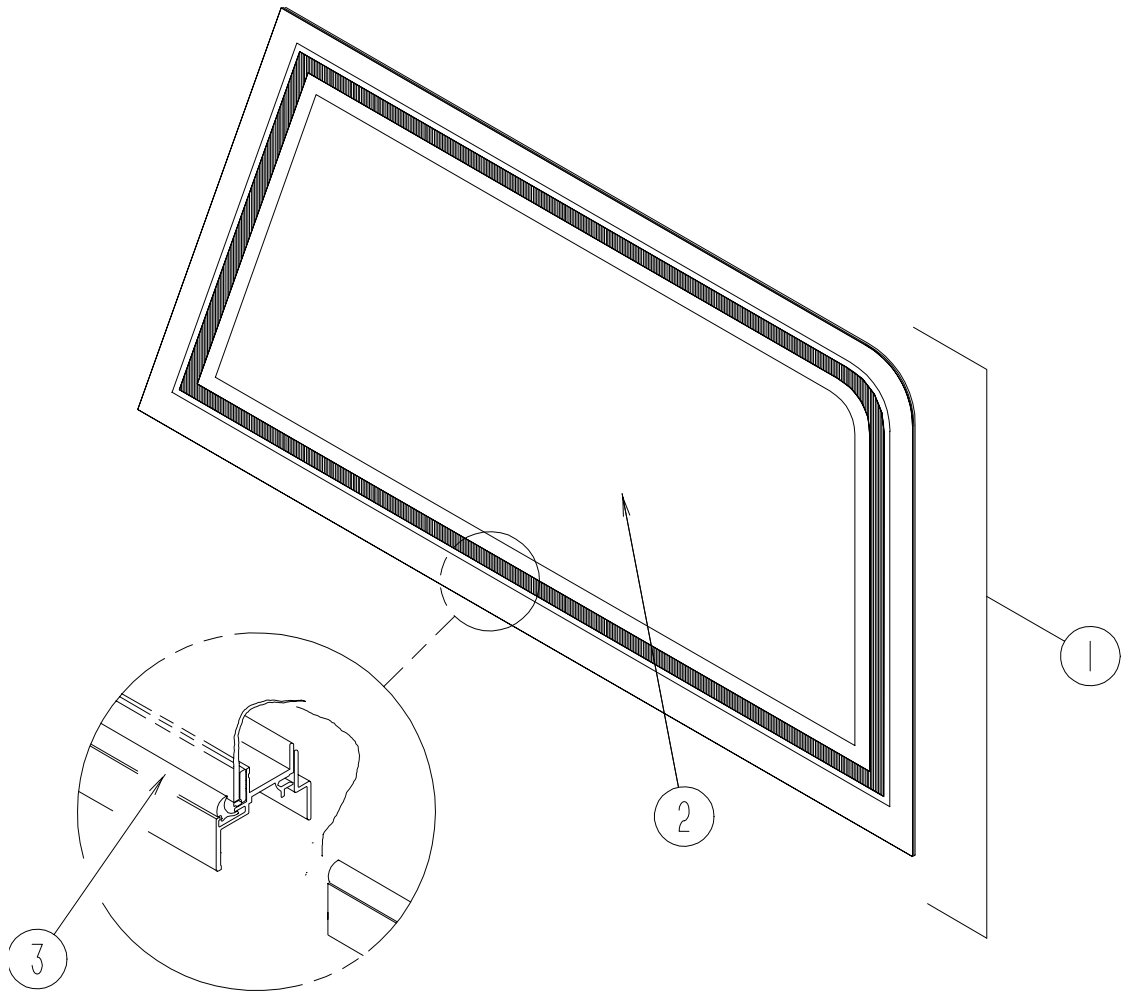
KEY	PART NUMBER	U/M	DESCRIPTION	VENDOR NO.
1	115360-02-01A	EA	WINDOW - DOUBLE HORIZONTAL TIPOUT - 38.7" X 56.5"	
2	115360-02-700	EA	GLASS STATIONARY	106-025022
3	115360-01-704	EA	GLASS - VENT ASM - RH-I/S	CH90-D9R
4	115360-01-703	EA	GLASS - VENT ASM - LH-I/S	CH90-D9L
5	100322-01-712	EA	RAIL - HORIZONTAL - RH OR LH	CH05-19
6	100322-01-715	EA	SUPPORT - TORQUE BAR - RH	130-015979
7	112519-01-702	EA	OPERATOR - VENT	410-016123
8	100322-01-716	EA	SUPPORT - TORQUE BAR - CTR RAIL	130-015980
9	100322-01-714	EA	SUPPORT - TORQUE BAR - LH	130-015978
10	112519-01-706	EA	CLIP - SCREEN	CH21-50
11	115360-01-702	EA	SCREEN W/SEAL/CLIPS - RH-I/S	410-019478R
12	115360-01-701	EA	SCREEN W/SEAL/CLIPS - LH-I/S	410-019477L
13	100322-01-718	EA	HANDLE - DIAL	410-016081
	098644-01-716	FT	PLUG - FILLER	132-014470
	100322-01-701	FT	SEAL-VENT	122-016071
	100322-01-702	EA	WEATHERSTRIP - HORIZONTAL RAIL	132-015976
	100322-01-703	FT	VINYL - GLAZING - BUTYL	132-010723
	100322-01-704	FT	TAPE - BUTYL	154-016083
	100322-01-713	EA	BAR - DIVISION - VERTICAL - RH & LH	HH19-20
	100322-01-717	EA	E - RING	245-015975
	115360-02-701	EA	RETAINER - TRIM	CW97-59

**WINDOW
DOUBLE TIPOUT**



KEY	PART NUMBER	U/M	DESCRIPTION	VENDOR NO.
1	115360-03-01A	EA	WINDOW - DOUBLE HORIZONTAL TIPOUT - 22.6" X 56.5"	
2	115360-03-700	EA	GLASS STATIONARY	106-025250
3	115360-01-704	EA	GLASS - VENT ASM - RH-I/S	CH90-D9R
4	115360-01-703	EA	GLASS - VENT ASM - LH-I/S	CH90-D9L
5	100322-01-712	EA	RAIL - HORIZONTAL - RH OR LH	CH05-19
6	100322-01-715	EA	SUPPORT - TORQUE BAR - RH	130-015979
7	112519-01-702	EA	OPERATOR - VENT	410-016123
8	100322-01-716	EA	SUPPORT - TORQUE BAR - CTR RAIL	130-015980
9	100322-01-714	EA	SUPPORT - TORQUE BAR - LH	130-015978
10	112519-01-706	EA	CLIP - SCREEN	CH21-50
11	115360-01-702	EA	SCREEN W/SEAL/CLIPS - RH-I/S	410-019478R
12	115360-01-701	EA	SCREEN W/SEAL/CLIPS - LH-I/S	410-019477L
13	100322-01-718	EA	HANDLE - DIAL	410-016081
	098644-01-716	FT	PLUG - FILLER	132-014470
	100322-01-701	FT	SEAL-VENT	122-016071
	100322-01-702	EA	WEATHERSTRIP - HORIZONTAL RAIL	132-015976
	100322-01-703	FT	VINYL - GLAZING - BUTYL	132-010723
	100322-01-704	FT	TAPE - BUTYL	154-016083
	100322-01-713	EA	BAR - DIVISION - VERTICAL - RH & LH	HH19-20
	100322-01-717	EA	E - RING	245-015975
	115360-02-701	EA	RETAINER - TRIM	CW97-59

THERMOPANE

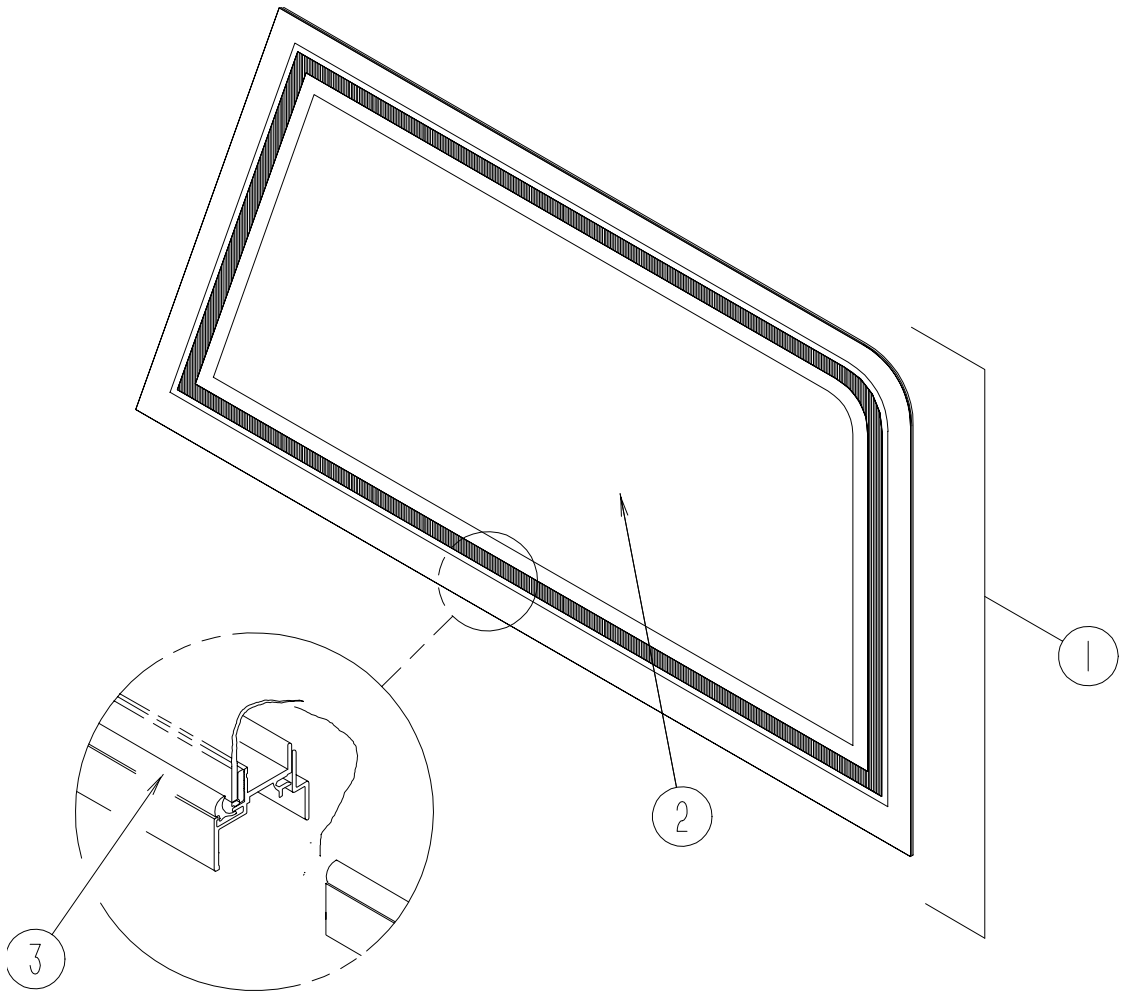


KEY	PART NUMBER	U/M	DESCRIPTION
1	116000-01-01A	EA	WINDOW-VISTA, LEFT - W/INSIDE FRAME
2	116000-01-702	EA	GLASS STATIONARY
3	116000-01-704	FT	VINYL - GLAZING
	116000-01-706	EA	RETAINER -TRIM TOP/REAR RAIL
	116000-01-707	EA	RETAINER - TRIM RAIL FRONT
	116000-01-708	EA	RETAINER - TRIM RAIL BOTTOM

VENDOR NO.

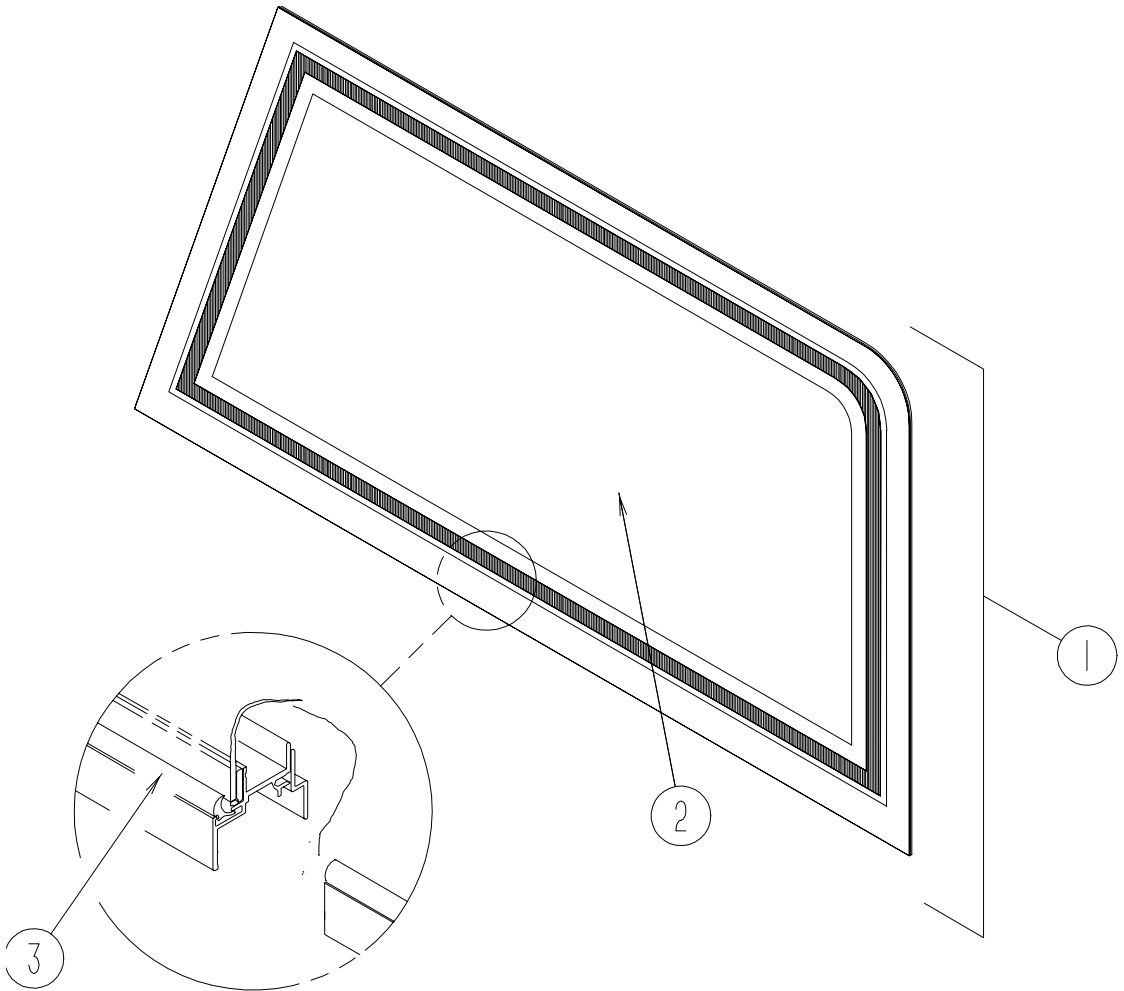
390-019459
 132-018161
 H359-41L
 H359-42L
 H359-43L

THERMOPANE



KEY	PART NUMBER	U/M	DESCRIPTION	VENDOR NO.
1	116000-02-01A	EA	WINDOW-VISTA, LEFT - W/INSIDE FRAME	390-019551
2	116000-03-701	EA	GLASS STATIONARY	132-018161
3	116000-01-704	FT	VINYL - GLAZING	H388-41L
	116000-02-700	EA	RETAINER -TRIM TOP/REAR RAIL	H388-42L
	116000-02-701	EA	RETAINER - TRIM RAIL FRONT	H388-43L
	116000-02-702	EA	RETAINER - TRIM RAIL BOTTOM	

THERMOPANE

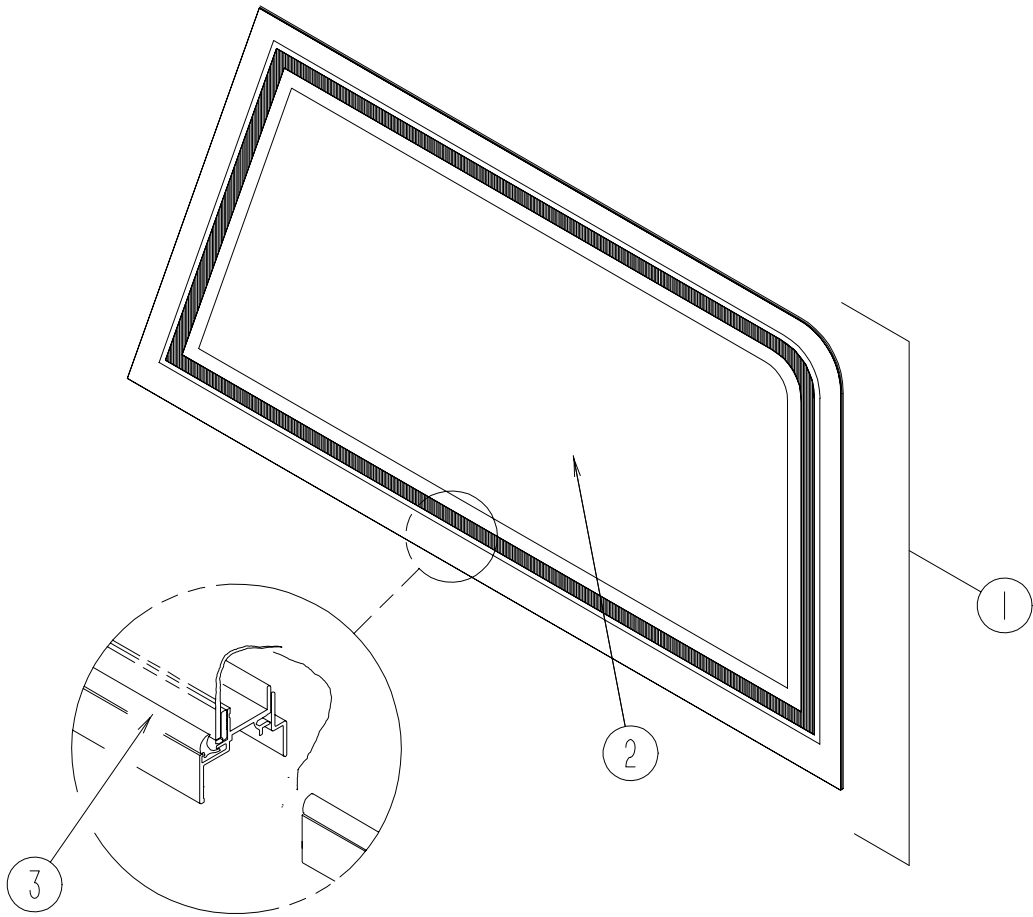


KEY	PART NUMBER	U/M	DESCRIPTION
1	116000-03-01A	EA	WINDOW - DRIVER VISTA - THERMO/EURO - 25.7" T X 32.2" B X 14.8"
2	116000-03-701	EA	GLASS STATIONARY
3	116000-01-704	FT	VINYL - GLAZING
	116000-03-702	EA	RETAINER - TRIM

VENDOR NO.

390-019551
 132-018161
 H388-27L

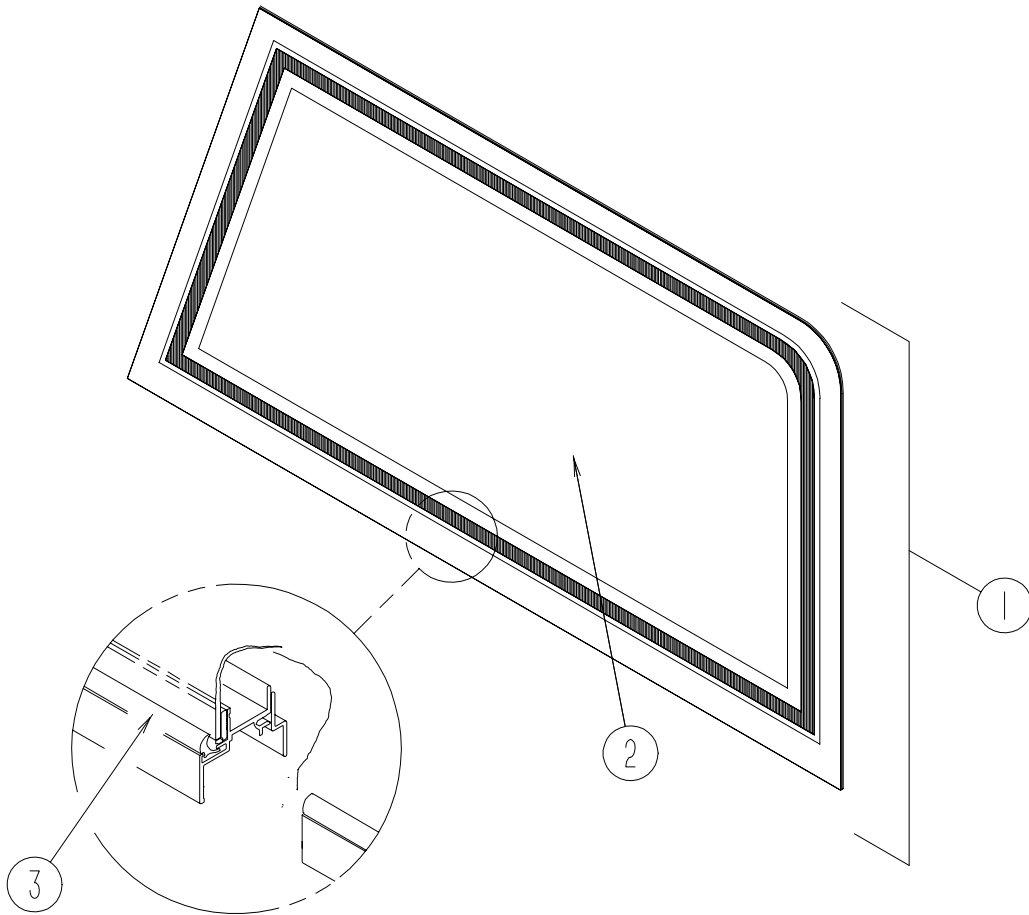
EXCEL
THERMOPANE



KEY	PART NUMBER	U/M	DESCRIPTION
1	116000-07-01A	EA	WINDOW - DRIVER VISTA - THERMO - 42.4" T X 45.2" B X 17.9" H
3	116000-01-704	FT	VINYL - GLAZING

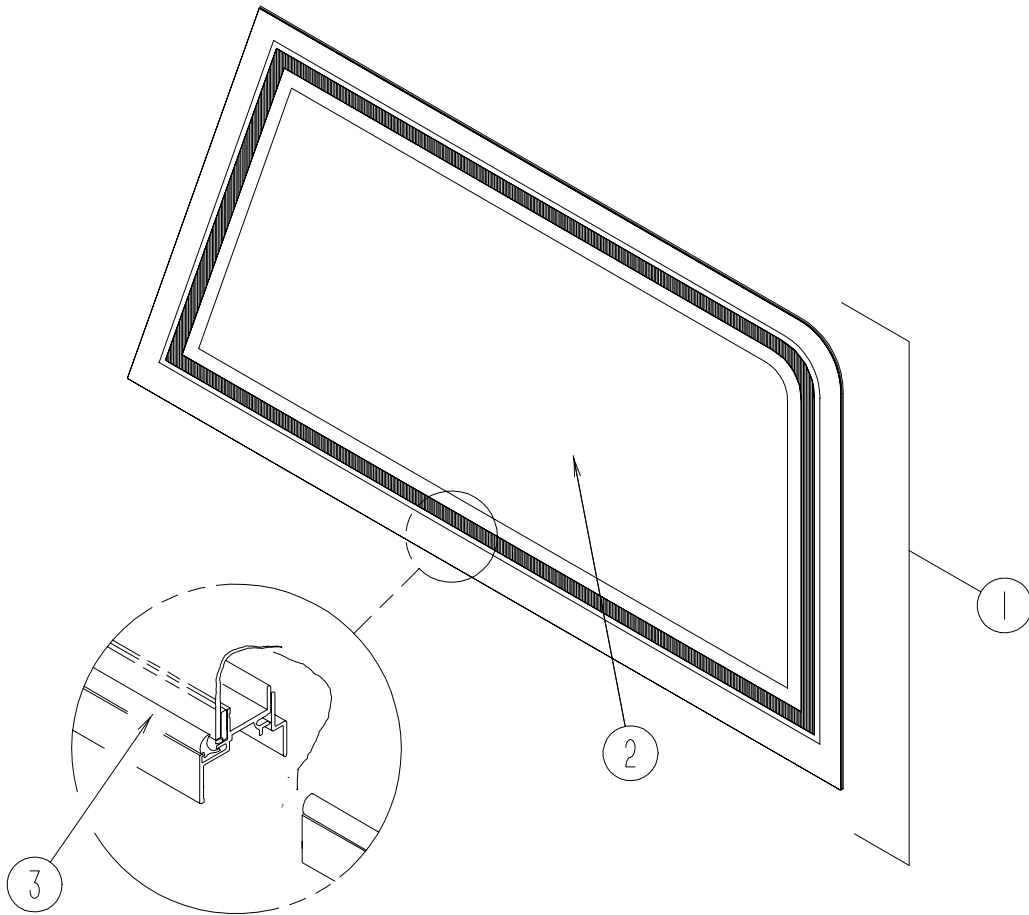
VENDOR NO.
132-018161

**EXCEL - THERMOPANE
SH508G2B27L**



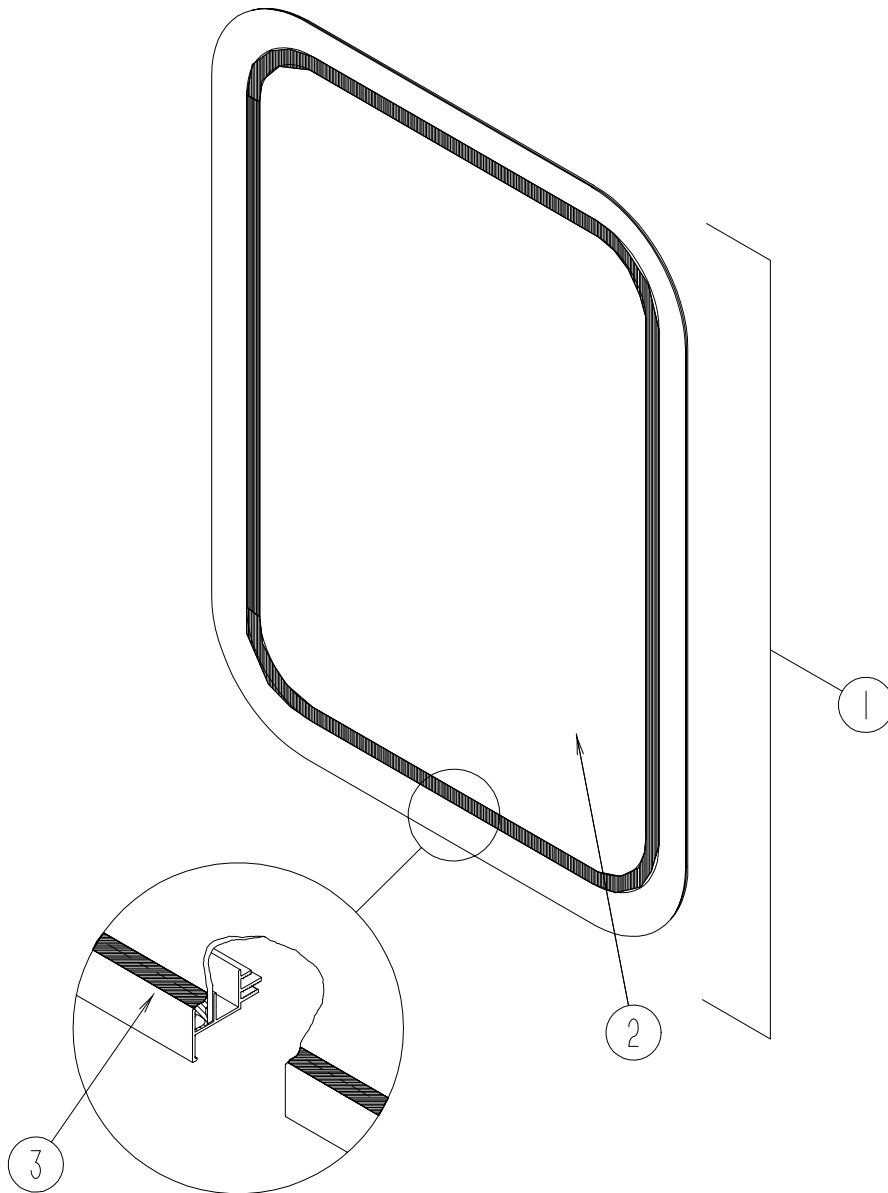
KEY	PART NUMBER	U/M	DESCRIPTION	VENDOR NO.
1	116000-08-01A	EA	WINDOW - DRIVER VISTA - THERMO - 38.2"T X 39.4"B X 6.3"H	390-025393
2	116000-08-700	EA	GLASS - STATIONARY	132-018161
3	116000-01-704	FT	VINYL - GLAZING	H508-41L
	116000-01-701	EA	RETAINER - TRIM RAIL - TOP/REAR	H508-42L
	116000-01-702	EA	RETAINER - TRIM RAIL - FRONT	H508-43L
	116000-01-703	EA	RETAINER - TRIM RAIL - BOTTOM	

**EXCEL - THERMOPANE
DH508-EG2B27**



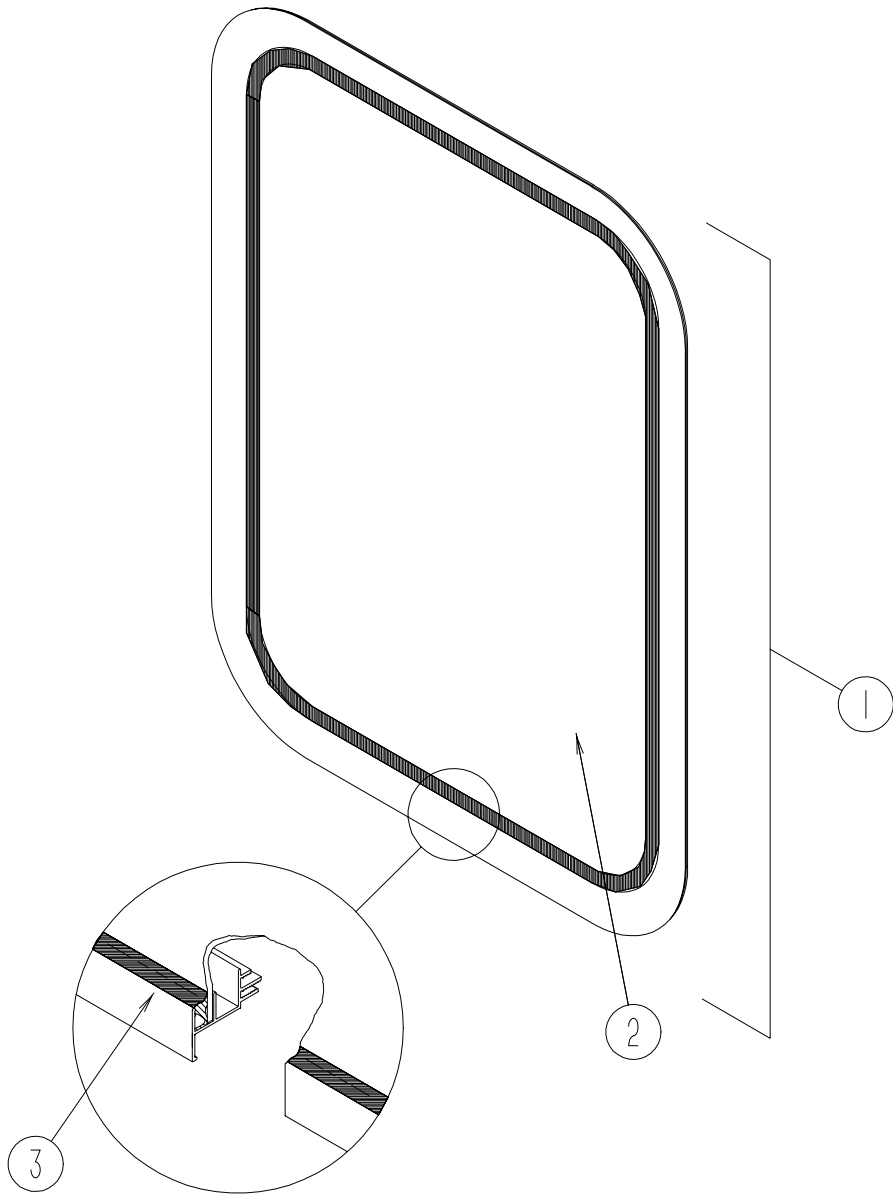
KEY	PART NUMBER	U/M	DESCRIPTION	VENDOR NO.
1	116000-09-01A	EA	WINDOW - DRIVER VISTA - THERMO/EURO - 38.2"T X 39.4"B X 6.3"H	390-025178
2	116000-09-700	EA	GLASS - STATIONARY	132-018161
3	116000-01-704	FT	VINYL - GLAZING	H508-41L
	116000-01-701	EA	RETAINER - TRIM RAIL - TOP/REAR	H508-42L
	116000-01-702	EA	RETAINER - TRIM RAIL - FRONT	H508-43L
	116000-01-703	EA	RETAINER - TRIM RAIL - BOTTOM	

THERMOPANE



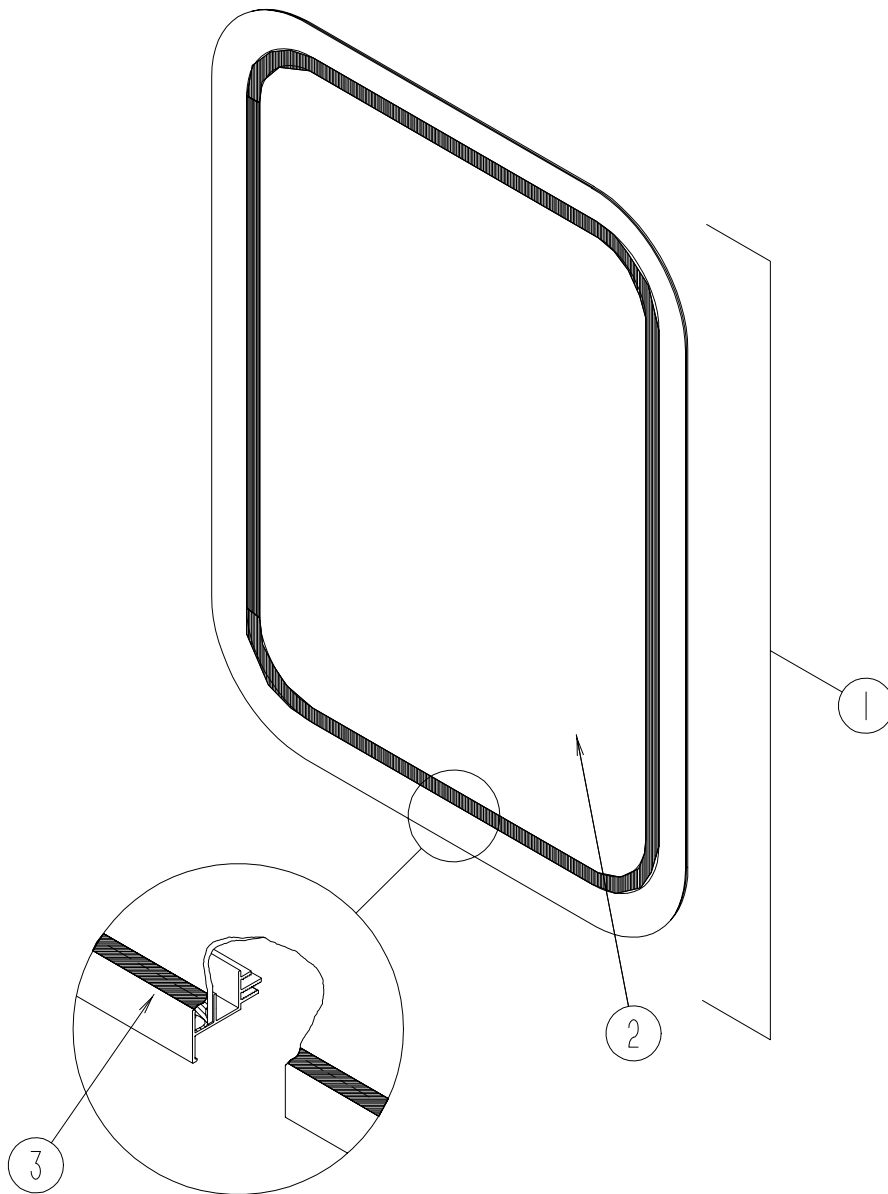
KEY	PART NUMBER	U/M	DESCRIPTION
1	117053-01-F45	EA	WINDOW - PICTURE - 60% TINTING - 17.1" X 24.8"
2	002181-28-000	EA	GLASS - PICTURE - 23.9" X 16.19"
3	087561-01-000	FT	SEAL - GLASS - EXTERIOR - .5" WIDE - VINYL BLACK
	114507-02-01A	EA	FRAME - WINDOW - INSIDE

THERMOPANE



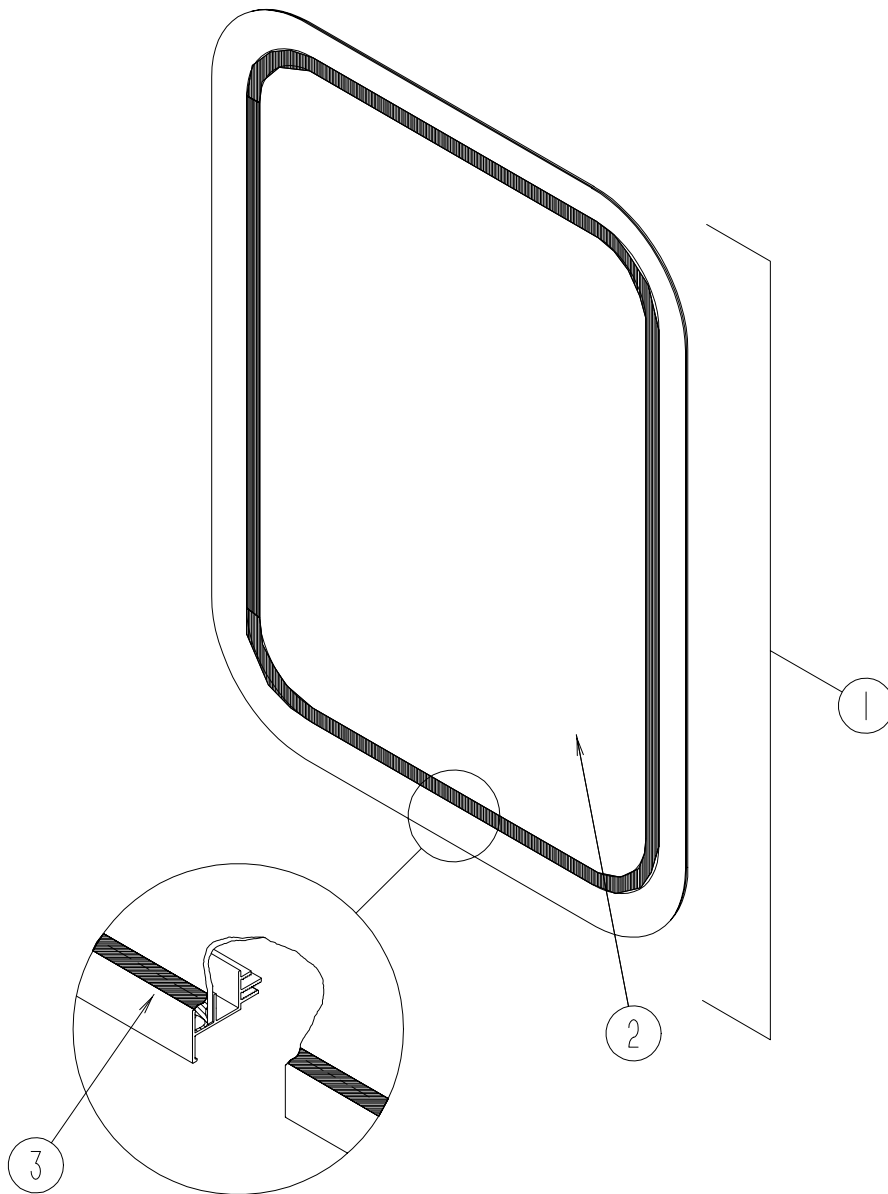
KEY	PART NUMBER	U/M	DESCRIPTION
1	117053-02-F36	EA	WINDOW - PICTURE - 60% TINTING - 17" X 26.4"
2	002181-25-000	EA	GLASS - PICTURE - 25.7" X 16.4"
3	087561-01-000	FT	SEAL - GLASS - EXTERIOR - .5" WIDE - VINYL BLACK

THERMOPANE



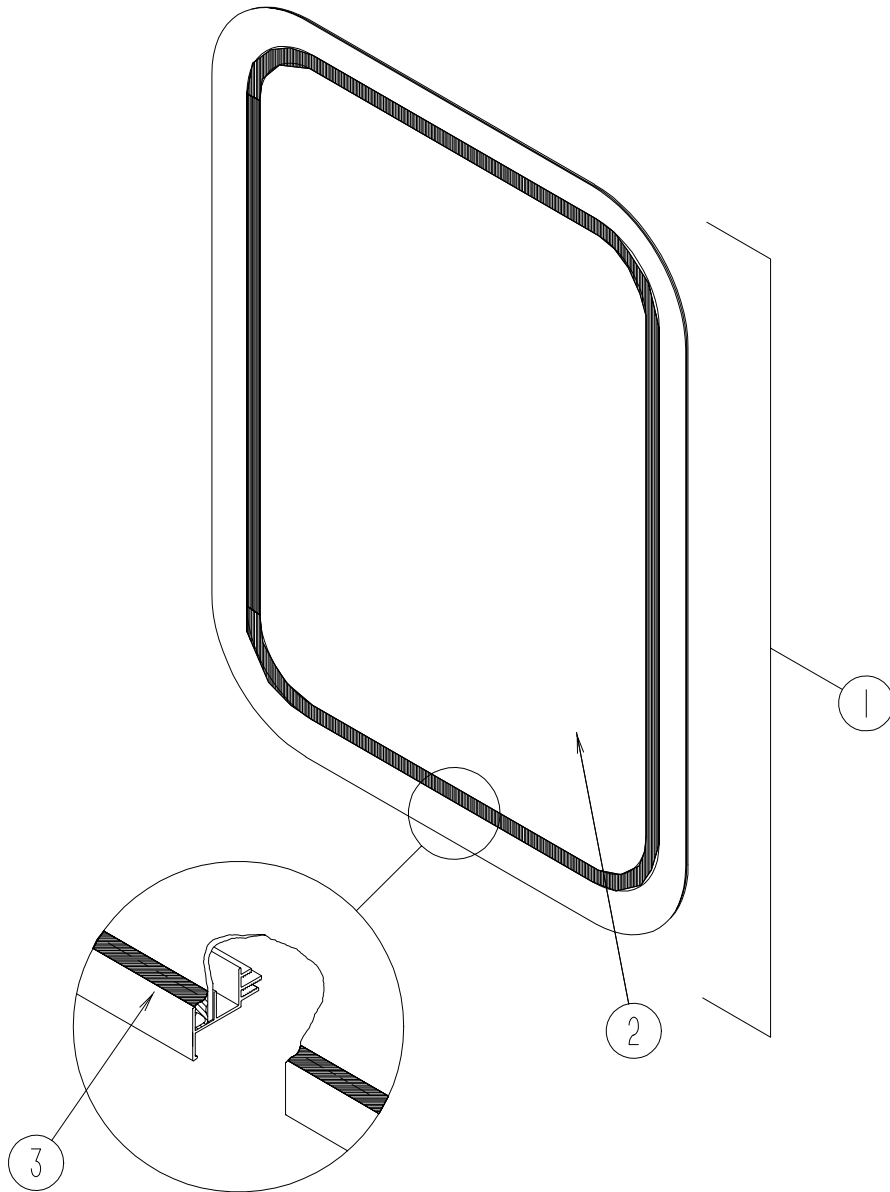
KEY	PART NUMBER	U/M	DESCRIPTION
1	117053-03-F31	EA	WINDOW - PICTURE - 31% TINTING - 17" X 26.4"
2	002181-26-000	EA	GLASS - PICTURE - 25.7" X 16.39"
3	087561-01-000	FT	SEAL - GLASS - EXTERIOR - .5" WIDE - VINYL BLACK

THERMOPANE



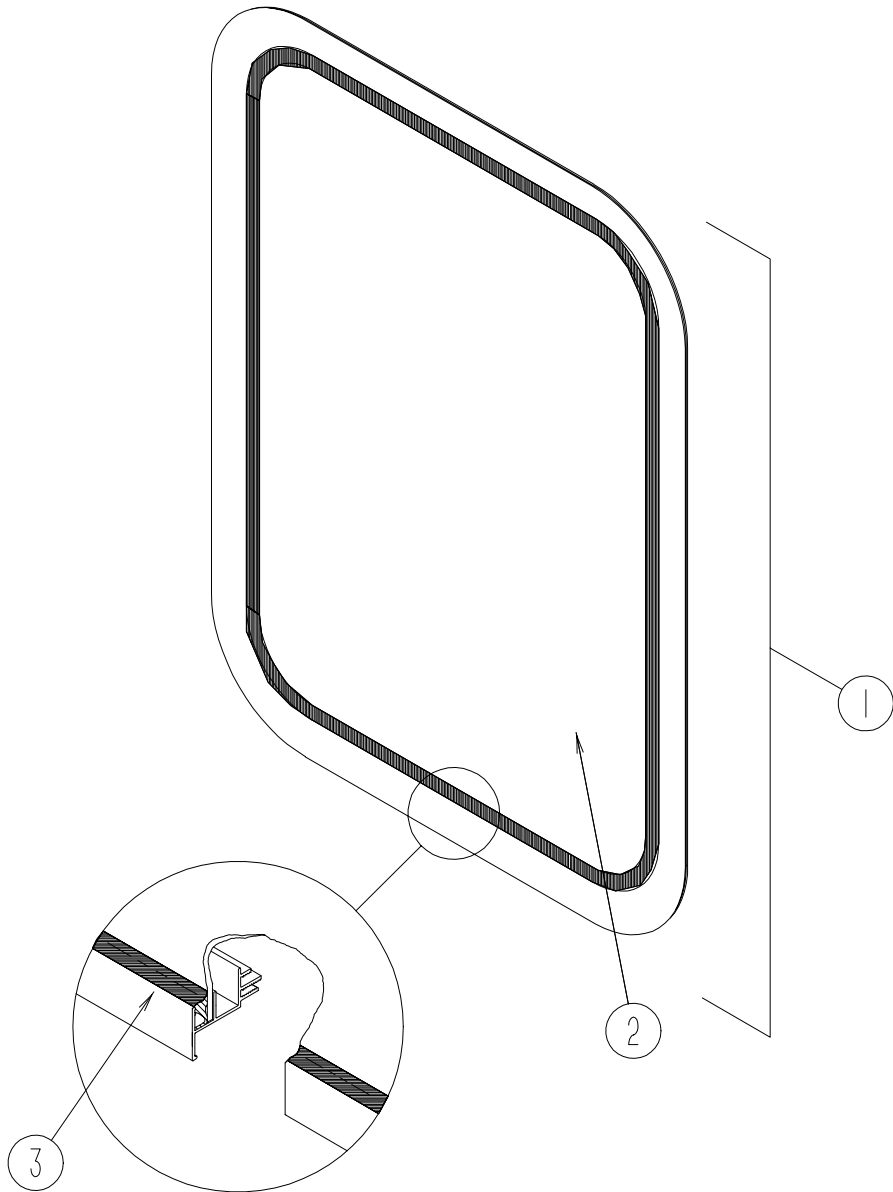
KEY	PART NUMBER	U/M	DESCRIPTION
1	117053-04-FB1	EA	WINDOW - PICTURE - CLEAR - 17" X 26.4"
2	002181-25-000	EA	GLASS - PICTURE - 25.7" X 16.4"
3	087561-01-000	FT	SEAL - GLASS - EXTERIOR - .5" WIDE - VINYL BLACK

THERMOPANE



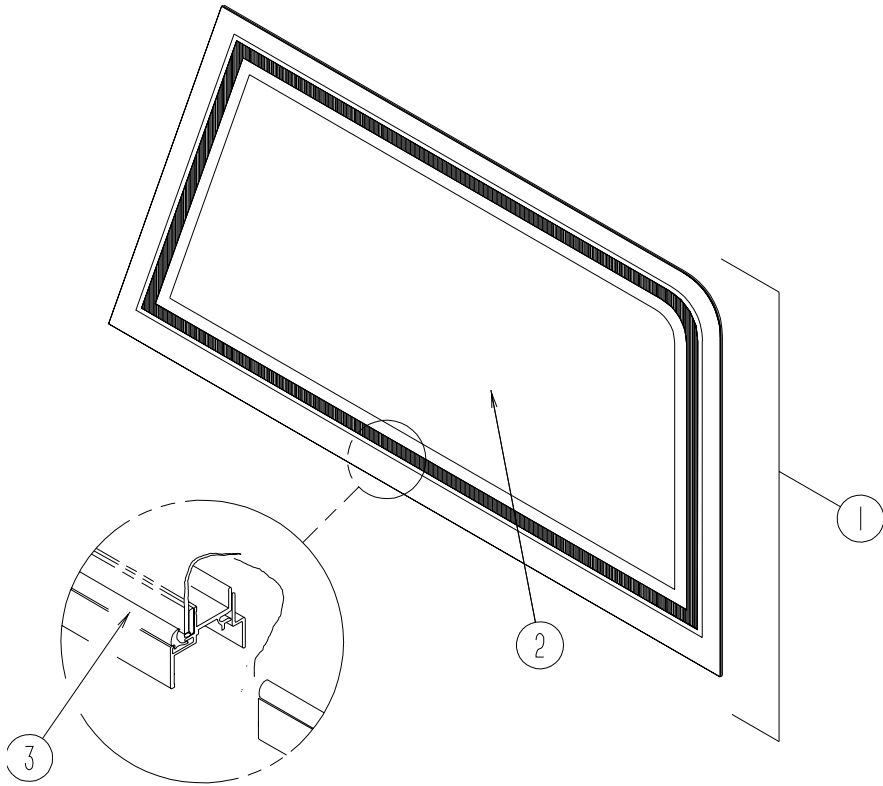
KEY	PART NUMBER	U/M	DESCRIPTION
1	117053-05-FB1	EA	WINDOW - PICTURE - 60% TINTING - 13" X 24"
2	002181-30-000	EA	GLASS - PICTURE - 23.4" X 12.4"
3	087561-01-000	FT	SEAL - GLASS - EXTERIOR - .5" WIDE - VINYL BLACK

WINDOW - PICTURE



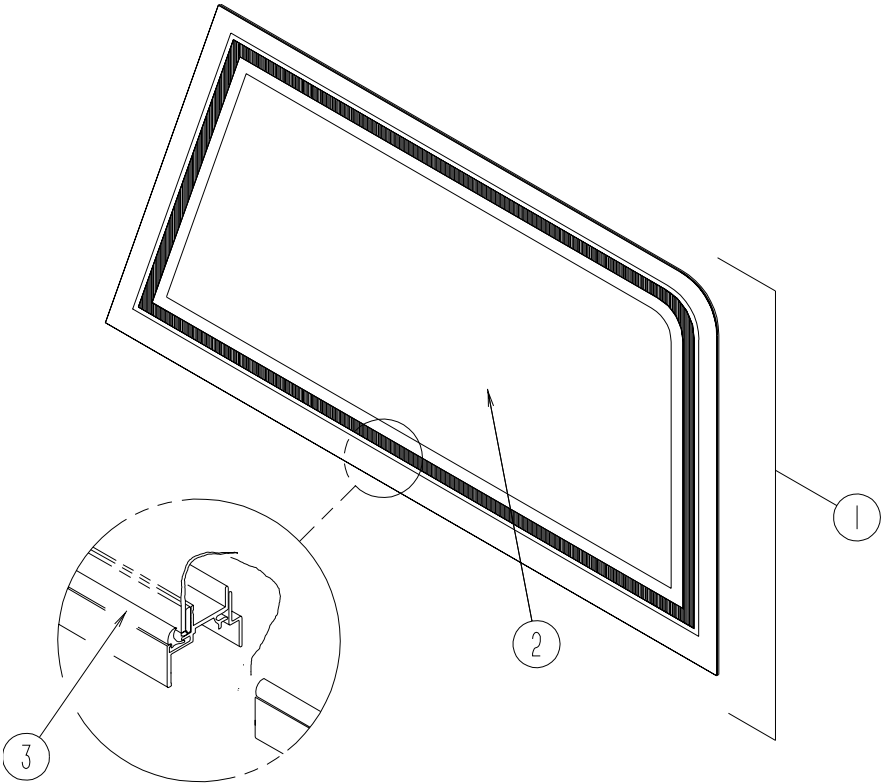
KEY	PART NUMBER	U/M	DESCRIPTION
1	103313-03-F15	EA	WINDOW ASM-PICTURE
2	002181-29-000	EA	GLASS-PICTURE 1803 X 411 65R
3	099154-01-000	FT	CHANNEL-GLAZING
	117054-01-01A	EA	RETAINER - TRIM - WHITE

THERMOPANE

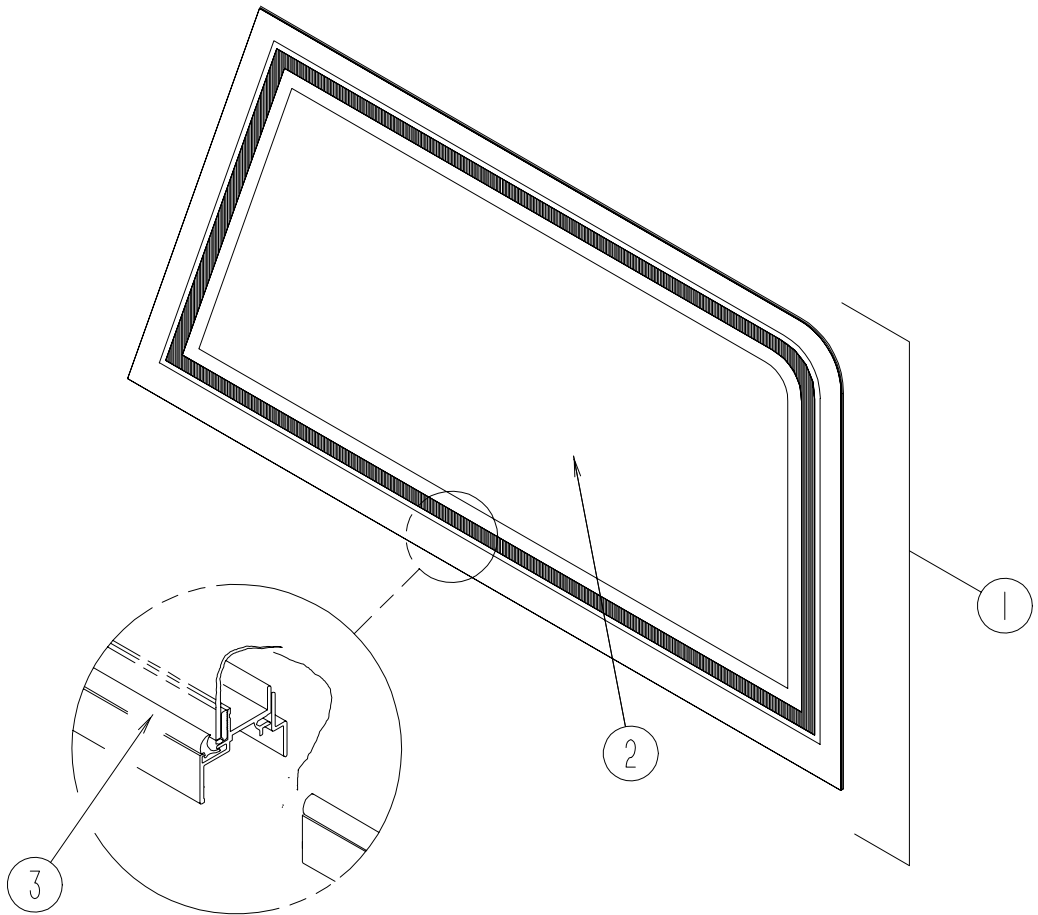


KEY	PART NUMBER	U/M	DESCRIPTION	VENDOR NO.
1	125586-01-01A	EA	WINDOW - VISTA	106026079
2	125586-01-700	EA	GLASS - STATIONARY	132-010723
3	100322-01-703	EA	VINYL - GLAZING, BUTYL	H57027L
	125586-01-701	EA	RETAINER - TRIM	

THERMOPANE



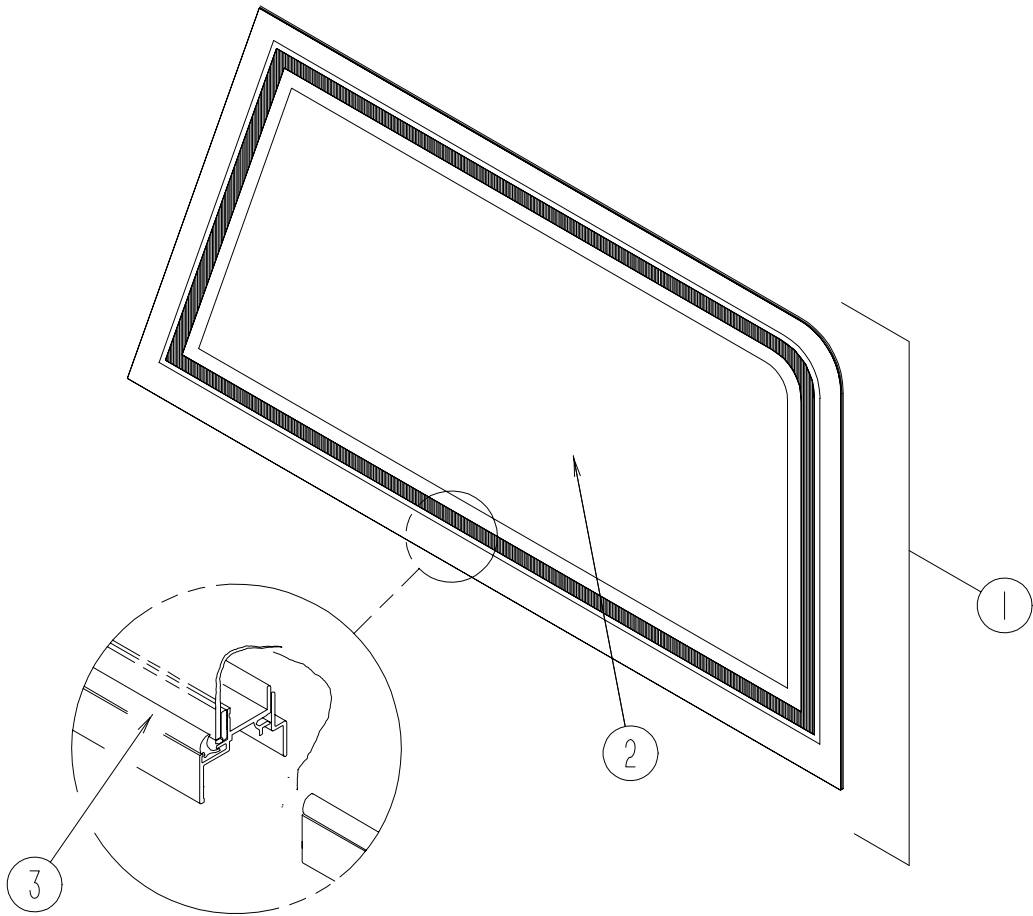
KEY	PART NUMBER	U/M	DESCRIPTION	VENDOR NO.
1	125586-02-01A	EA	WINDOW - VISTA	
2	125586-02-700	EA	GLASS - STATIONARY	106-026057
3	100322-01-703	EA	VINYL - GLAZING, BUTYL	132-010723
	125586-02-701	EA	RETAINER - TRIM	H565-27L



THERMOPANE

KEY	PART NUMBER	U/M	DESCRIPTION	VENDOR NO.
1	125584-02-01A	EA	WINDOW - FRONT SLANT - DRIVER	106026058
2	125584-02-700	EA	GLASS - STATIONARY	132-010723
3	100322-01-703	EA	VINYL - GLAZING, BUTYL	H56627L
	125584-02-701	EA	RETAINER - TRIM	

EXCEL
H471G1B27L

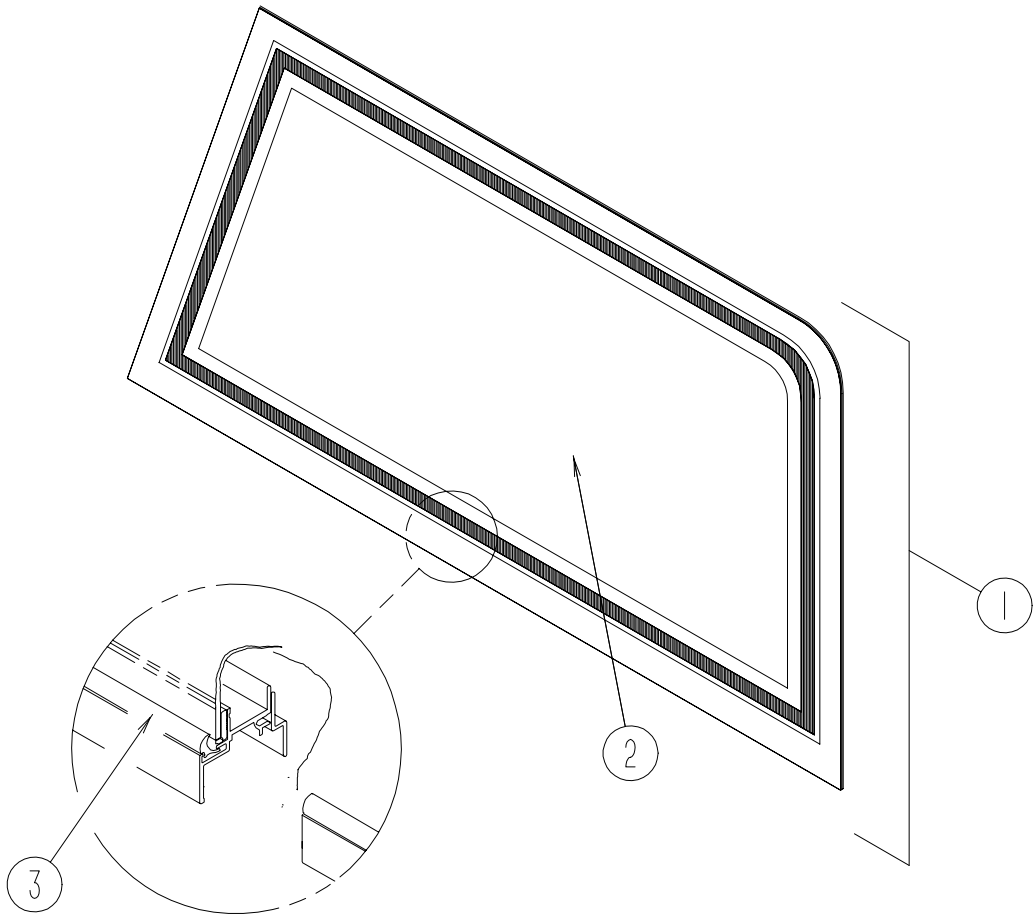


KEY	PART NUMBER	U/M	DESCRIPTION
1	125586-03-01A	EA	WINDOW - VISTA
2	125586-03-700	EA	GLASS - STATIONARY
3	100322-01-703	FT	VINYL - GLAZING - BUTYL
	125586-03-701	EA	RETAINER - TRIM

VENDOR NO.

106-026080
132-010723
H571-27L

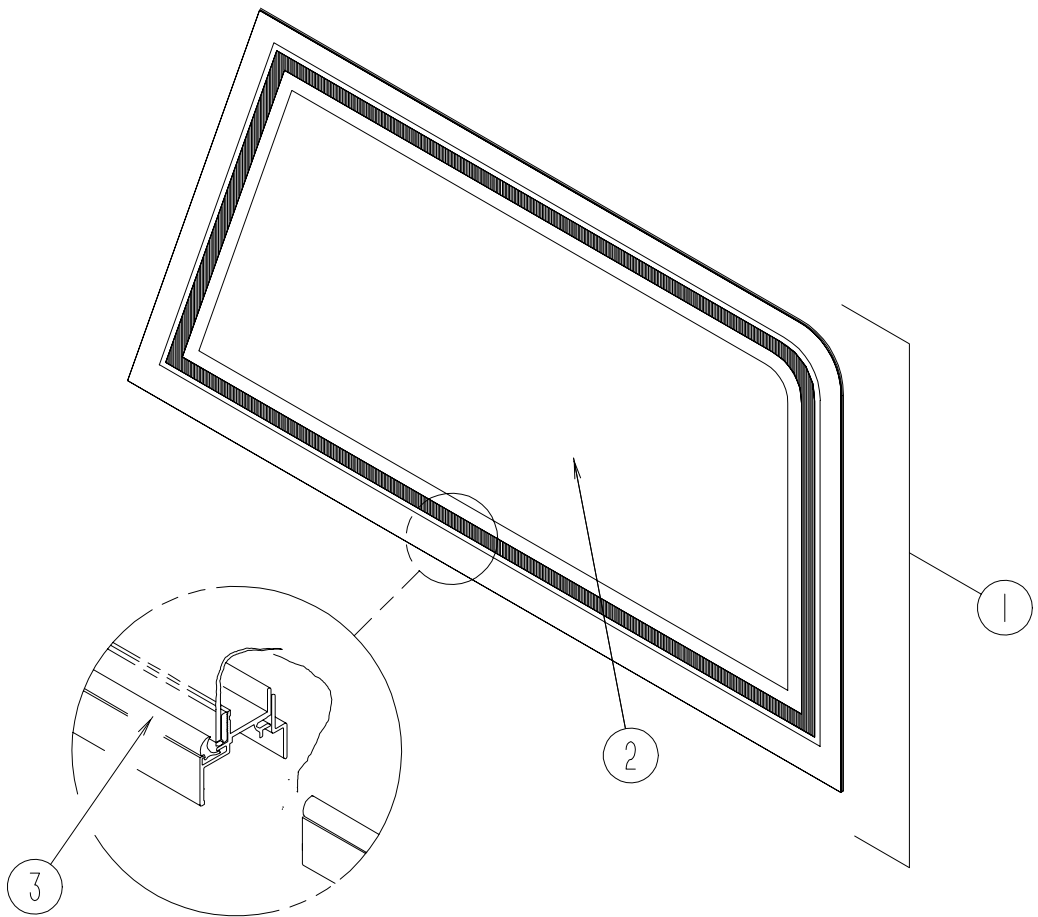
EXCEL
H572G1B27L



KEY	PART NUMBER	U/M	DESCRIPTION
1	125586-04-01A	EA	WINDOW - VISTA
2	125586-04-700	EA	GLASS - STATIONARY
3	100322-01-703	FT	VINYL - GLAZING - BUTYL
	125586-04-701	EA	RETAINER - TRIM

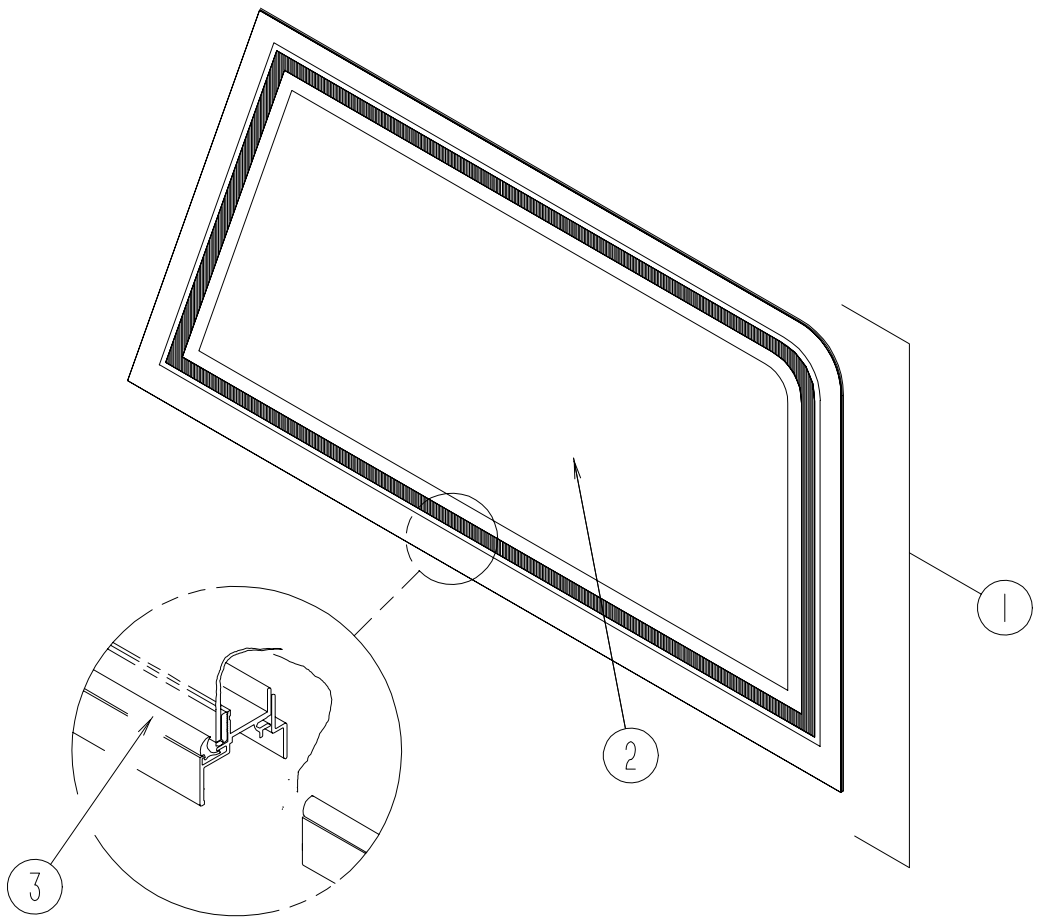
VENDOR NO.

106-026081
132-010723
H572-27L



THERMOPANE

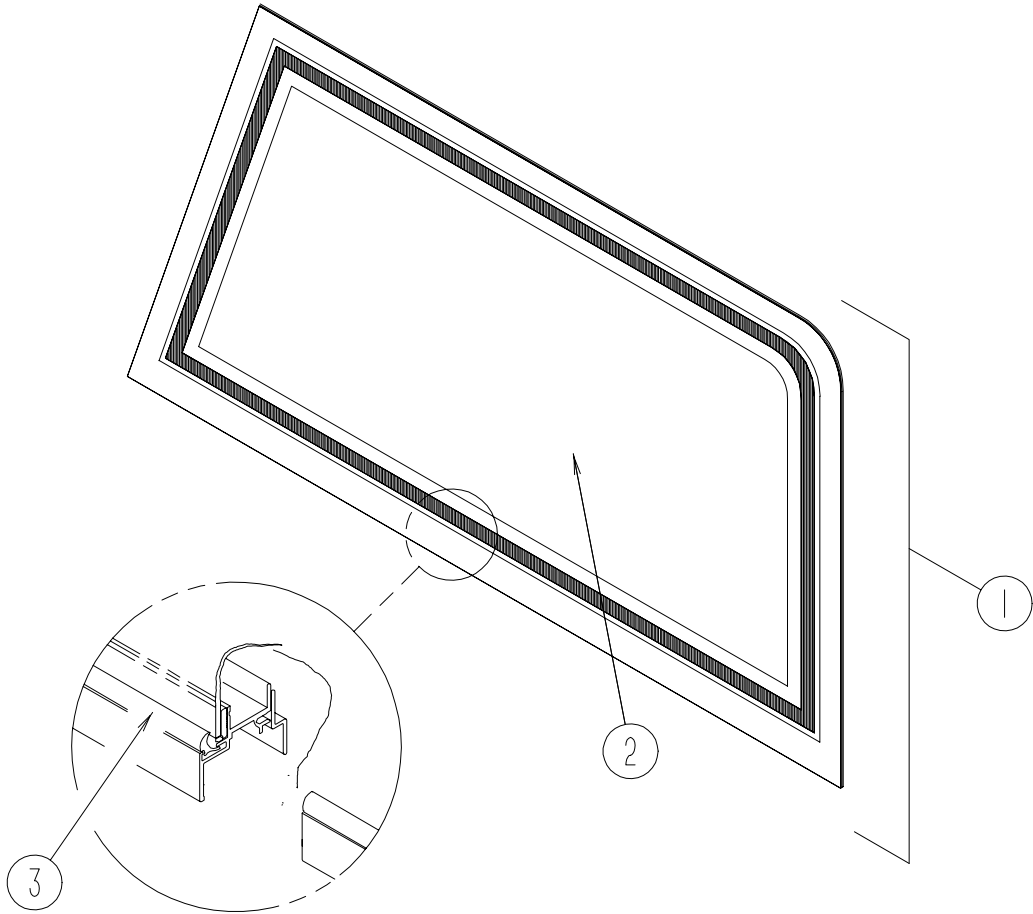
KEY	PART NUMBER	U/M	DESCRIPTION	VENDOR NO.
	125600-01-01A	EA	WINDOW - VISTA - THERMOPANE	
	116000-01-704	EA	VINYL - GLAZING	132-018161
	125586-01-701	EA	RETAINER - TRIM	H57027L
	125600-01-700	EA	GLASS - STATIONARY	390026099



THERMOPANE

KEY	PART NUMBER	U/M	DESCRIPTION	VENDOR NO.
	125600-02-01A	EA	WINDOW - VISTA - THERMOPANE	
	116000-01-704	EA	VINYL - GLAZING	132-018161
	125586-02-701	EA	RETAINER - TRIM	H56527L
	125600-02-700	EA	GLASS - STATIONARY	390026091

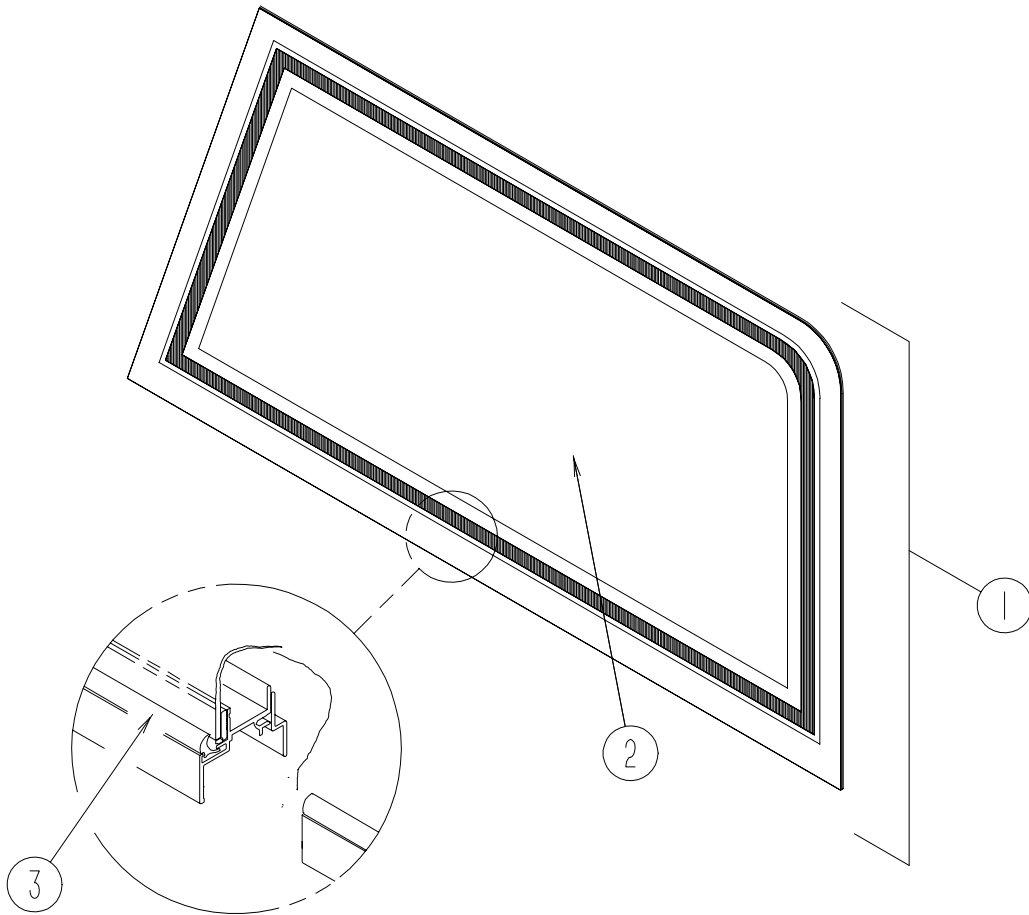
**EXCEL
THERMOPANE**



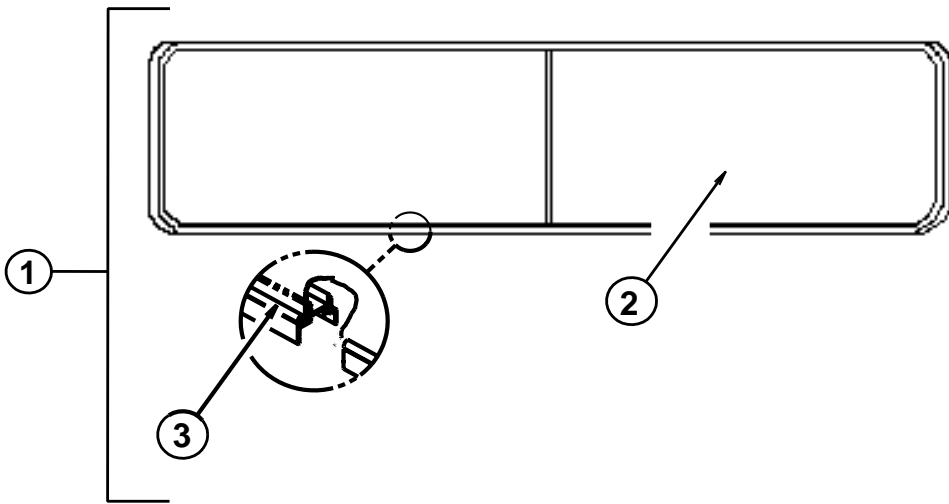
KEY	PART NUMBER	U/M	DESCRIPTION
1	125600-03-01A	EA	WINDOW - VISTA - THERMOPANE
2	125600-03-700	EA	GLASS - STATIONARY
3	116000-01-704	FT	VINYL - GLAZING
	125586-01-701	EA	RETAINER - TRIM

VENDOR NO.
390-026288
132-018161
H570-27L

**EXCEL
THERMOPANE**

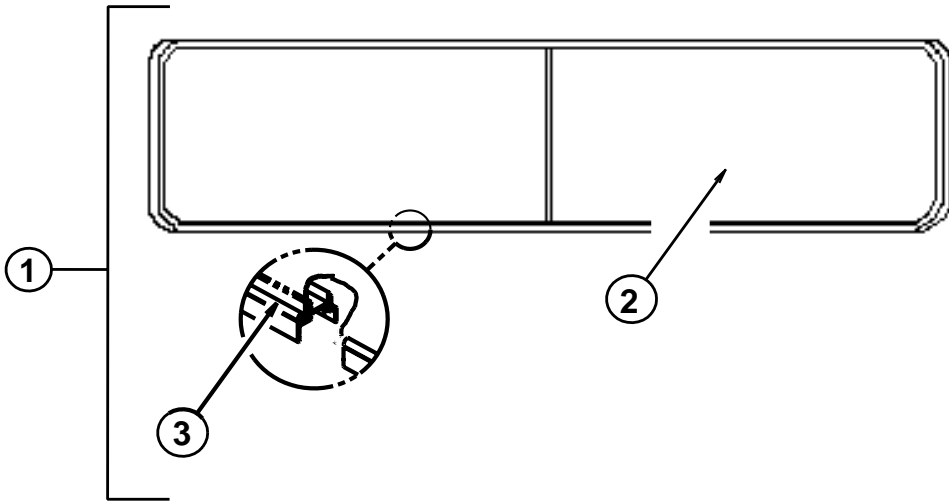


KEY	PART NUMBER	U/M	DESCRIPTION	VENDOR NO.
1	125600-04-01A	EA	WINDOW - VISTA - THERMOPANE	390-026322
2	125600-04-700	EA	GLASS - STATIONARY	132-010723
3	100322-01-703	FT	VINYL - GLAZING - BUTYL	K564-43L
	125600-04-701	EA	RETAINER - TRIM - BOTTOM	H572-41L
	125600-04-702	EA	RETAINER - TRIM - BENT	H572-41L
	125600-04-703	EA	RETAINER - TRIM - FRONT	H572-42L



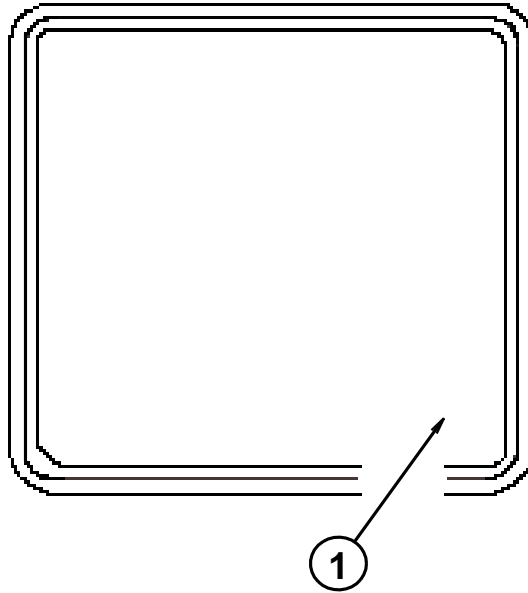
WINDOW - THERMOPANE

KEY	PART NUMBER	U/M DESCRIPTION	VENDOR NO.
1	115630-01-01A	EA WINDOW - STATIONARY/THERMOPANE - 17.2" X 72"	DH438-G2W58
2	115630-01-702	EA GLASS - STATIONARY -THERMO	390-019467
3	098644-01-705	FT GLAZING - STRIP	132-010231
	115630-01-701	EA RETAINER - TRIM	W438-58



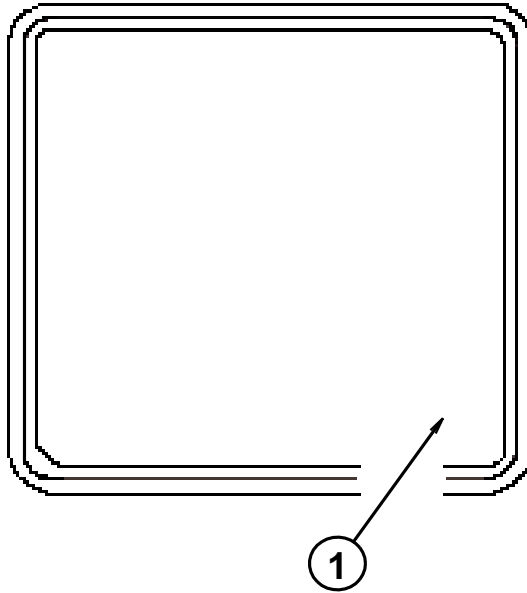
WINDOW - THERMOPANE

KEY	PART NUMBER	U/M DESCRIPTION	VENDOR NO.
1	115630-02-01A	EA WINDOW - STATIONARY/THERMOPANE - 17.2" X 72"	DH438-G2W58
2	115630-02-702	EA GLASS - STATIONARY -THERMO	390-019467
3	116000-01-704	FT GLAZING - STRIP	132-010231
	115630-01-701	EA RETAINER - TRIM	W438-58



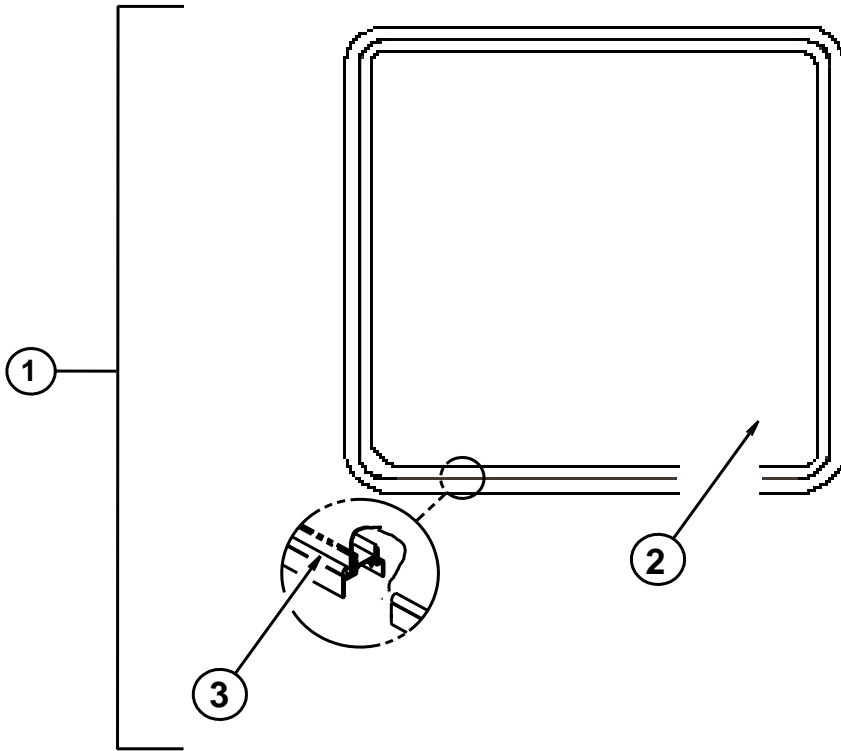
WINDOW - THERMOPANE

KEY	PART NUMBER	U/M	DESCRIPTION	VENDOR NO.
	116976-01-01A	EA	WINDOW - PICTURE/TINTED/ESCAPE - 26.4" X 26.3	H386-G2W53
1	116976-01-700	EA	GLASS - STATIONARY	106-018786
	100322-01-701	FT	SEAL - VENT	122-016071
	112898-06-704	EA	HANDLE - LATCH - RED - RH	182-11293
	112898-06-705	EA	HANDLE - LATCH - RED - LH	182-11294
	116976-01-701	EA	RETAINER - TRIM	W386-53
	116976-01-702	FT	FILLER PLUG	132-016065



WINDOW - THERMOPANE

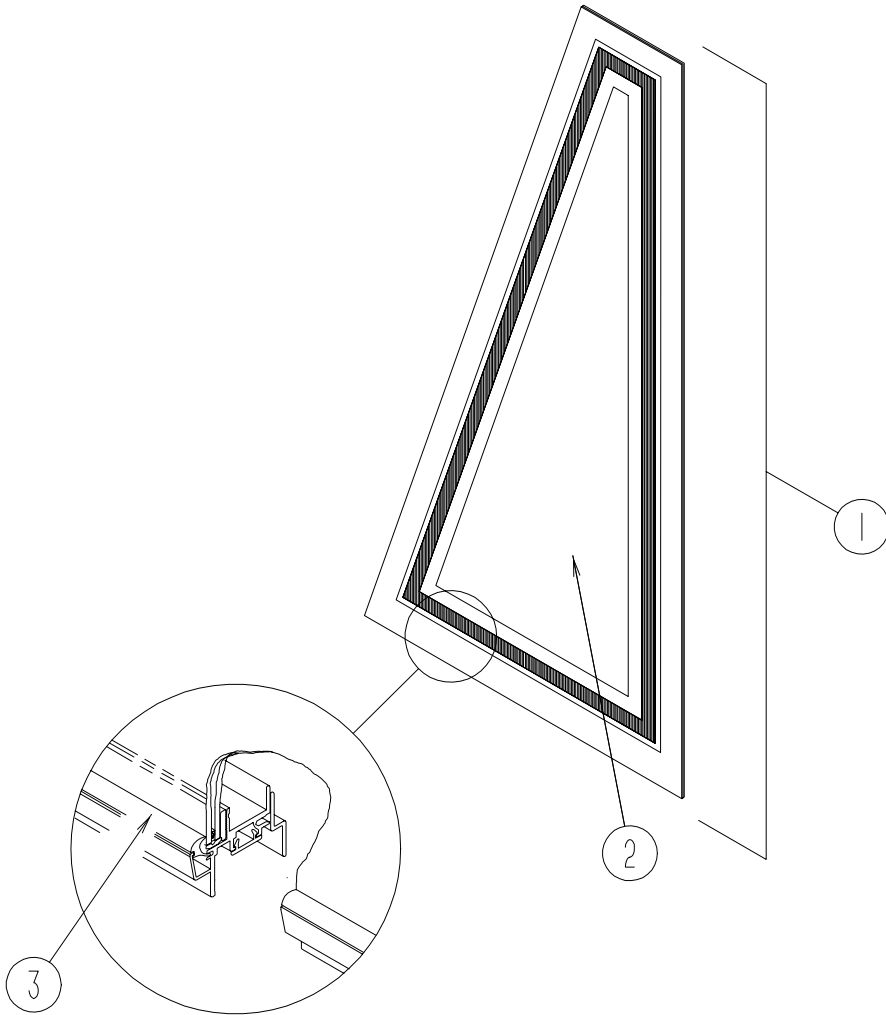
KEY	PART NUMBER	U/M	DESCRIPTION	VENDOR NO.
	116976-02-01A	EA	WINDOW - PICTURE/TINTED/ESCAPE - 26.4" X 25.3	H386-G2W53
1	116976-02-700	EA	GLASS - STATIONARY	106-018785
	100322-01-701	FT	SEAL - VENT	122-016071
	112898-06-704	EA	HANDLE - LATCH - RED - RH	182-11293
	112898-06-705	EA	HANDLE - LATCH - RED - LH	182-11294
	116976-01-701	EA	RETAINER - TRIM	W386-53
	116976-01-702	FT	FILLER PLUG	132-016065



WINDOW - THERMOPANE

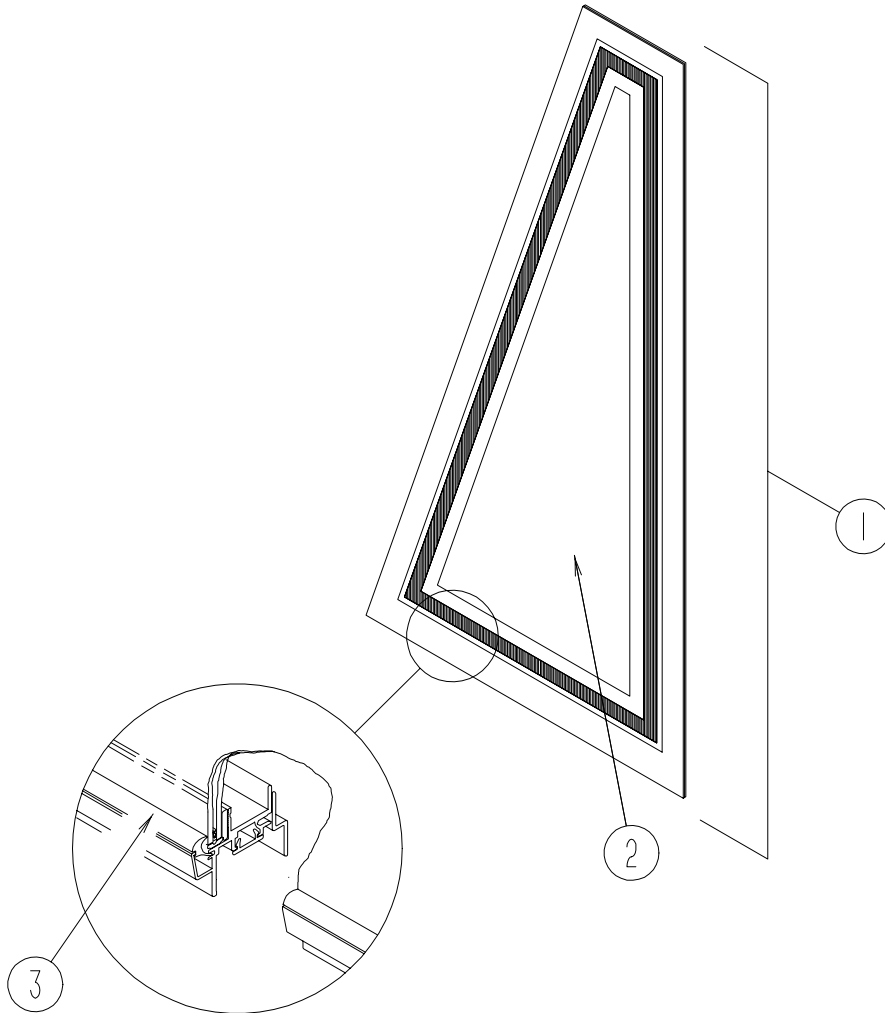
KEY	PART NUMBER	U/M	DESCRIPTION	VENDOR NO.
1	116976-04-01A	EA	WINDOW - PICTURE/TINTED/ESCAPE - 26.4" X 26.3	H400-G2W60
2	116976-02-700	EA	GLASS - STATIONARY	106-019678
3	116976-03-701	FT	GLAZING VINYL	132-016071
	113733-02-701	EA	RETAINER - TRIM	W386-60

THERMOPANE



KEY	PART NUMBER	U/M DESCRIPTION	VENDOR NO.
1	125584-01-01A	EA WINDOW - FRONT SLANT - LEFT HAND	106026078
2	125584-01-700	EA GLASS - STATIONARY	132-010723
3	100322-01-703	EA VINYL - GLAZING, BUTYL	H56927L B969 GRL
	125584-01-701	EA RETAINER - TRIM	

THERMOPANE

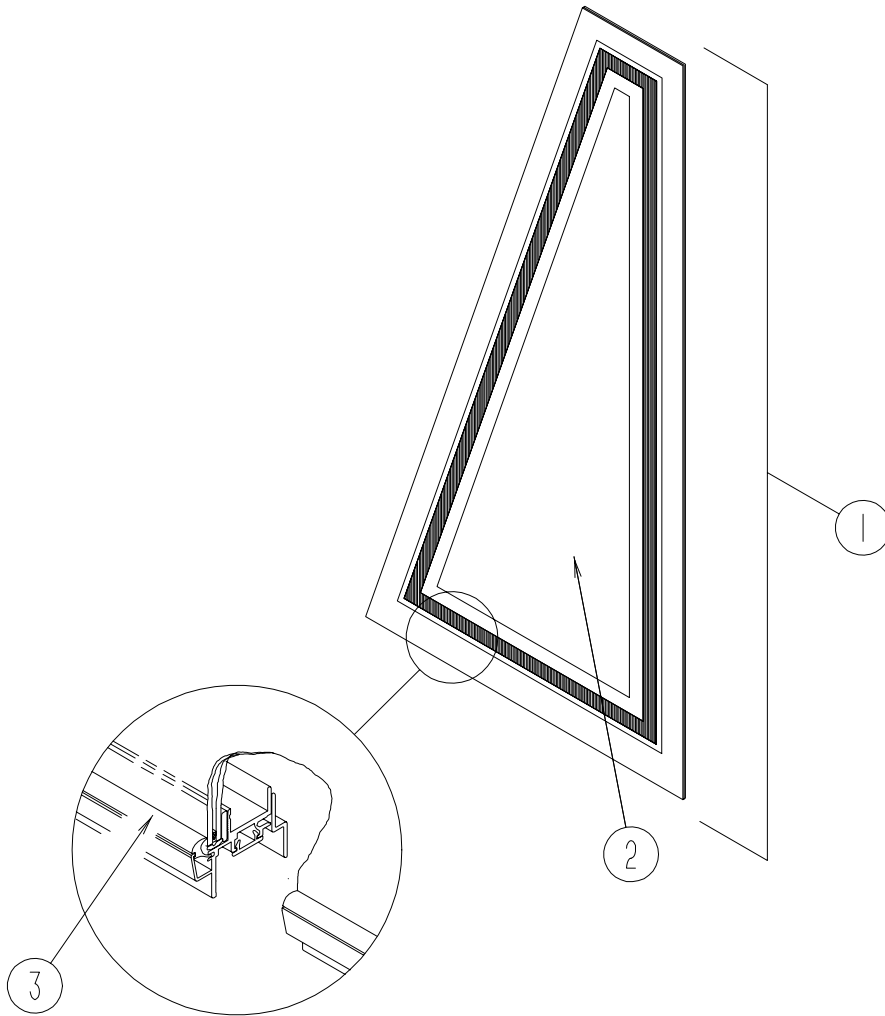


KEY	PART NUMBER	U/M	DESCRIPTION
1	125584-02-01A	EA	WINDOW - FRONT SLANT - DRIVER
2	125584-02-700	EA	GLASS - STATIONARY
3	100322-01-703	EA	VINYL - GLAZING, BUTYL
	125584-02-701	EA	RETAINER - TRIM

VENDOR NO.

106026058
132-010723
H56627L

THERMOPANE

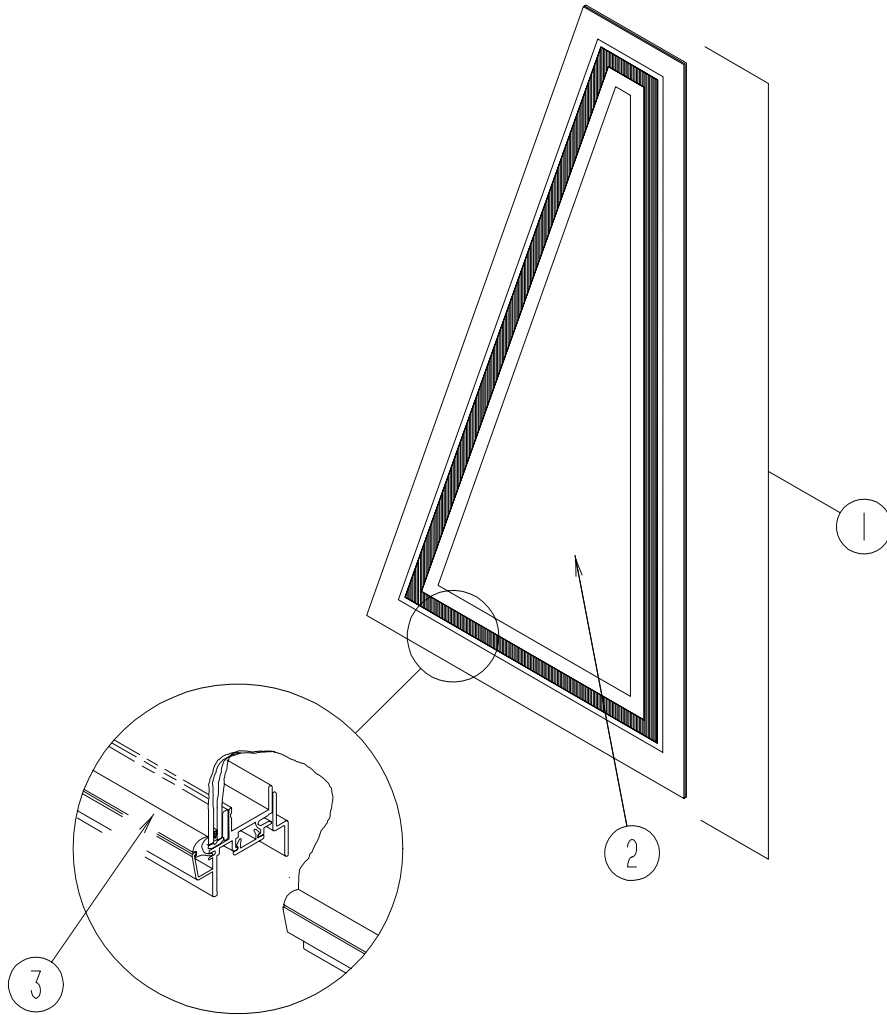


KEY	PART NUMBER	U/M	DESCRIPTION
1	125585-01-01A	EA	WINDOW - FRONT SLANT - THERMO
2	125585-01-700	EA	GLASS - STATIONARY
3	116000-01-704	EA	VINYL - GLAZING
	125584-01-701	EA	RETAINER - TRIM

VENDOR NO.

390026092
132-018161
106026078

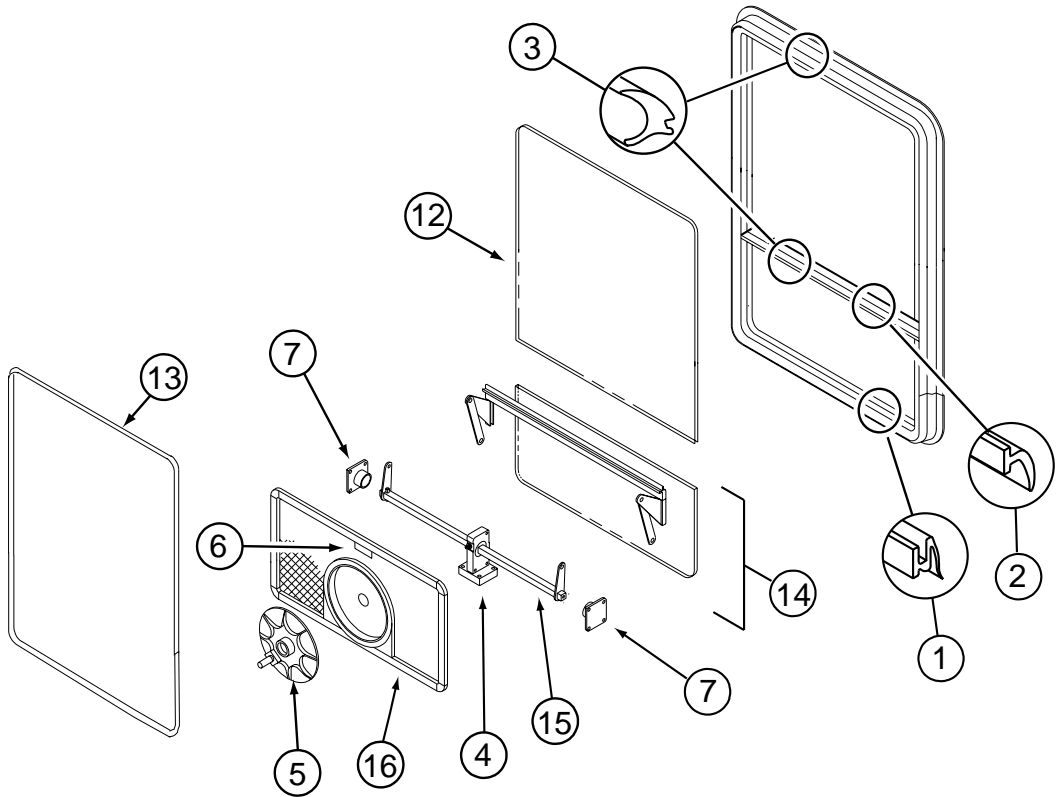
THERMOPANE



KEY	PART NUMBER	U/M	DESCRIPTION
1	125585-02-01A	EA	WINDOW - FRONT SLANT - THERMO
2	125585-02-700	EA	GLASS - STATIONARY
3	116000-01-704	EA	VINYL - GLAZING
	125584-02-701	EA	RETAINER - TRIM

VENDOR NO.
390026092
132-018161
H566-27L

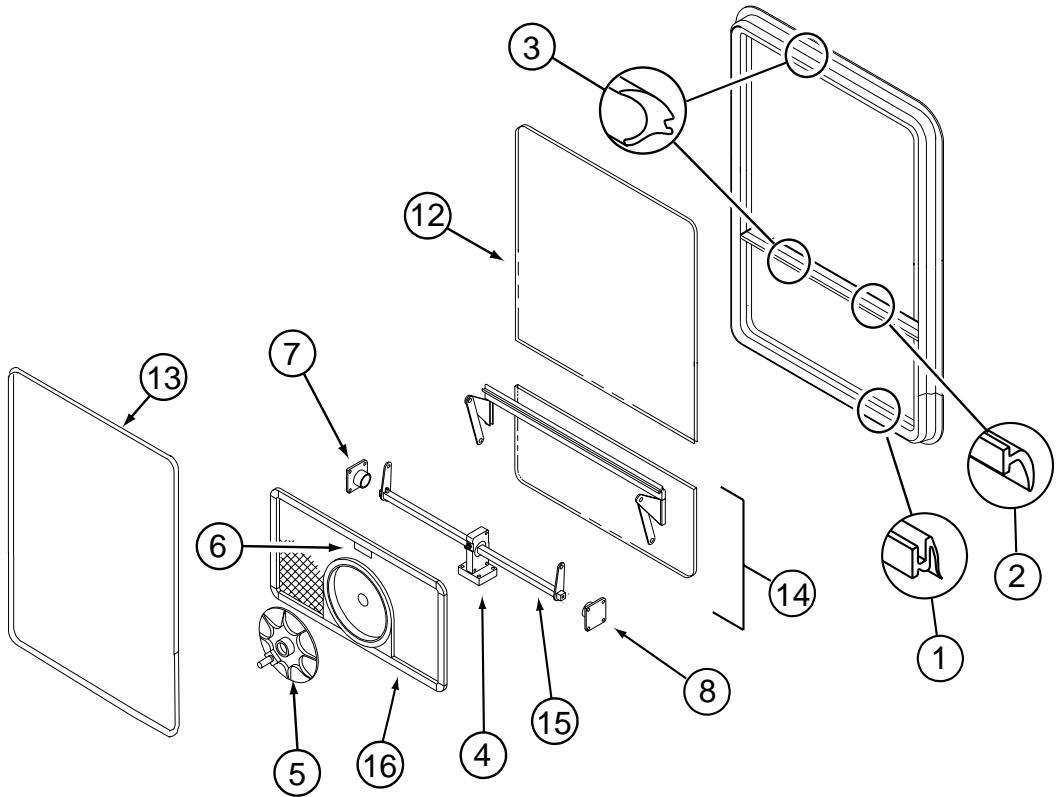
**WINDOW
EXCEL DTH005-G2W62**



KEY	PART NUMBER	U/M DESCRIPTION	VENDOR NO.
	129929-01-01A	EA WINDOW - TORQUE - THERMO - 26.3" X 47.9"	
1	100322-01-701	FT SEAL-VENT	122-016071
2	100322-01-702	EA WEATHERSTRIP-HORIZ. RAIL-54"	132-015976
3	129929-01-705	FT GLAZING VINYL	132-026811
4	112519-01-702	EA OPERATOR-VENT-CENTER SUPPORT	410-016123
5	100322-01-718	EA HANDLE-DIAL	410-016081
6	129929-01-706	FT SEAL - TOP F/CENTER EGRESS	132-026811
7	129929-01-708	EA SUPPORT - TORQUE BAR - RT/LT	130-026804
12	129929-01-700	EA GLASS - STATIONARY	390-026856
13	129929-01-703	EA TRIM - RETAINER	CW100-62
14	129929-01-701	EA VENT GLASS ASSEMBLY	DTH001G9
15	129929-01-704	EA OPERATOR BAR ASSEMBLY	DTH001-15
16	129929-01-702	EA SCREEN ASM - W/SEALS & CLIPS	410-026858
	129929-02-706	FT SEAL - FOAM	140-027022
	129929-01-707	FT FILLER STRIP - DOUBLE GLAZED	132-026808

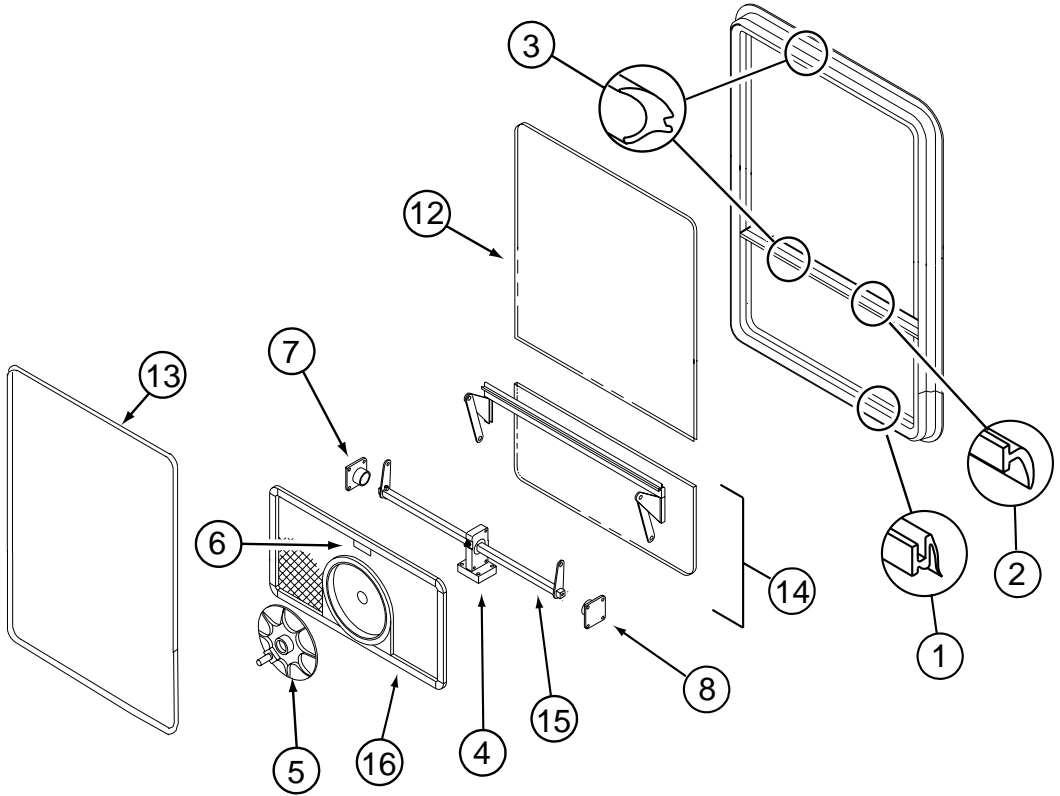


**WINDOW
EXCEL DTH002-G2W62**



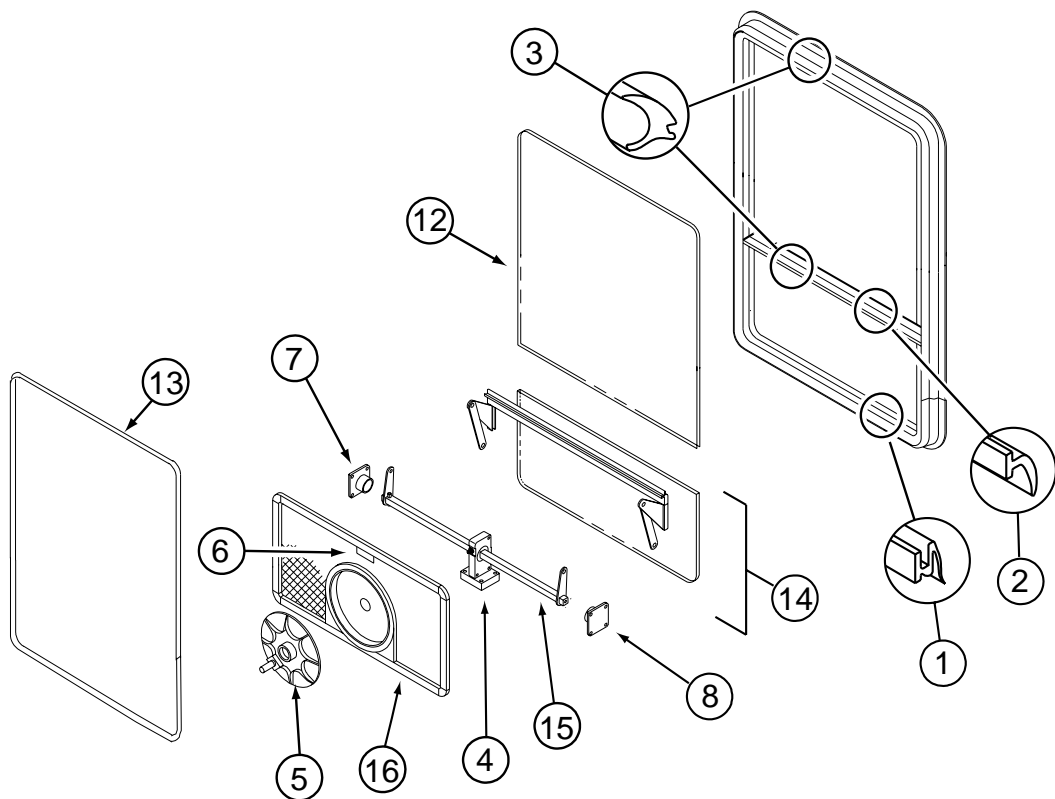
KEY	PART NUMBER	U/M	DESCRIPTION	VENDOR NO.
	129929-02-01A	EA	WINDOW - TORQUE - THERMO - 26.3" X 47.9"	
1	100322-01-701	FT	SEAL-VENT	122-016071
2	100322-01-702	EA	WEATHERSTRIP-HORIZ. RAIL-54"	132-015976
3	100322-01-718	EA	HANDLE-DIAL	410-016081
4	112519-01-702	EA	OPERATOR-VENT-CENTER SUPPORT	410-016123
5	129929-01-705	FT	GLAZING VINYL	132-026811
6	129929-01-706	FT	SEAL - TOP F/CENTER EGRESS	132-026811
7	129929-01-707	FT	FILLER STRIP - DOUBLE GLAZED	132-026808
8	129929-01-708	EA	SUPPORT - TORQUE BAR - RT/LT	130-026804
10	129929-02-700	EA	GLASS - STATIONARY	390-026859
11	129929-02-701	EA	VENT GLASS ASSEMBLY	DTH002G9
12	129929-02-702	EA	SCREEN ASM - W/SEALS & CLIPS	410-026861
13	129929-02-703	EA	TRIM - RETAINER	CW10162
14	129929-02-704	EA	OPERATOR BAR ASSEMBLY	DTH002-15
15	112898-06-704	EA	HANDLE-LATCH/RED-RH (TIPOUT)	182-11293
16	112898-06-705	EA	HANDLE-LATCH/RED-LH (TIPOUT)	182-11294
17	129929-02-705	EA	RETAINER - WINDOW ANTI LIFT	DTH002-34

**WINDOW
EXCEL DTH003-G2W62**



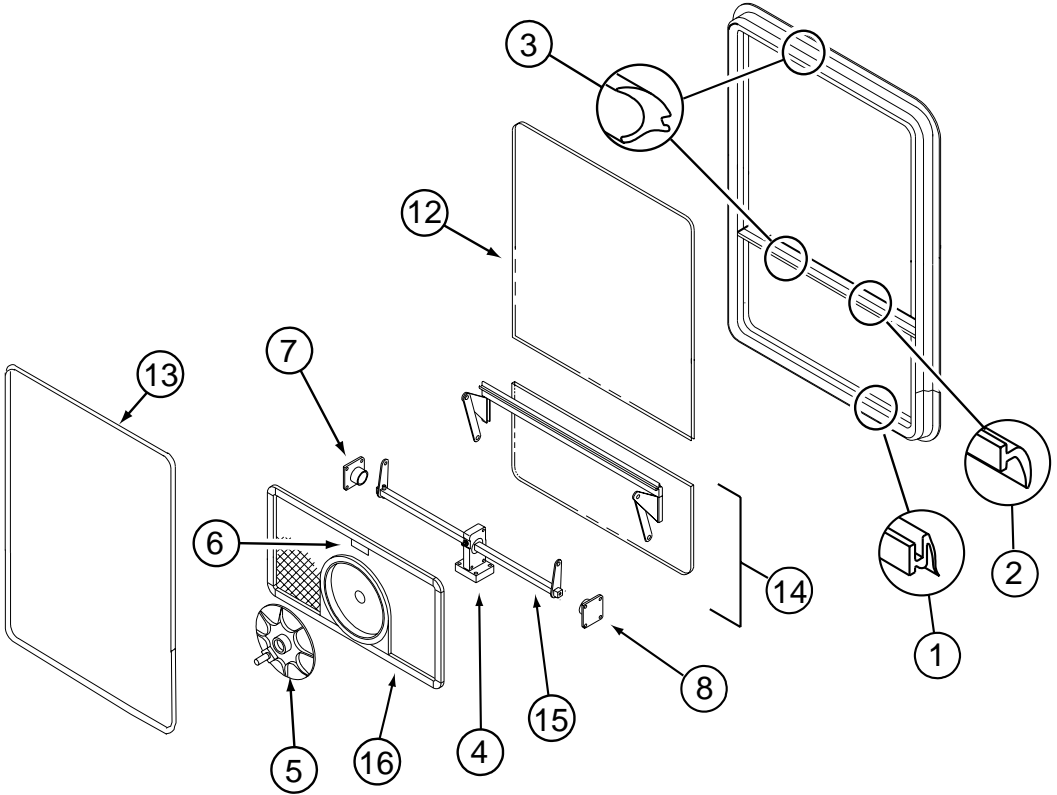
KEY	PART NUMBER	U/M	DESCRIPTION	VENDOR NO.
	129929-03-01A	EA	WINDOW - TORQUE - THERMO - 42.2" X 30.2"	
1	100322-01-701	FT	SEAL-VENT	122-016071
2	100322-01-702	EA	WEATHERSTRIP-HORIZ. RAIL-54"	132-015976
3	100322-01-718	EA	HANDLE-DIAL	410-016081
4	112519-01-702	EA	OPERATOR-VENT-CENTER SUPPORT	410-016123
5	129929-01-705	FT	GLAZING VINYL	132-026811
6	129929-01-706	FT	SEAL - TOP F/CENTER EGRESS	132-026811
7	129929-01-707	FT	FILLER STRIP - DOUBLE GLAZED	132-026808
8	129929-01-708	EA	SUPPORT - TORQUE BAR - RT/LT	130-026804
10	129929-03-700	EA	GLASS - STATIONARY	390-026905
11	129929-03-702	EA	VENT GLASS ASSEMBLY	DTH003G9
12	129929-01-702	EA	SCREEN ASM - W/SEALS & CLIPS	410-026858
13	129929-03-701	EA	TRIM - RETAINER	CW6162
14	129929-01-704	EA	OPERATOR BAR ASSEMBLY	DTH001-15
	129929-02-706	FT	SEAL - FOAM	140-027022

**WINDOW
EXCEL DTH004-G2W62**



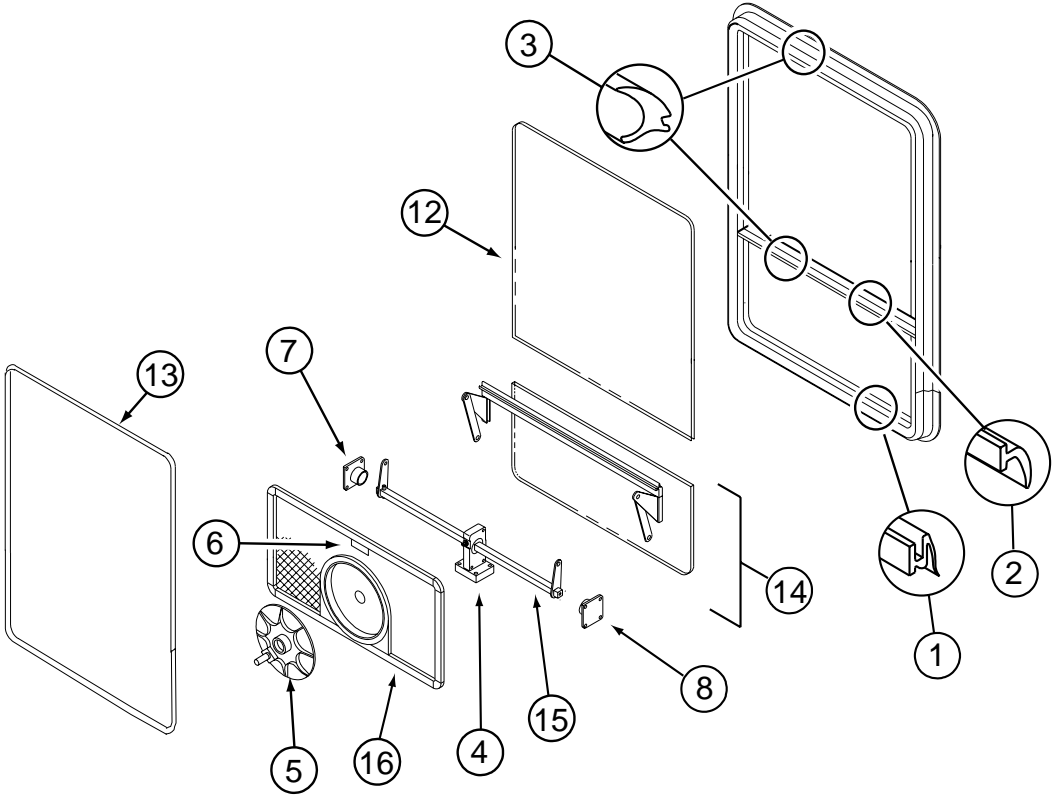
KEY	PART NUMBER	U/M	DESCRIPTION	VENDOR NO.
	129929-04-01A	EA	WINDOW - TORQUE - THERMO ESCAPE - 42.2" X 30.2"	
1	100322-01-701	FT	SEAL-VENT	122-016071
2	100322-01-702	EA	WEATHERSTRIP-HORIZ. RAIL-54"	132-015976
3	100322-01-718	EA	HANDLE-DIAL	410-016081
4	112519-01-702	EA	OPERATOR-VENT-CENTER SUPPORT	410-016123
5	129929-01-705	FT	GLAZING VINYL	132-026811
6	129929-01-706	FT	SEAL - TOP F/CENTER EGRESS	132-026811
7	129929-01-707	FT	FILLER STRIP - DOUBLE GLAZED	132-026808
8	129929-01-708	EA	SUPPORT - TORQUE BAR - RT/LT	130-026804
10	129929-04-700	EA	GLASS - STATIONARY	390-026906
11	129929-04-702	EA	VENT GLASS ASSEMBLY	DTH004G9
12	129929-02-702	EA	SCREEN ASM - W/SEALS & CLIPS	410-026861
13	129929-04-701	EA	TRIM - RETAINER	CW6562
14	129929-02-704	EA	OPERATOR BAR ASSEMBLY	DTH002-15
	112898-06-704	EA	HANDLE-LATCH/RED-RH (TIPOUT)	182-11293
	112898-06-705	EA	HANDLE-LATCH/RED-LH (TIPOUT)	182-11294
	129929-02-705	EA	RETAINER - WINDOW ANTI LIFT	DTH002-34
	129929-02-706	FT	SEAL - FOAM	140-027022

**WINDOW
EXCEL DTH005-G2W62**



KEY	PART NUMBER	U/M	DESCRIPTION	VENDOR NO.
	129929-05-01A	EA	WINDOW - TORQUE - THERMO - 26.3" X 47.9"	
1	100322-01-701	FT	SEAL-VENT	122-016071
2	100322-01-702	EA	WEATHERSTRIP-HORIZ. RAIL-54"	132-015976
3	100322-01-718	EA	HANDLE-DIAL	410-016081
4	112519-01-702	EA	OPERATOR-VENT-CENTER SUPPORT	410-016123
5	129929-01-705	FT	GLAZING VINYL	132-026811
6	129929-01-706	FT	SEAL - TOP F/CENTER EGRESS	132-026811
7	129929-01-707	FT	FILLER STRIP - DOUBLE GLAZED	132-026808
8	129929-01-708	EA	SUPPORT - TORQUE BAR - RT/LT	130-026804
10	129929-05-700	EA	GLASS - STATIONARY	390-026907
11	129929-05-701	EA	VENT GLASS ASSEMBLY	DTH005G9
12	129929-05-702	EA	SCREEN ASM - W/SEALS & CLIPS	410-026909
13	129929-05-703	EA	TRIM - RETAINER	CW05-62
14	129929-05-704	EA	OPERATOR BAR ASSEMBLY	DTH005-15
	129929-02-706	FT	SEAL - FOAM	140-027022

**WINDOW
EXCEL DTH006-G2W62**



KEY	PART NUMBER	U/M	DESCRIPTION	VENDOR NO.
	129929-06-01A	EA	WINDOW ASM-TORQUE THERMO	
1	100322-01-701	FT	SEAL-VENT	122-016071
2	100322-01-702	EA	WEATHERSTRIP-HORIZ RAIL-148"	132-019631
3	100322-01-718	EA	HANDLE-DIAL	410-016081
4	112519-01-702	EA	OPERATOR-VENT-CENTER SUPPORT	410-016123
5	129929-01-705	FT	GLAZING VINYL	132-026811
6	129929-01-706	FT	SEAL - TOP F/CENTER EGRESS	132-026811
7	129929-01-707	FT	FILLER STRIP - DOUBLE GLAZED	132-026808
8	129929-01-708	EA	SUPPORT - TORQUE BAR - RT/LT	130-026804
10	129929-06-700	EA	GLASS - STATIONARY	390-026910
11	129929-06-702	EA	VENT GLASS ASSEMBLY	DTH006G9
12	129929-05-702	EA	SCREEN ASM - W/SEALS & CLIPS	410-026909
13	129929-06-701	EA	TRIM - RETAINER	CW0462
14	129929-05-704	EA	OPERATOR BAR ASSEMBLY	DTH005-15
	129929-02-706	FT	SEAL - FOAM	140-027022