

CONTENTS

APPLIANCE GROUP	10
APPLIANCES	10
COFFEEMAKER	10
126019-01-01A	10
FREEZER	10
119296-01-01A	10
119296-02-01A	12
MICROWAVE	13
119267-04-01A	13
119267-06-01A	13
119267-07-01A	13
119267-08-01A	13
119267-09-01A	13
MONITOR PANEL	14
102765-04-01A	14
114014-02-02A	15
121148-05-01A & 121148-06-01A	15
129561-01-01A	16
133004-01-01A	17
133004-02-01A	18
RANGE COVER	19
126022-01-01A	19
RANGE HOOD	19
100258-10-01A	19
100258-16-03A, 100258-16-04A, 100258-17-03A, & 100258-17-04A	20
100258-18-02A & 100258-18-03A	21
100258-22-03A	22
100258-23-03A	23
100258-31-01A & 100258-32-01A	24
100258-33-01A	25
113566-03-01A	26
RANGE TOP	27
114030-02-01A & 114030-03-01A	27
128728-01-01A & 128728-02-01A	29
RANGE - W/OVEN	31
112881-02-02A	31
112881-02-03A	33
112881-02-04A	35
113948-02-01A	35
126023-02-01A	40
128727-01-01A	42
REFRIGERATOR	44
113737-01-04A	44
113737-03-04A	47
113737-04-04A	51
118367-02-01A	55
120075-03-01A	57
120075-07-01A	65
120075-09-01A	71
120075-12-01A	78
120075-13-01A	84
121568-03-01A & 121568-04-01A	87
121569-03-01A	93
121569-05-01A	99
125242-01-01A	103
125242-02-01A	113
131147-01-01A	123
SOLAR PANELS	130
115504-01-000	130
VACUUM CLEANER	130
108186-02-000	130
108186-03-000	130

CONTENTS (CONTINUED)

AUDIO VIDEO GROUP	131
RADIO SYSTEM	131
CD CHANGER	131
102080-09-000	131
RADIO	131
127264-01-000	131
127516-03-000	131
REAR VIEW MONITOR	131
093040-10-000	131
126838-01-000	131
TV & VCR	132
ANTENNA	132
076319-23-000	132
076319-25-000	133
TV	134
086231-10-000	134
124075-04-000	134
126696-02-000	134
126696-03-000	134
133377-01-000	134
SATELLITE	135
120233-04-000	135
128138-01-000	137
VCR	139
094487-05-000	139
124073-07-000 & 124073-08-000	139
126697-03-000	139
126697-04-000	139
126697-05-000	139
126697-06-000	139
BATH GROUP	140
CABINETS	140
MEDICINE	140
131716-01-01A	140
SHOWER	140
DOOR	140
089318-01-000	140
115011-03-01A	141
117431-01-01A	144
117431-02-01A	144
117431-03-01A	144
117431-04-01A	145
123242-01-01A	146
123242-01-02A	146
123242-01-03A	146
131595-01-01A	146
131618-01-01A & 131618-01-02A	147
132340-01-01A & 132340-02-01A	148
135615-01-01A, 135615-02-01A & 135615-03-01A	149

CONTENTS (CONTINUED)

CHASSIS GROUP	151
REAR BUMPER	151
MUD FLAP	151
130464-01-01A & 130464-02-01A	151
HYDRAULIC LEVELING	151
CONTROL PANEL	151
107889-03-000	151
HOSE KIT	151
100536-10-000	151
100536-10-000	151
100536-39-000	151
100536-48-000	151
JACK/CROSSMEMBER	152
128285-01-000	152
LEVELING SYSTEM	152
128571-03-000	152
LEVELING SYSTEM	153
131306-01-000	153
131306-09-000	155
131306-10-000	157
131306-11-000	159
131306-14-000	161
131306-15-000	163
131306-16-000	165
131306-17-000	167
SUSPENSION	169
AIR SPRING	169
100293-03-000	169
106067-03-000	169
113674-01-000	169
SHOCKS	170
112033-02-000	170
122756-02-000	170
122756-03-000	170
122756-04-000	170
WHEEL, TIRE, COVERS &/OR LINERS	171
COVER	171
109443-05-000	171
109443-06-000	171
109443-07-000	171
LINER	171
091209-05-000	171
110435-05-000	171
110435-10-000	172
110435-13-000	172
110435-14-000	172
110435-15-000	172
110435-17-000	172
134609-01-000	173

CONTENTS (CONTINUED)

CURTAIN & CUSHION GROUP	174
BUCKET SEATS	174
POWER SEAT	174
081373-03-000	174
HARDWARE	174
BLIND END CAP	174
094907-04-000	174
094907-05-000	174
SPRING-REWIND	174
084433-01-000 & 084433-02-000	174
ACCESSORIES	174
SEAT BELT/SHOULDER HARNESS	174
091990-04-01A	174
DRIVERS COMPARTMENT GROUP	175
FRONT INTERIOR	175
BUNK LADDER	175
106025-02-01A & 106025-03-01A	175
ELECTRICAL GROUP	176
LIGHTS	176
EXTERIOR	176
008089-02-000	176
081638-01-000	176
097917-01-06A	176
INTERIOR	176
086280-01-000	176
087694-01-000	176
091937-05-000	176
093575-11101A	176
098024-01-03A	176
098024-01-04A	177
098024-03-02A	177
098024-05-02A	177
098024-06-02A	177
108354-01-01A	177
110235-01-01A	177
110235-02-01A	177
119258-02-01A & 119258-05-01A	177
121935-01-01A	178
123774-01-01A	178
123775-01-01A	178
CONVERTER, INVERTER, LOAD CENTER	178
CONTROL CENTER	178
093257-02-000	178
SWITCHES	178
087202-01-000	178
106071-04-000	178
BOOTS, SOLENOIDS, RELAYS & MISC.	178
BATTERY TRAY SLIDE	178
113832-02-01A	178

CONTENTS (CONTINUED)

EXTERIOR BODY GROUP	179
AIR HORN INSTLALLATION	179
077497-03-000	179
077497-06-000	179
077497-09-000	179
POP TOP - CANVAS	179
113686-01-01A	179
113686-02-01A	179
RUNNING BOARDS	180
FORD	180
072884-27-000	180
CHEVY	180
072884-28-000	180
MIRRORS	181
106015-12-01A, 106015-13-01A, 106015-14-01A, & 106015-15-01A	181
106015-16-01A & 106015-17-01A	181
123297-01-01A & 123297-02-01A	181
129656-01-01A	182
131431-03-01A & 131431-04-01A	183
131431-05-01A	183
133908-01-01A, 133908-02-01A, 133908-03-01A, 133908-04-01A, 133908-05-01A & 133908-06-01A	184
AWNINGS	185
113874-01-02A	185
SQUEEGEE	186
091955-02-000	186
EXTERIOR DOORS & COMPARTMENTS GROUP	187
DOOR & COMPARTMENT LAYOUT	187
ENTRY STEP	187
094707-03-01A	187
094708-03-01A	188
132900-01-01A	189
COMPARTMENT DOOR COMPONENTS	190
REFRIGERATOR DOOR	190
084103-08-000	190
DRIVER DOOR	191
125581-07-01A	191
ENTRY DOOR	193
128913-02-01A	193
128913-03-01A	196
LATCH - ENTRY DOOR	199
LOCKS & KEYS	199
045017-13-000	199
101145-01-06A	199
102756-02-000	199
110506-59-000 - 110506-59-009	199
129685-02-000 - 129685-10-000	199
129676-01-000 - 129676-10-000	199
EXTERIOR SLIDEOUT INSTALLATION GROUP	200
HOSES	200
100536-38-000	200
100536-42-000	200
132540-01-000	200
PUMP	200
122359-04-000	200
SLIDE OUT HYDRAULICS	200
125687-01-000	200
128599-05-000	200
130606-02-000	200
130606-01-000	201
132540-01-000	201

CONTENTS (CONTINUED)

HEATING & A/C GROUP	202
AUTOMOTIVE	202
CONDENSER	202
072342-14-000	202
072342-15-000	203
072342-19-000	204
CONTROL PLENUM	205
103930-36-000	205
103930-39-000	206
103930-49-000	208
EVAPORATOR / HEATER	210
103930-32-000	210
103930-43-000	212
HOSE KIT	214
072342-16-000	214
072342-17-000	214
072342-18-000	214
072342-21-000	214
103930-16-000	215
103930-41-000 & 103930-45-000 & 103930-51-000	215
103930-44-000	215
103930-46-000	215
103930-47-000	215
FURNACE	216
075697-05-000	216
098668-19-000	217
098668-20-000	219
098668-21-000	221
098668-22-000	223
REAR HEATER	224
049401-04-000	224
084405-01-000	224
129205-01-000	224
ROOF	225
A/C	225
131185-01-01A	225
131185-02-01A	226
131186-01-01A	227
131187-01-01A	228
131188-01-01A	229
CEILING ASSEMBLY	230
131184-01-01A	230
CENTRAL	231
105620-10-000	231
105620-11-000	233
105620-12-000	235
INTERIOR FINISH GROUP	237
ACCESSORIES	237
FIRE EXTINGUISHER	237
094499-02-000	237

CONTENTS (CONTINUED)

LP GROUP	238
LP SYSTEM	238
074039-04-000	238
080450-01-000	238
088253-01-000 & 088253-03-000	239
088253-05-000	239
088253-06-000	240
088253-07-000 & 088253-08-000	240
088253-09-000 & 088253-10-000	241
097821-01-000 & 097821-03-000	241
111219-01-000	242
117432-02-000	242
117432-03-000	242
WATER & SEWAGE GROUP	243
DRAINAGE SYSTEM	243
TOILET	243
067487-01-000	243
067487-03-000	243
085330-08-000	244
085330-09-000	245
131932-01-02A	246
132389-01-01A	247
DUMP VALVE	248
070916-01-000	248
114112-01-000	248
SEWER CAP	248
062415-01-000	248
WATER SYSTEM	249
FAUCET	249
103635-01-000	249
103635-02-000	249
119677-01-01A	249
131340-01-01A	249
WATER PUMP	250
098607-01-000	250
121887-01-000	250
WINTERIZATION KIT	250
118569-01-000	250
051393-01-000	251
HEATER	252
051393-01-000	252
051391-03-000	253
051391-05-000	255
128994-01-000	257

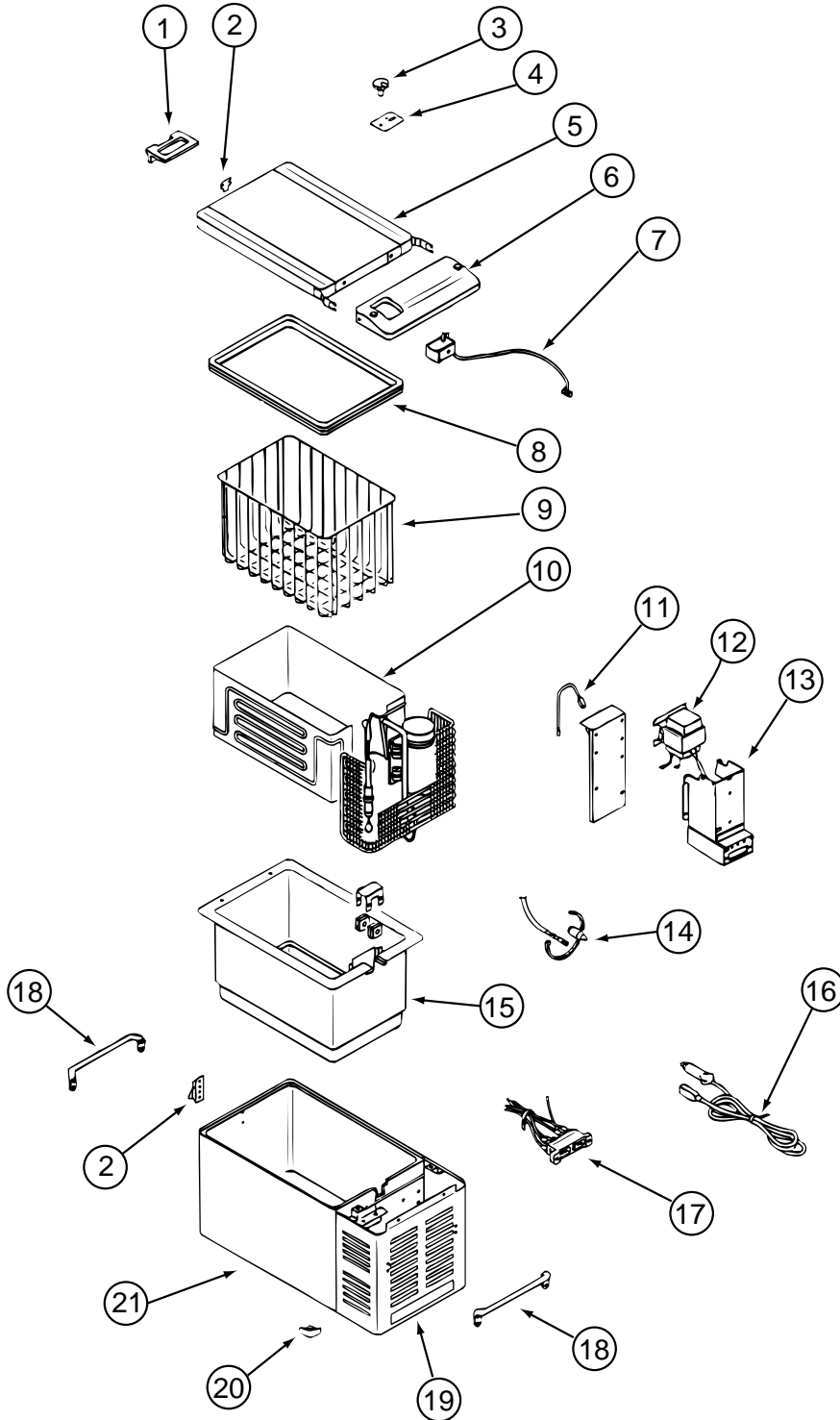
CONTENTS (CONTINUED)

WINDOW & VENTS GROUP	259
WINDOWS AND VENT LAYOUT	259
WINDOWS	259
098644	259
098647	261
104691	267
106466	268
106467-09-01A	268
112463	269
112519-01-01A	271
112520-01-01A	271
112521-01-01A	271
112795	272
112898	278
113500-01-02A	281
113502-01-02A	282
113502-04-02A	282
113733	283
115630-01-02A	284
122757-02-01A	284
125582	285
125583	287
125584-01-01A	289
125585-01-01A & 125585-02-01A	289
125586-01-01A	289
125600	289
129929	290
129929-09-01A	291
129929-10-01A	291
134004-01-01A	292
134004-02-01A	293
134004-03-01A	293
VENT	294
POWERED	294
122882-01-01A	294
122882-02-01A	294
122882-03-01A	294
122882-04-01A	294
122882-05-01A	294
NON-POWERED	295
113349-01-000	295
VENILATOR	296
123780-01-01A	296
123780-03-01A	297
123780-05-01A	298
123780-09-01A	299
123780-10-01A	300
REFRIGERATOR	301
113736-01-01A	301
WINDSHIELD/WIPER	302
WIPER	302
ARM	302
117769-01-000	302
BLADE	302
095964-01-000	302
PIVOT	302
096505-09-000	302
WIPER	302
091206-04-000	302

APPLIANCE GROUP

APPLIANCES COFFEEMAKER 126019-01-01A

KEY	PART NUMBER	U/M	DESCRIPTION	VENDOR NO.
	126019-01-01A	EA	COFFEEMAKER - OPTIMA - W/BRACKETS - BLACK & DECKER	
	126019-01-700	EA	GLASS CARAFE	172547-00
	126019-01-701	EA	RESERVOIR- WATER	172554
	126019-01-702	EA	BASKET - FILTER	172553-00
	126019-01-703	EA	HARDWARE - MOUNTING	172174-00



FREEZER 119296-01-01A

APPLIANCE GROUP (CONTINUED)

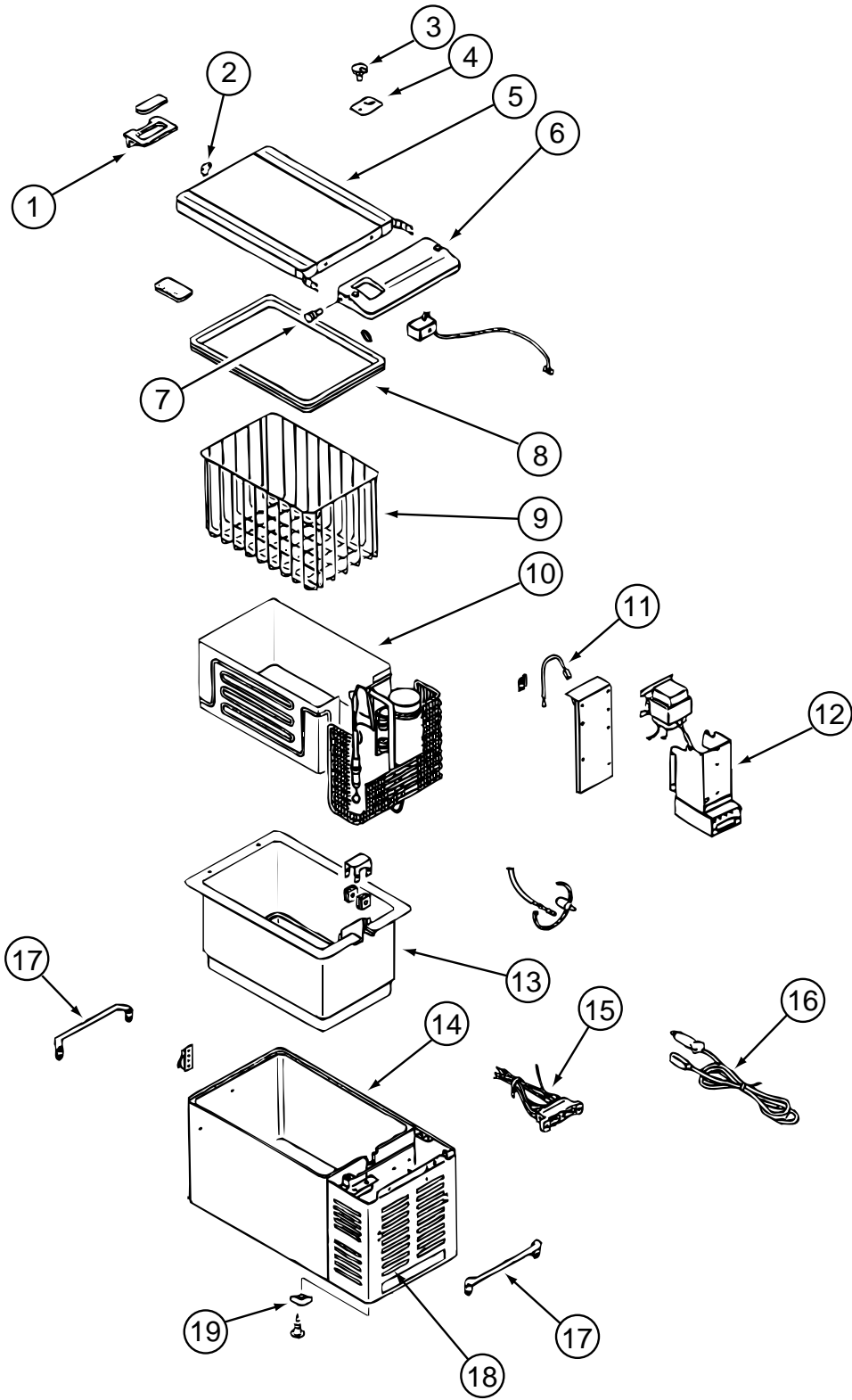
APPLIANCES (CONTINUED)

FREEZER (CONTINUED)

119296-01-01A

KEY	PART NUMBER	U/M	DESCRIPTION	VENDOR NO.
	119296-01-01A	EA	FREEZER - PORTABLE NORCOLD #MRFT-340	
1	119296-01-702	EA	HANDLE-DOOR	4225 004 01
2	119296-01-701	EA	LATCH ASSEMBLY	6260 005 00
3	119296-01-709	EA	DIAL ASSEMBLY, THERMOSTAT	1602 067 00
4	119296-01-710	EA	PLATE-MARKING, THERMOSTAT	5450 261 05
5	119296-01-700	EA	DOOR ASSEMBLY	1600 262 00
6	119296-01-704	EA	COVER ASM.,F/CLG & TEMP CONT	1602 092 00
7	119296-01-719	EA	CONTROL ASSEMBLY,TEMPERATURE	1601 072 50
8	119296-01-703	EA	GASKET-DOOR	4148 016 00
9	119296-01-705	EA	BASKET, MRFT-340D	5230 008 00
10	119296-01-720	EA	COIL-COOLING, HFC-134A	1610 077 10
11	119296-01-717	EA	THERMISTOR-EVAPORATOR	6055 032 00
12	119296-01-712	EA	TRANSFORMER ASSEMBLY	1960 131 00
13	119296-01-713	EA	OSCILLATOR ASSEMBLY	1630 081 00
14	119296-01-718	EA	WIRE-CONDENSER, THERMISTOR	6055 033 01
15	119296-01-706	EA	CASE-INNER, MRFT-340D	4332 011 40
16	119296-01-716	EA	CORD ASSEMBLY, DC	1912 223 00
17	119296-01-715	EA	BLOCK-TERMINAL	1632 055 02
18	119296-01-707	EA	HANDLE-CARRYING	3233 005 50
19	119296-01-711	EA	COVER ASM., REAR, MRFT-340D	1609 221 00
20	119296-01-714	EA	CUSHION-CORNER	4274 009 00
21	119296-01-708	EA	CABINET-EXTERIOR, MRFT-340D	1600 255 00

APPLIANCE GROUP (CONTINUED)
APPLIANCES (CONTINUED)



FREEZER (CONTINUED)
119296-02-01A

APPLIANCE GROUP (CONTINUED)

APPLIANCES (CONTINUED)

FREEZER (CONTINUED)

119296-02-01A(CONTINUED)

KEY	PART NUMBER	U/M	DESCRIPTION	VENDOR NO.
	119296-02-01A	EA	FREEZER - PORTABLE - 12 VOLT/110VOLT - 1.4 CU.FT.	
1	119296-01-702	EA	HANDLE-DOOR	4225 004 01
2	119296-01-701	EA	LATCH ASSEMBLY	6260 005 00
3	119296-01-709	EA	DIAL ASSEMBLY, THERMOSTAT	1602 067 00
4	119296-01-710	EA	PLATE-MARKING, THERMOSTAT	5450 261 05
5	119296-01-700	EA	DOOR ASSEMBLY	1600 262 00
6	119296-01-704	EA	COVER ASM.,F/CLG & TEMP CONT	1602 092 00
7	119296-02-700	EA	HINGE PIN - F/CONTROL COVER	502200500
8	119296-01-703	EA	GASKET-DOOR	4148 016 00
9	119296-01-705	EA	BASKET, MRFT-340D	5230 008 00
10	119296-02-705	EA	COOLING UNIT (50 HZHFC 134A	161007720
11	119296-02-703	EA	THERMISTER - EVAPORATOR	605505410
12	119296-02-701	EA	OSCILLATOR	160113800
13	119296-01-706	EA	CASE-INNER, MRFT-340D	4332 011 40
14	119296-01-708	EA	CABINET-EXTERIOR, MRFT-340D	1600 255 00
15	119296-01-715	EA	BLOCK-TERMINAL	1632 055 02
16	119296-01-716	EA	CORD ASSEMBLY, DC	1912 223 00
17	119296-01-707	EA	HANDLE-CARRYING	3233 005 50
18	119296-01-711	EA	COVER ASM., REAR, MRFT-340D	1609 221 00
19	119296-01-714	EA	CUSHION-CORNER	4274 009 00
	119296-02-704	EA	THERMOSTAT	160114400
	119296-02-706	EA	FAN ASSEMBLY	160924950

MICROWAVE

119267-04-01A

KEY	PART NUMBER	U/M	DESCRIPTION	VENDOR NO.
	119267-04-01A	EA	OVEN - MICROWAVE/CONVECTION - W/HOOD - US	SHARP #R-1850A
	119267-04-700	EA	FILTER-GREASE	BOO2

MICROWAVE (CONTINUED)

119267-06-01A

KEY	PART NUMBER	U/M	DESCRIPTION	VENDOR NO.
	119267-06-01A	EA	OVEN - MICROWAVE/CONVECTION - W/HOOD - US	SHARP #R-1850A
	119267-04-700	EA	FILTER-GREASE	BOO2

MICROWAVE (CONTINUED)

119267-07-01A

KEY	PART NUMBER	U/M	DESCRIPTION	VENDOR NO.
	119267-07-01A	EA	OVEN - MICROWAVE/CONVECTION - W/HOOD - US	SHARP #R-1850A
	119267-04-700	EA	FILTER-GREASE	BOO2
	119267-04-704	EA	LIGHT COVER-F/MOD R1480/1850	FANGKB009MRYO

MICROWAVE (CONTINUED)

119267-08-01A

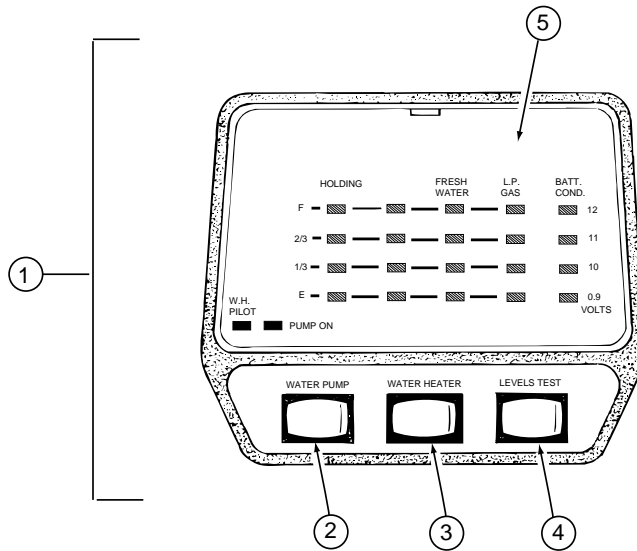
KEY	PART NUMBER	U/M	DESCRIPTION	VENDOR NO.
	119267-08-01A	EA	OVEN - MICROWAVE/CONVECTION - W/HOOD - US	SHARP #R-1850A
	119267-04-700	EA	FILTER-GREASE	BOO2

MICROWAVE (CONTINUED)

119267-09-01A

KEY	PART NUMBER	U/M	DESCRIPTION	VENDOR NO.
	119267-09-01A	EA	OVEN - MICROWAVE/NON/CONVECTION - CSA	
	119267-04-700	EA	FILTER-GREASE	BOO2

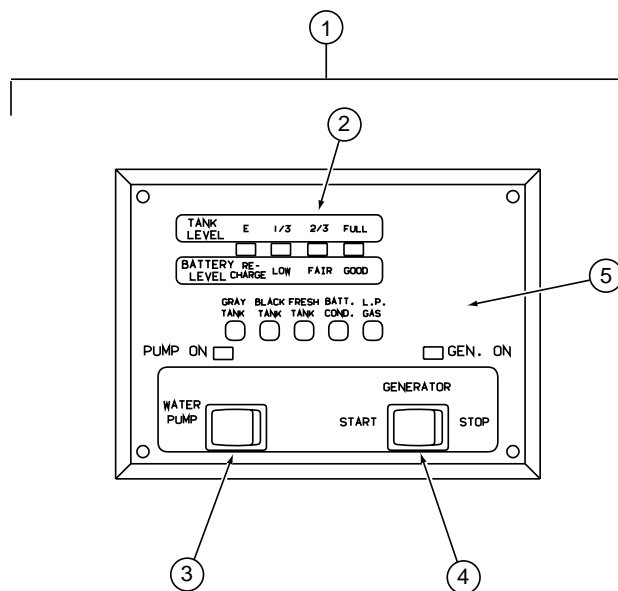
APPLIANCE GROUP (CONTINUED)
APPLIANCES (CONTINUED)



MONITOR PANEL
102765-04-01A

KEY	PART NUMBER	U/M	DESCRIPTION	VENDOR NO
1	102765-04-01A	EA	PANEL - MONITOR - 2 HOLDING TANKS ADJUSTABLE	
2	097617-01-702	EA	SWITCH (ALMOND)	107
3	097617-01-701	EA	SWITCH - ON/OFF - ALMOND	106
4	102765-01-700	EA	SWITCH - ON/ON - ALMOND	110-01
5	102765-04-700	EA	BOARD-CIRCUIT,2 HOLDING TANK	L5097-41

APPLIANCE GROUP (CONTINUED)
APPLIANCES (CONTINUED)



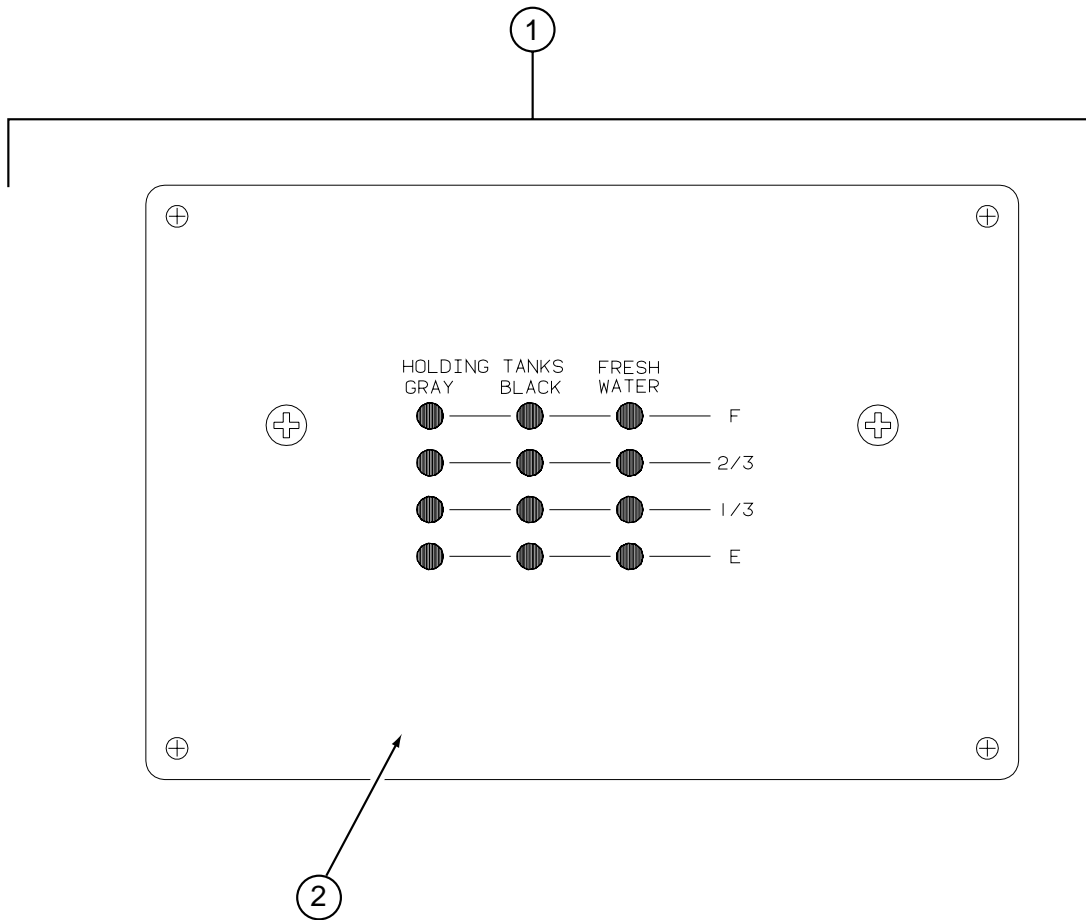
MONITOR PANEL (CONTINUED)
114014-02-02A

KEY	PART NUMBER	U/M	DESCRIPTION	VENDOR NO
1	114014-02-02A	EA	PANEL - MONITOR 2 TANK W/REMOTEVENTLINE	LA1023-00
2	114014-02-701	EA	OVERLAY SILKSCREEN	CD0343-00
3	096983-01-702	EA	SWITCH - MOM/OFF/MOM/3 TERM	L0112-00
4	096983-01-700	EA	SWITCH - ON/OFF	L0108-00
5	114014-02-702	EA	BOARD-CIRCUIT	L5098-06
	114014-02-700	EA	CHASSIS	CD0213-06

MONITOR PANEL (CONTINUED)
121148-05-01A & 121148-06-01A

KEY	PART NUMBER	U/M	DESCRIPTION	VENDOR NO
	121148-05-01A	EA	PANEL - MONITOR - 2 TANK LOW	
	121148-06-01A	EA	PANEL - MONITOR - 2 PANEL/2 TANK	
	096983-01-700	EA	SWITCH - ON/OFF	L0108-00
	096983-01-701	EA	SWITCH - SPST/MOM 2 TERMINAL	L0111-00
	096983-01-702	EA	SWITCH - MOM/OFF/MOM/3 TERM	L0112-00
	096983-01-703	EA	SWITCH - ON/ON	L0115-00
	100258-10-701	EA	GAUGE-HOUR METER-CLIP ON LCD	L0775-00
	113566-03-702	EA	LABEL	L0451-00
	121148-02-700	EA	BOARD - CIRCUIT	L5099-20

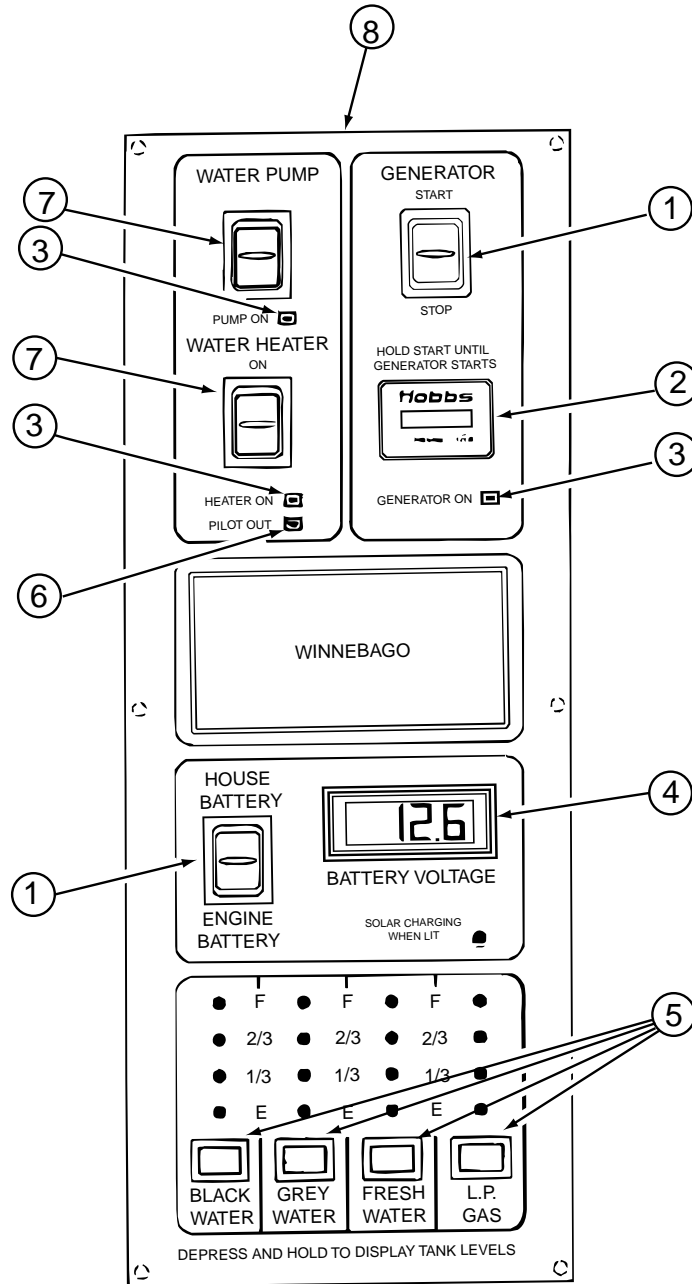
APPLIANCE GROUP (CONTINUED)
APPLIANCES (CONTINUED)



MONITOR PANEL (CONTINUED)
129561-01-01A

KEY	PART NUMBER	U/M	DESCRIPTION	VENT #	VENDOR NO.
1	129561-01-01A	EA	PANEL/MONITOR - READ OUT ONLY - HOLDING/WATER TANK		LA1029-00
2	129561-01-701	EA	CHASSIS SCREENED		C00399
	129561-01-700	EA	PC BOARD		L5097-09
	129561-01-702	EA	LABLE		L0451-00
	129561-01-703	EA	HARNESS		L7694-00

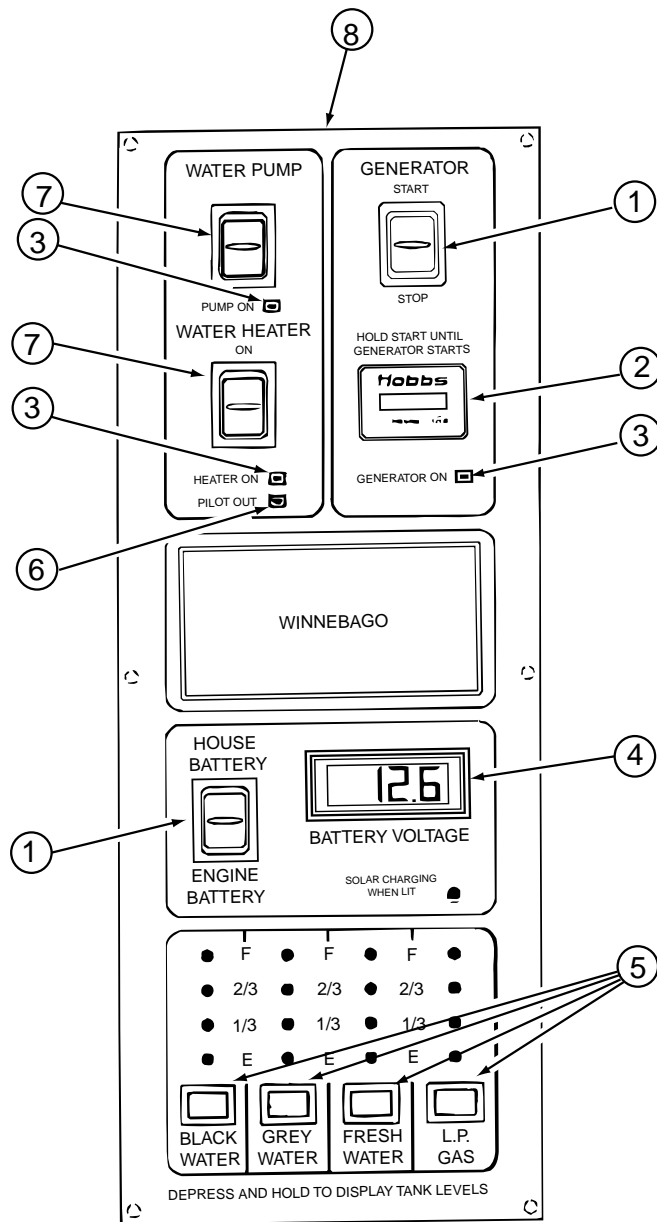
APPLIANCE GROUP (CONTINUED)
APPLIANCES (CONTINUED)



MONITOR PANEL (CONTINUED)
133004-01-01A

KEY	PART NUMBER	U/M	DESCRIPTION	VENTLINE #	VENDOR NO.
	133004-01-01A	EA	PANEL - MONITOR - 2 TANK DIGITAL VOLT METER		LA1040
1	133004-01-702	EA	SWITCH/DPDT MOM=ON-OFF-ON		L1011-00
2	100258-10-701	EA	GAUGE-HOUR METER-CLIP ON LCD		L0775-00
3	133004-01-706	EA	LED - GREEN - PANEL MOUNT		L0785
4	133004-01-704	EA	METER/VOLT-DIGITAL - LCD		L1008-00
5	133004-01-705	EA	SWITCH/SPNO MOM ON-OFF PUSH		L0950-00
6	133004-01-703	EA	LED - RED - PANEL MOUNT		L1009-00
7	133004-01-701	EA	SWITCH/DPDT ON-ON/MAINTAINED		L1025-00
8	133004-01-707	EA	SCREENED CHASSIS		CC0548
	133004-01-700	EA	PC BOARD		L5113-02

APPLIANCE GROUP (CONTINUED)
APPLIANCE (CONTINUED)



MONITOR PANEL (CONTINUED)
133004-02-01A

KEY	PART NUMBER	U/M	DESCRIPTION	VENDOR NO.
	133004-02-01A	EA	PANEL - MONITOR - 2 TANK DIGITAL VOLT METER - SOLAR	
1	133004-01-702	EA	SWITCH/DPDT MOM=ON-OFF-ON	L1011-00
2	100258-10-701	EA	GAUGE-HOUR METER-CLIP ON LCD	L0775-00
3	133004-01-706	EA	LED - GREEN - PANEL MOUNT	L0785
4	133004-01-704	EA	METER/VOLT-DIGITAL - LCD	L1008-00
5	133004-01-705	EA	SWITCH/SPNO MOM ON-OFF PUSH	L0950-00
6	133004-01-703	EA	LED - RED - PANEL MOUNT	L1009-00
7	133004-01-701	EA	SWITCH/DPDT ON-ON/MAINTAINED	L1025-00
8	133004-02-701	EA	SCREENED - CHASSIS	CC0548
	133004-02-700	EA	BOARD - PC	L5113-03

APPLIANCE GROUP (CONTINUED)

APPLIANCES (CONTINUED)

RANGE COVER

126022-01-01A

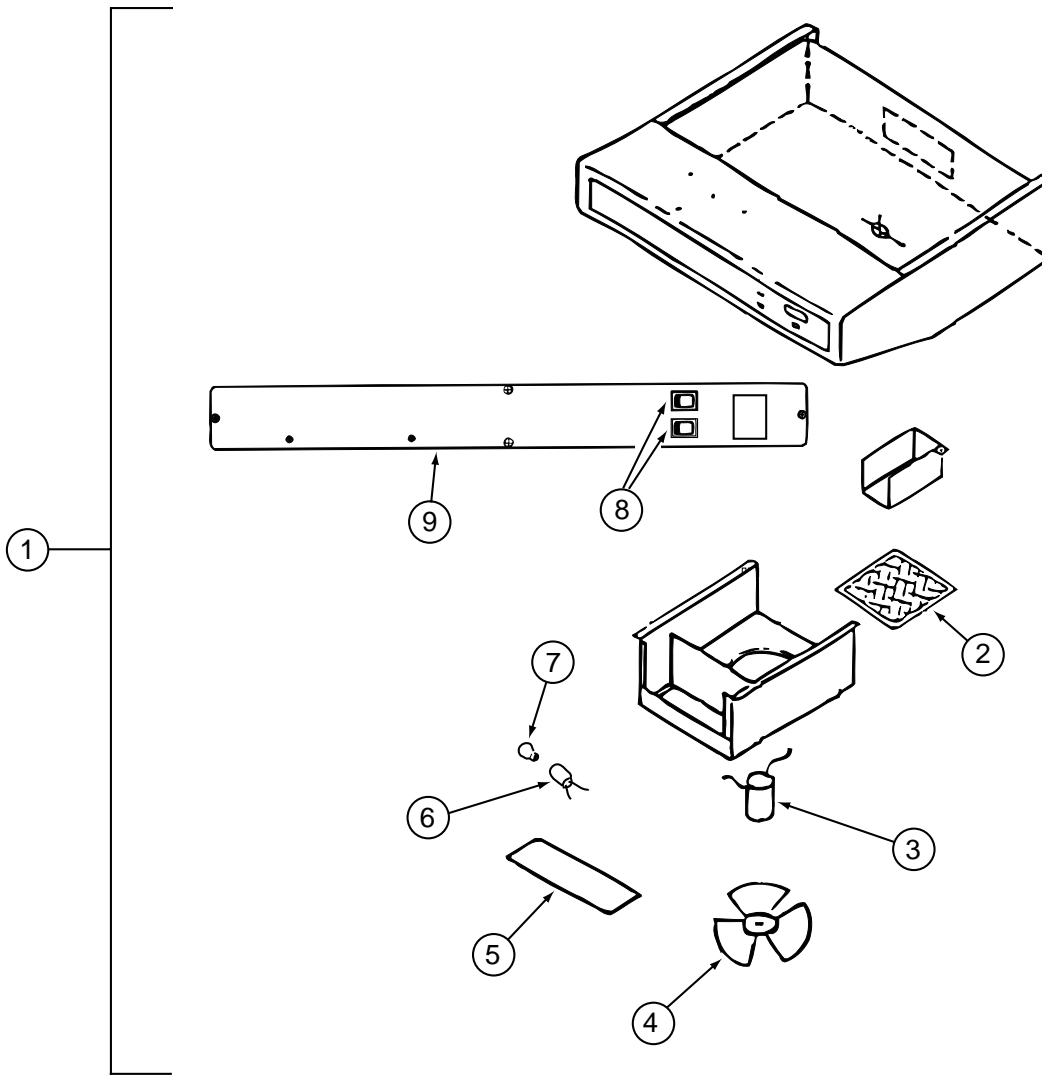
KEY	PART NUMBER	U/M	DESCRIPTION	VENDOR NO.
	126022-01-01A	EA	COVER - RANGE/BI-FOLD - 16" & 22" - BLACK TEXTURED	
	126022-01-700	EA	BUMPER - RANGE BIFOLD COVER MAGIC	8003P007-60
	126022-01-701	EA	HINGE-RANGE BIFOLD COVER-22" MAGIC	3418F067-34

RANGE HOOD

100258-10-01A

KEY	PART NUMBER	U/M	DESCRIPTION	VENDOR NO
	100258-10-01A	EA	GAUGE - HOUR METER W/SWITCH - SCREW ON STYLE	
	096983-01-702	EA	SWITCH - MOM/OFF/MOM/3 TERM	L0112-00
	100258-10-700	EA	GAUGE-HOUR METER, SCREW ON 150	

APPLIANCE GROUP (CONTINUED)
APPLIANCES (CONTINUED)

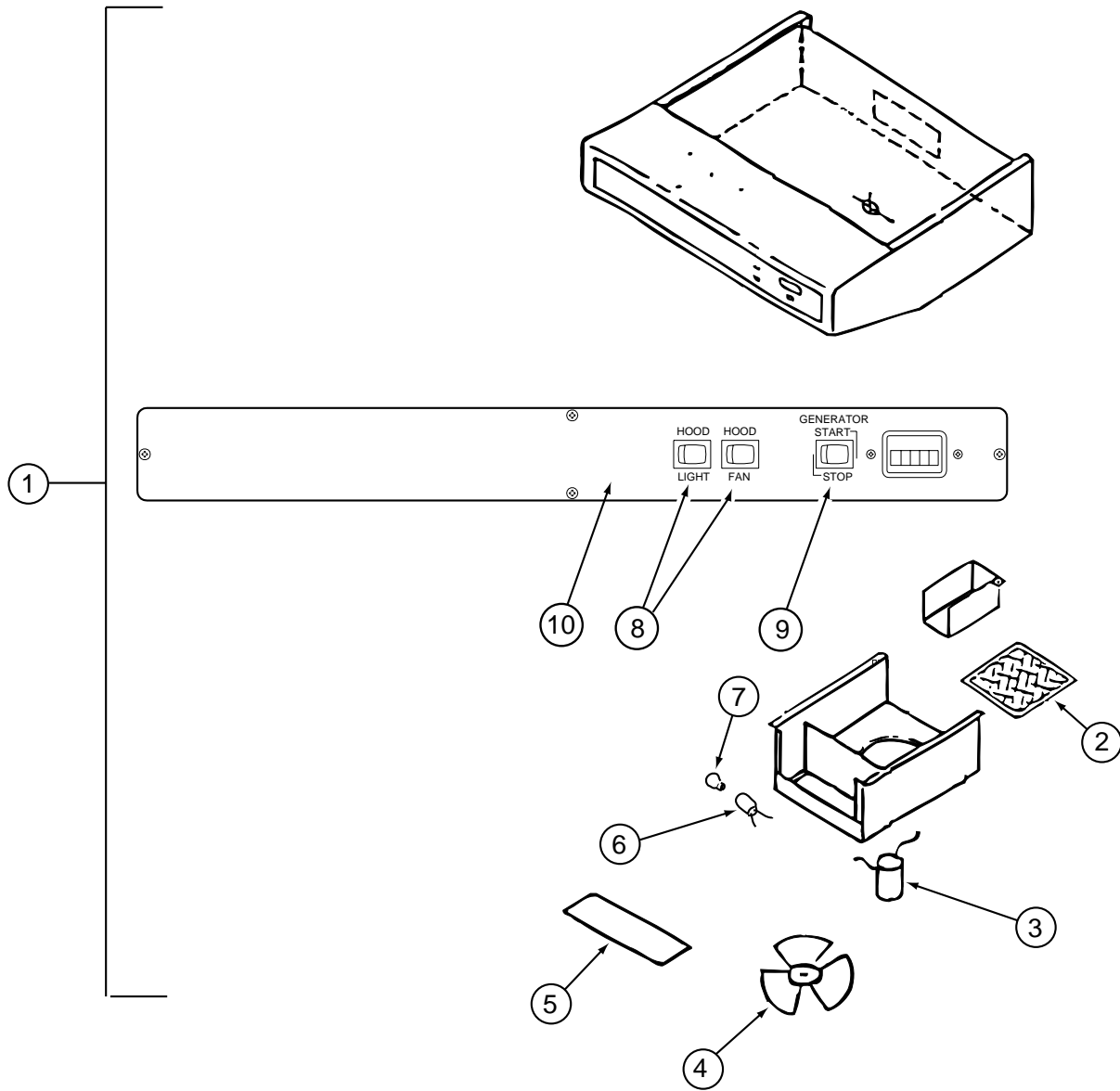


RANGE HOOD (CONTINUED)

100258-16-03A, 100258-16-04A, 100258-17-03A, & 100258-17-04A

KEY	PART NUMBER	U/M	DESCRIPTION	VENDOR NO
1	100258-16-03A	EA	HOOD - RANGE - W/O MONITOR PANEL - W/O HR METER & SWITCH	
1	100258-16-04A	EA	HOOD - RANGE - W/O MONITOR PANEL-W/O HOUR METER/SWITCH-US	
1	100258-17-03A	EA	HOOD - RANGE - W/O MONITOR PANEL - W/O HOUR METER & SWITCH	
1	100258-17-04A	EA	HOOD - RANGE - W/O MONITOR PANEL-W/O HOUR METER/SWITCH-CSA	
2	096983-01-707	EA	FILTER-MESH	CC246
3	090973-01-700	EA	MOTOR-12 VOLT, CSA & UL	CA508-1
4	090973-01-702	EA	BLADE-FAN	VA183-1
5	092696-02-701	EA	LENS-LAMP	CC179-2
6	092696-01-710	EA	HOLDER-LAMP	CB267-2
7	092696-01-709	EA	LAMP #912	VA415
8	096983-01-700	EA	SWITCH - ON/OFF	L0108-00
9	100258-01-700	EA	LABEL-HOOD NOSE	CC428

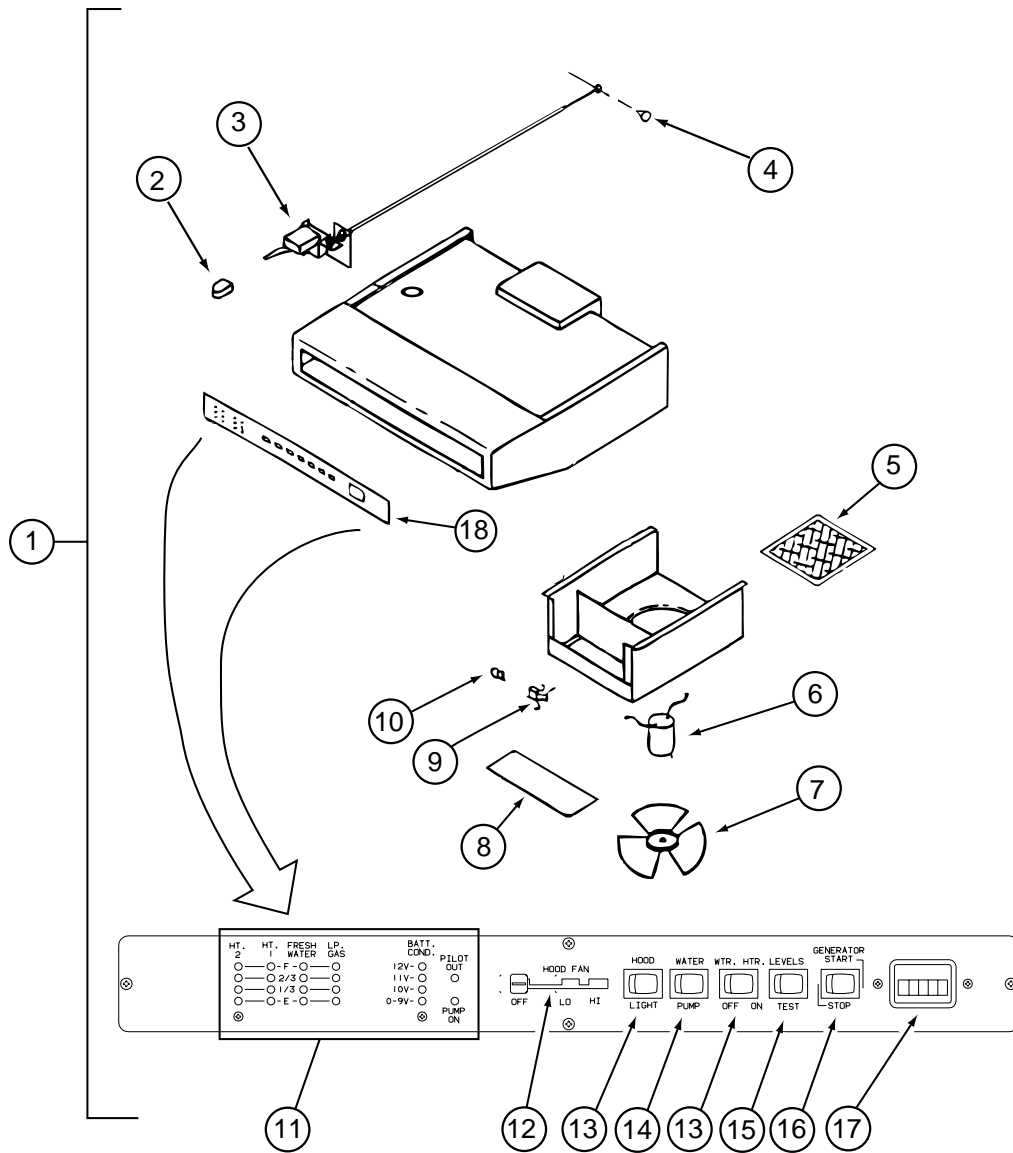
APPLIANCE GROUP (CONTINUED)
APPLIANCES (CONTINUED)



RANGE HOOD (CONTINUED)
100258-18-02A & 100258-18-03A

KEY	PART NUMBER	U/M	DESCRIPTION	VENDOR NO.
1	100258-18-02A	EA	HOOD - RANGE - W/O MONITOR PANEL - W/HOUR METER & SWITCH	
1	100258-18-03A	EA	HOOD - RANGE - W/O MONITOR PANEL-W/HOUR METER/SWITCH - US	
2	096983-01-707	EA	FILTER-MESH	CC246
3	090973-01-700	EA	MOTOR-12 VOLT, CSA & UL	CA508-1
4	090973-01-702	EA	BLADE-FAN	VA183-1
5	092696-02-701	EA	LENS-LAMP	CC179-2
6	092696-01-710	EA	HOLDER-LAMP	CB267-2
7	092696-01-709	EA	LAMP #912	VA415
8	096983-01-700	EA	SWITCH - ON/OFF	L0108-00
9	096983-01-702	EA	SWITCH - MOM/OFF/MOM/3 TERM	L0112-00
10	100258-01-700	EA	LABEL-HOOD NOSE	CC428
10	100258-18-700	EA	SCREENED INSERT PANEL	

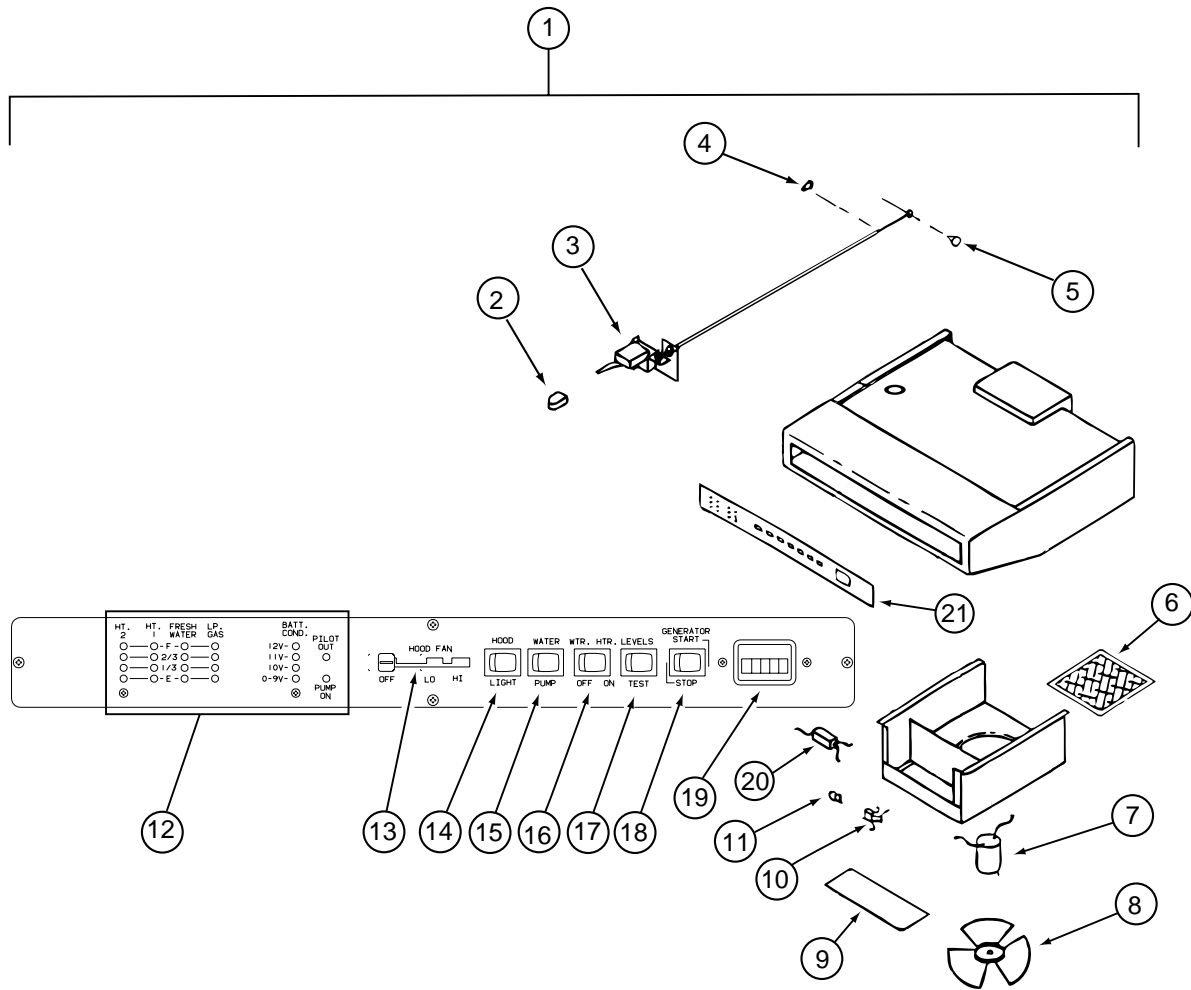
APPLIANCE GROUP (CONTINUED)
APPLIANCES (CONTINUED)



RANGE HOOD (CONTINUED)
100258-22-03A

KEY	PART NUMBER	U/M	DESCRIPTION	VENDOR NO.
1	100258-22-03A	EA	HOOD - RANGE - 22" - W/MONITOR PANEL	
2	092696-01-701	EA	KNOB-PLASTIC	CC 225
3	100258-04-702	EA	SWITCH - LEVER - W/CABLE	CB547-1
4	092698-02-700	EA	FASTENER - PUSH	VB430
5	096983-01-707	EA	FILTER-MESH	CC246
6	090973-01-700	EA	MOTOR-12 VOLT, CSA & UL	CA508-1
7	090973-01-702	EA	BLADE-FAN	VA183-1
8	092696-02-701	EA	LENS-LAMP	CC179-2
9	092696-01-710	EA	HOLDER-LAMP	CB267-2
10	092696-01-709	EA	LAMP #912	VA415
11	100258-11-700	EA	BOARD-CIRCUIT	L5099-01
12	100258-04-701	EA	BEZEL-SWITCH LEVER	CC116
13	096983-01-700	EA	SWITCH - ON/OFF	L0108-00
14	096983-01-703	EA	SWITCH - ON/ON	L0115-00
15	096983-01-701	EA	SWITCH - SPST/MOM 2 TERMINAL	L0111-00
16	096983-01-702	EA	SWITCH - MOM/OFF/MOM/3 TERM	L0112-00
17	100258-10-700	EA	GAUGE-HOUR METER, SCREW ON	15018
	100258-12-700	EA	PANEL-CONTROL ASSEMBLY	LA9076
	075470-01-703	EA	SWITCH - ON/MOMENTARY	RP1016
	092696-01-702	EA	RESISTER-WIRE	L7314

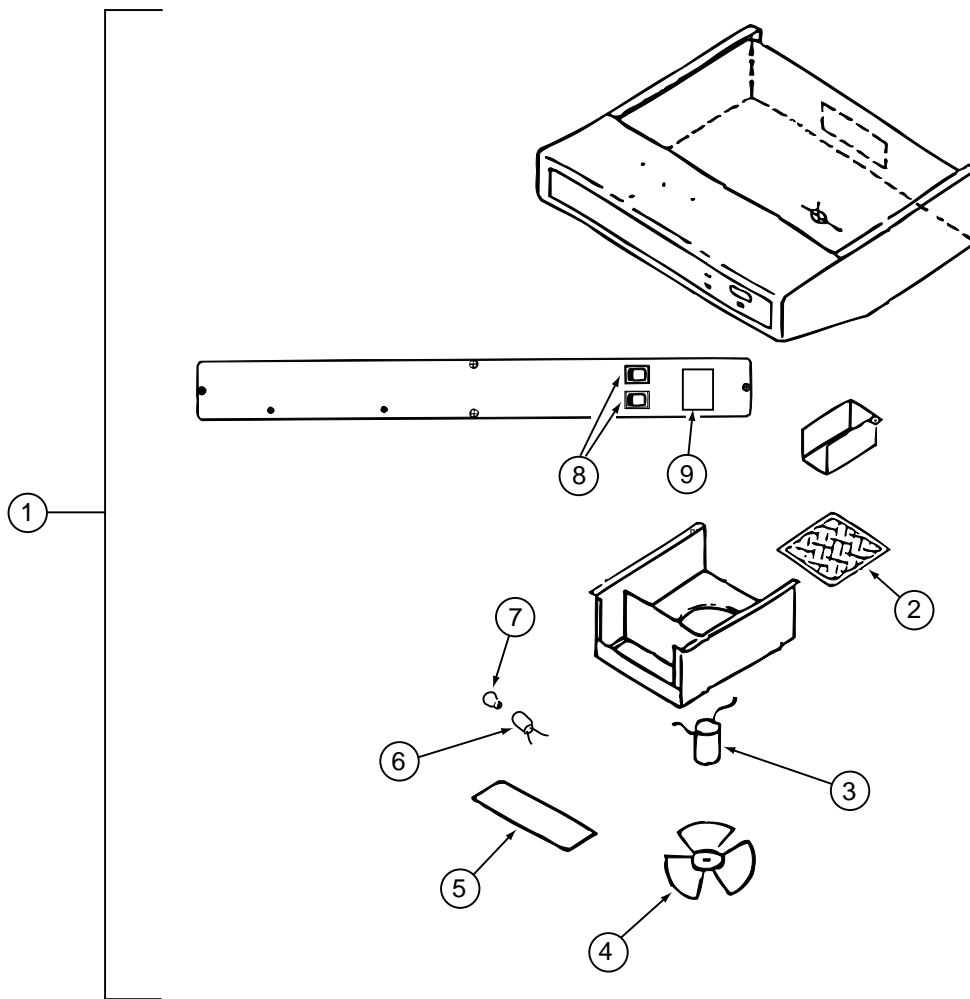
APPLIANCE GROUP (CONTINUED)
APPLIANCES (CONTINUED)



RANGE HOOD (CONTINUED)
100258-23-03A

KEY	PART NUMBER	U/M	DESCRIPTION	VENDOR NO.
1	100258-23-03A	EA	HOOD - RANGE - 22" - W/MONITOR PANEL	
2	092696-01-701	EA	KNOB-PLASTIC	CC 225
3	100258-04-702	EA	SWITCH - LEVER - W/CABLE	CB547-1
4	092698-02-701	EA	CLAMP-CONDUIT	VB334
5	092698-02-700	EA	FASTENER - PUSH	VB430
6	096983-01-707	EA	FILTER-MESH	CC246
7	090973-01-700	EA	MOTOR-12 VOLT, CSA & UL	CA508-1
8	090973-01-702	EA	BLADE-FAN	VA183-1
9	092696-02-701	EA	LENS-LAMP	CC179-2
10	092696-01-710	EA	HOLDER-LAMP	CB267-2
11	092696-01-709	EA	LAMP #912	VA415
12	100258-11-700	EA	BOARD-CIRCUIT	L5099-01
13	100258-04-701	EA	BEZEL-SWITCH LEVER	CC116
14	096983-01-700	EA	SWITCH - ON/OFF	L0108-00
15	096983-01-703	EA	SWITCH - ON/ON	L0115-00
16	096983-01-700	EA	SWITCH - ON/OFF	L0108-00
17	075470-01-703	EA	SWITCH - ON/MOMENTARY	RP1016
18	096983-01-702	EA	SWITCH - MOM/OFF/MOM/3 TERM	L0112-00
19	100258-10-700	EA	GAUGE-HOUR METER, SCREW ON 150	
20	092696-01-702	EA	RESISTER-WIRE	L7314
21	100258-12-700	EA	PANEL-CONTROL ASSEMBLY	LA9076

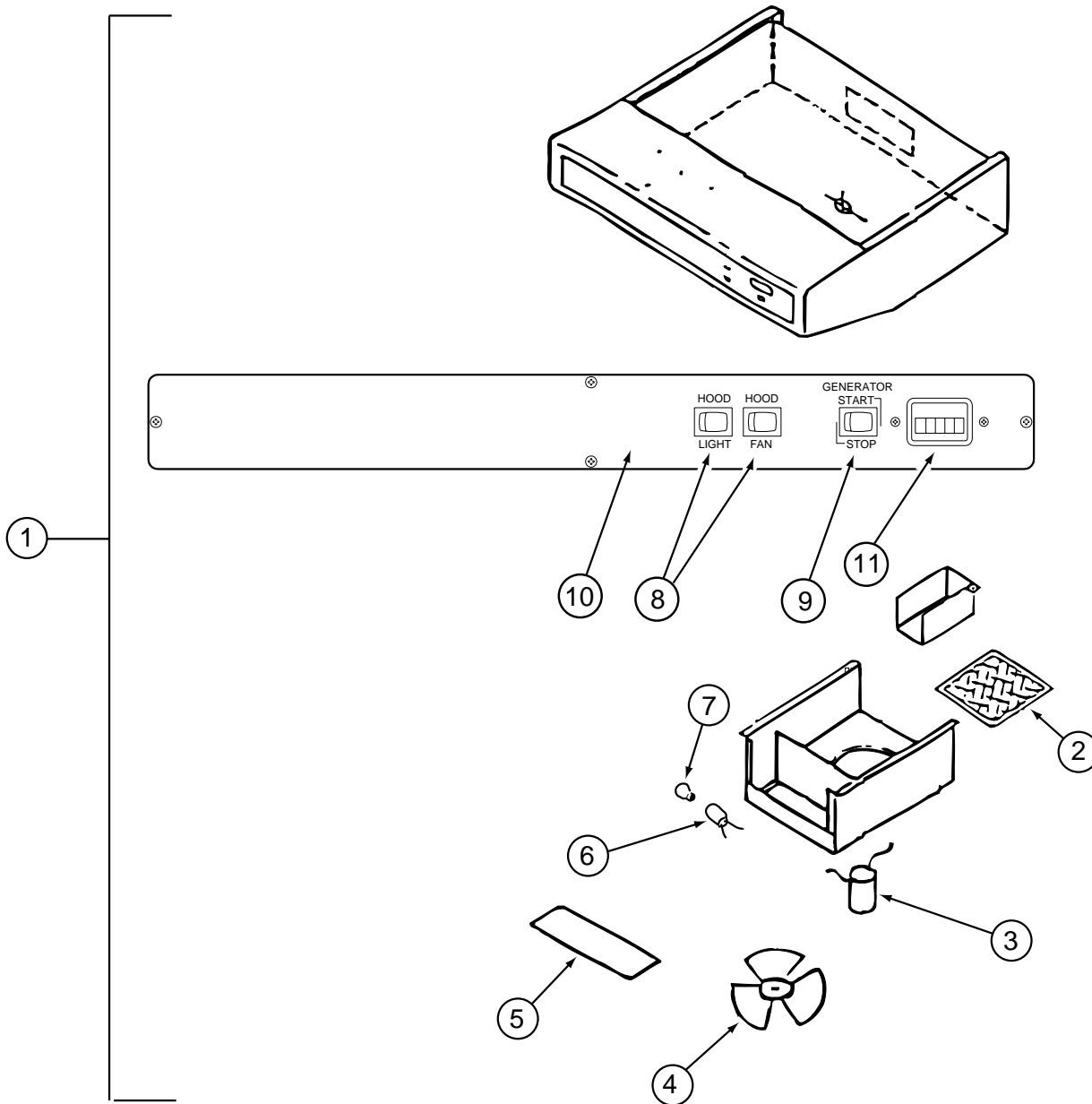
APPLIANCE GROUP (CONTINUED)
APPLIANCES (CONTINUED)



RANGE HOOD (CONTINUED)
100258-31-01A & 100258-32-01A

KEY	PART NUMBER	U/M	DESCRIPTION	VENDOR NO.
1	100258-31-01A	EA	HOOD - RANGE - 22" - W/O MONITOR PANEL/HOUR METER	
1	100258-32-01A	EA	HOOD - RANGE - 22" - W/O MONITOR PANEL/HOUR METER	VENT TCR 5041 NAACL
2	100258-05-700	EA	FILTER-CHARCOAL	CC248
3	090973-01-700	EA	MOTOR-12 VOLT, CSA & UL	CA508-1
4	090973-01-702	EA	BLADE-FAN	VA183-1
5	092696-02-701	EA	LENS-LAMP	CC179-2
6	092696-01-710	EA	HOLDER-LAMP	CB267-2
7	092696-01-709	EA	LAMP #912	VA415
8	096983-01-700	EA	SWITCH - ON/OFF	L0108-00
8	096983-01-702	EA	SWITCH - MOM/OFF/MOM/3 TERM	L0112-00
9	097944-03-700	EA	PLATE-COVER, HOUR METER	L6052

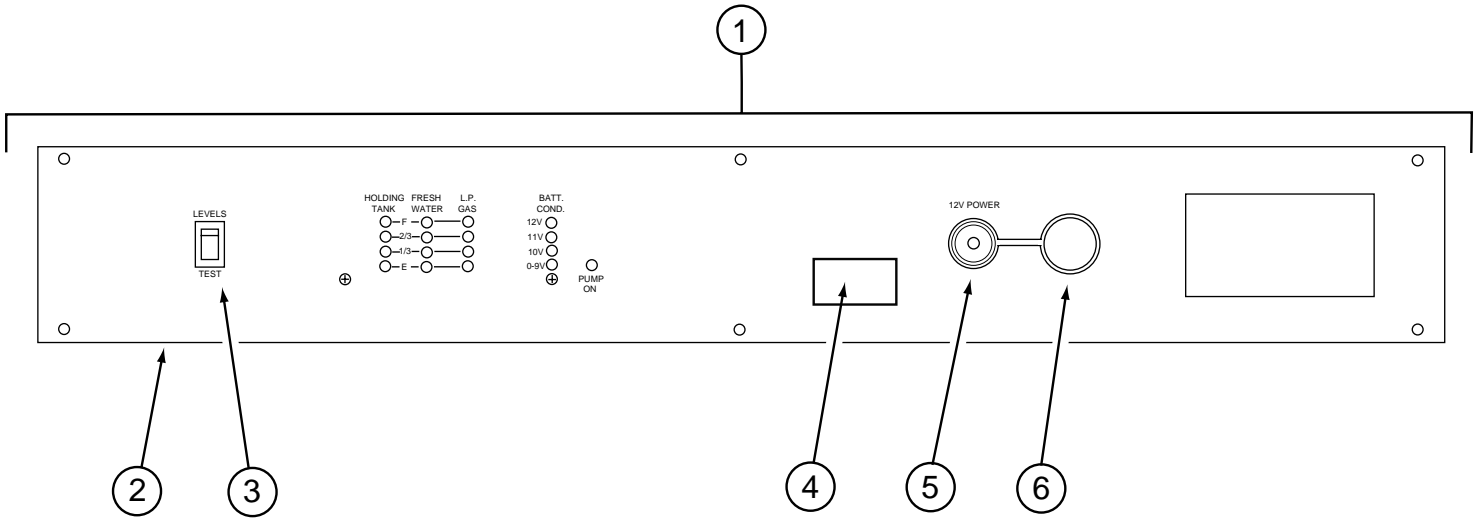
APPLIANCE GROUP (CONTINUED)
APPLIANCES (CONTINUED)



RANGE HOOD (CONTINUED)
100258-33-01A

KEY	PART NUMBER	U/M	DESCRIPTION	VENDOR NO.
1	100258-33-01A	EA	HOOD - RANGE - 22" - W/O MONITOR PANEL - W/HOUR METER	
2	100258-05-700	EA	FILTER-CHARCOAL	CC248
3	090973-01-700	EA	MOTOR-12 VOLT, CSA & UL	CA508-1
4	090973-01-702	EA	BLADE-FAN	VA183-1
5	092696-02-701	EA	LENS-LAMP	CC179-2
6	092696-01-709	EA	LAMP #912	VA415
7	092696-01-710	EA	HOLDER-LAMP	CB267-2
8	096983-01-700	EA	SWITCH - ON/OFF	L0108-00
9	096983-01-702	EA	SWITCH - MOM/OFF/MOM/3 TERM	L0112-00
10	100258-18-700	EA	SCREENED INSERT PANEL	CB 0566
11	100258-10-01A	EA	GAUGE - HOUR METER W/SWITCH - LCD - SCREW ON STYLE	

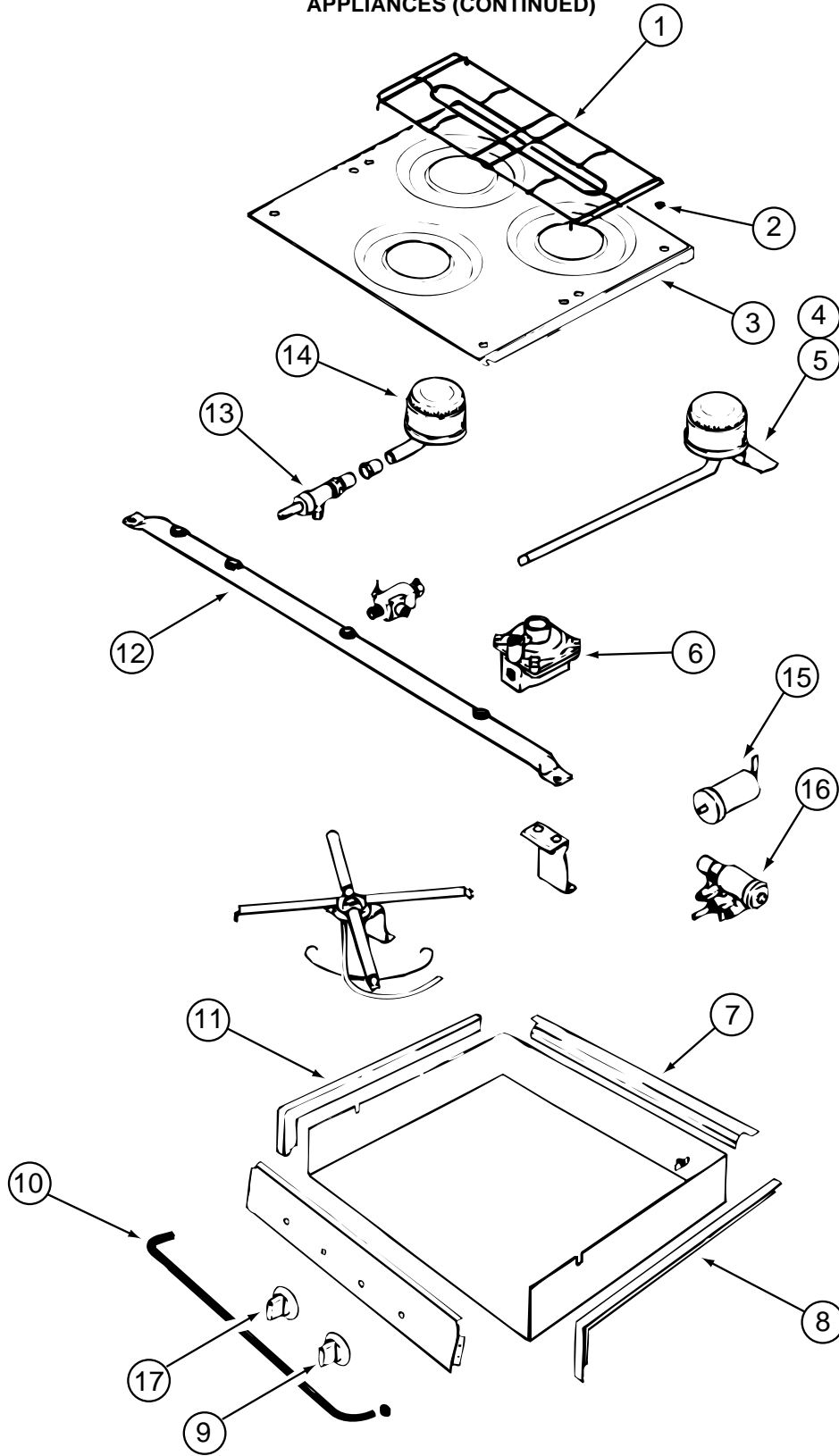
APPLIANCE GROUP (CONTINUED)
APPLIANCES (CONTINUED)



RANGE HOOD (CONTINUED)
113566-03-01A

KEY	PART NUMBER	U/M	DESCRIPTION	VENDOR NO.
1	113566-03-01A	EA	PANEL - MONITOR - 1 TANK VENTLINE	LA1032-OO
2	113566-03-703	EA	SILKSCREENED CHASSIS	CD0438-00
3	113566-01-707	EA	SWITCH - OFF/MOM	L0111-00
4	113566-03-702	EA	LABEL	L0451-00
5	113566-03-705	EA	RECEPTACLE - 12V	L0444-01
6	113566-03-704	EA	CAP - RUBBER 12V RECEPTACLE	L0444-02
	113566-03-700	EA	HARNESS	L7702-00
	113566-03-701	EA	PC BOARD	L5099-122

APPLIANCE GROUP (CONTINUED)
APPLIANCES (CONTINUED)

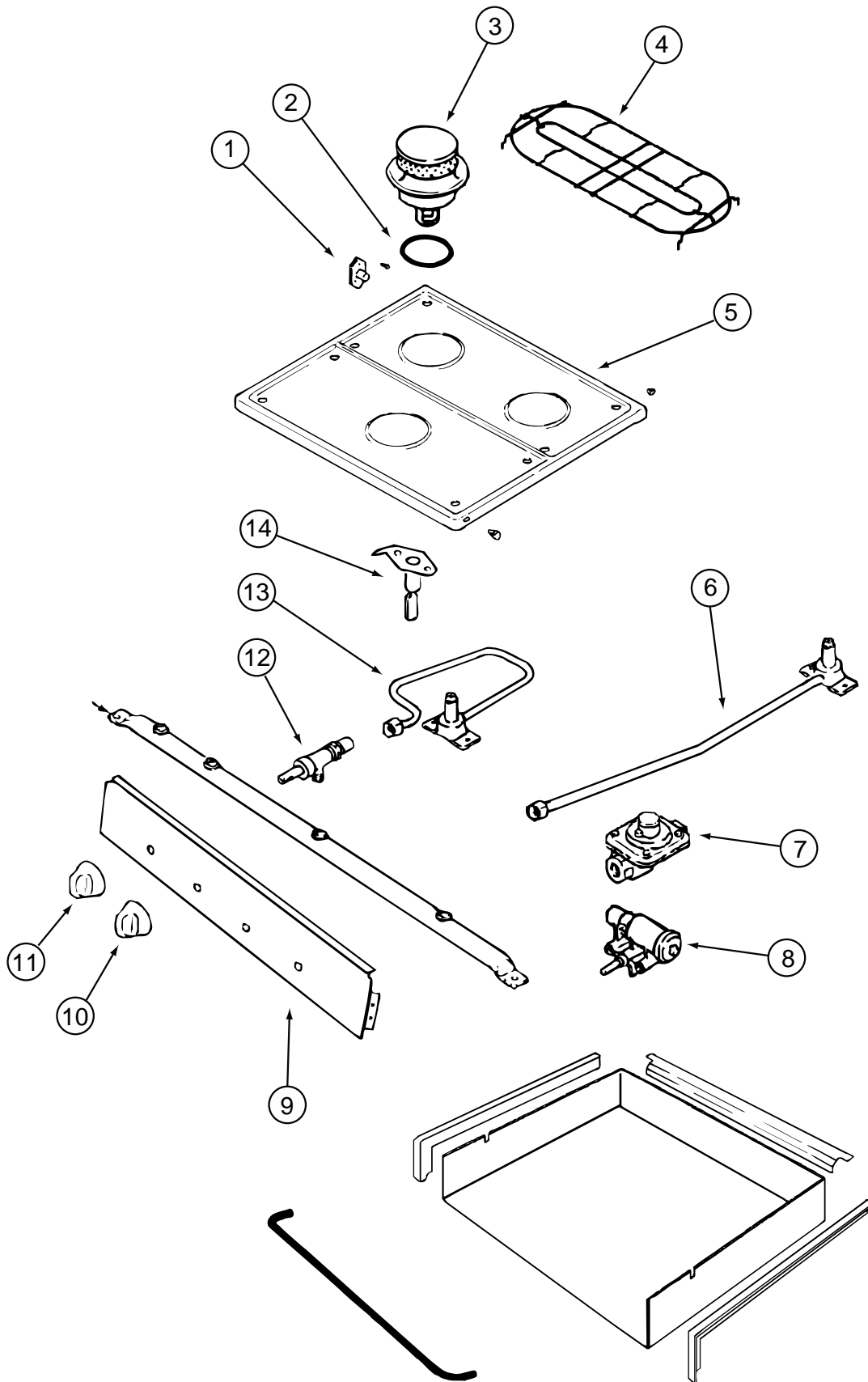


RANGE TOP
114030-02-01A & 114030-03-01A

APPLIANCE GROUP (CONTINUED)**APPLIANCES (CONTINUED)****RANGE TOP (CONTINUED)****114030-02-01A & 114030-03-01A (CONTINUED)**

KEY	PART NUMBER	U/M	DESCRIPTION	VENDOR NO.
	114030-02-01A	EA	RANGE - 3 BURNER TOP - W/O OVEN - BLACK	
	114030-03-01A	EA	RANGE - 3 BURNER TOP - W/O OVEN - BLACK - CSA	
1	126023-01-703	EA	GRATE - TOP	74003358
2	102020-01-709	EA	BUMPER - GRATE	8007-P020-60
3	126023-01-706	EA	TOP - MAIN (WHITE)	74003322
3	126023-01-707	EA	TOP - MAIN (BLACK)	74003323
3	126023-01-708	EA	TOP - MAIN (ALMOND)	74003324
4	126023-01-700	EA	BURNER - TOP (RT-REAR)	7505P195-60
5	126023-01-701	EA	BURNER - TOP (LT-REAR)	7505P196-60
6	102020-01-729	EA	REGULATOR - PRESSURE	7510P043-60
7	114030-01-706	EA	TRIM - REAR/BLACK TEXTURED	74002841
8	114030-01-704	EA	TRIM - RIGHT/BLACK TEXTURED	74002839
9	126023-01-720	EA	KNOB - IGNITER	74002414
10	114030-02-700	EA	GUARD/FABRIC - TOWEL BAR	3609F006-70
11	114030-01-705	EA	TRIM - LEFT/BLACK TEXTURED	74002840
12	126023-01-705	EA	PIPE - MANIFOLD	7513P161-60
13	126023-01-709	EA	VALVE - BURNER (REAR)	74003348
13	126023-01-710	EA	VALVE - BURNER (FRONT)	74003349
14	126023-01-702	EA	BURNER - TOP (FRONT)	7505P144-60
15	126023-01-711	EA	ELECTRODE - IGNITER	7432P077-60
16	126023-01-719	EA	IGNITER - TOP BURNER	74002413
17	112881-01-705	EA	KNOB - TOP BURNER	733P072-60
17	112881-01-718	EA	KNOB - TOP BURNER HI-OUTPUT	74001794
	126023-01-735	EA	KIT-IGNITOR TOP BRNER & KNOB	12001296=74002413&
	128728-01-703	EA	T-NUT - F/HINGE	7103P109-60

APPLIANCE GROUP (CONTINUED)
APPLIANCES (CONTINUED)



RANGE TOP (CONTINUED)
128728-01-01A & 128728-02-01A

APPLIANCE GROUP (CONTINUED)

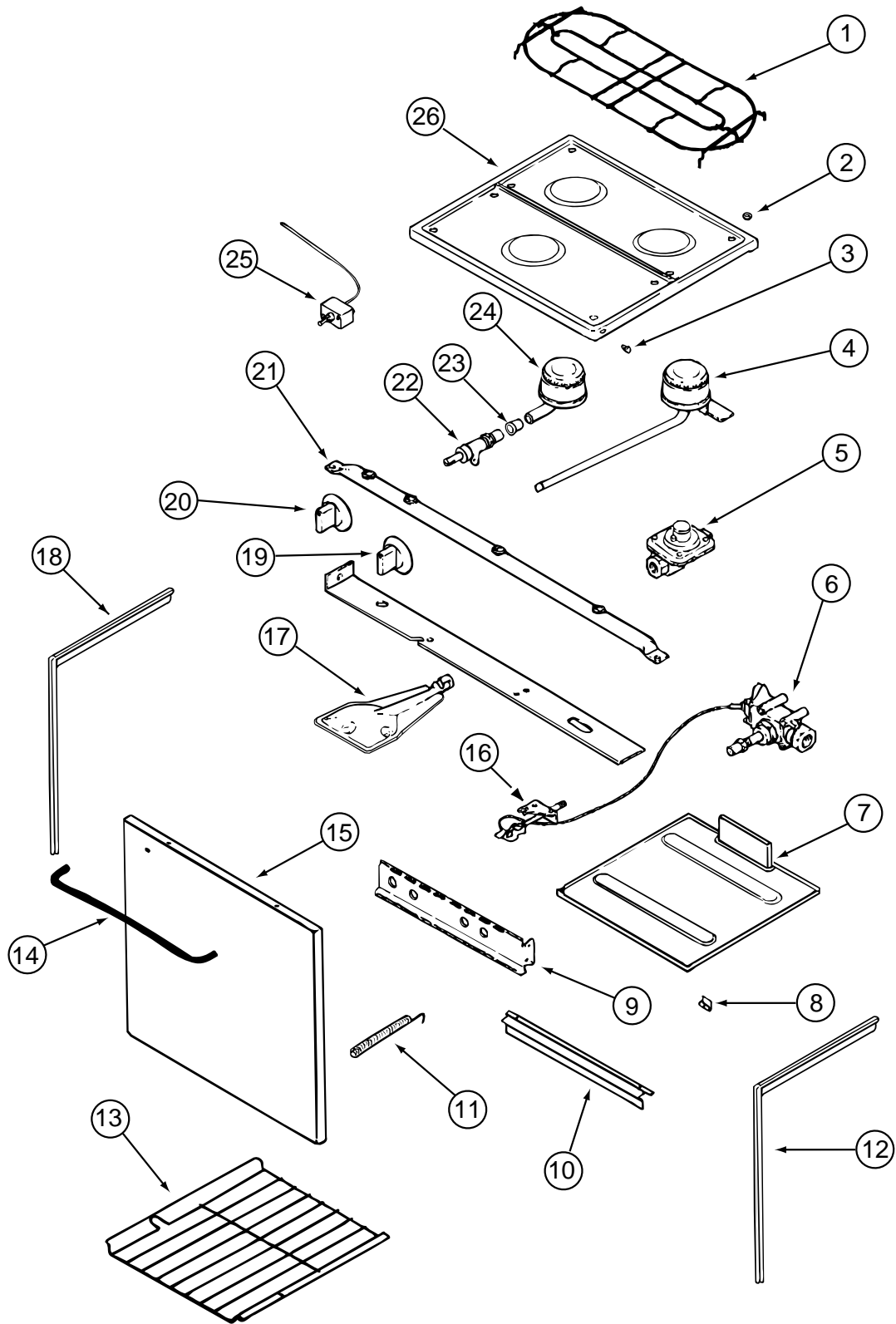
APPLIANCES (CONTINUED)

RANGE TOP (CONTINUED)

128728-01-01A & 128728-02-01A (CONTINUED)

KEY	PART NUMBER	U/M	DESCRIPTION	VENDOR NO.
	128728-01-01A	EA	RANGE - 3 BURNER W/O OVEN - BLACK	
	128728-02-01A	EA	RANGE - 3 BURNER/SEALED - W/O OVEN - BLACK - CSA	
1	128728-01-703	EA	T-NUT - F/HINGE	7103P109-60
2	128728-01-711	EA	GASKET - BURNER	74002745
3	128728-01-715	EA	BURNER ASSEMBLY	74003949
4	128728-01-700	EA	GRATE - BURNER	74003948
5	128728-01-705	EA	TOP - MAIN - BLACK	74003928
5	128728-01-706	EA	TOP - MAIN - WHITE	74003955
6	128728-01-708	EA	FITTING - ORFICE TUBE	74003931
7	128728-01-712	EA	FITTING - HALF UNION	7507P083-60
8	128728-01-716	EA	BURNER - IGNITOR	74003946
9	128728-01-704	EA	PANEL - MANIFOLD	74003957
10	128728-01-707	EA	KNOB - IGNITOR	74003944
11	128728-01-701	EA	KNOB - BURNER - REAR	74003941
11	128728-01-702	EA	KNOB - BURNER - FRONT	74003942
12	128728-01-713	EA	VALVE - BURNER - REAR	74003932
12	128728-01-714	EA	VALVE - BURNER - FRONT	74003933
13	128728-01-710	EA	FITTING - ORFICE TUBE - FRT	74003930
14	128728-01-709	EA	ELECTRODE - IGNITOR	7432P073-60

APPLIANCE GROUP (CONTINUED)
APPLIANCES (CONTINUED)



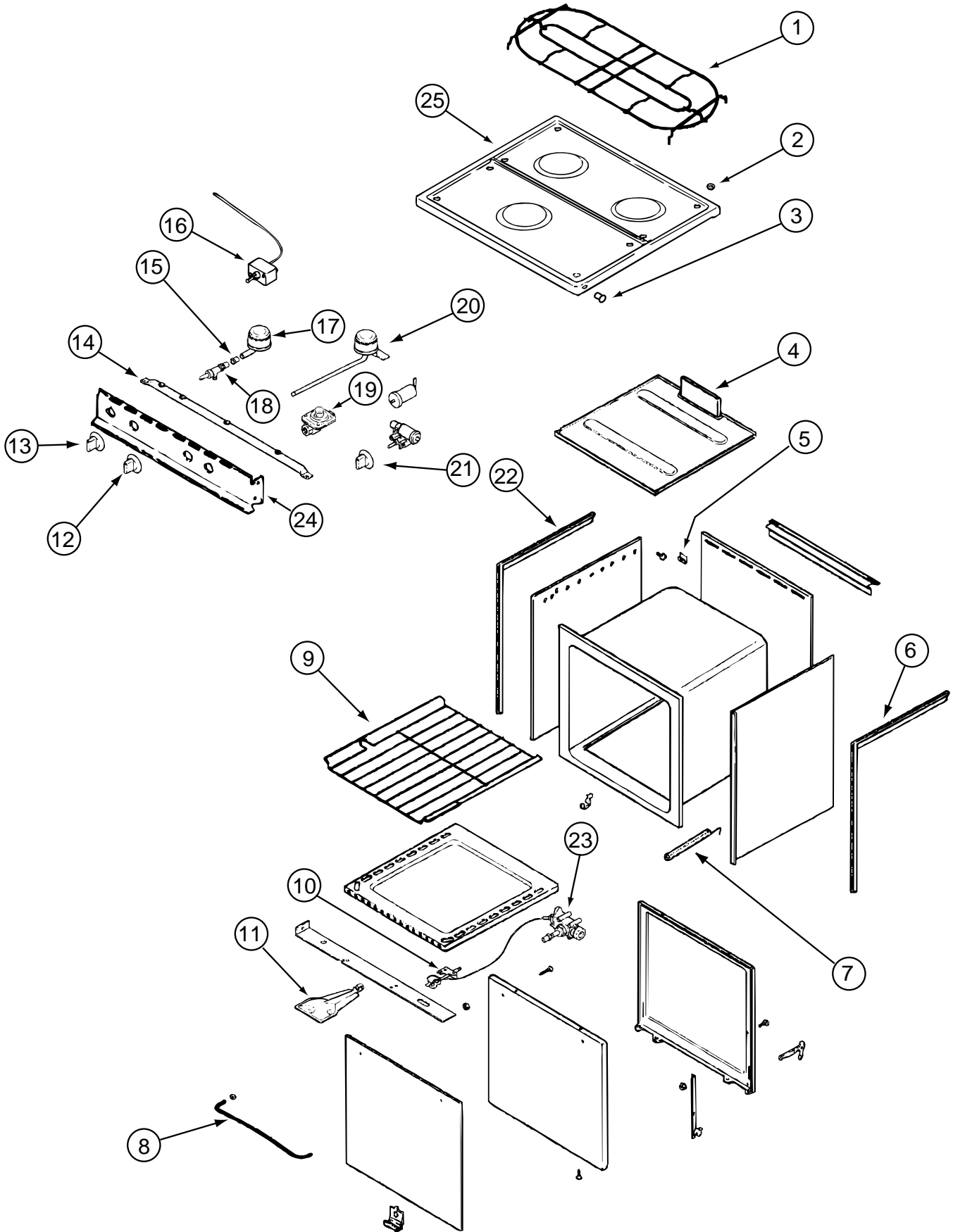
RANGE - W/OVEN
112881-02-02A

APPLIANCE GROUP (CONTINUED)

APPLIANCES (CONTINUED) RANGE - W/OVEN (CONTINUED) 112881-02-02A (CONTINUED)

KEY	PART NUMBER	U/M	DESCRIPTION	VENDOR NO.
	112881-02-02A	EA	RANGE - 16" - 3 BURNER - ALMOND/BLACK TEXTURED DOOR	M'CHEF CLY 1631BDL
1	126023-01-703	EA	GRATE - TOP	74003358
2	102020-01-709	EA	BUMPER-GRATE	8007-P020-60
3	102020-01-724	EA	BUMPER-MAIN TOP	8003P008-60
4	112881-01-717	EA	BURNER, TOP REAR	7505P181-60
5	102022-01-708	EA	REGULATOR, 1/4 & 1/2 OUT	7510P04160/12001285
6	112881-02-700	EA	VALVE - OVEN	7501P056-60
7	126023-01-718	EA	FLUE BOX ASSEMBLY	4006W075-80
8	112881-02-701	EA	CLIP - MAIN TOP (REAR)	7112P071-60
9	126023-01-715	EA	PANEL - MANIFOLD	74003350
10	112881-01-721	EA	DEFLECTOR FLUE BLACK TEXTURE	74002809
11	112881-02-702	EA	SPRING - OVEN DOOR	7803P051-60
12	112881-01-720	EA	TRIM-FLAT RH BLACK TEXTURED	74002812
13	126023-01-716	EA	RACK - OVEN	74003106
	126023-01-731	EA	BOTTOM - OVEN	2205F016-19
	126023-01-732	EA	SEAL/OVEN DR TOP	7212P014-60
	126023-01-733	EA	SEAL/OVEN DR SIDES(2PCS)	7212P038-60
	128728-01-703	EA	T-NUT - F/HINGE	7103P109-60
	128728-01-712	EA	FITTING - HALF UNION	7507P083-60
14	102020-01-701	EA	HANDLE,DOOR	7701P092-60
14	126023-01-704	EA	KNOB - THERMOSTAT	7731P109-60
15	112881-01-713	EA	DOOR-OVEN-TEXTURED, BLACK	2401F126-70
16	102020-01-714	EA	PILOT-OVEN	968-143
17	126023-01-717	EA	BURNER - OVEN	74003343
18	112881-01-719	EA	TRIM-FLAT LH BLACK TEXTURED	74002813
19	112881-01-705	EA	KNOB-TOP BURNER	7733P072-60
19	112881-01-718	EA	KNOB - TOP BURNER HI-OUTPUT	74001794
21	126023-01-705	EA	PIPE - MANIFOLD	7513P161-60
22	126023-01-709	EA	VALVE - BURNER (REAR)	74003348
22	112881-02-703	EA	BURNER - FRONT HIGH OUTPUT	7505P142-60
23	098507-02-701	EA	INSERT-BURNER, SLOTTED VENT	7214P015-60
24	126023-01-710	EA	VALVE - BURNER (FRONT)	74003349
25	112881-01-722	EA	THERMOSTAT SER.# CHECK 12/13	7515P029-60K
26	112881-01-712	EA	RANGE TOP-MAIN BLACK	740101486
26	126023-01-707	EA	TOP - MAIN (BLACK)	74003323
26	126023-01-708	EA	TOP - MAIN (ALMOND)	74003324

APPLIANCE GROUP (CONTINUED)
APPLIANCES (CONTINUED)



RANGE - W/OVEN (CONTINUED)
112881-02-03A

APPLIANCE GROUP (CONTINUED)

APPLIANCES (CONTINUED) RANGE - W/OVEN (CONTINUED) 112881-02-03A (CONTINUED)

KEY	PART NUMBER	U/M	DESCRIPTION	VENDOR NO.
	112881-02-03A	EA	RANGE - 16" - 3 BURNER - ALMOND/BLACK TEXTURED DOOR	M'CHEF CLY 1631BDL
1	126023-01-703	EA	GRATE - TOP	74003358
2	102020-01-709	EA	BUMPER-GRATE	8007-P020-60
3	102020-01-724	EA	BUMPER-MAIN TOP	8003P008-60
4	126023-01-718	EA	FLUE BOX ASSEMBLY	4006W075-80
5	112881-02-701	EA	CLIP - MAIN TOP (REAR)	7112P071-60
6	112881-01-720	EA	TRIM-FLAT RH BLACK TEXTURED	4002812
7	112881-02-702	EA	SPRING - OVEN DOOR	7803P051-60
8	102020-01-701	EA	HANDLE,DOOR	7701P092-60
9	126023-01-716	EA	RACK - OVEN	74003106
10	102020-01-714	EA	PILOT-OVEN	968-143
	112881-01-713	EA	DOOR-OVEN-TEXTURED, BLACK	2401F126-70
	112881-01-721	EA	DEFLECTOR FLUE BLACK TEXTURE	74002809
	126023-01-731	EA	BOTTOM - OVEN	2205F016-19
	126023-01-732	EA	SEAL/OVEN DR TOP	7212P014-60
	126023-01-733	EA	SEAL/OVEN DR SIDES(2PCS)	7212P038-60
	128728-01-703	EA	T-NUT - F/HINGE	7103P109-60
	128728-01-712	EA	FITTING - HALF UNION	7507P083-60
11	126023-01-717	EA	BURNER - OVEN	74003343
12	112881-01-718	EA	KNOB - TOP BURNER HI-OUTPUT	74001794
12	112881-01-705	EA	KNOB-TOP BURNER	7733P072-60
13	126023-01-704	EA	KNOB - THERMOSTAT	7731P109-60
14	126023-01-705	EA	PIPE - MANIFOLD	7513P161-60
15	098507-02-701	EA	INSERT-BURNER, SLOTTED VENT	7214P015-60
16	112881-01-722	EA	THERMOSTAT SER.# CHECK 12/13	7515P029-60K
17	112881-02-703	EA	BURNER - FRONT HIGH OUTPUT	7505P142-60
17	126023-01-710	EA	VALVE - BURNER (FRONT)	74003349
18	126023-01-709	EA	VALVE - BURNER (REAR)	74003348
19	102022-01-708	EA	REGULATOR, 1/4 & 1/2 OUT	7510P04160/12001285
20	112881-01-717	EA	BURNER, TOP REAR	7505P181-60
22	112881-01-719	EA	TRIM-FLAT LH BLACK TEXTURED	74002813
23	112881-02-700	EA	VALVE - OVEN	7501P056-60
24	126023-01-715	EA	PANEL - MANIFOLD	74003350
25	126023-01-707	EA	TOP - MAIN (BLACK)	74003323
25	126023-01-708	EA	TOP - MAIN (ALMOND)	74003324
25	112881-01-712	EA	RANGE TOP-MAIN BLACK	740101486

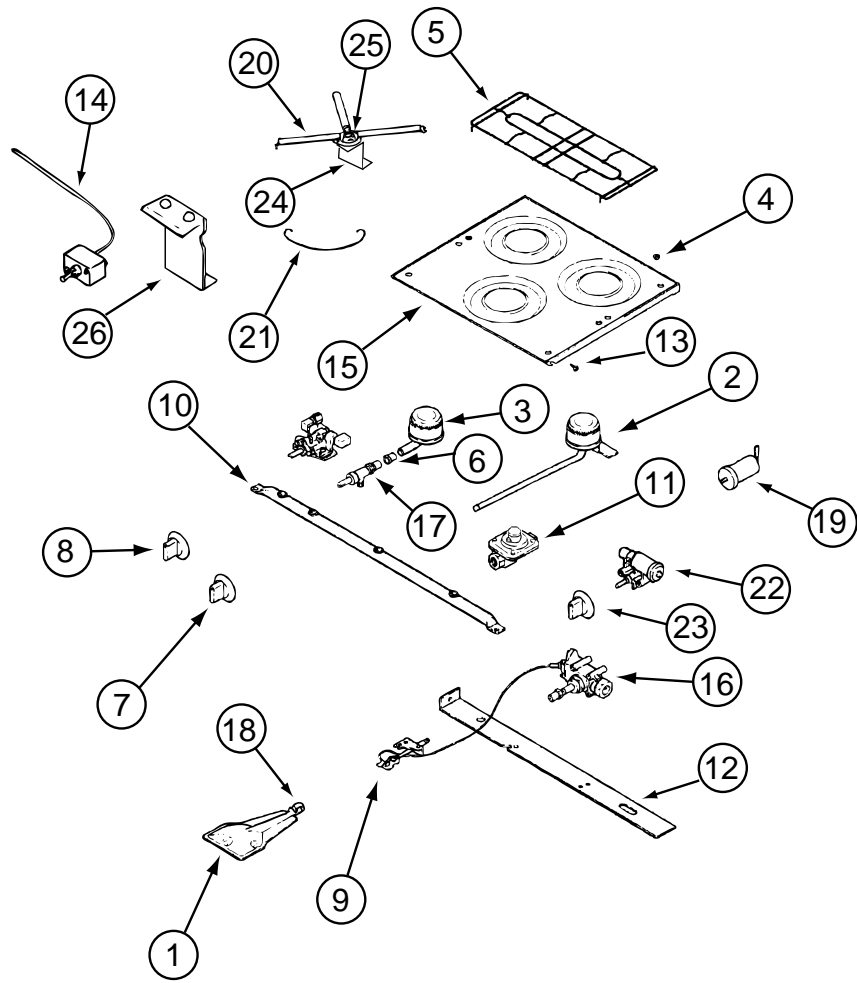
APPLIANCE GROUP (CONTINUED)**APPLIANCES (CONTINUED)
RANGE - W/OVEN (CONTINUED)
112881-02-04A**

KEY	PART NUMBER	U/M	DESCRIPTION	VENDOR NO.
	112881-02-04A	EA	RANGE - 16" - 3 BURNER - FRONT HI-OUTPUT BURNER - BISQUE M'CHEF CLY1631BDQ	
	098507-02-701	EA	INSERT-BURNER, SLOTTED VENT	7214P015-60
	102020-01-701	EA	HANDLE,DOOR	7701P092-60
	102020-01-709	EA	BUMPER-GRATE	8007-P020-60
	102020-01-714	EA	PILOT-OVEN	968-143
	102020-01-724	EA	BUMPER-MAIN TOP	8003P008-60
	102022-01-708	EA	REGULATOR, 1/4 & 1/2 OUT	7510P04160/12001285
	112881-01-705	EA	KNOB-TOP BURNER	7733P072-60
	112881-01-713	EA	DOOR-OVEN-TEXTURED, BLACK	2401F126-70
	112881-01-717	EA	BURNER, TOP REAR	7505P181-60
	112881-01-718	EA	KNOB - TOP BURNER HI-OUTPUT	74001794
	112881-01-719	EA	TRIM-FLAT LH BLACK TEXTURED	74002813
	112881-01-720	EA	TRIM-FLAT RH BLACK TEXTURED	74002812
	112881-01-721	EA	DEFLECTOR FLUE BLACK TEXTURE	74002809
	112881-01-722	EA	THERMOSTAT SER.# CHECK 12/13	7515P029-60K
	112881-02-700	EA	VALVE - OVEN	7501P056-60
	112881-02-701	EA	CLIP - MAIN TOP (REAR)	7112P071-60
	112881-02-702	EA	SPRING - OVEN DOOR	7803P051-60
	112881-02-703	EA	BURNER - FRONT HIGH OUTPUT	7505P142-60
	112881-02-706	EA	TOP - MAIN - BISQUE	NO VDR"
	126023-01-703	EA	GRATE - TOP	74003358
	126023-01-704	EA	KNOB - THERMOSTAT	7731P109-60
	126023-01-705	EA	PIPE - MANIFOLD	7513P161-60
	126023-01-709	EA	VALVE - BURNER (REAR)	74003348
	126023-01-710	EA	VALVE - BURNER (FRONT)	74003349
	126023-01-715	EA	PANEL - MANIFOLD	74003350
	126023-01-716	EA	RACK - OVEN	74003106
	126023-01-717	EA	BURNER - OVEN	74003343
	126023-01-718	EA	FLUE BOX ASSEMBLY	4006W075-80
	126023-01-731	EA	BOTTOM - OVEN	2205F016-19
	126023-01-732	EA	SEAL/OVEN DR TOP	7212P014-60
	128728-01-703	EA	T-NUT - F/HINGE	7103P109-60

**RANGE - W/OVEN (CONTINUED)
113948-02-01A**

KEY	PART NUMBER	U/M	DESCRIPTION	VENDOR NO.
	113948-02-01A	EA	RANGE - 2 BURNER W/COVER WEDGEWOOD D26-SV	
	101593-01-700	EA	GRATE, DESIGNER STYLE	53304
	101593-01-701	EA	SCREW-THUMB	52537
	101593-01-703	EA	KNOB-BURNER	53000
	106689-01-704	EA	REGULATOR-EXTREME PRESSURE	51062
	107323-01-711	EA	CUSHION - GRATE BOOTS-RUBBER	53008
	113947-01-702	EA	MOLDING-ANTI RATTLE,SHORT	52454
	113947-01-703	EA	COVER-RANGE TOP, GRATE & BAR	51443
	113947-02-701	EA	COVER - STOVE TOP (GRAY)	56204
	113948-01-702	EA	DECAL-BURNER CONTROL	51454
	113948-02-701	EA	VALVE - BURNER	56090
	113948-02-702	EA	MANIFOLD	56079
	113948-02-703	EA	BURNER - LEFT HAND	56077
	113948-02-704	EA	BURNER - RIGHT HAND	56078
	113948-02-705	EA	GROMMET/MOLDING 47.75"	52453

APPLIANCE GROUP (CONTINUED)
APPLIANCES (CONTINUED)



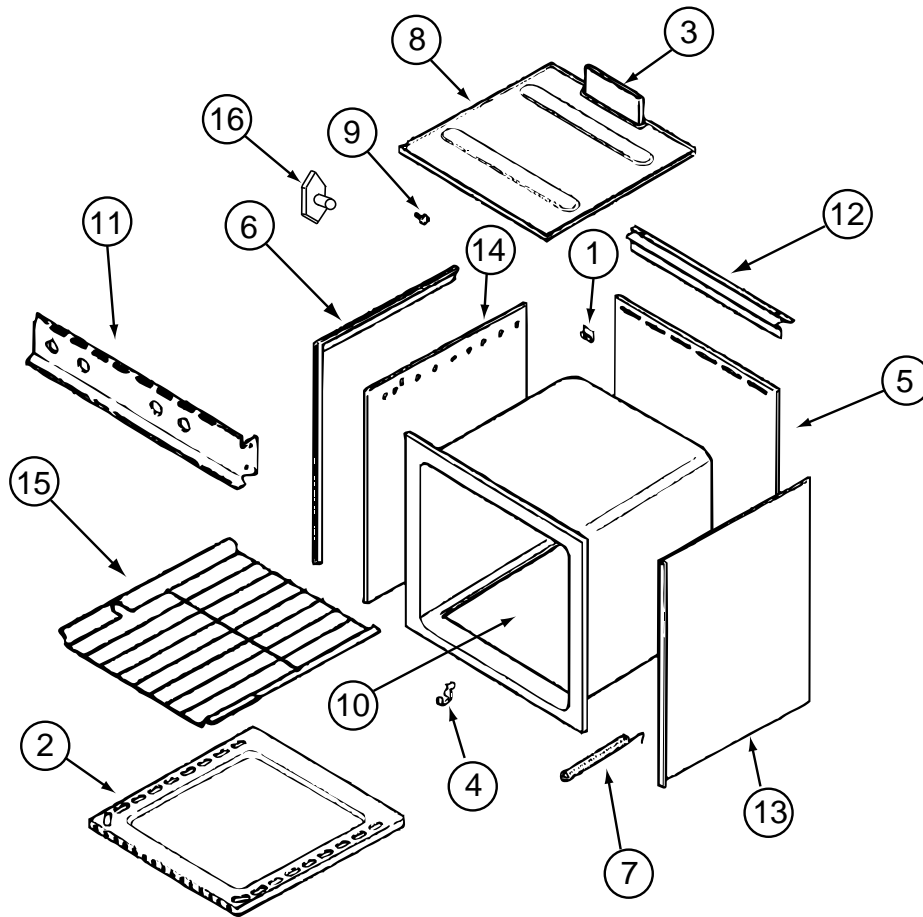
RANGE - W/OVEN (CONTINUED)
126023-01-01A (CONTINUED)

APPLIANCE GROUP (CONTINUED)

APPLIANCES (CONTINUED) RANGE - W/OVEN (CONTINUED) 126023-01-01A (CONTINUED)

KEY	PART NUMBER	U/M	DESCRIPTION	VENDOR NO.
	126023-01-01A	EA	RANGE - W/OVEN 22" - 3 BURNER/BLACK GLASS DOOR	
1	126023-01-717	EA	BURNER - OVEN	74003343
2	126023-01-700	EA	BURNER-TOP (RT-REAR) 5100BTU	7505P195-60
2	126023-01-701	EA	BURNER-TOP (LT-REAR) 5100BTU	7505P196-60
3	126023-01-702	EA	BURNER-TOP (LT-REAR) 5100BTU	7505P144-60
4	102020-01-709	EA	BUMPER-GRATE	8007-P020-60
5	126023-01-703	EA	GRATE - TOP	74003358
5	102020-01-733	EA	GRATE-TOP = 2 PER KIT	12001572
6	098507-02-701	EA	INSERT-BURNER, SLOTTED VENT	7214P015-60
7	112881-01-705	EA	KNOB-TOP BURNER	7733P072-60
7	112881-01-718	EA	KNOB - TOP BURNER HI-OUTPUT	74001794
8	126023-01-704	EA	KNOB - THERMOSTAT	7731P109-60
9	102020-01-714	EA	PILOT-OVEN(SERIAL # STARTS W/10)	968-143
9	126023-02-701	EA	PILOT - OVEN(SERIAL # STARTS W/11)	74004586
10	126023-01-705	EA	PIPE - MANIFOLD(SERIAL # STARTS W/10)	7513P161-60
10	126023-02-702	EA	PIPE - MANIFOLD(SERIAL # STARTS W/11)	74004360
11	102020-01-729	EA	REGULATOR-PRESS. (SER. #04C)(SERIAL # STARTS W/10)	7510P043-60
11	126023-02-703	EA	REGULATOR - PRESSURE(SERIAL # STARS W/11)	74004235
12			CONTACT WINNEBAGO PART SALES FOR THIS COMPONENT	
13	102020-01-724	EA	BUMPER-MAIN TOP	8003P008-60
14	112881-01-722	EA	THERMOSTAT SER.# CHECK 12/13(SERIAL # STARTS W/10)	7515P029-60K
14	112881-01-715	EA	THERMOSTAT, REF. SER. #03C(SERIAL # STARTS W/11)	7515P037-60
14	126023-01-734	EA	THERMOSTAT OVEN 11/CLY MODEL(SERIAL # STARTS W/11)	74004361
15	126023-01-728	EA	TOP - MAIN (BLACK)	74003323
15	126023-01-706	EA	TOP - MAIN (WHITE)	74003322
16	102020-01-720	EA	VALVE-MERCURY CONTROL(SERIAL # STARTS W/10)	7501P056-60
16	126023-02-704	EA	VALVE - OVEN(SERIAL # STARTS W/11)	74004585
17	126023-01-709	EA	VALVE - BURNER (REAR)(SERIAL # STARTS W/10)	74003348
17	126023-01-710	EA	VALVE - BURNER (FRONT)(SERIAL # STARTS W/10)	74003349
17	126023-02-705	EA	VALVE - BURNER - REAR(SERIAL # STARTS W/11)	74004362
17	126023-02-706	EA	VALVE - BURNER - FRONT(SERIAL # STARTS W/11)	74004363
18			CONTACT WINNEBAGO PART SALES FOR THIS COMPONENT	
19	126023-01-711	EA	ELECTRODE - IGNITER	7432P077-60
20			CONTACT WINNEBAGO PART SALES FOR THIS COMPONENT	
21			CONTACT WINNEBAGO PART SALES FOR THIS COMPONENT	
22	126023-01-719	EA	IGNITER - TOP BURNER	74002413
23	126023-01-720	EA	KNOB - IGNITER	74002414
24			CONTACT WINNEBAGO PART SALES FOR THIS COMPONENT	
25			CONTACT WINNEBAGO PART SALES FOR THIS COMPONENT	
26			CONTACT WINNEBAGO PART SALES FOR THIS COMPONENT	
	126023-01-735	EA	KIT-IGNITOR TOP BRNER & KNOB	12001296=74002413&4
	128728-01-712	EA	FITTING - HALF UNION	7507P083-60

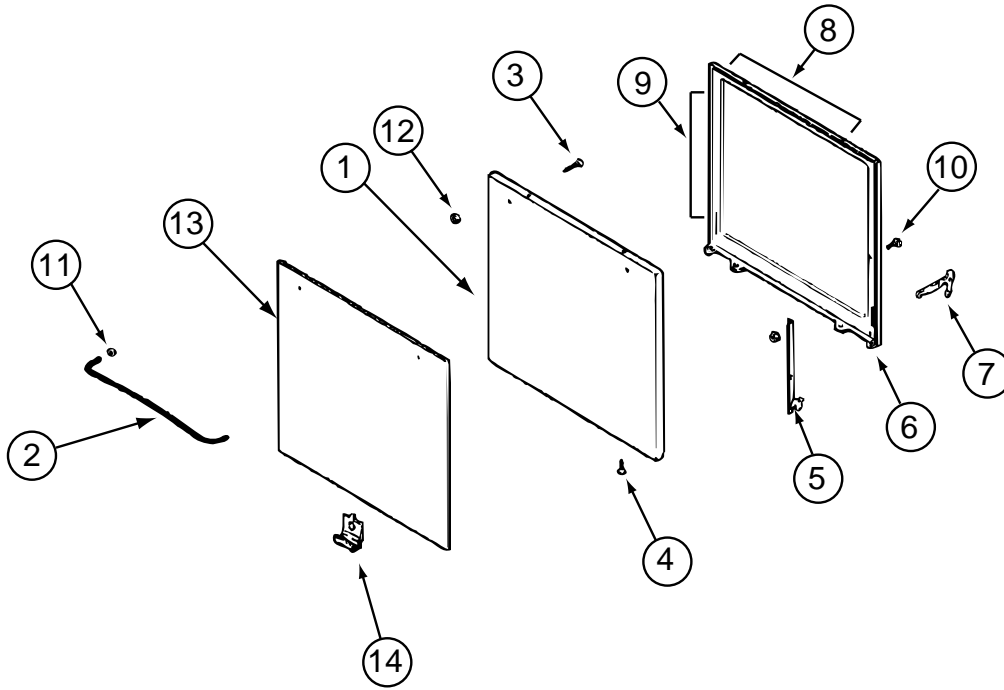
APPLIANCE GROUP (CONTINUED)
APPLIANCES (CONTINUED)



RANGE - W/OVEN (CONTINUED)
126023-01-01A (CONTINUED)

KEY	PART NUMBER	U/M	DESCRIPTION	VENDOR NO.
	126023-01-01A	EA	RANGE - W/OVEN 22" - 3 BURNER/BLACK GLASS DOOR	
1	112881-02-701	EA	CLIP - MAIN TOP (REAR)	7112P071-60
2			CONTACT WINNEBAGO PART SALES FOR THIS COMPONENT	
3	126023-01-718	EA	FLUE BOX ASSEMBLY	4006W075-80
4			CONTACT WINNEBAGO PART SALES FOR THIS COMPONENT	
5			CONTACT WINNEBAGO PART SALES FOR THIS COMPONENT	
6	126023-01-714	EA	TRIM - SIDE (LEFT)	74002828
6	126023-01-713	EA	TRIM - SIDE (RIGHT)	74002827
7			CONTACT WINNEBAGO PART SALES FOR THIS COMPONENT	
8			CONTACT WINNEBAGO PART SALES FOR THIS COMPONENT	
9			CONTACT WINNEBAGO PART SALES FOR THIS COMPONENT	
10			CONTACT WINNEBAGO PART SALES FOR THIS COMPONENT	
11	126023-01-726	EA	PANEL - MANIFOLD	2616F116-70
12			CONTACT WINNEBAGO PART SALES FOR THIS COMPONENT	
13			CONTACT WINNEBAGO PART SALES FOR THIS COMPONENT	
14			CONTACT WINNEBAGO PART SALES FOR THIS COMPONENT	
15			CONTACT WINNEBAGO PART SALES FOR THIS COMPONENT	
16	128728-01-703	EA	PIN/T-NUT F/HINGE	7103P109-60

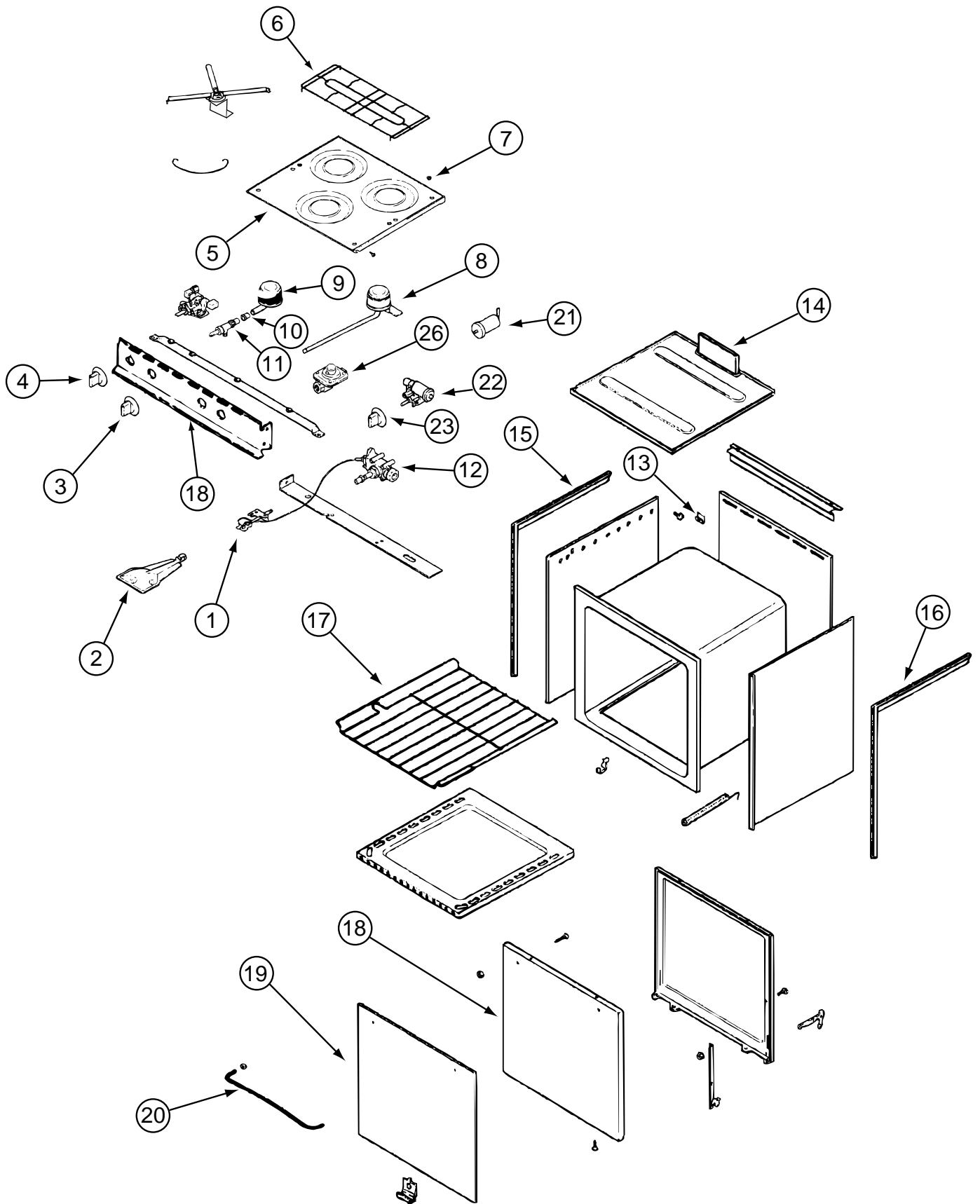
APPLIANCE GROUP (CONTINUED)
APPLIANCES (CONTINUED)



RANGE - W/OVEN (CONTINUED)
126023-01-01A (CONTINUED)

KEY	PART NUMBER	U/M	DESCRIPTION	VENDOR NO.
	126023-01-01A	EA	RANGE - W/OVEN 22" - 3 BURNER/BLACK GLASS DOOR	
1	126023-01-712	EA	PANEL - DOOR (BLACK)	74001190
2	102020-01-701	EA	HANDLE,DOOR	7701P092-60
4			CONTACT WINNEBAGO PART SALES FOR THIS COMPONENT	
5			CONTACT WINNEBAGO PART SALES FOR THIS COMPONENT	
6			CONTACT WINNEBAGO PART SALES FOR THIS COMPONENT	
7			CONTACT WINNEBAGO PART SALES FOR THIS COMPONENT	
8	126023-01-732	EA	SEAL/OVEN DR TOP	7212P014-60
9	126023-01-733	EA	SEAL/OVEN DR SIDES(2PCS)	7212P038-60
10			CONTACT WINNEBAGO PART SALES FOR THIS COMPONENT	
11			CONTACT WINNEBAGO PART SALES FOR THIS COMPONENT	
12			CONTACT WINNEBAGO PART SALES FOR THIS COMPONENT	
13	102020-01-725	EA	GLASS OUTER	7902P266-60
14			CONTACT WINNEBAGO PART SALES FOR THIS COMPONENT	

APPLIANCE GROUP (CONTINUED)
APPLIANCES (CONTINUED)



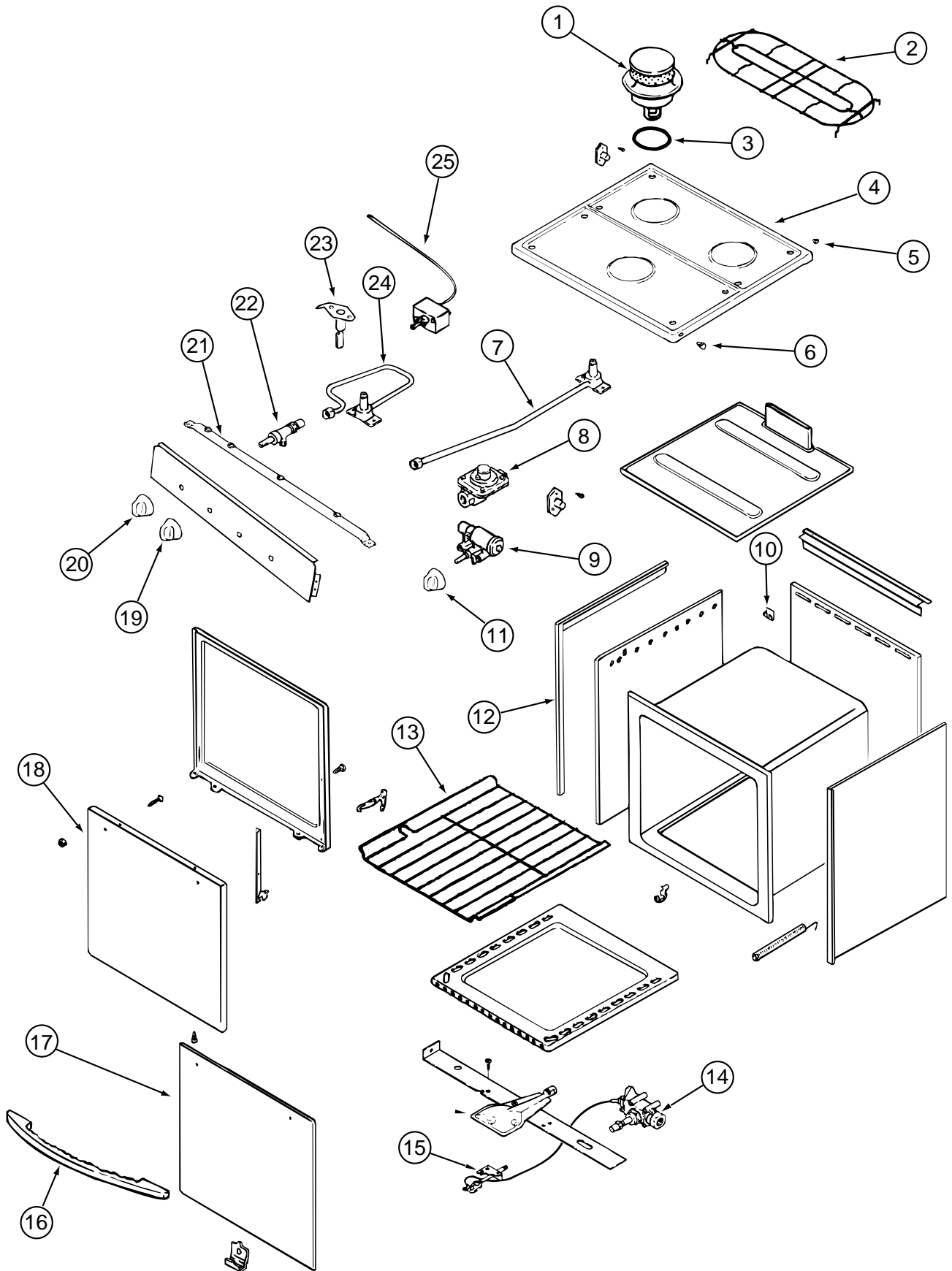
RANGE - W/OVEN (CONTINUED)
126023-02-01A

APPLIANCE GROUP (CONTINUED)

APPLIANCES (CONTINUED) RANGE - W/OVEN (CONTINUED) 126023-02-01A (CONTINUED)

KEY	PART NUMBER	U/M	DESCRIPTION	VENDOR NO.
	126023-02-01A	EA	RANGE - W/OVEN - 22" - 3 BURNER/TEXTURED TOP - BLACK	
1	102020-01-714	EA	PILOT-OVEN	968-143
2	126023-01-717	EA	BURNER - OVEN	74003343
3	112881-01-705	EA	KNOB-TOP BURNER	7733P072-60
3	112881-01-718	EA	KNOB - TOP BURNER HI-OUTPUT	74001794
4	126023-01-704	EA	KNOB - THERMOSTAT	7731P109-60
5	126023-01-728	EA	TOP - MAIN (BLACK)	74003323
6	126023-01-703	EA	GRATE - TOP	74003358
7	102020-01-709	EA	BUMPER-GRATE	8007-P020-60
8	126023-01-700	EA	BURNER-TOP (RT-REAR) 5100BTU	7505P195-60
8	126023-01-701	EA	BURNER-TOP (LT-REAR) 5100BTU	7505P196-60
9	126023-01-702	EA	BURNER - TOP (FRONT)	7505P144-60
10	098507-02-701	EA	INSERT-BURNER, SLOTTED VENT	7214P015-60
11	126023-01-709	EA	VALVE - BURNER (REAR)	74003348
11	126023-01-710	EA	VALVE - BURNER (FRONT)	74003349
12	102020-01-720	EA	VALVE-MERCURY CONTROL	7501P056-60
12	112881-02-700	EA	VALVE - OVEN	7501P056-60
13	112881-02-701	EA	CLIP - MAIN TOP (REAR)	7112P071-60
14	126023-01-718	EA	FLUE BOX ASSEMBLY	4006W075-80
15	126023-01-714	EA	TRIM - SIDE (LEFT)	74002828
16	126023-01-713	EA	TRIM - SIDE (RIGHT)	74002827
17	126023-01-716	EA	RACK - OVEN	74003106
18	126023-01-712	EA	PANEL - DOOR (BLACK)	74001190
19	102020-01-725	EA	GLASS OUTER	7902P266-60
20	102020-01-701	EA	HANDLE,DOOR	7701P092-60
21	126023-01-711	EA	ELECTRODE - IGNITER	7432P077-60
22	126023-01-719	EA	IGNITER - TOP BURNER	74002413
23	126023-01-720	EA	KNOB - IGNITER	74002414
	128728-01-703	EA	T-NUT - F/HINGE	7103P109-60
26			CONTACT WINNEBAGO PART SALES FOR THIS COMPONENT	

APPLIANCE GROUP (CONTINUED)
APPLIANCES (CONTINUED)



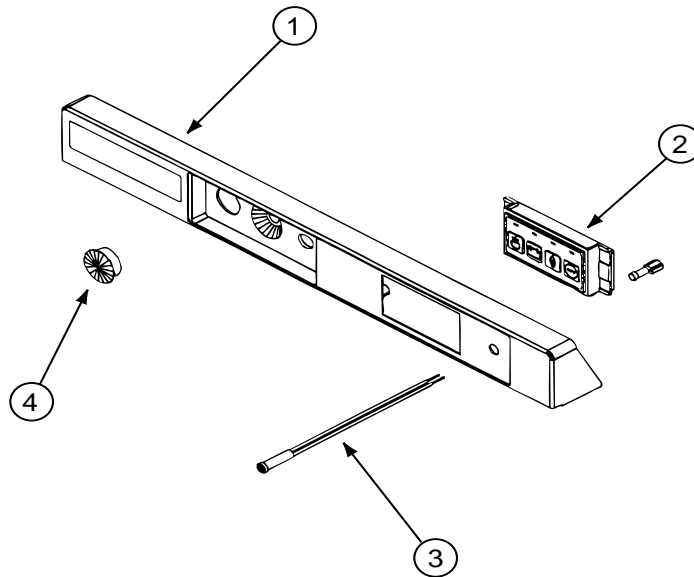
RANGE - W/OVEN (CONTINUED)
128727-01-01A

APPLIANCE GROUP (CONTINUED)

APPLIANCES (CONTINUED) RANGE - W/OVEN (CONTINUED) 128727-01-01A (CONTINUED)

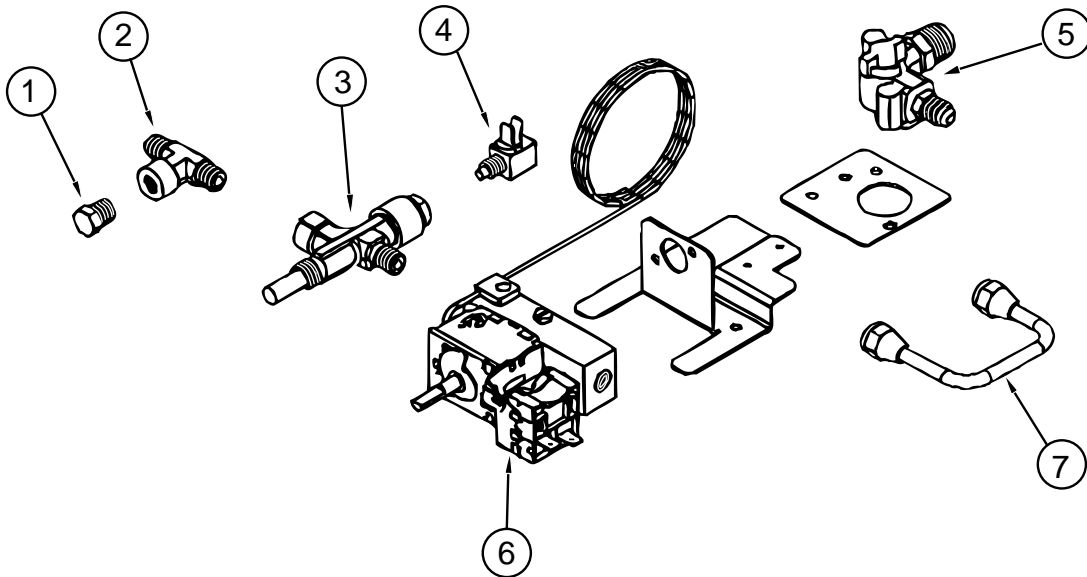
KEY	PART NUMBER	U/M	DESCRIPTION	VENDOR NO.
	128727-01-01A	EA	RANGE - 3 BURNER W/OVEN - 22" BLACK GLASS DOOR	
1	128728-01-715	EA	BURNER ASSEMBLY	74003949
2	128728-01-700	EA	GRATE - BURNER	74003948
3	128728-01-711	EA	GASKET - BURNER	74002745
4	128728-01-705	EA	TOP - MAIN - BLACK	74003928
4	128728-01-706	EA	TOP - MAIN - WHITE	74003955
5	102020-01-709	EA	BUMPER-GRATE	8007-P020-60
6	102020-01-724	EA	BUMPER-MAIN TOP	8003P008-60
7	128728-01-708	EA	FITTING - ORFICE TUBE - REAR	74003931
8	102020-01-729	EA	REGULATOR-PRESS. (SER. #04C)	7510P043-60
8	128728-01-712	EA	FITTING - HALF UNION	7507P083-60
9	128728-01-716	EA	BURNER - IGNITOR	74003946
10	112881-02-701	EA	CLIP - MAIN TOP (REAR)	7112P071-60
11	128728-01-707	EA	KNOB - IGNITOR	74003944
12	126023-01-713	EA	TRIM - SIDE (RIGHT)	74002827
12	126023-01-714	EA	TRIM - SIDE (LEFT)	74002828
13	126023-01-716	EA	RACK - OVEN	74003106
14	112881-02-700	EA	VALVE - OVEN	7501P056-60
15	102020-01-714	EA	PILOT-OVEN	968-143
16	128727-01-701	EA	HANDLE - OVEN DOOR	74003929
17	102020-01-725	EA	GLASS OUTER	7902P266-60
18	126023-01-712	EA	PANEL - DOOR (BLACK)	74001190
19	128728-01-701	EA	KNOB - BURNER - REAR	74003941
19	128728-01-702	EA	KNOB - BURNER - FRONT	74003942
20	128727-01-700	EA	KNOB - THERMOSTAT	74003943
21	126023-01-705	EA	PIPE - MANIFOLD	7513P161-60
22	128728-01-713	EA	VALVE - BURNER - REAR	74003932
22	128728-01-714	EA	VALVE - BURNER - FRONT	74003933
23	128728-01-709	EA	ELECTRODE - IGNITOR	7432P073-60
24	128728-01-710	EA	FITTING - ORFICE TUBE - FRT	74003930
25	112881-01-722	EA	THERMOSTAT SER.# CHECK 12/13	7515P029-60K
	128728-01-717	EA	WIRES - IGNITOR	74003947

APPLIANCE GROUP (CONTINUED)
APPLIANCES (CONTINUED)



REFRIGERATOR
113737-01-04A

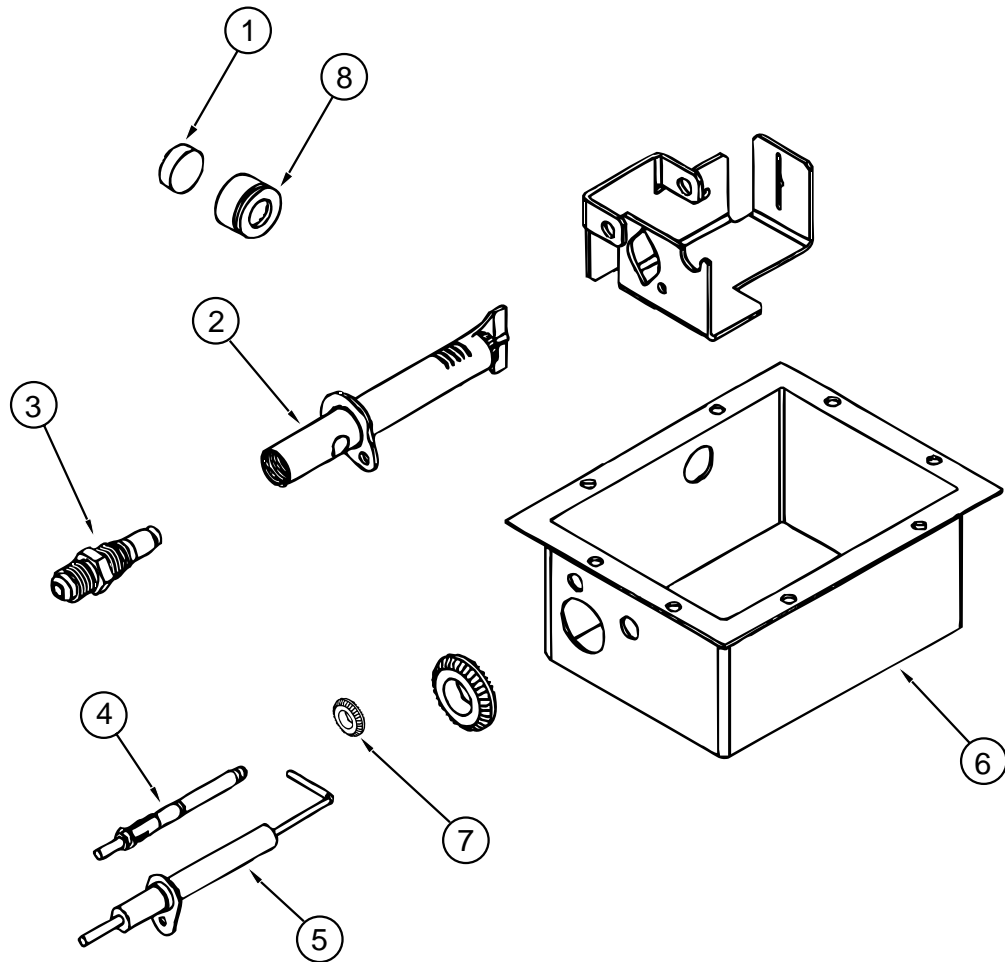
KEY	PART NUMBER	U/M	DESCRIPTION	VENDOR NO.
	113737-01-04A	EA	REFRIGERATOR - SMALL SINGLE DOOR - 3 WAY - VW LT GRAY	
1	113737-01-723	EA	PANEL-CONTROL	617913
2	113737-01-729	EA	SWITCH - SELECTION (MODE)	617945
3	113737-01-703	EA	LIGHT-FLAME INDICATORGRN RED	61609022
4	113737-01-713	EA	PLUG-HOLE, 1" BLACK	617981



REFRIGERATOR (CONTINUED)
113737-01-04A (CONTINUED)

KEY	PART NUMBER	U/M	DESCRIPTION	VENDOR NO.
	113737-01-04A	EA	REFRIGERATOR - SMALL SINGLE DOOR - 3 WAY - VW LT GRAY	
1	113737-01-702	EA	PLUG 1/8" F/PRESSURE TAP	61445322
2	113737-01-716	EA	TAP-PRESSURE	61594422
3	113737-01-730	EA	VALVE - SAFETY IGNITION	617965
4	113737-01-709	EA	INTERRUPTER	61750522
5	113737-01-719	EA	VALVE - SHUT-OFF - MANUAL	617976
6	113737-01-735	EA	THERMOSTAT - GAS VALVE	617944
7	113737-01-750	EA	TUBE-UNION	61694622

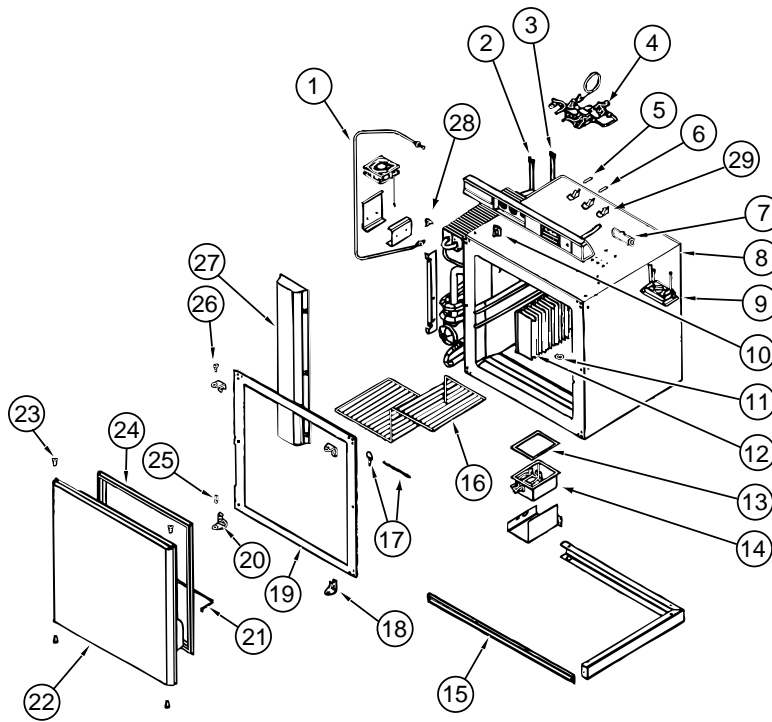
APPLIANCE GROUP (CONTINUED)
APPLIANCES (CONTINUED)



REFRIGERATOR (CONTINUED)
113737-01-04A (CONTINUED)

KEY	PART NUMBER	U/M	DESCRIPTION	VENDOR NO.
	113737-01-04A	EA	REFRIGERATOR - SMALL SINGLE DOOR - 3 WAY - VW LT GRAY	
1	113737-01-732	EA	GLASS-SIGHT	617995
2	113737-01-726	EA	BURNER ASSEMBLY	617936
3	113737-01-727	EA	ORIFICE-ADAPTER ASSEMBLY	61753137
4	113737-01-717	EA	THERMOCOUPLE	617983
5	113737-01-715	EA	ELECTRODE-SPARK IGNITION	617966
6	113737-01-747	EA	BOX-BOTTOM F/BURNER	617925
7	113737-01-755	EA	RUBBER GROMMET	617997
8	113737-01-751	EA	GROMMET F/SIGHT GLASS	617933

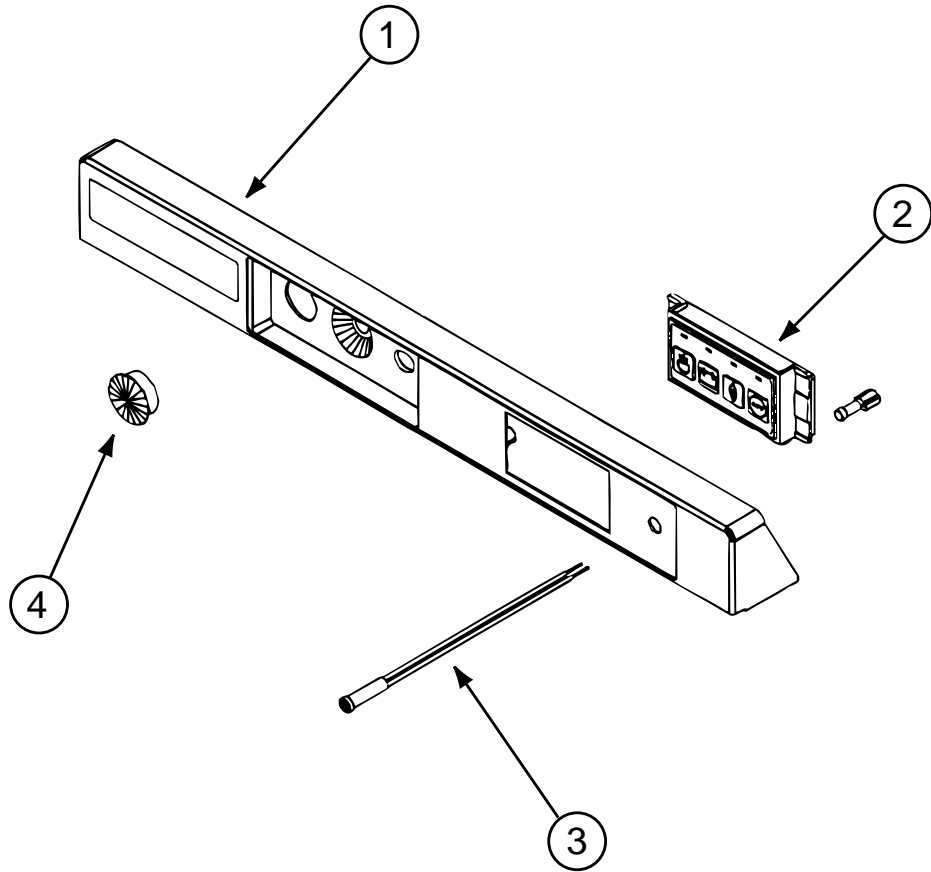
APPLIANCE GROUP (CONTINUED)
APPLIANCES (CONTINUED)



REFRIGERATOR (CONTINUED)
113737-01-04A (CONTINUED)

KEY	PART NUMBER	U/M	DESCRIPTION	VENDOR NO.
	113737-01-04A	EA	REFRIGERATOR - SMALL SINGLE DOOR - 3 WAY - VW LT GRAY	
1	113737-01-746	EA	TUBE-BURNER	617989
2	113737-01-722	EA	HEATER DC (3-WAY)	61745422
3	113737-01-721	EA	HEATER AC	61745322
4	113737-01-718	EA	CONTROL ASSY-THERMOSTAT	617998
5	113737-01-714	EA	FUSE 20 AMP (3-WAY)	61440522
6	113737-01-720	EA	FUSE 3 AMP (32V OR LESS)	61654622
7	113737-01-731	EA	BLOCK-TERMINAL	617979
8	113737-01-707	EA	CABINET-COOLING UNIT (FOAMED)	617993
9	113737-01-728	EA	RELIGHTER	617964
10	113737-01-740	EA	KNOB-THERMOSTAT	617971
10	113737-01-741	EA	SCREW #10 X 1/2"	NSC0001
10	113737-02-702	EA	SYSTEM COVER-VW LIGHT GRAY	620299
10	113737-02-703	EA	DOOR ASSEMBLY-VW LIGHT GRAY	620297
10	113737-02-704	EA	DOOR LINER-VW LIGHT GRAY	620296
11	113737-01-705	EA	CLIP-FIN	61728722
12	113737-01-706	EA	FIN ASSEMBLY	617948
13	113737-01-748	EA	GASKET-BURNER BOX-FELT	617977
14	113737-01-749	EA	BURNER BOX ASSEMBLY	617937
15	113737-01-734	EA	GRILLE (AIR INLET BLK)	617938
16	113737-01-711	EA	SHELF L-SHAPED (WHITE)	618063
17	113737-01-752	EA	CHAIN (TRAVEL LATCH)	618047
17	113737-01-753	EA	PIN (TRAVEL LATCH)	618046
18	113737-01-725	EA	HINGE (LH BTM & RH TOP)	617911
19	113737-01-712	EA	BREAKER (BLACK TRIM)	617912
20	113737-01-724	EA	HINGE (RH BTM & LH TOP)	617910
21	113737-01-733	EA	DOOR-RAIL, WHITE POWDER	618064
23	113737-01-701	EA	BUSHING-HINGE	61742022
24	113737-01-704	EA	GASKET-DOOR, GRAY	617906
25	113737-01-710	EA	PIN-HINGE, BOTTOM	61550722
26	113737-01-708	EA	PIN-HINGE, TOP	61114600
28	113737-01-754	EA	THERMOSTAT (FAN 12V DC)	618093
29	113737-01-759	EA	FUSE HOLDER	61584222

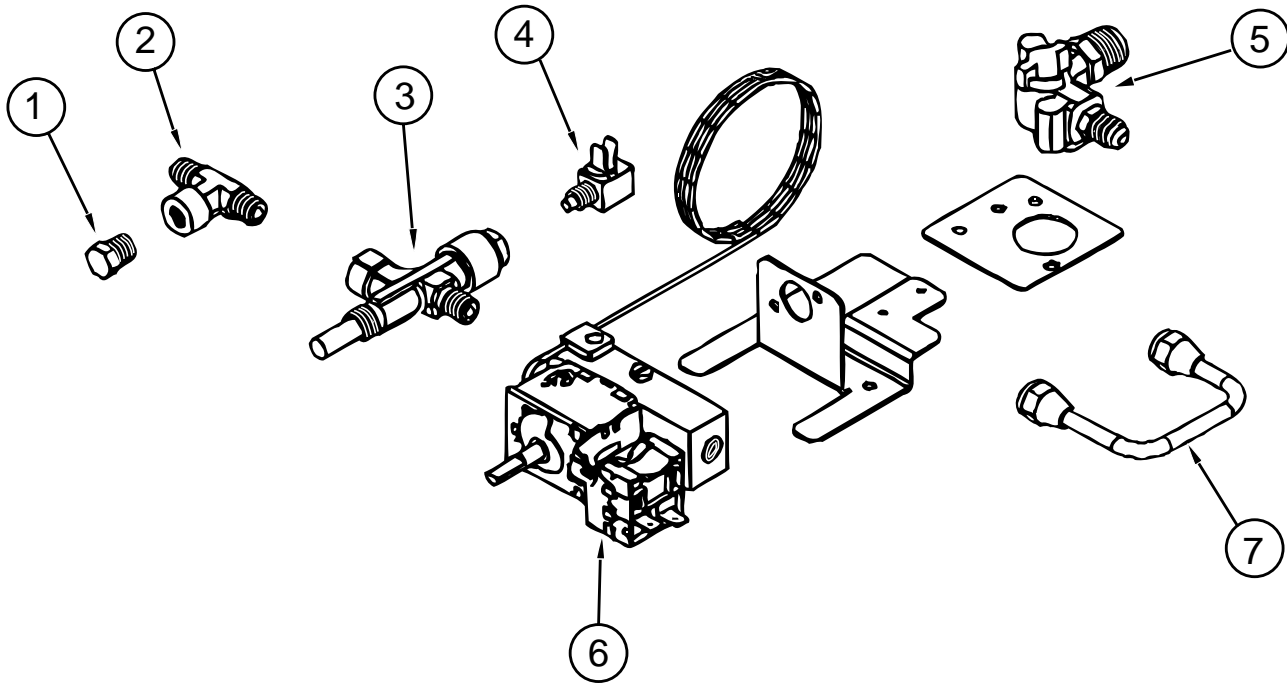
APPLIANCE GROUP (CONTINUED)
APPLIANCES (CONTINUED)



REFRIGERATOR (CONTINUED)
113737-03-04A

KEY	PART NUMBER	U/M	DESCRIPTION	VENDOR NO.
	113737-03-04A	EA	REFRIGERATOR - ONE DOOR/3-WAY - VW LIGHT GRAY - HIGH ALT.	NORCOLD 3163HH
1	113737-01-723	EA	PANEL-CONTROL	617913
2	113737-01-729	EA	SWITCH - SELECTION (MODE)	617945
3	113737-01-703	EA	LIGHT-FLAME INDICATORGRN RED	61609022
4	113737-01-713	EA	PLUG-HOLE, 1" BLACK	617981

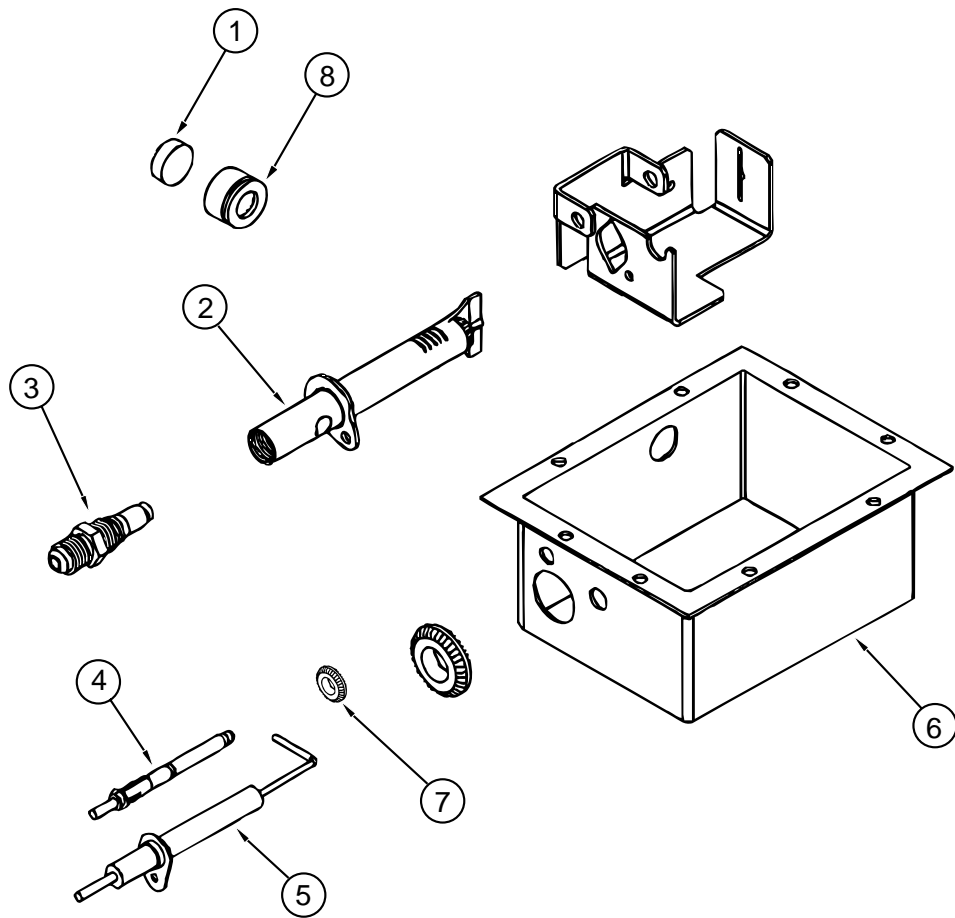
APPLIANCE GROUP (CONTINUED)
APPLIANCES (CONTINUED)



REFRIGERATOR (CONTINUED)
113737-03-04A (CONTINUED)

KEY	PART NUMBER	U/M	DESCRIPTION	VENDOR NO.
	113737-03-04A	EA	REFRIGERATOR - ONE DOOR/3-WAY - VW LIGHT GRAY - HIGH ALT.	NORCOLD 3163HH
1	113737-01-702	EA	PLUG 1/8" F/PRESSURE TAP	61445322
2	113737-01-716	EA	TAP-PRESSURE	61594422
3	113737-01-730	EA	VALVE - SAFETY IGNITION	617965
4	113737-01-709	EA	INTERRUPTER	61750522
5	113737-01-719	EA	VALVE-SHUT-OFF-MANUAL	617976
6	113737-01-735	EA	THERMOSTAT-GAS VALVE	617944
7	113737-01-750	EA	TUBE-UNION	61694622

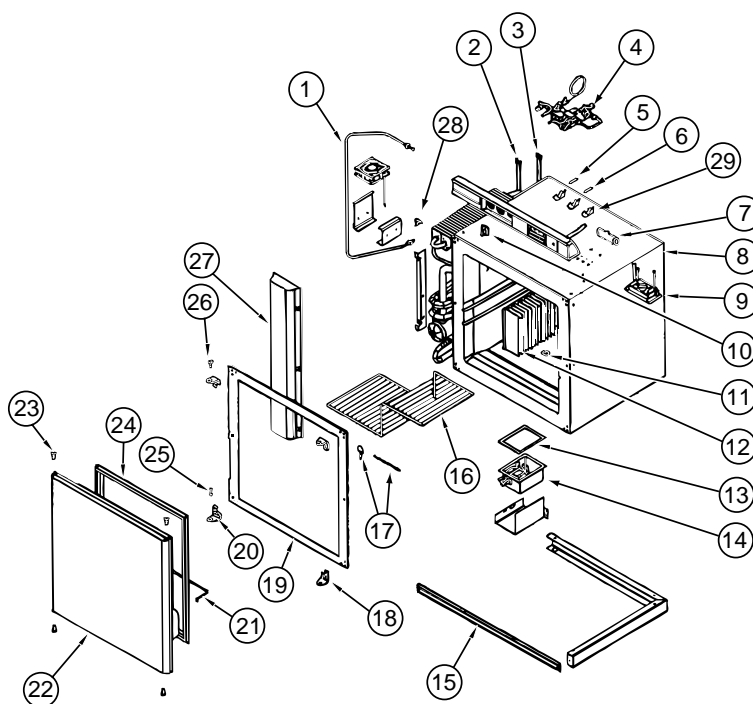
APPLIANCE GROUP (CONTINUED)
APPLIANCES (CONTINUED)



REFRIGERATOR (CONTINUED)
113737-03-04A (CONTINUED)

KEY	PART NUMBER	U/M	DESCRIPTION	VENDOR NO.
	113737-03-04A	EA	REFRIGERATOR - ONE DOOR/3-WAY - VW LIGHT GRAY - HIGH ALT.	NORCOLD 3163HH
1	113737-01-732	EA	GLASS-SIGHT	617995
2	113737-01-726	EA	BURNER ASSEMBLY	617936
3	113737-01-727	EA	ORIFICE-ADAPTER ASSEMBLY	61753137
4	113737-01-717	EA	THERMOCOUPLE	617983
5	113737-01-715	EA	ELECTRODE-SPARK IGNITION	617966
6	113737-01-747	EA	BOX-BOTTOM F/BURNER	617925
7	113737-01-755	EA	RUBBER GROMMET	617997
8	113737-01-751	EA	GROMMET F/SIGHT GLASS	617933

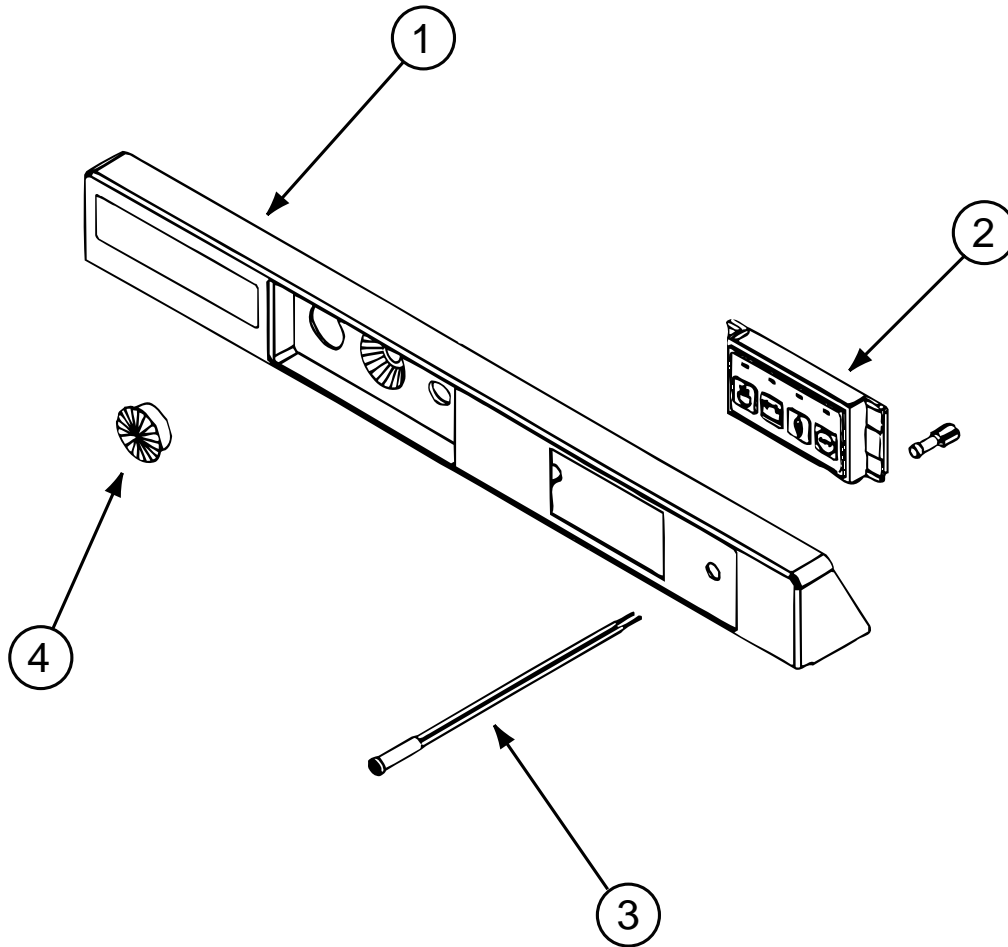
APPLIANCE GROUP (CONTINUED)
APPLIANCES (CONTINUED)



REFRIGERATOR (CONTINUED)
113737-03-04A (CONTINUED)

KEY	PART NUMBER	U/M	DESCRIPTION	VENDOR NO.
	113737-03-04A	EA	REFRIGERATOR - ONE DOOR/3-WAY - VW LIGHT GRAY - HIGH ALT.	NORCOLD 3163HH
1	113737-01-746	EA	TUBE-BURNER	617989
2	113737-01-722	EA	HEATER DC (3-WAY)	61745422
3	113737-01-721	EA	HEATER AC	61745322
4	113737-01-718	EA	CONTROL ASSY-THERMOSTAT	617998
5	113737-01-714	EA	FUSE 20 AMP (3-WAY)	61440522
6	113737-01-720	EA	FUSE 3 AMP (32V OR LESS)	61654622
7	113737-01-731	EA	BLOCK-TERMINAL	617979
8	113737-01-707	EA	CABINET-COOLING UNIT (FOAMED)	617993
9	113737-01-728	EA	RELIGHTER	617964
10	113737-01-740	EA	KNOB-THERMOSTAT	617971
10	113737-01-741	EA	SCREW #10 X 1/2"	NSC0001
10	113737-02-702	EA	SYSTEM COVER-VW LIGHT GRAY	620299
10	113737-02-703	EA	DOOR ASSEMBLY-VW LIGHT GRAY	620297
10	113737-02-704	EA	DOOR LINER-VW LIGHT GRAY	620296
11	113737-01-705	EA	CLIP-FIN	61728722
12	113737-01-706	EA	FIN ASSEMBLY	617948
13	113737-01-748	EA	GASKET-BURNER BOX-FELT	617977
14	113737-01-749	EA	BURNER BOX ASSEMBLY	617937
15	113737-01-734	EA	GRILLE (AIR INLET BLK)	617938
16	113737-01-711	EA	SHELF L-SHAPED (WHITE)	618063
17	113737-01-752	EA	CHAIN (TRAVEL LATCH)	618047
17	113737-01-753	EA	PIN (TRAVEL LATCH)	618046
18	113737-01-725	EA	HINGE (LH BTM & RH TOP)	617911
19	113737-01-712	EA	BREAKER (BLACK TRIM)	617912
20	113737-01-724	EA	HINGE (RH BTM & LH TOP)	617910
21	113737-01-733	EA	DOOR-RAIL, WHITE POWDER	618064
23	113737-01-701	EA	BUSHING-HINGE	61742022
24	113737-01-704	EA	GASKET-DOOR, GRAY	617906
25	113737-01-710	EA	PIN-HINGE, BOTTOM	61550722
26	113737-01-708	EA	PIN-HINGE, TOP	61114600
28	113737-01-754	EA	THERMOSTAT (FAN 12V DC)	618093
29	113737-01-759	EA	FUSE HOLDER	61584222

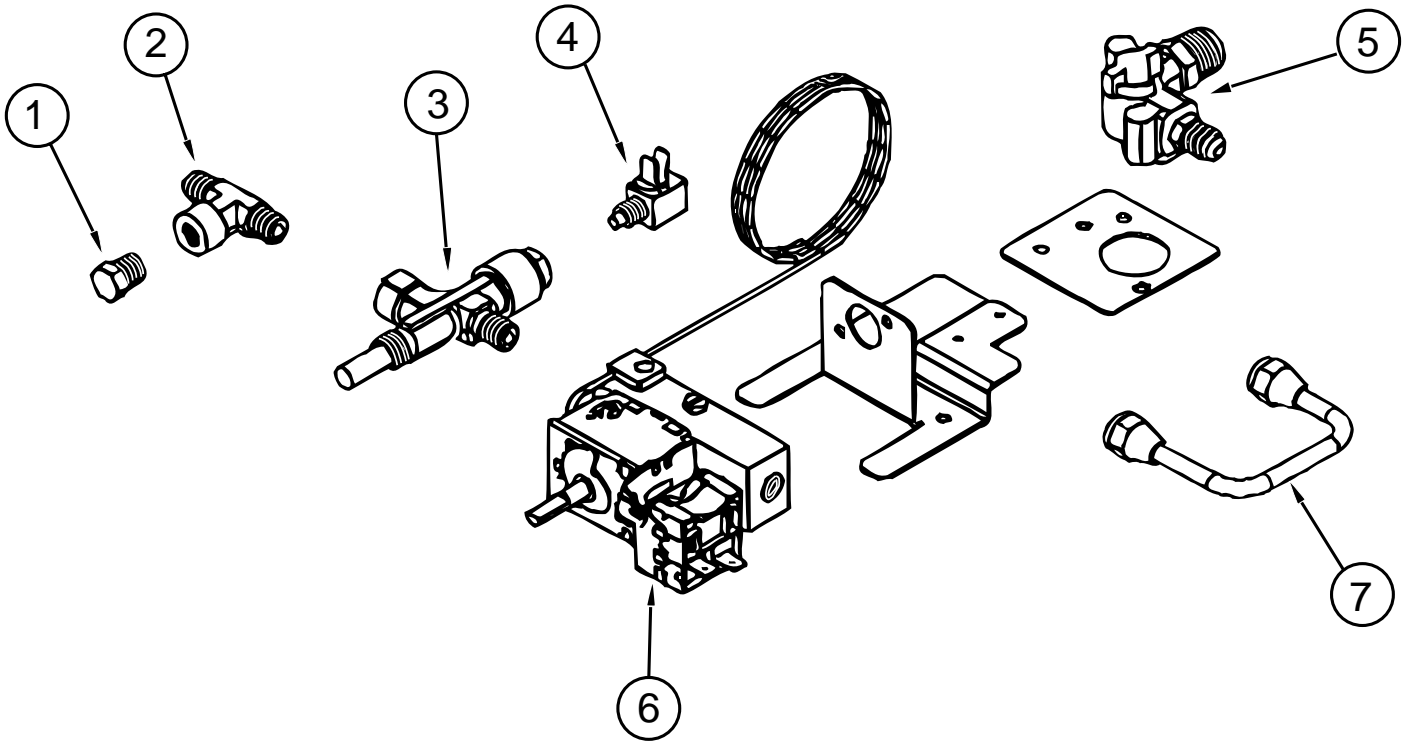
APPLIANCE GROUP (CONTINUED)
APPLIANCES (CONTINUED)



REFRIGERATOR (CONTINUED)
113737-04-04A

KEY	PART NUMBER	U/M	DESCRIPTION	VENDOR NO.
	113737-04-04A	EA	REFRIGERATOR - ONE DOOR/3-WAY - VW LIGHT GRAY - HIGH ALT.	NORCOLD 620416
1	113737-01-723	EA	PANEL-CONTROL	617913
2	113737-01-729	EA	SWITCH - SELECTION (MODE)	617945
3	113737-01-703	EA	LIGHT-FLAME INDICATORGRN RED	61609022
4	113737-01-713	EA	PLUG-HOLE, 1" BLACK	617981

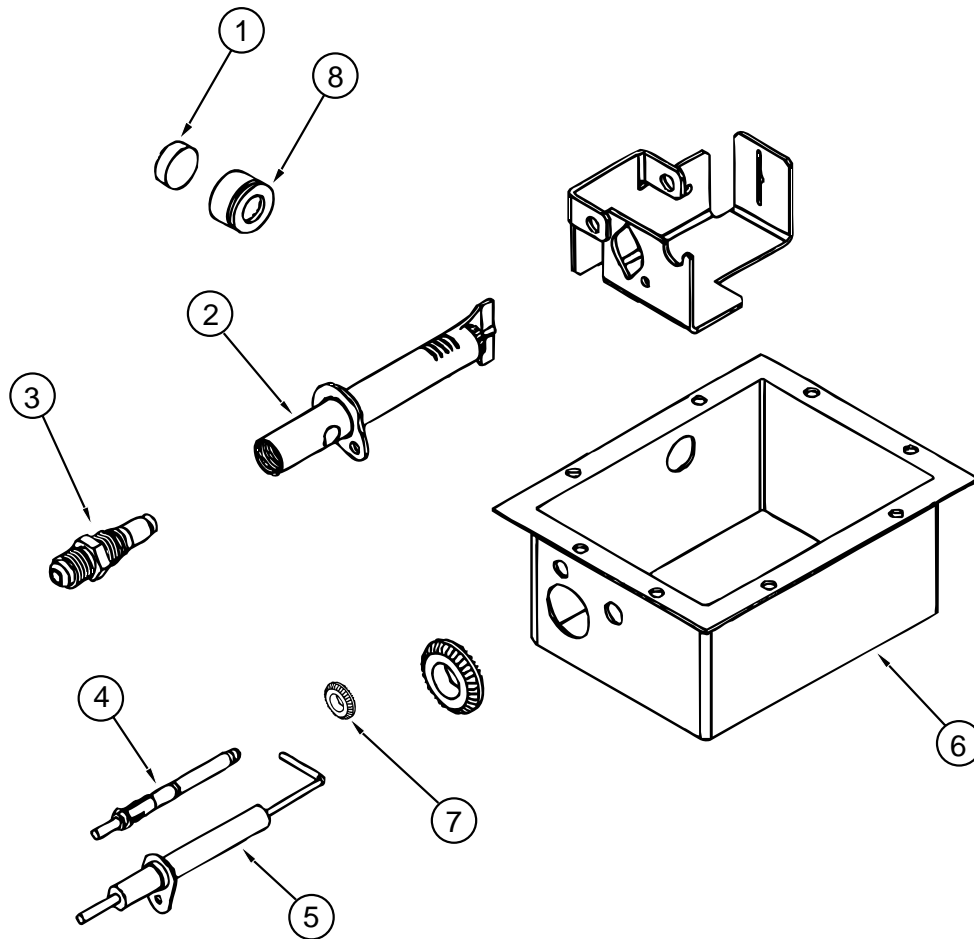
APPLIANCE GROUP (CONTINUED)
APPLIANCES (CONTINUED)



REFRIGERATOR (CONTINUED)
113737-04-04A (CONTINUED)

KEY	PART NUMBER	U/M	DESCRIPTION	VENDOR NO.
	113737-04-04A	EA	REFRIGERATOR - ONE DOOR/3-WAY - VW LIGHT GRAY - HIGH ALT.	NORCOLD 620416
1	113737-01-702	EA	PLUG 1/8" F/PRESSURE TAP	61445322
2	113737-01-716	EA	TAP-PRESSURE	61594422
3	113737-01-730	EA	VALVE - SAFETY IGNITION	617965
4	113737-01-709	EA	INTERRUPTER	61750522
5	113737-01-719	EA	VALVE-SHUT-OFF-MANUAL	617976
6	113737-01-735	EA	THERMOSTAT-GAS VALVE	617944
7	113737-01-750	EA	TUBE-UNION	61694622

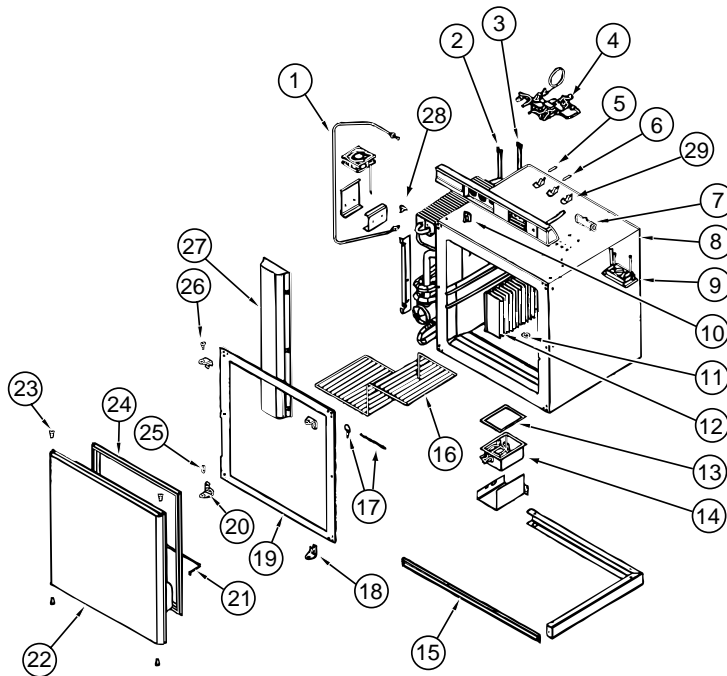
APPLIANCE GROUP (CONTINUED)
APPLIANCES (CONTINUED)



REFRIGERATOR (CONTINUED)
113737-04-04A (CONTINUED)

KEY	PART NUMBER	U/M	DESCRIPTION	VENDOR NO.
	113737-04-04A	EA	REFRIGERATOR - ONE DOOR/3-WAY - VW LIGHT GRAY - HIGH ALT.	NORCOLD 3163HH
1	113737-01-732	EA	GLASS-SIGHT	617995
2	113737-01-726	EA	BURNER ASSEMBLY	617936
3	113737-01-727	EA	ORIFICE-ADAPTER ASSEMBLY	61753137
4	113737-01-717	EA	THERMOCOUPLE	617983
5	113737-01-715	EA	ELECTRODE-SPARK IGNITION	617966
6	113737-01-747	EA	BOX-BOTTOM F/BURNER	617925
7	113737-01-755	EA	RUBBER GROMMET	617997
8	113737-01-751	EA	GROMMET F/SIGHT GLASS	617933

APPLIANCE GROUP (CONTINUED)
APPLIANCES (CONTINUED)



REFRIGERATOR (CONTINUED)
113737-04-04A (CONTINUED)

KEY	PART NUMBER	U/M	DESCRIPTION	VENDOR NO.
	113737-04-04A	EA	REFRIGERATOR - ONE DOOR/3-WAY - VW LIGHT GRAY - HIGH ALT.	NORCOLD 620416
1	113737-01-746	EA	TUBE-BURNER	617989
2	113737-01-722	EA	HEATER DC (3-WAY)	61745422
3	113737-01-721	EA	HEATER AC	61745322
4	113737-01-718	EA	CONTROL ASSY-THERMOSTAT	617998
5	113737-01-714	EA	FUSE 20 AMP (3-WAY)	61440522
6	113737-01-720	EA	FUSE 3 AMP (32V OR LESS)	61654622
7	113737-01-731	EA	BLOCK-TERMINAL	617979
8	113737-01-707	EA	CABINET-COOLING UNIT (FOAMED)	617993
9	113737-01-728	EA	RELIGHTER	617964
10	113737-01-740	EA	KNOB-THERMOSTAT	617971
10	113737-01-741	EA	SCREW #10 X 1/2"	NSC0001
10	113737-02-702	EA	SYSTEM COVER-VW LIGHT GRAY	620299
10	113737-02-703	EA	DOOR ASSEMBLY-VW LIGHT GRAY	620297
10	113737-02-704	EA	DOOR LINER-VW LIGHT GRAY	620296
11	113737-01-705	EA	CLIP-FIN	61728722
12	113737-01-706	EA	FIN ASSEMBLY	617948
13	113737-01-748	EA	GASKET-BURNER BOX-FELT	617977
14	113737-01-749	EA	BURNER BOX ASSEMBLY	617937
15	113737-01-734	EA	GRILLE (AIR INLET BLK)	617938
16	113737-01-711	EA	SHELF L-SHAPED (WHITE)	618063
17	113737-01-752	EA	CHAIN (TRAVEL LATCH)	618047
17	113737-01-753	EA	PIN (TRAVEL LATCH)	618046
18	113737-01-725	EA	HINGE (LH BTM & RH TOP)	617911
19	113737-01-712	EA	BREAKER (BLACK TRIM)	617912
20	113737-01-724	EA	HINGE (RH BTM & LH TOP)	617910
21	113737-01-733	EA	DOOR-RAIL, WHITE POWDER	618064
23	113737-01-701	EA	BUSHING-HINGE	61742022
24	113737-01-704	EA	GASKET-DOOR, GRAY	617906
25	113737-01-710	EA	PIN-HINGE, BOTTOM	61550722
26	113737-01-708	EA	PIN-HINGE, TOP	61114600
28	113737-01-754	EA	THERMOSTAT (FAN 12V DC)	618093
29	113737-01-759	EA	FUSE HOLDER	61584222

APPLIANCE GROUP (CONTINUED)

APPLIANCES (CONTINUED)

REFRIGERATOR (CONTINUED)

118367-02-01A

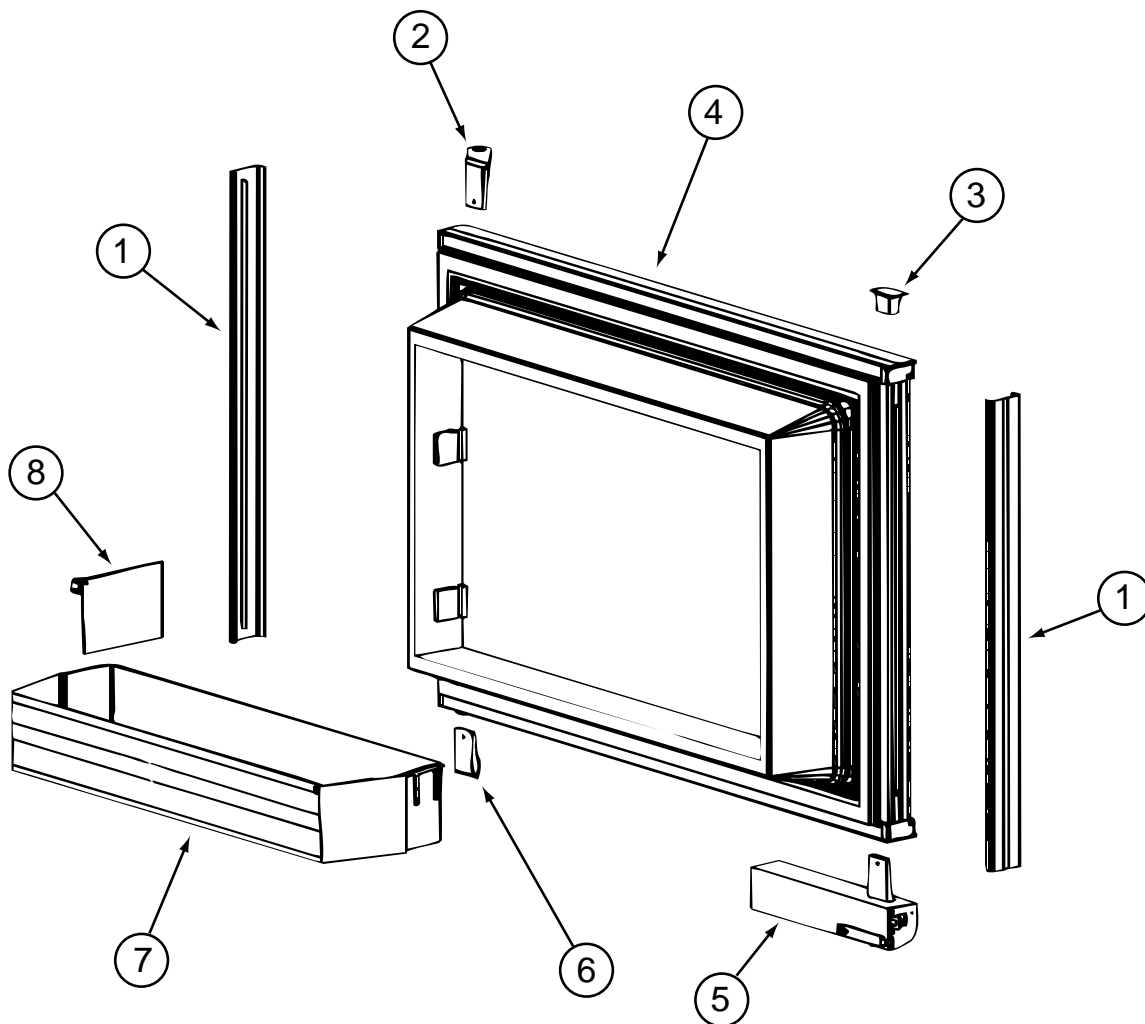
KEY	PART NUMBER	U/M	DESCRIPTION
	118367-02-01A	EA	REFRIGERATOR - SIDE BY SIDE - W/ICE MAKER - 12 VOLT 2-WAY
	118367-01-703	EA	STOP-LOWER, FREEZER-REFRIG)
	118367-01-707	EA	DECORATION-DOOR, REFRIG. LWR
	118367-01-709	EA	DECORATION-DOOR, FREEZER LWR
	118367-01-710	EA	HOLDER-BOTTLE, DOOR, REFRIG.
	118367-01-712	EA	RACK-DOOR, REFRIGERATOR
	118367-02-700	EA	DOOR - REFRIGERATOR
	118367-02-701	EA	DOOR - FREEZER
	118367-02-702	EA	BUSHING - HINGE
	118367-02-703	EA	HANDLE
	118367-02-704	EA	CONTROL - RIGHT
	118367-02-705	EA	CONTROL - LEFT
	118367-02-706	EA	SHELF - DOOR
	118367-02-707	EA	SHELF - DOOR
	118367-02-708	EA	DECORATION
	118367-02-70B	EA	FREEZER/REFRIG ATTACH/DOOR
	118367-01-714	EA	PIN-HINGE, UPPER
	118367-01-715	EA	HINGE-UPPER, LEFT(FREEZER)
	118367-01-716	EA	HINGE-UPPER, RIGHT (REFRIG)
	118367-01-718	EA	NUT, M5, BRASS, FN
	118367-01-720	EA	DECORATION
	118367-01-721	EA	BUTTON
	118367-01-727	EA	PIN-HINGE, LOWER
	118367-01-728	EA	PLUG - LOWER
	118367-01-729	EA	PLUG - UPPER
	118367-02-709	EA	SCREW M6S 5X20
	118367-02-710	EA	CIRCUIT BOARD
	118367-02-711	EA	FRONT/TOP- BEZEL
	118367-02-712	EA	END CAP - BEZEL- LEFT
	118367-02-713	EA	END CAP - BEZEL - RIGHT
	118367-02-715	EA	PLUG
	118367-02-716	EA	HINGE - LOWER - LEFT
	118367-02-717	EA	HINGE - LOWER - RIGHT
	118367-02-718	EA	STRIP - FRONT - LOWER
	118367-02-719	EA	SWITCH
	118367-02-720	EA	COIL - FREEZER
	118367-01-755	EA	RETAINER-PROBE
	118367-01-759	EA	LAMP, 10W-12VOLT
	118367-01-760	EA	RACK-UPPER
	118367-01-761	EA	RACK-LOWER
	118367-01-762	EA	RETAINER-RACKS
	118367-02-721	EA	SHELF - PLASTIC
	118367-02-722	EA	SHELF
	118367-02-723	EA	SHELF
	118367-02-724	EA	SHELF
	118367-02-725	EA	LID
	118367-02-726	EA	BOX VEGETABLE
	118367-02-727	EA	BOX VEGETABLE
	118367-02-728	EA	BOX VEGETABLE
	118367-02-729	EA	SHELF SUPPORT
	118367-02-730	EA	PLUG
	118367-02-731	EA	PLUG
	118367-02-732	EA	DRIP PROTECTOR
	118367-02-733	EA	LAMP SOCKET
	118367-02-734	EA	BOX
	118367-02-735	EA	CONTACT PIN
	118367-02-736	EA	COVER - LAMP
	118367-02-737	EA	SWITCH
	118367-02-738	EA	RACK

APPLIANCE GROUP (CONTINUED)
APPLIANCES (CONTINUED)

REFRIGERATOR (CONTINUED)
118367-02-01A (CONTINUED)

KEY	PART NUMBER	U/M	DESCRIPTION
	118367-02-739	EA	SHELF - GRATED
	118367-02-740	EA	SHELF - GRATED
	118367-02-70D	EA	FREEZER/REFRIG-CONT. FRT RR
	118367-01-764	EA	CONDUCTOR-ELECTRODE
	118367-01-766	EA	HOUSING-BURNER
	118367-01-768	EA	ELECTRODE
	118367-01-773	EA	CONDUCTOR-CIRCUIT BOARD
	118367-01-774	EA	CONDUCTOR-THERMISTOR
	118367-01-776	EA	ORFICE-JET, NR76
	118367-01-777	EA	HEATER-210WATT, 120VOLT
	118367-01-778	EA	RETAINER
	118367-01-780	EA	BLOCK-TERMINAL
	118367-01-782	EA	IGNITION-SPARK
	118367-01-783	EA	COIL-COOLING
	118367-02-741	EA	VALVE - SOLENOID
	118367-02-742	EA	RETAINER
	118367-02-743	EA	RETAINER
	118367-02-744	EA	THERMO COUPLER
	118367-02-745	EA	CIRCUIT COARD
	118367-02-746	EA	COVER
	118367-02-747	EA	CONDUCTOR GAS VALVE
	118367-02-748	EA	COVER
	118367-02-749	EA	FUSE 3AMP
	118367-02-750	EA	FUSE - 5AMP

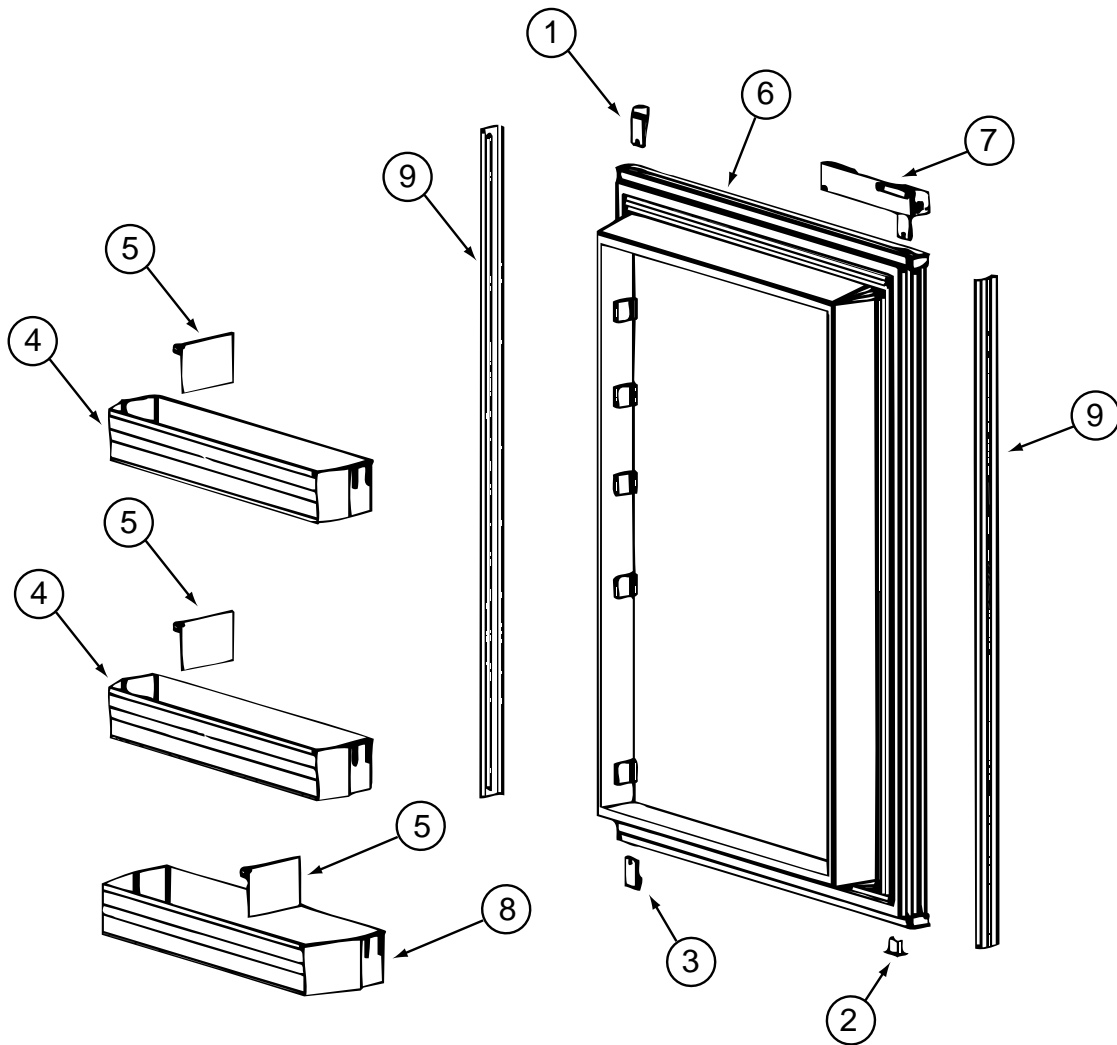
APPLIANCE GROUP (CONTINUED)
APPLIANCES (CONTINUED)



REFRIGERATOR (CONTINUED)
120075-03-01A

KEY	PART NUMBER	U/M	DESCRIPTION	VENDOR NO.
	120075-03-01A	EA	REFRIGERATOR - LARGE DOUBLE DOOR/RIGHT HAND - 2-WAY W/ICE	
1	120075-01-700	EA	RETAINER - DOOR DECOR PANEL	618128
2	120075-01-701	EA	HINGE - TOP RH/BOTTOM LH	618511
3	120075-01-702	EA	CAP - (HINGE PLUG)	618160
4	120075-01-703	EA	DOOR ASM. - FOAMED, W/GASKET	618205
5	120075-01-704	EA	DOOR HANDLE - UPR RH/LWR LH	618230
6	120075-01-705	EA	HINGE - TOP LH/BOTTOM RH	618510
7	120075-01-706	EA	BIN - DOOR	618635
8	120075-01-707	EA	DIVIDER - DOOR BIN	618637
	103251-07-01A	EA	INSERT - ACRYLIC/BLACK - 21.60" X 14.53"	

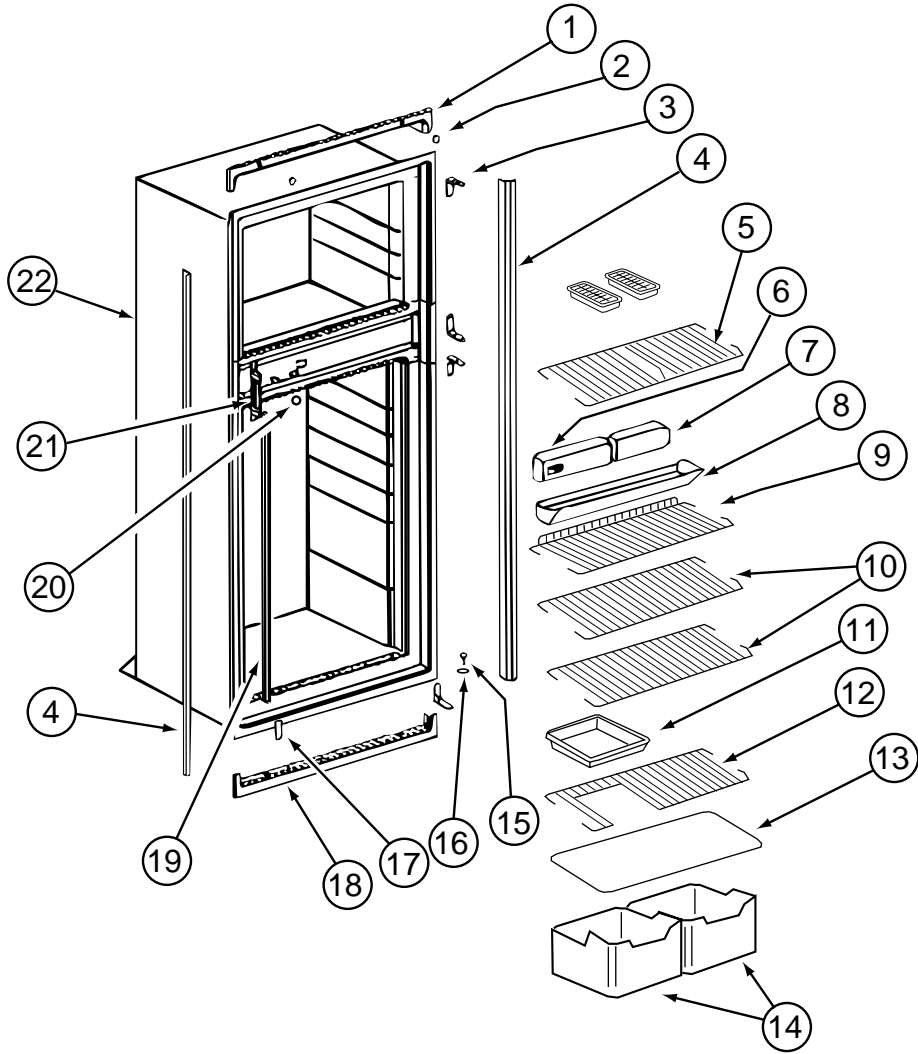
APPLIANCE GROUP (CONTINUED)
APPLIANCES (CONTINUED)



REFRIGERATOR (CONTINUED)
120075-03-01A (CONTINUED)

KEY	PART NUMBER	U/M	DESCRIPTION	VENDOR NO.
	120075-03-01A	EA	REFRIGERATOR - LARGE DOUBLE DOOR/RIGHT HAND - 2-WAY W/ICE	
1	120075-01-701	EA	HINGE - TOP RH/BOTTOM LH	618511
2	120075-01-702	EA	CAP - (HINGE PLUG)	618160
3	120075-01-705	EA	HINGE - TOP LH/BOTTOM RH	618510
4	120075-01-706	EA	BIN - DOOR	618635
5	120075-01-707	EA	DIVIDER -DOOR BIN	618637
6	120075-01-710	EA	DOOR - LOWER - FOAMED - W/GASKET	618270
7	120075-01-704	EA	DOOR HANDLE - UPR RH/LWR LH	618230
8	120075-01-712	EA	BIN - DOOR/BOTTOM - LARGE	618634
9	121568-01-703	EA	RETAINER - PANEL LOWER DOOR	618129
	103251-09-01A	EA	INSERT - ACRYLIC/BLACK - 21.60" X 38.62"	

APPLIANCE GROUP (CONTINUED)
APPLIANCES (CONTINUED)



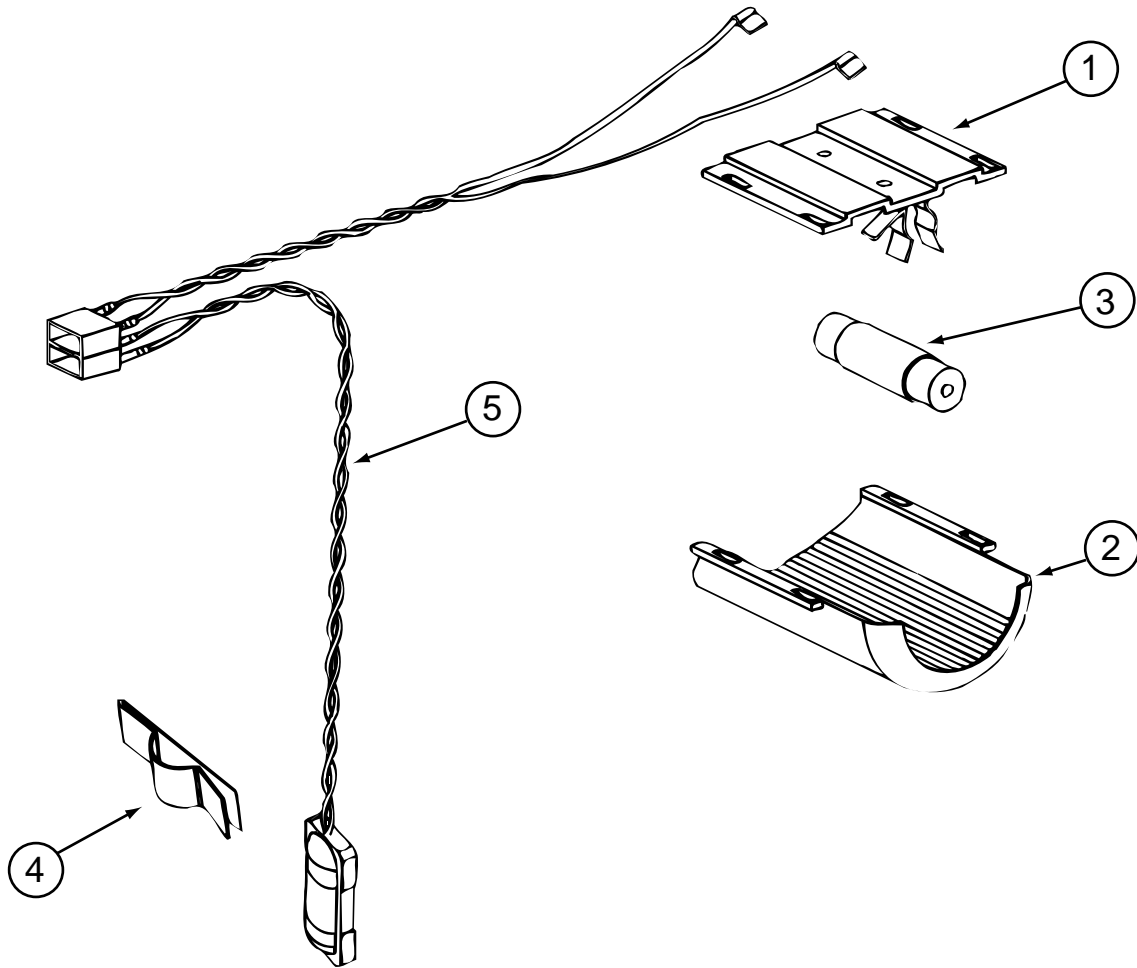
REFRIGERATOR (CONTINUED)
120075-03-01A (CONTINUED)

APPLIANCE GROUP (CONTINUED)

APPLIANCES (CONTINUED) REFRIGERATOR (CONTINUED) 120075-03-01A (CONTINUED)

KEY	PART NUMBER	U/M	DESCRIPTION	VENDOR NO.
	120075-03-01A	EA	REFRIGERATOR - LARGE DOUBLE DOOR/RIGHT HAND - 2-WAY W/ICE	
1	120075-01-713	EA	TRIM - TOP PIECE	618124
2	120075-01-714	EA	PLUG - HOLE	618170
3	120075-01-715	EA	HINGE - CABINET	618512
4	120075-01-716	EA	TRIM - SIDE PIECE	618134
5	120075-01-717	EA	SHELF - FREEZER - WIRE	618172
6	120075-01-719	EA	OPTICAL CONTROL BOX ASSEMBLY	618245
7	120075-01-718	EA	BOX - FILLER	618112
8	120075-01-720	EA	TRAY - DRIP	618137
	120075-01-721	EA	LOUVER - DRIP TRAY	618176
9	120075-01-722	EA	SHELF - WIRE - SHORT	618239
10	120075-01-723	EA	SHELF - WIRE	618114
11	104137-06-718	EA	SHELF - TRAY - WHITE - W/CUTOUT	617756
12	120075-01-724	EA	SHELF - WIRE - W/CUTOUT	618177
13	120075-01-725	EA	COVER - CRISPER	618158
14	120075-01-726	EA	CRISPER	618154
15	120075-01-727	EA	PIN - HINGE	618145
16	120075-01-708	EA	BUSHING - DOOR HINGE	618144
17	120075-01-728	EA	COVER - HINGE HOLE	618171
18	120075-01-729	EA	TRIM - BOTTOM PIECE	618136
19	120075-01-730	EA	RETAINER - SHELF	618181
20	120075-01-731	EA	PLUG - FACADE	618184
21	120075-01-732	EA	PLATE - STRIKE	618167
22	120075-01-733	EA	CABINET - FOAMED	618265

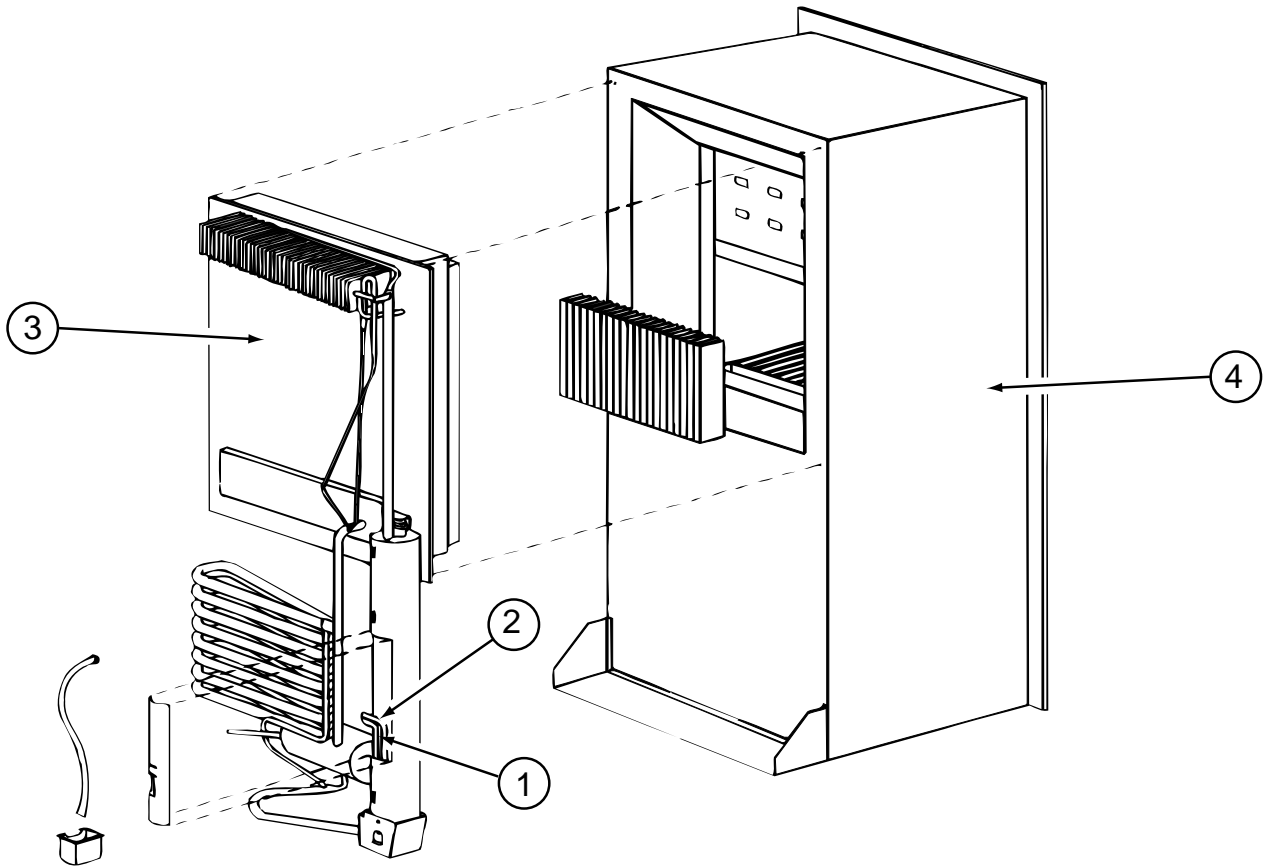
APPLIANCE GROUP (CONTINUED)
APPLIANCES (CONTINUED)



REFRIGERATOR (CONTINUED)
120075-03-01A (CONTINUED)

KEY	PART NUMBER	U/M	DESCRIPTION	VENDOR NO.
	120075-03-01A	EA	REFRIGERATOR - LARGE DOUBLE DOOR/RIGHT HAND - 2-WAY W/ICE	
1	084880-03-705	EA	BRACKET - LIGHT-INTERIOR	61629722
2	120075-01-734	EA	COVER - LENS	618190
3	084880-03-706	EA	BULB - LAMP	61628922
4	084880-01-760	EA	CLIP (THERMISTER)	61689122
5	120075-01-735	EA	THERMISTER W/LAMP & WIRE/ASM	618548
	120075-01-742	EA	THERMISTER ONLY	618288

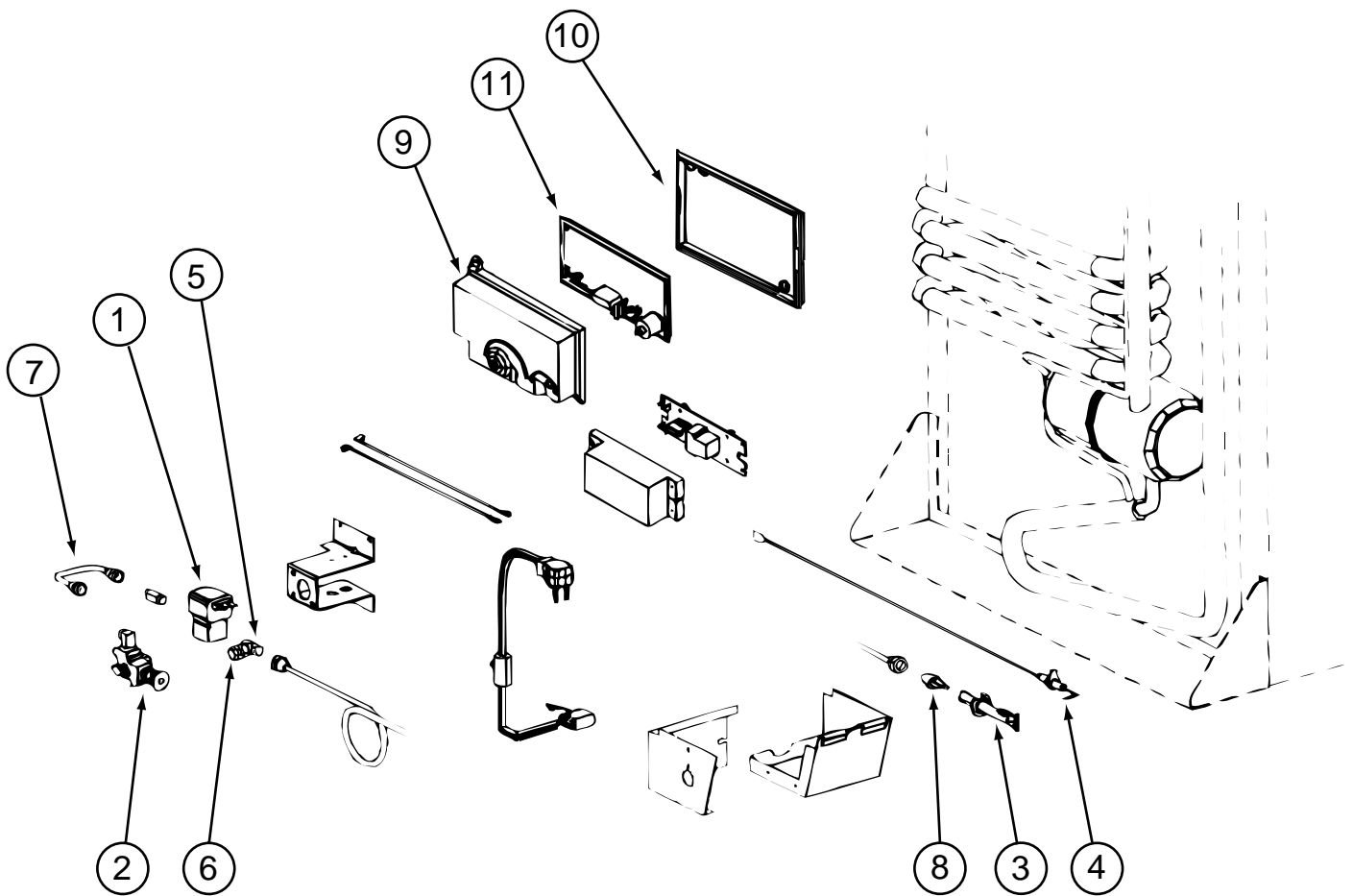
APPLIANCE GROUP (CONTINUED)
APPLIANCES (CONTINUED)



REFRIGERATOR (CONTINUED)
120075-03-01A (CONTINUED)

KEY	PART NUMBER	U/M	DESCRIPTION	VENDOR NO.
	120075-03-01A	EA	REFRIGERATOR - LARGE DOUBLE DOOR/RIGHT HAND - 2-WAY W/ICE	
1	088248-01-709	EA	HEATER - AC (HORIZONTAL)	61562722
2	088248-01-710	EA	HEATER - DC (HORIZONTAL)	61562822
3	120075-01-736	EA	COOLING UNIT - SERVICE PACK	618542
4	120075-03-700	EA	CABINET - FOAMED	618285

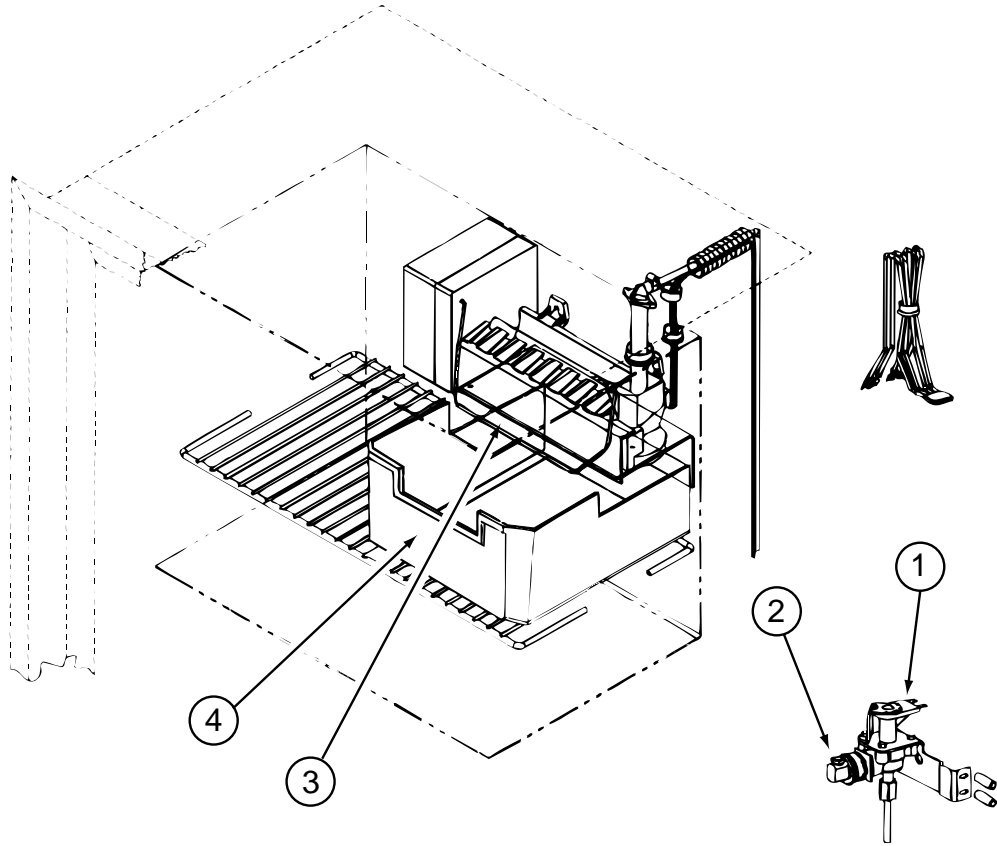
APPLIANCE GROUP (CONTINUED)
APPLIANCES (CONTINUED)



REFRIGERATOR (CONTINUED)
120075-03-01A (CONTINUED)

KEY	PART NUMBER	U/M	DESCRIPTION	VENDOR NO.
	120075-03-01A	EA	REFRIGERATOR - LARGE DOUBLE DOOR/RIGHT HAND - 2-WAY W/ICE	
1	084880-01-718	EA	VALVE - GAS - (ASCO)	61551822
2	104137-06-734	EA	VALVE - SHUT OFF - MANUAL	61694922
3	104137-06-714	EA	BURNER ASSEMBLY - 5-SLOT	61705222
4	104137-06-715	EA	ELECTRODE - SPARK/SENSOR - SGL	61692222
5	113737-01-702	EA	PLUG 1/8" F/PRESSURE TAP	61445322
6	113737-01-716	EA	TAP - PRESSURE	61594422
7	113737-01-750	EA	TUBE - UNION	61694622
8	120075-01-737	EA	ORFICE - JEWEL - .0155	618284
9	120075-01-738	EA	COVER - POWER BOARD	618185
10	120075-01-739	EA	BOARD - POWER - 2-WAY	618198
11	120075-01-740	EA	COVER - BASE - POWER BOARD	618186
	120075-01-744	EA	KIT - GAS VALVE/BURNER TUBE	620609

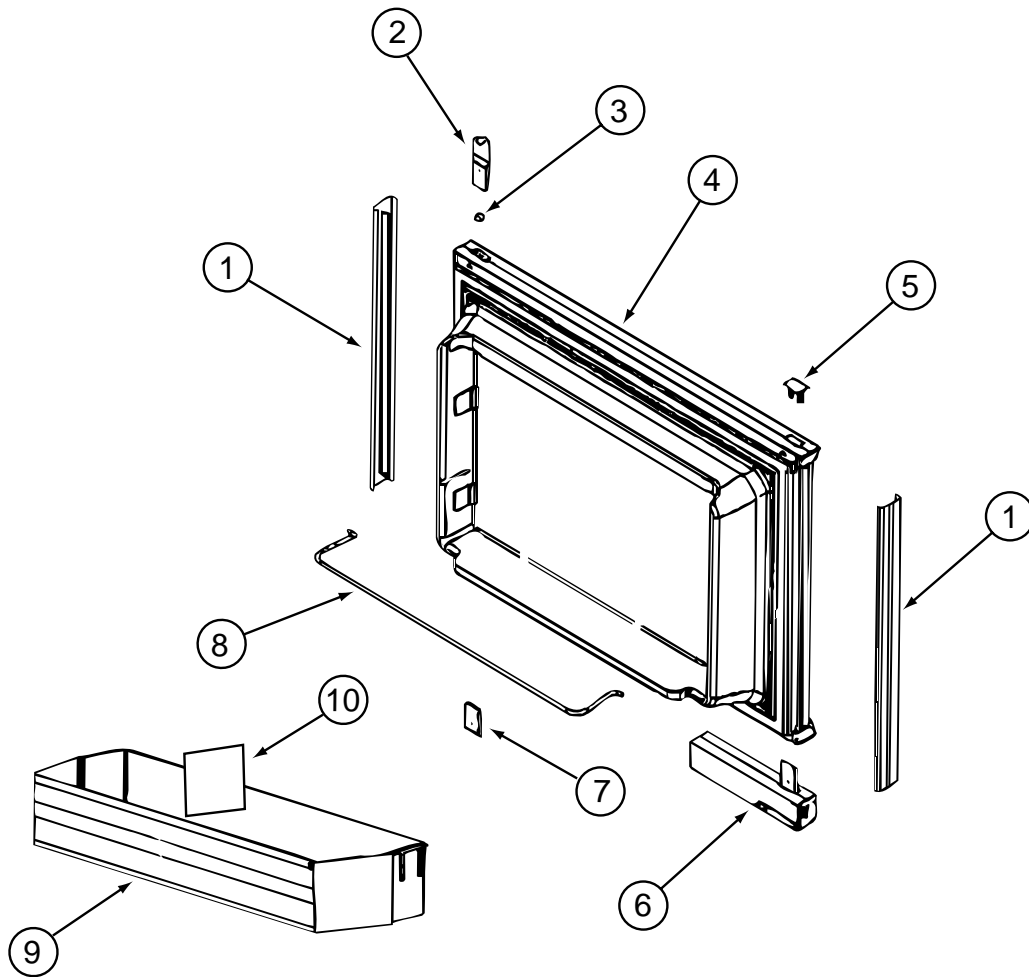
APPLIANCE GROUP (CONTINUED)
APPLIANCES (CONTINUED)



REFRIGERATOR (CONTINUED)
120075-03-01A (CONTINUED)

KEY	PART NUMBER	U/M	DESCRIPTION	VENDOR NO.
	120075-03-01A	EA	REFRIGERATOR - LARGE DOUBLE DOOR/RIGHT HAND - 2-WAY W/ICE	
1	120075-03-701	EA	VALVE ASM. - WATER - W/BACKET	618253
2	120075-03-702	EA	NUT/COMPRESSION - FITTING	61678722
3	120075-03-703	EA	ARM - SHUT OFF	61656922
4	120075-03-704	EA	BIN - ICE CUBE	618154

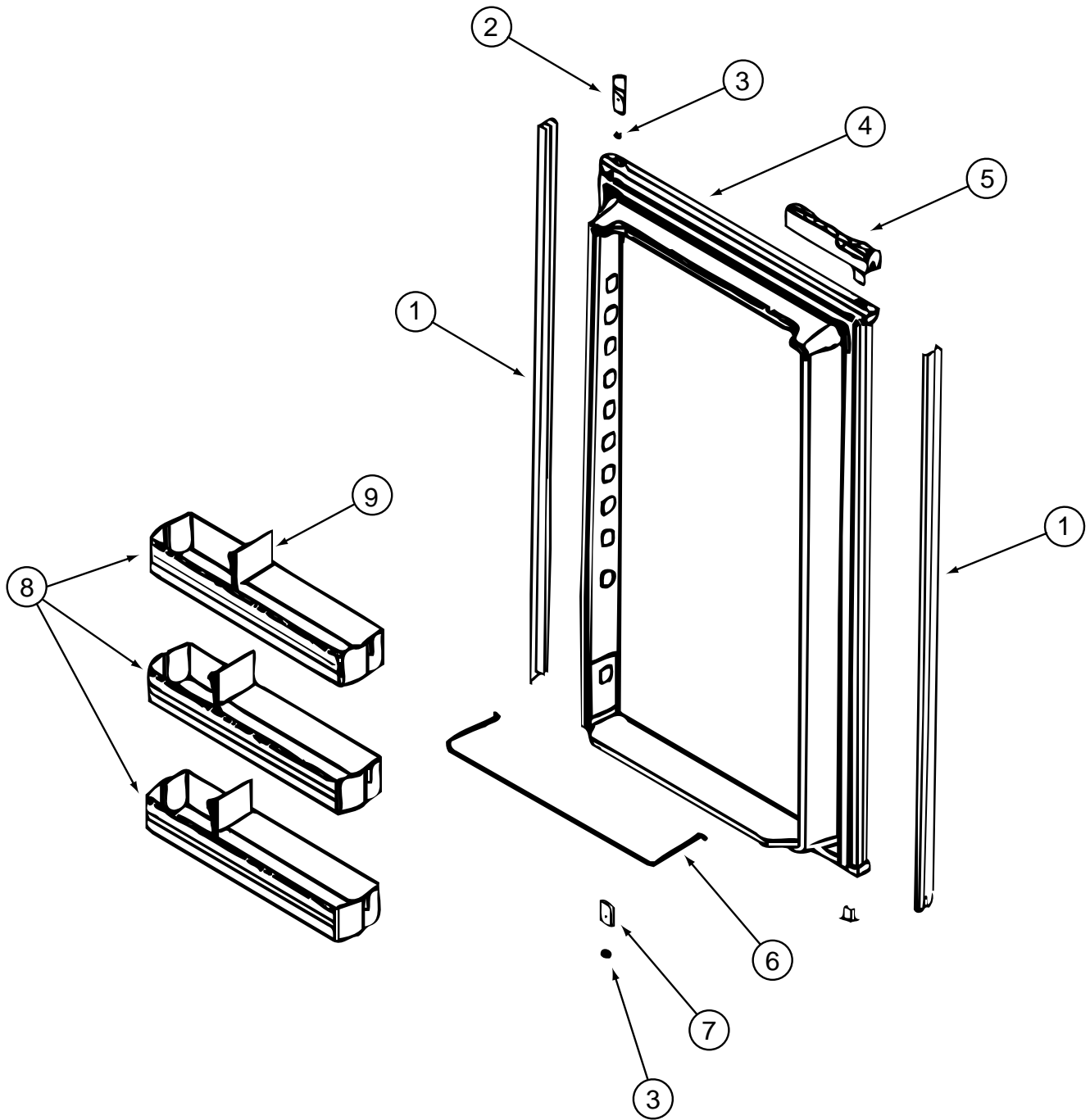
APPLIANCE GROUP (CONTINUED)
APPLIANCES (CONTINUED)



REFRIGERATOR (CONTINUED)
120075-07-01A

KEY	PART NUMBER	U/M	DESCRIPTION	VENDOR NO.
	120075-07-01A	EA	REFRIGERATOR - LARGE DOUBLE DOOR/RIGHT HAND - BLACK 2-WAY	#N841R
1	121568-03-700	EA	RETAINER - DOOR PANEL/BLACK	619558
2	120075-01-701	EA	HINGE-TOP RH/BOTTOM LH(DOOR)	618511
3	121568-03-701	EA	BUSHING - HINGE PIN/GRAY	619671
4	120075-07-703	EA	DOOR LINER - BLACK	619631 - LARGE DOOR
4	121568-03-702	EA	DOOR LINER - W/TRIM/BLACK	619627 - SMALL DOOR
5	120075-01-702	EA	CAP, (HINGE PLUG)	618160
6	121568-03-703	EA	HANDLE ASM TOP/RH-LWR/LH BLK	619865
7	120075-01-705	EA	HINGE-TOP LH/BOTTOM RH(DOOR)	618510
8	121568-01-700	EA	RAIL - DOOR UPPER	618618
9	120075-07-704	EA	DOOR BIN - LARGE/CLEAR	619005
10	120075-01-707	EA	DIVIDER-DOOR BIN	618637
	121568-03-704	EA	TRAVEL LATCH - GRAY	619647
	121568-03-705	EA	STORAGE LATCH - GRAY	619648

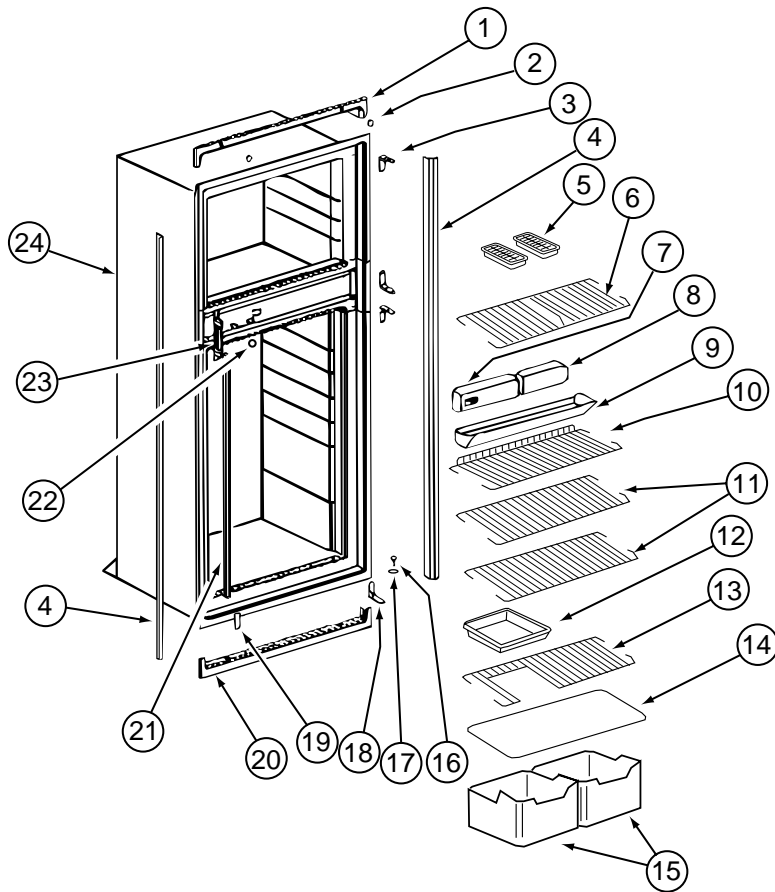
APPLIANCE GROUP (CONTINUED)
APPLIANCES (CONTINUED)



REFRIGERATOR (CONTINUED)
120075-07-01A (CONTINUED)

KEY	PART NUMBER	U/M	DESCRIPTION	VENDOR NO.
	120075-07-01A	EA	REFRIGERATOR - LARGE DOUBLE DOOR/RIGHT HAND - BLACK 2-WAY	#N841R
1	120075-07-702	EA	RETAINER - DOOR PANEL/BLACK	619560
2	120075-01-701	EA	HINGE-TOP RH/BOTTOM LH(DOOR)	618511
3	121568-03-701	EA	BUSHING - HINGE PIN/GRAY	619671
4	120075-07-703	EA	DOOR LINER - BLACK	619631 - LARGE DOOR
5	121568-03-708	EA	HANDLE ASM - TOP/LH-LWR/RH	619866
7	120075-01-705	EA	HINGE-TOP LH/BOTTOM RH(DOOR)	618510
8	120075-07-700	EA	DOOR BIN - CLEAR	619006
9	120075-07-704	EA	DOOR BIN - LARGE/CLEAR	619005
	121568-03-703	EA	HANDLE ASM TOP/RH-LWR/LH BLK	619865
	121568-03-705	EA	STORAGE LATCH - GRAY	619648

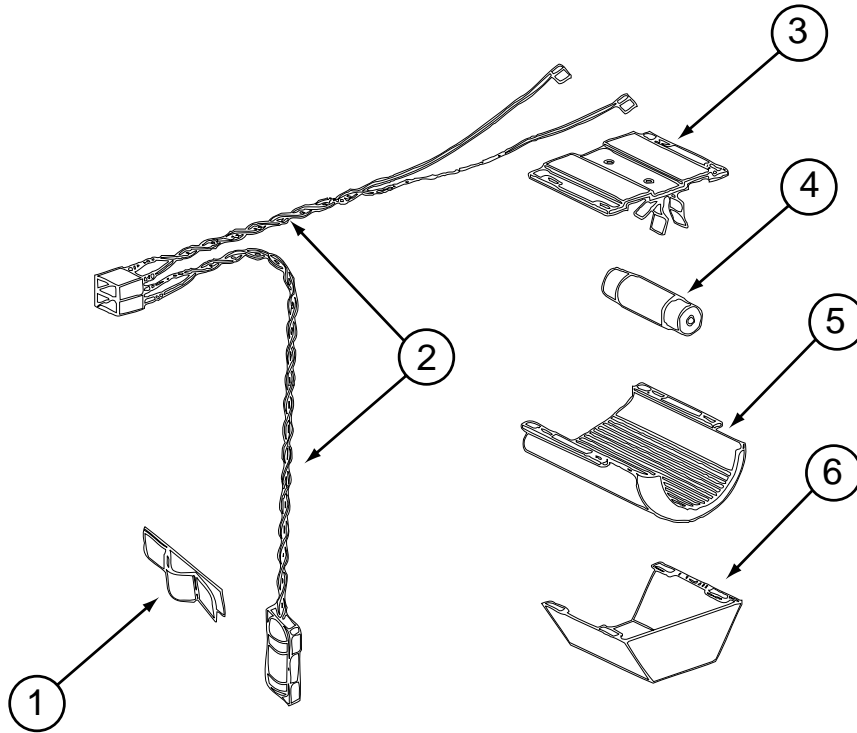
APPLIANCE GROUP (CONTINUED)
APPLIANCES (CONTINUED)



REFRIGERATOR (CONTINUED)
120075-07-01A (CONTINUED)

KEY	PART NUMBER	U/M	DESCRIPTION	VENDOR NO.
	120075-07-01A	EA	REFRIGERATOR - LARGE DOUBLE DOOR/RIGHT HAND - BLACK 2-WAY	#N841R
1	121568-03-709	EA	TRIM - TOP/BLACK	619687
2	120075-01-714	EA	PLUG-HOLE	618170
3	121568-03-710	EA	HINGE/CABINET-TOP/RH-LWR/LH	619335
4	120075-07-705	EA	TRIM - SIDE - BLACK	619802
5	104137-06-724	EA	ICE TRAY	61630422
6	120075-07-706	EA	SHELF - WIRE/FREEZER	620249
7	120075-07-707	EA	CONTROL BOX - BLACK	619665
9	120075-01-720	EA	TRAY-DRIP	618137
10	120075-01-722	EA	SHELF-WIRE, SHORT	618239
11	120075-01-723	EA	SHELF-WIRE	618114
12	104137-06-718	EA	SHELF-TRAY, WHITE, W/CUTOUT	617756
13	120075-01-724	EA	SHELF-WIRE, W/CUTOUT	618177
14	120075-01-725	EA	COVER-CRISPER	618158
15	120075-07-708	EA	CRISPER/ICE BIN	619007
16	120075-01-727	EA	PIN-HINGE	618145
17	121568-03-701	EA	BUSHING - HINGE PIN/GRAY	619671
18	121568-03-715	EA	HINGE/CABINET-TOP/LH-LWR/RH	619336
19	121568-03-716	EA	COVER - HINGE HOLES	619301
20	120075-01-729	EA	TRIM-BOTTOM PIECE	618136
21	120075-01-730	EA	RETAINER-SHELF	618181
22	121568-03-717	EA	HOLE PLUG - WHITE	619561
23	120075-01-732	EA	PLATE-STRIKE	618167
24	120075-07-709	EA	CABINET - FOAMED	619347
	120075-01-721	EA	LOUVER-DRIP TRAY	618176

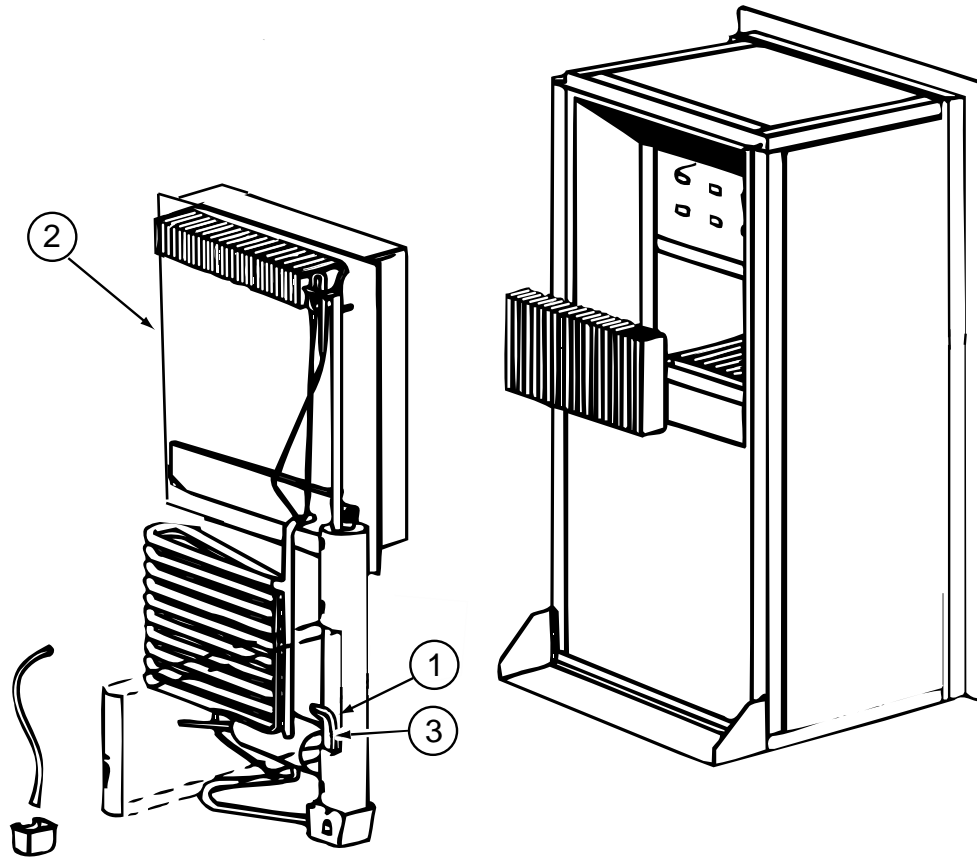
APPLIANCE GROUP (CONTINUED)
APPLIANCES (CONTINUED)



REFRIGERATOR (CONTINUED)
120075-07-01A (CONTINUED)

KEY	PART NUMBER	U/M	DESCRIPTION	VENDOR NO.
	120075-07-01A	EA	REFRIGERATOR - LARGE DOUBLE DOOR/RIGHT HAND - BLACK 2-WAY	#N841R
1	084880-01-760	EA	CLIP (THERMISTER)	61689122
2	120075-01-735	EA	THERMISTER W/LAMP & WIRE/ASM	618548
3	084880-03-705	EA	BRACKET-LIGHT-INTERIOR	61629722
4	084880-03-706	EA	BULB-LAMP	61628922
5	120075-01-734	EA	COVER-LENS	618190
6			CONTACT WINNEBAGO PART SALES FOR THIS COMPONENT	

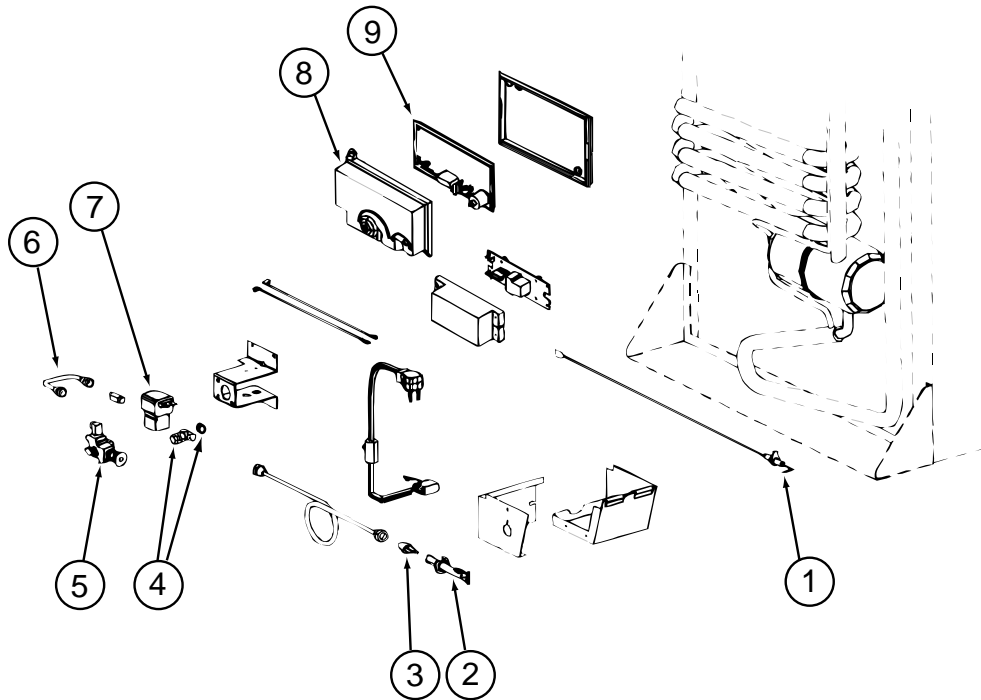
APPLIANCE GROUP (CONTINUED)
APPLIANCES (CONTINUED)



REFRIGERATOR (CONTINUED)
120075-07-01A (CONTINUED)

KEY	PART NUMBER	U/M	DESCRIPTION	VENDOR NO.
	120075-07-01A	EA	REFRIGERATOR - LARGE DOUBLE DOOR/RIGHT HAND - BLACK 2-WAY	#N841R
1	088248-01-710	EA	HEATER DC (HORIZONTAL)	61562822
2	120075-01-736	EA	COOLING UNIT, SERVICE PACK	618542
3	088248-01-709	EA	HEATER-AC (HORIZONTAL)	61562722

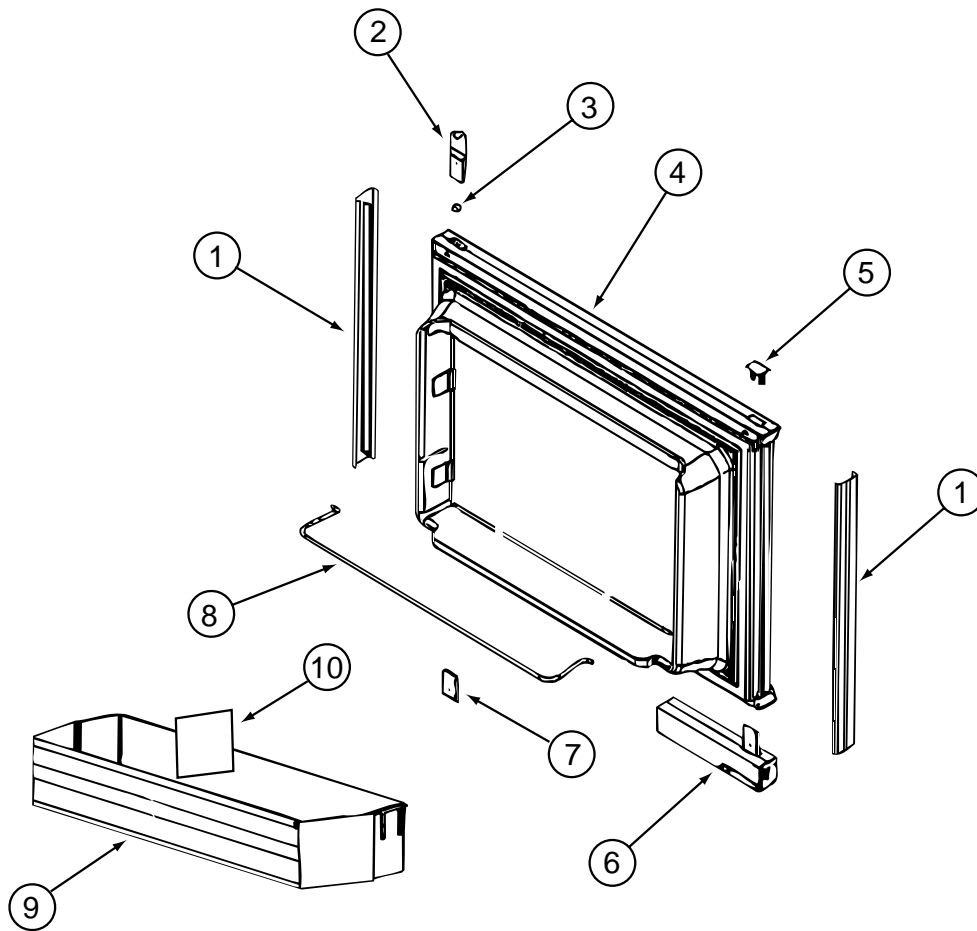
APPLIANCE GROUP (CONTINUED)
APPLIANCES (CONTINUED)



REFRIGERATOR (CONTINUED)
120075-07-01A (CONTINUED)

KEY	PART NUMBER	U/M	DESCRIPTION	VENDOR NO.
	120075-07-01A	EA	REFRIGERATOR - LARGE DOUBLE DOOR/RIGHT HAND - BLACK 2-WAY #N841R	
1	104137-06-715	EA	ELECTRODE-SPARK/SENSOR, SGL	61692222
2	104137-06-714	EA	BURNER ASSEMBLY, 5-SLOT	61705222
3	120075-01-737	EA	ORIFICE - JEWEL - .0155	618284
4	113737-01-702	EA	PLUG 1/8" F/PRESSURE TAP	61445322
4	113737-01-716	EA	TAP-PRESSURE	61594422
5	104137-06-709	EA	VALVE-SHUT OFF/MAN-OLD STYLE	61694922
6	113737-01-750	EA	TUBE-UNION	61694622
7	084880-01-718	EA	VALVE-GAS, (ASCO)	61551822
8	120075-01-738	EA	COVER-POWER BOARD	618185
9	120075-07-710	EA	POWER - BOARD - 2-WAY	619360
	120075-01-744	EA	KIT - GAS VALVE/BURNER TUBE	620609
	121568-03-720	EA	VALVE/SHUT OF-MANUAL ELECT.	618696

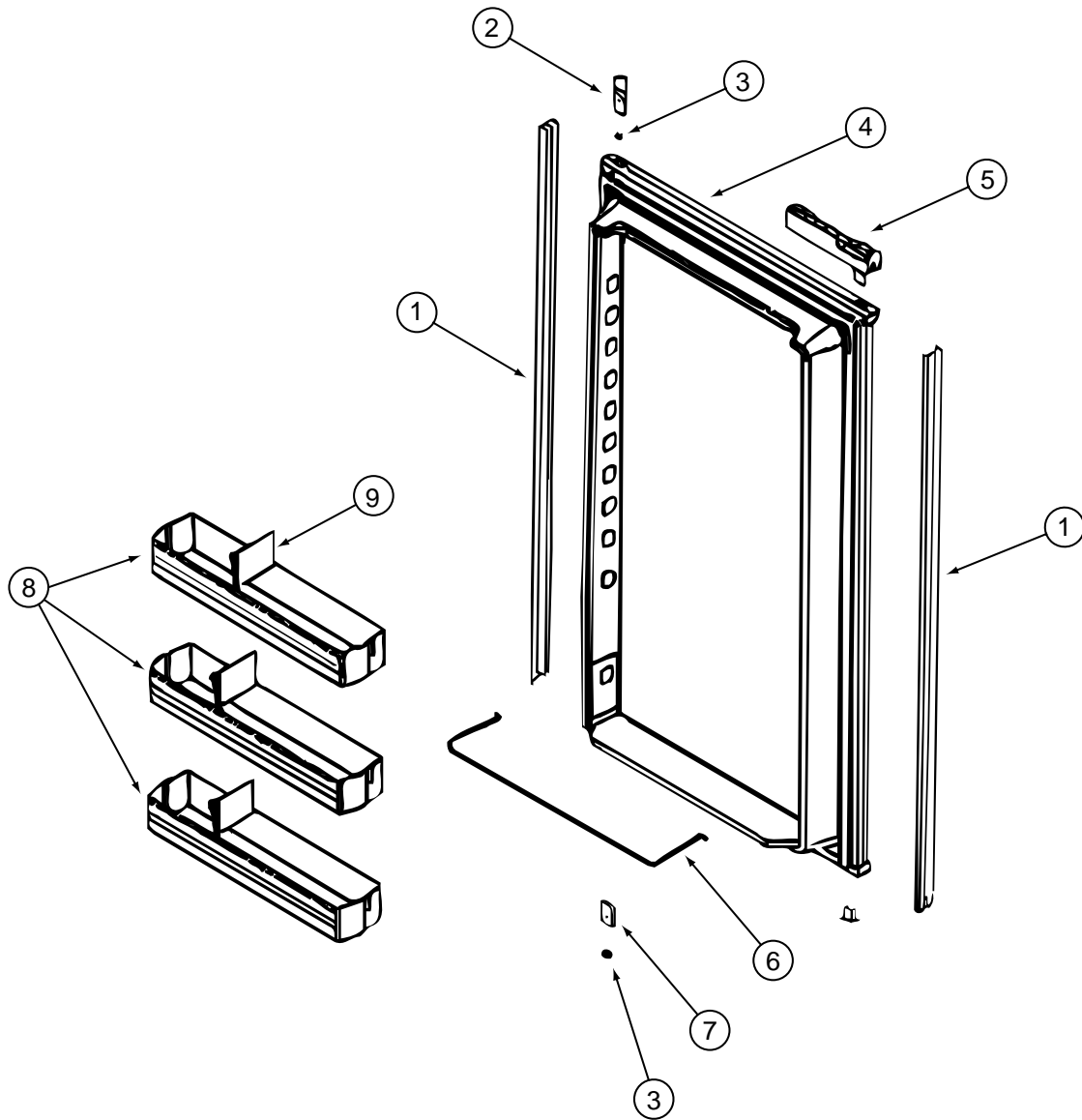
APPLIANCE GROUP (CONTINUED)
APPLIANCES (CONTINUED)



REFRIGERATOR (CONTINUED)
120075-09-01A

KEY	PART NUMBER	U/M	DESCRIPTION	VENDOR NO.	
	120075-09-01A	EA	REFRIGERATOR - LARGE DBL DOOR RH - W/ICE MAKER-BLACK 2-WAY		#N841RIM
1	121568-03-700	EA	RETAINER - DOOR PANEL/BLACK	619558	
2	120075-01-701	EA	HINGE-TOP RH/BOTTOM LH(DOOR)	618511	
3	121568-03-701	EA	BUSHING - HINGE PIN/GRAY	619671	
4	121568-03-702	EA	DOOR LINER - W/TRIM/BLACK	619627 - SMALL DOOR	
5	120075-01-702	EA	CAP, (HINGE PLUG)	618160	
6	121568-03-703	EA	HANDLE ASM TOP/RH-LWR/LH BLK	619865	
7	120075-01-705	EA	HINGE-TOP LH/BOTTOM RH(DOOR)	618510	
8	121568-01-700	EA	RAIL - DOOR UPPER	618618	
9	120075-07-700	EA	DOOR BIN - CLEAR	619006	
10	120075-07-701	EA	DIVIDER/DOOR BIN CLEAR	619008	
	121568-03-704	EA	TRAVEL LATCH - GRAY	619647	
	121568-03-705	EA	STORAGE LATCH - GRAY	619648	

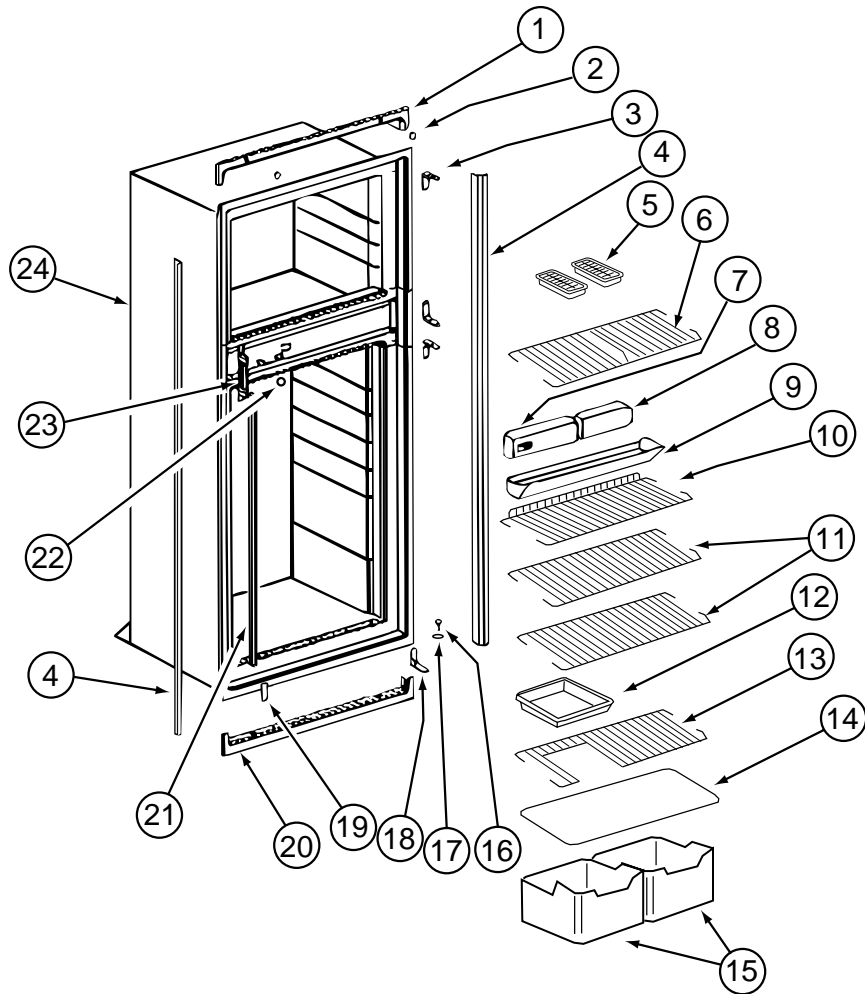
APPLIANCE GROUP (CONTINUED)
APPLIANCES (CONTINUED)



REFRIGERATOR (CONTINUED)
120075-09-01A (CONTINUED)

KEY	PART NUMBER	U/M	DESCRIPTION	VENDOR NO.	
	120075-09-01A	EA	REFRIGERATOR - LARGE DBL DOOR RH - W/ICE MAKER-BLACK 2-WAY		#N841RIM
1	120075-07-702	EA	RETAINER - DOOR PANEL/BLACK	619560	
2	120075-01-701	EA	HINGE-TOP RH/BOTTOM LH(DOOR)	618511	
3	121568-03-701	EA	BUSHING - HINGE PIN/GRAY	619671	
4	120075-07-703	EA	DOOR LINER - BLACK	619631 - LARGE DOOR	
5	121568-03-708	EA	HANDLE ASM - TOP/LH-LWR/RH	6198669	
6	121568-01-704	EA	RAIL - DOOR LOWER	618578	
7	120075-01-705	EA	HINGE-TOP LH/BOTTOM RH(DOOR)	618510	
8	121568-01-701	EA	BIN - DOOR WHITE	618619	
9	120075-07-704	EA	DOOR BIN - LARGE/CLEAR	619005	
	121568-03-704	EA	TRAVEL LATCH - GRAY	619647	
	121568-03-705	EA	STORAGE LATCH - GRAY	619648	
	120075-01-707	EA	DIVIDER-DOOR BIN	618637	

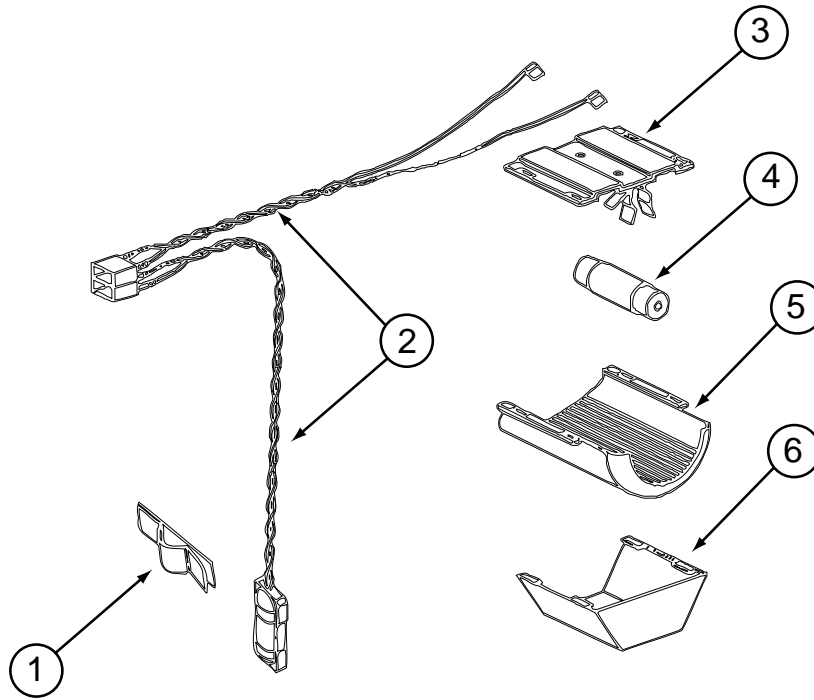
APPLIANCE GROUP (CONTINUED)
APPLIANCES (CONTINUED)



REFRIGERATOR (CONTINUED)
120075-09-01A (CONTINUED)

KEY	PART NUMBER	U/M	DESCRIPTION	VENDOR NO.	
	120075-09-01A	EA	REFRIGERATOR - LARGE DBL DOOR RH - W/ICE MAKER-BLACK 2-WAY		#N841RIM
1	121568-03-709	EA	TRIM - TOP/BLACK	619687	
2	120075-01-714	EA	PLUG-HOLE	618170	
3	121568-03-710	EA	HINGE/CABINET-TOP/RH-LWR/LH	619335	
4	120075-07-705	EA	TRIM - SIDE - BLACK	619802	
5	104137-06-724	EA	ICE TRAY	61630422	
6	120075-07-706	EA	SHELF - WIRE/FREEZER	620249	
7	120075-07-707	EA	CONTROL BOX - BLACK	619665	
8	121568-03-713	EA	FRONT BOX/DECORATIVE-BLACK	619282	
9	120075-01-720	EA	TRAY-DRIP	618137	
10	120075-01-722	EA	SHELF-WIRE, SHORT	618239	
11	120075-01-723	EA	SHELF-WIRE	618114	
12	104137-06-718	EA	SHELF-TRAY, WHITE, W/CUTOUT	617756	
13	120075-01-724	EA	SHELF-WIRE, W/CUTOUT	618177	
14	120075-01-725	EA	COVER-CRISPER	618158	
15	120075-07-708	EA	CRISPER/ICE BIN	619007	
16	120075-01-727	EA	PIN-HINGE	618145	
17	121568-03-701	EA	BUSHING - HINGE PIN/GRAY	619671	
18	121568-03-715	EA	HINGE/CABINET-TOP/LH-LWR/RH	619336	
19	121568-03-716	EA	COVER - HINGE HOLES	619301	
20	120075-01-729	EA	TRIM-BOTTOM PIECE	618136	
21	120075-01-730	EA	RETAINER-SHELF	618181	
22	121568-03-717	EA	HOLE PLUG - WHITE	619561	
23	120075-01-732	EA	PLATE-STRIKE	618167	
24	120075-09-700	EA	CABINET - FOAMED	619660	
	120075-01-721	EA	LOUVER-DRIP TRAY	618176	

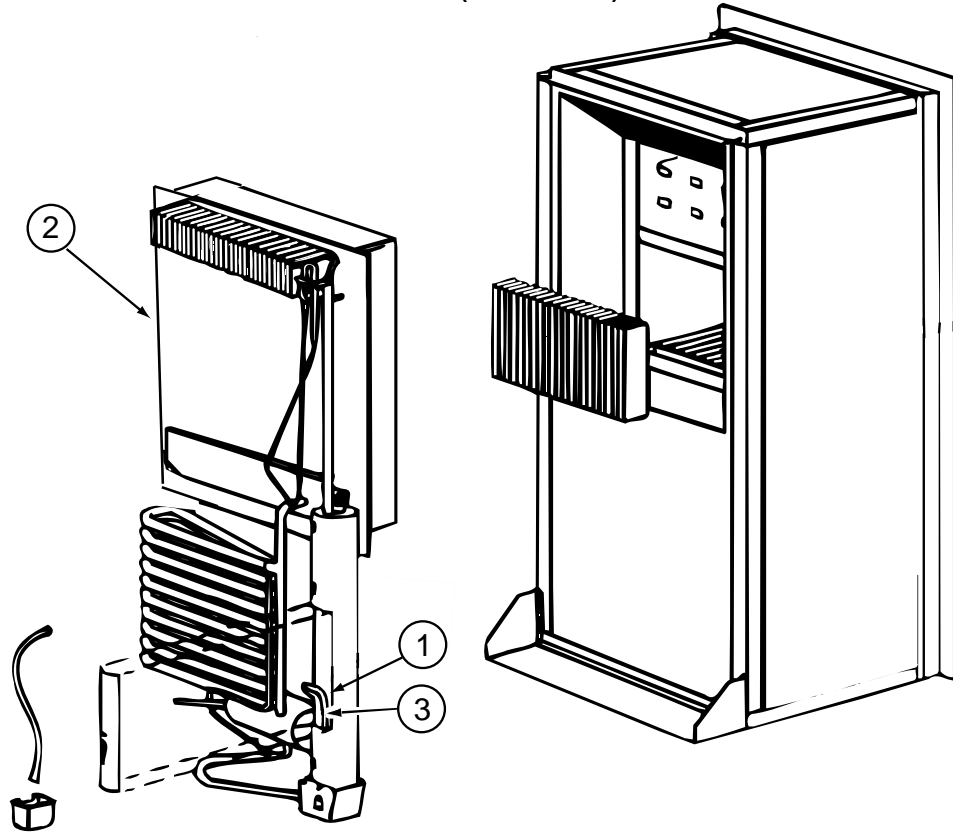
APPLIANCE GROUP (CONTINUED)
APPLIANCES (CONTINUED)



REFRIGERATOR (CONTINUED)
120075-09-01A (CONTINUED)

KEY	PART NUMBER	U/M	DESCRIPTION	VENDOR NO.	
	120075-09-01A	EA	REFRIGERATOR - LARGE DBL DOOR RH - W/ICE MAKER-BLACK 2-WAY		#N841RIM
1	084880-01-760	EA	CLIP (THERMISTER)	61689122	
2	120075-01-735	EA	THERMISTER W/LAMP & WIRE/ASM	618548	
3	084880-03-705	EA	BRACKET-LIGHT-INTERIOR	61629722	
4	084880-03-706	EA	BULB-LAMP	61628922	
5	120075-01-734	EA	COVER-LENS	618190	
6	084880-03-707	EA	COVER-LAMP, LENS	61627922	

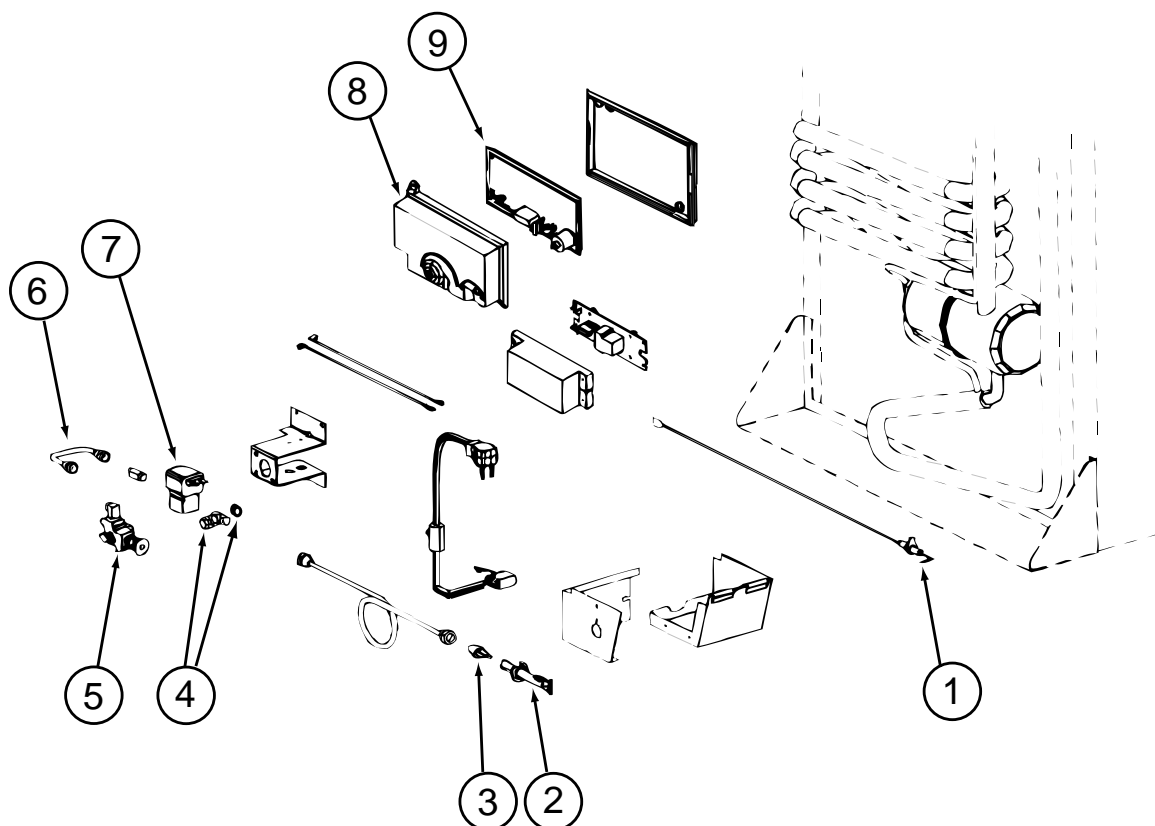
APPLIANCE GROUP (CONTINUED)
APPLIANCES (CONTINUED)



REFRIGERATOR (CONTINUED)
120075-09-01A (CONTINUED)

KEY	PART NUMBER	U/M	DESCRIPTION	VENDOR NO.	
	120075-09-01A	EA	REFRIGERATOR - LARGE DBL DOOR RH - W/ICE MAKER-BLACK 2-WAY		#N841RIM
1	088248-01-710	EA	HEATER DC (HORIZONTAL)	61562822	
2	120075-01-736	EA	COOLING UNIT, SERVICE PACK	618542	
3	088248-01-709	EA	HEATER-AC (HORIZONTAL)	61562722	

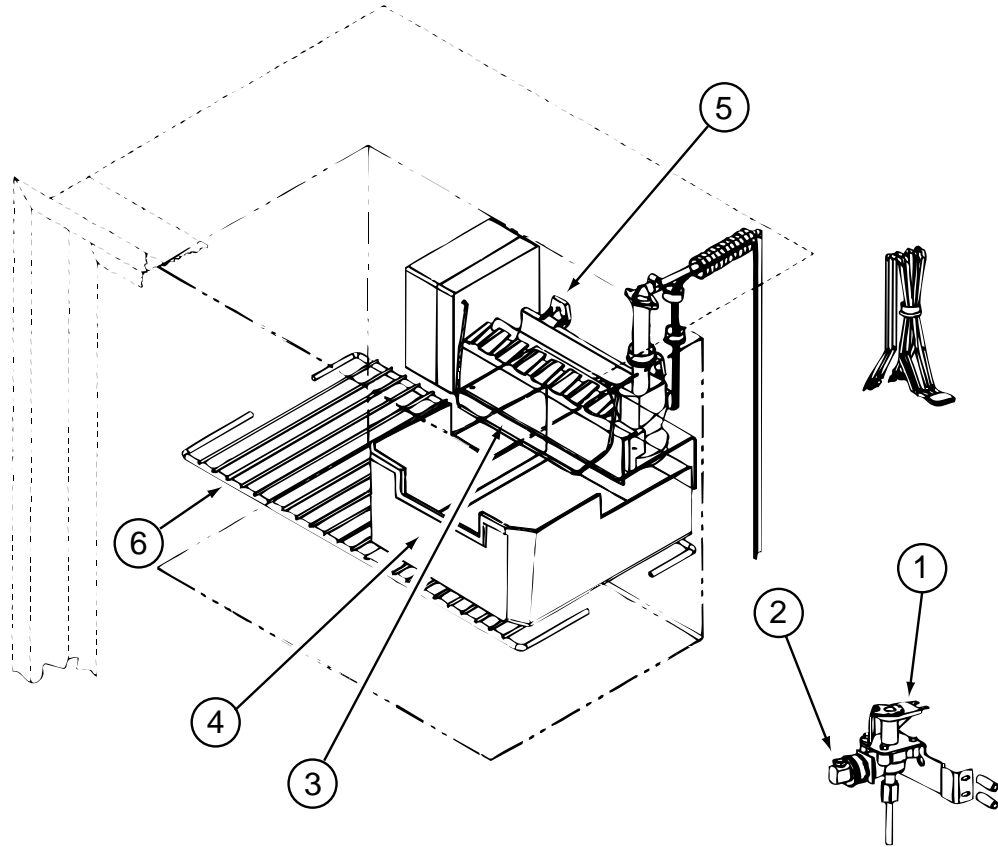
APPLIANCE GROUP (CONTINUED)
APPLIANCES (CONTINUED)



REFRIGERATOR (CONTINUED)
120075-09-01A (CONTINUED)

KEY	PART NUMBER	U/M	DESCRIPTION	VENDOR NO.	
	120075-09-01A	EA	REFRIGERATOR - LARGE DBL DOOR RH - W/ICE MAKER-BLACK 2-WAY		#N841RIM
1	104137-06-715	EA	ELECTRODE-SPARK/SENSOR, SGL	61692222	
2	104137-06-714	EA	BURNER ASSEMBLY, 5-SLOT	61705222	
3	120075-01-737	EA	ORIFICE - JEWEL - .0155	618284	
4	113737-01-702	EA	PLUG 1/8" F/PRESSURE TAP	61445322	
4	113737-01-716	EA	TAP-PRESSURE	61594422	
5	104137-06-709	EA	VALVE-SHUT OFF/MAN-OLD STYLE	61694922	
6	113737-01-750	EA	TUBE-UNION	61694622	
7	084880-01-718	EA	VALVE-GAS, (ASCO)	61551822	
8	120075-01-738	EA	COVER-POWER BOARD	618185	
9	120075-07-710	EA	POWER - BOARD - 2-WAY	619360	
	104137-06-734	EA	VALVE-SHUT OFF/MAN-NEW STYLE	618696	
	120075-01-744	EA	KIT - GAS VALVE/BURNER TUBE	620609	

APPLIANCE GROUP (CONTINUED)
APPLIANCES (CONTINUED)

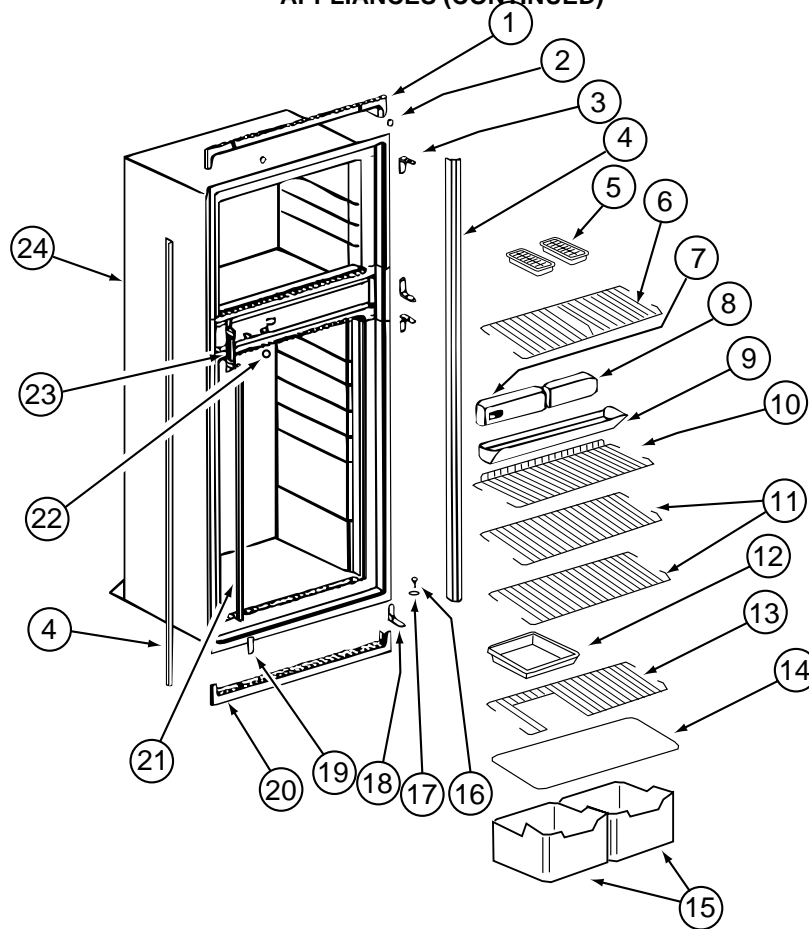


REFRIGERATOR (CONTINUED)
120075-09-01A (CONTINUED)

KEY	PART NUMBER	U/M	DESCRIPTION	VENDOR NO.	
	120075-09-01A	EA	REFRIGERATOR - LARGE DBL DOOR RH - W/ICE MAKER-BLACK 2-WAY		#N841RIM
1	120075-09-701	EA	WATER VALVE W/BACKET	618253	
2	120075-03-702	EA	NUT/COMPRESSION - FITTING	61678722	
3	120075-03-703	EA	ARM-SHUT OFF	61656922	
4	120075-03-704	EA	BIN-ICE CUBE	618154	
5	094039-07-706	EA	ICE MAKER W/O PLATES	61656522	
6	120075-01-717	EA	SHELF-FREEZER, WIRE	618172	

APPLIANCE GROUP (CONTINUED)

APPLIANCES (CONTINUED)

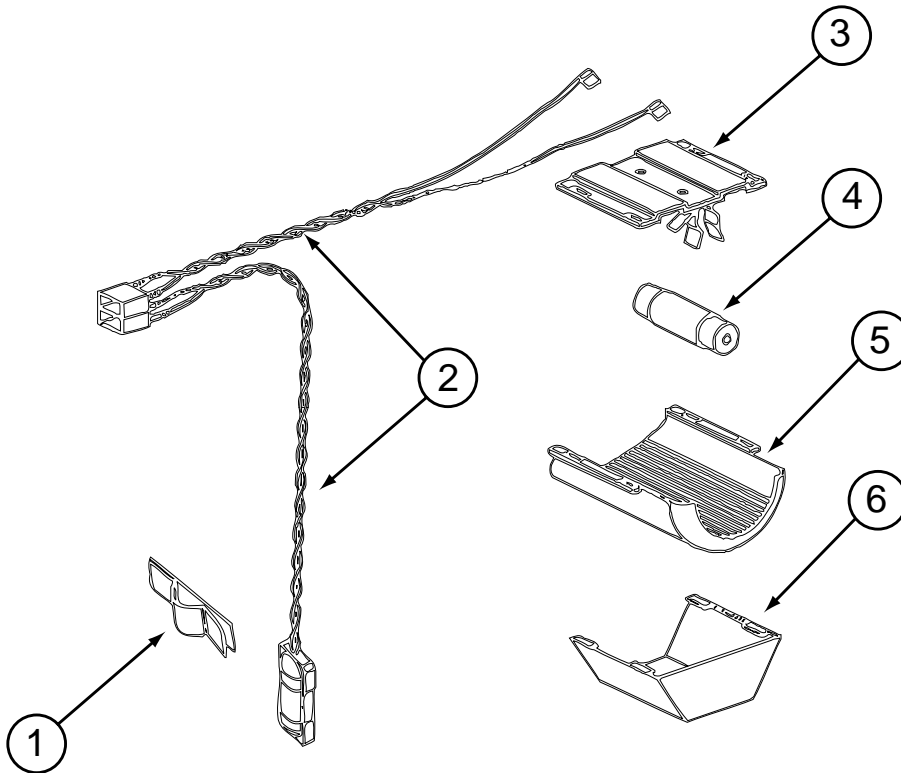


REFRIGERATOR (CONTINUED)

120075-12-01A

KEY	PART NUMBER	U/M	DESCRIPTION	VENDOR NO.
	120075-12-01A	EA	REFRIGERATOR - LARGE DOUBLE DOOR/RIGHT HAND - BLACK 2-WAY	#N841R
1	121568-03-709	EA	TRIM - TOP/BLACK	619687
2	120075-01-714	EA	PLUG-HOLE	618170
3	121568-03-710	EA	HINGE/CABINET-TOP/RH-LWR/LH	619335
4	120075-07-705	EA	TRIM - SIDE - BLACK	619802
5	104137-06-724	EA	ICE TRAY	61630422
6	120075-07-706	EA	SHELF - WIRE/FREEZER	620249
7	120075-07-707	EA	CONTROL BOX - BLACK	619665
8	121568-03-713	EA	FRONT BOX/DECORATIVE-BLACK	619282
9	120075-01-720	EA	TRAY-DRIP	618137
10	120075-01-722	EA	SHELF-WIRE, SHORT	618239
11	120075-01-723	EA	SHELF-WIRE	618114
12	104137-06-718	EA	SHELF-TRAY, WHITE, W/CUTOUT	617756
13	120075-01-724	EA	SHELF-WIRE, W/CUTOUT	618177
14	120075-01-725	EA	COVER-CRISPER	618158
15	120075-07-708	EA	CRISPER/ICE BIN	619007
16	120075-01-727	EA	PIN-HINGE	618145
17	121568-03-701	EA	BUSHING - HINGE PIN/GRAY	619671
18	121568-03-715	EA	HINGE/CABINET-TOP/LH-LWR/RH	619336
19	121568-03-716	EA	COVER - HINGE HOLES	619301
20	120075-01-729	EA	TRIM-BOTTOM PIECE	618136
21	120075-01-730	EA	RETAINER-SHELF	618181
22	121568-03-717	EA	HOLE PLUG - WHITE	619561
23	120075-01-732	EA	PLATE-STRIKE	618167
24	120075 09 700	EA	CABINET - FOAMED	619660
	120075-01-721	EA	LOUVER-DRIP TRAY	618176

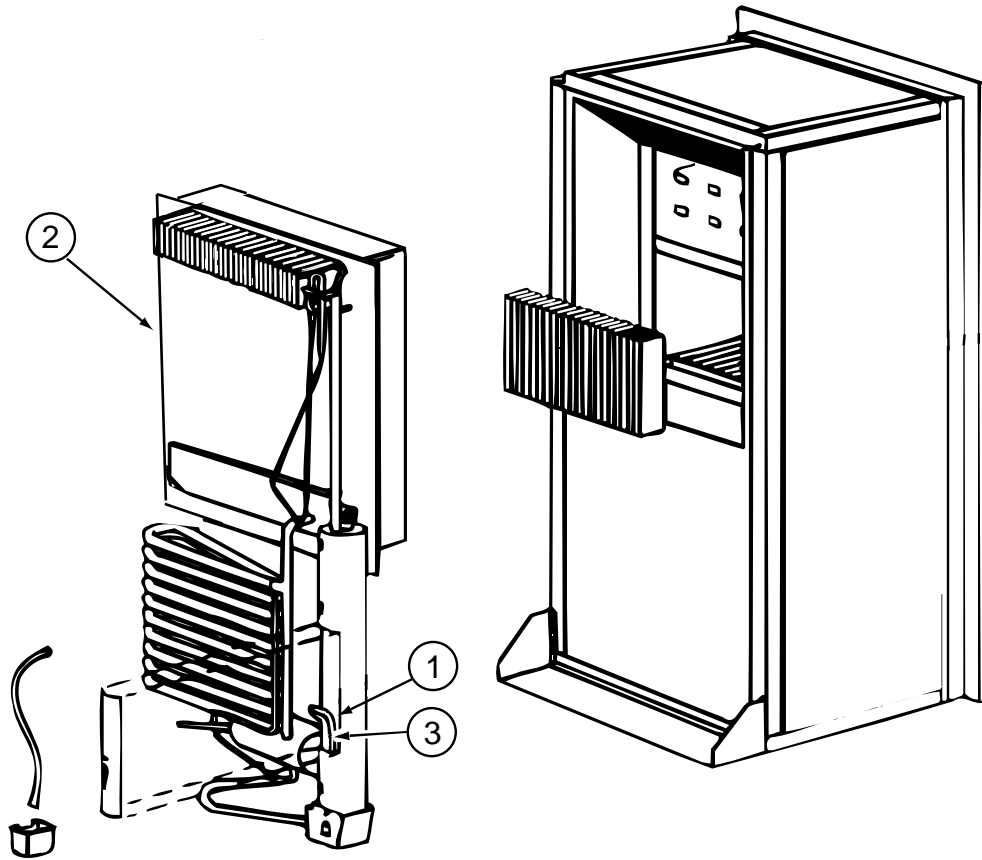
APPLIANCE GROUP (CONTINUED)
APPLIANCES (CONTINUED)



REFRIGERATOR (CONTINUED)
120075-12-01A (CONTINUED)

KEY	PART NUMBER	U/M	DESCRIPTION	VENDOR NO.
	120075-12-01A	EA	REFRIGERATOR - LARGE DOUBLE DOOR/RIGHT HAND - BLACK 2-WAY	#N841R
1	084880-01-760	EA	CLIP (THERMISTER)	61689122
2	120075-01-735	EA	THERMISTER W/LAMP & WIRE/ASM	618548
3	084880-03-705	EA	BRACKET-LIGHT-INTERIOR	61629722
4	084880-03-706	EA	BULB-LAMP	61628922
5	120075-01-734	EA	COVER-LENS	618190
6	084880-03-707	EA	COVER-LAMP, LENS	61627922

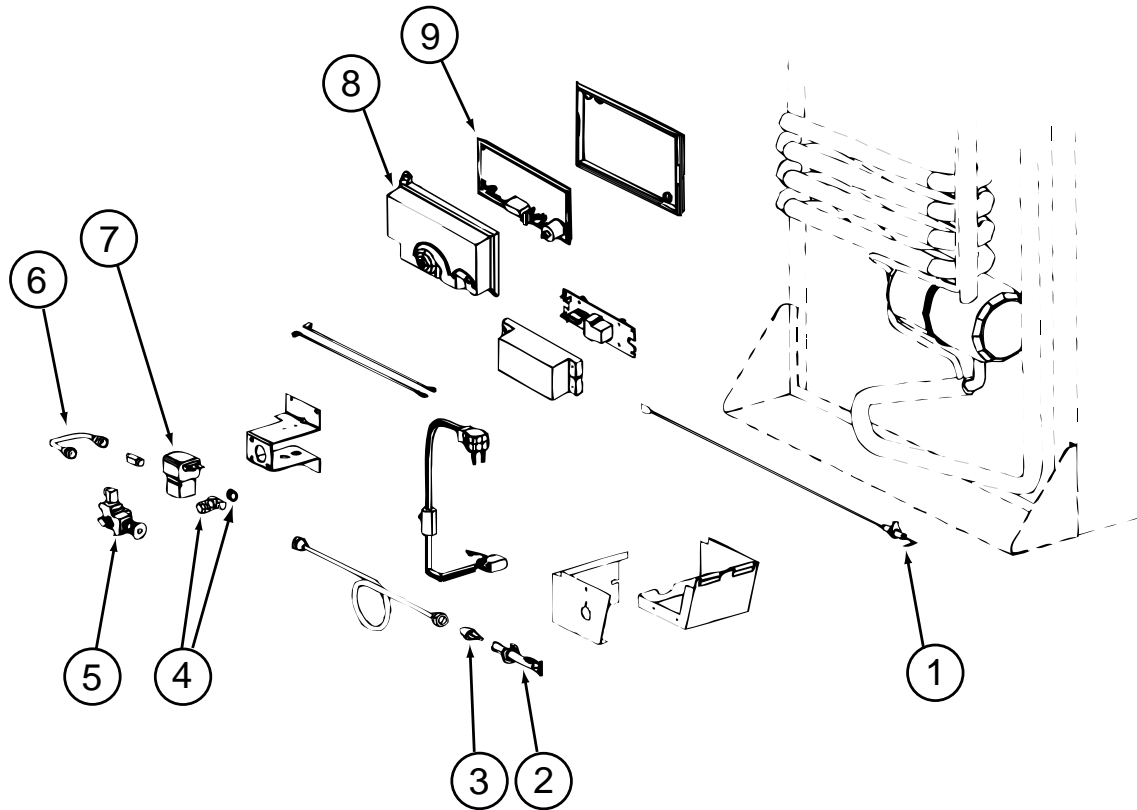
APPLIANCE GROUP (CONTINUED)
APPLIANCES (CONTINUED)



REFRIGERATOR (CONTINUED)
120075-12-01A (CONTINUED)

KEY	PART NUMBER	U/M	DESCRIPTION	VENDOR NO.
	120075-12-01A	EA	REFRIGERATOR - LARGE DOUBLE DOOR/RIGHT HAND - BLACK 2-WAY	#N841R
1	088248-01-710	EA	HEATER DC (HORIZONTAL)	61562822
2	120075-01-736	EA	COOLING UNIT, SERVICE PACK	618542
3	088248-01-709	EA	HEATER-AC (HORIZONTAL)	61562722

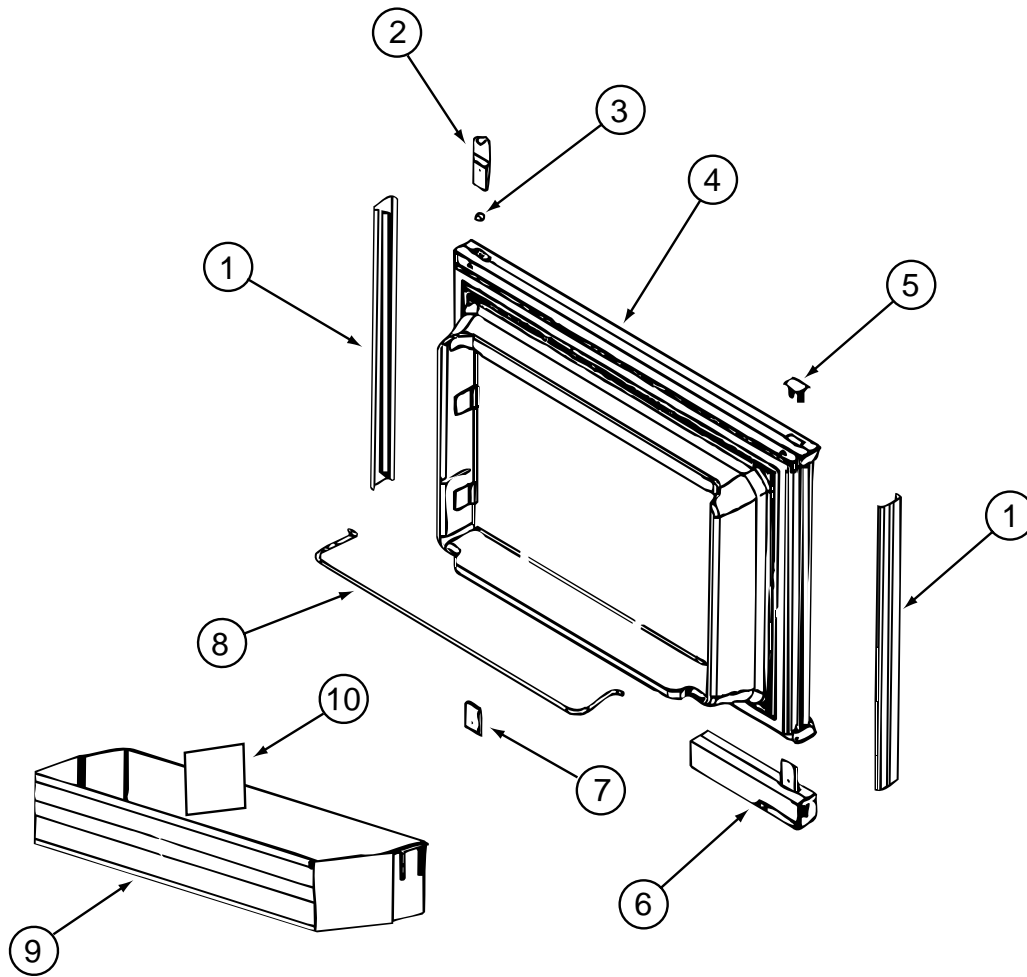
APPLIANCE GROUP (CONTINUED)
APPLIANCES (CONTINUED)



REFRIGERATOR (CONTINUED)
120075-12-01A (CONTINUED)

KEY	PART NUMBER	U/M	DESCRIPTION	VENDOR NO.
	120075-12-01A	EA	REFRIGERATOR - LARGE DOUBLE DOOR/RIGHT HAND - BLACK 2-WAY #N841R	
1	104137-06-715	EA	ELECTRODE-SPARK/SENSOR, SGL	61692222
2	104137-06-714	EA	BURNER ASSEMBLY, 5-SLOT	61705222
3	120075-01-737	EA	ORIFICE - JEWEL - .0155	618284
4	113737-01-702	EA	PLUG 1/8" F/PRESSURE TAP	61445322
4	113737-01-716	EA	TAP-PRESSURE	61594422
5	104137-06-709	EA	VALVE-SHUT OFF/MAN-OLD STYLE	61694922
6	113737-01-750	EA	TUBE-UNION	61694622
7	084880-01-718	EA	VALVE-GAS, (ASCO)	61551822
8	120075-01-738	EA	COVER-POWER BOARD	618185
9	120075-07-710	EA	POWER - BOARD - 2-WAY	619360
	104137-06-734	EA	VALVE-SHUT OFF/MAN-NEW STYLE	618696
	120075-01-744	EA	KIT - GAS VALVE/BURNER TUBE	620609

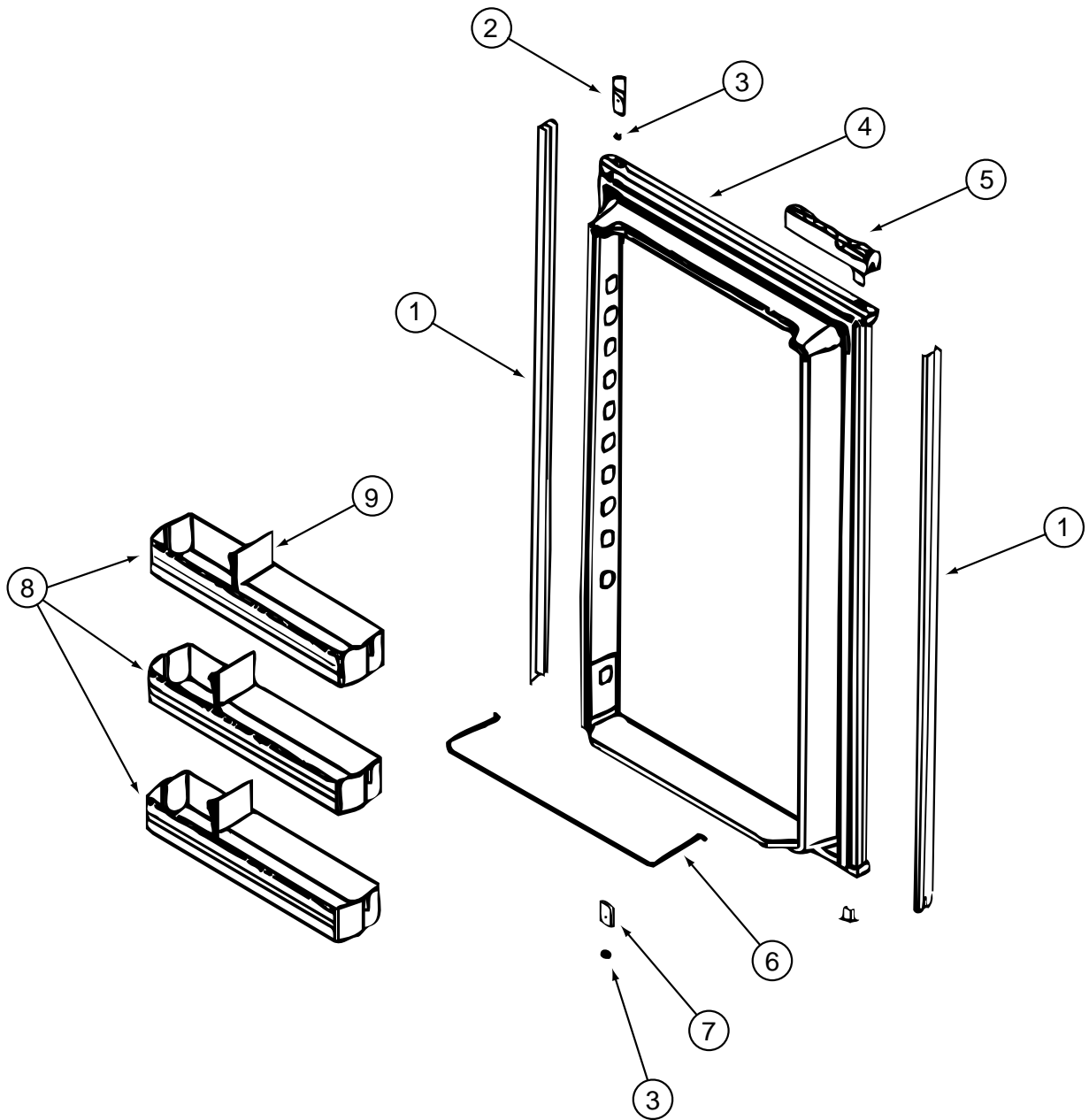
APPLIANCE GROUP (CONTINUED)
APPLIANCES (CONTINUED)



REFRIGERATOR (CONTINUED)
120075-12-01A (CONTINUED)

KEY	PART NUMBER	U/M	DESCRIPTION	VENDOR NO.
	120075-12-01A	EA	REFRIGERATOR - LARGE DOUBLE DOOR/RIGHT HAND - BLACK 2-WAY #N841R	
1	121568-03-700	EA	RETAINER - DOOR PANEL/BLACK	619558
2	120075-01-701	EA	HINGE-TOP RH/BOTTOM LH(DOOR)	618511
3	121568-03-701	EA	BUSHING - HINGE PIN/GRAY	619671
4	121568-03-702	EA	DOOR LINER - W/TRIM/BLACK	619627 - SMALL DOOR
5	120075-01-702	EA	CAP, (HINGE PLUG)	618160
7	120075-01-705	EA	HINGE-TOP LH/BOTTOM RH(DOOR)	618510
8	121568-01-700	EA	RAIL - DOOR UPPER	618618
9	120075-07-700	EA	DOOR BIN - CLEAR	619006
10	120075-07-701	EA	DIVIDER/DOOR BIN CLEAR	619008
10	120075 12 700	EA	HANDLE(CONTOUR)TOP LH/BTM RH	621105
	121568-03-704	EA	TRAVEL LATCH - GRAY	619647
	121568-03-705	EA	STORAGE LATCH - GRAY	619648

APPLIANCE GROUP (CONTINUED)
APPLIANCES (CONTINUED)



REFRIGERATOR (CONTINUED)
120075-12-01A (CONTINUED)

KEY	PART NUMBER	U/M	DESCRIPTION	VENDOR NO.
	120075-12-01A	EA	REFRIGERATOR - LARGE DOUBLE DOOR/RIGHT HAND - BLACK 2-WAY #N841R	
1	120075-07-702	EA	RETAINER - DOOR PANEL/BLACK	619560
2	120075-01-701	EA	HINGE-TOP RH/BOTTOM LH(DOOR)	618511
3	121568-03-701	EA	BUSHING - HINGE PIN/GRAY	619671
4	120075-07-703	EA	DOOR LINER - BLACK	619631 - LARGE DOOR
7	120075-01-705	EA	HINGE-TOP LH/BOTTOM RH(DOOR)	618510
8	120075-07-700	EA	DOOR BIN - CLEAR	619006
8	120075-07-704	EA	DOOR BIN - LARGE/CLEAR	619005
9			CONTACT WINNEBAGO PART SALES FOR THIS COMPONENT	
10	120075-07-701	EA	DIVIDER/DOOR BIN CLEAR	619008
10	120075-12-700	EA	HANDLE(CONTOUR)TOP LH/BTM RH	618578
	121568-03-704	EA	TRAVEL LATCH - GRAY	619647
	121568-03-705	EA	STORAGE LATCH - GRAY	619648

APPLIANCE GROUP (CONTINUED)**APPLIANCES (CONTINUED)
REFRIGERATOR (CONTINUED)
120075-13-01A**

KEY	PART NUMBER	U/M	DESCRIPTION	VENDOR NO.
	120075-13-01A	EA	REFRIGERATOR-LARGE DBL DOOR- 2-WAY/ICE MKR-BLK-FLUSH HNDL	N841IMR
	121568-03-709	EA	TRIM - TOP/BLACK	619687
	120075-01-714	EA	PLUG-HOLE	618170
	121568-03-710	EA	HINGE/CABINET-TOP/RH-LWR/LH	619335
	120075-07-705	EA	TRIM - SIDE - BLACK	619802
	104137-06-724	EA	ICE TRAY	61630422
	120075-07-706	EA	SHELF - WIRE/FREEZER	620249
	120075-07-707	EA	CONTROL BOX - BLACK	619665
	121568-03-713	EA	FRONT BOX/DECORATIVE-BLACK	619282
	120075-01-720	EA	TRAY-DRIP	618137
	120075-01-722	EA	SHELF-WIRE, SHORT	618239
	120075-01-723	EA	SHELF-WIRE	618114
	104137-06-718	EA	SHELF-TRAY, WHITE, W/CUTOUT	617756
	120075-01-724	EA	SHELF-WIRE, W/CUTOUT	618177
	120075-01-725	EA	COVER-CRISPER	618158
	120075-07-708	EA	CRISPER/ICE BIN	619007
	120075-01-727	EA	PIN-HINGE	618145
	121568-03-701	EA	BUSHING - HINGE PIN/GRAY	619671
	121568-03-715	EA	HINGE/CABINET-TOP/LH-LWR/RH	619336
	121568-03-716	EA	COVER - HINGE HOLES	619301
	120075-01-729	EA	TRIM-BOTTOM PIECE	618136
	120075-01-730	EA	RETAINER-SHELF	618181
	120075-01-732	EA	PLATE-STRIKE	618167
	120075-09-700	EA	CABINET - FOAMED	619660
	120075-01-721	EA	LOUVER-DRIP TRAY	618176

**REFRIGERATOR (CONTINUED)
120075-13-01A (CONTINUED)**

KEY	PART NUMBER	U/M	DESCRIPTION	VENDOR NO.
	120075-13-01A	EA	REFRIGERATOR-LARGE DBL DOOR- 2-WAY/ICE MKR-BLK-FLUSH HNDL	N841IMR
	084880-01-760	EA	CLIP (THERMISTER)	61689122
	120075-01-735	EA	THERMISTER W/LAMP & WIRE/ASM	618548
	084880-03-705	EA	BRACKET-LIGHT-INTERIOR	61629722
	084880-03-706	EA	BULB-LAMP	61628922
	120075-01-734	EA	COVER-LENS	618190
	084880-03-707	EA	COVER-LAMP, LENS	61627922

**REFRIGERATOR (CONTINUED)
120075-13-01A (CONTINUED)**

KEY	PART NUMBER	U/M	DESCRIPTION	VENDOR NO.
	120075-13-01A	EA	REFRIGERATOR-LARGE DBL DOOR- 2-WAY/ICE MKR-BLK-FLUSH HNDL	N841IMR
	088248-01-710	EA	HEATER DC (HORIZONTAL)	61562822
	120075-01-736	EA	COOLING UNIT, SERVICE PACK	618542
	088248-01-709	EA	HEATER-AC (HORIZONTAL)	61562722

APPLIANCE GROUP (CONTINUED)

APPLIANCES (CONTINUED) REFRIGERATOR (CONTINUED) 120075-13-01A (CONTINUED)

KEY	PART NUMBER	U/M	DESCRIPTION	VENDOR NO.	
	120075-13-01A	EA	REFRIGERATOR-LARGE DBL DOOR- 2-WAY/ICE MKR-BLK-FLUSH HNDL		N841IMR
	104137-06-715	EA	ELECTRODE-SPARK/SENSOR, SGL	61692222	
	104137-06-714	EA	BURNER ASSEMBLY, 5-SLOT	61705222	
	120075-01-737	EA	ORIFICE - JEWEL - .0155	618284	
	113737-01-702	EA	PLUG 1/8" F/PRESSURE TAP	61445322	
	113737-01-716	EA	TAP-PRESSURE	61594422	
	104137-06-709	EA	VALVE-SHUT OFF/MAN-OLD STYLE	61694922	
	113737-01-750	EA	TUBE-UNION	61694622	
	084880-01-718	EA	VALVE-GAS, (ASCO)	61551822	
	120075-01-738	EA	COVER-POWER BOARD	618185	
	120075-07-710	EA	POWER - BOARD - 2-WAY	619360	
	104137-06-734	EA	VALVE-SHUT OFF/MAN-NEW STYLE	618696	
	120075-01-744	EA	KIT - GAS VALVE/BURNER TUBE	620609	

REFRIGERATOR (CONTINUED) 120075-13-01A (CONTINUED)

KEY	PART NUMBER	U/M	DESCRIPTION	VENDOR NO.	
	120075-13-01A	EA	REFRIGERATOR-LARGE DBL DOOR- 2-WAY/ICE MKR-BLK-FLUSH HNDL		N841IMR
	120075-09-701	EA	WATER VALVE W/BACKET	618253	
	120075-03-702	EA	NUT/COMPRESSION - FITTING	61678722	
	120075-03-703	EA	ARM-SHUT OFF	61656922	
	120075-03-704	EA	BIN-ICE CUBE	618154	
	094039-07-706	EA	ICE MAKER W/O PLATES	61656522	
	120075-01-717	EA	SHELF-FREEZER, WIRE	618172	

REFRIGERATOR (CONTINUED) 120075-13-01A (CONTINUED)

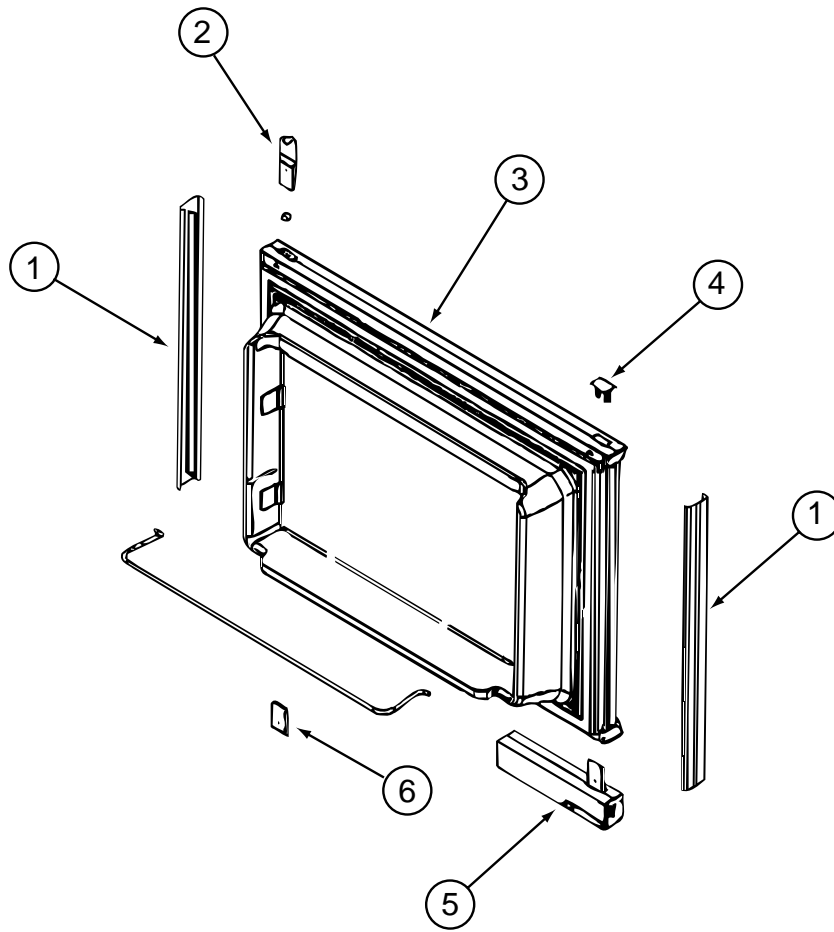
KEY	PART NUMBER	U/M	DESCRIPTION	VENDOR NO.	
	120075-13-01A	EA	REFRIGERATOR-LARGE DBL DOOR- 2-WAY/ICE MKR-BLK-FLUSH HNDL		N841IMR
	121568-03-700	EA	RETAINER - DOOR PANEL/BLACK	619558	
	120075-01-701	EA	HINGE-TOP RH/BOTTOM LH(DOOR)	618511	
	121568-03-701	EA	BUSHING - HINGE PIN/GRAY	619671	
	121568-03-702	EA	DOOR LINER - W/TRIM/BLACK	619627 - SMALL DOOR	
	120075-01-702	EA	CAP, (HINGE PLUG)	618160	
	120075-01-705	EA	HINGE-TOP LH/BOTTOM RH(DOOR)	618510	
	121568-01-700	EA	RAIL - DOOR UPPER	618618	
	120075-07-700	EA	DOOR BIN - CLEAR	619006	
	120075-07-701	EA	DIVIDER/DOOR BIN CLEAR	619008	
	120075-12-700	EA	HANDLE(CONTOUR)TOP LH/BTM RH	621105	
	121568-03-704	EA	TRAVEL LATCH - GRAY	619647	
	121568-03-705	EA	STORAGE LATCH - GRAY	619648	

APPLIANCE GROUP (CONTINUED)

APPLIANCES (CONTINUED) REFRIGERATOR (CONTINUED) 120075-13-01A (CONTINUED)

KEY	PART NUMBER	U/M	DESCRIPTION	VENDOR NO.	
	120075-13-01A	EA	REFRIGERATOR-LARGE DBL DOOR- 2-WAY/ICE MKR-BLK-FLUSH HNDL		N841IMR
	120075-07-702	EA	RETAINER - DOOR PANEL/BLACK	619560	
	120075-01-701	EA	HINGE-TOP RH/BOTTOM LH(DOOR)	618511	
	121568-03-701	EA	BUSHING - HINGE PIN/GRAY	619671	
	120075-07-703	EA	DOOR LINER - BLACK	619631 - LARGE DOOR	
	121568-01-704	EA	RAIL - DOOR LOWER	618578	
	120075-01-705	EA	HINGE-TOP LH/BOTTOM RH(DOOR)	618510	
	120075-07-700	EA	DOOR BIN - CLEAR	619006	
	120075-07-704	EA	DOOR BIN - LARGE/CLEAR	619005	
	120075-07-701	EA	DIVIDER/DOOR BIN CLEAR	619008	
	120075-12-700	EA	HANDLE(CONTOUR)TOP LH/BTM RH	621105	
	121568-03-704	EA	TRAVEL LATCH - GRAY	619647	
	121568-03-705	EA	STORAGE LATCH - GRAY	619648	

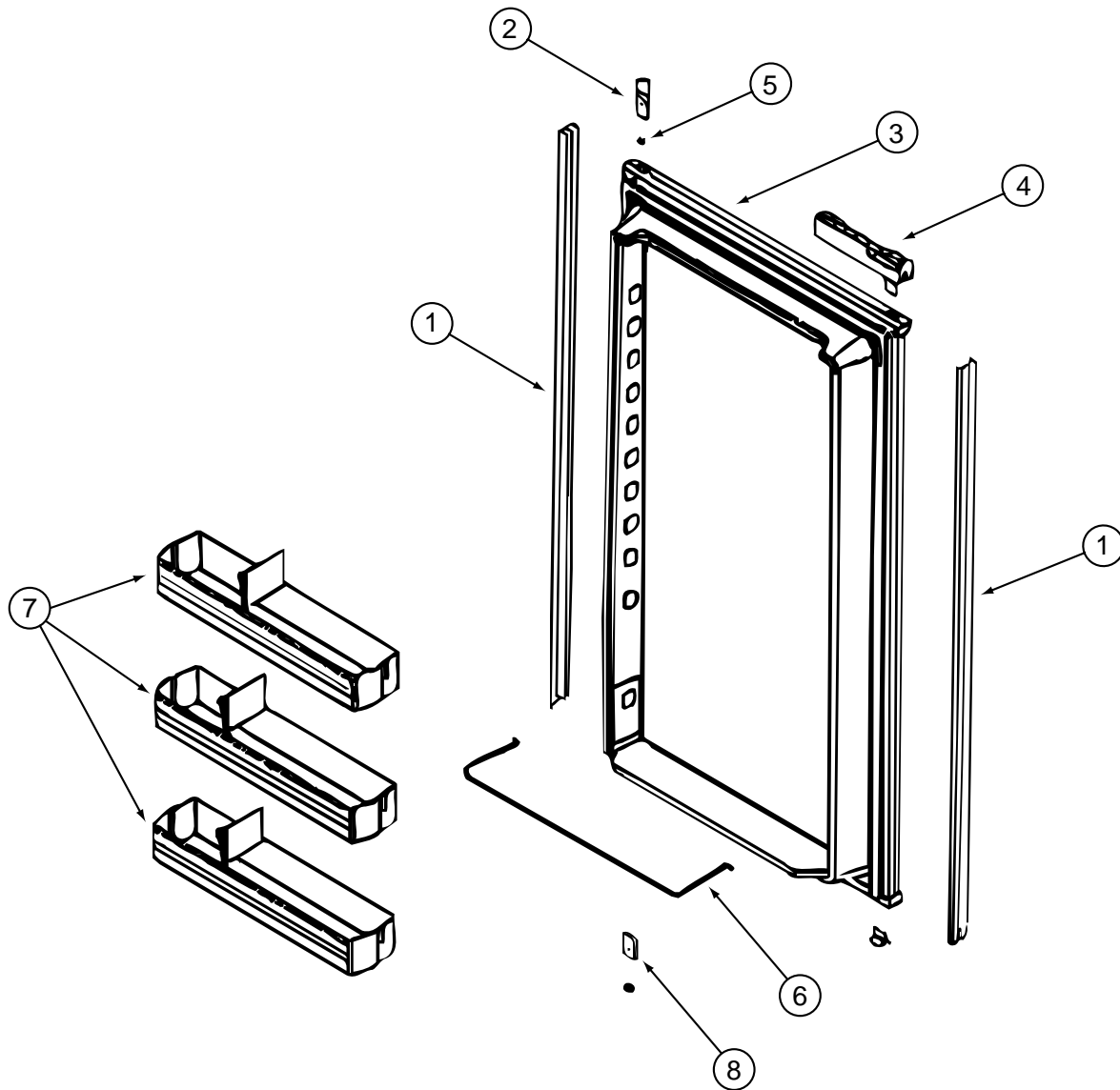
APPLIANCE GROUP (CONTINUED)
APPLIANCES (CONTINUED)



REFRIGERATOR (CONTINUED)
121568-03-01A & 121568-04-01A

KEY	PART NUMBER	U/M	DESCRIPTION	VENDOR NO.
	121568-03-01A	EA	REFRIGERATOR - SMALL DBL DOOR/BLK-52.8"HX23.5"WX24"D-2-WAY	
	121568-04-01A	EA	REFRIGERATOR - SMALL DOUBLE DOOR/LEFT HAND - 2-WAY - BLACK	
1	121568-03-700	EA	RETAINER - DOOR PANEL/BLACK	619558
1	121568-03-706	EA	RETAINER - DOOR PANEL/BLACK	619559
2	120075-01-701	EA	HINGE-TOP RH/BOTTOM LH(DOOR)	618511
3	121568-03-702	EA	DOOR LINER - W/TRIM/BLACK	619627 - SMALL DOOR
4	120075-01-702	EA	CAP, (HINGE PLUG)	618160
5	121568-03-703	EA	HANDLE ASM TOP/RH-LWR/LH BLK	619865
5	121568-03-708	EA	HANDLE ASM - TOP/LH-LWR/RH	619866
6	120075-01-705	EA	HINGE-TOP LH/BOTTOM RH(DOOR)	618510
	121568-03-704	EA	TRAVEL LATCH - GRAY	619647
	121568-03-705	EA	STORAGE LATCH - GRAY	619648

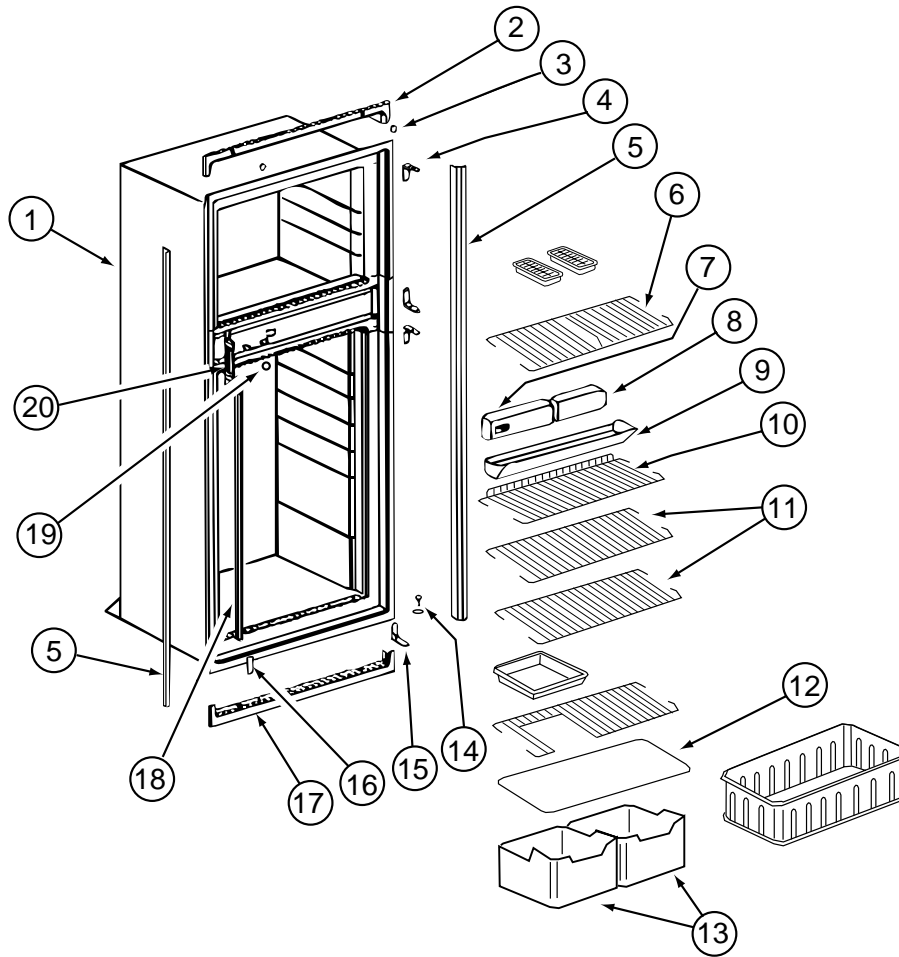
APPLIANCE GROUP (CONTINUED)
APPLIANCES (CONTINUED)



REFRIGERATOR (CONTINUED)
121568-03-01A & 121568-04-01A (CONTINUED)

KEY	PART NUMBER	U/M	DESCRIPTION	VENDOR NO.
	121568-03-01A	EA	REFRIGERATOR - SMALL DBL DOOR/BLK-52.8"HX23.5"WX24"D-2-WAY	
	121568-04-01A	EA	REFRIGERATOR - SMALL DOUBLE DOOR/LEFT HAND - 2-WAY - BLACK	
1	121568-03-700	EA	RETAINER - DOOR PANEL/BLACK	619558
1	121568-03-706	EA	RETAINER - DOOR PANEL/BLACK	619559
2	120075-01-701	EA	HINGE-TOP RH/BOTTOM LH(DOOR)	618511
3	121568-03-707	EA	DOOR LINER - BLACK	619629
4	121568-03-703	EA	HANDLE ASM TOP/RH-LWR/LH BLK	619865
4	121568-03-708	EA	HANDLE ASM - TOP/LH-LWR/RH	619866
5	121568-03-701	EA	BUSHING - HINGE PIN/GRAY	619671
6	121568-01-704	EA	RAIL - DOOR LOWER	618578
7	121568-01-701	EA	BIN - DOOR WHITE	618619
8	120075-01-705	EA	HINGE-TOP LH/BOTTOM RH(DOOR)	618510

APPLIANCE GROUP (CONTINUED)
APPLIANCES (CONTINUED)

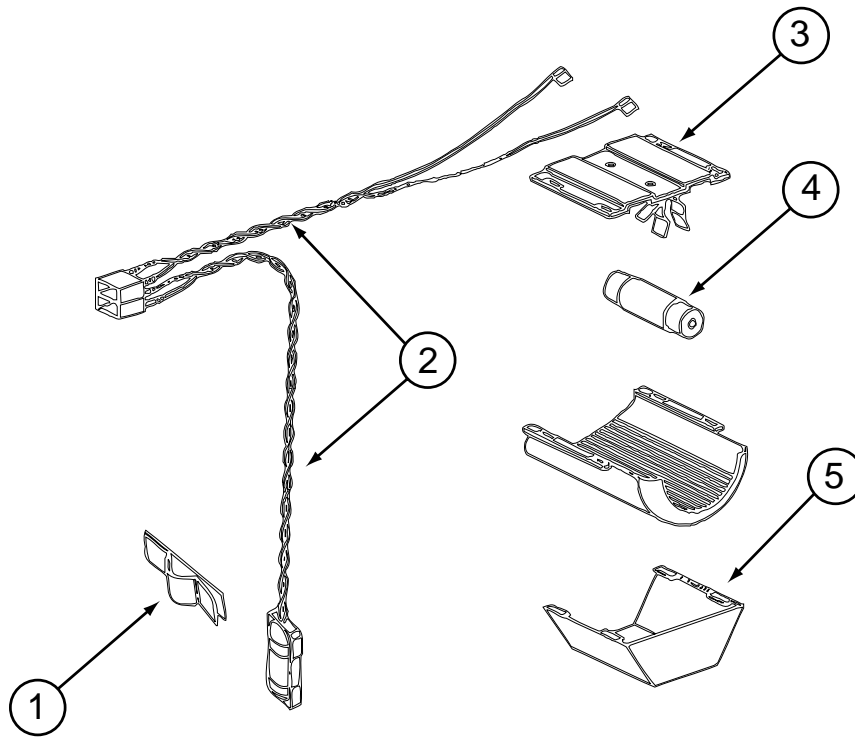


REFRIGERATOR (CONTINUED)

121568-03-01A & 121568-04-01A (CONTINUED)

KEY	PART NUMBER	U/M	DESCRIPTION	VENDOR NO.
	121568-03-01A	EA	REFRIGERATOR - SMALL DBL DOOR/BLK-52.8"HX23.5"WX24"D-2-WAY	
	121568-04-01A	EA	REFRIGERATOR - SMALL DOUBLE DOOR/LEFT HAND - 2-WAY - BLACK	
1	121568-03-718	EA	CABINET - FOAMED - N62	619658
2	121568-03-709	EA	TRIM - TOP/BLACK	619687
3	120075-01-714	EA	PLUG-HOLE	618170
4	121568-03-710	EA	HINGE/CABINET-TOP/RH-LWR/LH	619335
5	121568-03-711	EA	TRIM - SIDE/BLACK	619801
6	121568-03-712	EA	SHELF - WIRE/FREEZER	20250
7	121568-03-714	EA	CONTROL ASM - 2 WAY BLACK	619350
8	121568-03-713	EA	FRONT BOX/DECORATIVE-BLACK	619282
9	120075-01-720	EA	TRAY-DRIP	618137
10	121568-01-707	EA	SHELF - WIRE - SHORT	618624
11	121568-01-708	EA	SHELF - WIRE	618589
12	120075-01-725	EA	COVER-CRISPER	618158
13	121568-01-709	EA	CRISPER	618571
14	120075-01-727	EA	PIN-HINGE	618145
15	121568-03-715	EA	HINGE/CABINET-TOP/LH-LWR/RH	619336
16	121568-03-716	EA	COVER - HINGE HOLES	619301
17	120075-01-729	EA	TRIM-BOTTOM PIECE	618136
18	120075-01-730	EA	RETAINER-SHELF	618181
19	121568-03-717	EA	HOLE PLUG - WHITE	619561
20	120075-01-732	EA	PLATE-STRIKE	618167
	120075-01-721	EA	LOUVER-DRIP TRAY	618176

APPLIANCE GROUP (CONTINUED)
APPLIANCES (CONTINUED)

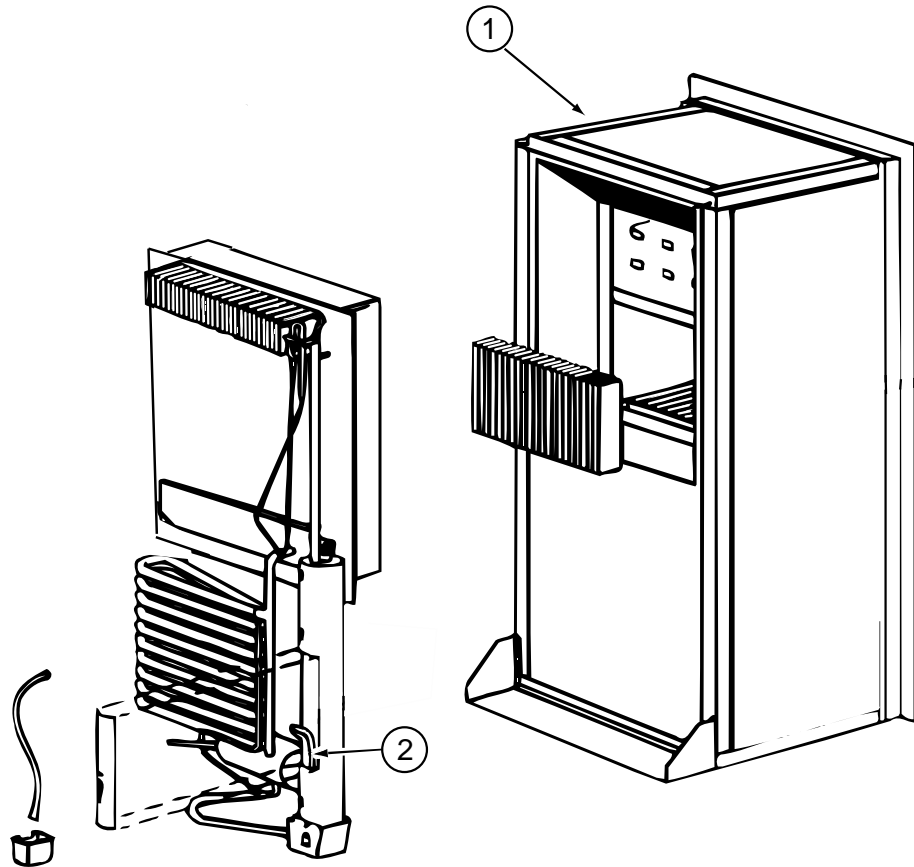


REFRIGERATOR (CONTINUED)

121568-03-01A & 121568-04-01A (CONTINUED)

KEY	PART NUMBER	U/M	DESCRIPTION	VENDOR NO.
	121568-03-01A	EA	REFRIGERATOR - SMALL DBL DOOR/BLK-52.8"HX23.5"WX24"D-2-WAY	
	121568-04-01A	EA	REFRIGERATOR - SMALL DOUBLE DOOR/LEFT HAND - 2-WAY - BLACK	
1	084880-01-760	EA	CLIP (THERMISTER)	61689122
2	120075-01-735	EA	THERMISTER W/LAMP & WIRE/ASM	618548
3	084880-03-705	EA	BRACKET-LIGHT-INTERIOR	61629722
4	084880-03-706	EA	BULB-LAMP	61628922
5	084880-03-707	EA	COVER-LAMP, LENS	61627922

APPLIANCE GROUP (CONTINUED)
APPLIANCES (CONTINUED)

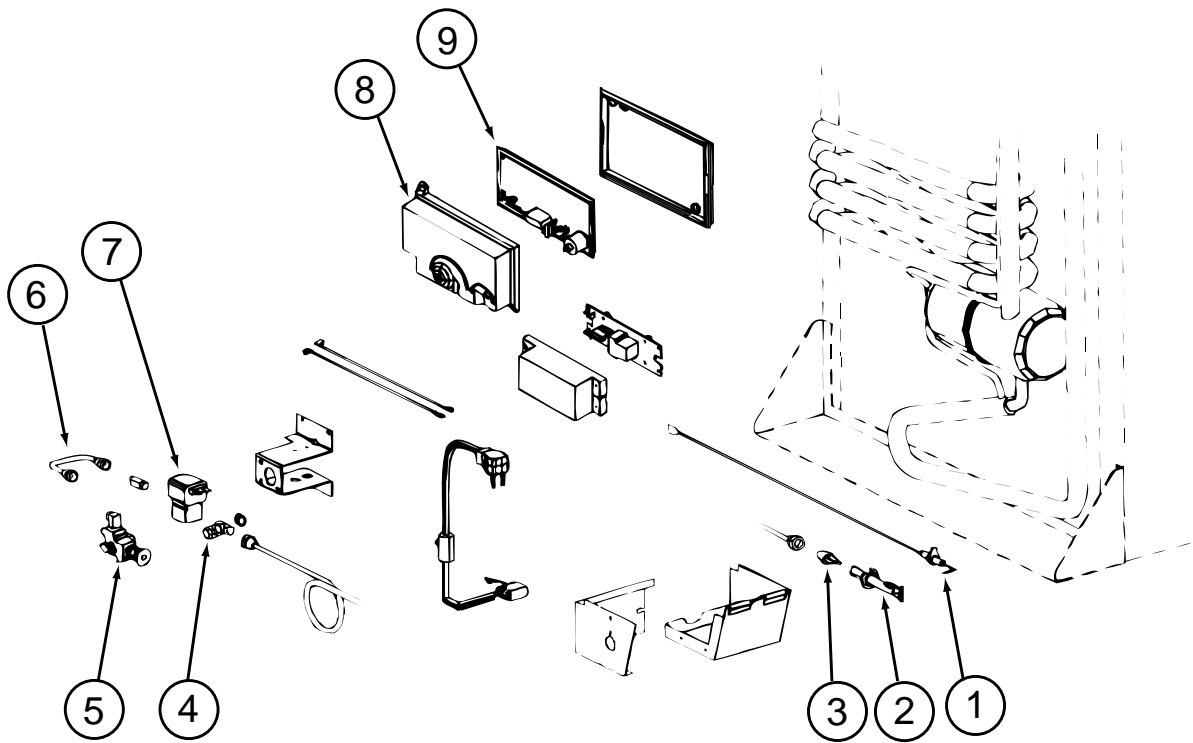


REFRIGERATOR (CONTINUED)

121568-03-01A & 121568-04-01A (CONTINUED)

KEY	PART NUMBER	U/M	DESCRIPTION	VENDOR NO.
	121568-03-01A	EA	REFRIGERATOR - SMALL DBL DOOR/BLK-52.8"HX23.5"WX24"D-2-WAY	
	121568-04-01A	EA	REFRIGERATOR - SMALL DOUBLE DOOR/LEFT HAND - 2-WAY - BLACK	
1	121568-03-718	EA	CABINET - FOAMED - N62	619658
2	088248-01-709	EA	HEATER-AC (HORIZONTAL)	61562722
	120076-01-704	EA	COOLING UNIT, SERVICE PACK	618543
	120075-01-744	EA	KIT - GAS VALVE/BURNER TUBE	620609

APPLIANCE GROUP (CONTINUED)
APPLIANCES (CONTINUED)



REFRIGERATOR (CONTINUED)

121568-03-01A & 121568-04-01A (CONTINUED)

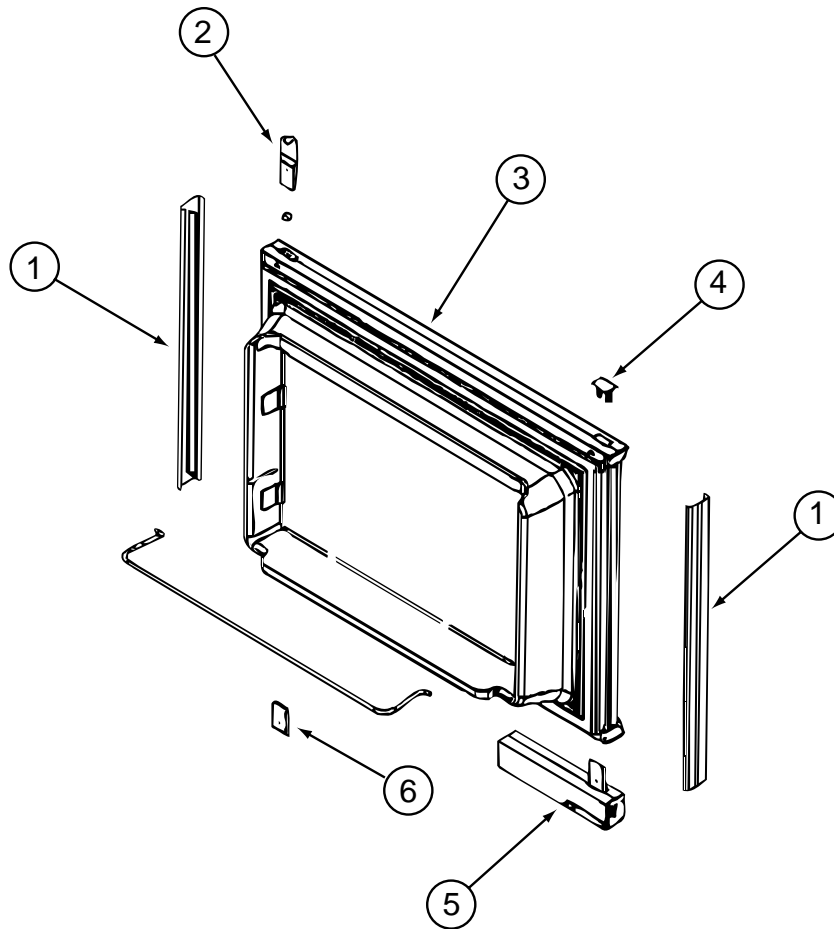
KEY	PART NUMBER	U/M	DESCRIPTION	VENDOR NO.
	121568-03-01A	EA	REFRIGERATOR - SMALL DBL DOOR/BLK-52.8"HX23.5"WX24"D-2-WAY	
	121568-04-01A	EA	REFRIGERATOR - SMALL DOUBLE DOOR/LEFT HAND - 2-WAY - BLACK	
1	104137-06-715	EA	ELECTRODE-SPARK/SENSOR, SGL	61692222
2	104137-06-714	EA	BURNER ASSEMBLY, 5-SLOT	61705222
3	120076-01-705	EA	ORIFICE - JEWEL .015	618283
4	113737-01-702	EA	PLUG 1/8" F/PRESSURE TAP	61445322
4	113737-01-716	EA	TAP-PRESSURE	61594422
5	121568-03-720	EA	VALVE/SHUT OF-MANUAL ELECT	618696
6	113737-01-750	EA	TUBE-UNION	61694622
7	084880-01-718	EA	VALVE-GAS, (ASCO)	61551822
8	120075-01-738	EA	COVER-POWER BOARD	618185
9	121568-03-719	EA	POWER - BOARD - 2-WAY	619353

APPLIANCE GROUP (CONTINUED)

APPLIANCES (CONTINUED) REFRIGERATOR (CONTINUED) 121569-03-01A

KEY	PART NUMBER	U/M	DESCRIPTION	VENDOR NO.
	121569-03-01A	EA	REFRIGERATOR - LARGE DOUBLE DOOR/RIGHT HAND - 2-WAY-BLACK	
	084880-01-718	EA	VALVE-GAS, (ASCO)	61551822
	084880-01-760	EA	CLIP (THERMISTER)	61689122
	084880-03-705	EA	BRACKET-LIGHT-INTERIOR	61629722
	084880-03-706	EA	BULB-LAMP	61628922
	084880-03-707	EA	COVER-LAMP, LENS	61627922
	088248-01-709	EA	HEATER-AC (HORIZONTAL)	61562722
	104137-06-709	EA	VALVE-SHUT OFF/MAN-OLD STYLE	61694922
	104137-06-714	EA	BURNER ASSEMBLY, 5-SLOT	61705222
	104137-06-715	EA	ELECTRODE-SPARK/SENSOR, SGL	61692222
	104137-06-734	EA	VALVE-SHUT OFF/MAN-NEW STYLE	618696
	113737-01-702	EA	PLUG 1/8" F/PRESSURE TAP	61445322
	113737-01-716	EA	TAP-PRESSURE	61594422
	113737-01-750	EA	TUBE-UNION	61694622
	120075-01-701	EA	HINGE-TOP RH/BOTTOM LH(DOOR)	618511
	120075-01-702	EA	CAP, (HINGE PLUG)	618160
	120075-01-705	EA	HINGE-TOP LH/BOTTOM RH(DOOR)	618510
	120075-01-714	EA	PLUG-HOLE	618170
	120075-01-720	EA	TRAY-DRIP	618137
	120075-01-721	EA	LOUVER-DRIP TRAY	618176
	120075-01-725	EA	COVER-CRISPER	618158
	120075-01-727	EA	PIN-HINGE	618145
	120075-01-729	EA	TRIM-BOTTOM PIECE	618136
	120075-01-730	EA	RETAINER-SHELF	618181
	120075-01-732	EA	PLATE-STRIKE	618167
	120075-01-735	EA	THERMISTER W/LAMP & WIRE/ASM	618548
	120075-01-736	EA	COOLING UNIT, SERVICE PACK	618542
	120075-01-737	EA	ORIFICE - JEWEL - .0155	618284
	120075-01-738	EA	COVER-POWER BOARD	618185
	120075-07-705	EA	TRIM - SIDE - BLACK	619802
	120075-07-709	EA	CABINET - FOAMED	619347
	121568-01-707	EA	SHELF - WIRE - SHORT	618624
	121568-01-708	EA	SHELF - WIRE	618589
	121568-01-709	EA	CRISPER	618571
	121568-03-700	EA	RETAINER - DOOR PANEL/BLACK	619558
	121568-03-701	EA	BUSHING - HINGE PIN/GRAY	619671
	121568-03-702	EA	DOOR LINER - W/TRIM/BLACK	619627 - SMALL DOOR
	121568-03-703	EA	HANDLE ASM TOP/RH-LWR/LH BLK	619865
	121568-03-704	EA	TRAVEL LATCH - GRAY	619647
	121568-03-705	EA	STORAGE LATCH - GRAY	619648
	121568-03-709	EA	TRIM - TOP/BLACK	619687
	121568-03-710	EA	HINGE/CABINET-TOP/RH-LWR/LH	619335
	121568-03-712	EA	SHELF - WIRE/FREEZER	620250
	121568-03-713	EA	FRONT BOX/DECORATIVE-BLACK	619282
	121568-03-714	EA	CONTROL ASM - 2 WAY BLACK	619350
	121568-03-715	EA	HINGE/CABINET-TOP/LH-LWR/RH	619336
	121568-03-716	EA	COVER - HINGE HOLES	619301
	121568-03-717	EA	HOLE PLUG - WHITE	619561
	121568-03-719	EA	POWER - BOARD - 2-WAY	619353

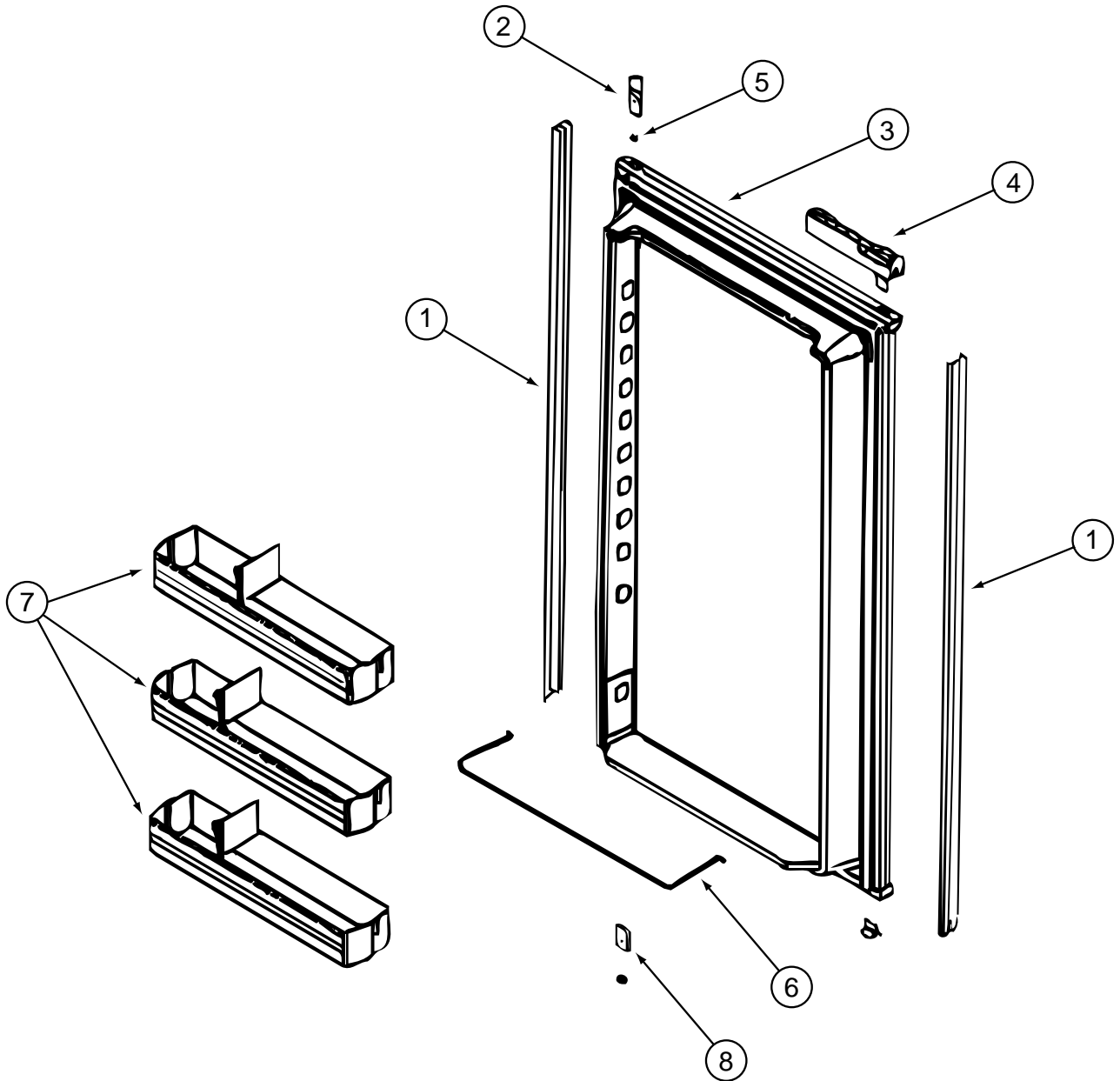
APPLIANCE GROUP (CONTINUED)
APPLIANCES (CONTINUED)



REFRIGERATOR (CONTINUED)
121569-03-01A (CONTINUED)

KEY	PART NUMBER	U/M	DESCRIPTION	VENDOR NO.
1	121568-03-700	EA	RETAINER - DOOR PANEL/BLACK	619558
2	120075-01-701	EA	HINGE-TOP RH/BOTTOM LH(DOOR)	618511
3	121568-03-702	EA	DOOR LINER - W/TRIM/BLACK	619627 - SMALL DOOR
4	120075-01-702	EA	CAP, (HINGE PLUG)	618160
5	121568-03-703	EA	HANDLE ASM TOP/RH-LWR/LH BLK	619865
6	120075-01-705	EA	HINGE-TOP LH/BOTTOM RH(DOOR)	618510
	121568-03-704	EA	TRAVEL LATCH - GRAY	619647
	121568-03-705	EA	STORAGE LATCH - GRAY	619648

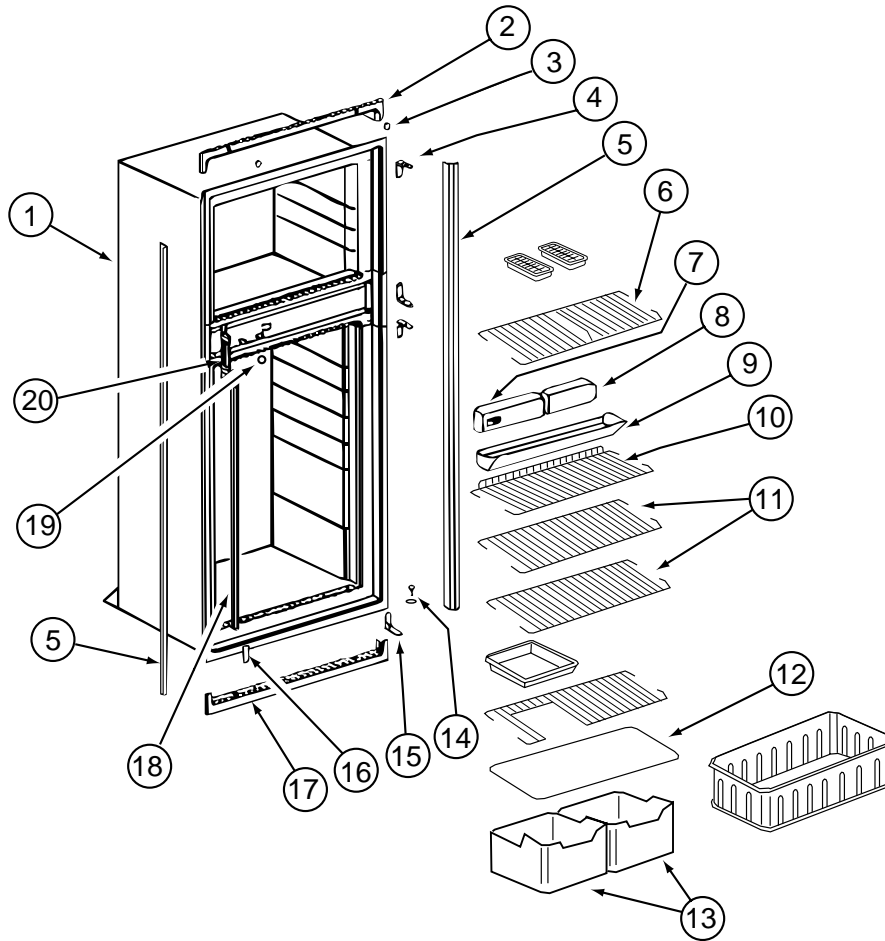
APPLIANCE GROUP (CONTINUED)
APPLIANCES (CONTINUED)



REFRIGERATOR (CONTINUED)
121569-03-01A (CONTINUED)

KEY	PART NUMBER	U/M	DESCRIPTION	VENDOR NO.
	121569-03-01A	EA	REFRIGERATOR - LARGE DOUBLE DOOR/RIGHT HAND - 2-WAY-BLACK	
1	120075 07 703	EA	DOOR LINER - BLACK	619631 - LARGE DOOR
2	120075-01-702	EA	CAP, (HINGE PLUG)	618160
5	121568-03-701	EA	BUSHING - HINGE PIN/GRAY	619671
6	121568-01-704	EA	RAIL - DOOR LOWER	618578
7	121568-01-701	EA	BIN - DOOR WHITE	618619
8	120075-01-705	EA	HINGE-TOP LH/BOTTOM RH(DOOR)	618510
	121568-03-704	EA	TRAVEL LATCH - GRAY	619647
	121568-03-705	EA	STORAGE LATCH - GRAY	619648

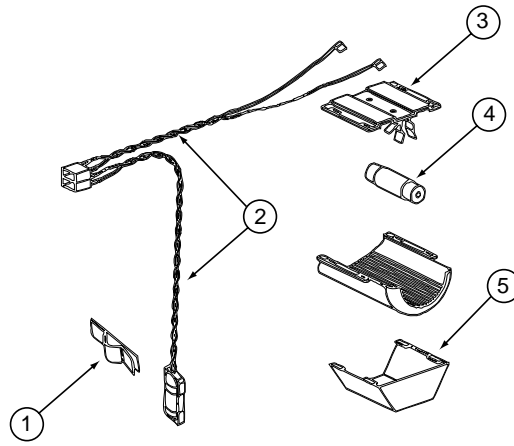
APPLIANCE GROUP (CONTINUED)
APPLIANCES (CONTINUED)



REFRIGERATOR (CONTINUED)
121569-03-01A (CONTINUED)

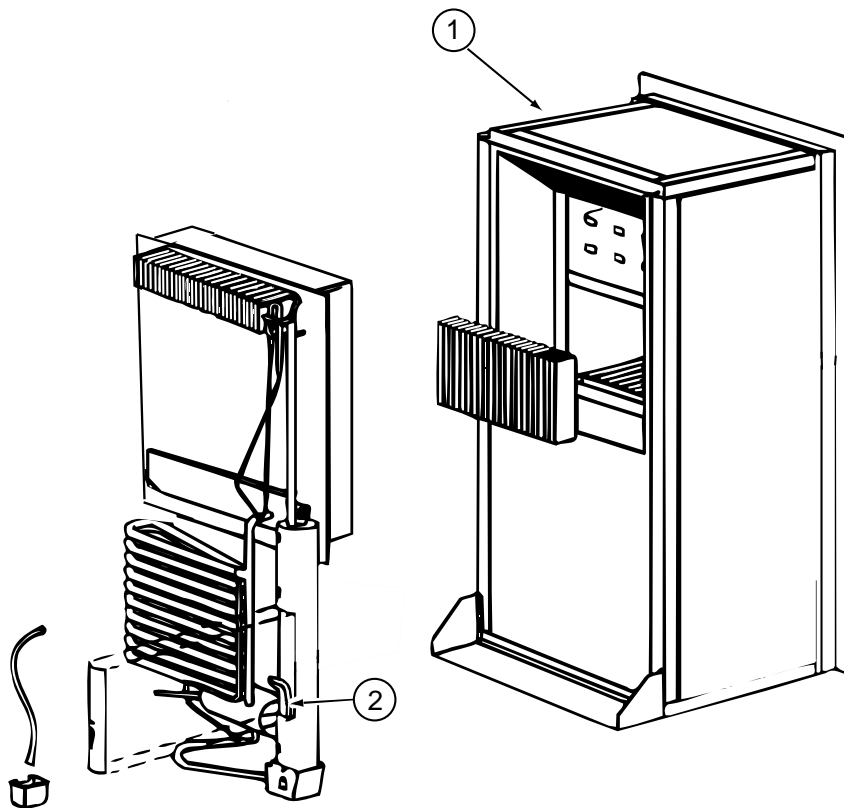
KEY	PART NUMBER	U/M	DESCRIPTION	VENDOR NO.
	121569-03-01A	EA	REFRIGERATOR - LARGE DOUBLE DOOR/RIGHT HAND - 2-WAY-BLACK	
1	120075-07-709	EA	CABINET - FOAMED	619347
2	121568-03-709	EA	TRIM - TOP/BLACK	619687
3	120075-01-714	EA	PLUG-HOLE	618170
4	121568-03-710	EA	HINGE/CABINET-TOP/RH-LWR/LH	619335
5	120075-07-705	EA	TRIM - SIDE - BLACK	619802
6	121568-03-712	EA	SHELF - WIRE/FREEZER	620250
7	121568-03-714	EA	CONTROL ASM - 2 WAY BLACK	619350
8	121568-03-713	EA	FRONT BOX/DECORATIVE-BLACK	619282
9	120075-01-720	EA	TRAY-DRIP	618137
10	121568-01-707	EA	SHELF - WIRE - SHORT	618624
11	121568-01-708	EA	SHELF - WIRE	618589
12	120075-01-725	EA	COVER-CRISPER	618158
13	121568-01-709	EA	CRISPER	618571
14	120075-01-727	EA	PIN-HINGE	618145
15	121568-03-715	EA	HINGE/CABINET-TOP/LH-LWR/RH	619336
16	121568-03-716	EA	COVER - HINGE HOLES	619301
17	120075-01-729	EA	TRIM-BOTTOM PIECE	618136
18	120075-01-730	EA	RETAINER-SHELF	618181
19	121568-03-717	EA	HOLE PLUG - WHITE	619561
20	120075-01-732	EA	PLATE-STRIKE	618167
	120075-01-721	EA	LOUVER-DRIP TRAY	618176

APPLIANCE GROUP (CONTINUED)
APPLIANCES (CONTINUED)



REFRIGERATOR (CONTINUED)
121569-03-01A (CONTINUED)

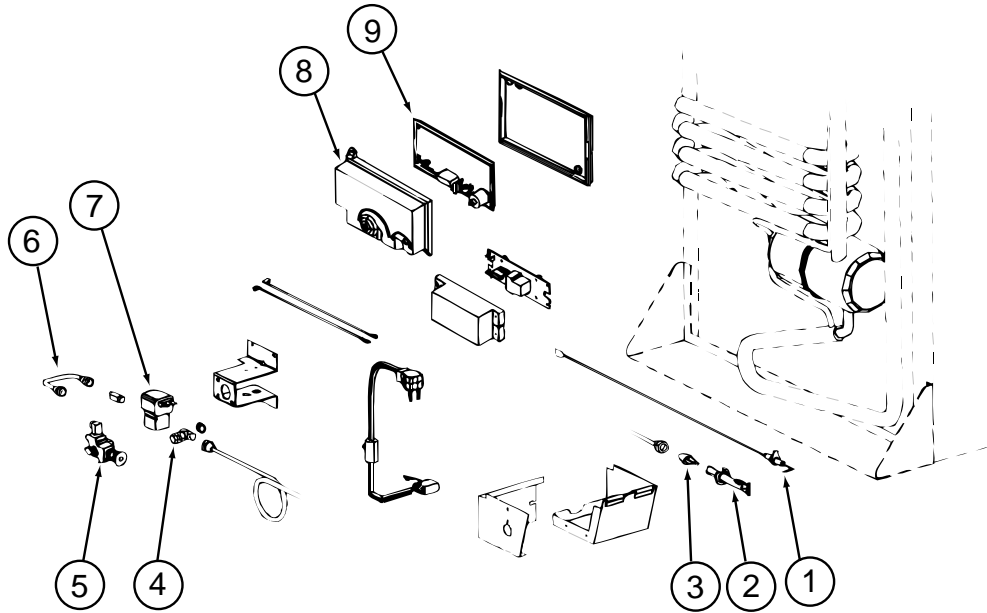
KEY	PART NUMBER	U/M	DESCRIPTION	VENDOR NO.
	121569-03-01A	EA	REFRIGERATOR - LARGE DOUBLE DOOR/RIGHT HAND - 2-WAY-BLACK	
1	084880-01-760	EA	CLIP (THERMISTER)	61689122
2	120075-01-735	EA	THERMISTER W/LAMP & WIRE/ASM	618548
3	084880-03-705	EA	BRACKET-LIGHT-INTERIOR	61629722
4	084880-03-706	EA	BULB-LAMP	61628922
5	084880-03-707	EA	COVER-LAMP, LENS	61627922



REFRIGERATOR (CONTINUED)
121569-03-01A (CONTINUED)

KEY	PART NUMBER	U/M	DESCRIPTION	VENDOR NO.
	121569-03-01A	EA	REFRIGERATOR - LARGE DOUBLE DOOR/RIGHT HAND - 2-WAY-BLACK	
1	120075-07-709	EA	CABINET - FOAMED	619347
2	088248-01-709	EA	HEATER-AC (HORIZONTAL)	61562722
	120075-01-744	EA	KIT - GAS VALVE/BURNER TUBE	620609
	120075-01-736	EA	COOLING UNIT, SERVICE PACK	618542

APPLIANCE GROUP (CONTINUED)
APPLIANCES (CONTINUED)



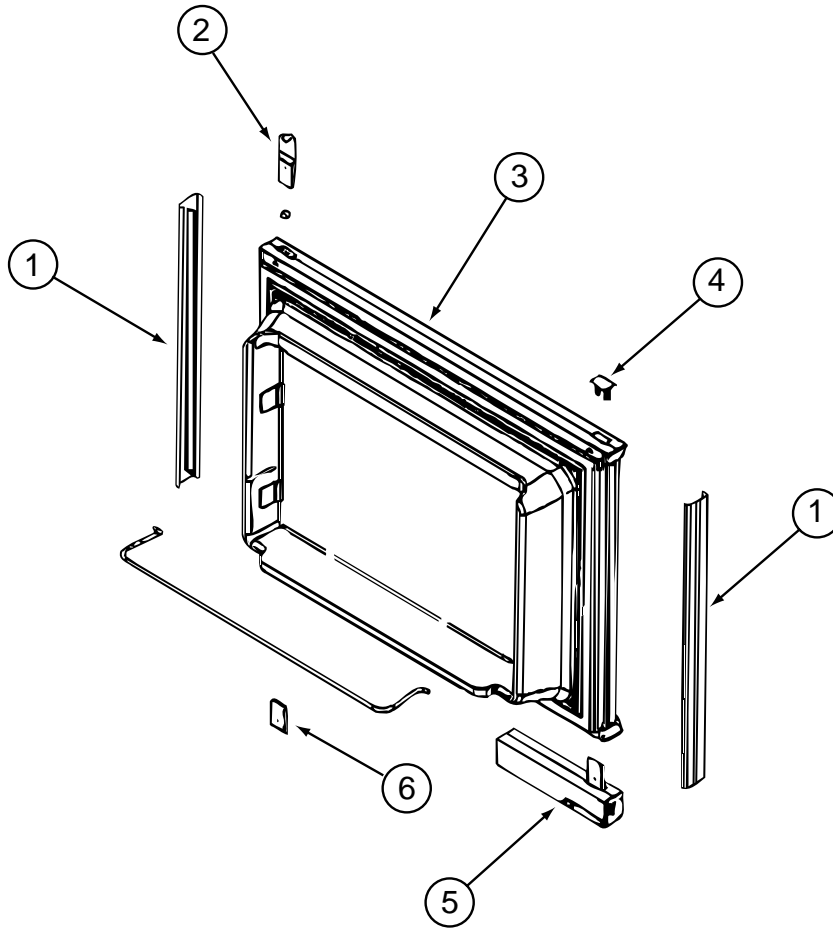
REFRIGERATOR (CONTINUED)
121569-03-01A (CONTINUED)

KEY	PART NUMBER	U/M	DESCRIPTION	VENDOR NO.
	121569-03-01A	EA	REFRIGERATOR - LARGE DOUBLE DOOR/RIGHT HAND - 2-WAY-BLACK	
1	104137-06-715	EA	ELECTRODE-SPARK/SENSOR, SGL	61692222
2	104137-06-714	EA	BURNER ASSEMBLY, 5-SLOT	61705222
3	120075-01-737	EA	ORIFICE - JEWEL - .0155	618284
4	113737-01-702	EA	PLUG 1/8" F/PRESSURE TAP	61445322
5	113737-01-716	EA	TAP-PRESSURE	61594422
6	113737-01-750	EA	TUBE-UNION	61694622
7	084880-01-718	EA	VALVE-GAS, (ASCO)	61551822
8	120075-01-738	EA	COVER-POWER BOARD	618185
9	121568-03-719	EA	POWER - BOARD - 2-WAY	619353
	121568-03-720	EA	VALVE/SHUT OF-MANUAL ELECT.	618696

APPLIANCE GROUP (CONTINUED)**APPLIANCES (CONTINUED)****REFRIGERATOR (CONTINUED)****121569-05-01A**

KEY	PART NUMBER	U/M	DESCRIPTION	VENDOR NO.
	121569-05-01A	EA	REFRIGERATOR - LARGE DBL DOOR/2 WAY - BLK-NON-FLUSH HANDLE	
	084880-01-718	EA	VALVE-GAS, (ASCO)	61551822
	084880-01-760	EA	CLIP (THERMISTER)	61689122
	084880-03-705	EA	BRACKET-LIGHT-INTERIOR	61629722
	084880-03-706	EA	BULB-LAMP	61628922
	088248-01-709	EA	HEATER-AC (HORIZONTAL)	61562722
	104137-06-714	EA	BURNER ASSEMBLY, 5-SLOT	61705222
	104137-06-715	EA	ELECTRODE-SPARK/SENSOR, SGL	61692222
	113737-01-702	EA	PLUG 1/8" F/PRESSURE TAP	61445322
	113737-01-716	EA	TAP-PRESSURE	61594422
	113737-01-750	EA	TUBE-UNION	61694622
	120075-01-714	EA	PLUG-HOLE	618170
	120075-01-720	EA	TRAY-DRIP	618137
	120075-01-721	EA	LOUVER-DRIP TRAY	618176
	120075-01-725	EA	COVER-CRISPER	618158
	120075-01-727	EA	PIN-HINGE	618145
	120075-01-729	EA	TRIM-BOTTOM PIECE	618136
	120075-01-730	EA	RETAINER-SHELF	618181
	120075-01-732	EA	PLATE-STRIKE	618167
	120075-01-735	EA	THERMISTER W/LAMP & WIRE/ASM	618548
	120075-01-736	EA	COOLING UNIT, SERVICE PACK	618542
	120075-01-737	EA	ORIFICE - JEWEL - .0155	618284
	120075-01-738	EA	COVER-POWER BOARD	618185
	120075-07-705	EA	TRIM - SIDE - BLACK	619802
	120075-07-709	EA	CABINET - FOAMED	619347
	121568-01-707	EA	SHELF - WIRE - SHORT	618624
	121568-01-708	EA	SHELF - WIRE	618589
	121568-01-709	EA	CRISPER	618571
	121568-03-710	EA	HINGE/CABINET-TOP/RH-LWR/LH	619335
	121568-03-712	EA	SHELF - WIRE/FREEZER	620250
	121568-03-713	EA	FRONT BOX/DECORATIVE-BLACK	619282
	121568-03-714	EA	CONTROL ASM - 2 WAY BLACK	619350
	121568-03-715	EA	HINGE/CABINET-TOP/LH-LWR/RH	619336
	121568-03-716	EA	COVER - HINGE HOLES	619301
	121568-03-717	EA	HOLE PLUG - WHITE	619561
	121568-03-719	EA	POWER - BOARD - 2-WAY	619353
	120075-07-709	EA	CABINET - FOAMED	619347
	120075-01-744	EA	KIT - GAS VALVE/BURNER TUBE	620609

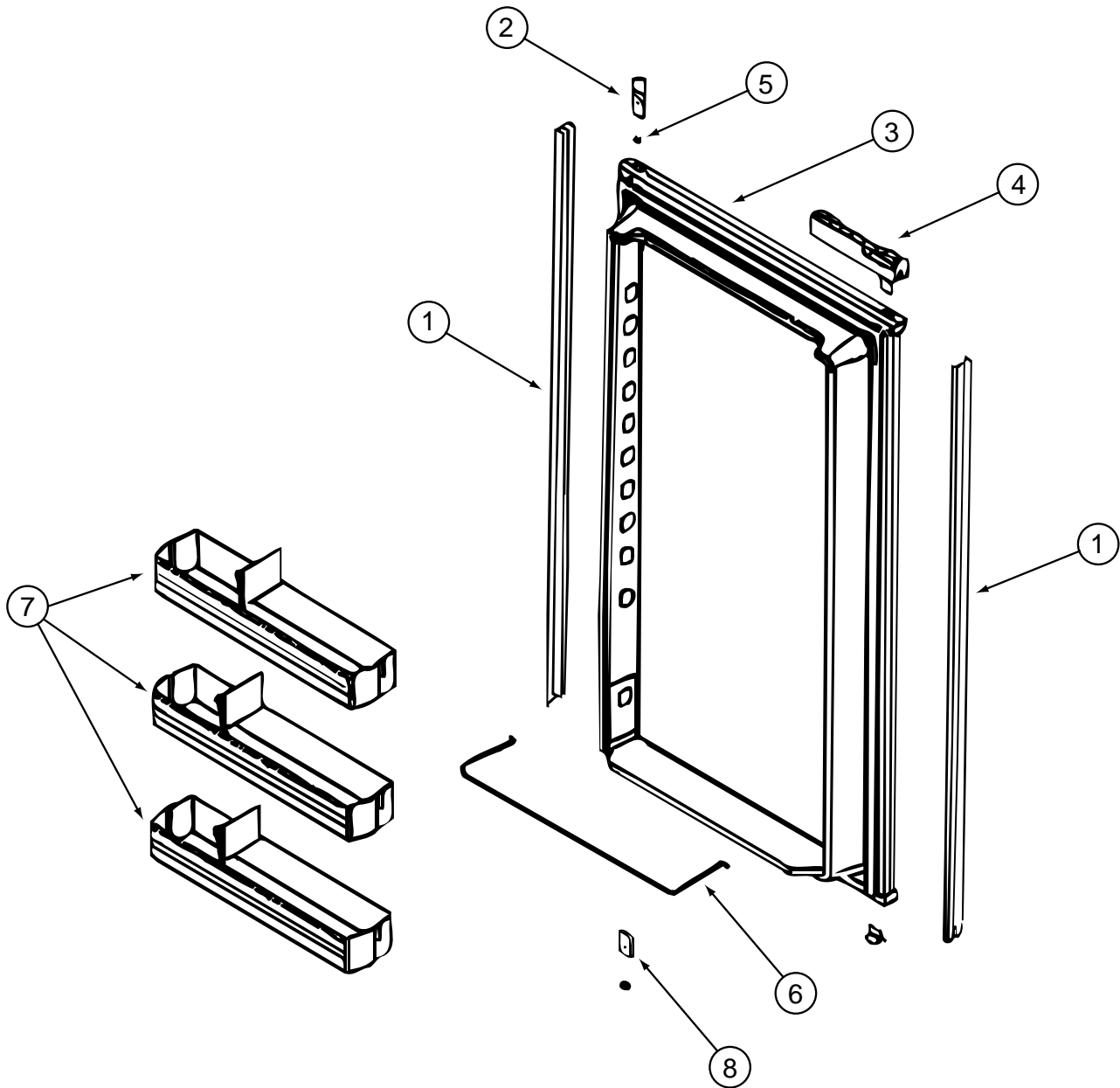
APPLIANCE GROUP (CONTINUED)
APPLIANCES (CONTINUED)



REFRIGERATOR (CONTINUED)
121569-05-01A (CONTINUED)

KEY	PART NUMBER	U/M DESCRIPTION	VENDOR NO.
1	121568-03-700	EA RETAINER - DOOR PANEL/BLACK	619558
2	120075-01-701	EA HINGE-TOP RH/BOTTOM LH(DOOR)	618511
3	121568-03-702	EA DOOR LINER - W/TRIM/BLACK	619627 - SMALL DOOR
4	120075-01-702	EA CAP, (HINGE PLUG)	618160
5	120075-12-700	EA HANDLE(CONTOUR)TOP LH/BTM RH	621105
6	120075-01-705	EA HINGE-TOP LH/BOTTOM RH(DOOR)	618510
	121568-03-705	EA STORAGE LATCH - GRAY	619648

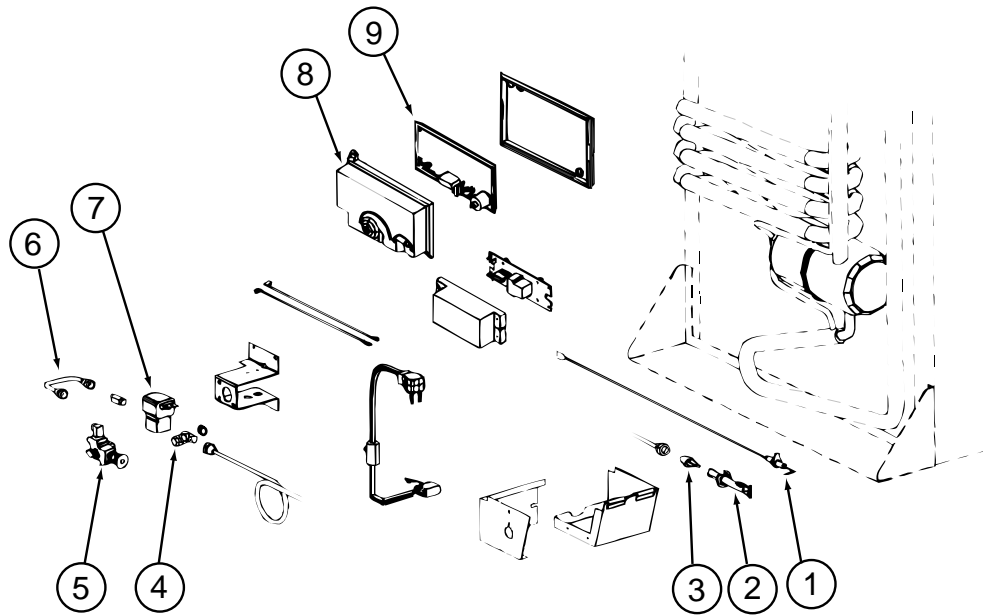
APPLIANCE GROUP (CONTINUED)
APPLIANCES (CONTINUED)



REFRIGERATOR (CONTINUED)
121569-05-01A (CONTINUED)

KEY	PART NUMBER	U/M	DESCRIPTION	VENDOR NO.
1			CONTACT WINNEBAGO PART SALES FOR THIS COMPONENT	
2	120075-01-702	EA	CAP, (HINGE PLUG)	618160
3			CONTACT WINNEBAGO PART SALES FOR THIS COMPONENT	
4			CONTACT WINNEBAGO PART SALES FOR THIS COMPONENT	
5	121568-03-701	EA	BUSHING - HINGE PIN/GRAY	619671
6	121568-01-704	EA	RAIL - DOOR LOWER	618578
7	121568-01-701	EA	BIN - DOOR WHITE	618619
8	120075-01-705	EA	HINGE-TOP LH/BOTTOM RH(DOOR)	618510
	120075-12-701	EA	HANDLE(CONTOUR)TOP RH/BTM LH	621104
	121568-03-705	EA	STORAGE LATCH - GRAY	619648

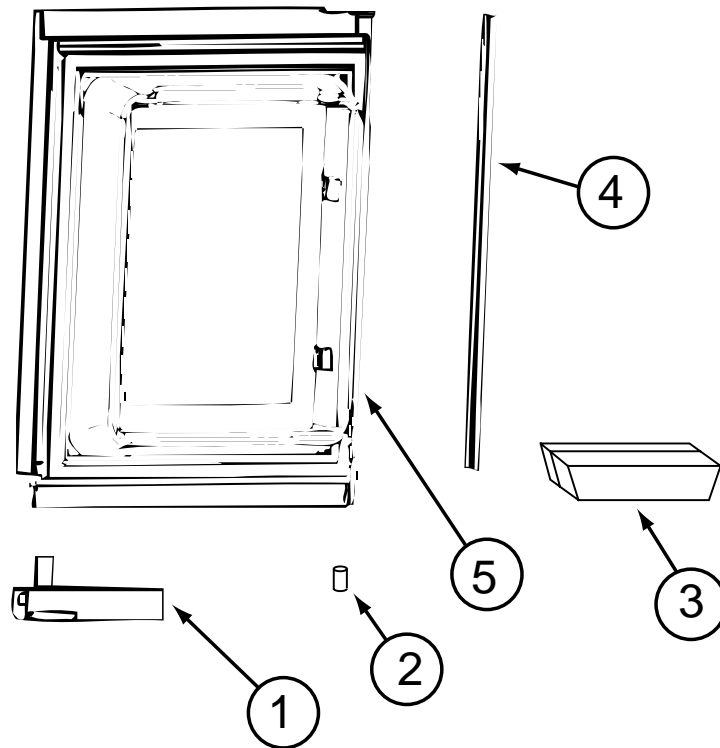
APPLIANCE GROUP (CONTINUED)
APPLIANCES (CONTINUED)



REFRIGERATOR (CONTINUED)
121569-05-01A (CONTINUED)

KEY	PART NUMBER	U/M	DESCRIPTION	VENDOR NO.
1	104137-06-715	EA	ELECTRODE-SPARK/SENSOR, SGL	61692222
2	104137-06-714	EA	BURNER ASSEMBLY, 5-SLOT	61705222
3	120075-01-737	EA	ORIFICE - JEWEL - .0155	618284
4	113737-01-702	EA	PLUG 1/8" F/PRESSURE TAP	61445322
5	113737-01-716	EA	TAP-PRESSURE	61594422
6	113737-01-750	EA	TUBE-UNION	61694622
7	084880-01-718	EA	VALVE-GAS, (ASCO)	61551822
8	120075-01-738	EA	COVER-POWER BOARD	618185
9	121568-03-719	EA	POWER - BOARD - 2-WAY	619353
	121568-03-720	EA	VALVE/SHUT OF-MANUAL ELECT.	618696

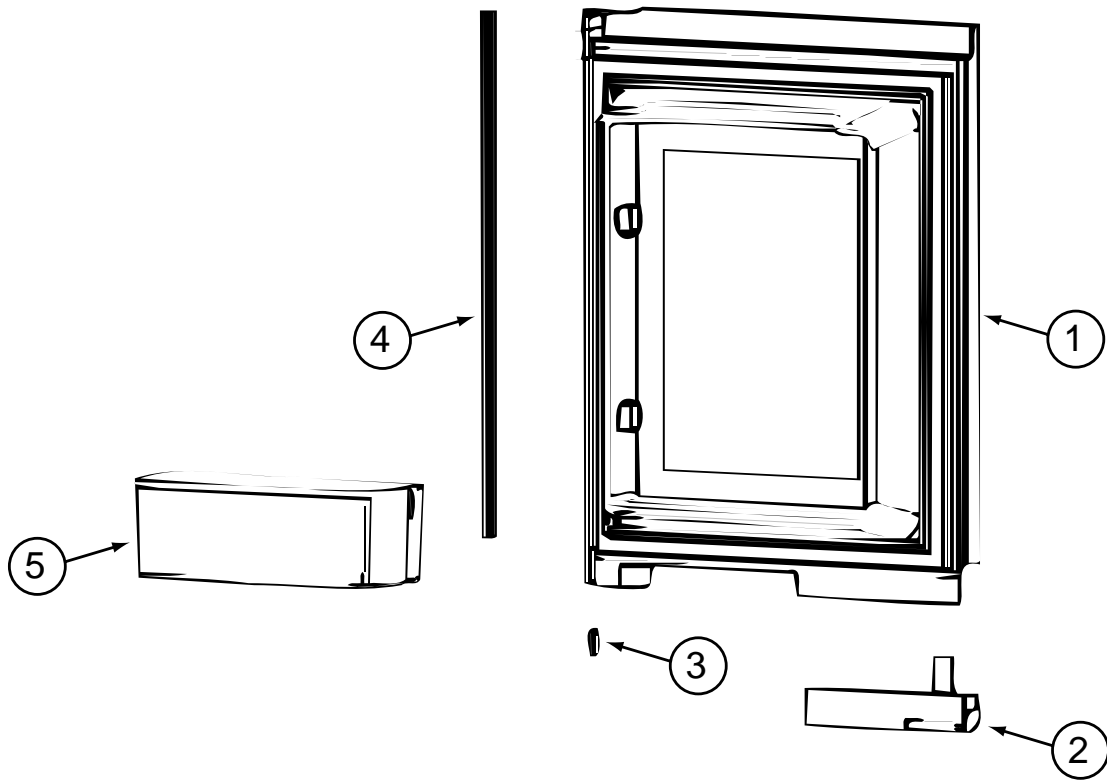
APPLIANCE GROUP (CONTINUED)
APPLIANCES (CONTINUED)



REFRIGERATOR (CONTINUED)
125242-01-01A

KEY	PART NUMBER	U/M	DESCRIPTION	VENDOR NO.
	125242-01-01A	EA	REFRIGERATOR - 4 DOOR W/ICE MAKER	
1	121568-01-702	EA	DOOR HANDLE - UPR/RH-LWR/LH	618230
2	125242-01-704	EA	BUSHING - HINGE MIDDLE	618746
3	125242-01-711	EA	DOOR BIN	618765
4	125242-01-719	EA	RETAINER - UPPER PANEL	618825
5	125242-01-754	EA	DOOR-COMP/UPPR-LH-W/WHT GSKT	619843
5	125242-01-755	EA	DOOR-COMP/UPPR-LH-W/GRY GSKT	618763
	125242-01-762	EA	LINER/FOAMED-UPPER/LH-WHITE	619839

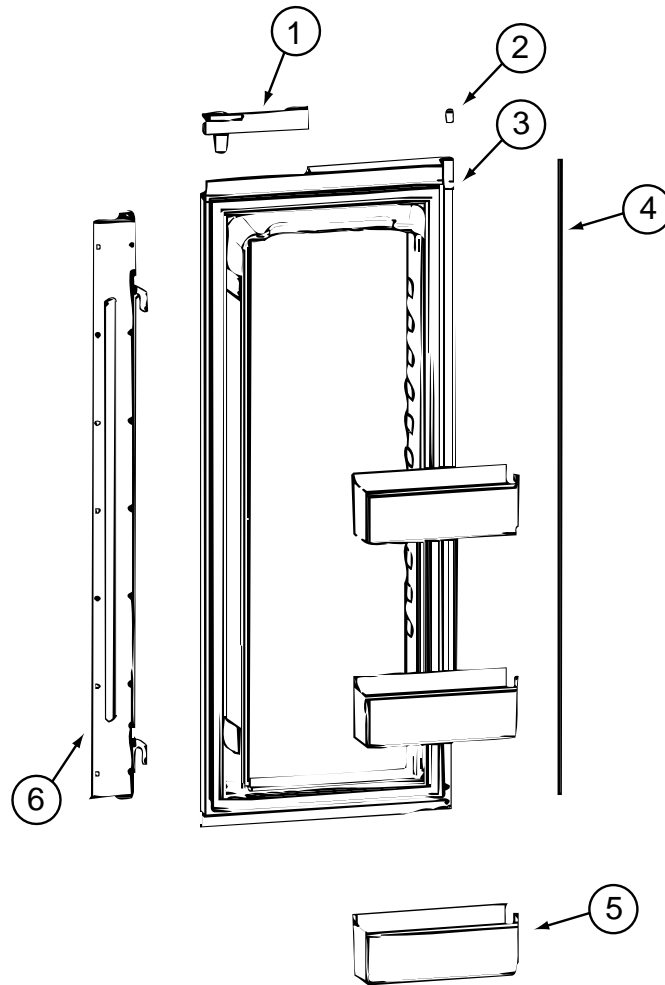
APPLIANCE GROUP (CONTINUED)
APPLIANCES (CONTINUED)



REFRIGERATOR (CONTINUED)
125242-01-01A (CONTINUED)

KEY	PART NUMBER	U/M	DESCRIPTION	VENDOR NO.
	125242-01-01A	EA	REFRIGERATOR - 4 DOOR W/ICE MAKER	
1	125242-01-756	EA	DOOR-COMP/UPPR-RH-W/WHT GSKT	619844
1	125242-01-757	EA	DOOR-COMP/UPPR-RH-W/GRY GSKT	618764
	125242-01-703	EA	LINER/FOAMED-UPPER/RH-GRAY	618731
	125242-01-763	EA	LINER/FOAMED-UPPER/RH-WHITE	619840
2	120075-01-711	EA	DOOR HANDLE - UPR LH/LOWER RH	618235
3	125242-01-704	EA	BUSHING - HINGE MIDDLE	618746
4	125242-01-719	EA	RETAINER - UPPER PANEL	618825
5	125242-01-711	EA	DOOR BIN	618765

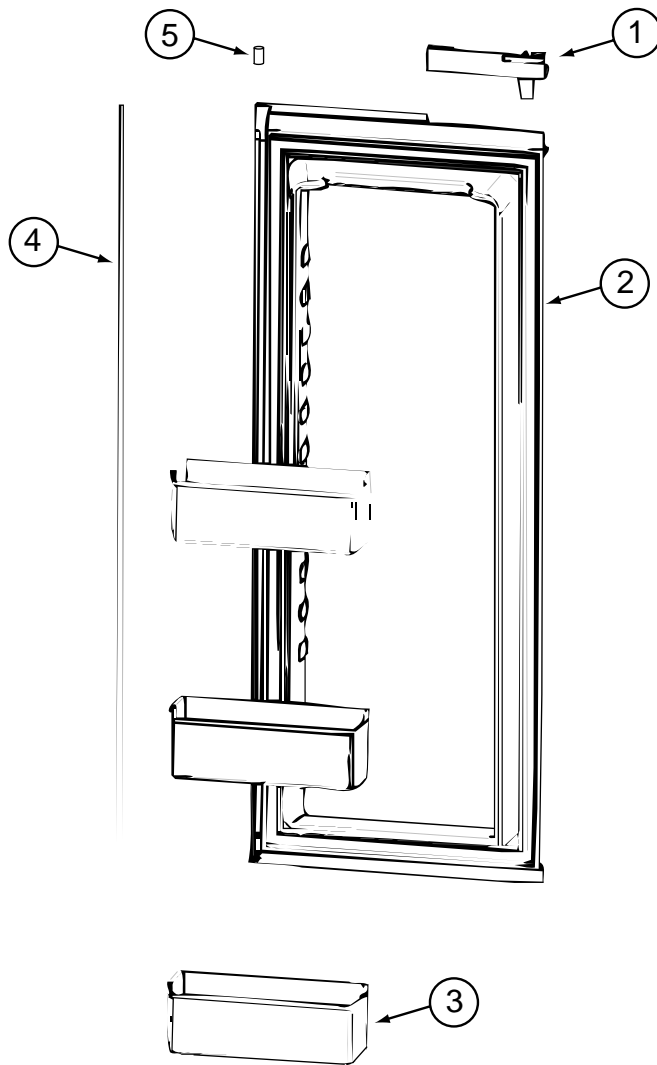
APPLIANCE GROUP (CONTINUED)
APPLIANCES (CONTINUED)



REFRIGERATOR (CONTINUED)
125242-01-01A (CONTINUED)

KEY	PART NUMBER	U/M	DESCRIPTION	VENDOR NO.
	125242-01-01A	EA	REFRIGERATOR - 4 DOOR W/ICE MAKER	
1	120075-01-711	EA	DOOR HANDLE - UPR LH/LOWER RH	618235
2	125242-01-704	EA	BUSHING - HINGE MIDDLE	618746
3	125242-01-700	EA	LINER - DOOR - FOAMED - LWR LH	618728
4	125242-01-718	EA	RETAINER - LOWER PANEL	618824
5	125242-01-711	EA	DOOR BIN	618765
6	125242-01-747	EA	SEAL/RETRACTABLE (DOOR ASM)	618787
	125242-01-760	EA	DOOR-COMP/LWR-LH W/WHT GSKT	619841
	125242-01-761	EA	DOOR-COMP/LWR-LH W/GRY GSKT	618761
	125242-01-765	EA	LINER/FOAMED-LOWER-LH-WHITE	619837

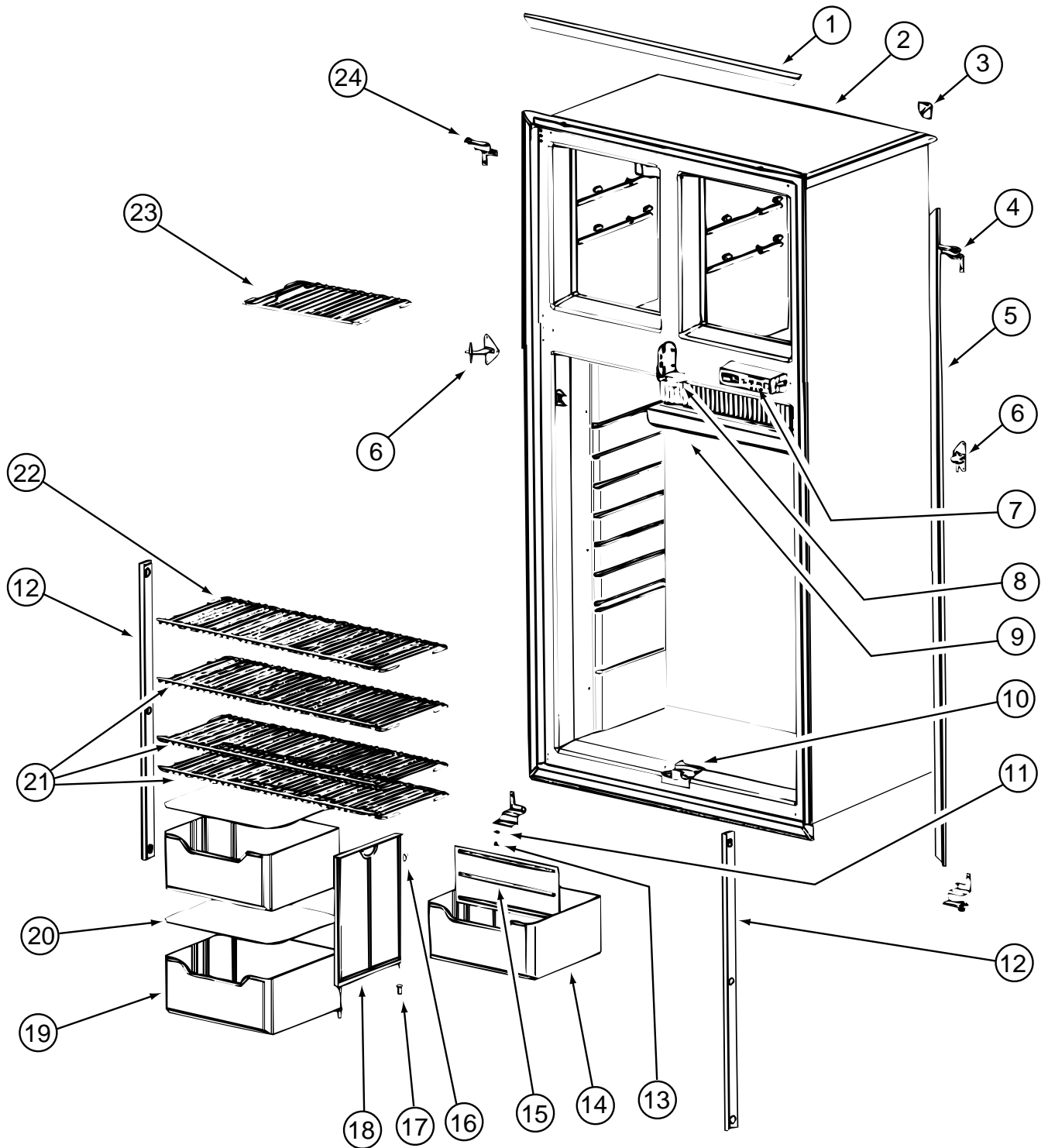
APPLIANCE GROUP (CONTINUED)
APPLIANCES (CONTINUED)



REFRIGERATOR (CONTINUED)
125242-01-01A (CONTINUED)

KEY	PART NUMBER	U/M	DESCRIPTION	VENDOR NO.
	125242-01-01A	EA	REFRIGERATOR - 4 DOOR W/ICE MAKER	
1	121568-01-702	EA	DOOR HANDLE - UPR/RH - LWR/LH	618230
2	125242-01-701	EA	LINER - DOOR - FOAMED - LWR RH	618729
3	125242-01-711	EA	DOOR BIN	618765
4	125242-01-718	EA	RETAINER - LOWER PANEL	618824
5	125242-01-704	EA	BUSHING - HINGE MIDDLE	618746
	125242-01-758	EA	DOOR-COMP/LWR-RH-W/WHT GSKT	619842
	125242-01-759	EA	DOOR-COMP/LWR-RH-W/GRY GSKT	618762
	125242-01-764	EA	LINER/FOAMED-LOWER/RH-WHITE	619838

APPLIANCE GROUP (CONTINUED)
APPLIANCES (CONTINUED)



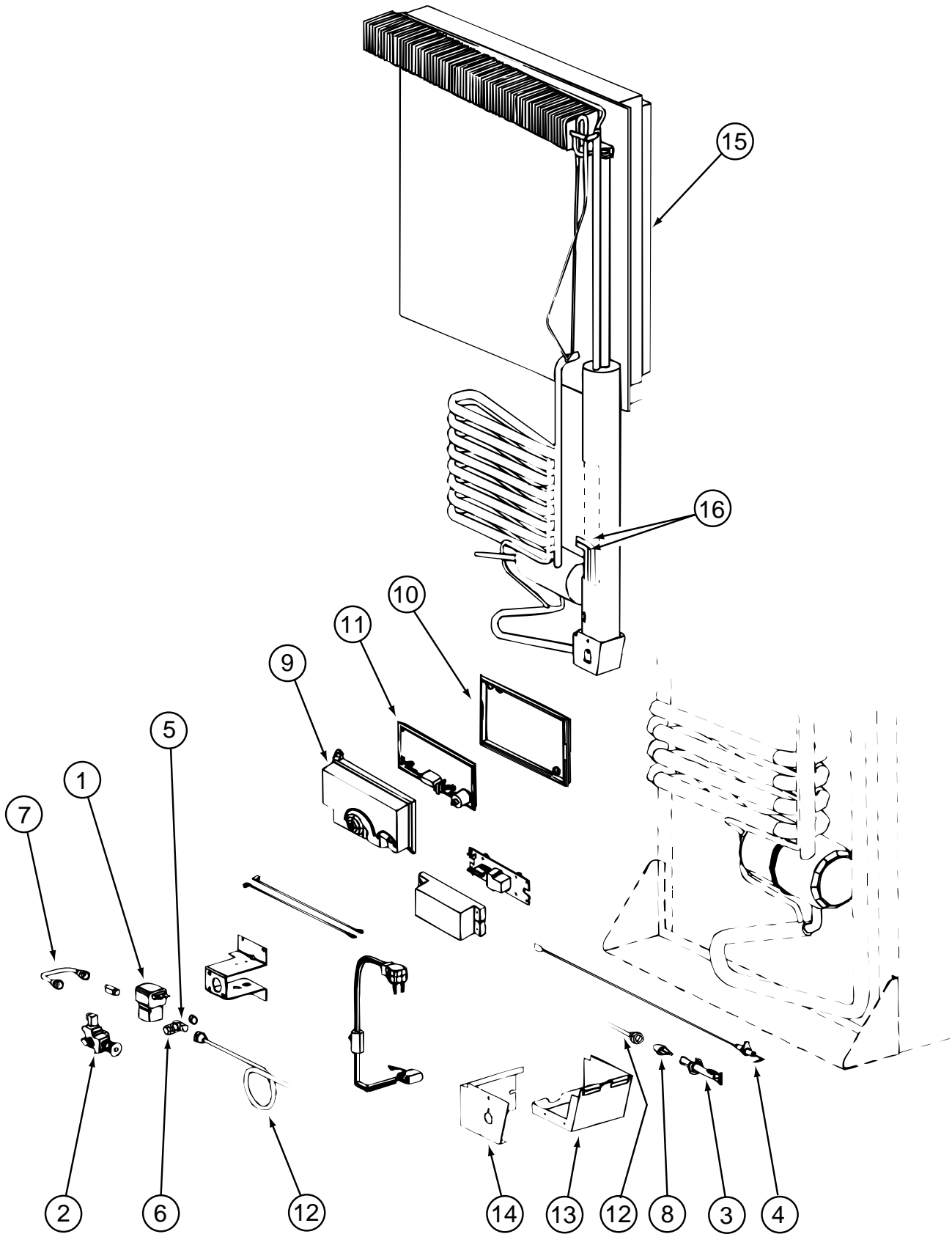
REFRIGERATOR (CONTINUED)
125242-01-01A (CONTINUED)

APPLIANCE GROUP (CONTINUED)

APPLIANCES (CONTINUED) REFRIGERATOR (CONTINUED) 125242-01-01A (CONTINUED)

KEY	PART NUMBER	U/M	DESCRIPTION	VENDOR NO.
	125242-01-01A	EA	REFRIGERATOR - 4 DOOR W/ICE MAKER	
1	125242-01-723	EA	TRIM - HORIZONTAL	618845
2	125242-01-748	EA	CABINET/FOAMED ASSEMBLY	618748
3	125242-01-722	EA	TRIM - CORNER	618844
4	125242-01-715	EA	HINGE - TOP RH/BOTTOM LH	618798
5	125242-01-724	EA	TRIM - SIDE	618846
6	125242-01-713	EA	HINGE-MIDDLE (PAINTED)	618794
7	125242-01-705	EA	CONTROL ASM - OPTICAL	618750
8	125242-01-751	EA	BLOCK - GUIDE - UPPER	618789
9	125242-01-712	EA	DRIP TRAY	618774
10	125242-01-752	EA	BLOCK - GUIDE - LOWER	618788
11	120075-01-708	EA	BUSHING - DOOR HINGE	618144
12	120075-01-730	EA	RETAINER - SHELF	618181
13	120075-01-727	EA	PIN - HINGE	618145
14	125242-01-734	EA	CRISPER/BOTTLE BIN	618878
15	125242-01-733	EA	DIVIDER - BOTTLE CRISPER	618877
16	125242-01-750	EA	CLIP	61409622
17	113737-01-701	EA	BUSHING - HINGE	61742022
18	125242-01-749	EA	SUPPORT - WALL	618840
19	125242-01-734	EA	CRISPER/BOTTLE BIN	618878
20	125242-01-706	EA	COVER - CRISPER	618757
21	125242-01-726	EA	SHELF - WIRE (LONG)	618848
22	125242-01-727	EA	SHELF - WIRE (SHORT)	618849
23	125242-01-725	EA	SHELF - FREEZER (WIRE)	618847
24	125242-01-714	EA	HINGE - TOP LH/BOTTOM RH	618796
	125242-01-735	EA	SWITCH - DOOR LIGHT	618884

APPLIANCE GROUP (CONTINUED)
APPLIANCES (CONTINUED)



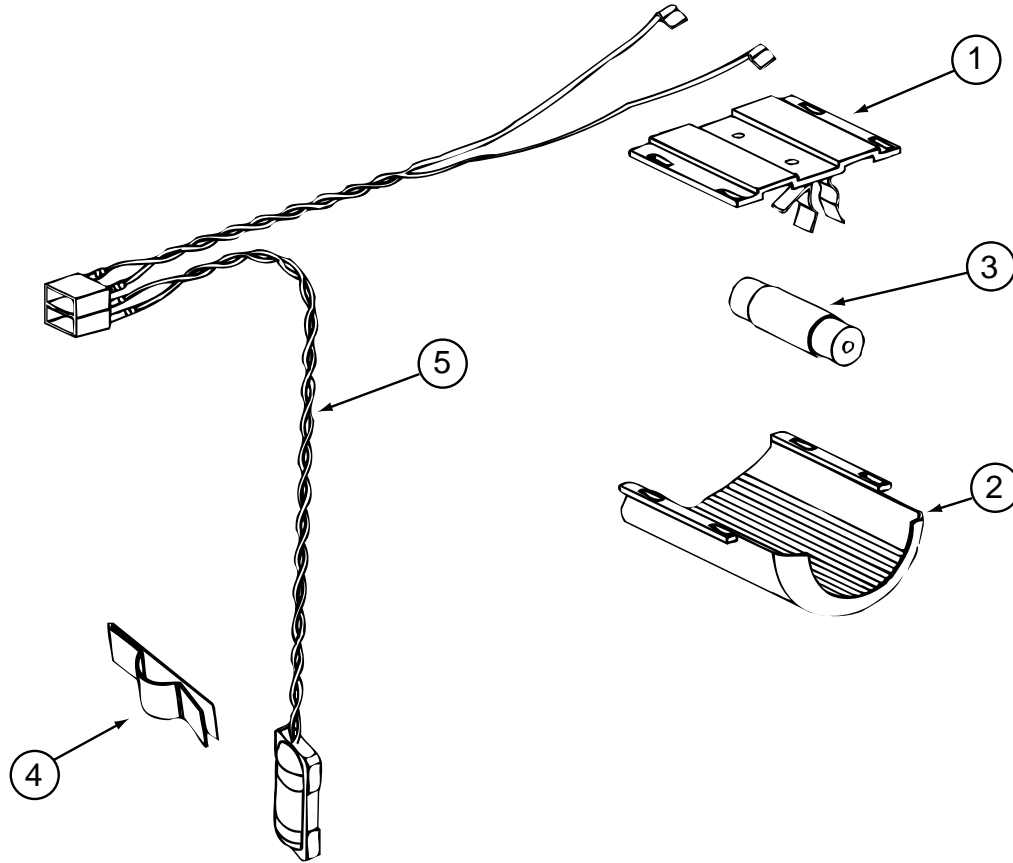
REFRIGERATOR (CONTINUED)
125242-01-01A (CONTINUED)

APPLIANCE GROUP (CONTINUED)

APPLIANCES (CONTINUED) REFRIGERATOR (CONTINUED) 125242-01-01A (CONTINUED)

KEY	PART NUMBER	U/M	DESCRIPTION	VENDOR NO.
	125242-01-01A	EA	REFRIGERATOR - 4 DOOR W/ICE MAKER	
1	084880-01-718	EA	VALVE - GAS - (ASCO)	61551822
2	104137-06-734	EA	VALVE-SHUT OFF/MAN-NEW STYLE	618696
3	125242-01-743	EA	BURNER - 8 SLOT	618932
4	104137-06-715	EA	ELECTRODE - SPARK/SENSOR - SGL	61692222
5	113737-01-716	EA	TAP - PRESSURE	61594422
6	113737-01-750	EA	TUBE - UNION	61694622
7	125242-01-717	EA	ORIFICE - JEWELLED	618814
8			CONTACT WINNEBAGO PART SALES FOR THIS COMPONENT	
9	120075-01-738	EA	COVER - POWER BOARD	618185
10	120075-01-740	EA	COVER - BASE - POWER BOARD	618186
11	125242-01-720	EA	POWER BOARD	618828
			FROM: 00-00-00 THRU: 04-25-99	
11	125242-02-703	EA	POWER BOARD	
			FROM: 04-26-99 THRU: 99-99-99	
12	125242-01-744	EA	BURNER TUBE	618937
13	125242-01-739	EA	BASE - BURNER BOX	618902
14	125242-01-740	EA	COVER - BURNER BOX	618910
15	125242-01-746	EA	COOLING UNIT - 1200	618964
16	125242-01-732	EA	HEATER AC - 225W/110VAC	618872

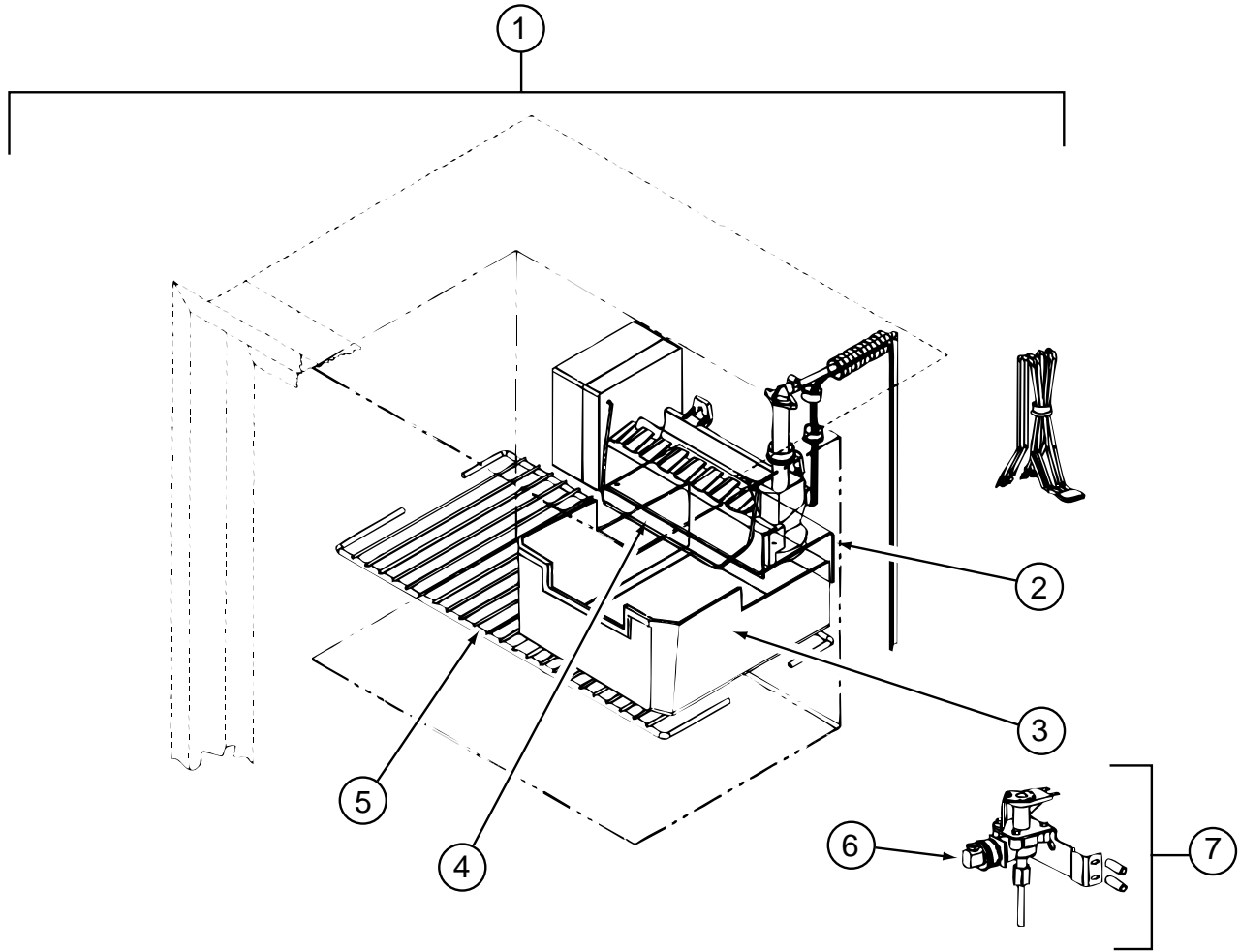
APPLIANCE GROUP (CONTINUED)
APPLIANCES (CONTINUED)



REFRIGERATOR (CONTINUED)
125242-01-01A (CONTINUED)

KEY	PART NUMBER	U/M	DESCRIPTION	VENDOR NO.
	125242-01-01A	EA	REFRIGERATOR - 4 DOOR W/ICE MAKER	
1	084880-03-705	EA	BRACKET - LIGHT - INTERIOR	61629722
2	120075-01-734	EA	COVER - LENS	618190
3	084880-03-706	EA	BULB - LAMP	61628922
4	084880-01-760	EA	CLIP (THERMISTER)	61689122
5	120075-01-735	EA	THERMISTER W/LAMP & WIRE/ASM	618548

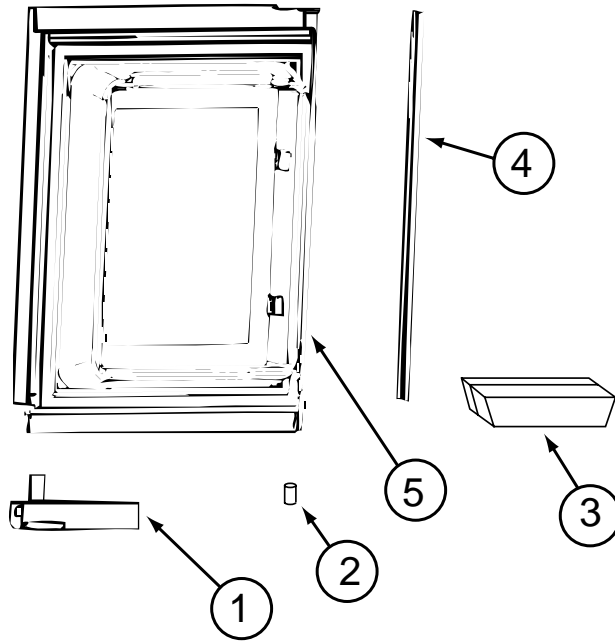
APPLIANCE GROUP (CONTINUED)
APPLIANCES (CONTINUED)



REFRIGERATOR (CONTINUED)
125242-01-01A (CONTINUED)

KEY	PART NUMBER	U/M	DESCRIPTION	VENDOR NO.
	125242-01-01A	EA	REFRIGERATOR - 4 DOOR W/ICE MAKER	
1	094039-07-706	EA	ICE MAKER W/O PLATES	61656522
2	125242-01-737	EA	BRACKET - MOUNTING (ICE MAKER)	618894
3	125242-01-716	EA	ICE BIN	618803
4	120075-03-703	EA	ARM - SHUT OFF	61656922
5	125242-01-725	EA	SHELF - FREEZER (WIRE)	618847
6	120075-03-702	EA	NUT/COMPRESSION - FITTING	61678722
7	120075-03-701	EA	VALVE - WATER - W/BRACKET	618523

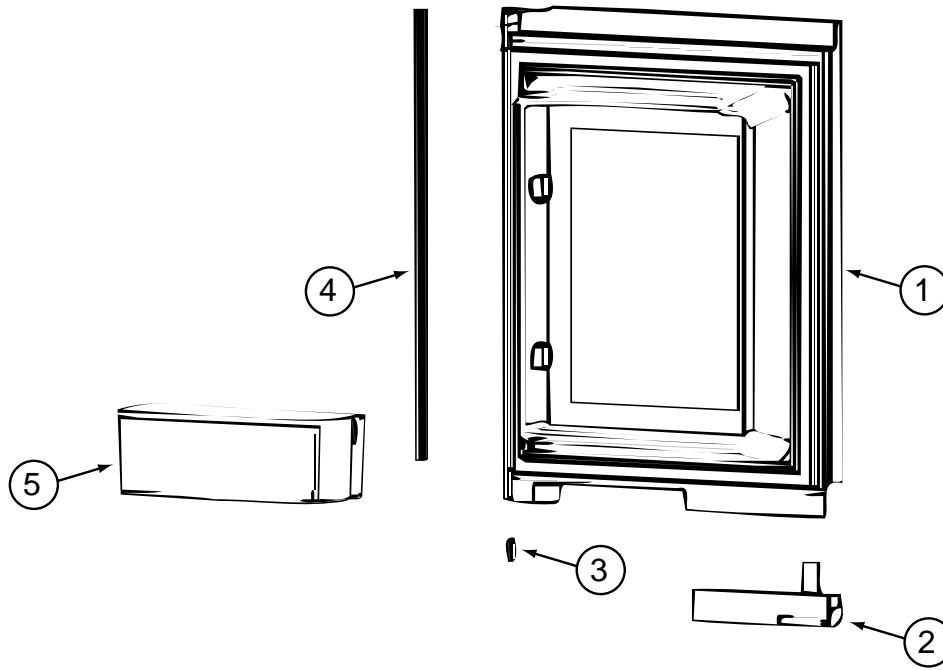
APPLIANCE GROUP (CONTINUED)
APPLIANCES (CONTINUED)



REFRIGERATOR (CONTINUED)
125242-02-01A

KEY	PART NUMBER	U/M	DESCRIPTION	VENDOR NO.
	125242-02-01A	EA	REFRIGERATOR - 4 DOOR W/ICE MAKER	
	125242-01-754	EA	DOOR-COMP/UPPR-LH-W/WHT GSKT	619843
1	125242-02-701	EA	HANDLE(CONTOUR)TOP RH LWR LH	621106
2	125242-01-704	EA	BUSHING - HINGE MIDDLE	618746
3	125242-01-711	EA	DOOR BIN	618765
4	125242-01-719	EA	RETAINER - UPPER PANEL	618825
5	125242-01-762	EA	LINER/FOAMED-UPPER/LH-WHITE	619839

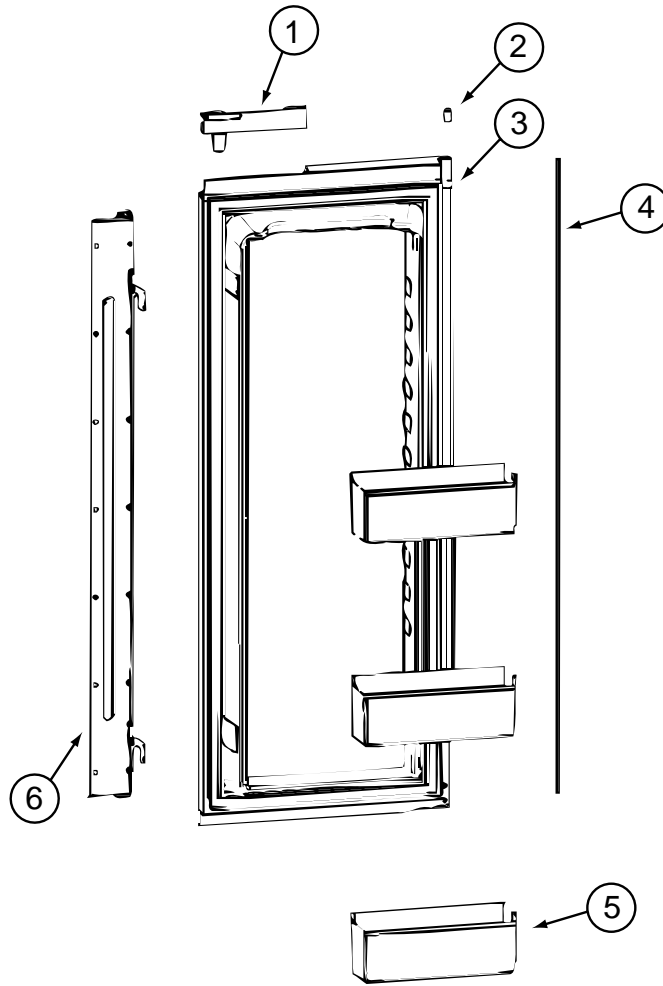
APPLIANCE GROUP (CONTINUED)
APPLIANCES (CONTINUED)



REFRIGERATOR (CONTINUED)
125242-02-01A (CONTINUED)

KEY	PART NUMBER	U/M	DESCRIPTION	VENDOR NO.
	125242-02-01A	EA	REFRIGERATOR - 4 DOOR W/ICE MAKER	
	125242-01-756	EA	DOOR-COMP/UPPR-RH-W/WHT GSKT	619844
1	125242-01-763	EA	LINER/FOAMED-UPPER/RH-WHITE	619840
2	125242-02-700	EA	HANDLE(CONTOUR)TOP LH BTM RH	621107
3	125242-01-704	EA	BUSHING - HINGE MIDDLE	618746
4	125242-01-719	EA	RETAINER - UPPER PANEL	618825
5	125242-01-711	EA	DOOR BIN	618765

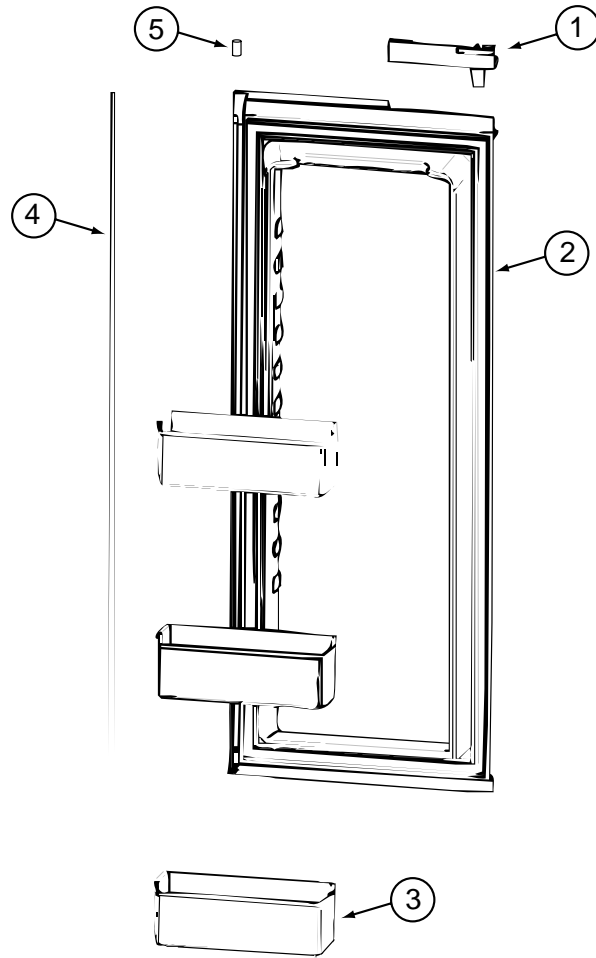
APPLIANCE GROUP (CONTINUED)
APPLIANCES (CONTINUED)



REFRIGERATOR (CONTINUED)
125242-02-01A (CONTINUED)

KEY	PART NUMBER	U/M	DESCRIPTION	VENDOR NO.
	125242-02-01A	EA	REFRIGERATOR - 4 DOOR W/ICE MAKER	
	125242-01-760	EA	DOOR-COMP/LWR-LH W/WHT GSKT	619841
1	125242-02-700	EA	HANDLE(CONTOUR)TOP LH BTM RH	621107
2	125242-01-704	EA	BUSHING - HINGE MIDDLE	618746
3	125242-01-765	EA	LINER/FOAMED-LOWER-LH-WHITE	619837
4	125242-01-718	EA	RETAINER - LOWER PANEL	618824
5	125242-01-711	EA	DOOR BIN	618765
6	125242-01-747	EA	SEAL/RETRACTABLE (DOOR ASM)	618787

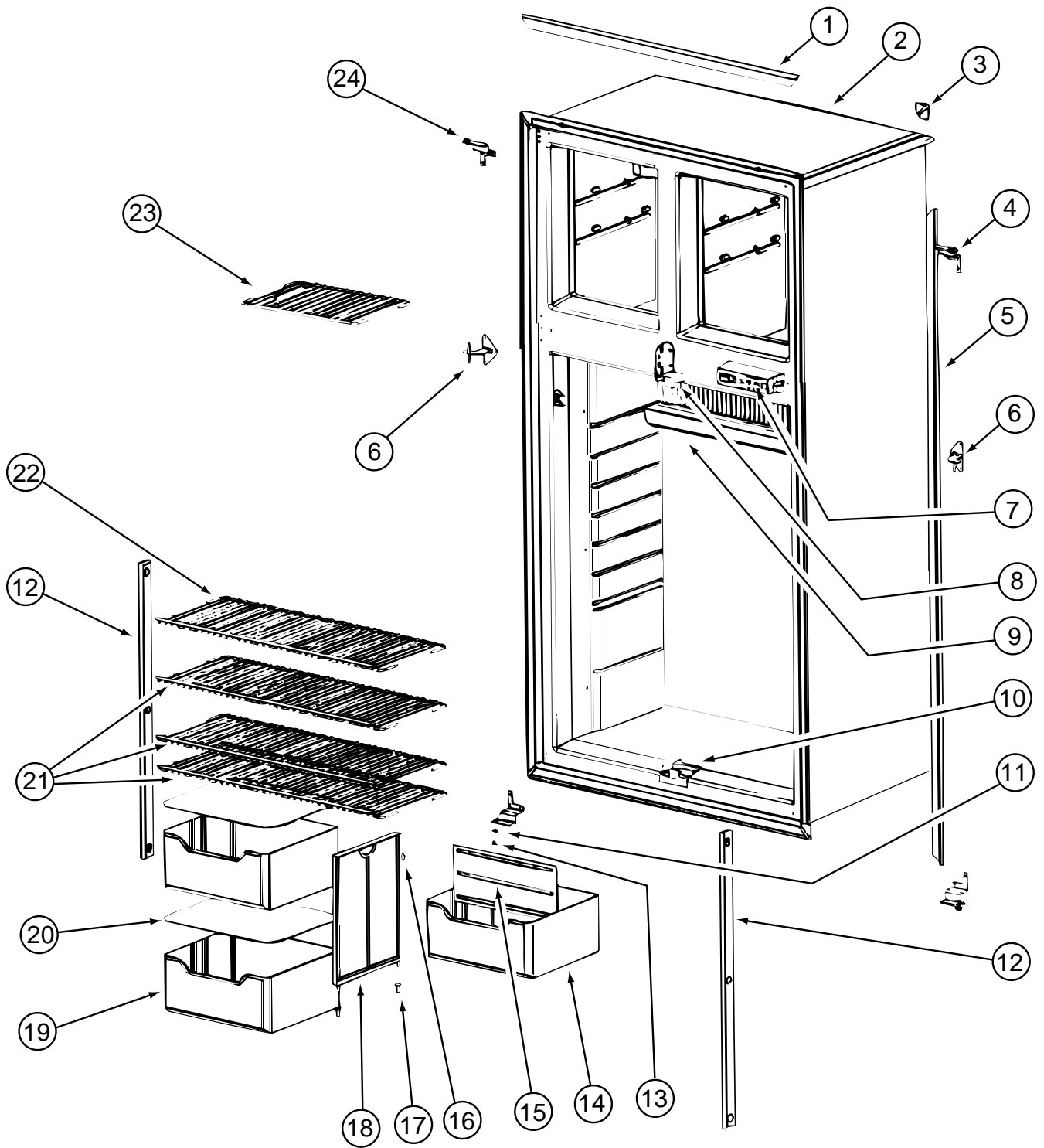
APPLIANCE GROUP (CONTINUED)
APPLIANCES (CONTINUED)



REFRIGERATOR (CONTINUED)
125242-02-01A (CONTINUED)

KEY	PART NUMBER	U/M	DESCRIPTION	VENDOR NO.
	125242-02-01A	EA	REFRIGERATOR - 4 DOOR W/ICE MAKER	
	125242-01-758	EA	DOOR-COMP/LWR-RH-W/WHT GSKT	619842
1	125242-02-701	EA	HANDLE(CONTOUR)TOP RH LWR LH	621106
2	125242-01-764	EA	LINER/FOAMED-LOWER/RH-WHITE	619838
3	125242-01-711	EA	DOOR BIN	618765
4	125242-01-718	EA	RETAINER - LOWER PANEL	618824
5	125242-01-704	EA	BUSHING - HINGE MIDDLE	618746

APPLIANCE GROUP (CONTINUED)
APPLIANCES (CONTINUED)



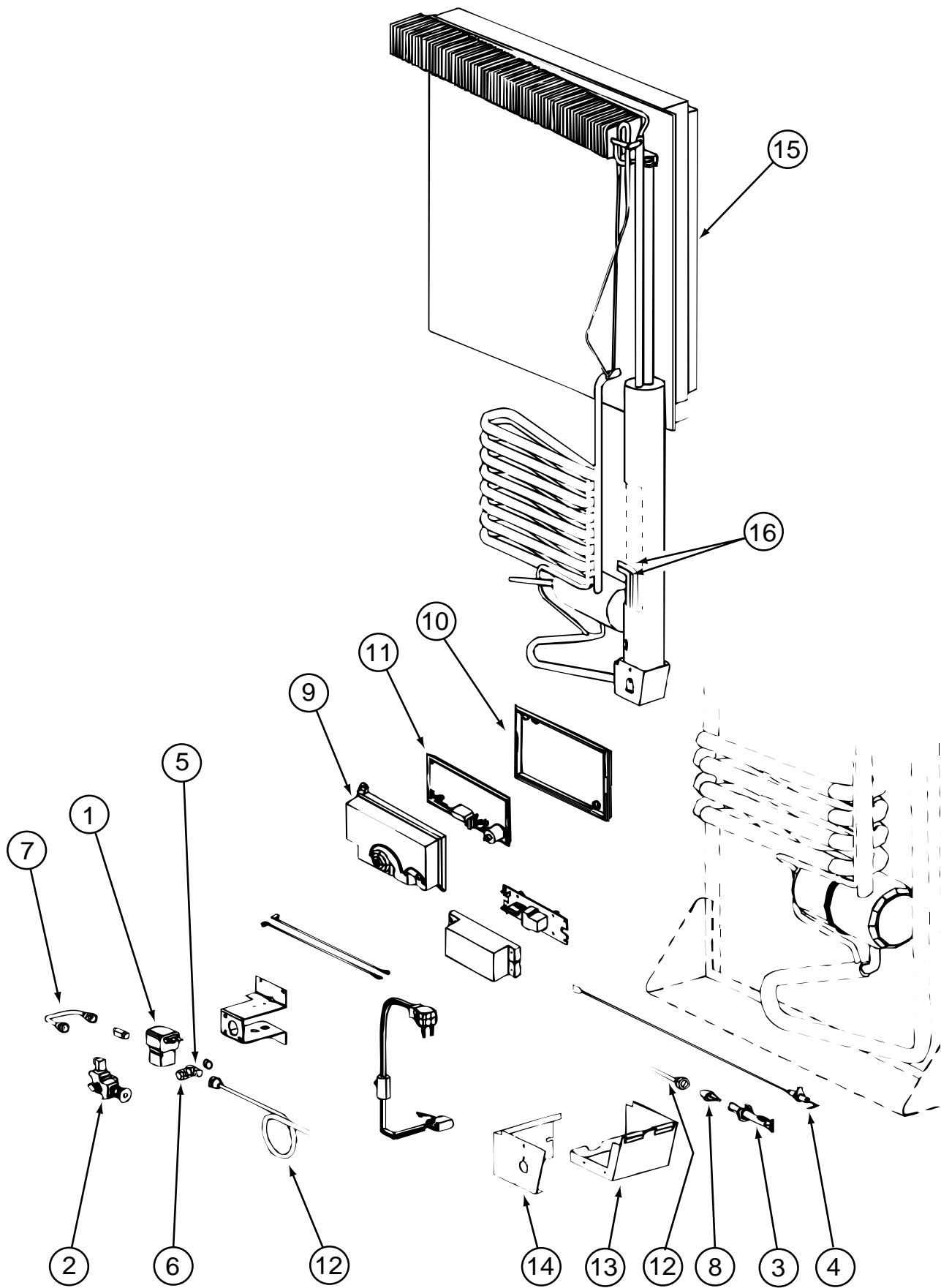
REFRIGERATOR (CONTINUED)
125242-02-01A (CONTINUED)

APPLIANCE GROUP (CONTINUED)

APPLIANCES (CONTINUED) REFRIGERATOR (CONTINUED) 125242-02-01A (CONTINUED)

KEY	PART NUMBER	U/M	DESCRIPTION	VENDOR NO.
	125242-02-01A	EA	REFRIGERATOR - 4 DOOR W/ICE MAKER	
1	125242-01-723	EA	TRIM - HORIZONTAL	618845
2	125242-01-748	EA	CABINET/FOAMED ASSEMBLY	618748
3	125242-01-722	EA	TRIM - CORNER	618844
4	125242-01-715	EA	HINGE - TOP RH/BOTTOM LH	618798
5	125242-01-724	EA	TRIM - SIDE	618846
6	125242-01-713	EA	HINGE-MIDDLE (PAINTED)	618794
7	125242-01-705	EA	CONTROL ASM - OPTICAL	618750
8	125242-01-751	EA	BLOCK - GUIDE - UPPER	618789
9	125242-01-712	EA	DRIP TRAY	618774
10	125242-01-752	EA	BLOCK - GUIDE - LOWER	618788
11	120075-01-708	EA	BUSHING - DOOR HINGE	618144
12	120075-01-730	EA	RETAINER - SHELF	618181
13	120075-01-727	EA	PIN - HINGE	618145
14	125242-01-734	EA	CRISPER/BOTTLE BIN	618878
15	125242-01-733	EA	DIVIDER - BOTTLE CRISPER	618877
16	125242-01-750	EA	CLIP	61409622
17	113737-01-701	EA	BUSHING - HINGE	61742022
18	125242-01-749	EA	SUPPORT - WALL	618840
19	125242-01-734	EA	CRISPER/BOTTLE BIN	618878
20	125242-01-706	EA	COVER - CRISPER	618757
21	125242-01-726	EA	SHELF - WIRE (LONG)	618848
22	125242-01-727	EA	SHELF - WIRE (SHORT)	618849
23	125242-01-725	EA	SHELF - FREEZER (WIRE)	618847
24	125242-01-714	EA	HINGE - TOP LH/BOTTOM RH	618796
	125242-01-735	EA	SWITCH - DOOR LIGHT	618884

APPLIANCE GROUP (CONTINUED)
APPLIANCES (CONTINUED)



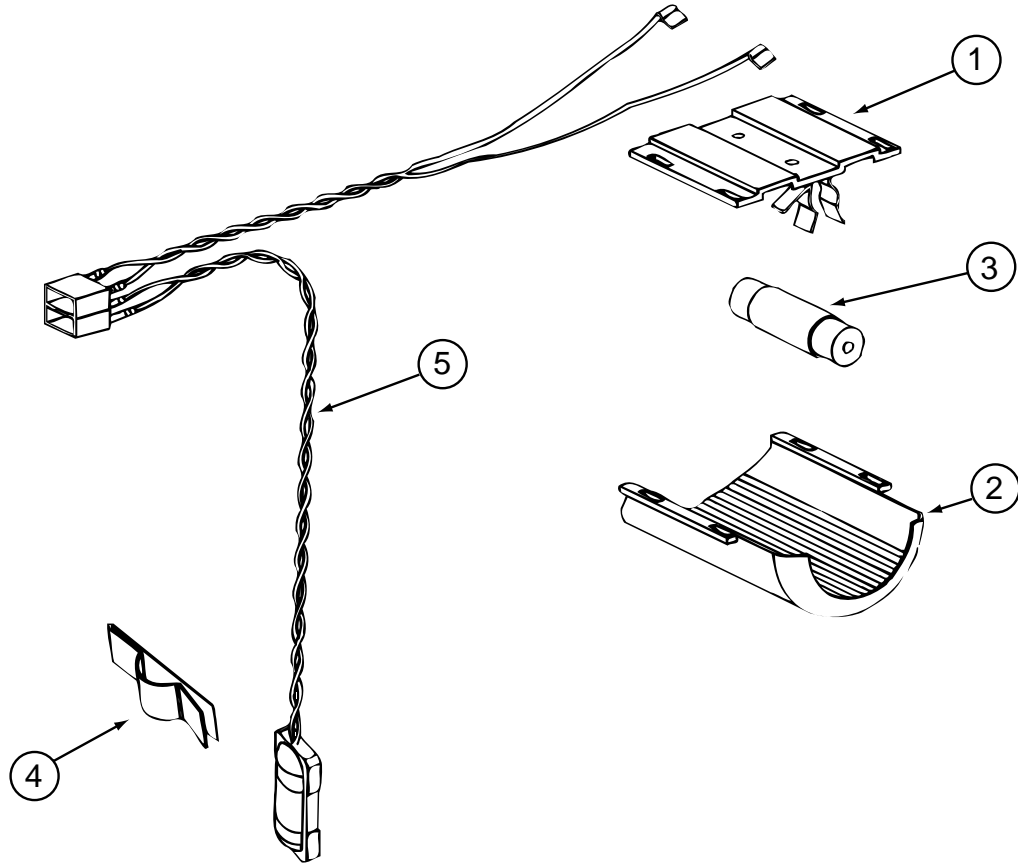
REFRIGERATOR (CONTINUED)
125242-02-01A (CONTINUED)

APPLIANCE GROUP (CONTINUED)

APPLIANCES (CONTINUED) REFRIGERATOR (CONTINUED) 125242-02-01A (CONTINUED)

KEY	PART NUMBER	U/M	DESCRIPTION	VENDOR NO.
	125242-02-01A	EA	REFRIGERATOR - 4 DOOR W/ICE MAKER	
1	084880-01-718	EA	VALVE - GAS - (ASCO)	61551822
2	104137-06-734	EA	VALVE-SHUT OFF/MAN-NEW STYLE	618696
3	125242-01-743	EA	BURNER - 8 SLOT	618932
4	104137-06-715	EA	ELECTRODE - SPARK/SENSOR - SGL	61692222
5	113737-01-716	EA	TAP - PRESSURE	61594422
6	113737-01-750	EA	TUBE - UNION	61694622
7	125242-01-717	EA	ORIFICE - JEWELLED	618814
8			CONTACT WINNEBAGO PART SALES FOR THIS COMPONENT	
9	120075-01-738	EA	COVER - POWER BOARD	618185
10	120075-01-740	EA	COVER - BASE - POWER BOARD	618186
11	125242-01-720	EA	POWER BOARD	618828
			FROM: 00-00-00 THRU: 04-25-99	
11	125242-02-703	EA	POWER BOARD	
			FROM: 04-26-99 THRU: 99-99-99	
12	125242-01-744	EA	BURNER TUBE	618937
13	125242-01-739	EA	BASE - BURNER BOX	618902
14	125242-01-740	EA	COVER - BURNER BOX	618910
15	125242-01-746	EA	COOLING UNIT - 1200	618964
16	125242-01-732	EA	HEATER AC - 225W/110VAC	618872

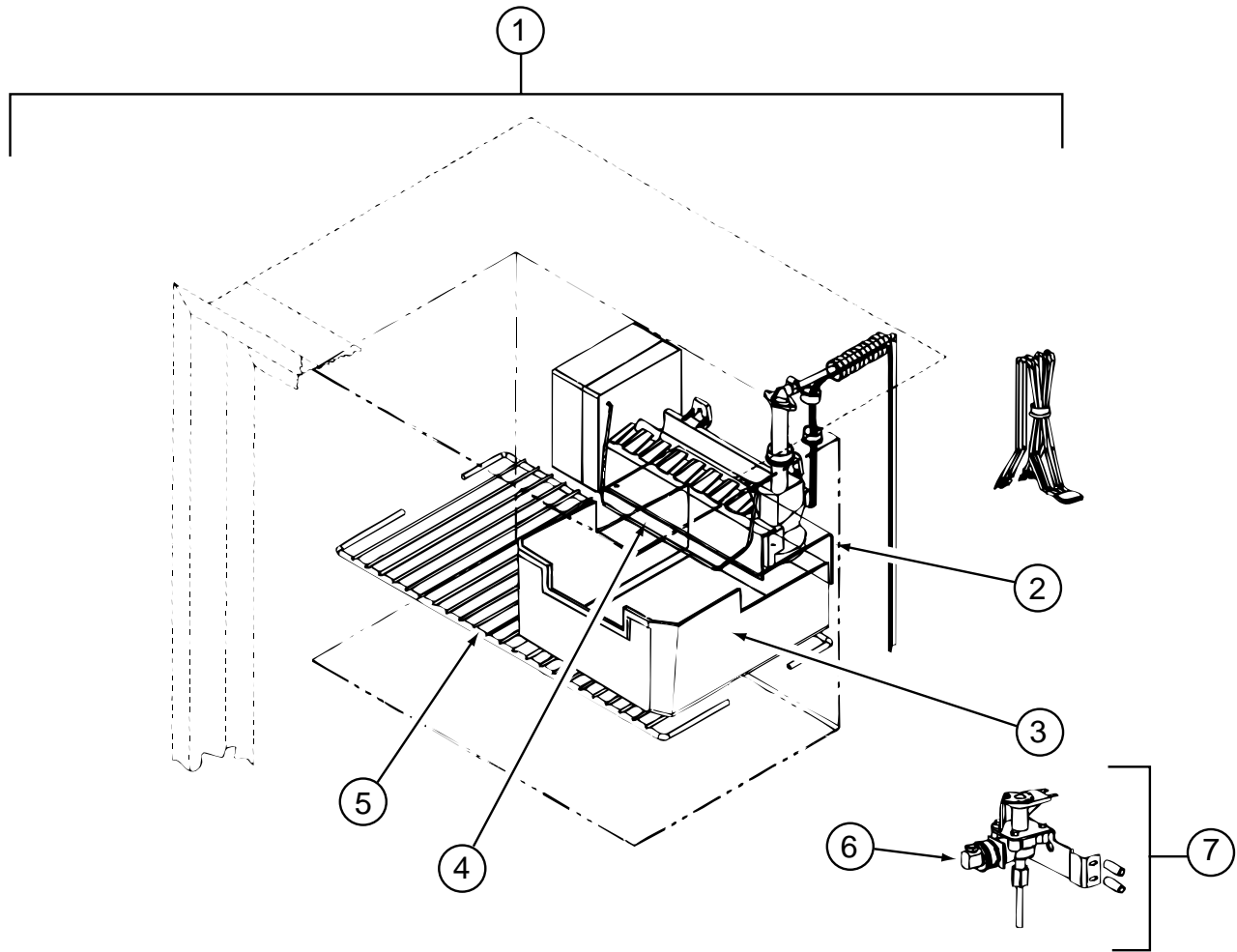
APPLIANCE GROUP (CONTINUED)
APPLIANCES (CONTINUED)



REFRIGERATOR (CONTINUED)
125242-02-01A (CONTINUED)

KEY	PART NUMBER	U/M	DESCRIPTION	VENDOR NO.
	125242-02-01A	EA	REFRIGERATOR - 4 DOOR W/ICE MAKER	
1	084880-03-705	EA	BRACKET - LIGHT - INTERIOR	61629722
2	120075-01-734	EA	COVER - LENS	618190
3	084880-03-706	EA	BULB - LAMP	61628922
4	084880-01-760	EA	CLIP (THERMISTER)	61689122
5	120075-01-735	EA	THERMISTER W/LAMP & WIRE/ASM	618548

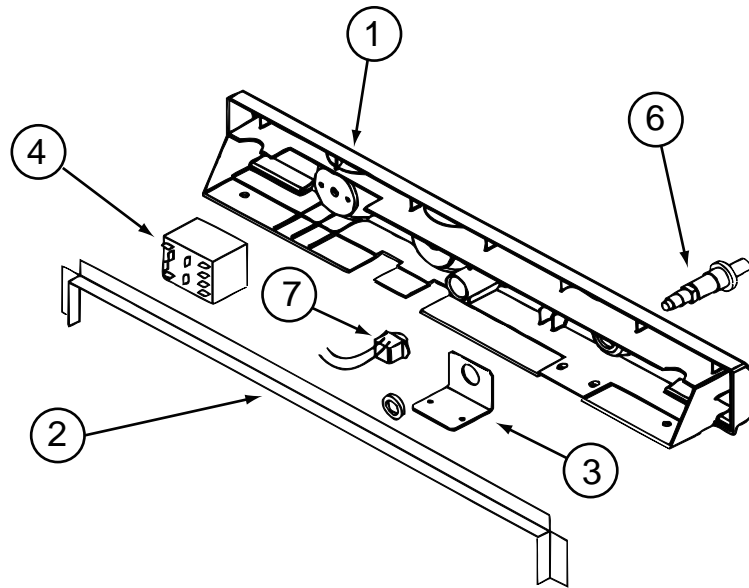
APPLIANCE GROUP (CONTINUED)
APPLIANCES (CONTINUED)



REFRIGERATOR (CONTINUED)
125242-02-01A (CONTINUED)

KEY	PART NUMBER	U/M	DESCRIPTION	VENDOR NO.
	125242-02-01A	EA	REFRIGERATOR - 4 DOOR W/ICE MAKER	
1	094039-07-706	EA	ICE MAKER W/O PLATES	61656522
2	125242-01-737	EA	BRACKET - MOUNTING (ICE MAKER)	618894
3	125242-01-716	EA	ICE BIN	618803
4	120075-03-703	EA	ARM - SHUT OFF	61656922
5	125242-01-725	EA	SHELF - FREEZER (WIRE)	618847
6	120075-03-702	EA	NUT/COMPRESSION - FITTING	61678722
7	120075-03-701	EA	VALVE - WATER - W/BRACKET	618523

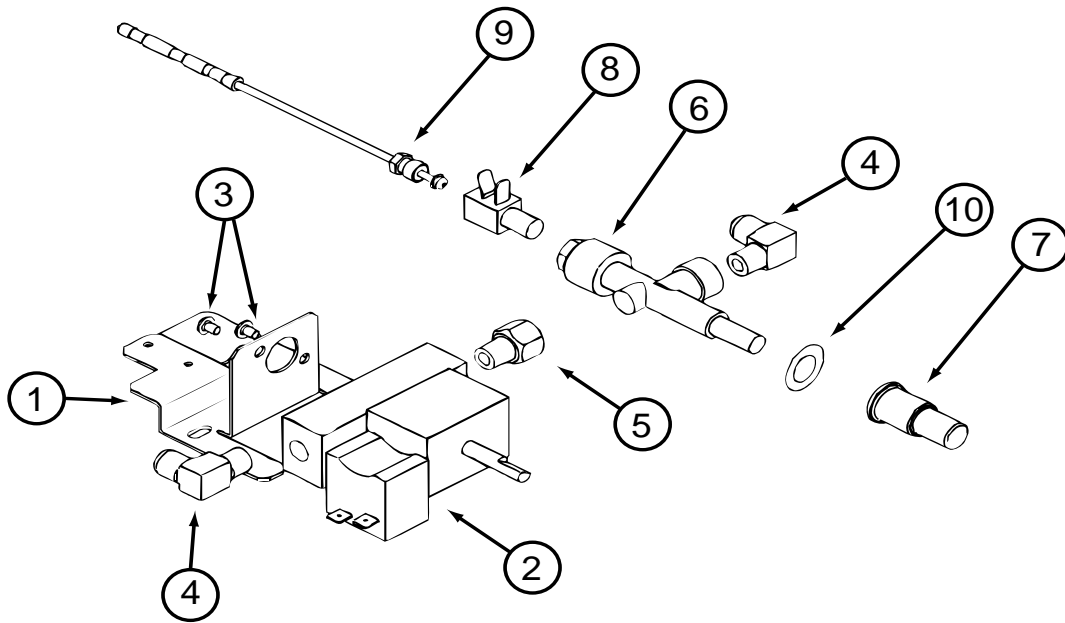
APPLIANCE GROUP (CONTINUED)
APPLIANCES (CONTINUED)



REFRIGERATOR (CONTINUED)
131147-01-01A

KEY	PART NUMBER	U/M	DESCRIPTION	VENDOR NO.	
	131147-01-01A	EA	REFRIGERATOR - SINGLE DOOR - TOP ROTARY KNOBS		NORCOLD #N300.9
1	131147-01-731	EA	CONTROL PANEL - 3-WAY	619146	
2			CONTACT WINNEBAGO PART SALES FOR THIS COMPONENT		
3			CONTACT WINNEBAGO PART SALES FOR THIS COMPONENT		
4	131147-01-732	EA	SWITCH/SELECTOR- 4-POSITION	619168	
6	131147-01-733	EA	SPARK IGNITOR	61645622	
7	131147-01-734	EA	FLAME METER	61481322	

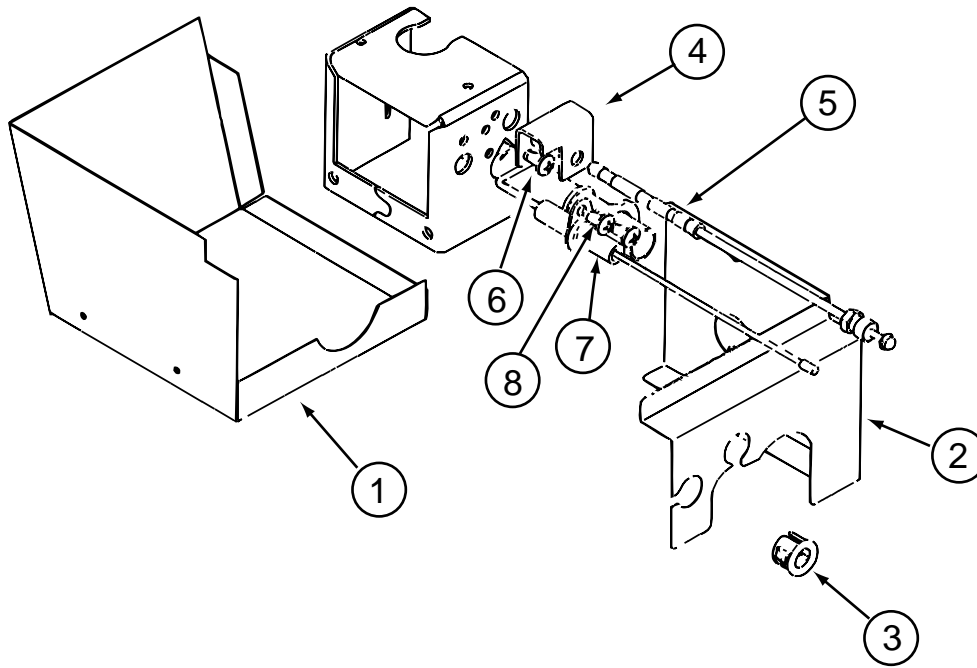
APPLIANCE GROUP (CONTINUED)
APPLIANCES (CONTINUED)



REFRIGERATOR (CONTINUED)
131147-01-01A (CONTINUED)

KEY	PART NUMBER	U/M	DESCRIPTION	VENDOR NO.
	131147-01-01A	EA	REFRIGERATOR - SINGLE DOOR - TOP ROTARY KNOBS	NORCOLD #N300.9
1			CONTACT WINNEBAGO PART SALES FOR THIS COMPONENT	
2	113737 01 735	EA	THERMOSTAT-GAS VALVE	617944
3			CONTACT WINNEBAGO PART SALES FOR THIS COMPONENT	
4	131147 01 725	EA	ELBOW - BRASS/90 DEG - 2 PC	61621622
5	131147 01 726	EA	ADAPTER - PIPE	619055
6	131147 01 727	EA	VALVE - SAFETY	617965
7	131147 01 728	EA	PLUG/EXTENSION-SAFETY VALVE	619044
8	113737 01 709	EA	INTERRUPTER	61750522
9	131147 01 729	EA	THERMOCOUPLE	619154
10	131147 01 730	EA	O-RING/SAFETY VALVE	619051

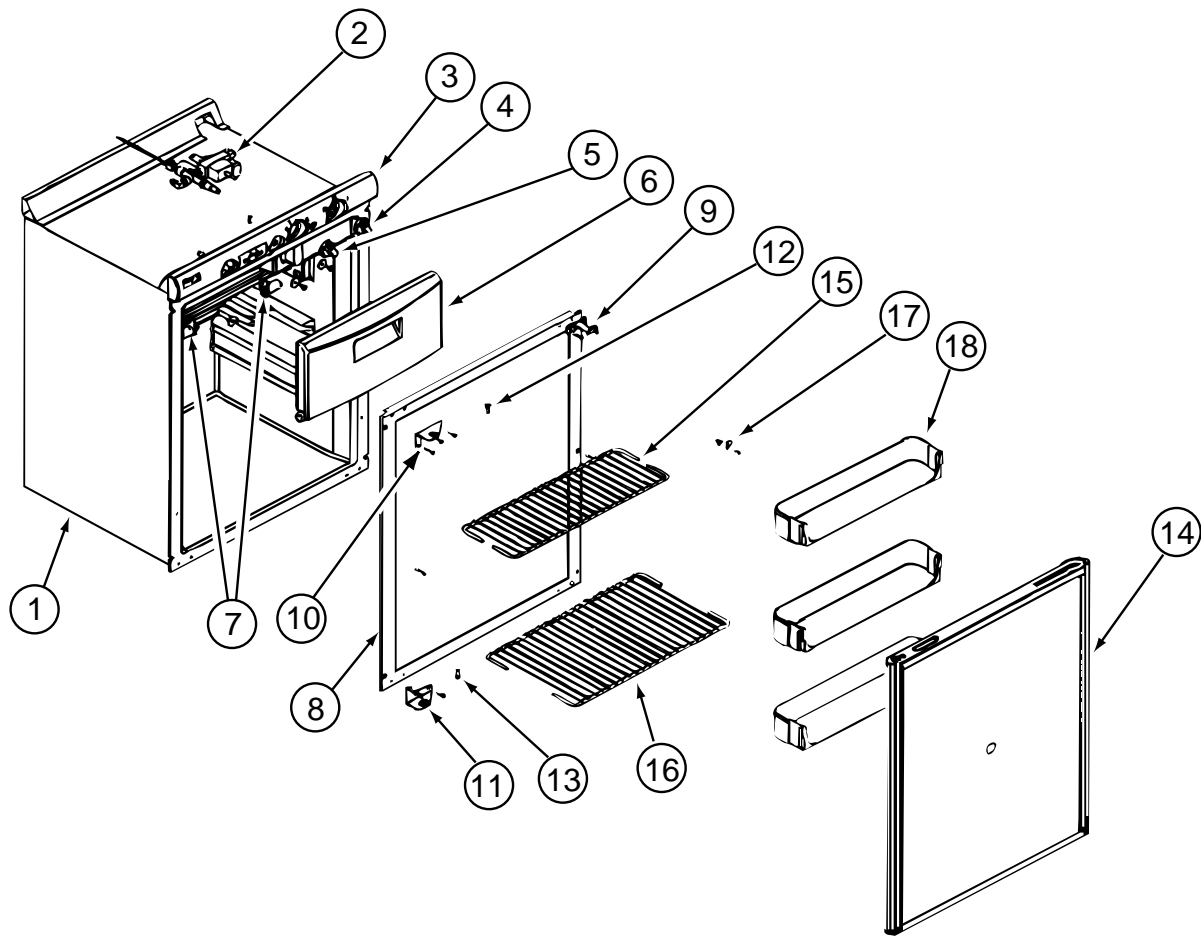
APPLIANCE GROUP (CONTINUED)
APPLIANCES (CONTINUED)



REFRIGERATOR (CONTINUED)
131147-01-01A (CONTINUED)

KEY	PART NUMBER	U/M	DESCRIPTION	VENDOR NO.
	131147-01-01A	EA	REFRIGERATOR - SINGLE DOOR - TOP ROTARY KNOBS	NORCOLD #N300.9
1			CONTACT WINNEBAGO PART SALES FOR THIS COMPONENT	
2			CONTACT WINNEBAGO PART SALES FOR THIS COMPONENT	
3			CONTACT WINNEBAGO PART SALES FOR THIS COMPONENT	
4			CONTACT WINNEBAGO PART SALES FOR THIS COMPONENT	
5	131147-01-729	EA	THERMOCOUPLE	619154
6	131147-01-746	EA	BURNER ASSEMBLY	619081
7	131147-01-747	EA	SPARK ELECTRODE	619153
	113737-01-702	EA	PLUG 1/8" F/PRESSURE TAP	61445322
	131147-01-745	EA	ORFICE ADAPTER ASSY	618090
	131147-01-748	EA	PRESSURE TAP	61755322

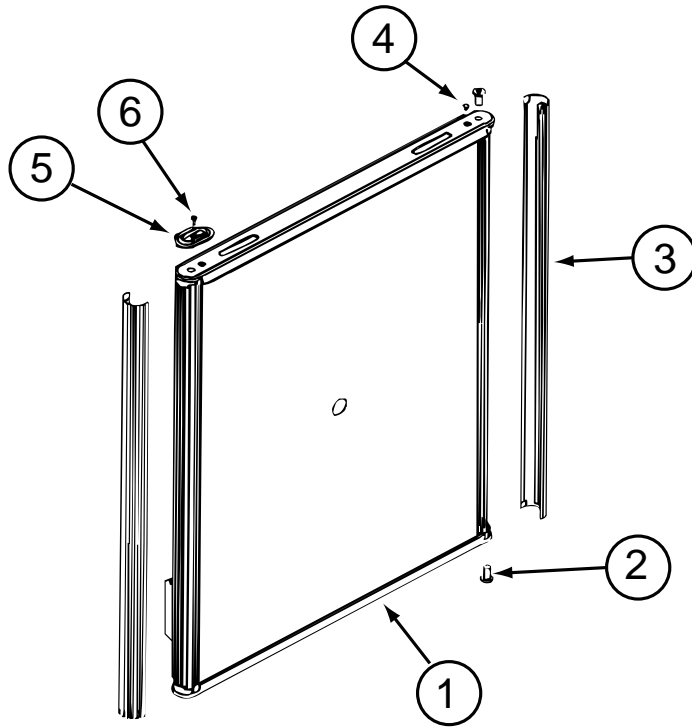
APPLIANCE GROUP (CONTINUED)
APPLIANCES (CONTINUED)



REFRIGERATOR (CONTINUED)
131147-01-01A (CONTINUED)

KEY	PART NUMBER	U/M	DESCRIPTION	VENDOR NO.	
	131147-01-01A	EA	REFRIGERATOR - SINGLE DOOR - TOP ROTARY KNOBS		NORCOLD #N300.9
1	131147-01-700	EA	FOAMED CABINET	619120	
2	131147-01-701	EA	GAS CONTROL	619147	
3	131147-01-702	EA	CONTROL PANEL ASSEMBLY	619145	
4	131147-01-703	EA	KNOB - SELECTOR	619070	
5	131147-01-704	EA	KNOB - THERMOSTAT	619069	
6			CONTACT WINNEBAGO PART SALES FOR THIS COMPONENT		
7	131147-01-706	EA	SPRING HOLDER ASSEMBLY - RH	619041	
8			CONTACT WINNEBAGO PART SALES FOR THIS COMPONENT		
9	131147-01-708	EA	DOOR LATCH	619103	
10	131147-01-709	EA	HINGE/CABINET-UPR/LH-LWR/RH	619096	
11	131147-01-710	EA	HINGE/CABINET-UPR/RH-LWR/LH	619095	
12	113737-01-708	EA	PIN-HINGE, TOP	61114600	
13	113737-01-710	EA	PIN-HINGE, BOTTOM	61550722	
15	131147-01-712	EA	WIRE - SHELF UPPER	619123	
16	131147-01-713	EA	WIRE SHELF - LOWER	619102	
17	125242-01-750	EA	CLIP	61409622	
18	131147-01-714	EA	DOOR - BIN - WHITE	619033	
	104137-06-724	EA	ICE TRAY	61630422	
	113737-01-705	EA	CLIP-FIN	61728722	
	131147-01-707	EA	SPRING HOLDER ASSEMBLY - LH	619042	
	131147-01-715	EA	DRIP TRAY	61618930	

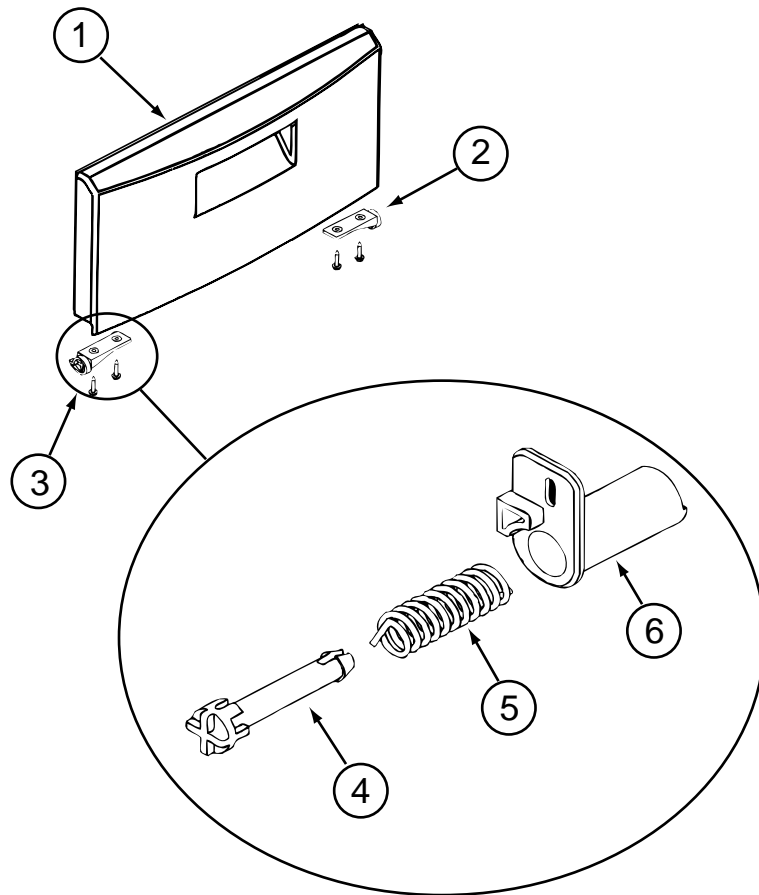
APPLIANCE GROUP (CONTINUED)
APPLIANCES (CONTINUED)



REFRIGERATOR (CONTINUED)
131147-01-01A (CONTINUED)

KEY	PART NUMBER	U/M	DESCRIPTION	VENDOR NO.	
	131147-01-01A	EA	REFRIGERATOR - SINGLE DOOR - TOP ROTARY KNOBS		NORCOLD #N300.9
1	131147-01-741	EA	FOAMED DOOR ASSEMBLY	619030	
2	113737-01-701	EA	BUSHING-HINGE	61742022	
3	131147-01-742	EA	PANEL RETAINER- NEED 2 PCS	619035	
4	131147-01-743	EA	PLUG - BEIGE	619048	
5	131147-01-744	EA	LATCH PLATE	619104	
6			CONTACT WINNEBAGO PART SALES FOR THIS COMPONENT		

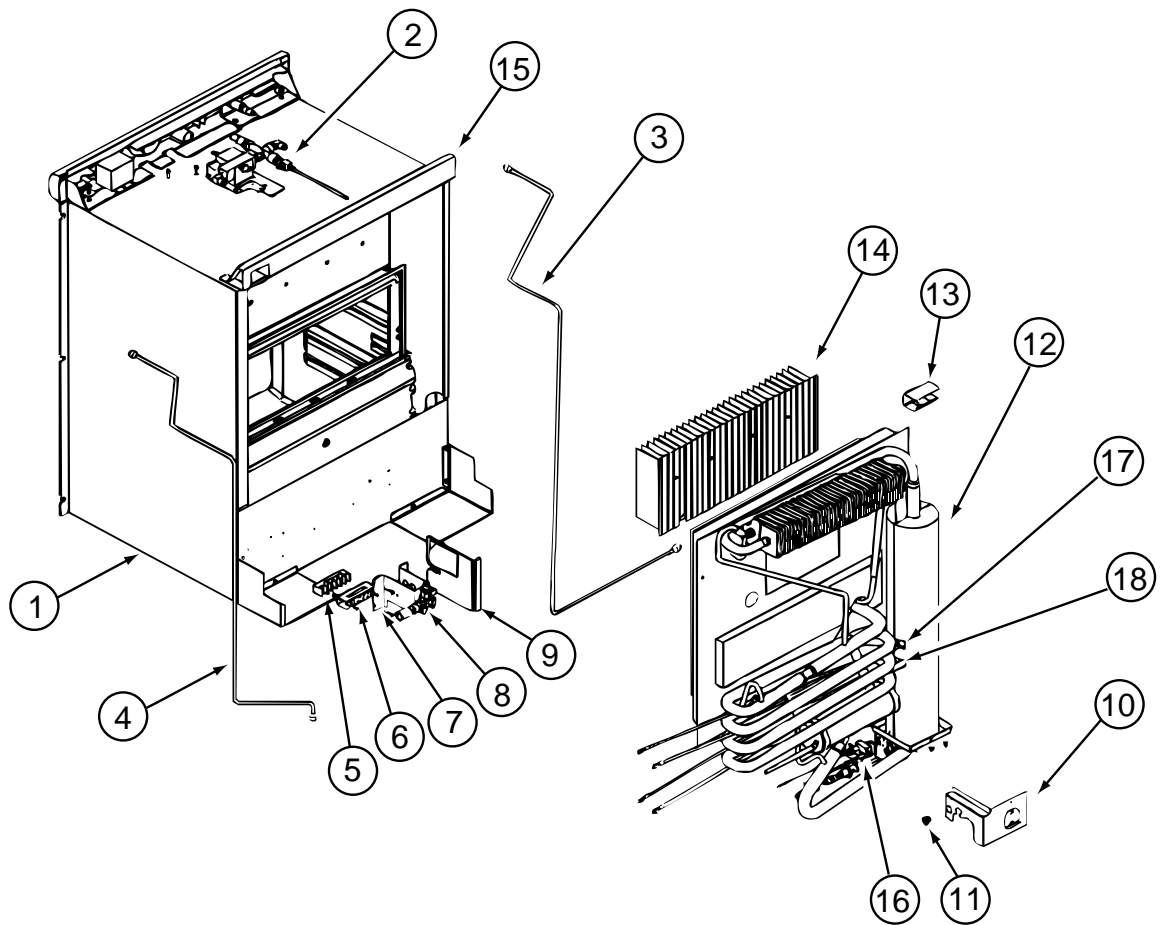
APPLIANCE GROUP (CONTINUED)
APPLIANCES (CONTINUED)



REFRIGERATOR (CONTINUED)
131147-01-01A (CONTINUED)

KEY	PART NUMBER	U/M	DESCRIPTION	VENDOR NO.	
	131147-01-01A	EA	REFRIGERATOR - SINGLE DOOR - TOP ROTARY KNOBS		NORCOLD #N300.9
1	131147-01-705	EA	FREEZER DOOR	619117	
2	131147-01-735	EA	HINGE/FREEZER DOOR - RH	61632930	
3	131147-01-736	EA	HINGE/FREEZER DOOR - LH	61633030	
4	131147-01-738	EA	SPRING PIN	619133	
5	131147-01-739	EA	TORSION SPRING - RH CABINET	619066	
5	131147-01-740	EA	TORSION SPRING - LH CABINET	619064	
6	102621-04-703	EA	HOLDER-SPRING, RH WHITE	61632830	
6	102621-04-707	EA	HOLDER-SPRING, LH WHITE EVAP	61632730	

APPLIANCE GROUP (CONTINUED)
APPLIANCES (CONTINUED)



REFRIGERATOR (CONTINUED)
131147-01-01A (CONTINUED)

KEY	PART NUMBER	U/M	DESCRIPTION	VENDOR NO.
	131147-01-01A	EA	REFRIGERATOR - SINGLE DOOR - TOP ROTARY KNOBS	NORCOLD #N300.9
1			CONTACT WINNEBAGO PART SALES FOR THIS COMPONENT	
2			CONTACT WINNEBAGO PART SALES FOR THIS COMPONENT	
3	131147-01-716	EA	BURNER TUBE	619156
4	131147-01-717	EA	GAS INLET TUBE	619157
5	131147-01-718	EA	TERMINAL BLOCK	619173
6			CONTACT WINNEBAGO PART SALES FOR THIS COMPONENT	
7			CONTACT WINNEBAGO PART SALES FOR THIS COMPONENT	
8	131147-01-719	EA	MANUAL SHUT OFF VALVE	617976
9			CONTACT WINNEBAGO PART SALES FOR THIS COMPONENT	
10			CONTACT WINNEBAGO PART SALES FOR THIS COMPONENT	
11			CONTACT WINNEBAGO PART SALES FOR THIS COMPONENT	
12	131147-01-720	EA	COOLING SYSTEM - SERVICE KIT	619088
13			CONTACT WINNEBAGO PART SALES FOR THIS COMPONENT	
14			CONTACT WINNEBAGO PART SALES FOR THIS COMPONENT	
15	131147-01-721	EA	CABINET BAFFLE	619122
16	131147-01-722	EA	BURNER AND ORFICE ASM.	619151
17	131147-01-723	EA	HEATER - DC	619065
18	131147-01-724	EA	HEATER - AC	619063

APPLIANCE GROUP (CONTINUED)**APPLIANCES (CONTINUED)****SOLAR PANELS****115504-01-000**

KEY	PART NUMBER	U/M	DESCRIPTION	VENDOR NO.
	115504-01-000	EA	PANEL - SOLAR 10 WATT - 12.2"W X 26.9"L X 1.2"H	NAGY TJN-2SW
	115504-01-700	EA	PLUG & CABLE, 10 WATT PANEL	600-016

VACUUM CLEANER**108186-02-000**

KEY	PART NUMBER	U/M	DESCRIPTION	VENDOR NO.
	108186-02-000	EA	TOOL SET - VACUUM - W/O POWER BRUSH W/30' HOSE	HP 7794-BK W/30'HO
	092304-02-701	EA	TOOL-DUSTING	1142
	092304-02-702	EA	TOOL-RUG	4982
	092304-02-703	EA	TOOL-CREVICE	1141
	092304-02-707	EA	TOOL-UPHOLSTERY	7029
	092304-02-708	EA	WAND-PLASTIC	4978
	092304-02-709	EA	HOSE ASM., 30' COMPLETE	4988-30-G

VACUUM CLEANER (CONTINUED)**108186-03-000**

KEY	PART NUMBER	U/M	DESCRIPTION	VENDOR NO.
	108186-03-000	EA	VACUUM CLEANER - BUILT IN	HP RV 2000 MAXUM
	092304-02-700	EA	BRUSH-POWER, VACUUM (RUGRAT)	6970
	092304-02-701	EA	TOOL-DUSTING	1142
	092304-02-702	EA	TOOL-RUG	4982
	092304-02-703	EA	TOOL-CREVICE	1141
	092304-02-707	EA	TOOL-UPHOLSTERY	7029
	092304-02-708	EA	WAND-PLASTIC	4978
	092304-02-709	EA	HOSE ASM., 30' COMPLETE	4988-30-G
	092304-02-710	EA	SECONDARY FILTER	4929
	108186-03-700	EA	PAPER BAG - 3-PKG	7767
	108186-03-701	EA	MOTOR F/RV2000	7756
	108186-03-702	EA	REDUCER	5531
	108186-03-703	EA	VALVE - INLET - WHITE	4935

AUDIO VIDEO GROUP

RADIO SYSTEM

CD CHANGER 102080-09-000

KEY	PART NUMBER	U/M	DESCRIPTION	VENDOR NO.
	102080-09-000	EA	CHANGER - CONTROL/FM MOD & REM	SONY CDX-525 RF KI
	102080-09-700	EA	REMOTE	1-473-612-21

RADIO 127264-01-000

KEY	PART NUMBER	U/M	DESCRIPTION	VENDOR NO.
	127264-01-000	EA	RADIO - AM/FM STEREO - CASSETTE - PANASONIC - CQ-R111U	
	127264-01-700	EA	TRIM RING	YFC054C044ZB
	127264-01-701	EA	KNOB - VOLUME	YFE074C045ZA
	127264-01-702	EA	KNOB - FADER	YEFE074C026
	127264-01-703	EA	FACTORY HARNESS	YAJ024C048ZB

RADIO SYSTEM (CONTINUED) 127516-03-000

KEY	PART NUMBER	U/M	DESCRIPTION	VENDOR NO.
	127516-03-000	EA	RADIO - AM/FM STEREO - CD PLAYER - PANASONIC - CQ-DP930	
	127516-03-700	EA	FACE - REMOVABLE	YEP0FX3300

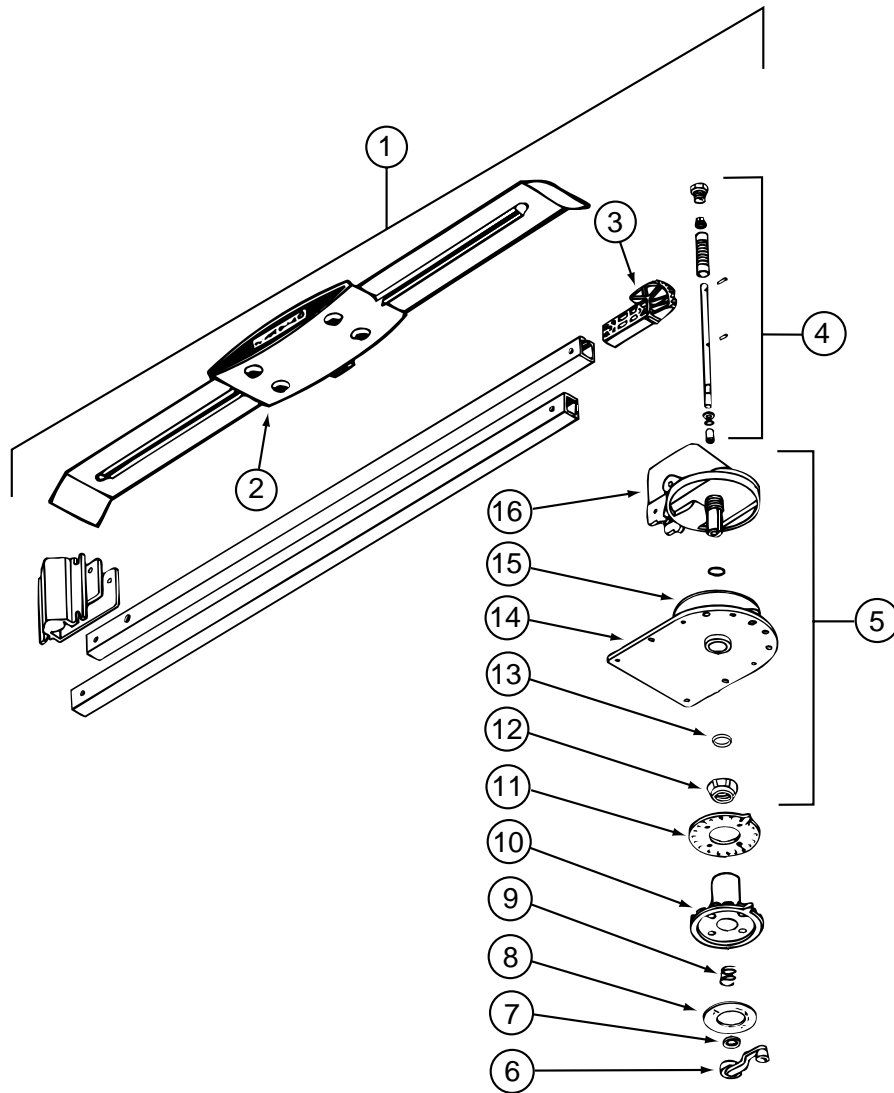
REAR VIEW MONITOR 093040-10-000

KEY	PART NUMBER	U/M	DESCRIPTION	VENDOR NO.
	093040-10-000	EA	MONITOR - 7" REAR VIEW - W/BRACKET - SONY	
	093040-10-700	EA	LENS-MONITOR, REAR VIEW F/7"	3-708-537-01

REAR VIEW MONITOR (CONTINUED) 126838-01-000

KEY	PART NUMBER	U/M	DESCRIPTION	VENDOR NO.
	126838-01-000	EA	MONITOR/CAMERA - 7" - REAR VIEW	VIDEOMAN JSC701
	126838-01-700	EA	MONITOR - 7"	
	126838-01-701	EA	CAMERA	

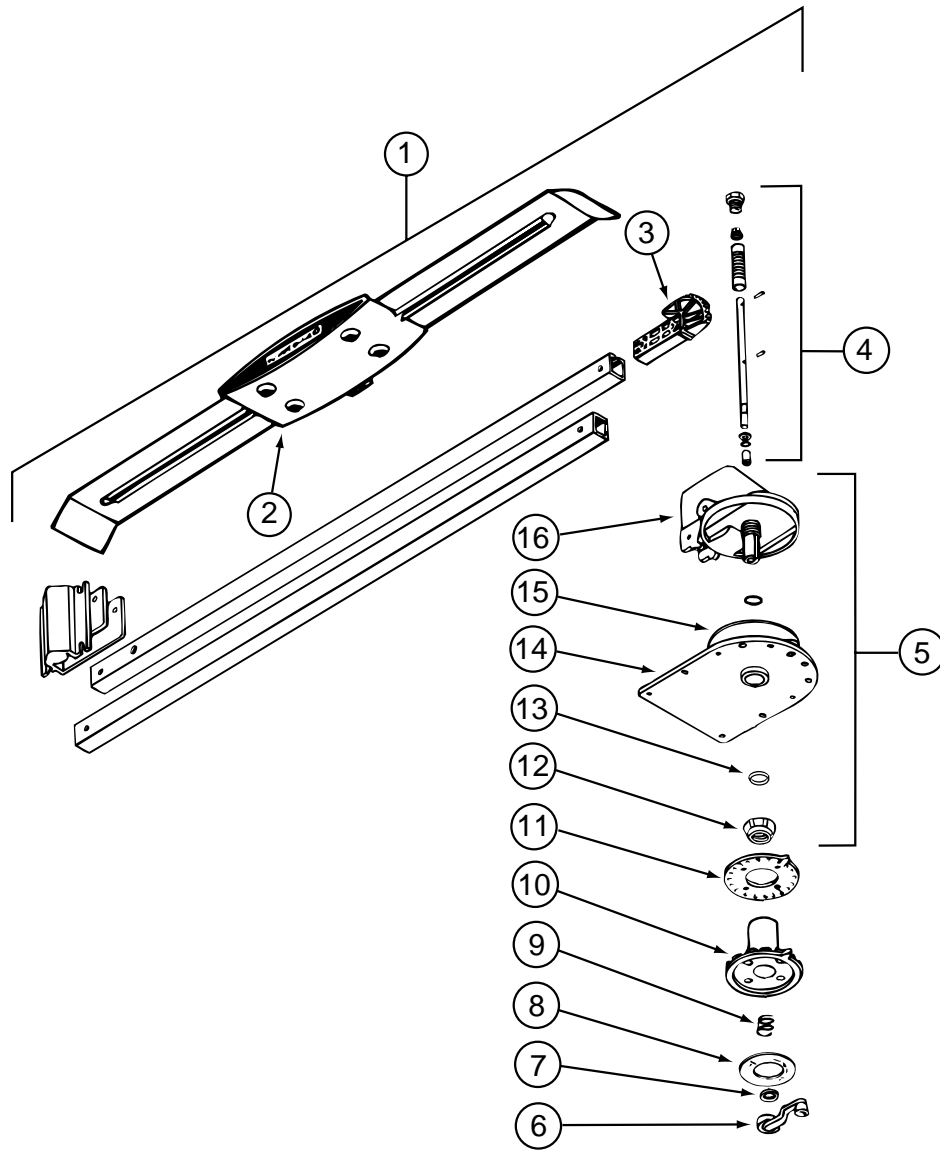
AUDIO VIDEO GROUP (CONTINUED)
TV & VCR



ANTENNA
076319-23-000

KEY	PART NUMBER	U/M	DESCRIPTION	VENDOR NO.
1	076319-23-000	EA	ANTENNA-TV - ROOF MOUNT - 44.5" MAST	
2	076319-01-700	EA	HEAD - ANTENNA - AMPLIFIED	RVSA U/V
3	076319-01-701	EA	GEAR - ELEVATING - PLASTIC	2200046
4	076319-01-702	EA	SHAFT ASM - ELEVATING	RVP-400A
5	076319-01-711	EA	BASE & LIFT ASM	2762802
	120233-01-710	EA	HANDLE-CRANK	RP-6795
6	076319-01-706	EA	CRANK-ELEVATING W/SET SCREW	2750897
7	076319-01-705	EA	BEARING - NYLON - 7/8"ID	3200658
8	076319-01-708	EA	DECAL-CRANK	5413002
9	076319-01-707	EA	SPRING - HANDLE	5160822
10	076319-25-700	EA	DIRECTIONAL HANDLE(WHITE)	3200612
11	076319-25-701	EA	PLATE - CEILING(WHITE)	3200609
12	076319-01-715	EA	NUT (GEAR HOUSING)	2200047
13	120233-01-709	EA	WASHER-NYLON	RP-2658
14	076319-01-713	EA	BASE PLATE	3100523
15	076319-01-703	EA	BEARING - NYLON - 5"OD	3200656
16	076319-01-714	EA	HOUSING - ROTATING GEAR	2200049
	076319-01-716	EA	TUBING, ELEVATING	RP-2900

AUDIO VIDEO GROUP (CONTINUED)
TV & VCR (CONTINUED)



ANTENNA (CONTINUED)
076319-25-000

KEY	PART NUMBER	U/M	DESCRIPTION	VENDOR NO.
	076319-25-000	EA	KIT - HARDWARE INTERIOR	
6	076319-01-706	EA	CRANK-ELEVATING W/SET SCREW	2750897
6	120233-01-710	EA	HANDLE-CRANK	RP-6795
8	076319-01-708	EA	DECAL-CRANK	5413002
10	076319-25-700	EA	DIRECTIONAL HANDLE(WHITE)	3200612
11	076319-25-701	EA	PLATE - CEILING(WHITE)	3200609
13	120233-01-709	EA	WASHER-NYLON	RP-2658
*	MISSING KEY NUMBERS PART OF ANTENNA - 076319-23-000			

AUDIO VIDEO GROUP (CONTINUED)
TV & VCR (CONTINUED)

TV
086231-10-000

KEY	PART NUMBER	U/M DESCRIPTION	VENDOR NO.
	086231-10-000	EA TV - 13" COLOR - AUDIOVOX AVT-1498/DC	AUDIOVOX AVT-1498
	086231-08-700	EA REMOTE-UNIVERSAL	892325
	086231-08-701	EA CONVERTER/POWER SUP 110/12 V	891436
	086231-09-700	EA REMOTE	892338
	086231-10-700	EA ADAPTER WIRE - (CIGARETTE)	894000

TV (CONTINUED)
124075-04-000

KEY	PART NUMBER	U/M DESCRIPTION	VENDOR NO.
	124075-04-000	EA TV-19",1/8 JACK UL/CSA	RCA F19261
	124075-04-700	EA REMOTE	

TV (CONTINUED)
126696-02-000

KEY	PART NUMBER	U/M DESCRIPTION	VENDOR NO.
	126696-02-000	EA TV - 19" COLOR W/1/8" JACK - UL/CSA	GE 19GT319M
	126696-01-700	EA REMOTE	226725/228006

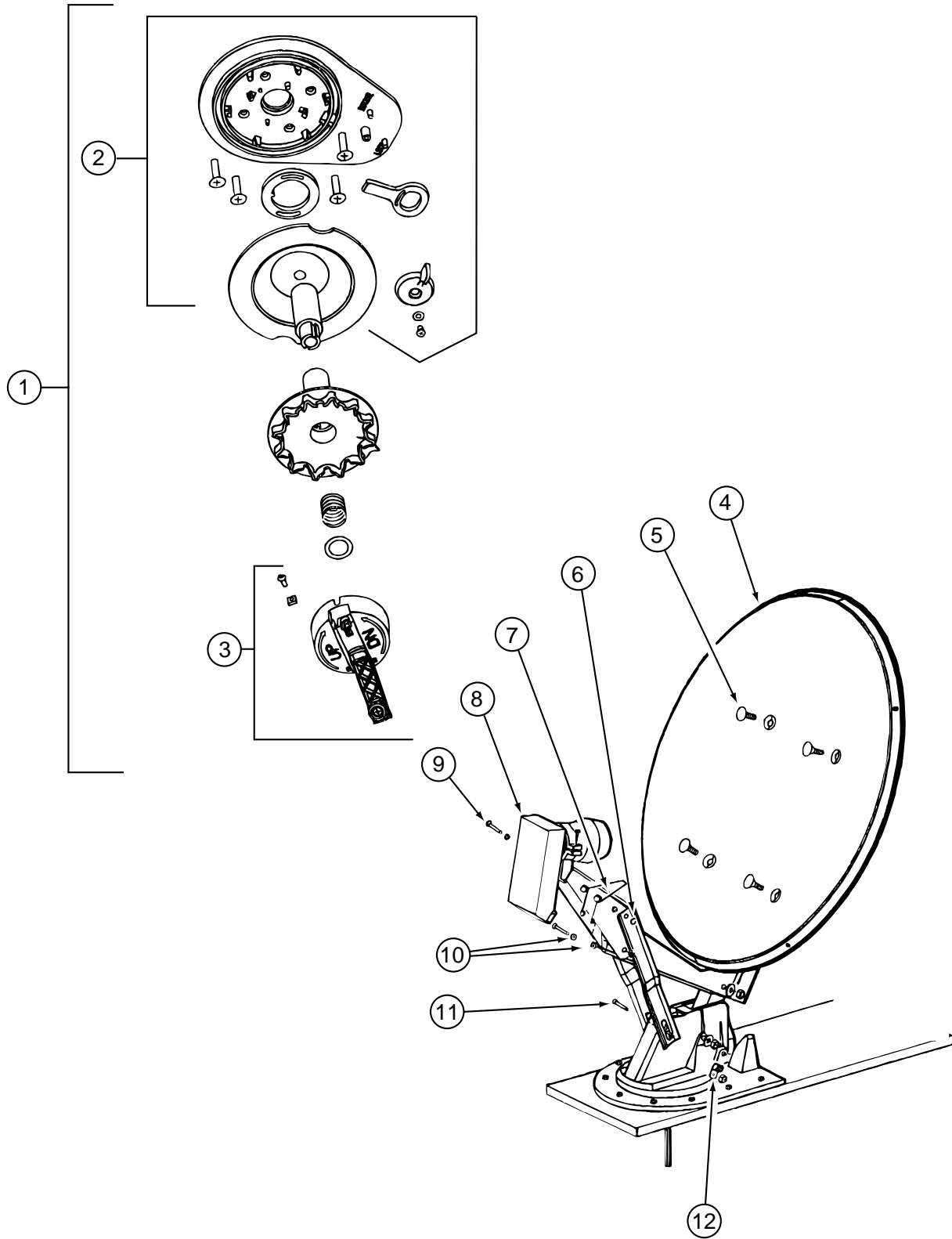
TV (CONTINUED)
126696-03-000

KEY	PART NUMBER	U/M DESCRIPTION	VENDOR NO.
	126696-03-000	EA TV - 19" COLOR W/1/8" JACK - UL/CSA	GE 19GT240
	126696-01-700	EA REMOTE	226725/228006

TV (CONTINUED)
133377-01-000

KEY	PART NUMBER	U/M DESCRIPTION	VENDOR NO.
	133377-01-000	EA TV - 25" - 1/8" JACK - UL/CSA - GE 25GT240	
	133377-01-700	EA REMOTE	240961

AUDIO VIDEO GROUP (CONTINUED)
TV & VCR (CONTINUED)



SATELLITE
120233-04-000

AUDIO VIDEO GROUP (CONTINUED)

TV & VCR (CONTINUED)

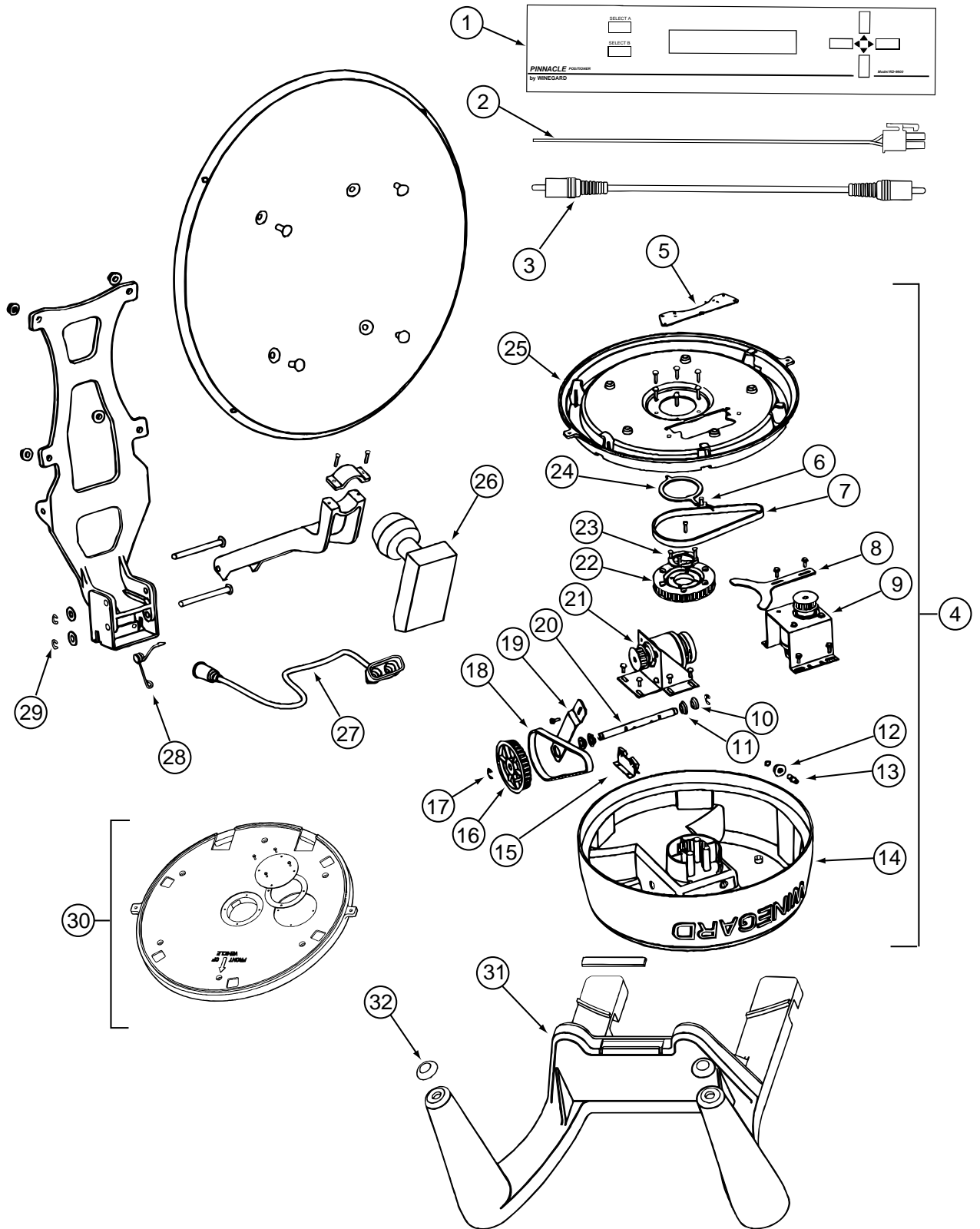
SATELLITE (CONTINUED)

120233-04-000 (CONTINUED)

KEY	PART NUMBER	U/M	DESCRIPTION	VENDOR NO.
	120233-04-000	EA	ANTENNA - SATELLITE - W/DIGITAL SENSOR/READ OUT DISPLAY	WINEGARD RD-04DE
1	120233-01-720	EA	CEILING PLATE ASM(RETRO FIT)	RP-4100
2	120233-01-722	EA	PLATE ASSEMBLY (CEILING)	2762826
3	120233-01-721	EA	CRANK HANDLE ASSEMBLY	2762825
4	120233-01-711	EA	REFLECTOR-46CM	2745304
5	120233-01-712	EA	BOLT-FLAT HEAD	2160323
6	120233-01-714	EA	CLIP-E	5160818
7	120233-01-713	EA	SPRING	2160820
8	120233-01-715	EA	LOW NOISE BLOCK FILTER (DBL)	2780177
9	120233-01-716	EA	PIN	2160814
10	120233-01-717	EA	BEARING-NYLON	2200726
11	120233-01-718	EA	PIN	5160817
12	120233-01-719	EA	CLAMP-CABLE	2200060
	076319-01-702	EA	SHAFT ASM-ELEVATING	RP-4000
	120233-04-700	EA	SENSOR/CABLE W/BLACK SWITCH	

AUDIO VIDEO GROUP (CONTINUED)

TV & VCR (CONTINUED)



SATELLITE (CONTINUED)
128138-01-000

AUDIO VIDEO GROUP (CONTINUED)

TV & VCR (CONTINUED)

SATELLITE (CONTINUED)

128138-01-000 (CONTINUED)

KEY	PART NUMBER	U/M	DESCRIPTION	VENDOR NO.
	128138-01-000	EA	ANTENNA/SATELLITE - AUTOMATIC	
1	128138-01-700	EA	POSITIONER SATELLITE	RD-9900
2	128138-01-728	EA	WIRE HARNESS/WARNING DEVICE	2753254
3	128138-01-729	EA	CABLE 36" - RCA	2231044
4	128138-01-703	EA	MOUNT ASSEMBLY	2762832
5	128138-01-705	EA	SWITCH ASSEMBLY - ROTATION	2762835
6	128138-01-706	EA	SPRING - ROTATION	2160819
7	128138-01-707	EA	DRIVER BELT - ROTATION	2200140
8	128138-01-708	EA	TENSIONER - MOTOR ROTATE	3711303
9	128138-01-709	EA	MOTOR ASSEMBLY - ROTATION	2762838
10	128138-01-710	EA	BUSHING - OIL LUBE	2180509
11	128138-01-711	EA	SEAL- LIFT ARM SHAFT	2200851
12	128138-01-712	EA	BOOT COLLAR-F/F-8100 CON	3200206
13	128138-01-713	EA	CONNECTORF-8100 MALE/MALE	2360060
14	128138-01-714	EA	TOP COVER	2200844
15	128138-01-715	EA	SWITCH ASSEMBLY - ELEVATION	2762836
16	128138-01-716	EA	PULLEY - ELEVATION	2200850
17	128138-01-717	EA	E-CLIP	2160699
18	128138-01-718	EA	DRIVE BELT - ELEVATION	2200141
19	128138-01-719	EA	TENSIONER - MOTOR ELEVATION	3711304
20	128138-01-720	EA	SHAFT - LIFT ARM	2590345
21	128138-01-721	EA	MOTOR ASSEMBLY - ELEVATION	2762837
22	128138-01-722	EA	PULLEY - ROTATION	2201848
23	128138-01-723	EA	RING - STOP/FIXED	3711297
24	128138-01-724	EA	RING - STOP/ROTATION	3711295
25	128138-01-704	EA	MOUNT BASE ONLY	2200846
26	128138-01-730	EA	LOW NOISE BLOCK FILTER	2780160
27	128138-01-731	EA	CABLE-COAX/18' W/CONNECTORS	2753067
28	128138-01-732	EA	SPRING	2160821
29	128138-01-733	EA	E-CLIP	
30	128138-01-726	EA	MOUNT BASE ASSEMBLY	2762831
31	128138-01-701	EA	SUPPORT - ANTENNA	2200845
32	128138-01-702	EA	BUMPER - ANTENNA SUPPORT	2240025
	128138-01-725	EA	COAX CABLE 4' RG-6	2753018

AUDIO VIDEO GROUP (CONTINUED)**TV & VCR (CONTINUED)****VCR
094487-05-000**

KEY	PART NUMBER	U/M	DESCRIPTION	VENDOR NO.
	094487-05-000	EA	VIDEO CASSETTE PLAYER - VERTIC - AVP-7000VF	
	086231-08-700	EA	REMOTE-UNIVERSAL	0892325
	094487-03-700	EA	WIRE - ADAPTER	0891436

**VCR (CONTINUED)
124073-07-000 & 124073-08-000**

KEY	PART NUMBER	U/M	DESCRIPTION	VENDOR NO.
	124073-07-000	EA	VCR - VHS - CABLE READY - REMOTE	RCA VR554
	126697-04-700	EA	REMOTE	239040

**VCR (CONTINUED)
126697-03-000**

KEY	PART NUMBER	U/M	DESCRIPTION	VENDOR NO.
	126697-03-000	EA	VCR/VHS - CABLE READY - REMOTE - GE V62051	
	126697-03-700	EA	REMOTE	238096

**VCR (CONTINUED)
126697-04-000**

KEY	PART NUMBER	U/M	DESCRIPTION	VENDOR NO.
	126697-04-000	EA	VCR - VHS - HI-FI STEREO - GE #VG4274	
	126697-04-700	EA	REMOTE	239040

**VCR (CONTINUED)
126697-05-000**

KEY	PART NUMBER	U/M	DESCRIPTION	VENDOR NO.
	126697-05-000	EA	VCR/VHS - CABLE READY - REMOTE	GE VG4052
	126697-05-700	EA	REMOTE	238861

**VCR (CONTINUED)
126697-06-000**

KEY	PART NUMBER	U/M	DESCRIPTION	VENDOR NO.
	126697-06-000	EA	VCR/VHS - CABLE READY - W/REMOTE - GE VG4060	
	126697-06-700	EA	REMOTE	248791

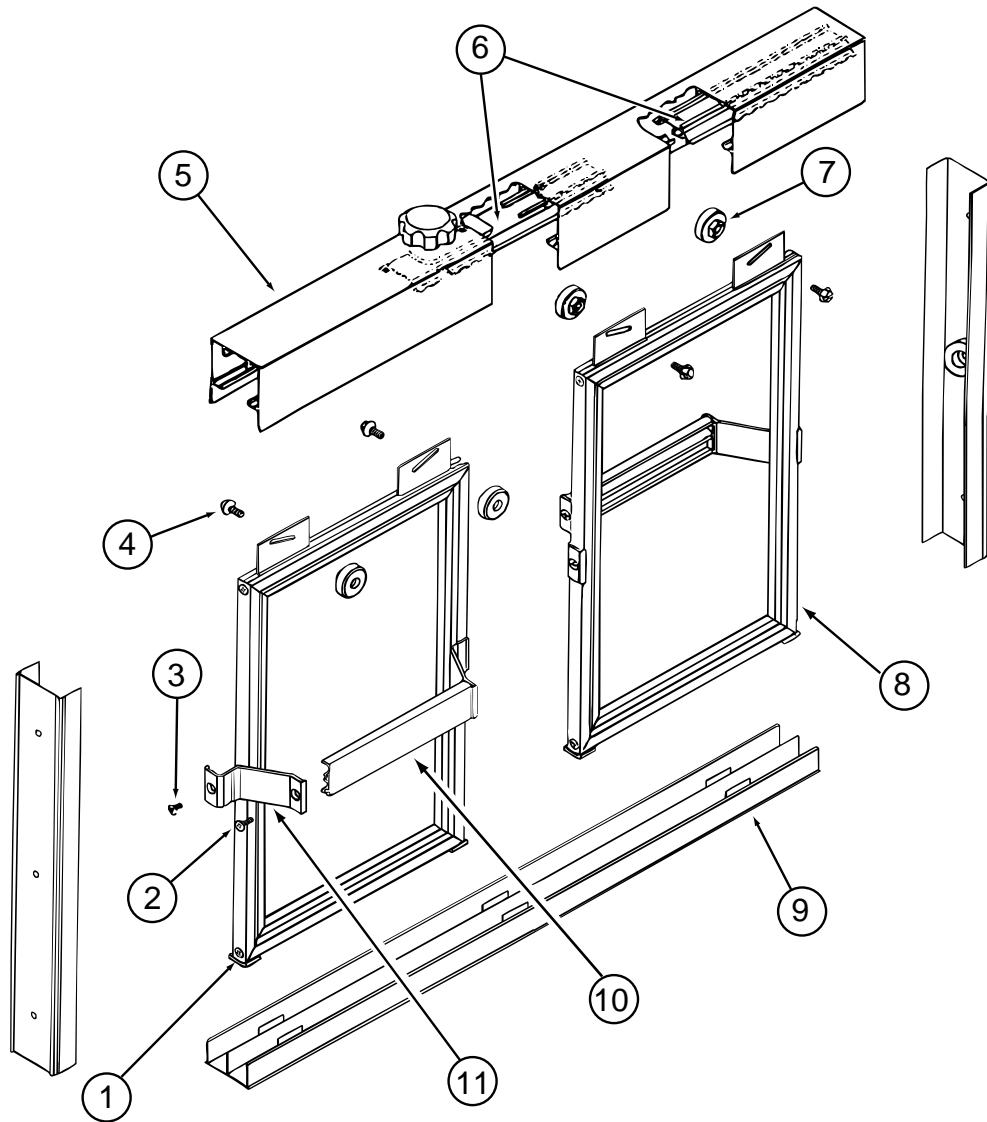
BATH GROUP**CABINETS****MEDICINE****131716-01-01A**

KEY	PART NUMBER	U/M	DESCRIPTION
	131716-01-01A	EA	CABINET - MEDICINE W/BEVELED GLASS
	131716-01-700	EA	CLIP - SHELF RETAINER

SHOWER**DOOR****089318-01-000**

KEY	PART NUMBER	U/M	DESCRIPTION	VENDOR NO.
	089318-01-000	EA	DOOR - SHOWER - HINGED W/GOLD FRAME - WINN#1 GOLD758X1654 WINN1	
	089318-01-700	EA	STRAP F/SHOWER DOOR	
	089318-01-701	FT	SWEEP-VINYL	C171G 500FT RL
	089318-01-702	EA	BUSHING W/ARM, LOWER	18712A
	089318-01-703	EA	STRIKE-JAMB W/MAGNETIC STRIP	150G
	089318-01-704	EA	BOLT-PIVOT, TOP OR BOTTOM	1428B
	089318-01-706	EA	PLATE - PIVOT (UPPER/LOWER)	796
	089318-01-707	EA	LATCH/CATCH - SAFETY - GOLD	9730G
	092574-01-700	EA	KNOB - SAFETY - LATCH -BLACK	9728G
	092574-01-703	EA	PULL-DOOR, GOLD (INSIDE)	8149G
	092574-01-704	EA	SCREW-GOLD #6 3/8	638G
	092574-01-705	EA	STRIP-MAGNETIC, 56 7/8"	98-41G
	092574-01-707	EA	BUSHING-PIVOT, TOP	18712B
	092574-01-711	EA	HANDLE W/STUDS - (OUTSIDE)	8153G
	107878-01-703	EA	CAP-DRIP, PLUG SET	DCP2
	116814-01-700	EA	BAR-TOWEL 17 5/16"	68G

BATH GROUP (CONTINUED)
SHOWER (CONTINUED)



DOOR (CONTINUED)
115011-03-01A

BATH GROUP (CONTINUED)

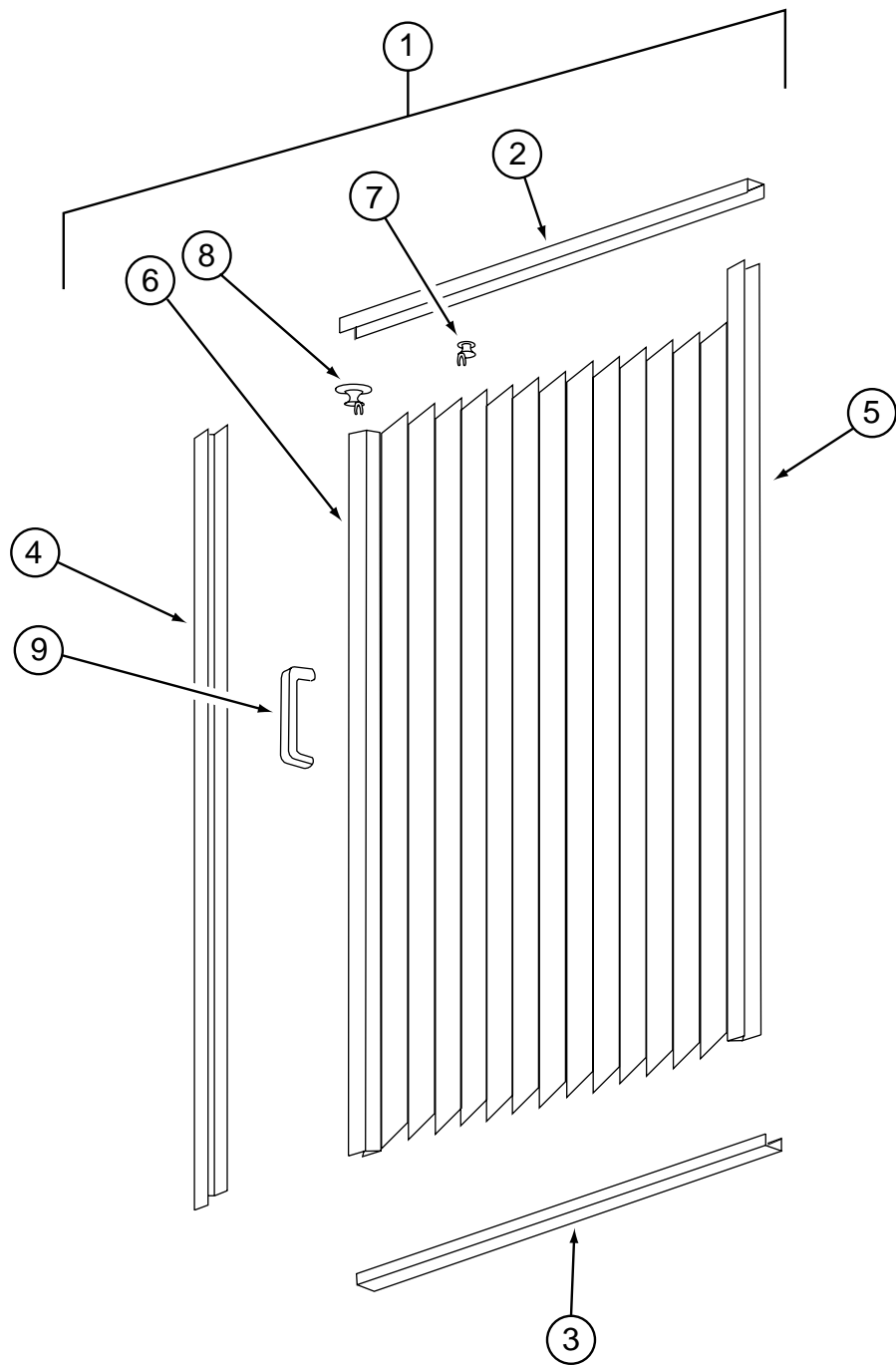
SHOWER (CONTINUED)

DOOR (CONTINUED)

115011-03-01A (CONTINUED)

KEY	PART NUMBER	U/M	DESCRIPTION	VENDOR NO.	
	115011-03-01A	EA	DOOR - SHOWER/BYPASS - 39.3" X 65" - W/HARDWARE & LOCK		COASTAL 3140-66G-A
1	115011-01-701	EA	GUIDE-NYLON, (W-TRACK)	1104	
2	115011-01-707	EA	SCREW F/TOWEL BAR	612F	
3	115011-01-708	EA	SCREW F/TOWEL BAR BRKTS	638F	
4	115011-01-705	EA	SCREW-ROLLER, (HEX HEAD)	832HEX	
5	115011-01-700	EA	HEADER, W/O ANTI JUMP GUARD	120G	
6	115011-01-710	EA	GUARD-ANTI JUMP	130	
7	115011-01-704	EA	ROLLERS	PN193	
8	115011-01-706	FT	GLAZING VINYL	C 169	
9	115011-01-709	EA	TRACK-BOTTOM- 50"	90	
10	115011-01-703	EA	BAR-TOWEL	136	
11	115011-01-702	EA	BRACKET-TOWEL BAR	135	
	115011-01-711	EA	KNOB-TENSION,(HEADER W/BOLT)	1420K-1420S	
	115011-01-712	EA	BOLT-TENSION, (HEADER)	1420S	
	115011-01-714	EA	BUMPER - RATTLE/SHOWER DOOR	5168S	
	115011-01-715	EA	PAD - FOAM	116R	

BATH GROUP (CONTINUED)
SHOWER (CONTINUED)



DOOR (CONTINUED)
117431-01-01A, 117431-02-01A, 117431-03-01A & 117431-04-01A

BATH GROUP (CONTINUED)**SHOWER (CONTINUED)****DOOR (CONTINUED)**

117431-01-01A

KEY	PART NUMBER	U/M	DESCRIPTION	VENDOR NO.
1	117431-01-01A	EA	DOOR - SHOWER - FABRIC PLEATED - 29.6" X 63.0"	
2	117431-01-700	EA	TRACK-TOP, ALUM.IVORY INSER 48"	
3	117431-01-701	EA	TRACK-BOTTOM, 48 "	
4	117431-01-702	EA	RAIL-SIDE, 67"	
5	117431-01-703	EA	RAIL-STATIONARY, 67"	
6	117431-01-704	EA	RAIL-LEAD, 67" - W/LATCH	
7	117431-01-705	EA	GLIDE-IVORY, TRAVELER	
8	117431-01-706	EA	GLIDE-IVORY LEAD, TRAVELER	
	117431-01-707	EA	CATCH - BATH DOOR	
9	117431-01-708	EA	HANDLE - W/SCREWS	
	117431-01-709	EA	STRAP-VINYL	

DOOR (CONTINUED)

117431-02-01A

KEY	PART NUMBER	U/M	DESCRIPTION	VENDOR NO.
1	117431-02-01A	EA	DOOR - SHOWER - FABRIC/PLEATED	
2	117431-01-700	EA	TRACK-TOP, ALUM.IVORY INSERT 48"	
3	117431-01-701	EA	TRACK-BOTTOM, 48 "	
4	117431-01-702	EA	RAIL-SIDE, 67"	
5	117431-01-703	EA	RAIL-STATIONARY, 67"	
6	117431-01-704	EA	RAIL-LEAD, 67" - W/LATCH	
7	117431-01-705	EA	GLIDE-IVORY, TRAVELER	
8	117431-01-706	EA	GLIDE-IVORY LEAD, TRAVELER	
	117431-01-707	EA	CATCH - BATH DOOR	
9	117431-01-708	EA	HANDLE - W/SCREWS	
	117431-02-700	EA	STRAP-VINYL SHOWER	

DOOR (CONTINUED)

117431-03-01A

KEY	PART NUMBER	U/M	DESCRIPTION	VENDOR NO.
1	117431-03-01A	EA	DOOR - SHOWER PLEATED FABRIC 39.4X59.3 UNITED S	
2	117431-01-700	EA	TRACK-TOP, ALUM.IVORY INSERT	
3	117431-01-701	EA	TRACK-BOTTOM, 48 "	
4	117431-01-702	EA	RAIL-SIDE, 67"	
5	117431-01-703	EA	RAIL-STATIONARY, 67"	
6	117431-01-704	EA	RAIL-LEAD, 67" - W/LATCH	
7	117431-01-705	EA	GLIDE-IVORY, TRAVELER	
8	117431-01-706	EA	GLIDE-IVORY LEAD, TRAVELER	
	117431-01-707	EA	CATCH - BATH DOOR	
9	117431-01-708	EA	HANDLE - W/SCREWS	
	117431-03-700	EA	STRAP-VINYL SHOWER	

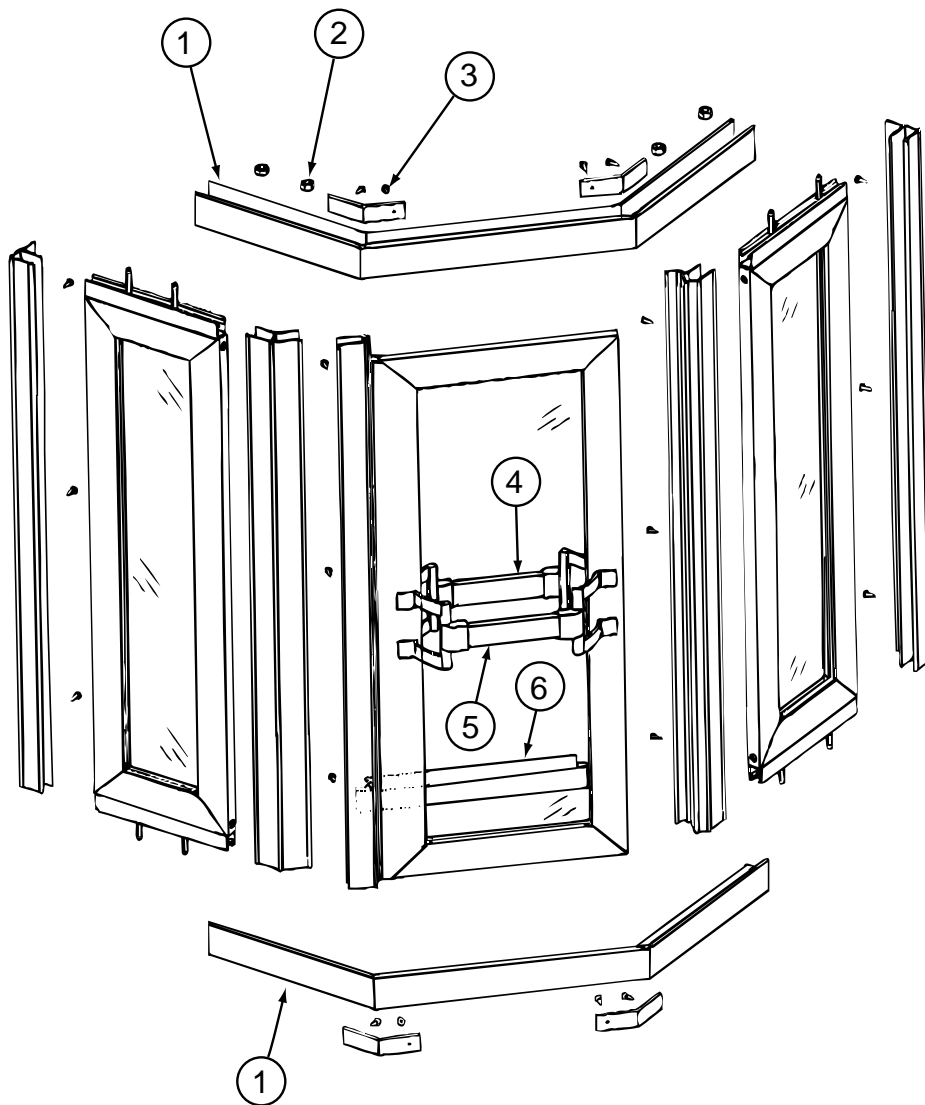
BATH GROUP (CONTINUED)

SHOWER (CONTINUED)

DOOR (CONTINUED)

117431-04-01A

KEY	PART NUMBER	U/M	DESCRIPTION	VENDOR NO.
1	117431-04-01A	EA	DOOR - SHOWER - PLEATED FABRIC	31.0X67.0-UNITED S
2	117431-01-700	EA	TRACK-TOP, ALUM.IVORY INSERT	
3	117431-01-701	EA	TRACK-BOTTOM, 48 "	
4	117431-01-702	EA	RAIL-SIDE, 67"	
5	117431-01-703	EA	RAIL-STATIONARY, 67"	
6	117431-01-704	EA	RAIL-LEAD, 67" - W/LATCH	
7	117431-01-705	EA	GLIDE-IVORY, TRAVELER	
8	117431-01-706	EA	GLIDE-IVORY LEAD, TRAVELER	
	117431-01-707	EA	CATCH - BATH DOOR	
9	117431-01-708	EA	HANDLE - W/SCREWS	
	117431-04-700	EA	STRAP-VINYL SHOWER	



DOOR (CONTINUED)

123242-01-01A, 123242-01-02A & 123242-01-03A

BATH GROUP (CONTINUED)**SHOWER (CONTINUED)****DOOR (CONTINUED)****123242-01-01A**

KEY	PART NUMBER	U/M	DESCRIPTION	VENDOR NO.
	123242-01-01A	EA	DOOR - TUB/SHOWER - 58.4" TALL - GOLD/BRONZE	COASTAL 34G-BC
1	123242-01-700	EA	HEADER/SILL - (WINNEBAGO 34)	CST 70
2	089318-01-704	EA	BOLT-PIVOT, TOP OR BOTTOM	1428B
3	092574-01-704	EA	SCREW-GOLD #6 3/8	638G
4	092574-01-701	EA	BRACKET-STUD, TOWEL BAR,GOLD	8141G
5	116814-01-700	EA	BAR-TOWEL 17 5/16"	68G
6	092574-01-708	EA	CAP-DRIP, W/VINYL SWEEP	
	089318-01-707	EA	LATCH/CATCH - SAFETY - GOLD	9730G
	107878-01-703	EA	CAP-DRIP, PLUG SET	DCP2

DOOR (CONTINUED)**123242-01-02A**

KEY	PART NUMBER	U/M	DESCRIPTION	VENDOR NO.
	123242-01-02A	EA	DOOR - TUB/SHOWER	
1	123242-01-700	EA	HEADER/SILL - (WINNEBAGO 34)	CST 70
2	089318-01-704	EA	BOLT-PIVOT, TOP OR BOTTOM	1428B
3	092574-01-704	EA	SCREW-GOLD #6 3/8	638G
4	092574-01-701	EA	BRACKET-STUD, TOWEL BAR,GOLD	8141G
5	116814-01-700	EA	BAR-TOWEL 17 5/16"	68G
6	092574-01-708	EA	CAP-DRIP, W/VINYL SWEEP	34G
	107878-01-703	EA	CAP-DRIP, PLUG SET	DCP2

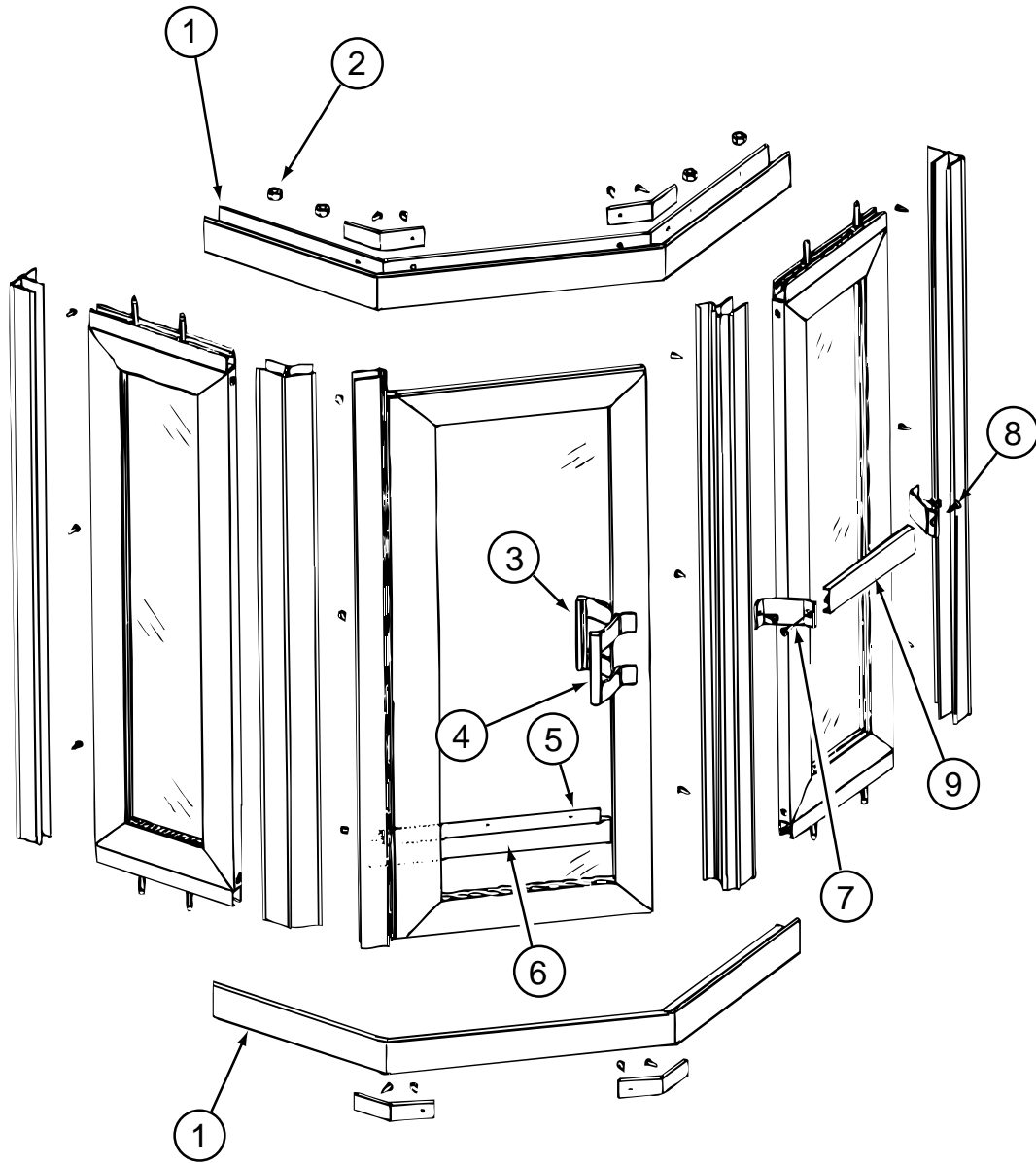
DOOR (CONTINUED)**123242-01-03A**

KEY	PART NUMBER	U/M	DESCRIPTION	VENDOR NO.
	123242-01-03A	EA	DOOR - SHOWER - GOLD/CLEAR-HORIZONTAL ETCHINGS-58.4" TALL	
1	123242-01-700	EA	HEADER/SILL - (WINNEBAGO 34)	CST 70
2	089318-01-704	EA	BOLT-PIVOT, TOP OR BOTTOM	1428B
3	092574-01-704	EA	SCREW-GOLD #6 3/8	638G
4	092574-01-701	EA	BRACKET-STUD, TOWEL BAR,GOLD	8141G
5	116814-01-700	EA	BAR-TOWEL 17 5/16"	68G
6	092574-01-708	EA	CAP-DRIP, W/VINYL SWEEP	34G
	089318-01-707	EA	LATCH/CATCH - SAFETY - GOLD	9730G
	107878-01-703	EA	CAP-DRIP, PLUG SET	DCP2

DOOR (CONTINUED)**131595-01-01A**

KEY	PART NUMBER	U/M	DESCRIPTION	VENDOR NO.
	131595-01-01A	EA	DOOR - FOLDING - 37" X 75" - W/4 CEILING MOUNTED BRACKETS	
	080224-01-703	EA	HANDLE W/LATCH-CATCH, ALMOND	DE03505
	131595-01-700	EA	END STOP ONLY	
	131595-01-701	EA	BRACKET/MOUNTING	908956
	131595-01-702	EA	TRACK/STRAIGHT - 37"	

BATH GROUP (CONTINUED)
SHOWER (CONTINUED)



DOOR (CONTINUED)
131618-01-01A & 131618-01-02A

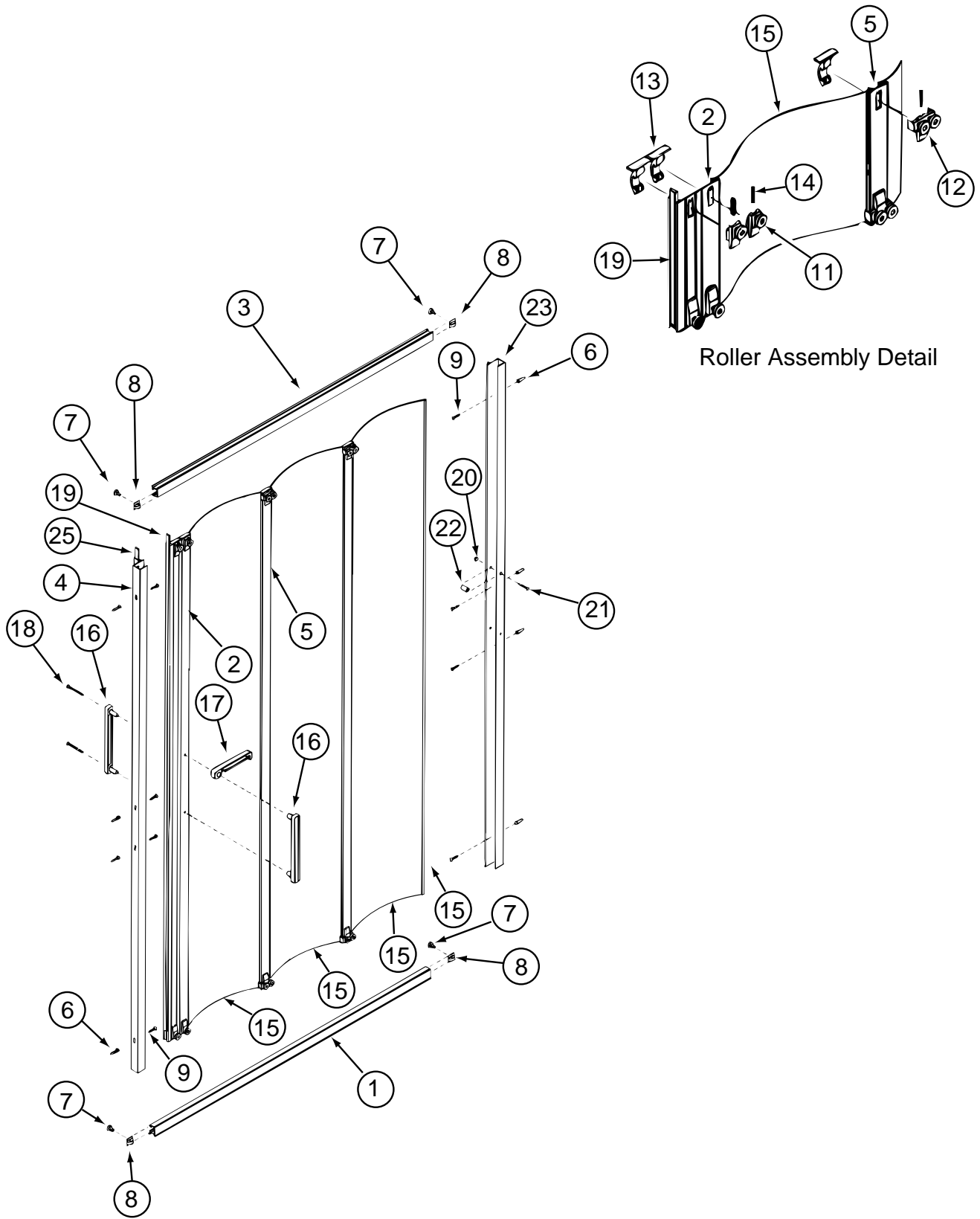
BATH GROUP (CONTINUED)**SHOWER (CONTINUED)****DOOR (CONTINUED)****131618-01-01A & 131618-01-02A (CONTINUED)**

KEY	PART NUMBER	U/M	DESCRIPTION	VENDOR NO.
	131618-01-01A	EA	DOOR - SHOWER - SOLID W/PANEL	
				FROM: 00-00-00 THRU: 03-31-99
1	131618-01-702	EA	HEADER/SILL - (WINNEBAGO 35)	CST 70
2	089318-01-704	EA	BOLT-PIVOT, TOP OR BOTTOM	1428B
3	131618-01-700	EA	HANDLE - INSIDE - GOLD	8149G
4	092574-01-711	EA	HANDLE W/STUDS - (OUTSIDE)	8153G
5	092574-01-708	EA	CAP-DRIP, W/VINYL SWEEP	34G
6	089318-01-701	FT	SWEEP-VINYL	C171G 500FT RL
7	131618-01-701	EA	BRACKET - TOWEL BAR - GOLD	199G
8	115011-01-708	EA	SCREW F/TOWEL BAR BRKTS	638F
9	115011-01-703	EA	BAR-TOWEL	136
	089318-01-707	EA	LATCH/CATCH - SAFETY - GOLD	9730G
	092574-01-701	EA	BRACKET-STUD, TOWEL BAR,GOLD	8141G
	107878-01-703	EA	CAP-DRIP, PLUG SET	DCP2
	131618-01-02A	EA	DOOR - SHOWER - ETCHED HORIZONTAL LINES	
				FROM: 04-01-99 THRU: 99-99-99
1	131618-01-702	EA	HEADER/SILL - (WINNEBAGO 35)	CST 70
2	089318-01-704	EA	BOLT-PIVOT, TOP OR BOTTOM	1428B
3	131618-01-700	EA	HANDLE - INSIDE - GOLD	8149G
4	092574-01-711	EA	HANDLE W/STUDS - (OUTSIDE)	8153G
5	092574-01-708	EA	CAP-DRIP, W/VINYL SWEEP	34G
6	089318-01-701	FT	SWEEP-VINYL	C171G 500FT RL
7	131618-01-701	EA	BRACKET - TOWEL BAR - GOLD	199G
8	115011-01-708	EA	SCREW F/TOWEL BAR BRKTS	638F
9	115011-01-703	EA	BAR-TOWEL	136
	089318-01-707	EA	LATCH/CATCH - SAFETY - GOLD	9730G
	092574-01-701	EA	BRACKET-STUD, TOWEL BAR,GOLD	8141G
	107878-01-703	EA	CAP-DRIP, PLUG SET	DCP2

DOOR (CONTINUED)**132340-01-01A & 132340-02-01A**

KEY	PART NUMBER	U/M	DESCRIPTION	VENDOR NO.
	132340-01-01A	EA	DOOR - FOLDING/SHOWER - 39.2"W X 67.5"T - GOLD/WHITE	
	108351-01-700	EA	STRIKE ASSEMBLY - 66"	
	108351-01-701	EA	HANDLES-DOOR, SET	
	108351-01-702	EA	LATCH-DOOR	
	108351-01-703	EA	BRACKET & ROLLER ASM. SINGLE	
	108351-01-704	EA	BRACKET & ROLLER ASM. DOUBLE	
	108351-01-705	EA	BRACKET-W/RETAINING CLIP	
	108351-01-706	EA	SPRING-ROLLER BRACKET	
	132340-01-700	EA	TRACK - (TOP/BOTTOM) - 46.6"	
	132340-01-707	EA	JAMB/WALL - W/MAG STRIKE 66"	
	132340-01-708	EA	JAMB/WALL PANEL RECEIVER 66"	

BATH GROUP (CONTINUED)
SHOWER (CONTINUED)



DOOR (CONTINUED)
135615-01-01A, 135615-02-01A & 135615-03-01A

BATH GROUP (CONTINUED)

SHOWER (CONTINUED)

DOOR (CONTINUED)

135615-01-01A, 135615-02-01A & 135615-03-01A (CONTINUED)

KEY	PART NUMBER	U/M	DESCRIPTION	VENDOR NO.
	135615-01-01A	EA	DOOR - SHOWER/FOLDING - 29.7" X 62.9" - WHITE	
	135615-02-01A	EA	DOOR - SHOWER/FOLDING - 34.1" X 62.9" - WHITE	
	135615-03-01A	EA	DOOR - SHOWER/FOLDING - 39.3" X 58.9" - WHITE	
1	132340-01-700	EA	TRACK - (TOP/BOTTOM) - 46.6"	
2	108351-01-700	EA	STRIKE ASSEMBLY - 66"	
3			CONTACT WINNEBAGO PART SALES FOR THIS COMPONENT	
4	132340-01-707	EA	JAMB/WALL - W/MAG STRIKE 66"	
5			CONTACT WINNEBAGO PART SALES FOR THIS COMPONENT	
6			CONTACT WINNEBAGO PART SALES FOR THIS COMPONENT	
7			CONTACT WINNEBAGO PART SALES FOR THIS COMPONENT	
8			CONTACT WINNEBAGO PART SALES FOR THIS COMPONENT	
9			CONTACT WINNEBAGO PART SALES FOR THIS COMPONENT	
11	108351-01-703	EA	BRACKET & ROLLER ASM. SINGLE	
12	108351-01-704	EA	BRACKET & ROLLER ASM. DOUBLE	
13	108351-01-705	EA	BRACKET-W/RETAINING CLIP	
14	108351-01-706	EA	SPRING-ROLLER BRACKET	
15			CONTACT WINNEBAGO PART SALES FOR THIS COMPONENT	
16	108351-01-701	EA	HANDLES-DOOR, SET	
17	108351-01-702	EA	LATCH-DOOR	
18			CONTACT WINNEBAGO PART SALES FOR THIS COMPONENT	
19			CONTACT WINNEBAGO PART SALES FOR THIS COMPONENT	
20			CONTACT WINNEBAGO PART SALES FOR THIS COMPONENT	
21			CONTACT WINNEBAGO PART SALES FOR THIS COMPONENT	
22			CONTACT WINNEBAGO PART SALES FOR THIS COMPONENT	
23	132340-01-708	EA	JAMB/WALL PANEL RECEIVER 66"1	
25	092574-01-705	EA	STRIP-MAGNETIC, 66"	

CHASSIS GROUP

REAR BUMPER MUD FLAP

130464-01-01A & 130464-02-01A

KEY	PART NUMBER	U/M	DESCRIPTION
	130464-01-01A	EA	MUD FLAP - REAR - RADIATOR SIDE - STAINLESS STEEL
	130464-02-01A	EA	MUD FLAP - REAR - RADIATOR REAR
	130464-01-700	EA	BAR - SS W/STUDS - 70"
	130464-01-701	EA	REFLECTOR - RED

HYDRAULIC LEVELING CONTROL PANEL

107889-03-000

KEY	PART NUMBER	U/M	DESCRIPTION	VENDOR NO.
	107889-03-000	EA	PANEL - CONTROL - TOUCH - AIR DUMP	
	100532-09-702	EA	CABLE-MODULAR 5'	RAP1020
	107889-03-700	EA	PANEL-TOUCH	RAP1088

HOSE KIT 100536-10-000

KEY	PART NUMBER	U/M	DESCRIPTION	VENDOR NO.
	100536-10-000	EA	HOSE KIT - LEVELING SYSTEM/JACKS	HWH AP0012
	100536-09-700	EA	HOSE-HYDRAULIC-324"	AP2464
	100536-09-701	EA	HOSE-HYDRAULIC-60"	RAP4073
	100536-09-702	EA	HOSE-HYDRAULIC-354"	RAP4311
	100536-10-700	EA	HOSE-HYDRAULIC-84"	RAP1412
	100536-10-701	EA	HOSE-HYDRAULIC-116"	RAP90349

HOSE KIT (CONTINUED) 100536-10-000

KEY	PART NUMBER	U/M	DESCRIPTION	VENDOR NO.
	100536-27-000	EA	HOSE KIT - LEVELING SYSTEM/JACKS	HWH AP0012
	100536-09-700	EA	HOSE-HYDRAULIC-324"	AP2464
	100536-27-700	EA	HOSE-HYDRAULIC-332"	RAP8985

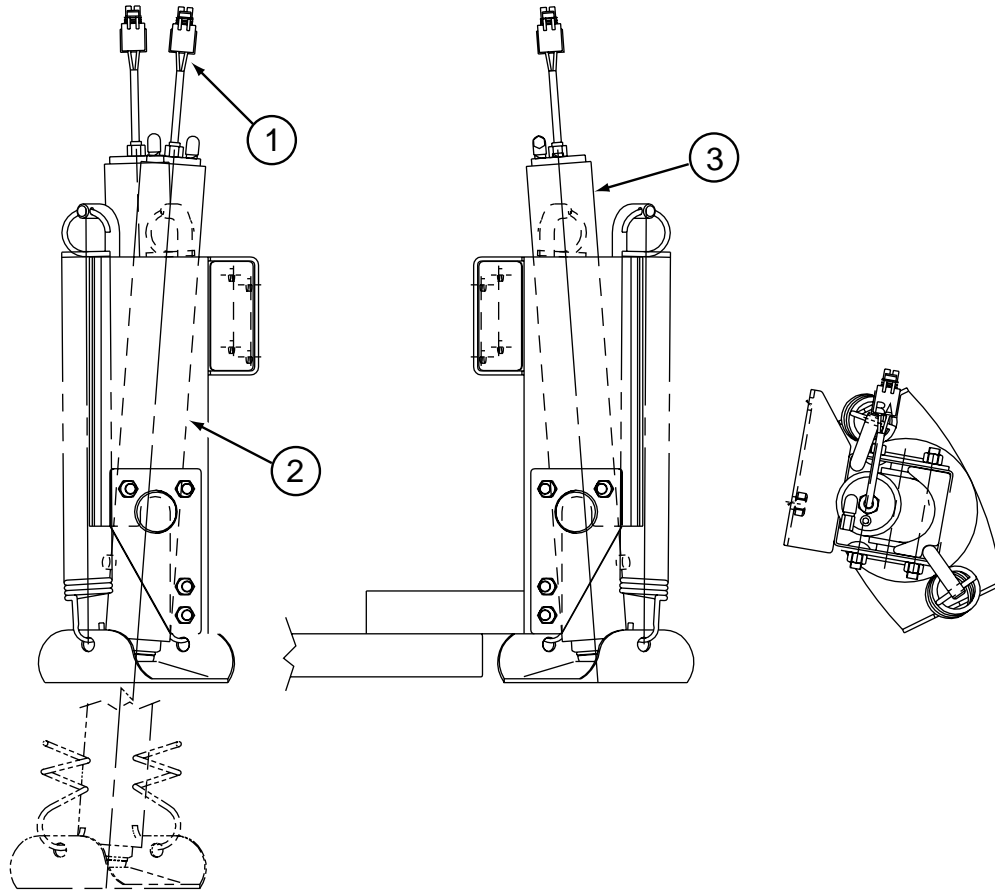
HOSE KIT (CONTINUED) 100536-39-000

KEY	PART NUMBER	U/M	DESCRIPTION	VENDOR NO.
	100536-39-000	EA	HOSE KIT - LEVELING JACKS	HWH AP14867
	100536-09-701	EA	HOSE-HYDRAULIC-60"	RAP4073
	100536-30-700	EA	HOSE - HYDRAULIC - 72"	RAP4159
	100536-37-701	EA	HOSE - HYDRAULIC - 336"	RAP5561
	100536-39-700	EA	HOSE - HYDRAULIC - 384"	RAP4164

HOSE KIT (CONTINUED) 100536-48-000

KEY	PART NUMBER	U/M	DESCRIPTION	VENDOR NO.
	100536-48-000	EA	HOSE KIT - LEVELING JACKS	
	100536-31-700	EA	HOSE - HYDRAULIC - 360"	RAP4163
	100536-31-701	EA	HOSE - HYDRAULIC - 96"	RAP5352
	100536-39-700	EA	HOSE - HYDRAULIC - 384"	RAP4164
	100536-48-700	EA	HOSE - 146"	RAP2443

CHASSIS GROUP (CONTINUED)
HYDRAULIC LEVELING (CONTINUED)



JACK/CROSSMEMBER
128285-01-000

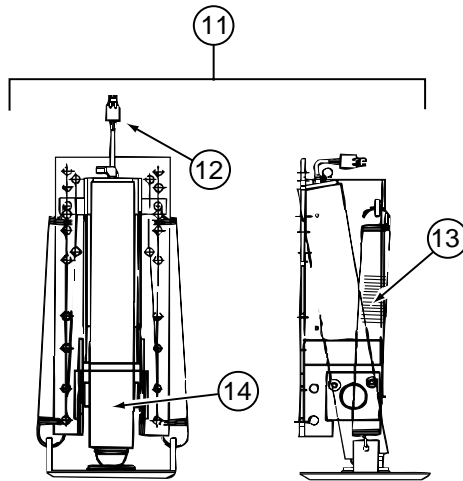
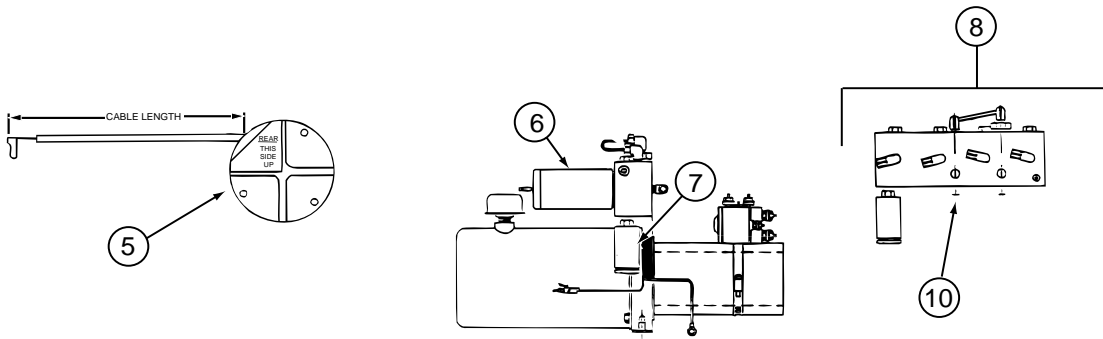
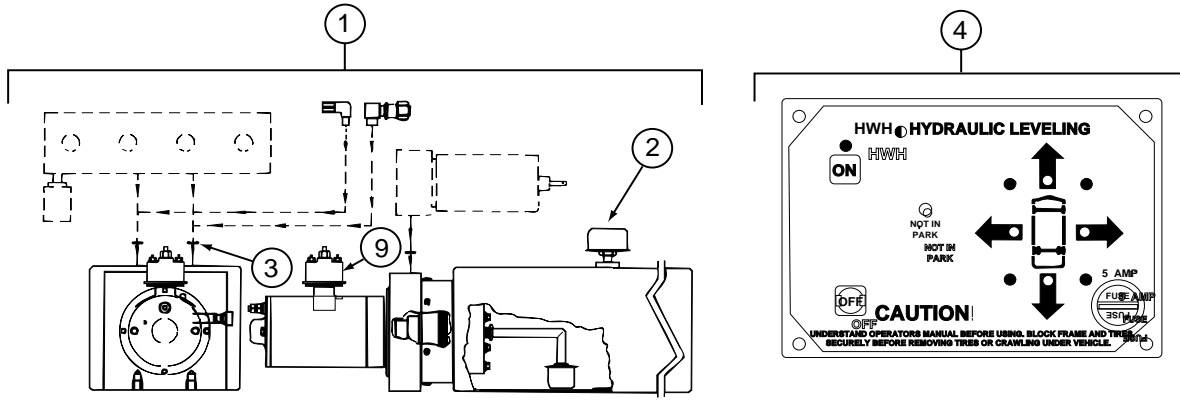
KEY	PART NUMBER	U/M	DESCRIPTION	VENDOR NO.
	128285-01-000	EA	JACK/CROSSMEMBER ASSEMBLY - FRONT - CHEVYHWH AP15710	
1	100532-12-706	EA	SWITCH - WARNING/MAGNETIC	RAP1008 / RAP90496
2	100532-12-707	EA	SPRING KIT	R3847
3	100532-45-700	EA	CYLINDER W/O FOOT - 6K X 13"	RAP90490
	131306-02-700	EA	FOOT - 6K JACK	RAP2004

LEVELING SYSTEM
128571-03-000

KEY	PART NUMBER	U/M	DESCRIPTION	VENDOR NO.
	128571-03-000	EA	JACK/CROSSMEMBER - 9K - REAR LEVELING - MANUAL	
	100532-12-706	EA	SWITCH - WARNING/MAGNETIC	RAP1008 / RAP9049
	100532-12-707	EA	SPRING KIT	R3847
	100532-53-700	EA	CYLINDER ASM. - 9K	RAP90491/AP15900
	131306-02-701	EA	FOOT - 9K JACK	RAP8464

CHASSIS GROUP (CONTINUED)

HYDRAULIC LEVELING (CONTINUED)



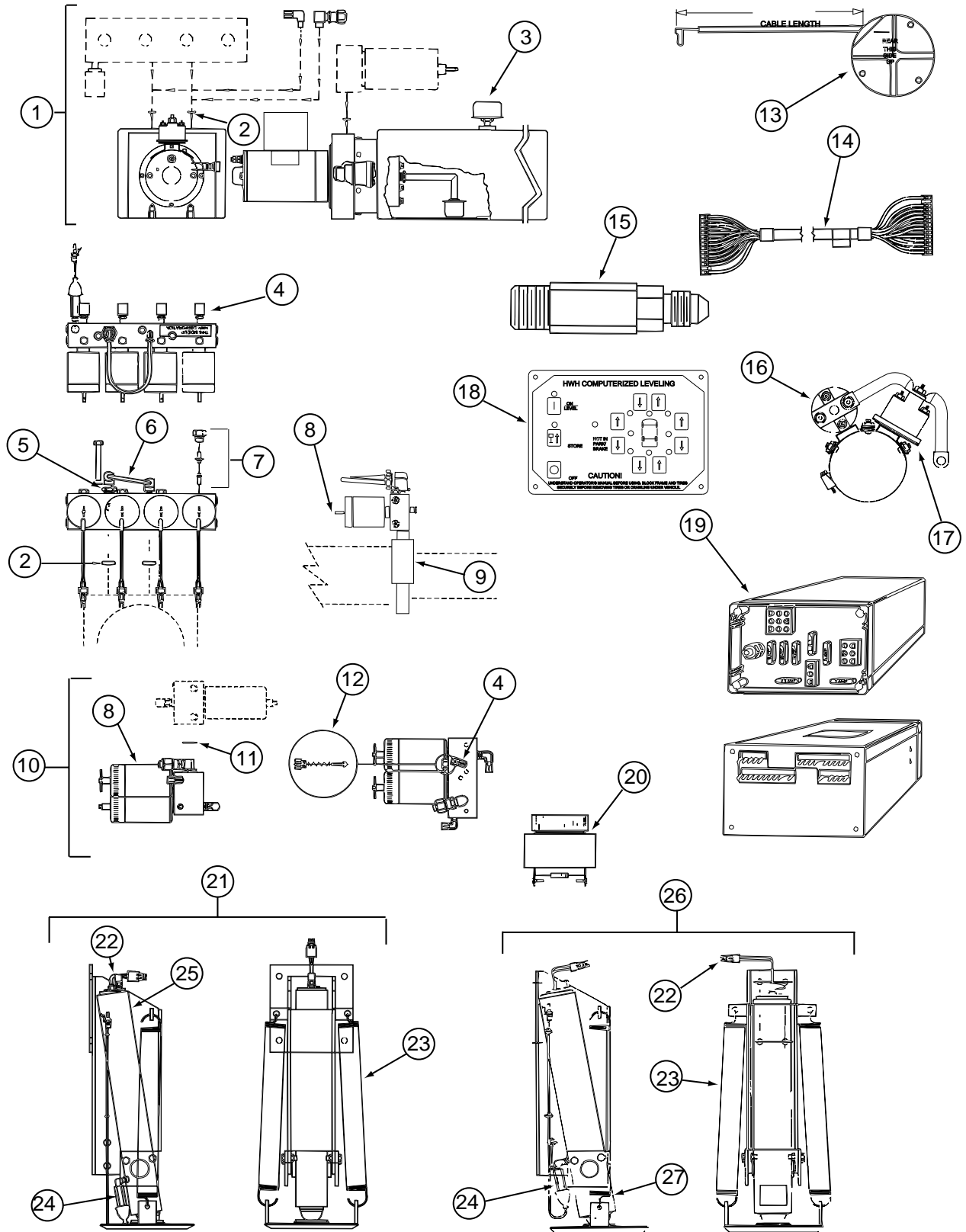
LEVELING SYSTEM
131306-01-000

CHASSIS GROUP (CONTINUED)**HYDRAULIC LEVELING (CONTINUED)****LEVELING SYSTEM (CONTINUED)****131306-01-000 (CONTINUED)**

KEY	PART NUMBER	U/M	DESCRIPTION	VENDOR NO.	
	131306-01-000	EA	LEVELING SYSTEM - F/SLIDEOUT ROOM W/OUT JACKS DOWN SYSTEM		HWH AP18145
1	100532-01-713	EA	PUMP-RESERVOIR ASM.-MONARCH	RAP90014	
2	100532-03-715	EA	CAP-BREATHER W/DIPSTICK	RAP7876	
3	100532-03-723	EA	O-RING/SEAL KIT	RAP9171	
4	100532-08-703	EA	PANEL ASM.-200 BI-AXIS SYS.	RAP9755	
5	100532-12-703	EA	SENSING UINT BI-AXIS-27'	RAP6800	
6	100532-09-704	EA	VALVE-PRESSURE SOLENOID	RAP0642	
7	100532-31-701	EA	CHECK VALVE & KIT	RAP10021	
8	100532-16-701	EA	MANIFOLD ASM. F/SLIDE OUT	RAP1716	
9	100532-09-710	EA	SOLENOID-INTERMITENT DUTY	RAP0533	
10	100532-31-702	EA	O-RING/SEAL KIT - MANIFOLD	RAP90127	
10	100532-32-704	EA	CHIME - JACK WARNING	RAP90681/AP19812	
11	100532-18-700	EA	JACK - 9K STRAIGHT ACTING	RAP90177	
12	100532-12-706	EA	SWITCH - WARNING/MAGNETIC	RAP1008 / RAP90496	
13	100532-12-707	EA	SPRING KIT	R3847	
14	100532-32-702	EA	CYLINDER ONLY F/9000 LB JACK	RAP1927	
	100532-03-722	EA	O-RING KIT	R7430	
	100532-08-702	EA	VALVE,BI-AXIS	RAP9589	
	100532-32-703	EA	BUZZER - JACK WARNING	RAP90403	
	100532-45-700	EA	CYLINDER W/O FOOT - 6K X 13"	RAP90490	
	100532-47-701	EA	VALVE - BI-AXIS - W/O LEVERS	RAP0367	
	131306-02-700	EA	FOOT - 6K JACK	RAP2004	

CHASSIS GROUP (CONTINUED)

HYDRAULIC LEVELING (CONTINUED)

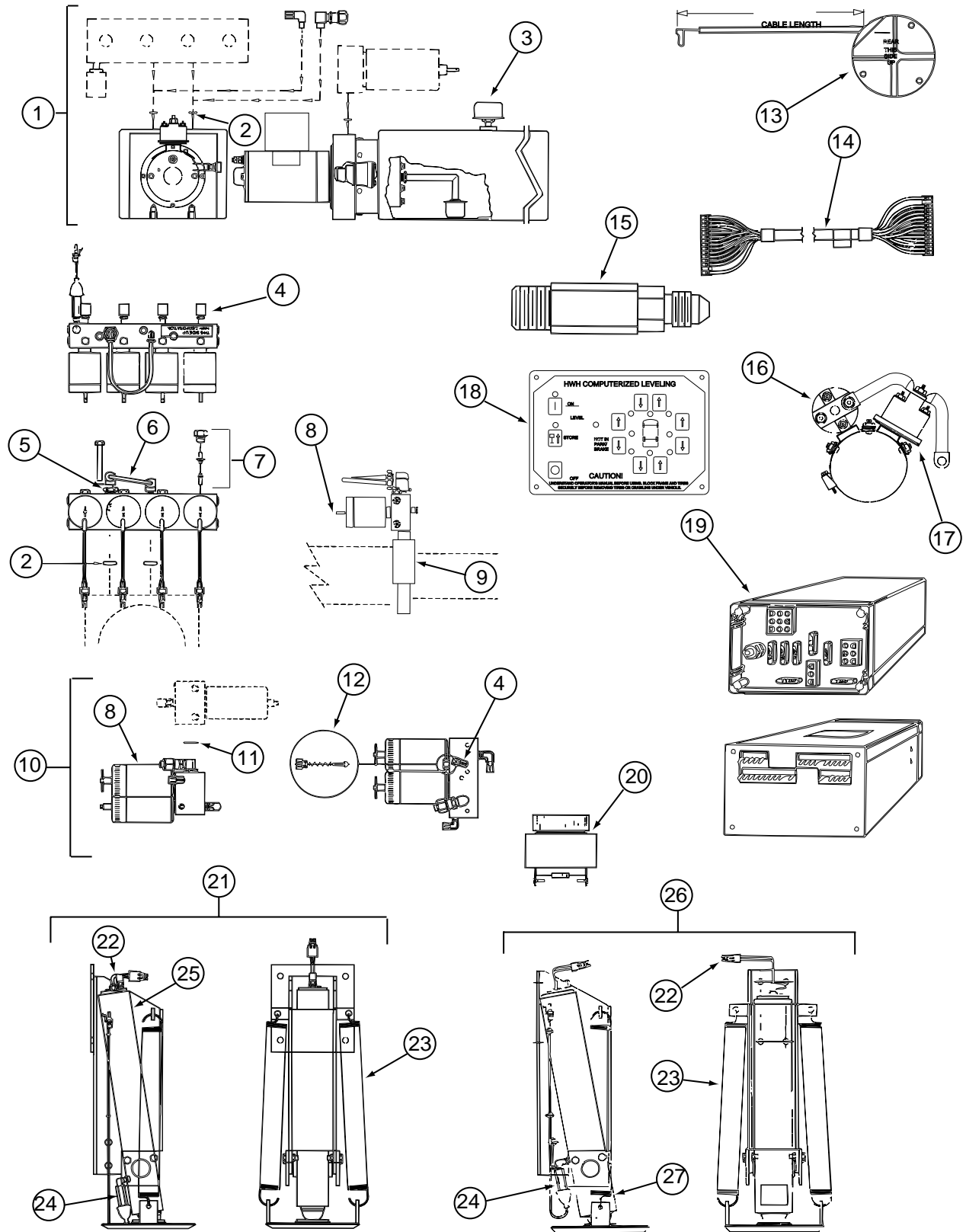


CHASSIS GROUP (CONTINUED)**HYDRAULIC LEVELING (CONTINUED)****LEVELING SYSTEM (CONTINUED)****131306-09-000 (CONTINUED)**

KEY	PART NUMBER	U/M	DESCRIPTION	VENDOR NO.	
	131306-09-000	EA	LEVELING SYSTEM - OPERATES SLIDEOUT ROOM W/O JACKS DOWN		HWH AP18194
1	100532-01-713	EA	PUMP-RESERVOIR ASM.-MONARCH	RAP90014/AP2260	
2	100532-03-723	EA	O-RING/SEAL KIT	RAP9171	
3	100532-03-715	EA	CAP-BREATHER W/DIPSTICK	RAP7876	
4	100532-03-722	EA	O-RING KIT	R7430	
5	100532-03-717	EA	VALVE-PRESS., RETURN SHUTTLE	RAP7964	
6	100532-03-719	EA	TUBE ASM. (SHORT SHUTTLE)	RAP8088	
7	100532-03-721	EA	VALVE-CHECK KIT (SGL)	RAP7944	
8	100532-09-704	EA	VALVE-PRESSURE SOLENOID	RAP0642	
9	100532-09-705	EA	SWITCH-PRESS - W/HEAD -3000#	RAP0993	
10	100532-16-701	EA	MANIFOLD ASM. F/SLIDE OUT	RAP1716	
11	100532-31-702	EA	O-RING/SEAL KIT - MANIFOLD	RAP90127	
12	100532-31-701	EA	CHECK VALVE & KIT	RAP10021	
13	100532-12-703	EA	SENSING UINT BI-AXIS-27'	RAP6800	
14	100532-09-702	EA	CABLE-MODULAR 5'	RAP1020	
14	100532-49-702	EA	CABLE - 10' F/610 SYSTEM	RAP90528	
15	131306-09-700	EA	VELOCITY VALVE ASM.W/4 VALVE	RAP90280	
15	131306-09-701	EA	VELOCITY VALVE - SINGLE	RAP90279/AP11578	
16	100532-03-716	EA	SOLENOID-CONTINUOUS DUTY	RAP7505	
17	100532-09-710	EA	SOLENOID-INTERMITENT DUTY	RAP0533	
18	107889-03-700	EA	PANEL-TOUCH	RAP1088	
19	100532-34-700	EA	CONTROL BOX - 610 W/AIR DMP	RAP90304	
20	100532-32-703	EA	BUZZER - JACK WARNING	RAP90403	
20	100532-32-704	EA	CHIME - JACK WARNING	RAP90681/AP19812	
21	100532-25-700	EA	JACK-9K FRONT W/SWITCHES	RAP90235	
22	100532-12-706	EA	SWITCH - WARNING/MAGNETIC	RAP1008 / RAP90496	
23	100532-12-707	EA	SPRING KIT	R3847	
24	100532-03-726	EA	SWITCH - PRESSURE	RAP8003	
25	100532-39-702	EA	CYLINDER - 9K	RAP9567	
26	100532-25-701	EA	JACK-12K REAR W/SWITCHES	RAP90174	
27	100532-25-702	EA	CYLINDER ONLY (12,000# JACK)	RAP9517	

CHASSIS GROUP (CONTINUED)

HYDRAULIC LEVELING (CONTINUED)



CHASSIS GROUP (CONTINUED)

HYDRAULIC LEVELING (CONTINUED)

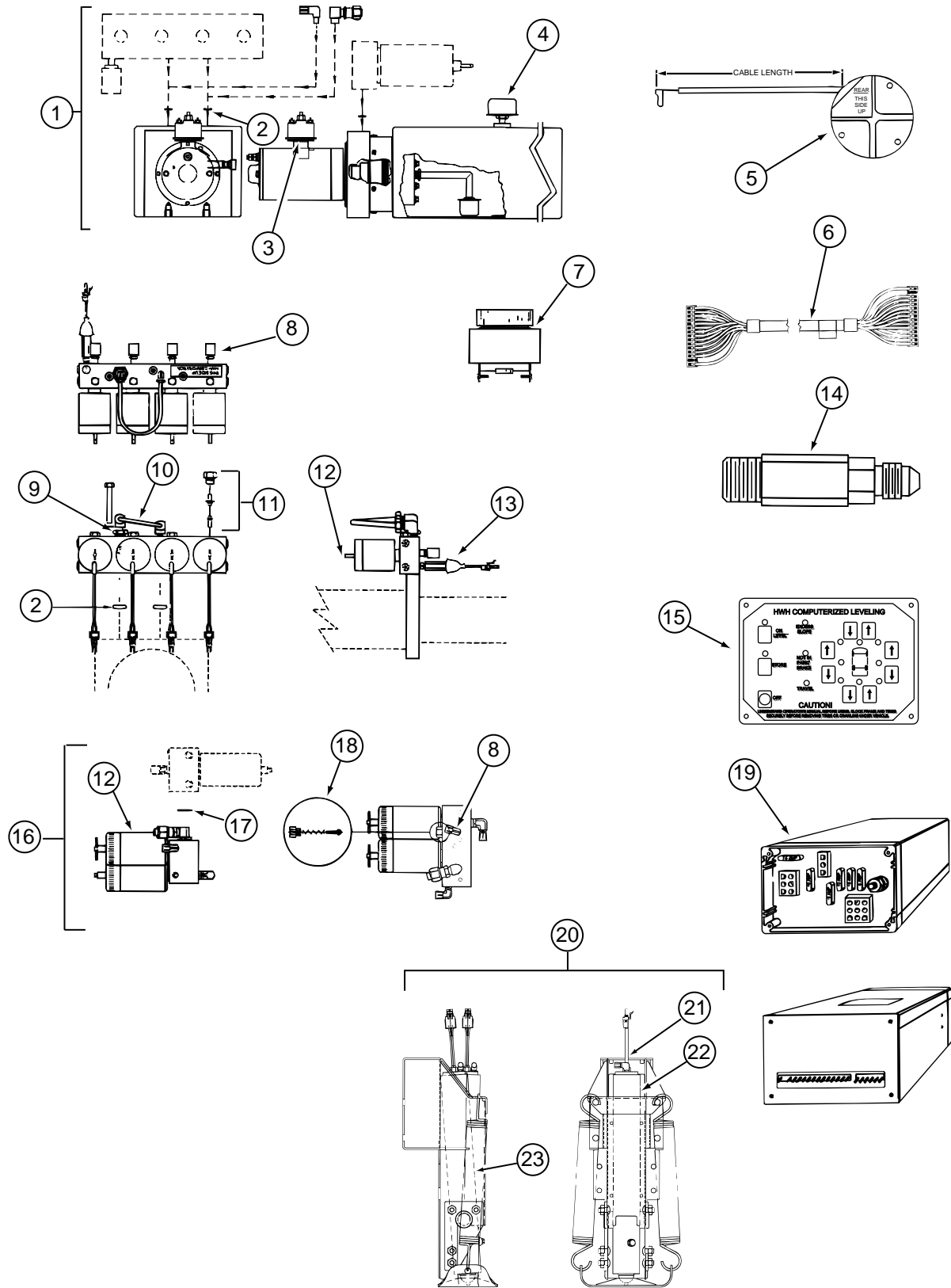
LEVELING SYSTEM (CONTINUED)

131306-10-000 (CONTINUED)

KEY	PART NUMBER	U/M	DESCRIPTION	VENDOR NO.
	131306-10-000	EA	LEVELING SYSTEM - OPERATES SLIDEOUT ROOM W/O JACKS DOWN	
1	100532-01-713	EA	PUMP-RESERVOIR ASM.-MONARCH	RAP90014/AP2260
2	100532-03-723	EA	O-RING/SEAL KIT	RAP9171
3	100532-03-715	EA	CAP-BREATHER W/DIPSTICK	RAP7876
4	100532-03-722	EA	O-RING KIT	R7430
5	100532-03-717	EA	VALVE-PRESS., RETURN SHUTTLE	RAP7964
6	100532-03-719	EA	TUBE ASM. (SHORT SHUTTLE)	RAP8088
7	100532-03-721	EA	VALVE-CHECK KIT (SGL)	RAP7944
8	100532-09-704	EA	VALVE-PRESSURE SOLENOID	RAP0642
9	100532-09-705	EA	SWITCH-PRESS - W/HEAD -3000#	RAP0993
10	100532-48-701	EA	MANIFOLD - ROOM EXT - 2 ROOM	RAP90035
11	100532-31-702	EA	O-RING/SEAL KIT - MANIFOLD	RAP90127
12	100532-31-701	EA	CHECK VALVE & KIT	RAP10021
13	100532-12-703	EA	SENSING UINT BI-AXIS-27'	RAP6800
14	100532-09-702	EA	CABLE-MODULAR 5'	RAP1020
14	100532-49-702	EA	CABLE - 10' F/610 SYSTEM	RAP90528
15	131306-09-700	EA	VELOCITY VALVE ASM.W/4 VALVE	RAP90280
15	131306-09-701	EA	VELOCITY VALVE - SINGLE	RAP90279/AP11578
16	100532-03-716	EA	SOLENOID-CONTINUOUS DUTY	RAP7505
17	100532-09-710	EA	SOLENOID-INTERMITENT DUTY	RAP0533
18	107889-03-700	EA	PANEL-TOUCH	RAP1088
19	100532-34-700	EA	CONTROL BOX - 610 W/AIR DMP	RAP90304
20	100532-32-703	EA	BUZZER - JACK WARNING	RAP90403
20	100532-32-704	EA	CHIME - JACK WARNING	RAP90681/AP19812
21	100532-25-700	EA	JACK-9K FRONT W/SWITCHES	RAP90235
22	100532-12-706	EA	SWITCH - WARNING/MAGNETIC	RAP1008 / RAP90496
23	100532-12-707	EA	SPRING KIT	R3847
24	100532-03-726	EA	SWITCH - PRESSURE	RAP8003
25	100532-39-702	EA	CYLINDER - 9K	RAP9567
26	100532-25-701	EA	JACK-12K REAR W/SWITCHES	RAP90174
27	100532-25-702	EA	CYLINDER ONLY (12,000# JACK)	RAP9517

CHASSIS GROUP (CONTINUED)

HYDRAULIC LEVELING (CONTINUED)



LEVELING SYSTEM (CONTINUED)

131306-11-000

CHASSIS GROUP (CONTINUED)

HYDRAULIC LEVELING (CONTINUED)

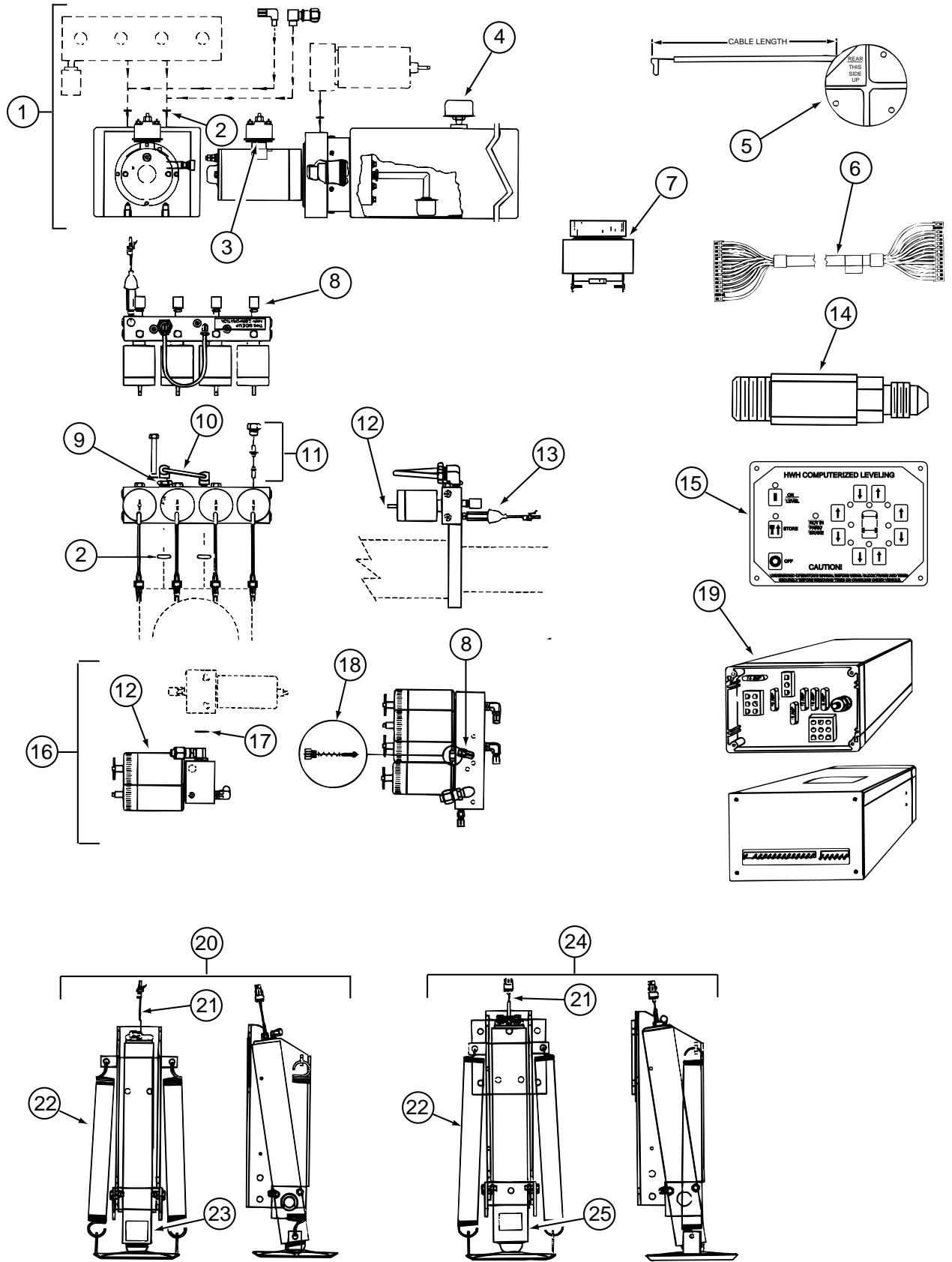
LEVELING SYSTEM (CONTINUED)

131306-11-000 (CONTINUED)

KEY	PART NUMBER	U/M	DESCRIPTION	VENDOR NO.	
	131306-11-000	EA	LEVELING SYSTEM - FORD CHASS. - 310 SYSTEM - F/SLIDE-OUT		HWH AP19139
1	100532-01-713	EA	PUMP-RESERVOIR ASM.-MONARCH	RAP90014/AP2260	
2	100532-03-723	EA	O-RING/SEAL KIT	RAP9171	
3	100532-09-710	EA	SOLENOID-INTERMITENT DUTY	RAP0533	
4	100532-03-715	EA	CAP-BREATHER W/DIPSTICK	RAP7876	
5	100532-12-703	EA	SENSING UINT BI-AXIS-27'	RAP6800	
6	131306-11-702	EA	CONTROL CABLE-12'-310 SYSTEM	RAP 90047/AP10619	
7	100532-32-703	EA	BUZZER - JACK WARNING	RAP90403	
7	100532-32-704	EA	CHIME - JACK WARNING	RAP90681/AP19812	
8	100532-03-722	EA	O-RING KIT	R7430	
9	100532-03-717	EA	VALVE-PRESS., RETURN SHUTTLE	RAP 7964	
10	100532-03-719	EA	TUBE ASM. (SHORT SHUTTLE)	RAP8088	
10	131306-02-700	EA	FOOT - 6K JACK	RAP2004	
11	100532-03-721	EA	VALVE-CHECK KIT (SGL)	RAP7944	
12	100532-09-704	EA	VALVE-PRESSURE SOLENOID	RAP0642	
13	131306-11-704	EA	PRESSURE SWITCH - 50 PSI	RAP2082	
14	131306-09-700	EA	VELOCITY VALVE ASM.W/4 VALVE	RAP 90280	
14	131306-09-701	EA	VELOCITY VALVE - SINGLE	RAP90279/AP11578	
15	131306-11-700	EA	TOUCH PANEL - 310 SERIES	RAP90056/AP10215	
16	100532-16-701	EA	MANIFOLD ASM. F/SLIDE OUT	RAP1716	
17	100532-31-702	EA	O-RING/SEAL KIT - MANIFOLD	RAP90127	
18	100532-31-701	EA	CHECK VALVE & KIT	RAP10021	
19	131306-11-701	EA	CONTROL BOX - 310 SYSTEM	RAP90019/AP10086	
20	100532-51-700	EA	JACK - 6K STRAIGHT ACTING	RAP90502	
21	100532-12-706	EA	SWITCH - WARNING/MAGNETIC	RAP1008 / RAP90496	
22	100532-45-700	EA	CYLINDER W/O FOOT - 6K X 13"	RAP90490	
23	100532-12-707	EA	SPRING KIT	R3847	
	100532-53-700	EA	CYLINDER ASM. - 9K	RAP90491	
	131306-02-701	EA	FOOT - 9K JACK	RAP8464	
	131306-11-703	EA	PUMP/TANK/MANIFOLD ASM.	AP19561	

CHASSIS GROUP (CONTINUED)

HYDRAULIC LEVELING (CONTINUED)

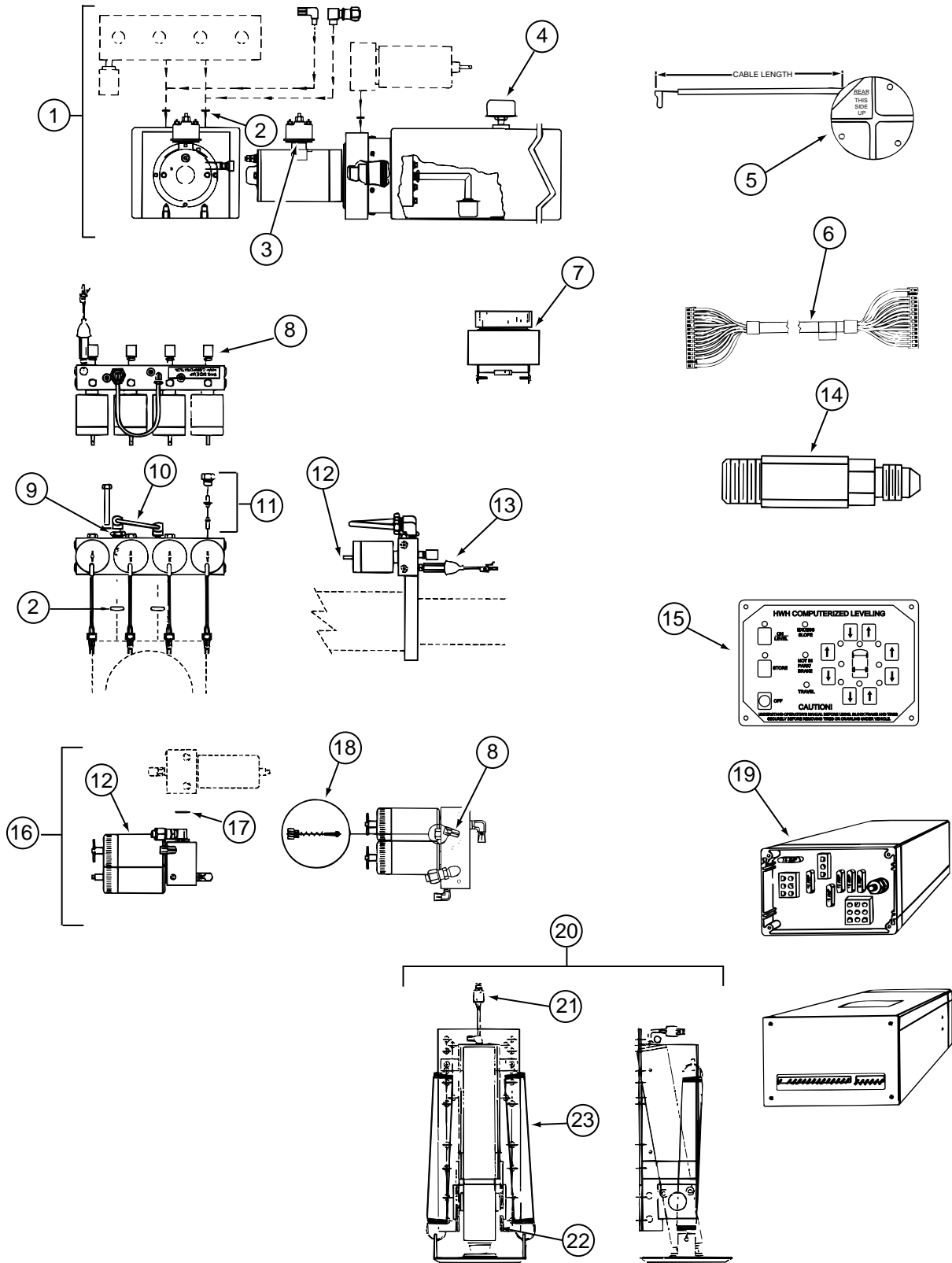


CHASSIS GROUP (CONTINUED)**HYDRAULIC LEVELING (CONTINUED)****LEVELING SYSTEM (CONTINUED)****131306-14-000 (CONTINUED)**

KEY	PART NUMBER	U/M	DESCRIPTION	VENDOR NO.	
	131306-14-000	EA	LEVELING SYSTEM - FREIGHTLINER W/AIR DUMP - 310 F/SLIDE		HWH AP19660
1	100532-01-713	EA	PUMP-RESERVOIR ASM.-MONARCH	RAP90014	
2			CONTACT WINNEBAGO PART SALES FOR THIS COMPONENT		
3	100532-09-710	EA	SOLENOID-INTERMITENT DUTY	RAP0533	
4	100532-03-715	EA	CAP-BREATHER W/DIPSTICK	RAP7876	
5	100532-12-703	EA	SENSING UINT BI-AXIS-27'	RAP6800	
6	131306-13-701	EA	CABLE - 7' - CONTROL PANEL	RAP90679/AP19550	
7	100532-32-703	EA	BUZZER - JACK WARNING	RAP90403	
7	100532-32-704	EA	CHIME - JACK WARNING	RAP90681/AP19812	
8	100532-03-722	EA	O-RING KIT	R7430	
9	100532-03-717	EA	VALVE-PRESS., RETURN SHUTTLE	RAP7964	
10	100532-03-719	EA	TUBE ASM. (SHORT SHUTTLE)	RAP8088	
10	100532-03-723	EA	O-RING/SEAL KIT	RAP9171	
11	100532-03-721	EA	VALVE-CHECK KIT (SGL)	RAP7944	
12	100532-09-704	EA	VALVE-PRESSURE SOLENOID	RAP0642	
13	131306-11-704	EA	PRESSURE SWITCH - 50 PSI	RAP2082	
14	131306-09-701	EA	VELOCITY VALVE - SINGLE	RAP90279/AP11578	
14	131306-11-703	EA	PUMP/TANK/MANIFOLD ASM.	AP19561	
15	131306-13-700	EA	TOUCH PANEL-310 W/AIR DUMP	RAP90680/AP20007	
16	131306-09-700	EA	VELOCITY VALVE ASM.W/4 VALVE	RAP90280	
17	100532-31-702	EA	O-RING/SEAL KIT - MANIFOLD	RAP90127	
18	100532-31-701	EA	CHECK VALVE & KIT	RAP10021	
19	131306-14-700	EA	CONTROL BOX W/AIR DUMP	RAP90536/AP17403	
20			CONTACT WINNEBAGO PART SALES FOR THIS COMPONENT		
21	100532-12-706	EA	SWITCH - WARNING/MAGNETIC	RAP1008 / RAP90496	
22	100532-16-701	EA	MANIFOLD ASM. F/SLIDE OUT	RAP1716	
23	100532-39-702	EA	CYLINDER - 9K	RAP9567	
24	131306-13-704	EA	JACK - 12K STRAIGHT ACTING	RAP90682/AP19670	
25	100532-25-702	EA	CYLINDER ONLY (12,000# JACK)	RAP9517	
	131306-13-703	EA	JACK - 9K STRAIGHT ACTING	RAP90683/AP18813	

CHASSIS GROUP (CONTINUED)

HYDRAULIC LEVELING (CONTINUED)

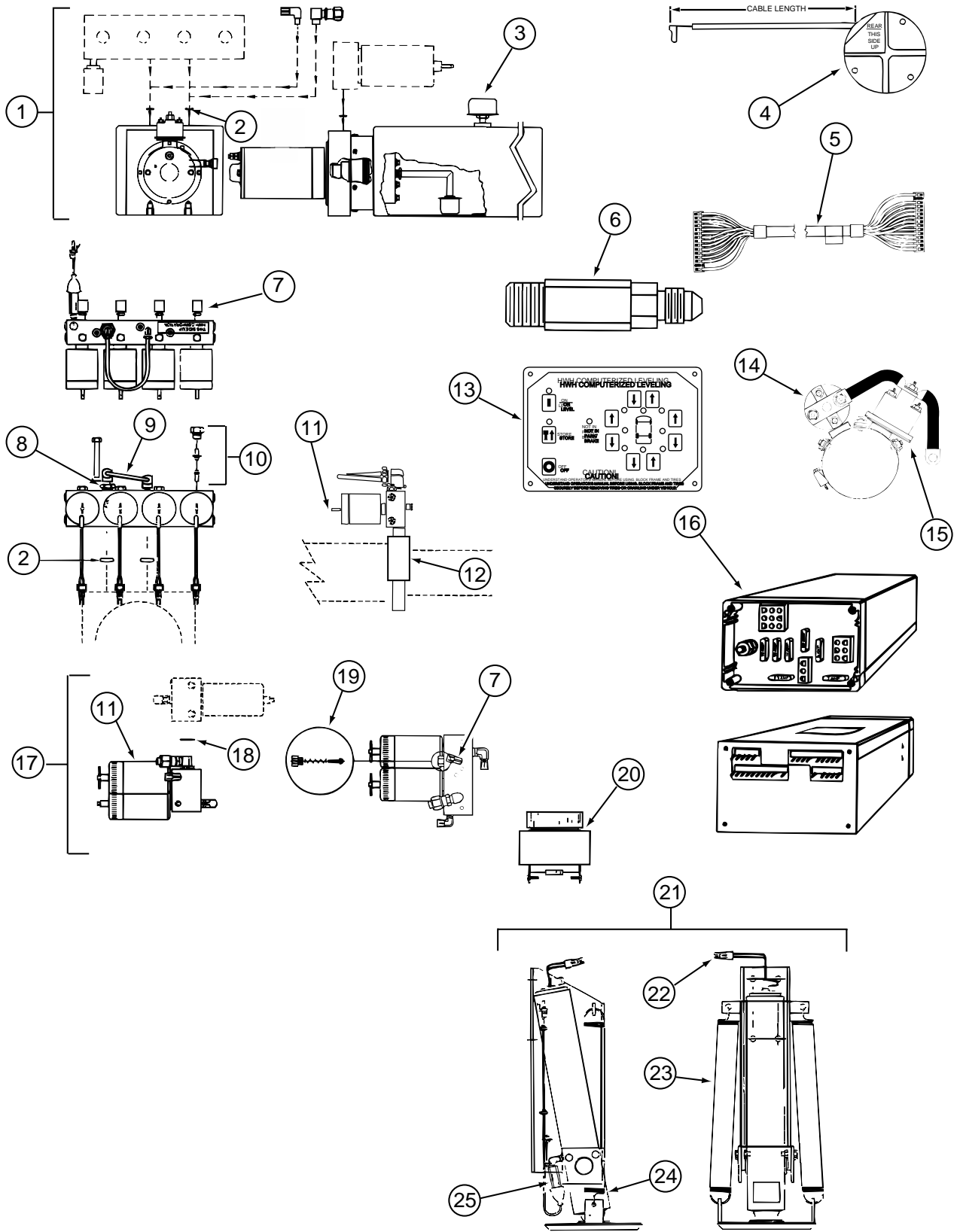


CHASSIS GROUP (CONTINUED)**HYDRAULIC LEVELING (CONTINUED)****LEVELING SYSTEM (CONTINUED)****131306-15-000 (CONTINUED)**

KEY	PART NUMBER	U/M	DESCRIPTION	VENDOR NO.
	131306-15-000	EA	LEVELING SYSTEM - WORKHORSE - 310 F/SLIDEOUT	HWH AP19810
1	100532-01-713	EA	PUMP-RESERVOIR ASM.-MONARCH	RAP90014/AP2260
2	100532-03-723	EA	O-RING/SEAL KIT	RAP9171
3	100532-09-710	EA	SOLENOID-INTERMITENT DUTY	RAP0533
4	100532-03-715	EA	CAP-BREATHER W/DIPSTICK	RAP7876
5	100532-12-703	EA	SENSING UINT BI-AXIS-27'	RAP6800
6	131306-11-702	EA	CONTROL CABLE-12'-310 SYSTEM	RAP90047/AP10619
7	100532-32-703	EA	BUZZER - JACK WARNING	RAP90403
7	100532-32-704	EA	CHIME - JACK WARNING	RAP90681/AP19812
8	100532-03-722	EA	O-RING KIT	R7430
9	100532-03-717	EA	VALVE-PRESS., RETURN SHUTTLE	RAP7964
10	100532-03-719	EA	TUBE ASM. (SHORT SHUTTLE)	RAP8088
11	100532-03-721	EA	VALVE-CHECK KIT (SGL)	RAP7944
12	100532-09-704	EA	VALVE-PRESSURE SOLENOID	RAP0642
13	131306-11-704	EA	PRESSURE SWITCH - 50 PSI	RAP2082
14	131306-09-700	EA	VELOCITY VALVE ASM.W/4 VALVE	RAP90280
14	131306-09-701	EA	VELOCITY VALVE - SINGLE	RAP90279/AP11578
15	131306-12-700	EA	TOUCH PANEL - 310	RAP90056/AP10215
16	100532-16-701	EA	MANIFOLD ASM. F/SLIDE OUT	RAP1716
17	100532-31-702	EA	O-RING/SEAL KIT - MANIFOLD	RAP90127
18	100532-31-701	EA	CHECK VALVE & KIT	RAP10021
19	131306-11-701	EA	CONTROL BOX - 310 SYSTEM	RAP90019/AP10086
20	100532-18-700	EA	JACK - 9K STRAIGHT ACTING	RAP90177
21	100532-12-706	EA	SWITCH - WARNING/MAGNETIC	RAP1008 / RAP90496
22	100532-32-702	EA	CYLINDER ONLY F/9000 LB JACK	RAP1927
23	100532-12-707	EA	SPRING KIT	R3847
	100532-45-700	EA	CYLINDER W/O FOOT - 6K X 13"	RAP90490
	131306-02-700	EA	FOOT - 6K JACK	RAP2004
	131306-11-703	EA	PUMP/TANK/MANIFOLD ASM.	AP19561

CHASSIS GROUP (CONTINUED)

HYDRAULIC LEVELING (CONTINUED)

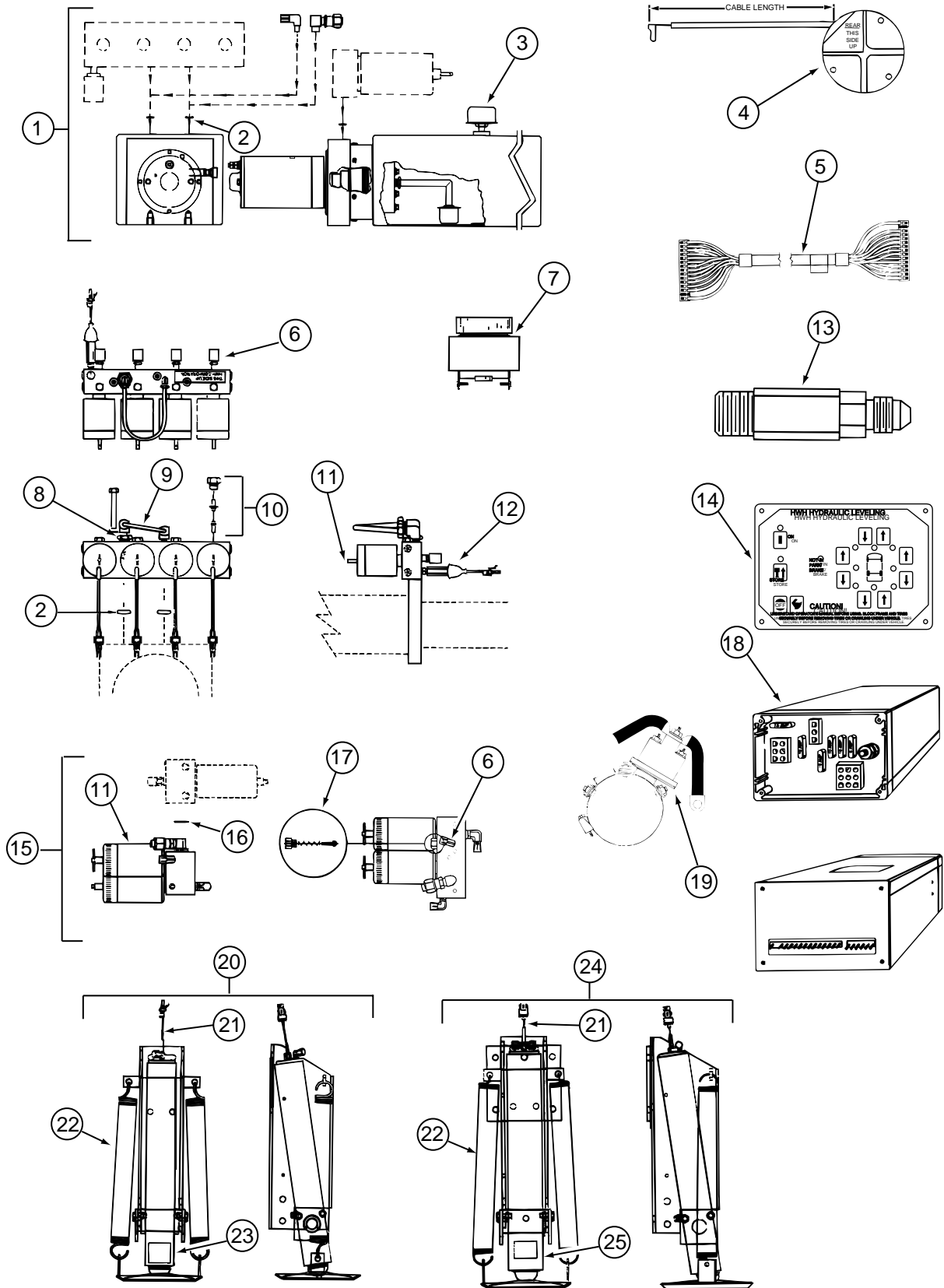


CHASSIS GROUP (CONTINUED)**HYDRAULIC LEVELING (CONTINUED)****LEVELING SYSTEM (CONTINUED)****131306-16-000 (CONTINUED)**

KEY	PART NUMBER	U/M	DESCRIPTION	VENDOR NO.	
	131306-16-000	EA	LEVELING SYSTEM - 610 W/AIR DUMP - F/SLIDEOUT - SPARTAN		HWH AP19866
1	100532-01-713	EA	PUMP-RESERVOIR ASM.-MONARCH	RAP90014/AP2260	
2	100532-03-723	EA	O-RING/SEAL KIT	RAP9171	
3	100532-03-715	EA	CAP-BREATHER W/DIPSTICK	RAP7876	
4	100532-12-703	EA	SENSING UINT BI-AXIS-27'	RAP6800	
5	100532-49-702	EA	CABLE - 10' F/610 SYSTEM	RAP90528	
6	131306-09-700	EA	VELOCITY VALVE ASM.W/4 VALVE	RAP90280	
6	131306-09-701	EA	VELOCITY VALVE - SINGLE	RAP90279/AP11578	
7	100532-03-722	EA	O-RING KIT	R7430	
8	100532-03-717	EA	VALVE-PRESS., RETURN SHUTTLE	RAP7964	
9	100532-03-719	EA	TUBE ASM. (SHORT SHUTTLE)	RAP8088	
10	100532-03-721	EA	VALVE-CHECK KIT (SGL)	RAP7944	
11	100532-09-704	EA	VALVE-PRESSURE SOLENOID	RAP0642	
12	100532-09-705	EA	SWITCH-PRESS - W/HEAD -3000#	RAP0993	
13	107889-03-700	EA	PANEL-TOUCH	RAP1088	
14	100532-03-716	EA	SOLENOID-CONTINUOUS DUTY	RAP7505	
15	100532-09-710	EA	SOLENOID-INTERMITENT DUTY	RAP0533	
16	100532-34-700	EA	CONTROL BOX - 610 W/AIR DMP	RAP90304	
17	100532-16-701	EA	MANIFOLD ASM. F/SLIDE OUT	RAP1716	
18	100532-31-702	EA	O-RING/SEAL KIT - MANIFOLD	RAP90127	
19	100532-31-701	EA	CHECK VALVE & KIT	RAP10021	
20	100532-32-704	EA	CHIME - JACK WARNING	RAP90681/AP19812	
21	100532-25-701	EA	JACK-12K REAR W/SWITCHES	RAP90174	
22	100532-12-706	EA	SWITCH - WARNING/MAGNETIC	RAP1008 / RAP90496	
23	100532-12-707	EA	SPRING KIT	R3847	
24	100532-25-702	EA	CYLINDER ONLY (12,000# JACK	RAP9517	
25	100532-03-726	EA	SWITCH - PRESSURE	RAP8003	
	100532-09-702	EA	CABLE-MODULAR 5'	RAP1020	
	131306-16-700	EA	PUMP/TANK/MANIFOLD-610/1 RM	AP18196	

CHASSIS GROUP (CONTINUED)

HYDRAULIC LEVELING (CONTINUED)



CHASSIS GROUP (CONTINUED)

HYDRAULIC LEVELING (CONTINUED)

LEVELING SYSTEM (CONTINUED)

131306-17-000 (CONTINUED)

KEY	PART NUMBER	U/M	DESCRIPTION	VENDOR NO.	
	131306-17-000	EA	LEVELING SYSTEM - 310 W/AIR DUMP - F/SLIDEOUT ROOM - FL		HWH AP20245
1	100532-01-713	EA	PUMP-RESERVOIR ASM.-MONARCH	RAP90014/AP2260	
2	100532-03-723	EA	O-RING/SEAL KIT	RAP9171	
3	100532-03-715	EA	CAP-BREATHER W/DIPSTICK	RAP7876	
4	100532-12-703	EA	SENSING UINT BI-AXIS-27'	RAP6800	
5	131306-13-701	EA	CABLE - 7' - CONTROL PANEL	RAP90679/AP19550	
6	100532-03-722	EA	O-RING KIT	R7430	
7	100532-32-704	EA	CHIME - JACK WARNING	RAP90681/AP19812	
8	100532-03-717	EA	VALVE-PRESS., RETURN SHUTTLE	RAP7964	
9	100532-03-719	EA	TUBE ASM. (SHORT SHUTTLE)	RAP8088	
10	100532-03-721	EA	VALVE-CHECK KIT (SGL)	RAP7944	
11	100532-09-704	EA	VALVE-PRESSURE SOLENOID	RAP0642	
12	131306-11-704	EA	PRESSURE SWITCH - 50 PSI	RAP2082	
13	131306-09-700	EA	VELOCITY VALVE ASM.W/4 VALVE	RAP90280	
13	131306-09-701	EA	VELOCITY VALVE - SINGLE	RAP90279/AP11578	
14	131306-13-700	EA	TOUCH PANEL-310 W/AIR DUMP	RAP90680/AP20007	
15	100532-16-701	EA	MANIFOLD ASM. F/SLIDE OUT	RAP1716	
16	100532-31-702	EA	O-RING/SEAL KIT - MANIFOLD	RAP90127	
17	100532-31-701	EA	CHECK VALVE & KIT	RAP10021	
18	131306-14-700	EA	CONTROL BOX W/AIR DUMP	RAP90536/AP17403	
19	100532-09-710	EA	SOLENOID-INTERMITENT DUTY	RAP0533	
20	131306-13-703	EA	JACK - 9K STRAIGHT ACTING	RAP90683/AP18813	
21	100532-12-706	EA	SWITCH - WARNING/MAGNETIC	RAP1008 / RAP90496	
22	100532-12-707	EA	SPRING KIT	R3847	
23	100532-39-702	EA	CYLINDER - 9K	RAP9567	
24	131306-13-704	EA	JACK - 12K STRAIGHT ACTING	RAP90682/AP19670	
25	100532-25-702	EA	CYLINDER ONLY (12,000# JACK)	RAP9517	
	131306-11-703	EA	PUMP/TANK/MANIFOLD ASM.	AP19561	

CHASSIS GROUP (CONTINUED)

SUSPENSION AIR SPRING 100293-03-000

KEY	PART NUMBER	U/M	DESCRIPTION	VENDOR NO.
	100293-03-000	EA	AIR SPRING KIT - VW H-BODY	3-T'S T-9W-2
	100293-03-700	EA	BAG - PRECHARGED KIT LT. VW	RK-W2L
	100293-03-701	EA	BAG - PRECHARGED KIT RT. VW	RK-W2R

AIR SPRING (CONTINUED) 106067-03-000

KEY	PART NUMBER	U/M	DESCRIPTION	VENDOR NO.
	106067-03-000	EA	AIRSPRING - 4" DIA.TWIN BAG - '92 & NEWER FORD E350 C-BODY	3-T'S #T-9FH3 POS
	106067-03-700	EA	AIR BAG REPL. KIT (2 BAGS)	RK-FH3 FORD

AIR SPRING (CONTINUED) 113674-01-000

KEY	PART NUMBER	U/M	DESCRIPTION
	113674-01-000	EA	AIRSPRING - AIR BAG KIT - FORD 450 SUPER DUTY CHASSIS
	084086-01-701	EA	TUBING,DOT 1/4"X22'
	084086-01-705	EA	PROTECTOR-TUBING
	084086-04-703	EA	BRASS ELBOW
	084086-05-704	EA	BRACKET CLAMP
	084086-05-706	EA	VALVE-INFLATION,PUSH TO CONN
	135674-01-700	EA	AIR SPRING
	135674-01-701	EA	BRACKET - UPPER/RT & LT
	135674-01-702	EA	BRACKET - LOWER/RT & LT
	135674-01-703	EA	STRAP/SHIM - F/BRACKET

CHASSIS GROUP (CONTINUED)
SUSPENSION (CONTINUED)

SHOCKS
112033-02-000

KEY	PART NUMBER	U/M	DESCRIPTION	VENDOR NO.
	112033-02-000	EA	SHOCK ABSORBER - REAR VW H-BODY - NEW DESIGN	
	112033-02-700	EA	SHOCK ABSORBER RR(PAIRS ONLY)	

SHOCKS (CONTINUED)
122756-02-000

KEY	PART NUMBER	U/M	DESCRIPTION	VENDOR NO.
	122756-02-000	EA	SHOCK AND STABILIZER (BLUE BOOT) KIT - FRONT END P30 CHASS 3-T'S T818C BLUE	
	122756-02-700	EA	BRACKET ASM - DRIVER SIDE	T818L
	122756-02-701	EA	BRACKET ASM - PASSENGER SIDE	T818R
	122756-02-702	EA	BRACKET ONLY - DRIVER SIDE	T818L
	122756-02-703	EA	BRACKET ONLY -PASSENGER SIDE	T818R
	122756-02-704	EA	BOLT PACKAGE -BOLTS/NUTS ETC	T818B
	122756-02-705	EA	SHOCK	T818SH
	122756-02-706	EA	STUD - SHOCK MOUNTING	T818S
	122756-02-707	EA	DAMPNER - STEERING	T818SD
	122756-02-708	EA	BOOT - DAMPNER	T818SDB
	122756-02-709	EA	BUSHING PKG-STEERING DAMPNER	T818SDBSH
	122756-02-710	EA	BOLT PKG - STEERING DAMPNER	T818SBS

SHOCKS (CONTINUED)
122756-03-000

KEY	PART NUMBER	U/M	DESCRIPTION	VENDOR NO.
	122756-03-000	EA	SHOCK & STABILIZER KIT (YELLOW SHOCK) - CHEVY	3-T'S T-818-C3
	122756-02-706	EA	STUD - SHOCK MOUNTING	T818S
	122756-02-707	EA	DAMPNER - STEERING	T818SD
	122756-02-708	EA	BOOT - DAMPNER	T818SDB
	122756-02-709	EA	BUSHING PKG-STEERING DAMPNER	T818SDBSH
	122756-02-710	EA	BOLT PKG - STEERING DAMPNER	T818SBS
	122756-03-700	EA	BRACKET ASM-DRIVER SIDE	T818L-3
	122756-03-701	EA	BRACKET ASM-PASSENGER SIDE	T818R-3
	122756-03-702	EA	SHOCK	557003

SHOCKS (CONTINUED)
122756-04-000

KEY	PART NUMBER	U/M	DESCRIPTION	VENDOR NO.
	122756-04-000	EA	SHOCK & STABILIZER KIT - WORKHORSE/WIDE BODY CHASSIS	3-T'S T-818W-2
	122756-04-700	EA	BRACKET ASSEMBLY - DRIVER	T818L-WW
	122756-04-701	EA	BRACKET ASSEMBLY - PASSENGER	T818R-WW
	122756-04-702	EA	BOLT PACKAGE KIT	T818B-WW

CHASSIS GROUP (CONTINUED)

WHEEL, TIRE, COVERS &/OR LINERS COVER

109443-05-000

KEY	PART NUMBER	U/M	DESCRIPTION	VENDOR NO.
	109443-05-000	EA	WHEEL COVER - 4/SET - 16" STAINLESS STEEL	DICOR SHFM16
	098532-01-700	EA	COVER-LUG NUT (CHROME)	SHAU-LNC
	109443-05-700	EA	COVER-WHEEL, 16" SS EA=1	SHFM16-CVR

COVER (CONTINUED)

109443-06-000

KEY	PART NUMBER	U/M	DESCRIPTION	VENDOR NO.
	109443-06-000	EA	WHEEL COVER - 4/SET - 19.5"	
	109443-01-700	EA	COVER-WHEEL 19.5 FRT/RR EA=1	SHAG95
	109443-01-701	EA	BRACKET-RET FRT 1EA=1 SET	SHAG95-FBS
	109443-01-703	EA	CAP-CENTER, HUB - DICOR	SHAU95-CAP
	109443-01-704	EA	CLIP-RETAINER	V160GM-PNT
	109443-06-701	EA	BRACKET-RET RR 1EA=1 SET	SHG795-RBS

COVER (CONTINUED)

109443-07-000

KEY	PART NUMBER	U/M	DESCRIPTION	VENDOR NO.
	109443-07-000	EA	WHEEL COVER - 4/SET - 19.5"	
	098532-01-700	EA	COVER-LUG NUT (CHROME)	SHAU-LNC
	109443-01-703	EA	CAP-CENTER, HUB - DICOR	SHAU95-CAP
	109443-07-700	EA	COVER/WHEEL-FRONT/REAR 8 LUG	SHAF95-COV
	109443-07-701	EA	BRACKET SET FRT 1 EA=1SET	SHAF95-FBS
	109443-07-702	EA	BRACKET SET REAR 1EA=1 SET	SHAF95-RBS

LINER

091209-05-000

KEY	PART NUMBER	U/M	DESCRIPTION	VENDOR NO.
	091209-05-000	EA	LINER - WHEEL - SET OF 4 - 16" - STAINLESS STEEL KPRII 1604-88-UE	
	091209-03-702	EA	COVER-AXLE, FRONT, 8 LUG	64UE
	091209-03-703	EA	COVER-AXLE, REAR, 8 LUG	65UE
	091209-03-704	EA	RING-SNAP	00
	091209-05-700	EA	LINER-WHEEL, FRONT	57-88 KAPER
	091209-05-701	EA	LINER-WHEEL, REAR	58-88

LINER (CONTINUED)

110435-05-000

KEY	PART NUMBER	U/M	DESCRIPTION	VENDOR NO.
	110435-05-000	EA	LINER - WHEEL - SET/4 - 22.5"	DICOR V22508(OL)
	110435-04-705	EA	DECAL-CTR HUB 2 3/4" DIAMOND	2 3/4 DECAL DIAMOND
	110435-05-700	EA	CAP-CENTER, POP-OUT 4 1/2"	V22510-POC
	110435-05-701	EA	LINER - WHEEL - FRONT	V22508-FWC
	110435-05-702	EA	COVER-HUB, FRONT	V22508-FHC
	110435-05-703	EA	LINER - WHEEL - REAR	V22508-RWC
	110435-05-704	EA	COVER-HUB, REAR	V22508-RHC
	110435-05-705	EA	STUD EXTENDER-3/4"RIGHT HAND	N980-STX
	110435-05-710	EA	NUT-JAMB-RIGHT HAND THREAD	V22506-RJN
	110435-05-711	EA	COVER-LUG NUT	V22506-LNC
	110435-05-712	EA	TOOL INSTALLATION	V22506-TOL

CHASSIS GROUP (CONTINUED)
WHEEL, TIRE, COVERS &/OR LINERS (CONTINUED)
LINER (CONTINUED)
110435-10-000

KEY	PART NUMBER	U/M	DESCRIPTION	VENDOR NO.
	110435-10-000	EA	LINER - WHEEL - SET/4 - 19.5"	
				FROM: 06-07-97 THRU: 10-25-99
	110435-01-711	EA	DECAL-CENTER CAP, 2" 2" DECAL	
	110435-10-700	EA	LINER - WHEEL - FRONT - 1 PC	V195P7-FWC
	110435-10-701	EA	LINER - WHEEL - REAR - 1 PC.	V195P7-RWC
	110435-10-702	EA	COVER-LUG NUT/STEEL JAMB NUT	V195P7-EJN
	110435-10-703	EA	STUD - PLASTIC	V195P7-PST
	110435-10-704	EA	COVER-LUG NUT/PLASTIC JB NUT	V195P7-PJN
	110435-10-705	EA	TOOL - INSTALLATION	V195P7-TOL

LINER (CONTINUED)
110435-13-000

KEY	PART NUMBER	U/M	DESCRIPTION	VENDOR NO.
	110435-13-000	EA	LINER - WHEEL - SET OF 4 - 16" (8 HOLE) DICOR	V160F7
	110435-01-711	EA	DECAL-CENTER CAP, 2"	2" DECAL
	110435-10-705	EA	TOOL - INSTALLATION	V195P7-TOL
	110435-13-700	EA	LINER - WHEEL - FRONT	V160F7-FWC
	110435-13-701	EA	LINER - WHEEL - REAR	V160F7-RWC
	110435-13-702	EA	COVER-LUG NUT W/JAMB NUT FT	V160F7-EJN

LINER (CONTINUED)
110435-14-000

KEY	PART NUMBER	U/M	DESCRIPTION	VENDOR NO.
	110435-14-000	EA	LINER - WHEEL SET/4 - 19.5"	
	110435-04-705	EA	DECAL-CTR HUB 2 3/4" DIAMOND 2 3/4 DECAL DIAMOND	
	110435-10-705	EA	TOOL - INSTALLATION	V195P7-TOL
	110435-14-700	EA	LINER - WHEEL - FRONT	V195F96-FWC
	110435-14-701	EA	LINER - WHEEL - REAR	V195F96-RWC
	110435-15-702	EA	COVER LUG NUT/JAMB NUT - 14M	V195F9-EJN

LINER (CONTINUED)
110435-15-000

KEY	PART NUMBER	U/M	DESCRIPTION	VENDOR NO.
	110435-15-000	EA	LINER - WHEEL SET/4 - 19.5"	
	110435-04-705	EA	DECAL-CTR HUB 2 3/4" DIAMOND 2 3/4 DECAL DIAMOND	
	110435-10-705	EA	TOOL - INSTALLATION	V195P7-TOL
	110435-15-700	EA	LINER - WHEEL - FRONT	V195F9-FWC
	110435-15-701	EA	LINER - WHEEL - REAR	V195F9-RWC
	110435-15-702	EA	COVER LUG NUT/JAMB NUT - 14M	V195F9-EJN

LINER (CONTINUED)
110435-17-000

KEY	PART NUMBER	U/M	DESCRIPTION	VENDOR NO.
	110435-17-000	EA	LINER - WHEEL - SET/4 - 22.5" - 10 BOLT	DICOR V22515(10BLT
	110435-04-705	EA	DECAL-CTR HUB 2 3/4" DIAMO	2 3/4 DECAL DIAMOND
	110435-05-700	EA	CAP-CENTER, POP-OUT 4 1/2"	V22510-POC
	110435-05-710	EA	NUT-JAMB-RIGHT HAND THREAD	V22506-RJN
	110435-05-711	EA	COVER-LUG NUT	V22506-LNC
	110435-05-712	EA	TOOL INSTALLATION	V22506-TOL
	110435-17-700	EA	LINER - WHEEL - FRONT	V22515-FWC
	110435-17-701	EA	COVER - HUB - FRONT	V22510-FHC
	110435-17-702	EA	LINER - WHEEL - REAR	V22515-RWC
	110435-17-703	EA	COVER - HUB - REAR	V22510-RHC
	110435-17-704	EA	STUD EXTENDER - 22MM	V22582-STX

CHASSIS GROUP (CONTINUED)
WHEEL, TIRE, COVERS &/OR LINERS (CONTINUED)
LINER (CONTINUED)
134609-01-000

KEY	PART NUMBER	U/M	DESCRIPTION	VENDOR NO.	
	134609-01-000	EA	LINER - WHEEL - SET OF 4 - 19.5" P30 WORKHORSE CHASSIS		KAPER 19-4ULT10
	134609-01-700	EA	LINER/SIMULATOR - FRONT	S-900	
	134609-01-701	EA	LINER/SIMULATOR - REAR	S-901	
	134609-01-702	EA	LUG/JAM NUT COVER TALL/REAR	L-250	
	134609-01-703	EA	LUG/JAM NUT CVR SHORT/FRONT	L-251	
	134609-01-704	EA	LUG/JAM NUT CVR-PLASTIC	L-252	
	134609-01-705	EA	EXTENDER - PLASTIC	L-253	

CURTAIN & CUSHION GROUP

BUCKET SEATS POWER SEAT 081373-03-000

KEY	PART NUMBER	U/M	DESCRIPTION	VENDOR NO.
	081373-03-000	EA	SEAT - POWER 6 WAY	
	081373-02-703	EA	MOTOR PKG. ADJ. HORIZONTAL	22063237 & H-195
	081373-02-704	EA	MOTOR PKG. ADJ. VERTICAL	22063238 & H-196
	081373-03-700	EA	SWITCH POWER	22137945
	081373-03-701	EA	WIRE HARNESS ASM., LT. SIDE	22138093
	081373-03-702	EA	WIRE HARNESS ASM., RT. SIDE	22138094
	081373-03-700	EA	SWITCH POWER	22137945
	081373-03-704	EA	DRIVE CABLE	22143984
	081373-03-705	EA	SPRING	22048978
	081373-03-706	EA	SHOE GUIDE (WHITE)	22048993
	081373-03-707	EA	SHOE GUIDE (BLACK)	22048994

HARDWARE BLIND END CAP 094907-04-000

KEY	PART NUMBER	U/M	DESCRIPTION	VENDOR NO.
	094907-04-000	EA	END CAP - BOTTOM/PLEATED BLIND (RH & LH)	
	094907-04-700	EA	END CAP-RH BOTTOM BLIND	
	094907-04-701	EA	END CAP-LH BOTTOM BLIND	

BLIND END CAP (CONTINUED) 094907-05-000

KEY	PART NUMBER	U/M	DESCRIPTION	VENDOR NO.
	094907-05-000	EA	END CAP - BOTTOM/PLEATED BLIND - PULL TYPE - PLASTIC	
	094907-05-700	EA	END CAP-RH BOTTOM BLIND	PART SALES
	094907-05-701	EA	END CAP-LH BOTTOM BLIND	PART SALES

SPRING-REWIND 084433-01-000 & 084433-02-000

KEY	PART NUMBER	U/M	DESCRIPTION	VENDOR NO.
	084433-01-700	EA	SPRING-REWIND, ROLLER SHADE	

ACCESSORIES SEAT BELT/SHOULDER HARNESS 091990-04-01A

KEY	PART NUMBER	U/M	DESCRIPTION	VENDOR NO.
	091990-04-01A	EA	SEAT BELT/SHOULDER HARNESS - DRIVERS/PASSENGER - BLACK	INTERTEK A8408
	091990-01-701	EA	EXTENDER 9" FOR A8408 3 PT	I-1331-02
	091990-05-700	EA	SLEEVE/BUCKLE COVER-PLASTIC	209S-2
	091990-05-701	EA	CAP/COVER - BOLT HOLE COVER	209SC-02
	091990-05-702	EA	SLEEVE/RETRACTABLE COVER	309C-02
	091990-05-703	EA	EXTENDER 12"	I-1442-02

**DRIVERS COMPARTMENT GROUP
FRONT INTERIOR**

**BUNK LADDER
106025-02-01A & 106025-03-01A**

KEY	PART NUMBER	U/M	DESCRIPTION	VENDOR NO.
	106025-02-01A	EA	LADDER - BUNK - 52"	
	106025-01-700	EA	BRACKET SET-F/BUNK LADDER	

ELECTRICAL GROUP

LIGHTS EXTERIOR 008089-02-000

KEY	PART NUMBER	U/M	DESCRIPTION	VENDOR NO.
	008089-02-000	EA	LIGHT - PORCH - RECESSED - CANADIAN	
	008089-01-700	EA	LENS-LIGHT,RECESSED,PORCH DECO	

EXTERIOR (CONTINUED) 081638-01-000

KEY	PART NUMBER	U/M	DESCRIPTION	VENDOR NO.
	081638-01-000	EA	TAILLIGHT/DOUBLE W/BLACK TRIM - DRIVER/PASSENGER SIDE	BARGMAN 30-84-008
	081638-01-700	EA	LENS-TAILLIGHT, RED	30-84-010
	081638-01-701	EA	LENS-TAILLIGHT, W/BACKUP	30-84-700

EXTERIOR (CONTINUED) 097917-01-06A

KEY	PART NUMBER	U/M	DESCRIPTION	VENDOR NO.
	097917-01-06A	EA	LIGHT - PORCH - BRIGHT WHITE	
	097917-01-700	EA	LENS-LIGHT, CLEAR	30-78-021

INTERIOR 086280-01-000

KEY	PART NUMBER	U/M	DESCRIPTION	VENDOR NO.
	086280-01-000	EA	LIGHT - SURFACE MOUNT - 12 VOLT	JENSEN 1236
	086280-01-700	EA	BULB,12V	ARP1089

INTERIOR (CONTINUED) 087694-01-000

KEY	PART NUMBER	U/M	DESCRIPTION	VENDOR NO.
	087694-01-000	EA	LIGHT - WARDROBE/CLOSET - W/SWITCH	
	087694-01-700	EA	BULB	GE561

INTERIOR (CONTINUED) 091937-05-000

KEY	PART NUMBER	U/M	DESCRIPTION	VENDOR NO.
	091937-05-000	EA	LIGHT - FLUORESCENT - 12V/16 WATT - 15" LONG - THIN LITE	THIN LITE 732
	091937-01-700	EA	BULB-FLUORESCENT,12"	F8T5/CW
	091937-01-701	EA	LENS-LIGHT, FLUORESCENT	

INTERIOR (CONTINUED) 093575-11101A

KEY	PART NUMBER	U/M	DESCRIPTION	VENDOR NO.
	093575-11-01A	EA	LIGHT - CEILING - TRIPLE - BRASS - UL/CSA	
	093575-11-700	EA	GLOBE-CLEAR/FROST	9026-DIAMOND GLASS

FROM: 00-00-00 THRU: 06-13-99

INTERIOR (CONTINUED) 098024-01-03A

KEY	PART NUMBER	U/M	DESCRIPTION	VENDOR NO.
	098024-01-03A	EA	LIGHT - DOME - 1 BULB - WHITE	
	098024-01-700	EA	LENS-LIGHT	807877

ELECTRICAL GROUP (CONTINUED)

LIGHTS (CONTINUED) INTERIOR (CONTINUED) 098024-01-04A

KEY	PART NUMBER	U/M	DESCRIPTION	VENDOR NO.
	098024-01-04A	EA	LIGHT - DOME - 1 BULB - SKYLITE - GRAY	PD 771HF
	098024-01-701	EA	LENS - OPTI CLEAR - SKYLITE	809902

INTERIOR (CONTINUED) 098024-03-02A

KEY	PART NUMBER	U/M	DESCRIPTION	VENDOR NO.
	098024-03-02A	EA	LIGHT - DOME - 2 BULB - WHITE	
	098024 01 700	EA	LENS-LIGHT	807877

INTERIOR (CONTINUED) 098024-05-02A

KEY	PART NUMBER	U/M	DESCRIPTION	VENDOR NO.
	098024-05-02A	EA	LIGHT - DOME - 1 BULB - SKYLITE/OPTI CLEAR	
	098024-01-701	EA	LENS - OPTI CLEAR - SKYLITE	809902

INTERIOR (CONTINUED) 098024-06-02A

KEY	PART NUMBER	U/M	DESCRIPTION	VENDOR NO.
	098024-06-02A	EA	LIGHT - DOME - 2 BULB - SKYLITE/OPTI CLEAR	PD 772WR US/CSA
	098024-01-701	EA	LENS - OPTI CLEAR - SKYLITE	809902

INTERIOR (CONTINUED) 108354-01-01A

KEY	PART NUMBER	U/M	DESCRIPTION	VENDOR NO.
	108354-01-01A	EA	LIGHT - COURTESY	
	108354-01-700	EA	BULB-COURTESY LIGHT	395-B

INTERIOR (CONTINUED) 110235-01-01A

KEY	PART NUMBER	U/M	DESCRIPTION	VENDOR NO
	110235-01-01A	EA	LIGHT - MAKE UP - 3 BULB - 12 VOLT	
	081633-01-700	EA	BULB-LIGHT, MAKE-UP	RP1041

INTERIOR (CONTINUED) 110235-02-01A

KEY	PART NUMBER	U/M	DESCRIPTION	VENDOR NO.
	110235-02-01A	EA	LIGHT - MAKE UP - 4 BULB PANLESS	
	081633-01-700	EA	BULB-LIGHT, MAKE-UP	RP1041

INTERIOR (CONTINUED) 119258-02-01A & 119258-05-01A

KEY	PART NUMBER	U/M	DESCRIPTION	VENDOR NO.
	119258-02-01A	EA	LAMP - WALL	53-503XK7YZ
	119258-01-700	EA	FINIAL (PYRAMID)	12-0322

ELECTRICAL GROUP (CONTINUED)

LIGHTS (CONTINUED) INTERIOR (CONTINUED) 121935-01-01A

KEY	PART NUMBER	U/M	DESCRIPTION	VENDOR NO.
	121935-01-01A	EA	LIGHT - DOME - SHOWER	
	121935-01-700	EA	LENS ONLY	809511

INTERIOR (CONTINUED) 123774-01-01A

KEY	PART NUMBER	U/M	DESCRIPTION	VENDOR NO
	123774-01-01A	EA	LIGHT - MAKE UP - 4 BULB	
	123774-01-700	EA	BULB - MAKEUP LIGHT/CLEAR	719019C CLEAR
	123774-01-701	EA	BULB - MAKEUP LIGHT/FROSTED	719019F FROSTED

INTERIOR (CONTINUED) 123775-01-01A

KEY	PART NUMBER	U/M	DESCRIPTION	VENDOR NO
	123775-01-01A	EA	LIGHT - HALOGEN - ROUND	GUSTAFSON 99-9112X
	123775-01-700	EA	BULB - 10 WATT - HALOGEN	71-JC10
	123775-01-701	EA	BEZEL/LENS - RECESSED LIGHT	

CONVERTER. INVERTER, LOAD CENTER CONTROL CENTER

093257-02-000

KEY	PART NUMBER	U/M	DESCRIPTION	VENDOR NO.
	093257-02-000	EA	CONTROL CENTER - W/O CIRCUIT BREAKERS/FUSES	B&W RV80-9
	093257-02-700	EA	GROUND BAR - 8 POINT	13507201
	093257-02-701	EA	FUSE BLOCK - DC- 11 POINT	30507060
	093257-02-702	EA	STAB ASSEMBLY - BREAKER	M91500008
	093257-02-703	EA	DEAD FRT ASM.-AC BREAKER CVR	M91500011
	093257-02-704	EA	NEUTRAL BAR ASM.W/GROUND BAR	M91500009

SWITCHES 087202-01-000

KEY	PART NUMBER	U/M	DESCRIPTION	VENDOR NO.
	087202-01-000	EA	SWITCH - 4 POSITION - W/KNOB/BEZEL - 5 TERMINAL	083-0068 SCS
	087202-01-701	EA	KNOB-SWITCH, ROTARY	062-0104
	087202-01-702	EA	PLATE F/ROTARY SWITCH	062-0105

SWITCHES (CONTINUED) 106071-04-000

KEY	PART NUMBER	U/M	DESCRIPTION	VENDOR NO.
	106071-04-000	EA	SWITCH - AUTOMATIC TRANSFER W/CONNECTION LUGS	
			FROM: 03-15-99 THRU: 99-99-99	
	106071-03-700	EA	CIRCUIT BOARD/TIME DELAY SW	TD0001

BOOTS, SOLENOIDS, RELAYS & MISC. BATTERY TRAY SLIDE

113832-02-01A

KEY	PART NUMBER	U/M	DESCRIPTION	VENDOR NO.
	113832-02-01A	EA	SLIDE - BATTERY TRAY - HEAVY DUTY	
	113832-03-01A	EA	SLIDE - BATTERY TRAY	
	113832-01-700	EA	STRAP-FLAT W/J-HOOK & LATCH	8323

EXTERIOR BODY GROUP

AIR HORN INSTLALLATION 077497-03-000

KEY	PART NUMBER	U/M	DESCRIPTION	VENDOR NO.
	077497-03-000	EA	FITTING KIT - HOSE/HOSE FITTING/AIR GAUGE - F/AUX HORN	
	077497-01-710	EA	GAUGE-AIR PRESSURE	14212S

077497-06-000

KEY	PART NUMBER	U/M	DESCRIPTION	VENDOR NO.
	077497-06-000	EA	HORN - AIR - CHROME - TWIN	
	077497-01-701	EA	SWITCH - COMPRESSOR	13940-S
	077497-01-702	EA	SWITCH - TOGGLE - W/WIRE	12949-S

077497-09-000

KEY	PART NUMBER	U/M	DESCRIPTION	VENDOR NO.
	077497-09-000	EA	TANK - AIR - SOLENOID KIT - AUXILIARY HORN	HADLEY H00751C
	077497-01-700	EA	SOLENOID-AIR TANK	550B
	077497-01-703	EA	TANK-AIR	751-N
	077497-01-709	EA	PLUNGER & SPRING F/SOLENOID	H136215

POP TOP - CANVAS

113686-01-01A

KEY	PART NUMBER	U/M	DESCRIPTION	VENDOR NO.
	113686-01-01A	EA	POP TOP - CANVAS	
	113686-01-700	EA	REPAIR KIT (CANVAS & SCREEN)	
	113686-01-701	EA	SCREEN REPLACEMENT,FRONT	
				FROM: 00-00-00THRU : 01-01-97
	113686-01-702	EA	SCREEN REPLACEMENT FRONT '97	
				FROM: 01-01-97THRU : 99-99-99

POP TOP - CANVAS (CONTINUED)

113686-02-01A

KEY	PART NUMBER	U/M	DESCRIPTION	VENDOR NO.
	113686-02-01A	EA	POP TOP - CANVAS - PIGMENT GRAY	PIGMENT GRAY
	113686-01-700	EA	REPAIR KIT (CANVAS & SCREEN)	
	113686-01-702	EA	SCREEN REPLACEMENT FRONT '97	

EXTERIOR BODY GROUP (CONTINUED)

RUNNING BOARDS

FORD

072884-27-000

KEY	PART NUMBER	U/M	DESCRIPTION	VENDOR NO.
	072884-27-000	EA	RUNNING BOARD SET - 39" - FORD - ALUMINUM	KEM K12 15539
	072884-27-700	EA	BRACKET SET 12" 92	RB2BRK/M
	072884-27-701	EA	RUNNING BOARD-FORD 39",RT<	
	072884-27-702	FT	TREAD TAPE	RB9202
	072884-27-703	EA	MUD FLAP W/HOLES, 1EA=PAIR	99171
	072884-27-704	EA	CAP-ENDS, 1EA=PAIR	99148

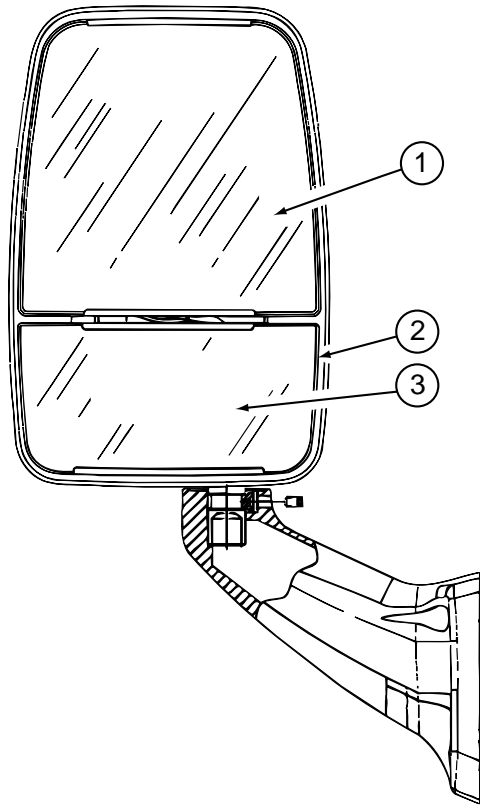
CHEVY

072884-28-000

KEY	PART NUMBER	U/M	DESCRIPTION	VENDOR NO.
	072884-28-000	EA	RUNNING BOARD SET - ALUMINUM - CHEVY CHASSIS	KEM K-12 15543
	072884-27-704	EA	CAP-ENDS, 1EA=PAIR	99148
	072884-28-700	EA	RUNNING BOARD W/BRKTS RT/LT	15543
	072884-28-701	EA	MUD FLAP - FRONT - 1EA=PAIR	99153
	072884-28-702	EA	BRACKET SET - COMPLETE	206771

EXTERIOR BODY GROUP (CONTINUED)

MIRRORS



106015-12-01A, 106015-13-01A, 106015-14-01A, & 106015-15-01A

KEY	PART NUMBER	U/M DESCRIPTION	VENDOR NO.
	106015-12-01A	EA MIRROR - EXTERIOR REMOTE/HEAT - PASSENGER VELVAC	713802
	106015-13-01A	EA MIRROR - EXTERIOR REMOTE/HEAT - DRIVER VELVAC	713801-5
	106015-14-01A	EA MIRROR - EXTERIOR ADJUSTABLE GLASS - PASSENGER VELVAC	713856
	106015-15-01A	EA MIRROR - EXTERIOR ADJUSTABLE GLASS - DRIVER VELVAC	713855-5
1	106015-12-700	EA MIRROR-FLAT-W/W/O HEAT	709448
2	119774-09-700	EA PLATE-INNER SUPT/MIRROR HEAD -PASS	709418-7RH
	119774-09-701	EA PLATE-INNER SUPT/MIRROR HEAD -DRIVER	709419-7LH
3	106015-12-701	EA MIRROR-CONVEX - W/W/O HEAT	709449
	106015-12-702	EA CAP/SCREW - (PKG OF 4) - BLK	748329 RND
	106015-12-703	EA CONVEX KIT-REBUILT/ACTUATOR	709589

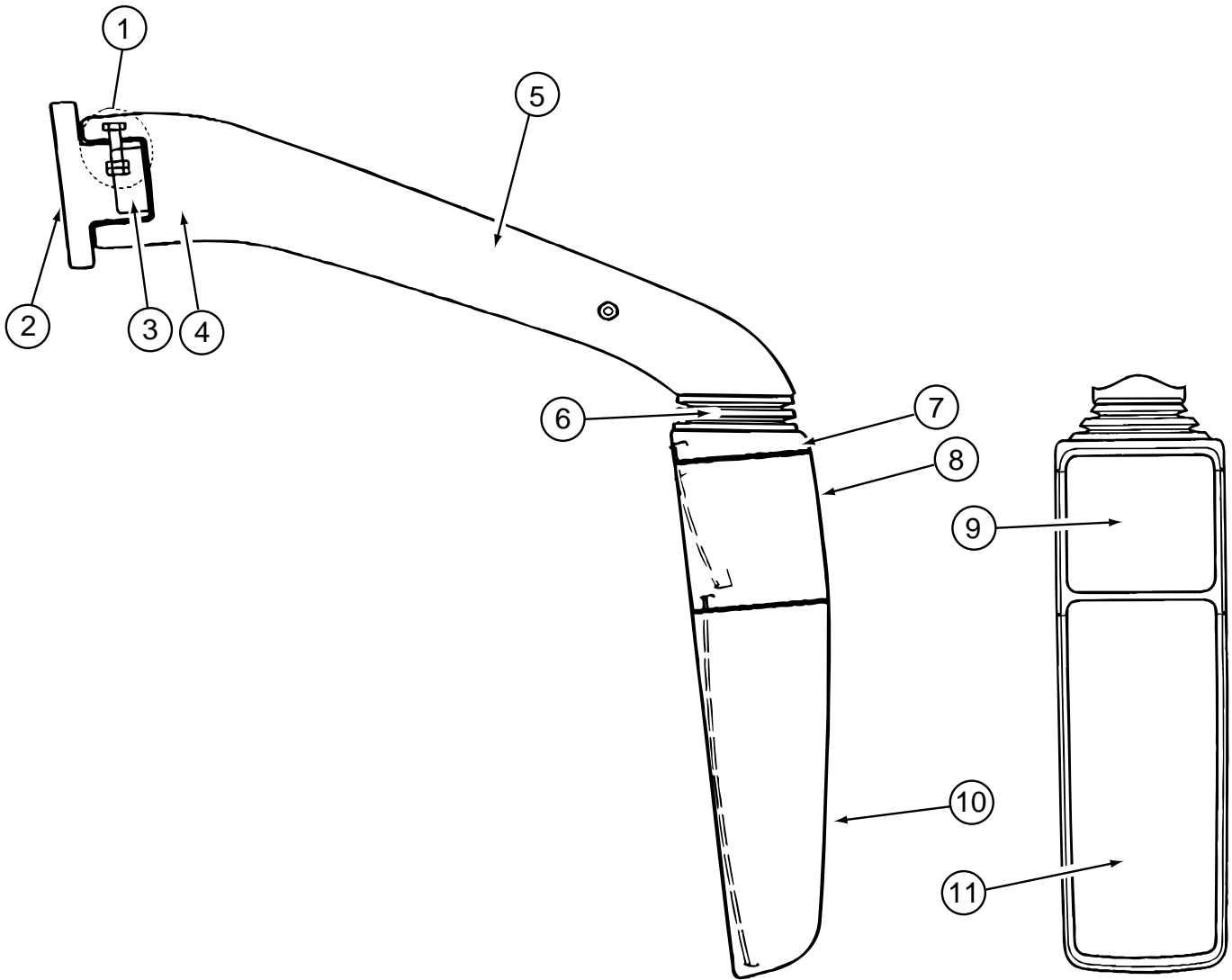
106015-16-01A & 106015-17-01A

KEY	PART NUMBER	U/M DESCRIPTION	VENDOR NO.
	106015-16-01A	EA MIRROR - EXTERIOR REMOTE/HEAT - PASSENGER VELVAC	713810
	106015-17-01A	EA MIRROR - EXTERIOR REMOTE/HEAT - DRIVER VELVAC	713811
	106015-16-700	EA GLASS-FLAT W/HEAT ELEMENT	709450
	106015-16-701	EA GLASS-CONVEX KIT	709451
	131431-01-700	EA HANDSET - CONVEX	747541-7

123297-01-01A & 123297-02-01A

KEY	PART NUMBER	U/M DESCRIPTION	VENDOR NO.
	123297-01-01A	EA MIRROR - EXTERIOR - ADJUSTABLE GLASS - DRIVER VELVAC	712825-8
	123297-02-01A	EA MIRROR - EXTERIOR - ADJUSTABLE GLASS - PASSENGER VELVAC	712826-8
	106860-02-702	EA GLASS ONLY FLAT RH/LH STAR	702086-8

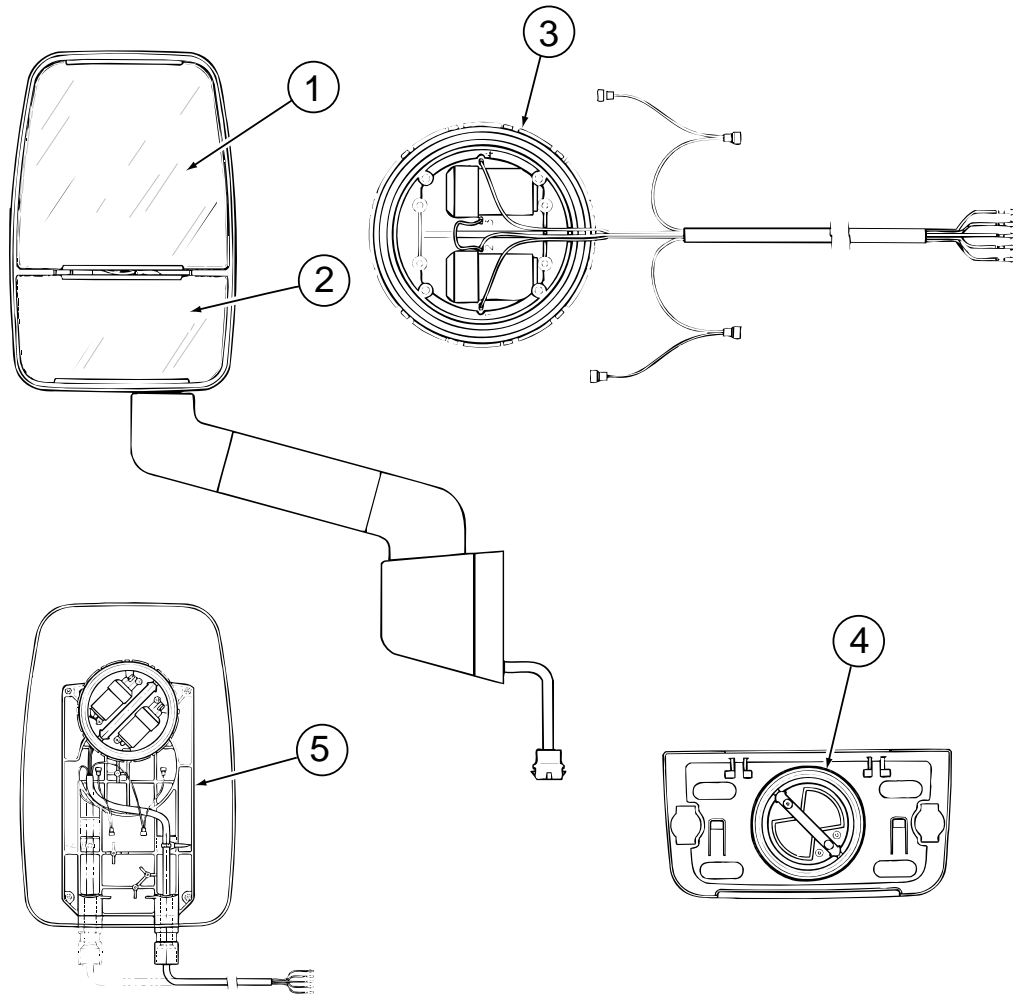
EXTERIOR BODY GROUP (CONTINUED)
MIRRORS (CONTINUED)



129656-01-01A

KEY	PART NUMBER	U/M	DESCRIPTION	VENDOR NO.
	129656-01-01A	EA	MIRROR - EXTERIOR REMOTE/HEAT - PASSENGER HELLA	8SB501246-57
	129656-02-01A	EA	MIRROR - EXTERIOR REMOTE/HEAT - DRIVER HELLA	8SB501246-51
1	129656-01-700	EA	HARDWARE-FASTENING F/HOLDER8HS	563 390-00
2	129656-01-703	EA	HOLDER ASSEMBLY	9XD 563 637-01
3	129656-01-702	EA	CAP	9HD 562 802-01
4	129656-01-701	EA	HOLDER/SUPPORT ASSEMBLY	9BP 563 482-00
5	129656-01-704	EA	COVER - F/ARM ASSEMBLY 551MM	8SB 501 246
6	129656-01-705	EA	BELLOWS	9GH 562 803-00
7	129656-01-706	EA	HOUSING-MIRROR/UPPER SUPPORT	9BG 562 812-00
8	129656-01-707	EA	HOUSING-MIRROR/CTR SUPPORT	9BG 562 813-00
9	129656-01-709	EA	MIRROR-CONVEX GLASS/CARRIER	9MX 562 846-01
10	129656-01-708	EA	HOUSING-MIRROR/LWR SUPPORT	9GB 562 814-00
11	129656-01-710	EA	MIRROR-FLAT GLASS/CARRIER -PASSENGER	9MX 562 841-05
	129656-02-700	EA	MIRROR-CONVEX -DRIVER	9MX 562 841-01

EXTERIOR BODY GROUP (CONTINUED)
MIRRORS (CONTINUED)



MIRROR (CONTINUED)
131431-03-01A & 131431-04-01A

KEY	PART NUMBER	U/M	DESCRIPTION	VENDOR NO.
	131431-03-01A	EA	MIRROR - EXTERIOR REMOTE/HEAT - PASSENGER	
	131431-04-01A	EA	MIRROR - EXTERIOR REMOTE/HEAT - DRIVER	
1	106015-12-700	EA	MIRROR-FLAT-W/W/O HEAT	709448
2	106015-12-701	EA	MIRROR-CONVEX - W/W/O HEAT	709449
3	131431-01-701	EA	MOTOR	7475400
4	119774-09-700	EA	PLATE-INNER SUPT/MIRROR HEAD - PASS	709418-7RH
	119774-09-701	EA	PLATE INNER SUPT/MIRROR HEAD - DRIVER	709419-7LH
5	131431-01-700	EA	HANDSET - CONVEX	747541-7
	106015-12-703	EA	CONVEX KIT-REBUILT/ACTUATOR	709589
	131431-01-702	EA	KIT(SCREW COVER)ROUND & OVAL	748345

MIRROR (CONTINUED)
131431-05-01A

KEY	PART NUMBER	U/M	DESCRIPTION	VENDOR NO.
	131431-05-01A	EA	MIRROR - EXTERIOR REMOTE/PASSENGER - BLACK	VELVAC 714765-6
1	106015-12-700	EA	MIRROR-FLAT-W/W/O HEAT	709448
2	106015-12-701	EA	MIRROR-CONVEX - W/W/O HEAT	709449
3	131431-01-701	EA	MOTOR	7475400
4	119774-09-700	EA	PLATE-INNER SUPT/MIRROR HEAD	709418-7RH
5	131431-01-700	EA	HANDSET - CONVEX	747541-7
	106015-12-703	EA	CONVEX KIT-REBUILT/ACTUATOR	709589

EXTERIOR BODY GROUP (CONTINUED)

MIRRORS (CONTINUED)

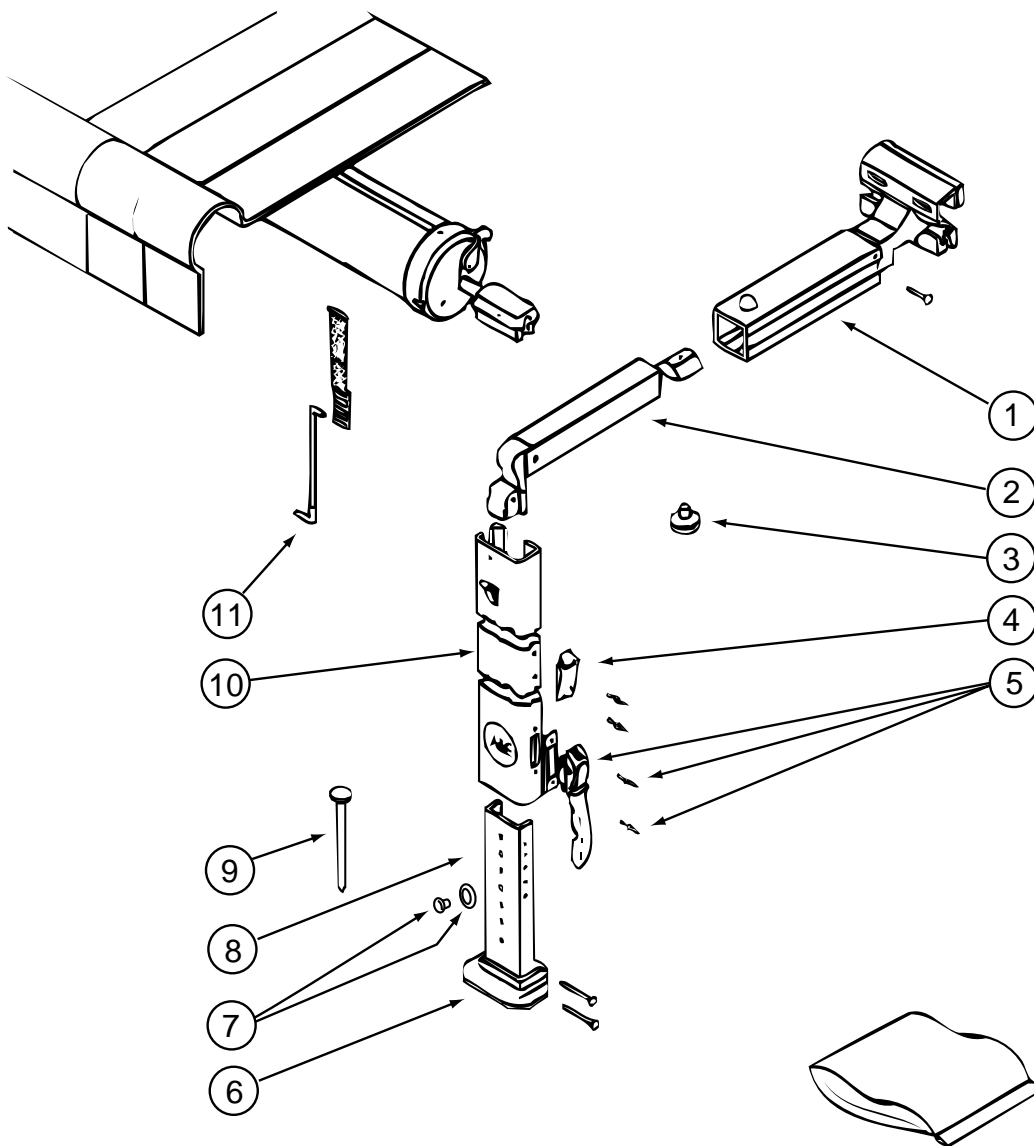
MIRROR (CONTINUED)

133908-01-01A, 133908-02-01A, 133908-03-01A, 133908-04-01A, 133908-05-01A & 133908-06-01A

KEY	PART NUMBER	U/M	DESCRIPTION	VENDOR NO.
	133908-01-01A	EA	MIRROR/PASSENGER - 102" W/B FORD - BLACK	
	133908-02-01A	EA	MIRROR/DRIVER - 102" W/B FORD - BLACK	
	133908-03-01A	EA	MIRROR/PASSENGER - 102" W/B FORD - HEATED/REMOTE - BRT WHT	
	133908-04-01A	EA	MIRROR/DRIVER - 102" W/B FORD - HEATED/REMOTE - BRT WHITE	
	133908-05-01A	EA	MIRROR/PASSENGER - 102" - BLACK	
	133908-06-01A	EA	MIRROR/DRIVER - 102" - BLACK	
	117051-01-700	EA	MIRROR-CONVEX	723068-4
	120269-05-701	EA	GLASS ONLY REPLACEMENT RH/LH	709411

EXTERIOR BODY GROUP (CONTINUED)

AWNINGS



113874-01-02A

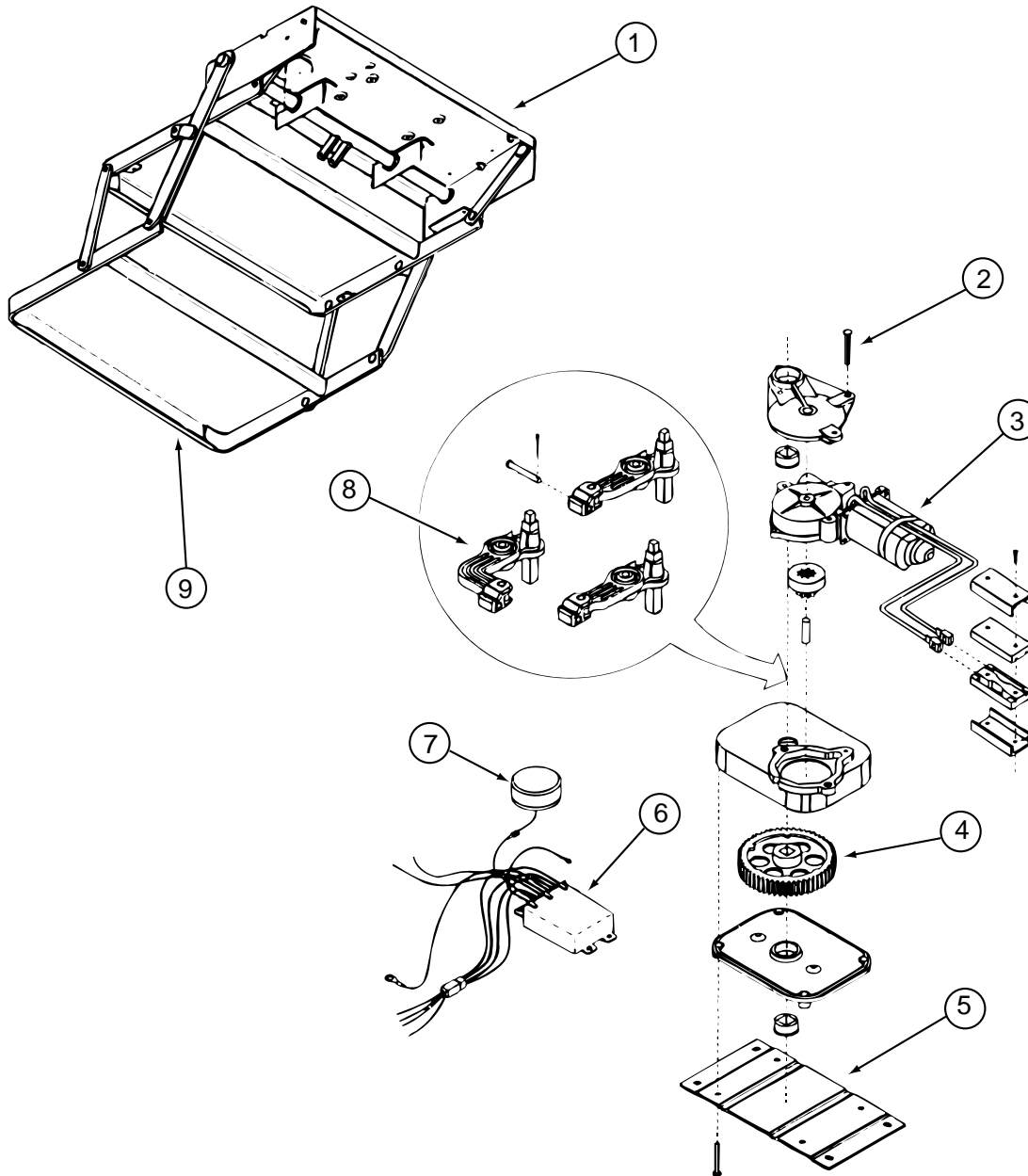
KEY	PART NUMBER	U/M	DESCRIPTION	VENDOR NO.
	113874-01-02A	EA	HARDWARE KIT - AWNING - W/O STANDOFF BRACKET-BRIGHT WHITE	
1	113874-01-714	EA	RAFTER - MAIN RH/LH BRT/WHT	830295.536F
2	113874-01-715	EA	RAFTER - SECONDARY BRT/WHT	830463.511F
3	113874-01-702	EA	KNOB - ADJUSTING	3105421014
4	113874-01-706	EA	LOCK - TRAVEL	830587.001
5	113874-01-707	EA	HANDLE - LIFT W/RIVETS	830644
6	113874-01-712	EA	FOOT - PATIO	730366-001
7	113874-01-710	EA	PLUG-STOP KIT	830456
8	113874-01-717	EA	ARM - ADJUSTABLE BRT/WHT	830467.517/F
9	113874-01-709	EA	NAIL-SPIKE, 8"	113006
10	113874-01-716	EA	ARM - MAIN SUPPORT BRT/WHT	3104502.293/F
11	113874-01-703	EA	ROD-CENTER PULL W/ACCESSORY	830152.102

EXTERIOR BODY GROUP (CONTINUED)

**SQUEEGEE
091955-02-000**

KEY	PART NUMBER	U/M	DESCRIPTION	VENDOR NO.
	091955-02-000	EA	SQUEEGEE - EXTENDED HANDLE	
	091955-01-701	EA	HANDLE-EXTENSION 24" TO 40"	

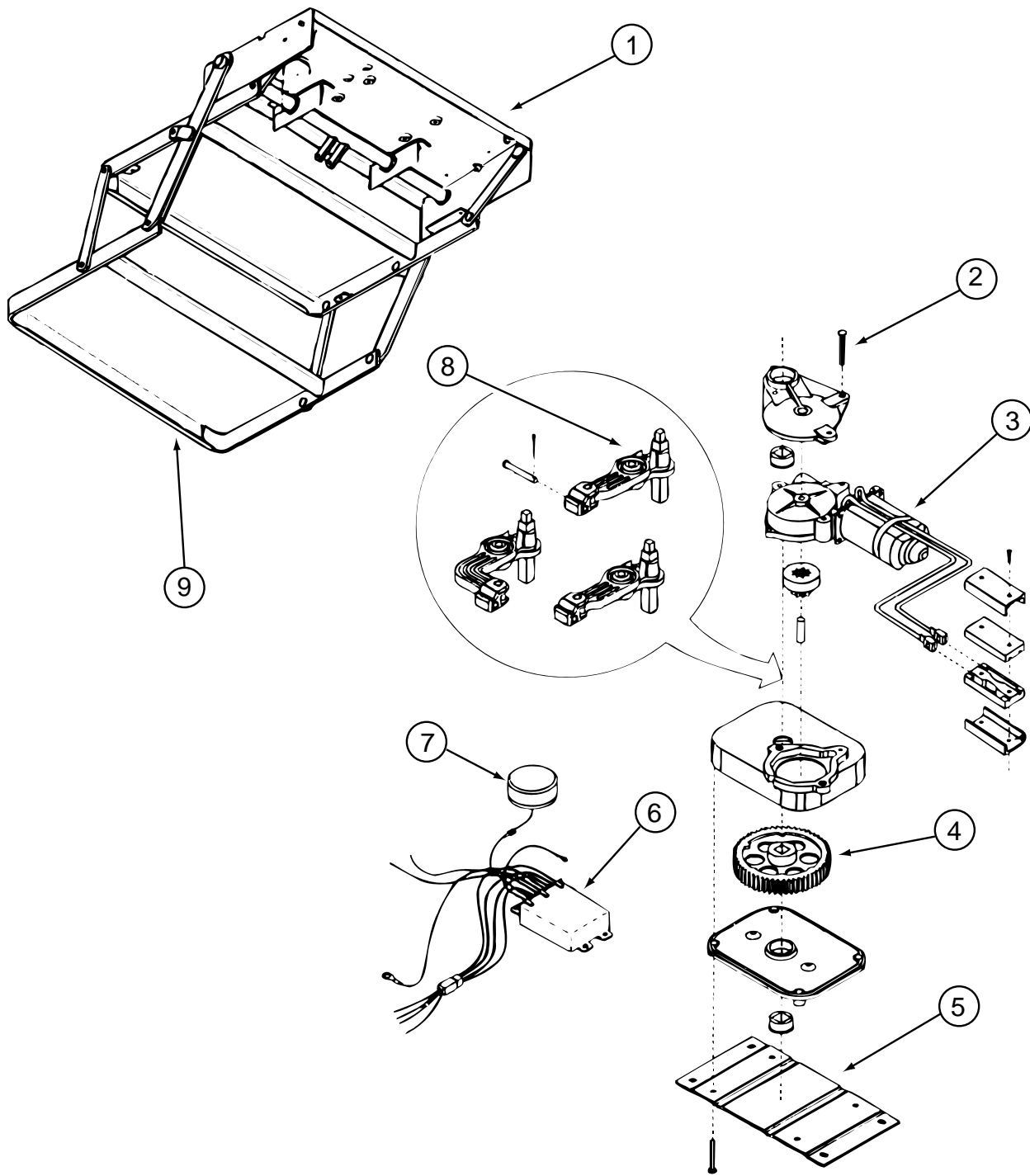
EXTERIOR DOORS & COMPARTMENTS GROUP
DOOR & COMPARTMENT LAYOUT



ENTRY STEP
094707-03-01A

KEY	PART NUMBER	U/M	DESCRIPTION	VENDOR NO.
	094707-03-01A	EA	STEP - ELECTRIC DOUBLE - W/BLACK CONTROL BOX - KWIKEE	
1	094707-01-702	EA	FRAME W/DBL STEP,3200 SERIES	908032
2	094707-02-703	EA	BEARING & PINS	909530
3	094707-02-700	EA	MOTOR ASM.,W/BEARINGS & PINS	909520
4	094707-02-702	EA	GEAR KIT(GEAR-BEARING-PINS)	909525
5	094707-02-704	EA	CONNECTOR-MOTOR ASM.W/PLATES	909537
6	094707-03-700	EA	KIT CONTROL/SWITCH-RETROFIT	909506005
7	088733-01-700	EA	BULB	9004
7	088746-01-705	EA	LIGHT-UNDER STEP	9004
8	094707-02-701	EA	LINKAGE ASM. W/BEARINGS-PINS	909534
9	094707-02-707	EA	TREAD - NON-SKID - BLACK	909333
	094707-02-706	EA	GEAR BOX ASM. W/O MOTOR	9524
	094707-02-708	EA	TREAD - NON-SKID - YELLOW	909331
	094707-03-701	EA	PLUG - 4-WAY - PACKARD	909306

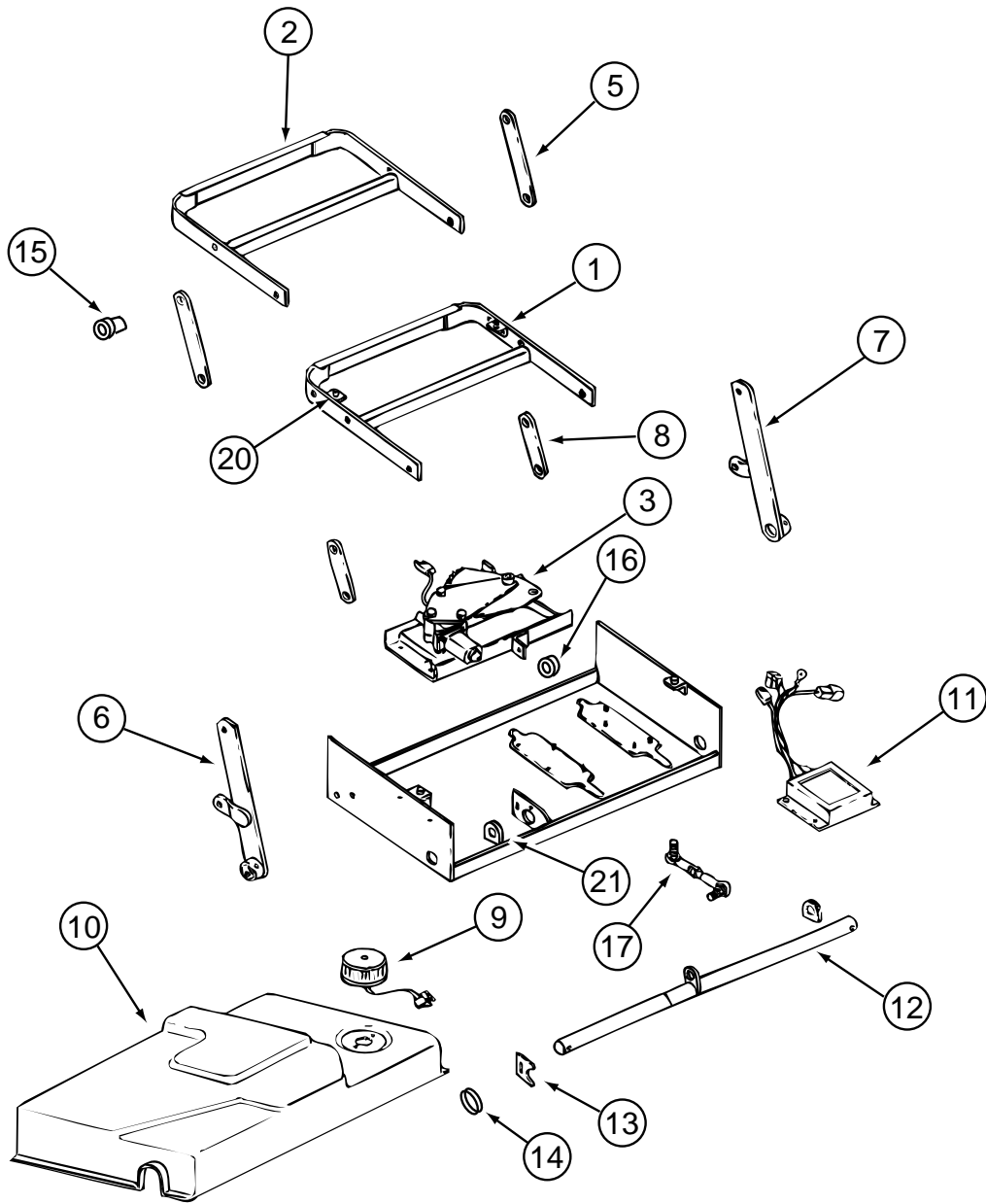
EXTERIOR DOORS & COMPARTMENTS GROUP (CONTINUED)
DOOR & COMPARTMENT LAYOUT (CONTINUED)



ENTRY STEP (CONTINUED)
094708-03-01A

KEY	PART NUMBER	U/M	DESCRIPTION	VENDOR NO.
	094708-03-01A	EA	STEP ASM-ELECTRIC,SINGLE BLK	
1	088746-01-709	EA	FRAME W/SGL STEP,2800 SERIES	908028
2	094707-02-703	EA	BEARING & PINS	909530
3	094707-02-700	EA	MOTOR ASM.,W/BEARINGS & PINS	909520
4	094707-02-702	EA	GEAR KIT(GEAR-BEARING-PINS)	909525
5	094707-02-704	EA	CONNECTOR-MOTOR ASM.W/PLATES	909537
6	094707-03-700	EA	KIT CONTROL/SWITCH-RETROFIT	909506005
7	088733-01-700	EA	BULB	9004
7	088746-01-705	EA	LIGHT-UNDER STEP	9004
8	094708-03-700	EA	LINKAGE ASSEMBLY-SERIES 28	909533
9	094707-02-707	EA	TREAD - NON-SKID - BLACK	909333
	094707-03-701	EA	PLUG - 4-WAY - PACKARD	909306

EXTERIOR DOORS & COMPARTMENTS GROUP (CONTINUED)
DOOR & COMPARTMENT LAYOUT (CONTINUED)



ENTRY STEP (CONTINUED)
132900-01-01A

EXTERIOR DOORS & COMPARTMENTS GROUP (CONTINUED)

DOOR & COMPARTMENT LAYOUT (CONTINUED)

ENTRY STEP (CONTINUED)

132900-01-01A (CONTINUED)

KEY	PART NUMBER	U/M	DESCRIPTION	VENDOR NO.
	132900-01-01A	EA	STEP - ELECTRIC - DOUBLE (SCS) - BLACK SCS	725-0001
1	132900-01-706	EA	STEP/TOP	726-0017
2	132900-01-716	EA	STEP/BOTTOM	726-0004
3	132900-01-701	EA	MOTOR W/MOUNTING BRACKET	726-0012
5	132900-01-711	EA	LINK - CONNECTING/FRONT	732-0016
6	132900-01-713	EA	LINK CONNECTING/DRIVE - LEFT	726-0015
7	132900-01-714	EA	LINK CONNECTING/DRIVE-RIGHT	726-0016
8	132900-01-702	EA	LINK CONNECTING/REAR	732-0015
9	132900-01-704	EA	LIGHT ASSEMBLY	728-0003
10	132900-01-717	EA	COVER - MOTOR	729-0001
11	132900-01-700	EA	MODULE - ELECTRIC	728-0002
12	132900-01-712	EA	AXEL/DRIVE ASSEMBLY	726-0014
13	132900-01-705	EA	BUSHING - RETAINING	732-0035
14	132900-01-708	EA	BUSHING - AXEL .973 ACETAL	729-0006
15	132900-01-707	EA	BUSHING .375 ACETAL	729-0003
16	132900-01-715	EA	LINK CONNECTING/STOP	732-0029
17	132900-01-703	EA	BALL JOINT	731-0015
20	132900-01-709	EA	BUMPER STOP - RUBBER	730-0001
21	132900-01-710	EA	SEAL/SHAFT	730-0002
	132900-01-718	EA	FRAME - STEP	726-0023

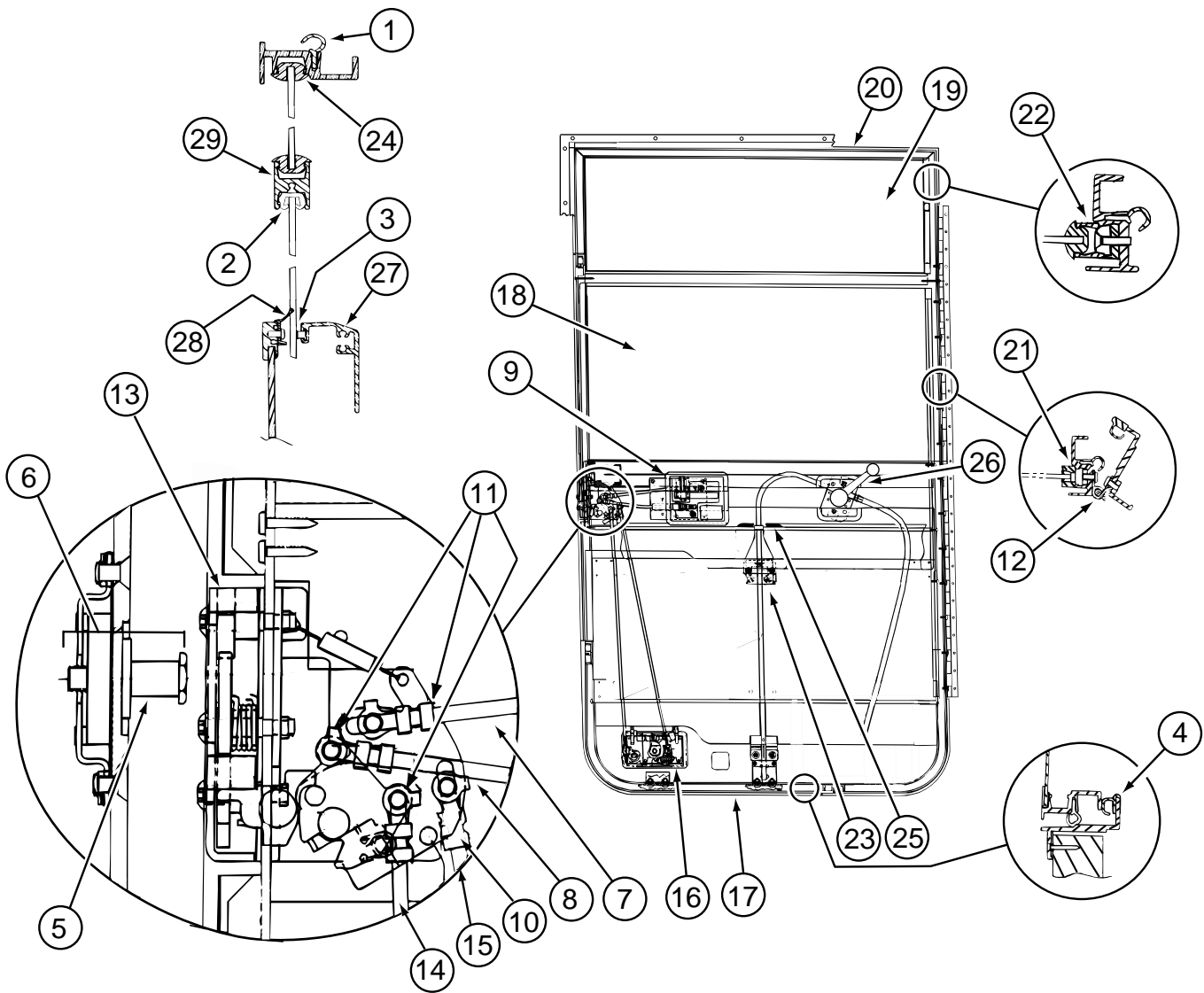
COMPARTMENT DOOR COMPONENTS

REFRIGERATOR DOOR

084103-08-000

KEY	PART NUMBER	U/M	DESCRIPTION	VENDOR NO.	
	084103-08-000	EA	DOOR - VENT - REFRIGERATOR - W/O JAMB - BRIGHT WHITE		BRIGHT WHITE
	084104 01 700	EA	LOCK-MALE, FASTENER	201-721-010	
	084104 01 701	EA	LOCK-FEMALE, FASTENER	201-802-010	

EXTERIOR DOORS & COMPARTMENTS GROUP (CONTINUED)
DRIVER DOOR



125581-07-01A

EXTERIOR DOORS & COMPARTMENTS GROUP (CONTINUED)

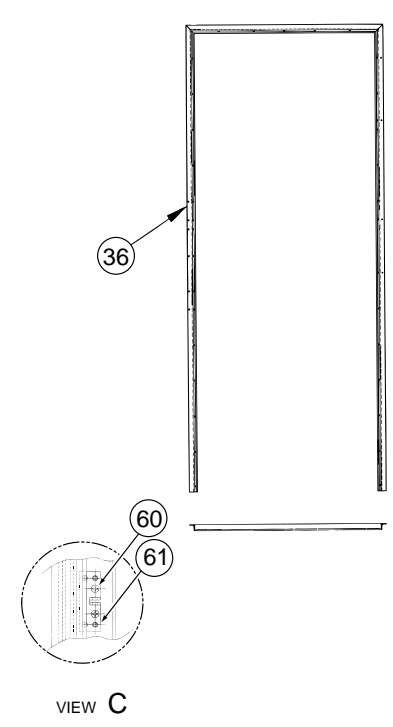
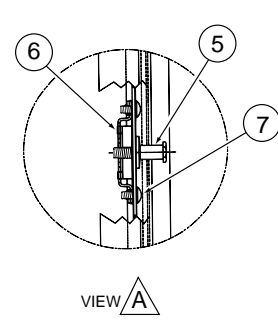
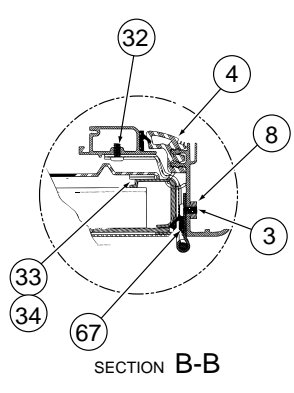
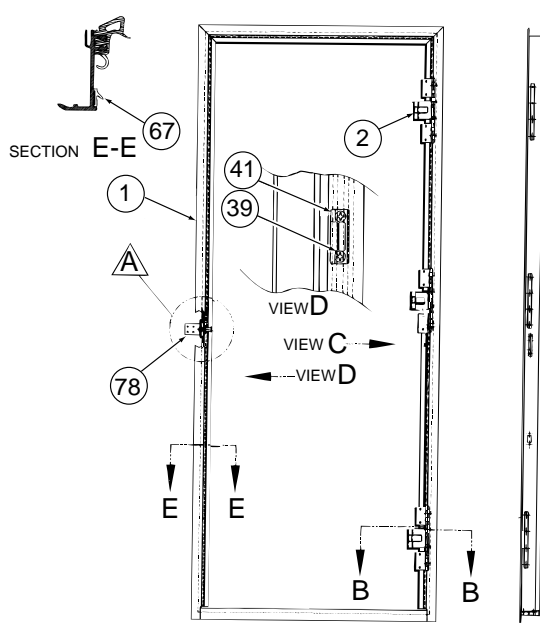
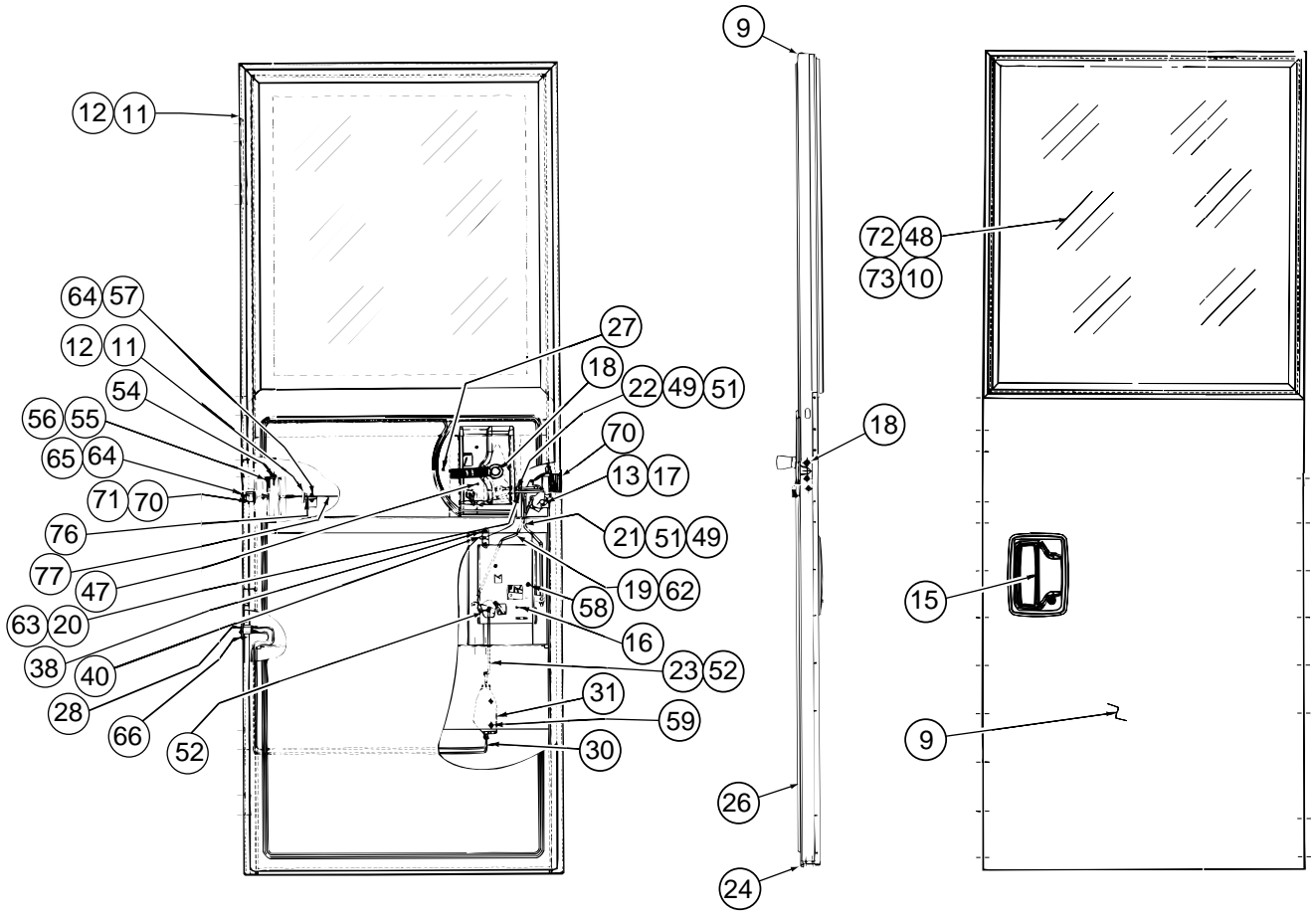
DRIVER DOOR (CONTINUED) 125581-07-01A (CONTINUED)

KEY	PART NUMBER	U/M	DESCRIPTION	VENDOR NO.
	125581-07-01A	EA	DOOR - DRIVER - NON-POWER - W/O LOCK	HORZ SILL,KEY-ONE
1	106469-01-702	EA	SEAL-DOOR, (FRAME) EA=1	122-040984
2	106469-01-705	FT	CHANNEL-RUN, SLIDING	122-010850
3	106469-01-709	FT	WEATHERSTRIP FUZZY	171-040630
4	106469-01-723	EA	SEAL-BULB ASM. (JAMB)	171-040985
5	106469-04-703	EA	BOLT-STRIKER, W/WASHER	248-041152
6	106469-04-704	EA	NUT ASSEMBLY-CAGED W/STRIKER	248-041151
7	106469-04-705	EA	ROD-LATCH, HORIZONTAL	203-041139
8	106469-04-711	EA	ROD-LOCK, HORIZONTAL	203-041137
9	106469-04-712	EA	HANDLE/DOOR-INNER W/HARDWARE	248-041402
10	106469-04-713	EA	ROD-CLIP, LH	248-041154
11	106469-04-714	EA	ROD-CLIP, RH	248-041153
12	106469-05-702	EA	HINGE - 42"	211-041194
13	106469-05-706	EA	LATCH-ROTARY, W/LINKAGE	248-041150
14	125581-04-700	EA	ROD - LATCH/VERTICAL ADJUST.	203-041767
15	125581-04-701	EA	ROD - LOCK/VERTICAL ADJUST.	203-041768
16	125581-03-704	EA	PADDLE - W/O LOCK/RH - KEY 1	TRI/MARK #14312-02
17	106469-07-700	EA	FRAME MOUNTING ASM., (JAMB)	V130-30L
18	125581-07-702	EA	GLASS-ROLL-UP/29.3" X 29.5"	V220-65L
19	125581-07-701	EA	GLASS-STATIONERY/4.95"X29.5"	106-042082
21	125581-04-707	EA	CHANNEL - ROLL UP GLASS	V156-60
22	125581-04-708	EA	CHANNEL - STATIONARY GLASS	V156-61
23	125581-04-709	EA	REGULATOR - MANUAL	410-080389
24	125581-04-710	FT	VINYL - GLAZING	132-041484
25	125581-04-711	EA	CHANNEL-GLASS - LIFT BRKT	N135-66
	106469-01-721	EA	WEATHERSTRIP-BELT, EXT., WDO	V103-57
	106469-04-716	EA	LEVER-LOCKING-BLACK	80978-00
	125581-04-712	EA	REGULATOR/WINDOW W/HARDWARE	V068-16
	125581-07-700	EA	FRAME - DOOR - SUB ASSEMBLY	V220-94L

* KEY # NOT LISTED PLEASE CONTACT PART SALES FOR AVAILABILITY

EXTERIOR DOORS & COMPARTMENTS GROUP (CONTINUED)

ENTRY DOOR



128913-02-01A

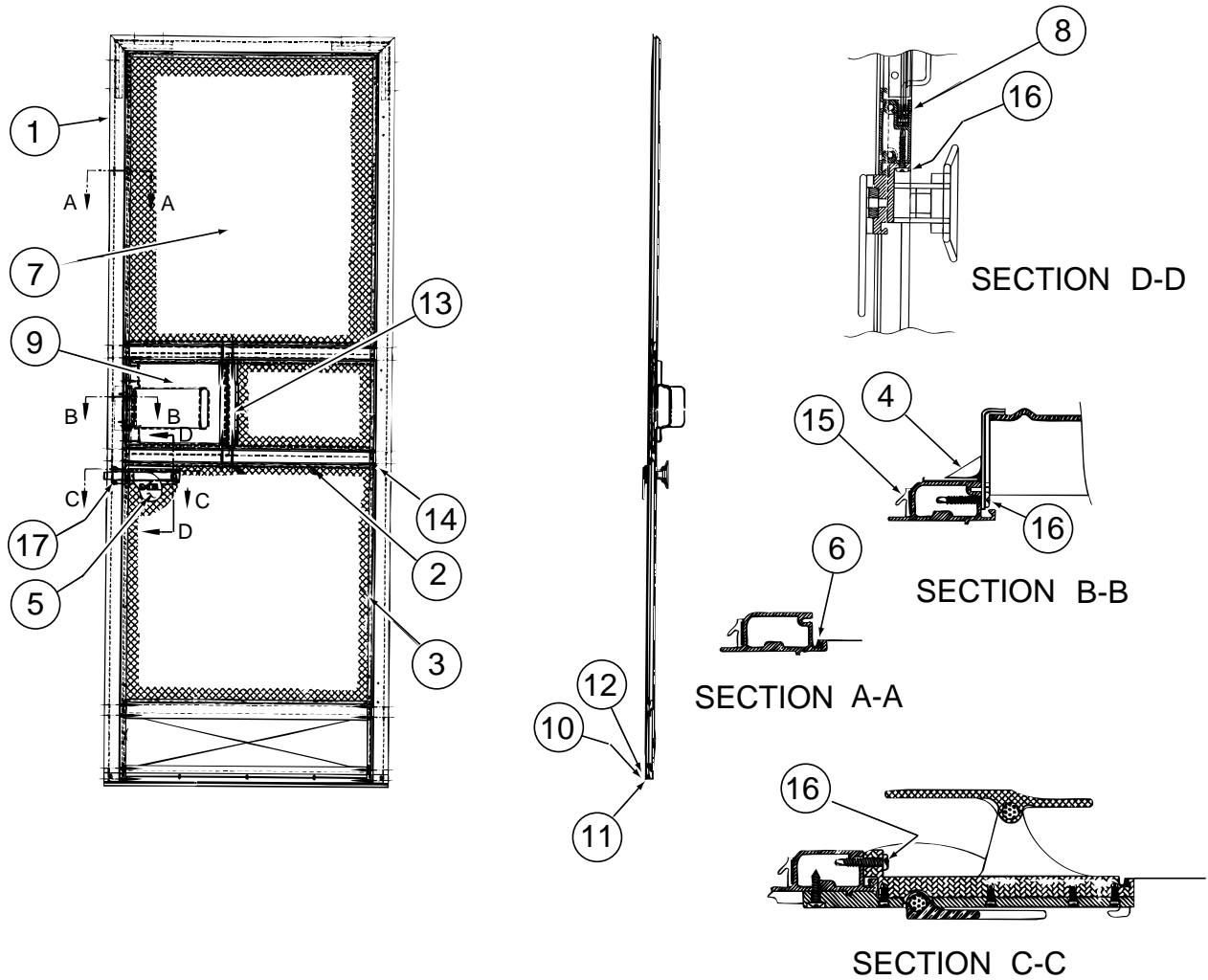
EXTERIOR DOORS & COMPARTMENTS GROUP (CONTINUED)

ENTRY DOOR (CONTINUED) 128913-02-01A (CONTINUED)

KEY	PART NUMBER	U/M	DESCRIPTION	VENDOR NO.
	128913-02-01A	EA	DOOR/ENTRY - FRONT/PASSENGER - W/O DEADBOLT	
1	128913-02-722	EA	OUTER FRAME - SUB ASSY - BLK	V196-19
2	128913-01-729	EA	HINGE	211-041740
4	128913-01-728	EA	SEAL - DOOR/CORNER- MITERED	122-041917
5	128913-01-727	EA	STRIKER - BOLT - LONG	248-041274
6	106469-04-704	EA	NUT ASSEMBLY-CAGED W/STRIKER	248-041151
9	128913-02-721	EA	DOOR FRAME - SUB SASSY - BLK	V231-90
10	128913-01-724	EA	WINDOW ASSEMBLY - DUAL PANE`	410-041974
	128913-01-734	EA	SLIDER - SCREEN DOOR	146-041911
	128913-01-735	EA	END CAP - SCREENDOOR SLIDER	146-041949
	128913-01-738	FT	WEATHERSTRIP - SLIDER	171-041285
	128913-01-739	EA	SWEEP - SCREENDOOR CAMEL	V196-17
	128913-01-740	FT	RUN CHANNEL-SCREEN DR SLIDER	170-041263
	128913-01-741	EA	SCREEN ONLY - SCREENDOOR	110-041928
	128913-01-742	FT	SPLINE - SCREEN	132-041775
13	128913-01-701	EA	LATCH, ROTARY	248-041149
15	128913-01-723	EA	PADDLE ASM - EXTERIOR HANDLE	248-041951/15756-01
15	128913-02-720	EA	PADDLE ASSEMBLY - W/O LOCK	248-041951
16	128913-01-722	EA	BRACKET - MOUNTING/EXTERIOR	V196-36
18	128913-01-700	EA	HANDLE, INSIDE	248-041952
19	128913-01-721	EA	ROD - LOCK/VERTICAL	203-041955
20	128913-01-720	EA	ROD - LOCK/HORIZONTAL	203-041956
21	128913-01-719	EA	ROD - LATCH/VERTICAL	203-041957
22	128913-01-718	EA	ROD - LATCH/HORIZONTAL	203-041958
23	128913-01-717	EA	ROD - LOCK/VERTICAL/POWER	203-041959
24	128913-01-744	EA	SEAL - THRESHOLD - STICK ON	122-042230
26	128913-01-715	EA	PANEL - INNER/PLASTIC	146-041910
27	128913-02-718	EA	BACKER PLATE	146-041924
28	128913-01-714	EA	CONTACT - MALE/2-POSITION	400-41934
29	128913-01-713	EA	CONTACT - FEMALE/2-POSITION	400-041973
30	128913-01-712	EA	WIRE HARNESS-POWER DOOR LOCK	400-041935
31	106469-05-701	EA	ACTUATOR, F/ELECTRIC LOCK	410-041096
35	128913-01-703	EA	SCREEN DOOR	V196-70
36	128913-01-711	EA	CLAMP FRAME - WELD ASSEMBLY	V196-25
40	128913-01-710	EA	STRIKER - LATCH/SCREEN DOOR	130-041815
41	128913-01-709	EA	STRIKER-SCREEN DR/FRAME MT	130-041824
49	106469-04-713	EA	ROD-CLIP, LH	248-041154
51	128913-01-707	EA	NUT - HEX/NYLOCK - 1/4 - 20	233-062447
52	106469-05- 700	EA	ROD CLIP	231-041095
54	128913-01-733	EA	DOOR CHECK-SUB ASM ADJUST	V196-04
57	128913-01-705	EA	BOLT - SHOULDER - #10 X 1/4	268-042011
61	128913-01-704	EA	BRACKET - PIVOT	210-042095
62	128913-02-717	EA	CLEVIS CLIP	248-062399
63	128913-02-716	EA	CLEVIS CLIP	248-062400
65	128913-02-715	EA	BOLT - SHOULDER #10 X 1/4	268-042010
67	128913-01-732	FT	SEAL - SCREENDOOR/MTG FRAME	122-041986
70	128913-02-714	EA	GUIDE BLOCK - DOOR CHECK	146-042045
75	128913-02-713	EA	BUMPER STOP	V196-24
76	128913-02-712	EA	PIN - COILED SPRING	248-042237
77	128913-02-711	EA	SLIDE BAR ASSEMBLY	V196-29
78	128913-02-700	EA	LATCH - BRACKET	210-042215
79	128913-03-708	EA	SEAL/HINGE QTY 3	123-042236
	128913-01-737	EA	RETROFIT LATCH ROD KIT	4-196-60

* **KEY # NOT LISTED PLEASE CONTACT PART SALES FOR AVAILABILITY**

EXTERIOR DOORS & COMPARTMENTS GROUP (CONTINUED)
ENTRY DOOR (CONTINUED)

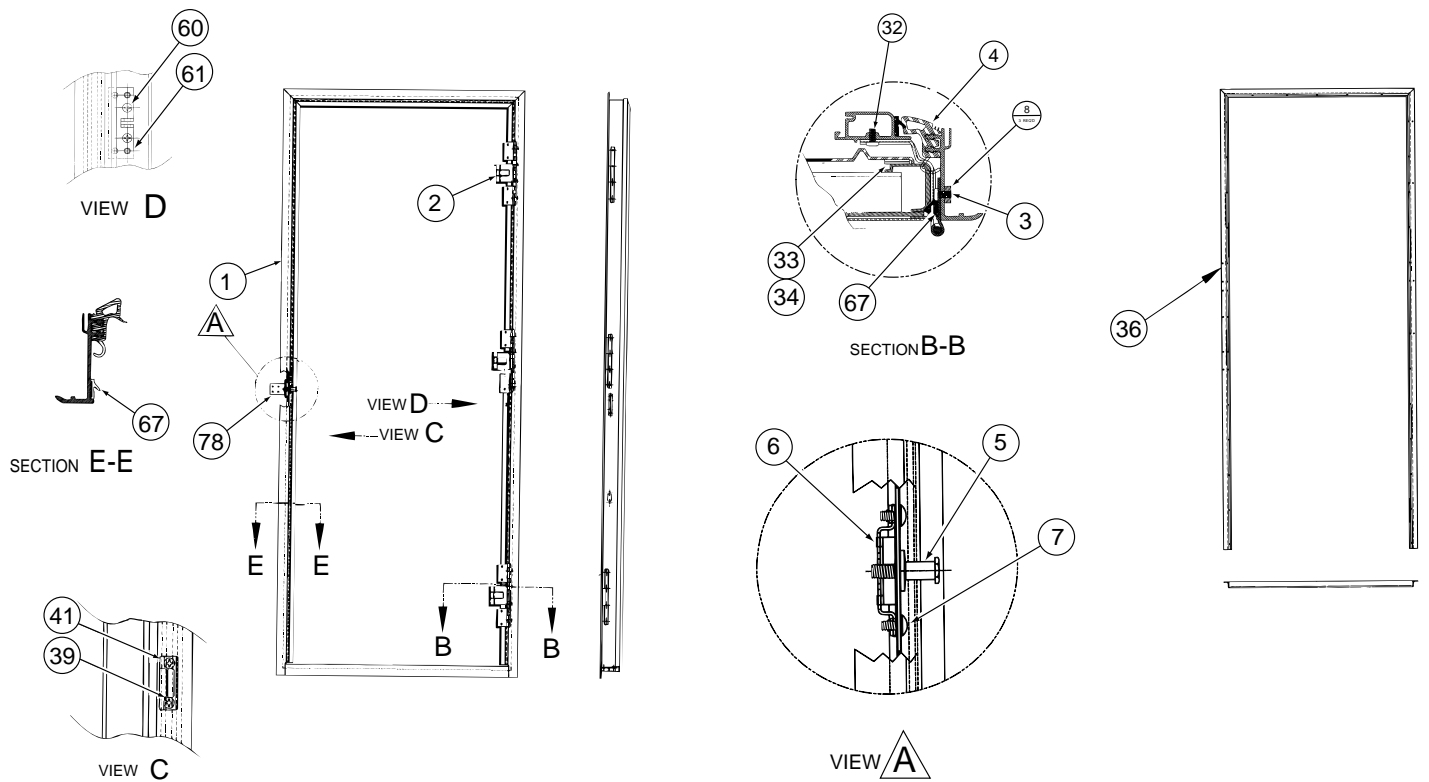
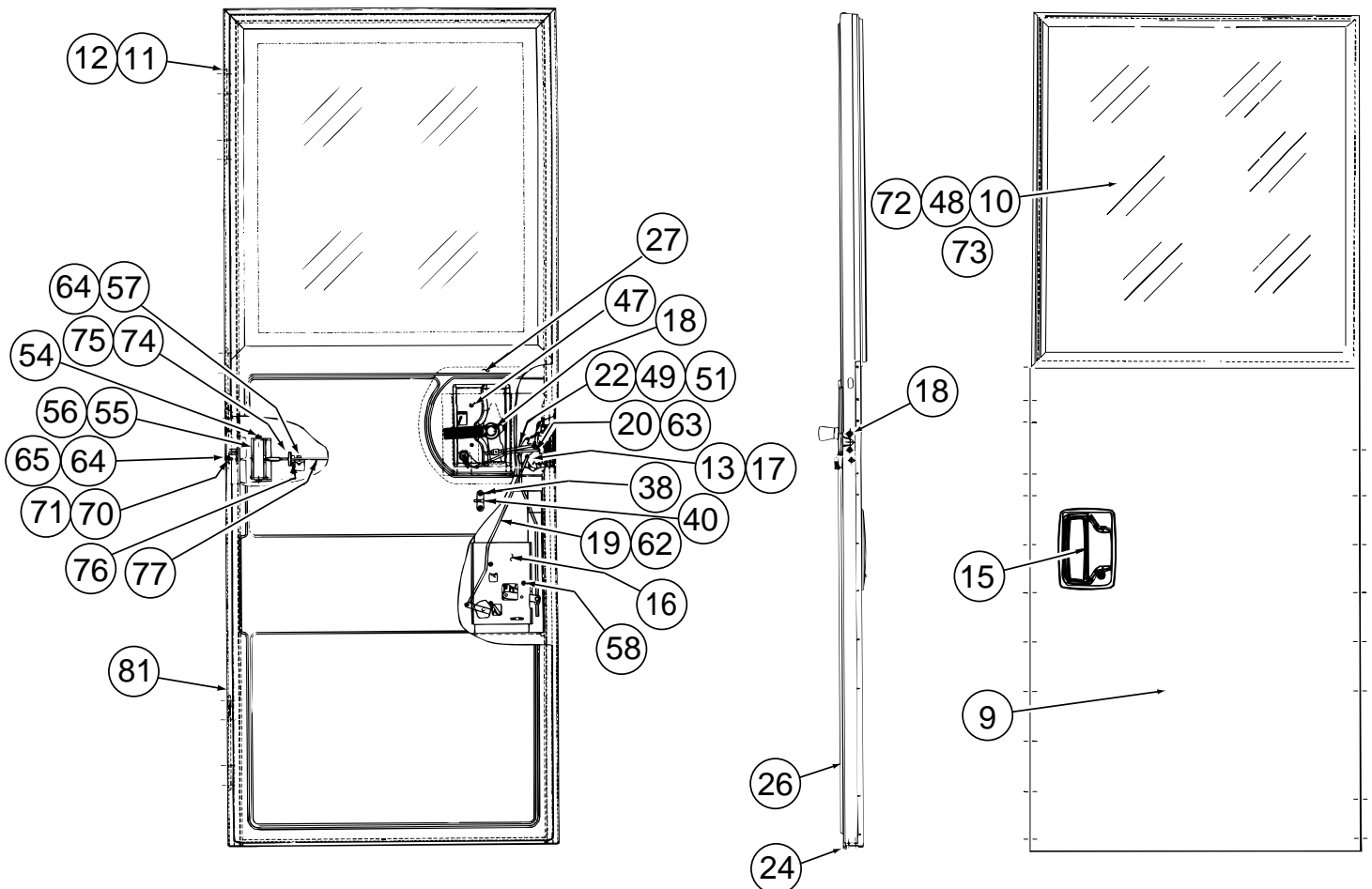


128913-02-01A (CONTINUED)

KEY	PART NUMBER	U/M	DESCRIPTION	VENDOR NO.
4	128913-01- 735	EA	END CAP - SCREENDOOR SLIDER	146-041949
5	128913-01- 731	EA	LATCH - SCREEN DOOR	146-041950
6	128913-01- 742	FT	SPLINE - SCREEN	132-041775
7	128913-01- 741	EA	SCREEN ONLY - SCREENDOOR	110-041928
8	128913-01- 740	FT	RUN CHANNEL-SCREEN DR SLIDER	170-041263
9	128913-01- 734	EA	SLIDER - SCREEN DOOR	146-041911
10	128913-01- 739	EA	SWEEP - SCREENDOOR CAMEL	V196-17
11	128913-01- 736	FT	WEATHERSTRIP-SCREEN DOOR	171-041284
13	128913-01- 738	FT	WEATHERSTRIP - SLIDER	171-041285
15	128913-01- 732	FT	SEAL - SCREENDOOR/MTG FRAME	122-041986

* KEY # NOT LISTED PLEASE CONTACT PART SALES FOR AVAILABILITY

EXTERIOR DOORS & COMPARTMENTS GROUP (CONTINUED)
ENTRY DOOR (CONTINUED)



128913-03-01A

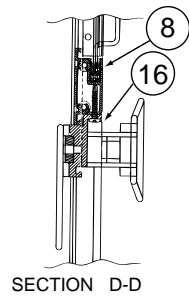
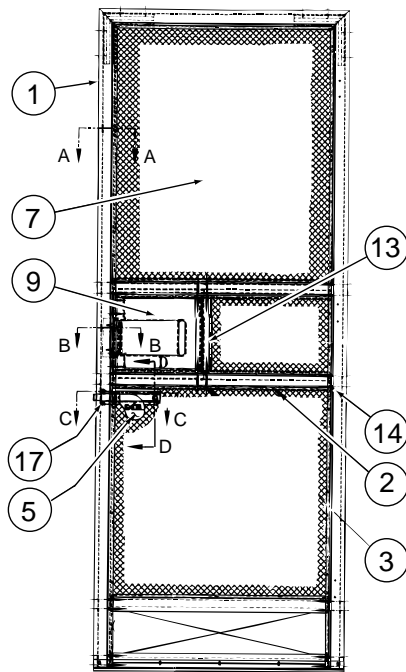
EXTERIOR DOORS & COMPARTMENTS GROUP (CONTINUED)

ENTRY DOOR (CONTINUED) 128913-03-01A (CONTINUED)

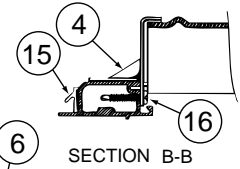
KEY	PART NUMBER	U/M	DESCRIPTION	VENDOR NO.
	128913-03-01A	EA	DOOR/ENTRY - FRONT/PASS - NON/POWER - W/O DEADBOLT/WHT ANT	
1	128913-03-707	EA	OUTER FRAME-SUB ASM-BRT WHT	V237-19
2	128913-01-729	EA	HINGE	211-041740
4	128913-01-728	EA	SEAL - DOOR/CORNER- MITERED	122-041917
5	128913-01-727	EA	STRIKER - BOLT - LONG	248-041274
6	106469-04-704	EA	NUT ASSEMBLY-CAGED W/STRIKER	248-041151
9	128913-03-706	EA	DOOR FRAME SUB-ASM - BRT WHT	V237-90
10	128913-01-724	EA	WINDOW ASSEMBLY - DUAL PANE	410-041974
10	128913-02-714	EA	GUIDE BLOCK - DOOR CHECK	146-042045
13	128913-01-701	EA	LATCH, ROTARY	248-041149
15	128913-01-723	EA	PADDLE ASM - EXTERIOR HANDLE	248-041951/15756-01
15	128913-02-720	EA	PADDLE ASSEMBLY - W/O LOCK	248-041951
16	128913-01-722	EA	BRACKET - MOUNTING/EXTERIOR	V196-36
18	128913-01-700	EA	HANDLE, INSIDE	248-041952
19	128913-03-705	EA	LOCK ROD - VERTICAL	203-042080
20	128913-01-720	EA	ROD - LOCK/HORIZONTAL	203-041956
21	128913-03-704	EA	LATCH ROD - VERTICAL	203-042079
22	128913-01-718	EA	ROD - LATCH/HORIZONTAL	203-041958
24	128913-01-744	EA	SEAL - THRESHOLD - STICK ON	122-042230
26	128913-03-703	EA	PANEL - INNER PLASTIC - ANT	146-042202
27	128913-03-702	EA	BACKER PLATE- ANTELOPE	146-042209
35	128913-03-701	EA	SCREEN DOOR - SUB ASM - ANT	V237-70
36	128913-03-700	EA	CLAMP FRAME - WELD ASM - ANT	V237-25
40	128913-01-710	EA	STRIKER - LATCH/SCREEN DOOR	130-041815
41	128913-01-709	EA	STRIKER-SCREEN DR/FRAME MT	130-041824
49	106469-04-713	EA	ROD-CLIP, LH	248-041154
51	128913-01-707	EA	NUT - HEX/NYLOCK - 1/4 - 20	233-062447
54	128913-01-733	EA	DOOR CHECK-SUB ASM ADJUST	V196-04
57	128913-01-705	EA	BOLT - SHOULDER - #10 X 1/4	268-04201
61	128913-01-704	EA	BRACKET - PIVOT	210-042095
62	128913-02-717	EA	CLEVIS CLIP	248-062399
63	128913-02-716	EA	CLEVIS CLIP	248-062400
65	128913-02-715	EA	BOLT - SHOULDER #10 X 1/4	268-042010
75	128913-02-713	EA	BUMPER STOP	V196-24
76	128913-02-712	EA	PIN - COILED SPRING	248-042237
77	128913-02-711	EA	SLIDE BAR ASSEMBLY	V196-29
78	128913-02-700	EA	LATCH - BRACKET	210-042215
80	128913-03-708	EA	SEAL/HINGE QTY 3	123-042236

* KEY # NOT LISTED PLEASE CONTACT PART SALES FOR AVAILABILITY

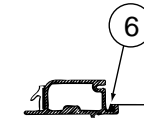
EXTERIOR DOORS & COMPARTMENTS GROUP (CONTINUED)
ENTRY DOOR (CONTINUED)



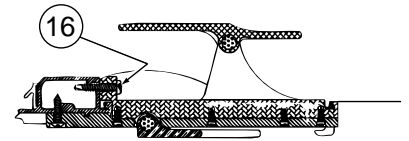
SECTION D-D



SECTION B-B



SECTION A-A



SECTION C-C

128913-03-01A (CONTINUED)

KEY	PART NUMBER	U/M	DESCRIPTION	VENDOR NO.
4	128913-01-735	EA	END CAP - SCREENDOOR SLIDER	146-041949
5	128913-01-731	EA	LATCH - SCREEN DOOR	146-041950
6	128913-01-742	FT	SPLINE - SCREEN	132-041775
7	128913-01-741	EA	SCREEN ONLY - SCREENDOOR	110-041928
8	128913-01-740	FT	RUN CHANNEL-SCREEN DR SLIDER	170-041263
9	128913-01-734	EA	SLIDER - SCREEN DOOR	146-041911
10	128913-01-739	EA	SWEEP - SCREENDOOR CAMEL	V196-17
11	128913-01-736	FT	WEATHERSTRIP-SCREEN DOOR	171-041284
13	128913-01-738	FT	WEATHERSTRIP - SLIDER	171-041285
15	128913-01-732	FT	SEAL - SCREENDOOR/MTG FRAME	122-041986
*	KEY # NOT LISTED PLEASE CONTACT PART SALES FOR AVAILABILITY			

EXTERIOR DOORS & COMPARTMENTS GROUP (CONTINUED)

LATCH - ENTRY DOOR

LOCKS & KEYS

045017-13-000

KEY	PART NUMBER	U/M	DESCRIPTION	VENDOR NO
	045017-13-000	EA	LATCH - ENTRY DOOR - BLACK TEXTURED	T/M #11896-01
	045017-11-701	EA	KEY (F) BLANK - TM201-250	14264-01-2001
	045017-11-703	EA	CYLINDER-LOCK ASM. W/KEYS	81266-09

LOCKS & KEYS (CONTINUED)

101145-01-06A

KEY	PART NUMBER	U/M	DESCRIPTION	VENDOR NO.
	101145-01-06A	EA	DEADBOLT - ENTRY DOOR W/O SECURITY BOLT W/2 KEYS - BLACK	T/M #11840-02
	095229-01-700	EA	KEY-BLANK, DEADBOLT	81205-03
	101145-01-701	EA	CYLINDER-LOCK ASM., W/KEY	81306-03

LOCKS & KEYS (CONTINUED)

102756-02-000

KEY	PART NUMBER	U/M	DESCRIPTION	VENDOR NO.
	102756-02-000	EA	REMOTE KEYLESS ENTRY SYSTEMSCS	101-2385
	102756-01-701	EA	BATTERY-12 V F/TRANSMITTER	402-1004
	102756-01-704	EA	HARNESS-MAIN	203-6638
	102756-02-700	EA	REMOTE(TRANSMITTER) KEYLESS	412-1112
	102756-02-701	EA	BOARD-MODULE, NEW SYSTEM	202-3153

LOCKS & KEYS (CONTINUED)

110506-59-000 - 110506-59-009

KEY	PART NUMBER	U/M	DESCRIPTION	VENDOR NO .
	110506-59-700	EA	KEY SET-DEALER, 0-9 W/RING	
	110506-59-701	EA	KEY BLANK (GOLD)	

LOCKS & KEYS (CONTINUED)

129685-02-000 - 129685-10-000

KEY	PART NUMBER	U/M	DESCRIPTION	VENDOR NO .
	129685-01-700	EA	KEY - MASTER - ENTRY DOOR	144472-08-2001
	129685-01-701	EA	KEY - BLANK KS 150	144472-07-2001

LOCKS & KEYS (CONTINUED)

129676-01-000 - 129676-10-000

KEY	PART NUMBER	U/M	DESCRIPTION	VENDOR NO .
	129685-01-701	EA	KEY - BLANK KS 150	144472-07-2001

EXTERIOR SLIDEOUT INSTALLATION GROUP

HOSES 100536-38-000

KEY	PART NUMBER	U/M DESCRIPTION	VENDOR NO.
	100536-38-000	EA HOSE KIT - SLIDEOUT	
	100536-36-701	EA HOSE - HYDRAULIC - 156"	RAP90078

HOSES (CONTINUED) 100536-42-000

KEY	PART NUMBER	U/M DESCRIPTION	VENDOR NO.
	100536-42-000	EA HOSE KIT - PUMP TO SLIDE-OUT VALVE	
	100536-42-700	EA HOSE - HYDRAULIC - 168"	RAP6115
	100536-42-701	EA HOSE - HYDRAULIC - 175"	RAP90350

HOSES (CONTINUED) 132540-01-000

KEY	PART NUMBER	U/M DESCRIPTION	VENDOR NO.
	135250-02-000	EA HOSE KIT - SLIDEOUT	
	135250-02-700	EA HOSE-HYDRAULIC - 1/4" X 300"	AP4064

PUMP 122359-04-000

KEY	PART NUMBER	U/M DESCRIPTION	VENDOR NO.
	122359-04-000	EA PUMP/RESERVOIR - SLIDE-OUT - HYDRAULIC - W/O JACKS SYSTEM	
	100532-03-715	EA CAP-BREATHER W/DIPSTICK	RAP7876
	100532-09-710	EA SOLENOID-INTERMITENT DUTY	RAP0533
	122359-04-700	EA PRESSURE SOLENOID - HYD	RAP90376 / AP12292
	122359-04-701	EA PUMP/RESERVOIR ASM	RAP90364/AP11468

SLIDE OUT HYDRAULICS 125687-01-000

KEY	PART NUMBER	U/M DESCRIPTION	VENDOR NO.
	125687-01-000	EA SLIDEOUT - HYDRAULIC	
	100536-10-701	EA HOSE-HYDRAULIC-116"	RAP90349
	125687-01-700	EA CYLINDER/RAM - 21" STROKE	RAP90512
	125687-01-701	EA HOSE - HYDRAULIC - 120"	AP13772
	125687-01-702	EA CYLINDER - SYNCHRONIZING	RAP90471

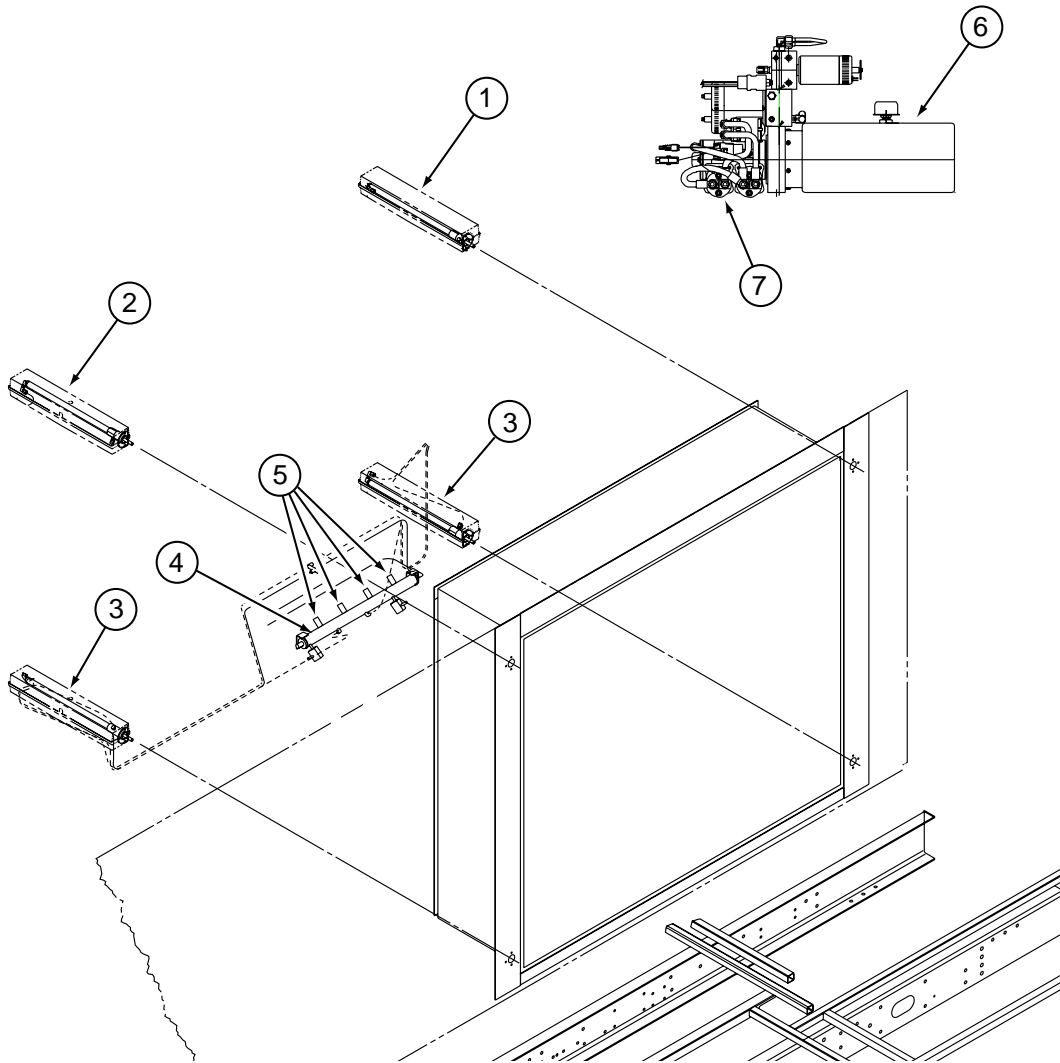
SLIDE OUT HYDRAULICS (CONTINUED) 128599-05-000

KEY	PART NUMBER	U/M DESCRIPTION	VENDOR NO.
	128599-05-000	EA CYLINDER/HYDRAULIC - F/SLIDEOUT	
	128599-05-700	EA RAM/CYLINDER - SLIDEOUT	RAP90688
	128599-05-701	EA HOSE - 1/8" X 84"	AP14252
	128599-05-702	EA HOSE - 1/8" X 72"	AP12071
	128599-05-703	EA COVER - SLOTTED W/FOAM PAD	AP16465

SLIDE OUT HYDRAULICS (CONTINUED) 130606-02-000

KEY	PART NUMBER	U/M DESCRIPTION	VENDOR NO.
	130606-02-000	EA HOSE KIT - HYDRAULIC	
	130606-02-700	EA HOSE-HYDRAULIC-1/8" X 108"	
	130606-02-701	EA HOSE-HYDRAULIC-1/8" X 240"	
	130606-02-702	EA HOSE-HYDRAULIC-3/16" X 211"	
	130606-02-703	EA HOSE-HYDRAULIC-3/16" X 132"	
	130606-02-704	EA HOSE-HYDRAULIC-1/4" X 32"	

EXTERIOR SLIDEOUT INSTALLATION GROUP (CONTINUED)
FRONT LEFT (CONTINUED)



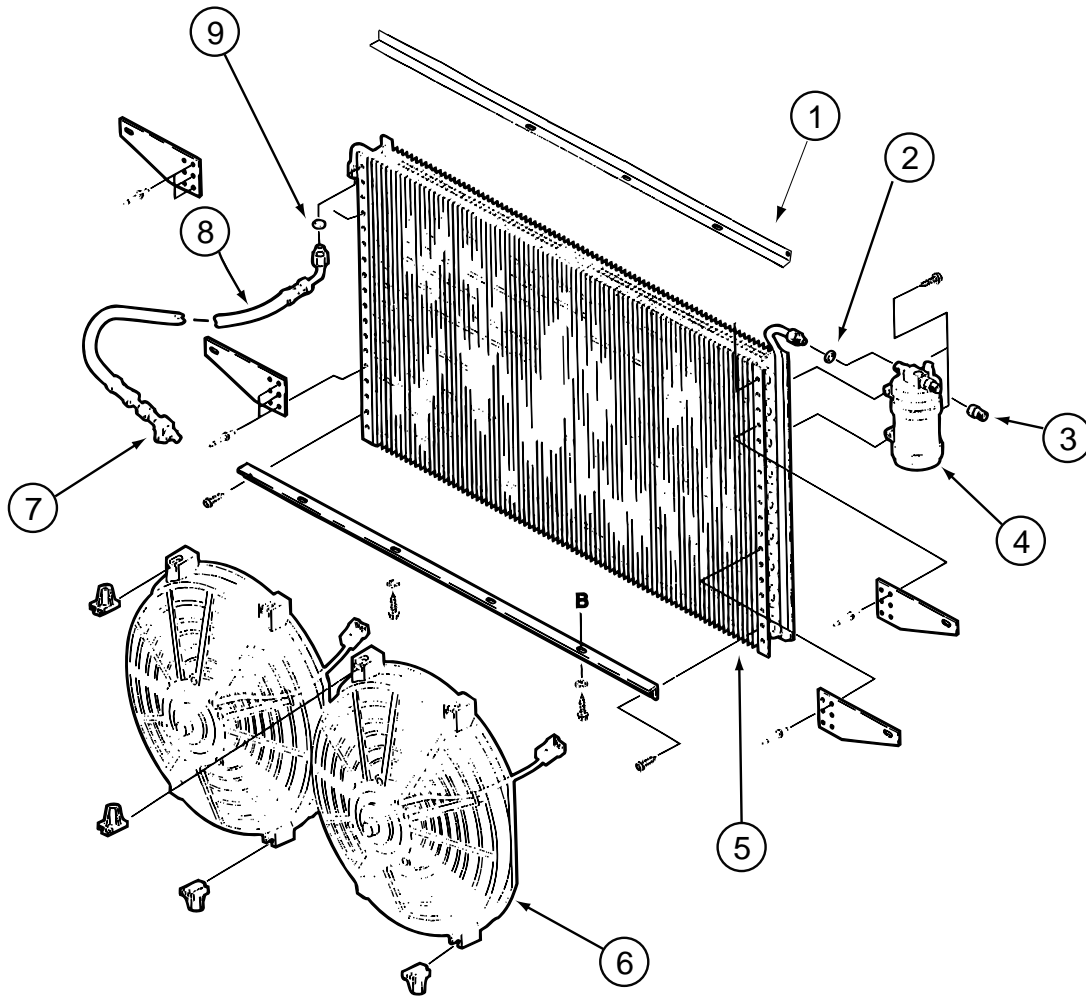
SLIDE OUT HYDRAULICS (CONTINUED)
130606-01-000

KEY	PART NUMBER	U/M	DESCRIPTION	VENDOR NO.
	130606-01-000	EA	SLIDEOUT - HYDRAULIC	
1	130606-01-703	EA	CYLINDER - REAR/UPPER	RAP90648
2	130606-01-702	EA	CYLINDER - FRONT/UPPER	RAP90647
3	130606-01-700	EA	CYLINDER - LOWER SLIDE	RAP90650
4	130606-01-704	EA	SYNCRONIZING CYLINDER	RAP90649/AP18543
5	130606-01-706	EA	PRESSURE SWITCH F/SYNC CYL	RAP90654
6	130606-01-705	EA	PUMP/RESERVOIR W/SOLENOIDS	AP17438
7	100532-09-710	EA	SOLENOID-INTERMITENT DUTY	RAP0533
	100532-09-704	EA	VALVE-PRESSURE SOLENOID	RAP0642
	130606-01-701	EA	RELAY/SOLENOID - 5-TERMINAL	RAP90653

SLIDE OUT HYDRAULICS (CONTINUED)
132540-01-000

KEY	PART NUMBER	U/M	DESCRIPTION	VENDOR NO.
	132540-01-000	EA	SLIDEOUT - HYDRAULIC	
	100536-10-701	EA	HOSE-HYDRAULIC-1/4" X 116"	RAP90349/AP5384
	132540-01-700	EA	RAM - SLIDEOUT ROOM	RAP90689/AP19616
	132540-01-701	EA	CYLINDER - SYNCRONIZING	RAP90690/AP17966
	132540-01-702	EA	HOSE-HYD-3/16" X 12'	AP18016

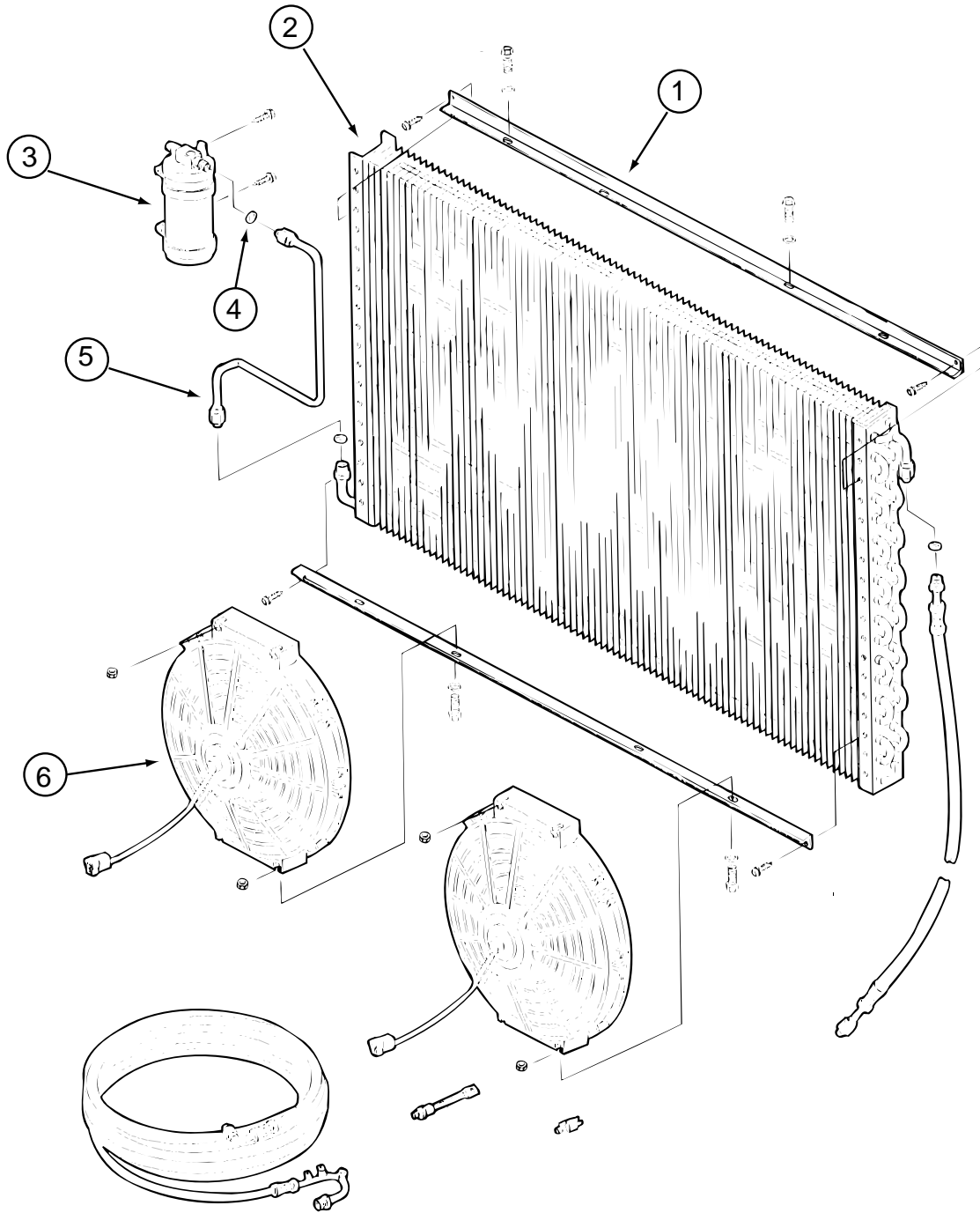
HEATING & A/C GROUP AUTOMOTIVE



CONDENSER 072342-14-000

KEY	PART NUMBER	U/M	DESCRIPTION	VENDOR NO.
	072342-14-000	EA	CONDENSER - W/FAN - F/PUSHER	
1	072342-19-701	EA	BRACKET-CONDENSER/FAN MOUNT	070-0704
2	113245-01-711	EA	O'RING #6	045-0129
3	072342-10-702	EA	FITTING-QUICK CONNECT#4 MALE	050-0148
4	072342-10-701	EA	RECEIVER DRIER	054-0015
5	072342-14-700	EA	COIL - CONDENSER	040-0112
6	072342-14-701	EA	FAN - 14" PULLER W/FG	086-0077
7	072342-11-701	EA	VALVE-SERVICE, #8X8	050-0134
8	072342-11-700	EA	HOSE #8 - CONDENSER/COMP	051-0095
9	113245-01-707	EA	O'RING #8	045-0126

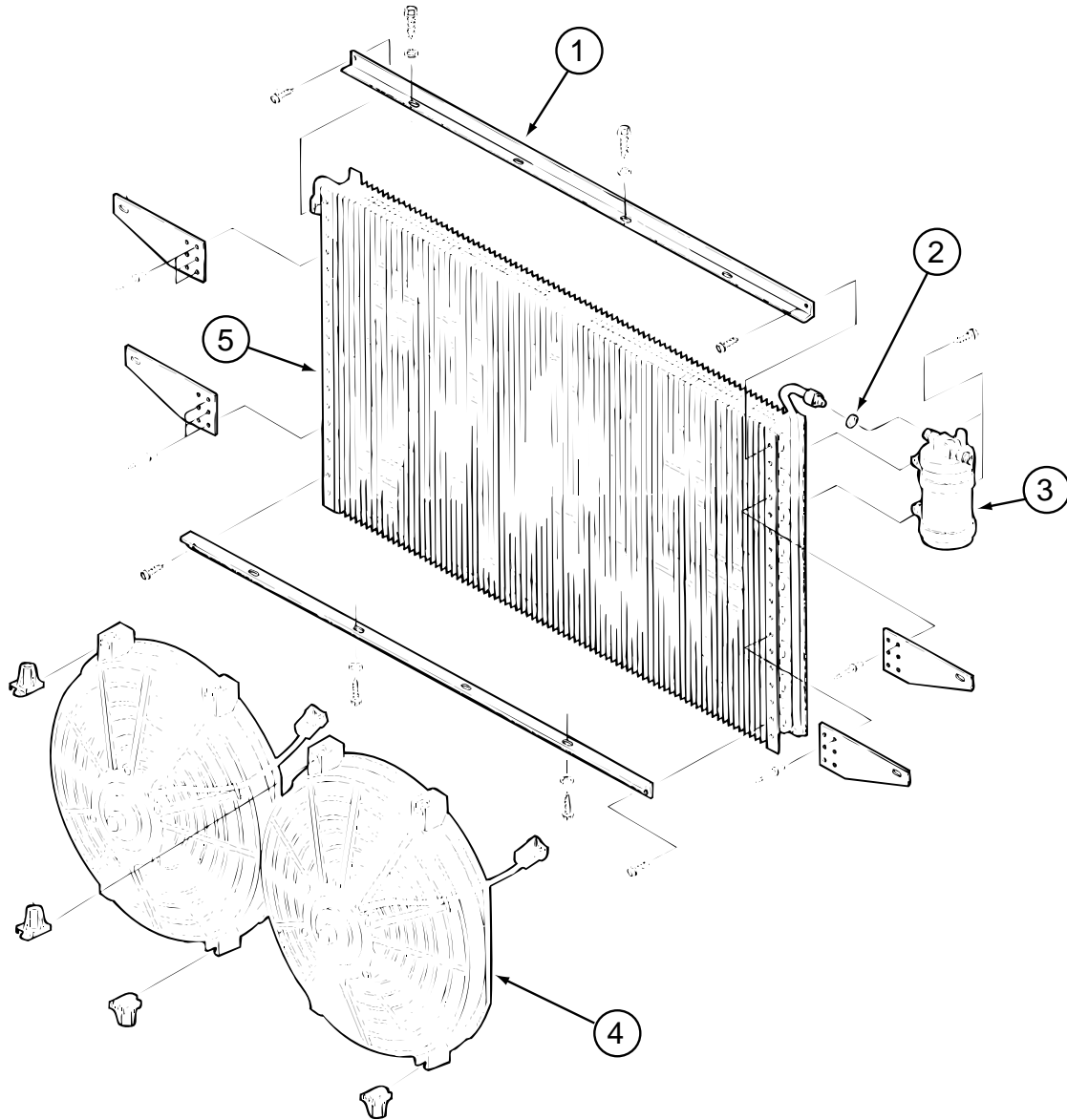
HEATING & A/C GROUP (CONTINUED)
AUTOMOTIVE (CONTINUED)



CONDENSER (CONTINUED)
072342-15-000

KEY	PART NUMBER	U/M	DESCRIPTION	VENDOR NO.
	072342-15-000	EA	CONDENSER - W/FAN SIDE - NO HOSE	
1	072342-13-700	EA	BRACKET - CONDENSER FAN	070-0148
2	072342-12-700	EA	COIL-CONDENSER	040-0027
3	072342-12-703	EA	RECEIVER DRIER	054-0001
4	113245-01-711	EA	O'RING #6	045-0129
5	072342-13-703	EA	TUBE ASM. #6	052-0040
6	072342-08-703	EA	FAN BLADE/MOTOR & SHROUD 11"	062-0097

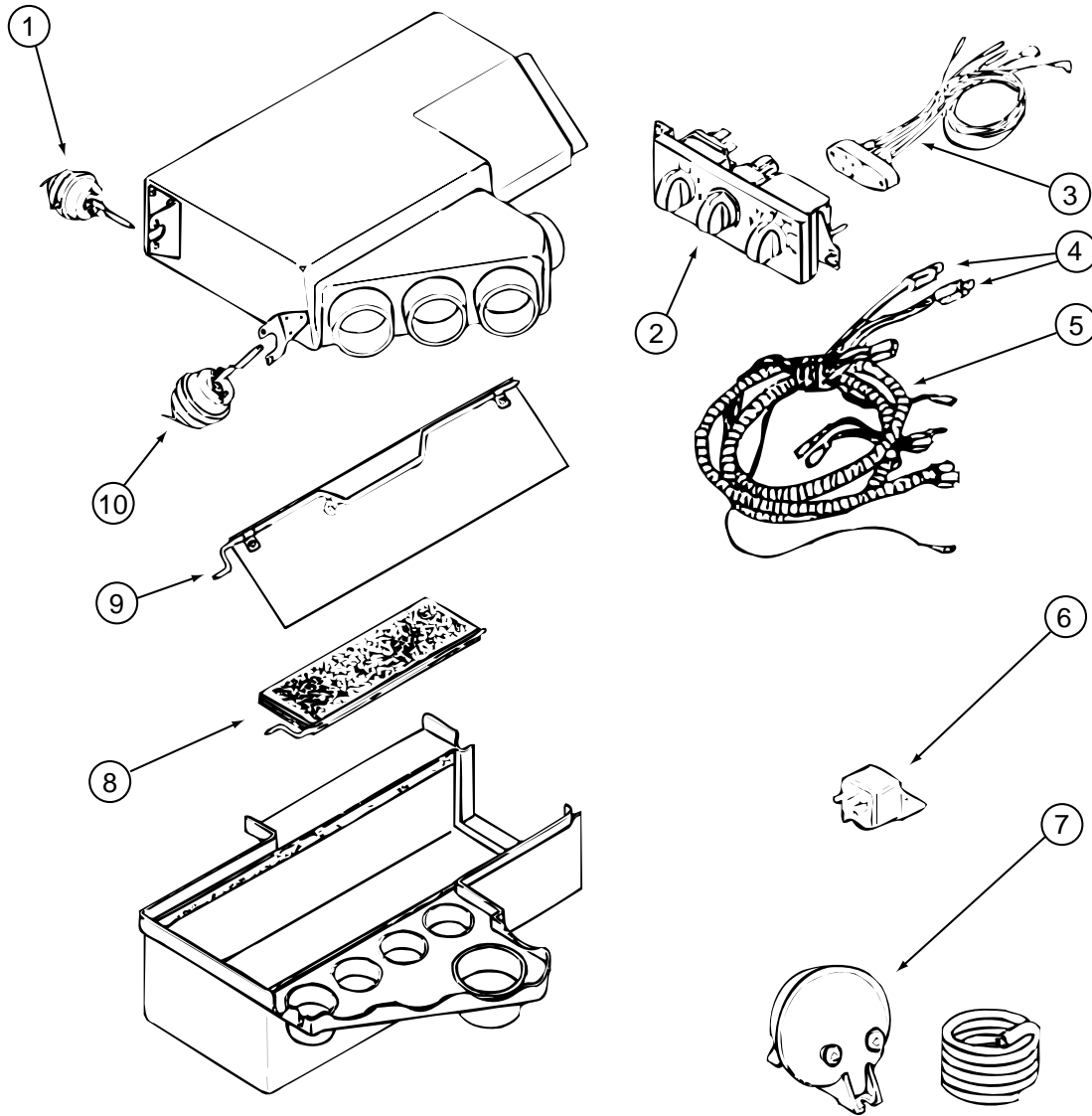
HEATING & A/C GROUP (CONTINUED)
AUTOMOTIVE (CONTINUED)



CONDENSER (CONTINUED)
072342-19-000

KEY	PART NUMBER	U/M	DESCRIPTION	VENDOR NO.
	072342-19-000	EA	CONDENSER - W/FAN - W/O HOSE	
1	072342-19-701	EA	BRACKET-CONDENSER/FAN MOUNT	070-0704
2	113245-01-711	EA	O'RING #6	045-0129
3	072342-12-703	EA	RECEIVER DRIER	054-0001
4	072342-14-701	EA	FAN - 14" PULLER W/FG	086-0077
5	072342-19-700	EA	COIL - CONDENSER	040-0237

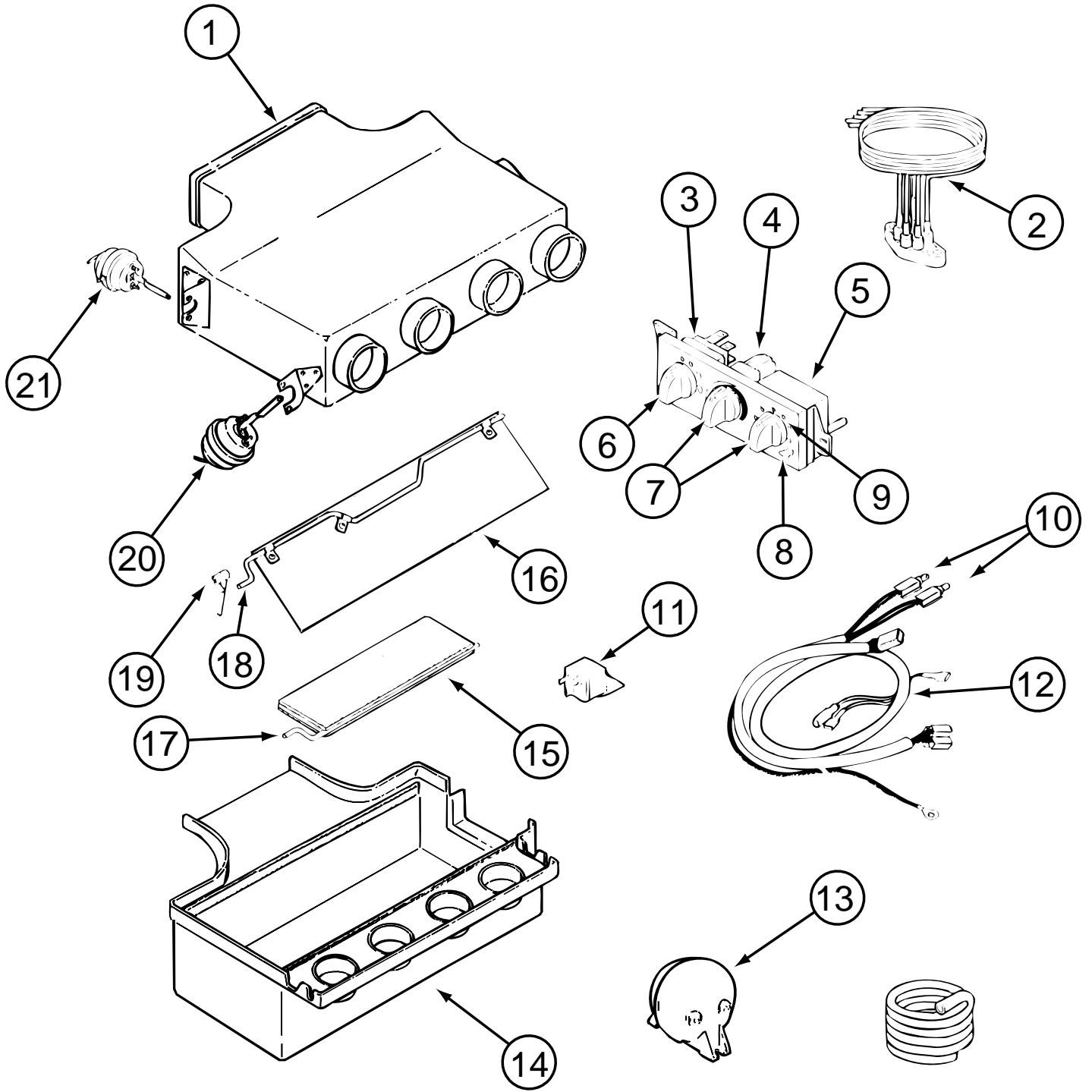
HEATING & A/C GROUP (CONTINUED)
AUTOMOTIVE (CONTINUED)



CONTROL PLENUM
103930-36-000

KEY	PART NUMBER	U/M	DESCRIPTION	VENDOR NO.
	103930-36-000	EA	CONTROL/PLENUM - ROTARY CONTROL HEAD	
1	103930-33-701	EA	MOTOR - VACUUM, 3 STAGE	030-0105
2	103930-33-702	EA	CONTROL PANEL	083-0169
3	103930-33-703	EA	VACUUM HARNESS	036-0466
4	103930-33-705	EA	LIGHT BULBS	035-0030
5	103930-33-711	EA	WIRE HARNESS-W/BULBS(CAVITY)	036-0496
6	103930-02-707	EA	RELAY-BOSCH W/RESISTER	031-0001
7	103930-02-710	EA	CANISTER-VACUUM	054-0002
8	103930-36-701	EA	ROD - DOOR, AC	073-0062
9	103930-36-700	EA	ROD - DOOR, DEFROST	073-0061
10	103930-02-708	EA	MOTOR-VACUUM SERVO, A/C	030-0025
	103930-33-704	EA	WIRE HARNESS W/BULBS (SPADE)	036-0465
	103930-33-707	EA	SWITCH - BLOWER	032-00066
	103930-33-708	EA	SWITCH - POTENTIOMETER	032-0184
	103930-33-709	EA	SWITCH - VACUUM	032-0183
	103930-33-710	EA	DECAL F/CONTROL HEAD	058-0102

HEATING & A/C GROUP (CONTINUED)
AUTOMOTIVE (CONTINUED)



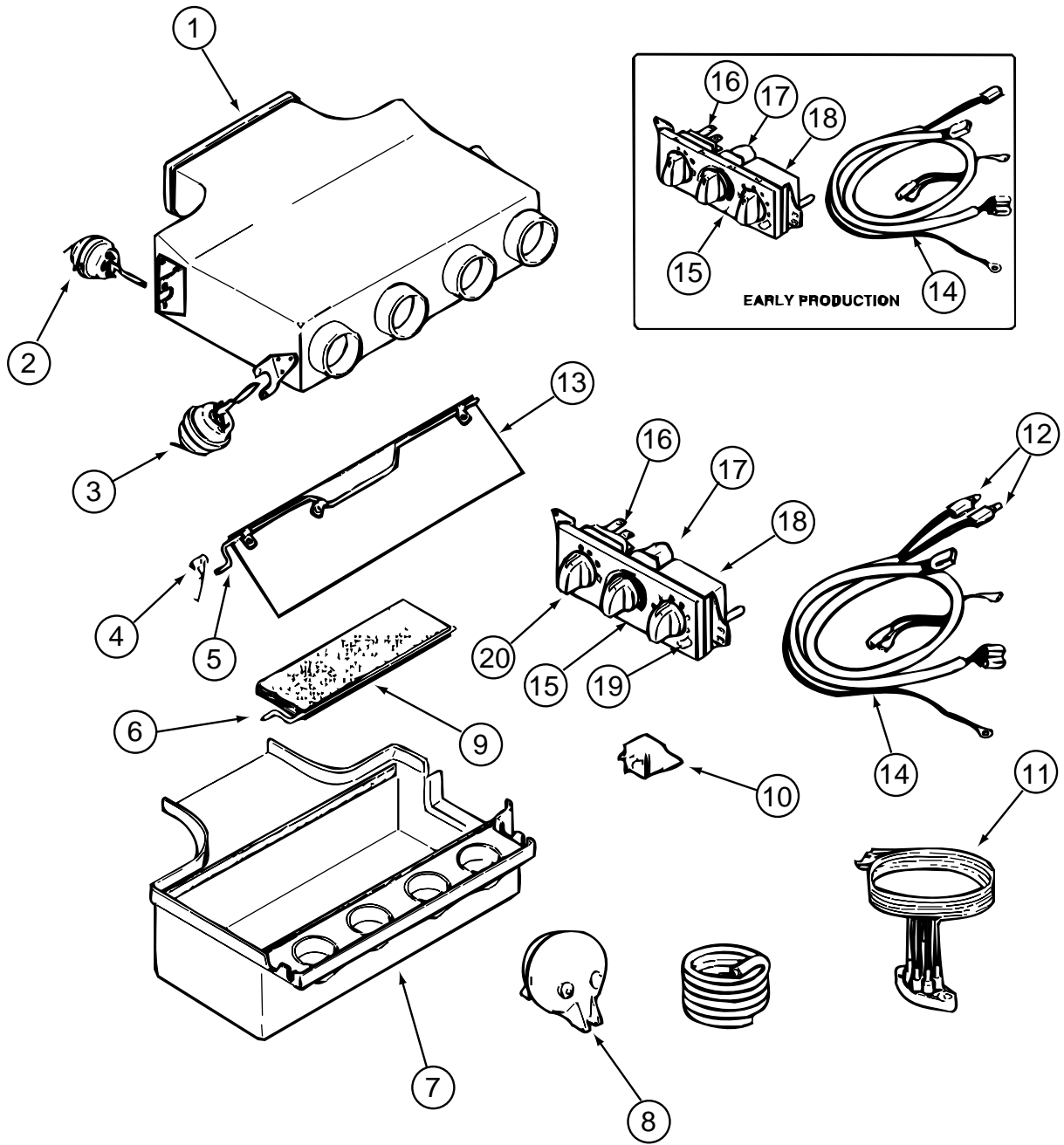
CONTROL PLENUM (CONTINUED)
103930-39-000

HEATING & A/C GROUP (CONTINUED)

AUTOMOTIVE (CONTINUED) CONTROL PLENUM (CONTINUED) 103930-39-000 (CONTINUED)

KEY	PART NUMBER	U/M	DESCRIPTION	VENDOR NO.
	103930-39-000	EA	CONTROL/PLENUM - ROTARY	
1	103930-39-705	EA	PLENUM - TOP	060-0482
2	103930-33-703	EA	VACUUM HARNESS	036-0466
3	103930-33-707	EA	SWITCH - BLOWER	032-00066
4	103930-33-708	EA	SWITCH - POTENTIOMETER	032-0184
5	103930-33-709	EA	SWITCH - VACUUM	032-0183
6	103930-33-712	EA	KNOB - BLOWER	062-00539
7	103930-39-703	EA	KNOB - TEMPERATURE	062-0540
8	103930-33-702	EA	CONTROL PANEL	083-0169
9	103930-33-710	EA	DECAL F/CONTROL HEAD	058-0102
10	103930-33-705	EA	LIGHT BULBS	035-0030
11	103930-02-707	EA	RELAY-BOSCH W/RESISTER	031-0001
12	103930-33-711	EA	WIRE HARNESS-W/BULBS(CAVITY)	036-0496
13	103930-02-710	EA	CANISTER-VACUUM	054-0002
14	103930-39-707	EA	PLENUM - BOTTOM	060-0483
15	103930-39-706	EA	PLATE - DOOR - A/C	071-0623
16	103930-04-701	EA	DOOR - A/C	071-0150
17	103930-39-700	EA	ROD - DOOR - AC/HEAT	073-067
18	103930-39-701	EA	ROD - DOOR - AC/DEFROST	073-0069
19	103930-39-704	EA	SPRING	022-0119
20	103930-02-708	EA	MOTOR-VACUUM SERVO, A/C	030-0025
21	103930-33-701	EA	MOTOR - VACUUM, 3 STAGE	030-0105

HEATING & A/C GROUP (CONTINUED)
AUTOMOTIVE (CONTINUED)



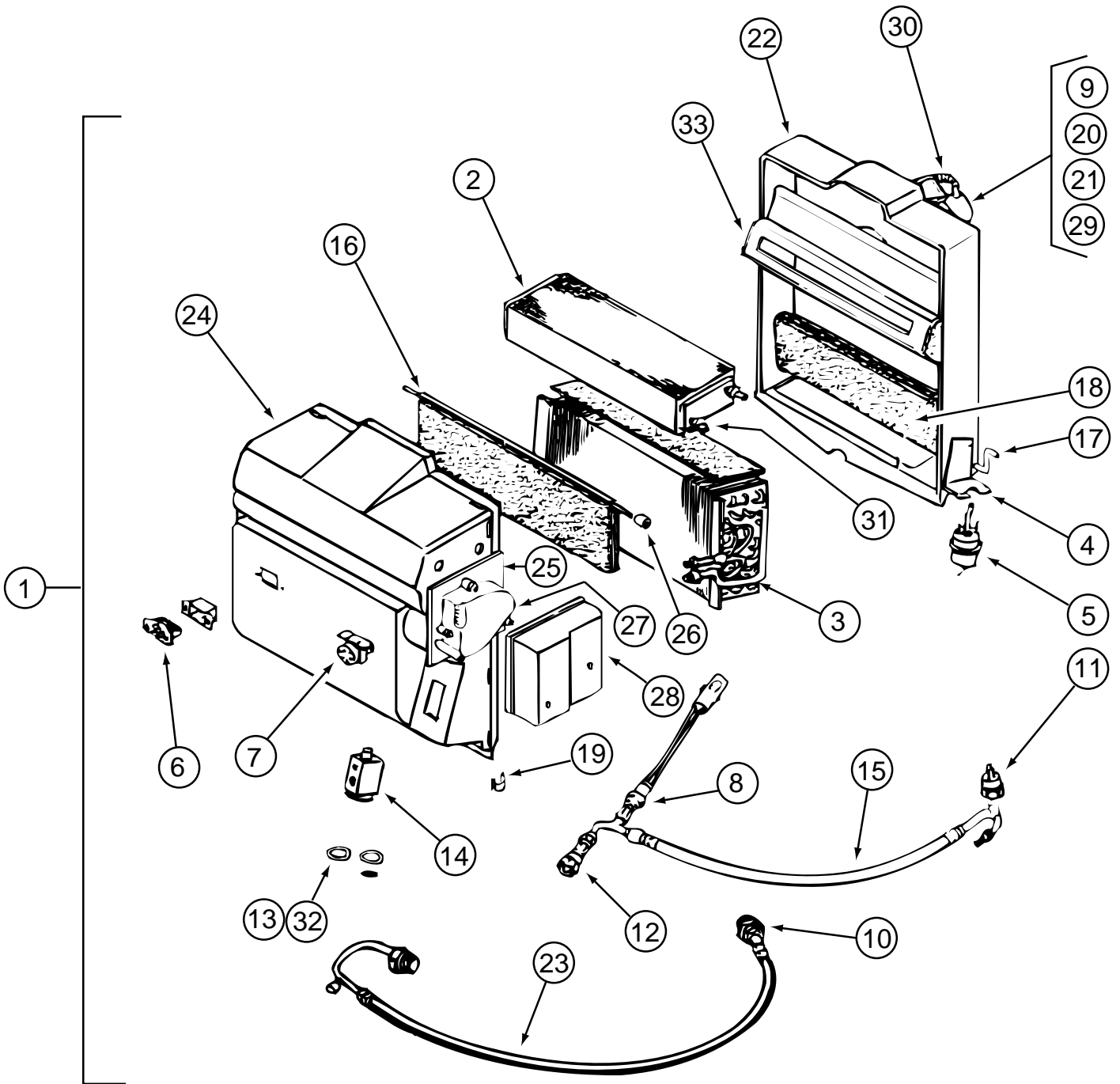
CONTROL PLENUM (CONTINUED)
103930-49-000

HEATING & A/C GROUP (CONTINUED)

AUTOMOTIVE (CONTINUED) CONTROL PLENUM (CONTINUED) 103930-49-000 (CONTINUED)

KEY	PART NUMBER	U/M	DESCRIPTION	VENDOR NO.
	103930-49-000	EA	CONTROL/PLENUM - LARGE ROTARY	
1	103930-39-705	EA	PLENUM - TOP	060-0482
2	103930-33-701	EA	MOTOR - VACUUM, 3 STAGE	030-0105
3	103930-02-708	EA	MOTOR-VACUUM SERVO, A/C	030-0025
4	103930-39-704	EA	SPRING	022-0119
5	103930-39-701	EA	ROD - DOOR - AC/DEFROST	073-0069
6	103930-39-700	EA	ROD - DOOR - AC/HEAT	073-067
7	103930-39-707	EA	PLENUM - BOTTOM	060-0483
8	103930-02-710	EA	CANISTER-VACUUM	054-0002
9	103930-39-706	EA	PLATE - DOOR - A/C	071-0623
10	103930-02-707	EA	RELAY-BOSCH W/RESISTER	031-0001
11	103930-33-703	EA	VACUUM HARNESS	036-0466
12	103930-33-705	EA	LIGHT BULBS	035-0030
13	103930-04-701	EA	DOOR - A/C	071-0150
14	103930-49-700	EA	HARNESS - WIRE	036-556
14	103930-49-701	EA	HARNESS - WIRE W/BULBS	036-0557
15	103930-49-702	EA	CONTROL PANEL-RECESSED FACE	032-0054
15	103930-49-703	EA	CONTROL PANEL - NON RECESSED	083-0223
16	103930-49-704	EA	SWITCH - BLOWER	032-0332
17	103930-49-705	EA	POTENTIOMETER	032-0182
18	103930-49-706	EA	SWITCH - VACUUM	032-0185
19	103930-49-707	EA	DECAL CONTROL PANEL-N/RECESS	058-0144
20	103930-49-708	EA	KNOB - BLOWER - NONRECESSED	062-0620

HEATING & A/C GROUP (CONTINUED)
AUTOMOTIVE (CONTINUED)



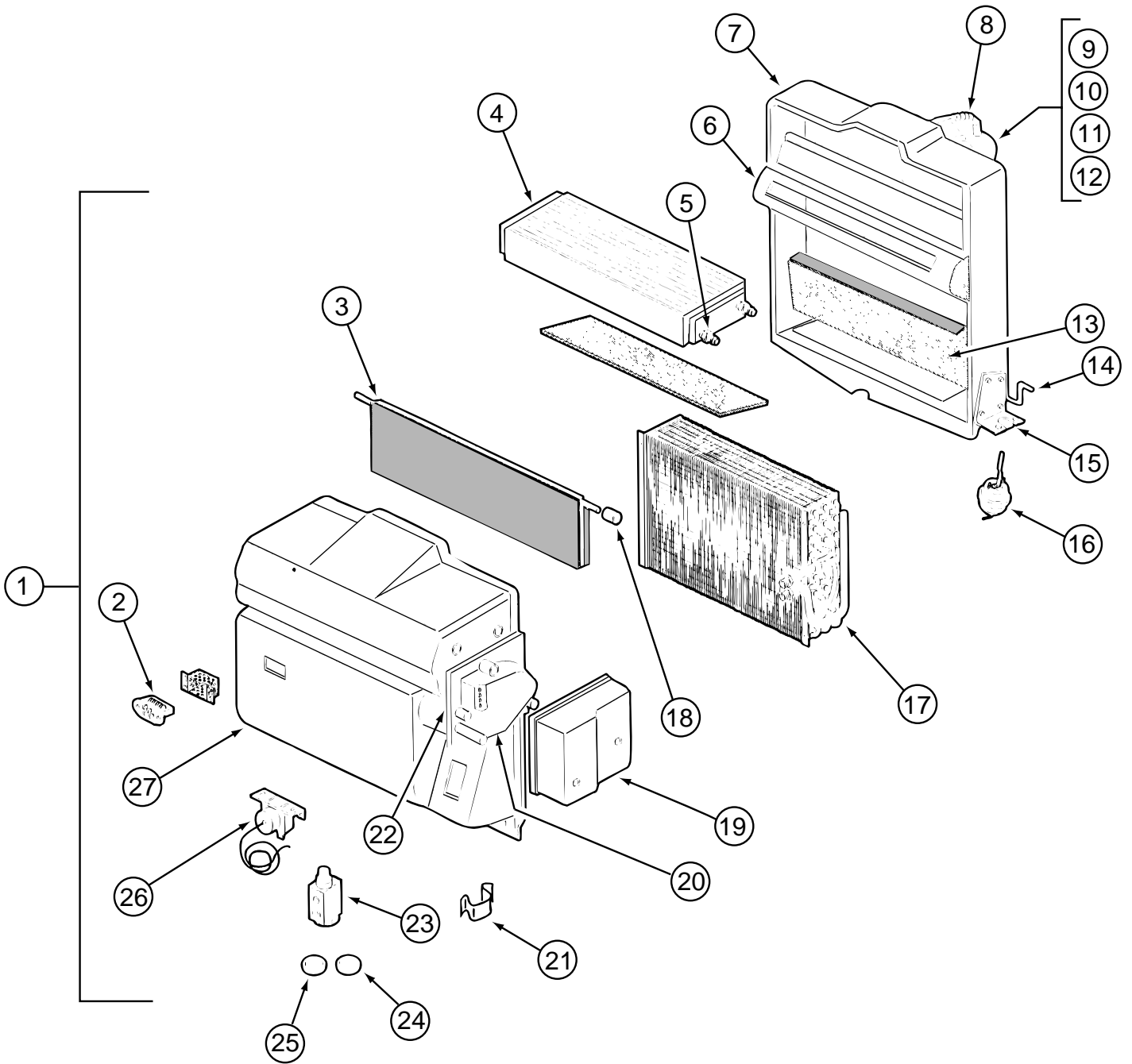
EVAPORATOR / HEATER
103930-32-000

HEATING & A/C GROUP (CONTINUED)

AUTOMOTIVE (CONTINUED) EVAPORATOR / HEATER (CONTINUED) 103930-32-000 (CONTINUED)

KEY	PART NUMBER	U/M	DESCRIPTION	VENDOR NO
1	103930-32-000	EA	EVAPORATOR/HEATER- FRTLINER/SPARTAN-SERVO MOTOR CONTROLLED SCS 090-00311	
2	103930 01 703	EA	CORE-HEATER	042-0010
3	103930 01 704	EA	COIL-EVAPORATOR	041-0017
4	103930 01 708	EA	BRACKET-VACUUM MOTOR	070-0113
5	103930 01 709	EA	MOTOR-VACUUM	030-0025
6	103930 01 710	EA	RESISTOR-FUSED, A/C 4 TERM	035-0006
7	103930 01 711	EA	THERMOSTAT	033-0003
8	103930 01 716	EA	SWITCH - PRESSURE - FAN	032-0036
9	103930 01 717	EA	WHEEL-BLOWER, CLOCKWISE	062-0010
10	103930 06 700	EA	FITTING-QUICK CONNECT, #8	050-0082
11	103930 12 708	EA	SWITCH-BINARY-HI/LOW CUTOFF	032-0048
12	103930 12 709	EA	FITTING-QUICK CONNECT	050-0120
13	103930 17 702	EA	O'RING #10	045-0127
14	103930 20 700	EA	VALVE-EXPANSION-BLOCK, 2 TON	034-0032
15	103930 20 701	EA	HOSE ASM #6 EVAPORATOR/DRIER	085-0138
16	103930 20 703	EA	DOOR-BLEND AIR	071-0212
17	103930 20 704	EA	ROD-DOOR-RECIRCULATING	073-0018
18	103930 20 705	EA	PANEL-DOOR, RECIRCULATING	071-0213
19	103930 20 706	EA	CLIP-RETAINER - CASE ATTACH	022-0057
20	103930 20 707	EA	HOUSING-BLOWER	062-0145
21	103930 20 708	EA	CLIP-MOTOR SHAFT	022-0001
22	103930 20 711	EA	CASE-BACK, SUB-ASSEMBLY	062-0147
23	103930 22 700	EA	HOSE ASM #10 EVAPORATOR/COMP	085-0141
24	103930 30 700	EA	CASE - FRONT	062-0542
25	103930 30 701	EA	PLATE - MOTOR MOUNT	062-0544
26	103930 30 702	EA	BUSHING - BLEND AIR DOOR	062-0168
27	103930 30 703	EA	MOTOR - SERVO	030-0104
28	103930 30 704	EA	COVER - SERVO	062-0545
29	103930 30 706	EA	MOTOR-BLOWER PM147 W/ADAPTER	030-0109
30	110279 01 703	EA	HOSE-VENT F/BLOWER MOTOR	051-0034
31	110279 01 712	EA	FITTING - HEATER CORE	050-0076
32	113245 01 707	EA	O'RING #8	045-0126
33	103930 30 707	EA	DIVIDER ASM.	086-0061
	103930 20 713	EA	GASKET - BLEND AIR DOOR	045-0160
	103930 20 714	EA	GASKET - BLEND AIR DOOR	045-0161

HEATING & A/C GROUP (CONTINUED)
AUTOMOTIVE (CONTINUED)



EVAPORATOR / HEATER (CONTINUED)
103930-43-000

HEATING & A/C GROUP (CONTINUED)

AUTOMOTIVE (CONTINUED) EVAPORATOR / HEATER (CONTINUED) 103930-43-000 (CONTINUED)

KEY	PART NUMBER	U/M	DESCRIPTION	VENDOR NO
1	103930-43-000	EA	EVAPORATOR/HEATER ASSEMBLY - NON-CHARGED	
2	103930-01-710	EA	RESISTOR-FUSED, A/C 4 TERM	035-0006
3	103930-43-700	EA	DOOR - AIR BLEND	071-0568
4	103930-01-703	EA	CORE-HEATER	042-0010
5	110279-01-712	EA	FITTING - HEATER CORE	050-0076
6	103930-30-707	EA	DIVIDER ASM.	086-0061
7	103930-20-711	EA	CASE-BACK, SUB-ASSEMBLY	062-0147
8	110279-01-703	EA	HOSE-VENT F/BLOWER MOTOR	051-0034
9	103930-20-707	EA	HOUSING-BLOWER	062-0145
10	103930-30-706	EA	MOTOR-BLOWER PM147 W/ADAPTER	030-0109
11	103930-01-717	EA	WHEEL-BLOWER, CLOCKWISE	062-0010
12	103930-20-708	EA	CLIP-MOTOR SHAFT	022-0001
13	103930-20-705	EA	PANEL-DOOR, RECIRCULATING	071-0213
14	103930-20-704	EA	ROD-DOOR-RECIRCULATING	073-0018
15	103930-01-708	EA	BRACKET-VACUUM MOTOR	070-0113
16	103930-02-708	EA	MOTOR-VACUUM SERVO, A/C	030-0025
17	103930-01-704	EA	COIL-EVAPORATOR	041-0017
18	103930-30-702	EA	BUSHING/DRIVE - BLEND DOOR	062-00634
19	103930-30-704	EA	COVER - SERVO	062-0545
20	103930-30-703	EA	MOTOR - SERVO	030-0104
21	103930-20-706	EA	CLIP-RETAINER - CASE ATTACH	022-0057
22	103930-30-701	EA	PLATE - MOTOR MOUNT	062-0544
23	103930-20-700	EA	VALVE-EXPANSION-BLOCK, 2 TON	034-0032
24	103930-17-702	EA	O'RING #10	045-0127
25	113245-01-707	EA	O'RING #8	045-0126
26	103930-01-711	EA	THERMOSTAT	033-0003
27	103930-30-700	EA	CASE - FRONT	062-0542
	094831-01-709	EA	CLAMP-ROD 3/16"	022-0025
	103930-02-714	EA	CLAMP-CLUTCH, BARREL	022-0006
	103930-20-713	EA	GASKET - BLEND AIR DOOR	045-0160
	103930-20-714	EA	GASKET - BLEND AIR DOOR	045-0161
	103930-30-708	EA	BUSHING/IDLER - BLEND DOOR	062-00167
	113245-01-718	FT	HOSE - DRAIN - 1/2"	051-0002

HEATING & A/C GROUP (CONTINUED)

AUTOMOTIVE (CONTINUED)

HOSE KIT

072342-16-000

KEY	PART NUMBER	U/M DESCRIPTION	VENDOR NO.
	072342-16-000	EA HOSE - #8 - STRAIGHT END - CONDENSER/COMPRESSOR - 62"	
	072342-13-702	EA HOSE ASM. #6	085-0460
	103930-01-716	EA SWITCH - PRESSURE - FAN	032-0036
	103930-12-708	EA SWITCH-BINARY-HI/LOW CUTOUT	032-0048
	113245-01-711	EA O'RING #6	045-0129

HOSE KIT (CONTINUED)

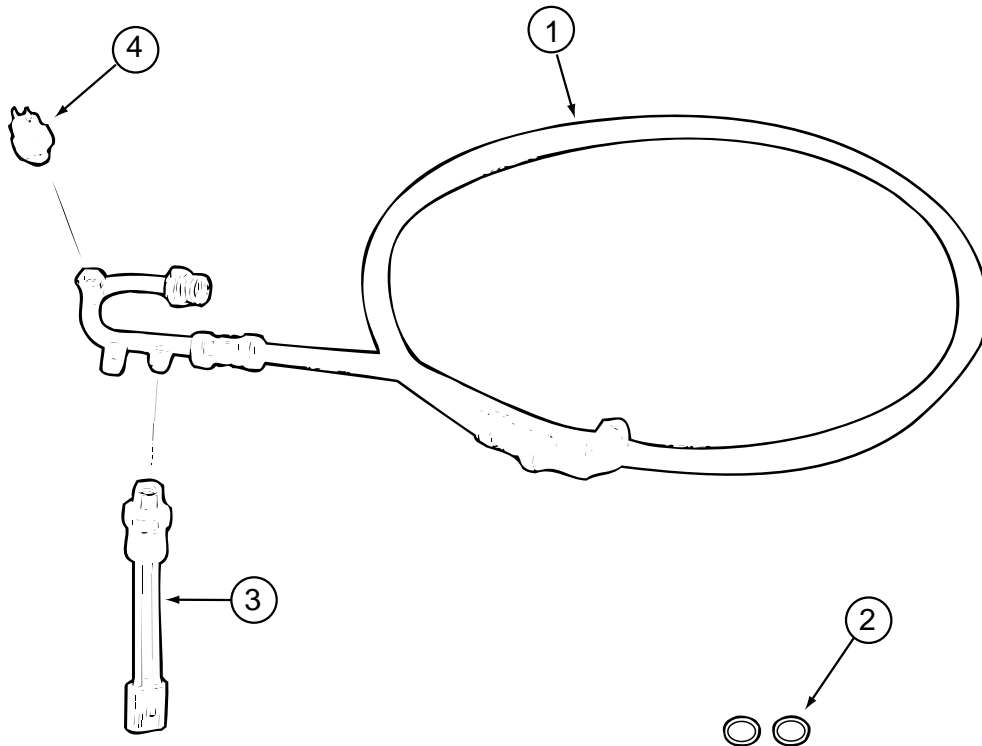
072342-17-000

KEY	PART NUMBER	U/M DESCRIPTION	VENDOR NO.
	072342-17-000	EA HOSE - #8 - 90 DEGREE END - CONDENSER/COMPRESSOR - 95"	
	072342-12-701	EA HOSE ASM #8 CONDENSER/COMP	085-0142
	113245-01-707	EA O'RING #8	045-0126

HOSE KIT (CONTINUED)

072342-18-000

KEY	PART NUMBER	U/M DESCRIPTION	VENDOR NO.
	072342-18-000	EA HOSE - #6 - CONDENSER/EVAPORATOR - 514"	
	072342-13-701	EA HOSE ASM. #8	085-0459
	113245-01-707	EA O'RING #8	045-0126



HOSE KIT (CONTINUED)

072342-21-000

KEY	PART NUMBER	U/M DESCRIPTION	VENDOR NO
	072342-21-000	EA HOSE - #6 - 28" LONG	
1	072342-21-700	EA HOSE ASSEMBLY	085-0488
2	103930-01-716	EA SWITCH-PRESSURE-PIGTAILED	032-0036
3	103930-12-708	EA SWITCH-BINARY-HI/LOW CUTOUT	032-0048
4	113245-01-711	EA O'RING #6	045-0129

HEATING & A/C GROUP (CONTINUED)

AUTOMOTIVE (CONTINUED)

HOSE KIT (CONTINUED)

103930-16-000

KEY	PART NUMBER	U/M	DESCRIPTION	VENDOR NO.
	103930-16-000	EA	HOSE KIT - #12 PRE-CHARGED R134A - 389"	
	103930-07-704	EA	FITTING-QUICK CONNECT, #8	050-0081
	103930-13-702	EA	VALVE-SERVICE, W/O COMP.	050-0152
	103930-16-700	EA	HOSE ASM #12 SPARTON	085-0120
	103930-17-702	EA	O'RING #10	045-0127
	113245-01-710	EA	O'RING, #12	045-0128

HOSE KIT (CONTINUED)

103930-41-000 & 103930-45-000 & 103930-51-000

KEY	PART NUMBER	U/M	DESCRIPTION	VENDOR NO.
	103930-41-000	EA	HOSE KIT - #12 PRE-CHARGED R134 W/O'RING - 496" LONG	
	103930-45-000	EA	HOSE KIT - #12 PRE-CHARGED R134 W/O'RING - 496" LONG	
	103930-51-000	EA	HOSE KIT - #12 496" 90 DEGREE BEND - COMPRESSOR/EVAPORATOR	
	103930-17-702	EA	O'RING #10	045-0127

HOSE KIT (CONTINUED)

103930-44-000

KEY	PART NUMBER	U/M	DESCRIPTION	VENDOR NO
	103930-44-000	EA	HOSE - EVAPORATOR/DRYER - #6	
	103930-29-701	EA	O'RING F/LOW PRESSURE SWITCH	045-0483
	103930-44-700	EA	HOSE ASSEMBLY #6	085-0462

HOSE KIT (CONTINUED)

103930-46-000

KEY	PART NUMBER	U/M	DESCRIPTION	VENDOR NO
	103930-46-000	EA	HOSE - EXPANSION BLOCK (EVAPORATOR) TO COMPRESSOR	
	103930-17-702	EA	O'RING #10	045-0127
	103930-29-701	EA	O'RING F/LOW PRESSURE SWITCH	045-0483

HOSE KIT (CONTINUED)

103930-47-000

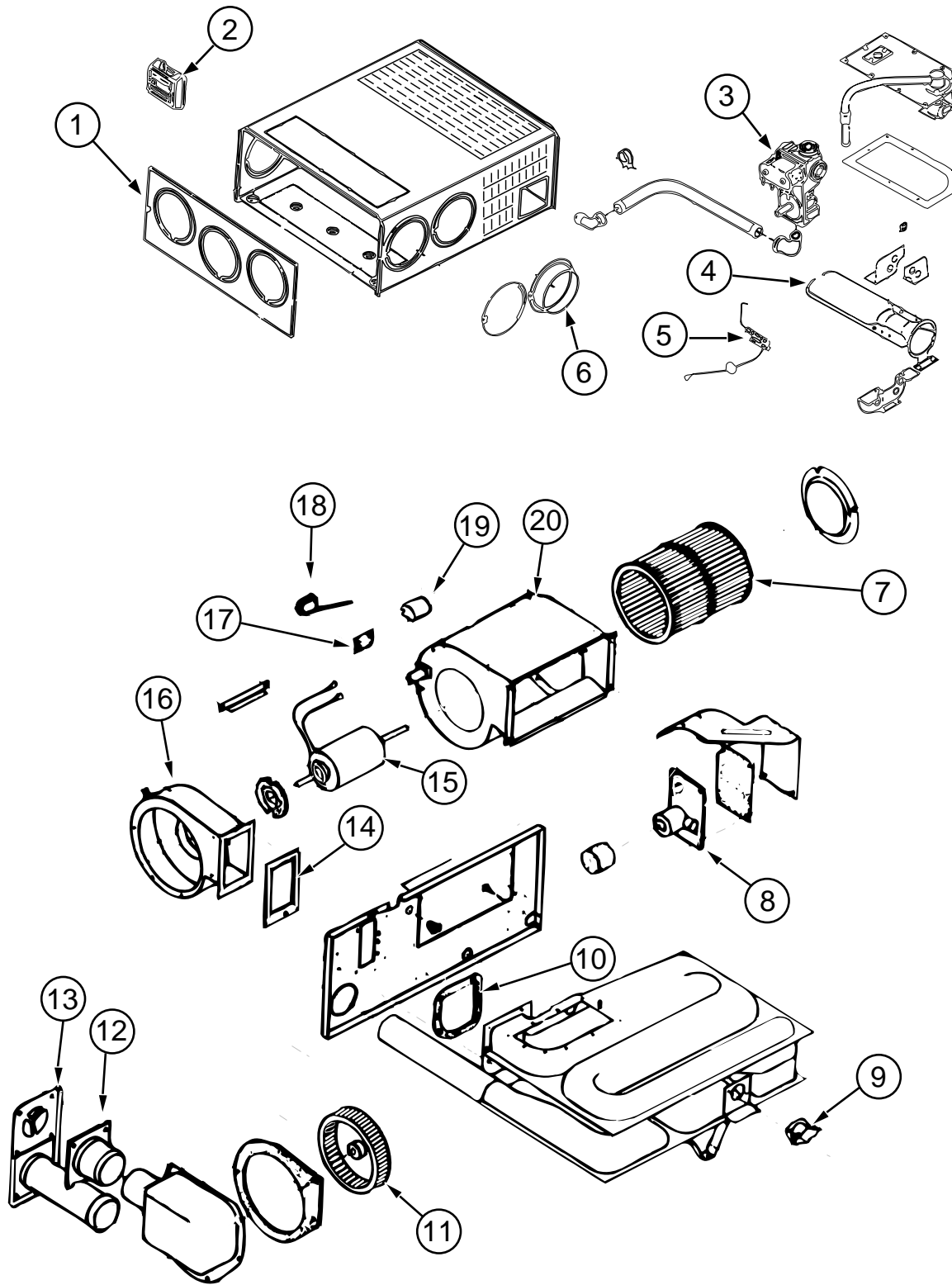
KEY	PART NUMBER	U/M	DESCRIPTION	VENDOR NO
	103930-47-000	EA	HOSE - EXPANSION VALVE - RECEIVER DRIER	
	113245-01-710	EA	O'RING, #12	045-0128

HEATING & A/C GROUP (CONTINUED)

FURNACE 075697-05-000

KEY	PART NUMBER	U/M	DESCRIPTION	VENDOR NO.
	075697-05-000	EA	FURNACE - DUCTED - FORCED AIR NT-12S	
	069634-01-729	EA	VALVE-GAS-JOHNSON	161078
	069634-01-732	EA	GASKET,BURNER ACCESS DOOR	70398
	074035-01-706	EA	WHEEL,COMBUSTION AIR	350082
	074466-01-702	EA	RELAY, TIME DELAY	230625
	075696-02-703	EA	COLLAR-DUCT	50715
	075696-02-721	EA	GASKET-GAS INLET PIPE	70432
	075696-02-736	EA	TUBE-INTAKE ASSEMBLY	50906
	075697-01-701	EA	VENT CAP & EXHAUST ASM 20SE	260098
	075697-01-708	EA	ELECTRODE-SGL PROBE 92 ON UP	231931
	075697-01-709	EA	GASKET-MANIFOLD	70449
	075697-04-700	EA	SWITCH - LIMIT	230621
	075697-04-702	EA	WHEEL-ROOM AIR	350083
	075697-04-704	EA	DOOR-BURNER ACCESS	30621
	075697-05-700	EA	CABINET-FRONT	100960
	075697-05-701	EA	MICROSWITCH ASSEMBLY	230933
	075697-05-702	EA	MOTOR - BLOWER 12 VOLT	230616
	075697-05-705	EA	ORFICE, MAIN BURNER	180225
	075697-05-706	EA	BURNER ASSEMBLY	10614
	092300-01-704	EA	GASKET-ELECTRODE	70163
	098668-01-712	EA	BOARD-MODULE	520741

HEATING & A/C GROUP (CONTINUED)
FURNACE (CONTINUED)



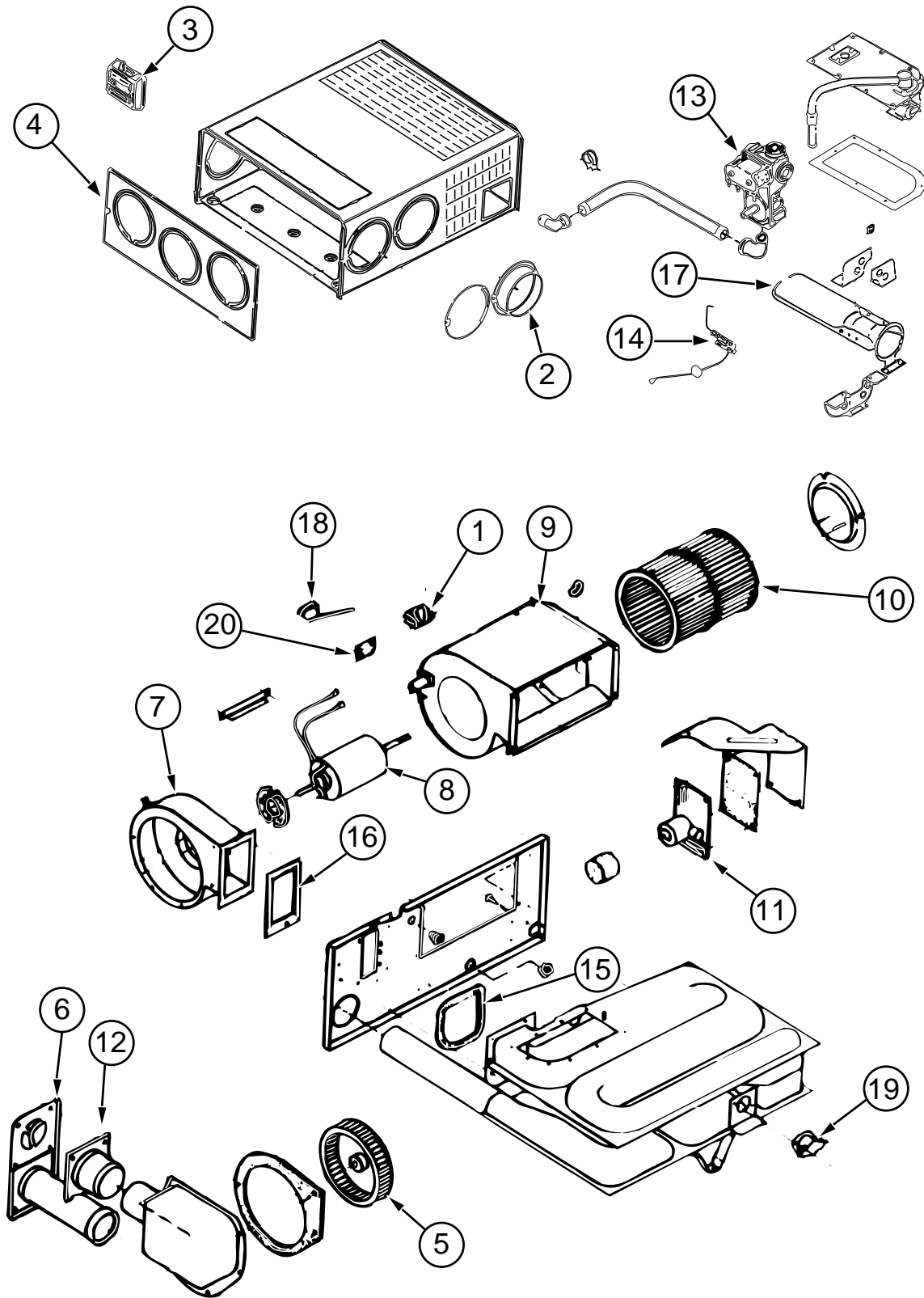
098668-19-000

HEATING & A/C GROUP (CONTINUED)

FURNACE (CONTINUED) 098668-19-000 (CONTINUED)

KEY	PART NUMBER	U/M	DESCRIPTION	VENDOR NO.
	098668-19-000	EA	FURNACE - 25000 BTU	
1	098668-01-700	EA	CABINET FRONT	101242
2	093365-01-000	EA	THERMOSTAT-FURNACE,SUBURBAN	REP'L BY 115764-01
3	098668-01-714	EA	VALVE-GAS,SF S.N. 921401821	161070
4	098668-01-703	EA	BURNER ASSEMBLY	10762
5	098668-01-715	EA	ELECTRODE ASM., SINGLE PROBE	232166
6	075696-02-703	EA	COLLAR-DUCT	50715
7	098668-01-711	EA	WHEEL-BLOWER, ROOM AIR	350129
8	098668-01-712	EA	BOARD-MODULE	520741
9	098668-21-701	EA	SWITCH - LIMIT	231799
10	098668-01-717	EA	GASKET-FIREWALL, BLOWER SIDE	70809
11	098668-01-706	EA	WHEEL-COMBUSTION AIR	350184
12	098668-01-713	EA	TUBE ASSEMBLY, INTAKE	51248
13	098668-01-707	EA	TUBE ASSEMBLY, EXHAUST W/CAP	260231
14	098668-01-716	EA	GASKET-FIREWALL,CHAMBER SIDE	70808
15	098668-01-709	EA	MOTOR ASM., F/SF-25, SF-30	231706
16	098668-01-708	EA	HOUSING-BLOWER, COMBUSTION	390441
17	101990-01-714	EA	GASKET-MICROSWITCH	230877
18	098668-21-700	EA	SWITCH-MICRO-W/O FLAG 3 1/4"	232261
19	074466-01-702	EA	RELAY, TIME DELAY	230625
20	098668-01-710	EA	HOUSING-BLOWER, ROOM AIR	390440
	090039-01-703	EA	ORIFICE-MAIN BURNER	180193
	098668-01-702	EA	ELECTRODE	231740

HEATING & A/C GROUP (CONTINUED)
FURNACE (CONTINUED)



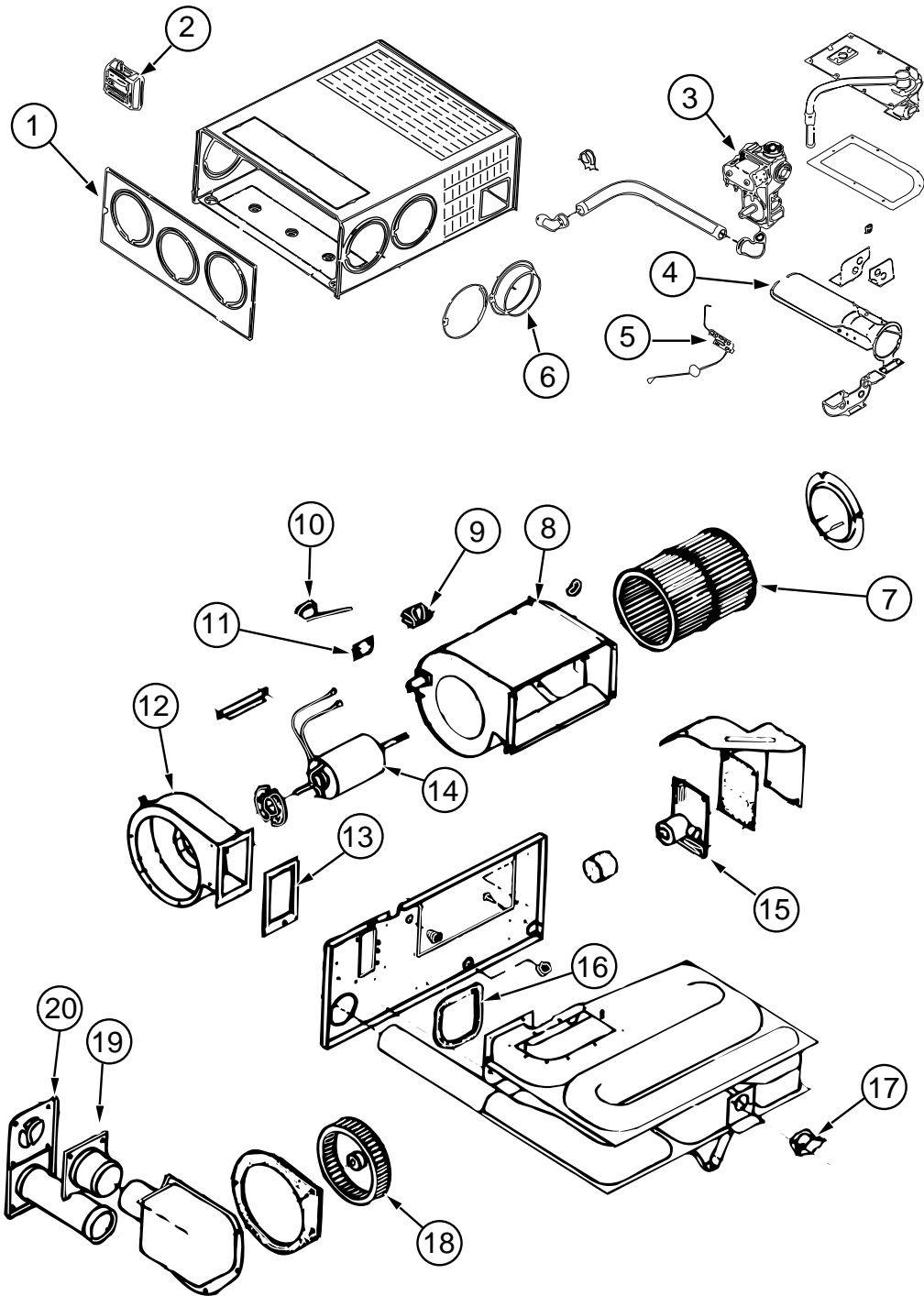
098668-20-000

HEATING & A/C GROUP (CONTINUED)

FURNACE (CONTINUED) 098668-20-000 (CONTINUED)

KEY	PART NUMBER	U/M	DESCRIPTION	VENDOR NO.
	098668-20-000	EA	FURNACE - 30,000 BTU	
1	074466-01-702	EA	RELAY, TIME DELAY	230625
2	075696-02-703	EA	COLLAR-DUCT	050715
	092300-02-701	EA	ORIFICE-MAIN BURNER (NT-30BW	180214
3			CONTACT WINNEBAGO PART SALES FOR THIS COMPONENT	
4	098668-01-700	EA	CABINET FRONT	101242
5	098668-01-706	EA	WHEEL-COMBUSTION AIR	350184
6	098668-01-707	EA	TUBE ASSEMBLY, EXHAUST W/CAP	260231
7	098668-01-708	EA	HOUSING-BLOWER, COMBUSTION	390441
8	098668-01-709	EA	MOTOR ASM., F/SF-25, SF-30	231706
9	098668-01-710	EA	HOUSING-BLOWER, ROOM AIR	390440
10	098668-01-711	EA	WHEEL-BLOWER, ROOM AIR	350129
11	098668-01-712	EA	BOARD-MODULE	520741
12	098668-01-713	EA	TUBE ASSEMBLY, INTAKE	051248
13	098668-01-714	EA	VALVE-GAS,SF S.N. 921401821	161070
14	098668-01-715	EA	ELECTRODE ASM., SINGLE PROBE	232166
15	098668-01-716	EA	GASKET-FIREWALL,CHAMBER SIDE	070808
16	098668-01-717	EA	GASKET-FIREWALL, BLOWER SIDE	070809
17	098668-02-700	EA	BURNER ASSEMBLY,SF-30 & SF35	010745
18	098668-21-700	EA	SWITCH-MICRO-W/O FLAG 3 1/4"	232261
19	098668-21-701	EA	SWITCH - LIMIT	231799
20	101990-01-714	EA	GASKET-MICROSWITCH	230877

HEATING & A/C GROUP (CONTINUED)
FURNACE (CONTINUED)



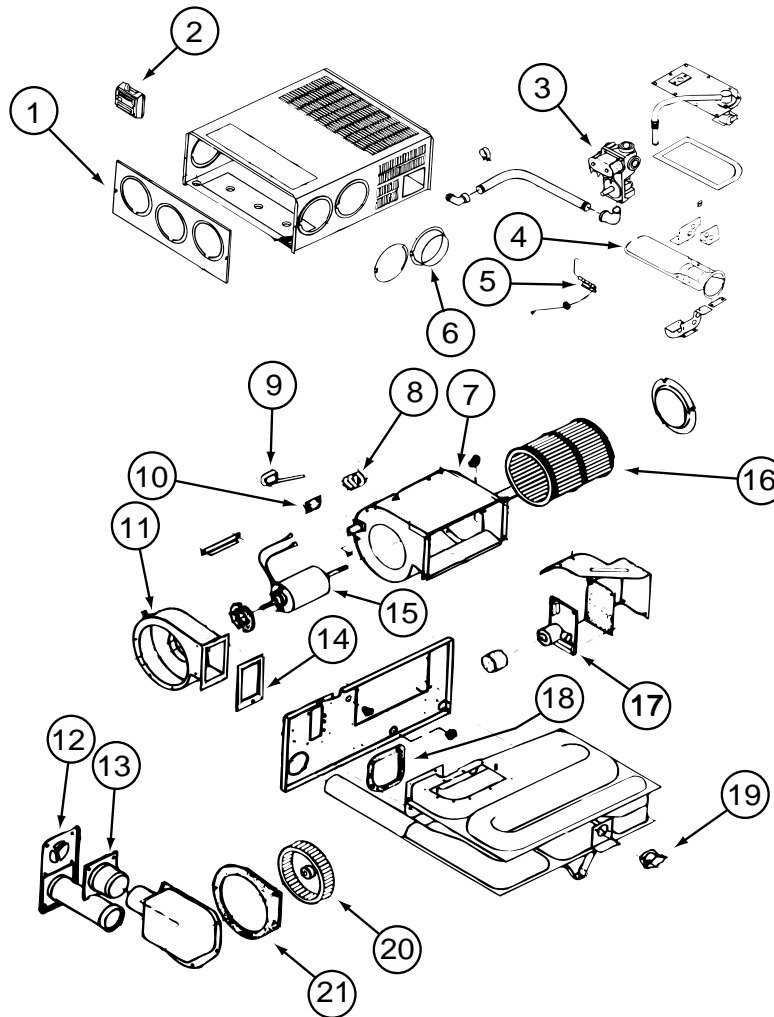
098668-21-000

HEATING & A/C GROUP (CONTINUED)

FURNACE (CONTINUED) 098668-21-000 (CONTINUED)

KEY	PART NUMBER	U/M	DESCRIPTION	VENDOR NO.
	098668-21-000	EA	FURNACE - 35000 BTU	
1	098668-01-700	EA	CABINET FRONT	101242
2			CONTACT WINNEBAGO PART SALES FOR THIS COMPONENT	
3	098668-01-714	EA	VALVE-GAS,SF S.N. 921401821	161070
4	098668-02-700	EA	BURNER ASSEMBLY,SF-30 & SF35	010745
5	098668-01-715	EA	ELECTRODE ASM., SINGLE PROBE	232166
6	075696-02-703	EA	COLLAR-DUCT	050715
7	098668-01-711	EA	WHEEL-BLOWER, ROOM AIR	350129
8	098668-01-710	EA	HOUSING-BLOWER, ROOM AIR	390440
9	074466-01-702	EA	RELAY, TIME DELAY	230625
10	098668-21-700	EA	SWITCH-MICRO-W/O FLAG 3 1/4"	232261
11	101990-01-714	EA	GASKET-MICROSWITCH	230877
12	098668-01-708	EA	HOUSING-BLOWER, COMBUSTION	390441
13	098668-01-717	EA	GASKET-FIREWALL, BLOWER SIDE	070809
14	098668-03-700	EA	MOTOR ASSEMBLY, SF-35	231707
15	098668-01-712	EA	BOARD-MODULE	520741
16	098668-01-716	EA	GASKET-FIREWALL,CHAMBER SIDE	070808
17	098668-21-701	EA	SWITCH - LIMIT	231799
18	098668-01-706	EA	WHEEL-COMBUSTION AIR	350184
19	098668-01-713	EA	TUBE ASSEMBLY, INTAKE	051248
20	098668-01-707	EA	TUBE ASSEMBLY, EXHAUST W/CAP	260231
	069634-01-720	EA	ORIFICE-MAIN BURNER	0180222
	098668-08-700	EA	MODULE BD/FAN CONT - FENWAL	232613
	098668-08-701	EA	MODULE BD/FAN CONT-UNITED TE	232614

HEATING & A/C GROUP (CONTINUED) FURNACE (CONTINUED)



098668-22-000

KEY	PART NUMBER	U/M	DESCRIPTION	VENDOR NO.
	098668-22-000	EA	FURNACE - 40,000 BTU	
1	098668-01-700	EA	CABINET FRONT	101242
2	115764-01-01A	EA	THERMOSTAT-FURNACE, SUBURBAN	160902
3	098668-01-714	EA	VALVE-GAS, SF	161070
4	098668-11-701	EA	BURNER ASSEMBLY, SF-42F	010799
5	098668-01-715	EA	ELECTRODE ASM., SINGLE PROBE	232166
6	075696-02-703	EA	COLLAR-DUCT	050715
7	098668-11-704	EA	BLOWER ASM., ROOM AIR SF-42F	390698
8	074466-01-702	EA	RELAY, TIME DELAY	230625
9	098668-11-703	EA	SWITCH-SAIL, SF-42F	232216
10	101990-01-714	EA	GASKET-MICROSWITCH	230877
11	098668-01-708	EA	HOUSING-BLOWER, COMBUSTION	390441
12	098668-01-707	EA	TUBE ASSEMBLY, EXHAUST W/CAP	260231
13	098668-01-713	EA	TUBE ASSEMBLY, INTAKE	051248
14	098668-01-717	EA	GASKET-FIREWALL, BLOWER SIDE	070809
	098668-11-700	EA	ORIFICE-MAIN BURNER, SF-42F	180216
15	098668-11-702	EA	MOTOR ASSEMBLY, SF-42F	232212
16	098668-01-711	EA	WHEEL-BLOWER, ROOM AIR	350129
17	098668-01-712	EA	BOARD-MODULE	520741
18	098668-01-716	EA	GASKET-FIREWALL, CHAMBER SIDE	070808
19	098668-11-706	EA	SWITCH-LIMIT, SF42 & SF42F	232217
20	098668-22-702	EA	WHEEL-COMBUSTION AIR	350183
21	098668-22-703	EA	GASKET	070811
	098668-08-700	EA	MODULE BD/FAN CONT - FENWAL	232613
	098668-08-701	EA	MODULE BD/FAN CONT-UNITED TE	232614

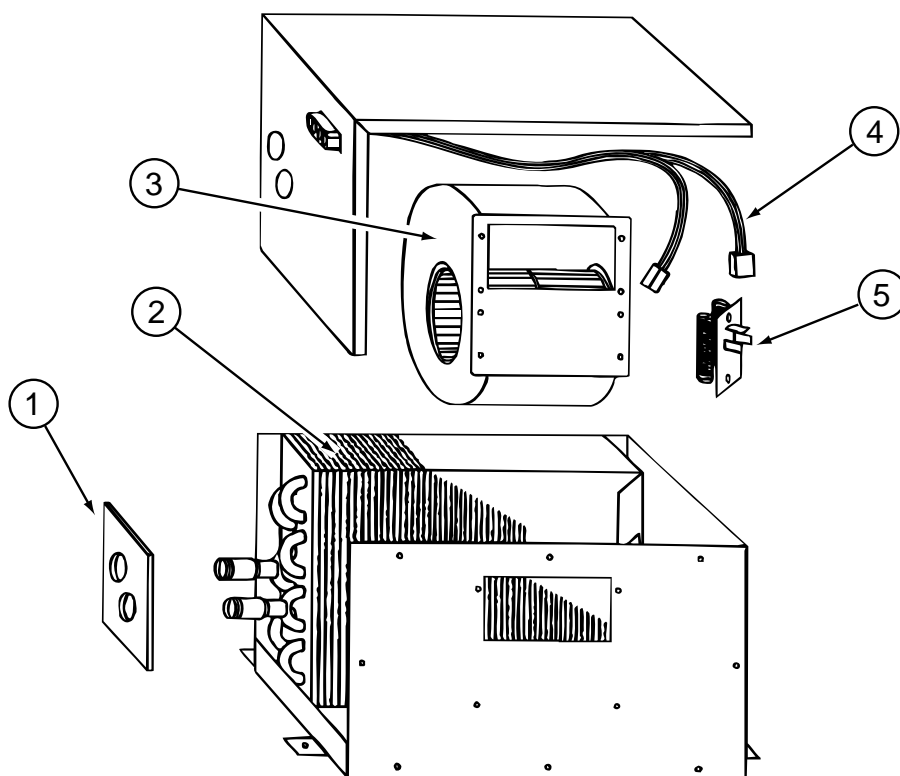
HEATING & A/C GROUP (CONTINUED)

REAR HEATER 049401-04-000

KEY	PART NUMBER	U/M	DESCRIPTION	VENDOR NO.
	049401-04-000	EA	HEATER - REAR - W/O SWITCH	
	049401-01-705	EA	VALVE 3 PORT 2 WAY	HV032126
	049401-03-700	EA	HEATER CORE	FT200027
	049401-03-701	EA	FAN-CCW	HV029931
	049401-03-702	EA	RESISTOR	RV212103
	049401-04-700	EA	CABLE-CONTROL	HV033639
	049401-04-701	EA	MOTOR 12V SS/PM	HV033107

084405-01-000

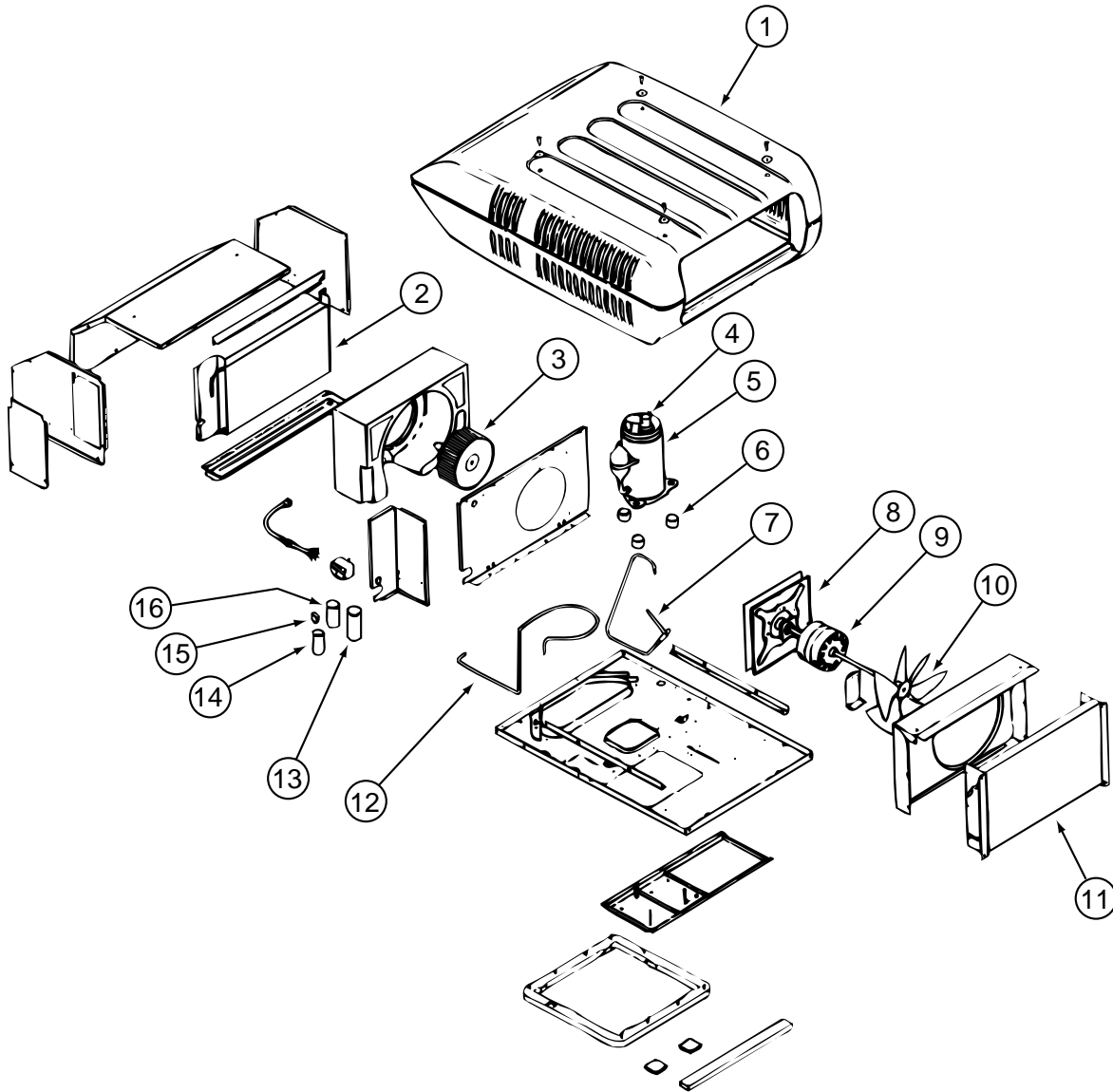
KEY	PART NUMBER	U/M	DESCRIPTION	VENDOR NO.
	084405-01-000	EA	HEATER - REAR/DUCTED - W/MOTOR AID	
	084405 01 700	EA	CORE-HEATER	FT200229
	084405 01 701	EA	FAN BLADES	HV029931
	084405 01 702	EA	MOTOR ASSEMBLY, 12 VOLT	RV010348



129205-01-000

KEY	PART NUMBER	U/M	DESCRIPTION	VENDOR NO.
	129205-01-000	EA	HEATER - REAR	
1	129205-01-700	EA	SEAL - CORE TUBE	HV218421
2	129205-01-701	EA	CORE - HEATER	HV218426
3	129205-01-702	EA	BLOWER ASSEMBLY	HV218419
4	129205-01-703	EA	WIRE HARNESS	HV218420
5	129205-01-704	EA	RESISTOR	HV218125

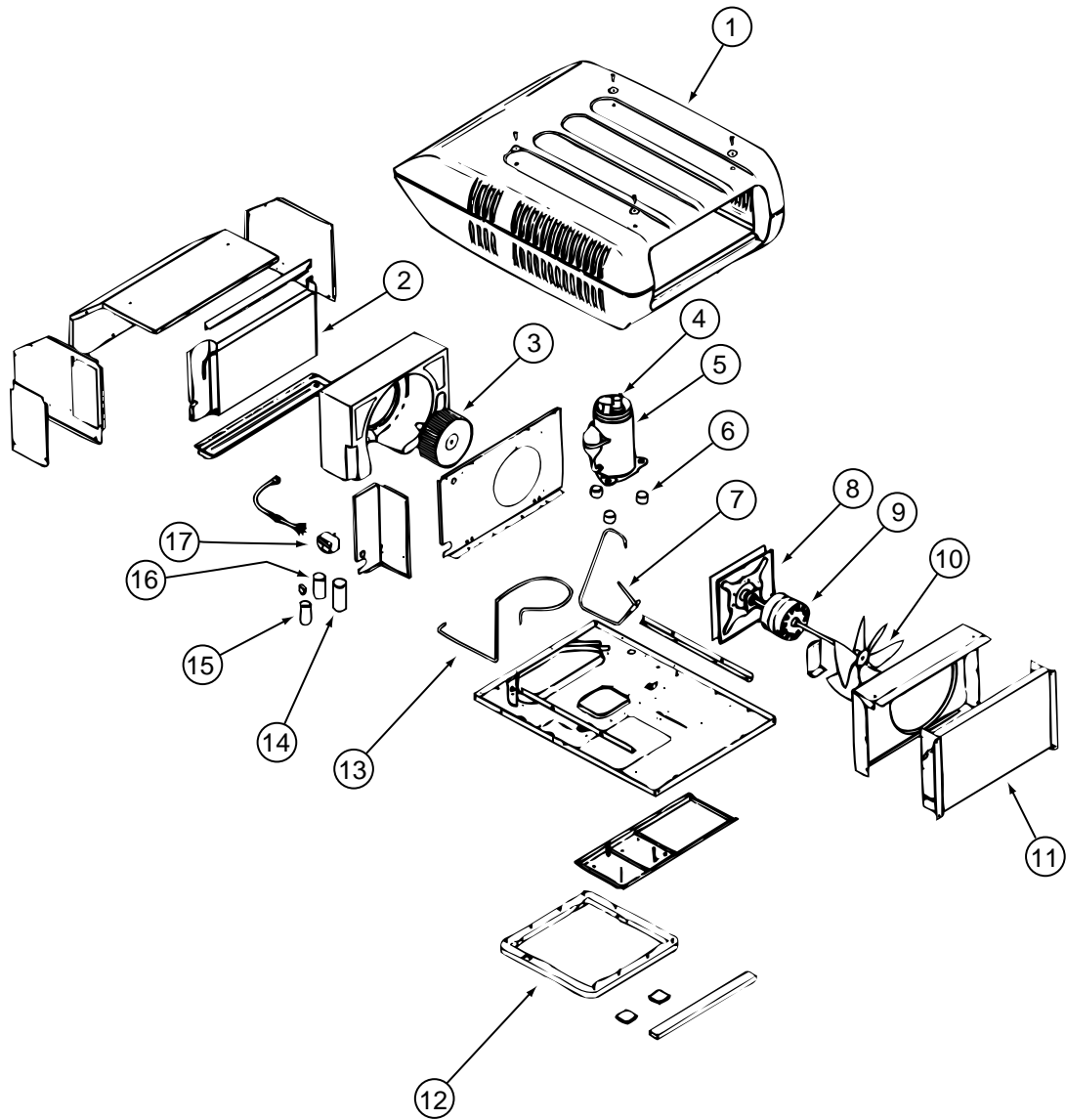
HEATING & A/C GROUP (CONTINUED) ROOF



A/C
131185-01-01A

KEY	PART NUMBER	U/M	DESCRIPTION	VENDOR NO.
	131185-01-01A	EA	A/C ROOF - 13,500 BTU - WHITE	
1	108889-05-700	EA	SHROUD-BRIGHT/WHT. W/O LOGO	7333-4601
2	131185-01-703	EA	EVAPORATOR COIL	1452A1491
3	131185-01-702	EA	BLOWER WHEEL PACKAGE	1472-1091
4	105620-01-705	EA	PROTECTOR-OVERLOAD, RH & LH	6759-3791
5	108889-01-722	EA	COMPRESSOR TSR3 C & D ONLY	1450-2099
6	105620-01-706	EA	MOUNTING PKG., COMP., 3 PER	6759-3081
7	131185-01-706	EA	DISCHARGE LINE	7333A136
8	131185-01-704	EA	MOTOR MOUNT & SEAL KIT	8333-5151
9	131185-01-701	EA	MOTOR (115V, 60HZ)	1468-3069
10	093763-01-712	EA	BLADE-FAN-CONDENSER	6733-3221
11	131185-01-700	EA	CONDENSER COIL	1452A1451
12	131185-01-705	EA	SUCTION LINE (3/8" OD)	6792B130
13	108889-01-707	EA	CAPACITOR-RUN, COMP-25MFD/3701	499-5661
14	105620-10-704	EA	START COMPACITOR	1497-0861
15	108889-01-708	EA	CAPACITOR-FAN, 7.5MFD. 370U	1499-5461
16	105620-10-705	EA	PTCR (START DEVICE) - W/CAP.	8333A9021
	093306-01-701	EA	DECAL PACKAGE, LEFT & RIGHT	6798B3591
	108889-01-710	EA	PAD-FILLER, CONDENSER SEAL	6759B3971

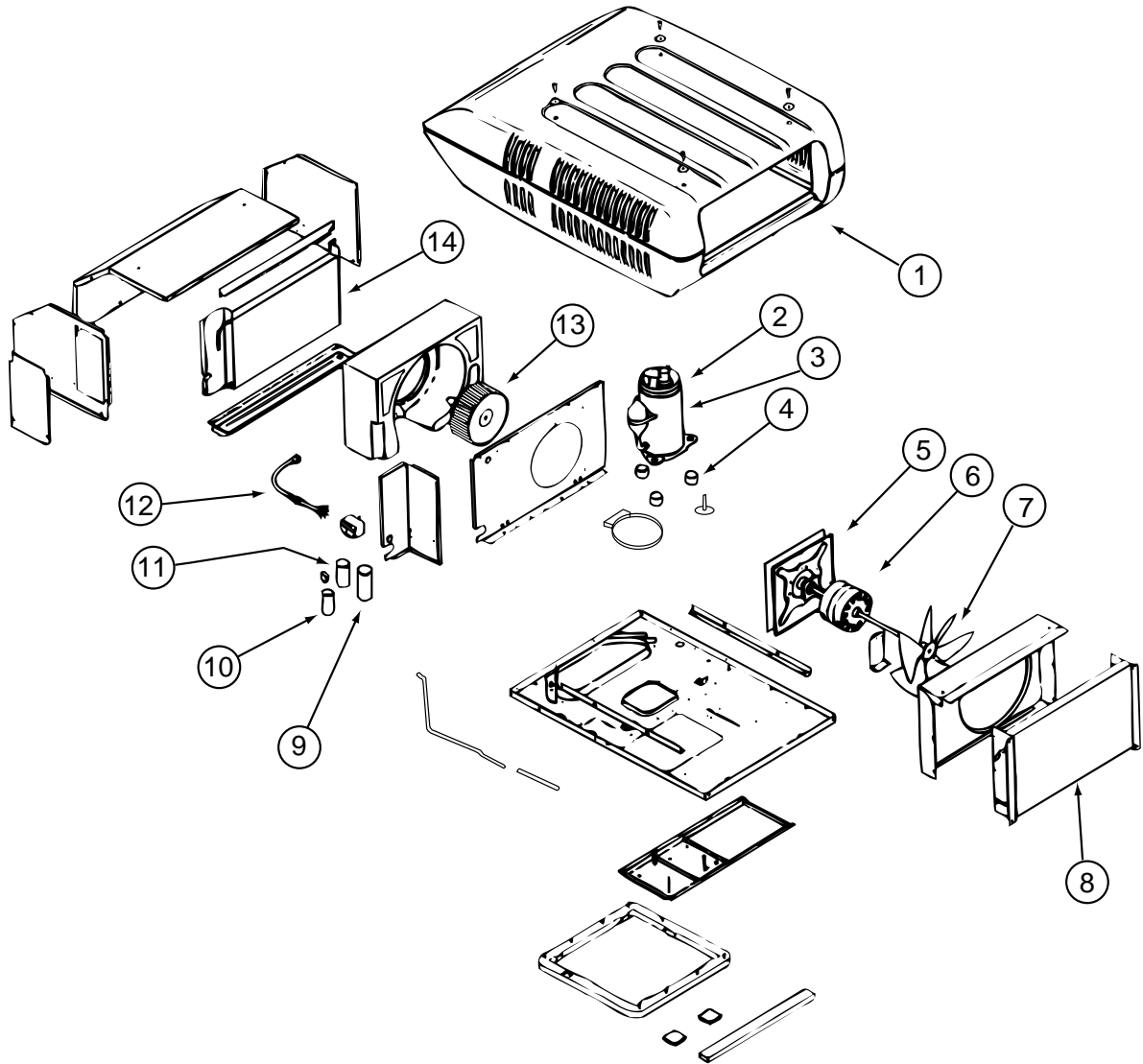
HEATING & A/C GROUP (CONTINUED)
ROOF (CONTINUED)



A/C (CONTINUED)
131185-02-01A

KEY	PART NUMBER	U/M	DESCRIPTION	VENDOR NO.
	131185-02-01A	EA	A/C ROOF - 13,500 BTU - 220 VOLT - WHITE	
1	108889-05-700	EA	SHROUD-BRIGHT/WHT. W/O LOGO	7333-4601
2	131185-01-703	EA	EVAPORATOR COIL	1452A1491
3	131185-01-702	EA	BLOWER WHEEL PACKAGE	1472-1091
4	131185-02-700	EA	OVERLOAD	1450-0031
5	108889-02-700	EA	COMPRESSOR-TECUMSEH	1450A2029
6	105620-01-706	EA	MOUNTING PKG.,COMP., 3 PER	6759-3081
7	131185-02-703	EA	LINE - DISCHARGE	6792B131
8	131185-01-704	EA	MOTOR MOUNT & SEAL KIT	8333-5151
9	131185-02-701	EA	MOTOR - 115V. 60HZ	1468-3139
10	093763-01-712	EA	BLADE-FAN-CONDENSER	6733-3221
11	131185-01-700	EA	CONDENSER COIL	1452A1451
	037648-01-714	EA	GASKET PACKAGE	8332-3301
12	131185-01-705	EA	SUCTION LINE (3/8" OD	6792B130
13	108889-01-707	EA	CAPACITOR-RUN,COMP-25MFD/370	1499-5661
14	131185-02-702	EA	START CAP - 21-25MFD/165V	1497-1081
15	093763-01-704	EA	CAPACITOR-FAN	1499-5461
16	108889-02-703	EA	RELAY-START	1497-4141
	093306-01-701	EA	DECAL PACKAGE, LEFT & RIGHT	6798B3591
	108889-01-710	EA	PAD-FILLER, CONDENSER SEAL	6759B3971

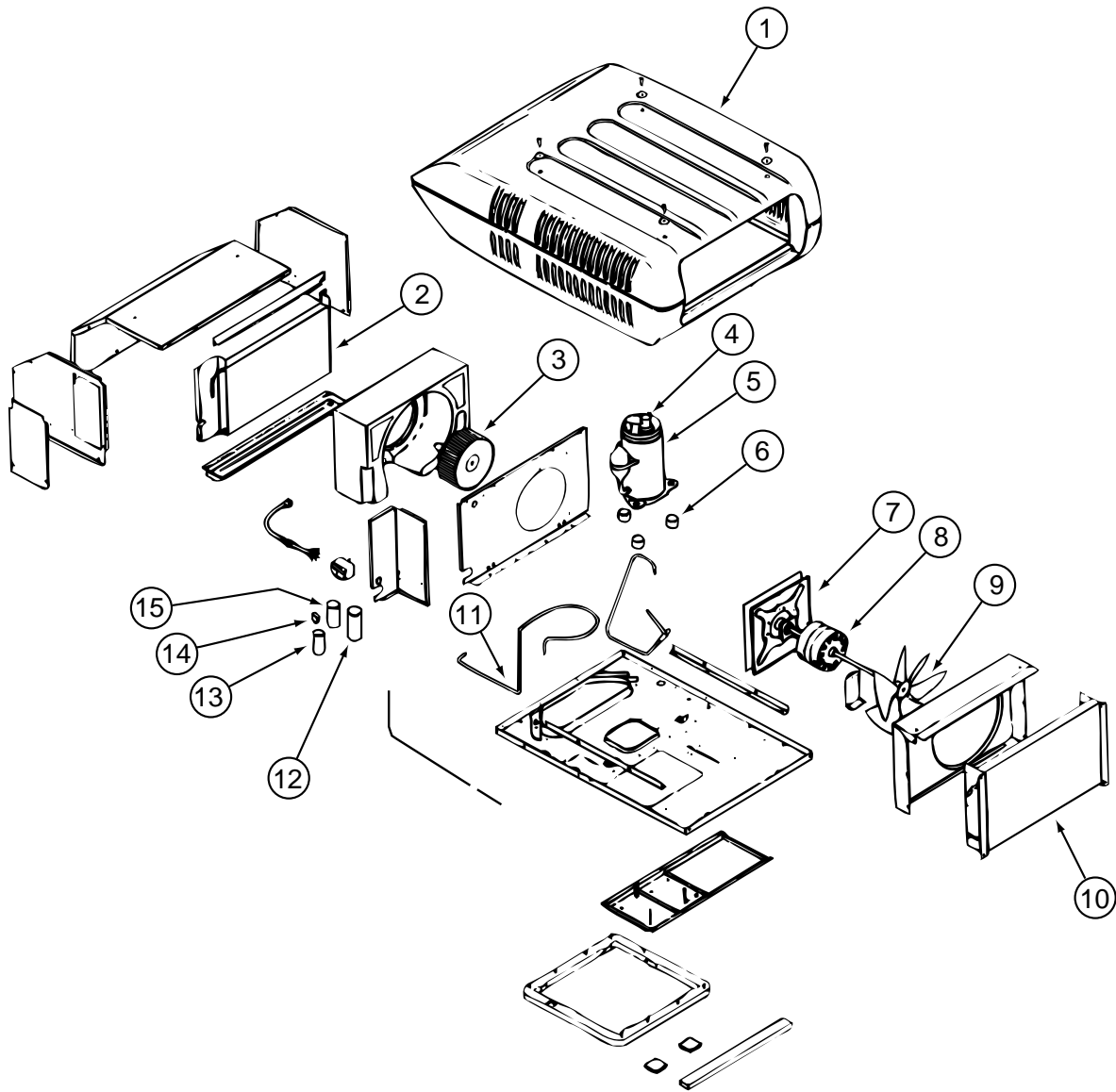
**HEATING & A/C GROUP (CONTINUED) ROOF
ROOF (CONTINUED)**



**A/C (CONTINUED)
131186-01-01A**

KEY	PART NUMBER	U/M	DESCRIPTION	VENDOR NO.
	131186-01-01A	EA	A/C - ROOF MACH 1 POWER SAVER - WHITE	
1	108889-05-700	EA	SHROUD-BRIGHT/WHT. W/O LOGO	7333-4601
2	126859-01-701	EA	OVERLOAD PROTECTORMRA# 4761	1450-0061
3	126859-01-700	EA	COMPRESSOR RK124AT-001-A4Y	1450-2109
4	105620-01-706	EA	MOUNTING PKG.,COMP., 3 PER	6759-3081
5	131185-01-704	EA	MOTOR MOUNT & SEAL KIT	8333-5151
6	131186-01-700	EA	MOTOR - 115V, 60 HURTZ	1468-3109
7	093763-01-712	EA	BLADE-FAN-CONDENSER	6733-3221
8	115219-01-700	EA	COIL-CONDENSER	1452A1321
9	126859-01-703	EA	CAPACITOR - RUN	1499-5671
10	093763-01-704	EA	CAPACITOR-FAN	1499-5461
11	105620-10-704	EA	START COMPACITOR	1497-0861
12	105620-10-705	EA	PTCR (START DEVICE) - W/CAP.	8333A9021
13	131185-01-702	EA	BLOWER WHEEL PACKAGE	1472-1091
14	131186-01-701	EA	EVAPORATOR COIL	1452-1521
	093306-01-701	EA	DECAL PACKAGE, LEFT & RIGHT	6798B3591
	108889-01-710	EA	PAD-FILLER, CONDENSER SEAL	6759B3971
	126859-01-706	EA	LINE - SUCTION	7532A130

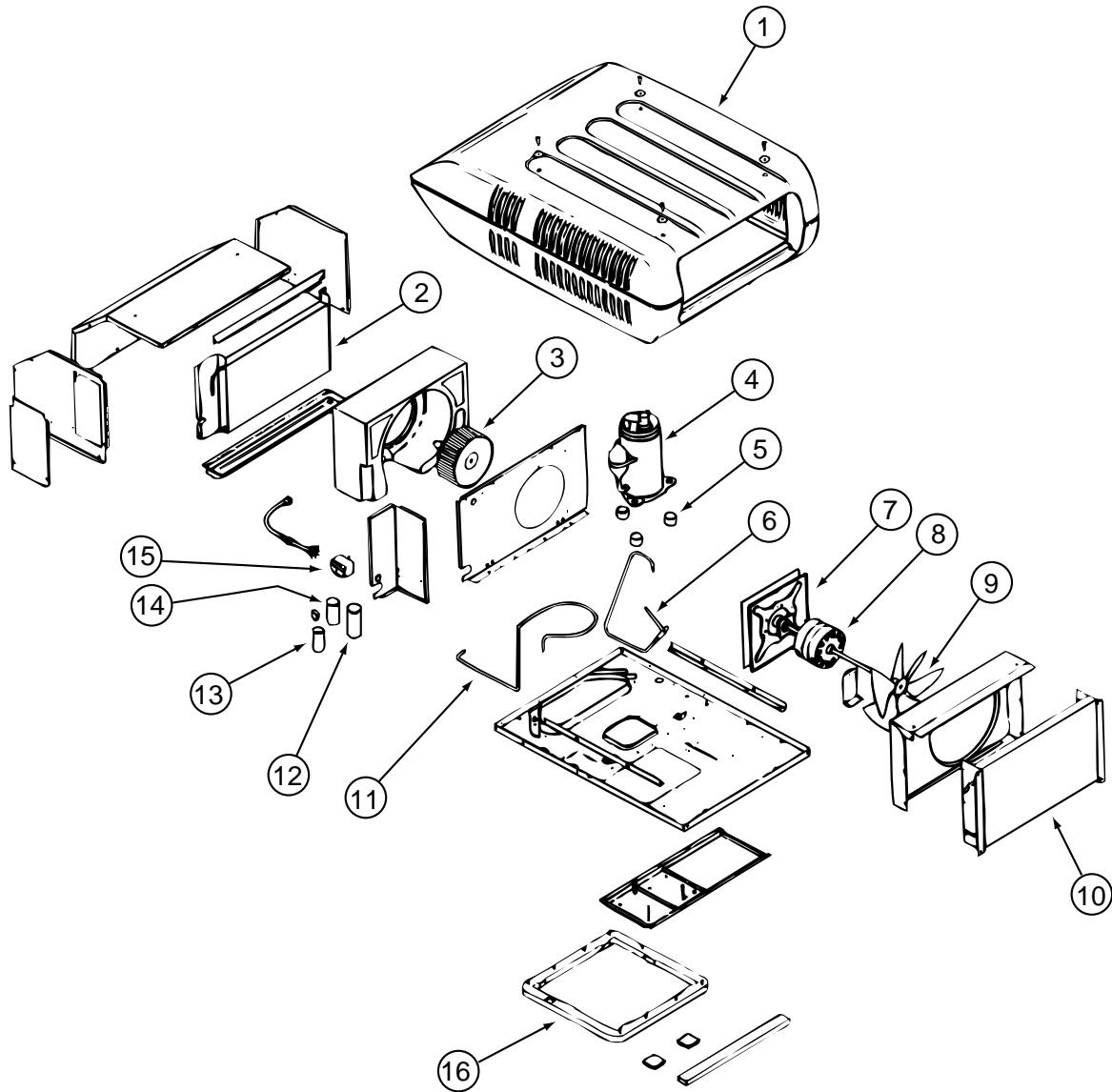
HEATING & A/C GROUP (CONTINUED)
ROOF (CONTINUED)



A/C (CONTINUED)
131187-01-01A

KEY	PART NUMBER	U/M	DESCRIPTION	VENDOR NO.
	131187-01-01A	EA	A/C - ROOF MACH 3 POWER SAVER - WHITE	COLEMAN 8633-876
1	108889-05-700	EA	SHROUD-BRIGHT/WHT. W/O LOGO	7333-4601
2	131186-01-701	EA	EVAPORATOR COIL	1452-15
3	131185-01-702	EA	BLOWER WHEEL PACKAGE	1472-1091
4	126860-01-701	EA	OVERLOAD PROTECTOR MRA# 1460	1450-0071
5	126860-01-700	EA	COMPRESSOR RK136AT-002-A4Y	1450A2119
6	105620-01-706	EA	MOUNTING PKG.,COMP., 3 PER	6759-3081
7	131185-01-704	EA	MOTOR MOUNT & SEAL KIT	8333-5151
8	131186-01-700	EA	MOTOR - 115V, 60 HURTZ	1468-3109
9	093763-01-712	EA	BLADE-FAN-CONDENSER	6733-3221
10	115219-01-700	EA	COIL-CONDENSER	1452A1321
11	126859-01-706	EA	LINE - SUCTION	7532A130
12	126859-01-703	EA	CAPACITOR - RUN	1499-5671
13	105620-10-704	EA	START COMPACITOR	1497-0861
14	105620-10-705	EA	PTCR (START DEVICE) - W/CAP.	8333A9021
15	105620-01-725	EA	CAPACITOR-BLOWER,I.D. 7.5MFD	1499-5461
	093306-01-701	EA	DECAL PACKAGE, LEFT & RIGHT	6798B3591
	108889-01-710	EA	PAD-FILLER, CONDENSER SEAL	6759B3971

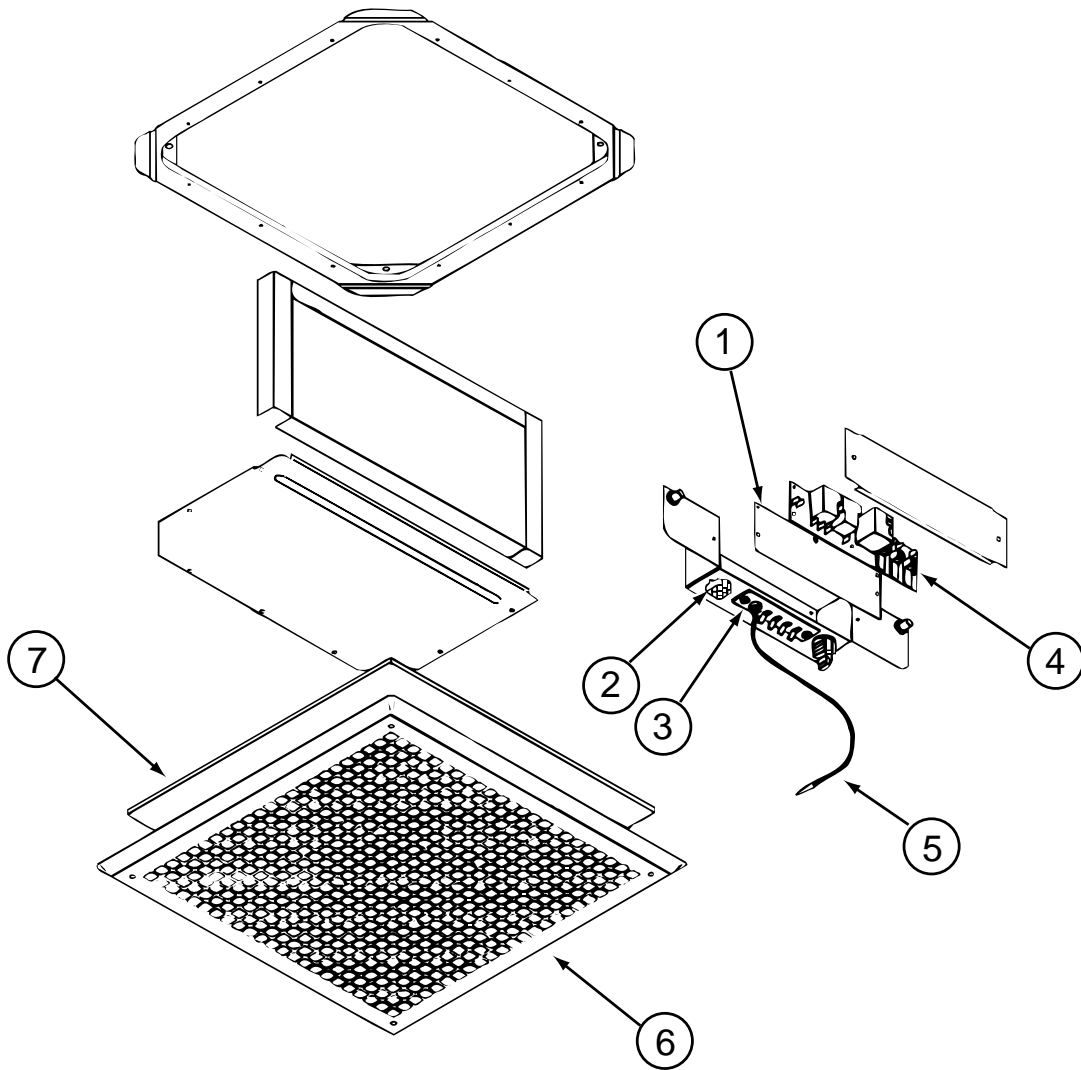
HEATING & A/C GROUP (CONTINUED) ROOF (CONTINUED)



A/C (CONTINUED) 131188-01-01A

KEY	PART NUMBER	U/M DESCRIPTION	VENDOR NO.
	131188-01-01A	EA A/C - ROOF - 14,800 MACH 15 - WHITE	COLEMAN 8335-896
1	108889-05-700	EA SHROUD-BRIGHT/WHT. W/O LOGO	7333-4601
2	131186-01-701	EA EVAPORATOR COIL	1452-1521
3	131185-01-702	EA BLOWER WHEEL PACKAGE	1472-1091
4	131188-01-700	EA COMPRESSOR - TECUMSEH	1450A2609
5	105620-01-706	EA MOUNTING PKG.,COMP., 3 PER	6759-3081
6	131188-01-703	EA LINE - DISCHARGE	7335A135
7	131185-01-704	EA MOTOR MOUNT & SEAL KIT	8333-5151
8	131185-01-701	EA MOTOR (115V, 60HZ)	1468-3069
9	093763-01-712	EA BLADE-FAN-CONDENSER	6733-3221
10	115219-01-700	EA COIL-CONDENSER	1452A1321
11	131188-01-702	EA LINE - SUCTION	7335A134
12	131188-01-701	EA RUN CAP. (COMP-40MFD/370V)	1499-5721
13	126859-01-704	EA CAPACITOR - START	1497-0871
14	108889-01-708	EA CAPACITOR-FAN, 7.5MFD. 370U	1499-5461
15	091225-01-709	EA RELAY-START	1497-4131
16	037648-01-714	EA GASKET PACKAGE	8332-3301
	093306-01-701	EA DECAL PACKAGE, LEFT & RIGHT	6798B3591
	108889-01-710	EA PAD-FILLER, CONDENSER SEAL	6759B3971

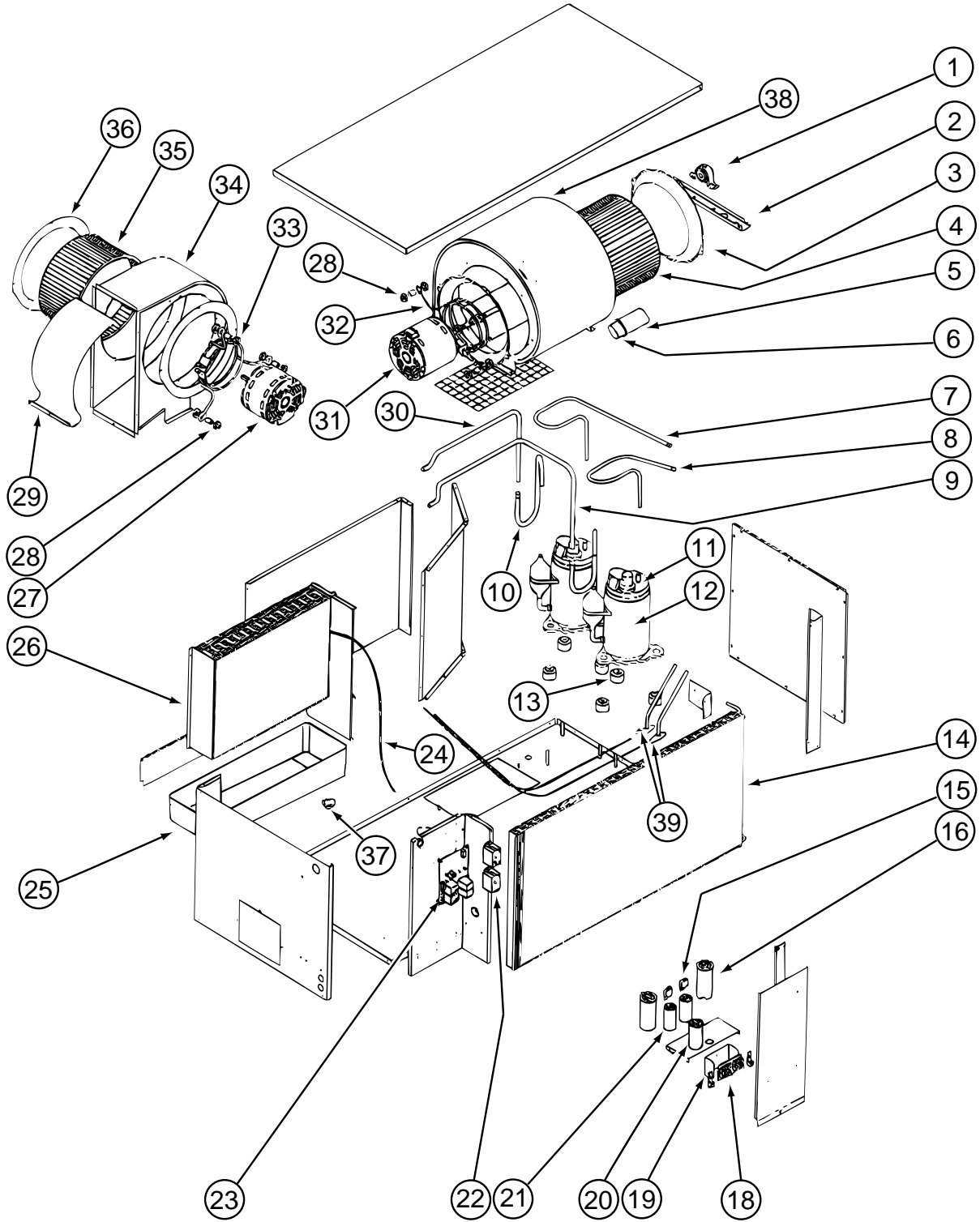
HEATING & A/C GROUP (CONTINUED)
ROOF (CONTINUED)



CEILING ASSEMBLY
131184-01-01A

KEY	PART NUMBER	U/M	DESCRIPTION	VENDOR NO.
	131184-01-01A	EA	CEILING ASSEMBLY - A/C DUCTED - WHITE	
1	131184-01-702	EA	ISOLATOR - BLANK	7330A365
2	131184-01-700	EA	PLUG ASSEMBLY	7330A389
3	131184-01-701	EA	TERMINAL BOARD	7330B3201
4	108892-01-702	EA	BOARD-P.C.	7330A3211
5	131184-01-704	EA	COIL SENSOR	7330-6111
6	108892-01-704	EA	GRILLE 16 3/8X16 3/8 RETURN	6798-3041
7	108892-01-703	EA	FILTER	6798A3761
	131184-01-703	EA	SMALL PARTS PKG	8330-5961
	131184-01-705	EA	JUNCTION BOX ASSEMBLY	7330B5551

HEATING & A/C GROUP (CONTINUED)
CENTRAL



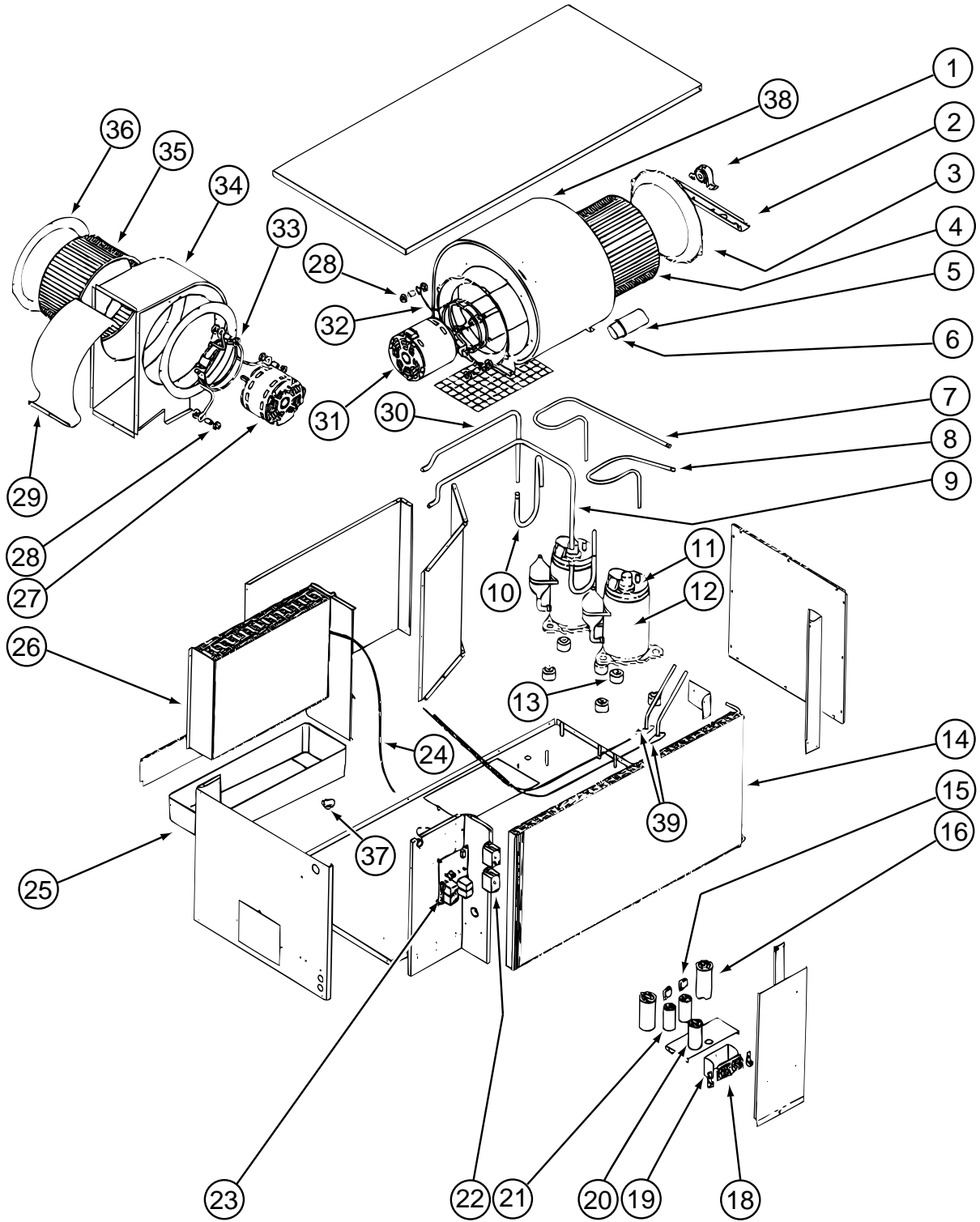
105620-10-000

HEATING & A/C GROUP (CONTINUED)

CENTRAL (CONTINUED) 105620-10-000 (CONTINUED)

KEY	PART NUMBER	U/M	DESCRIPTION	VENDOR NO.
	105620-10-000	EA	A/C-CENTRAL PKG RH,POWER SAV	
1	105620-10-701	EA	BEARING/PILLOW BLOCK-O.D.	6536-301
2	105620-10-700	EA	BEARING BRACKET - O.D.	6536-574
3	105620-01-714	EA	VENTURI-BLOWER, O.D.	6795A150
4	105620-01-713	EA	WHEEL-BLOWER, O.D.	1472-1011
5	105620-01-718	EA	CAPACITOR-FAN, 12.5 MFD/370V	1499-5631
6	105620-01-715	EA	RUBBER CAPACITOR BOOT	1499-951
7	105620-10-713	EA	DISCHARGE LINE ASSEMBLY#2	6636-125
8	105620-10-712	EA	DISCHARGE LINE ASSEMBLY#1	6636-126
9	105620-10-710	EA	SUCTION LINE ASSY COIL#1	6636-131
10	105620-10-714	EA	SUCTION LINE ASSY COMP#1&2	6636-130
11	126860-01-701	EA	OVERLOAD PROTECTOR MRA# 1460	1450-0071
12	126860-01-700	EA	COMPRESSOR RK136AT-002-A4Y	1450A2119
13	105620-01-706	EA	MOUNTING PKG.,COMP., 3 PER	6759-3081
14	105620-10-707	EA	CONDENSER COIL	1452-1541
15	105620-10-705	EA	PTCR (START DEVICE) - W/CAP.	8333A9021
16	126859-01-703	EA	CAPACITOR - RUN	1499-5671
18	105620-01-738	EA	BOARD-TERMINAL, HIGH VOLTAGE	6795-315
19	105620-01-733	EA	ISOLATOR-HIGH VOLTAGE	6795-117
20	093763-01-704	EA	CAPACITOR-FAN	1499-5461
21	105620-10-704	EA	START COMPACITOR	1497-0861
22	105620-01-729	EA	RELAY-COMPRESSOR	1460-1011
23	105620-05-700	EA	BOARD-PRINTED CIRCUIT, 2 TON	6795A3201
24	105620-01-726	EA	SWITCH - FREEZE	6795A3301
25	105620-10-709	EA	DRAIN PAN	6636-304
26	105620-10-708	EA	EVAPORATOR COIL	1452A1531
27	105620-01-724	EA	MOTOR-BLOWER INSIDE AIR-REV.	1468A3129
28	105620-01-716	EA	SLEEVE & GROMMET, 4 PER PKG	6795A3031
29	105620-10-703	EA	INDOOR BLOWER CUTOFF	6636-288
30	105620-10-711	EA	SUCTION LINE ASSY COIL#2	6636-129
31	105620-01-717	EA	MOTOR-BLOWER - OUTSIDE AIR	1468A3029
32	105620-01-715	EA	MOUNT-BLOWER, O.D.	6795A3011
33	105620-01-723	EA	MOUNT-MOTOR, BLOWER I.D.	6795-3021
34	105620-10-702	EA	BLOWER HOUSING - I.D.	6636-589
35	105620-01-721	EA	WHEEL-BLOWER, I.D.	1472-1001
36	105620-01-722	EA	VENTURI-BLOWER, I.D.	6795-151
37	105620-10-717	EA	VALVE - DRAIN	6531-503
38	105620-10-718	EA	BLOWER HOUSING - O.D.	6536-515
39	105620-10-719	EA	LIQUID LINE ASSEMBLY COMP.	6636-520
	109050-02-000	EA	FILTER-FIBERGLASS 1X14X20	
	105620-10-720	EA	FUSE - BUSS(8AMP/250 VOLT	6535-3081

HEATING & A/C GROUP (CONTINUED)
CENTRAL (CONTINUED)



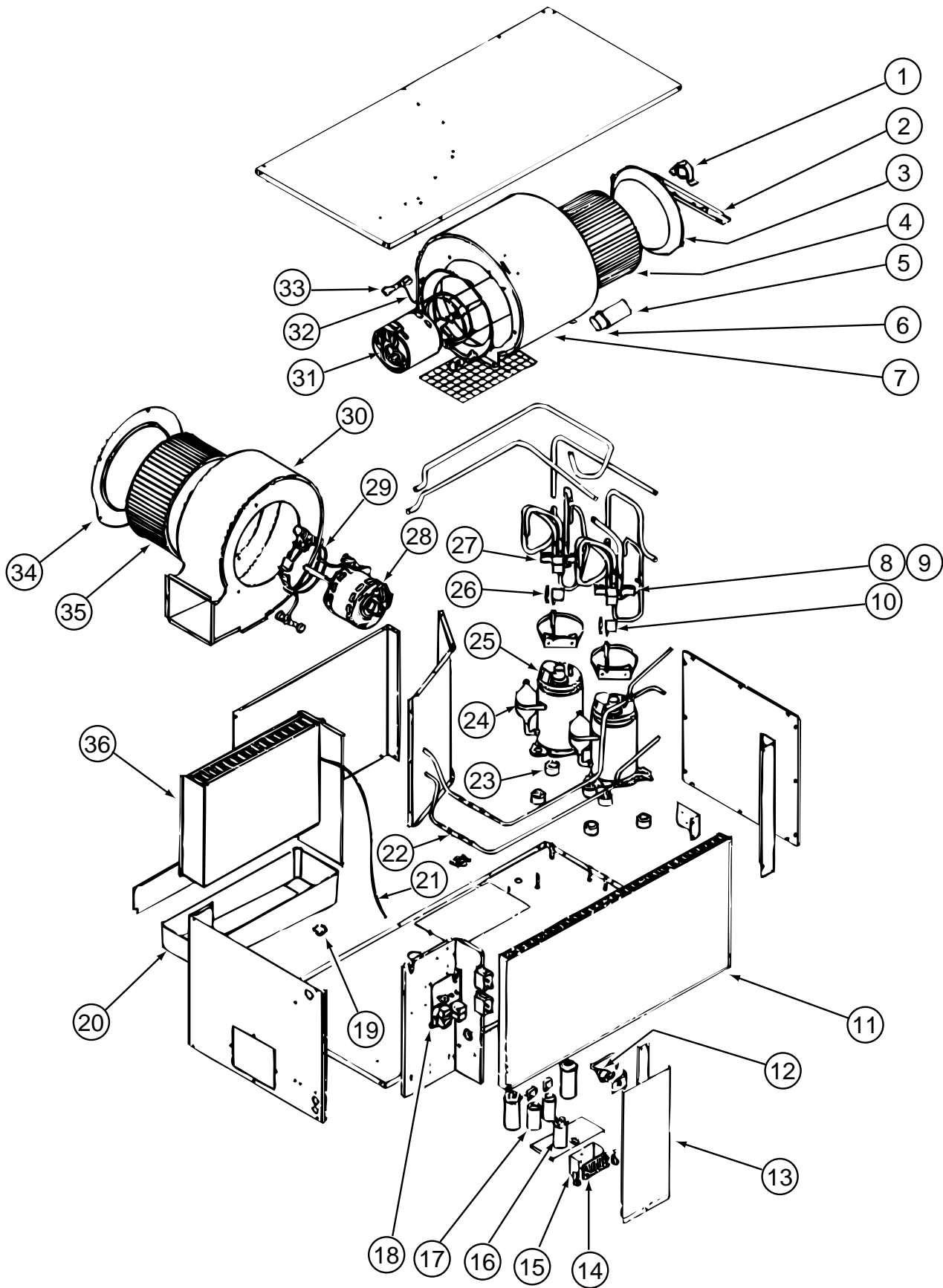
105620-11-000

HEATING & A/C GROUP (CONTINUED)

CENTRAL (CONTINUED) 105620-11-000 (CONTINUED)

KEY	PART NUMBER	U/M	DESCRIPTION	VENDOR NO.
	105620-11-000	EA	A/C CENTRAL PACKAGE - RIGHT HAND POWER SAVER/LARGE BLOWER	
1	105620-10-701	EA	BEARING/PILLOW BLOCK-O.D.	6536-301
2	105620-10-700	EA	BEARING BRACKET - O.D.	6536-574
3	105620-01-714	EA	VENTURI-BLOWER, O.D.	6795A150
4	105620-01-713	EA	WHEEL-BLOWER, O.D.	1472-1011
5	105620-01-718	EA	CAPACITOR-FAN, 12.5 MFD/370V	1499-5631
6	105620-10-715	EA	RUBBER CAPACITOR BOOT	1499-951
7	105620-10-713	EA	DISCHARGE LINE ASSEMBLY#2	6636-125
8	105620-10-712	EA	DISCHARGE LINE ASSEMBLY#1	6636-126
9	105620-10-710	EA	SUCTION LINE ASSY COIL#1	6636-131
10	105620-10-714	EA	SUCTION LINE ASSY COMP#1&2	6636-130
11	126860-01-701	EA	OVERLOAD PROTECTOR MRA# 1460	1450-0071
12	126860-01-700	EA	COMPRESSOR RK136AT-002-A4Y	1450A2119
13	105620-01-706	EA	MOUNTING PKG.,COMP., 3 PER	6759-3081
14	105620-10-707	EA	CONDENSER COIL	1452-1541
15	105620-10-705	EA	PTCR (START DEVICE) - W/CAP.	8333A9021
16	126859-01-703	EA	CAPACITOR - RUN	1499-5671
	105620-10-706	EA	DOOR/ELECTRIC BOX	6636-146
18	105620-01-738	EA	BOARD-TERMINAL, HIGH VOLTAGE	6795-315
19	105620-01-733	EA	ISOLATOR-HIGH VOLTAGE	6795-117
20	093763-01-704	EA	CAPACITOR-FAN	1499-5461
21	105620-10-704	EA	START COMPACITOR	1497-0861
22	105620-01-729	EA	RELAY-COMPRESSOR	1460-1011
23	105620 05 700	EA	BOARD-PRINTED CIRCUIT, 2 TON	6795A3201
24	105620-01-726	EA	SWITCH - FREEZE	6795A3301
25	105620-10-709	EA	DRAIN PAN	6636-304
26	105620-10-708	EA	EVAPORATOR COIL	1452A1531
27	105620-11-703	EA	BLOWER MOTOR - I.D.	1468-3219
28	105620-01-716	EA	SLEEVE & GROMMET, 4 PER PKG	6795A3031
29	105620-11-705	EA	SWITCH - BLOWER CUT OFF	
30	105620-10-711	EA	SUCTION LINE ASSY COIL#2	6636-129
31	105620-01-717	EA	MOTOR-BLOWER - OUTSIDE AIR	1468A3029
32	105620-01-715	EA	MOUNT-BLOWER, O.D.	6795A3011
33	105620-01-723	EA	MOUNT-MOTOR, BLOWER I.D.	6795-3021
34	105620-11-704	EA	BLOWER HOUSING - I.D.	6535-589
35	105620-11-701	EA	BLOWER WHEEL - I.D.	1472-1121
36	105620-11-702	EA	BLOWER VENTURI - I.D.	6535-287
37	105620-10-717	EA	VALVE - DRAIN	6531-503
38	105620-10-718	EA	BLOWER HOUSING - O.D.	6536-515
39	105620-10-719	EA	LIQUID LINE ASSEMBLY COMP.	6636-520
	109050-02-000	EA	FILTER-FIBERGLASS 1X14X20	

HEATING & A/C GROUP (CONTINUED)
CENTRAL (CONTINUED)



105620-12-000

HEATING & A/C GROUP (CONTINUED)

CENTRAL (CONTINUED) 105620-12-000 (CONTINUED)

KEY	PART NUMBER	U/M	DESCRIPTION	VENDOR NO.
	105620-12-000	EA	A/C - CONTROL PACK RIGHT HAND/HEAT PUMP - 12,000BTU COMP	
1	105620-10-701	EA	BEARING/PILLOW BLOCK-O.D.	6536-301
2	105620-12-713	EA	BRACKET/BEARING - BLOWER O.D	6536-514
3	105620-01-714	EA	VENTURI-BLOWER, O.D.	6795A150
4	105620-01-713	EA	WHEEL-BLOWER, O.D.	1472-1011
5	105620-01-718	EA	CAPACITOR-FAN, 12.5 MFD/370V	1499-5631
6	105620-10-715	EA	RUBBER CAPACITOR BOOT	1499-951
7	105620-12-712	EA	BLOWER HOUSIN - O.D.	6536-515
8	105620-12-706	EA	REVERSING VALVE ASSEMBLY #1	6535-5311
9	105620-12-710	EA	VALVE - REVERSE ONLY	1454A350
10	105620-12-708	EA	COIL - SOLENOID	1460-1081
11	105620-12-701	EA	COIL - CONDENSER	1452-1621
12	105620-12-718	EA	SWITCH ASSM. - HIGH PRESSURE	6535-5291
13	105620-10-716	EA	DOOR - ELECTRIC BOX	6535-346
14	105620-01-738	EA	BOARD-TERMINAL, HIGH VOLTAGE	6795-315
15	105620-01-733	EA	ISOLATOR-HIGH VOLTAGE	6795-117
16	093763-01-704	EA	CAPACITOR-FAN	1499-5461
17	105620-10-705	EA	PTCR (START DEVICE) - W/CAP.	8333A9021
18	105620-12-700	EA	CIRCUIT BOARD	6536A3201
19	105620-12-703	EA	VALVE - DRAIN	6795-200
20	105620-10-709	EA	DRAIN PAN	6636-304
21	105620-12-719	EA	COIL SENSOR	730-3231
22	105620-12-711	EA	RESTRICTOR - BY FLOW	1454-2521
23	105620-01-706	EA	MOUNTING PKG.,COMP., 3 PER	6759-3081
24	105620-12-704	EA	COMPRESSOR	1450-2149
25	105620-12-705	EA	OVERLOAD	1450-0081
26	105620-12-709	EA	WIRE HARNESS-REVERSING VALVE	6536-111
27	105620-12 707	EA	REVERSING VALVE ASSEMBLY #2	6535-5321
28	105620-12-716	EA	BLOWER MOTOR-I.D. REVERSIBLE	1468-3219
29	105620-01-723	EA	MOUNT-MOTOR, BLOWER I.D.	6795-3021
30	105620-12-717	EA	BLOWER HOUSING ASM - I.D.	6535A589
31	105620-01-717	EA	MOTOR-BLOWER - OUTSIDE AIR	1468A3029
32	105620-01-715	EA	MOUNT-BLOWER, O.D.	6795A3011
33	105620-01-716	EA	SLEEVE & GROMMET, 4 PER PKG	6795A3031
34	105620-12-715	EA	BLOWER VENTURI - I.D.	6535A287
35	105620-12-714	EA	WHEEL - BLOWER I.D.	1472-1121
36	105620-12-702	EA	COIL - EVAPORATOR	1452-1611
	105620-01-703	EA	VALVE-DRAIN, RH & LH	6795-300
	105620-10-720	EA	FUSE - BUSS(8AMP/250 VOLT	6535-3081

INTERIOR FINISH GROUP

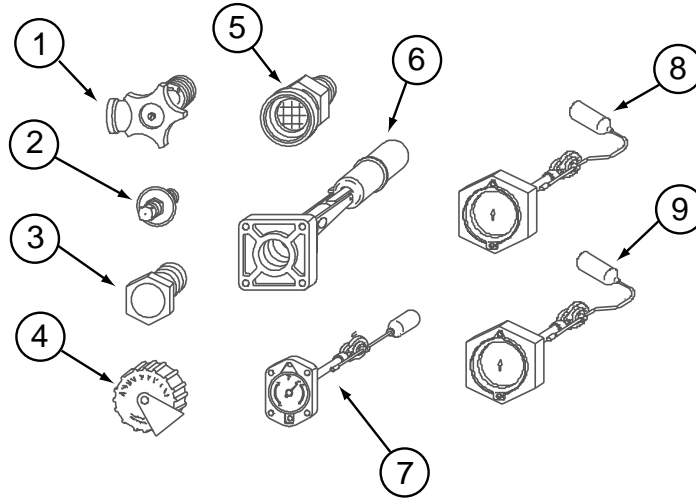
ACCESSORIES

FIRE EXTINGUISHER

094499-02-000

KEY	PART NUMBER	U/M	DESCRIPTION	VENDOR NO
	094499-02-000	EA	EXTINGUISHER/FIRE - DRY - 1A10BC - CANADIAN	
	094499-01-700	EA	BRACKET MTG. W/PLAS. STRAP	294039

**LP GROUP
LP SYSTEM**



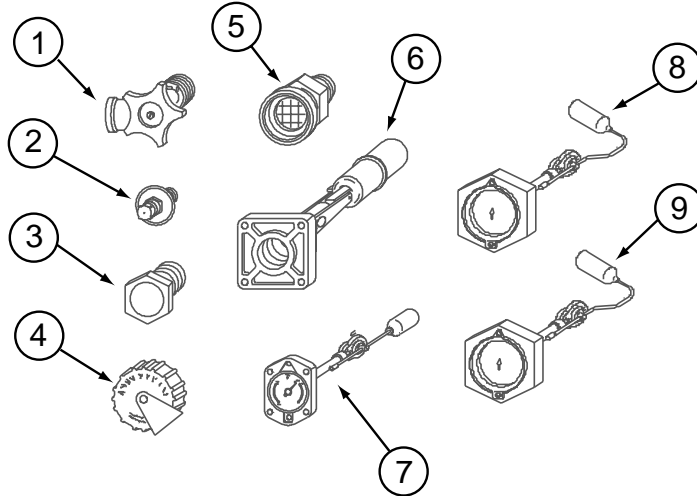
074039-04-000

KEY	PART NUMBER	U/M	DESCRIPTION	VENDOR NO.
	074039-04-000	EA	TANK - LP - 28 LB - BOTTOM MOUNT - 10" DIAMETER X 23" LONG	
1	040421-01-708	EA	HANDWHEEL-SERVICE VALVE	G-1015-A
1	040421-01-712	EA	VALVE,SERV. W/O VAPOR RELIEF	29000853
2	040421-01-700	EA	VALVE-LIQUID LEVEL, 20%	G-1013
3	040421-01-713	EA	VALVE-RELIEF 1" W/SPRING 7"	29000587
4	040421-01-702	EA	CAP-FILL VALVE, PLASTIC	G-1014-A
5	040421-01-701	EA	VALVE-FILL-SHORT, LP	7547B
6	074039-04-700	EA	VALVE-80% FILL W/AUTO STOP	LVTL290C9010
	074039-04-701	EA	FLOAT/SCREW IN-SNAP ON DIAL	SG10C000140
	040421-01-706	EA	DIAL-VISIBLE FACE, LP TANK	MA-8 ROCHST
	074039-01-700	EA	FLOAT/BOLT ON-SCREW ON DIAL	SG10C0000027

080450-01-000

KEY	PART NUMBER	U/M	DESCRIPTION	VENDOR NO.
	080450-01-000	EA	TANK-LP - 42 LB - 13" DIAMETER X 24" LONG	
1	040421-01-708	EA	HANDWHEEL-SERVICE VALVE	G-1015-A
1	040421-01-712	EA	VALVE,SERV. W/O VAPOR RELIEF	29000853
2	040421-01-700	EA	VALVE-LIQUID LEVEL, 20%	G-1013
3	040421-01-713	EA	VALVE-RELIEF 1" W/SPRING 7"	29000587
4	040421-01-702	EA	CAP-FILL VALVE, PLASTIC	G-1014-A
5	040421-01-701	EA	VALVE-FILL-SHORT, LP	7547B
6	040421-01-711	EA	VALVE-80% FILL W/AUTO STOP	LLL/TL3
8	074142-01-701	EA	FLOAT/BOLT ON-SCREW ON DIAL	13C-BLT
8	080450-01-701	EA	FLOAT/SCREW IN-SNAP ON DIAL	SG13C0001408
	040421-01-703	EA	VALVE-SERVICE W/VAPOR RELIEF	G-1015
	040421-01-706	EA	DIAL-VISIBLE FACE, LP TANK	MA-8 ROCHST

LP GROUP CONTINUED
LP SYSTEM (CONTINUED)



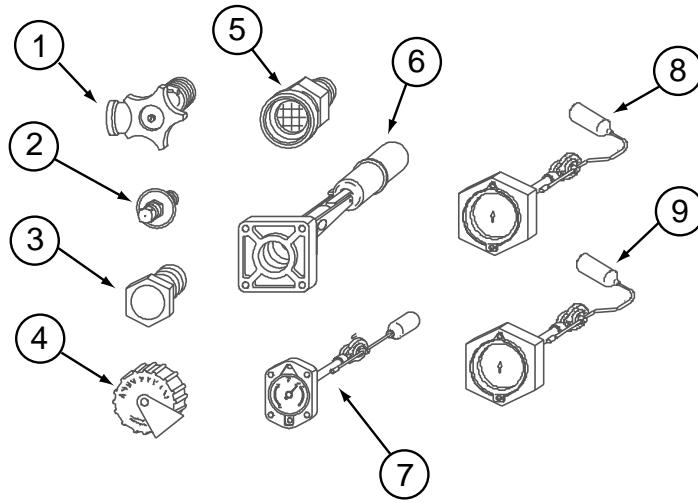
088253-01-000 & 088253-03-000

KEY	PART NUMBER	U/M	DESCRIPTION	VENDOR NO.
	088253-01-000	EA	TANK - LP - 80 LB - 16" DIAMETER X 30"	
	088253-03-000	EA	TANK - LP - 100 LB - 16"DIAMETER X 36" LONG - SPL88 P32RQ W/SIDE E	
1	040421-01-708	EA	HANDWHEEL-SERVICE VALVE	G-1015-A
1	040421-01-712	EA	VALVE,SERV. W/O VAPOR RELIEF	29000853
2	040421-01-700	EA	VALVE-LIQUID LEVEL, 20%	G-1013
3	040421-01-713	EA	VALVE-RELIEF 1" W/SPRING 7"	29000587
4	040421-01-702	EA	CAP-FILL VALVE, PLASTIC	G-1014-A
5	040421-01-701	EA	VALVE-FILL-SHORT, LP	7547B
6	040421-01-711	EA	VALVE-80% FILL W/AUTO STOP	LLL/TL3
9	088253-01-700	EA	FLOAT/BOLT ON-SCREW ON DIAL	SG16C0000071
9	088253-01-702	EA	FLOAT/SCREW IN-SNAP ON DIAL	SG16C0001442
	040421-01-703	EA	VALVE-SERVICE W/VAPOR RELIEF	G-1015
	040421-01-706	EA	DIAL-VISIBLE FACE, LP TANK	MA-8 ROCHST

088253-05-000

KEY	PART NUMBER	U/M	DESCRIPTION	VENDOR NO.
	088253-05-000	EA	TANK - LP - 130 LB - LIQUID DRAW	
1	040421-01-708	EA	HANDWHEEL-SERVICE VALVE	G-1015-A
1	040421-01-710	EA	VALVE-SERVICE, LIQUID	910145
1	040421-01-712	EA	VALVE,SERV. W/O VAPOR RELIEF	29000853
2	040421-01-700	EA	VALVE-LIQUID LEVEL, 20%	G-1013
3	040421-01-713	EA	VALVE-RELIEF 1" W/SPRING 7"	29000587
4	040421-01-702	EA	CAP-FILL VALVE, PLASTIC	G-1014-A
5	040421-01-701	EA	VALVE-FILL-SHORT, LP	7547B
6	040421-01-711	EA	VALVE-80% FILL W/AUTO STOP	LLL/TL3
9	088253-01-700	EA	FLOAT/BOLT ON-SCREW ON DIAL	SG16C0000071
9	088253-01-702	EA	FLOAT/SCREW IN-SNAP ON DIAL	SG16C0001442
	040421-01-703	EA	VALVE-SERVICE W/VAPOR RELIEF	G-1015
	040421-01-706	EA	DIAL-VISIBLE FACE, LP TANK	MA-8 ROCHST

LP GROUP CONTINUED
LP SYSTEM (CONTINUED)



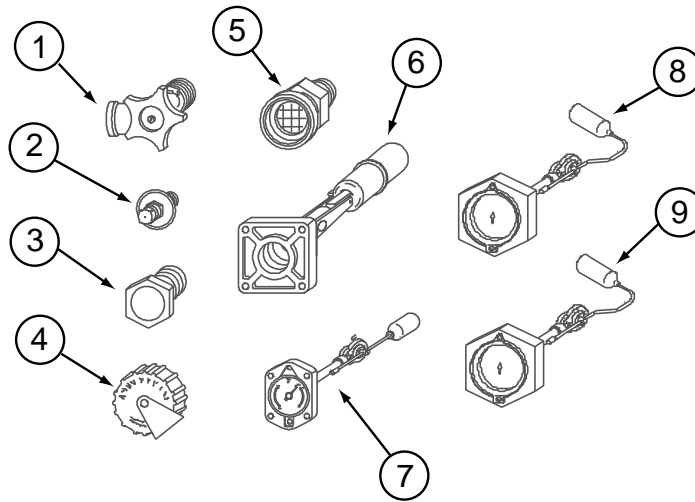
088253-06-000

KEY	PART NUMBER	U/M	DESCRIPTION	VENDOR NO.
	088253-06-000	EA	TANK - LP - 130 LB	
1	040421-01-708	EA	HANDWHEEL-SERVICE VALVE	G-1015-A
1	040421-01-712	EA	VALVE,SERV. W/O VAPOR RELIEF	29000853
2	040421-01-700	EA	VALVE-LIQUID LEVEL, 20%	G-1013
3	040421-01-713	EA	VALVE-RELIEF 1" W/SPRING 7"	29000587
4	040421-01-702	EA	CAP-FILL VALVE, PLASTIC	G-1014-A
5	040421-01-701	EA	VALVE-FILL-SHORT, LP	7547B
6	040421-01-711	EA	VALVE-80% FILL W/AUTO STOP	LLL/TL3
9	088253-01-700	EA	FLOAT/BOLT ON-SCREW ON DIAL	SG16C0000071
9	088253-01-702	EA	FLOAT/SCREW IN-SNAP ON DIAL	SG16C0001442

088253-07-000 & 088253-08-000

KEY	PART NUMBER	U/M	DESCRIPTION	VENDOR NO.
	088253-07-000	EA	TANK - LP - 80 LB - 16" X 30" - TOP MOUNT	BRUNNER12160030075
1	040421-01-708	EA	HANDWHEEL-SERVICE VALVE	G-1015-A
1	040421-01-712	EA	VALVE,SERV. W/O VAPOR RELIEF	29000853
2	040421-01-700	EA	VALVE-LIQUID LEVEL, 20%	G-1013
3	040421-01-713	EA	VALVE-RELIEF 1" W/SPRING 7"	29000587
4	040421-01-702	EA	CAP-FILL VALVE, PLASTIC	G-1014-A
5	040421-01-701	EA	VALVE-FILL-SHORT, LP	7547B
6	040421-01-711	EA	VALVE-80% FILL W/AUTO STOP	LLL/TL3
9	088253-01-700	EA	FLOAT/BOLT ON-SCREW ON DIAL	SG16C0000071
9	088253-01-702	EA	FLOAT/SCREW IN-SNAP ON DIAL	SG16C0001442

LP GROUP CONTINUED
LP SYSTEM (CONTINUED)



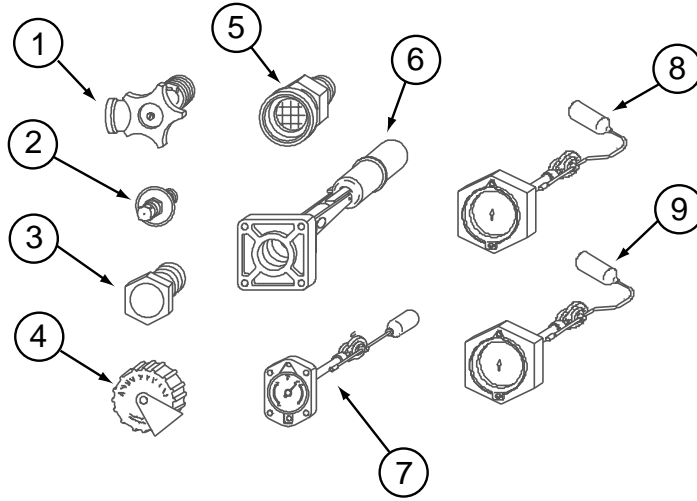
088253-09-000 & 088253-10-000

KEY	PART NUMBER	U/M	DESCRIPTION	VENDOR NO.
	088253-09-000	EA	TANK - LP - 100 LB - 14" DIAMETER X 47" LONG	
	088253-10-000	EA	TANK - LP - 100 LB - 14" DIAMETER X 47" LONG	
1	040421-01-708	EA	HANDWHEEL-SERVICE VALVE	G-1015-A
1	040421-01-712	EA	VALVE,SERV. W/O VAPOR RELIEF	29000853
2	040421-01-700	EA	VALVE-LIQUID LEVEL, 20%	G-1013
3	040421-01-713	EA	VALVE-RELIEF 1" W/SPRING 7"	29000587
4	040421-01-702	EA	CAP-FILL VALVE, PLASTIC	G-1014-A
5	040421-01-701	EA	VALVE-FILL-SHORT, LP	7547B
6	040421-01-711	EA	VALVE-80% FILL W/AUTO STOP	LLL/TL3
7	040421-01-707	EA	FLOAT/BOLT ON-SCREW ON DIAL	14C
7	088253-09-700	EA	FLOAT/SCREW IN-SNAP ON DIAL	SG14C0001466

097821-01-000 & 097821-03-000

KEY	PART NUMBER	U/M	DESCRIPTION	VENDOR NO.
	097821-01-000	EA	TANK - LP - 60 LB BRUNNER - 14" X 30"	
	097821-03-000	EA	TANK - LP - 60 LB - 14" X 30"	
1	040421-01-708	EA	HANDWHEEL-SERVICE VALVE	G-1015-A
1	040421-01-712	EA	VALVE,SERV. W/O VAPOR RELIEF	29000853
2	040421-01-700	EA	VALVE-LIQUID LEVEL, 20%	G-1013
3	040421-01-713	EA	VALVE-RELIEF 1" W/SPRING 7"	29000587
4	040421-01-702	EA	CAP-FILL VALVE, PLASTIC	G-1014-A
5	040421-01-701	EA	VALVE-FILL-SHORT, LP	7547B
6	040421-01-711	EA	VALVE-80% FILL W/AUTO STOP	LLL/TL3
7	040421-01-707	EA	FLOAT/BOLT ON-SCREW ON DIAL	14C
7	088253-09-700	EA	FLOAT/SCREW IN-SNAP ON DIAL	SG14C0001466

LP GROUP CONTINUED
LP SYSTEM (CONTINUED)



111219-01-000

KEY	PART NUMBER	U/M	DESCRIPTION	VENDOR NO.
	111219-01-000	EA	TANK - LP - 25 LB 8" DIAMETER X 30" LONG	BRUNER120803001481
1	040421-01-708	EA	HANDWHEEL-SERVICE VALVE	G-1015-A
1	040421-01-712	EA	VALVE,SERV. W/O VAPOR RELIEF	29000853
2	040421-01-700	EA	VALVE-LIQUID LEVEL, 20%	G-1013
3	040421-01-713	EA	VALVE-RELIEF 1" W/SPRING 7"	29000587
5	040421-01-702	EA	CAP-FILL VALVE, PLASTIC	G-1014-A
	111219-01-703	EA	VALVE-FILL, AUTO STOP	LVTC29A08135
	111219-01-704	EA	FLOAT/BOLT ON-SCREW ON DIAL	SG08AB000072
	111219-01-706	EA	FLOAT/SCREW IN-SNAP ON DIAL	SG08AB000073

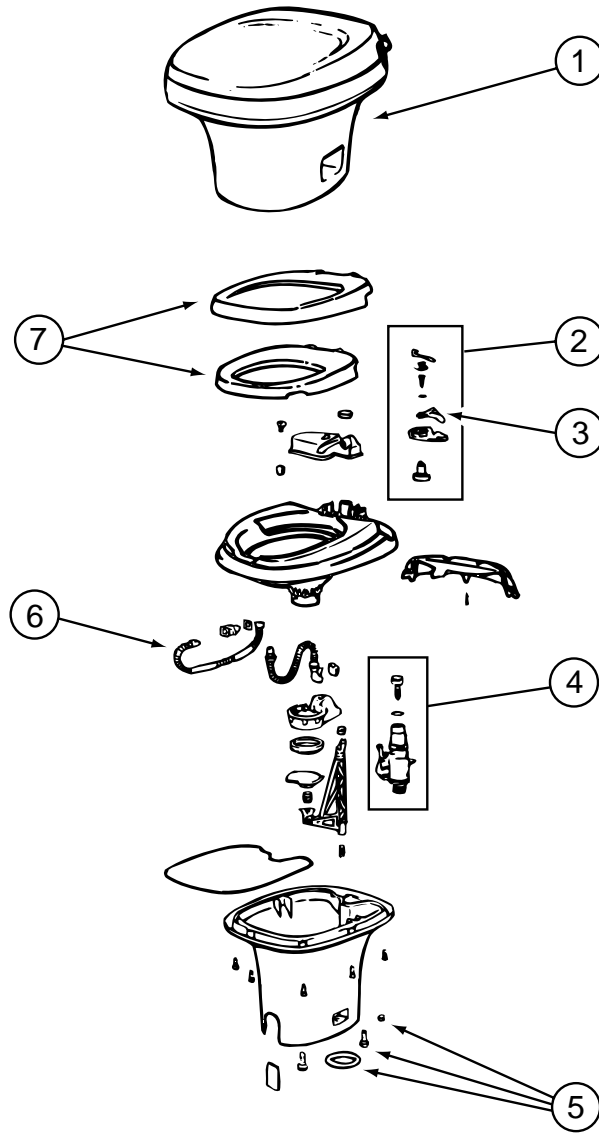
117432-02-000

KEY	PART NUMBER	U/M	DESCRIPTION	VENDOR NO.
	117432-02-000	EA	TANK - LP - 130 LB - 20" DIAMETER X 35"	
1	040421-01-708	EA	HANDWHEEL-SERVICE VALVE	G-1015-A
1	040421-01-712	EA	VALVE,SERV. W/O VAPOR RELIEF	29000853
2	040421-01-700	EA	VALVE-LIQUID LEVEL, 20%	G-1013
3	040421-01-713	EA	VALVE-RELIEF 1" W/SPRING 7"	29000587
4	040421-01-702	EA	CAP-FILL VALVE, PLASTIC	G-1014-A
5	040421-01-701	EA	VALVE-FILL-SHORT, LP	7547B
6	040421-01-711	EA	VALVE-80% FILL W/AUTO STOP	LLL/TL3
	091970-01-700	EA	FLOAT/BOLT ON-SCREW ON DIAL	SG20C0000801
	091970-01-701	EA	FLOAT/SCREW IN-SNAP ON DIAL	SG20C0001595

117432-03-000

KEY	PART NUMBER	U/M	DESCRIPTION	VENDOR NO.
	117432-03-000	EA	TANK - LP - 130 LB - 20" DIAMETER X 35" - VAPOR DRAW ONLY	
1	040421-01-708	EA	HANDWHEEL-SERVICE VALVE	G-1015-A
1	040421-01-712	EA	VALVE,SERV. W/O VAPOR RELIEF	29000853
2	040421-01-700	EA	VALVE-LIQUID LEVEL, 20%	G-1013
3	040421-01-713	EA	VALVE-RELIEF 1" W/SPRING 7"	29000587
4	040421-01-702	EA	CAP-FILL VALVE, PLASTIC	G-1014-A
5	040421-01-701	EA	VALVE-FILL-SHORT, LP	7547B
6	040421-01-711	EA	VALVE-80% FILL W/AUTO STOP	LLL/TL3
	091970-01-700	EA	FLOAT/BOLT ON-SCREW ON DIAL	SG20C0000801
	091970-01-701	EA	FLOAT/SCREW IN-SNAP ON DIAL	SG20C0001595

**WATER & SEWAGE GROUP
DRAINAGE SYSTEM**



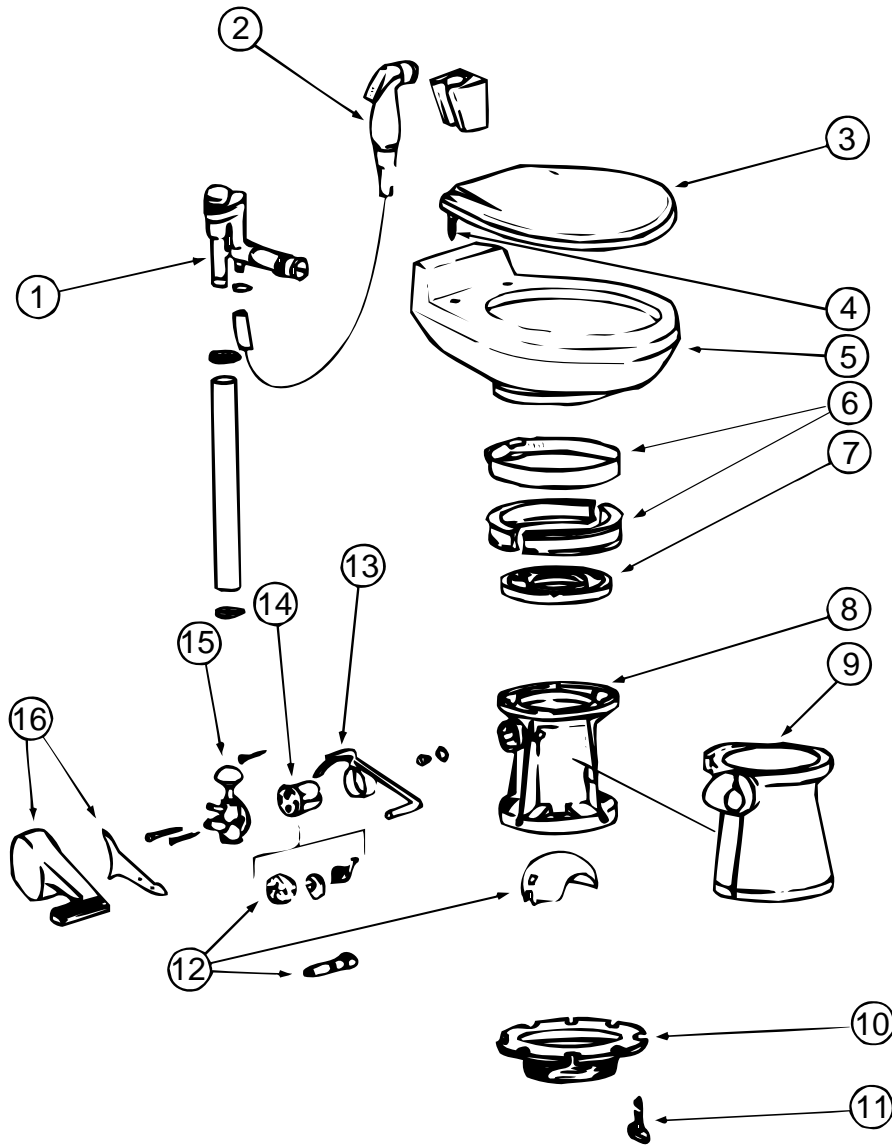
**TOILET
067487-01-000**

KEY	PART NUMBER	U/M	DESCRIPTION	VENDOR NO.
	067487-01-000	EA	TOILET - 12.37" - IVORY - HAND FLUSH	
1	067487-02-702	EA	TANK-RESERVOIR	12507 THETFORD
2	063740-01-700	EA	LEVER-WATER	12514 THETFORD
3	063740-01-701	EA	LEVER-FLUSH	12515 THETFORD
4	063740-01-714	EA	VALVE ASM (VALVE-BALL SEAL)	13168
5	063740-01-706	EA	BOLT PACKAGE-FLOOR FLANGE	12524 THETFORD
6	063740-01-717	EA	TUBE-FLUSH	12509
7	063740-02-700	EA	SEAT & COVER, PARCHMENT	2464157
	063740-01-720	EA	LEVER KIT, WAT-FLUSH-BEARING	24629

**TOILET (CONTINUED)
067487-03-000**

KEY	PART NUMBER	U/M	DESCRIPTION	VENDOR NO.
	067487-03-000	EA	TOILET - LOW - HANDFLUSH - SOFT WHITE	
1	063740-02-701	EA	RESERVOIR (TANK ASM.)	24630
4	063740-01-714	EA	VALVE ASM (VALVE-BALL SEAL)	13168
5	063740-01-706	EA	BOLT PACKAGE-FLOOR FLANGE	12524
6	063740-01-717	EA	TUBE-FLUSH	12509
7	067487-03-700	EA	SEAT & COVER ASSEMBLY WHITE	2246412
	063740-01-720	EA	LEVER KIT, WAT-FLUSH-BEARING	24629
	063740-01-721	EA	BLADE ONLY	1248232

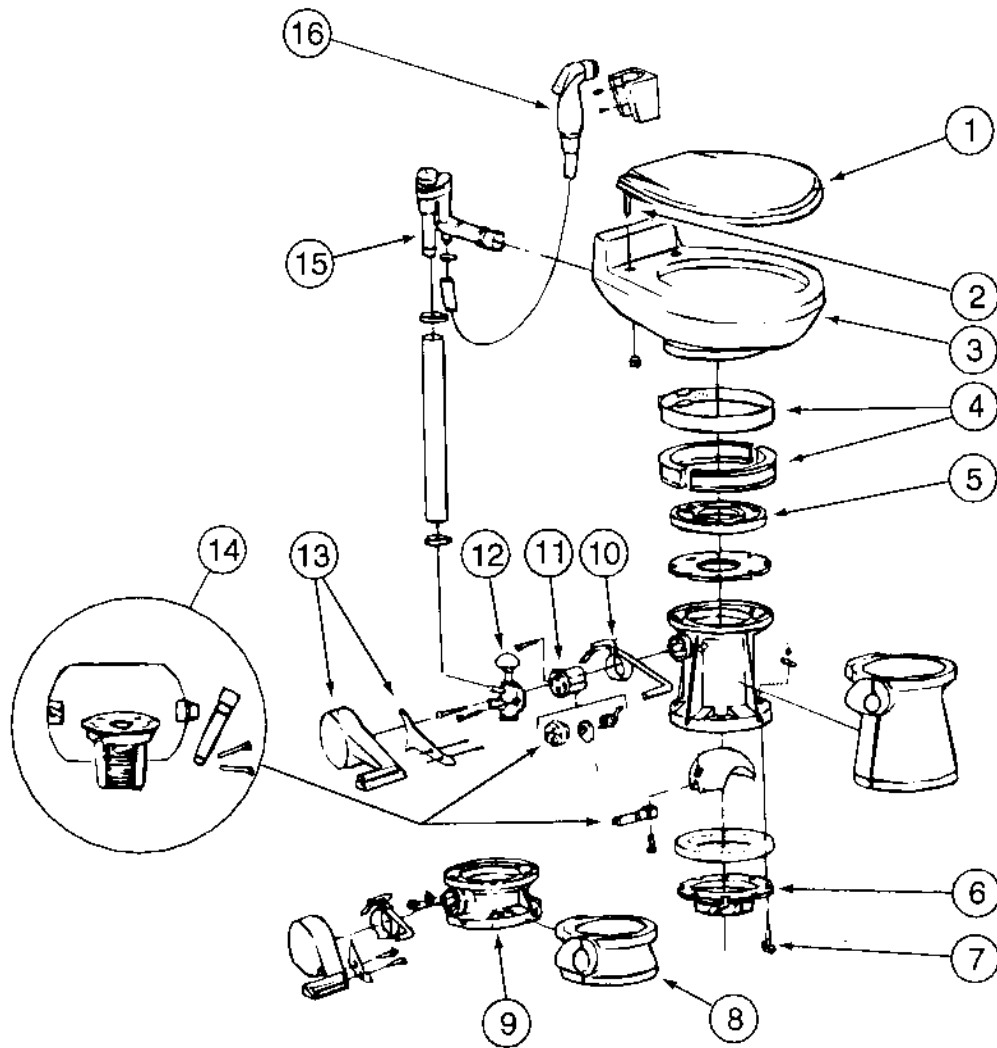
WATER & SEWAGE GROUP (CONTINUED)
DRAINAGE SYSTEM (CONTINUED)



TOILET (CONTINUED)
085330-08-000

KEY	PART NUMBER	U/M	DESCRIPTION	VENDOR NO.
	085330-08-000	EA	TOILET - CHINA - STANDARD - GLACIER WHITE	
1	085330-01-701	EA	BREAKER-VACUUM	385318065
2	085330-04-701	EA	HAND SPRAY W/HOSE(500 & 900)	340683
3	085330-08-701	EA	SEAT ASSEMBLY - WHITE	341605
4	085330-08-703	EA	HINGE-HARDWARE SET - (WHITE)	341706
5	085330-08-702	EA	BOWL/CHINA - WHITE	310080
6	085330-01-703	EA	RING & HALF CLAMPS, BONE	385310048
7	085330-01-704	EA	TEFLON & RUBBER SEAL KIT	385316140
8	085330-09-703	EA	BASE KIT - BONE	310120
9	085330-09-704	EA	PEDESTAL COVER - WHITE	310111
10	085330-01-716	EA	FLANGE-FLOOR, 3" MPT	345889
11	085330-01-717	EA	BOLT MOUNTING PACKAGE	3100-64
12	085330-01-706	EA	BALL(FLAPPER)SHAFT/CARTRIDGE	385318162
13	085330-06-703	EA	LEVER-FLUSH	340873
14	085330-01-707	EA	CARTRIDGE SPRING ASSEMBLY	381236096
15	085330-01-709	EA	VALVE-WATER	385314349
16	085330-09-702	EA	COVER/PEDAL KIT - WHITE	310114

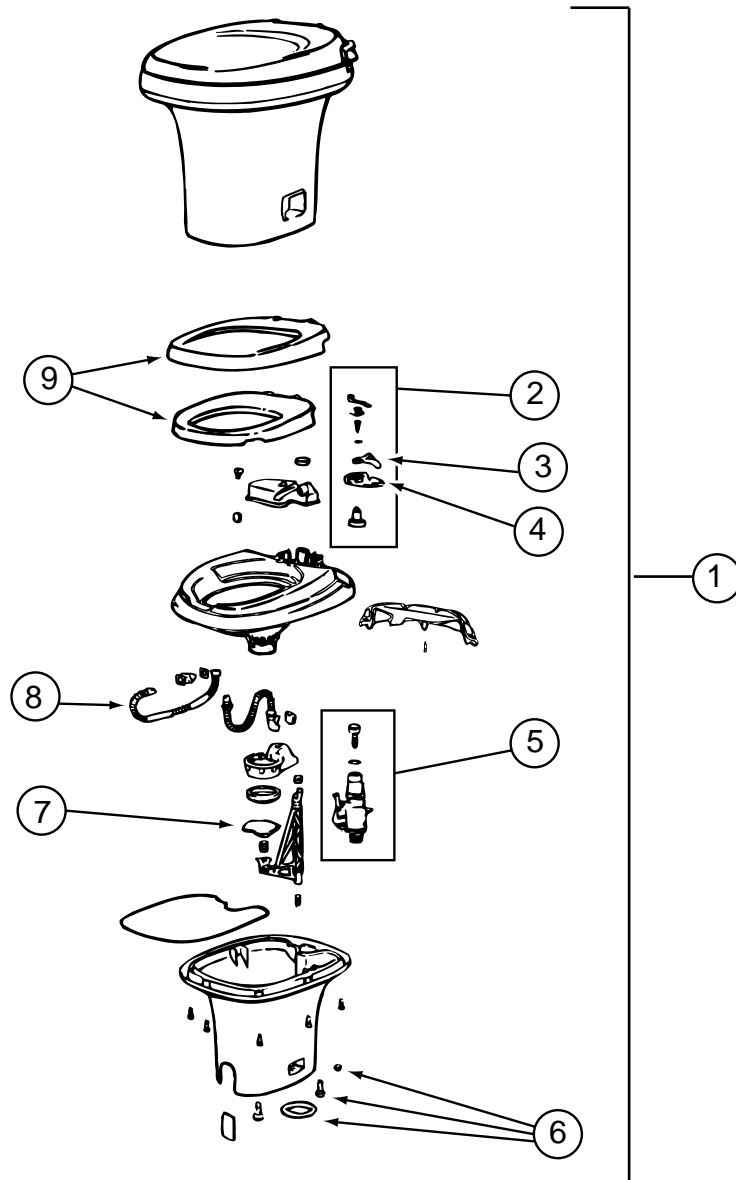
WATER & SEWAGE GROUP (CONTINUED)
DRAINAGE SYSTEM (CONTINUED)



TOILET (CONTINUED)
085330-09-000

KEY	PART NUMBER	U/M	DESCRIPTION	VENDOR NO.
	085330-09-000	EA	TOILET - CHINA - STANDARD W.HAND SPRAYER - WHITE	
1	085330-09-700	EA	SEAT ASSEMBLY WHITE	340590
2	085330-09-705	EA	HINGE-HARDWARE SET - (WHITE)	342130
3	085330-09-701	EA	BOWL/CHINA - WHITE	310032
4	085330-01-703	EA	RING & HALF CLAMPS, BONE	385310048
5	085330-01-704	EA	TEFLON & RUBBER SEAL KIT	385316140
6	085330-01-716	EA	FLANGE-FLOOR, 3" MPT	345889
7	085330-01-717	EA	BOLT MOUNTING PACKAGE	3100-64
8	085330-09-704	EA	PEDESTAL COVER - WHITE	310111
9	085330-09-703	EA	BASE KIT - BONE	310120
10	085330-06-703	EA	LEVER-FLUSH	340873
11	085330-01-707	EA	CARTRIDGE SPRING ASSEMBLY	381236096
12	085330-01-709	EA	VALVE-WATER	385314349
13	085330-09-702	EA	COVER/PEDAL KIT - WHITE	310114
14	085330-01-706	EA	BALL(FLAPPER)SHAFT/CARTRIDGE	385318162
15	085330-06-701	EA	BREAKER-VACUUM/DIVERTER(900)	230335
16	085330-04-701	EA	HAND SPRAY W/HOSE(500 & 900)	340683

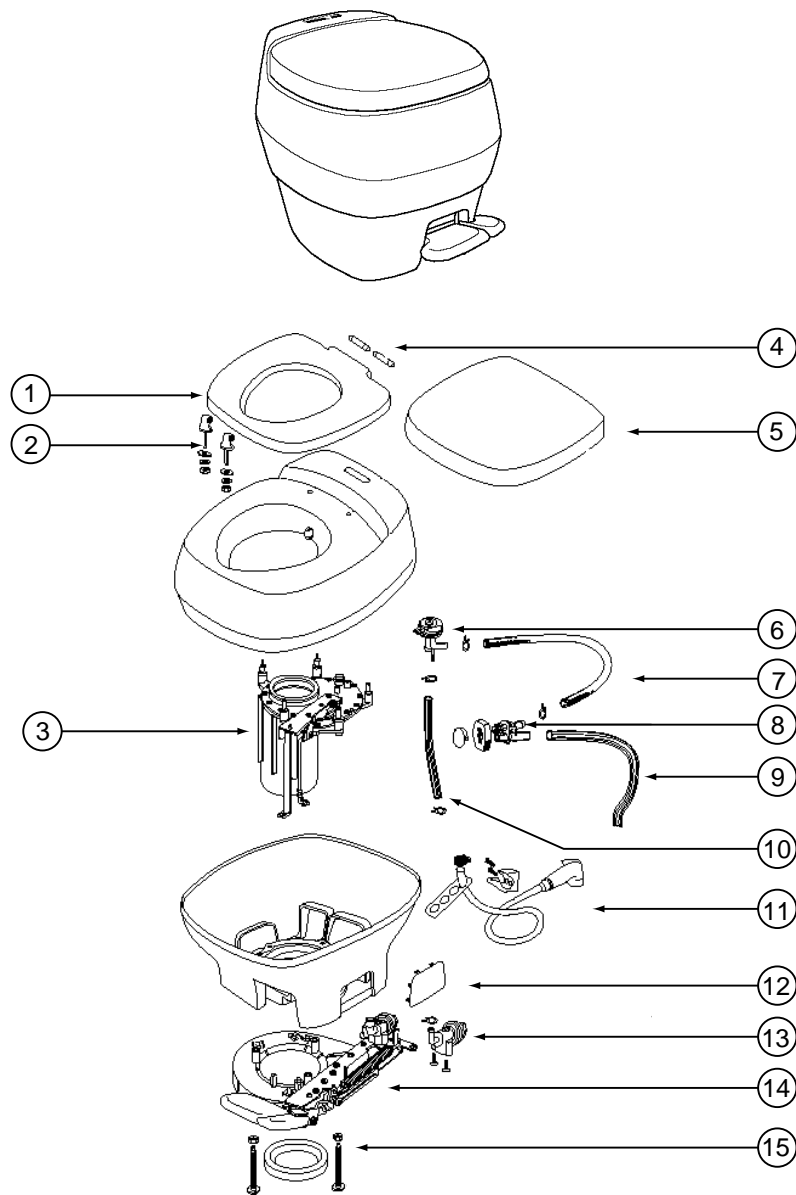
WATER & SEWAGE GROUP (CONTINUED)
DRAINAGE SYSTEM (CONTINUED)



TOILET (CONTINUED)
131932-01-02A

KEY	PART NUMBER	U/M	DESCRIPTION	VENDOR NO.
1	131932-01-02A	EA	TOILET - AQUA MAGIC 4 - HIGH - HAND FLUSH - SOFT WHITE	
2,3	063740-01-720	EA	LEVER KIT, WAT-FLUSH-BEARING	24629
4	131932-01-700	EA	COVER - MECHANISM - WHITE	1458362
5	063740-01-714	EA	VALVE ASM (VALVE-BALL SEAL)	13168
6	063740-01-706	EA	BOLT PACKAGE-FLOOR FLANGE	12524
7	063740-01-721	EA	BLADE ONLY	1248232
8	063740-01-717	EA	TUBE-FLUSH	12509
9	063740-02-701	EA	RESERVOIR (TANK ASM.)	24630
9	131932-01-701	EA	SEAT/COVER ASSMBLY - WHITE	2464162

WATER & SEWAGE GROUP (CONTINUED)
DRAINAGE SYSTEM (CONTINUED)



TOILET (CONTINUED)
132389-01-01A

KEY	PART NUMBER	U/M	DESCRIPTION	VENDOR NO.
	132389-01-01A	EA	TOILET - CHINA - WHITE	
1	132389-01-700	EA	SEAT ONLY - WHITE	1927632
2	132389-01-701	EA	HINGE POST KIT	1927732
3	132389-01-702	EA	UPPER MECHANISM KIT - WHITE	1928432
4	132389-01-703	EA	HINGE PINS	19292
5	132389-01-704	EA	COVER - SEAT - WHITE	1929332
6	132389-01-705	EA	VACUUM BREAKER PACKAGE	19278
7			CONTACT WINNEBAGO PART SALES FOR THIS COMPONENT	
8	132389-01-706	EA	FLUSH NOZZLE - PACKAGE	1927932
9			CONTACT WINNEBAGO PART SALES FOR THIS COMPONENT	
10	132389-01-707	EA	TUBE - WATER SUPPLY	19282
11	132389-01-708	EA	HAND SPRAY KIT	19289
12	132389-01-709	EA	COVER - SIDE ACCESS- WHITE	1929832
13	132389-01-710	EA	WATER VALVE PACKAGE	19283
14	132389-01-711	EA	LOWER MECHANISM - WHITE	1928532
15	132389-01-712	EA	CLOSET FLANGE-SEAL/BOLT PKG	19309
	132389-01-713	EA	SEAL - BLADE	8308
	132389-01-714	EA	BOLT PACKAGE - F/RISER	24819
	132389-01-715	EA	SEAL - FLANGE	19325

WATER & SEWAGE GROUP (CONTINUED)
DRAINAGE SYSTEM (CONTINUED)

DUMP VALVE
070916-01-000

KEY	PART NUMBER	U/M	DESCRIPTION	VENDOR NO.
	070916-01-000	EA	VALVE - DUAL DUMP - W/CAP - 3" X 1 1/2"	
	070916-01-700	EA	VALVE ONLY (WASTE) 3"	T1003BU
	070916-01-701	EA	VALVE ONLY (WASTE) 1 1/2"	T1001BU

DUMP VALVE (CONTINUED)
114112-01-000

KEY	PART NUMBER	U/M	DESCRIPTION	VENDOR NO.
	114112-01-000	EA	VALVE - WASTE - 1.5"	
	114112-01-700	EA	VALVE CAP ONLY	I 2890

SEWER CAP
062415-01-000

KEY	PART NUMBER	U/M	DESCRIPTION	VENDOR NO.
	062415-01-000	EA	CAP - SEWER - 3" DIAMETER	
	062415-01-700	EA	STRING-SEWER CAP	V#SV7 STRAP

WATER & SEWAGE GROUP (CONTINUED)
WATER SYSTEM

FAUCET
103635-01-000

KEY	PART NUMBER	U/M	DESCRIPTION	VENDOR NO
	103635-01-000	EA	FAUCET - SINGLE CONTROL/DRINKING WATER	
	103635-01-700	EA	FITTING KIT, CARTRIDGE HEAD	3071-70
	103635-01-701	EA	TUBING-PLASTIC	3019-20

FAUCET (CONTINUED)
103635-02-000

KEY	PART NUMBER	U/M	DESCRIPTION	VENDOR NO
	103635-02-000	EA	FAUCET - WATER PURIFIER	
	103635-01-700	EA	FITTING KIT, CARTRIDGE HEAD	3071-70
	103635-01-701	EA	TUBING-PLASTIC	3019-20
	103635-01-702	EA	FAUCET REPAIR KIT	3026-46

FAUCET (CONTINUED)
119677-01-01A

KEY	PART NUMBER	U/M	DESCRIPTION	VENDOR NO
	119677-01-01A	EA	FAUCET/SHOWER - 3 PIECE - HEAD/FAUCET/SPOUT - BRASS	
	119677-01-700	EA	HANDLE - SHOWER/BATH CLEAR	38-9
	119677-01-701	EA	SHOWER HEAD ONLY 1/2"	34PB
	119677-01-702	EA	SPOUT - BATH	39-7ZPB-O
	119677-01-703	EA	DIVERTER KIT	639-5-0
	119677-01-704	EA	STEM & BONNET	61-5-0
	119677-01-705	EA	PLATE-STRAINER(SHOWER HEAD)	34-3PL
	119677-01-706	EA	ARM - SHOWER HEAD	61-10-PB
	119677-01-707	EA	BUTTON - DIVERTER	38-16A
	119677-01-708	EA	BUTTON - COLD	38-16C
	119677-01-709	EA	BUTTON - HOT	38-16H
	119677-01-710	EA	FLANGE - SHOWER HEAD	60-10-8PB
	119677-01-711	EA	FLANGE - AROUND TURN HANDLE	38-8PB

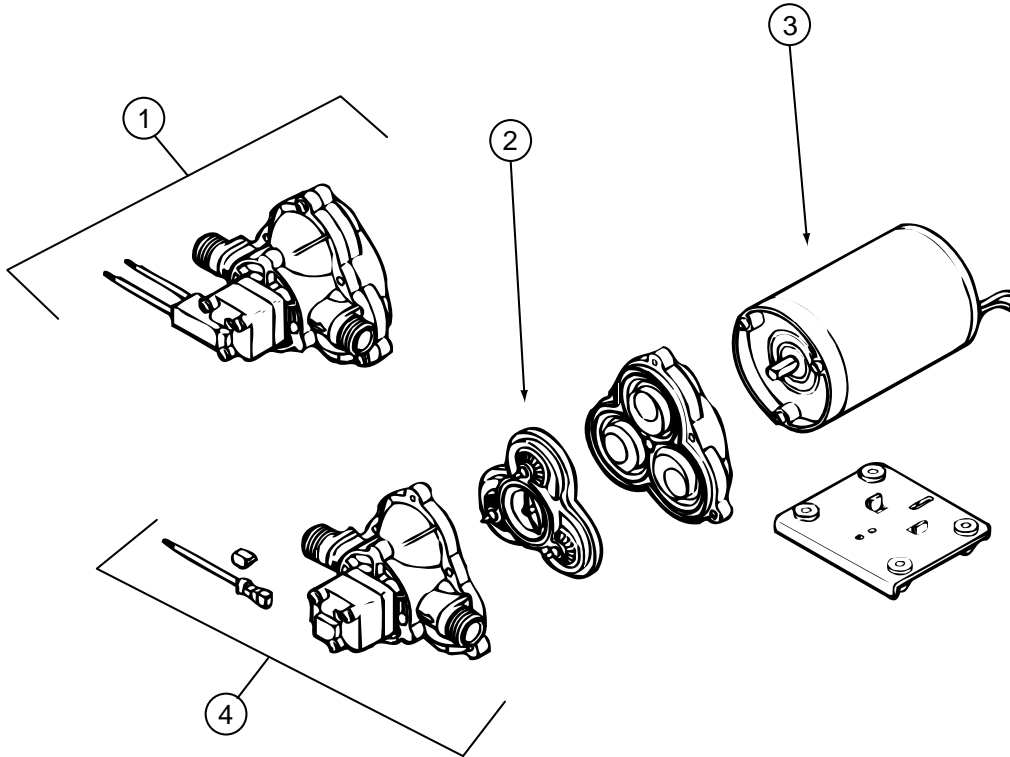
FAUCET (CONTINUED)
131340-01-01A

KEY	PART NUMBER	U/M	DESCRIPTION	VENDOR NO
	131340-01-01A	EA	FAUCET/SHOWER HEAD W/O WATER SAVER - SINGLE LEVER - BRASS	
	131340-01-700	EA	BUTTON - HOT/COLD	N1201-16
	119677-01-701	EA	SHOWER HEAD ONLY 1/2"	34PB

WATER & SEWAGE GROUP (CONTINUED)
WATER SYSTEM (CONTINUED)

WATER PUMP
098607-01-000

KEY	PART NUMBER	U/M	DESCRIPTION	VENDOR NO
	098607-01-000	EA	PUMP - WATER - W/.5" MPT FITTING - FLOW 2.8 GPM	
	098607-01-702	EA	DIAPHRAGM/DRIVE ASSEMBLY KIT	94-238-04
	098607-01-703	EA	VALVE KIT	94-232-00
	098607-01-705	EA	VALVE-CHECK, KIT	94-237-00
	098607-01-706	EA	HOUSING, W/SWITCH ONLY	94-231-20
	098607-01-707	EA	MOTOR W/BASEPLATE	11-148-04



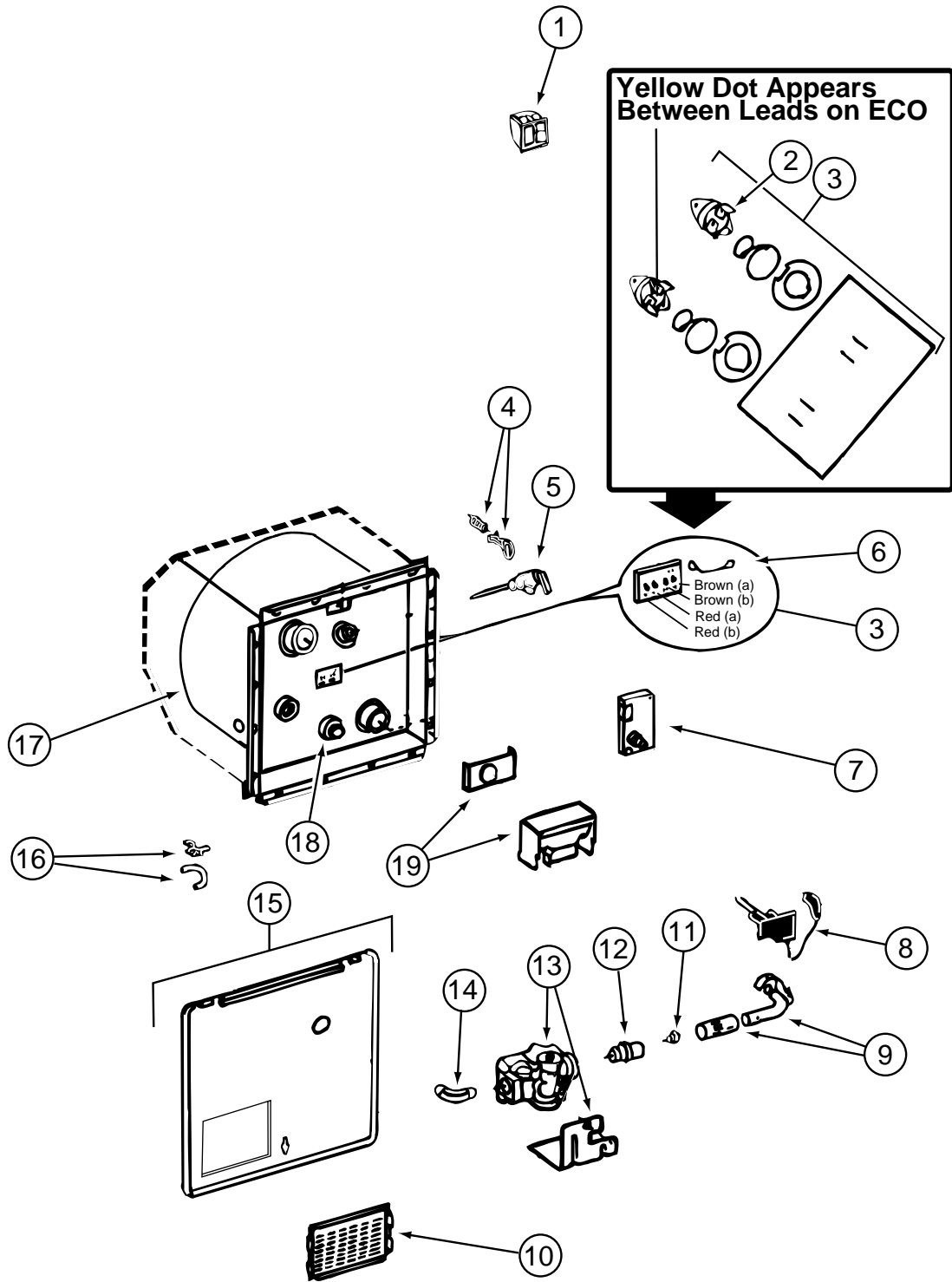
WATER PUMP (CONTINUED)
121887-01-000

KEY	PART NUMBER	U/M	DESCRIPTION	VENDOR NO
	121887-01-000	EA	PUMP - WATER - FLOW 2.0 W/ 1/2 MPT	
1	121887-01-701	EA	PUMP HEAD, COMPLETE	94-236-46
2	098607-01-703	EA	VALVE KIT	94-232-00
3	121887-01-700	EA	MOTOR-REPLACEMENT	11-192-00
4	098607-01-706	EA	HOUSING, W/SWITCH ONLY	94-231-20

WINTERIZATION KIT
118569-01-000

KEY	PART NUMBER	U/M	DESCRIPTION	VENDOR NO
	118569-01-000	EA	WINTERIZATION SYSTEM	
	118569-01-700	EA	VALVE/SOLENOID-ELECT CONTROL	NO VDR#
	118569-01-701	EA	SWITCH - ELECTRIC	EA1-31
	118569-01-702	EA	PLATE - SWITCH	ERUS-1
	118569-01-703	EA	TANK - 2 GALLON	NO VDR#
	118569-01-704	EA	PLUG - 3/4 MPT	NO VDR#
	118569-01-705	EA	PLUG - 1/2 MPT	NO VDR#
	118569-01-706	EA	SCREEN - WHITE	NO VDR#

WATER & SEWAGE GROUP (CONTINUED)
WATER SYSTEM (CONTINUED)



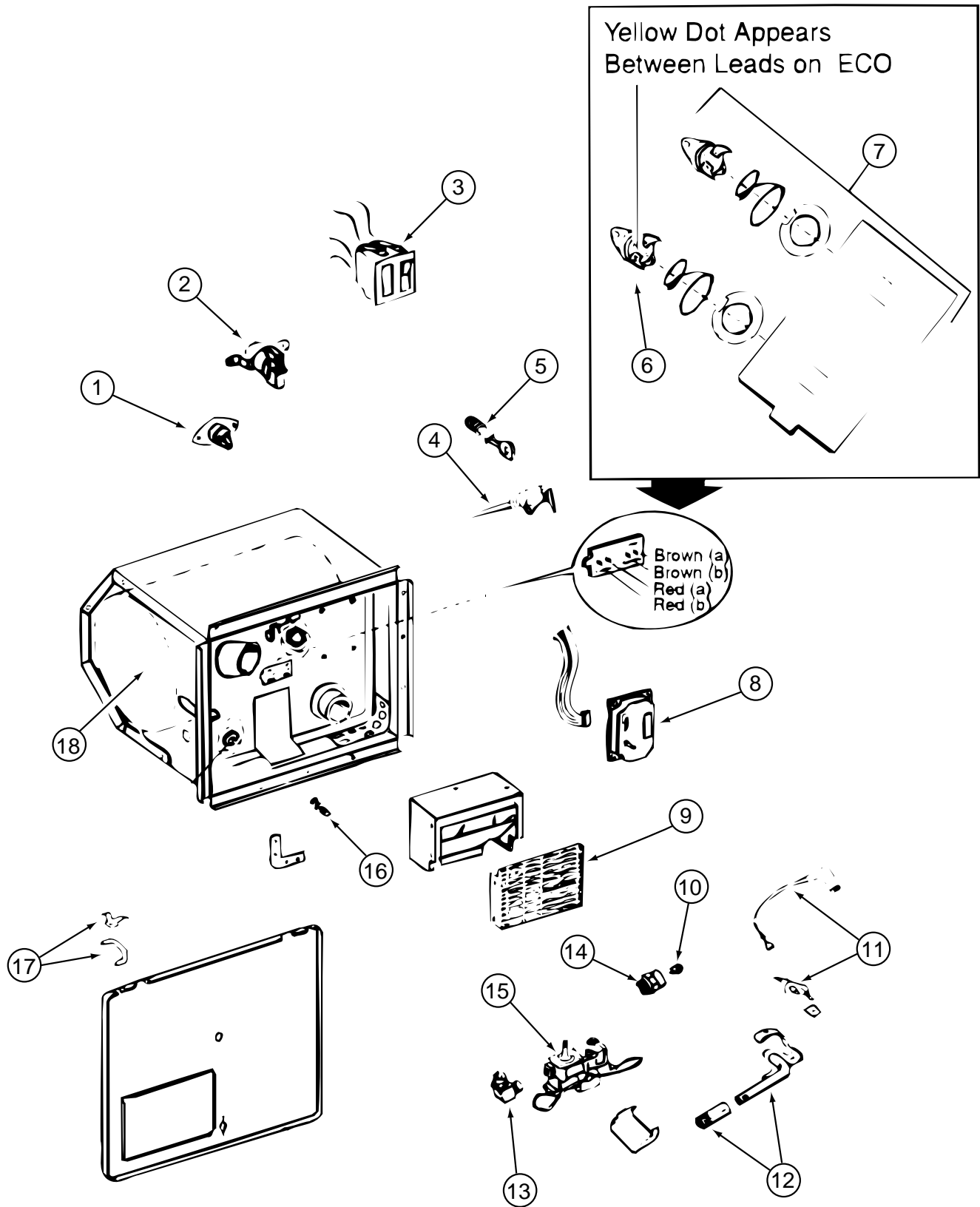
051393-01-000

WATER & SEWAGE GROUP (CONTINUED)
WATER SYSTEM (CONTINUED)

HEATER
051393-01-000

KEY	PART NUMBER	U/M	DESCRIPTION	VENDOR NO.
	051393-01-000	EA	WATER HEATER - W/ MOTOR AID - PILOTLESS IGNITION	
1	051393-01-701	EA	SWITCH PACKAGE	91959
2	051391-04-701	EA	THERMOSTAT 12V DC-120 PRESET	91470
3	051393-01-721	EA	ECO & THERMOSTAT ASM - FRONT MOUNT - 140°	91447
4	051391-01-705	EA	FASTENER - CAMLOC	92609
5	051391-01-704	EA	VALVE - RELIEF - 1/2" FITTING	91604
6	051393-01-723	EA	SWITCH - ENERGY CUT-OFF	93866
7	051393-01-724	EA	CIRCUIT BOARD - W/ SPADE TERMINAL	93867
8	051393-01-725	EA	ELECTRODE - SINGLE SPADE CONNECTION	93868
9	051391-04-703	EA	BURNER - MAIN	91638
10	051391-01-717	EA	GRILLE	92640
11	051391-01-710	EA	ORIFICE - MAIN BURNER	92742
12	051391-03-700	EA	ORIFICE HOLDER	91563
13	051393-01-726	EA	SOLENOID VALVE & BRACKET	93870
14	051391-01-714	EA	ELBOW - 45 DEGREE - 3/8" F X 3/8" MPT	91044
15	052009-06-000	EA	DOOR-WATER HEATER W/O LATCHES, BRIGHT WHITE	
16	051391-01-700	EA	HINGE KIT - W/CLIP	92568 & 92559
17	051391-04-704	EA	TANK - INNER	91642
18	051391-01-715	EA	DRAIN PLUG	91857
19	051391-04-707	EA	FLUE & GASKET	90960
	111129-01-711	EA	BRACKET-CORNER, SET OF FOUR	91928

WATER & SEWAGE GROUP (CONTINUED)
WATER SYSTEM (CONTINUED)



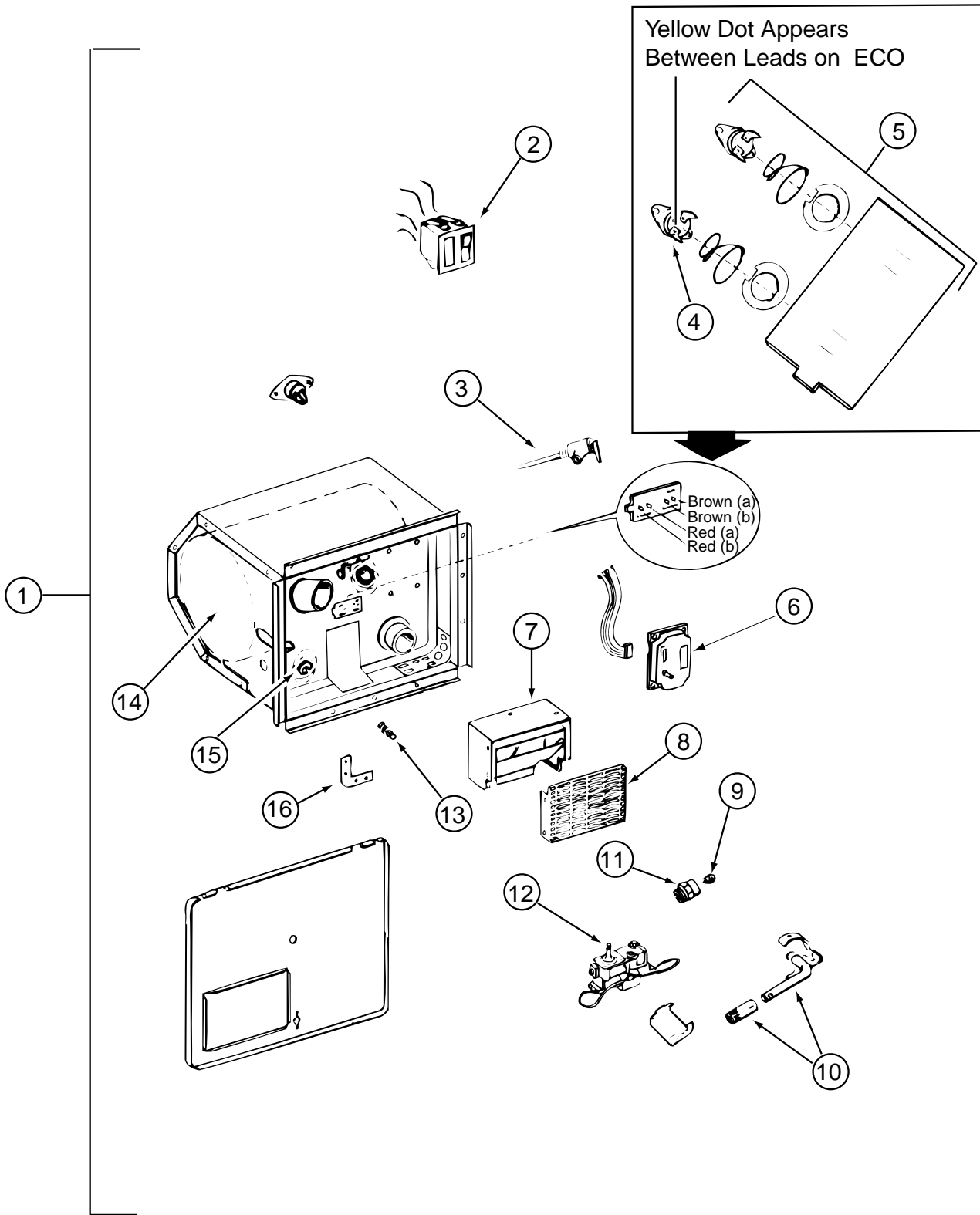
051391-03-000

WATER & SEWAGE GROUP (CONTINUED)
WATER SYSTEM (CONTINUED)

HEATER (CONTINUED)
051391-03-000 (CONTINUED)

KEY	PART NUMBER	U/M	DESCRIPTION	VENDOR NO.
	051391-03-000	EA	WATER HEATER G6A-8E ELECTRONIC IGNITION	
1	051393-01-702	EA	SWITCH - ENERGY/CUT-OFF	91951
2	051393-01-703	EA	THERMOSTAT-12VDC-140 PRESET	91952
3	051393-01-701	EA	SWITCH - REMOTE - W/LIGHT	91959
4	051391-01-704	EA	VALVE-RELIEF, 1/2" FITTING	91604
5	051391-01-705	EA	FASTENER-CAMLOCK	92609
6	051391-04-701	EA	THERMOSTAT 12V DC-120 PRESET	91470
7	051393-01-721	EA	THERMOSTAT W/ECO, 140 FRT MT	91447
8	051393-01-704	EA	BOARD-CIRCUIT	93865
9	051391-01-706	EA	KIT-EXHAUST, (FLUE & GASKET)	92787
10	051391-01-710	EA	ORIFICE-MAIN BURNER	92742
11	051393-01-716	EA	SPARK & PROBE ASSEMBLY	91606
12	051391-01-708	EA	BURNER-MAIN/PILOT MODEL	92615
12	051391-04-703	EA	BURNER-MAIN/ELECTRONIC	91638
13	051391-01-714	EA	FITTING-ELBOW 45,3/8F X 3/8	MPT 1044
14	051391-03-700	EA	HOLDER-ORIFICE	91563
14	051393-01-705	EA	HOLDER-ORIFICE	91925
15	051393-01-718	EA	VALVE-GAS, DUAL SOLENOID	91605
16	051391-01-715	EA	PLUG-DRAIN, 1 EA = 2 PER PKG	91857
17	051391-01-700	EA	HINGE KIT, (PIN & CLIP)	92568&92559
18	051391-04-700	EA	TANK-INNER (G6A-3E) FRT MT	91608
18	051391-04-706	EA	TANK-INNER,G6A-4E&6E FRT. MT	91641
18	051393-03-700	EA	TANK-INNER (G6A-3E) REAR MT	91409
	051393-01-723	EA	SWITCH - THERMAL CUTOFF 2/PK	93866
	051393-01-724	EA	BOARD-CIRCUIT,SPADE TERMINAL	93865
	051393-01-725	EA	ELECTRODE-SGL SPADE CONNECT.	93868
	051393-01-726	EA	VALVE-SOLENOID, W/O BRACKET	93870

WATER & SEWAGE GROUP (CONTINUED)
WATER SYSTEM (CONTINUED)



HEATER (CONTINUED)
051391-05-000

WATER & SEWAGE GROUP (CONTINUED)

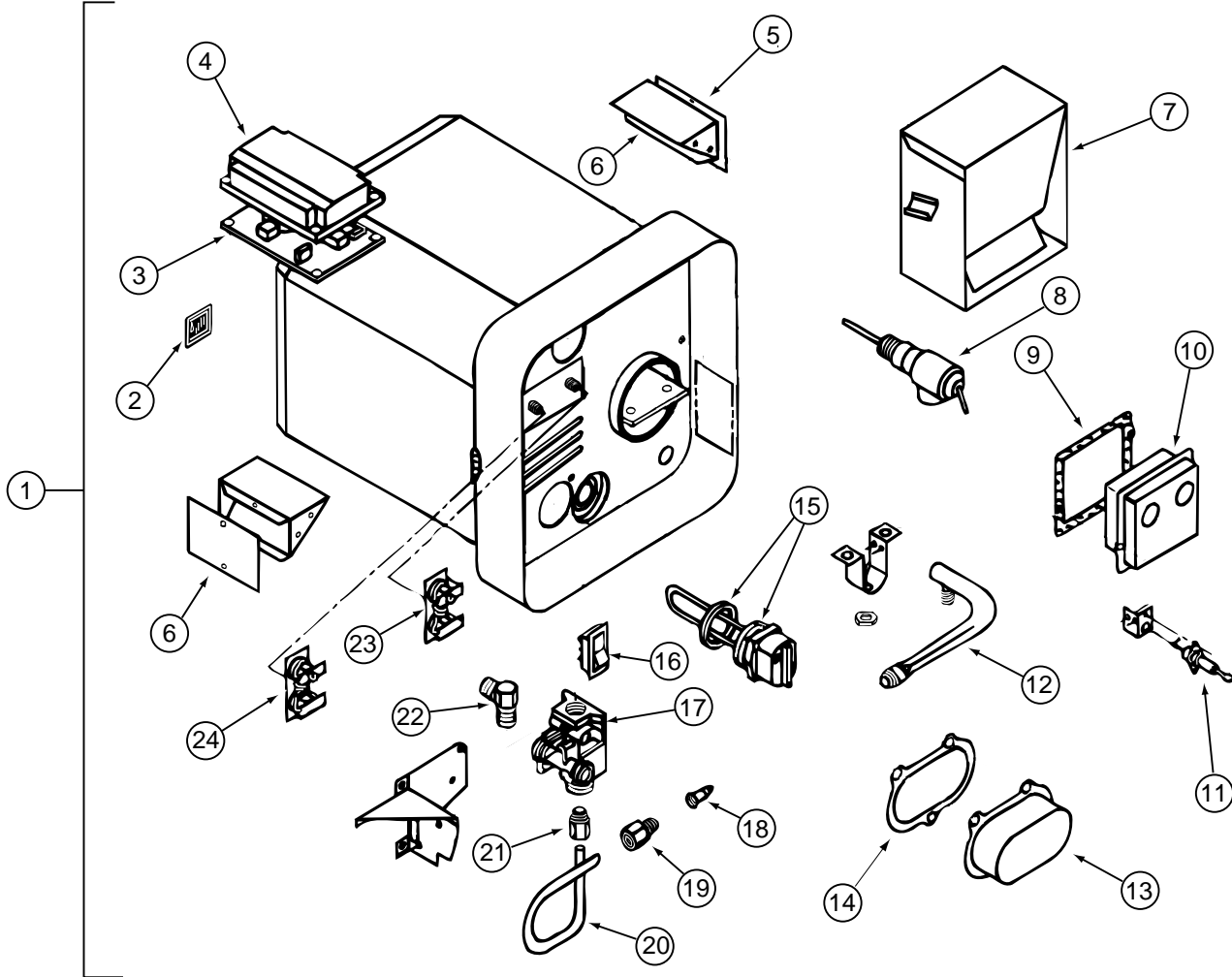
WATER SYSTEM (CONTINUED)

HEATER (CONTINUED)

051391-05-000 (CONTINUED)

KEY	PART NUMBER	U/M	DESCRIPTION	VENDOR NO.
1	051391-05-000	EA	WATER HEATER/MOTOR AID-GAS/ELECT IGN - GCH10A-3E - 10 GAL	
2	051393-01-701	EA	SWITCH - REMOTE - W/LIGHT	91959
3	051391-01-704	EA	VALVE-RELIEF, 1/2" FITTING	91604
4	051391-04-701	EA	THERMOSTAT 12V DC-120 PRESET	91470
5	051391-05-707	EA	THERMOSTAT & ECO - 110 VOLT	91873
5	051393-01-721	EA	THERMOSTAT W/ECO, 140 FRT MT	91447
6	051393-01-704	EA	BOARD-CIRCUIT	93865
7	051391-04-707	EA	KIT-EXHAUST, (FLUE & GASKET)	90960
8	051391-01-717	EA	GRILLE-WATER HEATER DOOR	92640
9	051391-05-701	EA	ORIFICE-MAIN BURNER	93914
10	051391-05-700	EA	BURNER-MAIN	93221
11	051391-03-700	EA	HOLDER-ORIFICE	91563
12	051393-01-726	EA	VALVE-SOLENOID, W/O BRACKET	93870
13	051391-01-715	EA	PLUG-DRAIN, 1 EA = 2 PER PKG	91857
14	051391-05-704	EA	TANK-INNER	93593
15	051391-05-706	EA	ELEMENT-HEATING 1500 WATT	91160 W/GASKET
16	111129-01-711	EA	BRACKET-CORNER, SET OF FOUR	91928
	051391-05-703	EA	HARDWARE KIT-DOOR	91858
	051391-05-705	EA	SWITCH - ON/OFF SWITCH - BOX	91182
	051393-01-723	EA	SWITCH - THERMAL CUTOUT 2/PK	93866
	051393-01-725	EA	ELECTRODE-SGL SPADE CONNECT.	93868
	051393-01-730	EA	BRACKET - F/10 GAL SYSTEM	93862

WATER & SEWAGE GROUP (CONTINUED)
WATER SYSTEM (CONTINUED)



HEATER (CONTINUED)
128994-01-000

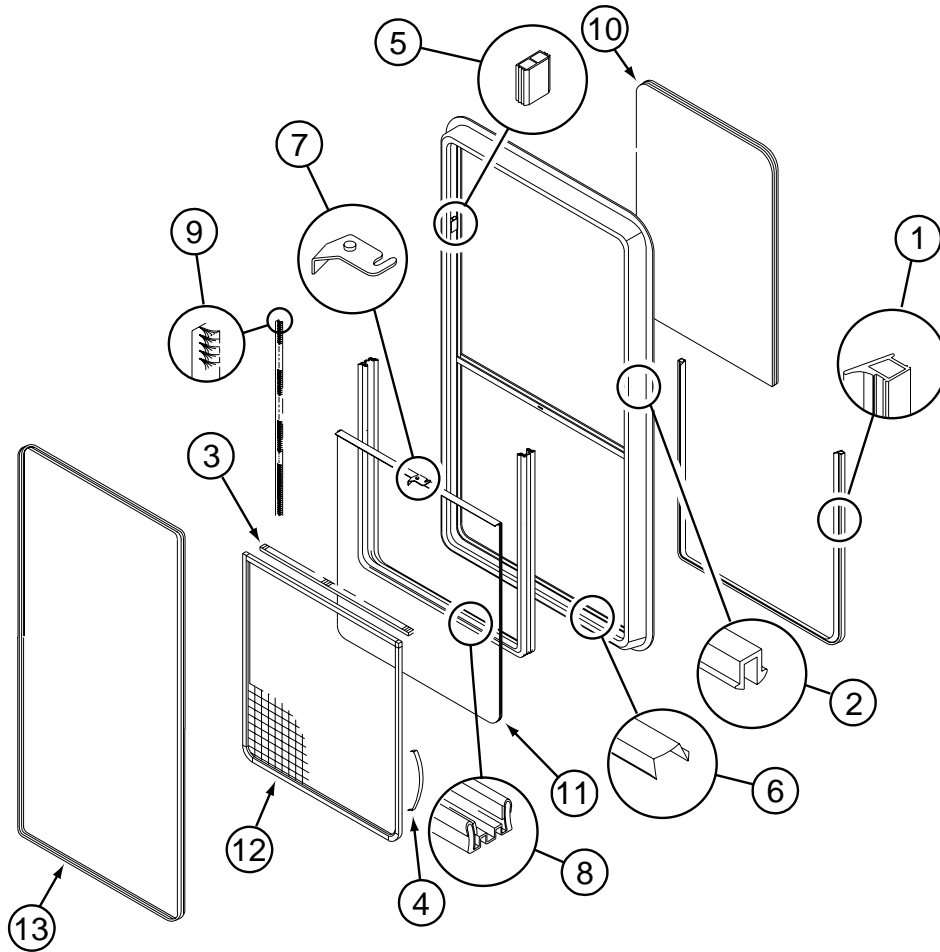
KEY	PART NUMBER	U/M	DESCRIPTION	VENDOR NO.
1	128994-01-000	EA	WATER HEATER - 10 GALLON - 110/GAS - W/O DOOR	
2	128994-01-700	EA	SWITCH-LAMP-PLATE ASSEMBLED	232229
3	128994-01-701	EA	MODULE BOARD	232391
4	128994-01-702	EA	COVER - MODULE BOARD	90487
5	128994-01-703	EA	COVER - JUNCTION BOX	90447
6	128994-01-704	EA	JUNCTION BOX ASSEMBLY - DC	90498
7	128994-01-705	EA	FLUE COLLECTOR BACK COMPLETE	101679
8	128994-01-706	EA	VALVE - PRESSURE RELIEF	160926
9	128994-01-707	EA	GASKET - THERMOSTAT COVER	70987
10	128994-01-708	EA	COVER - THERMOSTAT	90467
10	128994-01-725	EA	PIPE - DRAIN W/PLUG - ANODE	231624
11	128994-01-709	EA	ELECTRODE	232258
12	128994-01-710	EA	BURNER ASSEMBLY	10815
13	128994-01-713	EA	COVER - ELEMENT	90445
14	128994-01-714	EA	GASKET - ELEMENT COVER	70988
15	128994-01-719	EA	ELECTRIC ELEMENT W/GASKET	520789
16	128994-01-717	EA	SWITCH - ELECTRIC ELEMENT	232259
17	128994-01-720	EA	VALVE - GAS - LP	161109
18	128994-01-711	EA	ORFICE - CUP 1.15MM	180300
19	128994-01-722	EA	LOXIT NUT/1/4MANIFOLD/BURNER	171463
20	128994-01-721	EA	MANIFOLD OUTLET	171420
21	128994-01-712	EA	NUT/LOXIT 1/4-MANIFOLD/VALVE	171475
22	128994-01-718	EA	GAS FITTING	170374
23	128994-01-716	EA	SWITCH - HI-LIMIT/120 V.D.C.	232506
24	128994-01-715	EA	SWITCH - HI-LIMIT/120 V.A.C.	232509
	128994-01-723	EA	SWITCH - HI-LIMIT/140 V.A.C.	232317
	128994-01-724	EA	SWITCH - HI-LIMIT/140 V.D.C.	232319

WATER & SEWAGE GROUP (CONTINUED)
WATER SYSTEM (CONTINUED)

HEATER (CONTINUED)
128994-01-000 (CONTINUED)

KEY	PART NUMBER	U/M	DESCRIPTION	VENDOR NO.
1	128994-01-000	EA	WATER HEATER - 10 GALLON - 110/GAS - W/O DOOR	
2	128994-01-700	EA	SWITCH-LAMP-PLATE ASSEMBLED	232229
3	128994-01-701	EA	MODULE BOARD	232391
4	128994-01-702	EA	COVER - MODULE BOARD	90487
5	128994-01-703	EA	COVER - JUNCTION BOX	90447
6	128994-01-704	EA	JUNCTION BOX ASSEMBLY - DC	90498
7	128994-01-705	EA	FLUE COLLECTOR BACK COMPLETE	101679
8	128994-01-706	EA	VALVE - PRESSURE RELIEF	160926
9	128994-01-707	EA	GASKET - THERMOSTAT COVER	70987
10	128994-01-708	EA	COVER - THERMOSTAT	90467
10	128994-01-725	EA	PIPE - DRAIN W/PLUG - ANODE	231624
11	128994-01-709	EA	ELECTRODE	232258
12	128994-01-710	EA	BURNER ASSEMBLY	10815
13	128994-01-713	EA	COVER - ELEMENT	90445
14	128994-01-714	EA	GASKET - ELEMENT COVER	70988
15	128994-01-719	EA	ELECTRIC ELEMENT W/GASKET	520789
16	128994-01-717	EA	SWITCH - ELECTRIC ELEMENT	232259
17	128994-01-720	EA	VALVE - GAS - LP	161109
18	128994-01-711	EA	ORFICE - CUP 1.15MM	180300
19	128994-01-722	EA	LOXIT NUT/1/4MANIFOLD/BURNER	171463
20	128994-01-721	EA	MANIFOLD OUTLET	171420
21	128994-01-712	EA	NUT/LOXIT 1/4-MANIFOLD/VALVE	171475
22	128994-01-718	EA	GAS FITTING	170374
23	128994-01-716	EA	SWITCH - HI-LIMIT/120 V.D.C.	232506
24	128994-01-715	EA	SWITCH - HI-LIMIT/120 V.A.C.	232509
	128994-01-723	EA	SWITCH - HI-LIMIT/140 V.A.C.	232317
	128994-01-724	EA	SWITCH - HI-LIMIT/140 V.D.C.	232319

WINDOW & VENTS GROUP
WINDOWS AND VENT LAYOUT



WINDOWS
098644
COMMON PARTS

KEY	PART NUMBER	U/M	DESCRIPTION	VENDOR NO.
1	098644-01-716	FT	PLUG - FILLER	132-014470
2	098644-01-705	FT	GLAZING - STRIP	132-010231
3	098644-01-706	FT	WEATHERSTRIP - GLASS	171-010668
4	098644-01-713	EA	CLIP - SCREEN - METAL	226-016966
4	125582-01-701	EA	CLIP - SCREEN - PLASTIC	130-005153
5	098644-01-719	EA	STOP - SLIDER GLASS	132-014203
6	098644-01-710	FT	TRACK - SCREEN SPACER 12'	132-017135
7	098644-01-700	EA	LATCH - REPAIR KIT (BLACK)	B801-CK
8	098644-01-708	FT	CHANNEL - RUN PIERCED	122-016543
9	098644-01-711	FT	WEATHERSTRIP - SCREEN BLACK	171-016965
	098644-01-717	FT	SPLINE - SCREEN	132-004716
10*			GLASS - STATIONARY	
11*			GLASS-SLIDING W/SASH & LATCH	
12*			SCREEN ASM - W/SEALS & CLIPS	
13*			RETAINER - TRIM	

*SEE FOLLOWING PAGE FOR ITEMS 10-13

WINDOW & VENTS GROUP (CONTINUED)

WINDOWS AND VENT LAYOUT (CONTINUED)

WINDOWS (CONTINUED) 098644-04-03A

KEY	PART NUMBER	U/M	DESCRIPTION	VENDOR NO.
	098644-04-03A	EA	WINDOW - VERTICAL SLIDER W/TRIM - TINTED - 31.7" X 21.1"	
10	098644-04-701	EA	GLASS - STATIONARY	
11	098644-04-702	EA	GLASS-SLIDING W/SASH & LATCH	
12	098644-04-703	EA	SCREEN ASM - W/SEALS & CLIPS	
13	098644-04-704	EA	RETAINER - TRIM	

098644-07-02A

KEY	PART NUMBER	U/M	DESCRIPTION	VENDOR NO.
	098644-07-02A	EA	WINDOW - VERTICAL SLIDER W/TRIM - TINTED - 30.2" X 14.3"	
10	098644-07-702	EA	GLASS - STATIONARY	106-015777
11	098644-07-703	EA	GLASS-SLIDING W/SASH & LATCH	H170-G9
12	098644-07-704	EA	SCREEN ASM - W/SEALS & CLIPS	410-018863
13	098644-07-705	EA	RETAINER - TRIM	CH02-66

098644-10-02A

KEY	PART NUMBER	U/M	DESCRIPTION	VENDOR NO.
	098644-10-02A	EA	WINDOW - VERTICAL SLIDER W/TRIM - TINTED - 25" X 27"	
10	098644-10-702	EA	GLASS - STATIONARY	106-025019
11	098644-10-701	EA	GLASS - SLIDING W/SASH/LATCH	H464-G9
12	098644-10-700	EA	SCREEN ASM - W/SEALS & CLIPS	410-019683
13	098644-10-704	EA	RETAINER - TRIM	CH78-66

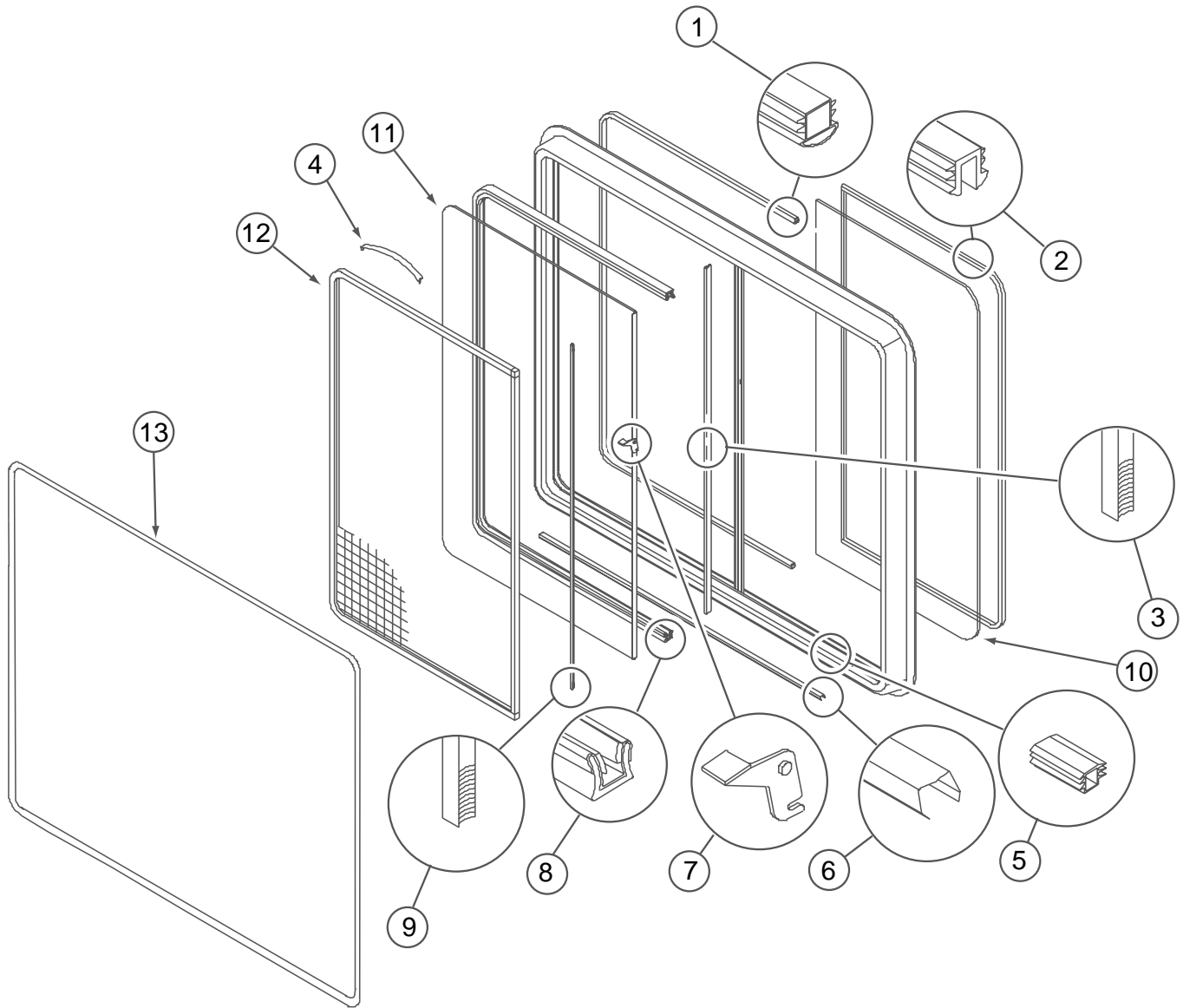
098644-11-02A

KEY	PART NUMBER	U/M	DESCRIPTION	VENDOR NO.
	098644-11-02A	EA	WINDOW - VERTICAL SLIDER W/TRIM - TINTED - 26.4" X 27"	
10	098644-11-700	EA	GLASS - STATIONARY	106-026280
11	098644-11-701	EA	GLASS-SLIDING W/SASH & LATCH	H564-G9
12	112898-19-702	EA	SCREEN ASM - W/SEALS & CLIPS	410-026279
13	098644-11-702	EA	RETAINER - TRIM	H564-66

098644-12-01A

KEY	PART NUMBER	U/M	DESCRIPTION	VENDOR NO
	098644-12-01A	EA	WINDOW - VERTICAL SLIDER W/TRIM - 22.2"W X 24.3"H.	
10	098644-12-700	EA	GLASS - STATIONARY	106-026015
11	098644-12-701	EA	GLASS - SLIDING W/SASH/LATCH	H080-G9
12	098644-12-702	EA	SCREEN ASM - W/SEALS/CLIPS	410-016483
13	098644-12-703	EA	RETAINER - TRIM	808060

WINDOW & VENTS GROUP (CONTINUED)
WINDOWS AND VENT LAYOUT (CONTINUED)



WINDOWS (CONTINUED)
098647
COMMON PARTS

KEY	PART NUMBER	U/M	DESCRIPTION	VENDOR NO.
1	098644-01-716	FT	PLUG - FILLER	132-014470
2	098644-01-705	FT	GLAZING - STRIP	132-010231
3	098644-01-706	FT	WEATHERSTRIP - GLASS	171-010668
4	098644-01-713	EA	CLIP - SCREEN - METAL	226-016966
4	125582-01-701	EA	CLIP - SCREEN - PLASTIC	130-0
4	125582-01-701	EA	CLIP - SCREEN - PLASTIC	130-005153
5	098644-01-719	EA	STOP - SLIDER GLASS	132-014203
6	098644-01-710	FT	TRACK - SCREEN SPACER 12'	132-017135
7	098644-01-700	EA	LATCH - REPAIR KIT (BLACK)	B801-CK
8	098644-01-708	FT	CHANNEL - RUN PIERCED	122-016543
9	098644-01-711	FT	WEATHERSTRIP - SCREEN BLACK	171-016965
	098644-01-717	FT	SPLINE - SCREEN	132-004716
10*			GLASS - STATIONARY 27.7X29.3	
11*			GLASS-SLIDING W/SASH & LATCH	
12*			SCREEN ASM - W/SEALS & CLIPS	
13*			RETAINER - TRIM	

***SEE FOLLOWING PAGE FOR ITEMS 10-13**

WINDOW & VENTS GROUP (CONTINUED)

WINDOWS AND VENT LAYOUT (CONTINUED)

WINDOWS (CONTINUED)

098647-01-03A

KEY	PART NUMBER	U/M	DESCRIPTION	VENDOR NO.
	098647-01-03A	EA	WINDOW - PASS HORIZ SLIDER W/TRIM - TINTED - 30.5" X 57.5"	
10	098647-01-700	EA	GLASS - STATIONARY 27.7X29.3	106-015631
11	098647-01-702	EA	GLASS-SLIDING W/SASH & LATCH	H112-G9
12	098647-01-706	EA	SCREEN ASM - W/SEALS & CLIPS	410-016472
13	098647-01-704	EA	RETAINER - TRIM	H112-67

098647-07-03A

KEY	PART NUMBER	U/M	DESCRIPTION	VENDOR NO.
	098647-07-03A	EA	WINDOW - DRIVER HORIZ SLIDER W/TRIM - TINTED - 15" X 23.7"	
10	098647-06-700	EA	GLASS - STATIONARY 10.9X13.8	106-016921
11	098647-06-702	EA	GLASS-SLIDING W/SASH & LATCH	B969-G9
12	098647-06-703	EA	SCREEN ASM - W/SEALS & CLIPS	410-016477
13	098647-07-701	EA	RETAINER - TRIM	H969-67

098647-22-02A

KEY	PART NUMBER	U/M	DESCRIPTION	VENDOR NO.
	098647-22-02A	EA	WINDOW - DRIVER HORIZ SLIDER W/TRIM-TINTED- 26.1" X 59.7"	
10	098647-23-703	EA	GLASS - STATIONARY	106-017622
11	098647-23-700	EA	GLASS SLIDING W/SASH & LATCH	H287-G9
12	098647-23-704	EA	SCREEN ASM - W/SEALS & CLIPS	410-019066
13	098647-22-701	EA	RETAINER - TRIM	H287-67

098647-23-02A

KEY	PART NUMBER	U/M	DESCRIPTION	VENDOR NO.
	098647-23-02A	EA	WINDOW - PASS HORIZ SLIDER W/TRIM - TINTED- 26.1" X 59.7"	
10	098647-23-703	EA	GLASS - STATIONARY	106-017622
11	098647-23-700	EA	GLASS SLIDING W/SASH & LATCH	H287-G9
12	098647-23-704	EA	SCREEN ASM - W/SEALS & CLIPS	410-019066
13	098647-22-701	EA	RETAINER - TRIM	H287-67

098647-24-02A

KEY	PART NUMBER	U/M	DESCRIPTION	VENDOR NO.
	098647-24-02A	EA	WINDOW - PASS HORIZ SLIDER W/TRIM - TINTED - 26.1" X 53.8	
10	098647-35-701	EA	GLASS - STATIONARY	106-019119
11	098647-35-702	EA	GLASS-SLIDING W/SASH & LATCH	H279-G9
12	098647-36-704	EA	SCREEN ASM - W/SEALS & CLIPS	410-017750
13	098647-24-701	EA	RETAINER - TRIM	CH80-66

098647-25-02A

KEY	PART NUMBER	U/M	DESCRIPTION	VENDOR NO.
	098647-25-02A	EA	WINDOW - PASS HORIZ SLIDER W/TRIM - TINTED - 26.1" X 29.6	
10	098647-25-702	EA	GLASS - STATIONARY	
11	098647-25-703	EA	GLASS-SLIDING W/SASH & LATCH	
12	098647-25-704	EA	SCREEN ASM - W/SEALS & CLIPS	
13	098647-25-705	EA	RETAINER - TRIM	

098647-27-02A

KEY	PART NUMBER	U/M	DESCRIPTION	VENDOR NO.
	098647-27-02A	EA	WINDOW - PASS HORIZ SLIDER W/TRIM - CLEAR - 26.1" X 59.7"	
10	098647-27-702	EA	GLASS - STATIONARY	096-017868
11	098647-27-703	EA	GLASS-SLIDING W/SASH & LATCH	H287-C8
12	098647-23-704	EA	SCREEN ASM - W/SEALS & CLIPS	410-019066
13	098647-27-704	EA	RETAINER - TRIM	H287-66

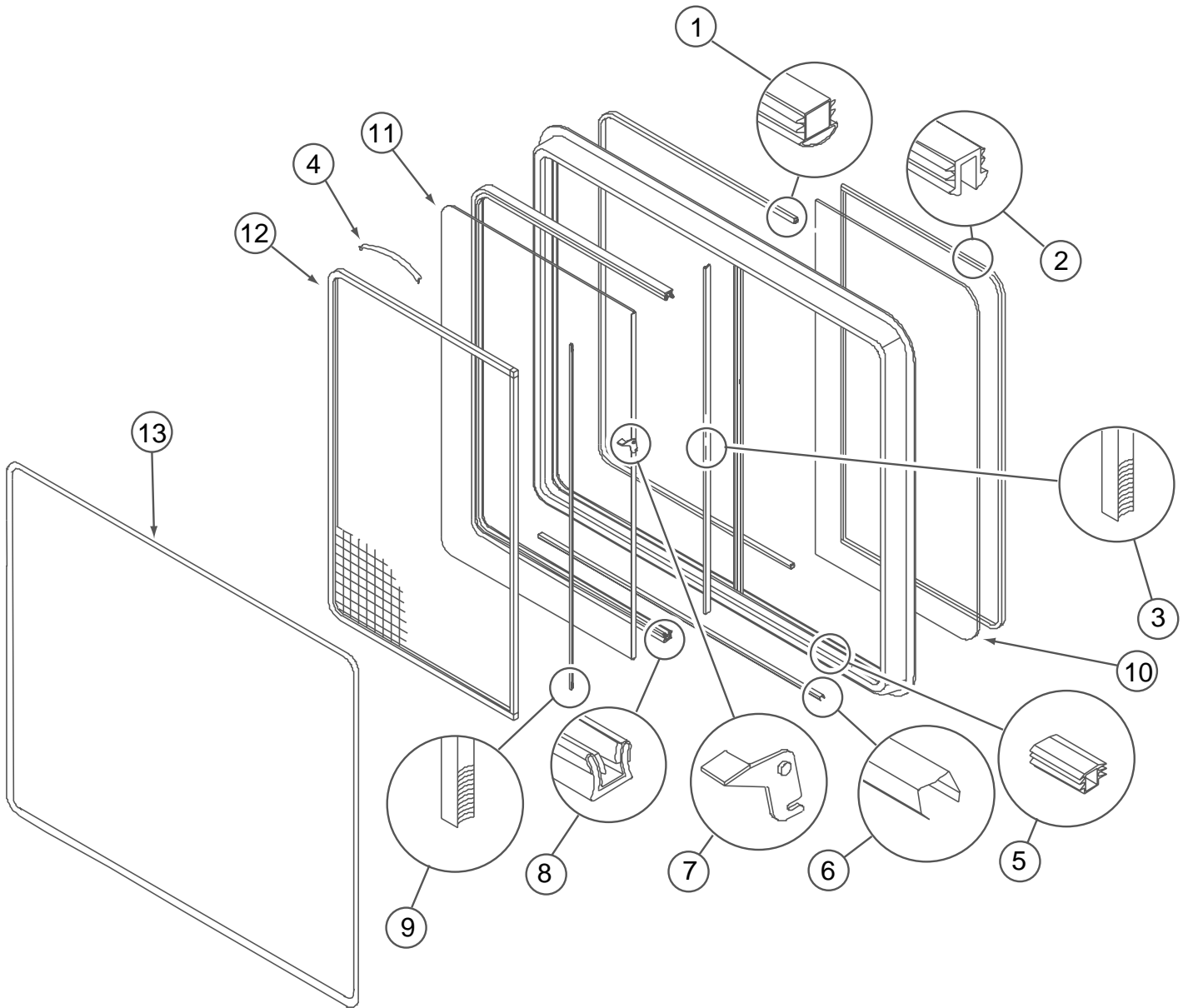
098647-28-02A

KEY	PART NUMBER	U/M	DESCRIPTION	VENDOR NO.
	098647-28-02A	EA	WINDOW - DRIVER HORIZ SLIDER W/TRIM-CLEAR- 26.1" X 59.7"	
10	098647-27-702	EA	GLASS - STATIONARY	096-01868
11	098647-27-703	EA	GLASS-SLIDING W/SASH & LATCH	H287-C8
12	098647-23-704	EA	SCREEN ASM - W/SEALS & CLIPS	410-019066
13	098647-27-704	EA	RETAINER - TRIM	H287-66

098647-29-02A

KEY	PART NUMBER	U/M	DESCRIPTION	VENDOR NO.
	098647-29-02A	EA	WINDOW - PASS HORIZ SLIDER W/TRIM - CLEAR - 24.2" X 41"	
10	098647-29-702	EA	GLASS - STATIONARY	096-019295
11	098647-29-703	EA	GLASS-SLIDING W/SASH & LATCH	H172-C8
12	098647-29-704	EA	SCREEN ASM - W/SEALS & CLIPS	410-018864
13	098647-29-705	EA	RETAINER - TRIM	CH04-66

WINDOW & VENTS GROUP (CONTINUED)
WINDOWS AND VENT LAYOUT (CONTINUED)



WINDOWS (CONTINUED)
098647 (CONTINUED)
COMMON PARTS

KEY	PART NUMBER	U/M	DESCRIPTION	VENDOR NO.
1	098644-01-716	FT	PLUG - FILLER	132-014470
2	098644-01-705	FT	GLAZING - STRIP	132-010231
3	098644-01-706	FT	WEATHERSTRIP - GLASS	171-010668
4	098644-01-713	EA	CLIP - SCREEN - METAL	226-016966
4	125582-01-701	EA	CLIP - SCREEN - PLASTIC	130-0
5	098644-01-719	EA	STOP - SLIDER GLASS	132-014203
6	098644-01-710	FT	TRACK - SCREEN SPACER 12'	132-017135
7	098644-01-700	EA	LATCH - REPAIR KIT (BLACK)	B801-CK
8	098644-01-708	FT	CHANNEL - RUN PIERCED	122-016543
9	098644-01-711	FT	WEATHERSTRIP - SCREEN BLACK	171-016965
	098644-01-717	FT	SPLINE - SCREEN	132-004716
10*			GLASS - STATIONARY	
11*			GLASS-SLIDING W/SASH & LATCH	
12*			SCREEN ASM - W/SEALS & CLIPS	
13*			RETAINER - TRIM	

***SEE FOLLOWING PAGE FOR ITEMS 10-13**

WINDOW & VENTS GROUP (CONTINUED)
WINDOWS AND VENT LAYOUT (CONTINUED)

WINDOWS (CONTINUED)

098647-30-02A

KEY	PART NUMBER	U/M	DESCRIPTION	VENDOR NO.
	098647-30-02A	EA	WINDOW - DRIVER HORIZ SLIDER W/TRIM - CLEAR - 24.2" X 41"	
10	098647-29-702	EA	GLASS - STATIONARY	096-019295
11	098647-29-703	EA	GLASS-SLIDING W/SASH & LATCH	H172-C8
12	098647-29-704	EA	SCREEN ASM - W/SEALS & CLIPS	410-018864
13	098647-29-705	EA	RETAINER - TRIM	CH04-66

098647-31-02A

KEY	PART NUMBER	U/M	DESCRIPTION	VENDOR NO.
	098647-31-02A	EA	WINDOW - PASS HORIZ SLIDER W/TRIM - CLEAR - 15.7" X 28.5"	
10	098647-31-702	EA	GLASS - STATIONARY	096-019299
11	098647-31-703	EA	GLASS-SLIDING W/SASH & LATCH	H425-C8
12	098647-31-704	EA	SCREEN ASM - W/SEALS & CLIPS	410-019128
13	098647-31-705	EA	RETAINER - TRIM	CH29-66

098647-32-02A

KEY	PART NUMBER	U/M	DESCRIPTION	VENDOR NO.
	098647-32-02A	EA	WINDOW - DRIVER HORIZ SLIDER W/TRIM - CLEAR - 15.7" X 28.5"	
10	098647-31-702	EA	GLASS - STATIONARY	096-019299
11	098647-31-703	EA	GLASS-SLIDING W/SASH & LATCH	H425-C8
12	098647-31-704	EA	SCREEN ASM - W/SEALS & CLIPS	410-019128
13	098647-31-705	EA	RETAINER - TRIM	CH29-66

098647-33-02A

KEY	PART NUMBER	U/M	DESCRIPTION	VENDOR NO.
	098647-33-02A	EA	WINDOW - PASS HORIZ SLIDER W/TRIM - CLEAR - 15.7" X 28.5"	
10	098647-33-702	EA	GLASS - STATIONARY	106-019297
11	098647-33-703	EA	GLASS-SLIDING W/SASH & LATCH	H425-G9
12	098647-33-704	EA	SCREEN ASM - W/SEALS & CLIPS	410-019134
13	098647-31-705	EA	RETAINER - TRIM	CH29-66

098647-34-02A

KEY	PART NUMBER	U/M	DESCRIPTION	VENDOR NO.
	098647-34-02A	EA	WINDOW - HORIZ SLIDER W/TRIM - TINTED - 14.7" X 28.5"	
10	098647-33-702	EA	GLASS - STATIONARY	106-019297
11	098647-33-703	EA	GLASS-SLIDING W/SASH & LATCH	H425-G9
12	098647-33-704	EA	SCREEN ASM - W/SEALS & CLIPS	410-019134
13	098647-31-705	EA	RETAINER - TRIM	CH29-66

098647-38-02A

KEY	PART NUMBER	U/M	DESCRIPTION	VENDOR NO.
	098647-38-02A	EA	WINDOW - PASS HORIZ SLIDER W/TRIM - TINTED - 30.5" X 57.5"	
10	098647 38 702	EA	GLASS - STATIONARY	096-017854
11	098647 38 703	EA	GLASS-SLIDING W/SASH & LATCH	H320-C8
12	098647 38 704	EA	SCREEN ASM - W/SEALS & CLIPS	410-019063
13	098647 38 705	EA	RETAINER - TRIM	H303-66

098647-47-02A

KEY	PART NUMBER	U/M	DESCRIPTION	VENDOR NO.
	098647-47-02A	EA	WINDOW - DRIVER HORIZ SLIDER W/TRIM - TINTED-23.6" X 57.5"	
10	098647-47-700	EA	GLASS - STATIONARY	106-025224
11	098647-47-701	EA	GLASS-SLIDING W/SASH & LATCH	H493-G9
12	098647-47-702	EA	SCREEN ASM - W/SEALS & CLIPS	410-025226
13	098647-47-704	EA	RETAINER - TRIM	H493-66

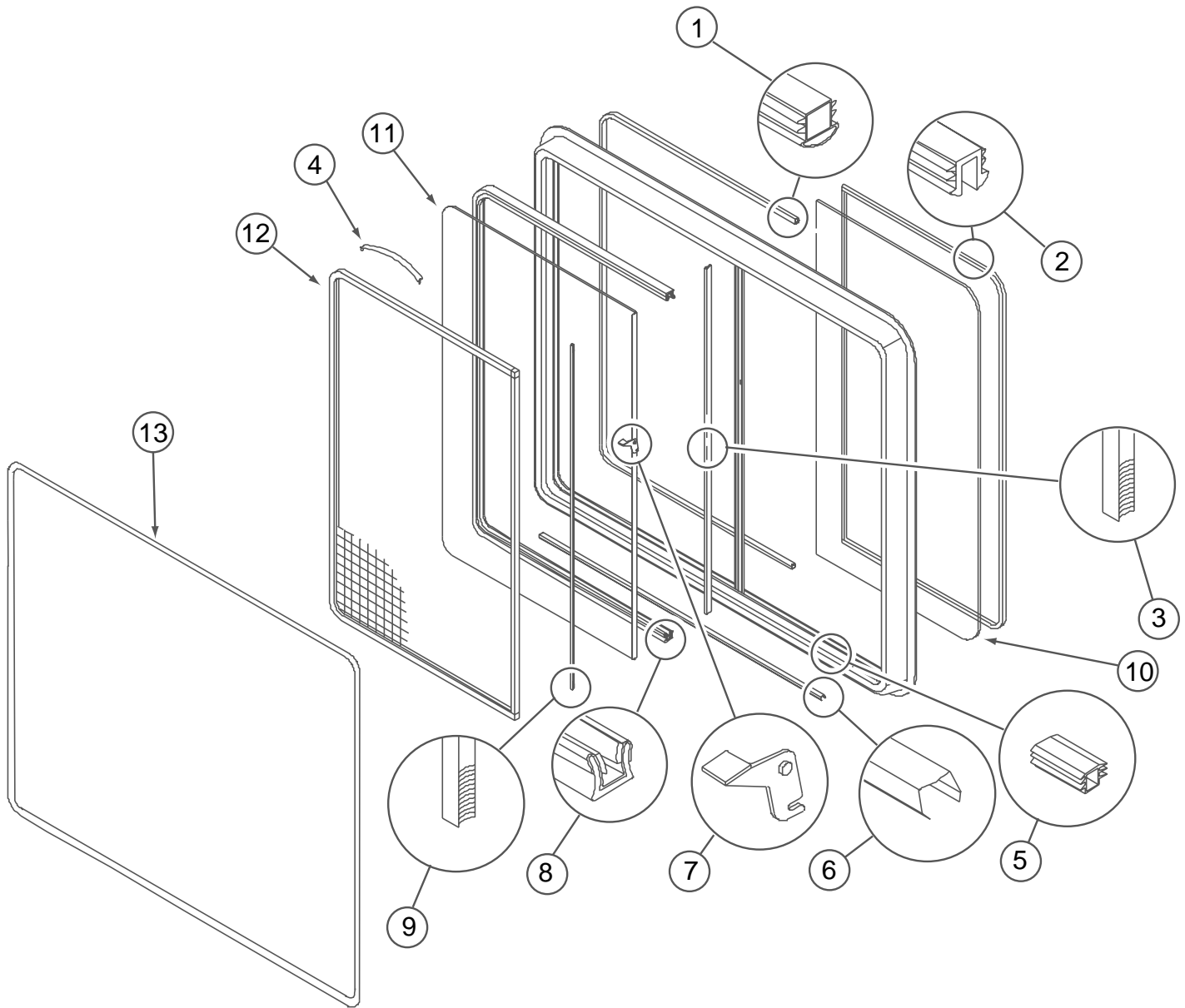
098647-49-02A

KEY	PART NUMBER	U/M	DESCRIPTION	VENDOR NO.
	098647-49-02A	EA	WINDOW - PASS HORIZ SLIDER W/TRIM - TINTED-15" X 23.7"	
10	098647-49-700	EA	GLASS - STATIONARY	096-012066
11	098647-49-701	EA	GLASS-SLIDING W/SASH & LATCH	B969-G8
12	112795-56-702	EA	SCREEN ASM - W/SEALS & CLIPS	410-019414
13	098647-49-702	EA	RETAINER - TRIM	H969-66

098647-53-01A

KEY	PART NUMBER	U/M	DESCRIPTION	VENDOR NO.
	098647-53-01A	EA	WINDOW - PASS HORIZ SLIDER W/TRIM - TINTED-15" X 23.7"	
10	098647-53-700	EA	GLASS - STATIONARY	106-027583
11	098647-53-701	EA	GLASS-SLIDING W/SASH & LATCH	H611-G9
12	112795-66-702	EA	SCREEN ASSY - W/SEAL & CLIPS	410-026640
13	112795-66-703	EA	RETAINER - TRIM	H611-66

WINDOW & VENTS GROUP (CONTINUED)
WINDOWS AND VENT LAYOUT (CONTINUED)



WINDOWS (CONTINUED)
098647 (CONTINUED)
COMMON PARTS

KEY	PART NUMBER	U/M	DESCRIPTION	VENDOR NO.
1	098644-01-716	FT	PLUG - FILLER	132-014470
2	098644-01-705	FT	GLAZING - STRIP	132-010231
3	098644-01-706	FT	WEATHERSTRIP - GLASS	171-010668
4	098644-01-713	EA	CLIP - SCREEN - METAL	226-016966
4	125582-01-701	EA	CLIP - SCREEN - PLASTIC	130-0
5	098644-01-719	EA	STOP - SLIDER GLASS	132-014203
6	098644-01-710	FT	TRACK - SCREEN SPACER 12'	132-017135
7	098644-01-700	EA	LATCH - REPAIR KIT (BLACK)	B801-CK
8	098644-01-708	FT	CHANNEL - RUN PIERCED	122-016543
9	098644-01-711	FT	WEATHERSTRIP - SCREEN BLACK	171-016965
	098644-01-717	FT	SPLINE - SCREEN	132-004716
10*			GLASS - STATIONARY	
11*			GLASS-SLIDING W/SASH & LATCH	
12*			SCREEN ASM - W/SEALS & CLIPS	
13*			RETAINER - TRIM	

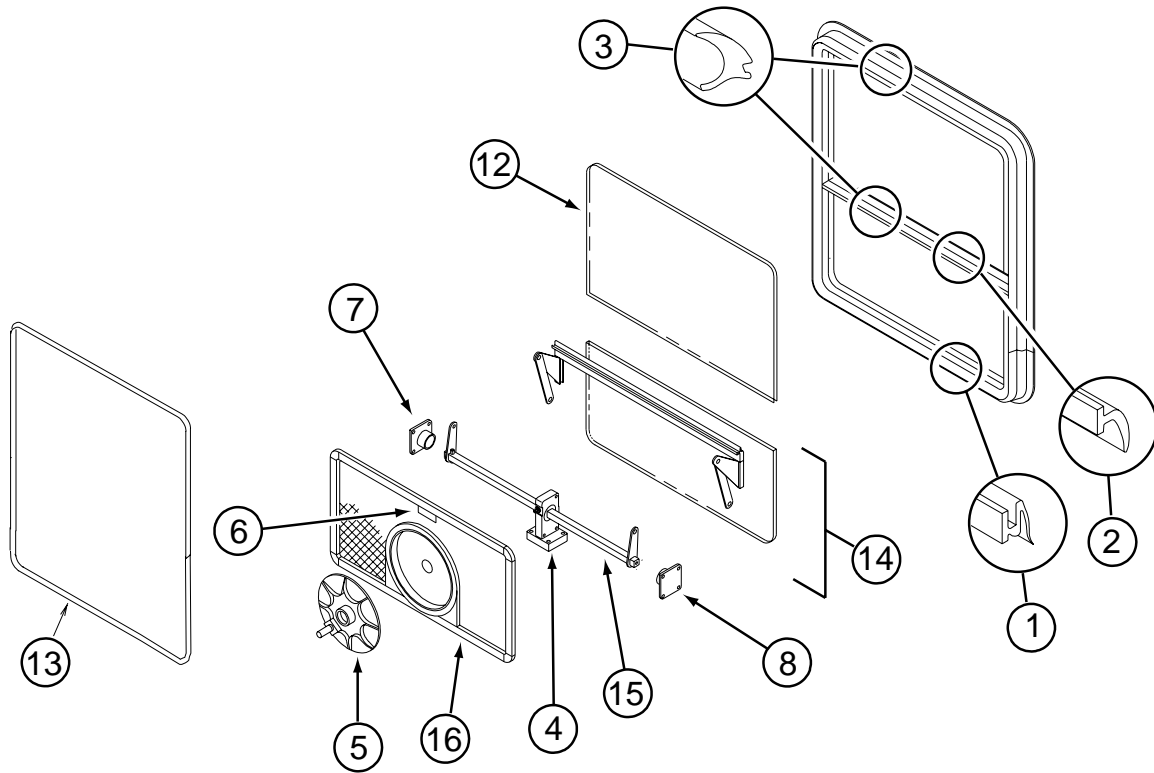
***SEE FOLLOWING PAGE FOR ITEMS 10-13**

WINDOW & VENTS GROUP (CONTINUED)
WINDOWS AND VENT LAYOUT (CONTINUED)

098647-54-01A

KEY	PART NUMBER	U/M	DESCRIPTION	VENDOR NO.
	098647-54-01A	EA	WINDOW - DRIVER HORIZONTAL SLIDER - 57.5"W X 23.6"H	
10	098647-47-700	EA	GLASS - STATIONARY	106-025224
11	098647-54-700	EA	GLASS-SLIDING W/SASH & LATCH	H666-G9
12	098647-47-702	EA	SCREEN ASM - W/SEALS & CLIPS	410-025226
13	098647-47-704	EA	RETAINER - TRIM	H493-66

WINDOW & VENTS GROUP (CONTINUED)
WINDOWS AND VENT LAYOUT (CONTINUED)



WINDOWS (CONTINUED)
104691
COMMON PARTS

KEY	PART NUMBER	U/M DESCRIPTION	VENDOR NO.
1	116976-01-702	FT FILLER PLUG	132-016065
2	100322-01-701	FT SEAL-VENT	122-016071
3	100322-01-702	EA WEATHERSTRIP-HORIZ RAIL-148"	132-019631
	100322-01-703	FT VINYL-GLAZING, BUTYL	132-010723
4	112519-01-702	EA OPERATOR-VENT-CENTER SUPPORT	410-016123
5	100322-01-718	EA HANDLE-DIAL	410-016081
6	112519-01-706	EA CLIP-SCREEN	CH21-50
7	100322-01-714	EA SUPPORT-TORQUE BAR, LH	130-015978
8	100322-01-715	EA SUPPORT-TORQUE BAR, RH	130-015979
	100322-01-704	FT TAPE-BUTYL	154-025932
12*		GLASS - STATIONARY	
13*		RETAINER - TRIM	
14*		GLASS-VENT ASM., TIPOUT LWR	
15*		OPERATOR & BAR ASSEMBLY	
16*		SCREEN ASM - W/SEALS & CLIPS	

*SEE BELOW FOR ITEMS 12-16

104691-07-02A

KEY	PART NUMBER	U/M DESCRIPTION	VENDOR NO.
	104691-07-02A	EA WINDOW - SINGLE TIPOUT - TINTED - 27" X 25" - BLACK TRIM	
12	104691-07-701	EA GLASS - STATIONARY	106-018753
13	104691-07-704	EA RETAINER - TRIM	CH78-59
14	104691-07-700	EA GLASS-VENT ASM., TIPOUT LWR	CH78-D9
15	104691-15-703	EA OPERATOR & BAR ASSEMBLY	CH56-15
16	104691-07-702	EA SCREEN ASM - W/SEALS & CLIPS	410-018755

104691-13-02A

KEY	PART NUMBER	U/M DESCRIPTION	VENDOR NO.
	104691-13-02A	EA WINDOW - SINGLE TIPOUT - 48" X 26.4"	
12	104691-13-702	EA GLASS - STATIONARY	106-017670
13	104691-13-706	EA RETAINER - TRIM	H303-59
14	104691-13-703	EA GLASS-VENT ASSEMBLY	CH37-G9
15	104691-13-704	EA OPERATOR & BAR ASSEMBLY	CH36-15
16	104691-13-705	EA SCREEN ASM - W/SEALS & CLIPS	410-017763

WINDOW & VENTS GROUP (CONTINUED)
WINDOWS AND VENT LAYOUT (CONTINUED)

WINDOWS (CONTINUED)

106466

106466-10-01A

KEY	PART NUMBER	U/M	DESCRIPTION	VENDOR NO.
	106466-10-01A	EA	WINDOW - DRIVER CAB - 45.1"TW X 46.7"CW X 50.3"H	
	098644-01-706	FT	WEATHERSTRIP - GLASS	171-010668
	098644-01-710	FT	TRACK - SCREEN SPACER 12'	132-017135
	098644-01-711	FT	WEATHERSTRIP - SCREEN BLACK	171-016965
	098644-01-713	EA	CLIP - SCREEN - METAL	226-016966
	106466-10-700	EA	GLASS - STATIONARY - UPPER	390-026715
	106466-10-701	EA	GLASS - STATIONARY - MIDDLE	390-026716
	106466-10-702	EA	GLASS - STATIONARY - LOWER	390-026717
	106466-10-703	EA	GLASS-SLIDING W/SASH & LATCH	DH617-A9L
	106466-10-704	EA	SCREEN ASM - W/SEALS & CLIPS	H617-03L
	106466-10-705	EA	RETAINER - TRIM	H617-41L
	106466-10-706	EA	RETAINER - TRIM	H617-42L
	112795-01-700	EA	LATCH ASM., BLK.,(BOLT ON)	DH287-CK
	112795-01-701	EA	SLIDE-STOP	132-019092
	112795-01-703	IN	CHANNEL-RUN (INCHES)	122-018736
	112795-01-704	FT	PLUG FILLER (DOUBLE GLAZED)	122-018737
	112795-01-705	FT	VINYL - GLAZING	132-025736
	125582-01-708	EA	WEEPHOLE COVER - RIGHT HAND	130-026598
	125582-01-709	EA	WEEPHOLE COVER - LEFT HAND	130-026599

106466-13-01A

KEY	PART NUMBER	U/M	DESCRIPTION	VENDOR NO.
	106466-13-01A	EA	WINDOW - CAB/DRIVER - 44.6"T X 44.7"H X 46"B	
	125582-01-708	EA	WEEPHOLE COVER - RIGHT HAND	130-026598
	125582-01-709	EA	WEEPHOLE COVER - LEFT HAND	130-026599
	125582-04-701	EA	SCREEN ASM - W/SEALS & CLIPS	410-026544

106466-14-01A

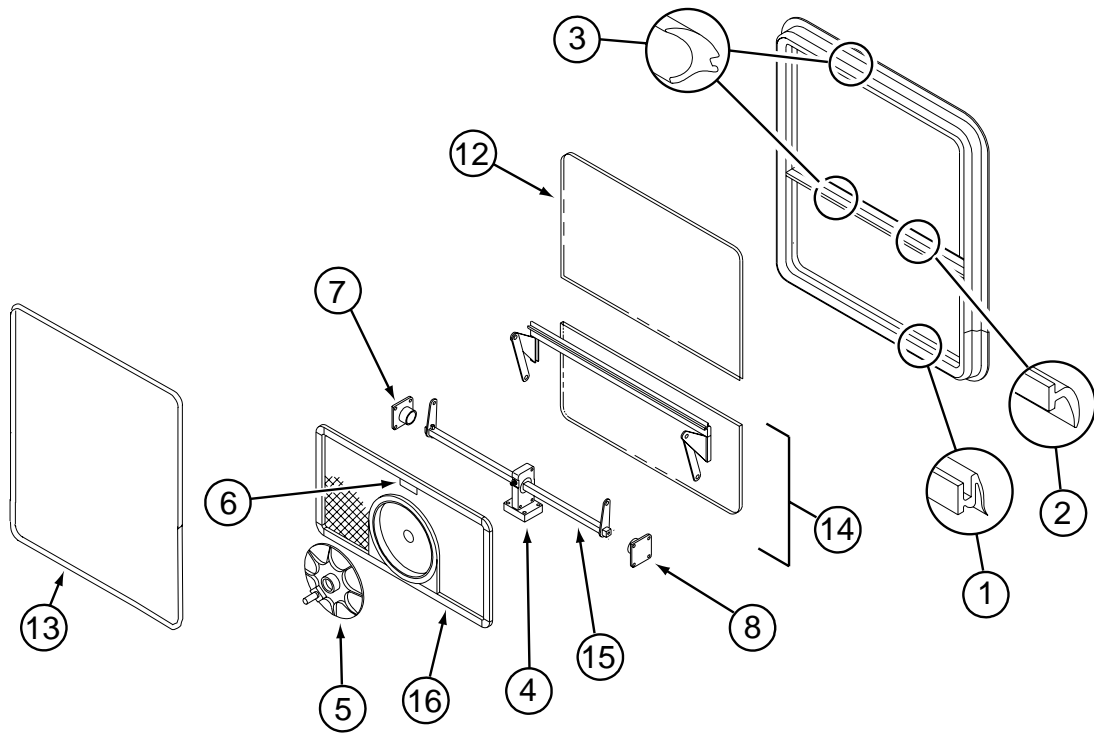
KEY	PART NUMBER	U/M	DESCRIPTION	VENDOR NO.
	106466-14-01A	EA	WINDOW - CAB/DRIVER - THERMAL - 44.6"T X 44.7"H X 46"B	
	106466-14-01A	EA	WINDOW - CAB/DRIVER - THERMAL - 44.6"T X 44.7"H X 46"B EXCEL	DH671-CB66
	125582-01-708	EA	WEEPHOLE COVER - RIGHT HAND	130-026598
	125582-01-709	EA	WEEPHOLE COVER - LEFT HAND	130-026599

WINDOWS (CONTINUED)

106467-09-01A

KEY	PART NUMBER	U/M	DESCRIPTION	VENDOR NO.
	106467-09-01A	EA	WINDOW - PASSENGER VISTA/THERMO - 45.1"T X 45.7"B X 15.6"H	
	106467-09-700	EA	GLASS - STATIONARY	390-026726
	116000-01-704	FT	VINYL - GLAZING	132-018161
	106467-09-701	EA	RETAINER - TRIM	H619-27R

WINDOW & VENTS GROUP (CONTINUED)
WINDOWS AND VENT LAYOUT (CONTINUED)



WINDOWS (CONTINUED)
112463
COMMON PARTS

KEY	PART NUMBER	U/M	DESCRIPTION	VENDOR NO.
1	116976-01-702	FT	FILLER PLUG	132-016065
2	100322-01-701	FT	SEAL-VENT	122-016071
3	100322-01-702	EA	WEATHERSTRIP-HORIZ RAIL-148"	132-019631
4	100322-01-703	FT	VINYL-GLAZING, BUTYL	132-010723
5	100322-01-716	EA	SUPPORT-TORQUE BAR, CTR RAIL	130-015980
6	100322-01-718	EA	HANDLE-DIAL	410-016081
7	112519-01-706	EA	CLIP-SCREEN	CH21-50
8	113500-01-707	EA	SUPPORT - TORQUE BAR RH	130-015979
9	113500-01-708	EA	SUPPORT - TORQUE BAR LH	130-015978
12*			GLASS - STATIONARY	106-025377
13*			RETAINER - TRIM	
14*			VENT ASSEMBLY	
15*			OPERATOR & BAR ASSEMBLY	
16*			SCREEN ASM - W/SEALS & CLIPS	

*SEE BELOW FOR ITEMS 12-16

112463-03-02A

KEY	PART NUMBER	U/M	DESCRIPTION	VENDOR NO.
	112463-03-02A	EA	WINDOW - TIPOUT W/RETAINER RING - 33.3" X 30.2"	
12	112463-03-701	EA	GLASS - STATIONARY	106-025377
13	112463-03-704	EA	RETAINER - TRIM	CB100-59
14	112463-03-700	EA	VENT ASSEMBLY	CH100-G9
15	112463-03-702	EA	OPERATOR & BAR ASSEMBLY	CH10-18
16	112463-03-703	EA	SCREEN ASM - W/SEALS & CLIPS	410-018439
	100322-01-717	EA	E-RING	245-015975

112463-05-02A

KEY	PART NUMBER	U/M	DESCRIPTION	VENDOR NO.
	112463-05-02A	EA	WINDOW - TIPOUT/ESCAPE W/RETAINER RING - 33.3" X 30.2"	
12	112463-05-700	EA	GLASS - STATIONARY	106-025378
13	112463-05-704	EA	RETAINER - TRIM	CB101-59
14	112463-05-703	EA	VENT- ASSEMBLY TIPOUT	106-018414
15	112463-05-702	EA	OPERATOR & BAR ASSEMBLY	CH65-15
16	112463-05-701	EA	SCREEN ASM - W/SEALS & CLIPS	410-018441
	112898-06-704	EA	HANDLE-LATCH/RED-RH (TIPOUT)	182-11293
	112898-06-705	EA	HANDLE-LATCH/RED-LH (TIPOUT)	182-11294

WINDOW & VENTS GROUP (CONTINUED)
WINDOWS AND VENT LAYOUT (CONTINUED)

WINDOWS (CONTINUED)
112463-06-01A

KEY	PART NUMBER	U/M	DESCRIPTION	VENDOR NO.
	112463-06-01A	EA	WINDOW - TIPOUT/ESCAPE W/RETAINER - 42.2" X 30.1"	
12	112463-06-700	EA	GLASS - STATIONARY	106-018413
13	112463-06-701	EA	RETAINER - TRIM	CH65-59
14			CONTACT WINNEBAGO PART SALES FOR THIS COMPONENT	
15	112463-05-702	EA	OPERATOR & BAR ASSEMBLY	CH65-15
16	112463-05-701	EA	SCREEN ASM - W/SEALS & CLIPS	410-018441

WINDOW & VENTS GROUP (CONTINUED)
WINDOWS AND VENT LAYOUT (CONTINUED)

WINDOWS (CONTINUED)
112519-01-01A

KEY	PART NUMBER	U/M	DESCRIPTION	VENDOR NO.
	112519-01-01A	EA	WINDOW - TIPOUT	
	098644-01-716	FT	PLUG - FILLER	132-014470
	100322-01-701	FT	SEAL-VENT	122-016071
	100322-01-702	EA	WEATHERSTRIP-HORIZ RAIL-148"	132-019631
	100322-01-703	FT	VINYL-GLAZING, BUTYL	132-010723
	100322-01-704	FT	TAPE-BUTYL	154-025932
	100322-01-714	EA	SUPPORT-TORQUE BAR, LH	130-015978
	100322-01-715	EA	SUPPORT-TORQUE BAR, RH	130-015979
	100322-01-717	EA	E-RING	245-015975
	100322-01-718	EA	HANDLE-DIAL	410-016081
	112519-01-700	EA	VENT GLASS W/SEALS & TRIMS	CH89-G9
	112519-01-701	EA	LEVER SUB. ASSEMBLY, OPERATOR	CH21-29
	112519-01-702	EA	OPERATOR-VENT-CENTER SUPPORT	410-016123
	112519-01-703	EA	GLASS - STATIONARY 62% GRAY	106-018875
	112519-01-704	EA	LINK SUB - ASSEMBLY	CH19-28
	112519-01-705	EA	SCREEN ASM - W/SEALS & CLIPS	410-018890
	112519-01-706	EA	CLIP-SCREEN	CH21-50
	112519-01-707	EA	RETAINER - TRIM	CH89-47

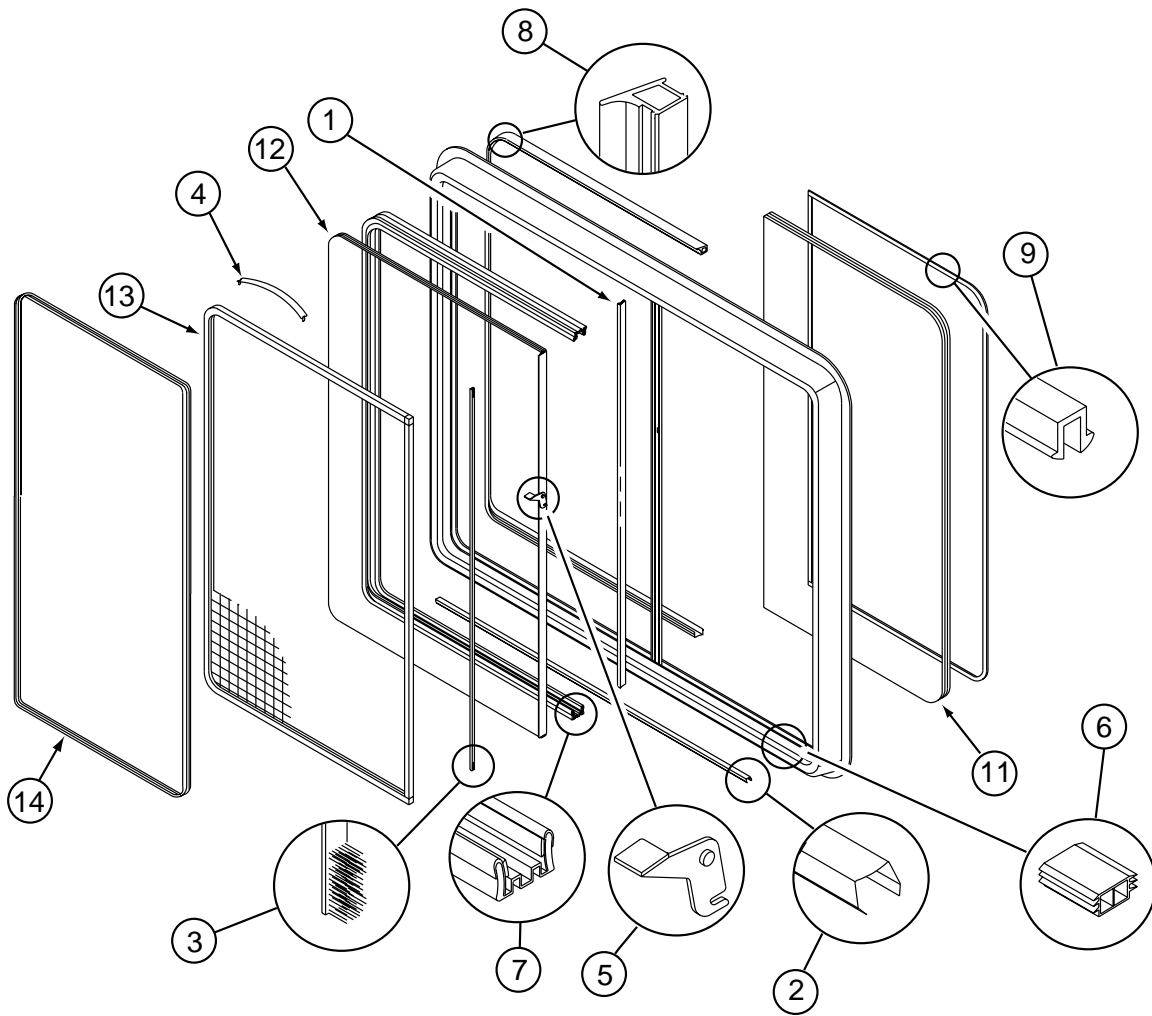
WINDOWS (CONTINUED)
112520-01-01A

KEY	PART NUMBER	U/M	DESCRIPTION	VENDOR NO.
	112520-01-01A	EA	WINDOW - TIPOUT	
	098644-01-700	EA	LATCH - REPAIR KIT (BLACK)	B801-CK
	098644-01-705	FT	GLAZING - STRIP	132-010231
	098644-01-706	FT	WEATHERSTRIP - GLASS	171-010668
	098644-01-713	EA	CLIP - SCREEN - METAL	226-016966
	098644-01-716	FT	PLUG - FILLER	132-014470
	112520-01-700	EA	GLASS - STATIONARY LWR	106-018878 62%GRAY
	112520-01-701	EA	GLASS/SLIDING W/SASH & LATCH	H419-G9L
	112520-01-702	EA	HANDLE PULL, F/SLIDING GLASS	B218-11
	112520-01-704	EA	GLASS - STATIONARY .62% GRAY	106-018877
	112520-01-705	EA	SCREEN ASSEMBLY W/SEALS	H419-03R
	112520-01-706	EA	WEATHERSTRIP-SCREEN, (FUZZY)	171-017245
	112520-01-707	EA	CHANNEL-RUN	122-016543
	112520-01-708	EA	TRIM MOLDING (SWEPT)	H419-51R

WINDOWS (CONTINUED)
112521-01-01A

KEY	PART NUMBER	U/M	DESCRIPTION	VENDOR NO.
	112521-01-01A	EA	WINDOW - STATIONARY	EXCEL H418-G2B61
	098644-01-705	FT	GLAZING - STRIP	132-010231
	112521-01-700	EA	GLASS - STATIONARY- 62% GRAY	106-018874
	112521-01-701	EA	RETAINER - TRIM	H418-61

WINDOW & VENTS GROUP (CONTINUED)
WINDOWS AND VENT LAYOUT (CONTINUED)



WINDOWS (CONTINUED)
112795
COMMON PARTS

KEY	PART NUMBER	U/M	DESCRIPTION	VENDOR NO.
1	098644-01-706	FT	WEATHERSTRIP - GLASS	171-010668
2	098644-01-710	FT	TRACK - SCREEN SPACER 12'	132-017135
3	098644-01-711	FT	WEATHERSTRIP - SCREEN BLACK	171-016965
4	098644-01-713	EA	CLIP - SCREEN - METAL	226-016966
4	125582-01-701	EA	CLIP - SCREEN - PLASTIC	130-005153
	098644-01-717	FT	SPLINE - SCREEN	132-004716
5	112795-01-700	EA	LATCH ASM., BLK.,(BOLT ON)	DH287-CK
6	112795-01-701	EA	SLIDE-STOP	132-019092
7	112795-01-703	IN	CHANNEL-RUN (INCHES)	122-018736
8	112795-01-704	FT	PLUG FILLER (DOUBLE GLAZED)	122-018737
9	112795-01-705	FT	VINYL - GLAZING	132-025736
11*			GLASS - STATIONARY	
12*			GLASS-SLIDING W/SASH & LATCH	
13*			SCREEN ASM - W/SEALS & CLIPS	
14*			RETAINER - TRIM	

***SEE FOLLOWING PAGE FOR ITEMS 11-14**

WINDOW & VENTS GROUP (CONTINUED)

WINDOWS AND VENT LAYOUT (CONTINUED)

WINDOWS (CONTINUED)

112795-15-02A

KEY	PART NUMBER	U/M	DESCRIPTION	VENDOR NO.
	112795-15-02A	EA	WINDOW - DRIVER HORIZONTAL SLIDER - THERMO - 26.4 X 60"	
11	112795-15-701	EA	GLASS - STATIONARY	390-019045
12	112795-15-702	EA	GLASS-SLIDING W/SASH & LATCH	DH287-G9
13	098647-23-704	EA	SCREEN ASM - W/SEALS & CLIPS	410-019066
14	098647-27-704	EA	RETAINER - TRIM	H287-66

112795-16-02A

KEY	PART NUMBER	U/M	DESCRIPTION	VENDOR NO.
	112795-16-02A	EA	WINDOW - PASSENGER HORIZ SLIDER - THERMO - 26.1" X 59.8"	
11	112795-15-701	EA	GLASS - STATIONARY	390-019045
12	112795-15-702	EA	GLASS-SLIDING W/SASH & LATCH	DH287-G9
13	098647-23-704	EA	SCREEN ASM - W/SEALS & CLIPS	410-019066
14	098647-27-704	EA	RETAINER - TRIM	H287-66

112795-17-02A

KEY	PART NUMBER	U/M	DESCRIPTION	VENDOR NO.
	112795-17-02A	EA	WINDOW - PASSENGER HORIZ SLIDER - THERMO - 26.4" X 54"	
11	112795-17-700	EA	GLASS - STATIONARY	390-019041
12	112795-17-701	EA	GLASS-SLIDING W/SASH & LATCH	DC80-G9
13	112795-17-702	EA	SCREEN ASM - W/SEALS & CLIPS	410-019064
14	098647-24-701	EA	RETAINER - TRIM	CH80-66

112795-18-02A

KEY	PART NUMBER	U/M	DESCRIPTION	VENDOR NO.
	112795-18-02A	EA	WINDOW - PASSENGER HORIZ SLIDER - THERMO - 26.4" X 30"	
11	112795-18-700	EA	GLASS - STATIONARY	390-019043
12	112795-18-701	EA	GLASS-SLIDING W/SASH & LATCH	DH286-G9
13	098647-25-704	EA	SCREEN ASM - W/SEALS & CLIPS	410-019065
14	098647-25-705	EA	RETAINER - TRIM	H286-66

112795-19-02A

KEY	PART NUMBER	U/M	DESCRIPTION	VENDOR NO.
	112795-19-02A	EA	WINDOW - PASSENGER HORIZ SLIDER - THERMO - 15.7" X 28.5"	
11	112795-19-701	EA	GLASS - STATIONARY	390-019134
12	112795-19-702	EA	GLASS-SLIDING W/SASH & LATCH	DC29-G9
13	098647-31-704	EA	SCREEN ASM - W/SEALS & CLIPS	410-019128
14	098647-31-705	EA	RETAINER - TRIM	CH29-66

112795-20-02A

KEY	PART NUMBER	U/M	DESCRIPTION	VENDOR NO.
	112795-20-02A	EA	WINDOW - DRIVER HORIZONTAL SLIDER - THERMO - 16" X 28.7"	
11	112795-19-701	EA	GLASS - STATIONARY	390-019134
12	112795-19-702	EA	GLASS-SLIDING W/SASH & LATCH	DC29-G9
13	098647-31-704	EA	SCREEN ASM - W/SEALS & CLIPS	410-019128
14	098647-31-705	EA	RETAINER - TRIM	CH29-66

112795-22-02A

KEY	PART NUMBER	U/M	DESCRIPTION	VENDOR NO.
	112795-22-02A	EA	WINDOW - PASSENGER HORIZ SLIDER - THERMO - 26.1" X 47.8"	
11	112795-22-702	EA	GLASS - STATIONARY	390-019040
12	112795-22-703	EA	GLASS-SLIDING W/SASH & LATCH	DC48-G9
13	098647-38-704	EA	SCREEN ASM - W/SEALS & CLIPS	410-019063
14	098647-38-705	EA	RETAINER - TRIM	H303-66

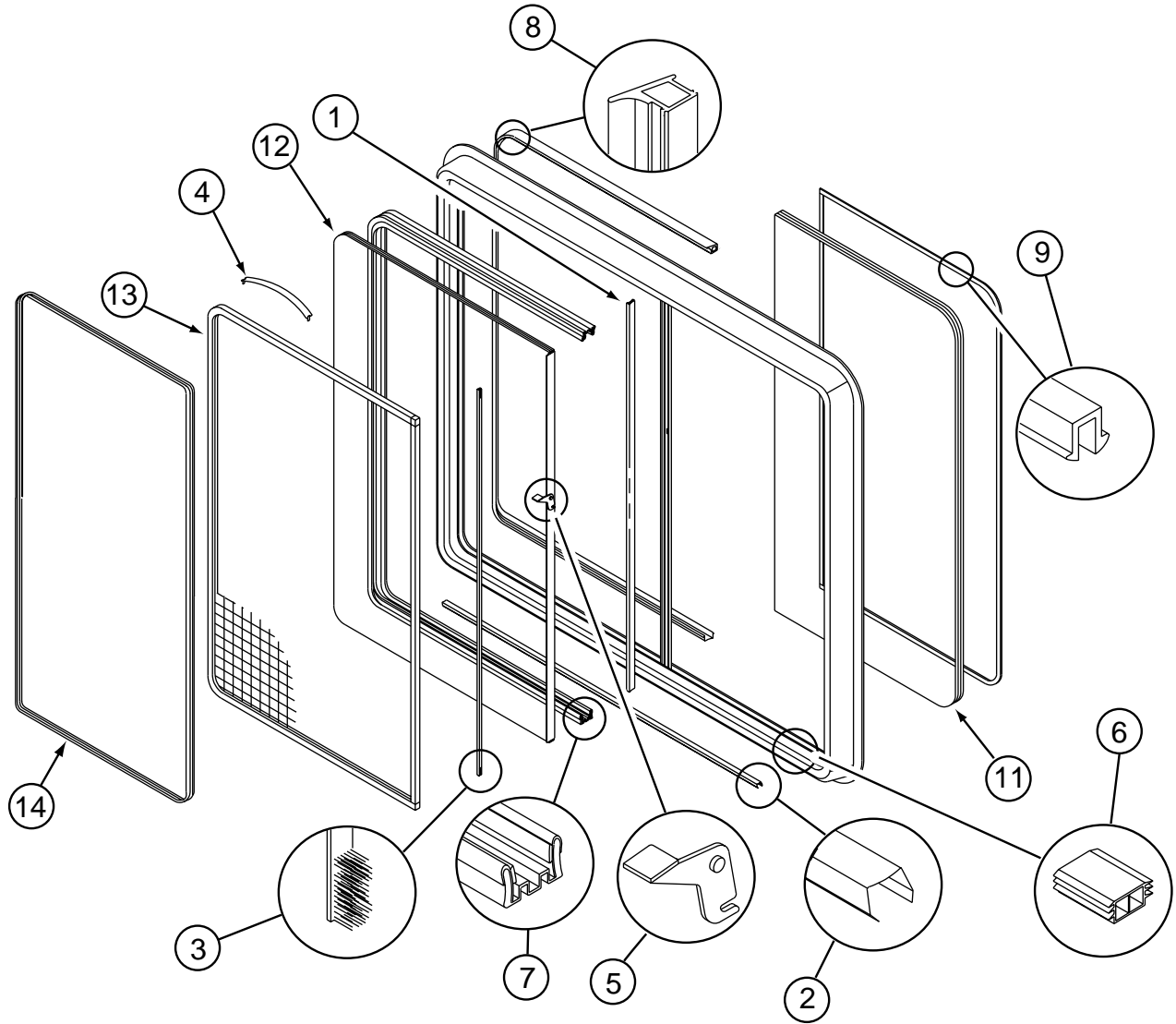
112795-25-02A

KEY	PART NUMBER	U/M	DESCRIPTION	VENDOR NO.
	112795-25-02A	EA	WINDOW - DRIVER HORIZONTAL SLIDER - THERMO - 26.4" X 48"	
11	112795-22-702	EA	GLASS - STATIONARY	390-019040
12	112795-22-703	EA	GLASS-SLIDING W/SASH & LATCH	DC48-G9
13	098647-38-704	EA	SCREEN ASM - W/SEALS & CLIPS	410-019063
14	098647-38-705	EA	RETAINER - TRIM	H303-66

112795-33-02A

KEY	PART NUMBER	U/M	DESCRIPTION	VENDOR NO.
	112795-33-02A	EA	WINDOW - PASSENGER HORIZ SLIDER - THERMO - 30.7" X 57.8"	
11	112795-33-702	EA	GLASS - STATIONARY	390-019225
12	112795-33-703	EA	GLASS-SLIDING W/SASH & LATCH	DH112-G29
13	112795-33-704	EA	SCREEN ASM - W/SEALS & CLIPS	410-019247
14	112795-33-705	EA	RETAINER - TRIM	H112-66

WINDOW & VENTS GROUP (CONTINUED)
WINDOWS AND VENT LAYOUT (CONTINUED)



WINDOWS (CONTINUED)
112795 (CONTINUED)
COMMON PARTS

KEY	PART NUMBER	U/M	DESCRIPTION	VENDOR NO.
1	098644-01-706	FT	WEATHERSTRIP - GLASS	171-010668
2	098644-01-710	FT	TRACK - SCREEN SPACER 12'	132-017135
3	098644-01-711	FT	WEATHERSTRIP - SCREEN BLACK	171-016965
4	098644-01-713	EA	CLIP - SCREEN - METAL	226-016966
4	125582-01-701	EA	CLIP - SCREEN - PLASTIC	130-005153
	098644-01-717	FT	SPLINE - SCREEN	132-004716
5	112795-01-700	EA	LATCH ASM., BLK.,(BOLT ON)	DH287-CK
6	112795-01-701	EA	SLIDE-STOP	132-019092
7	112795-01-703	IN	CHANNEL-RUN (INCHES)	122-018736
8	112795-01-704	FT	PLUG FILLER (DOUBLE GLAZED)	122-018737
9	112795-01-705	FT	VINYL - GLAZING	132-025736
11*			GLASS - STATIONARY	
12*			GLASS-SLIDING W/SASH & LATCH	
13*			SCREEN ASM - W/SEALS & CLIPS	
14*			RETAINER - TRIM	

***SEE FOLLOWING PAGE FOR ITEMS 11-14**

WINDOW & VENTS GROUP (CONTINUED)
WINDOWS AND VENT LAYOUT (CONTINUED)

WINDOWS (CONTINUED)

112795-54-02A

KEY	PART NUMBER	U/M	DESCRIPTION	VENDOR NO.
	112795-54-02A	EA	WINDOW - DRIVER HORIZONTAL SLIDER - THERMO - 23.9" X 57.8"	
11	112795-54-701	EA	GLASS - STATIONARY	390-025248
12	112795-54-700	EA	GLASS-SLIDING W/SASH & LATCH	DH493-G9
13	098647-47-702	EA	SCREEN ASM - W/SEALS & CLIPS	410-025226
14	098647-47-704	EA	RETAINER - TRIM	H493-66

112795-55-02A

KEY	PART NUMBER	U/M	DESCRIPTION	VENDOR NO.
	112795-55-02A	EA	WINDOW - DRIVER HORIZONTAL SLIDER - THERMO - 15.5" X 18.5"	
11	112795-55-701	EA	GLASS - STATIONARY	395-025285
12	112795-55-700	EA	GLASS-SLIDING W/SASH & LATCH	DB809-EG9
13	098647-46-702	EA	SCREEN ASM - W/SEALS & CLIPS	410-025286
14	098647-46-704	EA	RETAINER - TRIM	H409-66

112795-56-02A

KEY	PART NUMBER	U/M	DESCRIPTION	VENDOR NO.
	112795-56-02A	EA	WINDOW - DRIVER HORIZONTAL SLIDER - THERMO - 15.2" X 24"	
11	112795-56-701	EA	GLASS - STATIONARY	390-019412
12	112795-56-700	EA	GLASS-SLIDING W/SASH & LATCH	DB969-G9
13	112795-56-702	EA	SCREEN ASM - W/SEALS & CLIPS	410-019414
14	112795-56-704	EA	RETAINER - TRIM	B969-66

112795-58-02A

KEY	PART NUMBER	U/M	DESCRIPTION	VENDOR NO.
	112795-58-02A	EA	WINDOW - PASSENGER HORIZ SLIDER/THERMO - 24.4" X 36.2"	
11	112795-58-701	EA	GLASS - STATIONARY	395-025876
12	112795-58-700	EA	GLASS-SLIDING W/SASH & LATCH	DC03-EG9
13	112795-58-703	EA	SCREEN ASM - W/SEALS & CLIPS	410-025877
14	112795-58-704	EA	RETAINER - TRIM	CHOS-66

112795-59-01A

KEY	PART NUMBER	U/M	DESCRIPTION	VENDOR NO.
	112795-59-01A	EA	WINDOW - DRIVERS HORIZONTAL SLIDER/THERMO - 24.4" X 36.2"	
11	112795-58-701	EA	GLASS - STATIONARY	395-025876
12	112795-58-700	EA	GLASS-SLIDING W/SASH & LATCH	DC03-EG9
13	112795-58-703	EA	SCREEN ASM - W/SEALS & CLIPS	410-025877
14	112795-58-704	EA	RETAINER - TRIM	CHOS-66

112795-60-02A

KEY	PART NUMBER	U/M	DESCRIPTION	VENDOR NO.
	112795-60-02A	EA	WINDOW - PASSENGER HORIZONTAL SLIDER - 30.5" X 41.2"	
11	112795-60-703	EA	GLASS - STATIONARY	390-025967
12	112795-60-702	EA	GLASS-SLIDING W/SASH & LATCH	DH560-G9
13	112795-60-701	EA	SCREEN ASM - W/SEALS & CLIPS	410-025968
14	112795-60-704	EA	RETAINER - TRIM	H560-66

112795-61-01A

KEY	PART NUMBER	U/M	DESCRIPTION	VENDOR NO.
	112795-61-01A	EA	WINDOW - PASSENGER HORIZ SLIDER - THERMO - 15.2"X24"	
11	112795-56-701	EA	GLASS - STATIONARY	390-019412
12	112795-56-700	EA	GLASS-SLIDING W/SASH & LATCH	DB969-G9
13	112795-56-702	EA	SCREEN ASM - W/SEALS & CLIPS	410-019414
14	112795-56-704	EA	RETAINER - TRIM	B969-66

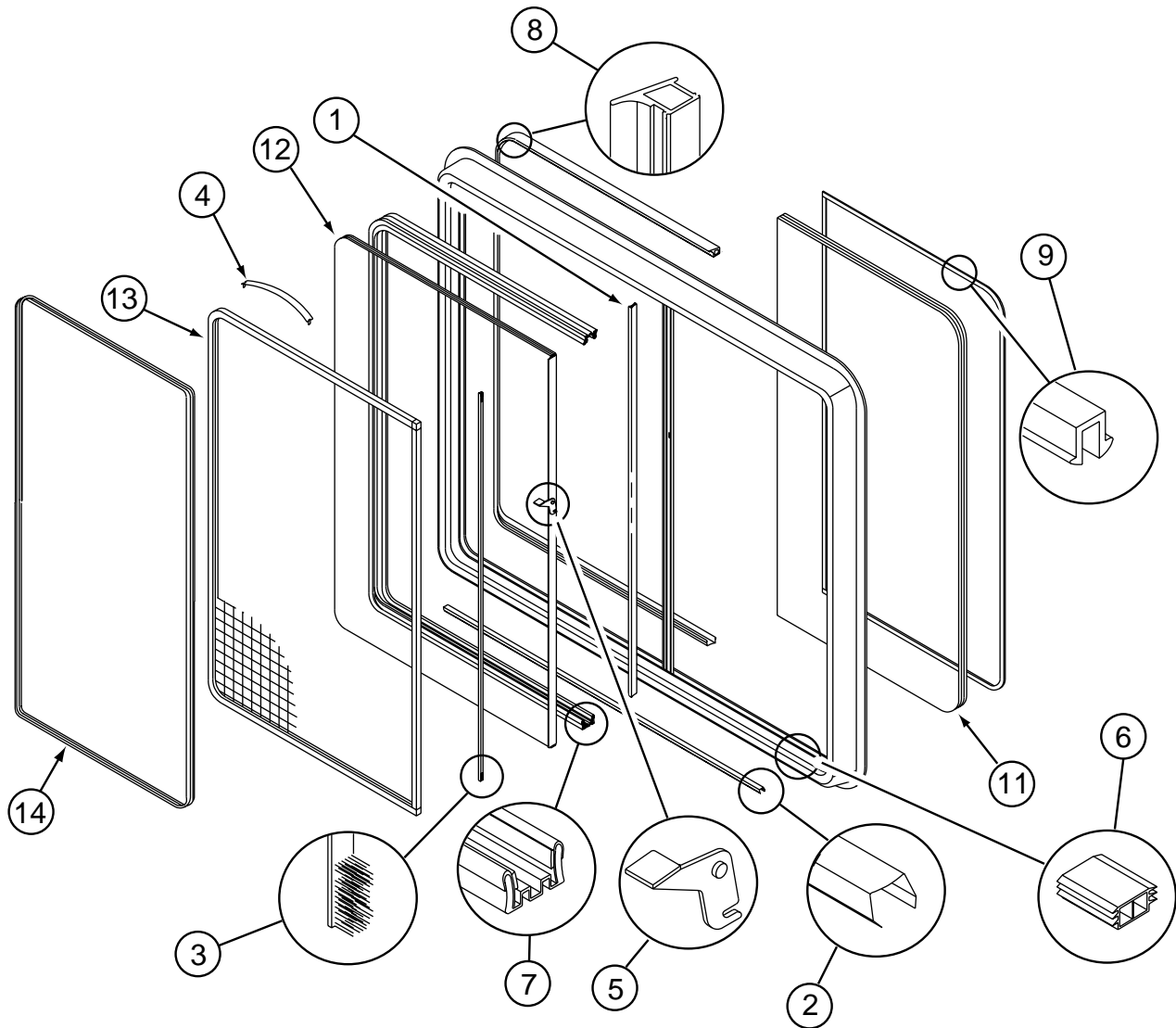
112795-64-01A

KEY	PART NUMBER	U/M	DESCRIPTION	VENDOR NO.
	112795-64-01A	EA	WINDOW - PASSENGER HORIZ SLIDER - THERMO - 37.9" X 59.7"	
11	112795-37-702	EA	GLASS - STATIONARY	390-019500
12	112795-37-703	EA	GLASS-SLIDING W/SASH & LATCH	DH442-G9
13	112795-37-704	EA	SCREEN ASM - W/SEALS & CLIPS	410-019501
14	112795-64-700	EA	RETAINER - TRIM	H442-66

112795-65-01A

KEY	PART NUMBER	U/M	DESCRIPTION	VENDOR NO.
	112795-65-01A	EA	WINDOW - DRIVER HORIZONTAL SLIDER - THERMO - 23.9" X 57.8"	
11	112795-54-701	EA	GLASS - STATIONARY	390-025248
12	112795-65-700	EA	GLASS-SLIDING W/SASH & LATCH	DH666-G9
13	098647-47-702	EA	SCREEN ASM - W/SEALS & CLIPS	410-025226
14	098647-47-704	EA	RETAINER - TRIM	H493-66

WINDOW & VENTS GROUP (CONTINUED)
WINDOWS AND VENT LAYOUT (CONTINUED)



WINDOWS (CONTINUED)
112795 (CONTINUED)
COMMON PARTS

KEY	PART NUMBER	U/M	DESCRIPTION	VENDOR NO.
1	098644-01-706	FT	WEATHERSTRIP - GLASS	171-010668
2	098644-01-710	FT	TRACK - SCREEN SPACER 12'	132-017135
3	098644-01-711	FT	WEATHERSTRIP - SCREEN BLACK	171-016965
4	098644-01-713	EA	CLIP - SCREEN - METAL	226-016966
4	125582-01-701	EA	CLIP - SCREEN - PLASTIC	130-005153
	098644-01-717	FT	SPLINE - SCREEN	132-004716
5	112795-01-700	EA	LATCH ASM., BLK.,(BOLT ON)	DH287-CK
6	112795-01-701	EA	SLIDE-STOP	132-019092
7	112795-01-703	IN	CHANNEL-RUN (INCHES)	122-018736
8	112795-01-704	FT	PLUG FILLER (DOUBLE GLAZED)	122-018737
9	112795-01-705	FT	VINYL - GLAZING	132-025736
11*			GLASS - STATIONARY	
12*			GLASS-SLIDING W/SASH & LATCH	
13*			SCREEN ASM - W/SEALS & CLIPS	
14*			RETAINER - TRIM	

*SEE FOLLOWING PAGE FOR ITEMS 11-14

WINDOW & VENTS GROUP (CONTINUED)

WINDOWS AND VENT LAYOUT (CONTINUED)

112795-66-01A

KEY	PART NUMBER	U/M	DESCRIPTION	VENDOR NO.
	112795-66-01A	EA	WINDOW - PASSENGER HORIZ SLIDER - THERMO - 47.8"W X 38.8"H	
11	112795-66-701	EA	GLASS - STATIONARY	390-026639
12	112795-66-700	EA	GLASS - SLIDING W/SASH LATCH	D8611-G9
13	112795-66-702	EA	SCREEN ASSY - W/SEAL & CLIPS	410-026640
14	112795-66-703	EA	RETAINER - TRIM	H611-66

112795-67-01A

KEY	PART NUMBER	U/M	DESCRIPTION	VENDOR NO.
	112795-67-01A	EA	WINDOW - PASSENGER HORIZ SLIDER - THERMO - 41.3" X 38.8"	
11	112795-67-701	EA	GLASS - STATIONARY	390-027133
12	112795-67-703	EA	GLASS-SLIDING W/SASH LATCH	DH650-G9
13	112795-67-702	EA	SCREEN ASSY W/SEALS & CLIPS	410-027134
14	112795-67-700	EA	RETAINER - TRIM	H650-66

112795-68-01A

KEY	PART NUMBER	U/M	DESCRIPTION	VENDOR NO.
	112795-68-01A	EA	WINDOW - DRIVER HORIZ SLIDER - THERMO - 26.3" X 60"	
11	112795-68-700	EA	GLASS - STATIONARY	390-028353
12	112795-68-701	EA	GLASS-SLIDING W/SASH & LATCH	390-028353
13	098647-23-704	EA	SCREEN ASM - W/SEALS & CLIPS	410-019066
14	098647-27-704	EA	RETAINER - TRIM	H287-66

112795-69-01A

KEY	PART NUMBER	U/M	DESCRIPTION	VENDOR NO.
	112795-69-01A	EA	WINDOW - PASSENGER HORIZ SLIDER - THERMO - 26.3" X 60"	
11	112795-68-700	EA	GLASS - STATIONARY	390-028353
12	112795-68-701	EA	GLASS-SLIDING W/SASH & LATCH	390-028353
13	098647-23-704	EA	SCREEN ASM - W/SEALS & CLIPS	410-019066
14	098647-27-704	EA	RETAINER - TRIM	H287-66

112795-71-01A

KEY	PART NUMBER	U/M	DESCRIPTION	VENDOR NO.
	112795-71-01A	EA	WINDOW - PASSENGER HORIZ SLIDER - THERMO - 26.3" X 29.8"	
11	112795-71-700	EA	GLASS - STATIONARY	390-028380
12	112795-71-701	EA	GLASS-SLIDING W/SASH & LATCH	DH286-G8
13	098647-25-704	EA	SCREEN ASM - W/SEALS & CLIPS	410-019065
14	098647-25-705	EA	RETAINER - TRIM	H286-66

112795-72-01A

KEY	PART NUMBER	U/M	DESCRIPTION	VENDOR NO.
	112795-72-01A	EA	WINDOW - PASSENGER HORIZ SLIDER - THERMO - 15.9" X 28.7"	
11	112795-72-700	EA	GLASS - STATIONARY	390-028307
12	112795-72-701	EA	GLASS-SLIDING W/SASH & LATCH	DC29-G8
13	098647-31-704	EA	SCREEN ASM - W/SEALS & CLIPS	410-019128
14	098647-31-705	EA	RETAINER - TRIM	CH29-66

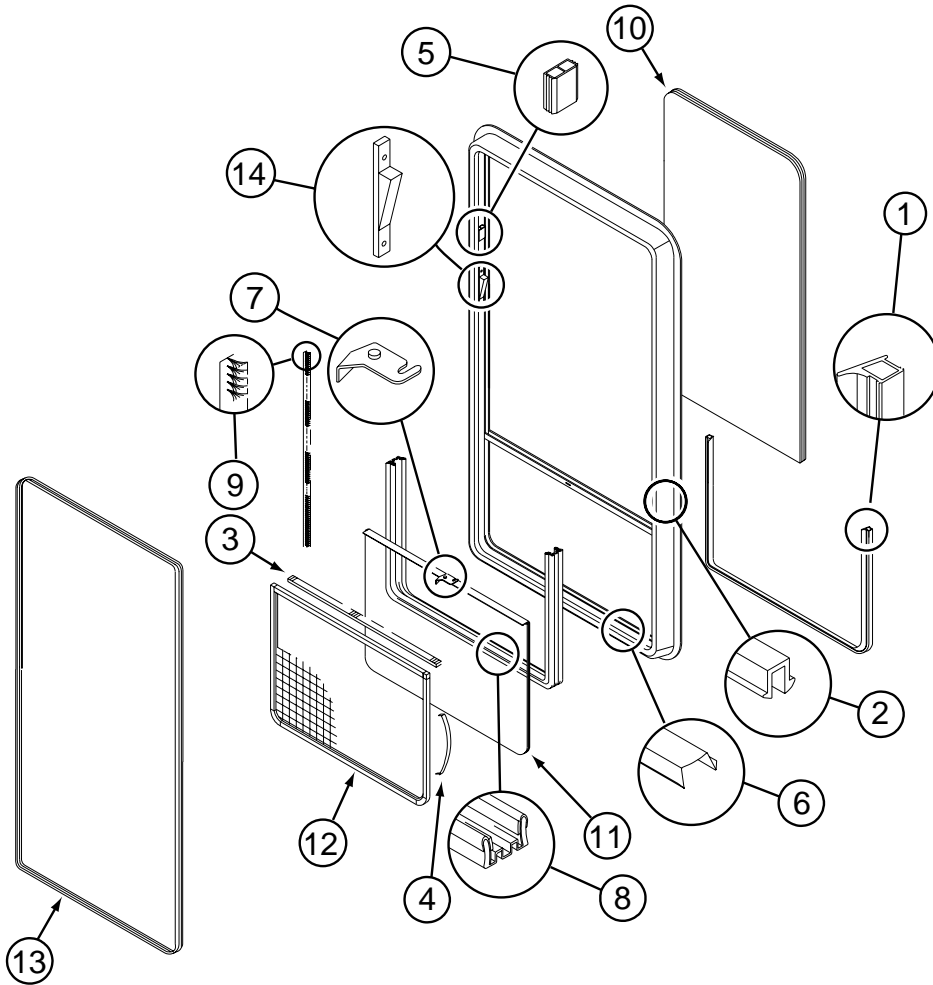
112795-76-01A

KEY	PART NUMBER	U/M	DESCRIPTION	VENDOR NO.
	112795-76-01A	EA	WINDOW - PASSENGER HORIZ SLIDER - THERMO - 30.7" X 57.7"	
11	112795-76-700	EA	GLASS - STATIONARY	390-028347
12	112795-76-701	EA	GLASS-SLIDING W/SASH & LATCH	DH112-G8
13	112795-33-704	EA	SCREEN ASM - W/SEALS & CLIPS	410-019247
14	112795-33-705	EA	RETAINER - TRIM	H112-66

112795-77-01A

KEY	PART NUMBER	U/M	DESCRIPTION	VENDOR NO.
	112795-77-01A	EA	WINDOW - DRIVER HORIZONTAL SLIDER - THERMO - 23.8" X 57.7"	
11	112795-77-700	EA	GLASS - STATIONARY	390-28313
12	112795-77-701	EA	GLASS-SLIDING W/SASH & LATCH	DH493-G8
13	098647-47-702	EA	SCREEN ASM - W/SEALS & CLIPS	410-025226
14	098647-47-704	EA	RETAINER - TRIM	H493-66

WINDOW & VENTS GROUP (CONTINUED)
WINDOWS AND VENT LAYOUT (CONTINUED)



WINDOWS (CONTINUED)
112898
COMMON PARTS

KEY	PART NUMBER	U/M	DESCRIPTION	VENDOR NO.
1	112795-01-704	FT	PLUG FILLER (DOUBLE GLAZED)	122-018737
2	112795-01-705	FT	VINYL - GLAZING	132-025736
3	098644-01-706	FT	WEATHERSTRIP - GLASS	171-010668
4	098644-01-713	EA	CLIP - SCREEN - METAL	226-016966
4	125582-01-701	EA	CLIP - SCREEN - PLASTIC	130-005153
5	112795-01-701	EA	SLIDE-STOP	132-019092
6	098644-01-710	FT	TRACK - SCREEN SPACER 12'	132-017135
7	112795-01-700	EA	LATCH ASM., BLK.,(BOLT ON)	DH287-CK
8	112795-01-703	IN	CHANNEL-RUN (INCHES)	122-018736
9	098644-01-711	FT	WEATHERSTRIP - SCREEN BLACK	171-016965
14	112898-04-703	EA	VERTICAL LATCH (SASH KIT)	DH343-CK
	098644-01-717	FT	SPLINE - SCREEN	132-004716
10*			GLASS - STATIONARY	
11*			GLASS SLIDING W/SASH & LATCH	
12*			SCREEN ASM - W/SEALS & CLIPS	
13*			RETAINER - TRIM	

***SEE FOLLOWING PAGE FOR ITEMS 10-13**

WINDOW & VENTS GROUP (CONTINUED)

WINDOWS AND VENT LAYOUT (CONTINUED)

WINDOWS (CONTINUED)

112898-04-02A

KEY	PART NUMBER	U/M	DESCRIPTION	VENDOR NO.
	112898-04-02A	EA	WINDOW - VERTICAL SLIDER - THERMO - 14.5" X 30.2"	
10	112898-04-701	EA	GLASS - STATIONARY	390-019130
11	112898-04-702	EA	GLASS SLIDING W/SASH & LATCH	DC02-G9
12	098644-07-704	EA	SCREEN ASM - W/SEALS & CLIPS	410-018863
13	098644-07-705	EA	RETAINER - TRIM	CH02-66

112898-07-02A

KEY	PART NUMBER	U/M	DESCRIPTION	VENDOR NO.
	112898-07-02A	EA	WINDOW - VERTICAL SLIDER - THERMO - 22.8" X 21.1"	
10	112898-07-702	EA	GLASS (STATIONARY)	390-019468
11	112898-07-703	EA	GLASS SLIDING W/SASH & LATCH	DH439-G9
12	112898-07-704	EA	SCREEN ASM - W/SEALS & CLIPS	410-019475
13	112898-07-705	EA	RETAINER - TRIM	CH91-66

112898-11-02A

KEY	PART NUMBER	U/M	DESCRIPTION	VENDOR NO.
	112898-11-02A	EA	WINDOW - VERTICAL SLIDER - THERMO - 22.1" X 55.5"	
10	112898-11-701	EA	GLASS - STATIONARY	390-019648
11	112898-11-702	EA	GLASS-SLIDING W/SASH & LATCH	DH446-G9
12	098644-07-704	EA	SCREEN ASM - W/SEALS & CLIPS	410-018863
13	112898-11-703	EA	RETAINER - TRIM	H446-66

112898-12-02A

KEY	PART NUMBER	U/M	DESCRIPTION	VENDOR NO.
	112898-12-02A	EA	WINDOW - VERTICAL SLIDER - THERMO/EXPORT - 27" X 25"	
10	112898-12-701	EA	GLASS - STATIONARY	395-019681
11	112898-12-700	EA	GLASS-SLIDING W/SASH & LATCH	DC78-EG9
12	098644-10-700	EA	SCREEN ASM - W/SEALS & CLIPS	CH78-66
13	098644-10-704	EA	RETAINER - TRIM	CH78-66
	112795-24-706	FT	SEAL - SPLINE/GRAY - ESCAPE	132-010481

112898-16-02A

KEY	PART NUMBER	U/M	DESCRIPTION	VENDOR NO.
	112898-16-02A	EA	WINDOW - VERTICAL SLIDER - THERMO - 30.2" X 33.2"	
10	112898-16-701	EA	GLASS - STATIONARY	390-025433
11	112898-16-700	EA	GLASS-SLIDING W/SASH & LATCH	DH510-G9
12	112898-05-704	EA	SCREEN ASM - W/SEALS & CLIPS	410-018862
13	112898-16-703	EA	RETAINER - TRIM	CH100-66

112898-18-02A

KEY	PART NUMBER	U/M	DESCRIPTION
	098644-01-706	FT	WEATHERSTRIP - GLASS
	098644-01-710	FT	TRACK - SCREEN SPACER 12'
	098644-01-711	FT	WEATHERSTRIP - SCREEN BLAC
	098644-01-713	EA	CLIP - SCREEN - METAL
	098644-01-717	FT	SPLINE - SCREEN
	112795-01-700	EA	LATCH ASM., BLK.,(BOLT ON)
	112795-01-701	EA	SLIDE-STOP
	112795-01-703	IN	CHANNEL-RUN (INCHES)
	112795-01-704	FT	PLUG FILLER (DOUBLE GLAZED)
	112795-01-705	FT	VINYL - GLAZING
	125582-01-701	EA	CLIP - SCREEN - PLASTIC
	112898-04-703	EA	VERTICAL LATCH (SASH KIT)
	112898-06-706	EA	SCREEN ASM - W/SEALS & CLIPS
	112898-06-707	EA	HANDLE-LATCH/RED-RH (SLIDER)
	112898-06-708	EA	HANDLE-LATCH/RED-LH (SLIDER)
	112898-18-700	EA	GLASS-SLIDING W/SASH & LATCH
	112898-18-701	EA	GLASS - STATIONARY
	112898-18-703	EA	RETAINER- TRIM

112898-19-02A

KEY	PART NUMBER	U/M	DESCRIPTION	VENDOR NO.
	112898-19-02A	EA	WINDOW - VERTICAL SLIDER - THERMO - 27" X 26.4"	
10	112898-19-700	EA	GLASS - STATIONARY	390-026277
11	112898-19-701	EA	GLASS-SLIDING W/SASH & LATCH	DH564-G9
12	112898-19-702	EA	SCREEN ASM - W/SEALS & CLIPS	410-026279
13	098644-11-702	EA	RETAINER - TRIM	H564-66

WINDOW & VENTS GROUP (CONTINUED)

WINDOWS AND VENT LAYOUT (CONTINUED)

WINDOWS (CONTINUED)

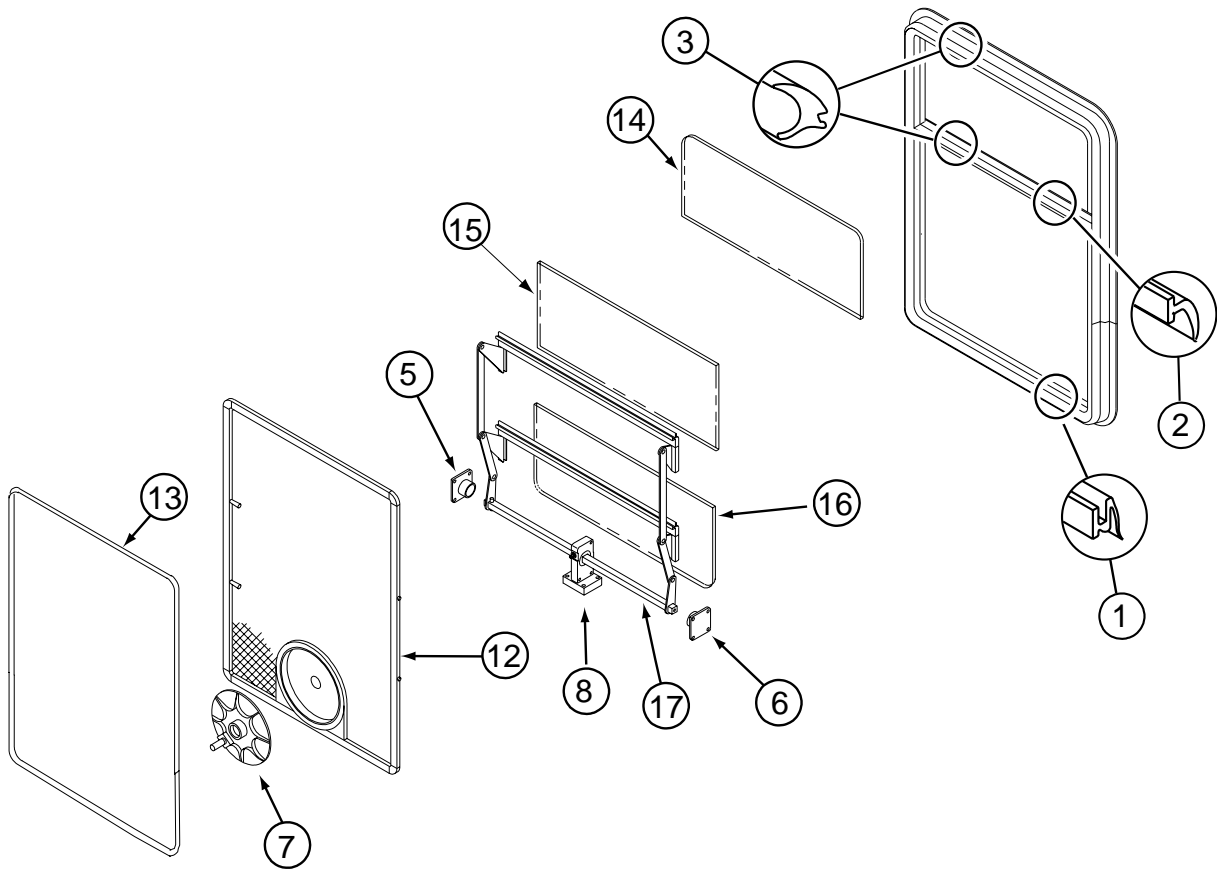
112898-20-02A

KEY	PART NUMBER	U/M	DESCRIPTION	VENDOR NO.
	112898-20-02A	EA	WINDOW - VERTICAL SLIDER - THERMO - 21.1" X 31.7"	
10	112898-20-700	EA	GLASS - STATIONARY	390-026624
11	112898-20-701	EA	GLASS-SLIDING W/SASH & LATCH	DH332-G9
12	098644-04-703	EA	SCREEN ASM - W/SEALS & CLIPS	410-017955
13	112898-20-702	EA	RETAINER - TRIM	H332-67

112898-25-01A

KEY	PART NUMBER	U/M	DESCRIPTION
	098644-01-706	FT	WEATHERSTRIP - GLASS
	098644-01-710	FT	TRACK - SCREEN SPACER 12'
	098644-01-711	FT	WEATHERSTRIP - SCREEN BLAC
	098644-01-713	EA	CLIP - SCREEN - METAL
	098644-01-717	FT	SPLINE - SCREEN
	112795-01-700	EA	LATCH ASM., BLK.,(BOLT ON)
	112795-01-701	EA	SLIDE-STOP
	112795-01-703	IN	CHANNEL-RUN (INCHES)
	112795-01-704	FT	PLUG FILLER (DOUBLE GLAZED)
	112795-01-705	FT	VINYL - GLAZING
	125582-01-701	EA	CLIP - SCREEN - PLASTIC
	112898-04-703	EA	VERTICAL LATCH (SASH KIT)
	112898-06-706	EA	SCREEN ASM - W/SEALS & CLIPS
	112898-06-707	EA	HANDLE-LATCH/RED-RH (SLIDER)
	112898-06-708	EA	HANDLE-LATCH/RED-LH (SLIDER)
	112898-19-702	EA	SCREEN ASM - W/SEALS & CLIPS
	112898-19-703	EA	RETAINER - TRIM
	112898-25-700	EA	GLASS - STATIONARY
	112898-25-701	EA	GLASS-SLIDING W/SASH & LATCH

WINDOW & VENTS GROUP (CONTINUED)
WINDOWS AND VENT LAYOUT (CONTINUED)



WINDOWS (CONTINUED)
113500-01-02A

KEY	PART NUMBER	U/M	DESCRIPTION	VENDOR NO.
	113500-01-02A	EA	WINDOW - DOUBLE TIPOUT - TINTED - 24.5" X 41.3"	
1	116976-01-702	FT	FILLER PLUG	132-016065
2	100322-01-701	FT	SEAL-VENT	122-016071
3	100322-01-702	EA	WEATHERSTRIP-HORIZ RAIL-148"	132-019631
4	100322-01-703	FT	VINYL-GLAZING, BUTYL	132-010723
5	100322-01-714	EA	SUPPORT-TORQUE BAR, LH	130-015978
6	100322-01-715	EA	SUPPORT-TORQUE BAR, RH	130-015979
7	100322-01-718	EA	HANDLE-DIAL	410-016081
8	112519-01-702	EA	OPERATOR-VENT-CENTER SUPPORT	410-016123
	100322-01-717	EA	E-RING	245-015975
	112463-02-706	FT	SEAL - FOAM RUBBER	140-014727
12	113500-01-700	EA	SCREEN ASM - W/SEALS & CLIPS	410-016020
13	113500-01-709	EA	RETAINER - TRIM	CB04-59
14	113500-01-703	EA	GLASS - TOP STATIONARY	106-015970
15	113500-01-704	EA	GLASS - UPPER VENT ASSEMBLY	CH04-G7
16	113500-01-705	EA	GLASS - LOWER VENT ASSEMBLY	CH04-G9
17	113500-01-706	EA	OPERATOR & BAR ASSEMBLY	CH04-15

WINDOW & VENTS GROUP (CONTINUED)
WINDOWS AND VENT LAYOUT (CONTINUED)

WINDOWS (CONTINUED)
113502-01-02A

KEY	PART NUMBER	U/M	DESCRIPTION	VENDOR NO.
	113502-01-02A	EA	WINDOW - REAR/CENTER ESCAPE - THERMO - 24.8" X 48.7"	
	098644-01-705	FT	GLAZING - STRIP	
	112795-24-706	FT	SEAL - SPLINE/GRAY - ESCAPE	
	112898-06-707	EA	HANDLE-LATCH/RED-RH (SLIDER)	
	112898-06-708	EA	HANDLE-LATCH/RED-LH (SLIDER)	
	113502-01-703	EA	GLASS - STATIONARY - RH/LH	
	113502-01-704	EA	GLASS - EGRESS CENTER - ESCP	
	113502-01-705	EA	RETAINER - TRIM	

WINDOWS (CONTINUED)
113502-04-02A

KEY	PART NUMBER	U/M	DESCRIPTION	VENDOR NO.
	113502-04-02A	EA	WINDOW - REAR ESCAPE - THERMO - 26.4" X 26.3"	
	098644-01-705	FT	GLAZING - STRIP	
	112795-24-706	FT	SEAL - SPLINE/GRAY - ESCAPE	
	112898-06-707	EA	HANDLE-LATCH/RED-RH (SLIDER)	
	112898-06-708	EA	HANDLE-LATCH/RED-LH (SLIDER)	
	113502-04-702	EA	GLASS - STATIONARY	390-019460
	113502-04-703	EA	RETAINER - TRIM	H449-58

WINDOW & VENTS GROUP (CONTINUED)
WINDOWS AND VENT LAYOUT (CONTINUED)

WINDOWS (CONTINUED)

113733

113733-01-01A

KEY	PART NUMBER	U/M	DESCRIPTION	VENDOR NO.
	113733-01-01A	EA	WINDOW - STATIONARY THERMOPANE - 17"W X 26.4"H	
	113733-01-702	EA	GLASS - STATIONARY	390-019187
	112795-01-705	FT	VINYL - GLAZING	132-025736
	113733-01-701	EA	RETAINER - TRIM	W41666

113733-02-01A

KEY	PART NUMBER	U/M	DESCRIPTION	VENDOR NO.
	113733-02-01A	EA	WINDOW - STATIONARY THERMOPANE - 26.3"W X 26.4"H	
	112795-01-705	FT	VINYL - GLAZING	132-025736
	113733-02-701	EA	RETAINER - TRIM	W386-60
	113733-02-702	EA	GLASS - STATIONARY	390-019461

113733-02-02A

KEY	PART NUMBER	U/M	DESCRIPTION	VENDOR NO.
	113733-02-01A	EA	WINDOW - STATIONARY THERMOPANE - 26.3"W X 26.4"H	
	112795-01-705	FT	VINYL - GLAZING	132-025736
	113733-12-701	EA	RETAINER - TRIM	W386-60
	113733-02-702	EA	GLASS - STATIONARY	390-019461

113733-04-01A

KEY	PART NUMBER	U/M	DESCRIPTION	VENDOR NO.
	113733-04-01A	EA	WINDOW - STATIONARY THERMOPANE/EUROPEAN - 17.1"W X 24.5"H	
	113733-04-701	EA	GLASS - STATIONARY	390-019687
	112795-01-705	FT	VINYL-GLAZING	132-025736

113733-05-01A

KEY	PART NUMBER	U/M	DESCRIPTION	VENDOR NO.
	113733-05-01A	EA	WINDOW - STATIONARY THERMOPANE - 26.1"W X 17"H	
	112795-01-705	FT	VINYL - GLAZING	132-025736
	113733-01-702	EA	GLASS - STATIONARY	390-019187
	113733-05-700	EA	RETAINER - TRIM	W45559

113733-08-01A

KEY	PART NUMBER	U/M	DESCRIPTION	VENDOR NO.
	113733-08-01A	EA	WINDOW - STATIONARY THERMOPANE - 12.3"W X 41.6"H	
	112795-01-705	FT	VINYL - GLAZING	132-025736
	113733-08-700	EA	GLASS-STATIONARY	390-027474
	113733-08-701	EA	RETAINER-TRIM	H670-66

113733-10-01A

KEY	PART NUMBER	U/M	DESCRIPTION	VENDOR NO.
	113733-10-01A	EA	WINDOW - STATIONARY THERMOPANE - 12.3"W X 41.6"H	
	112795-01-705	FT	VINYL - GLAZING	132-025736
	113733-10-700	EA	GLASS-STATIONARY	390-028306
	113733-10-701	EA	RETAINER-TRIM	H416-66

WINDOW & VENTS GROUP (CONTINUED)
WINDOWS AND VENT LAYOUT (CONTINUED)

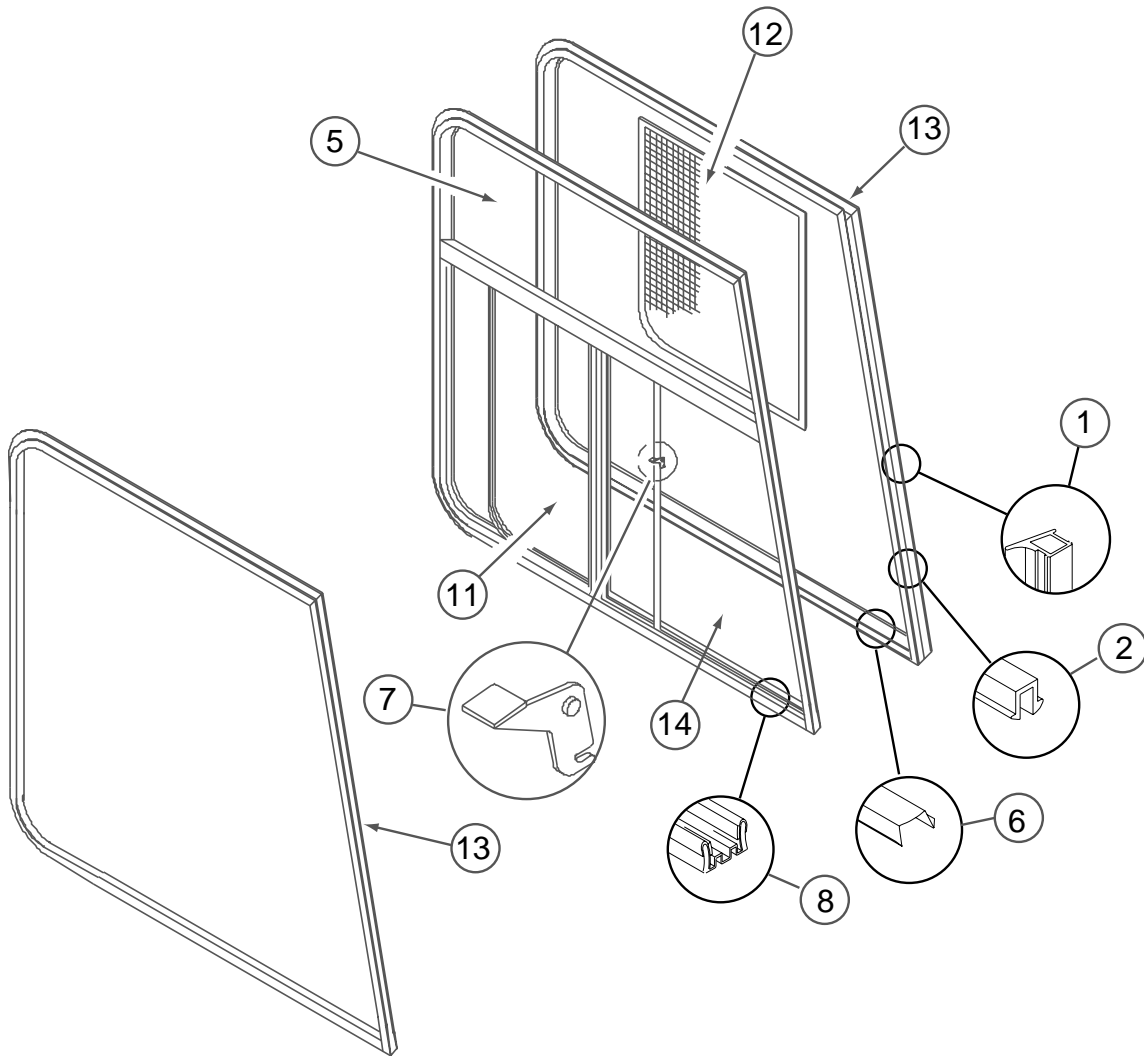
WINDOWS (CONTINUED)
115630-01-02A

KEY PART NUMBER	U/M DESCRIPTION	VENDOR NO.
115630-01-02A	EA WINDOW - STATIONARY/THERMOPANE- BLACK I/S TRIM-17.2" X 72"	
115630-01-702	EA GLASS - STATIONARY -THERMO	390-019467
115630-01-703	EA RETAINER - TRIM	B438-58
115630-01-704	EA GLASS-SLIDING W/SASH & LATCH	DH438-G9
116000-01-704	FT VINYL - GLAZING	132-018161

WINDOWS (CONTINUED)
122757-02-01A

KEY PART NUMBER	U/M DESCRIPTION	VENDOR NO.
122757-02-01A	EA WINDOW - REAR SLANT THERMO - PASSENGER	
115630-02-700	EA GLASS - STATIONARY - E-GLASS	390-019848
116000-01-704	FT VINYL - GLAZING	132-018161
122757-02-701	EA RETAINER - TRIM - BENT	H518-41R
122757-02-702	EA RETAINER - TRIM - FRONT	H518-42R
122757-02-703	EA RETAINER - TRIM - TOP	H518-43

WINDOW & VENTS GROUP (CONTINUED)
WINDOWS AND VENT LAYOUT (CONTINUED)



WINDOWS (CONTINUED)
12582
COMMON PARTS

KEY	PART NUMBER	U/M	DESCRIPTION	VENDOR NO.
1	098644-01-716	FT	PLUG - FILLER	132-014470
2	098644-01-705	FT	GLAZING - STRIP	132-010231
3	098644-01-706	FT	WEATHERSTRIP - GLASS	171-010668
4	098644-01-713	EA	CLIP - SCREEN - METAL	226-016966
4	125582-01-701	EA	CLIP - SCREEN - PLASTIC	130-005153
5	098644-01-719	EA	STOP - SLIDER GLASS	132-014203
6	098644-01-710	FT	TRACK - SCREEN SPACER 12'	132-017135
7	098644-01-700	EA	LATCH - REPAIR KIT (BLACK)	B801-CK
8	098644-01-708	FT	CHANNEL - RUN PIERCED	122-016543
9	098644-01-711	FT	WEATHERSTRIP - SCREEN BLACK	171-016965
	098644-01-717	FT	SPLINE - SCREEN	132-004716
	112520-01-706	EA	WEATHERSTRIP-SCREEN, (FUZZY)	171-017245
	125582-01-708	EA	WEEPHOLE COVER - RIGHT HAND	130-026598
	125582-01-709	EA	WEEPHOLE COVER - LEFT HAND	130-026599
10*			GLASS - STATIONARY - UPPER	
11*			GLASS-SLIDING W/SASH & LATCH	
12*			SCREEN ASM - W/SEALS & CLIPS	
13*			RETAINER - TRIM	
14*			GLASS - STATIONARY - LOWER	

***SEE FOLLOWING PAGE FOR ITEMS 10-14**

WINDOW & VENTS GROUP (CONTINUED)

WINDOWS AND VENT LAYOUT (CONTINUED)

WINDOWS (CONTINUED)

125582-01-01A

KEY	PART NUMBER	U/M	DESCRIPTION	VENDOR NO.
	125582-01-01A	EA	WINDOW - PASSENGER CAB/3 WINDOW - 42.9"T X 42.6"H X 51.2"B	
10	125582-01-702	EA	GLASS - STATIONARY - UPPER	106-026082
11	125582-01-704	EA	GLASS-SLIDING W/SASH & LATCH	H573-A9R
12	125582-01-705	EA	SCREEN ASM - W/SEALS & CLIPS	410-026545
13	125582-01-706	EA	RETAINER - TRIM	H573-27R
14	125582-01-703	EA	GLASS - STATIONARY - LOWER	106-026083

125582-02-01A

KEY	PART NUMBER	U/M	DESCRIPTION	VENDOR NO.
	125582-02-01A	EA	WINDOW - DRIVER CAB/3 WINDOW - 42.9"T X 42.6"H X 51.2"B	
10	125582-01-702	EA	GLASS - STATIONARY - UPPER	106-026082
11	125582-02-700	EA	GLASS-SLIDING W/SASH & LATCH	H573-A9L
12	125582-02-701	EA	SCREEN ASM - W/SEALS & CLIPS	410-026546
13	125582-02-702	EA	RETAINER - TRIM	H573-27L
14	125582-01-703	EA	GLASS - STATIONARY - LOWER	106-026083

125582-07-01A

KEY	PART NUMBER	U/M	DESCRIPTION	VENDOR NO.
	125582-07-01A	EA	WINDOW - PASSENGER CAB/3 WINDOW - 44.2"T X 37"H X 51.2"B	
10	125582-07-700	EA	GLASS - STATIONARY	106-026085
11	125582-01-704	EA	GLASS-SLIDING W/SASH & LATCH	H573-A9R
12	125582-01-705	EA	SCREEN ASM - W/SEALS & CLIPS	410-026545
13	125582-07-701	EA	RETAINER - TRIM	H574-27R
14	125582-01-703	EA	GLASS - STATIONARY - LOWER	106-026083

125582-08-01A

KEY	PART NUMBER	U/M	DESCRIPTION	VENDOR NO.
	125582-08-01A	EA	WINDOW - DRIVER CAB/3 WINDOW - 44.2"T X 37"H X 51.2"B	
10	125582-07-700	EA	GLASS - STATIONARY	106-026085
11	125582-02-700	EA	GLASS-SLIDING W/SASH & LATCH	H573-A9L
12	125582-02-701	EA	SCREEN ASM - W/SEALS & CLIPS	410-026546
13	125582-08-700	EA	RETAINER - TRIM	H574-27L
14	125582-01-703	EA	GLASS - STATIONARY - LOWER	106-026083

125582-09-01A

KEY	PART NUMBER	U/M	DESCRIPTION	VENDOR NO.
	125582-09-01A	EA	WINDOW - PASSENGER CAB/3 WINDOW - 34.7"T X 37"H X 51.6"B	
10	125582-09-700	EA	GLASS - STATIONARY (TOP)	106-026086
11	125582-03-702	EA	GLASS-SLIDING W/SASH & LATCH	H567-A9R
12	125582-03-703	EA	SCREEN ASM - W/SEALS & CLIPS	410-026543
13	125582-09-701	EA	RETAINER - TRIM	H575-27R
14	125582-03-701	EA	GLASS - STATIONARY	106-026060

125582-10-01A

KEY	PART NUMBER	U/M	DESCRIPTION	VENDOR NO.
	125582-10-01A	EA	WINDOW - DRIVER CAB/3 WINDOW - 34.7"T X 37"H X 51.6"B	
10	125582-09-700	EA	GLASS - STATIONARY (TOP)	106-026086
11	125582-04-700	EA	GLASS-SLIDING W/SASH & LATCH	H567-A9L
12	125582-04-701	EA	SCREEN ASM - W/SEALS & CLIPS	410-026544
13	125582-10-700	EA	RETAINER - TRIM	H575-27L
14	125582-03-701	EA	GLASS - STATIONARY	106-026060

WINDOW & VENTS GROUP (CONTINUED)**WINDOWS AND VENT LAYOUT (CONTINUED)****WINDOWS (CONTINUED)****125583****COMMON PARTS**

KEY	PART NUMBER	U/M DESCRIPTION	VENDOR NO.
	112795-01-704	FT PLUG FILLER (DOUBLE GLAZED)	122-018737
	112795-01-705	FT VINYL - GLAZING	132-025736
	098644-01-706	FT WEATHERSTRIP - GLASS	171-010668
	098644-01-713	EA CLIP - SCREEN - METAL	226-016966
	125582-01-701	EA CLIP - SCREEN - PLASTIC	130-005153
	112795-01-701	EA SLIDE-STOP	132-019092
	098644-01-710	FT TRACK - SCREEN SPACER 12'	132-017135
	112795-01-700	EA LATCH ASM., BLK.,(BOLT ON)	DH287-CK
	112795-01-703	IN CHANNEL-RUN (INCHES)	122-018736
	098644-01-711	FT WEATHERSTRIP - SCREEN BLACK	171-016965
	098644-01-717	FT SPLINE - SCREEN	132-004716
	125582-01-708	EA WEEPHOLE COVER - RIGHT HAND	130-026598
	125582-01-709	EA WEEPHOLE COVER - LEFT HAND	130-026599

125583-01-01A

KEY	PART NUMBER	U/M DESCRIPTION	VENDOR NO.
	125583-01-01A	EA WINDOW - CAB PASS-3 GLASS THERMO- 42.9"T X 51.2"B X 42.6"H	
	125582-01-705	EA SCREEN ASM - W/SEALS & CLIPS	410-026545
	125582-01-706	EA RETAINER - TRIM	H573-27R
	125583-01-700	EA GLASS-SLIDING W/SASH & LATCH	DH573-A9R
	125583-01-701	EA GLASS - STATIONARY - UPPER	390-026100
	125583-01-702	EA GLASS - STATIONARY - R.H.	390-026101

125583-02-01A

KEY	PART NUMBER	U/M DESCRIPTION	VENDOR NO.
	125583-02-01A	EA WINDOW - CAB DRVR-3 GLASS THERMO-42.9"T X 51.2"B X 42.6"H	
	125582-02-701	EA SCREEN ASM - W/SEALS & CLIPS	410-026546
	125582-02-702	EA RETAINER - TRIM	H573-27L
	125583-02-700	EA GLASS-SLIDING W/SASH & LATCH	DH573-A9L
	125583-02-701	EA GLASS - STATIONARY	390-026102
	125583-01-701	EA GLASS - STATIONARY - UPPER	390-026100

125583-03-01A

KEY	PART NUMBER	U/M DESCRIPTION	VENDOR NO.
	125583-03-01A	EA WINDOW - CAB PASS-3 GLASS THERMO- 31.8"T X 51.6"B X 42.6"H	
	125582-03-703	EA SCREEN ASM - W/SEALS & CLIPS	H56703R
	125582-03-704	EA RETAINER - TRIM	H56727R
	125583-03-700	EA GLASS - SLIDING - W/SASH & LATCH	DH567A9R
	125583-03-701	EA GLASS - STATIONARY	390026093
	125583-03-702	EA GLASS - STATIONARY	390026094

125583-04-01A

KEY	PART NUMBER	U/M DESCRIPTION	VENDOR NO.
	125583-04-01A	EA WINDOW - CAB DRVR-3 GLASS THERMO-31.8"T X 51.6"B X 42.6"H	
	125582-04-701	EA SCREEN ASM - W/SEALS & CLIPS	410-026544
	125582-04-702	EA RETAINER - TRIM	H567-27L
	125583-04-700	EA GLASS-SLIDING W/SASH & LATCH	DH567-A9L
	125583-04-701	EA GLASS - STATIONARY	390-026095
	125583-03-701	EA GLASS - STATIONARY - UPPER	390-026093

125583-07-01A

KEY	PART NUMBER	U/M DESCRIPTION	VENDOR NO.
	125583-07-01A	EA WINDOW - CAB PASS-3 GLASS THERMO-44.2"T X 51.2"B X 37"H	
	125582-01-705	EA SCREEN ASM - W/SEALS & CLIPS	410-026545
	125582-07-701	EA RETAINER - TRIM	H574-27R
	125583-01-700	EA GLASS-SLIDING W/SASH & LATCH	DH573-A9R
	125583-01-702	EA GLASS - STATIONARY - R.H.	390-026101
	125583-08-700	EA GLASS - STATIONARY/TOP	390-026287

WINDOW & VENTS GROUP (CONTINUED)
WINDOWS AND VENT LAYOUT (CONTINUED)

WINDOWS (CONTINUED)

125583-08-01A

KEY	PART NUMBER	U/M	DESCRIPTION	VENDOR NO.
	125583-08-01A	EA	WINDOW - CAB DRVR-3 GLASS THERMO-44.2"T X 51.2"B X 37"H	
	125582-02-701	EA	SCREEN ASM - W/SEALS & CLIPS	410-026546
	125582-04-702	EA	RETAINER - TRIM	H567-27L
	125583-02-700	EA	GLASS-SLIDING W/SASH & LATCH	DH573-A9L
	125583-02-701	EA	GLASS - STATIONARY	390-026102
	125583-08-700	EA	GLASS - STATIONARY/TOP	390-026287

125583-09-01A

KEY	PART NUMBER	U/M	DESCRIPTION	VENDOR NO.
	125583-09-01A	EA	WINDOW - CAB PASS-3 GLASS THERMO-34.7"T X 51.6"B X 37"H	
	125582-03-703	EA	SCREEN ASM - W/SEALS & CLIPS	410-026543
	125582-09-701	EA	RETAINER - TRIM	H575-27R
	125583-03-700	EA	GLASS-SLIDING W/SASH & LATCH	DH567-A9R
	125583-03-702	EA	GLASS - STATIONARY	390-026094
	125583-09-700	EA	GLASS - STATIONARY/TOP	390-026323

125583-10-01A

KEY	PART NUMBER	U/M	DESCRIPTION	VENDOR NO.
	1255831-10-01A	EA	WINDOW-CAB DRVR-3 GLASS THERMO-34.7"T X 51.6"B X 37"H	
	125582-04-701	EA	SCREEN ASM - W/SEALS & CLIPS	410-026544
	125582-10-700	EA	RETAINER - TRIM	H575-27L
	125583-04-700	EA	GLASS-SLIDING W/SASH & LATCH	DH567-A9L
	125583-04-701	EA	GLASS - STATIONARY	390-026095
	125583-09-700	EA	GLASS - STATIONARY/TOP	390-026323

WINDOW & VENTS GROUP (CONTINUED)
WINDOWS AND VENT LAYOUT (CONTINUED)

WINDOWS (CONTINUED)
125584-01-01A

KEY	PART NUMBER	U/M	DESCRIPTION	VENDOR NO.
	125584-01-01A	EA	WINDOW - FRONT SLANT - LEFT HAND	
	125584-01-700	EA	GLASS - STATIONARY	106026078
	100322-01-703	EA	VINYL - GLAZING, BUTYL	132-010723
	125584-01-701	EA	RETAINER - TRIM	H56927L B969 GRL

WINDOWS (CONTINUED)
125585-01-01A & 125585-02-01A

KEY	PART NUMBER	U/M	DESCRIPTION	VENDOR NO.
	125585-01-01A	EA	WINDOW - FRONT SLANT/THERMO - 11.6"T X 29.2"H X 16.8"B	
	125585-02-01A	EA	WINDOW - FRONT SLANT/THERMO - 4.1"T X 29.2"H X 17.1"B	
	125585-01-700	EA	GLASS - STATIONARY	390026092
	116000-01-704	EA	VINYL - GLAZING	132-018161
	125584-01-701	EA	RETAINER - TRIM	106026078

WINDOWS (CONTINUED)
125586-01-01A

KEY	PART NUMBER	U/M	DESCRIPTION	VENDOR NO.
	125586-01-01A	EA	WINDOW - VISTA	
	125586-01-700	EA	GLASS - STATIONARY	106026079
	100322-01-703	EA	VINYL - GLAZING, BUTYL	132-010723
	125586-01-701	EA	RETAINER - TRIM	H57027L

WINDOWS (CONTINUED)
125600
125600-01-01A

KEY	PART NUMBER	U/M	DESCRIPTION	VENDOR NO.
	125600-01-01A	EA	WINDOW - VISTA - THERMOPANE	
	125600-01-700	EA	GLASS - STATIONARY	390026099
	116000-01-704	EA	VINYL - GLAZING	132-018161
	125586-01-701	EA	RETAINER - TRIM	H57027L

125600-02-01A

KEY	PART NUMBER	U/M	DESCRIPTION	VENDOR NO.
	125600-02-01A	EA	WINDOW - VISTA - THERMOPANE	
	125600-02-700	EA	GLASS - STATIONARY	390026091
	116000-01-704	EA	VINYL - GLAZING	132-018161
	125586-02-701	EA	RETAINER - TRIM	H56527L

WINDOW & VENTS GROUP (CONTINUED)

WINDOWS AND VENT LAYOUT (CONTINUED)

WINDOWS (CONTINUED)

129929

COMMON PARTS

KEY	PART NUMBER	U/M	DESCRIPTION	VENDOR NO.
	100322-01-701	FT	SEAL-VENT	122-016071
	100322-01-702	EA	WEATHERSTRIP-HORIZ RAIL-148"	132-019631
	100322-01-717	EA	E-RING	245-015975
	100322-01-718	EA	HANDLE-DIAL	410-016081
	112519-01-702	EA	OPERATOR-VENT-CENTER SUPPORT	410-016123
	129929-01-705	FT	GLAZING VINYL	132-026811
	129929-01-706	FT	SEAL - TOP F/CENTER EGRESS	132-026811
	129929-01-707	FT	FILLER STRIP - DOUBLE GLAZED	132-026808
	129929-01-708	EA	SUPPORT - TORQUE BAR - RT/LT	130-026804
	129929-02-706	FT	SEAL - FOAM	140-027022

129929-01-02A

KEY	PART NUMBER	U/M	DESCRIPTION	VENDOR NO.
	129929-01-02A	EA	WINDOW - TORQUE - THERMO - 33.3" X 30.2"	
	129929-01-700	EA	GLASS - STATIONARY	390-026856
	129929-01-701	EA	VENT GLASS ASSEMBLY	DTH001G9
	129929-01-702	EA	SCREEN ASM - W/SEALS & CLIPS	410-026858
	129929-01-704	EA	OPERATOR BAR ASSEMBLY	DTH001-15
	129929-01-709	EA	RETAINER - TRIM	CH10062

129929-02-02A

KEY	PART NUMBER	U/M	DESCRIPTION	VENDOR NO.
	129929-02-02A	EA	WINDOW - TORQUE - THERMO/ESCAPE - 33.3" X 30.2"	
	129929-02-700	EA	GLASS - STATIONARY	390-026859
	129929-02-701	EA	VENT GLASS ASSEMBLY	DTH002G9
	129929-02-702	EA	SCREEN ASM - W/SEALS & CLIPS	410-026861
	129929-02-707	EA	RETAINER - TRIM	CH10162
	129929-02-704	EA	OPERATOR BAR ASSEMBLY	DTH002-15
	112898-06-704	EA	HANDLE-LATCH/RED-RH (TIPOUT)	182-11293
	112898-06-705	EA	HANDLE-LATCH/RED-LH (TIPOUT)	182-11294
	129929-02-705	EA	RETAINER - WINDOW ANTI LIFT	DTH002-34

129929-03-02A

KEY	PART NUMBER	U/M	DESCRIPTION	VENDOR NO.
	129929-03-02A	EA	WINDOW - TORQUE - THERMO - 42.2" X 30.2"	EXCEL DTH003-G2B62
	129929-03-700	EA	GLASS - STATIONARY	390-026905
	129929-03-702	EA	VENT GLASS ASSEMBLY	DTH003G9
	129929-01-702	EA	SCREEN ASM - W/SEALS & CLIPS	410-026858
	129929-03-703	EA	RETAINER - TRIM	CH6162
	129929-01-704	EA	OPERATOR BAR ASSEMBLY	DTH001-15

129929-04-02A

KEY	PART NUMBER	U/M	DESCRIPTION	VENDOR NO.
	129929-04-02A	EA	WINDOW - TORQUE - THERMO/ESCAPE - 42.2" X 30.2"	
	112898-06-704	EA	HANDLE-LATCH, RED-RH	182-11293
	112898-06-705	EA	HANDLE-LATCH, RED-LH	182-11294
	129929-02-702	EA	SCREEN ASM - W/SEALS & CLIPS	410-026861
	129929-02-704	EA	OPERATOR BAR ASSEMBLY	DTH002-18
	129929-02-705	EA	RETAINER - WINDOW ANTI LIFT	DTH002-34
	129929-04-700	EA	GLASS - STATIONARY	390-026906

129929-06-02A

KEY	PART NUMBER	U/M	DESCRIPTION	VENDOR NO.
	129929-06-02A	EA	WINDOW - TORQUE - THERMO - 28.4" X 41.3"	
	129929-06-700	EA	GLASS - STATIONARY	390-026910
	129929-06-702	EA	VENT GLASS ASSEMBLY	DTH006G9
	129929-05-702	EA	SCREEN ASM - W/SEALS & CLIPS	410-026909
	129929-06-703	EA	RETAINER - TRIM	CH0462
	129929-05-704	EA	OPERATOR BAR ASSEMBLY	DTH005-18

WINDOW & VENTS GROUP (CONTINUED)
WINDOWS AND VENT LAYOUT (CONTINUED)

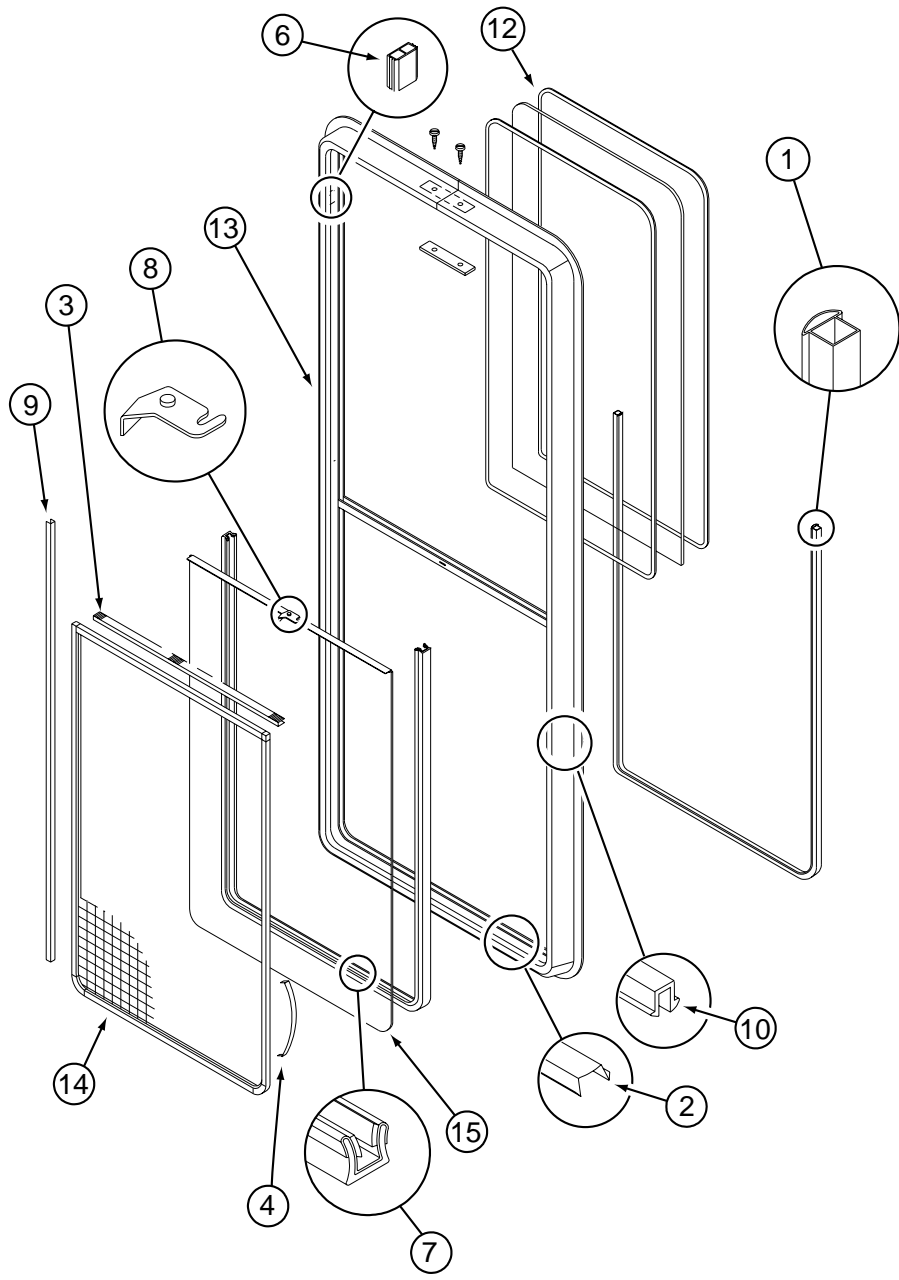
WINDOWS (CONTINUED)
129929-09-01A

KEY	PART NUMBER	U/M	DESCRIPTION	VENDOR NO.
	129929-09-01A	EA	WINDOW - TORQUE - THERMO - 33.2" X 30.2"	
	129920-01-709	EA	RETAINER - TRIM	CH10062
	129929-01-702	EA	SCREEN ASM - W/SEALS & CLIPS	410-026858
	129929-01-704	EA	OPERATOR BAR ASSEMBLY	DTH001-15
	129929-09-700	EA	GLASS - STATIONARY	390-028298
	129929-09-701	EA	VENT GLASS ASSEMBLY	DTH001-G8

WINDOWS (CONTINUED)
129929-10-01A

KEY	PART NUMBER	U/M	DESCRIPTION	VENDOR NO.
	129929-10-01A	EA	WINDOW - TORQUE - THERMO - 33.2" X 30.2"	
	129929-02-702	EA	SCREEN ASM - W/SEALS & CLIPS	410-026861
	129929-02-707	EA	RETAINER - TRIM	CH10162
	129929-02-704	EA	OPERATOR BAR ASSEMBLY	DTH002-15
	129929-10-700	EA	GLASS - STATIONARY	390-028300
	129929-10-701	EA	VENT GLASS ASSEMBLY	DTH002-G80

WINDOW & VENTS GROUP (CONTINUED)
WINDOWS AND VENT LAYOUT (CONTINUED)



WINDOWS (CONTINUED)
134004-01-01A

KEY	PART NUMBER	U/M	DESCRIPTION	VENDOR NO.
	134004-01-01A	EA	WINDOW - VERT SLIDER/FLUSH O/S-THERM- 22.2" X 24.2" - BLK	
1	098644-01-706	FT	WEATHERSTRIP - GLASS	171-010668
2	098644-01-710	FT	TRACK - SCREEN SPACER 12'	132-017135
3	098644-01-711	FT	WEATHERSTRIP - SCREEN BLACK	171-016965
4	098644-01-713	EA	CLIP - SCREEN - METAL	226-016966
4	125582-01-701	EA	CLIP - SCREEN - PLASTIC	130-005153
5	098644-01-717	FT	SPLINE - SCREEN	132-004716
6	112795-01-701	EA	SLIDE-STOP	132-019092
7	112795-01-704	FT	PLUG FILLER (DOUBLE GLAZED)	122-018737
8	112898 04 703	EA	VERTICAL LATCH (SASH KIT)	DH343-CK
10	134004-01-703	IN	VINYL/GLAZING - DBLE GLASS	132-027331
11	134004-01-704	IN	CHANNEL-RUN - DOUBLE GLAZED	1122-027566
12	134004-01-700	EA	GLASS - STATIONARY	390-027695
13	134004-01-702	EA	RETAINER - TRIM	H08056
14	098644-12-702	EA	SCREEN ASM - W/SEALS/CLIPS	410-016483
15	134004-01-701	EA	GLASS-SLIDING W/SASH & LATCH	DH685-G9

WINDOW & VENTS GROUP (CONTINUED)

WINDOWS AND VENT LAYOUT (CONTINUED)

WINDOWS (CONTINUED)

134004-02-01A

KEY	PART NUMBER	U/M	DESCRIPTION	VENDOR NO.
	134004-02-01A	EA	WINDOW - VERT SLIDER/FLUSH O/S-THERM- 22.2" X 24.2" - BLK	
	098644-01-706	FT	WEATHERSTRIP - GLASS	171-010668
	098644-01-710	FT	TRACK - SCREEN SPACER 12'	132-017135
	098644-01-711	FT	WEATHERSTRIP - SCREEN BLACK	171-016965
	098644-01-713	EA	CLIP - SCREEN - METAL	226-016966
	125582-01-701	EA	CLIP - SCREEN - PLASTIC	130-005153
	098644-01-717	FT	SPLINE - SCREEN	132-004716
	112795-01-701	EA	SLIDE-STOP	132-019092
	112795-01-704	FT	PLUG FILLER (DOUBLE GLAZED)	122-018737
	112898 04 703	EA	VERTICAL LATCH (SASH KIT)	DH343-CK
	134004-02-700	EA	GLASS - STATIONARY	390-028311
	134004-01-702	EA	RETAINER - TRIM	H08056
	098644-12-702	EA	SCREEN ASM - W/SEALS/CLIPS	410-016483
	134004-01-701	EA	GLASS-SLIDING W/SASH & LATCH	DH685-G9
	112795-01-700	EA	LATCH ASM., BLK.,(BOLT ON)	DH287-CK
	112795-01-703	IN	CHANNEL-RUN (INCHES)	122-027566
	112795-01-705	FT	VINYL - GLAZING	132-027331

WINDOWS (CONTINUED)

134004-03-01A

KEY	PART NUMBER	U/M	DESCRIPTION	VENDOR NO.
	134004-03-01A	EA	WINDOW ASM-SLD,VERT FLUSH TH *EXCEL DH702-G1B56	
	098644-01-706	FT	WEATHERSTRIP - GLASS	171-010668
	098644-01-710	FT	TRACK - SCREEN SPACER 12'	132-017135
	098644-01-711	FT	WEATHERSTRIP - SCREEN BLACK	171-016965
	098644-01-713	EA	CLIP - SCREEN - METAL	226-016966
	125582-01-701	EA	CLIP - SCREEN - PLASTIC	130-005153
	098644-01-717	FT	SPLINE - SCREEN	132-004716
	112795-01-701	EA	SLIDE-STOP	132-019092
	112795-01-704	FT	PLUG FILLER (DOUBLE GLAZED)	122-018737
	112898 04 703	EA	VERTICAL LATCH (SASH KIT)	DH343-CK
	134004-03-700	EA	GLASS - STATIONARY	390-028662
	134004-03-702	EA	RETAINER - TRIM	H702-56
	098644-13-702	EA	SCREEN ASM - W/SEALS/CLIPS	410-028663
	134004-03-701	EA	GLASS-SLIDING W/SASH & LATCH	DH702-G8
	112795-01-700	EA	LATCH ASM., BLK.,(BOLT ON)	DH287-CK
	112795-01-703	IN	CHANNEL-RUN (INCHES)	122-027566
	112795-01-705	FT	VINYL - GLAZING	132-027331

WINDOW & VENTS GROUP (CONTINUED)
WINDOWS AND VENT LAYOUT (CONTINUED)
VENT

POWERED
122882-01-01A

KEY	PART NUMBER	U/M	DESCRIPTION	VENDOR NO.
	122882-01-01A	EA	VENT - ROOF - NONPOWERED - W/O INSIDE GARNISH	
	009440-01-000	EA	GEAR-ARM-ROOF VENT	705221K38
	064470-01-700	EA	COVER - VENT - W/O SLIDE BAR	J7291
	064470-01-701	EA	SLIDE BAR - VENT LID	JRP1291B
	122882-01-701	EA	SCREEN	JRP-1124-B
	122882-01-700	EA	HANDLE - CRANK - BLACK	90128
	122882-01-702	EA	HANDLE - CRANK - WHITE	JRP1031B

POWERED (CONTINUED)
122882-02-01A

KEY	PART NUMBER	U/M	DESCRIPTION	VENDOR NO.
	122882-02-01A	EA	VENT - ROOF - W/FAN - W/O INSIDE GARNISH - UL	
	064470-01-700	EA	COVER - VENT - W/O SLIDE BAR	J7291
	009440-01-000	EA	GEAR-ARM-ROOF VENT	705221K38
	048648-01-000	EA	MOTOR-12V NONVENTED 1/8 SFT	
	048649-01-000	EA	FAN-PLAS-6 IN 6 BLADED	
	122882-01-701	EA	SCREEN	JRP-1124-B
	122882-01-700	EA	HANDLE - CRANK - BLACK	90128
	122882-01-702	EA	HANDLE - CRANK - WHITE	JRP1031B
	064470-01-701	EA	SLIDE BAR - VENT LID	JRP1291B
	110051-03-700	EA	SWITCH-BLACK/PUSH BUTTON	27-0164

POWERED (CONTINUED)
122882-03-01A

KEY	PART NUMBER	U/M	DESCRIPTION	VENDOR NO.
	122882-03-01A	EA	VENT - ROOF - W/FAN - W/O INSIDE GARNISH - CSA	
	009440-01-000	EA	GEAR-ARM-ROOF VENT	705221K38
	048648-01-000	EA	MOTOR-12V NONVENTED 1/8 SFT	
	048649-01-000	EA	FAN-PLAS-6 IN 6 BLADED	
	064470-01-700	EA	COVER - VENT	J7291
	064470-01-701	EA	SLIDE BAR - VENT LID	JRP1291B
	110051-03-700	EA	SWITCH-BLACK/PUSH BUTTON	27-0164
	122882-01-700	EA	HANDLE - CRANK - BLACK	90128
	122882-01-701	EA	SCREEN	JRP-1124-B
	122882-01-702	EA	HANDLE - CRANK - WHITE	JRP1031B

POWERED (CONTINUED)
122882-04-01A

KEY	PART NUMBER	U/M	DESCRIPTION	VENDOR NO
	122882-04-01A	EA	VENT - ROOF - W/FAN/POWER LIFT - W/O INSIDE GARNISH - UL	
	064470-01-700	EA	COVER - VENT - W/O SLIDE BAR	J7291
	064469-03-708	EA	GEAR-DRIVE	RP-1024
	064469-03-709	EA	GEAR-PINION F-1/8" SHAFT	RP-1025
	110051-07-701	EA	MOTOR-LIFT, W/BRKT-GEAR 3/16	RP1099B
	048649-01-000	EA	FAN-PLAS-6 IN 6 BLADED	
	122882-04-700	EA	SCREEN	J29-670-01A
	122882-01-700	EA	HANDLE - CRANK - BLACK	90128
	122882-01-702	EA	HANDLE - CRANK - WHITE	JRP1031B
	064470-01-701	EA	SLIDE BAR - VENT LID	JRP1291B

POWERED (CONTINUED)
122882-05-01A

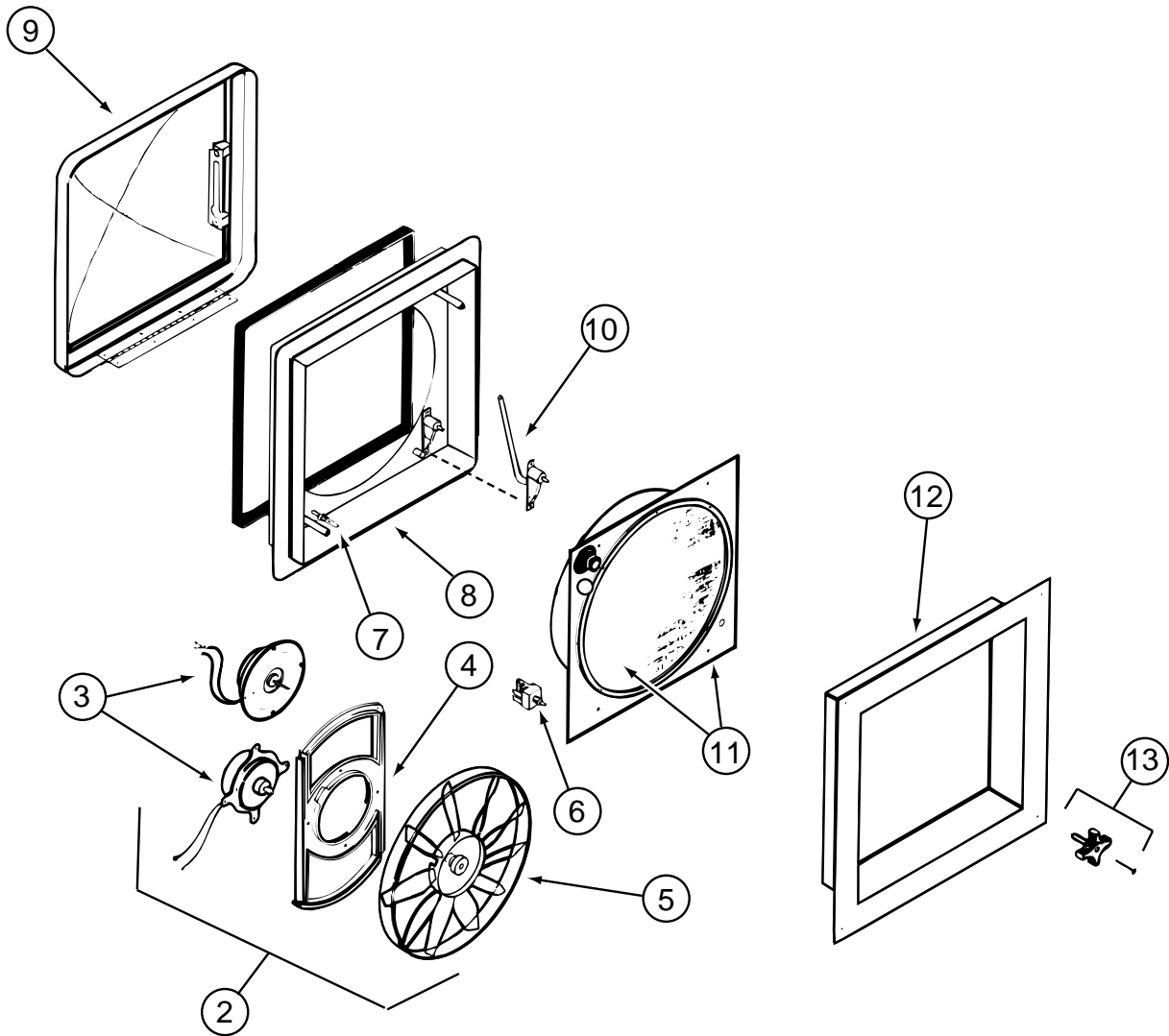
KEY	PART NUMBER	U/M	DESCRIPTION	VENDOR NO
	122882-05-01A	EA	VENT - ROOF - W/FAN/POWER LIFT - W/O INSIDE GARNISH - CSA	
	048648-01-000	EA	MOTOR-12V NONVENTED 1/8 SFT	
	048649-01-000	EA	FAN-PLAS-6 IN 6 BLADED	
	064469-03-708	EA	GEAR-DRIVE	RP-1024
	064469-03-709	EA	GEAR-PINION F-1/8" SHAFT	RP-1025
	064470-01-700	EA	COVER - VENT	J7291
	064470-01-701	EA	SLIDE BAR - VENT LID	JRP1291B
	110051-07-701	EA	MOTOR-LIFT, W/BRKT-GEAR 3/16	RP1099B
	122882-04-700	EA	SCREEN	J29-670-01A

WINDOW & VENTS GROUP (CONTINUED)
WINDOWS AND VENT LAYOUT (CONTINUED)
VENT (CONTINUED)

NON-POWERED
113349-01-000

KEY	PART NUMBER	U/M	DESCRIPTION	VENDOR NO
	113349-01-000	EA	VENT - ROOF	
	113349-01-700	EA	COVER	4-130-031111
	113349-01-701	EA	TRIM RING	4-130-031112
	113349-01-702	EA	SEAL	3-123-031113
	113349-01-703	EA	HANDLE	4-130-030603
	113349-01-704	EA	HINGE-RETAINER	3-130-031114
	113349-01-705	EA	SPRING	1-227-030795
	113349-01-706	EA	SPRING	1-225-030794
	113349-01-707	EA	SCREW - RETAINING	274-0161069

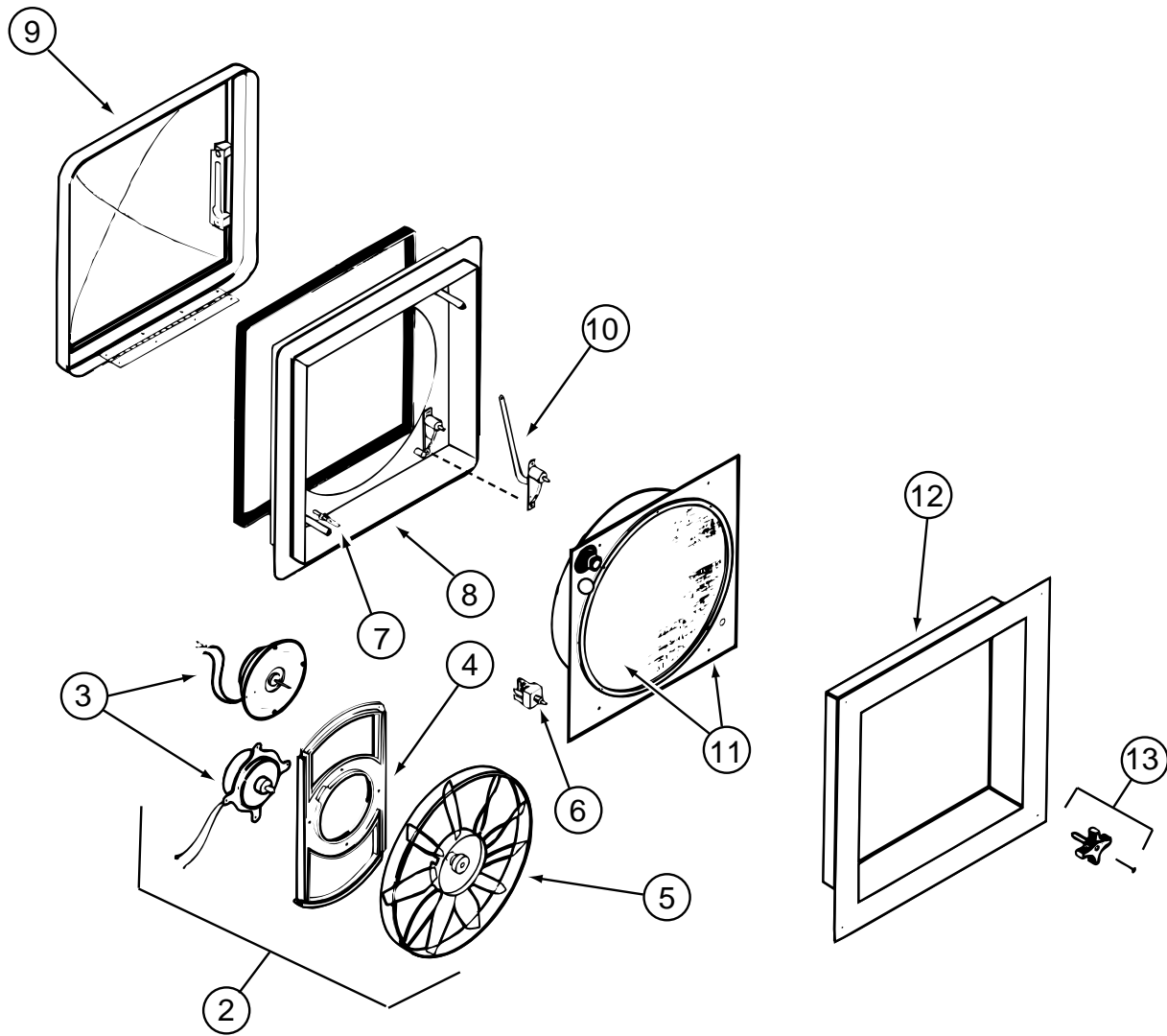
WINDOW & VENTS GROUP (CONTINUED)
WINDOWS AND VENT LAYOUT (CONTINUED)
VENT (CONTINUED)



VENILATOR
123780-01-01A

KEY	PART NUMBER	U/M	DESCRIPTION	VENDOR NO.
	123780-01-01A	EA	FANTASTIC VENT - 1" ROOF - W/FAN - UL/CSA	
2	084079-11-700	EA	MOTOR, BRKT., FAN BLADE, KIT	4017K-09
3	084079-01-705	EA	MOTOR	1080-00
4	084079-01-711	EA	H-MOLDING, MOTOR MOUNT	
5	084079-01-704	EA	BLADE-FAN	1070-00
6	084079-01-709	EA	SWITCH - MAIN - 3 SPEED	1031-05
7	084079-01-707	EA	SWITCH - SAFETY	1122.05
8	123780-05-700	EA	BASE - MAIN BRIGHT WHITE	1010K-81
9	123780-01-700	EA	COVER - VENT W/HINGE & SLIDE	1020K-81
10	084079-01-702	EA	ARM LIFT ASSEMBLY, MANU	101105
11	123780-01-703	EA	SCREEN ASM. 15-25MM W/SWITCH	1030BT-81
11	123780-01-702	EA	SCREEN W/FRAME	103581
12	123780-01-701	EA	GARNISH - INT 3/4-1" BRT/WHT	0040-81
13	084079-01-703	EA	KNOB-LIFT, W/EXT. & SCR	1140K-00
	084079-01-706	EA	PLUG, 12 VOLT	1090

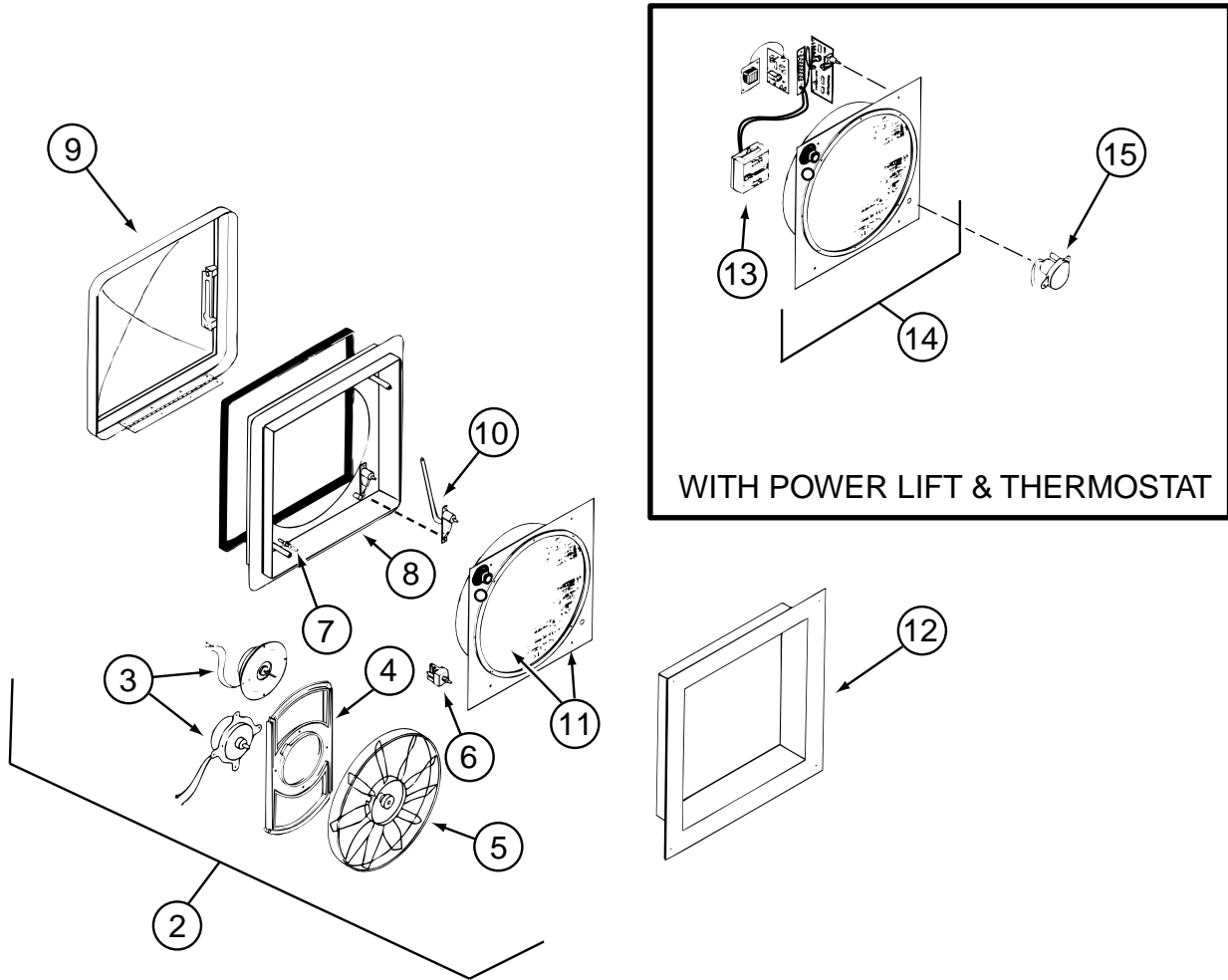
WINDOW & VENTS GROUP (CONTINUED)
WINDOWS AND VENT LAYOUT (CONTINUED)
VENT (CONTINUED)



VENTILATOR (CONTINUED)
123780-03-01A

KEY	PART NUMBER	U/M	DESCRIPTION	VENDOR NO.
	123780-03-01A	EA	FANTASTIC VENT - 3"-4" ROOF - W/FAN - UL/CSA	
2	084079-11-700	EA	MOTOR, BRKT., FAN BLADE, KIT	4017K-09
3	084079-01-705	EA	MOTOR	1080-00
4	084079-01-711	EA	H-MOLDING, MOTOR MOUNT	
5	084079-01-704	EA	BLADE-FAN	1070-00
6	084079-01-709	EA	SWITCH - MAIN - 3 SPEED	1031-05
7	084079-01-707	EA	SWITCH - SAFETY	1122.05
8	123780-05-700	EA	BASE - MAIN BRIGHT WHITE	1010K-81
9	123780-01-700	EA	COVER - VENT W/HINGE & SLIDE	1020K-81
10	009440-01-000	EA	GEAR-ARM-ROOF VENT	705221K38
11	123780-03-701	EA	SCREEN ASM 78-100MM W/SWITCH	1030BT-81
11	123780-01-702	EA	SCREEN W/FRAME	103581
12	123780-03-700	EA	GARNISH - INT. 3"-4" BRT/WHT	2040-81
13	084079-01-703	EA	KNOB-LIFT, W/EXT. & SCREW	1140K-00
	084079-01-706	EA	PLUG, 12 VOLT	1090

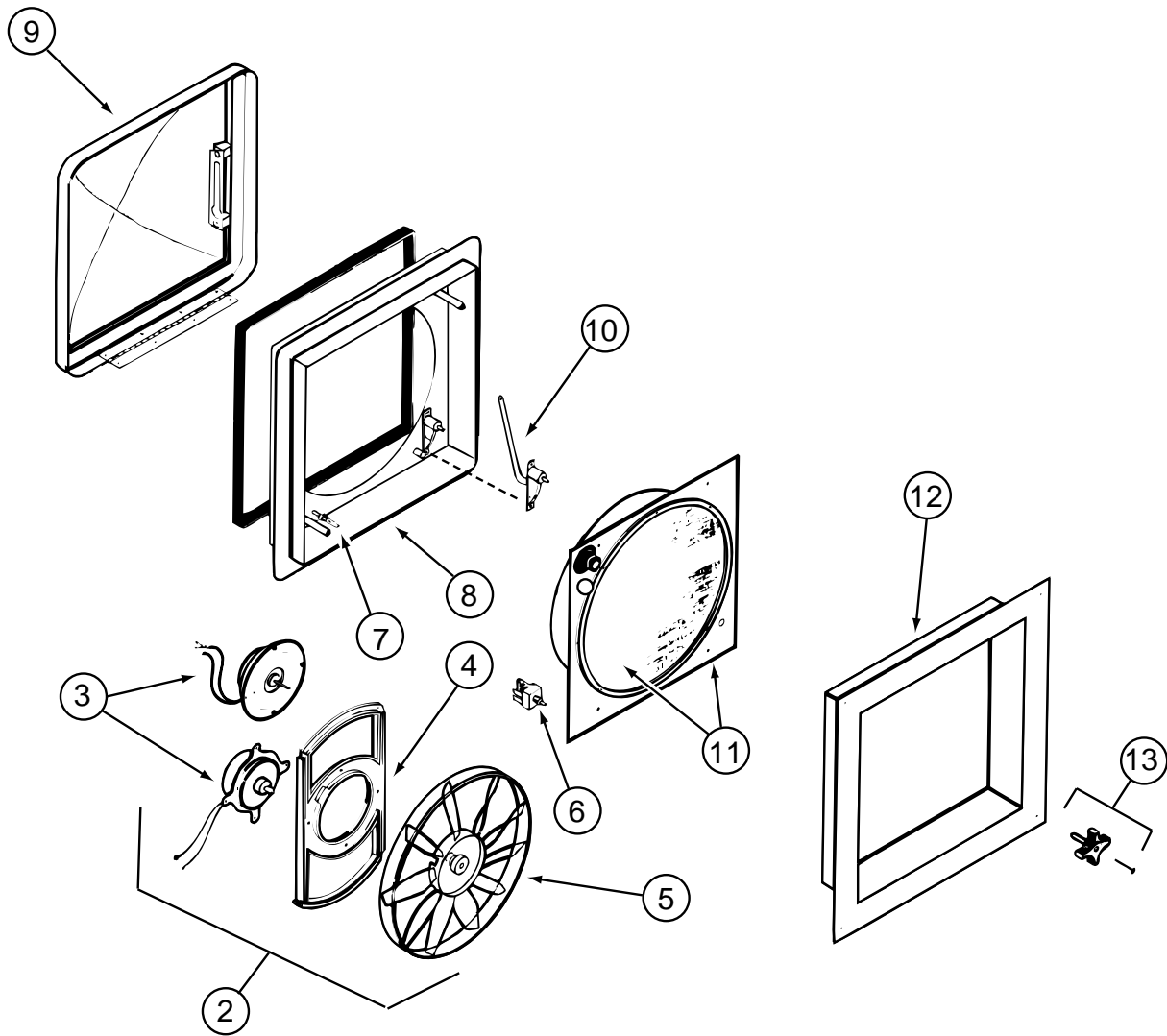
WINDOW & VENTS GROUP (CONTINUED)
WINDOWS AND VENT LAYOUT (CONTINUED)
VENT (CONTINUED)



VENTILATOR (CONTINUED)
123780-05-01A

KEY	PART NUMBER	U/M	DESCRIPTION	VENDOR NO.
	123780-05-01A	EA	FANTASTIC VENT - 3"-4" ROOF - W/FAN/POWER LIFT/THERMOSTAT	
2	084079-11-700	EA	MOTOR, BRKT., FAN BLADE, KIT	4017K-09
3	084079-11-705	EA	MOTOR - LIFT (BC MOTOR)	5050-40
4	084079-01-711	EA	H-MOLDING, MOTOR MOUNT	
5	084079-01-704	EA	BLADE-FAN	1070-00
6	084079-01-709	EA	SWITCH - MAIN - 3 SPEED	1031-05
7	084079-01-707	EA	SWITCH - SAFETY	1122.05
8	123780-05-700	EA	BASE - MAIN BRIGHT WHITE	1010K-81
9	123780-01-700	EA	COVER - VENT W/HINGE & SLIDE	1020K-81
10	084079-11-701	EA	ARM-LIFT ASSEMBLY, AUTOMATIC	2011-05
11	123780-01-702	EA	SCREEN W/FRAME	103581
12	123780-03-700	EA	GARNISH - INT. 3"-4" BRT/WHT	2040-81
13	084079-01-710	EA	THERMOSTAT, WALL MOUNT	9988-39
14	123780-05-701	EA	SCREEN ASM., INT W/SWITCHES	2000TK-8115
15	084079-11-703	EA	MOTOR-LIFT (AUTOTROL) W/CAP	6050-05

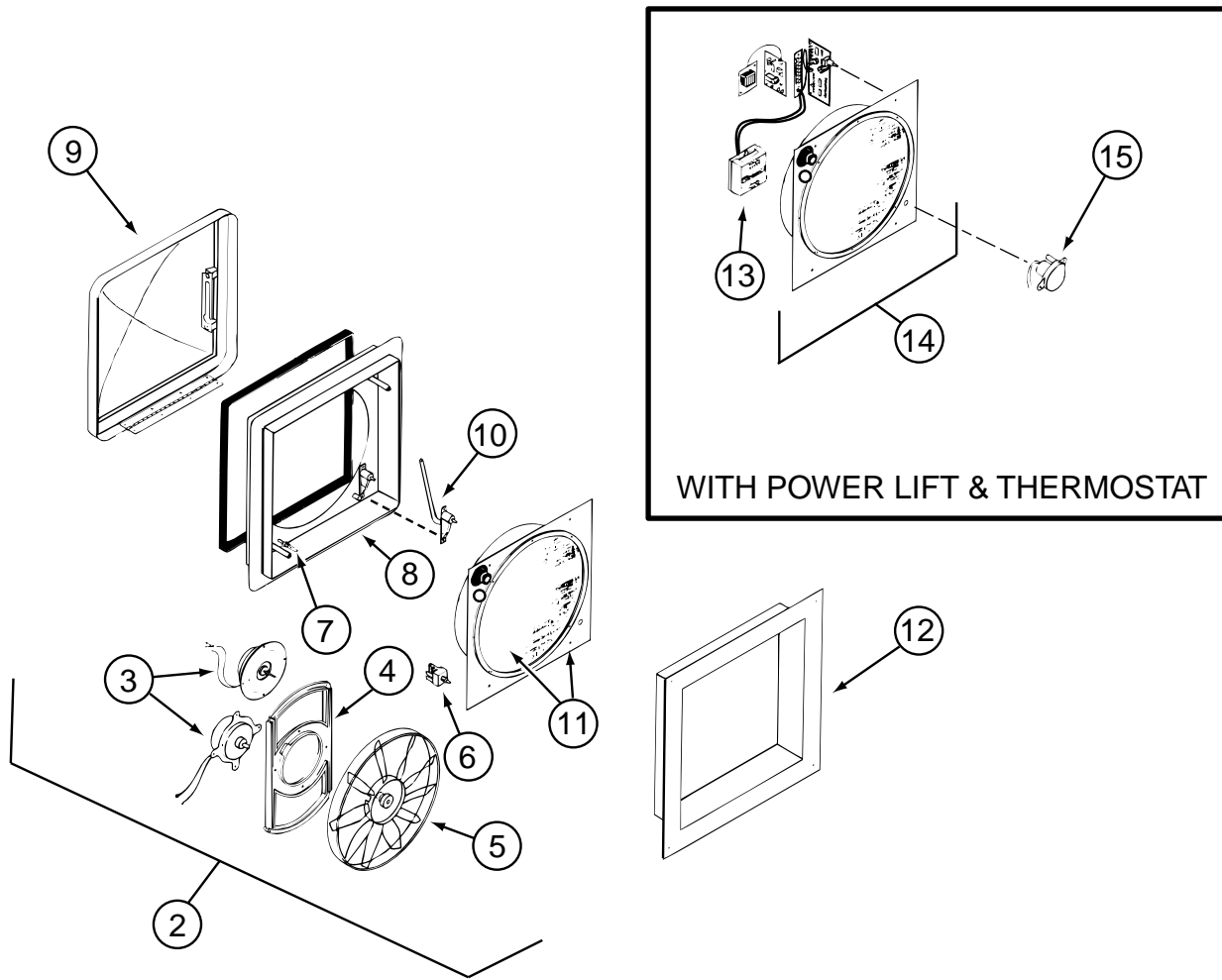
WINDOW & VENTS GROUP (CONTINUED)
WINDOWS AND VENT LAYOUT (CONTINUED)
VENT (CONTINUED)



VENTILATOR (CONTINUED)
123780-09-01A

KEY	PART NUMBER	U/M	DESCRIPTION	VENDOR NO.
	123780-09-01A	EA	FANTASTIC VENT - 3"-4" ROOF - W/FAN - INSULATED	FANTW4000WDD3WH
2	084079 11 700	EA	MOTOR, BRKT., FAN BLADE, KIT	4017K-09
3	084079-01-705	EA	MOTOR	1080-00
4	084079-01-711	EA	H-MOLDING, MOTOR MOUNT	
5	084079-01-704	EA	BLADE-FAN	1070-00
6	084079-01-709	EA	SWITCH - MAIN - 3 SPEED	1031-05
7	084079-01-707	EA	SWITCH - SAFETY	1122.05
8	123780-05-700	EA	BASE - MAIN BRIGHT WHITE	1010K-81
9	123780-09-700	EA	DOME/WHITE - INSULATED	K2020-82
10	009440-01-000	EA	GEAR-ARM-ROOF VENT	705221K38
11	123780-01-702	EA	SCREEN W/FRAME	103581
12	123780-03-700	EA	GARNISH - INT. 3"-4" BRT/WHT	2040-81
13	084079-01-703	EA	KNOB-LIFT, W/EXT. & SCREW	1140K-00
	084079-01-706	EA	PLUG, 12 VOLT	1090
	123780-03-701	EA	SCREEN ASM 78-100MM W/SWITCH 1030BT-81	

WINDOW & VENTS GROUP (CONTINUED)
WINDOWS AND VENT LAYOUT (CONTINUED)
VENT (CONTINUED)



VENTILATOR (CONTINUED)
123780-10-01A

KEY	PART NUMBER	U/M	DESCRIPTION	VENDOR NO.
	123780-10-01A	EA	FANTASTIC VENT - 3"-4" ROOF - W/FAN/POWER LIFT/INSULATED FANTW2000DMWDD3WH	
2	084079-11-700	EA	MOTOR, BRKT., FAN BLADE, KIT	4017K-09
3	084079-11-705	EA	MOTOR - LIFT (BC MOTOR)	5050-40
4	084079-01-711	EA	H-MOLDING, MOTOR MOUNT	
5	084079-01-704	EA	BLADE-FAN	1070-00
6	084079-01-709	EA	SWITCH - MAIN - 3 SPEED	1031-05
7	084079-01-707	EA	SWITCH - SAFETY	1122.05
8	123780-05-700	EA	BASE - MAIN BRIGHT WHITE	1010K-81
9	123780-09-700	EA	DOME/WHITE - INSULATED	K2020-82
10	084079-11-701	EA	ARM-LIFT ASSEMBLY, AUTOMATIC	2011-05
11	123780-01-702	EA	SCREEN W/FRAME	103581
12	123780-03-700	EA	GARNISH - INT. 3"-4" BRT/WHT	2040-81
14	123780-05-701	EA	SCREEN ASM., INT W/SWITCHES	2000TK-81
15	084079-11-703	EA	MOTOR-LIFT (AUTOTROL) W/CAP	6050-05

WINDOW & VENTS GROUP (CONTINUED)
WINDOWS AND VENT LAYOUT (CONTINUED)
VENT (CONTINUED)

REFRIGERATOR
113736-01-01A

KEY	PART NUMBER	U/M	DESCRIPTION	VENDOR NO
	113736-01-01A	EA	VENT KIT - REFRIGERATOR	
	113736-01-700	EA	COVER-VENT	617920
	113736-01-701	EA	DISC-INSERT - F/VENT COVER	617921
	113736-01-702	EA	PLATE-BACKING METAL	617922
	113736-01-703	EA	GASKET-VENT TERMINAL	617924
	113736-01-704	EA	HOUSING-VENT TERMINAL	617923

WINDSHIELD/WIPER

WIPER

ARM

117769-01-000

KEY	PART NUMBER	U/M	DESCRIPTION	VENDOR NO.
	117769-01-000	EA	ARM - WIPER - PANTOGRAPH - 28" UT 6701620LE25WJ	
	096931-01-700	FT	HOSE-WIPER	XTU-66-0001
	117769-01-700	EA	RETAINER CLIP - HOSE	

BLADE

095964-01-000

KEY	PART NUMBER	U/M	DESCRIPTION	VENDOR NO.
	095964-01-000	EA	BLADE - WINDSHIELD WIPER - 24"	
	095964-01-700	EA	BLADE-REFILL 24" EA= 1 PAIR	12360
	096505-02-700	EA	DRIVER-KNURLED,(HD) BRL .687	NT721017
	096505-02-701	EA	NUT-HEX (HD) W/.687 BARREL	NT721021
	096505-02-702	EA	CAP-RUBBER (HD) BARREL .687	CP721084
	096505-02-703	EA	CAP-NUT(ACORN) HD W/.687 BRL	51065-40-NT27WC
	096931-01-700	FT	HOSE-WIPER	XTU-66-0001
	117769-01-700	EA	RETAINER CLIP - HOSE	

PIVOT

096505-09-000

KEY	PART NUMBER	U/M	DESCRIPTION	VENDOR NO.
	096505-09-000	EA	SHAFT/PIVOT - WINDSHIELD WIPER UT 6706220SH25WJ	
	096505-02-700	EA	DRIVER-KNURLED,(HD) BRL .687	NT721017
	096505-02-701	EA	NUT-HEX (HD) W/.687 BARREL	NT721021
	096505-02-702	EA	CAP-RUBBER (HD) BARREL .687	CP721084
	096505-02-703	EA	CAP-NUT(ACORN) HD W/.687 BRL	51065-40-NT27WC

WIPER

091206-04-000

KEY	PART NUMBER	U/M	DESCRIPTION	VENDOR NO.
	091206-04-000	EA	MODULE/WIPER CONTROL KIT - DYNAMIC PARK	DANA 250-6629
	091206-02-700	EA	KNOB-INNER	66C-00019
	091206-02-701	EA	KNOB-OUTER	66C-00020
	091206-04-700	EA	SWITCH ASSEM. ONLY	250-6623
	102362-03-700	EA	MODULE-WIPER CONT., DYNAMIC	66D-00093