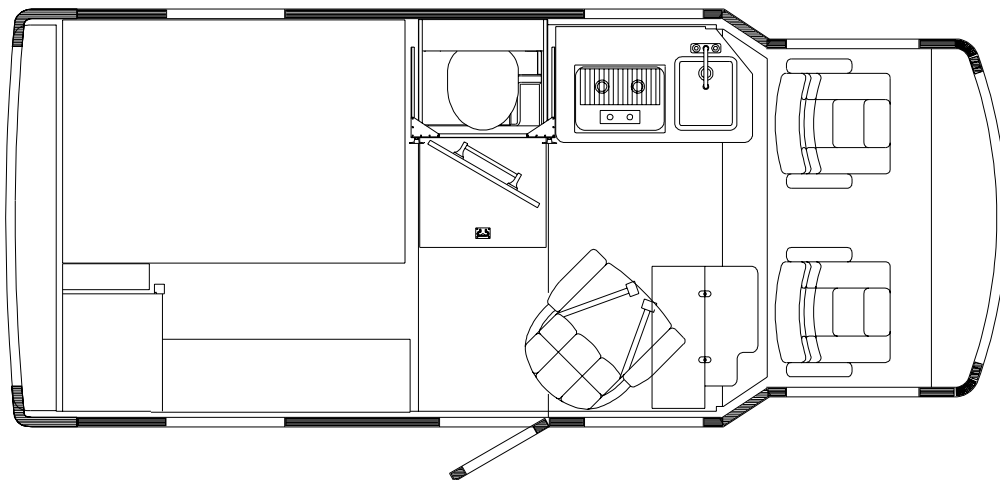
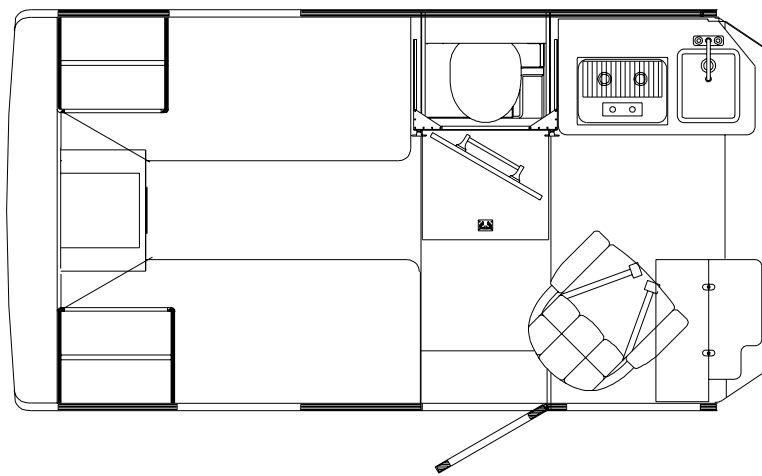
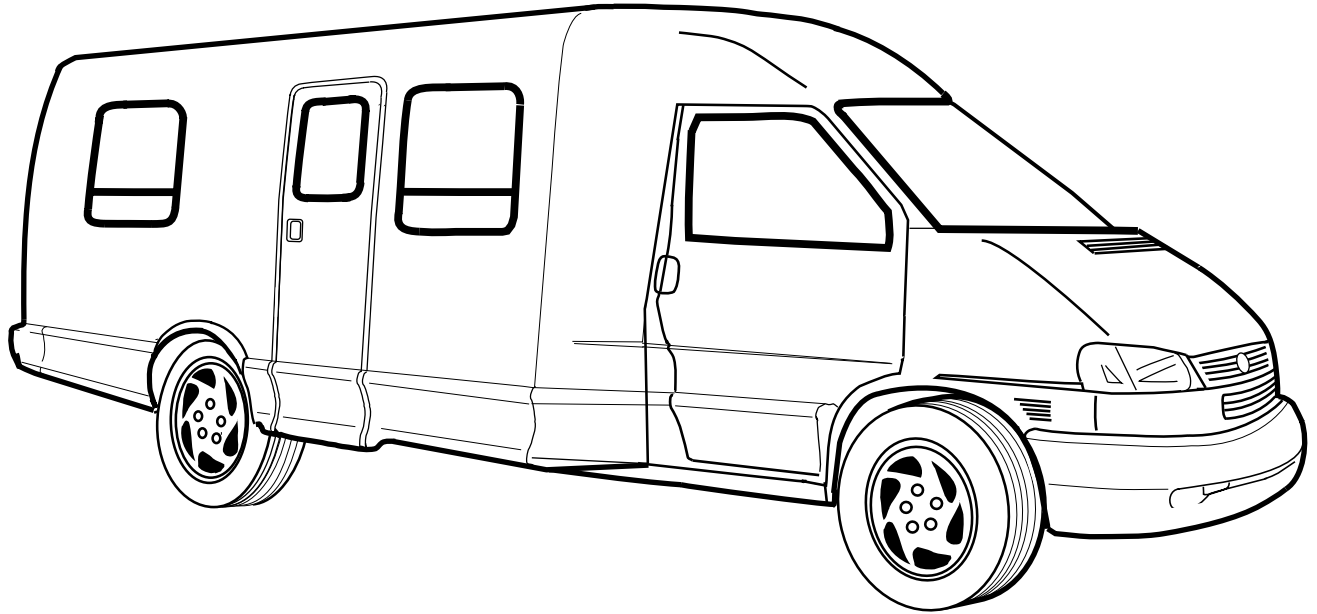


RV222FD



FLOOR PLAN

2000
RV222FD

RIALTA
200 - SERIES

WASHED MAPLE

L91 STERLING SILVER
L93 CANYON SPRUCE

CONTENTS

FLOOR PLAN	1
ACCESSORIES GROUP	7
OPERATORS MANUAL	7
APPLIANCE GROUP	8
APPLIANCES	8
AUDIO VIDEO GROUP	9
RADIO SYSTEM	9
TV ANTENNA	9
BATH GROUP	10
CABINETS	10
BEDROOM GROUP	12
TWIN CABINETS	12
DOUBLE CABINETS	14
TABLE	16
CHASSIS GROUP	17
FRAME	17
EXHAUST	23
HITCH & REAR BUMPER	24
EMISSIONS SYSTEM	25
SPARE TIRE INSTALLATION	26
SUSPENSION	27
WHEEL, TIRE & COVERS	28
BRAKE	29

CONTENTS (CONTINUED)

CURTAIN & CUSHION GROUP	31
NOTICE	31
CUSHION LAYOUT	32
BUCKET SEATS	33
LOUNGE CHAIR	35
WINDOW TREATMENT	36
HARDWARE	37
ACCESSORIES	38
FABRICS	38
DRIVERS COMPARTMENT GROUP	39
INSTRUMENT PANEL	39
FRONT INTERIOR	40
ELECTRICAL GROUP	41
12V BODY WIRING	41
CIRCUIT BREAKERS & FUSES	44
CONVERTER, INVERTER, LOAD CENTER	44
110V WIRING	45
BOXES & CORDS	47
WIRE ASSEMBLIES	47
CONNECTORS & CONDUIT	47
BOOTS, SOLENOIDS, RELAYS & MISCELLANEOUS	47

CONTENTS (CONTINUED)

EXTERIOR BODY GROUP	48
GRAPHICS & PAINT	48
PANELS	50
RUNNING BOARDS	53
MIRRORS	54
EXTERIOR DOORS & COMPARTMENT GROUP	55
DOOR & COMPARTMENT LAYOUT	55
COMPARTMENT DOOR COMPONENTS	56
ENTRY DOOR	58
SCREEN DOOR	59
LATCH - ENTRY DOOR	60
GALLEY GROUP	61
CABINETS	61
GENERATOR GROUP	62
GAS	62
HEATING & A/C GROUP	63
AUXILIARY OVERHEAD A/C	63
FURNACE	64
REAR HEATER	65
ROOF	66
INTERIOR FINISH GROUP	67
MOLDINGS & TRIMS	67
PANELING, LAMINATES, BATT & EDGE BANDING	68
ACCESSORIES	68
FLOOR COVERINGS	68
HARDWARE	69

CONTENTS (CONTINUED)

LABELS GROUP	70
LP GROUP	79
LP SYSTEM	79
LOUNGE GROUP	80
CABINETS	80
SEALANTS & FASTENERS GROUP	81
SEALANTS & ADHESIVES	81
BOLTS, NUTS AND WASHERS	83
SCREWS	85
CLAMPS, CLIPS, GROMMETS, RIVETS & PLUGS	88
MISCELLANEOUS FASTENERS	90
WATER & SEWAGE GROUP	91
DRAINAGE SYSTEM	91
WATER SYSTEM	93
WINDOW & VENTS GROUP	98
WINDOW & VENT LAYOUT	98
WINDSHIELD & WIPER GROUP	99
WIPER	99

ACCESSORIES GROUP
OPERATORS MANUAL

KEY	PART NUMBER	U/M	DESCRIPTION
	132000-02-000	EA	MANUAL/OWNER - RIALTA - 2000
	129079-01-01A	EA	CASE - VINYL/BLACK-EXPANDABLE ACCORDION SIDES-7"WX9"HX14"L
	133266-01-000	EA	TOP LEVEL - H - 2000

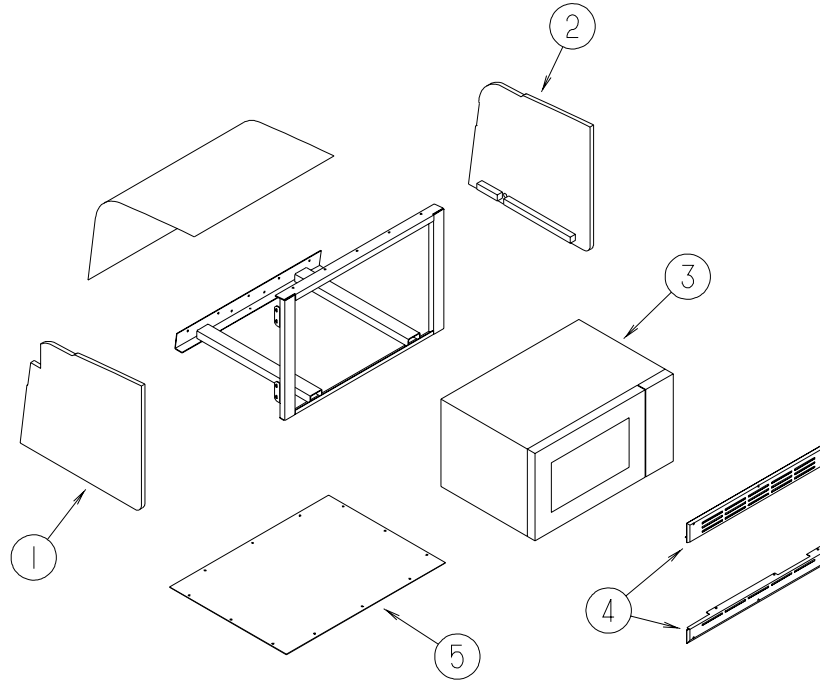
APPLIANCE GROUP

APPLIANCES

REFRIGERATOR

KEY	PART NUMBER	U/M	DESCRIPTION
*	113737-04-04A	EA	REFRIGERATOR - ONE DOOR/3-WAY - VW LIGHT GRAY - HIGH ALT.
	054450-01-000	EA	LEVEL - REFRIGERATOR
*	113736-02-01A	EA	VENT KIT - REFRIGERATOR
	086297-04-000	EA	GRILL - REFRIGERATOR VENT - VW LT GRAY
	119159-01-02B	EA	BRACKET - TIEDOWN - REFRIGERATOR - RIGHT HAND
	119159-02-02B	EA	BRACKET - TIEDOWN - REFRIGERATOR - LEFT HAND

* PRESS TO SEE ILLUSTRATED SERVICE PARTS LIBRARY



MICROWAVE

KEY	PART NUMBER	U/M	DESCRIPTION
1	119132-09-K77	EA	END CAP - OVERHEAD CABINET
2	119132-10-K77	EA	END CAP - OVERHEAD CABINET
3	128527-06-000	EA	OVEN - MICROWAVE W/TRIM KIT- 1 CU.FT.- NON CONVECTION
4	128642-03-000	EA	TRIM KIT W/VENT- MICROWAVE .9 CU.FT. - SAMSUNG - 2.1" HIGH
5	119142-02-04B	EA	PANEL - MICROWAVE BOTTOM - BLACK

RANGE

KEY	PART NUMBER	U/M	DESCRIPTION
*	113947-02-03A	EA	RANGE TOP - 2 BURNER W/COVER - VW LIGHT GRAY
	109918-03-01A	EA	VENT - RETURN AIR - 12.3" X 2.75" - BLACK
	109918-02-04A	EA	VENT - RETURN AIR - VW LT GRAY

* PRESS TO SEE ILLUSTRATED SERVICE PARTS LIBRARY

MONITOR PANEL

KEY	PART NUMBER	U/M	DESCRIPTION
*	114014-02-02A	EA	PANEL - MONITOR 2 TANK W/REMOTE

* PRESS TO SEE ILLUSTRATED SERVICE PARTS LIBRARY

AUDIO VIDEO GROUP

RADIO SYSTEM

KEY	PART NUMBER	U/M	DESCRIPTION
	124881-01-000	EA	AMPLIFIER - AUDIO
	124883-02-000	EA	SPEAKER - CUBE - W/BRACKET
	124883-03-000	EA	SPEAKER - CUBE - W/O CASE
	124883-04-000	EA	SPEAKER - GRILLE - CUBE
	124884-01-000	EA	SPEAKER - 6" X 9" - SUB-WOOFER
	124885-01-000	EA	GRILLE - SPEAKER - 6" X 9" - SUB-WOOFER
	074979-01-000	EA	SHIELD - SPEAKER - BACK - MOLDED PLASTIC - 8" X 9"
	089340-02-000	EA	GRILLE - SPEAKER - 6.5" SQUARE
	094097-01-000	EA	SPEAKER - RADIO/TV - W/O GRILLE - 5.25" DIAMETER
	114365-02-000	EA	ADAPTER - RADIO - POWER/SPEAKERS
	114366-01-000	EA	ADAPTER - RADIO - ANTENNA
	127516-05-000	EA	RADIO - AM/FM STEREO - CD PLAYER - PANASONIC CQ-DP22
			FROM: 00-00-00 THRU: 04-02-00
	127516-06-000	EA	RADIO - AM/FM STEREO - CD PLAYER - PANASONIC CQ-DP202
			FROM: 04-03-00 THRU: 99-99-99
*	127264-01-000	EA	RADIO - AM/FM STEREO - CASSETTE - PANASONIC - CQ-R111U

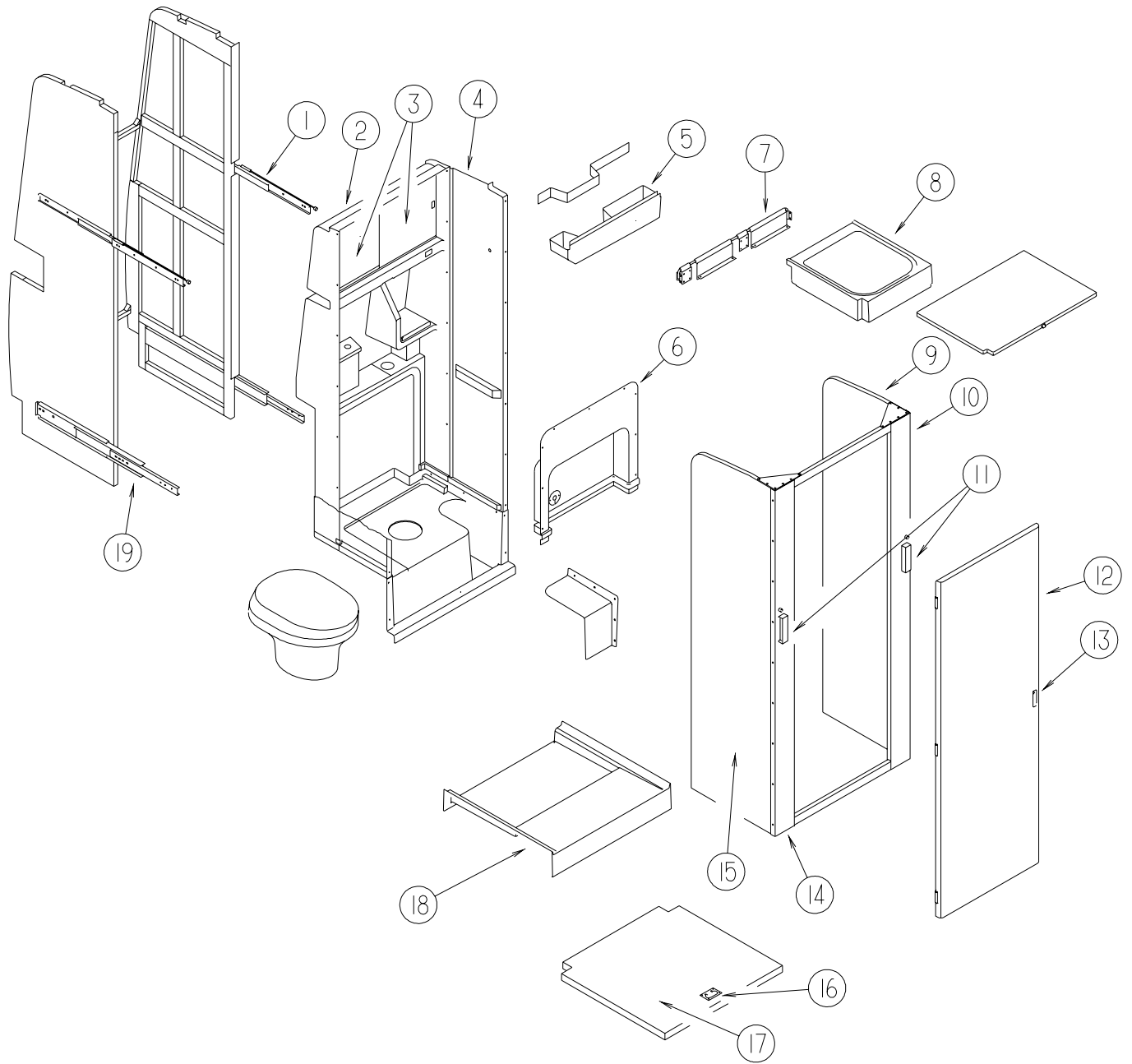
* PRESS TO SEE ILLUSTRATED SERVICE PARTS LIBRARY

TV ANTENNA

KEY	PART NUMBER	U/M	DESCRIPTION
*	076319-24-000	EA	ANTENNA - TV ROOF MOUNT - 25.5" MAST
*	076319-25-000	EA	KIT - HARDWARE INTERIOR
	076319-06-000	EA	ADAPTER - CABLE ROOF PLATE
	082134-01-000	EA	ADAPTER - TV - CABLE TO CABLE
	082136-01-000	EA	NUT - HEX JAM - 3/8-32
	086777-02-000	EA	WALLPLATE - TV CABLE - W/ANTENNA SWITCH - BROWN
	093901-03-000	EA	PLATE - TV COAX - EXTERIOR - 1.8" X 2.5"
	076319-03-000	FT	CABLE - COAXIAL - 75 OHM
	076319-12-000	EA	CONNECTOR - COAXIAL - ONE PIECE
	121323-01-02B	EA	BRACKET - Z
	131698-01-02B	EA	STRAP - OVERHEAD/TV - E-COATED

* PRESS TO SEE ILLUSTRATED SERVICE PARTS LIBRARY

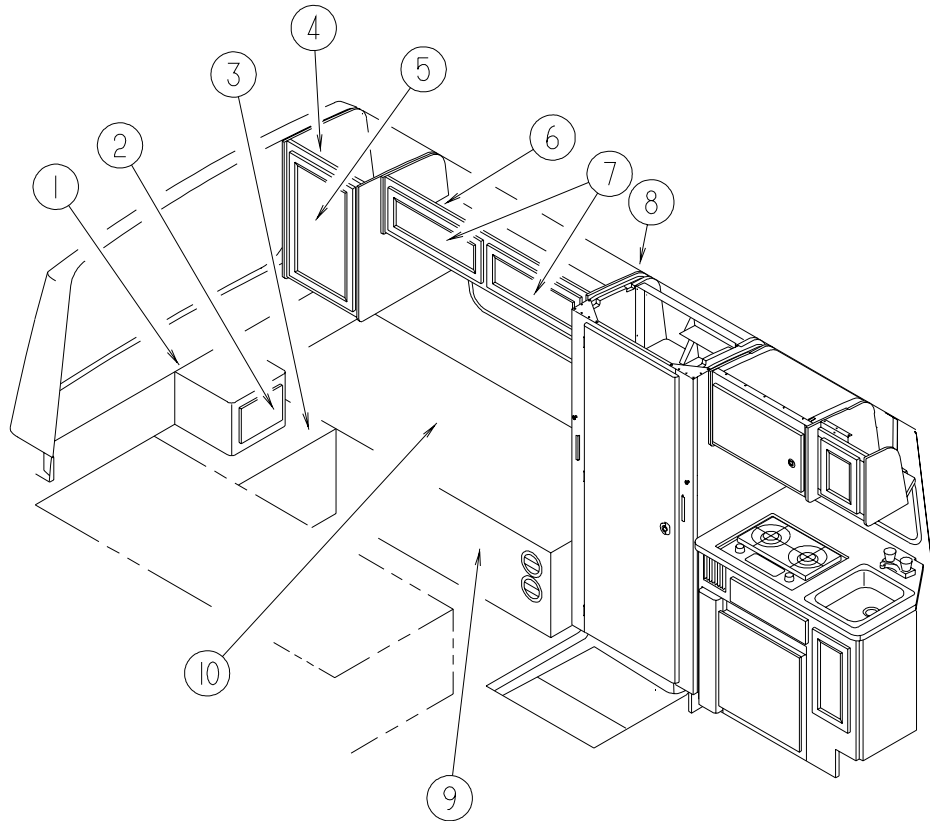
BATH GROUP CABINETS



BATH GROUP (CONTINUED)**CABINETS (CONTINUED)**

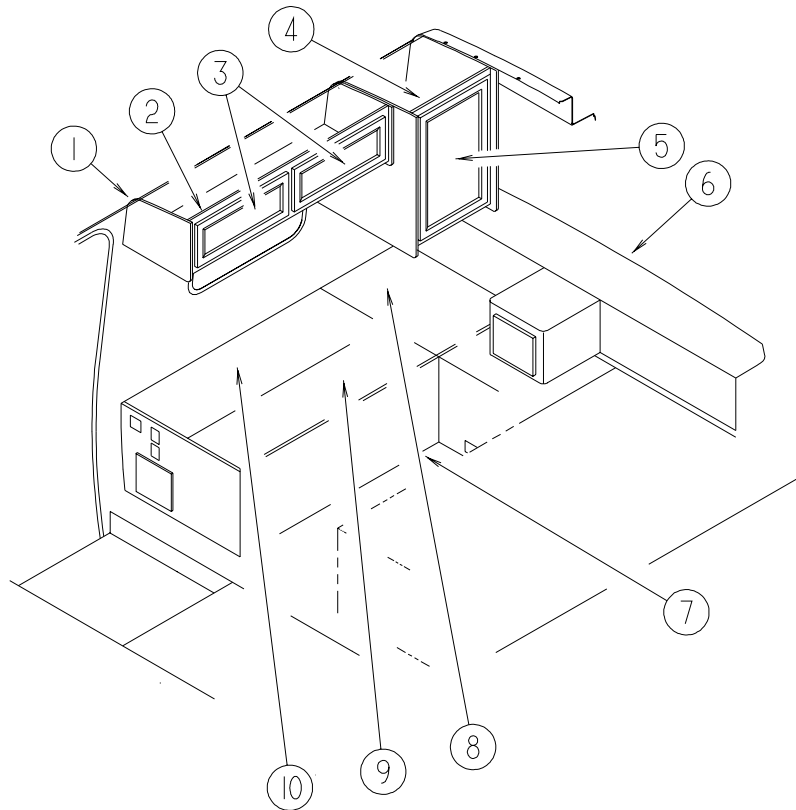
KEY	PART NUMBER	U/M	DESCRIPTION
1	116173-01-000	EA	SLIDE - LOCKING - LEFT HAND FACING CABINET
	116173-02-000	EA	SLIDE - LOCKING - RIGHT HAND FACING CABINET
2	111950-01-02A	EA	SURROUND - SHOWER/BACK - VW LIGHT GRAY
3	058331-B0-000	EA	MIRROR - SAFETY GLASS - 12.6" X 2.6"
	023320-01-000	EA	PAD - FELT 3/8" DIAMETER
	002324-02-000	FT	CHANNEL - WEATHERSTRIP - GLASS RUN - U-SHAPED
4	111986-01-02A	EA	SURROUND - SHOWER/RIGHT HAND SIDE - VW LIGHT GRAY
	111986-02-02A	EA	SURROUND - SHOWER/LEFT HAND SIDE - VW LIGHT GRAY
5	P12114-01-02A	EA	BASIN - CATCH - W/STRAINER
	112114-01-02A	EA	BASIN - CATCH - LAVATORY - VW LIGHT GRAY
6	112151-01-02A	EA	COVER - DRAINAGE ACCESS - VW LIGHT GRAY
	057671-01-000	EA	COVER - SCREW - #8 - PLASTIC - OFF WHITE
	113183-02-K76	EA	PANEL - DOOR/SINK
7	113982-01-K76	EA	HINGE - FOLD UP SINK W/DOOR PANEL
	086235-03-000	EA	BEARING - SNAPIN - 5/16ID X 5/16
8	M06944-02-K76	EA	BATH SINK/FOLD UP - W/DOOR ATTACHED
	057534-02-000	EA	TIEBACK - CLEAR PLASTIC - 3"
9	113929-01-L90	EA	CABINET - WALL - BATH SLIDER - W/O HARDWARE
10	116246-01-03A	EA	CORNER - BATH/RH - VW LT GRAY
11	074762-01-000	EA	PULL - CABINET - 4.8" X .9" - BLACK PLASTIC
12	113756-01-K76	EA	DOOR - BATH
13	058335-03-000	EA	LATCH - W/O LOCK - BATHROOM DOOR BLACK
	075453-03-000	EA	BRACKET - TOWEL BAR - BRASS - 2 PER PACK
	075453-04-000	EA	ROD - F/TOWEL BAR - 18" BRASS - W/O END BRACKETS
	075452-02-000	EA	HOLDER - TOILET TISSUE - BRASS
14	116246-02-03A	EA	CORNER - BATH/LH - VW LT GRAY
15	113929-02-L90	EA	CABINET - WALL - BATH SLIDER - W/O HARDWARE
	116044-01-000	EA	BUMPER - MOLDED
16	072871-01-000	EA	PULL - FLUSH - CHROME
17	113092-02-L90	EA	COVER - SHOWER PAN - 24.5" X 25.5" (L91)
17	113092-02-L92	EA	COVER - SHOWER PAN - 24.5" X 25.5" (L93)
18	118605-01-02A	EA	SHOWER PAN - W/STRAINER - VW LIGHT GRAY
	114974-01-000	EA	CONNECTOR - HULL - W/STRAINER
19	116174-01-000	EA	SLIDE - FULL EXTENDED
	114898-01-02A	FT	VINYL - 1.6" X 38.1" - VW LIGHT GRAY
	116044-01-000	EA	BUMPER - MOLDED

BEDROOM GROUP TWIN CABINETS



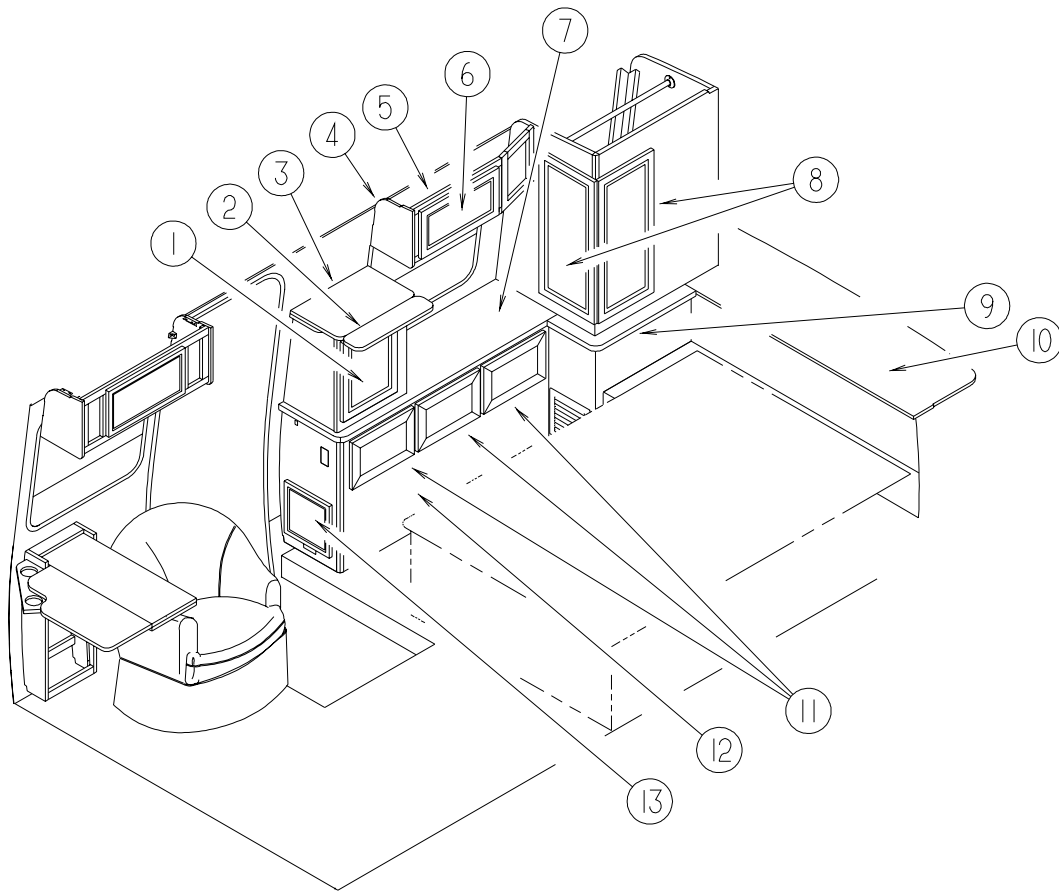
KEY	PART NUMBER	U/M	DESCRIPTION
1	P33858-01-L91	EA	CABINET - NIGHTSTAND - W/COUNTERTOP - W/O DOOR/DRAWER/HDW
2	M09316-E6-L91	EA	DRAWER - OGEE EDGE - 7.5"W X 13.7"D - W/O SLIDES/HARDWARE
3	133131-06-L91	EA	COUNTERTOP - LAMINATED
4	119590-01-J80	EA	CABINET - SHIRT CLOSET - LEFT HAND - W/O DOOR/HARDWARE
5	131995-M9-L91	EA	DOOR - RAIL/SOLID PANEL - 15.3" X 25.5" - W/O HARDWARE
6	124889-01-J80	EA	CABINET - OVERHEAD/REAR - LEFT HAND - W/O DOORS/HARDWARE
6	124889-02-J80	EA	CABINET - OVERHEAD/REAR - LEFT HAND - W/O DOORS/HDW (W/SOUND SYSTEM)
7	131995-N0-L91	EA	DOOR - RAIL/SOLID PANEL - 10" X 25.1" - W/O HARDWARE
8	119132-02-J80	EA	END CAP - OVERHEAD
9	P24936-01-J80	EA	CABINET - BASE - TWIN BED/LEFT HAND
9	P24936-02-K77	EA	CABINET - BASE - TWIN BED/LEFT HAND (W/SOUND SYSTEM)
10	M07592-11-000	EA	TOP - TWIN BED - W/O HARDWARE

BEDROOM GROUP (CONTINUED)
TWIN CABINETS (CONTINUED)



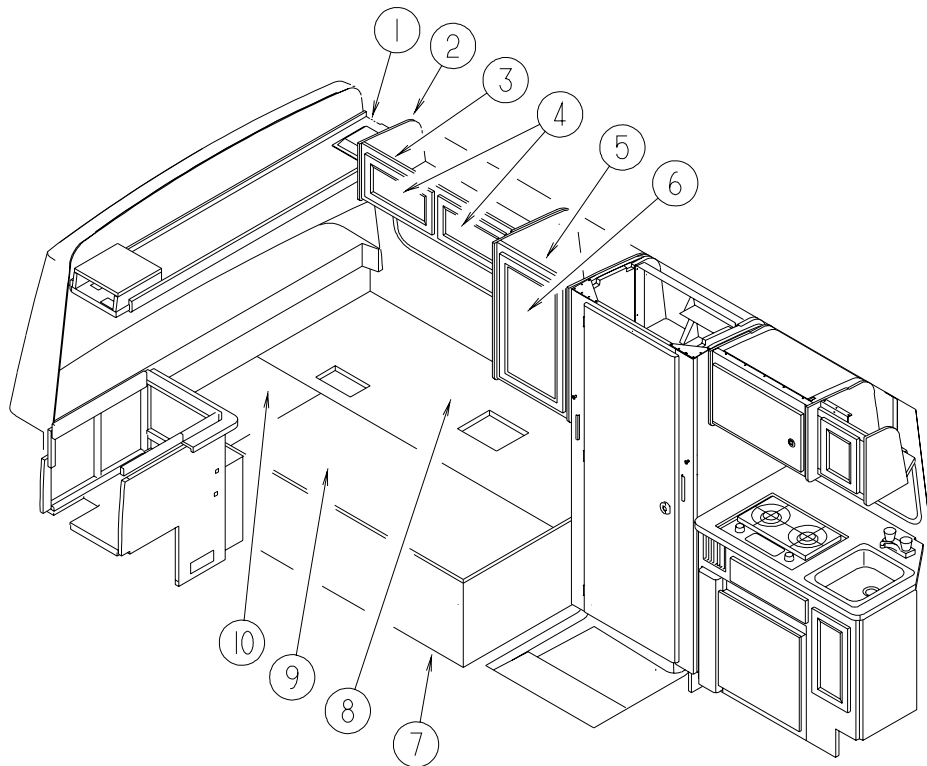
KEY	PART NUMBER	U/M	DESCRIPTION
1	119132-05-J80	EA	END CAP - OVERHEAD
2	124890-01-J80	EA	CABINET - OVHD/REAR - RIGHT HAND - W/O DOORS/HARDWARE
2	124890-02-J80	EA	CABINET - OVHD/REAR - RIGHT HAND - W/O DOORS/HDW (W/SOUND SYSTEM)
3	131995-N0-L91	EA	DOOR - RAIL/SOLID PANEL - 10" X 25.1" - W/O HARDWARE
4	119589-01-J80	EA	CABINET - SHIRT CLOSET - RIGHT HAND - W/O DOOR/HARDWARE
5	131995-M9-L91	EA	DOOR - RAIL/SOLID PANEL - 15.3" X 25.5" - W/O HARDWARE
6	124953-01-H70	EA	CABINET - SHELF/REAR - W/O HARDWARE
	124953-14-J80	EA	SHELF - W/PLASTIC EDGE MOLDING
7	P24937-02-K77	EA	CABINET - BASE - TWIN BED/RIGHT HAND
8	M07592-12-000	EA	TOP - TWIN BED
9	M07592-13-H70	EA	TOP - TWIN BED - W/HINGE
10	M07592-14-000	EA	TOP - TWIN BED
	091952-01-000	EA	CLIP - GRIPPER - 1"
	097872-04-000	EA	DOWEL - WOOD - 1" DIAMETER X 1.38" LONG
	107796-16-000	EA	SPRING/GAS - 6.4" COMPRESSED/9.6" EXTENDED - 65 LB.
	126259-01-000	EA	STUD - BALL
	126263-06-02B	EA	BRACKET - GAS SPRING - E-COATED (UPPER)
	126263-08-02B	EA	BRACKET - GAS SPRING - E-COATED (LOWER)

BEDROOM GROUP (CONTINUED) DOUBLE CABINETS



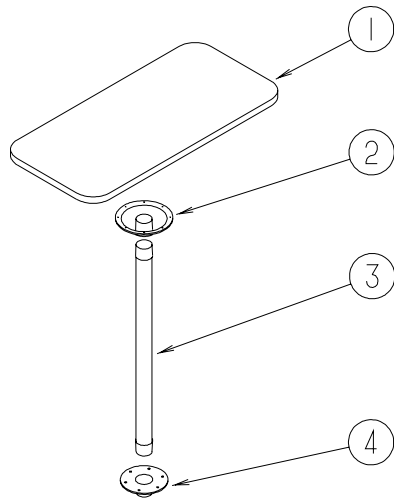
KEY	PART NUMBER	U/M	DESCRIPTION
1	131995-M6-L91	EA	DOOR - RAIL/SOLID PANEL - 14.3" X 17.8" - W/O HARDWARE
2	130675-16-K77	EA	COUNTERTOP - DRESSER
3	130675-13-K77	EA	COUNTERTOP - DRESSER
4	119132-07-J80	EA	END CAP - OVERHEAD
5	125022-01-J80	EA	CABINET - OVERHEAD/REAR/RIGHT HAND - W/O DOOR/HARDWARE
6	131995-M5-L91	EA	DOOR - RAIL/SOLID PANEL - 10" X 19" - W/O HARDWARE
7	125023-11-H70	EA	COUNTERTOP - VANITY
8	131995-M4-L91	EA	DOOR - RAIL/SOLID PANEL - 13.6" X 30.3" - W/O HARDWARE
9	125023-12-H70	EA	COUNTERTOP - VANITY
10	124953-01-H70	EA	CABINET - SHELF/REAR - W/O HARDWARE
11	M09316-E5-L91	EA	DRAWER - OGEE EDGE - 13"W X 13.7"D - W/O SLIDES/HARDWARE
12	125023-02-K77	EA	CABINET - VANITY - W/COUNTERTOP - W/O DOORS/DRAWERS/HDW
13	131995-V3-L91	EA	DOOR - RAIL/SOLID PANEL - 9.8" X 12" - W/O HARDWARE

BEDROOM GROUP (CONTINUED)
DOUBLE CABINETS (CONTINUED)



KEY	PART NUMBER	U/M	DESCRIPTION
1	125053-01-L91	EA	CABINET - OVERHEAD/REAR
2	119132-02-J80	EA	END CAP - OVERHEAD
3	124929-01-J80	EA	CABINET - OVERHEAD/LEFT HAND - W/O DOORS/HARDWARE
4	131995-M5-L91	EA	DOOR - RAIL/SOLID PANEL - 10" X 19" - W/O HARDWARE
5	119095-01-J80	EA	CABINET - SHIRT CLOSET - W/O DOOR OR HARDWARE - LH
6	131995-M9-L91	EA	DOOR - RAIL/SOLID PANEL - 15.3" X 25.5" - W/O HARDWARE
7	P24938-01-J80	EA	CABINET - BASE/DOUBLE BED
7	P24938-02-K77	EA	CABINET/BASE - DOUBLE BED (W/SOUND SYSTEM)
8	M07592-08-000	EA	TOP - DOUBLE BED - W/O HARDWARE
9	M07592-10-H70	EA	TOP - DOUBLE BED - W/O HARDWARE
10	M07592-09-000	EA	TOP - DOUBLE BED - W/O HARDWARE
	107796-08-000	EA	SPRING/GAS - 11" COMPRESSED/17" EXTENDED - 60 LB
	126259-01-000	EA	STUD - BALL
	126263-06-02B	EA	BRACKET - GAS SPRING - E-COATED (UPPER)
	126263-08-02B	EA	BRACKET - GAS SPRING - E-COATED (LOWER)

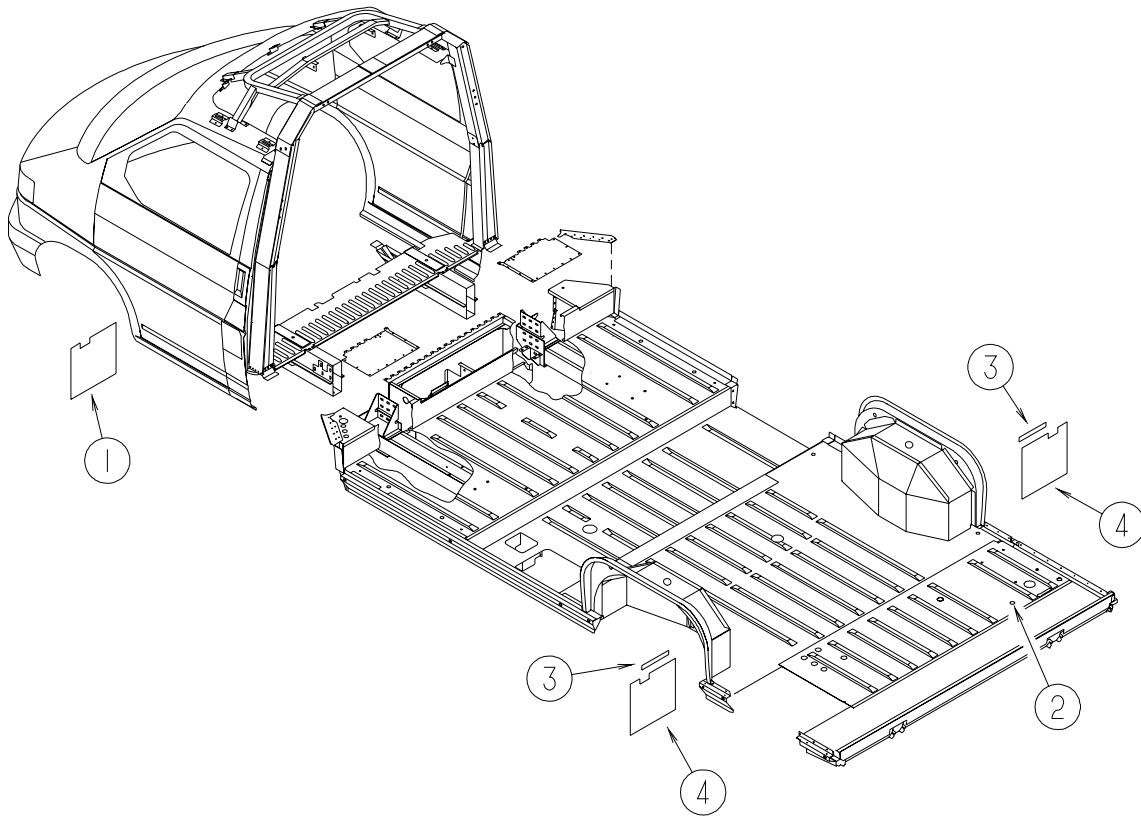
BEDROOM GROUP (CONTINUED)
TABLE



KEY	PART NUMBER	U/M	DESCRIPTION
1	081298-15-K77	EA	TABLE TOP ONLY
2	009040-03-000	EA	BASE - TABLE/RAISED - TABLE MOUNTED
3	009040-09-000	EA	LEG - PEDESTAL TABLE - 31.5"
4	041194-01-000	EA	BASE - TABLE/FLUSH - FLOOR MOUNTED
	062046-01-000	EA	CLIP - LEG - PEDESTAL - 1.7" X 2.2" - DIA FROM 2 - 2.5"
	077968-01-000	EA	RETAINER - NYLON - .5" X 1.6"
	076840-04-000	EA	HOLD DOWN CORD - BUNGEE 10"
	042438-02-000	EA	DOWEL - WOOD - 2" X 2"

CHASSIS GROUP

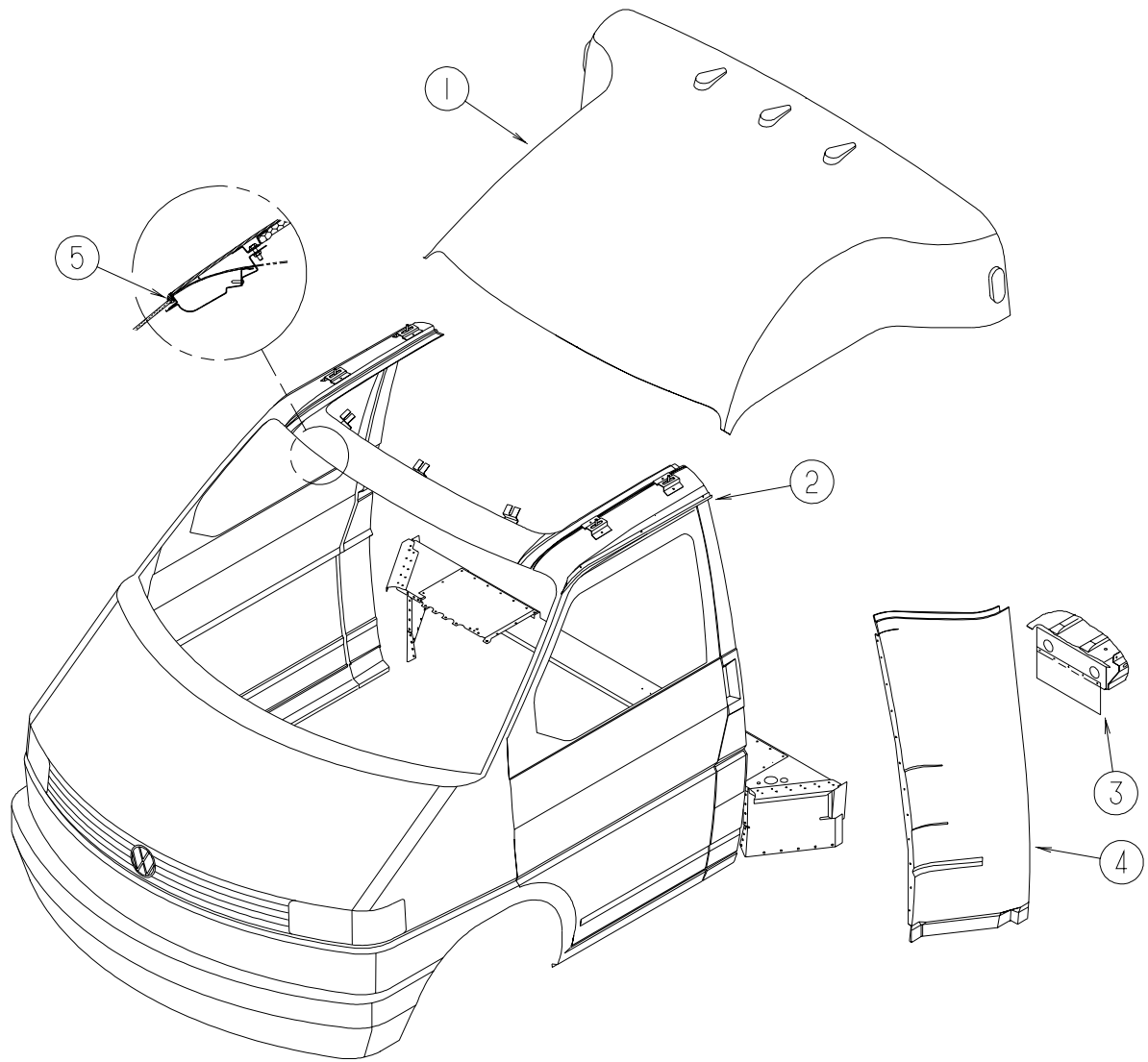
FRAME



CAB

KEY	PART NUMBER	U/M	DESCRIPTION
1	073905-03-000	EA	MUD FLAP - FRONT - 12.2" X 7.9"
2	074487-02-000	EA	PLUG - HOLE - .375 - .093 - .171 THICK
3	073913-01-000	EA	RETAINER - MUDFLAP - METAL
4	073905-01-000	EA	MUD FLAP - REAR - 10.1" X 9.3"

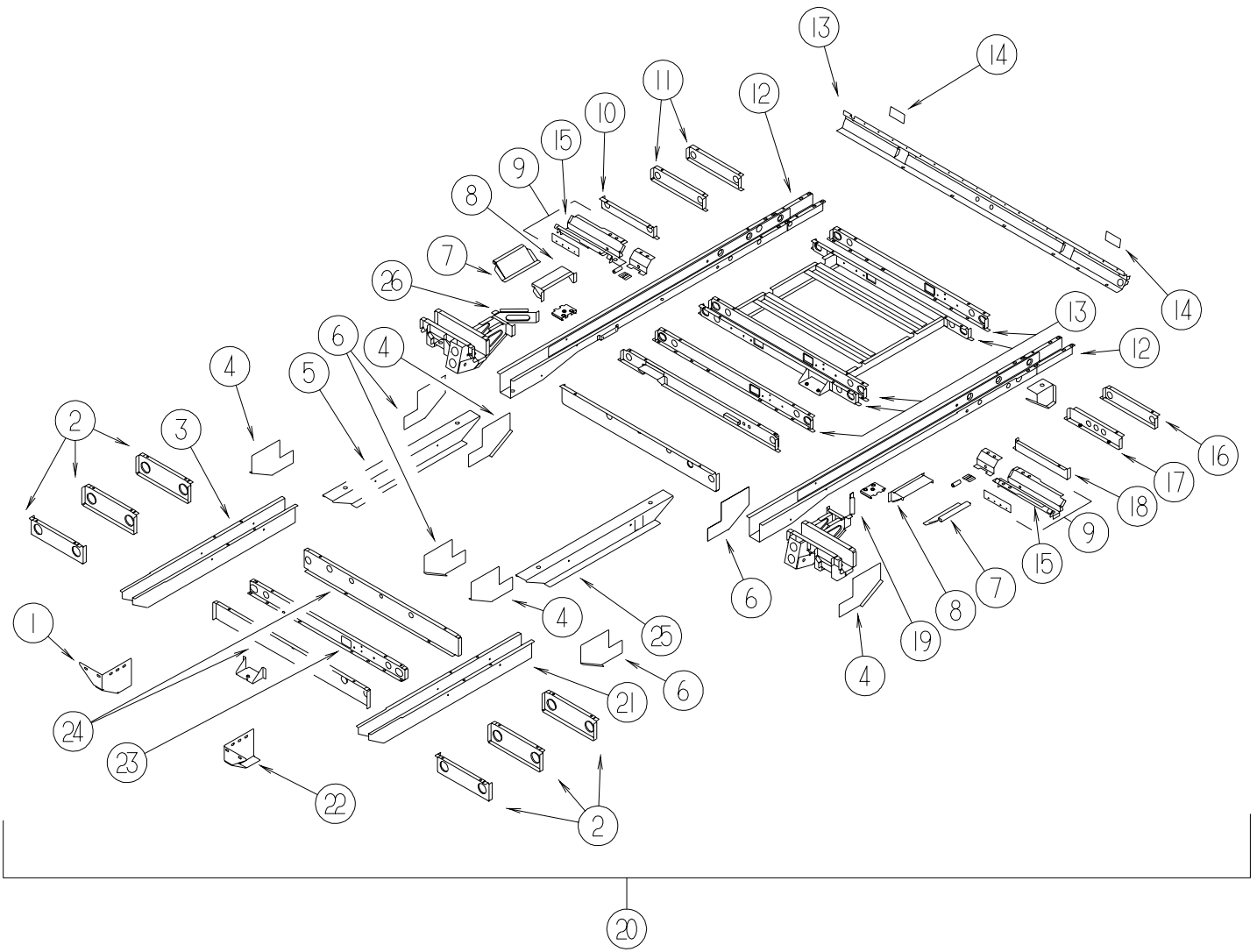
CHASSIS GROUP (CONTINUED)
FRAME (CONTINUED)



CAB (CONTINUED)

KEY	PART NUMBER	U/M	DESCRIPTION
1	111207-06-K76	EA	CAP - ROOF/FRONT
2	115022-02-01A	EA	RAIL - DRIP - LEFT HAND
	115022-01-01A	EA	RAIL - DRIP - RIGHT HAND
3	120299-01-01A	EA	MUD GUARD - RUBBER - 5" X 14"
3	120293-01-02B	EA	RETAINER - MUDFLAP - E-COATED
4	111276-04-F45	EA	PANEL - TRANSITION - LEFT - STEEL/FIBERGLASS - VW WHITE
	111276-03-F45	EA	PANEL - TRANSITION - RIGHT - STEEL/FIBERGLASS - VW WHITE
5	112127-02-000	FT	MOLDING - REVEAL - WINDOW - FRONT CAP TO WINDSHIELD

CHASSIS GROUP (CONTINUED)
FRAME (CONTINUED)



FLOOR

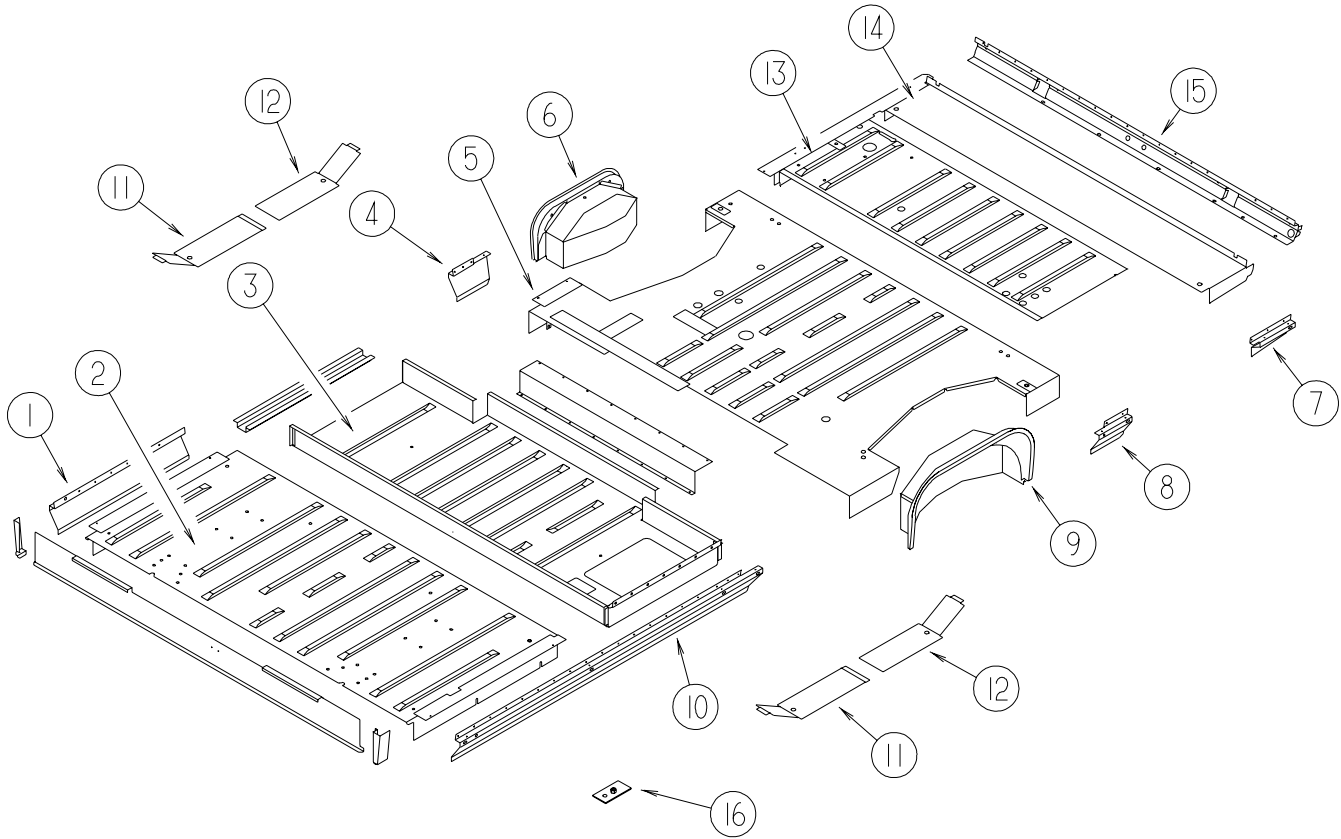
CHASSIS GROUP (CONTINUED)

FRAME (CONTINUED)

FLOOR (CONTINUED)

KEY	PART NUMBER	U/M	DESCRIPTION
1	117866-01-01B	EA	BRACKET - FRAME - FLOOR - MILL - RIGHT HAND
2	130309-01-01B	EA	OUTRIGGER - FRONT, MILL
3	117865-03-01B	EA	RAIL ASM - FRAME - FRONT - RIGHT HAND - MILL
4	071223-01-000	EA	GUSSET - FRAME - LOWER RIGHT HAND
5	126977-02-01B	EA	RAIL - FRAME - LOWER - MILL
6	071223-02-000	EA	GUSSET - FRAME - LOWER - LEFT HAND
7	112314-01-000	EA	REINFORCEMENT - WHEELHOUSE
8	112315-01-000	EA	OUTRIGGER - WHEELHOUSE - REAR
9	071162-01-000	EA	STRUT-SPRING MTG
10	071232-02-000	EA	OUTRIGGER - REAR - PASSENGER - 15.5" - STEEL
11	071232-01-000	EA	OUTRIGGER - REAR - RIGHT HAND
12	071220-01-000	EA	RAIL - FRAME - REAR
13	071229-01-000	EA	CROSSMEMBER - REAR - CENTER - 45" LONG - STEEL
14	070579-13-000	EA	PLATE - ANCHOR - W/1/5" WELD NUT - 2.5" X 3.3"
15	112357-01-000	EA	BRACE ASM - STRUT - REAR
16	112726-01-01B	EA	OUTRIGGER - GENERATOR - MILL
17	112726-03-01B	EA	OUTRIGGER ASM - GENERATOR - RIGHT HAND - MILL
18	112726-04-01B	EA	OUTRIGGER ASM - GENERATOR - LEFT HAND - MILL
19	071188-02-000	EA	BRACKET - SPRING MOUNT - FRONT - DRIVER SIDE
20	N/A		FRAME ASM-FLOOR,REAR,MILL
21	117865-03-01B	EA	RAIL ASM - FRAME - FRONT - RIGHT HAND - MILL
22	117866-02-01B	EA	BRACKET - FRAME - FLOOR - MILL - LEFT HAND
23	071774-01-000	EA	CROSSMEMBER - FRONT
24	071226-01-000	EA	CROSSMEMBER - STEPBOX
25	126977-01-01B	EA	RAIL - FRAME - LOWER - MILL
26	071188-01-000	EA	BRACKET - SPRING MOUNT - FRONT - PASSENGER SIDE

CHASSIS GROUP (CONTINUED)
FRAME (CONTINUED)

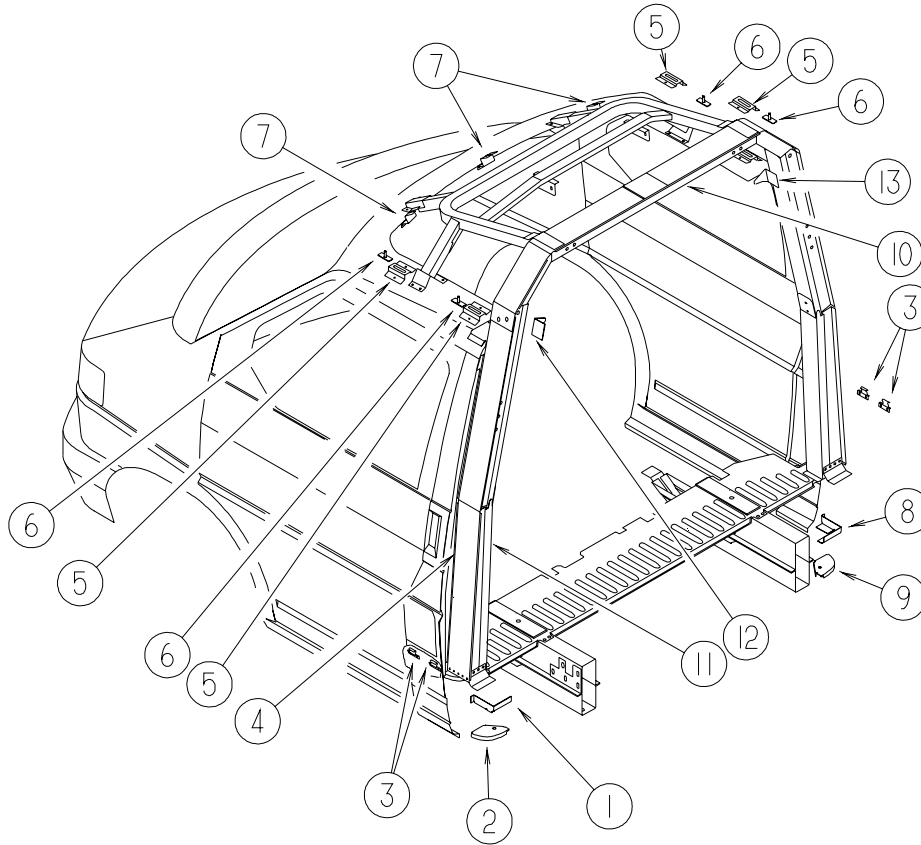


FLOOR (CONTINUED)

KEY	PART NUMBER	U/M	DESCRIPTION
1	113600-01-01B	EA	ROCKER ASM - FRONT,RH,MILL
2	110695-01-000	EA	PANEL - FLOOR - FRONT
3	112883-01-01B	EA	PANEL - FLOOR - LOWER - MILL
4	113601-01-01B	EA	ROCKER ASM - CENTER - RH - MILL
5	112222-01-000	EA	PANEL - FLOOR - REAR
6	112345-01-000	EA	WHEELHOUSE W/SHOCK MOUNT - REAR PASSENGER SIDE - STEEL
7	122954-01-01B	EA	ROCKER - REAR - LEFT HAND
8	113005-01-01B	EA	ROCKER - REAR - LEFT HAND
9	112345-02-000	EA	WHEELHOUSE W/SHOCK MOUNT - REAR DRIVER SIDE - STEEL
10	071366-01-000	EA	ROCKER ASM - FRONT - LH
11	071212-01-000	EA	PLATE-RAIL,LOWER
12	071729-01-000	EA	PLATE-RAIL,LOWER RT
13	122969-01-01B	EA	PANEL-FLOOR,REAR,MILL
14	122962-02-01B	EA	PANEL ASM-FLOOR,REAR,MILL
15	072382-01-000	EA	CROSSMEMBER ASM-REAR
16	070579-06-000	EA	PLATE - ANCHOR - W/7/16" WELD NUT - 1.5" X 3.3"
16	070579-11-000	EA	PLATE - ANCHOR - W/7/16" WELD NUT - 1.5" X 8.9"

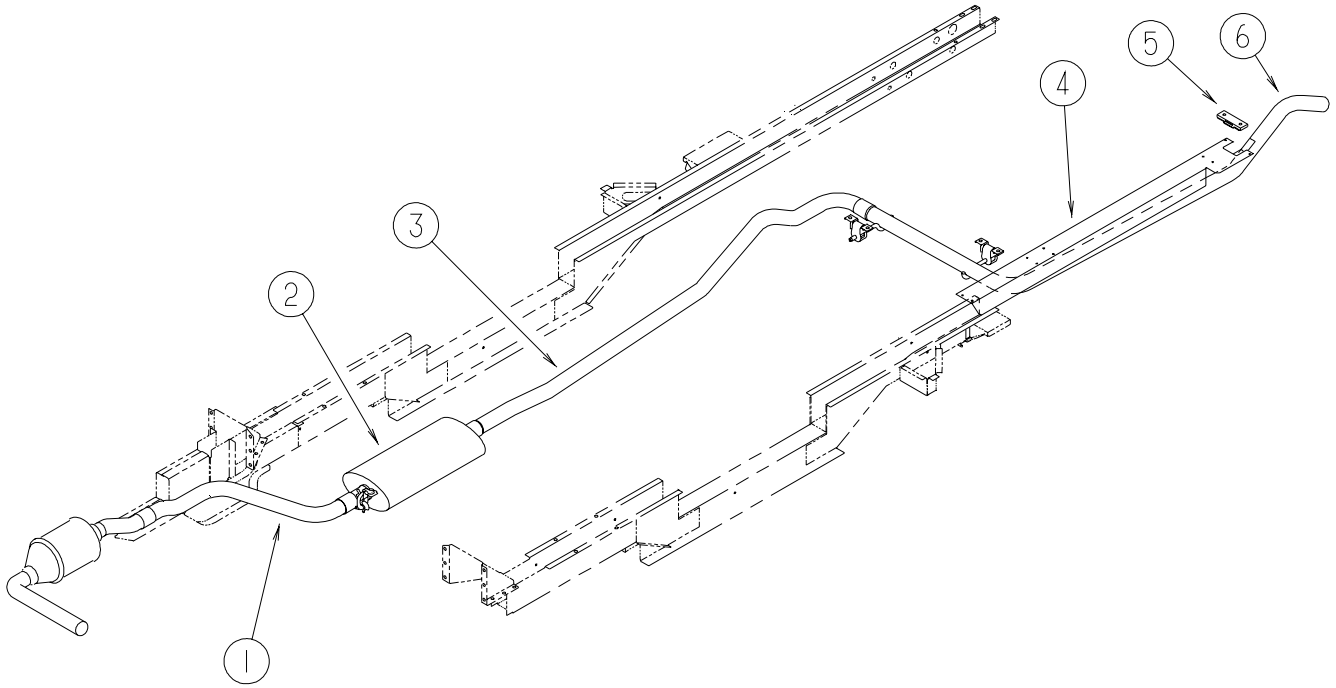
CHASSIS GROUP (CONTINUED)

FRONT END



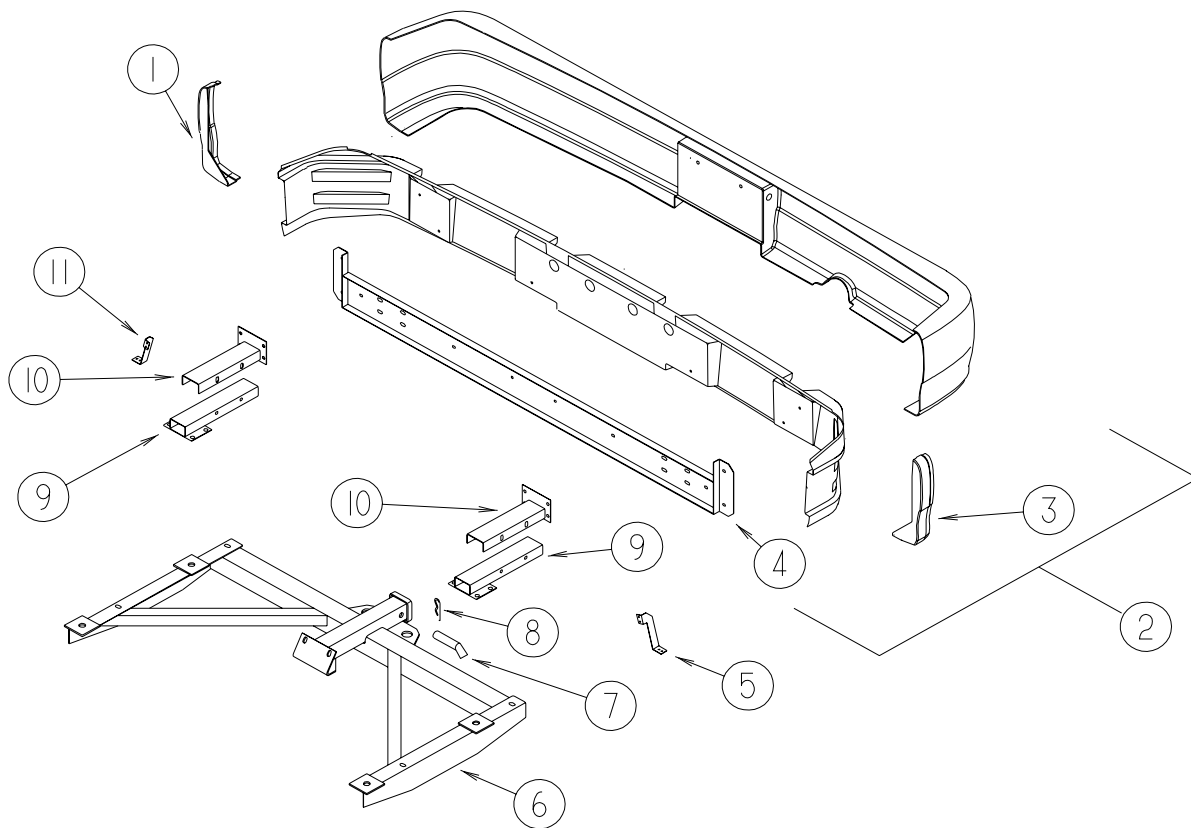
KEY	PART NUMBER	U/M	DESCRIPTION
1	111541-02-000	EA	BRACKET-PILLAR,B,BOTTOM
2	111542-02-000	EA	BRACKET-PILLAR,B,BOTTOM
3	073050-04-000	EA	MOUNTING CLIP - VALANCE PANEL
4	112538-02-000	EA	PILLAR - LEFT HAND
	112538-01-000	EA	PILLAR - RIGHT HAND
5	111210-01-000	EA	CHANNEL-HAT,MOUNT,CAP
6	111215-02-000	EA	PLATE ASM-CLAMP,CAP
7	111211-01-000	EA	BRACKET-MOUNT,CAP,FRONT
8	111541-01-000	EA	BRACKET-PILLAR,B,BOTTOM
9	111542-01-000	EA	BRACKET-PILLAR,B,BOTTOM
10	112220-01-02B	EA	SUPPORT ASM-ROOF
11	111127-02-02B	EA	ANGLE-PILLAR,B E-COAT - LEFT HAND
	111127-01-02B	EA	ANGLE-PILLAR,B E-COAT - RIGHT HAND
12	111142-01-02B	EA	GUSSET-PILLAR,B E-COAT
13	111142-02-02B	EA	GUSSET-PILLAR,B E-COAT

CHASSIS GROUP (CONTINUED)
EXHAUST



KEY	PART NUMBER	U/M	DESCRIPTION
1	113098-02-000	EA	PIPE - EXHAUST/FRONT
2	121261-01-000	EA	MUFFLER - FRONT
3	113099-01-000	EA	PIPE - EXHAUST/ MIDDLE
4	125075-01-09B	EA	SHIELD - EXHAUST/TAIL PIPE - GALVANIZED
5	095190-01-000	EA	HANGER - EXHAUST - 4" X 1.4"
6	113097-02-000	EA	PIPE - EXHAUST/TAIL
	082716-01-000	EA	CLAMP - EXHAUST - 2"
	082716-02-000	EA	CLAMP - EXHAUST - 2.24"

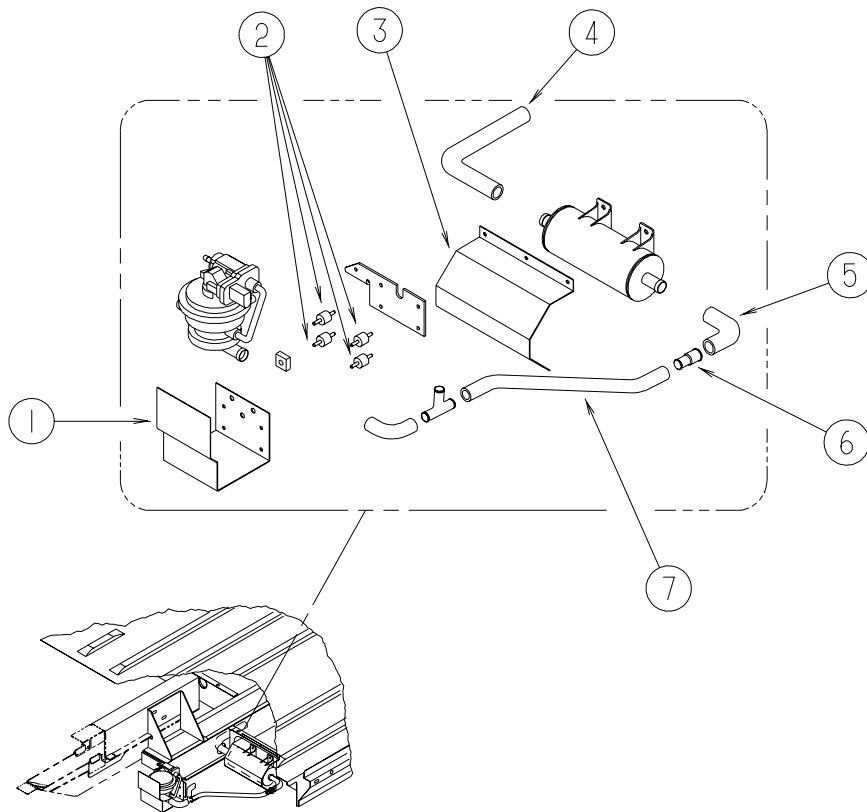
CHASSIS GROUP (CONTINUED)



REAR BUMPER, TRAILER HITCH & COMPONENTS

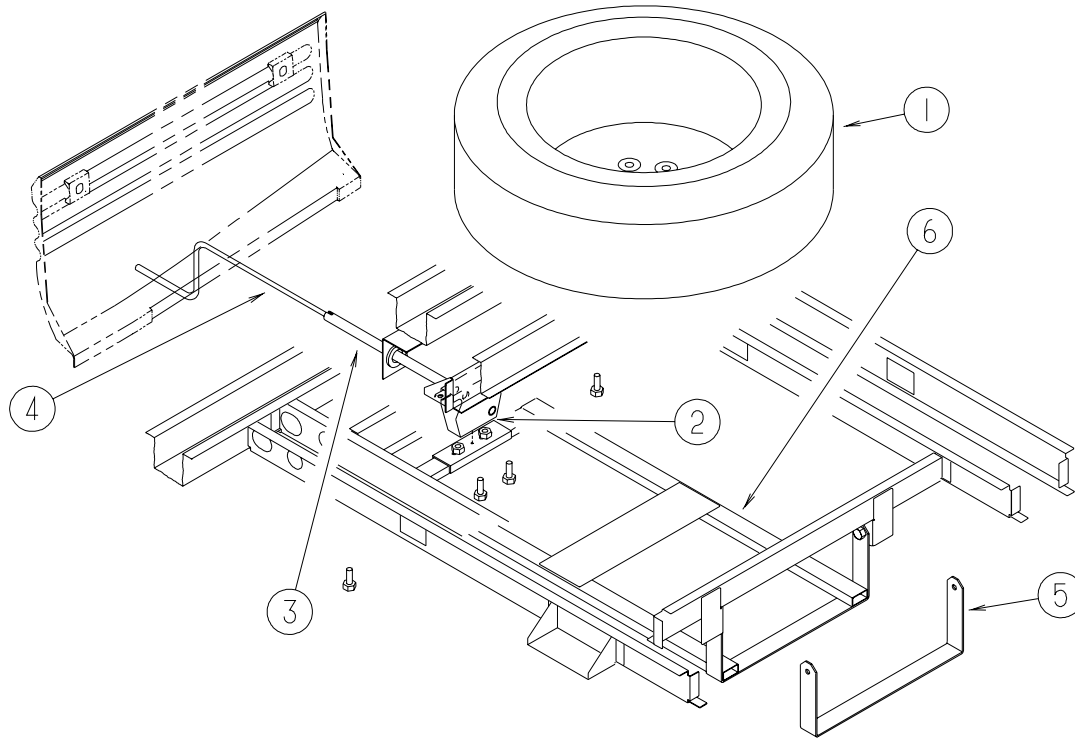
KEY	PART NUMBER	U/M	DESCRIPTION
1	130623-01-02A	EA	CAP - BUMPER END - PASSENGER - BLACK
2	130621-01-K76	EA	BUMPER - REAR
3	130623-02-02A	EA	CAP - BUMPER END - DRIVER - BLACK
4	087108-02-000	EA	SUPPORT - BUMPER/REAR
5	131451-02-02B	EA	BRACKET - SUPPORT/BUMPER - E-COATED
6	130339-06-000	EA	HITCH RECEIVER - BOLT ON CLASS I
7	034512-01-000	EA	PIN - LOCKING - DRAWBAR
8	034513-01-000	EA	PIN - HITCH - 3/16" WIRE
9	115947-01-02B	EA	SUPPORT - LOWER - BUMPER/REAR
10	115944-01-02B	EA	SUPPORT - UPPER - BUMPER/REAR
11	131451-01-02B	EA	BRACKET - BUMPER SUPPORT/OUTER - E-COATED
	113589-01-000	EA	CONNECTOR - PLUG - TRAILER
	113589-02-000	EA	CONNECTOR - SOCKET - TRAILER
	121681-01-000	EA	LAMP - LICENSE PLATE - HELLA 2KA004331067

CHASSIS GROUP (CONTINUED)
EMISSIONS SYSTEM



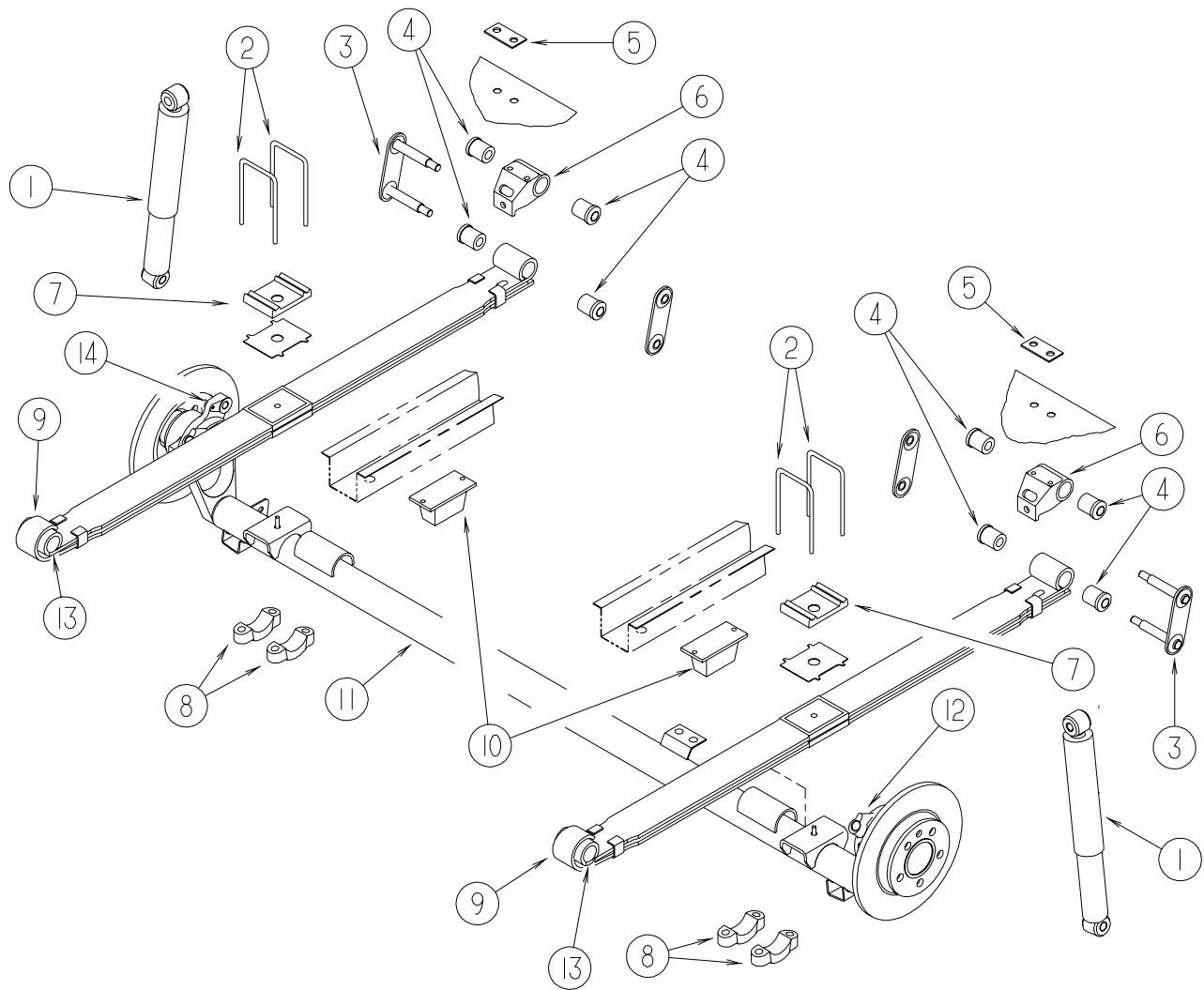
KEY	PART NUMBER	U/M	DESCRIPTION
1	126991-02-02B	EA	COVER ASM-PUMP,E-COAT
2	128106-01-000	EA	MOUNT-RUBBER
3	130547-01-02B	EA	SHIELD-FILTER,E-COAT
4	079059-02-000	EA	HOSE - 90 DEGREE - .61" ID X 4" X 6"
5	083081-01-000	EA	HOSE - FORMED - 90 DEGREES - 5/8" ID
6	130307-01-000	EA	FITTING - REDUCE - HOSE - 1/2-5/8
7	125187-02-000	FT	HOSE - FUEL - LOW PERMEABILITY - 12.7" ID - FORD

CHASSIS GROUP (CONTINUED)
SPARE TIRE INSTALLATION



KEY	PART NUMBER	U/M	DESCRIPTION
1	116271-02-000	EA	TIRE - 215/70 R15 C 109/107P - F/REAR FROM: 00-00-00 THRU: 01-16-00
1	116271-04-000	EA	TIRE - 215/70 R15 C 109/107R - CONTINENTAL VANCO-8 - F/REAR FROM: 01-17-00 THRU: 99-99-99
1	116271-01-000	EA	TIRE - LT 195/70T 15C 104/102P - F/FRONT & SPARE FROM: 00-00-00 THRU: 01-16-00
1	116271-03-000	EA	TIRE - 195/70 R15 C 104/102R - F/FRONT & SPARE FROM: 01-17-00 THRU: 99-99-99
2	093267-03-000	EA	HOIST - SPARE TIRE - #100 LB
3	093375-15-000	EA	EXTENSION - TIRE HOIST
4	093376-02-000	EA	HANDLE - CRANK - TIRE HOIST
	114376-01-000	EA	PIN - DRIVE - .156 X .750 - TYPE E - TIRE HOIST
5	116350-02-01B	EA	BRACKET - SPARE TIRE - E-COATED
6	124645-01-02B	EA	CRADLE - SPARE TIRE

CHASSIS GROUP (CONTINUED) SUSPENSION



KEY	PART NUMBER	U/M	DESCRIPTION
1*	112033-02-000	EA	SHOCK ABSORBER - REAR VW H-BODY - NEW DESIGN
2	112410-01-000	EA	BOLT-U - REAR SPRING
3	112560-01-000	EA	SHACKLE - SPRING - REAR
4	112503-01-000	EA	BUSHING - SPRING - REAR
5	071231-01-000	EA	PLATE - FLOOR DOUBLER
6	112415-01-000	EA	SUPPORT - SHACKLE - REAR
7	112414-01-000	EA	PLATE - SPRING CLAMP
8	112413-01-000	EA	BRACKET - U BOLT - REAR SUSPENSION
9	134195-01-000	EA	SPRING - REAR LEAF W/O BUSHINGS
10	113876-01-000	EA	PAD - JOUNCE - REAR SPRING
11	120493-01-01A	EA	AXLE - REAR - DISC BRAKE
12	129847-02-000	EA	CALIPER - BRAKE - PAIR - UNFILLED
12	134564-02-000	EA	CALIPER - BRAKE - LEFT HAND - UNFILLED
			FROM: 00-00-00 THRU: 02-20-00
			FROM: 02-21-00 THRU: 99-99-99
13	116712-01-000	EA	BUSHING - SPRING - FRONT
14	129847-02-000	EA	CALIPER - BRAKE - PAIR - UNFILLED
			FROM: 00-00-00 THRU: 02-20-00
14	134564-01-000	EA	CALIPER - BRAKE - RIGHT HAND - UNFILLED
			FROM: 02-21-00 THRU: 99-99-99

* PRESS TO SEE ILLUSTRATED SERVICE PARTS LIBRARY

REAR AIR BAGS

KEY	PART NUMBER	U/M	DESCRIPTION
*	100293-03-000	EA	AIR SPRING KIT - W/O WARNING LIGHT SYSTEM - RIALTA

* PRESS TO SEE ILLUSTRATED SERVICE PARTS LIBRARY

CHASSIS GROUP (CONTINUED)

WHEEL, TIRE & COVERS

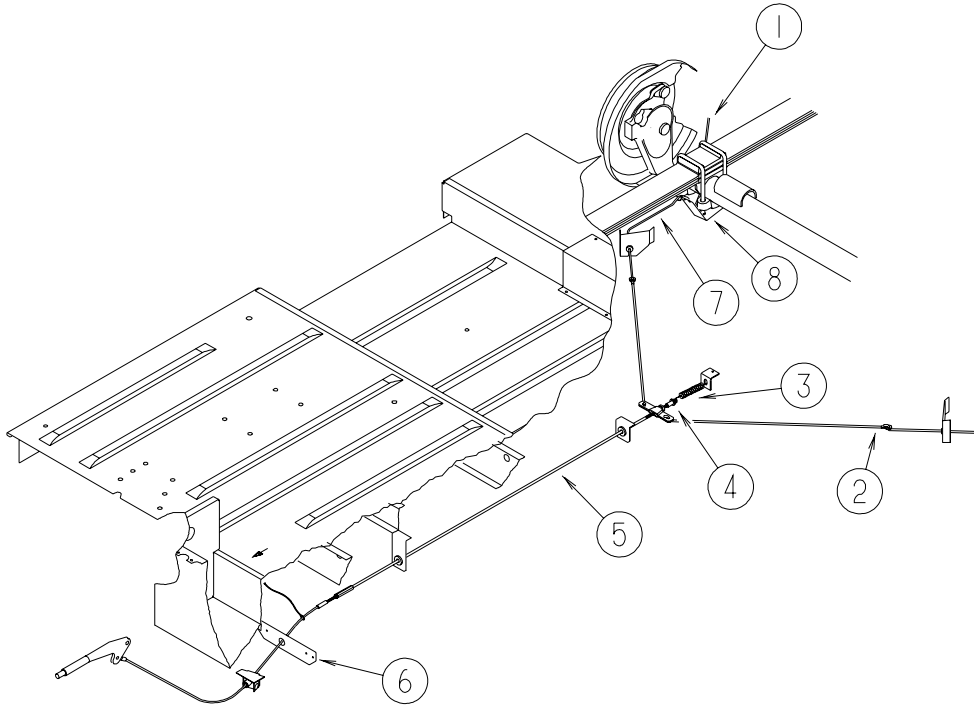
KEY	PART NUMBER	U/M	DESCRIPTION
*	134261-01-01A	EA	COVER - WHEEL/15" - SET OF 4
	077030-02-000	EA	EXTENSION - VALVE STEM - 1.25"
	051377-04-000	EA	VALVE STEM - .5" X 2"

* PRESS TO SEE ILLUSTRATED SERVICE PARTS LIBRARY

LUG WRENCH, TIRE JACK & HANDLE

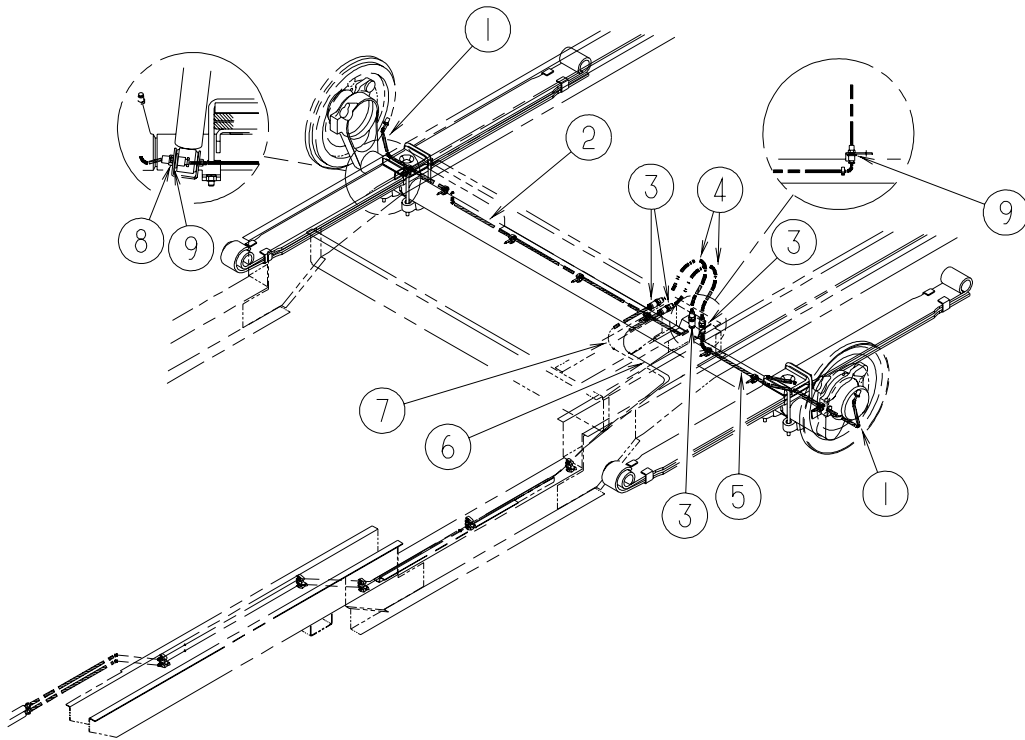
KEY	PART NUMBER	U/M	DESCRIPTION
	116209-01-000	EA	WRENCH - LUG - .75"
	114387-03-000	EA	JACK - SCREW - 4000 LB
	114387-02-000	EA	HANDLE - SCREW JACK - 1 PIECE

CHASSIS GROUP (CONTINUED)
BRAKE



KEY	PART NUMBER	U/M	DESCRIPTION
1	123961-01-000	EA	CLIP - CABLE, PARK BRAKE
2	123956-01-000	EA	ROD - CONNECTING, PARK BRAKE
3	124053-01-000	EA	SPRING-PARK BRAKE
4	123960-01-000	EA	SPRING - RETAINER, PARK BRAKE
4	123958-01-000	EA	NUT - PARK BRAKE
5	120406-02-02B	EA	ROD - THREADED - PARK BRAKE
6	119693-01-02B	EA	BRACKET-PARK BRAKE,E-COAT
6	121406-01-01A	EA	BUSHING - THREADED - 2 PIECE NYLON
7	123954-01-000	EA	CABLE - REAR PARK BRAKE W/DISC BRAKES
8	130075-01-02B	EA	BRACKET - PARK BRAKE CABLE/LEFT HAND - E-COATED
8	130075-02-02B	EA	BRACKET - PARK BRAKE CABLE/RIGHT HAND - E-COATED

CHASSIS GROUP (CONTINUED)
BRAKE LINE



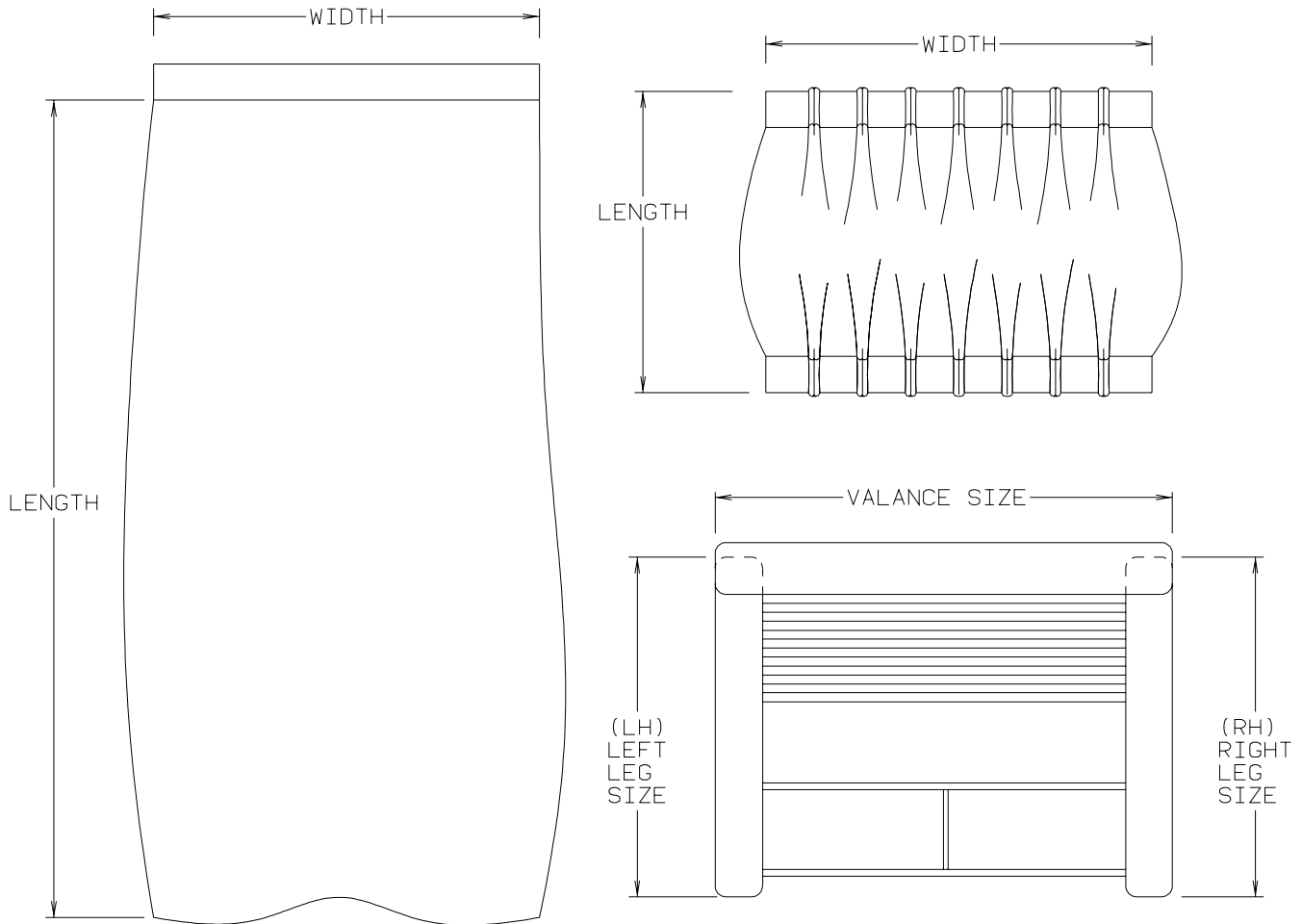
KEY	PART NUMBER	U/M	DESCRIPTION
1	125522-01-000	EA	HOSE ASM-BRAKE LINE - VW 893 611 775 A
2	121592-01-000	EA	REAR RH BRAKE LINE FOR VW H-BODY WITH REAR DISC BRAKES
3	112638-02-000	EA	CLIP - SPRING - BRAKE HOSE
4	112638-01-000	EA	HOSE - BRAKE LINE/REAR
5	121592-02-000	EA	REAR LH BRAKE LINE FOR THE VW H-BODY WITH REAR DISC BRAKES
6	112640-05-000	EA	BRAKE LINE ASM-FRONT
7	112640-06-000	EA	BRAKE LINE ASM-FRONT
8	125486-01-02B	EA	BRACKET-RETAINING,BRAKE LINE
9	125523-01-000	EA	CLIP-RETAINER,BRAKE LINE - VW 171 611 715

CURTAIN & CUSHION GROUP

NOTICE

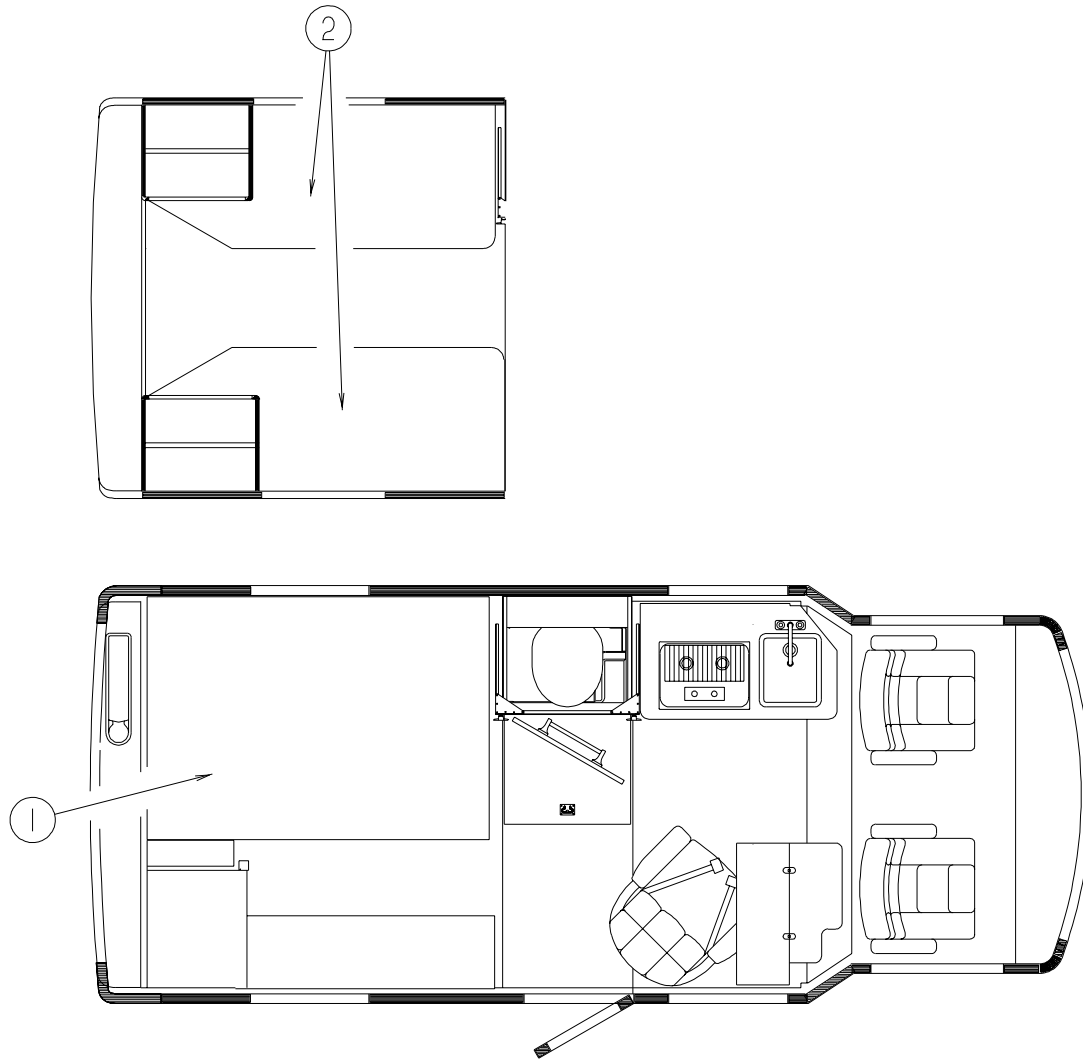
IN ORDER TO ASSIST OUR PARTS SALES DEPT. IN PROVIDING INTERIOR SOFTWARE ITEMS, PLEASE INCLUDE THE SERIAL NUMBER AND THE COLOR CODE NUMBER FROM THE VEHICLE CERTIFICATION LABEL WHEN ORDERING. THIS LABEL IS LOCATED ON THE LEFT SIDEWALL AT THE END OF THE DASH (A-BODY), OR ON THE DRIVER'S DOOR LATCH PLATE (C-BODY).

AN EXAMPLE OF A COLOR CODE NUMBER IS B07, WHICH DESIGNATES AN OVERALL COLOR SCHEME OF A PARTICULAR UNIT. THE COLOR LISTED AFTER THE ITEM DESCRIPTION ON THE MICROFICHE, INDICATES THE OVERALL UNIT COLOR. ORDER THE ITEM YOU DESIRE ACCORDING TO UNIT COLOR CODE. IF ALL COLORS USE THE SAME ITEM NO COLOR CODE WILL BE NOTED.



NOTE: USE THIS ILLUSTRATION WHEN DETERMINING LENGTH AND WIDTH MEASUREMENTS FOR CURTAINS. YOU WILL NOTE THE WIDTH MEASUREMENT IS TAKEN ON THE TOP OF THE CURTAIN WITH THE CURTAIN FULLY EXTENDED. THE LENGTH MEASUREMENT IS TAKEN FROM TOP TO BOTTOM. LEFT AND RIGHT WINDOW LEGS ARE DETERMINED WHEN FACING THE WINDOW

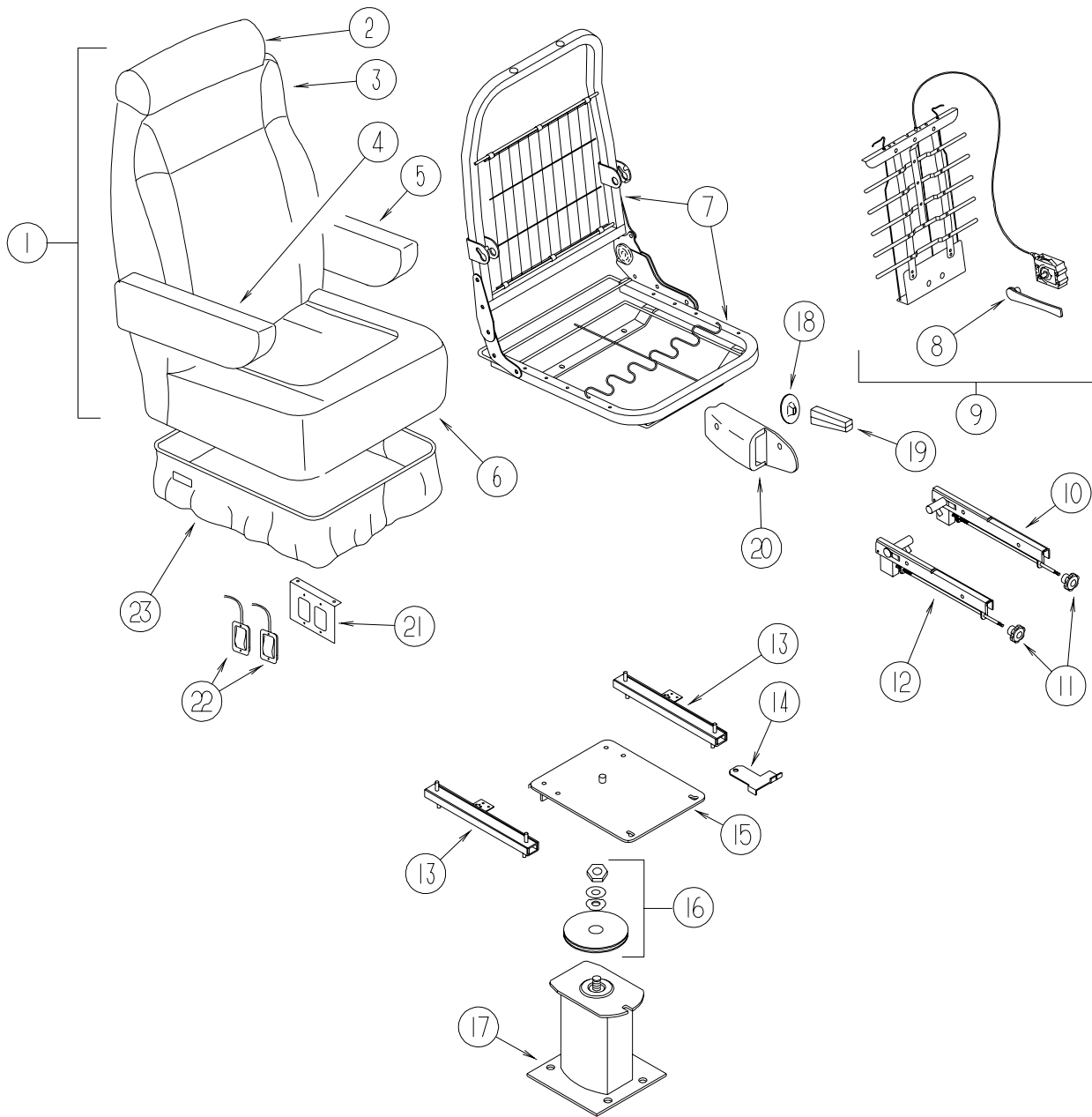
CURTAIN & CUSHION GROUP (CONTINUED)
CUSHION LAYOUT



KEY	PART NUMBER	U/M	DESCRIPTION
1	101123-17-000	EA	MATTRESS - FOAM - 54" X 74" X 5"
1	117067-13-L91	EA	COVER - FITTED SHEET - 54" X 75" X 5"
1	117067-13-L93	EA	COVER - FITTED SHEET - 54" X 75" X 5"
1	111863-08-L91	EA	PILLOW SHAM - 20" X 30"
1	111863-08-L93	EA	PILLOW SHAM - 20" X 30"
2	117067-06-L91	EA	COVER - FITTED SHEET - RIGHT CUT - 32" X 75" X 5"
2	117067-06-L93	EA	COVER - FITTED SHEET - RIGHT CUT - 32" X 75" X 5"
2	111863-08-L91	EA	PILLOW SHAM - 20" X 30"
2	111863-08-L93	EA	PILLOW SHAM - 20" X 30"
2	101123-33-000	EA	MATTRESS - FOAM - 32" X 75" X 5"

CURTAIN & CUSHION GROUP (CONTINUED)

BUCKET SEATS

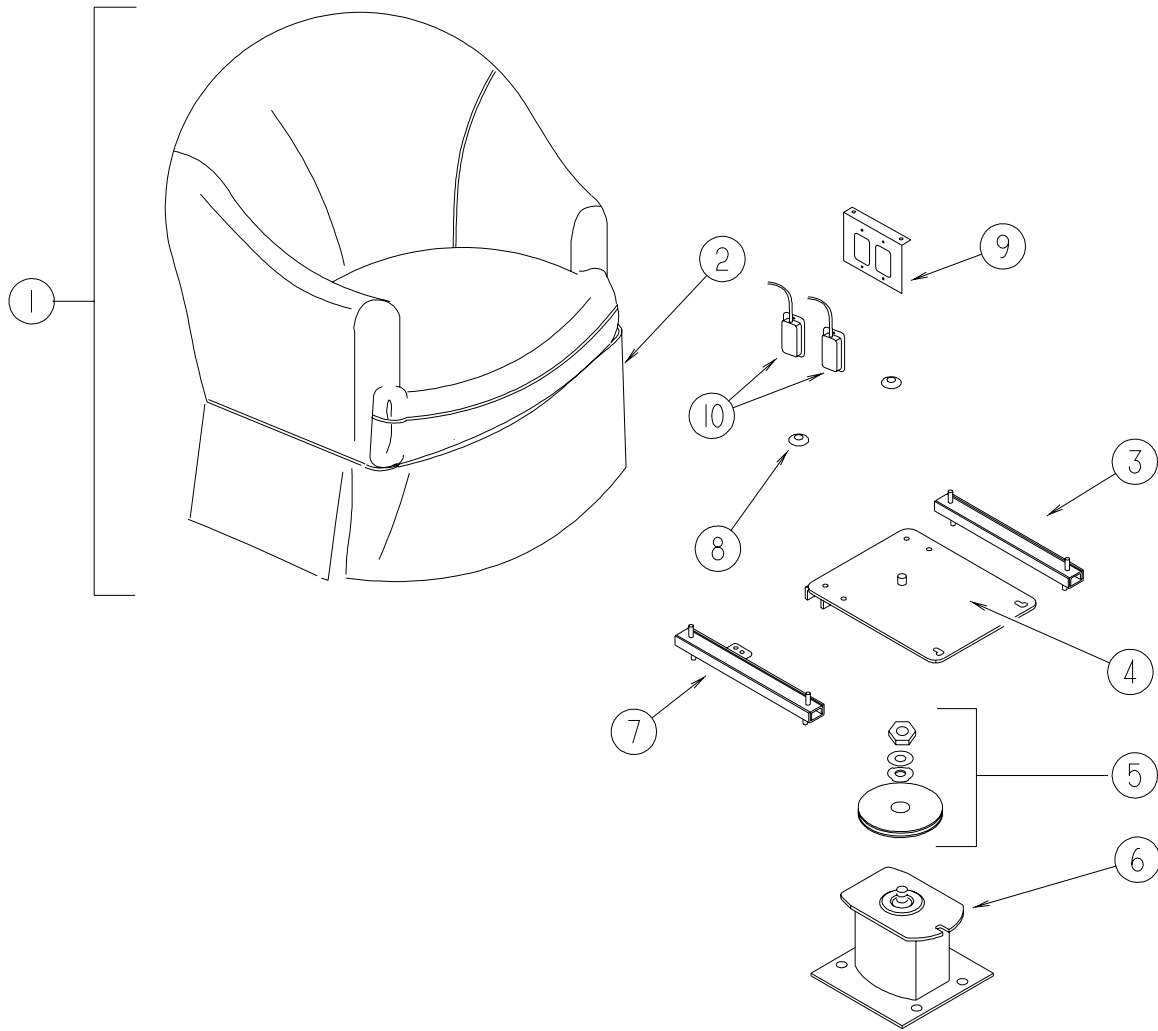


CURTAIN & CUSHION GROUP (CONTINUED)

BUCKET SEAT (CONTINUED)

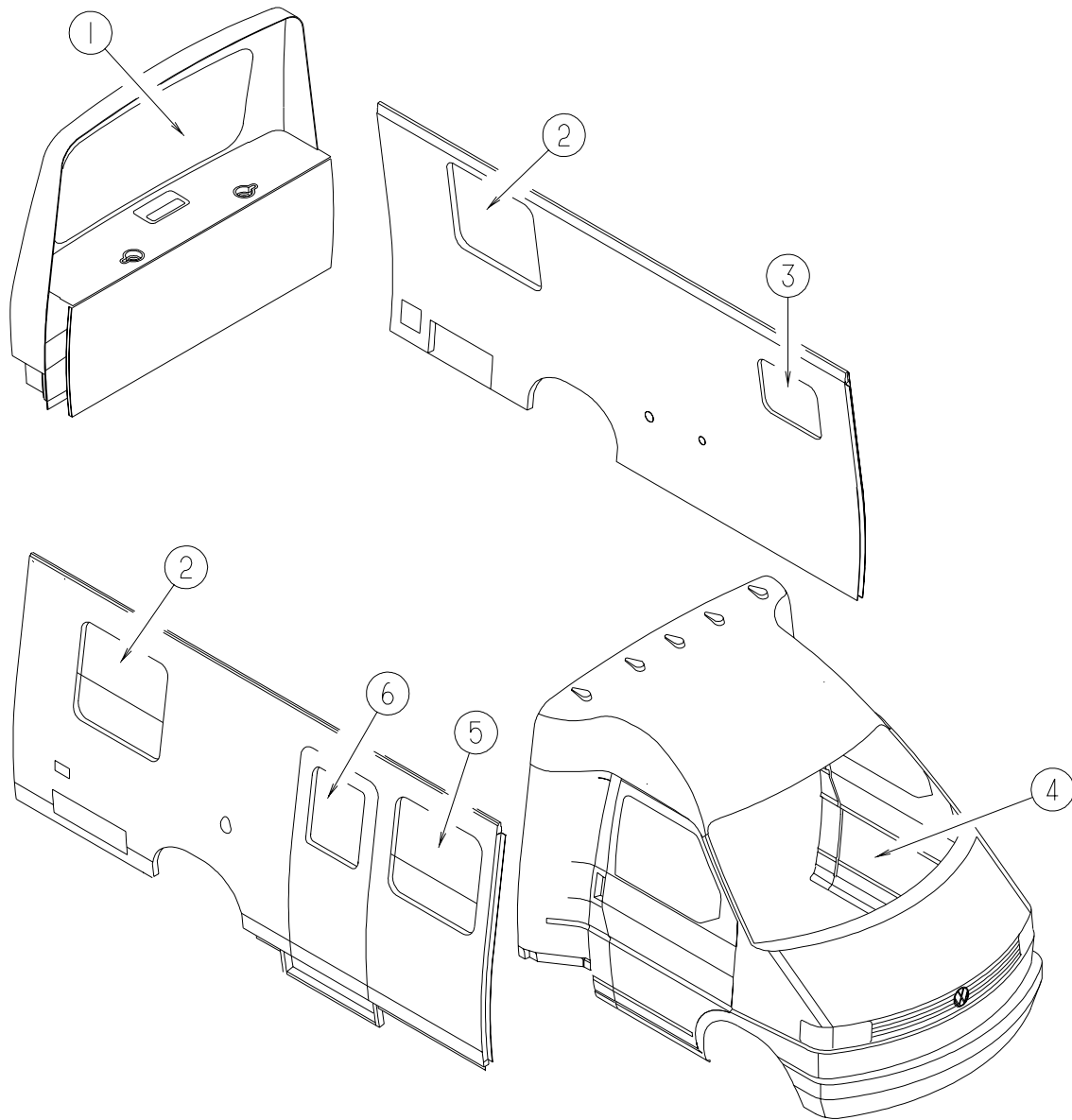
KEY	PART NUMBER	U/M	DESCRIPTION
1	127540-08-L90	EA	SEAT - BUCKET - DRIVER - W/LUMBAR SUPPORT/ARMREST
1	127540-08-L92	EA	SEAT - BUCKET - DRIVER - W/LUMBAR SUPPORT/ARMREST
1	127851-01-L91	EA	SEAT - BUCKET - DRIVER - W/LUMBAR/ARMREST - LEATHER
1	127540-13-L90	EA	SEAT - BUCKET - PASSENGER - W/ARMREST
1	127540-13-L92	EA	SEAT - BUCKET - PASSENGER - W/ARMREST
1	127851-03-L91	EA	SEAT - BUCKET - PASSENGER - W/ARMREST - LEATHER
2	119509-01-K86	EA	HEADREST - BUCKET SEAT
2	119509-03-K76	EA	HEADREST - BUCKET SEAT - LEATHER
2	P19509-01-K86	EA	COVER - HEADREST
2	P19509-03-K76	EA	COVER - HEADREST - LEATHER
	113977-12-000	EA	HEADREST INSERT - W/O LOCK
	113977-13-000	EA	HEADREST INSERT - W/ LOCK
3	M05962-75-L90	EA	COVER - BACK
3	M05962-75-L92	EA	COVER - BACK
3	M05962-76-L91	EA	COVER - BACK - LEATHER
4	129666-05-K76	EA	ARMREST - RIGHT HAND
4	129716-01-K76	EA	ARMREST - RIGHT HAND - LEATHER
4	P29666-05-K76	EA	COVER - ARMREST/RIGHT HAND
4	P29716-01-K76	EA	COVER - ARMREST/RIGHT HAND - LEATHER
5	129666-06-K76	EA	ARMREST - LEFT HAND
5	129716-02-K76	EA	ARMREST - LEFT HAND - LEATHER
5	P29666-06-K76	EA	COVER - ARMREST/LEFT HAND
5	P29716-02-K76	EA	COVER - ARMREST/LEFT HAND - LEATHER
6	M05962-52-L90	EA	COVER - SEAT
6	M05962-52-L92	EA	COVER - SEAT
6	M05962-77-L91	EA	COVER - SEAT - LEATHER
7	122695-02-01B	EA	FRAME - SEAT/BACK - DRIVER
			FROM: 00-00-00 THRU: 09-26-99
7	134532-02-000	EA	FRAME/SEAT - BACK/NARROW/RIGHT - DRIVER
			FROM: 09-27-99 THRU: 99-99-99
7	122695-03-01B	EA	FRAME - SEAT/BACK - PASSENGER
			FROM: 00-00-00 THRU: 09-26-99
7	134532-03-000	EA	FRAME/SEAT - BACK/NARROW/LEFT - PASSENGER
			FROM: 09-27-99 THRU: 99-99-99
8	122611-02-701	EA	LUMBAR - LEVER
9	122611-02-000	EA	LUMBAR - W/LEVER
10	122622-05-000	EA	BRACKET - ARMREST - LEFT HAND
11	122622-06-000	EA	KNOB - W/3/8" THREAD INSERT
12	122622-04-000	EA	BRACKET - ARMREST - RIGHT HAND
13	119952-04-000	EA	SLIDE/SEAT - HEAVY DUTY LOCKING - 4 STUDS
			FROM: 00-00-00 THRU: 09-12-99
13	131566-04-000	EA	SLIDE - DOUBLE LOCKING
			FROM: 09-13-99 THRU: 99-99-99
	119952-07-000	EA	WIRE - LATCH RELEASE/ROTARY
14	117125-01-02B	EA	BRACKET - CABLE MOUNT - ADJUSTER W/LOCK
15	107921-08-000	EA	TOP PLATE - PEDESTAL - W/O SEAT BELT BAR - DRIVER
			FROM: 00-00-00 THRU: 09-30-00
15	107921-20-000	EA	TOP PLATE - PEDESTAL - W/O SEAT BELT BAR - PLATE F/LOCK MECHANISM
			FROM: 00-00-00 THRU: 09-30-00
15	107921-08-000	EA	TOP PLATE - PEDESTAL - W/O SEAT BELT BAR - DRIVER
			FROM: 00-00-00 THRU: 09-30-00
15	133408-07-000	EA	TOP PLATE - W/O BAR
			FROM: 10-01-00 THRU: 99-99-99
15	133408-15-000	EA	TOP PLATE
			FROM: 10-01-00 THRU: 99-99-99
16	107921-06-000	EA	BEARING KIT - PEDESTAL
17	107921-12-000	EA	PEDESTAL/FLOOR MOUNTED - 6" - DRIVER
			FROM: 00-00-00 THRU: 09-30-00
17	133408-12-000	EA	PEDESTAL - DRIVER - H-BODY
			FROM: 10-01-00 THRU: 99-99-99
17	107921-19-000	EA	PEDESTAL/FLOOR MOUNTED - 6" PASS - W/PLATE F/LOCKING MECH
			FROM: 00-00-00 THRU: 09-30-00
17	133408-13-000	EA	PEDESTAL - PASSENGER - H-BODY
			FROM: 10-01-00 THRU: 99-99-99
18	080730-09-000	EA	SHIELD - RECLINER HANDLE
19	080730-08-000	EA	HANDLE - RECLINER
20	080730-11-000	EA	SHIELD - RUBBER BOOT
21	127159-02-02B	EA	BRACKET - SEAT RELEASE - DUAL REMOTE
22	108049-04-000	EA	CABLE - W/SWITCHES - W/26" MINI LEVER ACTION
	108049-02-000	EA	CLIP - CABLE/PEDESTAL
23	071126-41-K77	EA	SKIRT - SINGLE - 7" W/SLOT

CURTAIN & CUSHION GROUP (CONTINUED)
LOUNGE CHAIR



KEY	PART NUMBER	U/M	DESCRIPTION
1	115470-02-L91	EA	CHAIR - SWIVEL
1	115470-02-L93	EA	CHAIR - SWIVEL
1	115470-03-L91	EA	CHAIR - SWIVEL - LEATHER
1	P15470-02-L91	EA	COVER - CHAIR
1	P15470-02-L93	EA	COVER - CHAIR
1	P15470-03-L91	EA	COVER - CHAIR - LEATHER
2	P07977-03-L91	EA	COVER - SKIRT - DIPLOMAT CHAIR
2	P07977-03-L93	EA	COVER - SKIRT - DIPLOMAT CHAIR
2	P07977-01-K77	EA	COVER - SKIRT - LEATHER
3	119952-01-000	EA	SLIDE/SEAT - HEAVY DUTY NON LOCKING
4	107921-08-000	EA	PLATE - TOP PEDESTAL - W/O SEAT BELT BAR
4	133408-07-000	EA	TOP PLATE - W/O BAR
			FROM: 00-00-00 THRU: 09-30-00
			FROM: 10-01-00 THRU: 99-99-99
5	107921-06-000	EA	BEARING KIT - PEDESTAL
6	107921-15-000	EA	PEDESTAL/FLOOR MOUNTED - 9.75"
			FROM: 00-00-00 THRU: 09-30-00
6	133408-11-000	EA	PEDESTAL - 9.75"
			FROM: 10-01-00 THRU: 99-99-99
7	119952-03-000	EA	SLIDE/SEAT - HEAVY DUTY LOCKING - 2 STUDS
8	007221-01-000	EA	SPACER - SEAT/ADJUSTER
9	127159-02-02B	EA	BRACKET - SEAT RELEASE - DUAL REMOTE
10	108049-04-000	EA	CABLE - W/MINI LEVER ACTION SWITCH - 28" SHEATH/30" CABLE
	117125-01-02B	EA	BRACKET - CABLE MOUNT - ADJUSTER W/LOCK
	108049-02-000	EA	CLIP - CABLE/PEDESTAL
	007021-01-000	EA	SEAT BELT - 2" X 90" - BLACK

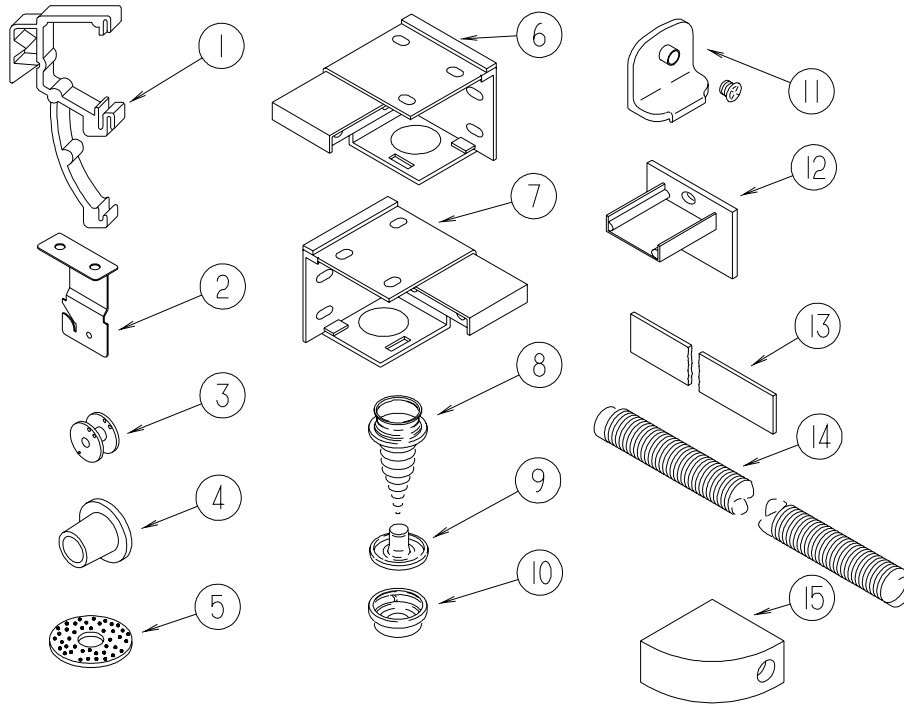
CURTAIN & CUSHION GROUP (CONTINUED)
WINDOW TREATMENT



KEY	PART NUMBER	U/M	DESCRIPTION
1	119405-06-K77	EA	BLIND - MICRO PLEAT - 61" X 32"
2	113637-32-L90	EA	VALANCE - ROSEANNE - 30.5" (L91)
2	113637-32-L92	EA	VALANCE - ROSEANNE - 30.5" (L93)
2	119405-15-K77	EA	BLIND - MICRO PLEAT - 28" X 26.5"
3	111861-08-01A	EA	BLIND - MICRO MINI - 21" X 18.5"
4	077591-14-H70	EA	CURTAIN - 26" X 114"
5	113637-32-L90	EA	VALANCE - ROSEANNE - 30.5" (L91)
5	113637-32-L92	EA	VALANCE - ROSEANNE - 30.5" (L93)
5	119405-15-K77	EA	BLIND - MICRO PLEAT - 28" X 26.5"
6	113637-33-L91	EA	VALANCE - ROSEANNE - 30"
6	113637-33-L93	EA	VALANCE - ROSEANNE - 30"
6	084755-39-E01	EA	SHADE - PULL - 26.25"
	117640-03-G47	EA	CURTAIN - SHOWER - RIGHT HAND/INSIDE LOOKING OUT
	117640-04-G47	EA	CURTAIN - SHOWER - LEFT HAND/INSIDE LOOKING OUT
	057534-02-000	EA	TIEBACK/TIEDOWN - 3" CLEAR PLASTIC

CURTAIN & CUSHION GROUP (CONTINUED)

HARDWARE



KEY	PART NUMBER	U/M	DESCRIPTION
1	109353-04-000	EA	CLIP - VALANCE SLAT MOUNTING - CLEAR PLASTIC
2	084434-01-000	EA	BRACKET - MOUNTING - ROLLER SHADE - 1 3/8"
*	084433-01-000	EA	ROLLER - SHADE - 37.25"
	096843-01-000	EA	SPRING - REWIND/ROLLER SHADE
3	097592-01-000	EA	SPOOL - CORD - ELEVATED BLIND HOLDUP - SMALL - CLEAR
4	094896-02-000	EA	GROMMET - CORD/PLEATED BLIND - NYLON - GRAY
5	103242-01-000	EA	VELCRO HOOK - BEIGE 7/8" ROUND W/CENTER HOLE
5	103242-02-000	EA	VELCRO HOOK - BLACK 7/8" ROUND W/CENTER HOLE
6	083170-01-000	EA	BRACKET - BLIND - LEFT SIDE WHEN FACING WINDOW
7	083170-02-000	EA	BRACKET - BLIND - RIGHT SIDE WHEN FACING WINDOW
8	029130-01-000	EA	SCREW - SNAP SOCKET - #8 PH X 5/8"
8	029130-03-000	EA	SCREW - SNAP SOCKET - #8 PH X 1"
9	029155-01-000	EA	CAP - SNAP - 5/32" OUTSIDE DIAMETER OF PIN
10	029156-01-000	EA	SOCKET - SNAP - 9/16" O.D.
10	029156-02-000	EA	SOCKET - SNAP - 27/64" O.D.
11	106544-01-000	EA	PULL - SHADE/BRASS
	106544-01-001	EA	SCREW - SHADE/BRASS
12	094907-06-000	EA	HARDWARE - END CAP - E-Z LIFT - TOP
13	089275-01-000	FT	STRIP - 3/4" X 96" - CLEAR POLYETHYLENE
14	097591-01-000	EA	SPRING - EXTENSION/PLEATED BLIND
15	132504-01-K76	EA	BRACKET - SHADE
*	094907-05-000	EA	END CAP - BOTTOM/PLEATED BLIND - PULL TYPE - PLASTIC
	094908-03-000	FT	HARDWARE - SEMI-RIDGED PVC - EZ LIFT
	097565-01-000	EA	BRACKET - MOUNTING - PLEATED BLIND
	097593-06-000	FT	CORD - BLIND - PLEATED - PEWTER
	086276-01-000	EA	TAPE - DOUBLE SIDED - 1/2"

* PRESS TO SEE ILLUSTRATED SERVICE PARTS LIBRARY

CURTAIN & CUSHION GROUP (CONTINUED)

ACCESSORIES

KEY	PART NUMBER	U/M	DESCRIPTION
	114258-01-01A	EA	SEAT BELT - 2" X 90" - BLACK
	057759-01-000	EA	WASHER - FLAT F/SEAT BELT - 4" DIAMETER
	095076-02-000	EA	WASHER - FLAT -7/16 ID X 50.8 OD X .06
	057534-02-000	EA	TIEBACK - CLEAR PLASTIC - 3"
	079349-04-K86	YD	WELT - NARROW

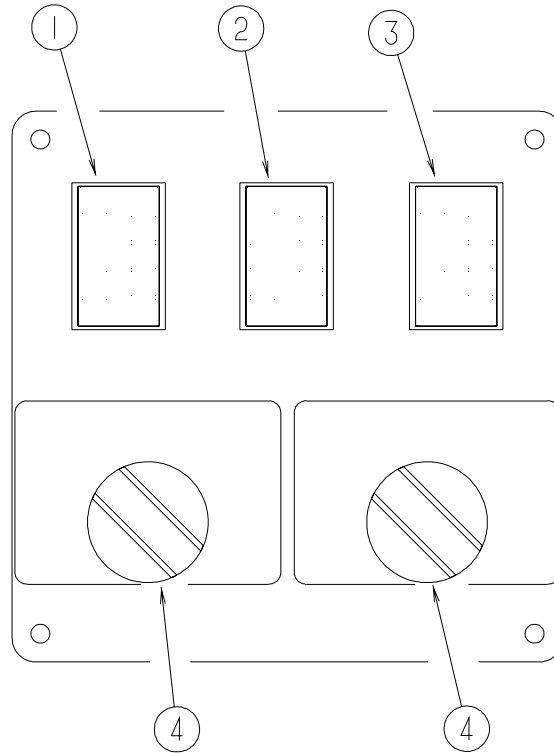
FABRICS

2000 RIALTA FABRICS		
COLOR CODES	L90/ L91	L92/L93
MARKETING COLORS	STERLING SILVER (WASHED MAPLE)	CANYON SPRUCE (WASHED MAPLE)
MAIN FABRIC PLAIN ACCENT FABRIC	126883-77-000 079680-30-000	126883-78-000 079680-30-000
BUCKET SEAT	126883-77-000	126883-78-000
LEATHER BUCKET SEAT	079680-30-000	079680-30-000
LOUNGE CHAIR	126883-77-000	126883-78-000
LEATHER LOUNGE CHAIR	079680-30-000	079680-30-000
DINETTE CUSHIONS	126883-77-000	126883-78-000
DINETTE PANEL COVERS	079680-30-000	079680-30-000
LOUNGE/DINETTE WINDOW VALANCE	126883-77-000	126883-78-000
BEDSPREAD MAIN	126883-77-000	126883-78-000
BEDROOM WINDOW VALANCE	126883-77-000	126883-78-000
BEDROOM PILLOWS	126883-77-000	126883-78-000
FRONT WRAP AROUND	072333-88-000	072333-88-000
CEILING	113979-02-02A	113979-02-02A

NOTE: THE FABRIC LISTED FIRST, IN A BLOCK, IS THE LARGEST QUANTITY OF FABRIC USED

DRIVERS COMPARTMENT GROUP INSTRUMENT PANEL

KEY	PART NUMBER	U/M	DESCRIPTION
	132227-01-000	EA	CLUSTER - INSTRUMENT PANEL - KILOMETERS/CANADA - GAS
	114965-01-000	EA	RELAY/TIMER MOD - 12 V/2 AMP - DELAY OFF 10 MIN-RR DEFROST

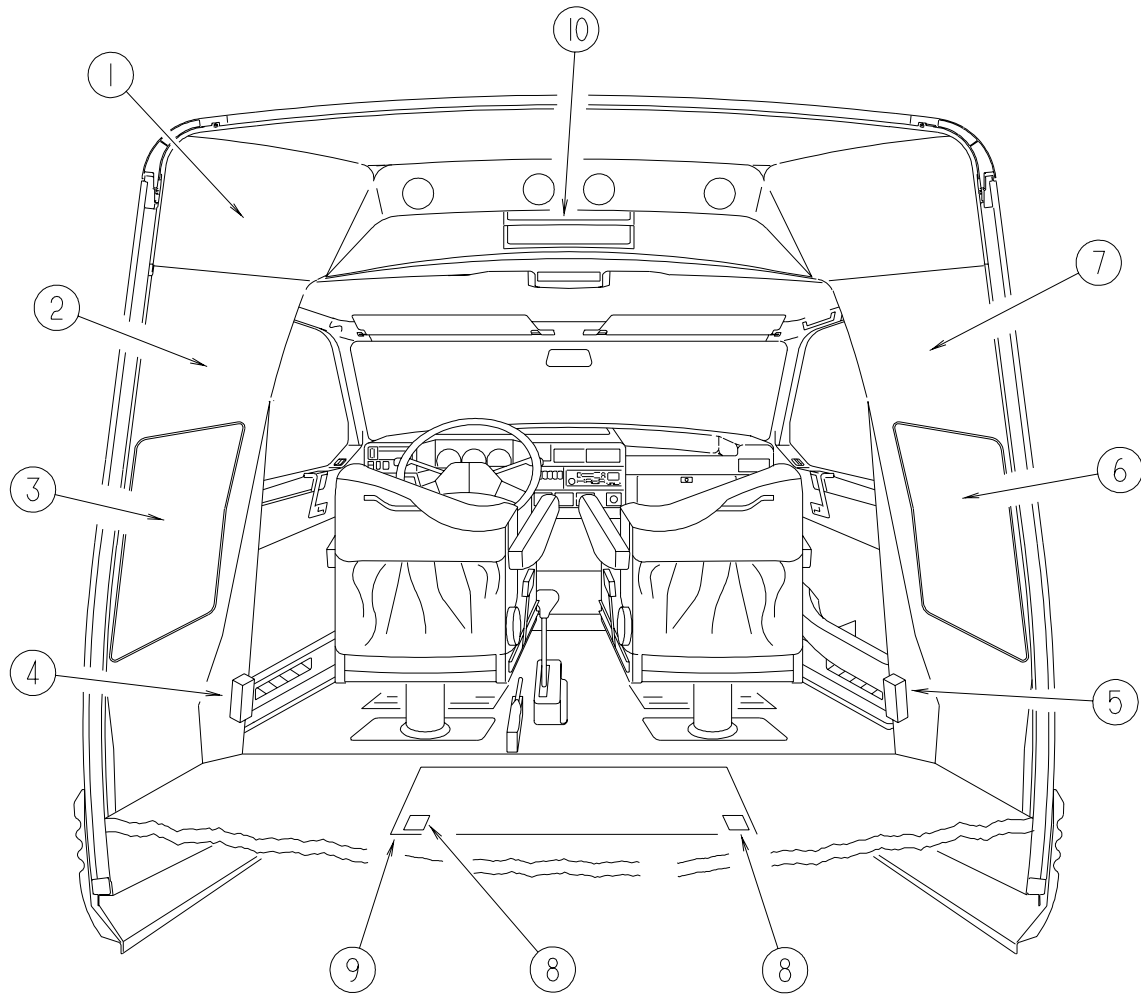


OVERHEAD PANEL SWITCHES

KEY	PART NUMBER	U/M	DESCRIPTION
1	108356-09-01A	EA	COVER/ACTUATOR SWITCH - 2 ROWS DIMPLES W/LENS - WASH/BLACK
1	108357-13-000	EA	SWITCH - ROCKER DPDT W/LIGHT - MOM/ON-OFF/OFF - 7 TERMINAL
2	108356-08-01A	EA	COVER/ACTUATOR SWITCH - 2 ROWS DIMPLES W/LENS - REAR-BLACK
2	108357-12-000	EA	SWITCH - ROCKER DPST W/LIGHT - MOM/NONE/OFF - 7 TERMINAL
3	108356-07-01A	EA	COVER/ACTUATOR SWITCH - 2 ROWS DIMPLES - AUX START - BLACK
3	108357-09-000	EA	SWITCH - ROCKER SPDT - ON/NONE/MOM - 3 TERMINAL
4*	087202-02-000	EA	SWITCH - 4 POSITION - W/O KNOB/BEZEL - 5 TERMINAL
4	090977-01-000	EA	KNOB - ROTARY SWITCH/SLIP ON - REAR HEATER/DASH/REAR PANEL
	111414-01-000	EA	RECEPTACLE/SOCKET - 12 VOLT

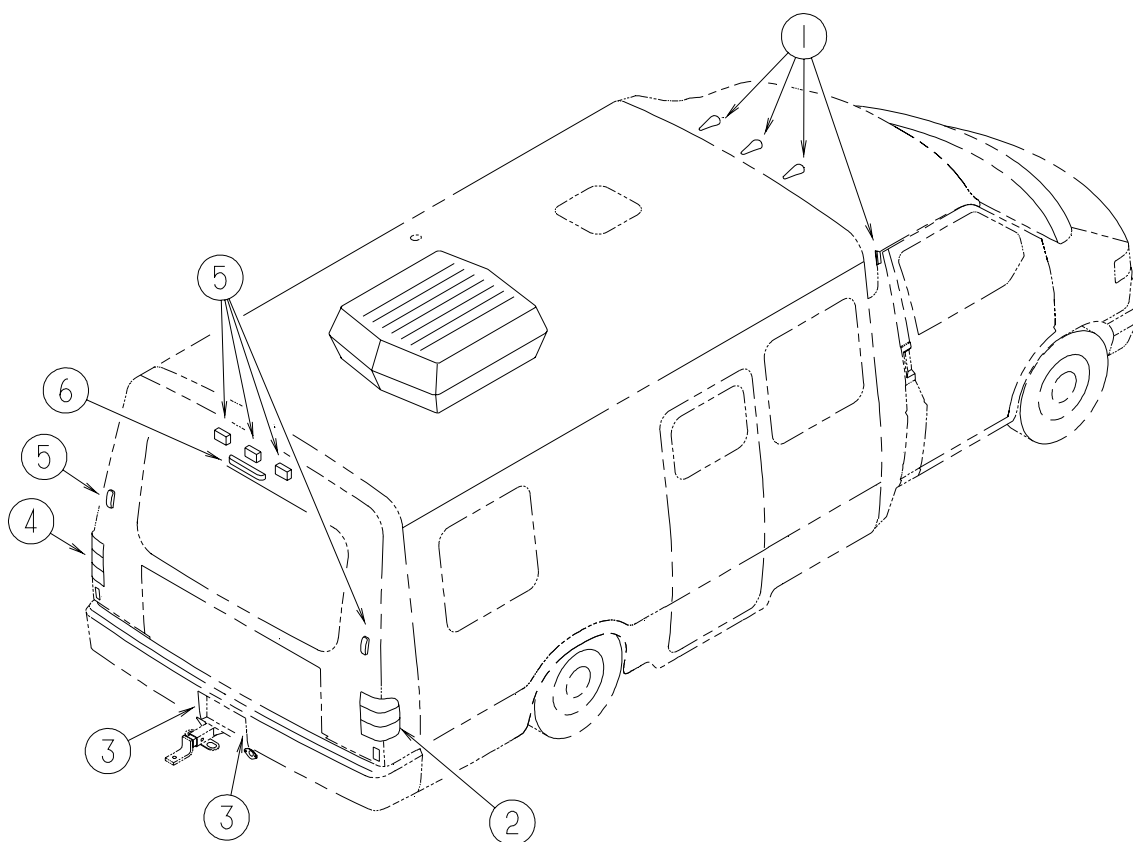
* PRESS TO SEE ILLUSTRATED SERVICE PARTS LIBRARY

DRIVERS COMPARTMENT GROUP (CONTINUED)
FRONT INTERIOR



KEY	PART NUMBER	U/M	DESCRIPTION
1	117256-03-03A	EA	HEADLINER - CAB - VW LT GRAY ABS PLASTIC
1	117256-07-03A	EA	HEADLINER - CAB - VW LT GRAY ABS PLASTIC (W/SOUND SYSTEM)
2	127844-03-02A	EA	PANEL - TRANSITION/INNER DRIVER - VW LT GRAY
3	117555-02-L90	EA	PANEL - TRANSITION - LEFT HAND
4	128914-01-01A	EA	COVER - RETRACTOR - DRIVER SIDE - BLACK
5	128914-02-01A	EA	COVER - RETRACTOR - PASSENGER SIDE - BLACK
6	117555-01-L90	EA	PANEL - TRANSITION - RIGHT HAND
7	P27844-01-02A	EA	PANEL - TRANSITION/INNER - VW LIGHT GRAY
8	097111-02-04A	EA	POCKET - LOCK - REAR DOOR
9	P18892-01-L90	EA	LID - COMPARTMENT/BATTERY - W/CARPET (L91)
9	P18892-01-L92	EA	LID - COMPARTMENT/BATTERY - W/CARPET (L93)
	102330-01-000	EA	LATCH - VISE ACTION/KEY OPERATED
	102328-01-000	EA	KEY - BARREL - NICKEL PLATED
10	109918-01-05A	EA	VENT - RETURN AIR - 12.3" X 5.5" - BLACK
10	109918-03-01A	EA	VENT - RETURN AIR - 12.3" X 2.75" - BLACK
	115381-01-01A	EA	MAT - FLOOR - DRIVER - GRAY/BLACK
	115381-02-01A	EA	MAT - FLOOR - PASSENGER - GRAY/BLACK

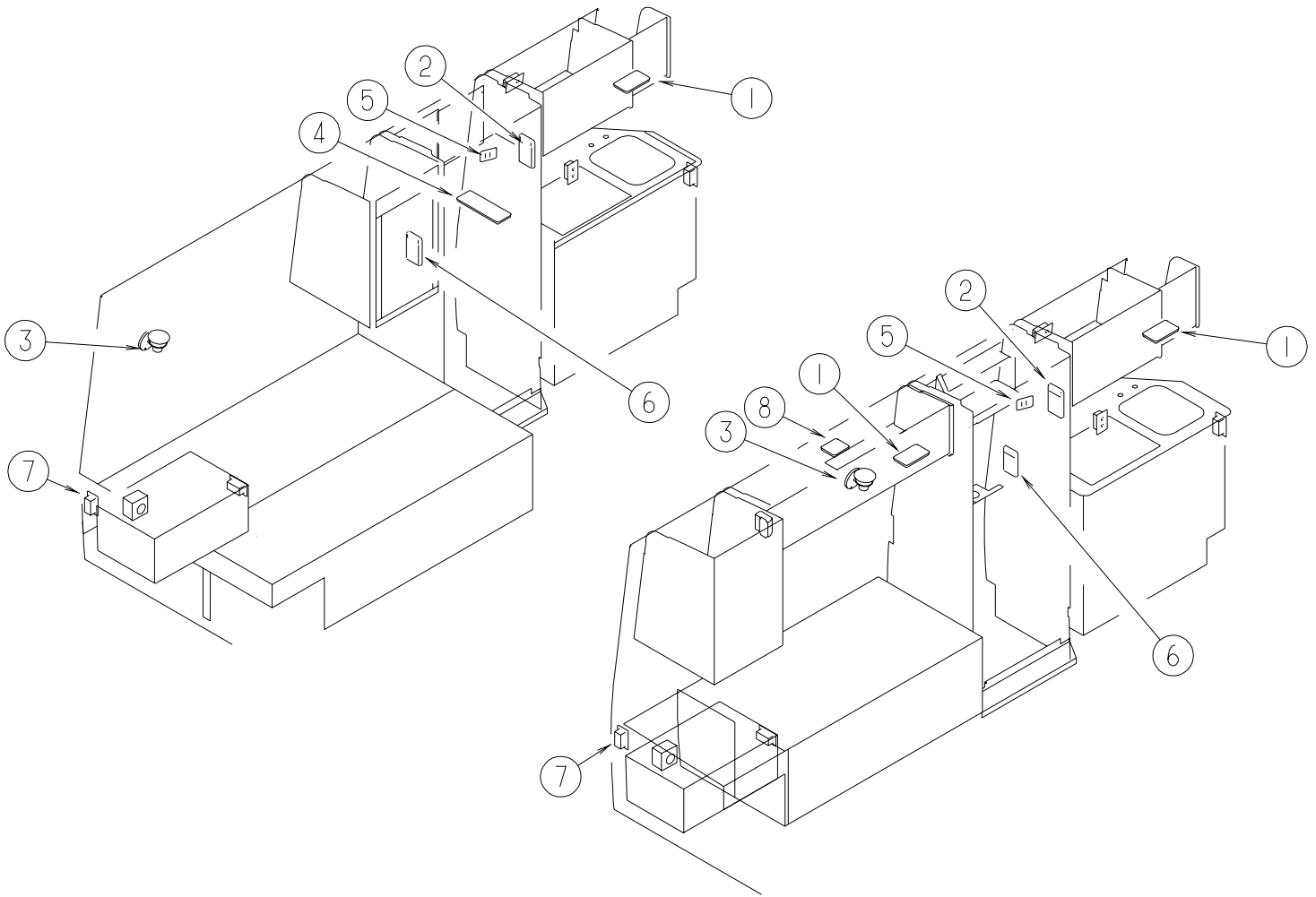
ELECTRICAL GROUP 12V BODY WIRING



EXTERIOR

KEY	PART NUMBER	U/M	DESCRIPTION
1	113709-01-000	EA	LAMP - CLEARANCE - AMBER
2	112126-03-000	EA	LAMP - REAR/RIGHT HAND
2	112709-01-000	EA	SOCKET - TURN LIGHT
2	112709-02-000	EA	SOCKET - BACK-UP LIGHT
2	112709-03-000	EA	SOCKET - BRAKE LIGHT/MARKER LIGHT
2	112707-01-000	EA	BULB - 12 VOLT - #3156 - 2.10 AMP
2	112708-01-000	EA	BULB - 12 VOLT - #3157 - .59/2.10 AMP
2	113777-01-02B	EA	BRACKET - TAIL LAMP - 7.7" LONG - E-COATED
2	113778-03-02B	EA	BRACKET - TAIL LAMP - 6.4" LONG - E-COATED
2	113689-01-02B	EA	BRACKET - TAIL LAMP - RH - E-COATED
3	087201-01-000	EA	LIGHT - HALF ROUND - 1" X 1.7" - PLASTIC - BLACK
4	112126-04-000	EA	LAMP - REAR/LEFT HAND
4	112709-01-000	EA	SOCKET - TURN LIGHT
4	112709-02-000	EA	SOCKET - BACK-UP LIGHT
4	112709-03-000	EA	SOCKET - BRAKE LIGHT/MARKER LIGHT
4	112707-01-000	EA	BULB - 12 VOLT - #3156 - 2.10 AMP
4	112708-01-000	EA	BULB - 12 VOLT - #3157 - .59/2.10 AMP
5	111102-01-000	EA	BASE - MARKER LAMP
5	111102-03-000	EA	LENS - RED - MARKER LAMP
5	036196-01-000	EA	BULB - 12V - #194 - .27 AMP - BAYONETTE
6	121950-01-000	EA	LIGHT - BRAKE - CENTER MOUNT

ELECTRICAL GROUP (CONTINUED)
12V BODY WIRING (CONTINUED)



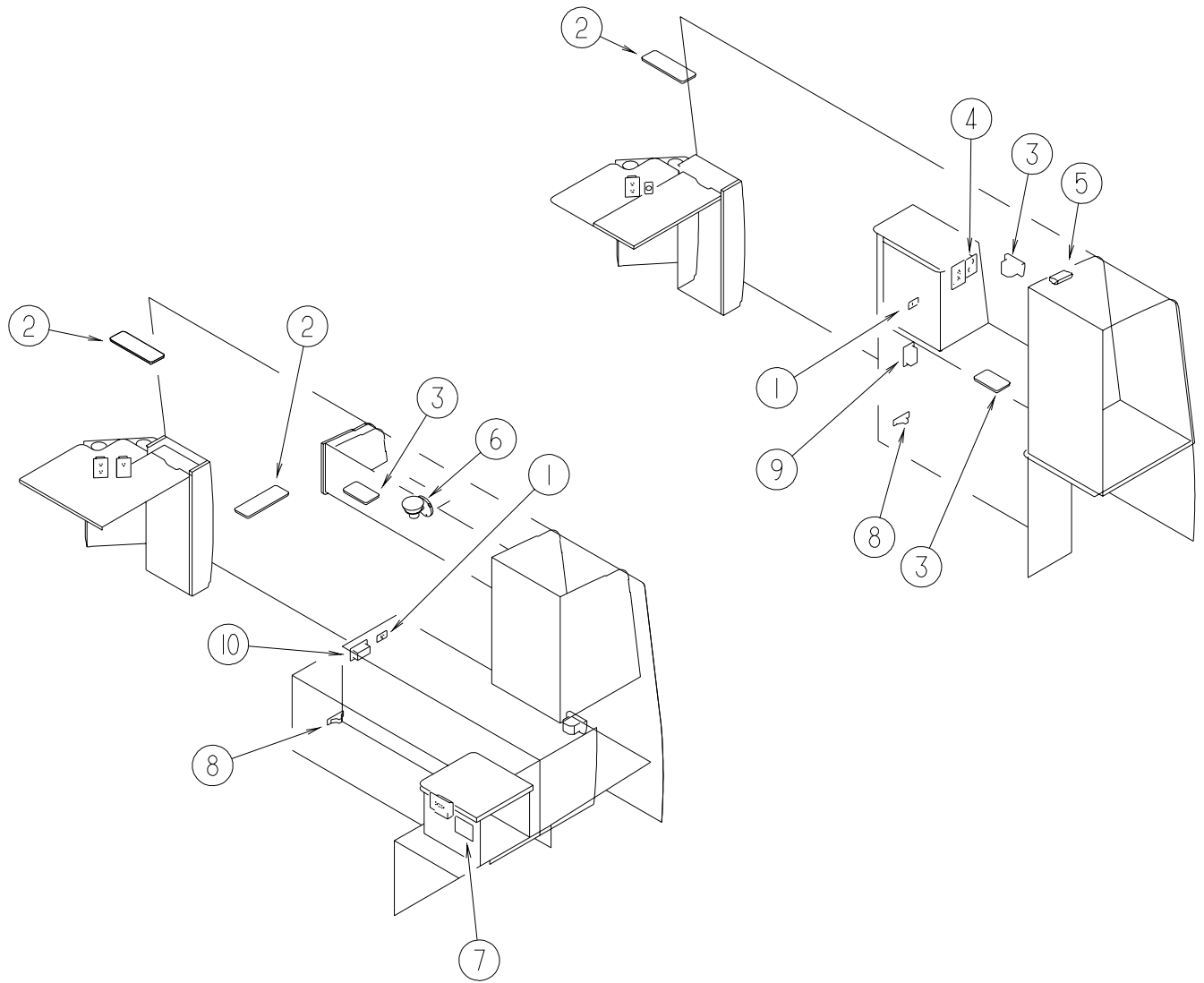
INTERIOR

KEY	PART NUMBER	U/M	DESCRIPTION
1*	098024-05-02A	EA	LIGHT - DOME - 1 BULB - SKYLITE/OPTI CLEAR
1	008218-01-000	EA	BULB - 12 VOLT - #1141 - 1.44 AMP
2*	098024-01-03A	EA	LIGHT - DOME - 1 BULB - WHITE
3	065202-37-000	EA	LAMP - WALL - BRASS SHORT - UL/CSA
3	117806-01-000	EA	BULB - 12 VOLT #912 - 1.0 AMPS
4*	098024-03-02A	EA	LIGHT - DOME - 2 BULB - WHITE
4	008218-01-000	EA	BULB - 12 VOLT - #1141 - 1.44 AMP
5	108357-14-000	EA	SWITCH - ROCKER SPDT W/LIGHT - ON/NONE/OFF - 4 TERMINAL
5	108356-10-01A	EA	COVER/ACTUATOR SWITCH - 2 ROWS DIMPLES W/LENS-SHOWER DRAIN
6	108357-08-000	EA	SWITCH - ROCKER DPDT - ON/NONE/ON - 6 TERMINAL
6	108356-02-01A	EA	COVER/ACTUATOR SWITCH - 2 ROWS DIMPLES- CONTURA II - BLACK
7	093901-03-000	EA	PLATE - TV COAX - EXTERIOR - 1.8" X 2.5"
8	054250-01-000	EA	COVER/ANGLED - W/O HOLE - 3.6" X 4.5" - BEIGE PLASTIC

* PRESS TO SEE ILLUSTRATED SERVICE PARTS LIBRARY

ELECTRICAL GROUP (CONTINUED)

12V BODY WIRING (CONTINUED)



INTERIOR (CONTINUED)

KEY	PART NUMBER	U/M	DESCRIPTION
1	079364-01-000	EA	SWITCH - ON/OFF ROCKER - 2 TERMINAL - BROWN
1	098351-01-01A	EA	PLATE - SWITCH - 1 GANG POLISHED BRASS
2*	098024-03-02A	EA	LIGHT - DOME - 2 BULB - WHITE
2	008218-01-000	EA	BULB - 12 VOLT - #1141 - 1.44 AMP
3*	098024-05-02A	EA	LIGHT - DOME - 1 BULB - SKYLITE - WHITE
3	008218-01-000	EA	BULB - 12 VOLT - #1141 - 1.44 AMP
4	086777-02-000	EA	WALLPLATE - TV CABLE - W/ANTENNA SWITCH - BROWN
5*	087694-01-000	EA	LIGHT - WARDROBE/CLOSET - W/SWITCH
6	065202-37-000	EA	LAMP - WALL - BRASS SHORT - UL/CSA
6	117806-01-000	EA	BULB - 12 VOLT #912 - 1.0 AMPS
7	086777-02-000	EA	WALLPLATE - TV CABLE - W/ANTENNA SWITCH - BROWN
8	061424-01-000	EA	LIGHT - AISLE - 12 VOLT - RECTANGULAR
8	008103-01-000	EA	BULB - DASH/AISLE LIGHT - #53 - 12 VOLT - .12 AMP
9	084420-01-000	EA	SWITCH - TOGGLE - 15 AMP - 120 VOLT - BROWN
10	119048-01-02B	EA	PLATE - CIRCUIT BREAKER - E-COAT

* PRESS TO SEE ILLUSTRATED SERVICE PARTS LIBRARY

ELECTRICAL GROUP (CONTINUED)

CIRCUIT BREAKERS & FUSES

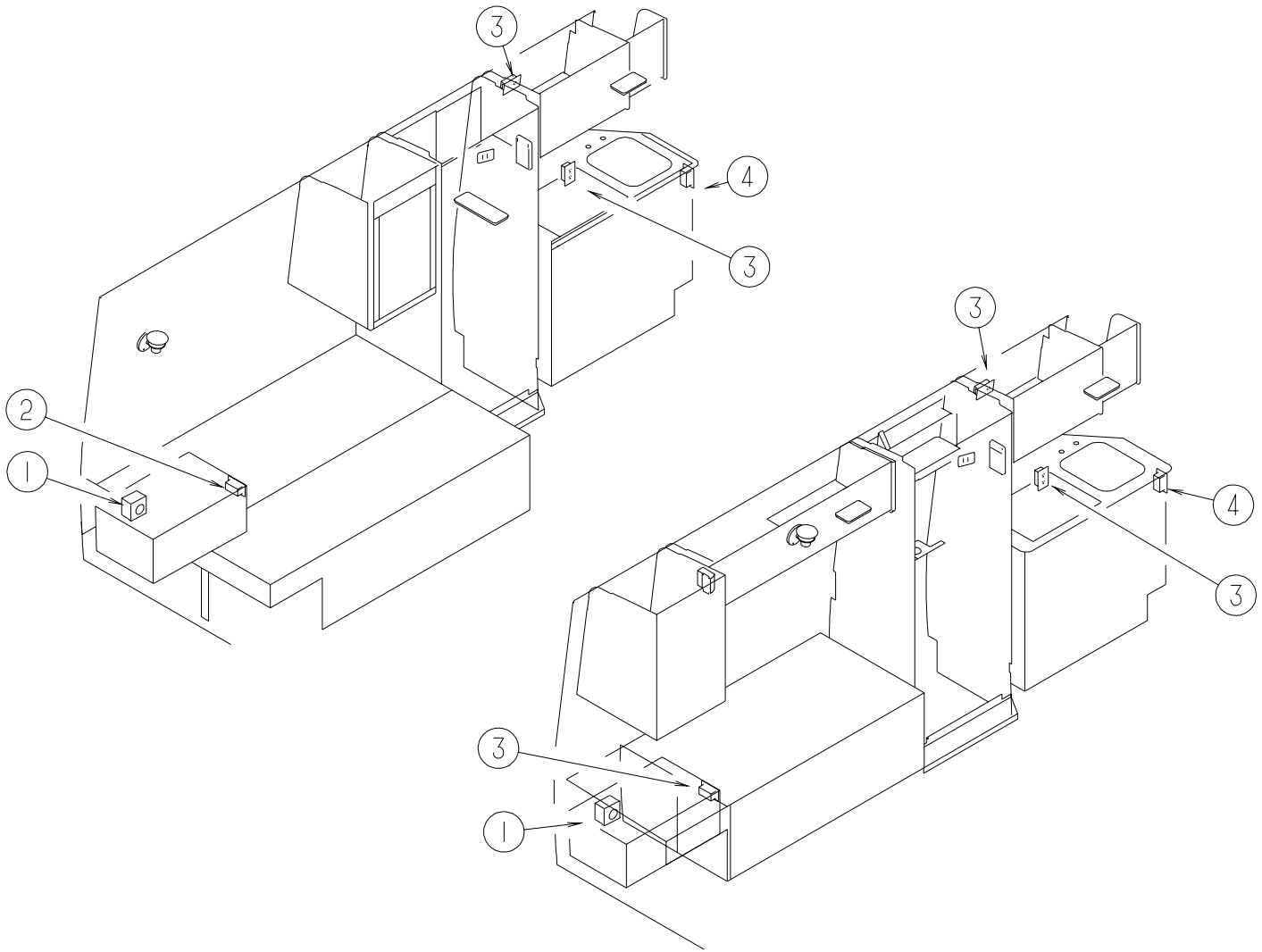
KEY	PART NUMBER	U/M	DESCRIPTION
	008233-01-000	EA	FUSE - 12 VOLT - 6 AMP
	062901-05-000	EA	FUSE - 15 AMP - AUTOMOTIVE
	062901-06-000	EA	FUSE - 20 AMPS - AUTOMOTIVE
	062901-07-000	EA	FUSE - 25 AMPS - AUTOMOTIVE
	083209-02-000	EA	CIRCUIT BREAKER - 15/15 AMP - 120 VOLT
	083209-04-000	EA	CIRCUIT BREAKER - 30 AMP - 120 VOLT
	083209-06-000	EA	CIRCUIT BREAKER - 30/15 AMP - 120 VOLT
	083209-07-000	EA	CIRCUIT BREAKER - 20/20 AMP - 120 VOLT
	093654-01-000	EA	CIRCUIT BREAKER - 6 AMP - 12 VOLT
	093654-02-000	EA	CIRCUIT BREAKER - 15 AMP - 12 VOLT
	093654-03-000	EA	CIRCUIT BREAKER - 20 AMP - 12 VOLT
	097611-01-000	EA	CIRCUIT BREAKER - 10 AMP - 12 VOLT
	108567-01-000	EA	CIRCUIT BREAKER - 40 AMP - 12 VOLT - TYPE II
	111683-01-000	EA	FUSE - HOLDER - GLASS - 1/4" X 1 1/4"

CONVERTER, INVERTER, LOAD CENTER

KEY	PART NUMBER	U/M	DESCRIPTION
	109677-01-000	EA	LOAD CENTER - 120 VOLT - 40 AMP
	113132-01-000	EA	LOAD CENTER - 120/240 VOLT - 60 AMP
	123058-02-000	EA	CONVERTER - 45 AMP - ELECTRONIC - 4 1/8"H X 7"W X 12 3/8"L

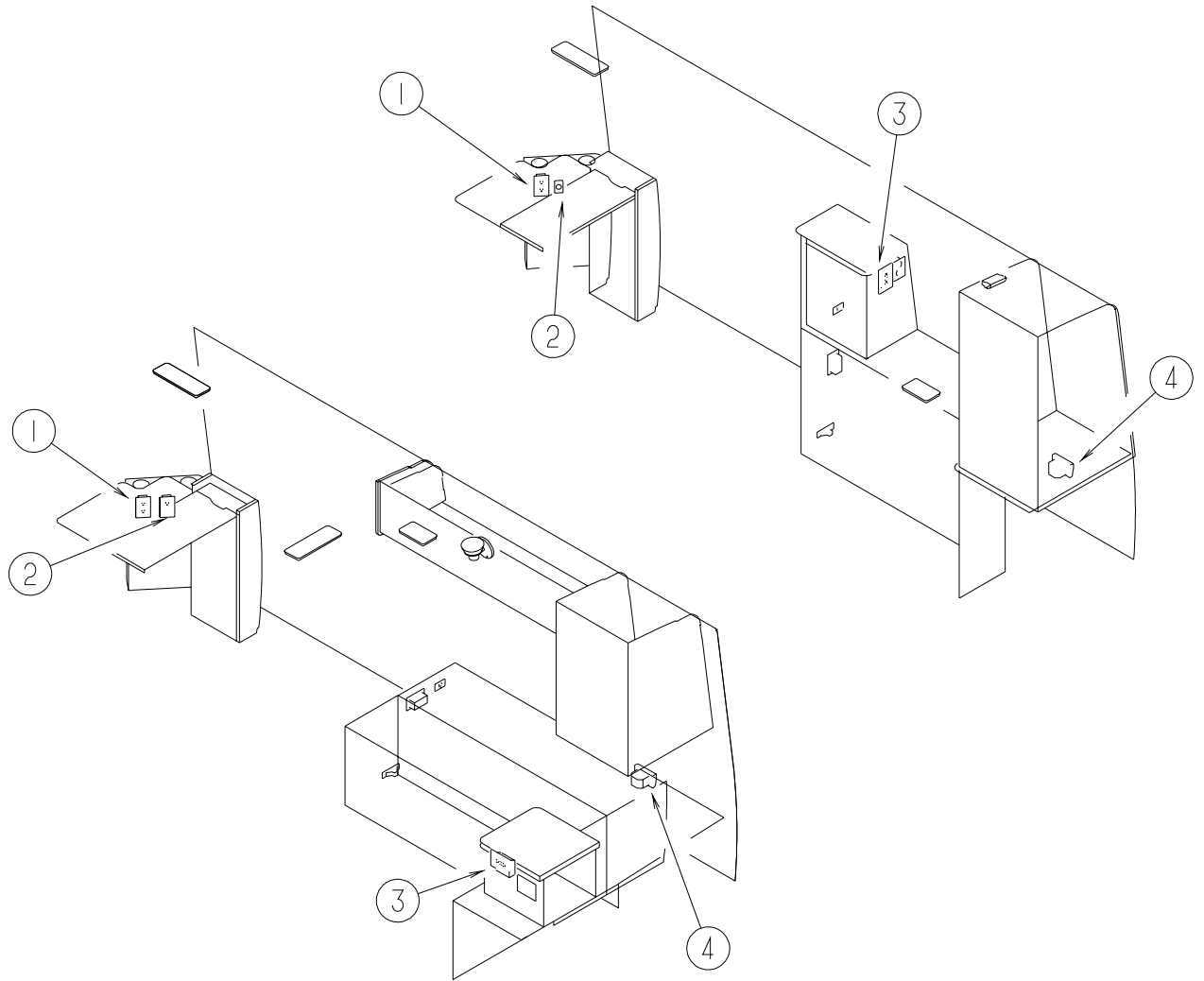
ELECTRICAL GROUP (CONTINUED)

110V WIRING



KEY	PART NUMBER	U/M	DESCRIPTION
1	024924-02-000	EA	RECEPTACLE - POWER CORD - W/PARTIAL PLATE
	069238-01-000	EA	COVER - ELECTRICAL BOX - W/HOLE - 4" X 4" - GRAY
2	058708-05-000	EA	RECEPTACLE - ELECTRIC - SINGLE - BROWN
3	058707-01-000	EA	RECEPTACLE - ELECTRIC - SINGLE - BROWN
4	058708-01-000	EA	RECEPTACLE - ELECTRIC - DOUBLE - BROWN

ELECTRICAL GROUP (CONTINUED)
110V WIRING (CONTINUED)



KEY	PART NUMBER	U/M	DESCRIPTION
1	058708-01-000	EA	RECEPTACLE - ELECTRIC - DOUBLE - BROWN
2	008218-01-000	EA	BULB - 12 VOLT - #1141 - 1.44 AMP
3	084076-02-000	EA	RECEPTACLE - GFI - 15 AMP/125 VOLT - BROWN - W/COVER
4	131826-01-01A	EA	RECEPTACLE - EXTERIOR - W/COVER/GASKET - WHITE

ELECTRICAL GROUP (CONTINUED)

BOXES & CORDS

KEY	PART NUMBER	U/M	DESCRIPTION
	008054-02-000	EA	CORD - POWER - 10/3 WIRE - 30 AMP - 35'
	008289-01-000	EA	BOX - ELECTRIC/STEEL - 1/2" & 3/4" KNOCKOUTS - 4" X 4"
	008289-02-000	EA	BOX - ELECTRIC/STEEL - 1/2" & 3/4" KNOCKOUTS - 4" X 4"-CAN
	008294-01-000	EA	COVER - ELECTRICAL BOX - BLANK/STEEL - 4" X 4" - GRAY
	009426-01-000	EA	HATCH - POWER CORD - WHITE
	069238-01-000	EA	COVER - ELECTRICAL BOX - W/HOLE - 4" X 4" - GRAY
	091910-01-000	EA	BOX - ELECTRIC - 3.8" X 3.5" X 1.8" - PLASTIC
	091910-02-000	EA	BOX - ELECTRIC - 2.2" X 3.5" X 1.8" - PLASTIC
	092985-02-000	EA	BRACKET - POWER CORD

WIRE ASSEMBLIES

KEY	PART NUMBER	U/M	DESCRIPTION
	P27516-04-000	EA	WIRE ASSEMBLY - RADIO AM/FM CD
	093057-04-000	EA	WIRE ASSEMBLY - POWER LOCK ENTRANCE
	096449-01-000	EA	WIRE ASSEMBLY - WATER TANK TO MONITOR PANEL
	124843-01-000	EA	WIRE ASSEMBLY - SPEAKER ADAPTER
	124882-03-000	EA	WIRE ASSEMBLY - AMPLIFIER

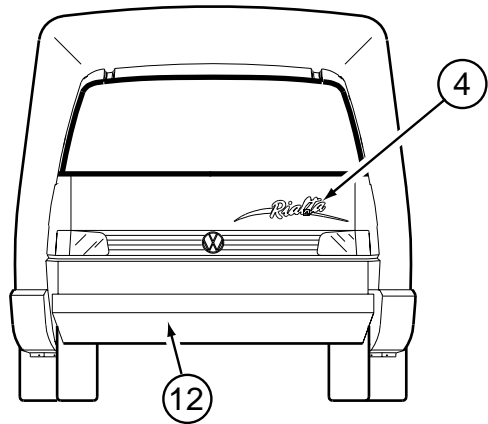
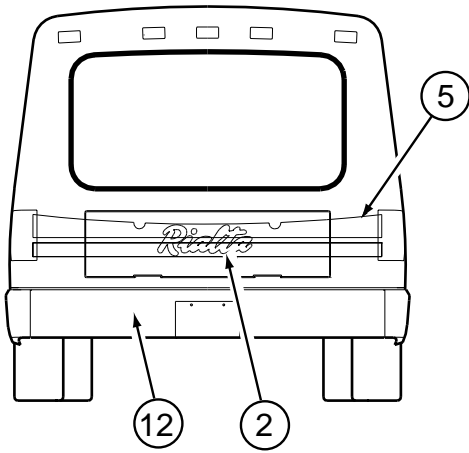
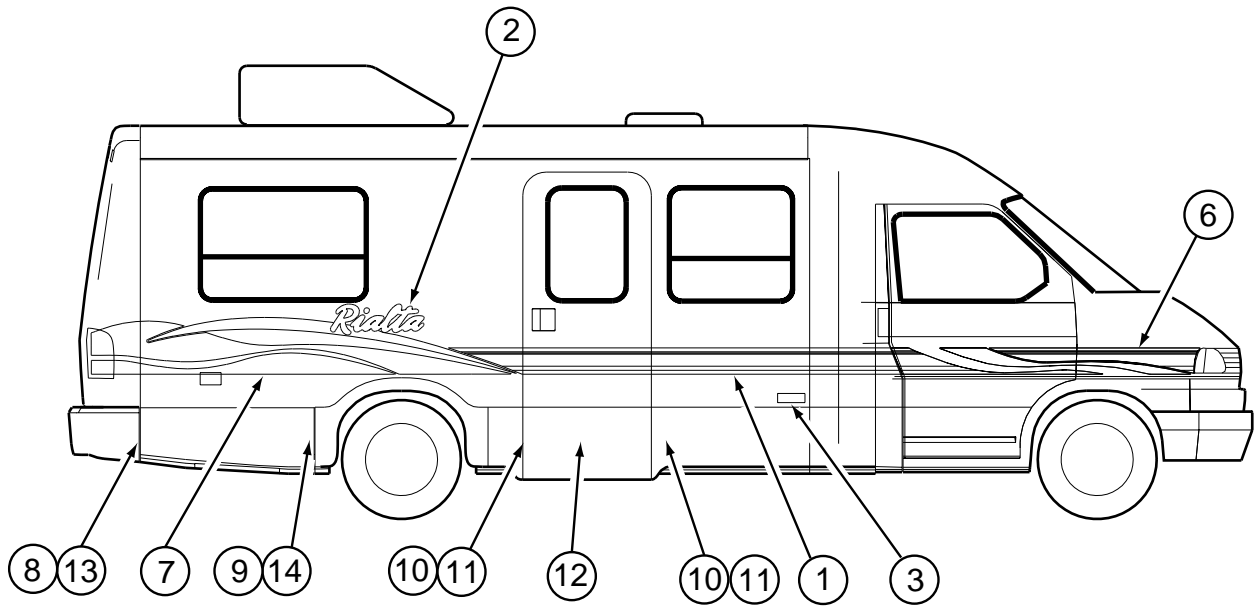
CONNECTORS & CONDUIT

KEY	PART NUMBER	U/M	DESCRIPTION
	008311-01-000	EA	CONNECTOR - WIRE NUT - INSULATED - RED
	008313-01-000	EA	CONNECTOR - WIRE NUT - INSULATED - YELLOW
	008314-01-000	EA	CONNECTOR - WIRE NUT - INSULATED - GRAY
	008328-01-000	EA	TERMINAL - RING - 12/10 WIRE - #10 STUD FIT
	008348-01-000	EA	TERMINAL - RING - 3/8" STUD 2 GA. WIRE
	008355-01-000	EA	CONNECTOR - CABLE CLAMPING - 3/4"
	008356-01-000	EA	CONNECTOR - PLASTIC - 3/8" AVG
	008356-02-000	EA	CONNECTOR - PLASTIC - 21/32
	008394-01-000	FT	CONDUIT - FLEXIBLE - 1/2"
	041953-01-000	FT	CONDUIT - CONVOLUTE SLIT - .5" ID - POLYETHYLENE
	041953-03-000	FT	CONDUIT - CONVOLUTE SLIT - 1" ID (CLOTHES ROD COVER)
	041953-05-000	FT	CONDUIT - CONVOLUTE SOLID - .62" ID - POLYETHYLENE
	041953-06-000	FT	CONDUIT - CONVOLUTE SLIT - .375" ID - POLYETHYLENE
	041953-07-000	FT	CONDUIT - CONVOLUTE SLIT - .25" ID - POLYETHYLENE
	041953-08-000	FT	CONDUIT - CONVOLUTE SLIT - 1.50" ID - POLYETHYLENE
	041953-09-000	FT	CONDUIT - CONVOLUTE SLIT - .50" ID - NYLON
	058028-01-000	EA	CONNECTOR - ELECTRICAL PIGTAIL - NYLON - CLEAR
	088473-01-000	EA	HOUSING - PIN - 12 CAVITY (3 ROWS OF 4)
	088475-01-000	EA	PIN - CONNECTOR - 14-20 AWG
	092786-01-000	EA	BUSS BAR-2.1" LONG
	092786-03-000	EA	BUSS BAR - 6.9" LONG
	098261-02-000	EA	SOCKET - CONNECTOR - WEATHERPACK - 14-18 AWG
	098262-01-000	EA	SEAL - CONNECTOR - WEATHERPACK
	098264-01-000	EA	HOUSING - 2 PIN - WEATHER PACK - MALE W/FEMALE PINS

BOOTS, SOLENOIDS, RELAYS & MISCELLANEOUS

KEY	PART NUMBER	U/M	DESCRIPTION
	008188-01-000	EA	SOLENOID - 3 POST - BATTERY CHANGE OVER
	063912-02-000	EA	RELAY - CANISTER - SPDT
	065450-08-000	EA	TIEDOWN - BATTERY

EXTERIOR BODY GROUP
GRAPHICS & PAINT



EXTERIOR BODY GROUP (CONTINUED)

GRAPHICS & PAINT (CONTINUED)

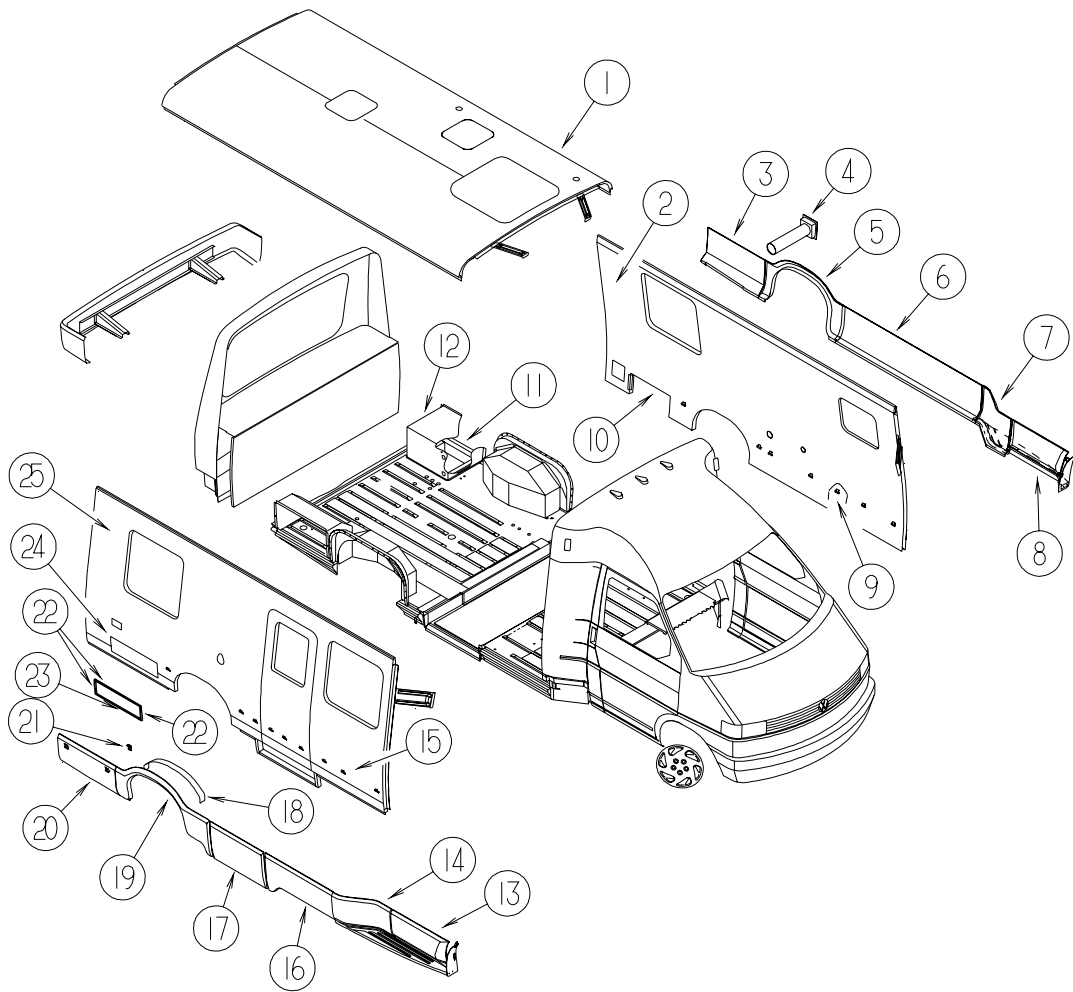
KEY	PART NUMBER	U/M	DESCRIPTION
1	094434-03-01A	FT	FILM - OVERLAY - 5.7"
2	133594-01-01A	EA	DECAL - LOGO - RIALTA - LARGE
3	132664-01-01A	EA	DECAL - LOGO/DOMED - WINNEBAGO - GOLD/BLACK - PLASTIC
4	133595-01-01A	EA	DECAL - RIALTA W/SLASH
5	133593-01-01A	EA	DECAL - BACKWALL
6	133591-01-01A	EA	DECAL - WAVES W/STRIPE - FRONT/PASSENGER
6	133591-02-01A	EA	DECAL - WAVES W/STRIPE - FRONT/DRIVER
7	133592-01-01A	EA	DECAL - WAVES - PASSENGER
7	133592-02-01A	EA	DECAL - WAVES - DRIVER
8	132325-01-01A	EA	DECAL - VALANCE/DOOR END - SMALL/PASSENGER (PLUM HAZE)
8	132325-01-03A	EA	DECAL - VALANCE/DOOR END - SMALL/PASSENGER (SAHARA GRAY)
9	132324-01-01A	EA	DECAL - VALANCE/DOOR END - LARGE/PASSENGER (PLUM HAZE)
9	132324-01-03A	EA	DECAL - VALANCE/DOOR END - LARGE/PASSENGER (SAHARA GRAY)
10	131730-01-01A	EA	DECAL - VALANCE PANEL END/RIGHT HAND (PLUM HAZE)
10	131730-01-03A	EA	DECAL - VALANCE PANEL END/RIGHT HAND (SAHARA GRAY)
11	131730-02-01A	EA	DECAL - VALANCE PANEL END/LEFT HAND (PLUM HAZE)
11	131730-02-03A	EA	DECAL - VALANCE PANEL END/LEFT HAND (SAHARA GRAY)
12			PAINT
13	132325-02-01A	EA	DECAL - VALANCE/DOOR END - SMALL/DRIVER (PLUM HAZE)
13	132325-02-03A	EA	DECAL - VALANCE/DOOR END - SMALL/DRIVER (SAHARA GRAY)
14	132324-02-01A	EA	DECAL - VALANCE/DOOR END - LARGE/DRIVER (PLUM HAZE)
14	132324-02-03A	EA	DECAL - VALANCE/DOOR END - LARGE/DRIVER (SAHARA GRAY)
	093681-14-24A	FT	FILM - 1.5" (PLUM HAZE)
	093681-14-26A	FT	FILM - 1.5" (SAHARA GRAY)
	041561-03-000	EA	PAINT - 16 OUNCE SPRAY - OFF WHITE

DUPONT COLOR CODES

VW WHITE	W9670
PLUM & HAZE MET.	F6380U
SAHARA GRAY MET.	M1024U

EXTERIOR BODY GROUP (CONTINUED)

PANELS

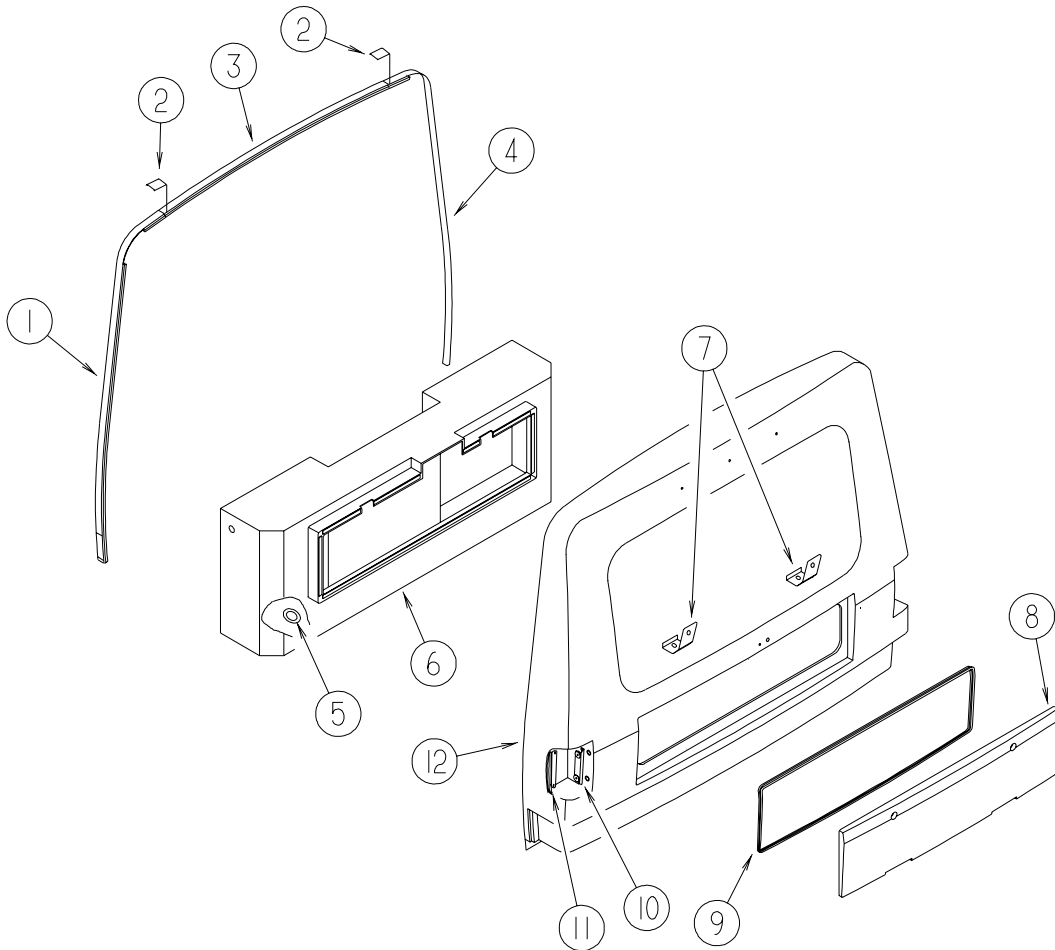


EXTERIOR BODY GROUP (CONTINUED)

PANELS (CONTINUED)

KEY	PART NUMBER	U/M	DESCRIPTION
1	P24810-01-L91	EA	ROOF - W/O LIGHTS/VENTS - W/WIRING (TWIN)
1	P24820-01-L91	EA	ROOF - W/O LIGHTS/VENTS - W/WIRING (DOUBLE)
2	M08651-06-L91	EA	SIDEWALL - DRIVER - W/O WINDOWS/TRIMS - F/TWIN BED
2	M08651-06-L93	EA	SIDEWALL - DRIVER - W/O WINDOWS/TRIMS - F/TWIN BED
2	M08651-05-L91	EA	SIDEWALL - DRIVER - W/O WINDOWS/TRIMS - F/DOUBLE BED
2	M08651-05-L93	EA	SIDEWALL - DRIVER - W/O WINDOWS/TRIMS - F/DOUBLE BED
3	130833-07-K76	EA	VALANCE/DOOR - REAR/DRIVER (W/GEN) - 14.6" X 38.2" X 12.8" FROM: 00-00-00 THRU: 02-13-00
3	130833-09-L90	EA	VALANCE/DOOR - REAR/DRIVER (W/GEN) - 14.6" X 38.2" X 12.8" FROM: 02-14-00 THRU: 99-99-99
3	130833-08-K76	EA	VALANCE/DOOR - REAR/DRIVER (W/O GEN) - 14.6" X 38.2" X 12.8"
4	123664-01-01A	EA	COMPARTMENT - SEWER HOSE
5	130648-04-K76	EA	VALANCE/WHEEL LIP - DRIVER
6	130645-05-K76	EA	VALANCE/PANEL - FRONT/DRIVER - W/O HARDWARE
7	130611-04-K76	EA	VALANCE/PANEL - TRANSITION/DRIVER
8	130612-04-K76	EA	VALANCE/PANEL - CAB DOOR/DRIVER - W/O HARDWARE
9	073050-04-000	EA	MOUNTING CLIP - VALANCE PANEL
10	113752-01-01A	EA	JAMB - TRIM - GENERATOR - VW WHITE (2800 WATT GEN)
10	113752-03-01A	EA	JAMB - TRIM - GENERATOR - VW WHITE
11	112808-03-02B	EA	ROCKER ASSEMBLY- REAR/DRIVER - E-COATED (W/GEN)
12	112818-01-02B	EA	COMPARTMENT - REAR - LEFT HAND
13	130612-03-K76	EA	VALANCE/PANEL - CAB DOOR/PASSENGER - W/O HARDWARE
14	130611-03-K76	EA	VALANCE/PANEL - TRANSITION/PASSENGER
15	073050-04-000	EA	MOUNTING CLIP - VALANCE PANEL
16	130645-04-K76	EA	VALANCE/PANEL - FRONT/PASSENGER - W/O HARDWARE
17	130649-02-K76	EA	PANEL/VALANCE - ENTRANCE DOOR
18	113012-02-01A	EA	TRIM - WHEELWELL - REAR - MILL
19	130648-03-K76	EA	VALANCE/WHEEL LIP - PASSENGER
20	130833-01-K76	EA	VALANCE/DOOR - REAR/PASSENGER (LP) - 14.6" X 38.2" X 12.8" FROM: 00-00-00 THRU: 02-13-00
20	130833-10-L90	EA	VALANCE/DOOR - REAR/PASSENGER (LP) - 14.6" X 38.2" X 12.8" FROM: 02-14-00 THRU: 99-99-99
21	127289-01-02B	EA	BRACKET - LOCK CATCH - RH - E-COAT
21	127289-02-02B	EA	BRACKET - LOCK CATCH - LH - E-COAT
22	112160-02-000	FT	SEAL - D SECTION - .2 X .3" - FOAM RUBBER
23	112160-01-000	FT	SEAL - D SECTION - .2 X .3" - FOAM RUBBER
24	113753-01-01A	EA	JAMB - TRIM - LP - VW WHITE
25	M08651-07-L91	EA	SIDEWALL - PASSENGER - W/O WINDOWS/TRIMS - F/DOUBLE BED
25	M08651-07-L93	EA	SIDEWALL - PASSENGER - W/O WINDOWS/TRIMS - F/DOUBLE BED
25	M08651-08-L91	EA	SIDEWALL - PASSENGER - W/O WINDOWS/TRIMS - F/TWIN BED
25	M08651-08-L93	EA	SIDEWALL - PASSENGER - W/O WINDOWS/TRIMS - F/TWIN BED

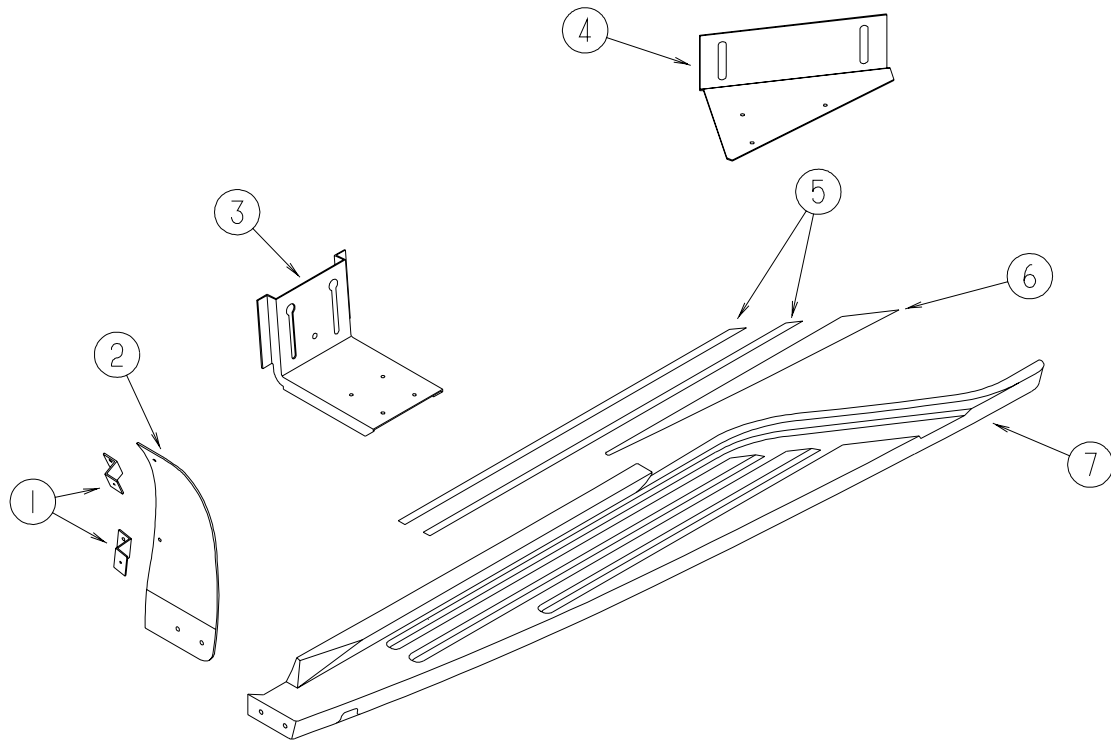
**EXTERIOR BODY GROUP (CONTINUED)
PANELS (CONTINUED)**



REAR CAP

KEY	PART NUMBER	U/M	DESCRIPTION
1	112544-02-01A	EA	TRIM - SIDEWALL TO REAR CAP - LEFT HAND
2	086754-10-000	EA	CAP - TRIM
3	112548-01-01A	EA	TRIM - ROOF TO REAR CAP
4	112544-01-01A	EA	TRIM - SIDEWALL TO REAR CAP - RIGHT HAND
5	009426-01-000	EA	HATCH - POWER CORD - WHITE
6	130527-02-01A	EA	COMPARTMENT-LUGGAGE,REAR
6	130527-03-01A	EA	COMPARTMENT-LUGGAGE,REAR - CANADIAN
7	127124-02-02B	EA	BRACKET - DOOR - REAR - E-COATED
8	124392-02-K76	EA	DOOR - COMPARTMENT/REAR - W/O HARDWARE
9	107721-07-000	FT	SEAL - ACCESS DOOR - .9" WIDE X 1.1" HIGH
10	113777-01-02B	EA	BRACKET - TAIL LAMP - 7.7" LONG - E-COATED
11	113689-02-02B	EA	BRACKET - TAIL LAMP - LH - E-COATED
11	113689-01-02B	EA	BRACKET - TAIL LAMP - RH - E-COATED
12	P30529-01-K76	EA	CAP - REAR - W/O ANGLE

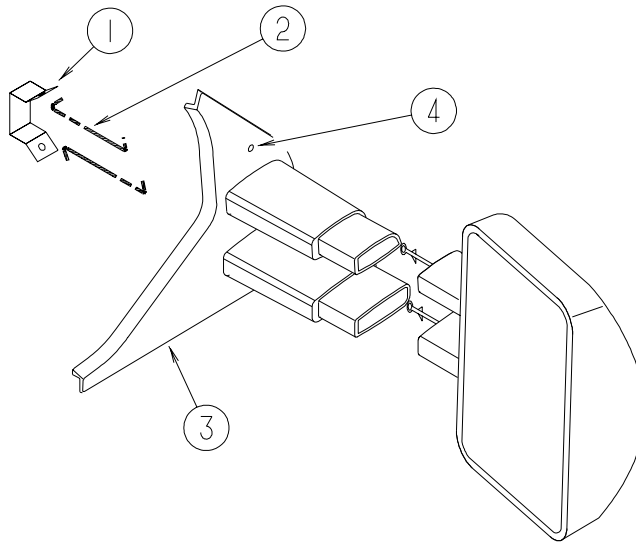
EXTERIOR BODY GROUP (CONTINUED)
RUNNING BOARDS



KEY	PART NUMBER	U/M	DESCRIPTION
1	112507-01-02B	EA	BRACKET - MUD FLAP - FRONT
2	131135-01-02A	EA	SUPPORT - MUD FLAP - RIGHT HAND - VW WHITE
	131135-02-02A	EA	SUPPORT - MUD FLAP - LEFT HAND - VW WHITE
3	131573-01-02B	EA	BRACKET ASM-RUNNING BD,E-C
4	131574-01-02B	EA	BRACKET - RUNNING BOARD - DRIVER REAR - E-COATED
	131574-02-02B	EA	BRACKET - RUNNING BOARD - PASSENGER REAR - E-COATED
5	038327-05-000	EA	TAPE - ANTI SLIP - 5/8"X 60' - BLACK
6	102570-06-000	EA	MAT - ANTI SLIP - UPPER/LEFT HAND
	102570-05-000	EA	MAT - ANTI SLIP - UPPER/RIGHT HAND
7	130613-04-K76	EA	RUNNING BOARD - FIBERGLASS/DRIVER - VW WHITE
	130613-03-K76	EA	RUNNING BOARD - FIBERGLASS/PASSENGER - VW WHITE
	109506-10-000	EA	FILM-URETHANE,PROTECTANT LH
	109506-09-000	EA	FILM-URETHANE,PROTECTANT RH

EXTERIOR BODY GROUP (CONTINUED)

MIRRORS

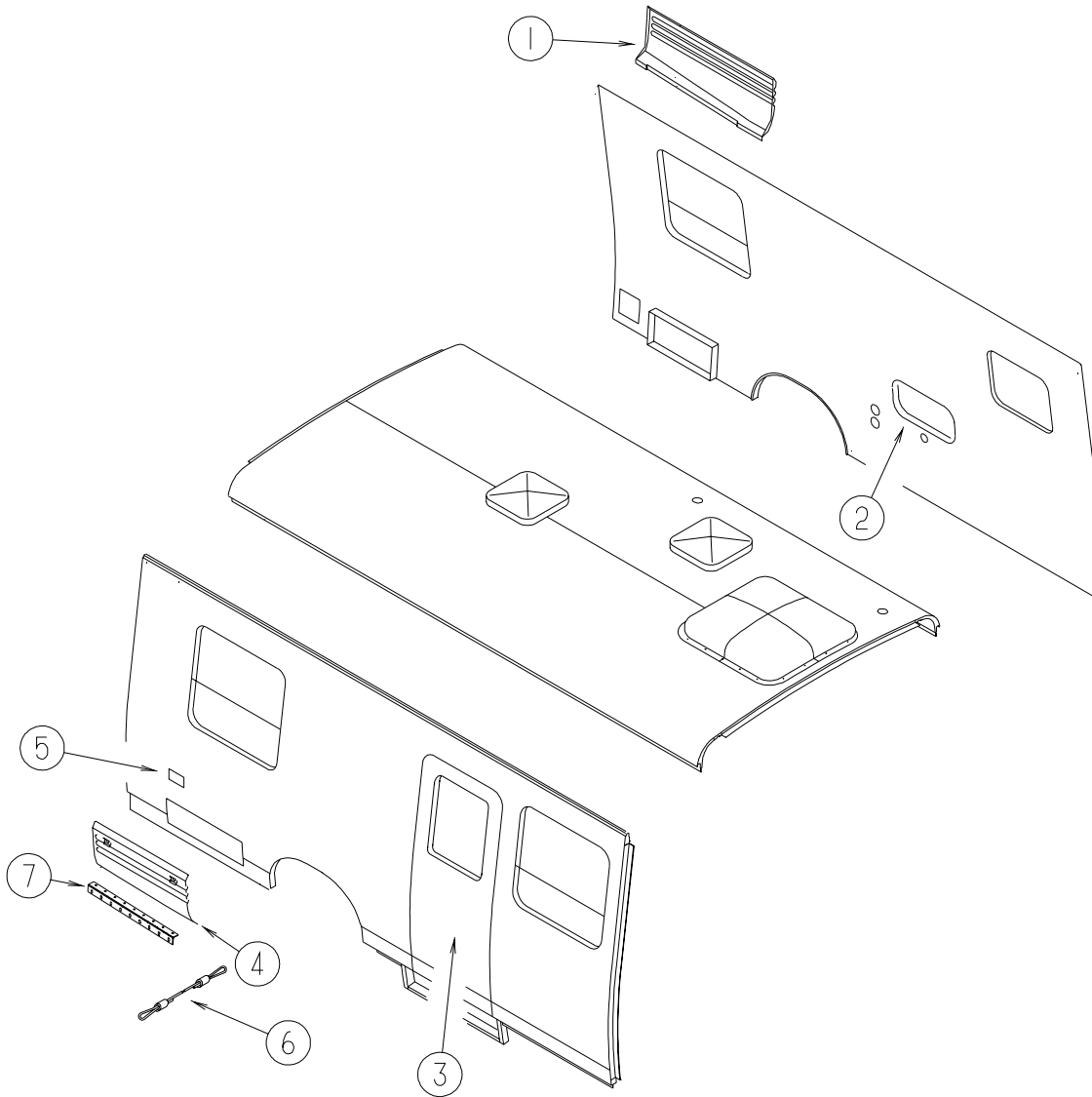


KEY	PART NUMBER	U/M	DESCRIPTION
1	115334-01-02B	EA	HOOK - BRACKET - MIRROR
2	115752-02-01A	EA	MIRROR ROD - 3.3" LONG
3	114494-01-03A	EA	BRACKET - MIRROR - PASSENGER - VW WHITE
3	114494-02-03A	EA	BRACKET - MIRROR - DRIVER - VW WHITE
4	127984-01-01A	EA	SCREW - EXTERIOR MIRROR - VW WHITE

BODY PANEL COMPONENTS

KEY	PART NUMBER	U/M	DESCRIPTION
	000870-08-000	SF	STYROFOAM - 3/4" X 48" X 96" PLANED EXPANDED BEAD BOARD
	002754-01-001	EA	ANGLE - EXTRUDED - .75" X .75" X 16' - MILL ALUMINUM
	089297-01-000	SF	PLYWOOD - LUAN - OVERLAY GRADE - 4' X 8'
	092321-01-000	FT	INSULATION - FIBERGLASS W/FOIL BACKING - 1/2" T X 28.38" W
	100619-01-000	BF	FOAM - EXPANDED POLYSTYRENE - 1.34" X 48" X 96"
	100619-04-000	BF	FOAM - EXPANDED POLYSTYRENE - .5" X 48" X 96"
	100619-06-000	EA	FOAM - EXPANDED POLYSTYRENE - .9" X 20.4" X 63.4" (EA = 8BF)
	100619-07-000	EA	FOAM - EXPANDED POLYSTYRENE - .63" X 48" X 96" (EA = 20BF)
	112696-02-700	EA	ALUMINUM SKIN - VW WHITE - .032" X 58" X 145.8" W/CRIMP - SIDEWALL
	112695-02-700	EA	ALUMINUM - .024" X 42.3" X 12.2' VW WHITE - ROOF

EXTERIOR DOORS & COMPARTMENT GROUP
DOOR & COMPARTMENT LAYOUT

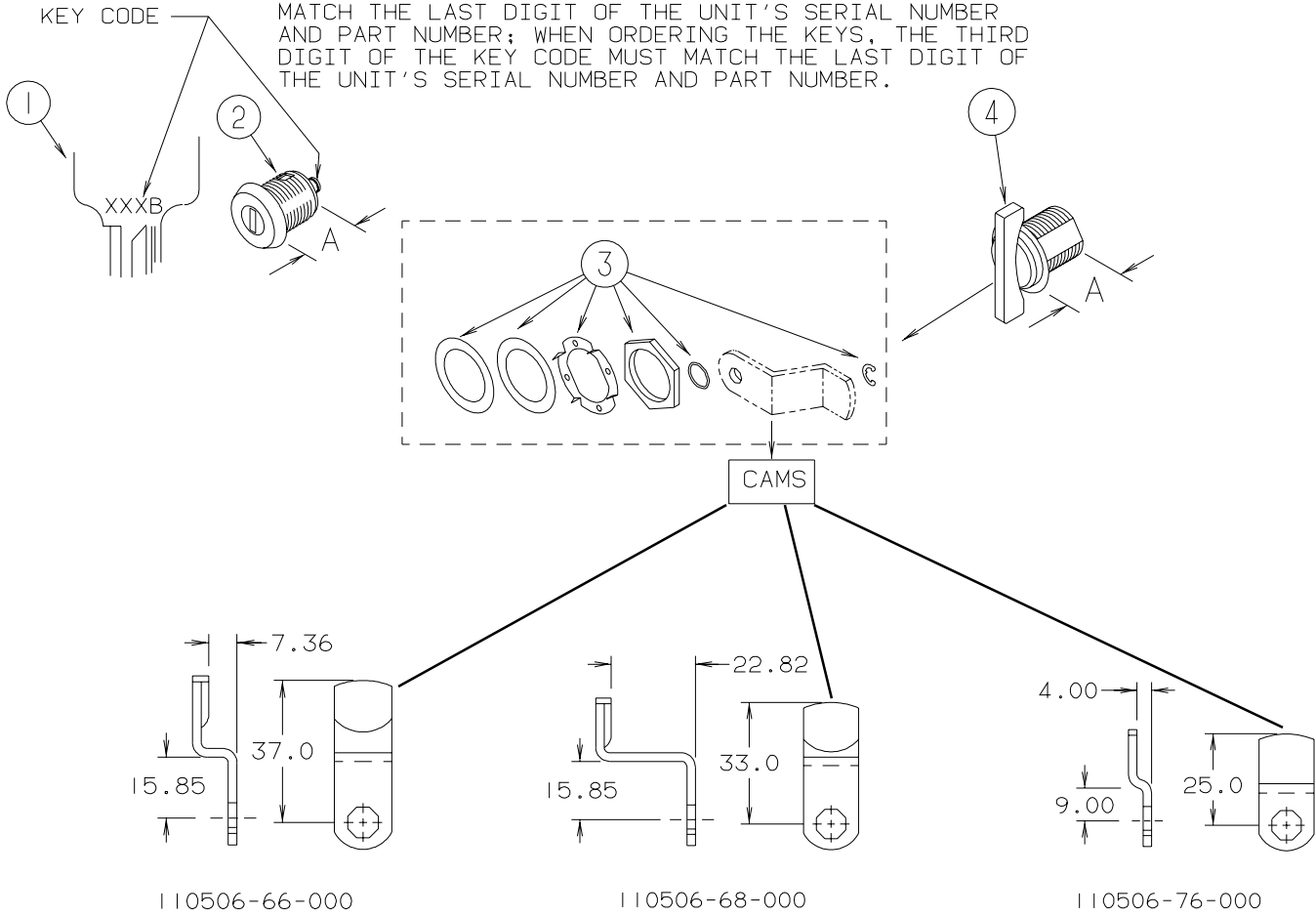


KEY	PART NUMBER	U/M	DESCRIPTION
1	130833-08-K76	EA	VALANCE/DOOR - REAR/DRIVER (W/O GEN) - 14.6" X 38.2" X 12.8"
1	130833-07-K76	EA	VALANCE/DOOR - REAR/DRIVER (W/GEN) - 14.6" X 38.2" X 12.8" FROM: 00-00-00 THRU: 02-13-00
1	130833-09-L90	EA	VALANCE/DOOR - REAR/DRIVER (W/GEN) - 14.6" X 38.2" X 12.8" FROM: 02-14-00 THRU: 99-99-99
	072877-03-000	EA	INSULATION - SOUND BARRIER - 1" X 36" X 57"
2	126945-06-J80	EA	DOOR/STORAGE - W/O HARDWARE - 18.3" X 9.3"
3	P13594-02-L90	EA	DOOR - ENTRY - W/SCREEN DOOR - W/O WINDOW (L91)
3	P13594-02-L92	EA	DOOR - ENTRY - W/SCREEN DOOR - W/O WINDOW (L93)
4	130833-01-K76	EA	VALANCE/DOOR - REAR/PASSENGER (LP) - 14.6" X 38.2" X 12.8" FROM: 00-00-00 THRU: 02-13-00
4	130833-10-L90	EA	VALANCE/DOOR - REAR/PASSENGER (LP) - 14.6" X 38.2" X 12.8" FROM: 02-14-00 THRU: 99-99-99
5	081240-19-000	EA	WATER FILL W/DOOR - W/O LOCK - VW WHITE
6	076767-05-000	EA	CABLE - STORAGE DOOR SUPPORT - 1/16" X 15.5"-STAINLESS STL
7	112246-05-01A	EA	HINGE - VALANCE DOOR - VW WHITE

EXTERIOR DOORS & COMPARTMENT GROUP

COMPARTMENT DOOR COMPONENTS

NOTE:
 WHEN ORDERING THE LOCK CASE, THE KEY CODE MUST MATCH THE LAST DIGIT OF THE UNIT'S SERIAL NUMBER AND PART NUMBER; WHEN ORDERING THE KEYS, THE THIRD DIGIT OF THE KEY CODE MUST MATCH THE LAST DIGIT OF THE UNIT'S SERIAL NUMBER AND PART NUMBER.



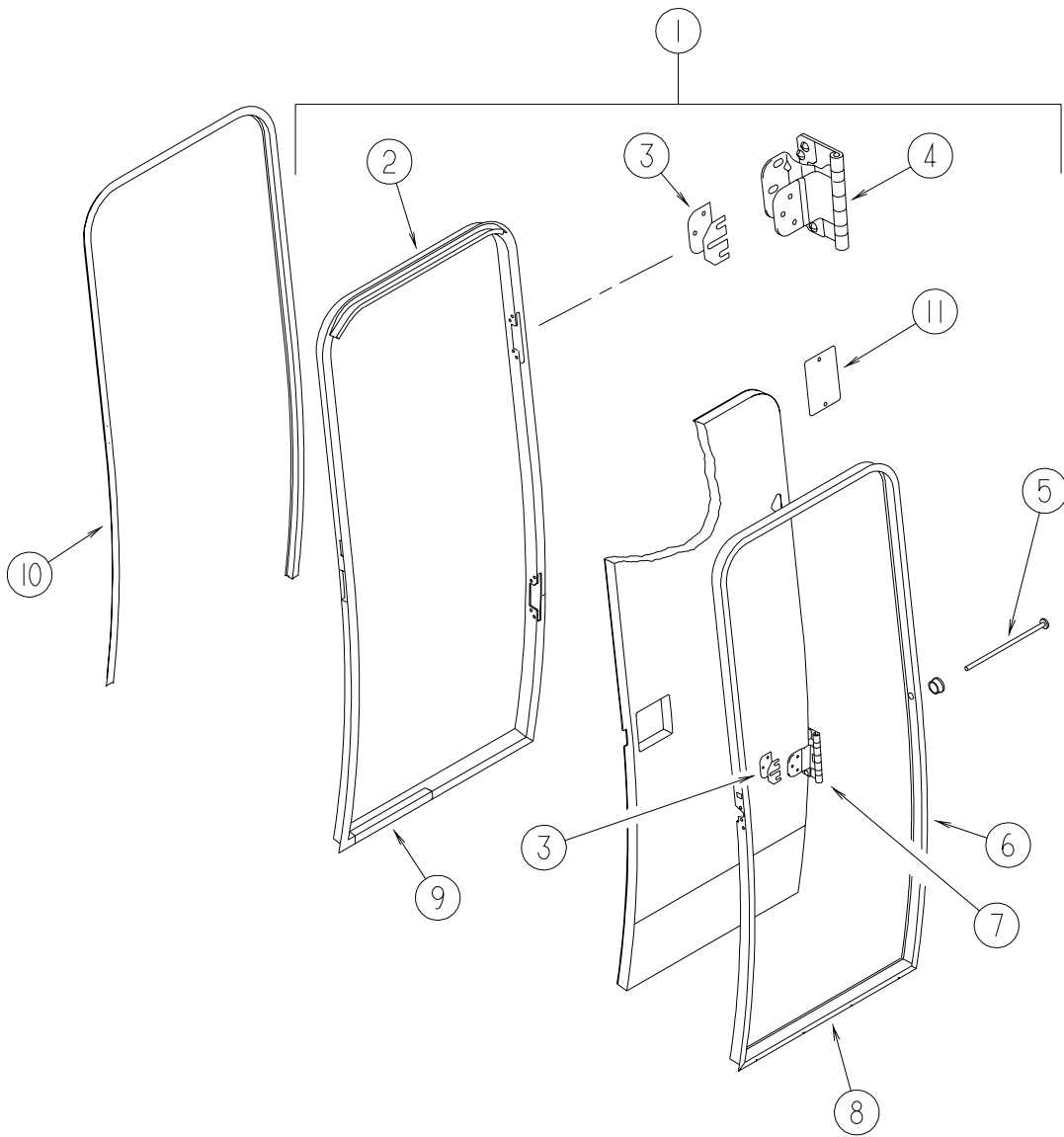
EXTERIOR DOORS & COMPARTMENT GROUP (CONTINUED)

BRIGGS & STRATTON LOCKS & COMPONENTS

KEY	PART NUMBER	U/M	DESCRIPTION	
1*	110506-59-000	EA	KEYS - SET OF 2	596720
2	110506-52-000	EA	CASE/CYLINDER - LOCKING - W/O CAM/KEY - .65"	702370
2	110506-54-000	EA	CASE/CYLINDER - LOCKING - W/O CAM/KEY - 1.25"	703170
1*	110506-59-001	EA	KEYS - SET OF 2	596721
2	110506-52-001	EA	CASE/CYLINDER - LOCKING - W/O CAM/KEY - .65"	702371
2	110506-54-001	EA	CASE/CYLINDER - LOCKING - W/O CAM/KEY - 1.25"	703171
1*	110506-59-002	EA	KEYS - SET OF 2	596722
2	110506-52-002	EA	CASE/CYLINDER - LOCKING - W/O CAM/KEY - .65"	702372
2	110506-54-002	EA	CASE/CYLINDER - LOCKING - W/O CAM/KEY - 1.25"	703172
1*	110506-59-003	EA	KEYS - SET OF 2	596723
2	110506-52-003	EA	CASE/CYLINDER - LOCKING - W/O CAM/KEY - .65"	702373
2	110506-54-003	EA	CASE/CYLINDER - LOCKING - W/O CAM/KEY - 1.25"	703173
1*	110506-59-004	EA	KEYS - SET OF 2	596724
2	110506-52-004	EA	CASE/CYLINDER - LOCKING - W/O CAM/KEY - .65"	702374
2	110506-54-004	EA	CASE/CYLINDER - LOCKING - W/O CAM/KEY - 1.25"	703174
1*	110506-59-005	EA	KEYS - SET OF 2	596725
2	110506-52-005	EA	CASE/CYLINDER - LOCKING - W/O CAM/KEY - .65"	702375
2	110506-54-005	EA	CASE/CYLINDER - LOCKING - W/O CAM/KEY - 1.25"	703175
1*	110506-59-006	EA	KEYS - SET OF 2	596726
2	110506-52-006	EA	CASE/CYLINDER - LOCKING - W/O CAM/KEY - .65"	702376
2	110506-54-006	EA	CASE/CYLINDER - LOCKING - W/O CAM/KEY - 1.25"	703176
1*	110506-59-007	EA	KEYS - SET OF 2	596727
2	110506-52-007	EA	CASE/CYLINDER - LOCKING - W/O CAM/KEY - .65"	702377
2	110506-54-007	EA	CASE/CYLINDER - LOCKING - W/O CAM/KEY - 1.25"	703177
1*	110506-59-008	EA	KEYS - SET OF 2	596728
2	110506-52-008	EA	CASE/CYLINDER - LOCKING - W/O CAM/KEY - .65"	702378
2	110506-54-008	EA	CASE/CYLINDER - LOCKING - W/O CAM/KEY - 1.25"	703178
1*	110506-59-009	EA	KEYS - SET OF 2	596729
2	110506-52-009	EA	CASE/CYLINDER - LOCKING - W/O CAM/KEY - .65"	702379
2	110506-54-009	EA	CASE/CYLINDER - LOCKING - W/O CAM/KEY - 1.25"	703179
3*	110506-40-700	EA	HDWE KIT	596950AAL
	110506-59-701	EA	KEY BLANK (GOLD) - 596728	
4	110506-55-000	EA	CASE/CYLINDER - TWIST LOCK - W/O CAM - 1.25"	597312AA1
	110506-66-000	EA	CAM - LATCHING - DOG LEGGED 1.5" LONG	
	110506-68-000	EA	CAM - LATCHING - DOG LEGGED 1.3" LONG	
	110506-76-000	EA	CAM - LOCK	

* PRESS TO SEE ILLUSTRATED SERVICE PARTS LIBRARY

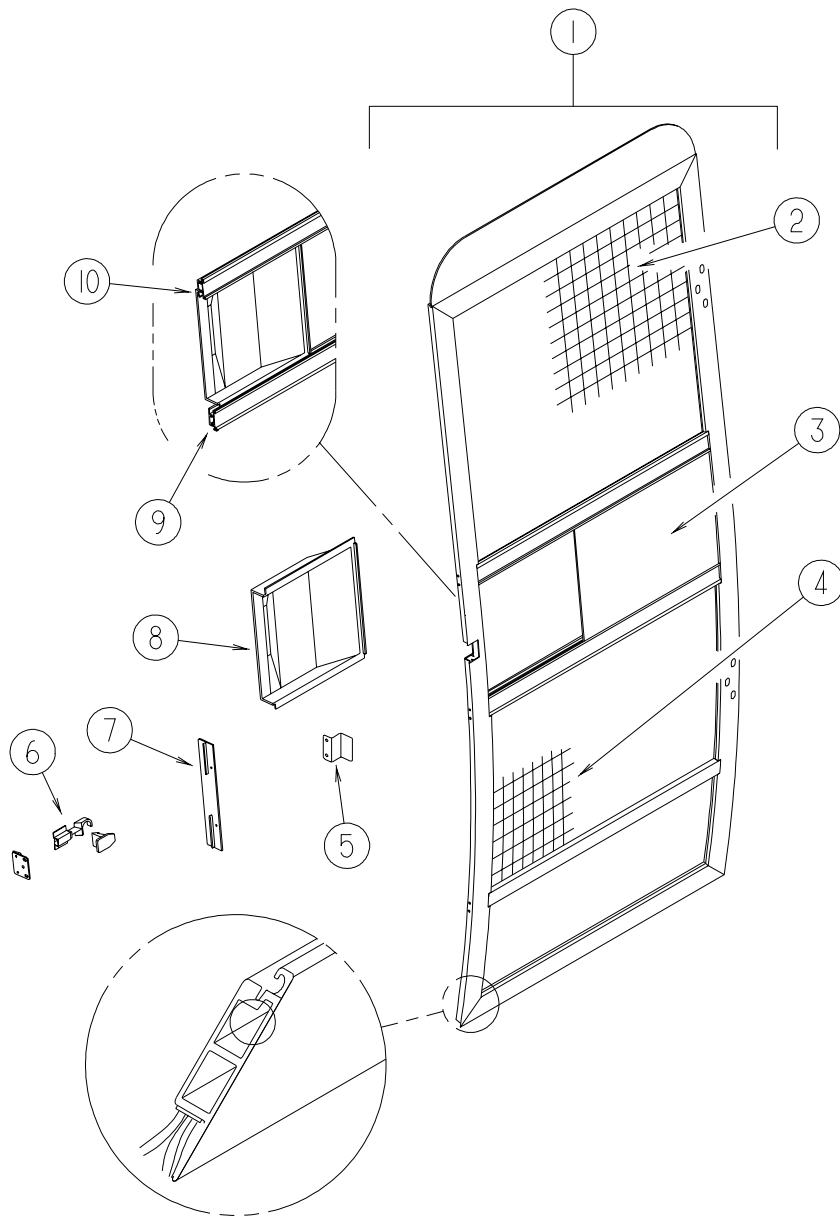
EXTERIOR DOORS & COMPARTMENT GROUP (CONTINUED)
ENTRY DOOR



KEY	PART NUMBER	U/M	DESCRIPTION
1	P13594-02-L90	EA	DOOR - ENTRY - W/SCREEN DOOR - W/O WINDOW (L91)
1	P13594-02-L92	EA	DOOR - ENTRY - W/SCREEN DOOR - W/O WINDOW (L93)
2	113642-01-F45	EA	JAMB - DOOR/ENTRY
	111536-03-000	FT	SEAL - ENTRY DOOR
3	113668-01-01A	EA	GASKET - HINGE - DOOR
4	113460-01-02A	EA	HINGE - ENTRANCE DOOR/UPPER
5	077222-01-000	EA	SPRING - WIRE GUARD - ENTRY DOOR
6	113376-02-01A	EA	TRIM - ENTRY DOOR - VW/WHITE
7	113461-01-02A	EA	HINGE - ENTRANCE DOOR/LOWER
8	113395-02-01A	EA	TRIM - ENTRY DOOR/BOTTOM - VW WHITE
9	038327-01-000	EA	TAPE - ANTI-SLIP - 2" X 60'
10	113658-01-01A	EA	GARNISH/TRIM - UPPER - OFF/WHITE
11	113680-01-01A	EA	COVER - ACCESS - DOOR HINGE
	116111-02-01A	EA	SCREW - TAPTITE - 1/4-20 X 3/8 PPH - ZINC

EXTERIOR DOORS & COMPARTMENT GROUP (CONTINUED)

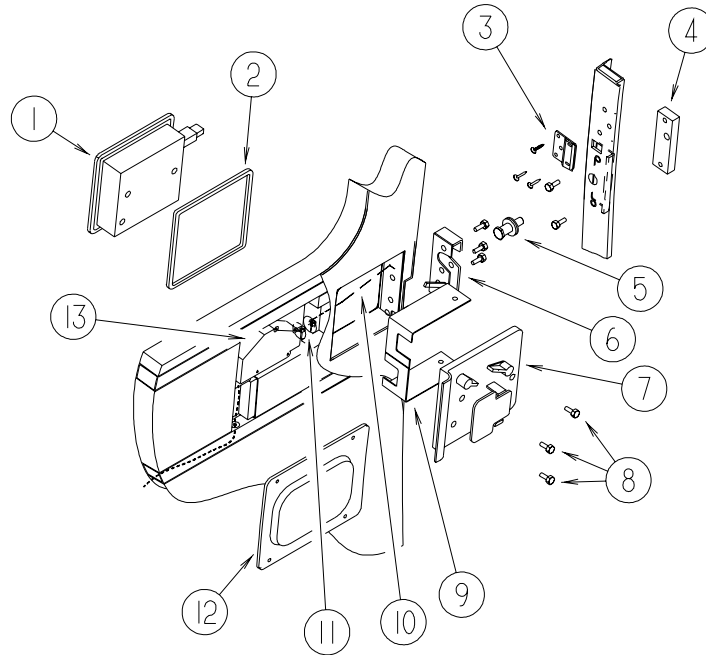
SCREEN DOOR



KEY	PART NUMBER	U/M	DESCRIPTION
1	113621-01-01A	EA	DOOR - SCREEN
2	002293-02-000	SF	SCREEN - 26" - CHARCOAL
3	016454-12-000	EA	INSERT - SCREEN DOOR - CENTER
4	002293-02-000	SF	SCREEN - 26" - CHARCOAL
5	116485-01-03B	EA	BRACKET - SCREEN DOOR - OFF WHITE
6	110529-01-000	EA	LATCH - BULLET - SCREEN DOOR
7	079087-02-000	EA	STRIKE- SLIDER W/LIP FOR ELBOW CATCH-1.5" X 8.6" - OFF WHT
8	079086-02-000	EA	SLIDER - SCREEN DOOR
9	002294-01-000	FT	SPLINE - SCREENING - .135" X .138"
10	078777-08-000	FT	CHANNEL - SLIDER
	075673-05-000	FT	SEAL - PILE - ADHESIVE BACK - BLACK
	075673-04-000	FT	SEAL - PILE - ADHESIVE BACK
	113616-01-01A	FT	EXTRUDED - VINYL - SEAL TRACK - 7'

EXTERIOR DOORS & COMPARTMENT GROUP (CONTINUED)

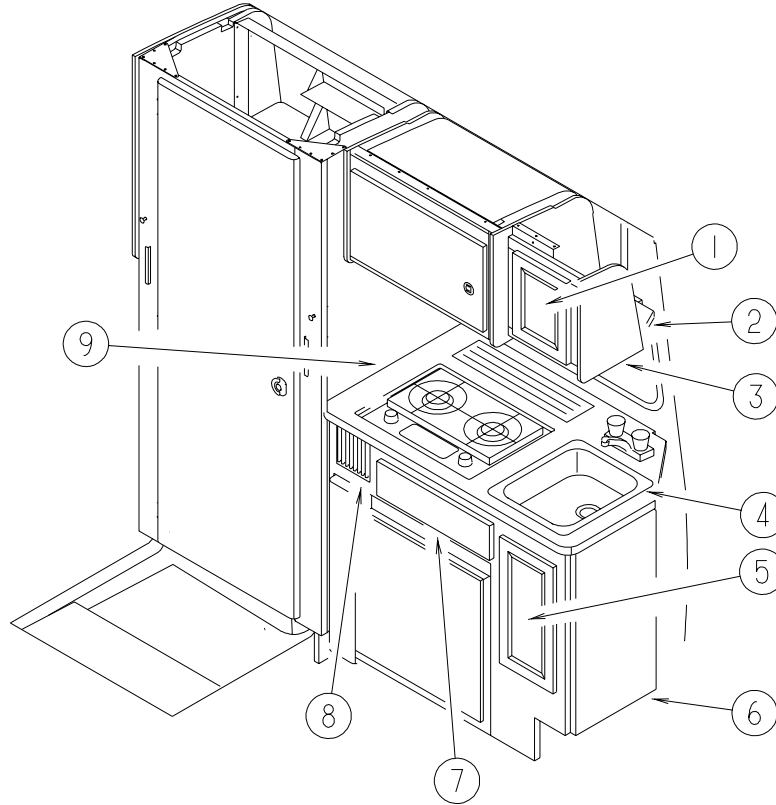
LATCH - ENTRY DOOR



KEY	PART NUMBER	U/M	DESCRIPTION
1*	113636-01-01A	EA	LATCH/PADDLE - ENTRY W/DEADBOLT - W/KEYS - OFF WHITE
1	130444-01-01A	EA	CAP - KEY IDENTIFIER - GREEN
2	113669-01-01A	EA	GASKET - LATCH - DOOR
3	113750-01-04B	EA	PLATE - LATCH STRIKER
4	113636-05-01A	EA	NUT - CAGED
5	092927-03-000	EA	STRIKER - ROUND - JAMB MOUNTED
6	113636-03-01A	EA	LATCH - SINGLE ROTOR
7	113636-02-01A	EA	PLATE - INSIDE - W/DEADBOLT
8	111203-06-01A	EA	SCREW - MOUNTING/PLATE - ZINC
9	115750-01-02B	EA	BRACKET - LATCH - DOOR
10	113834-01-01A	EA	ROD - DOOR LATCH - POWER
11	114209-01-01A	EA	PUSHNUT - CAP - 1/8" - WHITE
12	113960-01-01A	EA	COVER - ACTUATOR - POWER LOCK
13	117050-01-000	EA	POWER DOOR LOCK MOTOR/ACTUATOR - NEW STYLE VW #701959781

* PRESS TO SEE ILLUSTRATED SERVICE PARTS LIBRARY

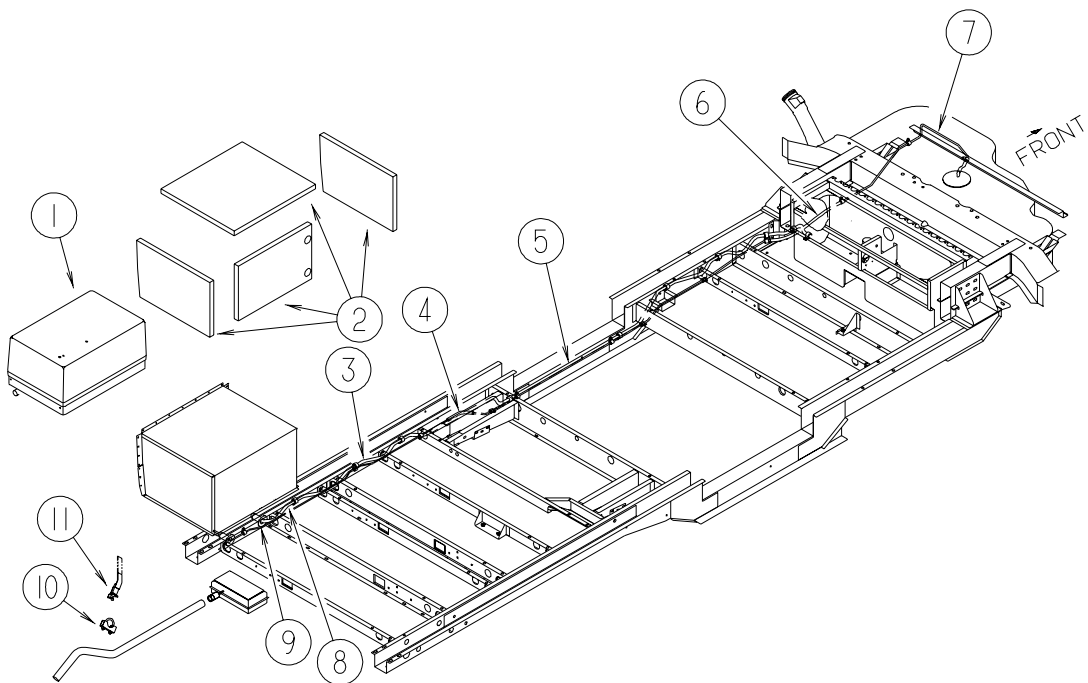
GALLEY GROUP CABINETS



KEY	PART NUMBER	U/M	DESCRIPTION
1	131995-M8-L91	EA	DOOR - RAIL/SOLID PANEL - 9.8" X 12.9" - W/O HARDWARE
2	119213-01-J80	EA	CABINET - GALLEY/OVERHEAD - W/O DOORS/HARDWARE
3	119132-03-J80	EA	END CAP - OVERHEAD
4	126545-01-H70	EA	COVER - SINK
5	131995-M5-L91	EA	DOOR - RAIL/SOLID PANEL - 10" X 19" - W/O HARDWARE
6	126544-01-J80	EA	CABINET - GALLEY - W/COUNTERTOP - W/O DOORS/DRAWERS/HDW
	126544-11-J80	EA	SHELF - W/PLASTIC EDGE MOLDING
7	M05971-X0-L91	EA	DRAWER - OGEE EDGE - 13.1"W X 17.7"D - W/O SLIDES/HARDWARE
8	109918-02-05A	EA	VENT - RETURN AIR - 12.3" X 5.5" - BLACK
9	132601-71-H70	EA	COUNTERTOP

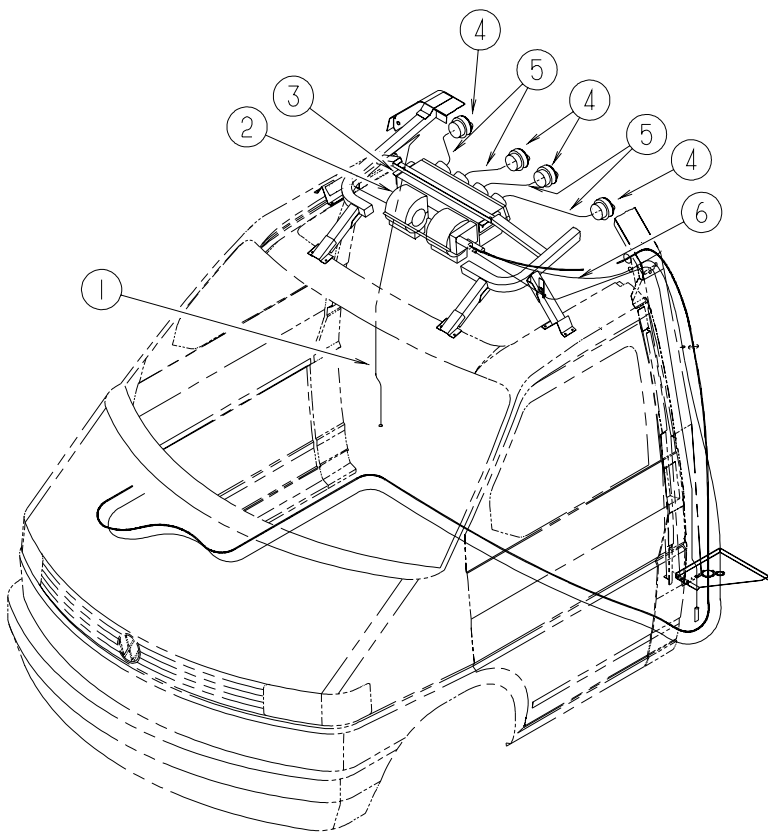
GENERATOR GROUP

GAS

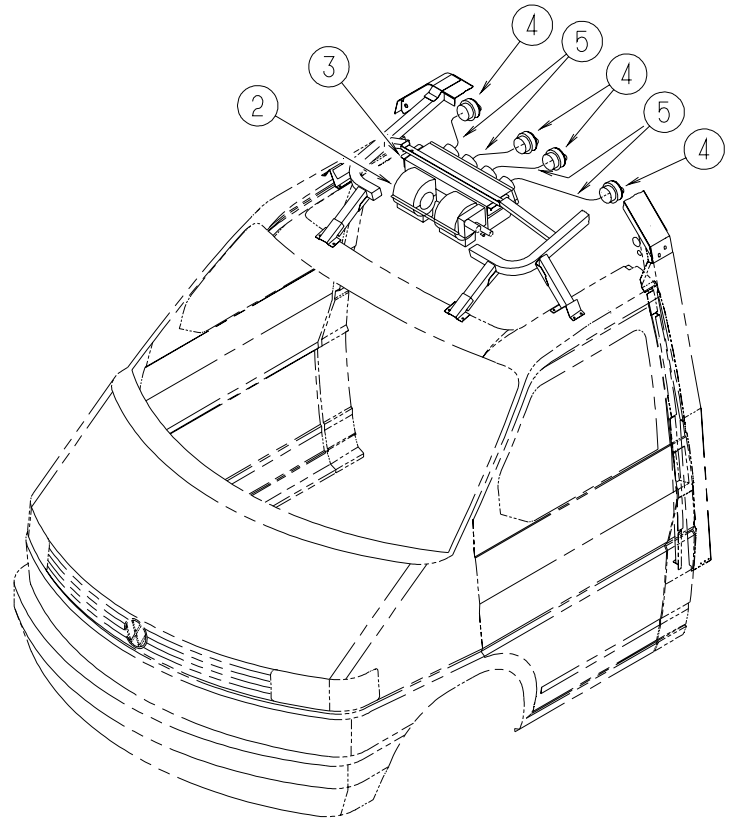


KEY	PART NUMBER	U/M	DESCRIPTION
1	132918-01-000	EA	GENERATOR - 2.8 KW - MICROLITE
2	007067-01-000	SF	INSULATION - FIBERGLASS - 1" THICK X 4'-INCREMENTS 4 SF
3	113378-02-000	EA	FUEL LINE - GENERATOR - REAR
4	128139-03-000	FT	HOSE - FUEL - LOW PERMEABILITY - 1/4" DIAMETER
	062401-06-000	EA	CLAMP - HOSE - WORMGEAR - .22" - .62" ID
5	113378-04-000	EA	FUEL LINE - GENERATOR - MIDDLE
6	128139-01-000	FT	HOSE - FUEL - LOW PERMEABILITY
	062401-06-000	EA	CLAMP - HOSE - WORMGEAR - .22" - .62" ID
7	113378-01-000	EA	FUEL LINE - GENERATOR - FRONT
8	128139-03-000	FT	HOSE - FUEL - LOW PERMEABILITY - 1/4" DIAMETER
	062401-06-000	EA	CLAMP - HOSE - WORMGEAR - .22" - .62" ID
9	084884-01-000	EA	PLUG - BRASS - 3/8"
10	007131-01-000	EA	HANGER - TAILPIPE - 6 SLOTS
11	007125-03-000	EA	CLAMP - MUFFLER - 1.5" DIAMETER

HEATING & A/C GROUP AUXILIARY OVERHEAD A/C



WITH A/C

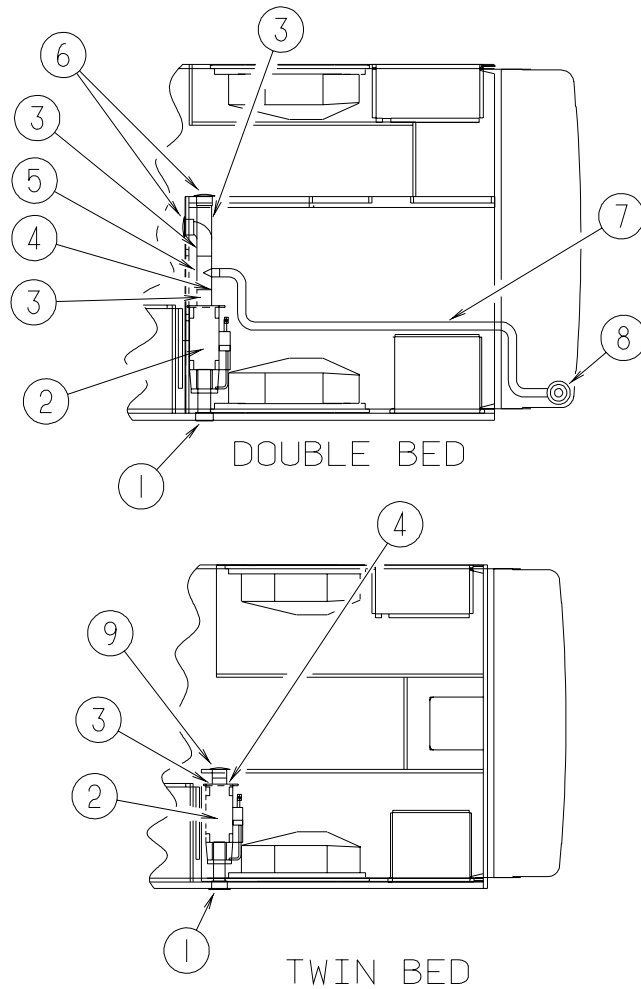


WITHOUT A/C

KEY	PART NUMBER	U/M	DESCRIPTION
1	112932-01-000	EA	TUBE-DRAIN,A/C,COPPER,RH
2*	113245-01-000	EA	EVAPORATOR/AC - OVERHEAD (W/AC)
2*	113245-02-000	EA	BLOWER - OVERHEAD (W/O AC)
3	112083-01-000	EA	BRACKET - ROOF SUPPORT
4	113244-01-01A	EA	LOUVER - BALL - 3" - BLACK
5	007281-01-000	EA	HOSE - FLEXIBLE PVC - 2.5" ID X 50'
6	112932-02-000	EA	TUBE-DRAIN,A/C,COPPER,LH

* PRESS TO SEE ILLUSTRATED SERVICE PARTS LIBRARY

HEATING & A/C GROUP (CONTINUED) FURNACE

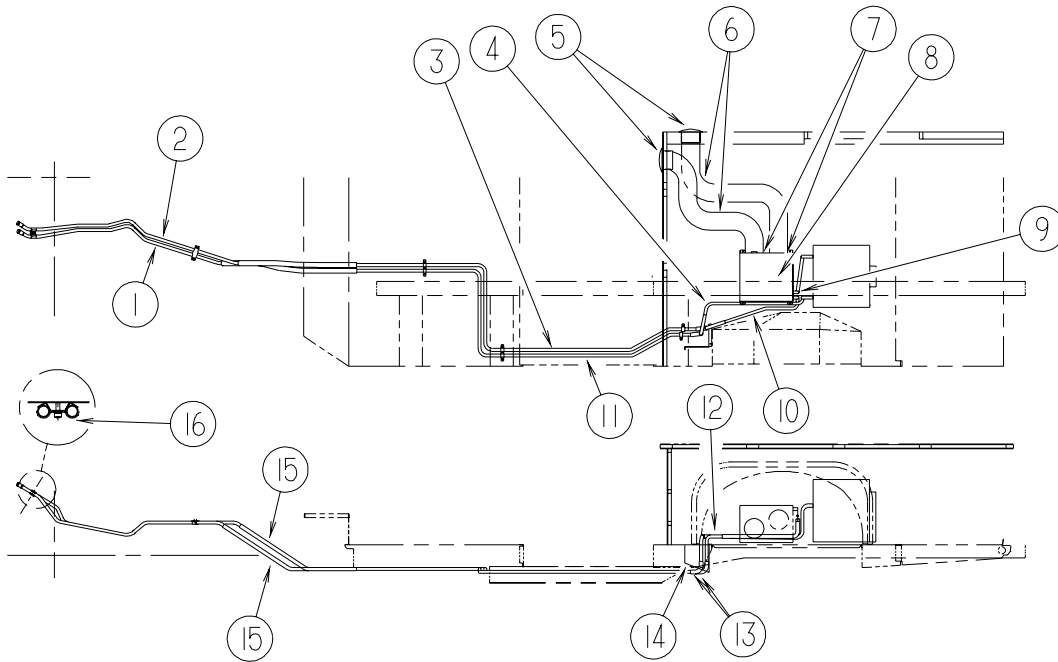


KEY	PART NUMBER	U/M	DESCRIPTION
1	101990-02-000	EA	VENT - FURNACE - OUTSIDE - 4-6"
2*	101990-05-000	EA	FURNACE - 17,000 BTU - DUCTED
3	009198-01-000	FT	DUCT - HEAT - FLEXIBLE - 4" ID X 25'
4	069636-02-000	EA	CONNECTOR - DUCT - 4" ID
5	089367-02-000	EA	TEE - 4" X 2" X 4"
6	056464-10-000	EA	REGISTER W/O DAMPER - 4" DIAMETER - PLASTIC - BEIGE
7	009198-02-000	FT	DUCT - HEAT - FLEXIBLE - 2" ID X 25'
8	125527-01-01A	EA	REGISTER - REDUCING 2" DIAMETER
9	056464-09-000	EA	REGISTER W/DAMPER - 4" DIAMETER - PLASTIC - BEIGE
	115764-01-01A	EA	THERMOSTAT - FURNACE
	009200-01-000	EA	TAPE - FURNACE - 1 1/2"

* PRESS TO SEE ILLUSTRATED SERVICE PARTS LIBRARY

HEATING & A/C GROUP (CONTINUED)

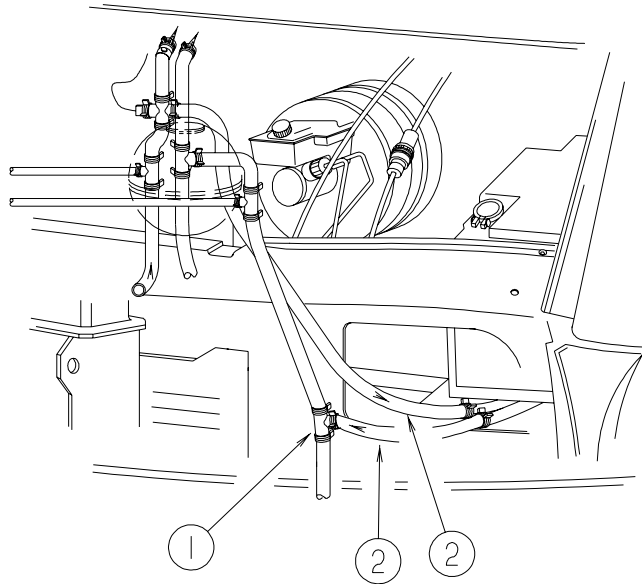
REAR HEATER



KEY	PART NUMBER	U/M	DESCRIPTION
1	113842-02-000	EA	PIPE-MOTORAID,FRONT RT
2	113842-03-000	EA	PIPE-MOTORAID,FRONT LT
3	119081-02-000	EA	TUBE - MOTOR AID - 72.4"
4	007108-01-000	FT	HOSE - HEATER - 5/8" ID - HI-TEMP
5	056464-09-000	EA	REGISTER W/DAMPER - 4" DIAMETER - PLASTIC - BEIGE
6	009198-01-000	FT	DUCT - HEAT - FLEXIBLE - 4" ID X 25'
7	069636-02-000	EA	CONNECTOR - DUCT - 4" ID
8*	084405-01-000	EA	HEATER - REAR/DUCTED - W/MOTOR AID
9	079059-02-000	EA	HOSE - 90 DEGREE - .61" ID X 4" X 6"
10	007108-01-000	FT	HOSE - HEATER - 5/8" ID - HI-TEMP
11	119081-01-000	EA	TUBE - MOTOR AID - 71.2"
12	119082-01-000	EA	TUBE-MOTOR AID,90 DEGREES
13	083081-01-000	EA	HOSE - FORMED - 90 DEGREES - 5/8" ID
14	084190-01-000	EA	GUARD - MOTOR AID - 5.9" X 5.7" X 5.3" - ANGLED/GALV STEEL
15	007108-01-000	FT	HOSE - HEATER - 5/8" ID - HI-TEMP
16	134002-01-000	EA	CLAMP - PIPE - DOUBLE - 5/8" DIAMETER

* PRESS TO SEE ILLUSTRATED SERVICE PARTS LIBRARY

HEATING & A/C GROUP (CONTINUED)
REAR HEATER (CONTINUED)



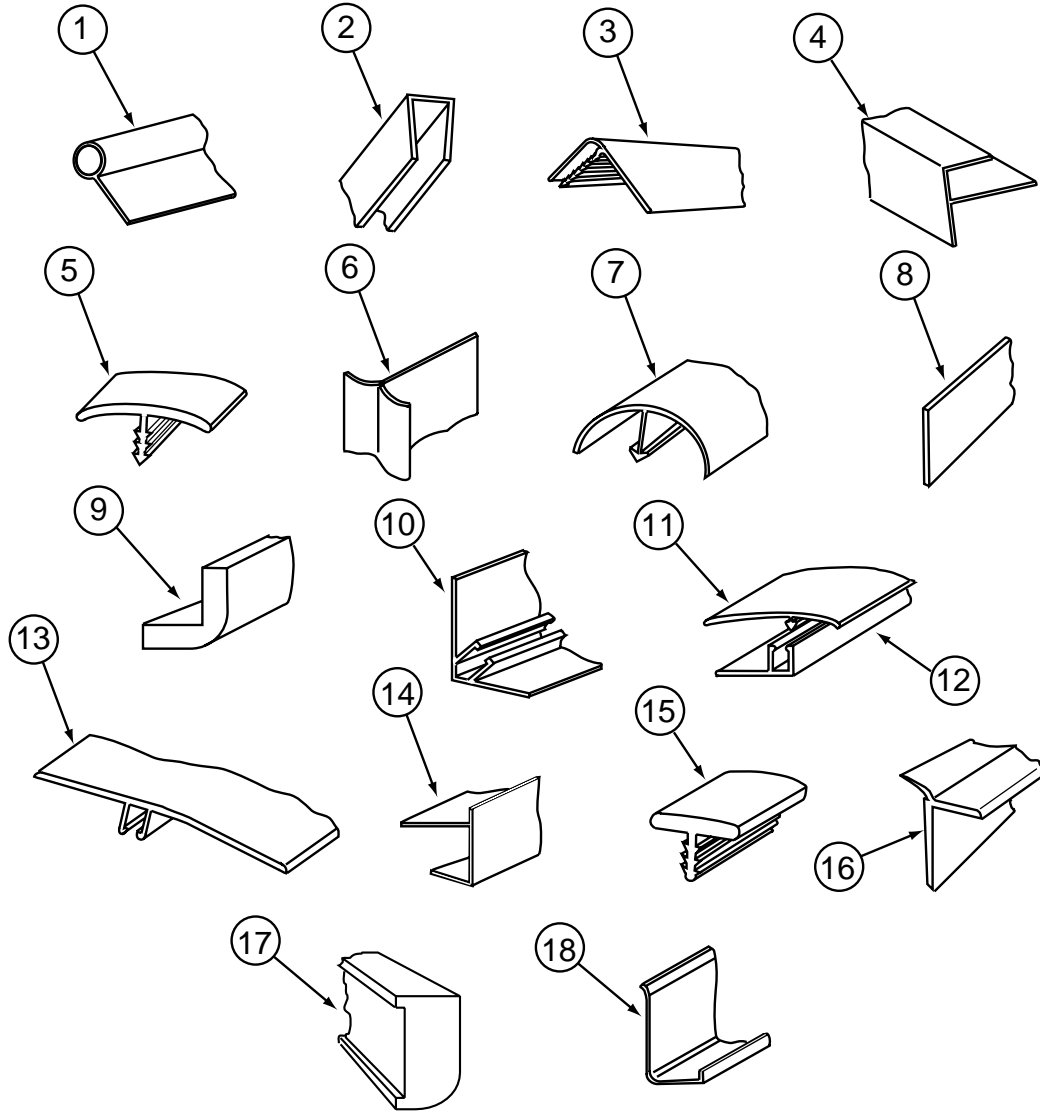
KEY	PART NUMBER	U/M	DESCRIPTION
1	076776-02-000	EA	TEE - BEADED - 3/4 X 3/4 X 3/4
2	007108-02-000	FT	HOSE - HEATER - 3/4" ID - HI-TEMP

ROOF

KEY	PART NUMBER	U/M	DESCRIPTION
*	093306-01-02A	EA	A/C - ROOF - 7100 BTU - ROTARY - WHITE
*	093307-03-000	EA	CEILING ASSEMBLY - COOL ONLY - WHITE
	102289-01-000	EA	SPRING - SCREW - ROOF A/C GASKET

* **PRESS TO SEE ILLUSTRATED SERVICE PARTS LIBRARY**

**INTERIOR FINISH GROUP
MOLDINGS & TRIMS**



KEY	PART NUMBER	U/M DESCRIPTION
1	009767-12-000	FT WELTING - SIDEWALL/CEILING/CABINET - OFF/WHT
2	009778-27-000	FT U-CHANNEL - 1" - WASHED MAPLE
2	070504-50-000	FT U-CHANNEL - PLASTIC - .13" X 84" - WASHED MAPLE
2	070504-51-000	FT U-CHANNEL - PLASTIC - .9" X 84" - WASHED MAPLE
2	070504-54-000	FT U-CHANNEL - PLASTIC - .9" X 84" - VILLAGE OAK
3	009809-31-000	EA MOLDING - CORNER - OUTSIDE - 1" X 84" - WASHED MAPLE
4	009812-33-000	EA MOLDING - CORNER - 1/2" W/1/4" CHAN X 84" - WASHED MAPLE
5	105709-01-000	FT MOLDING-T - 1" - MODERN IVORY
5	105709-02-000	FT MOLDING-T - 1" - BEIGE ILLUSION
6	022992-15-000	FT MOLDING - REVERSE COVE - VW GRAY
7	042357-18-000	EA MOLDING - CORNER - RADIUS/PLASTIC - PICKLED ASH
7	042357-25-000	EA MOLDING - CORNER - RADIUS/PLASTIC - WASHED MAPLE
8	076325-71-000	FT MOLDING - EDGE BAND - 1 5/16" X .038" - GRAY
9	080176-08-000	EA CAP - CORNER - RADIUS MOLDING - PLASTIC - WASHED MAPLE
10	081521-02-007	EA MOUNT - METAL MOLDING - F/RADIUS CORNER MOLDING - 151.5"
11	086229-15-000	EA BATTEN - 1" X 96" - MODERN IVORY
11	086229-20-000	EA BATTEN - 1" X 96" - BEIGE
12	086229-11-000	EA RETAINER - OFFSET - 97.01"
13	099571-03-01A	EA TRIM - ROOF COVE - 2.9" X 146.2" - SMOKEY WHITE
14	103186-01-08A	FT MOLDING - PLASTIC-3/8" U-CHANNEL W/3/4" FACE-WASHED MAPLE
15	104676-02-02A	FT MOLDING-T - 1/2" - PICKLED ASH
15	104676-02-06A	FT MOLDING-T - 1/2" - WASHED MAPLE
16	115003-01-01A	FT MOLDING - REVERSE COVE - VW WHITE
17	126204-D2-134	EA MOLDING - VINYL WRAPPED - .7" X 1.6" X 84" - WASHED MAPLE
17	126204-F2-134	EA MOLDING - VINYL WRAPPED - .7" X 2.5" X 84" - WASHED MAPLE
18	085746-04-000	FT TRIM-J - CARPET 1.2" X .5" ANGLE - 10' LONG - OFF WHITE

INTERIOR FINISH GROUP (CONTINUED)
PANELING, LAMINATES, BATT & EDGE BANDING

KEY	PART NUMBER	U/M	DESCRIPTION
	074497-22-000	SF	PANELING - PICKLED ASH - 1/8" X 4' X 8'
	074497-39-000	SF	PANELING - WASHED MAPLE - 4' X 8'
	088272-G1-000	SF	PANELING - PEBBLE EMBOSSED - ANTIQUE WHITE - 4' X 7'
	088272-H9-000	SF	PANELING - PEBBLE EMBOSSED - WHITE - 4' X 7'
	088272-J2-000	SF	PANELING - BOSSANOVA/EMBOSSSED - LT GRAY - 48" X 84"
	088272-J8-000	SF	PANELING - DURNHAM/MULTI - 4' X 8' (L91)
	088272-J7-000	SF	PANELING - COSMOS/SKY - 4' X 7' (L93)
	074498-65-000	SF	LAMINATE - PLASTIC - MEDIUM GRAY - 4' X 8'
	074498-82-000	SF	LAMINATE - PLASTIC - WASHED MAPLE - 4' X 8'
	000846-01-000	SF	PLYWOOD - 5/16" X 48" X 96" - CD GRADE
	083618-07-000	SF	PLYWOOD - MAPLE - 1 SIDE 3/16" X 4' X 8'
	000885-90-000	SF	PARTICLE BOARD - 1/2" X 4' X 8' - WASHED MAPLE - 2-SIDED
	085284-G7-000	FT	BATT TAPE - ADHESIVE BACKED - DURNHAM MULTI (L91)
	085284-G6-000	FT	BATT TAPE - ADHESIVE BACKED - DECORATIVE - COSMOS/SKY (L93)
	085284-F5-000	FT	BATT TAPE - ADHESIVE BACKED - WOODGRAINED/WASHED MAPLE
	085284-D6-000	FT	BATT TAPE - ADHESIVE BACKED - DECORATIVE - PEBBLE EMBOSSED - ANTIQUE WHITE
	088263-G8-000	EA	BATT STRIP - DECORATIVE - DURNHAM MULTI - 7' (L91)
	088263-G7-000	EA	BATT STRIP - DECORATIVE - COSMOS/SKY - 8' LONG (L93)
	069733-86-000	EA	BATT STRIP - WOODGRAINED/WASHED MAPLE - 8'
	111133-D2-438	EA	LUMBER - VINYL WRAPPED - .7" X 1.5" X 96" - PICKLED ASH
	126205-D2-438	EA	LUMBER - VINYL WRAPPED - .7" X 1.5" X 96" - WASHED MAPLE
	126205-E2-438	EA	LUMBER - VINYL WRAPPED - .7" X 2" X 96" - WASHED MAPLE
	126205-F2-438	EA	LUMBER - VINYL WRAPPED - .7" X 2.5" X 96" - WASHED MAPLE
	126205-G2-438	EA	LUMBER - VINYL WRAPPED - .7" X 3" X 96" - WASHED MAPLE
	126205-J2-438	EA	LUMBER - VINYL WRAPPED - .7" X 5.5" X 96" - WASHED MAPLE

ACCESSORIES

KEY	PART NUMBER	U/M	DESCRIPTION
	096764-02-000	FT	SLIPNOT - ANTISLIP - 1"WIDE (180' ROLLS) - WHITE
	072852-01-000	EA	DETECTOR - SMOKE - W/9 VOLT BATTERY - US
	072852-02-000	EA	DETECTOR - SMOKE - W/9 VOLT BATTERY - CANADIAN
	094499-03-000	EA	EXTINGUISHER/FIRE - DRY - 10BC - W/GAUGE - W/O BRACKET
*	094499-02-000	EA	EXTINGUISHER/FIRE - DRY - 1A10BC - CANADIAN
	094499-04-000	EA	BRACKET - FIRE EXTINGUISHER
	125136-02-000	EA	CO DETECTOR - GAS MODEL - 9 VOLT

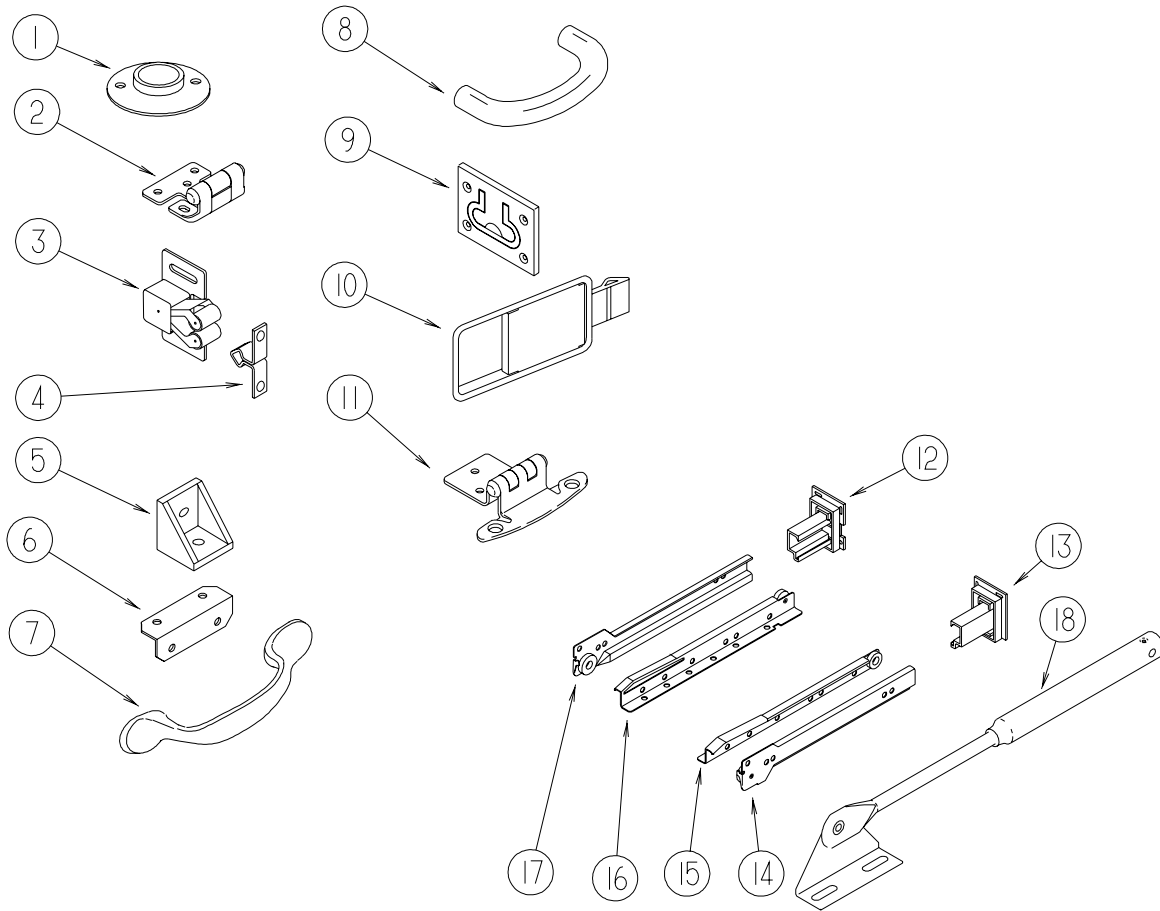
* PRESS TO SEE ILLUSTRATED SERVICE PARTS LIBRARY

FLOOR COVERINGS

KEY	PART NUMBER	U/M	DESCRIPTION
	096060-G1-000	SY	CARPET - SPUN SILVER - INCREMENTS OF 4 SQ YDS (L91)
	096060-E7-000	SY	CARPET - PEWTER BLUE - INCREMENTS OF 4 SY (L93)
	102570-05-000	EA	MAT - ANTI SLIP - UPPER/RIGHT HAND
	102570-06-000	EA	MAT - ANTI SLIP - UPPER/LEFT HAND
	115381-01-01A	EA	MAT - FLOOR - DRIVER - GRAY/BLACK
	115381-02-01A	EA	MAT - FLOOR - PASSENGER - GRAY/BLACK

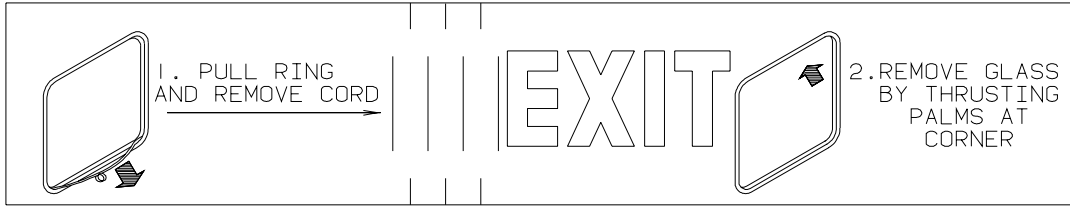
INTERIOR FINISH GROUP (CONTINUED)

HARDWARE



KEY	PART NUMBER	U/M	DESCRIPTION
1	009112-01-000	EA	FLANGE - PLASTIC - 1" CLOTHES ROD - OFF WHITE
2	113676-01-01A	EA	HINGE - OVERLAY - VARIABLE
3	093586-06-000	EA	CATCH - SPRING ROLLER - .236"
4	093586-05-000	EA	STRIKE - SPRING STEEL - .943"
5	065740-01-000	EA	BRACE - CABINET/CORNER - PLASTIC
6	016604-01-000	EA	BRACE - CABINET - ANGLE - 2.5" - UNPAINTED METAL
6	016604-05-000	EA	BRACE - CABINET - ANGLE - 2.5" - OFF WHITE METAL
7	042438-01-000	EA	DOWEL - WOOD - CLOTHES ROD - 1" DIAMETER X 4'
8	131964-01-01A	EA	PULL - CABINET - POLISHED BRASS
9	072871-01-000	EA	PULL - FLUSH - CHROME
10	127349-01-01A	EA	LATCH - PADDLE
11	108138-01-000	EA	HINGE - CABINET DOOR - BURNISHED BRASS
12	128811-01-01A	EA	BACKSOCKET - ADJUSTABLE - LEFT
13	128811-02-01A	EA	BACKSOCKET - ADJUSTABLE - RIGHT
14	128810-06-01A	EA	SLIDE - DRAWER - 14" - RIGHT CABINET
14	128810-22-01A	EA	SLIDE - DRAWER - 22" - RIGHT CABINET
15	128810-08-01A	EA	SLIDE - DRAWER - 14" - RIGHT DRAWER
15	128810-24-01A	EA	SLIDE - DRAWER - 22" - RIGHT DRAWER
16	128810-07-01A	EA	SLIDE - DRAWER - 14" - LEFT DRAWER
16	128810-23-01A	EA	SLIDE - DRAWER - 22" - LEFT DRAWER
17	128810-05-01A	EA	SLIDE - DRAWER - 14" - LEFT CABINET
17	128810-21-01A	EA	SLIDE - DRAWER - 22" - LEFT CABINET
18	074493-02-000	EA	SUPPORT - PISTON SPRING - CABINET DOOR - 26 LBS
	023320-01-000	EA	PAD - FELT 3/8" DIAMETER
	069726-02-000	EA	BUMPER - .88" OD X .40" THICK - BLACK

LABELS GROUP



KEY	PART NUMBER	U/M	DESCRIPTION
	107571-01-000	EA	LABEL - ESCAPE/EXIT WINDOW

IF YOU SMELL GAS

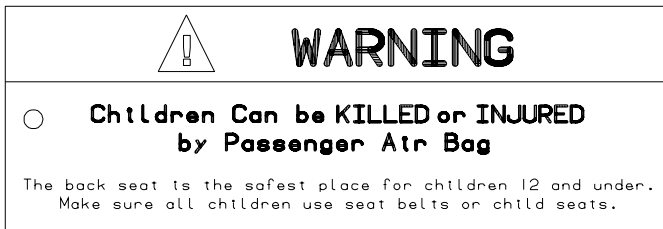
1. EXTINGUISH ANY OPEN FLAME, PILOT LIGHTS AND ALL SMOKING MATERIALS.
2. DO NOT TOUCH ELECTRICAL SWITCHES.
3. SHUT OFF THE GAS SUPPLY AT THE TANK VALVE(S) OR GAS SUPPLY CONNECTION.
4. OPEN DOORS AND OTHER VENTILATING OPENINGS.
5. LEAVE THE AREA UNTIL ODOR CLEARS.
6. HAVE THE GAS SYSTEM CHECKED AND LEAKAGE SOURCE CORRECTED BEFORE USING AGAIN.

KEY	PART NUMBER	U/M	DESCRIPTION
	073998-01-000	EA	LABEL - LPG ODOR WARNING

INPUT

KEY	PART NUMBER	U/M	DESCRIPTION
	087236-01-000	EA	LABEL - CABLE - INPUT

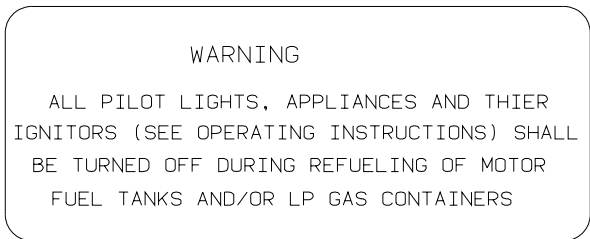
LABELS GROUP (CONTINUED)



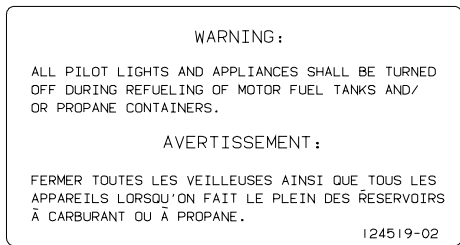
KEY PART NUMBER U/M DESCRIPTION
 126612-01-000 EA LABEL - HANG TAG - AIR BAG - DASH



KEY PART NUMBER U/M DESCRIPTION
 083588-01-000 EA LABEL - ON/OFF - WATER HEATER



KEY PART NUMBER U/M DESCRIPTION
 124519-01-01A EA LABEL - WARNING/REFUELING - BLACK ON CLEAR



KEY PART NUMBER U/M DESCRIPTION
 124519-02-01A EA LABEL - WARNING/REFUELING - BLACK ON CLEAR - CSA

LABELS GROUP (CONTINUED)

WARNING

THIS VEHICLE, LIKE OTHER VEHICLES, MAY CONTAIN SMALL AMOUNTS OF ONE OR MORE SUBSTANCES WHICH ARE LISTED BY THE STATE OF CALIFORNIA FOR CAUSING CANCER OR REPRODUCTIVE TOXICITY.

KEY PART NUMBER U/M DESCRIPTION
 099689-01-000 EA LABEL - WARNING - CANCER/TOXICITY - CALIFORNIA

CAUTION

THIS MOTOR HOME HAS BEEN DESIGNED, MANUFACTURED AND TESTED WITH CONCERN FOR THE PROTECTION OF IT'S OCCUPANTS. WE RECOMMEND YOU PERFORM THE FOLLOWING INSPECTIONS FOR YOUR SAFETY AND THE SAFETY OF YOUR PASSENGERS BEFORE STARTING YOUR VEHICLE.

1. LP GAS SYSTEM- TURN OFF AT TANK FOR TRAVELING. TEST FOR LEAKS UPON ARRIVAL AT DESTINATION. BEFORE LIGHTING PILOTS.
2. WHEELS- INSPECT FOR DAMAGE AND CHECK LUG NUTS FOR TIGHTNESS.
3. TIRES- INSPECT FOR WEAR AND DAMAGE AND CHECK FOR RECOMMENDED AIR PRESSURE.
4. LIGHTING- TEST FOR PROPER OPERATION OF ALL INTERIOR AND EXTERIOR LIGHTS INCLUDING DASH LIGHTS, HEADLIGHTS, TAIL LIGHTS, BRAKE LIGHTS, CLEARANCE LIGHTS AND TURN SIGNALS.
5. EXITS- INSPECT RELEASE MECHANISM ON EMERGENCY EXIT WINDOW. TEST BOTH LOCKS ON MAIN ENTRANCE DOOR FOR EASE OF OPERATION AND INSTRUCT PASSENGERS HOW TO USE BOTH MEANS OF EXIT.
6. SEAT BELTS- DIRECT PASSENGERS TO DESIGNATED SEATS AND REQUIRE USE OF SEAT BELTS.
7. APPLIANCES- TURN OFF AND LATCH OR LOCK DOORS WHERE PROVIDED.
8. LOOSE PARCELS- STORE SECURELY.
9. UTILITY SUPPLY LINES- DISCONNECT ALL ELECTRIC, SEWER AND WATER LINES AND SECURE PROPERLY.
10. ENTRANCE DOOR STEP- PLACE IN RETRACTED POSITION FOR TRAVELING.

READ YOUR MOTOR HOME AND CHASSIS OWNER'S MANUAL FOR FURTHER PRECAUTIONS

KEY PART NUMBER U/M DESCRIPTION
 056259-01-000 EA LABEL - SAFETY CHECK LIST



WARNING



DEATH or SERIOUS INJURY can occur

Children 12 and under can be killed by the air bag
 The BACK SEAT is the SAFEST place for children
 NEVER put a rear-facing child seat in the front
 Sit as far back as possible from the air bag
 ALWAYS use SEAT BELTS and CHILD RESTRAINTS

KEY PART NUMBER U/M DESCRIPTION
 126611-01-000 EA LABEL - AIR BAG - VISOR

WARNING: CONTAINS "CFC" A SUBSTANCE WHICH HARMS PUBLIC HEALTH AND ENVIRONMENT BY DESTROYING OZONE IN THE UPPER ATMOSPHERE.

KEY PART NUMBER U/M DESCRIPTION
 111802-01-000 EA LABEL - CFC WARNING

LABELS GROUP (CONTINUED)

THIS CONNECTION IS FOR
(B) VOLT AC,60 HZ(CYCLES)
(A) AMPERE SUPPLY

DO NOT CONNECT TO
HIGHER VOLTAGE

KEY	PART NUMBER	U/M DESCRIPTION
	125306-01-01A	EA LABEL-ELECTRICAL ENTRANCE-110/125 VOLT 30 AMP-BLK ON CLEAR

DO NOT USE HITCH BEFORE
READING OWNERS MANUAL REGARDING
VEHICLE LOADING AND TOWING

KEY	PART NUMBER	U/M DESCRIPTION
	111104-01-000	EA LABEL - HITCH - READ MANUAL - WHITE

WARNING

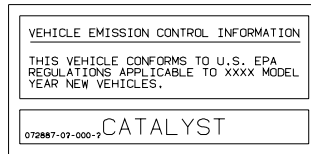
ALL LP GAS IS CONTAINED UNDER PRES-
SURE. DUE TO THE DANGEROUS POTENTIAL
OF ANY COMPRESSED GAS, IT IS MANDA-
TORY THAT THE FOLLOWING REQUIREMENTS
FOR THE USE OF THIS TANK BE FOLLOWED:
TANKS ARE TO BE INSTALLED, FUELED AND
MAINTAINED IN ACCORDANCE WITH STATE
AND LOCAL CODE, RULES, REGULATIONS OR
LAWS AND IN ACCORDANCE WITH NFPA
PAMPHLET 58, DIVISION IV.

KEY	PART NUMBER	U/M DESCRIPTION
	116112-01-000	EA LABEL- WARNING - LP

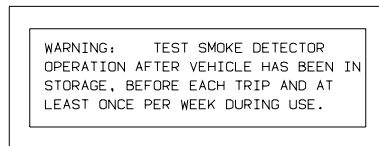
REMOVE PRIMARY TIRE HANGER BEFORE USING
SPARE TIRE HOIST-SEE OWNERS MANUAL- PERSONAL
INJURY MAY RESULT IF NOT FOLLOWED

KEY	PART NUMBER	U/M DESCRIPTION
	126024-01-01A	EA LABEL - TIRE HANGER REMOVAL

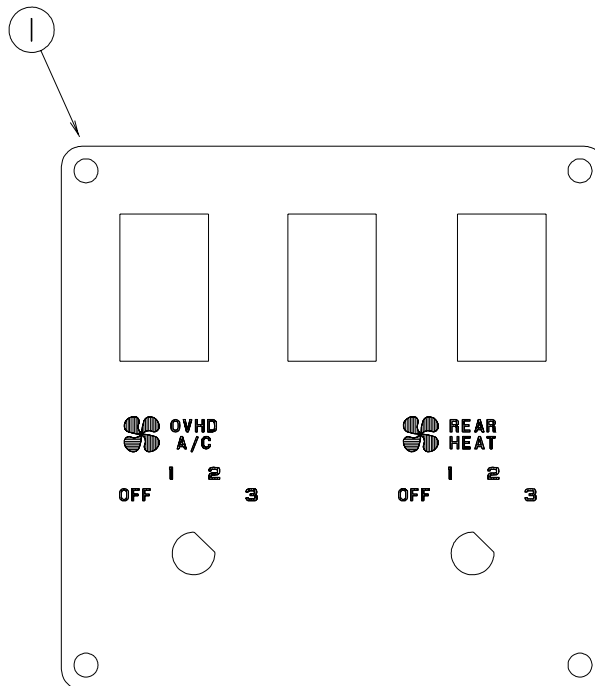
LABELS GROUP (CONTINUED)



KEY	PART NUMBER	U/M DESCRIPTION
	072887-10-000	EA LABEL - EPA - 1999 MODEL YEAR
		FROM: 00-00-00 THRU: 12-31-99
	072887-11-000	EA LABEL - EPA - 2000 MODEL YEAR
		FROM: 01-01-00 THRU: 99-99-99



KEY	PART NUMBER	U/M DESCRIPTION
	077956-01-000	EA LABEL - WARNING - SMOKE DETECTOR



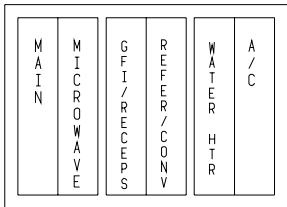
KEY	PART NUMBER	U/M DESCRIPTION
1	124572-01-000	EA LABEL - SWITCHES

LABELS GROUP (CONTINUED)

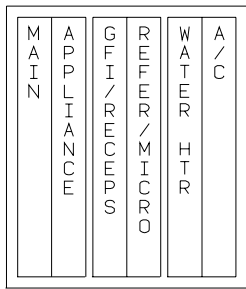
THIS CONNECTION IS FOR
 (B) VOLT AC,60 HZ(CYCLES)
 (A) AMPERE SUPPLY

DO NOT CONNECT TO
 HIGHER VOLTAGE

KEY	PART NUMBER	U/M	DESCRIPTION
	125306-01-01A	EA	LABEL-ELECTRICAL ENTRANCE-110/125 VOLT 30 AMP-BLK ON CLEAR
	125306-03-01A	EA	LABEL - ELECTRICAL ENTRANCE - 100 VOLT - 30 AMP



KEY	PART NUMBER	U/M	DESCRIPTION
	095721-38-000	EA	LABEL - CONTROL CENTER - 30 AMP - US



KEY	PART NUMBER	U/M	DESCRIPTION
	095721-39-000	EA	LABEL - CONTROL CENTER - 30 AMP - CANADIAN

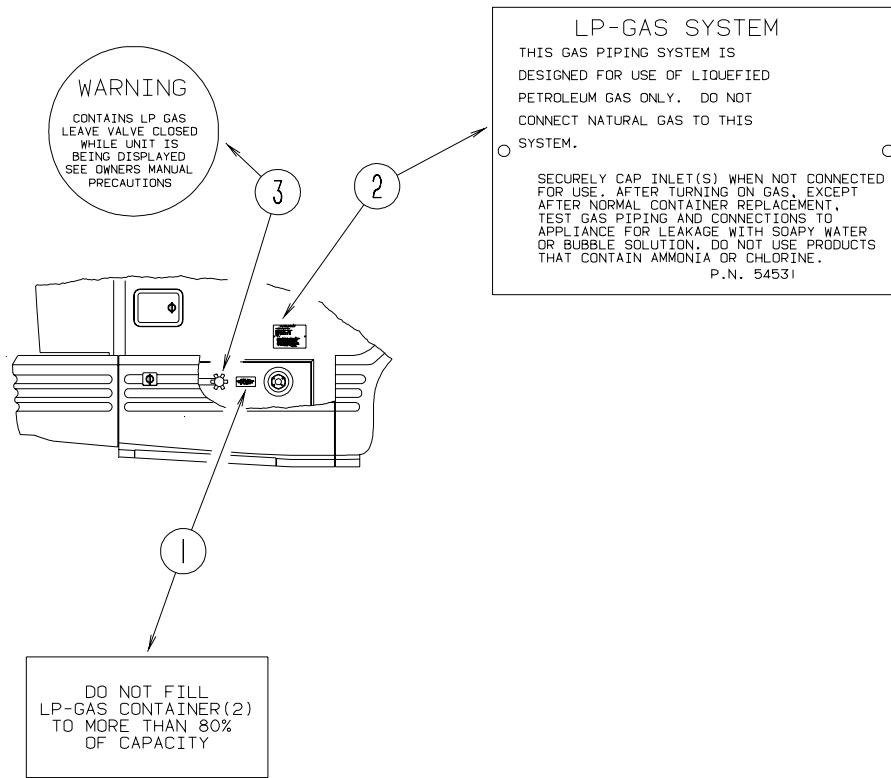
SEWAGE

KEY	PART NUMBER	U/M	DESCRIPTION
	006187-01-000	EA	LABEL - SEWAGE

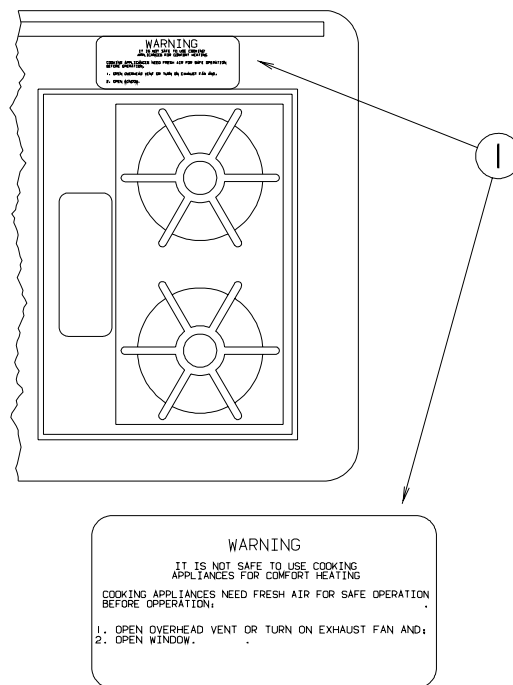
WASTE WATER

KEY	PART NUMBER	U/M	DESCRIPTION
	006188-01-000	EA	LABEL - WASTE WATER

LABELS GROUP (CONTINUED)



KEY	PART NUMBER	U/M	DESCRIPTION
1	079965-01-000	EA	LABEL - LPG 80% CAPACITY
2	124520-01-01A	EA	LABEL - LP GAS ONLY - BLACK ON CLEAR
3	115600-01-000	EA	LABEL - WARNING LPG VALVE



KEY	PART NUMBER	U/M	DESCRIPTION
1	050225-01-000	EA	LABEL - WARNING - STOVE VENT - US FROM: 00-00-00 THRU: 12-31-99
1	134539-01-01A	EA	LABEL - WARNING - STOVE/HEATING - BLACK ON CLEAR - US FROM: 01-01-00 THRU: 99-99-99
1	050222-01-000	EA	LABEL - WARNING - STOVE VENT - CANADIAN FROM: 00-00-00 THRU: 12-31-99
1	134540-01-01A	EA	LABEL - WARNING - STOVE/HEATING - BLACK ON CLEAR - CANADIAN FROM: 01-01-00 THRU: 99-99-99

LABELS GROUP (CONTINUED)

WARNING

THIS SYSTEM IS DESIGNED FOR USE WITH PROPANE ONLY
DO NOT CONNECT NATURAL GAS TO THIS SYSTEM

BEFORE TURNING ON PROPANE:

- (A) BE CERTAIN APPLIANCES ARE CERTIFIED FOR PROPANE AND ARE EQUIPPED WITH CORRECT BURNING ORIFICES.
- (B) MAKE CERTAIN ALL PROPANE CONNECTIONS ARE TIGHT BY TESTING WITH SOAPY WATER. ALL APPLIANCE VALVES ARE TURNED OFF, AND ANY UNCONNECTED OUTLETS ARE CAPPED.

AFTER TURNING ON PROPANE:

- (A) LIGHT ALL PILOT LIGHTS
- (B) (B) ALL CONNECTIONS, INCLUDING THOSE AT THE APPLIANCES, REGULATORS AND CYLINDERS SHOULD BE LEAK-TESTED PERIODICALLY WITH SOAPY WATER BY THE OCCUPANT. NEVER USE A LIGHTED MATCH OR OTHER FLAME WHEN CHECKING FOR LEAKS.
- (C) DO NOT LEAVE SYSTEM TURNED ON OF CONTAINERS CONNECTED UNTIL THE SYSTEM HAS BEEN PROVEN TO BE FREE OF LEAKS.
- (D) COOKING APPLIANCES SHOULD NOT BE USED FOR SPACE HEATING.
- (E) WHEN THE CONTAINERS ARE DISCONNECTED THE PROPANE SUPPLY LINE SHOULD BE CAPPED OR PLUGGED.

AVERTISSEMENT

CETTE INSTALLATION EST CONÇUE POUR LE PROPANE SEULEMENT
NE PAS L'ALIMENTER EN GAZ NATUREL

AVANT LA MISE EN SERVICE:

- (A) S'ASSURER QUE LES APPAREILS SONT CERTIFIÉS POUR LE PROPANE ET MUNIS D'ORIFICES DE BRÛLEUR APPROPRIÉS.
- (B) VÉRIFIER L'ÉTANCHEITÉ DE TOUS LES RACCORDEMENTS AU PROPANE, LA PERMÉABILITÉ DE TOUS LES ROBINETS D'APPAREILS ET L'OBTURATION DE TOUTES LES SORTIES NON RACCORDEES.

APRÈS LA MISE EN SERVICE:

- (A) ALLUMER TOUTES LES VEILLEUSES.
- (B) L'OCCUPANT DOIT ÉPROUVER PÉRIODIQUEMENT L'ÉTANCHEITÉ DE TOUS LES RACCORDEMENTS, Y COMPRIS CEUX AUX APPAREILS, AUX DÉTENDEURS ET AUX BOUTEILLES, EN Y APPLIQUANT DE L'EAU SAVONNEUSE NE JAMAIS SE SERVIR D'UNE ALLUMETTE OU AUTRE POUR LA DÉTECTION DES FUITES.
- (C) NE PAS LAISSER L'ALIMENTATION OUVERTE NI LES RÉCIPIENTS RACCORDES AVANT D'AVOIR COMPLÉTÉ L'ÉPREUVE D'ÉTANCHEITÉ AU PROPANE DE L'INSTALLATION.
- (D) LES APPAREILS DE CUISSON NE DOIVENT PAS ÊTRE UTILISÉS POUR LE CHAUFFAGE DES LOCAUX.
- (E) LORSQUE LES RÉCIPIENTS SONT DÉCONNECTÉS, L'ALIMENTATION DE PROPANE DOIT ÊTRE OBTURÉE OU SCELLÉE.

KEY	PART NUMBER	U/M	DESCRIPTION
	023769-01-000	EA	LABEL - WARNING - LPG ONLY - CANADIAN

WARNING DISCONNECT BATTERIES BEFORE
CONNECTING EXTERNAL CHARGING EQUIPMENT.

KEY	PART NUMBER	U/M	DESCRIPTION
1	065748-01-000	EA	LABEL - CAUTION - BATTERY CHARGING



TIRE ROTATION
SEE RIALTA OWNERS MANUAL
SECTION 9

KEY	PART NUMBER	U/M	DESCRIPTION
1	129684-01-000	EA	LABEL - TIRE ROTATION

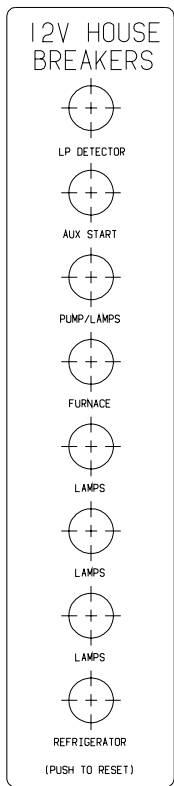
LABELS GROUP (CONTINUED)

WARNING: REPLACE TIRE ONLY WITH ONE OF EXACTLY SAME TYPE AND RATING. DO NOT REPLACE WITH PASSENGER CAR TIRE. SEE OPERATOR'S MANUAL FOR DETAILS. FOR MORE INFORMATION CALL WINNEBAGO OWNER RELATIONS AT 1-800-537-1885.

KEY	PART NUMBER	U/M DESCRIPTION
	115869-01-000	EA LABEL - WARNING - TIRE

AIR CONDITIONING CIRCUIT.
THIS CONNECTION IS FOR
AIR CONDITIONERS RATED 110-
125 VOLT AC, 60 HZ, 16
AMPERES MAXIMUM. DO NOT
EXCEED CIRCUIT RATING.

KEY	PART NUMBER	U/M DESCRIPTION
	091243-01-000	EA LABEL - A/C COVER "AIR CONDITIONING CIRCUIT ETC."



KEY	PART NUMBER	U/M DESCRIPTION
	092547-08-000	EA LABEL - CIRCUIT BREAKER

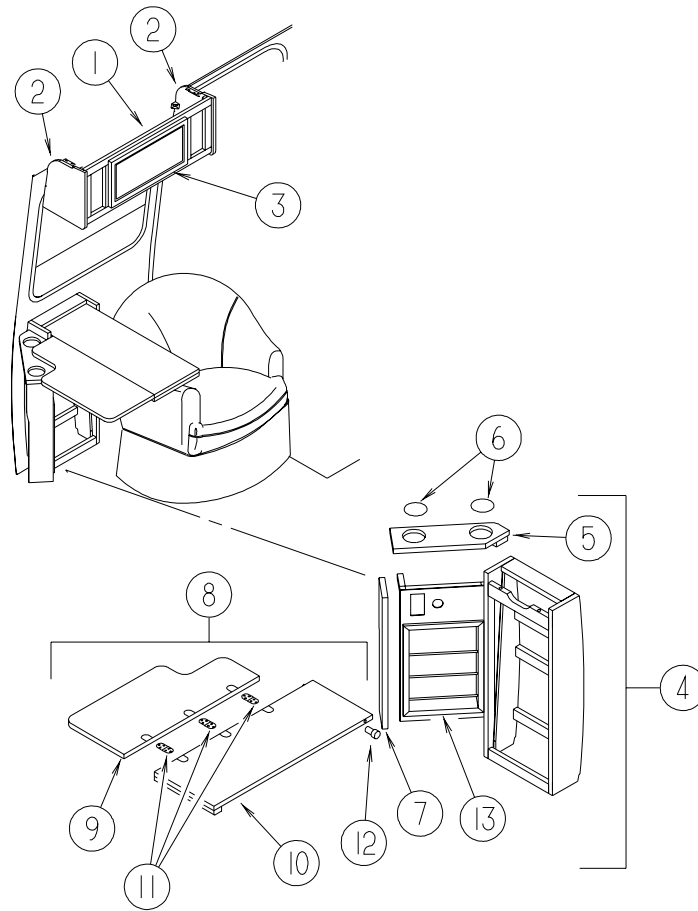
LP GROUP

LP SYSTEM

KEY	PART NUMBER	U/M	DESCRIPTION
	010265-01-000	EA	ELBOW - BRASS - 90 DEGREE - 3/8"F X 1/2"FPT
	010323-01-000	EA	ADAPTER - BRASS - 3/8"F X 1/2"MPT
	010329-01-000	EA	ADAPTER - BRASS - 1/2"F X 1/2"MPT
	024250-01-000	EA	ADAPTER - BRASS - 3/8"F X 1/2"FPT
	040440-02-000	EA	TRANSMITTER - DIAL/BOLT ON - 0-90 OHM -2 TERMINAL (POWER/GROUND)
	040440-03-000	EA	TRANSMITTER - DIAL/SNAP ON - 0-90 OHM -2 TERMINAL (GROUND/POWER)
	010252-01-000	EA	ELBOW - BRASS - 90 DEGREE - 3/8"F X 1/2"MPT
	106150-03-000	EA	REGULATOR -TWO STAGE-7/8-14 UNS2A LH INLET/3/8" FPT OUTLET
	010377-02-000	EA	NUT - BRASS - 3/8" FLARE - FORGED
	010380-02-000	EA	NUT - BRASS - 1/2" FLARE - FORGED
	103613-03-000	EA	DETECTOR - LP GAS - W/O SHUT-OFF VALVE
*	074039-04-000	EA	TANK - LP - 28 LB - BOTTOM MOUNT - 10" DIAMETER X 23" LONG

* **PRESS TO SEE ILLUSTRATED SERVICE PARTS LIBRARY**

LOUNGE GROUP CABINETS



LOUNGE CABINETRY & PULLOUT TABLE

KEY	PART NUMBER	U/M	DESCRIPTION
1	124888-01-J80	EA	CABINET - OVERHEAD/FRONT/RIGHT HAND - W/O DOORS/HARDWARE
2	119132-07-J80	EA	END CAP - OVERHEAD
3	131995-M5-L91	EA	DOOR - RAIL/SOLIDPANEL - 10" X 19" - W/O HARDWARE
4	P19113-02-J80	EA	CABINET/TABLE - W/O HARDWARE
5	P19113-14-J80	EA	CUPHOLDER
6	122717-04-01A	EA	PAD - NON SKID - 3" DIA. ROUND
7	P19113-15-J80	EA	STICK - W/STAIN
8	119113-17-J80	EA	TABLE - PULL UP STYLE - W/O HARDWARE
9	119113-18-J80	EA	TABLE - LEFT HALF - W/O HARDWARE
10	119113-19-J80	EA	TABLE - RIGHT HALF - W/O HARDWARE
11	111535-01-000	EA	HINGE - TABLE/FOLDING
12	079921-01-000	EA	ROLLER - NYLON - W/STEEL SHAFT - BARBED
13	119113-16-F45	EA	MAGAZINE RACK

SEALANTS & FASTENERS GROUP

SEALANTS & ADHESIVES

KEY	PART NUMBER	U/M	DESCRIPTION
	069640-01-000	FT	SEALER - RIBBON - 1/4" DIAMETER X 30' - BLACK
	069640-02-000	FT	SEALER - TAPE - .13"THICK X .5"WIDE X 60' - GRAY
	069640-03-000	FT	SEALER - TAPE - .13"THICK X .75"WIDE X 60' - BLACK
	069640-07-000	FT	SEALER - TAPE - .09"THICK X 2"WIDE X 45' - GRAY
	069640-09-000	FT	SEALER - TAPE - .032"THICK X 2.50"WIDE X 80' - GRAY
	069640-10-000	FT	SEALER - TAPE - .03"THICK X 1.50"WIDE X 90' - GRAY
	069640-11-000	FT	SEALER - TAPE - .19"THICK X .38"WIDE X 40' - BLACK
	069640-13-000	FT	SEALER - TAPE - .03"THICK X 2"WIDE X 45' - BLACK
	069640-14-000	FT	SEALER - TAPE - .06"THICK X 1"WIDE X 100' - GRAY
	069640-15-000	FT	SEALER - TAPE - .06"THICK X .38"WIDE X 100' - GRAY
	069640-17-000	FT	SEALER - TAPE - .03"THICK X 1"WIDE X 90' - GRAY
	069640-18-000	FT	SEALER - TAPE - .50"THICK X 1/8"WIDE X 60' - BRIGHT WHITE
	069640-19-000	FT	SEALER - TAPE - .75"THICK X 1/8"WIDE X 60' - BRIGHT WHITE
	069640-20-000	FT	SEALER - TAPE - .50" THICK X 1/8" WIDE X 60'-BRIGHT WHITE
	069640-21-000	FT	SEALER - TAPE - .50" THICK X 1/16" WIDE X 100'-BRIGHT WHT
	069640-22-000	FT	SEALER - TAPE - .25" THICK X 1/32" WIDE X 100'- BRIGHT WHT
	069640-23-000	FT	SEALER - TAPE - 1/16" THICK X .75" WIDE X 100'- BRIGHT WHT
	069640-25-000	FT	SEALER - TAPE - .06" THICK X 3.5" WIDE X 50' - GRAY
	072889-01-000	EA	SEALANT - URETHANE - BLACK - TUBE
	072889-10-000	EA	SEALANT - URETHANE - BRIGHT WHITE - TUBE
	072889-11-000	EA	SEALANT - URETHANE - GRAY - TUBE
	072889-13-000	EA	SEALANT - URETHANE - VW WHITE - TUBE
	072889-14-000	EA	SEALANT - URETHANE - SABLE - TUBE
	072889-16-000	EA	SEALANT - URETHANE - BLACK - TUBE
	072889-17-000	EA	SEALANT - URETHANE - BLACK - TUBE
	116767-01-01A	EA	SEALANT - WATERBASE - CLEAR
	053766-02-000	EA	BEDDING COMPOUND - TUBE - WHITE
	053766-06-000	EA	BEDDING COMPOUND - TUBE - CLEAR
	053766-08-000	EA	BEDDING COMPOUND - TUBE - GRAY
	131264-01-02A	EA	SILICONE - W/O NOZZLE - CLEAR
	131264-01-01A	EA	SILICONE - W/O NOZZLE - BLACK
	131264-01-08A	EA	SILICONE - W/O NOZZLE - BUFF
	131264-02-01A	EA	SILICONE - W/O NOZZLE - VW GRAY - BATH ONLY
	131264-03-01A	EA	SILICONE - SELF LEVELING - W/O NOZZLE - BRIGHT WHITE
	108716-01-000	EA	SILICONE - TUBE - OFF WHITE/SELF LEVELING - W/O NOZZLE
	108716-02-000	EA	SILICONE - TUBE - BUFF/SELF LEVELING - W/O NOZZLE
	102352-01-000	EA	SEALER - PUMPABLE - TUBE - BLACK
	102352-02-000	EA	SEALER - PUMPABLE - TUBE - CLEAR
	094401-01-000	EA	SEALER - BODY SEAM
	067788-01-000	EA	ADHESIVE - SPRAY - 3M - 19.5 AEROSOL CAN
	081377-01-700	EA	ADHESIVE-CYANOACRYLATE 10 GM
	099039-01-000	EA	ADHESIVE-WEATHERSTRIP, 8 OZ. - SILAPRENE M6581
	900390-01-000	EA	TIP - 2 1/2" X 1/8" ORIFICE
	900390-03-000	EA	NOZZLE - SILICONE TUBE - 4.3" LONG
	112902-01-000	EA	NOZZLE - ELEMENT - 3/8 X 24
	112902-02-000	EA	NOZZLE - BELL - 3/8 X 24
	112902-03-000	EA	NOZZLE - ELEMENT - 1/4 X 6
	076322-01-000	FT	TAPE-DOUBLE COATED/ADHESIVE BK-.03"THK X .8"W X 216'- WHT
	076322-02-000	FT	TAPE-DOUBLE COATED/ADHESIVE BK-.05"THK X 1"W X 108' - WHT
	076322-03-000	FT	TAPE-DOUBLE COATED/ADHESIVE BK-.05"THK X .5"W X 108' - WHT
	076322-05-000	FT	TAPE-DOUBLE COATED/ADHESIVE BK-.05"THK X .8"W X 108' - WHT
	076322-06-000	FT	TAPE - DOUBLE COATED/ADHESIVE BK-.05"THK X 1"W - BLK
	076322-07-000	FT	TAPE-DOUBLE COATED/ADHESIVE BK-.05"THK X .5"W X 200' - BLK
	076322-11-000	FT	TAPE-DOUBLE COATED/ADHESIVE BK-.02"THK X 1"W X 216' - CLR
	076322-12-000	FT	TAPE-DOUBLE COATED/ADHESIVE BK-.05"THK X .8"W X 108' - CLR
	123816-01-000	FT	TAPE - DOUBLE SIDED - 1"
	123816-02-000	FT	TAPE - DOUBLE SIDED - 1/2" X 1 1/3" - THICK
	123816-03-000	FT	TAPE - DOUBLE SIDED - 1/2" X 3/4" - THICK
	123816-04-000	FT	TAPE - DOUBLE SIDED - 6"

SEALANTS & FASTENERS GROUP (CONTINUED)

SEALANTS & ADHESIVES (CONTINUED)

KEY	PART NUMBER	U/M	DESCRIPTION
	120534-01-01A	EA	TAPE - SCOTCH - 3M - 1/2" FINE LINE
	063642-01-000	FT	TAPE - ADHESIVE - .4" X 1.5" X 180"
	123244-02-000	FT	TAPE - DOUBLE SIDED FOAM - 5/64" THICK X .50" WIDE
	131137-01-000	YD	TAPE - ADHESIVE - DOUBLE SIDED
	076314-02-000	FT	TAPE - CARPET SEAM - HEAT-BOND - 4" WIDE
	088479-01-000	EA	TAPE - ALUMINUM - 3"
	103202-02-000	FT	TAPE - FOAM/ADHESIVE ONE SIDE - GRAY
	110274-01-000	FT	TAPE - DOUBLE SIDED FOAM - .45" X 1"
	004363-01-000	FT	TAPE - ADHESIVE FOAM/1 SIDE - 3/16" X 1/2" X 50' - GRAY
	115933-01-000	FT	TAPE - 1/64" X 3/8"
	123816-04-000	FT	TAPE - DOUBLE SIDED - 6"
	109215-01-000	FT	TAPE - SHIELD 1"
	002707-02-000	FT	TAPE - SEALER - 5/16" X 1/2" - INCREMENTS OF 50 FT
	091255-02-000	FT	SEAL - ADHESIVE BACKED/FOAM - 3/64" THICK X 3/16" WIDE
	091255-03-000	FT	SEAL - ADHESIVE BACKED/FOAM - 1/4" THICK X 1/4" WIDE
	104692-01-000	FT	SEAL - ADHESIVE BACKED FOAM-.75"THICK X .75"WIDE X 25'
	104692-03-000	FT	SEAL - ADHESIVE BACKED/FOAM - 1" THICK X 1.25" WIDE X 15'
	108353-01-000	FT	SEAL - FOAM - 5/16" X 1/2" - ADHESIVE BACKED
	108353-02-000	FT	SEAL - FOAM - 1/4" X 5/8" - ADHESIVE BACKED
	108353-03-000	FT	SEAL - FOAM - .19" X .25"
	112864-01-000	FT	SEAL - FOAM/BUTYL COVERED - 3/8"
	106206-01-000	EA	SEALER - PUMPABLE - TUBE - BLACK - MANUS
	120074-02-01A	EA	SEALANT - W/O NOZZLE - OFF/WHITE
	120074-02-02A	EA	SEALANT - SILICONE - SOFT WHITE
	132947-01-01A	EA	SEALANT - SOLVENT BASE - WHITE
	107828-01-000	EA	SEALANT - SB - 190 EVERSEAL
	112864-02-000	FT	FOAM - BUTYL COVERED 5/16"
	087211-01-000	GL	PROMOTER - ADHESIVE
	004006-05-700	EA	ADHESIVE-NAT. STARCH (5 GAL) 0802
	004020-01-000	QT	ADHESIVE - ABS CEMENT - QUART
	112901-01-000	EA	ADHESIVE - PLEXUS - 400 ML CARTRIDGE
	112901-02-000	EA	ADHESIVE - PLEXUS - 50ML
	131384-01-000	EA	ADHESIVE - JET - WELD
	113366-01-000	EA	ADHESIVE - INSTANT
	062917-03-000	EA	ADHESIVE - LOCTITE 242
	004001-01-000	EA	EPOXY ADHESIVE (GRAY)
	004001-02-000	EA	SCOTCH - WELD EPOXY GUN W/O NOZZLE
	004001-03-000	EA	MIXER NOZZLE (EPX)
	004001-03-001	EA	EPOXY MIXER NOZZLE 12"
	004001-03-002	EA	TUBE/MIXER - GRACO EPOXY
	004001-04-000	EA	PLUNGER ACCESSORY (EPX)
	004001-05-000	EA	EPOXY ADHESIVE (CLEAR)
	111940-02-000	LB	SEALER - PUTTY - THUMBING

SEALANTS & FASTENERS GROUP (CONTINUED)

BOLTS, NUTS AND WASHERS

KEY	PART NUMBER	U/M	DESCRIPTION
	000C12-04-12A	EA	BOLT - HEX - 1/4-20 X 3/4 - PLAIN 5
	000C12-05-16B	EA	BOLT - HEX - 5/16-18 X 1 - GRADE #5 - ZINC
	000C12-05-12B	EA	BOLT - HEX - 5/16-18 X 3/4 - ZINC 5
	000C12-06-16B	EA	BOLT - HEX - 3/8-16 X 1 - GRADE #5 - ZINC
	000C12-06-20B	EA	BOLT - HEX - 3/8 - 16 X 1 1/4 - ZINC #5
	000C12-06-44B	EA	BOLT - HEX - 3/8-16 X 2 3/4 - ZINC 5
	000C12-07-20B	EA	BOLT - HEX - 7/16-14 X 1 1/4 - ZINC 5
	000C12-08-24B	EA	BOLT - HEX - 1/2-13 X 1 1/2 - GRADE #3 - ZINC
	000C12-08-28B	EA	BOLT - HEX - 1/2-13 X 1 3/4 - GRADE #5 - ZINC
	000C12-08-16B	EA	BOLT - HEX - 1/2-13 X 1" - GRADE #5 - ZINC
	0MC04K-06-016	EA	BOLT - HEX - M06 X 1 X 016
	0MC05K-08-055	EA	BOLT - HEX M.3 X 1.25 X 2.2
	0MC13K-14-070	EA	BOLT - HEX - M14 X 2.00 X 2 3/4
	0MC31K-08-020	EA	BOLT - HEX - SERRATED FLANGE - M8 X 020
	0MC32K-10-030	EA	BOLT - HEX - SERRATED FLANGE - M10 X 1 1/2
	0MC53K-12-050	EA	BOLT - HEX - M12 X 1.75 X 050
	000C12-04-40B	EA	BOLT - HEX - 1/4-20 X 2 1/2 - GRADE 5 ZINC
	000C12-05-64B	EA	BOLT - HEX - 5/16-18 X 4
	000C12-06-24B	EA	BOLT - HEX - 3/8-16 X 1 1/2 - ZINC #5
	000C12-10-24B	EA	BOLT - HEX - 5/8-11 X 1 1/2 - GRADE #5 - ZINC
	000C13-07-40B	EA	BOLT - HEX - 7/16-20 X 2 1/2 - GRADE #5 - ZINC
	000C13-07-48B	EA	BOLT - HEX - 7/16-20 X 3" - GRADE #5 - ZINC
	000C13-08-40B	EA	BOLT - HEX - 1/2-20 X 2 1/2 - GRADE #5 - ZINC
	000C13-08-28B	EA	BOLT - HEX - 1/2-20 X 1 3/4 - GRADE #5 - ZINC
	000C14-07-28B	EA	BOLT - HEX - 7/16-14 X 1 3/4 - GRADE #8 - ZINC
	000C14-07-20B	EA	BOLT - HEX - 7/16-14 X 1 1/4 - GRADE #8 - ZINC
	000C14-10-24K	EA	BOLT - HEX - 5/8-11 X 1 1/2 - GRADE #8 - ZINC
	000C14-10-32K	EA	BOLT - HEX - 5/8"-11 X 2 - GRADE #8 - ZINC
	000C18-05-40A	EA	BOLT - ELEVATOR - 5/16-18 X 2.50 - PL
	000C18-06-48B	EA	BOLT - ELEVATOR - 3/8-16 X 3 - GRADE 5 - ZINC
	000C18-06-56A	EA	BOLT - ELEVATOR - 3/8-16 X 3 1/2 - GRADE 5
	000C26-04-18B	EA	BOLT - HEX - SERRATED FLANGE - 1/4-20 X 1 1/8 - ZINC
	000C26-04-14B	EA	BOLT - HEX - SERRATED FLANGE - 1/4-20 X 7/8 - ZINC
	000C26-04-10B	EA	BOLT - HEX - SERRATED FLANGE - 1/4-20 X 5/8 - ZINC
	000C26-05-16B	EA	BOLT - HEX - SERRATED FLANGE - 5/16-18 X 1 - ZINC
	000C26-05-20B	EA	BOLT - HEX - SERRATED FLANGE - 5/16-18 X 1 1/4 - ZINC
	000C26-05-12B	EA	BOLT - HEX - SERRATED FLANGE - 5/16-18 X 3/4 - ZINC
	000C26-05-129	EA	BOLT - HEX - SERRATED FLANGE - 5/16-18 X 3/4
	000C26-05-249	EA	BOLT - HEX - SERRATED FLANGE 5/16-18 X 1 1/2
	000C26-06-16B	EA	BOLT - HEX - SERRATED FLANGE - 3/8-16 X 1 - ZINC
	000C26-06-12B	EA	BOLT - HEX - SERRATED FLANGE - 3/8-16 X 3/4 - ZINC
	000C26-06-28B	EA	BOLT - HEX - SERRATED FLANGE - 3/8-16 X 1 3/4 - ZINC
	000C26-06-40B	EA	BOLT - HEX - SERRATED FLANGE - 3/8-16 X 1 3/4 - ZINC
	000C26-06-20B	EA	BOLT - HEX - SERRATED FLANGE - 3/8-16 X 11/4 - ZINC
	000C26-08-24B	EA	BOLT - HEX - SERRATED FLANGE - 1/2-13 X 1 1/2 - ZINC
	000C27-04-40B	EA	BOLT - CARRIAGE 1/4-20 X 2 1/2 - ZINC
	000C27-08-64B	EA	BOLT - CARRIAGE - 1/2-13 X 4 - GRADE 5
	106166-01-000	EA	BOLT/COLLARED HANGER - 8-32 X 1"
	000G45-04-24B	EA	BOLT - LAG - 1/4-9 X 1 1/2 - ZINC
	000G45-04-24F	EA	BOLT - LAG - 1/4" #9 X 1 1/2SS
	000G45-05-16B	EA	BOLT - LAG - 5/16-9 X 1 - ZINC
	106956-03-000	EA	BOLT - HEX TAP - 1/2-12NC X 3 - GRADE 5 - FULL THREAD/ZINC
	051387-06-000	EA	BOLT - CARRIAGE W/O HOLE - 5/16-18 X 9.5 - ZINC
	091274-03-000	EA	BOLT-J - 3/8-16 X 12.0
	106956-08-000	EA	BOLT - HEX TAP - 1/2-13NC X 4 - GRADE 5 - FULL THREAD/ZINC
	087718-01-000	EA	MONOBOLT - STEEL - 3/16 DIAMETER
	102333-02-01A	EA	BOLT - CARRIAGE - 1/4-20
	103020-02-000	EA	BOLT-U - #8-32 - GRADE 5 ZINC

SEALANTS & FASTENERS GROUP (CONTINUED)**BOLTS, NUTS AND WASHERS (CONTINUED)**

KEY	PART NUMBER	U/M	DESCRIPTION
	107393-02-000	EA	BOLT - SHOULDER - 3/8" SOCKETHEAD
	113985-02-000	EA	BOLT - FLANGE - M10-1.5 X 30CL10.9
	114259-05-000	EA	BOLT - 7/16-20 X 1 1/4 W/WASHER
	0MD16K-10-000	EA	NUT - HEX PREV TORQUE M10 X 1 1/2 CLASS 8
	0MD39K-12-000	EA	NUT - HEX W/NYLON LOCK - M12 X 1 3/4
	000D24-10-00B	EA	NUT - HEX - SELF LOCKING - 10-32 ZINC
	000D29-05-00B	EA	NUT - HEX - LOCKING W/SERRATED FLANGE-NYLON WASHER INSERT
	000D29-09-00B	EA	NUT - HEX - SELF LOCKING - 9/16-12 - ZINC
	000D29-06-00B	EA	NUT - HEX - W/NYLON LOCK - 3/8-16 - ZINC
	000D30-07-00B	EA	NUT - HEX LOCK - NYLON 7/16 X 20
	000D34-04-00B	EA	NUT - HEX - LOCKING - 1/4-20 ZINC
	000D34-06-00B	EA	NUT - HEX - LOCKING - 3/8-16 GRADE C - ZINC
	000D39-04-00B	EA	NUT - HEX - LOCKING W/SERRATED FLANGE - 1/4-20 - ZINC
	000D39-05-00B	EA	NUT - HEX - LOCKING W/SERRATED FLANGE - 5/16-18 - ZINC
	000D39-06-00B	EA	NUT - HEX - LOCKING W/SERRATED FLANGE - 3/8-18 - ZINC
	000D39-07-00B	EA	NUT - HEX - LOCKING W/SERRATED FLANGE - 7/16-14 - ZINC
	000D39-08-00B	EA	NUT - HEX - LOCKING W/SERRATED FLANGE - 1/2-13 - ZINC
	000D44-04-00B	EA	NUT - HEX - LOCKING W/SERRATED FLANGE - 1/4-28 - ZINC
	000D44-07-00B	EA	NUT - HEX - LOCKING W/SERRATED FLANGE - 7/16-20 - ZINC
	000D44-08-00B	EA	NUT - HEX - SERRATED FLANGE - 1/2-20 - GRADE #5 - ZINC
	000D46-04-00A	EA	NUT - HEX - WELD - 1/4-20 - PLAIN
	000D58-06-00A	EA	NUT - HEX - WELD 3/8-16 - PLAIN
	000D65-08-00B	EA	NUT - HEX - LOCKING W/SERRATED FLANGE - 8-32 - ZINC
	000D67-10-00B	EA	NUT - HEX - LOCK - 5/8-11 - ZINC
	000D73-07-00C	EA	NUT - HEX FLANGE - 7/16-14 - GRADE 6
	000D73-08-00C	EA	NUT - HEX FLANGE - 1/2-13
	000D76-06-00B	EA	NUT - HEX FLANGE - 3/8-16
	044364-02-000	EA	NUT - SPEED - FLAT - ROUND
	063253-07-000	EA	NUT - J - #8A - .120 - .130 PNL THK
	087234-01-000	EA	NUT - JACK - 1/4 X 20 THD - MOLLY
	040921-01-000	EA	NUT - SPEED - U TYPE - #10-24 - BLACK
	104369-01-000	EA	NUT - HEX - HEAVY - 5/8-11 UNC
	000D29-04-00B	EA	NUT - HEX - SELF LOCKING - 1/4 X 20 - ZINC
	005081-01-000	EA	NUT - SPEED - C-TYPE - #8 SCREW
	040921-04-000	EA	NUT - SPEED - U TYPE - #8-.59" LENGTH X .44" WIDTH
	040921-09-000	EA	NUT - SPEED - U TYPE - #8
	044364-01-000	EA	NUT - SPEED - FLAT - RECTANGULAR - SELF LOCKING/ONE PIECE
	083163-06-000	EA	PUSHNUT - FLAT TYPE 3/8 STUD - FORD ONLY
	0ME06K-14-280	EA	WASHER - FLAT - 14 ID X 28.00 OD
	000E11-07-00B	EA	WASHER - LOCKING - 7/16 MED SPLIT - ZINC
	000E11-08-00B	EA	WASHER - LOCKING - 1/2 MED SPLIT - ZINC
	000E13-14-00B	EA	WASHER - FLAT - 1/4 WIDE - ZINC
	000E13-17-00B	EA	WASHER - FLAT - 3/8 AR - ZINC
	000E13-18-00B	EA	WASHER - FLAT - 3/8 WIDE - ZINC
	000E13-20-00B	EA	WASHER - FLAT - 7/16 WIDE - ZINC
	000E13-21-00B	EA	WASHER - FLAT - 1/2 NARROW - ZINC
	000E13-22-00B	EA	WASHER - FLAT - 1/2 WIDE - ZINC
	000E13-26-00B	EA	WASHER - FLAT - 5/8 WIDE - ZINC
	000E14-10-00B	EA	WASHER - LOCKING - #10 EXTERNAL TOOTH - ZINC
	000E16-10-00B	EA	WASHER - HARDENED - 5/8 - FLAT - ZINC
	058716-02-000	EA	WASHER - FLAT NYLON
	077071-01-000	EA	WASHER - FENDER - 3/16"ID X 1" OD
	107397-01-000	EA	WASHER - FENDER - .25" ID X 1" OD
	041322-01-000	EA	WASHER - FLANGE - 15/32 ID X 2 3/8 OD - F/SEAT BELT MTG
	044533-01-000	EA	WASHER - PLASTIC - 1 3/8" OD - FOR BUTTONS
	046867-05-000	EA	WASHER - #0
	058716-03-000	EA	WASHER - FLAT/NYLON - .500 X 1.25 X .060
	088787-12-000	EA	STUD - WELD - 1/4 - 20 X 1.0 LG - MN
	108067-03-000	EA	STUD - WELD - 1/4 - 20 X 1/2 CD
	102540-02-000	EA	SEAL - SCREW
	106648-01-000	EA	CAP - STUD - .120 TO .130 DIAMETER

SEALANTS & FASTENERS GROUP (CONTINUED)

SCREWS

KEY	PART NUMBER	U/M	DESCRIPTION
	0G1108-12-170	EA	SCREW - 8-18 X .75 PPH - BRIGHT WHITE
	0G1106-08-240	EA	SCREW - 6-20 X 1/2 PPH - VW LIGHT GRAY
	0G1108-12-140	EA	SCREW - 8-18 X .75 PPH
	0G1108-12-240	EA	SCREW - 8-18 X .75 PPH - VW LIGHT GRAY
	0G1208-12-170	EA	SCREW - 8-18 X .75 POH - BRIGHT WHITE
	0G3908-08-160	EA	SCREW - SF/DR - 8-18 X 1/2 PPH - VW WHITE
	0G3908-08-170	EA	SCREW - SF/DR - 8-18 X 1/2 PPH - BRIGHT WHITE
	0G3908-08-240	EA	SCREW - SF/DR - 8-18 X 1/2 PPH - VW LIGHT GRAY
	0G3908-12-250	EA	SCREW - SF/DR - 8-18 X 3/4 PPH - DARK GRAY
	0G3908-16-170	EA	SCREW - SF/DR - 8-18 X 1 PPH - BRIGHT WHITE
	0G3908-20-170	EA	SCREW - SF/DR - 8-18 X 1 1/4 PPH - BRIGHT WHITE
	0G3908-24-170	EA	SCREW - SF/DR - 8-18 X 1 1/2 PPH - BRIGHT WHITE
	0G3910-10-160	EA	SCREW - SF/DR - 10-16 X .62 PPH
	0G3910-10-240	EA	SCREW - SF/DR - 10-16 X .62 PPH - VW LIGHT GRAY
	0G5508-12-110	EA	SCREW - SF/DR - 8-18 X 3/4 PWH - HAMPTON TAN
	0G3910-12-260	EA	SCREW - SF/DR - 10-16 X 3/4 PPH - ALLANTE ANTELOPE
	0G3910-12-170	EA	SCREW - SF/DR - 10-16 X 3/4 PPH - BRIGHT WHITE
	0G5508-12-170	EA	SCREW - SF/DR - 8-18 X 3/4 PWH - BRIGHT WHITE
	0G5508-12-270	EA	SCREW - SF/DR - 8-18 X 3/4 PWH - TITANIUM
	0G5508-12-260	EA	SCREW - SF/DR - 8-18 X 3/4 PWH - ALLANTE ANTELOPE
	0G5508-16-250	EA	SCREW - SF/DR - 8-18 X 1 PWH - VW DARK GRAY
	0G6008-16-170	EA	SCREW - SF/DR - 8-18 X 1 POH - BRIGHT WHITE
	0G5508-16-260	EA	SCREW - SF/DR - 8-18 X 1.00 PWH ZINC - INTERIOR ANTELOPE
	0G5508-16-270	EA	SCREW - SF/DR - 8-18 X 1 PWH ZINC - INTERIOR TITANIUM
	0G6710-08-130	EA	SCREW - 10-12 X 1/2 PPH - TAUPE
	0G6710-08-170	EA	SCREW - 10-12 X .50 PPH - BRIGHT WHITE
	0G6710-08-240	EA	SCREW - 10-12 X 1/2 PPH TAUPE - VW LIGHT GRAY
	0G6710-12-170	EA	SCREW - 10-12 X 3/4 PPH - BRIGHT WHITE
	0G6710-16-230	EA	SCREW - 10-12 X 1 PPH - BEIGE
	000G11-05-08B	EA	SCREW - 5-20 X 1/2 PPH - ZINC
	000G11-06-06B	EA	SCREW - 6-20 X 3/8 PPH - ZINC
	000G11-06-10B	EA	SCREW - 6-20 X 5/8 PPH - ZINC
	000G11-06-12B	EA	SCREW - 6-20 X 3/4" PPH - ZINC
	000G11-06-10J	EA	SCREW - 6-20 X 5/8 PPH - BRASS
	000G11-06-24B	EA	SCREW - 6-20 X 1 1/2 PPH ZINC
	000G11-06-08B	EA	SCREW - 6-20 X 1/2 PPH - ZINC
	000G11-07-08B	EA	SCREW - 7-19 X 1/2 PPH - ZINC
	000G11-07-08T	EA	SCREW - 7-19 X 1/2 PPH - BLACK
	000G11-08-06B	EA	SCREW - 8-18 X 3/8 PPH - ZINC
	000G11-08-06J	EA	SCREW - 8-18 X 3/8 PPH BRASS
	000G11-08-12B	EA	SCREW - 8-18 X 3/4 PPH - ZINC
	000G11-08-12S	EA	SCREW - 8-18 X 3/4 PPH - OFF WHITE
	000G11-08-08T	EA	SCREW - 8-18 X 1/2 PPH - FLUOROCARBON COATING
	000G11-08-08B	EA	SCREW - 8-18 X 1/2 PPH - ZINC
	000G11-08-20B	EA	SCREW - 8-18 X 1 1/4 PPH - ZINC
	000G11-08-16S	EA	SCREW - 8-18 X 1 PPH - OFF WHITE
	000G11-08-16B	EA	SCREW - 8-18 X 1 PPH - ZINC
	000G11-08-12P	EA	SCREW - 8-18 X 3/4 PPH - DARK BROWN
	000G11-08-12D	EA	SCREW - 8-18 X 3/4 PPH - BLACK
	000G11-08-12T	EA	SCREW - 8-18 X 3/4 PPH - BLACK
	000G11-10-12S	EA	SCREW - 10-16 X 3/4 PPH - OFF WHITE
	000G11-10-12D	EA	SCREW - 10-16 X 3/4 PPH - BLACK
	000G11-10-16B	EA	SCREW - 10-16 X 1 PPH - ZINC
	000G11-10-40B	EA	SCREW - 10-16 X 2 1/2 PPH CAD - 34927-01-000
	000G12-06-08T	EA	SCREW - 6-20 X 1/2 POH - BLACK
	000G12-08-12S	EA	SCREW - 8-18 X 3/4 POH - OFF WHITE
	000G13-05-10B	EA	SCREW - 5-12 X 5/8 PFH - ZINC
	000G13-06-16S	EA	SCREW - 6-20 X 1 PFH - OFF WHITE
	000G13-06-10G	EA	SCREW - 6-20 X 5/8 PFH - ANTIQUE BRASS
	000G13-06-08B	EA	SCREW - 6-20 X 1/2 PFH - ZINC
	000G13-06-08G	EA	SCREW - 6-20 X 1/2 PFH - ANTIQUE BRASS
	000G13-06-24J	EA	SCREW - 6-20 X 1 1/2 PFH - BRASS

SEALANTS & FASTENERS GROUP (CONTINUED)**SCREWS (CONTINUED)**

KEY	PART NUMBER	U/M	DESCRIPTION
	000G13-06-10J	EA	SCREW - 6-20 X 5/8 PFH - BRASS
	000G13-06-16E	EA	SCREW - 6-20 X 1 PFH - CHROME
	000G13-06-16J	EA	SCREW - 6-20 X 1 PFH - BRASS
	000G13-06-06I	EA	SCREW - 6-20 X 3/8 PFH BLACK ZINC
	000G13-06-06B	EA	SCREW - 6-20 X 3/8 PFH ZINC
	000G13-07-12B	EA	SCREW - 7-19 X 3/4 PFH - ZINC
	000G13-07-10H	EA	SCREW - 7-19 X 5/8 PFH - BLACK
	000G13-07-089	EA	SCREW - 7-19 X 1.2 PPH - SILVER
	000G13-08-10B	EA	SCREW - 8-18 X 5/8 PFH - ZINC
	000G13-08-16B	EA	SCREW - 8-18 X 1 PFH - ZINC
	000G13-08-109	EA	SCREW - 8-18 X 5/8 PFH
	000G16-04-24B	EA	SCREW - MACHINE - 1/4-20 X 1 1/2 PPH
	000G18-08-22B	EA	SCREW - MACHINE - 8-32 X 1 3/8 PPH - ZINC
	000G18-08-20B	EA	SCREW - MACHINE - 8-32 X 1 1/4 PPH - ZINC
	000G18-08-24B	EA	SCREW - MACH-8-32X1 1/2PPH ZN
	000G13-08-24B	EA	SCREW - #8, 18X1 1/2 PFH ZN
	000G19-10-10B	EA	SCREW - MACHINE - 10-32 X 5/8 - PPH - ZINC
	000G19-10-20B	EA	SCREW - MACHINE - 10-32 X 1 1/2 PPH - ZINC
	000G19-10-12F	EA	SCREW - MACHINE - 10-32 X 3/4 PPH - STAINLESS STEEL
	000G19-10-08B	EA	SCREW - MACHINE - 10-32 X 1/2 PPH - ZINC
	000G32-10-06B	EA	SCREW - 10-32 X 3/8 PPH - ZINC
	000G13-10-16I	EA	SCREW - 10-16X1.00 PFH,BLK
	000G34-05-12B	EA	SCREW - HEX HEAD TAPPING - 5/16 X 3/4 LONG
	000G37-08-12B	EA	SCREW - 8-18 X 3/4 PPH
	000G37-08-089	EA	SCREW - 8 X 18 X 1/2 PPH - FLUOROCARBON SILVER
	000G36-10-12T	EA	SCREW - 10-24X 3/4 PFH TYPE 23 - BLACK
	000G38-04-16D	EA	SCREW - MACHINE - 1/4-20 X 1 PFN - BLACK
	000G39-06-10T	EA	SCREW - SF/DR - 6-20 X 5/8 PPH - BLACK
	000G39-06-16T	EA	SCREW - SF/DR - 6-20 X 1 PPH - BLACK
	000G39-06-08B	EA	SCREW - SF/DR - 6-18 X 1/2 - ZINC
	000G39-08-16S	EA	SCREW - SF/DR - 8-18 X 1 PPH - OFF WHITE
	000G39-08-32B	EA	SCREW - SF/DR - 8-18 X 2 PPH - ZINC
	000G39-08-24B	EA	SCREW - SF/DR - 8-18 X 1 1/2 PPH - ZINC
	000G39-08-24S	EA	SCREW - SF/DR - 8-18 X 1 1/2 - OFF WHITE
	000G39-08-24T	EA	SCREW - SF/DR - 8-18 X 1 1/2 PPH - BLACK
	000G39-08-16T	EA	SCREW - SF/DR - 6-20 X 1 PPH - BLACK
	000G39-08-16B	EA	SCREW - SF/DR - 8-18 X 1 PPH - ZINC
	000G39-08-12B	EA	SCREW - SF/DR - 8-18 X 3/4 PPH - ZINC
	000G39-08-12T	EA	SCREW - SF/DR - 8-18 X 3/4 PPH - BLACK
	000G39-08-08T	EA	SCREW - SF/DR - 8-18 X 1/2 PPH - BLACK
	000G39-08-08S	EA	SCREW - SF/DR - 8-18 X 1/2 PPH - OFF WHITE
	000G39-08-08B	EA	SCREW - SF/DR - 8-18 X 1/2 PPH - ZINC
	000G39-08-06B	EA	SCREW - SF/DR - 8-18 X 3/8 PPH - ZINC
	000G39-10-10B	EA	SCREW - SF/DR - 10-16 X 5/8 - ZINC
	000G39-10-12P	EA	SCREW - SF/DR - 10-16 X 3/4 PPH - DARK BROWN
	000G39-10-088	EA	SCREW - SF/DR - 10-16 X 1/2 PPH - FLEX FLUOROCARBON
	000G39-10-08B	EA	SCREW - SF/DR - 10-16 X 1/2 PPH - ZINC
	000G39-10-40D	EA	SCREW - SF/DR - 10-16 X 2 1/2 PPH - BLACK
	000G39-10-32B	EA	SCREW - SF/DR - 10-16 X 2 - PPH - ZINC
	000G39-10-209	EA	SCREW - SF/DR - 10-16 X 1 1/4 PPH - FLUOROCARBON SILVER
	000G39-10-20T	EA	SCREW - SF/DR - 10-16 X 1 1/4 PPH - BLACK
	000G39-10-20B	EA	SCREW - SF/DR - 10-16 X 1 1/4 PPH - ZINC
	000G39-10-12T	EA	SCREW - SELF TAPPING 10-16 X 3/4"
	000G39-10-12D	EA	SCREW - SF/DR - 10-16 X 3/4 PPH - BLACK
	000G39-10-12B	EA	SCREW - SF/DR - 10-16 X 3/4 PPH - ZINC
	000G39-10-10T	EA	SCREW - SF/DR - 10-16 X 5/8 - BLACK
	000G39-10-129	EA	SCREW - SF/DR - 10-16 X 3/4 PPH - FLUOROCARBON SILVER
	000G39-10-48B	EA	SCREW - SF/DR - 10-16 X 3 - PPH - ZINC
	000G39-10-48T	EA	SCREW - SF/DR - 10-16 X 3 PPH - BLACK
	000G39-10-24B	EA	SCREW - SF/DR - 10-16 X 1 1/2 PPH - ZINC
	000G39-10-32I	EA	SCREW - SELF TAPPING - 10-16 X 2" PPH - BLACK

SEALANTS & FASTENERS GROUP (CONTINUED)

SCREWS (CONTINUED)

KEY	PART NUMBER	U/M	DESCRIPTION
	000G39-12-12E	EA	SCREW - SF/DR - 12-14 X 3/4 PPH - CHROME
	000G42-04-16B	EA	SCREW - SF/DR - 1/4-14 X 1 HWH - ZINC
	000G42-04-12B	EA	SCREW - SF/DR - 1/4-14 X 3/4 HWH - ZINC
	000G42-04-24B	EA	SCREW - SF/DR 1/4-14X1 1/2 ZN
	000G46-08-24T	EA	SCREW - MACHINE - 8-32 X 1 1/2 PFH - BLACK
	000G46-08-28T	EA	SCREW - MACHINE - 8-32 X 1 3/4 PHILLIPS FLAT HEAD - BLACK
	000G50-04-12B	EA	SCREW - MACHINE - 1/4-20 X 3/4 PPH - ZINC
	000G50-04-06B	EA	SCREW - MACHINE - 1/4-20 X 38 PTH - ZINC
	000G50-04-08B	EA	SCREW - MACHINE - 1/4-20 X 1/2 PTH - ZINC
	000G51-08-08B	EA	SCREW - 8-18 X 1/2 PTH - ZINC
	000G51-06-12B	EA	SCREW - 6-20 X 3/4 PTH - ZINC
	000G52-08-18B	EA	SCREW - MACHINE - 8-32 X 1 1/8 PTH - ZINC
	000G54-04-20B	EA	SCREW - 1/4-20 X 1.25 PTH - TYPE 23 - ZINC PLATED
	000G55-08-12S	EA	SCREW - SF/DR - 8-18 X 3/4 PWH - WILLOW
	000G55-08-12S	EA	SCREW - SF/DR - 8-18 X 3/4 PWH - OFF WHITE
	000G55-08-124	EA	SCREW - SF/DR-8-18X.75 PWH - ASH GRAY
	000G55-08-16S	EA	SCREW - SF/DR-8-18X1.00 PWH - WILLOW
	000G56-12-48B	EA	SCREW - WOOD - 12-11 X 3 POH - SPECIAL HARDENED
	000G57-05-16J	EA	SCREW - 5-20 X 1 PFH - BRASS
	000G57-14-64B	EA	SCREW - 14-10 X 4 PFH ZINC
	000G57-14-72B	EA	SCREW - 14-10-X4-1/2 PFH ZINC
	000G60-08-22B	EA	SCREW - SF/DR, 8 - 18 X 1.38 POH - ZINC
	000G60-10-28T	EA	SCREW - SF/DR - 10-16 X 1 3/4 - BLACK
	000G60-10-20I	EA	SSCREW - SF/DR - 10-16 X 1 1/4 POH - BLACK
	000G60-10-20B	EA	SCREW - SF/DR - 10-16 X 1 1/4 POH - ZINC
	000G60-10-209	EA	SCREW - SF/DR - 10-16 X 1 1/4 POH - SILVER STALGAARD
	000G62-10-24I	EA	SCREW - SF/DR - 10-16 X 1/5 PFH - BLACK ZINC
	000G67-08-32B	EA	SCREW - 8-15 X 2 PPH - ZINC
	000G67-10-08S	EA	SCREW - 10-12 X 1/2 PPH - OFF WHITE
	000G67-10-08R	EA	SCREW - 10-12 X 1/2 PPH - BEIGE - TYPE A
	000G67-10-08B	EA	SCREW - 10-12 X 1/2 PPH - ZINC
	000G67-10-16B	EA	SCREW - 10-12 X 1 PPH - ZINC
	000G67-10-120	EA	SCREW - 10-12 X 3/4 PPH - TAN
	000G67-10-12B	EA	SCREW - 10-12 X 3/4 PPH - ZINC
	000G67-10-12R	EA	SCREW - 10-12 X 3/4 PPH - BEIGE
	000G67-10-12P	EA	SCREW - 10-12 X 3/4 PPH - DARK BROWN
	000G67-10-10S	EA	SCREW - 10-12 X 5/8 PPH - OFF WHITE
	000G67-10-10P	EA	SCREW - 10-12 X 5/8 PPH - DARK BROWN
	000G67-10-10D	EA	SCREW - 10-12 X 5/8 PPH - BLACK - TYPE A
	000G67-10-10T	EA	SCREW - 10-12 X 5/8 PPH BLACK
	000G67-10-10B	EA	SCREW - 10-12 X 5/8 PPH - ZINC - TYPE A
	000G67-10-20D	EA	SCREW - 10-12 X 1 1/4 PPH - BLACK
	000G67-10-36T	EA	SCREW - 10-12 X 2 1/4 - PPH - BLACK
	000G67-10-32B	EA	SCREW - 10-12 X 2 1/4 - PPH - BLACK
	000G67-10-24B	EA	SCREW - 10-12 X 1 1/2 PPH - ZINC
	000G67-10-24S	EA	SCREW - 10-12 X 1 1/2 PPH - OFF WHITE
	000G67-10-12S	EA	SCREW - 10-12 X 3/4 PPH - WILLOW
	000G67-10-28B	EA	SCREW - 10-12 X 1 3/4 PPH - ZINC
	000G67-10-48B	EA	SCREW - 10-12 X 3 PPH - ZINC
	000G68-06-12B	EA	SCREW - 6-18 X 3/4 POH - ZINC & CLEAR
	000G68-06-12J	EA	SCREW - 6-18 X 3/4 POH - BRASS
	000G68-06-10G	EA	SCREW - 6-18 X 5/8 POH - ANTIQUE BRASS
	000G68-10-20I	EA	SCREW - 10-12 X 1 1/4 POH - BLACK
	000G68-10-36T	EA	SCREW - 10-12 X 2 1/4 POH - BLACK
	049465-01-000	EA	SCREW - 10-16 PTH W/WASHER - DARK BROWN
	049465-13-000	EA	SCREW - 10-16X1 PTH W/WASHER - ASH GRAY
	049465-17-000	EA	SCREW - 10-16 X 1 POH W/WASHER - BRIGHT WHITE
	049465-22-000	EA	SCREW - 10-16 X 1 1/2 POH W/WASHER - SABLE
	054434-02-000	EA	SCREW - SF/DR - 10-16 X 2 - ZINC
	054434-03-000	EA	SCREW - SF/DR - 10-16 X 2 - PWH - ZINC - W/O WINGS
	057671-01-000	EA	COVER - SCREW - OFF WHITE - #8
	057671-11-000	EA	COVER - SCREW - HAMPTON TAN - #8

SEALANTS & FASTENERS GROUP (CONTINUED)
SCREWS (CONTINUED)

KEY	PART NUMBER	U/M	DESCRIPTION
	057671-15-000	EA	COVER - SCREW - BRIGHT WHITE
	057671-16-000	EA	COVER - SCREW - SOFT WHITE
	057671-17-000	EA	COVER - SCREW - VW LT GRAY #8
	075908-01-000	EA	SCREW - MACHINE - 10-32 X .56 PTH - EXTERNAL TOOTH - ZINC
	076790-01-000	EA	SCREW - 6-20 X 1 1/4 PPH - BLACK
	076790-03-000	EA	SCREW - 6-20 X 1 PPH - BLACK
	076790-05-000	EA	SCREW - 6-20 X 1/2 PPH BLACK - THREADCUTTING - WOOD
	083554-01-000	EA	SCREW - DRYWALL - 8 X 1.25
	083554-04-000	EA	SCREW - DRYWALL - 8 X 2.50
	086256-01-000	EA	SCREW - SF/DR - 8 X 3/4 HWH
	087721-01-000	EA	SCREW - FLAT HEAD - TAPPING - 1/4" X 1 1/4" LONG - ZINC
	097974-01-000	EA	SCREW - PARTICLE BOARD - 7-9 X 3/4 PPH
	090033-02-000	EA	SCREW - 1/4-20 X 5/8 - ROUND WASHER HEAD - OFF/WHITE

CLAMPS, CLIPS, GROMMETS, RIVETS & PLUGS

KEY	PART NUMBER	U/M	DESCRIPTION
	010495-01-000	EA	CLAMP - CABLE - 9/16"
	010495-02-000	EA	CLAMP - CABLE - 3/8
	010495-04-000	EA	CLAMP - CABLE - 11/16" - WHITE
	010495-05-000	EA	CLAMP - CABLE - 1/2
	010497-01-000	EA	CLAMP - CLOSED - 5/8" ID
	010497-03-000	EA	CLAMP - CLOSED - 1" ID - CUSHIONED
	010497-04-000	EA	CLAMP - CLOSED - 1.62" ID
	010497-05-000	EA	CLAMP - CLOSED - 1/2 ID
	010497-06-000	EA	CLAMP - CLOSED - 11/16" ID
	010497-07-000	EA	CLAMP - CLOSED - 3/8" ID
	010497-08-000	EA	CLAMP - CLOSED - .125" ID
	062401-01-000	EA	CLAMP - HOSE - WORMGEAR - .25" - 1"
	062401-02-000	EA	CLAMP - HOSE - WORMGEAR - 1.56" - 2.5"
	062401-03-000	EA	CLAMP - HOSE - WORMGEAR - .22" - 1"
	062401-04-000	EA	CLAMP - HOSE - WORMGEAR - .69" - 1.25"
	062401-05-000	EA	CLAMP - HOSE - WORMGEAR - 2" TO 3" ID
	062401-06-000	EA	CLAMP - HOSE - WORMGEAR - .22" - .62" ID
	062401-07-000	EA	CLAMP - HOSE - WORMGEAR - 5"-7"
	062401-08-000	EA	CLAMP - HOSE - WORMGEAR 4.06" - 5.0"
	062401-09-000	EA	CLAMP - HOSE - WORMGEAR - 2.8" - 3.75"
	062401-11-000	EA	CLAMP - HOSE - WORMGEAR - 3.50" - 4.50"
	062401-12-000	EA	CLAMP - HOSE - WORMGEAR - .79" X 1.26"
	083610-01-000	EA	CLAMP - WIRE - DUAL - UNEQUAL DIAMETERS - 3/4" & 1 1/4"
	083610-02-000	EA	CLAMP - WIRE - DUAL - UNEQUAL DIAMETERS - 3/4" & 2"
	083610-03-000	EA	CLAMP - DUAL WIRE
	083609-01-000	EA	CLAMP - WIRE - DUAL - EQUAL DIAMETERS - 5/8"
	007161-01-000	EA	CLAMP - HOSE - SPRING TYPE - 1/2"
	010499-01-000	EA	CLAMP - CLOSED - 3/8" ID
	075148-02-000	EA	CLAMP - GROUNDING - BRONZE SCREWS
	008386-01-000	EA	GROMMET - SNAP - 3/8"
	023942-01-000	EA	GROMMET - RUBBER - 2" OD
	071015-07-000	EA	GROMMET - RUBBER - 1"ID X 2.25" OD W/.06" GROOVE - BLACK
	071015-11-000	EA	GROMMET - 1.00 ID - FITS .12 MATERIAL
	071015-13-000	EA	GROMMET - RUBBER - .62" ID X 1" OD W/.09" GROOVE - BLACK
	071015-19-000	EA	GROMMET - .38 ID - FITS .06 MATERIAL
	071015-21-000	EA	GROMMET - RUBBER - 1/2 ID X 1.06 OD - W/.19 GROOVE - BLACK
	071015-22-000	EA	GROMMET - RUBBER - .62"ID X 1.12"OD W/.19" GROOVE - BLACK
	071015-26-000	EA	GROMMET - RUBBER - 1.5" ID X 2.1" OD W/.06" GROOVE-BLACK
	071015-29-000	EA	GROMMET - RUBBER - .3" ID X 1.3"OD W/.12" GROOVE - BLACK
	071015-30-000	EA	GROMMET - RUBBER - .31" ID X .81" OD W/.12" GROOVE - BLK
	071015-32-000	EA	GROMMET - RUBBER - .75" ID X 1.375" OD W/.187" GROOVE-BLK
	071015-33-000	EA	GROMMET - RUBBER - .875" ID X 1.625" OD W/.187" GROOVE - BLK
	071015-37-000	EA	GROMMET - .81 ID FITS .56 MTL
	071015-39-000	EA	GROMMET - .75 ID FITS .06 MTL

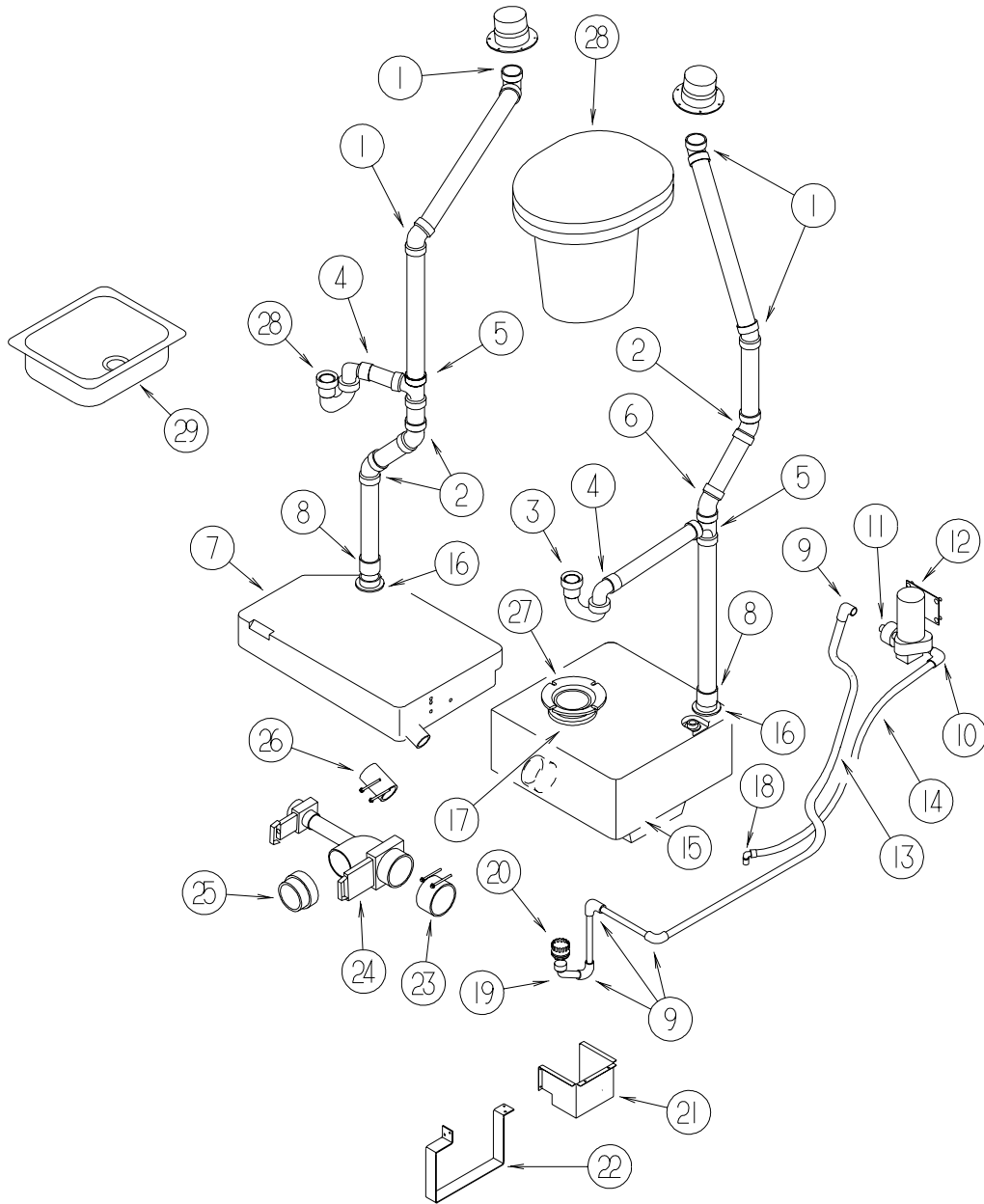
SEALANTS & FASTENERS GROUP (CONTINUED)
CLAMPS, CLIPS, GROMMETS, RIVETS & PLUGS (CONTINUED)

KEY	PART NUMBER	U/M	DESCRIPTION
	088756-01-000	EA	GROMMET - WEB - 1 1/8 " I.D.
	114208-01-000	EA	GROMMET - EDGE LINER - FITS 1 3/4"
	114208-02-000	EA	GROMMET - EDGE LINER - FITS .625
	114208-03-000	EA	GROMMET - EDGE LINER - FITS 2.50"
	114208-04-000	EA	GROMMET - EDGE LINER - FITS 1.00"
	114208-05-000	EA	GROMMET - EDGE LINER - FITS 2"
	016188-03-000	EA	GROMMET - L/P LINE - 3/8" HOLE X 2 1/2" LONG - RUBBER
	016188-04-000	EA	GROMMET - GAS LINE - 1/2" HOLE X 2 1/2" LONG - RUBBER
	016188-05-000	EA	GROMMET - L/P LINE - 3/8" HOLE X 1 1/4" LONG - RUBBER
	008380-01-000	EA	GROMMET - RUBBER - 5/8" HOLE X 1 1/2" DIAMETER - BLACK
	008384-01-000	EA	GROMMET - SNAP - 3/4 DIAMETER - NYLON
	077953-01-000	EA	GROMMET - EDGE LINER - FITS 1"
	099637-01-000	EA	GROMMET - RUBBER - .37" X .94" DIAMETER - BLACK
	046867-05-000	EA	GROMMET - #0
	000F10-04-16B	EA	PIN - COTTER - 1/8" X 1" - ZINC
	000F10-06-32B	EA	PIN - COTTER - 3/16" X 2" - ZINC
	000H14-04-08R	EA	RIVET - MANDREL BLIND - 4/32 ALUMINUM
	000H14-06-03R	EA	RIVET - MANDREL BLIND - 3/16 ALUMINUM
	000H15-06-02R	EA	RIVET - POP - STEEL - 3/16 X .063-.125
	000H16-06-10R	EA	RIVET - POP ALUMINUM - 3/16 X .501-.625
	000H14-04-04A	EA	RIVET - MANDREL BLIND - 1/8 X .400
	000H16-04-06R	EA	RIVET - POP ALUMINUM - 1/8 X .313 - .375
	000H14-06-14R	EA	RIVET - MANDREL BLIND - 3/16 - CHERRY
	118626-01-01A	EA	RIVET - POP - ALUMINUM 3/16 X .08-.375
	118626-02-01A	EA	RIVET - POP - ALUMINUM - 3/16 X .500-.750
	069529-02-000	EA	RIVET-T - POP - 1/4 X .093 - .156
	120560-01-01A	EA	RIVET - PLASTIC - 3/16 DIAMETER
	061420-01-000	EA	PLUG/PLASTIC - 1.75" DIAMETER - BROWN
	061420-03-000	EA	PLUG/PLASTIC - 3.00" DIAMETER
	061420-04-000	EA	PLUG/PLASTIC - 1.25" DIAMETER
	061420-05-000	EA	PLUG/PLASTIC - 1.5" DIAMETER
	061420-07-000	EA	PLUG/PLASTIC - 1.8" DIAMETER
	061420-08-000	EA	PLUG/PLASTIC - 2.5" DIAMETER
	061420-09-000	EA	PLUG/PLASTIC - 1.00" - DIAMETER
	061420-10-000	EA	PLUG/PLASTIC - 1.50" DIAMETER - BLACK
	061420-11-000	EA	PLUG/PLASTIC - .50" DIAMETER
	061420-12-000	EA	PLUG/PLASTIC - 1.50" DIAMETER - RED
	061420-14-000	EA	PLUG/PLASTIC - .034" DIAMETER
	061420-15-000	EA	PLUG/PLASTIC - 2" DIAMETER - BLACK
	061420-16-000	EA	PLUG/PLASTIC - 2 1/8" DIAMETER
	081211-03-000	EA	PLUG/PLASTIC - .50 DIAMETER - BLACK
	081211-04-000	EA	PLUG/PLASTIC - .46 DIAMETER - BLACK
	081211-05-000	EA	PLUG/PLASTIC - .188 DIAMETER - NATURAL
	034141-02-000	EA	PLUG/NYLON - .38" - BLACK
	115361-01-01A	EA	PLUG/PLASTIC - 1/2" DIAMETER
	075312-02-000	EA	CLIP-U - .75 LONG X .50 WIDE- F/1/8"-3/16" THICK MATERIAL
	077955-01-000	EA	J-CLIP - 3/8" - VINYL COATED
	080211-03-000	EA	CLIP - X-MAS TREE W/PANEL RETAINING HEAD - 3/4" SHANK
	094362-02-000	EA	CLIP - XMAS TREE - BINDER HEAD - .9" LONG
	119392-01-000	EA	CLIP - U TYPE - OFFSET LEG
	129962-01-01A	EA	CLIP - U/TYPE - BLACK
	091952-01-000	EA	CLIP - GRIPPER - 1"
	091952-02-000	EA	CLIP - GRIPPER - 3/4"
	080734-02-000	EA	CLIP - WIRE NYLON
	056134-01-000	EA	HOLDER - RING - 3.6" DIAMETER - METAL
	056134-02-000	EA	HOLDER - RING - 1.8" DIAMETER - METAL

SEALANTS & FASTENERS GROUP (CONTINUED)
MISCELLANEOUS FASTENERS

KEY	PART NUMBER	U/M	DESCRIPTION
	008343-01-000	EA	TIE - WIRE - 6"
	008343-02-000	EA	TIE - WIRE - 14"
	008343-03-000	EA	TIE - WIRE - 7 1/2" - BLACK
	029096-03-000	YD	VELCRO TAPE - HOOK - 1" WIDE - BLACK
	029096-04-000	YD	TAPE - HOOK - VELCRO - 1" WIDE - BLACK
	029094-04-000	YD	VELCRO TAPE - LOOP - 1" WIDE - BLACK
	029094-06-000	YD	VELCRO TAPE - LOOP - 2" WIDE - BLACK
	048394-02-000	YD	VELCRO TAPE - HOOK - ADHESIVE BACK - .75" WIDE - BEIGE
	085774-01-000	FT	FASTENER - DUAL LOCK - 1" WIDE - ADHESIVE BACK - BLACK
	085774-02-000	FT	FASTENER - DUAL HOOK - 1" WIDE - ADHESIVE BACK - BLACK
	085774-03-000	FT	FASTENER - DUAL LOCK - 1/2" WIDE - ADHESIVE BACK - BLACK
	085774-04-000	FT	FASTENER - DUAL HOOK - 1/2" WIDE - ADHESIVE BACK - BLACK
	088792-02-000	YD	VELCRO TAPE - LOOP - 3/4" - ADHESIVE BACKED - BEIGE
	088792-04-000	YD	VELCRO TAPE - HOOK - 5/8" - NON-ADHESIVE BACK - WHITE
	088792-05-000	YD	VELCRO TAPE - LOOP - 5/8" - NON-ADHESIVE BACKED - WHITE
	088792-06-000	YD	VELCRO TAPE - LOOP - 3/4" - NON-ADHESIVE BACKED - BUFF
	108046-01-000	EA	CABLE TIE - SCREW MOUNT 8"
	108046-02-000	EA	CABLE TIE - SCREW MOUNT 15"
	110943-01-000	FT	FELTSTRIP - 3/8" - ADHESIVE BACK - BLACK
	110943-02-000	FT	FELTSTRIP - 3/8" - ADHESIVE BACK - WHITE
	099856-11-000	EA	STRAP - TIEDOWN - 78.6"
	086285-01-000	EA	SPACER - NYLON - .5" OD X .257" ID

WATER & SEWAGE GROUP DRAINAGE SYSTEM



WATER & SEWAGE GROUP (CONTINUED)

DRAINAGE SYSTEM (CONTINUED)

KEY	PART NUMBER	U/M	DESCRIPTION
	083558-06-000	EA	VENT - ROOF PLUMBING PIPE - COVERED
1	010005-01-000	EA	ELBOW - 22.5 DEGREE - 1 1/2" HUB X HUB - PLASTIC
2	010006-01-000	EA	ELBOW - 45 DEGREE - 1 1/2" HUB X HUB - PLASTIC
3	107538-01-000	EA	P-TRAP - PLASTIC - 1 1/4" W/EXTENSION ARM - US
3	011071-01-000	EA	P-TRAP - PLASTIC - 1 1/2" - CSA
	011069-03-000	EA	TAILPIECE - TUB/SHOWER - 1 1/2" X 1 3/4" - PLASTIC
4	109571-01-000	EA	ADAPTER - P-TRAP - 1 1/2" P X 1 1/4" MPT - US
5	010071-01-000	EA	TEE - SANITARY - 1 1/2" HUB X HUB X HUB - PLASTIC
6	010051-01-000	EA	ELBOW - 45 DEGREE - 1 1/2" SPIGOT & HUB - PLASTIC
7	118979-01-700	EA	TANK - HOLDING - 6.4 GALLON W/1.5" OUTLET NIPPLE
	039861-01-000	EA	SENDING UNIT - W/SCREW - WASHER - WELL NUT/TERMINAL RING
8	010115-01-000	EA	COUPLING - 1 1/2" HUB X HUB - PLASTIC
9	114429-01-000	EA	ELBOW - 1/2"P X 1/2"P - W/SHOWER OPTION
9	114427-02-000	EA	PLUG - W/COMP NUT - 1/2" PLASTIC PIPE/1/2" FLAIR-IT - W/O SHOWER OPTION
10	123150-01-000	EA	ELBOW - 1/2 FPT X 1/2 BARB - SWIVEL - W/SHOWER OPTION
10	114427-02-000	EA	PLUG - W/COMP NUT - 1/2" PLASTIC PIPE/1/2" FLAIR-IT - W/O SHOWER OPTION
11	114966-01-000	EA	FILTER - IN LINE - TWIST ON - 1/2" - W/SHOWER OPTION
12	098607-01-000	EA	PUMP - WATER - W/.5" MPT FITTING - FLOW 2.8 GPM - W/SHOWER OPTION
13	124188-01-000	FT	TUBING - PEX - 1/2" ID X 20' - BLUE(COLD)
14	112176-01-000	FT	TUBING - VINYL - REINFORCED - 1/2" ID
15	111884-02-000	EA	TANK - HOLDING - 13 GALLON - W/FITTINGS
15	111884-01-000	EA	TANK - HOLDING - 13 GALLON - W/O FITTINGS
	039861-01-000	EA	SENDING UNIT - W/SCREW - WASHER - WELL NUT/TERMINAL RING
16	061607-01-000	EA	GROMMET - HOLDING TANK - 1 1/2" NPS
17	061607-02-000	EA	GROMMET - HOLDING TANK - 3" NPS
18	111223-04-000	EA	ELBOW - 1/2" MPT X 1/2" BARB - PLASTIC - W/SHOWER OPTION
19	114429-06-000	EA	ELBOW - SWIVEL - 1/2" P X 3/4" FPT - W/SHOWER OPTION
20	114974-01-000	EA	CONNECTOR - HULL - W/STRAINER - W/SHOWER OPTION
20	114427-02-000	EA	PLUG - W/COMP NUT - 1/2" PLASTIC PIPE/1/2" FLAIR-IT - W/O SHOWER OPTION
21	114987-01-09B	EA	PANEL - COVER - SUMP - BOTTOM - GALVANIZED
21	114988-01-09B	EA	PANEL - COVER - SUMP - GALVANIZED
	092321-01-000	FT	INSULATION - FIBERGLASS W/FOIL BACKING
22	117271-01-02B	EA	SHROUD - DRAINAGE
23	078406-01-000	EA	COUPLER - RUBBER - W/CLAMPS - 3" X 3"
24*	070916-01-000	EA	VALVE - DUAL DUMP - W/CAP - 3" X 1 1/2"
25	062416-01-000	EA	ADAPTER - SEWER HOSE TO 3" PIPE
	010201-01-000	EA	HOSE - SEWER - 3" ID X 8'
26	089355-01-000	EA	COUPLER - RUBBER - 1 1/2" X 1 1/2"
27	063641-01-000	EA	FLANGE - CLOSET - 4" X 3"
28	064076-03-000	EA	TOILET - STARLITE - LOW - WHITE
29	011029-03-000	EA	SINK - STAINLESS STEEL - SINGLE W/RAILS
	066437-02-000	EA	STRAINER - W/BASKET - SINK

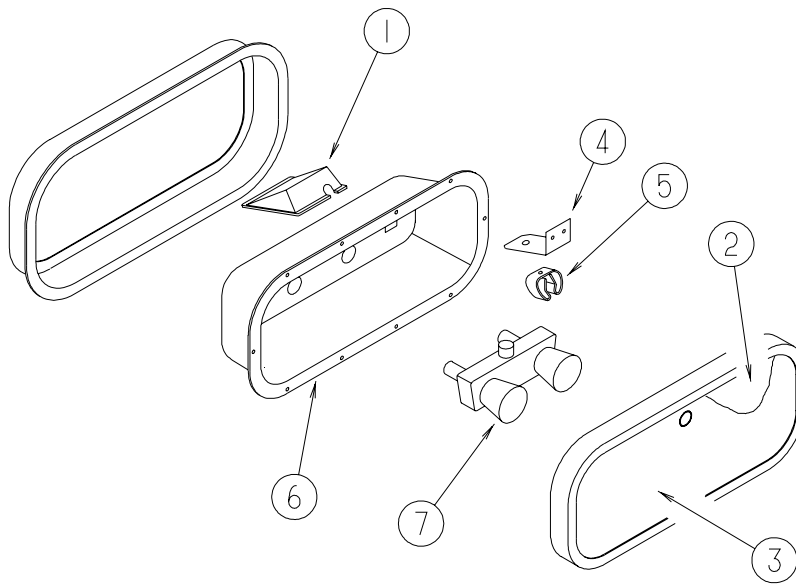
* PRESS TO SEE ILLUSTRATED SERVICE PARTS LIBRARY

WATER & SEWAGE GROUP (CONTINUED)

WATER SYSTEM

KEY	PART NUMBER	U/M	DESCRIPTION
	074510-10-000	EA	TANK/WATER - 16 GALLON W/FITTINGS - 33.5" X 10.6" X 11.4"
	074510-01-000	EA	TANK - WATER - 16 GALLON - W/O FITTINGS - 33.4"X 11.4"X10"
	056337-21-000	EA	STRAP - RETAINING - WATER TANK
*	113122-01-000	EA	WATER HEATER - EHM4 (ELECTRICAL/MOTOR AID) - 4 GAL
*	098607-01-000	EA	PUMP - WATER - W/.5" MPT FITTING - FLOW 2.8 GPM
	110915-01-01A	EA	FILL - CITY WATER - CHROME
	081240-20-000	EA	WATER FILL W/DOOR - W/O LOCK - WHITE
	113798-01-01A	EA	FAUCET - GALLEY - SINGLE CONTROL
	109800-01-02A	EA	FAUCET - LAVATORY - WHITE/SMOKE HANDLES
	115000-01-02A	EA	FAUCET - LAVATORY/SHOWER - WHITE CLEAR HANDLES
	131383-01-01A	EA	SHOWER HEAD - W/60" HOSE & BRACKET - IVORY
	131383-01-02A	EA	SHOWER HEAD - W/60" HOSE & BRACKET - WHITE
	131383-02-02A	EA	SHOWER HEAD - W/60" HOSE & BRACKET - WHITE - CSA
	131383-03-02A	EA	BRACKET - SHOWER HEAD - WHITE

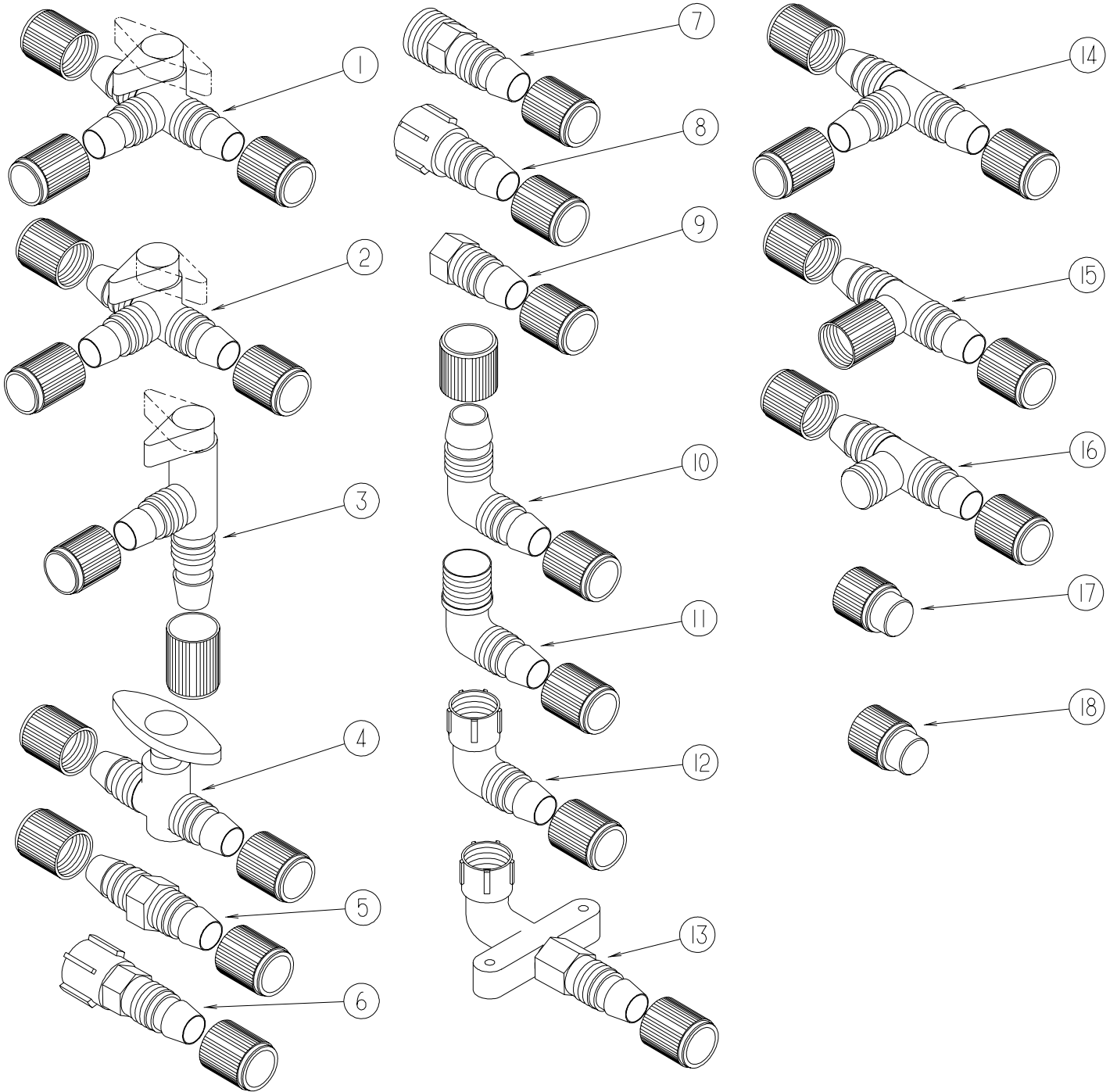
* PRESS TO SEE ILLUSTRATED SERVICE PARTS LIBRARY



KEY	PART NUMBER	U/M	DESCRIPTION
1	054250-09-000	EA	SUPPORT-DIMMER SWITCH,BRT/WT
2	121577-04-01A	EA	PLATE - EXTERIOR SHOWER - BRIGHT WHITE
3	126945-06-J80	EA	DOOR/STORAGE - W/O HARDWARE - 18.3" X 9.3"
4	131732-01-12B	EA	BRACKET - SQUEEGEE - BRIGHT WHITE
5	091952-02-000	EA	CLIP - GRIPPER - 3/4"
6	121473-01-01A	EA	COMPARTMENT - SHOWER - EXTERIOR
7	075241-06-000	EA	FAUCET - SHOWER/BRIGHT WHITE - 1/2"MPT X 1.9" INLET PIPES

WATER & SEWAGE GROUP (CONTINUED)

WATER SYSTEM (CONTINUED)



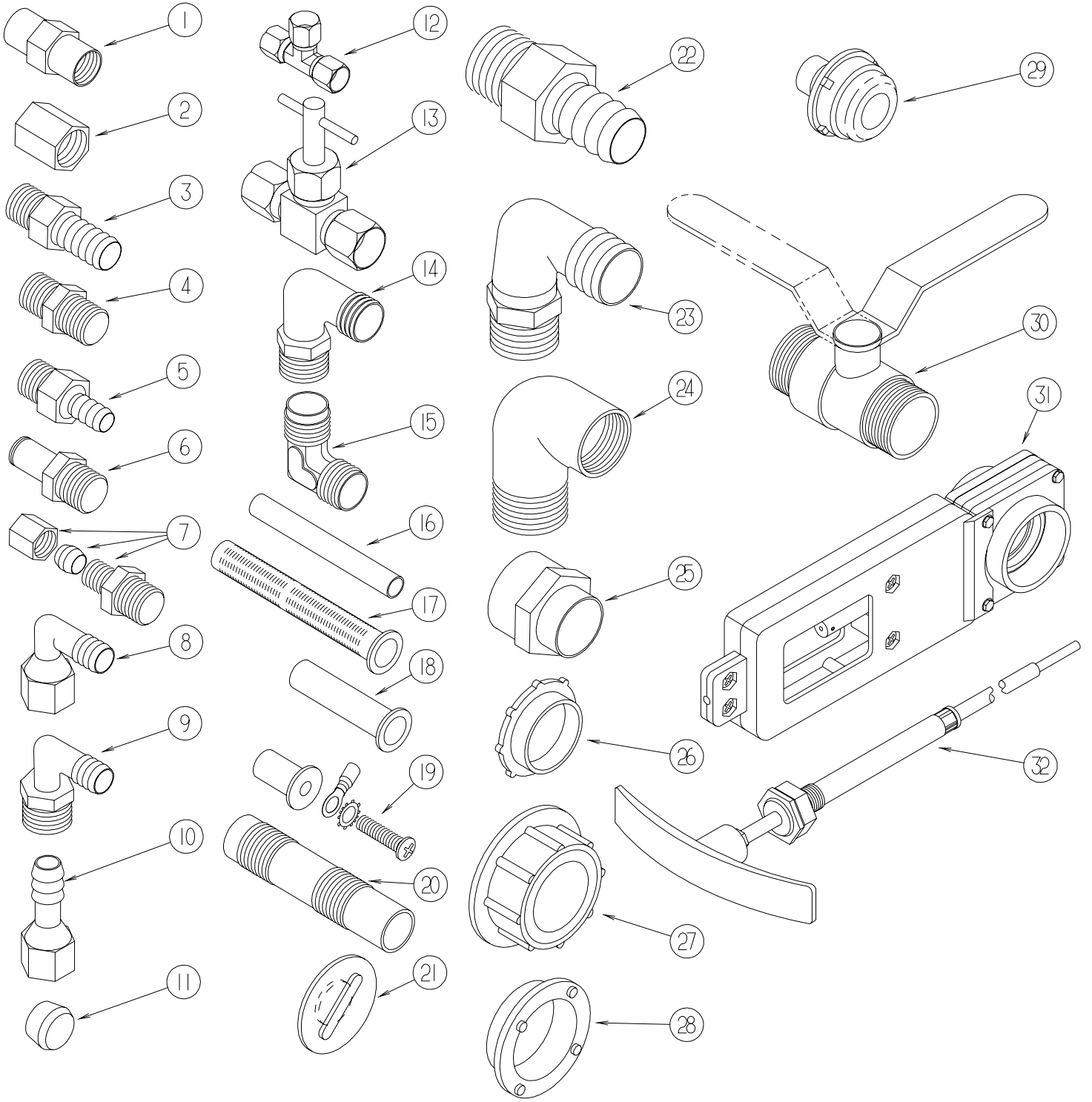
FITTINGS

WATER & SEWAGE GROUP (CONTINUED)
WATER SYSTEM (CONTINUED)

FITTINGS (CONTINUED)

KEY	PART NUMBER	U/M	DESCRIPTION
1	114431-01-000	EA	VALVE - 180 DEGREE/CENTER DRAIN - 1/2"P - THREE WAY
2	114431-02-000	EA	VALVE - WATER BYPASS - 1/2"P - THREE WAY (WATER HEATER)
3	114431-03-000	EA	VALVE - 90 DEGREE DRAIN - 1/2"P
4	114431-04-000	EA	VALVE - "INLINE SHUT-OFF" - 1/2"P
5	114430-01-000	EA	ADAPTER - 1/2"P X 1/2"P
6	114430-02-000	EA	ADAPTER - SWIVEL - 1/2"P X 1/2"FPT
7	114430-03-000	EA	ADAPTER - 1/2"P X 1/2"MPT
8	114427-02-000	EA	PLUG - W/COMP NUT - 1/2" PLASTIC PIPE/1/2" FLAIR-IT
9	114430-06-000	EA	ADAPTER - 1/2"P X 3/8"FPT
10	114429-01-000	EA	ELBOW - 1/2"P X 1/2"P
11	114429-02-000	EA	ELBOW - 1/2"P X 1/2"MPT
11	114429-04-000	EA	ELBOW - 1/2"P X 3/8"MPT
11	114429-05-000	EA	ELBOW - 1/2"P X 3/4"MPT
12	114429-03-000	EA	ELBOW - SWIVEL - 1/2"P X 1/2"FPT
12	114429-06-000	EA	ELBOW - SWIVEL - 1/2"P X 3/4"FPT
12	114429-08-000	EA	ELBOW - SWIVEL - 1/2"MPT X 1/2"FPT SWIVEL
13	114429-07-000	EA	ELBOW - 1/2"P X 1/2"FPT
14	114428-01-000	EA	TEE - 1/2"P X 1/2"P X 1/2"P
15	114428-02-000	EA	TEE - SWIVEL - 1/2"P X 1/2"P X 1/2"FPT
16	114428-03-000	EA	TEE - 1/2"P X 1/2"P X 1/2"MPT
17	113697-01-000	EA	CAP - 3/8 FTG
18	114427-01-000	EA	CAP - 1/2" - FOR CAPPING FLAIR-IT MALE FITTINGS

WATER & SEWAGE GROUP (CONTINUED)
WATER SYSTEM (CONTINUED)



FITTINGS (CONTINUED)

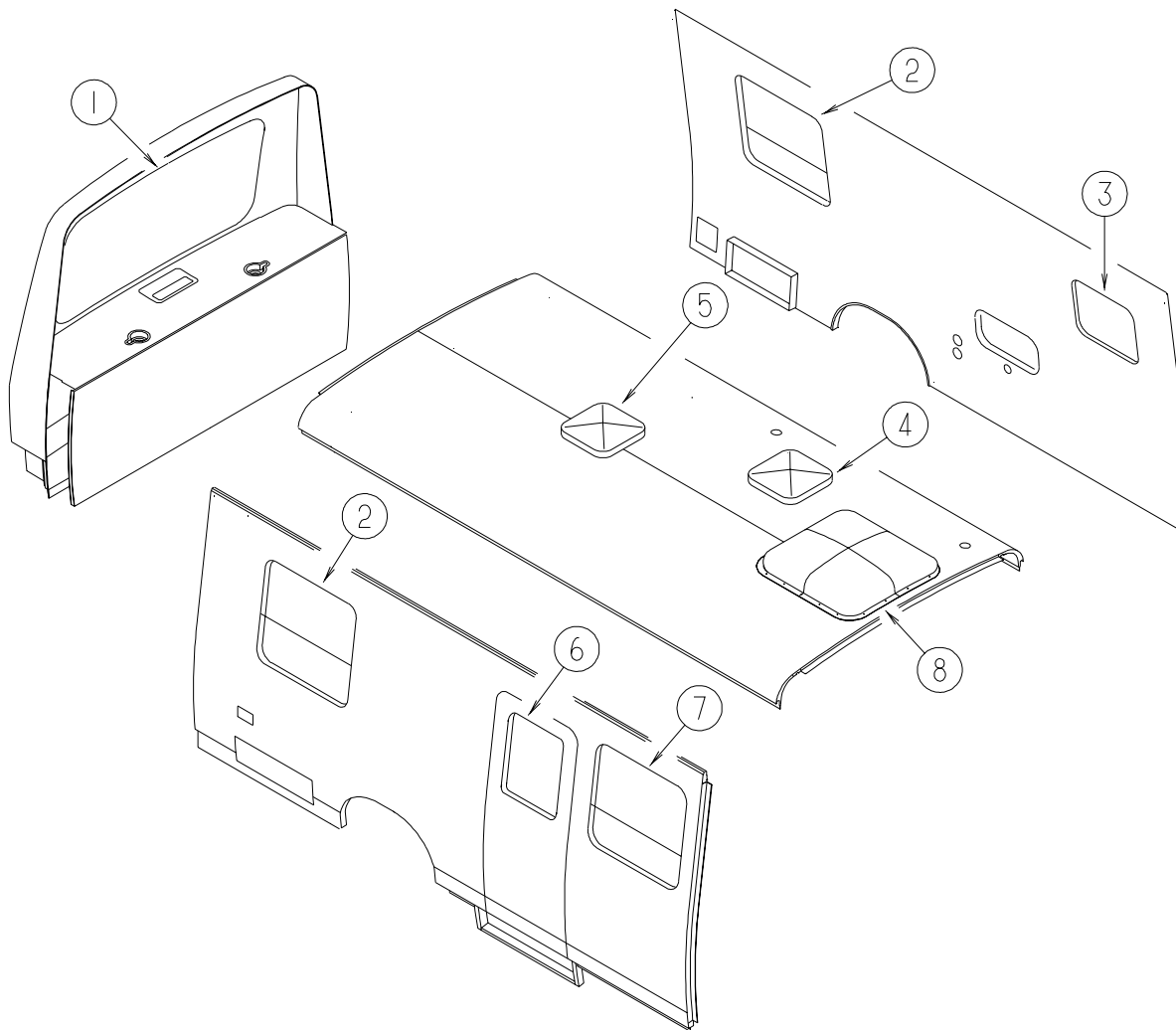
WATER & SEWAGE GROUP (CONTINUED)
WATER SYSTEM (CONTINUED)

FITTINGS (CONTINUED)

KEY	PART NUMBER	U/M	DESCRIPTION
1	132148-01-000	EA	CONNECTOR - 1/2" X 1/2" MPT - BRASS
2	101814-01-000	EA	COUPLING - FEMALE - 1/2" X 1/2" FPT - GRAY
3	118809-02-000	EA	ADAPTER - 1/2" MPT X 1/2" BARB - PLASTIC
4	110438-02-000	EA	VALVE - CHECK - BRASS - 1/2 MPT X 1/2 MPT
5	010224-01-000	EA	ADAPTER - HOSE TO PIPE - 3/8 MPT X 3/8 BARB - PLASTIC
6	090338-03-000	EA	FITTING - HOSE - .75"ID - 2" LENGTH - BRASS
7	103798-01-000	EA	CONNECTOR - 1/4 OD X 3/8 MPT
8	123150-01-000	EA	ELBOW - 1/2 FPT X 1/2 BARB - SWIVEL
9	035539-01-000	EA	ELBOW - PLASTIC - 3/8 MPT X 3/8 BARB
10	123152-01-000	EA	ADAPTER - 1/2 FPT X 1/2 BARB - SWIVEL
11	111888-01-000	EA	FERRULE - PLASTIC - .250 ID X .375 OD
12	118423-01-000	EA	FITTING - BRASS-TEE - 1/4C X 1/4C X 1/4C
13	120868-01-000	EA	VALVE - NEEDLE - 1/4" COMPRESSION X 1/4" COMPRESSION
14	111223-02-000	EA	ELBOW - PLASTIC - 1/2MPT X 3/8 BARB
14	111223-03-000	EA	ELBOW - 3/4" MPT X 1/2" BARB - PLASTIC
14	111223-04-000	EA	ELBOW - 1/2" MPT X 1/2" BARB - PLASTIC
15	039808-03-000	EA	ELBOW - 1/2" MPT X 1/2" MPT - PLASTIC
	126398-01-000	EA	ELBOW - ENTRY HOSE - 90 DEGREE
16	124188-01-000	FT	TUBING - PEX - 1/2" ID X 20' - BLUE(COLD)
16	124188-02-000	FT	TUBING - PEX - 1/2" ID X 20' - RED(HOT)
16	112176-01-000	FT	TUBING - VINYL - REINFORCED - 1/2" ID
16	074462-02-000	FT	TUBING - VINYL - 3/8 ID X 20' - CLEAR
16	039800-04-000	FT	TUBING - POLYBUTYL - 1/4"OD
	124184-01-000	EA	SUPPORT - WATER LINE - BEND
17	077954-02-000	EA	FILTER - WATER TANK - W/SCREEN IN TANK
18	111888-02-000	EA	INSERT - BRASS - 1/4 COMP
19	039861-01-000	EA	SENDING UNIT - W/SCREW - WASHER - WELL NUT/TERMINAL RING
20	079381-01-000	FT	TUBING - RIBBED FLEXIBLE - WATER FILL - 1.4" I.D.
21	049032-01-000	EA	PATCH - SPINWELD - 3/8" - PLASTIC
22	044927-01-000	EA	ADAPTER - HOSE TO PIPE-1 1/4 MPTX1 1/4 BARB-BLACK PLASTIC
23	010219-01-000	EA	ELBOW - 1 1/4 MPT X 1 1/4 BARB - WATER FILL - PLASTIC
24	132484-01-000	EA	ELBOW - PLASTIC - 90 DEGREE - 1MPT X 1FPT
25	133835-01-000	EA	ADAPTER - REDUCING - 1 1/2" X 1 1/4"
26	120069-01-000	EA	PLUG - 3" - POLYETHYLENE MPT
27	042989-03-000	EA	FITTING - SPINWELD - 1 1/4"NPT - PLASTIC
27	042989-04-000	EA	FITTING - SPINWELD - 3/8"FPT - PLASTIC
27	042989-05-000	EA	FITTING - SPINWELD - 1/2"FPT - PLASTIC
27	042989-07-000	EA	FITTING - SPINWELD - 1 1/2"FPT - PLASTIC
27	042989-08-000	EA	FITTING - SPINWELD - 1"FPT - PLASTIC
28	120070-01-000	EA	FITTING - SPINWELD - PLASTIC 3" FPT
29	114966-01-000	EA	FILTER - IN LINE - TWIST ON - 1/2"
30	132483-01-000	EA	VALVE - BALL - 1" - THREADED ENDS
31	062421-03-000	EA	VALVE - DUMP - 1 1/2" HUB X 1 1/2" HUB - REMOTE
32	062421-04-000	EA	CABLE - DUMP VALVE W/HANDLE - 36"
32	062421-05-000	EA	CABLE - DUMP VALVE W/HANDLE - 48"
32	062421-06-000	EA	CABLE - DUMP VALVE W/HANDLE - 144"

WINDOW & VENTS GROUP

WINDOW & VENT LAYOUT

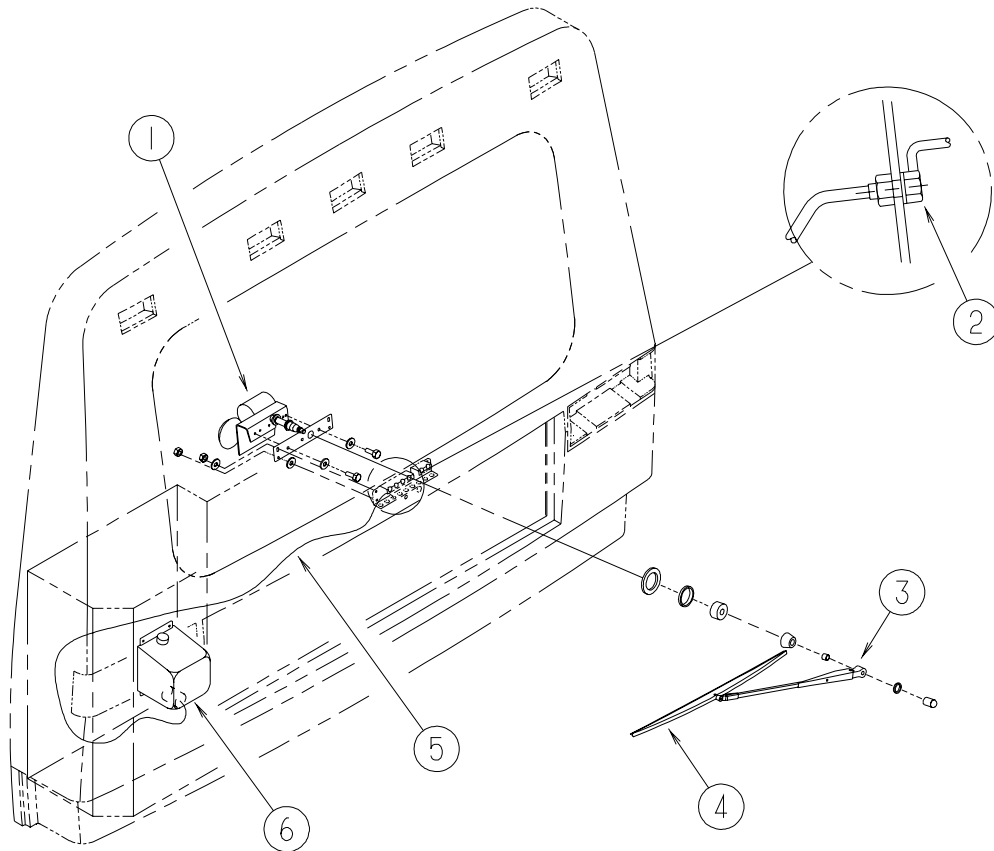


KEY	PART NUMBER	U/M	DESCRIPTION
1*	084886-05-000	EA	WINDOW - REAR ESCAPE W/DEFROSTER - 58.6" X 29"
1	084423-03-000	EA	WEATHERSTRIP - VULCANIZED - 1/2" W/LIP X 14'- BLACK RUBBER
2*	104691-07-01A	EA	WINDOW - SINGLE TIPOUT - TINTED - 27" X 25" - OFF/WHT TRIM
2	002324-02-000	FT	U-CHANNEL - WEATHERSTRIP W/FUZZ - F/1/8" GLASS
3*	098647-46-02A	EA	WINDOW - DRIVERS HORIZONTAL SLIDER - TINTED -15.2"X 18.3"
4*	123780-01-01A	EA	VENT - ROOF - 1" - W/FAN/POWER LIFT - W/O THERMOSTAT
5*	122882-01-01A	EA	VENT - ROOF - NONPOWERED - W/O INSIDE GARNISH
5	009440-01-000	EA	GEAR/ARM - LIFT - ROOF VENT COVER
5	122882-06-01A	EA	GARNISH - ROOF VENT - 1" TO 2.5"
6*	117053-01-F45	EA	WINDOW - PICTURE - 17" X 26.4"
6	002181-28-000	EA	GLASS - PICTURE WINDOW - 24"W X 16.3"H
6	114507-02-01A	EA	FRAME - WINDOW/INSIDE
6	087561-01-000	FT	SEAL - GLASS - EXTERIOR - .5" WIDE - VINYL BLACK
7*	098644-10-02A	EA	WINDOW - VERTICAL SLIDER 25" X 27"
8	114495-02-02A	EA	PANEL - INNER SKYLIGHT - 28.6" X 30"
8	114496-02-02A	EA	PANEL - OUTER SKYLIGHT - 30.2" X 31.6"

* PRESS TO SEE ILLUSTRATED SERVICE PARTS LIBRARY

WINDSHIELD & WIPER GROUP

WIPER



KEY	PART NUMBER	U/M	DESCRIPTION
1*	085721-03-000	EA	MOTOR - WIPER - 108 DEGREE - REAR WINDOW
2	096057-02-000	EA	FITTING - WINDSHIELD WASHER
3*	096931-01-000	EA	ARM - WIPER - 20"
4	097978-01-000	EA	BLADE - WIPER - FLEX 22 INCH
5	045794-01-000	FT	HOSE - WASHER - WINDSHIELD - 5/32" ID - BLACK
6	117766-02-000	EA	RESERVOIR/PUMP - WINDSHIELD WASHER

* PRESS TO SEE ILLUSTRATED SERVICE PARTS LIBRARY