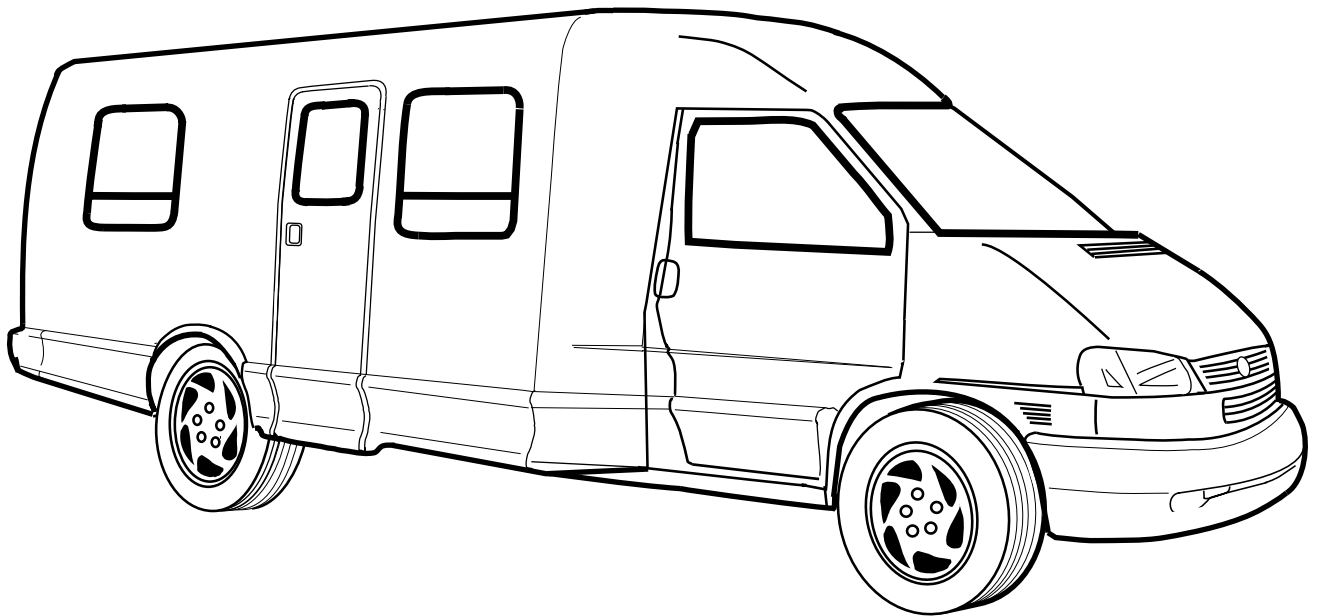
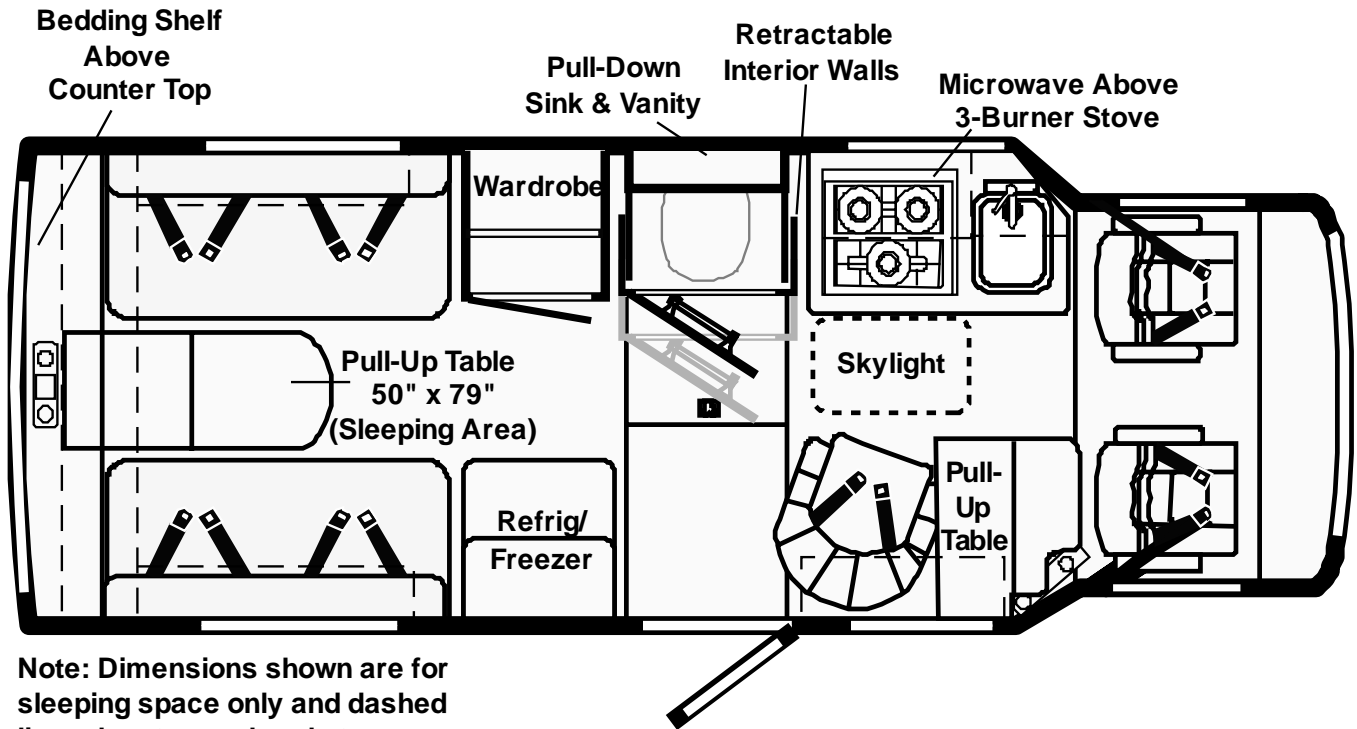


2001 RIALTA

**200 SERIES
WASHED MAPLE
M91 GRAY FLANNEL
M93 CANYON SPRUCE**



2001 RV222HD



FLOORPLAN

CONTENTS

FLOORPLAN	2
ACCESSORIES GROUP	6
OPERATORS MANUAL	6
APPLIANCE GROUP	7
APPLIANCES	7
COMPONENT PARTS FOR APPLIANCE	8
112881-02-02A	8
114014-02-02A	10
114030-02-01A & 114030-03-01A	11
126022-02-01A	12
126022-03-01A	12
131147-01-01A	12
AUDIO VIDEO GROUP	18
RADIO SYSTEM	18
COMPONENT PARTS FOR RADIO SYSTEM	19
127517-05-000	19
TELEPHONE	20
TV & VCR	20
COMPONENT PARTS FOR TV & VCR	21
076319-24-000	21
076319-25-000	22
BATH GROUP	23
CABINETS	23
CHASSIS GROUP	25
FRAME	25
FRONT END	29
EXHAUST	30
HITCH	31
REAR BUMPER	31
EMISSIONS SYSTEM	32
SPARE TIRE	33
SUSPENSION	34
COMPONENT PARTS FOR SUSPENSION	35
100293-03-000	35
112033-02-000	35
WHEEL, TIRE, COVERS &/OR LINERS	36
COMPONENT PARTS FOR WHEEL, TIRE, COVERS &/OR LINERS	37
134261-01-01A	37
BRAKE	38
BRAKELINE	39
CURTAIN & CUSHION GROUP	40
NOTICE	40
CUSHION LAYOUT	41
BUCKET SEATS	42
LOUNGE CHAIR	44
WINDOW TREATMENT	45
HARDWARD	46
ACCESSORIES	48
FABRICS	49
DINETTE GROUP	50
CABINETS & TABLE	50
DRIVERS COMPARTMENT GROUP	51
DASH	51
FRONT INTERIOR	51

CONTENTS (CONTINUED)

ELECTRICAL GROUP	52
12V BODY WIRING	52
FRONT END WIRING	54
COMPONENT PARTS FOR LIGHTS & SWITCHES	55
008089-02-000	55
087202-02-000	55
087694-01-000	55
098024-01-03A	55
098024-03-02A	55
098024-05-02A	55
CIRCUIT BREAKERS & FUSES	56
CONVERTER, INVERTER, LOAD CENTERS	56
COMPONENT PARTS FOR CONVERTER, INVERTER, LOAD CENTERS	57
093257-02-000	57
110V WIRING	58
BOXES & CORDS	59
WIRE ASSEMBLIES	59
CONNECTORS & CONDUIT	59
BOOTS, SOLENOIDS, RELAYS & MISCELLANEOUS	60
EXTERIOR BODY GROUP	61
GRAPHICS & PAINT	61
PANELS	63
VALANCE DOOR PIECE PARTS	65
COMPONENT PARTS FOR VALANCE DOOR PIECE PARTS	66
110506-59-000 - 110506-59-009	66
RUNNING BOARDS	67
MIRRORS	67
STRUCTURAL COMPONENTS	68
EXTERIOR DOORS & COMPARTMENTS GROUP	69
DOOR & COMPARTMENT LAYOUT	69
ENTRY	70
SCREEN	71
LATCH - ENTRY	72
COMPONENT PARTS FOR LATCH - ENTRY	73
113636-01-01A	73
GALLEY GROUP	74
CABINETS	74
GENERATOR GROUP	75
GAS	75
HEATING & A/C GROUP	76
FURNACE	76
COMPONENT PARTS FOR FURNACE	77
075697-05-000	77
REAR HEATER	78
COMPONENT PARTS FOR REAR HEATER	79
049401-04-000	79
ROOF	80
COMPONENT PARTS FOR ROOF	81
093306-01-02A	81
093307-03-000	82
AUXILIARY OVERHEAD A/C	83
COMPONENT PARTS FOR AUXILIARY OVERHEAD A/C	84
113245-01-000	84
113245-02-000	85

CONTENTS (CONTINUED)

INTERIOR FINISH GROUP	86
MOLDINGS & TRIMS	86
PANELING & LAMINATES	92
ACCESSORIES	92
COMPONENT PARTS FOR ACCESSORIES	93
094499-02-000	93
FLOOR COVERINGS	94
HARDWARE	95
LABELS GROUP	104
LP GROUP	131
LP SYSTEM	131
COMPONENT PARTS FOR LP SYSTEM	132
074039-04-000	132
LOUNGE GROUP	133
CABINETS	133
SEALANTS & FASTENERS GROUP	134
SEALANTS & ADHESIVES	134
BOLTS, NUTS AND WASHERS	135
SCREWS	138
CLAMPS, CLIPS, GROMMETS, RIVETS & PLUGS	142
MISCELLANEOUS FASTENERS	143
WATER & SEWAGE GROUP	144
DRAINAGE SYSTEM	144
COMPONENT PARTS FOR DRAINAGE SYSTEM	146
064076-03-000	146
098607-01-000	147
WATER SYSTEM	148
COMPONENT PARTS FOR WATER SYSTEM	155
098607-01-000	155
110506-59-000 - 110506-59-009	155
113122-01-000	155
WINDOW & VENTS GROUP	156
WINDOW & VENT LAYOUT	156
COMPONENT PARTS FOR WINDOWS & VENT LAYOUT	157
098644-10-02A	157
098647-46-02A	158
104691-17-02A	159
123780-01-01A	160
WINDSHIELD & WIPER GROUP	161
WIPER	161
COMPONENT PARTS FOR WIPER	162
085721-03-000	162
096931-01-000	162

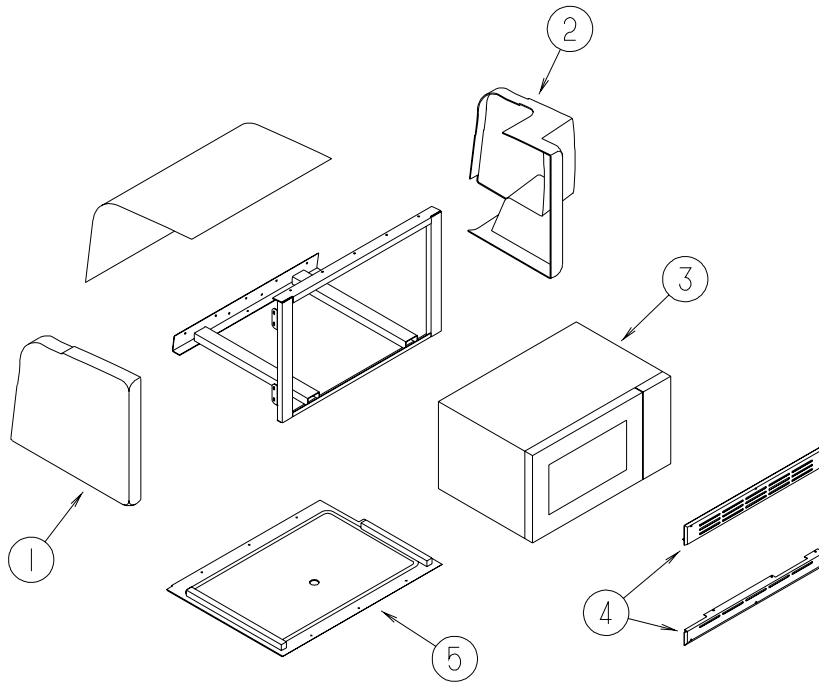
ACCESSORIES GROUP
OPERATORS MANUAL

KEY	PART NUMBER	U/M	DESCRIPTION
	132000-02-001	EA	MANUAL/OWNER - RIALTA - 2001
	129079-01-01A	EA	CASE - VINYL/BLACK-EXPANDABLE ACCORDION SIDES-7"WX9"HX14"L
	135326-01-000	DW	TOP LEVEL-H, 2001
	089275-01-000	FT	STRIP - 3/4" X 96" - CLEAR POLYETHYLENE

APPLIANCE GROUP APPLIANCES

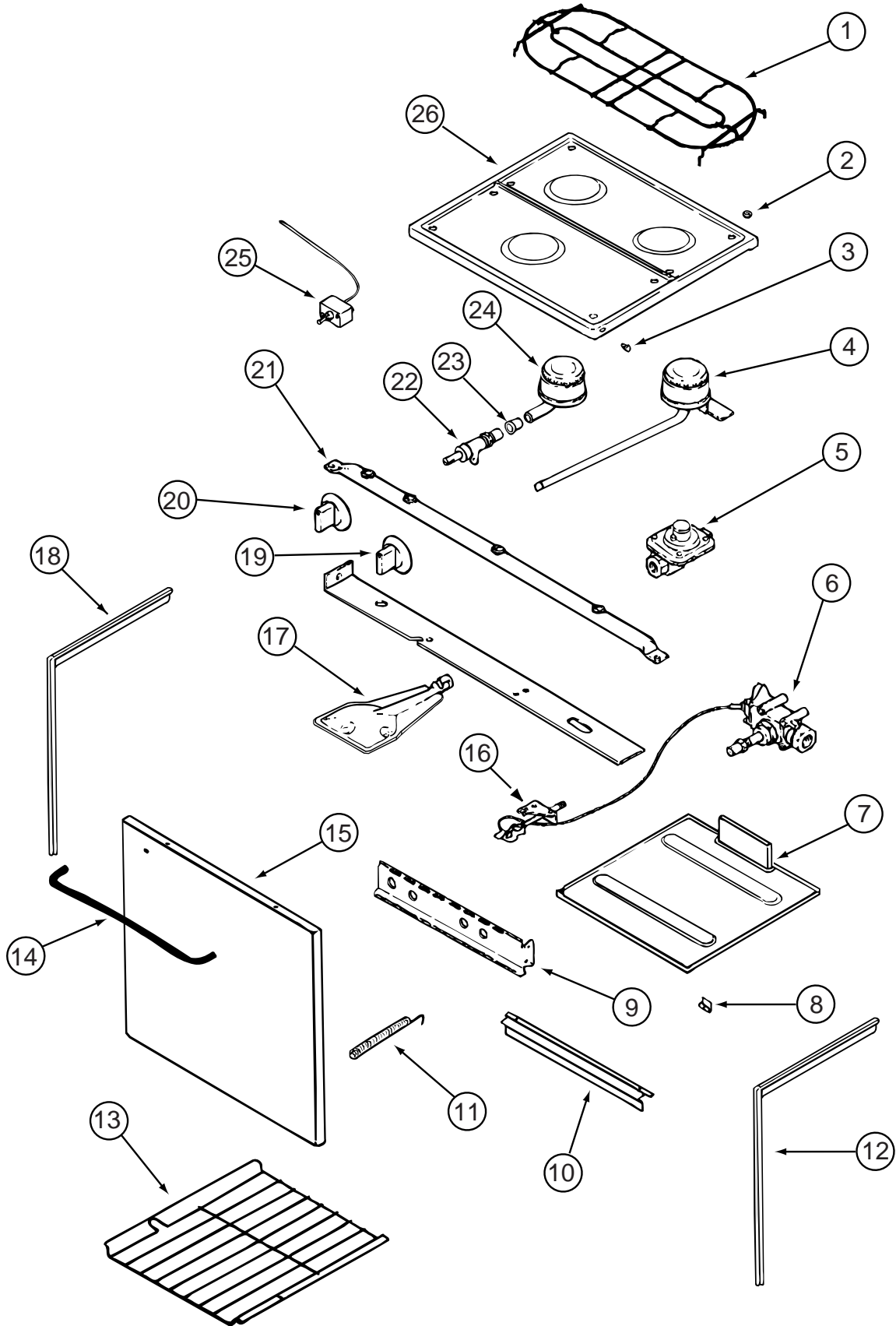
KEY	PART NUMBER	U/M	DESCRIPTION
	131198-01-01B	EA	BRACKET - TIEDOWN/STOVE - E-COATED - RIGHT HAND - RANGE W/OVEN
	131198-02-01B	EA	BRACKET - TIEDOWN/STOVE - E-COATED - LEFT HAND - RANGE W/OVEN
*	112881-02-03A	EA	RANGE - 16" - 3 BURNER - FRONT HI-OUTPUT BRNR - BLK TOP/DR
*	126022-03-01A	EA	COVER - RANGE - BIFOLD - 16" - RECESSED/BLACK - RANGE W/OVEN
*	114030-02-01A	EA	RANGE - 3 BURNER TOP - W/O OVEN - BLACK - UL
*	126022-02-01A	EA	COVER - RANGE - BI-FOLD - 22" - BLACK TEXTURED - RANGE TOP
	131198-03-01B	EA	BRACKET - TIEDOWN/STOVE - E-COATED - RIGHT HAND - RANGE TOP
	131198-04-01B	EA	BRACKET - TIEDOWN/STOVE - E-COATED - LEFT HAND - RANGE TOP
*	114014-02-02A	EA	PANEL - MONITOR 2 TANK W/REMOTE
*	131147-01-01A	EA	REFRIGERATOR - SINGLE DOOR - TOP ROTARY KNOBS
	054450-01-000	EA	LEVEL - REFRIGERATOR
	090329-01-000	FT	SEAL/T - REFRIGERATOR CABINET
	116751-07-01A	EA	TRAY - REFRIGERATOR - BLACK

*COMPONENT PARTS LISTED LATER IN THIS GROUP



KEY	PART NUMBER	U/M	DESCRIPTION
1	119132-09-K77	EA	END CAP - OVERHEAD CABINET
2	119132-10-K77	EA	END CAP - OVERHEAD CABINET
3	128527-06-000	EA	OVEN - MICROWAVE W/TRIM KIT- 1 CU.FT.- NON CONVECTION
4	128642-03-000	EA	TRIM KIT W/VENT- MICROWAVE .9 CU.FT. - SAMSUNG - 2.1" HIGH
5	119142-02-04B	EA	PANEL - MICROWAVE BOTTOM - BLACK

APPLIANCE GROUP (CONTINUED)
COMPONENT PARTS FOR APPLIANCE

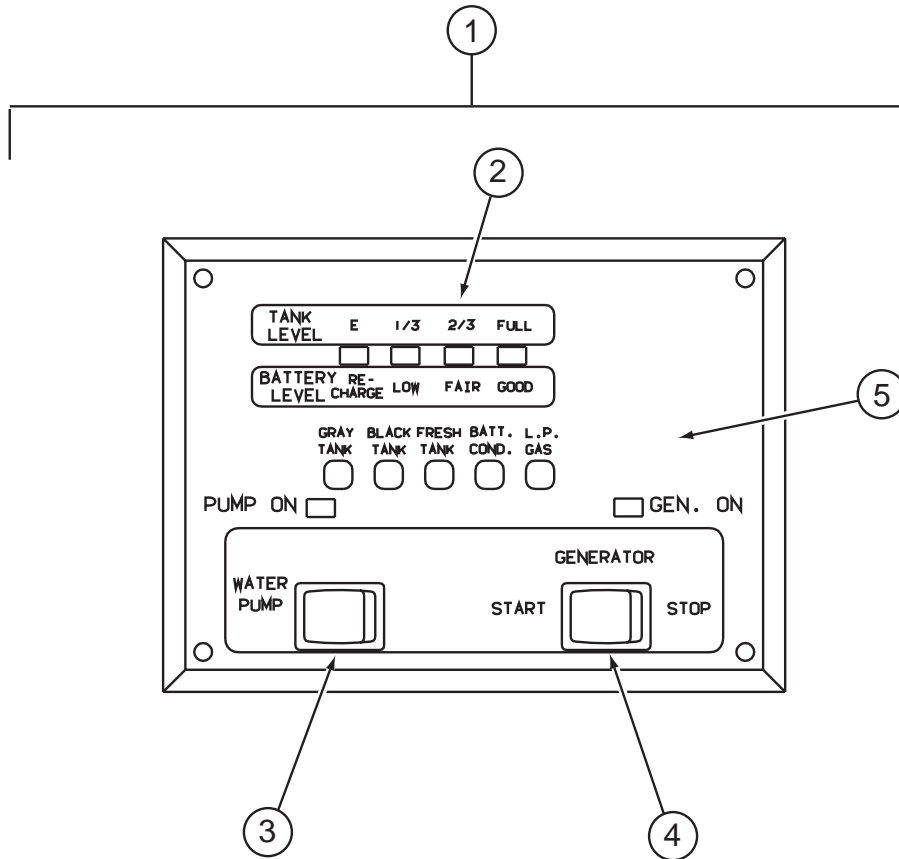


APPLIANCE GROUP (CONTINUED)
COMPONENT PARTS FOR APPLIANCE (CONTINUED)

112881-02-02A (CONTINUED)

KEY	PART NUMBER	U/M	DESCRIPTION	VENDOR NO.	
	112881-02-02A	EA	RANGE - 16" - 3 BURNER - ALMOND/BLACK	TEXTURED DOOR	MICHEF CLY 1631BDL
1	126023-01-703	EA	GRATE - TOP	74003358	
2	102020-01-709	EA	BUMPER-GRATE	8007-P020-60	
3	102020-01-724	EA	BUMPER-MAIN TOP	8003P008-60	
4	112881-01-717	EA	BURNER, TOP REAR	7505P181-60	
5	102022-01-708	EA	REGULATOR, 1/4 & 1/2 OUT	7510P04160/12001285	
6	112881-02-700	EA	VALVE - OVEN	7501P056-60	
7	126023-01-718	EA	FLUE BOX ASSEMBLY	4006W075-80	
8	112881-02-701	EA	CLIP - MAIN TOP (REAR)	7112P071-60	
9	126023-01-715	EA	PANEL - MANIFOLD	74003350	
10	112881-01-721	EA	DEFLECTOR FLUE BLACK TEXTURE	74002809	
11	112881-02-702	EA	SPRING - OVEN DOOR	7803P051-60	
12	112881-01-720	EA	TRIM-FLAT RH BLACK TEXTURED	74002812	
13	126023-01-716	EA	RACK - OVEN	74003106	
	126023-01-731	EA	BOTTOM - OVEN	2205F016-19	
	126023-01-732	EA	SEAL/OVEN DR TOP	7212P014-60	
	126023-01-733	EA	SEAL/OVEN DR SIDES(2PCS)	7212P038-60	
	128728-01-703	EA	T-NUT - F/HINGE	7103P109-60	
	128728-01-712	EA	FITTING - HALF UNION	7507P083-60	
14	102020-01-701	EA	HANDLE,DOOR	7701P092-60	
14	126023-01-704	EA	KNOB - THERMOSTAT	7731P109-60	
15	112881-01-713	EA	DOOR-OVEN-TEXTURED, BLACK	2401F126-70	
16	102020-01-714	EA	PILOT-OVEN	968-143	
17	126023-01-717	EA	BURNER - OVEN	74003343	
18	112881-01-719	EA	TRIM-FLAT LH BLACK TEXTURED	74002813	
19	112881-01-705	EA	KNOB-TOP BURNER	7733P072-60	
19	112881-01-718	EA	KNOB - TOP BURNER HI-OUTPUT	74001794	
21	126023-01-705	EA	PIPE - MANIFOLD	7513P161-60	
22	126023-01-709	EA	VALVE - BURNER (REAR)	74003348	
22	112881-02-703	EA	BURNER - FRONT HIGH OUTPUT	7505P142-60	
23	098507-02-701	EA	INSERT-BURNER, SLOTTED VENT	7214P015-60	
24	126023-01-710	EA	VALVE - BURNER (FRONT)	74003349	
25	112881-01-722	EA	THERMOSTAT SER.# CHECK 12/13	7515P029-60K	
26	112881-01-712	EA	RANGE TOP-MAIN BLACK	740101486	
26	126023-01-707	EA	TOP - MAIN (BLACK)	74003323	
26	126023-01-708	EA	TOP - MAIN (ALMOND)	74003324	

APPLIANCE GROUP (CONTINUED)
COMPONENT PARTS FOR APPLIANCE (CONTINUED)



114014-02-02A

KEY	PART NUMBER	U/M	DESCRIPTION	VENDOR NO
1	114014-02-02A	EA	PANEL - MONITOR 2 TANK W/REMOTEVENTLINE	LA1023-00
2	114014-02-701	EA	OVERLAY SILKSCREEN	CD0343-00
3	096983-01-702	EA	SWITCH - MOM/OFF/MOM/3 TERM	L0112-00
4	096983-01-700	EA	SWITCH - ON/OFF	L0108-00
5	114014-02-702	EA	BOARD-CIRCUIT	L5098-06
	114014-02-700	EA	CHASSIS	CD0213-06

APPLIANCE GROUP (CONTINUED)
COMPONENT PARTS FOR APPLIANCE (CONTINUED)

114030-02-01A & 114030-03-01A (CONTINUED)

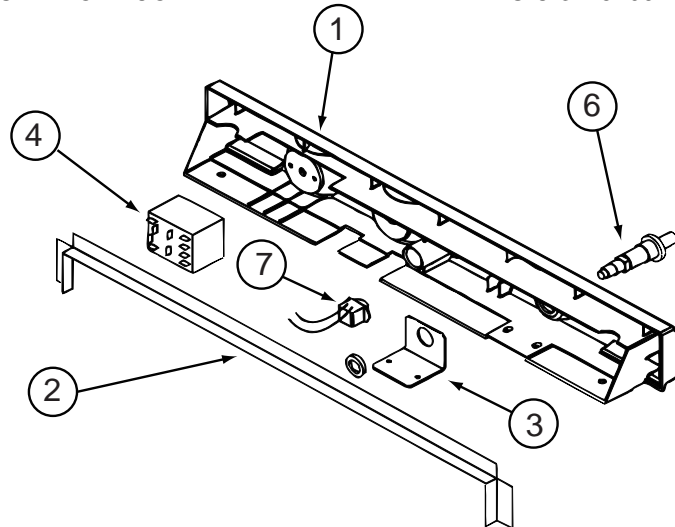
KEY	PART NUMBER	U/M	DESCRIPTION	VENDOR NO.
	114030-02-01A	EA	RANGE - 3 BURNER TOP - W/O OVEN - BLACK	
	114030-03-01A	EA	RANGE - 3 BURNER TOP - W/O OVEN - BLACK - CSA	
1	126023-01-703	EA	GRATE - TOP	74003358
2	102020-01-709	EA	BUMPER - GRATE	8007-P020-60
3	126023-01-706	EA	TOP - MAIN (WHITE)	74003322
3	126023-01-707	EA	TOP - MAIN (BLACK)	74003323
3	126023-01-708	EA	TOP - MAIN (ALMOND)	74003324
4	126023-01-700	EA	BURNER - TOP (RT-REAR)	7505P195-60
5	126023-01-701	EA	BURNER - TOP (LT-REAR)	7505P196-60
6	102020-01-729	EA	REGULATOR - PRESSURE	7510P043-60
7	114030-01-706	EA	TRIM - REAR/BLACK TEXTURED	74002841
8	114030-01-704	EA	TRIM - RIGHT/BLACK TEXTURED	74002839
9	126023-01-720	EA	KNOB - IGNITER	74002414
10	114030-02-700	EA	GUARD/FABRIC - TOWEL BAR	3609F006-70
11	114030-01-705	EA	TRIM - LEFT/BLACK TEXTURED	74002840
12	126023-01-705	EA	PIPE - MANIFOLD	7513P161-60
13	126023-01-709	EA	VALVE - BURNER (REAR)	74003348
13	126023-01-710	EA	VALVE - BURNER (FRONT)	74003349
14	126023-01-702	EA	BURNER - TOP (FRONT)	7505P144-60
15	126023-01-711	EA	ELECTRODE - IGNITER	7432P077-60
16	126023-01-719	EA	IGNITER - TOP BURNER	74002413
17	112881-01-705	EA	KNOB - TOP BURNER	733P072-60
17	112881-01-718	EA	KNOB - TOP BURNER HI-OUTPUT	74001794
	126023-01-735	EA	KIT-IGNITOR TOP BRNER & KNOB	12001296=74002413&
	128728-01-703	EA	T-NUT - F/HINGE	7103P109-60

126022-02-01A

KEY	PART NUMBER	U/M	DESCRIPTION	VENDOR NO.
	126022-02-01A	EA	COVER - RANGE - BI-FOLD - 22" - BLACK TEXTURED	
	126022-01-700	EA	BUMPER - RANGE BIFOLD COVER	MAGIC 8003P007-60
	126022-01-701	EA	HINGE-RANGE BIFOLD COVER-22"	MAGIC 3418F067-34

126022-03-01A

KEY	PART NUMBER	U/M	DESCRIPTION	VENDOR NO.
	126022-03-01A	EA	COVER - RANGE - BIFOLD - 16" - RECESSED/BLACK	
	126022-01-700	EA	BUMPER - RANGE BIFOLD COVER	MAGIC 8003P007-60
	126022-01-701	EA	HINGE-RANGE BIFOLD COVER-22"	MAGIC 3418F067-34

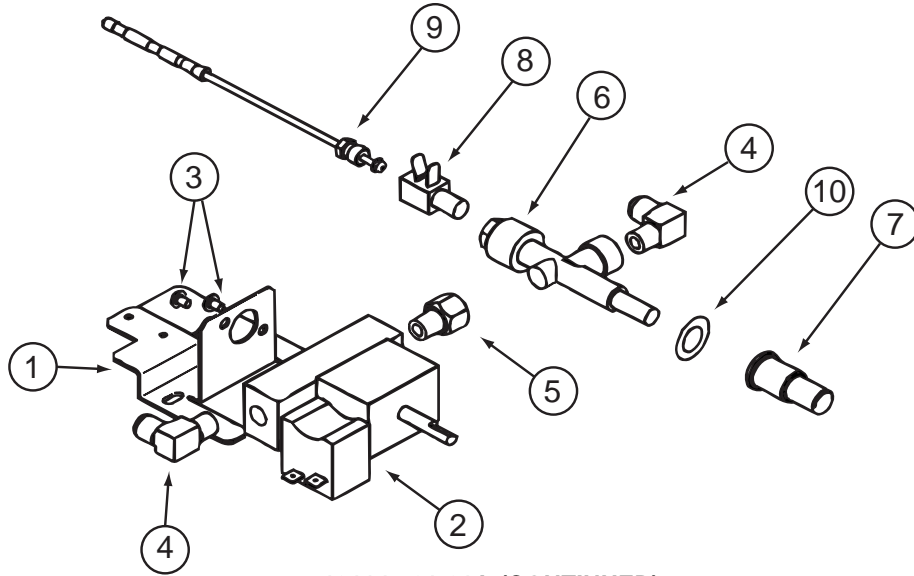


131147-01-01A

KEY	PART NUMBER	U/M	DESCRIPTION	VENDOR NO.
	131147-01-01A	EA	REFRIGERATOR - SINGLE DOOR - TOP ROTARY KNOBS	NORCOLD #N300.9
1	131147-01-731	EA	CONTROL PANEL - 3-WAY	619146
4	131147-01-732	EA	SWITCH/SELECTOR- 4-POSITION	619168
6	131147-01-733	EA	SPARK IGNITOR	61645622
7	131147-01-734	EA	FLAME METER	61481322

CONTACT WINNEBAGO PART SALES FOR UNLISTED COMPONENT

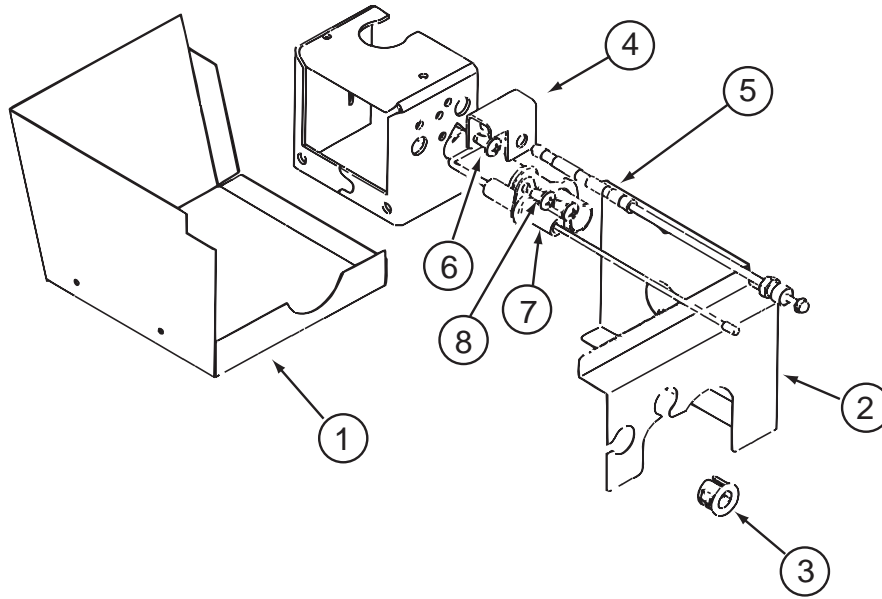
APPLIANCE GROUP (CONTINUED)
COMPONENT PARTS FOR APPLIANCE (CONTINUED)



131147-01-01A (CONTINUED)

KEY	PART NUMBER	U/M	DESCRIPTION	VENDOR NO.
	131147-01-01A	EA	REFRIGERATOR - SINGLE DOOR - TOP ROTARY KNOBS	NORCOLD #N300.9
1			CONTACT WINNEBAGO PART SALES FOR THIS COMPONENT	
2	113737 01 735	EA	THERMOSTAT-GAS VALVE	617944
3			CONTACT WINNEBAGO PART SALES FOR THIS COMPONENT	
4	131147 01 725	EA	ELBOW - BRASS/90 DEG - 2 PC	61621622
5	131147 01 726	EA	ADAPTER - PIPE	619055
6	131147 01 727	EA	VALVE - SAFETY	617965
7	131147 01 728	EA	PLUG/EXTENSION-SAFETY VALVE	619044
8	113737 01 709	EA	INTERRUPTER	61750522
9	131147 01 729	EA	THERMOCOUPLE	619154
10	131147 01 730	EA	O-RING/SAFETY VALVE	619051

APPLIANCE GROUP (CONTINUED)
COMPONENT PARTS FOR APPLIANCE (CONTINUED)

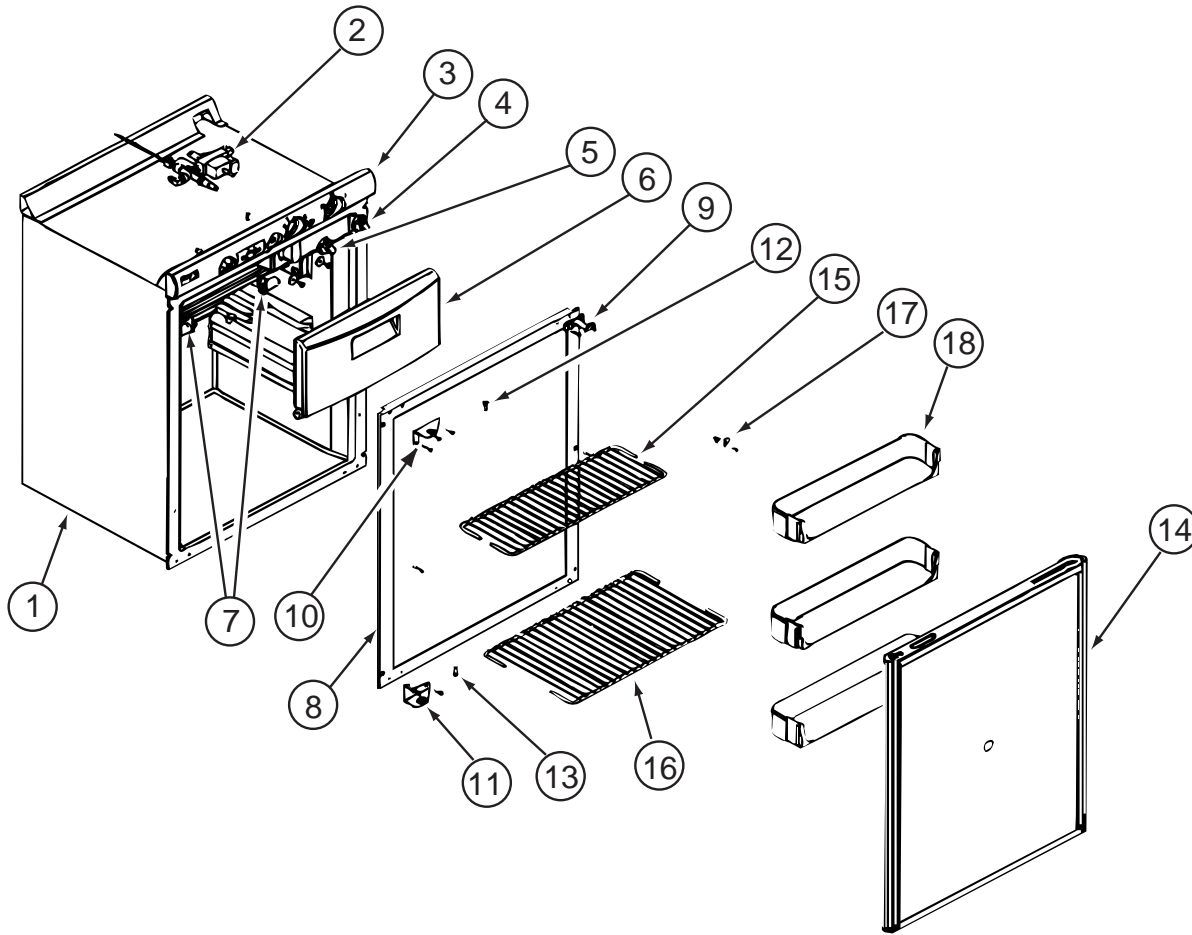


131147-01-01A (CONTINUED)

KEY	PART NUMBER	U/M	DESCRIPTION	VENDOR NO.
	131147-01-01A	EA	REFRIGERATOR - SINGLE DOOR - TOP ROTARY KNOBS	NORCOLD #N300.9
5	131147-01-729	EA	THERMOCOUPLE	619154
6	131147-01-746	EA	BURNER ASSEMBLY	619081
7	131147-01-747	EA	SPARK ELECTRODE	619153
	113737-01-702	EA	PLUG 1/8" F/PRESSURE TAP	61445322
	131147-01-745	EA	ORFICE ADAPTER ASSY	618090
	131147-01-748	EA	PRESSURE TAP	61755322

CONTACT WINNEBAGO PART SALES FOR UNLISTED COMPONENT

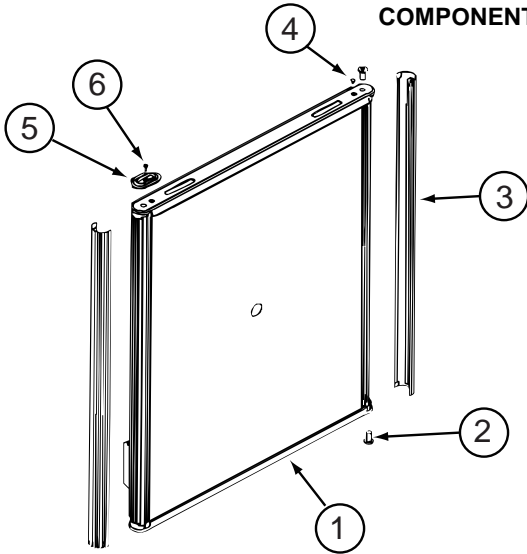
APPLIANCE GROUP (CONTINUED)
COMPONENT PARTS FOR APPLIANCE (CONTINUED)



131147-01-01A (CONTINUED)

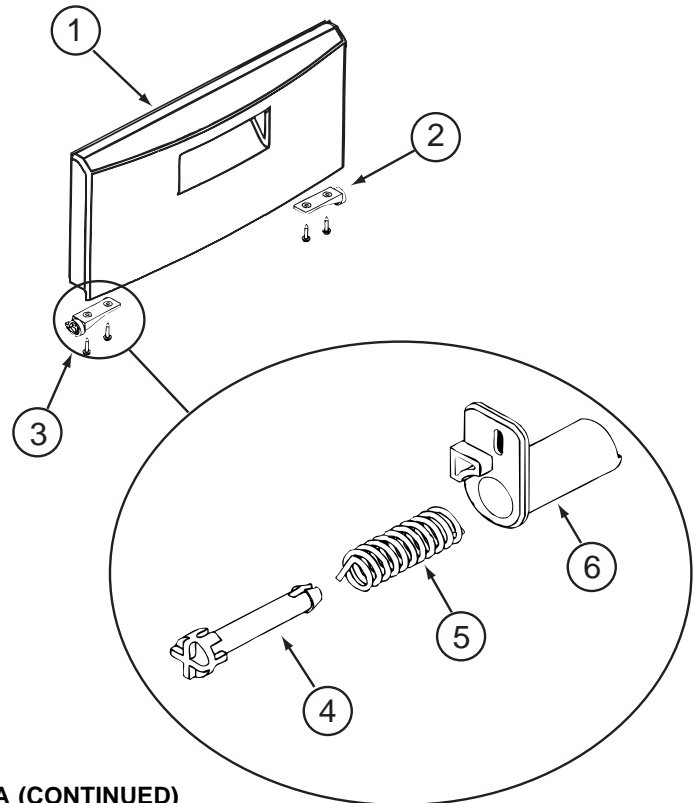
KEY	PART NUMBER	U/M	DESCRIPTION	VENDOR NO.	
	131147-01-01A	EA	REFRIGERATOR - SINGLE DOOR - TOP ROTARY KNOBS		NORCOLD #N300.9
1	131147-01-700	EA	FOAMED CABINET	619120	
2	131147-01-701	EA	GAS CONTROL	619147	
3	131147-01-702	EA	CONTROL PANEL ASSEMBLY	619145	
4	131147-01-703	EA	KNOB - SELECTOR	619070	
5	131147-01-704	EA	KNOB - THERMOSTAT	619069	
6			CONTACT WINNEBAGO PART SALES FOR THIS COMPONENT		
7	131147-01-706	EA	SPRING HOLDER ASSEMBLY - RH	619041	
8			CONTACT WINNEBAGO PART SALES FOR THIS COMPONENT		
9	131147-01-708	EA	DOOR LATCH	619103	
10	131147-01-709	EA	HINGE/CABINET-UPR/LH-LWR/RH	619096	
11	131147-01-710	EA	HINGE/CABINET-UPR/RH-LWR/LH	619095	
12	113737-01-708	EA	PIN-HINGE, TOP	61114600	
13	113737-01-710	EA	PIN-HINGE, BOTTOM	61550722	
14			CONTACT WINNEBAGO PART SALES FOR THIS COMPONENT		
15	131147-01-712	EA	WIRE - SHELF UPPER	619123	
16	131147-01-713	EA	WIRE SHELF - LOWER	619102	
17	125242-01-750	EA	CLIP	61409622	
18	131147-01-714	EA	DOOR - BIN - WHITE	619033	
	104137-06-724	EA	ICE TRAY	61630422	
	113737-01-705	EA	CLIP-FIN	61728722	
	131147-01-707	EA	SPRING HOLDER ASSEMBLY - LH	619042	
	131147-01-715	EA	DRIP TRAY	61618930	

APPLIANCE GROUP (CONTINUED)
COMPONENT PARTS FOR APPLIANCE (CONTINUED)



131147-01-01A (CONTINUED)

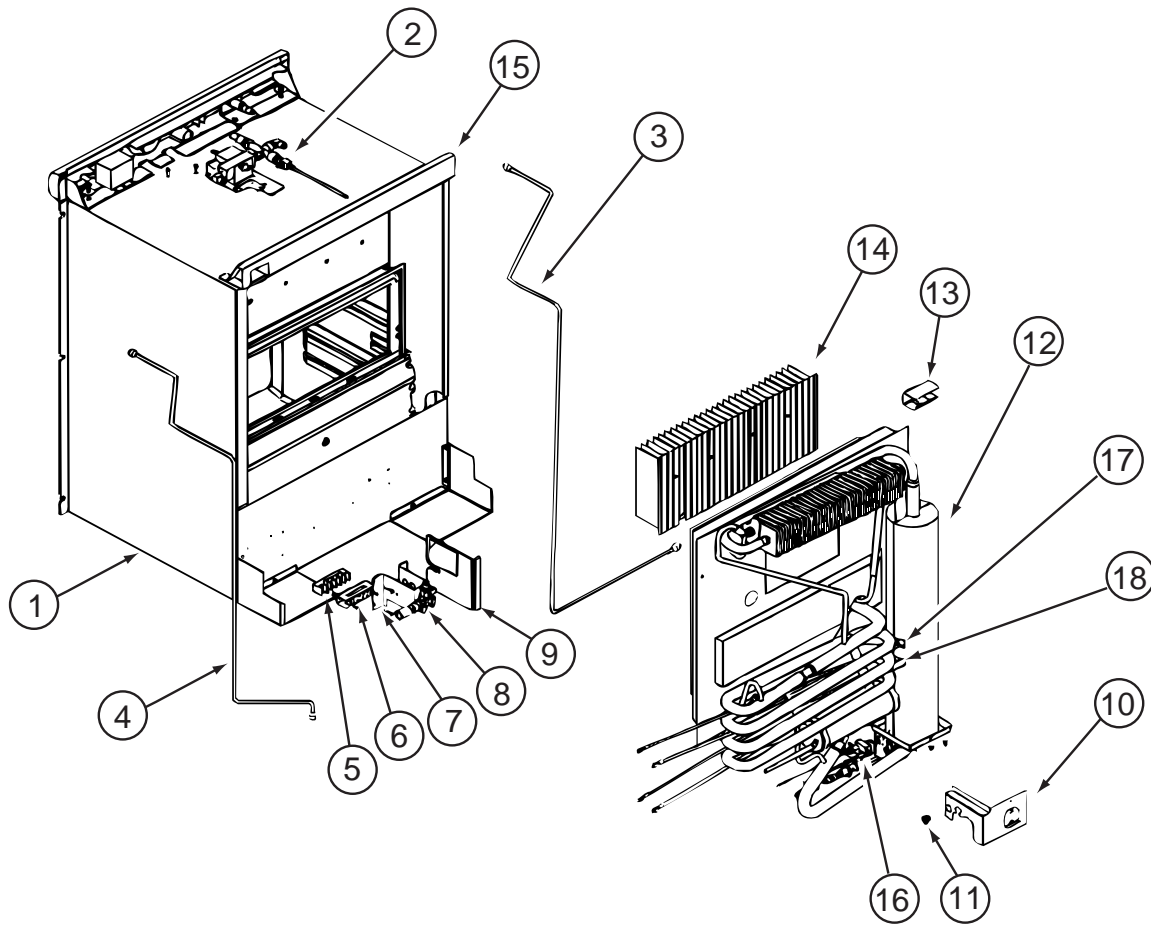
KEY	PART NUMBER	U/M	DESCRIPTION	VENDOR NO.
	131147-01-01A	EA	REFRIGERATOR - SINGLE DOOR - TOP ROTARY KNOBS	NORCOLD #N300.9
1	131147-01-741	EA	FOAMED DOOR ASSEMBLY	619030
2	113737-01-701	EA	BUSHING-HINGE	61742022
3	131147-01-742	EA	PANEL RETAINER- NEED 2 PCS	619035
4	131147-01-743	EA	PLUG - BEIGE	619048
5	131147-01-744	EA	LATCH PLATE	619104
6			CONTACT WINNEBAGO PART SALES FOR THIS COMPONENT	



131147-01-01A (CONTINUED)

KEY	PART NUMBER	U/M	DESCRIPTION	VENDOR NO.
	131147-01-01A	EA	REFRIGERATOR - SINGLE DOOR - TOP ROTARY KNOBS	NORCOLD #N300.9
1	131147-01-705	EA	FREEZER DOOR	619117
2	131147-01-735	EA	HINGE/FREEZER DOOR - RH	61632930
3	131147-01-736	EA	HINGE/FREEZER DOOR - LH	61633030
4	131147-01-738	EA	SPRING PIN	619133
5	131147-01-739	EA	TORSION SPRING - RH CABINET	619066
5	131147-01-740	EA	TORSION SPRING - LH CABINET	619064
6	102621-04-703	EA	HOLDER-SPRING, RH WHITE	61632830
6	102621-04-707	EA	HOLDER-SPRING, LH WHITE EVAP	61632730

APPLIANCE GROUP (CONTINUED)
COMPONENT PARTS FOR APPLIANCE (CONTINUED)



131147-01-01A (CONTINUED)

KEY	PART NUMBER	U/M	DESCRIPTION	VENDOR NO.	
	131147-01-01A	EA	REFRIGERATOR - SINGLE DOOR - TOP ROTARY KNOBS		NORCOLD #N300.9
3	131147-01-716	EA	BURNER TUBE	619156	
4	131147-01-717	EA	GAS INLET TUBE	619157	
5	131147-01-718	EA	TERMINAL BLOCK	619173	
8	131147-01-719	EA	MANUAL SHUT OFF VALVE	617976	
12	131147-01-720	EA	COOLING SYSTEM - SERVICE KIT	619088	
15	131147-01-721	EA	CABINET BAFFLE	619122	
16	131147-01-722	EA	BURNER AND ORFICE ASM.	619151	
17	131147-01-723	EA	HEATER - DC	619065	
18	131147-01-724	EA	HEATER - AC	619063	

CONTACT WINNEBAGO PART SALES FOR UNLISTED COMPONENT

AUDIO VIDEO GROUP
RADIO SYSTEM

KEY	PART NUMBER	U/M	DESCRIPTION
	094097-01-000	EA	SPEAKER - RADIO/TV - W/O GRILLE - 5.25" DIAMETER
	074979-01-000	EA	SHIELD - SPEAKER - BACK - MOLDED PLASTIC - 8" X 9" FROM: 00-00-00 THRU: 06-30-00
	093214-01-02A	EA	GRILLE - SPEAKER - 4" BROWN
	089340-02-000	EA	GRILLE - SPEAKER - 6.5" SQUARE - W/O DELUXE SOUND
	124881-01-000	EA	AMPLIFIER - AUDIO - W/DELUXE SOUND
	124883-02-000	EA	SPEAKER - CUBE - W/BACKET - W/DELUXE SOUND
	124883-03-000	EA	SPEAKER - CUBE - W/O CASE - W/DELUXE SOUND
	124883-04-000	EA	SPEAKER - GRILLE - F/CUBE - W/DELUXE SOUND
	124884-01-000	EA	SPEAKER - 6" X 9" - SUB-WOOFER - W/DELUXE SOUND
	124885-01-000	EA	GRILLE - SPEAKER - 6" X 9" - SUB-WOOFER - W/DELUXE SOUND
	124885-01-000	EA	GRILLE - SPEAKER - 6" X 9" - SUB-WOOFER
	114365-02-000	EA	ADAPTER - RADIO - POWER/SPEAKERS - W/FRONT TV OR DASH RADIO
	114366-01-000	EA	ADAPTER - RADIO - ANTENNA - W/FRONT TV OR DASH RADIO
*	127517-05-000	EA	RADIO - AM/FM STEREO/CD PLAYER - SONY CDX-C4005X - DASH RADIO/CD FROM: 00-00-00 THRU: 04-19-01
	127517-08-000	EA	RADIO - AM/FM STEREO - CD PLAYER - SONY CDX-L550X - DASH RADIO W/CD FROM: 04-20-01 THRU: 99-99-99
	097460-15-000	EA	RADIO - AM/FM CASSETTE/CD - SONY XR-C2200 - DASH RADIO W/CASSETTE

***COMPONENT PARTS LISTED LATER IN THIS GROUP**

AUDIO VIDEO GROUP (CONTINUED)
COMPONENT PARTS FOR RADIO SYSTEM

127517-05-000

KEY	PART NUMBER	U/M	DESCRIPTION	VENDOR NO.
	127517-05-000	EA	RADIO - AM/FM STEREO/CD PLAYER - SONY CDX-C4005X	
	127517-05-700	EA	REMOTE-WIRED	RMX4S

AUDIO VIDEO GROUP (CONTINUED)

TELEPHONE

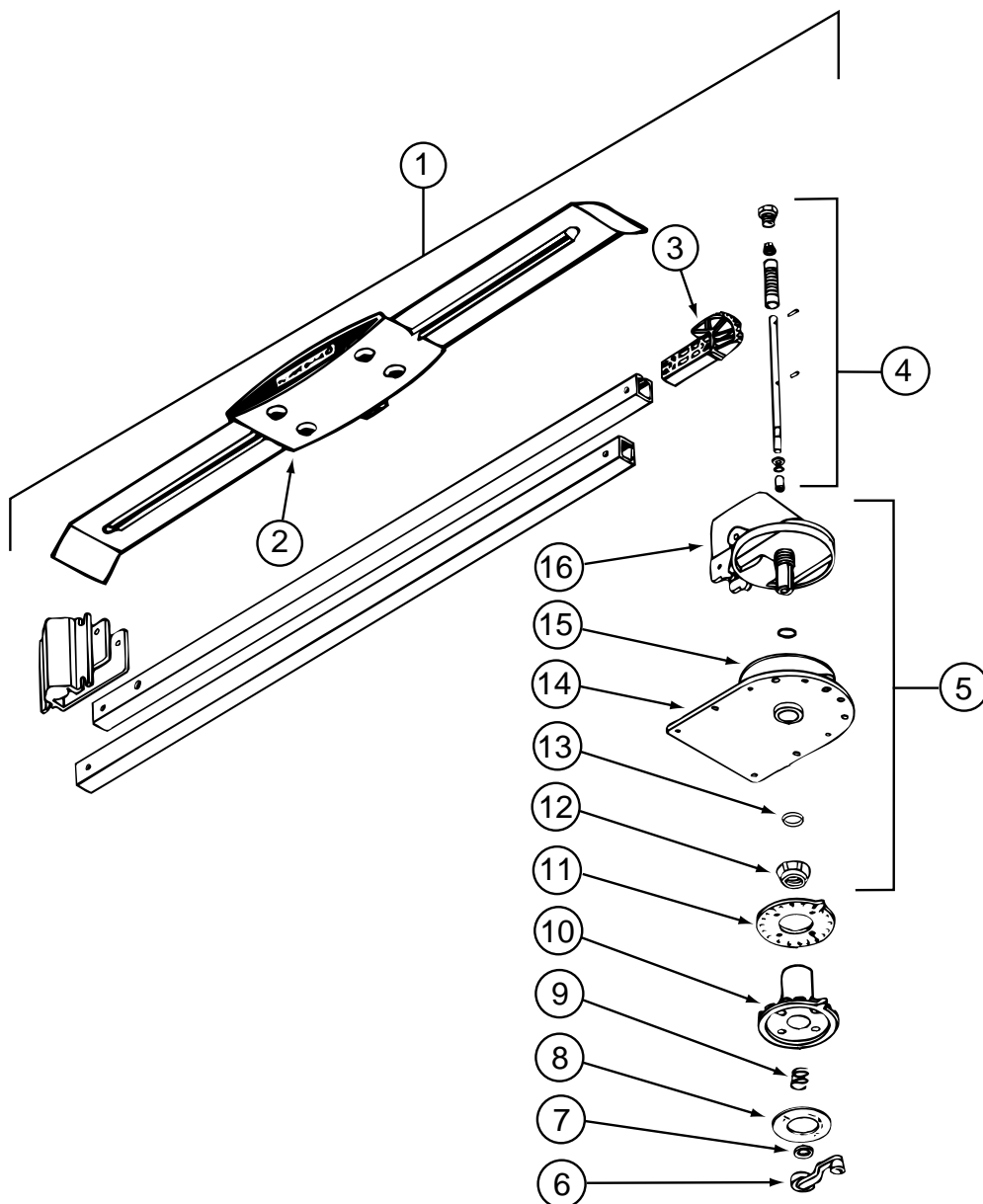
KEY	PART NUMBER	U/M	DESCRIPTION
	093901-03-000	EA	PLATE - TV COAX - EXTERIOR - 1.8" X 2.5"

TV & VCR

KEY	PART NUMBER	U/M	DESCRIPTION
	076319-03-000	FT	CABLE - COAXIAL - 75 OHM
	076319-12-000	EA	CONNECTOR - COAXIAL - ONE PIECE
	076319-06-000	EA	ADAPTER - CABLE ROOF PLATE
*	076319-24-000	EA	ANTENNA - TV ROOF MOUNT - 25.5" MAST
*	076319-25-000	EA	KIT - HARDWARE INTERIOR
	082134-01-000	EA	ADAPTER - TV - CABLE TO CABLE
	082136-01-000	EA	NUT - HEX JAM - 3/8-32
	086777-02-000	EA	WALLPLATE - TV CABLE - W/ANTENNA SWITCH - BLACK

***COMPONENT PARTS LISTED LATER IN THIS GROUP**

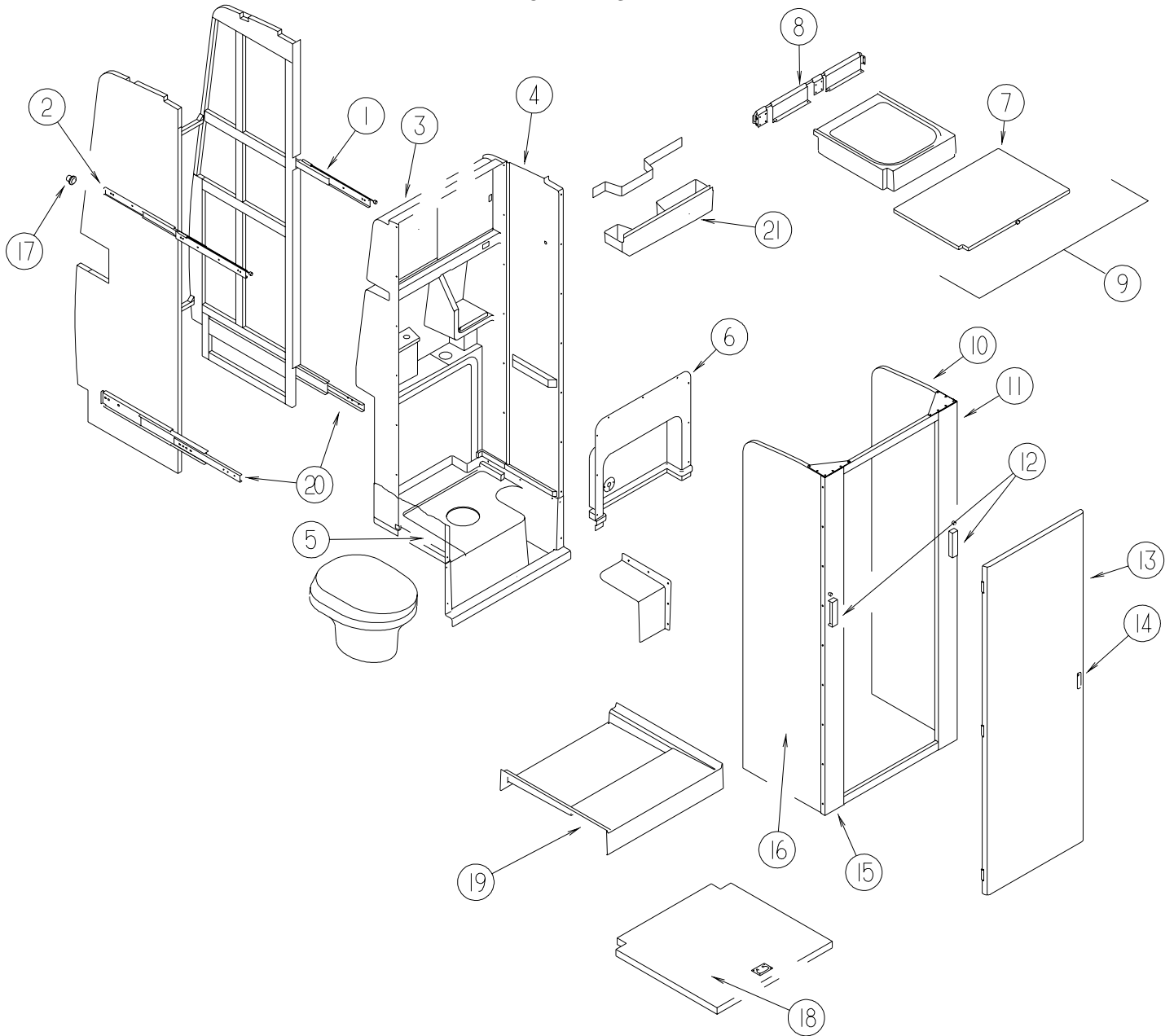
AUDIO VIDEO GROUP (CONTINUED)
COMPONENT PARTS FOR TV & VCR



076319-24-000

KEY	PART NUMBER	U/M	DESCRIPTION	VENDOR NO.
1	076319-24-000	EA	ANTENNA - TV ROOF MOUNT - 25.5" MAST	
2	076319-01-700	EA	HEAD-ANTENNA, AMPLIFIED	RVSA U/V
3	076319-01-701	EA	GEAR-ELEVATING, PLASTIC	2200046
4	076319-01-702	EA	SHAFT ASM-ELEVATING	RP-4000
5	076319-01-711	EA	BASE & LIFT ASM	2762802
6			CONTACT WINNEBAGO PART SALES FOR THIS COMPONENT	
7	076319-01-705	EA	GROMMET-NYLON, 7/8"ID	3200658
8	076319-01-708	EA	DECAL-CRANK	5413002
9	076319-01-707	EA	SPRING-HANDLE	2160822
10	076319-25-700	EA	DIRECTIONAL HANDLE(WHITE)	3200612
11	076319-01-712	EA	PLATE - CEILING	3200608
11	076319-01-709	EA	PLATE-CEILING (IVORY)	3200621
12	076319-01-715	EA	NUT (GEAR HOUSING)	2200047
13	076319-01-704	EA	BEARING-NYLON, 1.25"OD	3200657
14	076319-01-713	EA	PLATE-BASE, STEEL	3100523
15	076319-01-703	EA	BEARING-NYLON, 5" OD	3200656
16	076319-01-714	EA	HOUSING, ROTATING GEAR	2200049
	076319-01-716	EA	TUBING, ELEVATING	RP-2900

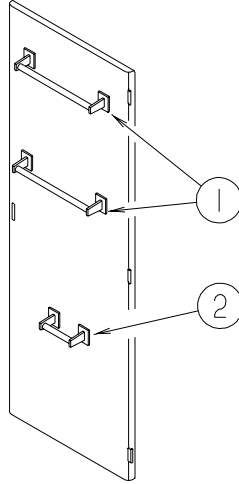
BATH GROUP CABINETS



KEY	PART NUMBER	U/M	DESCRIPTION
1	116173-01-000	EA	SLIDE - LOCKING - LEFT HAND FACING CABINET
2	116173-02-000	EA	SLIDE - LOCKING - RIGHT HAND FACING CABINET
3	111950-01-02A	EA	SURROUND - SHOWER/BACK - VW LIGHT GRAY
4	111986-01-02A	EA	SURROUND - SHOWER/RIGHT HAND SIDE - VW LIGHT GRAY
5	111986-03-02A	EA	SURROUND - SHOWER/LEFT HAND SIDE - VW LIGHT GRAY
6	112151-01-02A	EA	COVER - DRAINAGE ACCESS - VW LIGHT GRAY
7	113183-02-K76	EA	PANEL - DOOR/SINK
	127346-01-02A	EA	PLUG - HOLE - 3/4" DIAMETER - STEEL
8	113982-01-K76	EA	HINGE - FOLD UP SINK W/DOOR PANEL
	086235-03-000	EA	BEARING - SNAPIN - 5/16ID X 5/16
9	M06944-02-K76	EA	BATH SINK/FOLD UP - W/DOOR ATTACHED
10	113929-01-L90	EA	CABINET - WALL - BATH SLIDER - W/O HARDWARE (M91)
10	113929-01-L92	EA	CABINET - WALL - BATH SLIDER - W/O HARDWARE (M93)
11	116246-01-03A	EA	CORNER - BATH/RH - VW LT GRAY
12	074762-01-000	EA	PULL - CABINET - 4.8" X .9" - BLACK PLASTIC
13	113756-01-K76	EA	DOOR - BATH
14	058335-03-000	EA	LATCH - W/O LOCK - BATHROOM DOOR BLACK
15	116246-02-03A	EA	CORNER - BATH/LH - VW LT GRAY
16	113929-02-L90	EA	CABINET - WALL - BATH SLIDER - W/O HARDWARE (M91)
16	113929-02-L92	EA	CABINET - WALL - BATH SLIDER - W/O HARDWARE (M93)

BATH GROUP (CONTINUED)
CABINETS (CONTINUED)

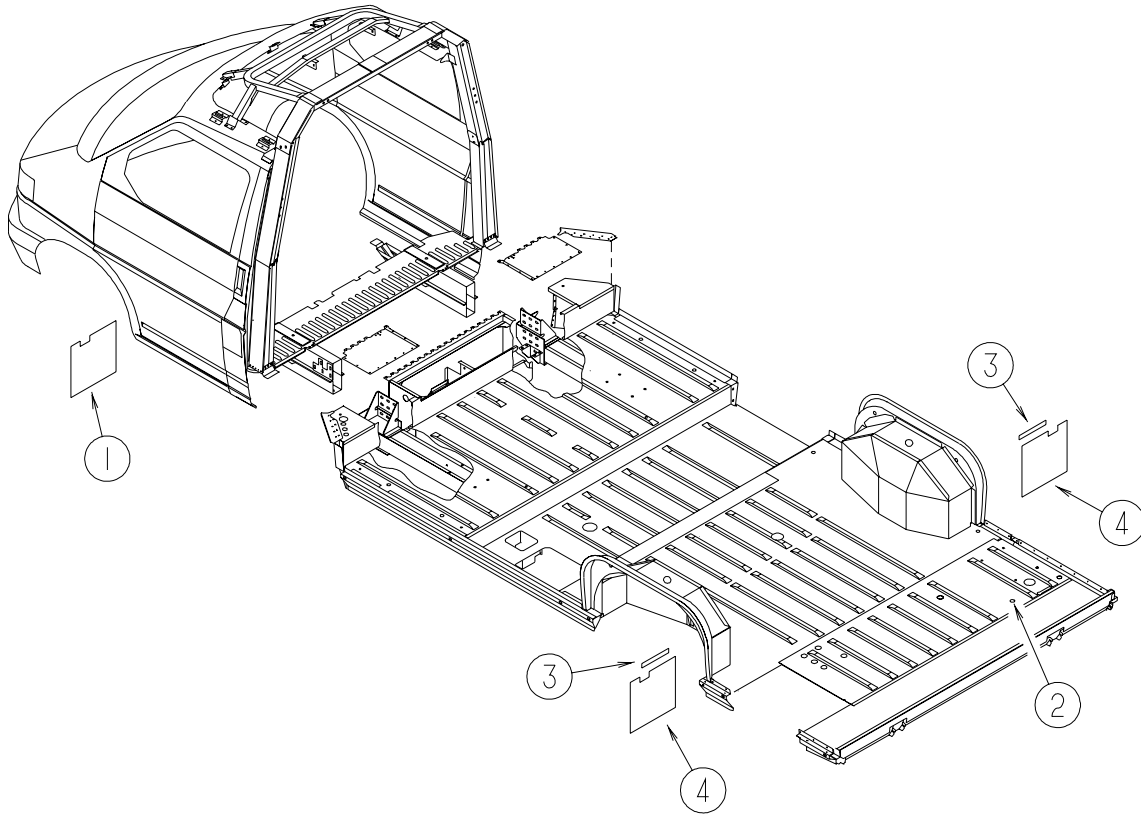
KEY	PART NUMBER	U/M	DESCRIPTION
17	116044-01-000	EA	BUMPER - MOLDED
18	P13092-02-000	EA	COVER - SHOWER PAN - W/O CARPET - 24.5" X 25.5"
19	118605-01-02A	EA	SHOWER PAN - W/STRAINER - VW LIGHT GRAY
	114974-01-000	EA	CONNECTOR - HULL - W/STRAINER
20	116174-01-000	EA	SLIDE - FULL EXTENDED
21	114898-01-02A	FT	VINYL - 1.6" X 38.1" - VW LIGHT GRAY



KEY	PART NUMBER	U/M	DESCRIPTION
1	075453-03-000	EA	BRACKET - TOWEL BAR - BRASS - 2 PER PACK
1	075453-04-000	EA	ROD - F/TOWEL BAR - 18" BRASS - W/O END BRACKETS
2	075452-02-000	EA	HOLDER - TOILET TISSUE - BRASS

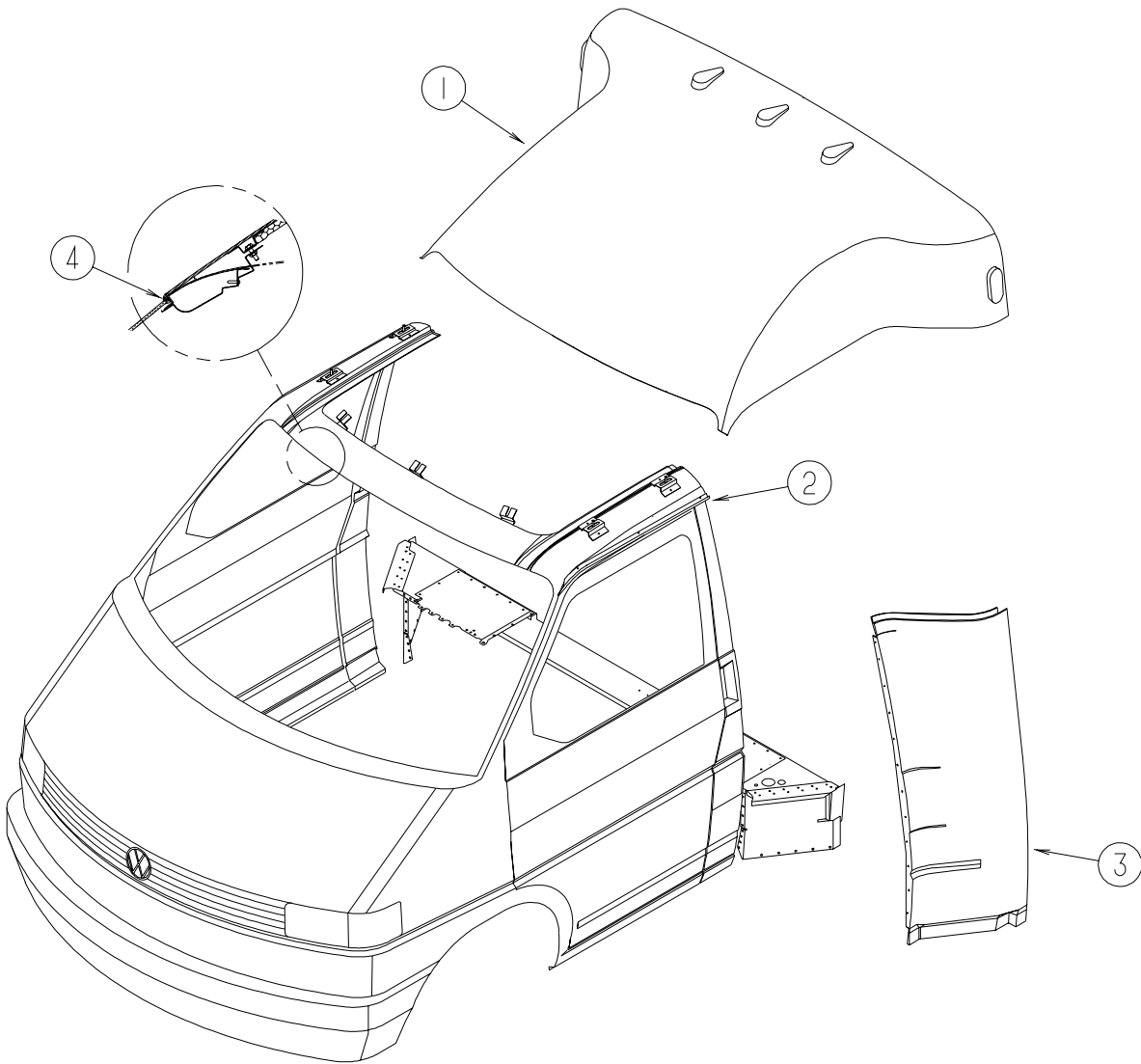
CHASSIS GROUP

FRAME



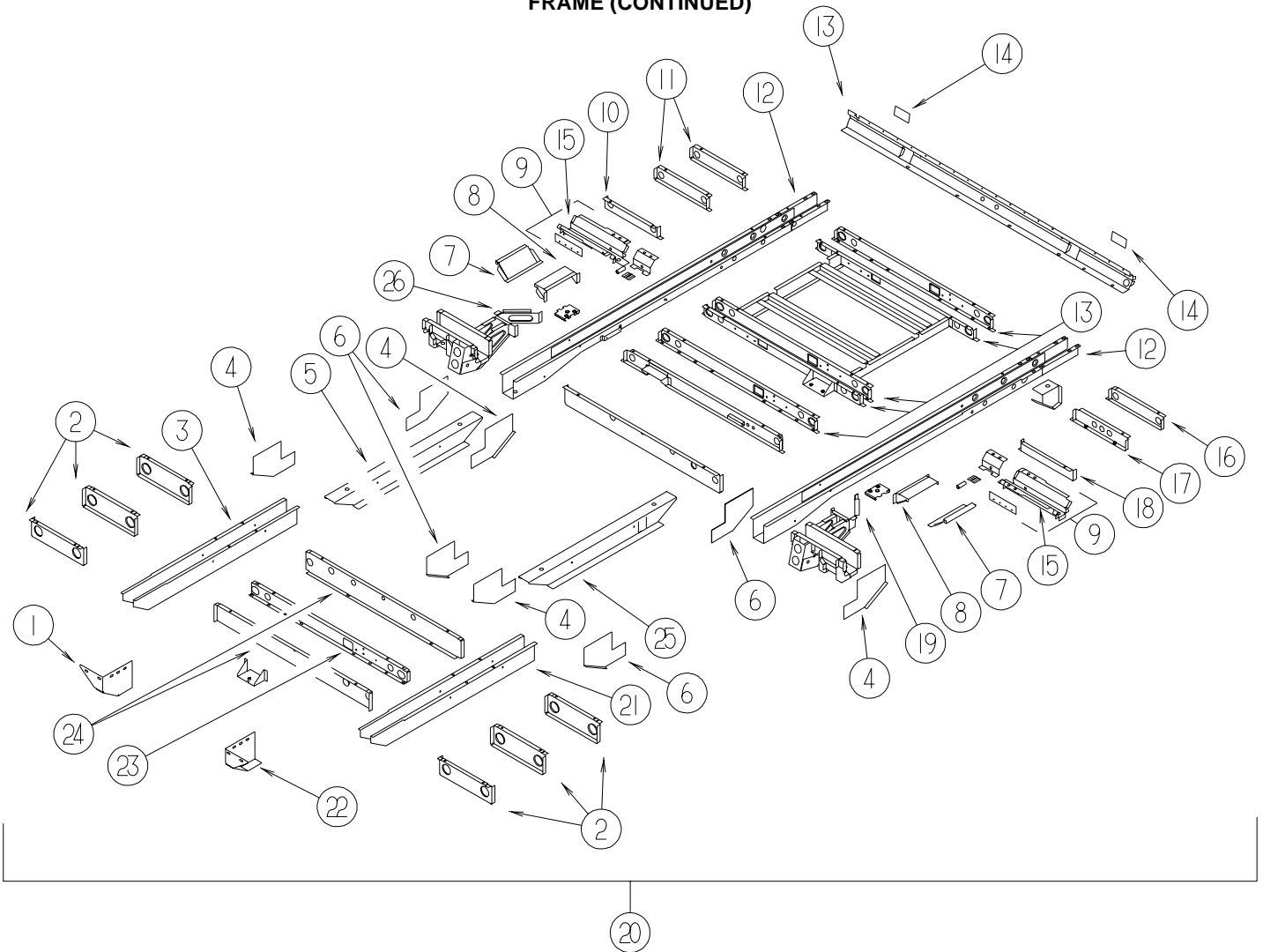
KEY	PART NUMBER	U/M	DESCRIPTION
1	073905-03-000	EA	MUD FLAP - FRONT - 12.2" X 7.9"
2	074487-02-000	EA	PLUG - HOLE - .375 - .093 - .171 THICK
3	073913-01-000	EA	RETAINER - MUDFLAP - METAL
4	073905-01-000	EA	MUD FLAP - REAR - 10.1" X 9.3"

CHASSIS GROUP (CONTINUED)
FRAME (CONTINUED)



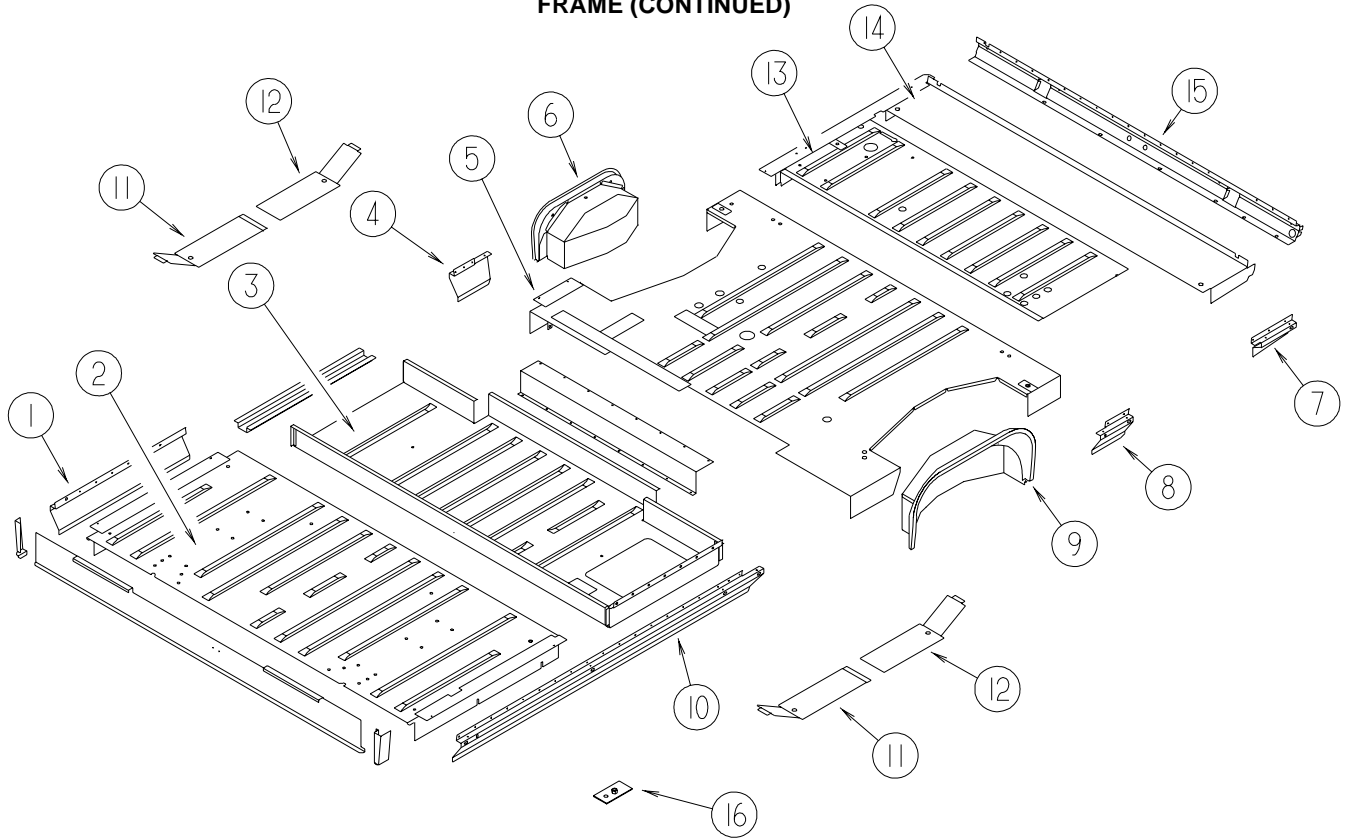
KEY	PART NUMBER	U/M	DESCRIPTION
1	111207-06-K76	EA	CAP - ROOF/FRONT
	111215-02-000	EA	PLATE/CLAMP - FRONT CAP
2	115022-02-01A	EA	RAIL - DRIP - RIGHT HAND
	115022-01-01A	EA	RAIL - DRIP - LEFT HAND
3	111276-04-F45	EA	PANEL - TRANSITION - LEFT - STEEL/FIBERGLASS - VW WHITE
	111276-03-F45	EA	PANEL - TRANSITION - RIGHT - STEEL/FIBERGLASS - VW WHITE
4	112127-02-000	FT	MOLDING - REVEAL - WINDOW

CHASSIS GROUP (CONTINUED) FRAME (CONTINUED)



KEY	PART NUMBER	U/M	DESCRIPTION
1	117866-01-01B	EA	BRACKET - FRAME - FLOOR - MILL - RIGHT HAND
2	130309-01-01B	EA	OUTRIGGER - FRONT, MILL
3	117865-03-01B	EA	RAIL ASM - FRAME - FRONT - RIGHT HAND - MILL
4	071223-01-000	EA	GUSSET - FRAME - LOWER RIGHT HAND
5	126977-02-01B	EA	RAIL - FRAME - LOWER - MILL
6	071223-02-000	EA	GUSSET - FRAME - LOWER - LEFT HAND
7	112314-01-000	EA	REINFORCEMENT - WHEELHOUSE
8	112315-01-000	EA	OUTRIGGER - WHEELHOUSE - REAR
9	071162-01-000	EA	STRUT-SPRING MTG
10	071232-02-000	EA	OUTRIGGER - REAR - PASSENGER - 15.5" - STEEL
11	071232-01-000	EA	OUTRIGGER - REAR - RIGHT HAND
12	071220-01-000	EA	RAIL - FRAME - REAR
13	071229-01-000	EA	CROSSMEMBER - REAR - CENTER - 45" LONG - STEEL
14	070579-13-000	EA	PLATE - ANCHOR - W/1/5" WELD NUT - 2.5" X 3.3"
15	112357-01-000	EA	BRACE ASM - STRUT - REAR
16	112726-01-01B	EA	OUTRIGGER - GENERATOR - MILL
17	112726-03-01B	EA	OUTRIGGER ASM - GENERATOR - RIGHT HAND - MILL
18	112726-04-01B	EA	OUTRIGGER ASM - GENERATOR - LEFT HAND - MILL
19	071188-02-000	EA	BRACKET - SPRING MOUNT - FRONT - DRIVER SIDE
20	N/A		FRAME ASM-FLOOR,REAR,MILL
21	117865-03-01B	EA	RAIL ASM - FRAME - FRONT - RIGHT HAND - MILL
22	117866-02-01B	EA	BRACKET - FRAME - FLOOR - MILL - LEFT HAND
23	071774-01-000	EA	CROSSMEMBER - FRONT
24	071226-01-000	EA	CROSSMEMBER - STEPBOX
25	126977-01-01B	EA	RAIL - FRAME - LOWER - MILL
26	071188-01-000	EA	BRACKET - SPRING MOUNT - FRONT - PASSENGER SIDE

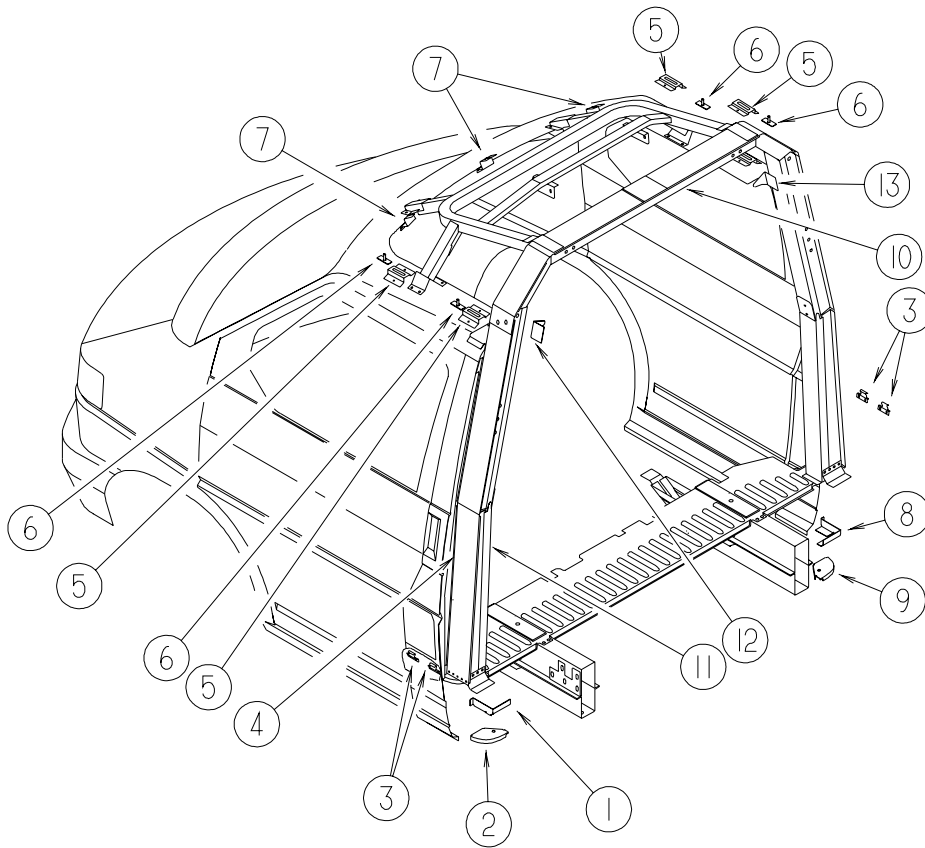
CHASSIS GROUP (CONTINUED)
FRAME (CONTINUED)



KEY	PART NUMBER	U/M	DESCRIPTION
1	113600-01-01B	EA	ROCKER ASM - FRONT,RH,MILL
2	110695-01-000	EA	PANEL - FLOOR - FRONT
3	112883-01-01B	EA	PANEL - FLOOR - LOWER - MILL
4	113601-01-01B	EA	ROCKER ASM - CENTER - RH - MILL
5	112222-01-000	EA	PANEL - FLOOR - REAR
6	112345-01-000	EA	WHEELHOUSE W/SHOCK MOUNT - REAR PASSENGER SIDE - STEEL
7	122954-01-01B	EA	ROCKER - REAR - LEFT HAND
8	113005-01-01B	EA	ROCKER - REAR - LEFT HAND
9	112345-02-000	EA	WHEELHOUSE W/SHOCK MOUNT - REAR DRIVER SIDE - STEEL
10	071366-01-000	EA	ROCKER ASM - FRONT - LH
11	071212-01-000	EA	PLATE-RAIL,LOWER
12	071729-01-000	EA	PLATE-RAIL,LOWER RT
13	122969-01-01B	EA	PANEL-FLOOR,REAR,MILL
14	122962-02-01B	EA	PANEL ASM-FLOOR,REAR,MILL
15	072382-01-000	EA	CROSSMEMBER ASM-REAR
16	070579-06-000	EA	PLATE - ANCHOR - W/7/16" WELD NUT - 1.5" X 3.3"
16	070579-11-000	EA	PLATE - ANCHOR - W/7/16" WELD NUT - 1.5" X 8.9"

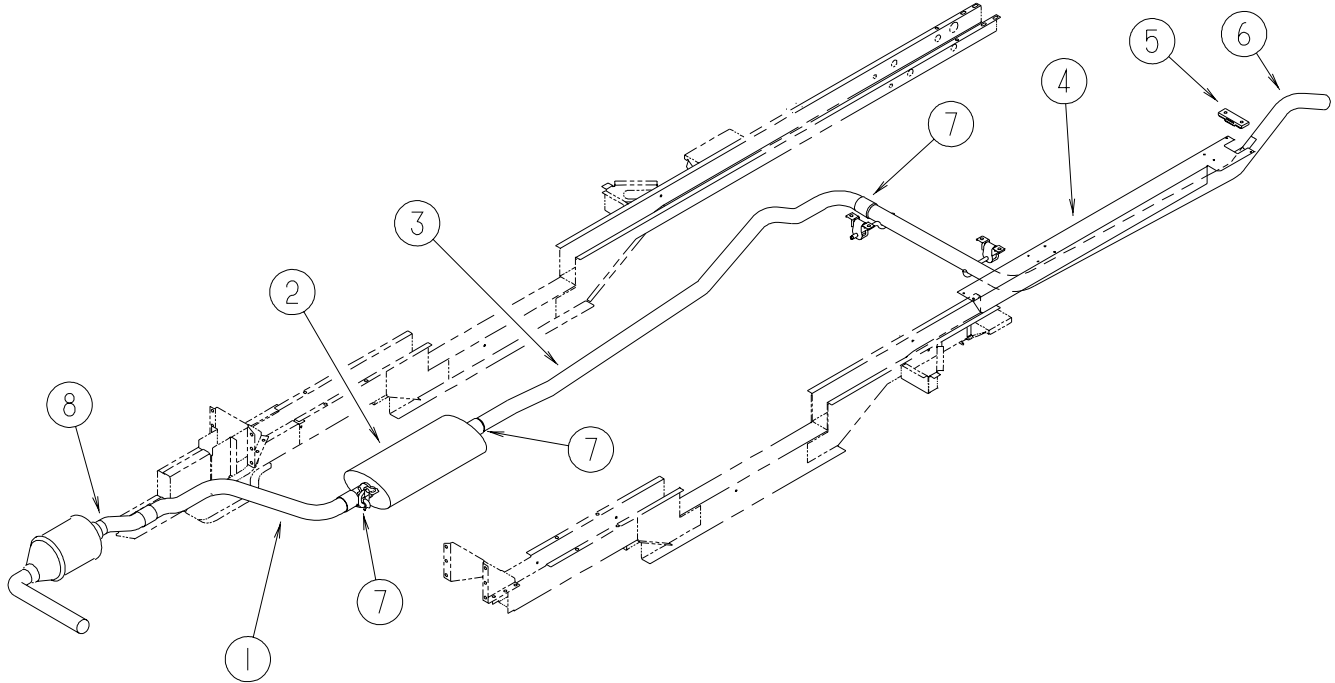
CHASSIS GROUP (CONTINUED)

FRONT END



KEY	PART NUMBER	U/M	DESCRIPTION
1	111541-02-000	EA	BRACKET-PILLAR,B,BOTTOM
2	111542-02-000	EA	BRACKET-PILLAR,B,BOTTOM
3	073050-04-000	EA	MOUNTING CLIP - VALANCE PANEL
4	112538-02-000	EA	PILLAR - LEFT HAND
	112538-01-000	EA	PILLAR - RIGHT HAND
5	111210-01-000	EA	CHANNEL-HAT,MOUNT,CAP
6	111215-02-000	EA	PLATE ASM-CLAMP,CAP
7	111211-01-000	EA	BRACKET-MOUNT,CAP,FRONT
8	111541-01-000	EA	BRACKET-PILLAR,B,BOTTOM
9	111542-01-000	EA	BRACKET-PILLAR,B,BOTTOM
10	112220-01-02B	EA	SUPPORT ASM-ROOF
11	111127-02-02B	EA	ANGLE-PILLAR,B E-COAT - LEFT HAND
	111127-01-02B	EA	ANGLE-PILLAR,B E-COAT - RIGHT HAND
12	111142-01-02B	EA	GUSSET-PILLAR,B E-COAT
13	111142-02-02B	EA	GUSSET-PILLAR,B E-COAT

CHASSIS GROUP (CONTINUED)
EXHAUST

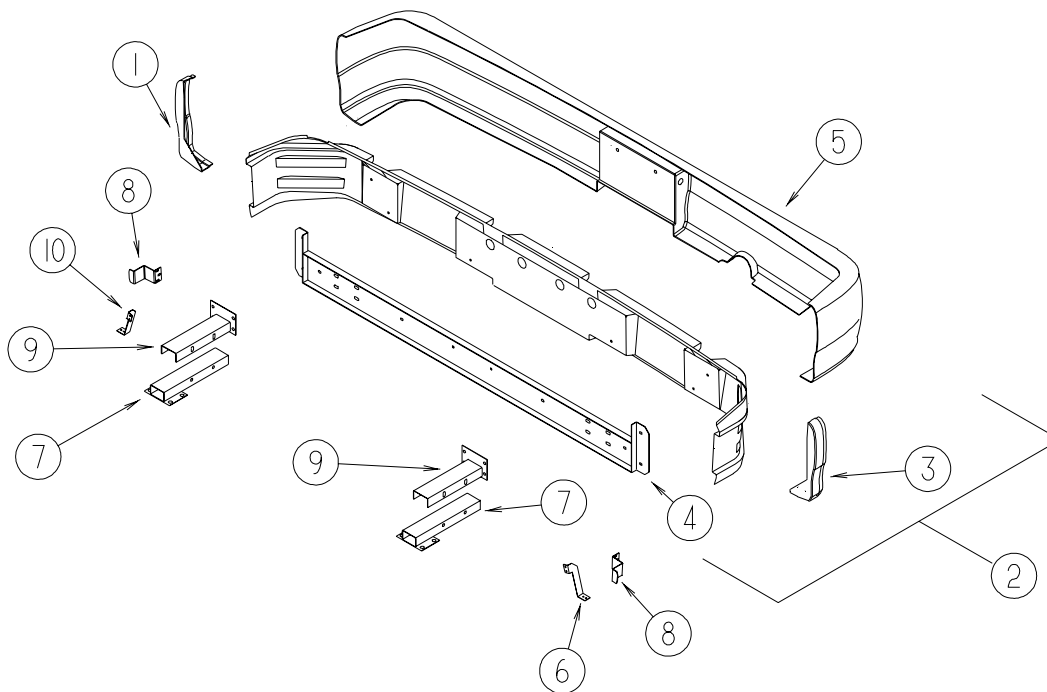


KEY	PART NUMBER	U/M DESCRIPTION
1	113098-02-000	EA PIPE - EXHAUST/FRONT
2	121261-01-000	EA MUFFLER - FRONT
3	113099-01-000	EA PIPE - EXHAUST/ MIDDLE
4	125075-01-09B	EA SHIELD - EXHAUST/TAIL PIPE - GALVANIZED
5	095190-01-000	EA HANGER - EXHAUST - 4" X 1.4"
6	113097-02-000	EA PIPE - EXHAUST/TAIL
7	082716-01-000	EA CLAMP - EXHAUST - 2"
8	082716-02-000	EA CLAMP - EXHAUST - 2.24"

CHASSIS GROUP (CONTINUED)

HITCH

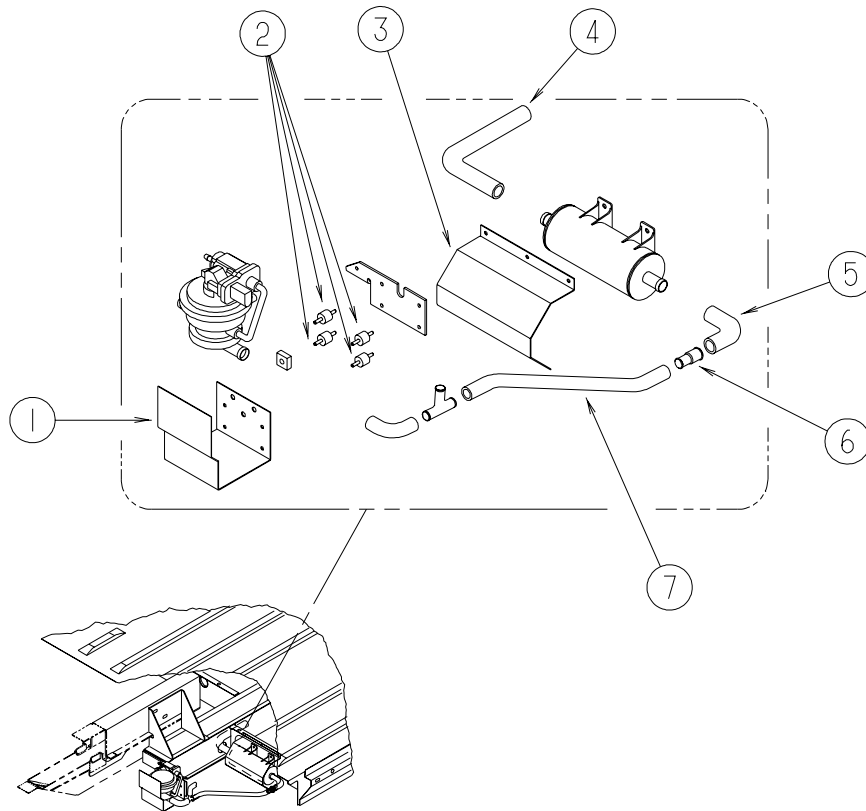
KEY	PART NUMBER	U/M	DESCRIPTION
1	130339-06-000	EA	HITCH RECEIVER - BOLT ON CLASS I



REAR BUMPER

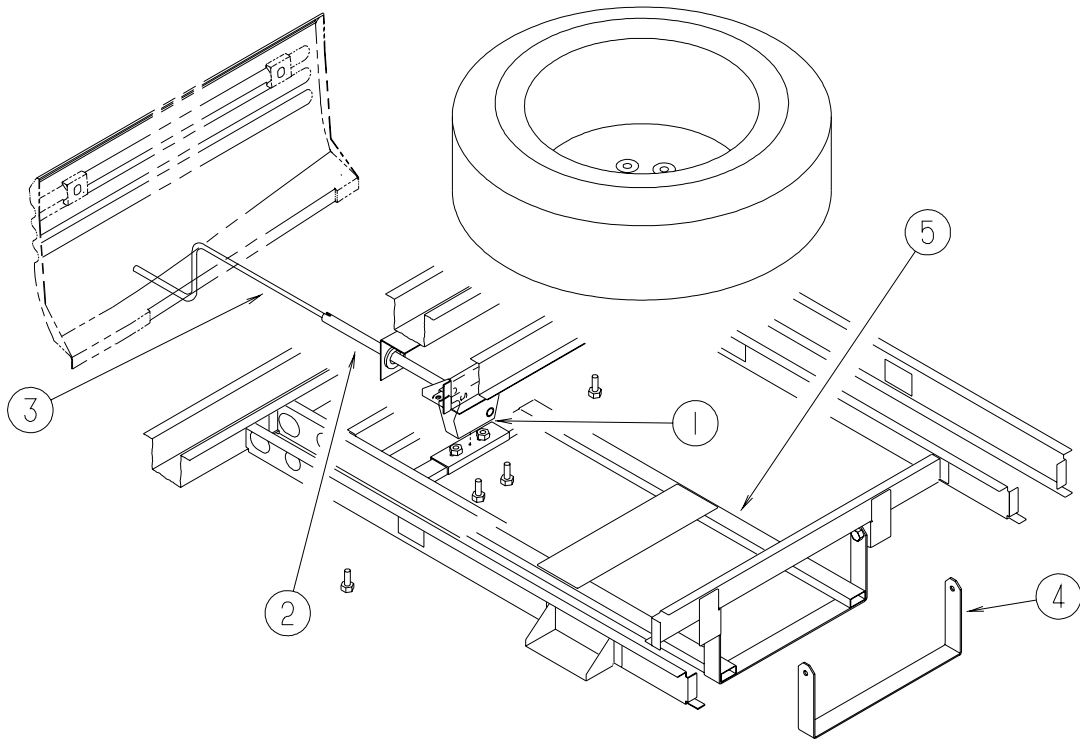
KEY	PART NUMBER	U/M	DESCRIPTION
1	130623-01-02A	EA	CAP - BUMPER END - PASSENGER - BLACK
2	130621-01-K76	EA	BUMPER - REAR
3	130623-02-02A	EA	CAP - BUMPER END - DRIVER - BLACK
4	087108-02-000	EA	SUPPORT - BUMPER/REAR
5	130624-01-02A	EA	BUMPER - REAR - OUTER
6	131451-02-02B	EA	BRACKET - BUMPER SUPPORT/OUTER - E-COATED
7	115947-01-02B	EA	SUPPORT - LOWER - BUMPER/REAR
8	131505-01-02B	EA	SUPPORT-REAR BMPR END,UPR,EC,*99 H-SERIES
9	115944-01-02B	EA	SUPPORT - UPPER - BUMPER/REAR
10	131451-01-02B	EA	BRACKET - BUMPER SUPPORT/OUTER - E-COATED

CHASSIS GROUP (CONTINUED)
EMISSIONS SYSTEM



KEY	PART NUMBER	U/M	DESCRIPTION
1	126991-02-02B	EA	COVER ASM-PUMP,E-COAT
2	128106-01-000	EA	MOUNT-RUBBER
3	130547-01-02B	EA	SHIELD-FILTER,E-COAT
4	079059-02-000	EA	HOSE - 90 DEGREE - .61" ID X 4" X 6"
5	083081-01-000	EA	HOSE - FORMED - 90 DEGREES - 5/8" ID
6	130307-01-000	EA	FITTING - REDUCE - HOSE - 1/2-5/8
7	125187-02-000	FT	HOSE - FUEL - LOW PERMEABILITY - 12.7" ID - FORDCHASSIS GROUP (CONTINUED)

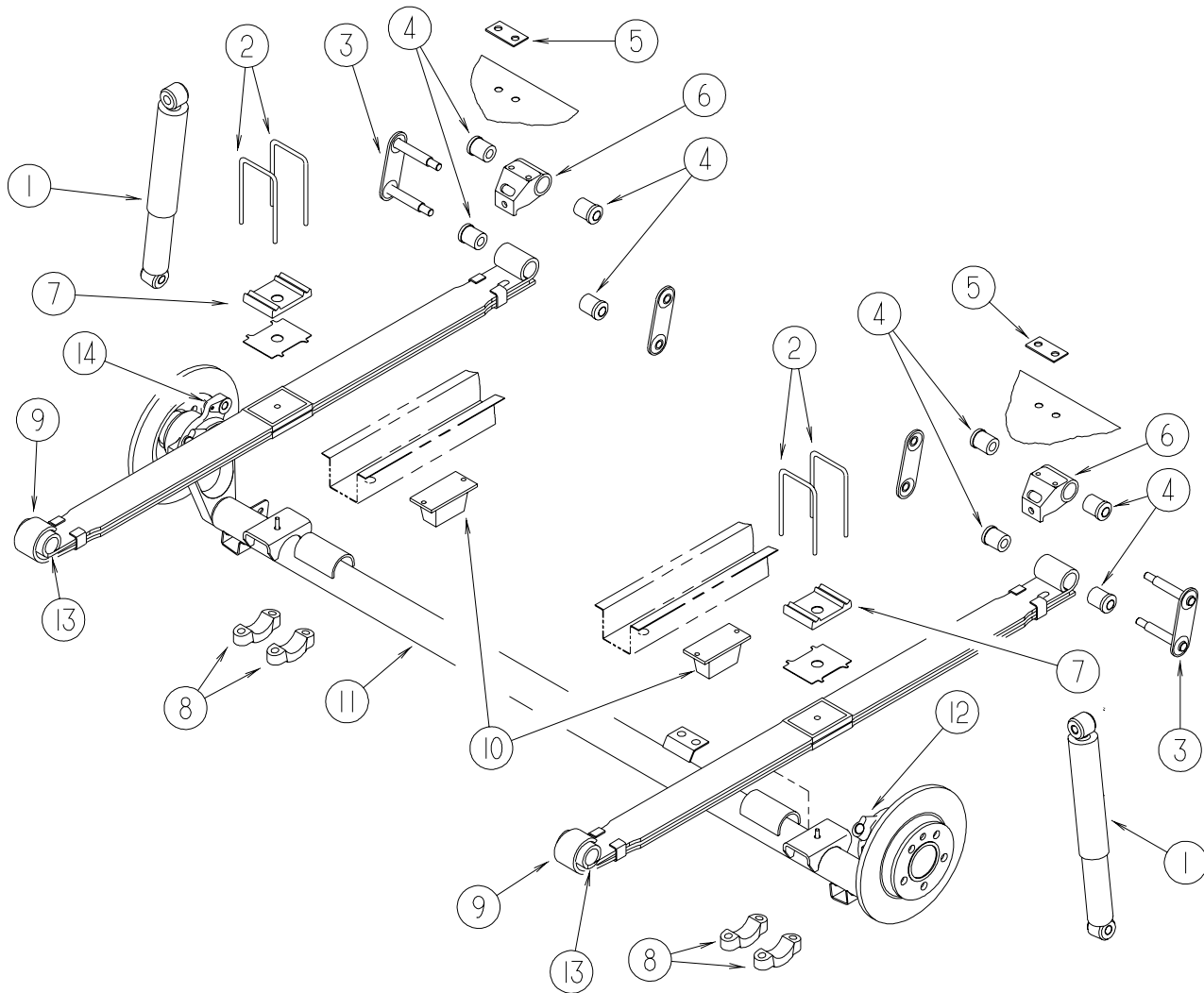
CHASSIS GROUP (CONTINUED)
SPARE TIRE



KEY	PART NUMBER	U/M	DESCRIPTION
1	093267-03-000	EA	HOIST - SPARE TIRE - #100 LB
2	093375-15-000	EA	EXTENSION - TIRE HOIST
	113007-04-000	EA	PIN - SPRING - .007" X 1.25"
3	093376-02-000	EA	HANDLE - CRANK - TIRE HOIST
	114376-01-000	EA	PIN - DRIVE - .156 X .750 - TYPE E - TIRE HOIST
4	116350-02-01B	EA	BRACKET - SPARE TIRE - E-COATED
5	124645-01-02B	EA	CRADLE - SPARE TIRE

CHASSIS GROUP (CONTINUED)

SUSPENSION



KEY	PART NUMBER	U/M	DESCRIPTION
1*	112033-02-000	EA	SHOCK ABSORBER - REAR VW H-BODY - NEW DESIGN
2	112410-01-000	EA	BOLT-U - REAR SPRING
3	112560-01-000	EA	SHACKLE - SPRING - REAR
4	112503-01-000	EA	BUSHING - SPRING - REAR
5	071231-01-000	EA	PLATE - FLOOR DOUBLER
6	112415-01-000	EA	SUPPORT - SHACKLE - REAR
7	112414-01-000	EA	PLATE - SPRING CLAMP
8	112413-01-000	EA	BRACKET - U BOLT - REAR SUSPENSION
9	134195-01-000	EA	SPRING - REAR LEAF W/O BUSHINGS
10	113876-01-000	EA	PAD - JOUNCE - REAR SPRING
11	120493-01-01A	EA	AXLE - REAR - DISC BRAKE
12	129847-02-000	EA	CALIPER - BRAKE - PAIR - UNFILLED
			FROM: 00-00-00 THRU: 02-20-00
12	134564-02-000	EA	CALIPER - BRAKE - LEFT HAND - UNFILLED
			FROM: 02-21-00 THRU: 99-99-99
13	116712-01-000	EA	BUSHING - SPRING - FRONT
14	129847-02-000	EA	CALIPER - BRAKE - PAIR - UNFILLED
			FROM: 00-00-00 THRU: 02-20-00
14	134564-01-000	EA	CALIPER - BRAKE - RIGHT HAND - UNFILLED
			FROM: 02-21-00 THRU: 99-99-99
*	100293-03-000	EA	AIR SPRING KIT - W/O WARNING LIGHT SYSTEM - RIALTA

*COMPONENT PARTS LISTED LATER IN THIS GROUP

CHASSIS GROUP (CONTINUED)
COMPONENT PARTS FOR SUSPENSION

100293-03-000

KEY	PART NUMBER	U/M	DESCRIPTION	VENDOR NO.
	100293-03-000	EA	AIR SPRING KIT - VW H-BODY	3-TiS T-9W-2
	100293-03-700	EA	BAG - PRECHARGED KIT LT. VW	RK-W2L
	100293-03-701	EA	BAG - PRECHARGED KIT RT. VW	RK-W2R

112033-02-000

KEY	PART NUMBER	U/M	DESCRIPTION	VENDOR NO.
	112033-02-000	EA	SHOCK ABSORBER - REAR VW H-BODY - NEW DESIGN	
	112033-02-700	EA	SHOCK ABSORBER RR(PAIRS ONLY)	

CHASSIS GROUP (CONTINUED)

WHEEL, TIRE, COVERS &/OR LINERS

KEY	PART NUMBER	U/M	DESCRIPTION
	116271-03-000	EA	TIRE - 195/70 R15 C 104/102R - FRONT & SPARE
	116209-01-000	EA	WRENCH - LUG - .75"
	116271-04-000	EA	TIRE - 215/70 R15 C 109/107R - CONTINENTAL VANCO-8 - REARS
*	134261-01-01A	EA	COVER - WHEEL/15" - SET OF 4
	114387-02-000	EA	HANDLE - JACK - SCREW - 1 PIECE
	114387-03-000	EA	JACK - SCREW - 4000 LB
	077030-02-000	EA	EXTENSION - VALVE STEM - 1.25"
	051377-04-000	EA	VALVE STEM - .5" X 2"

***COMPONENT PARTS LISTED LATER IN THIS GROUP**

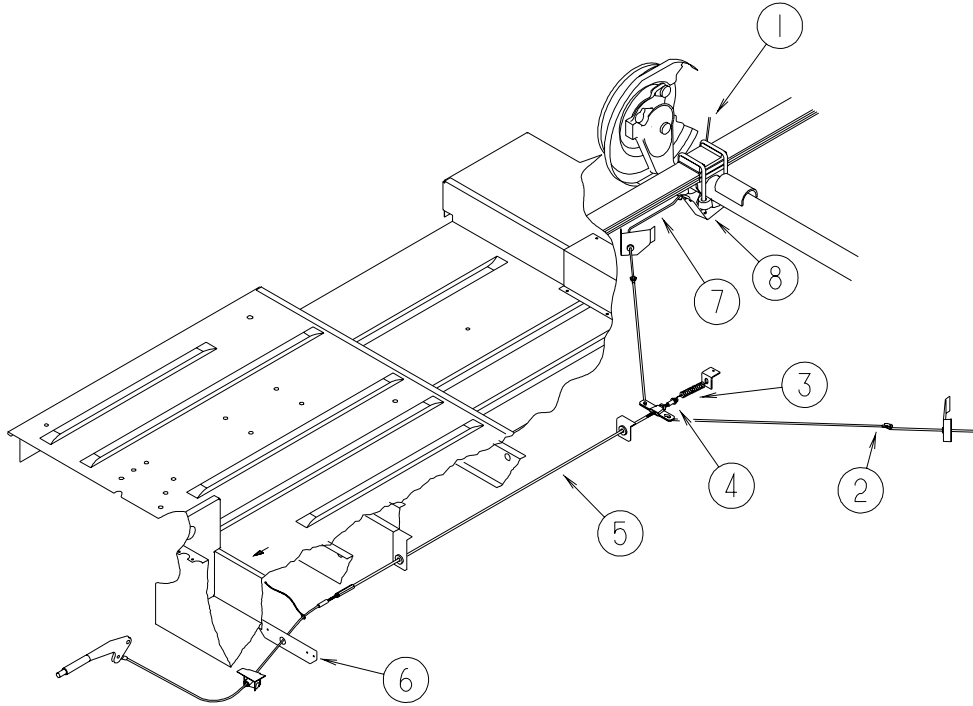
CHASSIS GROUP (CONTINUED)
COMPONENT PARTS FOR WHEEL, TIRE, COVERS &/OR LINERS

134261-01-01A

KEY	PART NUMBER	U/M	DESCRIPTION	VENDOR NO.
	134261-01-01A	EA	COVER - WHEEL/15" - SET OF 4	
	134261-01-700	EA	WHEEL COVER 15" 1 ONLY	KAPER II #CF80-525

CHASSIS GROUP (CONTINUED)

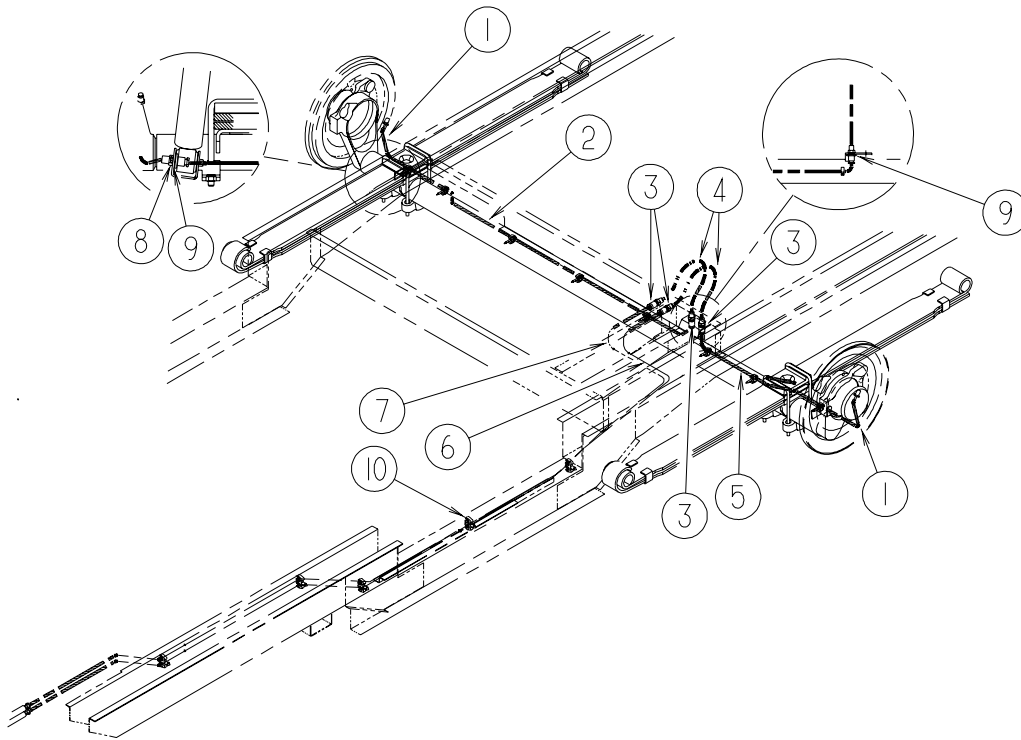
BRAKE



KEY	PART NUMBER	U/M	DESCRIPTION
1	123961-01-000	EA	CLIP - CABLE - PARK BRAKE
2	123956-01-000	EA	ROD - CONNECTING - PARK BRAKE
3	124053-01-000	EA	SPRING - PARK BRAKE
4	123960-01-000	EA	SPRING - RETAINER - PARK BRAKE
4	123958-01-000	EA	NUT - PARK BRAKE
5	120406-02-02B	EA	ROD - THREADED - PARK BRAKE
6	119693-01-02B	EA	BRACKET - PARK BRAKE - E-COATED
6	121406-01-01A	EA	BUSHING - THREADED - 2 PIECE NYLON
7	123954-01-000	EA	CABLE - REAR PARK BRAKE W/DISC BRAKES
8	130075-01-02B	EA	BRACKET - PARK BRAKE CABLE/LEFT HAND - E-COATED
8	130075-02-02B	EA	BRACKET - PARK BRAKE CABLE/RIGHT HAND - E-COATED

CHASSIS GROUP (CONTINUED)

BRAKELINE

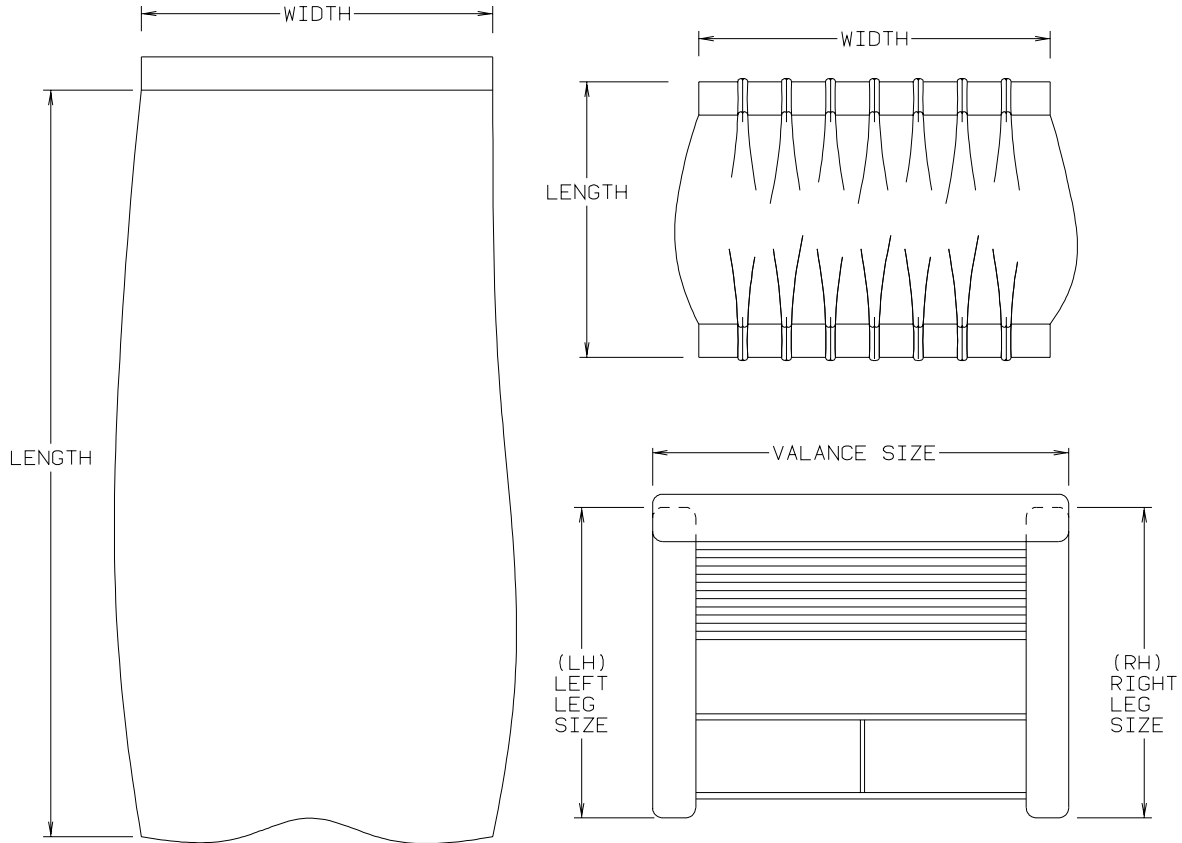


KEY	PART NUMBER	U/M	DESCRIPTION
1	125522-01-000	EA	HOSE ASM-BRAKE LINE
2	121592-01-000	EA	REAR RH BRAKE LINE FOR VW H-BODY WITH REAR DISC BRAKES
3	112638-02-000	EA	CLIP - SPRING - BRAKE HOSE
4	112638-01-000	EA	HOSE - BRAKE LINE/REAR
5	121592-02-000	EA	REAR LH BRAKE LINE FOR THE VW H-BODY WITH REAR DISC BRAKES
6	112640-05-000	EA	BRAKE LINE ASM-FRONT
7	112640-06-000	EA	BRAKE LINE ASM-FRONT
8	125486-01-02B	EA	BRACKET-RETAINING,BRAKE LINE
9	125523-01-000	EA	CLIP-RETAINER,BRAKE LINE
10	088258-02-000	EA	CLIP - RETAINING - FUEL LINE SINGLE - 17 USED

CURTAIN & CUSHION GROUP

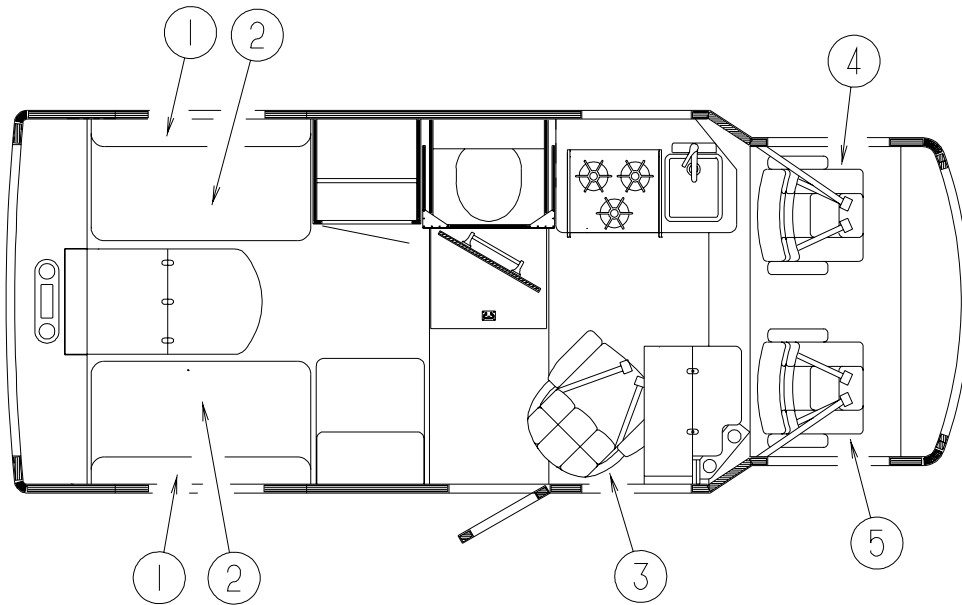
NOTICE

IN ORDER TO ASSIST OUR PARTS SALES DEPT. IN PROVIDING INTERIOR SOFTWARE ITEMS, PLEASE INCLUDE THE SERIAL NUMBER AND THE COLOR CODE NUMBER FROM THE VEHICLE CERTIFICATION LABEL WHEN ORDERING. THIS LABEL IS LOCATED ON THE LEFT SIDEWALL AT THE END OF THE DASH (A-BODY), OR ON THE DRIVER'S DOOR LATCH PLATE (C-BODY). AN EXAMPLE OF A COLOR CODE NUMBER IS B07, WHICH DESIGNATES AN OVERALL COLOR SCHEME OF A PARTICULAR UNIT. THE COLOR LISTED AFTER THE ITEM DESCRIPTION ON THE MICROFICHE, INDICATES THE OVERALL UNIT COLOR. ORDER THE ITEM YOU DESIRE ACCORDING TO UNIT COLOR CODE. IF ALL COLORS USE THE SAME ITEM NO COLOR CODE WILL BE NOTED.



NOTE: USE THIS ILLUSTRATION WHEN DETERMINING LENGTH AND WIDTH MEASUREMENTS FOR CURTAINS. YOU WILL NOTE THE WIDTH MEASUREMENT IS TAKEN ON THE TOP OF THE CURTAIN WITH THE CURTAIN FULLY EXTENDED. THE LENGTH MEASUREMENT IS TAKEN FROM TOP TO BOTTOM. LEFT AND RIGHT WINDOW LEGS ARE DETERMINED WHEN FACING THE WINDOW.

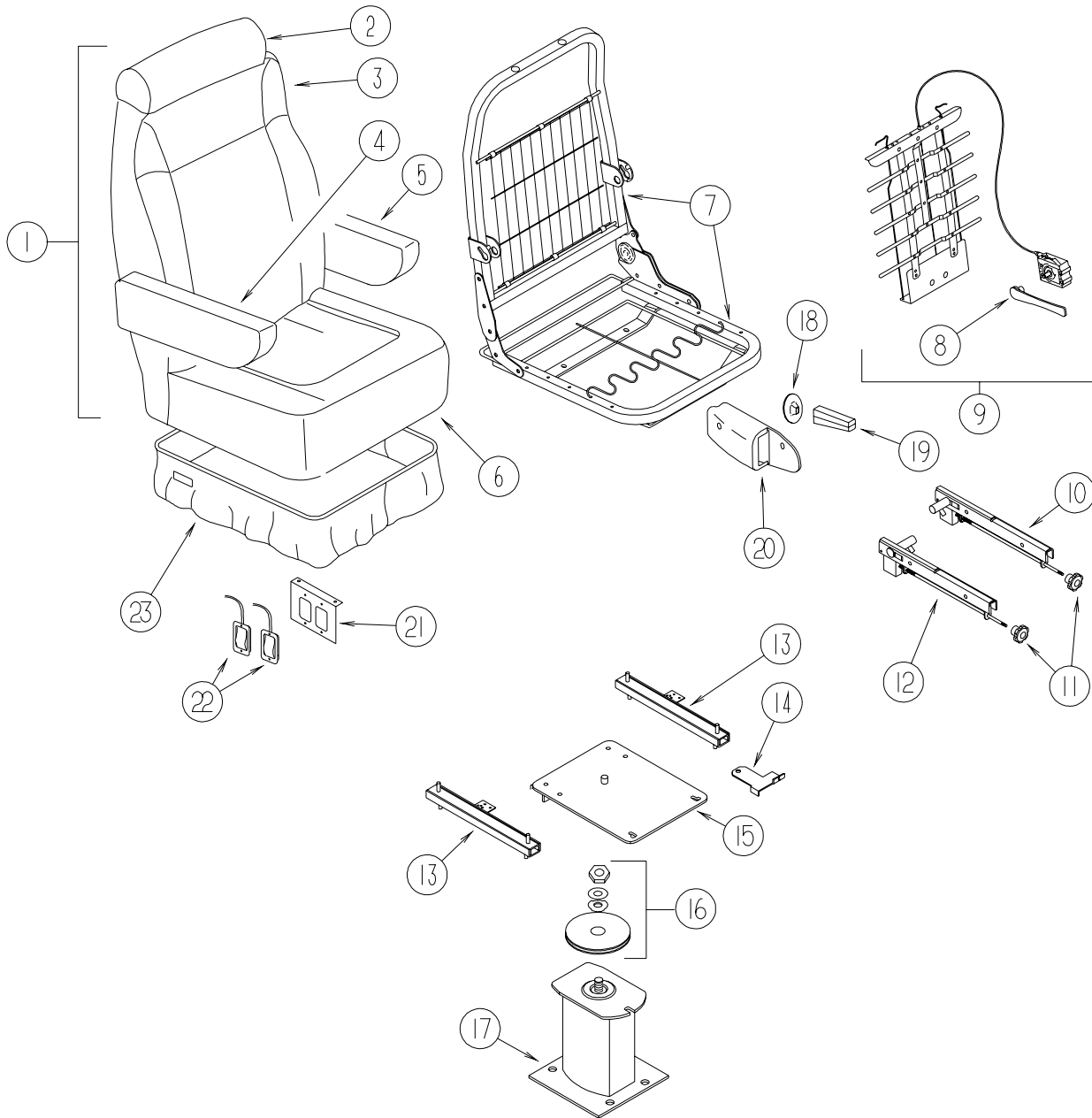
CURTAIN & CUSHION GROUP (CONTINUED)
CUSHION LAYOUT



KEY	PART NUMBER	U/M	DESCRIPTION
1	114942-06-M91	EA	BACK - DINETTE CUSHION (M91)
1	114942-06-L92	EA	BACK - DINETTE CUSHION (M93)
1	127861-01-M90	EA	BACK - DINETTE CUSHION - LEATHER
	P14942-06-M91	EA	COVER - BACK/DINETTE (M91)
	P14942-06-L92	EA	COVER - BACK/DINETTE (M93)
	P27861-01-M90	EA	COVER - DINETTE BACK - LEATHER
	123241-03-000	EA	FRAME - DINETTE BACK
2	114942-05-M91	EA	SEAT - DINETTE CUSHION (M91)
2	114942-05-L92	EA	SEAT - DINETTE CUSHION (M93)
2	127861-02-M91	EA	SEAT - DINETTE CUSHION - LEATHER
	P14942-05-M91	EA	COVER - BACK/DINETTE (M91)
	P14942-05-L92	EA	COVER - BACK/DINETTE (M93)
	P27861-02-M91	EA	COVER - DINETTE SEAT - LEATHER
	123241-02-000	EA	FRAME - DINETTE SEAT
	123241-01-000	EA	FRAME - DINETTE BASE
3	115470-02-M91	EA	CHAIR - SWIVEL (M91)
3	115470-02-L93	EA	CHAIR - SWIVEL (M93)
3	115470-03-L93	EA	CHAIR - SWIVEL - LEATHER
4	127540-08-M91	EA	SEAT - BUCKET - DRIVER - W/LUMBAR SUPPORT/ARMREST (M91)
4	127540-08-L92	EA	SEAT - BUCKET - DRIVER - W/LUMBAR SUPPORT/ARMREST (M93)
4	127851-01-M90	EA	SEAT - BUCKET - DRIVER - W/LUMBAR/ARMREST - LEATHER
5	127540-13-M91	EA	SEAT - BUCKET - PASSENGER - W/ARMREST (M91)
5	127540-13-L92	EA	SEAT - BUCKET - PASSENGER - W/ARMREST (M93)
5	127851-03-M90	EA	SEAT - BUCKET - PASSENGER - W/ARMREST - LEATHER

CURTAIN & CUSHION GROUP (CONTINUED)

BUCKET SEATS

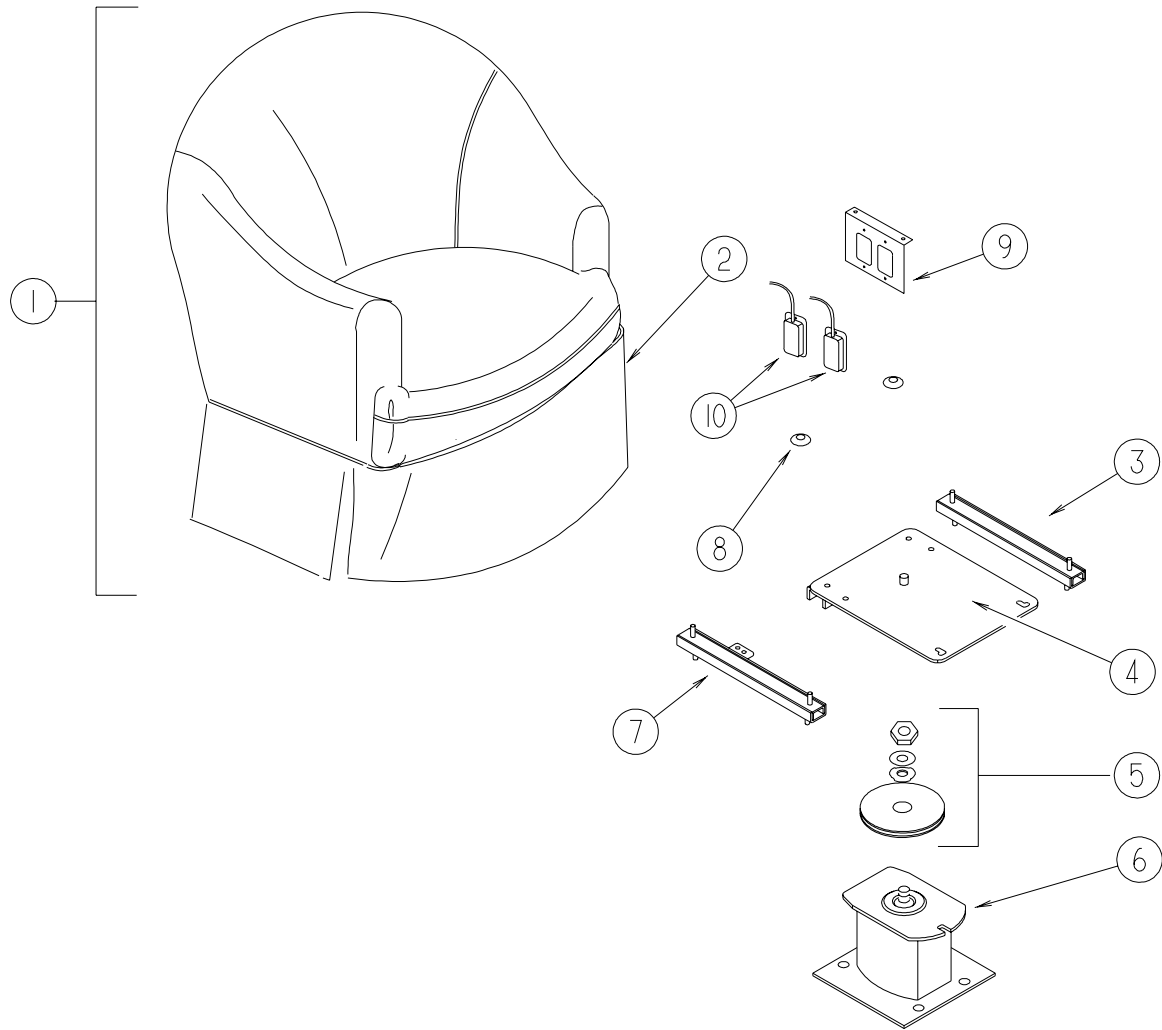


KEY	PART NUMBER	U/M	DESCRIPTION
1	127540-08-M91	EA	SEAT - BUCKET - DRIVER - W/LUMBAR SUPPORT/ARMREST (M91)
1	127540-08-L92	EA	SEAT - BUCKET - DRIVER - W/LUMBAR SUPPORT/ARMREST (M93)
1	127851-01-M90	EA	SEAT - BUCKET - DRIVER - W/LUMBAR/ARMREST - LEATHER
1	127540-13-M91	EA	SEAT - BUCKET - PASSENGER - W/ARMREST (M91)
1	127540-13-L92	EA	SEAT - BUCKET - PASSENGER - W/ARMREST (M93)
1	127851-03-M90	EA	SEAT - BUCKET - PASSENGER - W/ARMREST - LEATHER
	056264-01-000	EA	SWITCH - LEAF ACTUATOR - CABINET DOOR JAMB - PASSENGER ONLY
2	119509-01-K86	EA	HEADREST - BUCKET SEAT
2	119509-03-K76	EA	HEADREST - BUCKET SEAT - LEATHER
2	P19509-01-K86	EA	COVER - HEADREST
2	P19509-03-K76	EA	COVER - HEADREST - LEATHER
	113977-12-000	EA	HEADREST INSERT - W/O LOCK
	113977-13-000	EA	HEADREST INSERT - W/ LOCK

CURTAIN & CUSHION GROUP (CONTINUED)
BUCKET SEAT (CONTINUED)

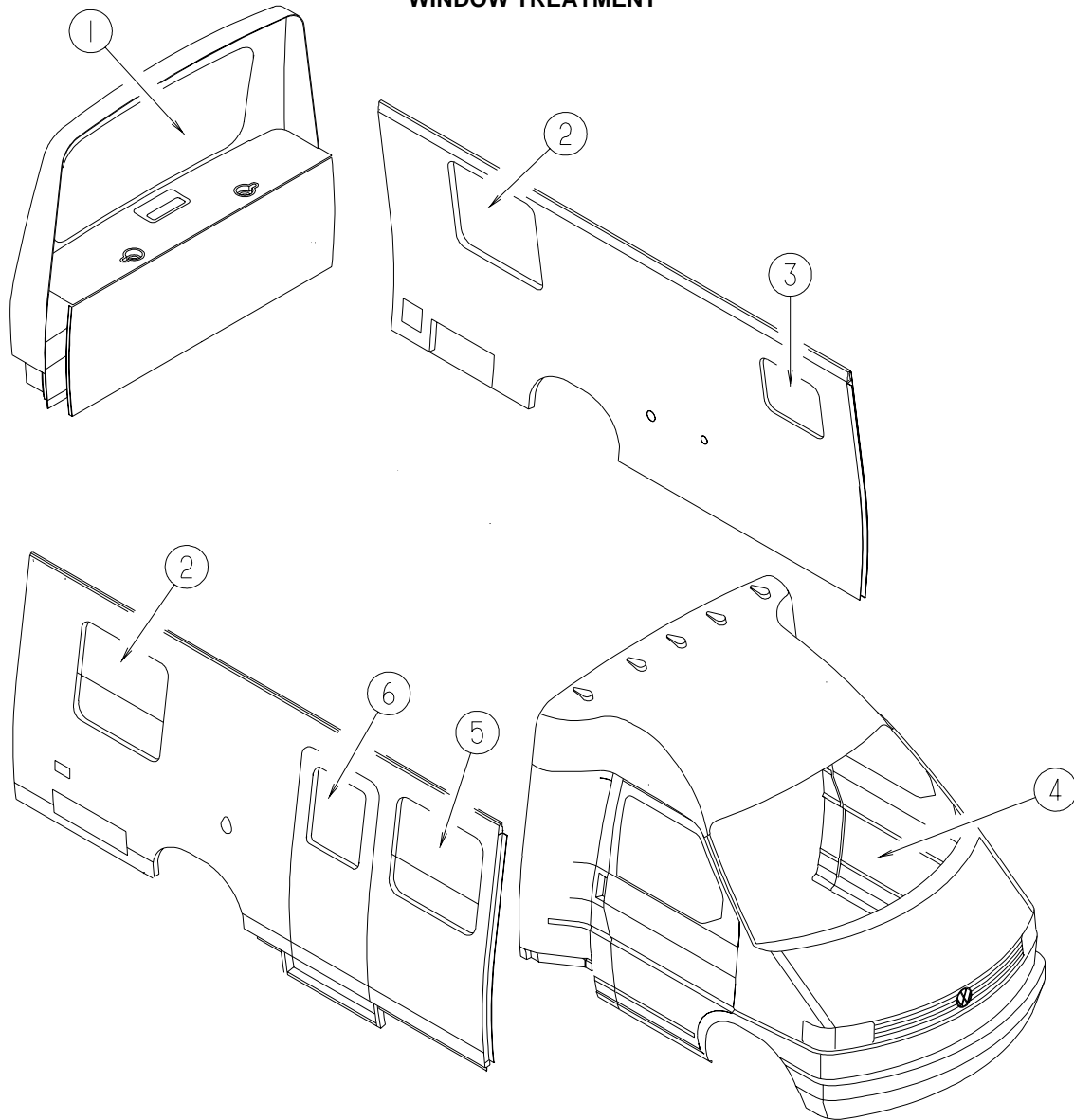
KEY	PART NUMBER	U/M	DESCRIPTION
3	M05962-75-M91	EA	COVER - BACK (M91)
3	M05962-75-L92	EA	COVER - BACK (M93)
3	M05962-76-M90	EA	COVER - BACK - LEATHER
4	129666-05-K76	EA	ARMREST - RIGHT HAND
4	129716-01-K76	EA	ARMREST - RIGHT HAND - LEATHER
	P29666-05-K76	EA	COVER - ARMREST/RIGHT HAND
	P29716-01-K76	EA	COVER - ARMREST/RIGHT HAND - LEATHER
	130699-01-000	EA	ARMREST/MOLDED - RIGHT - W/O COVER
5	129666-06-K76	EA	ARMREST - LEFT HAND
5	129716-02-K76	EA	ARMREST - LEFT HAND - LEATHER
	P29666-06-K76	EA	COVER - ARMREST/LEFT HAND
	P29716-02-K76	EA	COVER - ARMREST/LEFT HAND - LEATHER
	130699-02-000	EA	ARMREST/MOLDED - LEFT - W/O COVER
6	M05962-52-M91	EA	COVER - SEAT (M91)
6	M05962-52-L92	EA	COVER - SEAT (M93)
6	M05962-77-M90	EA	COVER - SEAT - LEATHER
	089323-01-000	FT	STRIP - POLYETHYLENE - J-CHANNEL
7	134532-02-000	EA	FRAME/SEAT - BACK/NARROW/RIGHT - DRIVER
7	134532-03-000	EA	FRAME/SEAT - BACK/NARROW/LEFT - PASSENGER
8	122611-02-701	EA	LUMBAR - LEVER
9	122611-02-000	EA	LUMBAR - W/LEVER
10	122622-05-000	EA	BRACKET - ARMREST - LEFT HAND
11	122622-06-000	EA	KNOB - W/3/8" THREAD INSERT
12	122622-04-000	EA	BRACKET - ARMREST - RIGHT HAND
13	131566-04-000	EA	SLIDE - DOUBLE LOCKING
	119952-07-000	EA	WIRE - LATCH RELEASE/ROTARY
14	117125-01-02B	EA	BRACKET - CABLE MOUNT - ADJUSTER W/LOCK
15	107921-08-000	EA	PLATE - TOP PEDESTAL - W/O SEAT BELT BAR
			FROM: 00-00-00 THRU: 09-30-00
15	107921-20-000	EA	PLATE-TOP PEDESTAL-W/O SEAT BELT BAR-PLATE F/LOCK MECHANISM
			FROM: 00-00-00 THRU: 09-30-00
15	133408-07-000	EA	TOP PLATE - W/O BAR
			FROM: 10-01-00 THRU: 99-99-99
15	133408-15-000	EA	TOP PLATE
			FROM: 10-01-00 THRU: 99-99-99
16	107921-06-000	EA	BEARING KIT - PEDESTAL
17	107921-12-000	EA	PEDESTAL/FLOOR MOUNTED - 6" - DRIVER
			FROM: 00-00-00 THRU: 09-30-00
17	133408-12-000	EA	PEDESTAL/SEAT - DRIVER - H-BODY
			FROM: 10-01-00 THRU: 99-99-99
17	107921-19-000	EA	PEDESTAL/FLOOR MOUNTED - 6" PASS - W/PLATE F/LOCKING MECH
			FROM: 00-00-00 THRU: 09-30-00
17	133408-13-000	EA	PEDESTAL/SEAT - PASSENGER - H-BODY
			FROM: 10-01-00 THRU: 99-99-99
18	080730-09-000	EA	SHIELD - RECLINER HANDLE
19	080730-08-000	EA	HANDLE - RECLINER
20	080730-11-000	EA	SHIELD - RUBBER BOOT
21	127159-02-02B	EA	BRACKET - SEAT RELEASE - DUAL REMOTE
22	108049-04-000	EA	CABLE - W/SWITCHES - W/26" MINI LEVER ACTION
	108049-02-000	EA	CLIP - CABLE/PEDESTAL
	116104-04-02B	EA	BRACKET - ZEE W/HOLES - 3.2" - E-COATED
23	071126-41-K77	EA	SKIRT - SINGLE - 7" W/SLOT

CURTAIN & CUSHION GROUP (CONTINUED)
LOUNGE CHAIR



KEY	PART NUMBER	U/M	DESCRIPTION
1	115470-02-M91	EA	CHAIR - SWIVEL (M91)
1	115470-02-L93	EA	CHAIR - SWIVEL (M93)
1	115470-03-L93	EA	CHAIR - SWIVEL - LEATHER
1	P15470-02-M91	EA	COVER - CHAIR (M91)
1	P15470-02-L93	EA	COVER - CHAIR (M93)
1	P15470-03-L93	EA	COVER - CHAIR - LEATHER
2	P07977-03-M91	EA	COVER - SKIRT - DIPLOMAT CHAIR (M91)
2	P07977-03-L93	EA	COVER - SKIRT - DIPLOMAT CHAIR (M93)
2	P07977-01-K77	EA	COVER - SKIRT - LEATHER
3	119952-01-000	EA	SLIDE/SEAT - HEAVY DUTY NON LOCKING
4	107921-08-000	EA	PLATE - TOP PEDESTAL - W/O SEAT BELT BAR
			FROM: 00-00-00 THRU: 09-30-00
4	133408-07-000	EA	TOP PLATE - W/O BAR
			FROM: 10-01-00 THRU: 99-99-99
5	107921-06-000	EA	BEARING KIT - PEDESTAL
6	107921-15-000	EA	PEDESTAL/FLOOR MOUNTED - 9.75"
			FROM: 00-00-00 THRU: 09-30-00
6	133408-11-000	EA	PEDESTAL - 9.75"
			FROM: 10-01-00 THRU: 99-99-99
7	119952-03-000	EA	SLIDE/SEAT - HEAVY DUTY LOCKING - 2 STUDS
8	007221-01-000	EA	SPACER - SEAT/ADJUSTER
9	127159-02-02B	EA	BRACKET - SEAT RELEASE - DUAL REMOTE
10	108049-04-000	EA	CABLE - W/MINI LEVER ACTION SWITCH - 28" SHEATH/30" CABLE
	117125-01-02B	EA	BRACKET - CABLE MOUNT - ADJUSTER W/LOCK
	108049-02-000	EA	CLIP - CABLE/PEDESTAL

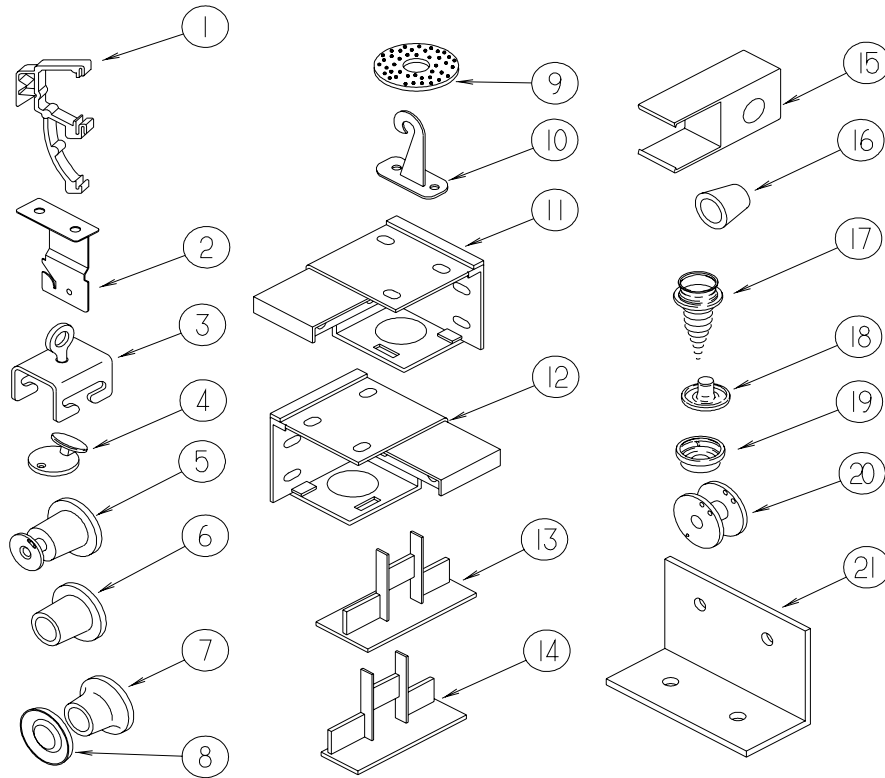
CURTAIN & CUSHION GROUP (CONTINUED)
WINDOW TREATMENT



KEY	PART NUMBER	U/M	DESCRIPTION
1	119405-16-K77	EA	BLIND - MICRO PLEAT - 62" X 32"
2	113637-31-M91	EA	VALANCE - ROSEANNE - 42" (M91)
2	113637-31-L93	EA	VALANCE - ROSEANNE - 42" (M93)
2	119405-14-K77	EA	BLIND - MICRO PLEAT - 40" X 26.5"
3	111861-14-01A	EA	BLIND - MINI - 21" X 17.5" - ALABASTER PEARL
3	109353-09-01A	EA	BLIND - SLAT - 21" - ALABASTER PEARL
4	077591-14-H70	EA	CURTAIN - 26" X 114"
5	113637-32-M91	EA	VALANCE - ROSEANNE - 30.5" (M91)
5	113637-32-L92	EA	VALANCE - ROSEANNE - 30.5" (M93)
5	119405-15-K77	EA	BLIND - MICRO PLEAT - 28" X 26.5"
6	113637-33-M91	EA	VALANCE - ROSEANNE - 30" (M91)
6	113637-33-L93	EA	VALANCE - ROSEANNE - 30" (M93)
6	084755-57-E07	EA	SHADE - PULL - 27.25"
	117640-03-G47	EA	CURTAIN - SHOWER - RIGHT HAND/INSIDE LOOKING OUT
	117640-04-G47	EA	CURTAIN - SHOWER - LEFT HAND/INSIDE LOOKING OUT

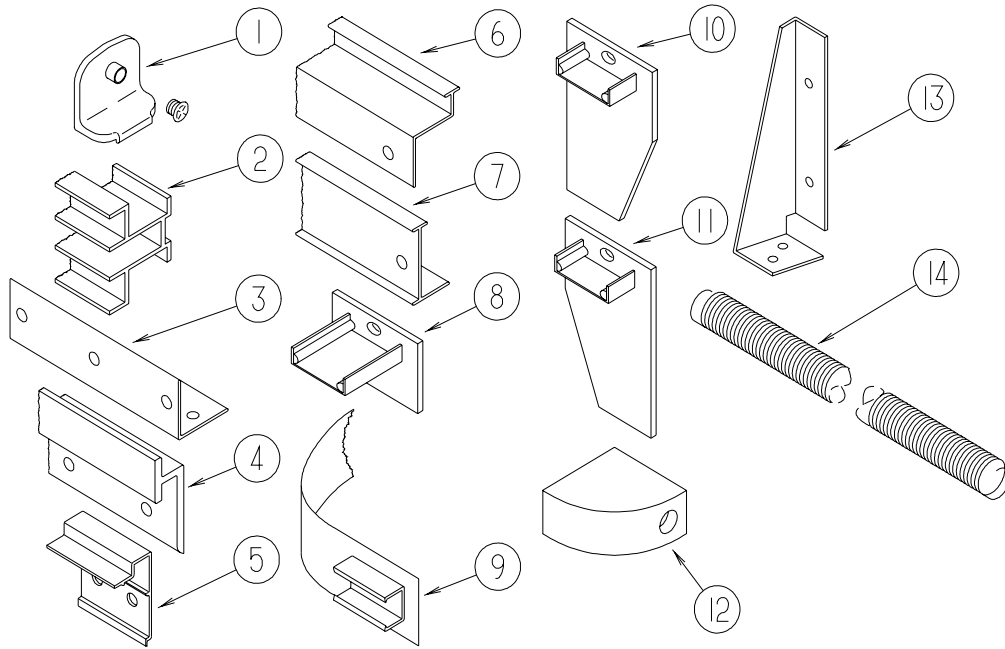
CURTAIN & CUSHION GROUP (CONTINUED)

HARDWARE



KEY	PART NUMBER	U/M	DESCRIPTION
1	109353-04-000	EA	CLIP - VALANCE SLAT MOUNTING - CLEAR PLASTIC
2	084434-01-000	EA	BRACKET - MOUNTING - ROLLER SHADE - 1 3/8"
	096843-01-000	EA	SPRING - REWIND/ROLLER SHADE
3	009702-01-000	EA	END STOP - CURTAIN CARRIER - L ROD
4	102555-03-000	EA	CLEAT - BLIND CORD - MILKY WHITE PLASTIC
5	097592-02-000	EA	SPOOL - CORD - ELEVATED BLIND HOLDUP - LARGE - CLEAR
6	094896-02-000	EA	GROMMET - CORD/PLEATED BLIND - NYLON - GRAY
7	046867-03-000	EA	GROMMET - HANDY BUTTON #3
8	046867-02-000	EA	WASHER - HANDY BUTTON #3
9	103242-01-000	EA	VELCRO HOOK - BEIGE 7/8" ROUND W/CENTER HOLE
9	103242-02-000	EA	VELCRO HOOK - BLACK 7/8" ROUND W/CENTER HOLE
10	109441-03-000	EA	BRACKET/HOOK - BLIND HOLD DOWN - CLOUDY
11	083170-01-000	EA	BRACKET/BLIND - LEFT SIDE WHEN FACING WINDOW - CLEAR
12	083170-02-000	EA	BRACKET/BLIND - RIGHT SIDE WHEN FACING WINDOW - CLEAR
13	094907-04-000	EA	END CAP - PLEATED BLIND/BOTTOM - RH & LH
14	094907-02-000	EA	END CAP - PLEATED BLIND/TOP - PLASTIC - GRAY
15	101033-02-000	EA	END CAP - LOW PROFILE TRACK - CLEAR
16	097564-03-000	EA	HANDLE - KNOB - E-Z LIFT SHADE - TAN
16	097564-05-000	EA	HANDLE - KNOB - E-Z LIFT SHADE - TEAL
16	097564-06-000	EA	HANDLE - KNOB - E-Z LIFT SHADE - ALABASTER
16	097564-08-000	EA	HANDLE - KNOB - E-Z LIFT SHADE - PLUM
17	029130-01-000	EA	SCREW - SNAP STUD - #8-16 X 3/8" LONG
17	029130-03-000	EA	SCREW - SNAP STUD - #8-16 X 1" LONG
18	029155-01-000	EA	CAP - SNAP - 5/32" OUTSIDE DIAMETER OF PIN
19	029156-01-000	EA	SOCKET - SNAP - 9/16" O.D.
20	097592-01-000	EA	SPOOL - CORD - ELEVATED BLIND HOLDUP - SMALL - CLEAR
21	083125-07-000	EA	BRACE - ANGLE/COUCH - 2.5" - OFF WHITE
21	083125-08-000	EA	BRACE - WINDOW MOUNT - .75" - OFF WHITE

CURTAIN & CUSHION GROUP (CONTINUED)
HARDWARD (CONTINUED)



KEY	PART NUMBER	U/M	DESCRIPTION
1	106544-01-000	EA	PULL - SHADE/BRASS
	106544-01-001	EA	SCREW - SHADE/BRASS
2	101033-03-000	FT	TRACK/WALL - 101" - WHITE
2	101033-08-000	EA	TRACK/WALL - 75"
2	101033-09-000	EA	TRACK/WALL - 32"
3	105648-01-02A	EA	BRACE - VALANCE - OFF/WHITE - 14"
3	075943-10-000	EA	BRACE - VALANCE - 20" - OFF WHITE
4	127254-03-02A	EA	TRACK/WRAPAROUND - PASSENGER - ANTELOPE - F SERIES
4	127254-03-03A	EA	TRACK/WRAPAROUND - PASSENGER - TITANIUM - F SERIES
4	127254-04-02A	EA	TRACK/WRAPAROUND - DRIVER - ANTELOPE - F SERIES
4	127254-04-03A	EA	TRACK/WRAPAROUND - DRIVER - TITANIUM - F SERIES
4	133235-01-03A	EA	TRACK - CURTAIN/LEFT HAND - CADDY CREAM - P SERIES
4	133236-01-03A	EA	TRACK - CURTAIN/RIGHT HAND - CADDY CREAM - P SERIES
5	097565-01-000	EA	BRACKET - MOUNTING/PLEATED BLIND
6	105450-14-01A	EA	TRACK - CURTAIN - 90° - OFF WHITE - 300 SERIES
7	009700-04-002	EA	TRACK - CURTAIN - L SHAPED - 15.5' - OFF WHITE - 400 SERIES
7	126456-03-02A	EA	TRACK/WRAPAROUND - PASSENGER - ANTELOPE - L & G SERIES
7	126456-03-03A	EA	TRACK/WRAPAROUND - PASSENGER - TITANIUM - L SERIES
7	126456-04-02A	EA	TRACK/WRAPAROUND - DRIVER - ANTELOPE - L & G SERIES
7	126456-04-03A	EA	TRACK/WRAPAROUND - DRIVER - TITANIUM - L-SERIES
7	118896-05-03A	EA	TRACK/WRAPAROUND - PASSENGER - CADDY CREAM - Q-SERIES
7	118897-04-03A	EA	TRACK/WRAPAROUND - DRIVER - CADDY CREAM - Q-SERIES
8	094907-06-000	EA	HARDWARE - END CAP - E-Z LIFT - TOP
9	101031-01-000	YD	TAPE/GLIDE - 4.25" SPACING
10	094907-05-700	EA	END CAP-RH BOTTOM BLIND
11	094907-05-701	EA	END CAP-LH BOTTOM BLIND
12	132504-01-M91	EA	BRACKET/SHADE - LAMINATED - W/EDGE BAND MOLDING - RIALTA SERIES
13	076827-02-000	EA	BRACKET/LEG - 2.9" X 1.8" - TRIANGULAR - LEFT/E-COATED
14	097591-01-000	EA	SPRING - EXTENSION/PLEATED BLIND
	097593-02-000	FT	CORD - BLIND - PLEATED - GRAY
	097593-06-000	FT	CORD - BLIND - PLEATED - PEWTER
	097593-07-000	FT	CORD - BLIND - PLEATED - PALE JADE
	097593-10-000	FT	CORD - BLIND - PLEATED - VANILLA

CURTAIN & CUSHION GROUP (CONTINUED)

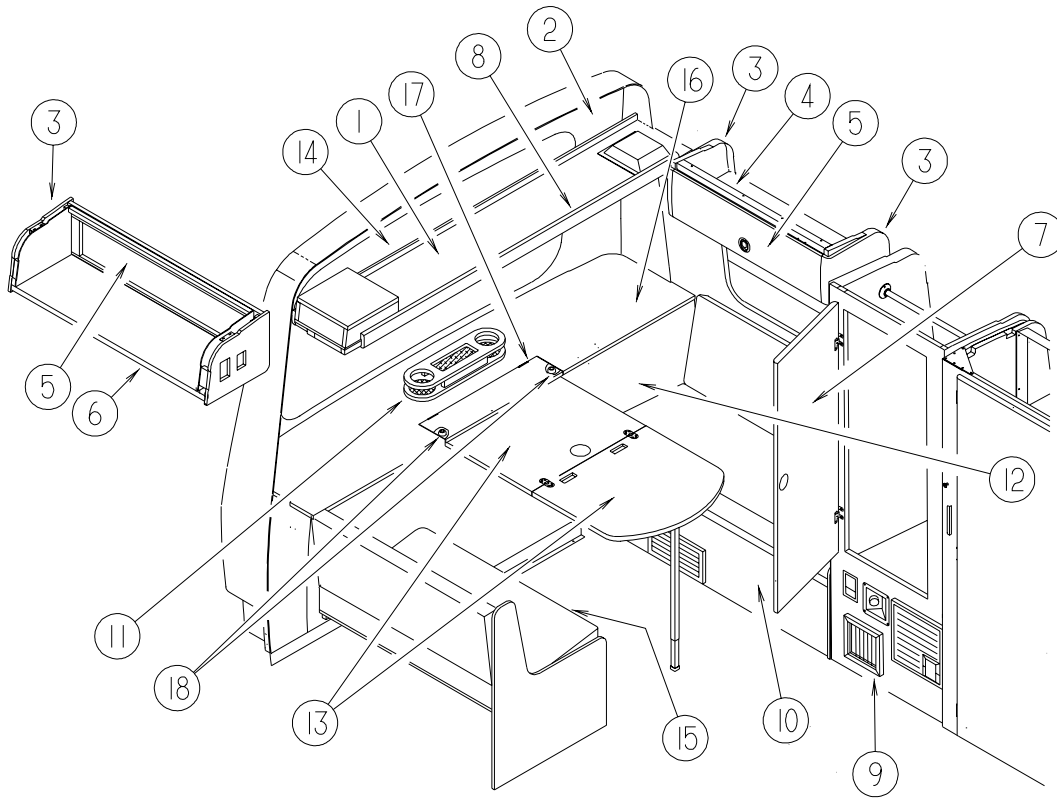
ACCESSORIES

KEY	PART NUMBER	U/M	DESCRIPTION
	109146-01-000	EA	BOLT - SHOULDER/SEAT BELT
	114258-01-01A	EA	SEAT BELT - 2" X 90" - BLACK
	057534-01-000	EA	TIEBACK - CLEAR PLASTIC - 6"
	057534-02-000	EA	TIEBACK - CLEAR PLASTIC - 3"
	079349-04-K86	YD	WELT - NARROW
	057534-02-000	EA	TIEBACK - CLEAR PLASTIC - 3"

CURTAIN & CUSHION GROUP (CONTINUED)
FABRICS

FAMILY	N90/N91 GRAY FLANNEL	N92/N93 LAUREL MIST
2002 Rialta	521 W/ADJ. ARMS	521 W/ADJ. ARMS
BUCKET	*DRIVER'S W/LUMBAR	*DRIVER'S W/LUMBAR
	126883-D7-000	126883-78-000
	550 W/ADJ. ARMS	550 W/ADJ. ARMS
	*OPT. LEATH. - ALLANTE GRAY	*OPT. LEATH. - ALLANTE GRAY
	079680-30-000	079680-30-000
DINETTE	EURO	EURO
	126883-D7-000	126883-78-000
	720 LEATHER	720 LEATHER
	*OPT. LEATH. - ALLANTE GRAY	*OPT. LEATH. - ALLANTE GRAY
	079680-30-000	079680-30-000
SOFA	EURO	EURO
	126883-D7-000	126883-78-000
	720 LEATHER	720 LEATHER
	*OPT. LEATH. - ALLANTE GRAY	*OPT. LEATH. - ALLANTE GRAY
	079680-30-000	079680-30-000
LOUNGE CHAIR	SIERRA	SIERRA
	126883-D7-000	126883-78-000
	SIERRA	SIERRA
	*OPT. LEATH. - ALLANTE GRAY	*OPT. LEATH. - ALLANTE GRAY
	079680-30-000	079680-30-000
LOUNGE WINDOWS	ROSEANNE VALANCE	ROSEANNE VALANCE
	126883-D7-000	126883-78-000
	OVERLAY/UNDERLAY	OVERLAY/UNDERLAY
	*OPT. LEATH. - ALLANTE GRAY	*OPT. LEATH. - ALLANTE GRAY
	079680-30-000	079680-30-000
FWA	CLOUDS CHROME	CLOUDS CHROME
	072333-88-000	072333-88-000
DRAPERY LINING	087272-03-000	087272-03-000
MICRO PLEATS	094911-61-000	094911-61-000
	CHROME	CHROME
GALLEY BLINDS	ALABASTER PEARL	ALABASTER PEARL
DINETTE TRIM & TRANS. PANEL	079680-30-000	079680-30-000
SHOWER CURT.	075244-10-000 VANILLA	075244-10-000 VANILLA
BEDCOVER	126883-D7-000	126883-78-000
BED PILLOW	QUILTED W/.5" NON-GATH. WELT 126883-D7-000	QUILTED W/.5" NON-GATH. WELT 126883-78-000
CEILINGS	113979-12-01A	113979-12-01A
FLOOR MATS	096060-J9-000 CARPET 102695-24-000 TAPE	096060-J4-000 CARPET 102695-20-000 TAPE

DINETTE GROUP CABINETS & TABLE



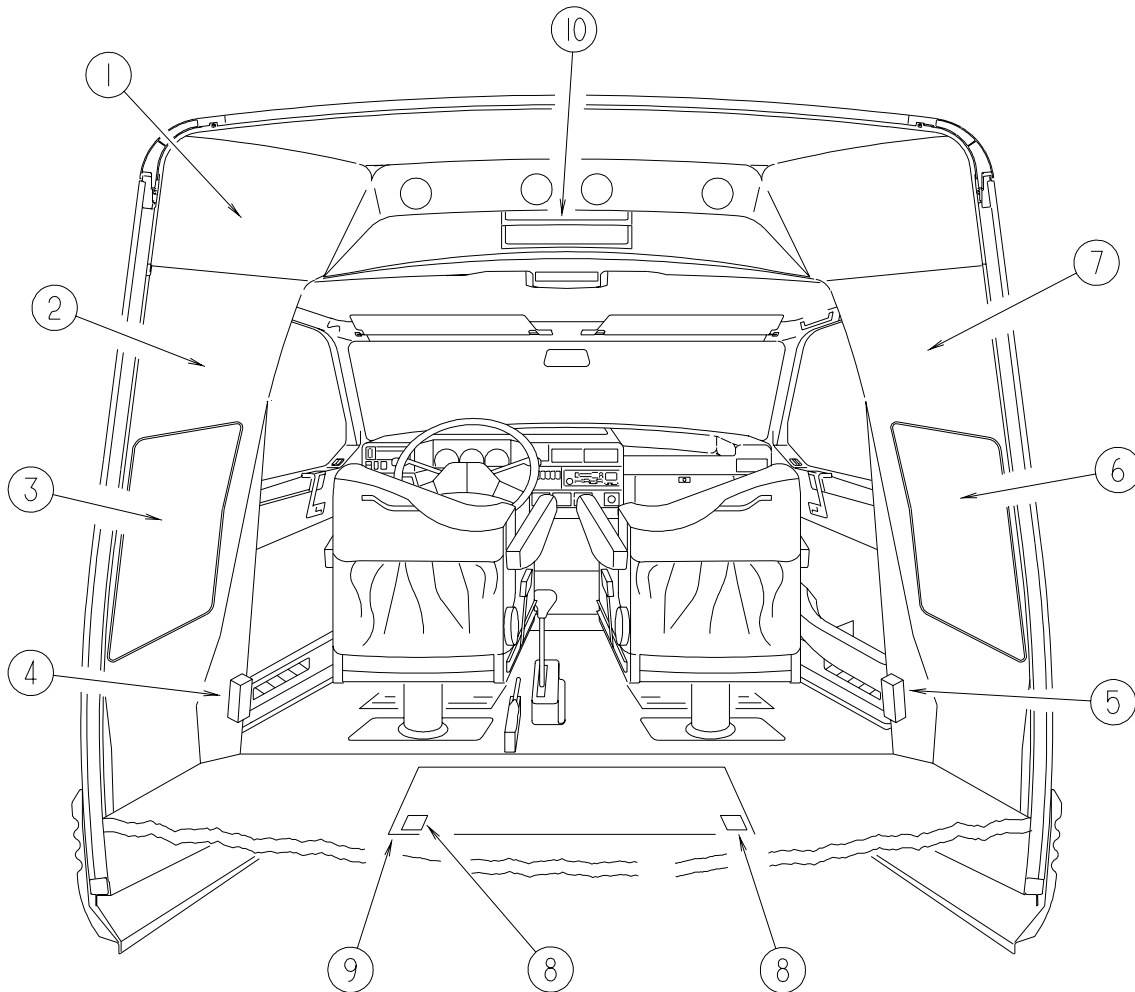
KEY	PART NUMBER	U/M	DESCRIPTION
1	133666-04-M91	EA	CABINET/SHELF - OVERHEAD - W/O HARDWARE (M91)
1	133666-04-M93	EA	CABINET/SHELF - OVERHEAD - W/O HARDWARE (M93)
1	133666-05-M91	EA	CABINET/SHELF - OVERHEAD - W/O HARDWARE (M91) - W/DELUXE SOUND
1	133666-05-M93	EA	CABINET/SHELF - OVERHEAD - W/O HARDWARE (M93) - W/DELUXE SOUND
2	123060-02-K76	EA	PANEL - BACKWALL - UPPER/INNER
3	119132-11-K77	EA	END CAP - OVERHEAD
4	131105-02-M91	EA	CABINET - OVERHEAD/DINETTE - W/O DOORS/HARDWARE
5	134783-D0-M91	EA	DOOR - RAIL/SOLID PANEL - 7.3" X 36.9" - W/O HARDWARE
6	131105-01-K77	EA	CABINET - OVERHEAD/DINETTE - W/O DOORS/HARDWARE
7	134785-04-M91	EA	DOOR COMPL-MITERED - W/O HARDWARE
8	M07527-04-M91	EA	TRIM - SHELF/FRONT - FABRIC COVERED (M91)
8	M07527-04-L92	EA	TRIM - SHELF/FRONT - FABRIC COVERED (M93)
9	119860-15-M91	EA	GRILL - WARDROBE CABINET
10	124309-06-M90	EA	PANEL - COVER - DINETTE/LEFT HAND
11	127567-01-M90	EA	TRAY - BEVERAGE
12	124468-01-L90	EA	CABINET/SHELF - BACK WALL - W/O HARDWARE (M91)
12	124468-01-L92	EA	CABINET/SHELF - BACK WALL - W/O HARDWARE (M93)
	117047-01-000	EA	BUMPER - RUBBER - WASHER INSERT
13	124485-01-M90	EA	TABLE - DINETTE - W/LEG
	124753-01-000	EA	LOCK - SASH - TIGHT SEAL - FOR DINETTE TABLE
14	M07527-05-M91	EA	TRIM - SHELF/REAR - FABRIC COVERED (M91)
14	M07527-05-L92	EA	TRIM - SHELF/REAR - FABRIC COVERED (M93)
15	124309-05-K77	EA	PANEL - COVER - DINETTE/RIGHT HAND
16	133131-65-M90	EA	SHELF/LEDGE - LAMINATED W/EDGE BAND - W/O HARDWARE
17	133131-66-M90	EA	SHELF/FLIP UP W/EDGE MOLDING - F/REAR DINETTE
18	120863-03-000	EA	BUMPER - RUBBER - 1/2" X 1/4"

DRIVERS COMPARTMENT GROUP

DASH

KEY PART NUMBER U/M DESCRIPTION

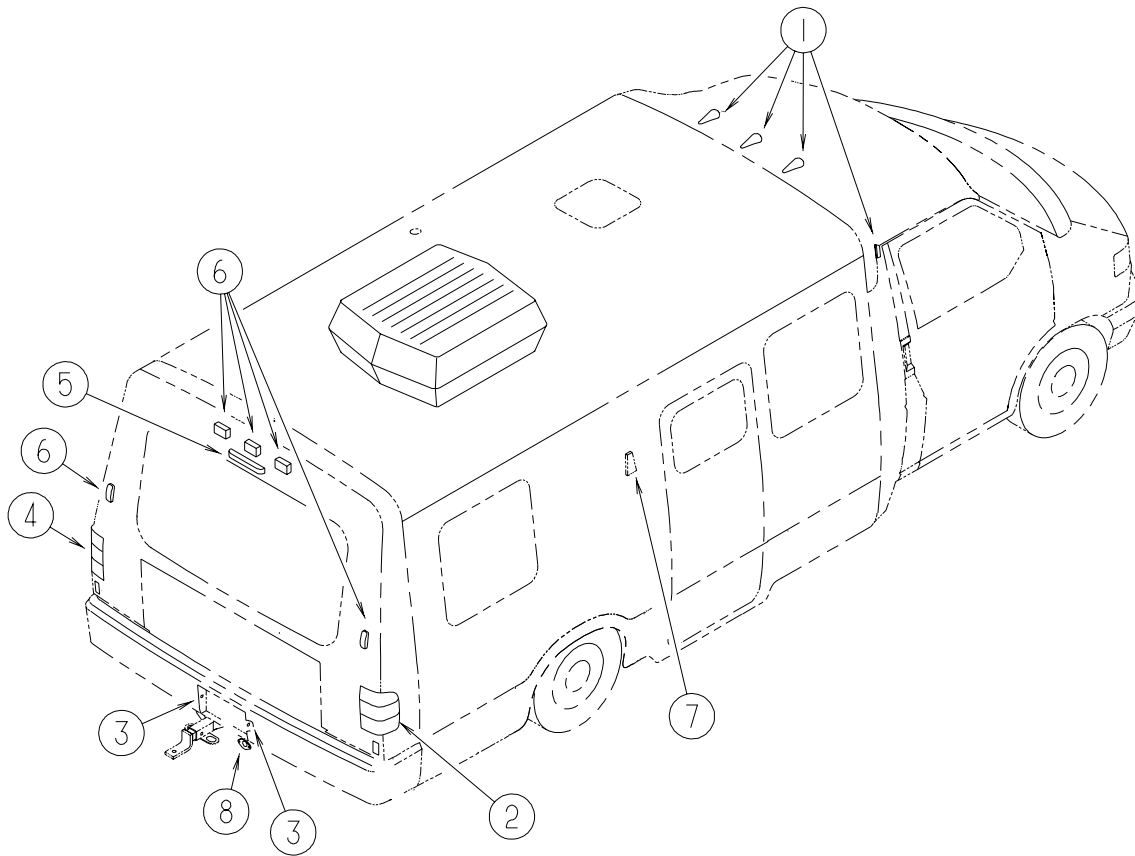
DASH ELECTRICAL COMPONENTS ARE LISTED IN THE ELECTRICAL GROUP



FRONT INTERIOR

KEY	PART NUMBER	U/M	DESCRIPTION
1	117256-03-03A	EA	HEADLINER - CAB - ABS PLASTIC - VW LIGHT GRAY - W/O OPTIONAL CUTOUTS
1	117256-07-03A	EA	HEADLINER - CAB - ABS PLASTIC - VW LIGHT GRAY - W/O DELUXE SOUND
2	P27844-02-02A	EA	PANEL - TRANSITION/INNER - VW LIGHT GRAY
3	117555-02-M91	EA	PANEL - TRANSITION - LEFT HAND
4	128914-01-01A	EA	COVER - RETRACTOR - DRIVER SIDE - BLACK
5	128914-02-01A	EA	COVER - RETRACTOR - PASSENGER SIDE - BLACK
6	117555-01-M91	EA	PANEL - TRANSITION - RIGHT HAND
7	127844-03-02A	EA	PANEL - TRANSITION/INNER - VW LIGHT GRAY
8	097111-02-04A	EA	POCKET - LOCK - REAR DOOR
9	P18892-01-M91	EA	LID - COMPARTMENT/BATTERY - W/CARPET
	118892-01-F45	EA	LID - BATTERY COMPARTMENT - W/O CARPET - 6" X 30.3"
	064075-07-000	FT	SEAL - BULB - W/WIRED U CHANNEL - .3" X .5" CHANNEL-BLACK
	102330-01-000	EA	LATCH - VISE ACTION/KEY OPERATED
	102328-01-000	EA	KEY - BARREL - NICKEL PLATED
10	109918-01-05A	EA	VENT - RETURN AIR - 12.3" X 5.5" - BLACK
10	109918-03-01A	EA	VENT - RETURN AIR - 12.3" X 2.75" - BLACK
	115381-01-01A	EA	MAT - FLOOR - DRIVER - GRAY/BLACK
	115381-02-01A	EA	MAT - FLOOR - PASSENGER - GRAY/BLACK

ELECTRICAL GROUP 12V BODY WIRING

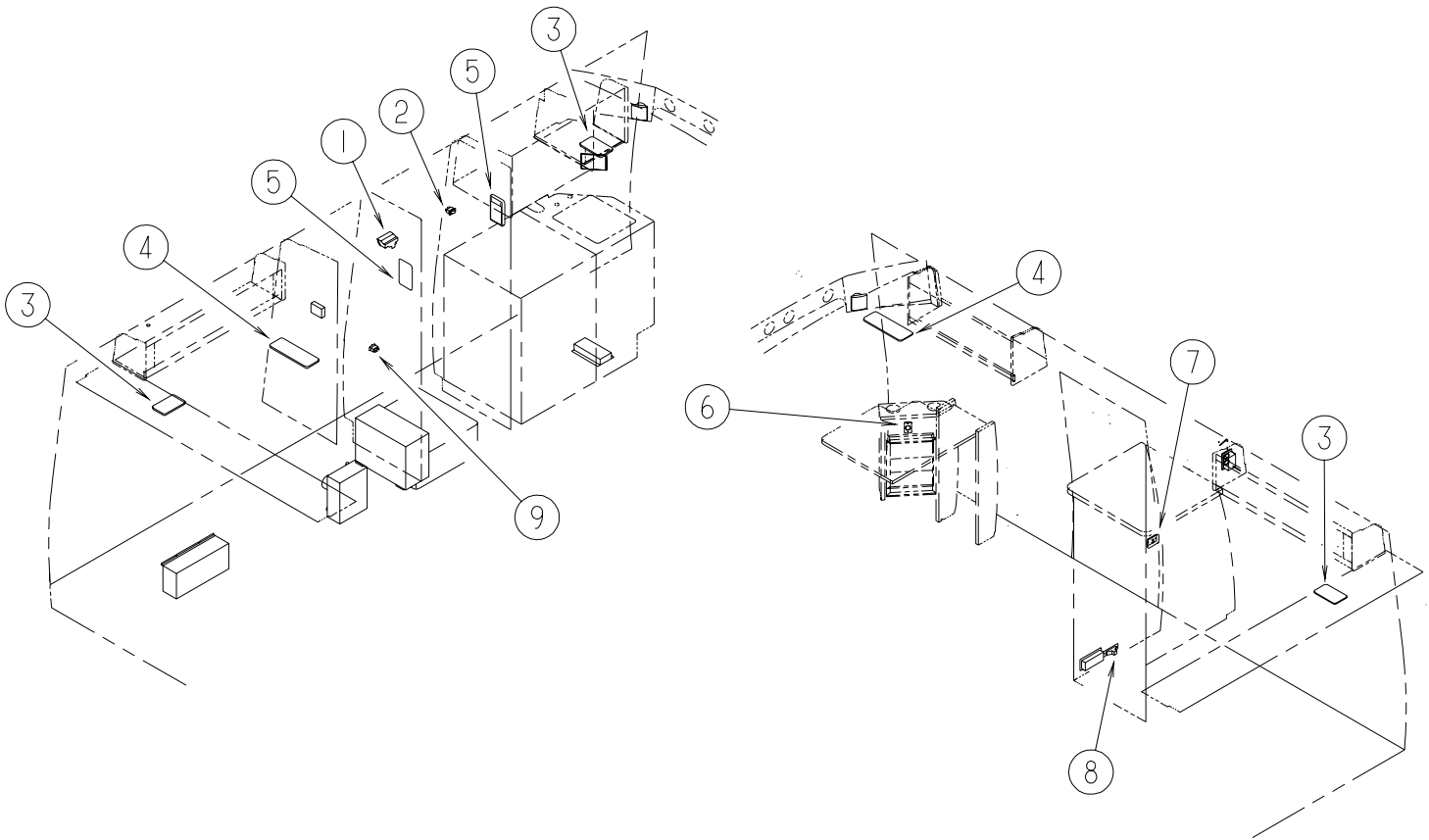


KEY	PART NUMBER	U/M	DESCRIPTION
1	113709-01-000	EA	LAMP - CLEARANCE - AMBER
2	112126-03-000	EA	LAMP - REAR/RIGHT HAND
2	112709-01-000	EA	SOCKET - TURN LIGHT
2	112709-02-000	EA	SOCKET - BACK-UP LIGHT
2	112709-03-000	EA	SOCKET - BRAKE LIGHT/MARKER LIGHT
2	112707-01-000	EA	BULB - 12 VOLT - #3156 - 2.10 AMP
2	112708-01-000	EA	BULB - 12 VOLT - #3157 - .59/2.10 AMP
2	113778-03-02B	EA	BRACKET - TAIL LAMP - 6.4" LONG - E-COATED
3	087201-01-000	EA	LIGHT - HALF ROUND - 1" X 1.7" - PLASTIC - BLACK
4	112126-04-000	EA	LAMP - REAR/LEFT HAND
4	112709-01-000	EA	SOCKET - TURN LIGHT
4	112709-02-000	EA	SOCKET - BACK-UP LIGHT
4	112709-03-000	EA	SOCKET - BRAKE LIGHT/MARKER LIGHT
4	112707-01-000	EA	BULB - 12 VOLT - #3156 - 2.10 AMP
4	112708-01-000	EA	BULB - 12 VOLT - #3157 - .59/2.10 AMP
4	113778-03-02B	EA	BRACKET - TAIL LAMP - 6.4" LONG - E-COATED
5	111102-01-000	EA	BASE - MARKER LAMP
5	111102-03-000	EA	LENS - RED - MARKER LAMP
5	036196-01-000	EA	BULB - 12V - #194 - .27 AMP - BAYONETTE
6	121950-01-000	EA	LIGHT - BRAKE - CENTER MOUNT
FROM: 00-00-00 THRU: 10-01-00			
6	136916-01-000	EA	LIGHT - CENTER BRAKE - L.E.D.
FROM: 10-02-00 THRU: 99-99-99			
7*	008089-01-000	EA	LIGHT-PORCH, RECESSED
	008215-01-000	EA	BULB - 12 VOLT - #1003 - .94 AMP
	091981-01-000	EA	GASKET - PORCH LIGHT
7*	008089-02-000	EA	LIGHT - PORCH - RECESSED - CANADIAN
	008214-01-000	EA	BULB - 12 VOLT - #67 - .59 AMP
8	113589-01-000	EA	CONNECTOR - PLUG - TRAILER
8	113589-02-000	EA	CONNECTOR - SOCKET - TRAILER

*COMPONENT PARTS LISTED LATER IN THIS GROUP

ELECTRICAL GROUP (CONTINUED)

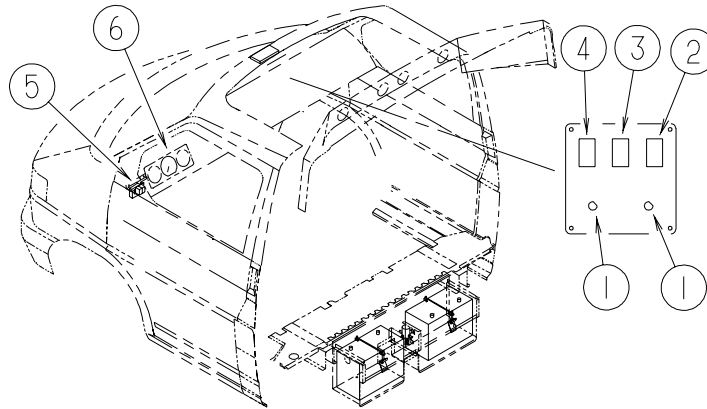
12V BODY WIRING (CONTINUED)



KEY	PART NUMBER	U/M	DESCRIPTION
1*	087694-01-000	EA	LIGHT - WARDROBE/CLOSET - W/SWITCH
2	108357-14-000	EA	SWITCH - ROCKER SPDT W/LIGHT - ON/NONE/OFF - 4 TERMINAL-SHOWER DRAIN
2	108356-10-01A	EA	COVER/ACTUATOR SWITCH - 2 ROWS DIMPLES W/LENS-SHOWER DRAIN
2	108355-01-000	EA	HOUSING - SWITCH
3*	098024-05-02A	EA	LIGHT - DOME - 1 BULB - SKYLITE - WHITE
	008218-01-000	EA	BULB - 12 VOLT - #1141 - 1.44 AMP
4*	098024-03-02A	EA	LIGHT - DOME - 2 BULB - WHITE
	008218-01-000	EA	BULB - 12 VOLT - #1141 - 1.44 AMP
5*	098024-01-03A	EA	LIGHT - DOME - 1 BULB - WHITE
	008218-01-000	EA	BULB - 12 VOLT - #1141 - 1.44 AMP
6	111414-01-000	EA	RECEPTACLE/SOCKET - 12 VOLT
6	111386-01-04B	EA	PLATE - RECEPTACLE - 12 VOLT - BLACK
7	079364-01-000	EA	SWITCH - ON/OFF ROCKER - 2 TERMINAL - BROWN
7	098351-01-01A	EA	PLATE - SWITCH - 1 GANG POLISHED BRASS
8	061424-01-000	EA	LIGHT - AISLE - 12 VOLT - RECTANGULAR
	036196-01-000	EA	BULB - 12V - #194 - .27 AMP - BAYONETTE
9	108355-01-000	EA	HOUSING - SWITCH
9	108356-14-01A	EA	COVER/ACTUATOR SWITCH - 3 GROOVES
9	108357-15-000	EA	SWITCH - ROCKER - DPDT - ON/NONE/ON

*COMPONENT PARTS LISTED LATER IN THIS GROUP

ELECTRICAL GROUP (CONTINUED)
FRONT END WIRING



KEY	PART NUMBER	U/M	DESCRIPTION
1*	087202-02-000	EA	SWITCH - 4 POSITION - W/O KNOB/BEZEL - 5 TERMINAL
1	090977-01-000	EA	KNOB - ROTARY SWITCH/SLIP ON - REAR HEATER/DASH/REAR PANEL
2	108355-01-000	EA	HOUSING - SWITCH
2	108356-07-01A	EA	COVER/ACTUATOR SWITCH - 2 ROWS DIMPLES - AUX START - BLACK
2	108357-09-000	EA	SWITCH - ROCKER - SPDT - ON/NONE/MOM - 3 TERMINAL
3	108355-01-000	EA	HOUSING - SWITCH
3	108356-08-01A	EA	COVER/ACTUATOR SWITCH - 2 ROWS DIMPLES W/LENS - REAR-BLACK
3	108357-12-000	EA	SWITCH - ROCKER - DPST W/LIGHT - MOM/NONE/OFF-7 TERMINAL
4	108355-01-000	EA	HOUSING - SWITCH
4	108356-09-01A	EA	COVER/ACTUATOR SWITCH - 2 ROWS DIMPLES W/LENS - WASH/BLACK
4	108357-13-000	EA	SWITCH - ROCKER - DPDT - W/LIGHT-MOM/ON-OFF/OFF-7 TERMINAL
5	114965-01-000	EA	RELAY/TIMER MOD - 12 V/2 AMP - DELAY OFF 10 MIN-RR DEFROST
6	132227-01-000	EA	CLUSTER - INSTRUMENT PANEL - KILOMETERS/CANADA - GAS

***COMPONENT PARTS LISTED LATER IN THIS GROUP**

ELECTRICAL GROUP (CONTINUED)
COMPONENT PARTS FOR LIGHTS & SWITCHES

008089-01-000 & 008089-02-000

KEY	PART NUMBER	U/M	DESCRIPTION	
	008089-01-700	EA	LENS-LIGHT, RECESSED, PORCH	DECO

087202-02-000

KEY	PART NUMBER	U/M	DESCRIPTION	VENDOR NO.
	087202-02-000	EA	SWITCH - 4 POSITION - W/O KNOB/BEZEL - 5 TERMINAL	
	087202-01-701	EA	KNOB-SWITCH, ROTARY	062-0104
	087202-01-702	EA	PLATE F/ROTARY SWITCH	062-0105

087694-01-000

KEY	PART NUMBER	U/M	DESCRIPTION	VENDOR NO.
	087694-01-000	EA	LIGHT - WARDROBE/CLOSET - W/SWITCH	
	087694-01-700	EA	BULB	GE561

098024-01-03A

KEY	PART NUMBER	U/M	DESCRIPTION	VENDOR NO.
	098024-01-03A	EA	LIGHT - DOME - 1 BULB - WHITE	
	098024-01-700	EA	LENS-LIGHT	807877

098024-03-02A

KEY	PART NUMBER	U/M	DESCRIPTION	VENDOR NO.
	098024-03-02A	EA	LIGHT - DOME - 2 BULB - WHITE	
	098024 01 700	EA	LENS-LIGHT	807877

098024-05-02A

KEY	PART NUMBER	U/M	DESCRIPTION	VENDOR NO.
	098024-05-02A	EA	LIGHT - DOME - 1 BULB - SKYLITE/OPTI CLEAR	
	098024-01-701	EA	LENS - OPTI CLEAR - SKYLITE	809902

ELECTRICAL GROUP (CONTINUED)

CIRCUIT BREAKERS & FUSES

KEY	PART NUMBER	U/M	DESCRIPTION
	062901-02-000	EA	FUSE - 5 AMP - AUTOMOTIVE
	062901-05-000	EA	FUSE - 15 AMP - AUTOMOTIVE
	062901-06-000	EA	FUSE - 20 AMP - AUTOMOTIVE
	062901-07-000	EA	FUSE - 25 AMP - AUTOMOTIVE
	083209-02-000	EA	CIRCUIT BREAKER - 15/15 AMP - 120 VOLT
	083209-06-000	EA	CIRCUIT BREAKER - 30/15 AMP - 120 VOLT
	083209-07-000	EA	CIRCUIT BREAKER - 20/20 AMP - 120 VOLT
	097611-01-000	EA	CIRCUIT BREAKER - 10 AMP - 12 VOLT
	108567-01-000	EA	CIRCUIT BREAKER - 40 AMP - 12 VOLT - TYPE II

CONVERTER, INVERTER, LOAD CENTERS

KEY	PART NUMBER	U/M	DESCRIPTION
*	093257-02-000	EA	CONTROL CENTER - W/O CIRCUIT BREAKERS/FUSES
	123058-02-000	EA	CONVERTER - 45 AMP - ELECTRONIC - 4 1/8"H X 7"W X 12 3/8"L

*COMPONENT PARTS LISTED LATER IN THIS GROUP

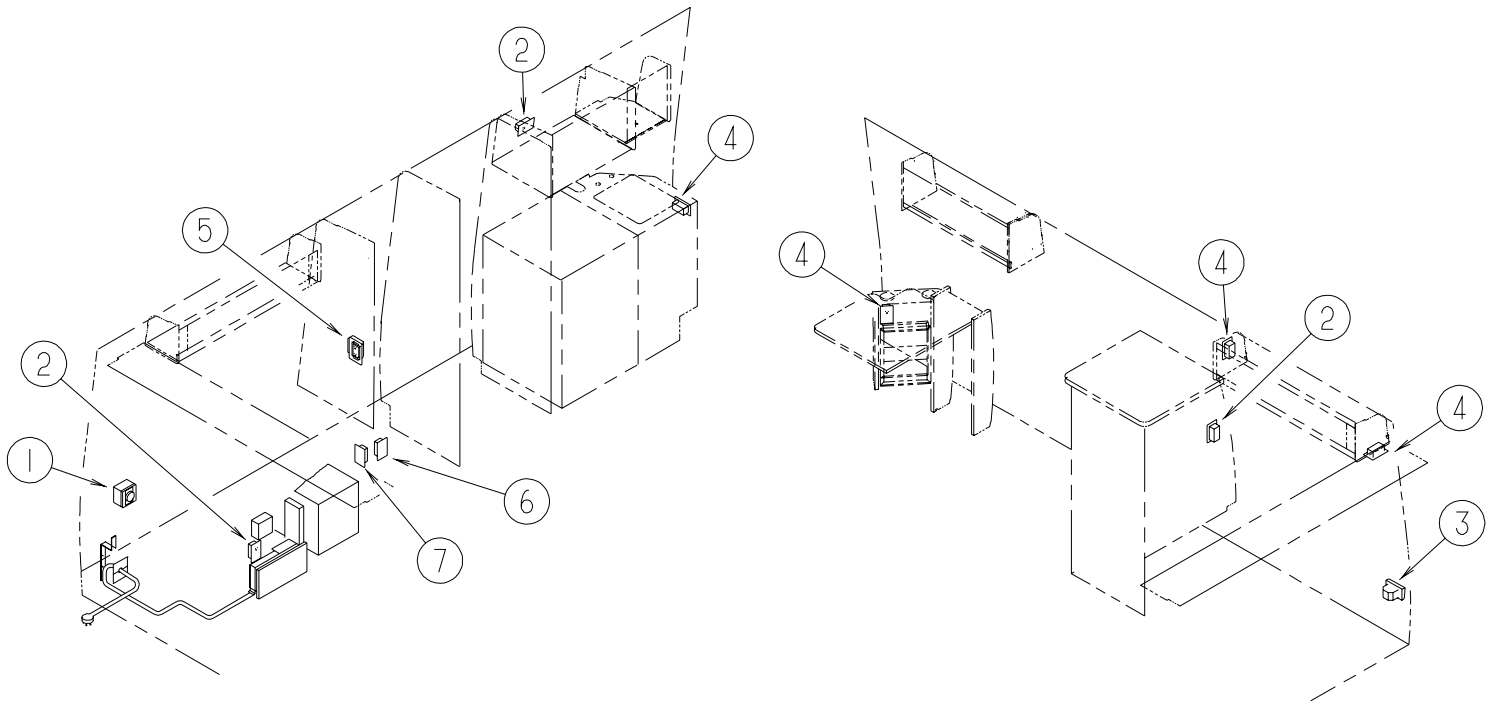
ELECTRICAL GROUP (CONTINUED)
COMPONENT PARTS FOR CONVERTER, INVERTER, LOAD CENTERS

093257-02-000

KEY	PART NUMBER	U/M	DESCRIPTION	VENDOR NO.	
	093257-02-000	EA	CONTROL CENTER - W/O CIRCUIT BREAKERS/FUSES		B&W RV80-9
	093257-02-700	EA	GROUND BAR - 8 POINT	13507201	
	093257-02-701	EA	FUSE BLOCK - DC- 11 POINT	30507060	
	093257-02-702	EA	STAB ASSEMBLY - BREAKER	M91500008	
	093257-02-703	EA	DEAD FRT ASM.-AC BREAKER CVR	M91500011	
	093257-02-704	EA	NEUTRAL BAR ASM.W/GROUND BAR	M91500009	

ELECTRICAL GROUP (CONTINUED)

110V WIRING



KEY	PART NUMBER	U/M	DESCRIPTION
1	024924-02-000	EA	RECEPTACLE - POWER CORD - W/PARTIAL PLATE
2	058707-01-000	EA	RECEPTACLE - ELECTRIC - SINGLE - BROWN
3	131826-01-01A	EA	RECEPTACLE - EXTERIOR - W/COVER/GASKET - WHITE
4	058708-01-000	EA	RECEPTACLE - ELECTRIC - DOUBLE - BROWN
5	084076-02-000	EA	RECEPTACLE - GFI - 15 AMP/125 VOLT - BROWN - W/COVER
6	084420-01-000	EA	SWITCH - TOGGLE - 15 AMP - 120 VOLT - BROWN
7	058707-02-000	EA	RECEPTACLE - BLANK - JUNCTION BOX

ELECTRICAL GROUP (CONTINUED)

BOXES & CORDS

KEY	PART NUMBER	U/M	DESCRIPTION
	008054-02-000	EA	CORD - POWER - 10/3 WIRE - 30 AMP - 35'
	008289-01-000	EA	BOX - ELECTRIC/STEEL - 1/2" & 3/4" KNOCKOUTS - 4" X 4"
	008294-01-000	EA	COVER - ELECTRIC BOX - BLANK/STEEL - 4" X 4" - GRAY
	009426-01-000	EA	HATCH - POWER CORD - WHITE
	084077-03-000	EA	COVER/BLANK - WIRE ACCESS - 5.2" X 3.5" - IVORY
	091910-01-000	EA	BOX - ELECTRIC - 3.8" X 3.5" X 1.8" - PLASTIC
	091910-02-000	EA	BOX - ELECTRIC - 2.2" X 3.5" X 1.8" - PLASTIC
	092985-02-000	EA	BRACKET - POWER CORD

WIRE ASSEMBLIES

KEY	PART NUMBER	U/M	DESCRIPTION
	093057-04-000	EA	WIRE ASSEMBLY - POWER LOCK ENTRANCE
	096449-01-000	EA	WIRE ASSEMBLY - WATER TANK TO MONITOR PANEL
	096450-02-000	EA	WIRE F/SENSORS - BLACK WATER - 59"
	096451-06-000	EA	WIRE F/SENSORS - GREY WATER - 23.6"
	103494-04-000	EA	WIRE ASM-WATER PUMP SWITCH
	124843-01-000	EA	WIRE ASSEMBLY - SPEAKER ADAPTER
	124882-03-000	EA	WIRE ASSEMBLY - AMPLIFIER

CONNECTORS & CONDUIT

KEY	PART NUMBER	U/M	DESCRIPTION
	007942-01-000	EA	TAB - WIRE 10 TO 14 AWG
	007956-05-000	EA	INSULATOR - SHRINK - 1/4" ID X 1 1/2"
	008313-01-000	EA	CONNECTOR - WIRE NUT - INSULATED - YELLOW
	008326-01-000	EA	TERMINAL - RING - 16/14 WIRE - 3/8" STUD
	008348-01-000	EA	TERMINAL - RING - 3/8" STUD 2 GA. WIRE
	008355-01-000	EA	CONNECTOR - CABLE CLAMPING - 3/4"
	008356-01-000	EA	CONNECTOR - PLASTIC - 3/8" AVG
	008356-02-000	EA	CONNECTOR - PLASTIC - 21/32
	008394-01-000	FT	CONDUIT - FLEXIBLE - 1/2"
	041953-01-000	FT	CONDUIT - CONVOLUTE SLIT - .5" ID - POLYETHYLENE
	041953-03-000	FT	CONDUIT - CONVOLUTE SLIT - 1" ID (CLOTHES ROD COVER)
	041953-05-000	FT	CONDUIT - CONVOLUTE SOLID - .62" ID - POLYETHYLENE
	041953-06-000	FT	CONDUIT - CONVOLUTE SLIT - .4" ID - POLYETHYLENE
	041953-07-000	FT	CONDUIT - CONVOLUTE SLIT - .25" ID - POLYETHYLENE
	041953-08-000	FT	CONDUIT - CONVOLUTE SLIT - 1.5" ID - POLYETHYLENE
	041953-09-000	FT	CONDUIT - CONVOLUTE SLIT - .5" ID - NYLON
	047443-01-000	EA	TERMINAL - .250 RECEPTACLE FIT - INSULATED - 16/14 AWG
	047443-02-000	EA	TERMINAL - .250 RECEPTACLE FIT - INSULATED - 12/10 AWG
	058028-01-000	EA	CONNECTOR - ELECTRICAL PIGTAIL - NYLON - CLEAR
	080015-02-000	EA	RECEPTACLE - FLAG - .185 - 16/14 GAUGE
	088267-01-000	EA	TERMINAL - FEMALE - 1/4
	088473-01-000	EA	HOUSING - PIN - 12 CAVITY (3 ROWS OF 4)
	088473-02-000	EA	HOUSING - PIN - 15 CAVITY (3 ROWS OF 5)
	088473-03-000	EA	HOUSING - PIN - 9 CAVITY (3 ROWS OF 3)
	088473-08-000	EA	HOUSING - PIN - 4 CAVITY - IN-LINE
	088473-09-000	EA	HOUSING - PIN - 3 CAVITY - IN-LINE
	088473-10-000	EA	HOUSING - PIN - 2 CAVITY - IN LINE
	088474-02-000	EA	HOUSING - SOCKET - 15 CAVITY
	088474-03-000	EA	HOUSING - SOCKET - 9 CAVITY
	088474-06-000	EA	HOUSING - SOCKET - 6 CAVITY
	088474-09-000	EA	HOUSING - SOCKET - 3 CAVITY
	088474-10-000	EA	HOUSING - SOCKET - 2 CAVITY
	088475-01-000	EA	PIN - CONNECTOR - 14-20 AWG
	088476-01-000	EA	TERMINAL - ELECTRICAL
	088476-02-000	EA	SOCKET - CONNECTOR - 12-10 GA - PRE-TIN
	098261-02-000	EA	SOCKET - CONNECTOR - WEATHERPACK - 14-18 AWG
	098262-01-000	EA	SEAL - CONNECTOR - WEATHERPACK
	098264-01-000	EA	HOUSING - 2 PIN - WEATHER PACK - MALE W/FEMALE PINS
	098264-02-000	EA	HOUSING - 2 PIN - WEATHER PACK - FEMALE W/MALE PINS
	098265-02-000	EA	PIN - CONNECTOR - WEATHER PACK
	101571-01-000	EA	HOUSING - 2 POSITION - MALE
	104100-01-000	EA	HOUSING - 1 POSITION - 75 AMPS
	104100-03-000	EA	TERMINAL - 75 AMP

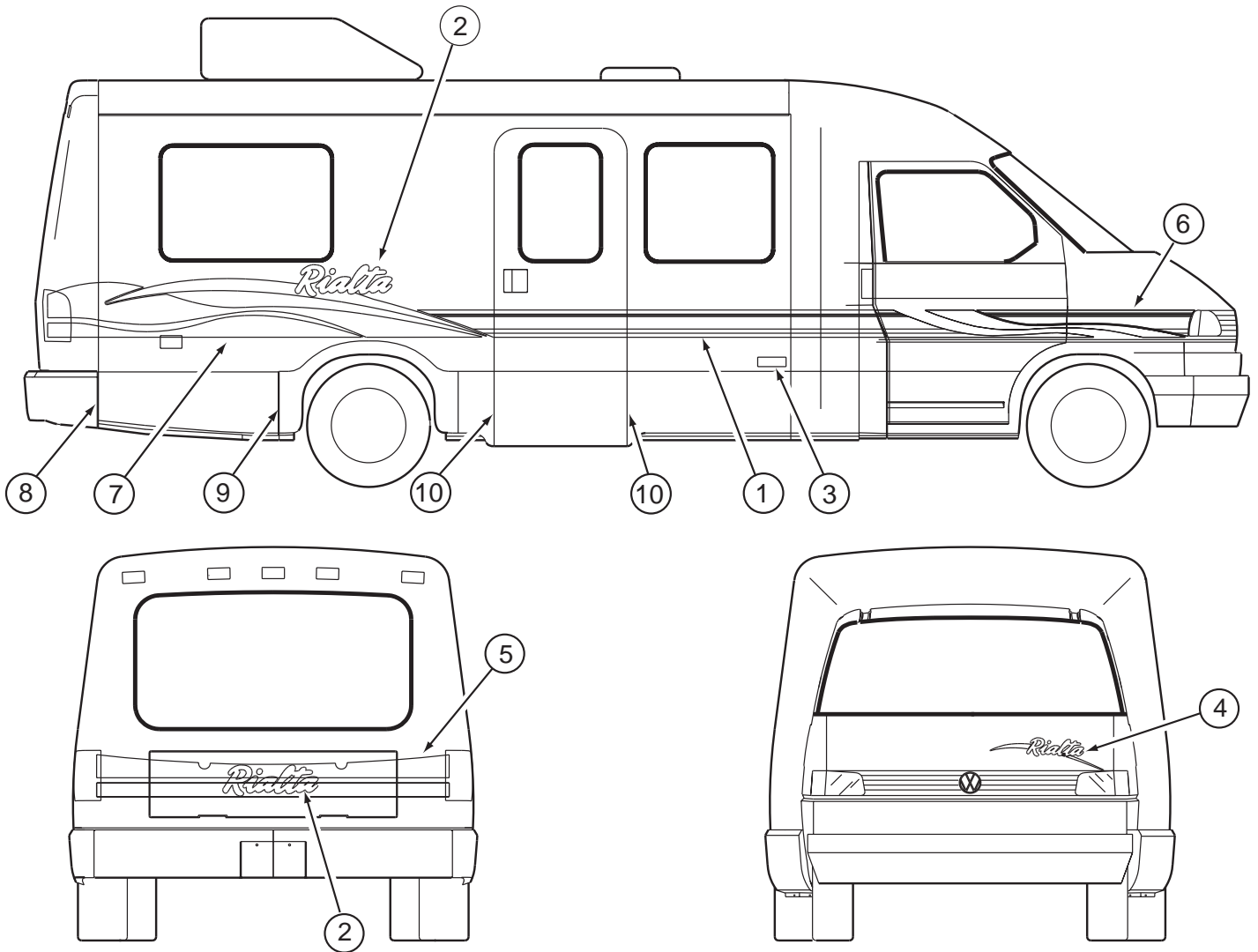
ELECTRICAL GROUP (CONTINUED)
CONNECTORS & CONDUIT (CONTINUED)

KEY	PART NUMBER	U/M	DESCRIPTION
	110178-01-000	EA	HOUSING - WIPER MOTOR
	113072-01-000	EA	HOUSING - ELECTRICAL - TURN/TAIL LAMP
	113072-02-000	EA	HOUSING - ELECTRICAL - BACK-UP TAIL LAMP
	113072-03-000	EA	HOUSING - ELECTRICAL - STOP/MARKER TAILLAMP
	113073-01-000	EA	WEDGELOCK - HOUSING - TAIL LAMP
	113074-01-000	EA	TERMINAL - TAILLAMP
	113468-01-000	EA	HOUSING - 2 POSITION-FEMALE-USED ON WIPER/WASHER WIRE ASM
	116811-01-000	EA	TERMINAL - .110 RECEPTACLE - 16-14 AWG
	119222-01-000	EA	HOUSING - 3 POSITION - FEMALE
	125323-01-000	EA	HOUSING - 10 POSITION - MALE
	125323-03-000	EA	LOCK - SECONDARY 8 POSITION
	125324-01-000	EA	TERMINAL - MALE - METRI-PACK - 150
	125325-01-000	EA	SEAL - CAVITY
	135895-01-000	EA	TERMINAL - FEMALE

BOOTS, SOLENOIDS, RELAYS & MISCELLANEOUS

KEY	PART NUMBER	U/M	DESCRIPTION
	008188-01-000	EA	SOLENOID - 3 POST - BATTERY CHANGE OVER
	063912-02-000	EA	RELAY - CANISTER - SPDT
	065450-08-000	EA	TIEDOWN - BATTERY

EXTERIOR BODY GROUP GRAPHICS & PAINT



KEY	PART NUMBER	U/M	DESCRIPTION
1	094434-03-02A	FT	FILM - OVERLAY - 5.7"
2	133594-01-02A	EA	DECAL - LOGO - RIALTA/LARGE - VW WHITE/BERRYWOOD
3	132664-01-01A	EA	DECAL - LOGO/DOMED - iWINNEBAGOi - GOLD/BLACK - PLASTIC
4	133595-01-02A	EA	DECAL - RIALTA W/SLASH - VW WHITE/BERRYWOOD/GRAYSTONE
5	133593-01-02A	EA	DECAL - BACKWALL - BERRYWOOD/LT GOLD
6	133591-01-02A	EA	DECAL - WAVES W/STRIPE - FRONT/RIGHT - BRY/LGLD/CHMP/GRY
	133591-02-02A	EA	DECAL - WAVES W/STRIPE - FRONT/LEFT - BRY/LGLD/CHMP/GRY
7	133592-01-02A	EA	DECAL - WAVES - RIGHT - LT GOLD/BERRYWOOD/GRAYSTONE
	133592-02-02A	EA	DECAL - WAVES - LEFT - LT GOLD/BERRYWOOD/GRAYSTONE
8	132325-01-04A	EA	DECAL - VALANCE/DOOR END - SMALL/PASSENGER - BERRYWOOD - W/BERRYWOOD PAINT
8	132325-01-03A	EA	DECAL - VALANCE/DOOR END - SMALL/PASSENGER - SAHARA GRAY - W/SAHARA GRAY PAINT
	132325-02-04A	EA	DECAL - VALANCE/DOOR END - SMALL/DRIVER - BERRYWOOD - W/BERRYWOOD PAINT
	132325-02-03A	EA	DECAL - VALANCE/DOOR END - SMALL/DRIVER - SAHARA GRAY - W/SAHARA GRAY PAINT
9	132324-01-04A	EA	DECAL - VALANCE/DOOR END - LARGE/PASSENGER - BERRYWOOD - W/BERRYWOOD PAINT
9	132324-01-03A	EA	DECAL - VALANCE/DOOR END - LARGE/PASSENGER - SAHARA GRAY - W/SAHARA GRAY PAINT
	132324-02-04A	EA	DECAL - VALANCE/DOOR END - LARGE/DRIVER - BERRYWOOD - W/BERRYWOOD PAINT
	132324-02-03A	EA	DECAL - VALANCE/DOOR END - LARGE/DRIVER - SAHARA GRAY - W/SAHARA GRAY PAINT
10	131730-01-04A	EA	DECAL - VALANCE/PANEL - PASSENGER END - BERRYWOOD METALLIC - W/BERRYWOOD PAINT
10	131730-01-03A	EA	DECAL - VALANCE/PANEL - PASSENGER END - SAHARA GRAY - W/SAHARA GRAY PAINT
	131730-02-04A	EA	DECAL - VALANCE/PANEL - DRIVER END - BERRYWOOD METALLIC - W/BERRYWOOD PAINT
	131730-02-03A	EA	DECAL - VALANCE/PANEL - DRIVER END - SAHARA GRAY - W/SAHARA GRAY PAINT
	093681-14-27A	FT	FILM - 1.5" - BERRYWOOD - W/BERRYWOOD PAINT
	093681-14-26A	FT	FILM - 1.5" - W/SAHARA GRAY PAINT
	041561-03-000	EA	PAINT - 16 OUNCE SPRAY - OFF WHITE
	109506-11-000	EA	FILM - URETHANE - 2" X 36 YDS

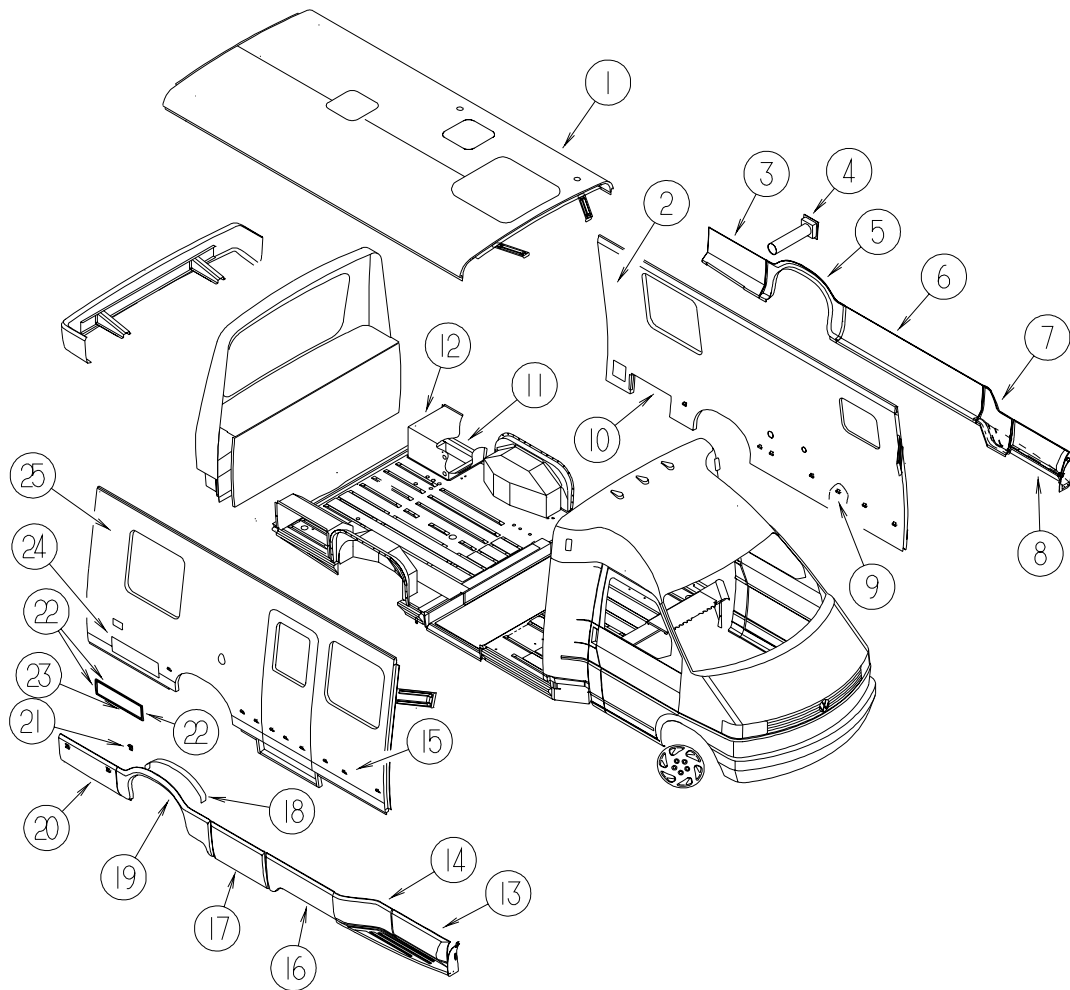
EXTERIOR BODY GROUP (CONTINUED)

GRAPHICS & PAINT (CONTINUED)

DUPONT COLOR CODES

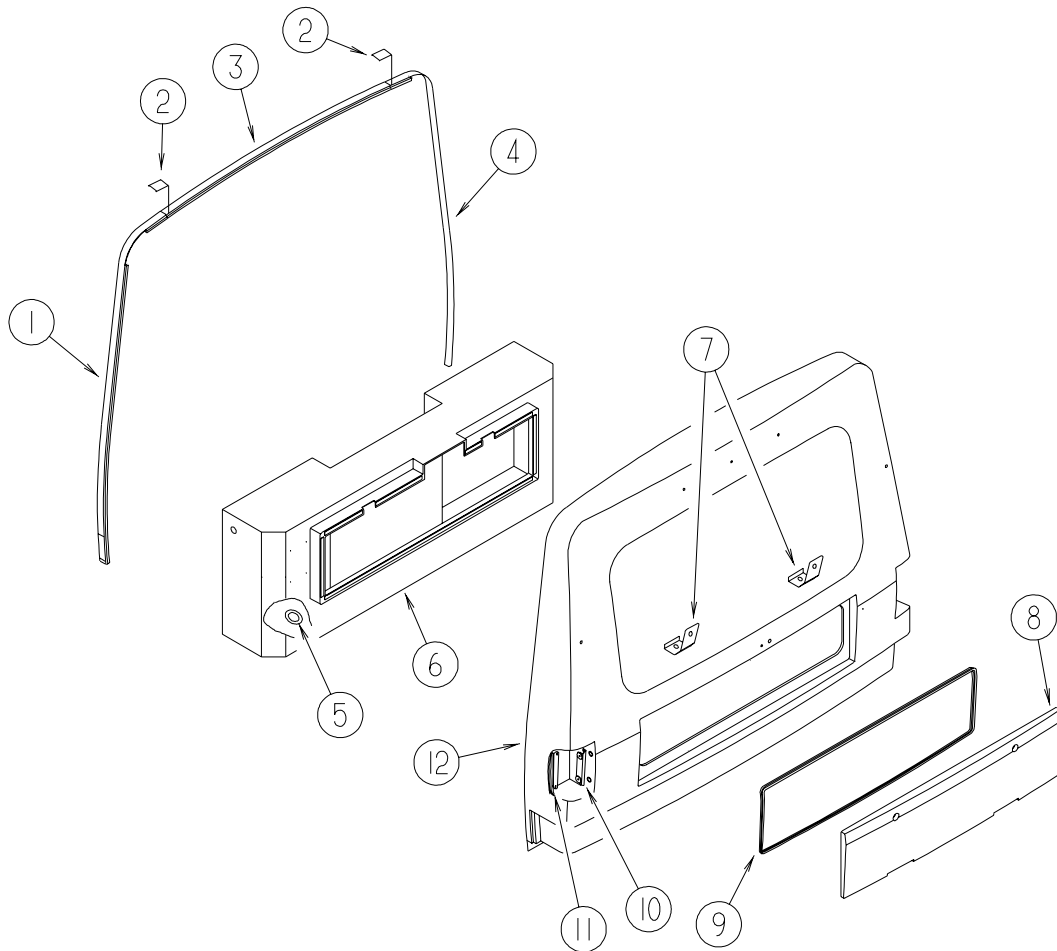
VW WHITE	W9670
BERRYWOOD MET.	RM055
SAHARA GRAY MET.	M1024U
GRAYSTONE MET.II	MM436
LT.GOLD MET.	YM209
CHAMPAGNE STAR MET.	MM081

EXTERIOR BODY GROUP (CONTINUED) PANELS



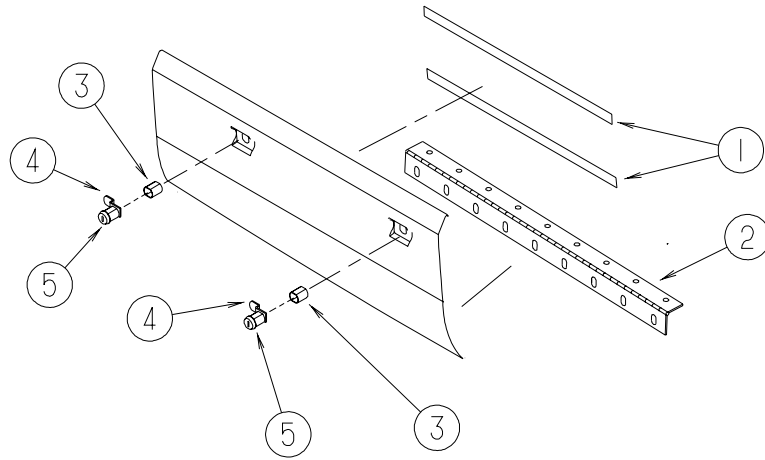
KEY	PART NUMBER	U/M	DESCRIPTION
1	124810-02-M91	EA	ROOF - W/O LIGHTS/VENTS - W/WIRING
2	124106-05-L91	EA	SIDEWALL - DRIVER - W/O WINDOWS/TRIMS (M91)
2	124106-05-L93	EA	SIDEWALL - DRIVER - W/O WINDOWS/TRIMS (M93)
3	130833-08-K76	EA	VALANCE/DOOR - REAR/DRIVER - 14.6" X 38.2" X 12.8"
3	130833-09-L90	EA	VALANCE/DOOR - REAR/DRIVER - 14.6" X 38.2" X 12.8" - W/GENERATOR
	072877-03-000	EA	INSULATION - SOUND BARRIER- 1" X 36" X 57" - ADHESIVE BACK
4	123664-01-01A	EA	COMPARTMENT - SEWER HOSE
5	130648-04-K76	EA	VALANCE/WHEEL LIP - DRIVER
6	130645-05-K76	EA	VALANCE/PANEL - FRONT/DRIVER - W/O HARDWARE
7	130611-04-K76	EA	VALANCE/PANEL - TRANSITION/DRIVER
8	130612-04-K76	EA	VALANCE/PANEL - CAB DOOR/DRIVER - W/O HARDWARE
10	113752-03-01A	EA	JAMB/TRIM - GENERATOR - VW WHITE
10	113752-01-01A	EA	JAMB/TRIM - GENERATOR - VW WHITE - W/GENERATOR
11	112808-03-02B	EA	ROCKER ASSEMBLY- REAR/DRIVER - E-COATED
12	112818-01-02B	EA	COMPARTMENT - REAR - LEFT HAND
13	130612-03-K76	EA	VALANCE/PANEL - CAB DOOR/PASSENGER - W/O HARDWARE
14	130611-03-K76	EA	VALANCE/PANEL - TRANSITION/PASSENGER
16	130645-04-K76	EA	VALANCE/PANEL - FRONT/PASSENGER - W/O HARDWARE
17	130649-02-K76	EA	VALANCE/PANEL - ENTRY DOOR - 26.6" X 16.6" - BLACK
18	113012-02-01A	EA	TRIM - WHEELWELL - REAR - MILL
19	130648-03-K76	EA	VALANCE/WHEEL LIP - PASSENGER
20	130833-10-L90	EA	VALANCE/DOOR - REAR/PASSENGER - 14.6" X 38.2" X 12.8"
21	127289-01-02B	EA	BRACKET - LOCK CATCH - RH - E-COAT
	127289-02-02B	EA	BRACKET - LOCK CATCH - LH - E-COAT
22	112160-02-000	FT	SEAL - D SECTION - .2 X .3" - FOAM RUBBER
23	112160-01-000	FT	SEAL - D SECTION - .2 X .3" - FOAM RUBBER
24	113753-01-01A	EA	JAMB/TRIM - LP - VW WHITE
25	135847-01-M91	EA	SIDEWALL - PASSENGER - W/O WINDOWS/TRIMS
25	135847-01-M93	EA	SIDEWALL - PASSENGER - W/O WINDOWS/TRIMS

EXTERIOR BODY GROUP (CONTINUED)
PANELS (CONTINUED)



KEY	PART NUMBER	U/M	DESCRIPTION
1	112544-02-01A	EA	TRIM - SIDEWALL TO REAR CAP - LEFT HAND
2	086754-10-000	EA	CAP - TRIM - VW WHITE
3	112548-01-01A	EA	TRIM - ROOF TO REAR CAP
4	112544-01-01A	EA	TRIM - SIDEWALL TO REAR CAP - RIGHT HAND
5	009426-01-000	EA	HATCH - POWER CORD - WHITE
6	130527-01-01A	EA	COMPARTMENT/LUGGAGE - REAR
7	127124-02-02B	EA	BRACKET - DOOR - REAR - E-COATED
8	124392-02-K76	EA	DOOR - COMPARTMENT/REAR - W/O HARDWARE
	076767-05-000	EA	CABLE - STAINLESS STEEL - 15.5"
	124242-01-02A	EA	HINGE - TRUNK DOOR - VW WHITE
	131035-01-000	EA	LOCK/COMPRESSION TYPE - KEYED W/CAM & HARDWARE - W/O KEY
	131035-60-000	EA	CAM - LOCK - COMPRESSION
9	107721-07-000	FT	SEAL - ACCESS DOOR - .9" WIDE X 1.1" HIGH
10	113777-01-02B	EA	BRACKET - TAIL LAMP - 7.7" LONG - E-COATED
11	113689-01-02B	EA	BRACKET - TAIL LAMP - RH - E-COATED
11	113689-02-02B	EA	BRACKET - TAIL LAMP - LH - E-COATED
12	P30529-01-K76	EA	CAP - REAR - W/O ANGLE

EXTERIOR BODY GROUP (CONTINUED)
VALANCE DOOR PIECE PARTS



KEY	PART NUMBER	U/M	DESCRIPTION
1	134867-01-000	FT	SEAL - 3/4 X 1 1/4 - PSA ONE SIDE
2	112246-06-01A	EA	HINGE - VALANCE DOOR - VW WHITE
2	112246-05-01A	EA	HINGE - VALANCE DOOR - VW WHITE
3	107997-51-005	EA	SPACER - DOOR LOCK .6" DEEP
4	110506-68-000	EA	CAM - LATCHING - DOG LEGGED 1.3" LONG
5	110506-55-000	EA	CASE/CYLINDER - TWIST LOCK - W/O CAM - 1.25" - 597312AA1
5	110506-52-000	EA	CASE/CYLINDER - LOCKING - W/O CAM/KEY - .65" - 702370
5	110506-52-001	EA	CASE/CYLINDER - LOCKING - W/O CAM/KEY - .65" - 702371
5	110506-52-002	EA	CASE/CYLINDER - LOCKING - W/O CAM/KEY - .65" - 702372
5	110506-52-003	EA	CASE/CYLINDER - LOCKING - W/O CAM/KEY - .65" - 702373
5	110506-52-004	EA	CASE/CYLINDER - LOCKING - W/O CAM/KEY - .65" - 702374
5	110506-52-005	EA	CASE/CYLINDER - LOCKING - W/O CAM/KEY - .65" - 702375
5	110506-52-006	EA	CASE/CYLINDER - LOCKING - W/O CAM/KEY - .65" - 702376
5	110506-52-007	EA	CASE/CYLINDER - LOCKING - W/O CAM/KEY - .65" - 702377
5	110506-52-008	EA	CASE/CYLINDER - LOCKING - W/O CAM/KEY - .65" - 702378
5	110506-52-009	EA	CASE/CYLINDER - LOCKING - W/O CAM/KEY - .65" - 702379
*	110506-59-000	EA	KEYS - SET OF TWO 596720
*	110506-59-001	EA	KEYS - SET OF TWO 596721
*	110506-59-002	EA	KEYS - SET OF TWO 596722
*	110506-59-003	EA	KEYS - SET OF TWO 596723
*	110506-59-004	EA	KEYS - SET OF TWO 596724
*	110506-59-005	EA	KEYS - SET OF TWO 596725
*	110506-59-006	EA	KEYS - SET OF TWO 596726
*	110506-59-007	EA	KEYS - SET OF TWO 596727
*	110506-59-008	EA	KEYS - SET OF TWO 596728
*	110506-59-009	EA	KEYS - SET OF TWO 596729
	130444-01-01A	EA	CAP - KEY IDENTIFIER - GREEN

***COMPONENT PARTS LISTED LATER IN THIS GROUP**

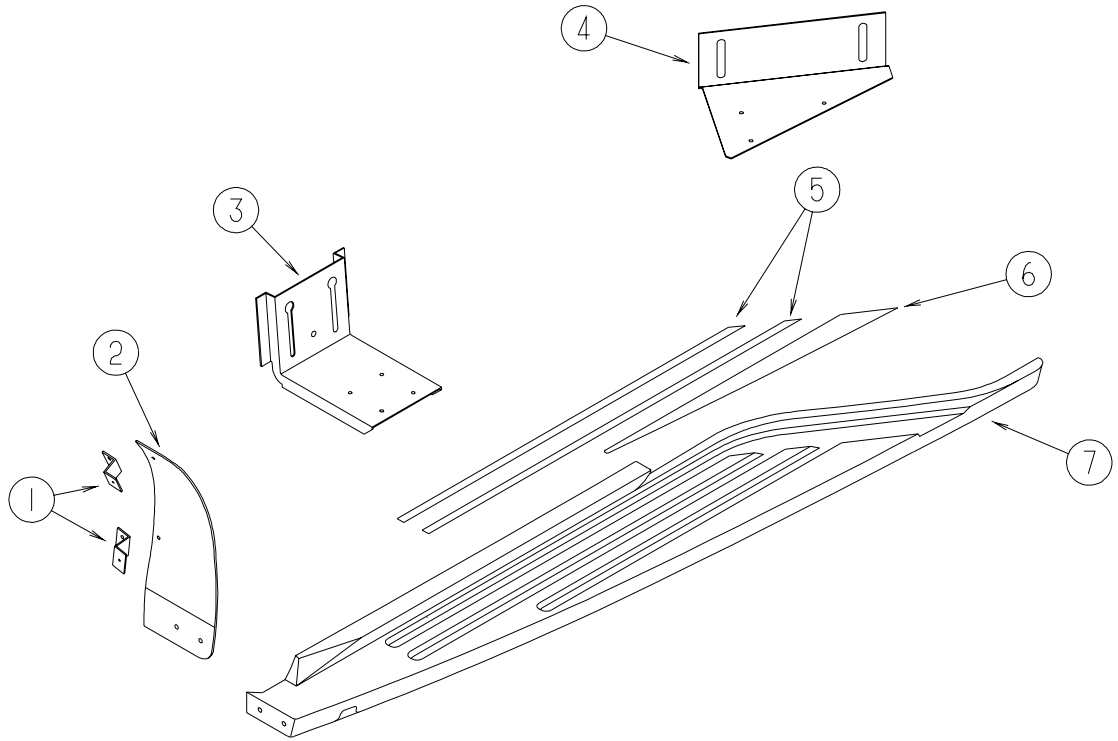
EXTERIOR BODY GROUP (CONTINUED)
COMPONENT PARTS FOR VALANCE DOOR PIECE PARTS

110506-59-000 - 110506-59-009

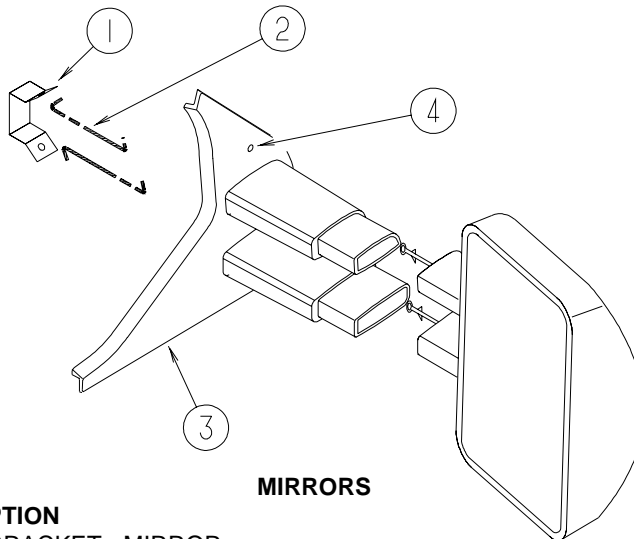
KEY	PART NUMBER	U/M	DESCRIPTION	VENDOR NO .
	110506-40-700	EA	HDWE KIT	596950AAL
	110506-59-701	EA	KEY BLANK (GOLD)	

EXTERIOR BODY GROUP (CONTINUED)

RUNNING BOARDS



KEY	PART NUMBER	U/M DESCRIPTION
1	112507-01-02B	EA BRACKET - MUD FLAP - FRONT
2	131135-02-02A	EA SUPPORT - MUD FLAP - LEFT HAND - VW WHITE
	131135-01-02A	EA SUPPORT - MUD FLAP - RIGHT HAND - VW WHITE
3	131573-01-02B	EA BRACKET ASM-RUNNING BD,E-C - *99 200 SERIES
4	131574-01-02B	EA BRACKET - RUNNING BOARD - DRIVER REAR - E-COATED
	131574-02-02B	EA BRACKET - RUNNING BOARD - PASSENGER REAR - E-COATED
5	038327-05-000	EA TAPE - ANTI SLIP - 5/8"X 60' - BLACK
6	102570-06-000	EA MAT - ANTI SLIP - UPPER/LEFT HAND
	102570-05-000	EA MAT - ANTI SLIP - UPPER/RIGHT HAND
7	130613-04-K76	EA RUNNING BOARD - FIBERGLASS/DRIVER - VW WHITE
	130613-03-K76	EA RUNNING BOARD - FIBERGLASS/PASSENGER - VW WHITE



MIRRORS

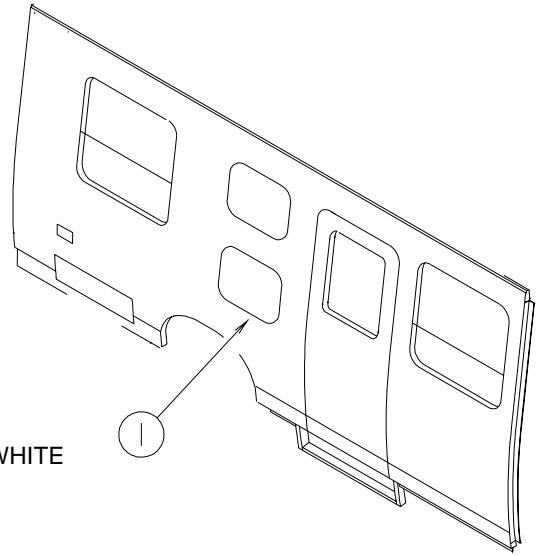
KEY	PART NUMBER	U/M DESCRIPTION
1	115334-01-02B	EA HOOK - BRACKET - MIRROR
2	115752-02-01A	EA MIRROR ROD - 3.3" LONG
3	114494-01-03A	EA BRACKET - MIRROR - PASSENGER - VW WHITE
3	114494-02-03A	EA BRACKET - MIRROR - DRIVER - VW WHITE
4	127984-01-01A	EA SCREW - EXTERIOR MIRROR - VW WHITE

EXTERIOR BODY GROUP (CONTINUED)

STRUCTURAL COMPONENTS

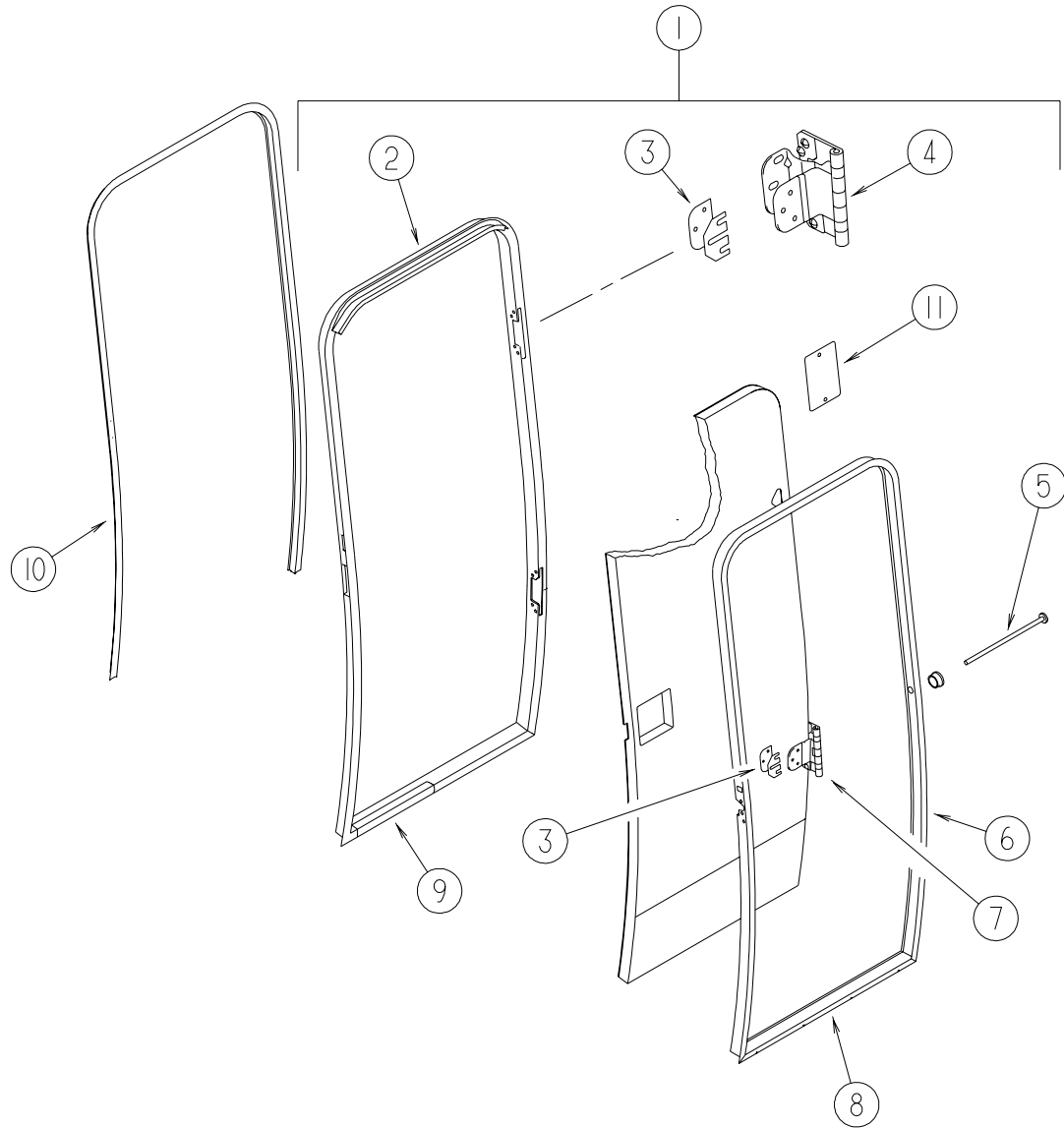
KEY	PART NUMBER	U/M	DESCRIPTION
	000870-10-000	SF	STYROFOAM - 3/4" X 48" X 121" - PLANED
	002754-01-001	EA	ANGLE - EXTRUDED - 3/4" X 3/4" X 16' - MILL ALUMINUM
	089297-01-000	SF	PLYWOOD - LUAN - OVERLAY GRADE - 4' X 8'
	090897-51-001	EA	TUBE - EXTRUDED - SIDEWALL - REAR
	092321-01-000	FT	INSULATION - FIBERGLASS W/FOIL BACKING - 1/2" T X 28.38" W
	100619-01-000	BF	FOAM - EXPANDED POLYSTYRENE - 1.34" X 48" X 96"
	100619-04-000	BF	FOAM - EXPANDED POLYSTYRENE - .5" X 48" X 96"
	100619-06-000	EA	FOAM - EXPANDED POLYSTYRENE-.9" X 20.4" X 63.4" (EA = 8BF)
	100619-07-000	EA	FOAM - EXPANDED POLYSTYRENE - .63" X 48" X 96" (EA = 20BF)

EXTERIOR DOORS & COMPARTMENTS GROUP
DOOR & COMPARTMENT LAYOUT



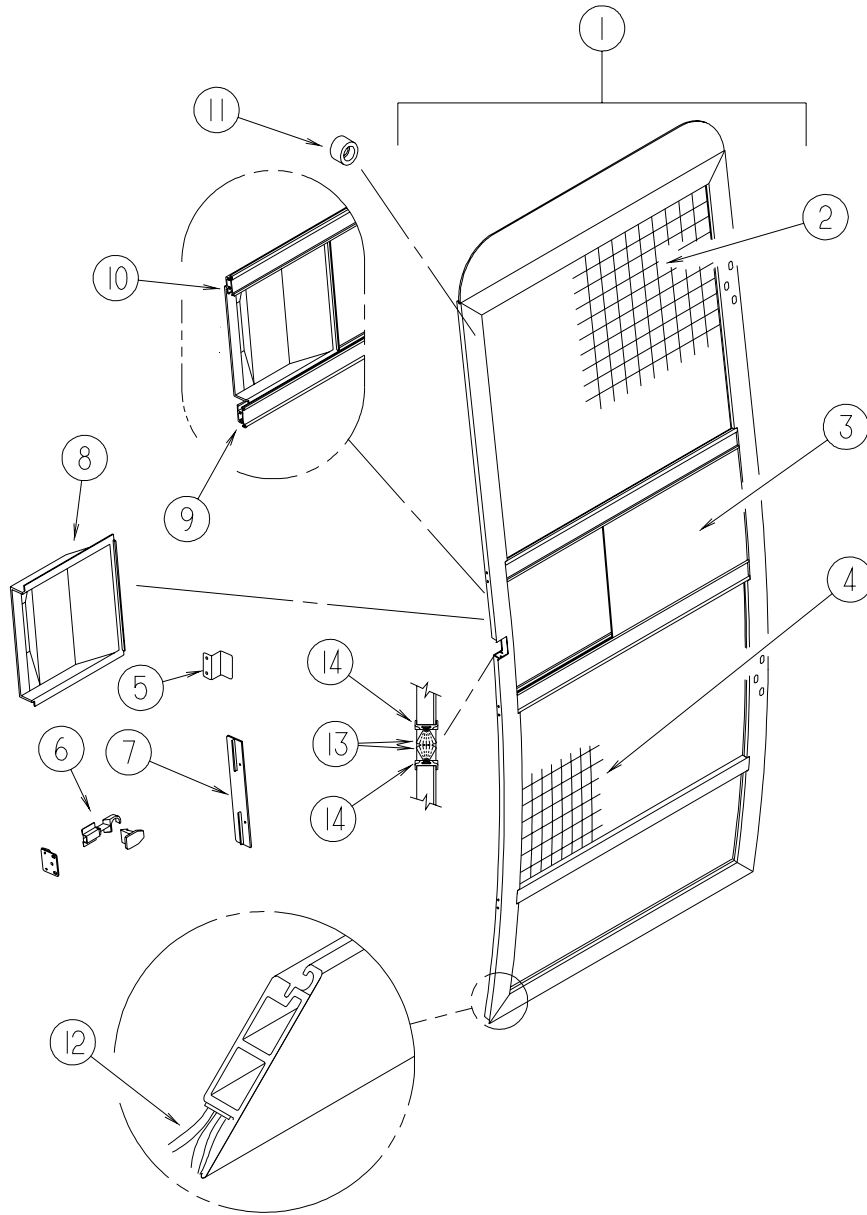
KEY	PART NUMBER	U/M	DESCRIPTION
1	084103-10-000	EA	DOOR - VENT/REFRIGERATOR - W/O JAMB - VW WHITE
	084104-10-000	EA	JAMB - VENT DOOR/REFRIGERATOR - VW WHITE

EXTERIOR DOORS & COMPARTMENTS GROUP (CONTINUED)
ENTRY



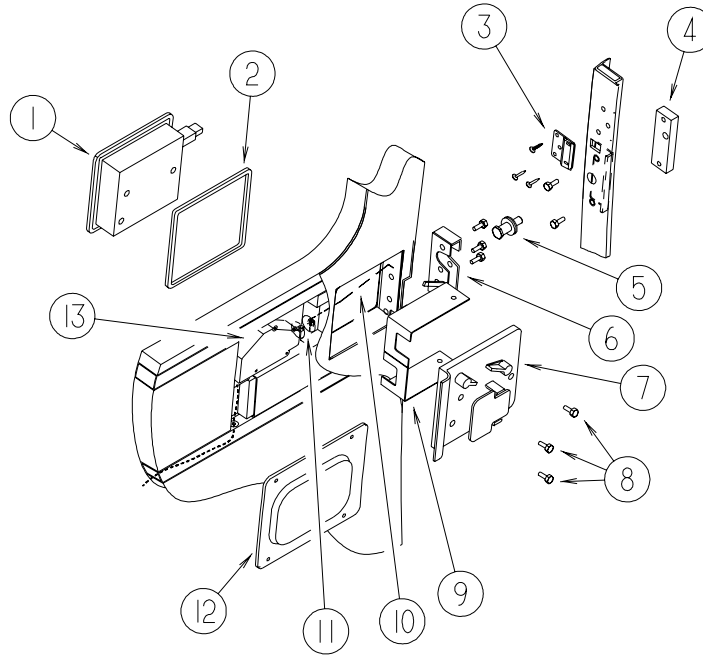
KEY	PART NUMBER	U/M	DESCRIPTION
1	P13594-02-L90	EA	DOOR - ENTRY - W/SCREEN DOOR - W/O WINDOW (M91)
1	P13594-02-L92	EA	DOOR - ENTRY - W/SCREEN DOOR - W/O WINDOW (M93)
2	113642-01-F45	EA	JAMB - DOOR/ENTRY
	044582-39-000	EA	CAP-DRIP JAMB MTD,MILL
	111536-03-000	FT	SEAL - ENTRY DOOR
3	113668-01-01A	EA	GASKET - HINGE - DOOR
4	113460-01-02A	EA	HINGE - ENTRANCE DOOR/UPPER
5	077222-01-000	EA	SPRING - WIRE GUARD - ENTRY DOOR
6	137168-02-M90	EA	TRIM - ENTRY DOOR
7	113461-01-02A	EA	HINGE - ENTRANCE DOOR/LOWER
8	113395-02-01A	EA	TRIM - ENTRY DOOR/BOTTOM - VW WHITE
9	038327-01-000	EA	TAPE - ANTI-SLIP - 2" X 60'
10	137167-01-M90	EA	TRIM - ENTRY DOOR - UPPER
11	113680-01-01A	EA	COVER - ACCESS - DOOR HINGE
	116111-02-01A	EA	SCREW - TAPTITE - 1/4-20 X 3/8 PPH - ZINC

EXTERIOR DOORS & COMPARTMENTS GROUP (CONTINUED)
SCREEN



KEY	PART NUMBER	U/M	DESCRIPTION
1	113621-01-01A	EA	DOOR - SCREEN
2	002293-02-000	SF	SCREEN - 26" - CHARCOAL
3	016454-12-000	EA	INSERT - SCREEN DOOR - CENTER
4	002293-02-000	SF	SCREEN - 26" - CHARCOAL
5	116485-01-03B	EA	BRACKET - SCREEN DOOR - OFF WHITE
6	110529-01-000	EA	LATCH - BULLET - SCREEN DOOR
7	079087-02-000	EA	STRIKE - SLIDER W/LIP FOR ELBOW CATCH-1.5" X 8.6" - OFF WHT
8	079086-02-000	EA	SLIDER - SCREEN DOOR
9	002294-01-000	FT	SPLINE - SCREENING - .135" X .138"
10	078777-08-000	FT	CHANNEL - SLIDER
11	120863-07-000	EA	BUMPER - RUBBER - .7" DIA X .7" THICK
12	075673-05-000	FT	SEAL - PILE - ADHESIVE BACK - BLACK
13	075673-04-000	FT	SEAL - PILE - ADHESIVE BACK
14	113616-01-01A	FT	EXTRUDED - VINYL - SEAL TRACK - 7'

EXTERIOR DOORS & COMPARTMENTS GROUP (CONTINUED)
LATCH - ENTRY



KEY	PART NUMBER	U/M	DESCRIPTION
1*	113636-01-01A	EA	LATCH/PADDLE - ENTRY W/DEADBOLT - W/KEYS - OFF WHITE
1	130444-01-01A	EA	CAP - KEY IDENTIFIER - GREEN
2	113669-01-01A	EA	GASKET - LATCH - DOOR
3	113750-01-04B	EA	PLATE - LATCH STRIKER
4	113636-05-01A	EA	NUT - CAGED
5	092927-03-000	EA	STRIKER - ROUND - JAMB MOUNTED
6	113636-03-01A	EA	LATCH - SINGLE ROTOR
7	113636-02-01A	EA	PLATE - INSIDE - W/DEADBOLT
8	111203-06-01A	EA	SCREW - MOUNTING/PLATE - ZINC
9	115750-01-02B	EA	BRACKET - LATCH - DOOR
10	113834-01-01A	EA	ROD - DOOR LATCH - POWER
11	114209-01-01A	EA	PUSHNUT - CAP - 1/8" - WHITE
12	113960-01-01A	EA	COVER - ACTUATOR - POWER LOCK
13	117050-01-000	EA	POWER DOOR LOCK MOTOR/ACTUATOR - NEW STYLE VW #701959781

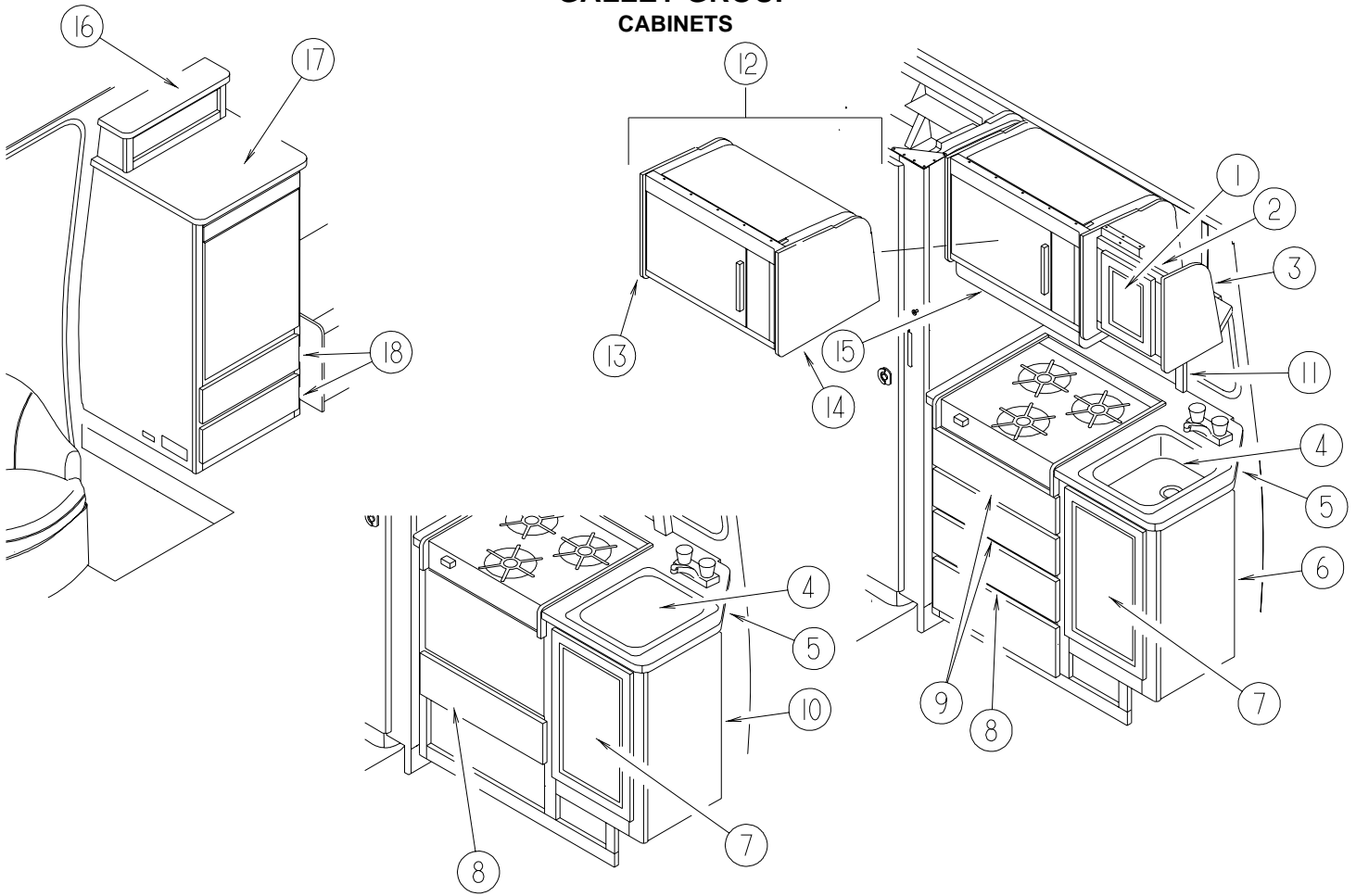
***COMPONENT PARTS LISTED LATER IN THIS GROUP**

EXTERIOR DOORS & COMPARTMENTS GROUP (CONTINUED)
COMPONENT PARTS FOR LATCH - ENTRY

113636-01-01A

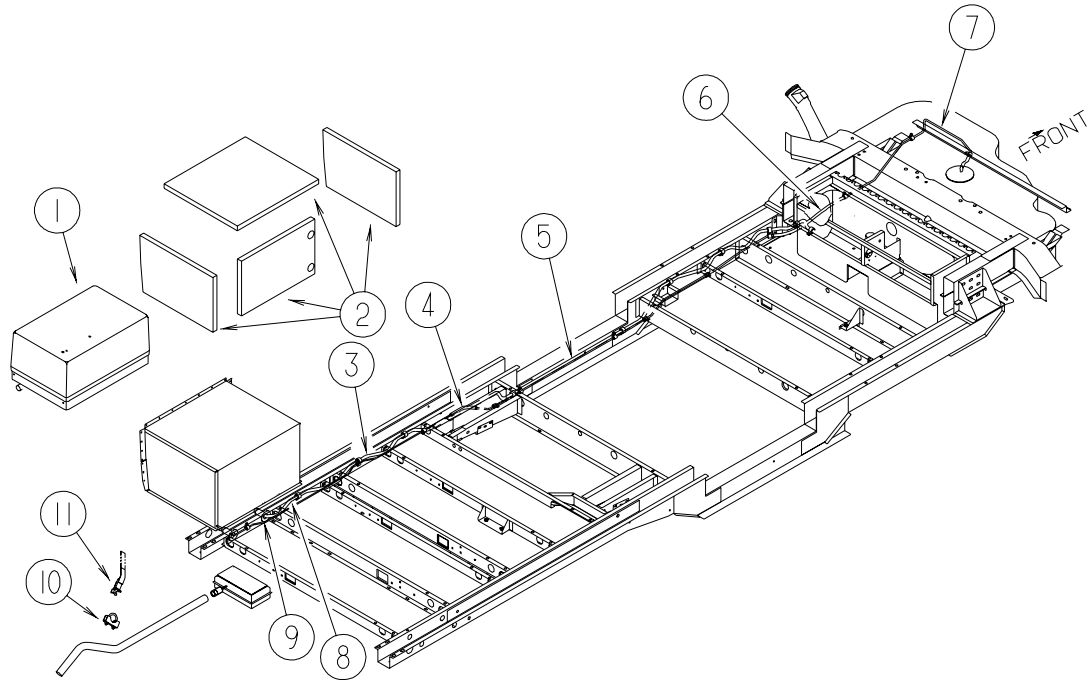
KEY	PART NUMBER	U/M	DESCRIPTION	VENDOR NO .
	113636-01-01A	EA	LATCH/PADDLE - ENTRY W/DEADBOLT - W/KEYS - OFF WHITE	
	045017-11-701	EA	KEY (F) BLANK - TM201-250	14264-01-2001
	113636-01-700	EA	KEY BLANK/D-BOLT TRI 0-099	14264-03-2001

GALLEY GROUP CABINETS



KEY	PART NUMBER	U/M	DESCRIPTION
1	134783-D2-M91	EA	DOOR - RAIL/SOLID PANEL - 9.8" X 13" - W/O HARDWARE
2	119213-01-J80	EA	CABINET - GALLEY/OVERHEAD - W/O DOORS/HARDWARE
3	119132-03-J80	EA	END CAP - OVERHEAD
4	126545-01-M90	EA	COVER - SINK
5	132601-05-M91	EA	COUNTERTOP - LAMINATED - PLAT METAL
6	134028-02-L91	EA	CABINET - GALLEY - W/O COUNTERTOP/DOORS/DRAWERS/HARDWARE
7	134783-E0-M91	EA	DOOR - RAIL/SOLID PANEL - 13.7" X 15.3" - W/O HARDWARE
8	P34767-83-M91	EA	DRAWER - PENCIL EDGE - 19.8"W X 17.7"D-W/O SLIDES/HARDWARE
9	P34767-89-M91	EA	DRAWER - PENCIL EDGE - 19.8"W X 17.7"D-W/O SLIDES/HARDWARE
10	134028-01-L91	EA	CABINET - GALLEY - W/O COUNTERTOP/DOORS/DRAWERS/HARDWARE
11	074700-05-000	EA	COVER - PIPE - VW LT GRAY PLASTIC
12	M07494-25-K77	EA	CABINET - OVERHEAD/MICROWAVE - W/O DOORS/HARDWARE
13	119132-09-K77	EA	END CAP - OVERHEAD CABINET
14	119132-10-K77	EA	END CAP - OVERHEAD CABINET
15	119142-02-04B	EA	PANEL - MICROWAVE BOTTOM - BLACK
16	133131-71-M91	EA	COUNTERTOP - LAMINATED (EDGE BAND OPTION)
17	133131-70-M91	EA	COUNTERTOP - LAMINATED (EDGE BAND OPTION)
18	P34767-84-M91	EA	DRAWER - PENCIL EDGE - 19.8"W X 11.8"D-W/O SLIDES/HARDWARE

GENERATOR GROUP GAS



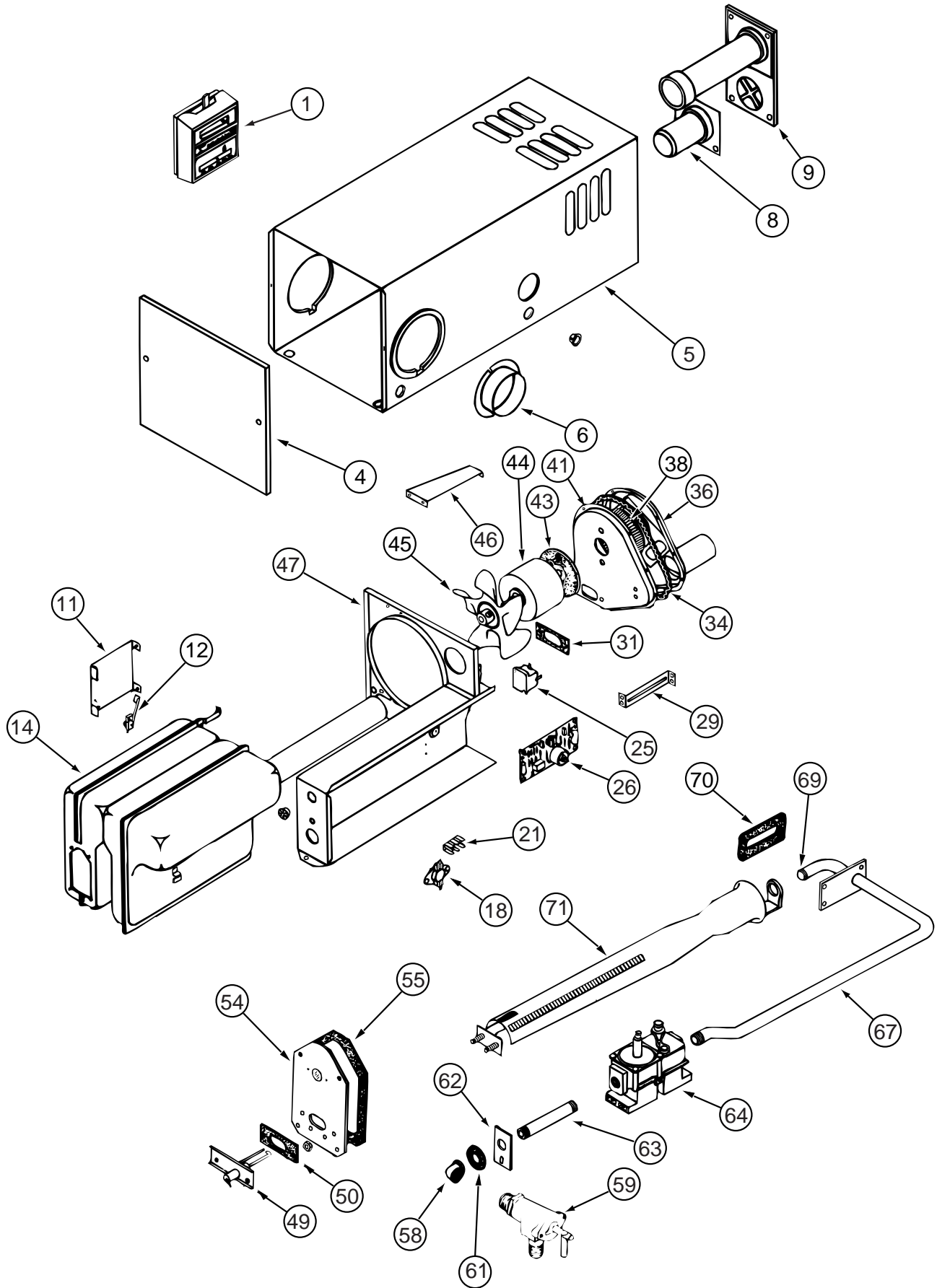
KEY	PART NUMBER	U/M	DESCRIPTION
1	132918-01-000	EA	GENERATOR - 2.8 KW - MICROLITE
2	007067-01-000	SF	INSULATION - FIBERGLASS - 1" THICK X 4'-INCREMENTS 4 SF
3	113378-02-000	EA	FUEL LINE - GENERATOR - REAR
4	128139-03-000	FT	HOSE - FUEL - LOW PERMEABILITY - 1/4" DIAMETER
5	113378-04-000	EA	FUEL LINE - GENERATOR - MIDDLE
6	128139-01-000	FT	HOSE - FUEL - LOW PERMEABILITY
7	113378-01-000	EA	FUEL LINE - GENERATOR - FRONT
8	128139-03-000	FT	HOSE - FUEL - LOW PERMEABILITY - 1/4" DIAMETER
9	084884-01-000	EA	PLUG - BRASS - 3/8"
10	007131-01-000	EA	HANGER - TAILPIPE - 6 SLOTS
11	007125-03-000	EA	CLAMP - MUFFLER - 1.5" DIAMETER

HEATING & A/C GROUP
FURNACE

KEY	PART NUMBER	U/M	DESCRIPTION
*	075697-08-000	EA	FURNACE - FORCED AIR - 20,000 BTU - GRAY
	058906-08-000	EA	PANEL - CONTROL - AUXILIARY HEATER - VW LIGHT GRAY
	115764-01-01A	EA	THERMOSTAT - FURNACE

***COMPONENT PARTS LISTED LATER IN THIS GROUP**

HEATING & A/C GROUP (CONTINUED)
COMPONENT PARTS FOR FURNACE



HEATING & A/C GROUP (CONTINUED)
COMPONENT PARTS FOR FURNACE (CONTINUED)

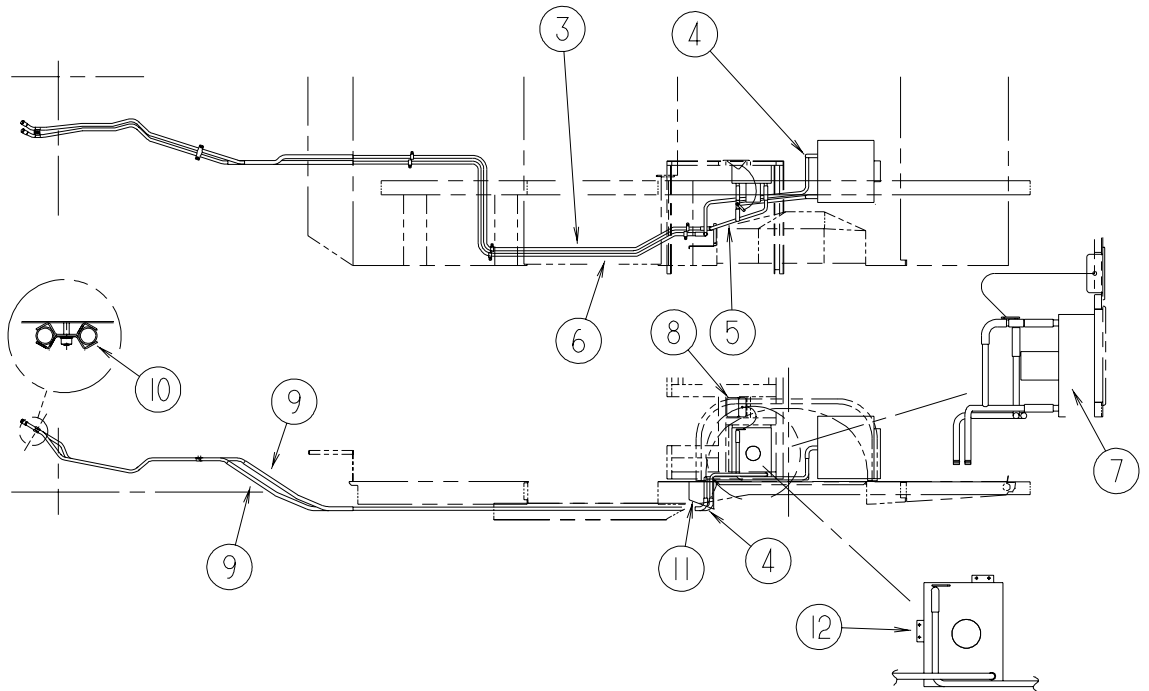
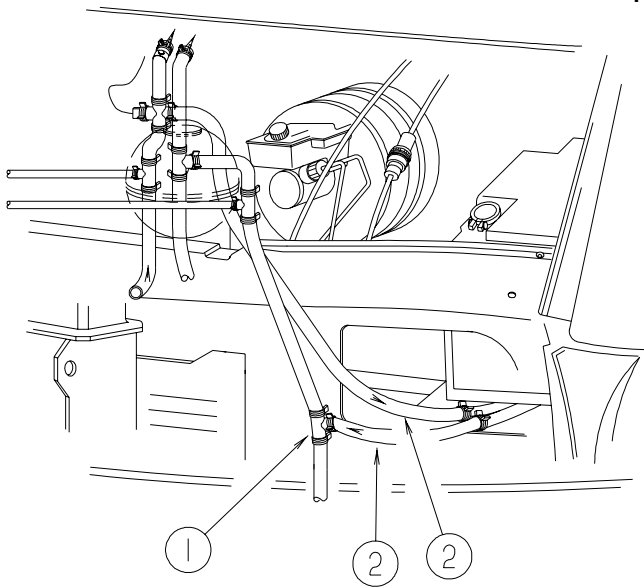
075697-08-000 (CONTINUED)

KEY	PART NUMBER	U/M	DESCRIPTION	VENDOR NO.
4	075697-07-700	EA	CABINET, FRONT	030785SG
5	075697-01-707	EA	CABINET ASSEMBLY	100957
8	075697-01-701	EA	VENT CAP & EXHAUST ASM 20SE	260098
17	074035-01-707	EA	SWITCH - LIMIT	230849
24	098668-22-705	EA	MODULE BD W/RELAY TIME DELAY	520820
25	075697-05-701	EA	MICROSWITCH ASSEMBLY	230933
29	075697-07-703	EA	GASKET - MOTOR	070448
36	074035-01-706	EA	WHEEL, COMBUSTION AIR	350082
41	075697-04-701	EA	MOTOR	230634
45	075697-04-703	EA	ELECTRODE-DBL PROBE PRIOR 92	231258
45	075697-01-708	EA	ELECTRODE-SGL PROBE 92 ON UP	231931
46	092300-01-704	EA	GASKET-ELECTRODE	070163
50	075697-04-704	EA	DOOR-BURNER ACCESS	030621
51	069634-01-732	EA	GASKET, BURNER ACCESS DOOR	070398
54	092300-01-718	EA	ELBOW 90'	170374
55	075697-07-701	EA	VALVE	161123
60	074035-01-709	EA	ORIFICE	180231
61	075697-01-709	EA	GASKET-MANIFOLD	070449
62	075697-07-702	EA	MANIFOLD ASSEMBY	170744
64	139980-01-710	EA	SWITCH - ON/OFF	232351
	075697-07-704	EA	GASKET - BURNER TUNNEL	070450

CONTACT WINNEBAGO PART SALES FOR UNLISTED COMPONENTS

HEATING & A/C GROUP (CONTINUED)

REAR HEATER



KEY	PART NUMBER	U/M	DESCRIPTION
1	076776-02-000	EA	TEE - BEADED - 3/4 X 3/4 X 3/4
2	007108-02-000	FT	HOSE - HEATER - 3/4" ID - HI-TEMP
3	119081-04-000	EA	TUBE - MOTOR AID
4	083081-01-000	EA	HOSE - FORMED - 90 DEGREES - 5/8" ID
5	083088-01-000	EA	PIPE - COOLANT RETURN - AUXILIARY REAR HEATER
6	119081-03-000	EA	TUBE - MOTOR AID
7*	049401-04-000	EA	HEATER - REAR - W/O SWITCH
8	090977-02-000	EA	KNOB - CABLE/SET SCREW - REAR HEATER
9	007108-01-000	FT	HOSE - HEATER - 5/8" ID - HI-TEMP
10	134002-01-000	EA	CLAMP - PIPE - DOUBLE - 5/8" DIAMETER
11	084190-01-000	EA	GUARD - MOTOR AID - 5.9" X 5.7" X 5.3" - ANGLED/GALV STEEL
12	058893-01-000	EA	BRACKET - L-ANGLE - .75" X .75" X 2.25 - ALUMINUM

***COMPONENT PARTS LISTED LATER IN THIS GROUP**

HEATING & A/C GROUP (CONTINUED)
COMPONENT PARTS FOR REAR HEATER

049401-04-000

KEY	PART NUMBER	U/M	DESCRIPTION	VENDOR NO.
	049401-04-000	EA	HEATER - REAR - W/O SWITCH	
	049401-01-705	EA	VALVE 3 PORT 2 WAY	HV032126
	049401-03-700	EA	HEATER CORE	FT200027
	049401-03-701	EA	FAN-CCW	HV029931
	049401-03-702	EA	RESISTOR	RV212103
	049401-04-700	EA	CABLE-CONTROL	HV033639
	049401-04-701	EA	MOTOR 12V SS/PM	HV033107

HEATING & A/C GROUP (CONTINUED)

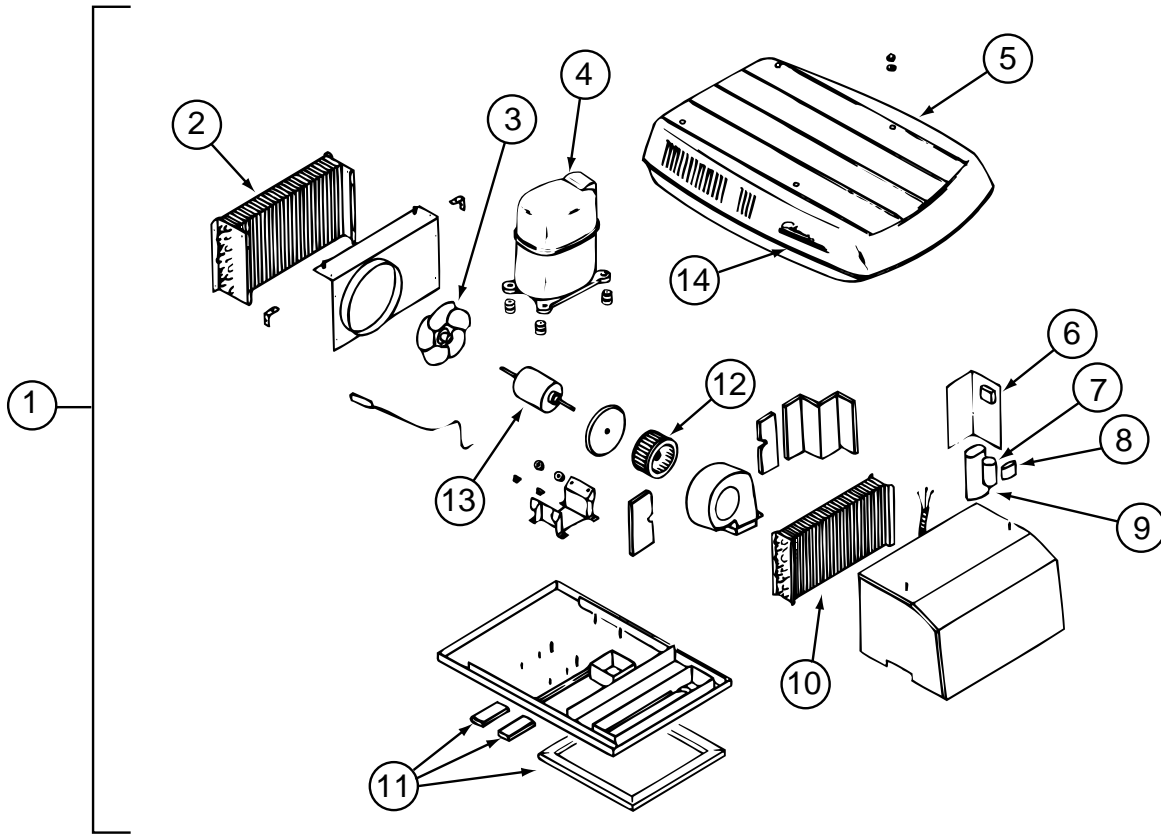
ROOF

KEY	PART NUMBER	U/M	DESCRIPTION
*	093306-01-02A	EA	A/C - ROOF - 7100 BTU - ROTARY - WHITE FROM: 00-00-00 THRU: 06-03-01
	093306-01-03A	EA	A/C - ROOF - 7100 BTU - POLAR WHITE - 6727-731 FROM: 06-04-01 THRU: 99-99-99
*	093307-03-000	EA	CEILING ASSEMBLY - COOL ONLY - WHITE
	102289-01-000	EA	SPRING - SCREW - ROOF A/C GASKET

***COMPONENT PARTS LISTED LATER IN THIS GROUP**

HEATING & A/C GROUP (CONTINUED)

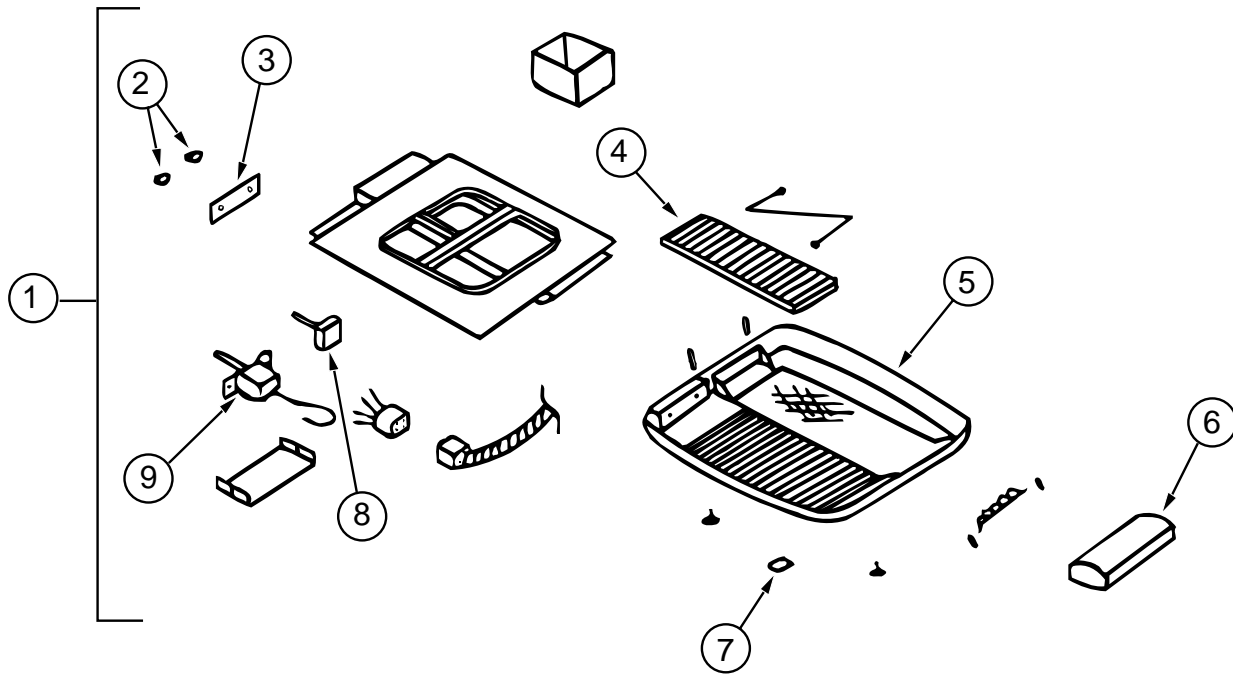
COMPONENT PARTS FOR ROOF



093306-01-02A

KEY	PART NUMBER	U/M	DESCRIPTION	VENDOR NO.
1	093306-01-02A	EA	A/C - ROOF - 7100 BTU - ROTARY - WHITE	
2	093306-01-711	EA	COIL-CONDENSER	1452-0701
3	093306-01-703	EA	FAN-4 BLADE. 9" DIAMETER	6707-3321
4	093306-01-717	EA	COMPRESSOR-PANASONIC	1450-2019
5	093306-01-722	EA	SHROUD, ARCTIC WHITE,NO LOGO	6727-5761
6	093306-01-721	EA	RELAY-START	1497-5051
7	093306-01-720	EA	CAPACITOR-START, 21-25 MFD33	1497-3351
8	093306-01-719	EA	OVERLOAD	1450A0011
9	093306-01-718	EA	CAPACITOR-FAN, 5MFD 370 V	1499-5421
9	108889-01-707	EA	CAPACITOR-RUN,COMP-25MFD/370	1499-5661
10	093306-01-713	EA	COIL-EVAPORATOR	1452-0601
11	037648-01-714	EA	GASKET PACKAGE	8332-3301
12	093306-01-706	EA	WHEEL-BLOWER,6 5/16X2 7/8	6707-3281
13	093306-01-705	EA	MOTOR(115V1.6A60H2-RPM	6727-3119
14	093306-01-701	EA	DECAL PACKAGE, LEFT & RIGHT	6798B3591

HEATING & A/C GROUP (CONTINUED)
COMPONENT PARTS FOR ROOF (CONTINUED)

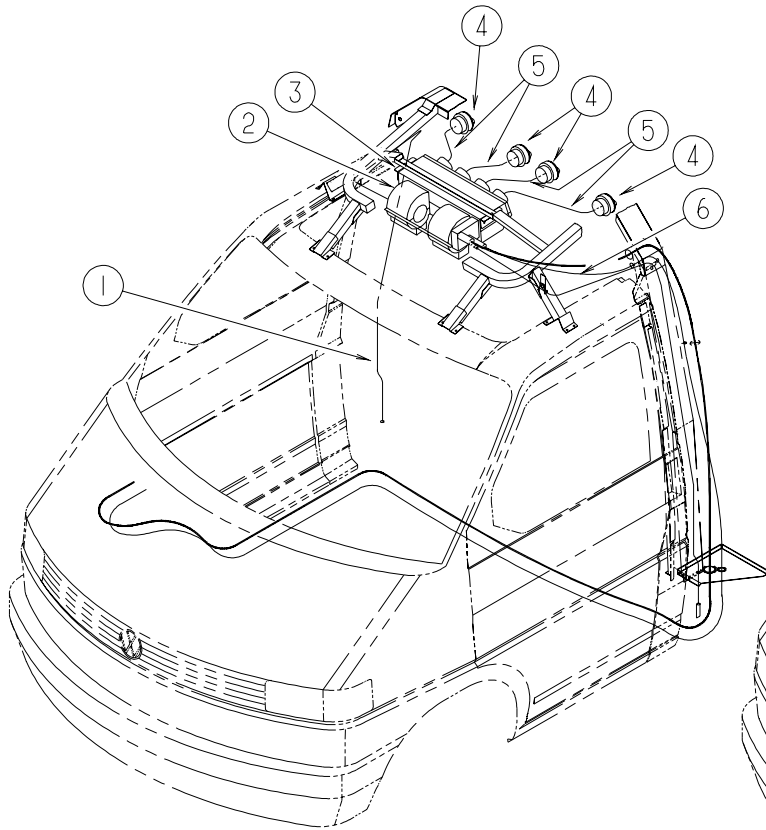


093307-03-000

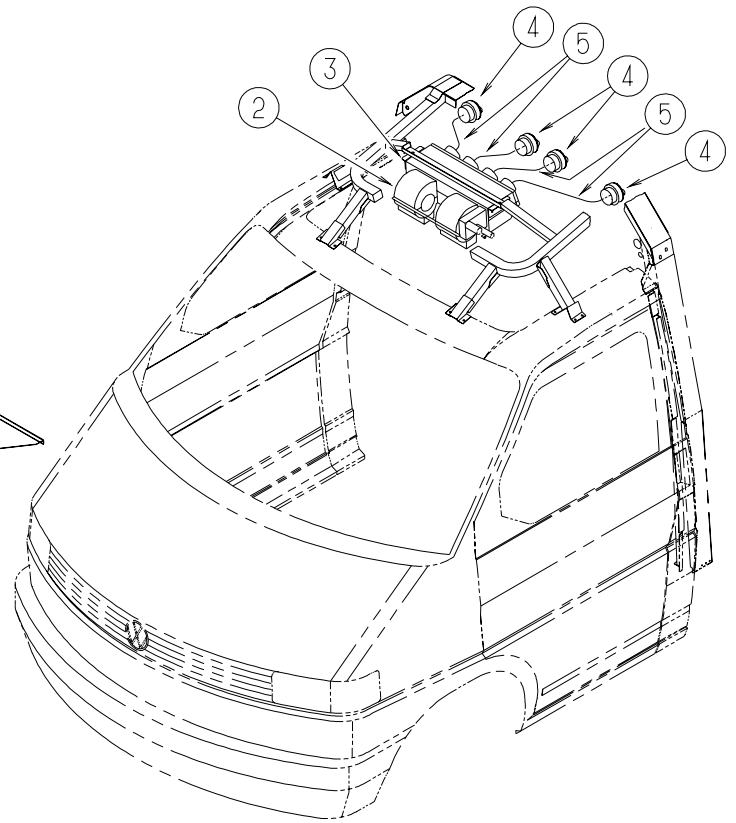
KEY	PART NUMBER	U/M	DESCRIPTION	VENDOR NO.
1	093307-03-000	EA	CEILING ASSEMBLY - COOL ONLY - WHITE	
2	076303-01-710	EA	THERMOSTAT	6733-3411
3	093306-01-714	EA	SWITCH - SELECTOR	6727-3251
4	093766-02-702	EA	FILTER-PKG OF 2-5 X14.5 X1/8	6703-3303
5	076303-01-701	EA	KNOB-CONTROL	6733A3241
6	093307-03-700	EA	SHROUD - CEILING - WHITE	6727-3521
7	076303-01-708	EA	KNOB & BOLT PKG	6727-5841
8	093307-01-700	EA	DECAL PKG	6733A3331
	091227-01-700	EA	WASHER PKG., PLASTIC	6250-3241 6703A3341
	093306-01-709	EA	DECAL-SELECTOR, THERMOSTAT	6727A3341

HEATING & A/C GROUP (CONTINUED)

AUXILIARY OVERHEAD A/C



WITH A/C

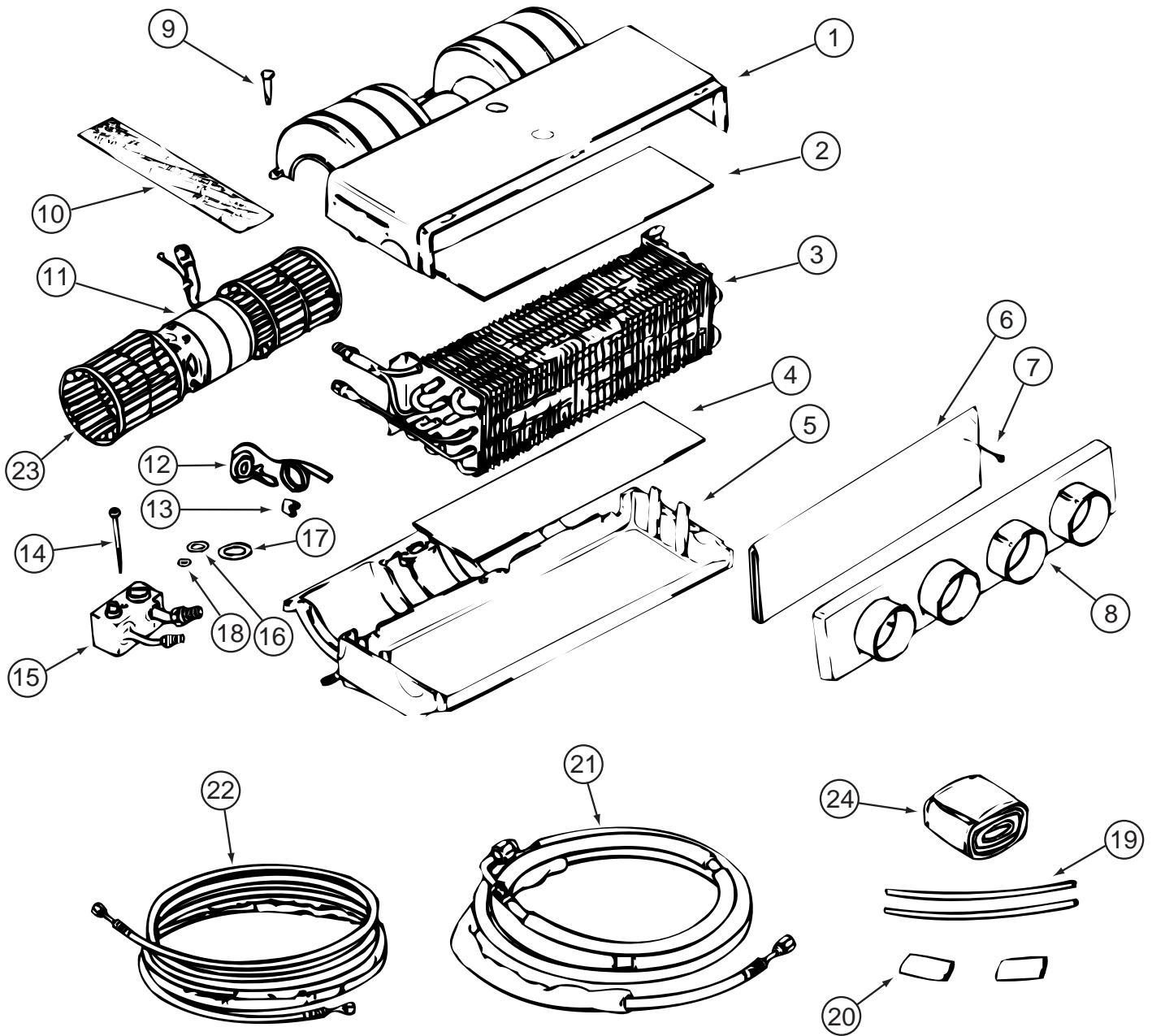


WITHOUT A/C

KEY	PART NUMBER	U/M	DESCRIPTION
1	112932-01-000	EA	TUBE-DRAIN,A/C,COPPER,RH
2*	113245-01-000	EA	EVAPORATOR/AC - OVERHEAD
2*	113245-02-000	EA	BLOWER - OVERHEAD
3	112083-01-000	EA	BRACKET - ROOF SUPPORT
4	113244-01-01A	EA	LOUVER - BALL - 3" - BLACK
5	007281-01-000	EA	HOSE - FLEXIBLE PVC - 2 1/2" ID X 50'
6	112932-02-000	EA	TUBE-DRAIN,A/C,COPPER,LH

***COMPONENT PARTS LISTED LATER IN THIS GROUP**

HEATING & A/C GROUP (CONTINUED)
COMPONENT PARTS FOR AUXILIARY OVERHEAD A/C

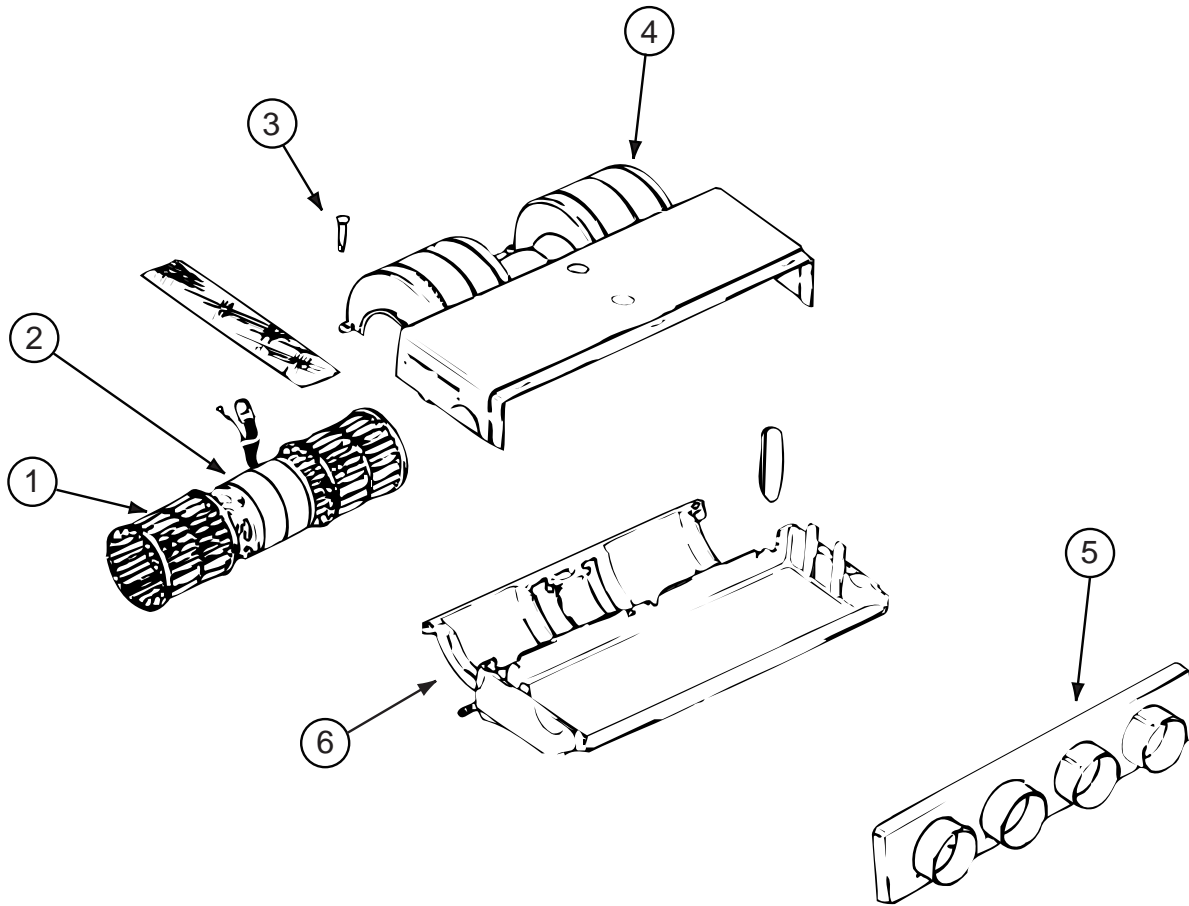


113245-01-000

KEY	PART NUMBER	U/M	DESCRIPTION	VENDOR NO.
1	113245-01-717	EA	CASE, TOP ONLY	062-0139
3	113245-01-705	EA	COIL-EVAPORATOR, (H) BODY VW	041-0034
5	113245-01-716	EA	CASE, BOTTOM W/90 DEG ELBOWS	062-140
6	113245-01-713	EA	SCREEN-CONDENSATION	045-0173
7	113245-01-714	EA	PIN-SCREEN RETAINER	062-0164
8	113245-01-703	EA	BEZEL- W/4 OUTLETS	062-0142
9	113245-01-701	EA	PIN PLASTIC	062-0027
11	113245-01-704	EA	MOTOR-BLOWER, 12V, 3 SPEED, DBL	030-0028
12	113245-01-706	EA	VALVE-EXPANSION, 134A 5 TON	034-0026
15	113245-01-712	EA	FITTING BLOCK WINN (H)	050-0129
16	103930-17-702	EA	O-RING #10	045-0127
17	113245-01-710	EA	O-RING, #12	045-0128
18	113245-01-711	EA	O-RING #6	045-0129
19	113245-01-718	FT	HOSE - DRAIN - 1/2"	051-0002
21	113245-01-709	EA	HOSE ASM #10 EVAPORATOR/COMP	085-0116
22	113245-01-708	EA	HOSE ASM #6 EVAPORATOR/DRIER	085-0115
23	113245-01-700	EA	WHEELBLOWER W/CLIP	062-00183
	113245-01-702	EA	COVER-SLOT	062-0141

CONTACT WINNEBAGO PART SALES FOR UNLISTED COMPONENTS

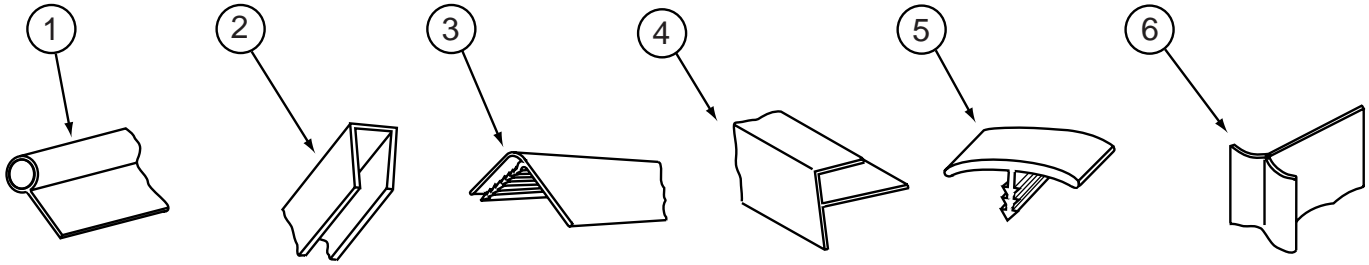
HEATING & A/C GROUP (CONTINUED)
COMPONENT PARTS FOR AUXILIARY OVERHEAD A/C (CONTINUED)



113245-02-000

KEY	PART NUMBER	U/M	DESCRIPTION	VENDOR NO.
	113245-02-000	EA	BLOWER - OVERHEAD	
1	113245-01-700	EA	WHEELBLOWER W/CLIP	062-00183
2	113245-01-704	EA	MOTOR-BLOWER, 12V, 3 SPEED, DBL	030-0028
3	113245-01-701	EA	PIN PLASTIC	062-0027
4	113245-01-717	EA	CASE, TOP ONLY	062-0139
5	113245-01-703	EA	BEZEL- W/4 OUTLETS	062-0142
6	113245-01-716	EA	CASE, BOTTOM W/90 DEG ELBOWS	062-140

**INTERIOR FINISH GROUP
MOLDINGS & TRIMS**

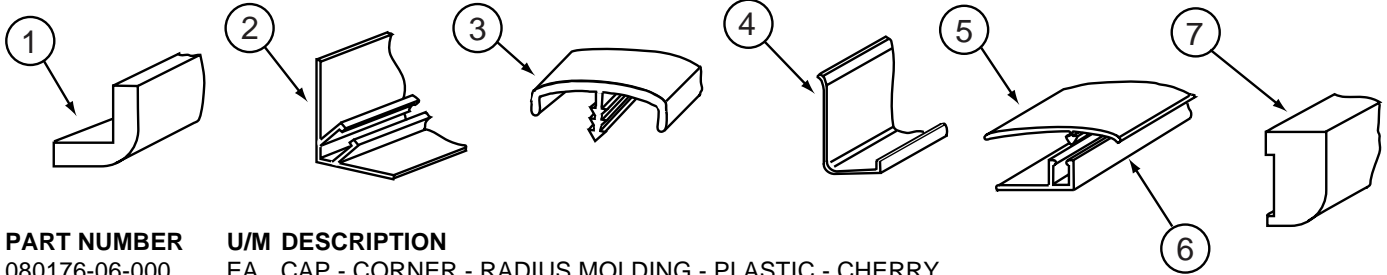


WASHED MAPLE

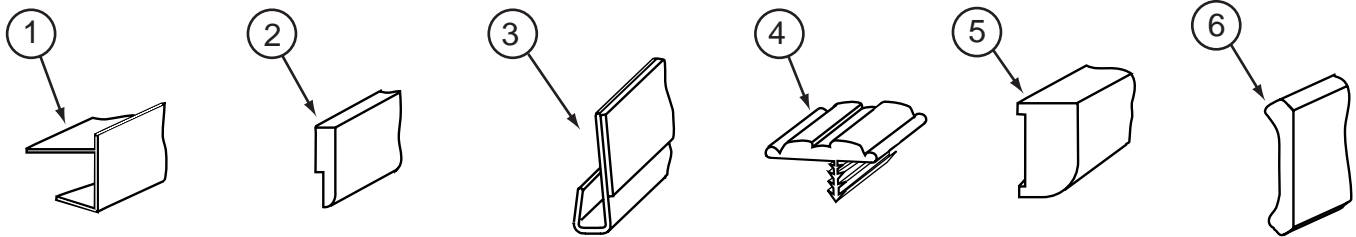
KEY	PART NUMBER	U/M	DESCRIPTION
1	009767-12-000	FT	WELTING - ANTIQUE WHITE
1	009767-17-000	FT	WELTING - PORTSMOUTH OAK
2	009778-18-000	FT	U-CHANNEL - 1" - CHERRY WOOD/CHERRY STAIN
2	009778-27-000	FT	U-CHANNEL - 1" - WASHED MAPLE
2	009778-30-000	FT	U-CHANNEL - 1" - VILLAGE OAK
2	009778-31-000	FT	U-CHANNEL - 1" - GRADY BROWN
2	009778-32-000	FT	U-CHANNEL - 1" - PORTSMOUTH OAK
2	009778-34-000	FT	U-CHANNEL - 1" - CONCERT CHERRY
2	070504-03-000	FT	U-CHANNEL - PLASTIC - .9" X 96" - GRADY BROWN
2	070504-18-000	FT	U-CHANNEL - PLASTIC - .13" X 84" - IVORY
2	070504-30-000	FT	U-CHANNEL - PLASTIC - .13" X 96" - CHERRY
2	070504-42-000	FT	U-CHANNEL - PLASTIC - .13" X 84" - BEIGE ILLUSION
2	070504-50-000	FT	U-CHANNEL - PLASTIC - .13" X 84" - WASHED MAPLE
2	070504-51-000	FT	U-CHANNEL - PLASTIC - .9" X 84" - WASHED MAPLE
2	070504-54-000	FT	U-CHANNEL - PLASTIC - .9" X 96" - VILLAGE OAK
2	070504-57-000	FT	U-CHANNEL - PLASTIC - .6" X 84" - PORTSMOUTH OAK
2	070504-58-000	FT	U-CHANNEL - PLASTIC - .8" X 84" - PORTSMOUTH OAK
2	070504-61-000	FT	U-CHANNEL - PLASTIC - .8" X 84" - CONCERT CHERRY
3	009809-28-000	EA	MOLDING - CORNER - OUTSIDE - 1" X 84" - CHERRY
3	009809-30-000	EA	MOLDING - CORNER - OUTSIDE - 1" X 84" - BEIGE ILLUSION
3	009809-31-000	EA	MOLDING - CORNER - OUTSIDE - 1" X 84" - WASHED MAPLE
3	009809-32-000	EA	MOLDING - CORNER - OUTSIDE - 1" X 84" - PORTSMOUTH OAK
3	009809-33-000	EA	MOLDING - CORNER - OUTSIDE - 1" X 84" - CONCERT CHERRY
4	009812-24-000	EA	MOLDING - CORNER - 1/2" W/1/4"CHAN X 108" - IVORY PLASTIC
4	009812-31-000	EA	MOLDING - CORNER - 1/2" W/1/4"CHAN X 84" - BEIGE ILLUSION
4	009812-33-000	EA	MOLDING - CORNER - 1/2" W/1/4"CHAN X 84" - WASHED MAPLE
4	009812-34-000	EA	MOLDING - CORNER - 1/2" W/1/4"CHAN X 84" - VW LIGHT GRAY
4	009812-35-000	EA	MOLDING - CORNER - 1/2" W/1/4"CHAN X 84" - PORTSMOUTH OAK
4	009812-36-000	EA	MOLDING - CORNER - 1/2" W/1/4"CHAN X 84" - CONCERT CHERRY
5	009815-09-000	FT	MOLDING-T - W/EDGE LIP - 3/4" FACE - IVORY
5	009815-10-000	FT	MOLDING-T - W/EDGE LIP - 3/4" FACE - BEIGE ILLUSION
5	105709-01-000	FT	MOLDING-T - W/EDGE LIP - 3/4" FACE - IVORY
5	105709-02-000	FT	MOLDING-T - W/EDGE LIP - 3/4" FACE - BEIGE ILLUSION
6	022992-11-000	FT	MOLDING - REVERSE COVE - T-SHAPED - IVORY
6	022992-14-000	FT	MOLDING - REVERSE COVE - T-SHAPED - BRIGHT WHITE
6	022992-15-000	FT	MOLDING - REVERSE COVE - T-SHAPED - VW GRAY

INTERIOR FINISH GROUP (CONTINUED)
MOLDINGS & TRIMS (CONTINUED)

WASHED MAPLE



KEY	PART NUMBER	U/M	DESCRIPTION
1	080176-06-000	EA	CAP - CORNER - RADIUS MOLDING - PLASTIC - CHERRY
1	080176-08-000	EA	CAP - CORNER - RADIUS MOLDING - PLASTIC - WASHED MAPLE
2	081521-02-007	EA	MOUNT - METAL MOLDING - F/RADIUS CORNER MOLDING - 151.5"
3	083620-09-000	FT	MOLDING-T - W/EDGE LIP - 7/8" FACE - MODERN IVORY
3	083620-19-000	FT	MOLDING-T - W/EDGE LIP - 7/8" FACE - WASHED MAPLE
3	083620-20-000	FT	MOLDING-T - W/EDGE LIP - 7/8" FACE - PORTSMOUTH OAK
3	083620-21-000	FT	MOLDING-T - W/EDGE LIP - 7/8" FACE - CONCERT CHERRY
3	104676-02-06A	FT	MOLDING-T - W/EDGE LIP - 11/16" FACE - WASHED MAPLE
3	104676-02-08A	FT	MOLDING-T - W/EDGE LIP - 11/16" FACE - PORTSMOUTH OAK
3	104676-02-09A	FT	MOLDING-T - W/EDGE LIP - 11/16" FACE - CONCERT CHERRY
4	085746-04-000	FT	TRIM-J - CARPET 1.2" X .5" ANGLE - 12' LONG - OFF WHITE
5	086229-12-000	EA	BATTEN - 1.5" OFFSET X 97.01" IVORY
6	086229-11-000	EA	RETAINER - OFFSET - 97.01"
7	126204-D2-134	EA	MOLDING - VINYL WRAPPED - .7" X 1.6" X 84" - WASHED MAPLE
7	126204-F2-134	EA	MOLDING - VINYL WRAPPED - .7" X 2.5" X 84" - WASHED MAPLE
7	126204-F2-438	EA	MOLDING - VINYL WRAPPED - .7" X 2.6" X 84" - WASHED MAPLE

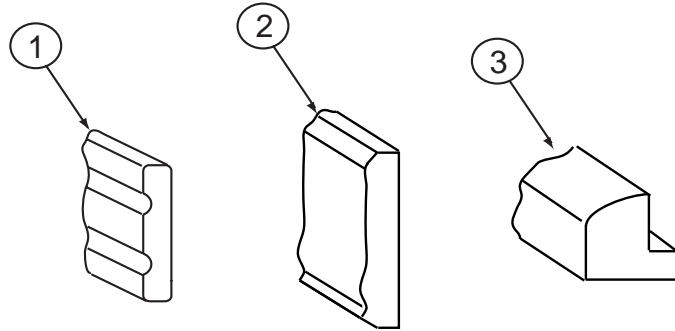


KEY	PART NUMBER	U/M	DESCRIPTION
1	103186-01-07A	FT	MOLDING - PLASTIC - 3/8" U-CHANNEL-3/4"FACE-BEIGE ILLUS
1	103186-01-08A	FT	MOLDING - PLASTIC - 3/8" U-CHANNEL-3/4"FACE-WASHED MAPLE
1	103186-01-09A	FT	MOLDING - PLASTIC - 3/8" U-CHANNEL-3/4"FACE-PORTSMOUTH OAK
1	103186-01-10A	FT	MOLDING - PLASTIC - 3/8" U-CHANNEL-3/4"FACE-CONCERT CHERRY
1	103186-02-08A	FT	MOLDING - PLASTIC - 1" U-CHANNEL-1 3/8"FACE-WASHED MAPLE
1	103186-02-09A	FT	MOLDING - PLASTIC - 1" U-CHANNEL-1 3/8"FACE-PORTSMOUTH OAK
1	103186-02-10A	FT	MOLDING - PLASTIC - 1" U-CHANNEL-1 3/8"FACE-CONCERT CHERRY
2	105004-01-08A	EA	MOLDING - VINYL WRAPPED - 1" X 96" - WASHED MAPLE
2	105004-01-09A	EA	MOLDING-PAPER WRAP - 1" X 96" - PORTSMOUTH OAK
2	105004-01-10A	EA	MOLDING-PAPER WRAP - 1" X 96" - CHERRY - SALEM CHERRY
2	105004-01-11A	EA	MOLDING-PAPER WRAP - 1" X 96" - WASHED MAPLE
2	105004-01-12A	EA	MOLDING - VINYL WRAPPED - 1" X 96" - PORTSMOUTH OAK
3	109332-02-01A	FT	TRIM-J - W/O ADHESIVE - BRASS
3	109332-02-03A	FT	TRIM-J - W/O ADHESIVE - SALEM CHERRY
3	109332-02-05A	FT	TRIM-J - W/O ADHESIVE - WASHED MAPLE
3	109332-02-06A	FT	TRIM-J - W/O ADHESIVE - PORTSMOUTH OAK
4	109736-02-01A	FT	MOLDING-T/OFFSET - W/EDGE LIP - 1" FACE - NAT OAK/BRASS
5	134185-B2-438	EA	MOLDING - .7" X 1" X 96" - PORTSMOUTH OAK
5	134185-D2-134	EA	MOLDING - .7" X 1.5" X 83" - PORTSMOUTH OAK
5	134185-D2-743	EA	MOLDING - .7" X 1.6" X 96" -PORTSMOUTH OAK
5	134185-F2-438	EA	MOLDING - .7" X 2.5" X 96" -PORTSMOUTH OAK
5	134185-F2-743	EA	MOLDING - .7" X 2.5" X 108"-PORTSMOUTH OAK
5	137895-D2-134	EA	MOLDING - VINYL WRAPPED - .7" X 1.6" X 84" -PORTSMOUTH OAK
5	137895-F2-743	EA	MOLDING - VINYL WRAPPED - .7" X 1.6" X 84" -PORTSMOUTH OAK
6	113794-01-02A	FT	MOLDING - CROWN - 3.5" - CHERRY
6	113794-02-02A	FT	MOLDING - CROWN - 1.8" - CHERRY
6	113794-01-03A	FT	MOLDING - CROWN - 3.5" - MAPLE
6	113794-02-03A	FT	MOLDING - CROWN - 1.8" - MAPLE

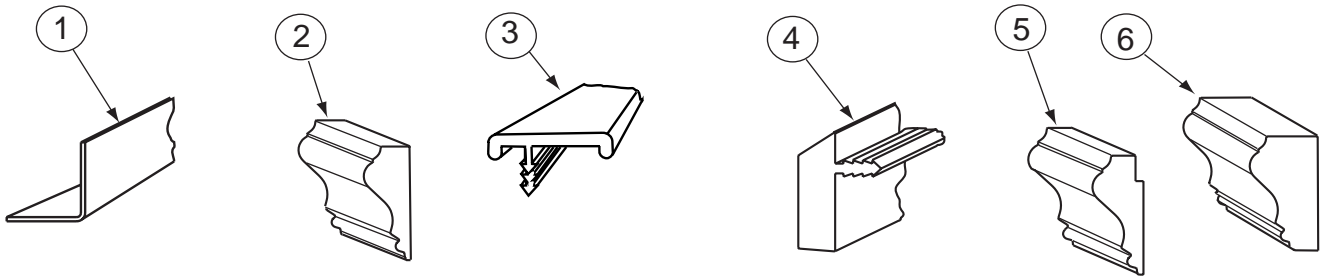
INTERIOR FINISH GROUP (CONTINUED)

MOLDINGS & TRIMS (CONTINUED)

WASHED MAPLE



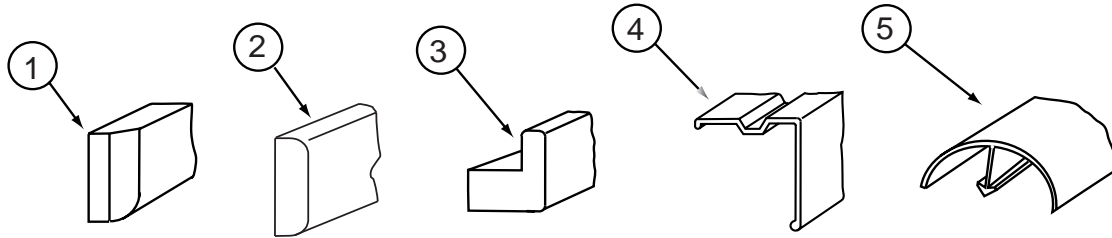
KEY	PART NUMBER	U/M DESCRIPTION
1	116951-15-K09	EA MOLDING - TRIM - 1.7" X 11"
1	116951-15-M07	EA MOLDING - TRIM - 1.7" X 11"
1	134156-01-06A	EA MOLDING - PAPER WRAP -.7" X 3.8" X 33.8" - WASHED MAPLE
1	134156-01-05A	EA MOLDING - PAPER WRAP -.7" X 3.8" X 33.8" - CONCERT CHERRY
1	134156-01-04A	EA MOLDING - PAPER WRAP -.7" X 3.8" X 33.8" - PORTSMOUTH OAK
1	134156-02-06A	EA MOLDING - PAPER WRAP -.7" X 3.8" X 32.9" - WASHED MAPLE
1	134156-02-05A	EA MOLDING - PAPER WRAP -.7" X 3.8" X 32.9" - CONCERT CHERRY
1	134156-02-04A	EA MOLDING - PAPER WRAP -.7" X 3.8" X 32.9" - PORTSMOUTH OAK
1	134156-03-06A	EA MOLDING - PAPER WRAP -.7" X 3.4" X 28.3" - WASHED MAPLE
1	134156-03-05A	EA MOLDING - PAPER WRAP -.7" X 3.4" X 28.3" - SALEM CHERRY
1	134156-03-04A	EA MOLDING - PAPER WRAP -.7" X 3.4" X 28.3" - PORTSMOUTH OAK
1	134156-03-03A	EA MOLDING - VINYL WRAP -.7" X 3.4" X 28.3" - WASHED MAPLE
1	134156-03-08A	EA MOLDING - VINYL WRAP -.7" X 3.4" X 28.3" - PORTSMOUTH OAK
2	132647-01-04A	EA MOLDING/TRIM - DASH - PORTSMOUTH OAK - PAPER
2	132647-01-05A	EA MOLDING/TRIM - DASH - PORTSMOUTH OAK - VINYL
3	132443-01-02A	FT MOLDING - COUNTERTOP - WASHED MAPLE
3	132443-01-03A	FT MOLDING - COUNTERTOP - CHERRY - SALEM CHERRY



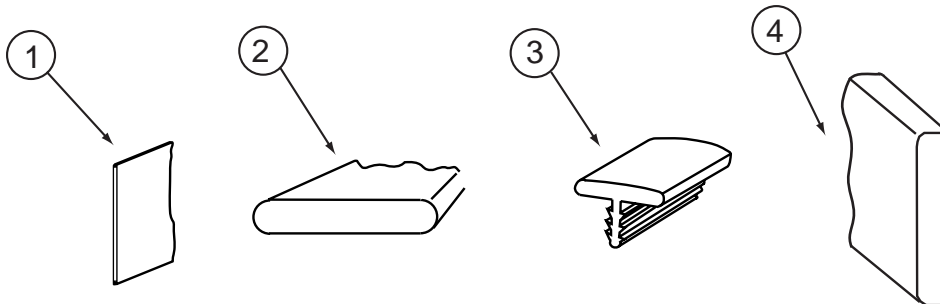
KEY	PART NUMBER	U/M DESCRIPTION
1	130262-01-000	EA PROTECTOR - CORNER SAVER - .7" X .7"
2	131923-01-01A	FT MOLDING - CROWN - ASH
2	131923-01-02A	FT MOLDING - CROWN - CHERRY
2	131923-01-03A	FT MOLDING - CROWN - HARD WHITE MAPLE
3	119520-01-01A	FT MOLDING-T - 1" - W/EDGE LIPS (OFF/WHITE-CREAM)
4	130247-01-02A	FT MOLDING-T/OFF SET - 1.3" FACE - WASHED MAPLE
4	130247-01-04A	FT MOLDING-T/OFF SET - 1.3" FACE - PORTSMOUTH OAK
4	130247-01-05A	FT MOLDING-T/OFF SET - 1.3" FACE - CONCERT CHERRY
5	131923-02-01A	FT MOLDING - PICTURE - ASH
5	131923-02-02A	FT MOLDING - PICTURE - CHERRY
5	131923-02-03A	FT MOLDING - PICTURE - HARD WHITE MAPLE
6	131923-03-01A	FT MOLDING - CROWN - DIVIDER - ASH
6	131923-03-02A	FT MOLDING - CROWN - DIVIDER - CHERRY
6	131923-03-03A	FT MOLDING - CROWN - DIVIDER - HARD WHITE MAPLE

INTERIOR FINISH GROUP (CONTINUED)
MOLDINGS & TRIMS (CONTINUED)

WASHED MAPLE



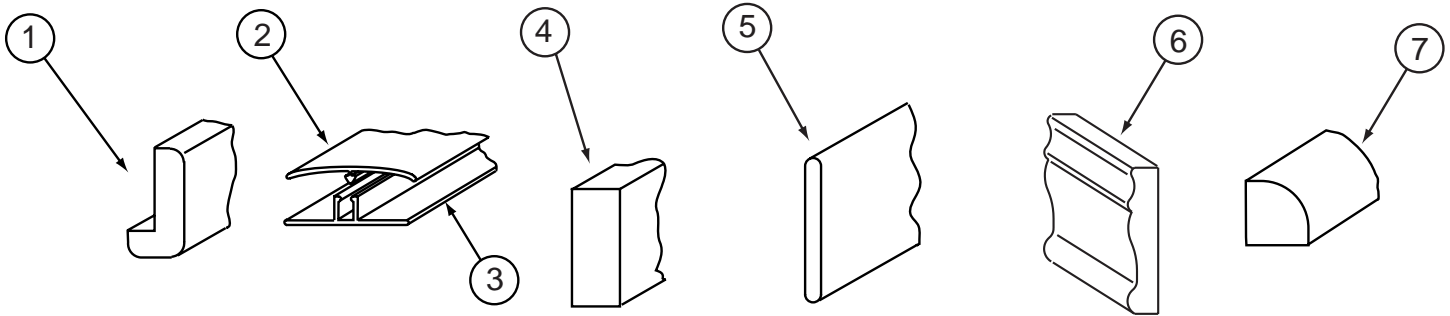
KEY	PART NUMBER	U/M	DESCRIPTION
1	100659-01-J40	EA	MOLDING/TRIM - VINYL FLOOR - WASHED MAPLE
1	100659-30-M42	EA	MOLDING/TRIM - VINYL FLOOR - PORTSMOUTH OAK II
1	100659-27-M70	EA	MOLDING/TRIM - VINYL FLOOR - CHERRY III
2	100818-01-08A	EA	MOLDING - VINYL WRAPPED - 1.6" X .4" X 84"-WASHED MAPLE
2	100818-01-09A	EA	MOLDING - VINYL WRAPPED - 1.6" X .4" X 84" - PORTSMOUTH OAK
2	100818-01-10A	EA	MOLDING - VINYL WRAPPED - 1.6" X .4" X 84" - SALEM CHERRY
2	100818-01-11A	EA	MOLDING - VINYL WRAPPED - 1.6" X .4" X 84" - WASHED MAPLE
2	100818-01-12A	EA	MOLDING - VINYL WRAPPED - 1.6" X .4" X 84"-PORTSMOUTH OAK
3	100819-01-08A	EA	MOLDING - VINYL WRAPPED-L-SHAPED-1.5"X1.5"X84" - WASHED MAPLE
3	100819-01-09A	EA	MOLDING - VINYL WRAPPED-L-SHAPED-1.5"X1.5"X84"-PRTSMTH OAK
3	100819-01-10A	EA	MOLDING - VINYL WRAPPED - L-SHAPED - 1.5"X1.5"X84" - SALEM CHERRY
3	100819-01-11A	EA	MOLDING - VINYL WRAPPED - L-SHAPED - 1.5"X1.5"X84" - WASHED MAPLE
3	100819-01-12A	EA	MOLDING - VINYL WRAPPED-L-SHAPED - 1.5" X 1.5" X 84" - OAK
4	093873-01-01A	EA	TRIM - CARPET - L-ANGLE 1.1" X 1.3" X 12' - GRAY VINYL
5	042357-25-000	EA	MOLDING - CORNER - RADIUS/PLASTIC - WASHED MAPLE
5	042357-26-000	EA	MOLDING - CORNER - RADIUS/PLASTIC - PORTSMOUTH OAK
5	042357-27-000	EA	MOLDING - CORNER - RADIUS/PLASTIC - CONCERT CHERRY



KEY	PART NUMBER	U/M	DESCRIPTION
1	101957-01-04A	EA	EXTRUDED - PLASTIC - SALEM CHERRY
2	120492-01-02A	FT	STRIP - TRIM - 1/2" WIDE - SALEM CHERRY
2	120492-01-06A	FT	STRIP - TRIM - 1/2" WIDE - WASHED MAPLE
3	104676-01-01A	FT	MOLDING-T - 5/16" RIGID GOLD
3	104676-02-06A	FT	MOLDING-T - W/EDGE LIP - 11/16" FACE - WASHED MAPLE
3	104676-02-08A	FT	MOLDING-T - W/EDGE LIP - 11/16" FACE - PORTSMOUTH OAK
3	104676-02-09A	FT	MMOLDING-T - W/EDGE LIP - 11/16" FACE - CONCERT CHERRY
4	091985-01-08A	FT	INSERT - TRIM - SOFT WHITE - 1"

INTERIOR FINISH GROUP (CONTINUED)
MOLDINGS & TRIMS (CONTINUED)

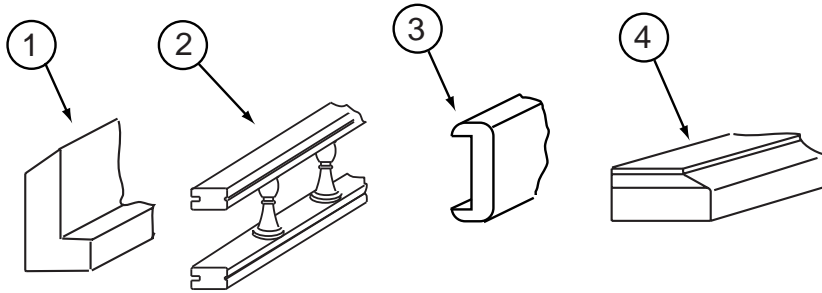
WASHED MAPLE



KEY	PART NUMBER	U/M	DESCRIPTION
1	077840-01-E41	EA	MOLDING - WALL CAP - 8' - SALEM CHERRY
1	077840-01-J70	EA	MOLDING - WALL CAP - 8' - WASHED MAPLE
1	077840-01-M30	EA	MOLDING - WALL CAP - 8' - PORTSMOUTH II
2	086229-04-000	EA	BATTEN - 1" X 92.24" - IVORY
2	086229-13-000	EA	BATTEN - 1" X 96" - IVORY
2	086229-19-000	EA	BATTEN - 1" X 98.4" - OFF WHITE
2	086229-20-000	EA	BATTEN - 1" X 96" - BEIGE
3	086229-01-000	EA	RETAINER - BATTEN - .75" X 92.1" - ANY COLOR
4	126205-D2-438	EA	LUMBER - VINYL WRAPPED - .7" X 1.5" X 96" - WASHED MAPLE
4	126205-E2-438	EA	LUMBER - VINYL WRAPPED - .7" X 2" X 96" - WASHED MAPLE
4	126205-F2-438	EA	LUMBER - VINYL WRAPPED - .7" X 2.5" X 96" - WASHED MAPLE
4	126205-G2-438	EA	LUMBER - STAINED - .7" X 3" X 96" - WASHED MAPLE
4	126205-J2-438	EA	LUMBER - VINYL WRAPPED - .7" X 5.5" X 96" - WASHED MAPLE
4	126205-R2-438	EA	LUMBER - VINYL WRAPPED - .7" X 3" X 96" - WASHED MAPLE
4	136045-G2-438	EA	LUMBER - PAPER WRAPPED - .7" X 3" X 96" - CHERRY
4	136045-H2-438	EA	LUMBER - PAPER WRAPPED - .7" X 3.5" X 96" - CHERRY
4	136045-D2-438	EA	LUMBER - PAPER WRAPPED - .7" X 1.5" X 96" - CHERRY
4	136045-A2-438	EA	LUMBER - PAPER WRAPPED - .7" X .7" X 96" - CHERRY
4	136045-E2-438	EA	LUMBER - PAPER WRAPPED - .7" X 2" X 96" - CHERRY
4	136045-F2-438	EA	LUMBER - PAPER WRAPPED - .7" X 2.6" X 96" - CHERRY
4	134184-A2-438	EA	LUMBER - .7" X .75" X 96" - PORTSMOUTH OAK
4	134184-D2-438	EA	LUMBER - .7" X 1.5" X 96" - PORTSMOUTH OAK
4	134184-E2-438	EA	LUMBER - .7" X .62" X 96" - PORTSMOUTH OAK
4	134184-F2-438	EA	LUMBER - .7" X 2.5" X 96" - PORTSMOUTH OAK
4	134184-G2-438	EA	LUMBER - .7" X 3" X 96" - PORTSMOUTH OAK
4	134184-H2-438	EA	LUMBER - .7" X .75" X 96" - PORTSMOUTH OAK
4	134184-J2-438	EA	LUMBER - .7" X 5.5" X 96" - PORTSMOUTH OAK
4	134184-R2-438	EA	LUMBER - .7" X 3" X 96" - PORTSMOUTH OAK
4	137894-A2-438	EA	LUMBER - VINYL WRAPPED - .7" X .75" X 96" - PORTSMOUTH OAK
4	137894-D2-438	EA	LUMBER - VINYL WRAPPED - .7" X 1.5" X 96" - PORTSMOUTH OAK
4	137894-E2-438	EA	LUMBER - VINYL WRAPPED - .7" X 2" X 96" - PORTSMOUTH OAK
4	137894-F2-438	EA	LUMBER - VINYL WRAPPED - .7" X 2.5" X 96" - PORTSMOUTH OAK
4	137894-G2-438	EA	LUMBER - VINYL WRAPPED - .7" X 3" X 96" - PORTSMOUTH OAK
4	137894-H2-438	EA	LUMBER - VINYL WRAPPED - .7" X 3.5" X 96" - PORTSMOUTH OAK
4	137894-J2-438	EA	LUMBER - VINYL WRAPPED - .7" X 5.5" X 96" - PORTSMOUTH OAK
4	137894-R2-438	EA	LUMBER - VINYL WRAPPED - .7" X 3" X 96" - PORTSMOUTH OAK
5	127842-01-01A	FT	SEAL - SIGHT SHIELD - 2" BLACK
6	100182-01-L81	EA	TRIM - RAIL - PORTSMOUTH OAK
6	100182-01-K37	EA	TRIM - RAIL - SALEM CHERRY
6	100182-10-E41	EA	TRIM - CHAIR RAIL - 2.5" X 8' EACH - WOOD - SALEM CHERRY
6	100182-10-J70	EA	TRIM - CHAIR RAIL - 2.5" X 8' EACH - WOOD - WASHED MAPLE
6	100182-10-M95	EA	TRIM - CHAIR RAIL - 2.5" X 8' EACH - WOOD
7	109410-16-JQ0	EA	MOLDING - TRIM - WASHED MAPLE
7	109410-01-M53	EA	MOLDING - TRIM - 8' - PORTSMOUTH OAK

INTERIOR FINISH GROUP (CONTINUED)
MOLDINGS & TRIMS (CONTINUED)

WASHED MAPLE



KEY	PART NUMBER	U/M	DESCRIPTION
1	111235-03-E37	EA	MOLDING - COUNTERTOP - 1" X 8' - ASH WOOD - UNSTAINED
1	111235-03-E41	EA	MOLDING - COUNTERTOP - 1" X 8' - CHERRY WOOD - UNSTAINED
1	111235-03-H56	EA	MOLDING - COUNTERTOP - 1" X 8' - WHITE MAPLE - UNSTAINED
2	111775-01-07A	EA	RAIL - DECORATIVE/PLASTIC SPINDLES - 8' - PORTSMOUTH OAK
2	111775-01-06A	EA	RAIL - DECORATIVE/PLASTIC SPINDLES - 71.9" - WASHED MAPLE
2	111775-01-03A	EA	RAIL - DECORATIVE/PLASTIC SPINDLES - 6' - SALEM CHERRY
2	137108-01-02A	EA	RAIL - DECORATIVE - SALEM CHERRY
2	137108-01-03A	EA	RAIL - DECORATIVE - WASHED MAPLE
2	137108-01-07A	EA	RAIL - DECORATIVE - PORTSMOUTH OAK
3	078323-06-M22	EA	MOLDING - CAP/WALL - 79.6" - PORTSMOUTH OAK
4	P34052-01-M52	EA	TRIM/TABLE - 29.7" - SALEM CHERRY
4	P34052-01-M76	EA	TRIM/TABLE - 29.7" - PORTSMOUTH OAK
4	P34052-01-M84	EA	TRIM/TABLE - 29.7" - WASHED MAPLE
4	P34052-02-M52	EA	TRIM/TABLE - 24" - SALEM CHERRY
4	P34052-02-M76	EA	TRIM/TABLE - 24" - PORTSMOUTH OAK
4	P34052-02-M84	EA	TRIM/TABLE - 24" - WASHED MAPLE

INTERIOR FINISH GROUP (CONTINUED)
PANELING & LAMINATES

KEY	PART NUMBER	U/M	DESCRIPTION
	000846-01-000	SF	PLYWOOD - 5/16" X 48" X 96" - CD GRADE
	000885-90-000	SF	PARTICLE BOARD - 1/2" X 4' X 8' - WASHED MAPLE - 2-SIDED
	069733-86-000	EA	BATT STRIP - WOODGRAINED/WASHED MAPLE - 8'
	074497-39-000	SF	PANELING - WASHED MAPLE - 4' X 8'
	074497-44-CL9	EA	PANELING - WASHED MAPLE - 4' X 8'
	074498-65-000	SF	LAMINATE - PLASTIC - MEDIUM GRAY - 4' X 8'
	074498-82-000	SF	LAMINATE - PLASTIC - WASHED MAPLE - 4' X 8'
	074498-93-000	SF	LAMINATE - PLASTIC - PLAT METAL - 4' X 8'
	076325-71-000	FT	MOLDING - EDGE BAND - 1 5/16" X .038" - GRAY
	076325-72-000	FT	MOLDING - EDGE BAND - .93" X .024" - GREY
	083618-07-000	SF	PLYWOOD - MAPLE - 1 SIDE 3/16" X 4' X 8'
	085284-F5-000	SF	BATT TAPE - ADHESIVE BACKED - WOODGRAINED/WASHED MAPLE
	085284-F9-000	SF	BATT TAPE - ADHESIVE BACKED - PEBBLE EMBOSSED
	088263-G8-000	SF	BATT STRIP - DECORATIVE - DURNHAM MULTI - 7' (M91)
	088263-G7-000	SF	BATT STRIP - DECORATIVE - COSMOS/SKY - 8' (M93)
	088272-H9-000	SF	PANELING - PEBBLE EMBOSSED - WHITE - 4' X 7'
	088272-J2-000	SF	PANELING - BOSSANOVA/EMBOSSSED - LT GRAY - 48" X 84"
	088272-J8-000	SF	PANELING - DURNHAM MULTI - 4' X 7' (M91)
	088272-J7-000	SF	PANELING - COSMOS/SKY - 4' X 7' (M93)
	126339-01-000	SF	BOARD - WHEAT - 60" X 72"

ACCESSORIES

KEY	PART NUMBER	U/M	DESCRIPTION
	072852-01-000	EA	DETECTOR - SMOKE - W/9 VOLT BATTERY - US
	072852-02-000	EA	DETECTOR - SMOKE - W/9 VOLT BATTERY - CANADIAN
	094499-03-000	EA	EXTINGUISHER/FIRE - DRY - 10BC - W/GAUGE - W/O BRACKET
*	094499-02-000	EA	EXTINGUISHER/FIRE - DRY - 10BC - W/GAUGE - CANADIAN
	094499-04-000	EA	STRAP - FIRE EXTINGUISHER MOUNTING - METAL
	118718-01-01A	EA	HOLDER/DRINK - COLLAPSIBLE MUG - BLACK PLASTIC
	058331-B0-000	EA	MIRROR - SAFETY GLASS - 12.6" X 12.6"
	125136-02-000	EA	CO DETECTOR - GAS MODEL - 9 VOLT

***COMPONENT PARTS LISTED LATER IN THIS GROUP**

INTERIOR FINISH GROUP (CONTINUED)
COMPONENT PARTS FOR ACCESSORIES

094499-02-000

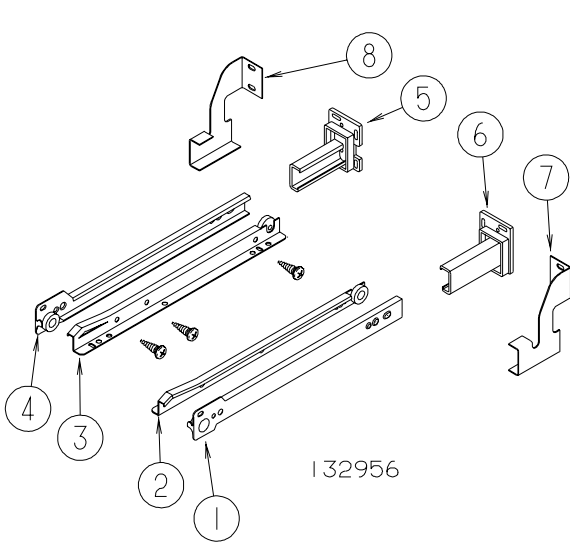
KEY	PART NUMBER	U/M	DESCRIPTION	VENDOR NO
	094499-02-000	EA	EXTINGUISHER/FIRE - DRY - 1A10BC - CANADIAN	
	094499-01-700	EA	BRACKET MTG. W/PLAS. STRAP	294039

INTERIOR FINISH GROUP (CONTINUED)

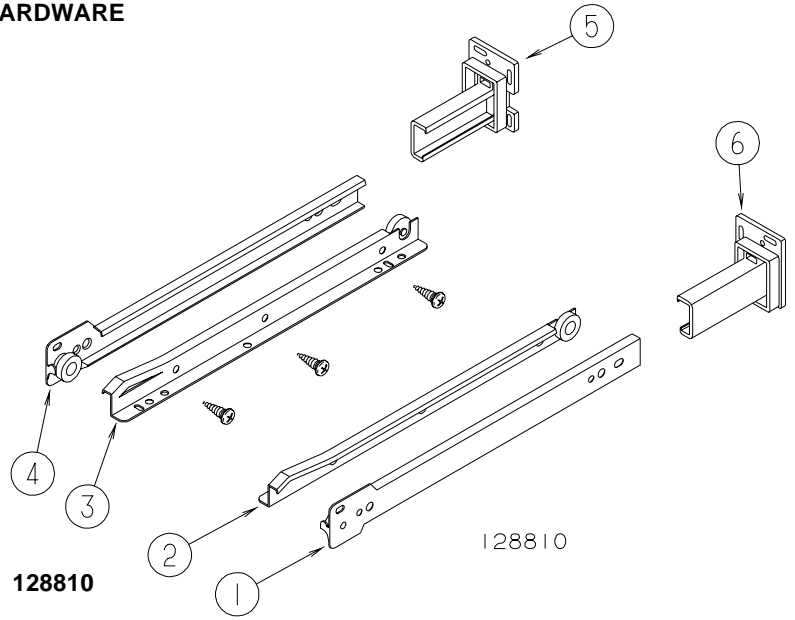
FLOOR COVERINGS

KEY	PART NUMBER	U/M	DESCRIPTION
	096060-J9-000	SY	CARPET - OVERCAST - INCREMENTS OF 4 SQ YARDS (M91)
	096060-H8-000	SY	CARPET - SPRUCE - INCREMENTS OF 4 SY YDS (M93)

INTERIOR FINISH GROUP (CONTINUED)
HARDWARE



132956



128810

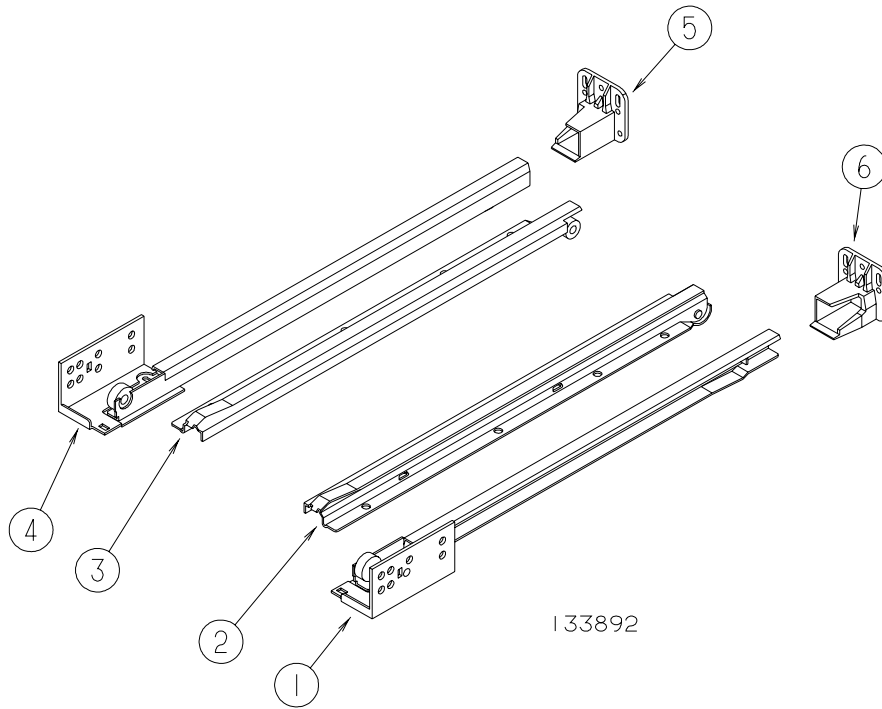
128810

KEY	PART NUMBER	U/M	DESCRIPTION
1	128810-02-01A	EA	SLIDE - DRAWER - 12" - RIGHT CABINET
1	128810-06-01A	EA	SLIDE - DRAWER - 14" - RIGHT CABINET
1	128810-10-01A	EA	SLIDE - DRAWER - 16" - RIGHT CABINET
1	128810-14-01A	EA	SLIDE - DRAWER - 18" - RIGHT CABINET
1	128810-18-01A	EA	SLIDE - DRAWER - 20" - RIGHT CABINET
1	128810-22-01A	EA	SLIDE - DRAWER - 22" - RIGHT CABINET
1	128810-26-01A	EA	SLIDE - DRAWER - 24" - RIGHT CABINET
2	128810-04-01A	EA	SLIDE - DRAWER - 12" - RIGHT DRAWER
2	128810-08-01A	EA	SLIDE - DRAWER - 14" - RIGHT DRAWER
2	128810-12-01A	EA	SLIDE - DRAWER - 16" - RIGHT DRAWER
2	128810-16-01A	EA	SLIDE - DRAWER - 18" - RIGHT DRAWER
2	128810-20-01A	EA	SLIDE - DRAWER - 20" - RIGHT DRAWER
2	128810-24-01A	EA	SLIDE - DRAWER - 22" - RIGHT DRAWER
2	128810-28-01A	EA	SLIDE - DRAWER - 24" - RIGHT DRAWER
3	128810-03-01A	EA	SLIDE - DRAWER - 12" - LEFT DRAWER
3	128810-07-01A	EA	SLIDE - DRAWER - 14" - LEFT DRAWER
3	128810-11-01A	EA	SLIDE - DRAWER - 16" - LEFT DRAWER
3	128810-15-01A	EA	SLIDE - DRAWER - 18" - LEFT DRAWER
3	128810-19-01A	EA	SLIDE - DRAWER - 20" - LEFT DRAWER
3	128810-23-01A	EA	SLIDE - DRAWER - 22" - LEFT DRAWER
3	128810-27-01A	EA	SLIDE - DRAWER - 24" - LEFT DRAWER
4	128810-01-01A	EA	SLIDE - DRAWER - 12" - LEFT CABINET
4	128810-05-01A	EA	SLIDE - DRAWER - 14" - LEFT CABINET
4	128810-09-01A	EA	SLIDE - DRAWER - 16" - LEFT CABINET
4	128810-13-01A	EA	SLIDE - DRAWER - 18" - LEFT CABINET
4	128810-17-01A	EA	SLIDE - DRAWER - 20" - LEFT CABINET
4	128810-21-01A	EA	SLIDE - DRAWER - 22" - LEFT CABINET
4	128810-25-01A	EA	SLIDE - DRAWER - 24" - LEFT CABINET
5	128811-01-01A	EA	BACKSOCKET - ADJUSTABLE - LEFT
6	128811-02-01A	EA	BACKSOCKET - ADJUSTABLE RIGHT

132956 DINETTE CABINET DRAWERS

KEY	PART NUMBER	U/M	DESCRIPTION
1	132956-02-01A	EA	SLIDE - DRAWER - 37.5" - RIGHT CABINET
1	132956-06-01A	EA	SLIDE - DRAWER - RIGHT CABINET - 32"
2	132956-08-01A	EA	SLIDE - DRAWER - 32" - RIGHT DRAWER
2	132956-04-01A	EA	SLIDE - DRAWER - 37.5" - RIGHT DRAWER
3	132956-07-01A	EA	SLIDE - DRAWER - 32" - LEFT DRAWER
3	132956-03-01A	EA	SLIDE - DRAWER - 37.5" - LEFT DRAWER
4	132956-05-01A	EA	SLIDE - DRAWER - 32" - LEFT CABINET
4	132956-01-01A	EA	SLIDE - DRAWER - 37.5" - LEFT CABINET
5	128811-01-01A	EA	BACKSOCKET - ADJUSTABLE - LEFT
6	128811-02-01A	EA	BACKSOCKET - ADJUSTABLE RIGHT
7	134649-01-02B	EA	SUPPORT - BACKSOCKET - E-COATED
8	134649-02-02B	EA	SUPPORT - BACKSOCKET - E-COATED

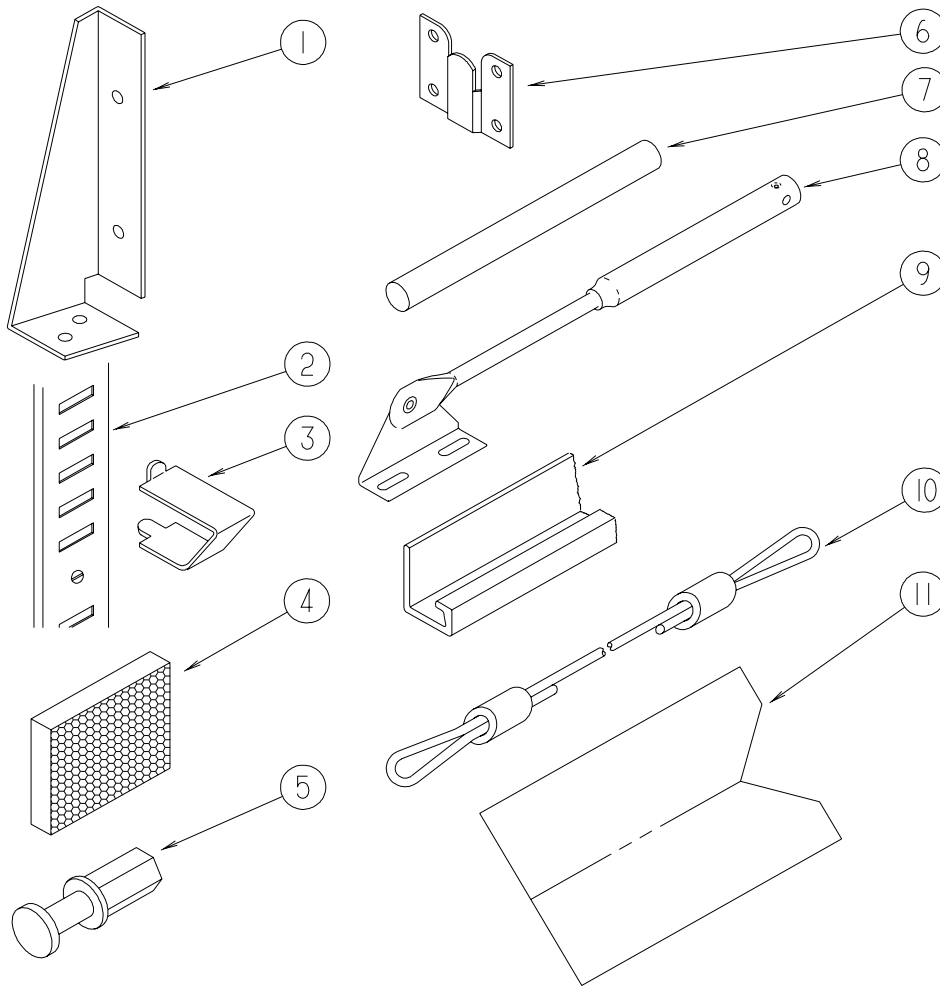
INTERIOR FINISH GROUP (CONTINUED)
HARDWARE (CONTINUED)



133892 CONCEALED RUNNER DRAWERS

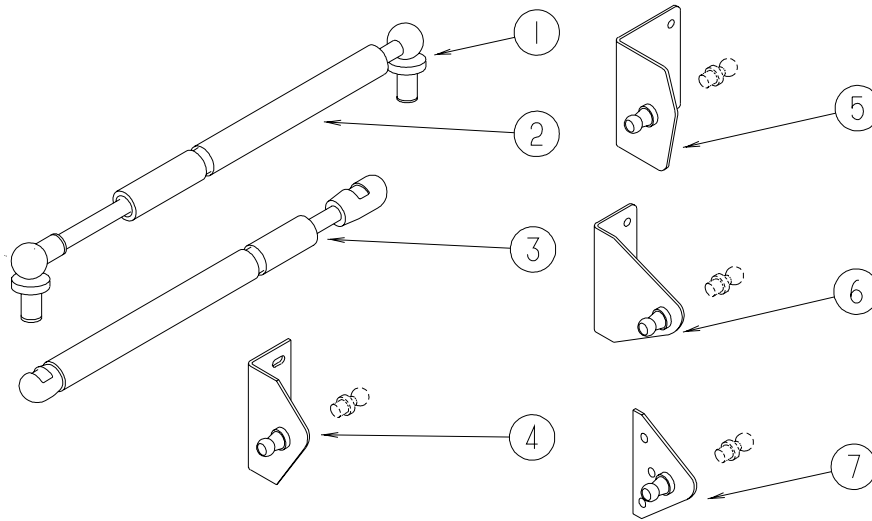
KEY	PART NUMBER	U/M	DESCRIPTION
1	133892-02-01A	EA	SLIDE - DRAWER - RIGHT CABINET - 16"
2	133892-04-01A	EA	SLIDE - DRAWER - RIGHT DRAWER - 16"
2	133892-05-01A	EA	SLIDE - DRAWER - 9"
3	133892-03-01A	EA	SLIDE - DRAWER - LEFT DRAWER - 16"
4	133892-01-01A	EA	SLIDE - DRAWER - LEFT CABINET - 16"
5	133907-02-01A	EA	BACKSOCKET - LEFT HAND
6	133907-01-01A	EA	BACKSOCKET - RIGHT HAND

INTERIOR FINISH GROUP (CONTINUED)
HARDWARE (CONTINUED)



KEY	PART NUMBER	U/M	DESCRIPTION
1	076827-02-000	EA	BRACKET - 2.9" X 1.8" - TRIANGLE
2	098980-01-000	EA	PILASTER - ADJUSTABLE SHELF - 18"
2	098980-02-000	EA	PILASTER - ADJUSTABLE SHELF - 12"
2	098980-03-000	EA	PILASTER - ADJUSTABLE SHELF - 9"
2	098980-04-000	EA	PILASTER - ADJUSTABLE SHELF - 48"
2	098980-05-000	EA	PILASTER - ADJUSTABLE SHELF - 15"
2	098980-06-000	EA	PILASTER - ADJUSTABLE SHELF - 24"
3	098979-01-000	EA	CLIP - ADJUSTABLE SHELF
4	122717-06-01A	FT	PAD - NON-SKID - PSA - 5"W
4	122717-08-01A	EA	PAD - NON-SKID - PSA - 7.2"W
5	092652-01-000	EA	GUIDE WHEEL/DOOR - TOP MOUNT
6	130120-01-01A	EA	BRACKET - MOUNTING/MIRROR
7	042438-01-000	EA	DOWEL - WOOD - CLOTHES ROD - 1" X 4'
7	042438-02-000	EA	DOWEL - WOOD - 2" X 2"
7	042438-06-000	EA	DOWEL - WOOD - 1.5" X 26"
8	074493-02-000	EA	SUPPORT - PISTON SPRING - CABINET DOOR - 26 LBS
8	074493-03-000	EA	SUPPORT - PISTON SPRING - CABINET DOOR - 12 LBS
8	074493-04-000	EA	SUPPORT - PISTON SPRING - CABINET DOOR - 32 LBS
9	118933-01-01A	EA	SUPPORT - HINGE LOCK
10	076767-01-000	EA	CABLE - STEEL - 12"
10	076767-04-000	EA	CABLE - SUPPORT - 5.9" STAINLESS STEEL
10	076767-05-000	EA	CABLE - STAINLESS STEEL - 15.5"
10	076767-14-000	EA	CABLE - STAINLESS STEEL - 14.9"
10	076767-15-000	EA	CABLE - STAINLESS STEEL - 9.8"
11	114739-01-01A	EA	PAD - NON SKID - PSA - 4"W - 1 EACH=PAIR

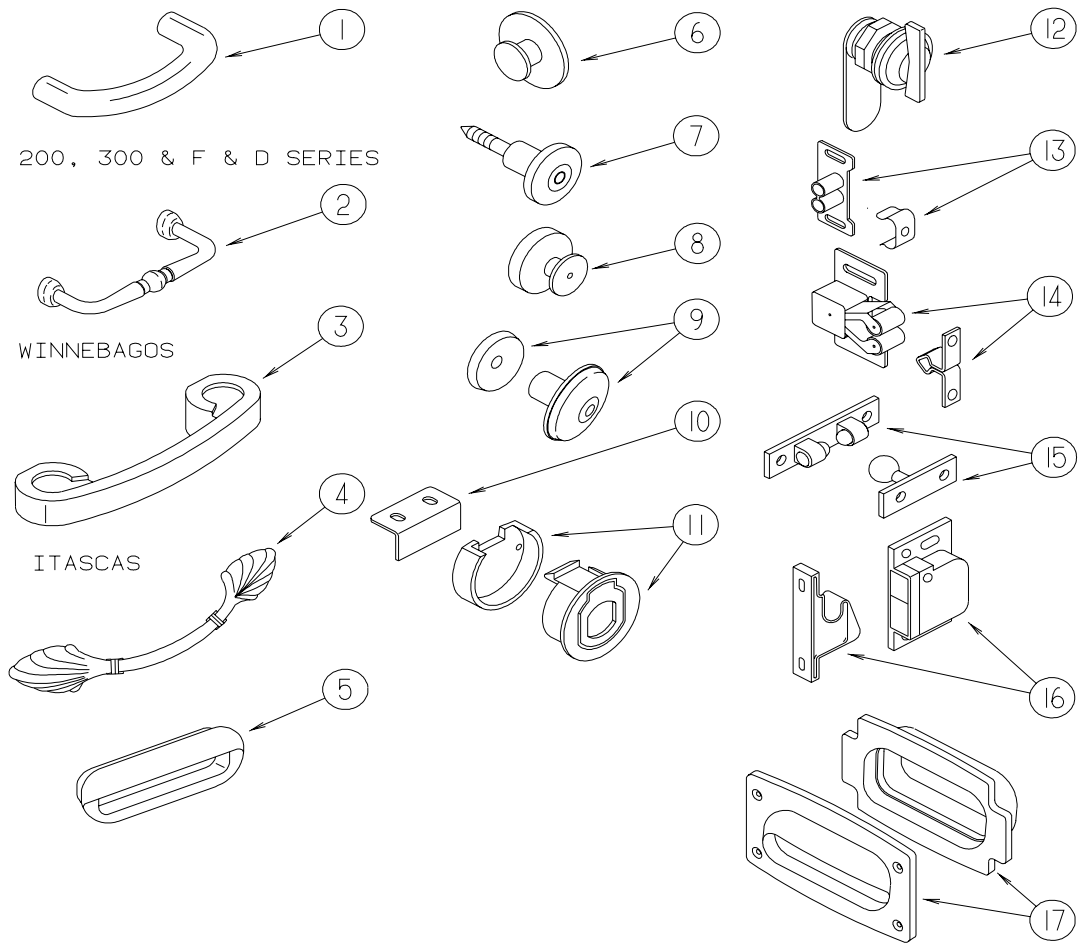
INTERIOR FINISH GROUP (CONTINUED)
HARDWARE (CONTINUED)



KEY	PART NUMBER	U/M	DESCRIPTION
1	057460-02-000	EA	BALL STUD - F/GAS SPRING .39" - 5/16"-18
2	057460-04-000	EA	SPRING/GAS - BALL STUD STYLE - 120 PI - iSPD6209i
3	107796-06-000	EA	SPRING/GAS - 12" COMPRESSED/20" EXTENDED - 120 LB.
3	107796-08-000	EA	SPRING/GAS - 11" COMPRESSED/17" EXTENDED - 60 LB.
3	107796-09-000	EA	SPRING/GAS - 5.5" COMPRESSED/7.5" EXTENDED - 40 LB.
3	107796-15-000	EA	SPRING/GAS - 24" COMPRESSED/40" EXTENDED - 15 LB.
3	107796-16-000	EA	SPRING/GAS - 6.4" COMPRESSED/9.6" EXTENDED - 65 LB.
4	126263-02-02B	EA	BRACKET - GAS SPRING W/BALL STUD - E-COATED
5	126263-05-02B	EA	BRACKET - GAS SPRING W/BALL STUD - E-COATED
5	126263-06-02B	EA	BRACKET - GAS SPRING W/BALL STUD - E-COATED
6	126263-10-02B	EA	BRACKET - GAS SPRING W/BALL STUD - E-COATED
6	126263-13-02B	EA	BRACKET - GAS SPRING W/BALL STUD - E-COATED
7	126263-08-02B	EA	BRACKET - GAS SPRING W/BALL STUD - E-COATED

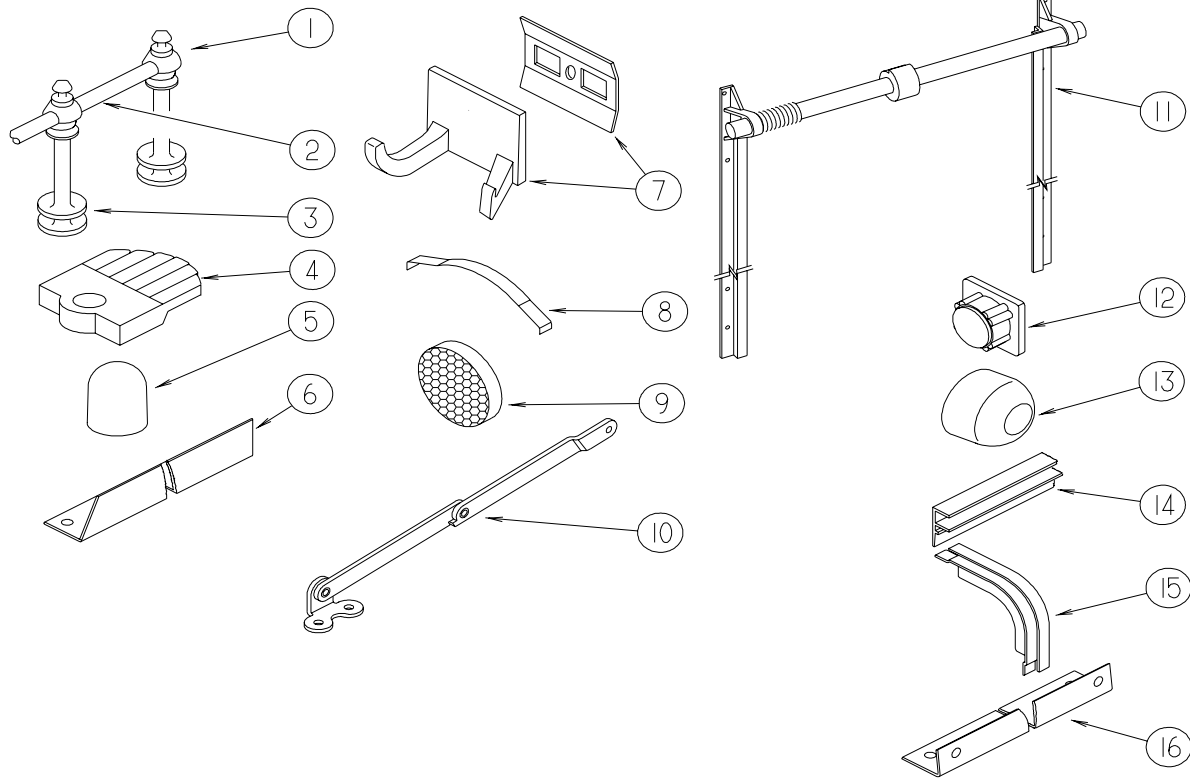
INTERIOR FINISH GROUP (CONTINUED)
HARDWARE (CONTINUED)

200 SERIES



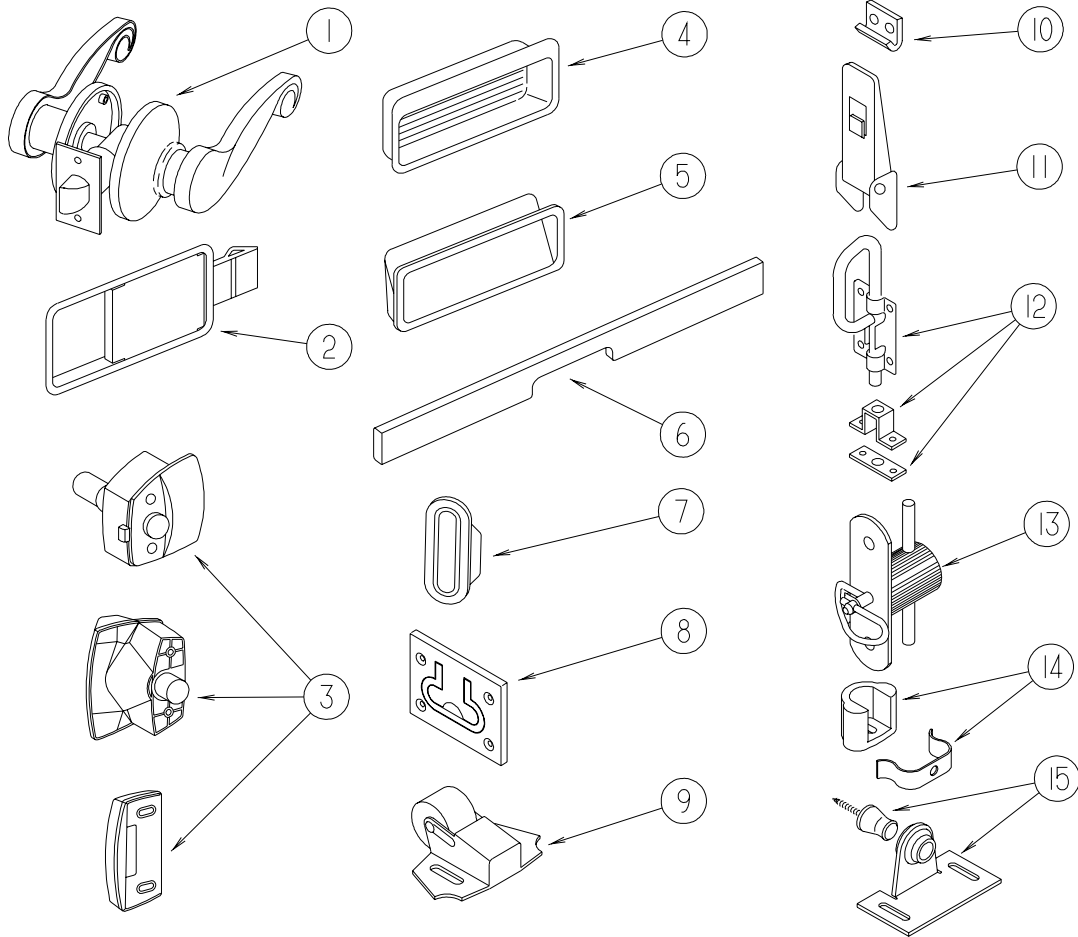
KEY	PART NUMBER	U/M	DESCRIPTION
1	131964-01-01A	EA	PULL - DOOR/DRAWER - POLISHED BRASS
2	131963-01-01A	EA	PULL - DOOR/DRAWER - POLISHED BRASS
3	131962-01-01A	EA	PULL - DOOR/DRAWER - POLISHED BRASS
4	117923-01-01A	EA	PULL - CABINET - BURNISHED BRASS - 5.5"
4	131965-01-01A	EA	PULL - CABINET - BURNISHED BRASS - 6.3"
5	080736-01-000	EA	PULL - RECESSED - 1.25" X 4" - OAK
6	125221-01-01A	EA	PULL - MIRROR - W/ROUND HANDLE
7	113800-01-000	EA	KNOB - CABINET - BRASS
8	133313-01-01A	EA	PULL - DOOR/DRAWER - BURNISHED BRASS
8	133313-01-02A	EA	PULL - DOOR/DRAWER - BRIGHT BRASS
9	117978-01-01A	EA	KNOB - DOOR - BRIGHT BRASS
10	113375-02-01A	EA	STRIKE - DOOR - CHROME
11	113375-05-01A	EA	LATCH - SLAM - BACK - .8" THICK
11	113375-06-01A	EA	LATCH - SLAM - FACE - .7" THICK
12	100710-01-01A	EA	LOCK - GLASS DOOR/TWIST TYPE - BRASS
13	009021-01-000	EA	CATCH - GRILLE - NYLON
13	009021-02-000	EA	STRIKE - SPRING STEEL
14	093586-03-000	EA	CATCH - SPRING ROLLER - .377"
14	093586-04-000	EA	STRIKE - SPRING STEEL - 1.14"
14	093586-05-000	EA	STRIKE - SPRING STEEL - .943"
14	093586-06-000	EA	CATCH - SPRING ROLLER - .236"
15	084451-01-000	EA	CATCH & LATCH - 1.7" - BRASS
16	117095-01-01A	EA	LATCH - DOOR - GRABBER W/KEEPER - PLASTIC - BLK-5 LB PULL
16	117095-02-01A	EA	LATCH - DOOR - GRABBER W/KEEPER - PLASTIC - BLK-10 LB PULL
17	133607-01-01A	EA	PULL - LATCH - BLACK PLASTIC

INTERIOR FINISH GROUP (CONTINUED)
HARDWARE (CONTINUED)



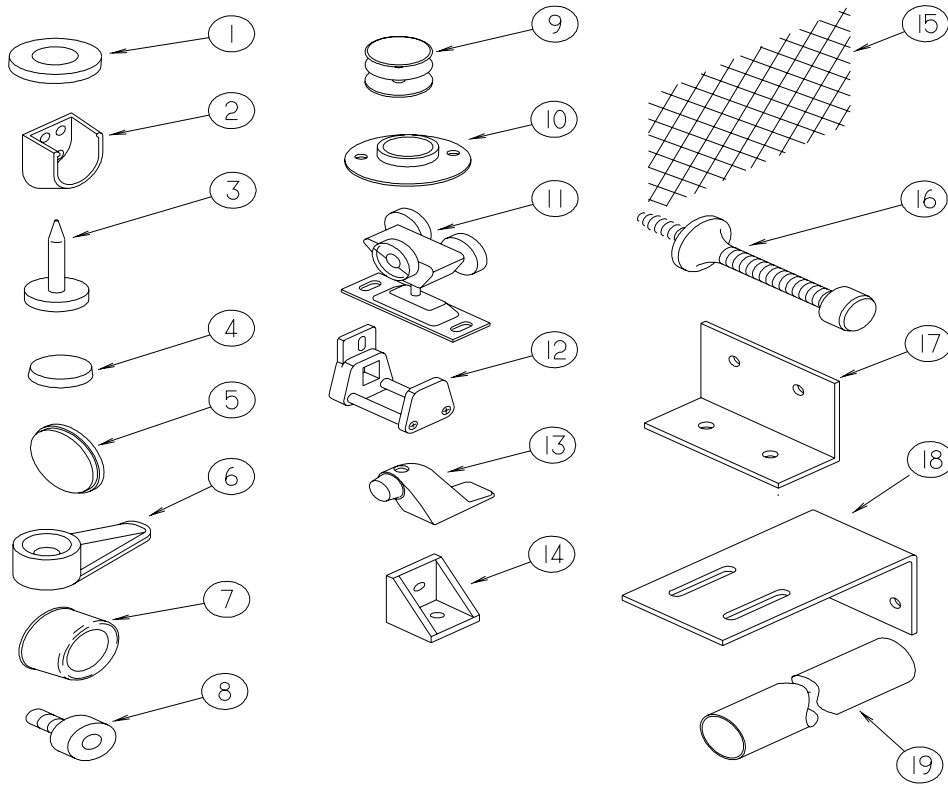
KEY	PART NUMBER	U/M	DESCRIPTION
1	084070-03-000	EA	POST - END - 2.4" - BRASS
2	084071-05-000	EA	ROD - BRASS - 15"
2	084071-08-000	EA	ROD - BRASS - 9.3"
2	084071-19-000	EA	ROD - BRASS - 7.1"
2	084071-20-000	EA	ROD - BRASS - 9.8"
2	084071-22-000	EA	ROD - BRASS - 15.3"
2	084071-23-000	EA	ROD - BRASS - 13.1" NEW STYLE/STEEL ROD W/BRASS PLATING
2	084071-24-000	EA	ROD - BRASS - 3.8"
2	084071-27-000	EA	ROD - BRASS - 2.7"
2	084071-28-000	EA	ROD - BRASS - 6"
2	084071-30-000	EA	ROD - BRASS - 11.6"
2	084071-31-000	EA	ROD - BRASS - 14.08"
2	084071-33-000	EA	ROD - BRASS - 20.4"
3	084070-01-000	EA	POST - CENTER - 2.4" - BRASS
4	009089-01-000	EA	CLIP - MIRROR
5	039984-01-000	EA	CAP - ROUND - VINYL - .28" ID X .62" - BLACK
6	114693-01-01A	EA	SUPPORT - BLACK - RIGHT HAND
6	114693-02-01A	EA	SUPPORT - BLACK - LEFT HAND
7	104174-01-000	EA	HOOK - ROBE - DOUBLE
8	115541-01-000	EA	SPRING - DOOR - SLIDING
9	122717-01-01A	EA	PAD - NON SKID - 4" DIAMETER ROUND
9	122717-04-01A	EA	PAD - NON SKID - 3" DIAMETER ROUND
10	084412-01-000	EA	SUPPORT/HINGE KIT (LEFT & RIGHT HINGES)
11	130787-01-000	EA	TRACK - TAMBOUR DOOR/SPRING - 15.9"
11	130787-02-000	EA	TRACK - TAMBOUR DOOR/SPRING - 24"
11	130787-03-000	EA	TRACK - TAMBOUR DOOR/SPRING - 30"
12	110550-01-000	EA	CAP - TUBE .9" SQUARE
13	117046-01-000	EA	BUMPER - RUBBER/ROUND END - .9"
13	117046-02-000	EA	BUMPER - RUBBER/ROUND END - 1.5"
14	093622-01-000	EA	TRACK - DOOR - TAMBOUR - PLASTIC - 8' LENGTHS
15	093623-01-000	EA	CORNER - TRACK - TAMBOUR DOOR
16	106699-01-01A	EA	BRACKET F/TV INSTALLATION - OVERHEAD CABINET
16	106699-03-02B	EA	BRACKET F/TV INSTALLATION - OVERHEAD CABINET - E-COATED
16	106699-04-02B	EA	BRACKET F/TV INSTALLATION - OVERHEAD CABINET - E-COATED

INTERIOR FINISH GROUP (CONTINUED)
HARDWARE (CONTINUED)



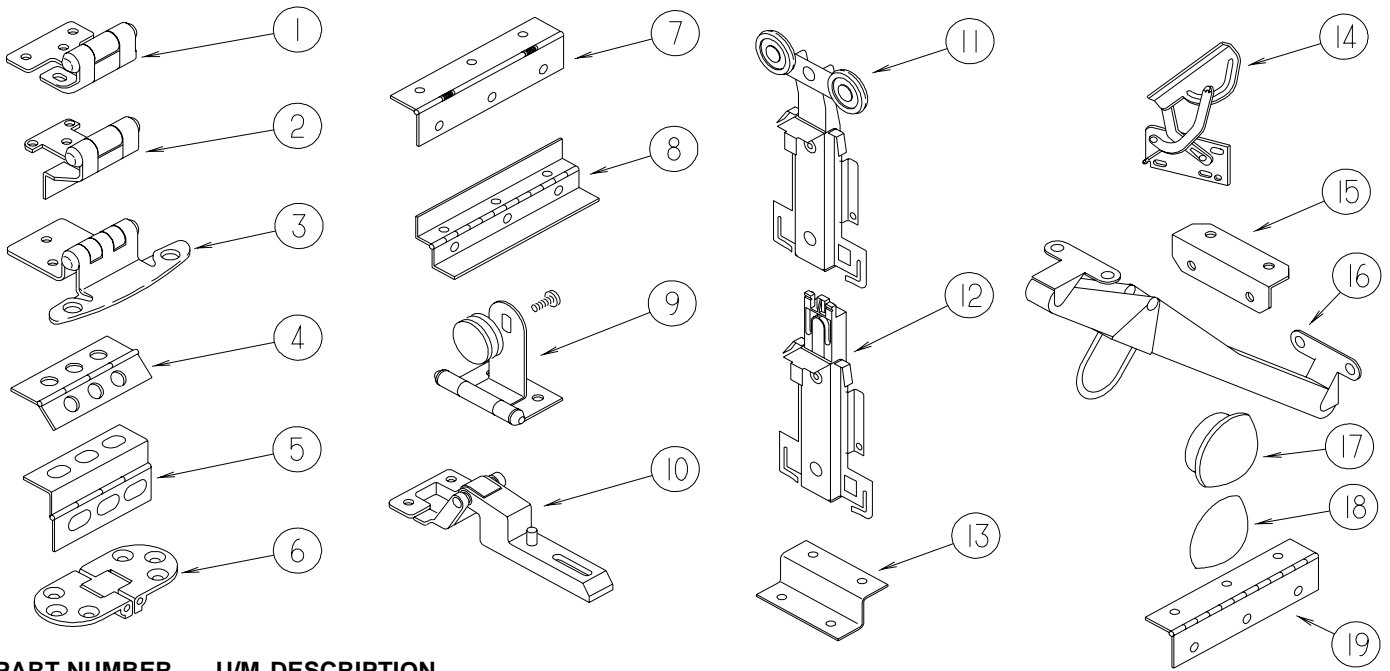
KEY	PART NUMBER	U/M	DESCRIPTION
1	111155-05-01A	EA	LOCK - PRIVACY/LOCKING - S SHAPED - POLISHED BRASS
1	111155-06-01A	EA	LOCK - PASSAGE/NON-LOCKING - S SHAPED - POLISHED BRASS
2	127349-01-01A	EA	LATCH - PADDLE
3	058335-03-000	EA	LATCH W/O LOCK - BATHROOM DOOR BLACK
4	124311-01-01A	EA	HANDLE - RECESSED - BRASS
5	115994-01-01A	EA	HANDLE - POCKET
5	139136-01-01A	EA	HANDLE - RECESSED - BRASS
6	P26866-06-L81	EA	HANDLE - DOOR/TAMBOUR - 18.6" - ASH/PORTSMOUTH II - PORTSMOUTH OAK
6	P26866-06-J30	EA	HANDLE - DOOR/TAMBOUR - 18.6" - CHERRY/CHERRY III - SALEM CHERRY
6	P26866-09-M95	EA	HANDLE - DOOR/TAMBOUR - 14.7" - ASH/PORTSMOUTH II - PORTSMOUTH OAK
6	P26866-09-KQ1	EA	HANDLE - DOOR/TAMBOUR - 14.7" - CHERRY/CHERRY III - SALEM CHERRY
6	P26866-10-K13	EA	HANDLE - DOOR/TAMBOUR - 11.6" - CHERRY/CHERRY III - SALEM CHERRY
6	P26866-10-K09	EA	HANDLE - DOOR/TAMBOUR - 11.6" - MAPLE/WASHED MAPLE - WASHED MAPLE
6	P26866-10-M07	EA	HANDLE - DOOR/TAMBOUR - 11.6" - ASH/PORTSMOUTH OAK - PORTSMOUTH OAK
6	P26866-10-K07	EA	HANDLE - DOOR/TAMBOUR - 11.6" - ASH/WATERFORD OAK - PORTSMOUTH OAK
7	098410-01-01A	EA	PULL - FINGER - OVAL - BRASS
8	072871-01-000	EA	PULL - FLUSH - CHROME
9	109403-01-000	EA	CATCH - SINGLE ROLLER - SCREEN DOOR
10	116975-02-01A	EA	KEEPER/STRIKE - BLACK - NEW STYLE
11	116975-01-01A	EA	LATCH - W/O STRIKE - BLACK - NEW STYLE
12	103256-01-000	EA	LATCH COMPLETE (SLIDE)
13	098196-01-000	EA	LATCH - 1/4 TURN - T-BAR
14	129703-01-01A	EA	CATCH ASSEMBLY (SPRING)
15	009013-01-000	EA	CATCH - BULLDOG - MALE/FEMALE

INTERIOR FINISH GROUP (CONTINUED)
HARDWARE (CONTINUED)



KEY	PART NUMBER	U/M	DESCRIPTION
1	100707-01-000	EA	SPACER - GLASS DOOR - .8" DIA - .3" HOLE - PLASTIC
2	113236-01-01A	EA	BRACKET - CLOTHES - ROD
3	102194-01-000	EA	GUIDE - PLASTIC - 1" (HEAD/PIN)
4	023320-01-000	EA	PAD - FELT 3/8" DIAMETER
4	004354-01-000	EA	BUMPER - RUBBER - .5" DIA - BROWN
5	120760-01-000	EA	RUBBER BUMPER - CLEAR - .1" THICK X .8" DIAMETER
5	081914-01-000	EA	BUMPER - RUBBER - ROUND - 1/2" DIA. X 1/8" THICK
6	083204-03-000	EA	BUTTON - RETAINING MIRROR 5/16" TIP
7	069726-02-000	EA	BUMPER - .88" OD X .40" THICK - BLACK
8	079921-01-000	EA	ROLLER - NYLON - W/STEEL SHAFT - BARBED
9	081114-02-000	EA	CAP - INSERT - ROUND 1" DIAMETER - WHITE
10	009112-01-000	EA	FLANGE - PLASTIC - 1" CLOTHES ROD - OFF WHITE
11	103874-01-000	EA	HANGER - SLIDING DOOR
12	064467-01-000	EA	GUIDE - POCKET - SLIDING DOOR - WALL MOUNTED
13	103257-01-000	EA	STOP - DOOR
14	065740-01-000	EA	BRACE - CABINET/CORNER - PLASTIC
15	118200-01-01A	SF	MESH - PLASTIC 1/2" - 48" X LENGTH = SF - BLACK
15	118200-07-01A	SF	MESH - PLASTIC 1/2" - 10.5" X 24.7" - BLACK
15	118200-10-01A	SF	MESH - PLASTIC 1/2" - 11.4" X 13" - BLACK
16	103194-01-000	EA	STOP - BATH DOOR
17	132871-02-02B	EA	BRACKET/L-ANGLE W/HOLES - 1.9" X 2.8" - E-COATED
17	080668-07-000	EA	ANGLE-JOINT, 135 DEGREES
18	083125-07-000	EA	BRACE - ANGLE/COUCH - 2.5" - OFF WHITE
19	102075-01-02A	EA	ROD - SHOWER CURTAIN - 1" OD X 33.5" - SOFT WHITE
19	102075-06-02A	EA	ROD - SHOWER CURTAIN - 1" OD X 33.5" - SOFT WHITE
19	102075-09-02A	EA	ROD - SHOWER CURTAIN - 3/4"OD X 29.5" - SOFT WHITE
19	102075-10-02A	EA	ROD - SHOWER CURTAIN - 1" OD X 46.3" - SOFT WHITE
19	102075-16-02A	EA	ROD - SHOWER CURTAIN - 3/4"OD X 34.2" - SOFT WHITE
19	102075-17-02A	EA	ROD - SHOWER CURTAIN - 1" OD X 39.3" - SOFT WHITE
19	102075-18-02A	EA	ROD - SHOWER CURTAIN - 1" OD X 38.9" - SOFT WHITE

INTERIOR FINISH GROUP (CONTINUED)
HARDWARE (CONTINUED)



KEY	PART NUMBER	U/M	DESCRIPTION
1	113676-01-01A	EA	HINGE - OVERLAY - VARIABLE
2	113677-01-01A	EA	HINGE - SELF CLOSING
3	108138-01-000	EA	HINGE - BURNISHED BRASS
3	108138-03-000	EA	HINGE - BRIGHT BRASS
	000G13-06-08G	EA	SCREW - 6-20 X .50 PFH - ANTIQUE BRASS
4	009059-01-000	EA	HINGE - DOOR - 2" X 1.4" - BRASS
4	009059-02-000	EA	HINGE - DOOR - 2" X 2.7" - BRASS
5	134099-02-01A	EA	HINGE - PIANO - WRAP AROUND - 29.5î - BRASS PLATED
5	136652-01-01A	EA	HINGE - PIANO - BLACK
5	136652-02-01A	EA	HINGE - PIANO
6	111535-01-000	EA	HINGE - TABLE/FOLDING
7	102920-01-01A	EA	HINGE - SPRING LOADED - BRASS
8	135538-01-01A	EA	HINGE - PIANO - FULL WRAP - BRASS PLATED
8	135538-02-01A	EA	HINGE - PIANO - FULL WRAP - STOCKER BRASS
8	135538-03-01A	EA	HINGE - PIANO - FULL WRAP - STOCKER BRASS
9	100711-01-01A	EA	HINGE - GLASS DOOR
10	114443-01-01A	EA	HINGE - CABINET DOOR
11	107390-02-000	EA	CORNER HANGER (DOUBLE ROLLER W/BRACKET) (SOLD AS 1 EACH)
12	107391-01-000	EA	GUIDE - BOTTOM - BY-PASS (4 USED PER DOOR)
13	101926-01-02A	EA	BRACKET - ZEE - 2" - BLACK
14	108126-01-000	EA	TRAY HINGE SET (QTY. 2 PER SET)
15	016604-01-000	EA	BRACE - ANGLE - 2 1/2" - UNPAINTED METAL
15	016604-05-000	EA	BRACE - ANGLE - 2 1/2" - OFF WHITE METAL
15	016604-07-000	EA	BRACE - ANGLE - 2 1/2" - VW GRAY
16	104181-01-01A	EA	SUPPORT - LEAF 5.3" EXTENDS TO 7.5" - SAFETY RING - METAL
17	074045-07-000	EA	PLUG - NATURAL - 3/8" DOWEL-1/2" HEAD - COLONIAL WOOD
17	074045-08-000	EA	PLUG - OAK - 3/8" DOWEL-1/2" HEAD - SALEM CHERRY
17	074045-12-000	EA	PLUG - OAK - 3/8" DOWEL-1/2" HEAD - WASHED MAPLE
17	074045-13-000	EA	PLUG - OAK - 3/8" DOWEL-1/2" HEAD - PORTSMOUTH OAK
17	042356-01-000	EA	PLUG - MAHOGANY - 3/8" DOWEL X 1/2" HEAD
18	057671-01-000	EA	COVER - SCREW - OFF WHITE - #8
18	057671-13-000	EA	COVER - SCREW - DARK GRAY - #8
18	057671-15-000	EA	COVER - SCREW - #8 - BRIGHT WHITE
18	057671-16-000	EA	COVER - SCREW - #8 - SOFT WHITE
19	041389-18-000	EA	HINGE - PIANO - 1 1/2" X 19" - OFF WHITE
19	041389-25-000	EA	HINGE - PIANO - 1 1/2" X 55" - UNPAINTED
19	041389-35-000	EA	HINGE - PIANO - 31" - OFF WHITE
19	084413-01-000	EA	HINGE - 1" X 72" - ALUMINUM - W/HOLES
19	084625-06-000	EA	HINGE - ALUMINUM - W/HOLES - 17.2" - OFF/WHITE
19	110496-01-01A	EA	HINGE - BRASS
19	114278-02-000	EA	HINGE - CONTINUOUS - 3î WIDE

LABELS GROUP

SEWAGE

KEY PART NUMBER U/M DESCRIPTION
006187-01-000 EA LABEL - SEWAGE

WASTE WATER

KEY PART NUMBER U/M DESCRIPTION
006188-01-000 EA LABEL - WASTE WATER

WARNING

THIS SYSTEM IS DESIGNED FOR USE WITH PROPANE ONLY
DO NOT CONNECT NATURAL GAS TO THIS SYSTEM

BEFORE TURNING ON PROPANE:

- (A) BE CERTAIN APPLIANCES ARE CERTIFIED FOR PROPANE AND ARE EQUIPPED WITH CORRECT BURNING ORIFICES.
- (B) MAKE CERTAIN ALL PROPANE CONNECTIONS ARE TIGHT BY TESTING WITH SOAPY WATER. ALL APPLIANCE VALVES ARE TURNED OFF, AND ANY UNCONNECTED OUTLETS ARE CAPPED.

AFTER TURNING ON PROPANE:

- (A) LIGHT ALL PILOT LIGHTS
- (B) ALL CONNECTIONS, INCLUDING THOSE AT THE APPLIANCES, REGULATORS AND CYLINDERS SHOULD BE LEAK-TESTED PERIODICALLY WITH SOAPY WATER BY THE OCCUPANT. NEVER USE A LIGHTED MATCH OR OTHER FLAME WHEN CHECKING FOR LEAKS.
- (C) DO NOT LEAVE SYSTEM TURNED ON OF CONTAINERS CONNECTED UNTIL THE SYSTEM HAS BEEN PROVEN TO BE FREE OF LEAKS.
- (D) COOKING APPLIANCES SHOULD NOT BE USED FOR SPACE HEATING.
- (E) WHEN THE CONTAINERS ARE DISCONNECTED THE PROPANE SUPPLY LINE SHOULD BE CAPPED OR PLUGGED.

AVERTISSEMENT

CETTE INSTALLATION EST CONÇUE POUR LE PROPANE SEULEMENT
NE PAS L'ALIMENTER EN GAZ NATUREL

AVANT LA MISE EN SERVICE:

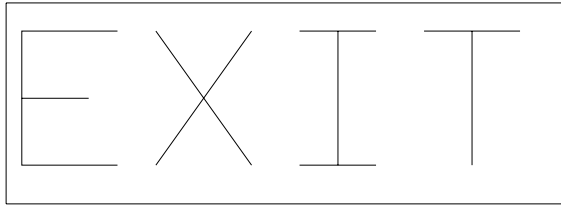
- (A) S'ASSURER QUE LES APPAREILS SONT CERTIFIÉS POUR LE PROPANE ET MUNIS D'ORIFICES DE BRÛLEUR APPROPRIÉS.
- (B) VÉRIFIER L'ÉTANCHEITÉ DE TOUS LES RACCORDEMENTS AU PROPANE. LA PERMÉABILITÉ DE TOUS LES ROBINETS D'APPAREILS ET L'OBTURATION DE TOUTES LES SORTIES NON RACCORDEES.

APRÈS LA MISE EN SERVICE:

- (A) ALLUMER TOUTES LES VEILLEUSES.
- (B) L'OCCUPANT DOIT ÉPROUVER PÉRIODIQUEMENT L'ÉTANCHEITÉ DE TOUS LES RACCORDEMENTS Y COMPRIS CEUX AUX APPAREILS, AUX DÉTENDEURS ET AUX BOUTEILLES, EN Y APPLIQUANT DE L'EAU SAVONNEUSE NE JAMAIS SE SERVIR D'UNE ALLUMETTE OU AUTRE POUR LA DÉTECTION DES FUITES.
- (C) NE PAS LAISSER L'ALIMENTATION OUVERTE NI LES RÉCIPIENTS RACCORDES AVANT D'AVOIR COMPLÉTÉ L'ÉPREUVE D'ÉTANCHEITÉ AU PROPANE DE L'INSTALLATION.
- (D) LES APPAREILS DE CUISSON NE DOIVENT PAS ÊTRE UTILISÉS POUR LE CHAUFFAGE DES LOCAUX.
- (E) LORSQUE LES RÉCIPIENTS SONT DÉCONNECTÉS, L'ALIMENTATION DE PROPANE DOIT ÊTRE OBTURÉE OU SCELLÉE.

KEY PART NUMBER U/M DESCRIPTION
023769-01-000 EA LABEL - WARNING - LPG - CANADIAN

LABELS GROUP (CONTINUED)



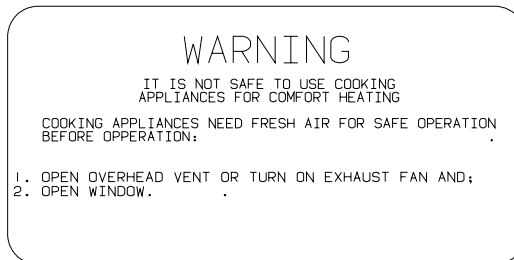
KEY	PART NUMBER	U/M DESCRIPTION
	039290-01-000	EA LABEL - WARNING - EXIT



KEY	PART NUMBER	U/M DESCRIPTION
	040944-01-000	EA LABEL - ENTRANCE DOOR - iOPENi

<p>"TO ENSURE A SUPPLY OF FRESH AIR TO OCCUPANTS, OPEN VENTILATORS WHEN FUEL BURNING RANGE, FUEL BURNING CARRY-ON APPLIANCES AND/OR FUEL-BURNING LIGHTS ARE IN OPERATION."</p>	<p>DE MANIERE A ASSURE UNE ALIMENTATION EN AIR FRAIS AUX OCCUPANTS, OUVRIRE LES VENTILATEURS LORSQUE LA CUISINIERE, LES APPAREILS DE CHAUFFAGE PORTABLES ET/OU LES LAMPES DE COMBUSTION D'HUILE SONT EN FONCTIONNEMENT.</p>
<p>"COOKING APPLIANCES SHOULD NOT BE USED FOR SPACE HEATING PURPOSES"</p>	<p>LES APPAREILS DE CUSSON NE DOIVENT PAS SERVIR AU CHAUFFAGES DES LOCAUX.</p>

KEY	PART NUMBER	U/M DESCRIPTION
	050222-01-000	EA LABEL - STOVE VENT - CANADIAN
	134540-01-01A	EA LABEL - WARNING - STOVE/HEATING - CSA - BLACK ON CLEAR



KEY	PART NUMBER	U/M DESCRIPTION
	050225-01-000	EA LABEL - WARNING - STOVE VENT - US
	134539-01-01A	EA LABEL - WARNING - STOVE/HEATING - US - BLACK ON CLEAR

LABELS GROUP (CONTINUED)

CAUTION

THIS MOTOR HOME HAS BEEN DESIGNED, MANUFACTURED AND TESTED WITH CONCERN FOR THE PROTECTION OF IT'S OCCUPANTS. WE RECOMMEND YOU PERFORM THE FOLLOWING INSPECTIONS FOR YOUR SAFETY AND THE SAFETY OF YOUR PASSENGERS BEFORE STARTING YOUR VEHICLE.

1. LP GAS SYSTEM- TURN OFF AT TANK FOR TRAVELING. TEST FOR LEAKS UPON ARRIVAL AT DESTINATION. BEFORE LIGHTING PILOTS.
2. WHEELS- INSPECT FOR DAMAGE AND CHECK LUG NUTS FOR TIGHTNESS.
3. TIRES- INSPECT FOR WEAR AND DAMAGE AND CHECK FOR RECOMMENDED AIR PRESSURE.
4. LIGHTING- TEST FOR PROPER OPERATION OF ALL INTERIOR AND EXTERIOR LIGHTS INCLUDING DASH LIGHTS, HEADLIGHTS, TAIL LIGHTS, BRAKE LIGHTS, CLEARANCE LIGHTS AND TURN SIGNALS.
5. EXITS- INSPECT RELEASE MECHANISM ON EMERGENCY EXIT WINDOW. TEST BOTH LOCKS ON MAIN ENTRANCE DOOR FOR EASE OF OPERATION AND INSTRUCT PASSENGERS HOW TO USE BOTH MEANS OF EXIT.
6. SEAT BELTS- DIRECT PASSENGERS TO DESIGNATED SEATS AND REQUIRE USE OF SEAT BELTS.
7. APPLIANCES- TURN OFF AND LATCH OR LOCK DOORS WHERE PROVIDED.
8. LOOSE PARCELS- STORE SECURELY.
9. UTILITY SUPPLY LINES- DISCONNECT ALL ELECTRIC, SEWER AND WATER LINES AND SECURE PROPERLY.
10. ENTRANCE DOOR STEP- PLACE IN RETRACTED POSITION FOR TRAVELING.

READ YOUR MOTOR HOME AND CHASSIS OWNER'S
MANUAL FOR FURTHER PRECAUTIONS

KEY	PART NUMBER	U/M DESCRIPTION
	056259-01-000	EA LABEL - SAFETY CHECK LIST

UNLEADED FUEL ONLY

KEY	PART NUMBER	U/M DESCRIPTION
	062043-01-000	EA LABEL - FUEL - UNLEADED

WARNING DISCONNECT BATTERIES BEFORE
CONNECTING EXTERNAL CHARGING EQUIPMENT.

KEY	PART NUMBER	U/M DESCRIPTION
	065748-01-000	EA LABEL - CAUTION - BATTERY CHARGING

AVERTISSEMENT : DEBRANCHER LES BATTERIES AVANT
DE BRANCHER TOUT EQUIPEMENT DE CHARGE EXTERIEUR.

KEY	PART NUMBER	U/M DESCRIPTION
	065748-02-000	EA LABEL - WARNING - BATTERY/FRENCH - CANADIAN

LABELS GROUP (CONTINUED)

DIESEL FUEL ONLY

KEY PART NUMBER U/M DESCRIPTION
068383-01-000 EA LABEL - DIESEL FUEL

VEHICLE EMISSION CONTROL INFORMATION

THIS VEHICLE CONFORMS TO U.S. EPA REGULATIONS APPLICABLE TO XXXX MODEL YEAR NEW VEHICLES.

072887-01-000-2 CATALYST

KEY PART NUMBER U/M DESCRIPTION
072887-11-000 EA LABEL - EPA - 2000 MODEL YEAR

IF YOU SMELL GAS

1. EXTINGUISH ANY OPEN FLAME, PILOT LIGHTS AND ALL SMOKING MATERIALS.
2. DO NOT TOUCH ELECTRICAL SWITCHES.
3. SHUT OFF THE GAS SUPPLY AT THE TANK VALVE(S) OR GAS SUPPLY CONNECTION.
4. OPEN DOORS AND OTHER VENTILATING OPENINGS.
5. LEAVE THE AREA UNTIL ODDR CLEARS.
6. HAVE THE GAS SYSTEM CHECKED AND LEAKAGE SOURCE CORRECTED BEFORE USING AGAIN.

KEY PART NUMBER U/M DESCRIPTION
073998-01-000 EA LABEL - LPG ODOR WARNING

WARNING: TEST SMOKE DETECTOR OPERATION AFTER VEHICLE HAS BEEN IN STORAGE, BEFORE EACH TRIP AND AT LEAST ONCE PER WEEK DURING USE.

KEY PART NUMBER U/M DESCRIPTION
077956-01-000 EA LABEL - WARNING - SMOKE DETECTOR

DO NOT FILL LP-GAS CONTAINER(S) TO MORE THAN 80% OF CAPACITY.

KEY PART NUMBER U/M DESCRIPTION
079965-01-000 EA LABEL - LPG - 80% CAPACITY

WARNING

MUST BE STOWED IN LATCHED POSITION WHILE VEHICLE IS IN MOTION

KEY PART NUMBER U/M DESCRIPTION
079966-01-000 EA LABEL - WARNING - STOWED - MOTION

LABELS GROUP (CONTINUED)



KEY PART NUMBER U/M DESCRIPTION
 083588-01-000 EA LABEL - ON/OFF - WATER HEATER



KEY PART NUMBER U/M DESCRIPTION
 083588-02-000 EA LABEL - ON/OFF - ENGINE HEATER

CAUTION	TO HELP AVOID PERSONAL INJURY DURING REMOVAL OF FUEL FILLER CAP, SLOWLY LOOSEN CAP 1/2 TURN TO ALLOW ANY FUEL PRESSURE TO BE RELIEVED BEFORE TURNING CAP FURTHER.
FUEL SPRAY MAY CAUSE PERSONAL INJURY	STOP ADDING FUEL AFTER FIRST SHUTOFF BY AUTOMATIC NOZZLE WHEN TANK IS NEARLY FULL. DO NOT OVERFILL FUEL TANK. SEE OWNERS MANUAL FOR ADDITIONAL INFORMATION. PRINTED IN U.S.A. WLC PT NO 15611763

KEY PART NUMBER U/M DESCRIPTION
 087207-05-000 EA LABEL - FUEL CAP REMOVAL



KEY PART NUMBER U/M DESCRIPTION
 087236-01-000 EA LABEL - CABLE - INPUT

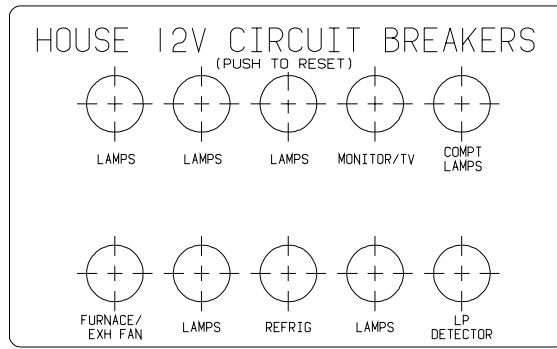


KEY PART NUMBER U/M DESCRIPTION
 087236-02-000 EA LABEL - TV OUTLET

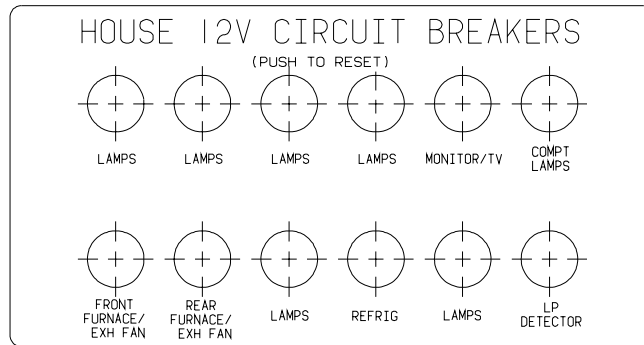
AIR CONDITIONING CIRCUIT.
 THIS CONNECTION IS FOR
 AIR CONDITIONERS RATED 110-
 125 VOLT AC, 60 HZ, 16
 AMPERES MAXIMUM. DO NOT
 EXCEED CIRCUIT RATING.

KEY PART NUMBER U/M DESCRIPTION
 091243-01-000 EA LABEL - A/C COVER (AIR CONDITIONING CIRCUIT ETC.)

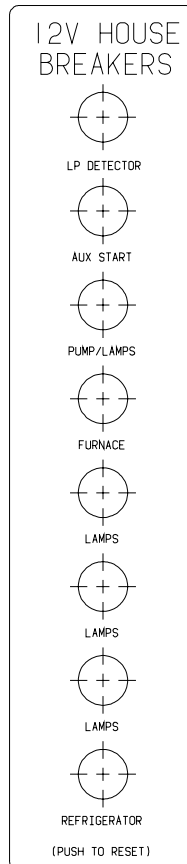
LABELS GROUP (CONTINUED)



KEY PART NUMBER U/M DESCRIPTION
 092547-06-000 EA LABEL - CIRCUIT BREAKER

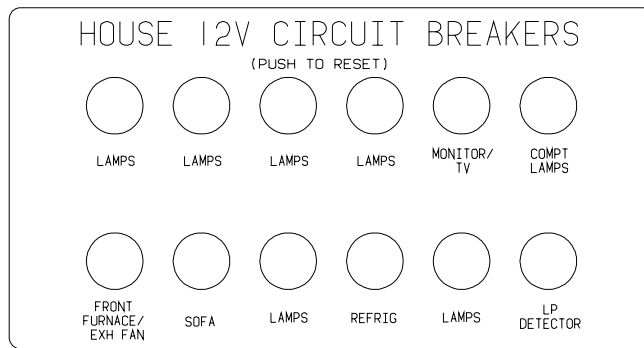


KEY PART NUMBER U/M DESCRIPTION
 092547-07-000 EA LABEL - CIRCUIT BREAKER

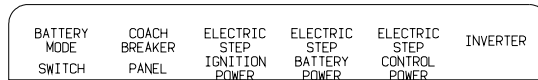


KEY PART NUMBER U/M DESCRIPTION
 092547-08-000 EA LABEL - CIRCUIT BREAKER

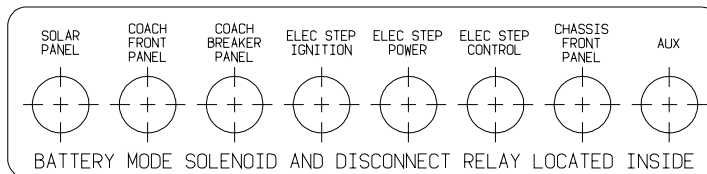
LABELS GROUP (CONTINUED)



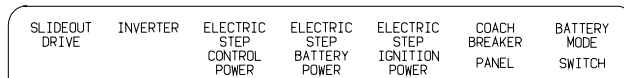
KEY PART NUMBER U/M DESCRIPTION
 092547-10-000 EA LABEL - CIRCUIT BREAKER



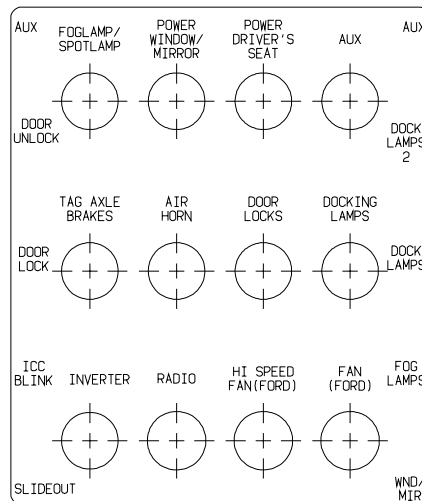
KEY PART NUMBER U/M DESCRIPTION
 093236-08-000 EA LABEL - CIRCUIT BREAKER



KEY PART NUMBER U/M DESCRIPTION
 093236-13-000 EA LABEL - CIRCUIT BREAKER



KEY PART NUMBER U/M DESCRIPTION
 093236-15-000 EA LABEL - CIRCUIT BREAKER



KEY PART NUMBER U/M DESCRIPTION
 093236-16-000 EA LABEL - CIRCUIT BREAKER

LABELS GROUP (CONTINUED)

SUB - MAIN	DISHWASHER	RECPs 1	RECPs 2	RECPs 3	MICROWAVE
------------	------------	---------	---------	---------	-----------

KEY PART NUMBER U/M DESCRIPTION
 095721-20-000 EA LABEL - CONTROL CENTER W/INVERTER

A / C CIRCUIT 1	MAIN	MAIN	A / C CIRCUIT 2	I N V E R T E R / C H A R G E R	R E F F R I G / V A C C U U M	W A S H E R / D R Y E R	W A T E R H E A T E R	
-----------------------	------	------	-----------------------	--	---	--	---	--

KEY PART NUMBER U/M DESCRIPTION
 095721-22-000 EA LABEL - CONTROL CENTER - 50AMP

A / C CIRCUIT 1	MAIN		R E F F R I G / C O N V	M I C R O W A V E		R E C P S 1	R E C P S 2	
-----------------------	------	--	--	---	--	--------------------------------	--------------------------------	--

KEY PART NUMBER U/M DESCRIPTION
 095721-25-000 EA LABEL - CONTROL CENTER - 30 AMP

A / C CIRCUIT 1	MAIN	MAIN	A / C CIRCUIT 2	R E F F R I G / C O N V	M I C R O W A V E	R E C P S 1	R E C P S 2	R E C P S 3	W A S H E R / D R Y E R	
-----------------------	------	------	-----------------------	--	---	--------------------------------	--------------------------------	--------------------------------	--	--

KEY PART NUMBER U/M DESCRIPTION
 095721-26-000 EA LABEL - CONTROL CENTER - 30 AMP - CANADIAN

A / C CIRCUIT 1	MAIN	A / C CIRCUIT 2	R E F F R I G / C O N V	M I C R O W A V E	R E C P S 1	R E C P S 2	R E C P S 3		
-----------------------	------	-----------------------	--	---	--------------------------------	--------------------------------	--------------------------------	--	--

KEY PART NUMBER U/M DESCRIPTION
 095721-27-000 EA LABEL - CONTROL CENTER - 30 AM

LABELS GROUP (CONTINUED)

A / C C I R C U I T 1	M A I N	A / C C I R C U I T 2	R E F F R I G / C O N V	M I C R O W A V E	R E C P S 1	R E C P S 2	R E C P S 3	W A S H E R / D R Y E R	W A T E R H E A T E R	
-----------------------------	---------	-----------------------------	-------------------------	-------------------	----------------	----------------	----------------	-------------------------	--------------------------	--

KEY PART NUMBER U/M DESCRIPTION
 095721-31-000 EA LABEL - CONTROL CENTER - 30 AMP - US

A / C C I R C U I T 1	M A I N	A / C C I R C U I T 2	I N V E R T E R / C H A R G E R	R E F F R I G E R A T O R	W A S H E R / D R Y E R	W A T E R H E A T E R	
-----------------------------	---------	-----------------------------	------------------------------------	---------------------------	-------------------------	--------------------------	--

KEY PART NUMBER U/M DESCRIPTION
 095721-32-000 EA LABEL - CONTROL CENTER - 30 AMP W/INVERTER

A / C C I R C U I T 1	M A I N	M A I N	A / C C I R C U I T 2	R E F F R I G / C O N V	M I C R O W A V E	R E C P S 1	R E C P S 2	R E C P S 3	W A S H E R / D R Y E R	W A T E R H E A T E R
-----------------------------	---------	---------	-----------------------------	-------------------------	-------------------	----------------	----------------	----------------	-------------------------	--------------------------

KEY PART NUMBER U/M DESCRIPTION
 095721-33-000 EA LABEL - CONTROL CENTER - 50 AMP - US

A / C C I R C U I T 1	M A I N	M A I N	A / C C I R C U I T 2	I N V E R T E R / C H A R G E R	R E F F R I G E R A T O R	W A S H E R / D R Y E R	W A T E R H E A T E R	
-----------------------------	---------	---------	-----------------------------	------------------------------------	---------------------------	-------------------------	--------------------------	--

KEY PART NUMBER U/M DESCRIPTION
 095721-34-000 EA LABEL - CONTROL CENTER - 50 AMP

M A I N	M I C R O W A V E	G F I / R E C P S	R E F F R / C O N V	W A T E R H T R	A / C
---------	-------------------	-------------------	---------------------	--------------------	-------

KEY PART NUMBER U/M DESCRIPTION
 095721-38-000 EA LABEL - CONTROL CENTER - 30 AMP - US

LABELS GROUP (CONTINUED)

AUTOMOTIVE AND COACH
CIRCUIT BREAKERS

KEY	PART NUMBER	U/M DESCRIPTION
	098379-01-000	EA LABEL - CIRCUIT BREAKER - FRONT BOX

CIRCUIT BREAKERS
AND AUTOMOTIVE
FUSE PANEL

KEY	PART NUMBER	U/M DESCRIPTION
	098379-03-000	EA LABEL - ELECTRICAL BOX - FRONT

BATTERY MODE
SOLENOID AND
RELAYS

KEY	PART NUMBER	U/M DESCRIPTION
	098379-04-000	EA LABEL - ELECTRICAL BOX - SIDE

UNLEADED
FUEL ONLY

KEY	PART NUMBER	U/M DESCRIPTION
	098641-01-000	EA LABEL - FUEL - UNLEADED - DASH

FOR AWNING INSTALLATION
CONTACT YOUR MOTORHOME
DEALERSHIP

KEY	PART NUMBER	U/M DESCRIPTION
	099509-01-000	EA LABEL - AWNING INSTALLATION

WARNING
THIS VEHICLE, LIKE OTHER
VEHICLES, MAY CONTAIN SMALL
AMOUNTS OF ONE OR MORE
SUBSTANCES WHICH ARE LISTED
BY THE STATE OF CALIFORNIA
FOR CAUSING CANCER OR
REPRODUCTIVE TOXICITY.

KEY	PART NUMBER	U/M DESCRIPTION
	099689-01-000	EA LABEL - WARNING - CANCER/TOXICITY

LABELS GROUP (CONTINUED)

THIS CHAIR IS NOT INTENDED
FOR OCCUPANCY WHEN VEHICLE
IS IN MOTION AND MUST BE
RETURNED TO STOWED POSITION

KEY PART NUMBER U/M DESCRIPTION
102267-01-000 EA LABEL - NO OCCUPANCY - US

DTS ISICE SIEGE N/EST PAS
DESTINE A ETRE OCCUPE LORSQUE
LE VEHICULE EST EN MOUVEMENT
ET IL FAUT QUE LE RANGER

THIS CHAIR IS NOT INTENDED
FOR OCCUPANCY WHEN VEHICLE
IS IN MOTION AND MUST BE
RETURNED TO STOWED POSITION

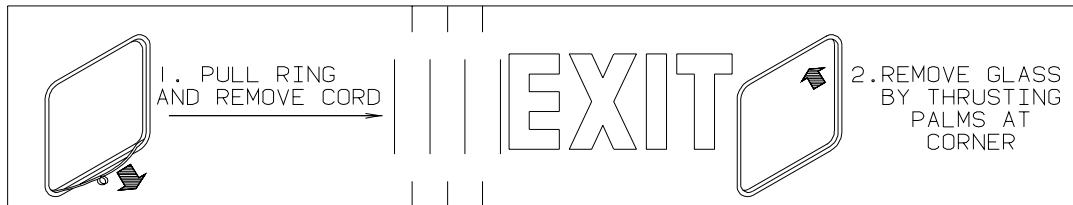
KEY PART NUMBER U/M DESCRIPTION
102267-02-000 EA LABEL - NO OCCUPANCY - CSA

NOTE: TUNE ANTENNA
PER MANUFACTURER'S
DIRECTIONS. FAILURE TO
COMPLY COULD RESULT IN
DAMAGE TO CB.

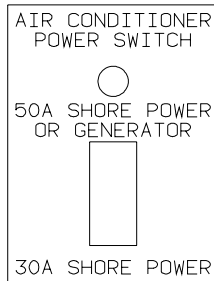
CB POWER PROVISION

RED +12 V
BLACK GROUND
COAX ANTENNA
(SEE REVERSE ALSO)

KEY PART NUMBER U/M DESCRIPTION
104678-01-000 EA LABEL - CB PREP



KEY PART NUMBER U/M DESCRIPTION
107571-01-000 EA LABEL - EXIT/ESCAPE WINDOW

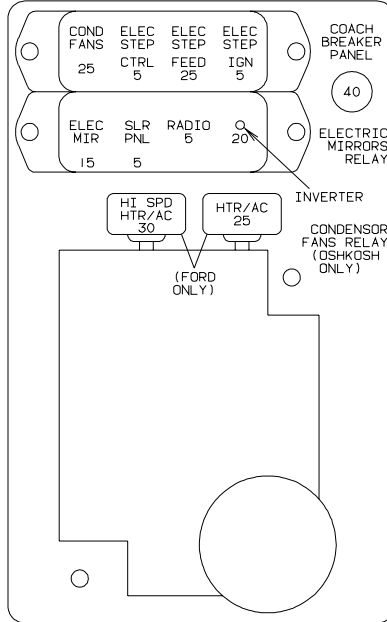


KEY PART NUMBER U/M DESCRIPTION
109051-02-000 EA LABEL - SWITCH - 50 AMP POWER

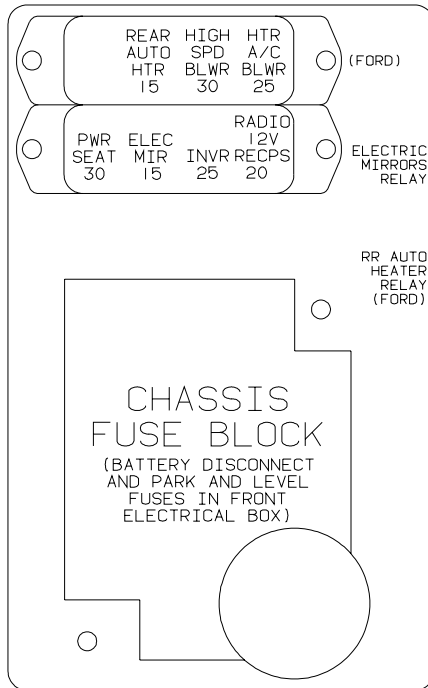
LABELS GROUP (CONTINUED)

DO NOT USE HITCH BEFORE
READING OWNERS MANUAL REGARDING
VEHICLE LOADING AND TOWING

KEY	PART NUMBER	U/M DESCRIPTION
	111104-01-000	EA LABEL - HITCH - READ MANUAL - WHITE
	111104-02-000	EA LABEL - HITCH - READ MANUAL - BLACK



KEY	PART NUMBER	U/M DESCRIPTION
	111537-07-000	EA LABEL - FUSES

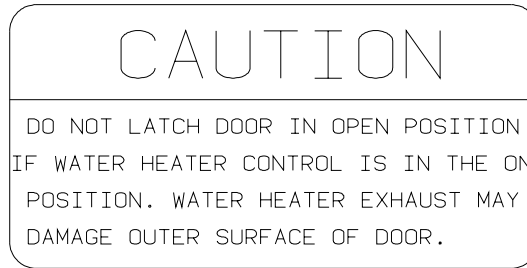


KEY	PART NUMBER	U/M DESCRIPTION
	111537-08-000	EA LABEL - FUSES

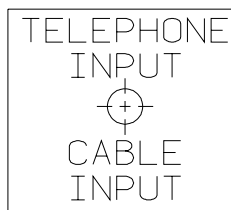
LABELS GROUP (CONTINUED)

WARNING: CONTAINS "CFC" A SUBSTANCE WHICH HARMS PUBLIC HEALTH AND ENVIRONMENT BY DESTROYING OZONE IN THE UPPER ATMOSPHERE.

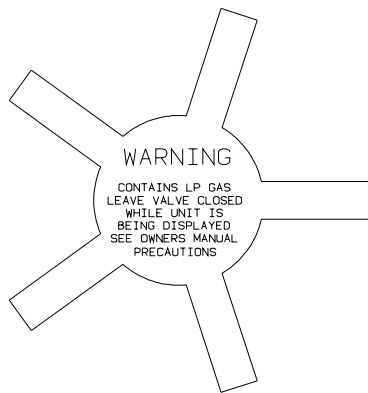
KEY PART NUMBER U/M DESCRIPTION
111802-01-000 EA LABEL - CFC WARNING



KEY PART NUMBER U/M DESCRIPTION
113402-01-000 EA LABEL - CAUTION - WATER HEATER EXHAUST



KEY PART NUMBER U/M DESCRIPTION
114866-02-000 EA LABEL - PHONE & CABLE INPUT - WHITE/CLEAR BACKGROUND
114866-03-000 EA LABEL - PHONE & CABLE INPUT - BLACK/CLEAR BACKGROUND

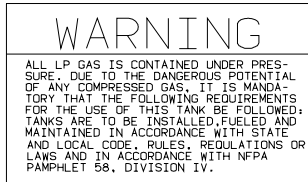


KEY PART NUMBER U/M DESCRIPTION
115600-01-000 EA LABEL - WARNING LPG VALVE

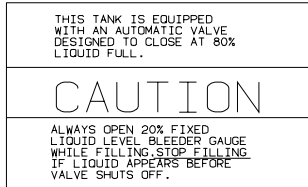
WARNING: REPLACE TIRE ONLY WITH ONE OF EXACTLY SAME TYPE AND RATING. DO NOT REPLACE WITH PASSENGER CAR TIRE. SEE OPERATOR'S MANUAL FOR MORE INFORMATION CALL WINNEBAGO OWNER RELATIONS AT 1-800-537-1885.

KEY PART NUMBER U/M DESCRIPTION
115869-01-000 EA LABEL - WARNING - TIRE

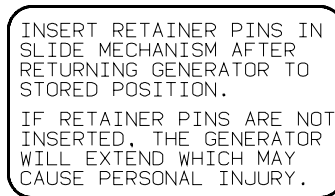
LABELS GROUP (CONTINUED)



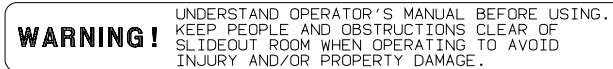
KEY PART NUMBER U/M DESCRIPTION
 116112-01-000 EA LABEL - WARNING - LP



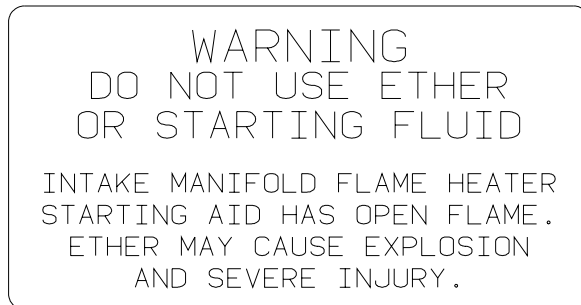
KEY PART NUMBER U/M DESCRIPTION
 116113-01-000 EA LABEL - CAUTION - LP



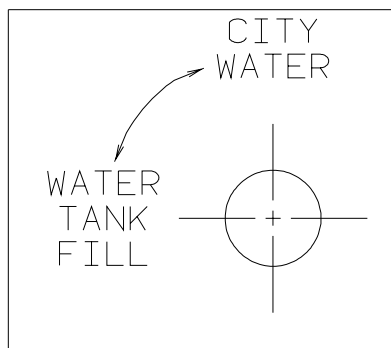
KEY PART NUMBER U/M DESCRIPTION
 116273-01-000 EA LABEL - WARNING - GENERATOR



KEY PART NUMBER U/M DESCRIPTION
 1 116549-01-000 EA LABEL - WARNING - SLIDEOUT

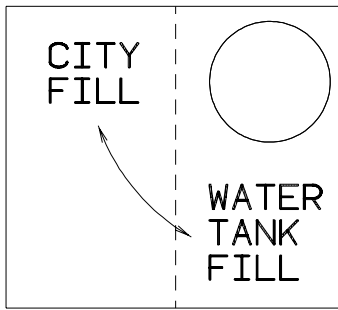


KEY PART NUMBER U/M DESCRIPTION
 116756-01-000 EA LABEL - WARNING ETHER/STARTING

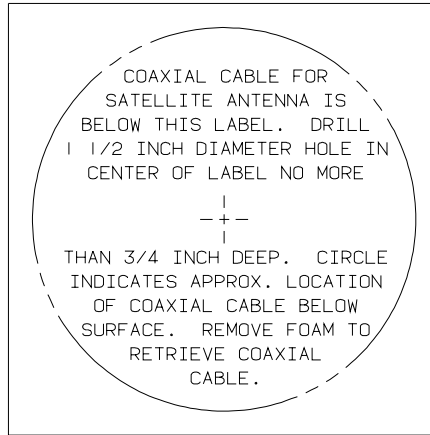


KEY PART NUMBER U/M DESCRIPTION
 117629-03-000 EA LABEL - WATER PUMP/FILL-BLK LETTERS/CLEAR BACKGROUND-.31"

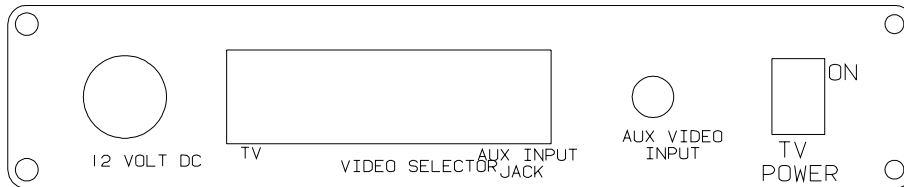
LABELS GROUP (CONTINUED)



KEY PART NUMBER 117629-04-000 **U/M DESCRIPTION**
EA LABEL - CITY WATER/TANK FILL



KEY PART NUMBER 120431-01-000 **U/M DESCRIPTION**
EA LABEL - LOCATION - COAXIAL CABLE/SATELLITE ANTENNA



KEY PART NUMBER 120677-01-000 **U/M DESCRIPTION**
EA LABEL - TV

KEEP THE SERVICE INLET ACCESS
IN THE CLOSED POSITION WHEN
UTILITY CONNECTIONS ARE NOT IN USE

KEY PART NUMBER 123562-01-000 **U/M DESCRIPTION**
EA LABEL - SERVICE/UTILITY ACCESS

LABELS GROUP (CONTINUED)

WARNING

ALL PILOT LIGHTS, APPLIANCES AND THIER
IGNITORS (SEE OPERATING INSTRUCTIONS) SHALL
BE TURNED OFF DURING REFUELING OF MOTOR
FUEL TANKS AND/OR LP GAS CONTAINERS

KEY	PART NUMBER	U/M	DESCRIPTION
	124519-01-01A	EA	LABEL - WARNING/REFUELING - BLACK ON CLEAR
	124519-01-02A	EA	LABEL - WARNING/REFUELING - WHITE ON CLEAR

WARNING :

ALL PILOT LIGHTS AND APPLIANCES SHALL BE TURNED
OFF DURING REFUELING OF MOTOR FUEL TANKS AND/
OR PROPANE CONTAINERS.

AVERTISSEMENT :

FERMER TOUTES LES VEILLEUSES AINSI QUE TOUTS LES
APPAREILS LORSQU'ON FAIT LE PLEIN DES RESERVOIRS
À CARBURANT OU À PROPANE.

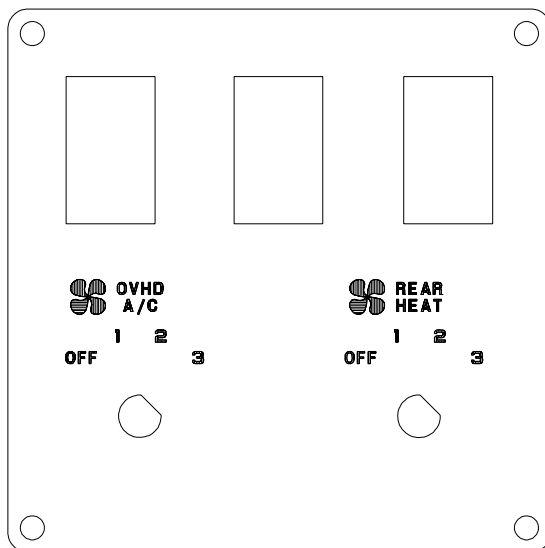
124519-02

KEY	PART NUMBER	U/M	DESCRIPTION
	124519-02-01A	EA	LABEL - WARNING/REFUELING - BLACK ON CLEAR - CSA
	124519-02-02A	EA	LABEL - WARNING/REFUELING - WHITE ON CLEAR - CSA

LP-GAS SYSTEM
THIS GAS PIPING SYSTEM IS
DESIGNED FOR USE OF
LIQUIFIED PETROLEUM GAS
ONLY. DO NOT CONNECT
NATURAL GAS TO THIS
SYSTEM.
SECURE CAP INLET(S) WHEN NOT
CONNECTED FOR USE. AFTER TURNING
ON GAS, EXCEPT AFTER NORMAL
CONTAINER REPLACEMENT, TEST GAS
PIPING AND CONNECTIONS TO
APPLIANCES FOR LEAKAGE WITH SOAPY
WATER OR BUBBLE SOLUTION. DO NOT
USE PRODUCTS THAT CONTAIN AMMONIA
OR CLORINE.

124520

KEY	PART NUMBER	U/M	DESCRIPTION
	124520-01-01A	EA	LABEL - LP GAS ONLY - BLACK ON CLEAR
	124520-01-02A	EA	LABEL - LP GAS ONLY - WHITE ON CLEAR



KEY	PART NUMBER	U/M	DESCRIPTION
	124572-01-000	EA	LABEL - SWITCHES

LABELS GROUP (CONTINUED)

THIS CONNECTION IS FOR
(B) VOLT AC,60 HZ(CYCLES)
(A) AMPERE SUPPLY

DO NOT CONNECT TO
HIGHER VOLTAGE

KEY	PART NUMBER	U/M	DESCRIPTION
	125306-01-01A	EA	LABEL - ELECTRICAL ENTRANCE - 110V 30AMP - BLACK ON CLEAR
	125306-03-01A	EA	LABEL - ELECTRICAL ENTRANCE - 100 V 30 AMP-BLACK ON CLEAR
	125306-01-02A	EA	LABEL - ELECTRICAL ENTRANCE - 110 V 30 AMP - WHITE ON CLEAR

THIS CONNECTION IS FOR
(B) VOLT AC,3-POLE,4 WIRE
60 HZ(CYCLES),(A) AMPERE SUPPLY

DO NOT CONNECT TO
HIGHER VOLTAGE

KEY	PART NUMBER	U/M	DESCRIPTION
	125306-04-01A	EA	LABEL-ELECTRICAL ENTRANCE-120/240V 50 AMP-BLACK ON CLEAR
	125306-04-02A	EA	LABEL - ELECTRICAL ENTRANCE-120/240V 50 AMP-WHITE ON CLEAR

REMOVE PRIMARY TIRE HANGER BEFORE USING
SPARE TIRE HOIST-SEE OWNERS MANUAL - PERSONAL
INJURY MAY RESULT IF NOT FOLLOWED

KEY	PART NUMBER	U/M	DESCRIPTION
	126024-01-01A	EA	LABEL - TIRE HANGER REMOVAL

GRAY HOLDING TANK

KEY	PART NUMBER	U/M	DESCRIPTION
	126247-01-000	EA	LABEL - GRAY HOLDING TANK-WHITE LETTERS/CLEAR BACKGROUND
	126247-05-000	EA	LABEL - GRAY HOLDING TANK-BLACK LETTERS/CLEAR BACKGROUND

BLACK HOLDING TANK

KEY	PART NUMBER	U/M	DESCRIPTION
	126247-02-000	EA	LABEL - BLACK HOLDING TANK-WHITE LETTERS/BLACK BACKGROUND
	126247-06-000	EA	LABEL - BLACK HOLDING TANK-BLACK LETTERS/CLEAR BACKGROUND

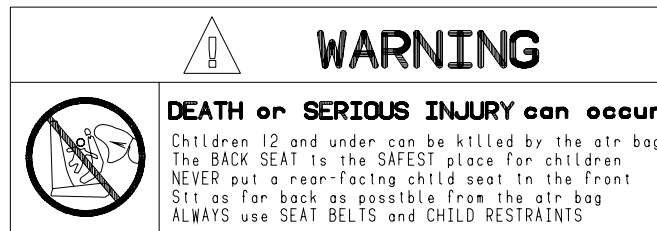
LABELS GROUP (CONTINUED)

EXTERIOR SHOWER

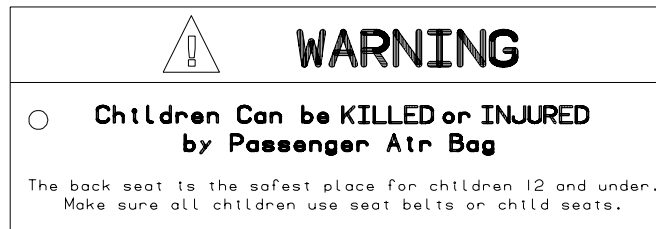
KEY PART NUMBER U/M DESCRIPTION
126248-03-000 EA LABEL - EXTERIOR SHOWER

CITY WATER FILL

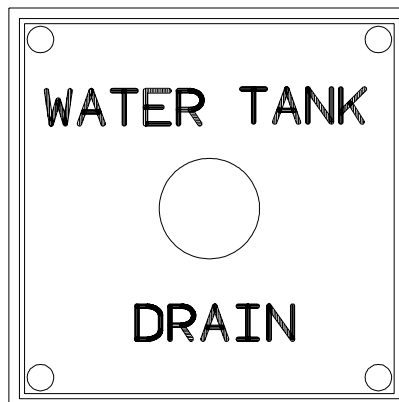
KEY PART NUMBER U/M DESCRIPTION
126249-03-000 EA LABEL - CITY WATER FILL-BLK LETTER/CLEAR BACKGROUND-.31"H



KEY PART NUMBER U/M DESCRIPTION
126611-01-000 EA LABEL - AIR BAG - VISOR



KEY PART NUMBER U/M DESCRIPTION
126612-01-000 EA LABEL - HANG TAG - AIR BAG - DASH



KEY PART NUMBER U/M DESCRIPTION
127170-01-000 EA LABEL - WATER TANK DRAIN

LABELS GROUP (CONTINUED)

WARNING

ROOF SURFACE MAY BE SLIPPERY
ESPECIALLY WHERE MOISTURE IS PRESENT
SLIPPING MAY RESULT IN PERSONAL INJURY.

128218-01

KEY PART NUMBER U/M DESCRIPTION
128218-01-01A EA LABEL - WARNING - SLIPPERY ROOF

ENTRANCE DOOR PROP ROD

THIS ROD IS DESIGNED TO PROP THE
ENTRANCE DOOR OPEN WHEN THE PATIO
AWNING ARM IS ATTACHED TO THE
SIDEWALL AND THE AWNING IS EX-
TENDED.
HOOK ONE END OF ROD INTO LOOP ON
DOOR AND OTHER END INTO LOOP ON THE
SIDEWALL AS SHOWN.

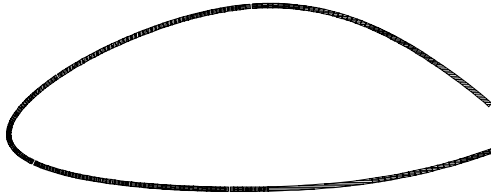
(THIS LABEL TO BE REMOVED BY RETAIL OWNER ONLY)

KEY PART NUMBER U/M DESCRIPTION
128658-01-000 EA LABEL - PROP ROD - ENTRY DOOR

WARNING

POTABLE WATER ONLY
SANITIZE, FLUSH, AND
DRAIN BEFORE USING.
SEE INSTRUCTION MANUAL

KEY PART NUMBER U/M DESCRIPTION
128725-01-01A EA LABEL - POTABLE WATER ONLY



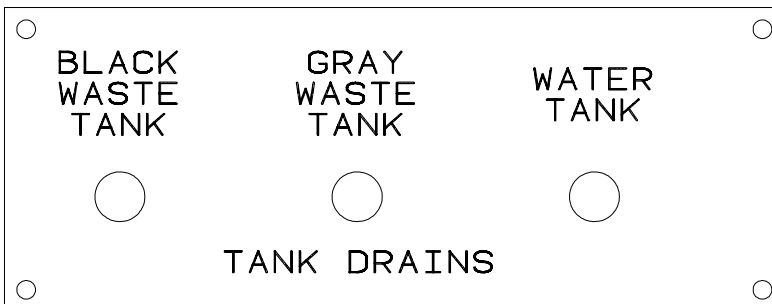
ATTENTION

REMEMBER TO DETACH THE OTHER
TRAVEL LATCH LOCATED IN
GALLEY CABINET BEFORE EXTENDING
THIS ROOM.

KEY PART NUMBER U/M DESCRIPTION
129033-01-000 EA LABEL - HANG TAG - TRAVEL LATCH - 1.5î X3î

TOW VEHICLE RATING MAY BE LESS THAN HITCH RATING.
MAXIMUM VERTICAL HITCH LOAD: 350 LBS
DO NOT EXCEED REAR AXLE RATING.
SEE OWNER'S MANUAL FOR ADDITIONAL INFORMATION.

KEY PART NUMBER U/M DESCRIPTION
129669-01-01A EA LABEL - HITCH/VEHICLE RATE - 350 - WHITE ON CLEAR
129669-02-01A EA LABEL - HITCH/VEHICLE RATE - 500 - WHITE ON CLEAR
129669-02-02A EA LABEL - HITCH/VEHICLE RATE - 500 - BLACK ON CLEAR



KEY PART NUMBER U/M DESCRIPTION
130166-01-000 EA LABEL - DRAIN

LABELS GROUP (CONTINUED)

H
O
S
E

S
T
O
R
A
G
E

KEY PART NUMBER U/M DESCRIPTION
130167-02-000 EA LABEL - HOSE STORAGE

WASTE TANK FLUSH

KEY PART NUMBER U/M DESCRIPTION
130168-01-000 EA LABEL - WASTE TANK FLUSH

MONITOR WATER
PANEL LIGHT PUMP

KEY PART NUMBER U/M DESCRIPTION
130170-01-000 EA LABEL - SWITCH PANEL - BLK/CLEAR BACKGROUND-1.8"H X 5.9"L

LIGHTS WATER
PUMP

KEY PART NUMBER U/M DESCRIPTION
130170-02-000 EA LABEL - SWITCH PANEL - BLK/CLEAR BACKGROUND-1.4H X 3.9"L
117628-02-000 EA LABEL - SWITCH - WATER PUMP/LIGHTS-WHITE/CLEAR BACKGROUND

WATER
PUMP

KEY PART NUMBER U/M DESCRIPTION
130170-03-000 EA LABEL - PANEL SWITCH

LABELS GROUP (CONTINUED)

CAUTION:
OPEN A WINDOW OR VENT WHILE
OPERATING DRYER. IT IS DANGEROUS
TO CREATE A NEGATIVE AIR PRESSURE
INSIDE A VEHICLE CONTAINING
FUEL-BURNING APPLIANCES

KEY PART NUMBER U/M DESCRIPTION
130670-01-01A EA LABEL - CAUTION DRYER VENTING - BLACK ON CLEAR

PUSH TO
RELEASE
GENERATOR
SLIDE ASM

KEY PART NUMBER U/M DESCRIPTION
131779-01-01A EA LABEL - GENERATOR

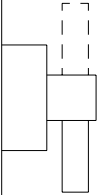
OPEN ○
DRAIN
CLOSED ○

KEY PART NUMBER U/M DESCRIPTION
133423-01-01A EA LABEL - DRAIN

WATER HEATER BY-PASS NORMAL OPERATION

KEY PART NUMBER U/M DESCRIPTION
133424-01-01A EA LABEL - BYPASS - WATER HEATER

WINTERIZATION



NORMAL OPERATION

KEY PART NUMBER U/M DESCRIPTION
133425-01-01A EA LABEL - VALVE - WINTERIZATION

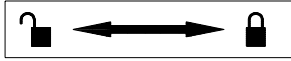
JACKS DOWN

KEY PART NUMBER U/M DESCRIPTION
133533-01-01A EA LABEL - JACKS DOWN - CLEAR W/WHITE LETTERING

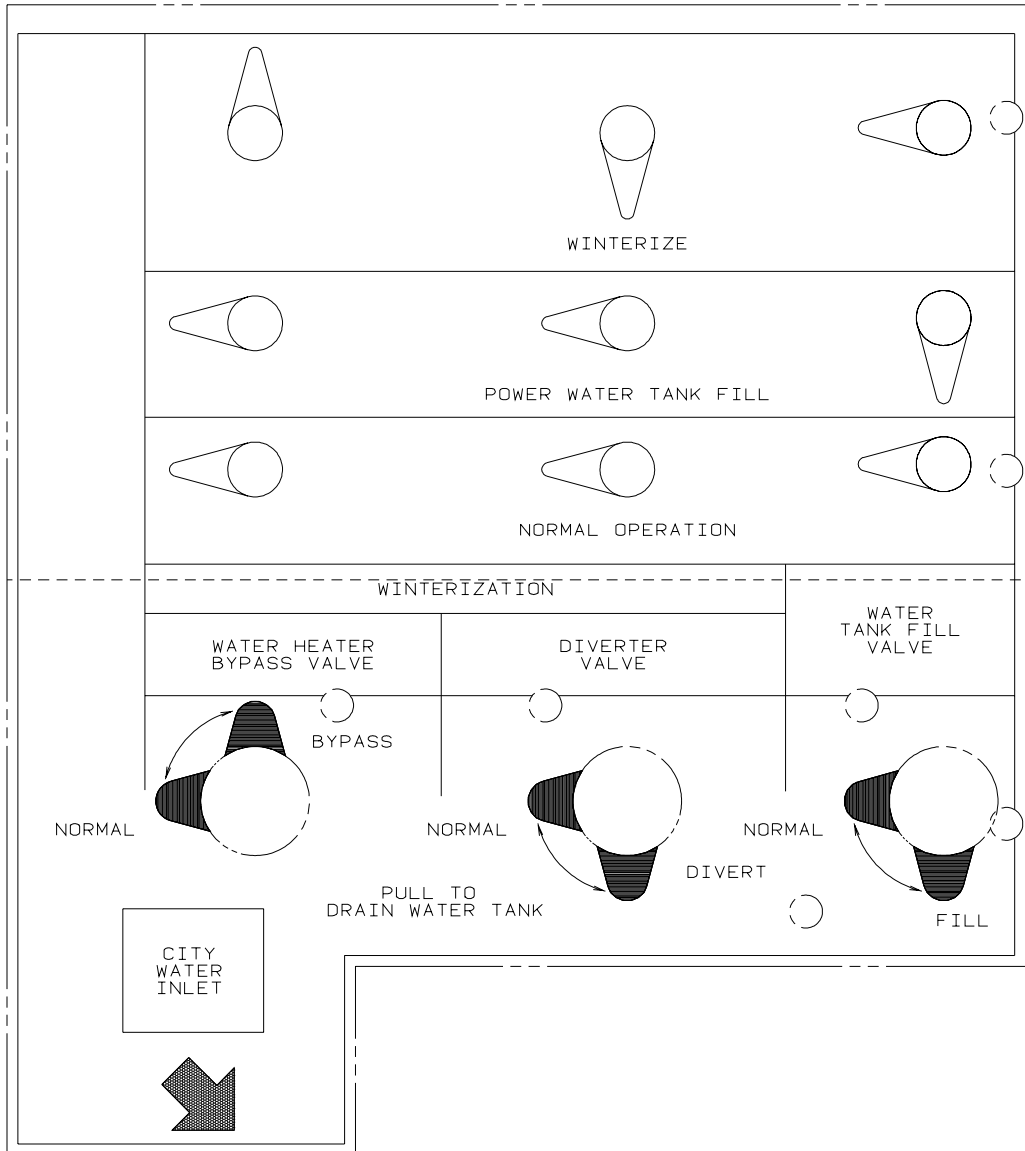
LABELS GROUP (CONTINUED)

CHECK ANTENNA

KEY PART NUMBER U/M DESCRIPTION
 133533-02-01A EA LABEL - CHECK ANTENNA - CLEAR W/WHITE LETTERING

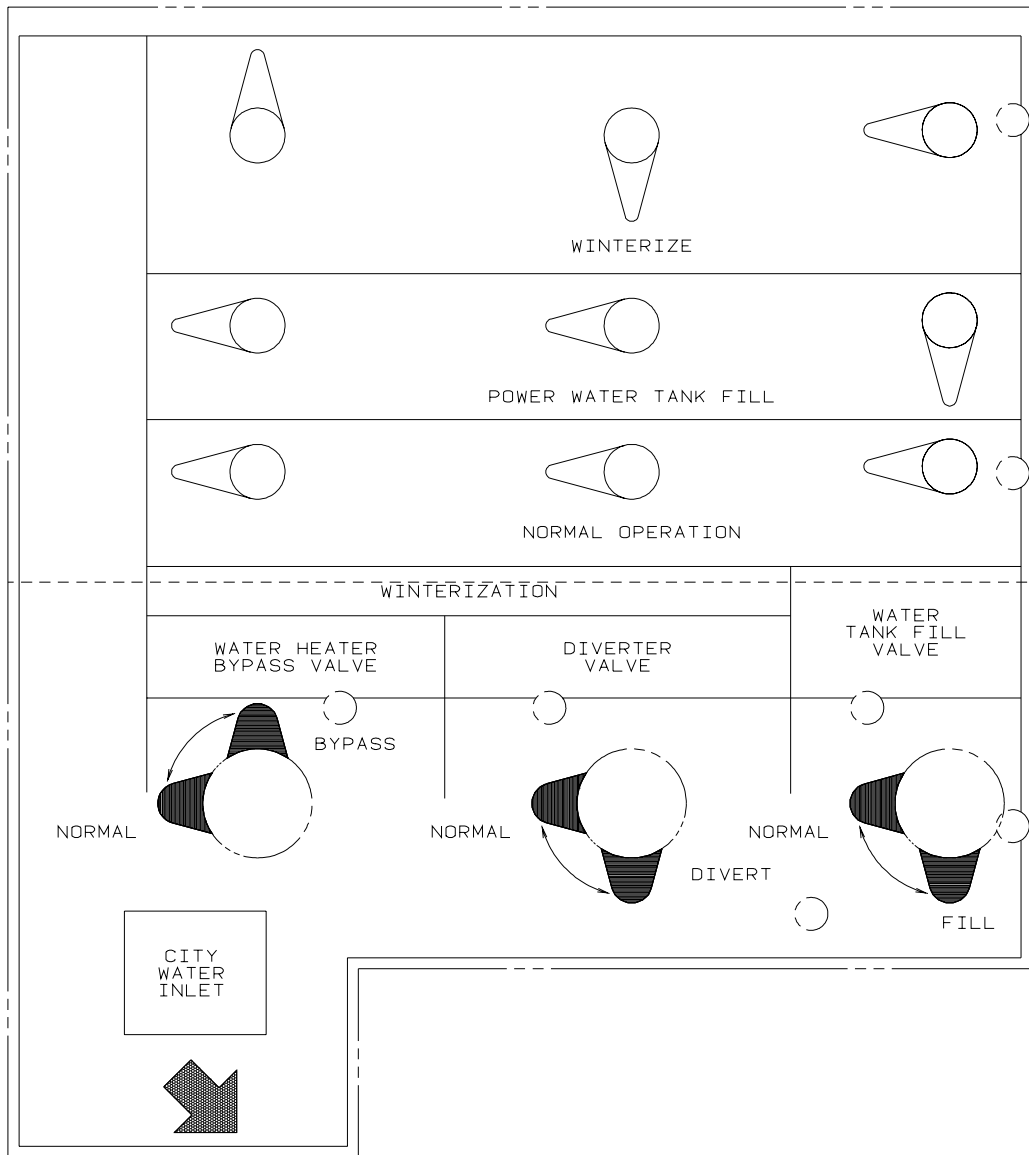


KEY PART NUMBER U/M DESCRIPTION
 133533-03-01A EA LABEL - LOCK/UNLOCK - BLACK/WHITE



KEY PART NUMBER U/M DESCRIPTION
 133629-01-01A EA LABEL - WATER CENTER

LABELS GROUP (CONTINUED)



KEY	PART NUMBER	U/M DESCRIPTION
	133629-02-01A	EA LABEL - WATER CENTER - BLACK/CLEAR

THIS SEAT IS NOT INTENDED
FOR OCCUPANCY WHEN
VEHICLE IS IN MOTION

KEY	PART NUMBER	U/M DESCRIPTION
	134538-01-01A	EA LABEL - OCCUPANCY - NO SEAT BELT - BLACK ON CLEAR - US

LABELS GROUP (CONTINUED)

DST ISICE SIEGE N/EST PAS DESTINE A ETRE OCCUPE LORSQUE LE VEHICULE EST IN MOVUVEMENT	THIS SEAT IS NOT INTENDED FOR OCCUPANCY WHILE VEHICLE IS IN MOTION
---	--

KEY	PART NUMBER	U/M DESCRIPTION
	134538-02-01A	EA LABEL - OCCUPANCY - NO SEAT BELT - BLACK ON CLEAR - CSA

HOLDING TANK HEATER

TURN OFF WHEN NOT IN USE
SEE OPERATOR'S MANUAL

KEY	PART NUMBER	U/M DESCRIPTION
	134563-01-01A	EA LABEL - SWITCH - HEATER

THIS VEHICLE MAY INCLUDE MERCURY-CONTAINING DEVICES INSTALLED BY THE MANUFACTURER:

FLUORESCENT TUBES, RANGES WITH OVEN, HWH LEVEL SENSING UNIT.

REMOVE DEVICES BEFORE VEHICLE DISPOSAL UPON REMOVAL OF
DEVICES: PLEASE REUSE, RECYCLE, OR DISPOSE AS HAZARDOUS WASTE

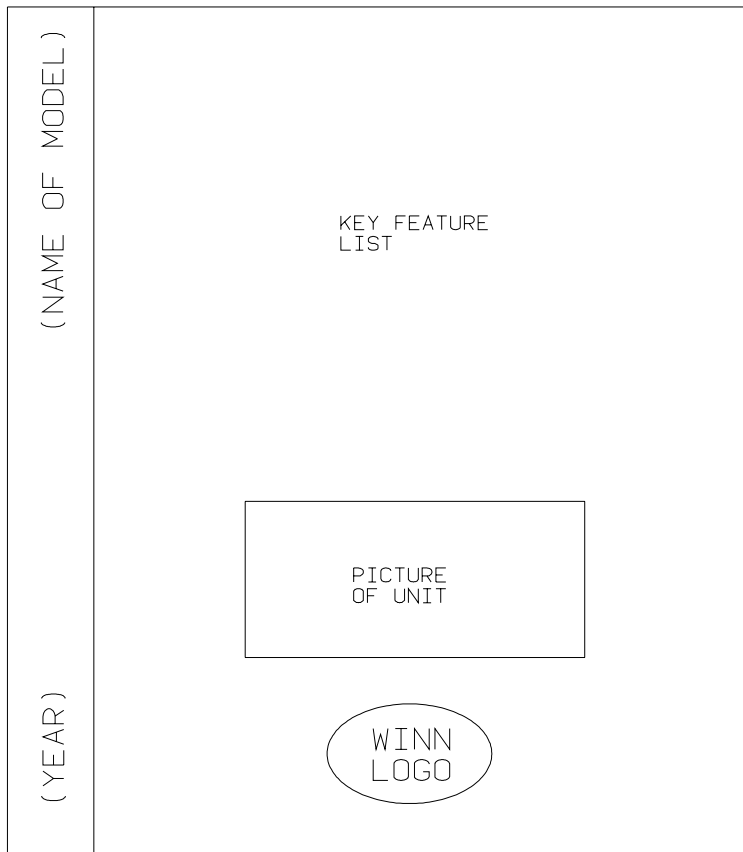
135869-01A

KEY	PART NUMBER	U/M DESCRIPTION
	135869-01-01A	EA LABEL - MERCURY CONTENT - BLACK ON CLEAR

LIQUID SOAP

KEY	PART NUMBER	U/M DESCRIPTION
	136047-01-01A	EA LABEL - LIQUID SOAP

LABELS GROUP (CONTINUED)



KEY	PART NUMBER	U/M	DESCRIPTION
	136164-01-01A	EA	STICKET - STATIC CLING - MINNIE
	136164-01-02A	EA	STICKER - STATIC CLING - MINNIE WINNIE
	136164-01-03A	EA	STICKER - STATIC CLING - BRAVE SE
	136164-01-04A	EA	STICKER - STATIC CLING - BRAVE
	136164-01-05A	EA	STICKER - STATIC CLING - ADVENTURER
	136164-01-06A	EA	STICKER - STATIC CLING - CHIEFTAIN
	136164-01-07A	EA	STICKER - STATIC CLING - JOURNEY
	136164-01-08A	EA	STICKER - STATIC CLING - SUNDANCER
	136164-01-09A	EA	STICKER - STATIC CLING - SUNRISE SE
	136164-01-10A	EA	STICKER - STATIC CLING - SUNRISE
	136164-01-11A	EA	STICKER - STATIC CLING - SUNCRUISER
	136164-01-12A	EA	STICKER - STATIC CLING - SUNFLYER
	136164-01-13A	EA	STICKER - STATIC CLING - HORIZON
	136164-01-14A	EA	STICKER - STATIC CLING - RIALTA
	136164-01-15A	EA	STICKER - STATIC CLING - ADVANTAGE
	136164-01-16A	EA	STICKER - STATIC CLING - FREEDOM
	136164-01-17A	EA	STICKER - STATIC CLING - KEY FEATURE

LT - AIR BAGS - RT

KEY	PART NUMBER	U/M	DESCRIPTION
	136360-01-01A	EA	LABEL - AIR BAGS

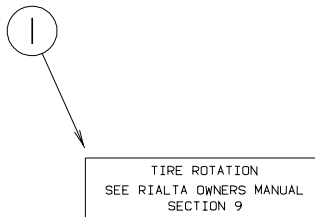
LABELS GROUP (CONTINUED)

A / C C I R C U I T 1	M A I N	M A I N	A / C C I R C U I T 2	I N V E R T E R / C H A R G E R	R E F R I G / V A C U U M	W A S H E R / D R Y E R	W A T E R H E A T E R	
---	------------------	------------------	---	--	---	--	---	--

KEY PART NUMBER U/M DESCRIPTION
 093236-22-000 EA LABEL - CIRCUIT BREAKER

D O O R L O C K	D O O R U N L O C K	R I G H T C O M P T D O O R L O C K	R I G H T C O M P T D O O R U N L O C K	L E F T C O M P T D O O R L O C K	L E F T C O M P T D O O R U N L O C K	A U X S T A R T S O L E N O I D	A M P S O U R C E
P O W E R M I R R O R S	H E A T E R B L O W E R	P A S S H E A T E R B L O W E R	F O G L A M P S	D O C K I N G L A M P S	D O C K I N G L A M P S S W I T C H T R I G G E R	C O O L I N G F A N S	

KEY PART NUMBER U/M DESCRIPTION
 136161-01-01A EA LABEL - RELAY - MATTE BLACK/WHITE LETTERS



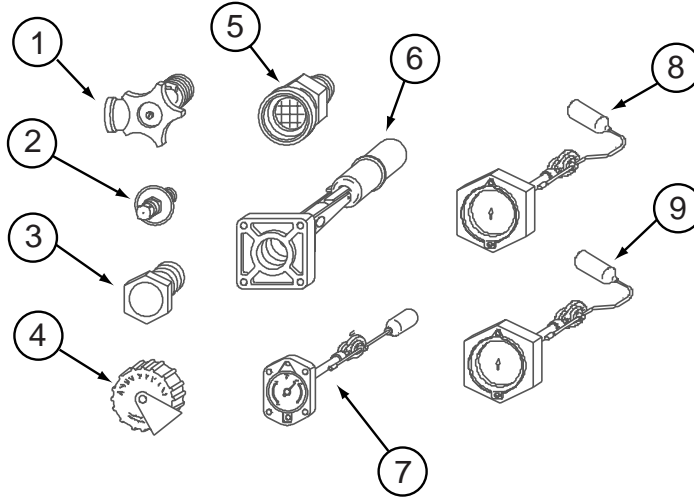
KEY PART NUMBER U/M DESCRIPTION
 1 129684-01-000 EA LABEL - TIRE ROTATION

LP GROUP
LP SYSTEM

KEY	PART NUMBER	U/M	DESCRIPTION
	010252-01-000	EA	ELBOW - BRASS - 90 DEGREE - 3/8"F X 1/2"MPT
	010265-01-000	EA	ELBOW - BRASS - 90 DEGREE - 3/8"F X 1/2"FPT
	074458-01-000	EA	ELBOW - 3/8 MALE FL TO 3/8 FEMALE FL SWIVEL
	010323-01-000	EA	ADAPTER - BRASS - 3/8"F X 1/2"MPT
	010329-01-000	EA	ADAPTER - BRASS - 1/2"F X 1/2"MPT
	024250-01-000	EA	ADAPTER - BRASS - 3/8"F X 1/2"FPT
	040440-02-000	EA	TRANSMITTER - DIAL/BOLT-ON - 0-90 OHM 2 TERM(POWER/GROUND) FROM: 00-00-00 THRU: 07-16-00
	040440-03-000	EA	TRANSMITTER - DIAL/SNAP-ON - 0-90 OHM 2 TERM(POWER/GROUND) FROM: 07-17-00 THRU: 99-99-99
*	074039-04-000	EA	TANK - LP - 28 LB - BOTTOM MOUNT - 10" DIAMETER X 23" LONG
	106150-03-000	EA	REGULATOR -TWO STAGE-7/8-14 UNS2A LH INLET/3/8" FPT OUTLET
	010377-02-000	EA	NUT - BRASS - 3/8" FLARE - FORGED
	010380-02-000	EA	NUT - BRASS - 1/2" FLARE - FORGED
	103613-03-000	EA	DETECTOR - LP GAS - W/O SHUT-OFF VALVE

***COMPONENT PARTS LISTED LATER IN THIS GROUP**

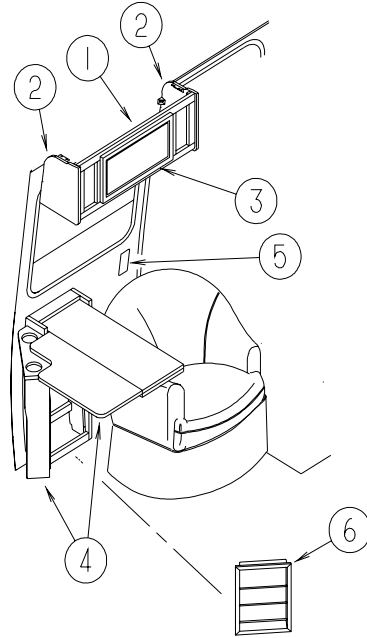
LP GROUP (CONTINUED)
COMPONENT PARTS FOR LP SYSTEM



074039-04-000

KEY	PART NUMBER	U/M	DESCRIPTION	VENDOR NO.
	074039-04-000	EA	TANK - LP - 28 LB - BOTTOM MOUNT - 10" DIAMETER X 23" LONG	
1	040421-01-708	EA	HANDWHEEL-SERVICE VALVE	G-1015-A
1	040421-01-712	EA	VALVE,SERV. W/O VAPOR RELIEF	29000853
2	040421-01-700	EA	VALVE-LIQUID LEVEL, 20%	G-1013
3	040421-01-713	EA	VALVE-RELIEF 1" W/SPRING 7"	29000587
4	040421-01-702	EA	CAP-FILL VALVE, PLASTIC	G-1014-A
5	040421-01-701	EA	VALVE-FILL-SHORT, LP	7547B
6	074039-04-700	EA	VALVE-80% FILL W/AUTO STOP	LVTL290C9010
7			NOT WHAT IS ILLUSTRATED HERE	
8			NOT WHAT IS ILLUSTRATED HERE	
9			NOT WHAT IS ILLUSTRATED HERE	
	074039-04-701	EA	FLOAT/SCREW IN-SNAP ON DIAL	SG10C000140
	040421-01-706	EA	DIAL-VISIBLE FACE, LP TANK	MA-8 ROCHST
	074039-01-700	EA	FLOAT/BOLT ON-SCREW ON DIAL	SG10C0000027

LOUNGE GROUP CABINETS



KEY	PART NUMBER	U/M	DESCRIPTION
1	124888-01-J80	EA	CABINET - OVERHEAD/FRONT/RIGHT HAND - W/O DOORS/HARDWARE
2	119132-07-J80	EA	END CAP - OVERHEAD
3	134783-53-M91	EA	DOOR - RAIL/SOLID PANEL - 10" X 19.1" - W/O HARDWARE
4	137164-01-M91	EA	CABINET/TABLE COMPLETE
5	113680-01-01A	EA	COVER - ACCESS - DOOR HINGE
5	131096-52-M91	EA	POCKET - MAGAZINE

SEALANTS & FASTENERS GROUP

SEALANTS & ADHESIVES

KEY	PART NUMBER	U/M	DESCRIPTION
	004001-05-000	EA	EPOXY ADHESIVE (CLEAR)
	004006-01-700	EA	ADHESIVE - 5 GALLON - NATIONAL STARCH
	004020-01-000	QT	ADHESIVE - ABS CEMENT - QUART
	010405-02-000	EA	TAPE - THREAD SEALING 3/8"
	034552-15-000	EA	SILICONE - TUBE - W/O NOZZLE - BRIGHT WHITE
	053766-06-000	EA	BEDDING COMPOUND - TUBE - CLEAR
	053766-08-000	EA	BEDDING COMPOUND - TUBE - GRAY
	062917-03-000	EA	ADHESIVE - LOCTITE 242
	063642-01-000	FT	TAPE - ADHESIVE - .4" X 1.5" X 180"
	067788-01-000	EA	ADHESIVE - SPRAY - 3M - 19.5 AEROSOL CAN
	069640-01-000	FT	SEALER - RIBBON - 1/4" DIAMETER X 30' - BLACK
	069640-02-000	FT	SEALER - TAPE - .13"THICK X .5"WIDE X 60' - GRAY
	069640-03-000	FT	SEALER - TAPE - .13"THICK X .75"WIDE X 60' - BLACK
	069640-07-000	FT	SEALER - TAPE - .09"THICK X 2"WIDE X 45' - GRAY
	069640-09-000	FT	SEALER - TAPE - .032"THICK X 2.50"WIDE X 80' - GRAY
	069640-10-000	FT	SEALER - TAPE - .03"THICK X 1.50"WIDE X 90' - GRAY
	069640-11-000	FT	SEALER - TAPE - .19"THICK X .38"WIDE X 40' - BLACK
	069640-13-000	FT	SEALER - TAPE - .03"THICK X 2"WIDE X 45' - BLACK
	069640-14-000	FT	SEALER - TAPE - .06"THICK X 1"WIDE X 100' - GRAY
	069640-15-000	FT	SEALER - TAPE - .06"THICK X .38"WIDE X 100' - GRAY
	069640-17-000	FT	SEALER - TAPE - .03"THICK X 1"WIDE X 90' - GRAY
	069640-18-000	FT	SEALER - TAPE - .50"THICK X 1/8"WIDE X 60' - BRIGHT WHITE
	069640-19-000	FT	SEALER - TAPE - .75"THICK X 1/8"WIDE X 60'- BRIGHT WHITE
	069640-20-000	FT	SEALER - TAPE - .50" THICK X 1/8" WIDE X 60'-BRIGHT WHITE
	069640-21-000	FT	SEALER - TAPE - .50" THICK X 1/16" WIDE X 100'-BRIGHT WHT
	069640-22-000	FT	SEALER - TAPE - .25" THICK X 1/32" WIDE X 100'- BRIGHT WHT
	069640-23-000	FT	SEALER - TAPE - 1/16" THICK X 3/4" WIDE X 100'-BRIGHT WHT
	069640-25-000	FT	SEALER - TAPE - .06" THICK X 3.5" WIDE X 50' - GRAY
	069640-26-000	FT	SEALER - TAPE - 1/16" X 2" X 50' - BRIGHT WHITE
	069640-27-000	FT	SEALER - TAPE - 1/16" X 2 1/4" X 50' - BRIGHT WHITE
	072889-01-000	EA	SEALANT - URETHANE - BLACK - TUBE
	072889-11-000	EA	SEALANT - URETHANE - GRAY - TUBE
	076314-02-000	FT	TAPE - CARPET SEAM - HEAT-BOND - 4" WIDE
	076322-01-000	FT	TAPE - DOUBLE COATED/ADHESIVE BACK - .025"THK X .75"W X18'
	076322-02-000	FT	TAPE - DOUBLE COATED/ADHESIVE BACK - .045"THK X 1"W X 9'
	076322-03-000	FT	TAPE - DOUBLE COATED/ADHESIVE BACK - .045"THK X .50"W X 9'
	076322-04-000	FT	TAPE-DOUBLE COATED/ADHESIVE BK-.05"THK X .8"W X 108' - WHT
	076322-05-000	FT	TAPE - DOUBLE COATED/ADHESIVE BACK - .045"THK X .75"W X 9'
	076322-07-000	FT	TAPE - DOUBLE COATED/ADHESIVE BACK - .045"THK X .50"W X 9'
	076322-11-000	FT	TAPE - DOUBLE COATED/ADHESIVE BACK - .020"THK X 1"W X 9'
	086276-01-000	EA	TAPE - DOUBLE SIDED - 1/2"
	087211-01-000	GL	PROMOTER - ADHESIVE
	088479-01-000	EA	TAPE - ALUMINUM - 3"
	090340-01-000	FT	SEAL - FOAM - CLOSED CELL - 1/4" X 1/2" X 50'
	091255-02-000	FT	SEAL - ADHESIVE BACKED/FOAM - 3/64" THICK X 3/16" WIDE
	091255-03-000	FT	SEAL - ADHESIVE BACKED/FOAM - 1/4" THICK X 1/4" WIDE
	094401-03-000	EA	SEALER - BODY SEAM - BLACK
	094401-04-000	EA	SEALER - BODY SEAM - CLEAR
	098408-01-000	FT	SEAL - SPONGE RUBBER - CLOSED CELL
	099069-01-000	FT	SEAL - RUBBER - CLOSED SPONGE - .5" WIDE X .12" THICK -BLK
	099418-01-000	FT	SEAL - D-SECTION/ADHESIVE BACK - .44î X .44î - BLK RUBBER
	099952-01-000	FT	CORE - SEAL - BULB SUPPORT
	100128-02-000	FT	SEAL - FOAM/ADHESIVE BACK - .37" WIDE X .37" THICK
	102352-01-000	EA	SEALER - PUMPABLE - TUBE - BLACK
	102352-02-000	EA	SEALER - PUMPABLE - TUBE - BLACK
	104692-01-000	FT	SEAL - ADHESIVE BACKED FOAM - 3/4" THICK X 3/4" WIDE X 25'
	104692-03-000	FT	SEAL - ADHESIVE BACKED FOAM - 1" THICK X 1 3/4" WIDE X 15'
	106206-01-000	EA	SEALER - PUMPABLE - TUBE - BLACK - MANUS
	107828-01-000	EA	SEALANT - SB - 190 EVERSEAL
	108353-01-000	FT	SEAL - FOAM - 5/16" X 1/2" - ADHESIVE BACKED
	109506-12-000	EA	FILM/ABRASION-RESISTANT - TRANSPARENT - 1î DIA.
	110274-01-000	FT	TAPE - DOUBLE SIDED/FOAM - .45" X 1" X 216' - BLACK
	111940-02-000	LB	SEALER - PUTTY - THUMBING
	112864-01-000	FT	SEAL - FOAM/BUTYL COVERED - 3/8"

SEALANTS & FASTENERS GROUP (CONTINUED)

SEALANTS & ADHESIVES (CONTINUED)

KEY	PART NUMBER	U/M	DESCRIPTION
	112864-02-000	FT	FOAM - BUTYL COVERED 5/16"
	112901-01-000	EA	ADHESIVE - PLEXUS - 400 ML CARTRIDGE
	112901-02-000	EA	ADHESIVE - PLEXUS - 50ML
	112901-03-000	EA	ADHESIVE - PLEXUS - MA300 - 50ML - WHITE
	112902-01-000	EA	NOZZLE - ELEMENT - 3/8 X 24
	112902-03-000	EA	NOZZLE - ELEMENT - 1/4 X 6
	113366-01-000	EA	ADHESIVE - INSTANT
	120074-02-02A	EA	SEALANT - SILICONE - SOFT WHITE
	120074-02-03A	EA	SEALANT - SILICONE - SMOKY WHITE
	120534-01-01A	EA	TAPE - SCOTCH - 3M - 1/2" FINE LINE
	123244-01-000	FT	TAPE - DOUBLE SIDED/FOAM - 5/64" THICK X 3/4" WIDE
	123244-02-000	FT	TAPE - DOUBLE SIDED/FOAM - 5/64" THICK X 1/2" WIDE X 108'
	123816-01-000	FT	TAPE - DOUBLE SIDED - 1" X 100'
	123816-02-000	FT	TAPE - DOUBLE SIDED - 1/2" X 1 1/3" X 100'
	123816-03-000	FT	TAPE - DOUBLE SIDED - 1/2" X 3/4" X 100'
	123816-04-000	FT	TAPE - DOUBLE SIDED - 6" X 750'
	123995-03-000	EA	ADHESIVE-TILE,FLOOR
	126427-01-000	EA	ADHESIVE - ALL PURPOSE - ABS/PVC
	126427-02-000	EA	PRIMER - CLEANER - FLEX PIPING
	131137-01-000	YD	TAPE - ADHESIVE - DOUBLE SIDED
	131264-01-02A	EA	SILICONE - W/O NOZZLE - CLEAR
	131264-01-01A	EA	SILICONE - W/O NOZZLE - BLACK
	131264-02-01A	EA	SILICONE - W/O NOZZLE - VW GRAY - BATH ONLY
	131264-03-01A	EA	SILICONE - SELF LEVELING - W/O NOZZLE - BRIGHT WHITE
	131264-04-01A	EA	SILICONE - CLEAR - ADHESIVE
	131384-01-000	EA	ADHESIVE - JETWELD
	900390-01-000	EA	NOZZLE - SILICONE TUBE - 2.5" LONG
	900390-03-000	EA	NOZZLE - SILICONE TUBE - 4.3" LONG

BOLTS, NUTS AND WASHERS

KEY	PART NUMBER	U/M	DESCRIPTION
	OMC04K-06-016	EA	BOLT - HEX - M06 X 1 X 016
	OMC05K-08-055	EA	BOLT - HEX - M08 X 1.25 X 2.2
	OMC13K-14-070	EA	BOLT - HEX - M14 X 2 X 2 3/4
	OMC31K-08-020	EA	BOLT - HEX - SERRATED FLANGE - M8 X 020
	OMC32K-10-030	EA	BOLT - HEX - SERRATED FLANGE - M10 X 1.50
	OMC54K-14-035	EA	BOLT-HEX M14X2,00X035 10.9 - C-TECH DIN 931,10.9
	OMD16K-10-000	EA	NUT - HEX PREV TORQUE M10 X 1 1/2 CLASS 8
	OMD39K-12-000	EA	NUT - HEX W/NYLON LOCK - M12 X 1 3/4
	OMD40K-14-000	EA	NUT - HEX W/NYLON LOCK - M14 X 2.00
	OMD74K-14-000	EA	NUT - HEX - PREVIOUS TORQUE - M14 X 2
	OMD77K-12-000	EA	NUT - HEX - PREVIOUS TORQUE - M12 X 1.75
	OME06K-12-300	EA	WASHER - FLAT - 12 ID X 30 OD
	OME06K-14-280	EA	WASHER - FLAT - 14 ID X 28.00 OD
	000C12-04-08B	EA	BOLT - HEX - 1/4-20 X 1/2 - GRADE #5 - ZINC
	000C12-04-12A	EA	BOLT - HEX - 1/4-20 X 3/4 - PLAIN 5
	000C12-04-40B	EA	BOLT - HEX - 1/4-20 X 2 1/2 - GRADE 5 ZINC
	000C12-05-12B	EA	BOLT - HEX - 5/16-18 X 3/4 - GRADE #5 - ZINC
	000C12-05-16B	EA	BOLT - HEX - 5/16-18 X 1 - GRADE #5 - ZINC
	000C12-05-64B	EA	BOLT - HEX - 5/16-18 X 4
	000C12-06-128	EA	BOLT - HEX - 3/8 - 16 X 8 - ZINC 5
	000C12-06-16B	EA	BOLT - HEX - 3/8-16 X 1 - GRADE #5 - ZINC
	000C12-06-20B	EA	BOLT - HEX - 3/8 - 16 X 1 1/4 - ZINC #5
	000C12-06-24B	EA	BOLT - HEX - 3/8-16 X 1 1/2 - ZINC #5
	000C12-06-44B	EA	BOLT - HEX - 3/8-16 X 2 3/4 - GRADE 5 - ZINC
	000C12-07-20B	EA	BOLT - HEX - 7/16-14 X 1 1/4 - GRADE #5 - ZINC
	000C12-07-24B	EA	BOLT - HEX - 7/16-14 X 1 3/4 - GRADE #5 - ZINC
	000C12-08-16B	EA	BOLT - HEX - 1/2-13 X 1" - GRADE #5 - ZINC
	000C12-08-24B	EA	BOLT - HEX - 1/2-13 X 1 1/2 - GRADE #3 - ZINC
	000C12-08-28B	EA	BOLT - HEX - 1/2-13 X 1 3/4 - GRADE #5 - ZINC
	000C12-10-24B	EA	BOLT - HEX - 5/8-11 X 1 1/2 - GRADE #5 - ZINC
	000C13-07-24B	EA	BOLT - HEX - 7/16-20 X 1 1/2 - GRADE #5
	000C13-07-40B	EA	BOLT - HEX - 7/16-20 X 2 1/2 - GRADE #5 - ZINC
	000C13-07-48B	EA	BOLT - HEX - 7/16-20 X 3 - GRADE #5 - ZINC
	000C14-07-20B	EA	BOLT - HEX - 7/16-14 X 1 1/4 - GRADE #8 - ZINC

SEALANTS & FASTENERS GROUP (CONTINUED)

BOLTS, NUTS AND WASHERS (CONTINUED)

KEY	PART NUMBER	U/M	DESCRIPTION
	000C14-07-28B	EA	BOLT - HEX - 7/16-14 X 1 3/4 - GRADE #8 - ZINC
	000C14-08-64B	EA	BOLT - HEX - 1/2-13X4 ZN 8
	000C14-10-24K	EA	BOLT - HEX - 5/8-11 X 1 1/2 - GRADE #8 - ZINC
	000C14-10-32K	EA	BOLT - HEX - 5/8"-11 X 2 - GRADE #8 - ZINC
	000C18-05-40A	EA	BOLT - ELEVATOR - 5/16-18 X 2 1/2 - PL
	000C18-06-48B	EA	BOLT - ELEVATOR - 3/8-16 X 3 - GRADE 5 - ZINC
	000C18-06-56A	EA	BOLT - ELEVATOR - 3/8-16 X 3 1/2 - GRADE 5
	000C26-04-10B	EA	BOLT - HEX - SERRATED FLANGE - 1/4-20 X 5/8 - ZINC
	000C26-04-14B	EA	BOLT - HEX - SERRATED FLANGE - 1/4-20 X 7/8 - ZINC
	000C26-04-18B	EA	BOLT - HEX - SERRATED FLANGE - 1/4-20 X 1 1/8 - ZINC
	000C26-05-129	EA	BOLT - HEX - SERRATED FLANGE - 5/16-18 X 3/4
	000C26-05-12B	EA	BOLT - HEX - SERRATED FLANGE - 5/16-18 X 3/4 - ZINC
	000C26-05-16B	EA	BOLT - HEX - SERRATED FLANGE - 5/16-18 X 1 - ZINC
	000C26-05-20B	EA	BOLT - HEX - SERRATED FLANGE - 5/16-18 X 1 1/4 - ZINC
	000C26-05-249	EA	BOLT - HEX - SERRATED FLANGE - 5/16-18 X 1 1/2
	000C26-06-12B	EA	BOLT - HEX - SERRATED FLANGE - 3/8-16 X 3/4 - ZINC
	000C26-06-16B	EA	BOLT - HEX - SERRATED FLANGE - 3/8-16 X 1 - ZINC
	000C26-06-20B	EA	BOLT - HEX, SER FLG 3/8 - 16 X 1 1/4 - ZN
	000C26-06-28B	EA	BOLT - HEX - SERRATED FLANGE - 3/8-16 X 1 3/4 - ZINC
	000C26-06-40B	EA	BOLT - HEX - SERRATED FLANGE - 3/8-16 X 2 1/2 - ZINC
	000C26-08-24B	EA	BOLT - HEX - SERRATED FLANGE - 1/2-13 X 1 1/2 - ZINC
	000C26-08-28B	EA	BOLT - HEX - SERRATED FLANGE - 1/2-13 X 1 3/4 - ZINC
	000C26-08-40B	EA	BOLT - HEX - SERRATED FLANGE-1/2-13 X 2 1/2-GRADE #5 ZINC
	000C27-04-40B	EA	BOLT - CARRIAGE - 1/4-20 X 2 1/2 - ZINC
	000C27-05-16B	EA	BOLT - CARRIAGE - 5/16-18 X 1.0 - ZINC
	000C27-05-44I	EA	BOLT-CARR,5/16-18X2.75" - BLACK ZINC
	000C27-07-40B	EA	BOLT - CARRIAGE - 7/16-14 X 2.50 - GRADE 5
	000C27-10-32B	EA	BOLT - CARRIAGE - 5/8-11 X 2
	000D16-07-00B	EA	NUT - HEX - 7/16-14 - ZINC
	000D18-08-00B	EA	NUT - HEX JAMB - 1/2-13 - ZINC
	000D24-10-00B	EA	NUT - HEX - SELF LOCKING - 10-32 ZINC
	000D28-10-00B	EA	NUT - HEX - W/NYLON LOCK - 10-32 ZINC
	000D29-04-00B	EA	NUT - HEX - SELF LOCKING - 1/4 X 20 - ZINC
	000D29-05-00B	EA	NUT - HEX - LOCKING W/SERRATED FLANGE-NYLON WASHER INSERT
	000D29-06-00B	EA	NUT - HEX - W/NYLON LOCK - 3/8-16 - ZINC
	000D29-09-00B	EA	NUT - HEX - SELF LOCKING - 9/16-12 - ZINC
	000D30-07-00B	EA	NUT - HEX LOCK,NYLON 7/16X20
	000D34-04-00B	EA	NUT - HEX - LOCKING - 1/4-20 ZINC
	000D34-06-00B	EA	NUT - HEX - LOCKING - 3/8-16 GRADE C - ZINC
	000D39-04-00B	EA	NUT - HEX - LOCKING W/SERRATED FLANGE - 1/4-20 - ZINC
	000D39-05-00B	EA	NUT - HEX - LOCKING W/SERRATED FLANGE - 5/16-18 - ZINC
	000D39-06-00B	EA	NUT - HEX - LOCKING W/SERRATED FLANGE - 3/8-18 - ZINC
	000D39-06-00D	EA	NUT - HEX - LOCKING W/SERRATED FLANGE - 3/8"-16 BLACK
	000D39-07-00B	EA	NUT - HEX - LOCKING W/SERRATED FLANGE - 7/16-14 - ZINC
	000D39-08-00B	EA	NUT - HEX - LOCKING W/SERRATED FLANGE - 1/2-13 - ZINC
	000D39-09-00B	EA	NUT - HEX - SERRATED FLANGE LK 9/16-12 - GRADE #5 - ZINC
	000D44-04-00B	EA	NUT - HEX - LOCKING W/SERRATED FLANGE - 1/4-28 - ZINC
	000D44-07-00B	EA	NUT - HEX - LOCKING W/SERRATED FLANGE - 7/16-20 - ZINC
	000D44-08-00B	EA	NUT - HEX - SERRATED FLANGE - 1/2-20 - GRADE #5 - ZINC
	000D46-04-00A	EA	NUT - HEX - WELD - 1/4-20 - PLAIN
	000D58-06-00A	EA	NUT - HEX - WELD 3/8-16 - PLAIN
	000D65-08-00B	EA	NUT - HEX - LOCKING W/SERRATED FLANGE - 8-32 - ZINC
	000D67-07-00B	EA	NUT - HEX - LOCKING - 7/16-13 ZINC
	000D67-10-00B	EA	NUT - HEX - LOCK - 5/8-11 - ZINC
	000D73-07-00C	EA	NUT - HEX FLANGE - 7/16-14 - GRADE 6
	000D73-08-00C	EA	NUT - HEX FLANGE - 1/2-13
	000D75-09-00B	EA	NUT - HEX LOCKING - 9/16-12 - ZINC
	000D76-06-00B	EA	NUT - HEX FLANGE - 3/8-16
	000E11-04-00F	EA	WASHER - LOCKING - 1/4 MED SPLIT - STAINLESS STEEL
	000E11-07-00B	EA	WASHER - LOCKING - 7/16 MED SPLIT - ZINC
	000E11-08-00B	EA	WASHER - LOCKING - 1/2 MED SPLIT - ZINC
	000E13-17-00B	EA	WASHER - FLAT - 3/8 AR - ZINC
	000E13-18-00B	EA	WASHER - FLAT - 3/8 WIDE - ZINC
	000E13-18-00K	EA	WASHER - FLAT - 3/8 WIDE - YELLOW CHROMATE

SEALANTS & FASTENERS GROUP (CONTINUED)

BOLTS, NUTS AND WASHERS (CONTINUED)

KEY	PART NUMBER	U/M	DESCRIPTION
	000E13-20-00B	EA	WASHER - FLAT - 7/16 WIDE - ZINC
	000E13-21-00B	EA	WASHER - FLAT - 1/2 NARROW - ZINC
	000E13-22-00B	EA	WASHER - FLAT - 1/2 WIDE - ZINC
	000E13-26-00B	EA	WASHER - FLAT - 5/8 WIDE - ZINC
	000E14-10-00B	EA	WASHER - LOCKING - #10 EXTERNAL TOOTH - ZINC
	000E16-07-00B	EA	WASHER - HARDENED - 7/16" - FLAT - ZINC
	000E16-08-00B	EA	WASHER - HARDENED - 1/2 - FLAT - ZINC
	000E16-10-00B	EA	WASHER - HARDENED - 5/8 - FLAT - ZINC
	000G45-04-16F	EA	BOLT - LAG - 1/4"-9 X 1" - STAINLESS STEEL HEX HEAD
	000G45-05-16B	EA	BOLT - LAG - 5/16-9 X 1 - ZINC
	000G62-08-24B	EA	SCREW - SF/DR - 8-18 X 1 1/2 PFH
	002329-01-000	EA	WASHER-FLAT, 9/32" ID X 5/8" OD - NYLON
	005081-01-000	EA	NUT - SPEED - C-TYPE - #8 SCREW
	040921-03-000	EA	NUT - SPEED - U TYPE - #10
	040921-04-000	EA	NUT - SPEED - U TYPE - #8-.59" LENGTH X .44" WIDTH
	040921-05-000	EA	NUT - SPEED - U-TYPE - 8-.67" X .44" WIDE
	040921-09-000	EA	NUT - SPEED - U TYPE - #8
	041322-01-000	EA	WASHER - FLANGE - 15/32 ID X 2 3/8 OD - F/SEAT BELT MTG
	044364-01-000	EA	NUT - SPEED - FLAT - RECTANGULAR - SELF LOCKING/ONE PIECE
	044364-02-000	EA	NUT - SPEED - FLAT - ROUND
	044533-01-000	EA	WASHER - PLASTIC - 1 3/8" OD - FOR BUTTONS
	051387-06-000	EA	BOLT - CARRIAGE W/O HOLE - 5/16-18 X 9.5 - ZINC
	058716-02-000	EA	WASHER - FLAT NYLON
	058716-03-000	EA	WASHER - FLAT/NYLON - .500 X 1 1/4 X 060
	064081-03-000	EA	NUT - WING 3/8-16 - W/WELD NUT
	068938-03-000	EA	BEARING - SNAP IN - .38"ID - TYPE 7
	077071-01-000	EA	WASHER - FENDER - 3/16 ID X 1 OD
	083163-06-000	EA	PUSHNUT - FLAT TYPE 3/8 STUD - FORD ONLY
	084406-01-000	EA	NUT - CAPPED - CROSS RECESSED - BLACK - 1/4-20 THD
	087234-01-000	EA	NUT - JACK - 1/4 X 20 THD - MOLLY
	087718-01-000	EA	MONOBOLT - STEEL - 3/16 DIAMETER
	088787-12-000	EA	STUD - WELD - 1/4 - 20 X 1.0 LG - MN
	095076-01-000	EA	WASHER - FL - 1/2"ID X 2"OD X 1/8"
	102333-01-06A	EA	BOLT - CARRIAGE - 7/16-14 STAINLESS STEEL CAP
	102333-02-01A	EA	BOLT - CARRIAGE - 1/4-20
	102378-01-02A	EA	WASHER - BLACK
	102540-02-000	EA	SEAL - SCREW
	103020-02-000	EA	BOLT-U - #8-32 - GRADE 5 ZINC
	104369-01-000	EA	NUT - HEX - HEAVY - 5/8-11 UNC
	106166-01-000	EA	BOLT/COLLARED HANGER - 8-32 X 1"
	106648-01-000	EA	CAP - STUD - .120 TO .130 DIAMETER
	106956-03-000	EA	BOLT - HEX TAP - 1/2-12NC X 3 - GRADE 5 - FULL THREAD/ZINC
	106956-08-000	EA	BOLT - HEX TAP - 1/2-13NC X 4 - GRADE 5 - FULL THREAD/ZINC
	107393-02-000	EA	BOLT - SHOULDER - 3/8" SOCKETHEAD
	107397-01-000	EA	WASHER - FENDER - .25" ID X 1" OD
	108067-03-000	EA	STUD - WELD - 1/4 - 20 X 1/2 CD
	109917-01-000	EA	WASHER - 1.5" X 1.25"
	109917-02-000	EA	WASHER - 1.25" X .75"
	109917-03-000	EA	WASHER - 1" X .50"
	109917-04-000	EA	WASHER - 1" X .75"
	113985-01-000	EA	BOLT - FLANGE - M10-1.5 X 40CL10.9
	113985-02-000	EA	BOLT - FLANGE - M10-1 1/2 X 30CL 10.9
	114259-05-000	EA	BOLT - 7/16-20X1.25 W/WASHER
	116672-01-000	EA	NUT - SPEED
	120506-01-01A	EA	RIVET - PLASTIC - 3/16 DIAMETER
	128444-01-000	EA	WASHER - SPRING - CONICAL
	131377-01-000	EA	NUT-HEX HEAD W/WASHER-1/4-20 X 2" STEEL W/3/4" OD WASHER
	134775-01-000	EA	BOLT - CARRIAGE - 1/2-13 X 4" FULL THROAT-GRADE #5-ZINC/CL
	135092-01-01A	EA	BOLT - HEX - SERRATED FLANGE - 1/2-20 X 1 3/4-GRADE 5 ZINC
	135092-02-01A	EA	BOLT - HEX - SERRATED FLANGE - 1/2-20 X 2 1/2-GRADE 5 ZINC
	135092-04-01A	EA	BOLT - HEX - SERRATED FLANGE - 1/2-20 X 4 1/2 GRADE 5 ZINC

SEALANTS & FASTENERS GROUP (CONTINUED)

SCREWS

KEY	PART NUMBER	U/M	DESCRIPTION
	0G1106-06-160	EA	SCREW - 6-20 X 3/8 PPH
	0G1106-08-240	EA	SCREW - 6-20 X 1/2 PPH - VW LIGHT GRAY
	0G1108-08-250	EA	SCREW - 8-18 X 1/2 PPH
	0G1108-12-240	EA	SCREW - 8-18 X 3/4 PPH - VW LIGHT GRAY
	0G1108-16-240	EA	SCREW - 8-18 X 1.00 PPS - VW LIGHT GRAY
	0G1206-12-110	EA	SCREW - 6-20 X .75 POH - HAMPTON TAN
	0G1208-12-170	EA	SCREW - 8-18 X 3/4 POH - BRIGHT WHITE
	0G1306-08-130	EA	SCREW-6-20X1/2 PFH TAUPE
	0G1308-10-240	EA	SCREW - 8-18 X 5/8 PFH - VW LIGHT GRAY
	0G3804-22-180	EA	SCREW - MACHINE - 1/4-20 X 1 3/8 PFH - BLACK
	0G3908-08-160	EA	SCREW - SF/DR - 8-18 X 1/2 PPH - VW WHITE
	0G3908-08-240	EA	SCREW - SF/DR - 8-18 X 1/2 PPH - VW LIGHT GRAY
	0G3908-08-170	EA	SCREW - SF/DR - 8-18 X 1/2 PPH - BRIGHT WHITE
	0G3908-12-250	EA	SCREW - SF/DR - 8-18 X 3/4 PPH - DARK GRAY
	0G3908-12-240	EA	SCREW - SF/DR - 8-18 X .75 PPH - VW LIGHT GRAY
	0G3908-16-250	EA	SCREW - SF/DR - 8-18 X 1.00 PPH
	0G3908-16-170	EA	SCREW - SF/DR - 8-18 X 1 PPH - BRIGHT WHITE
	0G3908-20-170	EA	SCREW - SF/DR - 8-18 X 1 1/4 PPH - BRIGHT WHITE
	0G3908-24-170	EA	SCREW - SF/DR - 8-18 X 1 1/2 PPH - BRIGHT WHITE
	0G3910-10-240	EA	SCREW - SF/DR - 10-16 X 5/8 PPH - VW LIGHT GRAY
	0G3910-10-160	EA	SCREW - SF/DR - 10-16 X 5/8 PPH - VW WHITE
	0G3910-12-240	EA	SCREW - SF/DR - 10-16 X .75 PPH - VW LIGHT GRAY
	0G3910-12-170	EA	SCREW - SF/DR - 10-16 X 3/4 PPH - BRIGHT WHITE
	0G3910-12-270	EA	SCREW - SF/DR - 10-16 X .75 PPH - TITANIUM
	0G3910-20-310	EA	SCREW - SF/DR - 10-16 X 1 1/4 PPH - CADDY CREAM
	0G3910-20-270	EA	SCREW - SF/DR - 10-16 X 1.25 - PPH - TITANIUM
	0G3910-20-260	EA	SCREW - SF/DR - 10-16 X 1.25 PPH - ALLANTE ANTELOPE
	0G3910-32-240	EA	SCREW - SF/DR - 10-16 X 2.00 PPH - VW LIGHT GRAY
	0G5508-08-250	EA	SCREW - SF/DR - 8-18 X 1/2 PWH - VW DARK GRAY
	0G5508-08-110	EA	SCREW - SF/DR - 8-18 X .5 PWH
	0G5508-12-110	EA	SCREW - SF/DR - 8-18 X 3/4 PWH - HAMPTON TAN
	0G5508-12-310	EA	SCREW - SF/DR - 8-18 X 3/4 PWH - CADDY CREAM
	0G5508-12-270	EA	SCREW - SF/DR - 8-18 X 3/4 PWH - TITANIUM
	0G5508-12-260	EA	SCREW - SF/DR - 8-18 X 3/4 PWH - ALLANTE ANTELOPE
	0G5508-12-240	EA	SCREW - SF/DR - 8-18 X 3/4 PWH - VW LIGHT GRAY
	0G5508-12-170	EA	SCREW - SF/DR - 8-18 X 3/4 PWH - BRIGHT WHITE
	0G5508-16-270	EA	SCREW - SF/DR - 8-18 X 1 PWH ZINC - INTERIOR TITANIUM
	0G5508-16-260	EA	SCREW - SF/DR - 8-18 X 1 PWH ZINC - INTERIOR ANTELOPE
	0G5508-16-250	EA	SCREW - SF/DR - 8-18 X 1 PWH - VW DARK GRAY
	0G5508-16-310	EA	SCREW - SF/DR - 8-18 X 1 PWH - CADDY CREAM
	0G6008-16-170	EA	SCREW - SF/DR - 8-18 X 1 POH - BRIGHT WHITE
	0G6710-08-130	EA	SCREW - 10-12 X 1/2 PPH - TAUPE
	0G6710-08-110	EA	SCREW - 10-12 X 1/2 PPH - HAMPTON TAN
	0G6710-08-250	EA	SCREW - 10-12 X .50 PPH
	0G6710-08-240	EA	SCREW - 10-12 X 1/2 PPH TAUPE - VW LIGHT GRAY
	0G6710-08-170	EA	SCREW - 10-12 X 1/2 PPH - BRIGHT WHITE
	0G6710-12-170	EA	SCREW - 10-12 X 3/4 PPH - BRIGHT WHITE
	0G6806-16-170	EA	SCREW - 6-18 X 1 POH - BRIGHT WHITE
	0G6810-24-170	EA	SCREW - 10-12 X 1.5 POH - BRIGHT WHITE
	0G6810-24-280	EA	SCREW - 10-12 X 1 1/2 POH - SOFT WHITE
	0MD34K-04-000	EA	NUT - HEX W/NYLON LOK - M4 X .70
	000C20-05-28F	EA	SCREW - 5/16-18 X 1 3/4 FLAT SOC - STAINLESS STEEL
	000G11-06-06B	EA	SCREW - 6-20 X 3/8 PPH - ZINC
	000G11-06-24B	EA	SCREW - 6-20 X 1 1/2 PPH ZINC
	000G11-06-10J	EA	SCREW - 6-20 X 5/8 PPH - BRASS
	000G11-06-10B	EA	SCREW - 6-20 X 5/8 PPH - ZINC
	000G11-06-08B	EA	SCREW - 6-20 X 1/2 PPH - ZINC
	000G11-06-18B	EA	SCREW - 6-20 X 1 1/8 PPH - ZINC
	000G11-07-08B	EA	SCREW - 7-19 X 1/2 PPH - ZINC
	000G11-08-08T	EA	SCREW - 8-18 X 1/2 PPH - FLUOROCARBON COATING
	000G11-08-06J	EA	SCREW - 8-18 X 3/8 PPH BRASS
	000G11-08-06B	EA	SCREW - 8-18 X 3/8 PPH - ZINC
	000G11-08-20B	EA	SCREW - 8-18 X 1 1/4 PPH - ZINC
	000G11-08-10B	EA	SCREW - 8-18 X 1/2 PPH - ZINC

SEALANTS & FASTENERS GROUP (CONTINUED)

SCREWS (CONTINUED)

KEY	PART NUMBER	U/M	DESCRIPTION
	000G11-08-16B	EA	SCREW - 8-18 X 1 PPH - ZINC
	000G11-08-16S	EA	SCREW - 8-18 X 1 PPH - OFF WHITE
	000G11-08-12T	EA	SCREW - 8-18 X 3/4 PPH - BLACK MAGNESIUM
	000G11-08-12P	EA	SCREW - 8-18 X 3/4 PPH - DARK BROWN
	000G11-08-12D	EA	SCREW - 8-18 X 3/4 PPH - BLACK PHOSPHATE
	000G11-08-12B	EA	SCREW - 8-18 X 3/4 PPH - ZINC
	000G11-10-12S	EA	SCREW - 10-16 X 3/4 PPH - OFF WHITE
	000G11-10-12D	EA	SCREW - 10-16 X 3/4 PPH - BLACK
	000G11-10-16B	EA	SCREW - 10-16 X 1 PPH - ZINC
	000G11-10-40B	EA	SCREW - 10-16 X 2 1/2 PPH CADMIUM
	000G12-06-12J	EA	SCREW - 6-20 X .75 POH - BRASS
	000G12-06-08T	EA	SCREW - 6-20 X 1/2 POH - BLACK
	000G12-08-12S	EA	SCREW - 8-18 X 3/4 POH - OFF WHITE
	000G12-08-283	EA	SCREW-8-18X1.75 POH - BUFF
	000G13-05-10B	EA	SCREW - 5-12 X 5/8 PFH - ZINC
	000G13-06-06I	EA	SCREW - 6-20 X 3/8 PFH - BLACK ZINC
	000G13-06-06B	EA	SCREW - 6-20 X 3/8 PFH - ZINC
	000G13-06-24J	EA	SCREW - 6-20 X 1 1/2 PFH - BRASS
	000G13-06-16S	EA	SCREW - 6-20 X 1 PFH - OFF WHITE
	000G13-06-16J	EA	SCREW - 6-20 X 1 PFH - BRASS
	000G13-06-10J	EA	SCREW - 6-20 X 5/8 PFH - BRASS
	000G13-06-10G	EA	SCREW - 6-20 X 5/8 PFH - ANTIQUE BRASS
	000G13-06-08G	EA	SCREW - 6-20 X 1/2 PFH - ANTIQUE BRASS
	000G13-06-08B	EA	SCREW - 6-20 X 1/2 PFH - ZINC
	000G13-07-10H	EA	SCREW - 7-19 X 5/8 PFH - BLACK
	000G13-07-12B	EA	SCREW - 7-19 X 3/4 PFH - ZINC
	000G13-08-16B	EA	SCREW - 8-18 X 1 PFH - ZINC
	000G13-08-109	EA	SCREW - 8-18 X 5/8 PFH
	000G13-08-10S	EA	SCREW - 8-18 X 5/8 PFH - OFF WHITE
	000G13-08-10B	EA	SCREW - 8-18 X 5/8 PFH - ZINC
	000G13-08-24B	EA	SCREW - 8-18 X 1 1/2 PFH - ZINC
	000G13-10-16I	EA	SCREW - 10-16 X 1 PFH - BLACK
	000G16-04-24B	EA	SCREW - MACHINE - 1/4-20 X 1 1/2 PPH
	000G18-08-12B	EA	SCREW - MACHINE - 8-32 X 3/4 PPH - ZINC
	000G18-08-20B	EA	SCREW - MACHINE - 8-32 X 1 1/4 PPH - ZINC
	000G18-08-22B	EA	SCREW - MACHINE - 8-32 X 1 3/8 PPH - ZINC
	000G18-08-24B	EA	SCREW - MACHINE - 8-32 X 1 1/2 PPH - ZINC
	000G19-10-10B	EA	SCREW - MACHINE - 10-32 X 5/8 - PPH - ZINC
	000G19-10-08B	EA	SCREW - MACHINE - 10-32 X 1/2 PPH - ZINC
	000G19-10-20B	EA	SCREW - MACHINE - 10-32 X 1 1/2 PPH - ZINC
	000G19-10-12F	EA	SCREW - MACHINE - 10-32 X 3/4 PPH - STAINLESS STEEL
	000G32-10-06B	EA	SCREW - 10-32 X 3/8 PPH - ZINC
	000G36-10-12T	EA	SCREW - 10-24X 3/4 PFH TYPE 23 - BLACK
	000G37-08-12B	EA	SCREW - 8-18 X 3/4 PPH
	000G37-08-089	EA	SCREW - 8 X 18 X 1/2 PPH - FLUOROCARBON SILVER
	000G38-04-16D	EA	SCREW - MACHINE - 1/4-20 X 1 PFN - BLACK
	000G39-06-08B	EA	SCREW - SF/DR - 6-18 X 1/2 - ZINC
	000G39-06-10T	EA	SCREW - SF/DR - 6-20 X 5/8 PPH - BLACK
	000G39-06-16T	EA	SCREW - SF/DR - 6-20 X 1 PPH - BLACK
	000G39-08-08S	EA	SCREW - SF/DR - 8-18 X 1/2 PPH - OFF WHITE
	000G39-08-08B	EA	SCREW - SF/DR - 8-18 X 1/2 PPH - ZINC
	000G39-08-06B	EA	SCREW - SF/DR - 8-18 X 3/8 PPH - ZINC
	000G39-08-32B	EA	SCREW - SF/DR - 8-18 X 2 PPH - ZINC
	000G39-08-24T	EA	SCREW - SF/DR - 8-18 X 1 1/2 PPH - BLACK
	000G39-08-24S	EA	SCREW - SF/DR - 8-18 X 1 1/2 - OFF WHITE
	000G39-08-24B	EA	SCREW - SF/DR - 8-18 X 1 1/2 PPH - ZINC
	000G39-08-16T	EA	SCREW - SF/DR - 6-20 X 1 PPH - BLACK
	000G39-08-16B	EA	SCREW - SF/DR - 8-18 X 1 PPH - ZINC
	000G39-08-12T	EA	SCREW - SF/DR - 8-18 X 3/4 PPH - BLACK
	000G39-08-12B	EA	SCREW - SF/DR - 8-18 X 3/4 PPH - ZINC
	000G39-08-083	EA	SCREW - SF/DR - 8-18 X 1/2 PAH - BUFF
	000G39-08-08T	EA	SCREW - SF/DR - 8-18 X 1/2 PPH - BLACK
	000G39-10-088	EA	SCREW - SF/DR - 10-16 X 1/2 PPH - FLEX FLUOROCARBON
	000G39-10-08B	EA	SCREW - SF/DR - 10-16 X 1/2 PPH - ZINC

SEALANTS & FASTENERS GROUP (CONTINUED)
SCREWS (CONTINUED)

KEY	PART NUMBER	U/M	DESCRIPTION
	000G39-10-48T	EA	SCREW - SF/DR - 10-16 X 3 PPH - BLACK
	000G39-10-48B	EA	SCREW - SF/DR - 10-16 X 3 - PPH - ZINC
	000G39-10-40D	EA	SCREW - SF/DR - 10-16 X 2 1/2 PPH - BLACK
	000G39-10-32I	EA	SCREW - SELF TAPPING - 10-16 X 2 PPH - BLACK
	000G39-10-32B	EA	SCREW - SF/DR - 10-16 X 2 - PPH - ZINC
	000G39-10-209	EA	SCREW - SF/DR - 10-16 X 1 1/4 PPH - FLUOROCARBON SILVER
	000G39-10-20T	EA	SCREW - SF/DR - 10-16 X 1 1/4 PPH - BLACK
	000G39-10-20B	EA	SCREW - SF/DR - 10-16 X 1 1/4 PPH - ZINC
	000G39-10-169	EA	SCREW - SF/DR - 10-16 X 1 PPH - FLUOROCARBON SILVER
	000G39-10-129	EA	SCREW - SF/DR - 10-16 X 3/4 PPH - FLUOROCARBON SILVER
	000G39-10-123	EA	SCREW-SF/DR,10-16X.75 PPH - BUFF
	000G39-10-12T	EA	SCREW - SF/DR - 10-16 X 3/4 - BLACK
	000G39-10-12S	EA	SCREW - SF/DR - 10-16 X 3/4 PPH - OFF WHITE
	000G39-10-12R	EA	SCREW - SF/DR - 10-16 X .75 PPH - BEIGE
	000G39-10-12R	EA	SCREW - SF/DR - 10-16 X .75 PPH - BEIGE
	000G39-10-12B	EA	SCREW - SF/DR - 10-16 X 3/4 PPH - ZINC
	000G39-10-10T	EA	SCREW - SF/DR - 10-16 X 5/8 - BLACK
	000G39-10-10B	EA	SCREW - SF/DR - 10-16 X 5/8 - ZINC
	000G39-12-12E	EA	SCREW - SF/DR - 12-14 X 3/4 PPH - CHROME
	000G42-04-16B	EA	SCREW - SF/DR - 1/4-14 X 1 HWH - ZINC
	000G42-04-20B	EA	SCREW - SF/DR - 1/4-14 X 1 1/4 - ZINC
	000G42-04-24B	EA	SCREW - SF/DR - 1/4-14 X 1 1/2 - ZINC
	000G46-08-24T	EA	SCREW - MACHINE - 8-32 X 1 1/2 PFH - BLACK
	000G50-04-12B	EA	SCREW - MACHINE - 1/4-20 X 3/4 PPH - ZINC
	000G50-04-08B	EA	SCREW - MACHINE - 1/4-20 X 1/2 PTH - ZINC
	000G50-04-06B	EA	SCREW - MACHINE - 1/4-20 X 3/8 PTH - ZINC
	000G51-06-12B	EA	SCREW - 6-20 X 3/4 PTH - ZINC
	000G52-06-06B	EA	SCREW - MACHINE - 6-32 X 3/8 PTN - ZINC
	000G52-06-05B	EA	SCREW - MACHINE - 6-32 X 5/16 PTH ZINC
	000G52-08-18B	EA	SCREW - MACHINE - 8-32 X 1 1/8 PTH - ZINC
	000G52-08-06B	EA	SCREW - MACHINE - 8-32 X 3/8 PTH - ZINC
	000G54-04-20B	EA	SCREW - 1/4-20 X 1 1/4 PTH - TYPE 23 - ZINC PLATED
	000G54-04-14B	EA	SCREW - 1/4-20 X 7/8 PTH - TYPE 23 - ZINC PLATED
	000G55-08-12S	EA	SCREW - SF/DR - 8-18 X 3/4 PWH - OFF WHITE
	000G55-08-12M	EA	SCREW - SF/DR - 8-19 X .75 PWH - GRAY
	000G55-08-165	EA	SCREW - SF/DR - 8-18 X 1 PWH - WILLOW
	000G55-08-162	EA	SCREW - SF/DR - 8-18 X 1.00 - BEIGE
	000G55-08-16T	EA	SCREW - SF/DR - 8-18 X 1 PWH - BLACK
	000G55-08-16S	EA	SCREW - SF/DR - 8-18 X 1.00 - PWH - OFF WHITE
	000G55-08-125	EA	SCREW - SF/DR - 8-18 X 3/4 PWH - WILLOW
	000G55-08-124	EA	SCREW - SF/DR - 8-18 X 3/4 PWH - ASH GRAY
	000G56-10-24J	EA	SCREW - WOOD - 10-13 X 1 1/2 POH - BRIGHT BRASS
	000G56-12-48B	EA	SCREW - WOOD - 12-11 X 3 POH - SPECIAL HARDENED
	000G57-10-24K	EA	SCREW - 10-12 X 1.5" PFH - CHROME
	000G57-14-72B	EA	SCREW-14-10-X4-1/2 PFH ZN GENERAL MOTORHOMES
	000G57-14-64B	EA	SCREW - 14-10 X 4 PFH ZINC
	000G60-08-16E	EA	SCREW - SF/DR - 8-1 X 1 POH - CHROME
	000G60-08-22B	EA	SCREW - SF/DR - 8-18 X 1.38 POH - ZINC
	000G60-08-20F	EA	SCREW - SF/DR - 8-19X1.25 POH
	000G60-10-20B	EA	SCREW - SF/DR - 10-16 X 1 1/4 POH - ZINC
	000G60-10-16J	EA	SCREW - SF/DR - 10-16 X 1 POH - BRIGHT BRASS
	000G60-10-28T	EA	SCREW - SF/DR - 10-16 X 1 3/4 - BLACK
	000G60-10-209	EA	SCREW - SF/DR - 10-16 X 1 1/4 POH - SILVER STALGAARD
	000G67-08-32B	EA	SCREW - 8-15 X 2 PPH - ZINC
	000G67-10-12B	EA	SCREW - 10-12 X 3/4 PPH - ZINC
	000G67-10-10T	EA	SCREW - 10-12 X 5/8 PPH - BLACK
	000G67-10-10S	EA	SCREW - 10-12 X 5/8 PPH - OFF WHITE
	000G67-10-10P	EA	SCREW - 10-12 X 5/8 PPH - DARK BROWN
	000G67-10-10D	EA	SCREW - 10-12 X 5/8 PPH - BLACK - TYPE A
	000G67-10-10B	EA	SCREW - 10-12 X 5/8 PPH - ZINC - TYPE A
	000G67-10-08S	EA	SCREW - 10-12 X 1/2 PPH - OFF WHITE
	000G67-10-08B	EA	SCREW - 10-12 X 1/2 PPH - ZINC
	000G67-10-48B	EA	SCREW - 10-12 X 3 PPH - ZINC
	000G67-10-36T	EA	SCREW - 10-12 X 2 1/4 - PPH - BLACK

SEALANTS & FASTENERS GROUP (CONTINUED)
SCREWS (CONTINUED)

KEY	PART NUMBER	U/M	DESCRIPTION
	000G67-10-32B	EA	SCREW - 10-12 X 2 PPH - ZINC
	000G67-10-28B	EA	SCREW - 10-12 X 1 3/4 PPH - ZINC
	000G67-10-24S	EA	SCREW - 10-12 X 1 1/2 PPH - OFF WHITE
	000G67-10-24B	EA	SCREW - 10-12 X 1 1/2 PPH - ZINC
	000G67-10-20D	EA	SCREW - 10-12 X 1 1/4 PPH - BLACK
	000G67-10-16B	EA	SCREW - 10-12 X 1 PPH - ZINC
	000G67-10-12S	EA	SCREW - 10-12 X 3/4 PPH - WILLOW
	000G67-10-08R	EA	SCREW - 10-12 X 1/2 PPH - BEIGE - TYPE A
	000G67-10-12R	EA	SCREW - 10-12 X 3/4 PPH - BEIGE
	000G67-10-12P	EA	SCREW - 10-12 X 3/4 PPH - DARK BROWN
	000G68-06-10G	EA	SCREW - 6-18 X 5/8 POH - ANTIQUE BRASS
	000G68-06-12J	EA	SCREW - 6-18 X 3/4 POH - BRASS
	000G68-06-12S	EA	SCREW - 6-18 X 3/4 POH
	000G68-06-12B	EA	SCREW - 6-18 X 3/4 POH - ZINC & CLEAR
	000G68-06-10J	EA	SCREW - 6-18 X 5/8 POH - BRASS
	000G68-10-20I	EA	SCREW - 10-12 X 1 1/4 POH - BLACK
	029130-05-000	EA	SCREW - SNAP STUD - #8-16 X 5/8 ¹ LONG
	049465-01-000	EA	SCREW - 10-16 PTH W/WASHER - DARK BROWN
	049465-03-000	EA	SCREW - 10-16 X 1 POH W/WASHER - OFF WHITE
	049465-04-000	EA	SCREW - 10-16 X 1 PTH W/WASHER - BEIGE
	049465-13-000	EA	SCREW-10+16X1 PTH W/WASHER - *ASH GRAY
	049465-17-000	EA	SCREW - 10-16 X 1 POH W/WASHER - BRIGHT WHITE
	049465-18-000	EA	SCREW - 10-16 X 1 POH W/WASHER - VW GRAY
	049465-22-000	EA	SCREW - 10-16 X 1 1/2 POH W/WASHER - SABLE
	049465-23-000	EA	SCREW - 10-16 X 1.5 POH W/WASHER - VW LIGHT GRAY
	054434-02-000	EA	SCREW - SF/DR - 10-16 X 2 - ZINC
	054434-03-000	EA	SCREW - SF/DR - 10-16 X 2 - PWH - ZINC - W/O WINGS
	075908-01-000	EA	SCREW - MACHINE - 10-32 X .56 PTH - EXTERNAL TOOTH - ZINC
	076790-01-000	EA	SCREW - 6-20 X 1 1/4 PPH - BLACK
	076790-03-000	EA	SCREW - 6-20 X 1 PPH - BLACK
	076790-05-000	EA	SCREW - 6-20 X 1/2 PPH - BLACK - THREAD CUTTING/WOOD
	083554-01-000	EA	SCREW - DRYWALL - 8 X 1 1/4
	083554-04-000	EA	SCREW - DRYWALL - 8 X 2 1/2
	087721-01-000	EA	SCREW - FLAT HEAD - TAPPING - 1/4 X 1 1/4 LONG - ZINC
	090033-02-000	EA	SCREW - 1/4-20 X 5/8 - ROUND WASHER HEAD - OFF/WHITE
	091230-06-000	EA	SCREW-MACH,8-32X3/4 POH SS - BRIGHT WHITE
	097974-01-000	EA	SCREW - PARTICLE BOARD - 7-9 X 3/4 PPH
	101618-01-000	EA	SCREW - 1/4-20 X 3/4 HEX - TAPPING - STALGARD TYPE F
	105126-01-000	EA	SCREW - MACHINE - 8-32 X 1 PPH TAPTIT
	110460-05-02A	EA	SCREW - MACHINE - 10-24 X 2 1/2 PFH - WHITE
	113563-01-01A	EA	SCREW - 8 X 5/8 LONG SHOULDER/WASHER HEAD
	117478-01-04A	EA	SCREW - 8-18 X 3/4 PPH W/WASHER - VW LIGHT GRAY
	118383-01-09A	EA	RETAINER/RECESSED - F/.22" SCREW - GLACIER
	118383-01-05A	EA	RETAINER/RECESSED - F/.22" SCREW - VW LIGHT GRAY
	118383-01-04A	EA	RETAINER/RECESSED - F/.22" SCREW - BRIGHT WHITE
	118383-01-06A	EA	RETAINER/RECESSED - F/.22" SCREW - ALLANTE ANTELOPE
	118383-02-05A	EA	RETAINER/RECESSED - F/.27" SCREW - VW LIGHT GRAY
	118383-02-06A	EA	RETAINER/RECESSED - F/.27" SCREW - ALLANTE ANTELOPE
	118383-02-09A	EA	RETAINER/RECESSED - F/.27" SCREW - GLACIER
	118383-02-04A	EA	RETAINER/RECESSED - F/.27" SCREW - BRIGHT WHITE
	118383-03-05A	EA	RETAINER/RECESSED - F/.32" SCREW - VW LT. GRAY
	118383-03-09A	EA	RETAINER/RECESSED - F/.32" SCREW - GLACIER
	118383-04-04A	EA	CAP - F/RECESSED RETAINER - BRIGHT WHITE
	118383-04-05A	EA	CAP - F/RECESSED RETAINER - VW LIGHT GRAY
	118383-04-09A	EA	CAP - F/RECESSED RETAINER - GLACIER
	118383-04-06A	EA	CAP - F/RECESSED RETAINER - ALLANTE ANTELOPE
	126458-01-01A	EA	SCREW - 8-18 X 1/2 - PRWH - BLACK
	129967-01-01A	EA	SCREW - MACHINE - 8-32 X 3/4 PH STAINLESS STEEL
	130245-01-01A	EA	SCREW - EUROPEAN M6.3 X 10
	134126-01-01A	EA	SCREW/NAIL - HEX HEAD - 3/4"
	134126-02-01A	EA	SCREW/NAIL - HEX HEAD - 1 1/4"
	140040-01-000	EA	SCREW - 1/4-20X1 - BUTTON HEAD SOCKET - W/LOCTITE

SEALANTS & FASTENERS GROUP (CONTINUED)

CLAMPS, CLIPS, GROMMETS, RIVETS & PLUGS

KEY	PART NUMBER	U/M	DESCRIPTION
	000F10-04-16B	EA	PIN - COTTER - 1/8 X 1 - ZINC
	000F10-06-32B	EA	PIN - COTTER - 3/16" X 2" - ZINC
	000H14-04-04A	EA	RIVET - MANDREL BLIND - 1/8 X .400
	000H14-06-14R	EA	RIVET - MANDREL BLIND - 3/16 - CHERRY
	000H14-06-06R	EA	RIVET-MANDREL BLIND,3/16 AL - CHERRY BSP-66
	000H14-06-03R	EA	RIVET - MANDREL BLIND - 3/16 ALUMINUM
	000H16-04-06R	EA	RIVET - POP ALUMINUM - 1/8 X .313 - .375
	000H16-06-10R	EA	RIVET - POP ALUMINUM - 3/16 X .501-.625
	007161-01-000	EA	CLAMP - HOSE - SPRING TYPE - 1/2"
	008384-01-000	EA	GROMMET - SNAP - 3/4 DIAMETER - NYLON
	008386-01-000	EA	GROMMET - SNAP - 3/8" DIAMETER - NYLON
	010495-01-000	EA	CLAMP - CABLE - 9/16"
	010495-02-000	EA	CLAMP - CABLE - 3/8"
	010495-04-000	EA	CLAMP - CABLE - 11/16" - WHITE
	010497-01-000	EA	CLAMP - CLOSED - 5/8" ID
	010497-03-000	EA	CLAMP - CLOSED - 1" ID - CUSHIONED
	010497-04-000	EA	CLAMP - CLOSED - 1 5/8" ID
	010497-05-000	EA	CLAMP - CLOSED - 1/2" ID
	010497-07-000	EA	CLAMP - CLOSED - 3/8" ID
	010497-08-000	EA	CLAMP - CLOSED - .125" ID
	010499-01-000	EA	CLAMP - CLOSED - 3/8" ID
	016188-03-000	EA	GROMMET - L/P LINE - 3/8" HOLE X 2 1/2" LONG - RUBBER
	016188-04-000	EA	GROMMET - L/P LINE - 1/2" HOLE X 2 1/2" LONG - RUBBER
	016188-05-000	EA	GROMMET - L/P LINE - 3/8" HOLE X 1 1/4" LONG - RUBBER
	016188-06-000	EA	GROMMET - L/P LINE - 3/8" X 31 1/4" LONG
	016188-07-000	EA	GROMMET - L/P LINE - 1/2" X 3 1/4" LONG
	023942-01-000	EA	GROMMET - RUBBER - 2" OD
	034141-02-000	EA	PLUG/NYLON - .38" - BLACK
	056134-01-000	EA	HOLDER - RING - 3.6" DIAMETER - METAL
	056134-02-000	EA	HOLDER - RING - 1.8" DIAMETER - METAL
	061420-01-000	EA	PLUG/PLASTIC - 1 3/4" DIAMETER - BROWN
	061420-04-000	EA	PLUG/PLASTIC - 1 1/4" DIAMETER
	061420-05-000	EA	PLUG/PLASTIC - 1 1/2" DIAMETER
	061420-08-000	EA	PLUG/PLASTIC - 2 1/2" DIAMETER
	061420-09-000	EA	PLUG/PLASTIC - 1.00" - DIAMETER
	061420-10-000	EA	PLUG/PLASTIC - 1 1/2" DIAMETER - BLACK
	061420-15-000	EA	PLUG/PLASTIC - 2" DIAMETER - BLACK
	061420-16-000	EA	PLUG/PLASTIC - 2 1/8" DIAMETER
	062401-01-000	EA	CLAMP - HOSE - WORMGEAR - .25" - 1"
	062401-02-000	EA	CLAMP - HOSE - WORMGEAR - 1.56" - 2.5"
	062401-03-000	EA	CLAMP - HOSE - WORMGEAR - .22" - 1"
	062401-04-000	EA	CLAMP - HOSE - WORMGEAR - .69" - 1.25"
	062401-05-000	EA	CLAMP - HOSE - WORMGEAR - 2" - 3" ID
	062401-06-000	EA	CLAMP - HOSE - WORMGEAR - .22" - .62" ID
	062401-07-000	EA	CLAMP - HOSE - WORMGEAR - 5"-7"
	062401-09-000	EA	CLAMP - HOSE - WORMGEAR - 2.8" - 3.75"
	062401-11-000	EA	CLAMP - HOSE - WORMGEAR - 3.50" - 4.50"
	062401-12-000	EA	CLAMP - HOSE - WORMGEAR - .79" X 1.26"
	071015-11-000	EA	GROMMET - RUBBER - 1"ID FITS .12 MATERIAL - BLACK
	071015-13-000	EA	GROMMET - RUBBER - .62" ID X 1" OD W/.09" GROOVE - BLACK
	071015-19-000	EA	GROMMET - RUBBER - .38 ID - FITS .06 MATERIAL - BLACK
	071015-22-000	EA	GROMMET - RUBBER - .62" ID X 1.12" OD W/.19" GROOVE - BLACK
	071015-26-000	EA	GROMMET - RUBBER - 1.5" ID X 2.1" OD W/.06" GROOVE-BLACK
	071015-29-000	EA	GROMMET - RUBBER - .3" ID X 1.3"OD W/.12" GROOVE - BLACK
	071015-30-000	EA	GROMMET - RUBBER - .31" ID X .81" OD W/.12" GROOVE-BLACK
	071015-39-000	EA	GROMMET - .75 ID FITS .06 MTL
	075148-02-000	EA	CLAMP - GROUNDING - BRONZE SCREWS
	077955-01-000	EA	CLIP/J - 3/8" - VINYL COATED
	080211-03-000	EA	CLIP - XMAS TREE W/PANEL RETAINING HEAD - 3/4" SHANK
	080734-02-000	EA	CLIP - WIRE NYLON
	081211-03-000	EA	PLUG/PLASTIC - .50 DIAMETER - BLACK
	081211-04-000	EA	PLUG/PLASTIC - .46 DIAMETER - BLACK
	083609-01-000	EA	CLAMP - WIRE - DUAL - EQUAL DIAMETERS - 5/8"
	083610-01-000	EA	CLAMP - WIRE - DUAL - UNEQUAL DIAMETERS - 3/4" & 1 1/4"

SEALANTS & FASTENERS GROUP (CONTINUED)

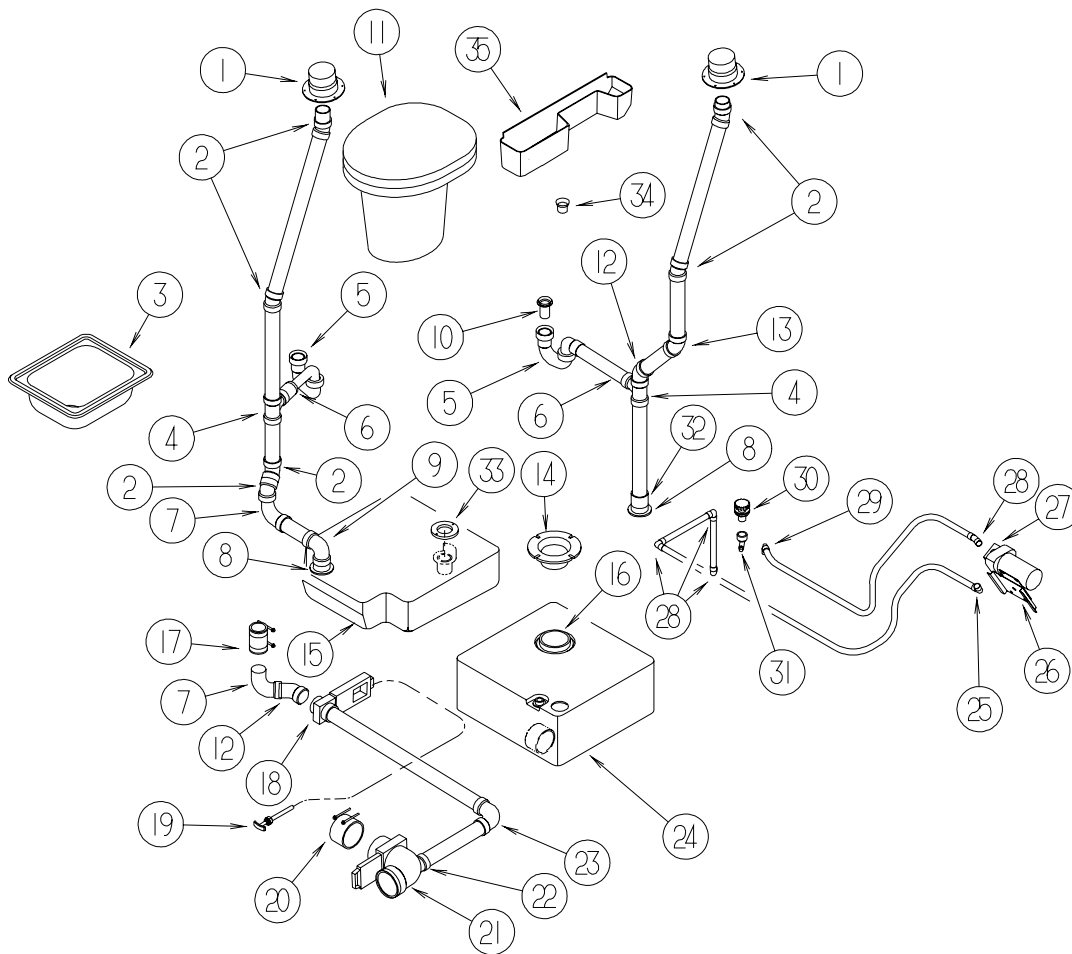
CLAMPS, CLIPS, GROMMETS, RIVETS & PLUGS (CONTINUED)

KEY	PART NUMBER	U/M	DESCRIPTION
	083610-02-000	EA	CLAMP - WIRE - DUAL - UNEQUAL DIAMETERS - 3/4" & 2"
	083610-03-000	EA	CLAMP - WIRE - DUAL - EQUAL DIAMETERS - 2" & 2"
	088756-01-000	EA	GROMMET - WEB - 1 1/8 i.i.d.
	091952-01-000	EA	CLIP - GRIPPER - 1"
	091952-02-000	EA	CLIP - GRIPPER - 3/4"
	094362-02-000	EA	CLIP - XMAS TREE - BINDER HEAD - .9" LONG
	094362-05-000	EA	CLIP - XMAS TREE - ROUND HEAD - 1.4" LONG
	094362-06-000	EA	CLIP - XMAS TREE - FLAT HEAD - .745-.755 HEAD DIAMETER
	114208-03-000	EA	GROMMET - EDGE LINER - FITS 2 1/2"
	114208-04-000	EA	GROMMET - EDGE LINER - FITS 1"
	114208-05-000	EA	GROMMET - EDGE LINER - FITS 2"
	118626-01-01A	EA	RIVET - POP - ALUMINUM - 3/16 X .08 - .375
	118626-02-01A	EA	RIVET - POP - ALUMINUM - 3/16 X .500 - .750
	137014-01-02A	EA	GROMMET - CABLE - BROWN

MISCELLANEOUS FASTENERS

KEY	PART NUMBER	U/M	DESCRIPTION
	008343-01-000	EA	TIE - WIRE - 6"
	008343-02-000	EA	TIE - WIRE - 14"
	008343-03-000	EA	TIE - WIRE - 7 1/2" - BLACK
	029094-04-000	YD	VELCRO TAPE - LOOP - 1" WIDE - BLACK
	029096-03-000	YD	VELCRO TAPE - HOOK - 1" WIDE - BLACK
	029096-04-000	YD	VELCRO TAPE - HOOK - 1" WIDE - BLACK
	048394-02-000	YD	VELCRO TAPE - HOOK - ADHESIVE BACK - 3/4" WIDE - BEIGE
	085774-01-000	FT	FASTENER - DUAL LOCK - 1" WIDE - ADHESIVE BACK - BLACK
	085774-02-000	FT	FASTENER - DUAL HOOK - 1" WIDE - ADHESIVE BACK - BLACK
	085774-03-000	FT	FASTENER - DUAL LOCK - 1/2" WIDE - ADHESIVE BACK - BLACK
	085774-04-000	FT	FASTENER - DUAL HOOK - 1/2" WIDE - ADHESIVE BACK - BLACK
	088792-02-000	YD	VELCRO TAPE - LOOP - 3/4" - ADHESIVE BACK - BEIGE
	088792-04-000	YD	VELCRO TAPE - HOOK - 5/8" - NON-ADHESIVE BACK - WHITE
	088792-05-000	YD	VELCRO TAPE - LOOP - 5/8" - NON-ADHESIVE BACK - WHITE
	094362-07-000	EA	CLIP - XMAS TREE - FLAT HEAD
	108046-01-000	EA	CABLE TIE - SCREW MOUNT 8"
	108046-02-000	EA	CABLE TIE - SCREW MOUNT 15"
	110943-02-000	FT	FELT STRIP - 3/8" - ADHESIVE BACK - WHITE
	113133-02-01A	EA	RIVET - POP - ALUMINUM - 3/16 X .252 - .504 - BLACK
	115361-01-01A	EA	PLUG/PLASTIC - 1/2" DIAMETER
	123816-04-000	FT	TAPE - DOUBLE SIDED - 6" X 750'
	127960-01-01A	EA	RETAINER - 3/8" - STAINLESS STEEL

WATER & SEWAGE GROUP DRAINAGE SYSTEM



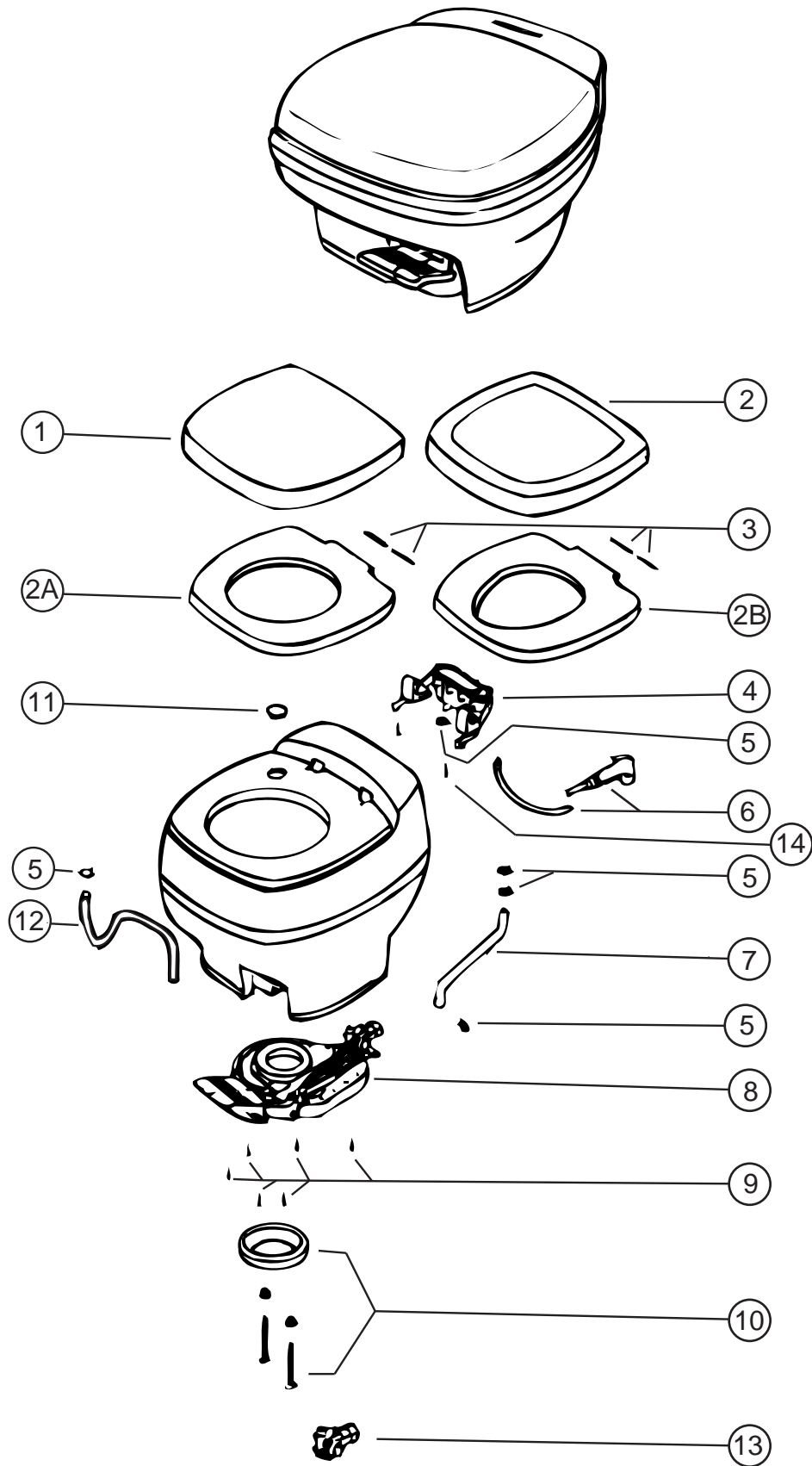
KEY	PART NUMBER	U/M	DESCRIPTION
1	083558-06-000	EA	VENT - ROOF PLUMBING PIPE - COVERED
2	010005-01-000	EA	ELBOW - 22.5 DEGREE - 1 1/2" HUB X HUB - PLASTIC
3	011029-03-000	EA	SINK - STAINLESS STEEL - SINGLE W/RAILS
	066437-02-000	EA	STRAINER - W/BASKET - SINK
4	010071-01-000	EA	TEE - SANITARY - 1 1/2" HUB X HUB X HUB - PLASTIC
5	107538-01-000	EA	P-TRAP - PLASTIC - 1 1/4" W/EXTENSION ARM - US
5	011071-01-000	EA	P-TRAP - PLASTIC - 1 1/2" - CSA
	011069-03-000	EA	TAILPIECE - TUB/SHOWER - 1 1/2" X 1 3/4" - PLASTIC
6	109571-01-000	EA	ADAPTER - P-TRAP - 1 1/2" P X 1 1/4" MPT - US
7	033761-01-000	EA	ELBOW - TURN - 90 DEGREE 1 1/2" HUB X 1 1/2" SPIGOT
8	061607-01-000	EA	GROMMET - HOLDING TANK - 1 1/2" NPS
9	034250-01-000	EA	ELBOW - 90 DEGREE - LONG TURN - 1 1/2" HUB X HUB - ABS
10	106116-01-01A	EA	STRAINER/PLASTIC - STOPPER/TAILPIECE/GASKET & NUT-LAVATORY
11*	064076-03-000	EA	TOILET - STARLITE - LOW - WHITE
12	010051-01-000	EA	ELBOW - 45 DEGREE - 1 1/2" SPIGOT & HUB - PLASTIC
13	010006-01-000	EA	ELBOW - 45 DEGREE - 1 1/2" HUB X HUB - PLASTIC
14	063641-01-000	EA	FLANGE - CLOSET - 4" X 3"
15	133990-02-000	EA	TANK - HOLDING
	039861-01-000	EA	SENDING UNIT - W/SCREW - WASHER - WELL NUT/TERMINAL RING
16	061607-02-000	EA	GROMMET - HOLDING TANK - 3" NPS
17	089355-01-000	EA	COUPLER - RUBBER - 1 1/2" X 1 1/2"
18	062421-03-000	EA	VALVE - DUMP - 1 1/2" HUB X 1 1/2" HUB - REMOTE
19	062421-09-000	EA	CABLE/ROD - F/DUMP VALVE - W/HANDLE - 41.5"
20	078406-01-000	EA	COUPLER - RUBBER - W/CLAMPS - 3" X 3"
21	072346-01-000	EA	VALVE ASM - 3" SLIP X 3" BAYONET W/CAP X 2" SOCKET-ABS
	062416-01-000	EA	ADAPTER - SEWER HOSE TO 3" PIPE
	010201-01-000	EA	HOSE - SEWER - 3" ID X 8'
22	010123-01-000	EA	BUSHING - 2" X 1 1/2" HUB - PLASTIC

WATER & SEWAGE GROUP (CONTINUED)
DRAINAGE SYSTEM (CONTINUED)

KEY	PART NUMBER	U/M	DESCRIPTION
23	010008-01-000	EA	ELBOW - 90 DEGREE - 1 1/2" HUB X HUB - PLASTIC
24	127074-01-000	EA	TANK - HOLDING - 13 GALLON - W/O FITTINGS
25	123150-01-000	EA	ELBOW - 1/2 FPT X 1/2 BARB - SWIVEL (W/SHOWER)
25	114427-02-000	EA	PLUG - W/COMP NUT - 1/2" PLASTIC PIPE/1/2" FLAIR-IT (W/O SHOWER)
26*	098607-01-000	EA	PUMP - WATER - W/.5" MPT FITTING - FLOW 2.8 GPM (W/SHOWER)
27	114966-01-000	EA	FILTER - IN LINE - TWIST ON - 1/2" (W/SHOWER)
28	114429-01-000	EA	ELBOW - 1/2"P X 1/2"P (W/SHOWER)
28	114427-02-000	EA	PLUG - W/COMP NUT - 1/2" PLASTIC PIPE/1/2" FLAIR-IT (W/O SHOWER)
29	111223-04-000	EA	ELBOW - 1/2" MPT X 1/2" BARB - PLASTIC
30	114974-01-000	EA	CONNECTOR - HULL - W/STRAINER (W/SHOWER)
30	114427-02-000	EA	PLUG - W/COMP NUT - 1/2" PLASTIC PIPE/1/2" FLAIR-IT (W/O SHOWER)
31	114429-06-000	EA	ELBOW - SWIVEL - 1/2"P X 3/4"FPT
32	010115-01-000	EA	COUPLING - 1 1/2" HUB X HUB - PLASTIC
33	078200-01-000	EA	GASKET - FUEL FILL - 3.5"OD X 2"ID
34	106116-01-01A	EA	STRAINER/PLASTIC - STOPPER/TAILPIECE/GASKET & NUT-LAVATORY
35	P12114-01-02A	EA	BASIN - CATCH - W/STRAINER
	112114-01-02A	EA	BASIN - CATCH - LAVATORY - VW LIGHT GRAY

***COMPONENT PARTS LISTED LATER IN THIS GROUP**

WATER & SEWAGE GROUP (CONTINUED)
COMPONENT PARTS FOR DRAINAGE SYSTEM



WATER & SEWAGE GROUP (CONTINUED)
COMPONENT PARTS FOR DRAINAGE SYSTEM (CONTINUED)

064076-03-000 (CONTINUED)

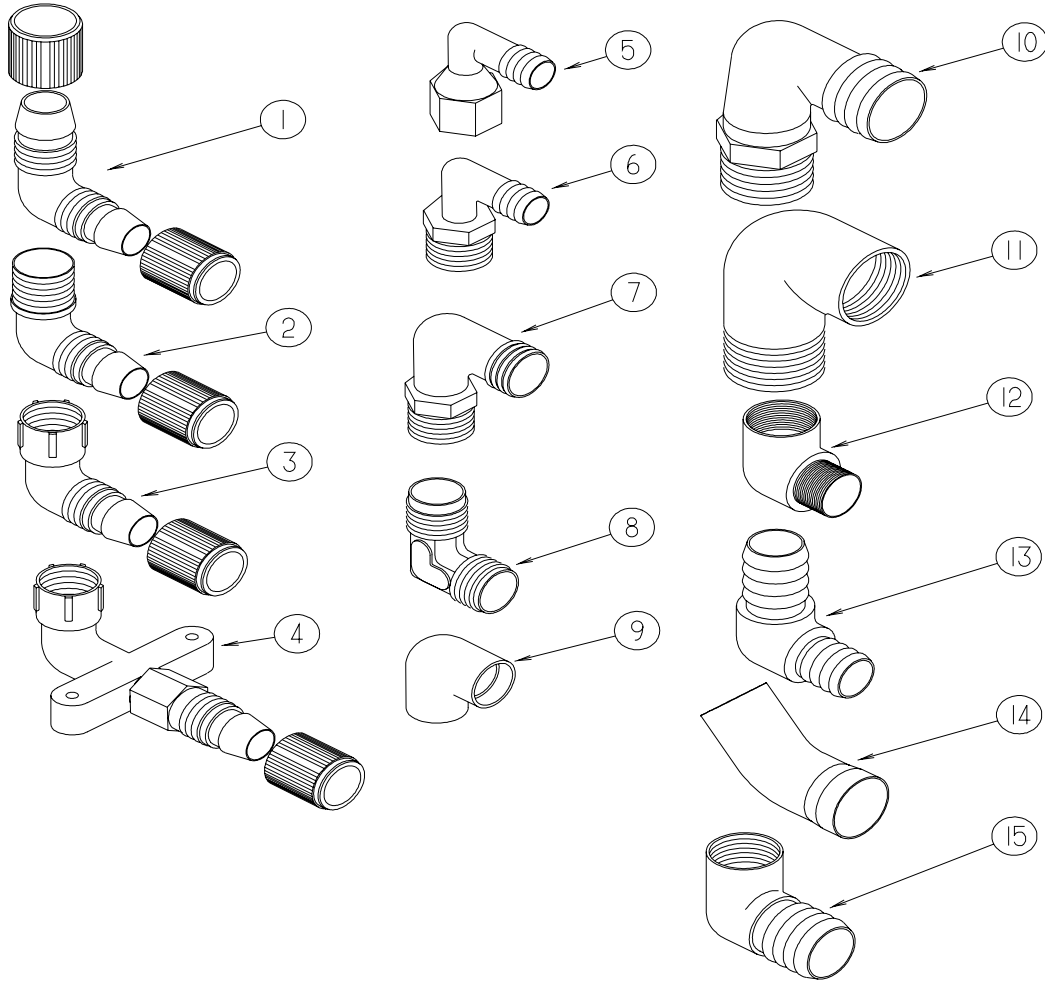
KEY	PART NUMBER	U/M	DESCRIPTION	VENDOR NO.
1	064076-03-700	EA	COVER-SEAT,TOILET-WHITE	2092362
2	064076-03-701	EA	RING-SEAT - TOILET/WHITE	656462
3	039341-02-707	EA	PIN-HINGE	2986
4	064076-03-702	EA	BREAKER-VACUUM - PKG(WHITE)	2070262
6	067487-01-701	EA	WATER SAVER PKG.	08993
8	064076-03-703	EA	MECHANISM - WHITE	2420362
10	039341-02-705	EA	SEAL & BOLT PKG-W/O FLANGE	08975
11	064076-03-704	EA	PLUG - HOLE - WHITE	0389562
13	064076-01-705	EA	VALVE-BALL REPLACEMENT PKG	09868

CONTACT WINNEBAGO PART SALES FOR UNLISTED COMPONENT

098607-01-000

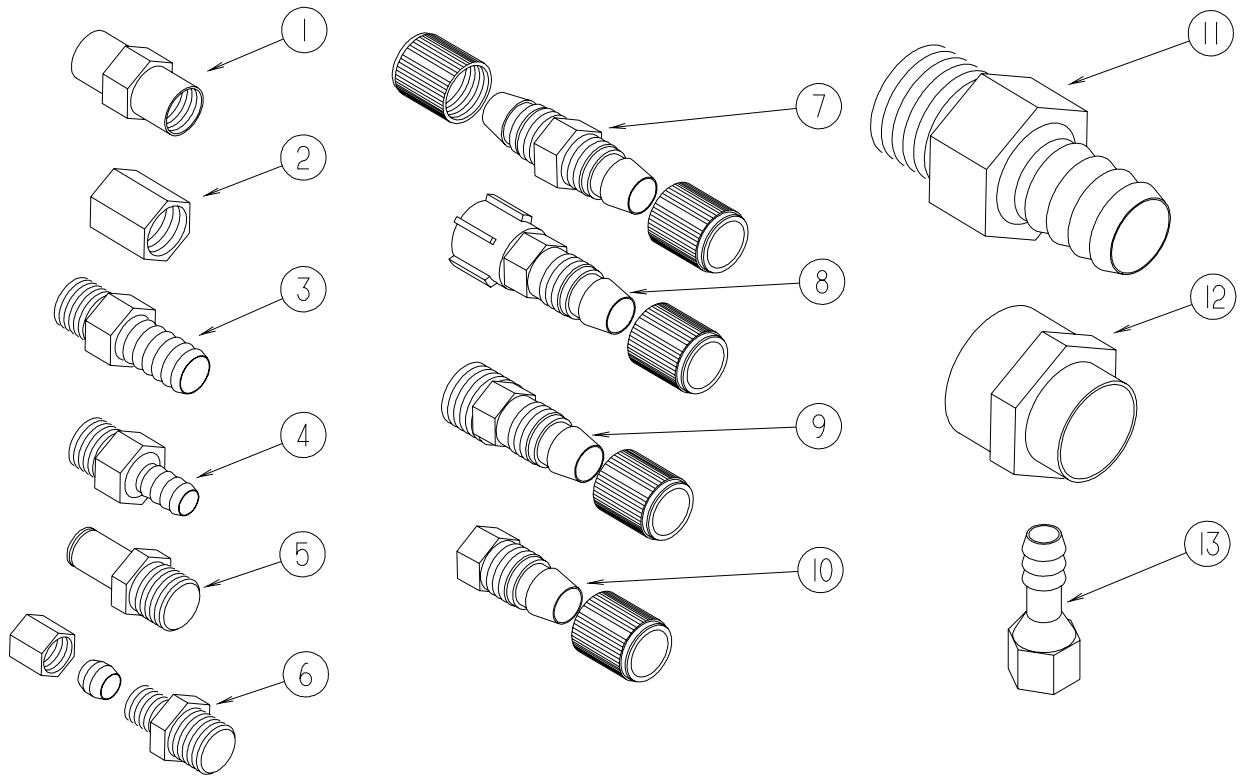
KEY	PART NUMBER	U/M	DESCRIPTION	VENDOR NO
	098607-01-000	EA	PUMP - WATER - W/.5" MPT FITTING - FLOW 2.8 GPM	
	098607-01-702	EA	DIAPHRAGM/DRIVE ASSEMBLY KIT	94-238-04
	098607-01-703	EA	VALVE KIT	94-232-00
	098607-01-705	EA	VALVE-CHECK, KIT	94-237-00
	098607-01-706	EA	HOUSING, W/SWITCH ONLY	94-231-20
	098607-01-707	EA	MOTOR W/BASEPLATE	11-148-04

WATER & SEWAGE GROUP (CONTINUED)
WATER SYSTEM



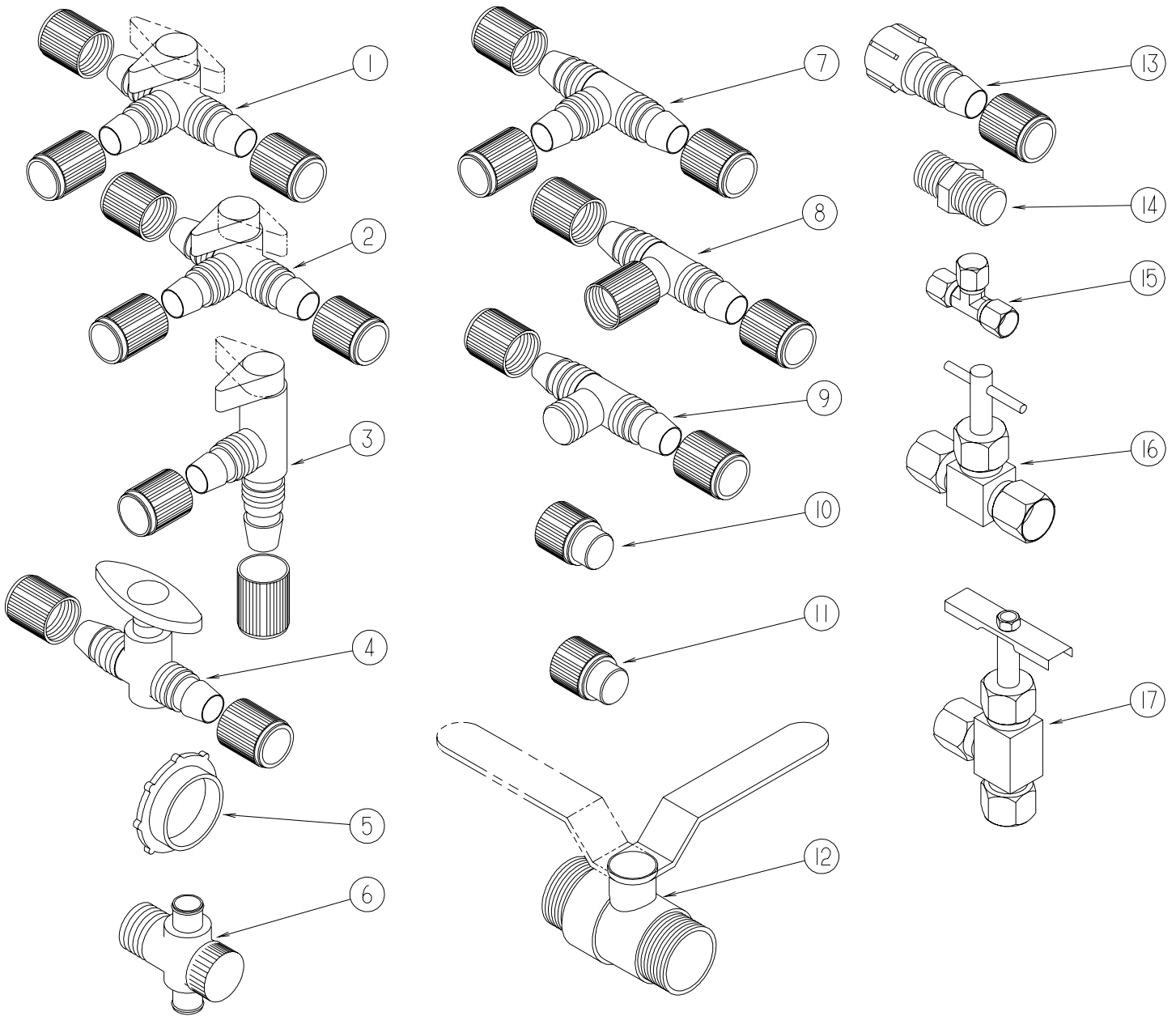
KEY	PART NUMBER	U/M	DESCRIPTION
1	114429-01-000	EA	ELBOW - 1/2"P X 1/2"P
2	114429-02-000	EA	ELBOW - 1/2"P X 1/2"MPT
2	114429-04-000	EA	ELBOW - 1/2"P X 3/8"MPT
2	114429-05-000	EA	ELBOW - 1/2"P X 3/4"MPT
3	114429-03-000	EA	ELBOW - SWIVEL - 1/2"P X 1/2"FPT
3	114429-06-000	EA	ELBOW - SWIVEL - 1/2"P X 3/4"FPT
3	114429-08-000	EA	ELBOW - SWIVEL - 1/2"MPT X 1/2"FPT SWIVEL
4	114429-07-000	EA	ELBOW - 1/2"P X 1/2"FPT
4	114429-09-000	EA	ELBOW - 1/2"P X 1/2"FPT DROP EAR
5	123150-01-000	EA	ELBOW - 1/2 FPT X 1/2 BARB - SWIVEL
6	035539-01-000	EA	ELBOW - 3/8 MPT X 3/8 BARB - PLASTIC
7	010219-01-000	EA	ELBOW - 1 1/4 MPT X 1 1/4 BARB - WATER FILL - PLASTIC
8	039808-03-000	EA	ELBOW - 1/2" MPT X 1/2" MPT - PLASTIC
9	133837-01-000	EA	ELBOW - 1 1/2" X 90 DEGREE - DOUBLE SLIP
10	111223-03-000	EA	ELBOW - 3/4" MPT X 1/2" BARB - PLASTIC
10	111223-04-000	EA	ELBOW - 1/2" MPT X 1/2" BARB - PLASTIC
11	132484-01-000	EA	ELBOW - PLASTIC - 90 DEGREE - 1MPT X 1FPT
12	065318-02-000	EA	ELBOW - 90 DEGREE - 3/8" MPT TO 3/8" FPT
13	132781-01-000	EA	ELBOW - 1.3" BARB X 1.3" BARB - 90 DEGREE - PLASTIC
14	010009-01-000	EA	ELBOW - 90 DEGREE - 1/4 BEND - 1 1/2" PLASTIC
15	132782-01-000	EA	ELBOW - 1"FPT X 1.3" BARB - 90 DEGREE - PLASTIC

WATER & SEWAGE GROUP (CONTINUED)
WATER SYSTEM (CONTINUED)



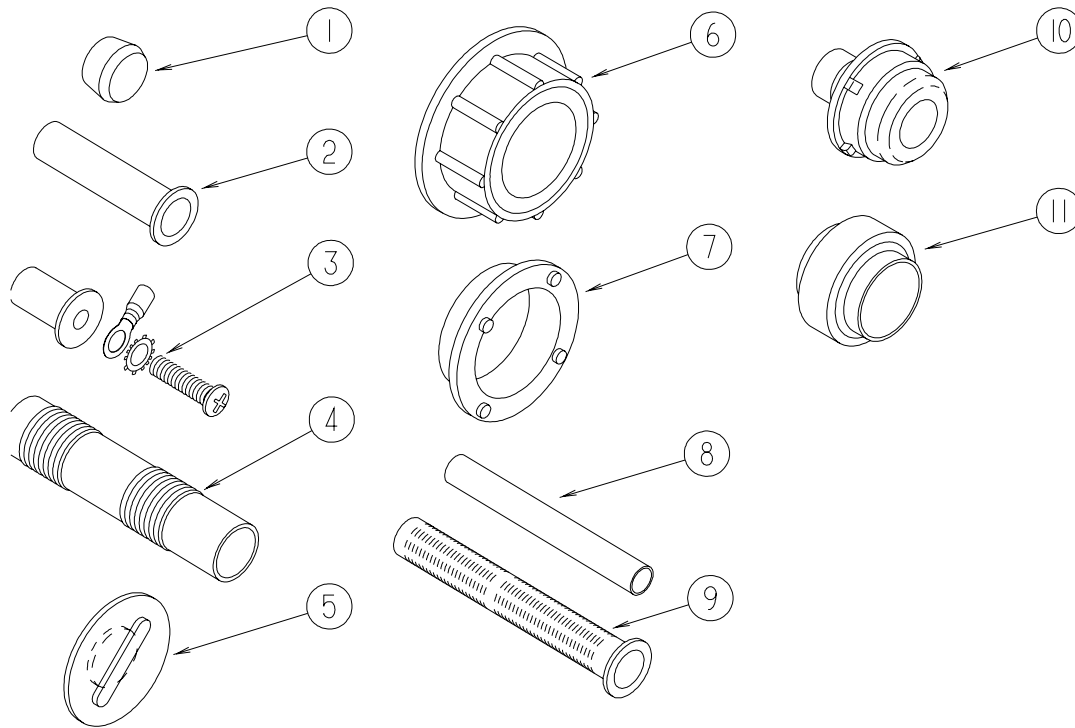
KEY	PART NUMBER	U/M	DESCRIPTION
1	132148-01-000	EA	CONNECTOR - 1/2" X 1/2" MPT - BRASS
2	101814-01-000	EA	COUPLING - FEMALE - 1/2" X 1/2" FPT - GRAY
3	118809-02-000	EA	ADAPTER - 1/2" MPT X 1/2" BARB - PLASTIC
4	010224-01-000	EA	ADAPTER - HOSE TO PIPE - 3/8 MPT X 3/8 BARB - PLASTIC
5	090338-03-000	EA	FITTING - HOSE - 3/4"ID - 2" LENGTH - BRASS
6	103798-01-000	EA	CONNECTOR - 1/4 OD X 3/8 MPT
7	114430-01-000	EA	ADAPTER - 1/2"P X 1/2"P
8	114430-02-000	EA	ADAPTER - SWIVEL - 1/2"P X 1/2"FPT
9	114430-03-000	EA	ADAPTER - 1/2"P X 1/2"MPT
10	114430-06-000	EA	ADAPTER - 1/2"P X 3/8"FPT
10	114430-08-000	EA	ADAPTER - 1/2"P X 3/4"MPT
11	044927-01-000	EA	ADAPTER - HOSE TO PIPE-1 1/4 MPTX1 1/4 BARB-BLACK PLASTIC
12	133835-01-000	EA	ADAPTER - REDUCING - 1 1/2" X 1 1/4"
13	123152-01-000	EA	ADAPTER - 1/2 FPT X 1/2 BARB - SWIVEL

WATER & SEWAGE GROUP (CONTINUED)
WATER SYSTEM (CONTINUED)



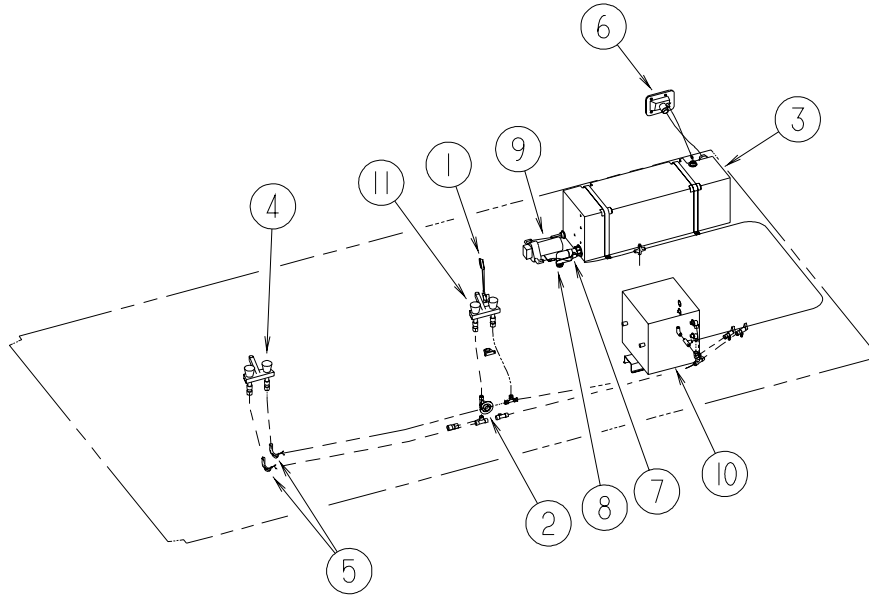
KEY	PART NUMBER	U/M	DESCRIPTION
1	114431-01-000	EA	VALVE - 180 DEGREE/CENTER DRAIN - 1/2"P - THREE WAY
2	114431-02-000	EA	VALVE - WATER BYPASS - 1/2"P - THREE WAY (WATER HEATER)
3	114431-03-000	EA	VALVE - 90 DEGREE DRAIN - 1/2"P
4	114431-04-000	EA	VALVE - ìINLINE SHUT-OFFî - 1/2"P
5	120069-01-000	EA	PLUG - 3" - POLYETHYLENE MPT
6	128974-01-01A	EA	VALVE - SHOWER HEAD/WATER SAVER (ON/OFF) - BRIGHT BRASS
7	114428-01-000	EA	TEE - 1/2"P X 1/2"P X 1/2"P
8	114428-02-000	EA	TEE - SWIVEL - 1/2"P X 1/2"P X 1/2"FPT
9	114428-03-000	EA	TEE - 1/2"P X 1/2"P X 1/2"MPT
10	113697-01-000	EA	CAP - 3/8 FTG
11	114427-01-000	EA	CAP - 1/2" - FOR CAPPING FLAIR-IT MALE FITTINGS
12	132483-01-000	EA	VALVE - BALL - 1" - THREADED ENDS
13	114427-02-000	EA	PLUG - W/COMP NUT - 1/2" PLASTIC PIPE/1/2" FLAIR-IT
14	110438-02-000	EA	VALVE - CHECK - BRASS - 1/2 MPT X 1/2 MPT
15	118423-01-000	EA	FITTING - BRASS-TEE - 1/4C X 1/4C X 1/4C
16	120868-01-000	EA	VALVE - NEEDLE - 1/4" COMPRESSION X 1/4" COMPRESSION
17	114431-05-000	EA	VALVE - NEEDLE - 1/8" MPT X 1/4" COMPRESSION (ICE MAKER)

WATER & SEWAGE GROUP (CONTINUED)
WATER SYSTEM (CONTINUED)



KEY	PART NUMBER	U/M	DESCRIPTION
1	111888-01-000	EA	FERRULE - PLASTIC - .250 ID X .375 OD
2	111888-02-000	EA	INSERT - BRASS - 1/4 COMP
3	039861-01-000	EA	SENDING UNIT - W/SCREW - WASHER - WELL NUT/TERMINAL RING
4	079381-01-000	FT	TUBING - RIBBED FLEXIBLE - WATER FILL - 1.4" I.D.
5	049032-01-000	EA	PATCH - SPINWELD - 3/8" - PLASTIC
6	120069-01-000	EA	PLUG - 3" - POLYETHYLENE MPT
6	042989-03-000	EA	FITTING - SPINWELD - 1 1/4"NPT - PLASTIC
6	042989-04-000	EA	FITTING - SPINWELD - 3/8"FPT - PLASTIC
6	042989-05-000	EA	FITTING - SPINWELD - 1/2"FPT - PLASTIC
6	042989-07-000	EA	FITTING - SPINWELD - 1 1/2"FPT - PLASTIC
6	042989-08-000	EA	FITTING - SPINWELD - 1"FPT - PLASTIC
7	120070-01-000	EA	FITTING - SPINWELD - PLASTIC 3" FPT
8	124188-01-000	FT	TUBING - PEX - 1/2" ID X 20' - BLUE(COLD)
8	124188-02-000	FT	TUBING - PEX - 1/2" ID X 20' - RED(HOT)
8	112176-01-000	FT	TUBING - VINYL - REINFORCED - 1/2" ID
8	074462-02-000	FT	TUBING - VINYL - 3/8 ID X 20' - CLEAR
8	039800-04-000	FT	TUBING - POLYBUTYL - 1/4"OD
9	077954-02-000	EA	FILTER - WATER TANK - W/SCREEN IN TANK
10	114966-01-000	EA	FILTER - IN LINE - TWIST ON - 1/2"
11	133889-01-000	EA	UNION - 1 1/2 DOUBLE SLIP - PVC

WATER & SEWAGE GROUP (CONTINUED)
WATER SYSTEM (CONTINUED)

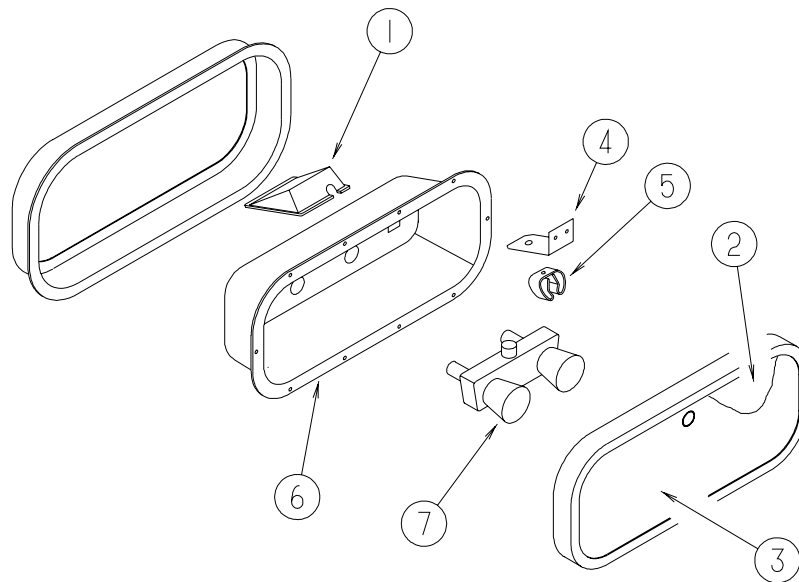


KEY	PART NUMBER	U/M	DESCRIPTION
1	131383-01-02A	EA	SHOWER HEAD - W/60" HOSE & BRACKET - WHITE
1	131383-02-02A	EA	SHOWER HEAD - W/60" HOSE & BRACKET - WHITE - CSA
2	010230-06-000	EA	FILL - CITY WATER - W/CHECK VALVE - MPT - BRUSHED ALUM
3	074510-09-000	EA	TANK/WATER - 16 GALLON W/FITTINGS - 33.5" X 11.4" X 10.6"
3	074510-01-000	EA	TANK/WATER - 16 GALLON W/O FITTINGS- 33.5" X 11.4" X 10.6"
4	113798-01-01A	EA	FAUCET - GALLEY - SINGLE CONTROL
5	124184-01-000	EA	SUPPORT - WATER LINE - BEND
6	081240-20-000	EA	WATER FILL - W/DOOR - LOCKABLE - W/O LOCK - BRT WHT
			FROM: 00-00-00 THRU: 04-02-01
6	137169-01-02A	EA	FILL/WATER - GRAVITY - WHITE
			FROM: 04-03-01 THRU: 99-99-99
	137169-02-01A	EA	WASHER - GRAVITY WATERFILL
			FROM: 04-03-01 THRU: 99-99-99
	110506-33-000	EA	LOCK ASM-KEYED,14.58MM
			FROM: 00-00-00 THRU: 05-31-01
*	110506-59-000	EA	KEYS - SET OF TWO
*	110506-59-001	EA	KEYS - SET OF TWO
*	110506-59-002	EA	KEYS - SET OF TWO
*	110506-59-003	EA	KEYS - SET OF TWO
*	110506-59-004	EA	KEYS - SET OF TWO
*	110506-59-005	EA	KEYS - SET OF TWO
*	110506-59-006	EA	KEYS - SET OF TWO
*	110506-59-007	EA	KEYS - SET OF TWO
*	110506-59-008	EA	KEYS - SET OF TWO
*	110506-59-009	EA	KEYS - SET OF TWO
	110506-52-000	EA	CASE/CYLINDER - LOCKING - W/O CAM/KEY - .65" - 702370
	110506-52-001	EA	CASE/CYLINDER - LOCKING - W/O CAM/KEY - .65" - 702371
	110506-52-002	EA	CASE/CYLINDER - LOCKING - W/O CAM/KEY - .65" - 702372
	110506-52-003	EA	CASE/CYLINDER - LOCKING - W/O CAM/KEY - .65" - 702373
	110506-52-004	EA	CASE/CYLINDER - LOCKING - W/O CAM/KEY - .65" - 702374
	110506-52-005	EA	CASE/CYLINDER - LOCKING - W/O CAM/KEY - .65" - 702375
	110506-52-006	EA	CASE/CYLINDER - LOCKING - W/O CAM/KEY - .65" - 702376
	110506-52-007	EA	CASE/CYLINDER - LOCKING - W/O CAM/KEY - .65" - 702377
	110506-52-008	EA	CASE/CYLINDER - LOCKING - W/O CAM/KEY - .65" - 702378
	110506-52-009	EA	CASE/CYLINDER - LOCKING - W/O CAM/KEY - .65" - 702379
	110506-76-000	EA	CAM - LOCK

WATER & SEWAGE GROUP (CONTINUED)
WATER SYSTEM (CONTINUED)

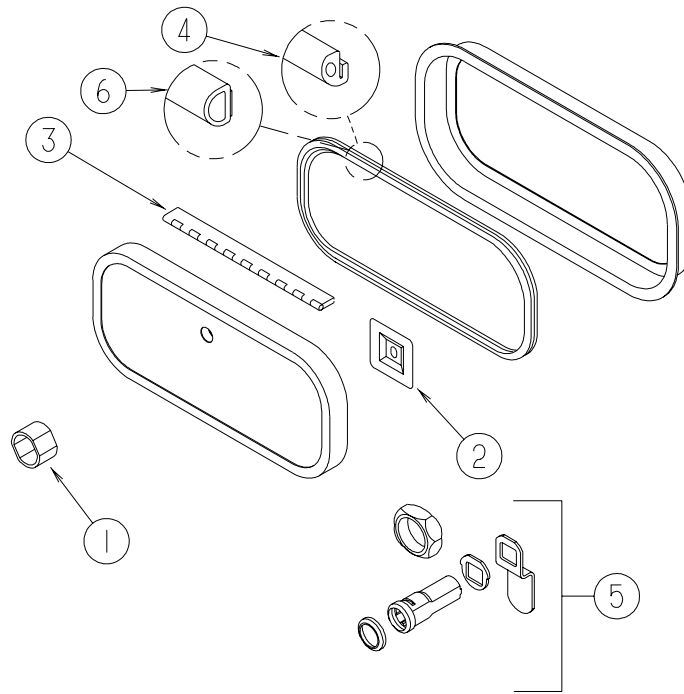
KEY	PART NUMBER	U/M	DESCRIPTION
	110506-A3-000	EA	LOCK - KEYED
			FROM: 06-01-00 THRU: 99-99-99
	110506-52-000	EA	CASE/CYLINDER - LOCKING - W/O CAM/KEY - .65" - 702370
	110506-52-001	EA	CASE/CYLINDER - LOCKING - W/O CAM/KEY - .65" - 702371
	110506-52-002	EA	CASE/CYLINDER - LOCKING - W/O CAM/KEY - .65" - 702372
	110506-52-003	EA	CASE/CYLINDER - LOCKING - W/O CAM/KEY - .65" - 702373
	110506-52-004	EA	CASE/CYLINDER - LOCKING - W/O CAM/KEY - .65" - 702374
	110506-52-005	EA	CASE/CYLINDER - LOCKING - W/O CAM/KEY - .65" - 702375
	110506-52-006	EA	CASE/CYLINDER - LOCKING - W/O CAM/KEY - .65" - 702376
	110506-52-007	EA	CASE/CYLINDER - LOCKING - W/O CAM/KEY - .65" - 702377
	110506-52-008	EA	CASE/CYLINDER - LOCKING - W/O CAM/KEY - .65" - 702378
	110506-52-009	EA	CASE/CYLINDER - LOCKING - W/O CAM/KEY - .65" - 702379
	110506-77-000	EA	CAM - LOCK
7	132483-01-000	EA	VALVE - BALL - 1" - THREADED ENDS
8	132782-01-000	EA	ELBOW - 1" FPT X 1.3" BARB - 90 DEGREE - PLASTIC
9*	098607-01-000	EA	PUMP - WATER - W/.5" MPT FITTING - FLOW 2.8 GPM
10*	113122-01-000	EA	WATER HEATER - EHM4 (ELECTRICAL/MOTOR AID) - 4 GAL
11	115000-01-02A	EA	FAUCET - LAVATORY/SHOWER - WHITE/CLEAR HANDLES

***COMPONENT PARTS LISTED LATER IN THIS GROUP**



KEY	PART NUMBER	U/M	DESCRIPTION
1	054250-05-000	EA	SUPPORT-DIMMER SWITCH, O/W
	054250-04-000	EA	COVER/ANGLED - W/O HOLE 3.6" X 4.5" - PLASTIC
2	121577-04-01A	EA	PLATE - EXTERIOR SHOWER - BRIGHT WHITE
3	126945-06-M91	EA	DOOR/STORAGE - W/O HARDWARE - 18.3" X 9.3"
	081801-AF-000	EA	HINGE - ALUMINUM - 2" X 12.2"
	107997-51-001	EA	SPACER - DOOR LOCK - .6" DEEP
4	NOT USED	EA	BRACKET - SQUEEGEE - BRIGHT WHITE
5	NOT USED	EA	CLIP - GRIPPER - 3/4"
6	121473-01-01A	EA	COMPARTMENT - SHOWER - EXTERIOR
7	075241-06-000	EA	FAUCET - SHOWER/BRIGHT WHITE - 1/2" MPT X 1.9" INLET PIPES
	131383-01-02A	EA	SHOWER HEAD - W/60" HOSE & BRACKET - WHITE

WATER & SEWAGE GROUP (CONTINUED)
WATER SYSTEM (CONTINUED)



KEY	PART NUMBER	U/M	DESCRIPTION
1	107997-51-001	EA	SPACER - DOOR LOCK - .6" DEEP
2	NOT USED		
3	081801-AF-000	EA	HINGE - ALUMINUM - 2" X 12.2"
4	106850-02-000	EA	SEAL-E - SPONGE RUBBER - .43" X .75"
5*	110506-59-000	EA	KEYS - SET OF TWO
5*	110506-59-001	EA	KEYS - SET OF TWO
5*	110506-59-002	EA	KEYS - SET OF TWO
5*	110506-59-003	EA	KEYS - SET OF TWO
5*	110506-59-004	EA	KEYS - SET OF TWO
5*	110506-59-005	EA	KEYS - SET OF TWO
5*	110506-59-006	EA	KEYS - SET OF TWO
5*	110506-59-007	EA	KEYS - SET OF TWO
5*	110506-59-008	EA	KEYS - SET OF TWO
5*	110506-59-009	EA	KEYS - SET OF TWO
5	110506-40-700	EA	HDWE KIT 596950AAL
5	110506-54-009	EA	CASE/CYLINDER - LOCKING - W/O CAM/KEY - 1.25" - 703179
5	110506-54-008	EA	CASE/CYLINDER - LOCKING - W/O CAM/KEY - 1.25" - 703178
5	110506-54-007	EA	CASE/CYLINDER - LOCKING - W/O CAM/KEY - 1.25" - 703177
5	110506-54-006	EA	CASE/CYLINDER - LOCKING - W/O CAM/KEY - 1.25" - 703176
5	110506-54-005	EA	CASE/CYLINDER - LOCKING - W/O CAM/KEY - 1.25" - 703175
5	110506-54-004	EA	CASE/CYLINDER - LOCKING - W/O CAM/KEY - 1.25" - 703174
5	110506-54-003	EA	CASE/CYLINDER - LOCKING - W/O CAM/KEY - 1.25" - 703173
5	110506-54-002	EA	CASE/CYLINDER - LOCKING - W/O CAM/KEY - 1.25" - 703172
5	110506-54-001	EA	CASE/CYLINDER - LOCKING - W/O CAM/KEY - 1.25" - 703171
5	110506-54-000	EA	CASE/CYLINDER - LOCKING - W/O CAM/KEY - 1.25" - 703170
5	110506-66-000	EA	CAM - LATCHING - DOG LEGGED 1.5" LONG
6	112160-02-000	FT	SEAL - D SECTION - .2 X .31 - FOAM RUBBER

WATER & SEWAGE GROUP (CONTINUED)

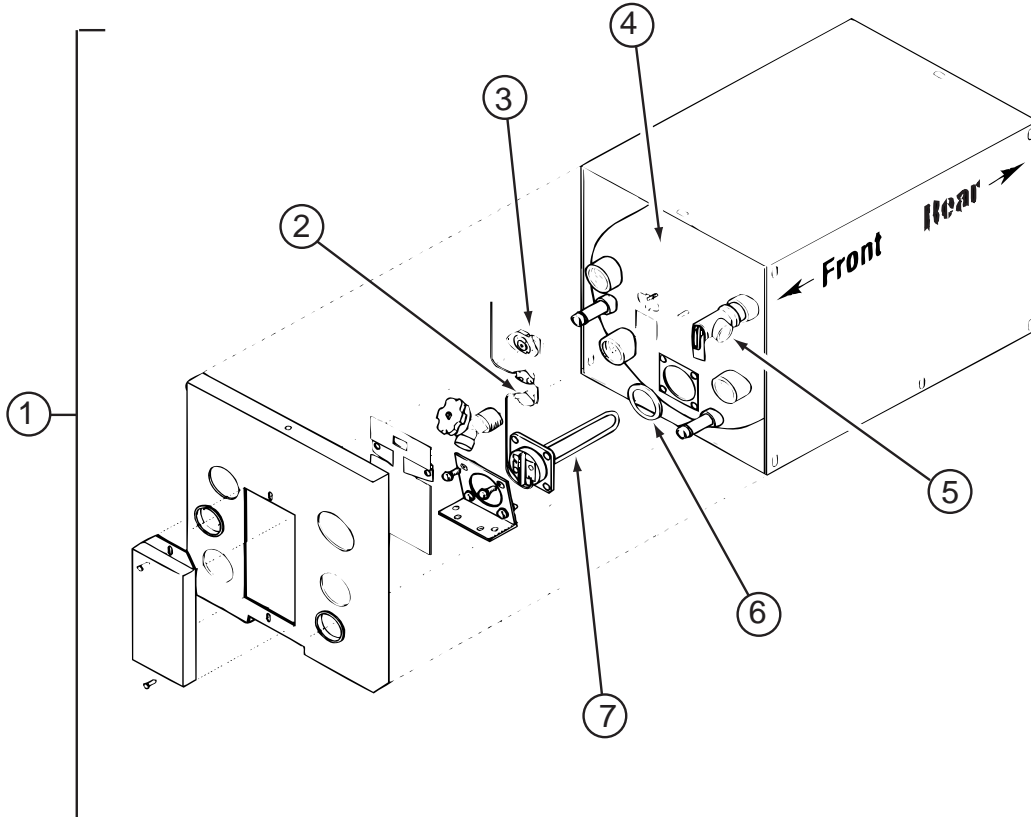
COMPONENT PARTS FOR WATER SYSTEM

098607-01-000

KEY	PART NUMBER	U/M	DESCRIPTION	VENDOR NO
	098607-01-000	EA	PUMP - WATER - W/.5" MPT FITTING - FLOW 2.8 GPM	
	098607-01-702	EA	DIAPHRAGM/DRIVE ASSEMBLY KIT	94-238-04
	098607-01-703	EA	VALVE KIT	94-232-00
	098607-01-705	EA	VALVE-CHECK, KIT	94-237-00
	098607-01-706	EA	HOUSING, W/SWITCH ONLY	94-231-20
	098607-01-707	EA	MOTOR W/BASEPLATE	11-148-04

110506-59-000 - 110506-59-009

KEY	PART NUMBER	U/M	DESCRIPTION	VENDOR NO .
	110506-40-700	EA	HDWE KIT	596950AAL
	110506-59-701	EA	KEY BLANK (GOLD)	

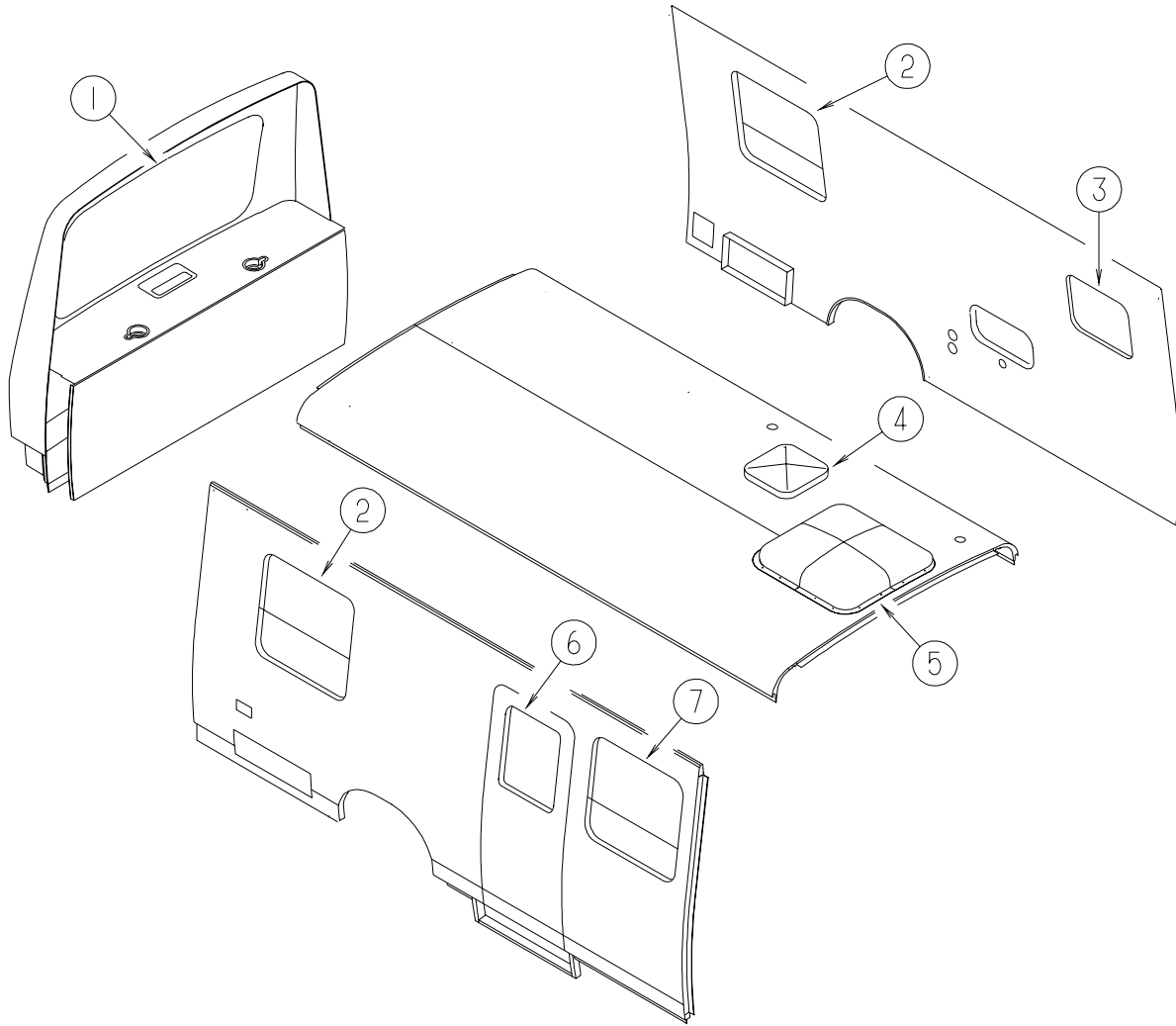


113122-01-000

KEY	PART NUMBER	U/M	DESCRIPTION	VENDOR NO.
1	113122-01-000	EA	WATER HTR ATWOOD EHM4SM	ELECT ONLY
3	074034-01-700	EA	THERMOSTAT/ECO SW-HI(OUTPUT)	90037
4	113122-01-700	EA	TANK-INNER, EHM4-SM	92248
5	051391-01-704	EA	VALVE-RELIEF, 1/2" FITTING	91604
6	074034-01-703	EA	GASKET (110V)	92679
7	074034-01-702	EA	HEATING ELEMENT/GASKET 110 V	91580 BOLT/SCREW ON

WINDOW & VENTS GROUP

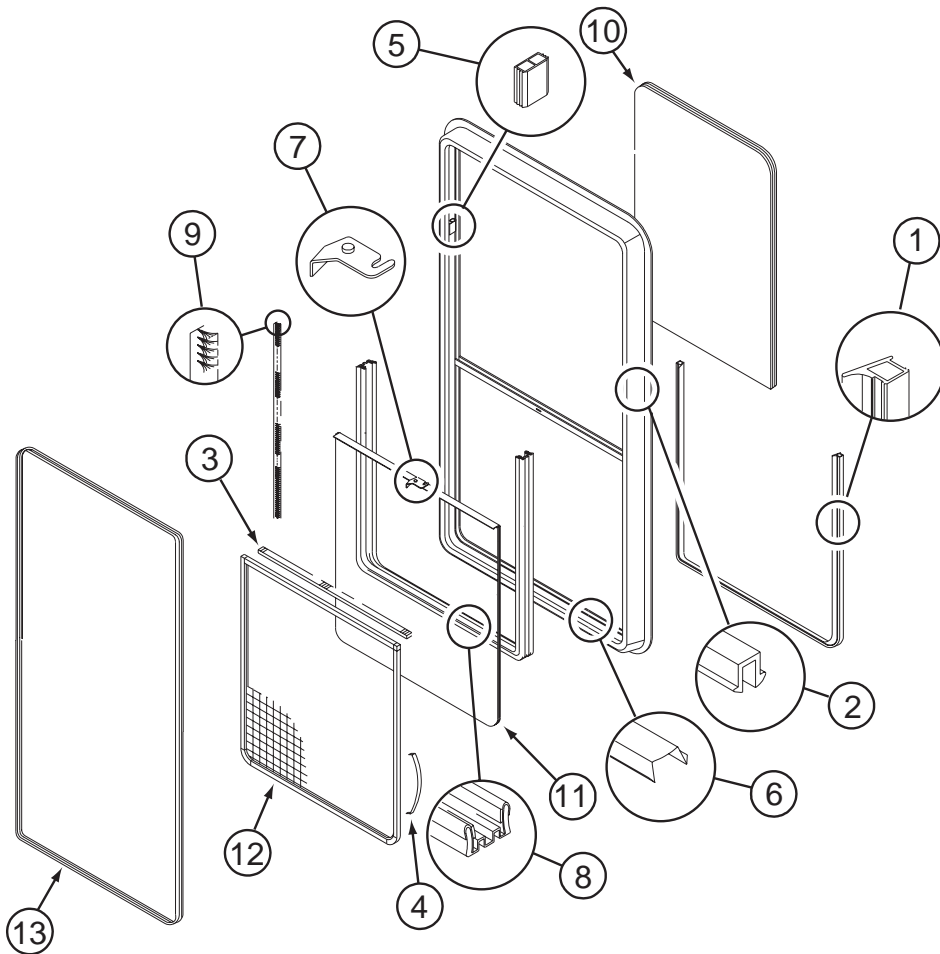
WINDOW & VENT LAYOUT



KEY	PART NUMBER	U/M	DESCRIPTION
1	084886-05-000	EA	WINDOW - REAR ESCAPE W/DEFROSTER - 58.6" X 29"
1	084423-03-000	EA	WEATHERSTRIP - VULCANIZED - 1/2" W/LIP X 14'- BLACK RUBBER
2*	104691-17-02A	EA	WINDOW - DOUBLE TIPOUT - TINTED - 36.2" X 24.5"
3*	098647-46-02A	EA	WINDOW - DRIVERS HORIZONTAL SLIDER - TINTED -15.2"X 18.3"
4*	123780-01-01A	EA	VENT - ROOF - 1" - W/FAN/POWER LIFT - W/O THERMOSTAT
	009440-01-000	EA	GEAR/ARM - LIFT - ROOF VENT COVER
5	114495-02-02A	EA	PANEL - INNER SKYLIGHT - 28.6" X 30"
5	114496-02-02A	EA	PANEL - OUTER SKYLIGHT - 30.2" X 31.6"
6	117053-01-F45	EA	WINDOW - PICTURE - 17" X 26.4"
	002181-28-000	EA	GLASS - PICTURE WINDOW - 24"W X 16.3"H
	087561-01-000	FT	SEAL - GLASS - EXTERIOR - .5" WIDE - VINYL BLACK
6	114507-02-01A	EA	FRAME - WINDOW/INSIDE
7*	098644-10-02A	EA	WINDOW - VERTICAL SLIDER 25" X 27"

***COMPONENT PARTS LISTED LATER IN THIS GROUP**

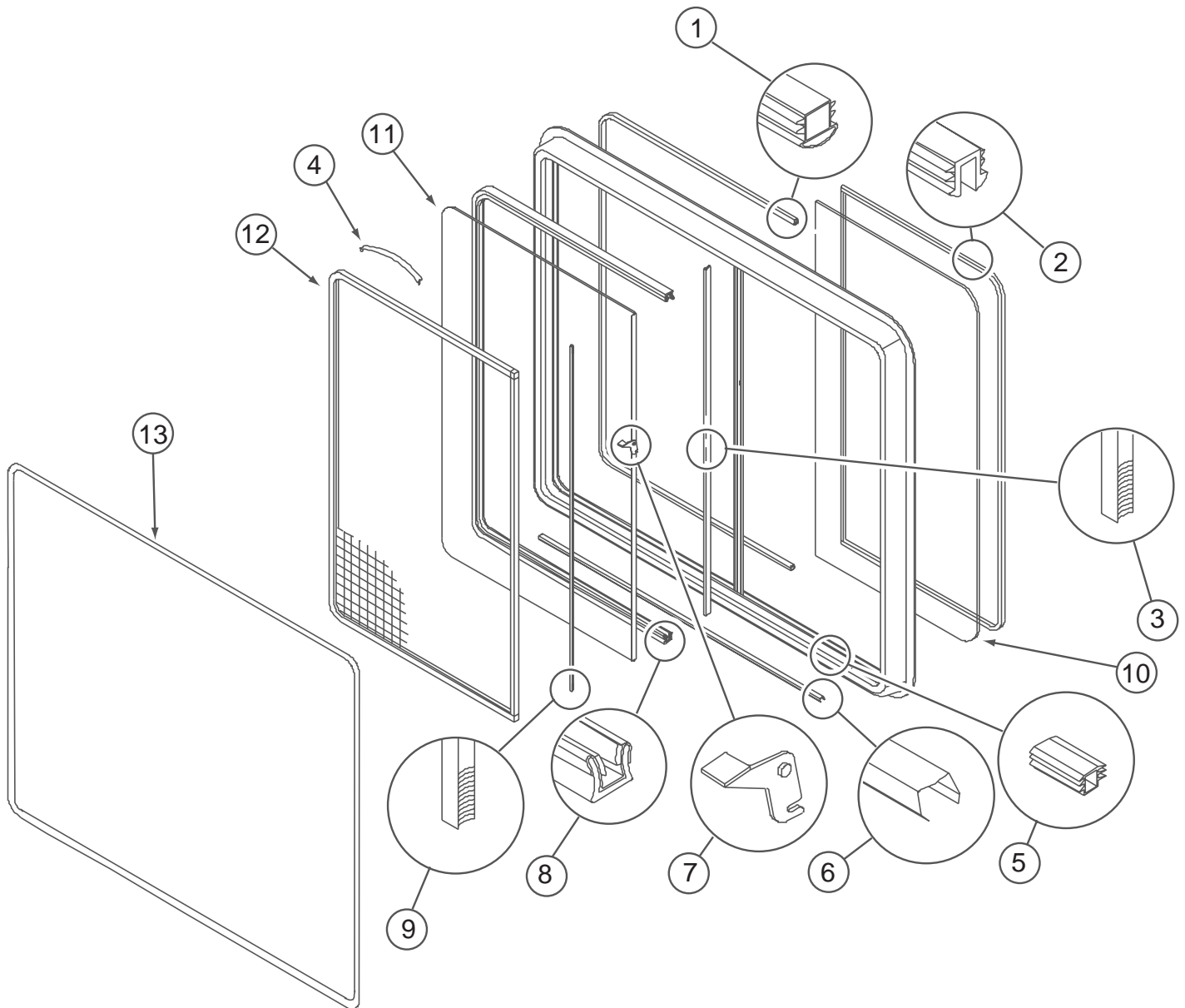
WINDOW & VENTS GROUP (CONTINUED)
COMPONENT PARTS FOR WINDOWS & VENT LAYOUT



098644-10-02A

KEY	PART NUMBER	U/M	DESCRIPTION	VENDOR NO.
	098644-10-02A	EA	WINDOW - VERTICAL SLIDER W/TRIM - TINTED - 25" X 27"	
1	098644-01-716	FT	PLUG - FILLER	132-014470
2	098644-01-705	FT	GLAZING - STRIP	132-010231
3	098644-01-706	FT	WEATHERSTRIP - GLASS	171-010668
4	098644-01-713	EA	CLIP - SCREEN - METAL	226-016966
4	125582-01-701	EA	CLIP - SCREEN - PLASTIC	130-005153
5	098644-01-719	EA	STOP - SLIDER GLASS	132-014203
6	098644-01-710	FT	TRACK - SCREEN SPACER 12'	132-017135
7	098644-01-700	EA	LATCH - REPAIR KIT (BLACK)	B801-CK
8	098644-01-708	FT	CHANNEL - RUN PIERCED	122-016543
9	098644-01-711	FT	WEATHERSTRIP - SCREEN BLACK	171-016965
10	098644-10-702	EA	GLASS - STATIONARY	106-025019
11	098644-10-701	EA	GLASS - SLIDING W/SASH/LATCH	H464-G9
12	098644-10-700	EA	SCREEN ASM - W/SEALS & CLIPS	410-019683
13	098644-10-704	EA	RETAINER - TRIM	CH78-66
	098644-01-717	FT	SPLINE - SCREEN	132-004716

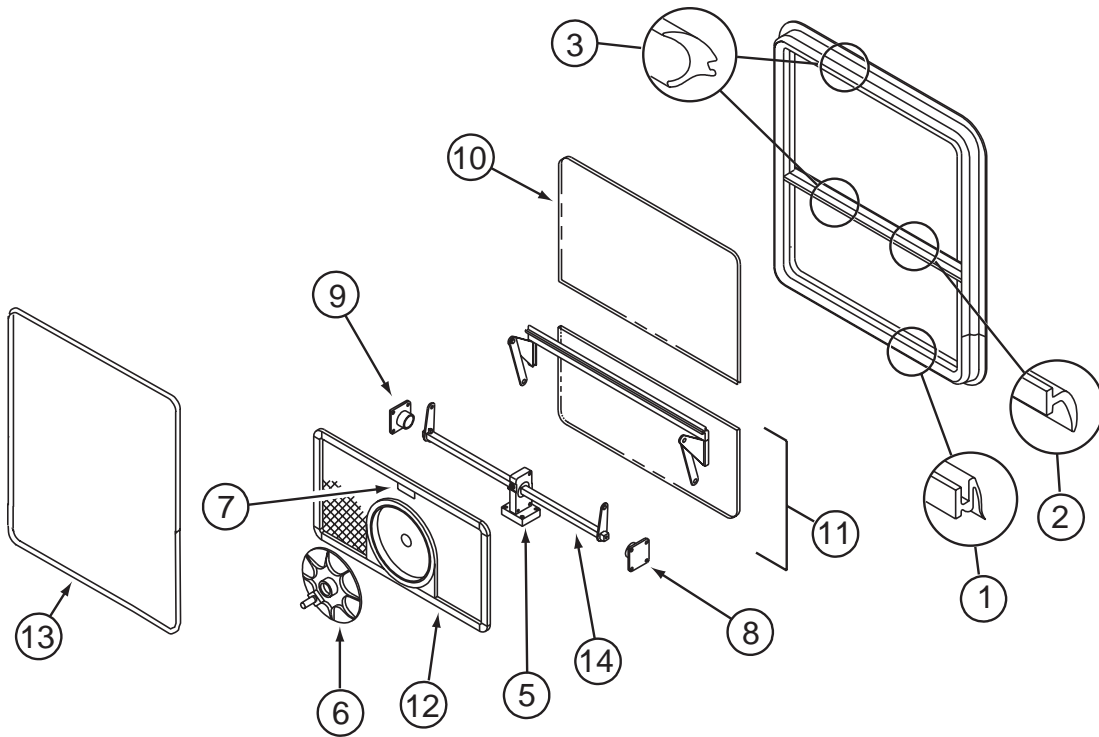
WINDOW & VENTS GROUP (CONTINUED)
COMPONENT PARTS FOR WINDOWS & VENT LAYOUT (CONTINUED)



098647-46-02A

KEY	PART NUMBER	U/M	DESCRIPTION	VENDOR NO.
	098647-46-02A	EA	WINDOW - DRIVER HORIZ SLIDER W/TRIM - TINTED-15.2" X 18.3"	
1	098644-01-716	FT	PLUG - FILLER	132-014470
2	098644-01-705	FT	GLAZING - STRIP	132-010231
3	098644-01-706	FT	WEATHERSTRIP - GLASS	171-010668
4	098644-01-713	EA	CLIP - SCREEN - METAL	226-016966
4	125582-01-701	EA	CLIP - SCREEN - PLASTIC	130-0
5	098644-01-719	EA	STOP - SLIDER GLASS	132-014203
6	098644-01-710	FT	TRACK - SCREEN SPACER 12'	132-017135
7	098644-01-700	EA	LATCH - REPAIR KIT (BLACK)	B801-CK
8	098644-01-708	FT	CHANNEL - RUN PIERCED	122-016543
9	098644-01-711	FT	WEATHERSTRIP - SCREEN BLACK	171-016965
10	098647-46-700	EA	GLASS - STATIONARY	106-011181
11	098647-46-701	EA	GLASS-SLIDING W/SASH & LATCH	B809-G9
12	098647-46-702	EA	SCREEN ASM - W/SEALS & CLIPS	410-025286
13	098647-46-704	EA	RETAINER - TRIM	H409-66
	098644-01-717	FT	SPLINE - SCREEN	132-004716

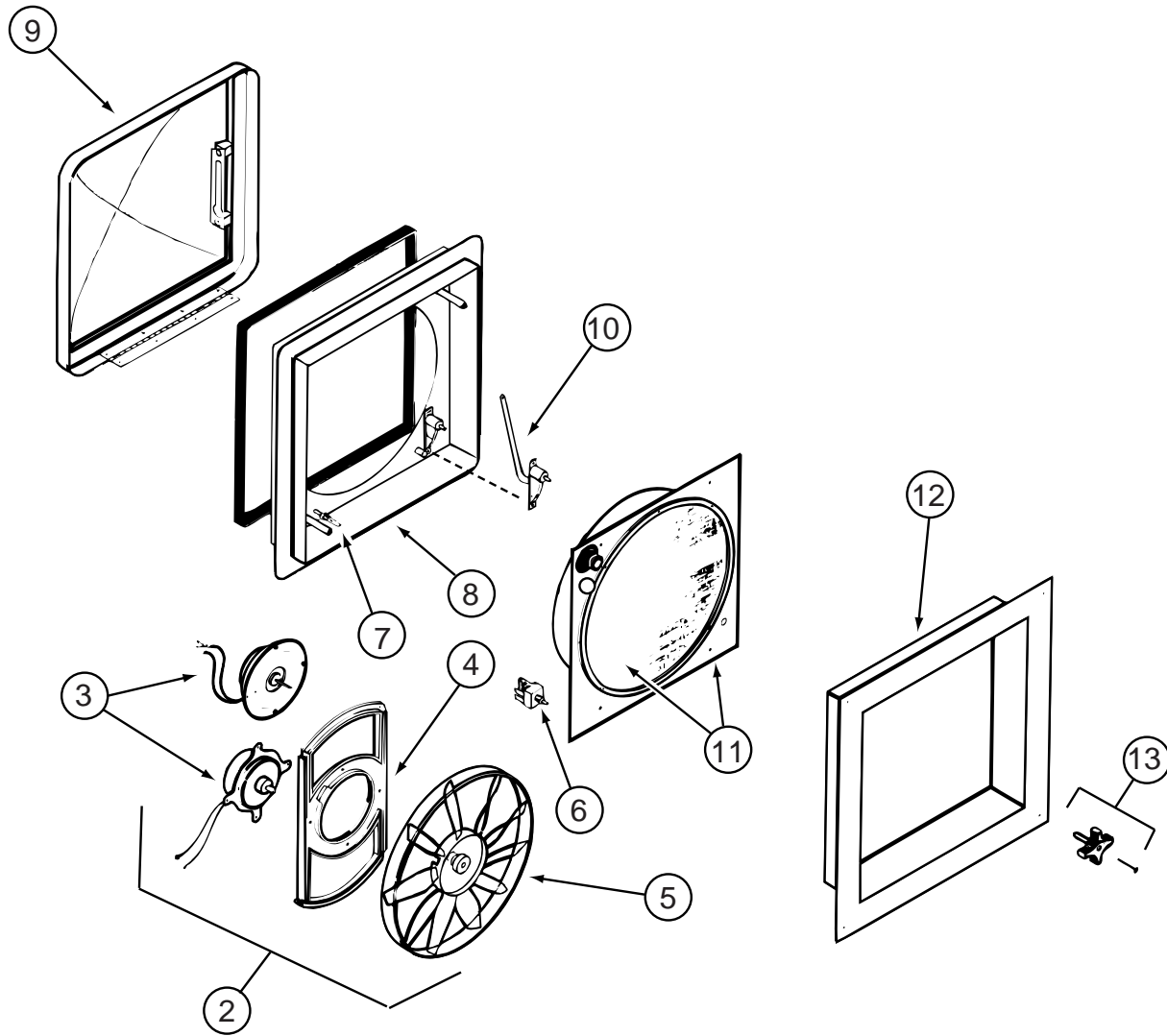
WINDOW & VENTS GROUP (CONTINUED)
COMPONENT PARTS FOR WINDOWS & VENT LAYOUT (CONTINUED)



104691-17-02A

KEY	PART NUMBER	U/M	DESCRIPTION	VENDOR NO.
1	116976-01-702	FT	FILLER PLUG	132-016065
2	100322-01-701	FT	SEAL-VENT	122-016071
3	100322-01-702	EA	WEATHERSTRIP-HORIZ RAIL-148"	132-019631
	100322-01-703	FT	VINYL-GLAZING, BUTYL	132-010723
	100322-01-704	FT	TAPE-BUTYL	154-025932
5	112519-01-702	EA	OPERATOR-VENT-CENTER SUPPORT	410-016123
6	100322-01-718	EA	HANDLE-DIAL	410-016081
7	112519-01-706	EA	CLIP-SCREEN	CH21-50
8	100322-01-714	EA	SUPPORT-TORQUE BAR, LH	130-015978
9	100322-01-715	EA	SUPPORT-TORQUE BAR, RH	130-015979
10	104691-17-703	EA	GLASS - STATIONARY	106-025765
11	104691-17-700	EA	GLASS-VENT ASM.-LOWER	CH03-D9
12	104691-17-702	EA	SCREEN ASM - W/SEALS & CLIPS	410-016019
13	104691-17-705	EA	RETAINER - TRIM	CH03-59
14	104691-17-706	EA	OPERATOR & BAR ASSEMBLY	CH03-15
	104691-17-701	EA	GLASS-VENT ASM.-UPPER	CH03-G7

WINDOW & VENTS GROUP (CONTINUED)
COMPONENT PARTS FOR WINDOWS & VENT LAYOUT (CONTINUED)

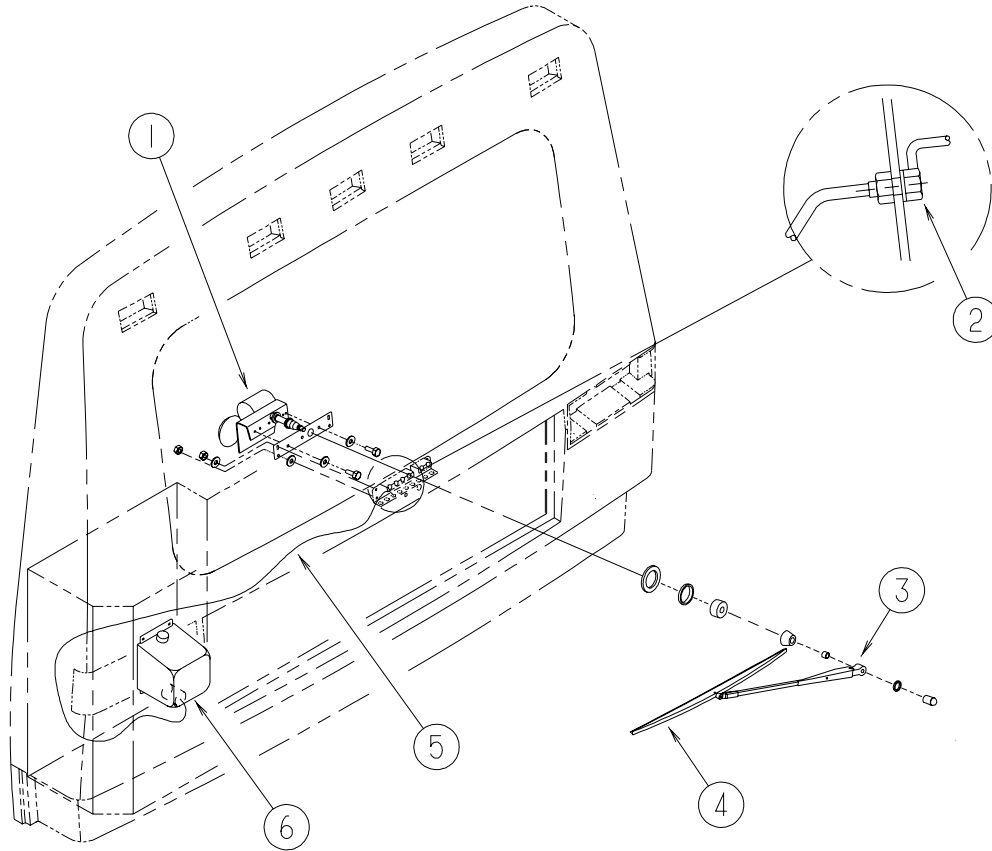


123780-01-01A

KEY	PART NUMBER	U/M	DESCRIPTION	VENDOR NO.
2	084079-11-700	EA	MOTOR, BRKT., FAN BLADE, KIT	4017K-09
3	084079-01-705	EA	MOTOR	1080-00
4	084079-01-711	EA	H-MOLDING, MOTOR MOUNT	
5	084079-01-704	EA	BLADE-FAN	1070-00
6	084079-01-709	EA	SWITCH - MAIN - 3 SPEED	1031-05
7	084079-01-707	EA	SWITCH - SAFETY	1122.05
8	123780-05-700	EA	BASE - MAIN BRIGHT WHITE	1010K-81
9	123780-01-700	EA	COVER - VENT W/HINGE & SLIDE	1020K-81
10	084079-01-702	EA	ARM LIFT ASSEMBLY, MANU	101105
11	123780-01-703	EA	SCREEN ASM. 15-25MM W/SWITCH	1030BT-81
11	123780-01-702	EA	SCREEN W/FRAME	103581
12	123780-01-701	EA	GARNISH - INT 3/4-1" BRT/WHT	0040-81
13	084079-01-703	EA	KNOB-LIFT, W/EXT. & SCR	1140K-00
	084079-01-706	EA	PLUG, 12 VOLT	1090

WINDSHIELD & WIPER GROUP

WIPER



KEY	PART NUMBER	U/M	DESCRIPTION
1*	085721-03-000	EA	MOTOR - WIPER - 108 DEGREE - REAR WINDOW
	104346-01-000	EA	WIPER MOTOR- iCHEV CHASSISi/COAST TO PARK W/GRN & RED WIRE
2	096057-02-000	EA	FITTING - WINDSHIELD WASHER
3*	096931-01-000	EA	ARM - WIPER - 20"
4	097978-01-000	EA	BLADE - WIPER - FLEX 22 INCH
5	045794-01-000	FT	HOSE - WASHER - WINDSHIELD - 5/32" ID - BLACK
6	117766-02-000	EA	RESERVOIR/PUMP - WINDSHIELD WASHER

***COMPONENT PARTS LISTED LATER IN THIS GROUP**

WINDSHIELD & WIPER GROUP (CONTINUED)
COMPONENT PARTS FOR WIPER

085721-03-000

KEY	PART NUMBER	U/M	DESCRIPTION	VENDOR NO.
	085721-03-000	EA	MOTOR - WIPER - 108 DEGREE - REAR WINDOW	
	085721-02-700	EA	ARM-DRIVE,F/REAR MTR.108iDEG	6211140LE25WJ
	085721-03-700	EA	PIVOT	62714-40-SH25WJ
	085721-03-701	EA	LINK - CONNECTING	LK721014
	085721-03-702	EA	BRACKET	620570-40-BK25WJ
	104346-01-000	EA	MOTOR-WIPER	63012-20-M012WJ

096931-01-000

KEY	PART NUMBER	U/M	DESCRIPTION	VENDOR NO.
	096931-01-000	EA	ARM - WIPER - 20"	
	096931-01-700	FT	HOSE-WIPER	XTU-66-0001
	096931-01-701	EA	NOZZLE-HARDWARE KIT	
	096931-01-702	EA	NUT	52695-40-NT27WC
	096931-01-703	EA	SCREW-SHORT	52696-40-SC27WC
	096931-01-704	EA	SCREW-LONG	52697-40-SC27WC
	096931-01-705	EA	CAP-PLASTIC	52699-40-CP27WC
	096931-01-706	EA	NOZZLE-SPRAY	52698-40-NZ27WC