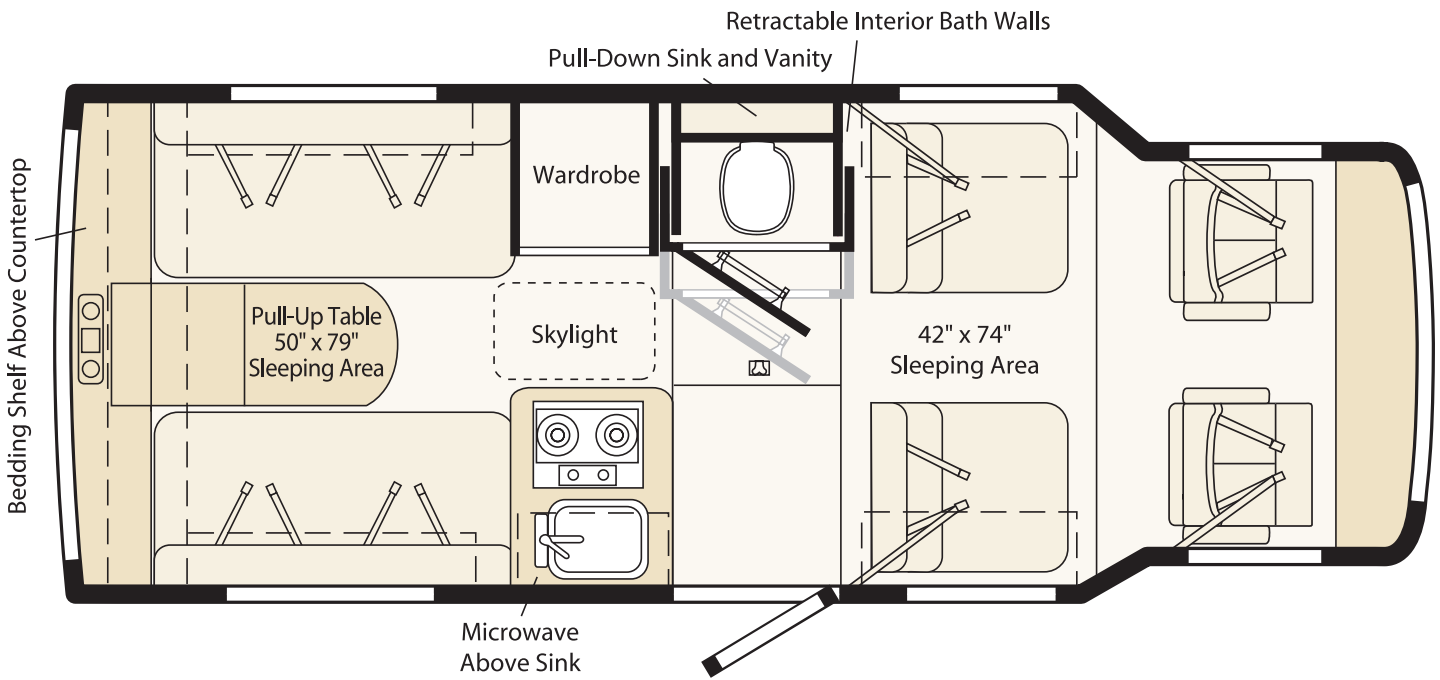


**2004
RIALTA
RV222QD
200 SERIES
GRAY
RH0 GRAY SLATE
RH2 OCEAN PACIFIC
RH4 GREENWICH GREEN**



FLOORPLAN

CONTENTS

FLOORPLAN	1
ACCESSORIES GROUP	5
OPERATORS MANUAL	5
APPLIANCE GROUP	6
APPLIANCES	6
COMPONENT PARTS FOR APPLIANCE	8
COMPONENT PARTS FOR APPLIANCE	8
112881-04-01A, 112881-05-01A, 151277-01-01A & 151277-02-01A	8
112881-04-01A & 112881-05-01A	8
113736-01-01A, 113736-02-01A	10
113737-01-04A, 113737-02-04A, 113737-03-04A, 113737-04-04A	11
113947-02-03A	14
114014-02-02A	15
114030-04-01A	16
131147-01-01A	18
AUDIO VIDEO GROUP	23
RADIO SYSTEM	23
TV & VCR	24
COMPONENT PARTS FOR TV & VCR	25
076319-24-000	25
076319-25-000	25
094487-04-000	26
BATH GROUP	27
CABINETS	27
CHASSIS GROUP	29
FRAME	29
FRONT END	32
EXHAUST	33
HITCH	34
REAR BUMPER	34
FUEL OR FUEL FILL OR EMISSIONS	35
SPARE TIRE	36
SUSPENSION	37
COMPONENT PARTS FOR SUSPENSION	38
100293-03-000	38
112033-02-000	38
WHEEL, TIRE, COVERS &/OR LINERS	39
COMPONENT PARTS FOR WHEEL, TIRE, COVERS &/OR LINERS	40
134261-03-01A	40
PARK BRAKE	41
BRAKELINE	42
CURTAIN & CUSHION GROUP	43
NOTICE	43
CUSHION LAYOUT	44
BUCKET SEATS	47
COMPONENT PARTS FOR BUCKET SEATS	48
122611-02-000	48
WINDOW TREATMENT	49
HARDWARE	50
ACCESSORIES	52
FABRICS	53
DINETTE GROUP	54
CABINETS	54

CONTENTS (CONTINUED)

DRIVERS COMPARTMENT GROUP	56
FRONT INTERIOR	56
ELECTRICAL GROUP	58
12V BODY WIRING	58
FRONT END WIRING	61
COMPONENT PARTS FOR LIGHTS & SWITCHES	62
008089-01-000	62
008089-02-000	62
087202-02-000	62
098024-01-03A	62
098024-05-02A	62
CIRCUIT BREAKERS & FUSES	63
CONVERTER, INVERTER, LOAD CENTERS	63
COMPONENT PARTS FOR CONVERTER, INVERTER, LOAD CENTERS	64
093257-02-000	64
110V WIRING	65
BOXES & CORDS	66
WIRE ASSEMBLIES	66
CONNECTORS & CONDUIT	67
BOOTS, SOLENOIDS, RELAYS & MISCELLANEOUS	69
EXTERIOR BODY GROUP	70
GRAPHICS & PAINT	70
PANELS & TRIMS	72
VALANCE DOOR PIECE PARTS	74
RUNNING BOARDS	74
MIRRORS	75
STRUCTURAL COMPONENTS	75
EXTERIOR DOORS & COMPARTMENTS GROUP	76
ENTRY	76
SCREEN	77
LATCH - ENTRY	78
GALLEY GROUP	79
CABINETS	79
GENERATOR GROUP	80
HEATING & A/C GROUP	81
FURNACE	81
COMPONENT PARTS FOR FURNACE	82
075697-08-000	82
101990-05-000	84
REAR HEATER	85
COMPONENT PARTS FOR REAR HEATER	86
049401-04-000	86
084405-01-000	86
ROOF	87
COMPONENT PARTS FOR ROOF	88
093306-01-03A	88
093307-03-000	89
131183-03-01A	90
131183-04-01A	90
131186-02-02A	91
AUXILIARY OVERHEAD A/C	92
COMPONENT PARTS FOR AUXILIARY OVERHEAD A/C	93
113245-01-000	93

CONTENTS (CONTINUED)

INTERIOR FINISH GROUP	94
MOLDINGS & TRIMS	94
PANELING & LAMINATES	106
ACCESSORIES	106
COMPONENT PARTS FOR ACCESSORIES	107
094499-02-000	107
FLOOR COVERINGS	108
HARDWARE	109
LABELS GROUP	117
LP GROUP	146
LP SYSTEM	146
COMPONENT PARTS FOR LP SYSTEM	147
074039-04-000	147
LOUNGE GROUP	148
CABINETS	148
SEALANTS & FASTENERS GROUP	150
SEALANTS & ADHESIVES	150
BOLTS, NUTS AND WASHERS	151
SCREWS	153
CLAMPS, CLIPS, GROMMETS, RIVETS & PLUGS	156
MISCELLANEOUS FASTENERS	158
WATER & SEWAGE GROUP	159
DRAINAGE SYSTEM	159
COMPONENT PARTS FOR DRAINAGE SYSTEM	161
064076-03-000	161
098607-01-000	161
147421-01-01A, 147421-02-01A	162
WATER SYSTEM	163
COMPONENT PARTS FOR WATER SYSTEM	171
075241-04-000, 075241-05-000, 075241-06-000	171
098607-01-000	171
110506-A1-000, 110506-A2-000, 110506-26-000, 110506-27-000	171
110506-59-000 - 110506-59-009	171
113122-01-000	171
WINDOW & VENTS GROUP	172
WINDOW & VENT LAYOUT	172
COMPONENT PARTS FOR WINDOWS & VENT LAYOUT	173
098644-10-02A	173
098647-46-02A	174
104691-07-02A	175
104691-17-02A	175
122882-02-01A, 122882-03-01A	176
123780-01-01A	176
WINDSHIELD & WIPER GROUP	177
WIPER	177
COMPONENT PARTS FOR WIPER	178
085721-03-000	178
096931-01-000	178

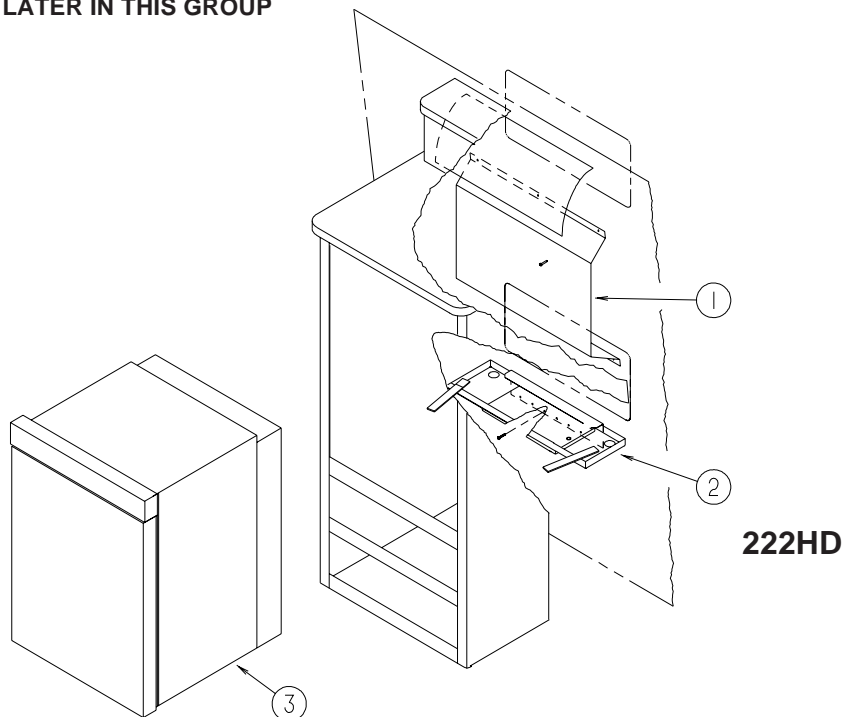
ACCESSORIES GROUP
OPERATORS MANUAL

KEY	PART NUMBER	U/M	DESCRIPTION
	132000-02-004	EA	MANUAL/OWNER - RIALTA - 2004
	129079-01-01A	EA	CASE - VINYL/BLACK-EXPANDABLE ACCORDION SIDES-7"WX9"HX14"L
	144805-01-000	DW	TOP LEVEL-H,2004

APPLIANCE GROUP APPLIANCES

KEY	PART NUMBER	U/M	DESCRIPTION
*	112881-04-01A	EA	RANGE-16"/3 BRNR/NEW STYLE KNOBS-GRATES-HANDL BLK DR - RANGE 3-BURNER W/OVEN-222HD
*	113947-02-03A	EA	RANGE TOP - 2 BURNER W/COVER - VW LIGHT GRAY - RANGE TOP / 2-BURNER - 222FD, 222QD
*	114030-04-01A	EA	RANGE - 3 BURNER TOP/NEW STYLE KNOBS/GRATES - BLK - RANGE TOP 3-BURNER - 222HD
	131198-01-01B	EA	BRACKET - TIEDOWN/STOVE - E-COATED - RIGHT HAND - RANGE 3-BURNER W/OVEN - 222HD
	131198-02-01B	EA	BRACKET - TIEDOWN/STOVE - E-COATED - LEFT HAND - RANGE 3-BURNER W/OVEN - 222HD
	131198-03-01B	EA	BRACKET - TIEDOWN/STOVE - E-COATED - RIGHT HAND - RANGE TOP 3-BURNER - 222HD
	131198-04-01B	EA	BRACKET - TIEDOWN/STOVE - E-COATED - LEFT HAND - RANGE TOP 3-BURNER - 222HD
	126022-04-01A	EA	COVER/RANGE - BI-FOLD - 16" - NEW GRATES - RANGE 3 BURNER WITH OVEN - 222HD
	126022-05-01A	EA	COVER/RANGE - BI-FOLD - 22" - NEW GRATES - RANGE TOP 3-BURNER - 222HD
*	114014-02-02A	EA	PANEL - MONITOR 2 TANK W/REMOTE

***COMPONENT PARTS LISTED LATER IN THIS GROUP**



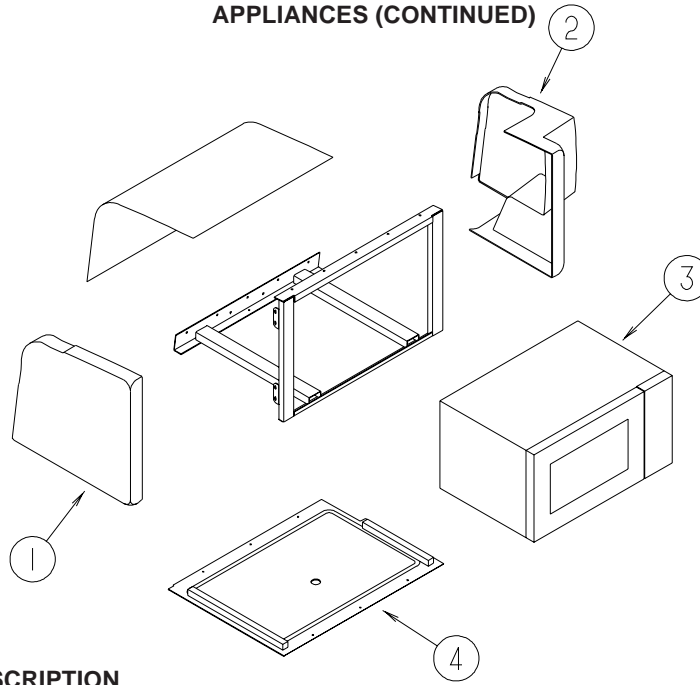
KEY	PART NUMBER	U/M	DESCRIPTION
1	131346-01-02B	EA	BAFFLE/AIR - E-COATED
2	116751-07-01A	EA	TRAY - REFRIGERATOR - BLACK
3*	131147-01-01A	EA	REFRIGERATOR - SINGLE DOOR - TOP ROTARY KNOBS
	054450-01-000	EA	LEVEL - REFRIGERATOR
	090329-01-000	FT	SEAL/T - REFRIGERATOR CABINET

***COMPONENT PARTS LISTED LATER IN THIS GROUP**

KEY	PART NUMBER	U/M	DESCRIPTION
	054450-01-000	EA	LEVEL - REFRIGERATOR
*	113737-01-04A	EA	REFRIGERATOR - SMALL SINGLE DOOR - 3-WAY - VW LIGHT GRAY
*	113737-03-04A	EA	REFRIGERATOR - ONE DOOR/3-WAY - VW LIGHT GRAY - HIGH ALTITUDE - 222QD
*	113737-04-04A	EA	REFRIGERATOR - ONE DOOR/3-WAY - VW LIGHT GRAY - HIGH ALTITUDE - 222FD
*	113736-01-01A	EA	VENT KIT - REFRIGERATOR - 222QD
*	113736-02-01A	EA	VENT KIT - REFRIGERATOR - 222FD
	119159-01-02B	EA	BRACKET - TIEDOWN - REFRIGERATOR - RIGHT HAND - 222FD
	119159-02-02B	EA	BRACKET - TIEDOWN - REFRIGERATOR - LEFT HAND - 222FD

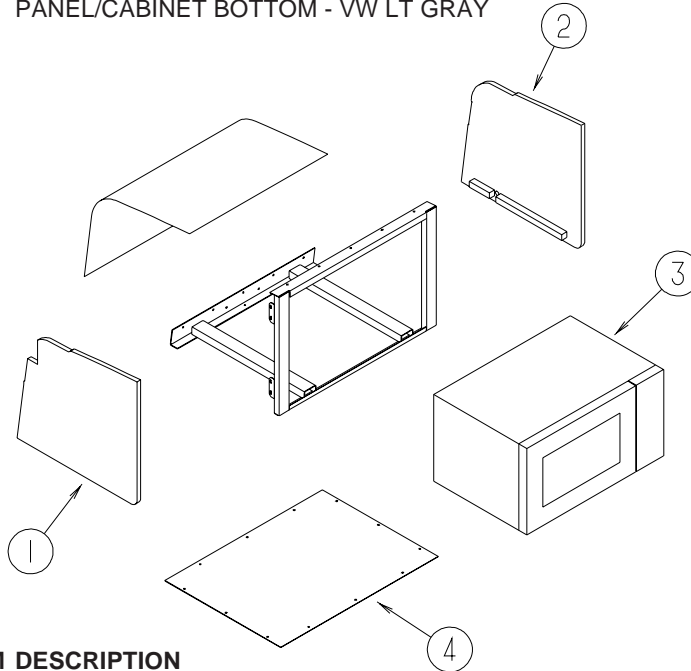
***COMPONENT PARTS LISTED LATER IN THIS GROUP**

APPLIANCE GROUP (CONTINUED)
APPLIANCES (CONTINUED)



222QD

KEY	PART NUMBER	U/M	DESCRIPTION
1	112805-04-03A	EA	PANEL/END - MICROWAVE - LEFT HAND - VW LIGHT GRAY
2	112805-05-03A	EA	PANEL/END - MICROWAVE - VW LIGHT GRAY
3	128527-09-000	EA	OVEN/MICROWAVE W/TRIM KIT - 1.1 CUBIC FT - NON CONVECTION - USA
3	128527-10-000	EA	OVEN/MICROWAVE W/TRIM KIT - 1.1 CUBIC FT - NON CONVECTION - CANADIAN
4	112809-04-03A	EA	PANEL/CABINET BOTTOM - VW LT GRAY

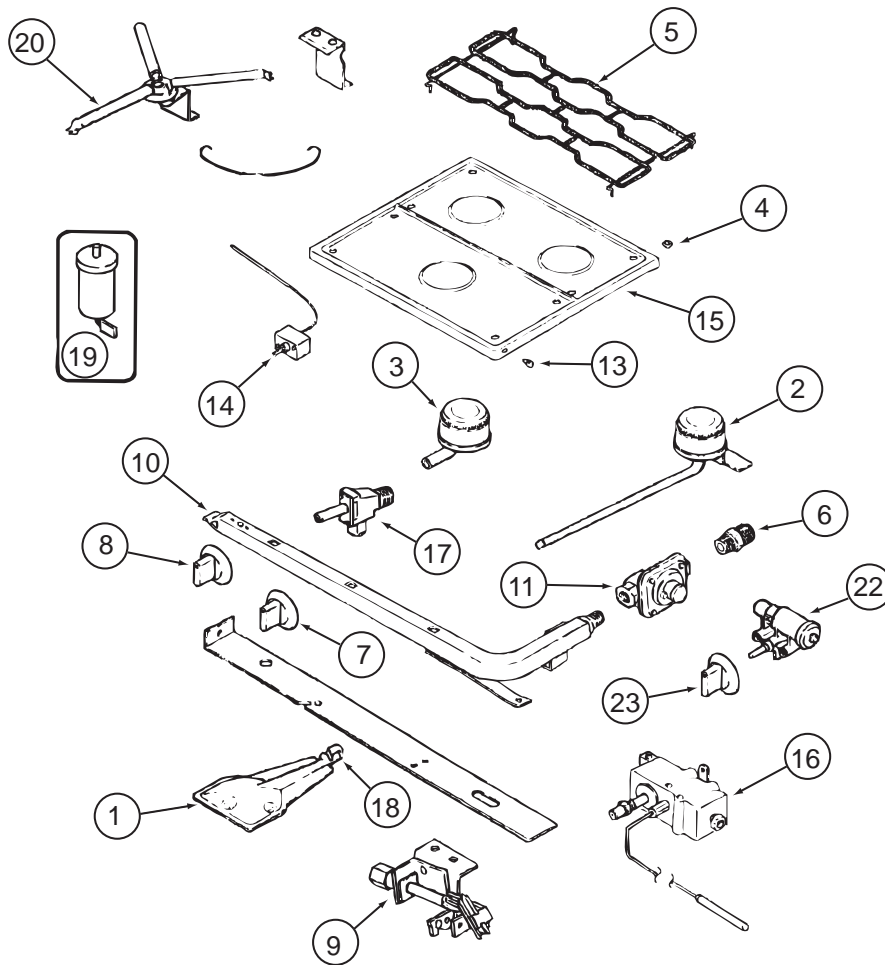


222FD
222HD

KEY	PART NUMBER	U/M	DESCRIPTION
1	119132-10-K77	EA	END CAP - OVERHEAD CABINET
2	119132-09-K77	EA	END CAP - OVERHEAD CABINET
3	128527-09-000	EA	OVEN/MICROWAVE W/TRIM KIT - 1.1 CUBIC FT - NON CONVECTION - USA
3	128527-10-000	EA	OVEN/MICROWAVE W/TRIM KIT - 1.1 CUBIC FT - NON CONVECTION - CANADIAN
4	119142-02-04B	EA	PANEL - MICROWAVE BOTTOM - BLACK

APPLIANCE GROUP (CONTINUED)

COMPONENT PARTS FOR APPLIANCE

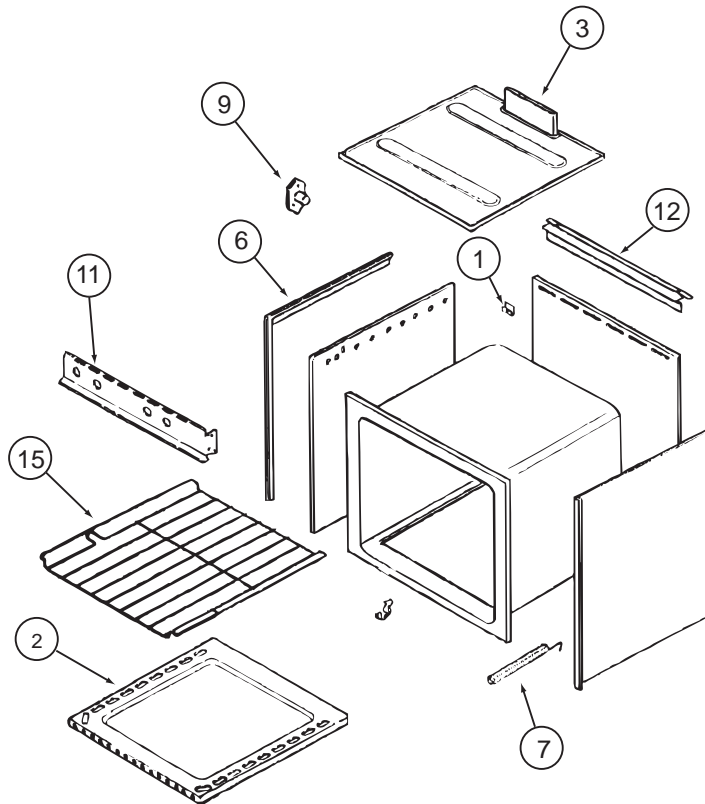


112881-04-01A, 112881-05-01A, 151277-01-01A & 151277-02-01A

KEY	PART NUMBER	U/M	DESCRIPTION	VENDOR NO.
1	126023-01-717	EA	BURNER - OVEN	74003343
2	112881-04-700	EA	BURNER - TOP/LEFT REAR	74004584
2	126023-01-700	EA	BURNER-TOP (RT-REAR) 5100BTU	74004583
3	112881-04-701	EA	BURNER - TOP/FRONT	74004582
4	102020-01-709	EA	BUMPER-GRATE	8007-P020-60
5	112881-04-702	EA	GRATE - BLACK	74007277
6	135065-03-700	EA	FITTING - HALF UNION	74004234
7	128728-01-701	EA	KNOB - BURNER - REAR	74003941
7	128728-01-702	EA	KNOB - BURNER - FRONT	74003942
8	112881-04-703	EA	KNOB - THERMOSTAT - BLACK	74004645
9	112881-04-706	EA	PILOT - OVEN	74006334
10	126023-02-702	EA	PIPE - MANIFOLD	74004360
11	126023-02-703	EA	REGULATOR - PRESSURE	74004235
13	102020-01-724	EA	BUMPER-MAIN TOP	8003P008-60
14	126023-01-734	EA	THERMOSTAT OVEN 11/CLY MODEL	74006332
15	126023-01-728	EA	TOP - MAIN (BLACK) (112881-04/05)	74003323
15	151277-01-700	EA	TOP - MAIN (BLACK) (151277-01/02)	74007287
16	112881-04-704	EA	VALVE - OVEN	74006333
17	126023-02-705	EA	VALVE - BURNER - REAR	74004362
17	126023-02-706	EA	VALVE - BURNER - FRONT	74004363
17	135065-03-701	EA	SCREW - VALVE	71003231
18	135656-01-701	EA	MIXER/AIR	3411F003-34
19	126023-01-711	EA	ELECTRODE - IGNITER (ONLY)	7432P077-60
20	126023-01-736	EA	FLASH TUBE EXTENSION (REAR)	74003326
20	126023-01-737	EA	FLASH TUBE EXTENSION (FRONT)	74003327
21	112881-04-708	EA	CLIP-FLASH TUBE	7112P068-60
22	126023-01-719	EA	IGNITER HEAD - TOP BURNER	74002413
23	128728-01-707	EA	KNOB - IGNITOR	74003944
26	112881-04-709	EA	SHIELD-SPARK	3604F211-45

CONTACT WINNEBAGO PART SALES FOR UNLISTED COMPONENTS

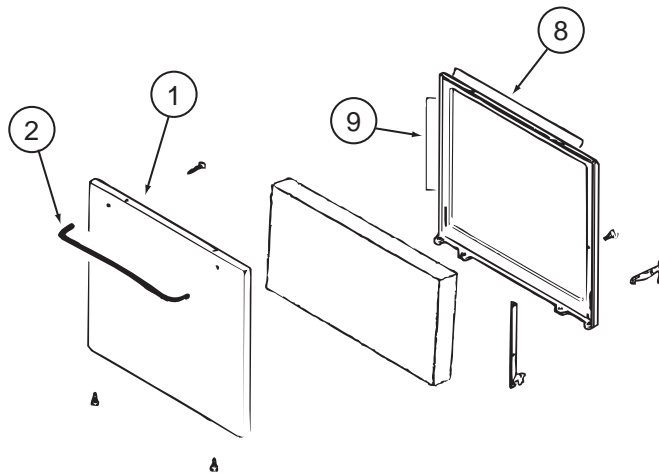
APPLIANCE GROUP (CONTINUED)
COMPONENT PARTS FOR APPLIANCE (CONTINUED)



112881-04-01A, 112881-05-01A, 151277-02-01A (CONTINUED)

KEY	PART NUMBER	U/M	DESCRIPTION	VENDOR NO.
1	112881-03-702	EA	CLIP - MAIN TOP	74003998
2	126023-01-731	EA	BOTTOM - OVEN	2205F016-19
3	126023-01-718	EA	FLUE BOX ASSEMBLY	4006W075-80
6	112881-01-720	EA	TRIM-FLAT RH BLACK TEXTURED	74002812
6	112881-01-719	EA	TRIM-FLAT LH BLACK TEXTURED	74002813
7	112881-02-702	EA	SPRING - OVEN DOOR	7803P051-60
9	128728-01-703	EA	PIN/T-NUT F/HINGE	7103P109-60
11	112881-04-707	EA	MANIFOLD - BLACK	74007296
12	112881-01-723	EA	DEFLECTOR/FLUE-BLK-NON SEAL	74002809
15	126023-01-716	EA	RACK - OVEN	74003106

CONTACT WINNEBAGO PART SALES FOR UNLISTED COMPONENTS



112881-04-01A, 112881-05-01A, 151277-02-01A (CONTINUED)

KEY	PART NUMBER	U/M	DESCRIPTION	VENDOR NO.
1	112881-01-713	EA	DR-TXT/BLK NO WNDW(112881-05/151277)	2401F126-70
1	112881-02-705	EA	DR-TXT/BLK F/WINDOW(112881-04)	74001273
2	128727-01-701	EA	HANDLE - OVEN DOOR	74003929
8	126023-01-732	EA	SEAL/OVEN DR TOP	7212P014-60
9	126023-01-733	EA	SEAL/OVEN DR SIDES(2PCS)	7212P038-60

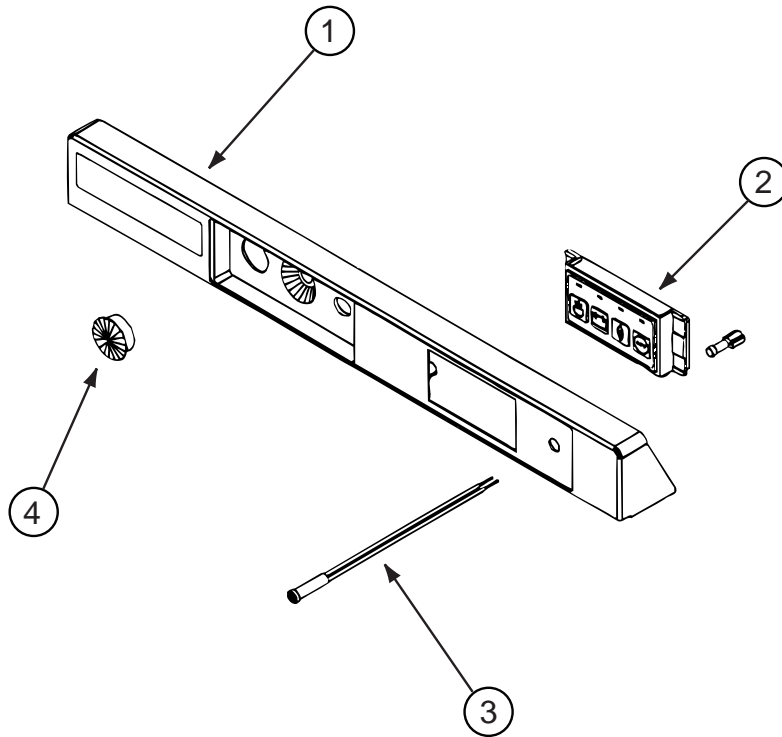
CONTACT WINNEBAGO PART SALES FOR UNLISTED COMPONENTS

APPLIANCE GROUP (CONTINUED)
COMPONENT PARTS FOR APPLIANCE (CONTINUED)

113736-01-01A, 113736-02-01A

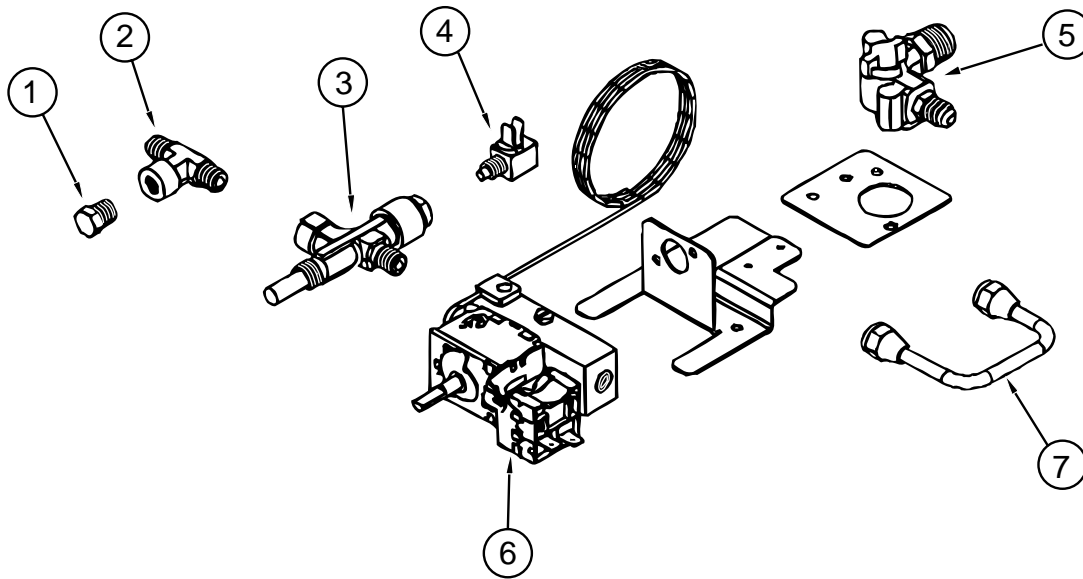
KEY	PART NUMBER	U/M	DESCRIPTION	VENDOR NO
	113736-01-700	EA	COVER-VENT	617920
	113736-01-701	EA	DISC-INSERT - F/VENT COVER	617921
	113736-01-702	EA	PLATE-BACKING METAL	617922
	113736-01-703	EA	GASKET-VENT TERMINAL	617924
	113736-01-704	EA	HOUSING-VENT TERMINAL	617923

APPLIANCE GROUP (CONTINUED)
COMPONENT PARTS FOR APPLIANCE (CONTINUED)



113737-01-04A, 113737-02-04A, 113737-03-04A, 113737-04-04A

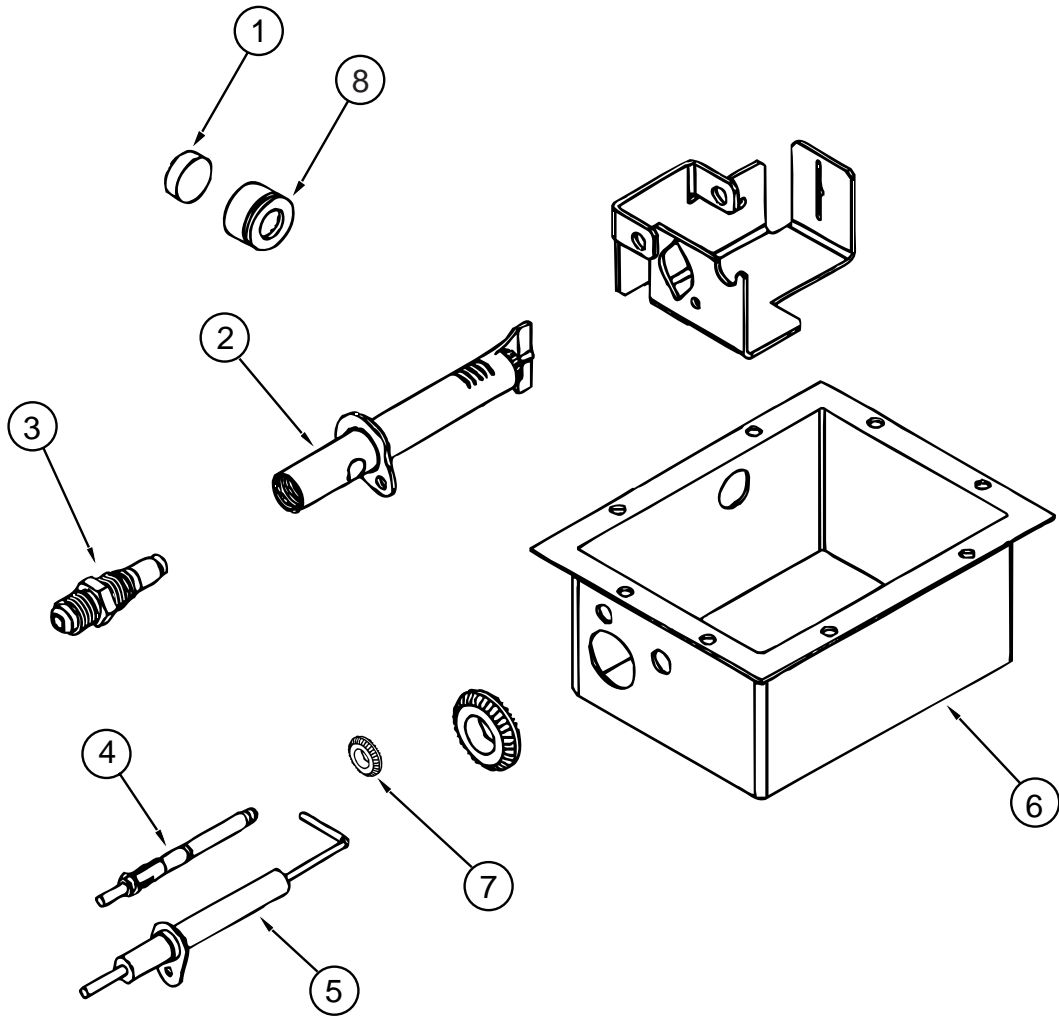
KEY	PART NUMBER	U/M	DESCRIPTION	VENDOR NO.
1	113737-01-723	EA	PANEL-CONTROL	617913
2	113737-01-729	EA	SWITCH - SELECTION (MODE)	617945
3	113737-01-703	EA	LIGHT-FLAME INDICATORGRN RED	61609022
4	113737-01-713	EA	PLUG-HOLE, 1" BLACK	617981



113737-01-04A, 113737-02-04A, 113737-03-04A, 113737-04-04A (CONTINUED)

KEY	PART NUMBER	U/M	DESCRIPTION	VENDOR NO.
1	113737-01-702	EA	PLUG 1/8" F/PRESSURE TAP	61445322
2	113737-01-716	EA	TAP-PRESSURE	61594422
3	113737-01-730	EA	VALVE - SAFETY IGNITION	617965
4	113737-01-709	EA	INTERRUPTER	61750522
5	113737-01-719	EA	VALVE - SHUT-OFF - MANUAL	617976
6	113737-01-735	EA	THERMOSTAT - GAS VALVE	617944
7	113737-01-750	EA	TUBE-UNION	61694622

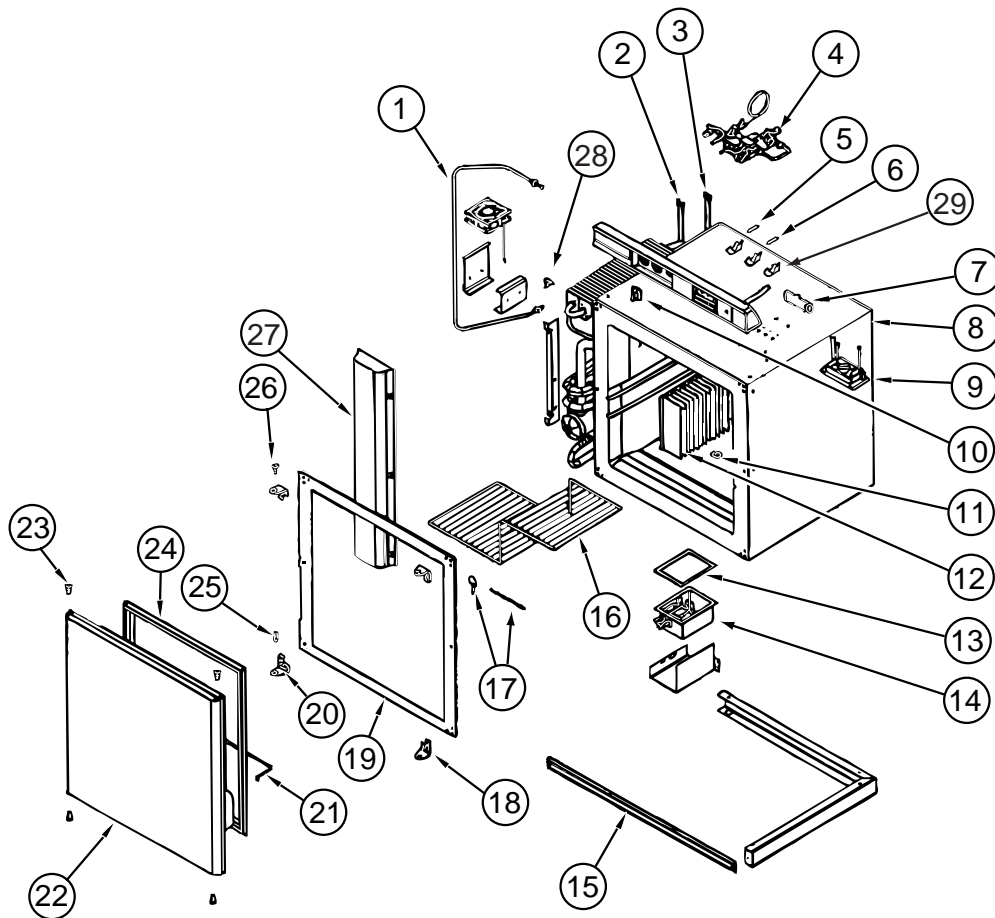
APPLIANCE GROUP (CONTINUED)
COMPONENT PARTS FOR APPLIANCE (CONTINUED)



113737-01-04A, 113737-02-04A, 113737-03-04A, 113737-04-04A (CONTINUED)

KEY	PART NUMBER	U/M	DESCRIPTION	VENDOR NO.
1	113737-01-732	EA	GLASS-SIGHT	617995
2	113737-01-726	EA	BURNER ASSEMBLY	617936
3	113737-01-727	EA	ORIFICE-ADAPTER ASSEMBLY	61753137
4	113737-01-717	EA	THERMOCOUPLE	617983
5	113737-01-715	EA	ELECTRODE-SPARK IGNITION	617966
6	113737-01-747	EA	BOX-BOTTOM F/BURNER	617925
7	113737-01-755	EA	RUBBER GROMMET	617997
8	113737-01-751	EA	GROMMET F/SIGHT GLASS	617933

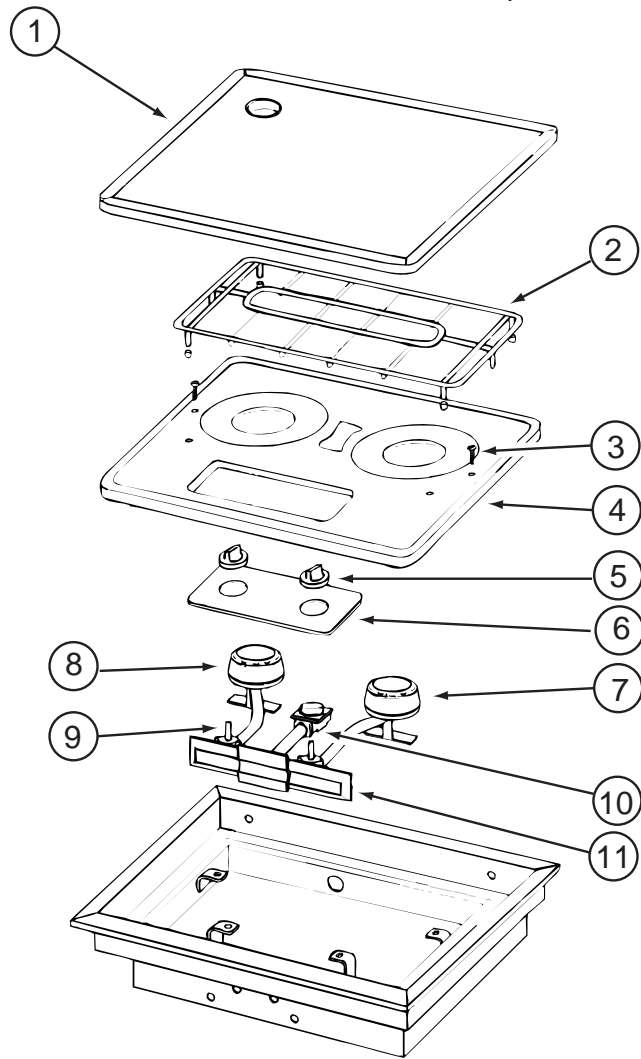
APPLIANCE GROUP (CONTINUED)
COMPONENT PARTS FOR APPLIANCE (CONTINUED)



113737-01-04A, 113737-02-04A, 113737-03-04A, 113737-04-04A (CONTINUED)

KEY	PART NUMBER	U/M	DESCRIPTION	VENDOR NO.
1	113737-01-746	EA	TUBE-BURNER	617989
2	113737-01-722	EA	HEATER DC (3-WAY)	61745422
3	113737-01-721	EA	HEATER AC	61745322
4	113737-01-718	EA	CONTROL ASSY-THERMOSTAT	617998
5	113737-01-714	EA	FUSE 20 AMP (3-WAY)	61440522
6	113737-01-720	EA	FUSE 3 AMP (32V OR LESS)	61654622
7	113737-01-731	EA	BLOCK-TERMINAL	617979
8	113737-01-707	EA	CABINET-COOLING UNIT (FOAMED)	617993
9	113737-01-728	EA	RELIGHTER	617964
10	113737-01-740	EA	KNOB-THERMOSTAT	617971
10	113737-01-741	EA	SCREW #10 X 1/2"	NSC0001
11	113737-01-705	EA	CLIP-FIN	61728722
12	113737-01-706	EA	FIN ASSEMBLY	617948
13	113737-01-748	EA	GASKET-BURNER BOX-FELT	617977
14	113737-01-749	EA	BURNER BOX ASSEMBLY	617937
15	113737-01-734	EA	GRILLE (AIR INLET BLK)	617938
16	113737-01-711	EA	SHELF L-SHAPED (WHITE)	618063
17	113737-01-752	EA	CHAIN (TRAVEL LATCH)	618047
17	113737-01-753	EA	PIN (TRAVEL LATCH)	618046
18	113737-01-725	EA	HINGE (LH BTM & RH TOP)	617911
19	113737-01-712	EA	BREAKER (BLACK TRIM)	617912
20	113737-01-724	EA	HINGE (RH BTM & LH TOP)	617910
21	113737-01-733	EA	DOOR-RAIL, WHITE POWDER	618064
22	113737-02-703	EA	DOOR ASSEMBLY-VW LIGHT GRAY	620297
22	113737-02-704	EA	DOOR LINER-VW LIGHT GRAY	620296
23	113737-01-701	EA	BUSHING-HINGE	61742022
24	113737-01-704	EA	GASKET-DOOR, GRAY	617906
25	113737-01-710	EA	PIN-HINGE, BOTTOM	61550722
26	113737-01-708	EA	PIN-HINGE, TOP	61114600
27	113737-02-702	EA	SYSTEM COVER-VW LIGHT GRAY	620299
28	113737-01-754	EA	THERMOSTAT (FAN 12V DC)	618093
29	113737-01-759	EA	FUSE HOLDER	61584222

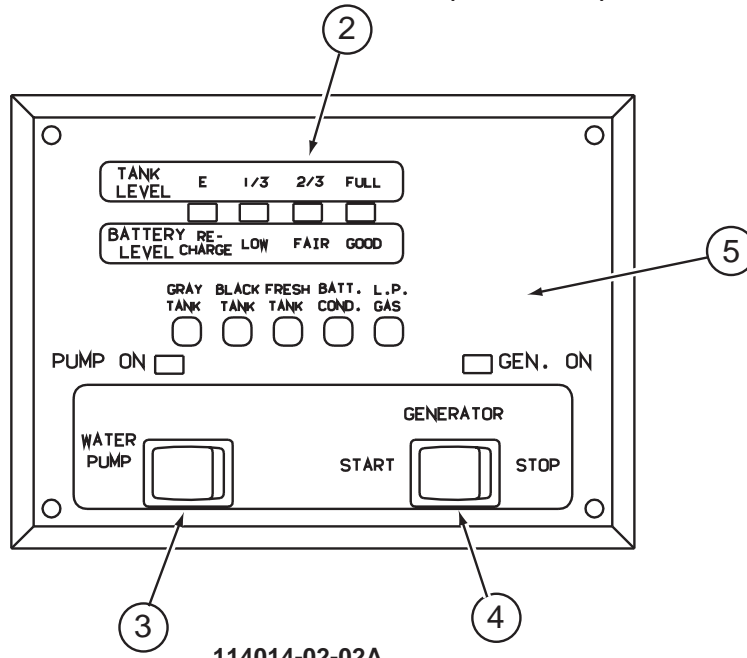
APPLIANCE GROUP (CONTINUED)
COMPONENT PARTS FOR APPLIANCE (CONTINUED)



113947-02-03A

KEY	PART NUMBER	U/M	DESCRIPTION	VENDOR NO.
1	113947-02-705	EA	COVER - STOVE TOP/LT GRAY	56231
2	101593-01-700	EA	GRATE, DESIGNER STYLE	53304
3	101593-01-701	EA	SCREW-THUMB	52537
5	101593-01-703	EA	KNOB-BURNER	53000
6	113948-01-702	EA	DECAL-BURNER CONTROL	51454
7	113947-02-702	EA	BURNER - RIGHT	56076
8	113947-02-703	EA	BURNER - LEFT	56075
9	113947-02-700	EA	VALVE - BURNER	56089
10	106689-01-704	EA	REGULATOR-EXTREME PRESSURE	51062
11	113948-02-702	EA	MANIFOLD	56079
	107323-01-711	EA	CUSHION - GRATE BOOTS-RUBBER	53008
	113948-02-705	EA	GROMMET/MOLDING 47.75"	52453

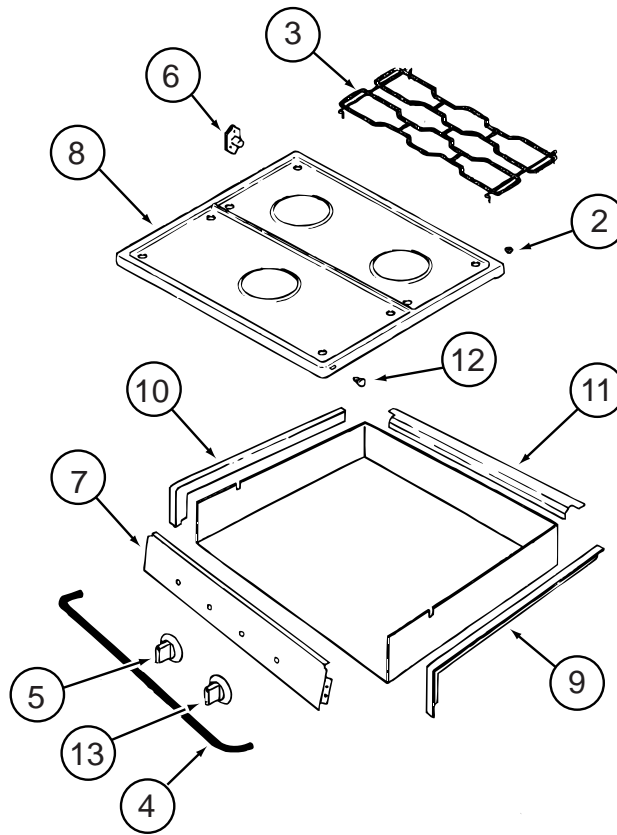
APPLIANCE GROUP (CONTINUED)
COMPONENT PARTS FOR APPLIANCE (CONTINUED)



114014-02-02A

KEY	PART NUMBER	U/M	DESCRIPTION	VENDOR NO.
2	114014-02-701	EA	OVERLAY SILKSCREEN	CD0343-00
3	096983-01-702	EA	SWITCH - MOM/OFF/MOM/3 TERM	L0112-00
4	096983-01-700	EA	SWITCH - ON/OFF	L0108-00
5	114014-02-702	EA	BOARD-CIRCUIT	L5098-06
	114014-02-700	EA	CHASSIS	CD0213-06

APPLIANCE GROUP (CONTINUED)
COMPONENT PARTS FOR APPLIANCE (CONTINUED)

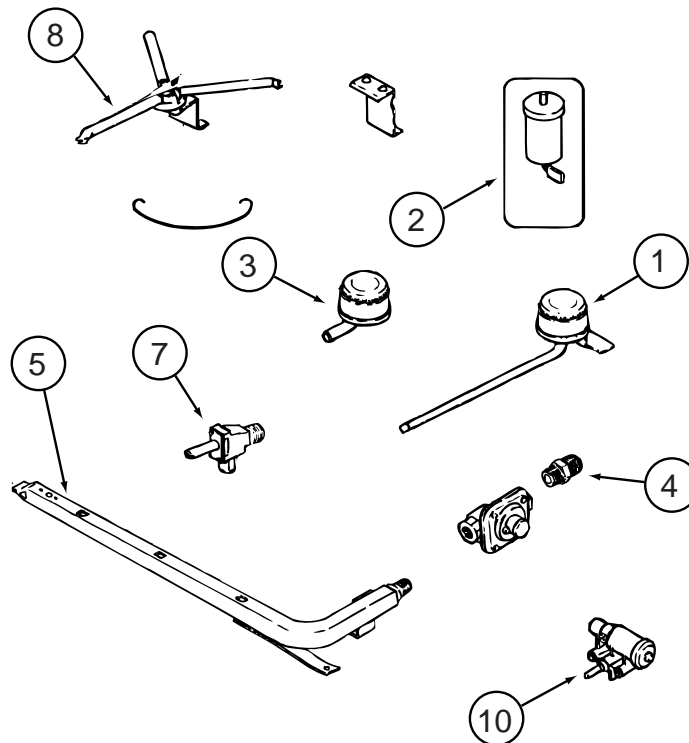


114030-04-01A

KEY	PART NUMBER	U/M	DESCRIPTION	VENDOR NO.
2	102020-01-709	EA	BUMPER-GRATE	8007P020-60
3	112881-04-702	EA	GRATE - BLACK	74007277
4	114030-02-700	EA	GUARD/FABRIC - TOWEL BAR	3609F006-70
5	128728-01-701	EA	KNOB - BURNER - REAR	74003941
5	128728-01-702	EA	KNOB - BURNER - FRONT	74003942
6	128728-01-703	EA	PIN/T-NUT F/HINGE	7103P109-60
7	114030-04-700	EA	PANEL - MANIFOLD - BLACK	74007325
8	126023-01-728	EA	TOP - MAIN (BLACK)	74003323
9	114030-01-704	EA	TRIM - RIGHT/BLACK TEXTURED	74002839
10	114030-01-705	EA	TRIM - LEFT/BLACK TEXTURED	74002840
11	114030-01-706	EA	TRIM - REAR/BLACK TEXTURED	74002841
12	102020-01-724	EA	BUMPER - MAIN TOP	8003P008-60
13	128728-01-707	EA	KNOB - IGNITER	74003944

CONTACT WINNEBAGO PART SALES FOR UNLISTED COMPONENTS

APPLIANCE GROUP (CONTINUED)
COMPONENT PARTS FOR APPLIANCE (CONTINUED)

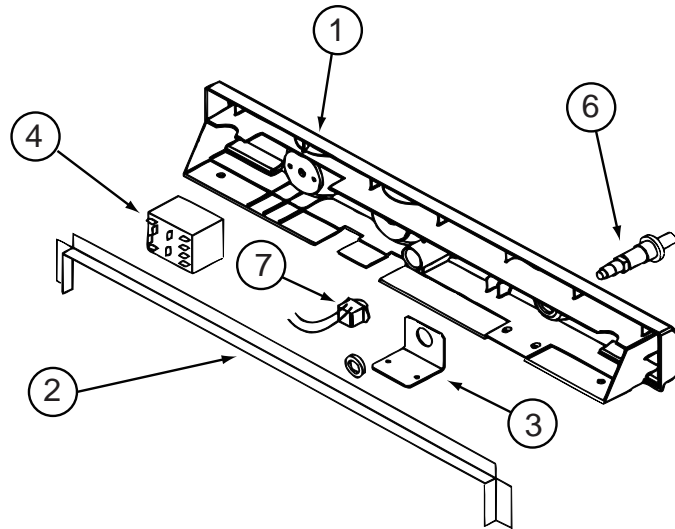


114030-04-01A (CONTINUED)

KEY	PART NUMBER	U/M	DESCRIPTION	VENDOR NO.
1	126023-01-700	EA	BURNER - TOP (RT-REAR)	74004583
1	112881-04-700	EA	BURNER - TOP /LEFT - REAR	74004584
2	126023-01-711	EA	ELECTRODE - IGNITER (ONLY)	7432P077-60
2	112881-04-705	EA	PUSH RING - ELECTRODE MOUNTING	7104P002-60
3	112881-04-701	EA	BURNER - TOP/FRONT	74004582
4	135065-03-700	EA	FITTING - HALF UNION	74004234
5	126023-02-702	EA	PIPE - MANIFOLD	74004360
7	126023-02-705	EA	VALVE - BURNER (REAR)	74004362
7	126023-02-706	EA	VALVE - BURNER (FRONT)	74004363
8	126023-01-736	EA	FLASH TUBE EXTENSION (REAR)	74003326
8	126023-01-737	EA	FLASH TUBE EXTENSION (FRONT)	74003327
10	126023-01-719	EA	IGNITER HEAD - TOP BURNER	74002413

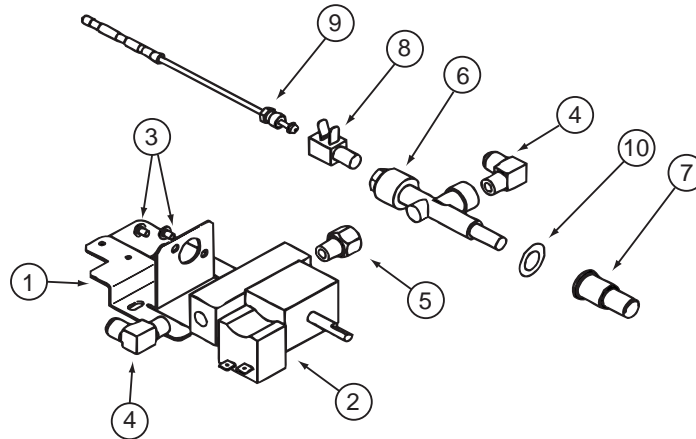
CONTACT WINNEBAGO PART SALES FOR UNLISTED COMPONENTS

APPLIANCE GROUP (CONTINUED)
COMPONENT PARTS FOR APPLIANCE (CONTINUED)



131147-01-01A

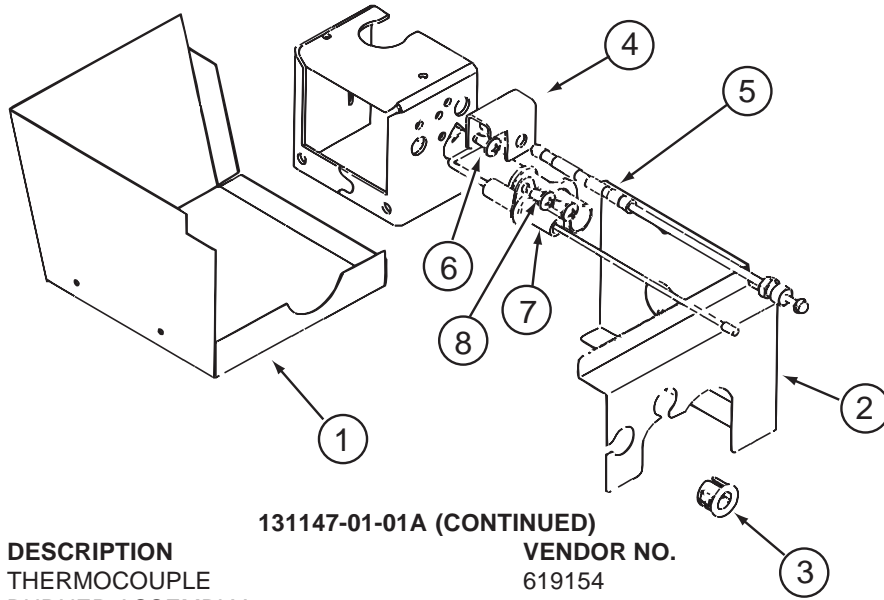
KEY	PART NUMBER	U/M	DESCRIPTION	VENDOR NO.
1	131147-01-731	EA	CONTROL PANEL - 3-WAY	619146
4	131147-01-732	EA	SWITCH/SELECTOR- 4-POSITION	619168
6	131147-01-733	EA	SPARK IGNITOR	61645622
7	131147-01-734	EA	FLAME METER	61481322
			CONTACT WINNEBAGO PART SALES FOR UNLISTED COMPONENT	



131147-01-01A (CONTINUED)

KEY	PART NUMBER	U/M	DESCRIPTION	VENDOR NO.
2	113737 01 735	EA	THERMOSTAT-GAS VALVE	617944
4	131147 01 725	EA	ELBOW - BRASS/90 DEG - 2 PC	61621622
5	131147 01 726	EA	ADAPTER - PIPE	619055
6	131147 01 727	EA	VALVE - SAFETY	617965
7	131147 01 728	EA	PLUG/EXTENSION-SAFETY VALVE	619044
8	113737 01 709	EA	INTERRUPTER	61750522
9	131147 01 729	EA	THERMOCOUPLE	619154
10	131147 01 730	EA	O-RING/SAFETY VALVE	619051
			CONTACT WINNEBAGO PART SALES FOR UNLISTED COMPONENT	

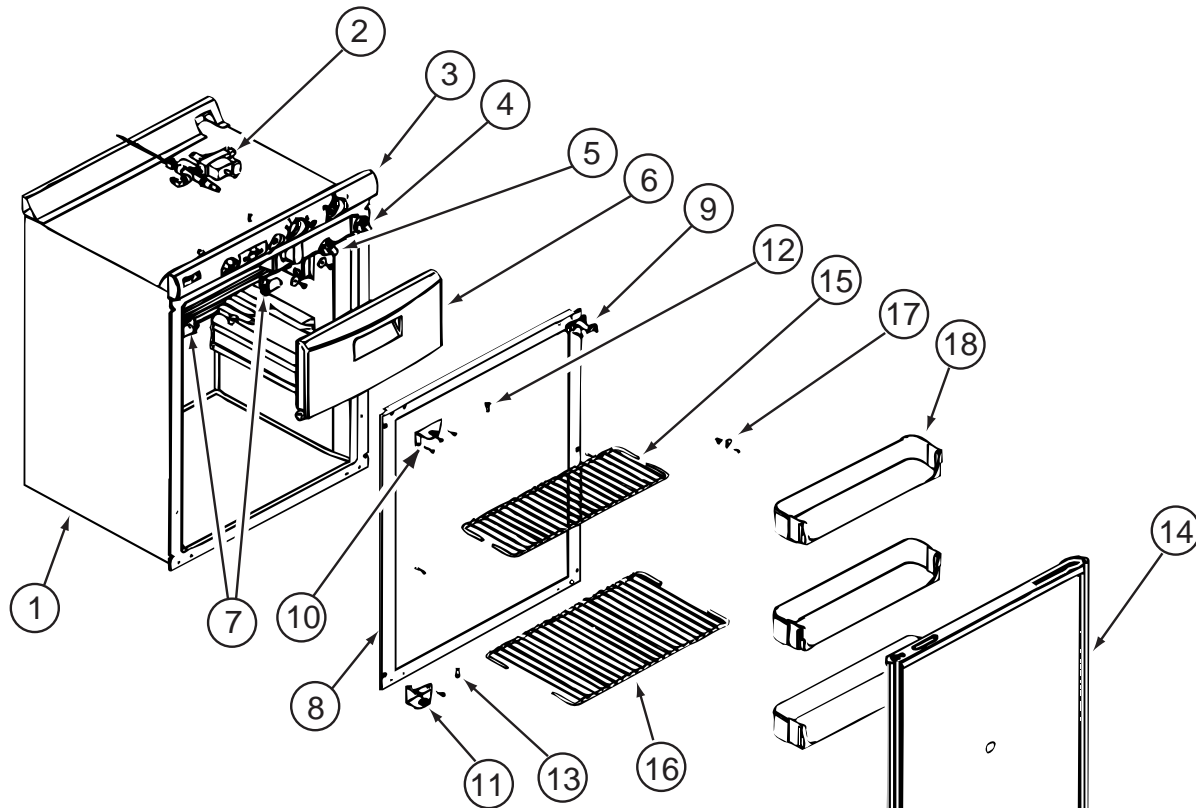
APPLIANCE GROUP (CONTINUED)
COMPONENT PARTS FOR APPLIANCE (CONTINUED)



131147-01-01A (CONTINUED)

KEY	PART NUMBER	U/M	DESCRIPTION	VENDOR NO.
5	131147-01-729	EA	THERMOCOUPLE	619154
6	131147-01-746	EA	BURNER ASSEMBLY	619081
7	131147-01-747	EA	SPARK ELECTRODE	619153
	113737-01-702	EA	PLUG 1/8" F/PRESSURE TAP	61445322
	131147-01-745	EA	ORFICE ADAPTER ASSY	618090
	131147-01-748	EA	PRESSURE TAP	61755322
CONTACT WINNEBAGO PART SALES FOR UNLISTED COMPONENT				

APPLIANCE GROUP (CONTINUED)
COMPONENT PARTS FOR APPLIANCE (CONTINUED)

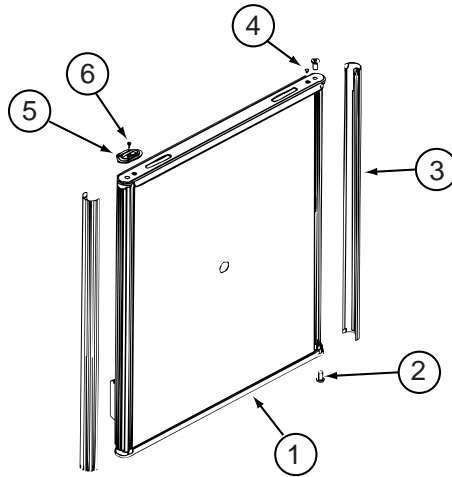


131147-01-01A (CONTINUED)

KEY	PART NUMBER	U/M	DESCRIPTION	VENDOR NO.
1	131147-01-700	EA	FOAMED CABINET	619120
2	131147-01-701	EA	GAS CONTROL	619147
3	131147-01-702	EA	CONTROL PANEL ASSEMBLY	619145
4	131147-01-703	EA	KNOB - SELECTOR	619070
5	131147-01-704	EA	KNOB - THERMOSTAT	619069
7	131147-01-706	EA	SPRING HOLDER ASSEMBLY - RH	619041
9	131147-01-708	EA	DOOR LATCH	619103
10	131147-01-709	EA	HINGE/CABINET-UPR/LH-LWR/RH	619096
11	131147-01-710	EA	HINGE/CABINET-UPR/RH-LWR/LH	619095
12	113737-01-708	EA	PIN-HINGE, TOP	61114600
13	113737-01-710	EA	PIN-HINGE, BOTTOM	61550722
15	131147-01-712	EA	WIRE - SHELF UPPER	619123
16	131147-01-713	EA	WIRE SHELF - LOWER	619102
17	125242-01-750	EA	CLIP	61409622
18	131147-01-714	EA	DOOR - BIN - WHITE	619033
	104137-06-724	EA	ICE TRAY	61630422
	113737-01-705	EA	CLIP-FIN	61728722
	131147-01-707	EA	SPRING HOLDER ASSEMBLY - LH	619042
	131147-01-715	EA	DRIP TRAY	61618930

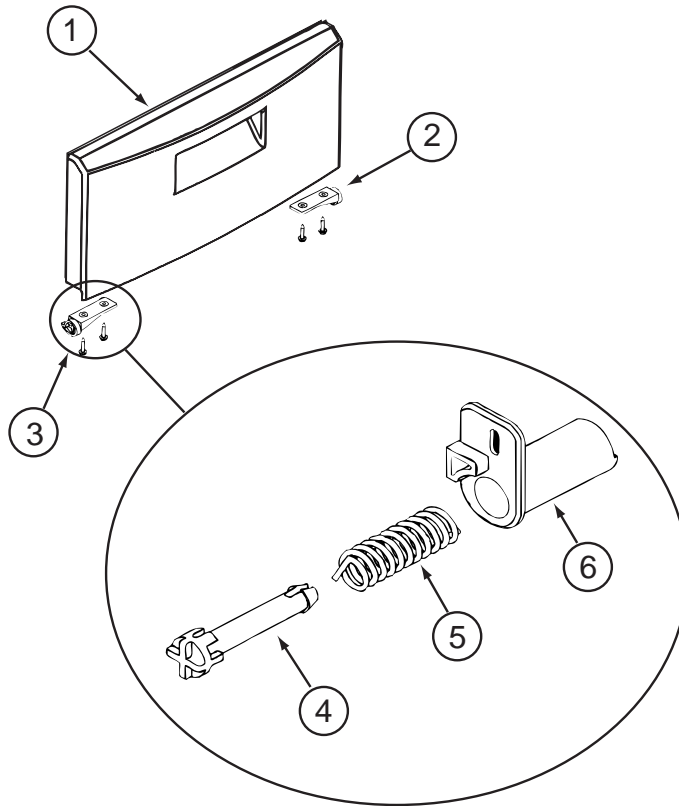
CONTACT WINNEBAGO PART SALES FOR UNLISTED COMPONENT

APPLIANCE GROUP (CONTINUED)
COMPONENT PARTS FOR APPLIANCE (CONTINUED)



131147-01-01A (CONTINUED)

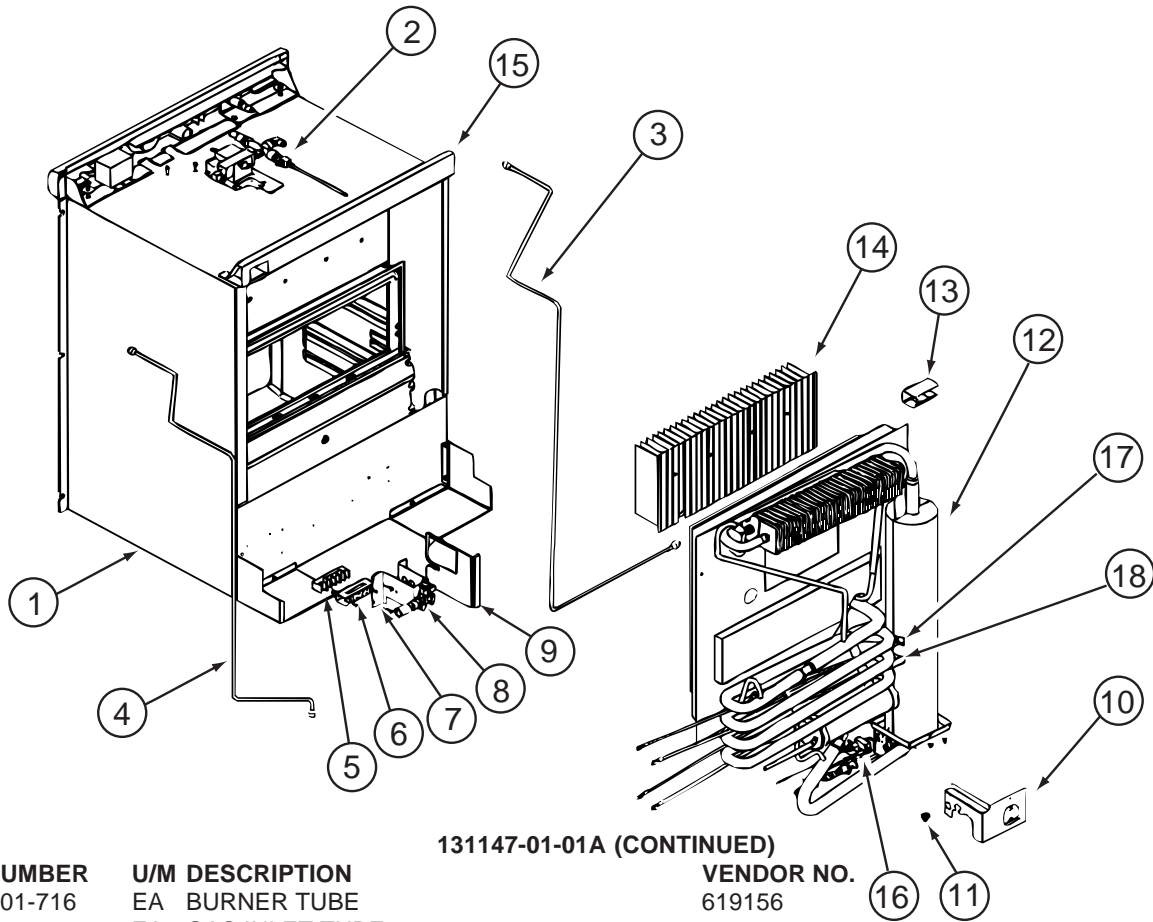
KEY	PART NUMBER	U/M	DESCRIPTION	VENDOR NO.
1	131147-01-741	EA	FOAMED DOOR ASSEMBLY	619030
2	113737-01-701	EA	BUSHING-HINGE	61742022
3	131147-01-742	EA	PANEL RETAINER- NEED 2 PCS	619035
4	131147-01-743	EA	PLUG - BEIGE	619048
5	131147-01-744	EA	LATCH PLATE	619104
6			CONTACT WINNEBAGO PART SALES FOR THIS COMPONENT	



131147-01-01A (CONTINUED)

KEY	PART NUMBER	U/M	DESCRIPTION	VENDOR NO.
1	131147-01-705	EA	FREEZER DOOR	619117
2	131147-01-735	EA	HINGE/FREEZER DOOR - RH	61632930
3	131147-01-736	EA	HINGE/FREEZER DOOR - LH	61633030
4	131147-01-738	EA	SPRING PIN	619133
5	131147-01-739	EA	TORSION SPRING - RH CABINET	619066
5	131147-01-740	EA	TORSION SPRING - LH CABINET	619064
6	102621-04-703	EA	HOLDER-SPRING, RH WHITE	61632830
6	102621-04-707	EA	HOLDER-SPRING, LH WHITE EVAP	61632730

APPLIANCE GROUP (CONTINUED)
COMPONENT PARTS FOR APPLIANCE (CONTINUED)



131147-01-01A (CONTINUED)

KEY	PART NUMBER	U/M	DESCRIPTION	VENDOR NO.
3	131147-01-716	EA	BURNER TUBE	619156
4	131147-01-717	EA	GAS INLET TUBE	619157
5	131147-01-718	EA	TERMINAL BLOCK	619173
8	131147-01-719	EA	MANUAL SHUT OFF VALVE	617976
12	131147-01-720	EA	COOLING SYSTEM - SERVICE KIT	619088
15	131147-01-721	EA	CABINET BAFFLE	619122
16	131147-01-722	EA	BURNER AND ORFICE ASM.	619151
17	131147-01-723	EA	HEATER - DC	619065
18	131147-01-724	EA	HEATER - AC	619063

CONTACT WINNEBAGO PART SALES FOR UNLISTED COMPONENT

AUDIO VIDEO GROUP
RADIO SYSTEM

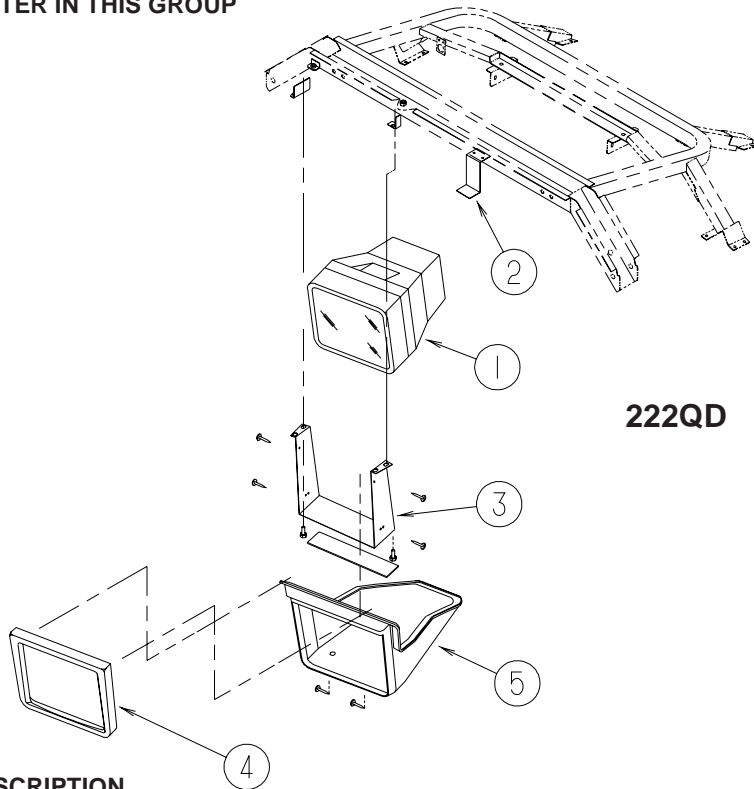
KEY	PART NUMBER	U/M	DESCRIPTION
	074014-01-000	EA	GRILLE - SPEAKER - ROUND - 222QD
	089340-02-000	EA	GRILLE - SPEAKER - 6.5" SQUARE - 222FD, 222HD
	074979-19-000	EA	COVER - SPEAKER - VW LIGHT GRAY - 222FD
	124883-04-000	EA	GRILLE/SPEAKER - F/CUBE SPEAKER - DELUXE SOUND
			FROM: 00-00-00 THRU: 07-13-03
	148026-02-01A	EA	SPEAKER GRILLE - CUBE - SILVER - DELUXE SOUND
			FROM: 07-14-03 THRU: 99-99-99
	124885-01-000	EA	GRILLE - SPEAKER - 6" X 9" - SUB-WOOFER - DELUXE SOUND
	094097-01-000	EA	SPEAKER - RADIO/TV - W/O GRILLE - 5.25" DIAMETER
	124884-01-000	EA	SPEAKER - 6" X 9" - SUB-WOOFER - DELUXE SOUND
	124883-02-000	EA	SPEAKER/CUBE - W/BRACKET - DELUXE SOUND
			FROM: 00-00-00 THRU: 07-11-03
	148026-01-01A	EA	SPEAKER - CUBE - W/FIXED BRACKET - SILVER - DELUXE SOUND
			FROM: 07-12-03 THRU: 99-99-99
	124883-03-000	EA	SPEAKER/CUBE - W/O CASE - DELUXE SOUND
			FROM: 00-00-00 THRU: 07-11-03
	148026-03-01A	EA	SPEAKER - CUBE - W/O CASE - DELUXE SOUND
			FROM: 07-12-03 THRU: 99-99-99
	124881-01-000	EA	AMPLIFIER - AUDIO - DELUXE SOUND
	114365-02-000	EA	ADAPTER - RADIO - POWER/SPEAKERS
	114366-01-000	EA	ADAPTER - RADIO - ANTENNA
	147057-01-000	EA	RADIO - AM/FM CD - W/REMOTE - PANASONIC - CQ-DP133U
	147057-02-000	EA	RADIO - AM/FM CD - W/REMOTE-SAT READY-PANASONIC CQ-DP383U - SATELLITE RADIO
	147057-03-000	EA	RECEIVER - SAT RADIO - PANASONIC CR-SRT100 - SATELLITE RADIO
	147190-01-000	EA	ANTENNA/SATELLITE-RADIO/SIRIUS-W/GRD PLANE PLATE/6" LEAD - SATELLITE RADIO
	147190-02-000	EA	CABLE/SATELLITE ANTENNA - RADIO SIRIUS - 22 FT - SATELLITE RADIO

AUDIO VIDEO GROUP (CONTINUED)

TV & VCR

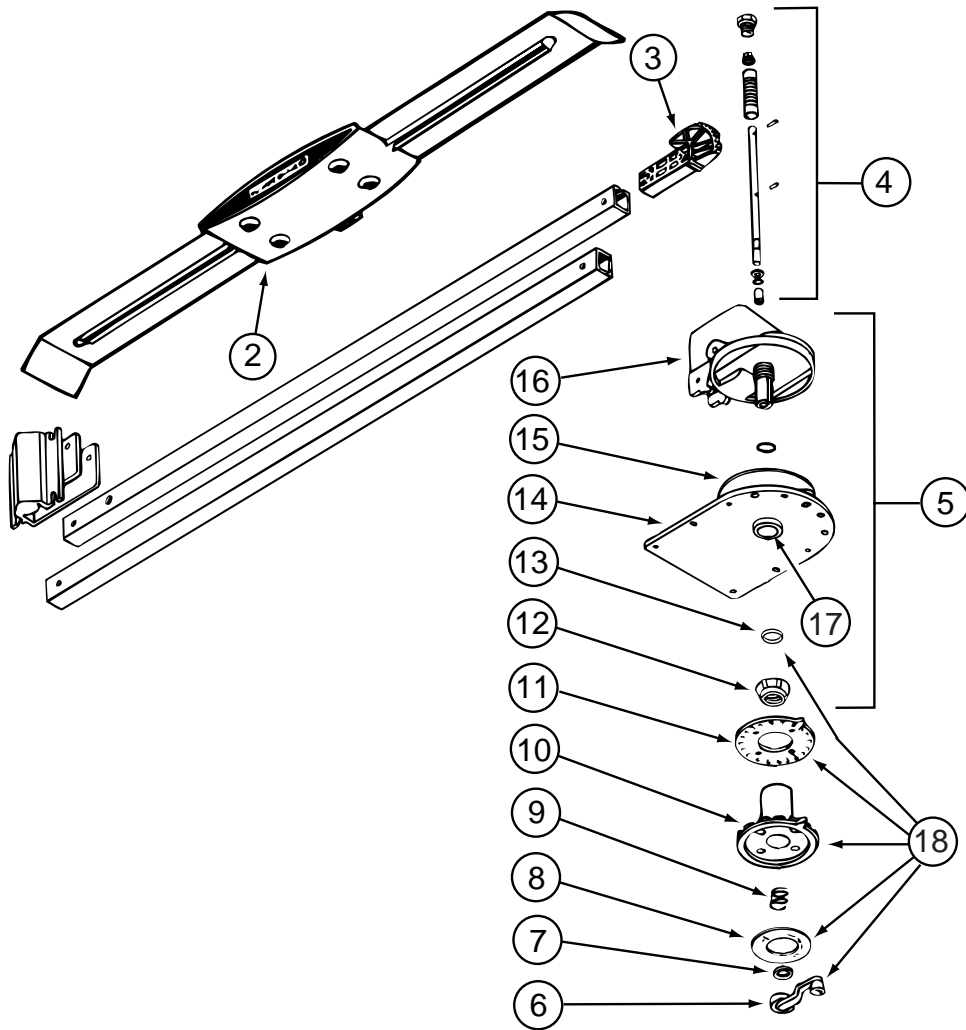
KEY	PART NUMBER	U/M	DESCRIPTION
	076319-03-000	FT	CABLE - COAXIAL - 75 OHM
	117420-04-000	EA	CABLE - RCA - (MALE/MALE) - 50 FT
	117420-03-000	EA	CABLE - W/MALE RCA ENDS - SHIELDED - 20' FROM: 00-00-00 THRU: 07-17-03 FROM: 07-18-03 THRU: 99-99-99
	147190-02-000	EA	CABLE/SATELLITE ANTENNA - RADIO SIRIUS - 22 FT
	076319-06-000	EA	ADAPTER - CABLE ROOF PLATE
	082134-01-000	EA	ADAPTER - TV - CABLE TO CABLE
	145171-01-000	EA	CONNECTOR - COAXIAL
*	076319-24-000	EA	ANTENNA - TV ROOF MOUNT - 25.5" MAST
	147190-01-000	EA	ANTENNA/SATELLITE-RADIO/SIRIUS-W/GRD PLANE PLATE/6" LEAD
*	076319-25-000	EA	KIT - HARDWARE INTERIOR
	082136-01-000	EA	NUT - HEX JAM - 3/8-32
	086777-02-000	EA	WALLPLATE - TV CABLE - W/ANTENNA SWITCH - BLACK
	093901-03-000	EA	PLATE - TV COAX - EXTERIOR - 1.8" X 2.5"
*	094487-04-000	EA	VIDEO CASSETTE PLAYER W/O REMOTE - AUDIOVOX FROM: 00-00-00 THRU: 02-12-03
*	094487-06-000	EA	VIDEO CASSETTE PLAYER - W/O REMOTE - HORIZ - AVP-9000 FROM: 02-13-03 THRU: 99-99-99

***COMPONENT PARTS LISTED LATER IN THIS GROUP**



KEY	PART NUMBER	U/M	DESCRIPTION
1*	086231-09-000	EA	TV - COLOR - 9" DC - AUDIOVAX AVT-988
2	121323-01-02B	EA	BRACKET - Z
3	131698-01-02B	EA	STRAP - OVERHEAD/TV - E-COATED
4	114314-01-03A	EA	COVER - TV - OVERHEAD FRONT - VW LT GRAY
5	114315-01-03A	EA	COVER - TV - OVERHEAD FRONT - W/O HARDWARE

AUDIO VIDEO GROUP (CONTINUED)
COMPONENT PARTS FOR TV & VCR



076319-24-000

KEY	PART NUMBER	U/M	DESCRIPTION	VENDOR NO.
2	076319-01-700	EA	HEAD-ANTENNA, AMPLIFIED	RVSA U/V
3	076319-01-701	EA	GEAR-ELEVATING, PLASTIC	2200046
4	076319-01-702	EA	SHAFT ASM-ELEVATING	RP-4000
5	076319-01-711	EA	BASE & LIFT ASM	2762802
7	076319-01-705	EA	GROMMET-NYLON, 7/8"ID	3200658
8	076319-01-708	EA	DECAL-CRANK	5413002
9	076319-01-707	EA	SPRING-HANDLE	2160822
10	076319-25-700	EA	DIRECTIONAL HANDLE(WHITE)	3200612
11	076319-01-712	EA	PLATE - CEILING	3200608
11	076319-01-709	EA	PLATE-CEILING (IVORY)	3200621
12	076319-01-715	EA	NUT (GEAR HOUSING)	2200047
13	076319-01-704	EA	BEARING-NYLON, 1.25"OD	3200657
14	076319-01-713	EA	PLATE-BASE, STEEL	3100523
15	076319-01-703	EA	BEARING-NYLON, 5" OD	3200656
16	076319-01-714	EA	HOUSING, ROTATING GEAR	2200049
	076319-01-716	EA	TUBING, ELEVATING	RP-2900

CONTACT WINNEBAGO PART SALES FOR UNLISTED COMPONENTS

076319-25-000

KEY	PART NUMBER	U/M	DESCRIPTION	VENDOR NO.
6	076319-01-706	EA	CRANK-W/SET SCREW UNIV/BEIGE	2750897
6	120233-01-710	EA	HANDLE-CRANK W/SCREW - WHITE	RP-6795
8	076319-01-708	EA	DECAL-CRANK	5413002
10	076319-25-700	EA	DIRECTIONAL HANDLE(WHITE)	3200612
11	076319-25-701	EA	PLATE - CEILING(WHITE)	3200609
13	120233-01-709	EA	WASHER-NYLON	RP-2658

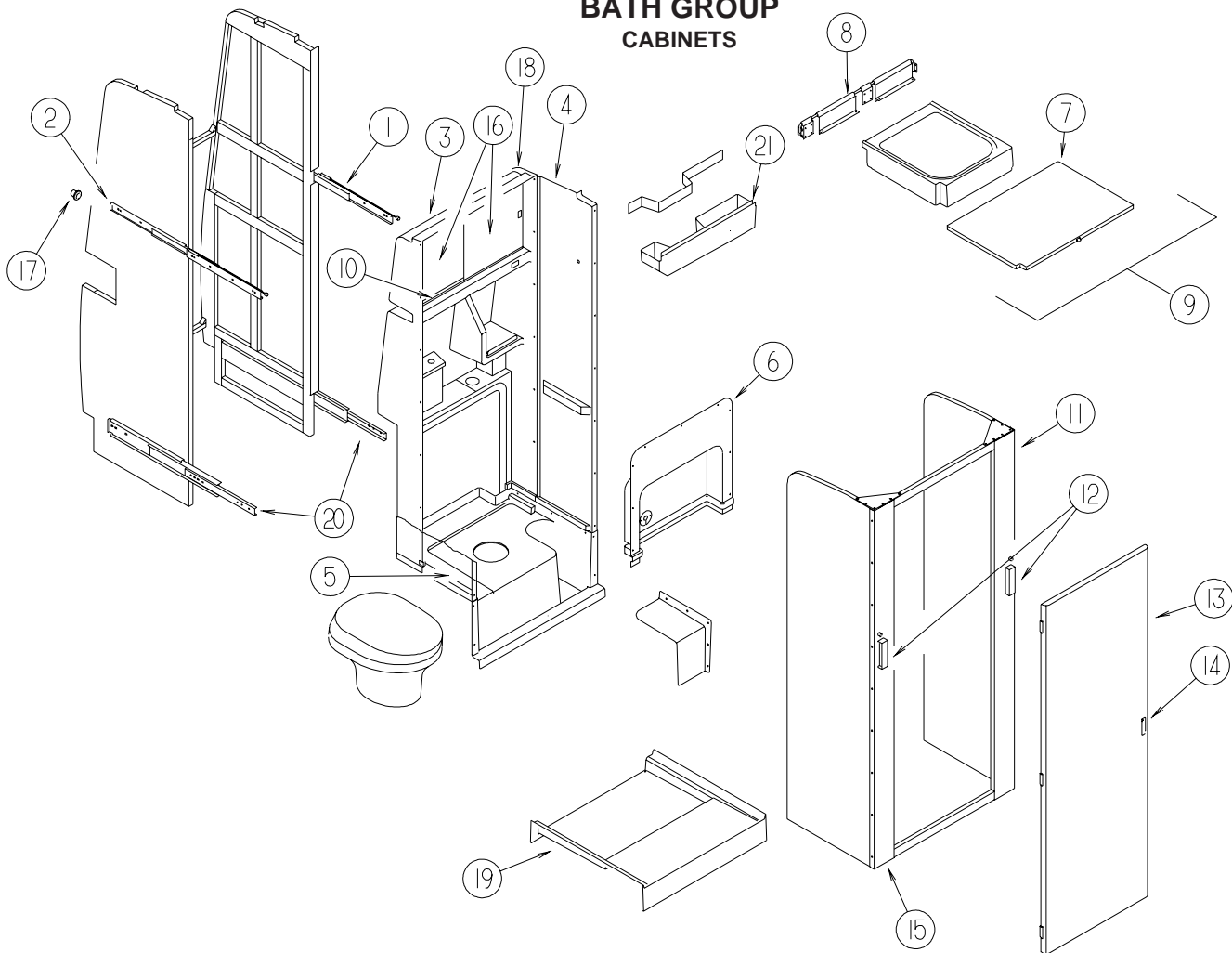
CONTACT WINNEBAGO PART SALES FOR UNLISTED COMPONENTS

AUDIO VIDEO GROUP (CONTINUED)
COMPONENT PARTS FOR TV & VCR (CONTINUED)

094487-04-000

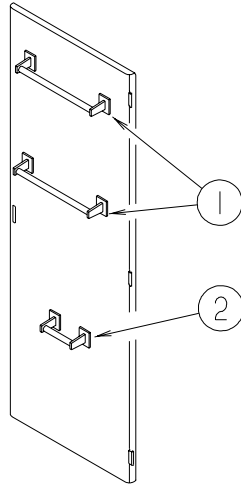
KEY	PART NUMBER	U/M	DESCRIPTION	VENDOR NO.
	086231-08-700	EA	REMOTE-UNIVERSAL	0892328
	094487-03-700	EA	WIRE - ADAPTER	0894000

BATH GROUP CABINETS



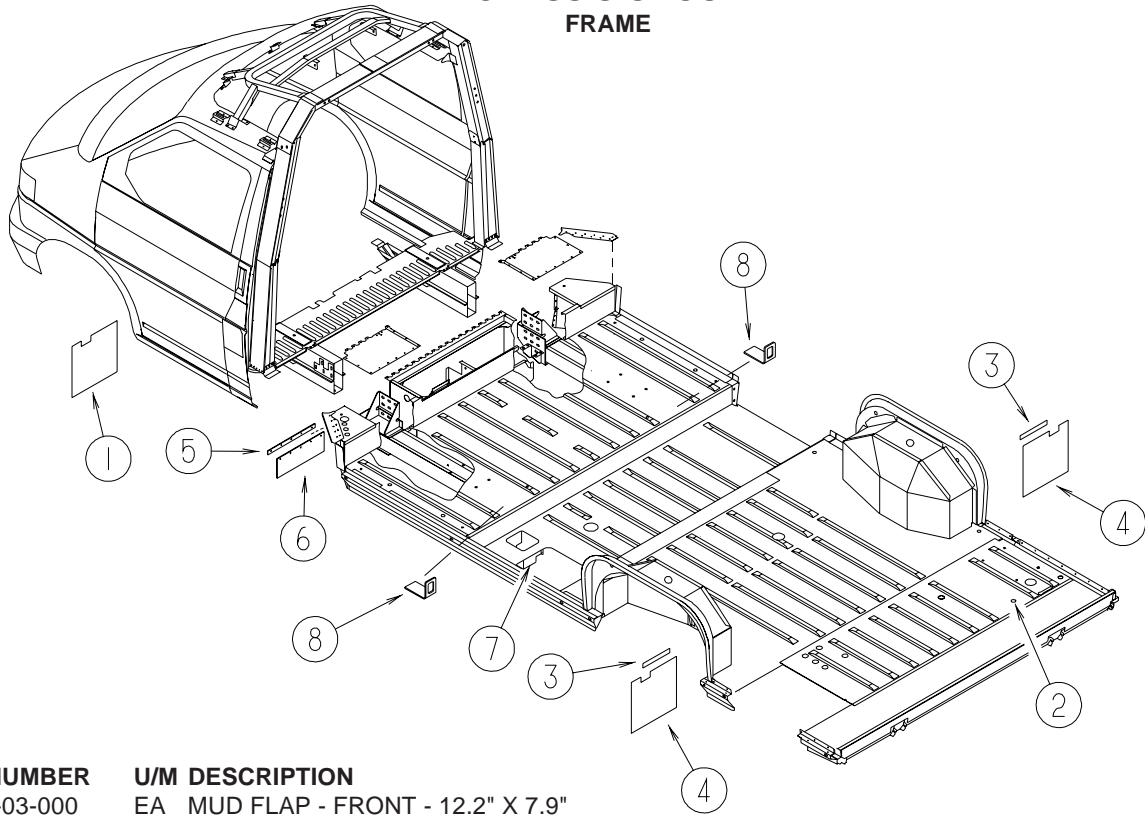
KEY	PART NUMBER	U/M	DESCRIPTION
1	116173-01-000	EA	SLIDE - LOCKING - LEFT HAND FACING CABINET
2	116173-02-000	EA	SLIDE - LOCKING - RIGHT HAND FACING CABINET
3	111950-01-02A	EA	SURROUND - SHOWER/BACK - VW LIGHT GRAY
4	111986-01-02A	EA	SURROUND - SHOWER/RIGHT HAND SIDE - VW LIGHT GRAY
5	111986-03-02A	EA	SURROUND - SHOWER/LEFT HAND SIDE - VW LIGHT GRAY
6	112151-01-02A	EA	COVER - DRAINAGE ACCESS - VW LIGHT GRAY
7	113183-02-K76	EA	PANEL - DOOR W/LATCH - SINK
	127346-01-02A	EA	PLUG - HOLE - 3/4" DIAMETER - STEEL
8	113982-01-K76	EA	HINGE - FOLD UP SINK W/DOOR PANEL
	086235-03-000	EA	BEARING - SNAPIN - 5/16ID X 5/16
9	M06944-02-K76	EA	BATH SINK/FOLD UP - W/DOOR ATTACHED
10	002324-02-000	EA	U-CHANNEL - WEATHERSTRIP W/FUZZ - F/1/8" GLASS
11	116246-01-03A	EA	CORNER - BATH/RH - VW LT GRAY
12	074762-01-000	EA	PULL - CABINET - 4.8" X .9" - BLACK PLASTIC
13	113756-01-K76	EA	DOOR - BATH - W/LATCH
14	058335-03-000	EA	LATCH W/O LOCK - BATHROOM DOOR BLACK
15	116246-02-03A	EA	CORNER - BATH/LH - VW LT GRAY
16	140374-18-000	EA	MIRROR - SAFETY GLASS - 12.6" X 12.6"
17	116044-01-000	EA	BUMPER - MOLDED
18	P13092-02-000	EA	COVER - SHOWER PAN - W/O CARPET - 24.5" X 25.5"
19	118605-01-02A	EA	SHOWER PAN - W/STRAINER - VW LIGHT GRAY
	114974-01-000	EA	STRAINER/SHOWER PAN - W/HOSE END ADAPTER - WHITE PLASTIC
20	116174-01-000	EA	SLIDE - FULL EXTENDED
21	119282-01-02A	EA	RAIL - OVERHEAD/UPPER - VW GRAY
	114898-01-02A	FT	VINYL - 1.6" - VW LIGHT GRAY

BATH GROUP (CONTINUED)
CABINETS (CONTINUED)



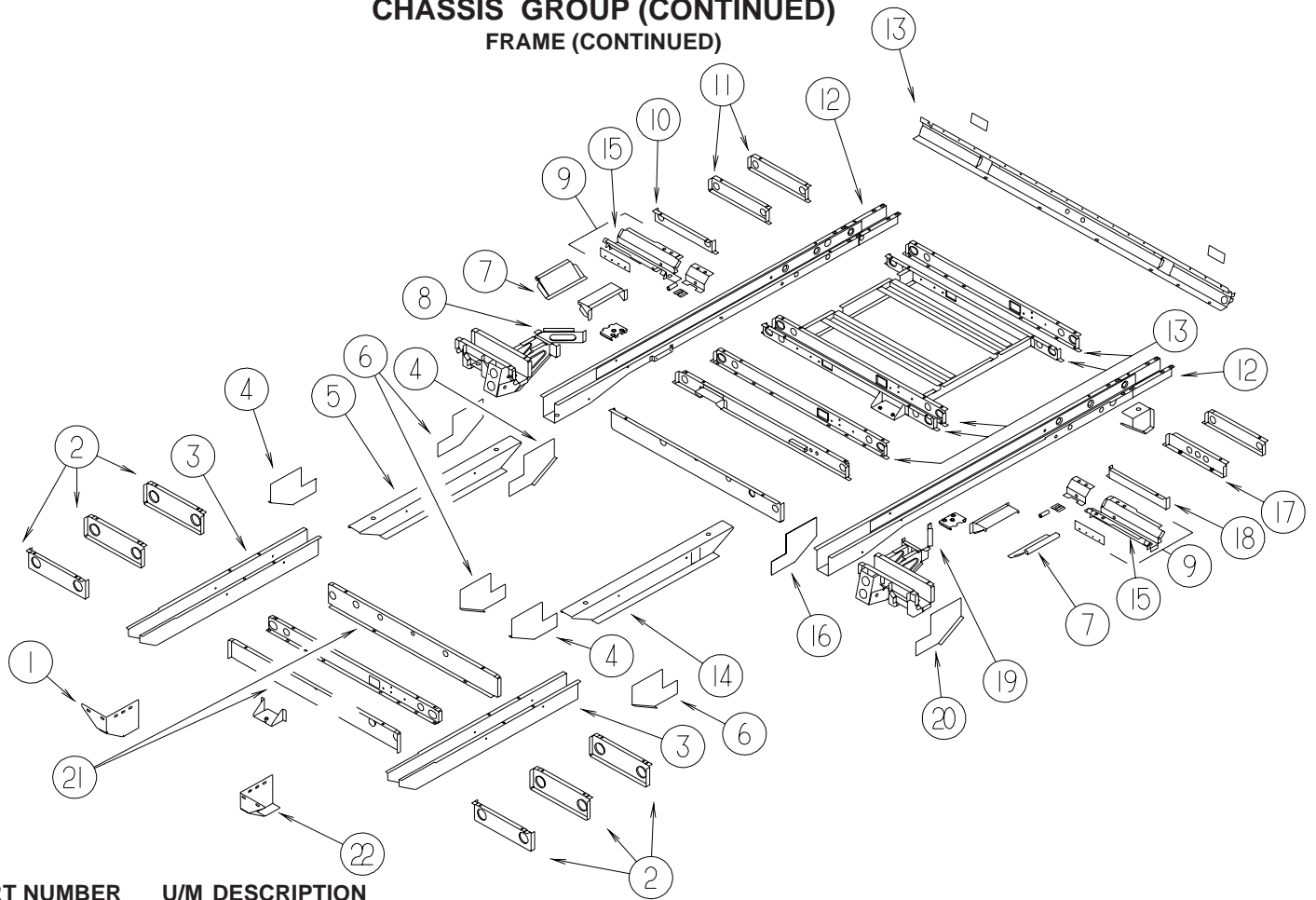
KEY	PART NUMBER	U/M	DESCRIPTION
1	145980-04-01A	EA	TOWEL BAR - POST - PAIR/BRASS
1	145980-05-01A	EA	TOWEL BAR - 18" - BRASS
2	075452-02-000	EA	HOLDER - TOILET TISSUE - BRASS

CHASSIS GROUP FRAME



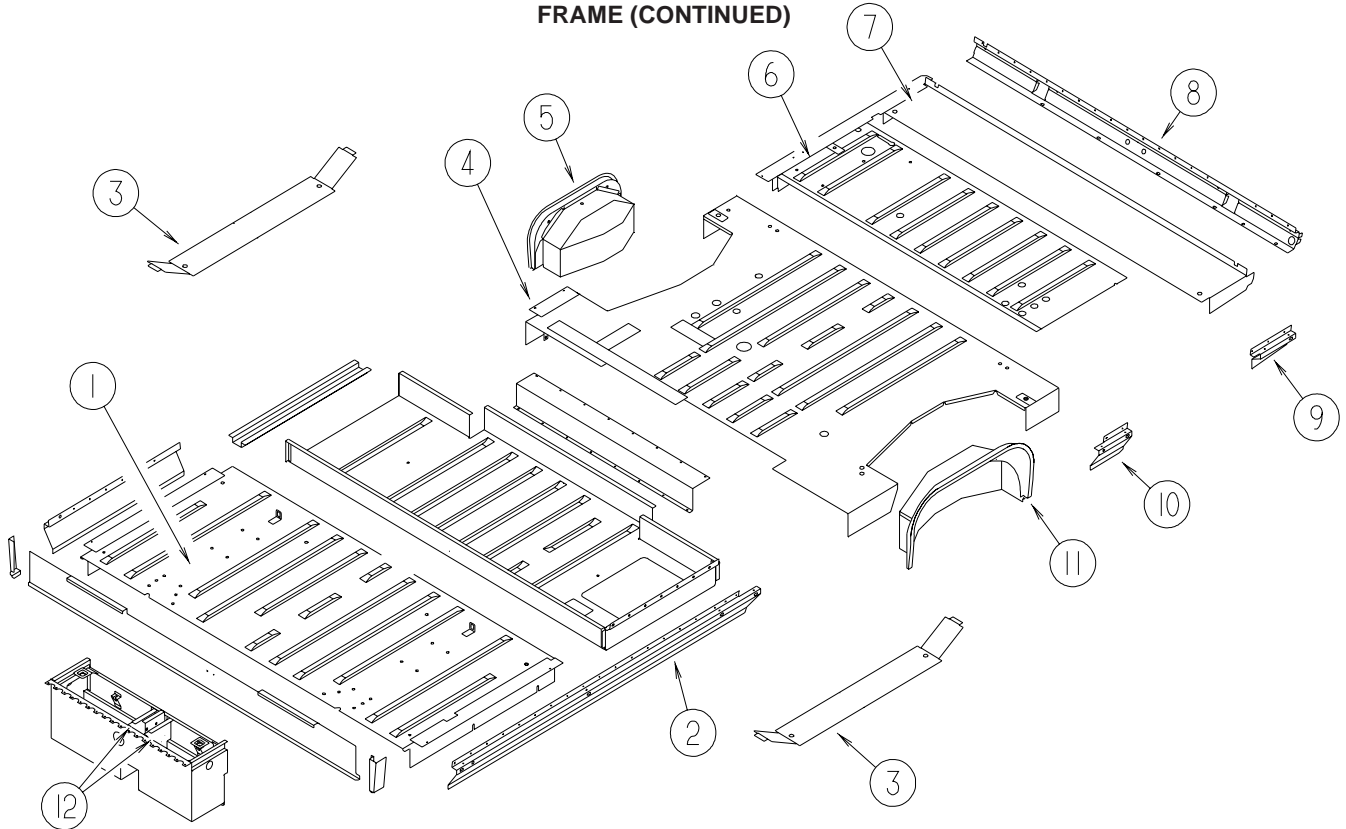
KEY	PART NUMBER	U/M	DESCRIPTION
1	073905-03-000	EA	MUD FLAP - FRONT - 12.2" X 7.9"
2	074487-02-000	EA	PLUG - HOLE - .375 - .093 - .171 THICK
3	073913-01-000	EA	RETAINER - MUDFLAP - METAL
4	073905-01-000	EA	MUD FLAP - REAR - 10.1" X 9.3"
5	120293-01-02B	EA	RETAINER - MUDFLAP - E-COATED - 222FD
6	120299-01-01A	EA	ROCK GUARD - RUBBER - 5" X 14" - 222FD
7	114987-01-09B	EA	PANEL - COVER - SUMP - BOTTOM - GALVANIZED
7	114988-01-09B	EA	PANEL - COVER - SUMP - GALVANIZED
8	136768-02-02B	EA	BRACKET - TETHER - SAFETY STRAP - E-COATED - 222QD

CHASSIS GROUP (CONTINUED) FRAME (CONTINUED)



KEY	PART NUMBER	U/M	DESCRIPTION
1	117866-01-01B	EA	BRACKET - FRAME
2	130309-01-01B	EA	OUTRIGGER - FRONT
3	117865-04-01B	EA	RAIL/FRAME - FRONT/FLOOR
4	136003-01-01B	EA	GUSSET - FRAME/LOWER
5	126977-02-01B	EA	RAIL - FRAME - LOWER
6	136003-02-01B	EA	GUSSET - FRAME - LOWER - LEFT HAND
7	138737-01-01B	EA	REINFORCEMENT-WHEELHOUS,MILL
8	138752-01-01B	EA	BRACKET-SPRING SUPPRT,G,MILL
9	138756-01-01B	EA	STRUT-SPRING MTG
10	071232-02-000	EA	OUTRIGGER - REAR - LEFT HAND
11	071232-01-000	EA	OUTRIGGER - REAR - RIGHT HAND
12	138738-01-01B	EA	RAIL-FRAME,REAR
13	138748-01-01B	EA	CROSSMEMBER-REAR,CENTER,MILL
14	126977-01-01B	EA	RAIL - FRAME - LOWER
15	138742-01-01B	EA	BRACE ASM-STRUT,REAR ,MILL
16	126976-02-01B	EA	GUSSET - FRAME /LOWER
17	112726-03-01B	EA	OUTRIGGER - RIGHT HAND
18	112726-04-01B	EA	OUTRIGGER - LEFT HAND
19	138752-02-01B	EA	BRACKET-SPRING SUPPRT,G,MILL
20	126976-01-01B	EA	GUSSET - FRAME/LOWER
21	138741-01-01B	EA	CROSSMEMBER-STEPBOX ,MILL
22	117866-02-01B	EA	BRACKET - FRAME
23	126976-02-01B	EA	GUSSET - FRAME/LOWER

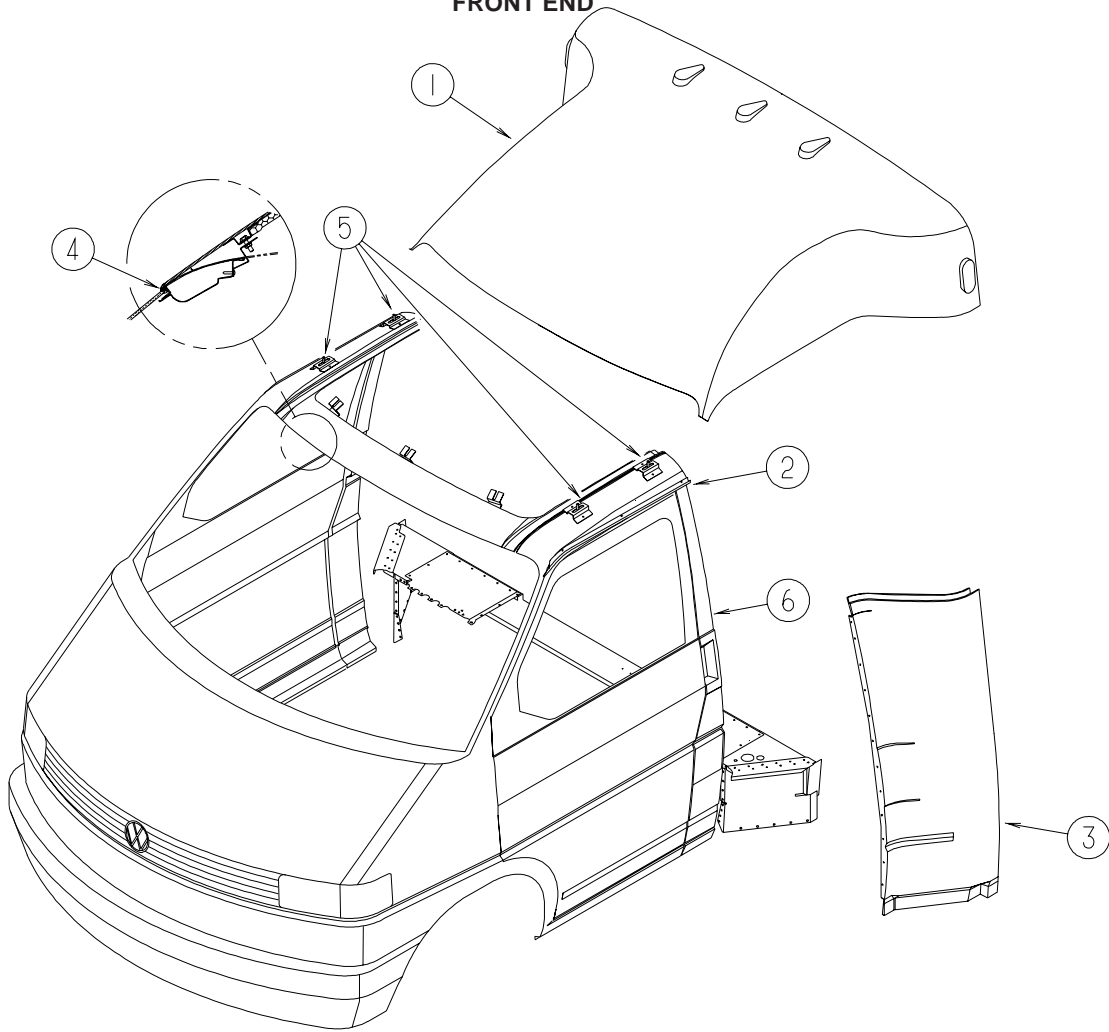
CHASSIS GROUP (CONTINUED)
FRAME (CONTINUED)



KEY	PART NUMBER	U/M	DESCRIPTION
1	110695-01-000	EA	PANEL - FLOOR - FRONT
2	071366-01-000	EA	ROCKER ASM - FRONT - LH
3	139105-01-01B	EA	CAP - RAIL/LOWER
4	112222-01-000	EA	PANEL/REAR FLOOR
5	112345-01-000	EA	WHEELHOUSE W/SHOCK MOUNT - REAR PASSENGER SIDE - STEEL
6	122969-01-01B	EA	PANEL/FLOOR - REAR
7	122962-02-01B	EA	PANEL/FLOOR - REAR
8	072382-01-000	EA	CROSSMEMBER - REAR
9	122954-01-01B	EA	PANEL/ROCKER - REAR - LEFT HAND
10	113005-01-01B	EA	ROCKER - REAR - LEFT HAND
11	112345-02-000	EA	WHEELHOUSE W/SHOCK MOUNT - REAR DRIVER SIDE - STEEL
12	118541-01-01B	EA	PANEL/BOTTOM - BATTERY COMPARTMENT

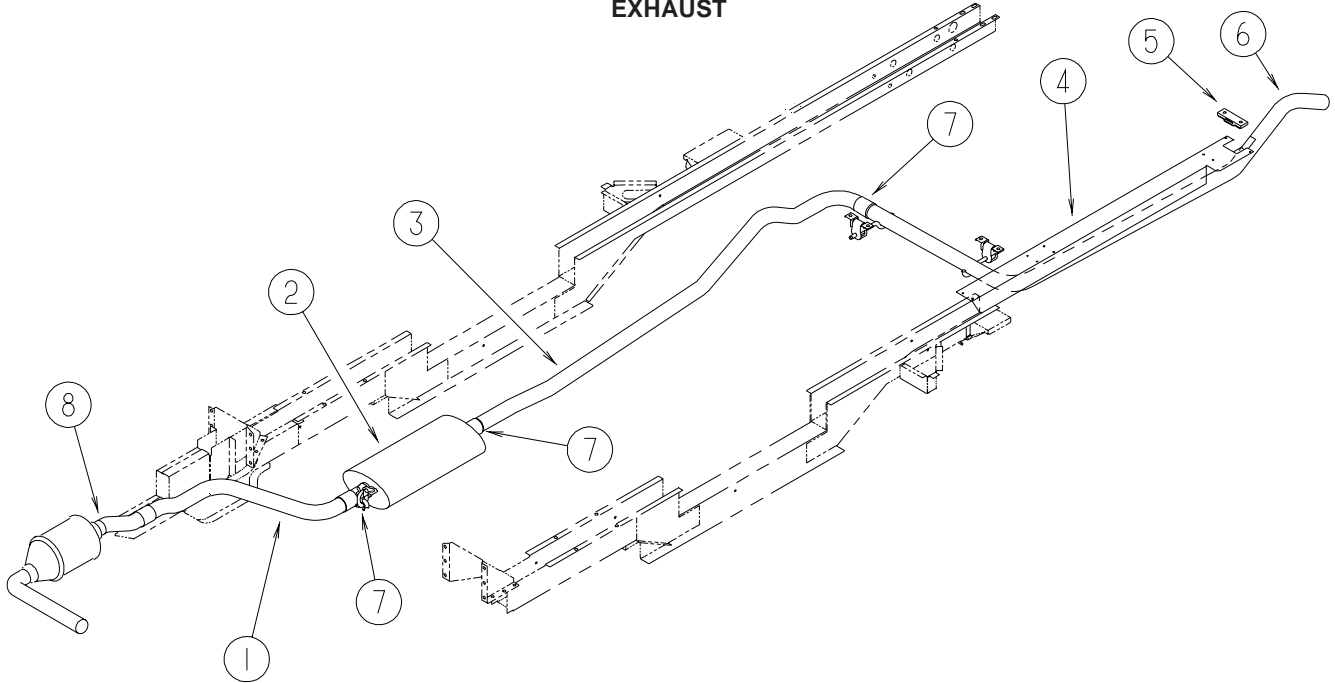
CHASSIS GROUP (CONTINUED)

FRONT END



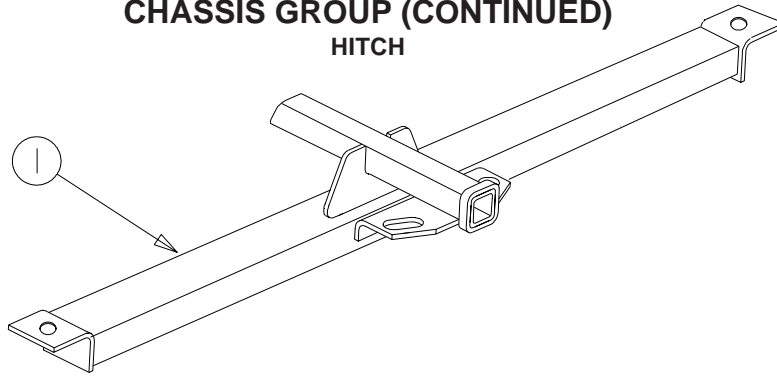
KEY	PART NUMBER	U/M	DESCRIPTION
1	111207-06-K76	EA	CAP - ROOF/FRONT
2	115022-02-01A	EA	RAIL - DRIP - RIGHT HAND
	115022-01-01A	EA	RAIL - DRIP - LEFT HAND
3	111276-04-F45	EA	PANEL - TRANSITION - LEFT - STEEL/FIBERGLASS - VW WHITE
	111276-03-F45	EA	PANEL - TRANSITION - RIGHT - STEEL/FIBERGLASS - VW WHITE
4	112127-02-000	FT	MOLDING - REVEAL - WINDOW
5	143322-01-02B	EA	CHANNEL - HAT - MOUNT/CAP - E-COATED
6	112538-02-000	EA	B-PILLAR - DRIVER
6	112538-01-000	EA	B-PILLAR - PASSENGER

CHASSIS GROUP (CONTINUED)
EXHAUST

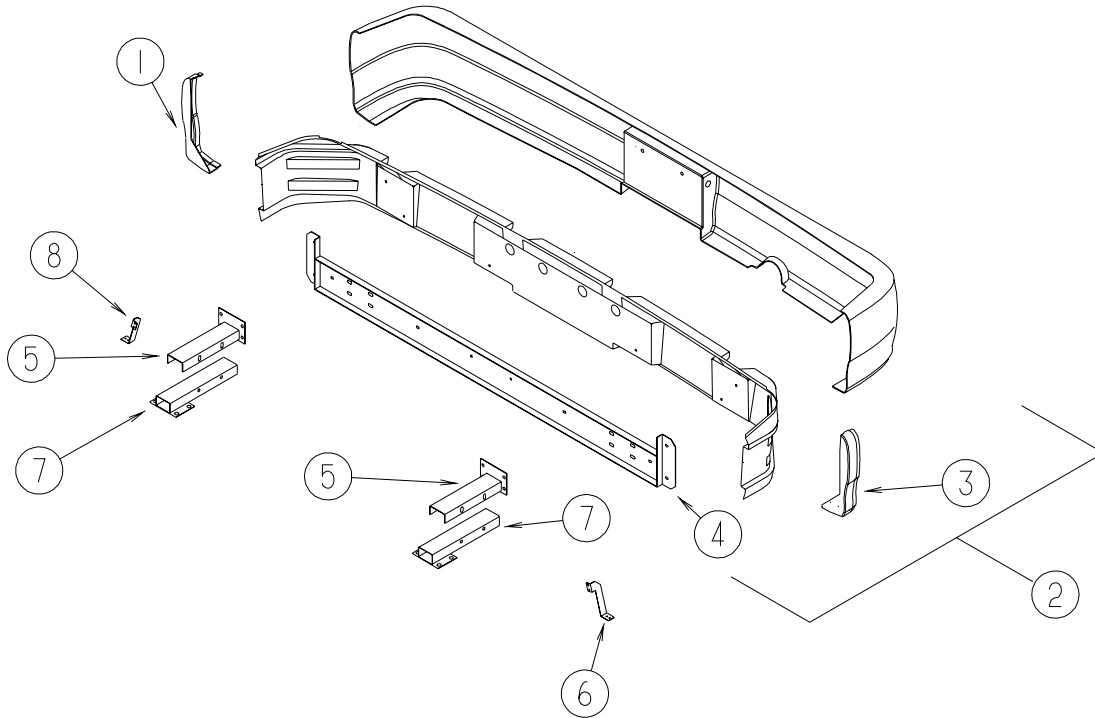


KEY	PART NUMBER	U/M	DESCRIPTION
1	113098-02-000	EA	PIPE - EXHAUST/FRONT
2	121261-02-000	EA	MUFFLER - FRONT
3	135908-01-000	EA	PIPE - EXHAUST - MIDDLE
4	125075-01-09B	EA	SHIELD - EXHAUST/TAIL PIPE - GALVANIZED
5	095190-01-000	EA	HANGER - EXHAUST - 4" X 1.4"
6	135908-02-000	EA	PIPE - EXHAUST - TAIL
7	082716-01-000	EA	CLAMP - EXHAUST - 2"
8	082716-02-000	EA	CLAMP - EXHAUST - 2.24"

CHASSIS GROUP (CONTINUED)
HITCH



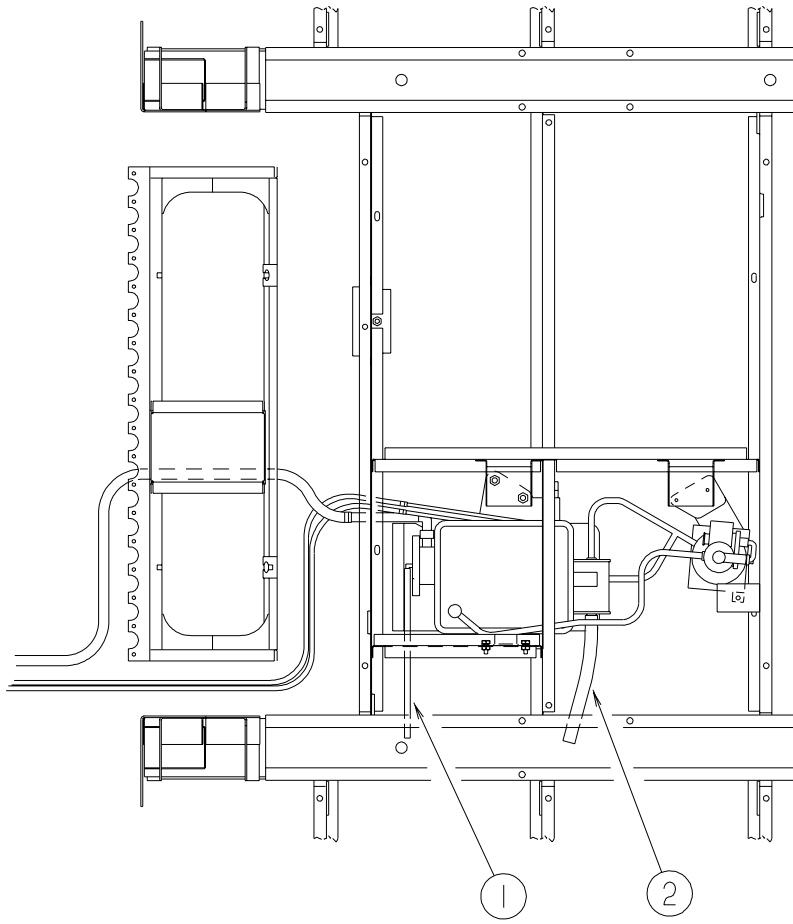
KEY	PART NUMBER	U/M DESCRIPTION
	130339-10-000	EA HITCH RECEIVER - BOLT ON CLASS I



REAR BUMPER

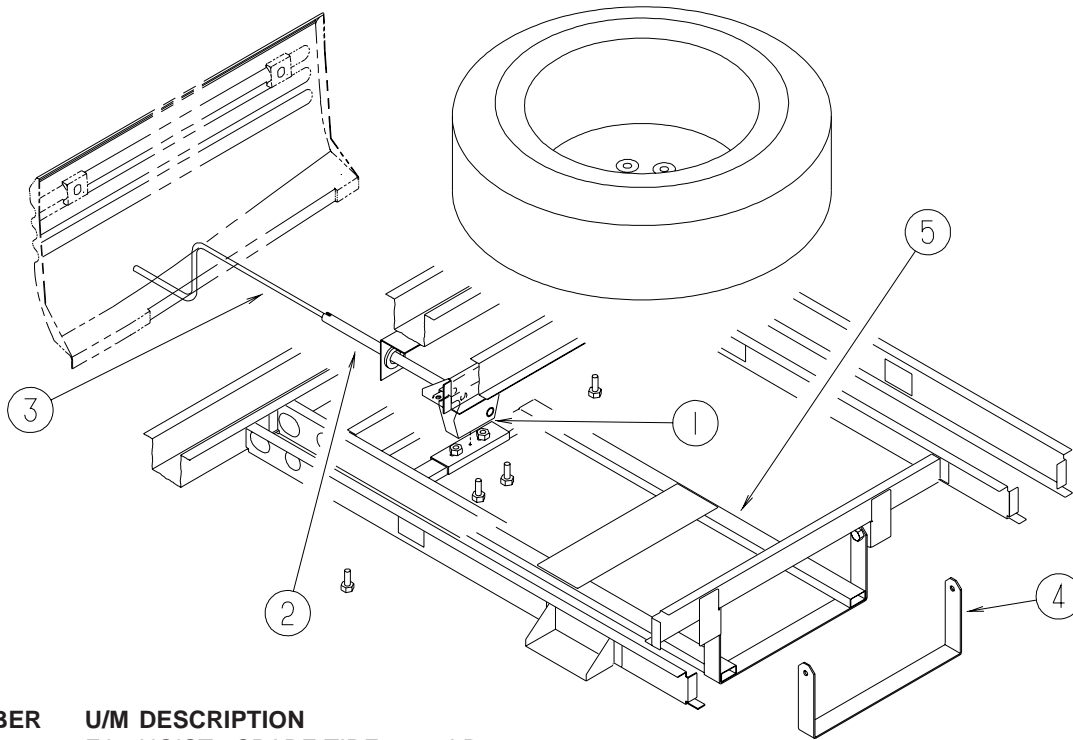
KEY	PART NUMBER	U/M DESCRIPTION
1	130623-01-02A	EA CAP - BUMPER END - PASSENGER - BLACK
2	130621-01-K76	EA BUMPER - REAR
3	130623-02-02A	EA CAP - BUMPER END - DRIVER - BLACK
4	142125-02-02B	EA SUPPORT - BUMPER - REAR - E-COATED
5	115944-02-02B	EA SUPPORT - UPPER - REAR/BUMPER - E-COATED
6	131451-02-02B	EA BRACKET - BUMPER SUPPORT/OUTER - E-COATED
7	115947-02-02B	EA SUPPORT - LOWER - BUMPER/REAR
8	131451-01-02B	EA BRACKET - BUMPER SUPPORT/OUTER - E-COATED

CHASSIS GROUP (CONTINUED)
FUEL OR FUEL FILL OR EMISSIONS



KEY	PART NUMBER	U/M DESCRIPTION
1	045794-01-000	FT HOSE - WASHER - WINDSHIELD - 5/32" ID - BLACK
2	007108-01-000	FT HOSE - HEATER - 5/8" ID - HI-TEMP

CHASSIS GROUP (CONTINUED) SPARE TIRE

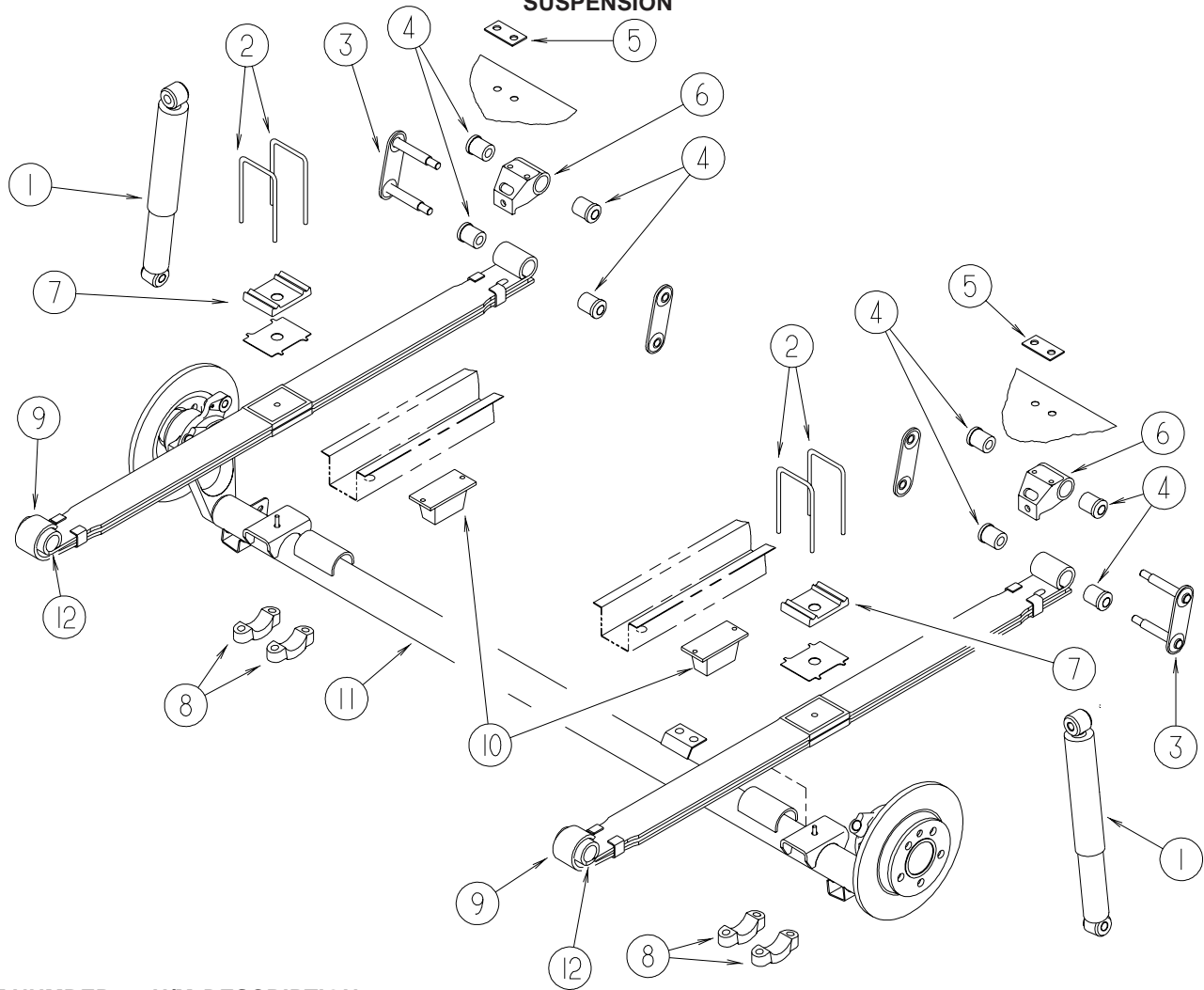


KEY	PART NUMBER	U/M	DESCRIPTION
1	093267-03-000	EA	HOIST - SPARE TIRE - 100 LB
2	093375-15-000	EA	EXTENSION - TIRE HOIST
	144113-15-02B	EA	EXTENSION -TUBE - TIRE HOIST
3	142073-02-02B	EA	HANDLE - CRANK/TIRE HOIST - E-COATED
	114376-01-000	EA	PIN - DRIVE - .156 X .750 - TYPE E - TIRE HOIST
4	116350-02-01B	EA	BRACKET - SPARE TIRE - E-COATED
5	124645-01-02B	EA	CRADLE - SPARE TIRE

FROM: 08-09-03 THRU: 99-99-99

CHASSIS GROUP (CONTINUED)

SUSPENSION



KEY	PART NUMBER	U/M	DESCRIPTION
1*	112033-02-000	EA	SHOCK ABSORBER - REAR VW H-BODY - NEW DESIGN
2	112410-01-000	EA	BOLT-U - REAR SPRING
3	112560-01-000	EA	SHACKLE - SPRING - REAR
4	112503-01-000	EA	BUSHING - SPRING - REAR
5	071231-01-000	EA	PLATE - FLOOR DOUBLER
6	112415-01-000	EA	SUPPORT - SHACKLE - REAR
7	112414-01-000	EA	PLATE - SPRING CLAMP
8	112413-01-000	EA	BRACKET - U BOLT - REAR SUSPENSION
9	134195-01-000	EA	SPRING - REAR LEAF W/O BUSHINGS
10	113876-01-000	EA	PAD - JOUNCE - REAR SPRING
11	120493-01-01A	EA	AXLE - REAR - DISC BRAKE
12	116712-01-000	EA	BUSHING - SPRING - FRONT
*	100293-03-000	EA	AIR SPRING KIT - W/O WARNING LIGHT SYSTEM - RIALTA
	136662-02-000	EA	BOLT/LUG - CHROME F/RIALTA W/ALUMINUM WHEEL(#L54W OPTION) - STYLIZED ALUMINUM

*COMPONENT PARTS LISTED LATER IN THIS GROUP

CHASSIS GROUP (CONTINUED)
COMPONENT PARTS FOR SUSPENSION

100293-03-000

KEY	PART NUMBER	U/M	DESCRIPTION	VENDOR NO.
	100293-03-700	EA	BAG - PRECHARGED KIT LT. VW	RK-W2L
	100293-03-701	EA	BAG - PRECHARGED KIT RT. VW	RK-W2R
	100293-03-702	EA	VALVE - AIR FILL	T9-AFV

112033-02-000

KEY	PART NUMBER	U/M	DESCRIPTION	VENDOR NO.
	112033-02-700	EA	SHOCK ABSORBER RR(PAIRS ONLY)	

CHASSIS GROUP (CONTINUED)

WHEEL, TIRE, COVERS &/OR LINERS

KEY	PART NUMBER	U/M	DESCRIPTION
	051377-03-000	EA	VALVE STEM
	136663-01-000	EA	VALVE STEM - USED W/16" WHEELS
	077030-08-000	EA	CAP - VALVE STEM - W/SHROUD - CHROME - STYLIZED ALUMINUM WHEELS
	077030-09-000	EA	EXTENSION - VALVE - .75" - METAL
	077030-02-000	EA	EXTENSION - VALVE STEM - 1.25" - PLASTIC
	114387-02-000	EA	HANDLE - JACK - SCREW - 1 PIECE
	114387-03-000	EA	JACK - SCREW - 4000 LB
	116209-01-000	EA	WRENCH - LUG - .75"
*	134261-03-01A	EA	COVER/WHEEL - 16" - SET OF 4 - KAPER II - F/RIALTA - WHEEL COVERS
	137603-01-000	EA	TIRE - 195/65 R16 C 104/102R (FRONT TIRE)
	137603-02-000	EA	TIRE - 215/65 R16 C 109/107R (REAR TIRE)
	137604-01-000	EA	WHEEL - ALUMINUM - 16" X 6" - CHROME/CAST - FRONT/REAR - STYLIZED ALUMINUM WHEELS
	137604-02-000	EA	WHEEL - ALUMINUM - 16" X 6" - PLAIN/ROUGH - SPARE TIRE
	136662-02-000	EA	BOLT/LUG - CHROME F/RIALTA W/ALUMINUM WHEEL - STYLIZED ALUMINUM WHEELS
	137604-03-000	EA	CAP/CENTER - ALUMINUM WHEEL - RIALTA - STYLIZED ALUMINUM WHEELS

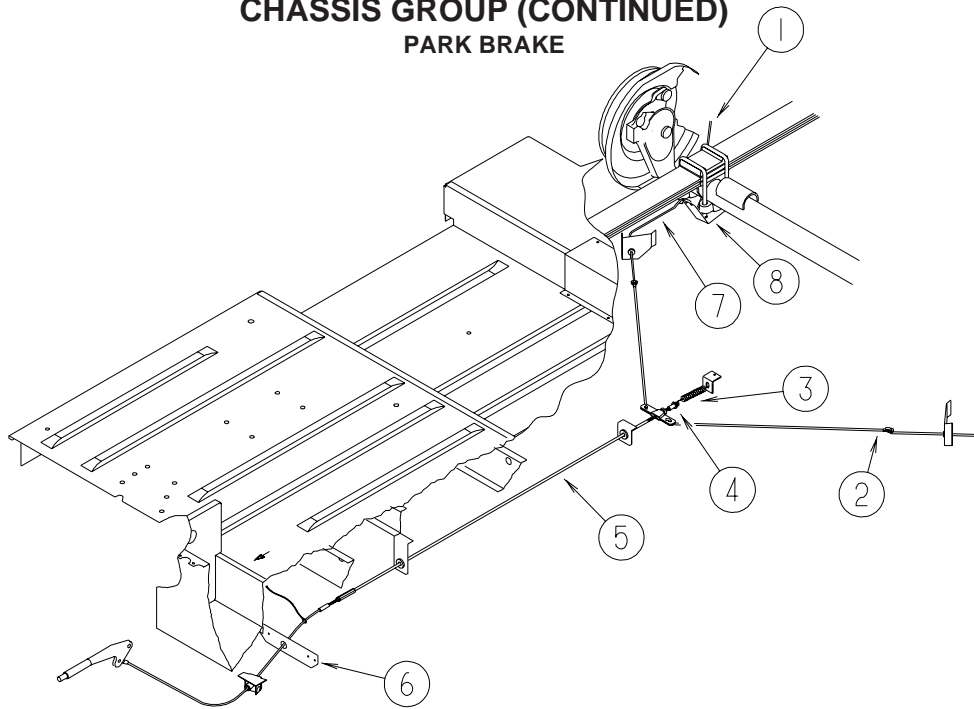
*COMPONENT PARTS LISTED LATER IN THIS GROUP

CHASSIS GROUP (CONTINUED)
COMPONENT PARTS FOR WHEEL, TIRE, COVERS &/OR LINERS

134261-03-01A

KEY	PART NUMBER	U/M DESCRIPTION	VENDOR NO
	134261-03-701	EA COVER WHEEL (1 EA=1 ONLY)	

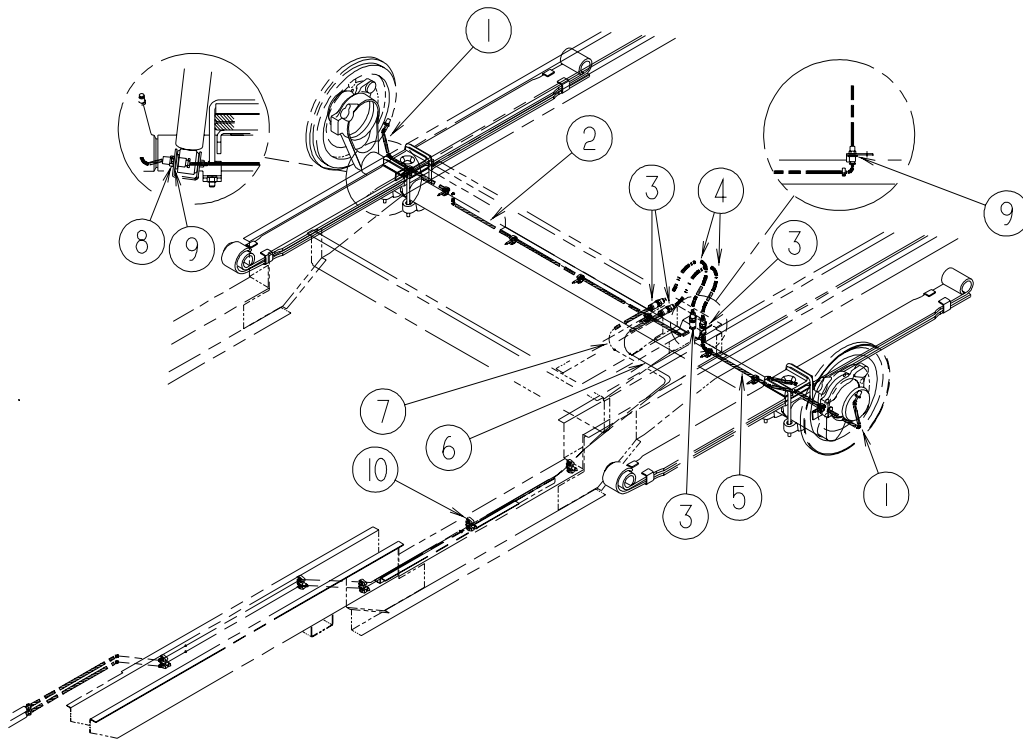
CHASSIS GROUP (CONTINUED)
PARK BRAKE



KEY	PART NUMBER	U/M	DESCRIPTION
1	123961-01-000	EA	CLIP - CABLE - PARK BRAKE
2	123956-01-000	EA	ROD - CONNECTING - PARK BRAKE
3	124053-01-000	EA	SPRING - PARK BRAKE
4	123960-01-000	EA	SPRING - RETAINER - PARK BRAKE
5	120406-02-02B	EA	ROD - THREADED - PARK BRAKE
6	119693-01-02B	EA	BRACKET - PARK BRAKE - E-COATED
	121406-01-01A	EA	BUSHING - THREADED - 2 PIECE NYLON
7	123954-01-000	EA	CABLE - REAR PARK BRAKE W/DISC BRAKES
8	130075-01-02B	EA	BRACKET - PARK BRAKE CABLE/LEFT HAND - E-COATED
8	130075-02-02B	EA	BRACKET - PARK BRAKE CABLE/RIGHT HAND - E-COATED

CHASSIS GROUP (CONTINUED)

BRAKELINE



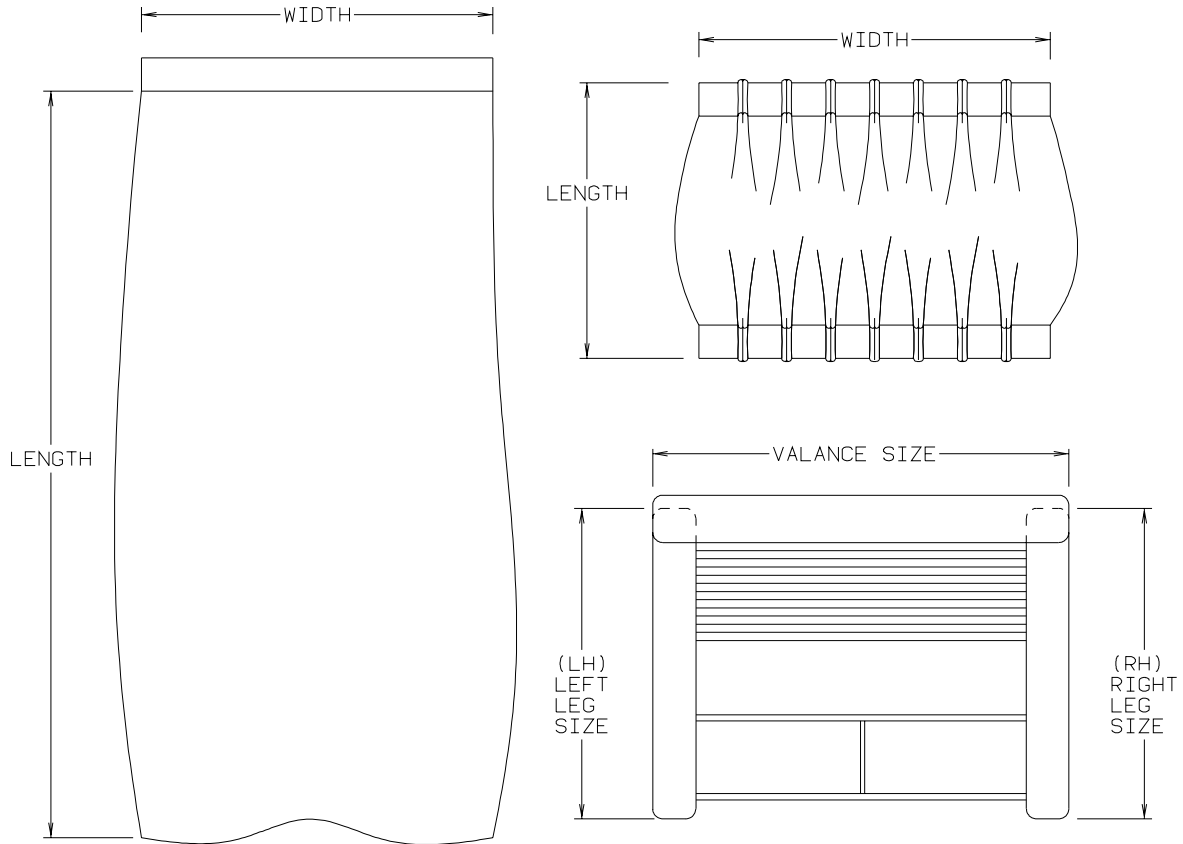
KEY	PART NUMBER	U/M	DESCRIPTION
1	125522-01-000	EA	HOSE - BRAKE LINE
2	121592-01-000	EA	REAR RH BRAKE LINE FOR VW H-BODY WITH REAR DISC BRAKES
3	112638-02-000	EA	CLIP - SPRING - BRAKE HOSE
4	112638-01-000	EA	HOSE - BRAKE LINE/REAR
5	121592-02-000	EA	REAR LH BRAKE LINE FOR THE VW H-BODY WITH REAR DISC BRAKES
6	112640-05-000	EA	BRAKE LINE/FRONT
7	112640-06-000	EA	BRAKE LINE/FRONT
8	125486-01-02B	EA	BRACKET-RETAINING,BRAKE LINE
9	125523-01-000	EA	CLIP - RETAINER
10	088258-02-000	EA	CLIP - RETAINING - FUEL LINE SINGLE - 17 USED

CURTAIN & CUSHION GROUP

NOTICE

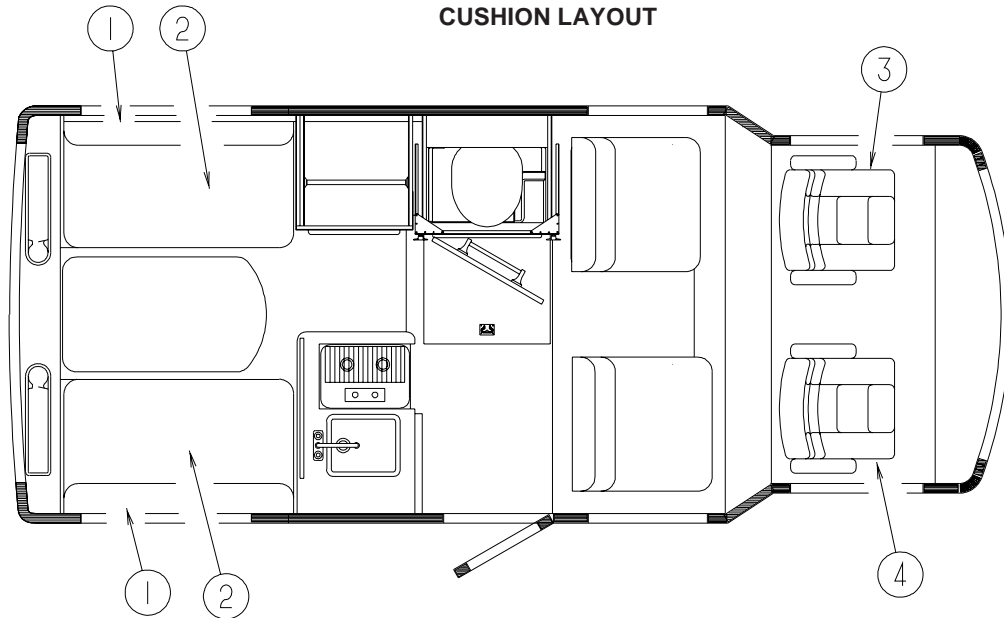
IN ORDER TO ASSIST OUR PARTS SALES DEPT. IN PROVIDING INTERIOR SOFTWARE ITEMS, PLEASE INCLUDE THE SERIAL NUMBER AND THE COLOR CODE NUMBER FROM THE VEHICLE CERTIFICATION LABEL WHEN ORDERING. THIS LABEL IS LOCATED ON THE LEFT SIDEWALL AT THE END OF THE DASH (A-BODY), OR ON THE DRIVER'S DOOR LATCH PLATE (C-BODY).

AN EXAMPLE OF A COLOR CODE NUMBER IS B07, WHICH DESIGNATES AN OVERALL COLOR SCHEME OF A PARTICULAR UNIT. THE COLOR LISTED AFTER THE ITEM DESCRIPTION ON THE MICROFICHE, INDICATES THE OVERALL UNIT COLOR. ORDER THE ITEM YOU DESIRE ACCORDING TO UNIT COLOR CODE. IF ALL COLORS USE THE SAME ITEM NO COLOR CODE WILL BE NOTED.



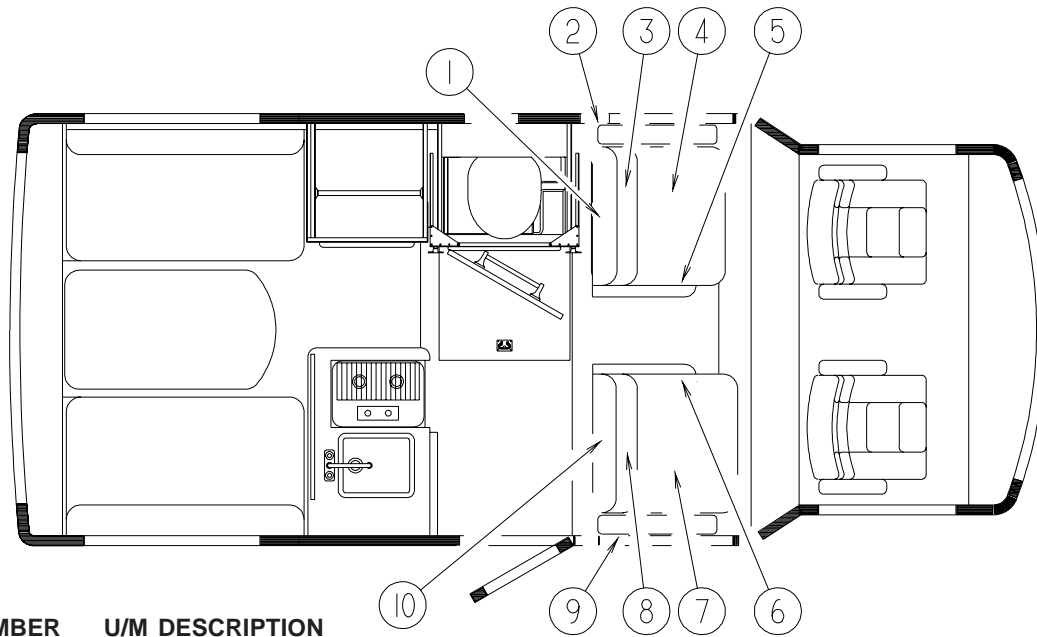
NOTE: USE THIS ILLUSTRATION WHEN DETERMINING LENGTH AND WIDTH MEASUREMENTS FOR CURTAINS. YOU WILL NOTE THE WIDTH MEASUREMENT IS TAKEN ON THE TOP OF THE CURTAIN WITH THE CURTAIN FULLY EXTENDED. THE LENGTH MEASUREMENT IS TAKEN FROM TOP TO BOTTOM. LEFT AND RIGHT WINDOW LEGS ARE DETERMINED WHEN FACING THE WINDOW.

CURTAIN & CUSHION GROUP (CONTINUED)
CUSHION LAYOUT



KEY	PART NUMBER	U/M	DESCRIPTION
1	127861-03-RH0	EA	BACK - DINETTE CUSHION (RH0)
1	127861-03-RH2	EA	BACK - DINETTE CUSHION (RH2)
1	127861-03-RH4	EA	BACK - DINETTE CUSHION (RH4)
1	127861-01-M90	EA	BACK - DINETTE CUSHION - LEATHER FACED SEATS
	P27861-03-RH0	EA	COVER - BACK/DINETTE (RH0)
	P27861-03-RH2	EA	COVER - BACK/DINETTE (RH2)
	P27861-03-RH4	EA	COVER - BACK/DINETTE (RH4)
	P27861-01-M90	EA	COVER - DINETTE BACK - LEATHER FACED SEATS
	123241-03-000	EA	FRAME - DINETTE BACK
2	127861-04-RH0	EA	SEAT - DINETTE CUSHION (RH0)
2	127861-04-RH2	EA	SEAT - DINETTE CUSHION (RH2)
2	127861-04-RH4	EA	SEAT - DINETTE CUSHION (RH4)
2	127861-02-M91	EA	SEAT - DINETTE CUSHION - LEATHER FACED SEATS
	P27861-04-RH0	EA	COVER - DINETTE SEAT (RH0)
	P27861-04-RH2	EA	COVER - DINETTE SEAT (RH2)
	P27861-04-RH4	EA	COVER - DINETTE SEAT (RH4)
	P27861-02-M91	EA	COVER - DINETTE SEAT - LEATHER FACED SEATS
	123241-02-000	EA	FRAME - DINETTE SEAT
	123241-01-000	EA	FRAME - DINETTE BASE
	085358-07-RH2	EA	CUSHION - ARMREST - 5" X 5.5" X 16"
3	127540-08-P90	EA	SEAT - BUCKET - DRIVER - W/LUMBAR SUPPORT/ARMREST (RH0, RH1)
3	127540-08-RH2	EA	SEAT - BUCKET - DRIVER - W/LUMBAR SUPPORT/ARMREST (RH2, RH3)
3	127540-08-RH4	EA	SEAT - BUCKET - DRIVER - W/LUMBAR SUPPORT/ARMREST (RH4, RH5)
3	127851-01-M90	EA	SEAT - BUCKET - W/LUMBAR SUPPORT/ARMREST - LEATHER FACED SEATS
4	127540-13-P90	EA	SEAT - BUCKET - PASSENGER - W/ARMREST (RH0, RH1)
4	127540-13-RH2	EA	SEAT - BUCKET - PASSENGER - W/ARMREST (RH2, RH3)
4	127540-13-RH4	EA	SEAT - BUCKET - PASSENGER - W/ARMREST (RH4, RH5)
4	127851-03-M90	EA	SEAT - BUCKET - PASSENGER - W/ARMREST - LEATHER FACED SEATS

CURTAIN & CUSHION GROUP (CONTINUED)
CUSHION LAYOUT (CONTINUED)



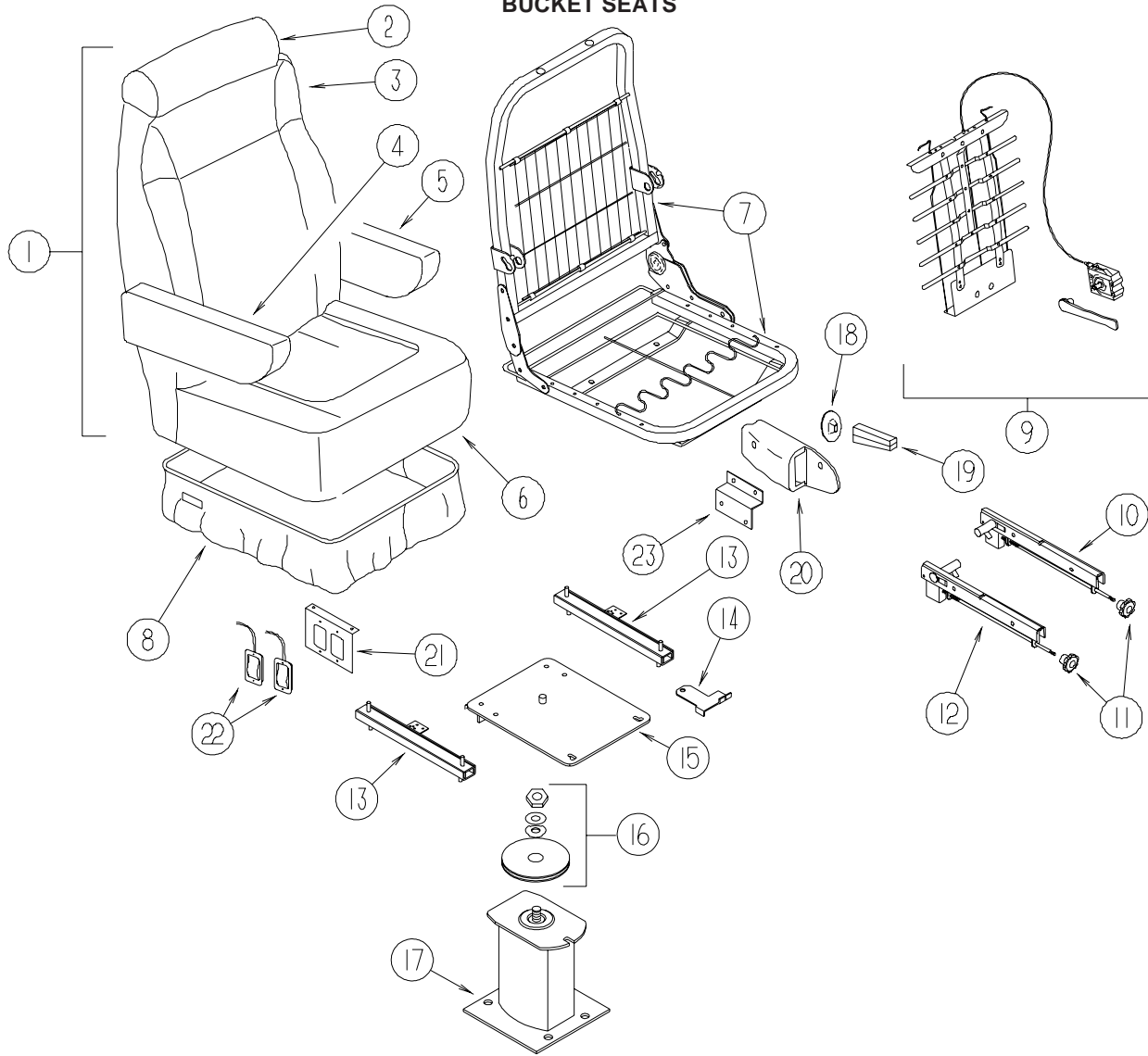
KEY	PART NUMBER	U/M	DESCRIPTION
1	121021-06-P90	EA	HEADREST - DRIVER COMPANION (RH0)
1	121021-06-RH2	EA	HEADREST - COMPANION (RH2)
1	121021-06-RH4	EA	HEADREST - COMPANION (RH4)
1	121021-04-K76	EA	HEADREST - COMPANION CHAIR - LEATHER FACED SEATS
	P21021-06-P90	EA	COVER/HEADREST - DRIVER COMPANION (RH0)
	P21021-06-RH2	EA	COVER/HEADREST - DRIVER COMPANION (RH2)
	P21021-06-RH4	EA	COVER/HEADREST - DRIVER COMPANION (RH4)
	P21021-04-K76	EA	COVER - HEADREST - DRIVER COMPANION - LEATHER FACED SEATS
	113991-10-000	EA	FRAME/GROMMET - F/HEADREST
	113991-12-000	EA	FRAME/HEADREST BRACKET - DRIVER
2	127860-04-P90	EA	SEAT - CENTER COMPANION (RH0)
2	127860-04-RH2	EA	SEAT - CENTER COMPANION (RH2)
2	127860-04-RH4	EA	SEAT - CENTER COMPANION (RH4)
2	127860-01-K76	EA	SEAT/CENTER - DRIVER COMPANION - LEATHER FACED SEATS
	P27860-04-P90	EA	COVER - CENTER - DRIVER COMPANION (RH0)
	P27860-04-RH2	EA	COVER - CENTER - DRIVER COMPANION (RH2)
	P27860-04-RH4	EA	COVER - CENTER - DRIVER COMPANION (RH4)
	P27860-01-K76	EA	COVER - CENTER - DRIVER COMPANION - LEATHER FACED SEATS
	113991-06-000	EA	FRAME/FILLER - COMPANION
	113991-14-000	EA	GUIDE SUPPORT - AISLE FILLER
	113991-15-000	EA	CUSHION SUPPORT - AISLE FILLER
	113991-16-000	EA	LOCATER/DRIVER - AISLE FILLER
	115327-01-000	EA	PANEL/CENTER - COMPANION SEAT
3	127858-04-P90	EA	BACK - DRIVER COMPANION (RH0)
3	127858-04-RH2	EA	BACK - DRIVER COMPANION (RH2)
3	127858-04-RH4	EA	BACK - DRIVER COMPANION (RH4)
3	127858-02-M90	EA	SEAT/BACK - DRIVER COMPANION - LEATHER FACED SEATS
	P27858-04-P90	EA	COVER/BACK - DRIVER COMPANION (RH0)
	P27858-04-RH2	EA	COVER/BACK - DRIVER COMPANION (RH2)
	P27858-04-RH4	EA	COVER/BACK - DRIVER COMPANION (RH4)
	P27858-02-M90	EA	COVER - BACK - DRIVER COMPANION - LEATHER FACED SEATS
	113991-05-000	EA	FRAME/BACK - COMPANION/DRIVER
	115987-01-03A	EA	PANEL/MECHANISM COVER/SEAT BACK - COMPANION SEAT
4	127859-04-P90	EA	SEAT - DRIVER COMPANION (RH0)
4	127859-04-RH2	EA	SEAT - DRIVER COMPANION (RH2)
4	127859-04-RH4	EA	SEAT - DRIVER COMPANION (RH4)
4	127859-06-P90	EA	SEAT/BOTTOM - DRIVER COMPANION - LEATHER FACED SEATS
	P27859-04-P90	EA	COVER/SEAT - DRIVER COMPANION (RH0)
	P27859-04-RH2	EA	COVER/SEAT - DRIVER COMPANION (RH2)
	P27859-04-RH4	EA	COVER/SEAT - DRIVER COMPANION (RH4)
	P27859-06-P90	EA	COVER - SEAT - DRIVER COMPANION - LEATHER FACED SEATS
	113991-22-000	EA	FRAME/SEAT - COMPANION/DRIVER

CURTAIN & CUSHION GROUP (CONTINUED)
CUSHION LAYOUT (CONTINUED)

KEY	PART NUMBER	U/M	DESCRIPTION
5	114940-05-K76	EA	ARMREST/LEFT HAND - F/RH COMPANION SEAT
	P14940-05-K76	EA	COVER - ARMREST - PASSENGER COMPANION
	113991-07-000	EA	FRAME/ARMREST BRACKET - RIGHT HAND/LEFT HAND
6	114940-06-K76	EA	ARMREST/RIGHT HAND - F/LH COMPANION SEAT
	P14940-06-K76	EA	COVER - ARMREST - DRIVER COMPANION
	113991-07-000	EA	FRAME/ARMREST BRACKET - RIGHT HAND/LEFT HAND
7	127859-03-P90	EA	SEAT - PASSENGER COMPANION (RH0)
7	127859-03-RH2	EA	SEAT - PASSENGER COMPANION (RH2)
7	127859-03-RH4	EA	SEAT - PASSENGER COMPANION (RH4)
7	127859-05-P90	EA	SEAT/BOTTOM - COMPANION - LEATHER FACED SEATS
	P27859-03-P90	EA	COVER - SEAT - PASSENGER COMPANION (RH0)
	P27859-03-RH2	EA	COVER - SEAT - PASSENGER COMPANION (RH2)
	P27859-03-RH4	EA	COVER - SEAT - PASSENGER COMPANION (RH4)
	P27859-05-P90	EA	COVER - SEAT - COMPANION - LEATHER FACED SEATS
	113991-21-000	EA	FRAME/SEAT - COMPANION/PASSENGER
8	127858-03-P90	EA	BACK - PASSENGER COMPANION (RH0)
8	127858-03-RH2	EA	BACK - PASSENGER COMPANION (RH2)
8	127858-03-RH4	EA	BACK - PASSENGER COMPANION (RH4)
8	127858-01-M90	EA	SEAT/BACK - PASSENGER COMPANION - LEATHER FACED SEATS
	P27858-03-P90	EA	COVER - BACK - PASSENGER COMPANION (RH0)
	P27858-03-RH2	EA	COVER - BACK - PASSENGER COMPANION (RH2)
	P27858-03-RH4	EA	COVER - BACK - PASSENGER COMPANION (RH4)
	P27858-01-M90	EA	COVER - BACK - PASSENGER COMPANION - LEATHER FACED SEATS
	113991-11-000	EA	FRAME/BACK - COMPANION/PASSENGER
	115987-01-03A	EA	PANEL/MECHANISM COVER/SEAT BACK - COMPANION SEAT
9	127860-04-P90	EA	SEAT - CENTER COMPANION (RH0)
9	127860-04-RH2	EA	SEAT - CENTER COMPANION (RH2)
9	127860-04-RH4	EA	SEAT - CENTER COMPANION (RH4)
9	127860-02-K76	EA	SEAT/CENTER - PASSENGER COMPANION - LEATHER FACED SEATS
	P27860-04-P90	EA	COVER - CENTER - COMPANION (RH0)
	P27860-04-RH2	EA	COVER - CENTER - COMPANION (RH2)
	P27860-04-RH4	EA	COVER - CENTER - COMPANION (RH4)
	P27860-02-K76	EA	COVER - CENTER - PASSENGER COMPANION - LEATHER FACED SEATS
	113991-06-000	EA	FRAME/FILLER - COMPANION
	113991-14-000	EA	GUIDE SUPPORT - AISLE FILLER
	113991-15-000	EA	CUSHION SUPPORT - AISLE FILLER
	113991-17-000	EA	LOCATER/PASSENGER - AISLE FILLER
	115327-01-000	EA	PANEL/CENTER - COMPANION SEAT
10	121021-05-P90	EA	HEADREST - PASSENGER COMPANION (RH0)
10	121021-05-RH2	EA	HEADREST - PASSENGER COMPANION (RH2)
10	121021-05-RH4	EA	HEADREST - PASSENGER COMPANION (RH4)
10	121021-03-K76	EA	HEADREST - COMPANION CHAIR - PASSENGER - LEATHER FACED SEATS
	P21021-05-P90	EA	COVER/HEADREST - PASSENGER COMPANION (RH0)
	P21021-05-RH2	EA	COVER/HEADREST - PASSENGER COMPANION (RH2)
	P21021-05-RH4	EA	COVER/HEADREST - PASSENGER COMPANION (RH4)
	P21021-03-K76	EA	COVER - HEADREST - PASSENGER COMPANION - LEATHER FACED SEATS
	113991-10-000	EA	FRAME/GROMMET - F/HEADREST
	113991-09-000	EA	FRAME/HEADREST BRACKET - PASSENGER

CURTAIN & CUSHION GROUP (CONTINUED)

BUCKET SEATS



KEY	PART NUMBER	U/M	DESCRIPTION
1	127540-08-P90	EA	SEAT - BUCKET - DRIVER - W/LUMBAR SUPPORT/ARMREST (RH0, RH1)
1	127540-08-RH2	EA	SEAT - BUCKET - DRIVER - W/LUMBAR SUPPORT/ARMREST (RH2, RH3)
1	127540-08-RH4	EA	SEAT - BUCKET - DRIVER - W/LUMBAR SUPPORT/ARMREST (RH4, RH5)
1	127851-01-M90	EA	SEAT - BUCKET - W/LUMBAR SUPPORT/ARMREST - LEATHER FACED SEATS
1	127540-13-P90	EA	SEAT - BUCKET - PASSENGER - W/ARMREST (RH0, RH1)
1	127540-13-RH2	EA	SEAT - BUCKET - PASSENGER - W/ARMREST (RH2, RH3)
1	127540-13-RH4	EA	SEAT - BUCKET - PASSENGER - W/ARMREST (RH4, RH5)
1	127851-03-M90	EA	SEAT - BUCKET - PASSENGER - W/ARMREST - LEATHER FACED SEATS
2	119509-01-K86	EA	HEADREST - BUCKET SEAT
2	119509-03-K76	EA	HEADREST - BUCKET SEAT - LEATHER FACED SEATS
	P19509-01-K86	EA	COVER - HEADREST
	P19509-03-K76	EA	COVER - HEADREST - LEATHER FACED SEATS
	113977-12-000	EA	HEADREST INSERT - W/O LOCK
	113977-13-000	EA	HEADREST INSERT - W/LOCK
3	M05962-75-P90	EA	COVER - BACK (RH0, RH1)
3	M05962-75-RH2	EA	COVER - BACK (RH2, RH3)
3	M05962-75-RH4	EA	COVER - BACK (RH4, RH5)
3	M05962-76-M90	EA	COVER - BACK - LEATHER FACED SEATS
4	129666-05-K76	EA	ARMREST - RIGHT HAND
4	129716-01-K76	EA	ARMREST - RIGHT HAND - LEATHER FACED SEATS
	P29666-05-K76	EA	COVER - ARMREST/RIGHT HAND
	P29716-01-K76	EA	COVER - ARMREST/RIGHT HAND - LEATHER FACED SEATS
	130699-01-000	EA	ARMREST/MOLDED - RIGHT - W/O COVER

CURTAIN & CUSHION GROUP (CONTINUED)
BUCKET SEATS (CONTINUED)

KEY	PART NUMBER	U/M	DESCRIPTION
5	129666-06-K76	EA	ARMREST - LEFT HAND
5	129716-02-K76	EA	ARMREST - LEFT HAND - LEATHER FACED SEATS
	P29666-06-K76	EA	COVER - ARMREST/LEFT HAND
	P29716-02-K76	EA	COVER - ARMREST/LEFT HAND - LEATHER FACED SEATS
	130699-02-000	EA	ARMREST/MOLDED - LEFT - W/O COVER
6	M05962-52-P90	EA	COVER - SEAT (RH0, RH1)
6	M05962-52-RH2	EA	COVER - SEAT (RH2, RH3)
6	M05962-52-RH4	EA	COVER - SEAT (RH4, RH5)
6	M05962-77-M90	EA	COVER - SEAT - LEATHER FACED SEATS
7	134532-02-000	EA	FRAME/SEAT - BACK/NARROW/RIGHT - PASSENGER SIDE
7	134532-03-000	EA	FRAME/SEAT - BACK/NARROW/LEFT - DRIVER SIDE
8	071126-41-K77	EA	SKIRT - SINGLE - 7" W/SLOT
9*	122611-02-000	EA	LUMBAR - W/LEVER
10	122622-05-000	EA	BRACKET - ARMREST/LEFT HAND
11	122622-06-000	EA	KNOB - W/3/8" THREAD INSERT
12	122622-04-000	EA	BRACKET - ARMREST/RIGHT HAND
13	131566-04-000	EA	SLIDE/SEAT - HEAVY DUTY LOCKING - 5"
14	117125-01-02B	EA	BRACKET - CABLE MOUNT - ADJUSTER W/LOCK
15	133408-15-000	EA	TOP PLATE - PASSENGER SIDE
15	133408-07-000	EA	TOP PLATE - W/O BAR - DRIVER SIDE
16	107921-06-000	EA	BEARING KIT - PEDESTAL
17	133408-12-000	EA	PEDESTAL/SEAT - DRIVER - H-BODY
17	133408-13-000	EA	PEDESTAL/SEAT - PASSENGER - H-BODY
18	080730-09-000	EA	SHIELD - RECLINER HANDLE - LEATHER FACED SEATS
19	080730-08-000	EA	HANDLE - RECLINER - LEATHER FACED SEATS
20	080730-11-000	EA	SHIELD - RUBBER BOOT - LEATHER FACED SEATS
21	127159-02-02B	EA	BRACKET - SEAT RELEASE - DUAL REMOTE - E-COATED
22	108049-04-000	EA	CABLE - W/MINI LEVER ACTION SWITCH - 28" SHEATH/30" CABLE
	130802-01-000	EA	LEVER - LEFT HAND
	130802-02-000	EA	LEVER - RIGHT HAND
	130802-03-000	EA	SCREW - F/LEVER
23	147457-01-02B	EA	BRACKET - ZEE W/HOLES - 2.8" - E-COATED

FROM: 05-19-03 THRU: 99-99-99

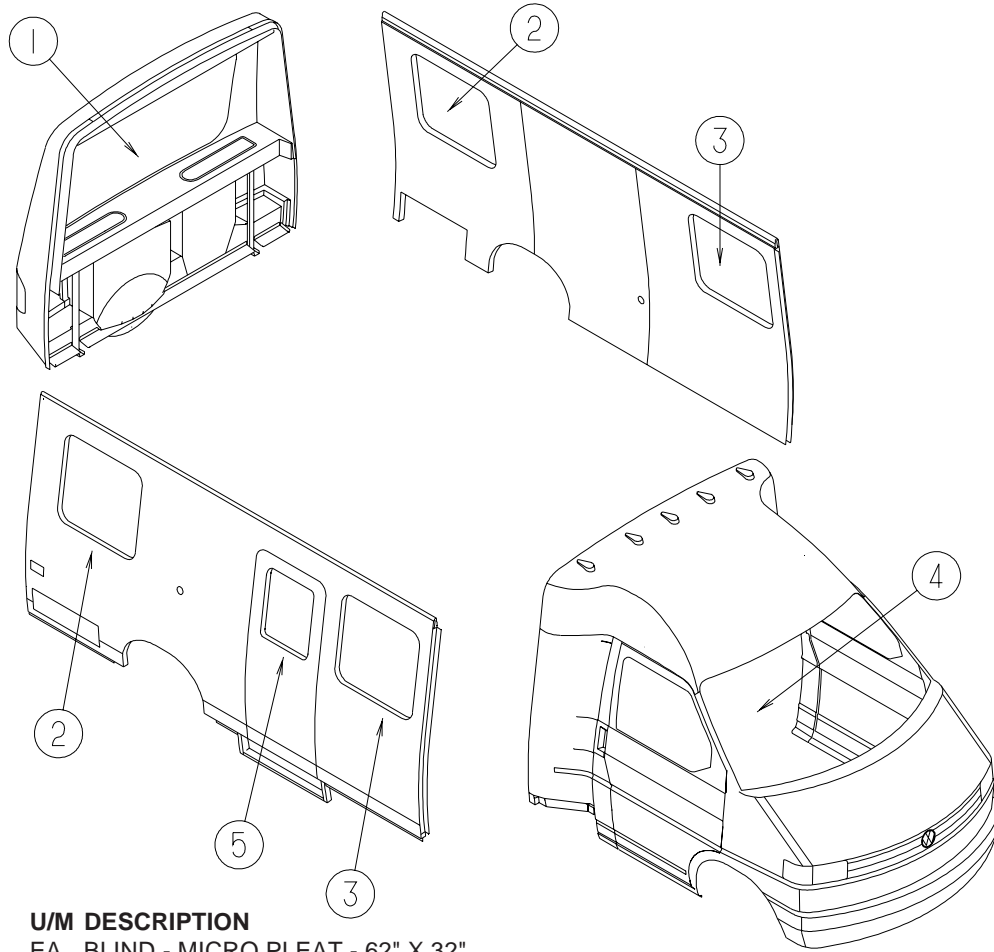
***COMPONENT PARTS LISTED LATER IN THIS GROUP**

COMPONENT PARTS FOR BUCKET SEATS

KEY	PART NUMBER	U/M	DESCRIPTION	VENDOR NO.
			122611-02-000	
	122611-02-701	EA	LUMBAR - LEVER	412
	122611-02-702	EA	LUMBAR MECHANISM	24395-FLEXSTEEL

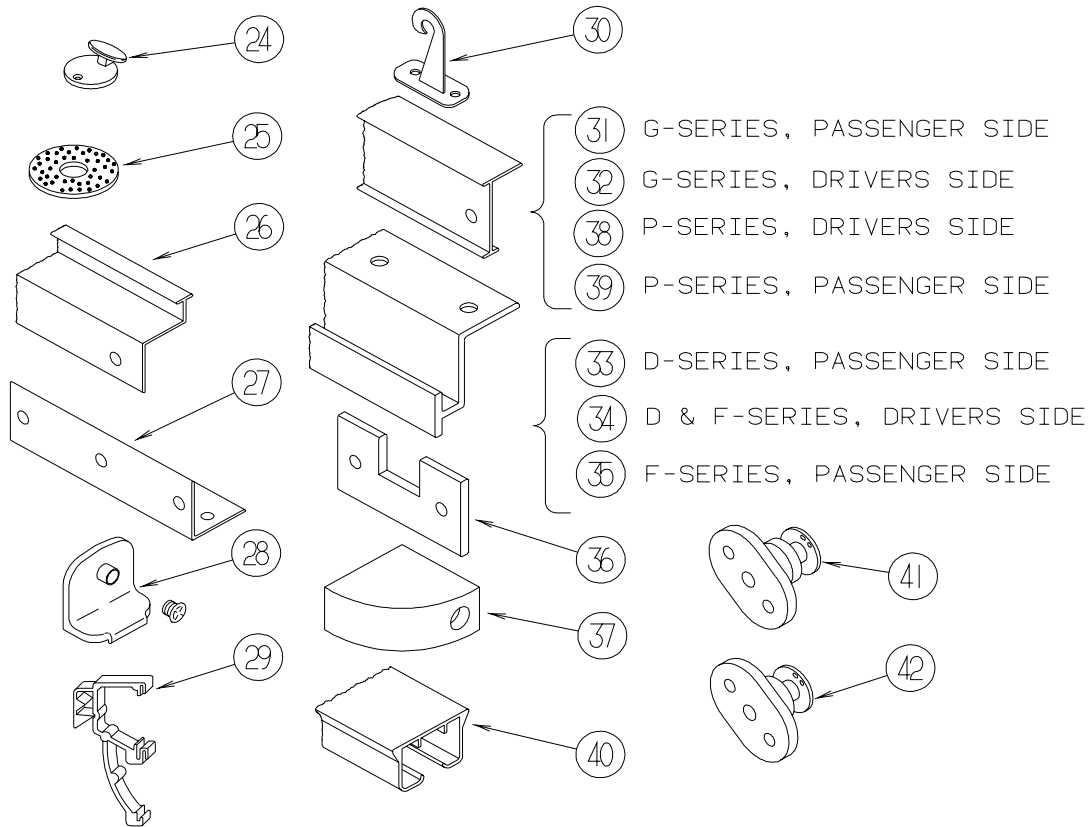
CURTAIN & CUSHION GROUP (CONTINUED)

WINDOW TREATMENT



KEY	PART NUMBER	U/M	DESCRIPTION
1	119405-16-N91	EA	BLIND - MICRO PLEAT - 62" X 32"
2	113637-27-P90	EA	VALANCE - ROSEANNE - 40" (RH0)
2	113637-27-RH2	EA	VALANCE - ROSEANNE - 40" (RH2)
2	113637-27-RH4	EA	VALANCE - ROSEANNE - 40" (RH4)
2	119405-13-N91	EA	BLIND - MICRO PLEAT - 39" X 28.5"
3	113637-32-P90	EA	VALANCE - ROSEANNE - 30.5" (RH0)
3	113637-32-RH2	EA	VALANCE - ROSEANNE - 30.5" (RH2)
3	113637-32-RH4	EA	VALANCE - ROSEANNE - 30.5" (RH4)
3	119405-15-N91	EA	BLIND - MICRO PLEAT - 28" X 26.5"
4	077591-14-H70	EA	CURTAIN - 26" X 114"
5	113637-33-P90	EA	VALANCE - ROSEANNE - 27.5" (RH0)
5	113637-33-RH2	EA	VALANCE - ROSEANNE - 27.5" (RH2)
5	113637-33-RH4	EA	VALANCE - ROSEANNE - 27.5" (RH4)
5	084755-39-RH0	EA	SHADE - PULL - 26.25"
	109353-09-01A	EA	BLIND - SLAT - 21' - ALABASTER PEARL
	117640-03-G47	EA	CURTAIN - SHOWER - RIGHT HAND/INSIDE LOOKING OUT
	117640-04-G47	EA	CURTAIN - SHOWER - LEFT HAND/INSIDE LOOKING OUT

CURTAIN & CUSHION GROUP (CONTINUED)
HARDWARE (CONTINUED)



KEY	PART NUMBER	U/M	DESCRIPTION
24	102555-03-000	EA	CLEAT - BLIND CORD - MILKY WHITE - PLASTIC
25	103242-01-000	EA	VELCRO HOOK - BEIGE 7/8" ROUND W/CENTER HOLE
25	103242-02-000	EA	VELCRO HOOK - BLACK 7/8" ROUND W/CENTER HOLE
26	105450-14-01A	EA	TRACK - CURTAIN - 90" - OFF WHITE - FRONT BUNK PRIVACY 300 SERIES (MINNIE/SPIRIT)
26	105450-15-01A	EA	TRACK - CURTAIN - 82.3" - OFF WHITE - FRONT BUNK PRIVACY 200 SERIES (VISTA/SUNSTAR)
27	105648-01-02A	EA	BRACE - VALANCE - OFF/WHITE - 14"
28	106544-01-000	EA	PULL - SHADE/BRASS
	106544-01-001	EA	SCREW - SHADE/BRASS
29	109353-04-000	EA	CLIP - VALANCE SLAT MOUNTING - CLEAR PLASTIC
	109441-02-000	EA	SPACER/BRACKET - BLIND HOLD DOWN
30	109441-03-000	EA	BRACKET/HOOK - BLIND HOLD DOWN - NEW DESIGN/CLEAR
31	126456-03-04A	EA	TRACK/WRAPAROUND - PASSENGER - GLACIER - G SERIES (ADVENTURER/SUNCRUISER)
32	126456-04-04A	EA	TRACK/WRAPAROUND - DRIVER - GLACIER - G SERIES (ADVENTURER/SUNCRUISER)
33	127254-03-05A	EA	TRACK/WRAPAROUND - PASSENGER - GLACIER - D SERIES (SIGHTSEER/SUNOVA)
			FROM: 00-00-00 THRU: 09-07-03
33	127254-14-03A	EA	TRACK/WRAP - PASS - GLACIER - D SERIES (SIGHTSEER/SUNOVA)
			FROM: 09-08-03 THRU: 99-99-99
34	127254-04-05A	EA	TRACK/WRAP - DRIVER - GLACIER - D SERIES/F SERIES (SIGHTSEER/SUNOVA/BRAVE/SUNRISE)
35	127254-14-03A	EA	TRACK/WRAP - PASS - GLACIER - F SERIES (BRAVE/SUNRISE)
36	130549-01-01A	EA	STOP - CURTAIN TRACK
37	132504-01-N92	EA	BRACKET - SHADE
38	146591-01-01A	EA	TRACK - CURTAIN - LEFT HAND - GLACIER - P SERIES (JOURNEY/MERIDIAN)
39	146591-02-01A	EA	TRACK - CURTAIN - RIGHT HAND - GLACIER - P SERIES (JOURNEY/MERIDIAN)
40	138460-01-02A	EA	TRACK/CURTAIN - PASSENGER - WHITE - Q SERIES (ULTIMATE ADVANTAGE/ULTIMATE FREEDOM)
	138460-02-02A	EA	TRACK/CURTAIN - DRIVER - WHITE - Q SERIES (ULTIMATE ADVANTAGE/ULTIMATE FREEDOM)
40	138460-05-02A	EA	TRACK/CURTAIN - PASSENGER - WHITE - L SERIES (CHIEFTAIN/SUNFLYER)
	138460-06-02A	EA	TRACK/CURTAIN - DRIVER - WHITE - L SERIES (CHIEFTAIN/SUNFLYER)
40	138460-07-02A	EA	TRACK/CURTAIN - PASSENGER - WHITE - S SERIES (VECTRA/HORIZON)
	138460-08-02A	EA	TRACK/CURTAIN - DRIVER - WHITE - S SERIES (VECTRA/HORIZON)
41	141634-01-000	EA	BRACKET-(BOBBIN TYPE) 7/8"H HOLDUPBASE(OVAL)-2 HOLE-CLEAR
42	143805-01-000	EA	BRACKET-(BOBBIN TYPE) 1/2"H HOLDUPBASE(OVAL)-2 HOLES CLEAR

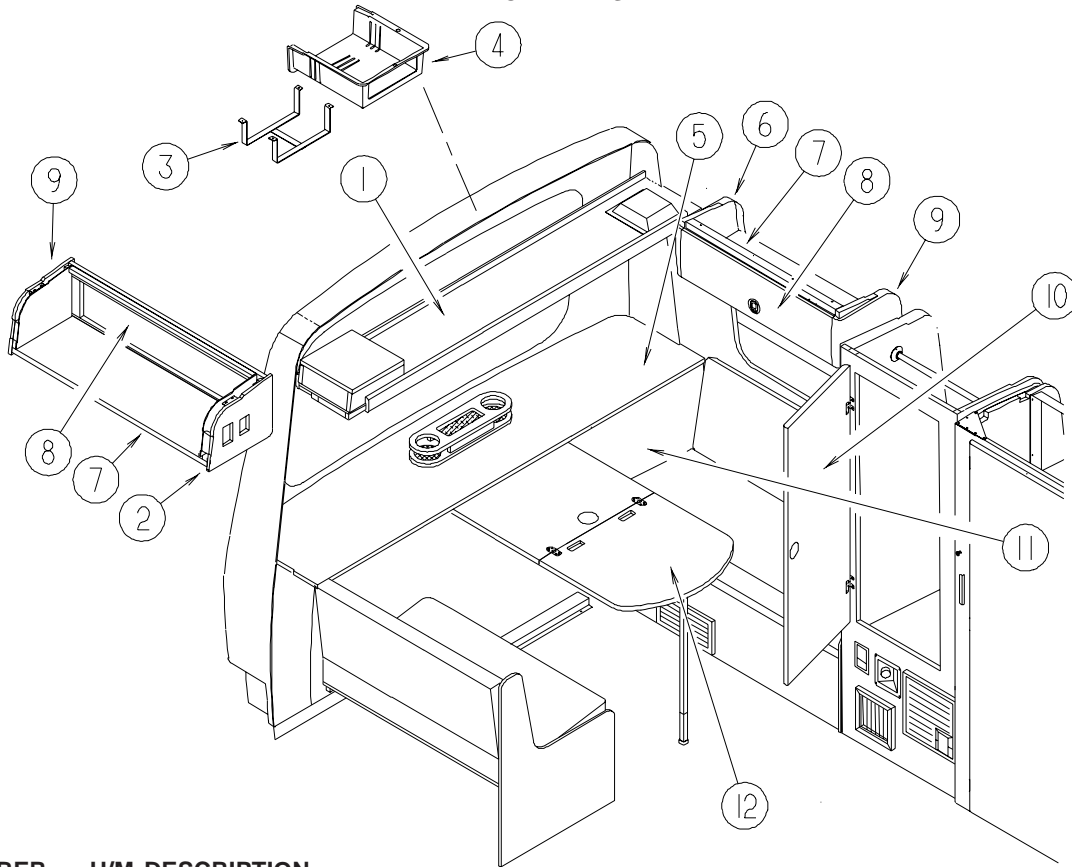
CURTAIN & CUSHION GROUP (CONTINUED)
ACCESSORIES

KEY	PART NUMBER	U/M	DESCRIPTION
	057534-02-000	EA	TIEBACK - CLEAR PLASTIC - 3"
	057534-10-000	EA	TIEBACK - CLEAR PLASTIC - 4"
	079349-04-K86	YD	WELT - NARROW
	089275-01-000	FT	STRIP - 3/4" X 96" - CLEAR POLYETHYLENE
	109146-01-000	EA	BOLT - SHOULDER/SEAT BELT
	114258-01-01A	EA	SEAT BELT - 2" X 90" - BLACK
	143116-01-01A	EA	BELT - SEAT - 3 POINT - PASSENGER
	143116-02-01A	EA	BELT - SEAT - 3 POINT - DRIVER
	099717-08-000	EA	STRAP - W/7.8" FEMALE STRAP AND 25.9" MALE STRAP - COMPANION SEATS(2)
	074494-03-000	EA	BUTTON - SERRATED PIVOT - W/3/8 TACK
	074494-05-000	EA	BUTTON - SINGLE PIVOT - #30
	118337-17-P90	EA	BUTTON - #30 - BLACK LEATHER - LEATHER FACED SEATS

CURTAIN & CUSHION GROUP (CONTINUED)
FABRICS

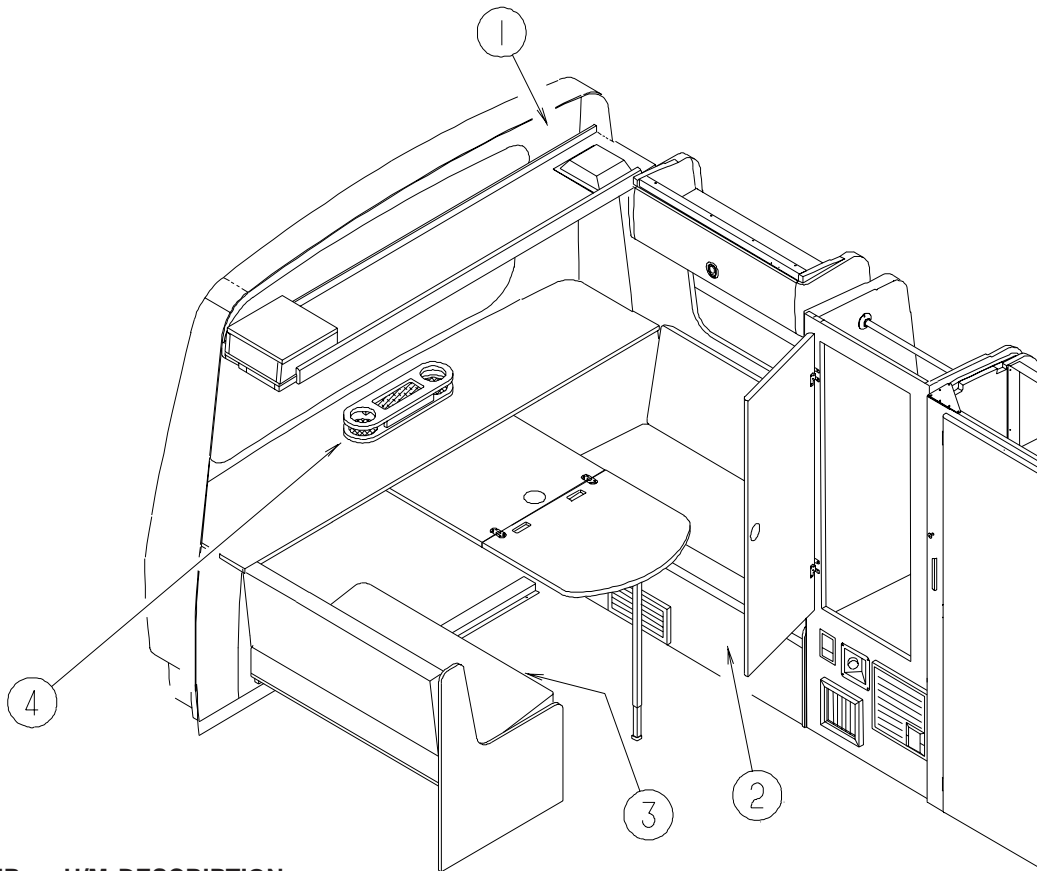
FAMILY	RH0/RH1 GRAY SLATE	RH2/RH3 OCEAN PACIFIC	RH4/RH5 GREENWICH GREEN
2004 RIALTA			
BUCKETS	521 W/ADJ. ARMS	521 W/ADJ. ARMS	521 W/ADJ. ARMS
	DRIVER'S W/LUMBAR	DRIVER'S W/LUMBAR	DRIVER'S W/LUMBAR
	126883-J8/079680-30-000	126883-T3/079680-30-000	126883-S4/079680-30-000
	*550 W/ADJ. ARMS	*550 W/ADJ. ARMS	*550 W/ADJ. ARMS
	*LEATHER	*LEATHER	*LEATHER
LOUNGE CHAIR	SIERRA	SIERRA	SIERRA
	126883-J8-000	126883-T3-000	126883-S4-000
	*OPT. LEATHER 079680-30	*OPT. LEATHER 079680-30	*OPT. LEATHER 079680-30
DINETTE	710	710	710
	126883-J8/079680-30-000	126883-T3/079680-30-000	126883-S4/079680-30-000
	*OPT. LEATHER	*OPT. LEATHER	*OPT. LEATHER
COMPANIONS	720	720	720
	126883-J8/079680-30-000	126883-T3/079680-30-000	126883-S4/079680-30-000
	*OPT. LEATHER 079680-30	*OPT. LEATHER 079680-30	*OPT. LEATHER 079680-30
LOUNGE WINDOWS	ROSEANNNE	ROSEANNNE	ROSEANNNE
	126883-J8/079680-30-000	126883-T3/079680-30-000	126883-S4/079680-30-000
FWA FULLY LINED	072333-88-000	072333-88-000	072333-88-000
	CLOUDS CHROME	CLOUDS CHROME	CLOUDS CHROME
DRAPERY LINING	087272-03-000	087272-03-000	087272-03-000
	IVORY - 54"	IVORY - 54"	IVORY - 54"
GALLEY MICRO BLIND	ALABASTER PEARL	ALABASTER PEARL	ALABASTER PEARL
MICRO PLEATEDS	094911-61-000 CHROME	094911-61-000 CHROME	094911-61-000 CHROME
SHOWER CURTAIN	VANILLA 075244-10-000	VANILLA 075244-10-000	VANILLA 075244-10-000
DINETTE TRIM & TRANS. PANELS	079680-30-000	079680-30-000	079680-30-000
FLOOR MATS	CARPET 139056-19-000	CARPET 139056-06-000	CARPET 096060-F0-000
	TAPE 102695-24-000	TAPE 102695-22-000	TAPE 102695-28-000
BEDSPREAD	126883-J8-000	126883-T3-000	126883-S4-000
SHAMS	QUILTED W/.5"NON-GATH.	QUILTED W/.5"NON-GATH.	QUILTED W/.5"NON-GATH.
	SELF WELT 126883-J8-000	SELF WELT 126883-T3-000	SELF WELT 126883-S4-000
	*OPT. TWINS KING SHAMS	*OPT. TWINS KING SHAMS	*OPT. TWINS KING SHAMS
CEILING MATERIAL	SOFT CLOUD/PEARL CREAM	SOFT CLOUD/PEARL CREAM	SOFT CLOUD/PEARL CREAM
	82"	82"	82"
	113979-15-01A	113979-15-01A	113979-15-01A

DINETTE GROUP CABINETS



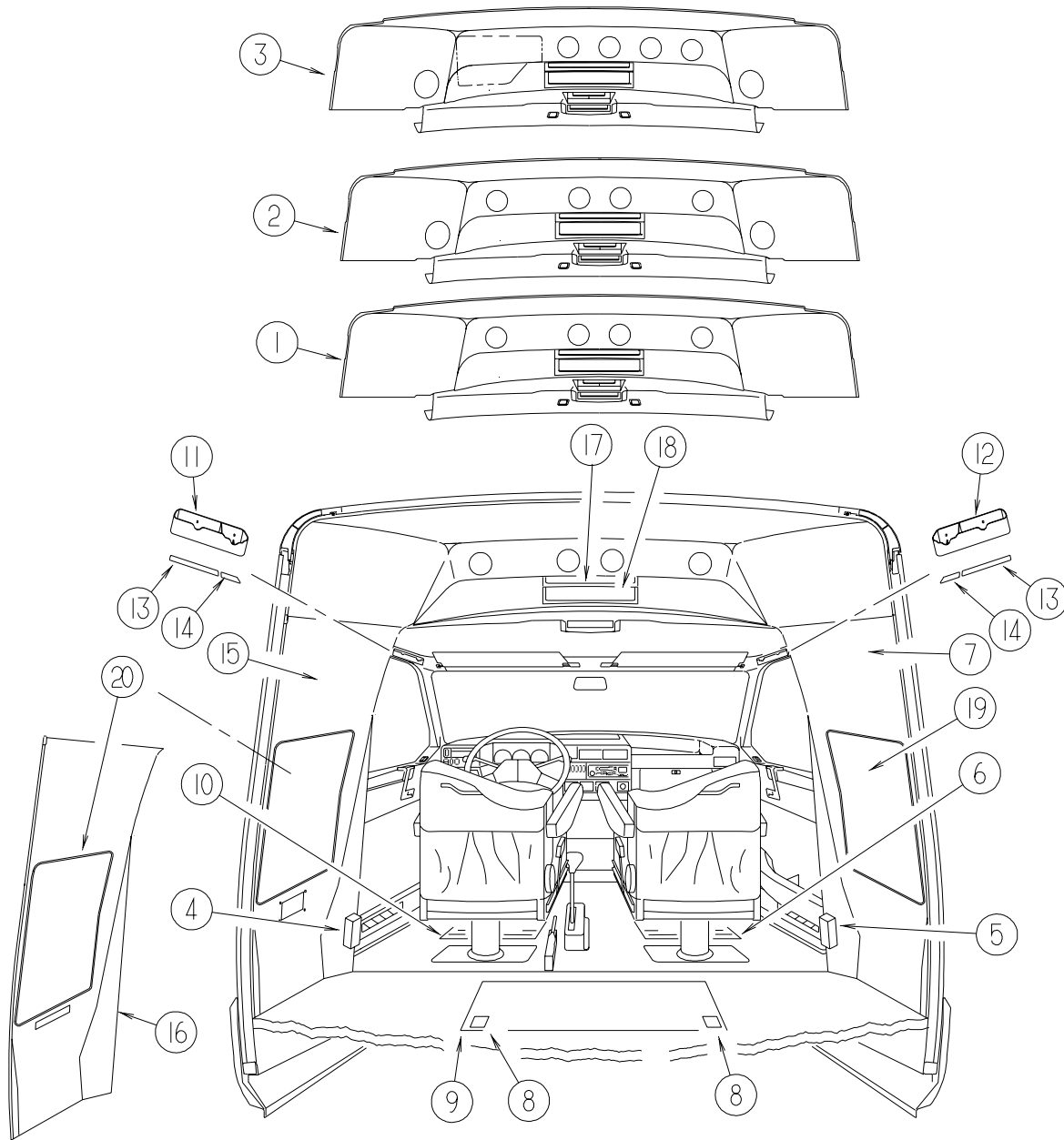
KEY	PART NUMBER	U/M	DESCRIPTION
1	133666-01-P90	EA	CABINET/SHELF - OVERHEAD - W/O HARDWARE (RH0)
1	133666-01-RH2	EA	CABINET/SHELF - OVERHEAD - W/O HARDWARE (RH2)
1	133666-01-RH4	EA	CABINET/SHELF - OVERHEAD - W/O HARDWARE (RH4)
1	133666-02-P90	EA	CABINET/SHELF - OVERHEAD - W/O HARDWARE (RH0) - DELUXE SOUND SYSTEM
1	133666-02-RH2	EA	CABINET/SHELF - OVERHEAD - W/O HARDWARE (RH2) - DELUXE SOUND SYSTEM
1	133666-02-RH4	EA	CABINET/SHELF - OVERHEAD - W/O HARDWARE (RH4) - DELUXE SOUND SYSTEM
1	133666-03-P90	EA	CABINET/SHELF - OVERHEAD - W/O HARDWARE (RH0) - 9" AC/DC TV W/REMOTE
1	133666-03-RH2	EA	CABINET/SHELF - OVERHEAD - W/O HARDWARE (RH2) - 9" AC/DC TV W/REMOTE
1	133666-03-RH4	EA	CABINET/SHELF - OVERHEAD - W/O HARDWARE (RH4) - 9" AC/DC TV W/REMOTE
2	112374-02-03A	EA	END CAP - OVERHEAD CABINET - LEFT HAND - VW LT GRAY
3	120564-01-02B	EA	STRAP - VIDEO CASSETTE PLAYER - E-COATED
			FROM: 00-00-00 THRU: 02-12-03
3	120564-02-02B	EA	STRAP - VIDEO PLAYER - E-COATED
			FROM: 02-13-03 THRU: 99-99-99
4	120551-01-03A	EA	COVER - VIDEO CASSETTE PLAYER - VW LIGHT GREY
			FROM: 00-00-00 THRU: 02-12-03
4	120551-02-01A	EA	COVER - VIDEO CASSETTE PLAYER - VW LIGHT GRAY
			FROM: 02-13-03 THRU: 99-99-99
5	133131-65-RH0	EA	SHELF/LEDGE - W/EDGE MOLDING F/REAR BACKWALL CABINET
6	112374-04-03A	EA	END CAP - OVERHEAD CABINET - LEFT HAND - VW LIGHT GRAY
7	116853-06-K76	EA	CABINET - OVERHEAD - W/O DOORS/HARDWARE
8	116832-02-K76	EA	DOOR/PANEL - PLASTIC - W/O HARDWARE
9	112374-05-03A	EA	END CAP - OVERHEAD CABINET - RIGHT HAND - VW LIGHT GRAY
10	117437-01-K76	EA	PANEL - DOOR/WARDROBE - W/O HARDWARE
11	124468-01-K76	EA	CABINET F/REAR BACKWALL SHELF - W/O COUNTERTOP/HARDWARE
12	124485-01-RH0	EA	TABLE - DINETTE - W/LEG

DINETTE GROUP (CONTINUED)
CABINETS (CONTINUED)



KEY	PART NUMBER	U/M	DESCRIPTION
1	123060-02-K76	EA	PANEL - BACKWALL - UPPER/INNER
1	123060-03-K76	EA	PANEL - BACKWALL - UPPER/INNER - VIDEO CASSETTE PLAYER
2	124309-06-M90	EA	PANEL - COVER - DINETTE/LEFT HAND
3	124309-05-K77	EA	PANEL - COVER - DINETTE/RIGHT HAND
4	127567-02-RH0	EA	TRAY - BEVERAGE

DRIVERS COMPARTMENT GROUP FRONT INTERIOR

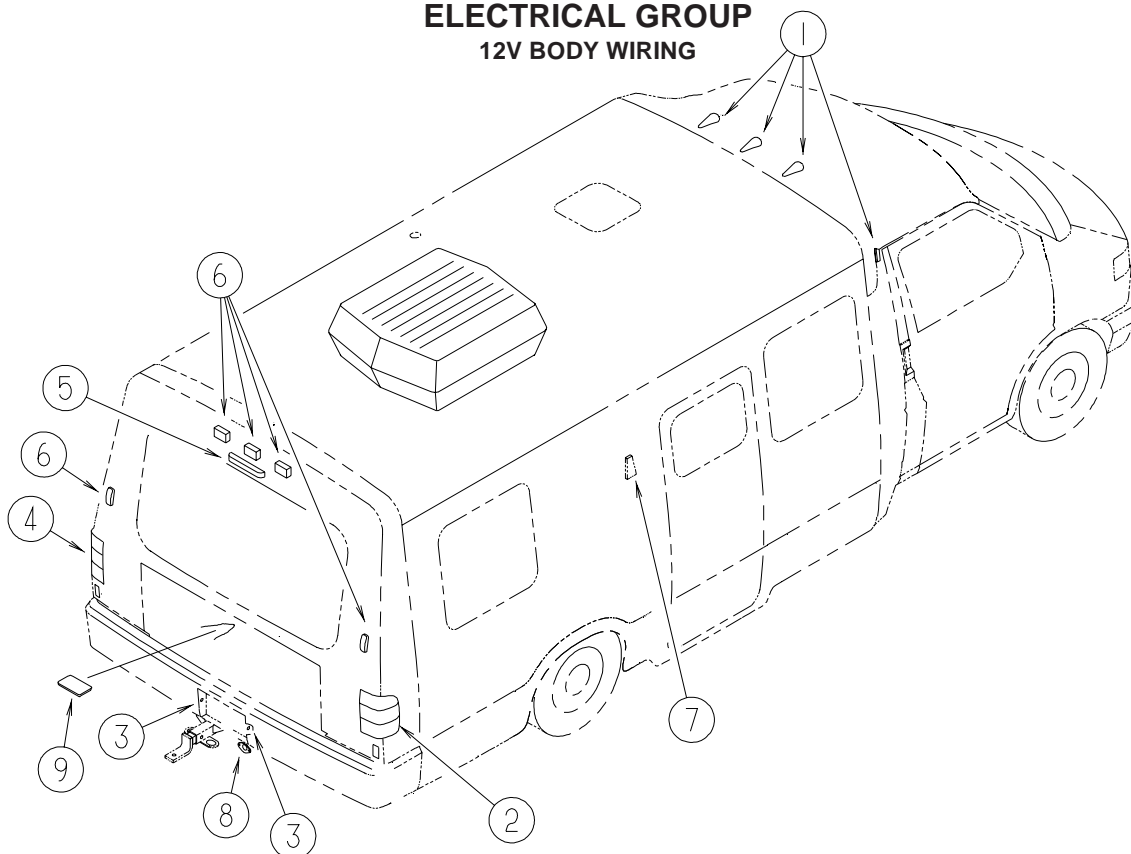


KEY	PART NUMBER	U/M	DESCRIPTION
1	117256-03-03A	EA	HEADLINER - CAB - ABS PLASTIC - VW LIGHT GRAY - 222FD, 222HD
2	117256-07-03A	EA	HEADLINER - CAB - ABS PLASTIC - VW LIGHT GRAY - DELUXE SOUND SYSTEM - 222FD, 222HD
	117256-03-03A	EA	HEADLINER - CAB - ABS PLASTIC - VW LIGHT GRAY
2	117256-11-03A	EA	HEADLINER - CAB - ABS PLASTIC - VW LIGHT GRAY - DELUXE SOUND SYSTEM - 222QD
	117256-03-03A	EA	HEADLINER - CAB - ABS PLASTIC - VW LIGHT GRAY
3	117256-09-03A	EA	HEADLINER - CAB - ABS PLASTIC - VW LIGHT GRAY - TV - 9" 12V - 222QD
	117256-03-03A	EA	HEADLINER - CAB - ABS PLASTIC - VW LIGHT GRAY
3	117256-10-03A	EA	HEADLINER - CAB - ABS PLASTIC - VW LIGHT GRAY - TV - 9" 12V/DELUXE SOUND SYSTEM - 222QD
	117256-03-03A	EA	HEADLINER - CAB - ABS PLASTIC - VW LIGHT GRAY
4	128914-01-01A	EA	COVER - RETRACTOR - DRIVER SIDE - BLACK
5	128914-02-01A	EA	COVER - RETRACTOR - PASSENGER SIDE - BLACK
6	115381-02-01A	EA	MAT - FLOOR - PASSENGER - GRAY/BLACK
7	143555-07-02A	EA	PANEL - TRANSITION - INNER - LIGHT GRAY
	P43555-01-02A	EA	PANEL - TRANSITION - INNER - VW LIGHT GRAY

DRIVERS COMPARTMENT GROUP (CONTINUED)
FRONT INTERIOR (CONTINUED)

KEY	PART NUMBER	U/M	DESCRIPTION
8	097111-02-04A	EA	POCKET - LOCK - REAR DOOR - BLACK
9	118892-01-F45	EA	LID - BATTERY COMPARTMENT - W/O CARPET - 8.3" X 30.3"
	P18892-01-RH0	EA	LID - COMPARTMENT/BATTERY - W/CARPET (RH0, RH1)
	P18892-01-RH2	EA	LID - COMPARTMENT/BATTERY - W/CARPET (RH2, RH3)
	P18892-01-RH4	EA	LID - COMPARTMENT/BATTERY - W/CARPET (RH4, RH5)
	105924-02-RH0	EA	MAT - FLOOR - 18" X 25" (RH0, RH1)
	105924-02-RH2	EA	MAT - FLOOR - 18" X 25" (RH2, RH3)
	105924-02-RH5	EA	MAT - FLOOR - 18" X 25" (RH4, RH5)
10	115381-01-01A	EA	MAT - FLOOR - DRIVER - GRAY/BLACK
11	142892-02-01A	EA	BIN - ACCESSORY - LIGHT GREY
12	142892-01-01A	EA	BIN - ACCESSORY - LIGHT GREY
13	143059-01-01A	EA	PAD/FELT - GREY
14	143059-02-01A	EA	PAD/FELT - GREY
15	143555-09-02A	EA	PANEL - TRANSITION - INNER - LIGHT GRAY - 222FD, 222HD
16	143555-10-02A	EA	PANEL - TRANSITION - INNER - LIGHT GRAY - 222QD
17	109918-03-01A	EA	VENT - RETURN AIR - 12.3" X 2.75" - BLACK
18	109918-01-05A	EA	VENT - RETURN AIR - 12.3" X 5.5" - BLACK
19	117555-01-P90	EA	PANEL - TRANSITION - RIGHT HAND (RH0, RH1)
19	117555-01-RH2	EA	PANEL - TRANSITION - RIGHT HAND (RH2, RH3)
19	117555-01-RH4	EA	PANEL - TRANSITION - RIGHT HAND (RH4, RH5)
20	117555-02-P90	EA	PANEL - TRANSITION - LEFT HAND (RH0, RH1)
20	117555-02-RH2	EA	PANEL - TRANSITION - LEFT HAND (RH2, RH3)
20	117555-02-RH4	EA	PANEL - TRANSITION - LEFT HAND (RH4, RH5)

ELECTRICAL GROUP 12V BODY WIRING

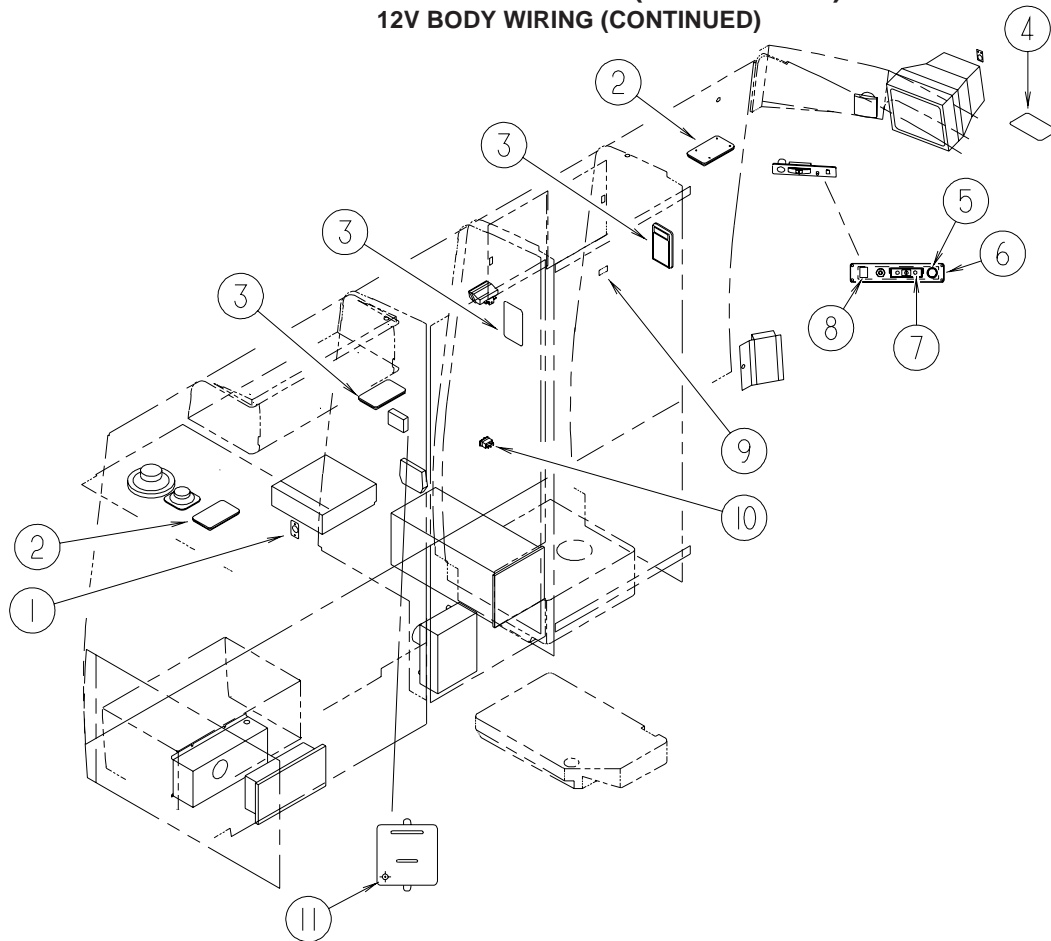


KEY	PART NUMBER	U/M	DESCRIPTION
1	113709-01-000	EA	LAMP - CLEARANCE - AMBER - 3.5" X 1.12" X 1" TALL
	036196-01-000	EA	BULB - 12V - #194 - .27 AMP - BAYONETTE
2	112126-03-000	EA	LAMP - REAR/RIGHT HAND
2	112126-05-000	EA	LAMP - PASSENGER REAR - EXT FULL BODY PAINT
2	112709-01-000	EA	SOCKET - TURN LIGHT
	112708-01-000	EA	BULB - 12 VOLT - #3157 - .59/2.10 AMP
2	112709-02-000	EA	SOCKET - BACK-UP LIGHT
	112707-01-000	EA	BULB - 12 VOLT - #3156 - 2.10 AMP
2	112709-03-000	EA	SOCKET - BRAKE LIGHT/MARKER LIGHT
	112708-01-000	EA	BULB - 12 VOLT - #3157 - .59/2.10 AMP
2	113778-03-02B	EA	BRACKET - TAIL LAMP - 6.4" LONG - E-COATED
3	087201-01-000	EA	LIGHT - HALF ROUND - 1" X 1.7" - PLASTIC - BLACK OR WHITE
4	112126-04-000	EA	LAMP - REAR/LEFT HAND
4	112126-06-000	EA	LAMP - DRIVER REAR - EXT FULL BODY PAINT
4	112709-01-000	EA	SOCKET - TURN LIGHT
	112708-01-000	EA	BULB - 12 VOLT - #3157 - .59/2.10 AMP
4	112709-02-000	EA	SOCKET - BACK-UP LIGHT
	112707-01-000	EA	BULB - 12 VOLT - #3156 - 2.10 AMP
4	112709-03-000	EA	SOCKET - BRAKE LIGHT/MARKER LIGHT
	112708-01-000	EA	BULB - 12 VOLT - #3157 - .59/2.10 AMP
4	113778-03-02B	EA	BRACKET - TAIL LAMP - 6.4" LONG - E-COATED
5	136916-01-000	EA	LIGHT - CENTER BRAKE - L.E.D.
6	111102-01-000	EA	BASE - MARKER LAMP
6	111102-03-000	EA	LENS - RED - MARKER LAMP
6	036196-01-000	EA	BULB - 12V - #194 - .27 AMP - BAYONETTE
7*	008089-01-000	EA	LIGHT-PORCH, RECESSED - US
	008215-01-000	EA	BULB - 12 VOLT - #1003 - .94 AMP
7*	008089-02-000	EA	LIGHT - PORCH - RECESSED - CANADIAN
	008214-01-000	EA	BULB - 12 VOLT - #67 - .59 AMP
8	113589-01-000	EA	CONNECTOR - PLUG - TRAILER
8	113589-02-000	EA	CONNECTOR - SOCKET - TRAILER
9	098024-01-03A	EA	LIGHT - DOME - 1 BULB - WHITE
	008218-01-000	EA	BULB - 12 VOLT - #1141 - 1.44 AMP

*COMPONENT PARTS LISTED LATER IN THIS GROUP

ELECTRICAL GROUP (CONTINUED)

12V BODY WIRING (CONTINUED)

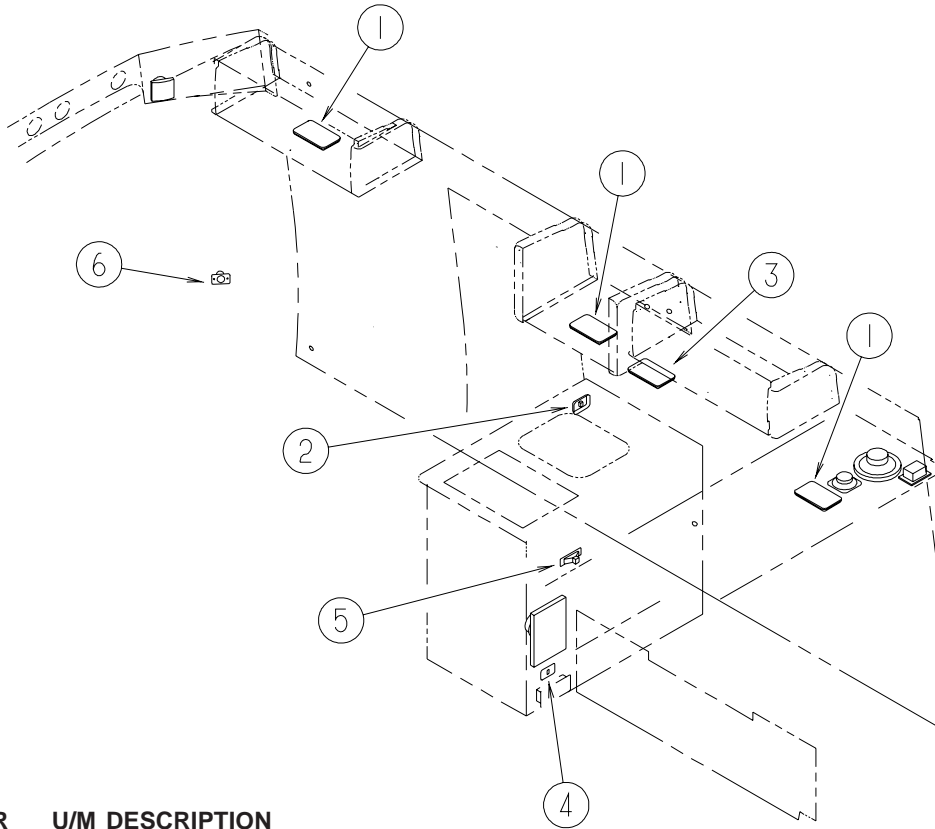


KEY	PART NUMBER	U/M	DESCRIPTION
1	111414-01-000	EA	RECEPTACLE/SOCKET - 12 VOLT
1	111386-01-04B	EA	PLATE - RECEPTACLE - 12 VOLT - BLACK
2*	098024-05-02A	EA	LIGHT - DOME - 1 BULB - SKYLITE/OPTI CLEAR
	008218-01-000	EA	BULB - 12 VOLT - #1141 - 1.44 AMP
3*	098024-01-03A	EA	LIGHT - DOME - 1 BULB - WHITE
	008218-01-000	EA	BULB - 12 VOLT - #1141 - 1.44 AMP
4	098024-07-02A	EA	LIGHT - DOME - 1 BULB - W/O SWITCH
4	008218-01-000	EA	BULB - 12 VOLT - #1141 - 1.44 AMP
5	111414-01-000	EA	RECEPTACLE/SOCKET - 12 VOLT
6	120721-02-02B	EA	PLATE - ELECTRIC - CABLE
7	120663-01-000	EA	SWITCH - VIDEO A/B - WINNEGARD TV-0051
8	132180-01-01A	EA	SWITCH - PADDLE - SPST - ON/OFF - BLACK
8	131597-01-01A	EA	SWITCH - ROCKER - DPDT - ON/ON - 6 TERM - BLACK - DELUXE SOUND SYSTEM
9	108357-14-000	EA	SWITCH - ROCKER - SPST - W/LIGHT - ON/OFF - 4 TERMINAL
9	108356-10-01A	EA	COVER/ACTUATOR SWITCH - 2 ROWS DIMPLES W/LENS-SHOWER DRAIN
9	108355-01-000	EA	HOUSING - SWITCH
10	108357-15-000	EA	SWITCH - ROCKER - DPDT - ON/NONE/ON - LIGHTED
10	108356-04-01A	EA	COVER/ACTUATOR SWITCH - 2 ROWS DIMPLES W/LENS-CONTURA-BLK
10	108355-01-000	EA	HOUSING - SWITCH
11	081087-01-000	EA	LIGHT - INDICATOR

*COMPONENT PARTS LISTED LATER IN THIS GROUP

ELECTRICAL GROUP (CONTINUED)

12V BODY WIRING (CONTINUED)

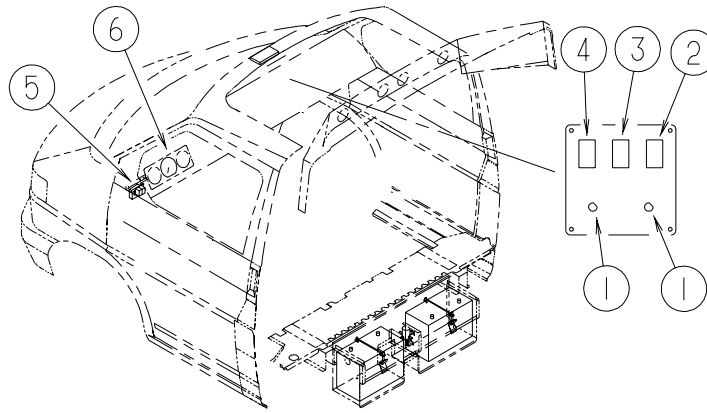


KEY	PART NUMBER	U/M	DESCRIPTION
1*	098024-05-02A	EA	LIGHT - DOME - 1 BULB - SKYLITE/OPTI CLEAR
	008218-01-000	EA	BULB - 12 VOLT - #1141 - 1.44 AMP
2	135740-01-01A	EA	SWITCH - ROCKER - SPST - ON/OFF - BROWN
2	135741-02-01A	EA	SWITCH - BASE - DOUBLE - BROWN
2	135742-19-02A	EA	BEZEL - SWITCH - PORCH/CEILING - BROWN
3*	098024-01-03A	EA	LIGHT - DOME - 1 BULB - WHITE
	008218-01-000	EA	BULB - 12 VOLT - #1141 - 1.44 AMP
4	079364-04-000	EA	SWITCH - ON/OFF ROCKER - 2 TERMINAL - BLACK
4	098351-01-01A	EA	PLATE/SWITCH - 1 GANG - POLISHED BRASS - W/O LABEL
	150138-01-02A	EA	DETECTOR - LP GAS - BROWN
FROM: 02-09-04 THRU: 99-99-99			
5	061424-01-000	EA	LIGHT - AISLE - 12 VOLT - RECTANGULAR
6	111414-01-000	EA	RECEPTACLE/SOCKET - 12 VOLT
6	111386-01-04B	EA	PLATE - RECEPTACLE - 12 VOLT - BLACK

***COMPONENT PARTS LISTED LATER IN THIS GROUP**

ELECTRICAL GROUP (CONTINUED)

FRONT END WIRING



KEY	PART NUMBER	U/M	DESCRIPTION
1*	087202-02-000	EA	SWITCH - 4 POSITION - W/O KNOB/BEZEL - 5 TERMINAL
1	090977-01-000	EA	KNOB - ROTARY SWITCH/SLIP ON - REAR HEATER/DASH/REAR PANEL
2	108355-01-000	EA	HOUSING - SWITCH
2	108356-07-01A	EA	COVER/ACTUATOR SWITCH - 2 ROWS DIMPLES - AUX START - BLACK
2	108357-09-000	EA	SWITCH - ROCKER - SPDT - ON/NONE/MOM - 3 TERMINAL
3	108355-01-000	EA	HOUSING - SWITCH
3	108356-08-01A	EA	COVER/ACTUATOR SWITCH - 2 ROWS DIMPLES W/LENS - REAR-BLACK
3	108357-12-000	EA	SWITCH - ROCKER - DPST W/LIGHT - MOM/NONE/OFF-7 TERMINAL
4	108355-01-000	EA	HOUSING - SWITCH
4	108356-09-01A	EA	COVER/ACTUATOR SWITCH - 2 ROWS DIMPLES W/LENS - WASH/BLACK
4	108357-13-000	EA	SWITCH - ROCKER - DPDT - W/LIGHT-MOM/ON-OFF/OFF-7 TERMINAL
5	114965-01-000	EA	RELAY/TIMER MOD - 12 V/2 AMP - DELAY OFF 10 MIN-RR DEFROST
6	139408-02-000	EA	CLUSTER - INSTRUMENT PANEL - KILOMETER - CANADIAN

*COMPONENT PARTS LISTED LATER IN THIS GROUP

ELECTRICAL GROUP (CONTINUED)
COMPONENT PARTS FOR LIGHTS & SWITCHES

008089-01-000

KEY	PART NUMBER	U/M DESCRIPTION	VENDOR NO.
	008089-01-700	EA LENS/PORCH LIGHT RECESSED	DECO

008089-02-000

KEY	PART NUMBER	U/M DESCRIPTION	VENDOR NO.
	008089-01-700	EA LENS/PORCH LIGHT RECESSED	DECO

087202-02-000

KEY	PART NUMBER	U/M DESCRIPTION	VENDOR NO.
	087202-01-701	EA KNOB-SWITCH, ROTARY	062-0104
	087202-01-702	EA PLATE F/ROTARY SWITCH	062-0105

098024-01-03A

KEY	PART NUMBER	U/M DESCRIPTION	VENDOR NO.
	098024-01-700	EA LENS-LIGHT	807877

098024-05-02A

KEY	PART NUMBER	U/M DESCRIPTION	VENDOR NO.
	098024-01-701	EA LENS - OPTI CLEAR - SKYLITE	809902

ELECTRICAL GROUP (CONTINUED)
CIRCUIT BREAKERS & FUSES

KEY	PART NUMBER	U/M	DESCRIPTION
	008233-01-000	EA	FUSE - 12 VOLT - 6 AMP
	008235-01-000	EA	FUSE - 15 AMP/12VOLT - AUTOMOTIVE
	033573-01-000	EA	CIRCUIT BREAKER W/MOUNT-20A, 12V - FASCO 1711-2026
	062901-02-000	EA	FUSE - 5 AMP - AUTOMOTIVE
	062901-04-000	EA	FUSE - 10 AMP - AUTOMOTIVE
	062901-05-000	EA	FUSE - 15 AMP - AUTOMOTIVE
	062901-06-000	EA	FUSE - 20 AMP - AUTOMOTIVE
	062901-07-000	EA	FUSE - 25 AMP - AUTOMOTIVE
	062901-08-000	EA	FUSE - 30 AMP - AUTOMOTIVE
	083209-01-000	EA	CIRCUIT BREAKER - 15 AMP - 120 VOLT - CANADIAN
	083209-02-000	EA	CIRCUIT BREAKER - 15/15 AMP - 120 VOLT
	083209-03-000	EA	CIRCUIT BREAKER - 15/20 AMP - 120 VOLT
	083209-04-000	EA	CIRCUIT BREAKER - 30 AMP - 120 VOLT
	083209-05-000	EA	CIRCUIT BREAKER - 20 AMP - 120 VOLT
	083209-06-000	EA	CIRCUIT BREAKER - 30/15 AMP - 120 VOLT
	083209-07-000	EA	CIRCUIT BREAKER - 20/20 AMP - 120 VOLT
	083209-10-000	EA	CIRCUIT BREAKER - 20/30 AMP - 120 VOLT
	083209-11-000	EA	CIRCUIT BREAKER - 20/15 AMP - 120 VOLT
	092786-03-000	EA	BUSS BAR - 6.9" LONG
	092786-06-000	EA	BUSS BAR
	093654-01-000	EA	CIRCUIT BREAKER - 6 AMP - 12 VOLT - PUSH BUTTON - WHITE
	093654-02-000	EA	CIRCUIT BREAKER - 15 AMP - 12 VOLT - PUSH BUTTON - WHITE
	093654-03-000	EA	CIRCUIT BREAKER - 20 AMP - 12 VOLT - PUSH BUTTON - WHITE
	093654-11-000	EA	COVER - RESET BUTTON
	093655-01-000	EA	CIRCUIT BREAKER - 25 AMP - 12 VOLT - PUSH BUTTON - WHITE
	093655-02-000	EA	CIRCUIT BREAKER - 30 AMP - 12 VOLT - PUSH BUTTON - WHITE
	093655-03-000	EA	CIRCUIT BREAKER - 40 AMP - 12 VOLT - PUSH BUTTON - WHITE
	097611-01-000	EA	CIRCUIT BREAKER - 10 AMP
	097611-02-000	EA	CIRCUIT BREAKER - 30 AMP
	097611-03-000	EA	CIRCUIT BREAKER - 20 AMP
	097611-04-000	EA	CIRCUIT BREAKER - 25 AMP
	100341-01-000	EA	FUSE HOLDER - IN LINE TYPE
	106656-01-000	EA	FUSE BLOCK - 4 CAVITY - AUTOFUSE
	108567-01-000	EA	CIRCUIT BREAKER - 40 AMP - 12 VOLT - TYPE II
	111683-01-000	EA	FUSE - HOLDER - GLASS - 1/4" X 1 1/4"
	113482-01-000	EA	CIRCUIT BREAKER - 55 AMP - MANUAL
	115187-01-000	EA	FUSE - 300 AMP - NON-DELAY
	115187-02-000	EA	FUSE HOLDER - BUSS ANN/ANL BLOCK
	118531-05-02B	EA	PLATE - CIRCUIT BREAKER - E-COAT - CHIEFTAIN/SUNFLYER L-SERIES
	122811-01-000	EA	CIRCUIT BREAKER - 20/50/50/20 AMP - 250V
	134127-01-000	EA	CIRCUIT BREAKER - 10 AMP - MINI
	139067-01-02B	EA	PLATE - CIRCUIT BRKR-HOUSE - E-CTD - 10 PLACE
	139067-02-02B	EA	PLATE - CIRCUIT BRKR-HOUSE - E-CTD - 12 PLACE
	139067-03-02B	EA	PLATE-CIRCUIT BKR/HOUSE-E-CTD - 14 PLACE
	139067-04-02B	EA	PLATE - CIRCUIT BRKR-HOUSE - E-CTD - TOP 10 PLACE
	139067-05-02B	EA	PLATE - CIRCUIT BREAKER/HOUSE - E-COATED - 16 PLACE
	139067-06-02B	EA	PLATE - CIRCUIT BREAKER/HOUSE - E-COATED - 18 PLACE
	139067-07-02B	EA	PLATE - CIRCUIT BREAKER/HOUSE - E-COATED - 21 PLACE
	141789-01-000	EA	SPACER - CIRCUIT BREAKER

CONVERTER, INVERTER, LOAD CENTERS

KEY	PART NUMBER	U/M	DESCRIPTION
*	093257-02-000	EA	CONTROL CENTER - W/O CIRCUIT BREAKERS/FUSES - 30 AMP ELECTRICAL SYS - 222HD, 222QD
	109677-01-000	EA	LOAD CENTER - 120 VOLT - 40 AMP - 222FD
	123058-02-000	EA	CONVERTER - 45 AMP - ELECTRONIC - 4 1/8"H X 7"W X 12 3/8"L

***COMPONENT PARTS LISTED LATER IN THIS GROUP**

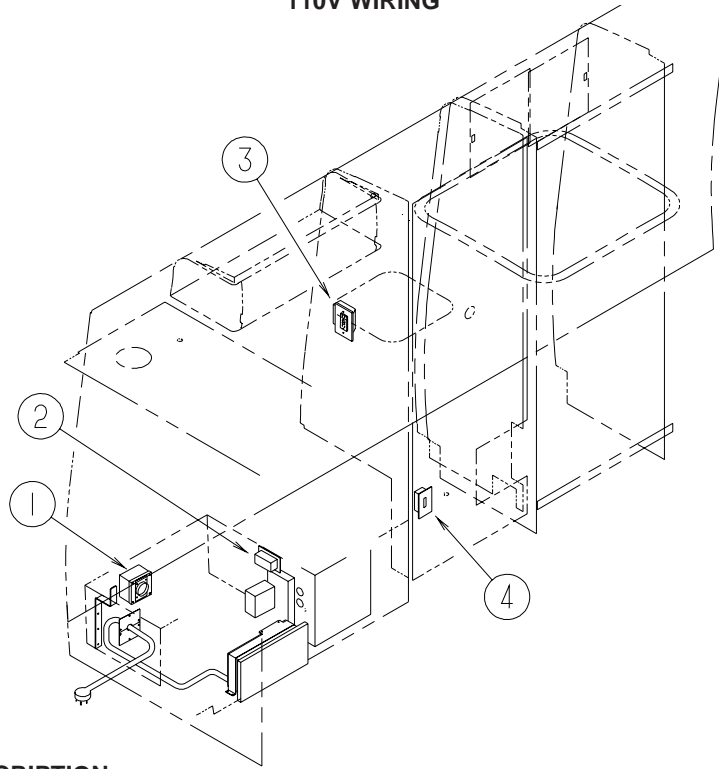
ELECTRICAL GROUP (CONTINUED)
COMPONENT PARTS FOR CONVERTER, INVERTER, LOAD CENTERS

093257-02-000

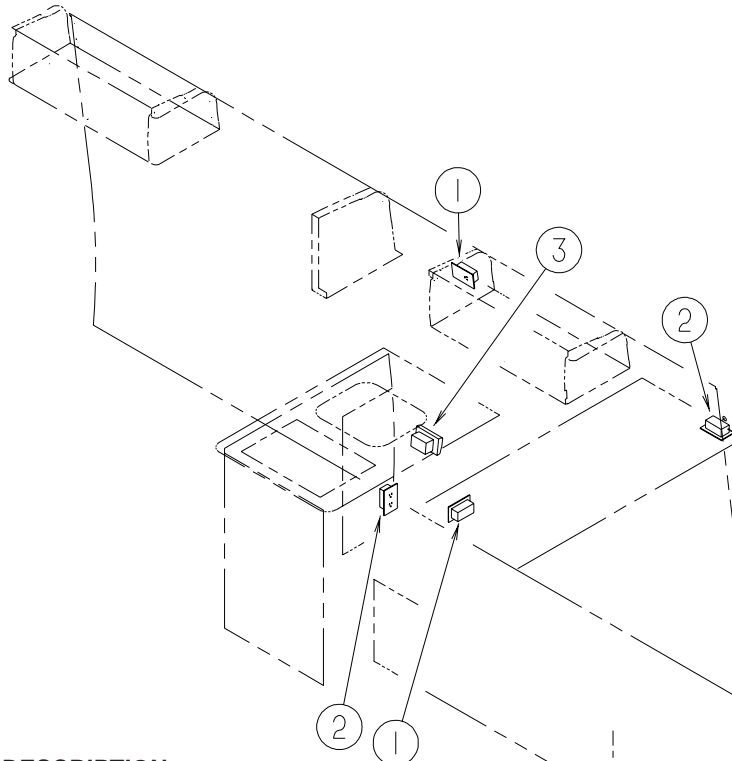
KEY	PART NUMBER	U/M	DESCRIPTION	VENDOR NO.
	093257-02-700	EA	GROUND BAR - 8 POINT	13507201
	093257-02-701	EA	FUSE BLOCK - DC- 11 POINT	30507060
	093257-02-702	EA	STAB ASSEMBLY - BREAKER	M91500008
	093257-02-703	EA	DEAD FRT ASM.-AC BREAKER CVR	M91500011
	093257-02-704	EA	NEUTRAL BAR ASM.W/GROUND BAR	M91500009

ELECTRICAL GROUP (CONTINUED)

110V WIRING



KEY	PART NUMBER	U/M	DESCRIPTION
1	024924-02-000	EA	RECEPTACLE - POWER CORD - W/PARTIAL PLATE
2	058707-01-000	EA	RECEPTACLE - ELECTRIC - SINGLE - BROWN
3	084076-02-000	EA	RECEPTACLE - GFI - 15 AMP/125 VOLT - BROWN - W/COVER
			FROM: 00-00-00 THRU: 06-01-03
3	147446-01-02A	EA	RECEPTACLE - GFCI - 15A 125V - BROWN
			FROM: 06-02-03 THRU: 99-99-99
3	147450-01-02A	EA	PLATE - ELECTRICAL OUTLET - BROWN
			FROM: 06-02-03 THRU: 99-99-99
4	084420-01-000	EA	SWITCH - TOGGLE - 15 AMP - 120 VOLT - BROWN



KEY	PART NUMBER	U/M	DESCRIPTION
1	058707-01-000	EA	RECEPTACLE - ELECTRIC - SINGLE - BROWN
2	058708-01-000	EA	RECEPTACLE - ELECTRIC - DOUBLE - BROWN
3	131826-01-01A	EA	RECEPTACLE - EXTERIOR - W/COVER/GASKET - WHITE

ELECTRICAL GROUP (CONTINUED)

BOXES & CORDS

KEY	PART NUMBER	U/M	DESCRIPTION
	008054-02-000	EA	CORD - POWER - 10/3 WIRE - 30 AMP - 35'
	008289-01-000	EA	BOX - ELECTRIC/STEEL - 4" X 4" - 1/2" & 3/4" KNOCKOUTS
	008294-01-000	EA	COVER - ELECTRIC BOX - BLANK/STEEL - 4" X 4" - GRAY
	069238-01-000	EA	COVER - ELECTRICAL BOX - W/HOLE - 4" X 4" - GRAY
	091910-01-000	EA	BOX - ELECTRIC - 3.8" X 3.5" X 1.8" - PLASTIC
	091910-02-000	EA	BOX - ELECTRIC - 2.2" X 3.5" X 1.8" - PLASTIC
	092985-02-000	EA	BRACKET - POWER CORD

WIRE ASSEMBLIES

KEY	PART NUMBER	U/M	DESCRIPTION
	096449-01-000	EA	WIRE ASSEMBLY - WATER TANK TO MONITOR PANEL
	096450-02-000	EA	WIRE F/SENSORS - BLACK WATER - 59"
	096451-06-000	EA	WIRE F/SENSORS - GREY WATER - 23.6"
	113731-01-000	EA	WIRE - LICENSE PLATE LAMP
	124843-01-000	EA	WIRE ASSEMBLY - SPEAKER ADAPTER
	124882-03-000	EA	WIRE LOOM - AMPLIFIER

ELECTRICAL GROUP (CONTINUED)
CONNECTORS & CONDUIT

KEY	PART NUMBER	U/M	DESCRIPTION
	007940-01-000	EA	RECEPTACLE/SLIDE 16 TO 12 AWG - FEMALE END
	007940-02-000	EA	RECEPTACLE-SLIDE 10 AWG - AMP 180351-2
	007954-01-000	EA	RECEPTACLE - HOUSING - 6 POSITION
	007956-05-000	EA	INSULATOR - SHRINK - 1/4" ID X 1 1/2"
	008058-01-700	EA	ADAP-ELEC.30AMP M X 50 AMP F 30M50F
	008058-01-000	EA	ADAPTER - POWER CORD - 30 AMP TO 15 AMP
	008311-01-000	EA	CONNECTOR - WIRE NUT - INSULATED - RED
	008312-01-000	EA	CONNECTOR - WIRE NUT - INSULATED - BLUE
	008313-01-000	EA	CONNECTOR - WIRE NUT - INSULATED - YELLOW
	008314-01-000	EA	CONNECTOR - WIRE NUT - INSULATED - GRAY
	008326-01-000	EA	TERMINAL - RING - 16/14 WIRE - 3/8" STUD
	008328-01-000	EA	TERMINAL - RING - 12/10 WIRE - #10 STUD FIT
	008331-01-000	EA	TERMINAL - RING - TONGUE - #4 WIRE - 3/8" STUD - COPPER
	008348-01-000	EA	TERMINAL - RING - 3/8" STUD 2 GA. WIRE
	008355-01-000	EA	CONNECTOR - CABLE CLAMPING - 3/4"
	008356-01-000	EA	CONNECTOR - PLASTIC - 3/8"
	008356-02-000	EA	CONNECTOR - PLASTIC - 21/32"
	008394-01-000	FT	CONDUIT - FLEXIBLE - 1/2"
	008398-01-000	EA	CONNECTOR - 1/2" X 90 DEGREE - FLEX CONDUIT - UL & CSA
	035416-04-000	EA	TERMINAL - RING - #10 STUD FIT - INSULATED BARREL #16/14
	041953-01-000	FT	CONDUIT - CONVOLUTE SLIT - .5" ID - POLYETHYLENE
	041953-02-000	FT	CONDUIT - CONVOLUTE SLIT - .6" ID - POLYETHYLENE
	041953-03-000	FT	CONDUIT - CONVOLUTE SLIT - 1" ID (CLOTHES ROD COVER)
	041953-06-000	FT	CONDUIT - CONVOLUTE SLIT - .4" ID - POLYETHYLENE
	041953-07-000	FT	CONDUIT - CONVOLUTE SLIT - .25" ID - POLYETHYLENE
	041953-08-000	FT	CONDUIT - CONVOLUTE SLIT - 1.5" ID - POLYETHYLENE
	041953-09-000	FT	CONDUIT - CONVOLUTE SLIT - .5" ID - NYLON
	041953-10-000	FT	CONDUIT - CONVOLUTE SLIT - .75" ID - NYLON
	041953-11-000	FT	CONDUIT - CONVOLUTE SLIT - 1.06" ID - NYLON
	041953-12-000	FT	CONDUIT - CONVOLUTE SOLID - 1.1" ID - NYLON
	041953-13-000	FT	CONDUIT - CONVOLUTE SLIT - 1.25" ID
	041953-14-000	FT	CONDUIT - CONVOLUTE SLIT - 1.5" ID
	041953-15-000	FT	CONDUIT - CONVOLUTE SLIT - 2"
	041953-16-000	FT	CONDUIT - CONVOLUTE SLIT - 2"
	047443-01-000	EA	TERMINAL - .250 RECEPTACLE FIT - INSULATED - 16/14 AWG
	047443-02-000	EA	TERMINAL - .250 RECEPTACLE FIT - INSULATED - 12/10 AWG
	058028-01-000	EA	CONNECTOR - ELECTRICAL PIGTAIL - NYLON - CLEAR
	062036-01-000	EA	TERMINAL - PACK - CON - 12/10 AWG
	074017-02-000	EA	HOUSING - 5 POSITION - RIGHT ANGLED
	077479-01-000	EA	BOOT - BATTERY TERMINAL - DOUBLE CABLE
	077479-02-000	EA	BOOT - BATTERY TERMINAL - SINGLE CABLE
	080015-02-000	EA	RECEPTACLE - FLAG - .185 - 16/14 GAUGE
	080015-03-000	EA	RECEPTACLE - FLAG - .250 - 14/16 GAUGE
	082109-01-000	EA	HOUSING - CONNECTOR - PACKARD
	082741-01-000	EA	CONNECTOR BODY - 2 CONNECTOR MALE
	087225-01-000	FT	SLEEVING - 1/2" - TYPE H
	087949-01-000	EA	BUSS BAR - 2 POSITION - .6" X 1.5"
	087949-03-000	EA	BUSS BAR - 4 POSITION
	087949-05-000	EA	BUSS BAR - 7 POSITION
	088473-01-000	EA	HOUSING - PIN - 12 CAVITY (3 ROWS OF 4)
	088473-02-000	EA	HOUSING - PIN - 15 CAVITY (3 ROWS OF 5)
	088473-03-000	EA	HOUSING - PIN - 9 CAVITY (3 ROWS OF 3)
	088473-04-000	EA	HOUSING - PIN - 8 CAVITY IN-LINE
	088473-06-000	EA	HOUSING - PIN - 6 CAVITY (2 ROWS OF 3)
	088473-07-000	EA	HOUSING - PIN - 5 CAVITY - IN LINE
	088473-08-000	EA	HOUSING - PIN - 4 CAVITY - IN-LINE
	088473-09-000	EA	HOUSING - PIN - 3 CAVITY - IN-LINE
	088473-10-000	EA	HOUSING - PIN - 2 CAVITY - IN LINE
	088474-01-000	EA	HOUSING - SOCKET - 12 CAVITY
	088474-02-000	EA	HOUSING - SOCKET - 15 CAVITY
	088474-03-000	EA	HOUSING - SOCKET - 9 CAVITY
	088474-06-000	EA	HOUSING - SOCKET - 6 CAVITY
	088474-07-000	EA	HOUSING - SOCKET - 5 CAVITY

ELECTRICAL GROUP (CONTINUED)
CONNECTORS & CONDUIT (CONTINUED)

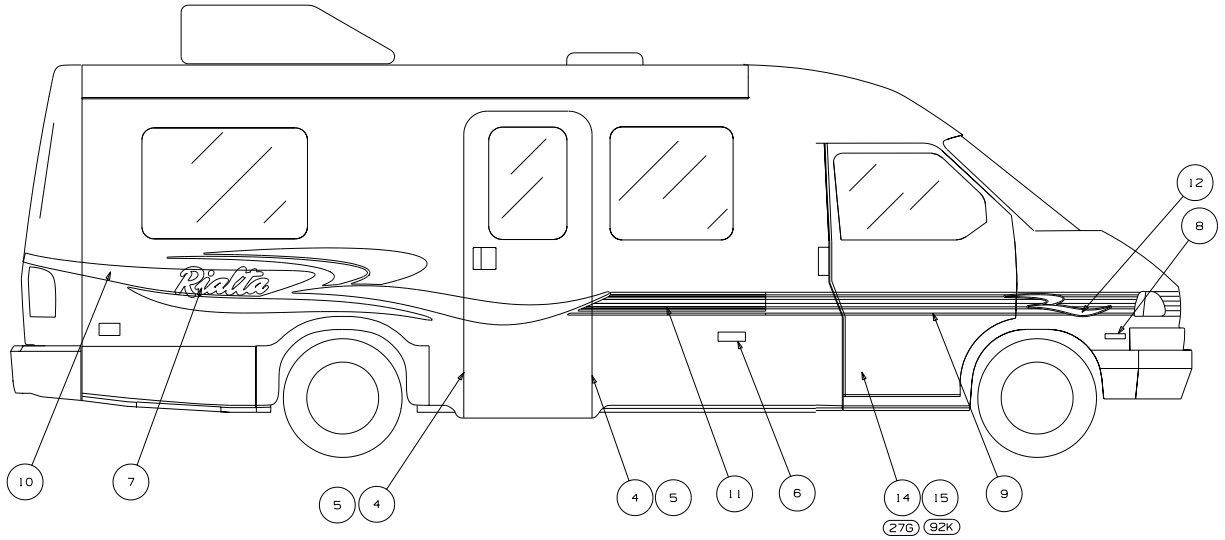
KEY	PART NUMBER	U/M	DESCRIPTION
	088474-08-000	EA	HOUSING - SOCKET - 4 CAVITY
	088474-09-000	EA	HOUSING - SOCKET - 3 CAVITY
	088474-10-000	EA	HOUSING - SOCKET - 2 CAVITY
	088475-01-000	EA	PIN - CONNECTOR - 14-20 AWG
	088475-02-000	EA	PIN - CONNECTOR - 10-12 AWG
	088476-01-000	EA	TERMINAL - ELECTRICAL
	088476-02-000	EA	SOCKET - CONNECTOR - 12-10 GA - PRE-TIN
	098261-01-000	EA	SOCKET - CONNECTOR - WEATHERPACK - 12 AWG
	098261-02-000	EA	SOCKET - CONNECTOR - WEATHERPACK - 14-18 AWG
	098262-01-000	EA	SEAL - CONNECTOR - WEATHERPACK
	098264-01-000	EA	HOUSING - 2 PIN - WEATHER PACK - MALE W/FEMALE PINS
	098264-02-000	EA	HOUSING - 2 PIN - WEATHER PACK - FEMALE W/MALE PINS
	098265-02-000	EA	PIN - CONNECTOR - WEATHER PACK
	101751-02-000	EA	HOUSING - 1 PIN - WEATHERPACK
	102777-02-000	EA	TERMINAL - RING - #6 STUD - 10 AWG
	103608-01-000	EA	SOCKET - WEDGE BASE W/LEADS
	104100-01-000	EA	HOUSING - 1 POSITION - 75 AMPS
	104100-03-000	EA	TERMINAL - 75 AMP
	110178-01-000	EA	HOUSING - WIPER MOTOR
	112823-01-000	EA	SPLICE - REDUCER - 16-14 TO 18-22
	113135-01-000	EA	TERMINAL - FEMALE - M/P - 14-16 - F/SEALED TERMINAL
	113308-01-000	EA	TERMINAL - FEMALE - M/P - 14-16 - 280
	113468-01-000	EA	HOUSING - 2 POSITION-FEMALE-USED ON WIPER/WASHER WIRE ASM
	113638-02-000	EA	CONNECTOR - ACTUATOR
	115931-01-000	EA	COVER - CONNECTOR - 30 AMP W/LOCK RING
	115931-02-000	EA	COVER - CONNECTOR - 50 AMP W/LOCKING RING
	115932-01-000	EA	CONNECTOR - FEMALE - 30 AMP/120 VOLT
	115932-02-000	EA	CONNECTOR - FEMALE - 50 AMP/240 VOLT
	116811-01-000	EA	TERMINAL - .110 RECEPTACLE - 16-14 AWG
	118571-01-000	EA	CONNECTOR - 3-WAY - MALE/SEALED
	118571-02-000	EA	CONNECTOR - 3-WAY - FEMALE/SEALED
	118571-05-000	EA	LOCK - SECONDARY - FEMALE
	118571-06-000	EA	LOCK - SECONDARY - MALE
	118599-02-000	EA	TERMINAL - MALE - M/P - 280/14-12
	118820-01-000	EA	INSULATOR - TERMINAL
	129233-01-000	EA	HOUSING - 2-POSITION/FEMALE - 280-SERIES
	129233-02-000	EA	HOUSING - 2-POSITION/FEMALE - 280-SERIES
	131681-01-000	EA	CONNECTOR - 3/4" SO CORD - UL/CS
	137207-01-000	EA	HOUSING - PIN - 2 CAVITY/HIGH AMP
	137208-01-000	EA	HOUSING - SOCKET - 2 CAVITY/HIGH AMP
	137209-01-000	EA	PIN - CONNECTOR - 10AWG/HIGH AMP
	137210-01-000	EA	SOCKET - CONNECTOR - 10 AWG/HIGH AMP
	138419-03-000	EA	SOCKET - LAMP - 3 WIRE
	142520-01-000	EA	TERMINAL - FEMALE - MINI-FIT 16
	142522-01-000	EA	HOUSING - 4 PIN/MALE - MINI FIT
	142522-02-000	EA	HOUSING - 6 PIN/MALE - MINI FIT
	142522-03-000	EA	HOUSING - 8 PIN/MALE - MINI FIT
	142524-01-000	EA	HOUSING - 4 PIN/FEMALE - WEATHER PACK
	142524-02-000	EA	HOUSING - 4 PIN/WEATHER PACK/FEMALE
	144283-01-000	EA	CONNECTOR - WIRE, SOW, BLUE, MOLEX 19403-0011
	144283-02-000	EA	CONNECTOR - WIRE, NM, CLEAR, MOLEX 19045-1000

ELECTRICAL GROUP (CONTINUED)
BOOTS, SOLENOIDS, RELAYS & MISCELLANEOUS

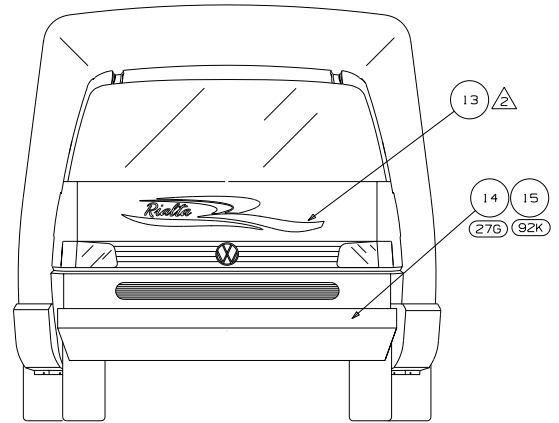
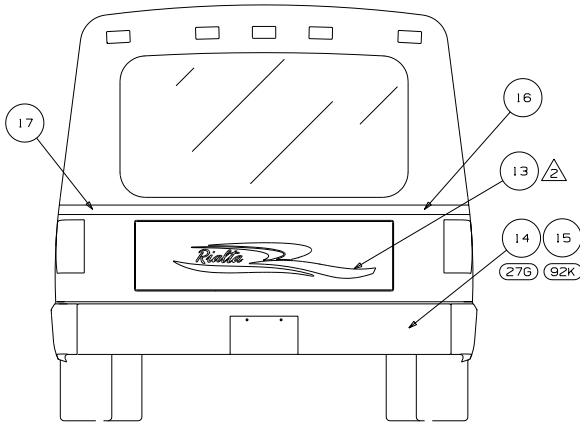
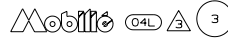
KEY	PART NUMBER	U/M	DESCRIPTION
	008188-01-000	EA	SOLENOID - 3 POST - BATTERY CHANGE OVER
	063910-01-000	EA	HOUSING - RELAY
	063912-02-000	EA	RELAY - CANISTER - SPDT
	086273-01-000	EA	RELAY - BATTERY DISCONNECT
	065450-08-000	EA	TIEDOWN - BATTERY

EXTERIOR BODY GROUP GRAPHICS & PAINT

W/GRAPHICS PACKAGE



- △ DECAL TO BE LOOSE INSIDE UNIT.
- △ CENTERED ON UNIT.
- △ USE WHERE VALANCE PANELS CONNECT AND PAINT DOES NOT COVER.

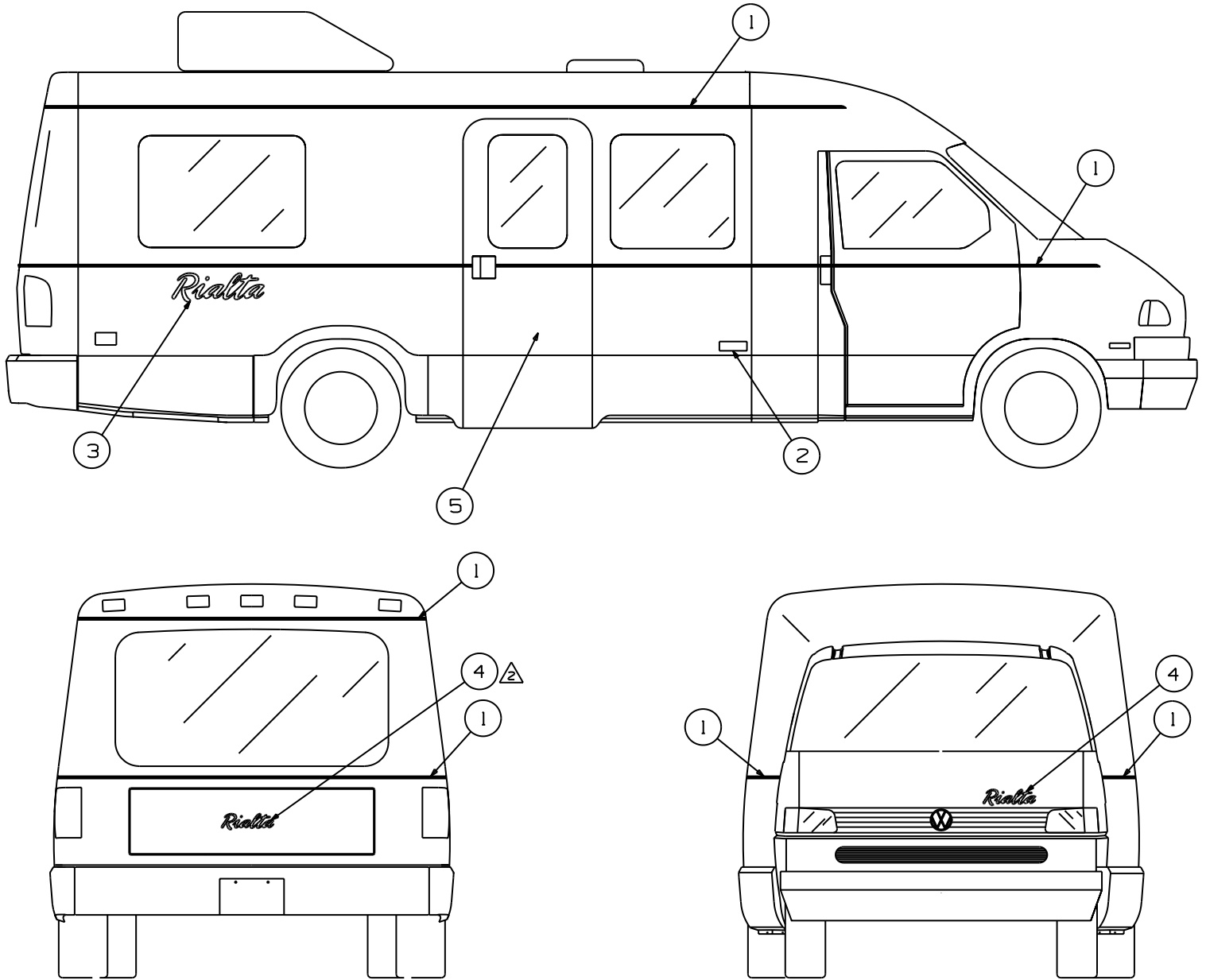


KEY PART NUMBER U/M DESCRIPTION

1			REPLACED BY #16 & 17 DIE CUTS
△ (276)	093681-14-CHT(32A)	FT	FILM-3B,OMM - SAND MET #PV4053
△ (92k)	093681-14-CHT(33A)	FT	FILM-3B,OMM - MED DK ROYAL BLUE #PV2959
3	122886-02-CHT(01A)	EA	DECAL-MOBILIE,SMALL - M.GREEN/REGGAE BLUE
(276)	131730-01-CHT(09A)	EA	DECAL-VALANCE,PANEL,END RH - SAND MET #PV4053
(92k)	131730-01-CHT(10A)	EA	DECAL-VALANCE,PANEL,END RH - MED DK ROYAL BLUE #PV2959
(276)	131730-02-CHT(09A)	EA	DECAL-VALANCE,PANEL,END,LH - SAND MET #PV4053
(92k)	131730-02-CHT(10A)	EA	DECAL-VALANCE,PANEL,END,LH - MED DK ROYAL BLUE #PV2959
6	132664-01-CHT(01A)	EA	DECAL-DOMED WINNEBAGO - GOLD CHROME/BLACK
7	133594-01-CHT(06A)	EA	DECAL-RIALTA,LG - VLKSWGN WHITE/MIDNIGHT BLUE MET
8	140190-01-CHT(01A)	EA	DECAL-LOGO,V6,DOMED - DDG PRINTED
9	144222-01-CHT(01A)	FT	FILM-OVERLAY,MULTISTRIPE-127MM - CHINA BLUE/LT GOLD/MIDNIGHT BLUE/SAND MET
10	144225-01-CHT(01A)	EA	DECAL-REAR,RH - SAND MET/LT GOLD/CHINA BLUE/MIDNIGHT BLUE
10	144225-02-CHT(01A)	EA	DECAL-REAR,LH - SAND MET/LT GOLD/CHINA BLUE/MIDNIGHT BLUE
11	144227-01-CHT(01A)	EA	DECAL-STRIPE,RH - CHINA BLUE/LT GOLD/MIDNIGHT BLUE/SAND MET
11	144227-02-CHT(01A)	EA	DECAL-STRIPE,LH - CHINA BLUE/LT GOLD/MIDNIGHT BLUE/SAND MET
12	144228-01-CHT(01A)	EA	DECAL-SWEEPS,RH - VLKSWGN WHITE/CHINA BLUE/MIDNIGHT BLUE
12	144228-02-CHT(01A)	EA	DECAL-SWEEPS,LH - VLKSWGN WHITE/CHINA BLUE/MIDNIGHT BLUE
13	144229-01-CHT(01A)	EA	DECAL-HOOD - CHINA BLUE/LT GOLD/MIDNIGHT BLUE
(276)	141599-04-000	GL	PAINT - SAND MET - DUPONT #373-P7415
(92k)	141599-05-000	GL	PAINT - OPAL BLUE MET - DUPONT #373-P6240
16	146487-01-CHT(01A)	EA	DECAL-CORNER,RR,RH - SAND MET
17	146487-02-CHT(01A)	EA	DECAL-CORNER,RR,LH - SAND MET

KEY PART NUMBER U/M DESCRIPTION
041561-03-000 EA PAINT/SPRAY - 12 OZ. - OFF WHITE

EXTERIOR BODY GROUP (CONTINUED)
GRAPHICS & PAINT (CONTINUED)
W/FULL BODY PAINT PACKAGE

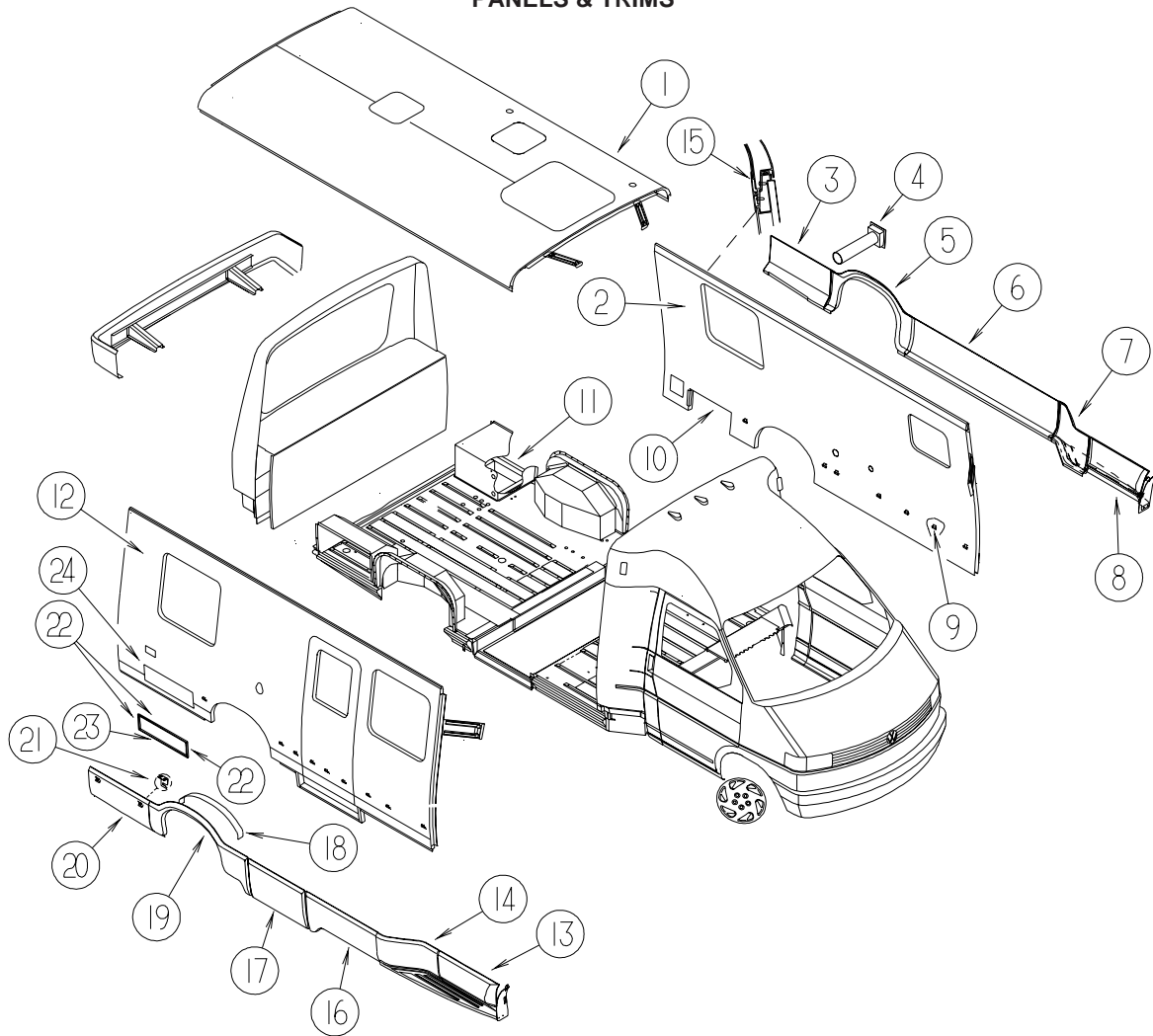


KEY	PART NUMBER	U/M	DESCRIPTION
1	105781-98-CHT(01A)	FT	MULTISTRIPE-12.7MM X 150' - LT GOLD/CHAMPAGNE STAR
2	132664-01-CHT(01A)	EA	DECAL-DOMED WINNEBAGO - GOLD CHROME/BLACK
3	148336-01-CHT(01A)	EA	DECAL-RIALTA,DOMED,LG - GOLD CHROME
4	148336-02-CHT(01A)	EA	DECAL-RIALTA,DOMED SML - GOLD CHROME
4	XXXXXXXXXXXXXXXXXX	GL	PAINT - BEIGE MET - SPIES-HECKER #97571

DUPONT COLOR CODES ARE NOW FOUND IN THE PAINT CODE MANUAL. YOU CAN FIND THIS MANUAL ON YOUR DEALER INDEX WEBPAGE UNDER SERVICE.

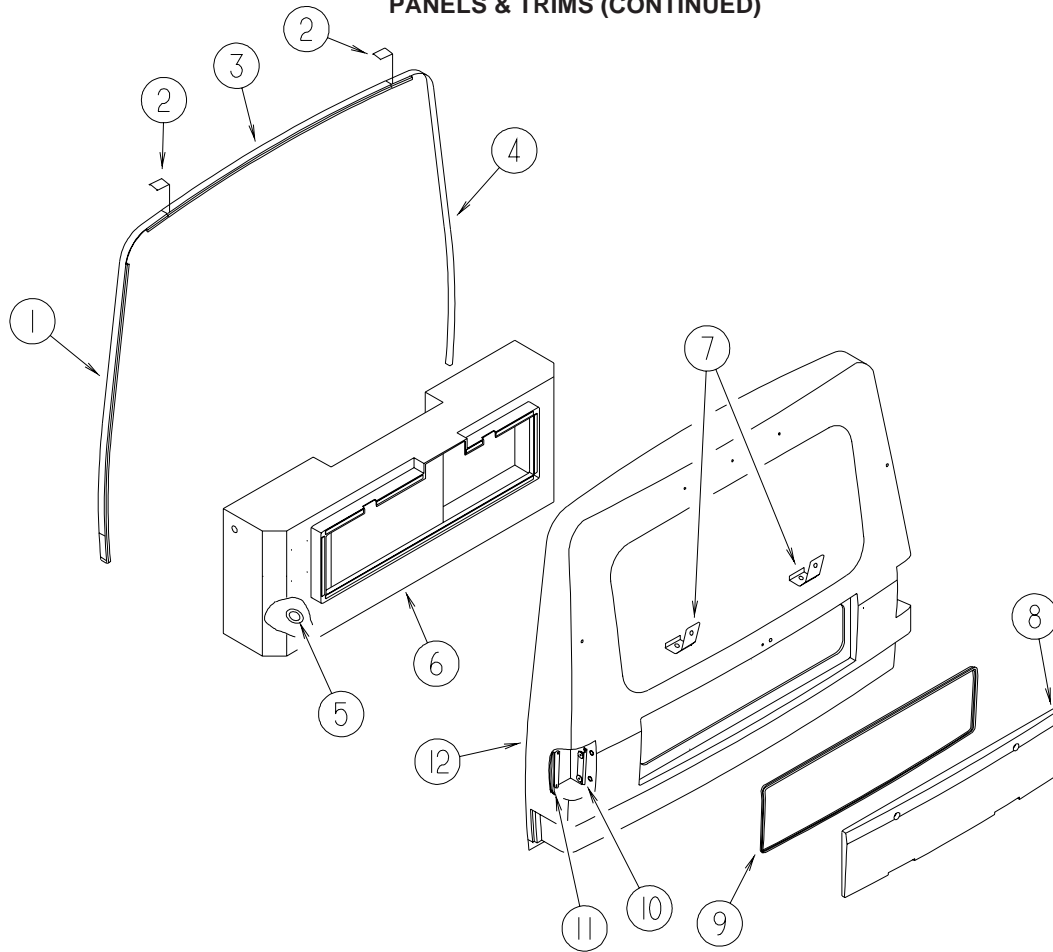
EXTERIOR BODY GROUP (CONTINUED)

PANELS & TRIMS



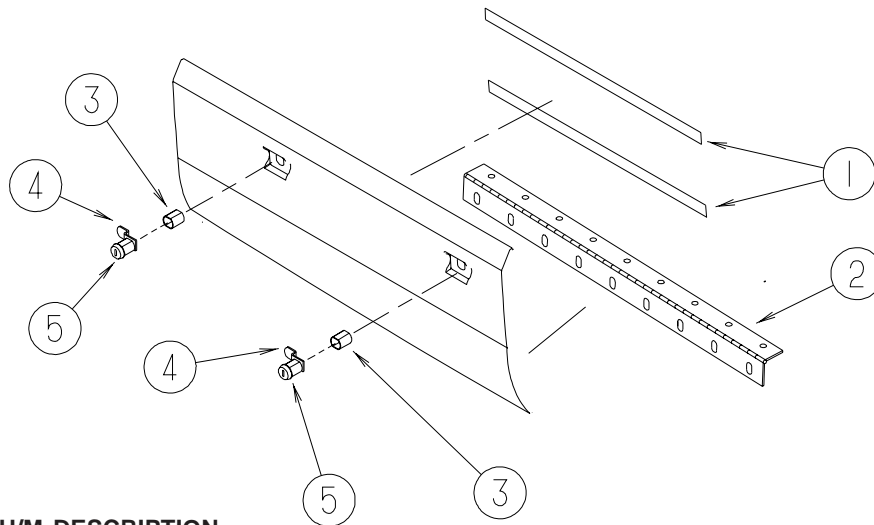
KEY	PART NUMBER	U/M	DESCRIPTION
1	P33412-01-M90	EA	ROOF - W/O LIGHTS/VENTS - W/WIRING
2	124106-03-RH0	EA	SIDEWALL - DRIVER - W/O WINDOWS/TRIMS
3	130833-09-RH0	EA	VALANCE/DOOR - REAR/DRIVER - 14.6" X 38.2" X 12.8"
4	123664-01-01A	EA	COMPARTMENT - SEWER HOSE
5	130648-04-K76	EA	VALANCE/WHEEL LIP - DRIVER
6	130645-05-K76	EA	VALANCE/PANEL - FRONT/DRIVER - W/O HARDWARE
7	130611-04-K76	EA	VALANCE/PANEL - TRANSITION/DRIVER
8	130612-04-K76	EA	VALANCE/PANEL - CAB DOOR/DRIVER - W/O HARDWARE
9	073050-04-000	EA	CLIP/MOUNTING - VALANCE PANEL
10	113752-01-01A	EA	JAMB/TRIM - GENERATOR - VW WHITE
11	112808-03-02B	EA	ROCKER ASSEMBLY- REAR/DRIVER - E-COATED
12	138692-01-RH0	EA	SIDEWALL - PASSENGER - W/O WINDOWS/TRIMS
13	130612-03-K76	EA	VALANCE/PANEL - CAB DOOR/PASSENGER - W/O HARDWARE
14	130611-03-K76	EA	VALANCE/PANEL - TRANSITION/PASSENGER
15	099571-03-01A	EA	TRIM - ROOF COVE - 2.9" X 146.2" - SMOKEY WHITE
16	130645-04-K76	EA	VALANCE/PANEL - FRONT/PASSENGER - W/O HARDWARE
17	130649-02-K76	EA	VALANCE/PANEL - ENTRY DOOR - 26.6" X 16.6" - BLACK
18	113012-03-01A	EA	TRIM-WHEELWELL,REAR,MILL
19	130648-03-K76	EA	VALANCE/WHEEL LIP - PASSENGER
20	130833-10-L90	EA	VALANCE/DOOR - REAR/PASSENGER - 14.6" X 38.2" X 12.8"
21	127289-01-02B	EA	BRACKET - LOCK CATCH - RH - E-COAT
21	127289-02-02B	EA	BRACKET - LOCK CATCH - LH - E-COAT
22	112160-02-000	FT	SEAL - D SECTION - .2 X .3" - FOAM RUBBER
23	112160-01-000	FT	SEAL - D SECTION - .2 X .3" - FOAM RUBBER
24	113753-01-01A	EA	JAMB/TRIM - LP - VW WHITE

EXTERIOR BODY GROUP (CONTINUED)
PANELS & TRIMS (CONTINUED)

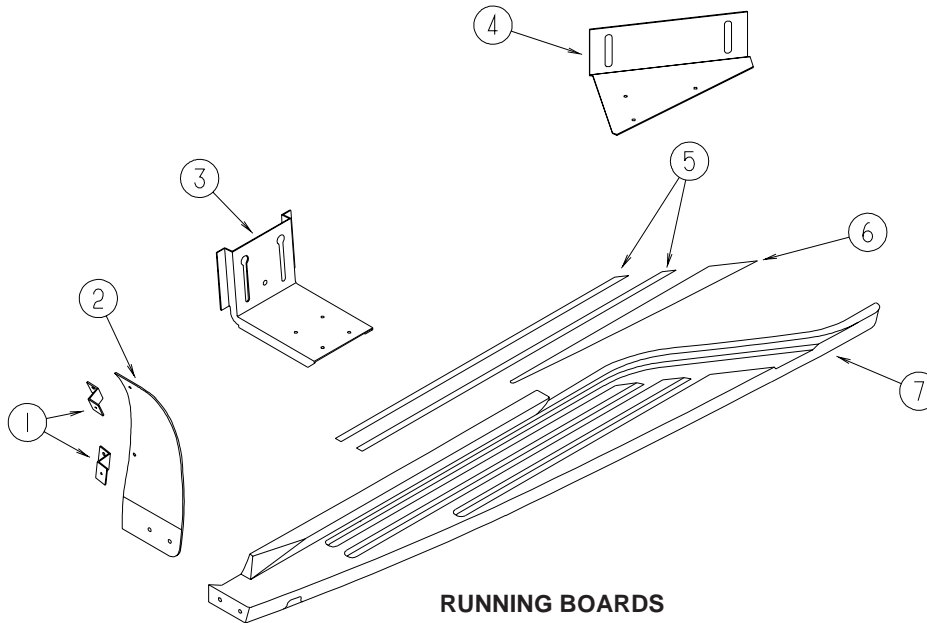


KEY	PART NUMBER	U/M	DESCRIPTION
1	112544-02-01A	EA	TRIM - SIDEWALL TO REAR CAP - LEFT HAND
2	086754-10-000	EA	CAP - JOINT ROOF TO SIDEWALL TRIM - VW WHITE
3	112548-01-01A	EA	TRIM - ROOF TO REAR CAP
4	112544-01-01A	EA	TRIM - SIDEWALL TO REAR CAP - RIGHT HAND
5	009426-01-000	EA	HATCH - POWER CORD - WHITE
6	130527-01-01A	EA	COMPARTMENT/LUGGAGE - REAR - 222HD, 222QD
6	130527-02-01A	EA	COMPARTMENT/LUGGAGE - REAR - U.S. - 222FD
6	130527-03-01A	EA	COMPARTMENT/LUGGAGE - REAR - CANADIAN - 222FD
7	127124-02-02B	EA	BRACKET - DOOR - REAR - E-COATED
8	124392-02-K76	EA	DOOR - COMPARTMENT/REAR - W/O HARDWARE
	076767-05-000	EA	CABLE - STAINLESS STEEL - 15.5"
	124242-01-08B	EA	HINGE - TRUNK DOOR - VW WHITE
	131035-01-000	EA	LOCK/COMPRESSION TYPE - KEYED W/CAM & HARDWARE - W/O KEY
	131035-60-000	EA	CAM - LOCK - COMPRESSION
	110506-59-000	EA	KEYS - SET OF TWO
	110506-59-001	EA	KEYS - SET OF TWO
	110506-59-002	EA	KEYS - SET OF TWO
	110506-59-003	EA	KEYS - SET OF TWO
	110506-59-004	EA	KEYS - SET OF TWO
	110506-59-005	EA	KEYS - SET OF TWO
	110506-59-006	EA	KEYS - SET OF TWO
	110506-59-007	EA	KEYS - SET OF TWO
	110506-59-008	EA	KEYS - SET OF TWO
	110506-59-009	EA	KEYS - SET OF TWO
9	107721-07-000	FT	SEAL - ACCESS DOOR - .9" WIDE X 1.1" HIGH
10	113777-01-02B	EA	BRACKET - TAIL LAMP - 7.7" LONG - E-COATED
11	113689-02-02B	EA	BRACKET - TAIL LAMP - LH - E-COATED
			FROM: 00-00-00 THRU: 08-05-03
	113689-01-02B	EA	BRACKET - TAIL LAMP - RH - E-COATED
11	113689-01-02B	EA	BRACKET - TAIL LAMP - E-COATED
			FROM: 08-06-03 THRU: 99-99-99
12	P30529-01-K76	EA	CAP/BACKWALL - RIALTA - W/O WINDOW/LIGHTS/DOOR - US

EXTERIOR BODY GROUP (CONTINUED)
VALANCE DOOR PIECE PARTS

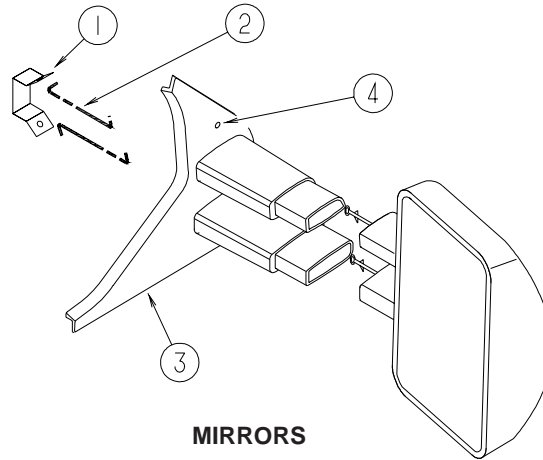


KEY	PART NUMBER	U/M	DESCRIPTION
1	134867-01-000	FT	SEAL - 3/4 X 1 1/4 - PSA ONE SIDE - GENERATOR - DRIVER SIDE
2	112246-06-01A	EA	HINGE - VALANCE DOOR - VW WHITE - PASSENGER SIDE
2	112246-05-01A	EA	HINGE - VALANCE DOOR - VW WHITE - GENERATOR - DRIVER SIDE
3	107997-51-005	EA	SPACER - DOOR LOCK .6" DEEP
4	110506-68-000	EA	CAM - LATCHING - DOG LEGGED 1.3" LONG
5	110506-55-000	EA	CASE/CYLINDER - TWIST LOCK - W/O CAM - 1.25" - 597312AA1
	076767-05-000	EA	CABLE - STAINLESS STEEL - 15.5"



KEY	PART NUMBER	U/M	DESCRIPTION
1	112507-01-02B	EA	BRACKET - MUD FLAP - FRONT
2	131135-02-02A	EA	SUPPORT - MUD FLAP - LEFT HAND - VW WHITE
	131135-01-02A	EA	SUPPORT - MUD FLAP - RIGHT HAND - VW WHITE
3	131573-01-02B	EA	BRACKET - RUNNING BOARD - E-COATED
4	131574-01-02B	EA	BRACKET - RUNNING BOARD - DRIVER REAR - E-COATED
	131574-02-02B	EA	BRACKET - RUNNING BOARD - PASSENGER REAR - E-COATED
5	038327-05-000	EA	TAPE - ANTI SLIP - 5/8"X 60' - BLACK
6	102570-06-000	EA	MAT - ANTI SLIP - UPPER/LEFT HAND
	102570-05-000	EA	MAT - ANTI SLIP - UPPER/RIGHT HAND
7	130613-04-K76	EA	RUNNING BOARD - FIBERGLASS/DRIVER - VW WHITE
	130613-03-K76	EA	RUNNING BOARD - FIBERGLASS/PASSENGER - VW WHITE

EXTERIOR BODY GROUP (CONTINUED)



MIRRORS

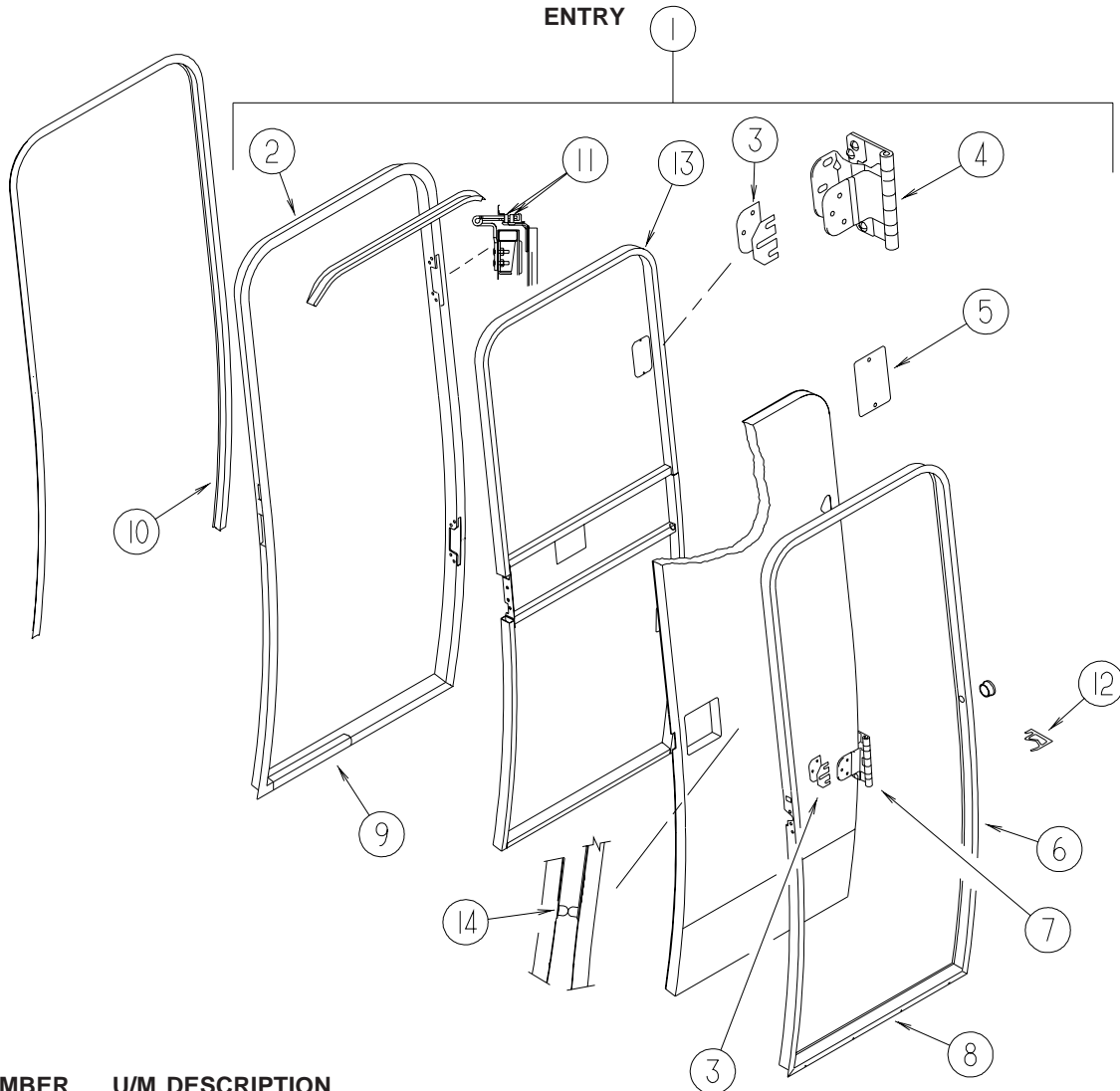
KEY	PART NUMBER	U/M	DESCRIPTION
1	115334-01-02B	EA	BRACKET - F/MIRROR ROD - E-COATED
2	115752-03-01A	EA	ROD/MIRROR HOOK - 4.8"
3	114494-03-01A	EA	BRACKET - MIRROR - PASSENGER - VW WHITE
3	114494-04-01A	EA	BRACKET - MIRROR - DRIVER - VW WHITE
4	127984-01-01A	EA	SCREW - EXTERIOR MIRROR - VW WHITE

STRUCTURAL COMPONENTS

KEY	PART NUMBER	U/M	DESCRIPTION
	000870-10-000	SF	STYROFOAM - 3/4" X 48" X 121" - PLANED
	002754-01-001	EA	ANGLE - EXTRUDED - 3/4" X 3/4" X 16' - MILL ALUMINUM
	089297-01-000	SF	PLYWOOD - LUAN - OVERLAY GRADE - 4' X 8'
	090897-51-001	EA	TUBE - EXTRUDED - SIDEWALL - REAR
	092321-01-000	FT	INSULATION - FIBERGLASS W/FOIL BACKING - 1/2" X 28.4"
	105290-01-000	SF	INSULATION - AIR POCKET W/FOIL
	100619-01-000	BF	FOAM - EXPANDED POLYSTYRENE - 1.34" X 48" X 96"
	100619-04-000	BF	FOAM - EXPANDED POLYSTYRENE - .5" X 48" X 96"
	100619-06-000	EA	FOAM - EXPANDED POLYSTYRENE-.9" X 20.4" X 63.4" (EA = 8BF)
	100619-07-000	EA	FOAM - EXPANDED POLYSTYRENE - .63" X 48" X 96" (EA = 20BF)

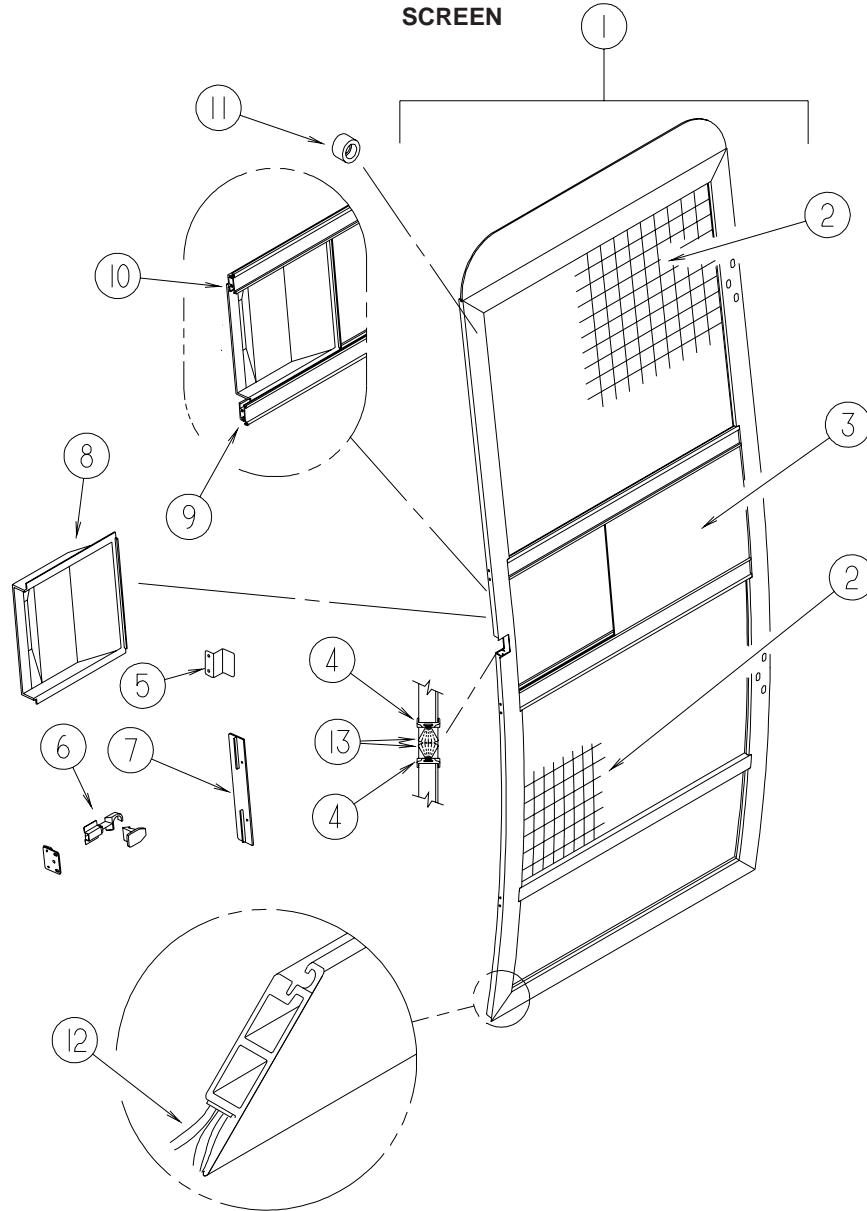
EXTERIOR DOORS & COMPARTMENTS GROUP

ENTRY



KEY	PART NUMBER	U/M	DESCRIPTION
1	P38689-01-RH0	EA	DOOR - ENTRY - W/SCREEN - W/O WINDOW/LATCH
2	113642-02-N90	EA	JAMB - DOOR/ENTRY
3	113668-01-01A	EA	GASKET - HINGE - DOOR
4	113460-01-08B	EA	HINGE - ENTRY DOOR/UPPER
5	113680-01-01A	EA	COVER - ACCESS - DOOR HINGE
6	137168-03-N90	EA	TRIM - ENTRY DOOR - UPPER
7	113461-01-08B	EA	HINGE - ENTRY DOOR/LOWER
8	113395-02-01A	EA	TRIM - ENTRY DOOR/BOTTOM - VW WHITE
9	038327-01-000	EA	TAPE - ANTI-SLIP - 2" X 60'
10	137167-01-M90	EA	TRIM - ENTRY DOOR - UPPER
11	116111-02-01A	EA	SCREW - TAPTITE - 1/4-20 X 3/8 PPH - ZINC
12	111536-03-000	FT	SEAL - ENTRY DOOR
13	138691-01-02B	EA	FRAME - ENTRY DOOR - E-COATED
14	117046-01-000	EA	BUMPER - RUBBER/ROUND END - .9"

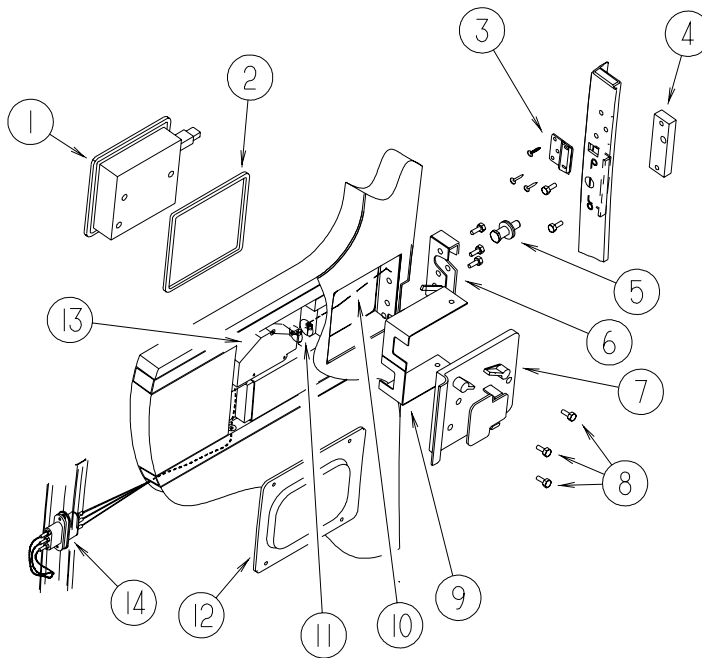
EXTERIOR DOORS & COMPARTMENTS GROUP (CONTINUED)



KEY	PART NUMBER	U/M	DESCRIPTION
1	113621-01-01A	EA	DOOR - SCREEN
2	002293-02-000	SF	SCREEN - 26" - CHARCOAL
3	016454-12-000	EA	INSERT/CENTER - SCREEN DOOR
4	113616-01-01A	FT	EXTRUDED - VINYL - SEAL TRACK - 7'
5	116485-01-03B	EA	BRACKET - SCREEN DOOR - OFF WHITE
6	110529-01-000	EA	LATCH - BULLET - SCREEN DOOR
7	079087-02-000	EA	STRIKE - SLIDER W/LIP FOR ELBOW CATCH-1.5" X 8.6" - OFF WHT
8	079086-02-000	EA	SLIDER - SCREEN DOOR
9	002294-01-000	FT	SPLINE - SCREENING - .13" X .14"
10	078777-08-000	FT	CHANNEL - SLIDER
11	120863-07-000	EA	BUMPER - RUBBER - .7" DIA X .7" THICK
12	075673-05-000	FT	SEAL - PILE - ADHESIVE BACK - BLACK
13	075673-04-000	FT	SEAL - PILE - ADHESIVE BACK

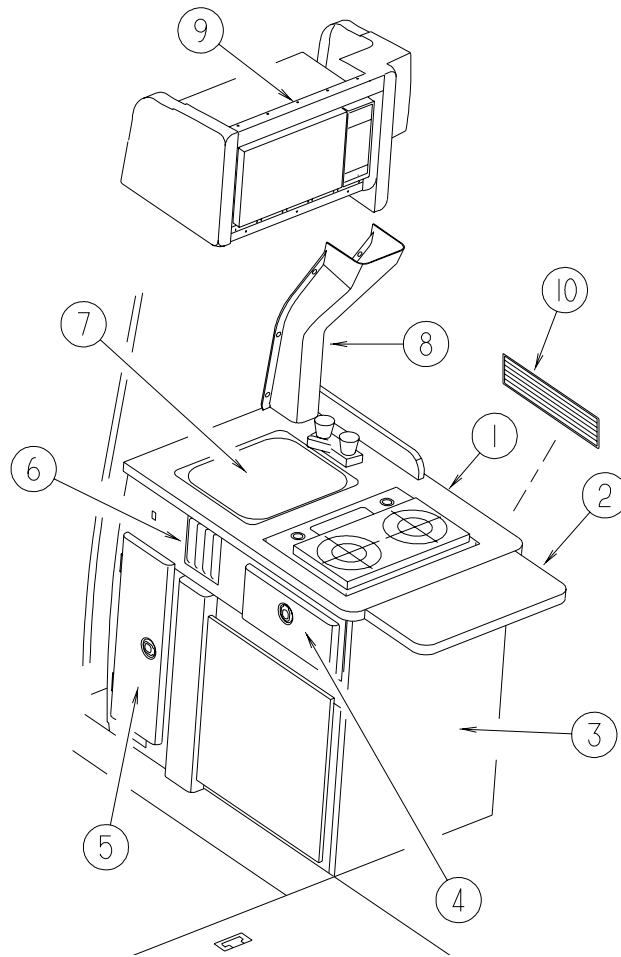
EXTERIOR DOORS & COMPARTMENTS GROUP (CONTINUED)

LATCH - ENTRY



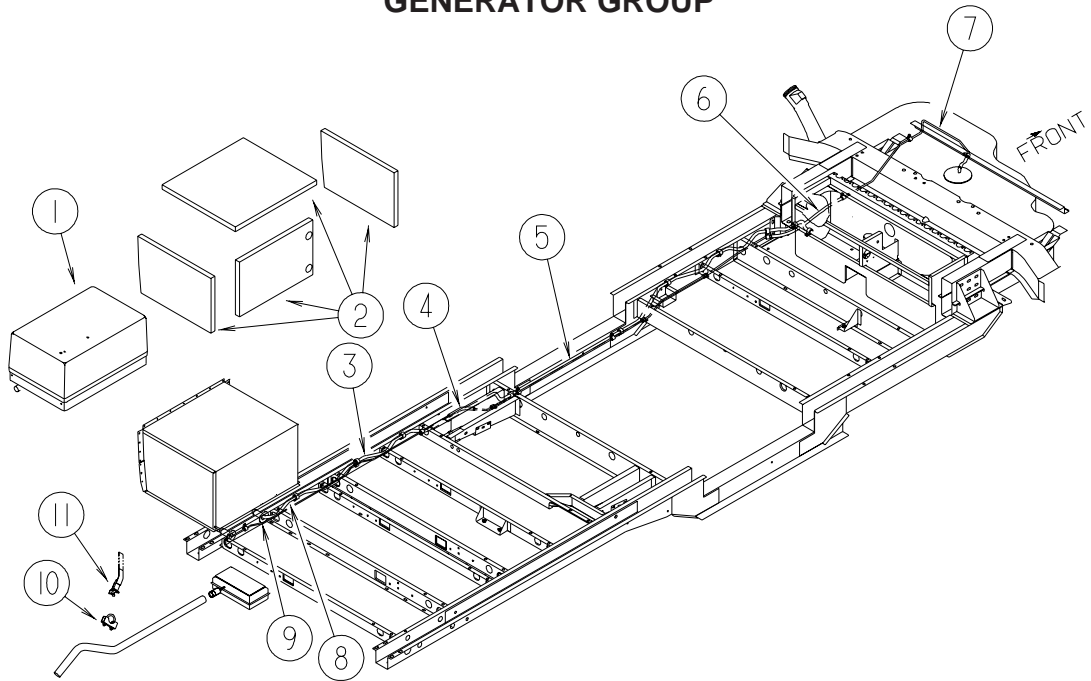
KEY	PART NUMBER	U/M	DESCRIPTION
1	144998-01-01A	EA	LATCH - ROTARY - LONG DEADBOLT - OFF WHITE
2	113669-01-01A	EA	GASKET - LATCH - DOOR
3	113750-01-04B	EA	PLATE - LATCH STRIKER
4	113636-05-01A	EA	NUT - CAGED
5	092927-03-000	EA	STRIKER - ROUND - JAMB MOUNTED
6	113636-03-01A	EA	LATCH - SINGLE ROTOR
	130444-01-01A	EA	CAP - KEY IDENTIFIER - GREEN
7	113636-02-01A	EA	PLATE/INTERIOR LATCH - W/2 LOCK LEVERS - BLACK
8	111203-06-01A	EA	SCREW - MOUNTING/PLATE - ZINC
9	115750-01-02B	EA	BRACKET - LATCH - DOOR
10	113834-01-01A	EA	ROD - DOOR LATCH - POWER
11	114209-01-01A	EA	PUSHNUT - CAP - 1/8" - WHITE
12	113960-01-01A	EA	COVER - ACTUATOR - POWER LOCK
13	117050-01-000	EA	POWER DOOR LOCK MOTOR/ACTUATOR - NEW STYLE VW #701959781
14	138897-02-000	EA	SWITCH - 3 PIN/SPRING LOADED CONTACTS (EA=1 SWITCH)
	138288-01-000	EA	KEY - REVERSIBLE - #1151 - T/M 16169-02-1151
	138288-02-000	EA	KEY - REVERSIBLE - #1152 - T/M 16169-02-1152
	138288-03-000	EA	KEY - REVERSIBLE - #1153 - T/M 16169-02-1153
	138288-04-000	EA	KEY - REVERSIBLE - #1154 - T/M 16169-02-1154
	138288-05-000	EA	KEY - REVERSIBLE - #1155 - T/M 16169-02-1155
	138288-06-000	EA	KEY - REVERSIBLE - #1156 - T/M 16169-02-1156
	138288-07-000	EA	KEY - REVERSIBLE - #1157 - T/M 16169-02-1157
	138288-08-000	EA	KEY - REVERSIBLE - #1158 - T/M 16169-02-1158
	138288-09-000	EA	KEY - REVERSIBLE - #1159 - T/M 16169-02-1159
	138288-10-000	EA	KEY - REVERSIBLE - #1150 - T/M 16169-02-1150

GALLEY GROUP CABINETS



KEY	PART NUMBER	U/M	DESCRIPTION
1	132601-70-RH0	EA	COUNTERTOP - LAMINATED - GRAY TRANQUILITY
	098335-02-RH0	EA	RAIL - GALLEY - 22.2"
2	080812-07-RH0	EA	EXTENSION - GALLEY - GRAY TRANQUILITY
3	141573-03-RH0	EA	CABINET - GALLEY - W/O COUNTERTOP/DOORS/DRAWERS/HARDWARE
3	141573-04-RH0	EA	CABINET - GALLEY - W/O COUNTERTOP/DOORS/DRAWERS/HARDWARE - DELUXE SOUND SYSTEM
4	P34767-88-M90	EA	DRAWER - PENCIL EDGE - 16.2"W X 17.7"D-W/O SLIDES/HARDWARE
5	116855-01-K76	EA	PANEL - GALLEY DOOR - W/O HARDWARE
6	109918-02-04A	EA	VENT - RETURN AIR - 6.1" X 5.5" - VW LIGHT GRAY
7	126545-01-RH0	EA	COVER - SINK - GRAY TRANQUILITY (RH0)
7	126545-01-H70	EA	COVER - SINK (RH2)
8	121445-01-03A	EA	COVER - PIPE - VW LT GRAY
9	M07494-24-K76	EA	CABINET - OVERHEAD/MICROWAVE - W/O DOORS/HARDWARE
10	086297-04-000	EA	GRILL - REFRIGERATOR VENT - VW LT GRAY

GENERATOR GROUP



KEY	PART NUMBER	U/M	DESCRIPTION
1	132918-01-000	EA	GENERATOR - 2.8 KW - MICROLITE - MODEL #3KVC83C
2	007067-01-000	SF	INSULATION - FIBERGLASS - 1" THICK X 4'-INCREMENTS 4 SF
3	113378-02-000	EA	FUEL LINE - GENERATOR - REAR
4	128139-03-000	FT	HOSE - FUEL - LOW PERMEABILITY - 1/4" DIAMETER
5	113378-04-000	EA	FUEL LINE - GENERATOR - MIDDLE
6	128139-01-000	FT	HOSE - FUEL - LOW PERMEABILITY
7	113378-01-000	EA	FUEL LINE - GENERATOR - FRONT
8	128139-03-000	FT	HOSE - FUEL - LOW PERMEABILITY - 1/4" DIAMETER
9	084884-01-000	EA	PLUG - BRASS - 3/8"
10	007131-01-000	EA	HANGER - TAILPIPE - 6 SLOTS
11	007125-03-000	EA	CLAMP - MUFFLER - 1.5" DIAMETER
	088258-02-000	EA	CLIP - RETAINING - FUEL LINE SINGLE

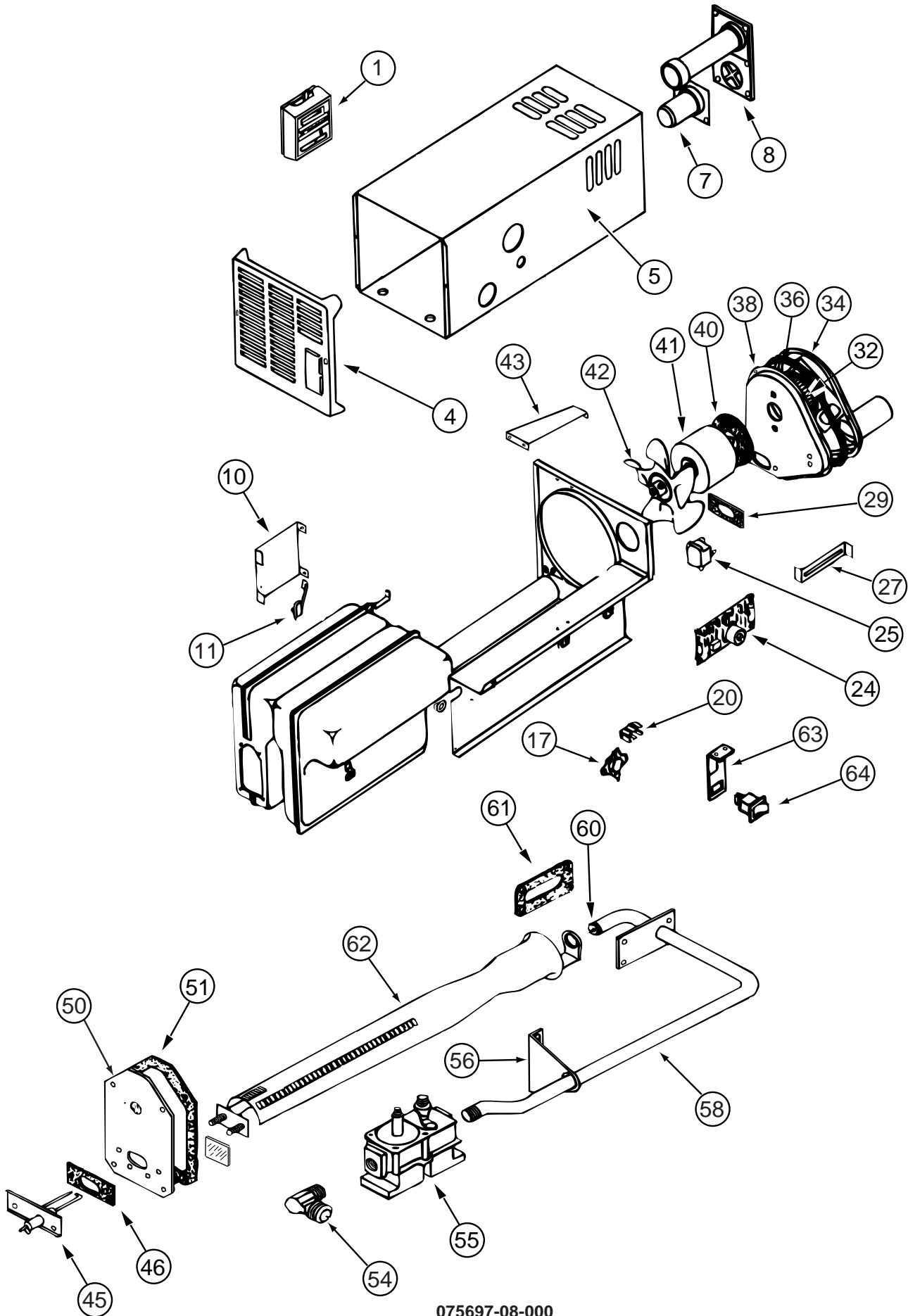
HEATING & A/C GROUP FURNACE

KEY	PART NUMBER	U/M	DESCRIPTION
*	101990-05-000	EA	FURNACE - 17,000 BTU - DUCTED - 222FD
*	075697-08-000	EA	FURNACE - FORCED AIR - 20,000 BTU - GRAY - 222HD, 222QD
	115764-01-01A	EA	THERMOSTAT - FURNACE
	089367-02-000	EA	TEE - 4" X 2" X 4" - 222FD
	101990-02-000	EA	VENT - FURNACE - OUTSIDE - 4-6" - 222FD
	125527-01-01A	EA	REGISTER - REDUCING 2" DIAMETER - 222FD
	009198-01-000	FT	DUCT - HEAT - FLEXIBLE - 4" ID X 25'
	007281-01-000	EA	HOSE - FLEXIBLE PVC - 2 1/2" ID X 50'
	056464-10-000	EA	REGISTER W/O DAMPER - 4" DIAMETER - PLASTIC - BEIGE
	069636-02-000	EA	CONNECTOR - DUCT - 4" ID
	009200-01-000	EA	TAPE - FURNACE - 1 1/2" - 222FD

***COMPONENT PARTS LISTED LATER IN THIS GROUP**

HEATING & A/C GROUP (CONTINUED)

COMPONENT PARTS FOR FURNACE



075697-08-000

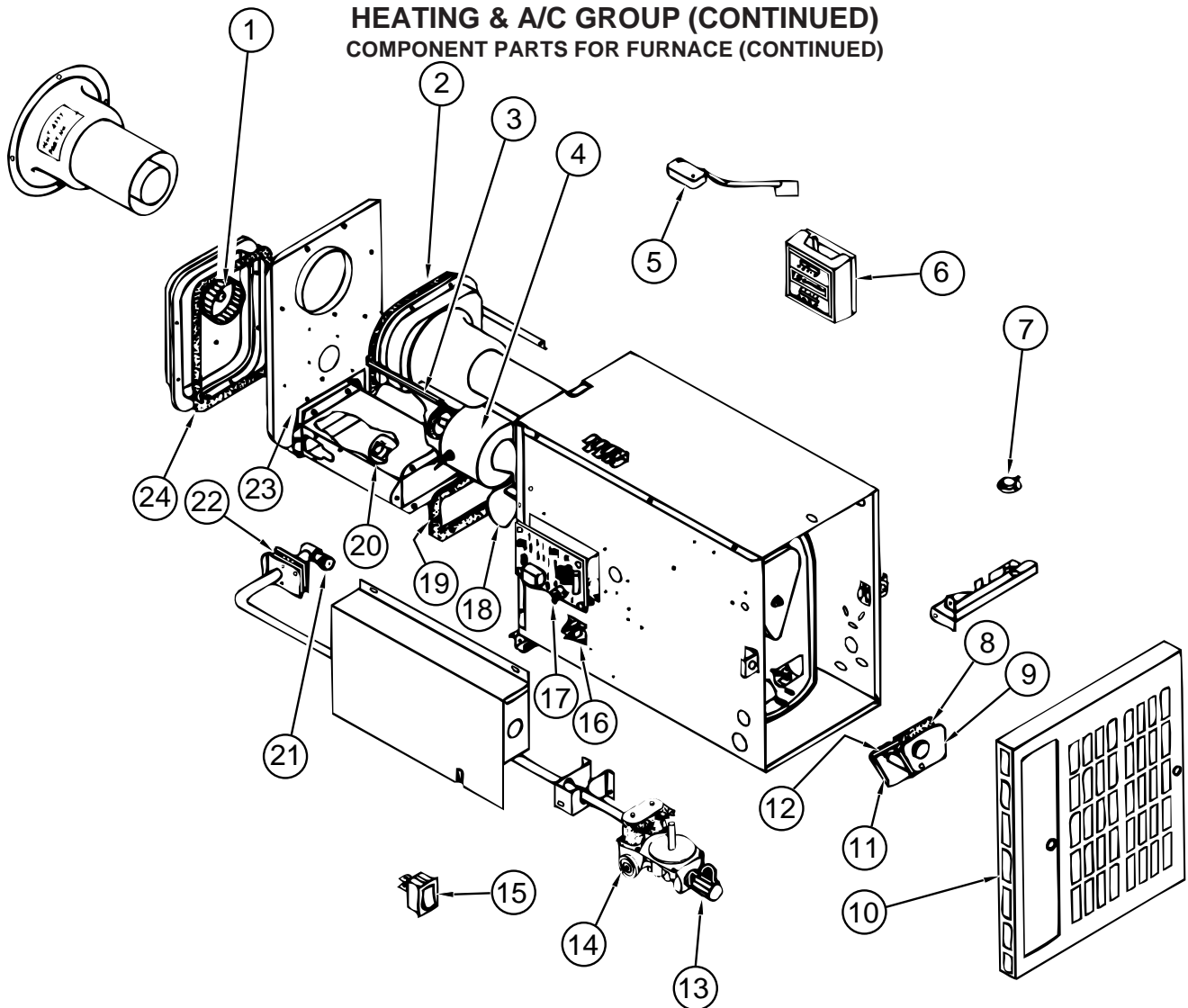
HEATING & A/C GROUP (CONTINUED)
COMPONENT PARTS FOR FURNACE (CONTINUED)

075697-08-000 (CONTINUED)

KEY	PART NUMBER	U/M	DESCRIPTION	VENDOR NO.
4	075697-07-700	EA	CABINET, FRONT	030785SG
5	075697-01-707	EA	CABINET ASSEMBLY	100957
8	075697-01-701	EA	VENT CAP & EXHAUST ASM 20SE	260098
17	074035-01-707	EA	SWITCH - LIMIT	230849
24	098668-22-705	EA	MODULE BD W/RELAY TIME DELAY	520820
25	075697-05-701	EA	MICROSWITCH ASSEMBLY	230933
29	075697-07-703	EA	GASKET - MOTOR	070448
36	074035-01-706	EA	WHEEL, COMBUSTION AIR	350082
41	075697-04-701	EA	MOTOR	230634
45	075697-04-703	EA	ELECTRODE-DBL PROBE PRIOR 92	231258
45	075697-01-708	EA	ELECTRODE-SGL PROBE 92 ON UP	231931
46	092300-01-704	EA	GASKET-ELECTRODE	070163
50	075697-04-704	EA	DOOR-BURNER ACCESS	030621
51	069634-01-732	EA	GASKET, BURNER ACCESS DOOR	070398
54	092300-01-718	EA	ELBOW 90'	170374
55	075697-07-701	EA	VALVE	161123
60	074035-01-709	EA	ORIFICE	180231
61	075697-01-709	EA	GASKET-MANIFOLD	070449
62	075697-07-702	EA	MANIFOLD ASSEMBY	170744
64	139980-01-710	EA	SWITCH - ON/OFF	232351
	075697-07-704	EA	GASKET - BURNER TUNNEL	070450

CONTACT WINNEBAGO PART SALES FOR UNLISTED COMPONENTS

HEATING & A/C GROUP (CONTINUED)
COMPONENT PARTS FOR FURNACE (CONTINUED)



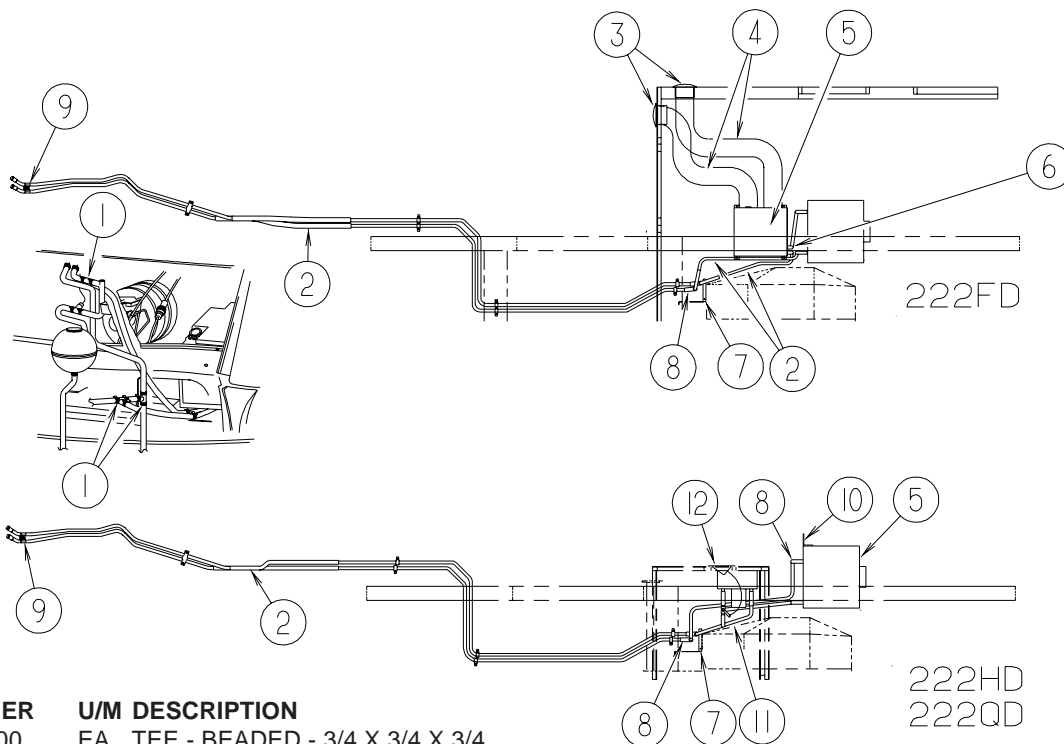
101990-05-000

KEY	PART NUMBER	U/M	DESCRIPTION	VENDOR NO.
1	101990-01-701	EA	WHEEL-COMBUSTION AIR	350126
2	101990-05-700	EA	GASKET, COMBUSTION AIR-FRONT	070862
3	101990-01-713	EA	GASKET-MOTOR	070849
4	101990-05-702	EA	MOTOR	231916
5	101990-01-720	EA	SWITCH - SAIL/NEW STYLE-BEND	231930
7	101990-01-710	EA	SWITCH - LIMIT	231768
8	101990-01-718	EA	GASKET-BURNER DOOR, ACCESS	070850
9	101990-05-708	EA	DOOR, BURNER ACCESS	030767
10	101990-05-707	EA	GRILLE ASSEMBLY	030966
11	101990-05-706	EA	ELECTRODE	231934
12	101990-01-721	EA	GASKET-ELECTRODE	070851
13	092300-01-718	EA	ELBOW 90'	170374
14	101990-05-705	EA	VALVE	161071
15	101990-05-704	EA	SWITCH - ON/OFF	23251
16	101990-01-705	EA	RELAY-TIME DELAY	231769
17	098668-01-712	EA	BOARD-MODULE	520741
18	101990-01-703	EA	WHEEL-ROOM AIR	350125
19	101990-05-703	EA	GASKET, BURNER TUNNEL-END	070848
20	101990-01-702	EA	BURNER	010763
21	101990-01-711	EA	ORIFICE	530415
22	101990-01-717	EA	GASKET-MANIFOLD	070847
23	101990-01-722	EA	GASKET-BURNER TUNNEL	070859
24	101990-05-701	EA	GASKET, COMBUSTION AIR-REAR	070906

CONTACT WINNEBAGO PART SALES FOR UNLISTED COMPONENTS

HEATING & A/C GROUP (CONTINUED)

REAR HEATER



KEY	PART NUMBER	U/M	DESCRIPTION
1	076776-02-000	EA	TEE - BEADED - 3/4 X 3/4 X 3/4
2	007108-01-000	FT	HOSE - HEATER - 5/8" ID - HI-TEMP
3	056464-09-000	EA	REGISTER W/DAMPER - 4" DIAMETER - PLASTIC - BEIGE
4	009198-01-000	FT	DUCT - HEAT - FLEXIBLE - 4" ID X 25'
4	069636-02-000	EA	CONNECTOR - DUCT - 4" ID
5*	049401-04-000	EA	HEATER - REAR - W/O SWITCH
5*	084405-01-000	EA	HEATER - REAR/DUCTED - W/MOTOR AID
6	079059-02-000	EA	HOSE - 90 DEGREE - .61" ID X 4" X 6"
7	084190-01-000	EA	GUARD - MOTOR AID - 5.9" X 5.7" X 5.3" - ANGLED/GALV STEEL
8	083081-01-000	EA	HOSE - FORMED - 90 DEGREES - 5/8" ID
9	134002-01-000	EA	CLAMP - PIPE - DOUBLE - 5/8" DIAMETER
10	058893-01-000	EA	BRACKET - L-ANGLE - .75" X .75" X 2.25 - ALUMINUM
11	083088-01-000	EA	PIPE - COOLANT RETURN - AUXILIARY REAR HEATER
12	090977-02-000	EA	KNOB - CABLE/SET SCREW - REAR HEATER
12	058906-08-000	EA	PANEL - CONTROL - AUXILIARY HEATER - VW LIGHT GRAY

*COMPONENT PARTS LISTED LATER IN THIS GROUP

HEATING & A/C GROUP (CONTINUED)
COMPONENT PARTS FOR REAR HEATER

049401-04-000

KEY	PART NUMBER	U/M	DESCRIPTION	VENDOR NO.
	049401-01-705	EA	VALVE 3 PORT 2 WAY	HV032126
	049401-03-700	EA	HEATER CORE	FT200027
	049401-03-701	EA	FAN-CCW	HV029931
	049401-03-702	EA	RESISTOR	RV212103
	049401-04-700	EA	CABLE-CONTROL	HV033639
	049401-04-701	EA	MOTOR 12V SS/PM	HV033107

084405-01-000

KEY	PART NUMBER	U/M	DESCRIPTION	VENDOR NO.
	084405-01-700	EA	CORE-HEATER	FT200229
	084405-01-701	EA	FAN BLADES	HV029931
	084405-01-702	EA	MOTOR ASSEMBLY, 12 VOLT	RV010348

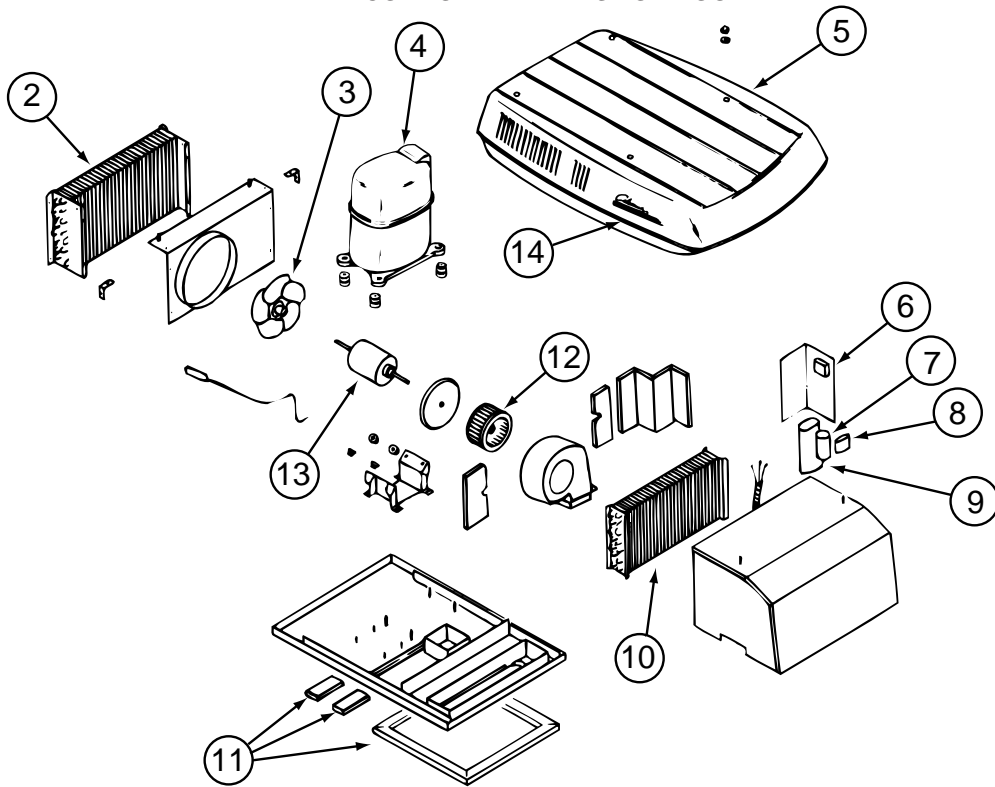
HEATING & A/C GROUP (CONTINUED)
ROOF

KEY	PART NUMBER	U/M	DESCRIPTION
*	093306-01-03A	EA	A/C - ROOF - 7100 BTU - POLAR WHITE - 6727-731
	147102-02-01A	EA	A/C - ROOF - POLAR CUB/HEAT PUMP - POLAR WHITE - AC HEAT PUMP
*	131186-02-02A	EA	A/C-ROOF-MACH 1 POWER SAVER-11,000 BTU - POLAR WHITE - DLX FEATURE PACKAGE
	147102-01-01A	EA	ROOF - A/C - POLAR CUB - POLAR WHITE - HIGH EFFICIENCY
*	093307-03-000	EA	CEILING ASSEMBLY - COOL ONLY - WHITE
	093307-04-000	EA	CEILING ASSEMBLY - A/C - COOL/HEAT - WHITE - AC HEAT STRIP
	131183-05-01A	EA	CEILING ASSEMBLY - A/C - HEAT PUMP - WHITE - AC HEAT PUMP
*	131183-03-01A	EA	CEILING ASSEMBLY - A/C - COOL - WHITE - HIGH EFFICIENCY
*	131183-04-01A	EA	CEILING ASSEMBLY - A/C - COOL/HEAT - WHITE - HIGH EFFICIENCY/AC HEAT STRIP
	102289-01-000	EA	SPRING - SCREW - ROOF A/C GASKET

***COMPONENT PARTS LISTED LATER IN THIS GROUP**

HEATING & A/C GROUP (CONTINUED)

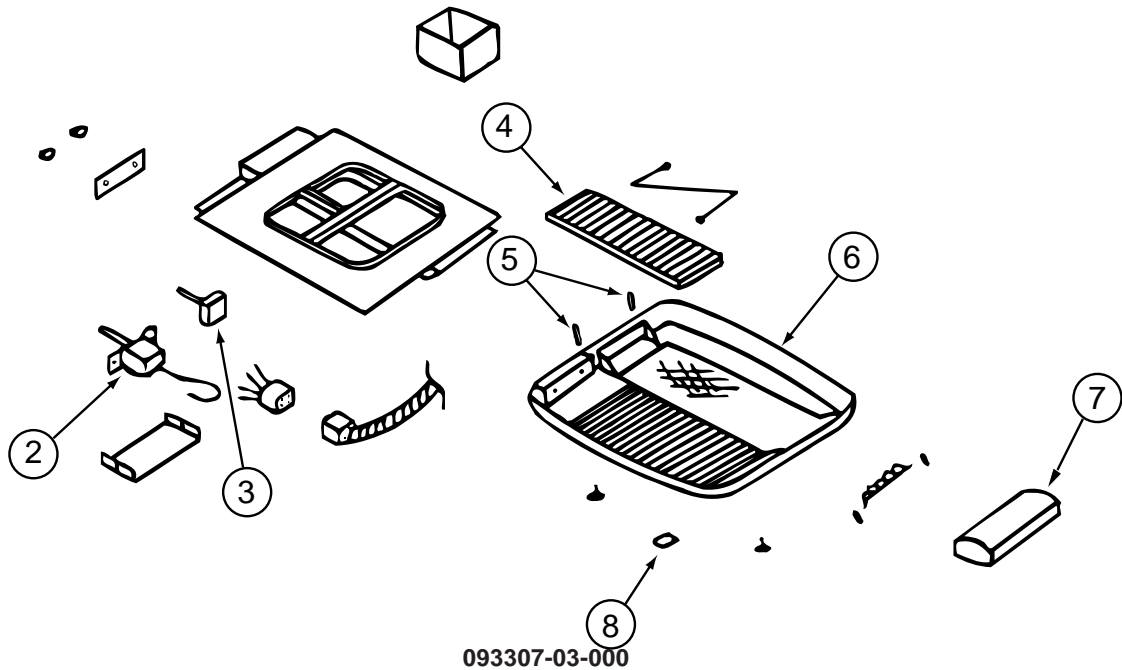
COMPONENT PARTS FOR ROOF



093306-01-03A

KEY	PART NUMBER	U/M	DESCRIPTION	VENDOR NO.
2	093306-01-711	EA	COIL-CONDENSER	1452-0701
3	093306-01-703	EA	FAN-4 BLADE. 9" DIAMETER	6707-3321
4	093306-01-717	EA	COMPRESSOR-PANASONIC	1450-2019
5	093306-01-723	EA	SHROUD - (POLAR WHITE)	6727-5711
6	093306-01-721	EA	RELAY-START	1497-5051
7	093306-01-720	EA	CAPACITOR-START, 21-25 MFD33	1497-3351
8	093306-01-719	EA	OVERLOAD	1450A0011
9	093306-01-718	EA	CAPACITOR-FAN, 5MFD 370 V	1499-5421
9	108889-01-707	EA	CAPACITOR-RUN,COMP-25MFD/370	1499-5661
10	093306-01-713	EA	COIL-EVAPORATOR	1452-0601
11	037648-01-714	EA	GASKET PACKAGE	8332-3301
12	093306-01-706	EA	WHEEL-BLOWER,6 5/16X2 7/8	6707-3281
13	093306-01-705	EA	MOTOR(115V1.6A60HZ-RPM	6727-3119
14	093306-01-701	EA	DECAL PACKAGE, LEFT & RIGHT	6798B3591

HEATING & A/C GROUP (CONTINUED)
COMPONENT PARTS FOR ROOF (CONTINUED)

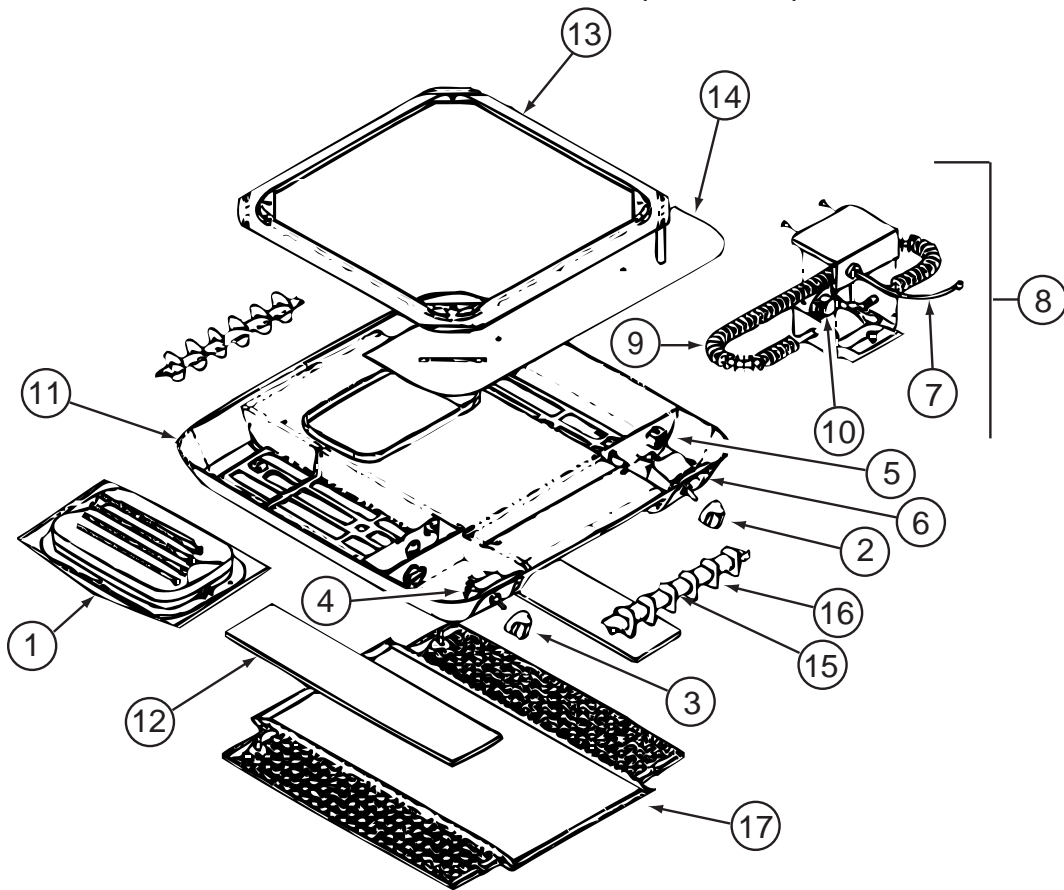


093307-03-000

KEY	PART NUMBER	U/M	DESCRIPTION	VENDOR NO.
2	076303-01-710	EA	THERMOSTAT	6733-3411
4	093766-02-702	EA	FILTER-PKG OF 2-5 X14.5 X1/8	6703-3303
5	076303-01-701	EA	KNOB-CONTROL	6733A3241
6	093307-03-700	EA	SHROUD - CEILING - WHITE	6727-3521
	091227-01-700	EA	WASHER PKG., PLASTIC	6250-3241 6703A3341

CONTACT WINNEBAGO PART SALES FOR UNLISTED COMPONENTS

HEATING & A/C GROUP (CONTINUED)
COMPONENT PARTS FOR ROOF (CONTINUED)



131183-03-01A

KEY	PART NUMBER	U/M	DESCRIPTION	VENDOR NO.
2	131183-03-700	EA	KNOB-THERMOSTAT/COOL ONLY	9330-3131
3	131183-03-701	EA	KNOB-SELECT SW/COOL ONLY	9330-3111
4	131183-04-702	EA	SWITCH-SELECT	9330-3251
5	131183-04-703	EA	PLUG ASSEMBLY	9330-345
6	131183-03-702	EA	THERMOSTAT-COOL ONLY	9330-3401
11	131183-03-703	EA	SHROUD/CEILING - WHITE	9330-3551
12	131183-04-709	EA	FILTER PKG - 2/PKG	9330-3151
15	131183-03-704	EA	VANE - WHITE	9330-30
16	131183-03-705	EA	LOUVER -WHITE	9330-309
17	131183-03-706	EA	GRILLE - WHITE	9330-305
	131183-04-710	EA	SMALL PARTS PACKAGE	9330-5991

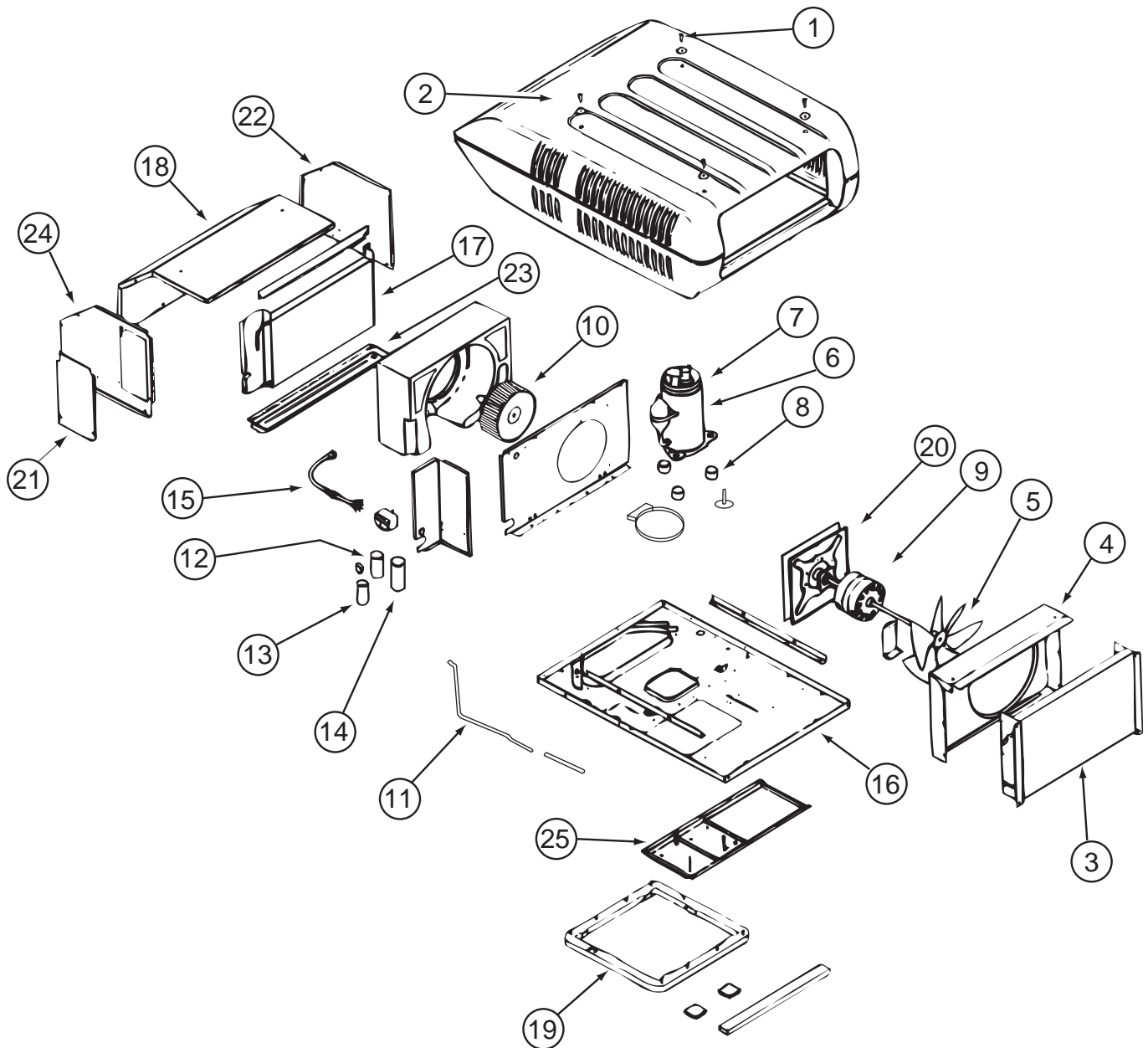
CONTACT WINNEBAGO PART SALES FOR UNLISTED COMPONENTS

131183-04-01A

KEY	PART NUMBER	U/M	DESCRIPTION	VENDOR NO.
2	131183-04-700	EA	KNOB-THERMOSTAT/HEAT-COOL	7330A3131
3	131183-04-701	EA	KNOB-SELECT SW/HEAT-COOL	9330-3121
4	131183-04-702	EA	SWITCH-SELECT	9330-3251
5	131183-04-703	EA	PLUG ASSEMBLY	9330-345
6	131183-04-704	EA	THERMOSTAT - HEAT/COOL	9330-3411
7	131183-04-705	EA	WIRING HARNES/HEATER ASM	9233-515
8	131183-04-706	EA	HEAT STRIP ASSEMBLY	9330-4551
9	131183-04-707	EA	HEAT ELEMENT	9233-3551
10	131183-04-708	EA	SWITCH-LIMIT	1460-5031
11	131183-03-703	EA	SHROUD/CEILING - WHITE	9330-3551
12	131183-04-709	EA	FILTER PKG - 2/PKG	9330-3151
15	131183-03-704	EA	VANE - WHITE	9330-30
16	131183-03-705	EA	LOUVER -WHITE	9330-309
17	131183-03-706	EA	GRILLE - WHITE	9330-305
	131183-04-710	EA	SMALL PARTS PACKAGE	9330-5991

CONTACT WINNEBAGO PART SALES FOR UNLISTED COMPONENTS

HEATING & A/C GROUP (CONTINUED)
COMPONENT PARTS FOR ROOF (CONTINUED)



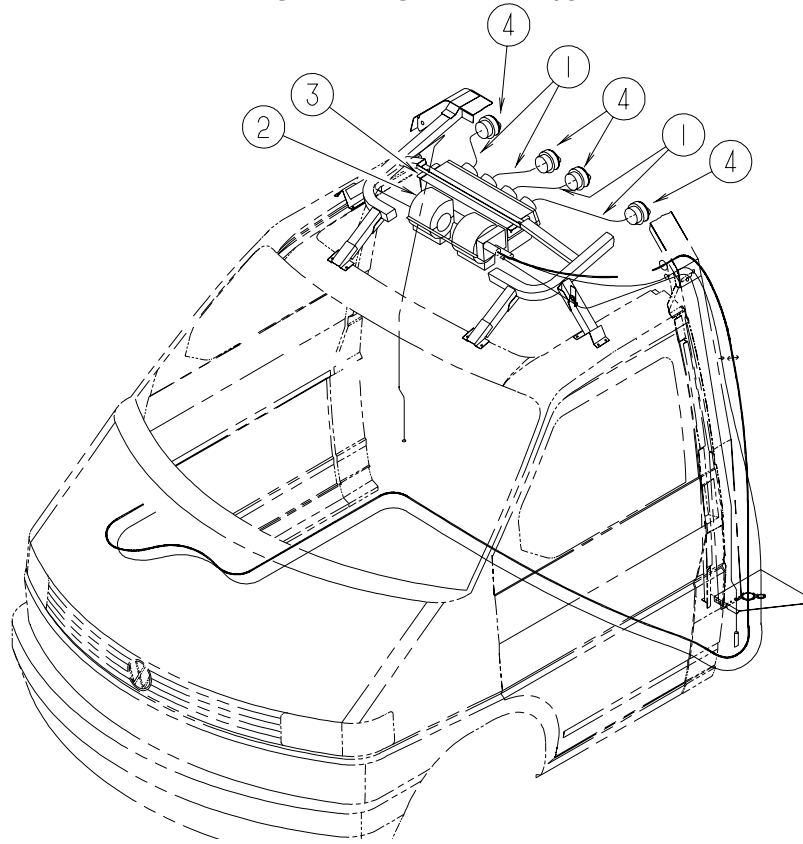
131186-02-02A

KEY	PART NUMBER	U/M	DESCRIPTION	VENDOR NO.
2	131185-02-700	EA	SHROUD - COLONEL WHITE	8333-4161
3	115219-01-700	EA	COIL-CONDENSER	1452A1321
5	093763-01-712	EA	BLADE-FAN-CONDENSER	6733-3221
6	126859-01-700	EA	COMPRESSOR RK124AT-001-A4Y	1450-2109
7	126859-01-701	EA	OVERLOAD PROTECTORMRA# 4761	1450-0061
8	105620-01-706	EA	MOUNTING PKG.,COMP., 3 PER	6759-3081
9	131186-01-700	EA	MOTOR - 115V, 60 HURTZ	1468-3109
10	131185-01-702	EA	BLOWER WHEEL PACKAGE	1472-1091
12	126859-01-703	EA	CAPACITOR - RUN	1499-5671
13	093763-01-704	EA	CAPACITOR-FAN	1499-5461
14	105620-10-704	EA	START COMPACITOR	1497-0861
15	105620-10-705	EA	PTCR (START DEVICE) - W/CAP.	8333A9021
18	131186-01-701	EA	EVAPORATOR COIL	1452-1521
20	037648-01-714	EA	GASKET PACKAGE	8332-3301
21	131185-01-704	EA	MOTOR MOUNT & SEAL KIT	8333-5151
	093306-01-701	EA	DECAL PACKAGE, LEFT & RIGHT	6798B3591
	108889-01-710	EA	PAD-FILLER, CONDENSER SEAL	6759B3971

CONTACT WINNEBAGO PART SALES FOR UNLISTED COMPONENT

HEATING & A/C GROUP (CONTINUED)

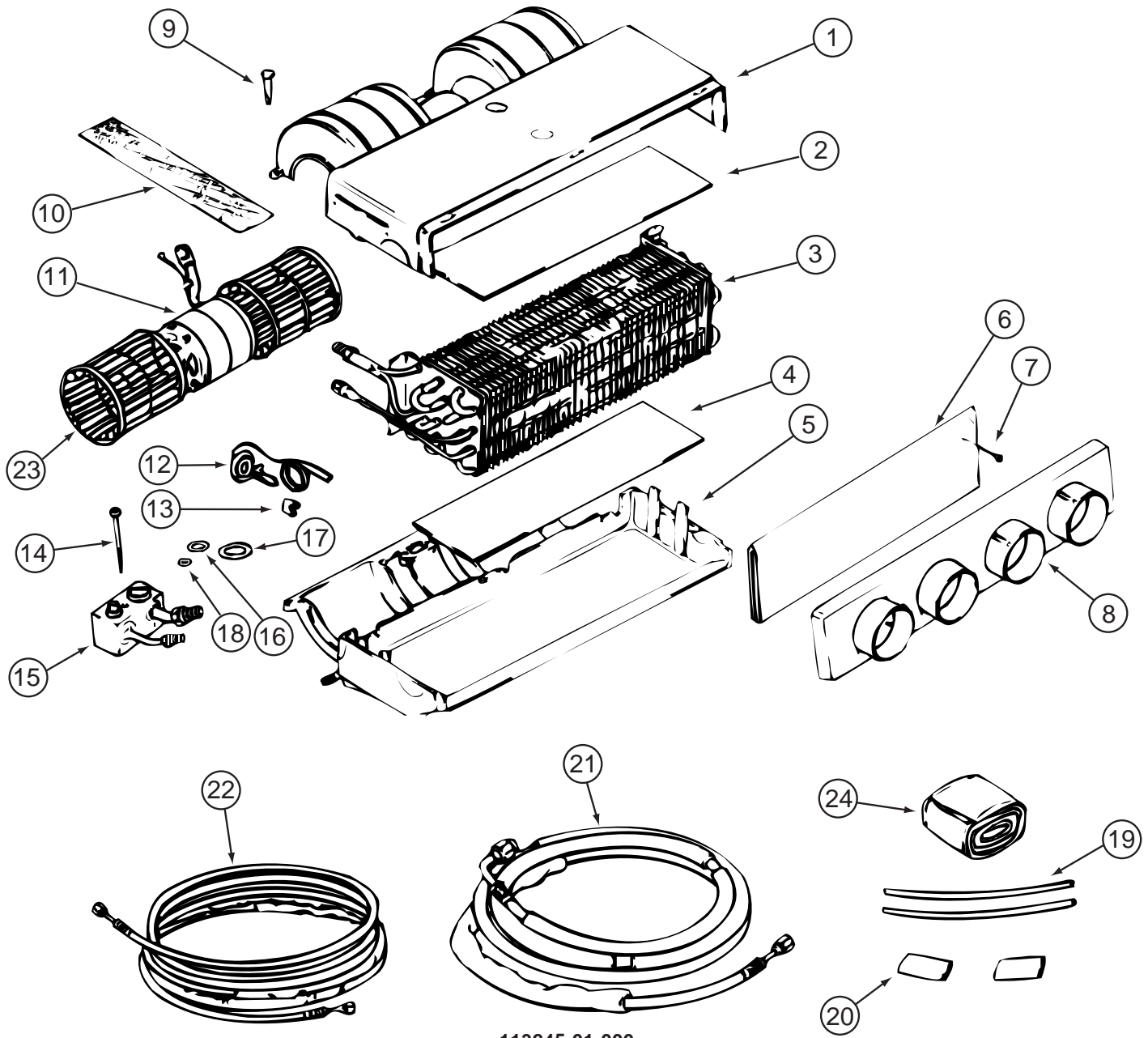
AUXILIARY OVERHEAD A/C



KEY	PART NUMBER	U/M	DESCRIPTION
1	007281-01-000	EA	HOSE - FLEXIBLE PVC - 2 1/2" ID X 50'
2*	113245-01-000	EA	EVAPORATOR/AC - OVERHEAD
3	112083-01-000	EA	BRACKET - ROOF SUPPORT
4	113244-01-01A	EA	LOUVER - BALL - 3" - BLACK

***COMPONENT PARTS LISTED LATER IN THIS GROUP**

HEATING & A/C GROUP (CONTINUED)
COMPONENT PARTS FOR AUXILIARY OVERHEAD A/C



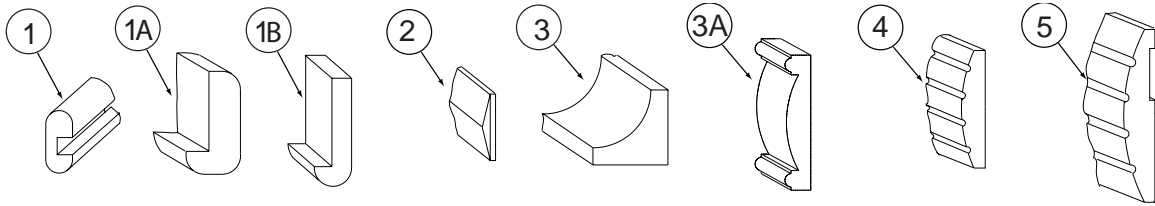
113245-01-000

KEY	PART NUMBER	U/M	DESCRIPTION	VENDOR NO.
1	113245-01-717	EA	CASE, TOP ONLY	062-0139
3	113245-01-705	EA	COIL-EVAPORATOR, (H) BODY VW	041-0034
5	113245-01-716	EA	CASE, BOTTOM W/90 DEG ELBOWS	062-140
6	113245-01-713	EA	SCREEN-CONDENSATION	045-0173
7	113245-01-714	EA	PIN-SCREEN RETAINER	062-0164
8	113245-01-703	EA	BEZEL- W/4 OUTLETS	062-0142
9	113245-01-701	EA	PIN PLASTIC	062-0027
11	113245-01-704	EA	MOTOR-BLOWER, 12V, 3 SPEED, DBL	030-0028
12	113245-01-706	EA	VALVE-EXPANSION, 134A 5 TON	034-0026
15	113245-01-712	EA	FITTING BLOCK WINN (H)	050-0129
16	103930-17-702	EA	O'RING #10	045-0127
17	113245-01-710	EA	O'RING, #12	045-0128
18	113245-01-711	EA	O'RING #6	045-0129
19	113245-01-718	FT	HOSE - DRAIN - 1/2"	051-0002
21	113245-01-709	EA	HOSE ASM #10 EVAPORATOR/COMP	085-0116
22	113245-01-708	EA	HOSE ASM #6 EVAPORATOR/DRIER	085-0115
23	113245-01-700	EA	WHEELBLOWER W/CLIP	062-00183
	113245-01-702	EA	COVER-SLOT	062-0141

CONTACT WINNEBAGO PART SALES FOR UNLISTED COMPONENTS

INTERIOR FINISH GROUP

MOLDINGS & TRIMS

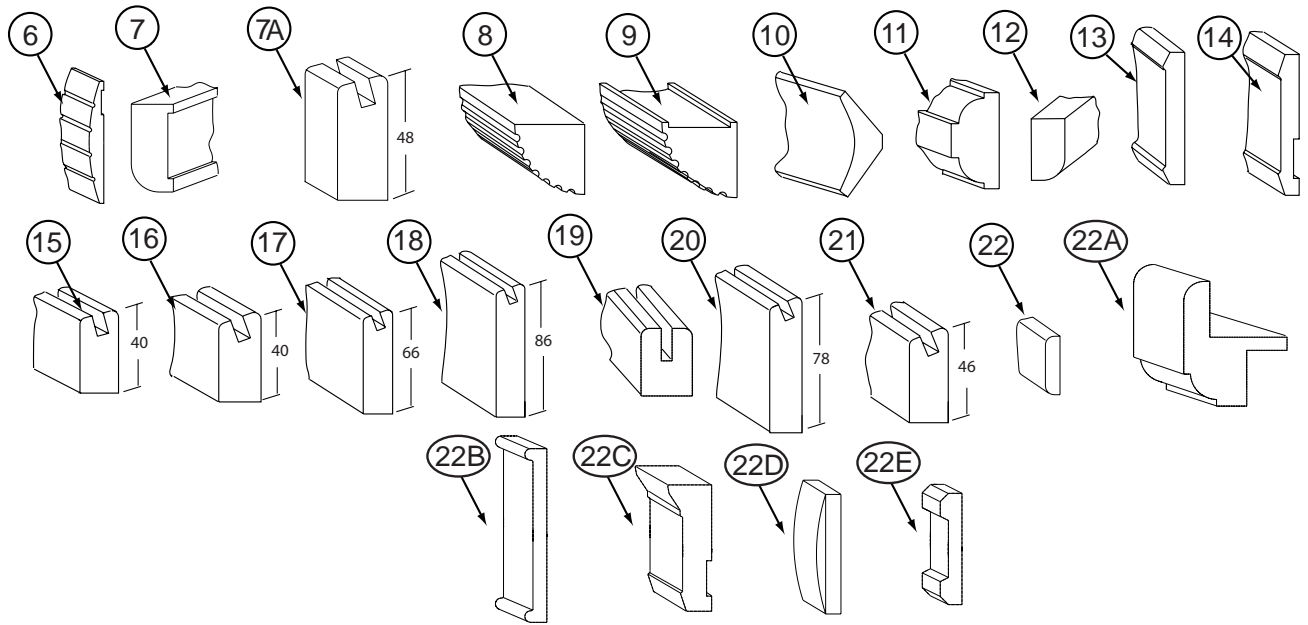


KEY	PART NUMBER	U/M	DESCRIPTION
1	M09412-62-N42	EA	MOLDING/SHELF EDGE - W/.4" NOTCH - PORTSMOUTH II - PORTSMOUTH OAK
1	M09412-62-M52	EA	MOLDING/SHELF EDGE - W/.4" NOTCH - CHERRY IV - CONCERT CHERRY
1	M09412-62-M62	EA	MOLDING/SHELF EDGE - W/.4" NOTCH - WASHED MAPLE
1	M09412-62-RC3	EA	MOLDING/SHELF EDGE - W/.4" NOTCH - .6" X 1.3" X 96" - HONEY CHERRY
1A	M09438-02-N70	EA	MOLDING - HARDWOOD-W/NOTCH - 1.4"X 80.5" - OAK/PORTS OAK - PORTSMOUTH OAK
1A	M09438-02-N85	EA	MOLDING - HARDWOOD-W/NOTCH - 1.4"X 80.5" - CHERRY/CHERRY IV - CONCERT CHERRY
1A	M09438-02-N84	EA	MOLDING - HARDWOOD-W/NOTCH - 1.4"X 80.5" - MAPLE/WASHED MP - WASHED MAPLE
1B	M09438-21-N95	EA	MOLDING/TRIM - .8" X 2.2" X 80.2" - OAK/PORTS OAK - PORTSMOUTH OAK
1B	M09438-21-N94	EA	MOLDING/TRIM - .8" X 2.2" X 80.2" - CHERRY/CHERRY IV - CONCERT CHERRY
1B	M09438-21-NQ0	EA	MOLDING/TRIM - .8" X 2.2" X 80.2" - MAPLE/WASHED MP - WASHED MAPLE
1B	M09438-23-N95	EA	MOLDING - HARDWOOD-W/NOTCH - 4" X 80.2" - OAK/PORTS OAK - PORTSMOUTH OAK
1B	M09438-23-N94	EA	MOLDING - HARDWOOD-W/NOTCH - 4" X 80.2" - CHERRY/CHERRY IV - CONCERT CHERRY
1B	M09438-23-NQ0	EA	MOLDING - HARDWOOD-W/NOTCH - 4" X 80.2" - MAPLE/WASHED MP - WASHED MAPLE
1B	M09438-25-N95	EA	MOLDING - HARDWOOD-W/NOTCH - 1.4"X 80.2" - OAK/PORTS OAK - PORTSMOUTH OAK
1B	M09438-25-N94	EA	MOLDING - HARDWOOD-W/NOTCH - 1.4"X 80.2" - CHERRY/CHERRY IV - CONCERT CHERRY
1B	M09438-25-NQ0	EA	MOLDING - HARDWOOD-W/NOTCH - 1.4"X 80.2" - MAPLE/WASHED MP - WASHED MAPLE
1B	M09438-25-RA3	EA	MOLDING - HARDWOOD-W/NOTCH - 1.4"X 80.2" - CHERRY/HONEY - HONEY CHERRY
1B	M09450-77-PC0	EA	MOLDING - TRIM/HDWD W/LIP -.4"X3.2"X79.6" - OAK/PORTS OAK - PORTSMOUTH OAK
1B	M09450-77-PC1	EA	MOLDING - TRIM/HDWD W/LIP -.4"X3.2"X79.6" - CHERRY/CHERRY IV - CONCERT CHERRY
1B	M09450-77-PC2	EA	MOLDING - TRIM/HDWD W/LIP -.4"X3.2"X79.6" - MAPLE/WASHED MP - WASHED MAPLE
1B	M09450-77-RC3	EA	MOLDING - TRIM/HDWD W/LIP -.4"X3.2"X79.6" - CHERRY/HONEY - HONEY CHERRY
1B	M09462-75-R38	EA	MOLDING/TRIM - .75" X 1.2" X 80.2" - PORTSMOUTH OAK
1B	M09462-75-R39	EA	MOLDING/TRIM - .75" X 1.2" X 80.2" - CONCERT CHERRY
1B	M09462-75-R46	EA	MOLDING/TRIM - .75" X 1.2" X 80.2" - WASHED MAPLE
2	M09454-62-P54	EA	MOLDING - TRIM/VEE - .2" X 1" X 3.5" - OAK - PORTSMOUTH OAK
2	M09454-62-P55	EA	MOLDING - TRIM/VEE - .2" X 1" X 3.5" - CHERRY - CONCERT CHERRY
2	M09454-62-P56	EA	MOLDING - TRIM/VEE - .2" X 1" X 3.5" - MAPLE - WASHED MAPLE
2	M09454-62-RE0	EA	MOLDING - TRIM/VEE - .2" X 1" X 3.5" - CHERRY - HONEY CHERRY
2	M09462-50-R74	EA	MOLDING - TRIM/VEE - .2" X 1" X 93.5" - PORTSMOUTH OAK
2	M09462-50-R75	EA	MOLDING - TRIM/VEE - .2" X 1" X 93.5" - CONCERT CHERRY
2	M09462-50-R76	EA	MOLDING - TRIM/VEE - .2" X 1" X 93.5" - WASHED MAPLE
2	M09477-18-R83	EA	MOLDING - TRIM/VEE - .2" X 1" X 32" - OAK - PORTSMOUTH OAK
2	M09477-18-R84	EA	MOLDING - TRIM/VEE - .2" X 1" X 32" - CHERRY - CONCERT CHERRY
2	M09477-18-R91	EA	MOLDING - TRIM/VEE - .2" X 1" X 32" - MAPLE - WASHED MAPLE
2	M09477-18-RE0	EA	MOLDING - TRIM/VEE - .2" X 1" X 32" - CHERRY - HONEY CHERRY
3	M09471-79-R38	EA	MOLDING-STAINED - PORTSMOUTH OAK
3	M09471-79-R39	EA	MOLDING-STAINED - CONCERT CHERRY
3	M09471-79-R46	EA	MOLDING-STAINED - WASHED MAPLE
3	M09471-79-RE0	EA	MOLDING-STAINED - HONEY CHERRY
3A	M09471-40-R83	EA	MOLDING-STAINED - PORTSMOUTH OAK
3A	M09471-40-R84	EA	MOLDING-STAINED - CONCERT CHERRY
3A	M09471-40-RE0	EA	MOLDING-STAINED - HONEY CHERRY
4	M09454-52-PA0	EA	MOLDING - FLUTED - .75" X 3.5" X 76.7" - OAK - PORTSMOUTH OAK
4	M09454-52-PA1	EA	MOLDING - FLUTED - .75" X 3.5" X 76.7" - CHERRY - CONCERT CHERRY
4	M09454-52-PA2	EA	MOLDING - FLUTED - .75" X 3.5" X 76.7" - MAPLE - WASHED MAPLE
4	P39129-01-N53	EA	MOLDING - FLUTED/CURVED - 3.5" X 44.5" - PORTSMOUTH OAK
4	P39129-01-N52	EA	MOLDING - FLUTED/CURVED - 3.5" X 44.5" - CONCERT CHERRY
4	P39129-01-N62	EA	MOLDING - FLUTED/CURVED - 3.5" X 44.5" - WASHED MAPLE
4	P39129-01-RA3	EA	MOLDING - FLUTED/CURVED - 3.5" X 44.5" - HONEY CHERRY

INTERIOR FINISH GROUP (CONTINUED)
MOLDINGS & TRIMS (CONTINUED)

KEY	PART NUMBER	U/M	DESCRIPTION
4	P39129-08-N53	EA	MOLDING - FLUTED/CURVED - 3.5" X 45.5" - PORTSMOUTH OAK
4	P39129-08-N52	EA	MOLDING - FLUTED/CURVED - 3.5" X 45.5" - CONCERT CHERRY
4	P39129-08-N62	EA	MOLDING - FLUTED/CURVED - 3.5" X 45.5" - WASHED MAPLE
4	P39129-08-RA3	EA	MOLDING - FLUTED/CURVED - 3.5" X 45.5" - HONEY CHERRY
4	P39129-14-PA0	EA	MOLDING - FLUTED/CURVED - 3.5" X 40.8" - PORTSMOUTH OAK
4	P39129-14-PA1	EA	MOLDING - FLUTED/CURVED - 3.5" X 40.8" - CONCERT CHERRY
4	P39129-14-PA2	EA	MOLDING - FLUTED/CURVED - 3.5" X 40.8" - WASHED MAPLE
4	P39129-14-RA3	EA	MOLDING - FLUTED/CURVED - 3.5" X 40.8" - HONEY CHERRY
4	P39129-20-PA0	EA	MOLDING - FLUTED/CURVED - 3.5" X 33.4" - PORTSMOUTH OAK
4	P39129-20-PA1	EA	MOLDING - FLUTED/CURVED - 3.5" X 33.4" - CONCERT CHERRY
4	P39129-20-PA2	EA	MOLDING - FLUTED/CURVED - 3.5" X 33.4" - WASHED MAPLE
4	P39129-20-RA3	EA	MOLDING - FLUTED/CURVED - 3.5" X 33.4" - HONEY CHERRY
4	P39129-25-PA0	EA	MOLDING - FLUTED/CURVED - 3.5" X 46.6" - PORTSMOUTH OAK
4	P39129-25-PA1	EA	MOLDING - FLUTED/CURVED - 3.5" X 46.6" - CONCERT CHERRY
4	P39129-25-PA2	EA	MOLDING - FLUTED/CURVED - 3.5" X 46.6" - WASHED MAPLE
4	P39129-25-RA3	EA	MOLDING - FLUTED/CURVED - 3.5" X 46.6" - HONEY CHERRY
4	P39129-31-PA0	EA	MOLDING - FLUTED/CURVED - 3.5" X 80.7" - PORTSMOUTH OAK
4	P39129-31-PA1	EA	MOLDING - FLUTED/CURVED - 3.5" X 80.7" - CONCERT CHERRY
4	P39129-31-PA2	EA	MOLDING - FLUTED/CURVED - 3.5" X 80.7" - WASHED MAPLE
4	P39129-31-RA3	EA	MOLDING - FLUTED/CURVED - 3.5" X 80.7" - HONEY CHERRY
4	P39129-32-RA0	EA	MOLDING - FLUTED/CURVED - 3.5" X 99.2" - PORTSMOUTH OAK
4	P39129-32-RA1	EA	MOLDING - FLUTED/CURVED - 3.5" X 99.2" - CONCERT CHERRY
4	P39129-32-RA2	EA	MOLDING - FLUTED/CURVED - 3.5" X 99.2" - WASHED MAPLE
4	P39129-32-RA3	EA	MOLDING - FLUTED/CURVED - 3.5" X 99.2" - HONEY CHERRY
4	P39129-33-RA0	EA	MOLDING - FLUTED/CURVED - 3.5" X 98.58" - PORTSMOUTH OAK
4	P39129-33-RA1	EA	MOLDING - FLUTED/CURVED - 3.5" X 98.58" - CONCERT CHERRY
4	P39129-33-RA2	EA	MOLDING - FLUTED/CURVED - 3.5" X 98.58" - WASHED MAPLE
4	P39129-33-RA3	EA	MOLDING - FLUTED/CURVED - 3.5" X 98.58" - HONEY CHERRY
5	P39129-19-PA0	EA	MOLDING - FLUTED/CURVED - 5.9" X 32.1" - PORTSMOUTH OAK
5	P39129-19-PA1	EA	MOLDING - FLUTED/CURVED - 5.9" X 32.1" - CONCERT CHERRY
5	P39129-19-PA2	EA	MOLDING - FLUTED/CURVED - 5.9" X 32.1" - WASHED MAPLE
5	P39129-19-RA3	EA	MOLDING - FLUTED/CURVED - 5.9" X 32.1" - HONEY CHERRY
5	P39129-28-PA0	EA	MOLDING - FLUTED/CURVED - 5.9" X 63.3" - PORTSMOUTH OAK
5	P39129-28-PA1	EA	MOLDING - FLUTED/CURVED - 5.9" X 63.3" - CONCERT CHERRY
5	P39129-28-PA2	EA	MOLDING - FLUTED/CURVED - 5.9" X 63.3" - WASHED MAPLE
5	P39129-28-RA3	EA	MOLDING - FLUTED/CURVED - 5.9" X 63.3" - HONEY CHERRY
5	P39129-29-PA0	EA	MOLDING - FLUTED/CURVED - 5.9" X 70.1" - PORTSMOUTH OAK
5	P39129-29-PA1	EA	MOLDING - FLUTED/CURVED - 5.9" X 70.1" - CONCERT CHERRY
5	P39129-29-PA2	EA	MOLDING - FLUTED/CURVED - 5.9" X 70.1" - WASHED MAPLE
5	P39129-29-RA3	EA	MOLDING - FLUTED/CURVED - 5.9" X 70.1" - HONEY CHERRY

INTERIOR FINISH GROUP (CONTINUED)
MOLDINGS & TRIMS (CONTINUED)

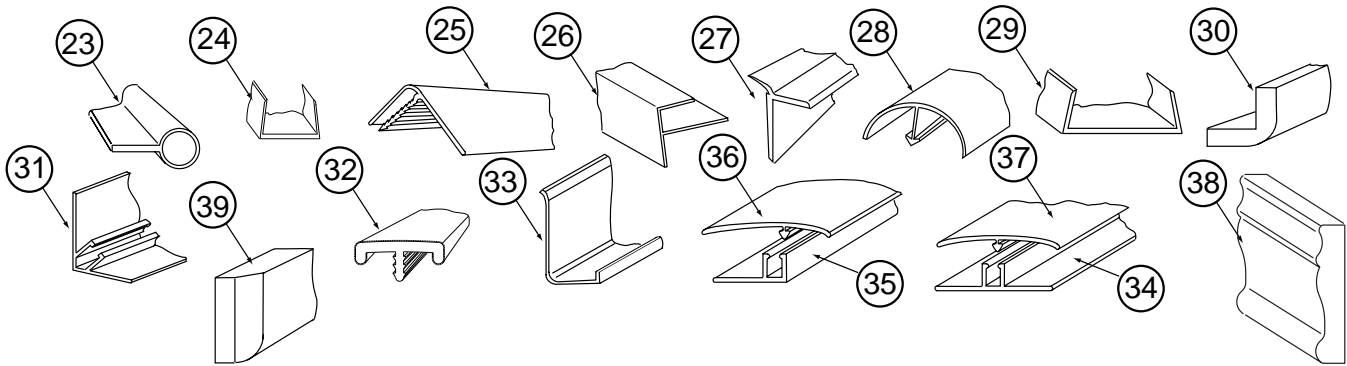


KEY	PART NUMBER	U/M	DESCRIPTION
6	P39129-21-PA0	EA	MOLDING - FLUTED/CURVED - 5.9" X 2.5" - PORTSMOUTH OAK
6	P39129-21-PA1	EA	MOLDING - FLUTED/CURVED - 5.9" X 2.5" - CONCERT CHERRY
6	P39129-21-PA2	EA	MOLDING - FLUTED/CURVED - 5.9" X 2.5" - WASHED MAPLE
6	P39129-21-RA3	EA	MOLDING - FLUTED/CURVED - 5.9" X 2.5" - HONEY CHERRY
6	P39129-22-PA0	EA	MOLDING - FLUTED/CURVED - 5.9" X 5.3" - PORTSMOUTH OAK
6	P39129-22-PA1	EA	MOLDING - FLUTED/CURVED - 5.9" X 5.3" - CONCERT CHERRY
6	P39129-22-PA2	EA	MOLDING - FLUTED/CURVED - 5.9" X 5.3" - WASHED MAPLE
6	P39129-22-RA3	EA	MOLDING - FLUTED/CURVED - 5.9" X 5.3" - HONEY CHERRY
7	Y00007-22-438	EA	MOLDING - MAPLE - UNSTAINED
7	Y00007-32-438	EA	MOLDING - CHERRY - UNSTAINED
7	Y00007-42-438	EA	MOLDING - OAK - UNSTAINED
7A	Y00054-72-438	EA	MOLDING - VINYL - W/SLOT - .7"X 1.9"X 96" - PORTSMOUTH OAK
7A	Y00054-62-438	EA	MOLDING - VINYL - W/SLOT - .7"X 1.9"X 96" - CONCERT CHERRY
7A	Y00054-A2-438	EA	MOLDING - VINYL - W/SLOT - .7"X 1.9"X 96" - WASHED MAPLE
8	Y00070-22-438	EA	MOLDING/FLUTED - MAPLE - 96" - WASHED MAPLE
8	Y00070-32-438	EA	MOLDING/FLUTED - CHERRY - 96" - CONCERT CHERRY
8	Y00070-42-438	EA	MOLDING/FLUTED - OAK - 96" - PORTSMOUTH OAK
9	Y00071-22-438	EA	MOLDING/FLUTED - W/NOTCH - MAPLE/UNSTAINED - 96"
9	Y00071-32-438	EA	MOLDING/FLUTED - W/NOTCH - CHERRY/UNSTAINED - 96"
9	Y00071-42-438	EA	MOLDING/FLUTED - W/NOTCH - OAK/UNSTAINED - 96"
10	Y00074-A2-438	EA	MOLDING/CROWN - VINYL WRAPPED - MAPLE - 96" - WASHED MAPLE
10	Y00074-62-438	EA	MOLDING/CROWN - VINYL WRAPPED - CONCERT CHERRY - 96" - CONCERT CHERRY
10	Y00074-72-438	EA	MOLDING/CROWN - VINYL WRAPPED - PORTSMOUTH OAK - 96" - PORTSMOUTH OAK
11	Y00076-22-438	EA	MOLDING/TRIM - .5" X 1" X 96" - MAPLE (UNSTAINED)
11	Y00076-32-438	EA	MOLDING/TRIM - .5" X 1" X 96" - CHERRY (UNSTAINED)
11	Y00076-42-438	EA	MOLDING/TRIM - .5" X 1" X 96" - OAK (UNSTAINED)
12	Y00086-A2-438	EA	MOLDING - VINYL WRAP - .7" X 1.6" X 96" - WASHED MAPLE
12	Y00086-62-438	EA	MOLDING - VINYL WRAP - .7" X 1.6" X 96" - CONCERT CHERRY
12	Y00086-72-438	EA	MOLDING - VINYL WRAP - .7" X 1.6" X 96" - PORTSMOUTH OAK
12	Y00086-82-438	EA	MOLDING - VINYL WRAP - .7" X 1.6" X 96" - HONEY CHERRY
12	Y00087-A2-438	EA	MOLDING - VINYL WRAP - .7" X 2.9" X 96" - WASHED MAPLE
12	Y00087-62-438	EA	MOLDING - VINYL WRAP - .7" X 2.9" X 96" - CONCERT CHERRY
12	Y00087-72-438	EA	MOLDING - VINYL WRAP - .7" X 2.9" X 96" - PORTSMOUTH OAK
12	Y00087-82-438	EA	MOLDING - VINYL WRAP - .7" X 2.9" X 96" - HONEY CHERRY
12	Y00267-72-438	EA	MOLDING - VINYL WRAP/MITERED - .6" X 96" - PORTSMOUTH OAK
12	Y00267-62-438	EA	MOLDING - VINYL WRAP/MITERED - .6" X 96" - CONCERT CHERRY
12	Y00267-A2-438	EA	MOLDING - VINYL WRAP/MITERED - .6" X 96" - WASHED MAPLE

INTERIOR FINISH GROUP (CONTINUED)
MOLDINGS & TRIMS (CONTINUED)

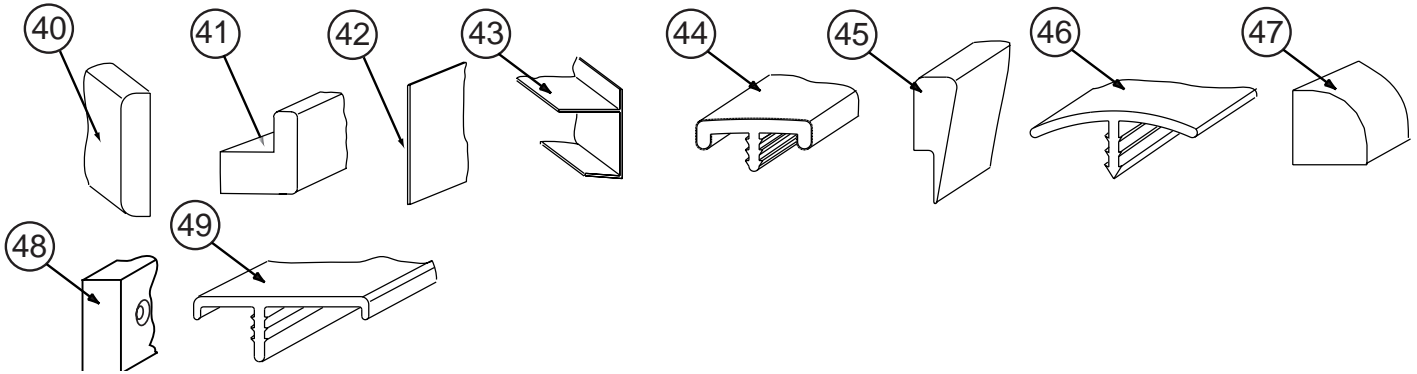
KEY	PART NUMBER	U/M	DESCRIPTION
13	Y00152-A2-438	EA	MOLDING/TRIM - VINYL - .6" X 3.5" X 96" - WASHED MAPLE
13	Y00152-62-438	EA	MOLDING/TRIM - VINYL - .6" X 3.5" X 96" - CONCERT CHERRY
13	Y00152-72-438	EA	MOLDING/TRIM - VINYL - .6" X 3.5" X 96" - PORTSMOUTH OAK
14	Y00153-A2-438	EA	MOLDING/TRIM - VINYL - .6" X 3.9" X 96" - WASHED MAPLE
14	Y00153-62-438	EA	MOLDING/TRIM - VINYL - .6" X 3.9" X 96" - CONCERT CHERRY
14	Y00153-72-438	EA	MOLDING/TRIM - VINYL - .6" X 3.9" X 96" - PORTSMOUTH OAK
14	Y00153-82-438	EA	MOLDING/TRIM - VINYL - .6" X 3.9" X 96" - HONEY CHERRY
15	Y00203-A2-438	EA	MOLDING - VINYL/BEVELED - 96" - WASHED MAPLE
15	Y00203-62-438	EA	MOLDING - VINYL/BEVELED - 96" - CONCERT CHERRY
15	Y00203-72-438	EA	MOLDING - VINYL/BEVELED - 96" - PORTSMOUT OAK
15	Y00203-82-438	EA	MOLDING - VINYL/BEVELED - 96" - HONEY CHERRY
16	Y00204-A2-438	EA	MOLDING - VINYL/BEVELED - 96" - WASHED MAPLE
16	Y00204-62-438	EA	MOLDING - VINYL/BEVELED - 96" - CONCERT CHERRY
16	Y00204-72-438	EA	MOLDING - VINYL/BEVELED - 96" - PORTSMOUT OAK
16	Y00204-82-438	EA	MOLDING - VINYL/BEVELED - 96" - HONEY CHERRY
17	Y00205-A2-438	EA	MOLDING - VINYL/BEVELED - 96" - WASHED MAPLE
17	Y00205-62-438	EA	MOLDING - VINYL/BEVELED - 96" - CONCERT CHERRY
17	Y00205-72-438	EA	MOLDING - VINYL/BEVELED - 96" - PORTSMOUT OAK
17	Y00205-82-438	EA	MOLDING - VINYL/BEVELED - 96" - HONEY CHERRY
18	Y00206-A2-438	EA	MOLDING - VINYL/BEVELED - 96" - WASHED MAPLE
18	Y00206-62-438	EA	MOLDING - VINYL/BEVELED - 96" - CONCERT CHERRY
18	Y00206-72-438	EA	MOLDING - VINYL/BEVELED - 96" - PORTSMOUT OAK
18	Y00206-82-438	EA	MOLDING - VINYL/BEVELED - 96" - HONEY CHERRY
19	Y00223-22-438	EA	MOLDING - HARDWOOD/MAPLE - .7" X 1" X 96"
19	Y00223-32-438	EA	MOLDING - HARDWOOD/CHERRY - .7" X 1" X 96"
19	Y00223-42-438	EA	MOLDING - HARDWOOD/OAK - .7" X 1" X 96"
20	Y00258-A2-438	EA	MOLDING - VINYL/BEVELED - 96" - WASHED MAPLE
20	Y00258-62-438	EA	MOLDING - VINYL/BEVELED - 96" - CONCERT CHERRY
20	Y00258-72-438	EA	MOLDING - VINYL/BEVELED - 96" - PORTSMOUT OAK
20	Y00258-82-438	EA	MOLDING - VINYL/BEVELED - 96" - HONEY CHERRY
21	Y00259-A2-438	EA	MOLDING - VINYL/BEVELED - 96" - WASHED MAPLE
21	Y00259-62-438	EA	MOLDING - VINYL/BEVELED - 96" - CONCERT CHERRY
21	Y00259-72-438	EA	MOLDING - VINYL/BEVELED - 96" - PORTSMOUT OAK
21	Y00259-82-438	EA	MOLDING - VINYL/BEVELED - 96" - HONEY CHERRY
22	Y00262-22-438	EA	MOLDING - 96" - MAPLE, UNSTAINED
22	Y00262-32-438	EA	MOLDING - 96" - CHERRY, UNSTAINED
22	Y00262-42-438	EA	MOLDING - 96" - OAK, UNSTAINED
22A	Y00266-42-438	EA	MOLDING - .75" X 1.5" X 96" OAK - .7" X 1" X 96"
22A	Y00266-32-438	EA	MOLDING - .75" X 1.5" X 96" CHERRY - .7" X 1" X 96"
22A	Y00266-22-438	EA	MOLDING - .75" X 1.5" X 96" MAPLE - .7" X 1" X 96"
22B	Y00280-74-174	EA	MOLDING/TRIM - VINYL - F/SLIDEOUT - 164.1" - PORTSMOUTH OAK
22B	Y00280-64-174	EA	MOLDING/TRIM - VINYL - F/SLIDEOUT - 164.1" - CONCERT CHERRY
22B	Y00280-A4-174	EA	MOLDING/TRIM - VINYL - F/SLIDEOUT - 164.1" - WASHED MAPLE
22B	Y00281-72-438	EA	MOLDING/TRIM - VINYL - F/SLIDEOUT - 96" - PORTSMTH OAK
22B	Y00281-62-438	EA	MOLDING/TRIM - VINYL - F/SLIDEOUT - 96" - CONCERT CHERRY
22B	Y00281-A2-438	EA	MOLDING/TRIM - VINYL - F/SLIDEOUT - 96" - WASHED MAPLE
22B	Y00291-72-438	EA	MOLDING - VINYL WRAPPED - 4" X 96" - PORTSMTH OAK
22B	Y00291-62-438	EA	MOLDING - VINYL WRAPPED - 4" X 96" - CONCERT CHERRY
22B	Y00291-A2-438	EA	MOLDING - VINYL WRAPPED - 4" X 96" - WASHED MAPLE
22C	Y00282-72-438	EA	MOLDING - SLIDEOUT/VINYL WRAP - 3.9" X 96" - PORTSMOUTH OAK
22C	Y00282-62-438	EA	MOLDING - SLIDEOUT/VINYL WRAP - 3.9" X 96" - CONCERT CHERRY
22C	Y00282-A2-438	EA	MOLDING - SLIDEOUT/VINYL WRAP - 3.9" X 96" - WASHED MAPLE
22D	Y00284-42-438	EA	MOLDING - STRAIGHT - .2" X 1.5" X 96" - UNSTAINED OAK
22D	Y00284-32-438	EA	MOLDING - STRAIGHT - .2" X 1.5" X 96" - UNSTAINED CHERRY
22D	Y00284-22-438	EA	MOLDING - STRAIGHT - .2" X 1.5" X 96" - UNSTAINED MAPLE
22E	Y00285-42-438	EA	MOLDING - STRAIGHT - .63" X 3.2" X 96" - UNSTAINED OAK
22E	Y00285-32-438	EA	MOLDING - STRAIGHT - .63" X 3.2" X 96" - UNSTAINED CHERRY
22E	Y00285-22-438	EA	MOLDING - STRAIGHT - .63" X 3.2" X 96" - UNSTAINED MAPLE

INTERIOR FINISH GROUP (CONTINUED)
MOLDINGS & TRIMS (CONTINUED)



KEY	PART NUMBER	U/M	DESCRIPTION
23	009767-12-000	FT	WELTING - ANTIQUE WHITE
24	009778-25-000	FT	U-CHANNEL - 1" - BEIGE ILLUSION
24	009778-27-000	FT	U-CHANNEL - 1" - WASHED MAPLE
24	009778-32-000	FT	U-CHANNEL - 1" - PORTSMOUTH OAK
24	009778-34-000	FT	U-CHANNEL - 1" - CONCERT CHERRY
24	009778-35-000	FT	U-CHANNEL - 1" - HONEY CHERRY
25	009809-30-000	EA	MOLDING - CORNER - OUTSIDE - 1" X 84" - BEIGE ILLUSION
25	009809-32-000	EA	MOLDING - CORNER - OUTSIDE - 1" X 84" - PORTSMOUTH OAK
25	009809-31-000	EA	MOLDING - CORNER - OUTSIDE - 1" X 84" - WASHED MAPLE
25	009809-33-000	EA	MOLDING - CORNER - OUTSIDE - 1" X 84" - CONCERT CHERRY
25	009809-34-000	EA	MOLDING - CORNER - OUTSIDE - 1" X 84" - HONEY CHERRY
26	009812-31-000	EA	MOLDING - CORNER - 1/2" W/1/4"CHAN X 84" - BEIGE ILLUSION
26	009812-33-000	EA	MOLDING - CORNER - 1/2" W/1/4"CHAN X 84" - WASHED MAPLE
26	009812-34-000	EA	MOLDING - CORNER - 1/2" W/1/4"CHAN X 84" - VW LIGHT GRAY
26	009812-35-000	EA	MOLDING - CORNER - 1/2" W/1/4"CHAN X 84" - PORTSMOUTH OAK
26	009812-36-000	EA	MOLDING - CORNER - 1/2" W/1/4"CHAN X 84" - CONCERT CHERRY
26	009812-37-000	EA	MOLDING - CORNER - 1/2" W/1/4"CHAN X 84" - HONEY CHERRY
27	022992-11-000	FT	MOLDING - REVERSE COVE - T-SHAPED - IVORY
27	022992-14-000	FT	MOLDING - REVERSE COVE - T-SHAPED - BRIGHT WHITE
27	022992-15-000	FT	MOLDING - REVERSE COVE - T-SHAPED - VW GRAY
28	042357-25-000	EA	MOLDING - CORNER - RADIUS/PLASTIC - WASHED MAPLE
29	070504-42-000	FT	U-CHANNEL - PLASTIC - .13" X 84" - BEIGE ILLUSION
29	070504-50-000	FT	U-CHANNEL - PLASTIC - .13" X 96" - WASHED MAPLE
29	070504-51-000	FT	U-CHANNEL - PLASTIC - .9" X 96" - WASHED MAPLE
29	070504-54-000	FT	U-CHANNEL - PLASTIC - .9" X 96" - VILLAGE OAK
29	070504-57-000	FT	U-CHANNEL - PLASTIC - .13" X 84" - PORTSMOUTH OAK
29	070504-58-000	FT	U-CHANNEL - PLASTIC - .9" X 84" - PORTSMOUTH OAK
29	070504-60-000	FT	U-CHANNEL - PLASTIC - .13" X 84" - CONCERT CHERRY
29	070504-61-000	FT	U-CHANNEL - PLASTIC - .9" X84" - CONCERT CHERRY
29	070504-62-000	FT	U-CHANNEL - PLASTIC - 1.65" X 84" - HONEY CHERRY
29	070504-63-000	FT	U-CHANNEL - PLASTIC - .9" X 84" - HONEY CHERRY
29	070504-64-000	FT	U-CHANNEL - PLASTIC - .7" X 84" - HONEY CHERRY
30	080176-08-000	EA	CAP - CORNER - RADIUS MOLDING - PLASTIC - WASHED MAPLE
31	081521-02-007	EA	MOUNT - METAL MOLDING - F/RADIUS CORNER MOLDING - 151.5"
32	083620-15-000	FT	MOLDING-T - W/EDGE LIP - 7/8" FACE - BEIGE ILLUSION
32	083620-19-000	FT	MOLDING-T - W/EDGE LIP - 7/8" FACE - WASHED MAPLE
32	083620-20-000	FT	MOLDING-T - W/EDGE LIP - 7/8" FACE - PORTSMOUTH OAK
32	083620-21-000	FT	MOLDING-T - W/EDGE LIP - 7/8" FACE - CONCERT CHERRY/HONEY CHERRY
33	085746-04-000	FT	TRIM-J - CARPET 1.2" X .5" ANGLE - 10' LONG - OFF WHITE
34	086229-01-000	EA	RETAINER - BATTEN - .75" X 92.1" - ANY COLOR
35	086229-11-000	EA	RETAINER - OFFSET - 97"
36	086229-21-000	EA	BATTEN - 1.5" X 83.9" OFFSET - WHITE
37	086229-20-000	EA	BATTEN - 1" X 96" - BEIGE
38	100182-10-J70	EA	TRIM/WOOD - CHAIR RAIL - 2.5" X 8' - WASHED MAPLE
38	100182-10-N47	EA	TRIM/WOOD - CHAIR RAIL - 2.5" X 8' - PORTSMOUTH OAK
38	100182-10-P85	EA	TRIM/WOOD - CHAIR RAIL - 2.5" X 8' - CHERRY - CONCERT CHERRY
38	100182-10-RA3	EA	TRIM/WOOD - CHAIR RAIL - 2.5" X 8' - HONEY CHERRY
39	100659-30-N75	EA	MOLDING - TRIM - 8' - PORTSMOUTH OAK
39	100659-30-N74	EA	MOLDING - TRIM - 8' - CHERRY - CONCERT CHERRY
39	100659-30-M84	EA	MOLDING - TRIM - 8' - WASHED MAPLE
39	100659-27-RA2	EA	MOLDING - TRIM - HONEY CHERRY

INTERIOR FINISH GROUP (CONTINUED)
MOLDINGS & TRIMS (CONTINUED)

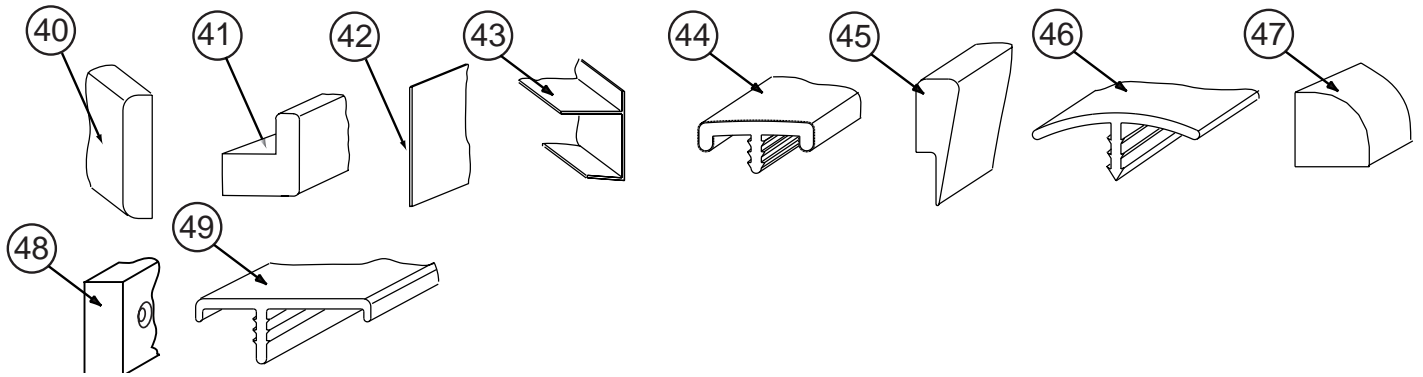


KEY	PART NUMBER	U/M	DESCRIPTION
40	100818-01-21A	EA	MOLDING - VINYL WRAPPED - 1.6" X .4" X 84" - WASHED MAPLE
40	100818-01-12A	EA	MOLDING - VINYL WRAPPED - 1.6" X .4" X 84" - PORTSMOUTH OAK
40	100818-01-13A	EA	MOLDING - VINYL WRAPPED - 1.6" X .4" X 84" - CHERRY - CONCERT CHERRY
40	100818-01-14A	EA	MOLDING - VINYL WRAPPED - 1.6" X .4" X 84" - HONEY CHERRY
41	100819-01-21A	EA	MOLDING - VINYL WRAPPED-L-SHAPED-1.5"X1.5"X84" - WASHED MAPLE
41	100819-01-12A	EA	MOLDING - VINYL WRAPPED-L-SHAPED - 1.5" X 1.5" X 84" - OAK - PORTSMOUTH OAK
41	100819-01-13A	EA	MOLDING - VINYL WRAPPED-L-SHAPED-1.5"X1.5"X84" - CONCERT CHERRY
41	100819-01-14A	EA	MOLDING - VINYL WRAPPED-L-SHAPED-1.5"X1.5"X84" - HONEY CHERRY
42	101957-01-06A	EA	EXTRUDED - PLASTIC - WASHED MAPLE
43	103186-01-07A	FT	MOLDING/PLASTIC - 3/8" U-CHANNEL-3/4"FACE - BEIGE ILLUS 8'
43	103186-01-08A	FT	MOLDING/PLASTIC - 3/8" U-CHANNEL-3/4"FACE-WASHED MAPLE 8' - WASHED MAPLE
43	103186-01-09A	FT	MOLDING/PLASTIC - 3/8" U-CHAN'L-3/4"FACE-PORTSMOUTH OAK 8' - PORTSMOUTH OAK
43	103186-01-10A	FT	MOLDING/PLASTIC-3/8" U-CHAN'L-3/4"FACE-CONCERT CHERRY 8' - CONCERT CHERRY
43	103186-01-11A	FT	MOLDING/PLASTIC-3/8" U-CHAN'L-3/4"FACE-CONCERT CHERRY 8' - HONEY CHERRY
43	103186-02-07A	FT	MOLDING/PLASTIC-1" U-CHAN'L-1 3/8"FACE-BEIGE ILLUSION - 8'
43	103186-02-08A	FT	MOLDING/PLASTIC - 1" U-CHANNEL-1 3/8"FACE-WASHED MAPLE 8' - WASHED MAPLE
43	103186-02-09A	FT	MOLDING/PLASTIC - 1" U-CHAN'L-1 3/8"FACE-PORTSMOUTH OAK 8' - PORTSMOUTH OAK
43	103186-02-10A	FT	MOLDING/PLASTIC - 1" U-CHAN'L-1 3/8"FACE-CONCERT CHERRY 8' - CONCERT CHERRY
43	103186-02-11A	FT	MOLDING/PLASTIC - 1" U-CHAN'L-1 3/8"FACE-CONCERT CHERRY 8' - HONEY CHERRY
44	104676-02-06A	FT	MOLDING-T - W/EDGE LIP - 11/16" FACE - WASHED MAPLE
44	104676-02-08A	FT	MOLDING-T - W/EDGE LIP - 11/16" FACE - PORTSMOUTH OAK
44	104676-02-09A	FT	MOLDING-T - W/EDGE LIP - 11/16" FACE - CONCERT CHERRY
44	104676-02-10A	FT	MOLDING-T - W/EDGE LIP - 11/16" FACE - HONEY CHERRY
45	105004-01-21A	EA	MOLDING - VINYL WRAPPED - 1" X 96" - WASHED MAPLE
45	105004-01-12A	EA	MOLDING - VINYL WRAPPED 1" X 96" - PORTSMOUTH OAK
45	105004-01-13A	EA	MOLDING - VINYL WRAPPED 1" X 96" - CONCERT CHERRY
45	105004-01-14A	EA	MOLDING - VINYL WRAPPED 1" X 96" - HONEY CHERRY
46	105709-02-000	FT	MOLDING-T - W/EDGE LIP - 3/4" FACE - BEIGE ILLUSION
47	109410-01-P25	EA	MOLDING - TRIM - 8' - BLACK CHERRY/CHERRY IV - CONCERT CHERRY
47	109410-01-N75	EA	MOLDING - TRIM - 8' - PORTSMOUTH OAK
47	109410-01-J70	EA	MOLDING - TRIM - 8' - WHITE MAPLE - WASHED MAPLE
48	116951-11-KQ0	EA	MOLDING - TRIM - 3.5" X 75.9" - WASHED MAPLE
48	116951-11-KQ1	EA	MOLDING - TRIM - 3.5" X 75.9" - CONCERT CHERRY
48	116951-11-N95	EA	MOLDING - TRIM - 3.5" X 75.9" - PORTSMOUTH OAK
48	116951-11-RE0	EA	MOLDING - TRIM - 3.5" X 75.9" - HONEY CHERRY
48	116951-16-K37	EA	MOLDING - TRIM - 3.5" X 74.3" - CONCERT CHERRY
48	116951-16-K90	EA	MOLDING - TRIM - 3.5" X 74.3" - WASHED MAPLE
48	116951-16-N75	EA	MOLDING - TRIM - 3.5" X 74.3" - PORTSMOUTH OAK
48	116951-16-RC3	EA	MOLDING - TRIM - 3.5" X 74.3" - HONEY CHERRY
48	116951-23-L52	EA	MOLDING - TRIM - 3.5" X 74.3" - CONCERT CHERRY
48	116951-23-L58	EA	MOLDING - TRIM - 3.5" X 74.3" - WASHED MAPLE
48	116951-23-RE0	EA	MOLDING - TRIM - 3.5" X 74.3" - HONEY CHERRY
48	116951-23-R83	EA	MOLDING - TRIM - 3.5" X 74.3" - PORTSMOUTH OAK
48	116951-24-L52	EA	MOLDING - TRIM - 3.5" X 74.6" - CONCERT CHERRY
48	116951-24-L58	EA	MOLDING - TRIM - 3.5" X 74.6" - WASHED MAPLE
48	116951-24-RE0	EA	MOLDING - TRIM - 3.5" X 74.6" - HONEY CHERRY
48	116951-24-R83	EA	MOLDING - TRIM - 3.5" X 74.6" - PORTSMOUTH OAK
48	116951-27-N75	EA	MOLDING - TRIM - 3.5" X 46.8" - PORTSMOUTH OAK
48	116951-27-N84	EA	MOLDING - TRIM - 3.5" X 46.8" - WASHED MAPLE
48	116951-27-N85	EA	MOLDING - TRIM - 3.5" X 46.8" - CONCERT CHERRY
48	116951-28-N75	EA	MOLDING - TRIM - 3.5" X 79.4" - PORTSMOUTH OAK

INTERIOR FINISH GROUP (CONTINUED)
MOLDINGS & TRIMS (CONTINUED)

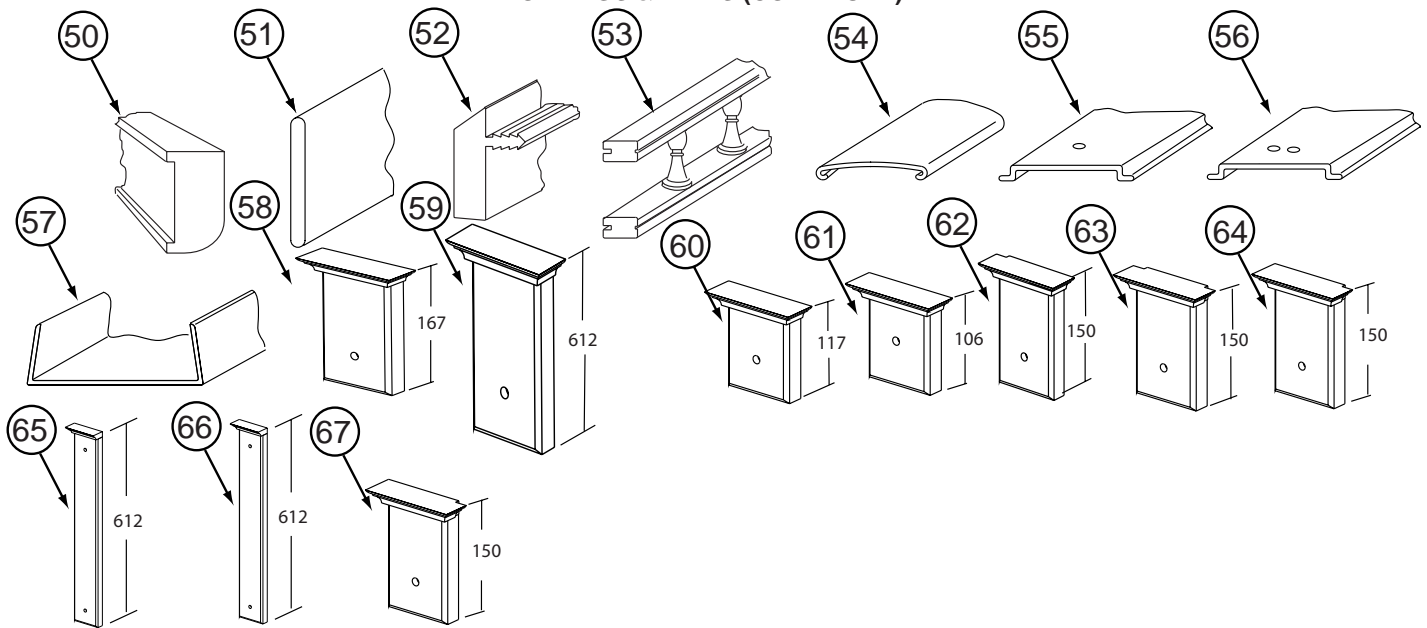
KEY	PART NUMBER	U/M	DESCRIPTION
48	116951-28-N84	EA	MOLDING - TRIM - 3.5" X 79.4" - WASHED MAPLE
48	116951-28-N85	EA	MOLDING - TRIM - 3.5" X 79.4" - CONCERT CHERRY
48	116951-29-N70	EA	MOLDING - TRIM - 5.5" X 30.4" - PORTSMOUTH OAK
48	116951-29-N84	EA	MOLDING - TRIM - 5.5" X 30.4" - WASHED MAPLE
48	116951-29-N85	EA	MOLDING - TRIM - 5.5" X 30.4" - CONCERT CHERRY
48	116951-29-RC3	EA	MOLDING - TRIM - 5.5" X 30.4" - HONEY CHERRY
48	116951-32-P75	EA	MOLDING - TRIM - 3" X 33.4" - PORTSMOUTH OAK
48	116951-32-P25	EA	MOLDING - TRIM - 3" X 33.4" - CONCERT CHERRY
48	116951-32-P28	EA	MOLDING - TRIM - 3" X 33.4" - WASHED MAPLE
48	116951-32-RE0	EA	MOLDING - TRIM - 3" X 33.4" - HONEY CHERRY
48	116951-34-P28	EA	MOLDING - TRIM - 3" X 33.4" - WASHED MAPLE
48	116951-34-P78	EA	MOLDING - TRIM - 3" X 33.4" - PORTSMOUTH OAK
48	116951-34-P79	EA	MOLDING - TRIM - 3" X 33.4" - CONCERT CHERRY
48	116951-34-RE0	EA	MOLDING - TRIM - 3" X 33.4" - HONEY CHERRY
48	116951-35-P28	EA	MOLDING - TRIM - 3.5" X 96" - WASHED MAPLE
48	116951-35-P78	EA	MOLDING - TRIM - 3.5" X 96" - PORTSMOUTH OAK
48	116951-35-P79	EA	MOLDING - TRIM - 3.5" X 96" - CONCERT CHERRY
48	116951-35-RE0	EA	MOLDING - TRIM - 3.5" X 96" - HONEY CHERRY
48	116951-36-R68	EA	MOLDING - TRIM - 3.5" X 48.8" - WASHED MAPLE
48	116951-36-R69	EA	MOLDING - TRIM - 3.5" X 48.8" - PORTSMOUTH OAK
48	116951-36-R76	EA	MOLDING - TRIM - 3.5" X 48.8" - CONCERT CHERRY
48	116951-37-R68	EA	MOLDING - TRIM - 3.5" X 38.6" - WASHED MAPLE
48	116951-37-R69	EA	MOLDING - TRIM - 3.5" X 38.6" - PORTSMOUTH OAK
48	116951-37-R76	EA	MOLDING - TRIM - 3.5" X 38.6" - CONCERT CHERRY
48	116951-38-RE0	EA	MOLDING - TRIM - 3.5" X 82.6" - HONEY CHERRY
48	116951-38-R83	EA	MOLDING - TRIM - 3.5" X 82.6" - PORTSMOUTH OAK
48	116951-38-R84	EA	MOLDING - TRIM - 3.5" X 82.6" - CONCERT CHERRY
48	116951-38-R91	EA	MOLDING - TRIM - 3.5" X 82.6" - WASHED MAPLE
48	116951-39-RE0	EA	MOLDING - TRIM - 3.5" X 73.9" - HONEY CHERRY
48	116951-39-R83	EA	MOLDING - TRIM - 3.5" X 73.9" - PORTSMOUTH OAK
48	116951-39-R84	EA	MOLDING - TRIM - 3.5" X 73.9" - CONCERT CHERRY
48	116951-39-R91	EA	MOLDING - TRIM - 3.5" X 73.9" - WASHED MAPLE
48	116951-40-RE0	EA	MOLDING - TRIM - 4.5" X 81.9" - HONEY CHERRY
48	116951-40-R83	EA	MOLDING - TRIM - 4.5" X 81.9" - PORTSMOUTH OAK
48	116951-40-R84	EA	MOLDING - TRIM - 4.5" X 81.9" - CONCERT CHERRY
48	116951-40-R91	EA	MOLDING - TRIM - 4.5" X 81.9" - WASHED MAPLE
48	116951-41-RE0	EA	MOLDING - TRIM - 3.5" X 36.8" - HONEY CHERRY
48	116951-41-R83	EA	MOLDING - TRIM - 3.5" X 36.8" - PORTSMOUTH OAK
48	116951-41-R84	EA	MOLDING - TRIM - 3.5" X 36.8" - CONCERT CHERRY
48	116951-41-R91	EA	MOLDING - TRIM - 3.5" X 36.8" - WASHED MAPLE
48	116951-42-RE0	EA	MOLDING - TRIM - 3.5" X 46.8" - HONEY CHERRY
48	116951-42-R83	EA	MOLDING - TRIM - 3.5" X 46.8" - PORTSMOUTH OAK
48	116951-42-R84	EA	MOLDING - TRIM - 3.5" X 46.8" - CONCERT CHERRY
48	116951-42-R91	EA	MOLDING - TRIM - 3.5" X 46.8" - WASHED MAPLE
48	116951-43-RE0	EA	MOLDING - TRIM - 3.5" X 86.5" - HONEY CHERRY
48	116951-43-R83	EA	MOLDING - TRIM - 3.5" X 86.5" - PORTSMOUTH OAK
48	116951-43-R84	EA	MOLDING - TRIM - 3.5" X 86.5" - CONCERT CHERRY
48	116951-43-R91	EA	MOLDING - TRIM - 3.5" X 86.5" - WASHED MAPLE
48	116951-44-RE0	EA	MOLDING - TRIM - 3.5" X 76.1" - HONEY CHERRY
48	116951-44-R83	EA	MOLDING - TRIM - 3.5" X 76.1" - PORTSMOUTH OAK
48	116951-44-R84	EA	MOLDING - TRIM - 3.5" X 76.1" - CONCERT CHERRY
48	116951-44-R91	EA	MOLDING - TRIM - 3.5" X 76.1" - WASHED MAPLE
48	116951-45-R68	EA	MOLDING - TRIM - 3" X 30.3" - PORTSMOUTH OAK
48	116951-45-R69	EA	MOLDING - TRIM - 3" X 30.3" - CONCERT CHERRY
48	116951-45-R76	EA	MOLDING - TRIM - 3" X 30.3" - WASHED MAPLE
48	116951-46-RE0	EA	MOLDING - TRIM - 4.5" X 72.3" - HONEY CHERRY
48	116951-46-R83	EA	MOLDING - TRIM - 4.5" X 72.3" - PORTSMOUTH OAK
48	116951-46-R84	EA	MOLDING - TRIM - 4.5" X 72.3" - CONCERT CHERRY
48	116951-46-R91	EA	MOLDING - TRIM - 4.5" X 72.3" - WASHED MAPLE
48	116951-48-RE0	EA	MOLDING - TRIM - 4.5" X 76.1" - HONEY CHERRY
48	116951-48-R83	EA	MOLDING - TRIM - 4.5" X 76.1" - PORTSMOUTH OAK
48	116951-48-R84	EA	MOLDING - TRIM - 4.5" X 76.1" - CONCERT CHERRY
48	116951-48-R91	EA	MOLDING - TRIM - 4.5" X 76.1" - WASHED MAPLE
48	116951-49-RE0	EA	MOLDING - TRIM - 4.5" X 69.8" - HONEY CHERRY

INTERIOR FINISH GROUP (CONTINUED)
MOLDINGS & TRIMS (CONTINUED)



KEY	PART NUMBER	U/M	DESCRIPTION
48	116951-49-R83	EA	MOLDING - TRIM - 4.5" X 69.8" - PORTSMOUTH OAK
48	116951-49-R84	EA	MOLDING - TRIM - 4.5" X 69.8" - CONCERT CHERRY
48	116951-49-R91	EA	MOLDING - TRIM - 4.5" X 69.8" - WASHED MAPLE
48	116951-50-RE0	EA	MOLDING - TRIM - 4.5" X 70.3" - HONEY CHERRY
48	116951-50-R83	EA	MOLDING - TRIM - 4.5" X 70.3" - PORTSMOUTH OAK
48	116951-50-R84	EA	MOLDING - TRIM - 4.5" X 70.3" - CONCERT CHERRY
48	116951-50-R91	EA	MOLDING - TRIM - 4.5" X 70.3" - WASHED MAPLE
49	119520-01-01A	FT	MOLDING-T/OFFSET - W/EDGE LIP - 1.3" FACE - OFF WHITE
49	119520-01-04A	FT	MOLDING-T/OFFSET - W/EDGE LIP - 1.3" FACE - PORTSMOUTH OAK
49	119520-01-02A	FT	MOLDING-T/OFFSET - W/EDGE LIP - 1.3" FACE - CONCERT CHERRY
49	119520-01-03A	FT	MOLDING-T/OFFSET - W/EDGE LIP - 1.3" FACE - WASHED MAPLE
49	119520-02-01A	FT	MOLDING-T - OFFSET W/EDGE LIP - 1.3" FACE - OFF WHITE

INTERIOR FINISH GROUP (CONTINUED)
MOLDINGS & TRIMS (CONTINUED)

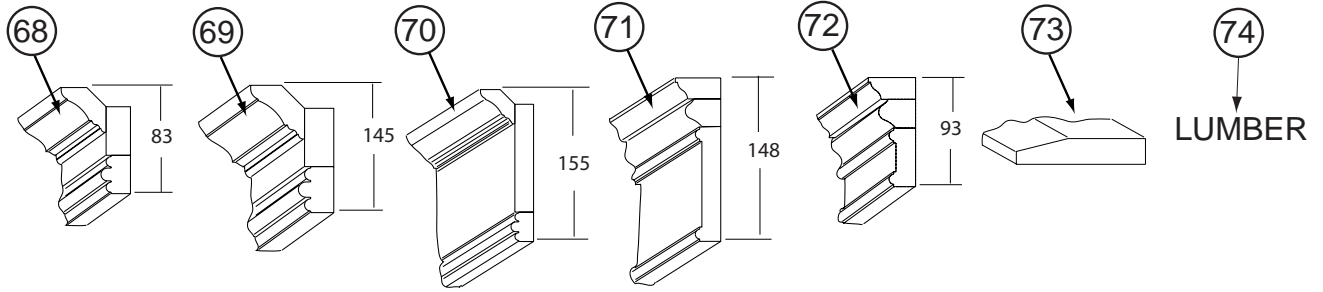


KEY	PART NUMBER	U/M	DESCRIPTION
50	149326-D2-134	EA	MOLDING - VINYL WRAPPED - .7" X 1.6" X 84" - WASHED MAPLE
50	149326-F2-134	EA	MOLDING - VINYL WRAPPED - .7" X 2.5" X 84" - WASHED MAPLE
50	137887-D2-134	EA	MOLDING - VINYL WRAPPED - .7" X 1.6" X 96" - CONCERT CHERRY
50	137887-D2-743	EA	MOLDING - VINYL WRAPPED - .7" X 1.6" X 108" - CONCERT CHERRY
50	137887-F2-134	EA	MOLDING - VINYL WRAPPED - .7" X 2.5" X 84" - CONCERT CHERRY
50	137887-F2-743	EA	MOLDING - VINYL WRAPPED - .7" X 2.5" X 108" - CONCERT CHERRY
50	137895-D2-134	EA	MOLDING - VINYL WRAPPED - .7" X 1.6" X 84" - PORTSMOUTH OAK
50	137895-D2-743	EA	MOLDING - VINYL WRAPPED -.7" X 1.5" X 108"- PORTSMOUTH OAK
50	137895-F2-743	EA	MOLDING - VINYL WRAPPED - .7" X 2.5" X 108" - PORTSMOUTH OAK
50	146425-D2-134	EA	MOLDING - VINYL WRAPPED - .7" X 1.6" X 96" - HONEY CHERRY
50	146425-F2-134	EA	MOLDING - VINYL WRAPPED - .7" X 2.5" X 84" - HONEY CHERRY
50	146425-F2-743	EA	MOLDING - VINYL WRAPPED - .7" X 2.5" X 108" - HONEY CHERRY
51	127842-01-01A	FT	SEAL - SIGHT SHIELD - 2" BLACK
52	130247-01-02A	FT	MOLDING-T/OFF SET - 1.3" FACE - WASHED MAPLE
52	130247-01-04A	FT	MOLDING-T/OFF SET - 1.3" FACE - PORTSMOUTH OAK
52	130247-01-05A	FT	MOLDING-T/OFF SET - 1.3" FACE - CONCERT CHERRY/HONEY CHERRY

INTERIOR FINISH GROUP (CONTINUED)
MOLDINGS & TRIMS (CONTINUED)

KEY	PART NUMBER	U/M	DESCRIPTION
53	137108-01-02A	EA	RAIL - DECORATIVE - SALEM CHERRY - CONCERT CHERRY
53	137108-01-03A	EA	RAIL - DECORATIVE - WASHED MAPLE
53	137108-01-07A	EA	RAIL - DECORATIVE - PORTSMOUTH OAK
53	137108-01-08A	EA	RAIL - DECORATIVE - HONEY CHERRY
54	138359-01-01A	FT	COVER - ROOF BREAK - PEARL CREAM/PLASTIC - 96"
55	138403-01-01A	EA	TRIM - ROOF - MILL
56	138403-02-01A	EA	TRIM - ROOF - MILL
56	138403-03-01A	EA	TRIM - ROOF - MILL
57	141260-01-01A	FT	U-CHANNEL - 1" - VILLAGE OAK
57	141260-01-02A	FT	U-CHANNEL - 1" - GRADY BROWN
58	141303-01-N52	EA	MOLDING - CROWN/BLOCK - CONCERT CHERRY
58	141303-01-N53	EA	MOLDING - CROWN/BLOCK - PORTSMOUTH OAK
58	141303-01-N62	EA	MOLDING - CROWN/BLOCK - WASHED MAPLE
58	141303-01-RA3	EA	MOLDING - CROWN/BLOCK - HONEY CHERRY
59	141303-02-N52	EA	MOLDING - CROWN/BLOCK - CONCERT CHERRY
59	141303-02-N53	EA	MOLDING - CROWN/BLOCK - PORTSMOUTH OAK
59	141303-02-N62	EA	MOLDING - CROWN/BLOCK - WASHED MAPLE
59	141303-02-RA3	EA	MOLDING - CROWN/BLOCK - HONEY CHERRY
60	141303-03-N52	EA	MOLDING - CROWN/BLOCK - CONCERT CHERRY
60	141303-03-N53	EA	MOLDING - CROWN/BLOCK - PORTSMOUTH OAK
60	141303-03-N62	EA	MOLDING - CROWN/BLOCK - WASHED MAPLE
60	141303-03-RA3	EA	MOLDING - CROWN/BLOCK - HONEY CHERRY
61	141303-04-PC0	EA	MOLDING - CROWN/BLOCK - PORTSMOUTH OAK
61	141303-04-PC1	EA	MOLDING - CROWN/BLOCK - CONCERT CHERRY
61	141303-04-PC2	EA	MOLDING - CROWN/BLOCK - WASHED MAPLE
61	141303-04-RA3	EA	MOLDING - CROWN/BLOCK - HONEY CHERRY
62	141303-05-RE3	EA	MOLDING - CROWN/BLOCK - HONEY CHERRY
62	141303-05-R89	EA	MOLDING - CROWN/BLOCK - PORTSMOUTH OAK
62	141303-05-R90	EA	MOLDING - CROWN/BLOCK - CONCERT CHERRY
62	141303-05-R91	EA	MOLDING - CROWN/BLOCK - WASHED MAPLE
63	141303-06-RE3	EA	MOLDING - CROWN/BLOCK - HONEY CHERRY
63	141303-06-R89	EA	MOLDING - CROWN/BLOCK - PORTSMOUTH OAK
63	141303-06-R90	EA	MOLDING - CROWN/BLOCK - CONCERT CHERRY
63	141303-06-R91	EA	MOLDING - CROWN/BLOCK - WASHED MAPLE
64	141303-07-RE3	EA	MOLDING - CROWN/BLOCK - HONEY CHERRY
64	141303-07-R89	EA	MOLDING - CROWN/BLOCK - PORTSMOUTH OAK
64	141303-07-R90	EA	MOLDING - CROWN/BLOCK - CONCERT CHERRY
64	141303-07-R91	EA	MOLDING - CROWN/BLOCK - WASHED MAPLE
65	141303-08-RE3	EA	MOLDING - CROWN/BLOCK - HONEY CHERRY
65	141303-08-R89	EA	MOLDING - CROWN/BLOCK - PORTSMOUTH OAK
65	141303-08-R90	EA	MOLDING - CROWN/BLOCK - CONCERT CHERRY
65	141303-08-R91	EA	MOLDING - CROWN/BLOCK - WASHED MAPLE
66	141303-09-RE3	EA	MOLDING - CROWN/BLOCK - HONEY CHERRY
66	141303-09-R89	EA	MOLDING - CROWN/BLOCK - PORTSMOUTH OAK
66	141303-09-R90	EA	MOLDING - CROWN/BLOCK - CONCERT CHERRY
66	141303-09-R91	EA	MOLDING - CROWN/BLOCK - WASHED MAPLE
67	141303-10-RE3	EA	MOLDING - CROWN/BLOCK - HONEY CHERRY
67	141303-10-R89	EA	MOLDING - CROWN/BLOCK - PORTSMOUTH OAK
67	141303-10-R90	EA	MOLDING - CROWN/BLOCK - CONCERT CHERRY
67	141303-10-R91	EA	MOLDING - CROWN/BLOCK - WASHED MAPLE

INTERIOR FINISH GROUP (CONTINUED)
MOLDINGS & TRIMS (CONTINUED)



KEY	PART NUMBER	U/M	DESCRIPTION
68	141915-29-PC0	EA	MOLDING - F/SLIDEOUT - 81.8" - PORTSMOUTH OAK
68	141915-29-PC1	EA	MOLDING - F/SLIDEOUT - 81.8" - CONCERT CHERRY
68	141915-29-PC2	EA	MOLDING - F/SLIDEOUT - 81.8" - WASHED MAPLE
68	141915-29-RC3	EA	MOLDING - F/SLIDEOUT - 81.8" - HONEY CHERRY
69	141915-35-RC0	EA	MOLDING - F/SLIDEOUT - 8.89' - PORTSMOUTH OAK
69	141915-35-RC1	EA	MOLDING - F/SLIDEOUT - 8.89' - CONCERT CHERRY
69	141915-35-RC2	EA	MOLDING - F/SLIDEOUT - 8.89' - WASHED MAPLE
69	141915-35-RC3	EA	MOLDING - F/SLIDEOUT - 8.89' - HONEY CHERRY
70	141915-47-RC0	EA	MOLDING - F/SLIDEOUT - 6.82' - PORTSMOUTH OAK
70	141915-47-RC1	EA	MOLDING - F/SLIDEOUT - 6.82' - CONCERT CHERRY
70	141915-47-RC2	EA	MOLDING - F/SLIDEOUT - 6.82' - WASHED MAPLE
70	141915-47-RC3	EA	MOLDING - F/SLIDEOUT - 6.82' - HONEY CHERRY
71	144885-14-RE0	EA	MOLDING - F/SLIDEOUT - 86.5" - HONEY CHERRY
71	144885-14-R83	EA	MOLDING - F/SLIDEOUT - 86.5" - PORTSMOUTH OAK
71	144885-14-R84	EA	MOLDING - F/SLIDEOUT - 86.5" - CONCERT CHERRY
72	145379-01-RE0	EA	MOLDING/TRIM - 47.48" - HONEY CHERRY
72	145379-01-R83	EA	MOLDING/TRIM - 47.48" - PORTSMOUTH OAK
72	145379-01-R84	EA	MOLDING/TRIM - 47.48" - CONCERT CHERRY
72	145379-02-RE0	EA	MOLDING/TRIM - 7.87" W/RIGHT SIDE ANGLE CUT - HONEY CHERRY
72	145379-02-R83	EA	MOLDING/TRIM - 7.87" W/RIGHT SIDE ANGLE CUT - PORTSMOUTH OAK
72	145379-02-R84	EA	MOLDING/TRIM - 7.87" W/RIGHT SIDE ANGLE CUT - CONCERT CHERRY
72	145379-03-RE0	EA	MOLDING/TRIM - 7.87" W/LEFT SIDE ANGLE CUT - HONEY CHERRY
72	145379-03-R83	EA	MOLDING/TRIM - 7.87" W/LEFT SIDE ANGLE CUT - PORTSMOUTH OAK
72	145379-03-R84	EA	MOLDING/TRIM - 7.87" W/LEFT SIDE ANGLE CUT - CONCERT CHERRY
72	145379-04-RE0	EA	MOLDING/TRIM - 86.61" - HONEY CHERRY
72	145379-04-R83	EA	MOLDING/TRIM - 86.61" - PORTSMOUTH OAK
72	145379-04-R84	EA	MOLDING/TRIM - 86.61" - CONCERT CHERRY
72	145379-05-RE0	EA	MOLDING/TRIM - 102.75" - HONEY CHERRY
72	145379-05-R83	EA	MOLDING/TRIM - 102.75" - PORTSMOUTH OAK
72	145379-05-R84	EA	MOLDING/TRIM - 102.75" - CONCERT CHERRY
73	146306-01-01A	FT	TRANSITION - CARPET/TILE
74	149325-A2-438	EA	LUMBER - VINYL WRAPPED - .7" X .75" X 96" - WASHED MAPLE
74	149325-D2-438	EA	LUMBER - VINYL WRAPPED - .7" X 1.5" X 96" - WASHED MAPLE
74	149325-E2-438	EA	LUMBER - VINYL WRAPPED - .7" X 2" X 96" - WASHED MAPLE
74	149325-F2-438	EA	LUMBER - VINYL WRAPPED - .7" X 2.5" X 96" - WASHED MAPLE
74	149325-G2-438	EA	LUMBER - STAINED - .7" X 3" X 96" - WASHED MAPLE
74	149325-H2-438	EA	LUMBER - STAINED - .7" X 3.5" X 96" - WASHED MAPLE
74	149325-J2-438	EA	LUMBER - VINYL WRAPPED - .7" X 5.5" X 96" - WASHED MAPLE
74	149325-J2-743	EA	LUMBER - VINYL WRAPPED - .7" X 5.5" X 108" - WASHED MAPLE
74	149325-K2-438	EA	LUMBER - VINYL WRAPPED - .7" X 3.9" X 96" - WASHED MAPLE
74	149325-R2-438	EA	LUMBER - VINYL WRAPPED - .7" X 3" X 96" - WASHED MAPLE
74	137885-A2-438	EA	LUMBER - VINYL WRAPPED - .7" X .75" X 96" - CHERRY - CONCERT CHERRY
74	137885-D2-438	EA	LUMBER - VINYL WRAPPED - .7" X 1.5" X 96" - CHERRY - CONCERT CHERRY
74	137885-E2-438	EA	LUMBER - VINYL WRAPPED - .7" X 2" X 96" - CHERRY - CONCERT CHERRY
74	137885-F2-438	EA	LUMBER - VINYL WRAPPED - .7" X 2.5" X 96" - CHERRY - CONCERT CHERRY
74	137885-G2-438	EA	LUMBER - VINYL WRAPPED - .7" X 3" X 96" - CHERRY - CONCERT CHERRY
74	137885-H2-438	EA	LUMBER - VINYL WRAPPED - .7" X 3.5" X 96" - CHERRY - CONCERT CHERRY
74	137885-J2-438	EA	LUMBER - VINYL WRAPPED - .7" X 5.5" X 96" - CHERRY - CONCERT CHERRY
74	137885-J2-743	EA	LUMBER - VINYL WRAPPED - .7" X 5.5" X 108" - CHERRY - CONCERT CHERRY
74	137885-K2-438	EA	LUMBER - VINYL WRAPPED - .7" X 3.9" X 96" - CHERRY - CONCERT CHERRY
74	137885-R2-438	EA	LUMBER - VINYL WRAPPED - .7" X 3" X 96" - CHERRY - CONCERT CHERRY
74	137894-A2-438	EA	LUMBER - VINYL WRAPPED - .7" X .75" X 96" - PORTSMOUTH OAK
74	137894-D2-438	EA	LUMBER - VINYL WRAPPED - .7" X 1.5" X 96" - PORTSMOUTH OAK

INTERIOR FINISH GROUP (CONTINUED)
MOLDINGS & TRIMS (CONTINUED)

KEY	PART NUMBER	U/M	DESCRIPTION
74	137894-E2-438	EA	LUMBER - VINYL WRAPPED - .7" X 2" X 96" - PORTSMOUTH OAK
74	137894-F2-438	EA	LUMBER - VINYL WRAPPED - .7" X 2.5" X 96" - PORTSMOUTH OAK
74	137894-G2-438	EA	LUMBER - VINYL WRAPPED - .7" X 3" X 96" - PORTSMOUTH OAK
74	137894-H2-438	EA	LUMBER - VINYL WRAPPED - .7" X 3.5" X 96" - PORTSMOUTH OAK
74	137894-J2-438	EA	LUMBER - VINYL WRAPPED - .7" X 5.5" X 96" - PORTSMOUTH OAK
74	137894-J2-743	EA	LUMBER - VINYL WRAPPED - .7" X 5.5" X 96" - PORTSMOUTH OAK
74	137894-K2-438	EA	LUMBER - VINYL WRAPPED - .7" X 3.9" X 96" - PORTSMOUTH OAK
74	137894-R2-438	EA	LUMBER - VINYL WRAPPED - .7" X 3" X 96" - PORTSMOUTH OAK
74	146419-A2-438	EA	LUMBER - VINYL WRAPPED - .7" X .75" X 96" - HONEY CHERRY
74	146419-D2-438	EA	LUMBER - VINYL WRAPPED - .7" X 1.5" X 96" - HONEY CHERRY
74	146419-E2-438	EA	LUMBER - VINYL WRAPPED - .7" X 2" X 96" - HONEY CHERRY
74	146419-F2-438	EA	LUMBER - VINYL WRAPPED - .7" X 2.5" X 96" - HONEY CHERRY
74	146419-G2-438	EA	LUMBER - VINYL WRAPPED - .7" X 3" X 96" - HONEY CHERRY
74	146419-H2-438	EA	LUMBER - VINYL WRAPPED - .7" X 3.5" X 96" - HONEY CHERRY
74	146419-J2-438	EA	LUMBER - VINYL WRAPPED - .7" X 5.5" X 96" - HONEY CHERRY
74	146419-J2-743	EA	LUMBER - VINYL WRAPPED - .7" X 5.5" X 108" - HONEY CHERRY
74	146419-K2-438	EA	LUMBER - VINYL WRAPPED - .7" X 3.9" X 96" - HONEY CHERRY
74	146419-R2-438	EA	LUMBER - VINYL WRAPPED - .7" X 3" X 96" - HONEY CHERRY

INTERIOR FINISH GROUP (CONTINUED)
PANELING & LAMINATES

KEY	PART NUMBER	U/M	DESCRIPTION
	000885-88-000	SF	PARTICLE BOARD - 3/8" X 4' X 8' - WASHED MAPLE - 1-SIDED - WASHED MAPLE
	000885-90-000	SF	PARTICLE BOARD - 1/2" X 4' X 8' - WASHED MAPLE - 2-SIDED - WASHED MAPLE
	074498-65-000	SF	LAMINATE - PLASTIC - MEDIUM GRAY - 4' X 8'
	074498-82-000	SF	LAMINATE - PLASTIC - WASHED MAPLE - 4' X 8' - WASHED MAPLE
	074498-90-000	SF	LAMINATE - PLASTIC - PLAT METAL - 4' X 8'
	074498-97-000	SF	LAMINATE - PLASTIC - GRAY TRANQUILITY - 4' X 8'
	076325-74-000	FT	MOLDING - EDGE BAND - 1 5/16" X .038" - WASHED MAPLE
	076325-75-000	FT	MOLDING - EDGE BAND - .93" X .024" - WASHED MAPLE
	076325-71-000	FT	MOLDING - EDGE BAND - 1 5/16" X .038" - GRAY
	076325-72-000	FT	MOLDING - EDGE BAND - .93" X .024" - GRAY
	085284-F5-000	FT	BATT TAPE - ADHESIVE BACKED - WASHED MAPLE
	085284-G1-000	FT	BATT TAPE - ADHESIVE BACKED - BOSSA NOVA EMBOSSED - VW LT GRAY
	085284-H1-000	FT	BATT TAPE - ADHESIVE BACKED - DECORATIVE GRAY
	069733-86-000	EA	BATT STRIP - WOODGRAINED/WASHED MAPLE - 8' - WASHED MAPLE
	088263-H0-000	EA	BATT STRIP - DECORATIVE - VILLA/GRAY - 8' LONG
	088263-G2-000	EA	BATT STRIP - DECORATIVE - BOSA NOVA/EMBOSSSED - VW LT GRAY
	080215-16-000	SF	PANELING - 2 SIDED/WASHED MAPLE - 3/16" X 4' X 8'
	074497-39-000	SF	PANELING - WASHED MAPLE - 4' X 8' - WASHED MAPLE
	074497-49-000	SF	PANELING - WASHED MAPLE - 4' X 8' - WASHED MAPLE
			FROM: 01-05-04 THRU: 99-99-99
	088272-H2-000	SF	PANELING - TUSCAN MINK - 4' X 7'
	088272-H9-000	SF	PANELING - PEBBLE EMBOSSED - WHITE - 4' X 7'
	088272-K1-000	SF	PANELING - GRAY - 4' X 7'
	088272-J1-000	SF	PANELING - DENVER CLOUD - VW LIGHT GRAY - 48" X 84" - GRAY
	088272-J2-000	SF	PANELING - BOSSANOVA/EMBOSSSED - LT GRAY - 48" X 84"
	114129-01-02A	SF	LINER - CABINET - .02" X 48" X 96" - INC OF 32 ALABASTER
	126339-01-000	SF	BOARD - WHEAT - 60" X 72"

ACCESSORIES

KEY	PART NUMBER	U/M	DESCRIPTION
	072852-01-000	EA	DETECTOR - SMOKE - W/9 VOLT BATTERY - US
	072852-02-000	EA	DETECTOR - SMOKE - W/9 VOLT BATTERY - CANADIAN
	091261-01-000	FT	SLIPNOT - ANTISLIP - 1' WIDE X 12' - BLACK
	096764-02-000	FT	SLIPNOT - ANTISLIP - 1' WIDE (180' ROLLS) - WHITE
*	094499-02-000	EA	EXTINGUISHER/FIRE - DRY - 10BC - W/GAUGE - CANADIAN
	094499-03-000	EA	EXTINGUISHER/FIRE - DRY - 10BC - W/GAUGE/BACKET
	094499-04-000	EA	STRAP - FIRE EXTINGUISHER MOUNTING - METAL
	118718-01-01A	EA	HOLDER/DRINK - COLLAPSIBLE MUG - BLACK PLASTIC - 222QD
	125136-02-000	EA	DETECTOR/CO - GAS MODEL - 9 VOLT
	140374-18-000	EA	MIRROR - SAFETY GLASS - 12.6" X 12.6"

***COMPONENT PARTS LISTED LATER IN THIS GROUP**

INTERIOR FINISH GROUP (CONTINUED)
COMPONENT PARTS FOR ACCESSORIES

094499-02-000

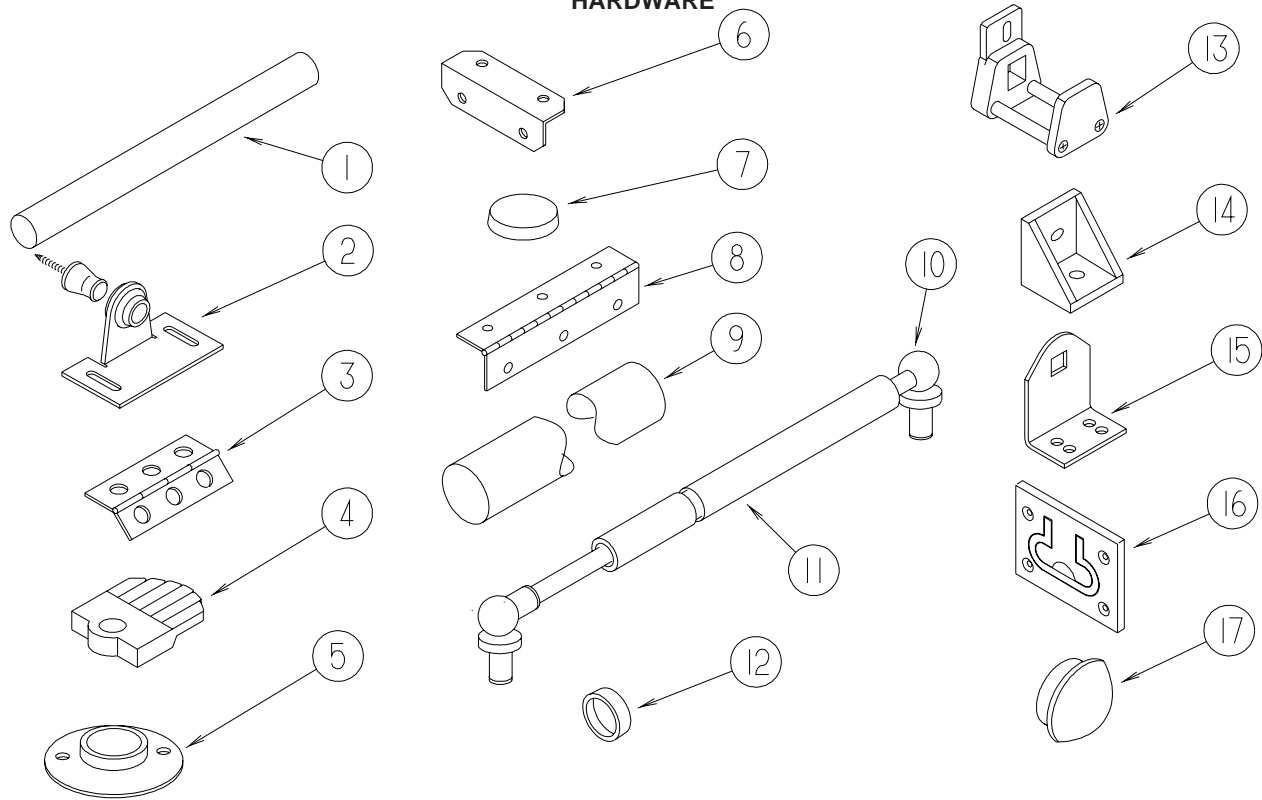
KEY	PART NUMBER	U/M	DESCRIPTION	VENDOR NO
	094499-01-700	EA	BRACKET MTG. W/PLAS. STRAP	294039

INTERIOR FINISH GROUP (CONTINUED)
FLOOR COVERINGS

KEY	PART NUMBER	U/M	DESCRIPTION
	075233-01-000	SY	PAD - CARPET - 3/8" X 6' ROLL
	139056-02-000	SY	CARPET - GRAPHITE - 4 SQUARE YARD INCREMENTS
	096060-H5-000	SY	CARPET - CHARCOAL - INCREMENTS OF 4 SQ YARDS (RH0, RH1)
	139056-06-000	SY	CARPET - CRYSTAL LAKE - 4 SQUARE YARD INCREMENTS (RH2, RH3)
	096060-F0-000	SY	CARPET - PALE SAGE - INCREMENTS OF 4 SQ YARDS (RH4, RH5, RH1)
	096060-J4-000	SY	CARPET - SAGE - INCREMENTS OF 4 SQ YARDS
	096060-J9-000	SY	CARPET - OVERCAST - INCREMENTS OF 4 SQ YARDS
	117477-01-N91	EA	CARPET-RIALTA CAB-MADE W/#096060J9000 CARPET ONLY (RH0,RH1)
	117477-01-RH0	EA	CARPET-RIALTA CAB-MADE W/#13905606000 CARPET ONLY (RH0,RH1)
	117477-01-RH2	EA	CARPET-RIALTA CAB-MADE W/#13905606000 CARPET ONLY (RH2,RH3)
	117477-01-RH4	EA	CARPET-RIALTA CAB-MADE W/#13905606000 CARPET ONLY (RH4)
	117477-01-RH5	EA	CARPET-RIALTA CAB-MADE W/#13905606000 CARPET ONLY (RH5)
	109583-01-P08	EA	CARPET/PEDESTAL COVER - W/EDGE BINDING TAPE
	093486-01-000	SY	CARPET - COMPARTMENT - 72" WIDE - DARK GRAY

INTERIOR FINISH GROUP (CONTINUED)

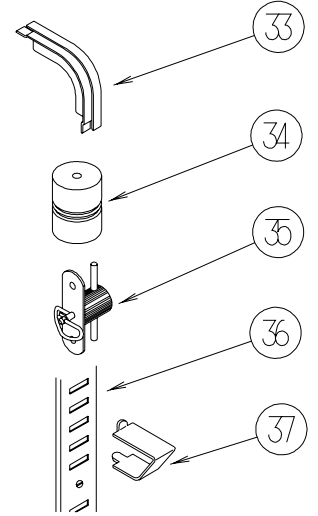
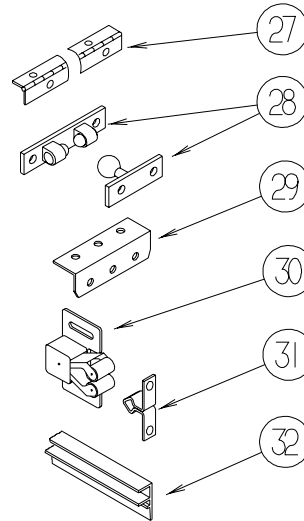
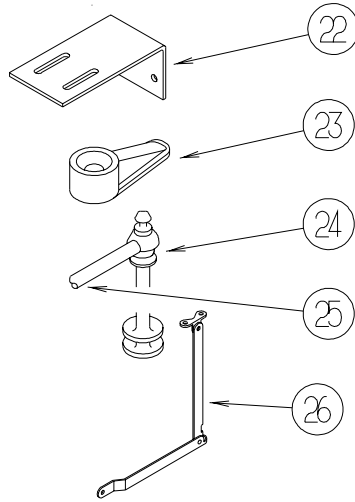
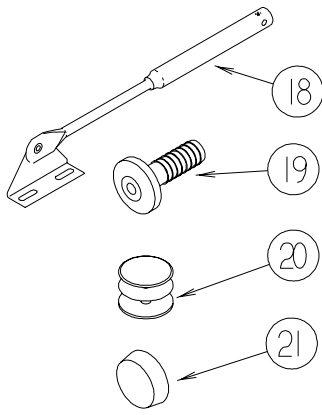
HARDWARE



KEY	PART NUMBER	U/M	DESCRIPTION
1	Y00136-21-218	EA	DOWEL - WOOD - 1" X 4'
2	009013-01-000	EA	CATCH - BULLDOG - MALE/FEMALE
3	009059-01-000	EA	HINGE - DOOR - 2" X 1.4" - BRASS
3	009059-02-000	EA	HINGE - DOOR - 2" X 2.7" - BRASS
3	009059-03-000	EA	HINGE - BRASS - 1.75"
3	009059-04-000	EA	HINGE - 2" - ZINC
4	009089-01-000	EA	CLIP - MIRROR
5	009112-01-000	EA	FLANGE - PLASTIC - 1" CLOTHES ROD - OFF WHITE
6	016604-01-000	EA	BRACE - ANGLE - 2 1/2" - UNPAINTED METAL
6	016604-05-000	EA	BRACE - ANGLE - 2 1/2" - OFF WHITE METAL
6	016604-10-000	EA	BRACE - SEAT ANGLE - 2.5" - BLACK
7	023320-01-000	EA	PAD - FELT 3/8" DIAMETER
8	041389-25-000	EA	HINGE - PIANO - 1 1/2" X 55" - UNPAINTED
9	042438-02-000	EA	DOWEL - WOOD - 2" DIAMETER X 2'
10	057460-02-000	EA	BALL STUD - F/GAS SPRING .39" - 5/16"-18
11	057460-04-000	EA	SPRING/GAS - BALL STUD STYLE - 120 PI - "SPD6209"
12	057671-01-000	EA	COVER - SCREW - #8 - OFF WHITE
12	057671-15-000	EA	COVER - SCREW - #8 - BRIGHT WHITE
12	057671-16-000	EA	COVER - SCREW - #8 - SOFT WHITE
12	057671-17-000	EA	COVER - SCREW - VW LT GRAY - #8
13	064467-01-000	EA	GUIDE - POCKET - SLIDING DOOR - WALL MOUNTED
14	065740-01-000	EA	BRACE - CABINET/CORNER - PLASTIC
15	069178-03-000	EA	BRACKET/MOUNTING - ASSIST HANDLE - BRIGHT WHITE
16	072871-01-000	EA	PULL - FLUSH - CHROME
17	074045-08-000	EA	PLUG - OAK - 3/8" DOWEL-1/2" HEAD - SALEM CHERRY - CONCERT CHERRY
17	074045-12-000	EA	PLUG - OAK - 3/8" DOWEL-1/2" HEAD - WASHED MAPLE
17	074045-13-000	EA	PLUG - OAK - 3/8" DOWEL-1/2" HEAD - PORTSMOUTH OAK
17	074045-14-000	EA	PLUG - OAK - 3/8" DOWEL-1/2" HEAD - HONEY CHERRY

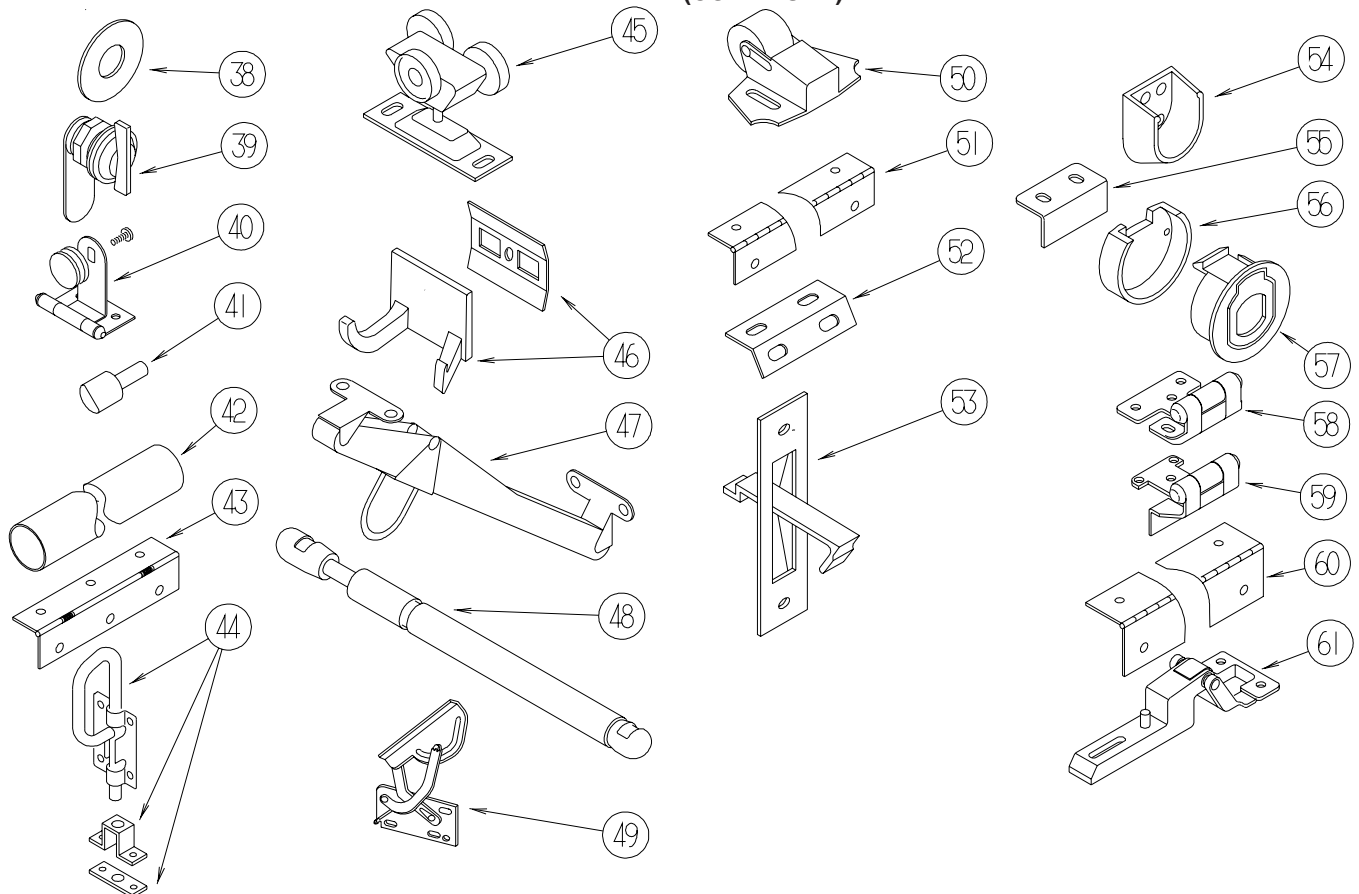
INTERIOR FINISH GROUP (CONTINUED)

HARDWARE (CONTINUED)



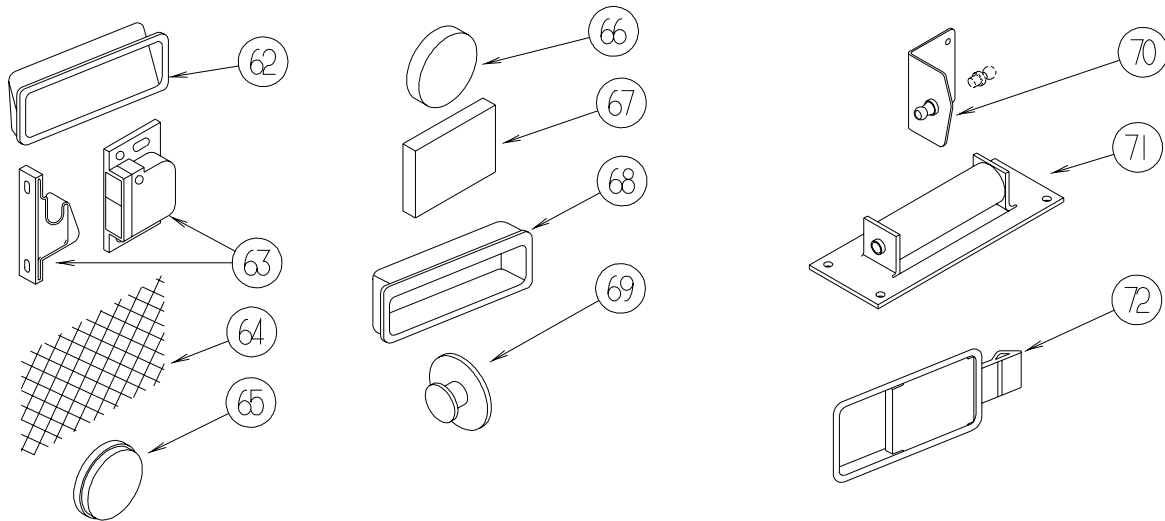
KEY	PART NUMBER	U/M	DESCRIPTION
18	074493-02-000	EA	SUPPORT - PISTON SPRING - CABINET DOOR - 26 LBS
18	074493-03-000	EA	SUPPORT - PISTON SPRING - CABINET DOOR - 12 LBS
19	079921-01-000	EA	ROLLER - NYLON - W/STEEL SHAFT - BARBED
20	081114-02-000	EA	CAP - INSERT - ROUND - 1" DIAMETER - WHITE PLASTIC
21	004354-01-000	EA	BUMPER - RUBBER - 1/2" DIA - BROWN
21	081914-01-000	EA	BUMPER - RUBBER - ROUND - 1/2" DIA. X 1/8" THICK
22	083125-07-000	EA	BRACE - ANGLE/COUCH - 2.5" - OFF WHITE
22	132871-02-02B	EA	BRACKET/L-SHAPED W/HOLES - 1.9" X 2.8" - E-COATED
23	083204-03-000	EA	BUTTON - RETAINING MIRROR 5/16" TIP
24	084070-03-000	EA	POST - END - 2.4" - SHINY BRASS
25	084071-05-000	EA	ROD - BRASS - 15"
25	084071-19-000	EA	ROD - BRASS - 7.1"
25	084071-20-000	EA	ROD - BRASS - 9.8"
25	084071-23-000	EA	ROD - BRASS - 13.1"
25	084071-24-000	EA	ROD - BRASS - 3.8"
25	084071-33-000	EA	ROD - BRASS - 20.4"
25	146840-01-01A	EA	ROD - .25" DIAMETER - BRASS
25	146840-01-02A	EA	ROD - .25" DIAMETER - PEWTER
25	146840-02-01A	EA	ROD - .25" DIAMETER - BRASS
25	146840-02-02A	EA	ROD - .25" DIAMETER - PEWTER
25	146840-03-01A	EA	ROD - .25" DIAMETER - BRASS
25	146840-03-02A	EA	ROD - .25" DIAMETER - PEWTER
25	146840-04-01A	EA	ROD - .25" DIAMETER - BRASS
25	146840-04-02A	EA	ROD - .25" DIAMETER - PEWTER
25	146840-05-01A	EA	ROD - .25" DIAMETER - BRASS
25	146840-05-02A	EA	ROD - .25" DIAMETER - PEWTER
26	084412-01-000	EA	SUPPORT/HINGE KIT (LEFT & RIGHT HINGES)
27	084413-01-000	EA	HINGE - 1" X 72" - ALUMINUM - W/HOLES
28	084451-01-000	EA	CATCH & LATCH - 1.7" - BRASS
29	089025-01-000	EA	SUPPORT - SPRING TO BED - ANGLE 1.5" X 11.8"
30	093586-03-000	EA	CATCH - SPRING ROLLER - .377"
30	093586-06-000	EA	CATCH - SPRING ROLLER - .236"
31	093586-04-000	EA	STRIKE - SPRING STEEL - 1.14"
31	093586-05-000	EA	STRIKE - SPRING STEEL - .943"
32	093622-01-000	EA	TRACK - DOOR - TAMBOUR - PLASTIC - 8' LENGTHS
33	093623-01-000	EA	CORNER - TRACK - TAMBOUR DOOR
34	097872-04-000	EA	DOWEL - WOOD - 1" DIAMETER X 1.38" LONG - UNFINISHED
35	098196-01-000	EA	LATCH - 1/4 TURN - T-BAR
36	098979-01-000	EA	CLIP - ADJUSTABLE SHELF
37	098980-01-000	EA	PILASTER - ADJUSTABLE SHELF - 18"
37	098980-02-000	EA	PILASTER - ADJUSTABLE SHELF - 12"
37	098980-03-000	EA	PILASTER - ADJUSTABLE SHELF - 9"
37	098980-04-000	EA	PILASTER - ADJUSTABLE SHELF - 48"
37	098980-05-000	EA	PILASTER - ADJUSTABLE SHELF - 15"
37	098980-06-000	EA	PILASTER - ADJUSTABLE SHELF - 24"

INTERIOR FINISH GROUP (CONTINUED) HARDWARE (CONTINUED)



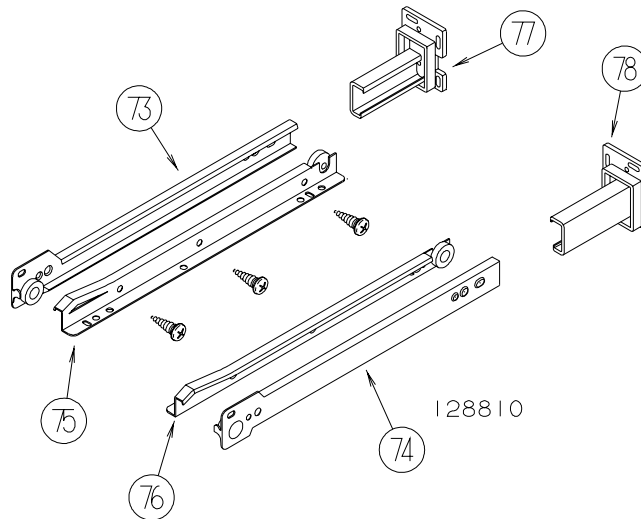
KEY	PART NUMBER	U/M	DESCRIPTION
38	100707-01-000	EA	SPACER - GLASS DOOR - .8" DIA - .3" HOLE - PLASTIC
39	100710-01-01A	EA	LOCK - GLASS DOOR/TWIST TYPE - BRASS
40	100711-01-01A	EA	HINGE - GLASS DOOR
41	101766-01-000	EA	PIN - SUPPORT/GLASS DOOR
42	102075-10-02A	EA	ROD - SHOWER CURTAIN - 1" OD X 46.3" - SOFT WHITE
43	102920-01-01A	EA	HINGE - SPRING LOADED - BRASS
44	103256-01-000	EA	LATCH COMPLETE (SLIDE)
45	103874-01-000	EA	HANGER - SLIDING DOOR
46	104174-01-000	EA	HOOK - ROBE - DOUBLE
47	104181-01-01A	EA	SUPPORT - LEAF 5.3" EXTENDS TO 7.5" - SAFETY RING - METAL
48	142569-15-000	EA	SPRING/GAS - 12" COMPRESSED/20" EXTENDED - 120 LB.
48	142569-16-000	EA	SPRING/GAS - 12" COMPRESSED/20" EXTENDED - 90 LB
48	142569-05-000	EA	SPRING - GAS - 15 LB. - 39.9"
48	142569-18-000	EA	SPRING/GAS - 6.5" COMPRESSED/9.6" EXTENDED - 65 LB.
49	108126-01-000	EA	TRAY HINGE SET (QTY. 2 PER SET)
50	109403-01-000	EA	CATCH - SINGLE ROLLER - SCREEN DOOR
51	110496-01-01A	EA	HINGE - BRASS
52	111866-01-02A	EA	BRACE - SEAT - ANGLE - OFF WHITE
53	113130-01-01A	EA	PULL - DOOR POCKET
54	113236-01-01A	EA	BRACKET - CLOTHES - ROD
55	113375-02-01A	EA	STRIKE - DOOR - CHROME
56	113375-05-01A	EA	LATCH - SLAM - BACK - .8" THICK
57	113375-06-01A	EA	LATCH - SLAM - FACE - .7" THICK
58	113676-01-01A	EA	HINGE - OVERLAY - VARIABLE - BURNISHED BRASS
59	113677-01-01A	EA	HINGE - SELF CLOSING
60	114278-02-000	EA	HINGE - CONTINUOUS - 3" WIDE
61	114443-01-01A	EA	HINGE - CABINET DOOR

INTERIOR FINISH GROUP (CONTINUED)
HARDWARE (CONTINUED)



KEY	PART NUMBER	U/M	DESCRIPTION
62	115994-01-01A	EA	HANDLE - POCKET
63	117095-01-01A	EA	LATCH - DOOR - GRABBER W/KEEPER - PLASTIC - BLK-5 LB PULL
63	117095-02-01A	EA	LATCH - DOOR - GRABBER W/KEEPER - PLASTIC - BLK-10 LB PULL
64	118200-01-01A	SF	MESH - PLASTIC 1/2" - 48" X LENGTH = SF - BLACK
65	120760-01-000	EA	RUBBER BUMPER - CLEAR - .1" THICK X .8" DIAMETER
66	122717-01-01A	EA	PAD - NON SKID - 4" DIAMETER ROUND
67	122717-06-01A	FT	PAD - NON-SKID - PSA - 5"W
68	124311-01-01A	EA	HANDLE - RECESSED - BRASS
69	125221-01-01A	EA	PULL - MIRROR - W/ROUND HANDLE
70	126263-06-02B	EA	BRACKET - GAS SPRING W/INSIDE BALL STUD - E-COATED
70	126263-08-02B	EA	BRACKET - GAS SPRING W/CENTERED BALL STUD - E-COATED
71	126584-02-000	EA	ROLLER - FLAT
72	127349-01-01A	EA	LATCH - PADDLE

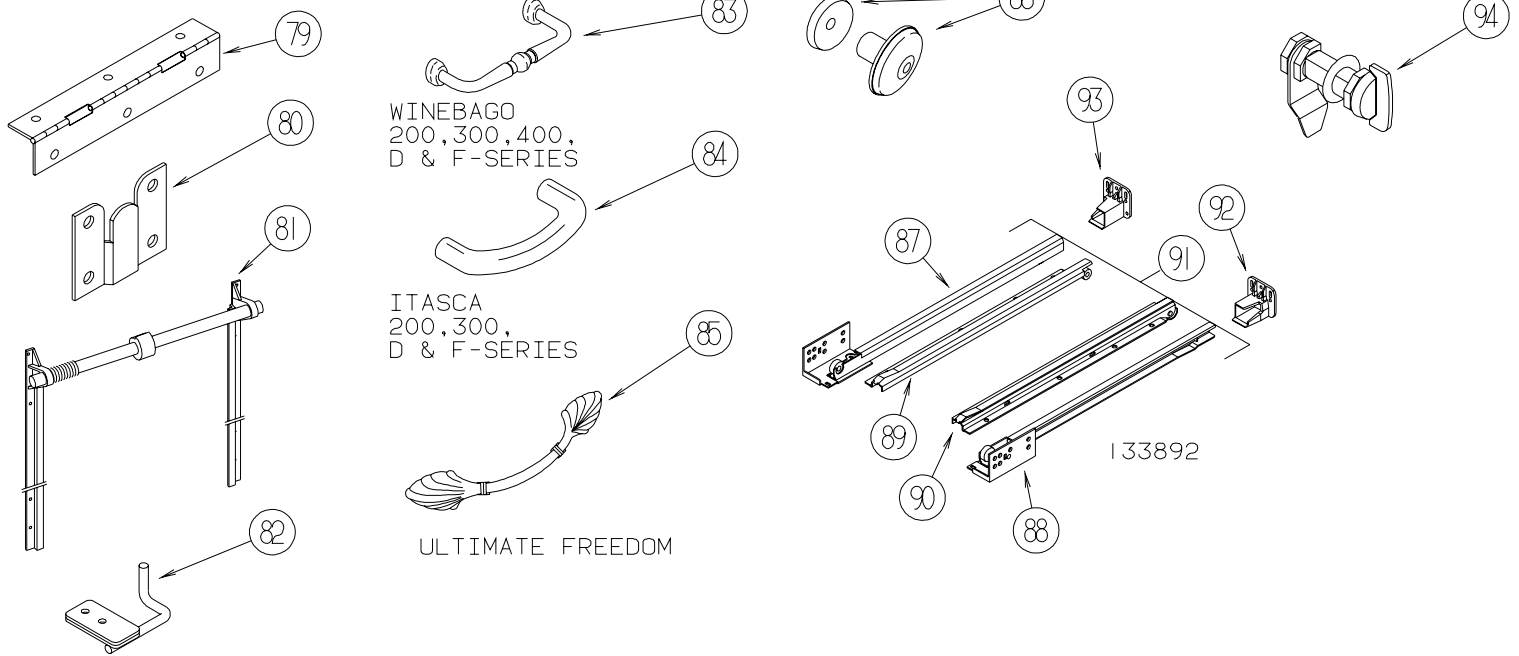
INTERIOR FINISH GROUP (CONTINUED)
HARDWARE (CONTINUED)



KEY	PART NUMBER	U/M	DESCRIPTION
73	128810-01-01A	EA	SLIDE - DRAWER - 12" - LEFT CABINET
73	128810-05-01A	EA	SLIDE - DRAWER - 14" - LEFT CABINET
73	128810-09-01A	EA	SLIDE - DRAWER - 16" - LEFT CABINET
73	128810-13-01A	EA	SLIDE - DRAWER - 18" - LEFT CABINET
73	128810-17-01A	EA	SLIDE - DRAWER - 20" - LEFT CABINET
73	128810-21-01A	EA	SLIDE - DRAWER - 22" - LEFT CABINET
73	128810-25-01A	EA	SLIDE - DRAWER - 24" - LEFT CABINET
73	128810-29-01A	EA	SLIDE - DRAWER - 9" - LEFT CABINET
74	128810-02-01A	EA	SLIDE - DRAWER - 12" - RIGHT CABINET
74	128810-06-01A	EA	SLIDE - DRAWER - 14" - RIGHT CABINET
74	128810-10-01A	EA	SLIDE - DRAWER - 16" - RIGHT CABINET
74	128810-14-01A	EA	SLIDE - DRAWER - 18" - RIGHT CABINET
74	128810-18-01A	EA	SLIDE - DRAWER - 20" - RIGHT CABINET
74	128810-22-01A	EA	SLIDE - DRAWER - 22" - RIGHT CABINET
74	128810-26-01A	EA	SLIDE - DRAWER - 24" - RIGHT CABINET
74	128810-30-01A	EA	SLIDE - DRAWER - 9" - RIGHT CABINET
75	128810-03-01A	EA	SLIDE - DRAWER - 12" - LEFT DRAWER
75	128810-07-01A	EA	SLIDE - DRAWER - 14" - LEFT DRAWER
75	128810-11-01A	EA	SLIDE - DRAWER - 16" - LEFT DRAWER
75	128810-15-01A	EA	SLIDE - DRAWER - 18" - LEFT DRAWER
75	128810-19-01A	EA	SLIDE - DRAWER - 20" - LEFT DRAWER
75	128810-23-01A	EA	SLIDE - DRAWER - 22" - LEFT DRAWER
75	128810-27-01A	EA	SLIDE - DRAWER - 24" - LEFT DRAWER
75	128810-31-01A	EA	SLIDE - DRAWER - 9" - LEFT DRAWER
76	128810-04-01A	EA	SLIDE - DRAWER - 12" - RIGHT DRAWER
76	128810-08-01A	EA	SLIDE - DRAWER - 14" - RIGHT DRAWER
76	128810-12-01A	EA	SLIDE - DRAWER - 16" - RIGHT DRAWER
76	128810-16-01A	EA	SLIDE - DRAWER - 18" - RIGHT DRAWER
76	128810-20-01A	EA	SLIDE - DRAWER - 20" - RIGHT DRAWER
76	128810-24-01A	EA	SLIDE - DRAWER - 22" - RIGHT DRAWER
76	128810-28-01A	EA	SLIDE - DRAWER - 24" - RIGHT DRAWER
76	128810-32-01A	EA	SLIDE - DRAWER - 9" - RIGHT DRAWER
77	128811-01-02A	EA	BACKSOCKET - ADJUSTABLE - LEFT
78	128811-02-02A	EA	BACKSOCKET - ADJUSTABLE - RIGHT

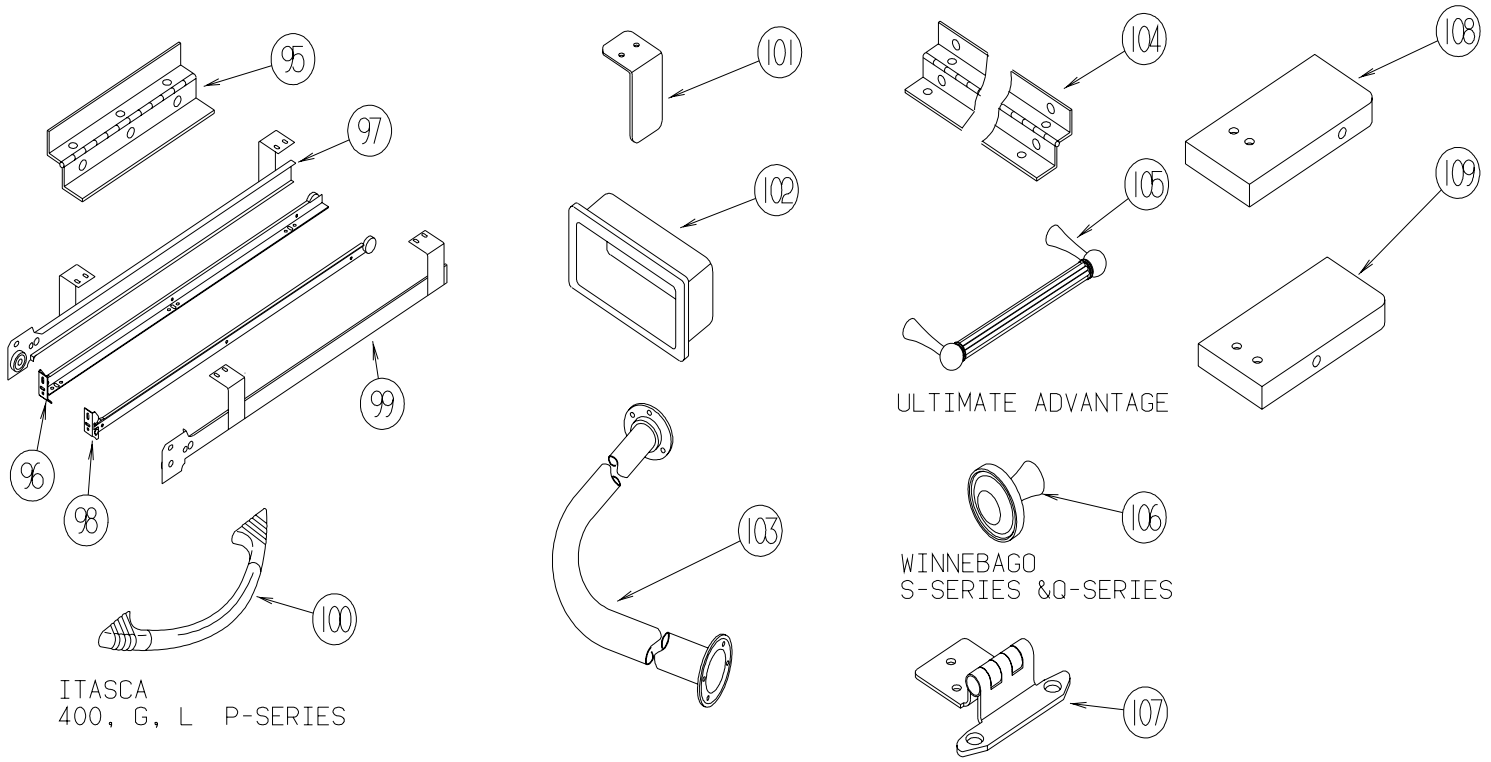
INTERIOR FINISH GROUP (CONTINUED)

HARDWARE (CONTINUED)



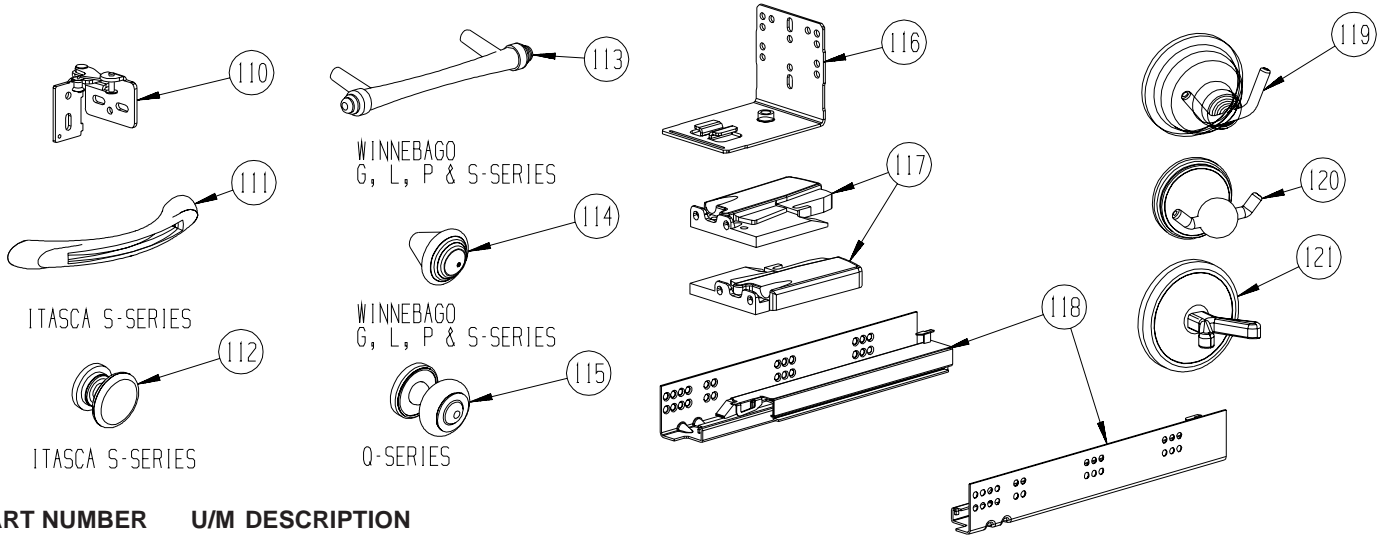
KEY	PART NUMBER	U/M	DESCRIPTION
79	129753-01-01A	EA	HINGE - SPRING LOADED - 19" X 19" - BLACK
80	130120-01-01A	EA	BRACKET - MIRROR
81	130787-02-000	EA	TRACK - TAMBOUR DOOR/SPRING - 24"
81	130787-04-000	EA	TRACK - TAMBOUR DOOR - SPRING
82	130798-01-02B	EA	GUIDE - POCKET DOOR - E-COATED
83	131963-01-01A	EA	PULL - POLISHED BRASS - WINNEBAGO VISTA/MINNIE/MINNIE WINNIE/SIGHTSEER & BRAVE
84	131964-01-01A	EA	PULL - POLISHED BRASS - ITASCA SUNSTAR/SPIRIT/SUNOVA & SUNRISE
85	131965-01-01A	EA	PULL - DOOR/DRAWER - 6.3" - BURNISHED BRASS - ULTIMATE FREEDOM
86	133313-01-02A	EA	PULL - DOOR/DRAWER - BRIGHT BRASS
86	133313-01-03A	EA	PULL - DOOR/DWR - CHROME/BRASS - ITASCA SUNDANCER/SUNCRUISER/SUNFLYER/MERIDIAN
87	133892-01-01A	EA	SLIDE - DRAWER - 16" - LEFT CABINET
87	133892-06-01A	EA	SLIDE - DRAWER - 22" - LEFT CABINET
87	133892-10-01A	EA	SLIDE - DRAWER - 12" - LEFT CABINET
87	133892-14-01A	EA	SLIDE - DRAWER - 18" - LEFT CABINET
88	133892-02-01A	EA	SLIDE - DRAWER - 16" - RIGHT CABINET
88	133892-07-01A	EA	SLIDE - DRAWER - 22" - RIGHT CABINET
88	133892-11-01A	EA	SLIDE - DRAWER - 12" - RIGHT CABINET
88	133892-15-01A	EA	SLIDE - DRAWER - 18" - RIGHT CABINET
89	133892-03-01A	EA	SLIDE - DRAWER - 16" - LEFT DRAWER
89	133892-08-01A	EA	SLIDE - DRAWER - 22" - LEFT DRAWER
89	133892-12-01A	EA	SLIDE - DRAWER - 12" - LEFT DRAWER
89	133892-16-01A	EA	SLIDE - DRAWER - 18" - LEFT DRAWER
90	133892-04-01A	EA	SLIDE - DRAWER - 16" - RIGHT DRAWER
90	133892-09-01A	EA	SLIDE - DRAWER - 22" - RIGHT DRAWER
90	133892-13-01A	EA	SLIDE - DRAWER - 12" - RIGHT DRAWER
90	133892-17-01A	EA	SLIDE - DRAWER - 18" - RIGHT DRAWER
91	133892-05-01A	EA	SLIDE - DRAWER - 9" - FULL SET
92	133907-01-01A	EA	BACKSOCKET - RIGHT HAND
93	133907-02-01A	EA	BACKSOCKET - LEFT HAND
94	135231-01-01A	EA	LATCH - COMPRESSION - BLACK

INTERIOR FINISH GROUP (CONTINUED) HARDWARE (CONTINUED)

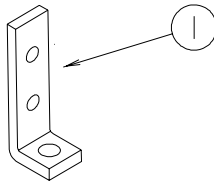


KEY	PART NUMBER	U/M	DESCRIPTION
95	135538-01-01A	EA	HINGE - PIANO - FULL WRAP - BRASS PLATED
95	135538-03-01A	EA	HINGE - PIANO - FULL WRAP - STOCKER BRASS
95	135538-06-01A	EA	HINGE - PIANO - FULL WRAP
96	136944-01-01A	EA	SLIDE - DRAWER/RIGHT HAND - 13.8"
97	136944-02-01A	EA	SLIDE - CABINET/RIGHT HAND - 13.8"
98	136944-03-01A	EA	SLIDE - DRAWER/LEFT HAND - 13.8"
99	136944-04-01A	EA	SLIDE - CABINET/LEFT HAND - 13.8"
100	137446-01-01A	EA	PULL - CABINET - CHROME/BRASS - ITASCA SUNDANCE/SUNCRUISER/SUNFLYER & MERIDIAN
101	138136-02-02B	EA	GUIDE - DOOR - E-COATED
102	139136-01-01A	EA	HANDLE - RECESSED - BRASS
102	139136-02-01A	EA	HANDLE - RECESSED - BRASS
102	139136-02-02A	EA	HANDLE - RECESSED - PEWTER
103	140494-01-01A	EA	ROD - SHOWER
103	140494-01-02A	EA	ROD - SHOWER - SOFT WHITE
104	142276-01-01A	EA	HINGE - PIANO - FULL WRAP - BRASS
105	142909-01-01A	EA	PULL - CABINET - BRASS - ULTIMATE ADVANTAGE
106	142910-01-01A	EA	KNOB - CABINET - BRASS - WINNEBAGO VECTRA & ULTIMATE ADVANTAGE
107	143468-01-01A	EA	HINGE - SELF CLOSING - BURNISHED BRASS - ULTIMATE FREEDOM
107	143468-01-02A	EA	HINGE - SELF CLOSING - POLISHED BRASS
107	143468-02-02A	EA	HINGE - SELF CLOSING - POLISHED BRASS
107	143468-02-03A	EA	HINGE - SELF CLOSING - SATIN NICKEL - ITASCA SUNFLYER, L-SERIES
107	146553-01-02A	EA	HINGE - CABINET DOOR - BRIGHT BRASS
107	146553-01-03A	EA	HINGE - CABINET DOOR - SATIN NICKEL
108	137445-01-N42	EA	STOP - F/SLIDING DOOR
108	137445-01-P46	EA	STOP - F/SLIDING DOOR
108	137445-01-P56	EA	STOP - F/SLIDING DOOR
109	137445-02-P45	EA	STOP - F/SLIDING DOOR
109	137445-02-P46	EA	STOP - F/SLIDING DOOR
109	137445-02-P56	EA	STOP - F/SLIDING DOOR

INTERIOR FINISH GROUP (CONTINUED)
HARDWARE (CONTINUED)



KEY	PART NUMBER	U/M	DESCRIPTION
110	144488-01-01A	EA	HINGE - CABINET - ANTIQUE BRASS
110	144488-01-02A	EA	HINGE - CABINET - NICKEL - ITASCA HORIZON
111	144917-01-01A	EA	PULL - DRAWER - SATIN NICKEL - ITASCA HORIZON
112	144918-01-01A	EA	PULL - DRAWER/KNOB - SATIN NICKEL - ITASCA HORIZON
113	145172-01-01A	EA	PULL - CABINET DOOR - WINNEBAGO ADVENTURER/CHIEFTAIN/JOURNEY & VECTRA
114	145172-02-01A	EA	PULL - DRAWER/DNOB - WINNEBAGO ADVENTURER/CHIEFTAIN & JOURNEY
115	145180-01-01A	EA	KNOB - CABINET DOOR - ULTIMATE FREEDOM
116	145739-01-000	EA	BRACKET - REAR MOUNT
117	145739-02-000	EA	LOCKING MECHANISM - LEFT
117	145739-03-000	EA	LOCKING MECHANISM - RIGHT
118	145739-04-000	EA	SLIDE - DRAWER - 12"
119	145849-01-01A	EA	ROBE HOOK - TWIN - BRASS
119	145849-02-01A	EA	ROBE HOOK - TWIN - CHROME
120	145849-03-01A	EA	ROBE HOOK - TWIN - BRASS
121	145849-04-01A	EA	ROBE HOOK - TWIN - CHROME/BRASS



KEY	PART NUMBER	U/M	DESCRIPTION
1	096826-01-01A	EA	BRACE-CABINET E-COATED

LABELS GROUP

SEWAGE

KEY PART NUMBER U/M DESCRIPTION
006187-01-000 EA LABEL - SEWAGE

WASTE WATER

KEY PART NUMBER U/M DESCRIPTION
006188-01-000 EA LABEL - WASTE WATER

WARNING

THIS SYSTEM IS DESIGNED FOR USE WITH PROPANE ONLY
DO NOT CONNECT NATURAL GAS TO THIS SYSTEM

BEFORE TURNING ON PROPANE:

- (A) BE CERTAIN APPLIANCES ARE CERTIFIED FOR PROPANE AND ARE EQUIPPED WITH CORRECT BURNING ORIFICES.
- (B) MAKE CERTAIN ALL PROPANE CONNECTIONS ARE TIGHT BY TESTING WITH SOAPY WATER. ALL APPLIANCE VALVES ARE TURNED OFF, AND ANY UNCONNECTED OUTLETS ARE CAPPED.

AFTER TURNING ON PROPANE:

- (A) LIGHT ALL PILOT LIGHTS
- (B) (B) ALL CONNECTIONS, INCLUDING THOSE AT THE APPLIANCES, REGULATORS AND CYLINDERS SHOULD BE LEAK-TESTED PERIODICALLY WITH SOAPY WATER BY THE OCCUPANT. NEVER USE A LIGHTED MATCH OR OTHER FLAME WHEN CHECKING FOR LEAKS.
- (C) DO NOT LEAVE SYSTEM TURNED ON OF CONTAINERS CONNECTED UNTIL THE SYSTEM HAS BEEN PROVEN TO BE FREE OF LEAKS.
- (D) COOKING APPLIANCES SHOULD NOT BE USED FOR SPACE HEATING.
- (E) WHEN THE CONTAINERS ARE DISCONNECTED THE PROPANE SUPPLY LINE SHOULD BE CAPPED OR PLUGGED.

AVERTISSEMENT

CETTE INSTALLATION EST CONÇUE POUR LE PROPANE SEULEMENT
NE PAS L'ALIMENTER EN GAZ NATUREL

AVANT LA MISE EN SERVICE:

- (A) S'ASSURER QUE LES APPAREILS SONT CERTIFIÉS POUR LE PROPANE ET MUNIS D'ORIFICES DE BRULEUR APPROPRIÉS.
- (B) VÉRIFIER L'ÉTANCHEITÉ DE TOUS LES RACCORDEMENTS AU PROPANE. LA PERMÉABILITÉ DE TOUS LES ROBINETS D'APPAREILS ET L'OBTURATION DE TOUTES LES SORTIES NON RACCORDEES.

APRÈS LA MISE EN SERVICE:

- (A) ALLUMER TOUTES LES VEILLEUSES.
- (B) L'OCCUPANT DOIT ÉPROUVER PÉRIODIQUEMENT L'ÉTANCHEITÉ DE TOUS LES RACCORDEMENTS Y COMPRIS CEUX AUX APPAREILS, AUX DÉTENDEURS ET AUX BOUTEILLES, EN Y APPLIQUANT DE L'EAU SAVONNEUSE NE JAMAIS SE SERVIR D'UNE ALLUMETTE OU AUTRE POUR LA DÉTECTION DES FUITES.
- (C) NE PAS LAISSER L'ALIMENTATION OUVERTE NI LES RÉCIPIENTS RACCORDES AVANT D'AVOIR COMPLÉTÉ L'ÉPREUVE D'ÉTANCHEITÉ AU PROPANE DE L'INSTALLATION.
- (D) LES APPAREILS DE CUISSON NE DOIVENT PAS ÊTRE UTILISÉS POUR LE CHAUFFAGE DES LOCAUX.
- (E) LORSQUE LES RÉCIPIENTS SONT DÉCONNECTÉS, L'ALIMENTATION DE PROPANE DOIT ÊTRE OBTURÉE OU SCELLÉE.

KEY PART NUMBER U/M DESCRIPTION
023769-01-000 EA LABEL - WARNING - LPG - CANADIAN

EXIT

KEY PART NUMBER U/M DESCRIPTION
039290-01-000 EA LABEL - WARNING - EXIT

LABELS GROUP (CONTINUED)



KEY PART NUMBER U/M DESCRIPTION
040944-01-000 EA LABEL - ENTRANCE DOOR - "OPEN"

CAUTION

THIS MOTOR HOME HAS BEEN DESIGNED, MANUFACTURED AND TESTED WITH CONCERN FOR THE PROTECTION OF IT'S OCCUPANTS. WE RECOMMEND YOU PERFORM THE FOLLOWING INSPECTIONS FOR YOUR SAFETY AND THE SAFETY OF YOUR PASSENGERS BEFORE STARTING YOUR VEHICLE.

1. LP GAS SYSTEM- TURN OFF AT TANK FOR TRAVELING. TEST FOR LEAKS UPON ARRIVAL AT DESTINATION. BEFORE LIGHTING PILOTS.
2. WHEELS- INSPECT FOR DAMAGE AND CHECK LUG NUTS FOR TIGHTNESS.
3. TIRES- INSPECT FOR WEAR AND DAMAGE AND CHECK FOR RECOMMENDED AIR PRESSURE.
4. LIGHTING- TEST FOR PROPER OPERATION OF ALL INTERIOR AND EXTERIOR LIGHTS INCLUDING DASH LIGHTS, HEADLIGHTS, TAIL LIGHTS, BRAKE LIGHTS, CLEARANCE LIGHTS AND TURN SIGNALS.
5. EXITS- INSPECT RELEASE MECHANISM ON EMERGENCY EXIT WINDOW. TEST BOTH LOCKS ON MAIN ENTRANCE DOOR FOR EASE OF OPERATION AND INSTRUCT PASSENGERS HOW TO USE BOTH MEANS OF EXIT.
6. SEAT BELTS- DIRECT PASSENGERS TO DESIGNATED SEATS AND REQUIRE USE OF SEAT BELTS.
7. APPLIANCES- TURN OFF AND LATCH OR LOCK DOORS WHERE PROVIDED.
8. LOOSE PARCELS- STORE SECURELY.
9. UTILITY SUPPLY LINES- DISCONNECT ALL ELECTRIC, SEWER AND WATER LINES AND SECURE PROPERLY.
10. ENTRANCE DOOR STEP- PLACE IN RETRACTED POSITION FOR TRAVELING.

READ YOUR MOTOR HOME AND CHASSIS OWNER'S
MANUAL FOR FURTHER PRECAUTIONS

KEY PART NUMBER U/M DESCRIPTION
056259-01-000 EA LABEL - SAFETY CHECK LIST

UNLEADED FUEL ONLY

KEY PART NUMBER U/M DESCRIPTION
062043-01-000 EA LABEL - FUEL - UNLEADED

WARNING DISCONNECT BATTERIES BEFORE
CONNECTING EXTERNAL CHARGING EQUIPMENT.

KEY PART NUMBER U/M DESCRIPTION
065748-01-000 EA LABEL - WARNING - BATTERY CHARGING - UL

AVERTISSEMENT : DEBRANCHER LES BATTERIES AVANT
DE BRANCHER TOUT EQUIPEMENT DE CHARGE EXTERIEUR.

KEY PART NUMBER U/M DESCRIPTION
065748-02-000 EA LABEL - WARNING - BATTERY CHARGING - CSA - CANADIAN

DIESEL FUEL ONLY

KEY PART NUMBER U/M DESCRIPTION
068383-01-000 EA LABEL - DIESEL FUEL

VEHICLE EMISSION CONTROL INFORMATION
THIS VEHICLE CONFORMS TO U.S. EPA
REGULATIONS APPLICABLE TO XXXX MODEL
YEAR NEW VEHICLES.

072887-01-000-2 CATALYST

KEY PART NUMBER U/M DESCRIPTION
072887-14-000 EA LABEL - EPA - 2003 MODEL YEAR

LABELS GROUP (CONTINUED)

IF YOU SMELL GAS

1. EXTINGUISH ANY OPEN FLAME, PILOT LIGHTS AND ALL SMOKING MATERIALS.
2. DO NOT TOUCH ELECTRICAL SWITCHES.
3. SHUT OFF THE GAS SUPPLY AT THE TANK VALVE(S) OR GAS SUPPLY CONNECTION.
4. OPEN DOORS AND OTHER VENTILATING OPENINGS.
5. LEAVE THE AREA UNTIL ODOR CLEARS.
6. HAVE THE GAS SYSTEM CHECKED AND LEAKAGE SOURCE CORRECTED BEFORE USING AGAIN.

KEY PART NUMBER U/M DESCRIPTION
073998-01-000 EA LABEL - LPG ODOR WARNING

WARNING: TEST SMOKE DETECTOR
OPERATION AFTER VEHICLE HAS BEEN IN
STORAGE, BEFORE EACH TRIP AND AT
LEAST ONCE PER WEEK DURING USE.

KEY PART NUMBER U/M DESCRIPTION
077956-01-000 EA LABEL - WARNING - SMOKE DETECTOR

DO NOT FILL
LP-GAS CONTAINER(S)
TO MORE THAN 80%
OF CAPACITY.

KEY PART NUMBER U/M DESCRIPTION
079965-01-000 EA LABEL - LPG - 80% CAPACITY

WARNING
MUST BE STOWED
IN LATCHED POSITION
WHILE VEHICLE IS IN MOTION

KEY PART NUMBER U/M DESCRIPTION
079966-01-000 EA LABEL - WARNING - STOWED - MOTION

W
A
T
E
R
H
E
A
T
E
R
ON
OFF

KEY PART NUMBER U/M DESCRIPTION
083588-01-000 EA LABEL - ON/OFF - WATER HEATER

E
N
G
I
N
E
H
E
A
T
E
R
ON
OFF

KEY PART NUMBER U/M DESCRIPTION
083588-02-000 EA LABEL - ON/OFF - ENGINE HEATER
083588-04-000 EA LABEL - ON/OFF - ENGINE HEATER

LABELS GROUP (CONTINUED)

CAUTION	TO HELP AVOID PERSONAL INJURY DURING REMOVAL OF FUEL FILLER CAP, SLOWLY LOOSEN CAP 1/2 TURN TO ALLOW ANY FUEL PRESSURE TO BE RELIEVED BEFORE TURNING CAP FURTHER.
FUEL SPRAY MAY CAUSE PERSONAL INJURY	STOP ADDING FUEL AFTER FIRST SHUTOFF BY AUTOMATIC NOZZLE WHEN TANK IS NEARLY FULL. DO NOT OVERFILL FUEL TANK. SEE OWNERS MANUAL FOR ADDITIONAL INFORMATION. PRINTED IN U.S.A. WLC PT NO 15611763

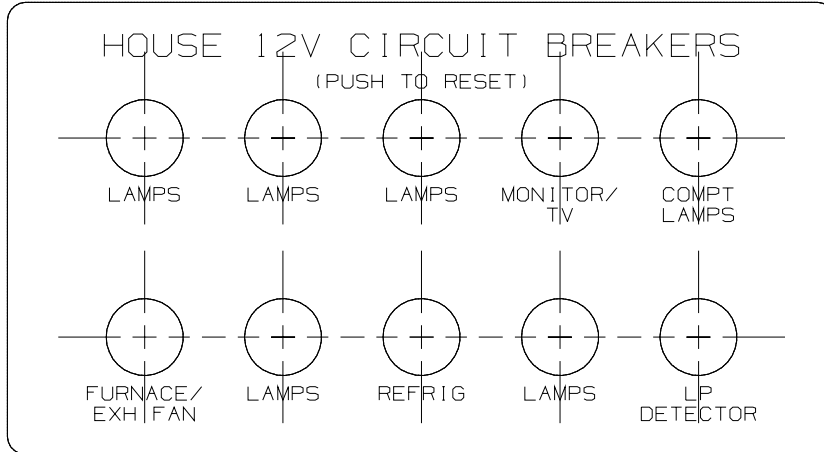
KEY PART NUMBER U/M DESCRIPTION
 087207-05-000 EA LABEL - FUEL CAP REMOVAL



KEY PART NUMBER U/M DESCRIPTION
 087236-01-000 EA LABEL - CABLE - INPUT

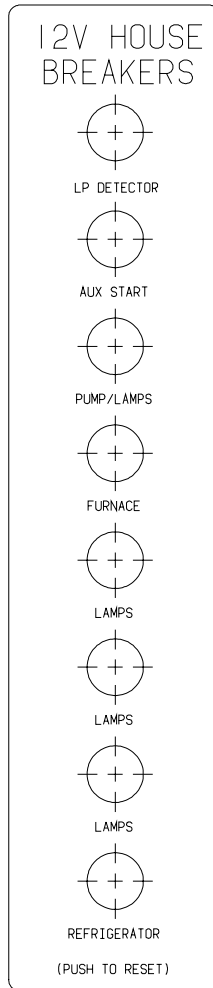


KEY PART NUMBER U/M DESCRIPTION
 087236-02-000 EA LABEL - TV OUTLET

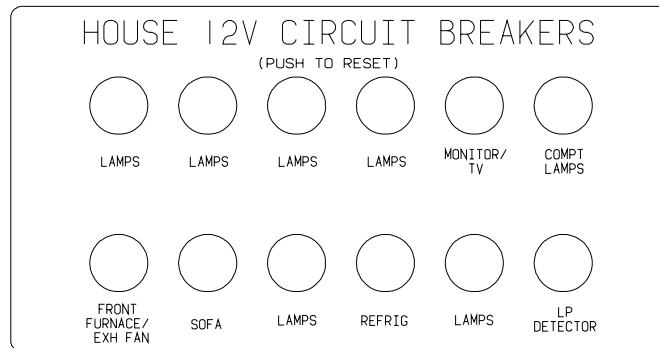


KEY PART NUMBER U/M DESCRIPTION
 092547-06-000 EA LABEL - CIRCUIT BREAKER

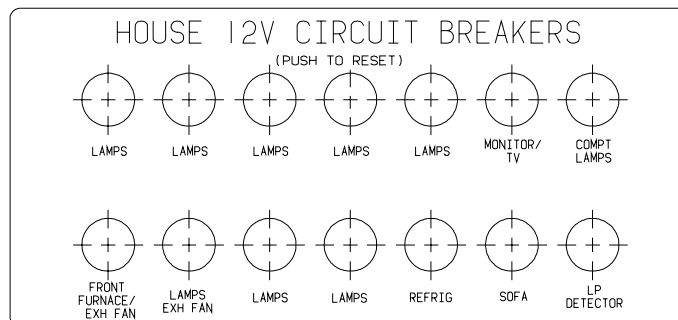
LABELS GROUP (CONTINUED)



KEY	PART NUMBER	U/M DESCRIPTION
	092547-08-000	EA LABEL - CIRCUIT BREAKER

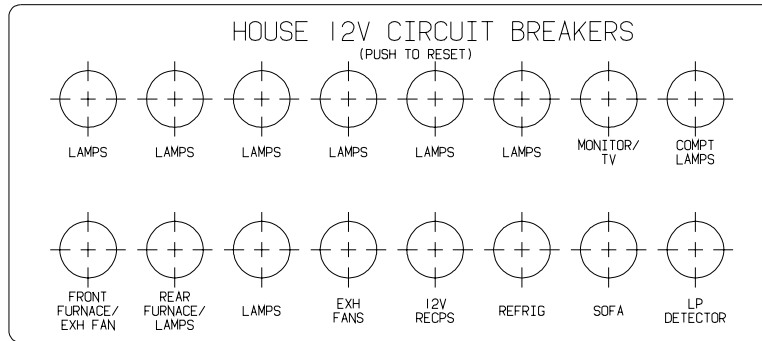


KEY	PART NUMBER	U/M DESCRIPTION
	092547-10-000	EA LABEL - CIRCUIT BREAKER

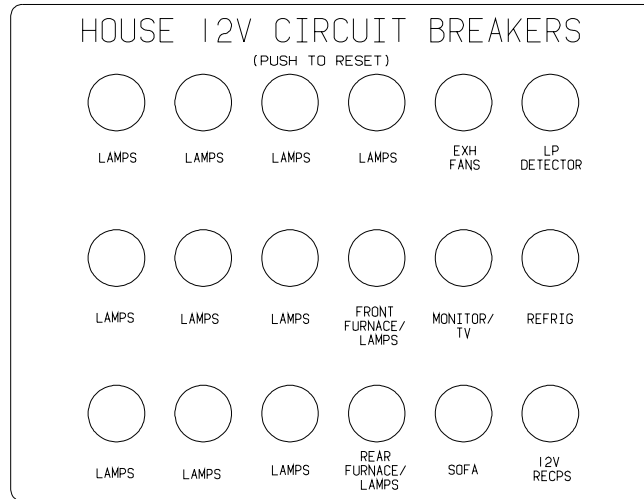


KEY	PART NUMBER	U/M DESCRIPTION
	092547-12-000	EA LABEL - CIRCUIT BREAKER

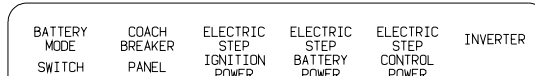
LABELS GROUP (CONTINUED)



KEY	PART NUMBER	U/M	DESCRIPTION
	092547-13-000	EA	LABEL - CIRCUIT BREAKER

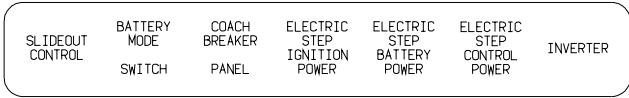


KEY	PART NUMBER	U/M	DESCRIPTION
	092547-14-000	EA	LABEL - CIRCUIT BREAKER

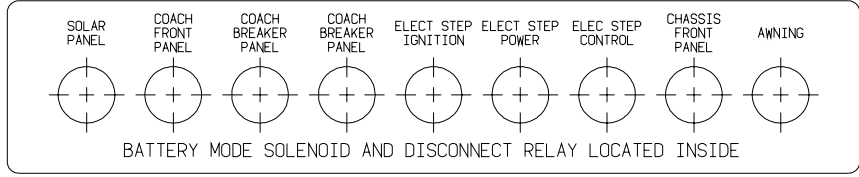


KEY	PART NUMBER	U/M	DESCRIPTION
	093236-08-000	EA	LABEL - CIRCUIT BREAKER

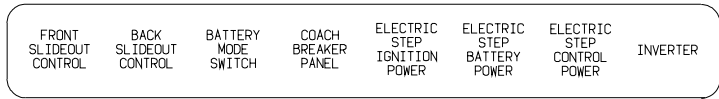
LABELS GROUP (CONTINUED)



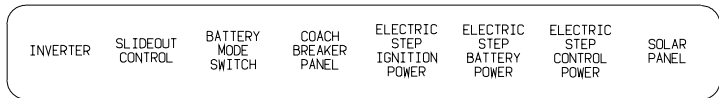
KEY PART NUMBER U/M DESCRIPTION
 093236-21-000 EA LABEL - CIRCUIT BREAKER



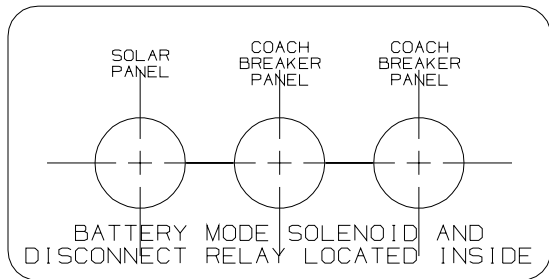
KEY PART NUMBER U/M DESCRIPTION
 093236-26-000 EA LABEL - CIRCUIT BREAKER



KEY PART NUMBER U/M DESCRIPTION
 093236-28-000 EA LABEL - CIRCUIT BREAKER

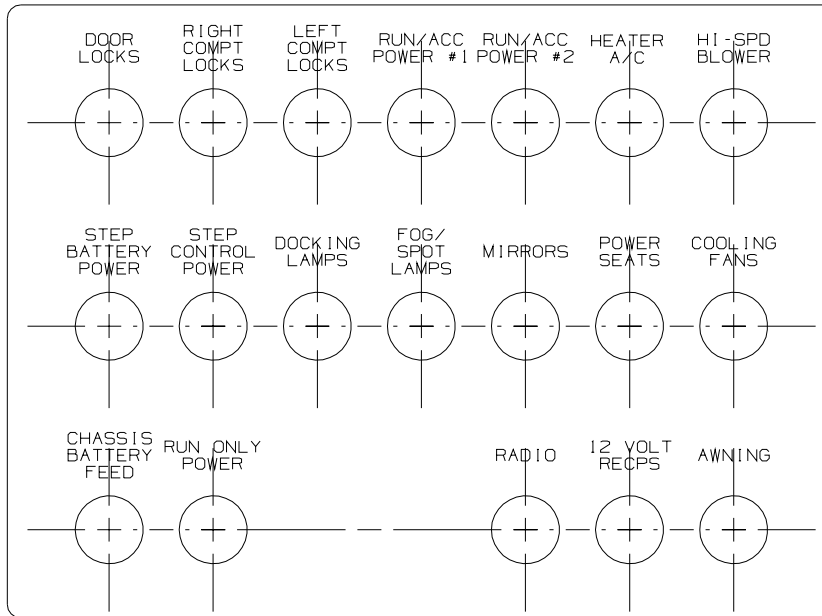


KEY PART NUMBER U/M DESCRIPTION
 093236-29-000 EA LABEL - CIRCUIT BREAKER



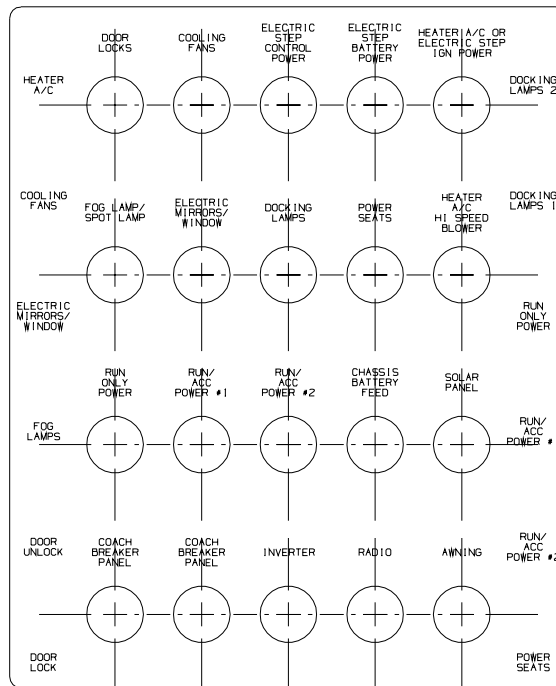
KEY PART NUMBER U/M DESCRIPTION
 093236-31-000 EA LABEL - CIRCUIT BREAKER

LABELS GROUP (CONTINUED)



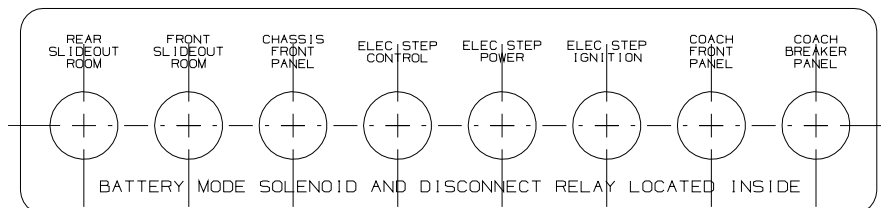
KEY PART NUMBER
093236-32-000

U/M DESCRIPTION
EA LABEL - CIRCUIT BREAKER



KEY PART NUMBER
093236-33-000

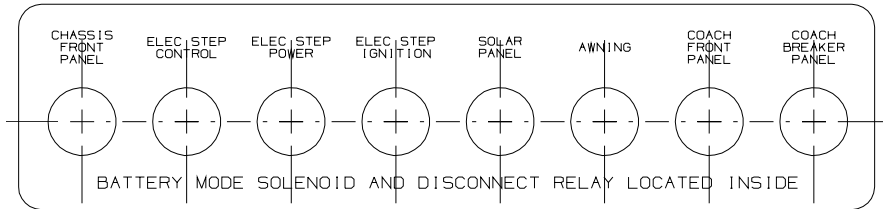
U/M DESCRIPTION
EA LABEL - CIRCUIT BREAKER



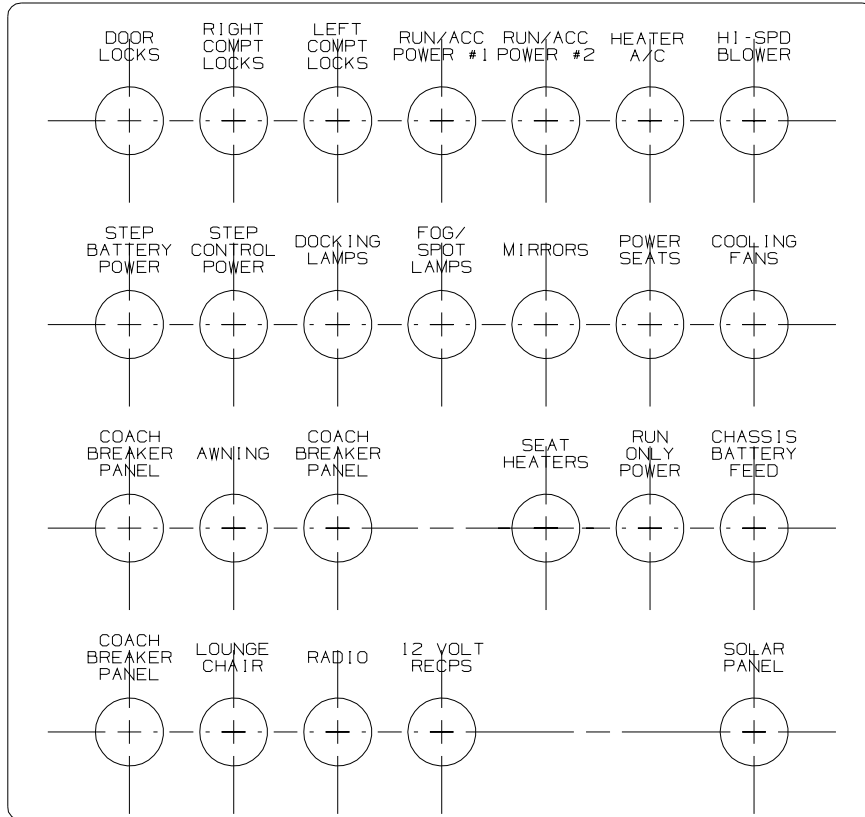
KEY PART NUMBER
093236-34-000

U/M DESCRIPTION
EA LABEL - CIRCUIT BREAKER

LABELS GROUP (CONTINUED)



KEY	PART NUMBER	U/M	DESCRIPTION
	093236-35-000	EA	LABEL - CIRCUIT BREAKER



KEY	PART NUMBER	U/M	DESCRIPTION
	093236-37-000	EA	LABEL - CIRCUIT BREAKER

LABELS GROUP (CONTINUED)

S U B M A I N	D I S H W A S H E R	R E C P S 1	R E C P S 2	R E C P S 3	M I C R O W A V E
-------------------------------------	--	--------------------------------	--------------------------------	--------------------------------	---

KEY PART NUMBER U/M DESCRIPTION
 095721-20-000 EA LABEL - CONTROL CENTER W/INVERTER

A / C C I R C U I T 1	M A I N	A / C C I R C U I T 2	R E F R I G / C O N V	M I C R O W A V E	R E C P S 1	R E C P S 2	R E C P S 3		
---	------------------	---	---	---	--------------------------------	--------------------------------	--------------------------------	--	--

KEY PART NUMBER U/M DESCRIPTION
 095721-27-000 EA LABEL - CONTROL CENTER - 30 AMP

A / C C I R C U I T 1	M A I N	A / C C I R C U I T 2	R E F R I G / C O N V	M I C R O W A V E	R E C P S 1	R E C P S 2	R E C P S 3	W A S H E R / D R Y E R	W A T E R H E A T E R	
---	------------------	---	---	---	--------------------------------	--------------------------------	--------------------------------	--	---	--

KEY PART NUMBER U/M DESCRIPTION
 095721-31-000 EA LABEL - CONTROL CENTER - 30 AMP - US

LABELS GROUP (CONTINUED)

A / C C I R C U I T 1	M A I N	M A I N	A / C C I R C U I T 2	R E F F R I G / C O N V	M I C R O W A V E	R E C P S 1	R E C P S 2	R E C P S 3	W A S H E R / D R Y E R	W A T E R H E A T E R
-----------------------------	---------	---------	-----------------------------	-------------------------	-------------------	----------------	----------------	----------------	-------------------------	--------------------------

KEY PART NUMBER U/M DESCRIPTION
 095721-33-000 EA LABEL - CONTROL CENTER - 50 AMP - US

M A I N	M I C R O W A V E	G F I / R E C P S	R E F E R / C O N V	W A T E R H T R	A / C
---------	-------------------	-------------------	---------------------	-----------------	-------

KEY PART NUMBER U/M DESCRIPTION
 095721-38-000 EA LABEL - CONTROL CENTER - 30 AMP - US

A / C C I R C U I T 1	M A I N	M A I N	A / C C I R C U I T 2	I N V E R T E R / C H A R G E E R	W A S H E R / D R Y E R	W A T E R H E A T E R	W A T E R H E A T E R	D I S H W A S H E R	F I R E P L A C E / R E C P S 4	F I R E P L A C E / R E C P S 4
-----------------------------	---------	---------	-----------------------------	--------------------------------------	-------------------------	--------------------------	--------------------------	---------------------	---------------------------------------	---------------------------------------

KEY PART NUMBER U/M DESCRIPTION
 095721-44-000 EA LABEL - CONTROL CENTER - 30 AMP - US

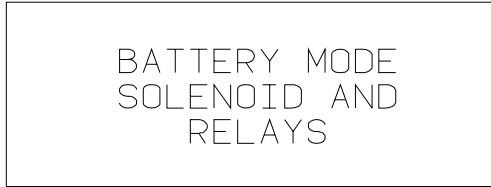
AUTOMOTIVE AND COACH
CIRCUIT BREAKERS

KEY PART NUMBER U/M DESCRIPTION
 098379-01-000 EA LABEL - CIRCUIT BREAKER - FRONT BOX

CIRCUIT BREAKERS
AND AUTOMOTIVE
FUSE PANEL

KEY PART NUMBER U/M DESCRIPTION
 098379-03-000 EA LABEL - ELECTRICAL BOX - FRONT

LABELS GROUP (CONTINUED)



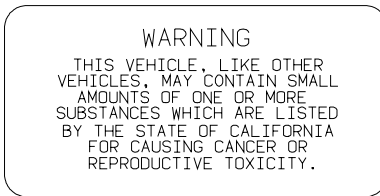
KEY PART NUMBER U/M DESCRIPTION
098379-04-000 EA LABEL - ELECTRICAL BOX - SIDE



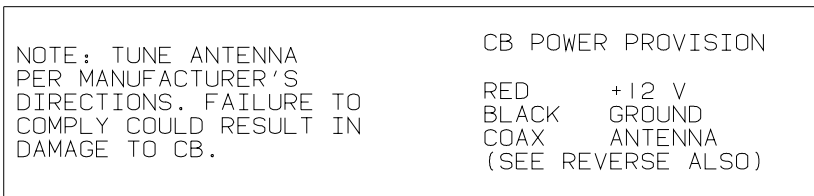
KEY PART NUMBER U/M DESCRIPTION
098641-01-000 EA LABEL - FUEL - UNLEADED - DASH



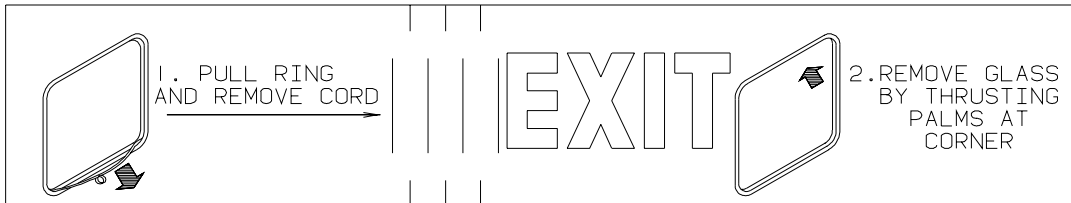
KEY PART NUMBER U/M DESCRIPTION
099509-01-000 EA LABEL - AWNING INSTALLATION



KEY PART NUMBER U/M DESCRIPTION
099689-01-000 EA LABEL - WARNING - CANCER/TOXICITY

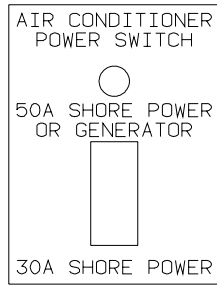


KEY PART NUMBER U/M DESCRIPTION
104678-01-000 EA LABEL - CB PREP



KEY PART NUMBER U/M DESCRIPTION
107571-01-000 EA LABEL - EXIT/ESCAPE WINDOW

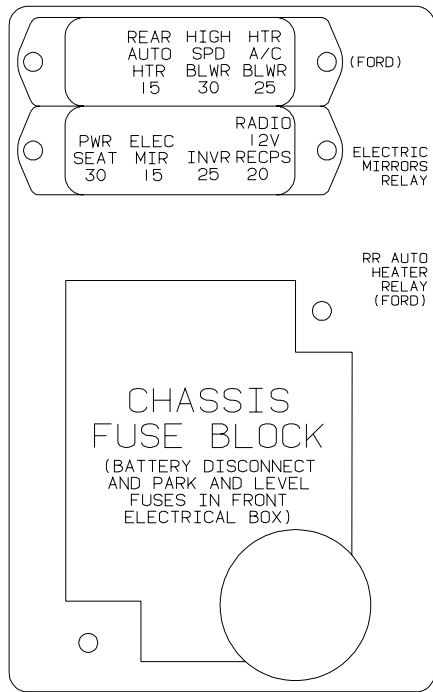
LABELS GROUP (CONTINUED)



KEY	PART NUMBER	U/M DESCRIPTION
	109051-02-000	EA LABEL - SWITCH - 50 AMP POWER

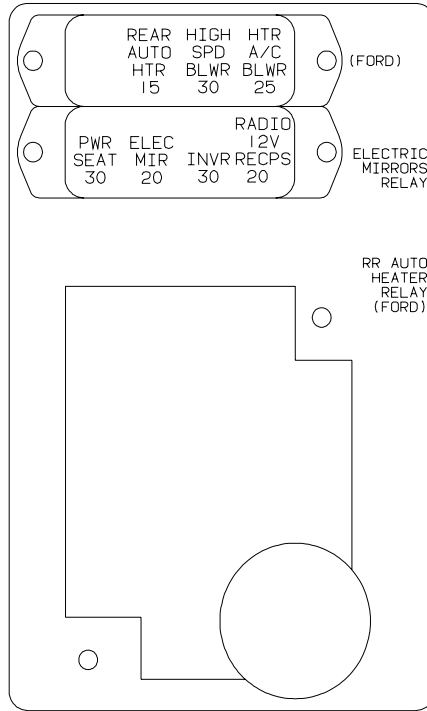


KEY	PART NUMBER	U/M DESCRIPTION
	111104-01-000	EA LABEL - HITCH - READ MANUAL - WHITE



KEY	PART NUMBER	U/M DESCRIPTION
	111537-08-000	EA LABEL - FUSES

LABELS GROUP (CONTINUED)



KEY PART NUMBER U/M DESCRIPTION
 111537-09-000 EA LABEL - FUSES

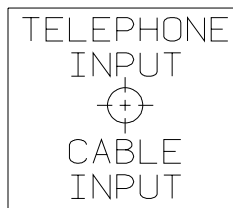
WARNING: CONTAINS "CFC" A SUBSTANCE WHICH HARMS PUBLIC HEALTH AND ENVIRONMENT BY DESTROYING OZONE IN THE UPPER ATMOSPHERE.

KEY PART NUMBER U/M DESCRIPTION
 111802-01-000 EA LABEL - CFC WARNING

CAUTION

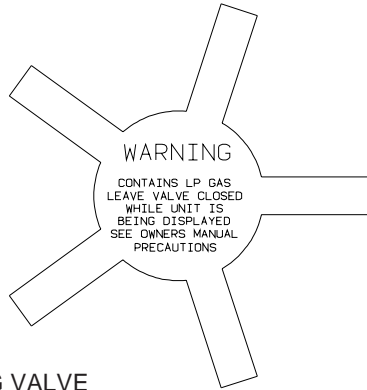
DO NOT LATCH DOOR IN OPEN POSITION IF WATER HEATER CONTROL IS IN THE ON POSITION. WATER HEATER EXHAUST MAY DAMAGE OUTER SURFACE OF DOOR.

KEY PART NUMBER U/M DESCRIPTION
 113402-01-000 EA LABEL - CAUTION - WATER HEATER EXHAUST



KEY PART NUMBER U/M DESCRIPTION
 114866-02-000 EA LABEL - PHONE & CABLE INPUT - WHITE/CLEAR BACKGROUND

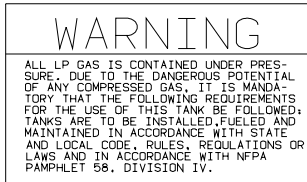
LABELS GROUP (CONTINUED)



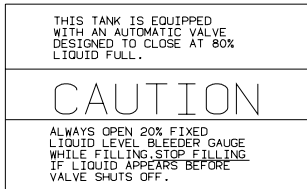
KEY PART NUMBER U/M DESCRIPTION
 115600-01-000 EA LABEL - WARNING LPG VALVE

WARNING: REPLACE TIRE ONLY WITH ONE OF EXACTLY SAME TYPE AND RATING. DO NOT REPLACE WITH PASSENGER CAR TIRE. SEE OPERATOR'S MANUAL FOR MORE INFORMATION CALL WINNEBAGO OWNER RELATIONS AT 1-800-537-1885.

KEY PART NUMBER U/M DESCRIPTION
 115869-01-000 EA LABEL - WARNING - TIRE



KEY PART NUMBER U/M DESCRIPTION
 116112-01-000 EA LABEL - CAUTION - LP

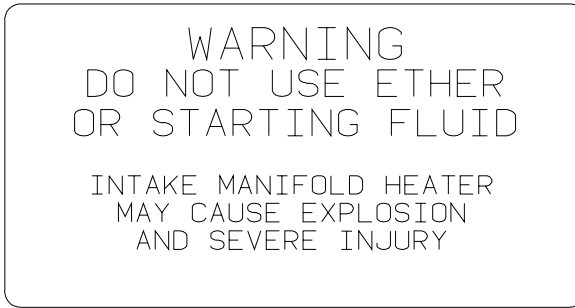


KEY PART NUMBER U/M DESCRIPTION
 116113-01-000 EA LABEL - CAUTION - LP

WARNING! UNDERSTAND OPERATOR'S MANUAL BEFORE USING. KEEP PEOPLE AND OBSTRUCTIONS CLEAR OF SLIDEOUT ROOM WHEN OPERATING TO AVOID INJURY AND/OR PROPERTY DAMAGE.

KEY PART NUMBER U/M DESCRIPTION
 116549-01-000 EA LABEL - WARNING - SLIDEOUT

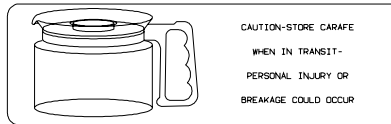
LABELS GROUP (CONTINUED)



KEY	PART NUMBER	U/M DESCRIPTION
	116756-02-000	EA LABEL - WARNING - ETHER/STARTING - RED W/CLEAR BACKGROUND
	116756-03-000	EA LABEL - WARNING - ETHER/STARTING - RED W/WHITE BACKGROUND



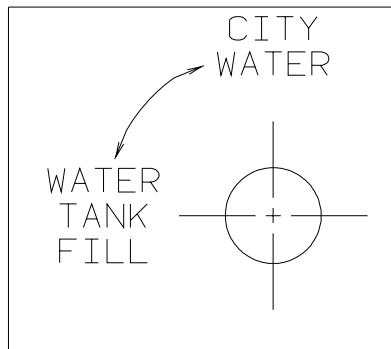
KEY	PART NUMBER	U/M DESCRIPTION
	116775-01-000	EA LABEL/CAUTION - TRAVEL LATCH



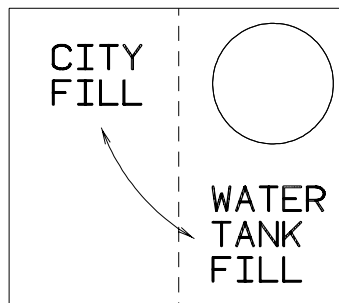
KEY	PART NUMBER	U/M DESCRIPTION
	116829-02-000	EA LABEL - COFFEEMAKER



KEY	PART NUMBER	U/M DESCRIPTION
	117628-02-000	EA LABEL - SWITCH - WATER PUMP/LIGHTS-WHITE/CLEAR BACKGROUND

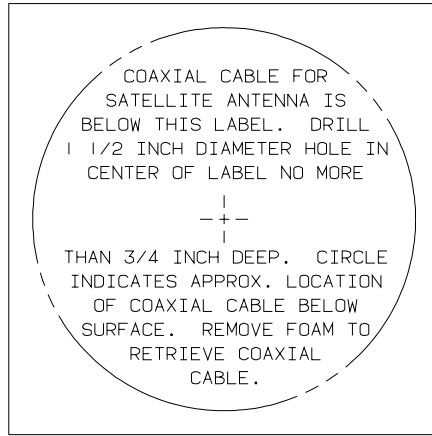


KEY	PART NUMBER	U/M DESCRIPTION
	117629-01-000	EA LABEL - WATER PUMP/FILL-BLK LETTER/CLEAR BACKGROUND-.24"
	117629-03-000	EA LABEL - WATER PUMP/FILL-BLK LETTERS/CLEAR BACKGROUND-.31"

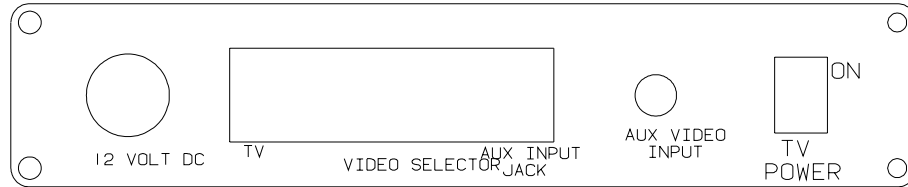


KEY	PART NUMBER	U/M DESCRIPTION
	117629-04-000	EA LABEL - CITY WATER/TANK FILL

LABELS GROUP (CONTINUED)



KEY PART NUMBER U/M DESCRIPTION
 120431-01-000 EA LABEL - LOCATION - COAXIAL CABLE/SATELLITE ANTENNA



KEY PART NUMBER U/M DESCRIPTION
 120677-01-000 EA LABEL - TV

KEEP THE SERVICE INLET ACCESS
 IN THE CLOSED POSITION WHEN
 UTILITY CONNECTIONS ARE NOT IN USE

KEY PART NUMBER U/M DESCRIPTION
 123562-01-000 EA LABEL - SERVICE/UTILITY ACCESS

WARNING
 ALL PILOT LIGHTS, APPLIANCES AND THIER
 IGNITORS (SEE OPERATING INSTRUCTIONS) SHALL
 BE TURNED OFF DURING REFUELING OF MOTOR
 FUEL TANKS AND/OR LP GAS CONTAINERS

KEY PART NUMBER U/M DESCRIPTION
 124519-01-01A EA LABEL - WARNING/REFUELING - BLACK ON CLEAR
 124519-01-02A EA LABEL - WARNING/REFUELING - WHITE ON CLEAR

WARNING:
 ALL PILOT LIGHTS AND APPLIANCES SHALL BE TURNED
 OFF DURING REFUELING OF MOTOR FUEL TANKS AND/
 OR PROPANE CONTAINERS.
 AVERTISSEMENT:
 FERMER TOUTES LES VEILLEUSES AINSI QUE TOUTS LES
 APPAREILS LORSQU'ON FAIT LE PLEIN DES RESERVOIRS
 A CARBURANT OU A PROPANE.
 124519-02

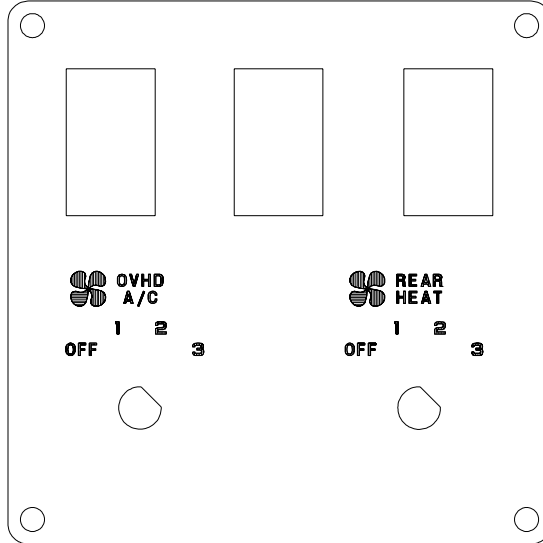
KEY PART NUMBER U/M DESCRIPTION
 124519-02-01A EA LABEL - WARNING/REFUELING - BLACK ON CLEAR - CSA
 124519-02-02A EA LABEL - WARNING/REFUELING - WHITE ON CLEAR - CSA

LABELS GROUP (CONTINUED)

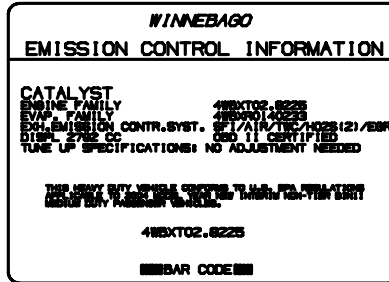
LP-GAS SYSTEM
THIS GAS PIPING SYSTEM IS
DESIGNED FOR USE OF
LIQUIFIED PETROLEUM GAS
ONLY. DO NOT CONNECT
NATURAL GAS TO THIS
SYSTEM.
SECURE CAP INLET(S) WHEN NOT
CONNECTED FOR USE. AFTER TURNING
ON GAS, EXCEPT AFTER NORMAL
CONTAINER REPLACEMENT, TEST GAS
PIPING AND CONNECTIONS TO
APPLIANCES FOR LEAKAGE WITH SOAPY
WATER OR BUBBLE SOLUTION. DO NOT
USE PRODUCTS THAT CONTAIN AMMONIA
OR CLORINE.

124520

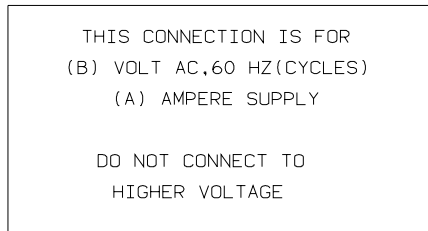
KEY	PART NUMBER	U/M	DESCRIPTION
	124520-01-01A	EA	LABEL - LP GAS ONLY - BLACK ON CLEAR
	124520-01-02A	EA	LABEL - LP GAS ONLY - WHITE ON CLEAR



KEY	PART NUMBER	U/M	DESCRIPTION
	124572-01-000	EA	LABEL - SWITCHES



KEY	PART NUMBER	U/M	DESCRIPTION
	124709-08-000	EA	LABEL - EMISSION CONTROL



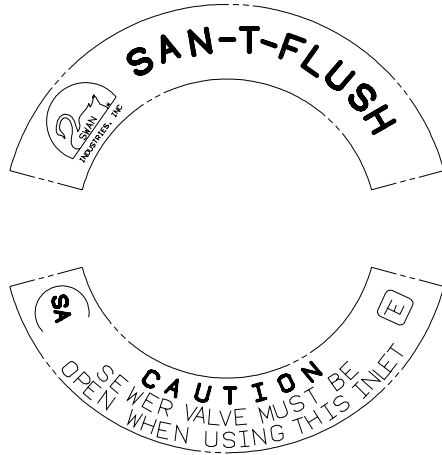
KEY	PART NUMBER	U/M	DESCRIPTION
	125306-01-01A	EA	LABEL - ELECTRICAL ENTRANCE - 110V 30 AMP - BLACK ON CLEAR

LABELS GROUP (CONTINUED)

THIS CONNECTION IS FOR
 (B) VOLT AC, 3-POLE, 4 WIRE
 60 HZ (CYCLES), (A) AMPERE SUPPLY

DO NOT CONNECT TO
 HIGHER VOLTAGE

KEY	PART NUMBER	U/M	DESCRIPTION
	125306-04-01A	EA	LABEL-ELECTRICAL ENTRANCE-120/240V 50 AMP-BLACK ON CLEAR
	125306-04-02A	EA	LABEL - ELECTRICAL ENTRANCE-120/240V 50 AMP-WHITE ON CLEAR



KEY	PART NUMBER	U/M	DESCRIPTION
	125697-07-000	EA	LABEL - CAUTION - FLUSHING SYSTEM

REMOVE PRIMARY TIRE HANGER BEFORE USING
 SPARE TIRE HOIST-SEE OWNERS MANUAL - PERSONAL
 INJURY MAY RESULT IF NOT FOLLOWED

KEY	PART NUMBER	U/M	DESCRIPTION
	126024-01-01A	EA	LABEL - TIRE HANGER REMOVAL

GRAY HOLDING TANK

KEY	PART NUMBER	U/M	DESCRIPTION
	126247-01-000	EA	LABEL - GRAY HOLDING TANK-WHITE LETTERS/CLEAR BACKGROUND
	126247-05-000	EA	LABEL - GRAY HOLDING TANK-BLACK LETTERS/CLEAR BACKGROUND

BLACK HOLDING TANK

KEY	PART NUMBER	U/M	DESCRIPTION
	126247-02-000	EA	LABEL - BLACK HOLDING TANK-WHITE LETTERS/BLACK BACKGROUND
	126247-06-000	EA	LABEL - BLACK HOLDING TANK-BLACK LETTERS/CLEAR BACKGROUND

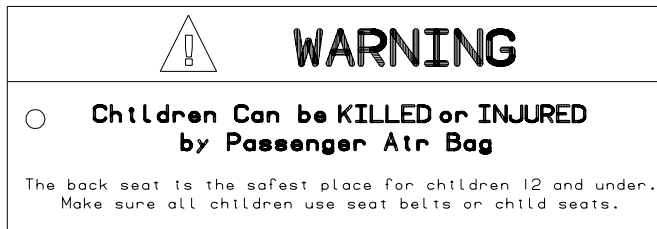
EXTERIOR SHOWER

KEY	PART NUMBER	U/M	DESCRIPTION
	126248-03-000	EA	LABEL - EXTERIOR SHOWER

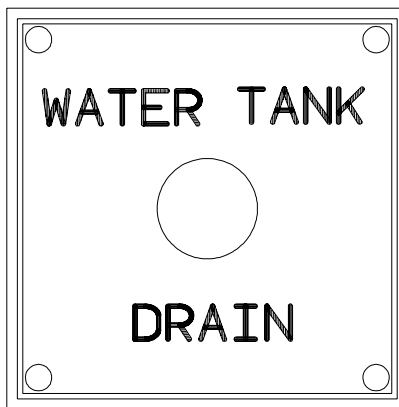
CITY WATER FILL

KEY	PART NUMBER	U/M	DESCRIPTION
	126249-03-000	EA	LABEL - CITY WATER FILL-BLK LETTERS/CLEAR BACKGROUND .31"

LABELS GROUP (CONTINUED)



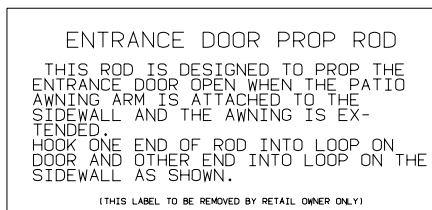
KEY PART NUMBER U/M DESCRIPTION
 126612-01-000 EA LABEL - HANG TAG - AIR BAG - DASH



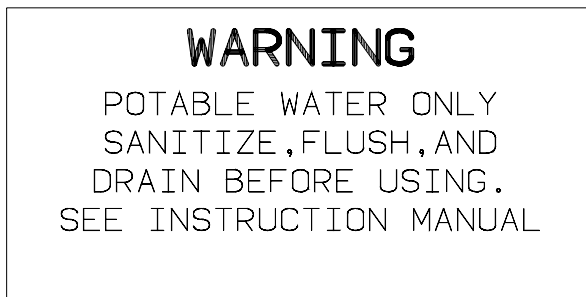
KEY PART NUMBER U/M DESCRIPTION
 127170-01-000 EA LABEL - WATER TANK DRAIN



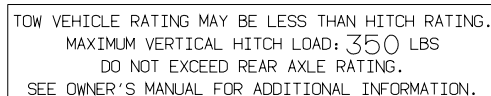
KEY PART NUMBER U/M DESCRIPTION
 128218-01-01A EA LABEL - WARNING - SLIPPERY ROOF



KEY PART NUMBER U/M DESCRIPTION
 128658-01-000 EA LABEL - PROP ROD - ENTRY DOOR



KEY PART NUMBER U/M DESCRIPTION
 128725-01-01A EA LABEL - POTABLE WATER ONLY - BLACK ON CLEAR

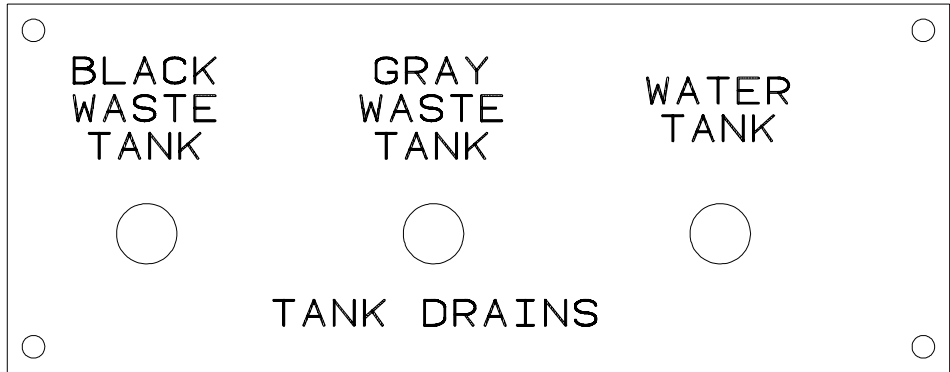


KEY PART NUMBER U/M DESCRIPTION
 129669-01-01A EA LABEL - HITCH/VEHICLE RATE - 350 - WHITE ON CLEAR
 129669-01-02A EA LABEL - HITCH/VEHICLE RATE - 350 - BLACK ON CLEAR
 129669-02-01A EA LABEL - HITCH/VEHICLE RATE - 500 - WHITE ON CLEAR
 129669-02-02A EA LABEL - HITCH/VEHICLE RATE - 500 - BLACK ON CLEAR

LABELS GROUP (CONTINUED)

TIRE ROTATION
 SEE RIALTA OWNERS MANUAL
 SECTION 9

KEY PART NUMBER U/M DESCRIPTION
 129684-01-000 EA LABEL - TIRE ROTATION



KEY PART NUMBER U/M DESCRIPTION
 130166-01-000 EA LABEL - DRAIN



KEY PART NUMBER U/M DESCRIPTION
 130167-02-000 EA LABEL - HOSE STORAGE



KEY PART NUMBER U/M DESCRIPTION
 130168-01-000 EA LABEL - WASTE TANK FLUSH

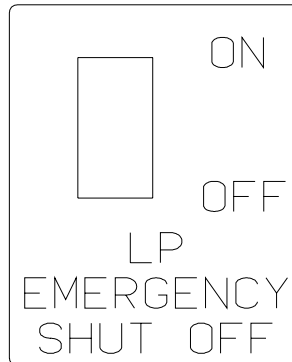


KEY PART NUMBER U/M DESCRIPTION
 130170-01-000 EA LABEL - SWITCH PANEL - BLK/CLEAR BACKGROUND-1.8"H X 5.9"L

LABEL GROUP (CONTINUED)



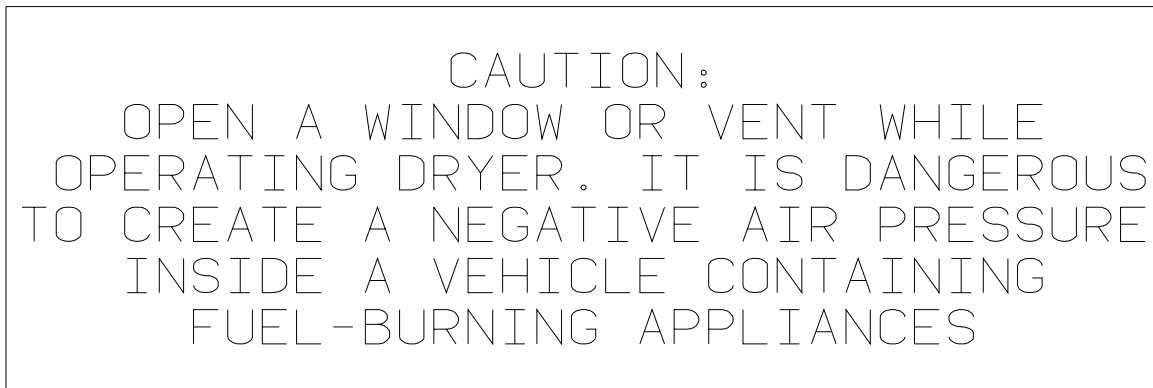
KEY PART NUMBER U/M DESCRIPTION
 130170-02-000 EA LABEL - SWITCH PANEL-BLK/CLEAR BACKGROUND-1.4"H X 3.9"L



KEY PART NUMBER U/M DESCRIPTION
 130170-04-000 EA LABEL - SWITCH PANEL



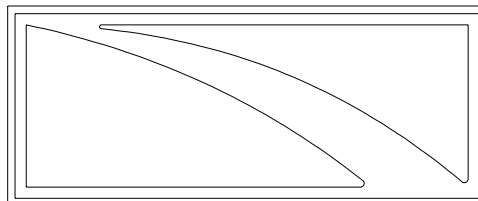
KEY PART NUMBER U/M DESCRIPTION
 130170-05-000 EA LABEL - SWITCH PANEL



KEY PART NUMBER U/M DESCRIPTION
 130670-01-01A EA LABEL - CAUTION DRYER VENTING - BLACK ON CLEAR

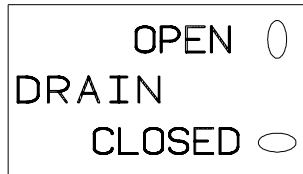


KEY PART NUMBER U/M DESCRIPTION
 131779-01-01A EA LABEL - GENERATOR



KEY PART NUMBER U/M DESCRIPTION
 132651-01-01A EA DECAL - MIRROR/GALLEY

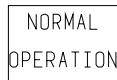
LABEL GROUP (CONTINUED)



KEY PART NUMBER U/M DESCRIPTION
133423-01-01A EA LABEL - DRAIN



KEY PART NUMBER U/M DESCRIPTION
133424-01-01A EA LABEL - WATER HEATER BYPASS - BLACK/CLEAR



KEY PART NUMBER U/M DESCRIPTION
133424-02-01A EA LABEL - NORMAL OPERATION



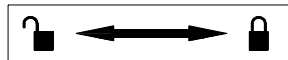
KEY PART NUMBER U/M DESCRIPTION
133424-03-01A EA LABEL - WATER HEATER BYPASS - BLACK/CLEAR



KEY PART NUMBER U/M DESCRIPTION
133533-01-01A EA LABEL - JACKS DOWN - CLEAR W/WHITE LETTERING



KEY PART NUMBER U/M DESCRIPTION
133533-02-01A EA LABEL - CHECK ANTENNA - CLEAR W/WHITE LETTERING



KEY PART NUMBER U/M DESCRIPTION
133533-03-01A EA LABEL - LOCK/UNLOCK - BLACK/WHITE



KEY PART NUMBER U/M DESCRIPTION
133533-04-01A EA LABEL - WINDOW/MIRROR HEAT- BLACK/CLEAR

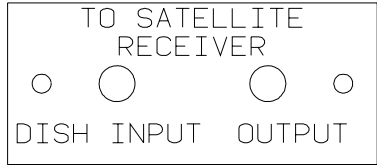


KEY PART NUMBER U/M DESCRIPTION
133533-05-01A EA LABEL - SUNVISOR - DRIVER/PASSENGER - BLACK/CLEAR

LABELS GROUP (CONTINUED)



KEY PART NUMBER U/M DESCRIPTION
 133533-06-01A EA LABEL - MAP LIGHT/SUNVISOR - BLACK/CLEAR



KEY PART NUMBER U/M DESCRIPTION
 134250-01-01A EA LABEL - SATELLITE RECEIVER - BLACK/CLEAR

THIS CHAIR IS NOT INTENDED FOR OCCUPANCY WHEN VEHICLE IS IN MOTION AND MUST BE RETURNED TO STOWED POSITION

DTS ISICE SIEGE N/EST PAS DESTINE A ETRE OCCUPE LORSQUE LE VEHICULE EST IN MOVEMENT ET IL FAUT QUE LE RANGER	THIS CHAIR IS NOT INTENDED FOR OCCUPANCY WHEN VEHICLE IS IN MOTION AND MUST BE RETURNED TO STOWED POSITION
---	---

KEY PART NUMBER U/M DESCRIPTION
 134537-01-01A EA LABEL - OCCUPANCY - CHAIR - US

THIS SEAT IS NOT INTENDED FOR OCCUPANCY WHEN VEHICLE IS IN MOTION

KEY PART NUMBER U/M DESCRIPTION
 134538-01-01A EA LABEL - OCCUPANCY - NO SEAT BELT - BLACK ON CLEAR - US

DST ISICE SIEGE N/EST PAS DESTINE A ETRE OCCUPE LORSQUE LE VEHICULE EST IN MOVVEMENT	THIS SEAT IS NOT INTENDED FOR OCCUPANCY WHILE VEHICLE IS IN MOTION
--	--

KEY PART NUMBER U/M DESCRIPTION
 134538-02-01A EA LABEL - OCCUPANCY - NO SEAT BELT - BLACK ON CLEAR - CSA

WARNING IT IS NOT SAFE TO USE COOKING APPLICANCES FOR COMFORT HEATING COOKING APPLICANCES NEED FRESH AIR FOR SAFE OPERATION BEFORE OPERATION. 1. OPEN OVERHEAD VENT OR TURN ON EXHAUST FAN AND; 2. OPEN WINDOW.

KEY PART NUMBER U/M DESCRIPTION
 134539-01-01A EA LABEL - WARNING - STOVE/HEATING - US - BLACK ON CLEAR

LABELS GROUP (CONTINUED)

TO ENSURE A SUPPLY OF FRESH AIR TO OCCUPANTS, OPEN VENTILATORS WHEN FUEL-BURNING RANGE, FUEL-BURNING CARRY-ON APPLIANCES AND/OR FUEL-BURNING LIGHTS ARE IN OPERATION. COOKING APPLIANCES SHOULD NOT BE USED FOR SPACE HEATING PURPOSES.	DE MANIERE A ASSURER UNE ALIMENTATION EN AIR FRAIS AUX OCCUPANTS, OUVRIER LES VENTILATEURS LORSQUE LA CUISINIERE LES APPAREILS DE CHAUFFAGE PORTABLES ET/OU LES LAMPES DE COMBUSTION D'HUILE SONT EN FONCTIONNEMENT. LES APPAREILS DE CUISSON NE DOIVENT PAS SERVIR AU CHAUFFAGE DES LOCAUX.
--	---

KEY PART NUMBER U/M DESCRIPTION
 134540-01-01A EA LABEL - WARNING - STOVE/HEATING - CSA - BLACK ON CLEAR

HOLDING TANK HEATER
 TURN OFF WHEN NOT IN USE
 SEE OPERATOR'S MANUAL

KEY PART NUMBER U/M DESCRIPTION
 134563-01-01A EA LABEL - SWITCH - HEATER

THIS VEHICLE MAY INCLUDE MERCURY-CONTAINING DEVICES INSTALLED BY THE MANUFACTURER:
FLUORESCENT TUBES, RANGES WITH OVEN, HWH LEVEL SENSING UNIT.
 REMOVE DEVICES BEFORE VEHICLE DISPOSAL UPON REMOVAL OF DEVICES: PLEASE REUSE, RECYCLE, OR DISPOSE AS HAZARDOUS WASTE

135869-01A

KEY PART NUMBER U/M DESCRIPTION
 135869-01-01A EA LABEL - MERCURY CONTENT - BLACK ON CLEAR
 135869-01-02A EA LABEL - MERCURY CONTENT - WHITE ON CLEAR

LIQUID SOAP

KEY PART NUMBER U/M DESCRIPTION
 136047-01-01A EA LABEL - LIQUID SOAP

DOOR LOCK	DOOR UNLOCK	RIGHT COMPT DOOR LOCK	RIGHT COMPT DOOR UNLOCK	LEFT COMPT DOOR LOCK	LEFT COMPT DOOR UNLOCK	AUX START SOLENOID	AMP SOURCE
POWER MIRRORS	HEATER BLOWER	PASS HEATER BLOWER	FOG LAMPS	DOCKING LAMPS	DOCKING LAMPS SWITCH TRIGGER	COOLING FANS	

KEY PART NUMBER U/M DESCRIPTION
 136161-01-01A EA LABEL - RELAY - MATTE BLACK/WHITE LETTERS

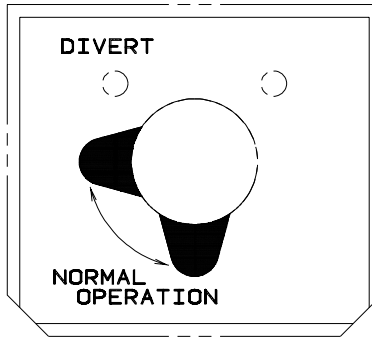
DOOR LOCK	DOOR UNLOCK	RIGHT COMPT DOOR LOCK	RIGHT COMPT DOOR UNLOCK	LEFT COMPT DOOR LOCK	LEFT COMPT DOOR UNLOCK	AUX START SOLENOID	RUN/ACC POWER #1	POWER SEATS
POWER MIRRORS	HEATER BLOWER	RUN ONLY POWER	FOG LAMPS	DOCKING LAMPS	DOCKING LAMPS SWITCH TRIGGER	COOLING FANS	RUN/ACC POWER #2	

KEY PART NUMBER U/M DESCRIPTION
 136161-02-01A EA LABEL - RELAY - BLACK/WHITE

LT - AIR BAGS - RT

KEY PART NUMBER U/M DESCRIPTION
 136360-01-01A EA LABEL - AIR BAGS

LABELS GROUP (CONTINUED)



KEY PART NUMBER 137997-01-01A **U/M DESCRIPTION**
EA LABEL - WINTERIZATION VALVE - BLACK/CLEAR



KEY PART NUMBER 140190-01-01A **U/M DESCRIPTION**
EA DECAL/LOGO - V6 (DOMED) - CYAN/MAGENTA/YELLOW/BLACK

WASHER/DRYER
BRACKETS

KEY PART NUMBER 141523-01-01A **U/M DESCRIPTION**
EA LABEL - WASHER/DRYER BRACKETS - BLACK/WHITE

 **WARNING:** COMPRESSED AIR CAN BE HAZARDOUS.

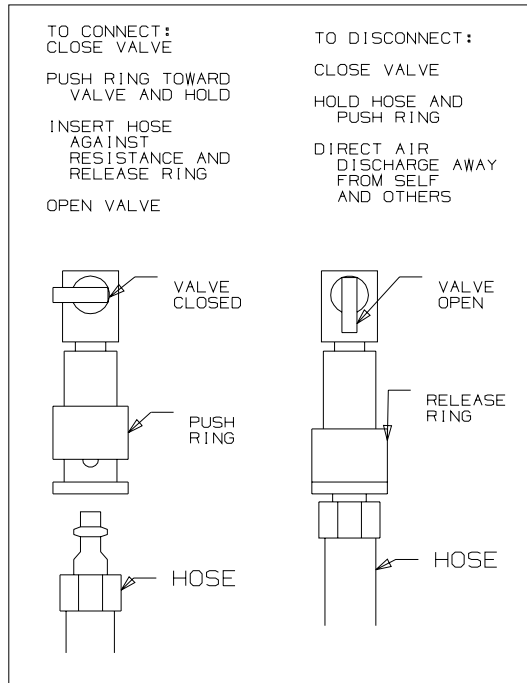
PROPER EYE PROTECTION MUST BE WORN WHEN
CONNECTING, DISCONNECTING OR USING AIR HOSE.

CLOSE VALVE BEHIND CONNECTOR BEFORE
CONNECTING OR DISCONNECTING AIR HOSE.

HOSE DISCONNECT WILL PRODUCE AIR DISCHARGE
FROM HOSE. DIRECT AIR DISCHARGE AWAY FROM
SELF AND OTHERS.

KEY PART NUMBER 142771-01-01A **U/M DESCRIPTION**
EA LABEL - WARNING/COMPRESSED AIR - WHITE LETTERING ON CLEAR

LABELS GROUP (CONTINUED)



KEY PART NUMBER U/M DESCRIPTION
 142773-01-01A EA LABEL - CONNECT/COMPRESS AIR - WHITE LETTERING ON CLEAR



KEY PART NUMBER U/M DESCRIPTION
 142908-01-000 EA LABEL - FREON CHARG

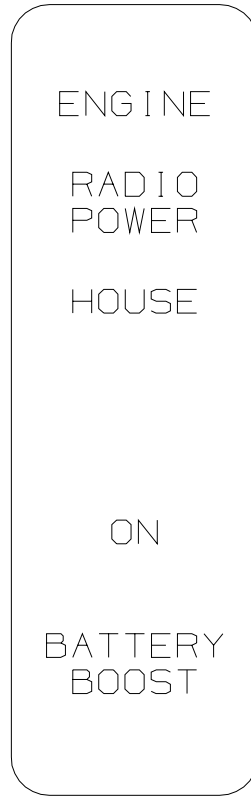


KEY PART NUMBER U/M DESCRIPTION
 144183-01-01A EA LABEL - CAUTION RELEASE CATCH - WHITE/CLEAR

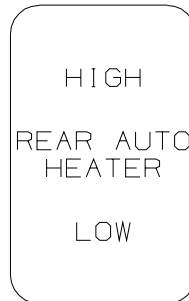


KEY PART NUMBER U/M DESCRIPTION
 144649-01-01A EA LABEL - ADJUSTABLE VALVE - WHITE ON CLEAR

LABELS GROUP (CONTINUED)



KEY	PART NUMBER	U/M	DESCRIPTION
	145731-01-01A	EA	LABEL - SWITCH - RADIO/BATTERY - BLACK



KEY	PART NUMBER	U/M	DESCRIPTION
	145731-03-01A	EA	LABEL - SWITCH - REAR AUTO HEATER - BLACK

LABELS GROUP (CONTINUED)



KEY PART NUMBER 146057-01-01A **U/M DESCRIPTION**
EA LABEL - LP SHUT OFF - RED LETTER/WHITE BACK

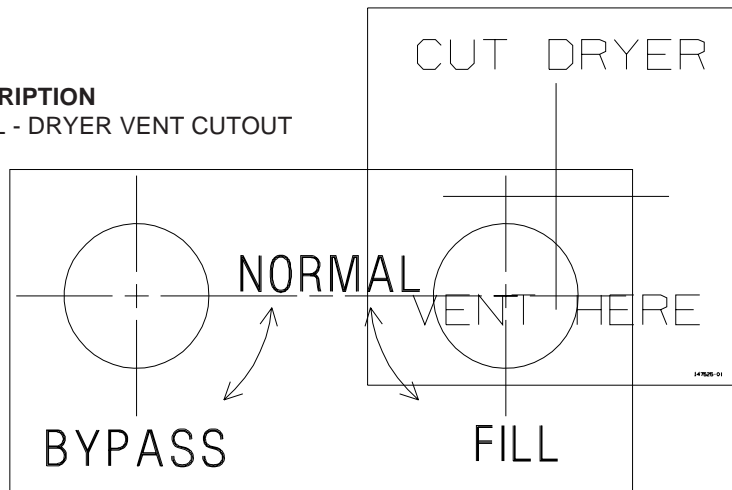
FOR FUTURE INSTALLATION OF WASHER/DRYER EXHAUST DUCT

- (A) A CLOTHES DRYER MOISTURE-LINT EXHAUST DUCT SHALL NOT BE CONNECTED TO ANY OTHER DUCT, VENT, OR CHIMNEY.
- (B) THE EXHAUST DUCT SHALL BE OF SUFFICIENT LENGTH SO AS NOT TO TERMINATE BENEATH THE RECREATION VEHICLE.
- (C) MOISTURE-LINT EXHAUST DUCTS SHALL NOT BE CONNECTED WITH SHEET METAL SCREWS OR OTHER FASTENING DEVICES THAT EXTEND INTO THE INTERIOR OF THE DUCT.
- (D) MOISTURE-LINT EXHAUST DUCT AND TERMINATION FITTINGS SHALL BE INSTALLED IN ACCORDANCE WITH THE APPLIANCE MANUFACTURER'S PRINTED INSTRUCTIONS.
- (E) SEE MARKED INTERIOR AREA ON SIDEWALL TO LOCATE CUTOUT FOR EXHAUST VENT.
- (F) AS PART OF WASHER/DRYER PREP 4 HOLD DOWN BRACKETS WERE SHIPPED WITH YOUR VEHICLE WHICH ARE INTENDED TO BE USED WITH THE WINNEBAGO OFFERED APPLIANCE.

147524-01

KEY PART NUMBER 147524-01-000 **U/M DESCRIPTION**
EA LABEL - DRYER VENTING

KEY PART NUMBER 147525-01-000 **U/M DESCRIPTION**
EA LABEL - DRYER VENT CUTOUT



KEY PART NUMBER 147581-01-01A **U/M DESCRIPTION**
EA LABEL - WATERFILL/BYPASS - BLACK/CLEAR

YOUR MOTORHOME IS EQUIPPED WITH A SEWER HOSE END ELBOW WHICH INCLUDES A CLOSEABLE DRIP VALVE. AFTER PLACING THE END OF THE HOSE ELBOW INTO THE PARK SEWER DISPOSAL OPENING, USE THUMB TO LIFT HANDLE LOCK AND MOVE HANDLE FORWARD TO OPEN VALVE.

NEVER OPERATE TANK VALVES WITHOUT FIRST OPENING THE DRIP VALVE.

AFTER TANKS ARE EMPTY, CLOSE TANK VALVES, THEN PULL HANDLE ON ELBOW TO A VERTICAL CARRYING POSITION TO CLOSE DRIP VALVE. THIS WILL ELIMINATE ANY DRIPPING FROM THE HOSE INTO YOUR STORAGE AREA. SEE OPERATORS MANUAL FOR ADDITIONAL INFORMATION.

147845-01A

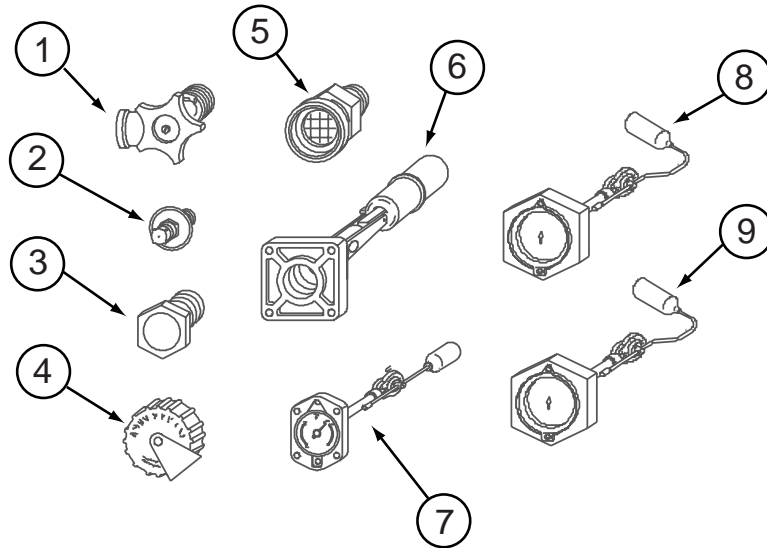
KEY PART NUMBER 147845-01-01A **U/M DESCRIPTION**
EA LABEL - DRIP VALVE - BLACK/WHITE

LP GROUP
LP SYSTEM

KEY	PART NUMBER	U/M	DESCRIPTION
	010265-01-000	EA	ELBOW - BRASS - 90 DEGREE - 3/8"F X 1/2"FPT
	010251-01-000	EA	ELBOW - BRASS - 90 DEGREE - 3/8"F X 3/8"MPT
	010281-01-000	EA	TEE - BRASS - 3/8 F
	010323-01-000	EA	ADAPTER - BRASS - 3/8"F X 1/2"MPT
	010329-01-000	EA	ADAPTER - BRASS - 1/2"F X 1/2"MPT
	010377-02-000	EA	NUT - BRASS - 3/8" FLARE - FORGED
	010380-02-000	EA	NUT - BRASS - 1/2" FLARE - FORGED
	024250-01-000	EA	ADAPTER - BRASS - 3/8"F X 1/2"FPT
	033759-01-000	EA	ELBOW - 90 DEGREE - 3/8" F X 3/8" F
	040440-03-000	EA	TRANSMITTER - DIAL/SNAP-ON - 0-90 OHM 2 TERM(POWER/GROUND)
*	074039-04-000	EA	TANK - LP - 28 LB - BOTTOM MOUNT - 10" DIAMETER X 23" LONG
	074458-01-000	EA	ELBOW - 3/8 MALE FL TO 3/8 FEMALE FL SWIVEL
	103613-03-000	EA	DETECTOR - LP GAS - W/O SHUT-OFF VALVE
	103613-03-000	EA	DETECTOR - LP GAS - W/O SHUT-OFF VALVE
	150138-01-01A	EA	DETECTOR - LP GAS - WHITE
	150138-01-02A	EA	DETECTOR - LP GAS - BROWN
			FROM: 00-00-00 THRU: 02-08-04
			FROM: 02-09-04 THRU: 99-99-99
			FROM: 02-09-04 THRU: 99-99-99

***COMPONENT PARTS LISTED LATER IN THIS GROUP**

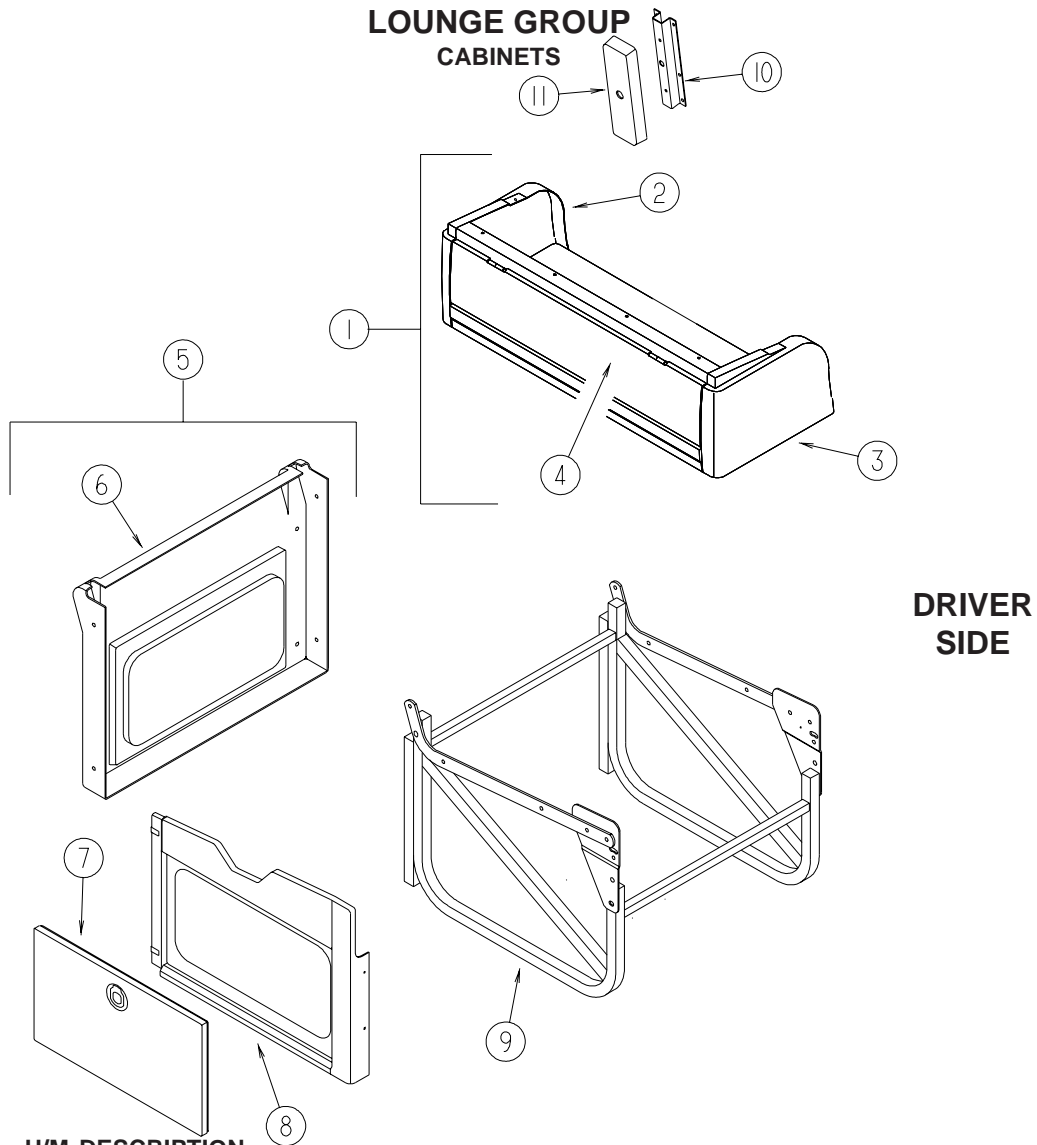
LP GROUP (CONTINUED)
COMPONENT PARTS FOR LP SYSTEM



074039-04-000

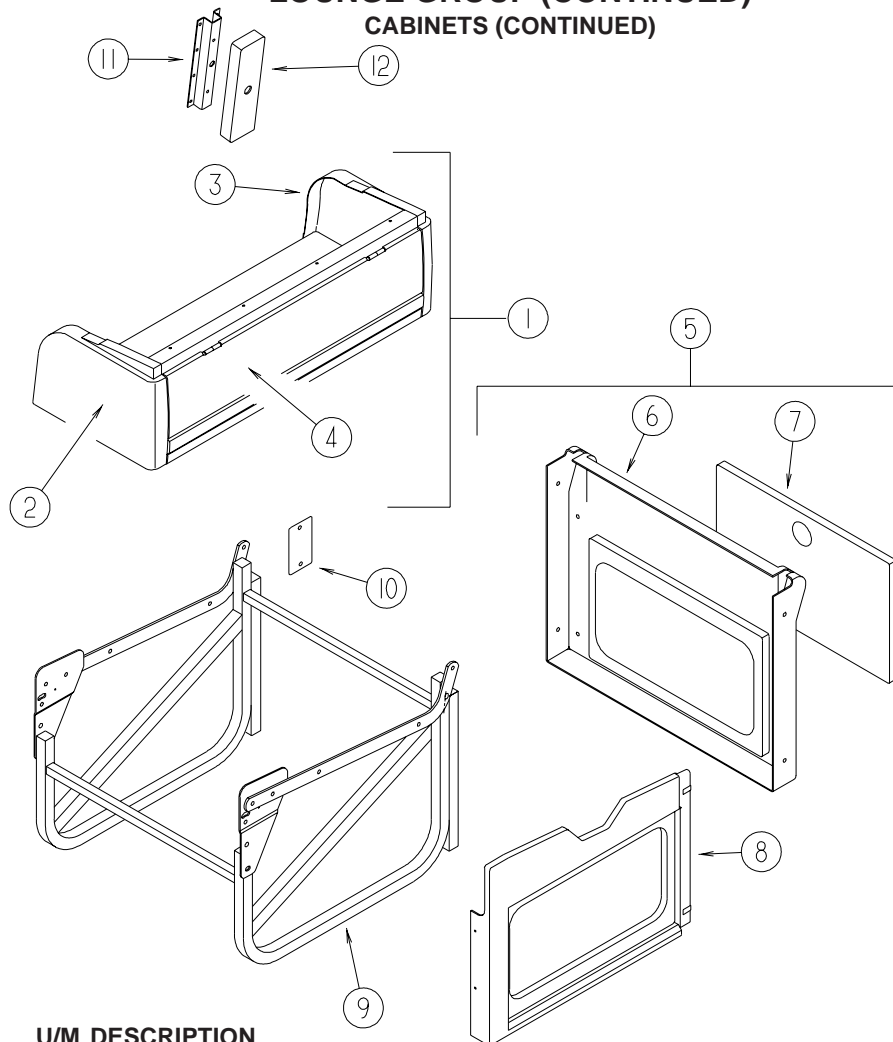
KEY	PART NUMBER	U/M	DESCRIPTION	VENDOR NO.
1	040421-01-708	EA	HANDWHEEL-SERVICE VALVE	G-1015-A
1	040421-01-712	EA	VALVE,SERV. W/O VAPOR RELIEF	29000853
2	040421-01-700	EA	VALVE-LIQUID LEVEL, 20%	G-1013
3	040421-01-713	EA	VALVE-RELIEF 1" W/SPRING 7"	29000587
4	040421-01-702	EA	CAP-FILL VALVE, PLASTIC	G-1014-A
5	040421-01-701	EA	VALVE-FILL-SHORT, LP	7547B
6	074039-04-700	EA	VALVE-80% FILL W/AUTO STOP	LVTL290C9010
7			NOT WHAT IS ILLUSTRATED HERE	
8			NOT WHAT IS ILLUSTRATED HERE	
9			NOT WHAT IS ILLUSTRATED HERE	
	074039-04-701	EA	FLOAT/SCREW IN-SNAP ON DIAL	SG10C000140
				FROM: 00-00-00 THRU: 06-01-93
	040421-01-706	EA	DIAL-VISIBLE FACE, LP TANK	MA-8 ROCHST
	074039-01-700	EA	FLOAT/BOLT ON-SCREW ON DIAL	SG10C0000027
	074039-04-701	EA	FLOAT/SCREW IN-SNAP ON DIAL	SG10C0001406/G13059
	140000-01-705	EA	VALVE/FILL 80% W/YELLOW CAP	V20070
	144116-01-700	EA	VALVE-OUTAGE(NO STEM REMOVE)	V20058

**LOUNGE GROUP
CABINETS**



KEY	PART NUMBER	U/M	DESCRIPTION
1	116853-03-K76	EA	CABINET - OVERHEAD/COMPANION SEATS - LH/RH - W/O HARDWARE
2	112374-02-03A	EA	END CAP - OVERHEAD CABINET - LEFT HAND - VW LT GRAY
3	112374-01-03A	EA	END CAP - OVERHEAD CABINET - RIGHT HAND - VW LIGHT GRAY
4	116832-01-K76	EA	DOOR/PANEL - PLASTIC - W/O HARDWARE
5	M07459-09-P90	EA	PANEL - COMPANION/LEFT - W/DOOR/END PANELS
6	143835-01-03A	EA	PANEL - TRIM - COMPANION SEAT - REAR - LIGHT GRAY
7	116854-01-K76	EA	DOOR/PANEL - COMPANION SEAT - W/O HARDWARE
8	117949-01-03A	EA	END CAP/TRIM - COMPANION SEAT - RIGHT HAND - VW LIGHT GRAY
9	113991-20-000	EA	FRAME/BASE - COMPANION/DRIVER
	113991-24-000	EA	CAM/SEAT - DRIVER
10	114279-03-02B	EA	BRACKET - D LOOP - RIGHT HAND
11	114280-02-03A	EA	COVER - BRACKET/SEAT BELT - LH COMPANION SEAT - VW LT GRAY
	116071-01-01A	EA	PLUG - PLASTIC/CAP

LOUNGE GROUP (CONTINUED) CABINETS (CONTINUED)



**PASSENGER
SIDE**

KEY	PART NUMBER	U/M	DESCRIPTION
1	116853-03-K76	EA	CABINET - OVERHEAD/COMPANION SEATS - LH/RH - W/O HARDWARE
2	112374-02-03A	EA	END CAP - OVERHEAD CABINET - LEFT HAND - VW LT GRAY
3	112374-01-03A	EA	END CAP - OVERHEAD CABINET - RIGHT HAND - VW LIGHT GRAY
4	116832-01-K76	EA	DOOR/PANEL - PLASTIC - W/O HARDWARE
5	M07459-08-P90	EA	PANEL/END - PASSENGER COMPANION SEAT (AISLE SIDE)
6	143835-02-03A	EA	PANEL - TRIM - COMPANION SEAT - REAR - LIGHT GRAY
7	116854-01-K76	EA	DOOR/PANEL - COMPANION SEAT - W/O HARDWARE
8	143834-01-03A	EA	PANEL - TRIM - COMPANION SEAT - LIGHT GRAY
9	113991-19-000	EA	FRAME/BASE - COMPANION/PASSENGER
	113991-21-000	EA	FRAME/SEAT - PASSENGER COMPANION
	113991-23-000	EA	CAM/SEAT - PASSENGER
10	113680-01-01A	EA	COVER - ACCESS - DOOR HINGE
11	114279-03-02B	EA	BRACKET - D LOOP - RIGHT HAND
12	114280-01-03A	EA	COVER - BRACKET/SEAT BELT - RH COMPANION SEAT - VW LT GRAY
	116071-01-01A	EA	PLUG - PLASTIC/CAP

SEALANTS & FASTENERS GROUP
SEALANTS & ADHESIVES

KEY	PART NUMBER	U/M	DESCRIPTION
	004001-05-000	EA	ADHESIVE - SCOTCH-WELD - 3M DP100 - CLEAR - 50ML
	010405-02-000	EA	TAPE - THREAD SEALING - 3/8"
	034552-06-000	EA	SILICONE - TUBE - W/O NOZZLE - OFF WHITE
	034552-15-000	EA	SILICONE - TUBE - W/O NOZZLE - BRIGHT WHITE
	063642-01-000	FT	TAPE - ADHESIVE - .4" X 1.5" X 180'
	064075-07-000	FT	SEAL - BULB - W/WIRED U CHANNEL - .3" X .5" CHANNEL-BLACK
	067788-01-000	EA	ADHESIVE - SPRAY - 3M - 19.5 OZ AEROSOL CAN
	069640-01-000	FT	SEALER - TAPE - .25" DIAMETER X 30' - BLACK OR GRAY
	069640-02-000	FT	SEALER - TAPE - .13" THICK X .5" WIDE X 60' - GRAY
	069640-03-000	FT	SEALER - TAPE - .13" THICK X .75" WIDE X 60' - BLACK
	069640-07-000	FT	SEALER - TAPE - .09" THICK X 2" WIDE X 45' - GRAY
	069640-09-000	FT	SEALER - TAPE - .03" THICK X 2.50" WIDE X 80' - GRAY
	069640-10-000	FT	SEALER - TAPE - .03" THICK X 1.50" WIDE X 90' - GRAY
	069640-11-000	FT	SEALER - TAPE - .19" THICK X .38" WIDE X 40' - BLACK
	069640-13-000	FT	SEALER - TAPE - .03" THICK X 2" WIDE X 45' - BLACK
	069640-14-000	FT	SEALER - TAPE - .06" THICK X 1" WIDE X 100' - GRAY
	069640-15-000	FT	SEALER - TAPE - .06" THICK X .38" WIDE X 100' - GRAY
	069640-17-000	FT	SEALER - TAPE - .03" THICK X 1" WIDE X 90' - GRAY
	069640-18-000	FT	SEALER - TAPE - .50" THICK X .13" WIDE X 60' - BRT WHITE
	069640-19-000	FT	SEALER - TAPE - .75" THICK X .13" WIDE X 60' - BRT WHITE
	069640-20-000	FT	SEALER - TAPE - .50" THICK X .5" WIDE X 60' - BLACK
	069640-21-000	FT	SEALER - TAPE - .50" THICK X .06" WIDE X 100'- BRT WHITE
	069640-22-000	FT	SEALER - TAPE - 1/32" THICK X 1/4" WIDE X 200'- BRT WHITE
	069640-23-000	FT	SEALER - TAPE - 1/16" THICK X 3/4" WIDE X 100'- BRT WHITE
	069640-27-000	FT	SEALER - TAPE - .06" THICK X 2.25" WIDE - BRIGHT WHITE
	069640-28-000	FT	SEALER - TAPE - .25" THICK X 1.86" WIDE X 90' - GRAY
	069640-30-000	FT	SEALER - TAPE - .03" THICK X .625" WIDE X 50' - GRAY
	069640-31-000	FT	SEALER - TAPE - .25" THICK X .75" WIDE X 15' - BLACK
	069640-32-000	FT	SEALER - RIBBON - 1/16" X 3/8" X 100' - BLACK
	072889-01-000	EA	SEALANT - URETHANE - BLACK - TUBE W/NOZZLE TIP
	072889-27-000	EA	SEALANT - URETHANE - SILVER 10 OZ - TUBE W/NOZZLE TIP
	076322-01-000	FT	TAPE-DOUBLE COATED/ADHESIVE BK-.03"THK X .8"W X 216'- WHT
	076322-02-000	FT	TAPE-DOUBLE COATED/ADHESIVE BK-.05"THK X 1"W X 108' - WHT
	076322-03-000	FT	TAPE-DOUBLE COATED/ADHESIVE BK-.05"THK X .5"W X 108' - WHT
	076322-04-000	FT	TAPE-DOUBLE COATED/ADHESIVE BK-.05"THK X .8"W X 108' - WHT
	076322-05-000	FT	TAPE-DOUBLE COATED/ADHESIVE BK-.05"THK X .8"W X 108' - WHT
	076322-07-000	FT	TAPE-DOUBLE COATED/ADHESIVE BK-.05"THK X .5"W X 200' - WHT
	076322-11-000	FT	TAPE-DOUBLE COATED/ADHESIVE BK-.02"THK X 1"W X 216' - CLR
	076322-21-000	FT	TAPE - FOAM/DOUBLE COATED - .5"
	076322-22-000	FT	TAPE - FOAM/DOUBLE COATED - .045" X .75"
	076322-23-000	FT	TAPE - FOAM/DOUBLE COATED - .045" X 1"
	076322-24-000	FT	TAPE - FOAM/DOUBLE COATED - .025" X 1"
	076322-25-000	FT	TAPE - FOAM/DOUBLE COATED - .025" X .5"
	086276-01-000	EA	TAPE - DOUBLE SIDED - 1/2" WIDE X 108' LONG (SOLD BY ROLL)
	088479-01-000	EA	TAPE - ALUMINUM - 3"
	090340-01-000	FT	SEAL - FOAM - CLOSED CELL - 1/4" X 1/2" X 50'
	091255-02-000	FT	SEAL - ADHESIVE BACKED/FOAM - 3/64" THICK X 3/16"W X 1000'
	091255-03-000	FT	SEAL - ADHESIVE BACKED/FOAM - 1/4" THICK X 1/4"W X 1000'
	094401-01-000	EA	SEALER - BODY SEAM - FLEXICLEAR
	094401-03-000	EA	SEALER - BODY SEAM - BLACK
	094401-04-000	EA	SEALER - BODY SEAM - CLEAR
	098408-01-000	FT	SEAL - SPONGE RUBBER - CLOSED CELL
	099069-01-000	FT	SEAL - RUBBER - CLOSED SPONGE - .5" WIDE X .12" THICK -BLK
	099418-01-000	FT	SEAL - D-SECTION/ADHESIVE BACK - .44" X .44"- BLK RUBBER
	099418-02-000	FT	SEAL - D-SECTION/ADHESIVE BACK - .44" X .44"- WHITE RUBBER
	100128-02-000	FT	SEAL - FOAM/ADHESIVE BACK - .37" WIDE X .37" THICK
	104692-01-000	FT	SEAL - ADHESIVE BACKED FOAM - 3/4" THICK X 3/4" WIDE X 25'
	104692-03-000	FT	SEAL - ADHESIVE BACKED FOAM - 1" THICK X 1 3/16"WIDE X 15'
	107828-01-000	EA	SEALANT - SB - 190 EVERSEAL
	109506-12-000	EA	FILM/ABRASION-RESISTANT - TRANSPARENT - 1" DIA.
	110274-01-000	FT	TAPE - DOUBLE SIDED/FOAM - .45" X 1" X 216' - BLACK
	112481-02-000	EA	ADHESIVE - PLEXUS ETHACRYLATE - CARTRIDGE
	112864-01-000	FT	SEAL - FOAM/BUTYL COVERED - 3/8" X 35'

SEALANTS & FASTENERS GROUP (CONTINUED)

SEALANTS & ADHESIVES (CONTINUED)

KEY	PART NUMBER	U/M	DESCRIPTION
	112091-01-000	FT	SEAL/D - NEOPRENE - HEAT ACTIVE ADHESIVE - .9" X .7"
	112901-03-000	EA	ADHESIVE - PLEXUS - MA300 - 50ML - WHITE
	112902-01-000	EA	NOZZLE - ELEMENT - 3/8 X 24
	112902-03-000	EA	MIXER NOZZLE - F/GUN #00400102000 - SCOTCH-WELD & PLEXUS
	112902-04-000	EA	NOZZLE - ELEMENT - 1/4" X 3.5"
	113366-01-000	EA	ADHESIVE - INSTANT - 1 OZ
	113452-02-000	FT	SEAL/TRIM - FRONT - VINYL W/WIRE CARRIER - .027"
	120074-02-03A	EA	SILICONE - TUBE - W/O NOZZLE - LOW ODOR - SMOKEY WHITE
	120074-02-02A	EA	SILICONE - TUBE - W/O NOZZLE - LOW ODOR - SOFT WHITE
	120534-01-01A	EA	TAPE - SCOTCH - 3M - 1/2" FINE LINE
	123244-01-000	FT	TAPE - DOUBLE SIDED/FOAM - 5/64" THICK X 3/4" WIDE X 108'
	123816-01-000	FT	TAPE - DOUBLE SIDED - 1" X 3/4" X 200'
	123816-02-000	FT	TAPE - DOUBLE SIDED - 1/2" X 1 1/3" X 200'
	123816-03-000	FT	TAPE - DOUBLE SIDED - 1/2" X 3/4" X 200'
	123816-04-000	FT	TAPE - DOUBLE SIDED - 6" X 750'
	126427-01-000	EA	ADHESIVE - ALL PURPOSE - ABS/PVC
	126427-02-000	EA	PRIMER - CLEANER - FLEX PIPING
	131264-01-02A	EA	SILICONE - TUBE - W/O NOZZLE - CLEAR
	131264-01-01A	EA	SILICONE - TUBE - W/O NOZZLE - BLACK
	131264-02-01A	EA	SILICONE - TUBE - W/O NOZZLE - VW GRAY - BATH ONLY
	131264-03-01A	EA	SILICONE - TUBE - W/O NOZZLE- SELF LEVELING - BRIGHT WHITE
	131264-04-01A	EA	SILICONE/SEALANT/ADHESIVE - FAST CURE F/GLASS/VINYL - B/W
	131384-01-000	EA	ADHESIVE - JET WELD
	134651-01-000	FT	SEAL - 1/2" X 3/4" PSA 1 SIDE
	900390-01-000	EA	NOZZLE - SILICONE TUBE - 2.5" LONG - W/EXTERNAL THREADS
	900390-03-000	EA	NOZZLE - SILICONE TUBE - 4.3" LONG W/INTERNAL THREADS

BOLTS, NUTS AND WASHERS

KEY	PART NUMBER	U/M	DESCRIPTION
	0MC04K-06-016	EA	BOLT - HEX - M06 X 1 X 016
	0MC05K-08-055	EA	BOLT - HEX - M08 X 1.25 X 2.2
	0MC13K-14-110	EA	BOLT - HEX
	0MC13K-14-070	EA	BOLT - HEX - M14 X 2 X 2 3/4
	0MC31K-08-020	EA	BOLT - HEX - SERRATED FLANGE - M8 X 020
	0MC32K-10-030	EA	BOLT - HEX - SERRATED FLANGE - M10 X 1 1/2
	0MD16K-10-000	EA	NUT - HEX PREV TORQUE M10 X 1 1/2 CLASS 8
	0MD39K-12-000	EA	NUT - HEX W/NYLON LOCK - M12 X 1 3/4
	0MD40K-14-000	EA	NUT - HEX W/NYLON LOCK - M14 X 2
	0MD54F-06-000	EA	NUT-HEX SER FLG M6X1,0 SS - DIN6923A2M6
	0ME06K-14-280	EA	WASHER - FLAT - 14 ID X 28 OD
	000C12-04-08B	EA	BOLT - HEX - 1/4-20 X 1/2 - GRADE #5 - ZINC
	000C12-04-12A	EA	BOLT - HEX - 1/4-20 X 3/4 - PLAIN 5
	000C12-04-40B	EA	BOLT - HEX - 1/4-20 X 2 1/2 - GRADE 5 ZINC
	000C12-05-16B	EA	BOLT - HEX - 5/16 - 18X1 - GRADE #5 - ZINC
	000C12-06-44B	EA	BOLT - HEX - 3/8-16 X 2 3/4 - GRADE 5 - ZINC
	000C12-06-16B	EA	BOLT - HEX - 3/8 - 16X1 - GRADE #5 - ZINC
	000C12-08-28B	EA	BOLT - HEX - 1/2-13 X 1 3/4 - GRADE #5 - ZINC
	000C12-08-24B	EA	BOLT - HEX - 1/2 - 13X1 1/2 - GRADE #5 - ZINC
	000C12-08-16B	EA	BOLT - HEX - 1/2-13 X 1 - GRADE #5 - ZINC
	000C12-10-24B	EA	BOLT - HEX - 5/8 - 11X1 1/2 - GRADE #5 - ZINC
	000C13-07-48B	EA	BOLT - HEX - 7/16-20 X 3 - GRADE #5 - ZINC
	000C13-07-40B	EA	BOLT - HEX - 7/16-20 X 2 1/2 - GRADE #5 - ZINC
	000C14-07-28B	EA	BOLT - HEX - 7/16-14 X 1 3/4 - GRADE #8 - ZINC
	000C14-10-32K	EA	BOLT - HEX - 5/8-11 X 2 - GRADE #8 - ZINC
	000C14-10-24K	EA	BOLT - HEX - 5/8-11 X 1 1/2 - GRADE #8 - ZINC
	000C16-07-16B	EA	BOLT - CARRIAGE - ASSIST HANDLE - 7/16TH - 14 X 1
	000C18-05-40A	EA	BOLT - ELEVATOR - 5/16-18 X 2 1/2 - PL
	000C26-04-10B	EA	BOLT - HEX - SERRATED FLANGE - 1/4-20 X 5/8 - ZINC
	000C26-04-18B	EA	BOLT - HEX - SERRATED FLANGE - 1/4-20 X 1 1/8 - ZINC
	000C26-04-14B	EA	BOLT - HEX - SERRATED FLANGE - 1/4-20 X 7/8 - ZINC
	000C26-05-20B	EA	BOLT - HEX - SERRATED FLANGE - 5/16-18 X 1 1/4 - ZINC

SEALANTS & FASTENERS GROUP (CONTINUED)
BOLTS, NUTS AND WASHERS (CONTINUED)

KEY	PART NUMBER	U/M	DESCRIPTION
	000C26-06-12B	EA	BOLT - HEX - SERRATED FLANGE - 3/8-16 X 3/4 - ZINC
	000C26-08-24B	EA	BOLT - HEX - SERRATED FLANGE - 1/2-13 X 1 1/2 - ZINC
	000C27-04-40B	EA	BOLT - CARRIAGE - 1/4-20 X 2 1/2 - ZINC
	000C27-07-40B	EA	BOLT - CARRIAGE - 7/16-14 X 2 1/2 - GRADE #5
	000C27-08-48B	EA	BOLT - CARRIAGE - 1/2-13 X 3 - GRADE #5
	000D16-07-00B	EA	NUT - HEX - 7/16-14 - ZINC
	000D20-07-00B	EA	NUT - ACORN - ASSIST HANDLE - 7/16 - 14
	000D24-10-00B	EA	NUT - HEX - SELF LOCKING - 10-32 - ZINC
	000D28-10-00B	EA	NUT - HEX - W/NYLON LOCK - 10-32 ZINC
	000D29-04-00B	EA	NUT - HEX - SELF LOCKING - 1/4 X 20 - ZINC
	000D29-06-00B	EA	NUT - HEX - W/NYLON LOCK - 3/8-16 - ZINC
	000D29-09-00B	EA	NUT - HEX - SELF LOCKING - 9/16-12 - ZINC
	000D30-07-00B	EA	NUT - HEX LOCK - NYLON 7/16 X 20
	000D34-04-00B	EA	NUT - HEX - LOCKING - 1/4-20 - ZINC
	000D34-06-00B	EA	NUT - HEX - LOCKING - 3/8-16 GRADE C - ZINC
	000D39-04-00B	EA	NUT - HEX - LOCKING W/SERRATED FLANGE - 1/4-20 - ZINC
	000D39-05-00B	EA	NUT - HEX - LOCKING W/SERRATED FLANGE - 5/16-18 - ZINC
	000D39-06-00B	EA	NUT - HEX - LOCKING W/SERRATED FLANGE - 3/8-18 - ZINC
	000D39-07-00B	EA	NUT - HEX - LOCKING W/SERRATED FLANGE - 7/16-14 - ZINC
	000D39-08-00B	EA	NUT - HEX - LOCKING W/SERRATED FLANGE - 1/2-13 - ZINC
	000D44-04-00B	EA	NUT - HEX - LOCKING W/SERRATED FLANGE - 1/4-28 - ZINC
	000D44-07-00B	EA	NUT - HEX - LOCKING W/SERRATED FLANGE - 7/16-20 - ZINC
	000D44-08-00B	EA	NUT - HEX - LOCKING W/SERRATED FLANGE - 1/2-20 - ZINC
	000D46-04-00A	EA	NUT - HEX - WELD - 1/4-20 - PLAIN
	000D58-06-00A	EA	NUT - HEX - WELD 3/8-16 - PLAIN
	000D65-08-00B	EA	NUT - HEX - LOCKING W/SERRATED FLANGE - 8-32 - ZINC
	000D67-10-00B	EA	NUT - HEX - LOCK - 5/8-11 - ZINC
	000D73-08-00C	EA	NUT - HEX FLANGE - 1/2-13
	000D75-09-00B	EA	NUT - HEX LOCKING - 9/16-12 - ZINC
	000D76-06-00B	EA	NUT - HEX FLANGE - 3/8-16
	000E11-04-00F	EA	WASHER - LOCKING - 1/4 MED SPLIT - STAINLESS STEEL
	000E11-07-00B	EA	WASHER - LOCKING - 7/16 MED SPLIT - ZINC
	000E11-08-00B	EA	WASHER - LOCKING - 1/2 MED SPLIT - ZINC
	000E13-17-00B	EA	WASHER - FLAT - 3/8 AR - ZINC
	000E13-18-00B	EA	WASHER - FLAT - 3/8 WIDE - ZINC
	000E13-20-00B	EA	WASHER - FLAT - 7/16 WIDE - ZINC
	000E13-22-00B	EA	WASHER - FLAT - 1/2 WIDE - ZINC
	000E13-26-00B	EA	WASHER - FLAT - 5/8 WIDE - ZINC
	000E14-10-00B	EA	WASHER - LOCKING - #10 EXTERNAL TOOTH - ZINC
	000E16-10-00B	EA	WASHER - HARDENED - 5/8 - FLAT - ZINC
	000G45-05-16B	EA	BOLT - LAG - 5/16-9 X 1 - ZINC
	000G62-08-24B	EA	SCREW - SF/DR - 8-18 X 1 1/2 PFH
	005081-01-000	EA	NUT - SPEED - C-TYPE - #8 SCREW
	040921-03-000	EA	NUT - SPEED - U TYPE - #10
	040921-04-000	EA	NUT - SPEED - U TYPE - #8-.59" LENGTH X .44" WIDTH
	040921-05-000	EA	NUT - SPEED - U-TYPE - 8-.67" X .44" WIDE
	041322-01-000	EA	WASHER - FLANGE - 15/32 ID X 2 3/8 OD - F/SEAT BELT MTG
	044364-02-000	EA	NUT - SPEED - FLAT - ROUND
	044533-01-000	EA	WASHER - 1 3/8"OD - FOR BUTTONS - PLASTIC
	051387-06-000	EA	BOLT - CARRIAGE W/O HOLE - 5/16-18 X 9 1/2 - ZINC
	058716-02-000	EA	WASHER - FLAT NYLON
	064081-03-000	EA	NUT - WING 3/8-16 - W/WELD NUT
	077071-01-000	EA	WASHER - FENDER - 3/16"ID X 1"OD
	084406-01-000	EA	NUT - CAPPED - CROSS RECESSED - BLACK - 1/4-20 THD
	087234-01-000	EA	NUT - JACK - 1/4 X 20 THD - MOLLY
	088787-12-000	EA	STUD - WELD - 1/4 - 20 X 1.0 LG - MN
	102333-01-06A	EA	BOLT - CARRIAGE - 7/16-14 STAINLESS STEEL CAP
	103020-02-000	EA	BOLT-U - #8-32 - GRADE 5 ZINC
	106166-01-000	EA	BOLT/COLLARED HANGER - 8-32 X 1
	106956-03-000	EA	BOLT - HEX TAP - 1/2-12NC X 3 - GRADE 5 - FULL THREAD/ZINC
	106956-08-000	EA	BOLT - HEX TAP - 1/2-13NC X 4 - GRADE 5 - FULL THREAD/ZINC
	107397-01-000	EA	WASHER - FENDER - 3/4"ID X 1"OD
	108067-03-000	EA	STUD - WELD - 1/4 - 20 X 1/2 CD

SEALANTS & FASTENERS GROUP (CONTINUED)
BOLTS, NUTS AND WASHERS (CONTINUED)

KEY	PART NUMBER	U/M	DESCRIPTION
	103020-02-000	EA	BOLT-U - #8-32 - GRADE 5 ZINC
	106166-01-000	EA	BOLT/COLLARED HANGER - 8-32 X 1
	106956-03-000	EA	BOLT - HEX TAP - 1/2-12NC X 3 - GRADE 5 - FULL THREAD/ZINC
	106956-08-000	EA	BOLT - HEX TAP - 1/2-13NC X 4 - GRADE 5 - FULL THREAD/ZINC
	107397-01-000	EA	WASHER - FENDER - 3/4"ID X 1"OD
	108067-03-000	EA	STUD - WELD - 1/4 - 20 X 1/2 CD
	109235-01-05A	FT	COVER - SCREW - BRIGHT WHITE
	109235-01-01A	FT	COVER - SCREW - MAT BLACK
	109917-03-000	EA	WASHER - 1" X .50"
	109917-04-000	EA	WASHER - 1" X .75"
	110794-01-000	EA	WASHER - FLAT - 1" ID X 1 3/4" OD
	121511-01-000	EA	WASHER - SPUR
	113985-02-000	EA	BOLT - FLANGE - M10-1 1/2 X 30CL 10.9
	114259-05-000	EA	BOLT - 7/16-20 X 1 1/4 W/WASHER
	128444-01-000	EA	WASHER - SPRING - CONICAL
	131377-01-000	EA	NUT-HEX HEAD W/WASHER-1/4-20 X 2" STEEL W/3/4" OD WASHER
	135092-01-01A	EA	BOLT - HEX - SERRATED FLANGE - 1/2-20 X 1 3/4-GRADE 5 ZINC
	135092-02-01A	EA	BOLT - HEX - SERRATED FLANGE - 1/2-20 X 2 1/2-GRADE 5 ZINC
	143399-01-01A	EA	NUT/RETAINING - 3/8" - 24 NPT
	144904-01-01A	EA	BOLT - ADJUSTMENT - HEADLAMP
	148817-01-000	EA	WASHER/SPUR - LOCKING

SCREWS

KEY	PART NUMBER	U/M	DESCRIPTION
	0G1106-06-160	EA	SCREW - 6-20 X 3/8 PPH
	0G1106-08-240	EA	SCREW - 6-20 X 1/2 PPH - VW LIGHT GRAY
	0G1108-12-240	EA	SCREW - 8-18 X 3/4 PPH - VW LIGHT GRAY
	0G1108-16-240	EA	SCREW - 8-18 X 1.00 PPS - VW LIGHT GRAY
	0G1208-12-170	EA	SCREW - 8-18 X 3/4 POH - BRIGHT WHITE
	0G1308-10-240	EA	SCREW - 8-18 X 5/8 PFH - VW LIGHT GRAY
	0G3804-22-180	EA	SCREW - MACHINE - 1/4-20 X 1 3/8 PFH - BLACK
	0G3908-08-170	EA	SCREW - SF/DR - 8-18 X 1/2 PPH - BRIGHT WHITE
	0G3908-08-160	EA	SCREW - SF/DR - 8-18 X 1/2 PPH - VW WHITE
	0G3908-08-240	EA	SCREW - SF/DR - 8-18 X 1/2 PPH - VW LIGHT GRAY
	0G3908-12-250	EA	SCREW - SF/DR - 8-18 X 3/4 PPH - DARK GRAY
	0G3908-12-240	EA	SCREW - SF/DR - 8-18 X .75 PPH - VW LIGHT GRAY
	0G3908-16-170	EA	SCREW - SF/DR - 8-18 X 1 PPH - BRIGHT WHITE
	0G3908-24-170	EA	SCREW - SF/DR - 8-18 X 1 1/2 PPH - BRIGHT WHITE
	0G3910-10-330	EA	SCREW - SF/DR - 20-16 X 5/8 PPH - PUTTY
	0G3910-10-320	EA	SCREW - SF/DR - 10-16 X 5/8 PPH - GLACIER
	0G3910-10-240	EA	SCREW - SF/DR - 10-16 X 5/8 PPH - VW LIGHT GRAY
	0G3910-12-240	EA	SCREW - SF/DR - 10-16 X .75 PPH - VW LIGHT GRAY
	0G3910-12-170	EA	SCREW - SF/DR - 10-16 X 3/4 PPH - BRIGHT WHITE
	0G3910-12-320	EA	SCREW - SF/DR - 10-16 X 3/4 PPH - GLACIER
	0G5508-12-240	EA	SCREW - SF/DR - 8-18 X 3/4 PWH - VW LIGHT GRAY
	0G5508-12-170	EA	SCREW - SF/DR - 8-18 X 3/4 PWH - BRIGHT WHITE
	0G5508-12-330	EA	SCREW - SF/DR - 8-18 X 3/4 PWH - PUTTY
	0G5508-12-320	EA	SCREW - SF/DR - 8-18 X 3/4 PWH - GLACIER
	0G5508-12-260	EA	SCREW - SF/DR - 8-18 X 3/4 PWH - ALLANTE ANTELOPE
	0G5508-12-270	EA	SCREW - SF/DR - 8-18 X 3/4 PWH - TITANIUM
	0G5508-16-250	EA	SCREW - SF/DR - 8-18 X 1 PWH - VW DARK GRAY
	0G5508-16-330	EA	SCREW - SF/DR - 8-18 X 1 PWH - PUTTY
	0G5508-16-320	EA	SCREW - SF/DR - 8-18 X 1 PWH - GLACIER
	0G6008-16-170	EA	SCREW - SF/DR - 8-18 X 1 POH - BRIGHT WHITE
	0G6710-08-130	EA	SCREW - 10-12 X 1/2 PPH - TAUPE
	0G6710-08-170	EA	SCREW - 10-12 X 1/2 PPH - BRIGHT WHITE
	0G6710-08-240	EA	SCREW - 10-12 X 1/2 PPH - VW LIGHT GRAY
	0G6710-12-170	EA	SCREW - 10-12 X 3/4 PPH - BRIGHT WHITE
	0G6806-16-170	EA	SCREW - 6-18 X 1 POH - BRIGHT WHITE
	0G6810-24-280	EA	SCREW - 10-12 X 1 1/2 POH - SOFT WHITE
	000C20-04-16A	EA	SCREW - 1/4-20X 1 - FLAT SOCKET HEAD
	000C20-05-28F	EA	SCREW - 5/16-18 X 1 3/4 FLAT SOC - STAINLESS STEEL
	000C20-06-24T	EA	SCREW - 3/8-16 X 1 1/2 - FLAT SOCKET

SEALANTS & FASTENERS GROUP (CONTINUED)
SCREWS (CONTINUED)

KEY	PART NUMBER	U/M	DESCRIPTION
	000G11-06-10J	EA	SCREW - 6-20 X 5/8 PPH - BRASS
	000G11-06-08P	EA	SCREW - 6-20 X 1/2 PPH - DARK BROWN
	000G11-06-08B	EA	SCREW - 6-20 X 1/2 PPH - ZINC
	000G11-07-08B	EA	SCREW - 7-19 X 1/2 PPH - ZINC
	000G11-08-20G	EA	SCREW - 8-18 X 1 1/4 - ANTIQUE BRASS
	000G11-08-20B	EA	SCREW - 8-18 X 1 1/4 PPH - ZINC
	000G11-08-16B	EA	SCREW - 8-18 X 1 PPH - ZINC
	000G11-08-12T	EA	SCREW - 8-18 X 3/4 PPH - BLACK MAGNESIUM
	000G11-08-12P	EA	SCREW - 8-18 X 3/4 PPH - DARK BROWN
	000G11-08-12B	EA	SCREW - 8-18 X 3/4 PPH - ZINC
	000G11-08-08T	EA	SCREW - 8-18 X 1/2 PPH - FLUOROCARBON COATING
	000G11-08-06B	EA	SCREW - 8-18 X 3/8 PPH - ZINC
	000G11-10-24P	EA	SCREW - 10-16 X 1 1/2 PPH - DARK BROWN
	000G11-10-12D	EA	SCREW - 10-16 X 3/4 PPH - BLACK
	000G12-06-12J	EA	SCREW - 6-20 X .75 POH - BRASS
	000G12-06-08T	EA	SCREW - 6-20 X 1/2 POH - BLACK
	000G13-05-10B	EA	SCREW - 5-12 X 5/8 PFH - ZINC
	000G13-06-08G	EA	SCREW - 6-20 X 1/2 PFH - ANTIQUE BRASS
	000G13-06-08B	EA	SCREW - 6-20 X 1/2 PFH - ZINC
	000G13-06-06I	EA	SCREW - 6-20 X 3/8 PFH - BLACK ZINC
	000G13-06-24J	EA	SCREW - 6-20 X 1 1/2 PFH - BRASS
	000G13-06-16J	EA	SCREW - 6-20 X 1 PFH - BRASS
	000G13-06-10J	EA	SCREW - 6-20 X 5/8 PFH - BRASS
	000G13-06-10G	EA	SCREW - 6-20 X 5/8 PFH - ANTIQUE BRASS
	000G13-07-10H	EA	SCREW - 7-19 X 5/8 PFH - BLACK
	000G13-08-16B	EA	SCREW - 8-18 X 1 PFH - ZINC
	000G13-08-109	EA	SCREW - 8-18 X 5/8 PFH
	000G13-08-10B	EA	SCREW - 8-18 X 5/8 PFH - ZINC
	000G13-08-24B	EA	SCREW - 8-18 X 1 1/2 PFH - ZINC
	000G13-10-16I	EA	SCREW - 10-16 X 1 PFH - BLACK
	000G16-04-24B	EA	SCREW - MACHINE - 1/4-20 X 1 1/2 PPH
	000G18-08-16B	EA	SCREW - MACHINE - 8-32 X 1 PPH - ZINC
	000G18-08-24B	EA	SCREW - MACHINE - 8-32 X 1 1/2 PPH - ZINC
	000G18-08-22B	EA	SCREW - MACHINE - 8-32 X 1 3/8 PPH - ZINC
	000G19-10-10B	EA	SCREW - MACHINE - 10-32 X 5/8 - PPH - ZINC
	000G19-10-08B	EA	SCREW - MACHINE - 10-32 X 1/2 PPH - ZINC
	000G19-10-20B	EA	SCREW - MACHINE - 10-32 X 1 1/2 PPH - ZINC
	000G19-10-12F	EA	SCREW - MACHINE - 10-32 X 3/4 PPH - STAINLESS STEEL
	000G36-10-12T	EA	SCREW - 10-24X 3/4 PFH TYPE 23 - BLACK
	000G39-06-10T	EA	SCREW - SF/DR - 6-20 X 5/8 PPH - BLACK
	000G39-06-16T	EA	SCREW - SF/DR - 6-20 X 1 PPH - BLACK
	000G39-08-08S	EA	SCREW - SF/DR - 8-18 X 1/2 PPH - OFF WHITE
	000G39-08-08B	EA	SCREW - SF/DR - 8-18 X 1/2 PPH - ZINC
	000G39-08-08T	EA	SCREW - SF/DR - 8-18 X 1/2 PPH - BLACK
	000G39-08-06B	EA	SCREW - SF/DR - 8-18 X 3/8 PPH - ZINC
	000G39-08-32B	EA	SCREW - SF/DR - 8-18 X 2 PPH - ZINC
	000G39-08-24T	EA	SCREW - SF/DR - 8-18 X 1 1/2 PPH - BLACK
	000G39-08-24S	EA	SCREW - SF/DR - 8-18 X 1 1/2 - OFF WHITE
	000G39-08-24B	EA	SCREW - SF/DR - 8-18 X 1 1/2 PPH - ZINC
	000G39-08-16T	EA	SCREW - SF/DR - 6-20 X 1 PPH - BLACK
	000G39-08-16B	EA	SCREW - SF/DR - 8-18 X 1 PPH - ZINC
	000G39-08-12B	EA	SCREW - SF/DR - 8-18 X 3/4 PPH - ZINC
	000G39-08-12T	EA	SCREW - SF/DR - 8-18 X 3/4 PPH - BLACK
	000G39-10-48T	EA	SCREW - SF/DR - 10-16 X 3 PPH - BLACK
	000G39-10-48B	EA	SCREW - SF/DR - 10-16 X 3 - PPH - ZINC
	000G39-10-40D	EA	SCREW - SF/DR - 10-16 X 2 1/2 PPH - BLACK
	000G39-10-32B	EA	SCREW - SF/DR - 10-16 X 2 - PPH - ZINC
	000G39-10-20T	EA	SCREW - SF/DR - 10-16 X 1 1/4 PPH - BLACK
	000G39-10-20B	EA	SCREW - SF/DR - 10-16 X 1 1/4 PPH - ZINC
	000G39-10-169	EA	SCREW - SF/DR - 10-16 X 1 PPH - FLUOROCARBON SILVER
	000G39-10-129	EA	SCREW - SF/DR - 10-16 X 3/4 PPH - FLUOROCARBON SILVER
	000G39-10-12T	EA	SCREW - SF/DR - 10-16 X 3/4 - BLACK
	000G39-10-10T	EA	SCREW - SF/DR - 10-16 X 5/8 - BLACK

SEALANTS & FASTENERS GROUP (CONTINUED)
SCREWS (CONTINUED)

KEY	PART NUMBER	U/M	DESCRIPTION
	000G39-10-10B	EA	SCREW - SF/DR - 10-16 X 5/8 PPH - ZINC
	000G39-10-08B	EA	SCREW - SF/DR - 10-16 X 1/2 PPH - ZINC
	000G39-10-088	EA	SCREW - SF/DR - 10-16 X 1/2 PPH - FLEX FLUOROCARBON
	000G39-12-12E	EA	SCREW - SF/DR - 12 - 14 X 3/4 PPH - CHROME
	000G42-04-24B	EA	SCREW - SF/DR - 1/4-14 X 1 1/2 - ZINC
	000G42-04-16B	EA	SCREW - SF/DR - 1/4-14 X 1 HWH - ZINC
	000G42-04-24B	EA	SCREW - SF/DR - 1/4-14 X 1 1/2 - ZINC
	000G46-08-24T	EA	SCREW - MACHINE - 8-32 X 1 1/2 PFH - BLACK
	000G50-04-48B	EA	SCREW - MACHINE - 1/4-14 X 3 - ZINC
	000G52-06-05B	EA	SCREW - MACHINE - 6-32 X 5/16 PTH ZINC
	000G52-06-06B	EA	SCREW - MACHINE - 6-32 X 3/8 PIN - ZINC
	000G54-04-14B	EA	SCREW - 1/4-20 X 7/8 PTH - TYPE 23 - ZINC PLATED
	000G55-08-124	EA	SCREW - SF/DR - 8-18 X 3/4 PWH - ASH GRAY
	000G55-08-12M	EA	SCREW - SF/DR - 8-19 X .75 PWH - GRAY
	000G55-08-165	EA	SCREW - SF/DR - 8-18 X 1 PWH - WILLOW
	000G55-08-16T	EA	SCREW - SF/DR - 8-18 X 1 PWH - BLACK
	000G55-08-16S	EA	SCREW - SF/DR - 8-18 X 1.00 - PWH - OFF WHITE
	000G56-12-48B	EA	SCREW - WOOD - 12-11 X 3 POH - SPECIAL HARDENED
	000G57-14-72B	EA	SCREW-14-10-X4 1/2 PFH ZN GENERAL MOTORHOMES
	000G57-14-64B	EA	SCREW - 14-10 X 4 PFH ZINC
	000G60-08-20F	EA	SCREW - SF/DR - 8-19X1.25 POH
	000G60-08-16E	EA	SCREW - SF/DR - 8-1 X 1 POH - CHROME
	000G60-08-22B	EA	SCREW - SF/DR - 8-18 X 1.38 POH - ZINC
	000G60-10-209	EA	SCREW - SF/DR - 10-16 X 1 1/4 POH - SILVER STALGAARD
	000G60-10-20B	EA	SCREW - SF/DR - 10-16 X 1 1/4 POH - ZINC
	000G60-10-16J	EA	SCREW - SF/DR - 10-16 X 1 POH - BRIGHT BRASS
	000G60-10-28T	EA	SCREW - SF/DR - 10-16 X 1 3/4 - BLACK
	000G67-08-32B	EA	SCREW - 8-15 X 2 PPH - ZINC
	000G67-10-08B	EA	SCREW - 10-12 X 1/2 PPH - ZINC
	000G67-10-24S	EA	SCREW - 10-12 X 1 1/2 PPH - OFF WHITE
	000G67-10-24B	EA	SCREW - 10-12 X 1 1/2 PPH - ZINC
	000G67-10-20D	EA	SCREW - 10-12 X 1 1/4 PPH - BLACK
	000G67-10-12P	EA	SCREW - 10-12 X 3/4 PPH - DARK BROWN
	000G67-10-12B	EA	SCREW - 10-12 X 3/4 PPH - ZINC
	000G67-10-10T	EA	SCREW - 10-12 X 5/8 PPH - BLACK
	000G67-10-10S	EA	SCREW - 10-12 X 5/8 PPH - OFF WHITE
	000G67-10-10P	EA	SCREW - 10-12 X 5/8 PPH - DARK BROWN
	000G67-10-10B	EA	SCREW - 10-12 X 5/8 PPH - ZINC - TYPE A
	000G67-10-08S	EA	SCREW - 10-12 X 1/2 PPH - OFF WHITE
	000G68-06-10J	EA	SCREW - 6-18 X 5/8 POH - BRASS
	000G68-06-10G	EA	SCREW - 6-18 X 5/8 POH - ANTIQUE BRASS
	000G68-06-12J	EA	SCREW - 6-18 X 3/4 POH - BRASS
	000G68-06-12B	EA	SCREW - 6-18 X 3/4 POH - ZINC & CLEAR
	029130-01-000	EA	SCREW - SNAP STUD - #8-16 X 5/8" LONG
	029130-03-000	EA	SCREW - SNAP STUD - #8-16 X 1" LONG
	049465-01-000	EA	SCREW - 10-16 PTH W/WASHER - DARK BROWN
	049465-03-000	EA	SCREW - 10-16 X 1 POH W/WASHER - OFF WHITE
	049465-04-000	EA	SCREW - 10-16 X 1 PTH W/WASHER - BEIGE
	049465-13-000	EA	SCREW-10+16X1 PTH W/WASHER - *ASH GRAY
	049465-17-000	EA	SCREW - 10-16 X 1 POH W/WASHER - BRIGHT WHITE
	049465-23-000	EA	SCREW - 10-16 X 1.5 POH W/WASHER - VW LIGHT GRAY
	054434-02-000	EA	SCREW - SF/DR - 10-16 X 2 - ZINC
	054434-03-000	EA	SCREW - SF/DR - 10-16 X 2 - PWH - ZINC
	075908-01-000	EA	SCREW - MACHINE - 10-32 X .56 PTH - EXTERNAL TOOTH - ZINC
	076790-01-000	EA	SCREW - 6-20 X 1 1/4 PPH - BLACK
	076790-05-000	EA	SCREW - 6-20 X 1/2 PPH - BLACK - THREAD CUTTING/WOOD
	083554-01-000	EA	SCREW - DRYWALL - 8 X 1 1/4
	083554-04-000	EA	SCREW - DRYWALL - 8 X 2 1/2
	087721-01-000	EA	SCREW - FLAT HEAD - TAPPING - 1/4 X 1 1/4 LONG - ZINC
	087721-02-000	EA	SCREW - FLAT HEAD - TAPPING - 1/4 X 2 1/4 LONG - ZINC
	090033-02-000	EA	SCREW - 1/4-20 X 5/8 - ROUND WASHER HEAD - OFF/WHITE
	097974-01-000	EA	SCREW - PARTICLE BOARD - 7-9 X 3/4 PPH
	101618-01-000	EA	SCREW - 1/4-20 X 3/4 HEX - TAPPING - STALGARD TYPE F

SEALANTS & FASTENERS GROUP (CONTINUED)
CLAMPS, CLIPS, GROMMETS, RIVETS & PLUGS

KEY	PART NUMBER	U/M	DESCRIPTION
	000F10-06-32B	EA	PIN - COTTER - 3/16" X 2" - ZINC
	000H14-06-06R	EA	RIVET-MANDREL BLIND,3/16 AL - CHERRY BSP-66
	000H16-04-06R	EA	RIVET - POP ALUMINUM - 1/8 X .313 - .375
	000H16-06-10R	EA	RIVET - POP ALUMINUM - 3/16 X .501 - .625
	007161-01-000	EA	CLAMP - HOSE - SPRING TYPE - 1/2"
	008386-01-000	EA	GROMMET - SNAP - 3/8" DIAMETER - NYLON
	010495-01-000	EA	CLAMP - CABLE - 9/16"ID - BLACK
	010495-02-000	EA	CLAMP - CABLE - 3/8"ID - BLACK
	010495-04-000	EA	CLAMP - CABLE - 11/16"ID - WHITE
	010497-01-000	EA	CLAMP - CLOSED - 5/8"ID
	010497-02-000	EA	CLAMP - CLOSED - 1.5"ID
	010497-03-000	EA	CLAMP - CLOSED - 1"ID - CUSHIONED
	010497-04-000	EA	CLAMP - CLOSED - 1 5/8"ID
	010497-07-000	EA	CLAMP - CLOSED - 3/8"ID
	010497-09-000	EA	CLAMP - CLOSED - 5/16"ID
	010497-10-000	EA	CLAMP - CLOSED - 7/8"ID
	010499-01-000	EA	CLAMP - CLOSED - 3/8"ID
	016188-03-000	EA	GROMMET - LP LINE - 3/8"HOLE X 2 1/2"LONG - RUBBER
	016188-04-000	EA	GROMMET - LP LINE - 1/2"HOLE X 2 1/2"LONG - RUBBER
	016188-05-000	EA	GROMMET - LP LINE - 3/8"HOLE X 1 1/4"LONG - RUBBER
	016188-06-000	EA	GROMMET - L/P LINE - 3/8"HOLE X 3 1/4"LONG - RUBBER
	016188-08-000	EA	GROMMET - LP LINE - 1/2"HOLE X 1 1/4"LONG - RUBBER
	016188-09-000	EA	GROMMET - LP LINE - .68"HOLE X 1 1/4"LONG - RUBBER
	016188-10-000	EA	GROMMET - LP LINE - .68"HOLE X 2.5"LONG - RUBBER
	023942-01-000	EA	GROMMET - RUBBER - 2" OD
	034141-02-000	EA	PLUG/NYLON - .38" - BLACK
	061420-01-000	EA	PLUG/PLASTIC - 1 3/4" DIAMETER - BROWN
	061420-04-000	EA	PLUG/PLASTIC - 1 1/4" DIAMETER
	061420-05-000	EA	PLUG/PLASTIC - 1 1/2" DIAMETER
	061420-08-000	EA	PLUG/PLASTIC - 2 1/2" DIAMETER
	061420-09-000	EA	PLUG/PLASTIC - 1.00" - DIAMETER
	061420-10-000	EA	PLUG/PLASTIC - 1 1/2" DIAMETER - BLACK
	061420-13-000	EA	PLUG/PLASTIC - 3/8 - 3"
	061420-14-000	EA	PLUG/PLASTIC - 7/8" DIAMETER - BLACK
	061420-15-000	EA	PLUG/PLASTIC - 2" DIAMETER - BLACK
	061420-16-000	EA	PLUG/PLASTIC - 2 1/8" DIAMETER - BLACK

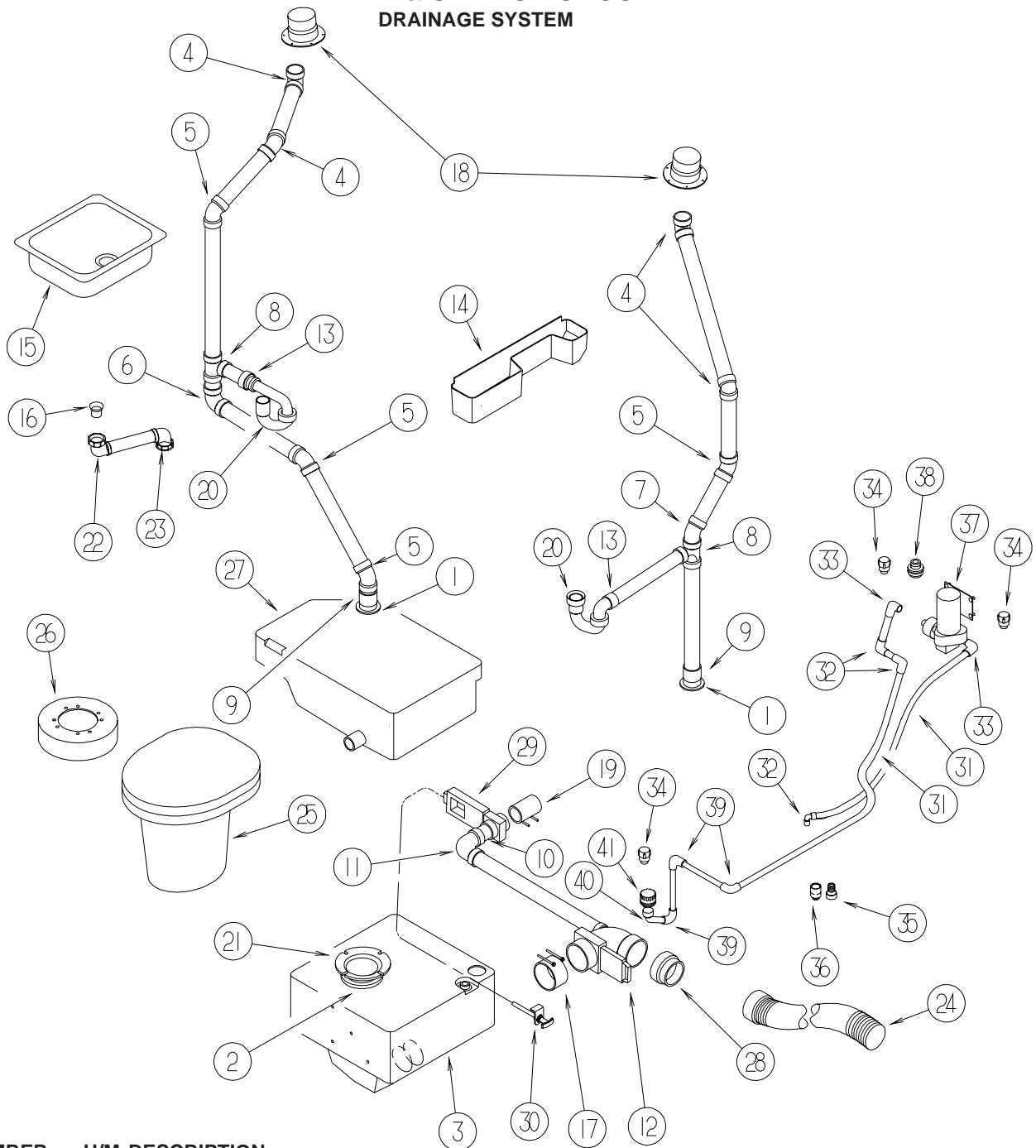
SEALANTS & FASTENERS GROUP (CONTINUED)
CLAMPS, CLIPS, GROMMETS, RIVETS & PLUGS (CONTINUED)

KEY	PART NUMBER	U/M	DESCRIPTION
	062401-01-000	EA	CLAMP - HOSE - WORMGEAR - .25" - 1"
	062401-02-000	EA	CLAMP - HOSE - WORMGEAR - 1.56" - 2.5"
	062401-03-000	EA	CLAMP - HOSE - WORMGEAR - .22" - 1"
	062401-04-000	EA	CLAMP - HOSE - WORMGEAR - .69" - 1.25"
	062401-05-000	EA	CLAMP - HOSE - WORMGEAR - 2" - 3" ID
	062401-06-000	EA	CLAMP - HOSE - WORMGEAR - .22" - .62" ID
	062401-09-000	EA	CLAMP - HOSE - WORMGEAR - 2.8" - 3.75"
	062401-11-000	EA	CLAMP - HOSE - WORMGEAR - 3.50" - 4.50"
	062401-12-000	EA	CLAMP - HOSE - WORMGEAR - .79" X 1.26"
	071015-11-000	EA	GROMMET - RUBBER - 1 ID - FITS .12 MATERIAL - BLACK
	071015-13-000	EA	GROMMET - RUBBER - .62 ID - FITS .09 GROOVE - BLACK
	071015-19-000	EA	GROMMET - RUBBER - .38 ID - FITS .06 MATERIAL - BLACK
	071015-22-000	EA	GROMMET - RUBBER - .62 ID - 1.12 OD - W/.19 GROOVE - BLACK
	071015-26-000	EA	GROMMET - RUBBER - 1.5" ID X 2.1" OD W/.06" GROOVE-BLACK
	071015-29-000	EA	GROMMET - RUBBER - .3" ID X 1.3"OD W/.12" GROOVE - BLACK
	071015-30-000	EA	GROMMET - RUBBER - .3" ID X .81"OD W/.12" GROOVE - BLACK
	071015-32-000	EA	GROMMET - RUBBER - .75 ID X 1.375 OD W/.187 GROOVE - BLACK
	071015-40-000	EA	GROMMET - RUBBER - .38 ID - FITS .09 MATERIAL - BLACK
	071015-41-000	EA	GROMMET - .125 ID FITS .188 MTL
	071015-42-000	EA	GROMMET - RUBBER - .25 ID - FITS .06 MATERIAL - BLACK
	075148-02-000	EA	CLAMP - GROUNDING - BRONZE SCREWS
	077955-01-000	EA	CLIP/J - 3/8" - VINYL COATED
	080734-02-000	EA	CLIP - WIRE NYLON
	081211-01-000	EA	PLUG/PLASTIC - .31" DIAMETER - BLACK
	081211-03-000	EA	PLUG/PLASTIC - .50" DIAMETER - TRUSS HEAD - BLACK
	081211-04-000	EA	PLUG/PLASTIC - .46 DIAMETER - TRUSS HEAD - BLACK
	083609-01-000	EA	CLAMP - WIRE - DUAL - EQUAL DIAMETERS - 5/8"
	083610-01-000	EA	CLAMP - WIRE - DUAL - UNEQUAL DIAMETERS - 3/4" & 1 1/4"
	083610-02-000	EA	CLAMP - WIRE - DUAL - UNEQUAL DIAMETERS - 3/4" & 2"
	083610-03-000	EA	CLAMP - WIRE - DUAL - EQUAL DIAMETERS - 2"
	088756-01-000	EA	GROMMET - WEB - 1 1/8 " I.D.
	089329-02-000	EA	CLIP - SPRING
	091952-01-000	EA	CLIP - GRIPPER - 1"
	091952-02-000	EA	CLIP - GRIPPER - 3/4"
	091952-03-000	EA	CLIP - GRIPPER - 1/2" - BLACK VINYL COATED
	094362-02-000	EA	CLIP - XMAS TREE - BINDER HEAD - .9" LONG
	094362-05-000	EA	CLIP - XMAS TREE - ROUND HEAD - 1.4" LONG
	114208-01-000	EA	GROMMET - EDGE LINER - FITS 1 3/4"
	114208-03-000	EA	GROMMET - EDGE LINER - FITS 2 1/2"
	114208-05-000	EA	GROMMET - EDGE LINER - FITS 2"
	118626-01-02A	EA	RIVET - POP - ALUMINUM - 3/16 X .08 - .375
	118626-01-01A	EA	RIVET - POP - ALUMINUM - 3/16 X .08 - .375
	118626-02-01A	EA	RIVET - POP - ALUMINUM - 3/16 X .500 - .750
	137014-01-01A	EA	GROMMET - CABLE - ALMOND
	137014-01-02A	EA	GROMMET - CABLE - BROWN
	137014-01-03A	EA	GROMMET - CABLE - BLACK
	139118-02-01A	EA	GROMMET - SCREW - PLASTIC
	140171-01-000	EA	CLAMP - HOSE - STEPLESS EAR - .312
	140171-02-000	EA	CLAMP - HOSE - STEPLESS EAR - .250

SEALANTS & FASTENERS GROUP (CONTINUED)
MISCELLANEOUS FASTENERS

KEY	PART NUMBER	U/M	DESCRIPTION
	008343-01-000	EA	TIE - WIRE - 6"
	008343-02-000	EA	TIE - WIRE - 14"
	008343-03-000	EA	TIE - WIRE - 7 1/2" - BLACK
	029094-04-000	YD	VELCRO TAPE - LOOP - 1" WIDE - BLACK
	029094-06-000	YD	VELCRO TAPE - LOOP - 2" WIDE - BLACK
	029096-03-000	YD	VELCRO TAPE - HOOK - 1" WIDE - BLACK
	029096-04-000	YD	VELCRO TAPE/HOOK - 1"WIDE - BLACK - W/ADHESIVE BACK (PSA)
	048394-02-000	YD	VELCRO TAPE - HOOK - ADHESIVE BACK - 3/4" WIDE - BEIGE
	085774-01-000	FT	FASTENER - DUAL LOCK - 1" WIDE - ADHESIVE BACK - BLACK
	085774-02-000	FT	FASTENER - DUAL HOOK - 1" WIDE - ADHESIVE BACK - BLACK
	085774-07-000	FT	FASTENER - DUAL HOOK - 1" WIDE
	088792-02-000	YD	VELCRO TAPE - LOOP - 3/4" - ADHESIVE BACK - BEIGE
	088792-04-000	YD	VELCRO TAPE - HOOK - 5/8" - NON-ADHESIVE BACK - WHITE
	088792-05-000	YD	VELCRO TAPE - LOOP - 5/8" - NON-ADHESIVE BACK - WHITE
	108046-01-000	EA	CABLE TIE - SCREW MOUNT 8"
	108046-02-000	EA	CABLE TIE - SCREW MOUNT 15"
	110943-01-000	FT	FELT STRIP - 3/8" - ADHESIVE BACK - BLACK
	110943-02-000	FT	FELT STRIP - 3/8" - ADHESIVE BACK - WHITE
	113133-02-01A	EA	RIVET - POP - ALUMINUM - 3/16 X .252 - .504 - BLACK
	115361-01-01A	EA	PLUG/PLASTIC - 1/2" DIAMETER
	127960-01-01A	EA	RETAINER - 3/8" - STAINLESS STEEL

WATER & SEWAGE GROUP DRAINAGE SYSTEM



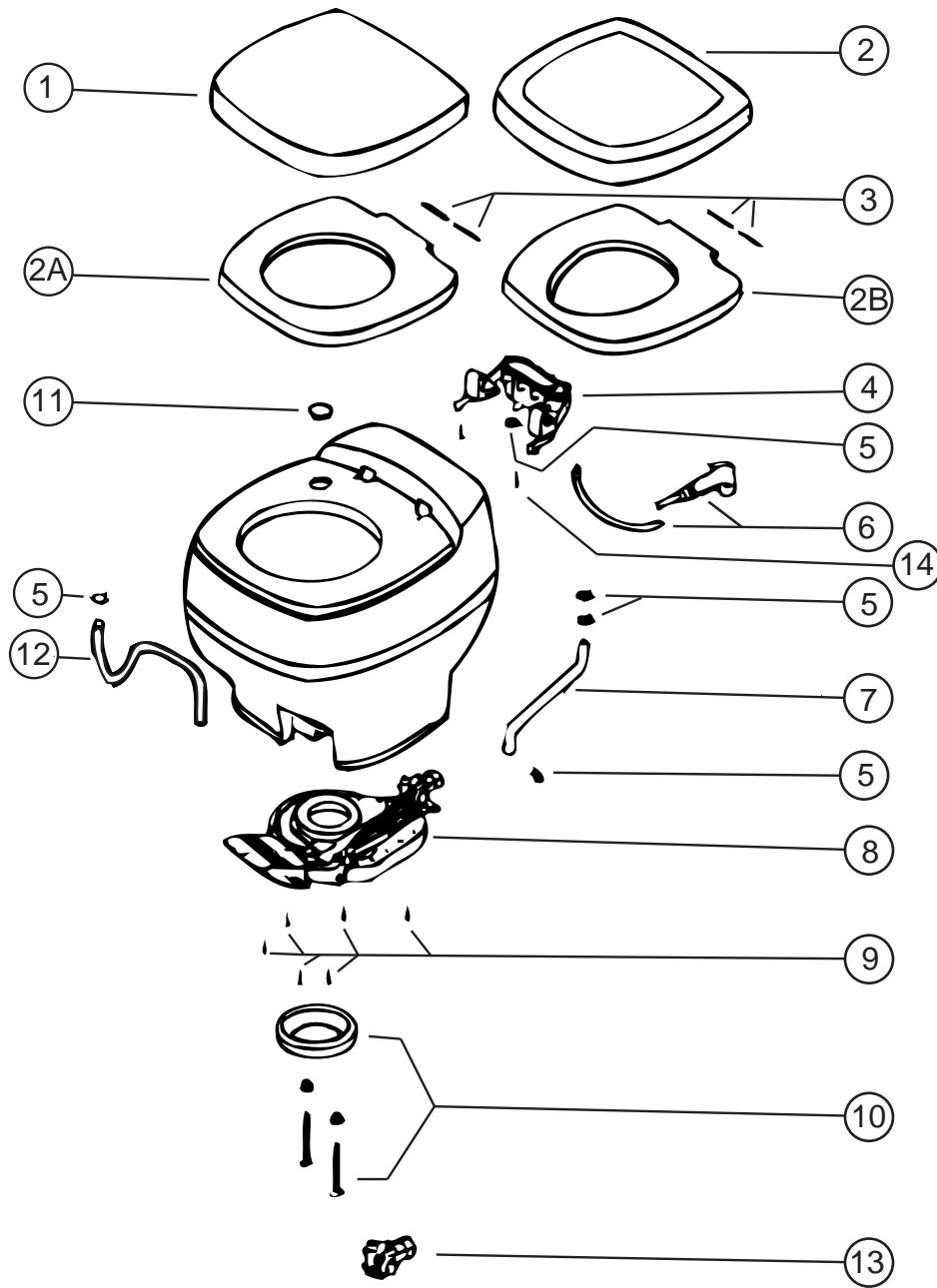
KEY	PART NUMBER	U/M	DESCRIPTION
1	061607-01-000	EA	GROMMET - HOLDING TANK - 1 1/2" NPS
2	061607-02-000	EA	GROMMET - HOLDING TANK - 3" NPS
3	127074-01-000	EA	TANK - HOLDING - 13 GALLON - W/O FITTINGS
4	010005-01-000	EA	ELBOW - 22.5 DEGREE - 1 1/2" HUB X HUB - PLASTIC
5	010006-01-000	EA	ELBOW - 45 DEGREE - 1 1/2" HUB X HUB - PLASTIC
6	010008-01-000	EA	ELBOW - 90 DEGREE - 1 1/2" HUB X HUB - PLASTIC
7	010051-01-000	EA	ELBOW - 45 DEGREE - 1 1/2" SPIGOT X HUB - PLASTIC
8	010071-01-000	EA	TEE - SANITARY - 1 1/2" HUB X HUB X HUB - PLASTIC
9	010115-01-000	EA	COUPLING - 1 1/2" HUB X HUB - PLASTIC
10	010123-01-000	EA	BUSHING - 2" X 1 1/2" HUB - BLACK PLASTIC
11	033761-01-000	EA	ELBOW - 90 DEGREE - TURN - 1 1/2" HUB X 1 1/2" SPIGOT
12	072346-01-000	EA	VALVE - 3" SLIP X 3" BAYONET W/CAP X 2" SOCKET-ABS
13	109571-01-000	EA	ADAPTER - P-TRAP - 1 1/2" P X 1 1/4" MPT
14	P12114-01-02A	EA	BASIN - CATCH - W/STRAINER
	106116-01-01A	EA	STRAINER/PLASTIC - STOPPER/TAILPIECE/GASKET & NUT-LAVATORY
	106116-02-01A	EA	GASKET - STRAINER
	112114-01-02A	EA	BASIN - CATCH - LAVATORY - VW LIGHT GRAY

WATER & SEWAGE GROUP (CONTINUED)
DRAINAGE SYSTEM (CONTINUED)

KEY	PART NUMBER	U/M	DESCRIPTION
15	011029-03-000	EA	SINK - STAINLESS STEEL - SINGLE W/RAILS
16	066437-02-000	EA	STRAINER - W/BASKET - GALLEY SINK - 2.6" OD
17	078406-01-000	EA	COUPLER - RUBBER - W/CLAMPS - 3" X 3"
18	083558-06-000	EA	VENT - PLUMBING - ROOF PIPE COVERED - VW WHITE
19	089355-01-000	EA	COUPLER - RUBBER - 1 1/2" X 1 1/2"
20	107538-01-000	EA	P-TRAP - PLASTIC - 1 1/4" W/EXTENSION ARM - USA
20	011071-01-000	EA	P-TRAP - PLASTIC - 1 1/2" - CSA - CANADIAN
21	116644-01-000	EA	FLANGE/CLOSET - 3" FEMALE - 4 BOLT
			FROM: 00-00-00 THRU: 09-26-03
21	063641-01-000	EA	FLANGE - CLOSET - 4" X 3"
			FROM: 09-27-03 THRU: 99-99-99
22	126588-01-000	EA	ARM - WASTE - 1 1/2" X 9 1/2" - FEMALE
23	126589-01-000	EA	ELBOW - 1 1/2" 90 DEGREE SLIP X FEMALE
24	139513-01-000	EA	HOSE - SEWER - 3" X 10' - W/ADAPTER
25*	064076-03-000	EA	TOILET - STARLITE - LOW - WHITE
			FROM: 00-00-00 THRU: 09-19-03
25*	147421-03-01A	EA	TOILET/AQUA MAGIC 5 (HIGH) FOOTFLUSH - W/SPRAY - WHITE
			FROM: 09-20-03 THRU: 99-99-99
26	131786-02-01A	EA	SPACER - TOILET - OVAL - 13.5" LONG X 2.8" HIGH - SOFT WHT
27	127086-02-000	EA	TANK - HOLDING - 9 GALLON - W/O FITTINGS
28	062416-01-000	EA	ADAPTER - SEWER HOSE TO 3" PIPE
29	062421-03-000	EA	VALVE/DUMP W/O HANDLE - 1 1/2" X 1 1/2" HUB
30	062421-09-000	EA	CABLE/ROD - F/DUMP VALVE - W/HANDLE - 41.5"
31	112176-01-000	FT	TUBING - VINYL - REINFORCED - 1/2" ID
32	111223-04-000	EA	ELBOW - 1/2" MPT X 1/2" BARB - PLASTIC
33	123150-01-000	EA	ELBOW - 1/2 FPT X 1/2 BARB - SWIVEL
34	114427-02-000	EA	PLUG - W/COMP NUT - 1/2" PLASTIC PIPE/1/2" FLAIR-IT
35	114430-03-000	EA	ADAPTER - 1/2"P X 1/2"MPT
36	123152-01-000	EA	ADAPTER - 1/2 FPT X 1/2 BARB - SWIVEL
37*	098607-01-000	EA	PUMP - WATER - W/.5" MPT FITTING - FLOW 2.8 GPM
38	114966-01-000	EA	FILTER - IN LINE - TWIST ON - 1/2"
39	114429-01-000	EA	ELBOW - 1/2"P X 1/2"P
40	114429-06-000	EA	ELBOW - SWIVEL - 1/2"P X 3/4"FPT
41	114974-01-000	EA	STRAINER/SHOWER PAN - W/HOSE END ADAPTER - WHITE PLASTIC
	147302-01-01A	EA	STRAINER - SHOWER - WHITE

*COMPONENT PARTS LISTED LATER IN THIS GROUP

WATER & SEWAGE GROUP (CONTINUED)
COMPONENT PARTS FOR DRAINAGE SYSTEM



064076-03-000

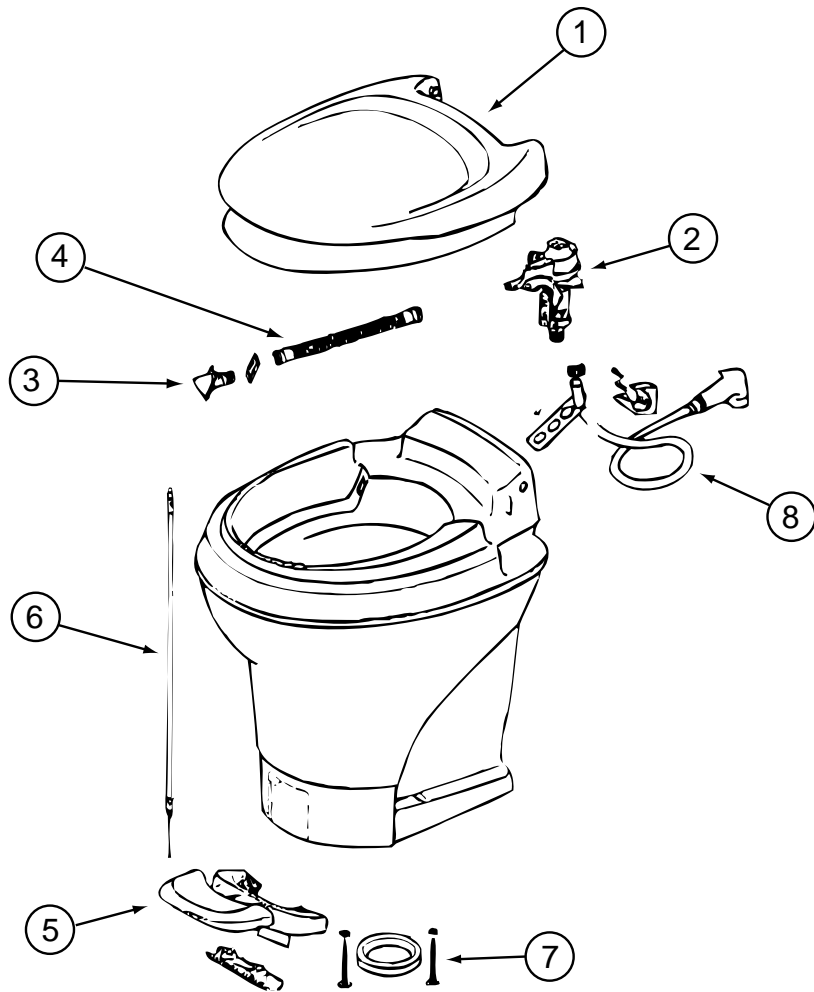
KEY	PART NUMBER	U/M	DESCRIPTION	VENDOR NO.
1	064076-03-700	EA	COVER-SEAT, TOILET-WHITE	2092362
2	064076-03-701	EA	RING-SEAT - TOILET/WHITE	656462
3	039341-02-707	EA	PIN-HINGE	2986
4	064076-03-702	EA	BREAKER-VACUUM - PKG(WHITE)	2070262
6	067487-01-701	EA	WATER SAVER PKG.	08993
8	064076-03-703	EA	MECHANISM - WHITE	2420362
10	039341-02-705	EA	SEAL & BOLT PKG-W/O FLANGE	08975
11	064076-03-704	EA	PLUG - HOLE - WHITE	0389562
13	064076-01-705	EA	VALVE-BALL REPLACEMENT PKG	09868

CONTACT WINNEBAGO PART SALES FOR UNLISTED COMPONENT

098607-01-000

KEY	PART NUMBER	U/M	DESCRIPTION	VENDOR NO.
	098607-01-702	EA	DIAPHRAGM/DRIVE ASSEMBLY KIT	94-238-04
	098607-01-703	EA	VALVE KIT	94-232-00
	098607-01-705	EA	VALVE-CHECK, KIT	94-237-00
	098607-01-706	EA	HOUSING, W/SWITCH ONLY	94-231-20
	098607-01-707	EA	MOTOR W/BASEPLATE	11-148-04

WATER & SEWAGE GROUP (CONTINUED)
COMPONENT PARTS FOR DRAINAGE SYSTEM (CONTINUED)

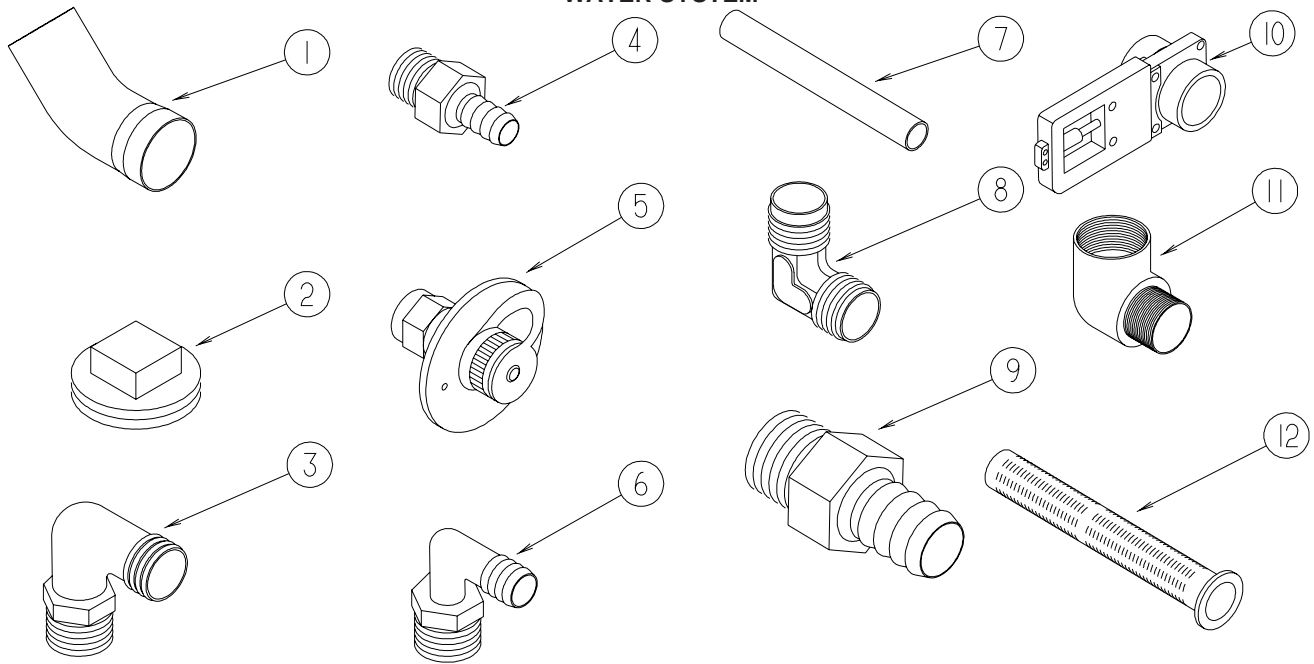


147421-01-01A, 147421-02-01A

KEY	PART NUMBER	U/M	DESCRIPTION	VENDOR NO.
1	147421-01-700	EA	SEAT & COVER ASSEMBLY(WHT)	31703
2	147421-01-701	EA	WATER MODULE ASSEMBLY	31705
3	147421-01-702	EA	NOZZLE ASSEMBLY	31706
4	147421-01-703	EA	LINK - WATER MODULE	31621
5	147421-01-704	EA	PEDAL - WHITE	31709
6	147421-01-705	EA	FOOT CABLE	31711
7	063740-01-706	EA	BOLT PACKAGE-FLOOR FLANGE	12524 THETFORD
8	132389-01-708	EA	HAND SPRAY KIT	19289
	147421-01-706	EA	SEAL - BLADE	31708
	147421-01-707	EA	CAP (UNIVERSAL BOLT) - WHITE	31713

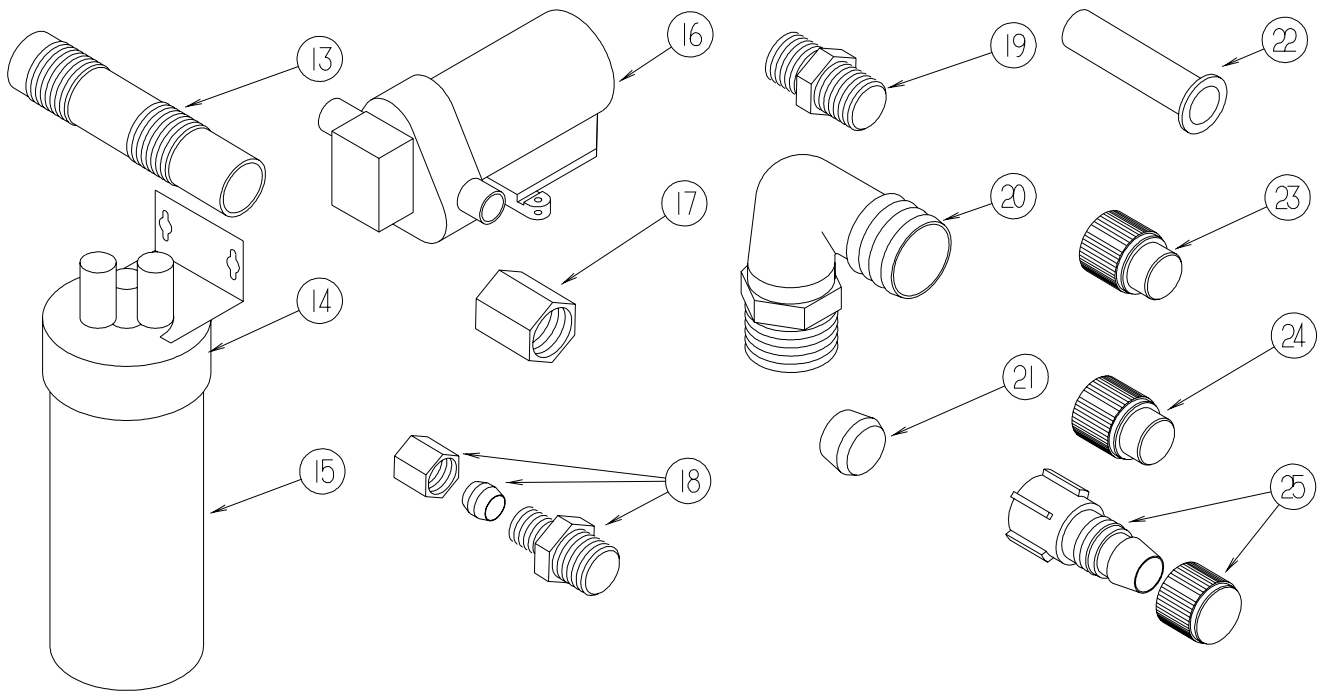
WATER & SEWAGE GROUP (CONTINUED)

WATER SYSTEM



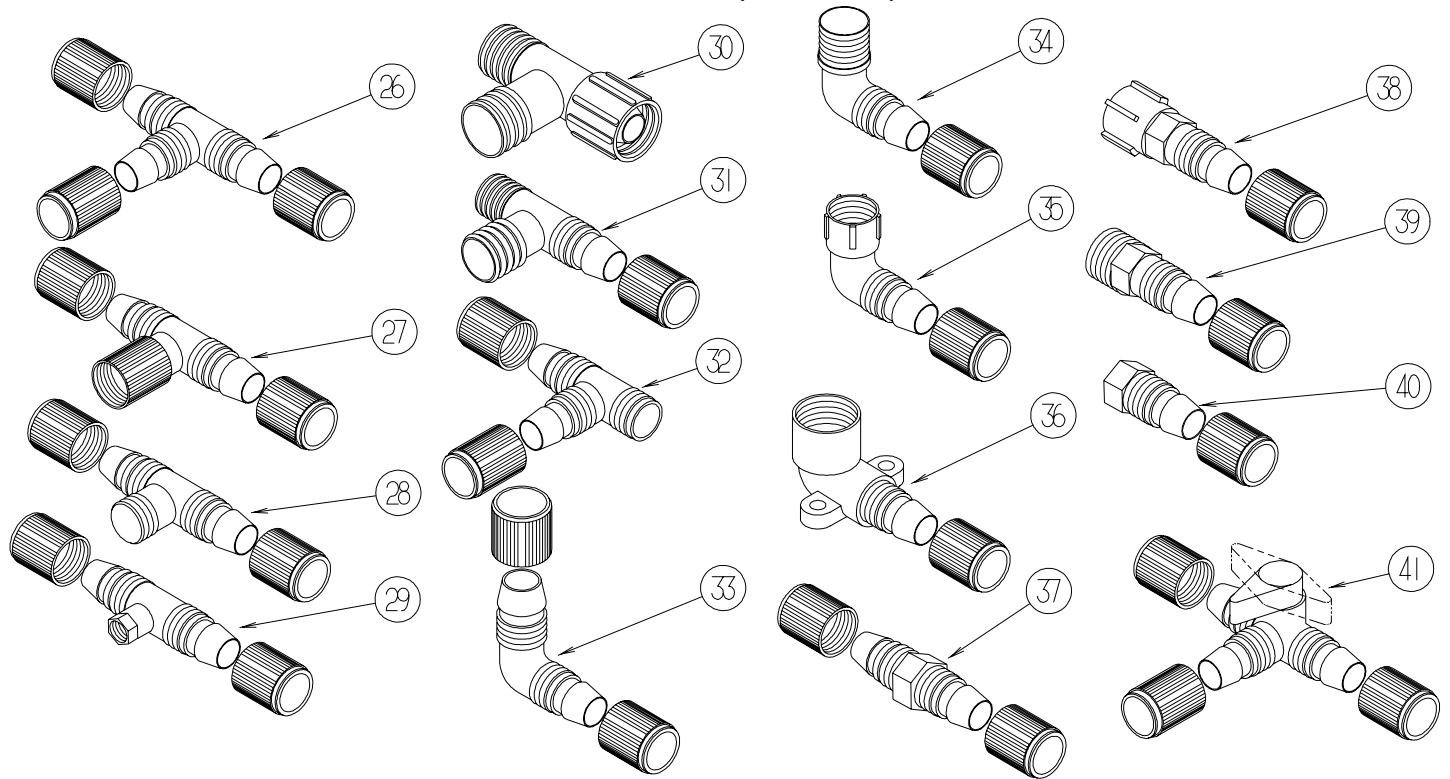
KEY	PART NUMBER	U/M	DESCRIPTION
1	010009-01-000	EA	ELBOW - 90 DEGREE - 1/4 BEND - 1 1/2" PLASTIC
2	010166-01-000	EA	PLUG/THREADED - 1 1/4"MPT - PLASTIC - BLACK - UL
3	010219-01-000	EA	ELBOW - 1 1/4 MPT X 1 1/4 BARB - WATER FILL - PLASTIC
4	010224-01-000	EA	ADAPTER - HOSE TO PIPE - 3/8 MPT X 3/8 BARB - PLASTIC
5	010230-06-000	EA	FILL - CITY WATER - W/CHECK VALVE - MPT - BRUSHED ALUM
6	035539-01-000	EA	ELBOW - 3/8 MPT X 3/8 BARB - PLASTIC
7	039800-04-000	FT	TUBING - POLYBUTYL - 1/4"OD
7	074462-02-000	FT	TUBING - VINYL - 3/8 ID X 20' - CLEAR
7	112176-01-000	FT	TUBING - VINYL - REINFORCED - 1/2" ID
7	124188-01-000	FT	TUBING - PEX - 1/2" ID X 20' - BLUE(COLD)
7	124188-02-000	FT	TUBING - PEX - 1/2" ID X 20' - RED(HOT)
8	039808-03-000	EA	ELBOW - 1/2" MPT X 1/2" MPT - PLASTIC
9	044927-01-000	EA	ADAPTER - HOSE TO PIPE-1 1/4 MPTX1 1/4 BARB-BLACK PLASTIC
10	062421-03-000	EA	VALVE/DUMP W/O HANDLE - 1 1/2" X 1 1/2" HUB
	062421-05-000	EA	CABLE/ROD - F/DUMP VALVE - W/HANDLE - 48"
11	065318-02-000	EA	ELBOW - 90 DEGREE - 3/8" MPT TO 3/8" FPT
12	077954-02-000	EA	FILTER - WATER TANK - W/SCREEN IN TANK

WATER & SEWAGE GROUP (CONTINUED)
WATER SYSTEM (CONTINUED)



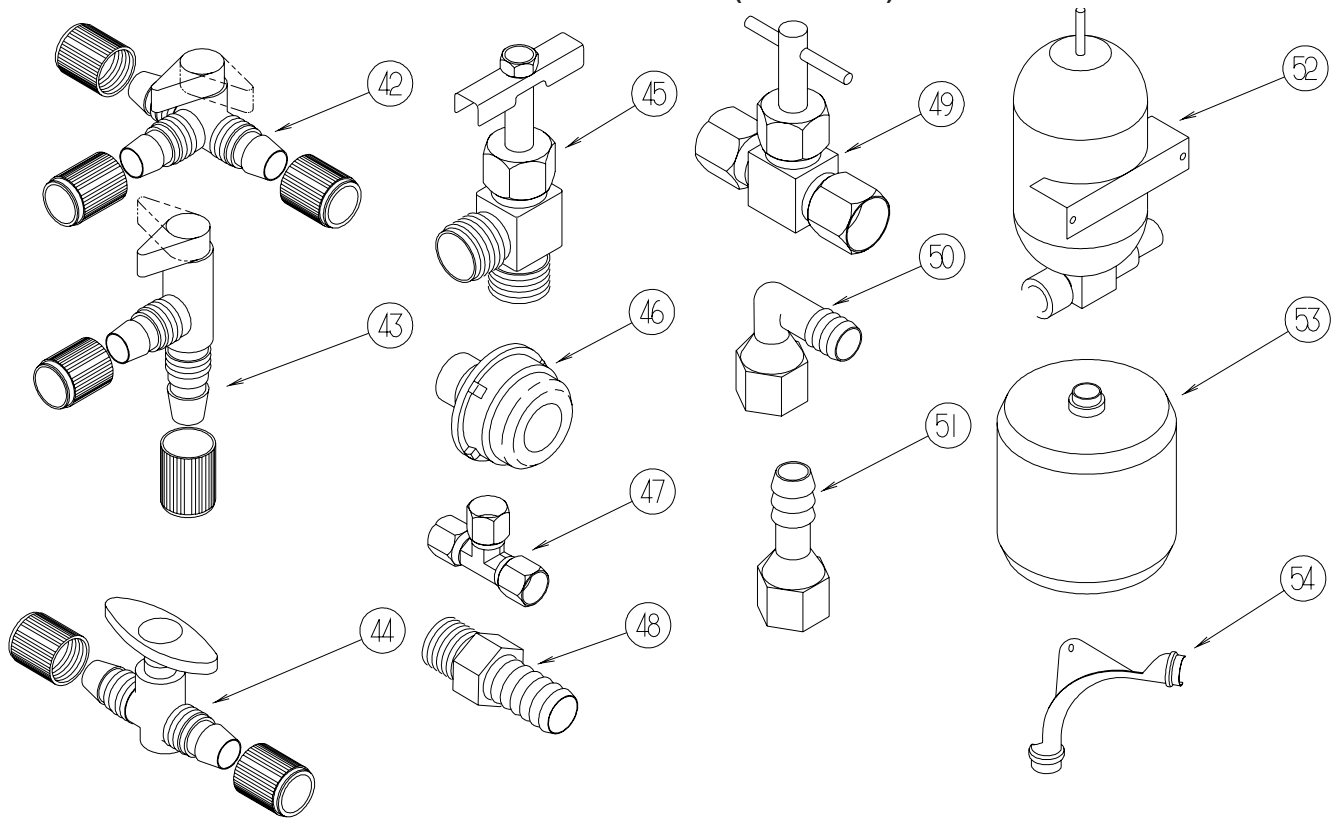
KEY	PART NUMBER	U/M	DESCRIPTION
13	079381-01-000	FT	TUBING - RIBBED FLEXIBLE - WATER FILL - 1.4" ID
14	087200-01-000	EA	FILTER-WATER PURIFICATION, EVERPURE QC2-AC
15	087200-02-000	EA	CARTRIDGE-WATER FILTER,AC - EVERPURE 9601-11
16*	098607-01-000	EA	PUMP - WATER - W/.5" MPT FITTING - FLOW 2.8 GPM
17	101814-01-000	EA	COUPLING - FEMALE - 1/2" X 1/2" FPT - GRAY
18	103798-01-000	EA	CONNECTOR - 1/4 OD X 3/8 MPT
19	110438-02-000	EA	VALVE - CHECK - BRASS - 1/2 MPT X 1/2 MPT
20	111223-02-000	EA	ELBOW - 1/2" MPT X 3/8" BARB - PLASTIC
20	111223-03-000	EA	ELBOW - 3/4" MPT X 1/2" BARB - PLASTIC
20	111223-04-000	EA	ELBOW - 1/2" MPT X 1/2" BARB - PLASTIC
21	111888-01-000	EA	FERRULE - PLASTIC - .250 ID X .375 OD
22	111888-02-000	EA	INSERT - BRASS - 1/4 COMP
23	113697-01-000	EA	CAP - 3/8"P
24	114427-01-000	EA	CAP - 1/2"P
25	114427-02-000	EA	PLUG - W/COMP NUT - 1/2" PLASTIC PIPE/1/2" FLAIR-IT

WATER & SEWAGE GROUP (CONTINUED)
WATER SYSTEM (CONTINUED)



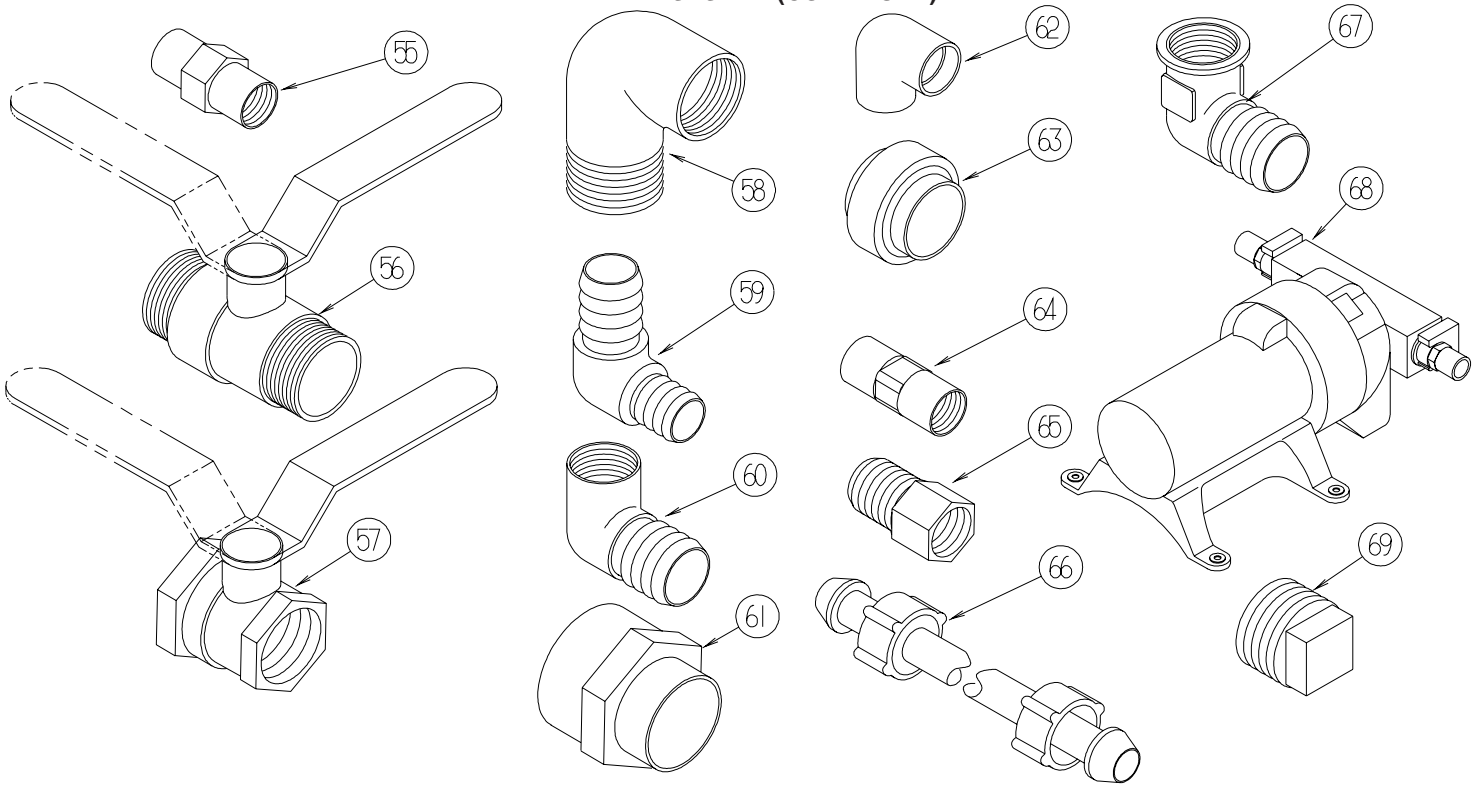
KEY	PART NUMBER	U/M	DESCRIPTION
	039798-01-000	EA	TEE - 1/2"MPT X 1/2"MPT X 1/2"MPT - PLASTIC
26	114428-01-000	EA	TEE - 1/2"P X 1/2"P X 1/2"P
27	114428-02-000	EA	TEE - SWIVEL - 1/2"P X 1/2"P X 1/2"FPT
28	114428-03-000	EA	TEE - 1/2"P X 1/2"P X 1/2"MPT
29	114428-04-000	EA	TEE - 1/2"P X 1/2"P X 1/8"FPT
30	114428-05-000	EA	TEE - 1/2" SWIVEL X 1/2" MPT X 1/2" MPT
31	114428-06-000	EA	TEE - 1/2" P X 1/2" MPT X 1/2" MPT
32	114428-07-000	EA	TEE - 1/2" P X 1/2" MPT X 1/2" P
33	114429-01-000	EA	ELBOW - 1/2"P X 1/2"P
34	114429-02-000	EA	ELBOW - 1/2"P X 1/2"MPT
34	114429-04-000	EA	ELBOW - 1/2"P X 3/8"MPT
34	114429-05-000	EA	ELBOW - 1/2"P X 3/4"MPT
34	114429-10-000	EA	ELBOW - SWIVEL - 1/2"MPT X 1/2"FPT
35	114429-03-000	EA	ELBOW - SWIVEL - 1/2"P X 1/2"FPT
35	114429-06-000	EA	ELBOW - SWIVEL - 1/2"P X 3/4"FPT
35	114429-08-000	EA	ELBOW - SWIVEL - 1/2"P X 1/2"FPT
35	114429-11-000	EA	ELBOW - 1/2"P X 1/2"FPT
36	114429-09-000	EA	ELBOW - 1/2"P X 1/2"FPT DROP EAR
37	114430-01-000	EA	ADAPTER - 1/2"P X 1/2"P
38	114430-02-000	EA	ADAPTER - SWIVEL - 1/2"P X 1/2"FPT
38	114430-04-000	EA	ADAPTER - SWIVEL - 1/2"P X 3/8"MPT
39	114430-03-000	EA	ADAPTER - 1/2"P X 1/2"MPT
40	114430-06-000	EA	ADAPTER - 1/2"P X 3/8"FPT
40	114430-09-000	EA	ADAPTER - 1/2"P X 1/2"FPT
41	114431-01-000	EA	VALVE - 180 DEGREE/CENTER DRAIN - 1/2"P - THREE WAY

WATER & SEWAGE GROUP (CONTINUED)
WATER SYSTEM (CONTINUED)



KEY	PART NUMBER	U/M	DESCRIPTION
42	114431-02-000	EA	VALVE - WATER BYPASS - 1/2"P - THREE WAY (WATER HEATER)
43	114431-03-000	EA	VALVE - 90 DEGREE DRAIN - 1/2"P
44	114431-04-000	EA	VALVE - "INLINE SHUT-OFF" - 1/2"P
45	114431-05-000	EA	VALVE - NEEDLE - 1/8" MPT X 1/4" COMPRESSION (ICE MAKER)
46	114966-01-000	EA	FILTER - IN LINE - TWIST ON - 1/2"
47	118423-01-000	EA	FITTING - BRASS-TEE - 1/4C X 1/4C X 1/4C
48	118809-01-000	EA	ADAPTER - 1/2" MPT X 3/8" BARB - PLASTIC
48	118809-02-000	EA	ADAPTER - 1/2" MPT X 1/2" BARB - PLASTIC
49	120868-01-000	EA	VALVE - NEEDLE - 1/4" COMPRESSION X 1/4" COMPRESSION
50	123150-01-000	EA	ELBOW - 1/2 FPT X 1/2 BARB - SWIVEL
51	123152-01-000	EA	ADAPTER - 1/2 FPT X 1/2 BARB - SWIVEL
52	123243-01-000	EA	TANK - ACCUMULATOR - 24 OZ
53	123317-01-000	EA	TANK - ACCUMULATOR - 2 GALLON
54	124184-01-000	EA	SUPPORT - WATER LINE - BEND

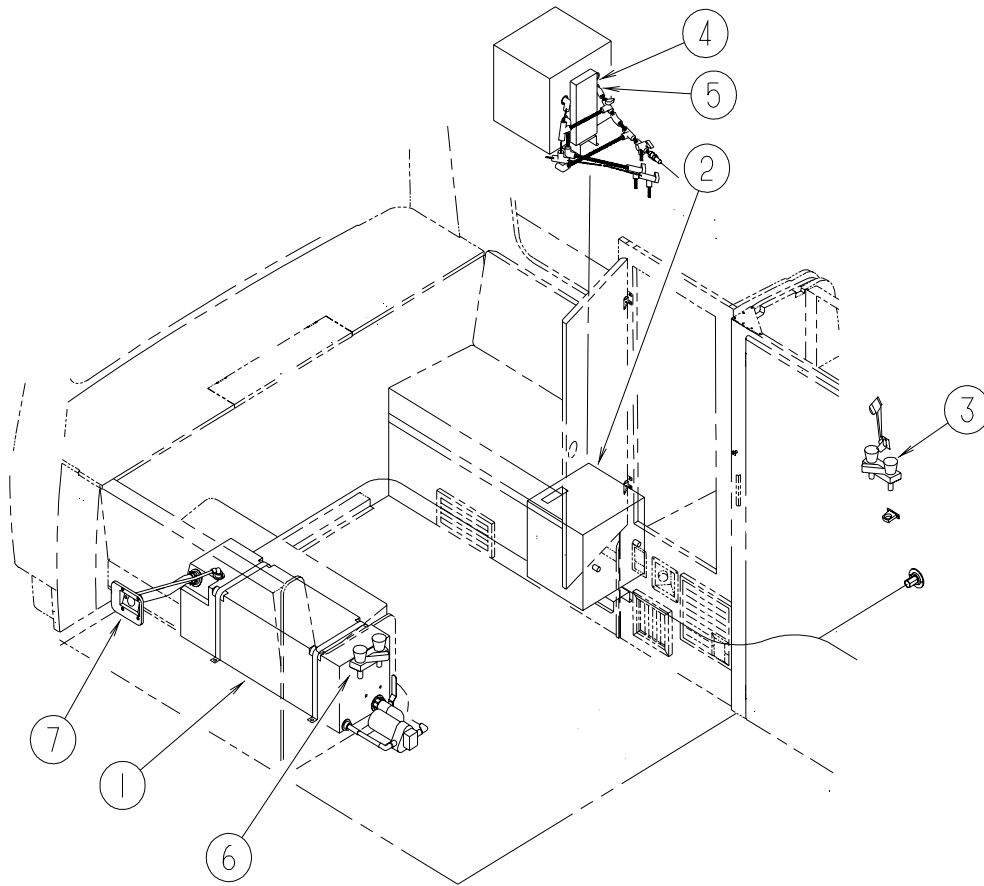
WATER & SEWAGE GROUP (CONTINUED)
WATER SYSTEM (CONTINUED)



KEY	PART NUMBER	U/M	DESCRIPTION
55	132148-01-000	EA	CONNECTOR - 1/2" X 1/2"MPT - BRASS
56	132483-01-000	EA	VALVE/BALL - 1" - THREADED ENDS
57	132483-02-000	EA	VALVE/BALL - 1/2" - BRASS - FPT
58	132484-01-000	EA	ELBOW - 90 DEGREE - 1MPT X 1FPT - PLASTIC
59	132781-01-000	EA	ELBOW - 1.3" BARB X 1.3" BARB - 90 DEGREE - PLASTIC
60	132782-01-000	EA	ELBOW - 1"FPT X 1.3" BARB - 90 DEGREE - PLASTIC
61	133835-01-000	EA	ADAPTER - REDUCING - 1 1/2" X 1 1/4"
62	133837-01-000	EA	ELBOW - 1 1/2" X 90 DEGREE - DOUBLE SLIP
63	133889-01-000	EA	UNION - 1 1/2" DOUBLE SLIP - PVC
64	135386-01-000	EA	NIPPLE - 1/2"
65	136333-01-000	EA	ADAPTER - BRASS - 1/2"MPT X 1/2"FPT
66	140821-01-000	EA	TUBE - WATER SUPPLY - 3/8" X 24"
66	140821-02-000	EA	TUBE - WATER SUPPLY - 3/8" X 30"
66	140821-03-000	EA	TUBE - WATER SUPPLY - 3/8" X 36"
66	140821-04-000	EA	TUBE - WATER SUPPLY - 3/8" X 48"
66	140821-05-000	EA	TUBE - WATER SUPPLY - 3/8" X 54"
66	140821-06-000	EA	TUBE - WATER SUPPLY - 3/8" X 60"
66	140821-07-000	EA	TUBE - WATER SUPPLY - 3/8" X 72"
67	142812-01-000	EA	ELBOW - BRASS - 1/2"MPT X 1/2"FPT
68*	144215-01-000	EA	PUMP - WATER - 5.7 GPM - W/1/2" MPT
*	144215-02-000	EA	STRAINER - WATER PUMP
69	145609-01-000	EA	PLUG - BRASS - 1/2" MPT/HEX HEAD

***COMPONENT PARTS LISTED LATER IN THIS GROUP**

WATER & SEWAGE GROUP (CONTINUED)
WATER SYSTEM (CONTINUED)



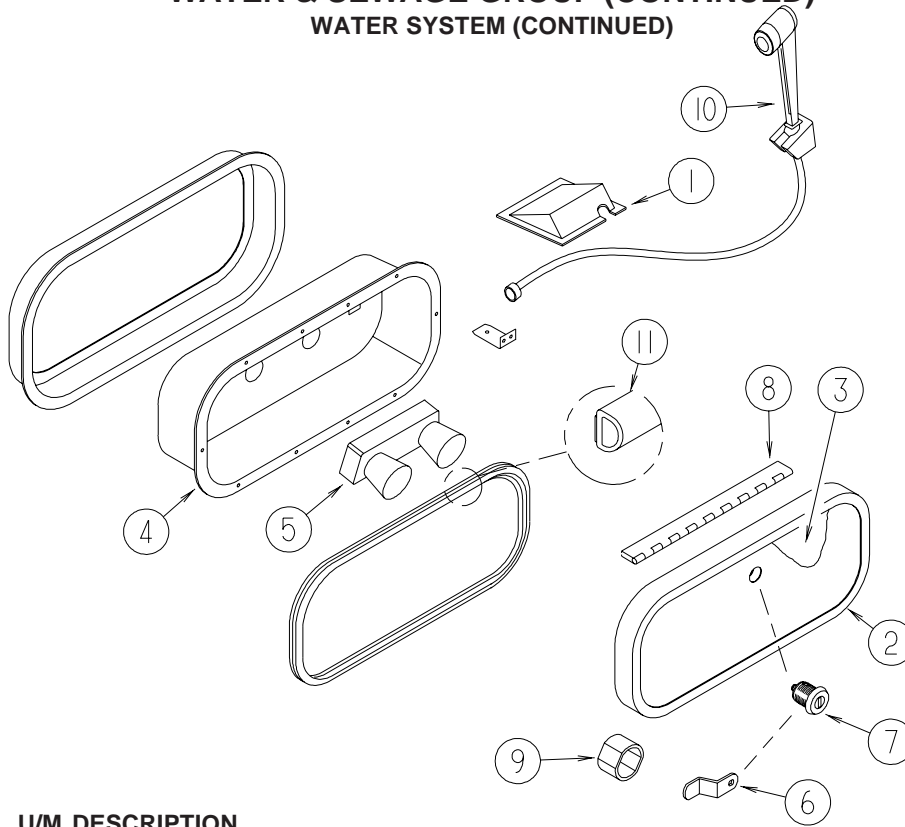
KEY	PART NUMBER	U/M	DESCRIPTION
1	074510-09-000	EA	TANK/WATER - 16 GALLON W/FITTINGS - 33.5" X 11.4" X 10.6"
	074510-01-000	EA	TANK/WATER - 16 GALLON W/O FITTINGS- 33.5" X 11.4" X 10.6"
	049032-01-000	EA	PATCH - SPINWELD - 3/8" - PLASTIC
	042989-03-000	EA	FITTING - SPINWELD - 1 1/4"NPT - PLASTIC
	042989-04-000	EA	FITTING - SPINWELD - 3/8"FPT - PLASTIC
	042989-05-000	EA	FITTING - SPINWELD - 1/2"FPT - PLASTIC
	042989-08-000	EA	FITTING - SPINWELD - 1"FPT - PLASTIC
	049032-01-000	EA	PATCH - SPINWELD - 3/8" - PLASTIC
2*	113122-01-000	EA	WATER HEATER - EHM4 (ELECTRICAL/MOTOR AID) - 4 GAL
3	115000-01-02A	EA	FAUCET - LAVATORY/SHOWER - WHITE/CLEAR HANDLES
4	090338-03-000	EA	FITTING - HOSE - 3/4"ID - 2" LENGTH - BRASS
5	007108-02-000	FT	HOSE - HEATER - 3/4" ID - HI-TEMP
6*	140117-01-01A	EA	FAUCET - GALLEY - DUAL LEVERS - CHROME/CLEAR HANDLES
7	137169-01-02A	EA	WATER FILL/GRAVITY - W/DOOR - W/O LOCK - VW WHITE
	131081-04-P90	EA	DOOR - WATER FILL - W/LOCK & CAM
			FROM: 00-00-00 THRU: 01-19-03
	131081-05-P90	EA	DOOR - WATER FILL - W/LOCK & CAM
			FROM: 01-20-03 THRU: 99-99-99
	137169-02-01A	EA	ADAPTER/LOCK - (WASHER) F/GRAVITY WATERFILL
			FROM: 01-20-03 THRU: 99-99-99
	138637-03-000	EA	LOCK ASM. - KEYED - .9" CASE (CYLINDER/CAM/HDWR PKG)
	138637-52-000	EA	CASE/CYLINDER - LOCKING - W/O CAM/KEY - .9"
	138637-52-001	EA	CASE/CYLINDER - LOCKING - W/O CAM/KEY - .9"
	138637-52-002	EA	CASE/CYLINDER - LOCKING - W/O CAM/KEY - .9"
	138637-52-003	EA	CASE/CYLINDER - LOCKING - W/O CAM/KEY - .9"
	138637-52-004	EA	CASE/CYLINDER - LOCKING - W/O CAM/KEY - .9"
	138637-52-005	EA	CASE/CYLINDER - LOCKING - W/O CAM/KEY - .9"
	138637-52-006	EA	CASE/CYLINDER - LOCKING - W/O CAM/KEY - .9"
	138637-52-007	EA	CASE/CYLINDER - LOCKING - W/O CAM/KEY - .9"
	138637-52-008	EA	CASE/CYLINDER - LOCKING - W/O CAM/KEY - .9"
	138637-52-009	EA	CASE/CYLINDER - LOCKING - W/O CAM/KEY - .9"
	138637-62-000	EA	CAM - LATCHING - DOG LEG - 1" LONG

WATER & SEWAGE GROUP (CONTINUED)
WATER SYSTEM (CONTINUED)

KEY	PART NUMBER	U/M	DESCRIPTION
	138637-51-000	EA	KEYS - SET OF TWO
	138637-51-001	EA	KEYS - SET OF TWO
	138637-51-002	EA	KEYS - SET OF TWO
	138637-51-003	EA	KEYS - SET OF TWO
	138637-51-004	EA	KEYS - SET OF TWO
	138637-51-005	EA	KEYS - SET OF TWO
	138637-51-006	EA	KEYS - SET OF TWO
	138637-51-007	EA	KEYS - SET OF TWO
	138637-51-008	EA	KEYS - SET OF TWO
	138637-51-009	EA	KEYS - SET OF TWO

***COMPONENT PARTS LISTED LATER IN THIS GROUP**

WATER & SEWAGE GROUP (CONTINUED)
WATER SYSTEM (CONTINUED)



KEY	PART NUMBER	U/M	DESCRIPTION
1	054250-05-000	EA	SUPPORT-DIMMER SWITCH, O/W
	054250-04-000	EA	COVER/ANGLED - W/O HOLE 3.6" X 4.5" - PLASTIC
2	126945-06-M91	EA	DOOR/STORAGE - W/O HARDWARE - 18.3" X 9.3"
3	121577-04-01A	EA	PLATE - EXTERIOR SHOWER - BRIGHT WHITE
4	121473-01-01A	EA	COMPARTMENT - SHOWER - EXTERIOR
5*	075241-06-000	EA	FAUCET - SHOWER/BRIGHT WHITE - 1/2"MPT X 1.9" INLET PIPES
6	138637-63-000	EA	CAM - LATCHING
7	144474-01-000	EA	ADAPTER - LOCK - 180 DEGREE
	138637-53-000	EA	CASE/CYLINDER - LOCKING - W/O CAM/KEY - 1.5"
	138637-53-001	EA	CASE/CYLINDER - LOCKING - W/O CAM/KEY - 1.5"
	138637-53-002	EA	CASE/CYLINDER - LOCKING - W/O CAM/KEY - 1.5"
	138637-53-003	EA	CASE/CYLINDER - LOCKING - W/O CAM/KEY - 1.5"
	138637-53-004	EA	CASE/CYLINDER - LOCKING - W/O CAM/KEY - 1.5"
	138637-53-005	EA	CASE/CYLINDER - LOCKING - W/O CAM/KEY - 1.5"
	138637-53-006	EA	CASE/CYLINDER - LOCKING - W/O CAM/KEY - 1.5"
	138637-53-007	EA	CASE/CYLINDER - LOCKING - W/O CAM/KEY - 1.5"
	138637-53-008	EA	CASE/CYLINDER - LOCKING - W/O CAM/KEY - 1.5"
	138637-53-009	EA	CASE/CYLINDER - LOCKING - W/O CAM/KEY - 1.5"
	138637-51-000	EA	KEYS - SET OF TWO
	138637-51-001	EA	KEYS - SET OF TWO
	138637-51-002	EA	KEYS - SET OF TWO
	138637-51-003	EA	KEYS - SET OF TWO
	138637-51-004	EA	KEYS - SET OF TWO
	138637-51-005	EA	KEYS - SET OF TWO
	138637-51-006	EA	KEYS - SET OF TWO
	138637-51-007	EA	KEYS - SET OF TWO
	138637-51-008	EA	KEYS - SET OF TWO
	138637-51-009	EA	KEYS - SET OF TWO
8	081801-AF-000	EA	HINGE - ALUMINUM - 2" X 12.2" - VW WHITE
9	107997-51-001	EA	SPACER - DOOR LOCK - .6" DEEP
			FROM: 00-00-00 THRU: 01-19-03
9	144734-01-000	EA	SPACER - LOCK
			FROM: 01-20-03 THRU: 99-99-99
10	131383-01-02A	EA	SHOWER HEAD - W/60" HOSE & BRACKET - WHITE
11	112160-02-000	FT	SEAL - D SECTION - .2 X .3" - FOAM RUBBER

*COMPONENT PARTS LISTED LATER IN THIS GROUP

WATER & SEWAGE GROUP (CONTINUED)

COMPONENT PARTS FOR WATER SYSTEM

075241-04-000, 075241-05-000, 075241-06-000

KEY	PART NUMBER	U/M DESCRIPTION	VENDOR NO.
	075240-05-700	EA CARTRIDGE - WASHERLESS	9-P42

098607-01-000

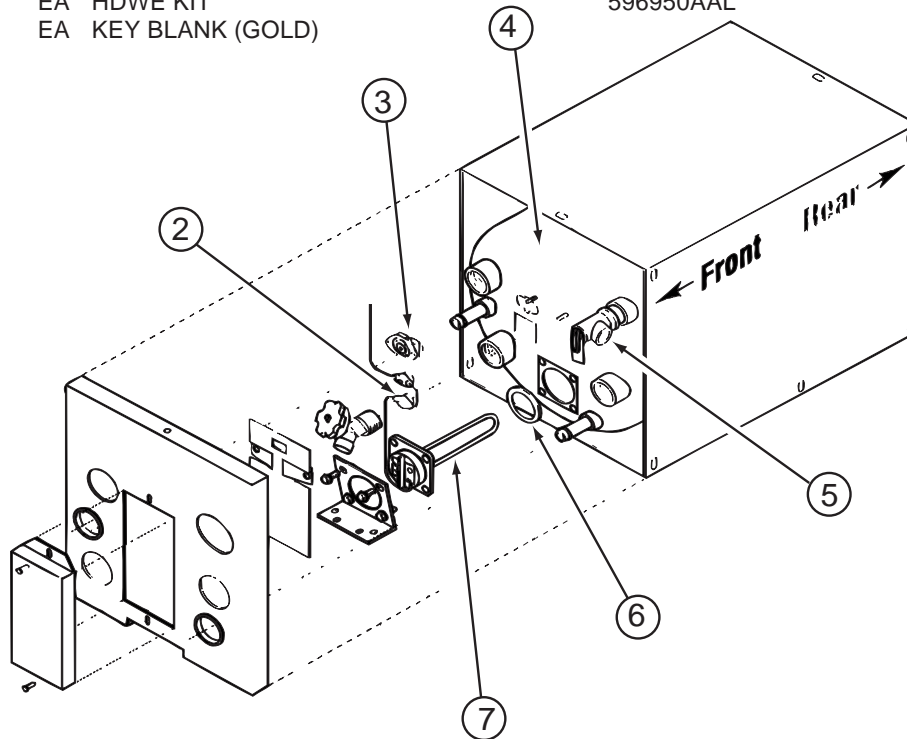
KEY	PART NUMBER	U/M DESCRIPTION	VENDOR NO.
	098607-01-702	EA DIAPHRAGM/DRIVE ASSEMBLY KIT	94-238-04
	098607-01-703	EA VALVE KIT	94-232-00
	098607-01-705	EA VALVE-CHECK, KIT	94-237-00
	098607-01-706	EA HOUSING, W/SWITCH ONLY	94-231-20
	098607-01-707	EA MOTOR W/BASEPLATE	11-148-04

110506-A1-000, 110506-A2-000, 110506-26-000, 110506-27-000

KEY	PART NUMBER	U/M DESCRIPTION	VENDOR NO.
	110506-40-700	EA HARDWARE PACKAGE-CYLINDER/CASE	596950AAL

110506-59-000 - 110506-59-009

KEY	PART NUMBER	U/M DESCRIPTION	VENDOR NO.
	110506-40-700	EA HDWE KIT	596950AAL
	110506-59-701	EA KEY BLANK (GOLD)	



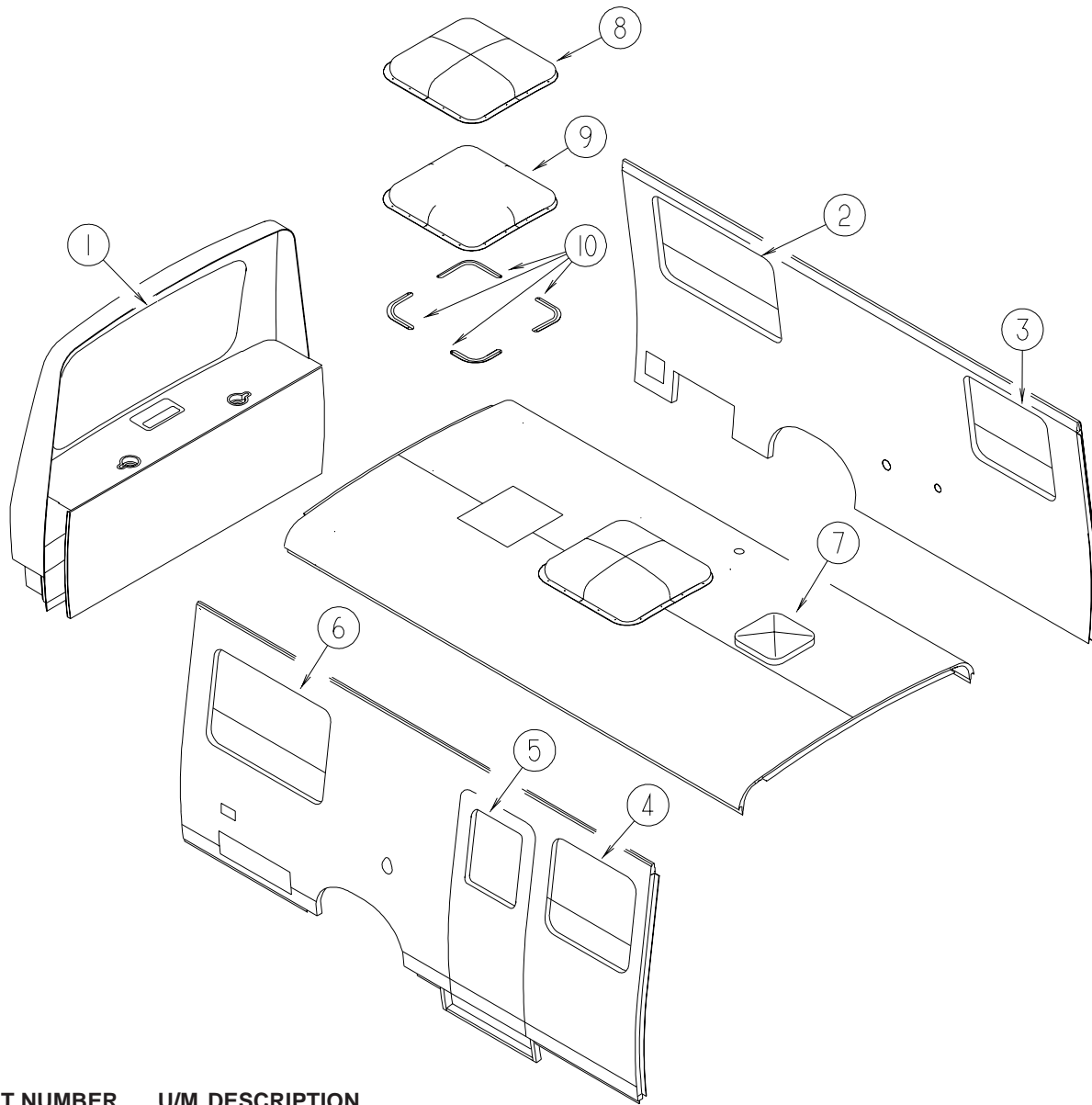
113122-01-000

KEY	PART NUMBER	U/M DESCRIPTION	VENDOR NO.
3	074034-01-700	EA THERMOSTAT/ECO SW-HI(OUTPUT)	90037
4	113122-01-700	EA TANK-INNER, EHM4-SM	92248
5	051391-01-704	EA VALVE-RELIEF, 1/2" FITTING	91604
6	074034-01-703	EA GASKET (110V)	92679
7	074034-01-702	EA HEATING ELEMENT/GASKET 110 V	91580 BOLT/SCREW ON

CONTACT WINNEBAGO PART SALES FOR UNLISTED COMPONENTS

WINDOW & VENTS GROUP

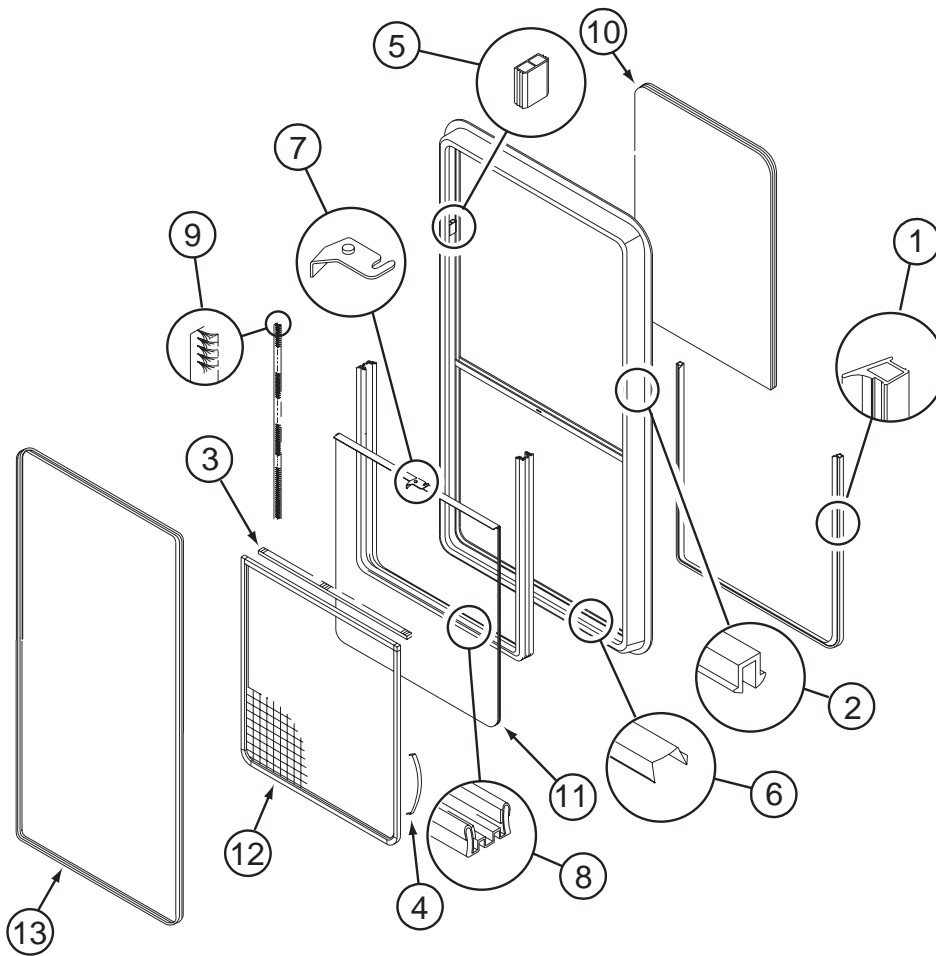
WINDOW & VENT LAYOUT



KEY	PART NUMBER	U/M	DESCRIPTION
1	084423-03-000	EA	WEATHERSTRIP - VULCANIZED - 1/2" W/LIP X 14'- BLACK RUBBER
1	084886-05-000	EA	WINDOW - REAR ESCAPE W/DEFROSTER - 58.6" X 29"
1	002285-01-000	FT	FILLER - WEATHERSTRIP - RUBBER - BLACK
2*	104691-17-02A	EA	WINDOW - DOUBLE TIPOUT - TINTED - 36.2" X 24.5"
3*	104691-07-02A	EA	WINDOW - SINGLE TIPOUT - TINTED - 27" X 25" - BLACK TRIM
4*	098644-10-02A	EA	WINDOW - VERTICAL SLIDER W/TRIM - TINTED - 25" X 27"
5	117053-01-F45	EA	WINDOW - PICTURE - 60% TINTING - 17.1" X 24.8"
5	114507-02-01A	EA	FRAME - WINDOW/INSIDE
5	002181-28-000	EA	GLASS - PICTURE WINDOW - 24"W X 16.3"H
5	087561-01-000	FT	SEAL - GLASS - EXTERIOR - .5" WIDE - VINYL BLACK
6*	104691-17-02A	EA	WINDOW - DOUBLE TIPOUT - TINTED - 36.2" X 24.5"
7*	122882-02-01A	EA	VENT - ROOF - W/FAN - W/O INSIDE GARNISH - UL
7*	122882-03-01A	EA	VENT - ROOF - W/FAN - W/O INSIDE GARNISH - CANADIAN
	122882-06-01A	EA	GARNISH - ROOF VENT - 1" TO 2.5"
7*	123780-01-01A	EA	FANTASTIC VENT - 1" ROOF - W/FAN - W/O THERMOSTAT/PWR LIFT - VENT-POWER VENTILATOR
	009440-01-000	EA	GEAR/ARM - LIFT - ROOF VENT COVER
8	114496-03-02A	EA	PANEL - OUTER SKYLIGHT - 30.2" X 31.6"
9	114495-02-02A	EA	PANEL - INNER SKYLIGHT - 28.6" X 30"
10	138372-01-02B	EA	TRIM - CORNER - SKYLIGHT - E-COATED

*COMPONENT PARTS LISTED LATER IN THIS GROUP

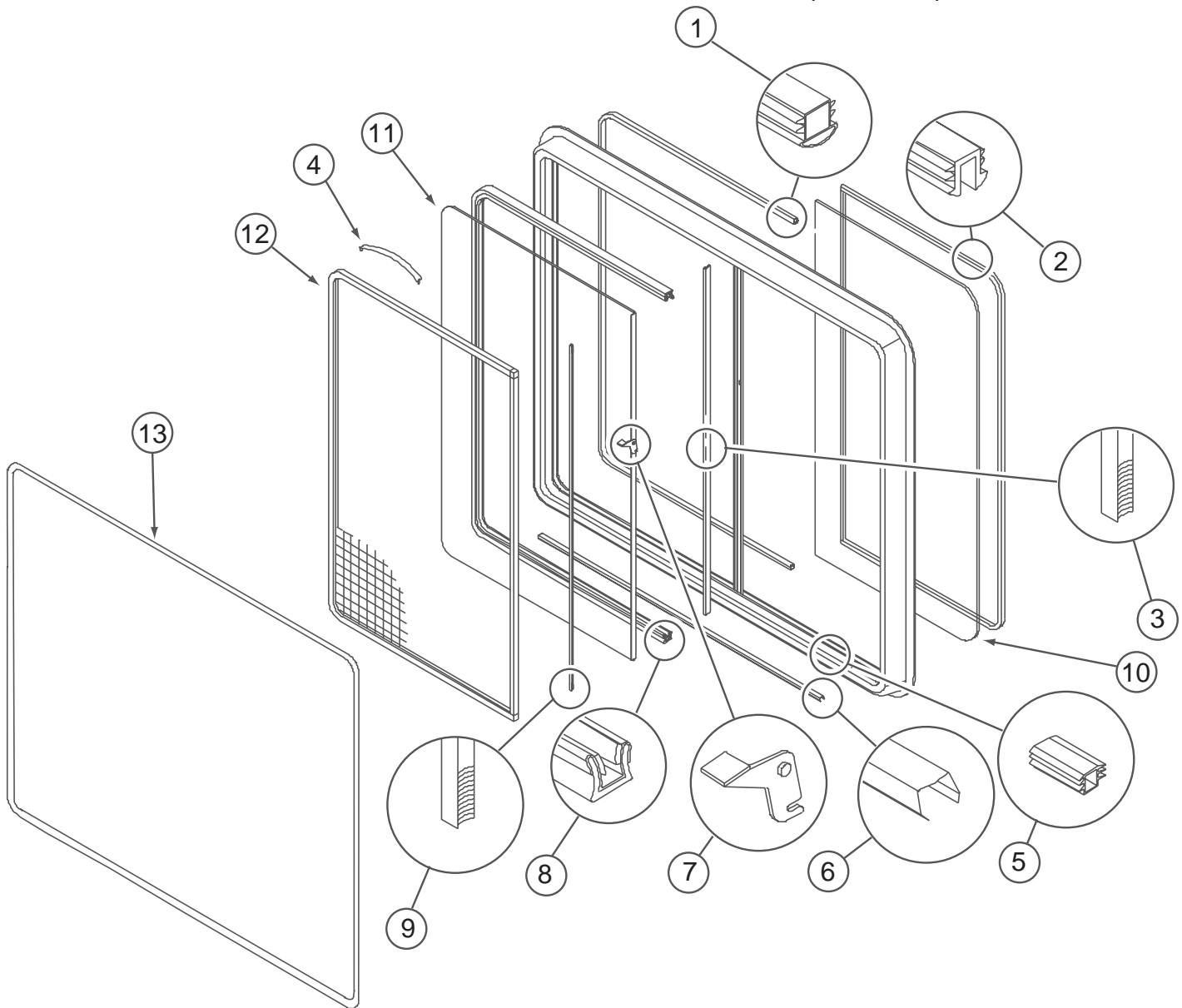
WINDOW & VENTS GROUP (CONTINUED)
COMPONENT PARTS FOR WINDOWS & VENT LAYOUT



098644-10-02A

KEY	PART NUMBER	U/M	DESCRIPTION	VENDOR NO.
1	098644-01-716	FT	PLUG - FILLER	132-014470
2	098644-01-705	FT	GLAZING - STRIP	132-010231
3	098644-01-706	FT	WEATHERSTRIP - GLASS	171-010668
4	098644-01-713	EA	CLIP - SCREEN - METAL	226-016966
4	125582-01-701	EA	CLIP - SCREEN - PLASTIC	130-005153
5	098644-01-719	EA	STOP - SLIDER GLASS	132-014203
6	098644-01-710	FT	TRACK - SCREEN SPACER 12'	132-017135
7	098647-54-701	EA	LATCH - REPAIR KIT (RED)	B081-CK
8	098644-01-708	FT	CHANNEL - RUN PIERCED	122-016543
9	098644-01-711	FT	WEATHERSTRIP - SCREEN BLACK	171-016965
10	098644-10-702	EA	GLASS - STATIONARY	106-025019
11	098644-10-701	EA	GLASS - SLIDING W/SASH/LATCH	H464-G9
12	098644-10-700	EA	SCREEN ASM - W/SEALS & CLIPS	410-019683
13	098644-10-704	EA	RETAINER - TRIM	CH78-66
	098644-01-717	FT	SPLINE - SCREEN	132-004716

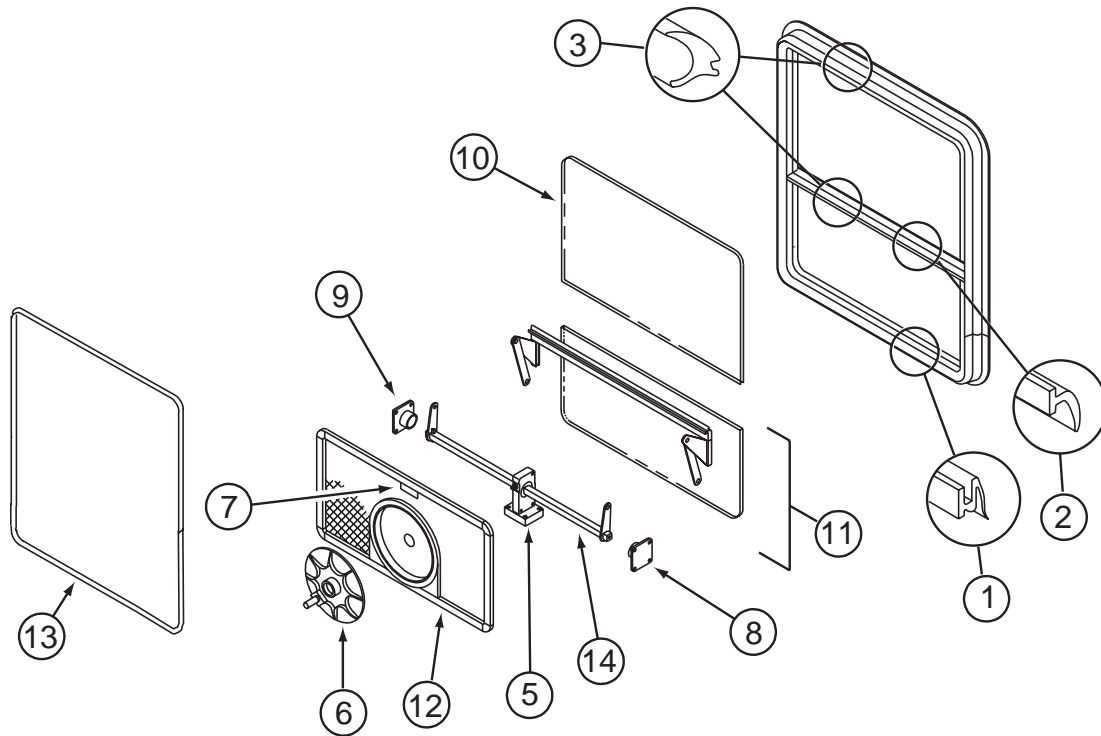
WINDOW & VENTS GROUP (CONTINUED)
COMPONENT PARTS FOR WINDOWS & VENT LAYOUT (CONTINUED)



098647-46-02A

KEY	PART NUMBER	U/M	DESCRIPTION	VENDOR NO.
1	098644-01-716	FT	PLUG - FILLER	132-014470
2	098644-01-705	FT	GLAZING - STRIP	132-010231
3	098644-01-706	FT	WEATHERSTRIP - GLASS	171-010668
4	098644-01-713	EA	CLIP - SCREEN - METAL	226-016966
4	125582-01-701	EA	CLIP - SCREEN - PLASTIC	130-0
5	098644-01-719	EA	STOP - SLIDER GLASS	132-014203
6	098644-01-710	FT	TRACK - SCREEN SPACER 12'	132-017135
7	098647-54-701	EA	LATCH - REPAIR KIT (RED)	B081-CK
8	098644-01-708	FT	CHANNEL - RUN PIERCED	122-016543
9	098644-01-711	FT	WEATHERSTRIP - SCREEN BLACK	171-016965
10	098647-46-700	EA	GLASS - STATIONARY	106-011181
11	098647-46-701	EA	GLASS-SLIDING W/SASH & LATCH	B809-G9
12	098647-46-702	EA	SCREEN ASM - W/SEALS & CLIPS	410-025286
13	098647-46-704	EA	RETAINER - TRIM	H409-66
	098644-01-717	FT	SPLINE - SCREEN	132-004716

WINDOW & VENTS GROUP (CONTINUED)
COMPONENT PARTS FOR WINDOWS & VENT LAYOUT (CONTINUED)



104691-07-02A

KEY	PART NUMBER	U/M	DESCRIPTION	VENDOR NO.
1	116976-01-702	FT	FILLER PLUG	132-016065
2	100322-01-701	FT	SEAL-VENT	122-016071
3	100322-01-702	EA	WEATHERSTRIP-HORIZ RAIL-148"	132-019631
	100322-01-703	FT	VINYL-GLAZING, BUTYL	132-010723
5	112519-01-702	EA	OPERATOR-VENT-CENTER SUPPORT	410-016123
6	100322-01-718	EA	HANDLE-DIAL	410-016081
7	112519-01-706	EA	CLIP-SCREEN	CH21-50
8	100322-01-714	EA	SUPPORT-TORQUE BAR, LH	130-015978
9	100322-01-715	EA	SUPPORT-TORQUE BAR, RH	130-015979
	100322-01-704	FT	TAPE-BUTYL	154-025932
10	104691-07-701	EA	GLASS - STATIONARY	106-018753
11	104691-07-700	EA	GLASS-VENT ASM., TIPOUT LWR	CH78-D9
12	104691-07-702	EA	SCREEN ASM - W/SEALS & CLIPS	410-018755
13	104691-07-704	EA	RETAINER - TRIM	CH78-59
14	104691-15-703	EA	OPERATOR & BAR ASSEMBLY	CH56-15

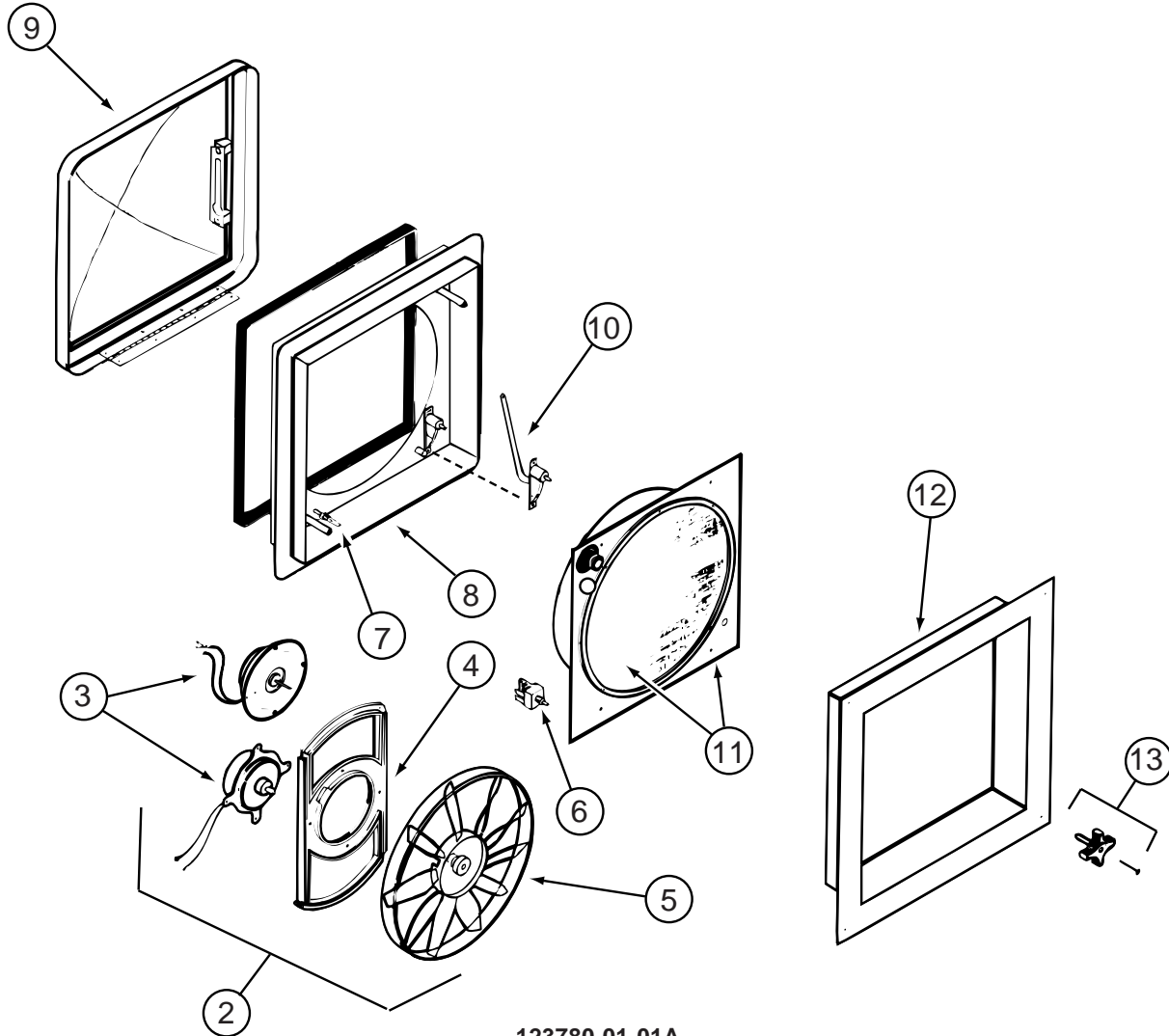
104691-17-02A

KEY	PART NUMBER	U/M	DESCRIPTION	VENDOR NO.
1	116976-01-702	FT	FILLER PLUG	132-016065
2	100322-01-701	FT	SEAL-VENT	122-016071
3	100322-01-702	EA	WEATHERSTRIP-HORIZ RAIL-148"	132-019631
	100322-01-703	FT	VINYL-GLAZING, BUTYL	132-010723
5	112519-01-702	EA	OPERATOR-VENT-CENTER SUPPORT	410-016123
6	100322-01-718	EA	HANDLE-DIAL	410-016081
7	112519-01-706	EA	CLIP-SCREEN	CH21-50
8	100322-01-714	EA	SUPPORT-TORQUE BAR, LH	130-015978
9	100322-01-715	EA	SUPPORT-TORQUE BAR, RH	130-015979
	100322-01-704	FT	TAPE-BUTYL	154-025932
10	104691-17-703	EA	GLASS - STATIONARY	106-025765
11	104691-17-700	EA	GLASS - VENT ASM. - LOWER	CH03-D9
11	104691-17-701	EA	GLASS - VENT ASM. - UPPER	CH03-G7
12	104691-17-702	EA	SCREEN ASM - W/SEALS & CLIPS	410-016019
13	104691-17-704	EA	RETAINER - TRIM	CH03-59
14	104691-17-706	EA	OPERATOR & BAR ASSEMBLY	CH03-15

WINDOW & VENTS GROUP (CONTINUED)
COMPONENT PARTS FOR WINDOWS & VENT LAYOUT (CONTINUED)

122882-02-01A, 122882-03-01A

KEY	PART NUMBER	U/M	DESCRIPTION	VENDOR NO.
	064470-01-700	EA	COVER - VENT - W/O SLIDE BAR	J7291
	009440-01-000	EA	GEAR-ARM-ROOF VENT	705221K38
	048648-01-000	EA	MOTOR-12V NONVENTED 1/8 SFT	
	048649-01-000	EA	FAN-PLAS-6 IN 6 BLADED	
	122882-01-700	EA	HANDLE - CRANK - BLACK	90128
	122882-01-701	EA	SCREEN	JRP-1124-B
	122882-01-702	EA	HANDLE - CRANK - WHITE	JRP1031B
	064470-01-701	EA	SLIDE BAR - VENT LID	JRP1291B
	110051-03-700	EA	SWITCH-BLACK/PUSH BUTTON	27-0164



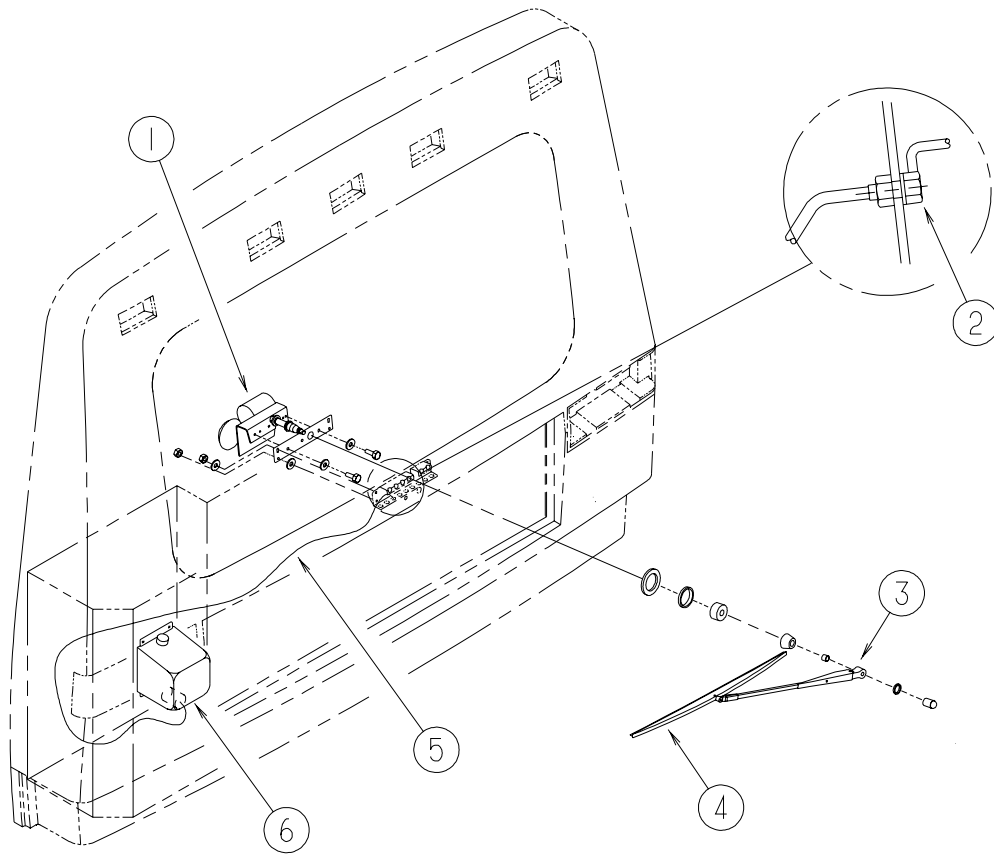
123780-01-01A

KEY	PART NUMBER	U/M	DESCRIPTION	VENDOR NO.
2	084079-11-700	EA	MOTOR & FAN BLADE W/BRACKET	K4017-09
3	084079-01-705	EA	MOTOR/EXT BRKT/FAN BLADE KIT	1080-00
5	084079-01-704	EA	BLADE-FAN	1138-00
6	084079-01-709	EA	SWITCH - MAIN - 3 SPEED	1031-05
7	084079-01-707	EA	SWITCH - SAFETY	1122-05
8	123780-05-700	EA	BASE/MAIN-BRT WHT W/GASKET	1010-81
9	123780-01-700	EA	COVER - VENT W/HINGE & SLIDE	1020K-81
10	009440-01-000	EA	GEAR-ARM-ROOF VENT	705221K38
11	123780-01-703	EA	SCREEN ASM. 15-25MM W/SWITCH	1030BT-81
12	123780-01-701	EA	GARNISH - INT 3/4-1" BRT/WHT	0040-81
13	084079-01-703	EA	KNOB-LIFT, W/EXT.	1140K-00
	123780-01-702	EA	SCREEN INSERT (SCREEN RING)	K1035-81

CONTACT WINNEBAGO PART SALES FOR UNLISTED COMPONENTS

WINDSHIELD & WIPER GROUP

WIPER



KEY	PART NUMBER	U/M	DESCRIPTION
1*	085721-03-000	EA	MOTOR - WIPER - 108 DEGREE - REAR WINDOW
	104346-01-000	EA	WIPER MOTOR- "CHEV CHASSIS"/COAST TO PARK W/GRN & RED WIRE
	112050-01-000	EA	ADAPTER PLATE - WIPER MOTOR/REAR - RIALTA
2	096057-02-000	EA	FITTING - WINDSHIELD WASHER
3*	096931-01-000	EA	ARM - WIPER - 20"
4	097978-01-000	EA	BLADE - WIPER - FLEX 22 INCH
5	045794-01-000	FT	HOSE - WINDSHIELD WASHER - 5/32"ID - BLACK
6	117766-02-000	EA	RESERVOIR/PUMP - WINDSHIELD WASHER

***COMPONENT PARTS LISTED LATER IN THIS GROUP**

WINDSHIELD & WIPER GROUP (CONTINUED)
COMPONENT PARTS FOR WIPER

085721-03-000

KEY	PART NUMBER	U/M	DESCRIPTION	VENDOR NO.
	085721-03-000	EA	MOTOR - WIPER - 108 DEGREE - REAR WINDOW	
	085721-02-700	EA	ARM-DRIVE,F/REAR MTR.108'DEG	6211140LE25WJ
	085721-03-700	EA	PIVOT	62714-40-SH25WJ
	085721-03-701	EA	LINK - CONNECTING	LK721014
	085721-03-702	EA	BRACKET	620570-40-BK25WJ
	104346-01-000	EA	MOTOR-WIPER	63012-20-M012WJ

096931-01-000

KEY	PART NUMBER	U/M	DESCRIPTION	VENDOR NO.
	096931-01-000	EA	ARM - WIPER - 20"	
	096931-01-700	FT	HOSE-WIPER	XTU-66-0001
	096931-01-701	EA	NOZZLE-HARDWARE KIT	
	096931-01-702	EA	NUT	52695-40-NT27WC
	096931-01-703	EA	SCREW-SHORT	52696-40-SC27WC
	096931-01-704	EA	SCREW-LONG	52697-40-SC27WC
	096931-01-705	EA	CAP-PLASTIC	52699-40-CP27WC
	096931-01-706	EA	NOZZLE-SPRAY	52698-40-NZ27WC