

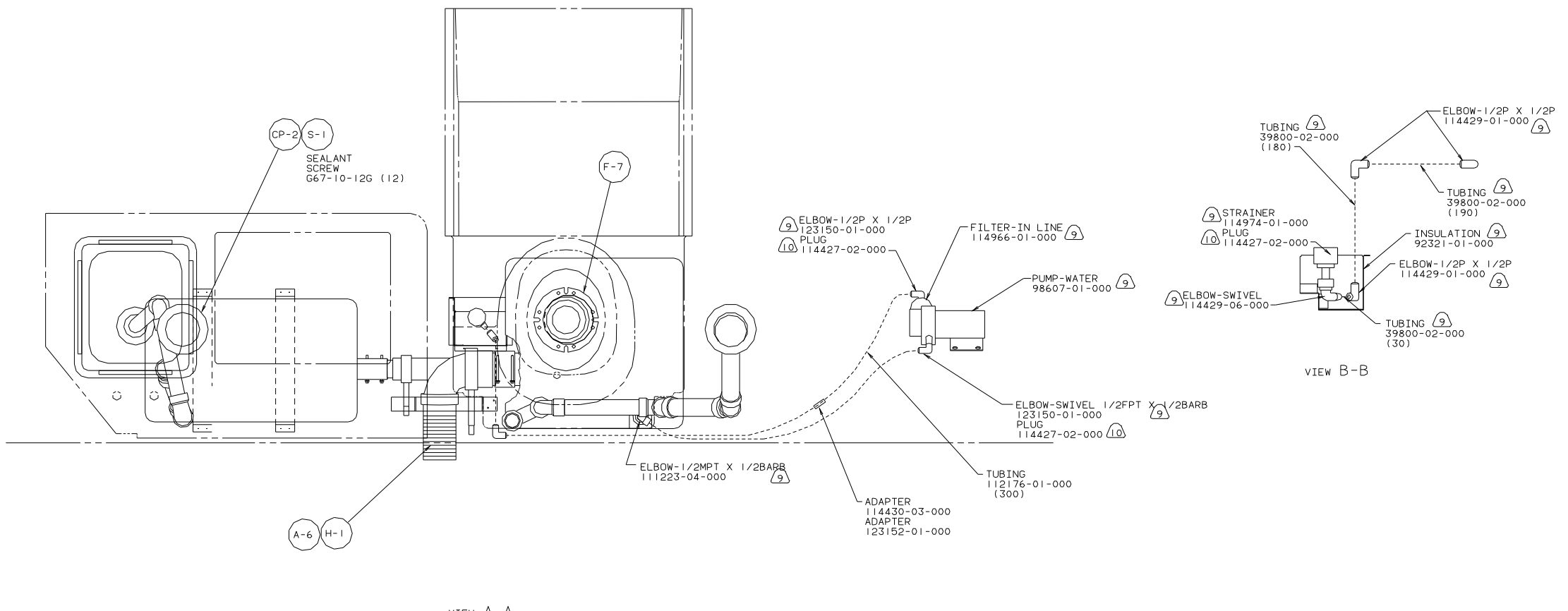
222RC/RT US/CANADIAN
 181 CODE STANDARDS-USA
 265 CODE STANDARDS-CSA

FOR DRAINAGE CALLOUTS SEE DWG NO. 116229-01-000

5. EXPOSED PIPE ABOVE ROOF TO BE PAINTED 37163-01-000.
4. ALL EXTERIOR OPENINGS AROUND PIPE TO BE SEALED WITH 69637-01-000.
3. ALL PIPE AND FITTINGS TO BE ASSEMBLED WITH SOLVENT 4020-01-000.
2. SLOPE OF TRAP ARM MUST BE 6 PER 305.
1. SLOPE OF HORIZONTAL PIPING TO BE 6 PER 305 MIN.
10. IA7 SHOWER PACKAGE WITHOUT.
9. IA40 SHOWER PACKAGE.
8. VENT PIPE MUST PROJECT 51 MM MIN AND 63.5 MM MAX ABOVE ROOF FOR PROPER FIT AND FUNCTION.
7. SEE DWG 61607-01-000 FOR INSTALLATION OF GROMMET.
6. FOR CANADIAN UNITS EACH HOLDING TANK SHALL HAVE A CSA APPROVAL STAMPED NEAR THE IAMPO APPROVAL.
13. SECURE PIPES TO CABINET USING WIRE TIE 108046-02-000 AND SCREW G67-10-12U (8).
12. NOT USED ON CANADIAN UNIT.
11. USE SCRAP CLOSED CELL NEOPRENE FROM 77075-01.-02 OR -03 ON BRACKETS FOR VIBRATION DAMPENING.

| | | | | |
|---|-------------|-----------------------------|-----------------------|---------------|
| COPYRIGHT 2002 WINNEBAGO INDUSTRIES, INC. | | WINNEBAGO | | 03 222 FD |
| DTR | DATE | UNSPECIFIED TOLERANCES ARE: | MATERIAL: | |
| CHR | DATE | ANGLE DIM (XX) | + | |
| P E | DATE | ONE-PLACE (X, XX) | + | |
| M E | DATE | TWO-PLACE (X, XX) | + | |
| DNR | DATE | THIRD ANGLE PROJECTION | + | |
| LAYOUT NO | 221R16 | TITLE: | DRAINAGE SYSTEM INSTL | |
| DIA # | SCALE: NONE | DO NOT SCALE DIMENSIONS | SIZE | DWG NO 141596 |
| ALL DIMENSIONS ARE IN MILLIMETERS | | SHEET 1 OF 2 | I E NO | |

REF: 126232 K | 07/09/02



CP-2 S-1
SEALANT SCREW
G67-10-12G (12)

F-7

ELBOW-1/2P X 1/2P
123150-01-000
PLUG
114427-02-000

FILTER-IN LINE
114966-01-000

PUMP-WATER
98607-01-000

STRAINER
114974-01-000
PLUG
114427-02-000

INSULATION
92321-01-000

ELBOW-SWIVEL
114429-06-000

ELBOW-1/2P X 1/2P
114429-01-000

TUBING
39800-02-000
(30)

VIEW B-B

ELBOW-SWIVEL 1/2FPT X 1/2BARB
123150-01-000
PLUG
114427-02-000

TUBING
112176-01-000
(300)

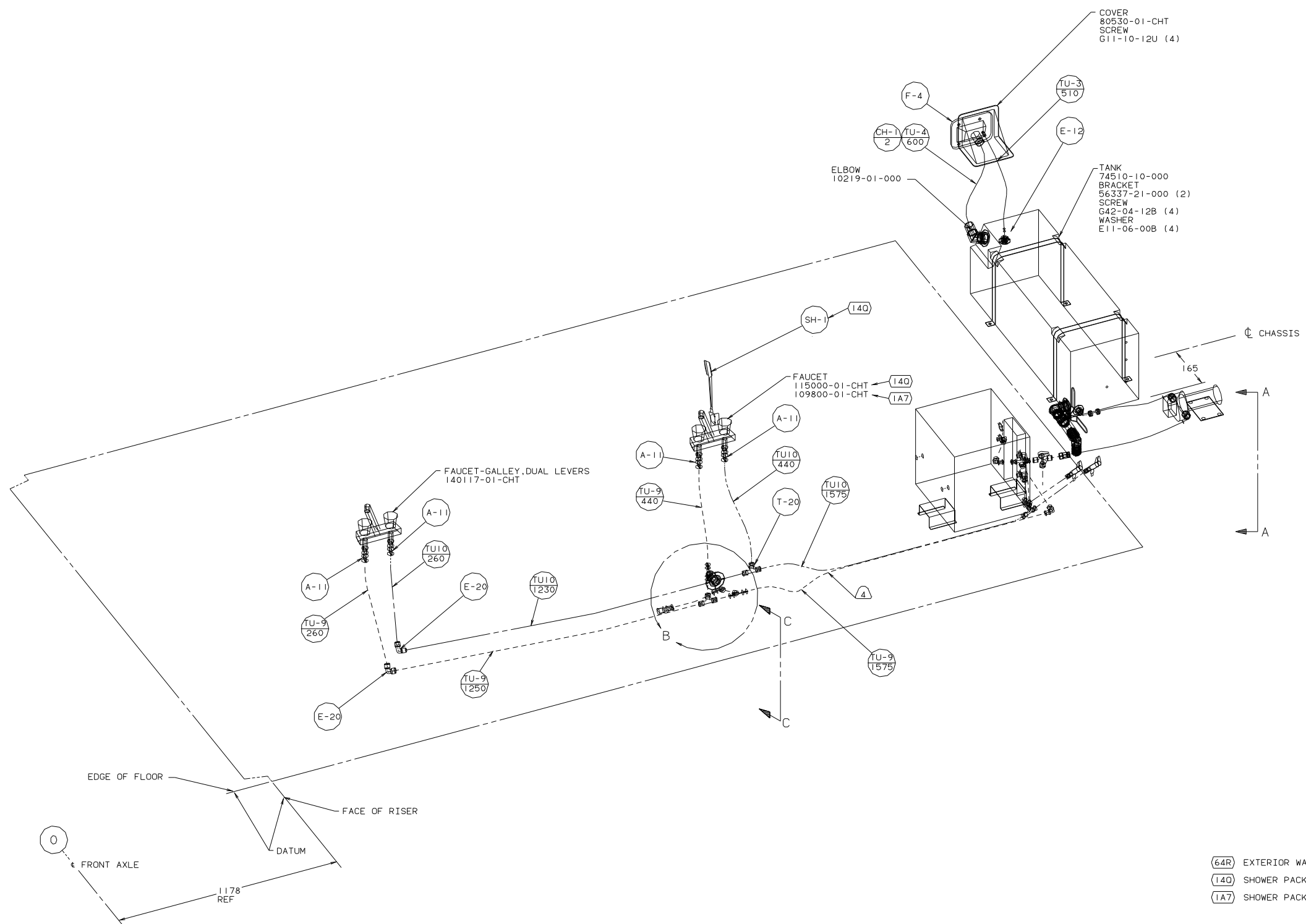
ADAPTER
114430-03-000
ADAPTER
123152-01-000

ELBOW-1/2MPT X 1/2BARB
111223-04-000

A-6 H-1

VIEW A-A

| | |
|------------------------------|---------------|
| TITLE: DRAINAGE SYSTEM INSTL | |
| DO NOT SCALE DRAWING | SIZE: 11x17 |
| SHEET 2 OF 2 | DWG NO 141596 |
| DATE: 07/09/02 | |



- (64R) EXTERIOR WASH STATION
- (140) SHOWER PACKAGE
- (1A7) SHOWER PACKAGE-WITHOUT

X-X
FOR WATER CALLOUTS SEE DWG NO. 116230-01-000

- 4 WRAP WATER LINES WITH INSULATION 105290-01-000 ANY PLACE THEY ARE IN CONTACT WITH MONITOR AID LINES. FASTEN WITH WIRE TIES.
3. ALL TUBING TO BE SECURED AT 1200 INTERVALS MAXIMUM WITH CLAMP 10495-01-000 OR CLIP 91951-01-000 AND SCREW G67-10-12B.
2. TUBING TO BE INSTALLED WITH SUFFICIENT SLOPE TO PROVIDE DRAINAGE TO NEAREST VALVE.
1. PLASTIC FITTINGS TO BE SEALED WITH SEALANT 84456-01-000

| LEGEND | |
|--------|-----------|
| HOT | ----- |
| COLD | - - - - - |

COPYRIGHT 2002 WINNEBAGO INDUSTRIES, INC. **WINNEBAGO** 03 222FD

| | | | |
|-----|------|-----------------------------|-----------|
| DTR | DATE | UNSPECIFIED TOLERANCES ARE: | MATERIAL: |
| CHR | DATE | WHOLE DIM (XX) ± .7 | |
| P E | DATE | ONE-PLACE (X, XX) ± .1 | |
| M E | DATE | TWO-PLACE (X, XX) ± .05 | |
| | DATE | ANGLE | |
| DNR | DATE | THIRD ANGLE PROJECTION | |

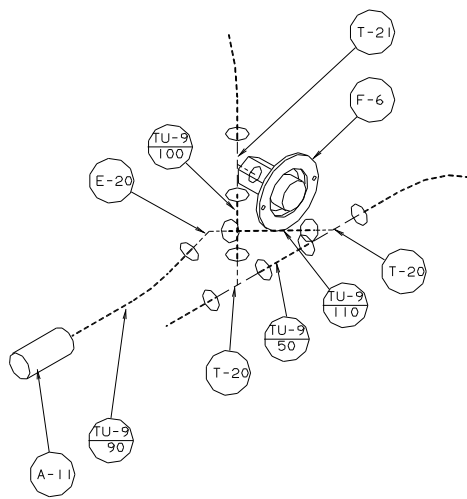
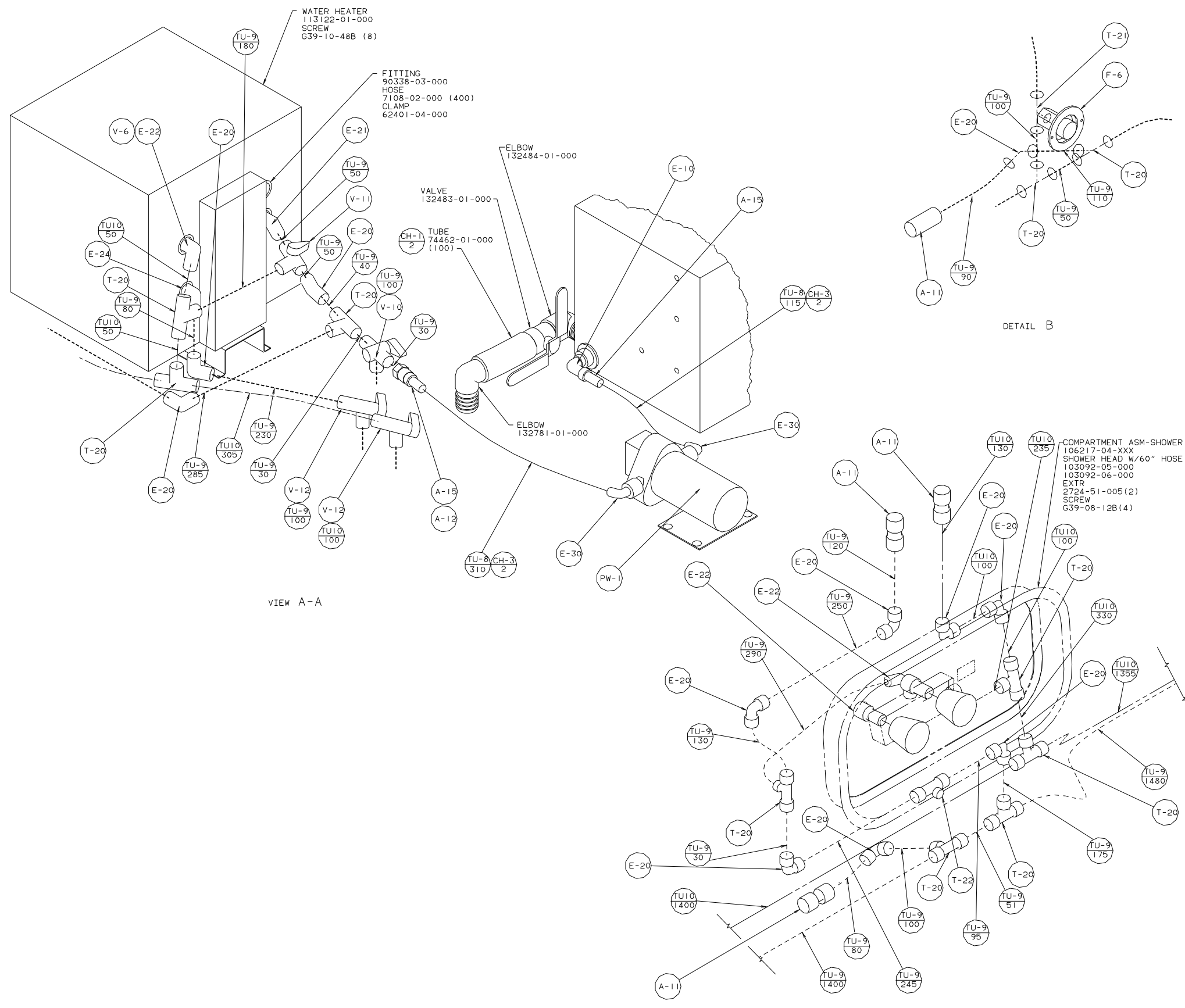
LAYOUT NO: 0C222FD TITLE: WATER SYSTEM INSTL

DIA # SCALE: NONE DO NOT SCALE DRAWINGS SHEET NO: 141142

ALL DIMENSIONS ARE IN MILLIMETERS SHEET 1 OF 2

REF: 133333 c | 07/09/02

NOTES:



VIEW A-A

VIEW C-C (64R)
WITH EXTERIOR SHOWER

| | |
|---------------------------|-------------|
| TITLE: WATER SYSTEM INSTL | |
| DO NOT SCALE DRAWING | SIZE DWG NO |
| SHEET 2 OF 2 | 141142 |
| 07/09/02 | |