

222RC/RT US/CANADIAN
 181 CODE STANDARDS-USA
 265 CODE STANDARDS-CSA

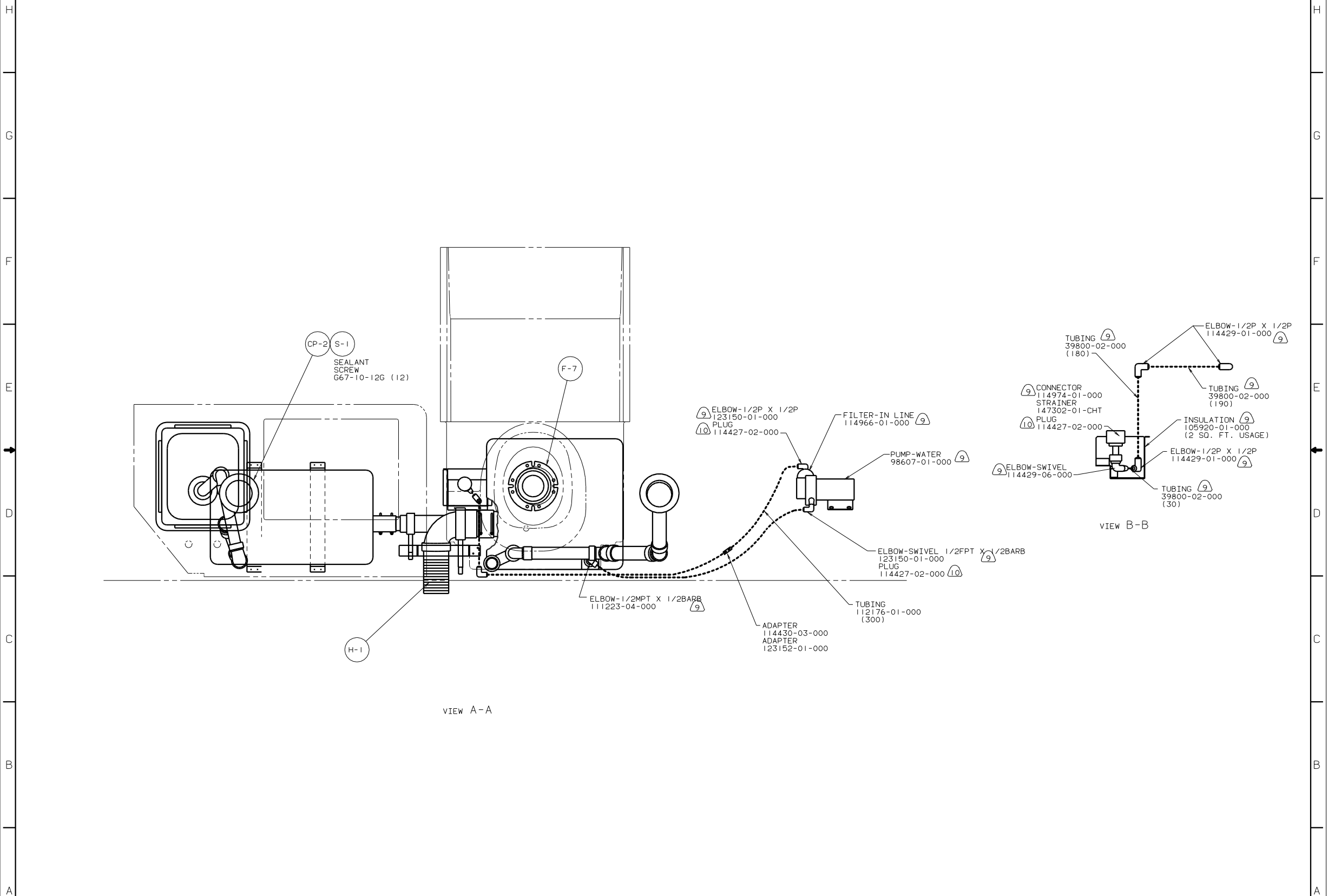
FOR DRAINAGE CALLOUTS SEE DWG NO. 116229-01-000

- NOTES:
1. SLOPE OF HORIZONTAL PIPING TO BE 6 PER 305.
 2. SLOPE OF TRAP ARM MUST BE 6 PER 305.
 3. ALL PIPE AND FITTINGS TO BE ASSEMBLED WITH SOLVENT 4020-01-000.
 4. ALL EXTERIOR OPENINGS AROUND PIPE TO BE SEALED WITH 69637-01-000.
 5. EXPOSED PIPE ABOVE ROOF TO BE PAINTED 37163-01-000.

6. FOR CANADIAN UNITS EACH HOLDING TANK SHALL HAVE A CSA APPROVAL STAMPED NEAR THE IAMPO APPROVAL.
7. SEE DWG 61607-01-000 FOR INSTALLATION OF GROMMET.
8. VENT PIPE MUST PROJECT 51 MM MIN AND 63.5 MM MAX ABOVE ROOF FOR PROPER FIT AND FUNCTION.
9. 140 SHOWER PACKAGE.
10. 1A7 SHOWER PACKAGE WITHOUT.

11. USE SCRAP CLOSED CELL NEOPRENE FROM 77075-01.-02 OR -03 ON BRACKETS FOR VIBRATION DAMPENING.
12. NOT USED ON CANADIAN UNIT.
13. SECURE PIPES TO CABINET USING WIRE TIE 108046-02-000 AND SCREW G67-10-12U (8).

| | | | | |
|---|-------------------------|-----------------------------|-----------|-----------|
| COPYRIGHT 2003 WINNEBAGO INDUSTRIES, INC. | | WINNEBAGO | | 03 222 FD |
| LAYOUT NO | DATE | UNSPECIFIED TOLERANCES ARE: | MATERIAL: | |
| 221R16 | | WHOLE DIM (+/-) | + | |
| DIA Ø | SCALE: NONE | ONE-PLACE (+,XX) | + | |
| | DO NOT SCALE DIMENSIONS | TWO-PLACE (+,XX) | + | |
| | | THIRD ANGLE PROJECTION | | |
| | | ANGLE | + | |
| | | SIZE | NO | |
| | | SHEET | NO | |
| | | 1 OF 2 | 141596 | |



CP-2 S-1
SEALANT SCREW
G67-10-12G (12)

F-7

H-1

ELBOW-1/2P X 1/2P
123150-01-000
PLUG
114427-02-000

FILTER-IN LINE
114966-01-000

PUMP-WATER
98607-01-000

ELBOW-SWIVEL 1/2FPT X 1/2BARB
123150-01-000
PLUG
114427-02-000

TUBING
112176-01-000
(300)

ADAPTER
114430-03-000
ADAPTER
123152-01-000

ELBOW-1/2MPT X 1/2BARB
111223-04-000

TUBING
39800-02-000
(180)

CONNECTOR
114974-01-000
STRAINER
147302-01-CHT
PLUG
114427-02-000

ELBOW-SWIVEL
114429-06-000

ELBOW-1/2P X 1/2P
114429-01-000

TUBING
39800-02-000
(190)

INSULATION
105920-01-000
(2 SQ. FT. USAGE)

ELBOW-1/2P X 1/2P
114429-01-000

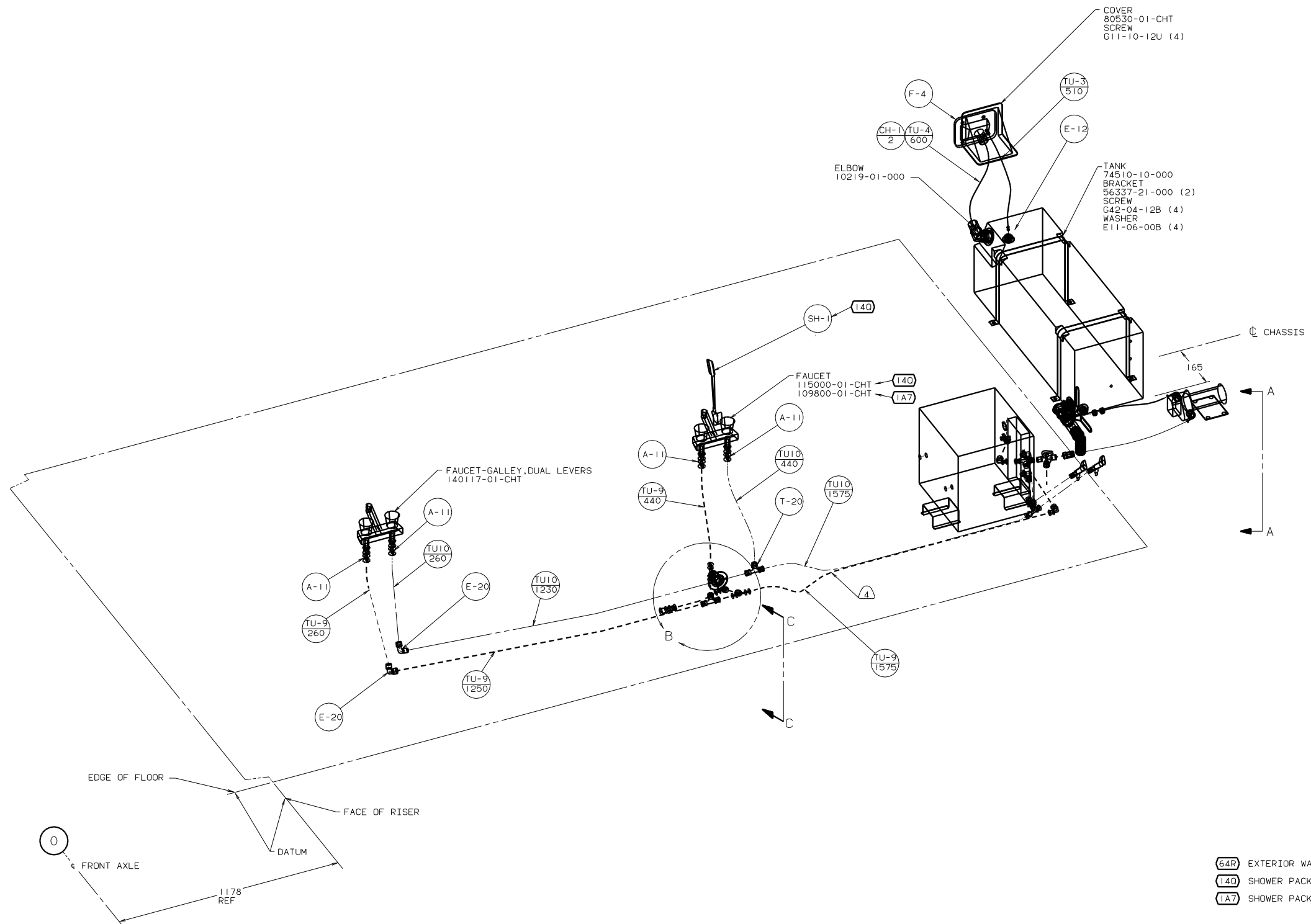
TUBING
39800-02-000
(30)

VIEW A-A

VIEW B-B

03 222 FD

| | |
|------------------------------|----------------|
| TITLE: DRAINAGE SYSTEM INSTL | |
| DO NOT SCALE DRAWING | SIZE: 11x17 |
| SHEET 2 OF 2 | DWG NO: 141596 |



5. TRI MARK "KEY ONE"
KEY: P/N 130288-01 THRU -10
WATER FILL: P/N 13637-53-000 THRU -009.
4. WRAP WATER LINES WITH INSULATION 105290-01-000
ANY PLACE THEY ARE IN CONTACT WITH MONITOR AID LINES.
FASTEN WITH WIRE TIES.
3. ALL TUBING TO BE SECURED AT 1200 INTERVALS MAXIMUM WITH
CLAMP 10495-01-000 OR CLIP 91951-01-000 AND SCREW G67-10-12B.
2. TUBING TO BE INSTALLED WITH SUFFICIENT SLOPE TO
PROVIDE DRAINAGE TO NEAREST VALVE.
1. PLASTIC FITTINGS TO BE SEALED WITH SEALANT 84456-01-000

NOTES:

| | |
|-----|--|
| X-X | FOR WATER CALLOUTS SEE DWG NO. 116230-01-000 |
|-----|--|

| LEGEND | |
|--------|-------|
| HOT | ----- |
| COLD | |

WINNEBAGO INDUSTRIES, INC. **WINNEBAGO** 03 222FD

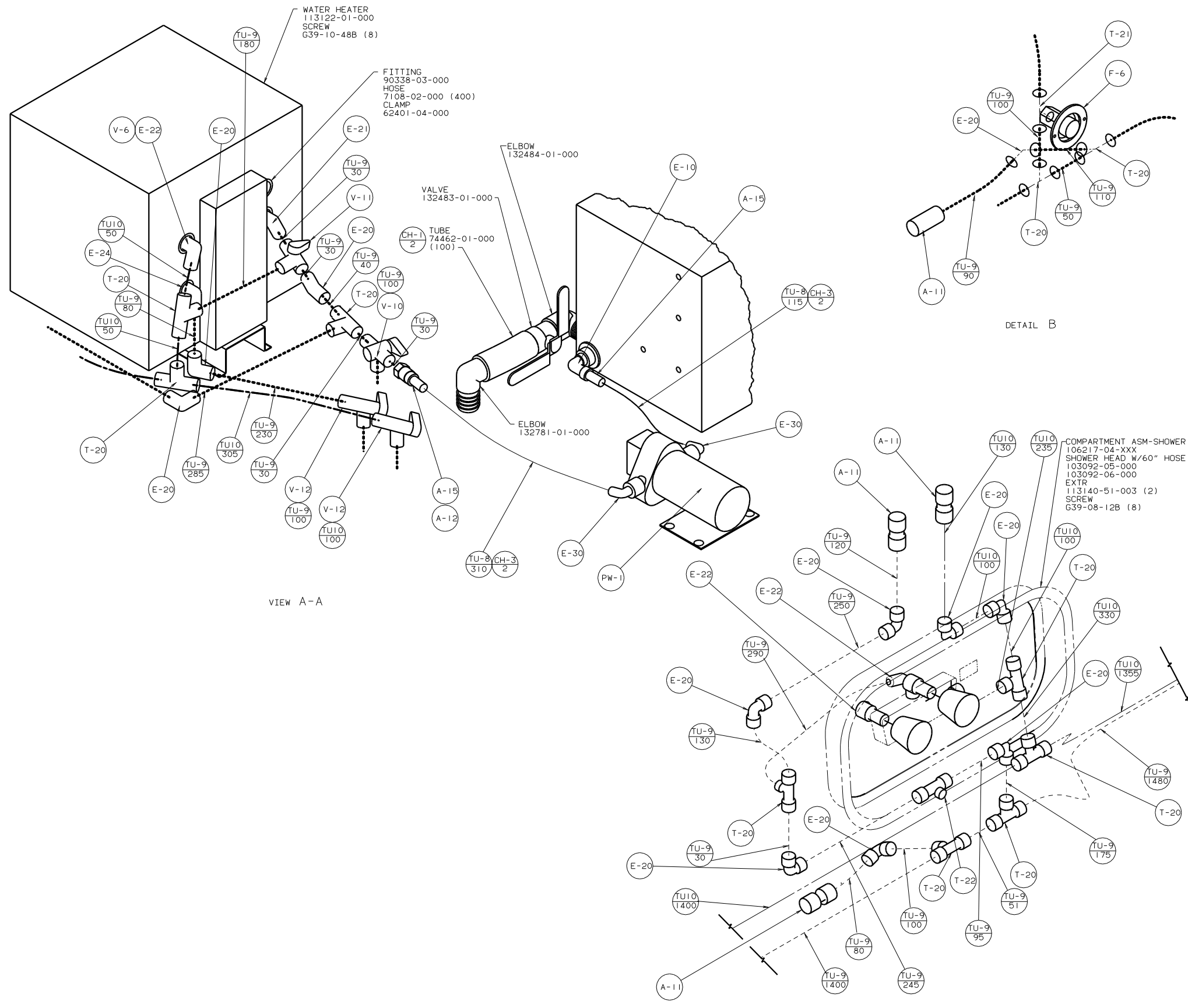
| | | |
|------|-----------------------------|-----------|
| DATE | UNSPECIFIED TOLERANCES ARE: | MATERIAL: |
| DATE | WHOLE DIM (X) ± .7 | |
| DATE | ONE-PLACE (X, X) ± .1 | |
| DATE | TWO-PLACE (X, XX) ± .05 | |
| DATE | ANGLE ± .5 | |
| DATE | THIRD ANGLE PROJECTION | |

LAYOUT NO: 0C222FD TITLE: WATER SYSTEM INSTL

DIA Ø SCALE: NONE DO NOT SCALE DIMENSIONS SIZE: NO 141142

ALL DIMENSIONS ARE IN MILLIMETERS SHEET 1 OF 2 I E

REF: 133333 c | 08/11/03



VIEW A-A

DETAIL B

VIEW C-C (64R)
WITH EXTERIOR SHOWER

| | | | |
|----------------------|------|--------------------|--------|
| TITLE | | WATER SYSTEM INSTL | |
| DO NOT SCALE DRAWING | SIZE | DWG NO | 141142 |
| SHEET 2 OF 2 | DATE | 08/11/03 | |

03 222FD