



**DANGER**

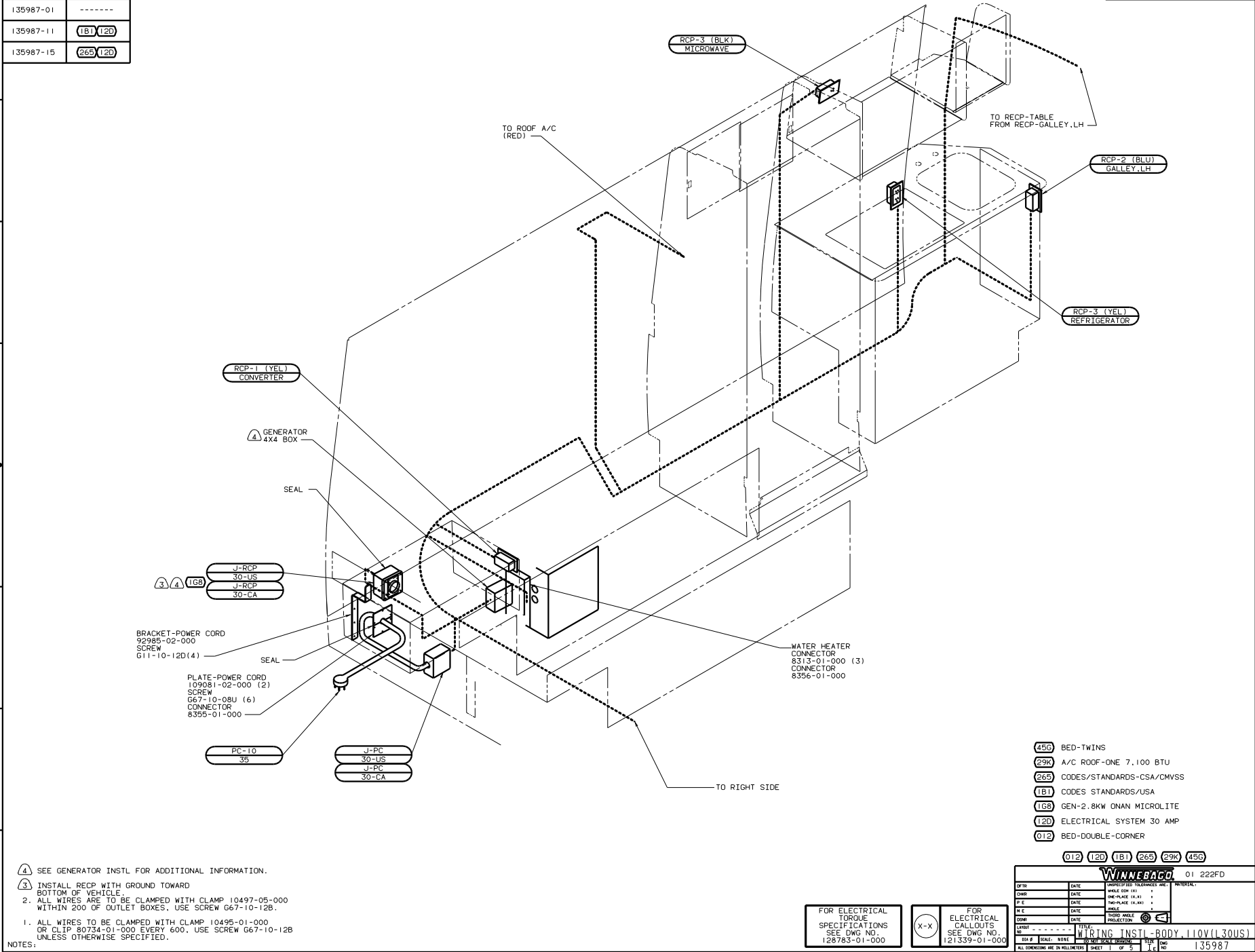
**Danger of electrical shock, burns or death.** Always remove all power sources before attempting any repair, service or diagnostic work. Power can be present from shore power, generator, inverter or battery. All power sources must be disabled and secured before performing any service.



**CAUTION**

If you lack the skills, tools or equipment to perform diagnostic or repair work leave such work to an authorized Winnebago Industries dealer or other qualified shop.

DWG NO.	FEATURE
135987-01	-----
135987-11	(1B) (12D)
135987-15	(265) (12D)



RCP-1 (YEL) CONVERTER

4 GENERATOR 4X4 BOX

3 4 (1G8)  
 J-RCP 30-US  
 J-RCP 30-CA

BRACKET-POWER CORD 92985-02-000 SCREW G11-10-12D(4)

PLATE-POWER CORD 109081-02-000 (2) SCREW G67-10-08U (6) CONNECTOR 8356-01-000

PC-10 35

J-PC 30-US  
 J-PC 30-CA

RCP-3 (BLK) MICROWAVE

TO ROOF A/C (RED)

TO RECP-TABLE FROM RECP-GALLEY.LH

RCP-2 (BLU) GALLEY.LH

RCP-3 (YEL) REFRIGERATOR

WATER HEATER CONNECTOR 8313-01-000 (3) CONNECTOR 8356-01-000

TO RIGHT SIDE

- (456) BED-TWINS
- (29K) A/C ROOF-ONE 7,100 BTU
- (265) CODES/STANDARDS-CSA/CMVSS
- (1B1) CODES STANDARDS/USA
- (1G8) GEN-2.8KW ONAN MICROLITE
- (12D) ELECTRICAL SYSTEM 30 AMP
- (012) BED-DOUBLE-CORNER

(012) (12D) (1B1) (265) (29K) (456)

- 4 SEE GENERATOR INSTL FOR ADDITIONAL INFORMATION.
- 3 INSTALL RECP WITH GROUND TOWARD BOTTOM OF VEHICLE
- 2 ALL WIRES ARE TO BE CLAMPED WITH CLAMP 10497-05-000 WITHIN 200 OF OUTLET BOXES. USE SCREW G67-10-12B.
- 1 ALL WIRES TO BE CLAMPED WITH CLAMP 10495-01-000 OR CLIP 80734-01-000 EVERY 600. USE SCREW G67-10-12B UNLESS OTHERWISE SPECIFIED.

FOR ELECTRICAL TORQUE SPECIFICATIONS SEE DWG NO. 128783-01-000

(X-X)

FOR ELECTRICAL CALLOUTS SEE DWG NO. 121339-01-000

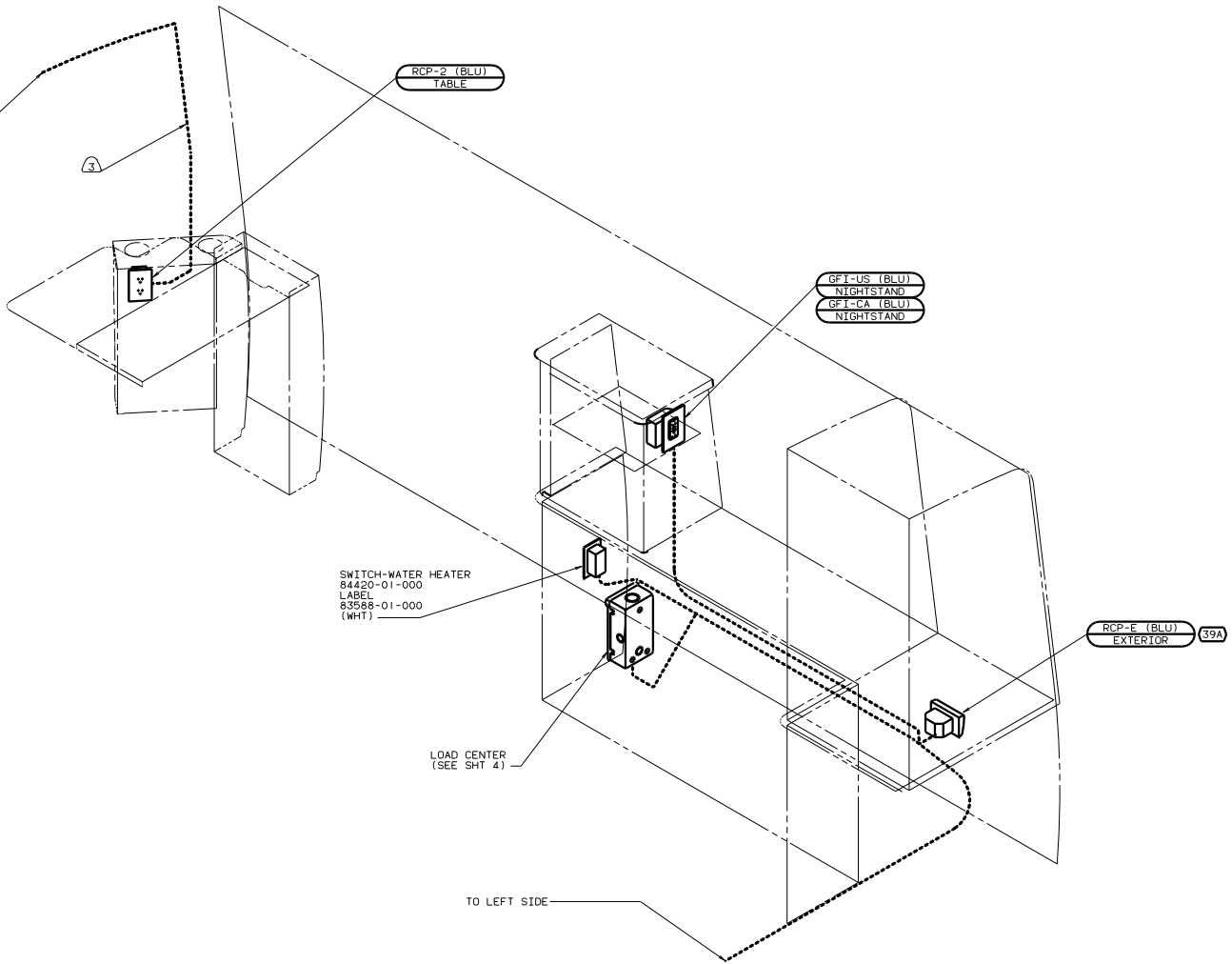
WINNEBAGO 01 222FD

QTY	DATE	UNSPECIFIED TOLERANCES ARE:	MATERIAL
OMP	DATE	WHOLE OR .01	
PIE	DATE	ONE-PLACE (1X.X1)	
PIE	DATE	TWO-PLACE (1X.XX)	
DATE	DATE	THREE-PLACE (1X.XXX)	
DATE	DATE	INDIC. WHOLE INCREMENT	

WIRING INSTL-BODY, 110V(130US)

REF: 133868 1

FROM RECP-GALLEY, LH  
TO RECP-TABLE



- (3) WIRE ROUTED BEHIND TRANSITION PANEL.
2. ALL WIRES ARE TO BE CLAMPED WITH CLAMP 10497-05-000 WITHIN 200 OF OUTLET BOXES. USE SCREW G67-10-12B.
1. ALL WIRES TO BE CLAMPED WITH CLAMP 10495-01-000 OR CLIP 80734-01-000 EVERY 600. USE SCREW G67-10-12B UNLESS OTHERWISE SPECIFIED.

- (39A) EXT RECEPTACLE DPLX 120VAC
- (265) CODES/STANDARDS-CSA/CMVSS
- (1B1) CODES STANDARDS-USA
- (120) ELECTRICAL SYSTEM 30 AMP
- (012) BED-DOUBLE-CORNER

FOR ELECTRICAL  
TORQUE  
SPECIFICATIONS  
SEE DWG NO.  
128783-01-000

FOR  
ELECTRICAL  
CALLOUTS  
SEE DWG NO.  
121339-01-000

012 (120) (1B1) (265) 01 222FD  
WIRING INSTL - BODY, 110V (R30US)  
SHEET 2 OF 5

FROM RECP-GALLEY  
TO RECP-TABLE

RCP-2 (BLU)  
TABLE

3

SWITCH-WATER HEATER  
84420-01-000  
LABEL  
83588-01-000  
(WHT)

LOAD CENTER  
(SEE SHT 4)

RCP-E (BLU)  
EXTERIOR 39A

TO LEFT SIDE

GFT-US (BLU)  
NIGHTSTAND  
GFT-CA (BLU)  
NIGHTSTAND

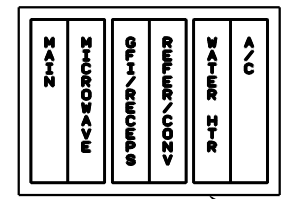
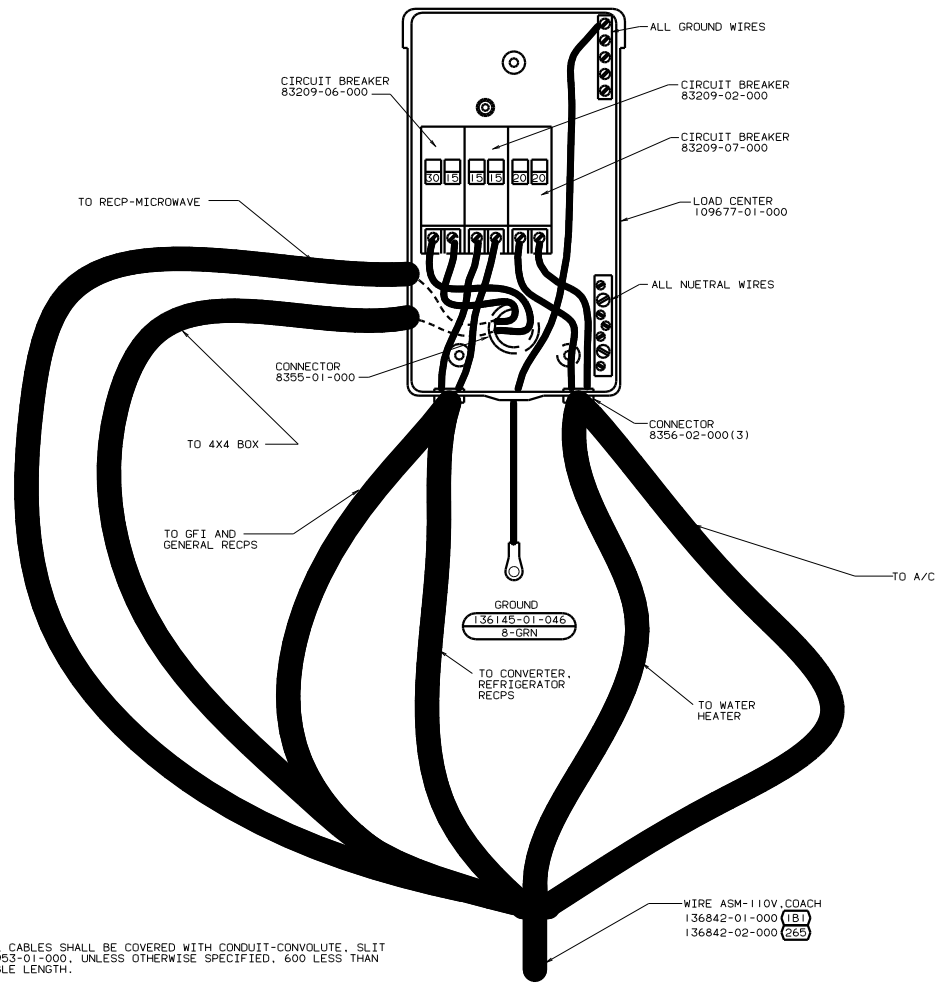
- 3 WIRE ROUTED BEHIND TRANSITION PANEL.
2. ALL WIRES ARE TO BE CLAMPED WITH CLAMP 10497-05-000 WITHIN 200 OF OUTLET BOXES. USE SCREW G67-10-12B.
1. ALL WIRES TO BE CLAMPED WITH CLAMP 10495-01-000 OR CLIP 80734-01-000 EVERY 600. USE SCREW G67-10-12B UNLESS OTHERWISE SPECIFIED.

- 45G BED-TWINS
- 39A EXT RECEPTACLE DPLX 120VAC
- 265 CODES/STANDARDS-CSA/CMVSS
- 1B1 CODES STANDARDS/USA
- 12D ELECTRICAL SYSTEM 30 AMP

FOR ELECTRICAL TORQUE SPECIFICATIONS SEE DWG NO. 128783-01-000

FOR ELECTRICAL CALLOUTS SEE DWG NO. 121339-01-000

12D 1B1 265 45G 01 222FD  
WIRING INSTL-BODY-110V(130US)  
SHEET 3 OF 5



LABEL 95721-38-000

INSTALL LABEL ON BACK SIDE OF CABINET ACCESS DOOR.

- 450 BED-TWINS
- 265 CODES/STANDARDS-CSA/CMVSS
- 1B1 CODES STANDARDS/USA
- 120 ELECTRICAL SYSTEM 30 AMP
- 012 BED-DOUBLE-CORNER

1. ALL CABLES SHALL BE COVERED WITH CONDUIT-CONVOLUTE, SLIT 41953-01-000, UNLESS OTHERWISE SPECIFIED, 600 LESS THAN CABLE LENGTH.

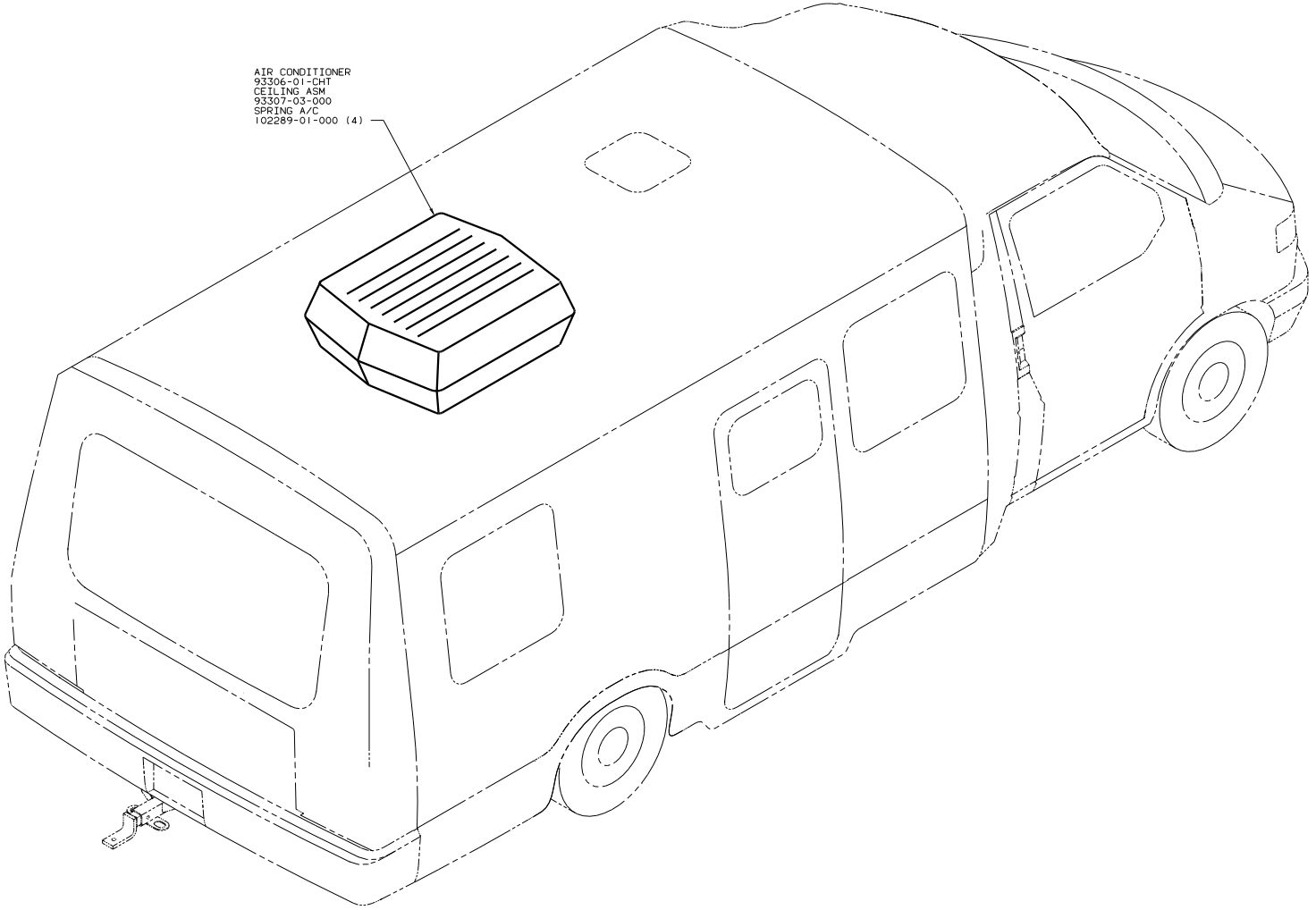
NOTES:

FOR ELECTRICAL TORQUE SPECIFICATIONS SEE DWG NO. 128783-01-000

FOR ELECTRICAL CALLOUTS SEE DWG NO. 121339-01-000

012	120	1B1	265	450	01	222FD
TITLE: WIRING INSTL-BODY(LC30US)						
DRAWN BY: [Signature]						
SHEET 4 OF 5						
135987						

AIR CONDITIONER  
93306-01-CHT  
CEILING ASM  
93307-03-000  
SPRING A/C  
102289-01-000 (4)



NOTES:

FOR ELECTRICAL  
TORQUE  
SPECIFICATIONS  
SEE DWG NO.  
128783-01-000

FOR  
ELECTRICAL  
CALLOUTS  
SEE DWG NO.  
121339-01-000

- (29K) A/C ROOF-ONE 7,100 BTU
- (265) CODES/STANDARDS-CSA/CMVSS
- (1B1) CODES STANDARDS/USA

(1B1) (265) (29K) 01 222FD

TITLE: WIRING INSTL-BODY	
DO NOT SCALE DRAWING	FILE NO 135987
SHEET 5 OF 5	1.E