



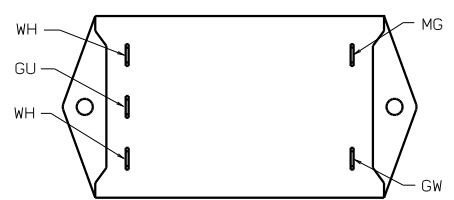
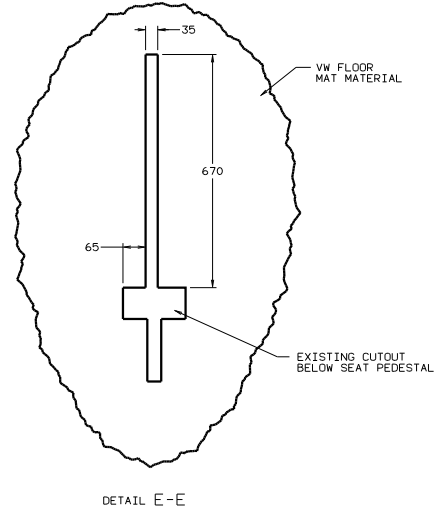
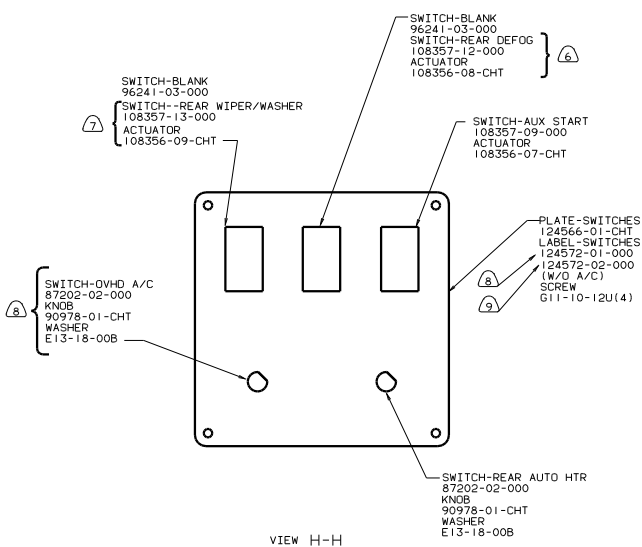
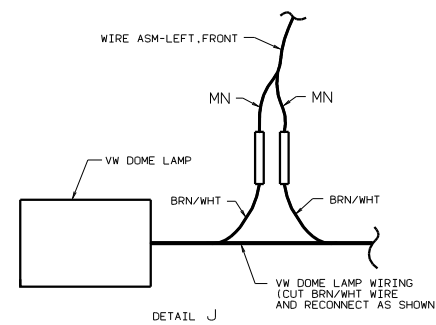
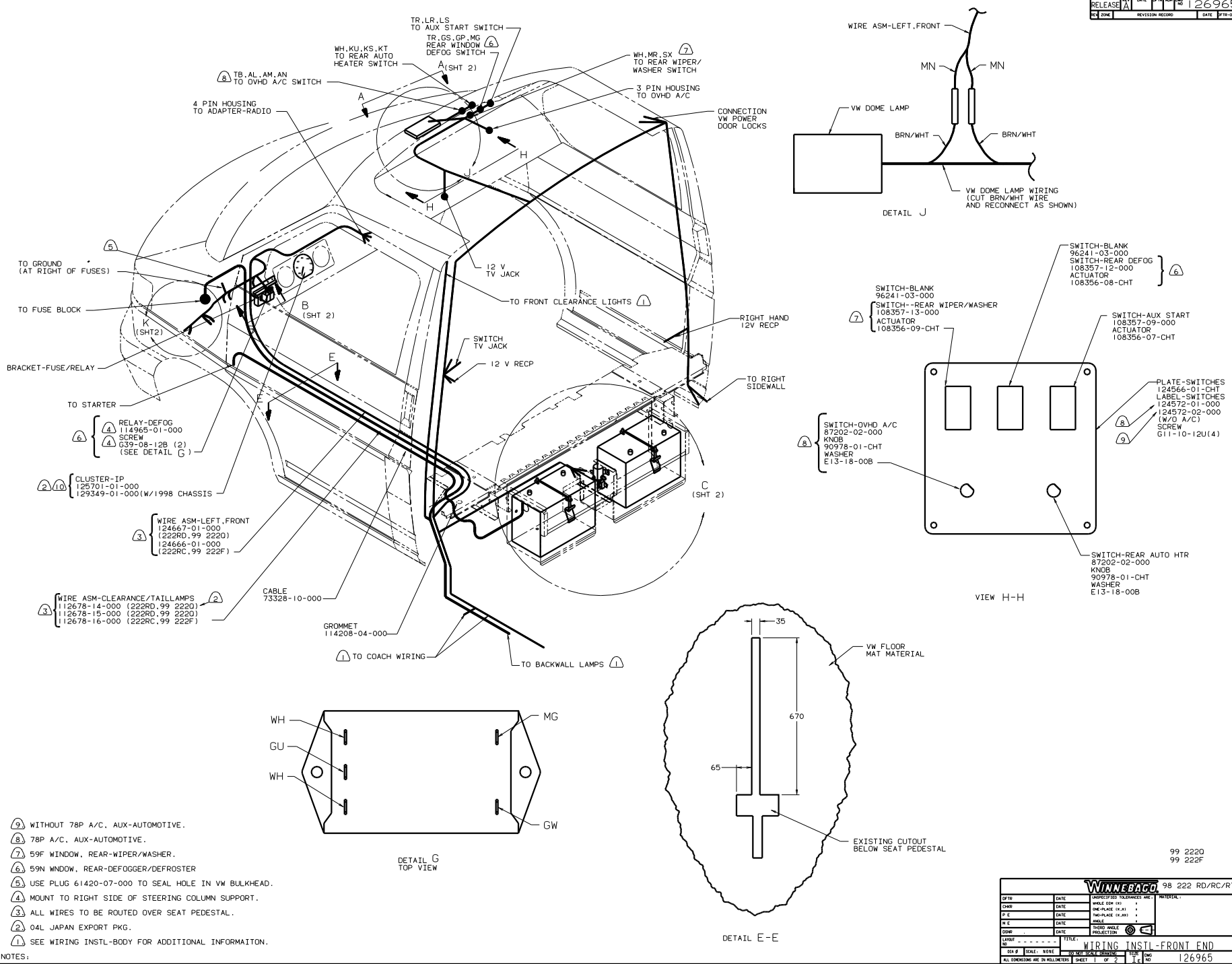
**DANGER**

**Danger of electrical shock, burns or death.** Always remove all power sources before attempting any repair, service or diagnostic work. Power can be present from shore power, generator, inverter or battery. All power sources must be disabled and secured before performing any service.



**CAUTION**

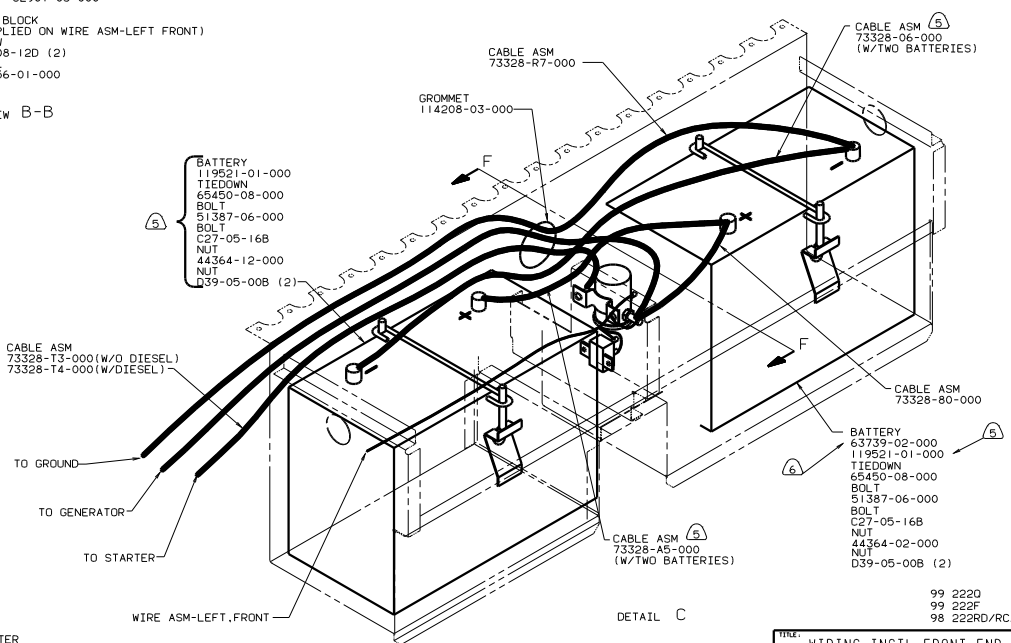
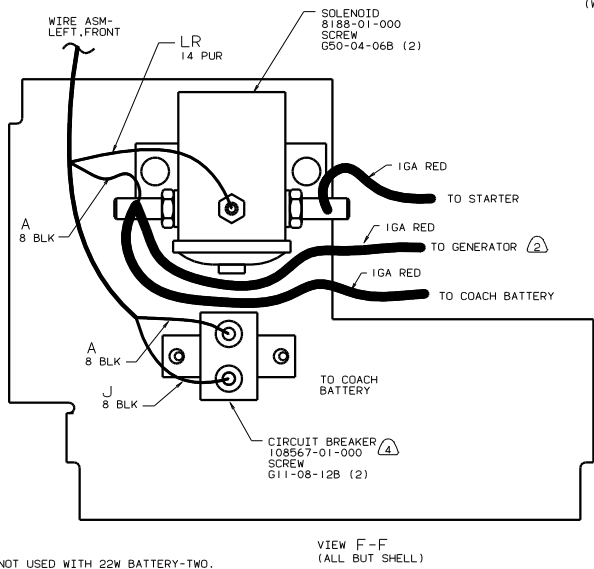
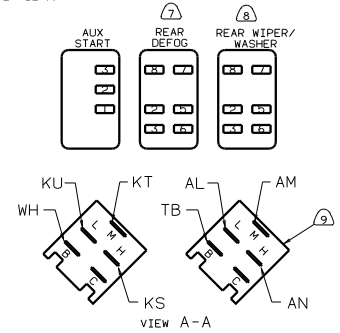
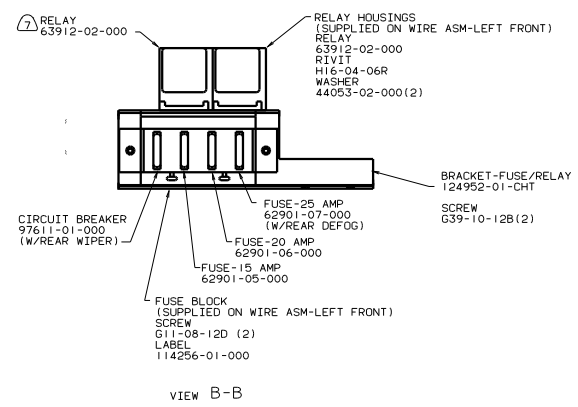
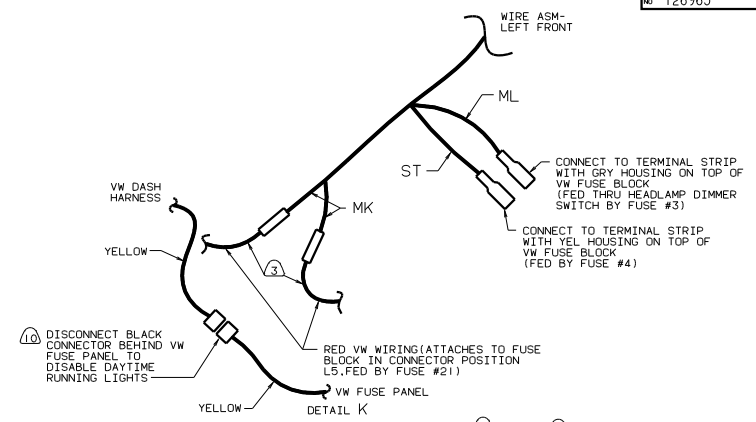
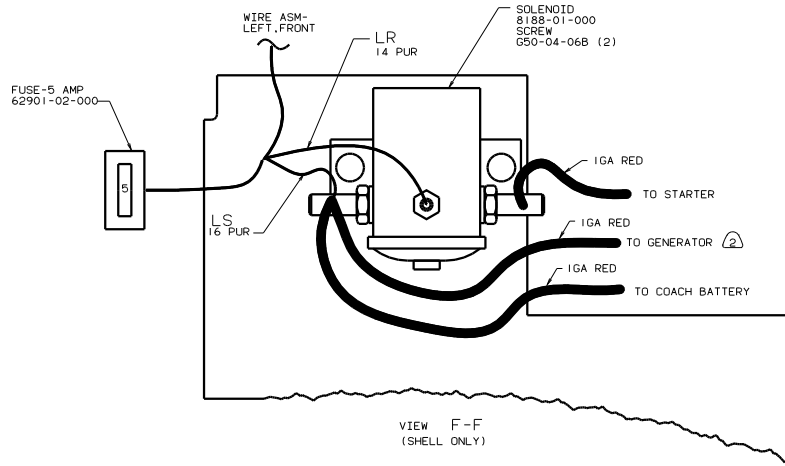
If you lack the skills, tools or equipment to perform diagnostic or repair work leave such work to an authorized Winnebago Industries dealer or other qualified shop.



- (9) WITHOUT 78P A/C, AUX-AUTOMOTIVE.
- (8) 78P A/C, AUX-AUTOMOTIVE.
- (7) 59F WINDOW, REAR-WIPER/WASHER.
- (6) 59N WINDOW, REAR-DEFOGGER/DEFROSTER
- (5) USE PLUG 61420-07-000 TO SEAL HOLE IN VW BULKHEAD.
- (4) MOUNT TO RIGHT SIDE OF STEERING COLUMN SUPPORT.
- (3) ALL WIRES TO BE ROUTED OVER SEAT PEDESTAL.
- (2) 04L JAPAN EXPORT PKG.
- (1) SEE WIRING INSTL-BODY FOR ADDITIONAL INFORMATION.

99 2220  
99 222F

WINNEBAGO		98 222 RD/RC/RT	
OF IN	DATE	UNSPECIFIED TOLERANCES ARE:	MATERIAL
CHP	DATE	WHOLE OR 1/16"	
DR	DATE	ONE-PLACE (R, A)	
DE	DATE	TWO-PLACE (R, A)	
DI	DATE	MIG	
COM	DATE	INDU W/AVE	
		PRODUCTION	
REV #	SCALE	NOTE	FIG. NO.
ALL DIMENSIONS ARE IN MILLIMETERS			SHEET 1 OF 2
TITLE: WIRING INSTL-FRONT END			126965



- (6) NOT USED WITH 22W BATTERY-TWO.
- (5) 22W BATTERY-TWO.
- (4) SEAL SEAMS AND TOP OF CIRCUIT BREAKER WITH SEALANT 117082-01-000. MINIMIZE CONTACT OF SEALANT WITH ELECTRICALLY CONDUCTIVE SURFACES.
- (3) CUT WIRE AND RECONNECT AS SHOWN.
- (2) SEE GENERATOR INSTL FOR ADDITIONAL INFORMATON.
- (1) SEE WIRING INSTL-BODY FOR ADDITIONAL INFORMATON.
- (10) 04L JAPAN EXPORT PKG.
- (9) 78P A/C. AUX-UTOMOTIVE.
- (8) 59F WINDOW. REAR-WIPER/WASHER.
- (7) 59N WINDOW. REAR-DEFOGGER/DEFROSTER