

## 3-T's EXCLUSIVE GUARANTEE

All products manufactured by 3-T's RV Products, Inc. are designed and tested to provide you with trouble free performance and to enhance the ride, safety and comfort of your vehicle. As part of an on-going research and development program, new products and refinements are constantly being added. Our products are guaranteed to your satisfaction when installed by an authorized service center for 12 months/12,000 miles; when installed by the vehicle manufacturer warranty is 24 months/24,000 miles, whichever comes first. For further information concerning warranty, please contact 3-T's at the number shown below. The T-9 SYSTEM AIR is covered by U.S. Patent 4,494,772 et al.



### ***3-T's RV Products, Inc.***

1055 Empire Drive, Lake Havasu City, AZ 86404

928-453-3040/800-223-1779/FAX 928-453-3140

[www.3tsrv.com](http://www.3tsrv.com)

Call Toll Free

**Authorized Dealer**

# Welcome to Controlled Ride and Handling With System Air



***3-T's RV Products, Inc.***

# SYSTEM AIR

Congratulations on having the T-9 SYSTEM AIR on your vehicle. This system is designed to allow you to keep the rear of your vehicle level with various loads up to GCWR. It also improves the ride and handling.

The SYSTEM AIR attaches to the top of your rear springs, in front of the axle, and to the frame above, as shown in the drawing. There are two air fills, one in each wheel well, so that independent air pressure can be maintained.

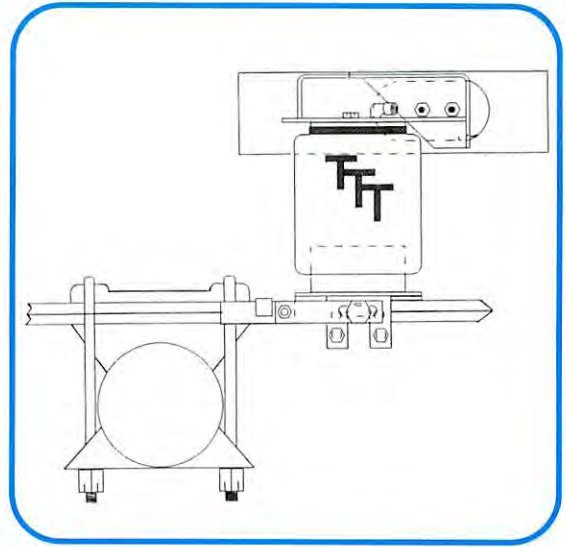
Every vehicle has a different driving feel, depending on who is driving. The same applies to ride characteristics. A smooth ride to you may be a rough ride to a friend driving the same vehicle. Therefore, the pressure in the SYSTEM AIR can be controlled for your own comfort, from 20 psi minimum to 100 psi maximum in each side of the system.

---

## RECOMMENDED GUIDELINES FOR DETERMINING AIR PRESSURE IN YOUR SYSTEM AIR

---

A level vehicle, front to rear and side to side, is the safest vehicle. If your vehicle leans to one side due to loading characteristics, you may increase air pressure on that side to keep it level. You should check the inflation of the SYSTEM AIR whenever you check your tire air pressure and never drive without air pressure in the system.



Once your vehicle is sitting level, you can take the time to tailor the air pressure for the ride you feel suits you best. Starting with a minimum pressure of 20 pounds in each side, let a passenger ride seated in the rear as you drive down a familiar section of rough road. At five pound intervals, keep increasing the pressure until the passenger notices a harsher ride. Then you should lower the pressure by five pounds. This should give you the ultimate in ride and handling. Make sure after doing this that you are still level front to rear and side to side.

Remember that this system is designed to work with proper tire inflation for your load in this vehicle. Refer to your chassis owner's manual for this information. Always remember that you can lose a minimum of five pounds of pressure in each sleeve when checking the air pressure. There is no other maintenance required on the system.