

QUICK START GUIDE

1

for Your NORCOLD Gas Absorption RV Refrigerator

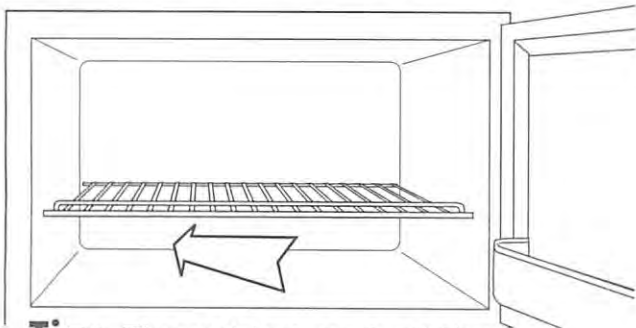
Startup

- Depending on the size of your Norcold refrigerator, start it 2 to 8 hours before you plan to pack it. This allows it to reach its peak cooling performance.
- Pre-cool your food items.

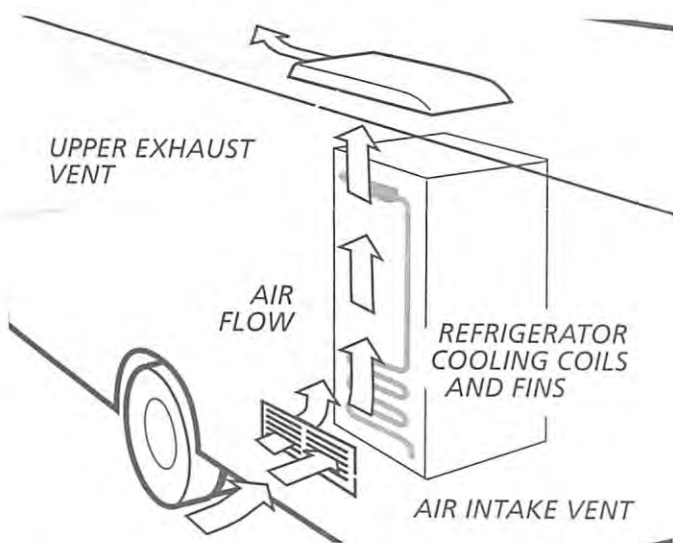


For best performance:

Your refrigerator's cooling efficiency depends on free air circulation. For best results, pack items loosely and avoid the use of shelf liners.



Tip: The coldest part of the freezer is at the bottom left rear.



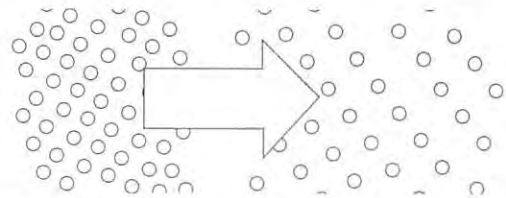
Important: Keep vents, ventilation pathway and refrigerator flue free of obstructions. Periodically, especially after disuse, check to assure these areas are free of debris or any obstruction caused by animals. Never use the area behind the refrigerator to store anything.

Dealing With Frost

Frost forms on your refrigerator's cooling surfaces from moisture in the air. You needn't be concerned about frost build-up in either compartment unless it becomes excessive and affects cooling performance. If it does, defrost your refrigerator and freezer (see back for instructions).

To help reduce frost buildup:

- Avoid storing fresh/warm foods in open containers. Such items give off lots of water vapor.
- Limit the amount of time the doors are open. Even air-conditioned air has much more humidity than air inside a cool refrigerator.



Water vapor tends to migrate from areas of high humidity to less-humid areas until they are equal.

- Prevent air leakage past the door seals of the refrigerator. See back for how to check for a proper door seal.

Does your model have frost limiter?

Norcold N510 and N6, N8 and 1200 series refrigerators are designed to limit frost build-up on the fresh food compartment's cooling fins. Periodically, a temperature control system automatically adjusts to remove most frost from the fins and the water drains into a collection cup in back of the unit. Heat generated by the cooling system then evaporates the water.

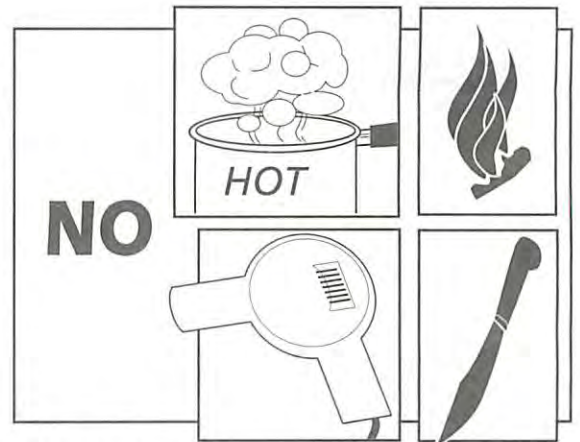
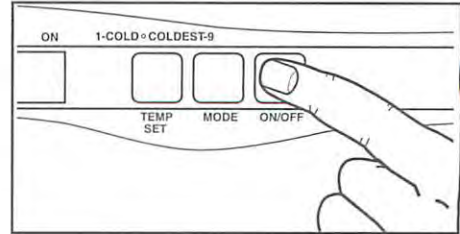
This Quick Start Guide is NOT intended to tell everything you need to know about your refrigerator. Refer to your Owner's Manual for more information.

QUICK START GUIDE 2

for Your NORCOLD Gas Absorption RV Refrigerator

Defrosting

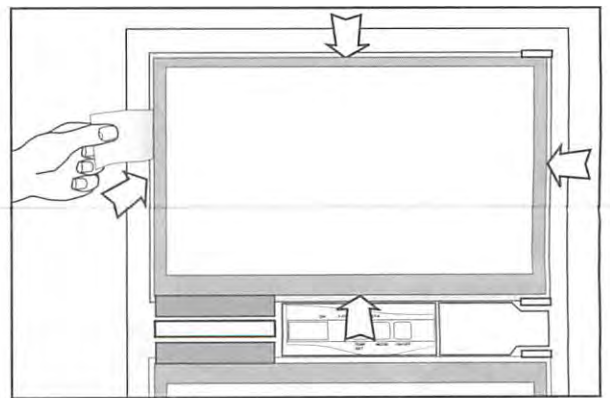
- Remove all food. (Keep cool to prevent spoilage.)
- Push the On/Off button to turn off the refrigerator.
- Capture water from the drain hose at the rear of the refrigerator in a half-gallon or larger container.
- Place dry towels inside refrigerator and freezer to soak up melted frost.
- **Speeding up defrost:** Placing trays or pans of **warm** tap water in the refrigerator and freezer can speed up the defrosting process. **Caution: high temperatures can cause inside surfaces to warp or melt, so never use pans of hot water, hair dryers or other high temperature devices in your refrigerator! Do not use hard, sharp objects to remove frost.**



- Replace the drain hose into the collection cup (if it has this feature).
- Remove the wet towels and dry the fresh food and freezer compartments.
- Restart your refrigerator and replace food items.

Checking door seals

1. Close each door on a piece of paper about the size and thickness of a dollar bill.
2. Gently pull the paper. If you feel a slight drag between the door gasket and the cabinet on all four sides of the door, it's sealed correctly. If you don't feel a slight drag, have the door adjusted by your dealer or an authorized Norcold Service Center.



Changes in cooling performance

Cooling performance changes are usually related to changes in weather, temperature settings, and the amount and/or temperature of your food items. If you notice changes unrelated to these, contact your dealer or an authorized Norcold Service Center.

The manufacturer recommends annual safety and maintenance checks for your refrigerator. Refer to Owner's Manual for detailed requirements.