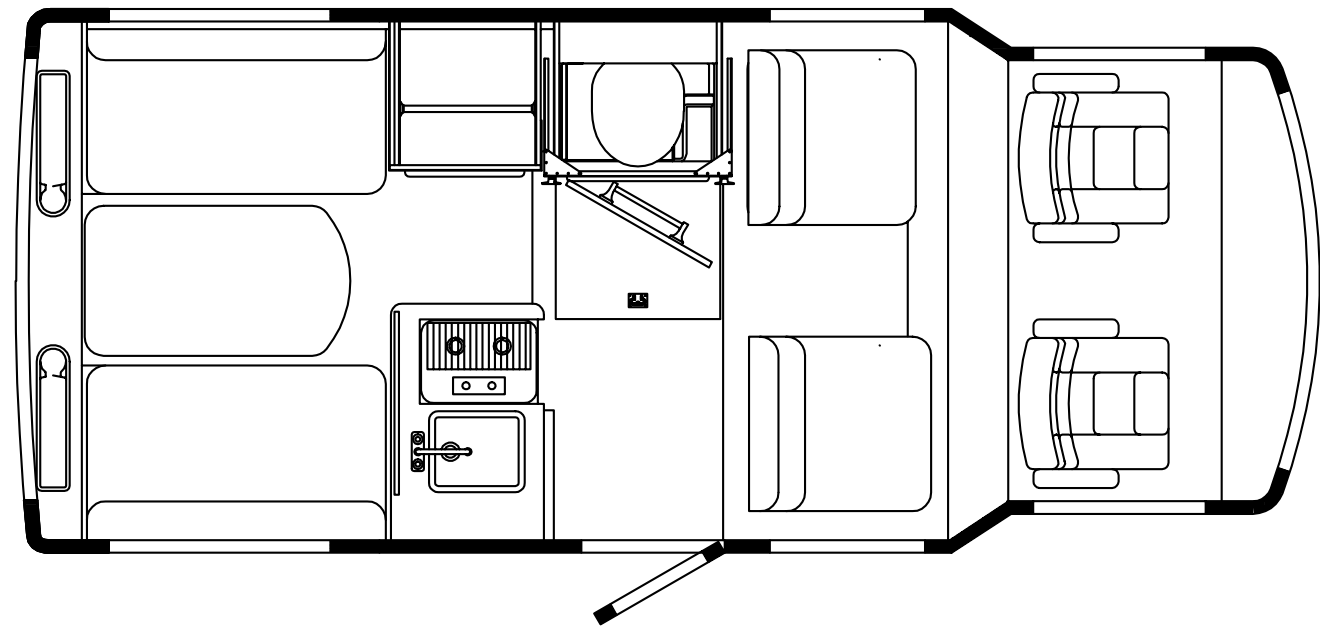
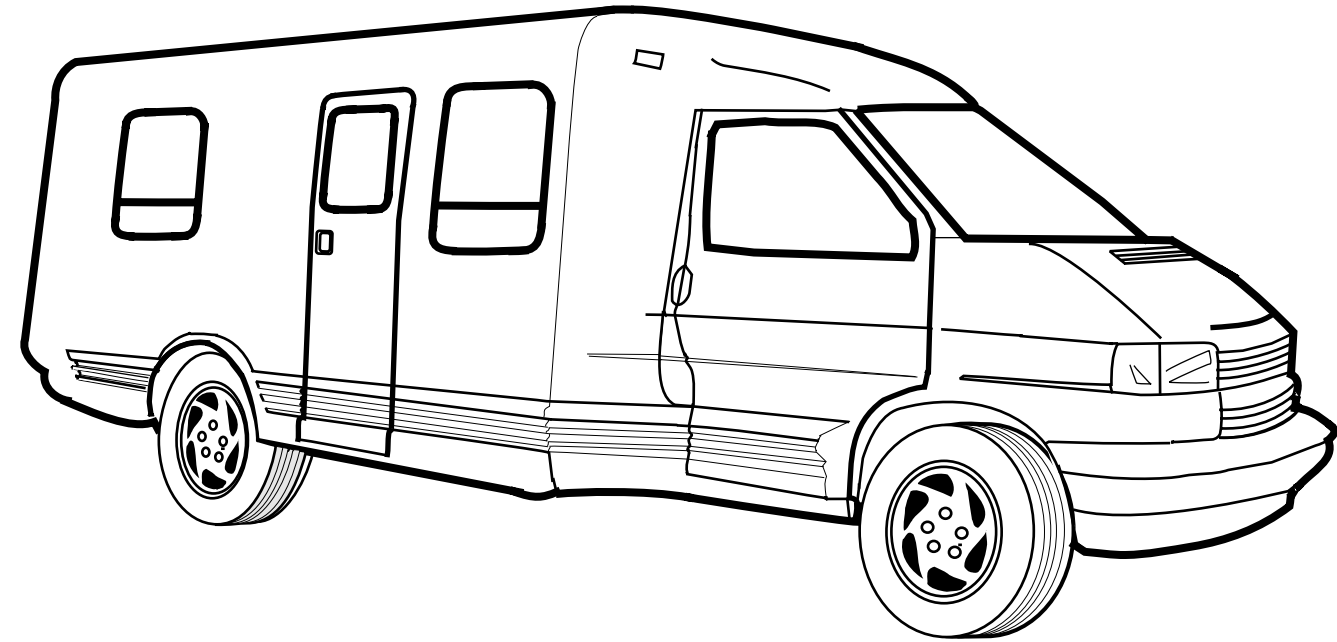


**1999  
WV222Q**

**K73  
LAKEWOOD**

**K74  
DUSK**



## ACCESSORIES GROUP

### OPERATORS MANUAL & BINDER

KEY	PART NUMBER	U/M DESCRIPTION
	054185-J7-000	EA MANUAL - OPERATOR 99 RIALTA
	129079-01-01A	EA CASE - VINYL/BLACK - EXPANDABLE ACCORDION SIDES - 7"W X 9"H X14"L
	130495-01-000	EA TOP LEVEL-H,1999
	701674-48-000	EA WIRING DIAGRAMS 1999 RIALTA
	701674-49-000	EA PLUMBING DIAGRAMS 99 RIALTA

## AUDIO VIDEO GROUP

### RADIO SYSTEM COMPONENTS

KEY	PART NUMBER	U/M DESCRIPTION	VENDOR NO.
	074979-19-000	EA COVER - SPEAKER - VW DARK GRAY	
	074979-01-000	EA SHIELD - SPEAKER - BACK - MOLDED PLASTIC - 8" X 9"	
	124881-01-000	EA AMPLIFIER - AUDIO	
	124883-03-000	EA SPEAKER - CUBE - W/O CASE	
	124883-04-000	EA SPEAKER - GRILLE - CUBE	
	124884-01-000	EA SPEAKER - 6" X 9" - SUB-WOOFER	
	124885-01-000	EA GRILLE - SPEAKER - 6" X 9" - SUB-WOOFER	
	074014-01-000	EA GRILLE - SPEAKER - ROUND	
	094097-01-000	EA SPEAKER - RADIO/TV - W/O GRILLE - 5.25" DIAMETER	
	074979-01-000	EA SHIELD - SPEAKER - BACK - MOLDED PLASTIC - 8" X 9"	
	127264-03-000	EA RADIO - AM/FM STEREO/CASSETTE - EUROPEAN	
	114365-01-000	EA ADAPTER - RADIO - POWER - SPEAKERS	
			FROM: 00-00-00 THRU: 08-15-99
	114365-02-000	EA ADAPTER - RADIO POWER/SPEAKERS	
			FROM: 08-16-99 THRU: 99-99-99
	114366-01-000	EA ADAPTER - RADIO - ANTENNA	
	127516-03-000	EA RADIO - AM/FM STEREO - CD PLAYER - PANASONIC - CQ-DP930	
			FROM: 00-00-00 THRU: 07-11-99
	127516-03-700	EA FACE - REMOVABLE	YEP0FX3300
	127516-05-000	EA RADIO - AM/FM STEREO - CD PLAYER	
			FROM: 07-12-99 THRU: 99-99-99
	127264-01-000	EA RADIO - AM/FM STEREO - CASSETTE - PANASONIC CQ-R111U	
	127264-01-700	EA TRIM RING	YFC054C044ZB
	127264-01-701	EA KNOB - VOLUME	YFE074C045ZA
	127264-01-702	EA KNOB - FADER	YEFE074C026
	127264-01-703	EA FACTORY HARNESS	YAJ024C048ZB

### AUDIOVOX TELEVISION W/REMOTE CONTROL

KEY	PART NUMBER	U/M DESCRIPTION	VENDOR NO.
	086231-09-000	EA TV - COLOR - 9" DC - AUDIOVAX AVT-988	
	086231-08-700	EA REMOTE-UNIVERSAL	0892325
	093214-01-01A	EA GRILL - SPEAKER - 4" - BLACK	
	098819-01-000	EA SPEAKER - 4" - 2 WATT - 8 OHM	
	120721-02-02B	EA PLATE - ELECTRIC - CABLE	
	131698-01-02B	EA STRAP - OVERHEAD/TV - E-COATED	
	086777-02-000	EA WALLPLATE - TV CABLE - W/ANTENNA SWITCH - BROWN	
	121323-01-02B	EA BRACKET - Z	
	082134-01-000	EA ADAPTER - TV - CABLE TO CABLE WINEGARD FS-8200	
	082136-01-000	EA NUT - HEX JAM - 3/8-32 WINEGARD	
	120663-01-000	EA SWITCH - VIDEO A/B - WINNEGARD TV-0051	
	120721-02-02B	EA PLATE - ELECTRIC - CABLE	
	093901-03-000	EA PLATE - TV COAX - EXTERIOR - 1.8" X 2.5"	
	114870-02-000	EA PLUG - .14" AUDIO W/LEADS	

### AUDIOVOX VIDEO CASSETTE PLAYER, COVER, & SWITCH

KEY	PART NUMBER	U/M DESCRIPTION	VENDOR NO.
	094487-04-000	EA VIDEO CASSETTE PLAYER W/O REMOTE - AUDIOVOX	
	086231-08-700	EA REMOTE-UNIVERSAL	8822325
	086231-08-701	EA ADAPTER - WIRE	0891436
	120551-01-03A	EA COVER - VIDEO CASSETTE PLAYER - VW LIGHT GRAY	
	120564-01-02B	EA STRAP - VIDEO CASSETTE PLAYER - E-COATED	

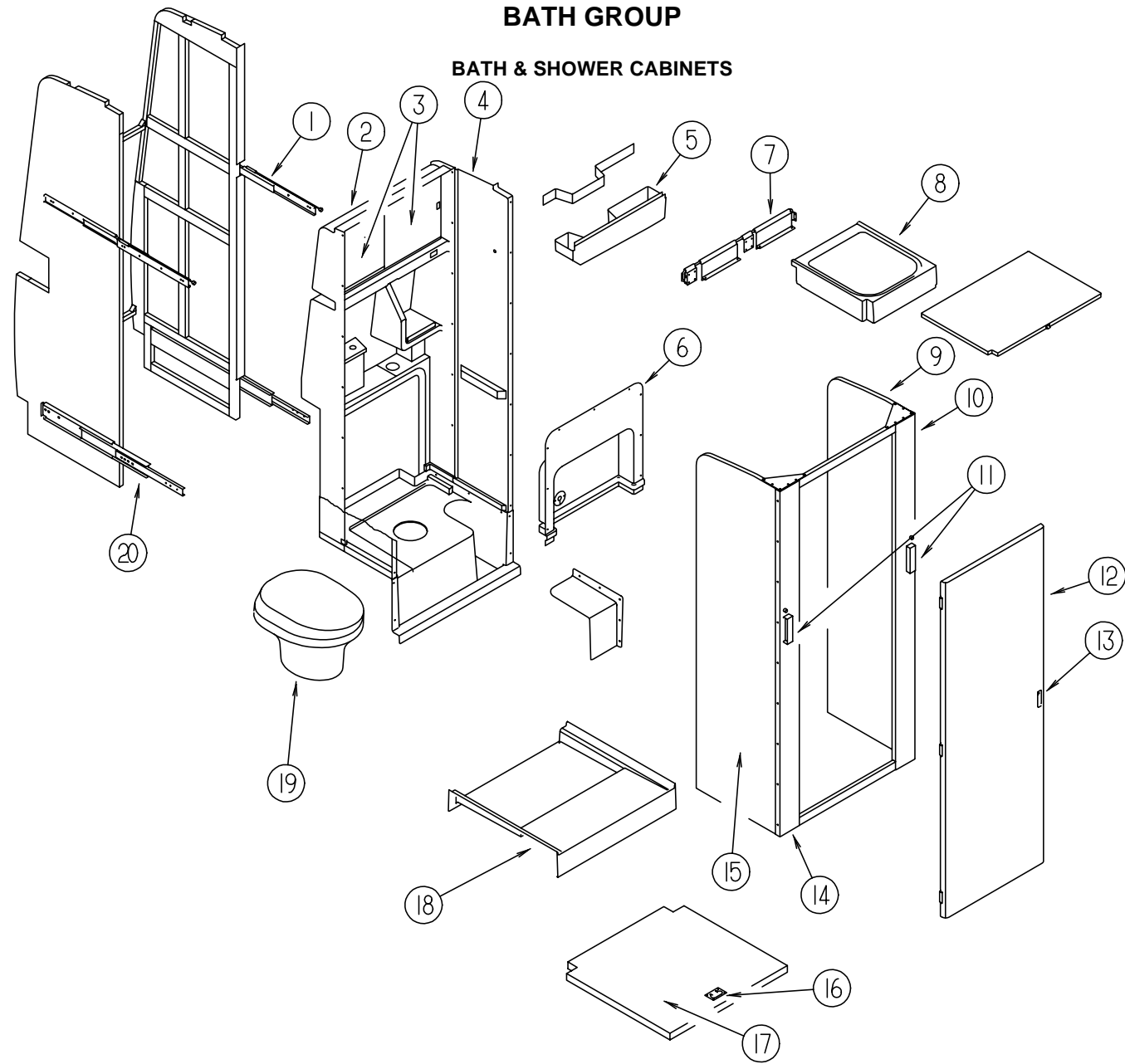
### WINEGARD TV ANTENNA

KEY	PART NUMBER	U/M DESCRIPTION
	076319-03-000	FT CABLE - COAXIAL - 75 OHM
	076319-12-000	EA CONNECTOR - COAXIAL - ONE PIECE
	076319-06-000	EA ADAPTER - CABLE ROOF PLATE
*	076319-24-000	EA ANTENNA - TV ROOF MOUNT - 25.5" MAST
*	076319-25-000	EA KIT - HARDWARE INTERIOR

\* PRESS TO SEE ILLUSTRATED SERVICE PARTS LIBRARY

# BATH GROUP

## BATH & SHOWER CABINETS

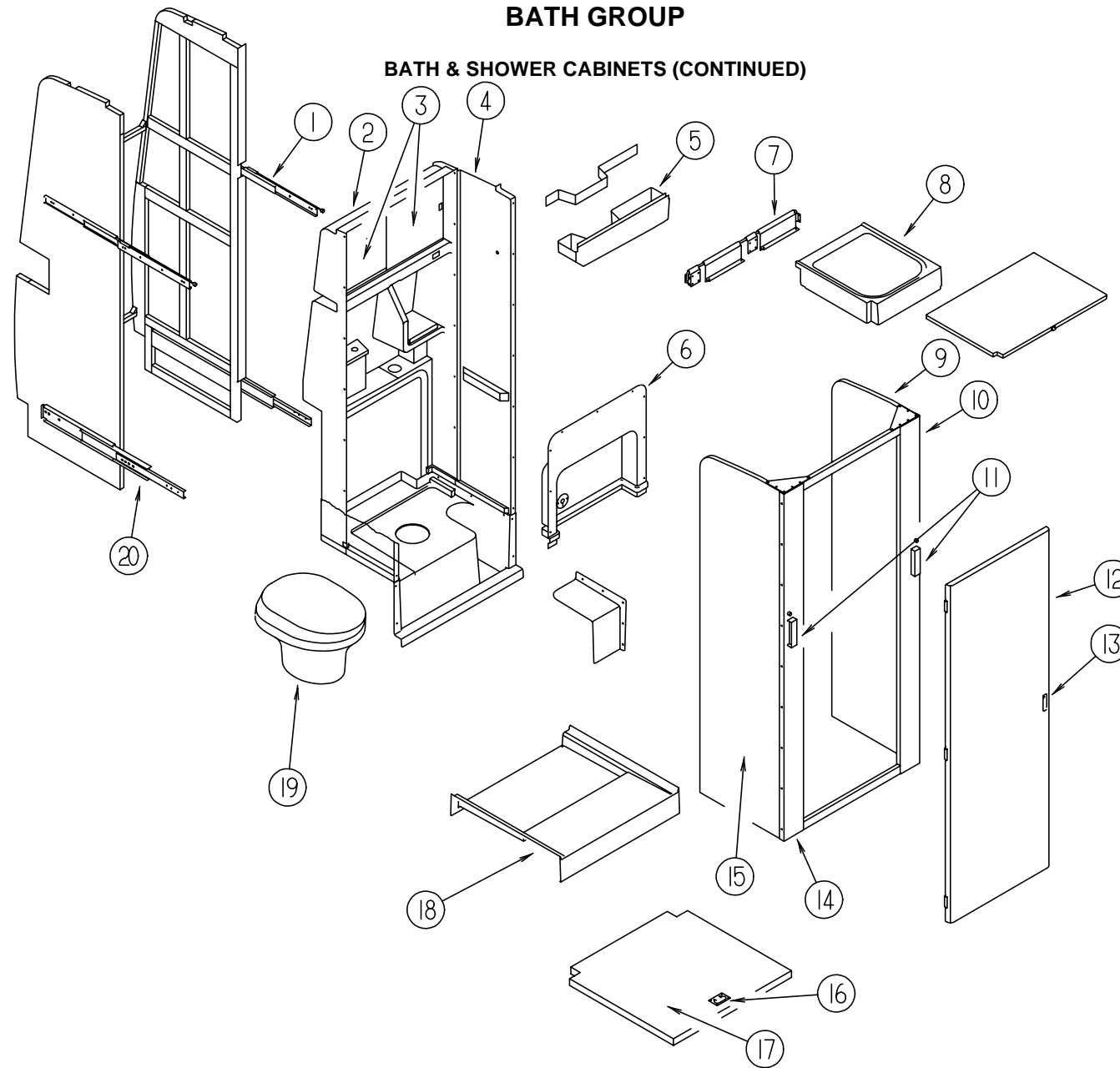


KEY	PART NUMBER	U/M DESCRIPTION
1	116173-01-000	EA SLIDE - LOCKING - RIGHT HAND
1	116173-02-000	EA SLIDE - LOCKING - LEFT HAND
2	111950-01-01A	EA SURROUND - SHOWER - BACK
3	058331-B0-000	EA MIRROR - SAFETY GLASS - 12.6" X 12.6
	023320-01-000	EA PAD - FELT 3/8" DIAMETER
	074383-09-000	EA TRACK - SLIDING DOOR - 24.5"
	002324-02-000	FT CHANNEL - WEATHERSTRIP - GLASS RUN - U-SHAPED
4	111986-01-01A	EA SURROUND - SHOWER - RIGHT HAND SIDE
	111986-02-01A	EA SURROUND - SHOWER - LEFT HAND SIDE
5	P12114-01-01A	EA BASIN - CATCH - W/STRAINER
	106116-01-01A	EA STRAINER - SINK - W/STOPPER,/TAILPIECE,/GASKET, & NUT - PLASTIC
	112114-01-01A	EA BASIN - CATCH - LAVATORY
6	112151-01-01A	EA COVER - ACCESS - DRAINAGE
	120591-01-01A	EA COVER - ACCESS - DRAINAGE - JAPAN EXPORT
	057671-01-000	EA COVER - SCREW - #8 - PLASTIC - OFF WHITE

KEY	PART NUMBER	U/M DESCRIPTION	VENDOR NO.
7	113982-01-F45	EA HINGE - FOLD UP SINK W/DOOR PANEL	
	086235-03-000	EA BEARING - SNAPIN - 5/16ID X 5/16	
8	M06944-02-H70	EA BATH SINK/FOLD UP - W/DOOR ATTACHED	
8	112244-01-F45	EA SINK - FOLD UP	
	057534-02-000	EA TIEBACK - CLEAR PLASTIC - 3"	
	074453-01-000	EA LATCH - PADDLE - SINK/MEDICINE CABINET - METAL	
	057898-01-000	EA LATCH - HIDDEN - BLACK PLASTIC	
9	113929-01-H70	EA CABINET - WALL - BATH SLIDER - W/O HARDWARE - RIGHT HAND	
10	116246-01-02A	EA CORNER/EXTRUDED - BATH/RIGHT HAND - VW DARK GRAY	
11	074762-01-000	EA PULL - CABINET - 4.8" X .9" - BLACK PLASTIC	
	074317-01-700	EA KNOB - F/SLIDE ASSEMBLY	
12	113756-01-H70	EA DOOR - BATH	A-033-01-0004-40-0

# BATH GROUP

## BATH & SHOWER CABINETS (CONTINUED)

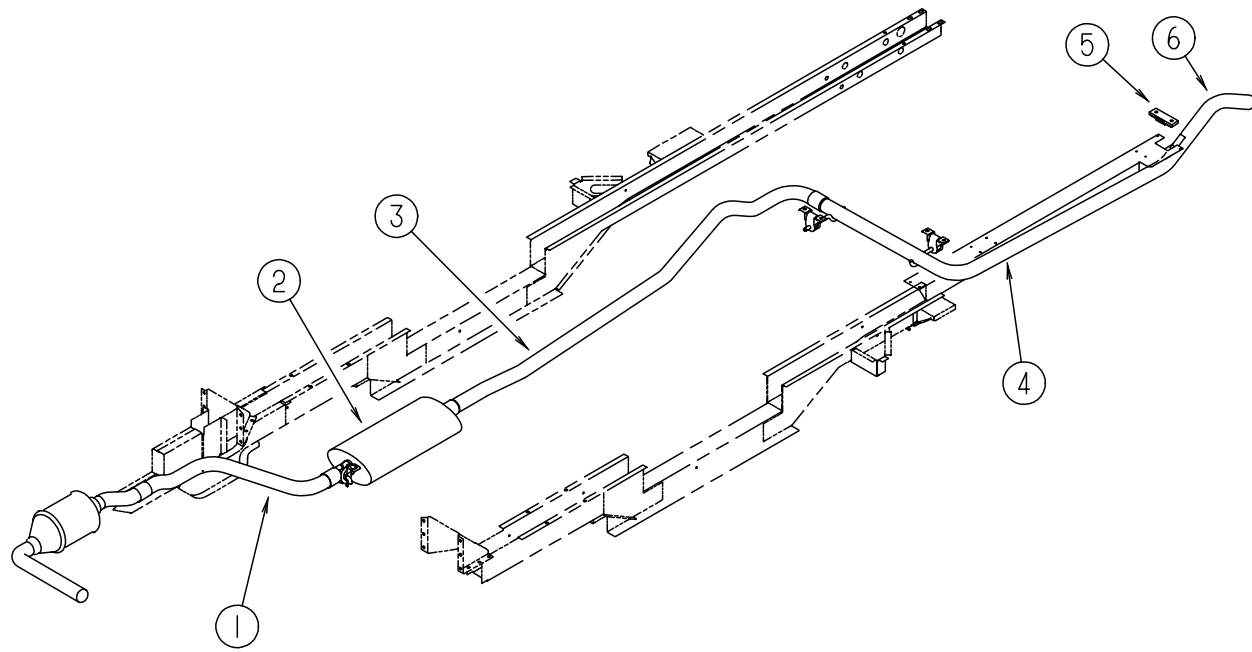


KEY	PART NUMBER	U/M	DESCRIPTION
13	058335-03-000	EA	LATCH - W/O LOCK - BATHROOM DOOR BLACK
	075453-02-000	EA	BAR - TOWEL - 18" BRASS
	075452-02-000	EA	HOLDER - TOILET TISSUE - BRASS
14	116246-02-02A	EA	CORNER/EXTRUDED - BATH - LEFT HAND - VW DARK GRAY
15	113929-02-H70	EA	CABINET - WALL - BATH SLIDER - W/O HARDWARE - LEFT HAND
	116044-01-000	EA	BUMPER - MOLDED
16	072871-01-000	EA	PULL - FLUSH - CHROME
17	113092-02-H70	EA	COVER - SHOWER PAN
17	113092-03-H70	EA	COVER - SHOWER PAN - JAPAN EXPORT
18	118605-01-01A	EA	SHOWER PAN - OFF WHITE
18	120590-01-01A	EA	SHOWER PAN - OFF WHITE - JAPAN EXPORT
	114974-01-000	EA	CONNECTOR - HULL - W/STRAINER
	066436-01-000	EA	NUT - SLIP - TAILPIECE 1.5"
	P11998-01-01A	EA	PLATFORM - TOILET W/DRAIN FITTING
19*	064076-01-000	EA	TOILET - 11.25" TALL - IVORY - WATERSAVER
19*	121003-01-01A	EA	TOILET - JAPAN EXPORT

KEY	PART NUMBER	U/M	DESCRIPTION	VENDOR NO.
20	116174-01-000	EA	SLIDE - FULL EXTENDED	
	103092-01-000	EA	SHOWER HEAD - W/60" HOSE - WHITE	
			FROM: 00-00-00 THRU: 07-12-97	
	103092-01-700	EA	BRACKET - F/SHOW HEAD - CLEAR	2328028
	103092-01-702	EA	SEALS - SPRAY HEAD	24466
	011048-03-700	EA	BRACKET - F/SHOWER HEAD	2328029-1
	131383-01-01A	EA	SHOWER HEAD - W/HOSE & BRACKET - 60" - IVORY	23213VB
			FROM: 07-13-98 THRU: 99-99-99	
	103092-02-000	EA	SHOWER HEAD - W/60" HOSE - CSA	
			FROM: 00-00-00 THRU: 07-12-98	
	131383-02-01A	EA	SHOWER HEAD - W/HOSE & BRACKET - 60" - CSA- IVORY	23213NB
			FROM: 07-13-98 THRU: 99-99-99	
	109800-01-01A	EA	FAUCET - LAVATORY	
	115000-01-01A	EA	FAUCET - LAVATORY/SHOWER - PARCHMENT	
	119282-01-01A	EA	RAIL - OVERHEAD - UPPER	
	113183-02-H70	EA	PANEL - DOOR/SINK	

\* PRESS TO SEE ILLUSTRATED SERVICE PARTS LIBRARY

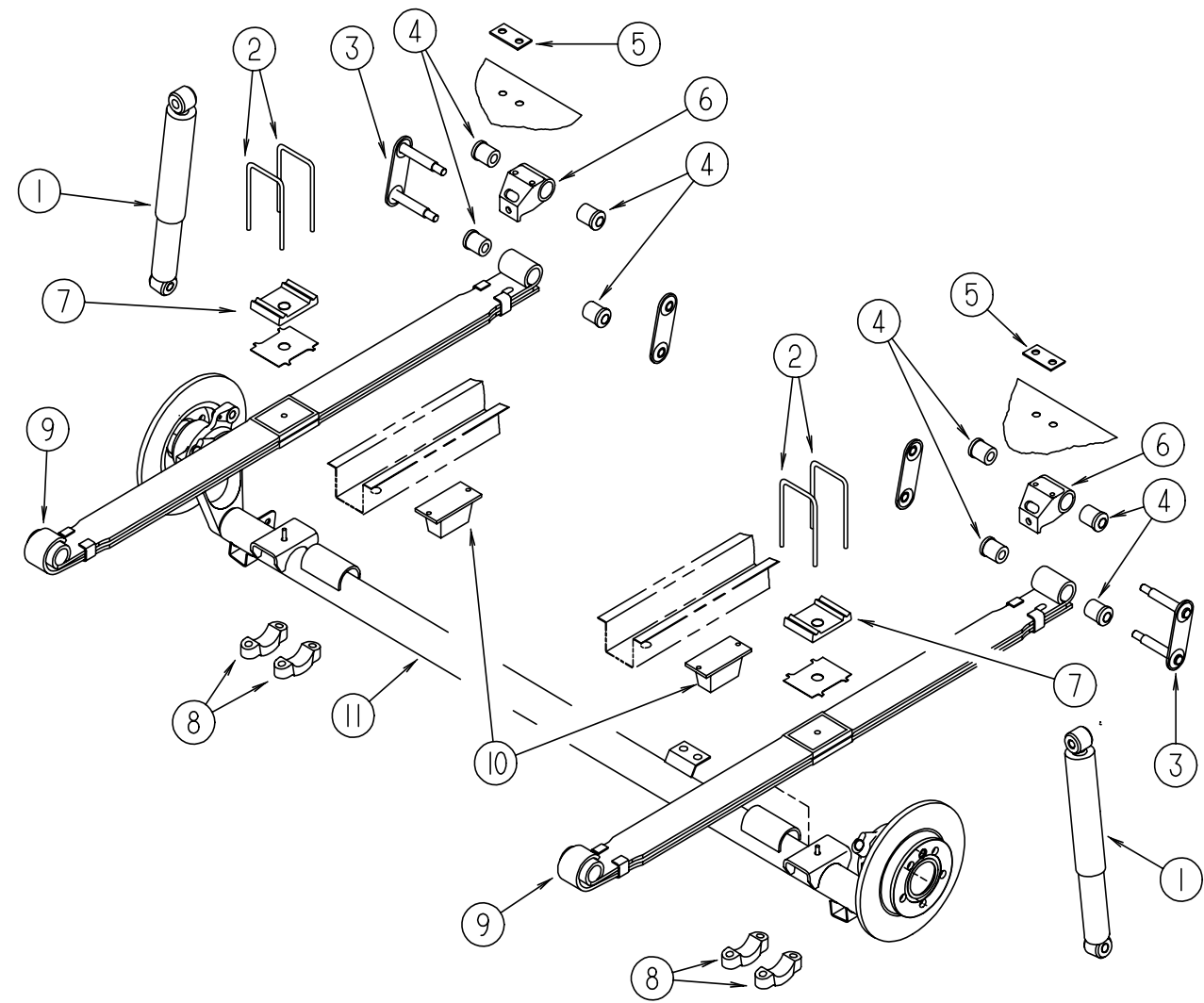
## CHASSIS GROUP



### EXHAUST SYSTEM COMPONENTS

KEY	PART NUMBER	U/M	DESCRIPTION
1	113098-02-000	EA	PIPE - EXHAUST/FRONT
2	121261-01-000	EA	MUFFLER - FRONT
3	113099-01-000	EA	PIPE - EXHAUST/ MIDDLE
4	125075-01-09B	EA	SHIELD - EXHAUST - TAIL PIPE - GALVANIZED
5	095190-01-000	EA	HANGER - EXHAUST - 4" X 1.4"
6	113097-02-000	EA	PIPE - EXHAUST/TAIL
	082716-01-000	EA	CLAMP - EXHAUST - 2"
	082716-02-000	EA	CLAMP - EXHAUST - 2.24"

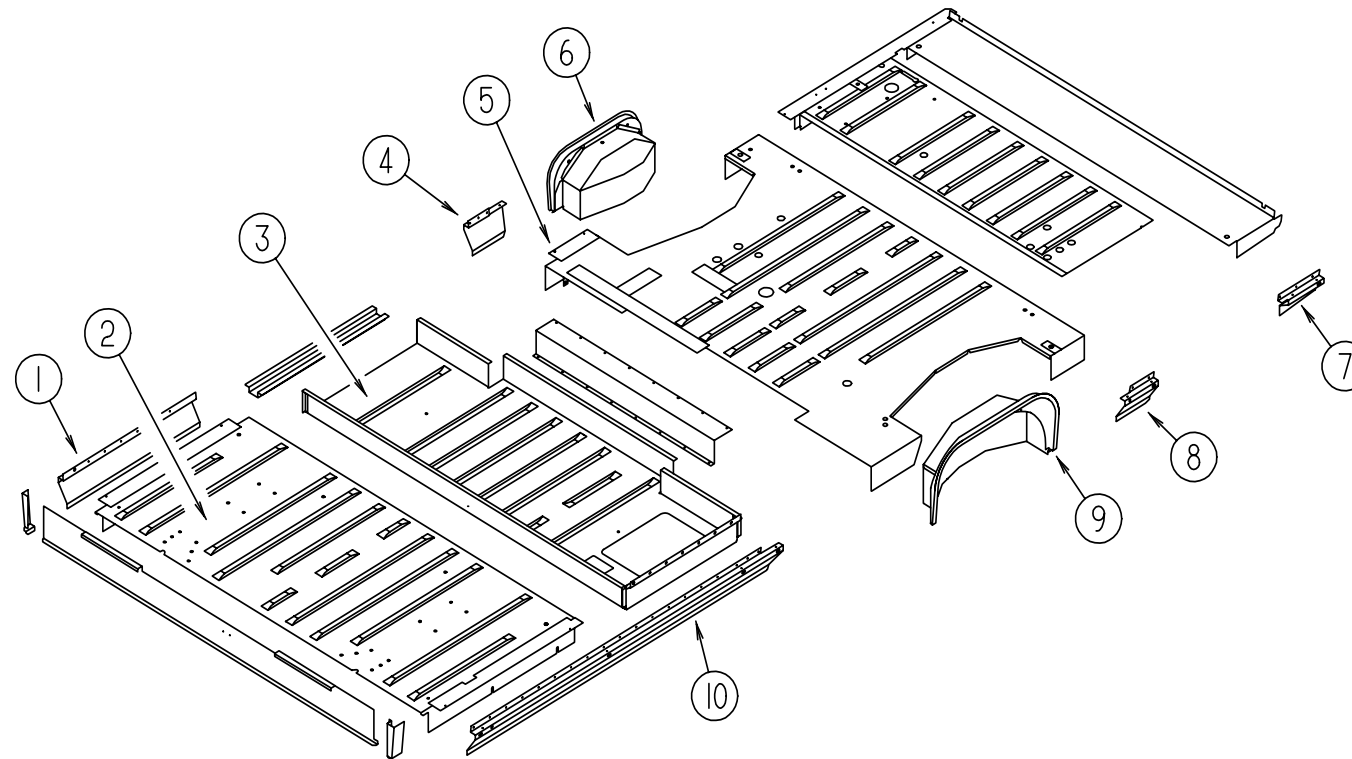
## CHASSIS GROUP (CONTINUED)



### SUSPENSION COMPONENTS

KEY	PART NUMBER	U/M	DESCRIPTION
1	112033-02-000	EA	SHOCK ABSORBER - REAR VW H-BODY - NEW DESIGN
2	112410-01-000	EA	BOLT-U - REAR SPRING
3	112560-01-000	EA	SHACKLE - SPRING - REAR
4	112503-01-000	EA	BUSHING - SPRING - REAR
5	071231-01-000	EA	PLATE - FLOOR DOUBLER
6	112415-01-000	EA	SUPPORT - SHACKLE - REAR
7	112414-01-000	EA	PLATE - SPRING CLAMP
8	112413-01-000	EA	BRACKET - U BOLT - REAR SUSPENSION
9	112032-01-000	EA	SPRING - REAR LEAF W/O BUSHINGS
	116712-01-000	EA	BUSHING - SPRING - FRONT
10	113876-01-000	EA	PAD - JOUNCE - REAR SPRING
11	120493-01-01A	EA	AXLE - REAR - DISC BRAKE

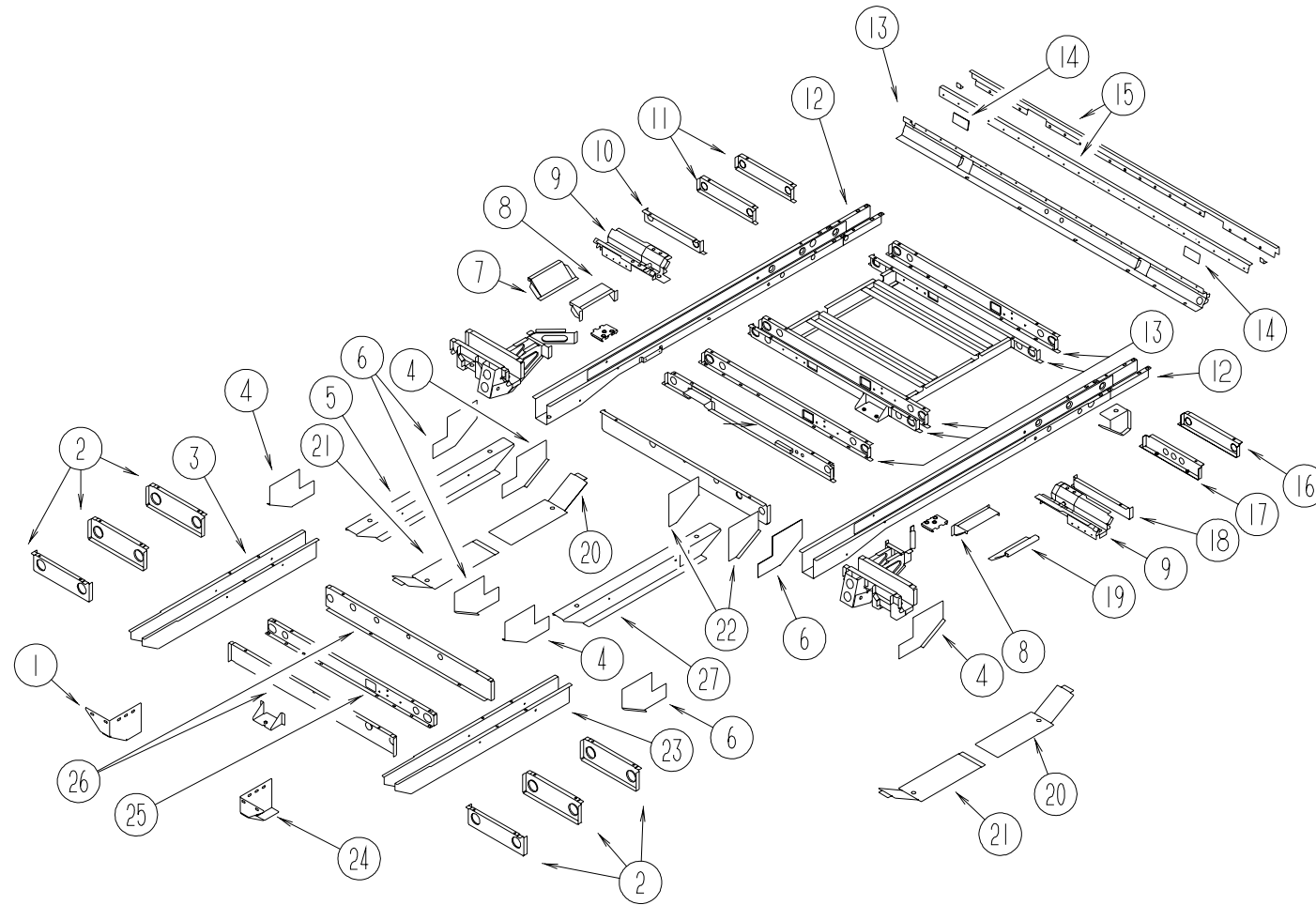
**CHASSIS GROUP (CONTINUED)**  
**FLOOR COMPONENTS**



KEY	PART NUMBER	U/M DESCRIPTION
1	113600-01-01B	EA ROCKER ASM - FRONT - RIGHT HAND - MILL
2	110695-01-000	EA PANEL - FLOOR - FRONT
3	112883-01-01B	EA PANEL - FLOOR - LOWER - MILL
4	113601-01-01B	EA ROCKER ASM - CENTER - RIGHT HAND - MILL
5	112222-01-000	EA PANEL - FLOOR - REAR
6	112345-01-000	EA WHEELHOUSE W/SHOCK MOUNT - REAR DRIVER SIDE - STEEL
7	112808-01-02B	EA ROCKER - REAR - LEFT HAND

KEY	PART NUMBER	U/M DESCRIPTION
8	113005-01-01B	EA ROCKER - REAR - LEFT HAND
9	112345-02-000	EA WHEELHOUSE W/SHOCK MOUNT - REAR PASSENGER SIDE - STEEL
10	071366-01-000	EA ROCKER ASM - FRONT - LEFT HAND
	112818-01-02B	EA COMPARTMENT - REAR - LEFT HAND
	072877-03-000	EA INSULATION - SOUND BARRIER - 1" X 36" X 57"
	071729-01-000	EA PLATE-RAIL,LOWER RT
	072382-01-000	EA CROSSMEMBER ASM-REAR
	110695-01-000	EA PANEL-FLOOR,FRONT

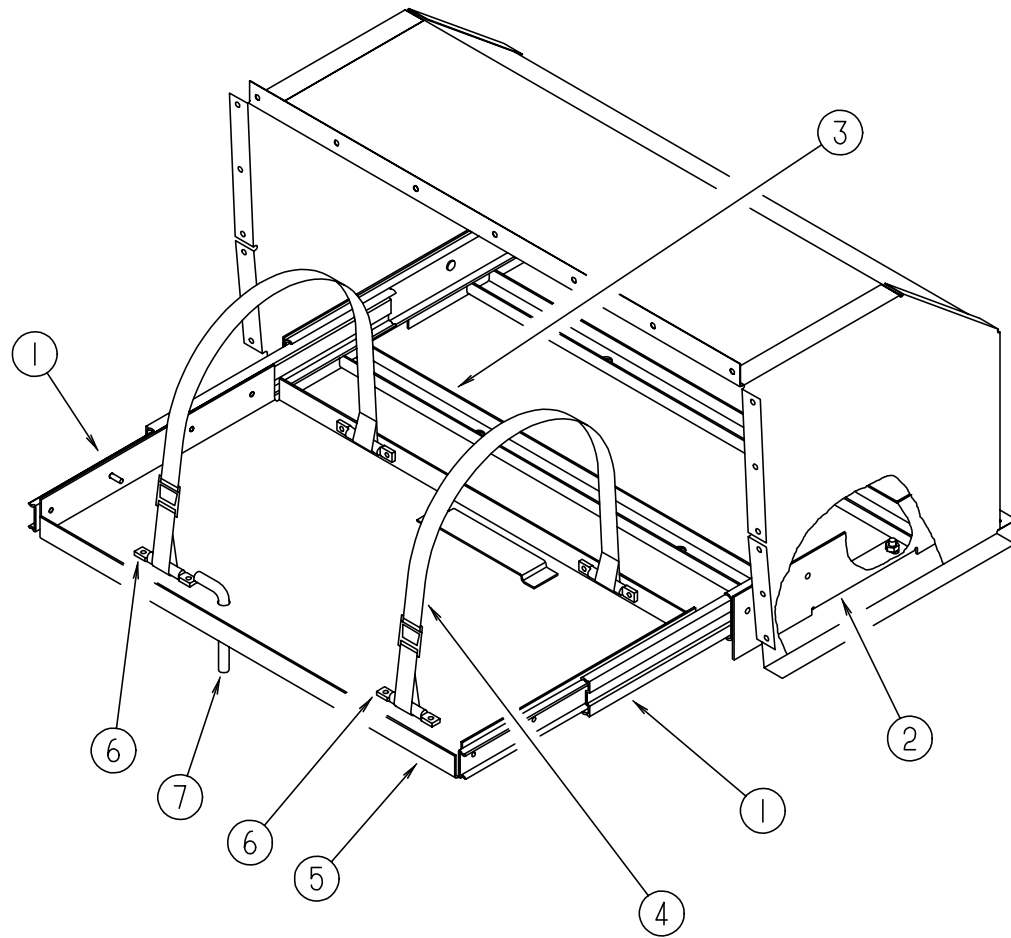
**CHASSIS GROUP (CONTINUED)**  
**FLOOR FRAME ASM**



KEY	PART NUMBER	U/M DESCRIPTION
1	117866-01-01B	EA BRACKET - FRAME - FLOOR - MILL - RIGHT HAND
2	131309-01-01B	EA OUTRIGGER - FRONT
3	117865-03-01B	EA RAIL ASM - FRAME - FRONT - MILL
4	071223-01-000	EA GUSSET - FRAME - LOWER RIGHT HAND
5	126977-02-01B	EA RAIL - FRAME - LOWER
6	071223-02-000	EA GUSSET - FRAME - LOWER - LEFT HAND
7	071188-01-000	EA BRACKET - SPRING MOUNT - FRONT - PASSENGER SIDE
8	112314-01-000	EA REINFORCEMENT - WHEELHOUSE
9	071162-01-000	EA STRUT - SPRING MTG
10	071232-02-000	EA OUTRIGGER - REAR - PASSENGER - 15.5" - STEEL
11	071232-01-000	EA OUTRIGGER - REAR - RIGHT HAND
12	071220-01-000	EA RAIL - FRAME - REAR
13	071229-01-000	EA CROSSMEMBER - REAR - CENTER - 45" LONG - STEEL
14	070579-17-000	EA PLATE - ANCHOR - W/1/5" WELD NUT - 2.5" X 3.3"
15	072382-01-000	EA CROSSMEMBER ASM - REAR
16	112726-01-01B	EA OUTRIGGER - GENERATOR - MILL
17	112726-03-01B	EA OUTRIGGER ASM - GENERATOR - RIGHT HAND - MILL
18	112726-04-01B	EA OUTRIGGER ASM - GENERATOR - LEFT HAND - MILL
19	071188-02-000	EA BRACKET - SPRING MOUNT - FRONT - DRIVER SIDE
20	071729-01-000	EA PLATE - RAIL - LOWER RIGHT

KEY	PART NUMBER	U/M DESCRIPTION
21	071212-01-000	EA PLATE - RAIL - LOWER
22	112315-01-000	EA OUTRIGGER - WHEELHOUSE - REAR
23	11786503-01B	EA RAIL ASM - FRAME - FRONT - MILL
24	117866-02-01B	EA BRACKET - FRAME - FLOOR - MILL - LEFT HAND
25	071774-01-000	EA CROSSMEMBER - FRONT
26	071226-01-000	EA CROSSMEMBER - STEPBOX
27	126977-01-01B	EA RAIL - FRAME - LOWER
	061420-04-000	EA PLUG -CAP - 1.25" DIAMETER
	061420-05-000	EA PLUG-CAP, 1.8" DIAMETER
	061420-07-000	EA PLUG - PLASTIC - 1.8" DIAMETER
	061420-08-000	EA PLUG - PLASTIC - 2.5" DIAMETER
	073913-01-000	EA RETAINER - MUDFLAP - METAL
	112248-01-000	EA BRACKET - MOUNT - SHOCK - LOWER
	112248-02-000	EA BRACKET - MOUNT - SHOCK - LOWER
	112249-01-000	EA BRACKET-MOUNT - SHOCK - UPPER
	112250-01-000	EA PLATE - BACKING - MOUNT - SHOCK
	112312-01-000	EA MOUNT - UPPER REAR PASSENGER SHOCK - STEEL
	112312-02-000	EA MOUNT - UPPER REAR DRIVER SHOCK - STEEL
	112314-01-000	EA REINFORCEMENT - WHEELHOUSE
	112724-01-01B	EA PANEL - ROCKER - OUT REAR RIGHT HAND - MILL
	112725-01-01A	EA PANEL - ROCKER - INNER - REAR - RIGHT HAND - MILL

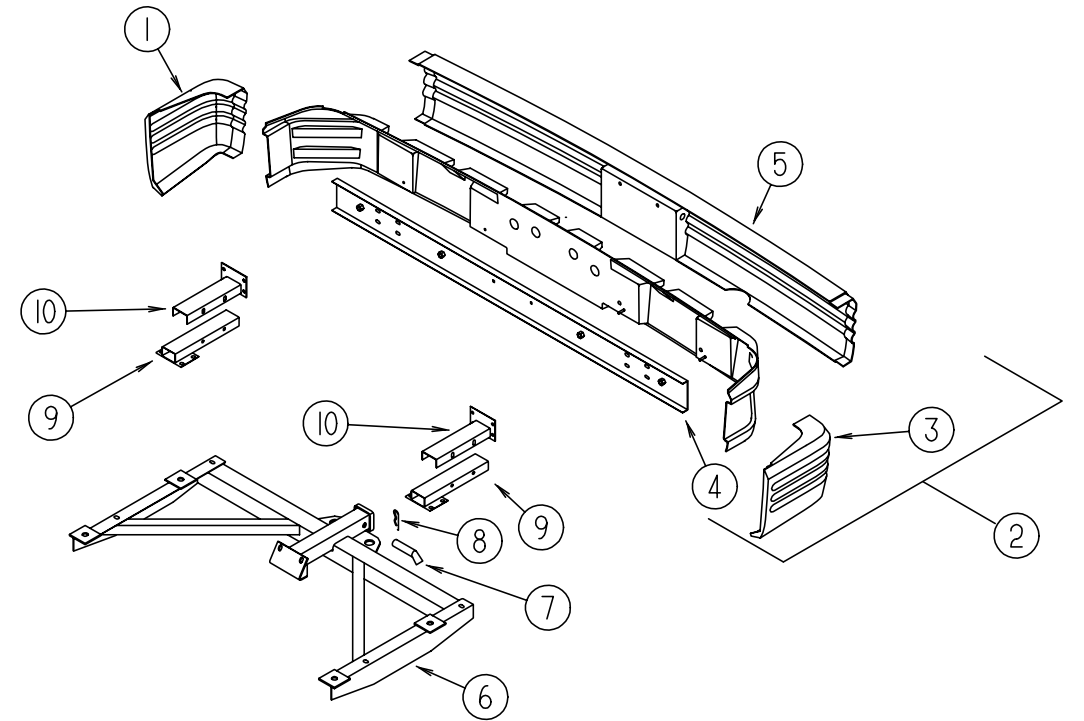
## CHASSIS GROUP (CONTINUED)



### LP COMPARTMENT COMPONENTS - JAPAN

KEY	PART NUMBER	U/M	DESCRIPTION
1	116985-01-000	EA	SLIDE - 3 SECTION - JOHNATHAN 310-12
2	116937-01-02B	EA	BRACKET - SUPPORT - LP TRAY
3	116935-01-04B	EA	SUPPORT - LP TRAY
4	099717-08-000	EA	STRAP - TV TIE DOWN W/7.9" FEMALE STRAP & 26" MALE STRAP
5	116955-01-02B	EA	TRAY - LP
6	064219-01-000	EA	RETAINER - 2.75" LONG, ALUMINUM - 2 PER TIEDOWN
7	015365-01-000	EA	PIN - TIRE CARRIER - CADIUM PLATED

## CHASSIS GROUP (CONTINUED)



### REAR BUMPER, TRAILER HITCH & COMPONENTS

KEY	PART NUMBER	U/M	DESCRIPTION
1	113481-03-01A	EA	BUMPER - CORNER - PASSENGER REAR
2	113477-03-H70	EA	BUMPER - REAR
2	113477-05-H70	EA	BUMPER - REAR - JAPAN
3	113481-04-01A	EA	BUMPER - CORNER - REAR/OUTER/LEFT HAND
4	087108-01-000	EA	SUPPORT - BUMPER - REAR
5	124246-01-01A	EA	BUMPER - REAR - CENTER OUTER
5	124246-02-01A	EA	BUMPER - REAR - CENTER OUTER - JAPAN ONLY
6	112600-02-04B	EA	DRAWBAR - CLASS I HITCH
6	130339-06-000	EA	DRAWBAR ASM-HITCH,CLASS 1
			FROM: 00-00-00 THRU: 06-21-98
7	034512-01-000	EA	PIN - LOCKING - DRAWBAR
8	034513-01-000	EA	PIN - HITCH - 3/16" WIRE
9	115947-01-02B	EA	SUPPORT - LOWER - BUMPER/REAR
10	115944-01-02B	EA	SUPPORT - UPPER - BUMPER/REAR
	113589-01-000	EA	CONNECTOR - PLUG - TRAILER
	113589-02-000	EA	CONNECTOR - SOCKET - TRAILER
	113588-02-01B	EA	BRACKET - CONNECTOR - TRAILER W/O LIP
			FROM: 06-22-98 THRU: 99-99-99



**CHASSIS GROUP (CONTINUED)**  
FUEL SYSTEM COMPONENTS

KEY	PART NUMBER	U/M DESCRIPTION
	007063-01-000	FT HOSE - FUEL - 1/4"ID X 1/2"OD
	084884-01-000	EA PLUG - BRASS - 3/8"
	113378-01-000	EA FUEL LINE - GENERATOR - FRONT
	113378-02-000	EA FUEL LINE - GENERATOR - REAR
	113378-03-000	EA FUEL LINE - GENERATOR - MIDDLE
	114253-01-000	EA ELBOW - 1/4" SINGLE BARB X 1/8" MPT - WEATHERHEAD 1582
	114254-01-000	EA ADAPTER - 1/4" BARB X 1/8" MPT
	125187-02-000	EA HOSE - FUEL - LOW PERM - 12.7 ID

**DICOR 15" WHEEL COVERS**

KEY	PART NUMBER	U/M DESCRIPTION	VENDOR NO.
	114193-01-000	EA COVER - WHEEL - 15" - SET OF 4 - DICOR PC9054-15	
	114193-01-700	EA COVER-WHEEL, 15" - 1 ONLY - DICOR	PC9054-15-COV
	077030-02-000	EA EXTENSION - VALVE STEM - 1.25"	

**FRONT & REAR MUDFLAP & RETAINER BRACKET**

KEY	PART NUMBER	U/M DESCRIPTION
	073905-01-000	EA MUDFLAP - REAR - 10.1" X 19.3"
	073905-03-000	EA MUDFLAP - REAR - 10.1" X 9.3"
	073913-01-000	EA RETAINER - MUDFLAP - METAL

**LUG WRENCH , TIRE JACK & HANDLE**

KEY	PART NUMBER	U/M DESCRIPTION
	116209-01-000	EA WRENCH - LUG - .75"
	114387-01-000	EA JACK - SCREW - 4000 LB - AUSCO 95-55900
	114387-02-000	EA HANDLE - SCREW JACK - 1 PIECE - AUSCO 1-55872

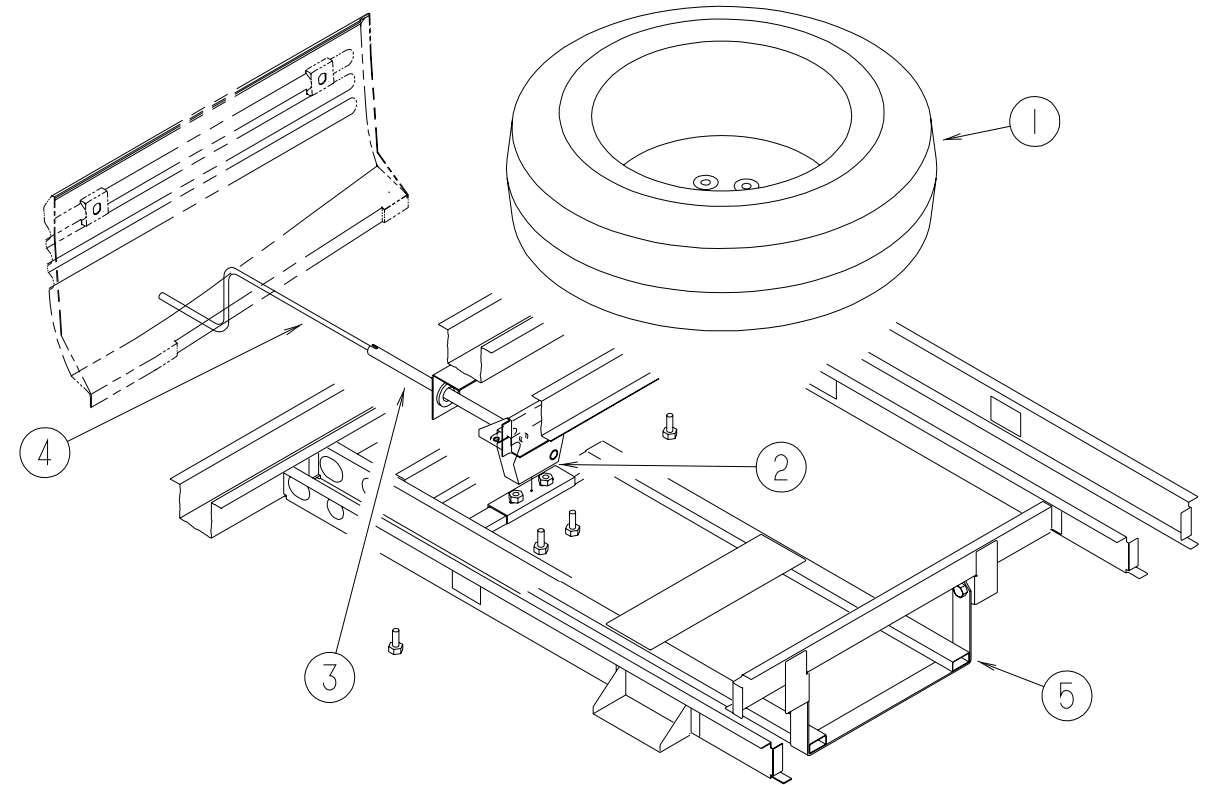
**REAR AIR BAGS**

KEY	PART NUMBER	U/M DESCRIPTION
	701390-04-700	EA AIR BAG SYSTEM - COMPLETE INSTALLATION - REAR VW H-BODY
	100293-03-700	EA AIR BAG REPAIR KIT - VW H-BODY, LEFT HAND KIT CONTAINS: (1) AIR BAG, (1) ELBOW FITTING, (1) ELBOW FILL VALVE, (1) 3' 1/4" AIR LINE, (1) INSTRUCTIONS
	100293-03-701	EA AIR BAG REPAIR KIT - VW H-BODY, RIGHT HAND KIT CONTAINS: (1) AIR BAG, (1) ELBOW FITTING, (1) ELBOW FILL VALVE, (1) 3' 1/4" AIR LINE, (1) INSTRUCTIONS

**MISCELLANEOUS CHASSIS COMPONENTS**

KEY	PART NUMBER	U/M DESCRIPTION
	112638-01-000	EA HOSE - BRAKE LINE/REAR - CONTINENTAL HOSE# 4106
	112638-02-000	EA CLIP - SPRING - BRAKE HOSE - CONTINENTAL HOSE# 20A790
	100424-01-000	EA ANGLE - BRAKE CABLE - MC-90
	121406-01-01A	EA BUSHING - THREADED - 2 PIECE NYLON
	111420-07-000	EA PLATE - SUPPORT - CAB ROOF - 30 MM X 30 MM - STEEL
	112081-02-000	EA ANGLE - ROOF SUPPORT - CENTER
	112538-01-000	EA PILLAR ASM - B - RIGHT HAND - STEEL
	112538-02-000	EA PILLAR ASM - B - LEFT HAND - STEEL
	114254-01-000	EA ADAPTER - 1/4" SINGLE BARB X 1/8" MPT - WEATHERHEAD 1537
	114255-01-000	EA COUPLING - 5/8" THD X 1/8" FPT - PARKER 207ACBH-2
	076776-02-000	EA TEE - BEADED - 3/4 X 3/4 X 3/4
	010281-01-000	EA TEE - BRASS - 3/8 F
	103491-02-000	EA BRACKET - LICENSE PLATE - FRONT - JAPAN OPTION
	130075-01-02B	EA BRACKET - PARK BRAKE CABLE/LEFT HAND - E-COATED
	130075-02-02B	EA BRACKET - PARK BRAKE CABLE/RIGHT HAND - E-COATED
	130307-01-000	EA FITTING - REDUCE - HOSE - 1/2-5/8
	120406-02-02B	EA ROD - THREADED - PARK BRAKE

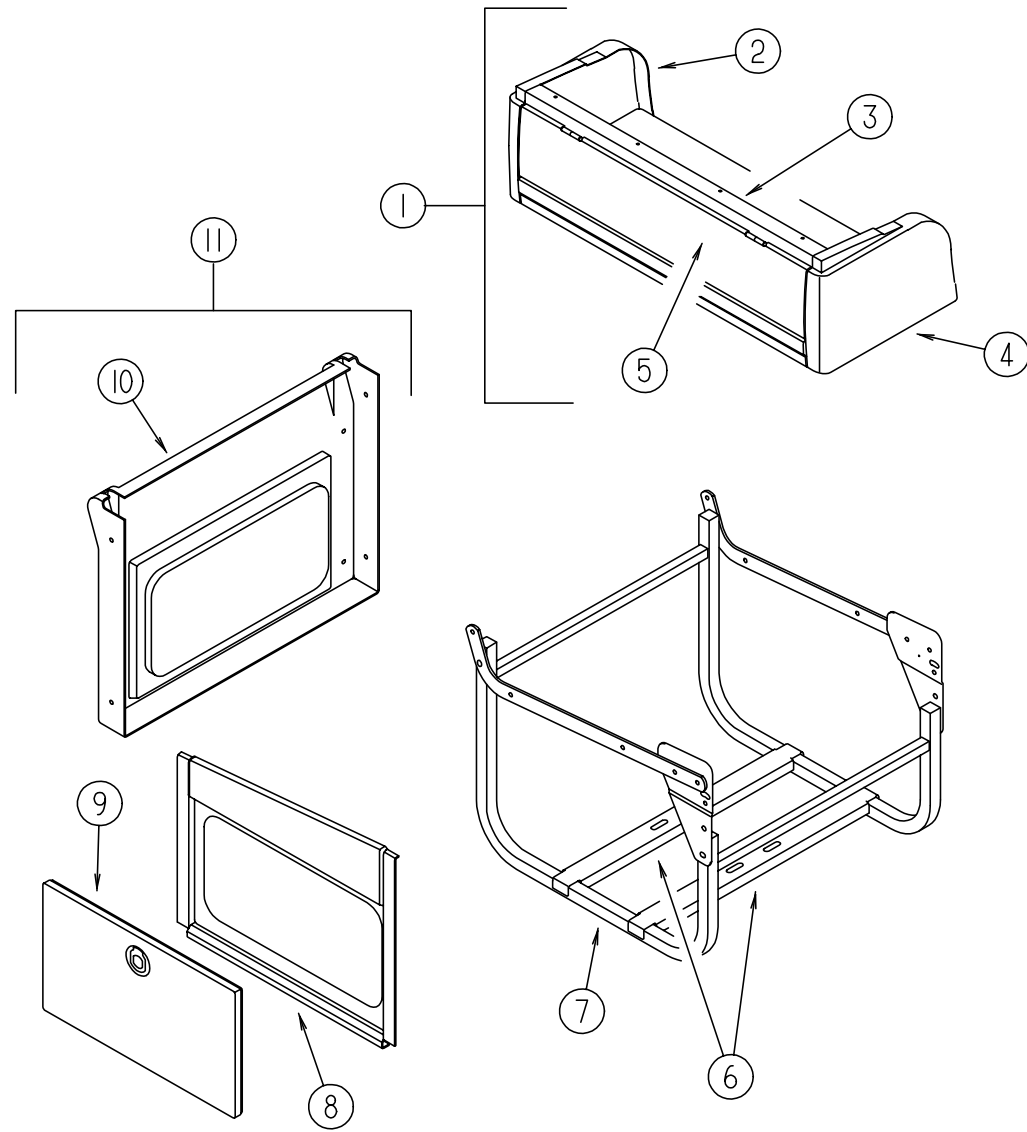
**CHASSIS GROUP (CONTINUED)**



**SPARE TIRE/MOUNT & HOIST**

KEY	PART NUMBER	U/M DESCRIPTION
1	116271-01-000	EA TIRE - LT 195/70T 15C 104/102P
1	116271-02-000	EA TIRE - 215/70 R15 C 109/107P - F/REAR
2	093267-03-000	EA HOIST - SPARE TIRE - #100 LB
3	093375-15-000	EA EXTENSION - TIRE HOIST
4	093376-02-000	EA HANDLE - CRANK - TIRE HOIST
	114376-01-000	EA PIN - DRIVE - .156 X .750 - TYPE E - TIRE HOIST
5	124645-01-02B	EA CRADLE - SPARE TIRE
	113007-04-000	EA PIN - SPRING - .007" X 1.25"

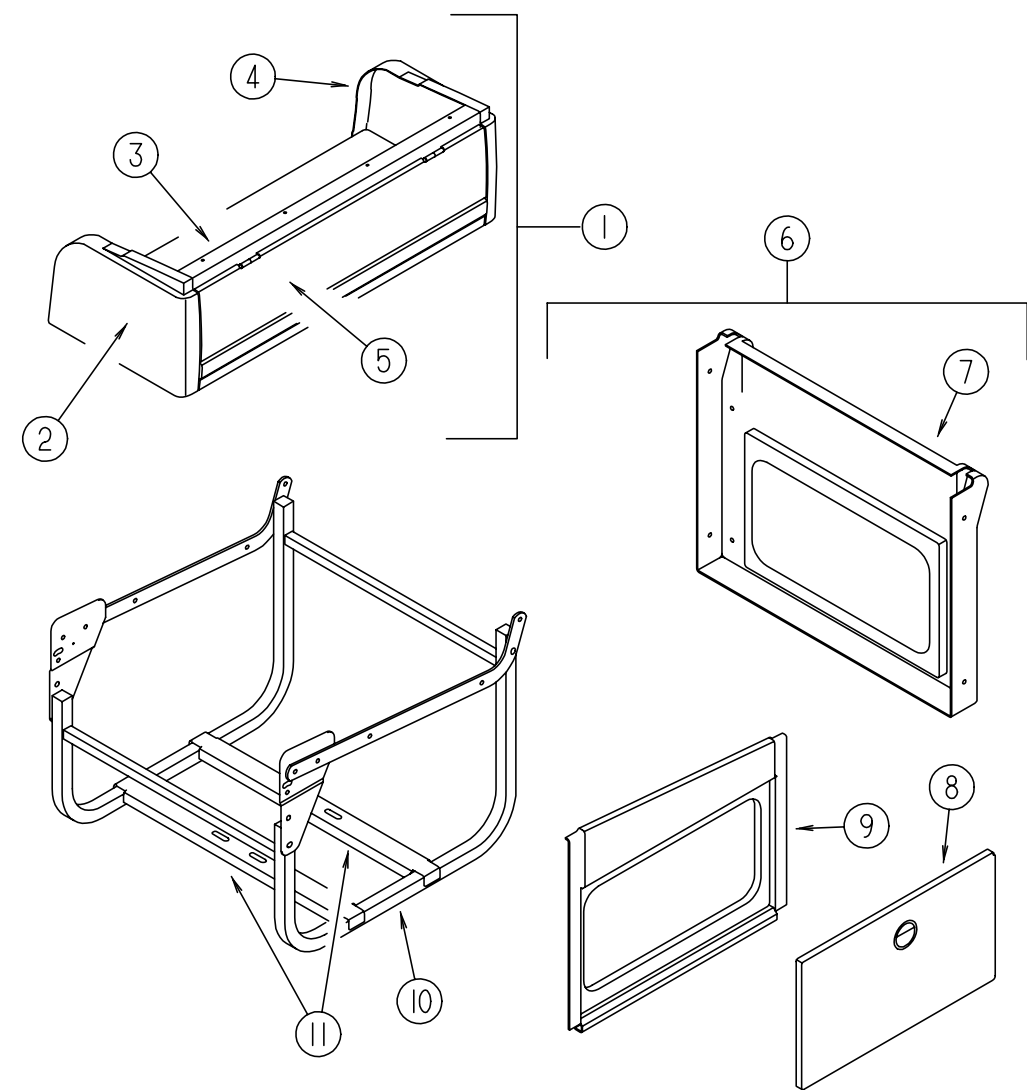
## COMPANION SEAT GROUP



DRIVER SIDE

KEY	PART NUMBER	U/M	DESCRIPTION
1	116853-03-J80	EA	CABINET - OVERHEAD - W/O DOORS/HARDWARE
2	112374-02-02A	EA	CAP - END - OVERHEAD CABINET - REAR - VW TAUPE
3	112706-04-02A	EA	PANEL - OVERHEAD/BOTTOM
4	112374-01-02A	EA	CAP - END - OVERHEAD CABINET - FRONT - VW TAUPE
5	116832-01-H70	EA	PANEL - DOOR/CABINET - W/O HARDWARE
6	113283-01-02B	EA	BRACKET - SEAT/COMPANION
7	113991-02-000	EA	FRAME - BASE - COMPANION/DRIVER - FLEXSTEEL# XP1631-DR
8	117949-01-02A	EA	PANEL - TRIM/COMPANION SEAT - RIGHT HAND
9	116854-01-H70	EA	DOOR - COMPANION SEAT - W/O HARDWARE
10	113441-01-02A	EA	PANEL - COMPANION SEAT - REAR - DK GRAY
11	M07459-07-H70	EA	PANEL - DRIVER SEAT/LEFT HAND
	116071-01-01A	EA	PLUG - PLASTIC/CAP
	114280-01-02A	EA	COVER - BRACKET D LOOP RIGHT HAND
	114280-02-02A	EA	COVER - BRACKET D LOOP LEFT HAND
	114279-03-02B	EA	BRACKET-SEAT BELT - E-COATED
	109146-01-000	EA	BOLT - SHOULDER - SEAT BELT
	113375-05-01A	EA	LATCH - SLAM - BACK - .8" THICK
	113676-01-01A	EA	HINGE - OVERLAY - VARIABLE
	113436-01-H70	EA	DOOR - COMPANION SEAT

## COMPANION SEAT GROUP (CONTINUED)



PASSENGER SIDE

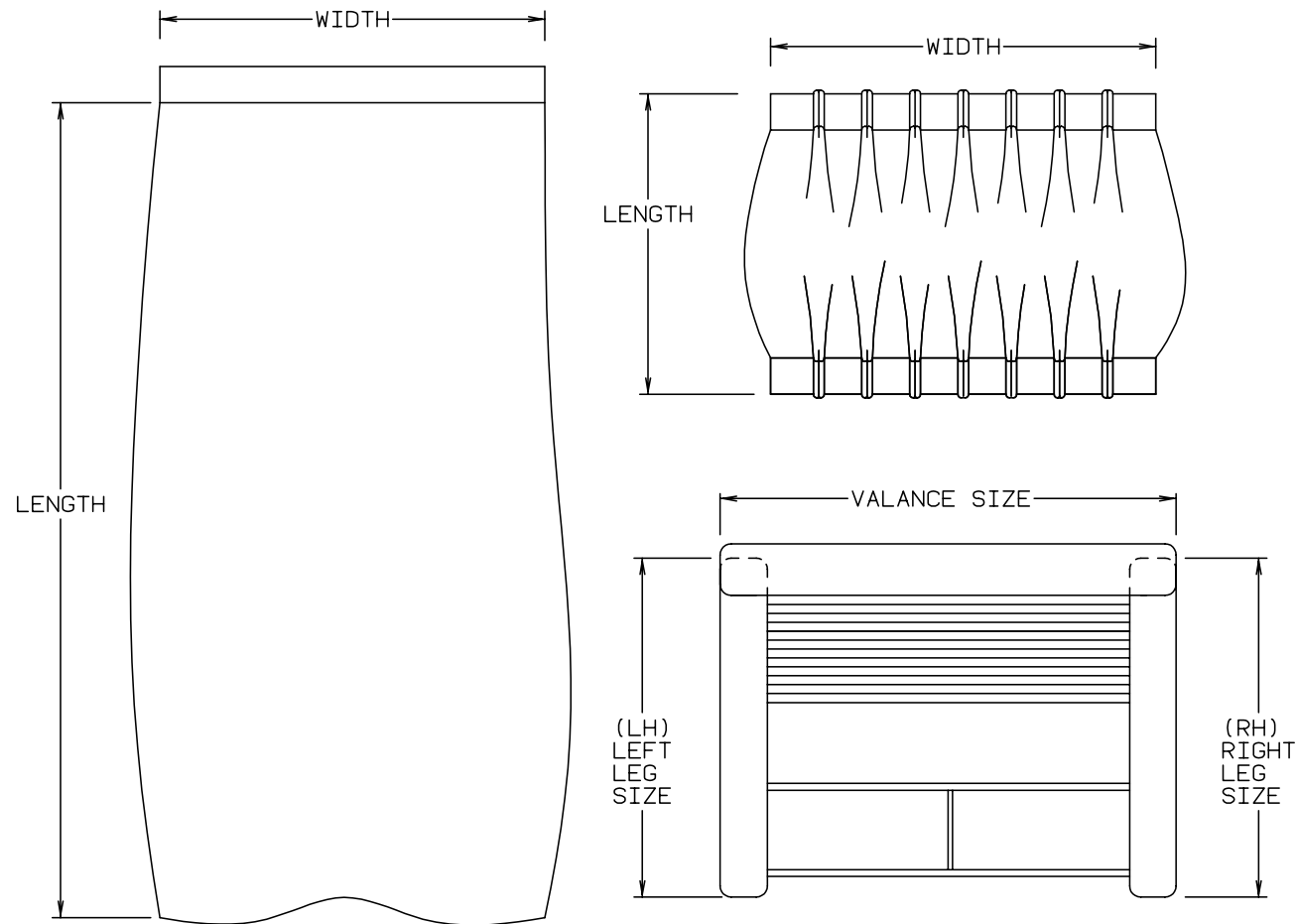
KEY	PART NUMBER	U/M	DESCRIPTION
1	116853-03-J80	EA	CABINET - OVERHEAD - W/O DOORS/HARDWARE
2	112374-02-02A	EA	CAP - END - OVERHEAD CABINET - REAR - VW TAUPE
3	112706-04-02A	EA	PANEL - OVERHEAD/BOTTOM
4	112374-01-02A	EA	CAP - END - OVERHEAD CABINET - FRONT - VW TAUPE
5	116832-01-H70	EA	PANEL - DOOR/CABINET - W/O HARDWARE
6	M07459-06-H70	EA	SEAT - COMPANION - RIGHT HAND PANELS
7	113441-02-02A	EA	PANEL - TRIM - COMPANION SEAT - REAR
8	116854-01-H70	EA	DOOR - COMPANION SEAT - W/O HARDWARE
9	117949-02-02A	EA	PANEL - TRIM COMPANION SEAT - LEFT HAND
10	113991-01-000	EA	FRAME - BASE - COMPANION/PASSENGER - FLEXSTEEL# XP1631-PA
11	113283-01-02B	EA	BRACKET - SEAT/COMPANION
	116071-01-01A	EA	PLUG - PLASTIC/CAP
	114280-01-02A	EA	COVER - BRACKET D LOOP RIGHT HAND
	114280-02-02A	EA	COVER - BRACKET D LOOP LEFT HAND
	114279-03-02B	EA	BRACKET-SEAT BELT - E-COATED
	109146-01-000	EA	BOLT - SHOULDER - SEAT BELT
	113375-06-01A	EA	LATCH - SLAM - FACE - .7" THICK
	113676-01-01A	EA	HINGE - OVERLAY - VARIABLE

## CURTAIN & CUSHION GROUP

### NOTICE

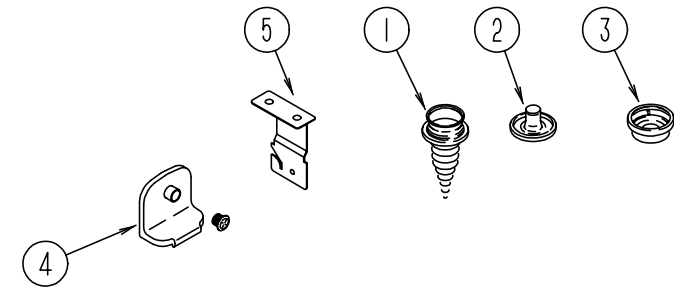
IN ORDER TO ASSIST OUR PARTS SALES DEPT. IN PROVIDING INTERIOR SOFTGOODS ITEMS, PLEASE INCLUDE THE SERIAL NUMBER AND THE COLOR CODE NUMBER FROM THE VEHICLE CERTIFICATION LABEL WHEN ORDERING. THIS LABEL IS LOCATED ON THE LEFT SIDEWALL AT THE END OF THE DASH (A-BODY), OR ON THE DRIVER'S DOOR LATCH PLATE (C-BODY).

AN EXAMPLE OF A COLOR CODE NUMBER IS B07, WHICH DESIGNATES AN OVERALL COLOR SCHEME OF A PARTICULAR UNIT. THE COLOR LISTED AFTER THE ITEM DESCRIPTION ON THE MICROFICHE, INDICATES THE OVERALL UNIT COLOR. ORDER THE ITEM YOU DESIRE ACCORDING TO UNIT COLOR CODE.



NOTE: USE THIS ILLUSTRATION WHEN DETERMINING LENGTH AND WIDTH MEASUREMENTS FOR CURTAINS. YOU WILL NOTE THE WIDTH MEASUREMENT IS TAKEN ON THE TOP OF THE CURTAIN WITH THE CURTAIN FULLY EXTENDED. THE LENGTH MEASUREMENT IS TAKEN FROM TOP TO BOTTOM. LEFT AND RIGHT WINDOW LEGS ARE DETERMINED WHEN FACING THE WINDOW.

## CURTAIN & CUSHION GROUP (CONTINUED)

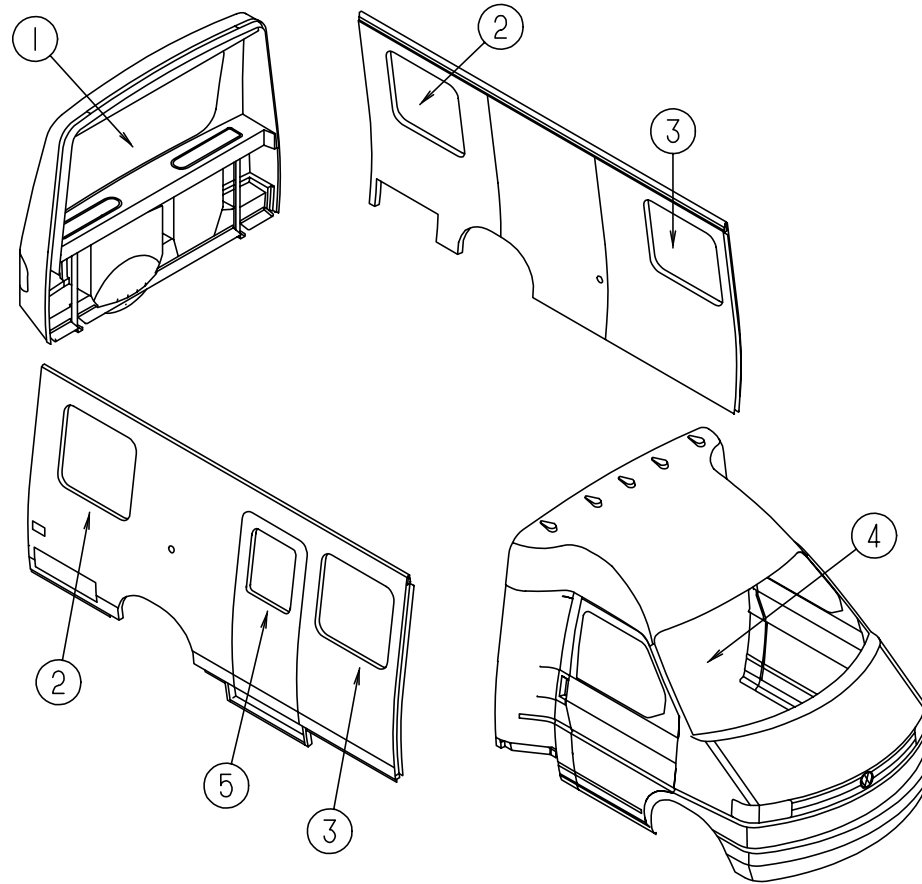


### CURTAIN, BLIND & SHADE HARDWARE

KEY	PART NUMBER	U/M DESCRIPTION
1	029130-01-000	EA SCREW - SNAP SOCKET - #8 PH X 5/8"
1	029130-03-000	EA SCREW - SNAP SOCKET - #8 PH X 1"
2	029155-01-000	EA CAP - SNAP - 5/32" O.D. OF PIN
3	029156-01-000	EA SOCKET - SNAP - 9/16" O.D.
3	029156-02-000	EA SOCKET - SNAP - 27/64" OD
4	106544-01-000	EA PULL - SHADE/BRASS
4	106544-01-001	EA SCREW - SHADE/BRASS
5	084434-01-000	EA BRACKET - MOUNTING - ROLLER SHADE - 1 3/8"
	048394-02-000	YD VELCRO TAPE - HOOK - ADHESIVE BACK - .75" WIDE - BEIGE
	088792-02-000	YD VELCRO TAPE - LOOP - .75" - ADHESIVE BACKED - BEIGE
	088792-04-000	YD VELCRO TAPE - LOOP - 5/8" - NON-ADHESIVE BACK - WHITE
	088792-05-000	YD VELCRO TAPE - HOOK - 5/8" - NON-ADHESIVE BACK - WHITE
	088792-06-000	YD VELCRO TAPE - LOOP - .75" - NON-ADHESIVE BACKED - BUFF
	103242-01-000	EA VELCRO HOOK - BEIGE 7/8"
	086276-01-000	EA TAPE - DOUBLE SIDED - 1/2"
	094896-02-000	EA GROMMET - CORD/PLEATED BLIND - NYLON - GRAY
	094907-05-000	EA HARDWARE - END CAP - BOTTOM - PULL TYPE
	094907-05-700	EA END CAP - RIGHT HAND BOTTOM BLIND
	094907-05-701	EA END CAP - LEFT HAND BOTTOM BLIND
	094907-06-000	EA HARDWARE - END CAP - E-Z LIFT - TOP
	094908-03-000	FT HARDWARE - SEMI-RIDGED PVC - EZ LIFT
	097565-01-000	EA BRACKET - MOUNTING/PLEATED BLIND
	097591-01-000	EA SPRING - EXTENSION/PLEATED BLIND
	097592-01-000	EA SPOOL - CORD - ELEVATED BLIND HOLDUP - CLEAR PLASTIC
	097593-06-000	FT CORD - BLIND - PLEATED - PEWTER
	089275-01-000	FT STRIP - 3/4" X 96" - CLEAR POLYETHYLENE
	096843-01-000	EA SPRING - REWIND/ROLLER SHADE

## CURTAIN & CUSHION GROUP (CONTINUED)

### WINDOW TREATMENT & SHOWER CURTAIN

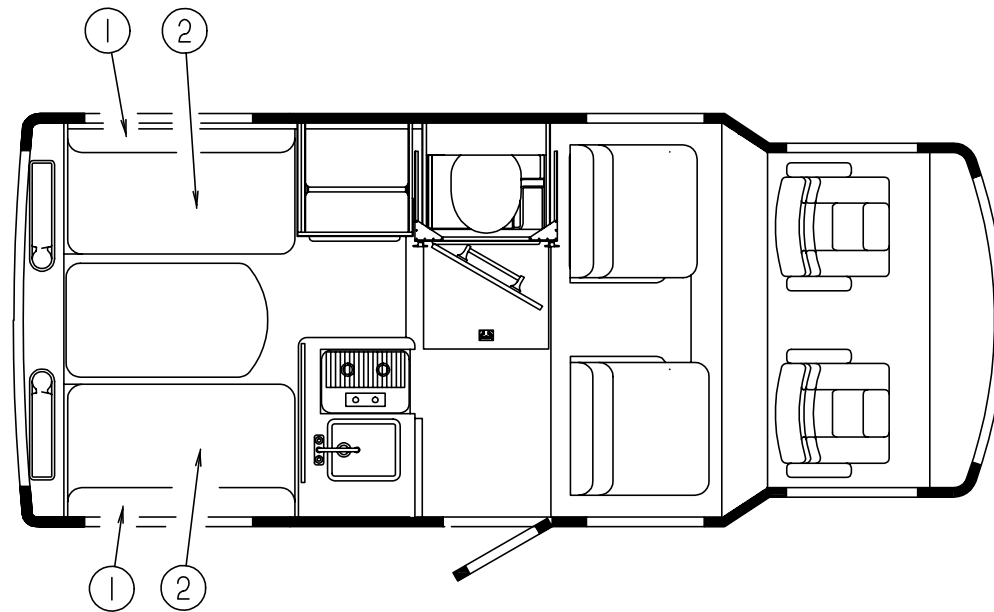


KEY	PART NUMBER	U/M DESCRIPTION
1	119405-06-H70	EA BLIND - MICRO PLEAT - 61" X 32"
2	119405-04-J80	EA BLIND - MICRO PLEAT - 29" X 28"
2	113637-23-H71	EA VALANCE - ROSEANNE - 30" (K73)
2	113637-23-J81	EA VALANCE - ROSEANNE - 30" (K74)
3	113637-27-H71	EA VALANCE - ROSEANNE - 40" (K73)
3	113637-27-J81	EA VALANCE - ROSEANNE - 40" (K74)
3	119405-13-H70	EA BLIND - MICRO/PLEAT - 39" X 28.5"
4	077591-12-H70	EA CURTAIN - 26" X 144"

KEY	PART NUMBER	U/M DESCRIPTION
5	113637-24-H71	EA VALANCE - ROSEANNE - 27.5" (K73)
5	113637-24-J81	EA VALANCE - ROSEANNE - 27.5" (K74)
5	084755-39-E01	EA SHADE - PULL - 26.25"
	117640-01-G46	EA CURTAIN - SHOWER - RIGHT HAND
	117640-02-G46	EA CURTAIN - SHOWER - LEFT HAND
	057534-01-000	EA TIEBACK/TIEDOWN - 6" CLEAR PLASTIC
	057534-02-000	EA TIEBACK/TIEDOWN - 3" CLEAR PLASTIC
	089275-01-000	FT STRIP - 3/4" X 96" - CLEAR POLYETHYLENE 27.5"

## CURTAIN & CUSHION GROUP (CONTINUED)

### DINETTE CUSHIONS

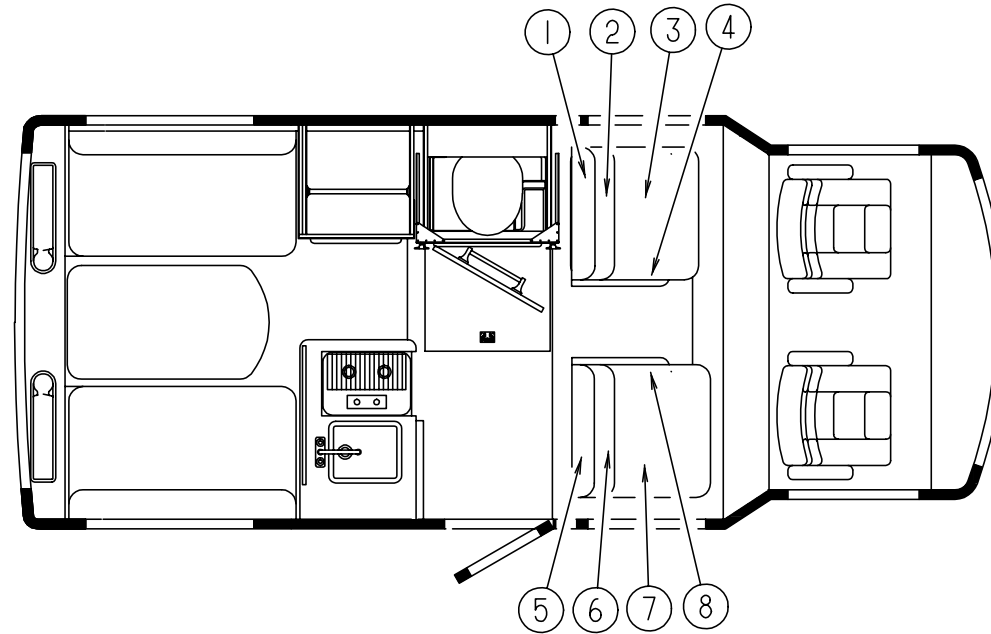


KEY	PART NUMBER	U/M DESCRIPTION
1	114942-06-J80	EA BACK - DINETTE SEAT (K73)
1	114942-06-J81	EA BACK - DINETTE SEAT (K74)
1	P14942-06-J80	EA COVER - BACK - DINETTE (K73)
1	P14942-06-J81	EA COVER - BACK - DINETTE (K74)
1	127861-01-J80	EA BACK - DINETTE CUSHION - LEATHER OPTION
1	P27861-01-J80	EA COVER - DINETTE BACK - LEATHER OPTION
2	114942-05-J80	EA SEAT - BOTTOM (K73)
2	114942-05-J81	EA SEAT - BOTTOM (K74)
2	P14942-05-J80	EA COVER - BOTTOM - DINETTE (K73)
2	P14942-05-J81	EA COVER - BOTTOM - DINETTE (K74)

KEY	PART NUMBER	U/M DESCRIPTION
2	127861-02-J80	EA SEAT - DINETTE CUSHION - LEATHER OPTION
2	P27861-02-J80	EA COVER - DINETTE SEAT - LEATHER OPTION
2	123241-02-000	EA FRAME - DINETTE BASE
	123241-03-000	EA FRAME - DINETTE BACK
	124309-01-H70	EA PANEL - COVER - DINETTE/RIGHT HAND
	124309-02-H70	EA PANEL - COVER - DINETTE/LEFT HAND
	124309-03-H70	EA PANEL - COVER - DINETTE/LEFT HAND - JAPAN
	124309-04-H70	EA PANEL - COVER - DINETTE/LEFT HAND - EUROPEAN
	M85358-07-H70	EA COVER - REMOVEABLE ARM - 5" X 5.5" X 16" - JAPAN EXPORT (K73)
	M85358-07-J81	EA COVER - REMOVEABLE ARM - 5" X 5.5" X 16" - JAPAN EXPORT (K74)

## CURTAIN & CUSHION GROUP (CONTINUED)

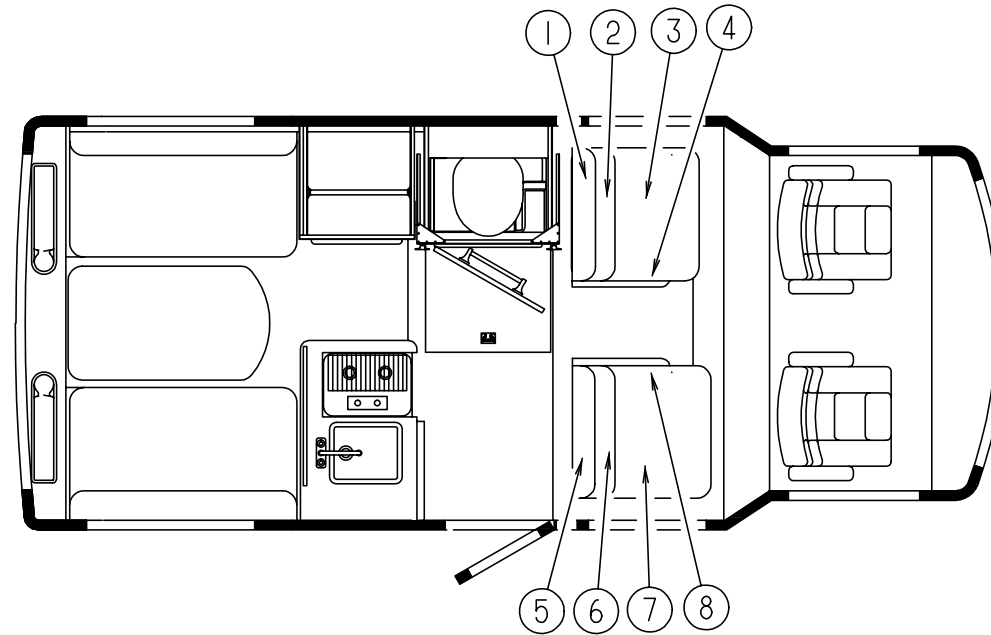
### COMPANION SEAT CUSHIONS



KEY	PART NUMBER	U/M DESCRIPTION
1	121021-02-J80	EA HEADREST - COMPANION SEAT (K73)
1	121021-02-J81	EA HEADREST - COMPANION SEAT (K74)
1	121021-04-J80	EA HEADREST - COMPANION - LEFT - LEATHER OPTION
1	P21021-02-J80	EA COVER - HEADREST (K73)
1	P21021-02-J80	EA COVER - HEADREST (K73)
1	P21021-04-J80	EA COVER - HEADREST - LEFT COMPANION - LEATHER OPTION
1	114791-03-000	EA FRAME - HEADREST
2	114937-06-J80	EA SEAT - BACK - DRIVER COMPANION (K73)
2	114937-06-J81	EA SEAT - BACK - DRIVER COMPANION (K74)
2	127858-02-J80	EA SEAT - BACK - DRIVER COMPANION - LEATHER OPTION
2	P14937-06-J80	EA COVER - BACK - COMPANION/PASSENGER (K73)
2	P14937-06-J81	EA COVER - BACK - COMPANION/PASSENGER (K74)
2	P27858-02-J80	EA COVER - BACK - COMPANION/PASSENGER - LEATHER OPTION

KEY	PART NUMBER	U/M DESCRIPTION
3	114939-05-H70	EA SEAT/CENTER - PASSENGER COMPANION (K73)
3	P14939-05-H70	EA COVER - CENTER - COMPANION/PASSENGER (K73)
3	114938-06-H71	EA SEAT/BOTTOM - DRIVER COMPANION (K73)
3	114938-06-J81	EA SEAT/BOTTOM - DRIVER COMPANION (K74)
3	P14938-06-H71	EA COVER - SEAT - COMPANION/DRIVER (K73)
3	P14938-06-J81	EA COVER - SEAT - COMPANION/DRIVER (K74)
3	127859-02-J80	EA SEAT - COMPANION CHAIR/DRIVER - LEATHER OPTION
3	P27859-02-J80	EA COVER - COMPANION SEAT - PASSENGER - LEATHER OPTION
3	127860-01-J80	EA SEAT - COMPANION CENTER - DRIVER - LEATHER OPTION
3	P27860-01-J80	EA COVER - COMPANION - CENTER/DRIVER - LEATHER OPTION
4	114940-05-J80	EA ARMREST - COMPANION - RIGHT HAND (K73,K74)
4	114940-06-H70	EA ARMREST - COMPANION - RIGHT HAND - LEATHER OPTION
4	P14940-05-J80	EA COVER - ARMREST - PASSENGER COMPANION (K73,K74)
4	P14940-06-J70	EA COVER - ARMREST - PASSENGER COMPANION - LEATHER OPTION
	113977-12-000	EA HEADREST INSERT - W/O LOCK
	113977-13-000	EA HEADREST INSERT - W/ LOCK

**CURTAIN & CUSHION GROUP (CONTINUED)**  
**COMPANION SEAT CUSHIONS**



KEY	PART NUMBER	U/M DESCRIPTION
5	121021-02-J80	EA HEADREST - COMPANION SEAT (K73)
5	121021-02-J81	EA HEADREST - COMPANION SEAT (K74)
5	P21021-02-J80	EA COVER - HEADREST (K73)
5	P21021-02-J81	EA COVER - HEADREST (K74)
5	114791-03-000	EA FRAME - HEADREST
5	121021-03-J80	EA HEADREST - COMPANION - RIGHT - LEATHER OPTION
5	P21021-03-J80	EA COVER - HEADREST - RIGHT COMPANION - LEATHER OPTION
6	114937-05-J80	EA SEAT/BACK - PASSENGER COMPANION (K73)
6	114937-05-J81	EA SEAT/BACK - PASSENGER COMPANION (K74)
6	127858-01-J80	EA SEAT/BACK - PASSENGER COMPANION - LEATHER OPTION
6	P14937-05-J80	EA COVER - BACK - COMPANION/PASSENGER (K73)
6	P14937-05-J81	EA COVER - BACK - COMPANION/PASSENGER (K74)
6	P27858-01-J80	EA COVER - BACK - COMPANION/PASSENGER - LEATHER OPTION
	117555-02-H71	EA PANEL - TRANSITION - LEFT HAND(K73)
	117555-02-J81	EA PANEL - TRANSITION - LEFT HAND(K74)

KEY	PART NUMBER	U/M DESCRIPTION
7	114939-06-H70	EA SEAT/CENTER - PASSENGER COMPANION (K73)
7	P14939-06-H70	EA COVER - CENTER - COMPANION/PASSENGER (K73)
7	114938-05-H70	EA SEAT - BOTTOM - PASSENGER COMPANION (K73)
7	114938-05-J81	EA SEAT - BOTTOM - PASSENGER COMPANION (K74)
7	127859-01-J80	EA SEAT - COMPANION CHAIR/PASSENGER - LEATHER OPTION
7	P14938-05-H70	EA COVER - SEAT - COMPANION/PASSENGER (K73)
7	P14938-05-J81	EA COVER - SEAT - COMPANION/PASSENGER (K74)
7	P27859-01-J80	EA COVER - COMPANION SEAT - PASSENGER - LEATHER OPTION
7	127860-02-J80	EA SEAT - COMPANION CENTER - PASSENGER - LEATHER OPTION
7	P27860-02-J80	EA COVER - COMPANION - CENTER/PASSENGER - LEATHER OPTION
8	114940-06-H70	EA ARMREST - COMPANION - LEFT HAND - LEATHER OPTION (K73,K74)
8	P14940-05-J80	EA COVER - ARMREST - PASSENGER COMPANION (K73,K74)
8	P14940-06-H70	EA COVER - ARMREST - PASSENGER COMPANION - LEATHER OPTION
	113977-12-000	EA HEADREST INSERT - W/O LOCK
	113977-13-000	EA HEADREST INSERT - W/ LOCK
	117555-01-H71	EA PANEL - TRANSITION -RIGHT HAND (K73)
	117555-01-J81	EA PANEL - TRANSITION -RIGHT HAND (K74)

**CURTAIN & CUSHION GROUP (CONTINUED)**

**COMPANION AISLE FILLER SEAT**

KEY	PART NUMBER	U/M DESCRIPTION
	113991-06-000	EA FRAME - FILLER - COMPANION
	113991-14-000	EA AISLE FILLER SUPPORT GUIDE
	113991-15-000	EA AISLE FILLER CUSHION SUPPORT
	113991-16-000	EA AISLE FILLER LOCATOR - DRIVER SIDE
	113991-17-000	EA AISLE FILLER LOCATOR - PASSENGER SIDE

**SEATBELTS & WELTING**

KEY	PART NUMBER	U/M DESCRIPTION
	114258-01-01A	EA SEAT BELT - 2" X 90" - BLACK
	114259-01-01A	EA SEAT BELT - PASSENGERS 3 POINT
	114259-02-01A	EA SEAT BELT - DRIVERS 3 POINT
	079349-04-H70	YD WELT - NARROW

**CURTAIN & CUSHION GROUP (CONTINUED)**

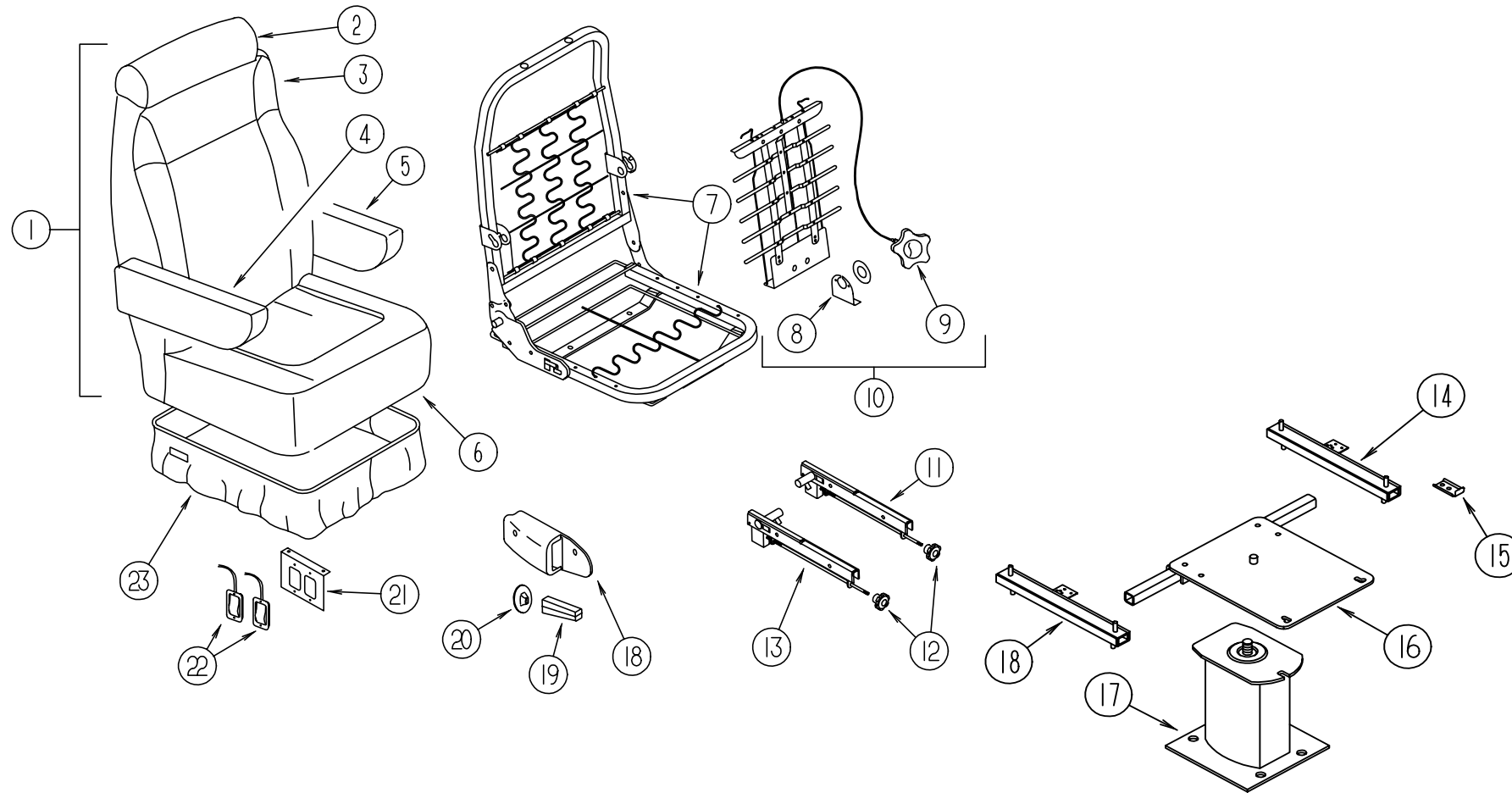
<b>RIALTA FABRICS</b>		
Color Codes	K73	K74
	LAKEWOOD	DUSK
CEILING VINYL	113979-02-02A 113979-03-02A	113979-02-02A 113979-03-02A
VINYL	079680-25-000	079680-25-000
SHOWER CURTAIN	075244-10-000	075244-10-000
DRAPERY LINNING	087272-03-000	108446-U5-000
BUCKET SEAT LEATHER DRIVER LEATHER PASS.	108446-R6-000 125729-01-000 125729-02-000	108446-T6-000 125729-01-000 125729-02-000
DINETTE LEATHER	108446-R6-000 125729-01-000	108446-T6-000 125729-01-000
DINETTE WINDOWS	108446-R6-000	108446-T6-000
COMPANION SEATS LEATHER DRIVER LEATHER PASS.	108446-R6-000 125729-01-000 125729-02-000	108446-T6-000 125729-01-000 125729-02-000
COMPANION SEATS WINDOW	108446-R6-000	108446-T6-000
SWIVEL CHAIR	108446-R6-000	108446-T6-000
SWIVEL CHAIR WINDOW	108446-R6-000	108446-T6-000
ENTRY DOOR VALANCE	084416-29-000	084416-29-000
FITTED SHEET	108446-R6-000	108446-T6-000
PILLOW SHAMS	108446-R6-0000	108446-T6-000
FRONT WRAP AROUND	072333-88-000	072333-88-000

NOTE: FABRIC LISTED FIRST, IN A BLOCK, IS THE LARGEST QUANTITY OF FABRIC USED.



## CURTAIN & CUSHION GROUP (CONTINUED)

### BUCKET SEAT - DRIVER SIDE

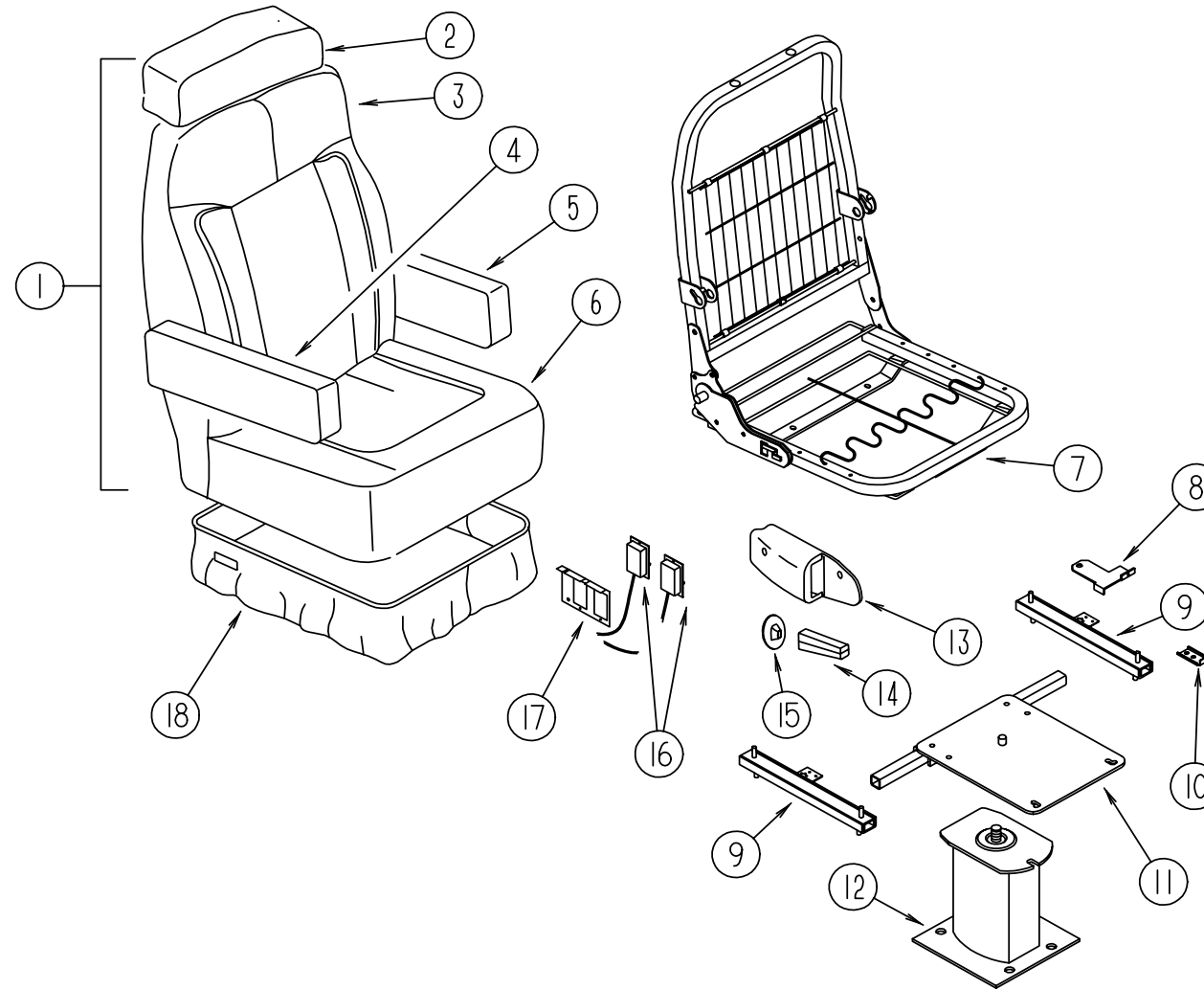


KEY	PART NUMBER	U/M DESCRIPTION
1	127540-08-J80	EA SEAT - BUCKET - W/LUMBAR SUPORT (K73)
1	127540-08-J81	EA SEAT - BUCKET - W/LUMBAR SUPPORT (K74)
1	127851-01-J80	EA SEAT - BUCKET - W/LUMBAR SUPPORT - ADJ. ARM - LEATHER OPTION
2	119509-01-H70	EA HEADREST - BUCKET SEAT (K73,K74)
2	P19509-01-H70	EA COVER - HEADREST (K73,K74)
3	M05962-75-J80	EA COVER - BACK (K73)
3	M05962-75-J81	EA COVER - BACK (K74)
3	M05962-76-J80	EA COVER - BACK - LEATHER OPTION
4	123962-01-H70	EA ARMREST - ADJUSTABLE/RIGHT HAND (K73,K74)
4	123962-05-H70	EA ARMREST - ADJUSTABLE/RIGHT HAND - LEATHER OPTION
4	P23962-01-H70	EA COVER - ARMREST - RIGHT HAND (K73,K74)
4	P23962-05-H70	EA COVER - ARMREST - RIGHT HAND - LEATHER OPTION
5	123962-02-H70	EA ARMREST - ADJUSTABLE/LEFT HAND (K73,K74)
5	123962-06-H70	EA ARMREST - ADJUSTABLE/LEFT HAND - LEATHER OPTION
5	P23962-02-H70	EA COVER - ARMREST - LEFT HAND (K73,K74)
5	P23962-06-H70	EA COVER - ARMREST - LEFT HAND - LEATHER OPTION
6	M05962-52-H71	EA COVER - SEAT (K73)
6	M05962-52-J81	EA COVER - SEAT (K74)
6	M05962-77-J80	EA COVER - SEAT - LEATHER OPTION
7	122695-02-01B	EA FRAME - SEAT/BACK
8	122611-01-702	EA LUMBAR - BRACKET
	122611-01-703	EA LUMBAR - SCREW

KEY	PART NUMBER	U/M DESCRIPTION
9	122611-01-701	EA LUMBAR - KNOB
10	122611-01-000	EA LUMBAR - MODEL 325
11	122622-05-000	EA BRACKET - ADJUSTABLE/ARMREST - LEFT HAND
12	122622-06-000	EA BRACKET - ADJUSTABLE KNOB - 3/8"
13	122622-04-000	EA BRACKET - ADJUSTABLE/ARMREST - RIGHT HAND
14	119952-06-000	EA SLIDE/SEAT - HEAVY DUTY LOCKING - 4 STUDS
	119952-07-000	EA WIRE - LATCH RELEASE/ROTARY
15	114889-01-000	EA STOP BAR - UNIVERSAL
16	107921-08-000	EA TOP PLATE - PEDESTAL - W/O SEAT BELT BAR
	107921-06-000	EA BEARING KIT - PEDESTAL
17	107921-12-000	EA PEDESTAL - SEAT - 6"- DRIVER
18	080730-09-000	EA SHIELD - RECLINER HANDLE
19	080730-08-000	EA HANDLE - RECLINER
20	080730-11-000	EA SHIELD - RUBBER BOOT
21	117125-01-02B	EA BRACKET - CABLE MOUNT - ADJUSTER W/LOCK
22	108049-03-000	EA CABLE/CONTROL 25.5" SHEATH/28.5" CABLE W/DOG LEG
23	071126-41-H70	EA SKIRT - SINGLE - 7" W/SLOT (K73,K74)
	071126-64-H70	EA SKIRT ASM - 7", NO SLIT - LEATHER OPTION
	M71126-64-H70	EA COVER - LEATHER OPTION
	113977-12-000	EA HEADREST INSERT - W/O LOCK
	113977-13-000	EA HEADREST INSERT - W/ LOCK

## CURTAIN & CUSHION GROUP (CONTINUED)

**BUCKET SEAT - PASSENGER SIDE**  
**FROM: 00-00-00- THRU:06-15-98**

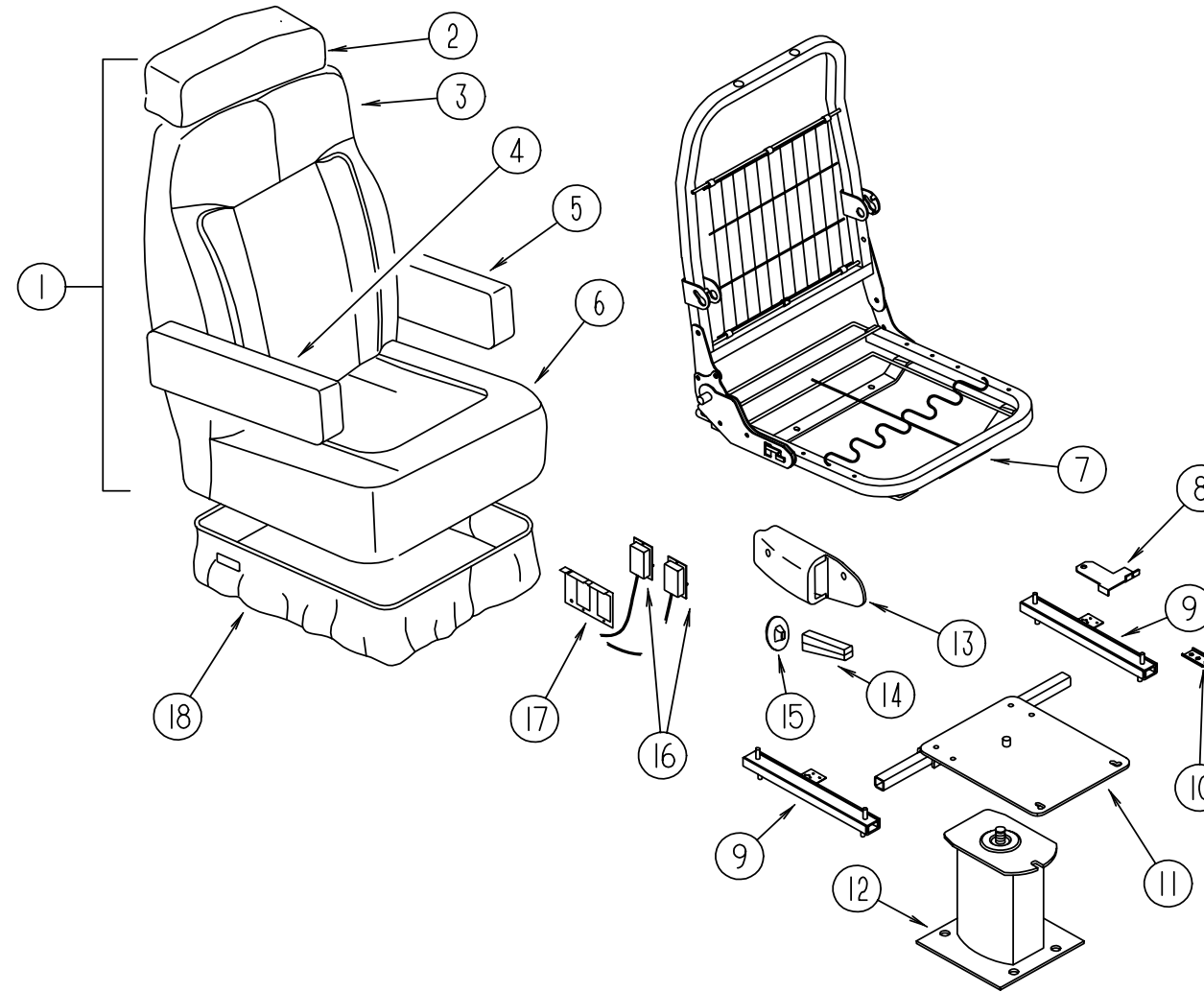


KEY	PART NUMBER	U/M	DESCRIPTION
1	127540-09-J80	EA	SEAT - BUCKET (K73)
1	127540-09-J81	EA	SEAT - BUCKET (K74)
1	127851-02-J80	EA	SEAT - BUCKET - LEATHER OPTION
2	119509-01-H70	EA	HEADREST - BUCKET SEAT (K73,K74)
2	119509-03-H70	EA	HEADREST - BUCKET SEAT- LEATHER OPTION
2	P19509-01-H70	EA	COVER - HEADREST (K73,K74)
2	P19509-03-H70	EA	COVER - HEADREST- LEATHER OPTION
3	M05962-75-J80	EA	COVER - BACK (K73)
3	M05962-75-J81	EA	COVER - BACK (K74)
3	M05962-76-J80	EA	COVER - BACK - LEATHER OPTION
4	122780-01-H70	EA	ARMREST - ADJUSTABLE/RIGHT HAND (K73,K74)
4	122780-05-H70	EA	ARMREST - ADJUSTABLE/RIGHT HAND - LEATHER OPTION
4	P22780-01-H70	EA	COVER - ARMREST - RIGHT HAND (K73,K74)
4	P22780-05-H70	EA	COVER - ARMREST - RIGHT HAND - LEATHER OPTION
5	122780-02-H70	EA	ARMREST - ADJUSTABLE/LEFT HAND (K73,K74)
5	122780-06-H70	EA	ARMREST - ADJUSTABLE/LEFT HAND - LEATHER OPTION
5	P2278-02-H70	EA	COVER - ARMREST - LEFT HAND (K73,K74)
5	P22780-06-H70	EA	COVER - ARMREST - LEFT HAND - LEATHER OPTION
6	M05962-52-J81	EA	COVER - SEAT (K73)
6	M05962-52-H71	EA	COVER - SEAT  (K74)
6	M05962-77-J80	EA	COVER - SEAT - LEATHER OPTION

KEY	PART NUMBER	U/M	DESCRIPTION
7	122695-0301B	EA	FRAME - SEAT/BACK
8	119952-03-000	EA	SLIDE/SEAT - HEAVY DUTY LOCKING - 2 STUDS
9	114889-01-000	EA	STOP BAR - UNIVERSAL
10	107921-08-000	EA	TOP PLATE - PEDESTAL - W/O SEAT BELT BAR
	107921-06-000	EA	BEARING KIT
11	107921-13-000	EA	PEDESTAL - SEAT - 6" - PASSENGER
12	119952-07-000	EA	WIRE - LATCH RELEASE/ROTARY
13	080730-09-000	EA	SHIELD - RECLINER HANDLE
14	080730-08-000	EA	HANDLE - RECLINER
15	080730-11-000	EA	SHIELD - RUBBER BOOT
16	108049-03-000	EA	CABLE/CONTROL 25.5" SHEATH/28.5" CABLE W/DOG LEG
17	117125-01-02B	EA	BRACKET - CABLE MOUNT - ADJUSTER W/LOCK
18	071126-41-H70	EA	SKIRT - SINGLE - 7" W/SLOT (K73,K74)
18	071126-64-H70	EA	SKIRT ASM - 7", NO SLIT - LEATHER OPTION
18	M71126-41-H70	EA	COVER - SKIRT (K73,K74)
18	M71126-64-H70	EA	COVER - SKIRT- LEATHER OPTION

## CURTAIN & CUSHION GROUP (CONTINUED)

**BUCKET SEAT - PASSENGER SIDE**  
**FROM: 06-16-98 THRU: 99-99-99**

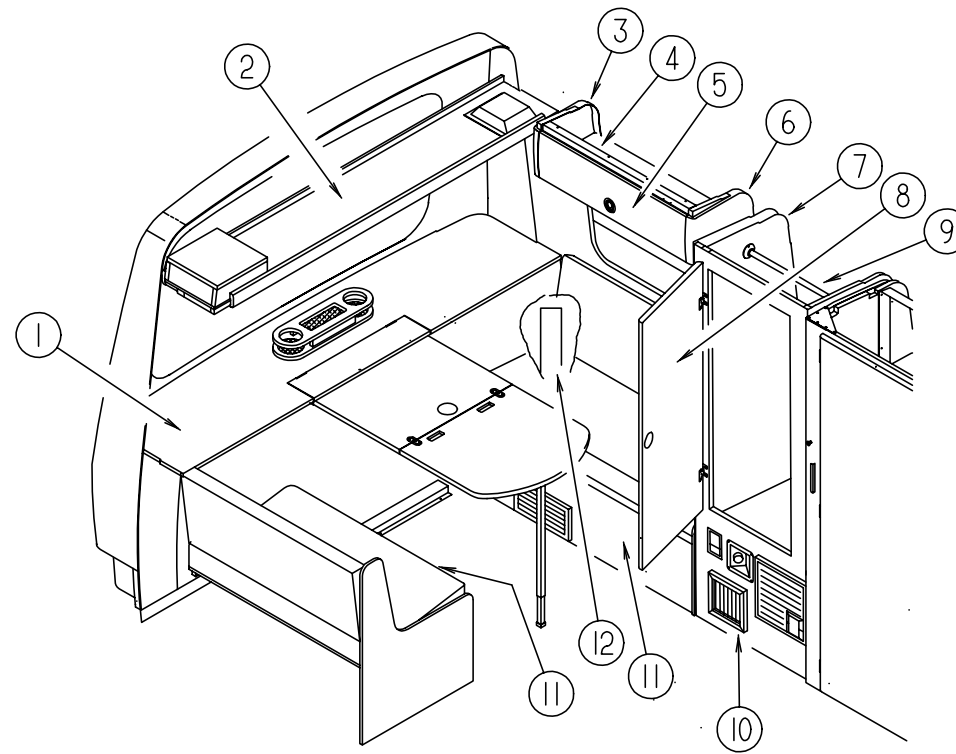


KEY	PART NUMBER	U/M DESCRIPTION
1	127540-13-K73	EA SEAT - BUCKET
1	127540-13-K74	EA SEAT - BUCKET
1	127851-03-K73	EA SEAT - BUCKET - LEATHER OPTION
2	119509-01-H70	EA HEADREST - BUCKET SEAT
2	119509-03-H70	EA HEADREST - BUCKET SEAT - LEATHER OPTION
2	P19509-01-H70	EA COVER - HEADREST (K73,K74)
2	P19509-03-H70	EA COVER - HEADREST- LEATHER OPTION
3	M05962-75-J80	EA COVER - BACK (K73)
3	M05962-75-J81	EA COVER - BACK (K74)
3	M05962-76-J80	EA COVER - BACK - LEATHER OPTION
4	123962-01-H70	EA ARMREST - ADJUSTABLE/RIGHT HAND (K73,K74)
4	123962-05-H70	EA ARMREST - ADJUSTABLE/RIGHT HAND - LEATHER OPTION
4	P23962-01-H70	EA COVER - ARMREST - RIGHT HAND (K73,K74)
4	P23962-05-H70	EA COVER - ARMREST - RIGHT HAND - LEATHER OPTION
5	123962-02-H70	EA ARMREST - ADJUSTABLE/LEFT HAND (K73,K74)
5	123962-06-H70	EA ARMREST - ADJUSTABLE/LEFT HAND - LEATHER OPTION
5	P23962-02-H70	EA COVER - ARMREST - LEFT HAND (K73,K74)
5	P23962-06-H70	EA COVER - ARMREST - LEFT HAND - LEATHER OPTION
6	M05962-52-H71	EA COVER - SEAT (K73)
6	M05962-52-J81	EA COVER - SEAT (K74)
6	M05962-77-J80	EA COVER - SEAT - LEATHER OPTION

KEY	PART NUMBER	U/M DESCRIPTION
7	122695-03-01B	EA FRAME - SEAT/BACK
8	119952-03-000	EA SLIDE/SEAT - HEAVY DUTY LOCKING - 2 STUDS
9	114889-01-000	EA STOP BAR - UNIVERSAL
10	107921-08-000	EA TOP PLATE - PEDESTAL - W/O SEAT BELT BAR
	107921-06-000	EA BEARING KIT
11	107921-13-000	EA PEDESTAL - SEAT - 6" - PASSENGER
12	119952-07-000	EA WIRE - LATCH RELEASE/ROTARY
13	080730-09-000	EA SHIELD - RECLINER HANDLE
14	080730-08-000	EA HANDLE - RECLINER
15	080730-11-000	EA SHIELD - RUBBER BOOT
16	108049-03-000	EA CABLE/CONTROL 25.5" SHEATH/28.5" CABLE W/DOG LEG
17	117125-01-02B	EA BRACKET - CABLE MOUNT - ADJUSTER W/LOCK
18	071126-41-H70	EA SKIRT - SINGLE - 7" W/SLOT (K73,K74)
18	071126-64-H70	EA SKIRT ASM - 7", NO SLIT - LEATHER OPTION
18	M71126-41-H70	EA COVER - SKIRT (K73,K74)
18	M71126-64-H70	EA COVER - LEATHER OPTION

# DINETTE GROUP

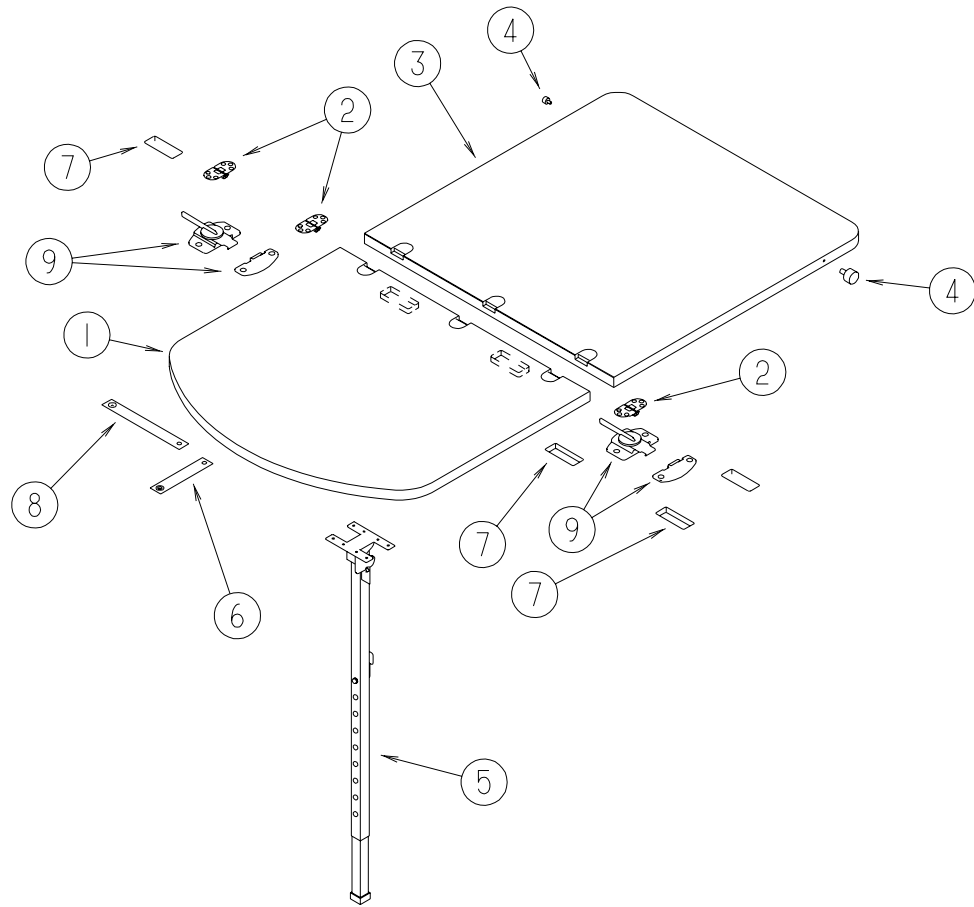
## DINETTE CABINETRY



KEY	PART NUMBER	U/M DESCRIPTION
1	124468-01-J80	EA CABINET - REAR/SHELF - W/O HARDWARE
2	113526-02-J80	EA CABINET - SHELF OVERHEAD - W/O HARDWARE (K73)
2	113526-02-J81	EA CABINET - SHELF OVERHEAD - W/O HARDWARE (K74)
3	112374-04-02A	EA CAP - END - OVERHEAD CABINET - REAR DRIVER SIDE
	112374-01-02A	EA CAP - END - OVERHEAD CABINET - REAR PASSENGER SIDE
4	116853-06-H70	EA CABINET - OVERHEAD - W/O DOORS/HARDWARE - DRIVER SIDE
	116853-05-H70	EA CABINET - OVERHEAD - W/O DOORS/HARDWARE - PASSENGER SIDE
5	116832-01-H70	EA PANEL - DOOR/CABINET - W/O HARDWARE
6	112374-05-02A	EA CAP - END - OVERHEAD CABINET - FRONT DRIVER SIDE
	112374-02-02A	EA CAP - END - OVERHEAD CABINET - FRONT PASSENGER SIDE

KEY	PART NUMBER	U/M DESCRIPTION
7	009112-01-000	EA FLANGE - PLASTIC - 1" CLOTHES ROD - OFF WHITE
8	117437-01-H70	EA PANEL - DOOR - WARDROBE
9	041953-03-000	FT CONDUIT - CONVOLUTE SLIT - 1" ID (CLOTHES ROD COVER)
9	042438-01-000	EA DOWEL - WOOD - CLOTHES ROD - 1" DIAMETER X 4'
10	119860-15-J80	EA GRILL - WARDROBE CABINET
11	124309-02-H70	EA PANEL - COVER - DINETTE/LEFT HAND
11	124309-03-H70	EA PANEL - COVER - DINETTE/LEFT HAND - JAPAN OPTION
11	124309-01-H70	EA PANEL - COVER - DINETTE/RIGHT HAND
	024283-01-000	EA CLIP - LEG - 1" - 1.125" OD - BLACK
12	113844-04-H70	EA PANEL - TRIM - LOWER LEFT HAND

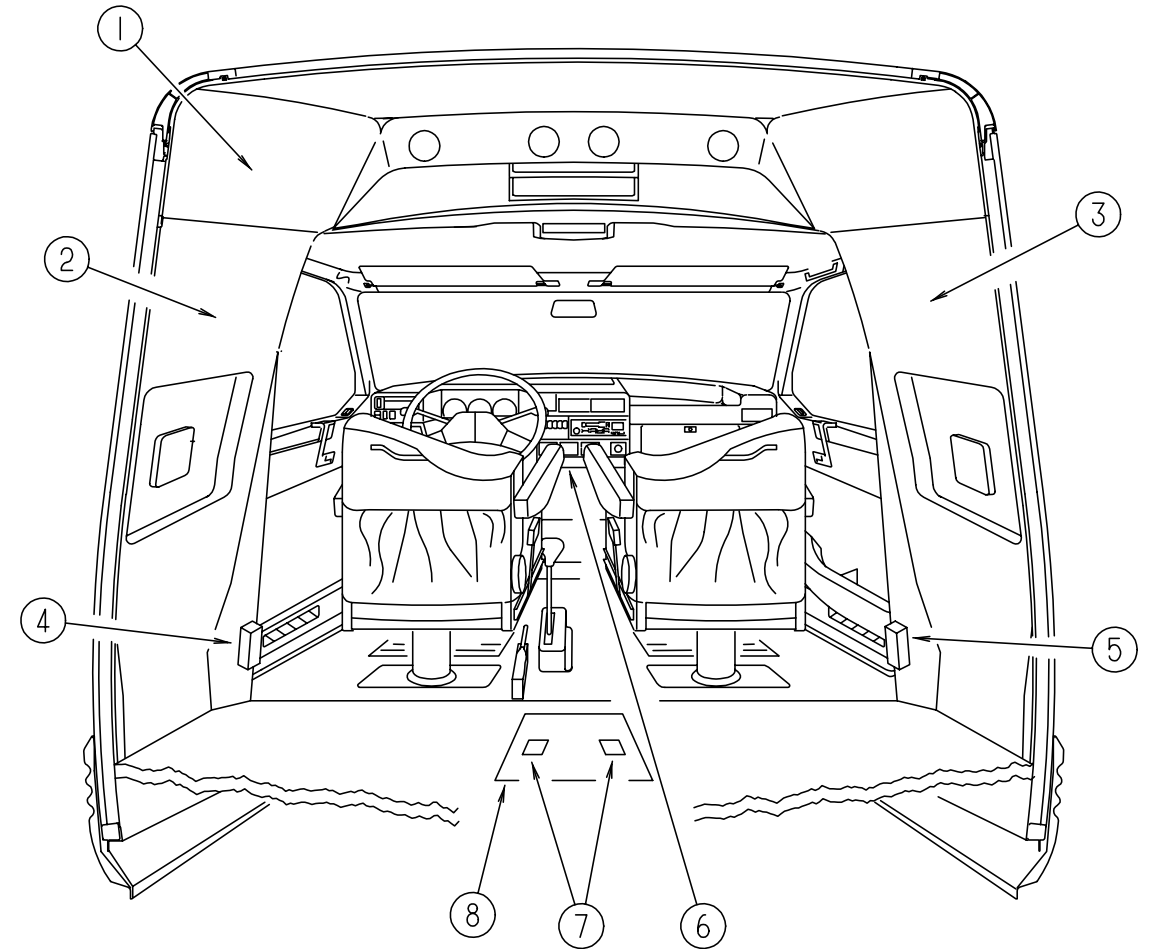
## DINETTE GROUP (CONTINUED)



**DINETTE TABLE**

KEY	PART NUMBER	U/M DESCRIPTION
1	124485-13-J80	EA TABLE - DINETTE
2	111535-01-000	EA HINGE - TABLE/FOLDING
3	124485-12-J80	EA TABLE - DINETTE - FRONT FOLDDOWN - W/O HARDWARE
4	079921-01-000	EA ROLLER - NYLON - W/STEEL SHAFT - BARBED
5	108483-02-000	EA LEG - TABLE - ADJUSTABLE 18.47" - 30.5"
6	057534-02-000	EA TIEBACK - CLEAR PLASTIC - 3"
7	124311-01-01A	EA HANDLE - RECESSED - BRASS
8	057534-01-000	EA TIEBACK/TIEDOWN - 6" CLEAR PLASTIC
	029155-01-000	EA CAP - SNAP - 5/32" OUTSIDE DIAMETER OF PIN
	029156-01-000	EA SOCKET - SNAP - 9/16" O.D.
	029130-01-000	EA SCREW - SNAP SOCKET - #8 PH X 5/8"
9	124753-01-000	EA LOCK - SASH - TIGHT SEAL

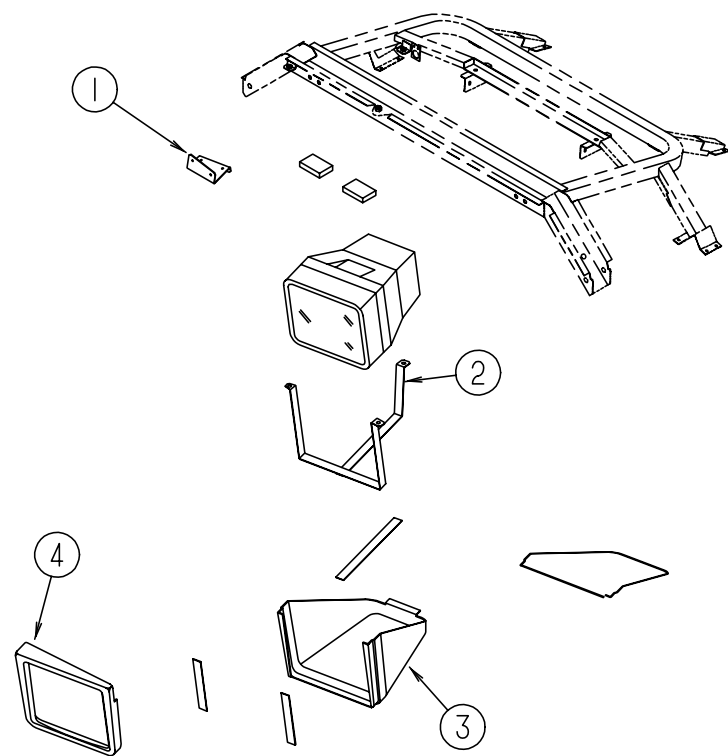
## DRIVERS COMPARTMENT GROUP



**DRIVERS COMPARTMENT**

KEY	PART NUMBER	U/M DESCRIPTION
1	117256-03-02A	EA HEADLINER - CAB - ABS PLASTIC
2	127844-02-01A	EA PANEL - TRANSITION - INNER - VW DARK GRAY - LEFT HAND
3	127844-01-01A	EA PANEL - TRANSITION - INNER - VW DARK GRAY - RIGHT HAND
4	128914-01-01A	EA COVER - RETRACTOR - DRIVER SIDE - BLACK
5	128914-02-01A	EA COVER - RETRACTOR - PASSENGER SIDE - BLACK
6	126959-02-J80	EA TRAY - FLIP-DOWN BEVERAGE W/CUP HOLDERS - MODIFIED/VW
	125807-01-01A	EA COVER - BEVERAGE TRAY - VW BLACK
	125955-01-02B	EA BRACKET - BEVERAGE TRAY - E-COATED
7	097111-02-04A	EA POCKET - LOCK - REAR DOOR
	102330-01-000	EA LATCH - VISE ACTION/KEY OPERATED
	102328-01-000	EA KEY - BARREL - NICKEL PLATED
	064075-07-000	EA SEAL - BULB - W/WIRED U CHANNEL - .3" X .5" CHANNEL - BLK
8	P18892-01-H70	EA LID - COMPARTMENT/BATTERY - W/CARPET
	065450-08-000	EA TIEDOWN - BATTERY

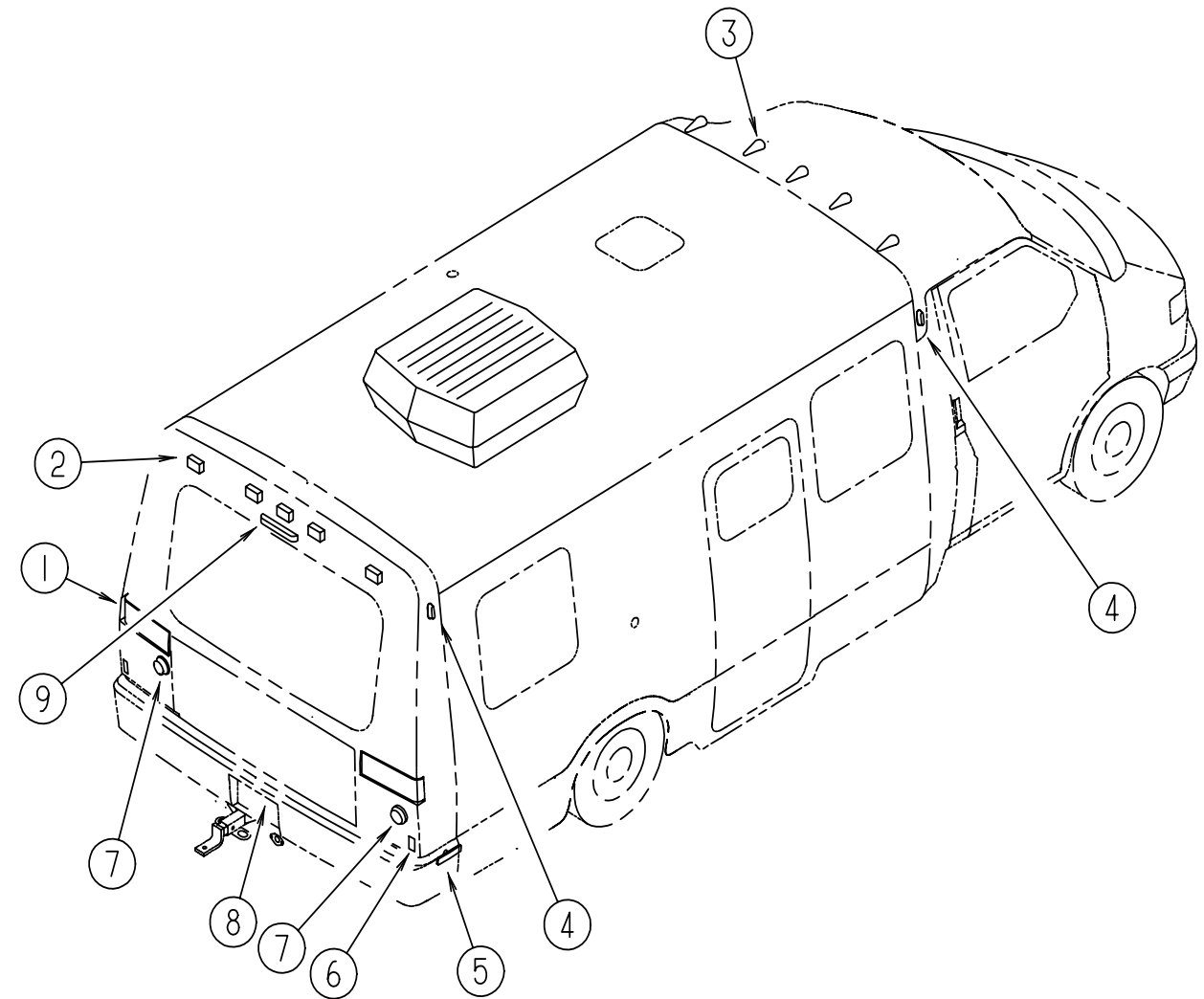
## DRIVERS COMPARTMENT GROUP (CONTINUED)



### TV COVERS & BRACKETS

KEY	PART NUMBER	U/M	DESCRIPTION
1	114325-01-02B	EA	BRACKET - TV - OVERHEAD
2	114705-01-02B	EA	STRAP - TV - OVERHEAD
3	114315-01-02A	EA	COVER - TV - OVERHEAD FRONT - W/O HARDWARE
4	114314-01-02A	EA	COVER - TV - OVERHEAD FRONT - W/O HARDWARE

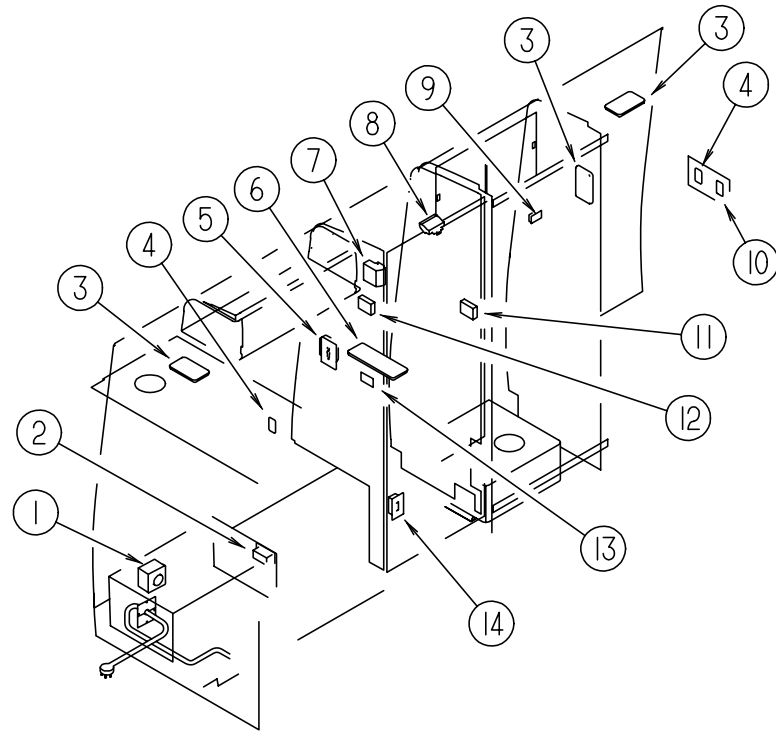
## ELECTRICAL GROUP



### EXTERIOR LIGHTS

KEY	PART NUMBER	U/M	DESCRIPTION
1	120742-02-000	EA	LIGHT - STOP/TURN/TAIL
1	120742-01-000	EA	LIGHT - STOP/TAILO/BACK UP/TURN - JAPAN
2	102520-02-000	EA	LIGHT - CLEARANCE - W/O SOCKET/HOUSING - RED
	088474-09-000	EA	HOUSING - ELECTRICAL - 3 TERMINAL
	088476-01-000	EA	TERMINAL - ELECTRICAL
	036196-01-000	EA	BULB - 12 VOLT - #194 - .27 AMP - BAYONETTE
	067789-02-000	EA	SOCKET - LAMP
	102540-01-000	EA	SEAL - SCREW - ROUND - RUBBER
	102541-01-000	EA	GASKET - CLEARANCE LIGHT
3	113709-01-000	EA	LAMP - CLEARANCE - AMBER
4	113709-02-000	EA	LAMP - CLEARANCE - RED
	121683-01-000	EA	LAMP - CLEARANCE - CLEAR
	124219-01-000	EA	BULB - 12 V - .83 AMP 10 WATT #5008
5	117826-01-000	EA	SIDE MARKER LAMP ASM - RED
	117826-02-000	EA	SIDE MARKER LAMP ASM - AMBER
	117826-03-000	EA	GASKET - MARKER LIGHT
6	106646-02-000	EA	REFLECTOR - STICK ON - RED - JAPAN
7	124968-01-01A	EA	LIGHT - BACKUP - WHITE
8	121681-01-000	EA	LAMP - LICENCE PLATE
8	087201-01-000	EA	LIGHT - HALF ROUND - PLASTIC - BLACK
9	121950-01-000	EA	LIGHT - BRAKE - CENTER MOUNT

## ELECTRICAL GROUP (CONTINUED)

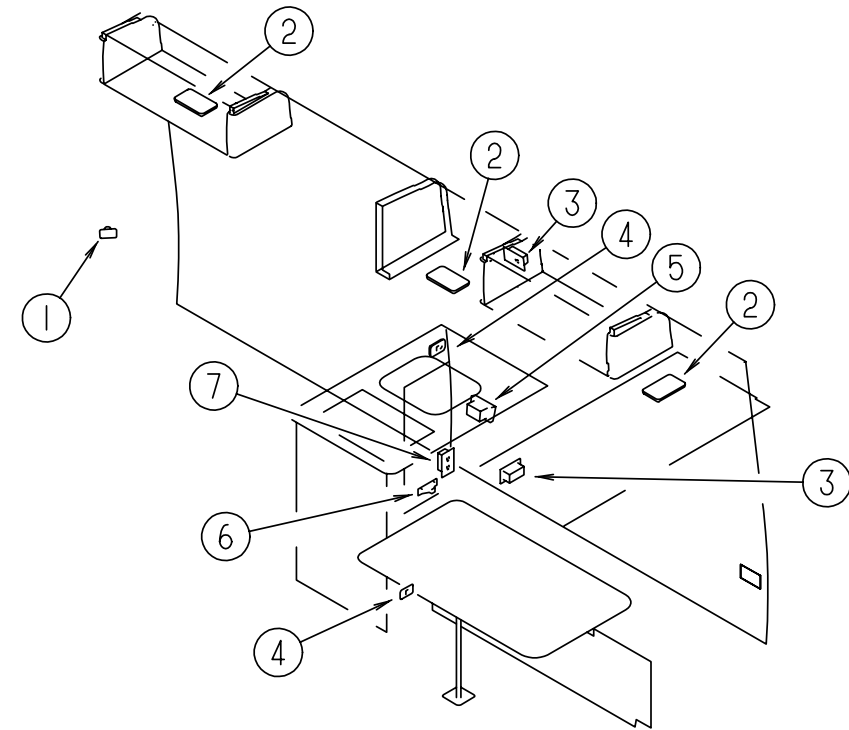


LIGHTS, RECEPTACLES & SWITCHES - DRIVER SIDE

KEY	PART NUMBER	U/M	DESCRIPTION
1	008289-01-000	EA	BOX - ELECTRIC/STEEL - 1/2" & 3/4" KNOCKOUTS - 4" X 4"
	024924-02-000	EA	RECEPTACLE - POWER CORD - W/PARTIAL PLATE
2	058707-01-000	EA	RECEPTACLE - ELECTRIC - SINGLE - BROWN
3	098024-05-02A	EA	LIGHT - DOME - 1 BULB - SKYLITE - WHITE
3	098024-01-701	EA	LENS - OPTI CLEAR - SKYLITE
3	008218-01-000	EA	BULB - DOME LIGHT - 12 VOLT - NO. 1141
4	111414-01-000	EA	RECEPTACLE - 12V - W/O BIMETAL
	111386-01-04B	EA	PLATE - RECEPTACLE - 12 VOLT - BLACK
5	084076-01-000	EA	RECEPTACLE - GFI - 15 AMP/125 VOLT - IVORY
6	098024-03-02A	EA	LIGHT-DOME - 2 BULB - WHITE
6	098024-01-700	EA	LENS - DOME LIGHT
6	008218-01-000	EA	BULB - DOME LIGHT - 12V - NO. 1141
7	091910-02-000	EA	BOX - ELECTRIC - 2.2" X 3.5" X 1.7" - PLASTIC
	091927-01-000	EA	COVER - RECEPTACLE - DOUBLE - IVORY
	091923-01-000	EA	LABEL - A/C COVER "AIR CONDITIONING CIRCUIT ETC."
8	087694-01-000	EA	LIGHT - WARDROBE/CLOSET - W/SWITCH
8	087694-01-700	EA	BULB - WARDROBE/CLOSET LIGHT - GE 561
9	108356-10-01A	EA	COVER/ACTUATOR SWITCH-2 ROWS DIMPLES W/LIGHT-SHOWER DRAIN
9	108357-14-000	EA	SWITCH - ROCKER SPDT W/LIGHT - ON/NONE/OFF - 4 TERMINAL
10	098024-01-02A	EA	LIGHT - DOME - 1 BULB - IVORY
11	079364-01-000	EA	SWITCH - ON/OFF ROCKER - 2 TERMINAL - BROWN
11	079364-04-000	EA	SWITCH - ON/OFF ROCKER - 2 TERMINAL - BLACK
12	108356-02-01A	EA	COVER/ACTUATOR SWITCH - 2 ROWS DIMPLES- CONTURA II - BLACK
12	108357-08-000	EA	SWITCH - ROCKER DPDT - ON/NONE/ON - 6 TERMINAL
13 *	114014-02-02A	EA	PANEL - MONITOR 2 TANK W/REMOTE
14	084420-01-000	EA	SWITCH - TOGGLE - 15 AMP - 120 VOLT - BROWN
14	083588-01-000	EA	LABEL - ON/OFF - WATER HEATER
	108355-01-000	EA	HOUSING - SWITCH - CARLING VCH
	097734-01-02A	EA	EXTENSION - RECEPTACLE - 3.2" X 5" X .7" - BROWN PLASTIC
	098024-01-03A	EA	LIGHT - DOME - 1 BULB - WHITE

\* PRESS TO SEE ILLUSTRATED SERVICE PARTS LIBRARY

## ELECTRICAL GROUP (CONTINUED)



LIGHTS, RECEPTACLES & SWITCHES - PASSENGER SIDE

KEY	PART NUMBER	U/M	DESCRIPTION
1	111414-01-000	EA	RECEPTACLE - 12V - W/O BIMETAL
	111386-01-04B	EA	PLATE - RECEPTACLE - 12 VOLT - BLACK
2	098024-05-02A	EA	LIGHT - DOME - 1 BULB - SKYLITE - WHITE
2	098024-01-701	EA	LENS - OPTI CLEAR - SKYLITE
2	008218-01-000	EA	BULB - DOME LIGHT - 12V - #1141
3	058707-01-000	EA	RECEPTACLE - ELECTRIC - SINGLE - BROWN
4	079364-01-000	EA	SWITCH - ON/OFF ROCKER - 2 TERMINAL - BROWN
4	079364-04-000	EA	SWITCH - ON/OFF ROCKER - 2 TERMINAL - BLACK
4	098351-01-01A	EA	PLATE - SWITCH - 1 GANG POLISHED BRASS
5	112822-01-01A	EA	RECEPTACLE - DUPLEX - IVORY
5	112824-01-03A	EA	COVER - RECEPTACLE - EXTERIOR DUPLEX
6	061424-01-000	EA	LIGHT - AISLE - 12 VOLT - RECTANGULAR
6	008103-01-000	EA	BULB - DASH/AISLE LIGHT - #53 - 12 VOLT - .12 AMP
7	058708-01-000	EA	RECEPTACLE - ELECTRIC - DOUBLE - BROWN
7	058708-02-000	EA	RECEPTACLE - ELECTRIC - DOUBLE - IVORY
	097734-01-02A	EA	EXTENSION - RECEPTACLE - 3.2" X 5" X .7" - BROWN PLASTIC
	108355-01-000	EA	HOUSING - SWITCH - CARLING VCH
	123657-01-01A	EA	RECEPTACLE - DUPLEX - 16 AMP - EUROPEAN
	123659-01-000	EA	BOX - ELECTRIC - RECEPTACLE - EUROPEAN
	123660-01-01A	EA	RECEPTACLE - SINGLE - WC - EUROPEAN - IVORY
	123660-01-02A	EA	RECEPTACLE - SINGLE - WC - EUROPEAN - BROWN
	123661-01-01A	EA	FRAME - TRIM - SINGLE OUTLET - EXPORT - IVORY
	123661-01-02A	EA	FRAME - TRIM - SINGLE OUTLET - EXPORT - BROWN

## ELECTRICAL GROUP (CONTINUED)

### ELECTRICAL CONNECTORS

KEY	PART NUMBER	U/M	DESCRIPTION
	080015-02-000	EA	RECEPTACLE - FLAG - .185 - 16/14 GAUGE
	008313-01-000	EA	CONNECTOR - WIRE NUT - INSULATED - YELLOW
	008314-01-000	EA	CONNECTOR - WIRE NUT - INSULATED - GRAY
	008355-01-000	EA	CONNECTOR - CABLE CLAMPING - 3/4"
	008356-01-000	EA	CONNECTOR - PLASTIC - 3/8" AVG
	112721-01-000	EA	CONNECTOR - 3 PIN W/12" LEADS COLE-HERSEE 11173-0
	058028-01-000	EA	CONNECTOR - ELECTRICAL PIGTAIL - NYLON - CLEAR
	007942-01-000	EA	TAB - WIRE - 18 TO 14 AWG
	008326-01-000	EA	TERMINAL - RING - 16/14 WIRE - 3/8" STUD
	008328-01-000	EA	TERMINAL - RING - 12/10 WIRE - #10 STUD FIT
	008331-01-000	EA	TERMINAL - RING,TONGUE - #4 WIRE - 3/8" STUD - COPPER
	008348-01-000	EA	TERMINAL - RING - 3/8" STUD - #2 WIRE CONNECTS CABLE TO DISCONNECT RELAY AND BATTERY
	035416-04-000	EA	TERMINAL - RING #10 STUD FIT - INSULATED BARREL #16/14
	047443-01-000	EA	TERMINAL - .250 RECEPTACLE FIT - INSULATED - 16/14 AWG
	047443-02-000	EA	TERMINAL - .250 RECEPTACLE FIT - INSULATED - 12/10 AWG
	088267-01-000	EA	TERMINAL - FEMALE - 1/4
	102777-02-000	EA	TERMINAL - RING - #6 STUD - 10 AWG
	106655-01-000	EA	TERMINAL - FUSE BLOCK - 14-16AWG - PACKARD 12020321
	106655-02-000	EA	TERMINAL - FUSE BLOCK - 10-12AWG - PACKARD 12020400
	098262-01-000	EA	SEAL - CONNECTOR - WEATHER PACK - PACKARD 12010293
	088473-01-000	EA	HOUSING - PIN - 12 CAVITY - AMP 1-480708-0
	088473-03-000	EA	HOUSING - PIN - 9 CAVITY - AMP 1-480706-0
	088473-06-000	EA	HOUSING - PIN - 6 CAVITY - AMP 1-480704-0
	088473-08-000	EA	HOUSING - PIN - 4 CAVITY - AMP 1-480702-0
	088473-09-000	EA	HOUSING - PIN - 3 CAVITY - AMP 1-480700-0
	088473-10-000	EA	HOUSING - PIN - 2 CAVITY - AMP 1-480698-0
	088474-01-000	EA	HOUSING - SOCKET - 12 CAVITY - AMP 1-480709-0
	088474-02-000	EA	HOUSING - SOCKET - 12 CAVITY - AMP 1-480711-0
	088474-03-000	EA	HOUSING - SOCKET - 9 CAVITY - AMP 1-480707-0
	088474-06-000	EA	HOUSING - SOCKET - 6 CAVITY - AMP 1-480705-0
	088474-08-000	EA	HOUSING - SOCKET - 4 CAVITY - AMP 1-480703-0
	088474-09-000	EA	HOUSING - SOCKET - 3 CAVITY - AMP 1-480701-0
	088474-10-000	EA	HOUSING - SOCKET - 2 CAVITY - AMP 1-480699-0
	098264-01-000	EA	HOUSING - 2 PIN - WEATHER PACK M - PACKARD 12015792
	098264-02-000	EA	HOUSING - 2 PIN - WEATHER PACK F - PACKARD-12010973
	110178-01-000	EA	HOUSING - WIPER MOTOR - UT6237440-EC25WJ
	113468-01-000	EA	HOUSING - 2 POSITION - FEMALE USED ON WIPER/WASHER WIRE ASM
	119222-01-000	EA	HOUSING - 3 POSITION - FEMALE
	088475-01-000	EA	PIN - CONNECTOR - 14 TO 20 AWG
	088475-02-000	EA	PIN - CONNECTOR - 10 TO 12 AWG
	098265-02-000	EA	PIN - CONNECTOR - WEATHER PACK - PACKARD 12089305
	088476-01-000	EA	SOCKET - CONNECTOR - BRASS - PRE-TIN
	088476-02-000	EA	SOCKET - CONNECTOR - 12-10 GA - PHOS. BRZ - PRE-TIN
	098261-02-000	EA	SOCKET - CONNECTOR - WEATHERPACK - PACKARD 12124580

### SOLENOID, RELAYS, POWER CONVERTER, POWER CORDS & CABLE

KEY	PART NUMBER	U/M	DESCRIPTION
	008188-01-000	EA	SOLENOID - 3
	063912-02-000	EA	RELAY - CANISTER - SPDT
	114965-01-000	EA	RELAY 12 VOLT - 2 AMP - DELAY OFF 10 MIN
	123058-02-000	EA	CONVERTER - 45 AMP - ELECTRONIC - 4 1/8"H X 7"W X 12 3/8"L
	083208-05-000	EA	CONTROL CENTER - 45 AMP - 100V/12V
	008052-01-000	EA	CORD - POWER - 10/3 - 30 AMP - 25' - CANADIAN
	008054-02-000	EA	CORD - POWER - 10-3 - 30 AMP - 35'
	112593-01-000	FT	CABLE - 3 WIRE - 16A - FLEX RUBBER - EUROPEAN
	112593-02-000	FT	CABLE - 3 WIRE - 25A - FLEX RUBBER - EUROPEAN

## ELECTRICAL GROUP (CONTINUED)

### BOXES, CONDUIT & COVERS

KEY	PART NUMBER	U/M	DESCRIPTION
	008289-01-000	EA	BOX - ELECTRIC/STEEL - 1/2" & 3/4" KNOCKOUTS - 4" X 4"
	091910-01-000	EA	BOX - ELECTRIC - 3.8" X 3.5" X 1.8" - PLASTIC
	091910-02-000	EA	BOX - ELECTRIC - 2.2" X 3.5" X 1.7" - PLASTIC
	093257-02-000	EA	BOX - ELECTRIC - CIRCUIT BREAKER
	041953-01-000	FT	CONDUIT - CONVOLUTE SLIT - .5" ID
	041953-03-000	FT	CONDUIT - CONVOLUTE SLIT - 1" ID
	041953-06-000	FT	CONDUIT - CONVOLUTE SLIT - .375"
	041953-07-000	FT	CONDUIT - CONVOLUTE SLIT - .25" ID
	041953-08-000	FT	CONDUIT - CONVOLUTE SLIT - 1.50" ID
	041953-09-000	FT	CONDUIT - CONVOLUTE SLIT - .50" ID - NYLON - BLACK W/GRAY STRIPE
	008294-01-000	EA	COVER - ELECTRICAL BOX - BLANK/STEEL - 4" X 4" - GRAY
	069238-01-000	EA	COVER - ELECTRICAL BOX - W/HOLE - 4" X 4" - GRAY

### WIRE ASSEMBLIES

KEY	PART NUMBER	U/M	DESCRIPTION
	093057-04-000	EA	WIRE ASM - POWER LOCK ENTRANCE
	096449-01-000	EA	WIRE ASSEMBLY - WATER TANK TO MONITOR PANEL
	097618-01-000	EA	WIRE ASM - MONITOR PANEL - W/3 WIRES & ORANGE RESISTOR
	P27264-02-000	EA	WIRE ASSEMBLY - RADIO AM/FM CASSETTE
	127516-04-000	EA	WIRE ASSEMBLY - RADIO AM/FM CD
	P27516-04-000	EA	WIRE ASSEMBLY - RADIO AM/FM CD

### CIRCUIT BREAKERS & FUSES

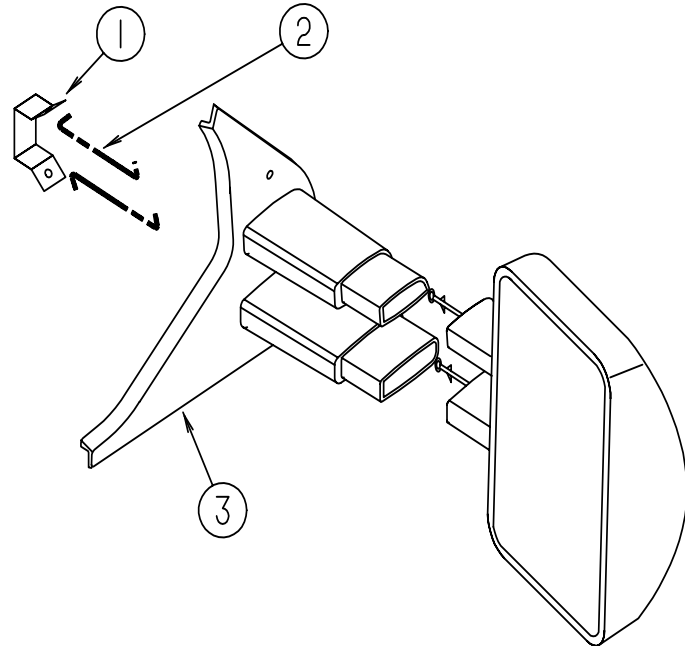
KEY	PART NUMBER	U/M	DESCRIPTION
	062901-02-000	EA	FUSE - 5 AMPS, AUTOMOTIVE
	062901-05-000	EA	FUSE - 15 AMPS, AUTOMOTIVE
	062901-06-000	EA	FUSE - 20 AMPS, AUTOMOTIVE
	062901-07-000	EA	FUSE - 25 AMPS, AUTOMOTIVE
	106656-01-000	EA	FUSE BLOCK - 4 CAVITY AUTOFUSE - PACKARD 12004943
	108669-01-000	EA	HOUSING - AUTO FUSE HOLDER - PACKARD 12010105
	083209-02-000	EA	CIRCUIT BREAKER - 15/15 AMP - 120 V
	083209-03-000	EA	CIRCUIT BREAKER - 15/20 AMP - 120 V
	083209-05-000	EA	CIRCUIT BREAKER - 20 AMP - 120V
	083209-06-000	EA	CIRCUIT BREAKER - 30/15 AMP - 120
	083209-07-000	EA	CIRCUIT BREAKER - 20/20 AMP - 120 V
	092786-02-000	EA	BUSS BAR - 3.3"
	092786-03-000	EA	BUSS BAR - 6.9"
	093654-01-000	EA	CIRCUIT BREAKER - 6 AMP - 12 V
	093654-02-000	EA	CIRCUIT BREAKER - 15 AMP - 12 V
	093654-03-000	EA	CIRCUIT BREAKER - 20 AMP - 12 V
	097611-01-000	EA	CIRCUIT BREAKER - 10 AMP, 12 V
	108567-01-000	EA	CIRCUIT BREAKER - 40 AMP, 12 V
	112591-01-000	EA	CIRCUIT BREAKER - 16 AMP, 240 V - EUROPEAN
	112592-01-000	EA	CIRCUIT BREAKER - 25 AMP, 240 V - GFI - EUROPEAN

### ELECTRICAL MISCELANEOUS

KEY	PART NUMBER	U/M	DESCRIPTION
	112594-01-000	FT	INLET - 16 AMP 240 VOLT - 2 POLE W/GROUND - EUROPEAN
	007956-05-000	EA	INSULATOR - SHRINK - .25 ID X 1.50
	087225-01-000	FT	SLEEVING - 1/2" - TYPE H
	113494-01-000	EA	CONTACTOR - 25 AMP - 230V - 50 HZ
	125701-01-000	EA	SPEEDOMETER - ELECTRIC, METRIC - CANADIAN OPTION



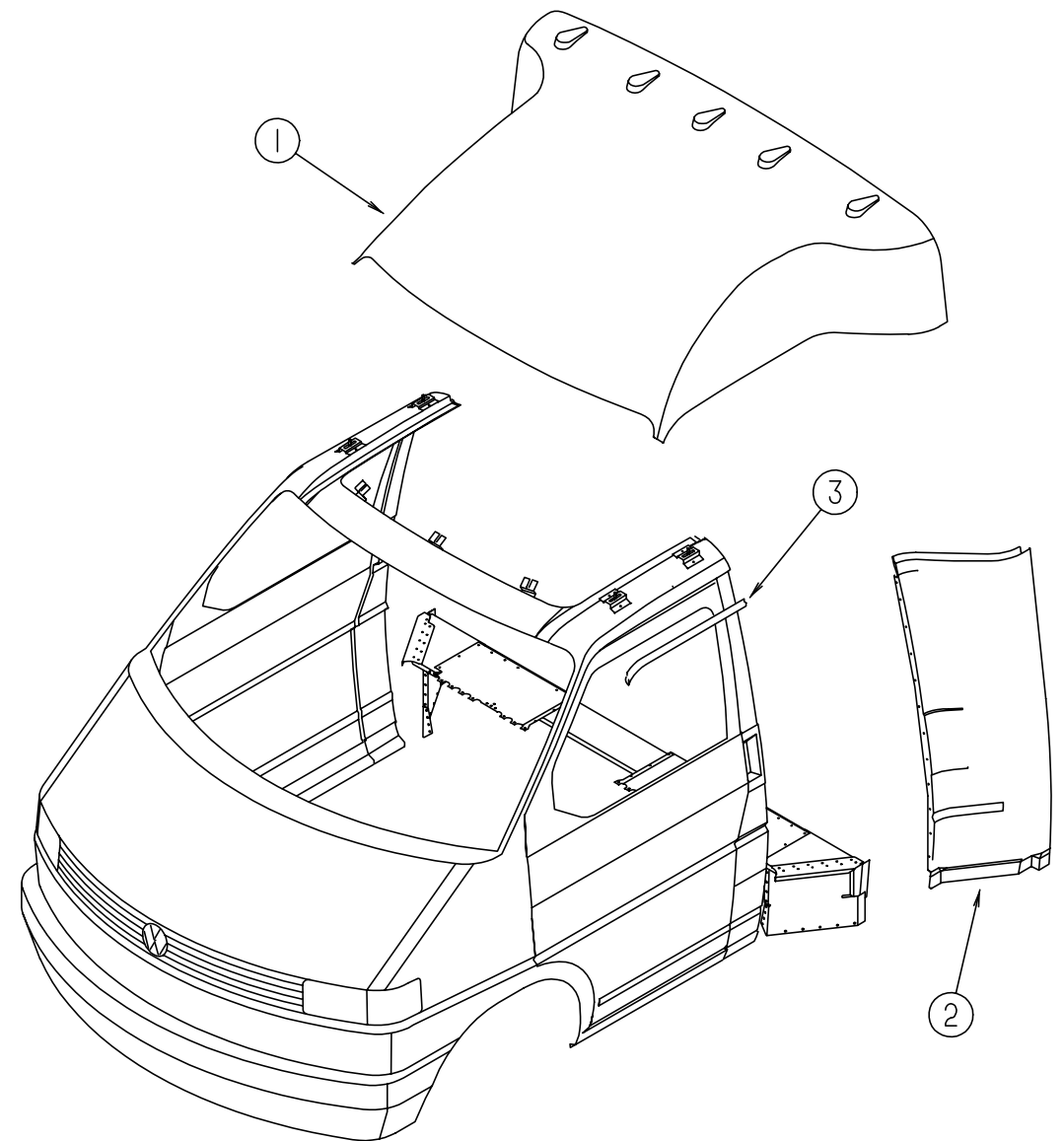
## EXTERIOR BODY GROUP



MIRROR BRACKETS FOR VW EXTERIOR MIRRORS

KEY	PART NUMBER	U/M	DESCRIPTION
1	115334-01-02B	EA	HOOK - BRACKET - MIRROR
2	115752-02-01A	EA	MIRROR ROD - 3.3" LONG
3	114494-01-03A	EA	BRACKET - MIRROR - PASSENGER
	114494-02-01A	EA	BRACKET - MIRROR - DRIVER
	R77030-74-150	EA	PLUG - MIRROR - EXTERIOR
	074487-02-000	EA	PLUG - HOLE - .375 - .093 - .171 THICK
	127984-01-01A	EA	SCREW - EXTERIOR MIRROR - VW WHITE

## EXTERIOR BODY GROUP (CONTINUED)

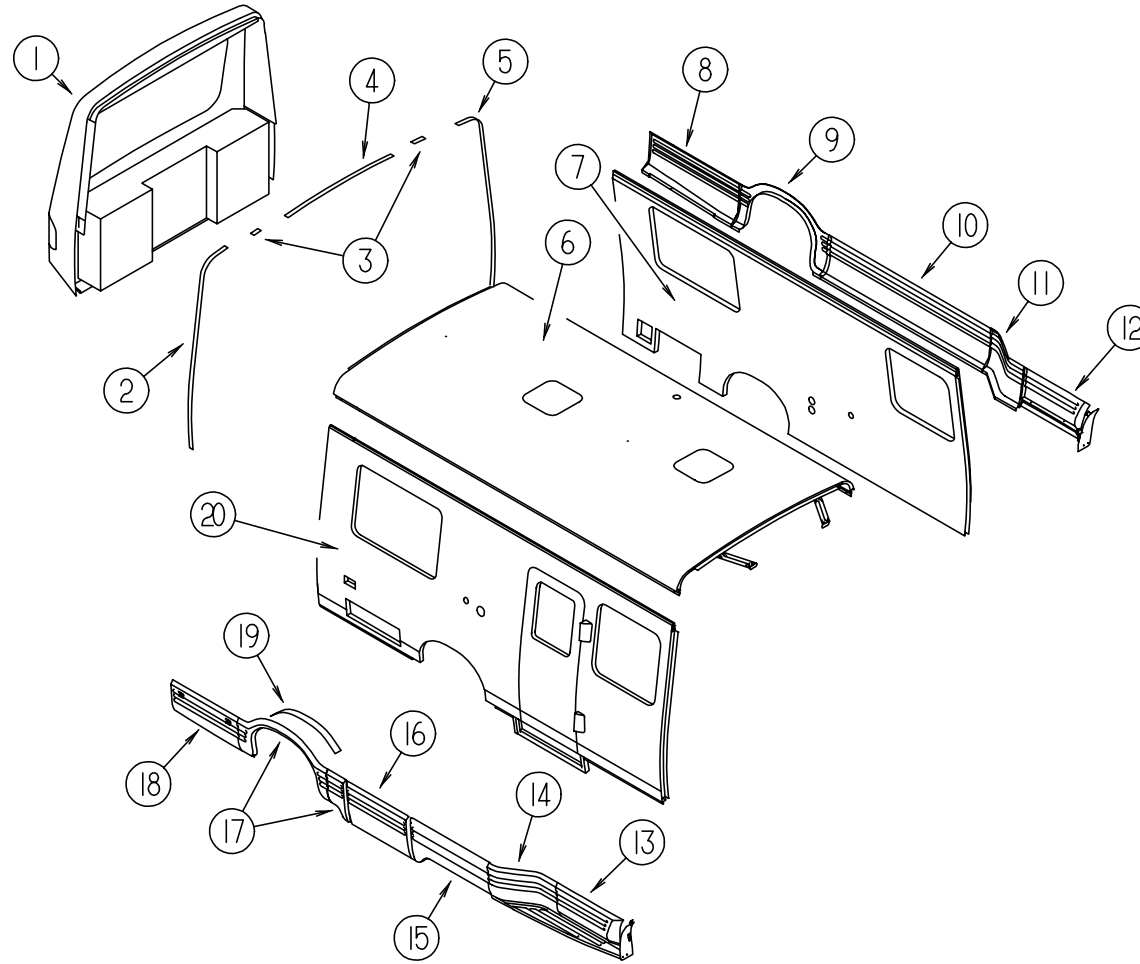


FRONT CAP & TRANSITION PANELS

KEY	PART NUMBER	U/M	DESCRIPTION
1	111207-02-H70	EA	CAP - ROOF
1	111207-05-H70	EA	CAP - ROOF
1	111207-03-H70	EA	CAP - ROOF - EUROPEAN
1	111207-04-H70	EA	CAP - ROOF - JAPAN
1	111207-05-H70	EA	CAP - ROOF - CANADA
	070579-06-000	EA	PLATE - ANCHOR - W/7/16 WELD NUT - 1.5" X 3.3"
	070579-07-000	EA	PLATE - ANCHOR - W/O WELD NUT - 1.5" X 3.3"
	070579-10-000	EA	PLATE - ANCHOR - W/O WELD NUT - 1.5" X 8.9"
	070579-11-000	EA	PLATE - ANCHOR - W/7/16" WELD NUT - 1.5" X 8.9"
	070579-12-000	EA	PLATE - ANCHOR - W/1/5" WELD NUT - 2.5" X 3.3"
	070579-13-000	EA	PLATE - ANCHOR - W/O WELD NUT - 2.5" X 3.3"
	070579-14-000	EA	PLATE - ANCHOR - W/O WELD NUT - 2.5" X 3.9"
	070579-15-000	EA	PLATE - ANCHOR - W/7/16 WELD NUT - 2.5" X 3.9"
	112127-01-000	FT	MOLDING - REVEAL - FRONT CAP TO WINDSHIELD
2	111276-04-F45	EA	PANEL - TRANSITION - LEFT - STEEL/FIBERGLASS - VW WHITE
	111276-03-F45	EA	PANEL - TRANSITION - RIGHT - STEEL/FIBERGLASS - VW WHITE
3	115022-02-01A	EA	RAIL - DRIP - LEFT HAND
	115022-01-01A	EA	RAIL - DRIP - RIGHT HAND

## EXTERIOR BODY GROUP (CONTINUED)

### EXTERIOR BODY PANELS & TRIM

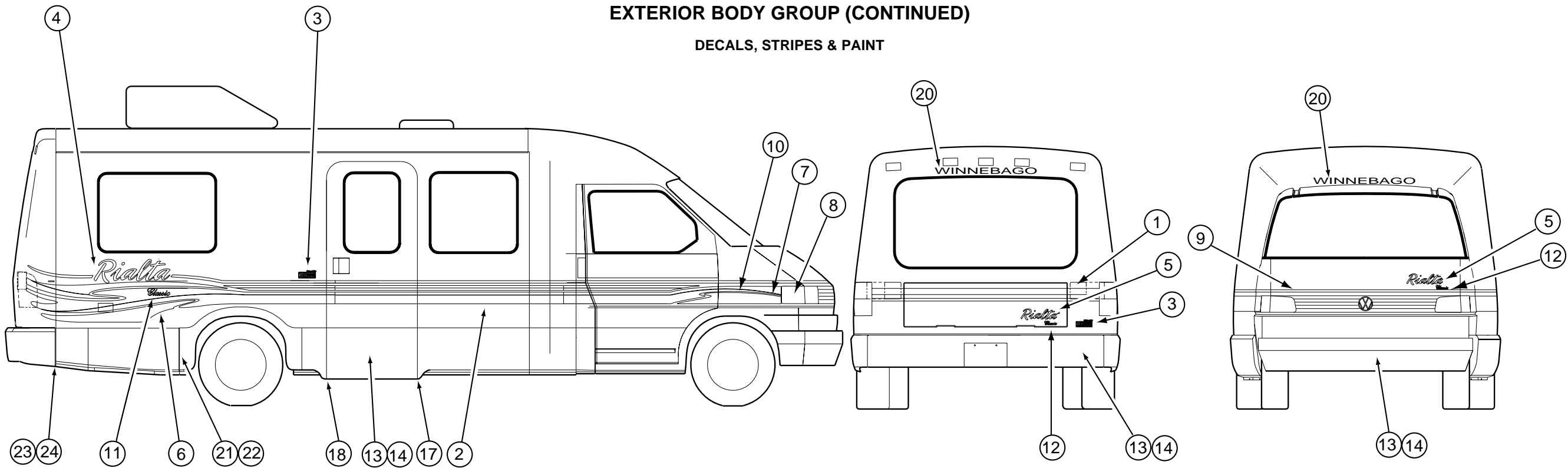


KEY	PART NUMBER	U/M DESCRIPTION
1	P24434-01-H70	EA CAP - REAR
1	P24434-04-H70	EA CAP - REAR
1	P24434-02-H70	EA CAP - REAR - JAPAN
1	P24434-04-H70	EA CAP - REAR - CANADA
2	112544-01-01A	EA TRIM - SIDEWALL TO REAR CAP - RIGHT HAND
3	086754-10-000	EA CAP-TRIM
4	112548-01-01A	EA TRIM - ROOF TO REAR CAP
5	112544-02-01A	EA TRIM - SIDEWALL TO REAR CAP - LEFT HAND
6	P24227-01-H70	EA ROOF - W/O LIGHTS/VENTS - W/WIRING
7	P24106-01-H70	EA SIDEWALL - DRIVER - W/O WINDOWS/TRIMS
		FROM: 00-00-00 THRU: 07-12-98
7	P24106-01-K73	EA SIDEWALL - DRIVER - W/O WINDOWS/TRIMS
		FROM: 07-13-98 THRU: 99-99-99
7	P24106-02-H70	EA SIDEWALL - DRIVER - W/O WINDOWS/TRIMS - JAPAN
		FROM: 00-00-00 THRU: 07-12-98
7	P24106-02-K73	EA SIDEWALL - DRIVER - W/O WINDOWS/TRIMS - JAPAN
		FROM: 07-13-98 THRU: 99-99-99
8	112027-08-H70	EA PANEL - VALANCE - REAR DRIVER - W/O LOCKS
8	112027-09-H70	EA PANEL - VALANCE - REAR DRIVER - W/O LOCKS - JAPAN
8	112027-10-H70	EA PANEL - VALANCE - REAR DRIVER - W/O LOCKS - W/O GENERATOR
9	112024-03-F45	EA PANEL - WHEEL LIP VALANCE - DRIVER
10	112022-02-F45	EA PANEL - VALANCE - FRONT/DRIVER
10	120613-02-G46	EA PANEL - VALANCE - FRONT/LEFT HAND - JAPAN
11	112020-03-F45	EA PANEL - VALANCE - TRANSITION/DRIVER
12	112019-03-F45	EA PANEL - VALANCE - CAB DOOR/LEFT HAND

KEY	PART NUMBER	U/M DESCRIPTION
13	112019-04-F45	EA PANEL - VALANCE - CAB DOOR/RIGHT HAND
14	112020-04-F45	EA PANEL - VALANCE - TRANSITION/PASSENGER
15	112021-02-F45	EA PANEL - VALANCE - FRONT/PASSENGER
16	112026-02-F45	EA PANEL - VALANCE - ENTRY DOOR
17	M08029-01-F45	EA PANEL - VALANCE WHEEL LIP/CENTER - PASSENGER
18	112027-07-H70	EA PANEL - VALANCE - REAR PASSENGER - W/O LOCKS
18	112027-09-H70	EA PANEL - VALANCE - REAR PASSENGER - W/O LOCKS - JAPAN
19	113012-01-01A	EA TRIM - WHEELWELL/REAR
20	P24107-01-H70	EA SIDEWALL - PASSENGER - W/O WINDOWS/TRIMS
		FROM: 00-00-00 THRU: 07-12-98
20	P24107-01-K73	EA SIDEWALL - PASSENGER - W/O WINDOWS/TRIMS
		FROM: 07-13-98 THRU: 99-99-99
20	P24107-02-J80	EA SIDEWALL - PASSENGER - W/O WINDOWS/TRIMS - JAPAN
		FROM: 00-00-00 THRU: 07-12-98
20	P24107-02-K73	EA SIDEWALL - PASSENGER - W/O WINDOWS/TRIMS - JAPAN
		FROM: 07-13-98 THRU: 99-99-99
	073050-04-000	EA MOUNTING CLIP - VALANCE PANEL
	081914-01-000	FT BUMPER - RUBBER - ROUND - .43" DIAMETER
	113753-01-01A	EA JAMB - TRIM - LP - VW WHITE
	113752-02-01A	EA JAMB - TRIM - GENERATOR - VW WHITE
	113752-03-01A	EA JAMB - TRIM - GENERATOR - VW WHITE

## EXTERIOR BODY GROUP (CONTINUED)

### DECALS, STRIPES & PAINT

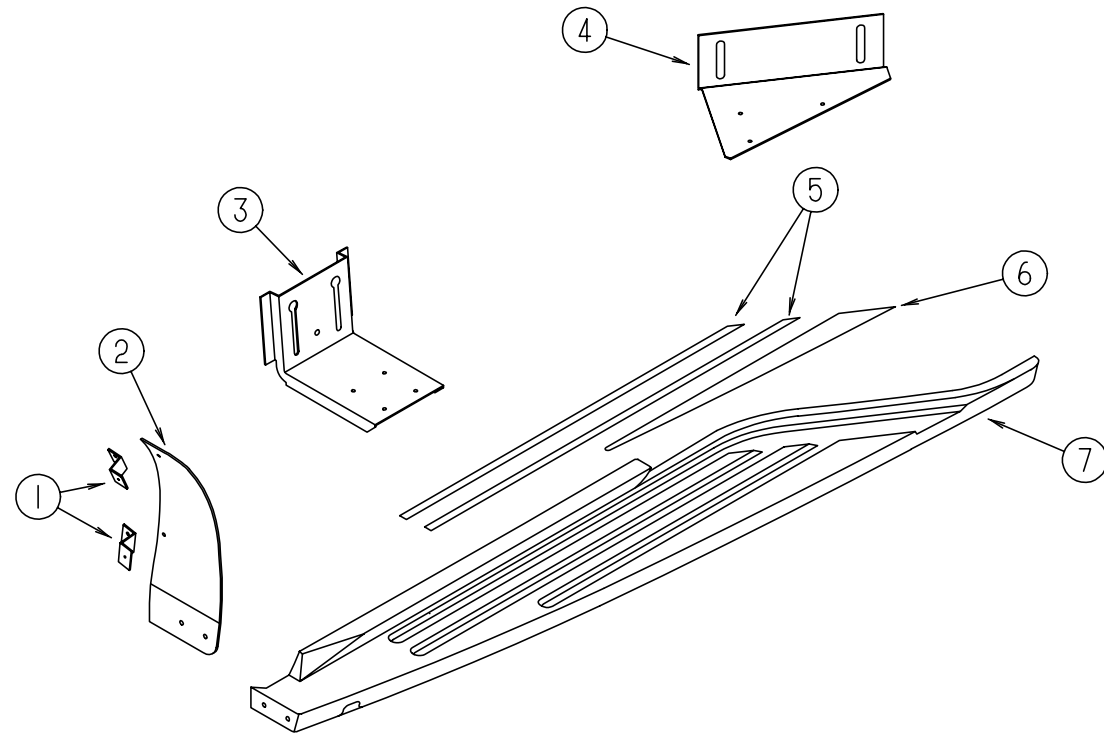


KEY	PART NUMBER	U/M	DESCRIPTION
1	105781-71-01A	FT	FILM - MULTISTRIPE - 4.1"
2	130780-01-01A	FT	FILM - OVERLAP - MULTISTRIPE
3	122770-02-17A	EA	DECAL - "BUILT PROUDLY BY WINNEBAGO INDUSTRIES"
4	122792-01-02A	EA	DECAL - LOGO - RIALTA/LARGE
5	122792-02-04A	EA	DECAL - LOGO - RIALTA/SMALL
6	130778-01-01A	EA	DECAL - WAVES - PASSENGER
6	130778-02-01A	EA	DECAL - WAVES - DRIVER
7	130779-01-01A	EA	DECAL - CAB - PASSENGER
	130779-02-01A	EA	DECAL - CAB - DRIVER
8	122797-01-02A	EA	DECAL - CORNER/FRONT/PASSENGER
	122797-02-02A	EA	DECAL - CORNER/FRONT/DRIVER
9	122798-01-02A	EA	DECAL - HOOD
10	093681-42-06A	FT	FILM - .75"
11	131024-01-01A	EA	DECAL - LOGO - LARGE CLASSIC
			FROM: 00-00-00 THRU: 10-15-98
12	131024-02-01A	EA	DECAL - LOGO - SMALL CLASSIC
			FROM: 00-00-00 THRU: 10-15-98
13	099399-59-000	GL	PAINT-SMOKE MET DUPONT F9417U
14	099399-58-000	GL	PAINT-PLUM HAZE MET DUPONT F6380U
	093681-14-24A	FT	FILM - 1.5"
	093681-14-25A	FT	FILM - 1.5"
17	131730-01-01A	EA	DECAL - VALANCE PANEL END/RIGHT HAND V-PLUM HAZE PEARL
17	131730-01-02A	EA	DECAL - VALANCE PANEL END/RIGHT HAND V-SMOKE MET
18	131730-02-01A	EA	DECAL - VALANCE PANEL END/LEFT HAND
18	131730-02-02A	EA	DECAL - VALANCE PANEL END/LEFT HAND
	122886-02-01A	EA	DECAL - MOBILIE - SMALL - JAPAN
20	120702-03-07A	EA	DECAL - LOGO - WINNEBAGO/SMALL
21	132324-01-01A	EA	DECAL - VALANCE/DOOR END - LARGE/RIGHT HAND
21	132324-01-02A	EA	DECAL - VALANCE/DOOR END - LARGE/RIGHT HAND
22	132324-02-01A	EA	DECAL - VALANCE/DOOR END - LARGE/LEFT HAND
22	132324-02-02A	EA	DECAL - VALANCE/DOOR END - LARGE/LEFT HAND
23	132325-01-01A	EA	DECAL - VALANCE/DOOR END - SMALL/RIGHT HAND
23	132325-01-02A	EA	DECAL - VALANCE/DOOR END - SMALL/RIGHT HAND
24	132325-02-01A	EA	DECAL - VALANCE/DOOR END - SMALL/LEFT HAND
24	132325-02-02A	EA	DECAL - VALANCE/DOOR END - SMALL/LEFT HAND
	041561-03-000	EA	PAINT - 16 OUNCE SPRAY - OFF WHITE

#### DUPONT COLOR CODES

VW WHITE	W9670
PLUM & HAZE MET.	F6380U
SMOKE MET.	F9417U

## EXTERIOR BODY GROUP (CONTINUED)



### RUNNING BOARDS

KEY	PART NUMBER	U/M DESCRIPTION
1	112507-01-02B	EA BRACKET - MUD FLAP - FRONT
2	112242-01-02A	EA SUPPORT - MUD FLAP - FRONT/DRIVER
	112242-02-01A	EA SUPPORT - MUD FLAP - FRONT/PASSENGER
	112242-02-02A	EA SUPPORT - MUD FLAP - FRONT/PASSENGER
3	112230-02-02B	EA BRACKET - RUNNING BOARD - DRIVER
	112230-04-02B	EA BRACKET - RUNNING BOARD - PASSENGER
4	112231-01-000	EA BRACKET - RUNNING BOARD - REAR - DRIVER
	112231-02-000	EA BRACKET - RUNNING BOARD - REAR - PASSENGER
5	038327-03-000	EA TAPE - ANTI SLIP - 1/2" X 60'
6	102570-04-000	EA MAT - ANTI SLIP - UPPER/LEFT HAND
	102570-03-000	EA MAT - ANTI SLIP - UPPER/RIGHT HAND
7	112233-03-F45	EA RUNNING BOARD - FIBERGLASS - DRIVER
	112233-04-F45	EA RUNNING BOARD - FIBERGLASS - PASSENGER
	115003-01-01A	EA MOLDING - REVERSE COVE - VW WHITE

## EXTERIOR BODY GROUP (CONTINUED)

### ALUMINUM, STYROFOAM, & MISC.

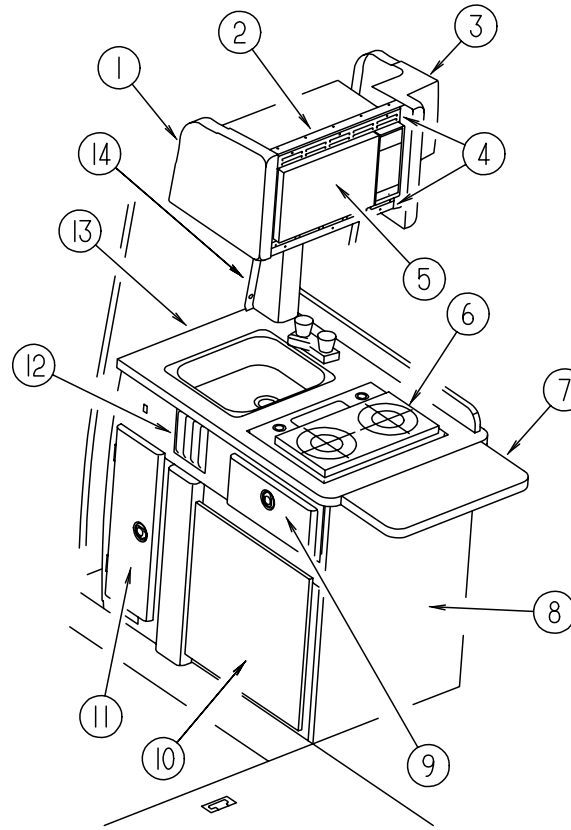
KEY	PART NUMBER	U/M DESCRIPTION
	000870-08-000	SF STYROFOAM - .75" X 48" X 96" PLANED EXPANDED BEAD BOARD
	100619-01-000	BF FOAM - EXPANDED POLYSTYRENE - 1.34" X 48" X 96"
	100619-04-000	BF FOAM - EXPANDED POLYSTYRENE - .5" X 48" X 96"
	100619-06-000	EA FOAM - EXPANDED POLYSTYRENE - .875" X 20.35" X 63.35"
	100619-07-000	EA FOAM - EXPANDED POLYSTYRENE - .630" X 48" X 96"
	100619-10-000	BF FOAM - EXPANDED POLYSTYRENE - 1.5" X 48" X 96"

### EXTERIOR SHOWER

KEY	PART NUMBER	U/M DESCRIPTION
	120592-01-01A	EA COMPARTMENT - SHOWER - EXTERIOR - OFF WHITE - JAPAN
	121473-01-01A	EA COMPARTMENT - SHOWER - EXTERIOR

# GALLEY GROUP

## GALLEY CABINETS & COMPONENTS



KEY	PART NUMBER	U/M DESCRIPTION
1	112805-04-02A	EA END PANEL - MICROWAVE
2	M07494-24-J80	EA CABINET - OVERHEAD - F/MICROWAVE - W/O DOOR/HARDWARE
	116856-01-H70	EA CABINET - OVERHEAD - W/O DOOR/HARDWARE
	112943-02-02B	EA FRAME - MICROWAVE/OVERHEAD
	116899-01-02A	EA TRIM - OVERHEAD CABINET - JAPAN
	116857-01-H70	EA PANEL - CABINET DOOR - W/O HARDWARE - JAPAN
	112809-03-02A	EA BOTTOM PANEL - JAPAN
	112809-04-02A	EA BOTTOM PANEL - MICROWAVE
3	112805-05-02A	EA END PANEL - MICROWAVE - RIGHT HAND
4	128642-01-000	EA TRIM KIT W/VENT - MICROWAVE - .9 CU FT SAMSUNG FROM: 00-00-00 THRU: 07-19-98
5	128527-01-000	EA OVEN - MICROWAVE - .9 CU FT - NON CONVECTION FROM: 00-00-00 THRU: 07-19-98
5	128527-03-000	EA OVEN - MICROWAVE - .9 CU FT - NON CONVECTION FROM: 07-20-98 THRU: 99-99-99
6*	113947-02-02A	EA RANGE - 2 BURNER W/COVER
7	080812-07-H70	EA EXTENSION - GALLEY

KEY	PART NUMBER	U/M DESCRIPTION
8	126543-01-J80	EA CABINET - GALLEY - W/O DOORS/DRAWERS/HARDWARE
	126545-01-H70	EA COVER - SINK
	011029-03-000	EA SINK - STAINLESS STEEL - SINGLE W/RAILS
	066437-02-000	EA STRAINER - W/BASKET - SINK
	011069-03-000	EA TAILPIECE - TUB/SHOWER - 1 1/2" X 1 3/4" - PLASTIC
	066436-01-000	EA NUT - SLIP - TAILPIECE 1.5"
	069735-01-000	EA WASHER - STRAINER TO TAILPIECE - PLASTIC - 1.5"
	113798-01-01A	EA FAUCET - GALLEY - SINGLE CONTROL
9	P10163-L0-H70	EA DRAWER - CABINET
10*	113737-01-03A	EA REFRIGERATOR - SMALL SINGLE DOOR - 3 WAY
11	116855-01-H70	EA DOOR - CABINET - W/O HARDWARE
12	109918-03-01A	EA VENT - RETURN AIR
13	126543-11-H70	EA COUNTERTOP - GALLEY
14	121445-01-02A	EA COVER - PIPE
	054450-01-000	EA LEVEL - REFRIGERATOR
	086297-03-000	EA GRILL - REFRIGERATOR VENT

\* PRESS TO SEE ILLUSTRATED SERVICE PARTS LIBRARY

## GENERATOR GROUP

### 3,000 WATT GENERAC GENERATOR

KEY	PART NUMBER	U/M DESCRIPTION
	113458-01-000	EA GENERATOR - 3.0 KW GENERAC W/HOUR METER
	100258-10-01A	EA GAUGE - HOUR METER W/SWITCH - SCREW ON STYLE
	100258-10-701	EA GAUGE - HOUR METER - CLIP ON STYLE
	007067-01-000	SF INSULATION - FIBERGLASS - 1" THICK X 4' - INCREMENTS/4 SF
	007125-03-000	EA CLAMP - MUFFLER - 1.5" DIA
	007125-04-000	EA CLAMP - MUFFLER - 1.1" DIA
	007131-01-000	EA HANGER - TAILPIPE - 6 SLOTS
	113841-02-000	EA PIPE - EXHAUST - GENERATOR
	115112-01-02B	EA BRACKET - MOUNT - GENERATOR - RIGHT
	115112-02-02B	EA BRACKET - MOUNT - GENERATOR - LEFT
	113378-04-000	EA FUEL LINE - GENERATOR - MIDDLE
	114276-01-000	EA FUEL LINE - GENERATOR - IN TANK

### 3,000 WATT GENERAC GENERATOR - JAPAN GENERATOR OPTION

KEY	PART NUMBER	U/M DESCRIPTION
	113458-02-000	EA GENERATOR - 3.0 KW GENERAC W/HOUR METER - GENERAC NP30G, 9890
	007067-01-000	SF INSULATION - FIBERGLASS - 1" THICK X 4' - INCREMENTS/4 SF
	007125-03-000	EA CLAMP - MUFFLER - 1.5" DIA
	007125-04-000	EA CLAMP - MUFFLER - 1.1" DIA
	007131-01-000	EA HANGER - TAILPIPE - 6 SLOTS
	113841-02-000	EA PIPE - EXHAUST - GENERATOR
	115112-01-02B	EA BRACKET - MOUNT - GENERATOR - RIGHT
	115112-02-02B	EA BRACKET - MOUNT - GENERATOR - LEFT
	113378-04-000	EA FUEL LINE - GENERATOR - MIDDLE
	114276-01-000	EA FUEL LINE - GENERATOR - IN TANK

**NOTE: ADDITIONAL GENERATOR COMPONENTS ARE FOUND IN THE CHASSIS GROUP**

## HEATING & AIR CONDITIONING GROUP

### SUBURBAN FURNACE CABINET ASM & COMPONENTS - MODEL NT-20SG

KEY	PART NUMBER	U/M DESCRIPTION
*	075697-07-000	EA FURNACE - FORCED AIR - 20000 BTU
	115764-01-01A	EA THERMOSTAT - FURNACE

### 7,100 BTU ROOF A/C

KEY	PART NUMBER	U/M DESCRIPTION
*	093306-01-02A	EA A/C - ROOF - 71,00 BTU - ROTARY
*	093307-03-000	EA CEILING ASSEMBLY - COOL ONLY - WHITE - JAPAN
	102289-01-000	EA SPRING - SCREW - ROOF A/C GASKET

### EVANS REAR HEATER

KEY	PART NUMBER	U/M DESCRIPTION	VENDOR NO.
	049401-04-000	EA HEATER - REAR - W/O SWITCH	
	049401-01-705	EA VALVE - 3 PORT 2-WAY	HV032126
	049401-03-700	EA HEATER CORE	FT200027
	049401-03-701	EA FAN - CCW	HV029931
	049401-03-702	EA RESISTOR	HV027838
	049401-04-700	EA CABLE - CONTROL	HV033639
	049401-04-701	EA MOTOR - 12V SS/PM	HV033107
	058906-07-000	EA PANEL - CONTROL - AUXILIARY HEATER	

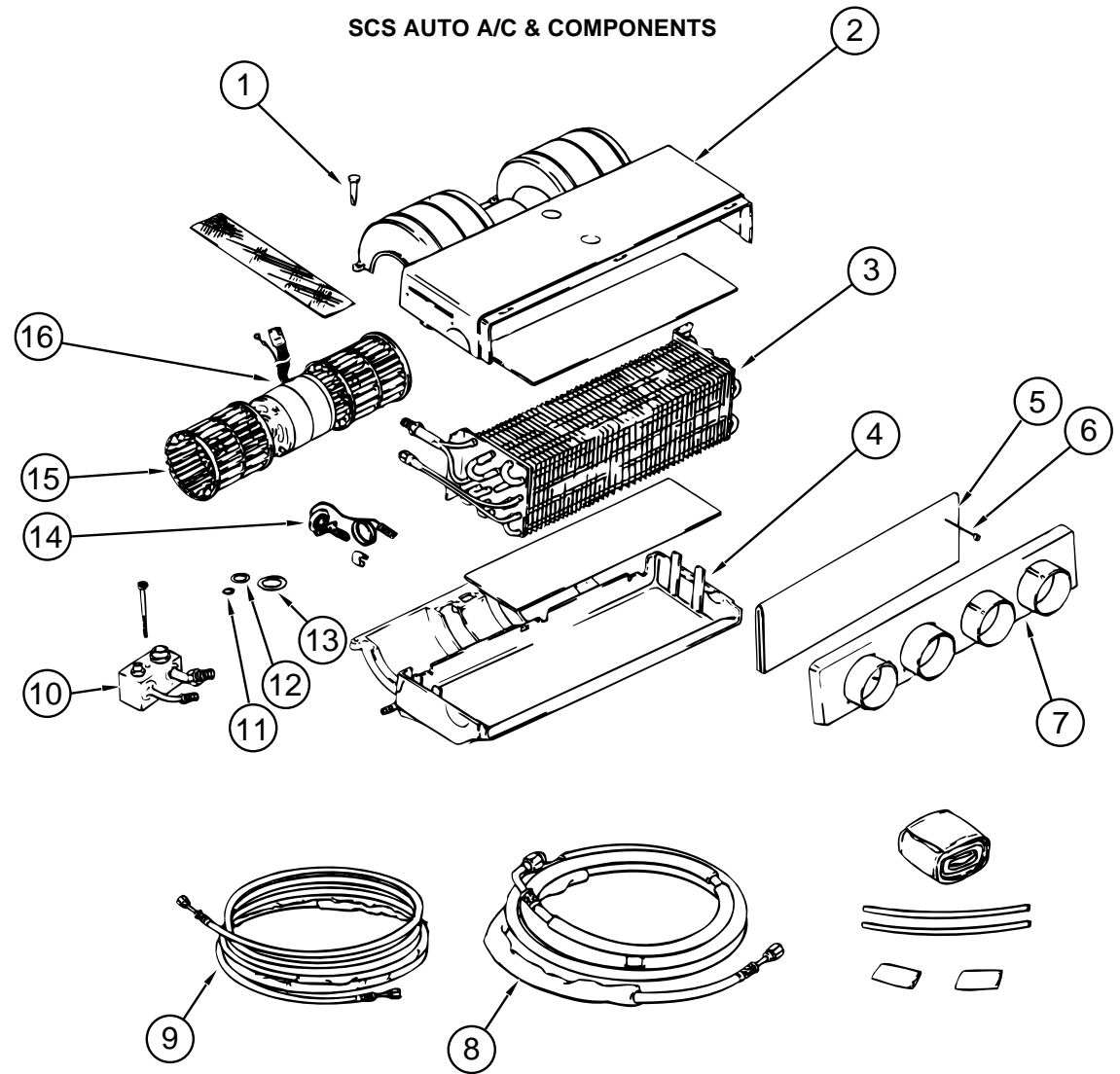
### MOTOR AID COMPONENTS

KEY	PART NUMBER	U/M DESCRIPTION
	083081-01-000	EA HOSE - FORMED - 90 DEGREES - 5/8" ID
	007108-01-000	FT HOSE - HEATER - 5/8" ID - HI-TEMP - FORD ESE-M2D192-A
	007108-02-000	FT HOSE - HEATER - 3/4" ID - HI-TEMP - FORD ESE-M2D192-A
	058893-01-000	EA BRACKET - L-ANGLE - .75" X .75" X 2.25" - ALUMINUM
	083088-01-000	EA PIPE - COOLANT RETURN - AUXILIARY REAR HEATER
	084190-01-000	EA GUARD - MOTOR AID - 5.9" X 5.7" X 5.3" - ANGLED GALVANIZED STEEL

**\* PRESS TO SEE ILLUSTRATED SERVICE PARTS LIBRARY**

## HEATING & AIR CONDITIONING GROUP (CONTINUED)

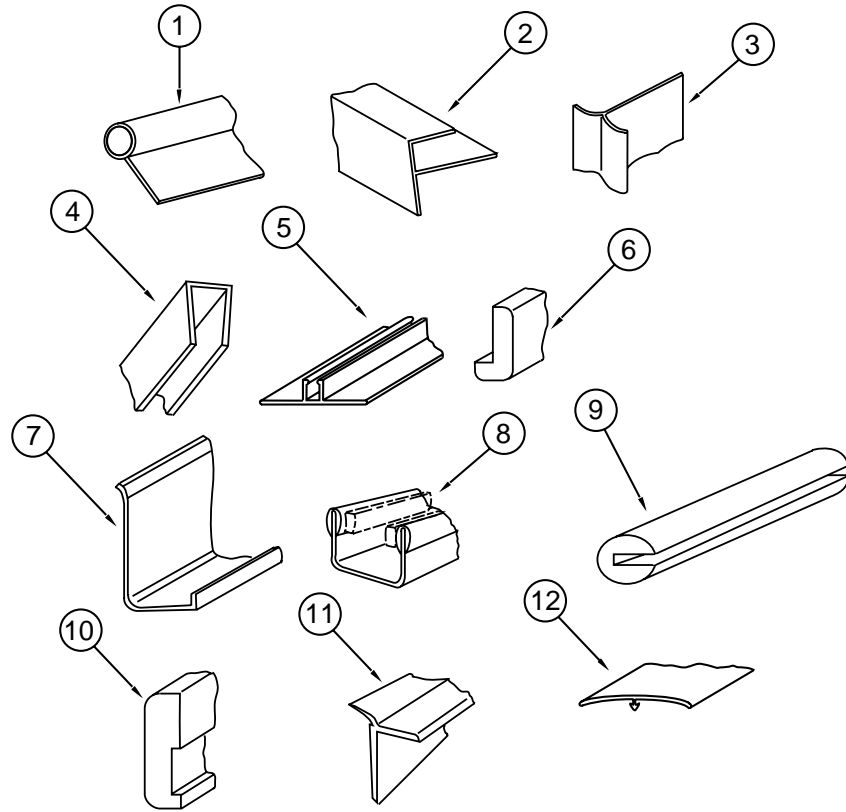
### SCS AUTO A/C & COMPONENTS



KEY	PART NUMBER	U/M DESCRIPTION	VENDOR NO.
	113245-01-000	EA EVAPORATOR/AC - OVERHEAD - R134A - SCS - 090-00075	
1	113245-01-701	EA PIN - PLASTIC	062-0027
	113245-01-702	EA COVER - SLOT	062-0141
2	113245-01-717	EA CASE - TOP ONLY	062-0139
3	113245-01-705	EA COIL - EVAPORATOR	041-0034
4	113245-01-716	EA CASE - BOTTOM ONLY	062-0140
5	113245-01-713	EA SCREEN - CONDENSATION	045-0173
6	113245-01-714	EA PIN - SCREEN RETAINER	062-0164
7	113245-01-703	EA BEZEL - W/4 OUTLETS	062-0142
8	113245-01-709	EA HOSE ASSEMBLY - #10	085-0116
9	113245-01-708	EA HOSE ASSEMBLY - #6 - EVAP-DRIER	085-0115
10	113245-01-712	EA FITTING BLOCK	050-0129
11	113245-01-711	EA O'RING - #6	045-0129
12	103930-17-702	EA O'RING - #10	045-0127

KEY	PART NUMBER	U/M DESCRIPTION	VENDOR NO.
13	113245-01-710	EA GASKET - #12	045-0128
14	113245-01-706	EA VALVE - EXPANSION - 134 A I 5 TON	034-0026
15	113245-01-700	EA WHEEL - BLOWER W/CLIP	062-0028
16	113245-01-704	EA MOTOR - BLOWER, 12V3SP, DBL	030-0028
	113245-01-707	EA O'RING - #8	045-0126
	007108-01-000	EA HOSE - HEATER - 5/8" ID - HI-TEMP - FORD	
	007281-01-000	EA HOSE - FLEXIBLE - PVC - 2.5"ID X 50' - ATCOFLEX A-182-355	
	049401-01-705	EA VALVE - 3 PORT - 2WAY	HV032126
	049401-03-700	EA HEATER CORE	FT200027
	049401-03-702	EA RESISTOR	RV212103
	109918-01-05A	EA VENT - RETURN AIR - 12.3" X 5.5" - BLACK	
	109918-03-01A	EA VENT - RETURN AIR - 12.3" X 2.75"	
	113244-01-01A	EA LOUVER ASM - BALL - 3" - BLACK - CARY 10.370.04	
	113245-02-000	EA BLOWER - OVERHEAD	

**INTERIOR FINISH GROUP**



**MOLDINGS & TRIMS**

KEY	PART NUMBER	U/M DESCRIPTION
1	009767-12-000	FT WELTING - SIDEWALL/CEILING/CABINET - OFF/WHT
2	009812-30-000	EA MOLDING - PLASTIC - 1/2" O/S CORNER - 84" - SOLAR MAPLE
	009812-33-000	EA MOLDING - PLASTIC - 1/2" O/S CORNER - 84" - WASHED MAPLE
3	022992-11-000	FT MOLDING - REVERSE COVE - T-SHAPED VINYL - IVORY
	022992-15-000	FT MOLDING - REVERSE COVE - VW GRAY
4	070504-50-000	FT U-CHANNEL - PLASTIC - .13" X 84" - WASHED MAPLE
	070504-51-000	FT U-CHANNEL - PLASTIC - .87" X 84" - WASHED MAPLE
5	086229-11-000	EA RETAINER - OFFSET - 97.01"
	086229-16-000	EA RETAINER - 3/4" X 97.68" - IVORY
6	077840-01-J70	EA MOLDING - CAP/WALL - 8' WASHED MAPLE
7	099571-03-01A	EA TRIM - ROOF COVE - 146.2" - SMOKEY WHITE
8	002324-02-000	FT CHANNEL - WEATHERSTRIP - GLASS RUN - U-SHAPED
9	085746-04-000	FT TRIM-J - CARPET 1.2" X .5" ANGLE - 12' LONG - OFF WHITE
10	080561-02-J80	EA TRIM - SHELF FRONT
11	115003-01-01A	FT MOLDING - REVERSE COVE - VW WHITE
12	086229-13-000	EA BATTEN - 1" X 96" - IVORY
	086229-20-000	EA BATTEN - 1" X 96" - BEIGE

**INTERIOR FINISH GROUP (CONTINUED)**

**FIRE EXTINGUISHER, SMOKE DETECTOR & CO DETECTOR**

KEY	PART NUMBER	U/M DESCRIPTION
	094499-01-000	EA EXTINGUISHER/FIRE - DRY W/MOUNTING BRACKET
	094499-02-000	EA EXTINGUISHER/FIRE - DRY - 1A10BC - CANADIAN
	094499-01-700	EA BRACKET - MOUNTING, W/PLASTIC STRAP - FIRE EXTINGUISHER
	094499-01-701	EA STRAP ONLY (METAL)
	072852-01-000	EA DETECTOR - SMOKE - W/9 VOLT BATTERY
	072852-02-000	EA DETECTOR - SMOKE - W/9 VOLT BATTERY - CANADIAN
	125136-01-000	EA DETECTOR - CO GAS - MODEL 9L-I - COSTAR

**PANELING & LAMINATES**

KEY	PART NUMBER	U/M DESCRIPTION
	000846-01-000	SF PLYWOOD - 5/16" X 48" X 96" - CD GRADE
	000846-02-000	SF PLYWOOD - 5/16" X 48" X 96" - SOLID CORE
	052372-02-000	BF LUMBER - CLASS II - 1" X 48" X 108"
	074498-65-000	SF LAMINATE - PLASTIC - MEDIUM GRAY
	076325-71-000	FT MOLDING - EDGE BAND - 1 5/16" X /038"
	076325-72-000	FT MOLDING - EDGE BAND - .93" X .024" X 600'
	088272-F8-000	SF PANELING - BOLERO - AQUA FROST
		FROM: 00-00-00 THRU: 07-12-98
	088272-J4-000	SF PANELING - WHISPERS/PEARL - 48" X 84"
		FROM: 07-13-98 THRU: 99-99-99
	088272-G1-000	SF PANELING - PEBBLE EMOSS - ANTIQUE WHITE - 4' X 7'
	088272-H1-000	SF PANELING - GRAY - BURLAP - 4' X 7'
	089297-01-000	SF PLYWOOD - LUAN - OVERLAY GRADE - 4' X 8'
	126339-01-000	SF BOARD - WHEAT - 60" X 72"

**BATT STRIPS**

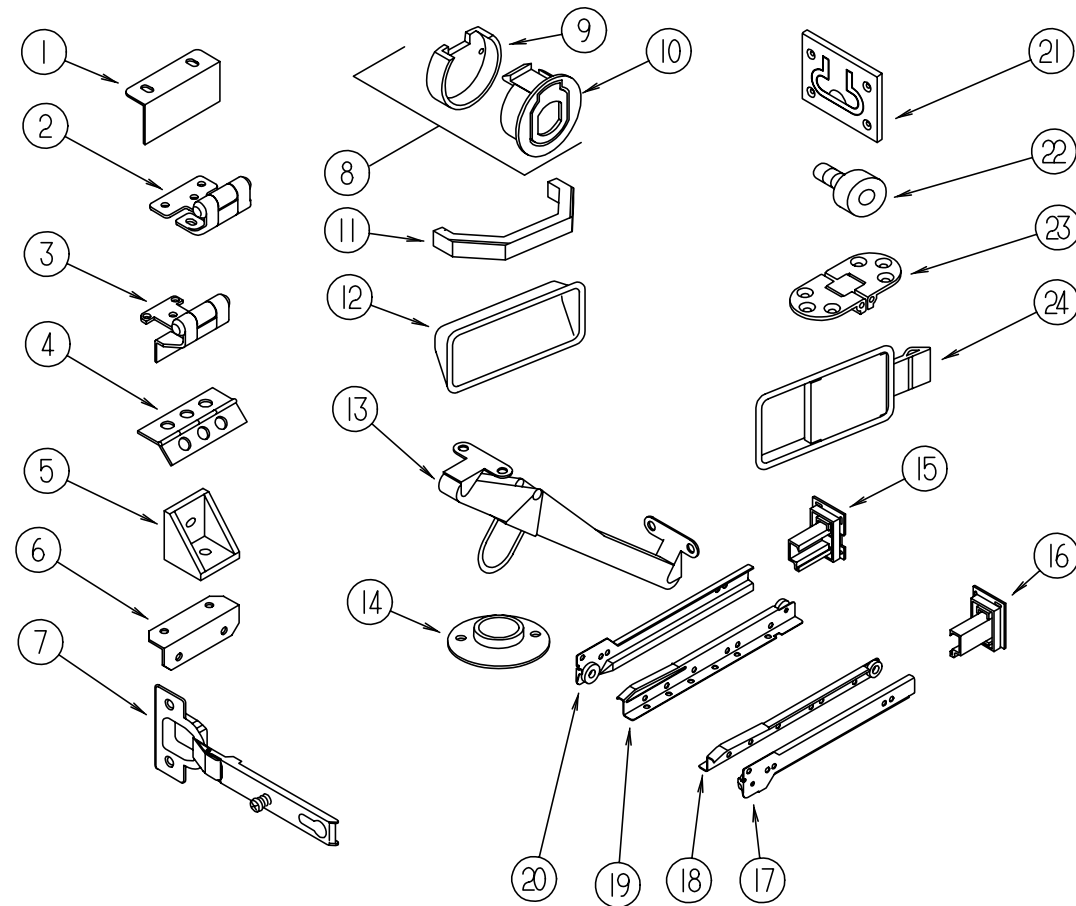
KEY	PART NUMBER	U/M DESCRIPTION
	086229-13-000	EA BATTEN - 1" X 96" - IVORY
	086229-20-000	EA BATTEN - 1" X 96" - BEIGE
	088263-E1-000	EA BATT-STRIP - BOLERO - AQUA FROST
	088263-D4-000	EA BATT - STRIP - CARLS BAD
	085284-D4-000	FT BATT TAPE - ADHESIVE BACKED - DECORATIVE-BOLERO/AQUA FROST
		FROM: 00-00-00 THRU: 07-12-98
	085284-G3-000	EA BATT TAPE - ADHESIVE BACKED - WHISPERS PEARL
		FROM: 07-13-98 THRU: 99-99-99

**CARPETING & FLOOR MATS**

KEY	PART NUMBER	U/M DESCRIPTION
	096060-D1-000	SY CARPET - JUBILATION - SEAL GRAY
	105924-02-J80	EA MAT - FLOOR - 18" X 25"
	091261-01-000	FT SLIPNOT - ANTISLIP - 1' WIDE (100' ROLL)
	117477-01-J80	EA CARPET - RIALTA CAB
	115381-01-01A	EA MAT - FLOOR - DRIVER - BROWN/BLACK
	115381-02-01A	EA MAT - FLOOR - PASSENGER - BROWN/BLACK



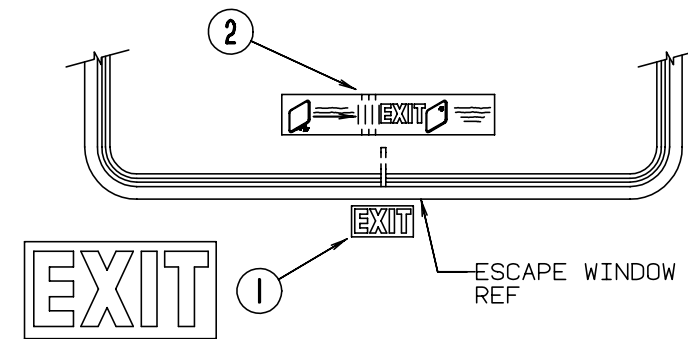
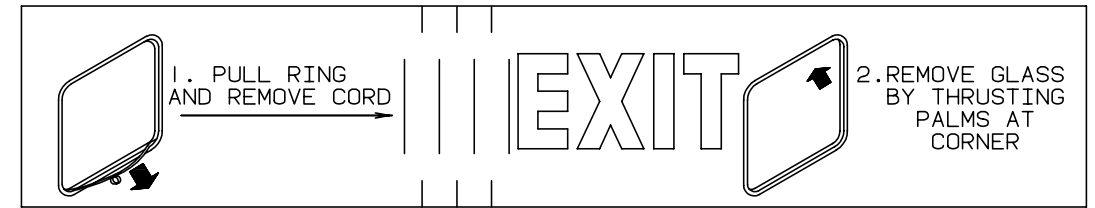
## INTERIOR FINISH GROUP (CONTINUED)



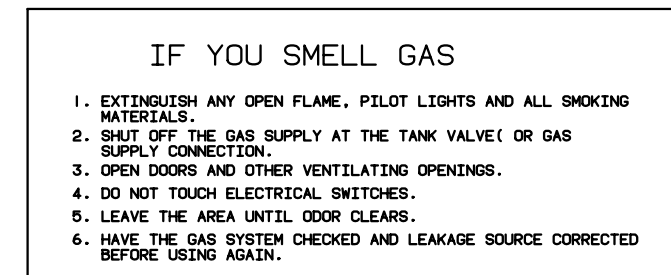
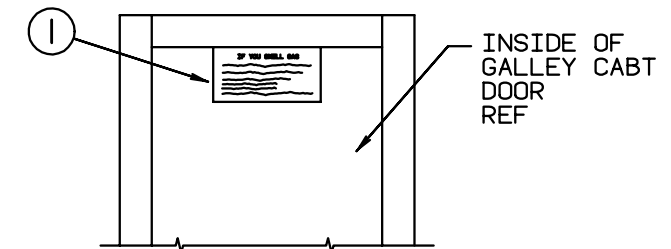
## CABINET DOOR & DRAWER HARDWARE

KEY	PART NUMBER	U/M DESCRIPTION
1	113375-02-01A	EA STRIKE - DOOR - CHROME
2	113676-01-01A	EA HINGE - OVERLAY - VARIABLE
3	113677-01-01A	EA HINGE - SELF CLOSING
4	009059-01-000	EA HINGE - DOOR - 2" X 1.4" - BRASS
5	065740-01-000	EA BRACE - CABINET/CORNER - PLASTIC
6	016604-01-000	EA BRACE - CABINET - ANGLE - 2.5" - UNPAINTED METAL
6	016604-05-000	EA BRACE - CABINET - ANGLE - 2.5" - OFF WHITE METAL
7	114443-01-01A	EA HINGE - CABINET DOOR
8	113375-01-01A	EA LATCH - SLAM - CABINET DOOR (INCLUDES #8 AND #9)
9	113375-03-01A	EA LATCH - SLAM - BACK - BLACK
9	113375-05-01A	EA LATCH - SLAM - BACK - .8" THICK
10	113375-04-01A	EA LATCH - SLAM - FACE - BLACK
10	113375-06-01A	EA LATCH - SLAM - FACE - .7" THICK
11	117801-01-01A	EA PULL - CABINET - BRASS
12	115994-01-01A	EA HANDLE - POCKET
12	124311-01-01A	EA HANDLE - RECESSED - BRASS
13	104181-01-01A	EA SUPPORT - LEAF 5.3" EXTENDS TO 7.5" - SAFETY RING - METAL
14	009112-01-000	EA FLANGE - PLASTIC - 1" CLOTHES ROD - OFF WHITE
15	128811-01-000	EA BACKSOCKET - ADJUSTABLE LEFT
16	128811-02-000	EA BACKSOCKET - ADJUSTABLE RIGHT
17	128810-18-01A	EA SLIDE - DRAWER - 20" - RIGHT CABINET
18	128810-20-01A	EA SLIDE - DRAWER - 20" - RIGHT DRAWER
19	128810-19-01A	EA SLIDE - DRAWER - 20" - LEFT DRAWER
20	128810-17-01A	EA SLIDE - DRAWER - 20" - LEFT CABINET
21	072871-01-000	EA PULL - FLUSH - CHROME
22	079921-01-000	EA ROLLER - NYLON - W/STEEL SHAFT - BARBED
23	111535-01-000	EA HINGE - TABLE/FOLDING
24	127349-01-01A	EA LATCH - PADDLE
	023320-01-000	EA PAD - FELT 3/8" DIAMETER

## LABELS GROUP




KEY	PART NUMBER	U/M DESCRIPTION
1	039290-01-000	EA LABEL - WARNING - EXIT
2	107571-01-000	EA LABEL - ESCAPE/EXIT WINDOW



KEY	PART NUMBER	U/M DESCRIPTION
1	073998-01-000	EA LABEL - LPG ODOR WARNING

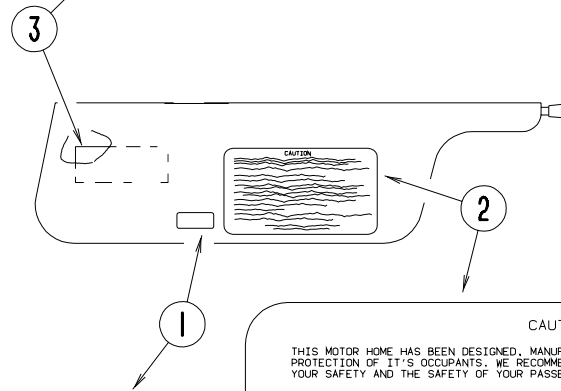
**LABELS GROUP (CONTINUED)**

WARNING



**DEATH or SERIOUS INJURY can occur**

Children 12 and under can be killed by the air bag  
 The BACK SEAT is the SAFEST place for children  
 NEVER put a rear-facing child seat in the front  
 Sit as far back as possible from the air bag  
 ALWAYS use SEAT BELTS and CHILD RESTRAINTS



WARNING

THIS VEHICLE, LIKE OTHER VEHICLES, MAY CONTAIN SMALL AMOUNTS OF ONE OR MORE SUBSTANCES WHICH ARE LISTED BY THE STATE OF CALIFORNIA FOR CAUSING CANCER OR REPRODUCTIVE TOXICITY.

CAUTION

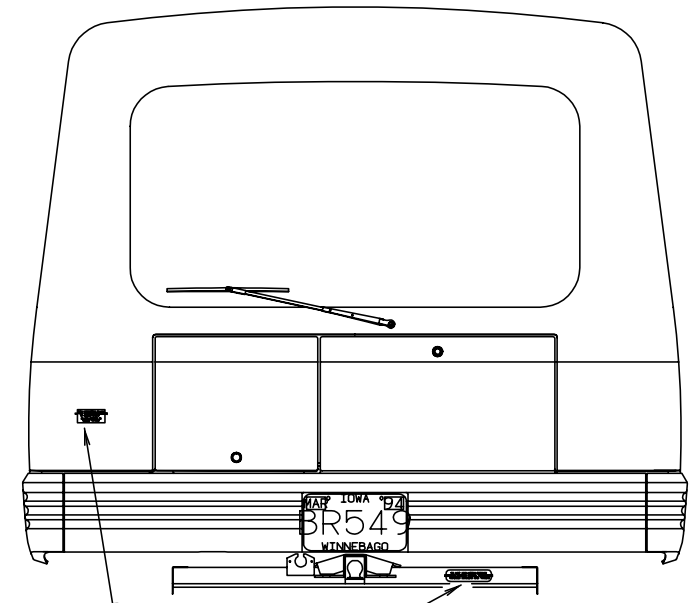
THIS MOTOR HOME HAS BEEN DESIGNED, MANUFACTURED AND TESTED WITH CONCERN FOR THE PROTECTION OF IT'S OCCUPANTS. WE RECOMMEND YOU PERFORM THE FOLLOWING INSPECTIONS FOR YOUR SAFETY AND THE SAFETY OF YOUR PASSENGERS BEFORE STARTING YOUR VEHICLE.

1. LP GAS SYSTEM- TURN OFF AT TANK FOR TRAVELING. TEST FOR LEAKS UPON ARRIVAL AT DESTINATION. BEFORE LIGHTING PILOTS.
2. WHEELS- INSPECT FOR DAMAGE AND CHECK LUG NUTS FOR TIGHTNESS.
3. TIRES- INSPECT FOR WEAR AND DAMAGE AND CHECK FOR RECOMMENDED AIR PRESSURE.
4. LIGHTING- TEST FOR PROPER OPERATION OF ALL INTERIOR AND EXTERIOR LIGHTS INCLUDING DASH LIGHTS, HEADLIGHTS, TAIL LIGHTS, BRAKE LIGHTS, CLEARANCE LIGHTS AND TURN SIGNALS.
5. EXITS- INSPECT RELEASE MECHANISM ON EMERGENCY EXIT WINDOW. TEST BOTH LOCKS ON MAIN ENTRANCE DOOR FOR EASE OF OPERATION AND INSTRUCT PASSENGERS HOW TO USE BOTH MEANS OF EXIT.
6. SEAT BELTS- DIRECT PASSENGERS TO DESIGNATED SEATS AND REQUIRE USE OF SEAT BELTS.
7. APPLIANCES- TURN OFF AND LATCH OR LOCK DOORS WHERE PROVIDED.
8. LOOSE PARCELS- STORE SECURELY.
9. UTILITY SUPPLY LINES- DISCONNECT ALL ELECTRIC, SEWER AND WATER LINES AND SECURE PROPERLY.
10. ENTRANCE DOOR STEP- PLACE IN RETRACTED POSITION FOR TRAVELING.

READ YOUR MOTOR HOME AND CHASSIS OWNER'S MANUAL FOR FURTHER PRECAUTIONS

KEY	PART NUMBER	U/M DESCRIPTION
1	111802-01-000	EA LABEL - CFC WARNING
2	056259-01-000	EA LABEL - SAFETY CHECK LIST
3	126611-01-000	EA LABEL - AIR BAG - VISOR

**LABELS GROUP (CONTINUED)**



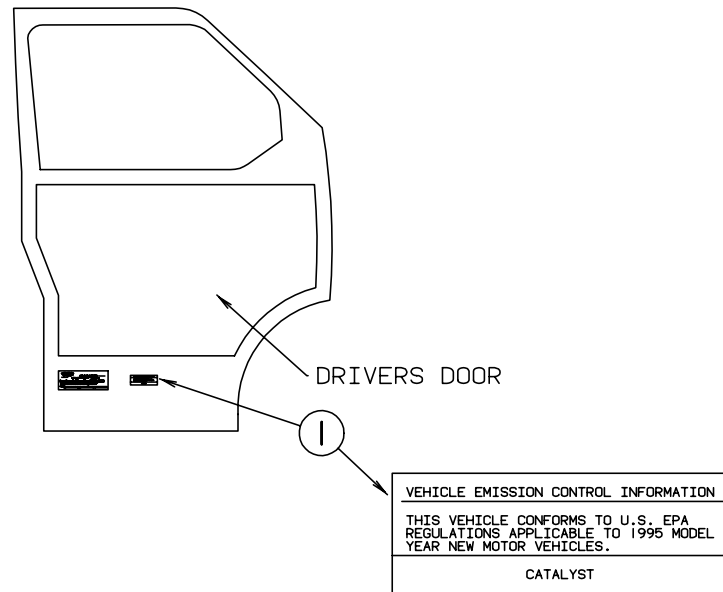
THIS CONNECTION IS FOR  
 (B) VOLT AC, 3-POLE, 4 WIRE  
 60 HZ (CYCLES), (A) AMPERE SUPPLY

DO NOT CONNECT TO  
 HIGHER VOLTAGE

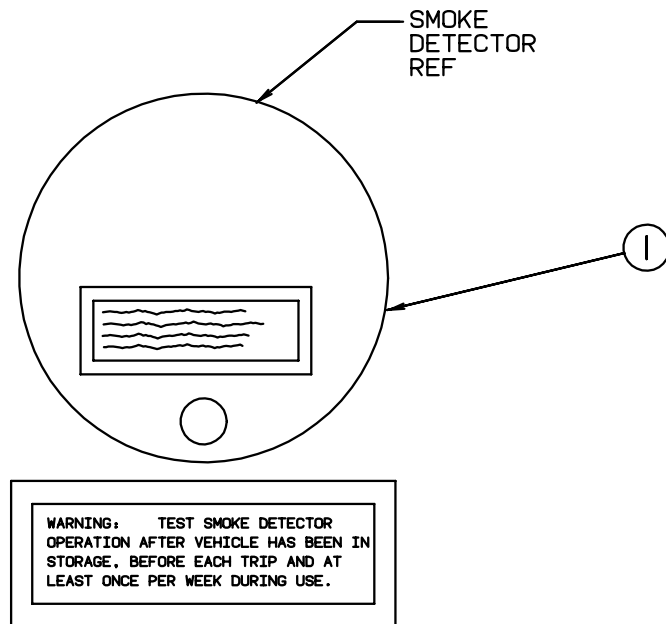
DO NOT USE HITCH BEFORE  
 READING OWNERS MANUAL REGARDING  
 VEHICLE LOADING AND TOWING

KEY	PART NUMBER	U/M DESCRIPTION
1	125306-03-01A	EA LABEL - ELECTRICAL ENTRANCE - 100 VOLT 30 AMP
2	111104-01-000	EA LABEL - HITCH - READ MANUAL - WHITE

**LABELS GROUP (CONTINUED)**

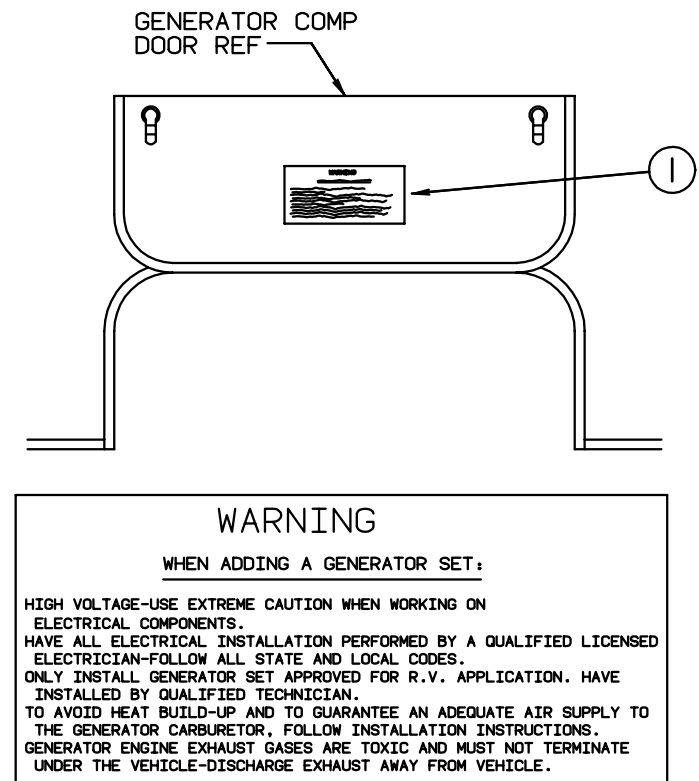


KEY	PART NUMBER	U/M DESCRIPTION
1	072887-09-000	EA LABEL - EPA - 1998 MODEL YEAR FROM: 00-00-00 THRU: 09-20-98
1	072887-10-000	EA LABEL - EPA - 1999 MODEL YEAR FROM: 09-21-98 THRU: 99-99-99

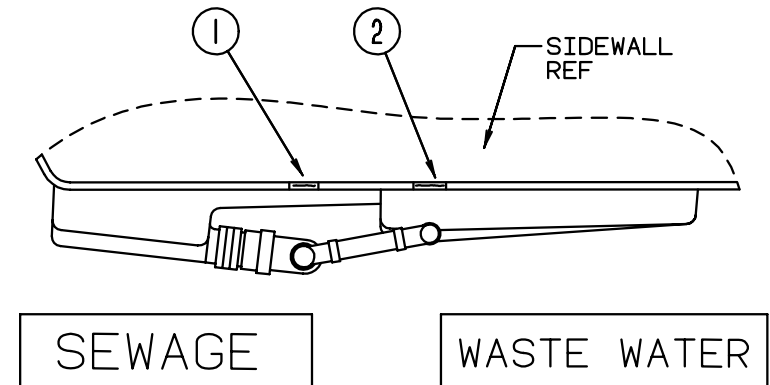


KEY	PART NUMBER	U/M DESCRIPTION
1	077956-01-000	EA LABEL - WARNING - SMOKE DETECTOR

**LABELS GROUP (CONTINUED)**

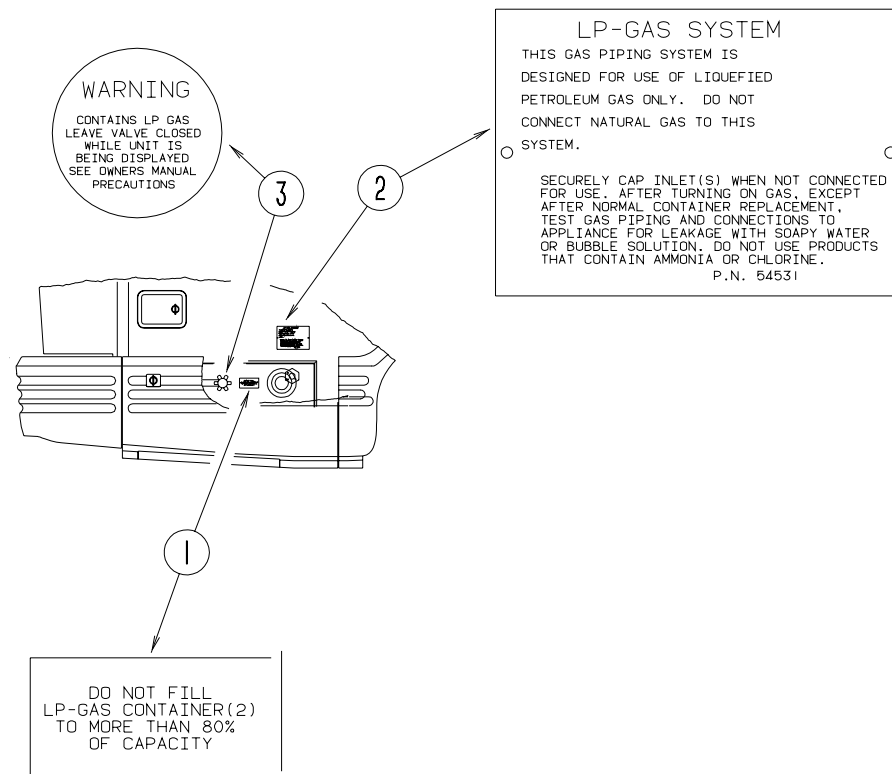


KEY	PART NUMBER	U/M DESCRIPTION
1	077510-01-000	EA LABEL - GENERATOR PREP

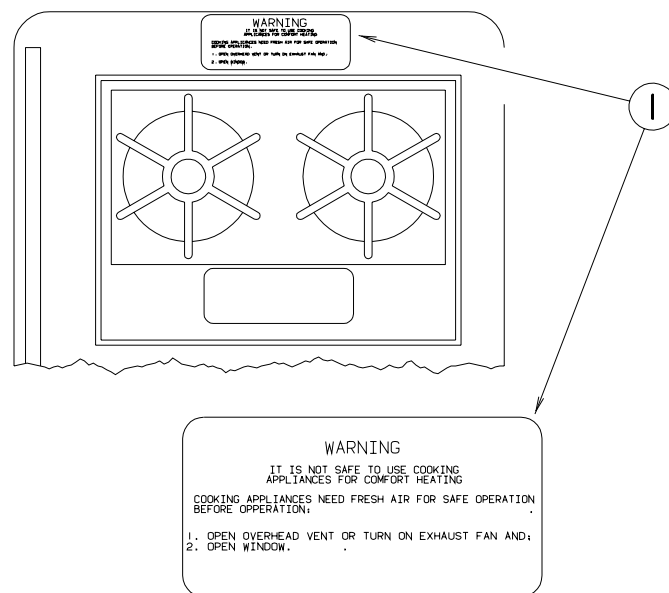


KEY	PART NUMBER	U/M DESCRIPTION
1	006187-01-000	EA LABEL - SEWAGE
2	006188-01-000	EA LABEL - WASTE WATER

**LABELS GROUP (CONTINUED)**

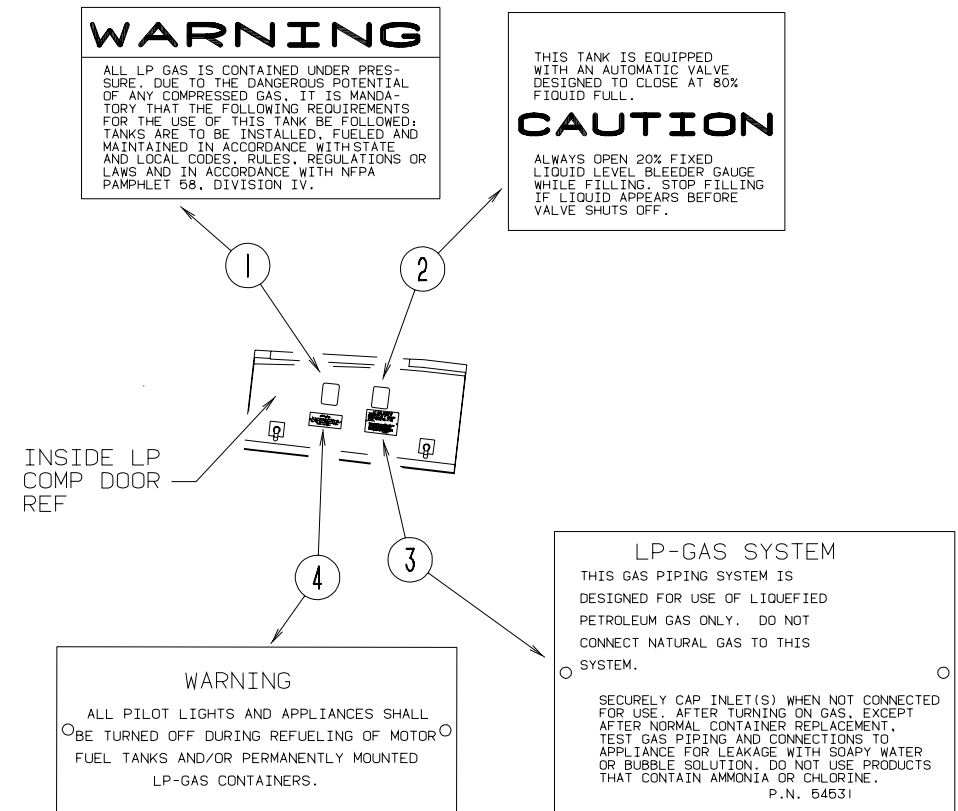


KEY	PART NUMBER	U/M DESCRIPTION
1	079965-01-000	EA LABEL - LPG 80% CAPACITY
2	124520-01-01A	EA LABEL - LP GAS ONLY - BLACK ON CLEAR
3	115600-01-000	EA LABEL - WARNING LPG VALVE

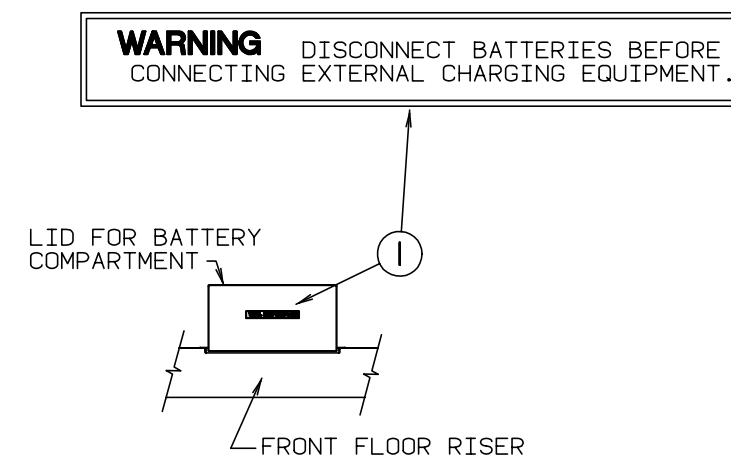


KEY	PART NUMBER	U/M DESCRIPTION
1	050225-01-000	EA LABEL - WARNING - STOVE VENT - US
1	050222-01-000	EA LABEL - WARNING - STOVE VENT - CANADIAN

**LABELS GROUP (CONTINUED)**

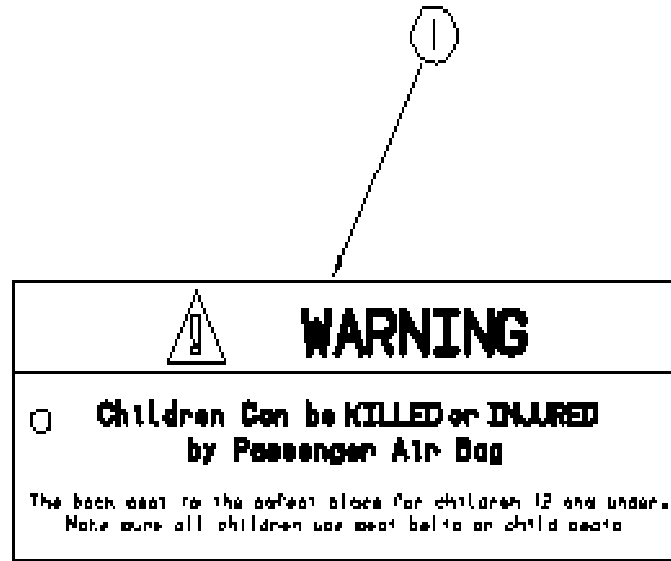


KEY	PART NUMBER	U/M DESCRIPTION
1	116112-01-000	EA LABEL - WARNING - LP
2	116113-01-000	EA LABEL - CAUTION - LP
3	023769-01-000	EA LABEL - WARNING - LPG ONLY - CANADIAN
4	124519-01-01A	EA TAG - WARNING - GAS REFUELING
	124519-02-01A	EA TAG - WARNING - GAS REFUELING - CANADIAN

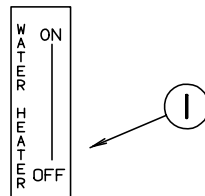


KEY	PART NUMBER	U/M DESCRIPTION
1	065748-01-000	EA LABEL - CAUTION - BATTERY CHARGING

**LABELS GROUP (CONTINUED)**

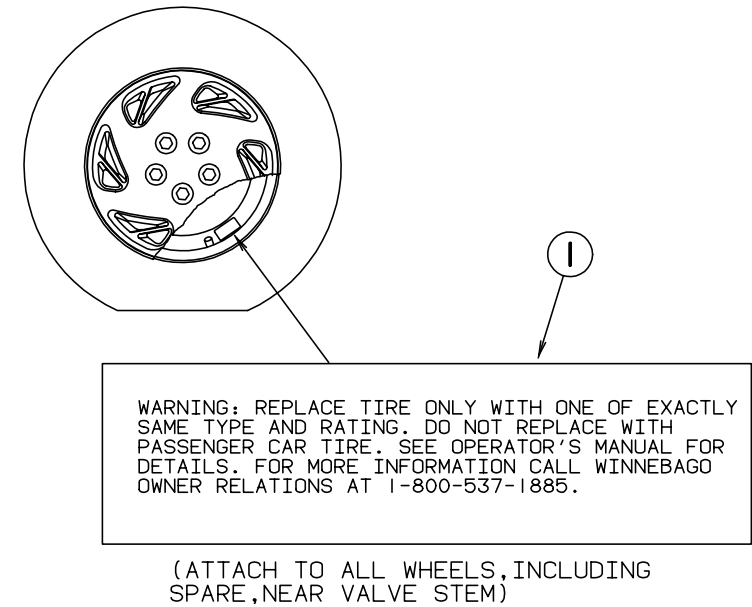


KEY	PART NUMBER	U/M DESCRIPTION
1	126612-01-000	EA LABEL - HANG TAG - AIR BAG - DASH

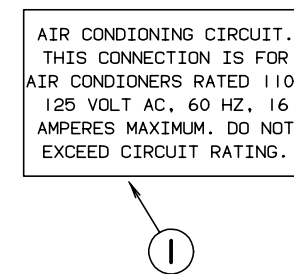


KEY	PART NUMBER	U/M DESCRIPTION
1	083588-01-000	EA LABEL - ON/OFF - WATER HEATER

**LABELS GROUP (CONTINUED)**



KEY	PART NUMBER	U/M DESCRIPTION
1	115869-02-000	EA LABEL - WARNING - TIRE

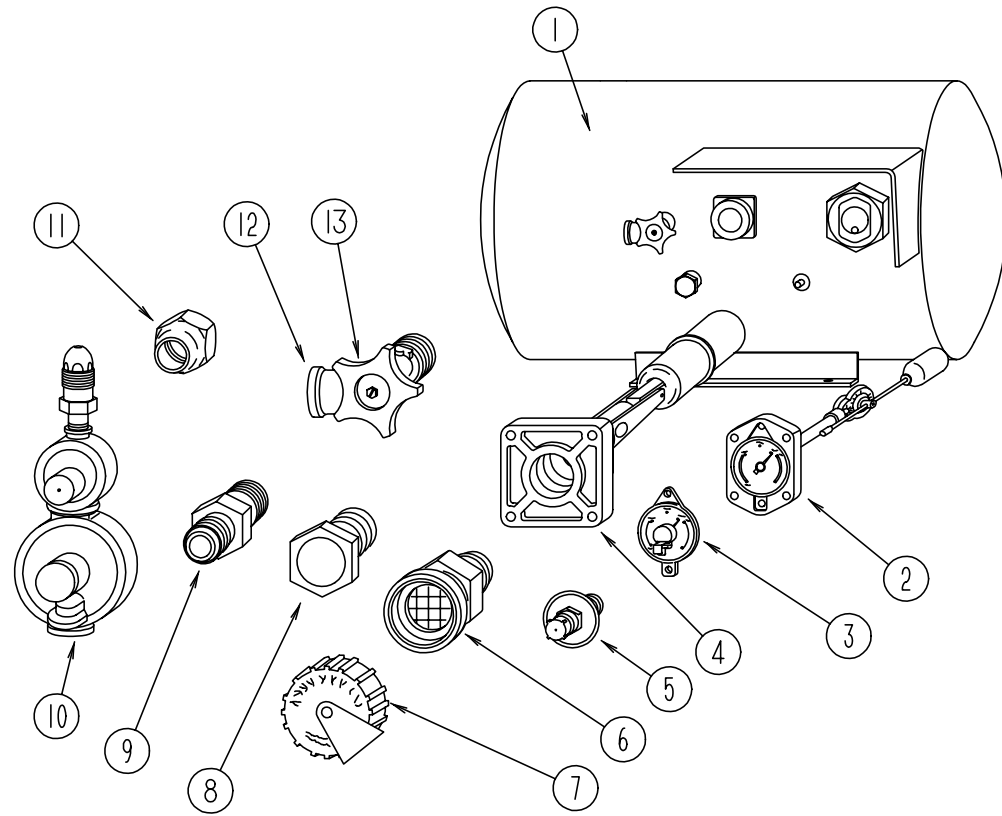


KEY	PART NUMBER	U/M DESCRIPTION
1	091243-01-000	EA LABEL - A/C COVER

**MISCELLANEOUS LABELS**

KEY	PART NUMBER	U/M DESCRIPTION
	120677-01-000	EA LABEL - TV
	087236-01-000	EA LABEL - CABLE - INPUT
	124709-02-000	EA LABEL - EMISSION CONTROL - DUAL
	126024-01-000	EA LABEL - TIRE HANGER REMOVAL
	124572-01-000	EA LABEL - SWITCHES
	124572-02-000	EA LABEL - SWITCHES W/O A/C
	129684-01-000	EA LABEL - TIRE ROTATION

## LP GROUP



### LP TANK & COMPONENTS

KEY	PART NUMBER	U/M DESCRIPTION	VENDOR NO.
1	074039-04-000	EA TANK - LP - 28 LB - BOTTOM MOUNT - 10" DIAMETER X 23" LONG	
2	074039-01-700	EA FLOAT ASM. (SIGHT GAUGE) BOLT	10C
3	040440-02-000	EA TRANSMITTER - DIAL - 0-90 OHM -2 TERMINAL (POWER & GROUND)	
4	074039-04-700	EA VALVE - 80% FILL W/AUTO STOP	LVTL290C9010
5	040421-01-700	EA VALVE - LIQUID LEVEL, 20%	G-1013
6	040421-01-701	EA VALVE - FILL - SHORT - LP	75478
7	040421-01-702	EA CAP - FILL VALVE - PLASTIC	G-1014-A
8	040421-01-713	EA VALVE - VAPOR ONLY	29000587
9	010323-01-000	EA ADAPTER - BRASS - 3/8" F X 1/2" MPT	
10	106150-03-000	EA REGULATOR - TWO STAGE - 7/8-14 UNS2A LH INLET/3/8" FPT OUTLET	
11	010377-02-000	EA NUT-BRASS - 3/8" FEMALE - FORGED	
12	040421-01-712	EA VALVE - SERVICE - W/O VAPOR RELIEF	29000853
13	040421-01-708	EA HANDWHEEL - SERVICE VALVE	G-1015-A
	074458-01-000	EA ELBOW - 3/8 MALE FL TO 3/8 FEMALE FL SWIVEL	
	010252-01-000	EA ELBOW - BRASS - 90 DEGREE - 3/8" F X 1/2" MPT	
	010265-01-000	EA ELBOW - BRASS - 90 DEGREE - 3/8" F X 1/2" FPT	
	033759-01-000	EA ELBOW - BRASS - 90 DEGREE - 3/8" F X 3/8" F	
	024250-01-000	EA ADAPTER - BRASS - 3/8" F X 1/2" FPT	
	010329-01-000	FT ADAPTER - BRASS - 1/2" F X 1/2" MPT	
	010281-01-000	EA TEE - BRASS - 3/8F	

## SEALANTS & FASTENERS GROUP

### NUTS, BOLTS AND WASHERS

KEY	PART NUMBER	U/M DESCRIPTION
	044364-02-000	EA NUT - SPEED - FLAT - ROUND
	087234-01-000	EA NUT - JACK - 1/4 X 20 THD - MOLLY MOUNTS LICENSE PLATES
	0MD16K-10-000	EA NUT - HEX PREV TORQUE M10 X 1.50 CLASS 8
	0MD39K-12-000	EA NUT - HEX W/NYLON LOCK - M12 X 1.75
	0MD40K-14-000	EA NUT - HEX W/NYLON LOCK - M14 X 2.00
	000D24-10-00B	EA NUT - HEX - SELF LOCKING - 10-32 - ZN
	000D34-04-00B	EA NUT - HEX - LK 1/4 - 20 - ZN
	000D34-06-00B	EA NUT - HEX - LK 3/8 - 16 - GRADE C - ZN
	000D39-04-00B	EA NUT - HEX - SER FLG LK - 1/4 - 20 - ZN
	000D39-05-00B	EA NUT - HEX - SER FLG LK - 5/16 - 18 - ZN
	000D39-06-00B	EA NUT - HEX - SER FLG LK - 3/8 - 16 - ZN
	000D39-07-00B	EA NUT - HEX - SER FLG LK - 7/16 - 14 - ZN
	000D39-08-00B	EA NUT - HEX - SER FLG LK - 1/2 - 13 - ZN
	000D44-07-00B	EA NUT - HEX - SER FLG LK - 7/16 - 20 - ZN
	000D46-04-00A	EA NUT - HEX - WELD - 1/4 - 20 - PLAIN - SHORT PILOT
	084406-01-000	EA NUT - CAPPED - CROSS RECESS - BLACK - 1/4 - 20 THD
	0MC04K-06-016	EA BOLT - HEX - M06 X 1.00 X 016
	0MC13K-14-070	EA BOLT - HEX - M14 X 2.00 X 070
	0MC31K-08-020	EA BOLT - HEX - SERRATED FLANGE - M8 X 020
	0MC32K-10-030	EA BOLT - HEX - SERRATED FLANGE - M10 X 1,50 9
	000C12-04-12A	EA BOLT - HEX - 1/4-20 X .75 - PLAIN 5
	000C12-05-16B	EA BOLT - HEX - 5/16-18 X 1 - ZINC 5
	000C12-05-64B	EA BOLT - HEX - 5/16-18 X 4
	000C12-06-16B	EA BOLT - HEX - 3/8-16 X 1LG - ZINC 5
	000C12-08-24B	EA BOLT - HEX - 1/2-13 X 1 1/2 - ZINC 5
	000C26-04-14B	EA BOLT - HEX - 1/4-20 X 7/8 - SERRATED FLANGE - ZINC
	000C26-04-10B	EA BOLT - HEX - 1/4-20 X 5/8 - SERRATED FLANGE - ZINC
	000C26-05-12B	EA BOLT - HEX - 5/16-18 X 3/4 - SERRATED FLANGE - ZINC
	000C26-05-16B	EA BOLT - HEX - 5/16-18 X 1.0 - SERRATED FLANGE - ZINC
	000C26-06-12B	EA BOLT - HEX - 3/8-16 X 3/4 - SERRATED FLANGE - ZINC
	000C27-05-16B	EA BOLT - CARRIAGE - 5/16-18 X 1.0 - ZN
	000C27-06-16B	EA BOLT - CARRIAGE - 3/8-16 X 1.0 - ZN
	051387-06-000	EA BOLT - CARRIAGE - W/O HOLE - 5/16-18 X 9.5 - ZINC
	087718-01-000	EA MONOBOLT - 3/16" DIAMETER - STEEL
	113985-01-000	EA BOLT - FLANGE - M10-1.5 X 40CL10.9 - ZINC & CL
	113985-02-000	EA BOLT - FLANGE - M10-1.5 X 30CL10.9 - ZINC & CL
	0ME06K-14-280	EA WASHER - FLAT - 14 ID X 28,0 OD
	000E11-08-00B	EA WASHER - LK - 1/2 MED SPLIT - ZINC
	000E13-14-00B	EA WASHER - FL - 1/4 WIDE - ZINC
	000E13-17-00B	EA WASHER - FL - 3/8" AR - ZINC
	000E13-18-00B	EA WASHER - FL - 3/8" WIDE - ZINC
	000E13-18-00K	EA WASHER - FL - 3/8" WIDE - YELLOW CHROMATE
	000E13-20-00B	EA WASHER - FL - 7/16" WIDE - ZINC
	000E13-26-00B	EA WASHER - FL - 5/8" WIDE - ZINC
	000E14-10-00B	EA WASHER - LOCKING - #10 EXTERNAL TOOTH - ZINC
	041322-01-000	EA WASHER - FL - 15/32" ID X 2 3/8" OD
	108067-03-000	EA STUD - WELD - 1/4 - 20 X 1/2 CD

**SEALANTS & FASTENERS GROUP (CONTINUED)**

**SCREWS**

KEY	PART NUMBER	U/M DESCRIPTION
	000G11-08-12D	EA SCREW - 8-18 X 3/4 PPH - BLACK
	000G11-08-10B	EA SCREW - 8-18 X 5/8 PPH - ZINC
	000G11-10-12D	EA SCREW - 10-16 X 3/4 PPH - BLACK
	000G11-10-12S	EA SCREW - 10-16 X .75 PPH - OFF WHITE
	000G11-06-08B	EA SCREW - 6-20 X 1/2 PPH - ZINC
	000G11-06-10J	EA SCREW - 7-19 X 1/2 PPH - ZINC
	000G11-06-24B	EA SCREW - 6-20 X 1.5 PPH - ZINC
	000G11-07-08B	EA SCREW - 7-19 X 1/2 PPH - ZINC
	000G11-08-08B	EA SCREW - 8-18 X 1/2 PPH - ZINC
	000G11-08-08T	EA SCREW - 8-18 X 1/2 PPH - FLUROCARBON COATING
	000G11-08-12B	EA SCREW - 8-18 X 3/4 PPH - ZINC
	000G11-08-12D	EA SCREW - 8-18 X 3/4 PPH - BLACK
	000G11-08-12P	EA SCREW - 8-18 X 3/4 PPH - DARK BROWN
	000G11-08-12T	EA SCREW - 8-18 X .75 PPH - BLACK
	000G11-08-20B	EA SCREW - 8-18 X 1 1/4 PPH - ZINC
	000G12-06-08T	EA SCREW - 6-20 X .50 POH - BLACK
	000G13-06-08B	EA SCREW - 6-20 X 1/2 PFH - ZINC
	000G13-06-08G	EA SCREW - 6-20 X 1/2 PPH - ANTIQUE BRASS
	000G13-06-16E	EA SCREW - 6-20 X 1.00 PFH - CHROME
	000G13-07-10H	EA SCREW - 7-19 X 5/8 PFH - BLACK
	000G13-07-12B	EA SCREW - 7-19 X 3/4 PFH - ZINC
	000G13-08-10S	EA SCREW - 8-18 X 5/8 PFH - OFF WHITE
	000G13-08-16B	EA SCREW - 8-18 X 1 PFH - ZINC
	000G16-04-24B	EA SCREW - MACH - 1/4-20 X 1.5" PPH - ZINC
	000G19-10-12F	EA SCREW - MACH - 10-32 X 3/4" PPH - STAINLESS
	000G38-04-229	EA SCREW - MACH - 1/4-20 X 1.38 PFH - STALGARD
	000G39-06-08B	EA SCREW - DR - 6-18 X 1/2 - ZINC
	000G39-06-10T	EA SCREW - SF/DR - 6-20 X 5/8 PPH - BLACK
	000G39-08-08B	EA SCREW - SF/DR - 8-18 X 1/2 PPH - ZINC
	000G39-08-08S	EA SCREW - SF/DR - 8-18 X .50 PPH - OFF WHITE
	000G39-08-08T	EA SCREW - SF/DR - 8-18 X .50 PPH - BLACK
	000G39-08-12B	EA SCREW - SF/DR - 8-18 X 3/4 PPH - ZINC
	000G39-08-12T	EA SCREW - SF/DR - 8-18 X 3/4 PPH - BLACK
	000G39-08-16B	EA SCREW - SF/DR - 8-18 X 1.00 PPH - ZINC
	000G39-08-16R	EA SCREW - SF/DR - 8-18 X 1.00 PPH - BEIGE
	000G39-08-16T	EA SCREW - SF/DR - 8-18 X 1.00 PPH - BLACK

**SEALANTS & FASTENERS GROUP (CONTINUED)**

**SCREWS (CONTINUED)**

KEY	PART NUMBER	U/M DESCRIPTION
	000G39-08-24B	EA SCREW - SF/DR, 8-18 X 1 1/2 PPH - ZINC
	000G39-10-088	EA SCREW - SF/DR, 10-16 X 1/2 P&H - FLEX FLUOROCARBON
	000G39-10-08B	EA SCREW - SF/DR, 10-16 X 1/2 P&H - ZINC
	000G39-10-10B	EA SCREW - SF/DR, 10-16 X .625 - ZINC
	000G39-10-12B	EA SCREW - SF/DR, 10-16 X .75 PPH - ZINC
	000G39-10-129	EA SCREW - SF/DR, 10-16 X .75 PPH - FLUOROCARBON SILVER
	000G39-10-20B	EA SCREW - SF/DR, 10-16 X 1 1/4 PPH - ZINC
	000G39-10-32B	EA SCREW - SF/DR, 10-16 X 2.00 PPH - ZINC
	000G39-10-32I	EA SCREW - SF/DR, 10-16 X 2.00 PPH - ZINC
	000G39-10-48B	EA SCREW - SF/DR, 10-16 X 3.00 PPH - ZINC
	000G42-04-12B	EA SCREW - SF/DR, 1/4-14 X 3/4 HWH - ZINC
	000G42-04-16B	EA SCREW - SF/DR, 1/4-14 X 1 HWH - ZINC
	000G50-04-12B	EA SCREW - MACH, 1/4-20 X 3/4 PPH - ZINC
	000G55-08-16S	EA SCREW - SF/DR, 8-18 X 1.00 PWH - OFF WHITE
	000G57-05-16J	EA SCREW - 5-20 X 1 PFH - BRASS
	000G67-10-08B	EA SCREW - 10-12 X 1/2 PPH - ZINC
	000G67-10-10B	EA SCREW - 10-12 X 5/8 PPH - ZINC - TYPE A
	000G67-10-10D	EA SCREW - 10-12 X 5/8 PPH - BLACK - TYPE A
	000G67-10-12B	EA SCREW - 10-12 X 3/4 PPH - ZINC
	000G68-06-10G	EA SCREW - 6-18 X 5/8 POH - ANTIQUE BRASS
	0G1108-08-250	EA SCREW - 8-18 X 1/2 PPH
	0G1110-12-250	EA SCREW - 10-16 X .75 PPH
	0G3908-08-250	EA SCREW - SF/DR, 8-18 X .5 PWH
	0G3908-12-250	EA SCREW - SF/DR, 8-18 X .75 PWH
	0G3908-16-250	EA SCREW - SF/DR, 8-18 X 1.00 PPH
	0G3910-10-250	EA SCREW - SF/DR, 10-16 X .62 PPH
	0G6710-08-250	EA SCREW - 10-12 X 1/2 PPH
	0G6710-08-150	EA SCREW - 10-12 X 1/2 PPH - VW DK GRAY
	049465-03-000	EA SCREW - 10-16 X 1 POH W/WASHER - OFF WHITE
	101618-01-000	EA SCREW - 1/4-20 X 3/4 HEX/TAPPING - STALGARD TYPE F
	113563-01-01A	EA SCREW - 8 X .62 LG SHOULDER/WASHER HD
	086256-01-000	EA SCREW ASM - SF/DR 8 X .75 HWH LG - PL BODY PNL MT
	117478-01-02A	EA SCREW - 8-18 X .75" PPH W/WASHER
	117478-01-03A	EA SCREW - 18 X .75" PPH W/WASHER
	057671-01-000	EA COVER-SCREW - #8 - PLASTIC - OFF WHITE
	057671-13-000	EA COVER-SCREW - #8 - PLASTIC - DK GRAY
	061420-04-000	EA PLUG-PLASTIC - 1.25 DIA

## SEALANTS & FASTENERS GROUP (CONTINUED)

### ADHESIVE AND SEALANTS

KEY	PART NUMBER	U/M DESCRIPTION
	004001-05-000	EA EPOXY ADHESIVE - CLEAR - DP-100
	004006-05-700	EA ADHESIVE - NAT. STARCH (5 GAL)
	004020-01-000	QT ADHESIVE - ABS CEMENT - QUART
	112902-01-000	EA NOZZLE - ELEMENT - 3/8 X 24
	900390-01-000	EA TIP - 2 1/2" X 1/8" ORIFICE - ELLSWORTH #TS216
	900390-03-000	EA NOZZLES - SILICONE TUBE - CSL# D10
	034552-02-000	EA SILICONE - TUBE - 300 ML - W/O NOZZLE - CLEAR
	034552-06-000	EA SILICONE - TUBE - 300 ML - W/O NOZZLE - OFF WHITE
	039518-01-000	EA SILICONE - TUBE - 300 ML - W/O NOZZLE - BLACK
	063642-01-000	FT TAPE - ADHESIVE - 10 MM X 15" WIDE
	069640-02-000	FT SEALER - RIBBON - 1/2" X 1/8" - INCREMENTS OF 60'
	069640-03-000	FT SEALER - RIBBON - 3/4" X 1/8" - INCREMENTS OF 60'
	072889-09-000	EA SEALANT - URETHANE - BLACK (TUBE)
	072889-13-000	EA SEALANT - URETHANE - (LV) VW WHITE
	072889-14-000	EA SEALANT - URETHANE - SABLE (TUBE)
	076322-01-000	FT TAPE - FOAM - DOUBLE COATED - ADHESIVE BACKED - .75" X 216'
	076322-02-000	FT TAPE - FOAM - DOUBLE COATED - ADHESIVE BACKED - 1" X 108'
	076322-03-000	FT TAPE - FOAM - DOUBLE COATED - ADHESIVE BACKED - .5" X 108'
	076322-05-000	FT TAPE - FOAM - DOUBLE COATED - .025" X 1.5"
	076322-07-000	FT TAPE - FOAM - DOUBLE COATED - .045" X .50" - NORT V2000
	087211-01-000	GL PROMOTER - ADHESIVE
	102352-01-000	EA SEALER - PUMPABLE - BLACK
	108716-04-000	EA SILICONE - TUBE - SABLE/SELF LEVELING
	107828-01-000	EA SEALANT - SB 190 - EVERSEAL - SURE BOND INC
	112901-01-000	EA ADHESIVE - PLEXUS MA 330 - 400 ML - P33000
	112901-02-000	EA ADHESIVE - PLEXUS MA 330 - 50 ML - P33500
	120534-01-01A	EA TAPE - SCOTCH - 3M - 1/2" FINE LINE
	123816-03-000	FT TAPE - DOUBLE SIDED - 1/2"

## SEALANTS & FASTENERS GROUP (CONTINUED)

### MISCELLANEOUS FASTENERS

KEY	PART NUMBER	U/M DESCRIPTION
	000H14-04-08R	EA RIVET - MANDREL BLIND - 4/32 AL - CHERRY
	000H16-04-06R	EA RIVET - POP - AL 1/8" X .313 - .375
	000H16-06-10R	EA RIVET - POP - AL 3/16 X .501-.625
	069592-02-000	EA RIVET - T - POP - 1/4 X .093 - .156
	008384-01-000	EA GROMMET - SNAP - 3/4" DIAMETER - NYLON
	008386-01-000	EA GROMMET - SNAP, 3/8"
	016188-03-000	EA GROMMET - L/P LINE, 3/8" HOLE X 2 1/2" LONG - RUBBER
	023942-01-000	EA GROMMET - RUBBER - 2" OD
	071015-11-000	EA GROMMET - RUBBER - 1.00" ID FITS .12 MATL - MINOR RUBBER Z-3065
	071015-13-000	EA GROMMET - RUBBER - .62" ID X 1" OD W/.09" GROOVE - BLACK
	077953-01-000	EA GROMMET - EDGE LINER - FITS 1"
	088756-01-000	EA GROMMET - WEB - 1 1/8" I.D.
	114208-01-000	EA GROMMET - EDGE LINER - FITS 1.75" - HEYCO 2300
	114208-03-000	EA GROMMET - EDGE LINER - FITS 2.50" - HEYCO 2420
	007161-01-000	EA CLAMP - HOSE - SPRING TYPE - 1/2"
	010495-01-000	EA CLAMP - CABLE- 9/16"
	010495-02-000	EA CLAMP - CABLE - 3/8"
	010497-01-000	EA CLAMP - CLOSED - 5/8" ID
	010497-04-000	EA CLAMP - CLOSED - 1.62 ID - ADEL,945-2717
	010497-05-000	EA CLAMP - CLOSED - 1/2" ID
	010497-07-000	EA CLAMP - CLOSED - 3/8" ID
	062401-01-000	EA CLAMP - HOSE - WORMGEAR .25" - 1"
	062401-02-000	EA CLAMP - HOSE - WORMGEAR 1.56" - 2.5"
	062401-03-000	EA CLAMP - HOSE - WORMGEAR .22" - 1"
	062401-04-000	EA CLAMP - HOSE - WORMGEAR .69" - 1.25"
	062401-06-000	EA CLAMP - HOSE - WORMGEAR .22" - .62"
	062401-12-000	EA CLAMP - HOSE - WORMGEAR .79" - 1.26"
	083610-01-000	EA CLAMP - WIRE - DUAL - UNEQUAL DIAMETERS - .75" & 1.25"
	077955-01-000	EA CLIP - J - VINYL COATED - 3/8"
	080211-03-000	EA CLIP - MOUNTING - (CHRISTMAS TREE)
	080734-02-000	EA CLIP - WIRE - NYLON
	091952-02-000	EA CLIP - GRIPPER - 3/4"
	008343-01-000	EA TIE - WIRE - 6"
	108046-01-000	EA CABLE TIE - SCREW MOUNT - 8"
	034141-02-000	EA PLUG - HOLE - 3/8" - NYLON - BLACK
	061420-07-000	EA PLUG - 1.8" DIAMETER - PLASTIC - CAPLUG BP-1.8
	085774-01-000	FT FASTENER - DUAL HOOK - 1" WIDE - ADHESIVE BACK - BLACK
	085774-02-000	FT FASTENER - DUAL LOOP - 1" WIDE - ADHESIVE BACK - BLACK
	085774-03-000	FT FASTENER - DUAL LOCK - 1/2" WIDE - 3M-3541
	085774-04-000	FT FASTENER - DUAL LOCK - 1/2" WIDE - 3M-3541
	110943-02-000	FT FELTSTRIP - 3/8" - ADHESIVE BACK - WHITE



**WATER & SEWAGE GROUP****FRESH WATER TANK**

KEY	PART NUMBER	U/M	DESCRIPTION
	074510-07-000	EA	TANK - WATER - 16 GALLON - W/FITTINGS - 33.4"X11.4" X 10"
	074510-01-000	EA	TANK - WATER - 16 GALLON - W/O FITTINGS - 33.4"X 11.4"X10"
	077954-02-000	EA	FILTER - WATER TANK - W/SCREEN IN TANK
	079381-01-000	FT	TUBING - SMOOTH - FLEXIBLE - 1 1/4" ID
	042989-03-000	EA	FITTING - WATER TANK - SPINWELD - 1 1/4"NPT - PLASTIC
	042989-04-000	EA	FITTING - WATER TANK - SPINWELD - 3/8" FPT - PLASTIC
	042989-05-000	EA	FITTING - WATER TANK - SPINWELD - 1/2" FPT - PLASTIC
	049032-01-000	EA	PATCH - SPINWELD - 3/8" - PLASTIC
	039861-01-000	EA	SENDING UNIT W/SCREW - WASHER - WELL NUT AND TERMINAL RING
	035539-01-000	EA	ELBOW - PLASTIC - 3/8" MPT X 3/8" BARB
	039798-01-000	EA	TEE - 1/2" MPT X 1/2" MPT X 1/2" MPT - PLASTIC
	044927-01-000	EA	ADAPTER - HOSE TO PIPE - 1 1/4" MPT X 1 1/4" BARB - BLACK PLASTIC
	074462-02-000	FT	TUBING - VINYL - 3/8" ID - CLEAR

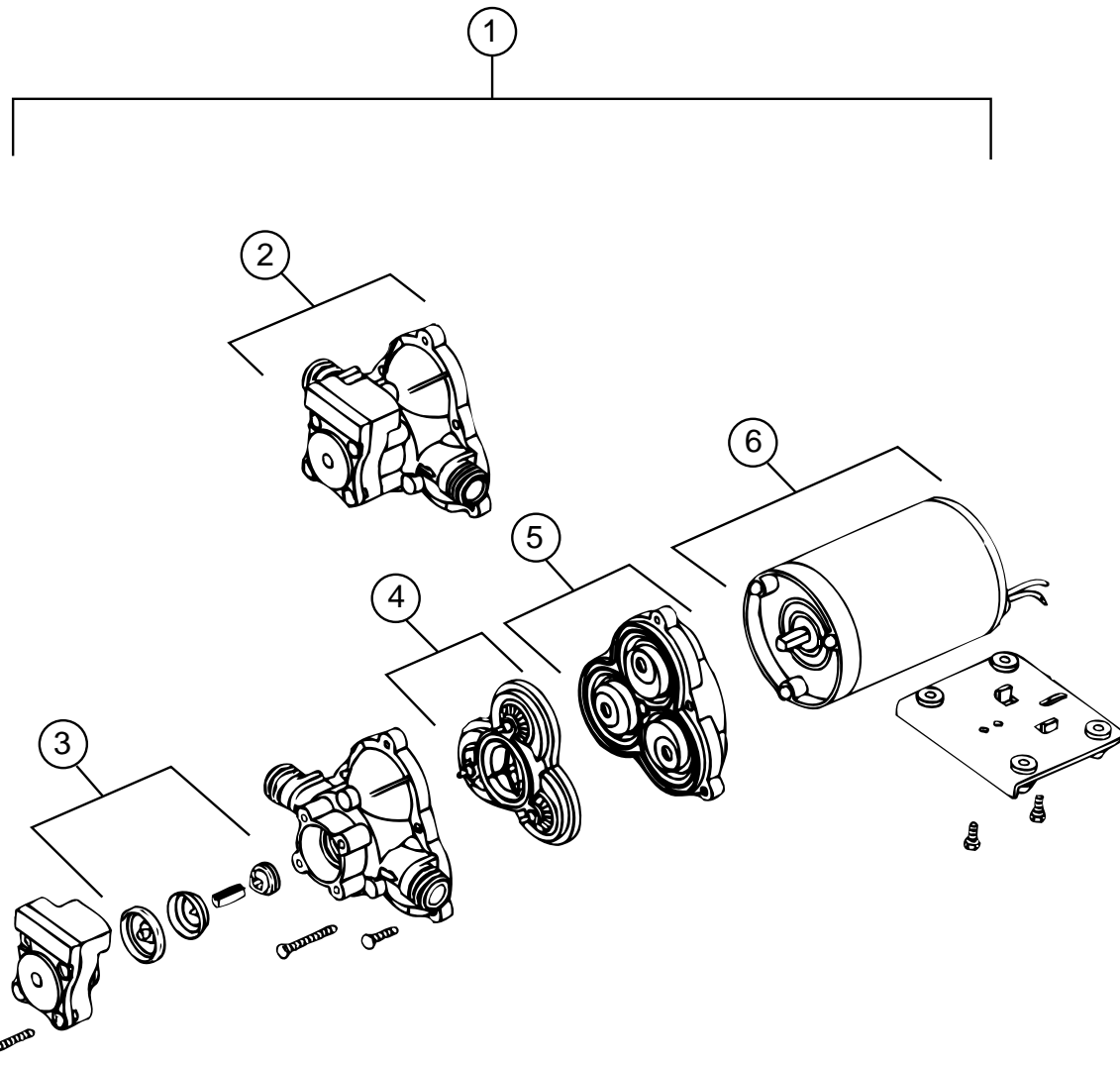
**WATER SYSTEM**

KEY	PART NUMBER	U/M	DESCRIPTION
	110915-01-01A	EA	FILL - WATER - CITY - CHROME - KEVCO 64713
	090338-03-000	EA	FITTING - HOSE - 3/4" ID - 2" LENGTH - BRASS
	111223-04-000	EA	ELBOW - 1/2" MPT X 1/2" BARB - PLASTIC
	114428-01-000	EA	TEE - 1/2"P X 1/2"P X 1/2"P
	114428-02-000	EA	TEE - SWIVEL - 1/2"P X 1/2"P X 1/2"FPT
	114428-03-000	EA	TEE - 1/2" P X 1/2" P X 1/2" MPT
	114429-01-000	EA	ELBOW - 1/2" P X 1/2" P
	114429-02-000	EA	ELBOW - 1/2" P X 1/2" MPT
	114429-03-000	EA	ELBOW - 1/2" P X 1/2" FPT - FLAIR-IT 02816
	114429-05-000	EA	ELBOW - 1/2" P X 3/4" MPT - FLAIR-IT 02812
	114429-06-000	EA	ELBOW - SWIVEL - 1/2 P X 3/4 FPT
	114430-01-000	EA	ADAPTER - 1/2" P X 1/2" P - FLAIR-IT 02840
	114430-02-000	EA	ADAPTER - SWIVEL - 1/2" P X 1/2" FPT - FLAIR-IT 02873
	114431-01-000	EA	VALVE - LINE DRAIN - 1/2" P - FLAIR-IT 02914
	114431-03-000	EA	VALVE - 1/2" P X 1/2" P - FLAIR-IT 02884
	114431-04-000	EA	VALVE - WATER - STRAIGHT THRU - "SHUT OFF VALVE"
	123150-01-000	EA	ELBOW - 1/2 FPT X 1/2 BARB - SWIVEL
	126589-01-000	EA	ELBOW - 1 1/2" 90 DEGREE SLIP X FEMALE
	124188-01-000	FT	TUBING - PEX - 1/2" ID X 20' - BLUE
	124188-02-000	FT	TUBING - PEX - 1/2" ID X 20' - RED
	062421-03-000	EA	VALVE - 1.5 HUB X HUB - REMOTE
	062421-05-000	EA	CABLE - VALVE - REMOTE W/HANDLE - 48"
	112176-01-000	EA	TUBING - VINYL - REINFORCED - 1/2" ID
	056337-21-000	EA	STRAP - RETAINING - WATER TANK
	114966-01-000	EA	FILTER - IN LINE - TWIST ON - 1/2"

**WATER & SEWAGE GROUP (CONTINUED)****EXTERIOR SHOWER**

KEY	PART NUMBER	U/M	DESCRIPTION	VENDOR NO.
	079563-04-01A	EA	FAUCET - SHOWER - P442SVB	
	075241-05-000	EA	FAUCET/SHOWER - BONE 3/4" MPT X 1.4" LONG INLET PIPES FROM: 00-00-00 THRU: 07-21-98	
	075241-06-000	EA	FAUCET - SHOWER CONTROL - BRIGHT WHITE FROM: 07-22-98 THRU: 99-99-99	
	103092-01-000	EA	SHOWER HEAD - W/60" HOSE - WHITE FROM: 00-00-00 THRU: 07-21-98	
	131383-01-02A	EA	SHOWER HEAD - W/HOSE & BRACKET - 60" - WHITE FROM: 07-22-98 THRU: 99-99-99	23233V
	103092-02-000	EA	SHOWER HEAD - W/60" HOSE - CSA FROM: 00-00-00 THRU: 07-21-98	
	103092-01-700	EA	BRACKET ONLY - CLEAR - F/SHOW HEAD	2328028
	103092-01-702	EA	SEALS - SPRAY HEAD	24466
	011048-03-700	EA	BRACKET - F/SHOWER HEAD	2328029-3
	131383-02-02A	EA	SHOWER HEAD - W/HOSE & BRACKET - 60" - CSA-WHITE FROM: 07-22-98 THRU: 99-99-99	23213N
	054250-04-000	EA	COVER/ANGLED - W/O HOLE 3.6" X 4.5" - PLASTIC	
	108356-02-01A	EA	COVER/ACTUATOR SWITCH - 2 ROWS DIMPLES- CONTURA II - BLACK	
	108357-08-000	EA	SWITCH - ROCKER DPDT - ON/NONE/ON - 6 TERMINAL	
	121473-01-01A	EA	COMPARTMENT - SHOWER - EXTERIOR - OFF WHITE	
	120592-01-01A	EA	COMPARTMENT - SHOWER - EXTERIOR - OFF WHITE - JAPAN	

**WATER & SEWAGE GROUP (CONTINUED)**



**SHURFLO WATER PUMP OR SUMP PUMP & COMPONENTS**

KEY	PART NUMBER	U/M DESCRIPTION	VENDOR NO.
1	098607-01-000	EA PUMP - WATER - W/.5" MPT FITTING - FLOW 2.8 GPM	
2	098607-01-706	EA HOUSING - W/SWITCH ONLY	94-231-20
3	098607-01-705	EA VALVE - CHECK, KIT	94-237-00
4	098607-01-703	EA VALVE KIT	94-232-00
5	098607-01-702	EA DIAPHRAM/DRIVE ASSEMBLY KIT	94-238-04
6	098607-01-707	EA MOTOR W/BASEPLATE	94-234-03

**WATER & SEWAGE GROUP (CONTINUED)**

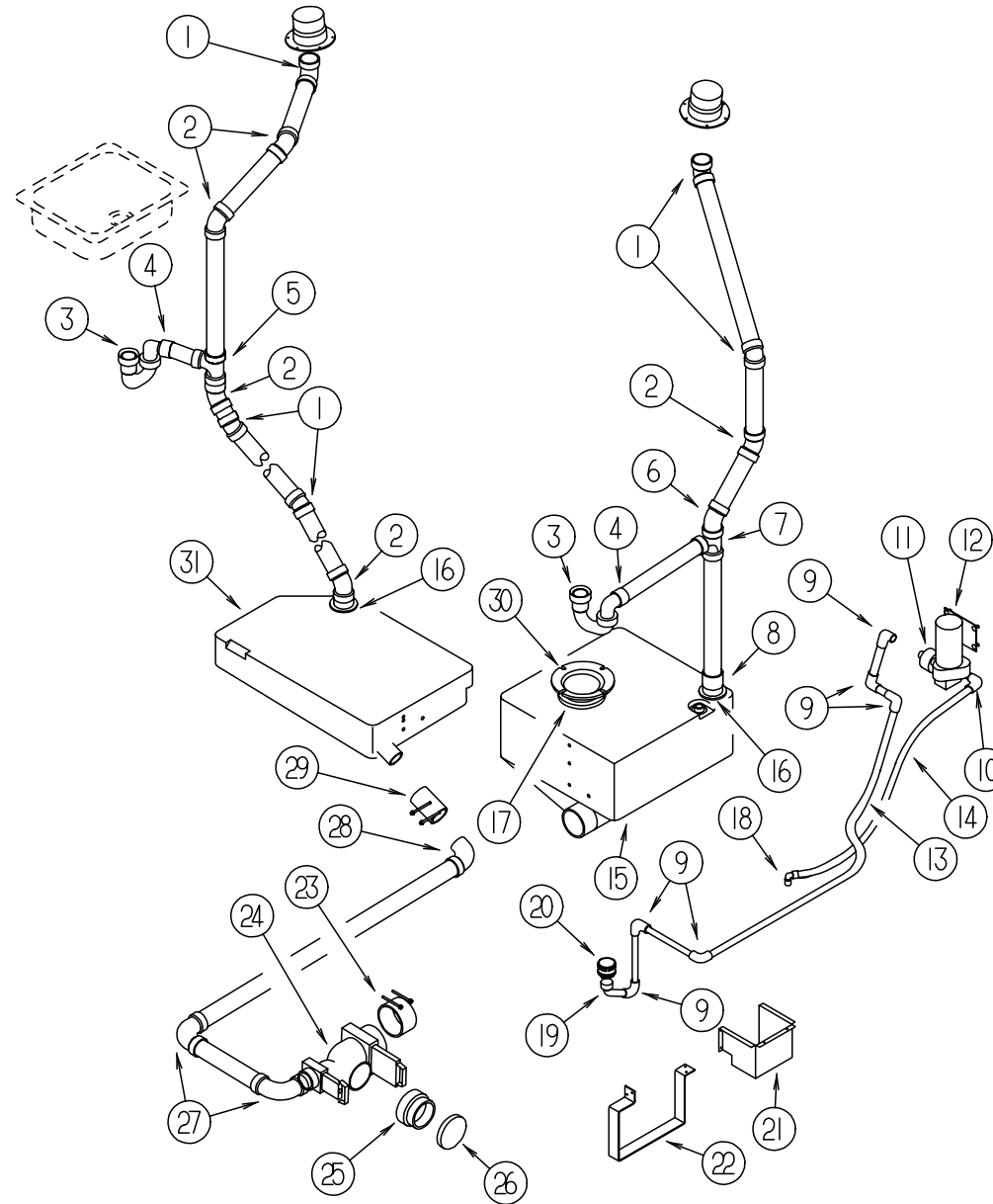
**ATWOOD ELECTRIC WATER HEATER**

KEY	PART NUMBER	U/M DESCRIPTION
*	113122-01-000	EA WATER HEATER - ELECTRIC - 4 GALLON
*	113122-02-000	EA WATER HEATER - 4 GALLON - EUROPEAN

\* PRESS TO SEE ILLUSTRATED SERVICE PARTS LIBRARY

## WATER & SEWAGE GROUP (CONTINUED)

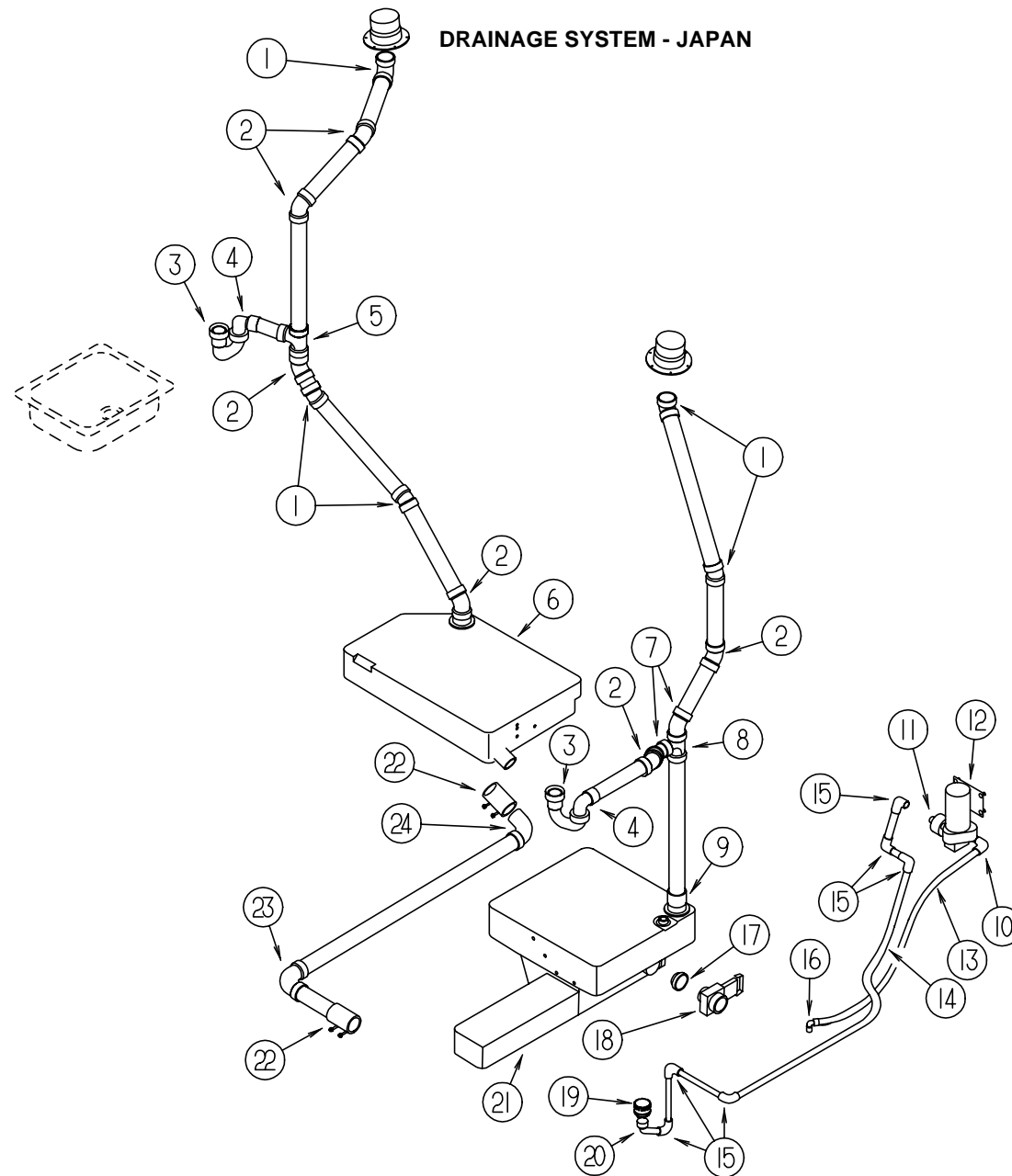
### DRAINAGE SYSTEM - US, CANADIAN, AND EUROPEAN



KEY	PART NUMBER	U/M	DESCRIPTION
1	010005-01-000	EA	ELBOW - 22.5 DEGREE - 1 1/2" HUB X HUB - PLASTIC
2	010006-01-000	EA	ELBOW - 45 DEGREE - 1/8 BEND - 1 1/2" HUB X HUB - PLASTIC
3	107538-01-000	EA	P - TRAP - PLASTIC - 1 1/4" W/EXT ARM - US
3	011071-01-000	EA	P TRAP - PLASTIC - 1 1/2" OR 1.25" - CANADIAN
4	109571-01-000	EA	ADAPTER - P TRAP - 1 1/2" P X 1 1/4" MPT - US
5	010071-02-000	EA	TEE - SANITARY W/BAFFLE - 1 1/2" HUB X HUB X HUB - PLASTIC
6	010051-01-000	EA	ELBOW - 45 DEGREE - 1 1/2" SPIGOT AND HUB - PLASTIC
7	010071-01-000	EA	TEE - SANITARY - 1 1/2" HUB X HUB X HUB - PLASTIC
8	010115-01-000	EA	COUPLING - 1 1/2" HUB X HUB - PLASTIC
9	114429-01-000	EA	ELBOW - 1/2"P X 1/2"P - W/SHOWER OPTION
10	123150-01-000	EA	ELBOW - SWIVEL - 1/2" FPT X 1/2" BARB - W/SHOWER OPTION
11	114966-01-000	EA	FILTER - IN LINE - TWIST ON - 1/2" - W/SHOWER OPTION
12	098607-01-000	EA	PUMP - SUMP - W/.5" MPT FITTING - FLOW 2.8 GPM - UL - W/SHOWER OPTION
13	124188-01-000	FT	TUBING - PEX - 1/2" ID X 20' - BLUE
14	112176-01-000	FT	TUBING - VINYL - REINFORCED - 1/2ID CAST PROD HP135
15	127074-01-000	EA	TANK - HOLDING - 13 GALLON - W/O FITTINGS
	039861-01-000	EA	SENDING UNIT - W/SCREW - WASHER - WELL NUT/TERMINAL RING
16	061607-01-000	EA	GROMMET - HOLDING TANK - 1 1/2" NPS
17	061607-02-000	EA	GROMMET - HOLDING TANK - 3" NPS
18	111223-02-000	EA	ELBOW - 3/8 BARB X 1/2" MPT

KEY	PART NUMBER	U/M	DESCRIPTION
19	114429-06-000	EA	ELBOW - SWIVEL - 1/2" P X 3/4" FPT - FLAIR-IT 02811
20	114974-01-000	EA	CONNECTOR - HULL - W/STRAINER - W/SHOWER OPTION
	069735-01-000	EA	WASHER - STRAINER TO TAILPIECE - 1.5" - PLASTIC
20	114427-02-000	EA	PLUG - 1/2P
21	114987-01-09B	EA	PANEL - COVER - SUMP - BOTTOM - GALVANIZED
21	114988-01-09B	EA	PANEL - COVER - SUMP - GALVANIZED
	092321-01-000	FT	INSULATION - FIBERGLASS W/FOIL BACKING
22	117271-01-02B	EA	SHROUD - DRAINAGE
23	078406-01-000	EA	COUPLER - RUBBER - W/CLAMPS - 3" X 3"
24	072346-01-000	EA	VALVE ASM - 3" SLIP X 3" BAYONET W/CAP X 2" SOCKET-ABS
25	062416-01-000	EA	ADAPTER - SEWER HOSE TO 3" PIPE
26	062415-01-000	EA	CAP - SEWER - 3" DIAMETER
	062415-01-700	EA	STRING - SEWER CAP
	010201-01-000	EA	HOSE - SEWER - 3" ID X 8'
27	010008-01-000	EA	ELBOW - 90 DEGREE - 1 1/2" HUB X HUB - PLASTIC
28	033761-01-000	EA	ELBOW - 90 DEGREE - 1 1/2" HUB X SPIGOT - PLASTIC
29	089355-01-000	EA	COUPLER - RUBBER - 1 1/2" X 1 1/2"
30	063641-01-000	EA	FLANGE - CLOSET - 4" X 3"
31	127086-01-000	EA	TANK - HOLDING - 9 GALLON - W/O FITTINGS
	126589-01-000	EA	ELBOW - 1 1/2" 90 DEGREE SLIP X FEMALE

## WATER & SEWAGE GROUP (CONTINUED)

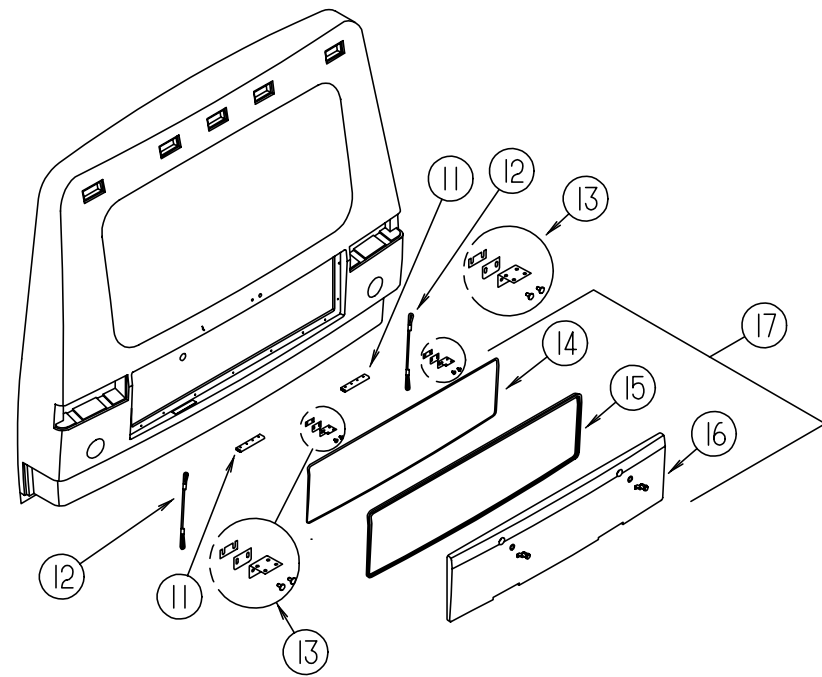
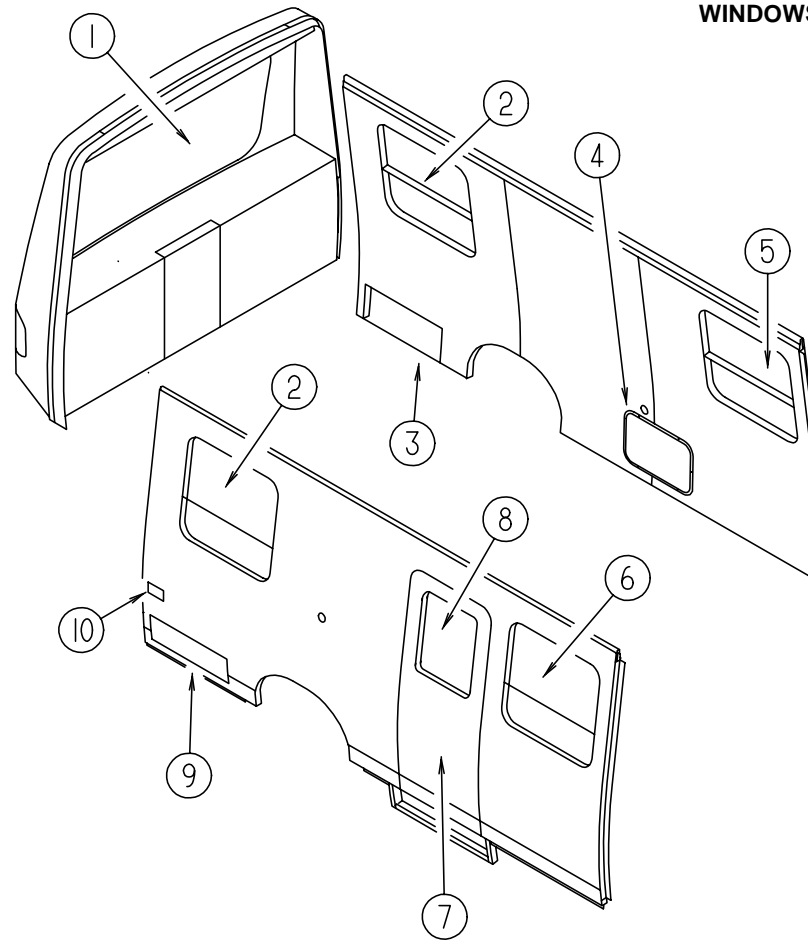


KEY	PART NUMBER	U/M	DESCRIPTION
1	010005-01-000	EA	ELBOW - 22.5 DEGREE - 1 1/2" HUB X HUB - PLASTIC
2	010006-01-000	EA	ELBOW - 45 DEGREE - 1 1/2" HUB X HUB - PLASTIC
3	107538-01-000	EA	P TRAP - PLASTIC - 1 1/4" W/EXTENSION ARM
4	109571-01-000	EA	ADAPTER - P-TRAP - 1 1/2" P X 1 1/4" MPT
5	010071-02-000	EA	TEE - SANITARY - W/BAFFLE - 1 1/2" HUB X HUB X HUB - PLASTIC
6	111881-02-000	EA	TANK - HOLDING - 6 GALLON - W/FITTINGS
	061607-01-000	EA	GROMMET - HOLDING TANK - 1 1/2" NPS
	039861-01-000	EA	SENDING UNIT - W/SCREW - WASHER - WELL NUT/TERMINAL RING
7	010051-01-000	EA	ELBOW - 45 DEGREE - 1 1/2" SPIGOT & HUB - PLASTIC
8	010071-01-000	EA	TEE-SANITARY - 1 1/2" HUB X HUB X HUB - PLASTIC
9	010115-01-000	EA	COUPLING - 1 1/2" HUB X HUB - PLASTIC
10	123150-01-000	EA	ELBOW - SWIVEL - 1/2" BARB X 1/2" FPT - W/SHOWER OPTION
11	114966-01-000	EA	FILTER - IN LINE - TWIST ON - 1/2" - W/SHOWER OPTION
12	098607-01-000	EA	PUMP - WATER - W/.5" MPT FITTING - FLOW 2.8 GPM- W/SHOWER OPTION
13	112176-01-000	FT	TUBING - VINYL - REINFORCED - 1/2" ID
14	039800-02-000	FT	TUBING - POLYBUTY - 5/8OD X 20 FT TM3L10S (BLUE)

KEY	PART NUMBER	U/M	DESCRIPTION
15	114429-01-000	EA	ELBOW - 1/2" P X 1/2" P - FLAIR-IT 02800
16	111223-02-000	EA	ELBOW - PLAS - 1/2MPT X 3/8BARB
17	109571-02-000	EA	ADAPTER - 1 1/2" HUB X 1 1/2" MPT - NIBCO 5801-7
18	114112-01-000	EA	VALVE ASM - WASTE - 1.5" - VALTERRA T1001E
	114112-01-700	EA	CAP - VALVE
	114111-01-000	EA	HOSE - SEWER - 1.5' - VALTERRA D04-0059
19	114974-01-000	EA	CONNECTOR - HULL - W/STRAINER - W/SHOWER OPTION
	114427-02-000	EA	PLUG - 1/2P
20	114429-06-000	EA	ELBOW - SWIVEL - 1/2P X 3/4FPT
21	120589-02-000	EA	TANK - HOLDING - 8 GALLON - W/FITTINGS
22	089355-01-000	EA	COUPLER - RUBBER - 1 1/2" X 1 1/2"
23	010008-01-000	EA	ELBOW - 90 DEGREE - 1 1/2" HUB X HUB - PLASTIC
24	033761-01-000	EA	ELBOW - 90 DEGREE - 1 1/2" HUB X SPIGOT - PLASTIC
	092321-01-000	FT	INSULATION - FIBERGLASS - W/FOIL BACKING
	114427-02-000	EA	PLUG - 1/2" P - FLAIR-IT 02863

# WINDOW, VENT & EXTERIOR DOOR GROUP

## WINDOWS & DOORS

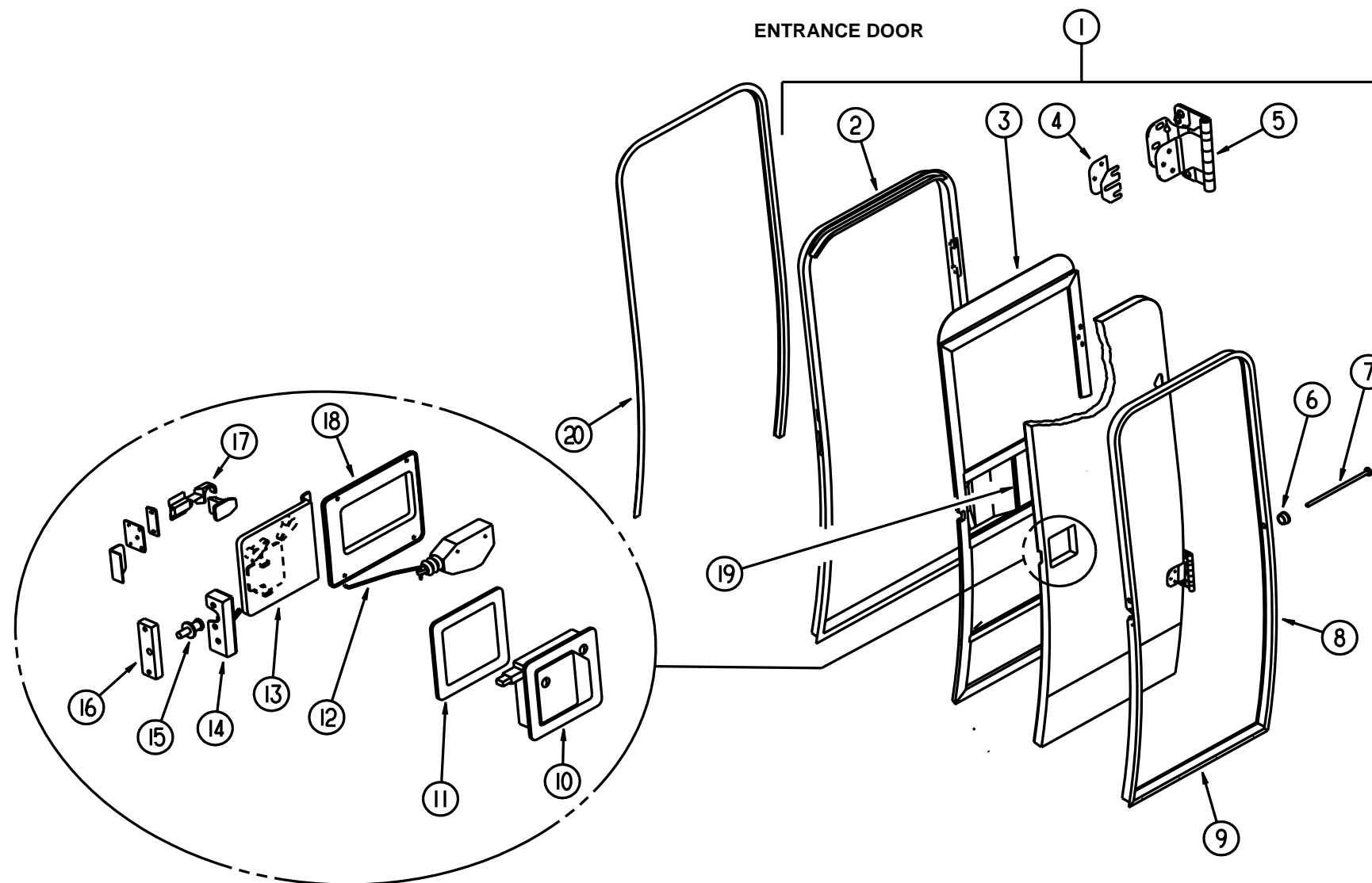


KEY	PART NUMBER	U/M DESCRIPTION
1	084886-04-000	EA WINDOW - REAR ESCAPE - 58.6" X 29"
1	084886-05-000	EA WINDOW - REAR ESCAPE W/DEFROSTER - 58.6" X 29"
	002285-01-000	FT FILLER - WEATHERSTRIP - RUBBER - BLACK
	084423-03-000	EA WEATHERSTRIP - VULCANIZED - 1/2" W/LIP X 14' - BLACK RUBBER
	077066-01-702	EA TAPE - RED - ESCAPE WINDOW
2*	104691-17-01A	EA WINDOW - TIPOUT - 24.3" X 26"
2*	112795-58-01A	EA WINDOW-PASSENGER HORIZONTAL SLIDER THERMO 24.4" X 36.2" - EUROPEAN
2*	112795-59-01A	EA WINDOW - DRIVERS HORIZONTAL SLIDER THERMO - 24.4" X 36.2"
3	112027-08-H70	EA PANEL - VALANCE - REAR DRIVER - W/O LOCKS
4	120593-01-H70	EA DOOR - COMPARTMENT - W/O HARDWARE
5*	104691-07-01A	EA WINDOW - TIPOUT W/WHITE TRIM RING - 24 3/4" X 26 3/4"
5*	112898-12-01A	EA WINDOW - VERTICAL SLIDER THERMO - 25" X 27" - EUROPEAN
6*	098644-10-01A	EA WINDOW - VERTICAL SLIDER 25" X 27"
6*	112898-12-01A	EA WINDOW - VERTICAL SLIDER THERMO - 25" X 27" - EUROPEAN
7	113594-01-J80	EA DOOR - ENTRY - W/SCREEN DOOR - W/O WINDOW
		FROM: 00-00-00 THRU: 07-12-98
7	113594-01-K73	EA DOOR - ENTRY - W/SCREEN DOOR - W/O WINDOW
		FROM: 07-13-98 THRU: 99-99-99
8*	117053-01-F45	EA WINDOW - PICTURE - 60% TINTING - 17.1" X 24.8"
	114507-02-01A	EA FRAME - WINDOW/INSIDE
8*	113733-04-01A	EA WINDOW-STATIONARY THERMOPANE/EUROPEAN - 24.8" X 17.1"

KEY	PART NUMBER	U/M DESCRIPTION
9	112027-07-H70	EA PANEL - VALANCE - REAR PASSENGER - W/O LOCKS
9	112027-09-H70	EA PANEL - VALANCE - REAR PASSENGER - W/O LOCKS - JAPAN
10	081240-14-000	EA FILL - WATER - LOCKABLE
11	124242-01-02A	EA HINGE - TRUNK DOOR
12	076767-05-000	EA CABLE - STORAGE DOOR SUPPORT - 1/16" X 15.5"-STAINLESS STL
13	120494-02-01B	EA SHIM - STRIKER - MILL
13	124793-02-02B	EA PLATE - STUD
13	124794-01-02B	EA PLATE - STRIKE
14	124388-01-02B	EA PANEL - DOOR - COMPT - REAR - INNER
15	112160-01-000	FT SEAL - D SECTION - .2 X .3" - FOAM RUBBER
16	124180-01-01A	EA PANEL-DOOR - COMPT - REAR - OUTER
17	124392-01-H70	EA DOOR - COMPARTMENT/REAR - W/O LOCK/HARDWARE
	009426-01-000	EA HATCH - POWER CORD - WHITE
	113736-01-01A	EA VENT KIT - REFRIGERATOR
	113736-01-700	EA COVER-VENT
	113736-01-701	EA INSERT - F/VENT COVER
	113736-01-702	EA PLATE-BACKING METAL
	113736-01-703	EA GASKET-VENT TERMINAL
	113736-01-704	EA HOUSING-VENT TERMINAL

\* PRESS TO SEE ILLUSTRATED SERVICE PARTS LIBRARY

WINDOW, VENT & EXTERIOR DOOR GROUP (CONTINUED)



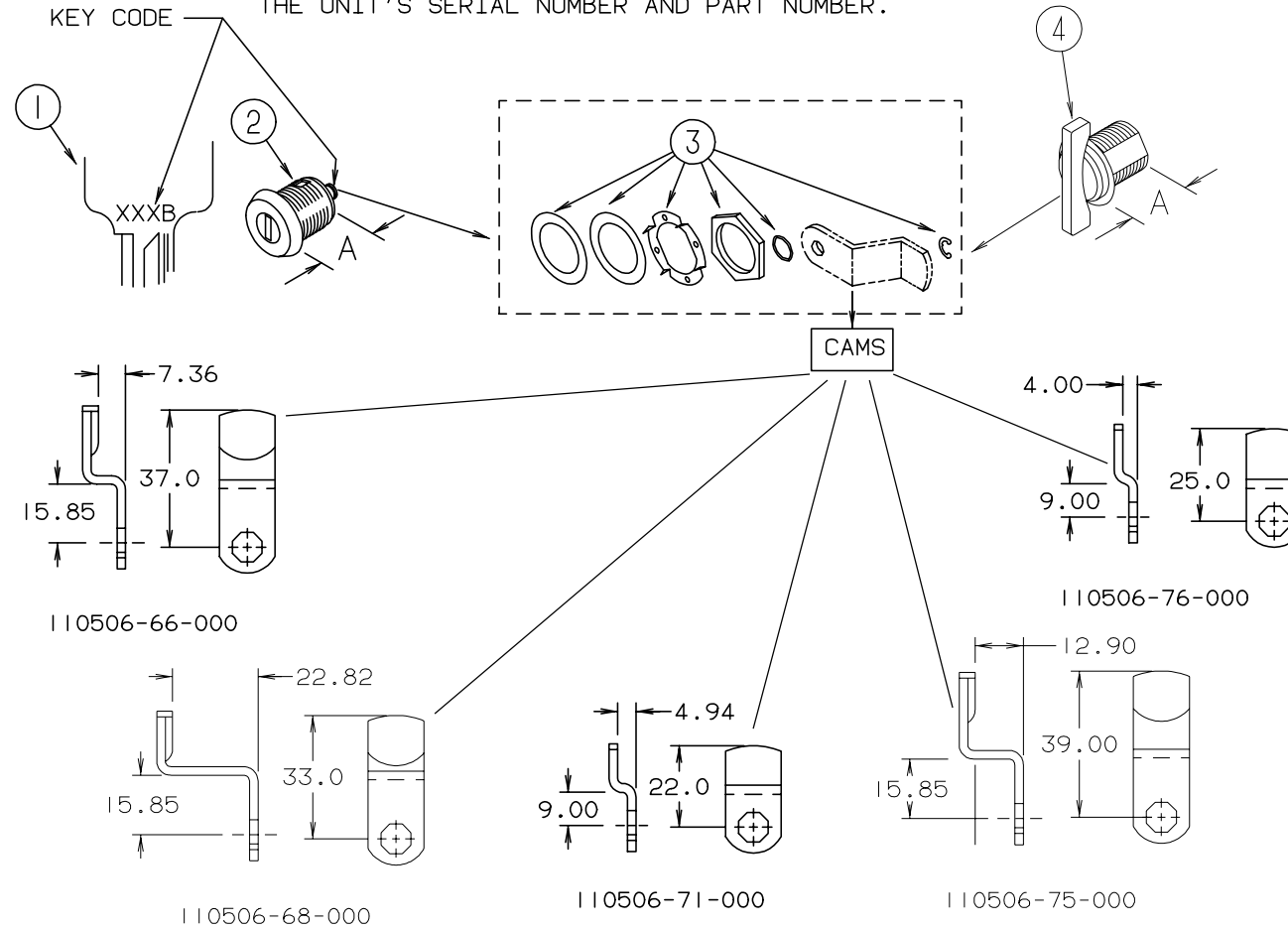
KEY	PART NUMBER	U/M DESCRIPTION	VENDOR NO.
1	P13594-02-K76	EA DOOR - ENTRY - W/SCREEN DOOR - W/O WINDOW	
2	113642-01-F45	EA JAMB - DOOR/ENTRY	
	111536-03-000	FT SEAL - ENTRY DOOR	
3	113621-01-01A	EA DOOR - SCREEN	
	002293-02-000	SF SCREEN - 26" - CHARCOAL	
	002294-01-000	FT SPLINE - SCREENING - .135" X .138"	
	075673-01-000	FT SEAL - PILE - ADHESIVE BACK - GRAY	
		FROM: 00-00-00 THRU: 11-23-98	
	075673-05-000	FT SEAL - PILE - ADHESIVE BACK - BLACK	
		FROM: 11-24-98 THRU: 99-99-99	
	075673-04-000	FT SEAL - PILE - ADHESIVE BACK	
	113616-01-01A	FT EXTRUDED - VINYL - SEAL TRACK - 7'	
	116485-01-03B	EA BRACKET - SCREEN DOOR - OFF WHITE	
	120863-07-000	EA BUMPER - RUBBER - .7" DIA X .7" THICK	
4	113668-01-01A	EA GASKET - HINGE - DOOR	
5	113460-01-02A	EA HINGE - ENTRANCE DOOR/UPPER	
	113461-01-02A	EA HINGE - ENTRANCE DOOR/LOWER	
	113680-01-01A	EA COVER - ACCESS - DOOR HINGE	
6	068938-03-000	EA BEARING - SNAP IN - .38"ID - TYPE 7	
7	077222-01-000	EA SPRING - WIRE GUARD - ENTRY DOOR	
8	113376-02-01A	EA TRIM - ENTRY DOOR - VW/WHITE	
9	113395-02-01A	EA TRIM - ENTRY DOOR/BOTTOM - VW WHITE	
	112160-01-000	FT SEAL - D SECTION - .2 X .3" - FOAM RUBBER - BOTTOM OF DOOR ONLY	
	038327-01-000	EA TAPE - ANTI-SLIP - 2" X 60'	

KEY	PART NUMBER	U/M DESCRIPTION	VENDOR NO.
10	113636-01-01A	EA LATCH/PADDLE - ENTRY W/DEADBOLT - W/KEYS - OFF WHITE	
	045017-11-701	EA KEY (F) BLANK - TM201-250	14264-01-2001
	113636-01-700	EA KEY BLANK - DEADBOLT - "G" SERIES LOCK - #TRI 001-#TRI 099	
	130444-01-01A	EA CAP - KEY IDENTIFIER - GRAY	
11	113669-01-01A	EA GASKET - LATCH - DOOR	
12	113834-01-01A	EA ROD - DOOR LATCH - POWER	
	114209-01-01A	EA PUSHNUT - CAP - 1/8" - WHITE	
13	113636-02-01A	EA PLATE - INSIDE - W/DEADBOLT	
	111203-06-01A	EA SCREW - MOUNTING/PLATE - ZINC	
14	113636-03-01A	EA LATCH - SINGLE ROTOR	
15	092927-03-000	EA STRIKER - ROUND - JAMB MOUNTED	
16	113636-05-01A	EA NUT - CAGED	
17	110529-01-000	EA LATCH - BULLET - SCREEN DOOR	
18	113960-01-01A	EA COVER - ACTUATOR - POWER LOCK	
19	079086-02-000	EA SLIDER - SCREEN DOOR	
	078777-08-000	FT CHANNEL - SLIDER	
	079087-02-000	EA STRIKE- SLIDER W/LIP FOR ELBOW CATCH-1.5" X 8.6" - OFF WHT	
20	113658-01-01A	EA GARNISH/TRIM - UPPER - OFF/WHITE	
	113750-01-04B	EA PLATE - LATCH STRIKER	
	115750-01-02B	EA BRACKET - LATCH - DOOR	
	016454-12-000	EA INSERT - SCREEN DOOR - CENTER	
	110529-01-000	EA LATCH - BULLET - SCREEN DOOR	
	117046-01-000	EA BUMPER - RUBBER/ROUND END - .9"	
	117046-02-000	EA BUMPER - RUBBER/ROUND END - 1.5"	
	116111-02-01A	EA SCREW - TAPTITE - 1/4-20 X 3/8 PPH - ZINC	
	090340-01-000	FT SEAL - FOAM - CLOSED CELL - 1/4" X 1/2" X 50'	

# WINDOW, VENT & EXTERIOR DOOR GROUP (CONTINUED)

## BRIGGS & STRATTON LOCKS & COMPONENTS

NOTE:  
WHEN ORDERING THE LOCK CASE, THE KEY CODE MUST MATCH THE LAST DIGIT OF THE UNIT'S SERIAL NUMBER AND PART NUMBER; WHEN ORDERING THE KEYS, THE THIRD DIGIT OF THE KEY CODE MUST MATCH THE LAST DIGIT OF THE UNIT'S SERIAL NUMBER AND PART NUMBER.

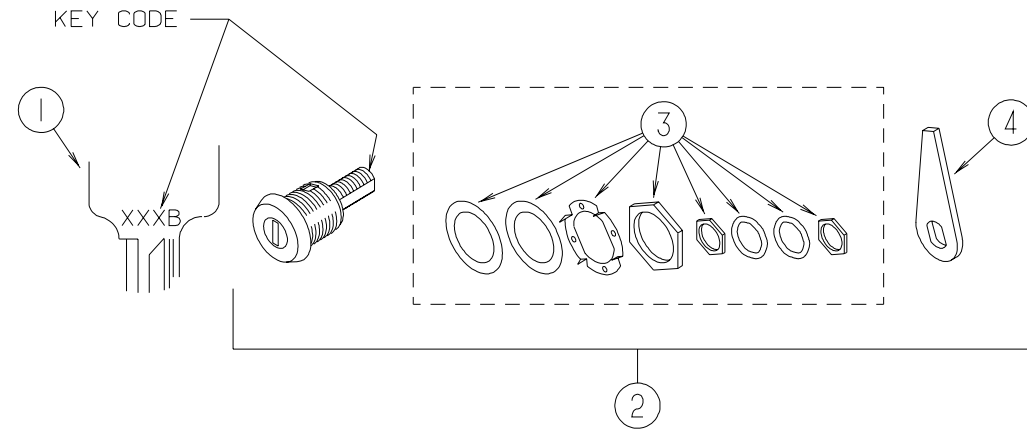


KEY	PART NUMBER	U/M	DESCRIPTION	VENDOR NO.	KEY	PART NUMBER	U/M	DESCRIPTION	VENDOR NO.
1	110506-59-000	EA	KEYS - SET OF 2	596720	1	110506-59-007	EA	KEYS - SET OF 2	596727
2	110506-52-000	EA	CASE/CYLINDER - LOCKING - W/O CAM/KEY - .65"	702370	2	110506-52-007	EA	CASE/CYLINDER - LOCKING - W/O CAM/KEY - .65"	702377
2	110506-54-000	EA	CASE/CYLINDER - LOCKING - W/O CAM/KEY - 1.25"	703170	2	110506-54-007	EA	CASE/CYLINDER - LOCKING - W/O CAM/KEY - 1.25"	703177
1	110506-59-001	EA	KEYS - SET OF 2	596721	1	110506-59-008	EA	KEYS - SET OF 2	596728
2	110506-52-001	EA	CASE/CYLINDER - LOCKING - W/O CAM/KEY - .65"	702371	2	110506-52-008	EA	CASE/CYLINDER - LOCKING - W/O CAM/KEY - .65"	702378
2	110506-54-001	EA	CASE/CYLINDER - LOCKING - W/O CAM/KEY - 1.25"	703171	2	110506-54-008	EA	CASE/CYLINDER - LOCKING - W/O CAM/KEY - 1.25"	703178
1	110506-59-002	EA	KEYS - SET OF 2	596722	1	110506-59-009	EA	KEYS - SET OF 2	596729
2	110506-52-002	EA	CASE/CYLINDER - LOCKING - W/O CAM/KEY - .65"	702372	2	110506-52-009	EA	CASE/CYLINDER - LOCKING - W/O CAM/KEY - .65"	702379
2	110506-54-002	EA	CASE/CYLINDER - LOCKING - W/O CAM/KEY - 1.25"	703172	2	110506-54-009	EA	CASE/CYLINDER - LOCKING - W/O CAM/KEY - 1.25"	703179
1	110506-59-003	EA	KEYS - SET OF 2	596723	3	110506-40-700	EA	HDWE KIT	596950AAL
2	110506-52-003	EA	CASE/CYLINDER - LOCKING - W/O CAM/KEY - .65"	702373		110506-59-701	EA	KEY BLANK (GOLD)	
2	110506-54-003	EA	CASE/CYLINDER - LOCKING - W/O CAM/KEY - 1.25"	703173	4	110506-55-000	EA	CASE/CYLINDER - TWIST LOCK - W/O CAM - 1.25"	597312AA1
1	110506-59-004	EA	KEYS - SET OF 2	596724		110506-66-000	EA	CAM - LATCHING - DOG LEGGED 1.5" LONG	
2	110506-52-004	EA	CASE/CYLINDER - LOCKING - W/O CAM/KEY - .65"	702374		110506-68-000	EA	CAM - LATCHING - DOG LEGGED 1.3" LONG	
2	110506-54-004	EA	CASE/CYLINDER - LOCKING - W/O CAM/KEY - 1.25"	703174		110506-71-000	EA	CAM - LATCHING - DOG LEGGED .86" LONG	
1	110506-59-005	EA	KEYS - SET OF 2	596725		110506-75-000	EA	CAM - LOCK	
2	110506-52-005	EA	CASE/CYLINDER - LOCKING - W/O CAM/KEY - .65"	702375		110506-76-000	EA	CAM - LOCK	
2	110506-54-005	EA	CASE/CYLINDER - LOCKING - W/O CAM/KEY - 1.25"	703175					
1	110506-59-006	EA	KEYS - SET OF 2	596726					
2	110506-52-006	EA	CASE/CYLINDER - LOCKING - W/O CAM/KEY - .65"	702376					
2	110506-54-006	EA	CASE/CYLINDER - LOCKING - W/O CAM/KEY - 1.25"	703176					

## WINDOW, VENT & EXTERIOR DOOR GROUP (CONTINUED)

### BRIGGS & STRATTON TRUNK DOOR LOCKS & COMPONENTS

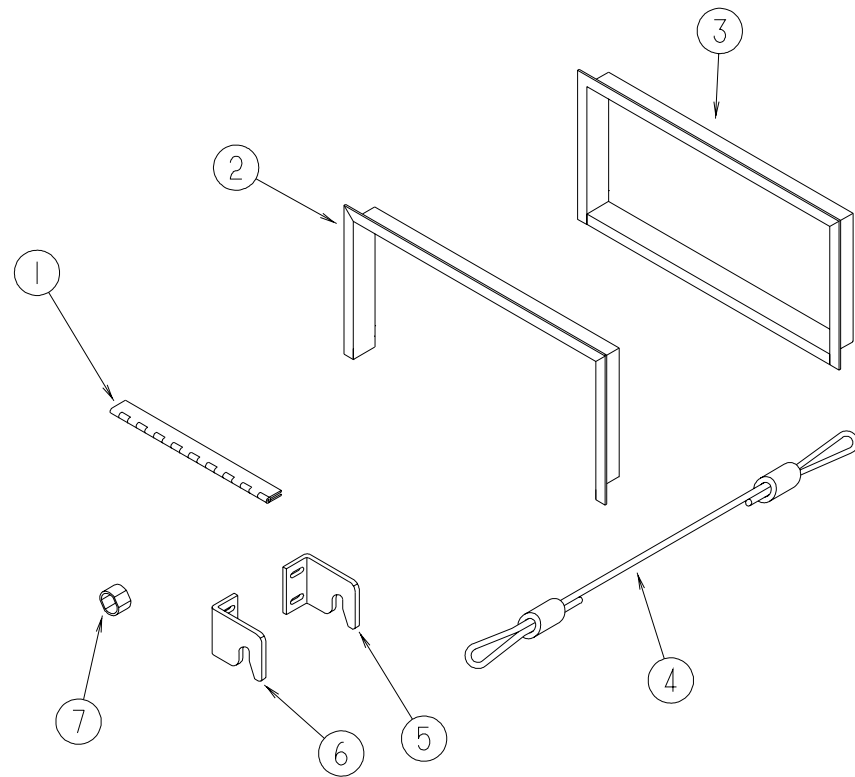
NOTE:  
 WHEN ORDERING THE LOCK ASM, THE KEY CODE MUST  
 MATCH THE LAST DIGIT OF THE VEHICLE'S SERIAL NUMBER  
 AND PART NUMBER; WHEN ORDERING THE KEYS, THE THIRD  
 DIGIT OF THE KEY CODE MUST MATCH THE LAST DIGIT OF  
 THE VEHICLE'S SERIAL NUMBER AND PART NUMBER



KEY	PART NUMBER	U/M	DESCRIPTION	VENDOR NO.	KEY	PART NUMBER	U/M	DESCRIPTION	VENDOR NO.
1	110506-59-000	EA	KEYS - SET OF 2	596720	1	110506-59-006	EA	KEYS - SET OF 2	596726
2	131035-01-710	EA	LOCK ASSEMBLY - KEYED		2	131035-01-706	EA	LOCK ASSEMBLY - KEYED	
1	110506-59-001	EA	KEYS - SET OF 2	596721	1	110506-59-007	EA	KEYS - SET OF 2	596727
2	131035-01-701	EA	LOCK ASSEMBLY - KEYED		2	131035-01-707	EA	LOCK ASSEMBLY - KEYED	
1	110506-59-002	EA	KEYS - SET OF 2	596722	1	110506-59-008	EA	KEYS - SET OF 2	596728
2	131035-01-702	EA	LOCK ASSEMBLY - KEYED		2	131035-01-708	EA	LOCK ASSEMBLY - KEYED	
1	110506-59-003	EA	KEYS - SET OF 2	596723	1	110506-59-009	EA	KEYS - SET OF 2	596729
2	131035-01-703	EA	LOCK ASSEMBLY - KEYED		2	131035-01-709	EA	LOCK ASSEMBLY - KEYED	
1	110506-59-004	EA	KEYS - SET OF 2	596724	3	131035-01-700	EA	HARDWARE PACKAGE STRATEC	
2	131035-01-704	EA	LOCK ASSEMBLY - KEYED			131035-01-700	EA	KEY BLANK (GOLD)	
1	110506-59-005	EA	KEYS - SET OF 2	596725	4	131035-60-000	EA	CAM - LOCK - COMPRESSION	
2	131035-01-705	EA	LOCK ASSEMBLY - KEYED						



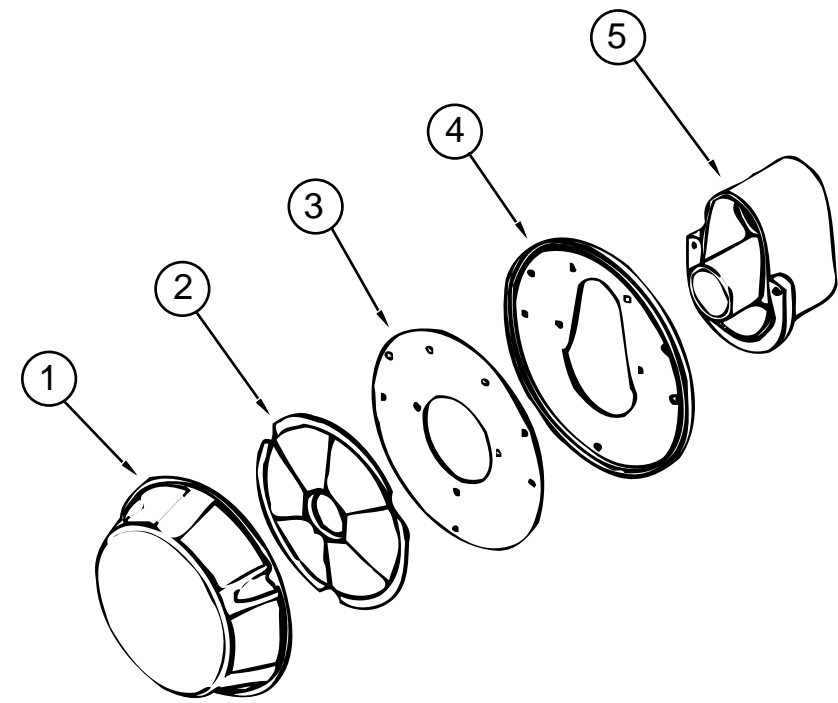
**WINDOW, VENT & EXTERIOR DOOR GROUP (CONTINUED)**



**EXTERIOR ACCESS DOOR COMPONENTS**

KEY	PART NUMBER	U/M	DESCRIPTION
	081801-AF-000	EA	HINGE - ALUMINUM - 2" X 12.2"
1	112246-05-01A	EA	HINGE - VALANCE DOOR - VW WHITE
1	112246-06-01A	EA	HINGE - VALANCE DOOR - VW WHITE
2	113752-01-01A	EA	JAMB - TRIM - GENERATOR - VW WHITE
3	113752-03-01A	EA	JAMB - TRIM - GENERATOR - VW WHITE
3	113753-01-01A	EA	JAMB - TRIM - LP - VW WHITE
4	076767-05-000	EA	CABLE - STORAGE DOOR SUPPORT - 1/16" X 15.5"-STAINLESS STL
5	127289-02-02B	EA	BRACKET - LOCK CATCH - LH - E-COAT
6	127289-01-02B	EA	BRACKET - LOCK CATCH - RH - E-COAT
7	107997-51-001	EA	SPACER - DOOR LOCK - .6" DEEP
7	107997-51-002	EA	EXTRUDED - SPACER - 16'
	106850-02-000	FT	SEAL-E - SPONGE RUBBER - .43" X .75"
	112160-02-000	FT	SEAL - D SECTION - .2 X .3" - FOAM RUBBER
	057534-01-000	EA	TIEBACK/TIEDOWN - 6" CLEAR PLASTIC

**WINDOW, VENT & EXTERIOR DOOR GROUP (CONTINUED)**



**NORCOLD REFRIGERATOR VENT**

KEY	PART NUMBER	U/M	DESCRIPTION	VENDOR NO.
	113736-01-01A	EA	VENT KIT - REFRIGERATOR	
1	113736-01-700	EA	COVER - VENT	617920
2	113736-01-701	EA	DISK - EXHAUST	617921
3	113736-01-702	EA	PLATE - BACKING	617922
4	113736-01-703	EA	GASKET - VENT TERMINAL	617924
5	113736-01-704	EA	HOUSING - VENT TERMINAL	617923

## WINDOW, VENT & EXTERIOR DOOR GROUP (CONTINUED)

### ELIXIR POWERED ROOF VENT

KEY	PART NUMBER	U/M DESCRIPTION
*	122882-02-01A	EA VENT - ROOF - W/FAN - POWERED - W/O INSIDE GARNISH
*	122882-03-01A	EA VENT - ROOF - W/FAN - W/O INSIDE GARNISH - CSA
	122882-06-01A	EA GARNISH - ROOF VENT - 1" TO 2.5" - ELIXIR JRP2101 WHT

\* PRESS TO SEE ILLUSTRATED SERVICE PARTS LIBRARY

### ELIXIR NONPOWERED ROOF VENT

KEY	PART NUMBER	U/M DESCRIPTION
*	122882-01-01A	EA VENT - ROOF - NONPOWERED - W/O INSIDE GARNISH
	122882-06-01A	EA GARNISH - ROOF VENT - 1" TO 2.5" - ELIXIR JRP2101 WHT

\* PRESS TO SEE ILLUSTRATED SERVICE PARTS LIBRARY

### FANTASTIC VENT - 4000-1

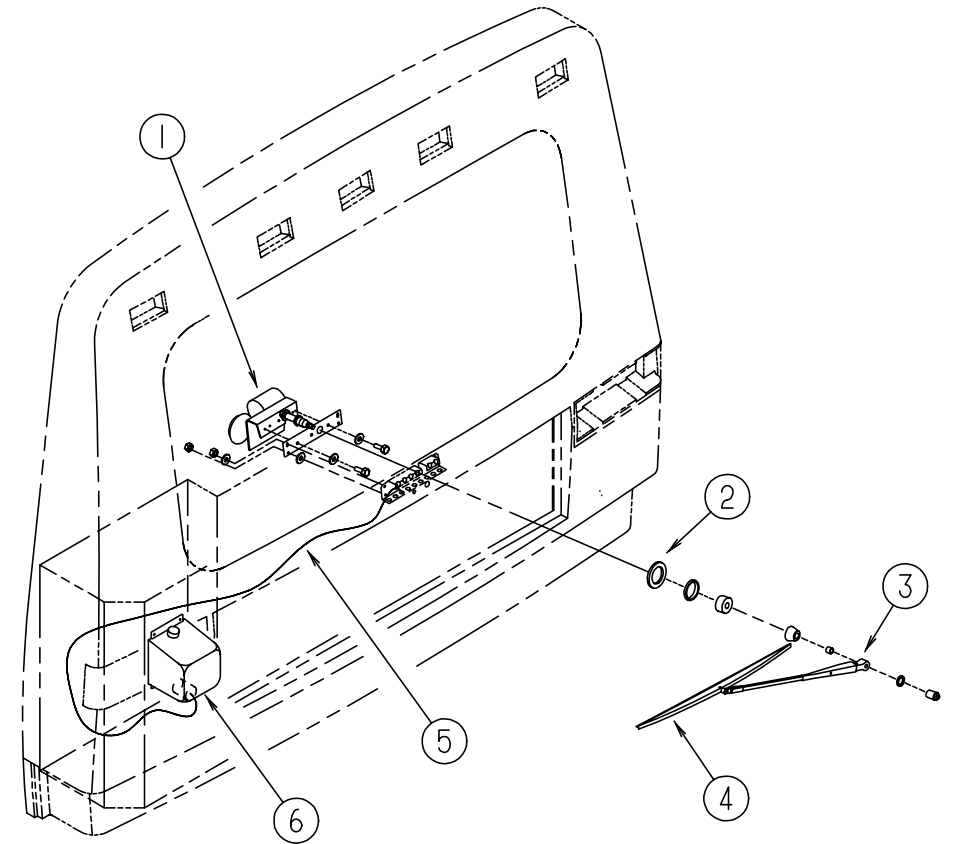
KEY	PART NUMBER	U/M DESCRIPTION
*	123780-01-01A	EA VENT - EXHAUST - 1" ROOF - 4000-1-WDW

\* PRESS TO SEE ILLUSTRATED SERVICE PARTS LIBRARY

### PLUMBING VENTS

KEY	PART NUMBER	U/M DESCRIPTION
	083558-06-000	EA VENT - ROOF PLUMBING PIPE - COVERED

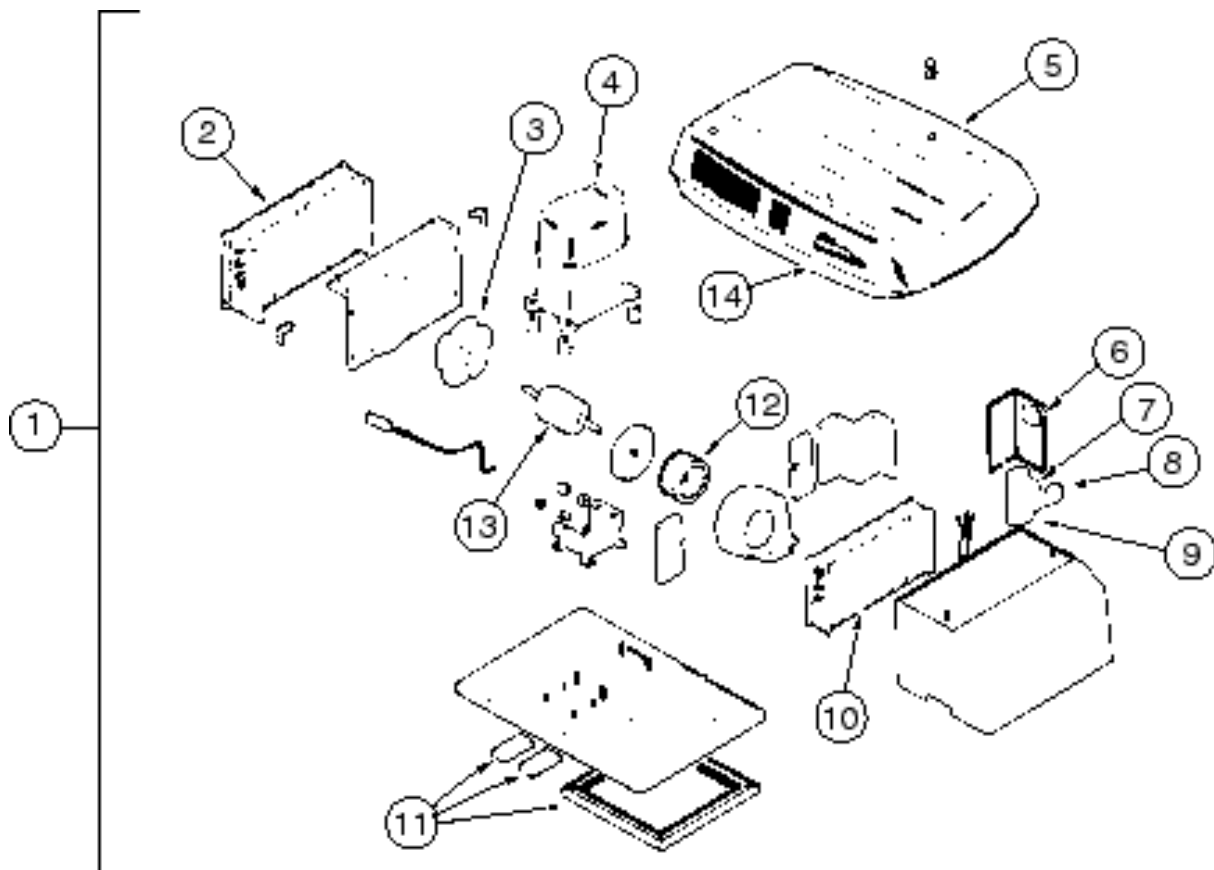
## WIPER & WASHER GROUP



### REAR WIPER & WASHER

KEY	PART NUMBER	U/M DESCRIPTION	VENDOR NO.
1	104346-01-000	EA WIPER MOTOR - "CHEV CHASSIS" - COAST TO PARK	
1	085721-03-000	EA MOTOR - WIPER - 108 DEGREE - REAR WINDOW	
	085721-02-700	EA ARM - REAR WIPER MOTOR DRIVE - 3"	6211140LE25WJ
	085721-03-700	EA PIVOT	62714-40-SH25WJ
	085721-03-701	EA LINK - CONNECTING	LK721014
	085721-03-702	EA BRACKET	620570-40-BK25WJ
	085721-03-703	EA CLIP-SPRING	17815
2	061603-01-000	EA GROMMET - SNAP - 3/16"ID - 3/8" HOLE - PLASTIC BLACK	
3	096931-01-000	EA ARM - WIPER - 20"	
	096931-01-700	FT HOSE - WASHER - 1/8" ID	
	096931-01-701	EA NOZZLE - HARDWARE KIT	
	096931-01-702	EA NUT - 52695-40-NT27WC	
	096931-01-703	EA SHORT SCREW - 52696-40-SC27WC	
	096931-01-704	EA LONG SCREW - 52697-40-SC27WC	
	096931-01-705	EA PLASTIC CAP - 52699-40-CP27WC	
	096931-01-706	EA SPRAY NOZZLE - 52698-40-NZ27WC	
4	097978-01-000	EA BLADE - WIPER - FLEX 22 INCH	
5	045794-01-000	FT HOSE - WASHER - WINDSHIELD - 5/32" ID - BLACK	
6	117766-02-000	EA RESERVOIR/PUMP - WINDSHIELD WASHER	
	096057-02-000	EA FITTING - WINDSHIELD WASHER	
	009426-01-000	EA HATCH - POWER CORD - WHITE	

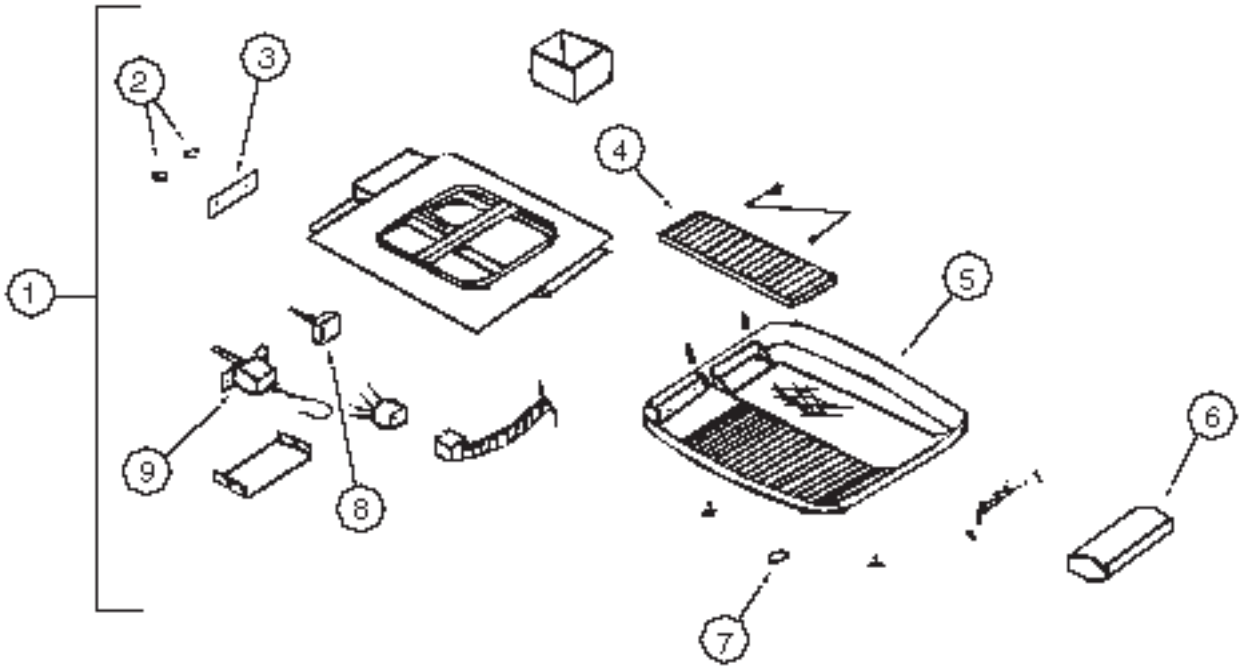
**COLEMAN  
MODEL 6727-736**



KEY	PART NUMBER	U/M	DESCRIPTION	VENDOR NO.
1	093306-01-02A	EA	A/C - ROOF - 7,100 BTU - ROTARY	
2	093306-01-711	EA	COIL - CONDENSER	14520701
3	093306-01-703	EA	FAN - 4 BLADE - 9" DIAMETER	67073321
4	093306-01-717	EA	COMPRESSOR - PANASONIC	1450-2019
	093306-01-719	EA	OVERLOAD	1450A0011
5	093306-01-722	EA	SHROUD - ARCTIC WHITE - NO LOGO	6727-5761
6	093306-01-721	EA	RELAY - START	1497-5051
7	093306-01-720	EA	CAPACITOR - START - 21-25 MFD/33 - COLEMAN	1497-3351
8	093306-01-718	EA	CAPACITOR - FAN - 5MFD/370V	1499-5421
9	108889-01-707	EA	CAPACITOR - RUN - COMPRESSOR - 25MFD/370	1499-5661
10	093306-01-713	EA	COIL - EVAPORATOR	14520601
11	037648-01-714	EA	GASKET PACKAGE	6759-3281
12	093306-01-706	EA	WHEEL - BLOWER - 6 5/16" X 2 7/8"	67073281
13	093306-01-705	EA	MOTOR - (115V1 6A60H2-RPM)	67273119
14	093306-01-701	EA	DECAL PACKAGE - LEFT & RIGHT	6798B3591



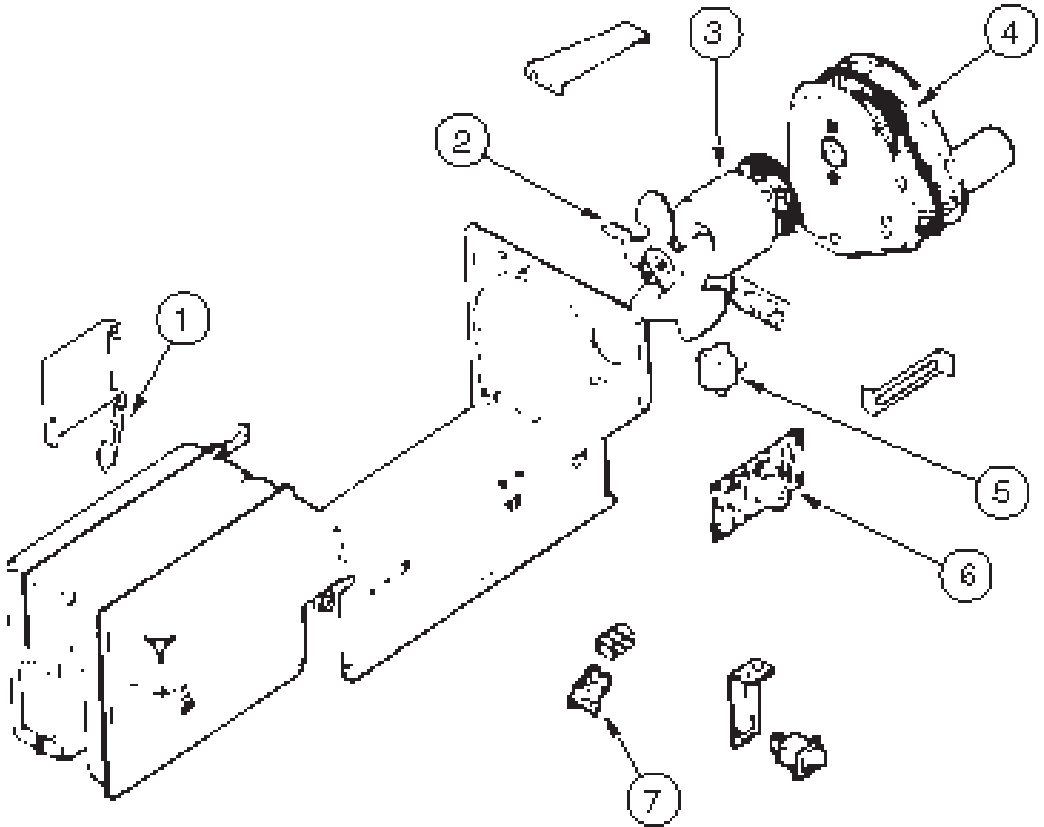
**COLEMAN  
MODEL 6727E713**



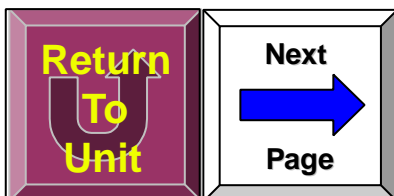
KEY	PART NUMBER	U/M	DESCRIPTION	VENDOR NO.
1	093307-03-000	EA	CEILING ASSEMBLY - COOL ONLY - WHITE	
2	076303-01-701	EA	KNOB - CONTROL	6733A3241
3	093306-01-709	EA	DECAL - SELECTOR - THERMOSTAT	6727A3341
4	093766-02-702	EA	FILTER - PACKAGE OF 2 - 6 X 14.5 X 1/8	67033303
5	093306-03-700	EA	SHROUD - CEILING - WHITE-DECAL	67273511
6	076303-01-708	EA	KNOB & BOLT PACKAGE	67275841
7	093307-01-700	EA	DECAL PACKAGE	6733A3331
8	093306-01-714	EA	SWITCH - SELECTOR	67273251
9	076303-01-710	EA	THERMOSTAT	67333411
	091227-01-700	EA	WASHER PACKAGE - PLASTIC	6250-3241 6703A3341



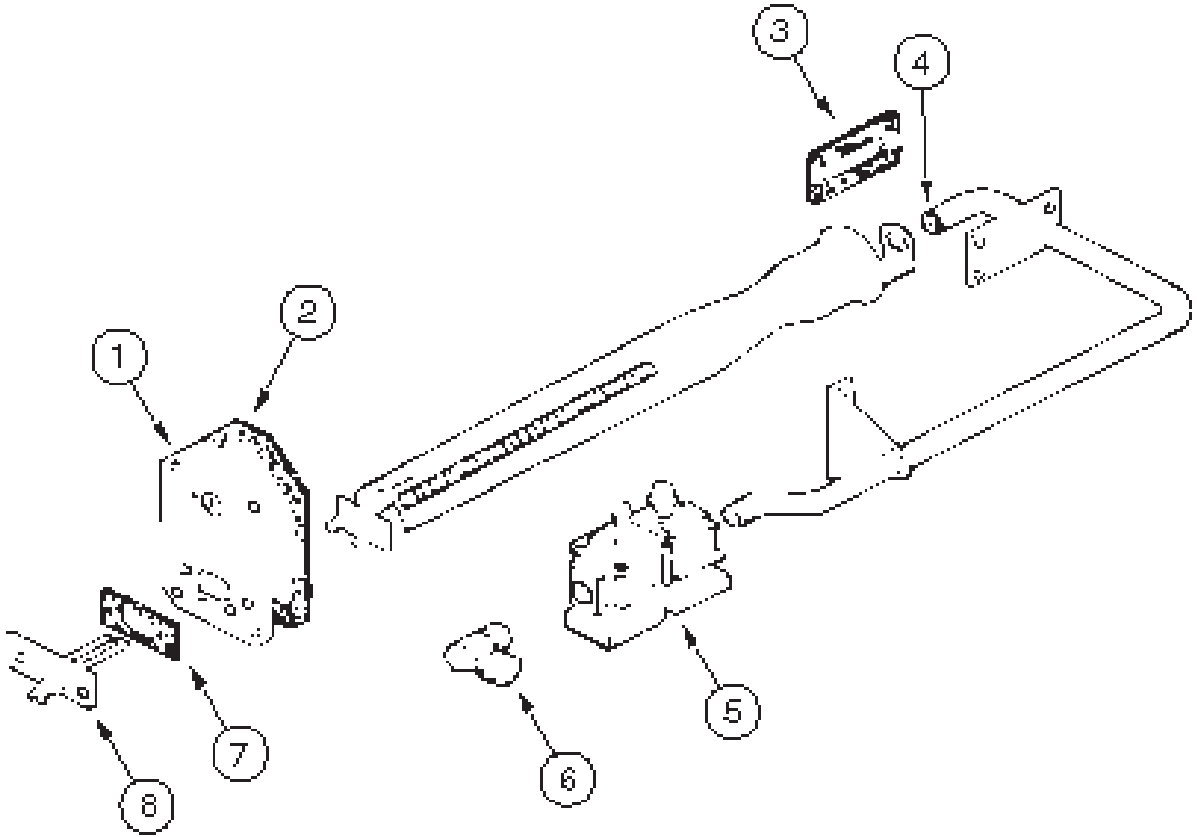
**SUBURBAN  
BLOWER MOTOR & COMPONENTS  
MODEL NT-20SE**



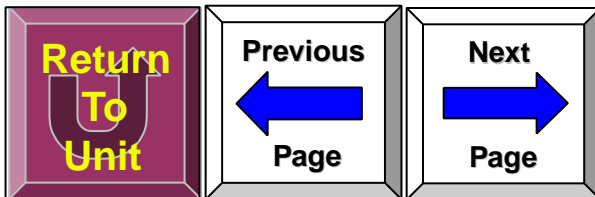
KEY	PART NUMBER	U/M	DESCRIPTION	VENDOR NO.
	075697-07-000	EA	FURNACE FORCED AIR 20000 BTU	
1	075697-05-701	EA	MICRO SWITCH ASSEMBLY - SUBURBAN	230933
2	075697-04-702	EA	IMPELLER - ROOM AIR - SUBURBAN	350083
3	075697-04-701	EA	MOTOR - SUBURBAN	230634
4	074035-01-706	EA	WHEEL - COMBUSTION AIR - SUBURBAN	350082
5	074466-01-702	EA	RELAY - TIME DELAY - SUBURBAN	230625
6	098668-01-712	EA	MODULE BOARD - SUBURBAN	520741
7	074035-01-707	EA	SWITCH - LIMIT - SUBURBAN	230849



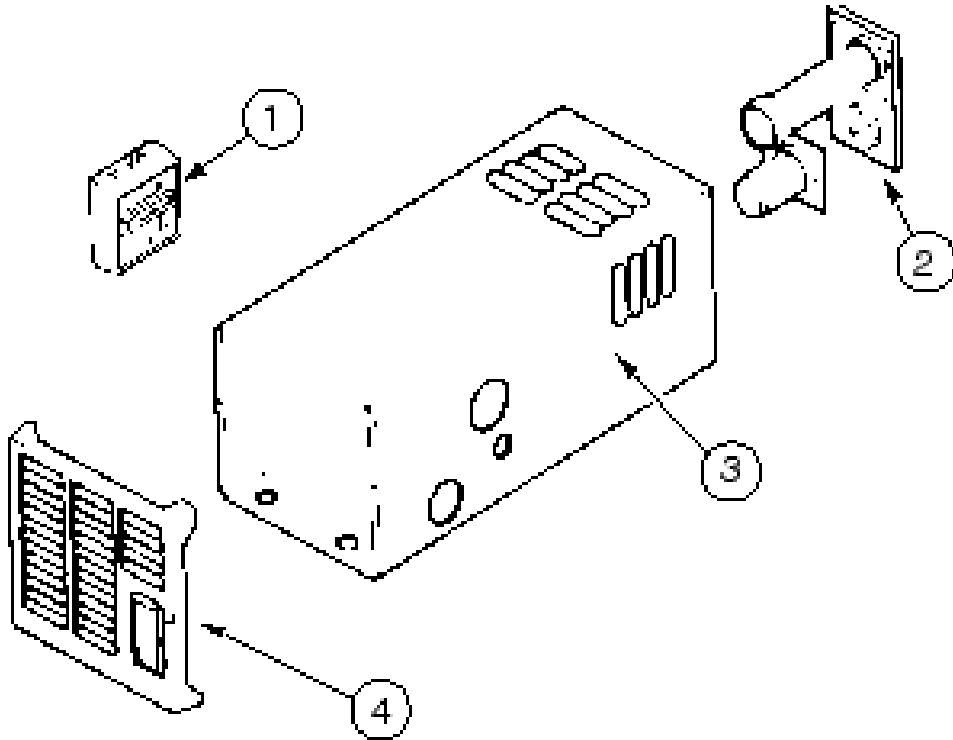
**SUBURBAN  
GAS VALVE & COMPONENTS  
MODEL NT-20SE**



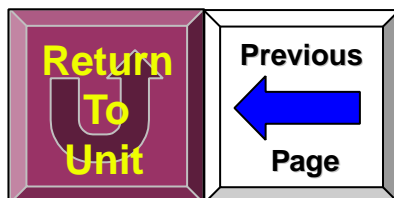
KEY	PART NUMBER	U/M	DESCRIPTION	VENDOR NO.
	075697-07-000	EA	FURNACE FORCED AIR 20000 BTU	
1	075697-04-704	EA	DOOR - BURNER ACCESS - SUBURBAN	030621
2	069634-01-732	EA	GASKET - BURNER ACCESS DOOR - SUBURBAN	070398
3	075697-01-709	EA	GASKET - MANIFOLD - SUBURBAN	070449
4	074035-01-709	EA	ORIFICE - SUBURBAN	180231
5	069634-01-729	EA	VALVE-GAS - JOHNSON - SUBURBAN	161078
6	092300-01-718	EA	ELBOW - 90 - SUBURBAN	170374
7	092300-01-704	EA	GASKET - ELECTRODE - SUBURBAN	070163
8	075697-01-708	EA	ELECTRODE - SINGLE PROBE - SUBURBAN	231931



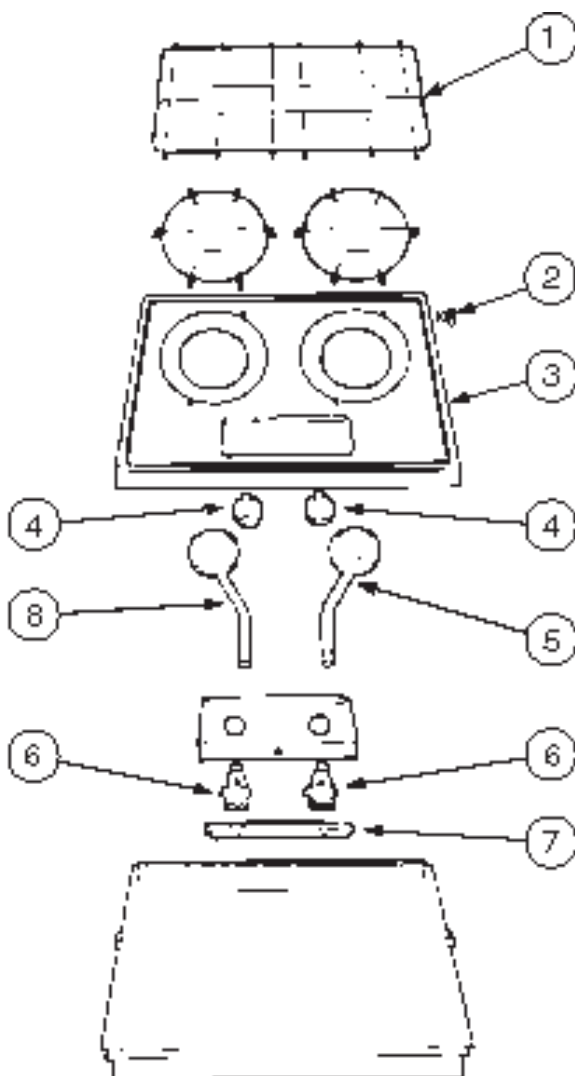
**SUBURBAN  
MODEL NT-20SE**



KEY	PART NUMBER	U/M	DESCRIPTION	VENDOR NO.
	075697-07-000	EA	FURNACE FORCED AIR 20000 BTU	
1	115764-01-01A	EA	THERMOSTAT - WALL, FURNACE - SUBURBAN - 160902	
2	075697-01-701	EA	VENT CAP & EXHUST ASSEMBLY - SUBURBAN	260098
3	075697-01-707	EA	CABINET ASSEMBLY - SUBURBAN	100957
4	075697-07-700	EA	CABINET - FRONT - SUBURBAN	030785



**WEDGEWOOD RANGE  
MODEL D26SG - ST G**

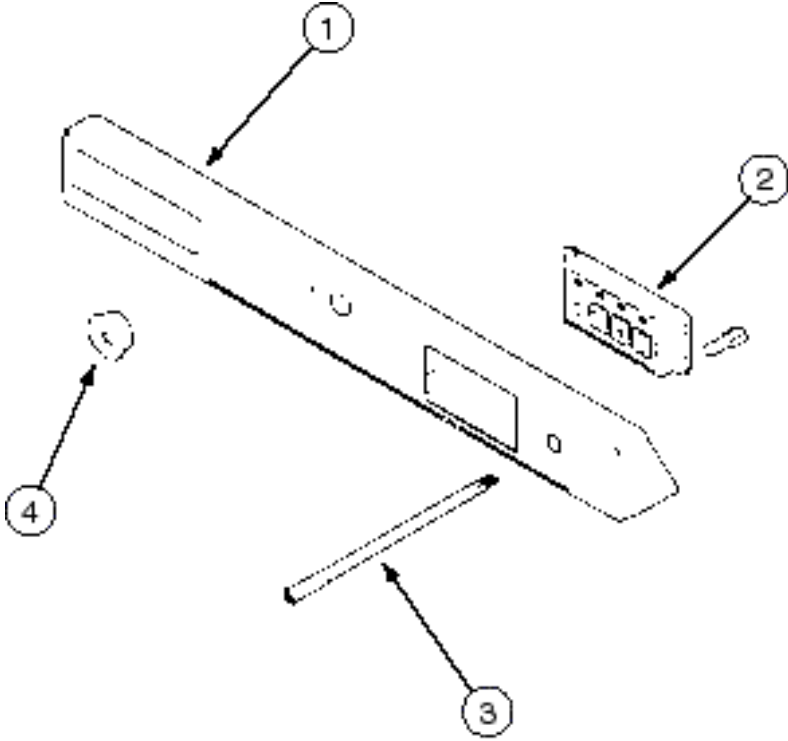


KEY	PART NUMBER	U/M	DESCRIPTION	VENDOR NO.
	113947-02-02A	EA	RANGE - 2 BURNER W/COVER	
1	101593-01-700	EA	GRATE, DESIGNER STYLE	53304
2	101593-01-701	EA	THUMB SCREW	52537
3	113947-02-701	EA	COVER - STOVE TOP, GRAY	56204
4	101593-01-703	EA	BURNER KNOB	53000
5	113947-02-702	EA	BURNER - RIGHT	56076
6	113947-02-700	EA	BURNER VALVE	56089
7	113948-02-702	EA	MANIFOLD	56079
8	113947-02-703	EA	BURNER - LEFT	56075
	107323-01-711	EA	CUSHION-GRATE, RUBBER	53008
	106689-01-704	EA	REGULATOR	51062
	113948-01-702	EA	DECAL- BURNER CONTROL	51454
	113948-01-703	EA	TOP - STOVE, W/GRATE & BAR	51443

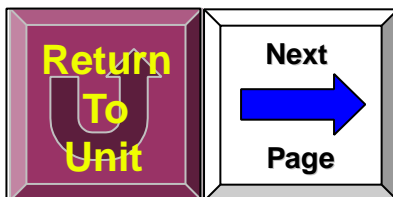




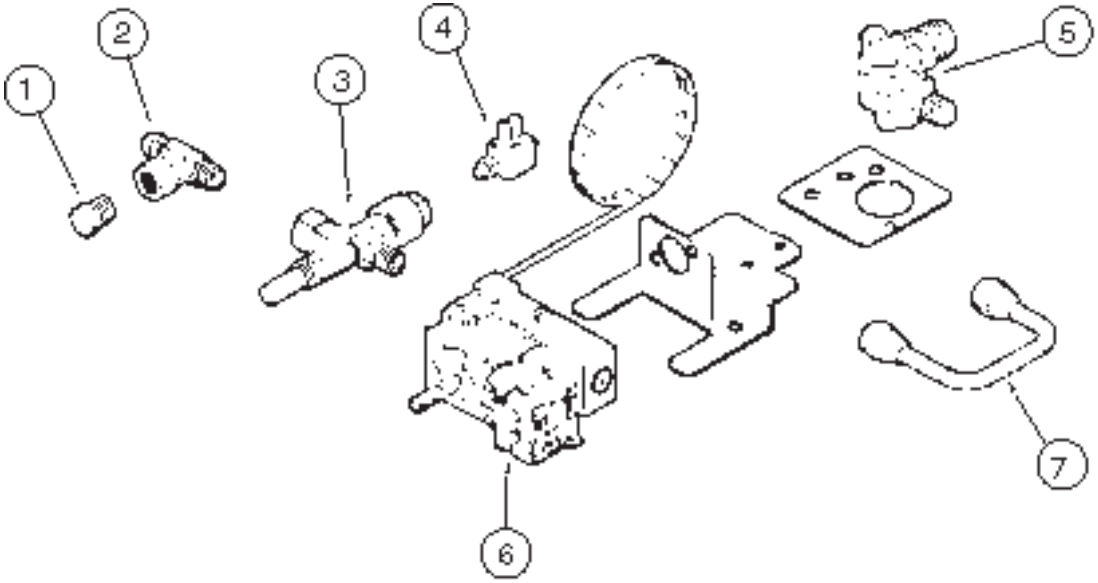
**REFRIGERATOR  
SINGLE DOOR - VW  
NORCOLD**



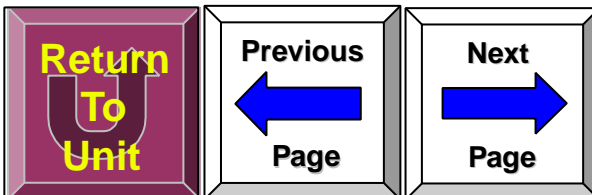
KEY	PART NUMBER	U/M	DESCRIPTION	VENDOR NO.
	113737-01-03A	EA	REFRIGERATOR - SMALL SINGLE DOOR - 3 WAY	
1	113737-01-723	EA	PANEL - CONTROL	617913
2	113737-01-729	EA	SWITCH - SELECTION - MODE	617945
3	113737-01-703	EA	LIGHT - FLAME INDICATOR - GREEN/RED	61609022
4	113737-01-713	EA	PLUG - HOLE - 1" - BLACK	617981



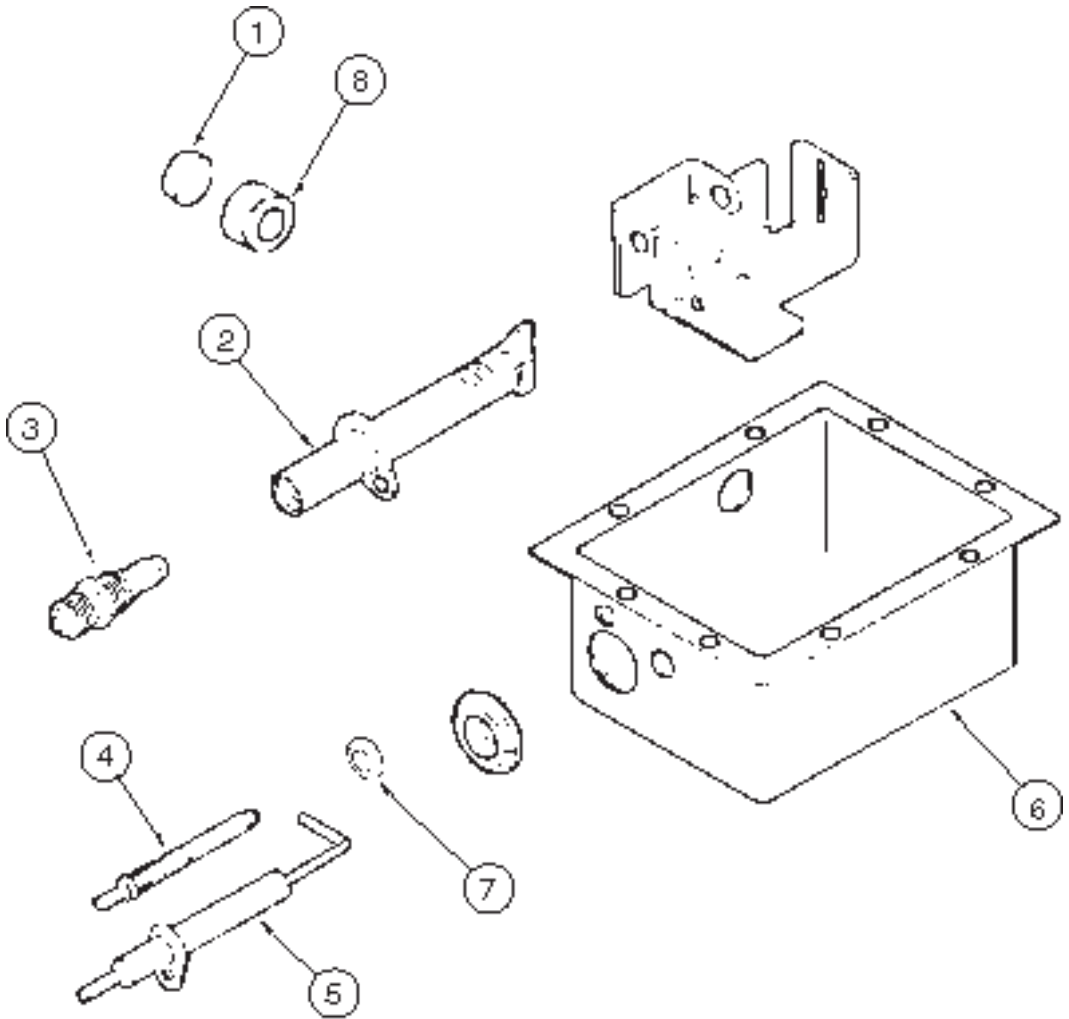
**REFRIGERATOR  
SINGLE DOOR - VW  
NORCOLD**



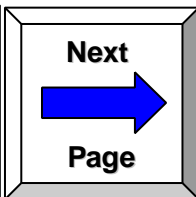
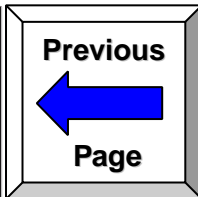
KEY	PART NUMBER	U/M	DESCRIPTION	VENDOR NO.
	113737-01-03A	EA	REFRIGERATOR - SMALL SINGLE DOOR - 3 WAY	
1	113737-01-702	EA	PLUG 1/8" - F/PRESSURE TAP	61445322
2	113737-01-716	EA	TAP - PRESSURE	61594422
3	113737-01-730	EA	VALVE - SAFETY IGNITION	617965
4	113737-01-709	EA	INTERRUPTER	61750522
5	113737-01-719	EA	VALVE - SHUT - OFF - MANUAL	617976
6	113737-01-735	EA	THERMOSTAT - GAS VALVE	617944
7	113737-01-750	EA	TUBE - UNION	61694622



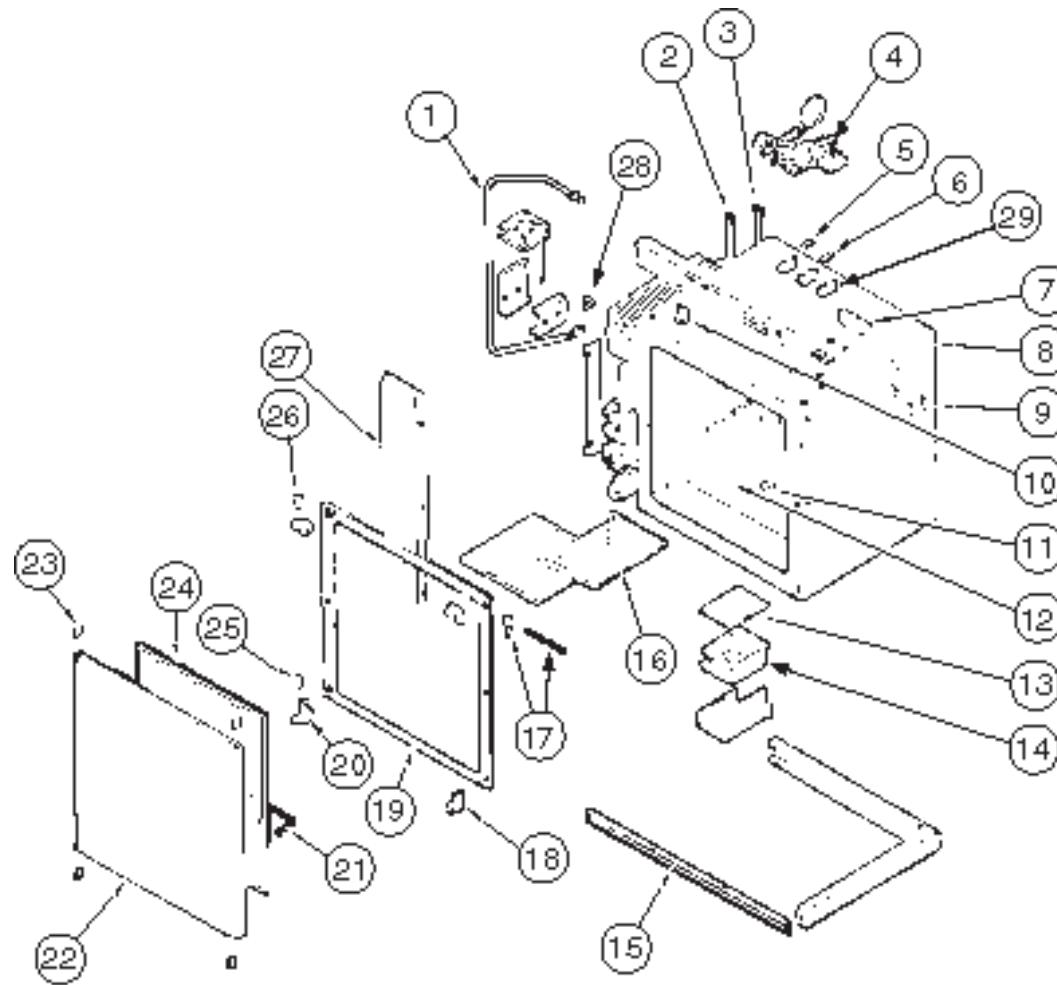
**REFRIGERATOR  
SINGLE DOOR - VW  
NORCOLD**



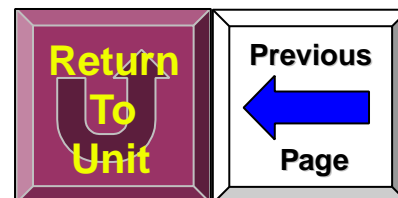
KEY	PART NUMBER	U/M	DESCRIPTION	VENDOR NO.
	113737-01-03A	EA	REFRIGERATOR - SMALL SINGLE DOOR - 3 WAY	
1	113737-01-732	EA	GLASS - SIGHT	617995
2	113737-01-726	EA	BURNER ASSEMBLY	617936
3	113737-01-727	EA	ORIFICE - ADAPTER ASSEMBLY	61753137
4	113737-01-717	EA	THERMOCOUPLE	617983
5	113737-01-715	EA	ELECTRODE - SPARK IGNITION	617966
6	113737-01-747	EA	BOX - BOTTOM F/BURNER	617925
7	113737-01-755	EA	THERMOCOUPLE GROMMET	617997
8	113737-01-751	EA	GROMMET F/SIGHT GLASS	617933



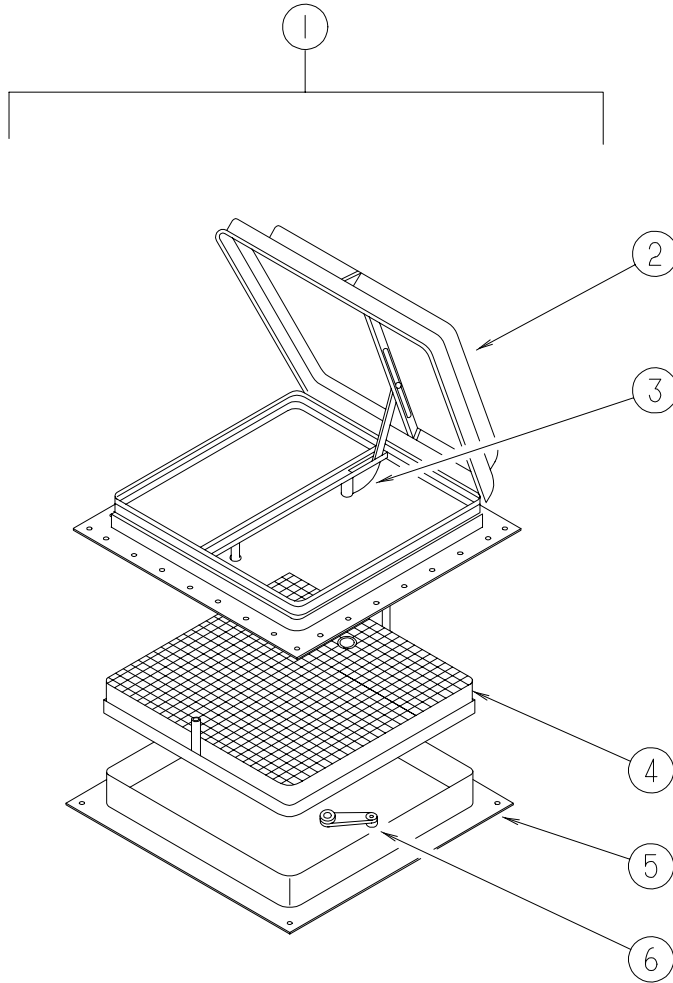
**REFRIGERATOR  
SINGLE DOOR - VW  
NORCOLD**



KEY	PART NUMBER	U/M DESCRIPTION	VENDOR NO.	KEY	PART NUMBER	U/M DESCRIPTION	VENDOR NO.
	113737-01-03A	EA REFRIGERATOR - SMALL SINGLE DOOR - 3 WAY		16	113737-01-711	EA SHELF - L-SHAPED - WHITE	618063
1	113737-01-746	EA TUBE - BURNER	617989	17	113737-01-753	EA PIN - TRAVEL LATCH	618046
2	113737-01-722	EA HEATER - DC (3-WAY)	61745422	17	113737-01-752	EA CHAIN - TRAVEL LATCH	618047
3	113737-01-721	EA HEATER - AC	61745322	18	113737-01-725	EA HINGE (LH BOTTOM & RH TOP)	617911
4	113737-01-718	EA CONTROL ASSEMBLY - THERMOSTAT	617998	19	113737-01-712	EA BREAKER - BLACK TRIM	617912
5	113737-01-714	EA FUSE - 20 AMP (3-WAY)	61440522	20	113737-01-724	EA HINGE (RH BOTTOM & LH TOP)	617910
6	113737-01-720	EA FUSE - 3 AMP (32V OR LESS)	61654622	21	113737-01-733	EA DOOR - RAIL - WHITE POWDER	618064
7	113737-01-731	EA BLOCK - TERMINAL	617979	22	113737-01-757	EA DOOR COMPLETE - VWG DARK GRAY	618678
8	113737-01-707	EA CABINET - COOLING UNIT (FOAMED)	617993	23	113737-01-701	EA BUSHING - HINGE	61742022
9	113737-01-728	EA RELIGHTER	617964	24	113737-01-704	EA GASKET - DOOR - GRAY	617906
10	113737-01-740	EA KNOB - THERMOSTAT	617971	25	113737-01-710	EA PIN - HINGE - BOTTOM	61550722
11	113737-01-705	EA CLIP - FIN	61728722	26	113737-01-708	EA PIN - HINGE - TOP	61114600
12	113737-01-706	EA FIN ASSEMBLY	617948	27	113737-01-756	EA SYSTEM COVER - VWG DARK GRAY	618676
13	113737-01-748	EA GASKET - BURNER BOX	617977	28	113737-01-754	EA THERMOSTAT - FAN - 12VDC	618093
14	113737-01-749	EA BURNER BOX ASSEMBLY	617937	29	113737-01-759	EA FUSE HOLDER	61584222
15	113737-01-734	EA GRILL - AIR INLET - BLACK	617938		113737-01-758	EA LINER - FOAMED - VWG DARK GRAY	618679



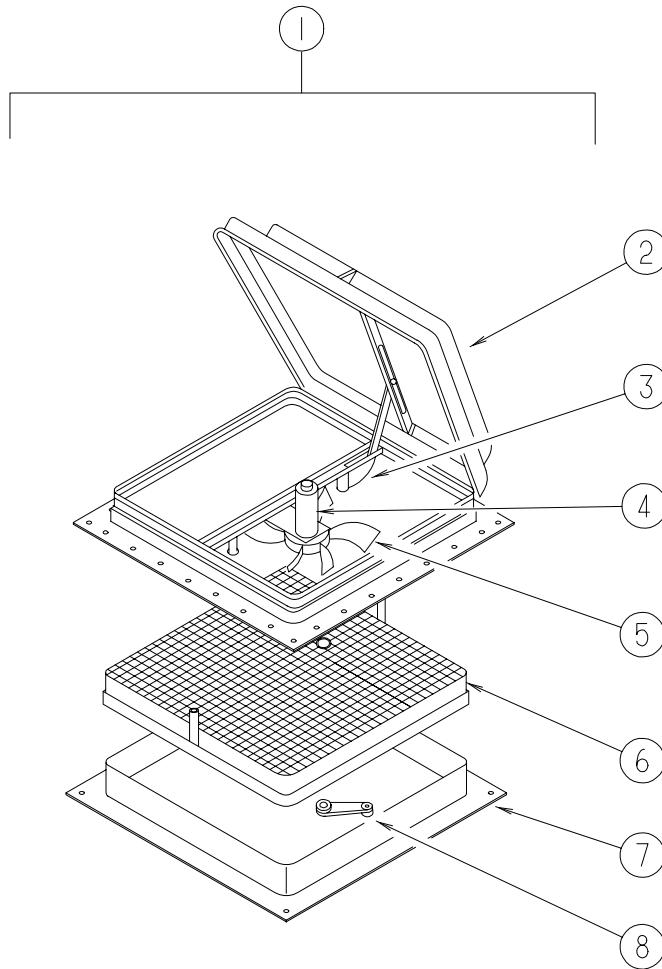
# ELIXIR



KEY	PART NUMBER	U/M	DESCRIPTION	VENDOR NO.
1	122882-01-01A	EA	VENT - ROOF - NONPOWERED - W/O INSIDE GARNISH	
2	064470-01-700	EA	COVER - VENT - W/O SLIDE BAR	J7291B
3	009440-01-000	EA	GEAR/ARM - LIFT - ROOF VENT COVER	
4	122882-01-701	EA	SCREEN	JRP-1124-B
5	122882-06-01A	EA	GARNISH - ROOF VENT - 1" TO 2.56"	
5	122882-07-01A	EA	GARNISH - ROOF VENT - 2.50" TO 4.12"	
6	122882-01-700	EA	HANDLE - CRANK - BLACK	90128
	064470-01-701	EA	SLIDE BAR - VENT LID	JRP1291B



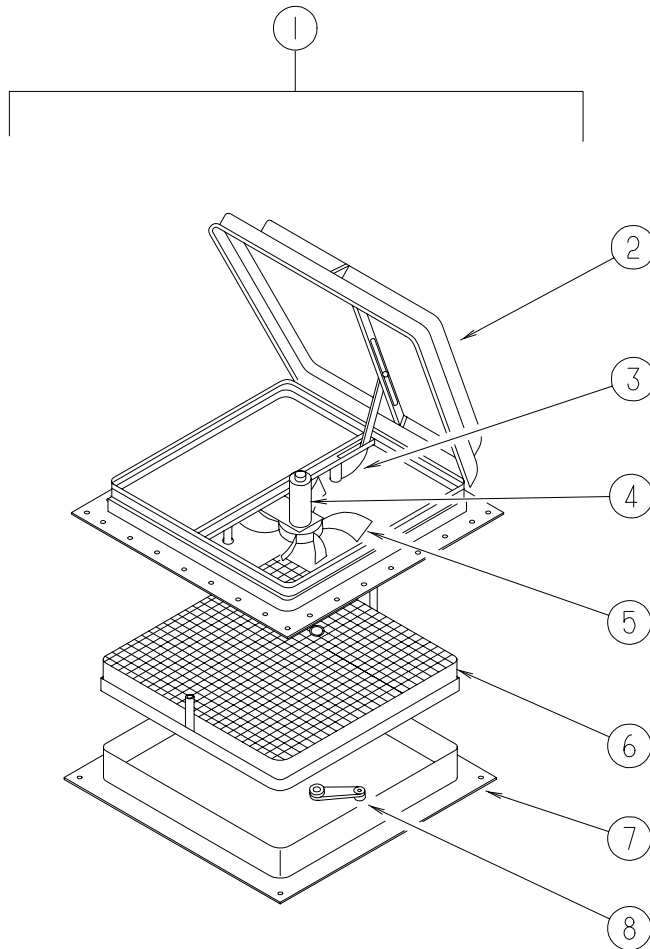
# ELIXIR



KEY	PART NUMBER	U/M	DESCRIPTION	VENDOR NO.
1	122882-02-01A	EA	VENT - ROOF - W/FAN - POWERED - W/O INSIDE GARNISH	
2	064470-01-700	EA	COVER - VENT - W/O SLIDE BAR	J7291B
3	009440-01-000	EA	GEAR/ARM - LIFT - ROOF VENT COVER	
4	048648-01-000	EA	MOTOR - ROOF VENT - 1/8 SHAFT - 12VOLT	
5	048649-01-000	EA	FAN - ROOF VENT - 6 BLADES - 6"	
6	122882-01-701	EA	SCREEN	JRP-1124-B
7	122882-06-01A	EA	GARNISH - ROOF VENT - 1" TO 2.56"	
7	122882-07-01A	EA	GARNISH - ROOF VENT - 2.50" TO 4.12"	
8	122882-01-700	EA	HANDLE - CRANK - BLACK	90128
	064470-01-701	EA	SLIDE BAR - VENT LID	JRP1291B
	110051-03-700	EA	SWITCH - BLACK/PUSH BUTTON	27-0164



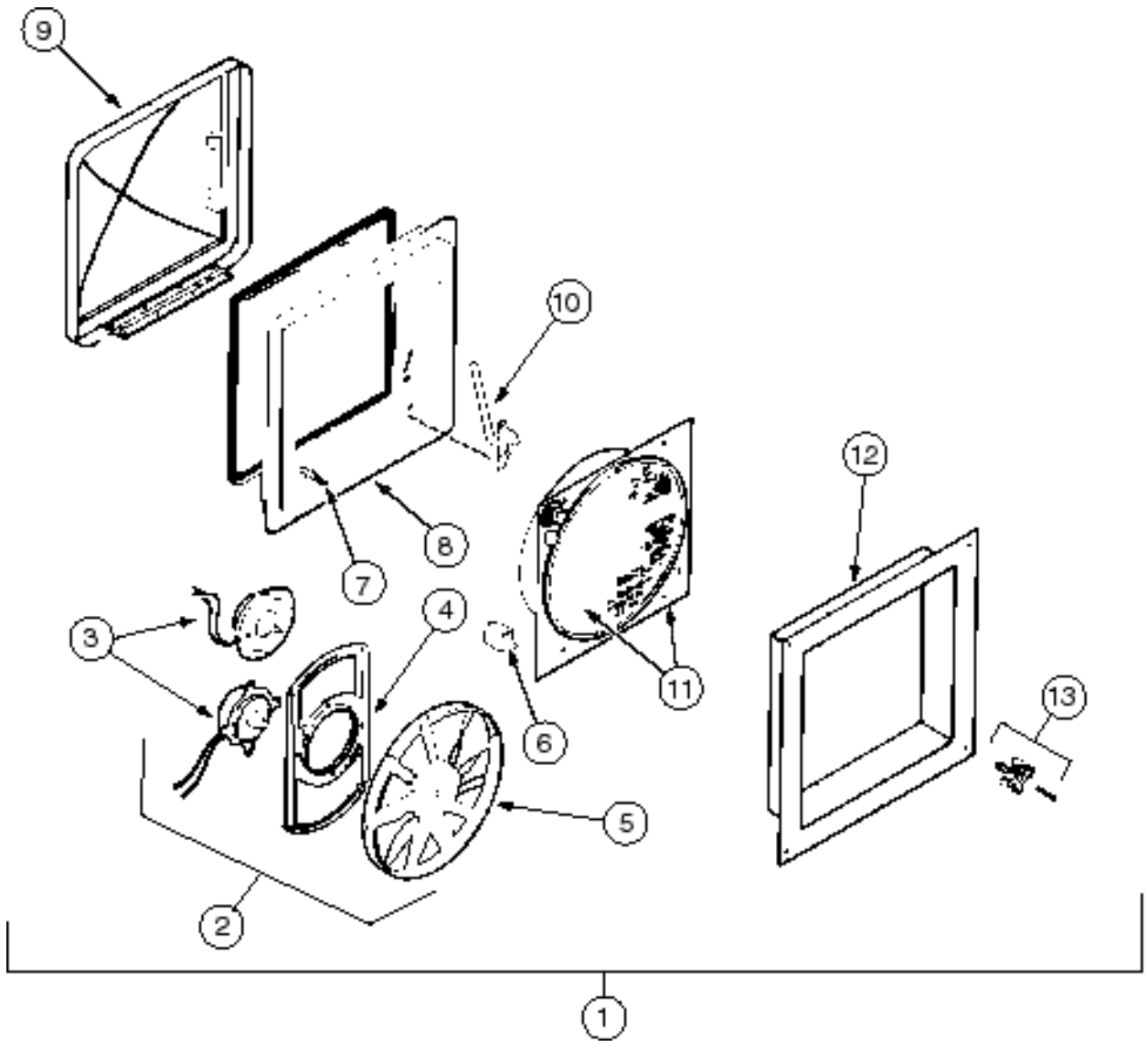
# ELIXIR



KEY	PART NUMBER	U/M	DESCRIPTION	VENDOR NO.
1	122882-03-01A	EA	VENT - ROOF - W/FAN - POWERED - W/O INSIDE GARNISH	
2	064470-01-700	EA	COVER - VENT - W/O SLIDE BAR	J7291B
3	009440-01-000	EA	GEAR/ARM - LIFT - ROOF VENT COVER	
4	048648-01-000	EA	MOTOR - ROOF VENT - 1/8 SHAFT - 12VOLT	
5	048649-01-000	EA	FAN - ROOF VENT - 6 BLADES - 6"	
6	122882-01-701	EA	SCREEN	JRP-1124-B
7	122882-06-01A	EA	GARNISH - ROOF VENT - 1" TO 2.56"	
7	122882-07-01A	EA	GARNISH - ROOF VENT - 2.50" TO 4.12"	
8	122882-01-700	EA	HANDLE - CRANK - BLACK	90128
	064470-01-701	EA	SLIDE BAR - VENT LID	JRP1291B
	110051-03-700	EA	SWITCH - BLACK/PUSH BUTTON	27-0164



FANTASTIC  
MODEL 4000-1-WDW

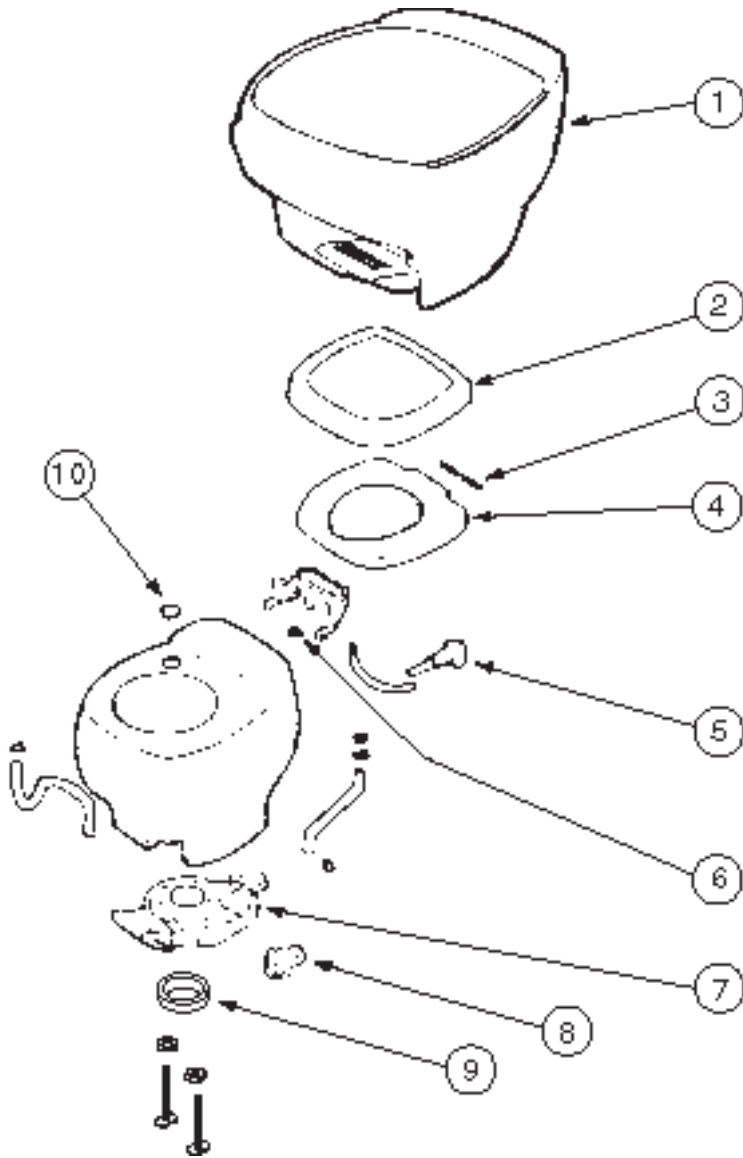


KEY	PART NUMBER	U/M	DESCRIPTION	VENDOR NO.
1	123780-01-01A	EA	VENT - ROOF - 1" - W/FAN/POWER LIFT - W/O THERMOSTAT 4000-1-WDW	
2	084079-11-700	EA	MOTOR, BRKT., FAN BLADE, KIT	4017K-09
3	084079-01-705	EA	MOTOR	1080-00
4	084079-01-711	EA	H-MOLDING, MOTOR MOUNT	
5	084079-01-704	EA	BLADE-FAN	1070-00
6	084079-01-709	EA	SWITCH - MAIN - 3 SPEED	1031-05
7	084079-01-707	EA	SWITCH - SAFETY	1122.05
8	123780-05-700	EA	BASE - MAIN BRIGHT WHITE	1010K-81
9	123780-01-700	EA	COVER - VENT W/HINGE & SLIDE	1020K-81
10	084079-01-702	EA	ARM LIFT ASSEMBLY, MANUAL	101105
11	123780-01-702	EA	SCREEN W/FRAME	103581
12	123780-03-700	EA	GARNISH - INT. 3"-4" BRT/WHT	2040-81
12	123780-01-701	EA	GARNISH - INT 3/4-1" BRT/WHT	0040-81
13	084079-01-703	EA	KNOB-LIFT, W/EXT. & SCREW	1140K-00
	009440-01-000	EA	GEAR-ARM-ROOF VENT 705221K38	
	084079-01-706	EA	PLUG, 12 VOLT	1090





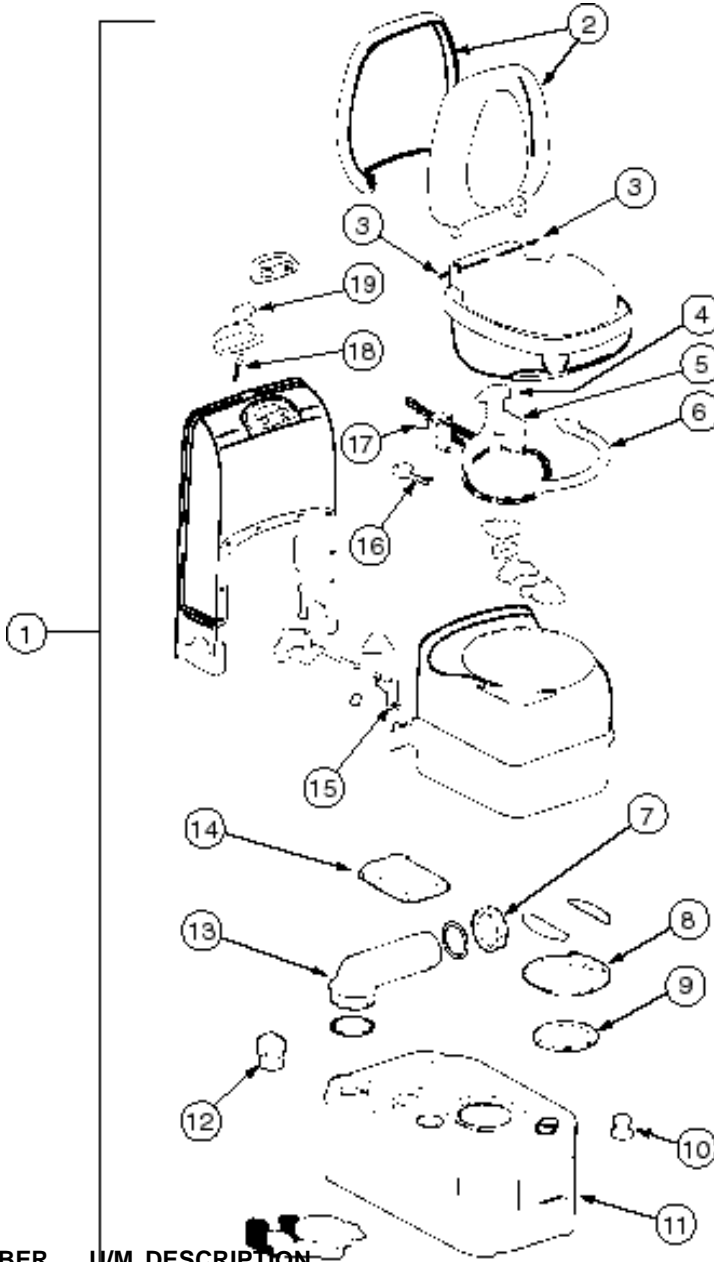
**THETFORD  
MODEL STARLITE  
MODEL - 20900-AM SH LO**



KEY	PART NUMBER	U/M	DESCRIPTION	VENDOR NO.
1	064076-01-000	EA	TOILET - 11.25" TALL - IVORY - WATERSAVER	
2	039341-02-700	EA	COVER - SEAT - TOILET - IVORY	037151
3	039341-02-707	EA	PIN - HINGE	12986
4	039341-02-704	EA	SEAT/COVER SET - NEW STYLE IV	08855
5	067487-01-701	EA	WATER SAVER PACKAGE	08993
6	067487-01-702	EA	CLAMP	03752
7	064076-01-701	EA	MECHANISM - FLUSHING	14622
8	064076-01-705	EA	VALVE - BALL - REPLACEMENT PACKAGE	09868
9	039341-02-705	EA	SEAL & BOLT PKG - W/O FLANGE	08975
10	039341-02-703	EA	PLUG-HOLE - TOILET - IVORY	03895-10
	700011-14-003	EA	BREAKER - VACUUM - WHITE - THETFORD 08200	



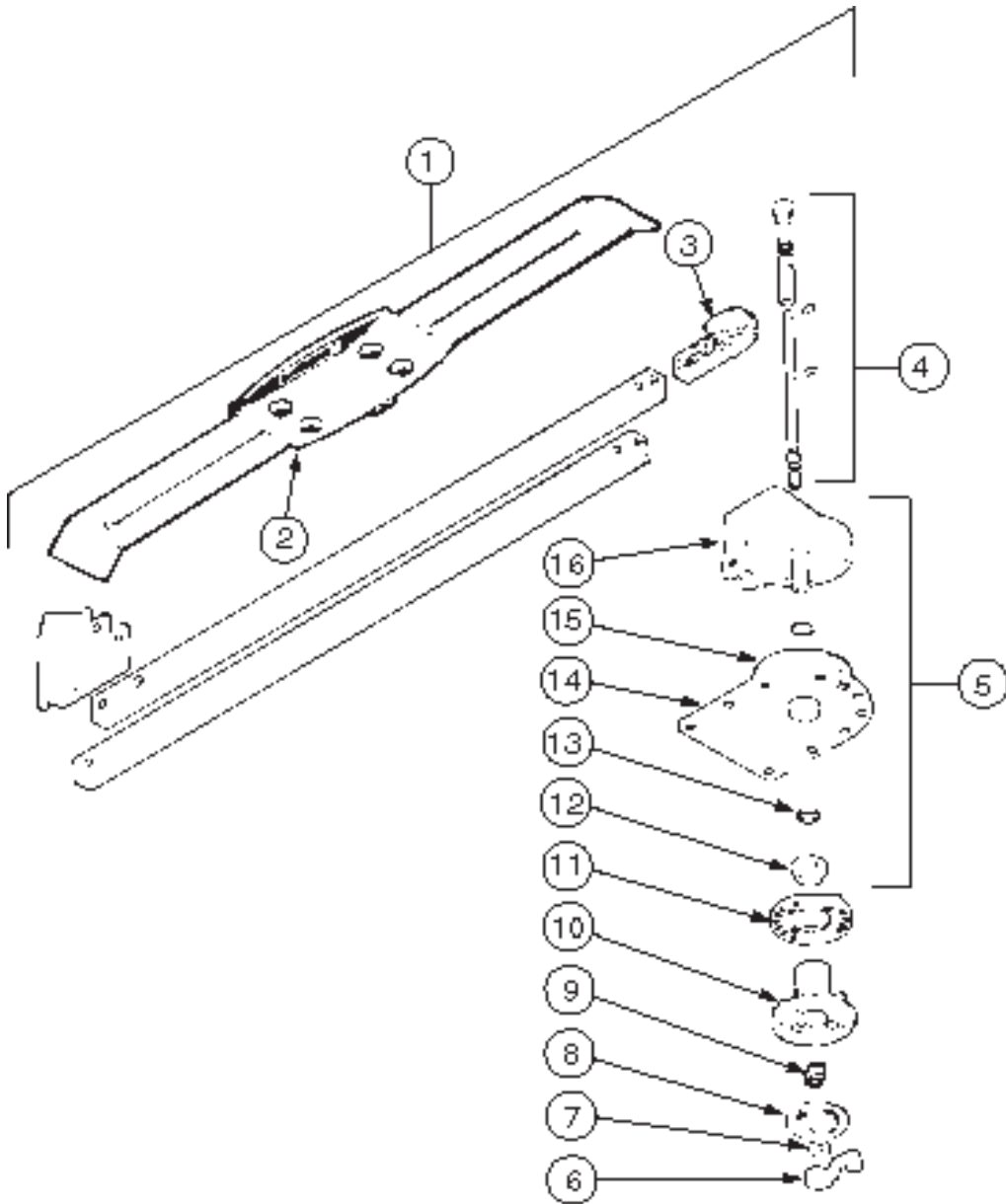
THETFORD CASSETTE TOILET - JAPAN



KEY	PART NUMBER	U/M	DESCRIPTION	VENDOR NO.
1	121003-01-01A	EA	TOILET	
2	121003-01-700	EA	SEAT & COVER ASM - WHITE	2370662
3	121003-01-701	EA	PIN-HINGE, WHITE	2370762
4	121003-01-703	EA	VALVE ASM - ELECTRIC - W/VACUUM	16833
5	121003-01-702	EA	BREAKER ASM - VACUUM - WHITE	2370862
6	121003-01-704	EA	TUBE - FLUSH	2370962
7	121003-01-711	EA	CAP - SPOUT	1638462
8	121003-01-714	EA	SEAL- COVER W/SCREWS	2372074
9	121003-01-715	EA	SEAL - LIP	23721
10	121003-01-717	EA	BUTTON - VENT	2134478
11	121003-01-710	EA	TANK - HOLDING, (COMPLETE)	2371974
12	121003-01-716	EA	VENT ASM - PRESSURE RELEASE	2372274
13	121003-01-712	EA	SPOUT - DRAIN	1619674
14	121003-01-713	EA	COVER - SLIDING	2133374
15	121003-01-705	EA	HANDLE - VALVE, BLADE	2371362
16	121003-01-706	EA	SWITCH - REED	2371462
17	121003-01-707	EA	FUSE (2PACK)	23715
18	121003-01-709	EA	INDICATOR - WARNING LEVEL	23718
19	121003-01-708	EA	SWITCH - FLUSH	23716



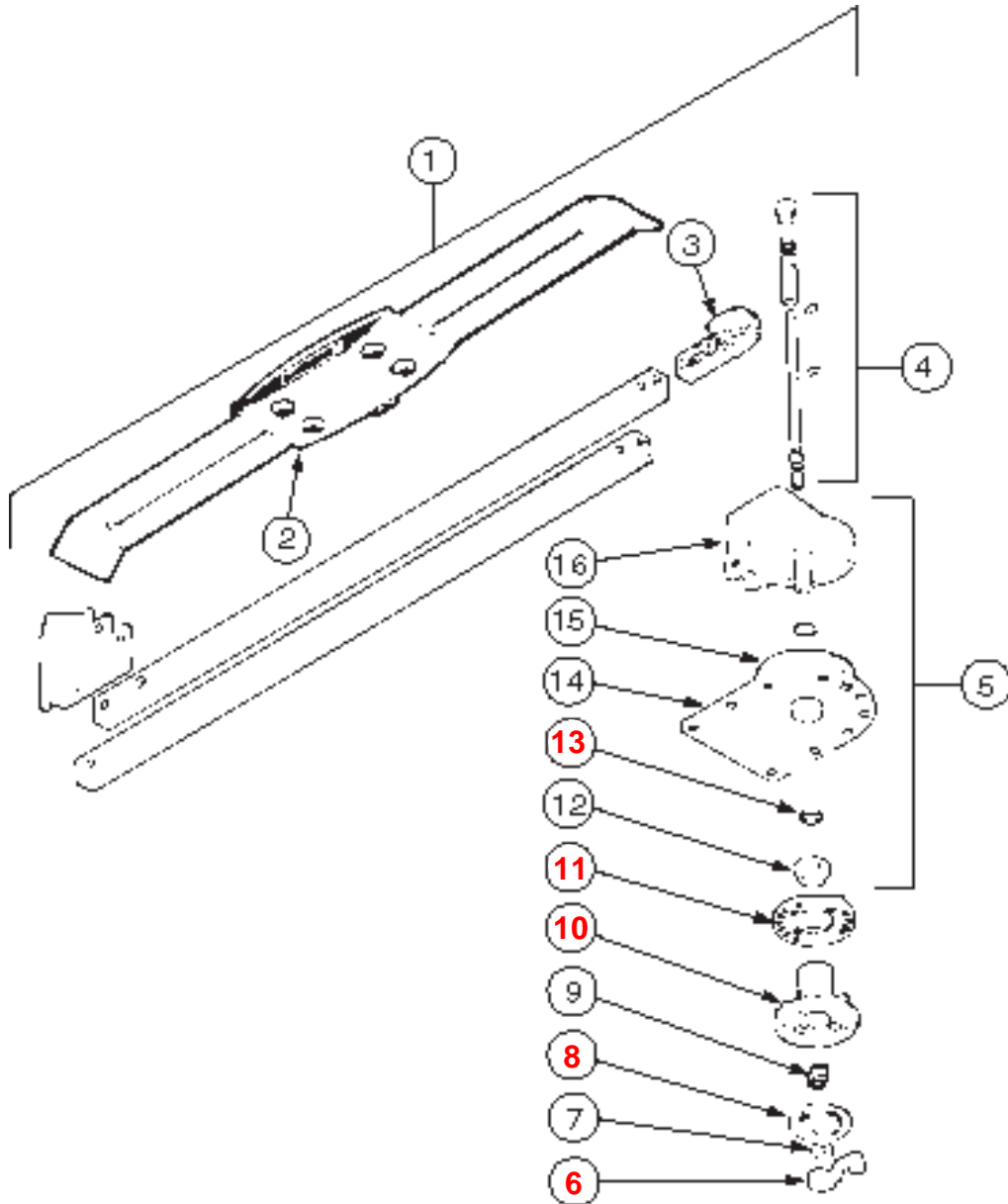
WINEGARD  
MODEL RV-7184



KEY	PART NUMBER	U/M	DESCRIPTION	VENDOR NO.
1	076319-24-000	EA	ANTENNA - TV ROOF MOUNT - 25.5" MAST	
2	076319-01-700	EA	HEAD - ANTENNA - AMPLIFIED	RVSA U/V
3	076319-01-701	EA	GEAR - ELEVATING - PLASTIC	2200046
4	076319-01-702	EA	SHAFT ASM - ELEVATING	RVP-400A
5	076319-01-711	EA	BASE & LIFT ASM	2762802
6	076319-01-706	EA	CRANK-ELEVATING W/SET SCREW	2750897
7	076319-01-705	EA	GROMMET - NYLON - 7/8"ID	3200658
8	076319-01-708	EA	DECAL-CRANK	5413002
9	076319-01-707	EA	SPRING - HANDLE	5160822
10	076319-25-700	EA	DIRECTIONAL HANDLE(WHITE)	3200612
11	076319-01-709	EA	PLATE - CEILING - (IVORY)	3200621
11	076319-01-712	EA	PLATE - CEILING	3200608
12	076319-01-715	EA	NUT (GEAR HOUSING)	2200047
13	076319-01-704	EA	BEARING - NYLON - 1.25" O.D.	3200657
14	076319-01-713	EA	BASE PLATE	3100523
15	076319-01-703	EA	BEARING - NYLON - 5"OD	3200656
16	076319-01-714	EA	HOUSING - ROTATING GEAR	2200049
	076319-01-716	EA	TUBING, ELEVATING	RP-2900



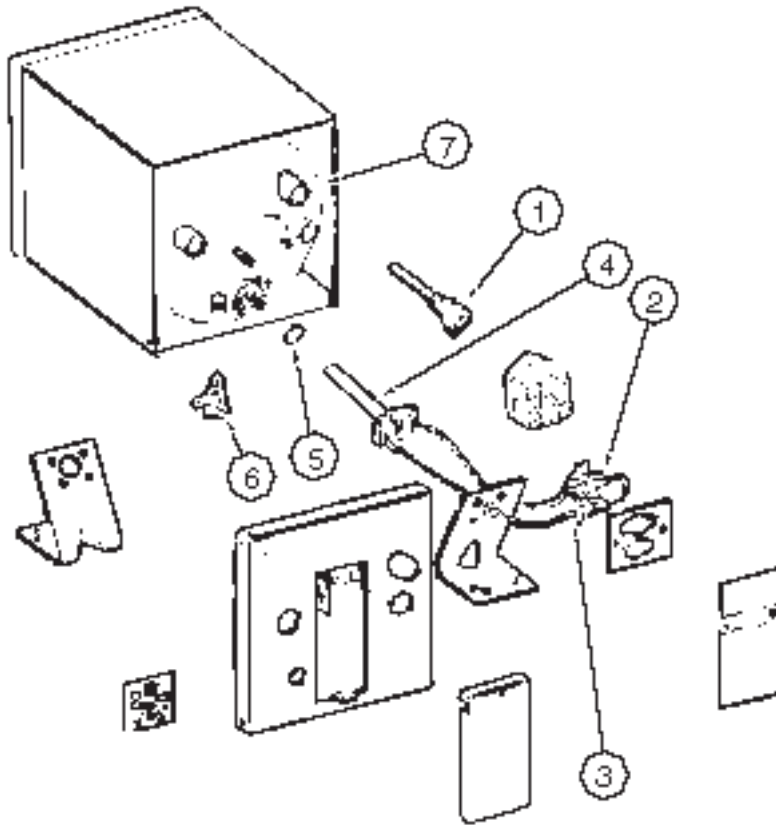
**WINEGARD  
INTERIOR HARDWARE KIT**



KEY	PART NUMBER	U/M	DESCRIPTION	VENDOR NO.
	076319-25-000	EA	KIT - HARDWARE INTERIOR	
6	076319-01-706	EA	CRANK-ELEVATING W/SET SCREW	2750897
8	076319-01-708	EA	DECAL-CRANK	5413002
10	076319-25-700	EA	DIRECTIONAL HANDLE(WHITE)	3200612
11	076319-25-701	EA	PLATE - CEILING(WHITE)	3200609
13	120233-01-709	EA	WASHER-NYLON	RP-2658
	120233-01-710	EA	HANDLE-CRANK	RP-6795



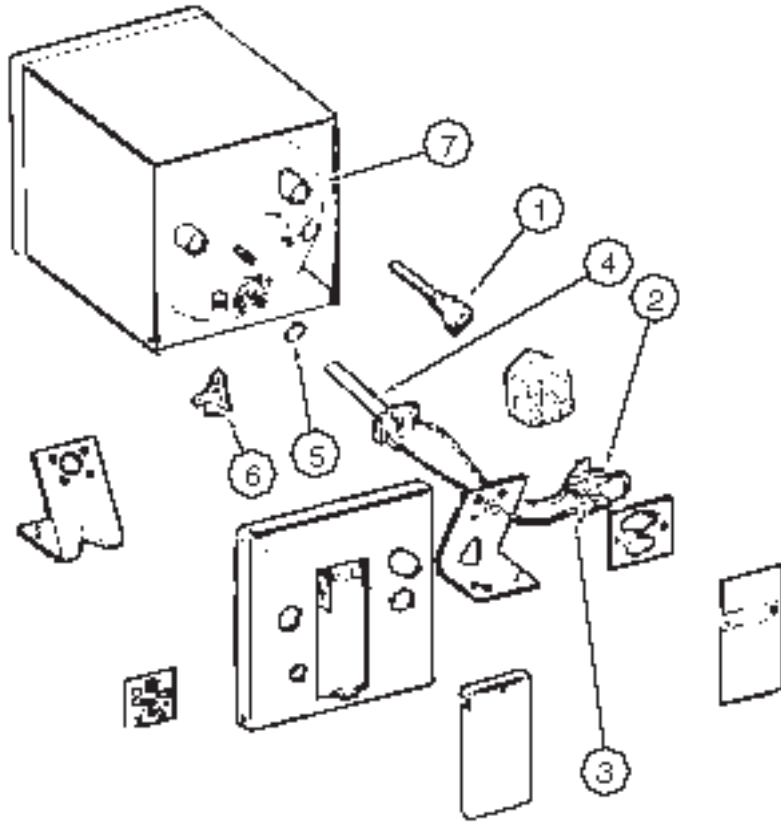
**ATWOOD  
MODEL EHM4 - SM**



KEY	PART NUMBER	U/M	DESCRIPTION	VENDOR NO.
	113122-01-000	EA	WATER HEATER - ELECTRIC - 4 GALLON	
1	051391-01-704	EA	VALVE - RELIEF - 1/2" FITTING	91604
2	074034-01-700	EA	SWITCH	92942
3	074034-01-701	EA	THERMOSTAT	92943
4	074034-01-702	EA	ELEMENT - IMMERSION - 1500 W	93089
5	074034-01-703	EA	GASKET	92679
6	074034-01-704	EA	VALVE - DRAIN - PETCOCK - NADA	93755
7	113122-01-700	EA	TANK - INNER	92245



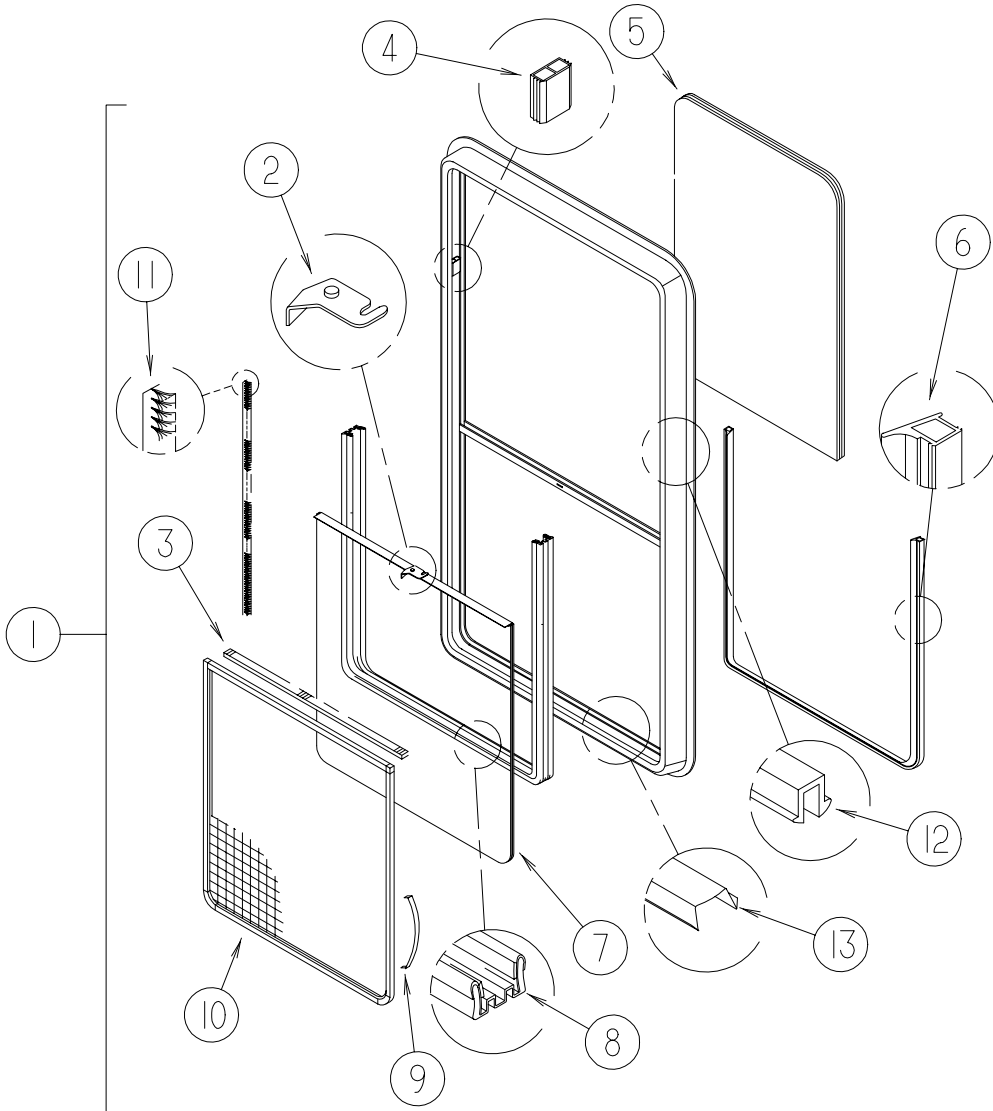
**ATWOOD  
MODEL EHM4 - 220**



KEY	PART NUMBER	U/M	DESCRIPTION	VENDOR NO.
	113122-02-000	EA	WATER HEATER - 4 GALLON	
1	051391-01-704	EA	VALVE - RELIEF - 1/2" FITTING	91604
2	113122-02-700	EA	SWITCH - ECO 220 V	91740
3	074034-01-701	EA	THERMOSTAT	92943
4	113122-02-701	EA	ELEMENT - HEATING - 220 V	91097
5	113122-02-702	EA	GASKET - 220 V	91098
6	074034-01-704	EA	VALVE - DRAIN - PETCOCK - NADA	93755
7	113122-01-700	EA	TANK - INNER	92245



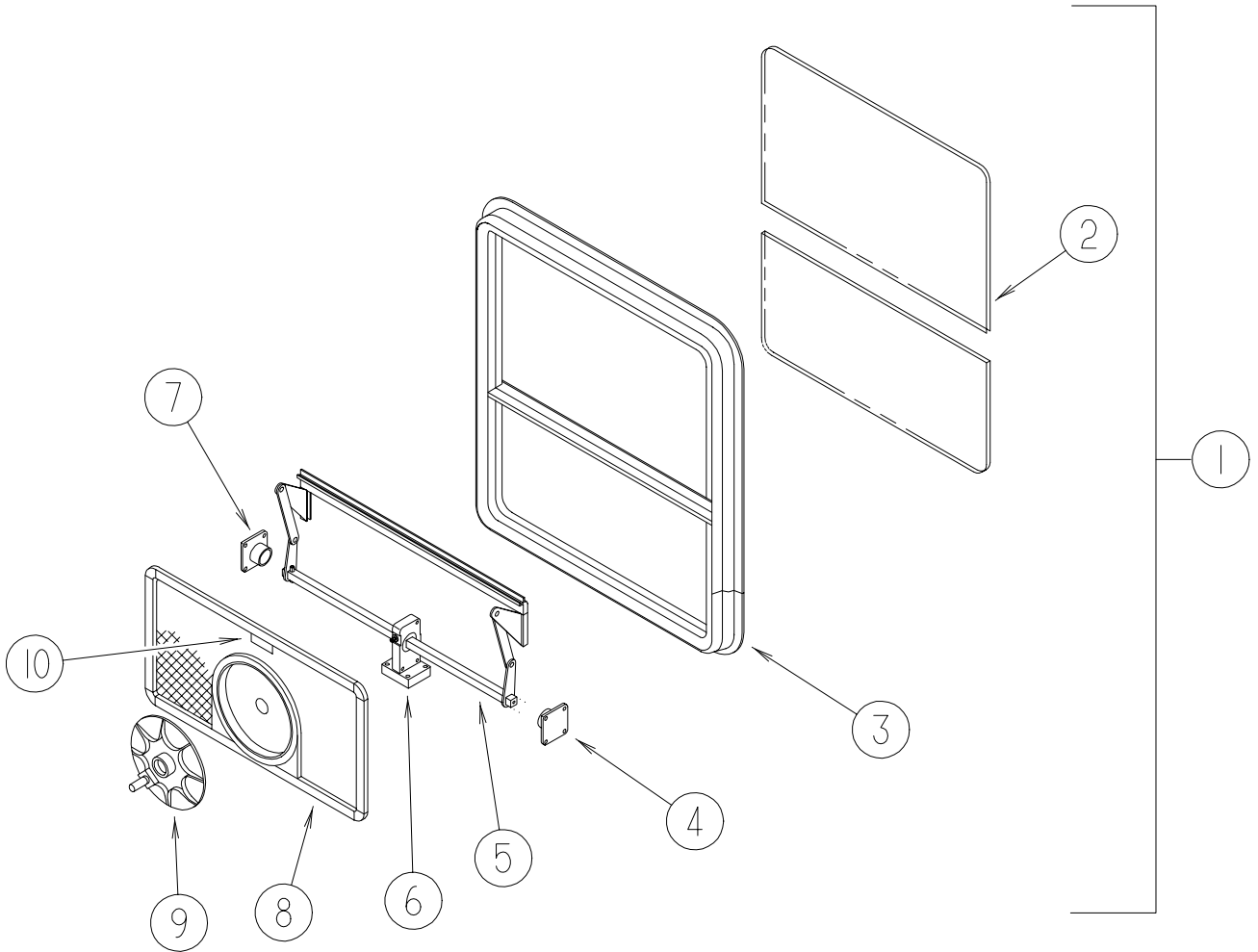
**WINDOW - SLIDER  
EXCEL H464-G1W66**



KEY	PART NUMBER	U/M	DESCRIPTION	VENDOR NO.
1	098644-10-01A	EA	WINDOW - VERTICAL SLIDER W/TRIM - TINTED - 25" X 27"	
2	098644-01-700	EA	LATCH - REPAIR KIT (BLACK)	B801-CK
3	098644-01-706	FT	WEATHERSTRIP - GLASS	122-016543
4	098644-01-719	EA	STOP - SLIDER GLASS	132-014203
5	098644-10-702	EA	GLASS - STATIONARY	106-025019
6	098644-01-716	EA	PLUG - FILLER	132-014470
7	098644-10-701	EA	GLASS - SLIDING - W/SASH & LATCH	H464-G9
8	098644-01-708	FT	CHANNEL - RUN - PIERCED	122-016543
9	098644-01-713	EA	CLIP - SCREEN - METAL	226-016966
10	098644-10-700	EA	SCREEN ASSEMBLY - W/SEALS & CLIPS	410-019683
11	098644-01-711	EA	WEATHERSTRIP - SCREEN - BLACK	171-016965
12	098644-01-705	FT	GLAZING - STRIP	132-010231
13	098644-01-710	FT	TRACK - SCREEN SPACER - 12'	132-017135
	098644-01-717	FT	SPLINE - SCREEN	132-004716
	098644-10-703	EA	RETAINER - TRIM	CW78-66



## SINGLE TIPOUT

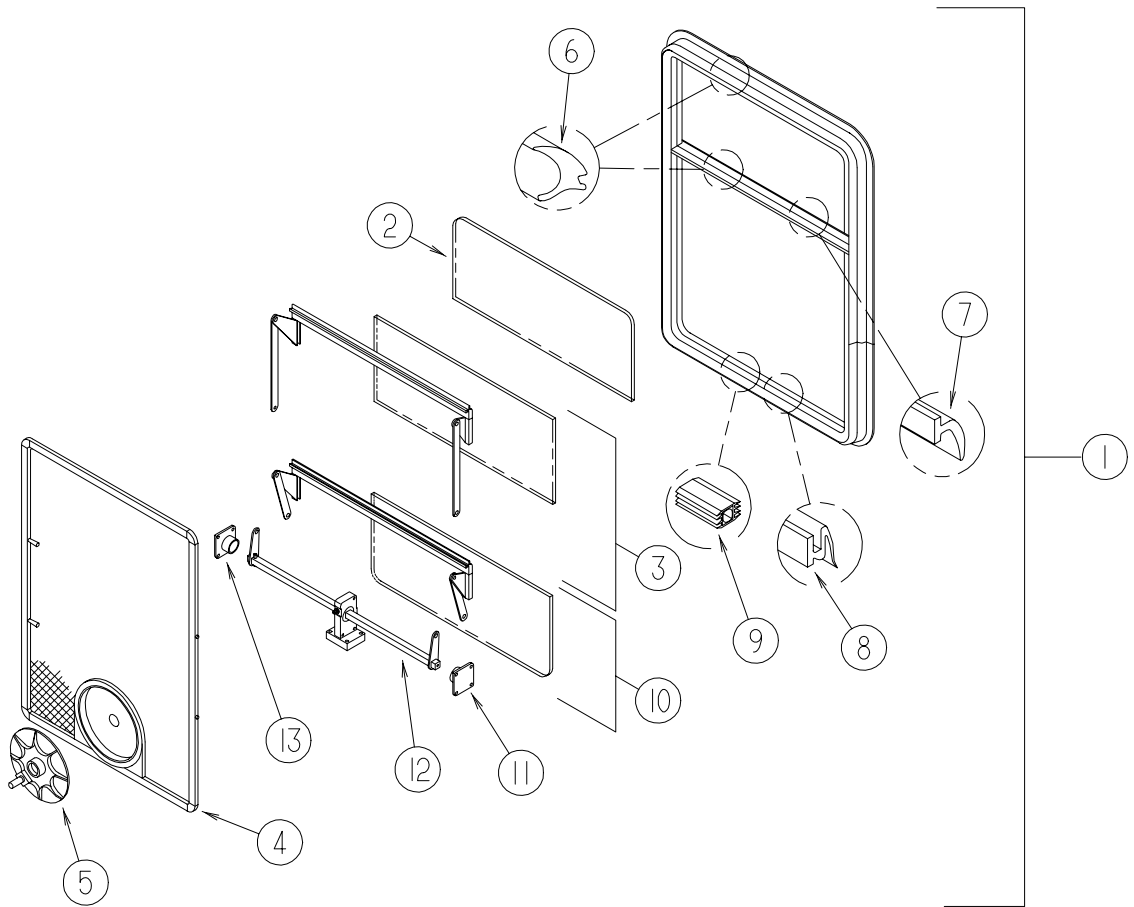


KEY	PART NUMBER	U/M	DESCRIPTION	VENDOR NO.
1	104691-07-01A	EA	WINDOW - SINGLE TIPOUT - TINTED - 27" X 25" - OFF/WHT TRIM	
2	104691-07-701	EA	GLASS - STATIONARY	106-018753
3	100322-01-703	FT	VINYL - GLAZING - BUTYL	132-010723
4	100322-01-715	EA	SUPPORT - TORQUE BAR - RH	130-015979
5	104691-15-703	EA	OPERATOR & BAR ASSEMBLY	CH56-15
6	112519-01-702	EA	OPERATOR - VENT	410-016123
7	100322-01-714	EA	SUPPORT - TORQUE BAR - LH	130-015978
8	104691-07-702	EA	SCREEN ASSEMBLY - W/SEALS & CLIPS	410-018755
9	100322-01-718	EA	HANDLE - DIAL	410-016081
10	112519-01-706	EA	CLIP - SCREEN	CH21-50
	100322-01-701	FT	SEAL - VENT	122-016071
	100322-01-702	EA	WEATHERSTRIP - HORIZONTAL RAIL	132-015976
	100322-01-704	EA	TAPE - BUTYL	154-016083
	104691-07-700	EA	GLASS - VENT ASSEMBLY - LOWER	CH78-D9
	116976-01-702	FT	FILLER - PLUG	132-016065





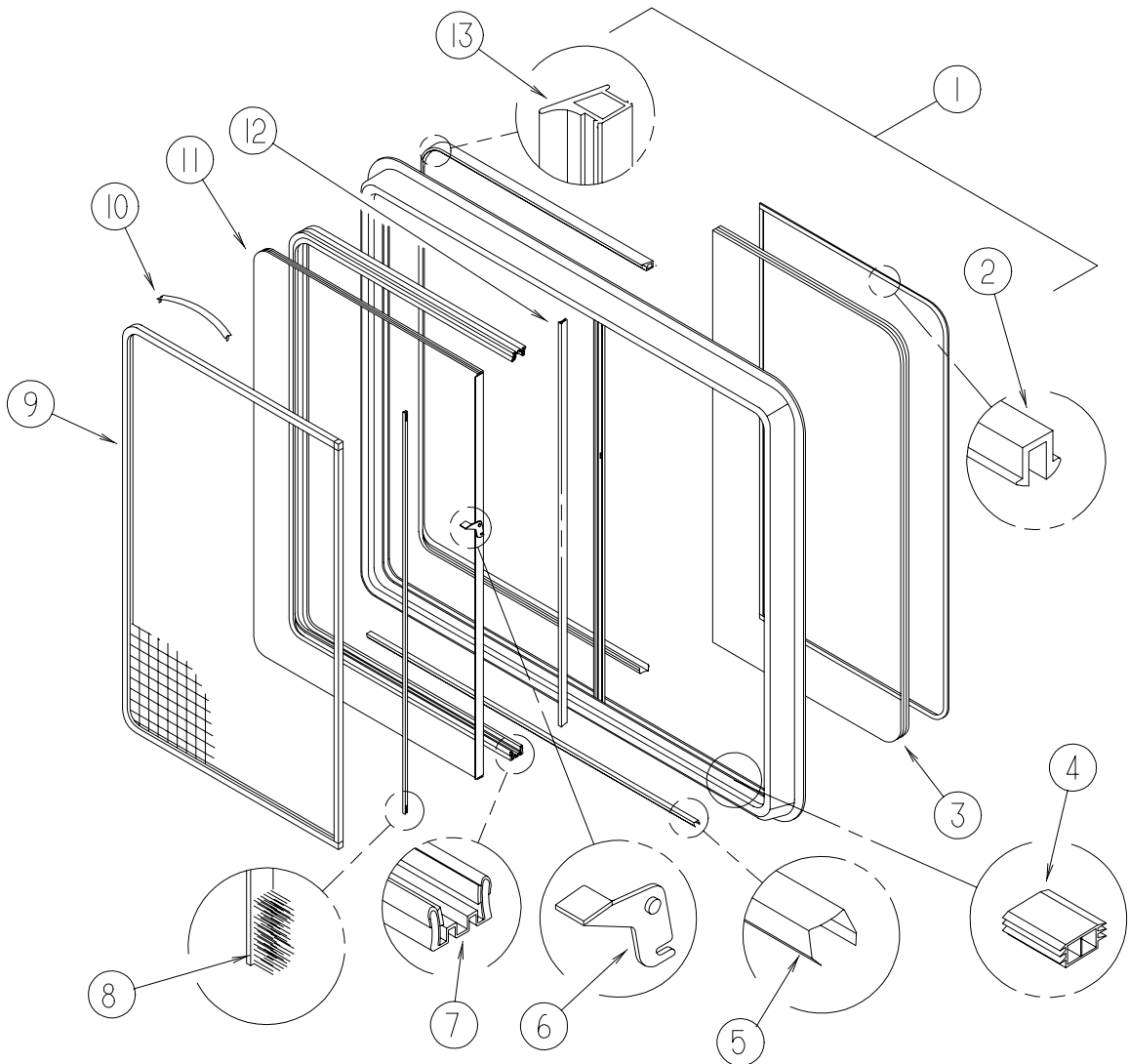
**WINDOW - DOUBLE TIPOUT  
EXCEL CH03-G1W59**



KEY	PART NUMBER	U/M	DESCRIPTION	VENDOR NO.
1	104691-17-01A	EA	WINDOW - DOUBLE TIPOUT - TINTED - 36.2" X 24.5"	
2	104691-17-703	EA	GLASS - STATIONARY	106-025766
3	104691-17-701	FT	GLASS - VENT ASSEMBLY - UPPER	CH03-G7
4	104691-17-702	EA	SCREEN ASSEMBLY - W/SEALS & CLIPS	410-016019
5	100322-01-718	EA	HANDLE - DIAL	410-016081
6	100322-01-703	EA	VINYL - GLAZING - BUTYL	132-010723
7	100322-01-702	EA	WEATHERSTRIP - HORIZONTAL RAIL	132-015976
8	100322-01-701	FT	SEAL - VENT	122-016071
9	116976-01-702	FT	FILLER - PLUG	132-016065
10	104691-17-700	EA	GLASS - VENT ASSEMBLY - LOWER	CH03-G9
11	100322-01-715	EA	SUPPORT - TORQUE BAR - RH	130-015979
12	100322-01-716	EA	SUPPORT - TORQUE BAR - CENTER RAIL	130-015980
13	100322-01-714	EA	SUPPORT - TORQUE BAR - LH	130-015978
	112519-01-706	EA	CLIP - SCREEN	CH21-50
	100322-01-704	EA	TAPE - BUTYL	154-016083
	100322-01-717	EA	E - RING	245-015975
	112519-01-702	EA	OPERATOR - VENT	410-016123



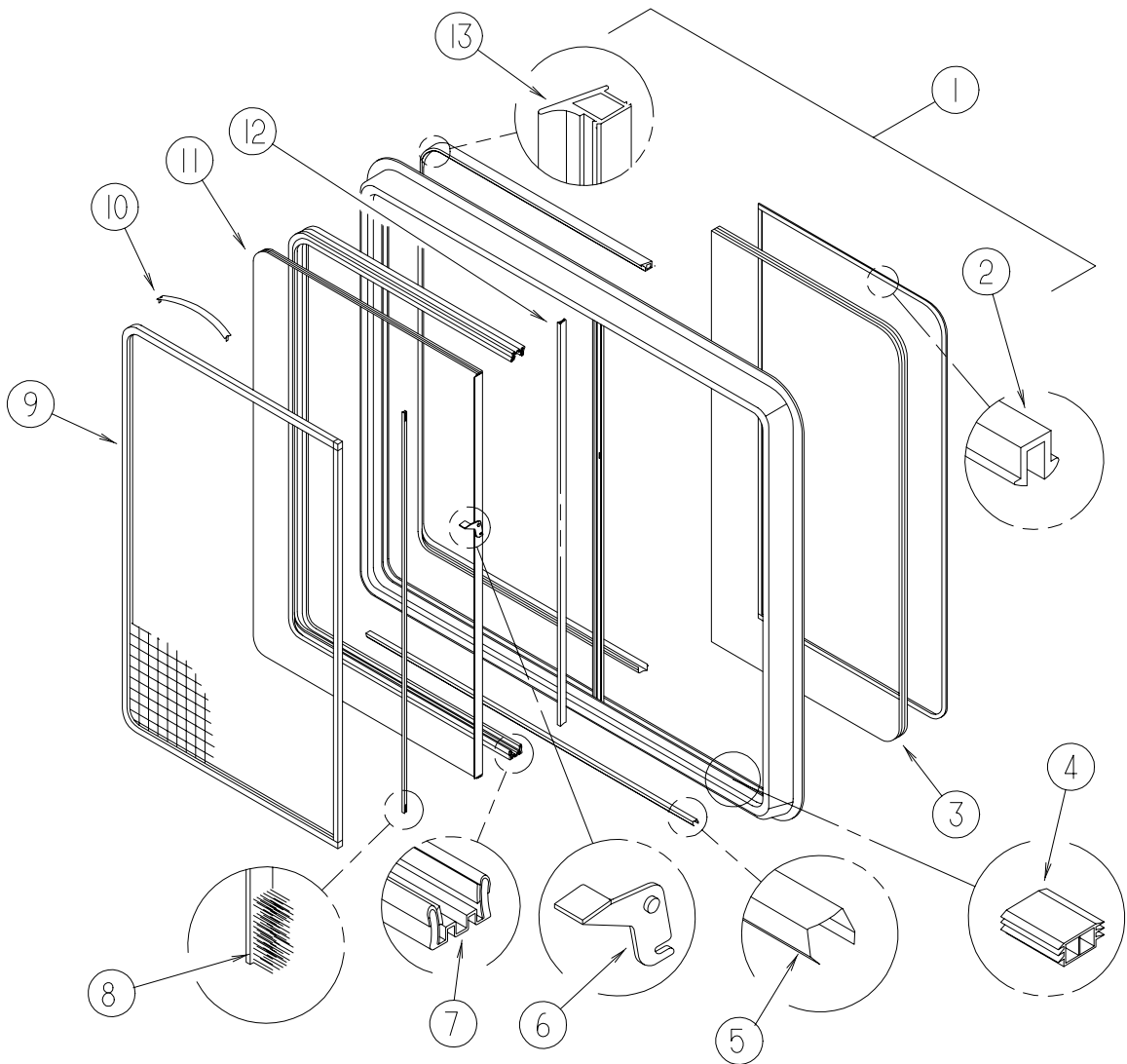
# THERMOPANE



KEY	PART NUMBER	U/M	DESCRIPTION	VENDOR NO.
1	112795-58-01A	EA	WINDOW - PASSENGER HORIZ SLIDER - THERMO - 24.4" X 36.2"	
	112795-58-702	EA	RETAINER - TRIM	CW03-66
2	112795-01-705	FT	VINYL - GLAZING	132-025736
3	112795-58-701	EA	GLASS - STATIONARY	390-025875
4	112795-01-701	EA	SLIDE-STOP	132-019092
5	098644-01-710	FT	TRACK - SCREEN SPACER 12'	132-017135
6	112795-01-700	EA	LATCH ASSEMBLY - BLACK - (BOLT ON)	DH287-CK
7	112795-01-703	IN	CHANNEL-RUN (INCHES)	112795-01-703
8	098644-01-711	FT	WEATHERSTRIP - SCREEN BLACK	171-016965
9	112795-58-703	EA	SCREEN ASSEMBLY - W/SEALS & CLIPS	410-025877
10	098644-01-713	EA	CLIP - SCREEN - METAL	226-016966
10	125582-01-701	EA	CLIP - SCREEN - PLASTIC	130005153
11	112795-58-700	EA	GLASS - SLIDING W/SASH & LATCH	DC03-EG9
12	098644-01-706	FT	WEATHERSTRIP - GLASS	171-010668
13	112795-01-704	FT	PLUG - FILLER (DOUBLE GLAZED)	122-018737
	098644-01-717	FT	SPLINE - SCREEN	132-004716



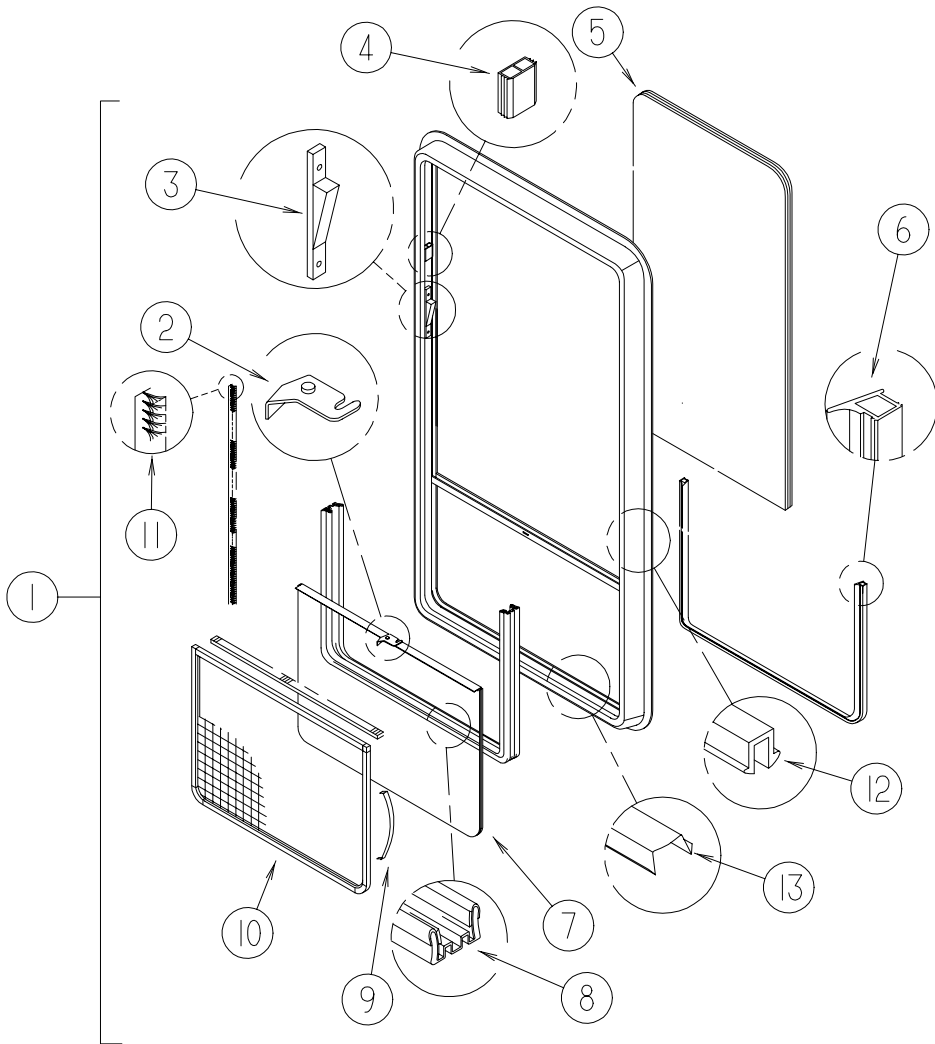
# THERMOPANE



KEY	PART NUMBER	U/M	DESCRIPTION	VENDOR NO.
1	112795-59-01A	EA	WINDOW - DRIVER HORIZONTAL SLIDER - THERMO - 24.4" X 36.2"	
	112795-58-702	EA	RETAINER - TRIM	CW03-66
2	112795-01-705	FT	VINYL - GLAZING	132-025736
3	112795-58-701	EA	GLASS - STATIONARY	390-025875
4	112795-01-701	EA	SLIDE-STOP	132-019092
5	098644-01-710	FT	TRACK - SCREEN SPACER 12'	132-017135
6	112795-01-700	EA	LATCH ASSEMBLY - BLACK - (BOLT ON)	DH287-CK
7	112795-01-703	IN	CHANNEL-RUN (INCHES)	112795-01-703
8	098644-01-711	FT	WEATHERSTRIP - SCREEN BLACK	171-016965
9	112795-58-703	EA	SCREEN ASSEMBLY - W/SEALS & CLIPS	410-025877
10	098644-01-713	EA	CLIP - SCREEN - METAL	226-016966
10	125582-01-701	EA	CLIP - SCREEN - PLASTIC	130005153
11	112795-58-700	EA	GLASS - SLIDING W/SASH & LATCH	DC03-EG9
12	098644-01-706	FT	WEATHERSTRIP - GLASS	171-010668
13	112795-01-704	FT	PLUG - FILLER (DOUBLE GLAZED)	122-018737
	098644-01-717	FT	SPLINE - SCREEN	132-004716



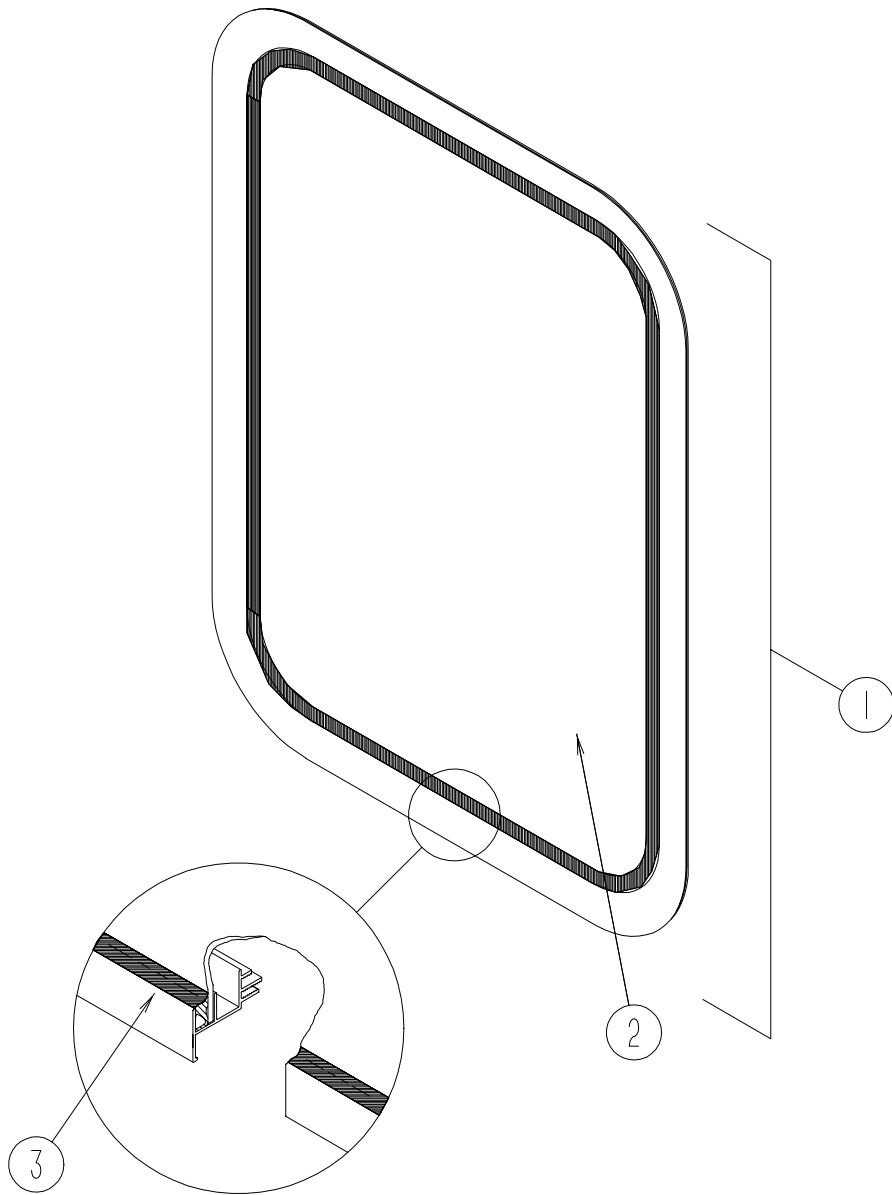
# THERMOPANE



KEY	PART NUMBER	U/M	DESCRIPTION	VENDOR NO.
1	112898-12-01A	EA	WINDOW - VERTICAL SLIDER - THERMO/EXPORT - 27" X 25"	
	098644-10-703	EA	RETAINER - TRIM	CW78-66
2	112795-01-700	EA	LATCH ASM., BLK.,(BOLT ON)	DH287-CK
3	112898-04-703	EA	VERTICAL LATCH (SASH KIT)	DH343-CK
4	112795-01-701	EA	SLIDE-STOP	132-019092
5	112898-12-701	EA	GLASS (STATIONARY)	390-019681
6	112795-01-704	FT	PLUG FILLER (DOUBLE GLAZED)	122-018737
7	112898-12-700	EA	GLASS SLIDING W/SASH & LATCH	DC78-EG9
8	112795-01-703	IN	CHANNEL-RUN (INCHES)	122-018736
9	098644-01-713	EA	CLIP - SPRING - METAL	226-016966
10	098644-10-700	EA	SCREEN ASM - W/SEALS & CLIPS	410-019683
11	098644-01-711	FT	WEATHERSTRIP - SCREEN BLACK	171-016965
12	112795-01-705	FT	VINYL - GLAZING	132-025736
13	098644-01-710	FT	TRACK - SCREEN SPACER 12'	132-017135
	112795-01-700	EA	LATCH ASM., BLK.,(BOLT ON)	DH287-CK
	112795-24-706	FT	SEAL - SPLINE/GRAY - ESCAPE	132-010481



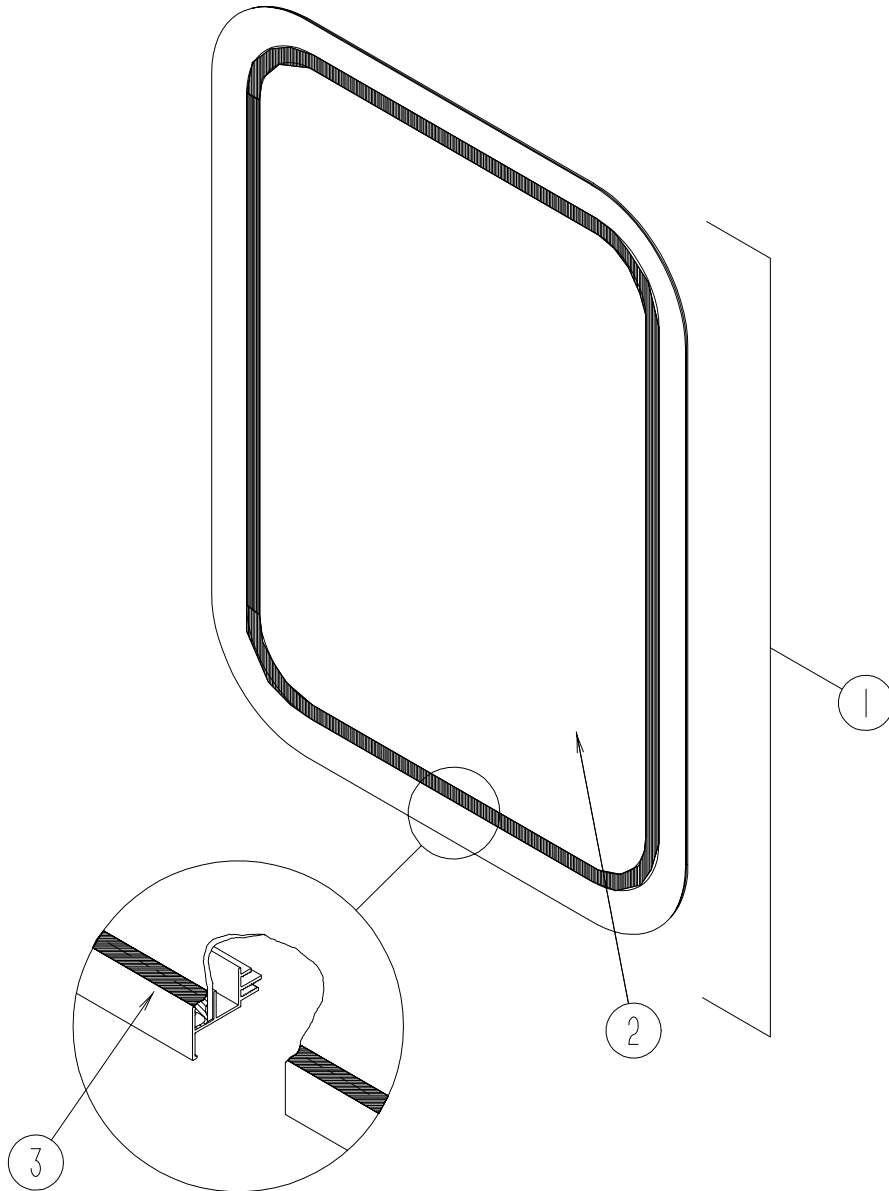
# THERMOPANE



KEY	PART NUMBER	U/M	DESCRIPTION	VENDOR NO.
1	113733-04-01A	EA	WINDOW-STATIONARY THERMOPANE/EUROPEAN - 24.8" X 17.1"	
2	113733-04-701	EA	GLASS - STATIONARY	390-019687
3	112795-01-705	FT	VINYL-GLAZING	132-025736



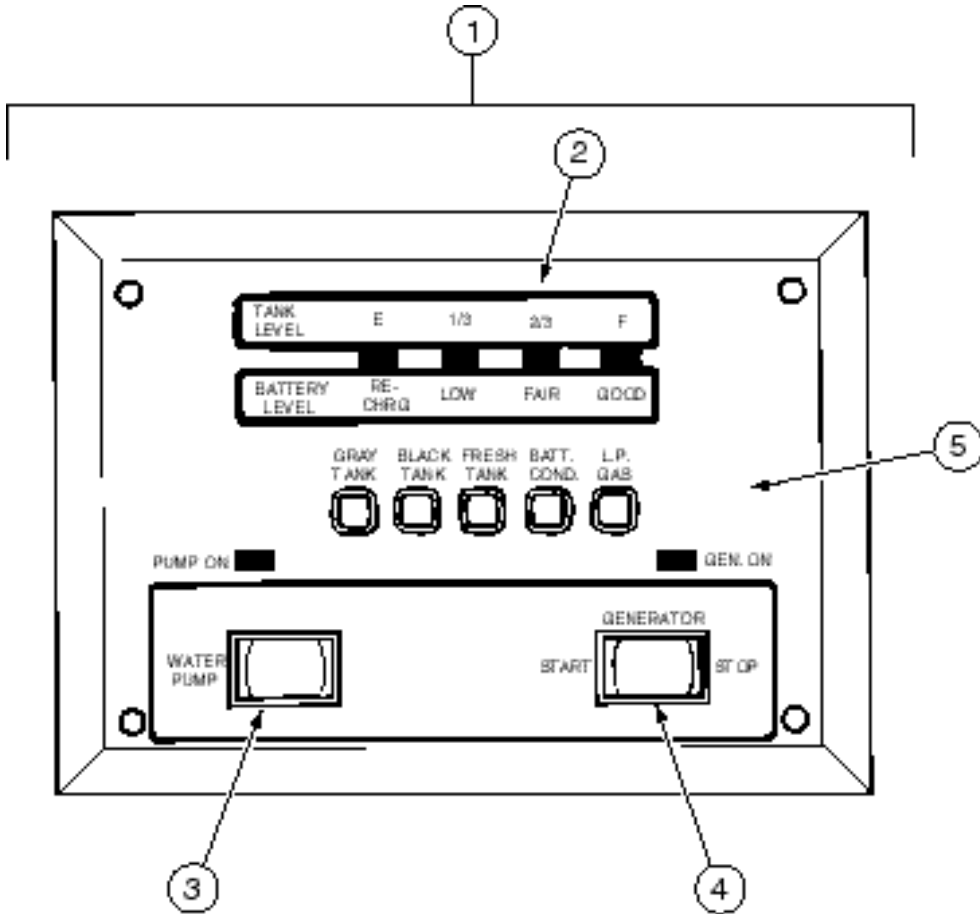
# THERMOPANE



KEY	PART NUMBER	U/M	DESCRIPTION
1	117053-01-F45	EA	WINDOW - PICTURE - 60% TINTING - 17.1" X 24.8"
2	002181-28-000	EA	GLASS - PICTURE - 23.9" X 16.19"
3	087561-01-000	FT	SEAL - GLASS - EXTERIOR - .5" WIDE - VINYL BLACK
	114507-02-01A	EA	FRAME - WINDOW - INSIDE



**MONITOR PANEL  
VENTLINE LA1023-00**



KEY	PART NUMBER	U/M	DESCRIPTION	VENDOR NO
1	114014-02-02A	EA	PANEL - MONITOR 2 TANK W/REMOTE	
2	114014-01-700	EA	OVERLAY-SILKSCREEN	CD212
3	096983-01-700	EA	SWITCH - ON/OFF	L0108-00
4	096983-01-702	EA	SWITCH - MOM/OFF/MOM/3 TERM	L0112-00
5	114014-01-701	EA	BOARD-CIRCUIT	5070-06SPC
	113566-01-701	EA	RESISTOR-TANK HARNESS	L7306

