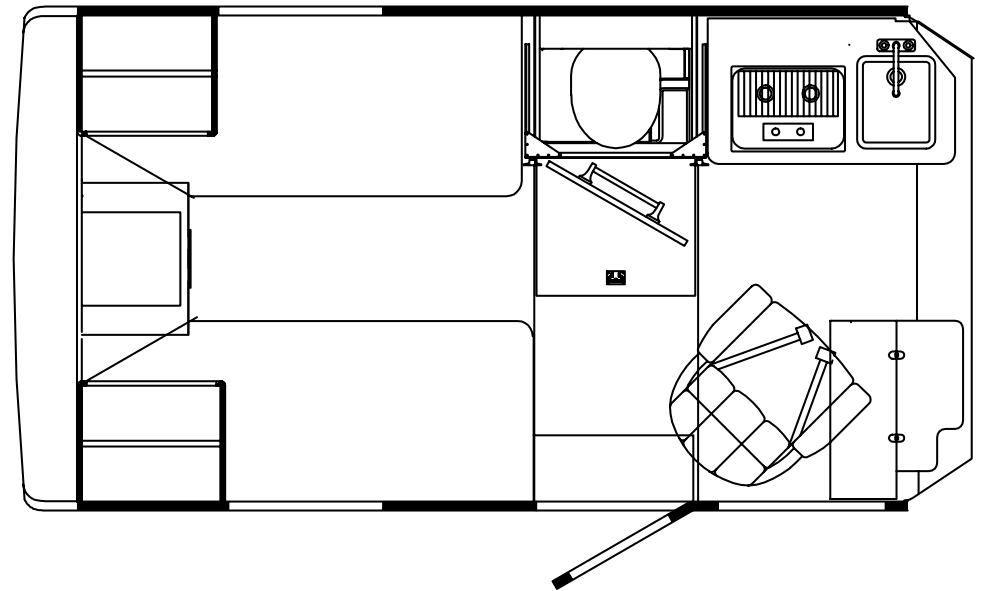
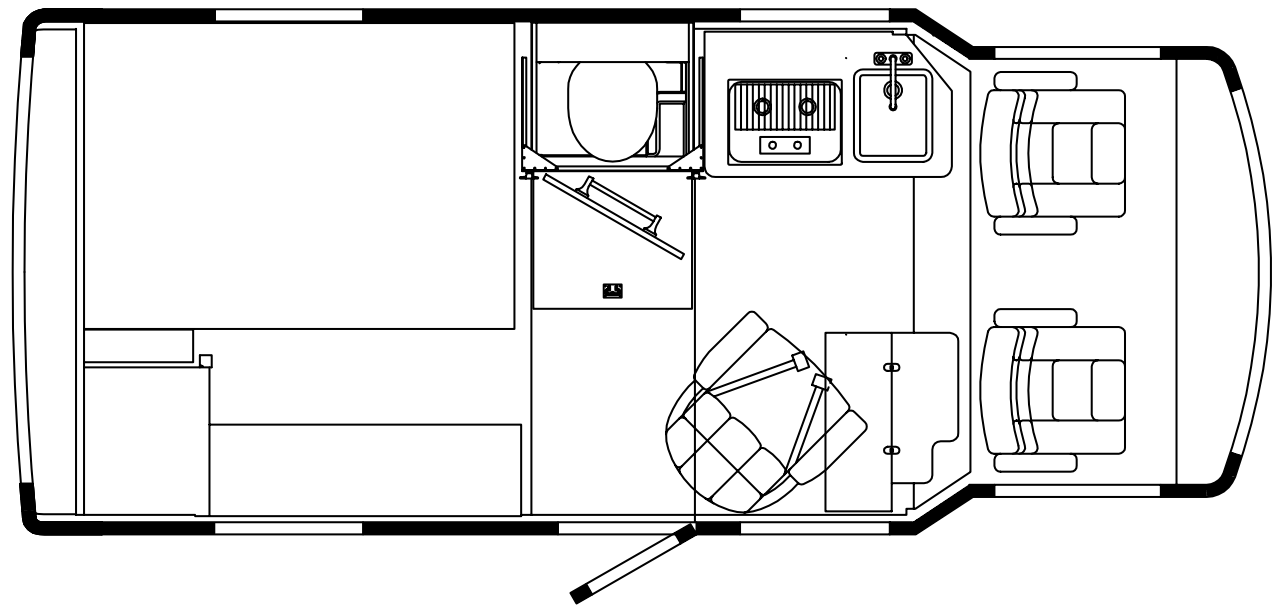


**1999  
WV222FD**

**K77  
CYBER**



**K79  
SLATE**



## ACCESSORIES GROUP

### OPERATORS MANUAL & BINDER

KEY	PART NUMBER	U/M	DESCRIPTION
	054185-J7-000	EA	MANUAL - OPERATOR 99 RIALTA
	129079-01-01A	EA	CASE - VINYL/BLACK - EXPANDABLE ACCORDION SIDES - 7"W X 9"H X14"L
	130495-01-000	EA	TOP LEVEL - H,1999

## AUDIO VIDEO GROUP

### RADIO SYSTEM COMPONENTS

KEY	PART NUMBER	U/M	DESCRIPTION	VENDOR NO.
	074979-01-000	EA	SHIELD - SPEAKER - BACK - MOLDED PLASTIC - 8" X 9"	
	124881-01-000	EA	AMPLIFIER - AUDIO	
	124883-03-000	EA	SPEAKER - CUBE - W/O CASE	
	124883-04-000	EA	SPEAKER - GRILLE - CUBE	
	124884-01-000	EA	SPEAKER - 6" X 9" - SUB-WOOFER	
	124885-01-000	EA	GRILLE - SPEAKER - 6" X 9" - SUB-WOOFER	
	089340-02-000	EA	GRILLE - SPEAKER - 6.5" SQUARE	
	094097-01-000	EA	SPEAKER - RADIO/TV - W/O GRILLE - 5.25" DIAMETER	
	074979-01-000	EA	SHIELD - SPEAKER - BACK - MOLDED PLASTIC - 8" X 9"	
	114365-02-000	EA	ADAPTER - RADIO POWER/SPEAKERS	
	114366-01-000	EA	ADAPTER - RADIO - ANTENNA	
	127516-03-000	EA	RADIO - AM/FM STEREO - CD PLAYER - PANASONIC - CQ-DP930	
			FROM: 00-00-00 THRU: 07-11-99	
	127516-03-700	EA	FACE - REMOVABLE	YEP0FX3300
	127516-05-000	EA	RADIO - AM/FM STEREO - CD PLAYER	
			FROM: 07-12-99 THRU: 99-99-99	
	127264-01-000	EA	RADIO - AM/FM STEREO - CASSETTE - PANASONIC CQ-R111U	
	127264-01-700	EA	TRIM RING	YFC054C044ZB
	127264-01-701	EA	KNOB - VOLUME	YFE074C045ZA
	127264-01-702	EA	KNOB - FADER	YEFE074C026
	127264-01-703	EA	FACTORY HARNESS	YAJ024C048ZB

### TV CABLE, CONNECTORS, & WALLPLATES

KEY	PART NUMBER	U/M	DESCRIPTION
	082134-01-000	EA	ADAPTER - TV - CABLE TO CABLE
	082136-01-000	EA	NUT - HEX JAM - 3/8-32
	086777-02-000	EA	WALLPLATE - TV CABLE - W/ANTENNA SWITCH - BROWN
	086777-01-000	EA	WALLPLATE - TV CABLE - ANTENNA SWITCH - IVORY
	093901-03-000	EA	PLATE - TV COAX - EXTERIOR - 1.8" X 2.5"
	121323-01-02B	EA	BRACKET - Z
	131698-01-02B	EA	STRAP - OVERHEAD/TV - E-COATED

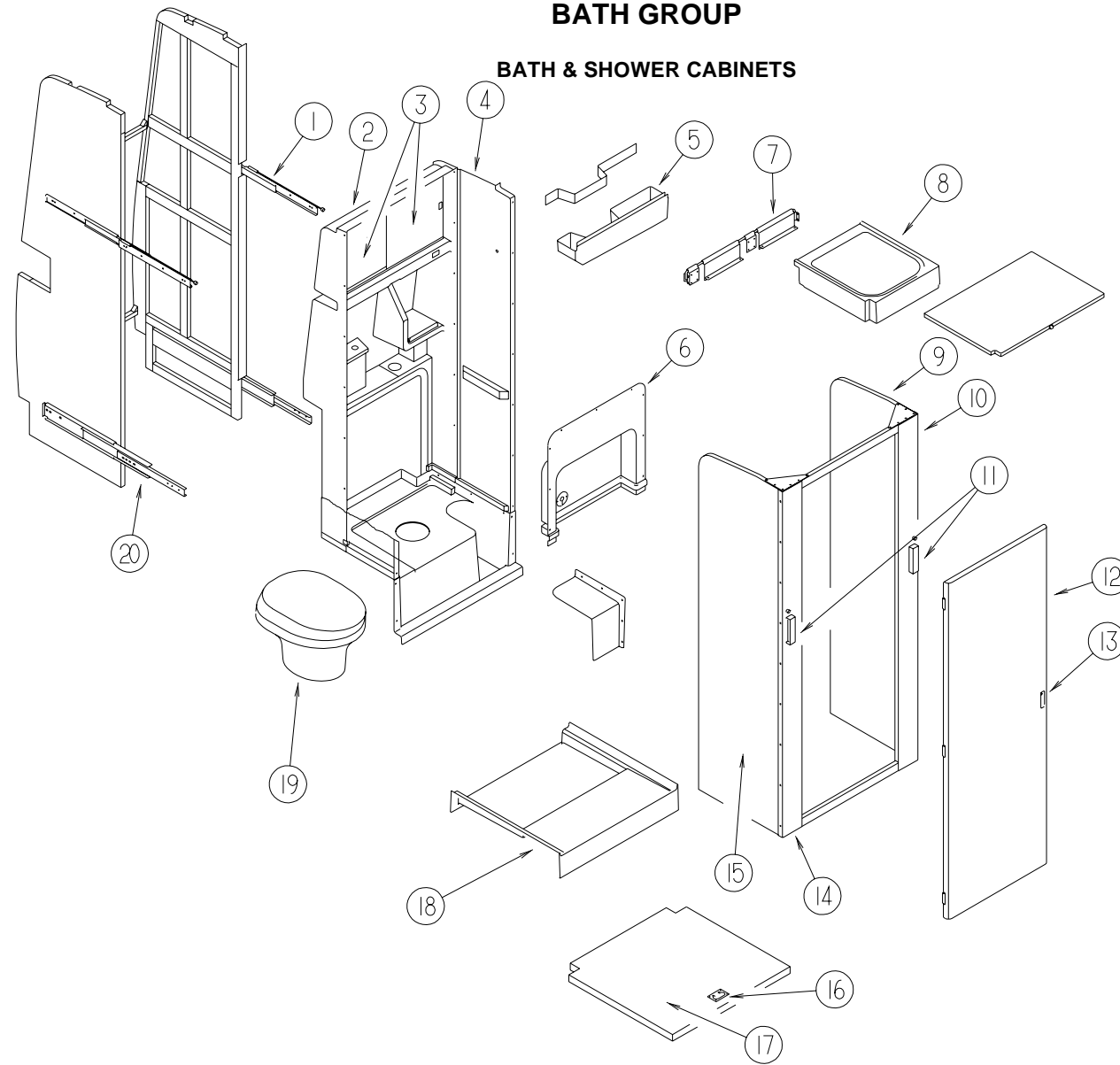
### WINEGARD TV ANTENNA

KEY	PART NUMBER	U/M	DESCRIPTION	VENDOR NO.
*	076319-24-000	EA	ANTENNA - TV ROOF MOUNT - 25.5" MAST	
	076319-01-700	EA	HEAD - ANTENNA - AMPLIFIED	RVSA U/V
	076319-01-701	EA	GEAR - ELEVATING - PLASTIC	2200046
	076319-01-702	EA	SHAFT ASM-ELEVATING	RP-4000
	076319-01-703	EA	BEARING - NYLON - 5" OD	3200656
	076319-01-704	EA	BEARING - NYLON - 1.25"OD	3200657
	076319-01-705	EA	GROMMET - NYLON - 7/8"ID	3200658
	076319-01-706	EA	CRANK - ELEVATING W/SET SCREW	2750897
	076319-01-707	EA	SPRING - HANDLE	2160822
	076319-01-708	EA	DECAL - CRANK	5413002
	076319-01-709	EA	PLATE - CEILING (IVORY)	3200621
	076319-01-711	EA	BASE & LIFT ASM	2762802
	076319-01-712	EA	PLATE - CEILING	3200608
	076319-01-713	EA	PLATE - BASE - STEEL	3100523
	076319-01-714	EA	HOUSING - ROTATING GEAR	2200049
	076319-01-715	EA	NUT (GEAR HOUSING)	2200047
	076319-25-700	EA	DIRECTIONAL HANDLE(WHITE)	3200612
	076319-25-000	EA	KIT - HARDWARE INTERIOR	
	076319-25-701	EA	PLATE - CEILING(WHITE)	3200609
	120233-01-709	EA	WASHER - NYLON	RP-2658
	120233-01-710	EA	HANDLE - CRANK	RP-6795
*	076319-25-000	EA	KIT - HARDWARE INTERIOR	

\* PRESS TO SEE ILLUSTRATED SERVICE PARTS LIBRARY

# BATH GROUP

## BATH & SHOWER CABINETS

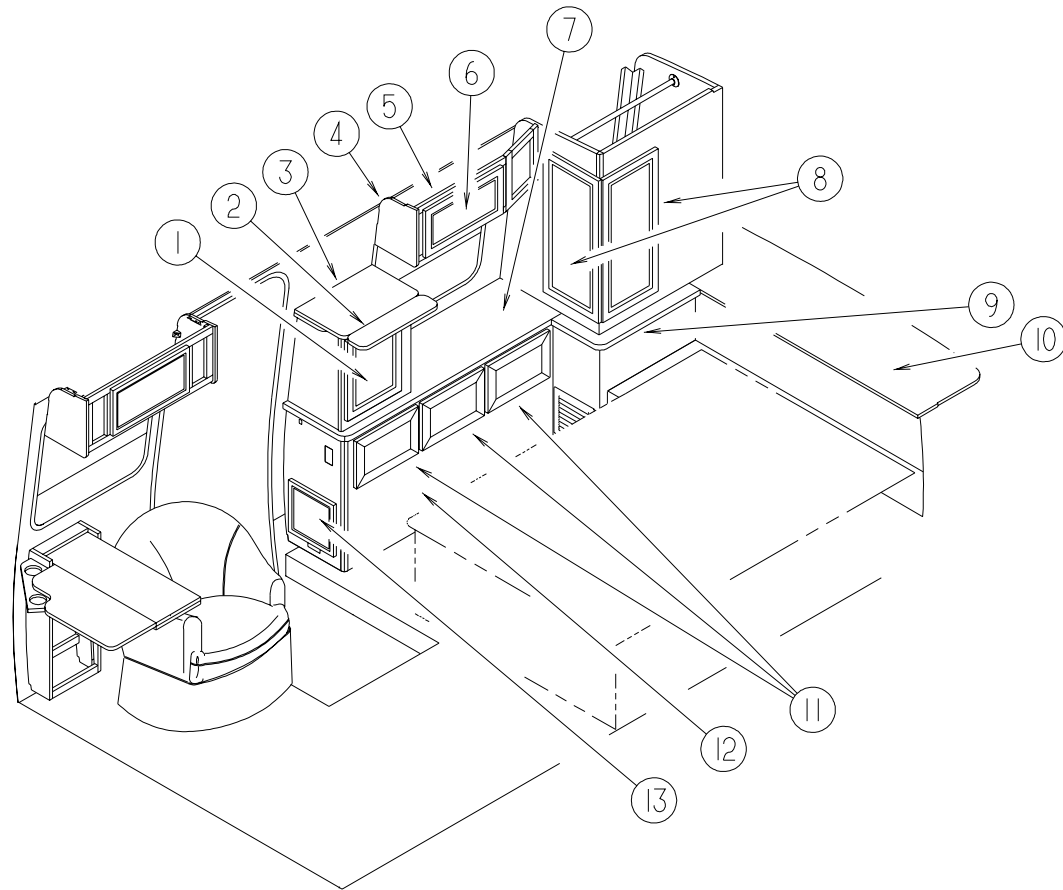


KEY	PART NUMBER	U/M DESCRIPTION	VENDOR NO.
1	116173-01-000	EA SLIDE - LOCKING - LEFT HAND FACING CABINET	
	116173-02-000	EA SLIDE - LOCKING - RIGHT HAND FACING CABINET	
2	111950-01-02A	EA SURROUND - SHOWER/BACK - VW LIGHT GRAY	
3	058331-B0-000	EA MIRROR - SAFETY GLASS - 12.6" X 12.6	
	023320-01-000	EA PAD - FELT 3/8" DIAMETER	
	074383-09-000	EA TRACK - SLIDING DOOR - 24.5"	
	002324-02-000	FT CHANNEL - WEATHERSTRIP - GLASS RUN - U-SHAPED	
4	111986-01-02A	EA SURROUND - SHOWER/RIGHT HAND SIDE - VW LIGHT GRAY	
	111986-02-02A	EA SURROUND - SHOWER/LEFT HAND SIDE - VW LIGHT GRAY	
5	P12114-01-02A	EA BASIN - CATCH - W/STRAINER	
	106116-01-01A	EA STRAINER/PLASTIC - STOPPER/TAIPIECE/GASKET & NUT-LAVATORY	
	112114-01-02A	EA BASIN - CATCH - LAVATORY - VW LIGHT GRAY	
6	112151-01-02A	EA COVER - DRAINAGE ACCESS - VW LIGHT GRAY	
	057671-01-000	EA COVER - SCREW - #8 - PLASTIC - OFF WHITE	
	113183-02-K76	EA PANEL - DOOR/SINK	
7	113982-01-K76	EA HINGE - FOLD UP SINK W/DOOR PANEL	
	086235-03-000	EA BEARING - SNAPIN - 5/16ID X 5/16	
8	M06944-02-K76	EA BATH SINK/FOLD UP - W/DOOR ATTACHED	
	057534-02-000	EA TIEBACK - CLEAR PLASTIC - 3"	
	074453-01-000	EA LATCH - PADDLE - SINK/MEDICINE CABINET - METAL	
	057898-01-000	EA LATCH - HIDDEN - BLACK PLASTIC	
9	111986-01-02A	EA SURROUND - SHOWER/RIGHT HAND SIDE - VW LIGHT GRAY	
10	116246-01-03A	EA CORNER - BATH/RH - VW LT GRAY	
11	074762-01-000	EA PULL - CABINET - 4.8" X .9" - BLACK PLASTIC	
	074317-01-700	EA KNOB - F/SLIDE ASSEMBLY	A-033-01-0004-40-0

KEY	PART NUMBER	U/M DESCRIPTION	VENDOR NO.
12	113756-01-K76	EA DOOR - BATH	
13	058335-03-000	EA LATCH - W/O LOCK - BATHROOM DOOR BLACK	
	075453-02-000	EA BAR - TOWEL - 18" BRASS	
	075452-02-000	EA HOLDER - TOILET TISSUE - BRASS	
14	116246-02-03A	EA CORNER - BATH/LH - VW LT GRAY	
15	111986-02-02A	EA SURROUND - SHOWER/LEFT HAND SIDE - VW LIGHT GRAY	
	116044-01-000	EA BUMPER - MOLDED	
16	072871-01-000	EA PULL - FLUSH - CHROME	
17	113092-02-H70	EA COVER - SHOWER PAN - 24.5" X 25.5"	
18	118605-01-02A	EA SHOWER PAN - W/STRAINER - VW LIGHT GRAY	
	114974-01-000	EA CONNECTOR - HULL - W/STRAINER	
	066436-01-000	EA NUT - SLIP - TAILPIECE 1.5"	
19*	064076-03-000	EA TOILET - STARLITE - LOW - WHITE	
20	116174-01-000	EA SLIDE - FULL EXTENDED	
	131383-01-02A	EA SHOWER HEAD - W/HOSE & BRACKET - 60" - IVORY	
	103092-02-000	EA SHOWER HEAD - W/60" HOSE - CSA	
	103092-01-700	EA BRACKET-F/SHOWER HEAD, CLEAR	2328028
	011048-03-700	EA BRACKET - SHOWER HEAD/IVORY	2328029-I
	103092-01-702	EA SEALS-SPRAY HEAD	24466
	114898-01-02A	FT VINYL - 1.6" X 38.1" - VW LIGHT GRAY	
	P11998-01-01A	EA PLATFORM - TOILET W/DRAIN FITTING	
	109800-01-02A	EA FAUCET - LAVATORY - WHITE/SMOKE HANDLES	
	115000-01-02A	EA FAUCET - LAVATORY/SHOWER - WHITE/CLEAR HANDLES	

\* PRESS TO SEE ILLUSTRATED SERVICE PARTS LIBRARY

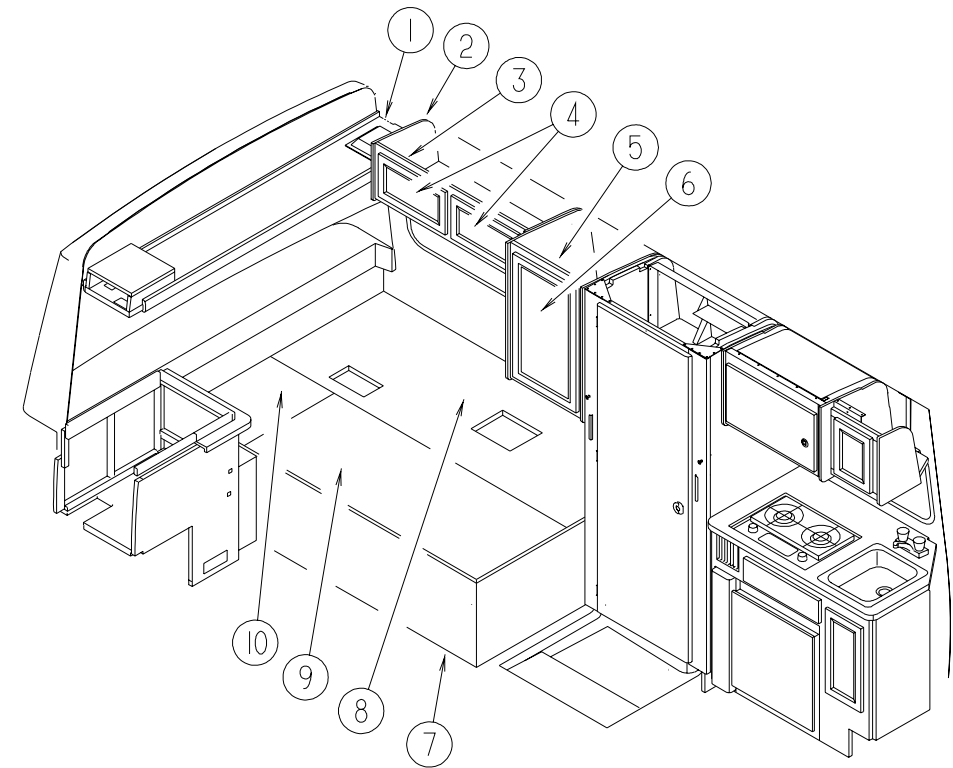
## BEDROOM GROUP



### DOUBLE BEDROOM CABINERY (PASSENGER SIDE)

KEY	PART NUMBER	U/M	DESCRIPTION
1	131995-M6-K77	EA	DOOR - RAIL/SOLID PANEL - 14.3" X 17.8" - W/O HARDWARE
2	130675-16-K77	EA	COUNTERTOP - DRESSER
3	130675-13-K77	EA	COUNTERTOP - DRESSER
4	119132-07-J80	EA	END CAP - OVERHEAD
5	125022-01-J80	EA	CABINET - OVERHEAD/REAR/RIGHT HAND - W/O DOOR/HARDWARE
6	131995-M5-K77	EA	DOOR - RAIL/SOLID PANEL - 10" X 19" - W/O HARDWARE
7	125023-11-H70	EA	COUNTERTOP - VANITY
8	131995-M4-K77	EA	DOOR - RAIL/SOLID PANEL - 13.6" X 30.3" - W/O HARDWARE
9	125023-12-H70	EA	COUNTERTOP - VANITY
10	124953-01-H70	EA	CABINET - SHELF/REAR - W/O HARDWARE
11	M05971-S9-K77	EA	DRAWER - OGEE EDGE - 13.1"W X 13.7"D - W/O SLIDES/HARDWARE
12	125023-02-K77	EA	CABINET - VANITY - W/COUNTERTOP - W/O DOORS/DRAWERS/HDW
13	131995-V3-K77	EA	DOOR - RAIL/SOLID PANEL - 9.8" X 12" - W/O HARDWARE
	009112-01-000	EA	FLANGE - 1" ROD, CLOTHES - PLASTIC - OFF WHITE
	041953-03-000	EA	CONDUIT - CONVOLUTE SLIT - 1" ID (CLOTHES ROD COVER)

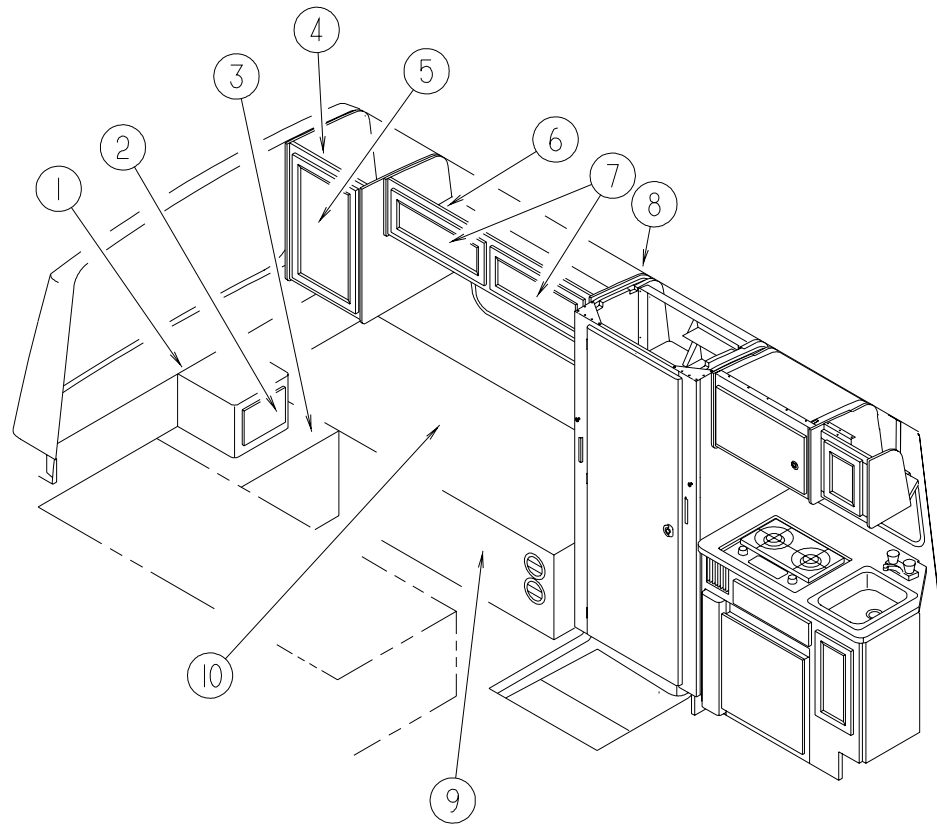
## BEDROOM GROUP (CONTINUED)



### DOUBLE BEDROOM CABINERY (DRIVER SIDE)

KEY	PART NUMBER	U/M	DESCRIPTION
1	125053-01-K79	EA	CABINET - OVERHEAD/REAR
2	119132-02-J80	EA	END CAP - OVERHEAD
3	124929-01-J80	EA	CABINET - OVERHEAD/LEFT HAND - W/O DOORS/HARDWARE
4	131995-M5-K77	EA	DOOR - RAIL/SOLID PANEL - 10" X 19" - W/O HARDWARE
5	119095-01-J80	EA	CABINET - SHIRT CLOSET - W/O DOOR OR HARDWARE - LH
6	131995-M9-K77	EA	DOOR - RAIL/SOLID PANEL - 15.3" X 25.5" - W/O HARDWARE
	009112-01-000	EA	FLANGE - 1" ROD, CLOTHES - PLASTIC - OFF WHITE
	041953-03-000	EA	CONDUIT - CONVOLUTE SLIT - 1" ID (CLOTHES ROD COVER)
7	P24938-01-J80	EA	CABINET - BASE/DOUBLE BED
8	M07592-08-000	EA	TOP - DOUBLE BED - W/O HARDWARE
9	M07592-10-H70	EA	TOP - DOUBLE BED - W/O HARDWARE
10	M07592-09-000	EA	TOP - DOUBLE BED - W/O HARDWARE
	107796-08-000	EA	SPRING/GAS - 11" COMPRESSED/17" EXTENDED - 60 L
	126259-01-000	EA	STUD - BALL
	126263-06-02B	EA	BRACKET - GAS SPRING - E-COATED (UPPER)
	126263-08-02B	EA	BRACKET - GAS SPRING - E-COATED (LOWER)

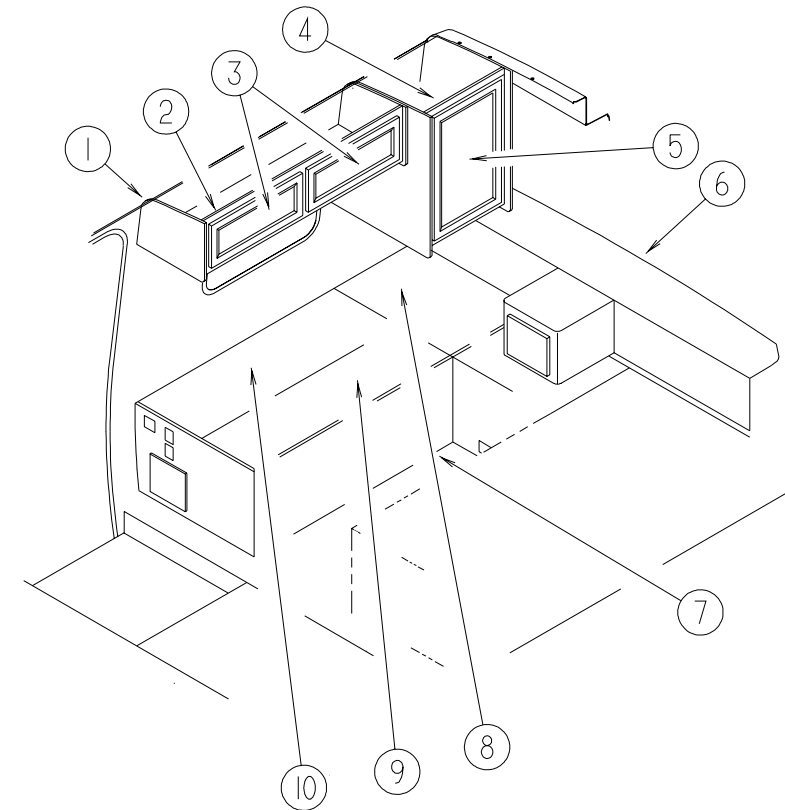
## BEDROOM GROUP (CONTINUED)



### TWIN BEDROOM CABINERY (DRIVER SIDE)

KEY	PART NUMBER	U/M DESCRIPTION
1	124930-01-J80	EA CABINET - NIGHTSTAND - W/O DOORS/DRAWERS/HARDWARE
2	M05970-T6-J80	EA DRAWER - RADIUS EDGE - 7.8"W X 13.8"D - W/O SLIDES/HDW
3	124930-11-H70	EA COUNTERTOP - NIGHTSTAND
4	119590-01-J80	EA CABINET - SHIRT CLOSET - LEFT HAND - W/O DOOR/HARDWARE
5	131995-M9-K77	EA DOOR - RAIL/SOLID PANEL - 15.3" X 25.5" - W/O HARDWARE
	009112-01-000	EA FLANGE - PLASTIC - 1" CLOTHES ROD - OFF WHITE
	041953-03-000	EA CONDUIT - CONVOLUTE SLIT - 1" ID (CLOTHES ROD COVER)
6	124889-01-J80	EA CABINET - OVERHEAD/REAR - LEFT HAND - W/O DOORS/HARDWARE
6	124889-02-J80	EA CABINET - OVERHEAD/REAR - LEFT HAND - W/O DOORS/HDW (W/SOUND SYSTEM)
7	131995-N0-K77	EA DOOR - RAIL/SOLID PANEL - 10" X 25.1" - W/O HARDWARE
8	119132-02-J80	EA END CAP - OVERHEAD
9	P24936-01-J80	EA CABINET - BASE - TWIN BED/LEFT HAND
9	P24936-02-K77	EA CABINET - BASE - TWIN BED/LEFT HAND (W/SOUND SYSTEM)
10	M07592-11-000	EA TOP - TWIN BED - W/O HARDWARE

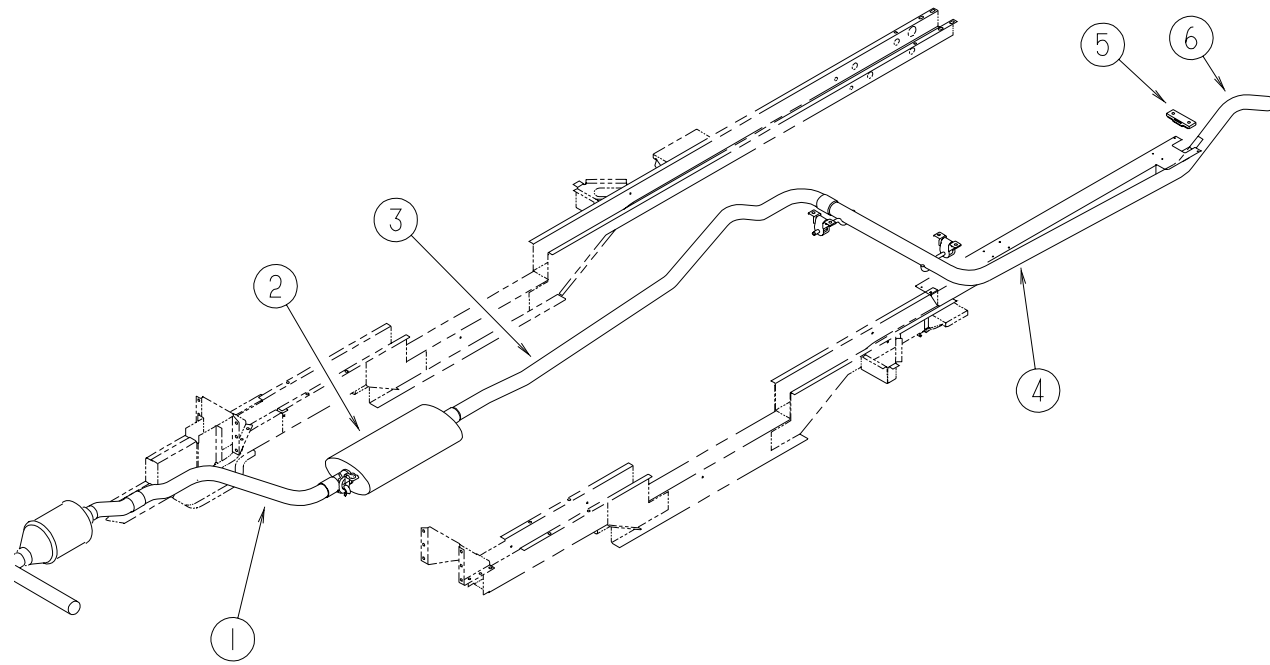
## BEDROOM GROUP (CONTINUED)



### TWIN BEDROOM CABINERY (PASSENGER SIDE)

KEY	PART NUMBER	U/M DESCRIPTION
1	119132-05-J80	EA END CAP - OVERHEAD
2	124890-01-J80	EA CABINET - OVHD/REAR - RIGHT HAND - W/O DOORS/HARDWARE
2	124890-02-J80	EA CABINET - OVHD/REAR - RIGHT HAND - W/O DOORS/HDW (W/SOUND SYSTEM)
3	131995-N0-K77	EA DOOR - RAIL/SOLID PANEL - 10" X 25.1" - W/O HARDWARE
4	119589-01-J80	EA CABINET - SHIRT CLOSET - RIGHT HAND - W/O DOOR/HARDWARE
5	131995-M9-K77	EA DOOR - RAIL/SOLID PANEL - 15.3" X 25.5" - W/O HARDWARE
	009112-01-000	EA FLANGE - 1" ROD, CLOTHES - PLASTIC - OFF WHITE
	041953-03-000	EA CONDUIT - CONVOLUTE SLIT - 1" ID (CLOTHES ROD COVER)
6	124953-01-H70	EA CABINET - SHELF/REAR - W/O HARDWARE
	124953-14-J80	EA SHELF - W/PLASTIC EDGE MOLDING
7	P24937-02-K77	EA CABINET - BASE - TWIN BED/RIGHT HAND
8	M07592-12-000	EA TOP - TWIN BED
9	M07592-13-H70	EA TOP - TWIN BED - W/HINGE
10	M07592-14-000	EA TOP - TWIN BED
	091952-01-000	EA CLIP - GRIPPER - 1"
	097872-04-000	EA DOWEL - WOOD - 1" DIAMETER X 1.38" LONG
	107796-16-000	EA SPRING - GAS - 9.5" - 65 LB
	126259-01-000	EA STUD - BALL
	126263-06-02B	EA BRACKET - GAS SPRING - E-COATED (UPPER)
	126263-08-02B	EA BRACKET - GAS SPRING - E-COATED (LOWER)

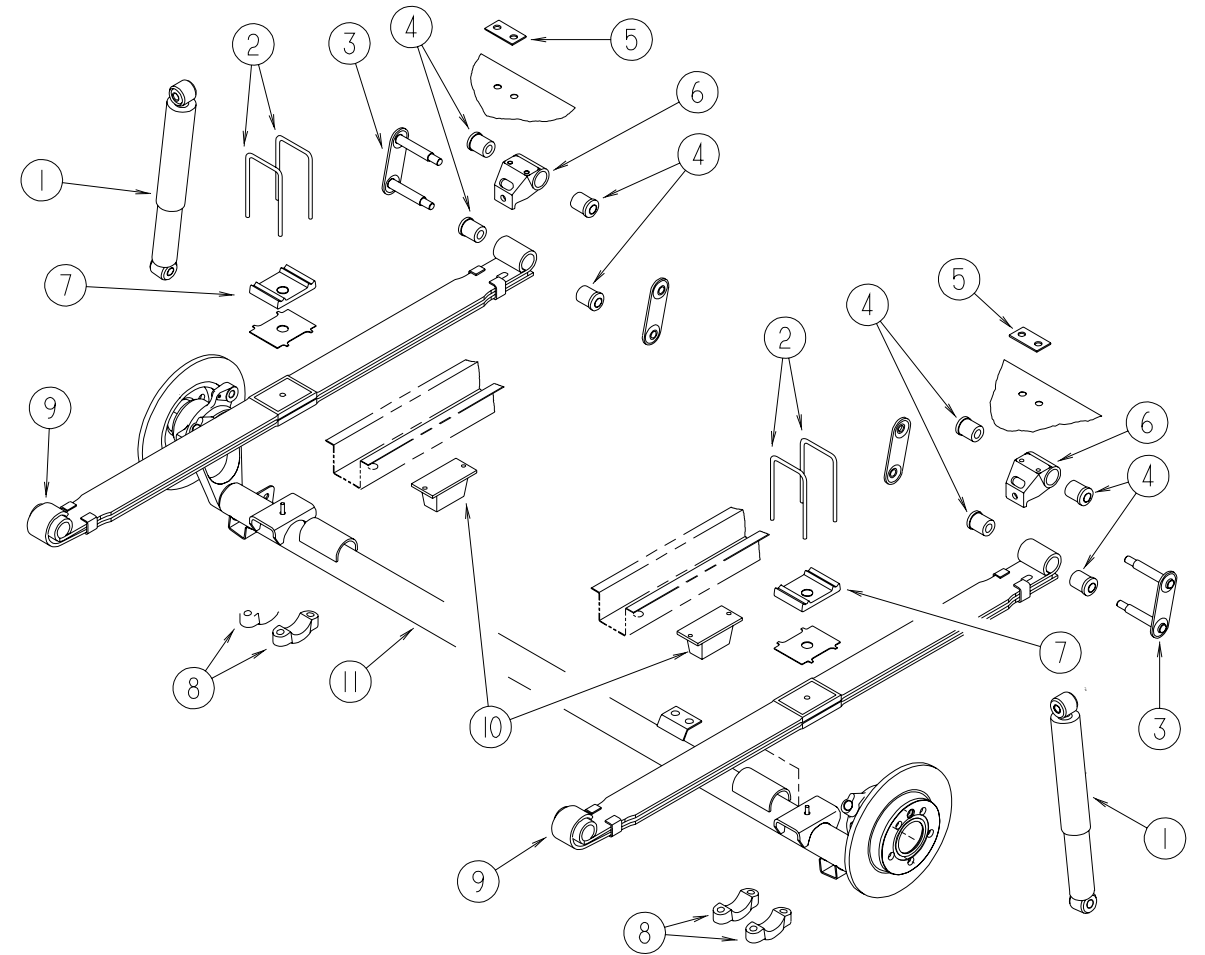
## CHASSIS GROUP



### EXHAUST SYSTEM COMPONENTS

KEY	PART NUMBER	U/M DESCRIPTION
1	113098-02-000	EA PIPE - EXHAUST/FRONT
2	121261-01-000	EA MUFFLER - FRONT
3	113099-01-000	EA PIPE - EXHAUST/ MIDDLE
4	115396-01-09B	EA SHIELD - EXHAUST - TAIL PIPE - GALVANIZED
5	095190-01-000	EA HANGER - EXHAUST - 4" X 1.4"
6	113097-02-000	EA PIPE - EXHAUST/TAIL
	082716-01-000	EA CLAMP - EXHAUST - 2"
	082716-02-000	EA CLAMP - EXHAUST - 2.24"

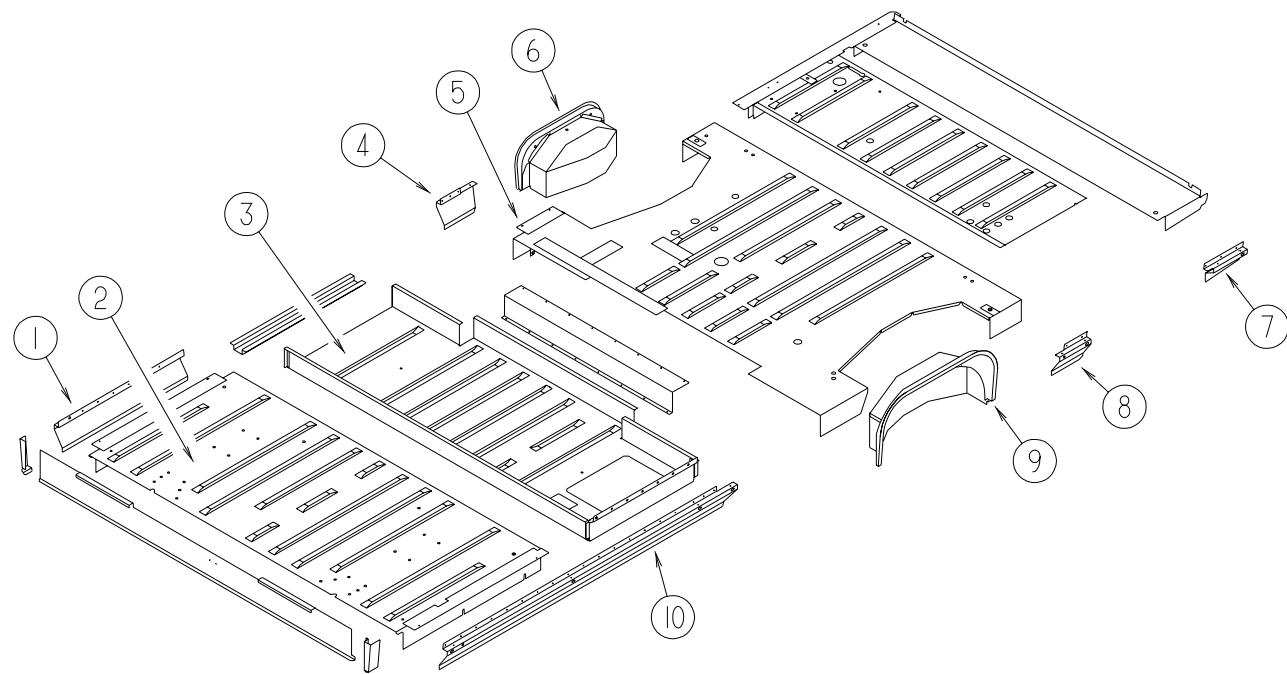
## CHASSIS GROUP (CONTINUED)



### SUSPENSION COMPONENTS

KEY	PART NUMBER	U/M DESCRIPTION
1	112033-02-000	EA SHOCK ABSORBER - REAR VW H-BODY - NEW DESIGN
2	112410-01-000	EA BOLT-U - REAR SPRING
3	112560-01-000	EA SHACKLE - SPRING - REAR
4	112503-01-000	EA BUSHING - SPRING - REAR
5	071231-01-000	EA PLATE - FLOOR DOUBLER
6	112415-01-000	EA SUPPORT - SHACKLE - REAR
7	112414-01-000	EA PLATE - SPRING CLAMP
8	112413-01-000	EA BRACKET - U BOLT - REAR SUSPENSION
9	112032-01-000	EA SPRING - REAR LEAF W/O BUSHINGS
	116712-01-000	EA BUSHING - SPRING - FRONT
10	113876-01-000	EA PAD - JOUNCE - REAR SPRING
11	120493-01-000	EA AXLE - REAR - DISC BRAKE

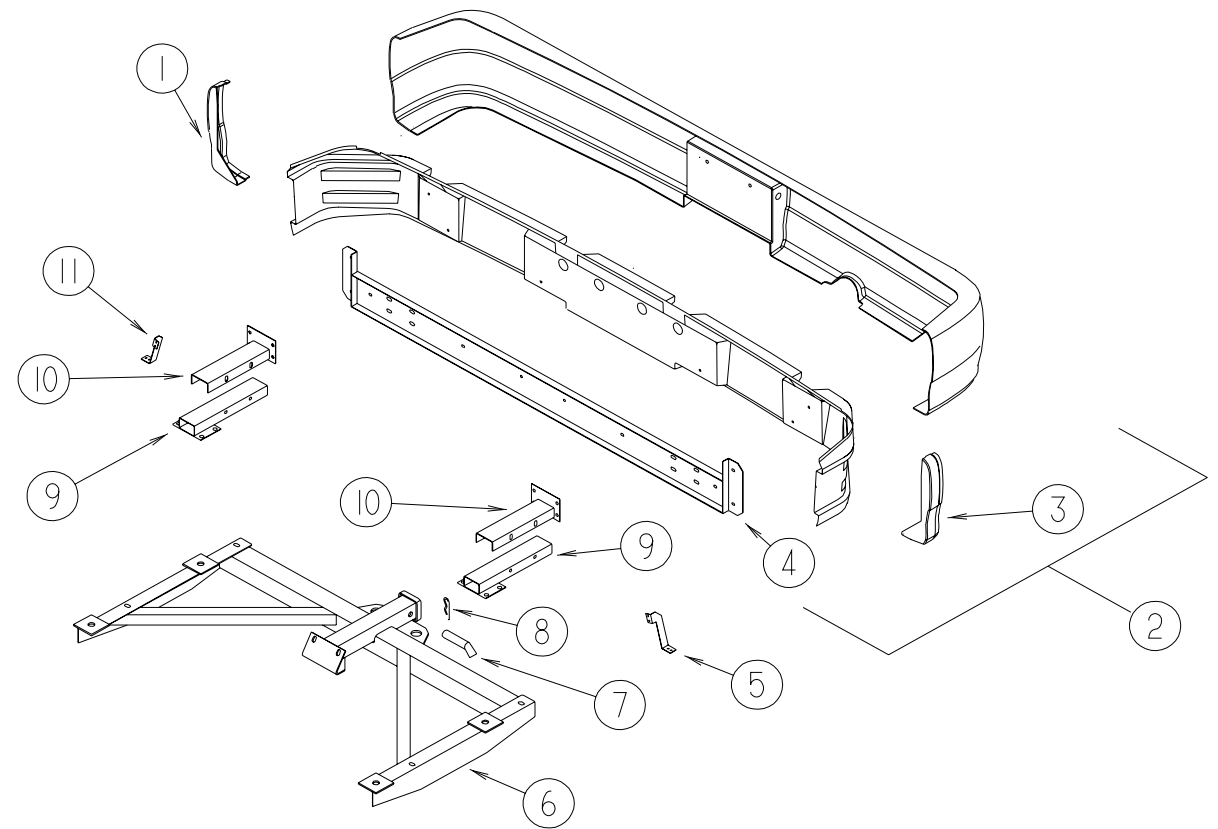
## CHASSIS GROUP (CONTINUED)



### FLOOR COMPONENTS

KEY	PART NUMBER	U/M	DESCRIPTION
1	113600-01-01B	EA	ROCKER ASM - FRONT,RH,MILL
2	110695-01-000	EA	PANEL - FLOOR - FRONT
3	112883-01-01B	EA	PANEL - FLOOR - LOWER - MILL
4	113601-01-01B	EA	ROCKER ASM - CENTER - RH - MILL
5	112222-01-000	EA	PANEL - FLOOR - REAR
6	112345-01-000	EA	WHEELHOUSE W/SHOCK MOUNT - REAR DRIVER SIDE - STEEL
7	112808-01-02B	EA	ROCKER - REAR - LEFT HAND
8	113005-01-01B	EA	ROCKER - REAR - LEFT HAND
9	112345-02-000	EA	WHEELHOUSE W/SHOCK MOUNT - REAR PASSENGER SIDE - STEEL
10	071366-01-000	EA	ROCKER ASM - FRONT - LH
	112818-01-02B	EA	COMPARTMENT - REAR - LEFT HAND
	072877-03-000	EA	INSULATION - SOUND BARRIER - 1" X 36" X 57"

## CHASSIS GROUP (CONTINUED)

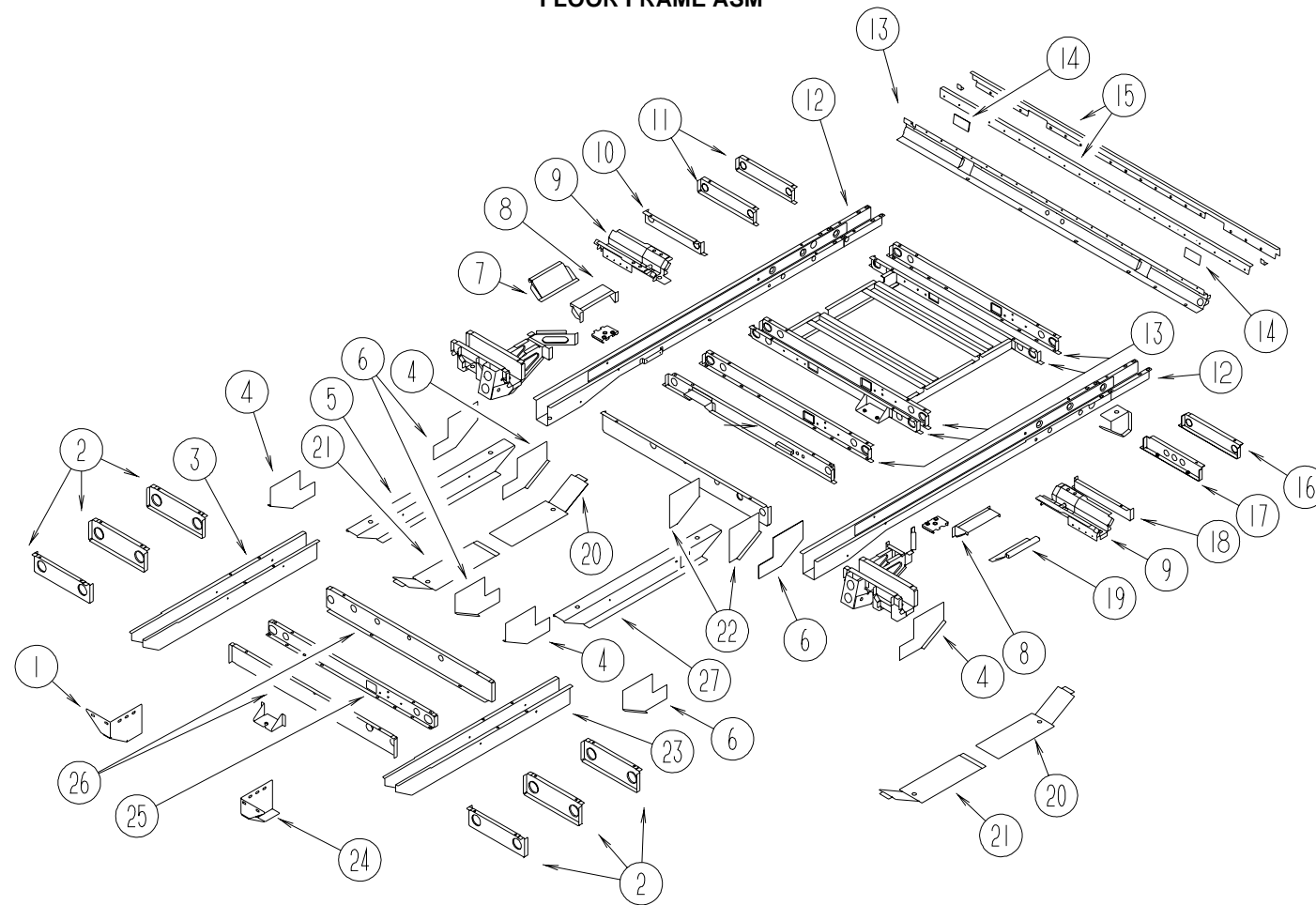


### REAR BUMPER, TRAILER HITCH & COMPONENTS

KEY	PART NUMBER	U/M	DESCRIPTION
1	130623-01-02A	EA	CAP - BUMPER END - PASSENGER - BLACK
2	130621-01-K76	EA	BUMPER - REAR
3	130623-02-02A	EA	CAP - BUMPER END - DRIVER - BLACK
4	087108-02-000	EA	SUPPORT - BUMPER/REAR
5	131451-02-02B	EA	BRACKET - SUPPORT/BUMPER - E-COATED
6	130339-06-000	EA	HITCH RECEIVER - BOLT ON CLASS I
7	034512-01-000	EA	PIN - LOCKING - DRAWBAR
8	034513-01-000	EA	PIN - HITCH - 3/16" WIRE
9	115947-01-02B	EA	SUPPORT - LOWER - BUMPER/REAR
10	115944-01-02B	EA	SUPPORT - UPPER - BUMPER/REAR
11	131451-01-02B	EA	BRACKET - BUMPER SUPPORT/OUTER - E-COATED
	113589-01-000	EA	CONNECTOR - PLUG - TRAILER
	113589-02-000	EA	CONNECTOR - SOCKET - TRAILER
	121681-01-000	EA	LAMP - LICENSE PLATE - HELLA 2KA004331067

## CHASSIS GROUP (CONTINUED)

### FLOOR FRAME ASM



KEY	PART NUMBER	U/M	DESCRIPTION
1	117866-01-01B	EA	BRACKET - FRAME - FLOOR - MILL - RIGHT HAND
2	071225-01-000	EA	OUTRIGGER - FRONT
3	117865-03-01B	EA	RAIL ASM - FRAME - FRONT - RIGHT HAND - MILL
4	071223-01-000	EA	GUSSET - FRAME - LOWER RIGHT HAND
5	126977-02-01B	EA	RAIL - FRAME - LOWER - MILL
6	071223-02-000	EA	GUSSET - FRAME - LOWER - LEFT HAND
7	071188-01-000	EA	BRACKET - SPRING MOUNT - FRONT - PASSENGER SIDE
8	112314-01-000	EA	REINFORCEMENT - WHEELHOUSE
9	112357-01-000	EA	BRACE ASM - STRUT - REAR
10	071232-02-000	EA	OUTRIGGER - REAR - PASSENGER - 15.5" - STEEL
11	071232-01-000	EA	OUTRIGGER - REAR - RIGHT HAND
12	071220-01-000	EA	RAIL - FRAME - REAR
13	071229-01-000	EA	CROSSMEMBER - REAR - CENTER - 45" LONG - STEEL
14	070579-13-000	EA	PLATE - ANCHOR - W/1/5" WELD NUT - 2.5" X 3.3"
15	072382-01-000	EA	CROSSMEMBER ASM - REAR
16	112726-01-01B	EA	OUTRIGGER - GENERATOR - MILL
17	112726-03-01B	EA	OUTRIGGER ASM - GENERATOR - RIGHT HAND - MILL
18	112726-04-01B	EA	OUTRIGGER ASM - GENERATOR - LEFT HAND - MILL
19	071188-02-000	EA	BRACKET - SPRING MOUNT - FRONT - DRIVER SIDE
20	071729-01-000	EA	PLATE - RAIL - LOWER REAR

KEY	PART NUMBER	U/M	DESCRIPTION
21	071212-01-000	EA	PLATE - RAIL - LOWER
22	112315-01-000	EA	OUTRIGGER - WHEELHOUSE - REAR
23	126977-01-01B	EA	RAIL - FRAME - LOWER - MILL
24	117866-02-01B	EA	BRACKET - FRAME - FLOOR - MILL - LEFT HAND
25	071774-01-000	EA	CROSSMEMBER - FRONT
26	071226-01-000	EA	CROSSMEMBER - STEPBOX
	061420-07-000	EA	PLUG - PLASTIC - 1.8" DIAMETER
	061420-08-000	EA	PLUG - PLASTIC - 2.5" DIAMETER
	073913-01-000	EA	RETAINER - MUDFLAP - METAL
	112248-01-000	EA	BRACKET - MOUNT - SHOCK - LOWER
	112248-02-000	EA	BRACKET - MOUNT - SHOCK - LOWER
	112249-01-000	EA	BRACKET-MOUNT - SHOCK - UPPER
	112250-01-000	EA	PLATE - BACKING - MOUNT - SHOCK
	112312-01-000	EA	MOUNT - UPPER REAR PASSENGER SHOCK - STEEL
	112312-02-000	EA	MOUNT - UPPER REAR DRIVER SHOCK - STEEL
	112314-01-000	EA	REINFORCEMENT - WHEELHOUSE
	112724-01-01B	EA	PANEL - ROCKER - OUT REAR RIGHT HAND - MILL
	112725-01-01B	EA	PANEL - ROCKER - INNER - REAR - RIGHT HAND - MILL



## CHASSIS GROUP (CONTINUED)

### FUEL SYSTEM COMPONENTS

KEY	PART NUMBER	U/M	DESCRIPTION
	125187-02-000	FT	HOSE - FUEL - LOW PERMEABILITY - 12.71 ID
	007063-01-000	FT	HOSE - FUEL - 1/4"ID X 1/2"OD
	128139-03-000	FT	HOSE - FUEL - LOW PERMEABILITY - 1/4" DIAMETER
	084884-01-000	EA	PLUG - BRASS - 3/8"
	113378-01-000	EA	FUEL LINE - GENERATOR - FRONT
	113378-02-000	EA	FUEL LINE - GENERATOR - REAR
	114253-01-000	EA	ELBOW - 1/4 SINGLE BARB X 1/8 MPT
	114254-01-000	EA	ADAPTER - 1/4 BARB X 1/8 MPT

### DICOR 15" WHEEL COVERS

KEY	PART NUMBER	U/M	DESCRIPTION	VENDOR NO.
	114193-01-000	EA	COVER - WHEEL - 15" - SET OF 4	
	114193-01-700	EA	COVER-WHEEL(1 EA = 1 ONLY)	PC9054-15-COV
	077030-02-000	EA	EXTENSION - VALVE STEM - 1.25"	

### FRONT & REAR MUDFLAP & RETAINER BRACKET

KEY	PART NUMBER	U/M	DESCRIPTION
	073905-01-000	EA	MUDFLAP - REAR - 10.1" X 19.3"
	073905-03-000	EA	MUDFLAP - REAR - 10.1" X 9.3"
	120293-01-02B	EA	RETAINER - MUDFLAP - E-COATED
	120299-01-01A	EA	MUDGUARD

### LUG WRENCH , TIRE JACK & HANDLE

KEY	PART NUMBER	U/M	DESCRIPTION
	116209-01-000	EA	WRENCH - LUG - .75"
	114387-01-000	EA	JACK - SCREW - 4000 LB
	114387-02-000	EA	HANDLE - SCREW JACK - 1 PIECE

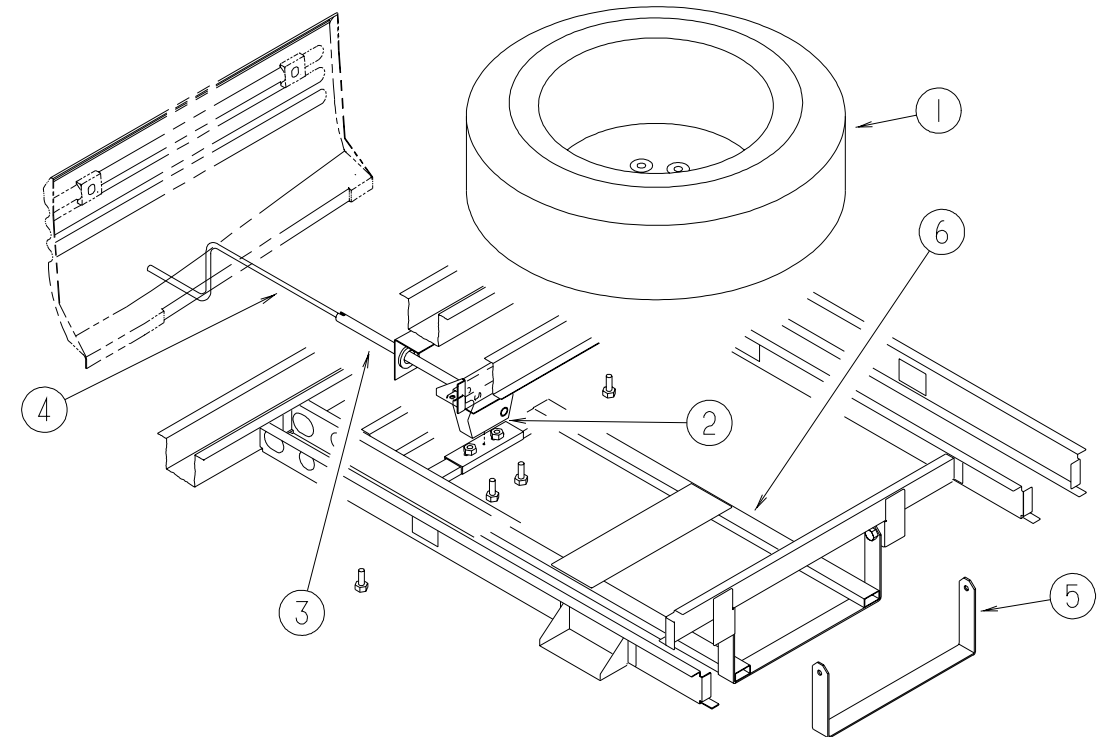
### REAR AIR BAGS

KEY	PART NUMBER	U/M	DESCRIPTION	VENDOR NO.
	701390-04-700	EA	AIR BAG SYSTEM - COMPLETE INSTALLATION - REAR VW H-BODY	
	100293-03-700	EA	BAG - PRECHARGED KIT LT. VW	RK-W2L
			KIT CONTAINS: (1)AIR BAG, (1)ELBOW FITTING, (1)ELBOW FILL VALVE, (1)3' 1/4" AIR LINE, (1)INSTRUCTIONS	
	100293-03-701	EA	BAG - PRECHARGED KIT RT. VW	RK-W2R
			KIT CONTAINS: (1)AIR BAG, (1)ELBOW FITTING, (1)ELBOW FILL VALVE, (1)1/4" AIR LINE, (1)INSTRUCTIONS	

### MISCELLANEOUS CHASSIS COMPONENTS

KEY	PART NUMBER	U/M	DESCRIPTION
	076776-02-000	EA	TEE - BEADED - 3/4 X 3/4 X 3/4
	120406-02-02B	EA	ROD - THREADED - PARK BRAKE
	130075-01-02B	EA	BRACKET - PARK BRAKE CABLE/LEFT HAND - E-COATED
	130075-02-02B	EA	BRACKET - PARK BRAKE CABLE/RIGHT HAND - E-COATED
	112638-01-000	EA	HOSE - BRAKE LINE/REAR
	112638-02-000	EA	CLIP - SPRING - BRAKE HOSE
	100424-01-000	EA	ANGLE - BRAKE CABLE
	114255-01-000	EA	COUPLING - 5/8 THD X 1/8 FPT
	076776-02-000	EA	TEE - BEADED - 3/4 X 3/4 X 3/4
	130307-01-000	EA	FITTING - REDUCE - HOSE - 1/2-5/8
	111420-07-000	EA	PLATE - SUPPORT
	112081-02-000	EA	ANGLE - ROOF SUPPORT - CENTER
	112538-01-000	EA	PILLAR - RIGHT HAND
	112538-02-000	EA	PILLAR - LEFT HAND
	065450-08-000	EA	TIEDOWN - BATTERY

## CHASSIS GROUP (CONTINUED)



### SPARE TIRE/MOUNT & HOIST

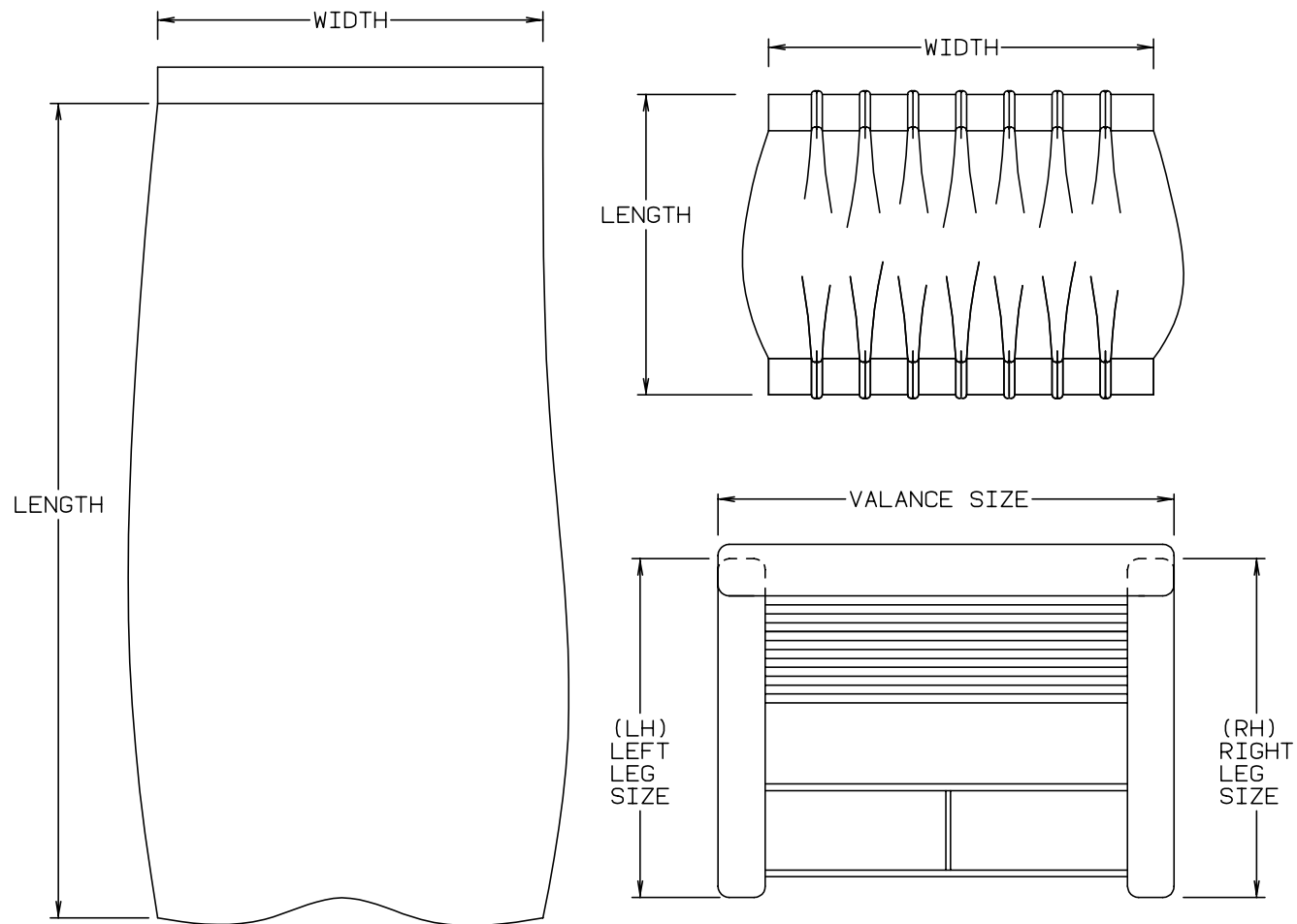
KEY	PART NUMBER	U/M	DESCRIPTION
1	116271-02-000	EA	TIRE - 215/70 R15 C 109/107P - F/REAR
1	116271-01-000	EA	TIRE - LT 195/70T 15C 104/102P - F/Front & SPARE
	051377-04-000	EA	VALVE STEM - .5" X 2"
2	093267-03-000	EA	HOIST - SPARE TIRE - #100 LB
3	093375-15-000	EA	EXTENSION - TIRE HOIST
4	093376-02-000	EA	HANDLE - CRANK - TIRE HOIST
	114376-01-000	EA	PIN - DRIVE - .156 X .750 - TYPE E - TIRE HOIST
5	116350-02-01B	EA	BRACKET - SPARE TIRE - E-COATED
6	124645-01-02B	EA	CRADLE - SPARE TIRE
	113007-04-000	EA	PIN - SPRING - .007" X 1.25"

## CURTAIN & CUSHION GROUP

### NOTICE

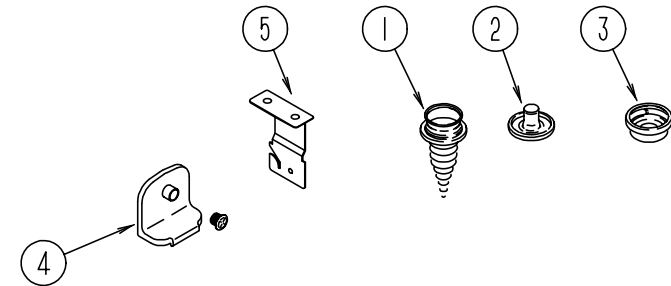
IN ORDER TO ASSIST OUR PARTS SALES DEPT. IN PROVIDING INTERIOR SOFTGOODS ITEMS, PLEASE INCLUDE THE SERIAL NUMBER AND THE COLOR CODE NUMBER FROM THE VEHICLE CERTIFICATION LABEL WHEN ORDERING. THIS LABEL IS LOCATED ON THE LEFT SIDEWALL AT THE END OF THE DASH (A-BODY), OR ON THE DRIVER'S DOOR LATCH PLATE (C-BODY).

AN EXAMPLE OF A COLOR CODE NUMBER IS B07, WHICH DESIGNATES AN OVERALL COLOR SCHEME OF A PARTICULAR UNIT. THE COLOR LISTED AFTER THE ITEM DESCRIPTION ON THE MICROFICHE, INDICATES THE OVERALL UNIT COLOR. ORDER THE ITEM YOU DESIRE ACCORDING TO UNIT COLOR CODE.



NOTE: USE THIS ILLUSTRATION WHEN DETERMINING LENGTH AND WIDTH MEASUREMENTS FOR CURTAINS. YOU WILL NOTE THE WIDTH MEASUREMENT IS TAKEN ON THE TOP OF THE CURTAIN WITH THE CURTAIN FULLY EXTENDED. THE LENGTH MEASUREMENT IS TAKEN FROM TOP TO BOTTOM. LEFT AND RIGHT WINDOW LEGS ARE DETERMINED WHEN FACING THE WINDOW.

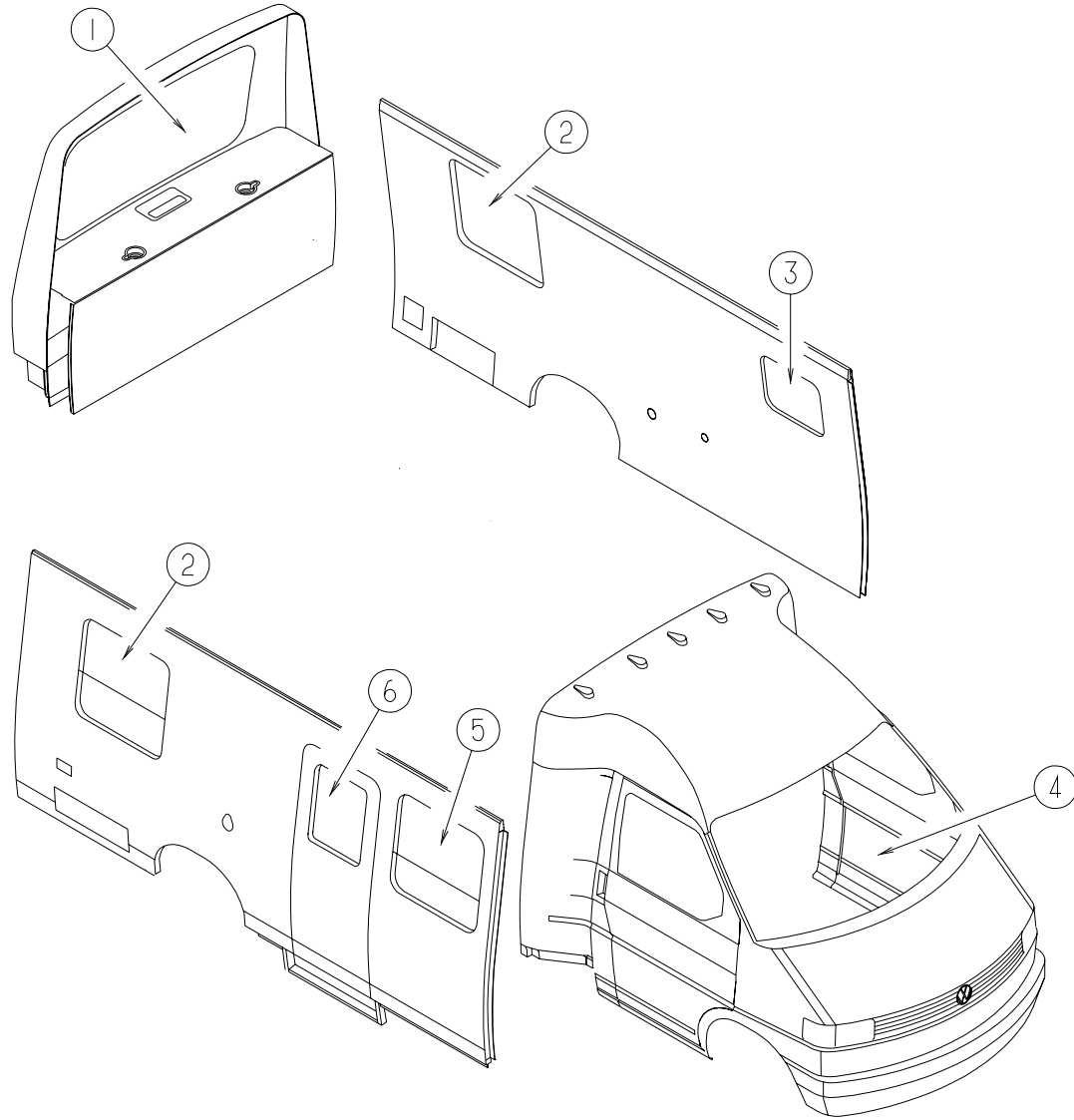
## CURTAIN & CUSHION GROUP (CONTINUED)



### CURTAIN, BLIND & SHADE HARDWARE

KEY	PART NUMBER	U/M DESCRIPTION
1	029130-01-000	EA SCREW - SNAP SOCKET - #8 PH X 5/8"
1	029130-03-000	EA SCREW - SNAP SOCKET - #8 PH X 1"
2	029155-01-000	EA CAP - SNAP - 5/32" O.D. OF PIN
3	029156-01-000	EA SOCKET - SNAP - 9/16" O.D.
3	029156-02-000	EA SOCKET - SNAP - 27/64" OD
4	106544-01-000	EA PULL - SHADE/BRASS
4	106544-01-001	EA SCREW - SHADE/BRASS
5	084434-01-000	EA BRACKET - MOUNTING - ROLLER SHADE - 1 3/8"
	048394-02-000	YD VELCRO TAPE - HOOK - ADHESIVE BACK - .75" WIDE - BEIGE
	083170-01-000	EA BRACKET - BLIND - LEFT SIDE WHEN FACING WINDOW
	083170-02-000	EA BRACKET - BLIND - RIGHT SIDE WHEN FACING WINDOW
	088792-02-000	YD VELCRO TAPE - LOOP - .75" - ADHESIVE BACKED - BEIGE
	088792-04-000	YD VELCRO TAPE - LOOP - 5/8" - NON-ADHESIVE BACK - WHITE
	088792-05-000	YD VELCRO TAPE - HOOK - 5/8" - NON-ADHESIVE BACK - WHITE
	088792-06-000	YD VELCRO TAPE - LOOP - .75" - NON-ADHESIVE BACKED - BUFF
	103242-01-000	EA VELCRO HOOK - BEIGE 7/8"
	086276-01-000	EA TAPE - DOUBLE SIDED - 1/2"
	094896-02-000	EA GROMMET - CORD/PLEATED BLIND - NYLON - GRAY
	094907-05-000	EA HARDWARE - END CAP - BOTTOM - PULL TYPE
	094907-05-700	EA END CAP - RIGHT HAND BOTTOM BLIND
	094907-05-701	EA END CAP - LEFT HAND BOTTOM BLIND
	094907-06-000	EA HARDWARE - END CAP - E-Z LIFT - TOP
	094908-03-000	FT HARDWARE - SEMI-RIDGED PVC - EZ LIFT
	097565-01-000	EA BRACKET - MOUNTING/PLEATED BLIND
	097591-01-000	EA SPRING - EXTENSION/PLEATED BLIND
	097592-01-000	EA SPOOL - CORD - ELEVATED BLIND HOLDUP - CLEAR PLASTIC
	097593-06-000	FT CORD - BLIND - PLEATED - PEWTER
	089275-01-000	FT STRIP - 3/4" X 96" - CLEAR POLYETHYLENE
	096843-01-000	EA SPRING - REWIND/ROLLER SHADE
	109441-01-000	EA HOLD DOWN - BLIND - HOOK
	109353-04-000	EA CLIP - VALANCE SLAT MOUNTING - CLEAR PLASTIC

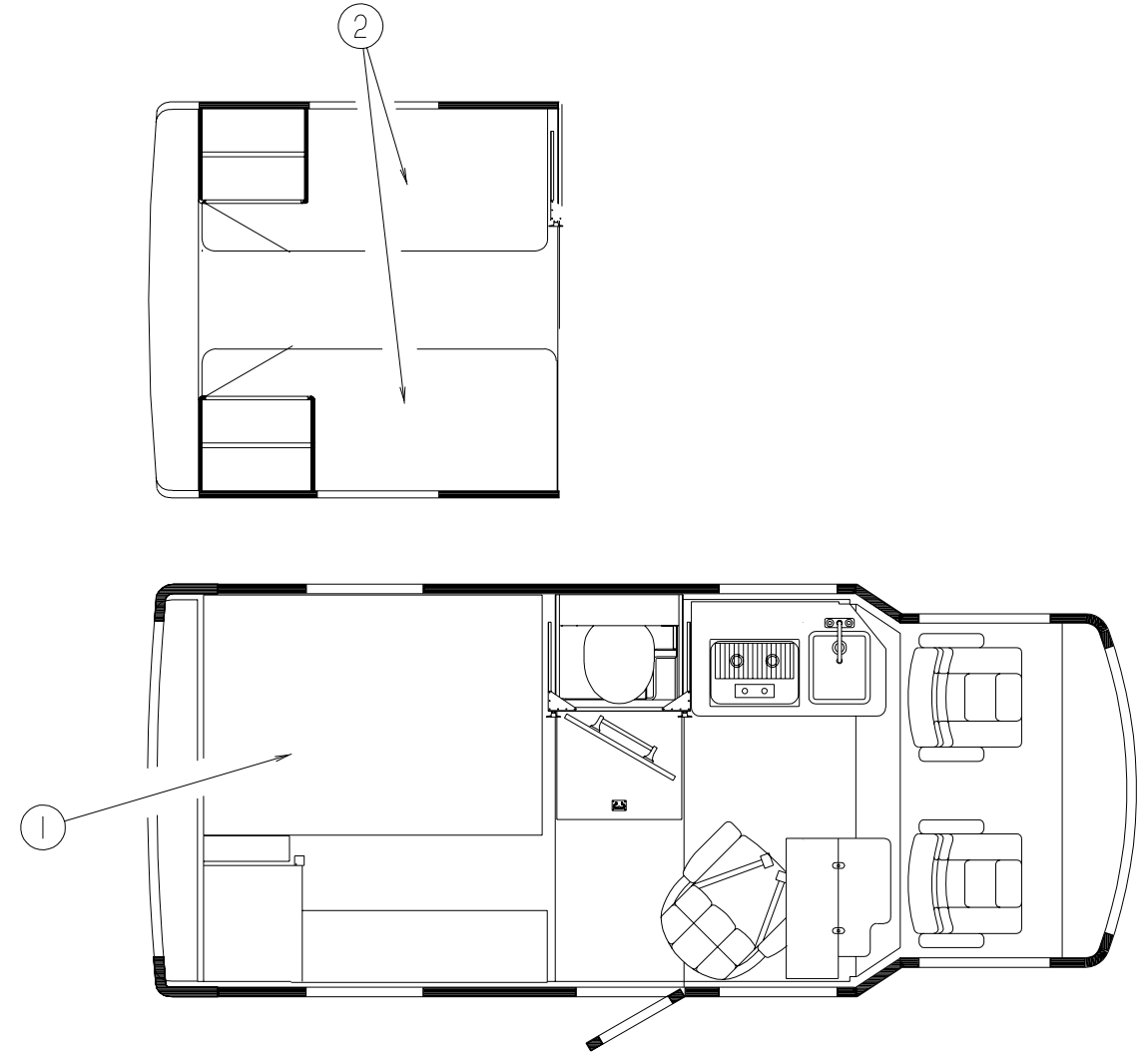
**CURTAIN & CUSHION GROUP (CONTINUED)**



**WINDOW TREATMENT**

KEY	PART NUMBER	U/M	DESCRIPTION
1	119405-06-K77	EA	BLIND - MICRO PLEAT - 61" X 32"(K77)
1	119405-06-H70	EA	BLIND - MICRO PLEAT - 61" X 32"(K79)
2	113637-32-K77	EA	VALANCE - ROSEANNE - 30.5"(K77)
2	113637-32-K79	EA	VALANCE - ROSEANNE - 30.5"(K79)
2	119405-15-K77	EA	BLIND - MICRO PLEAT - 28" X 26.5"(K77)
2	119405-15-K79	EA	BLIND - MICRO PLEAT - 28" X 26.5"(K79)
3	111861-08-01A	EA	BLIND - MICRO MINI - 21" X 18.5"
4	077591-14-H70	EA	CURTAIN - 26" X 114"
	103242-01-000	EA	VELCRO HOOK - BEIGE 7/8"
5	113637-32-K77	EA	VALANCE - ROSEANNE - 30.5"(K77)
5	113637-32-K79	EA	VALANCE - ROSEANNE - 30.5"(K79)
5	119405-15-K77	EA	BLIND - MICRO PLEAT - 28" X 26.5"
6	113637-33-K77	EA	VALANCE - ROSEANNE - 30"
6	084755-57-E07	EA	SHADE - PULL - 27.25"
	117640-01-G46	EA	CURTAIN - SHOWER - RIGHT HAND
			FROM 00-00-00 THRU 09-15-98
	117640-02-G46	EA	CURTAIN - SHOWER - RIGHT HAND
			FROM 00-00-00 THRU 09-15-98
	117640-03-G47	EA	CURTAIN - SHOWER - RIGHT HAND - 33.75"
			FROM 09-16-98 THRU 99-99-99
	117640-04-G47	EA	CURTAIN - SHOWER - LEFT HAND - 33.75"
			FROM 09-16-98 THRU 99-99-99
	057534-01-000	EA	TIEBACK/TIEDOWN - 6" CLEAR PLASTIC
	057534-02-000	EA	TIEBACK/TIEDOWN - 3" CLEAR PLASTIC
	089275-01-000	FT	STRIP - 3/4" X 96" - CLEAR POLYETHYLENE

**CURTAIN & CUSHION GROUP (CONTINUED)**



**BED COVERINGS**

KEY	PART NUMBER	U/M	DESCRIPTION
1	101123-17-000	EA	MATTRESS - FOAM - 54" X 74" X 5"
1	117067-13-K77	EA	COVER - FITTED SHEET - 54" X 75" X 5"(K77)
1	117067-13-K79	EA	COVER - FITTED SHEET - 54" X 75" X 5"(K79)
	111863-08-K77	EA	PILLOW SHAM - 20" X 30"(K77)
	111863-08-K79	EA	PILLOW SHAM - 20" X 30"(K79)
2	117067-06-K77	EA	COVER - FITTED SHEET - RIGHT CUT - 32" X 75" X 5"(K77)
2	117067-06-K79	EA	COVER - FITTED SHEET - RIGHT CUT - 32" X 75" X 5"(K79)
	111863-14-K77	EA	PILLOW SHAM - 22" X 37"(K77)
	111863-14-K79	EA	PILLOW SHAM - 22" X 37"(K79)
2	101123-33-000	EA	MATTRESS - FOAM - 32" X 75" X 5"

**CURTAIN & CUSHION GROUP (CONTINUED)**

**SEATBELTS, WELTING & MISCELLANEOUS**

KEY	PART NUMBER	U/M	DESCRIPTION
	114258-01-01A	EA	SEAT BELT - 2" X 90" - BLACK
	079349-04-H70	YD	WELT - NARROW
	105924-02-J80	EA	MAT - FLOOR - 18" X 25"

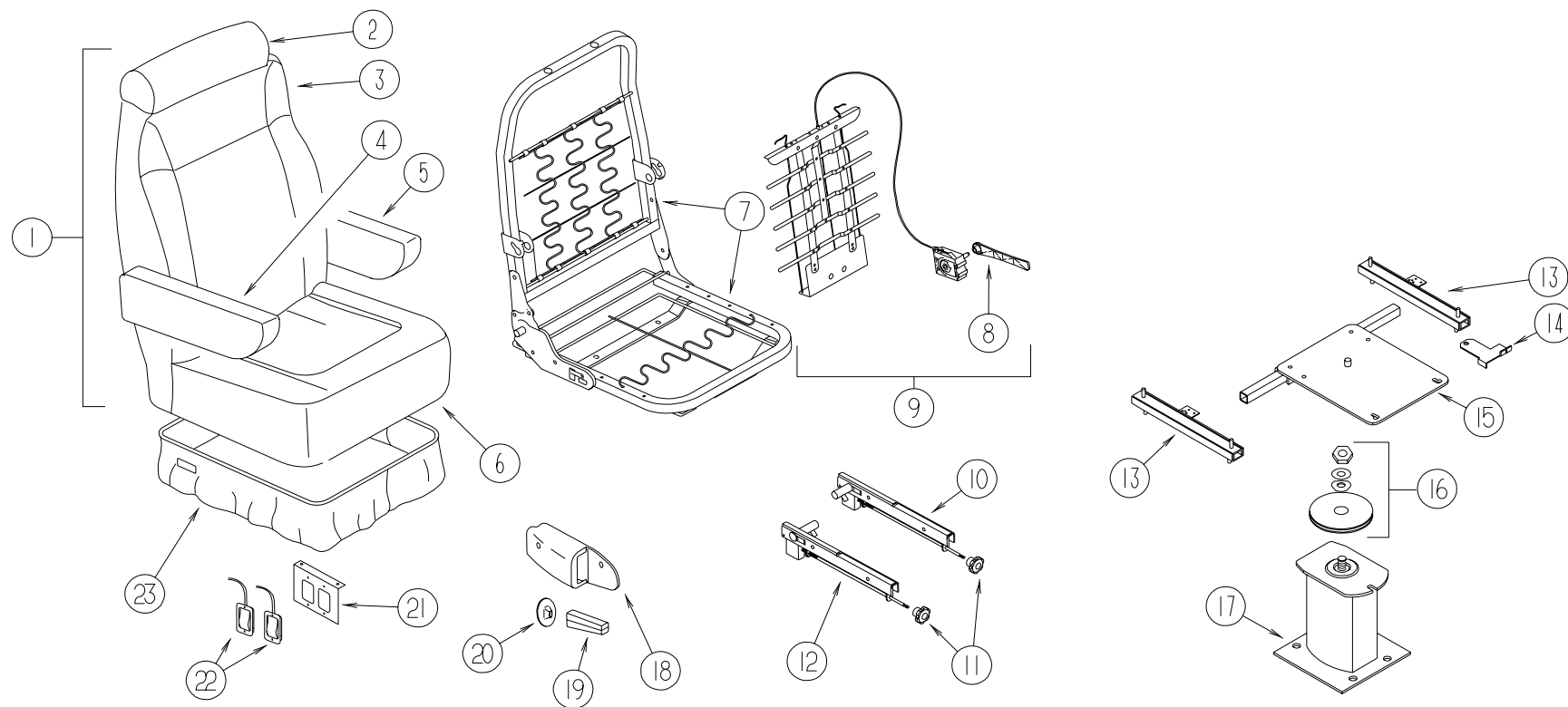
**CURTAIN & CUSHION GROUP (CONTINUED)**

<p align="center"><b>1999</b> <b>RIALTA FABRICS</b></p>		
<b>COLOR CODES</b>	K77	K79
<b>COLORS</b>	CYBER (STEEL GRAY)	SLATE (MEDIUM GRAY)
<b>CEILING VINYL</b>	113979-02-01A 113979-03-01A	113979-02-01A 113979-03-01A
<b>CUSHION &amp; VALANCE VINYL</b> FROM: 00-00-00 THRU 04-04-99	079680-29-000	079680-29-000
<b>CUSHION &amp; VALANCE VINYL</b> FROM: 04-05-99 THRU 099-99-99	079680-30-000	079680-30-000
<b>DRAPERY LINING</b>	087272-03-000	087272-03-000
<b>BUCKET SEATS</b>	126883-30-000	126883-29-000
<b>DINETTE</b>	126883-30-000	126883-29-000
<b>DINETTE WINDOWS</b>	126883-30-000	126883-29-000
<b>LOUNGE WINDOWS</b>	126883-30-000	126883-29-000
<b>SWIVEL CHAIR</b>	126883-30-000	126883-29-000
<b>FRONT WRAP AROUND</b>	072333-88-000	072333-88-000

NOTE: FABRIC LISTED FIRST, IN A BLOCK, IS THE LARGEST QUANTITY OF FABRIC USED.

## CURTAIN & CUSHION GROUP (CONTINUED)

### BUCKET SEAT, DRIVER SIDE

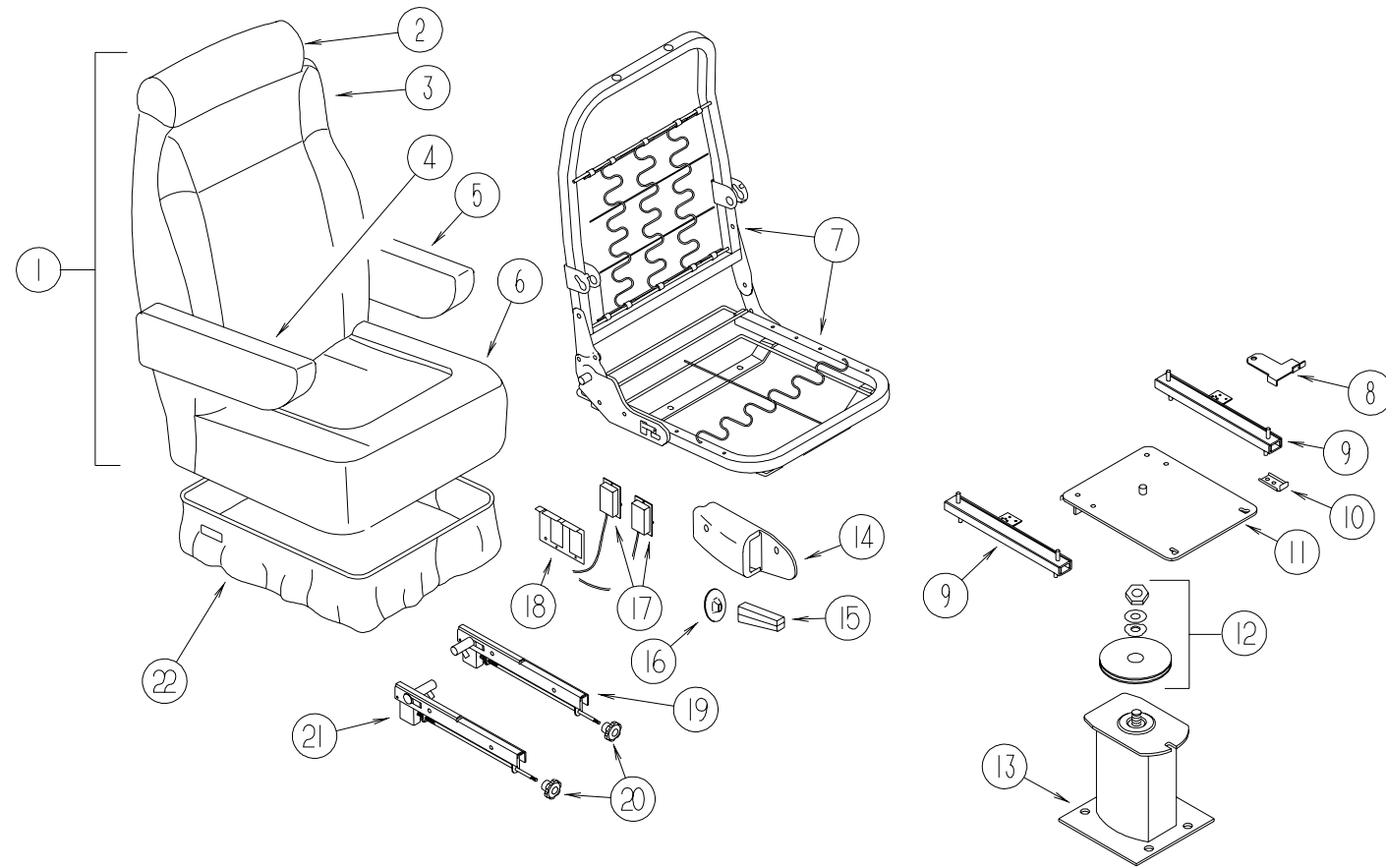


KEY	PART NUMBER	U/M DESCRIPTION
1	127540-08-K77	EA SEAT - BUCKET - DRIVER - W/LUMBAR SUPPORT/ADJUSTABLE ARMREST
1	127540-08-K79	EA SEAT - BUCKET - DRIVER - W/LUMBAR SUPPORT/ADJUSTABLE ARMREST
1	127851-01-K77	EA SEAT - BUCKET - W/LUMBAR SUPPORT - ADJUSTABLE ARM - LEATHER OPTION
2	119509-01-K76	EA HEADREST - BUCKET SEAT (K77)
2	119509-01-K78	EA HEADREST - BUCKET SEAT (K79)
2	119509-03-K76	EA HEADREST - BUCKET SEAT - LEATHER OPTION
2	P19509-01-K76	EA COVER - HEADREST (K77)
2	P19509-01-K78	EA COVER - HEADREST (K79)
2	P19509-03-K76	EA COVER - HEADREST - LEATHER OPTION
3	M05962-75-K77	EA COVER - BACK (K77)
3	M05962-75-K78	EA COVER - BACK (K79)
3	M05962-76-K77	EA COVER - BACK - LEATHER OPTION
4	129666-05-K76	EA ARMREST - ADJUSTABLE RIGHT HAND (K77,K79)
4	129716-01-K77	EA ARMREST - ADJUSTABLE RIGHT HAND - LEATHER OPTION
4	P29666-05-K76	EA COVER - ARMREST - RIGHT HAND (K77,K79)
4	P29716-01-K77	EA COVER - ARMREST - RIGHT HAND - LEATHER OPTION
5	129666-06-K76	EA ARMREST - ADJUSTABLE LEFT HAND (K77,K79)
5	129716-02-K77	EA ARMREST - ADJUSTABLE LEFT HAND - LEATHER OPTION
5	P29666-06-K76	EA COVER - ARMREST - LEFT HAND (K77,K79)
5	P29716-02-K77	EA COVER - ARMREST - LEFT HAND - LEATHER OPTION
6	M05962-52-K77	EA COVER - SEAT (K77)
6	M05962-52-K78	EA COVER - SEAT (K79)
6	M05962-77-K77	EA COVER - SEAT - LEATHER OPTION

KEY	PART NUMBER	U/M DESCRIPTION
7	122695-02-01B	EA FRAME - SEAT/BACK
8	122611-02-701	EA LUMBAR - LEVER
9	122611-02-000	EA LUMBAR - W/LEVER
10	122622-05-000	EA BRACKET - ADJUSTABLE/ARMREST - LEFT HAND
11	122622-06-000	EA KNOB - W/3/8" THREAD INSERT
12	122622-04-000	EA BRACKET - ADJUSTABLE/ARMREST - RIGHT HAND
13	119952-04-000	EA SLIDE/SEAT - HEAVY DUTY LOCKING - 4 STUDS
	119952-07-000	EA WIRE - LATCH RELEASE/ROTARY
14	117125-01-02B	EA BRACKET - CABLE MOUNT - ADJUSTER W/LOCK
15	107921-08-000	EA TOP PLATE - PEDESTAL - W/O SEAT BELT BAR
16	107921-06-000	EA BEARING KIT - PEDESTAL
17	107921-19-000	EA PEDESTAL - SEAT - 6" - DRIVER
18	080730-09-000	EA SHIELD - RECLINER HANDLE
19	080730-08-000	EA HANDLE - RECLINER
20	080730-11-000	EA SHIELD - RUBBER BOOT
21	117125-01-02B	EA BRACKET - CABLE MOUNT - ADJUSTER W/LOCK
22	108049-04-000	EA CABLE - W/SWITCHES - W/26" MINI LEVER ACTION
23	071126-41-K77	EA SKIRT - SINGLE - 7" W/SLOT (K77,K79)
	071126-41-K86	EA SKIRT - SINGLE - 7" W/SLOT - LEATHER OPTION
	113977-12-000	EA HEADREST INSERT - W/O LOCK
	113977-13-000	EA HEADREST INSERT - W/ LOCK

## CURTAIN & CUSHION GROUP (CONTINUED)

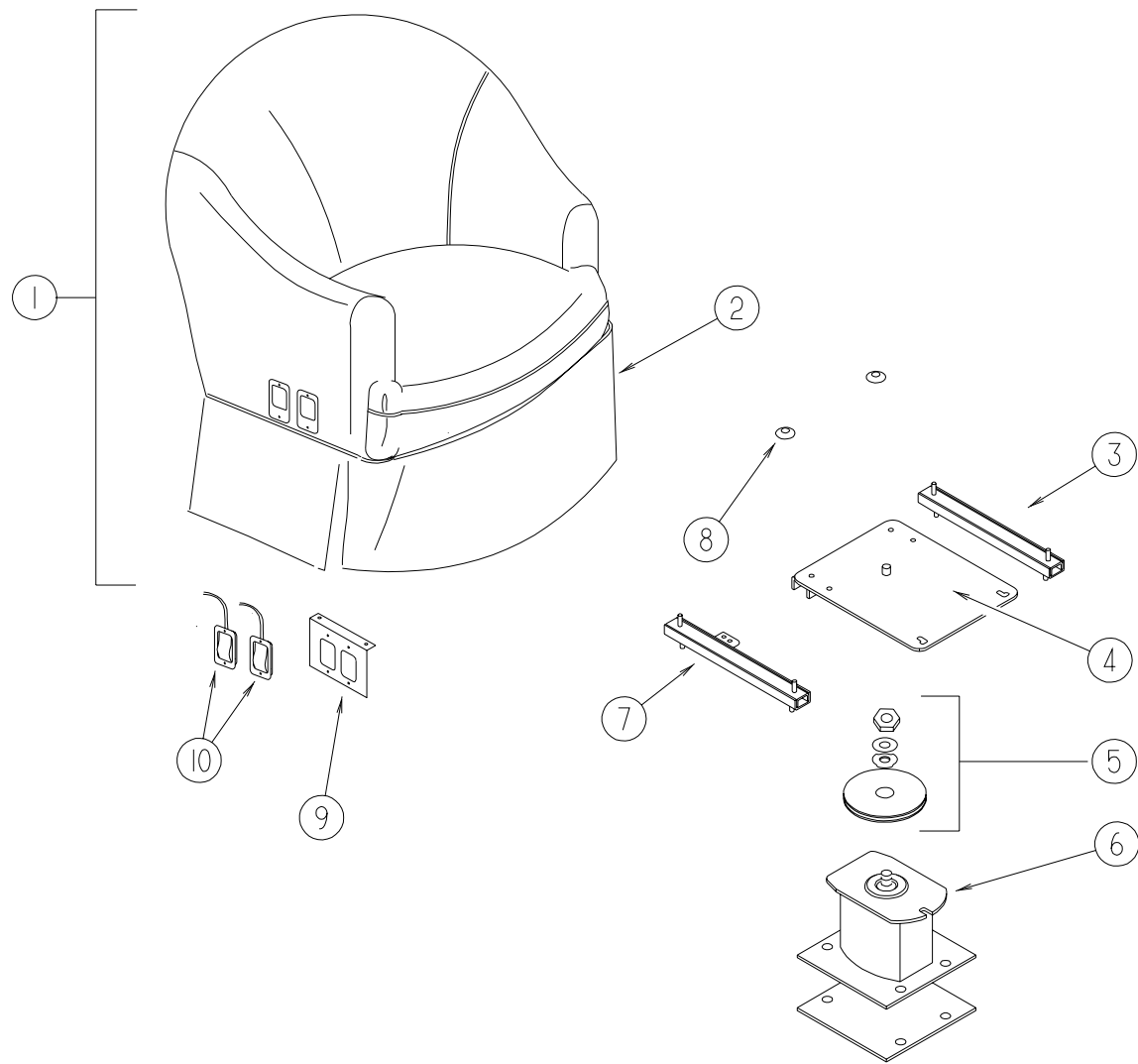
### BUCKET SEAT - PASSENGER SIDE



KEY	PART NUMBER	U/M DESCRIPTION
1	127540-13-K77	EA SEAT - BUCKET - ADJUSTABLE ARMREST/DRIVER
1	127540-13-K79	EA SEAT - BUCKET - ADJUSTABLE ARMREST/DRIVER
1	127851-03-K77	EA SEAT - BUCKET - ADJUSTABLE ARMREST - LEATHER OPTION
2	119509-01-K76	EA HEADREST - BUCKET SEAT (K77)
2	119509-01-K78	EA HEADREST - BUCKET SEAT (K79)
2	119509-03-K76	EA HEADREST - BUCKET SEAT - LEATHER OPTION
3	M05962-75-K77	EA COVER - BACK (K77)
3	M05962-75-K78	EA COVER - BACK (K79)
3	M05962-76-K77	EA COVER - BACK - LEATHER OPTION
4	129666-05-K76	EA ARMREST - ADJUSTABLE RIGHT HAND (K77,K79)
4	129716-01-K77	EA ARMREST - ADJUSTABLE RIGHT HAND - LEATHER OPTION
4	P29666-05-K76	EA COVER - ARMREST - RIGHT HAND (K77,K79)
4	P29716-01-K77	EA COVER - ARMREST - RIGHT HAND - LEATHER OPTION
5	129666-06-K76	EA ARMREST - ADJUSTABLE LEFT HAND (K77,K79)
5	129716-02-K77	EA ARMREST - ADJUSTABLE LEFT HAND - LEATHER OPTION
5	P29666-06-K76	EA COVER - ARMREST - LEFT HAND (K77,K79)
5	P29716-02-K77	EA COVER - ARMREST - LEFT HAND - LEATHER OPTION
6	M05962-52-K77	EA COVER - SEAT (K77)
6	M05962-52-K78	EA COVER - SEAT (K79)
6	M05962-77-K77	EA COVER - SEAT - LEATHER OPTION

KEY	PART NUMBER	U/M DESCRIPTION
7	122695-03-01B	EA FRAME - SEAT/BACK
8	117125-01-02B	EA BRACKET - CABLE MOUNT - ADJUSTER W/LOCK
9	119952-03-000	EA SLIDE/SEAT - HEAVY DUTY LOCKING - 2 STUDS
	119952-07-000	EA WIRE - LATCH RELEASE/ROTARY
10	114889-01-000	EA STOP BAR - UNIVERSAL
11	107921-08-000	EA TOP PLATE - PEDESTAL - W/O SEAT BELT BAR
12	107921-06-000	EA BEARING KIT
13	107921-19-000	EA PEDESTAL/FLOOR MOUNTED - 6" PASS - W/PLATE F/LOCKING MECH
14	080730-09-000	EA SHIELD - RECLINER HANDLE
15	080730-08-000	EA HANDLE - RECLINER
16	080730-11-000	EA SHIELD - RUBBER BOOT
17	108049-03-000	EA CABLE/CONTROL 25.5" SHEATH/28.5" CABLE W/DOG LEG
18	117125-01-02B	EA BRACKET - CABLE MOUNT - ADJUSTER W/LOCK
19	122622-05-000	EA BRACKET - ADJUSTABLE/ARMREST - LEFT HAND
20	122622-06-000	EA KNOB - W/3/8" THREAD INSERT
21	122622-04-000	EA BRACKET - ADJUSTABLE/ARMREST - RIGHT HAND
22	071126-41-K77	EA SKIRT - SINGLE - 7" W/SLOT (K77,K79)
22	071126-41-K86	EA SKIRT - SINGLE - 7" W/SLOT - LEATHER OPTION
	113977-12-000	EA HEADREST INSERT - W/O LOCK
	113977-13-000	EA HEADREST INSERT - W/ LOCK

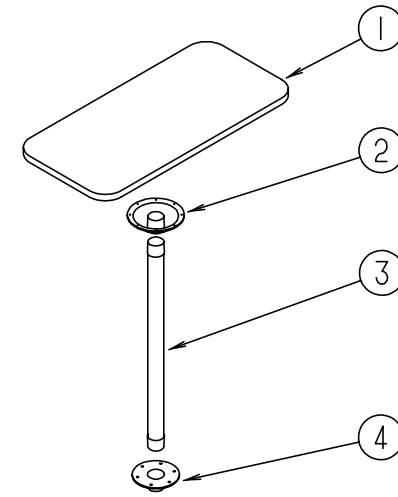
## CURTAIN & CUSHION GROUP (CONTINUED)



**CHAIR - SWIVEL**

KEY	PART NUMBER	U/M DESCRIPTION
1	115470-02-K77	EA CHAIR - SWIVEL(K77)
1	115470-02-K79	EA CHAIR - SWIVEL(K79)
1	P15470-02-K77	EA COVER - CHAIR(K77)
1	P15470-02-K79	EA COVER - CHAIR(K79)
2	P07977-03-K77	EA COVER - SKIRT(K77)
2	P07977-03-K79	EA COVER - SKIRT(K79)
3	119952-01-000	EA SLIDE/SEAT - HEAVY DUTY NON LOCKING
4	107921-08-000	EA TOP PLATE - PEDESTAL - W/O SEAT BELT BAR
5	107921-06-000	EA BEARING KIT - PEDESTAL
6	107921-15-000	EA FLOOR MOUNTED PEDESTAL - W/9.75" EXTENSION
7	119952-03-000	EA SLIDE/SEAT - HEAVY DUTY LOCKING - 2 STUDS
8	007221-01-000	EA SPACER - SEAT/ADJUSTER
9	127159-02-02B	EA BRACKET - SEAT RELEASE - DUAL REMOTE
10	108049-03-000	EA CABLE - W/SWITCHES - 25.5" SHEATH/28.5" CABLE W/DOG LEG
	117125-01-02B	EA BRACKET - CABLE MOUNT - ADJUSTER W/LOCK
	108049-02-000	EA CLIP - CABLE/PEDESTAL
	010495-01-000	EA CLAMP - CABLE - 9/16"
	007021-01-000	EA SEAT BELT - 2" X 90" - BLACK
	057759-01-000	EA WASHER - FLAT F/SEAT BELT - 4" DIAMETER

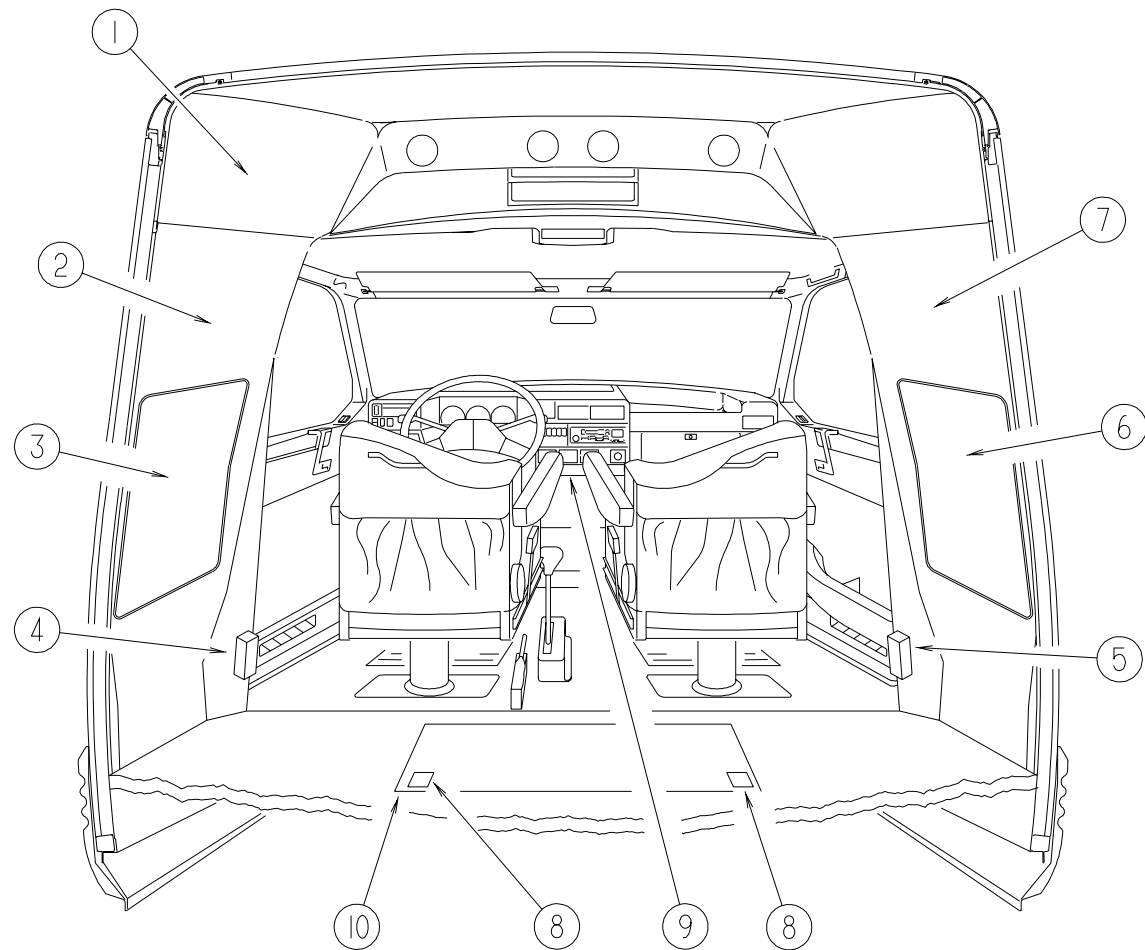
## DINETTE GROUP



**DINETTE TABLE**

KEY	PART NUMBER	U/M DESCRIPTION
1	081298-06-H70	EA TABLE TOP ONLY
		FROM: 00-00-00 THRU: 11-29-98
1	081298-15-K77	EA TABLE TOP ONLY
		FROM: 11-30-98 THRU: 99-99-99
2	009040-03-000	EA BASE - TABLE/RAISED - TABLE MOUNTED
3	009040-09-000	EA LEG - PEDESTAL TABLE - 31.5"
4	041194-01-000	EA BASE - TABLE/FLUSH - FLOOR MOUNTED
	062046-01-000	EA CLIP - LEG - PEDESTAL - 1.7" X 2.2" - DIA FROM 2 - 2.5"
	077968-01-000	EA RETAINER - NYLON - .5" X 1.6"
	076840-04-000	EA HOLD DOWN CORD - BUNGEE 10"
	042438-02-000	EA DOWEL - WOOD - 2" X 2"

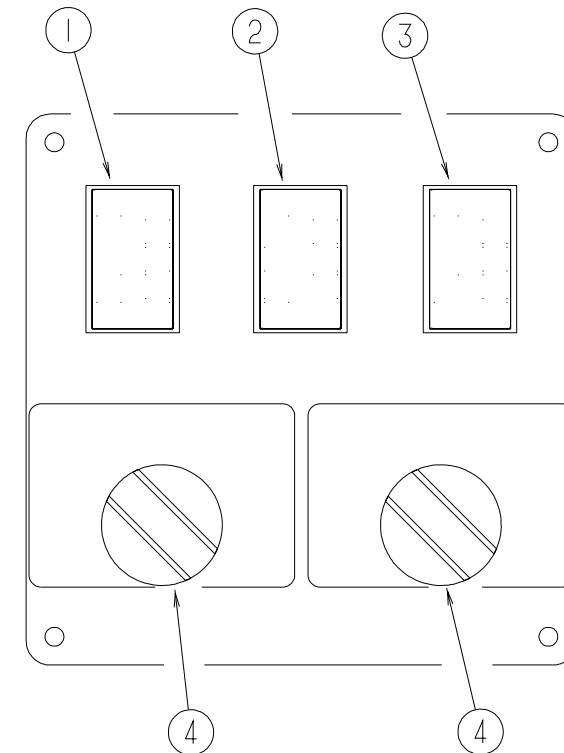
## DRIVERS COMPARTMENT GROUP



### DRIVERS COMPARTMENT

KEY	PART NUMBER	U/M	DESCRIPTION
	129349-01-000	EA	CLUSTER - INSTRUMENT PANEL - KILOMETERS/CANADIAN - GAS FROM: 00-00-00 THRU: 11-16-98
	132227-01-000	EA	CLUSTER - INSTRUMENT PANEL - KILOMETERS/CANADA - GAS FROM: 11-17-98 THRU: 99-99-99
1	117256-03-03A	EA	HEADLINER - CAB - VW LT GRAY ABS PLASTIC
1	117256-07-03A	EA	HEADLINER - CAB - VW LT GRAY ABS PLASTIC (W/SOUND SYSTEM)
2	P27844-02-02A	EA	PANEL - TRANSITION - INNER - VW LT GRAY
3	117555-02-K78	EA	PANEL - TRANSITION - LT.
4	128914-01-01A	EA	COVER - RETRACTOR - DRIVER SIDE - BLACK
5	128914-02-01A	EA	COVER - RETRACTOR - PASSENGER SIDE - BLACK
6	117555-01-K78	EA	PANEL - TRANSITION - RT.
7	P27844-01-02A	EA	PANEL - TRANSITION - INNER - VW LT GRAY
8	097111-02-04A	EA	POCKET - LOCK - REAR DOOR
	102330-01-000	EA	LATCH - VISE ACTION/KEY OPERATED
	102328-01-000	EA	KEY - BARREL - NICKEL PLATED
9	126959-02-J80	EA	TRAY - FLIP-DOWN BEVERAGE W/CUP HOLDERS - MODIFIED/VW
	125807-01-01A	EA	COVER - BEVERAGE TRAY - VW BLACK
	125955-01-02B	EA	BRACKET - BEVERAGE TRAY - E-COATED
	064075-07-000	EA	SEAL - BULB - W/WIRED U CHANNEL - .3" X .5" CHANNEL - BLK
10	P18892-01-H70	EA	LID - COMPARTMENT/BATTERY - W/CARPET
	065450-08-000	EA	TIEDOWN - BATTERY

## DRIVERS COMPARTMENT GROUP (CONTINUED)



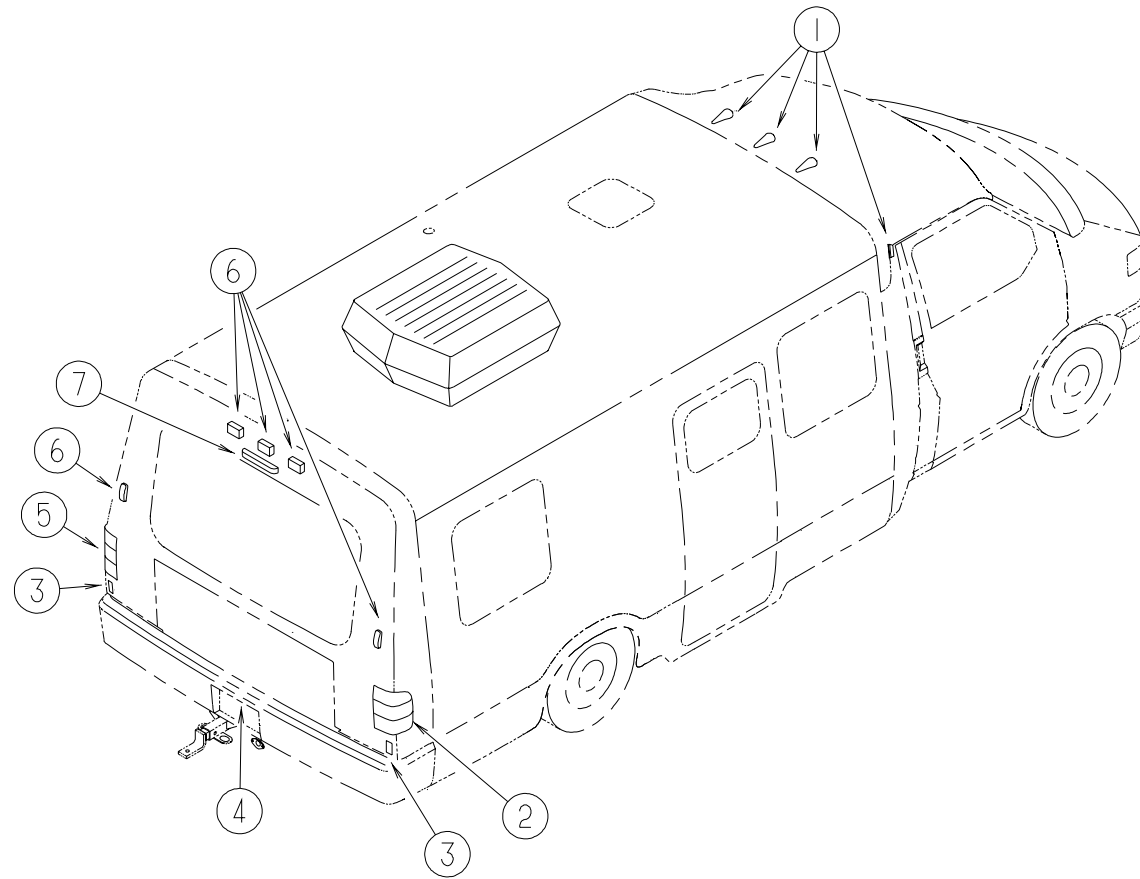
### OVERHEAD PANEL SWITCHES

KEY	PART NUMBER	U/M	DESCRIPTION
1	108356-09-01A	EA	COVER/ACTUATOR SWITCH - 2 ROWS DIMPLES W/LENS - WASH/BLACK
1	108357-13-000	EA	SWITCH - ROCKER DPDT W/LIGHT - MOM/ON-OFF/OFF - 7 TERMINAL
1	096241-03-000	EA	SWITCH - BLANK - BLACK
2	108356-08-01A	EA	COVER/ACTUATOR SWITCH - 2 ROWS DIMPLES W/LENS - REAR-BLACK
2	108357-12-000	EA	SWITCH - ROCKER DPST W/LIGHT - MOM/NONE/OFF - 7 TERMINAL
2	096241-03-000	EA	SWITCH - BLANK - BLACK
3	108356-07-01A	EA	COVER/ACTUATOR SWITCH - 2 ROWS DIMPLES - AUX START - BLACK
3	108357-09-000	EA	SWITCH - ROCKER SPDT - ON/NONE/MOM - 3 TERMINAL
4	087202-02-000	EA	SWITCH - 4 POSITION - W/O KNOB/BEZEL - 5 TERMINAL
4	090977-01-000	EA	KNOB - ROTARY SWITCH/SLIP ON - REAR HEATER/DASH/REAR PANEL



# ELECTRICAL GROUP

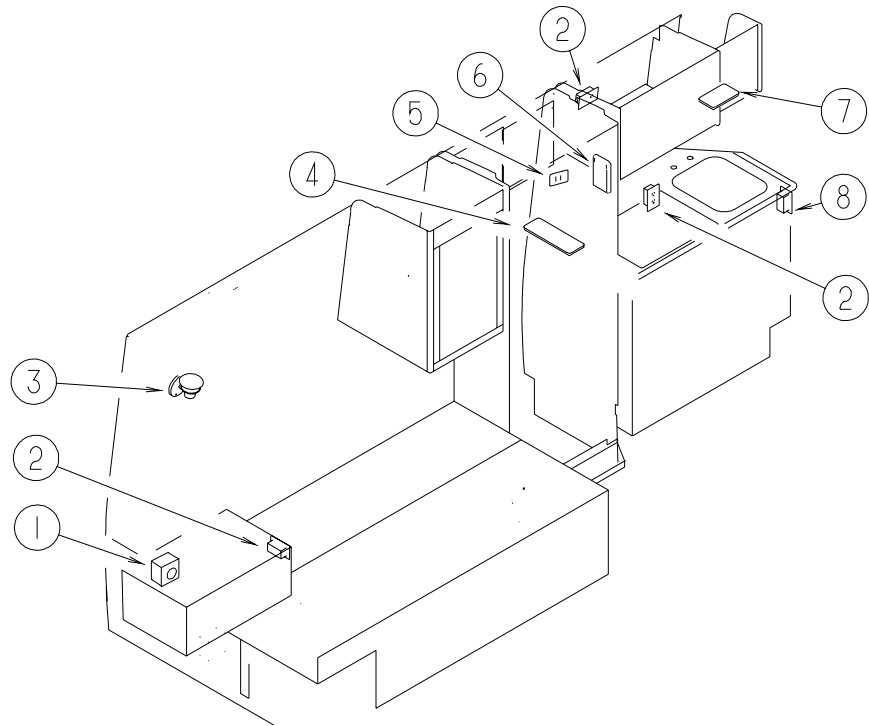
## EXTERIOR LIGHTS



KEY	PART NUMBER	U/M	DESCRIPTION
1	113709-01-000	EA	LAMP - CLEARANCE - AMBER
2	112126-03-000	EA	LAMP - REAR/RIGHT HAND
2	112709-01-000	EA	SOCKET - TURN LIGHT
2	112709-02-000	EA	SOCKET - BACK-UP LIGHT
2	112709-03-000	EA	SOCKET - BRAKE LIGHT/MARKER LIGHT
2	112707-01-000	EA	BULB - 12 VOLT - #3156 - 2.10 AMP
2	112708-01-000	EA	BULB - 12 VOLT - #3157 - .59/2.10 AMP
2	113777-01-02B	EA	BRACKET - TAIL LAMP - 7.7" LONG - E-COATED
3	106646-02-000	EA	REFLECTOR - STICK ON - RED USED ON JAPAN EXPORT ONLY
4	121681-01-000	EA	LAMP - LICENSE PLATE

KEY	PART NUMBER	U/M	DESCRIPTION
5	112126-04-000	EA	LAMP - REAR/LEFT HAND
5	112709-01-000	EA	SOCKET - TURN LIGHT
5	112709-02-000	EA	SOCKET - BACK-UP LIGHT
5	112709-03-000	EA	SOCKET - BRAKE LIGHT/MARKER LIGHT
5	112707-01-000	EA	BULB - 12 VOLT - #3156 - 2.10 AMP
5	112708-01-000	EA	BULB - 12 VOLT - #3157 - .59/2.10 AMP
5	113777-01-02B	EA	BRACKET - TAIL LAMP - 7.7" LONG - E-COATED
6	111102-01-000	EA	BASE - MARKER LAMP
6	111102-03-000	EA	LENS - RED - MARKER LAMP
6	036196-01-000	EA	BULB - 12V - #194 - .27 AMP - BAYONETTE
7	121950-01-000	EA	LIGHT - BRAKE - CENTER MOUNT

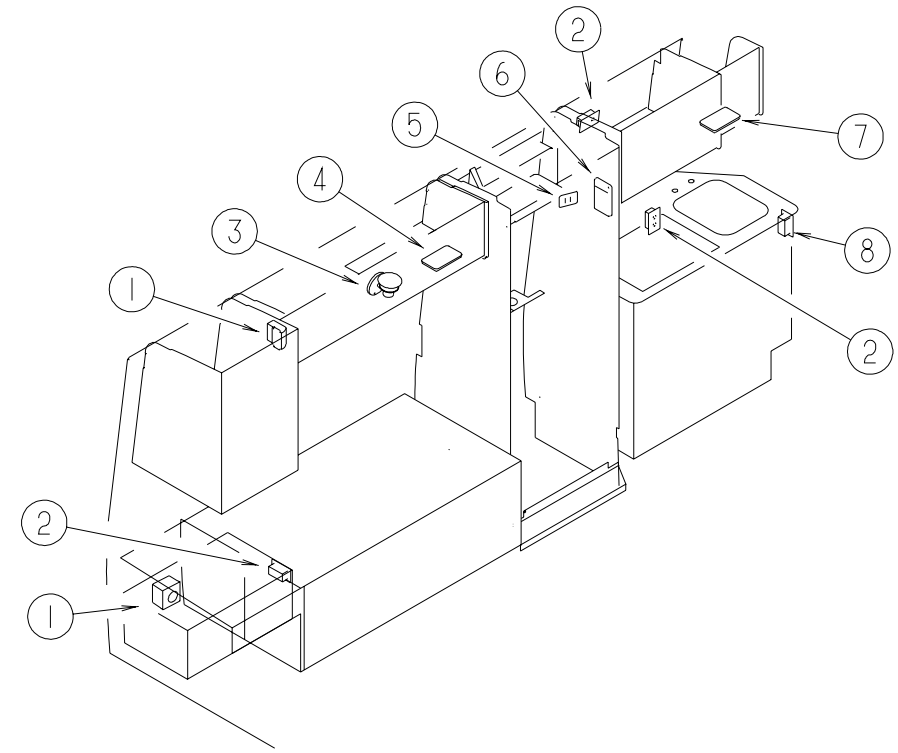
**ELECTRICAL GROUP (CONTINUED)**



**LIGHTS, RECEPTACLES & SWITCHES - DRIVER SIDE - DOUBLE BED**

KEY	PART NUMBER	U/M	DESCRIPTION	VENDOR NO.
1	024924-02-000	EA	RECEPTACLE - POWER CORD - W/PARTIAL PLATE	
	069238-01-000	EA	COVER - ELECTRICAL BOX - W/HOLE - 4" X 4" - GRAY	
2	058707-01-000	EA	RECEPTACLE - ELECTRIC - SINGLE - BROWN	
3	065202-37-000	EA	LAMP - WALL - BRASS SHORT - UL/CSA	
3	117806-01-000	EA	BULB - 12 VOLT #912 - 1.0 AMPS	
4	098024-03-02A	EA	LIGHT - DOME - 2 BULB - WHITE	
	098024-01-700	EA	LENS - DOME LIGHT	807877
	008218-01-000	EA	BULB - DOME LIGHT - 12 VOLT - NO. 1141	
5	108357-14-000	EA	SWITCH - ROCKER SPDT W/LIGHT - ON/NONE/OFF - 4 TERMINAL	
5	108356-10-01A	EA	COVER/ACTUATOR SWITCH - 2 ROWS DIMPLES W/LENS-SHOWER DRAIN	
6	098024-01-03A	EA	LIGHT - DOME - 1 BULB - WHITE	
6	098024-01-700	EA	LENS - LIGHT	807877
7	098024-05-02A	EA	LIGHT - DOME - 1 BULB - SKYLITE - WHITE	
	098024-01-701	EA	LENS - OPTI CLEAR - SKYLITE	809902
	008218-01-000	EA	BULB - DOME LIGHT - 12 VOLT - NO. 1141	
8	058708-01-000	EA	RECEPTACLE - ELECTRIC - DOUBLE - BROWN	

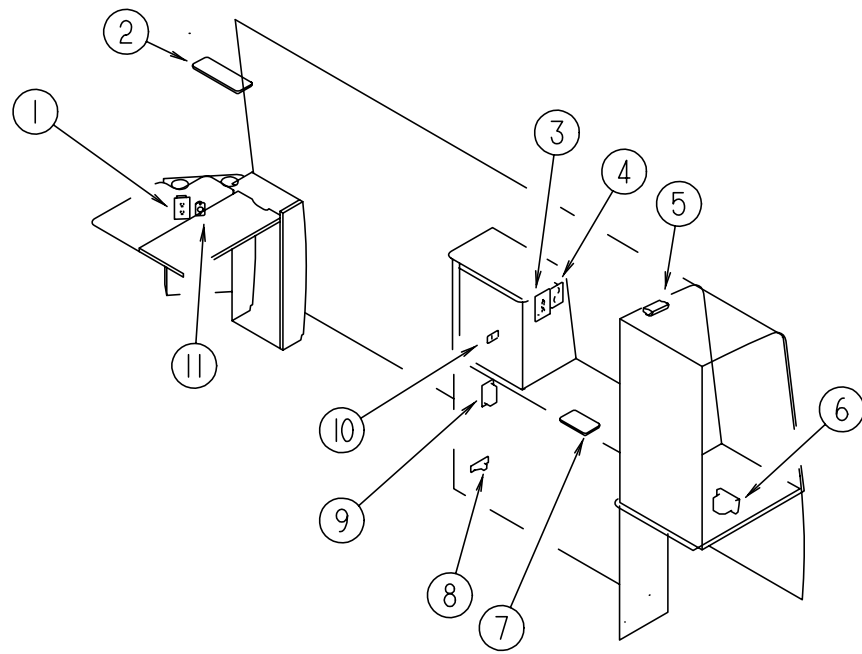
**ELECTRICAL GROUP (CONTINUED)**



**LIGHTS, RECEPTACLES & SWITCHES - DRIVER SIDE - TWIN BED**

KEY	PART NUMBER	U/M	DESCRIPTION	VENDOR NO.
1	024924-02-000	EA	RECEPTACLE - POWER CORD - W/PARTIAL PLATE	
	069238-01-000	EA	COVER - ELECTRICAL BOX - W/HOLE - 4" X 4" - GRAY	
2	058707-01-000	EA	RECEPTACLE - ELECTRIC - SINGLE - BROWN	
3	065202-37-000	EA	LAMP - WALL - BRASS SHORT - UL/CSA	
3	117806-01-000	EA	BULB - 12 VOLT #912 - 1.0 AMPS	
4	098024-05-02A	EA	LIGHT - DOME - 1 BULB - SKYLITE - WHITE	
	098024-01-701	EA	LENS - DOME LIGHT	807877
	008218-01-000	EA	BULB - DOME LIGHT - 12 VOLT - NO. 1141	
5	108357-14-000	EA	SWITCH - ROCKER SPDT W/LIGHT - ON/NONE/OFF - 4 TERMINAL	
5	108356-10-01A	EA	COVER/ACTUATOR SWITCH - 2 ROWS DIMPLES W/LENS-SHOWER DRAIN	
6	098024-01-03A	EA	LIGHT - DOME - 1 BULB - WHITE	
6	098024-01-700	EA	LENS - LIGHT	807877
7	098024-05-02A	EA	LIGHT - DOME - 1 BULB - SKYLITE - WHITE	
	098024-01-701	EA	LENS - OPTI CLEAR - SKYLITE	809902
	008218-01-000	EA	BULB - DOME LIGHT - 12 VOLT - NO. 1141	
8	058708-01-000	EA	RECEPTACLE - ELECTRIC - DOUBLE - BROWN	

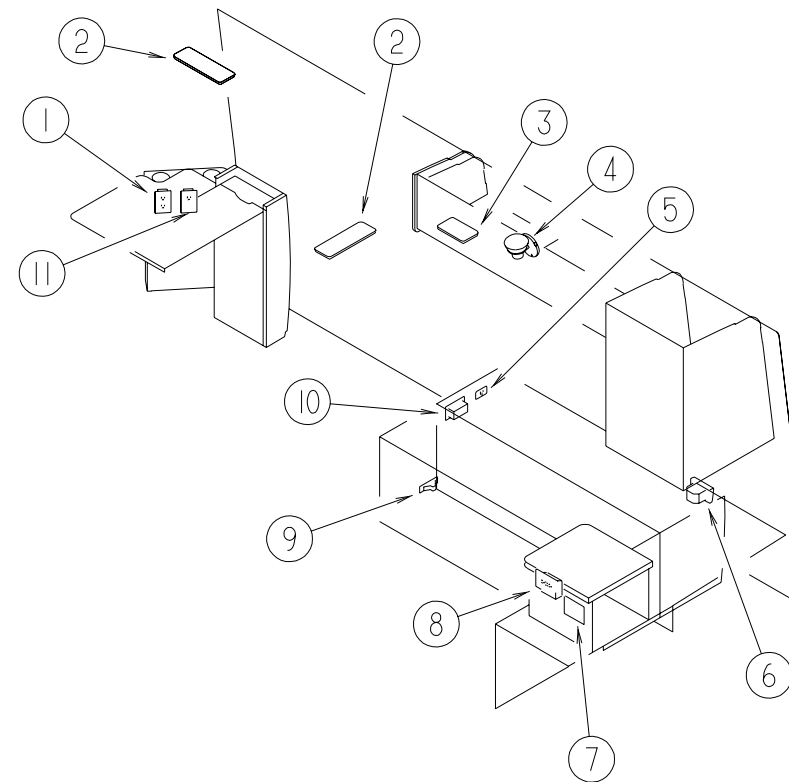
**ELECTRICAL GROUP (CONTINUED)**



**LIGHTS, RECEPTACLES & SWITCHES - PASSENGER SIDE - DOUBLE BED**

KEY	PART NUMBER	U/M	DESCRIPTION	VENDOR NO.
1	058708-01-000	EA	RECEPTACLE - ELECTRIC - DOUBLE - BROWN	
2	098024-03-02A	EA	LIGHT - DOME - 2 BULB - WHITE	
2	098024-01-700	EA	LENS - DOME LIGHT	807877
2	008218-01-000	EA	BULB - DOME LIGHT - 12 VOLT - NO. 1141	
3	084076-02-000	EA	RECEPTACLE - GFI - 15 AMP - 125 VOLT - BROWN	
4	086777-02-000	EA	WALLPLATE - TV CABLE - W/ANTENNA SWITCH - BROWN	
5	087694-01-000	EA	LIGHT - WARDROBE/CLOSET - W/SWITCH	
6	112822-01-01A	EA	RECEPTACLE - DUPLEX - IVORY	
			FROM: 00-00-00 THRU: 11-15-98	
6	112824-01-03A	EA	COVER - EXTERIOR DUPLEX RECEPTACLE - WHITE PLASTIC	
			FROM: 00-00-00 THRU: 11-15-98	
6	131826-01-01A	EA	RECEPTACLE - EXTERIOR - W/COVER/GASKET - WHITE	
			FROM: 11-16-98 THRU: 99-99-99	
7	098024-05-02A	EA	LIGHT - DOME - 1 BULB - SKYLITE - WHITE	
7	098024-01-701	EA	LENS - OPTI CLEAR - SKYLITE	809902
7	008218-01-000	EA	BULB - DOME LIGHT - 12 VOLT - NO. 1141	
8	061424-01-000	EA	LIGHT - AISLE - 12 VOLT - RECTANGULAR	
8	008103-01-000	EA	BULB - DASH/AISLE LIGHT - #53 - 12 VOLT - .12 AMP	
9	084420-01-000	EA	SWITCH - TOGGLE - 15 AMP - 120 VOLT - BROWN	
9	083588-01-000	EA	LABEL - ON/OFF - WATER HEATER	
10	079364-01-000	EA	SWITCH - ON/OFF ROCKER - 2 TERMINAL - BROWN	
10	098351-01-01A	EA	PLATE - SWITCH - 1 GANG POLISHED BRASS	
11	111414-01-000	EA	RECEPTACLE - 12V - W/O BIMETAL	
11	111386-01-04B	EA	PLATE - RECEPTACLE - 12 VOLT - BLACK	

**ELECTRICAL GROUP (CONTINUED)**



**LIGHTS, RECEPTACLES & SWITCHES - PASSENGER SIDE - TWIN BEDS**

KEY	PART NUMBER	U/M	DESCRIPTION	VENDOR NO.
1	058708-01-000	EA	RECEPTACLE - ELECTRIC - DOUBLE - BROWN	
2	098024-03-02A	EA	LIGHT - DOME - 2 BULB - WHITE	
2	098024-01-700	EA	LENS - DOME LIGHT	807877
2	008218-01-000	EA	BULB - DOME LIGHT - 12 VOLT - NO. 1141	
3	098024-05-02A	EA	LIGHT - DOME - 1 BULB - SKYLITE - WHITE	
3	098024-01-701	EA	LENS - OPTI CLEAR - SKYLITE	809902
3	008218-01-000	EA	BULB - DOME LIGHT - 12 VOLT - NO. 1141	
4	065202-37-000	EA	LAMP - WALL - BRASS SHORT - UL/CSA	
4	117806-01-000	EA	BULB - 12 VOLT #912 - 1.0 AMPS	
5	079364-01-000	EA	SWITCH - ON/OFF ROCKER - 2 TERMINAL - BROWN	
5	098351-01-01A	EA	PLATE - SWITCH - 1 GANG POLISHED BRASS	
6	112822-01-01A	EA	RECEPTACLE - DUPLEX - IVORY	
			FROM: 00-00-00 THRU: 11-15-98	
6	112824-01-03A	EA	COVER - EXTERIOR DUPLEX RECEPTACLE - WHITE PLASTIC	
			FROM: 00-00-00 THRU: 11-15-98	
6	131826-01-01A	EA	RECEPTACLE - EXTERIOR - W/COVER/GASKET - WHITE	
			FROM: 11-16-98 THRU: 99-99-99	
7	086777-02-000	EA	WALLPLATE - TV CABLE - W/ANTENNA SWITCH	
8	084076-02-000	EA	RECEPTACLE - GFI - 15 AMP - 125 VOLT - BROWN	
9	061424-01-000	EA	LIGHT - AISLE - 12 VOLT - RECTANGULAR	
9	008103-01-000	EA	BULB - DASH/AISLE LIGHT - #53 - 12 VOLT - .12 AMP	
10	084420-01-000	EA	SWITCH - TOGGLE - 15 AMP - 120 VOLT - BROWN	
10	083588-01-000	EA	LABEL - ON/OFF - WATER HEATER	
11	111414-01-000	EA	RECEPTACLE - 12V - W/O BIMETAL	
11	111386-01-04B	EA	PLATE - RECEPTACLE - 12 VOLT - BLACK	

**ELECTRICAL GROUP (CONTINUED)****ELECTRICAL CONNECTORS**

KEY	PART NUMBER	U/M	DESCRIPTION
	007956-05-000	EA	INSULATOR - SHRINK - .25 ID X 1.50
	008311-01-000	EA	CONNECTOR - WIRE NUT - INSULATED - RED
	008313-01-000	EA	CONNECTOR - WIRE NUT - INSULATED - YELLOW
	008314-01-000	EA	CONNECTOR - WIRE NUT - INSULATED - GRAY
	008328-01-000	EA	TERMINAL - RING - 12/10 WIRE - #10 STUD FIT
	008331-01-000	EA	TERMINAL - RING - TONGUE - #4 WIRE - 3/8" STUD - COPPER
	008348-01-000	EA	TERMINAL - RING - 3/8" STUD 2 GA. WIRE
	008355-01-000	EA	CONNECTOR - CABLE CLAMPING - 3/4"
	008356-01-000	EA	CONNECTOR - PLASTIC - 3/8" AVG
	008356-02-000	EA	CONNECTOR - PLASTIC - 21/32
	008394-01-000	FT	CONDUIT - FLEXIBLE - 1/2"
	035416-04-000	EA	TERMINAL - RING - #10 STUD FIT - INSULATED BARREL #16/14
	047443-01-000	EA	TERMINAL - .250 RECEPTACLE FIT - INSULATED - 16/14 AWG
	047443-02-000	EA	TERMINAL - .250 RECEPTACLE FIT - INSULATED - 12/10 AWG
	058028-01-000	EA	CONNECTOR - ELECTRICAL PIGTAIL - NYLON - CLEAR
	087225-01-000	FT	SLEEVEING - 1/2" - TYPE H
	088473-01-000	EA	HOUSING - PIN - 12 CAVITY (3 ROWS OF 4)
	088473-02-000	EA	HOUSING - PIN - 15 CAVITY (3 ROWS OF 5)
	088473-03-000	EA	HOUSING - PIN - 9 CAVITY (3 ROWS OF 3)
	088473-06-000	EA	HOUSING - PIN - 6 CAVITY (2 ROWS OF 3)
	088473-07-000	EA	HOUSING - PIN - 5 CAVITY - IN-LINE
	088473-08-000	EA	HOUSING - PIN - 4 CAVITY - IN-LINE
	088473-09-000	EA	HOUSING - PIN - 3 CAVITY - IN-LINE
	088473-10-000	EA	HOUSING - PIN - 2 CAVITY - IN LINE
	088474-02-000	EA	HOUSING - SOCKET - 15 CAVITY
	088474-03-000	EA	HOUSING - SOCKET - 9 CAVITY
	088474-06-000	EA	HOUSING - SOCKET - 6 CAVITY
	088474-07-000	EA	HOUSING - SOCKET - 5 CAVITY
	088474-08-000	EA	HOUSING - SOCKET - 4 CAVITY
	088474-09-000	EA	HOUSING - SOCKET - 3 CAVITY
	088474-10-000	EA	HOUSING - SOCKET - 2 CAVITY
	088475-01-000	EA	PIN - CONNECTOR - 14-20 AWG
	088475-02-000	EA	PIN - CONNECTOR - 10-12 AWG
	088476-01-000	EA	TERMINAL - ELECTRICAL
	088476-02-000	EA	SOCKET - CONNECTOR - 12-10 GA - PRE-TIN
	092786-01-000	EA	BUSS BAR-2.1" LONG
	092786-03-000	EA	BUSS BAR - 6.9" LONG
	098261-02-000	EA	SOCKET - CONNECTOR - WEATHERPACK - 14-18 AWG
	098262-01-000	EA	SEAL - CONNECTOR - WEATHERPACK
	098264-01-000	EA	HOUSING - 2 PIN - WEATHERPACK - MALE W/FEMALE PINS
	102777-02-000	EA	TERMINAL - RING - #6 STUD - 10 AWG
	106655-01-000	EA	TERMINAL - FUSE BLOCK - 14-16 AWG
	106655-02-000	EA	TERMINAL - FUSE BLOCK - 10-12 AWG
	112721-01-000	EA	CONNECTOR - 3 PIN W/12" LEADS
	116811-01-000	EA	TERMINAL - .110 RECEPTACLE - 16-14 AWG

**SOLENOID, RELAYS, POWER CONVERTER, POWER CORDS & CABLE**

KEY	PART NUMBER	U/M	DESCRIPTION
	109677-01-000	EA	LOAD CENTER - 120 VOLT - 40 AMP
	113132-01-000	EA	LOAD CENTER - 120/240 VOLT - 60 AMP
	123058-02-000	EA	CONVERTER - 45 AMP - ELECTRONIC - 4 1/8"H X 7"W X 12 3/8"L
	008052-01-000	EA	CORD - POWER - 10/3 WIRE - 30 AMP - 25' - CANADIAN
	008054-02-000	EA	CORD - POWER - 10/3 WIRE - 30 AMP - 35'
	092985-02-000	EA	BRACKET - POWER CORD

**ELECTRICAL GROUP (CONTINUED)****BOXES, CONDUIT & COVERS**

KEY	PART NUMBER	U/M	DESCRIPTION
	008294-01-000	EA	COVER - ELECTRICAL BOX - BLANK/STEEL - 4" X 4" - GRAY
	069238-01-000	EA	COVER - ELECTRICAL BOX - W/HOLE - 4" X 4" - GRAY
	091910-01-000	EA	BOX - ELECTRIC - 3.8" X 3.5" X 1.8" - PLASTIC
	091910-02-000	EA	BOX - ELECTRIC - 2.2" X 3.5" X 1.8" - PLASTIC
	041953-01-000	FT	CONDUIT - CONVOLUTE SLIT - .5" ID - POLYETHYLENE
	041953-01-000	FT	CONDUIT - CONVOLUTE SLIT - .5" ID - POLYETHYLENE
	041953-03-000	FT	CONDUIT - CONVOLUTE SLIT - 1" ID (CLOTHES ROD COVER)
	041953-05-000	FT	CONDUIT - CONVOLUTE SOLID - .62" ID - POLYETHYLENE
	041953-06-000	FT	CONDUIT - CONVOLUTE SLIT - .375" ID - POLYETHYLENE
	041953-07-000	FT	CONDUIT - CONVOLUTE SLIT - .25" ID - POLYETHYLENE
	041953-08-000	FT	CONDUIT - CONVOLUTE SLIT - 1.50" ID - POLYETHYLENE
	041953-09-000	FT	CONDUIT - CONVOLUTE SLIT - .50" ID - NYLON
	008294-01-000	EA	COVER - ELECTRICAL BOX - BLANK/STEEL - 4" X 4" - GRAY
	069238-01-000	EA	COVER - ELECTRICAL BOX - W/HOLE - 4" X 4" - GRAY

**WIRE ASSEMBLIES**

KEY	PART NUMBER	U/M	DESCRIPTION
	093057-04-000	EA	WIRE ASSEMBLY - POWER LOCK ENTRANCE
	096449-01-000	EA	WIRE ASSEMBLY - WATER TANK TO MONITOR PANEL
	124843-01-000	EA	WIRE ASSEMBLY - SPEAKER ADAPTER

**CIRCUIT BREAKERS & FUSES**

KEY	PART NUMBER	U/M	DESCRIPTION
	008233-01-000	EA	FUSE - 12 VOLT - 6 AMP
	062901-05-000	EA	FUSE - 15 AMP - AUTOMOTIVE
	062901-06-000	EA	FUSE - 20 AMPS - AUTOMOTIVE
	062901-07-000	EA	FUSE - 25 AMPS - AUTOMOTIVE
	083209-02-000	EA	CIRCUIT BREAKER - 15/15 AMP - 120 VOLT
	083209-04-000	EA	CIRCUIT BREAKER - 30 AMP - 120 VOLT
	083209-06-000	EA	CIRCUIT BREAKER - 30/15 AMP - 120 VOLT
	083209-07-000	EA	CIRCUIT BREAKER - 20/20 AMP - 120 VOLT
	093654-01-000	EA	CIRCUIT BREAKER - 6 AMP - 12 VOLT
	093654-02-000	EA	CIRCUIT BREAKER - 15 AMP - 12 VOLT
	093654-03-000	EA	CIRCUIT BREAKER - 20 AMP - 12 VOLT
	097611-01-000	EA	CIRCUIT BREAKER - 10 AMP - 12 VOLT
	106656-01-000	EA	FUSE BLOCK - 4 CAVITY - AUTO FUSE
	108567-01-000	EA	CIRCUIT BREAKER - 40 AMP - 12 VOLT - TYPE II
	111683-01-000	EA	FUSE - HOLDER - GLASS - 1/4" X 1 1/4"

**ELECTRICAL MISCELLANEOUS**

KEY	PART NUMBER	U/M	DESCRIPTION
	008188-01-000	EA	SOLENOID - 3 POST - BATTERY CHANGE OVER
	063910-01-000	EA	HOUSING - RELAY
	063912-02-000	EA	RELAY - CANISTER - SPDT
	114965-01-000	EA	RELAY/TIMER MODULE - 12 VOLT/2 AMP - DELAY OFF 10 MIN
	131801-01-000	EA	MODULE - WARNING - AUDIBLE

## ELECTRICAL GROUP (CONTINUED)

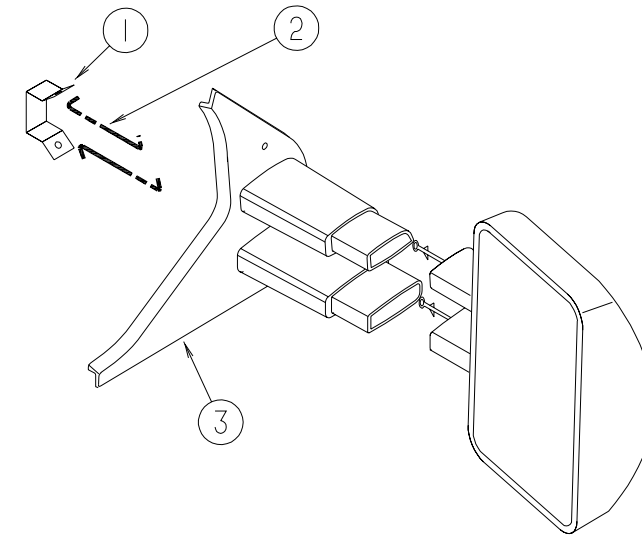
### SWITCHES

KEY	PART NUMBER	U/M	DESCRIPTION	VENDOR NO.
	056264-01-000	EA	SWITCH - LEAF ACTUATOR - CABINET DOOR JAMB	
	079364-01-000	EA	SWITCH - ON/OFF ROCKER - 2 TERMINAL - BROWN	
	084420-01-000	EA	SWITCH - TOGGLE - 15 AMP - 120 VOLT - BROWN	
	087202-01-702	EA	PLATE F/ROTARY SWITCH	062-0105
	087202-01-701	EA	KNOB-SWITCH - ROTARY	062-0104
	087202-02-000	EA	SWITCH - 4 POSITION - W/O KNOB/BEZEL - 5 TERMINAL	
	098351-01-01A	EA	PLATE/SWITCH - 1 GANG - POLISHED BRASS - W/O LABEL	
	108355-01-000	EA	HOUSING - SWITCH	
	108356-02-01A	EA	COVER/ACTUATOR SWITCH - 2 ROWS DIMPLES- CONTURA II - BLACK	
	108356-07-01A	EA	COVER/ACTUATOR SWITCH - 2 ROWS DIMPLES - AUX START - BLACK	
	108356-08-01A	EA	COVER/ACTUATOR SWITCH - 2 ROWS DIMPLES W/LENS - REAR-BLACK	
	108356-09-01A	EA	COVER/ACTUATOR SWITCH - 2 ROWS DIMPLES W/LENS - WASH/BLACK	
	108356-10-01A	EA	COVER/ACTUATOR SWITCH - 2 ROWS DIMPLES W/LENS-SHOWER DRAIN	
	108357-08-000	EA	SWITCH - ROCKER DPDT - ON/NONE/ON - 6 TERMINAL	
	108357-09-000	EA	SWITCH - ROCKER SPDT - ON/NONE/MOM - 3 TERMINAL	
	108357-12-000	EA	SWITCH - ROCKER DPST W/LIGHT - MOM/NONE/OFF - 7 TERMINAL	
	108357-13-000	EA	SWITCH - ROCKER DPDT W/LIGHT - MOM/ON-OFF/OFF - 7 TERMINAL	
	108357-14-000	EA	SWITCH - ROCKER SPDT W/LIGHT - ON/NONE/OFF - 4 TERMINAL	
	131733-01-04B	EA	PLATE - ACTUATOR - SWITCH - BLACK	
			FROM: 00-00-00 THRU: 10-26-98	
	131733-01-01B	EA	PLATE - ACTUATOR - SWITCH - MILL	
	131734-01-01B	EA	ANGLE-MOUNTING - SWITCH - MILL - *99 200 SERIES	
	131734-01-04B	EA	ANGLE - MOUNTING - SWITCH - BLACK	
			FROM: 00-00-00 THRU: 10-26-98	

### RECEPTACLES

KEY	PART NUMBER	U/M	DESCRIPTION
	024924-02-000	EA	RECEPTACLE - POWER CORD - W/PARTIAL PLATE
	058707-01-000	EA	RECEPTACLE - ELECTRIC - SINGLE - BROWN
	058708-02-000	EA	RECEPTACLE - ELECTRIC - DOUBLE - IVORY
	058708-05-000	EA	RECEPTACLE - ELECTRIC - SINGLE - BROWN
	084076-01-000	EA	RECEPTACLE - GFI - 15 AMP/125 VOLT - IVORY - W/COVER
	091927-01-000	EA	COVER - RECEPTACLE - DOUBLE - IVORY
	111386-01-04B	EA	PLATE - RECEPTACLE - 12 VOLT - BLACK
	112822-01-01A	EA	RECEPTACLE - DUPLEX - IVORY
			FROM: 00-00-00 THRU: 11-15-98
	112824-01-03A	EA	COVER - EXTERIOR DUPLEX RECEPTACLE - WHITE PLASTIC
			FROM: 00-00-00 THRU: 11-15-98
	131826-01-01A	EA	RECEPTACLE - EXTERIOR - W/COVER/GASKET - WHITE
			FROM: 11-16-98 THRU: 99-99-99

## EXTERIOR BODY GROUP

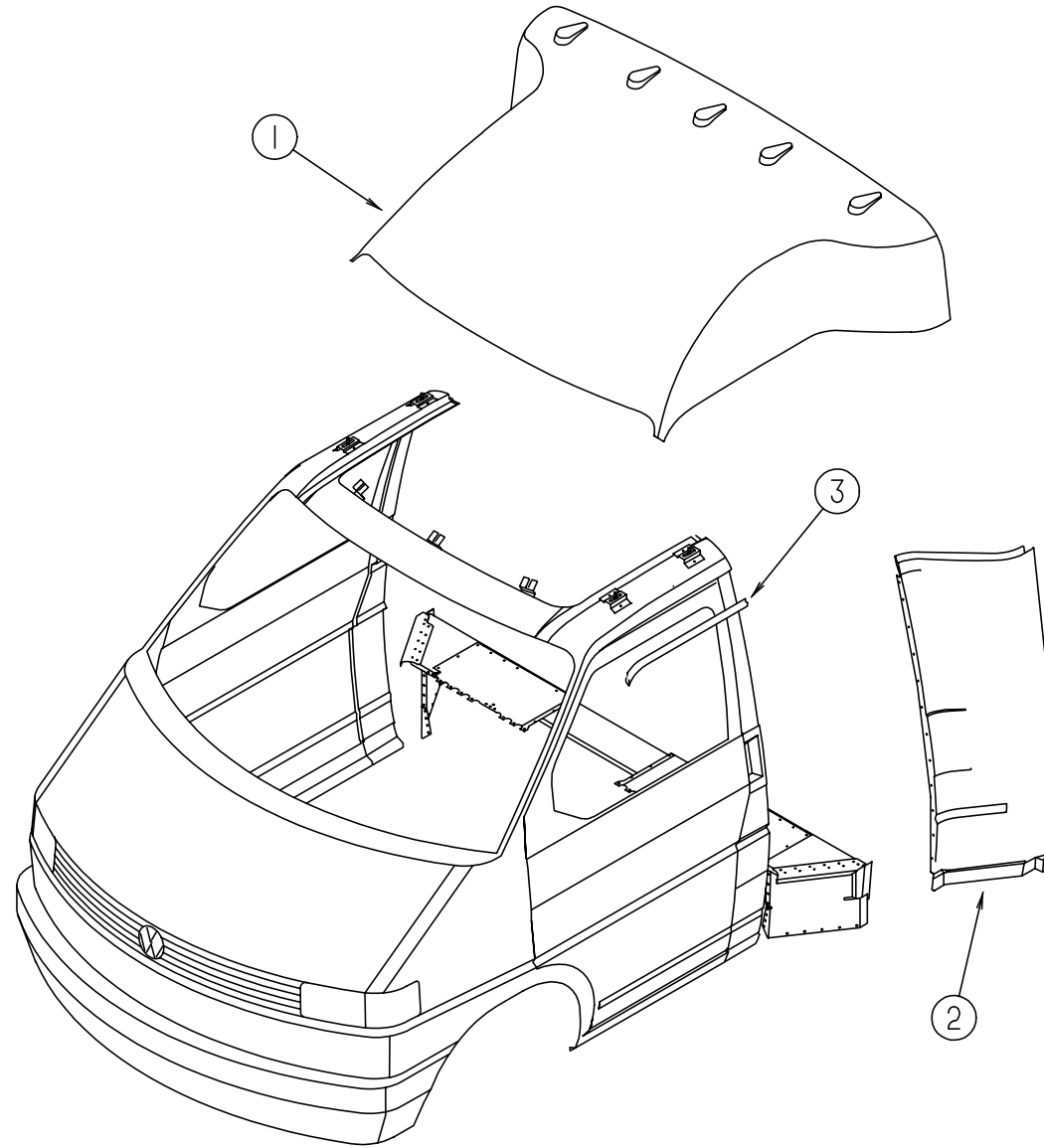


### MIRROR BRACKETS FOR VW EXTERIOR MIRRORS

KEY	PART NUMBER	U/M	DESCRIPTION
1	115334-01-02B	EA	HOOK - BRACKET - MIRROR
2	115752-02-01A	EA	MIRROR ROD - 3.3" LONG
3	114494-01-03A	EA	BRACKET - MIRROR - PASSENGER - VW WHITE
	114494-02-03A	EA	BRACKET - MIRROR - DRIVER - VW WHITE
	127984-01-01A	EA	SCREW - EXTERIOR MIRROR - VW WHITE
	074487-02-000	EA	PLUG - HOLE - .375 - .093 - .171 THICK

## EXTERIOR BODY GROUP (CONTINUED)

### FRONT CAP & TRANSITION PANELS

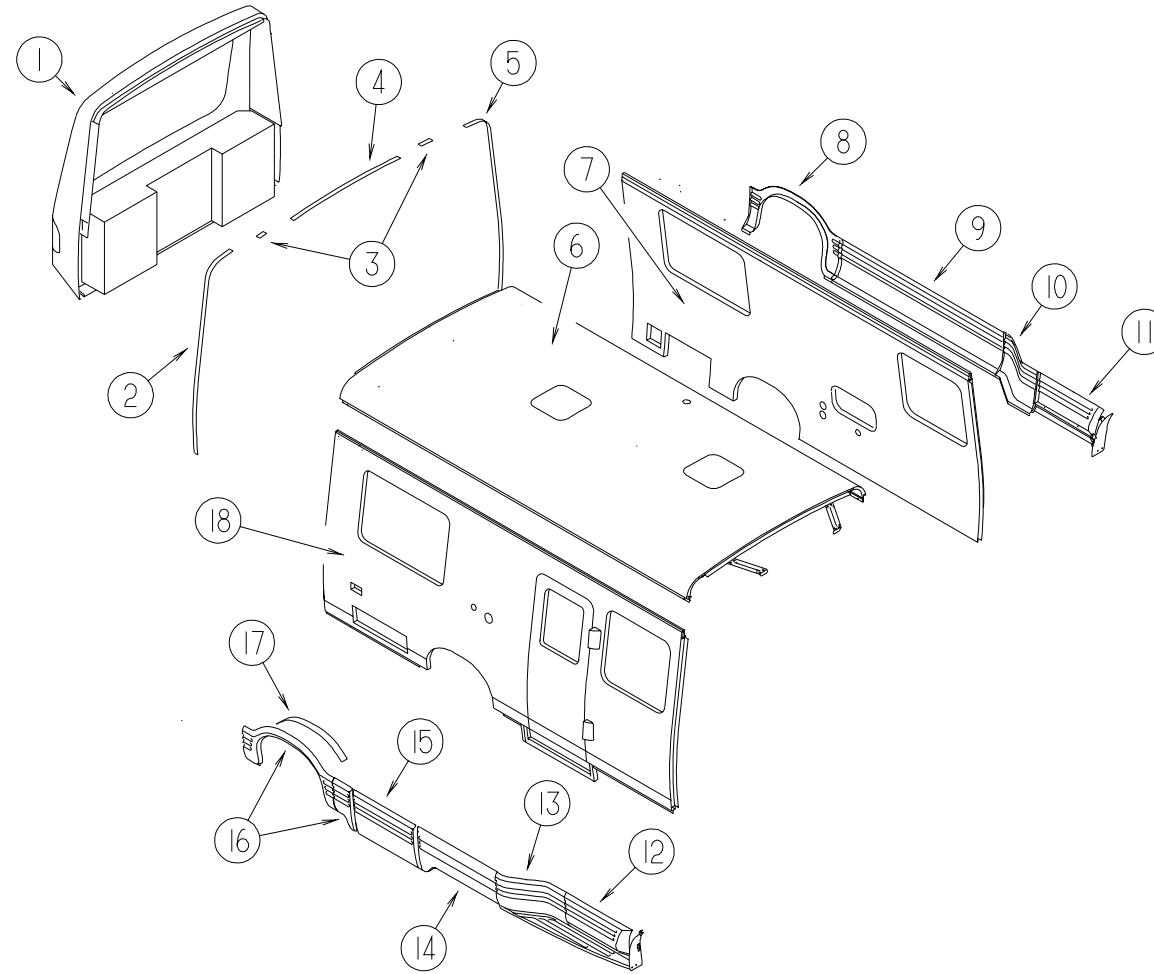


KEY	PART NUMBER	U/M	DESCRIPTION
1	111207-06-K76	EA	CAP - ROOF/FRONT
	070579-06-000	EA	PLATE - ANCHOR - W/7/16 WELD NUT - 1.5" X 3.3"
	070579-07-000	EA	PLATE - ANCHOR - W/O WELD NUT - 1.5" X 3.3"
	070579-10-000	EA	PLATE - ANCHOR - W/O WELD NUT - 1.5" X 8.9"
	070579-11-000	EA	PLATE - ANCHOR - W/7/16" WELD NUT - 1.5" X 8.9"
	070579-12-000	EA	PLATE - ANCHOR - W/O WELD NUT - 2.5" X 3.3"
	070579-13-000	EA	PLATE - ANCHOR - W/1/5" WELD NUT - 2.5" X 3.3"
	112127-02-000	FT	MOLDING - REVEAL - WINDOW - FRONT CAP TO WINDSHIELD

KEY	PART NUMBER	U/M	DESCRIPTION
2	111276-04-F45	EA	PANEL - TRANSITION - LEFT - STEEL/FIBERGLASS - VW WHITE
	111276-03-F45	EA	PANEL - TRANSITION - RIGHT - STEEL/FIBERGLASS - VW WHITE
3	115022-02-01A	EA	RAIL - DRIP - LEFT HAND
	115022-01-01A	EA	RAIL - DRIP - RIGHT HAND

## EXTERIOR BODY GROUP (CONTINUED)

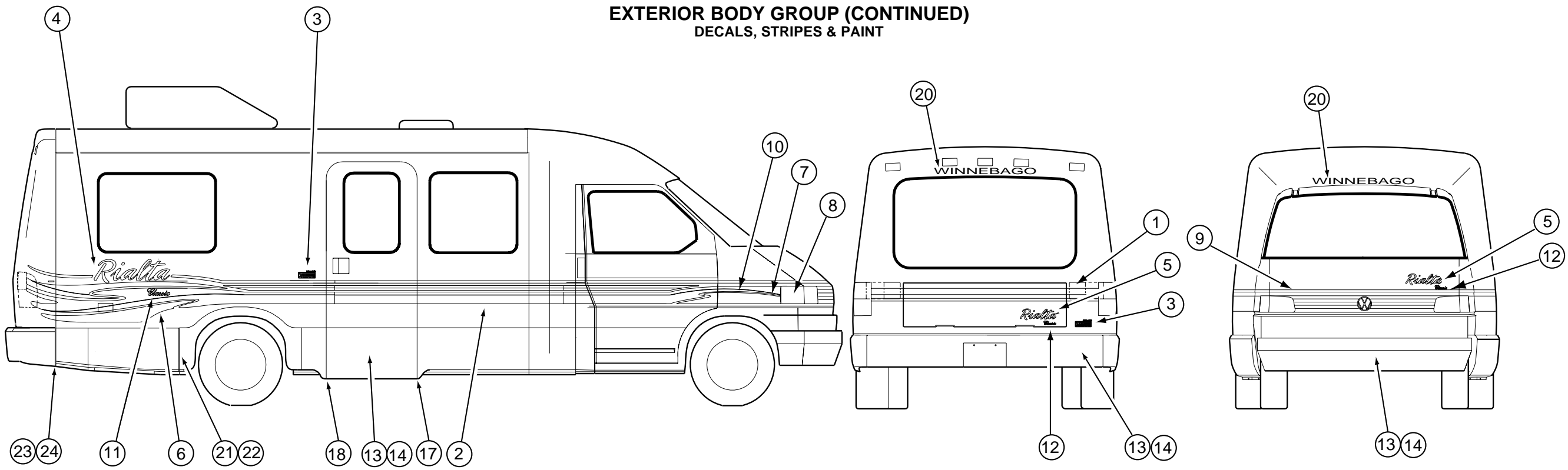
### EXTERIOR BODY PANELS & TRIM



KEY	PART NUMBER	U/M	DESCRIPTION
1	P30529-01-K76	EA	CAP - REAR - W/O ANGLE
	123060-02-K76	EA	PANEL - BACKWALL - UPPER/INNER
2	112544-01-01A	EA	TRIM - SIDEWALL TO REAR CAP - RIGHT HAND
3	086754-10-000	EA	CAP - TRIM
4	112548-01-01A	EA	TRIM - ROOF TO REAR CAP
5	112544-02-01A	EA	TRIM - SIDEWALL TO REAR CAP - LEFT HAND
6	P24810-01-H70	EA	ROOF - W/O LIGHTS/VENTS - W/WIRING - DOUBLE BED
6	P24820-01-H70	EA	ROOF - W/O LIGHTS/VENTS - W/WIRING - F/TWIN BED
	112083-01-000	EA	BRACKET - ROOF SUPPORT
7	M08651-05-K77	EA	SIDEWALL - DRIVER - W/O WINDOWS/TRIMS - F/DOUBLE BED
7	M08651-06-K77	EA	SIDEWALL - DRIVER - W/O WINDOWS/TRIMS - F/TWIN BED
8	130648-04-K76	EA	VALANCE/WHEEL LIP - DRIVER
9	130645-05-K76	EA	VALANCE/DOOR - FRONT/DRIVER - W/O HARDWARE
10	130611-04-K76	EA	VALANCE/PANEL - TRANSITION/DRIVER
11	130612-04-K76	EA	VALANCE/PANEL - CAB DOOR/DRIVER - W/O HARDWARE

KEY	PART NUMBER	U/M	DESCRIPTION
12	130612-03-K76	EA	VALANCE/PANEL - CAB DOOR/PASSENGER - W/O HARDWARE
13	130611-03-K76	EA	VALANCE/PANEL - TRANSITION/PASSENGER
14	130645-04-K76	EA	VALANCE/PANEL - FRONT/PASSENGER - W/O HARDWARE
15	130649-02-K76	EA	PANEL/VALANCE - ENTRANCE DOOR
16	130648-03-K76	EA	VALANCE/WHEEL LIP - PASSENGER
17	113012-02-01A	EA	TRIM - WHEELWELL - REAR - MILL
18	M08651-07-K77	EA	SIDEWALL - PASSENGER - W/O WINDOWS/TRIMS - F/DOUBLE BED
18	M08651-08-K77	EA	SIDEWALL - PASSENGER - W/O WINDOWS/TRIMS - F/TWIN BED
	073050-03-000	EA	MOUNTING CLIP - VALANCE PANEL
			FROM: 00-00-00 THRU: 05-11-99
	073050-04-000	EA	MOUNTING CLIP - VALANCE PANEL
			FROM: 05-12-99 THRU: 99-99-99
	090897-51-001	EA	TUBE - EXTRUDED - SIDEWALL - REAR
	099418-01-000	FT	SEAL - D-SECTION/ADHESIVE BACK - .44" X .44"- BLK RUBBER

**EXTERIOR BODY GROUP (CONTINUED)**  
DECALS, STRIPES & PAINT



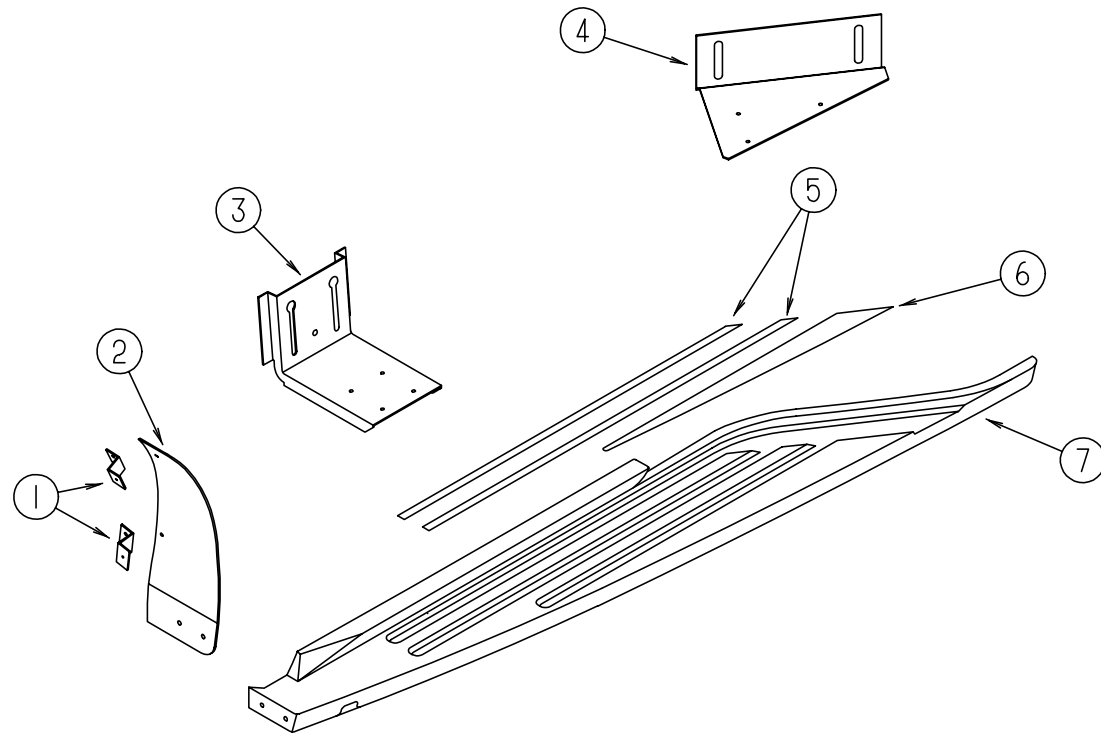
KEY	PART NUMBER	U/M	DESCRIPTION
1	105781-71-01A	FT	FILM - MULTISTRIPE - 4.1"
2	130780-01-01A	FT	FILM - OVERLAP - MULTISTRIPE
3	122770-02-17A	EA	DECAL - "BUILT PROUDLY BY WINNEBAGO INDUSTRIES"
4	122792-01-02A	EA	DECAL - LOGO - RIALTA/LARGE
5	122792-02-04A	EA	DECAL - LOGO - RIALTA/SMALL
6	130778-01-01A	EA	DECAL - WAVES - PASSENGER
6	130778-02-01A	EA	DECAL - WAVES - DRIVER
7	130779-01-01A	EA	DECAL - CAB - PASSENGER
	130779-02-01A	EA	DECAL - CAB - DRIVER
8	122797-01-02A	EA	DECAL - CORNER/FRONT/PASSENGER
	122797-02-02A	EA	DECAL - CORNER/FRONT/DRIVER
9	122798-01-02A	EA	DECAL - HOOD
10	093681-42-06A	FT	FILM - .75"
11	131024-01-01A	EA	DECAL - LOGO - LARGE CLASSIC
			FROM: 00-00-00 THRU: 10-15-98
12	131024-02-01A	EA	DECAL - LOGO - SMALL CLASSIC
			FROM: 00-00-00 THRU: 10-15-98
13	099399-59-000	GL	PAINT-SMOKE MET DUPONT F9417U
14	099399-58-000	GL	PAINT-PLUM HAZE MET DUPONT F6380U
	093681-14-24A	FT	FILM - 1.5"
	093681-14-25A	FT	FILM - 1.5"
17	131730-01-01A	EA	DECAL - VALANCE PANEL END/RIGHT HAND V-W/PLUM HAZE GRAPHIC PKG.
17	131730-01-02A	EA	DECAL - VALANCE PANEL END/RIGHT HAND V-W/SMOKE MET GRAPHIC PKG.
18	131730-02-01A	EA	DECAL - VALANCE PANEL END/LEFT HAND - PAINT-W/PLUM HAZE GRAPHIC PKG.
18	131730-02-02A	EA	DECAL - VALANCE PANEL END/LEFT HAND - PAINT-W/SMOKE MET GRAPHIC PKG.
	122886-02-01A	EA	DECAL - MOBILIE - SMALL - JAPAN
20	120702-03-07A	EA	DECAL - LOGO - WINNEBAGO/SMALL
21	132324-01-01A	EA	DECAL - VALANCE/DOOR END - LARGE/RIGHT HAND - PAINT-W/PLUM HAZE GRAPHIC PKG.
21	132324-01-02A	EA	DECAL - VALANCE/DOOR END - LARGE/RIGHT HAND - PAINT-W/SMOKE MET GRAPHIC PKG.
22	132324-02-01A	EA	DECAL - VALANCE/DOOR END - LARGE/LEFT HAND - PAINT-W/PLUM HAZE GRAPHIC PKG.
22	132324-02-02A	EA	DECAL - VALANCE/DOOR END - LARGE/LEFT HAND - PAINT-W/SMOKE MET GRAPHIC PKG.
23	132325-01-01A	EA	DECAL - VALANCE/DOOR END - SMALL/RIGHT HAND - PAINT-W/PLUM HAZE GRAPHIC PKG.
23	132325-01-02A	EA	DECAL - VALANCE/DOOR END - SMALL/RIGHT HAND - PAINT-W/SMOKE MET GRAPHIC PKG.
24	132325-02-01A	EA	DECAL - VALANCE/DOOR END - SMALL/LEFT HAND - PAINT-W/PLUM HAZE GRAPHIC PKG.
24	132325-02-02A	EA	DECAL - VALANCE/DOOR END - SMALL/LEFT HAND - PAINT-W/SMOKE MET GRAPHIC PKG.
	041561-03-000	EA	PAINT - 16 OUNCE SPRAY - OFF WHITE

**DUPONT COLOR CODES**

VW WHITE	W9670
PLUM & HAZE MET.	F6380U
SMOKE MET.	F9417U



## EXTERIOR BODY GROUP (CONTINUED)



### RUNNING BOARDS

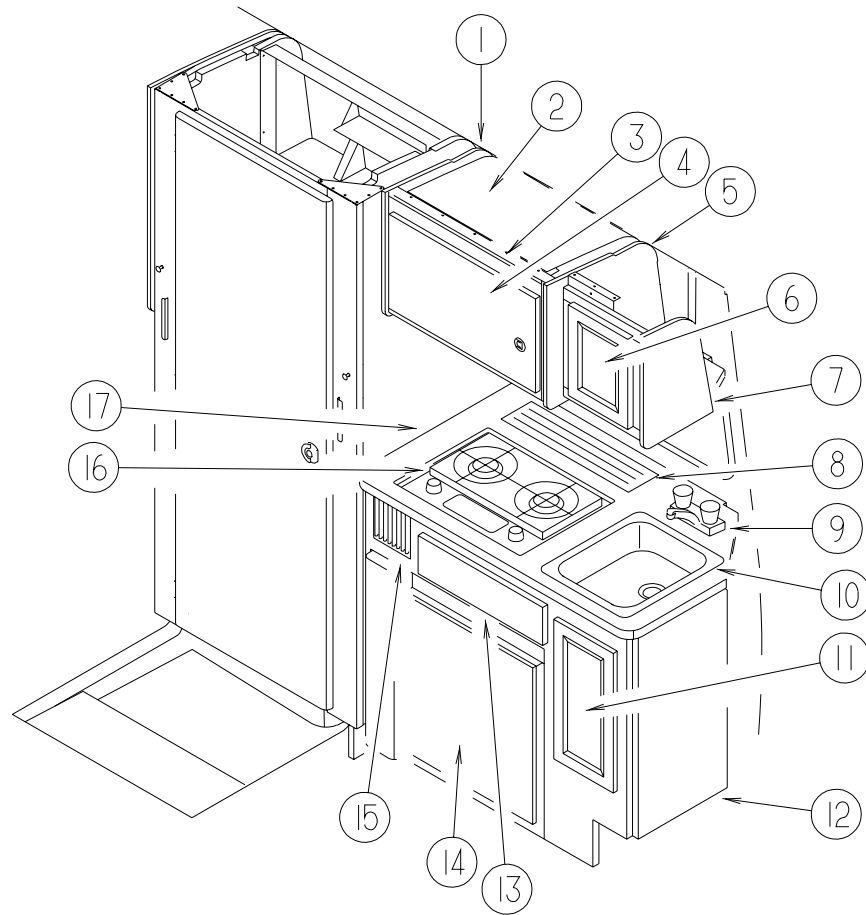
KEY	PART NUMBER	U/M DESCRIPTION
1	112507-01-02B	EA BRACKET - MUD FLAP - FRONT
2	131135-01-02A	EA SUPPORT - MUD FLAP - RIGHT HAND - VW WHITE
	131135-02-02A	EA SUPPORT - MUD FLAP - LEFT HAND - VW WHITE
3	131573-01-02B	EA BRACKET ASM-RUNNING BD,E-C
4	131574-01-02B	EA BRACKET - RUNNING BOARD - DRIVER REAR - E-COATED
	131574-02-02B	EA BRACKET - RUNNING BOARD - PASSENGER REAR - E-COATED
5	038327-05-000	EA TAPE - ANTI SLIP - 5/8"X 60' - BLACK
6	102570-06-000	EA MAT - ANTI SLIP - UPPER/LEFT HAND
	102570-05-000	EA MAT - ANTI SLIP - UPPER/RIGHT HAND
7	130613-04-K76	EA RUNNING BOARD - FIBERGLASS/DRIVER - VW WHITE
	130613-03-K76	EA RUNNING BOARD - FIBERGLASS/PASSENGER - VW WHITE

## EXTERIOR BODY GROUP (CONTINUED)

### ALUMINUM, STYROFOAM, & MISC.

KEY	PART NUMBER	U/M DESCRIPTION
	000870-08-000	SF STYROFOAM - 3/4" X 48" X 96" PLANED EXPANDED BEAD BOARD
	100619-01-000	BF FOAM - EXPANDED POLYSTYRENE - 1.34" X 48" X 96"
	100619-04-000	BF FOAM - EXPANDED POLYSTYRENE - .5" X 48" X 96"
	100619-06-000	EA FOAM - EXPANDED POLYSTYRENE - .875" X 20.35" X 63.35"
	100619-07-000	EA FOAM - EXPANDED POLYSTYRENE - .63" X 48" X 96"
	112695-02-700	EA ALUMINUM SKIN - VW WHITE - ROOF - 42.25" X 145.8"
	112696-02-700	EA ALUMINUM SKIN - VW WHITE - .032" X 58" X 145.8" W/CRIMP
	112686-02-701	EA ALUMINUM SKIN - VW WHITE -.032" X 58" X 145.8" - W/O CRIMP
	127289-02-02B	EA BRACKET - LOCK CATCH - LH - E-COAT
	118383-02-05A	EA RETAINER - SCREW - .27" SCREW RECESS - VW LIGHT GRAY
	118383-04-05A	EA CAP - RETAINER SCREW
	090897-51-001	EA TUBE - EXTRUDED - SIDEWALL - REAR
	113778-03-02B	EA BRACKET - TAIL LAMP - 6.4" LONG - E-COATED

## GALLEY GROUP



## GALLEY GROUP (CONTINUED)

### MONITOR PANEL

KEY	PART NUMBER	U/M DESCRIPTION
*	114014-02-02A	EA PANEL - MONITOR 2 TANK W/REMOTE

\* PRESS TO SEE ILLUSTRATED SERVICE PARTS LIBRARY

### GALLEY CABINETS & COMPONENTS

KEY	PART NUMBER	U/M DESCRIPTION	VENDOR NO.
1	119132-09-K77	EA END CAP - OVERHEAD CABINET	
2	M07494-25-K77	EA CABINET - OVERHEAD/MICROWAVE - W/O DOORS/HARDWARE	
	119142-02-04B	EA PANEL - MICROWAVE BOTTOM - BLACK	
3	128642-03-000	EA TRIM KIT W/VENT - MICROWAVE .9 CU. FT. - SAMSUNG	
		FROM: 00-00-00 THRU: 07-19-98	
4	128527-03-000	EA OVEN - MICROWAVE - .9 CUBIC FEET	
	128527-01-700	EA TRIM RING - F/.9 CU.FT. MICRO	MC-5471-EA
5	119132-10-K77	EA END CAP - OVERHEAD CABINET	
6	131995-M8-K77	EA DOOR - RAIL/SOLID PANEL - 9.8" X 12.9" - W/O HARDWARE	
7	119213-01-J80	EA CABINET - GALLEY/OVERHEAD - W/O DOORS/HARDWARE	
8	086297-04-000	EA GRILL - REFRIGERATOR VENT - VW LT GRAY	
9	113798-01-01A	EA FAUCET - GALLEY - SINGLE CONTROL	
10	011029-03-000	EA SINK - STAINLESS STEEL - SINGLE W/RAILS	
	066437-02-000	EA STRAINER - W/BASKET - SINK	
10	126545-01-H70	EA COVER - SINK (K77, K79)	
11	131995-M5-K77	EA DOOR - RAIL/SOLID PANEL - 10" X 19" - W/O HARDWARE	
12	126544-01-J80	EA CABINET - GALLEY - W/COUNTERTOP - W/O DOORS/DRAWERS/HDW	
	126544-11-J80	EA SHELF - W/PLASTIC EDGE MOLDING	
13	M05971-X0-K77	EA DRAWER - OGEE EDGE - 13.1"W X 17.7"D - W/O SLIDES/HARDWARE	
14*	113737-01-04A	EA REFRIGERATOR - SMALL SINGLE DOOR - 3 WAY - VW LT GRAY	
*	113737-04-04A	EA REFRIGERATOR - ONE DOOR/3-WAY - VW LIGHT GRAY - HIGH ALT.	
	119159-01-02B	EA BRACKET - TIEDOWN - REFRIGERATOR - RIGHT HAND	
	119159-02-02B	EA BRACKET - TIEDOWN - REFRIGERATOR - LEFT HAND	
	054450-01-000	EA LEVEL - REFRIGERATOR	
15	109918-02-04A	EA VENT - RETURN AIR - VW LT GRAY	
16*	113947-02-03A	EA RANGE TOP - 2 BURNER W/COVER - VW LIGHT GRAY	
17	126544-13-H70	EA COUNTERTOP - GALLEY (K77, K79)	

\* PRESS TO SEE ILLUSTRATED SERVICE PARTS LIBRARY

## GENERATOR GROUP

### 3,000 WATT GENERAC GENERATOR

KEY	PART NUMBER	U/M	DESCRIPTION
	113458-01-000	EA	GENERATOR - 3.0 KW GENERAC W/HOUR METER
	100258-10-01A	EA	GAUGE - HOUR METER W/SWITCH - SCREW ON STYLE
	100258-10-701	EA	GAUGE - HOUR METER - CLIP ON STYLE
	007067-01-000	SF	INSULATION - FIBERGLASS - 1" THICK X 4' - INCREMENTS/4 SF
	007125-03-000	EA	CLAMP - MUFFLER - 1.5" DIAMETER
	007125-04-000	EA	CLAMP - MUFFLER - 1.12" DIAMETER
	007131-01-000	EA	HANGER - TAILPIPE - 6 SLOTS
	113841-02-000	EA	PIPE - EXHAUST - GENERATOR
	115112-01-02B	EA	BRACKET - MOUNT - GENERATOR - RIGHT
	115112-02-02B	EA	BRACKET - MOUNT - GENERATOR - LEFT
	113378-04-000	EA	FUEL LINE - GENERATOR - MIDDLE
	114276-01-000	EA	FUEL LINE - GENERATOR - IN TANK

**NOTE: ADDITIONAL GENERATOR COMPONENTS ARE FOUND IN THE CHASSIS GROUP**

## HEATING & AIR CONDITIONING GROUP

### SUBURBAN FURNACE CABINET ASM & COMPONENTS - MODEL NT-20SG

KEY	PART NUMBER	U/M	DESCRIPTION
*	101990-05-000	EA	FURNACE - 17,000 BTU - DUCTED
	115764-01-01A	EA	THERMOSTAT - FURNACE
	009200-01-000	EA	TAPE - FURNACE - 1 1/2"
	089367-02-000	EA	TEE - 4" X 2" X 4"
	101990-02-000	EA	VENT - FURNACE - OUTSIDE - 4-6"

**\* PRESS TO SEE ILLUSTRATED SERVICE PARTS LIBRARY**

### 7,100 BTU ROOF A/C

KEY	PART NUMBER	U/M	DESCRIPTION	VENDOR NO.
*	093306-01-02A	EA	A/C - ROOF - 7,100 BTU - ROTARY - WHITE	
*	093307-03-700	EA	SHROUD - CEILING - WHITE	6727-3521
	093766-02-702	EA	FILTER - PKG OF 2-5 X14.5 X1/8	6703-3303
	102289-01-000	EA	SPRING - SCREW - ROOF A/C GASKET	

**\* PRESS TO SEE ILLUSTRATED SERVICE PARTS LIBRARY**

### EVANS REAR HEATER

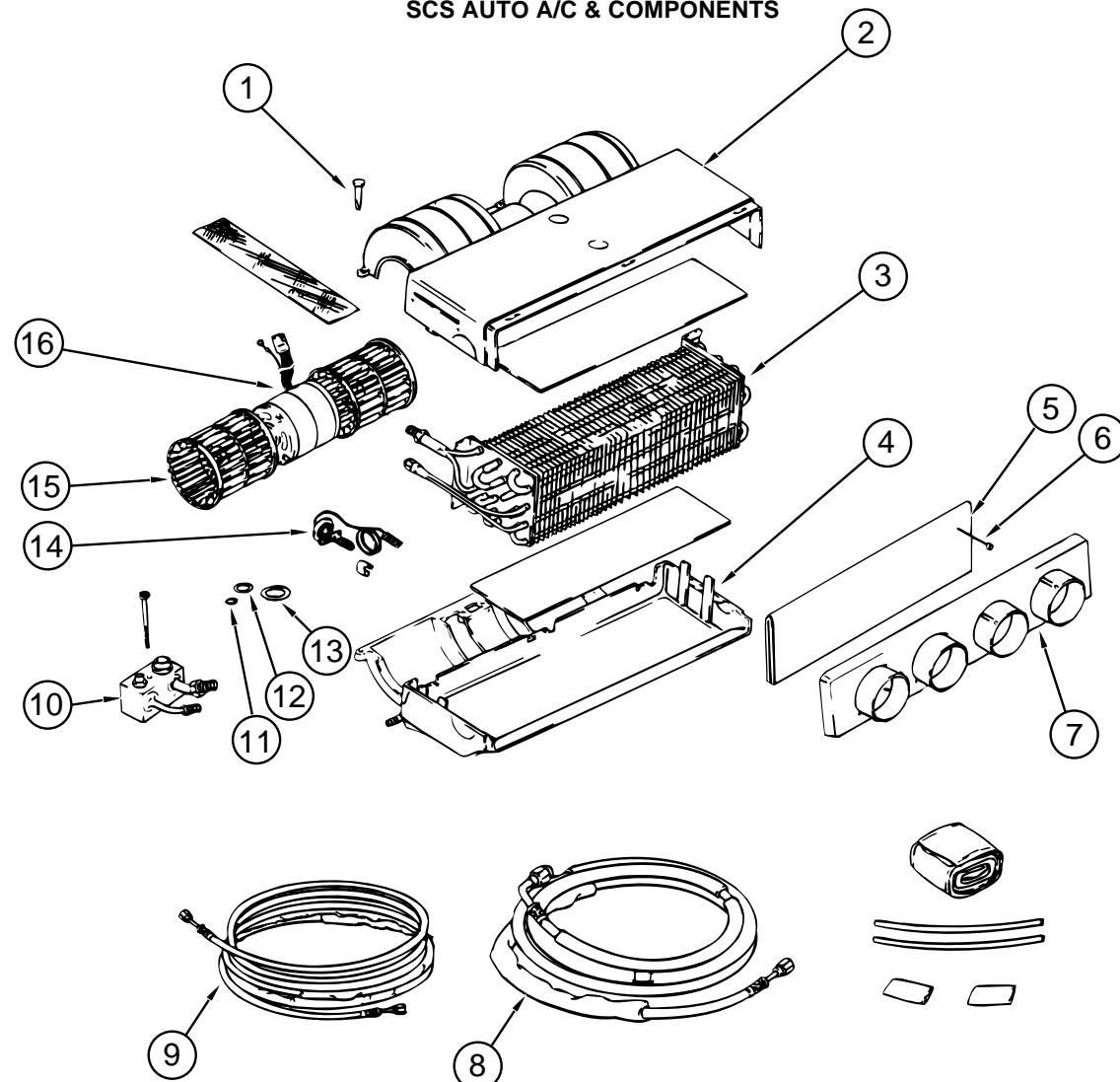
KEY	PART NUMBER	U/M	DESCRIPTION	VENDOR NO.
	084405-01-000	EA	HEATER - REAR/DUCTED - W/MOTOR AID	
	084405-01-700	EA	CORE - HEATER	FT200229
	084405-01-701	EA	FAN BLADES	HV029931
	084405-01-702	EA	MOTOR ASSEMBLY - 12 VOLT	RV010348

### MOTOR AID COMPONENTS

KEY	PART NUMBER	U/M	DESCRIPTION
	009198-01-000	FT	DUCT - HEAT - FLEXIBLE - 4" ID X 25'
	069636-02-000	EA	CONNECTOR - DUCT - 4" ID
	056464-10-000	EA	REGISTER W/O DAMPER - 4" DIAMETER - PLASTIC - BEIGE
	007108-02-000	FT	HOSE - HEATER - 3/4" ID - HI-TEMP
	084190-01-000	EA	GUARD - MOTOR AID - 5.9" X 5.7" X 5.3" - ANGLED/GALV STEEL
	119081-01-000	EA	TUBE - MOTOR AID - 71.2"
	119081-02-000	EA	TUBE - MOTOR AID - 72.4"

# HEATING & AIR CONDITIONING GROUP (CONTINUED)

## SCS AUTO A/C & COMPONENTS

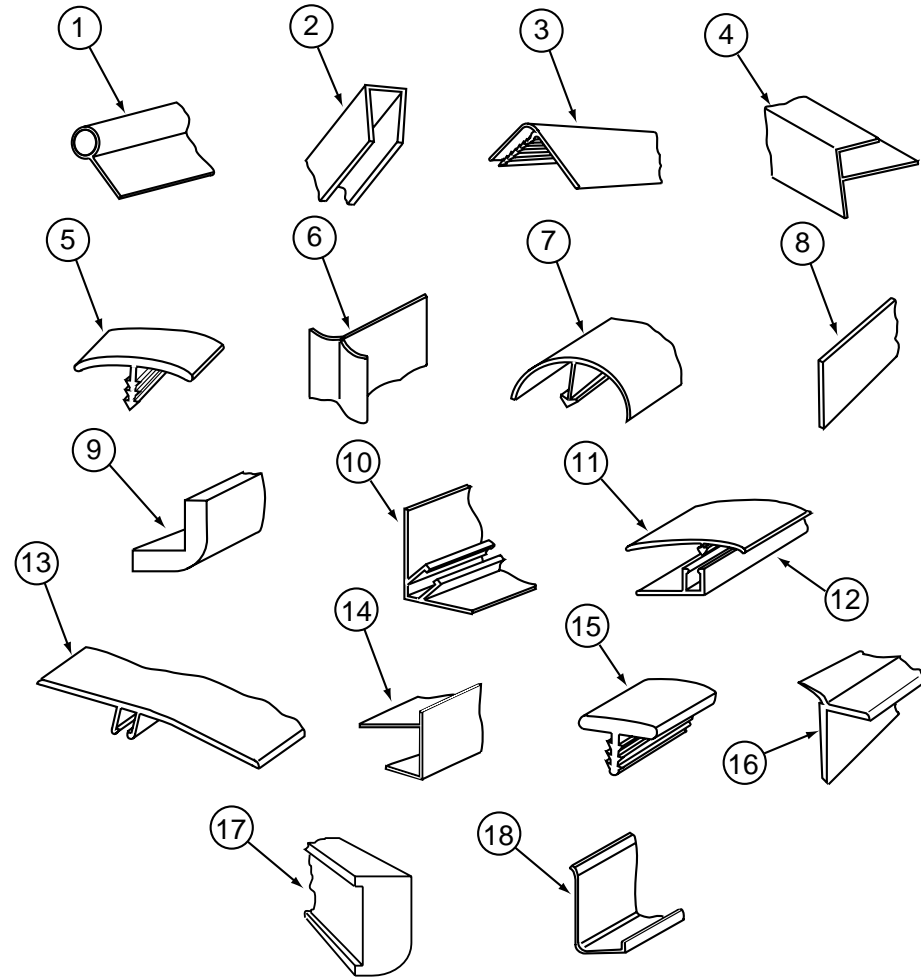


KEY	PART NUMBER	U/M	DESCRIPTION	VENDOR NO.
	113245-01-000	EA	EVAPORATOR/AC - OVERHEAD	
	113245-02-000	EA	BLOWER - OVERHEAD	
1	113245-01-701	EA	PIN - PLASTIC	062-0027
	113245-01-702	EA	COVER - SLOT	062-0141
2	113245-01-717	EA	CASE, TOP ONLY	062-0139
3	113245-01-705	EA	COIL - EVAPORATOR	041-0034
4	113245-01-716	EA	CASE, BOTTOM W/90 DEG ELBOWS	062-140
5	113245-01-713	EA	SCREEN - CONDENSATION	045-0173
6	113245-01-714	EA	PIN - SCREEN RETAINER	062-0164
7	113245-01-703	EA	BEZEL - W/4 OUTLETS	062-0142
8	113245-01-709	EA	HOSE ASM #10 EVAPORATOR/COMP	085-0116
9	113245-01-708	EA	HOSE ASM #6 EVAPORATOR/DRIER	085-0115
10	113245-01-712	EA	FITTING BLOCK	050-0129
11	113245-01-711	EA	O'RING #6	045-0129
12	103930-17-702	EA	O'RING #10	045-0127

KEY	PART NUMBER	U/M	DESCRIPTION	VENDOR NO.
13	113245-01-710	EA	O'RING, #12	045-0128
14	113245-01-706	EA	VALVE-EXPANSION, 134A 5 TON	034-0026
15	113245-01-700	EA	WHEELBLOWER W/CLIP	062-0028
16	113245-01-704	EA	MOTOR-BLOWER, 12V, 3 SPEED, DBL	030-0028
	113245-01-707	EA	O'RING #8	045-0126
	113245-01-718	EA	HOSE - DRAIN/1/2" X 6"	051-0002
	109918-01-05A	EA	VENT - RETURN AIR - 12.3" X 5.5" - BLACK	
	109918-03-01A	EA	VENT - RETURN AIR - 12.3" X 2.75"	
	113244-01-01A	EA	LOUVER - BALL - 3" - BLACK	
	134002-01-000	EA	CLAMP - PIPE - DOUBLE - 5/8" DIAMETER	

FROM: 06-11-99 THRU: 99-99-99

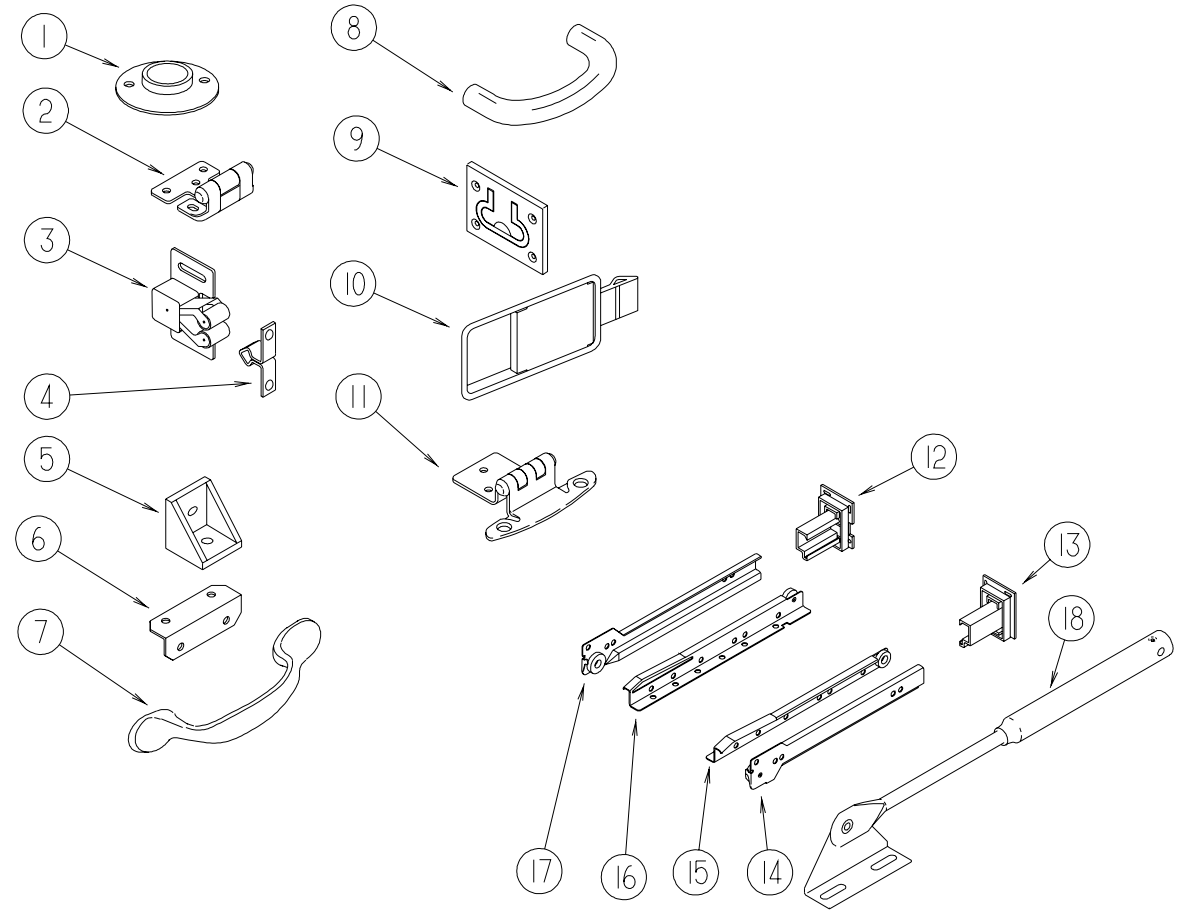
**INTERIOR FINISH GROUP**



**MOLDINGS & TRIMS**

KEY	PART NUMBER	U/M DESCRIPTION
1	009767-12-000	FT WELTING - SIDEWALL/CEILING/CABINET - OFF/WHT
2	009778-27-000	FT U-CHANNEL - 1" - WASHED MAPLE
2	070504-50-000	FT U-CHANNEL - PLASTIC - .13" X 84" - WASHED MAPLE
2	070504-51-000	FT U-CHANNEL - PLASTIC - .9" X 84" - WASHED MAPLE
2	070504-54-000	FT U-CHANNEL - PLASTIC - .9" X 84" - VILLAGE OAK
3	009809-31-000	EA MOLDING - CORNER - OUTSIDE - 1" X 84" - WASHED MAPLE
4	009812-33-000	EA MOLDING - CORNER - 1/2" W/1/4" CHAN X 84" - WASHED MAPLE
5	105709-01-000	FT MOLDING-T - 1" - MODERN IVORY
6	022992-15-000	FT MOLDING - REVERSE COVE - VW GRAY
7	042357-18-000	EA MOLDING - CORNER - RADIUS/PLASTIC - PICKLED ASH
7	042357-25-000	EA MOLDING - CORNER - RADIUS/PLASTIC - WASHED MAPLE
8	076325-71-000	FT MOLDING - EDGE BAND - 1 5/16" X .038" - GREY
9	080176-08-000	EA CAP - CORNER - RADIUS MOLDING - PLASTIC - WASHED MAPLE
10	081521-02-007	EA MOUNT - METAL MOLDING - F/RADIUS CORNER MOLDING - 151.5"
10	081521-02-007	EA MOUNT - METAL MOLDING - F/RADIUS CORNER MOLDING - 151.5"
11	086229-15-000	EA BATTEN - 1" X 96" - MODERN IVORY
11	086229-20-000	EA BATTEN - 1" X 96" - BEIGE
12	086229-11-000	EA RETAINER - OFFSET - 97.01"
13	099571-03-01A	EA TRIM - ROOF COVE - 2.9" X 146.2" - SMOKEY WHITE
14	103186-01-08A	FT MOLDING - PLASTIC 3/8" U-CHANNEL W/3/4" FACE-WASHED MAPLE
15	104676-02-06A	FT MOLDING-T - 1/2" - WASHED MAPLE
15	104676-02-02A	FT MOLDING-T - 1/2" - PICKLED ASH
16	115003-01-01A	FT MOLDING - REVERSE COVE - VW WHITE
17	126204-D2-134	EA MOLDING - VINYL WRAPPED - .7" X 1.6" X 84" - WASHED MAPLE
17	126204-F2-134	EA MOLDING - VINYL WRAPPED - .7" X 2.5" X 84" - WASHED MAPLE
18	085746-04-000	FT TRIM-J - CARPET 1.2" X .5" ANGLE - 12' LONG - OFF WHITE

**INTERIOR FINISH GROUP (CONTINUED)**



**CABINET DOOR & DRAWER HARDWARE**

KEY	PART NUMBER	U/M DESCRIPTION
1	009112-01-000	EA FLANGE - PLASTIC - 1" CLOTHES ROD - OFF WHITE
2	113676-01-01A	EA HINGE - OVERLAY - VARIABLE
3	093586-06-000	EA CATCH - SPRING ROLLER - .236"
4	093586-05-000	EA STRIKE - SPRING STEEL - .943"
5	065740-01-000	EA BRACE - CABINET/CORNER - PLASTIC
6	016604-01-000	EA BRACE - CABINET - ANGLE - 2.5" - UNPAINTED METAL
6	016604-05-000	EA BRACE - CABINET - ANGLE - 2.5" - OFF WHITE METAL
7	121891-01-01A	EA PULL - CABINET - BRASS
		FROM: 00-00-00 THRU: 06-06-99
8	131964-01-01A	EA PULL - CABINET - POLISHED BRASS
		FROM: 06-07-99 THRU: 99-99-99
9	072871-01-000	EA PULL - FLUSH - CHROME
10	127349-01-01A	EA LATCH - PADDLE
11	108138-01-000	EA HINGE - CABINET DOOR - BURNISHED BRASS
12	128811-01-01A	EA BACKSOCKET - ADJUSTABLE - LEFT
13	128811-02-01A	EA BACKSOCKET - ADJUSTABLE - RIGHT
14	128810-06-01A	EA SLIDE - DRAWER - 14" - RIGHT CABINET
14	128810-22-01A	EA SLIDE - DRAWER - 22" - RIGHT CABINET
15	128810-08-01A	EA SLIDE - DRAWER - 14" - RIGHT DRAWER
15	128810-24-01A	EA SLIDE - DRAWER - 22" - RIGHT DRAWER
16	128810-07-01A	EA SLIDE - DRAWER - 14" - LEFT DRAWER
16	128810-23-01A	EA SLIDE - DRAWER - 22" - LEFT DRAWER
17	128810-05-01A	EA SLIDE - DRAWER - 14" - LEFT CABINET
17	128810-21-01A	EA SLIDE - DRAWER - 22" - LEFT CABINET
18	074493-02-000	EA SUPPORT - PISTON SPRING - CABINET DOOR - 26 LBS
	023320-01-000	EA PAD - FELT 3/8" DIAMETER
	042438-01-000	EA DOWEL - WOOD - CLOTHES ROD - 1" DIAMETER X 4'
	069726-02-000	EA BUMPER - .88" OD X .40" THICK - BLACK

## INTERIOR FINISH GROUP (CONTINUED)

### FIRE EXTINGUISHER, SMOKE DETECTOR & CO DETECTOR

KEY	PART NUMBER	U/M DESCRIPTION	VENDOR NO.
	094499-03-000	EA EXTINGUISHER/FIRE - DRY - 10BC - W/GAUGE - W/O BRACKET	
	094499-04-000	EA BRACKET - FIRE EXTINGUISHER	
	094499-02-000	EA EXTINGUISHER/FIRE - DRY - 1A10BC - CANADIAN	
	094499-01-700	EA BRACKET MTG. W/PLAS. STRAP	294039
	072852-01-000	EA DETECTOR - SMOKE - W/9 VOLT BATTERY - US	
	072852-02-000	EA DETECTOR - SMOKE - W/9 VOLT BATTERY - CANADIAN	
	125136-01-000	EA CO DETECTOR - GAS - ROUND W/2 SCREWS - 9 VOLT	

### PANELING & LAMINATES

KEY	PART NUMBER	U/M DESCRIPTION
	000846-01-000	SF PLYWOOD - 5/16" X 48" X 96" - CD GRADE
	000846-02-000	SF PLYWOOD/UNDERLAYMENT - 5/16" X 48" X 96"
	000885-90-000	SF PARTICLE BOARD - 1/2" X 48" X 96" - WASHED MAPLE - 2-SIDED
	057671-01-000	EA COVER - SCREW - OFF WHITE - #8
	074498-65-000	SF LAMINATE - PLASTIC - MEDIUM GRAY - 4' X 8'
	074498-82-000	SF LAMINATE - PLASTIC - WASHED MAPLE - 4' X 8'
	083618-07-000	SF PLYWOOD - MAPLE - 1 SIDE 3/16"
	088272-G1-000	SF PANELING - PEBBLE EMBOSSED - ANTIQUE WHITE - 4' X 7'
	074497-39-000	SF PANELING - WASHED MAPLE - 4' X 8' (CABINETS)
	088272-H2-000	SF PANELING - TUSCAN MINK - 4' X 7' (MAIN WALL)
	088272-J2-000	SF PANELING - BOSSANOVA/EMBOSSSED - LT GRAY - 48" X 84" (BATH)
	111133-D2-438	EA LUMBER - VINYL WRAPPED - .7" X 1.5" X 96" - PICKLED ASH
	126205-D2-438	EA LUMBER - VINYL WRAPPED - .7" X 1.5" X 96" - WASHED MAPLE
	126205-E2-438	EA LUMBER - VINYL WRAPPED - .7" X 2" X 96" - WASHED MAPLE
	126205-F2-438	EA LUMBER - VINYL WRAPPED - .7" X 2.5" X 96" - WASHED MAPLE
	126205-G2-438	EA LUMBER - VINYL WRAPPED - .7" X 3" X 96" - WASHED MAPLE
	126205-J2-438	EA LUMBER - VINYL WRAPPED - .7" X 5.5" X 96" - WASHED MAPLE

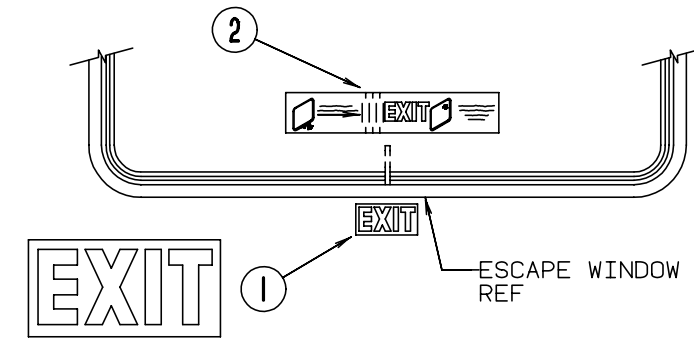
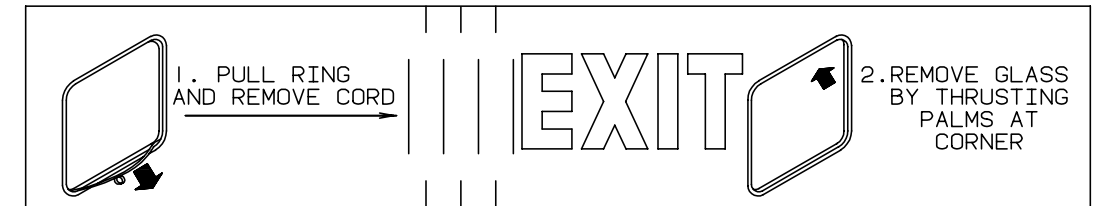
### BATT STRIPS & BATT TAPES

KEY	PART NUMBER	U/M DESCRIPTION
	085284-E7-000	FT BATT TAPE - ADHESIVE BACKED - DECORATIVE - TUSCAN MINK (MAIN WALL)
	085284-F5-000	FT BATT TAPE - ADHESIVE BACKED - WASHED MAPLE (CABINETS)
	088263-F2-000	FT BATT STRIP - DECORATIVE - TUSCAN MINK - 8' LENGTHS (MAIN WALL)
	069733-86-000	EA BATT STRIP - WOODGRAINED/WASHED MAPLE - 8' (CABINETS)

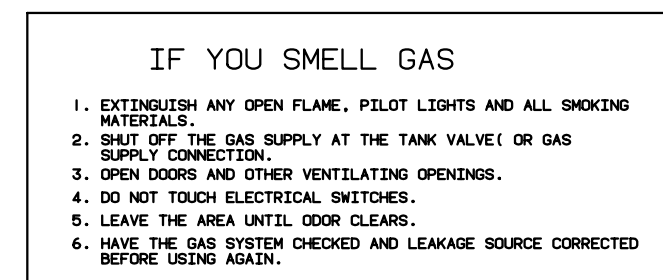
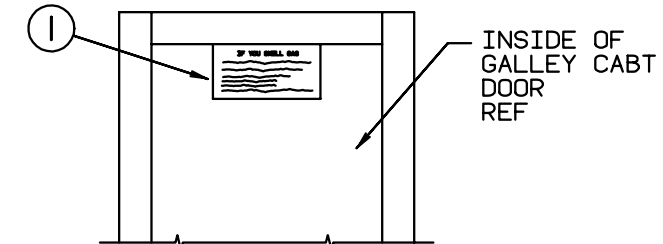
### CARPETING & FLOOR MATS

KEY	PART NUMBER	U/M DESCRIPTION
	096060-D1-000	SY CARPET - JUBILATION/SEAL GRAY - INCREMENTS OF 4 SY
	096764-02-000	FT SLIPNOT - ANTISLIP - 1'WIDE (100' ROLLS)
	102570-05-000	EA MAT - ANTI SLIP - UPPER/RIGHT HAND
	102570-06-000	EA MAT - ANTI SLIP - UPPER/LEFT HAND
	115381-01-01A	EA MAT - FLOOR - DRIVER - GRAY/BLACK
	115381-02-01A	EA MAT - FLOOR - PASSENGER - GRAY/BLACK
	117477-01-H70	EA CARPET CAB-RIALLTA

## LABELS GROUP

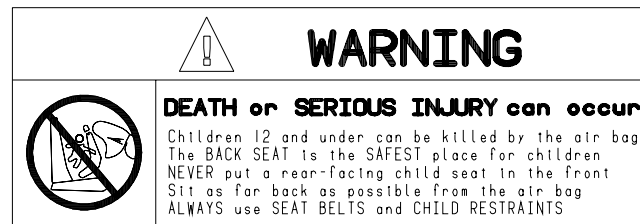


KEY	PART NUMBER	U/M DESCRIPTION
1	039290-01-000	EA LABEL - WARNING - EXIT
2	107571-01-000	EA LABEL - ESCAPE/EXIT WINDOW

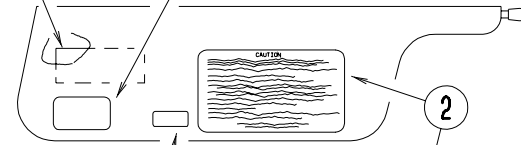


KEY	PART NUMBER	U/M DESCRIPTION
1	073998-01-000	EA LABEL - LPG ODOR WARNING

**LABELS GROUP (CONTINUED)**



3  
4  
WARNING: CONTAINS "CFC" A SUBSTANCE WHICH HARMS PUBLIC HEALTH AND ENVIRONMENT BY DESTROYING OZONE IN THE UPPER ATMOSPHERE.



**CAUTION**

THIS MOTOR HOME HAS BEEN DESIGNED, MANUFACTURED AND TESTED WITH CONCERN FOR THE PROTECTION OF IT'S OCCUPANTS. WE RECOMMEND YOU PERFORM THE FOLLOWING INSPECTIONS FOR YOUR SAFETY AND THE SAFETY OF YOUR PASSENGERS BEFORE STARTING YOUR VEHICLE.

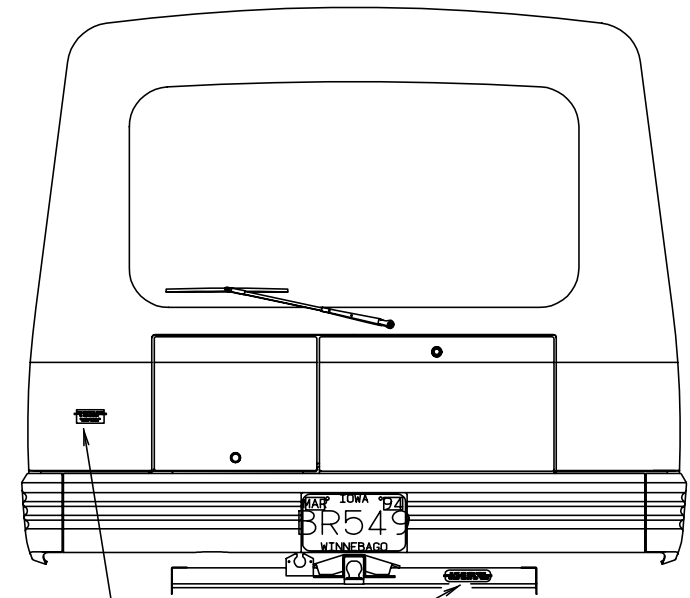
1. LP GAS SYSTEM- TURN OFF AT TANK FOR TRAVELING. TEST FOR LEAKS UPON ARRIVAL AT DESTINATION. BEFORE LIGHTING PILOTS.
2. WHEELS- INSPECT FOR DAMAGE AND CHECK LUG NUTS FOR TIGHTNESS.
3. TIRES- INSPECT FOR WEAR AND DAMAGE AND CHECK FOR RECOMMENDED AIR PRESSURE.
4. LIGHTING- TEST FOR PROPER OPERATION OF ALL INTERIOR AND EXTERIOR LIGHTS INCLUDING DASH LIGHTS, HEADLIGHTS, TAIL LIGHTS, BRAKE LIGHTS, CLEARANCE LIGHTS AND TURN SIGNALS.
5. EXITS- INSPECT RELEASE MECHANISM ON EMERGENCY EXIT WINDOW. TEST BOTH LOCKS ON MAIN ENTRANCE DOOR FOR EASE OF OPERATION AND INSTRUCT PASSENGERS HOW TO USE BOTH MEANS OF EXIT.
6. SEAT BELTS- DIRECT PASSENGERS TO DESIGNATED SEATS AND REQUIRE USE OF SEAT BELTS.
7. APPLIANCES- TURN OFF AND LATCH OR LOCK DOORS WHERE PROVIDED.
8. LOOSE PARCELS- STORE SECURELY.
9. UTILITY SUPPLY LINES- DISCONNECT ALL ELECTRIC, SEWER AND WATER LINES AND SECURE PROPERLY.
10. ENTRANCE DOOR STEP- PLACE IN RETRACTED POSITION FOR TRAVELING.

READ YOUR MOTOR HOME AND CHASSIS OWNER'S MANUAL FOR FURTHER PRECAUTIONS

**WARNING**

THIS VEHICLE, LIKE OTHER VEHICLES, MAY CONTAIN SMALL AMOUNTS OF ONE OR MORE SUBSTANCES WHICH ARE LISTED BY THE STATE OF CALIFORNIA FOR CAUSING CANCER OR REPRODUCTIVE TOXICITY.

**LABELS GROUP (CONTINUED)**



1  
2  
THIS CONNECTION IS FOR (B) VOLT AC, 3-POLE, 4 WIRE 60 HZ (CYCLES), (A) AMPERE SUPPLY

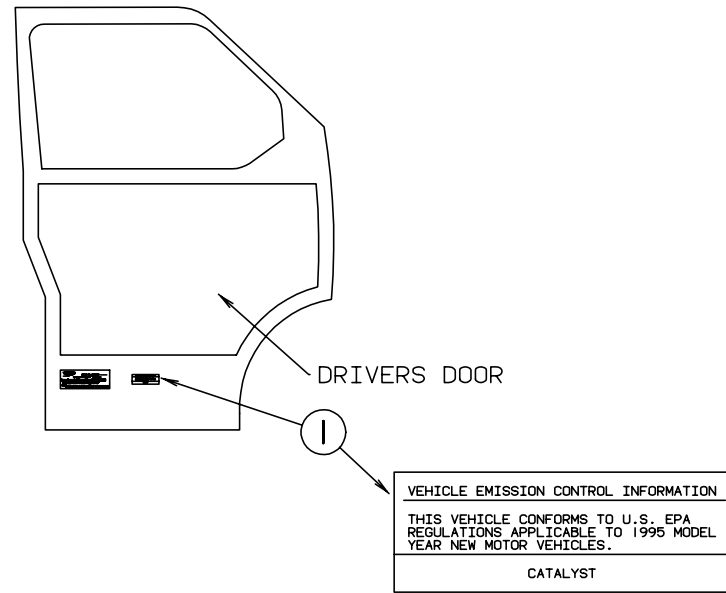
DO NOT CONNECT TO HIGHER VOLTAGE

2  
DO NOT USE HITCH BEFORE READING OWNERS MANUAL REGARDING VEHICLE LOADING AND TOWING

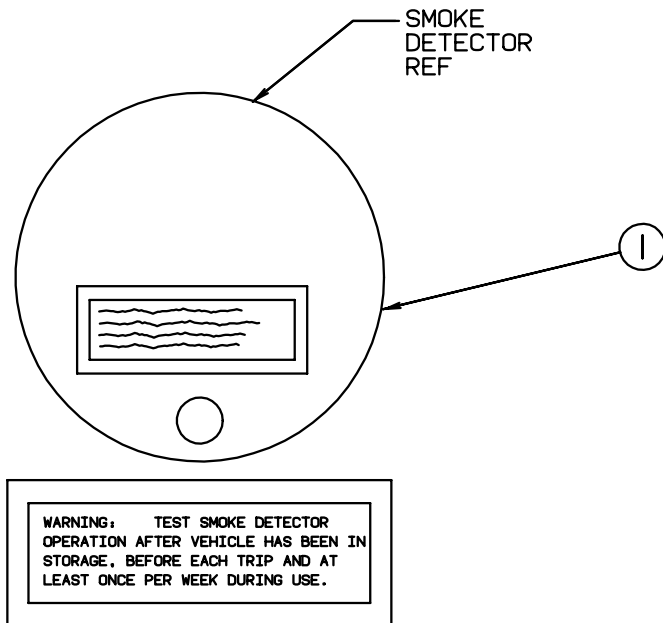
KEY	PART NUMBER	U/M DESCRIPTION
1	099689-01-000	EA LABEL - WARNING - CANCER/TOXICITY - CALIFORNIA
2	056259-01-000	EA LABEL - SAFETY CHECK LIST
3	126611-01-000	EA LABEL - AIR BAG - VISOR
4	111802-01-000	EA LABEL - CFC WARNING

KEY	PART NUMBER	U/M DESCRIPTION
1	125306-01-01A	EA LABEL - ELECTRICAL ENTRANCE - 110VOLT 30AMP
2	111104-01-000	EA LABEL - HITCH - READ MANUAL - WHITE

**LABELS GROUP (CONTINUED)**

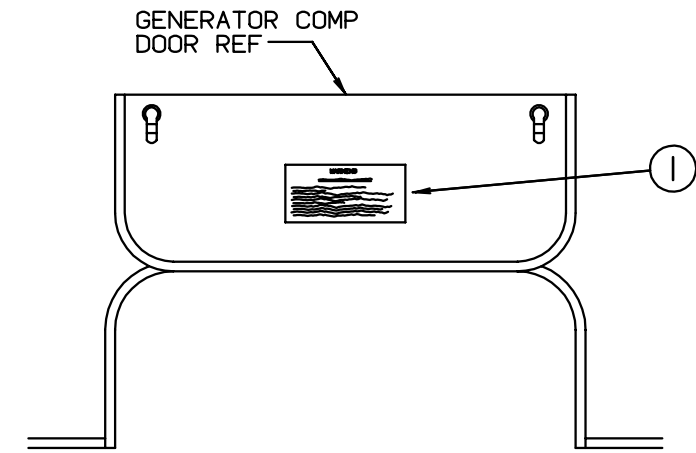


KEY	PART NUMBER	U/M DESCRIPTION
1	072887-08-000	EA LABEL - EPA - 1997 MODEL YEAR FROM: 00-00-00 THRU: 01-01-98
1	072887-09-000	EA LABEL - EPA - 1998 MODEL YEAR FROM: 01-02-98 THRU: 99-99-99



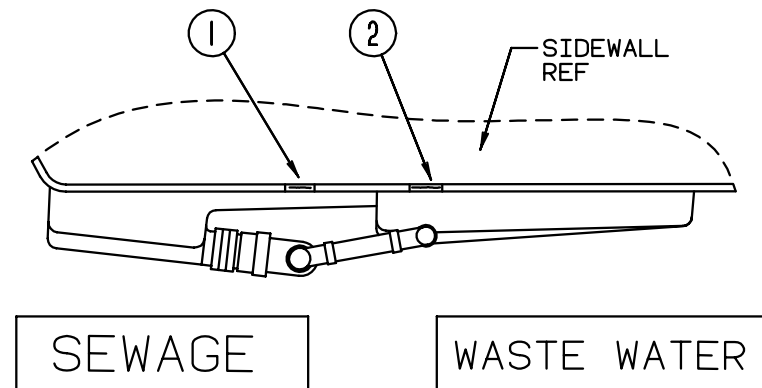
KEY	PART NUMBER	U/M DESCRIPTION
1	077956-01-000	EA LABEL - WARNING - SMOKE DETECTOR

**LABELS GROUP (CONTINUED)**



**WARNING**  
**WHEN ADDING A GENERATOR SET:**  
 HIGH VOLTAGE-USE EXTREME CAUTION WHEN WORKING ON ELECTRICAL COMPONENTS.  
 HAVE ALL ELECTRICAL INSTALLATION PERFORMED BY A QUALIFIED LICENSED ELECTRICIAN-FOLLOW ALL STATE AND LOCAL CODES.  
 ONLY INSTALL GENERATOR SET APPROVED FOR R.V. APPLICATION. HAVE INSTALLED BY QUALIFIED TECHNICIAN.  
 TO AVOID HEAT BUILD-UP AND TO GUARANTEE AN ADEQUATE AIR SUPPLY TO THE GENERATOR CARBURETOR, FOLLOW INSTALLATION INSTRUCTIONS.  
 GENERATOR ENGINE EXHAUST GASES ARE TOXIC AND MUST NOT TERMINATE UNDER THE VEHICLE-DISCHARGE EXHAUST AWAY FROM VEHICLE.

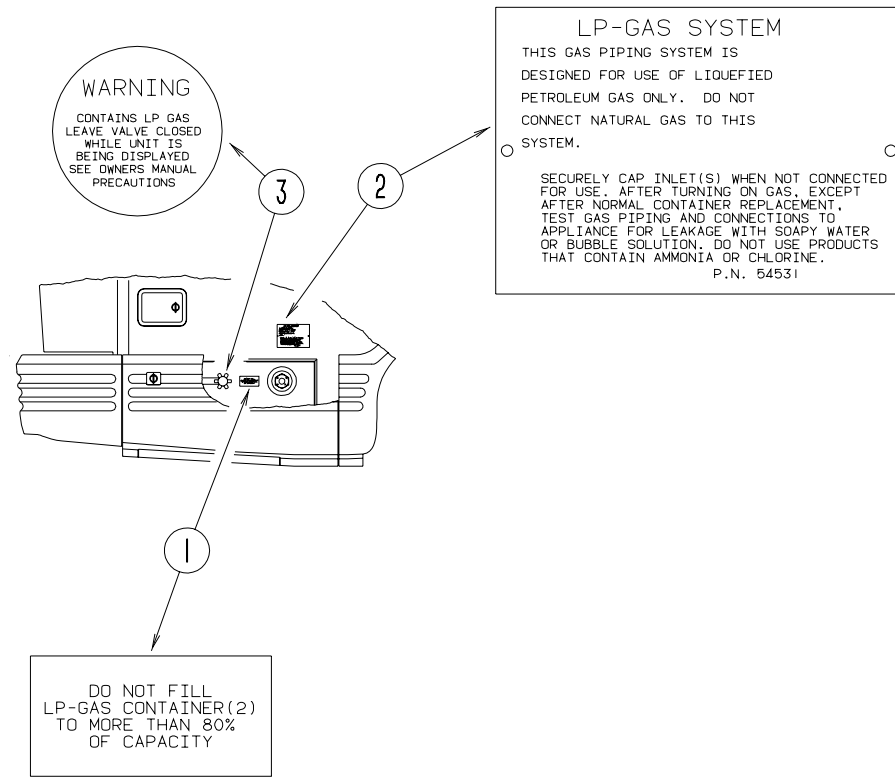
KEY	PART NUMBER	U/M DESCRIPTION
1	077510-01-000	EA LABEL - GENERATOR PREP



KEY	PART NUMBER	U/M DESCRIPTION
1	006187-01-000	EA LABEL - SEWAGE
2	006188-01-000	EA LABEL - WASTE WATER

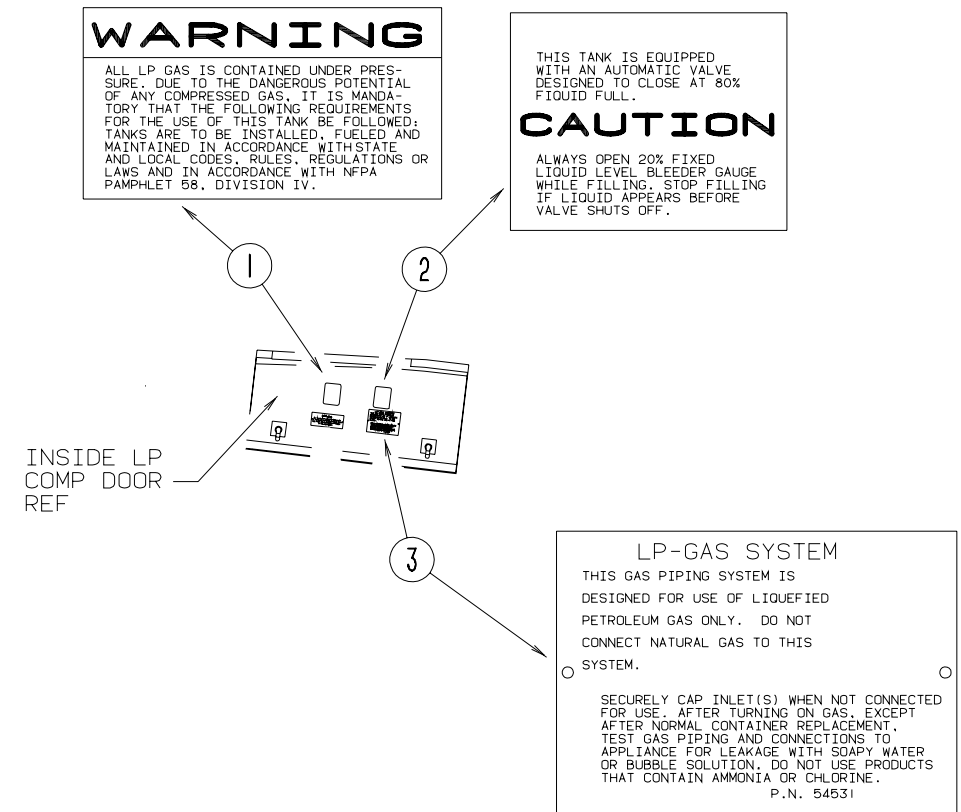


## LABELS GROUP (CONTINUED)

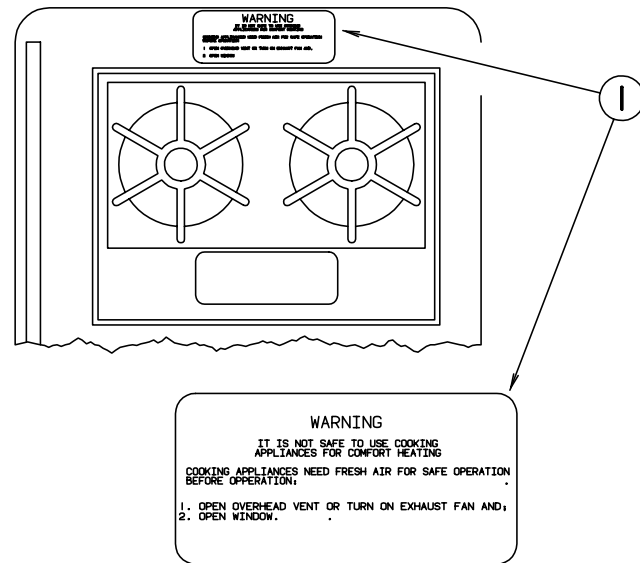


KEY	PART NUMBER	U/M DESCRIPTION
1	079965-01-000	EA LABEL - LPG 80% CAPACITY
2	124520-01-02A	EA LABEL - LP GAS ONLY
3	115600-01-000	EA LABEL - WARNING LPG VALVE

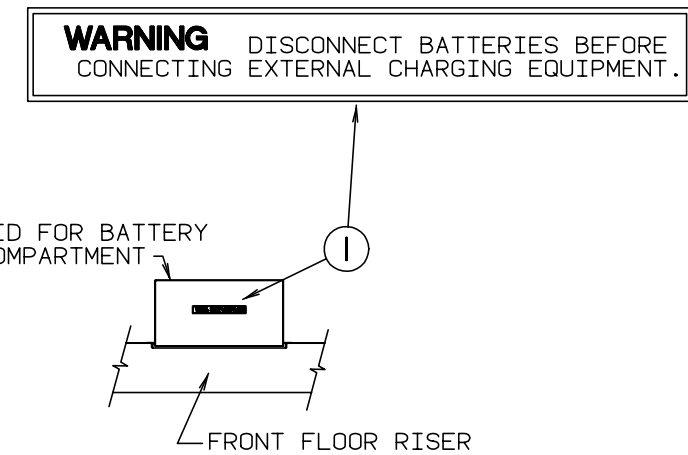
## LABELS GROUP (CONTINUED)



KEY	PART NUMBER	U/M DESCRIPTION
1	116112-01-000	EA LABEL - WARNING - LP
2	116113-01-000	EA LABEL - CAUTION - LP
3	023769-01-000	EA LABEL - WARNING - LPG ONLY - CANADIAN



KEY	PART NUMBER	U/M DESCRIPTION
1	050225-01-000	EA LABEL - WARNING - STOVE VENT - US
1	050222-01-000	EA LABEL - WARNING - STOVE VENT - CANADIAN

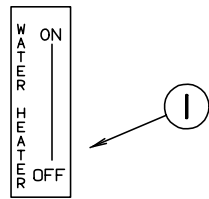


KEY	PART NUMBER	U/M DESCRIPTION
1	065748-01-000	EA LABEL - CAUTION - BATTERY CHARGING

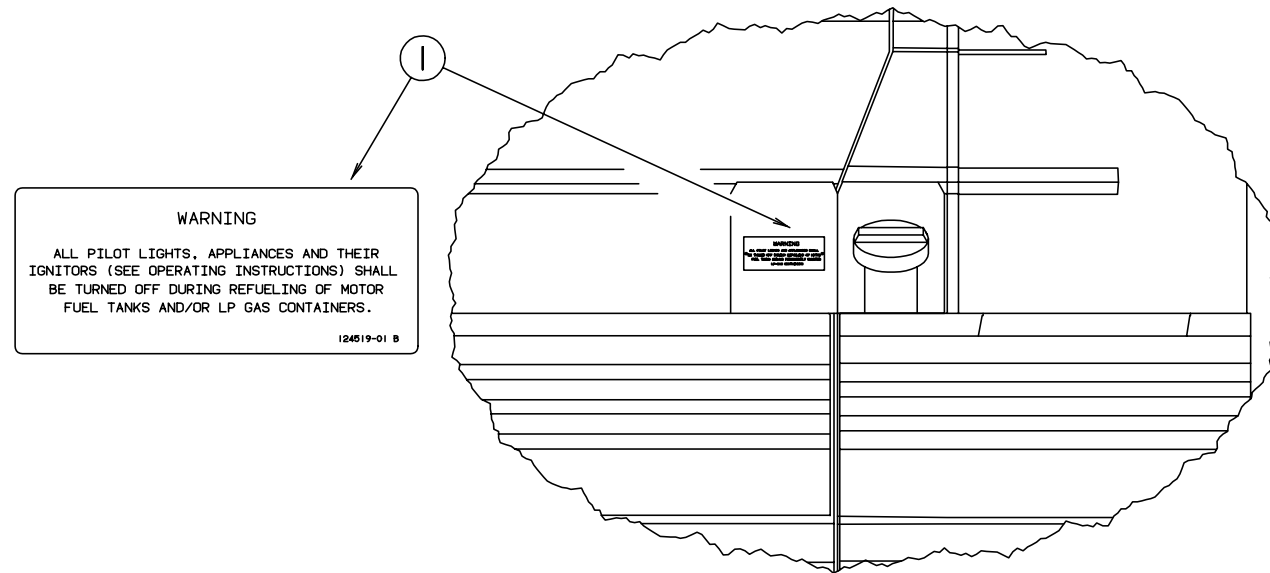
**LABELS GROUP (CONTINUED)**



KEY	PART NUMBER	U/M DESCRIPTION
1	126612-01-000	EA LABEL - HANG TAG - AIR BAG - DASH

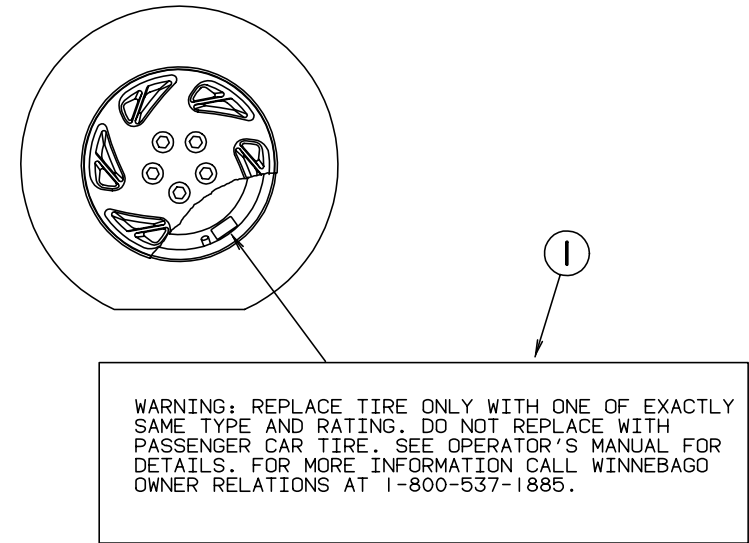


KEY	PART NUMBER	U/M DESCRIPTION
1	083588-01-000	EA LABEL - ON/OFF - WATER HEATER



KEY	PART NUMBER	U/M DESCRIPTION
1	124519-01-01A	EA TAG - WARNING - GAS REFUELING
1	124519-02-01A	EA TAG - WARNING - GAS REFUELING - CANADIAN

**LABELS GROUP (CONTINUED)**



(ATTACH TO ALL WHEELS, INCLUDING SPARE, NEAR VALVE STEM)

KEY	PART NUMBER	U/M DESCRIPTION
1	115869-01-000	EA LABEL - WARNING - TIRE

AIR CONDITIONING CIRCUIT. THIS CONNECTION IS FOR AIR CONDITIONERS RATED 110-125 VOLT AC, 60 HZ, 16 AMPERES MAXIMUM. DO NOT EXCEED CIRCUIT RATING.

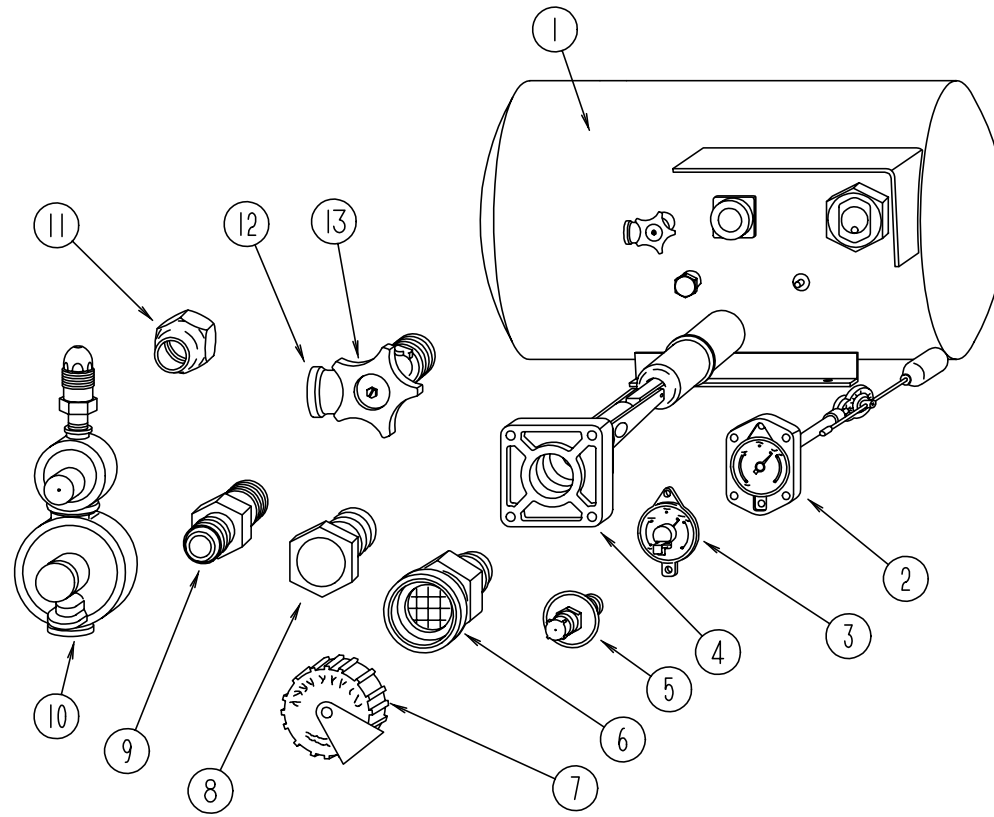
KEY	PART NUMBER	U/M DESCRIPTION
1	091243-01-000	EA LABEL - A/C COVER

**MISCELLANEOUS LABELS**

KEY	PART NUMBER	U/M DESCRIPTION
	120677-01-000	EA LABEL - TV
	087236-01-000	EA LABEL - CABLE - INPUT
	124709-01-000	EA LABEL - EMISSION CONTROL - DUAL
		FROM: 00-00-00 THRU: 01-04-98
	115599-02-000	EA LABEL - VEHICLE EMISSION CONFIGURATION
		FROM: 01-05-98 THRU: 99-99-99
	126024-01-000	EA LABEL - TIRE HANGER REMOVAL
		FROM: 01-20-97 THRU: 99-99-99
	124572-01-000	EA LABEL - SWITCHES
	124572-02-000	EA LABEL - SWITCHES W/O A/C
	129684-01-000	EA LABEL - TIRE ROTATION
		FROM: 03-02-98 THRU: 99-99-99

# LP GROUP

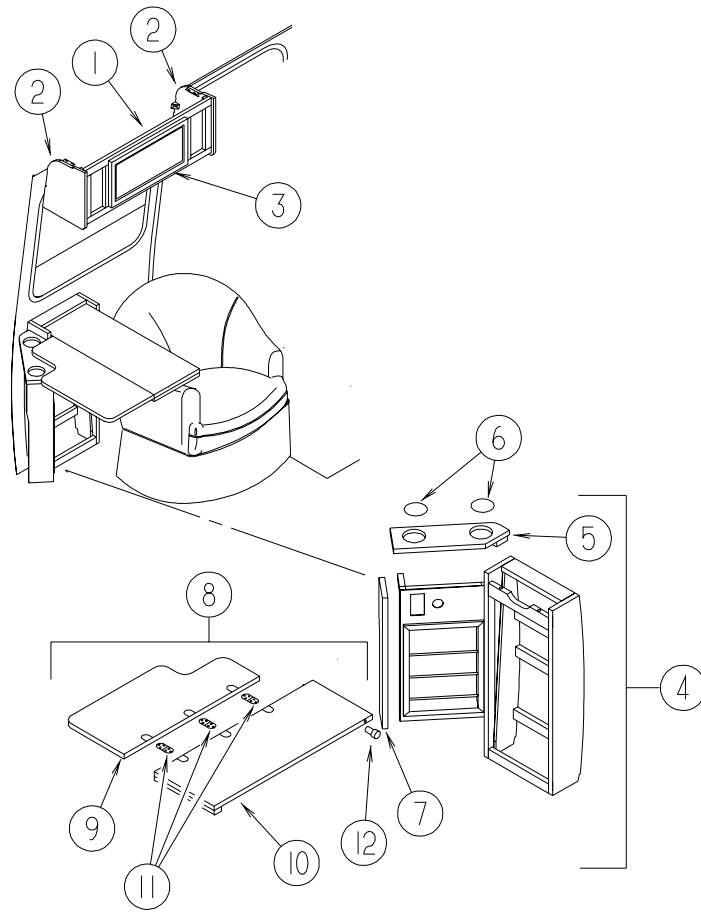
## LP TANK & COMPONENTS



KEY	PART NUMBER	U/M	DESCRIPTION	VENDOR NO.
1	074039-04-000	EA	TANK - LP - 28 LB - BOTTOM MOUNT - 10" DIAMETER X 23" LONG	
2	074039-01-700	EA	FLOAT ASM. (SIGHT GAUGE) BOLT	10C
3	040440-02-000	EA	TRANSMITTER - DIAL - 0-90 OHM -2 TERMINAL (POWER & GROUND)	
4	074039-04-700	EA	VALVE - 80% FILL W/AUTO STOP	LVTL290C9010
5	040421-01-700	EA	VALVE - LIQUID LEVEL, 20%	G-1013
6	040421-01-701	EA	VALVE - FILL - SHORT - LP	7547B
7	040421-01-702	EA	CAP - FILL VALVE - PLASTIC	G-1014-A
8	040421-01-713	EA	VALVE - VAPOR ONLY	29000587
9	010323-01-000	EA	ADAPTER - BRASS - 3/8" F X 1/2" MPT	
9	010329-01-000	FT	ADAPTER - BRASS - 1/2" F X 1/2" MPT	

KEY	PART NUMBER	U/M	DESCRIPTION	VENDOR NO.
10	106150-03-000	EA	REGULATOR -TWO STAGE-7/8-14 UNS2A LH INLET/3/8" FPT OUTLET	
11	010377-02-000	EA	NUT - BRASS - 3/8" FEMALE - FORGED	
11	010380-02-000	EA	NUT - BRASS - 1/2" FLARE - FORGED	
12	040421-01-712	EA	VALVE - SERVICE - W/O VAPOR RELIEF	29000853
13	040421-01-708	EA	HANDWHEEL - SERVICE VALVE	G-1015-A
	074458-01-000	EA	ELBOW - 3/8 MALE FL TO 3/8 FEMALE FL SWIVEL	
	010252-01-000	EA	ELBOW - BRASS - 90 DEGREE - 3/8" F X 1/2" MPT	
	010265-01-000	EA	ELBOW - BRASS - 90 DEGREE - 3/8" F X 1/2" FPT	
	033759-01-000	EA	ELBOW - BRASS - 90 DEGREE - 3/8" F X 3/8" F	
	024250-01-000	EA	ADAPTER - BRASS - 3/8" F X 1/2" FPT	
	010281-01-000	EA	TEE - BRASS - 3/8F	

## LOUNGE GROUP



### LOUNGE CABINETRY & PULLOUT TABLE

KEY	PART NUMBER	U/M DESCRIPTION
1	124888-01-J80	EA CABINET - OVERHEAD/FRONT/RIGHT HAND - W/O DOORS/HARDWARE
2	119132-07-J80	EA END CAP - OVERHEAD
3	M05992-R9-K77	EA DOOR - STRAIGHT CORNER/OGEE EDGE - 10" X 19.1" - W/O HDW FROM: 00-00-00 THRU: 11-29-98
3	131995-M5-K77	EA DOOR - RAIL/SOLIDPANEL - 10" X 19" - W/O HARDWARE FROM: 11-30-98 THRU: 99-99-99
4	P19113-02-J80	EA CABINET/TABLE - W/O HARDWARE
5	P19113-14-J80	EA CUPHOLDER
6	122717-04-01A	EA PAD - NON SKID - 3" DIA. ROUND
7	P19113-15-J80	EA STICK-W/STAIN
8	119113-17-J80	EA TABLE - PULL UP STYLE - W/O HARDWARE
9	119113-18-J80	EA TABLE - LEFT HALF - W/O HARDWARE
10	119113-19-J80	EA TABLE - RIGHT HALF - W/O HARDWARE
11	111535-01-000	EA HINGE - TABLE/FOLDING
12	079921-01-000	EA ROLLER - NYLON - W/STEEL SHAFT - BARBED
	117047-01-000	EA BUMPER - RUBBER - WASHER INSERT

## SEALANTS & FASTENERS GROUP

### NUTS, BOLTS AND WASHERS

KEY	PART NUMBER	U/M DESCRIPTION
	0MC04K-06-016	EA BOLT - HEX - M06 X 1 X 016
	0MC05K-08-055	EA BOLT - HEX M.3 X 1.25 X 2.2
	0MC13K-14-070	EA BOLT - HEX M14 X 2.00 X 2.75
	0MC31K-08-020	EA BOLT - HEX - SERRATED FLANGE - M8 X 020
	0MC32K-10-030	EA BOLT - HEX - SERRATED FLANGE - M10 X 1.50
	0MD16K-10-000	EA NUT - HEX PREV TORQUE M10 X 1.50 CLASS 8
	0MD39K-12-000	EA NUT - HEX W/NYLON LOCK - M12 X 1.75
	0ME06K-14-280	EA WASHER - FLAT - 14 ID X 28.00 OD
	000C12-04-12A	EA BOLT - HEX - 1/4-20 X .75 - PLAIN 5
	000C12-05-64B	EA BOLT - HEX - 5/16-18 X 4
	000C12-05-16B	EA BOLT - HEX - 5/16-18 X 1 - GRADE #5 - ZINC
	000C12-06-16B	EA BOLT - HEX - 3/8-16 X 1 - GRADE #5 - ZINC
	000C13-07-48B	EA BOLT - HEX - 7/16-20 X 3" - GRADE #5 - ZINC
	000C26-04-14B	EA BOLT - HEX - SERRATED FLANGE - 1/4-20 X 7/8 - ZINC
	000C26-04-10B	EA BOLT - HEX - SERRATED FLANGE - 1/4-20 X 5/8 - ZINC
	000C26-05-12B	EA BOLT - HEX - SERRATED FLANGE - 5/16-18 X 3/4 - ZINC
	000C26-05-16B	EA BOLT - HEX - SERRATED FLANGE - 5/16-18 X 1 - ZINC
	000C26-06-16B	EA BOLT - HEX - SERRATED FLANGE - 3/8-16 X 1 - ZINC
	000C26-06-12B	EA BOLT - HEX - SERRATED FLANGE - 3/8-16 X 3/4 - ZINC
	000C26-08-24B	EA BOLT - HEX - SERRATED FLANGE - 1/2-13 X 1 1/2 - ZINC
	000C27-05-16B	EA BOLT - CARRIAGE - 5/16-18 X 1.0 - ZINC
	000D24-10-00B	EA NUT - HEX - SELF LOCKING - 10-32 ZINC
	000D34-04-00B	EA NUT - HEX - LOCKING - 1/4-20 ZINC
	000D34-06-00B	EA NUT - HEX - LOCKING - 3/8-16 GRADE C - ZINC
	000D39-04-00B	EA NUT - HEX - LOCKING W/SERRATED FLANGE - 1/4-20 - ZINC
	000D39-05-00B	EA NUT - HEX - LOCKING W/SERRATED FLANGE - 5/16-18 - ZINC
	000D39-06-00B	EA NUT - HEX - LOCKING W/SERRATED FLANGE - 3/8-18 - ZINC
	000D39-07-00B	EA NUT - HEX - LOCKING W/SERRATED FLANGE - 7/16-14 - ZINC
	000D39-08-00B	EA NUT - HEX - LOCKING W/SERRATED FLANGE - 1/2-13 - ZINC
	000D44-07-00B	EA NUT - HEX - LOCKING W/SERRATED FLANGE - 7/16-20 - ZINC
	000D46-04-00A	EA NUT - HEX - WELD - 1/4-20 - PLAIN
	000D65-08-00B	EA NUT - HEX - LOCKING W/SERRATED FLANGE - 8-32 - ZINC
	000E11-08-00B	EA WASHER - LOCKING - 1/2 MED SPLIT - ZINC
	000E13-17-00B	EA WASHER - FLAT - 3/8 AR - ZINC
	000E13-18-00B	EA WASHER - FLAT - 3/8 WIDE - ZINC
	000E13-18-00K	EA WASHER - FLAT - 3/8" WIDE
	000E13-20-00B	EA WASHER - FLAT - 7/16 WIDE - ZINC
	000E13-26-00B	EA WASHER - FLAT - 5/8 WIDE - ZINC
	000E14-10-00B	EA WASHER - LOCKING - #10 EXTERNAL TOOTH - ZINC
	041322-01-000	EA WASHER - FLANGE - 15/32 ID X 2 3/8 OD - F/SEAT BELT MTG
	044364-02-000	EA NUT - SPEED - FLAT - ROUND
	051387-06-000	EA BOLT - CARRIAGE W/O HOLE - 5/16-18 X 9.5 - ZINC
	084406-01-000	EA NUT - CAPPED - CROSS RECESSED - BLACK - 1/4-20 THD
	087234-01-000	EA NUT - JACK - 1/4 X 20 THD - MOLLY MOUNTS LICENSE PLATES USING BOLT #000G500412B
	087718-01-000	EA MONOBOLT - STEEL - 3/16 DIAMETER
	103020-02-000	EA BOLT-U - #8-32 - GRADE 5 ZINC
	113985-01-000	EA BOLT - FLANGE - M10-1.5 X 40CL10.9
	113985-02-000	EA BOLT - FLANGE - M10-1.5 X 30CL10.9
	114257-01-000	EA GASKET - NEOPRENE RUBBER - .62" X 1.1" X .11" FROM: 00-00-00 THRU: 12-16-98
	131377-01-000	EA NUT-HEX HEAD W/WASHER-1/4-20 X 2" STEEL W/3/4" OD WASHER

**SEALANTS & FASTENERS GROUP (CONTINUED)**

**SCREWS**

KEY	PART NUMBER	U/M	DESCRIPTION
	0G1106-08-240	EA	SCREW - 6-20 X 1/2 PPH - VW LIGHT GRAY
	0G1108-12-240	EA	SCREW - 8-18 X .75 PPH - VW LIGHT GRAY
	0G1308-10-240	EA	SCREW - 8-18 X 5/8 PFH - VW LIGHT GRAY
	0G3908-12-240	EA	SCREW - SF/DR - 8-18 X .75 PPH - VW LIGHT GRAY
	0G3910-10-240	EA	SCREW - SF/DR - 10-16 X .62 PPH - VW LIGHT GRAY
	0G5508-08-240	EA	SCREW - SF/DR - 8-18 X .5 PWH - VW LIGHT GRAY
	0G5508-08-130	EA	SCREW-SF/DR-8-18X.5 PWH - TAUPE
	0G6710-08-240	EA	SCREW - 10-12 X .50 PPH TAUPE - VW LIGHT GRAY
	0G6710-12-170	EA	SCREW - 10-12 X .75 PPH - BRIGHT WHITE
	000D29-04-00B	EA	NUT - HEX - SELF LOCKING - 1/4 X 20 - ZINC
	000G11-06-24B	EA	SCREW - 6-20 X 1.5 PPH ZINC
	000G11-06-10J	EA	SCREW - 6-20 X 5/8 PPH - BRASS
	000G11-06-08B	EA	SCREW - 6-20 X 1/2 PPH - ZINC
	000G11-07-08B	EA	SCREW - 7-19 X 1/2 PPH - ZINC
	000G11-08-20B	EA	SCREW - 8-18 X 1 1/4 PPH - ZINC
	000G11-08-16B	EA	SCREW - 8-18 X 1 PPH - ZINC
	000G11-08-12T	EA	SCREW - 8-18 X 3/4 PPH - BLACK
	000G11-08-12P	EA	SCREW - 8-18 X 3/4 PPH - DARK BROWN
	000G11-08-12D	EA	SCREW - 8-18 X 3/4 PPH - BLACK
	000G11-08-12B	EA	SCREW - 8-18 X 3/4 PPH - ZINC
	000G11-08-08B	EA	SCREW - 8-18 X 1/2 PPH - ZINC
	000G11-10-12D	EA	SCREW - 10-16 X 3/4 PPH - BLACK
	000G11-10-12S	EA	SCREW - 10-16 X 3/4 PPH - OFF WHITE
	000G12-06-08T	EA	SCREW - 6-20 X 1/2 POH - BLACK
	000G13-06-08G	EA	SCREW - 6-20 X .50 PFH - ANTIQUE BRASS
	000G13-06-08B	EA	SCREW - 6-20 X 1/2 PFH - ZINC
	000G13-06-16E	EA	SCREW - 6-20 X 1.00 PFH - CHROME
	000G13-06-10G	EA	SCREW - 6-20 X 5/8 PFH - ANTIQUE BRASS
	000G13-07-12B	EA	SCREW - 7-19 X 3/4 PFH - ZINC
	000G13-07-10H	EA	SCREW - 7-19 X 5/8 PFH - BLACK
	000G13-08-16B	EA	SCREW - 8-18 X 1 PFH - ZINC
	000G13-10-12B	EA	SCREW, 10-16 X 3/4 PFH ZN
	000G18-08-22B	EA	SCREW - MACHINE - 8-32 X 1 3/8 PPH - ZINC
	000G18-08-20B	EA	SCREW - MACHINE - 8-32 X 1 1/4 PPH - ZINC
	000G19-10-12F	EA	SCREW - MACHINE - 10-32 X 3/4 PPH - STAINLESS STEEL
	000G38-04-229	EA	SCREW - MACHINE - 1/4-20 X 1.38PFH
	000G39-06-10T	EA	SCREW - SF/DR - 6-20 X 5/8 PPH - BLACK
	000G39-06-08B	EA	SCREW - SF/DR - 6-18 X 1/2 - ZINC
	000G39-06-16T	EA	SCREW - SF/DR - 6-20 X 1 PPH - BLACK
	000G39-06-10T	EA	SCREW - SF/DR - 6-20 X 5/8 PPH - BLACK
	000G39-08-12B	EA	SCREW - SF/DR - 8-18 X 3/4 PPH - ZINC
	000G39-08-08T	EA	SCREW - SF/DR - 8-18 X 1/2 PPH - BLACK
	000G39-08-08B	EA	SCREW - SF/DR - 8-18 X 1/2 PPH - ZINC
	000G39-08-24B	EA	SCREW - SF/DR - 8-18 X 1 1/2 PPH - ZINC
	000G39-08-16T	EA	SCREW - SF/DR - 6-20 X 1 PPH - BLACK
	000G39-08-16B	EA	SCREW - SF/DR - 8-18 X 1 PPH - ZINC
	000G39-08-12T	EA	SCREW - SF/DR - 8-18 X 3/4 PPH - BLACK
	000G39-10-48B	EA	SCREW - SF/DR - 10-16 X 3 - PPH - ZINC
	000G39-10-32I	EA	SCREW - SELF TAPPING - 10-16 X 2" PPH - BLACK
	000G39-10-24B	EA	SCREW - SF/DR - 10-16 X 1.50 PPH - ZINC
	000G39-10-209	EA	SCREW - SF/DR - 10-16 X 1 1/4 PPH - FLUOROCARBON SILVER
	000G39-10-20B	EA	SCREW - SF/DR - 10-16 X 1 1/4 PPH - ZINC
	000G39-10-129	EA	SCREW - SF/DR - 10-16 X 3/4 PPH - FLUOROCARBON SILVER
	000G39-10-12D	EA	SCREW - SF/DR - 10-16 X 3/4 PPH - BLACK
	000G39-10-12B	EA	SCREW - SF/DR - 10-16 X 3/4 PPH - ZINC
	000G39-10-10B	EA	SCREW - SF/DR - 10-16 X 5/8 - ZINC
	000G39-10-088	EA	SCREW - SF/DR - 10-16 X 1/2 PPH - FLEX FLUOROCARBON
	000G39-10-08B	EA	SCREW - SF/DR - 10-16 X 1/2 PPH - ZINC

**SEALANTS & FASTENERS GROUP (CONTINUED)**

**SCREWS (CONTINUED)**

KEY	PART NUMBER	U/M	DESCRIPTION
	000G42-04-12B	EA	SCREW - SF/DR - 1/4-14 X 3/4 HWH - ZINC
	000G42-04-20B	EA	SCREW - SF/DR - 1/4-14 X 1 1/4 - ZINC
	000G42-04-16B	EA	SCREW - SF/DR - 1/4-14 X 1 HWH - ZINC
	000G50-04-12B	EA	SCREW - MACHINE - 1/4-20 X 3/4 PPH - ZINC
	000G50-04-06B	EA	SCREW - MACHINE - 1/4-20 X 38 PTH - ZINC
	000G52-08-18B	EA	SCREW - MACHINE - 8-32 X 1 1/8 PTH - ZINC
	000G57-05-16J	EA	SCREW - 5-20 X 1 PFH - BRASS
	000G67-10-08B	EA	SCREW - 10-12 X 1/2 PPH - ZINC
	000G67-10-16B	EA	SCREW - 10-12 X 1 PPH - ZINC
	000G67-10-12B	EA	SCREW - 10-12 X 3/4 PPH - ZINC
	000G67-10-10D	EA	SCREW - 10-12 X 5/8 PPH - BLACK - TYPE A
	000G67-10-10B	EA	SCREW - 10-12 X 5/8 PPH - ZINC - TYPE A
	000G68-06-10G	EA	SCREW - 6-18 X 5/8 POH - ANTIQUE BRASS
	049465-18-000	EA	SCREW - 10-16 X 1POH W/WASHER *VW GRAY
	057671-15-000	EA	COVER - SCREW - BRIGHT WHITE
	076790-01-000	EA	SCREW - 6-20 X 1 1/4 PPH - BLACK
	086256-01-000	EA	SCREW - SF/DR - 8 X 3/4 HWH
	090033-02-000	EA	SCREW - 1/4-20 X 5/8 - ROUND WASHER HEAD - OFF/WHITE
	101618-01-000	EA	SCREW - 1/4-20 X 3/4 HEX - TAPPING - STALGARD TYPE F
	113563-01-01A	EA	SCREW - 8 X .62 LONG SHOULDER/WASHER HEAD
	057671-01-000	EA	COVER - SCREW - #8 - PLASTIC - OFF WHITE
	057671-13-000	EA	COVER - SCREW - #8 - PLASTIC - DK GRAY
	061420-04-000	EA	PLUG - PLASTIC - 1.25 DIA
	118383-02-05A	EA	RETAINER - SCREW - .27" SCREW RECESS - VW LIGHT GRAY
	118383-04-05A	EA	CAP - RETAINER SCREW

## SEALANTS & FASTENERS GROUP (CONTINUED)

### ADHESIVE AND SEALANTS

KEY	PART NUMBER	U/M DESCRIPTION
	004001-05-000	EA EPOXY ADHESIVE (CLEAR) DP-100
	063642-01-000	FT TAPE - ADHESIVE - .4" X 1.5" X 180"
	069640-02-000	FT SEALER - TAPE - .13"THICK X .5"WIDE X 60' - GRAY
	069640-09-000	FT SEALER - TAPE - .032"THICK X 2.50"WIDE X 80' - GRAY
	069640-19-000	FT SEALER - TAPE - .75"THICK X 1/8"WIDE X 60'- BRIGHT WHITE
	072889-09-000	EA SEALANT - URETHANE - BLACK - TUBE
	072889-13-000	EA SEALANT - URETHANE - VW WHITE - TUBE
	076322-02-000	FT TAPE - DOUBLE COATED/ADHESIVE BACK - .045"THK X 1"W X 9'
	076322-03-000	FT TAPE - DOUBLE COATED/ADHESIVE BACK - .045"THK X .50"W X 9'
	076322-05-000	FT TAPE - DOUBLE COATED/ADHESIVE BACK - .045"THK X .75"W X 9'
	087211-01-000	GL PROMOTER - ADHESIVE
	091255-02-000	FT SEAL - ADHESIVE BACKED/FOAM - 3/64" THICK X 3/16" WIDE
	102352-01-000	EA SEALER - PUMPABLE - TUBE - BLACK
	103202-02-000	FT TAPE - FOAM/ADHESIVE ONE SIDE - GRAY
	104692-01-000	FT SEAL - ADHESIVE BACKED FOAM-.75"THICK X .75"WIDE X 25'
	107828-01-000	EA SEALANT - SB - 190 EVERSEAL
	108353-01-000	FT SEAL - FOAM - 5/16" X 1/2" - ADHESIVE BACKED
	112901-01-000	EA ADHESIVE - PLEXUS - 400 ML CARTRIDGE
	112901-02-000	EA ADHESIVE - PLEXUS - 50ML
	112902-01-000	EA NOZZLE - ELEMENT - 3/8 X 24
	113366-01-000	EA ADHESIVE - INSTANT
	120074-02-01A	EA SEALANT - W/O NOZZLE - OFF/WHITE
	123816-01-000	FT TAPE - DOUBLE SIDED - 1"
	123816-02-000	FT TAPE - DOUBLE SIDED - 1/2" X 1 1/3" - THICK
	123816-03-000	FT TAPE - DOUBLE SIDED - 1/2" X 3/4" - THICK
	131264-01-01A	EA SILICONE - W/O NOZZLE - BLACK ALSO ORDER NOZZLE #90039003000
	131264-01-02A	EA SILICONE - W/O NOZZLE - CLEAR ALSO ORDER NOZZLE #90039003000
	131264-02-01A	EA SILICONE - W/O NOZZLE - VW GRAY - BATH ONLY ALSO ORDER NOZZLE #90039003000
	900390-03-000	EA NOZZLE - SILICONE TUBE

## SEALANTS & FASTENERS GROUP (CONTINUED)

### MISCELLANEOUS FASTENERS

KEY	PART NUMBER	U/M DESCRIPTION
	008343-01-000	EA TIE - WIRE - 6"
	034141-02-000	EA PLUG - HOLE - 3/8" NYLON/BLACK
	061420-05-000	EA PLUG/PLASTIC - 1.8" DIAMETER
	085774-01-000	FT FASTENER - DUAL LOCK - 1" WIDE - ADHESIVE BACK - BLACK
	085774-02-000	FT FASTENER - DUAL HOOK - 1" WIDE - ADHESIVE BACK - BLACK
	088792-02-000	YD VELCRO TAPE - LOOP - 3/4" - ADHESIVE BACKED - BEIGE
	088792-04-000	YD VELCRO TAPE - LOOP - 5/8" - NON-ADHESIVE BACK - WHITE
	088792-05-000	YD VELCRO TAPE - LOOP - 5/8" - NON-ADHESIVE BACKED - WHITE
	108046-02-000	EA CABLE TIE - SCREW MOUNT 15"
	110943-02-000	FT FELTSTRIP - 3/8" - ADHESIVE BACK - WHITE
	000H14-04-08R	EA RIVET - MANDREL BLIND - 4/32 ALUMINUM
	000H16-04-06R	EA RIVET - POP ALUMINUM - 1/8 X .313 - .375
	000H16-06-10R	EA RIVET - POP ALUMINUM - 3/16 X .501-.625
	007161-01-000	EA CLAMP - HOSE - SPRING TYPE - 1/2"
	010495-01-000	EA CLAMP - CABLE - 9/16"
	010495-02-000	EA CLAMP - CABLE - 3/8"
	010497-01-000	EA CLAMP - CLOSED - 5/8" ID
	010497-04-000	EA CLAMP - CLOSED - 1.62" ID
	010497-05-000	EA CLAMP - CLOSED - 1/2 ID
	010497-07-000	EA CLAMP - CLOSED - 3/8" ID
	008384-01-000	EA GROMMET - SNAP - 3/4 DIAMETER - NYLON
	008386-01-000	EA GROMMET - SNAP - 3/8"
	016188-03-000	EA GROMMET - L/P LINE - 3/8" HOLE X 2 1/2" LONG - RUBBER
	016188-04-000	EA GROMMET - GAS LINE - 1/2" HOLE X 2 1/2" LONG - RUBBER
	023942-01-000	EA GROMMET - RUBBER - 2" OD
	062401-01-000	EA CLAMP - HOSE - WORMGEAR - .25" - 1"
	062401-03-000	EA CLAMP - HOSE - WORMGEAR - .22"- 1"
	062401-04-000	EA CLAMP - HOSE - WORMGEAR - .69" - 1.25"
	062401-06-000	EA CLAMP - HOSE - WORMGEAR - .22" - .62" ID
	062401-12-000	EA CLAMP - HOSE - WORMGEAR - .79" X 1.26"
	069592-02-000	EA RIVET-T - POP - 1/4 X .093 - .156
	071015-11-000	EA GROMMET - 1.00 ID - FITS .12 MATERIAL
	071015-13-000	EA GROMMET - RUBBER - .62" ID X 1" OD W/.09" GROOVE - BLACK
	071015-22-000	EA GROMMET - RUBBER - .62"ID X 1.12"OD W/.19" GROOVE - BLACK
	077953-01-000	EA GROMMET - EDGE LINER - FITS 1"
	077955-01-000	EA CLIP-J - VINYL COATED - 3/8"
	080211-03-000	EA CLIP - X-MAS TREE W/PANEL RETAINING HEAD - 3/4" SHANK
	080734-02-000	EA CLIP - WIRE NYLON
	083610-01-000	EA CLAMP - WIRE - DUAL - UNEQUAL DIAMETERS - 3/4" & 1 1/4"
	088756-01-000	EA GROMMET - WEB - 1 1/8 " I.D.
	114208-03-000	EA GROMMET - EDGE LINER - FITS 2.50"
	114208-04-000	EA GROMMET - EDGE LINER - FITS 1.00"

## WATER & SEWAGE GROUP

### FRESH WATER TANK

KEY	PART NUMBER	U/M	DESCRIPTION
	074510-07-000	EA	TANK - WATER - 16 GALLON - W/FITTINGS - 33.4"X11.4" X 10"
	074510-01-000	EA	TANK - WATER - 16 GALLON - W/O FITTINGS - 33.4"X 11.4"X10"
	077954-02-000	EA	FILTER - WATER TANK - W/SCREEN IN TANK
	079381-01-000	FT	TUBING - RIBBED FLEXIBLE - WATER FILL - 1.4" I.D.
	042989-03-000	EA	FITTING - SPINWELD - 1 1/4"NPT - PLASTIC
	042989-04-000	EA	FITTING - SPINWELD - 3/8"FPT - PLASTIC
	042989-05-000	EA	FITTING - SPINWELD - 1/2"FPT - PLASTIC
	049032-01-000	EA	PATCH - SPINWELD - 3/8" - PLASTIC
	039861-01-000	EA	SENDING UNIT - W/SCREW - WASHER - WELL NUT/TERMINAL RING
	035539-01-000	EA	ELBOW - PLASTIC - 3/8" MPT X 3/8" BARB
	039798-01-000	EA	TEE - 1/2" MPT X 1/2" MPT X 1/2" MPT - PLASTIC
	044927-01-000	EA	ADAPTER - HOSE TO PIPE - 1 1/4" MPT X 1 1/4" BARB - BLACK PLASTIC
	074462-02-000	FT	TUBING - VINYL - 3/8 ID X 20' - CLEAR
	056337-21-000	EA	STRAP - RETAINING - WATER TANK

### WATER SYSTEM

KEY	PART NUMBER	U/M	DESCRIPTION
	110915-01-01A	EA	FILL - CITY WATER - CHROME
	090338-03-000	EA	FITTING - HOSE - 3/4" ID - 2" LENGTH - BRASS
	111223-02-000	EA	ELBOW - PLASTIC - 1/2MPT X 3/8 BARB
	111223-04-000	EA	ELBOW - 1/2" MPT X 1/2" BARB - PLASTIC
	114428-01-000	EA	TEE - 1/2"P X 1/2"P X 1/2"P
	114428-03-000	EA	TEE - 1/2"P X 1/2"P X 1/2"MPT
	114429-01-000	EA	ELBOW - 1/2"P X 1/2"P
	114429-02-000	EA	ELBOW - 1/2"P X 1/2"MPT
	114429-03-000	EA	ELBOW - SWIVEL - 1/2"P X 1/2"FPT
	114429-08-000	EA	ELBOW - SWIVEL - 1/2"MPT X 1/2"FPT SWIVEL
	114429-05-000	EA	ELBOW - 1/2"P X 3/4"MPT
	114429-06-000	EA	ELBOW - SWIVEL - 1/2 P X 3/4 FPT
	114430-02-000	EA	ADAPTER - SWIVEL - 1/2"P X 1/2"FPT
	114431-01-000	EA	VALVE - 180 DEGREE/CENTER DRAIN - 1/2"P - THREE WAY
	114431-03-000	EA	VALVE - 90 DEGREE DRAIN - 1/2"P
	123150-01-000	EA	ELBOW - 1/2 FPT X 1/2 BARB - SWIVEL
	124188-01-000	FT	TUBING - PEX - 1/2" ID X 20' - BLUE (COLD)
	124188-02-000	FT	TUBING - PEX - 1/2" ID X 20' - RED (HOT)

### EXTERIOR SHOWER

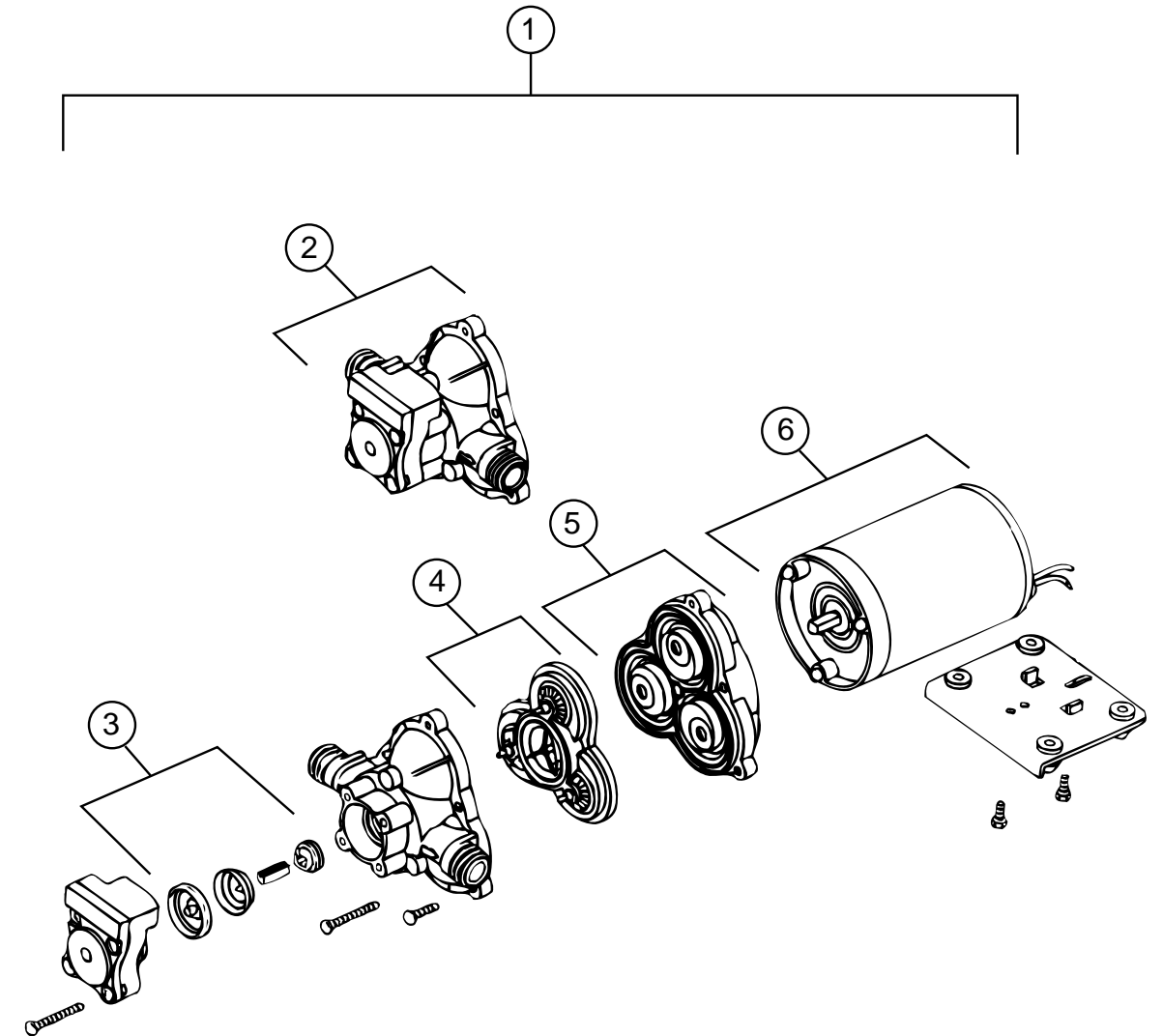
KEY	PART NUMBER	U/M	DESCRIPTION
	075241-06-000	EA	FAUCET/SHOWER - BRIGHT WHITE - 1/2"MPT X 1.9" INLET PIPES
	131383-01-02A	EA	SHOWER HEAD - W/60" HOSE & BRACKET - WHITE
	131383-02-02A	EA	SHOWER HEAD - W/60" HOSE & BRACKET - WHITE - CSA
	131383-03-02A	EA	BRACKET - SHOWER HEAD - WHITE
	108357-08-000	EA	SWITCH - ROCKER DPDT - ON/NONE/ON - 6 TERMINAL
	108356-02-01A	EA	COVER/ACTUATOR SWITCH - 2 ROWS DIMPLES- CONTURA II - BLACK
	121473-01-01A	EA	COMPARTMENT - SHOWER - EXTERIOR

### ATWOOD ELECTRIC WATER HEATER

KEY	PART NUMBER	U/M	DESCRIPTION
*	113122-01-000	EA	WATER HEATER - EHM4 (ELECTRICAL/MOTOR AID) - 4 GAL

\* PRESS TO SEE ILLUSTRATED SERVICE PARTS LIBRARY

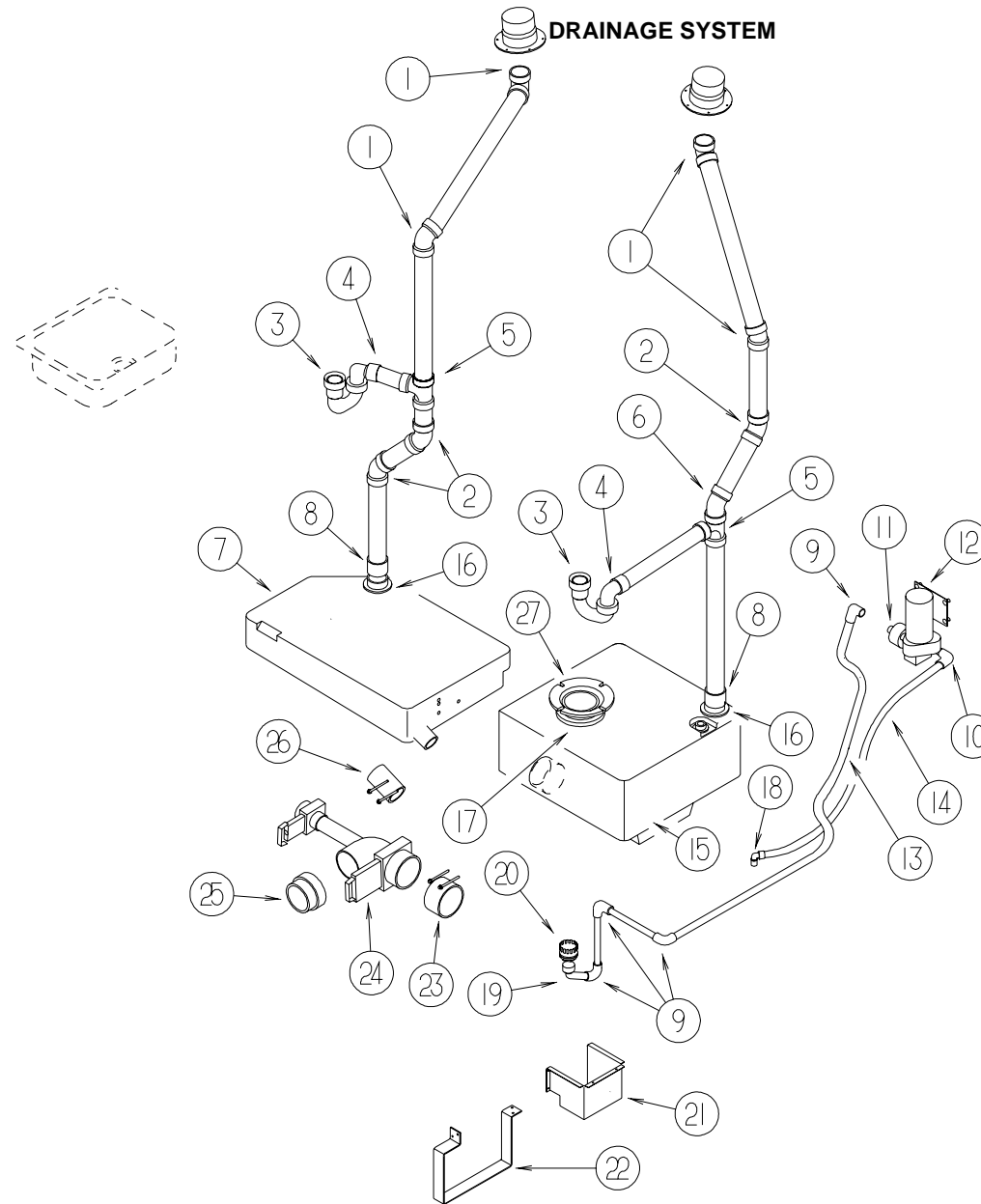
## WATER & SEWAGE GROUP (CONTINUED)



### SHURFLO WATER PUMP OR SUMP PUMP & COMPONENTS

KEY	PART NUMBER	U/M	DESCRIPTION	VENDOR NO.
1	098607-01-000	EA	PUMP - WATER - W/.5" MPT FITTING - FLOW 2.8 GPM	
2	098607-01-706	EA	HOUSING - W/SWITCH ONLY	94-231-20
3	098607-01-705	EA	VALVE - CHECK, KIT	94-237-00
4	098607-01-703	EA	VALVE KIT	94-232-00
5	098607-01-702	EA	DIAPHRAM/DRIVE ASSEMBLY KIT	94-238-04
6	098607-01-707	EA	MOTOR W/BASEPLATE	94-234-03

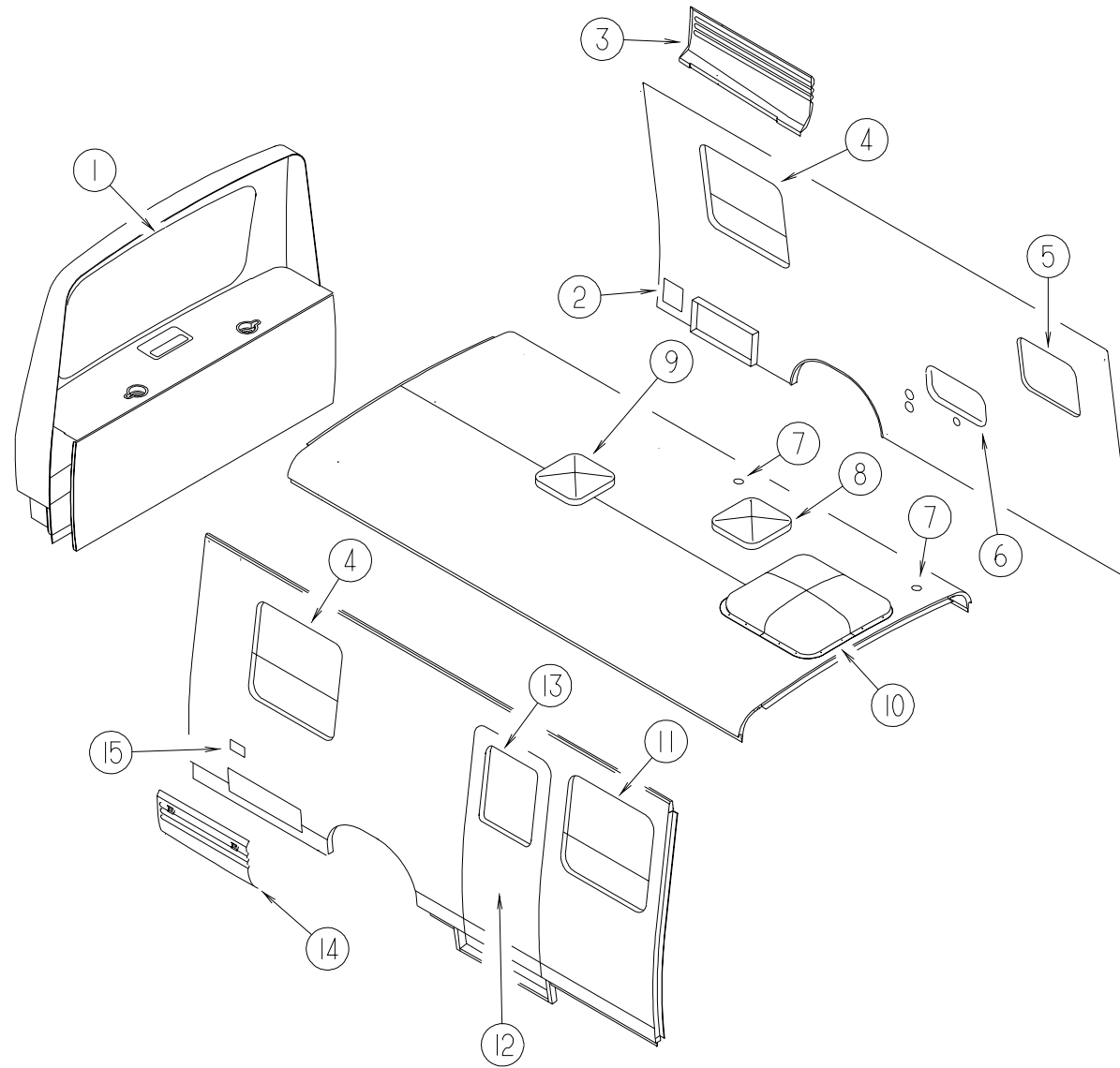
## WATER & SEWAGE GROUP (CONTINUED)



KEY	PART NUMBER	U/M	DESCRIPTION	VENDOR NO.	KEY	PART NUMBER	U/M	DESCRIPTION	VENDOR NO.
1	010005-01-000	EA	ELBOW - 22.5 DEGREE - 1 1/2" HUB X HUB - PLASTIC		15	111884-02-000	EA	TANK - HOLDING - 13 GALLON - W/FITTINGS	
2	010006-01-000	EA	ELBOW - 45 DEGREE - 1 1/2" HUB X HUB - PLASTIC		15	111884-01-000	EA	TANK - HOLDING - 13 GALLON - W/O FITTINGS	
3	107538-01-000	EA	P TRAP - PLASTIC - 1 1/4" W/EXTENSION ARM - US			039861-01-000	EA	SENDING UNIT - W/SCREW - WASHER - WELL NUT/TERMINAL RING	
3	011071-01-000	EA	P-TRAP - PLASTIC - 1 1/2" - CSA		16	061607-01-000	EA	GROMMET - HOLDING TANK - 1 1/2" NPS	
	011069-03-000	EA	TAILPIECE - TUB/SHOWER - 1 1/2" X 1 3/4" - PLASTIC		17	061607-02-000	EA	GROMMET - HOLDING TANK - 3" NPS	
4	109571-01-000	EA	ADAPTER - P TRAP - 1 1/2" P X 1 1/4" MPT - US		18	111223-04-000	EA	ELBOW - 1/2" MPT X 1/2" BARB - PLASTIC - W/SHOWER OPTION	
5	010071-01-000	EA	TEE - SANITARY - 1 1/2" HUB X HUB X HUB - PLASTIC		19	114429-06-000	EA	ELBOW - SWIVEL - 1/2" P X 3/4" FPT - W/SHOWER OPTION	
6	010051-01-000	EA	ELBOW - 45 DEGREE - 1 1/2" SPIGOT & HUB - PLASTIC		20	114974-01-000	EA	CONNECTOR - HULL - W/STRAINER - W/SHOWER OPTION	
7	118979-01-700	EA	TANK - HOLDING - 6.4 GALLON W/1.5" OUTLET NIPPLE		20	114427-02-000	EA	PLUG - W/COMP NUT - 1/2" PLASTIC PIPE/1/2" FLAIR-IT - W/O SHOWER OPTION	
	039861-01-000	EA	SENDING UNIT - W/SCREW - WASHER - WELL NUT/TERMINAL RING		21	114987-01-09B	EA	PANEL - COVER - SUMP - BOTTOM - GALVANIZED	
8	010115-01-000	EA	COUPLING - 1 1/2" HUB X HUB - PLASTIC		21	114988-01-09B	EA	PANEL - COVER - SUMP - GALVANIZED	
9	114429-01-000	EA	ELBOW - 1/2" P X 1/2" P - W/SHOWER OPTION			092321-01-000	FT	INSULATION - FIBERGLASS W/FOIL BACKING	
9	114427-02-000	EA	PLUG - W/COMP NUT - 1/2" PLASTIC PIPE/1/2" FLAIR-IT - W/O SHOWER OPTION		22	117271-01-02B	EA	SHROUD - DRAINAGE	
10	123150-01-000	EA	ELBOW - 1/2 FPT X 1/2 BARB - SWIVEL - W/SHOWER OPTION		23	078406-01-000	EA	COUPLER - RUBBER - W/CLAMPS - 3" X 3"	
10	114427-02-000	EA	PLUG - W/COMP NUT - 1/2" PLASTIC PIPE/1/2" FLAIR-IT - W/O SHOWER OPTION		24	070916-01-000	EA	VALVE - DUAL DUMP - W/CAP - 3" X 1 1/2"	
11	114966-01-000	EA	FILTER - IN LINE - TWIST ON - 1/2" - W/SHOWER OPTION			070916-01-700	EA	VALVE ONLY (WASTE) 3"	T1003BU
12	098607-01-000	EA	PUMP - WATER - W/.5" MPT FITTING - FLOW 2.8 GPM - W/SHOWER OPTION			070916-01-701	EA	VALVE ONLY (WASTE) 1 1/2"	T1001BU
13	124188-01-000	FT	TUBING - PEX - 1/2" ID X 20' - BLUE(COLD)		25	062416-01-000	EA	ADAPTER - SEWER HOSE TO 3" PIPE	
14	112176-01-000	FT	TUBING - VINYL - REINFORCED - 1/2" ID			010201-01-000	EA	HOSE - SEWER - 3" ID X 8'	
					26	089355-01-000	EA	COUPLER - RUBBER - 1 1/2" X 1 1/2"	
					27	063641-01-000	EA	FLANGE - CLOSET - 4" X 3"	



## WINDOW, VENT & EXTERIOR DOOR GROUP

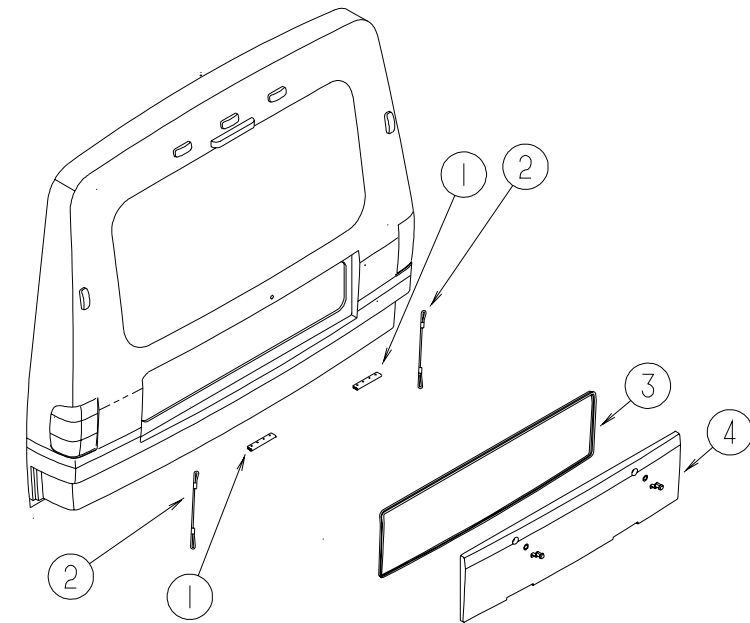


**WINDOWS, VENTS & DOORS**

KEY	PART NUMBER	U/M DESCRIPTION
1	084886-05-000	EA WINDOW - REAR ESCAPE W/DEFROSTER - 58.6" X 29"
2	123664-01-01A	EA COMPARTMENT - SEWER HOSE
3	130833-02-K76	EA VALANCE/DOOR - DRIVER (GEN) - 14.6"F X 38.2"W X 12.8"R
3	130833-06-K76	EA VALANCE/DOOR - DRIVER - 14.6"F X 38.2" X 12.8"R
4*	104691-07-01A	EA WINDOW - SINGLE TIPOUT - TINTED - 27" X 25" - OFF/WHT TRIM
5*	098647-46-01A	EA WINDOW - DRIVERS HORIZONTAL SLIDER - TINTED -15.2"X 18.3"
6	126945-06-J80	EA DOOR/STORAGE - W/O HARDWARE - 18.3" X 9.3"
7	083558-06-000	EA VENT - ROOF PLUMBING PIPE - COVERED
8*	123780-01-01A	EA VENT - ROOF - 1" - W/FAN/POWER LIFT - W/O THERMOSTAT
9*	122882-01-01A	EA VENT - ROOF - NONPOWERED - W/O INSIDE GARNISH
9	122882-06-01A	EA GARNISH - ROOF VENT - 1" TO 2.5"
10	114495-02-02A	EA PANEL - INNER SKYLIGHT - 28.6" X 30"
10	114496-02-02A	EA PANEL - OUTER SKYLIGHT - 30.2" X 31.6"
11*	098644-10-01A	EA WINDOW - VERTICAL SLIDER 25" X 27"
12	P13594-02-K76	EA DOOR - ENTRY - W/SCREEN DOOR - W/O WINDOW
13*	117053-01-F45	EA WINDOW - PICTURE - 17" X 26.4"
14	130833-01-K76	EA VALANCE/DOOR - PASSENGER (LP) - 14.6"F X 38.2"W X 12.8"R
15	081240-19-000	EA DOOR - WATER FILL - W/O LOCK - VW WHITE
	009426-01-000	EA HATCH - POWER CORD - WHITE

\* PRESS TO SEE ILLUSTRATED SERVICE PARTS LIBRARY

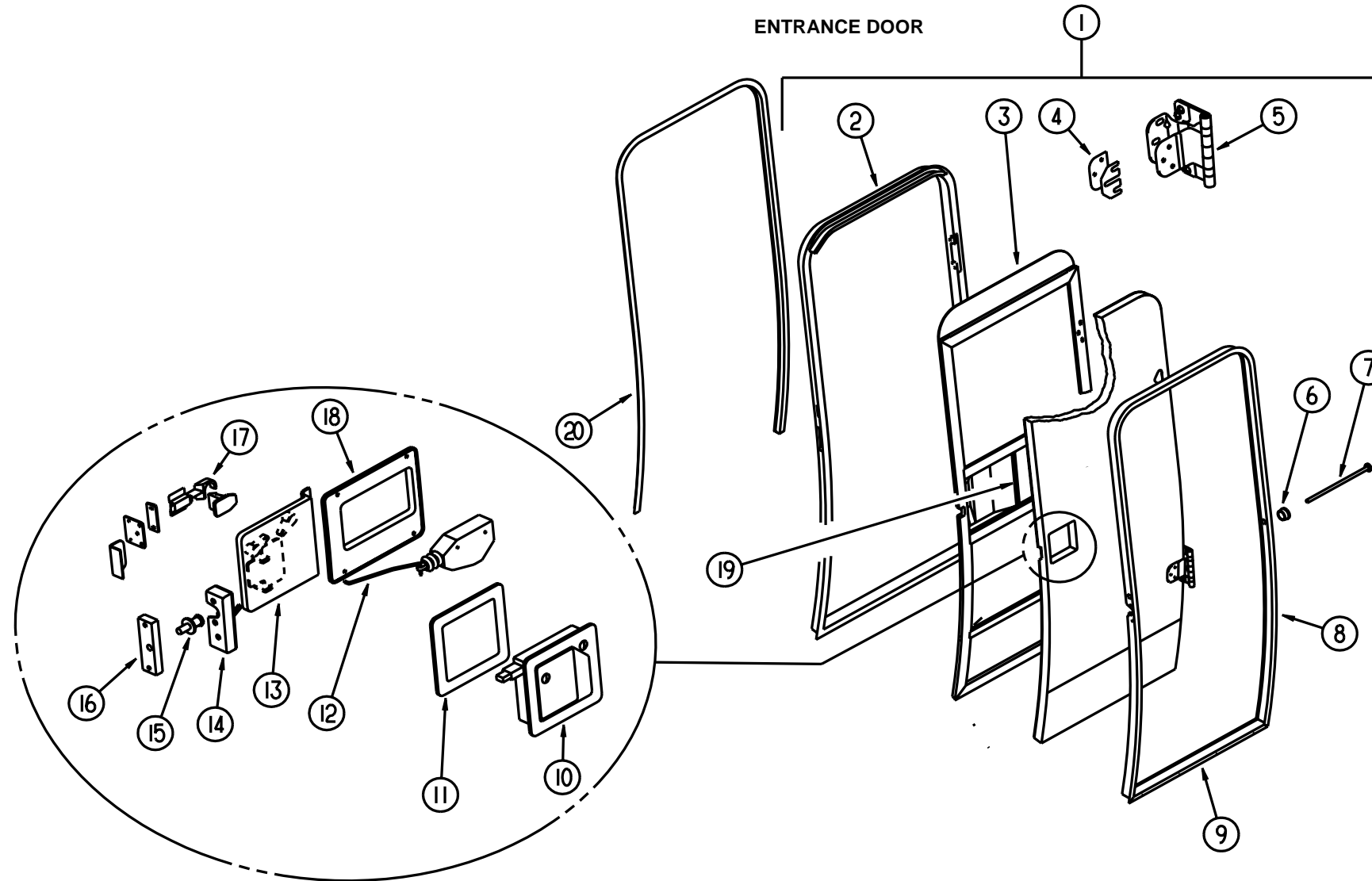
## WINDOW, VENT & EXTERIOR DOOR GROUP (CONTINUED)



**REAR LUGGAGE COMPARTMENT DOOR**

KEY	PART NUMBER	U/M DESCRIPTION
1	124242-01-02A	EA HINGE - TRUNK DOOR
	124242-01-01A	EA HINGE - TRUNK DOOR
2	076767-05-000	EA CABLE - STORAGE DOOR SUPPORT - 1/16" X 15.5"-STAINLESS STL
3	107721-07-000	FT SEAL - ACCESS DOOR
4	124392-02-K76	EA DOOR - COMPARTMENT/REAR - W/O HARDWARE
	009426-01-000	EA HATCH - POWER CORD - WHITE

WINDOW, VENT & EXTERIOR DOOR GROUP (CONTINUED)



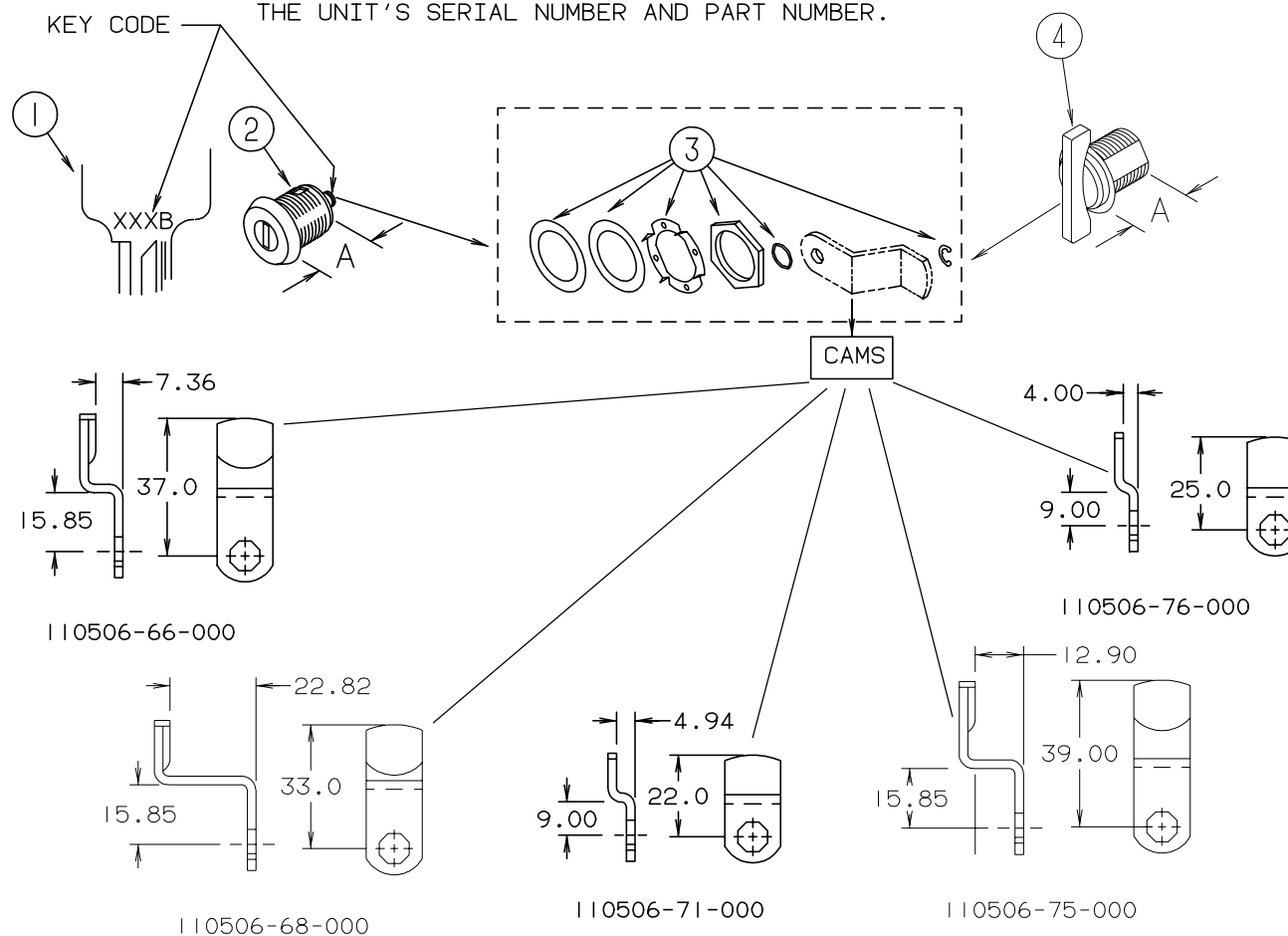
KEY	PART NUMBER	U/M	DESCRIPTION	VENDOR NO.
1	P13594-02-K76	EA	DOOR - ENTRY - W/SCREEN DOOR - W/O WINDOW	
2	113642-01-F45	EA	JAMB - DOOR/ENTRY	
	111536-03-000	FT	SEAL - ENTRY DOOR	
3	113621-01-01A	EA	DOOR - SCREEN	
	002293-02-000	SF	SCREEN - 26" - CHARCOAL	
	002294-01-000	FT	SPLINE - SCREENING - .135" X .138"	
	075673-01-000	FT	SEAL - PILE - ADHESIVE BACK - GRAY	
			FROM: 00-00-00 THRU: 11-23-98	
	075673-05-000	FT	SEAL - PILE - ADHESIVE BACK - BLACK	
			FROM: 11-24-98 THRU: 99-99-99	
	075673-04-000	FT	SEAL - PILE - ADHESIVE BACK	
	113616-01-01A	FT	EXTRUDED - VINYL - SEAL TRACK - 7'	
	116485-01-03B	EA	BRACKET - SCREEN DOOR - OFF WHITE	
	120863-07-000	EA	BUMPER - RUBBER - .7" DIA X .7" THICK	
4	113668-01-01A	EA	GASKET - HINGE - DOOR	
5	113460-01-02A	EA	HINGE - ENTRANCE DOOR/UPPER	
	113461-01-02A	EA	HINGE - ENTRANCE DOOR/LOWER	
	113680-01-01A	EA	COVER - ACCESS - DOOR HINGE	
6	068938-03-000	EA	BEARING - SNAP IN - .38"ID - TYPE 7	
7	077222-01-000	EA	SPRING - WIRE GUARD - ENTRY DOOR	
8	113376-02-01A	EA	TRIM - ENTRY DOOR - VW/WHITE	
9	113395-02-01A	EA	TRIM - ENTRY DOOR/BOTTOM - VW WHITE	
	112160-01-000	FT	SEAL - D SECTION - .2 X .3" - FOAM RUBBER - BOTTOM OF DOOR ONLY	
	038327-01-000	EA	TAPE - ANTI-SLIP - 2" X 60'	

KEY	PART NUMBER	U/M	DESCRIPTION	VENDOR NO.
10	113636-01-01A	EA	LATCH/PADDLE - ENTRY W/DEADBOLT - W/KEYS - OFF WHITE	
	045017-11-701	EA	KEY (F) BLANK - TM201-250	14264-01-2001
	113636-01-700	EA	KEY BLANK - DEADBOLT - "G" SERIES LOCK - #TRI 001-#TRI 099	
	130444-01-01A	EA	CAP - KEY IDENTIFIER - GRAY	
11	113669-01-01A	EA	GASKET - LATCH - DOOR	
12	113834-01-01A	EA	ROD - DOOR LATCH - POWER	
	114209-01-01A	EA	PUSHNUT - CAP - 1/8" - WHITE	
13	113636-02-01A	EA	PLATE - INSIDE - W/DEADBOLT	
	111203-06-01A	EA	SCREW - MOUNTING/PLATE - ZINC	
14	113636-03-01A	EA	LATCH - SINGLE ROTOR	
15	092927-03-000	EA	STRIKER - ROUND - JAMB MOUNTED	
16	113636-05-01A	EA	NUT - CAGED	
17	110529-01-000	EA	LATCH - BULLET - SCREEN DOOR	
18	113960-01-01A	EA	COVER - ACTUATOR - POWER LOCK	
19	079086-02-000	EA	SLIDER - SCREEN DOOR	
	078777-08-000	FT	CHANNEL - SLIDER	
	079087-02-000	EA	STRIKE- SLIDER W/LIP FOR ELBOW CATCH-1.5" X 8.6" - OFF WHT	
20	113658-01-01A	EA	GARNISH/TRIM - UPPER - OFF/WHITE	
	113750-01-04B	EA	PLATE - LATCH STRIKER	
	115750-01-02B	EA	BRACKET - LATCH - DOOR	
	016454-12-000	EA	INSERT - SCREEN DOOR - CENTER	
	110529-01-000	EA	LATCH - BULLET - SCREEN DOOR	
	117046-01-000	EA	BUMPER - RUBBER/ROUND END - .9"	
	117046-02-000	EA	BUMPER - RUBBER/ROUND END - 1.5"	
	116111-02-01A	EA	SCREW - TAPTITE - 1/4-20 X 3/8 PPH - ZINC	
	090340-01-000	FT	SEAL - FOAM - CLOSED CELL - 1/4" X 1/2" X 50'	

## WINDOW, VENT & EXTERIOR DOOR GROUP (CONTINUED)

### BRIGGS & STRATTON LOCKS & COMPONENTS

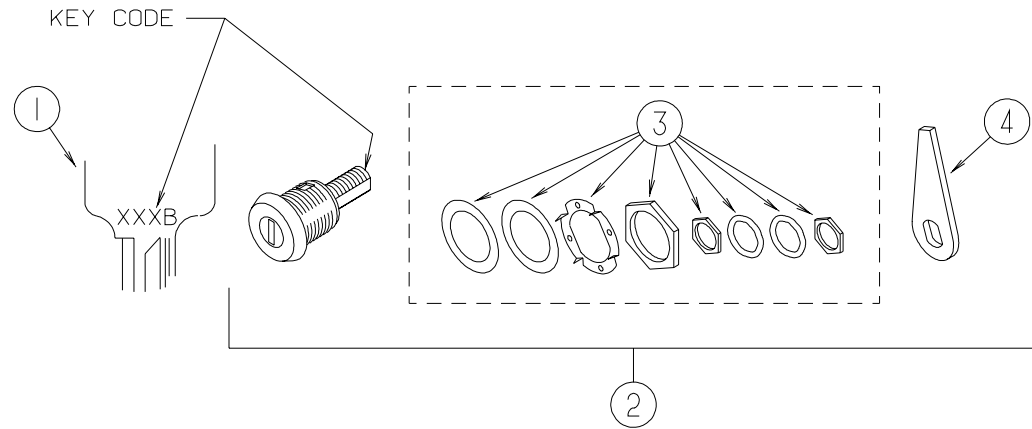
NOTE:  
WHEN ORDERING THE LOCK CASE, THE KEY CODE MUST MATCH THE LAST DIGIT OF THE UNIT'S SERIAL NUMBER AND PART NUMBER; WHEN ORDERING THE KEYS, THE THIRD DIGIT OF THE KEY CODE MUST MATCH THE LAST DIGIT OF THE UNIT'S SERIAL NUMBER AND PART NUMBER.



KEY	PART NUMBER	U/M	DESCRIPTION	VENDOR NO.	KEY	PART NUMBER	U/M	DESCRIPTION	VENDOR NO.
1	110506-59-000	EA	KEYS - SET OF 2	596720	1	110506-59-007	EA	KEYS - SET OF 2	596727
2	110506-52-000	EA	CASE/CYLINDER - LOCKING - W/O CAM/KEY - .65"	702370	2	110506-52-007	EA	CASE/CYLINDER - LOCKING - W/O CAM/KEY - .65"	702377
2	110506-54-000	EA	CASE/CYLINDER - LOCKING - W/O CAM/KEY - 1.25"	703170	2	110506-54-007	EA	CASE/CYLINDER - LOCKING - W/O CAM/KEY - 1.25"	703177
1	110506-59-001	EA	KEYS - SET OF 2	596721	1	110506-59-008	EA	KEYS - SET OF 2	596728
2	110506-52-001	EA	CASE/CYLINDER - LOCKING - W/O CAM/KEY - .65"	702371	2	110506-52-008	EA	CASE/CYLINDER - LOCKING - W/O CAM/KEY - .65"	702378
2	110506-54-001	EA	CASE/CYLINDER - LOCKING - W/O CAM/KEY - 1.25"	703171	2	110506-54-008	EA	CASE/CYLINDER - LOCKING - W/O CAM/KEY - 1.25"	703178
1	110506-59-002	EA	KEYS - SET OF 2	596722	1	110506-59-009	EA	KEYS - SET OF 2	596729
2	110506-52-002	EA	CASE/CYLINDER - LOCKING - W/O CAM/KEY - .65"	702372	2	110506-52-009	EA	CASE/CYLINDER - LOCKING - W/O CAM/KEY - .65"	702379
2	110506-54-002	EA	CASE/CYLINDER - LOCKING - W/O CAM/KEY - 1.25"	703172	2	110506-54-009	EA	CASE/CYLINDER - LOCKING - W/O CAM/KEY - 1.25"	703179
1	110506-59-003	EA	KEYS - SET OF 2	596723	3	110506-40-700	EA	HDWE KIT	596950AAL
2	110506-52-003	EA	CASE/CYLINDER - LOCKING - W/O CAM/KEY - .65"	702373		110506-59-701	EA	KEY BLANK (GOLD)	
2	110506-54-003	EA	CASE/CYLINDER - LOCKING - W/O CAM/KEY - 1.25"	703173	4	110506-55-000	EA	CASE/CYLINDER - TWIST LOCK - W/O CAM - 1.25"	597312AA1
1	110506-59-004	EA	KEYS - SET OF 2	596724		110506-66-000	EA	CAM - LATCHING - DOG LEGGED 1.5" LONG	
2	110506-52-004	EA	CASE/CYLINDER - LOCKING - W/O CAM/KEY - .65"	702374		110506-68-000	EA	CAM - LATCHING - DOG LEGGED 1.3" LONG	
2	110506-54-004	EA	CASE/CYLINDER - LOCKING - W/O CAM/KEY - 1.25"	703174		110506-71-000	EA	CAM - LATCHING - DOG LEGGED .86" LONG	
1	110506-59-005	EA	KEYS - SET OF 2	596725		110506-75-000	EA	CAM - LOCK	
2	110506-52-005	EA	CASE/CYLINDER - LOCKING - W/O CAM/KEY - .65"	702375		110506-76-000	EA	CAM - LOCK	
2	110506-54-005	EA	CASE/CYLINDER - LOCKING - W/O CAM/KEY - 1.25"	703175					
1	110506-59-006	EA	KEYS - SET OF 2	596726					
2	110506-52-006	EA	CASE/CYLINDER - LOCKING - W/O CAM/KEY - .65"	702376					
2	110506-54-006	EA	CASE/CYLINDER - LOCKING - W/O CAM/KEY - 1.25"	703176					

**WINDOW, VENT & EXTERIOR DOOR GROUP (CONTINUED)**

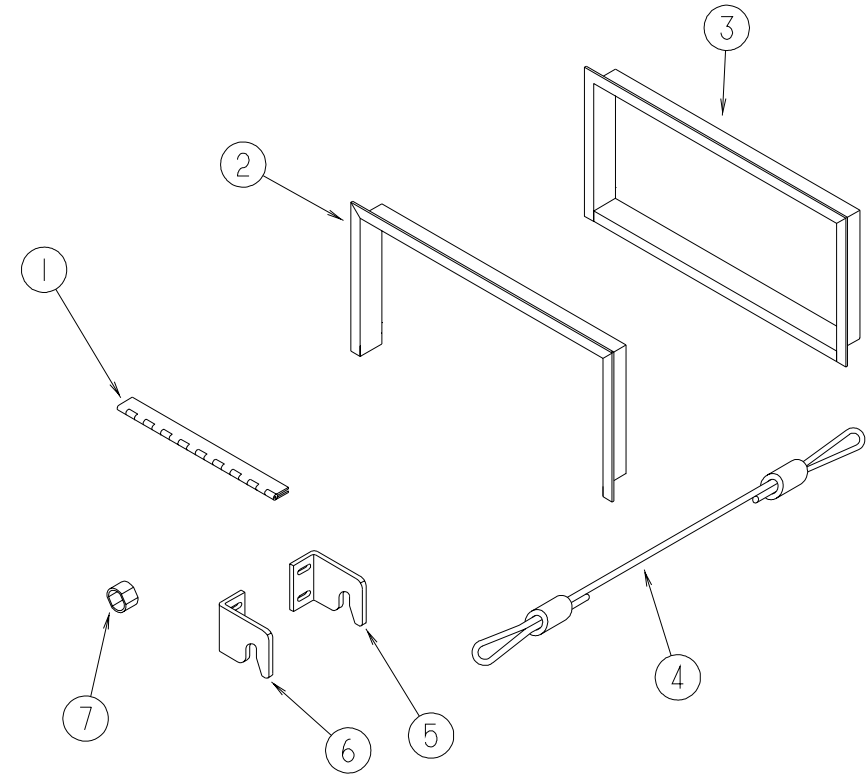
NOTE:  
WHEN ORDERING THE LOCK ASM, THE KEY CODE MUST MATCH THE LAST DIGIT OF THE VEHICLE'S SERIAL NUMBER AND PART NUMBER; WHEN ORDERING THE KEYS, THE THIRD DIGIT OF THE KEY CODE MUST MATCH THE LAST DIGIT OF THE VEHICLE'S SERIAL NUMBER AND PART NUMBER



**BRIGGS & STRATTON TRUNK DOOR LOCKS & COMPONENTS**

KEY	PART NUMBER	U/M	DESCRIPTION	VENDOR NO.
1	110506-59-000	EA	KEYS - SET OF 2	596720
2	131035-01-710	EA	LOCK ASSEMBLY - KEYED	
1	110506-59-001	EA	KEYS - SET OF 2	596721
2	131035-01-701	EA	LOCK ASSEMBLY - KEYED	
1	110506-59-002	EA	KEYS - SET OF 2	596722
2	131035-01-702	EA	LOCK ASSEMBLY - KEYED	
1	110506-59-003	EA	KEYS - SET OF 2	596723
2	131035-01-703	EA	LOCK ASSEMBLY - KEYED	
1	110506-59-004	EA	KEYS - SET OF 2	596724
2	131035-01-704	EA	LOCK ASSEMBLY - KEYED	
1	110506-59-005	EA	KEYS - SET OF 2	596725
2	131035-01-705	EA	LOCK ASSEMBLY - KEYED	
1	110506-59-006	EA	KEYS - SET OF 2	596726
2	131035-01-706	EA	LOCK ASSEMBLY - KEYED	
1	110506-59-007	EA	KEYS - SET OF 2	596727
2	131035-01-707	EA	LOCK ASSEMBLY - KEYED	
1	110506-59-008	EA	KEYS - SET OF 2	596728
2	131035-01-708	EA	LOCK ASSEMBLY - KEYED	
1	110506-59-009	EA	KEYS - SET OF 2	596729
2	131035-01-709	EA	LOCK ASSEMBLY - KEYED	
3	131035-01-700	EA	HARDWARE PACKAGE STRATEC	
	131035-01-700	EA	KEY BLANK (GOLD)	
4	131035-60-000	EA	CAM - LOCK - COMPRESSION	

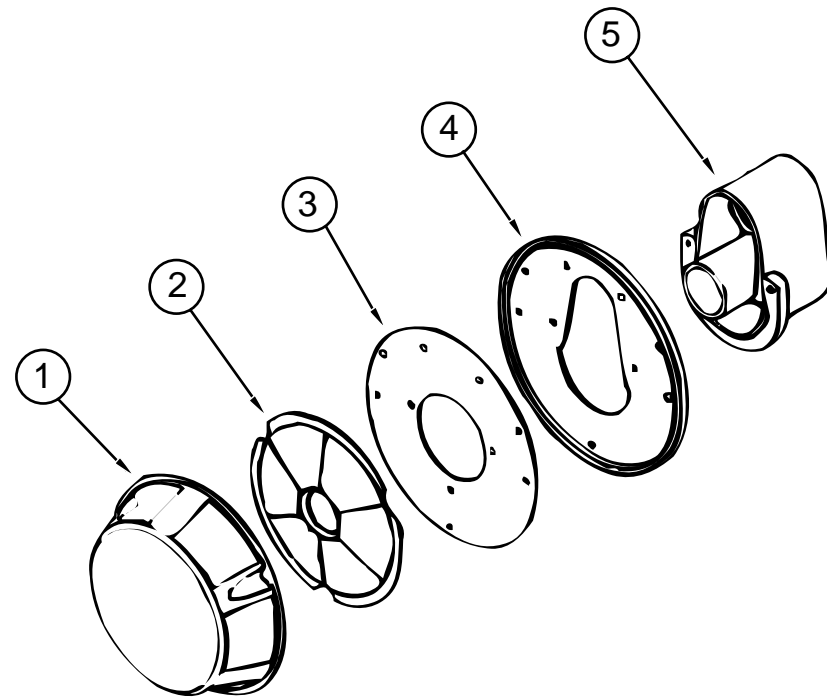
**WINDOW, VENT & EXTERIOR DOOR GROUP (CONTINUED)**



**EXTERIOR ACCESS DOOR COMPONENTS**

KEY	PART NUMBER	U/M	DESCRIPTION
1	081801-AF-000	EA	HINGE - ALUMINUM - 2" X 12.2"
1	112246-05-01A	EA	HINGE - VALANCE DOOR - VW WHITE
1	112246-06-01A	EA	HINGE - VALANCE DOOR - VW WHITE
2	113752-01-01A	EA	JAMB - TRIM - GENERATOR - VW WHITE
3	113752-03-01A	EA	JAMB - TRIM - GENERATOR - VW WHITE
3	113753-01-01A	EA	JAMB - TRIM - LP - VW WHITE
4	076767-05-000	EA	CABLE - STORAGE DOOR SUPPORT - 1/16" X 15.5"-STAINLESS STL
5	127289-02-02B	EA	BRACKET - LOCK CATCH - LH - E-COAT
6	127289-01-02B	EA	BRACKET - LOCK CATCH - RH - E-COAT
7	107997-51-001	EA	SPACER - DOOR LOCK - .6" DEEP
7	107997-51-002	EA	EXTRUDED - SPACER - 16'
	106850-02-000	FT	SEAL-E - SPONGE RUBBER - .43" X .75"
	112160-02-000	FT	SEAL - D SECTION - .2 X .3" - FOAM RUBBER
	057534-01-000	EA	TIEBACK/TIEDOWN - 6" CLEAR PLASTIC

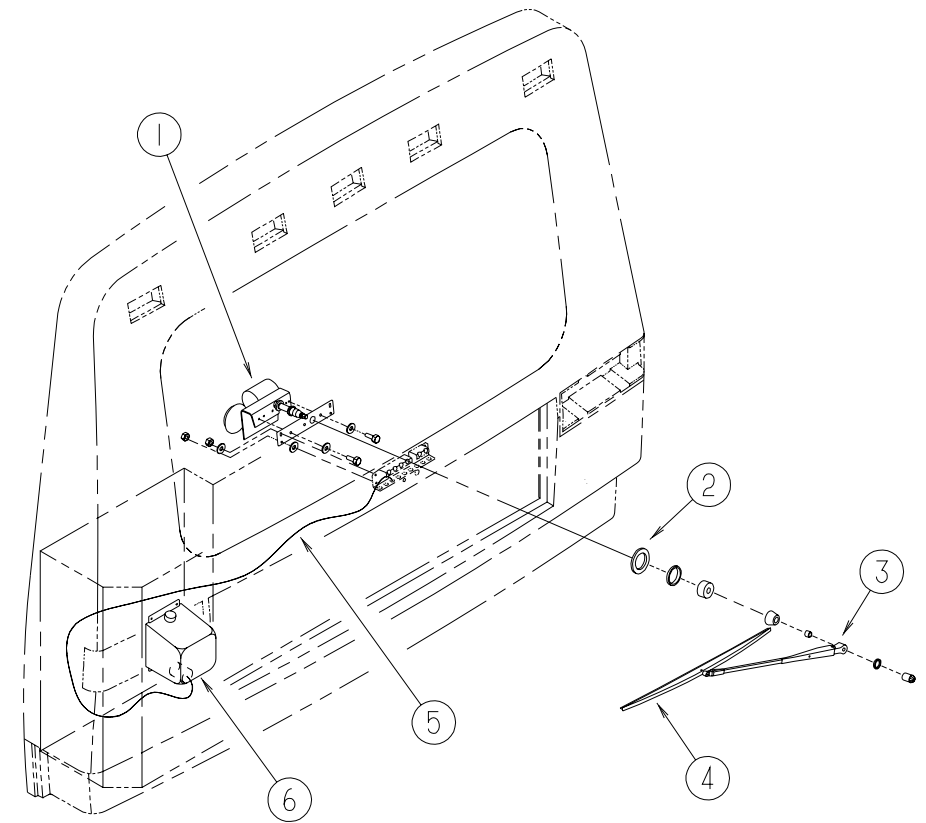
**WINDOW, VENT & EXTERIOR DOOR GROUP (CONTINUED)**



**NORCOLD REFRIGERATOR VENT**

KEY	PART NUMBER	U/M	DESCRIPTION	VENDOR NO.
	113736-02-01A	EA	VENT KIT - REFRIGERATOR	
1	113736-01-700	EA	COVER - VENT	617920
2	113736-01-701	EA	DISK - EXHAUST	617921
3	113736-01-702	EA	PLATE - BACKING	617922
4	113736-01-703	EA	GASKET - VENT TERMINAL	617924
5	113736-01-704	EA	HOUSING - VENT TERMINAL	617923

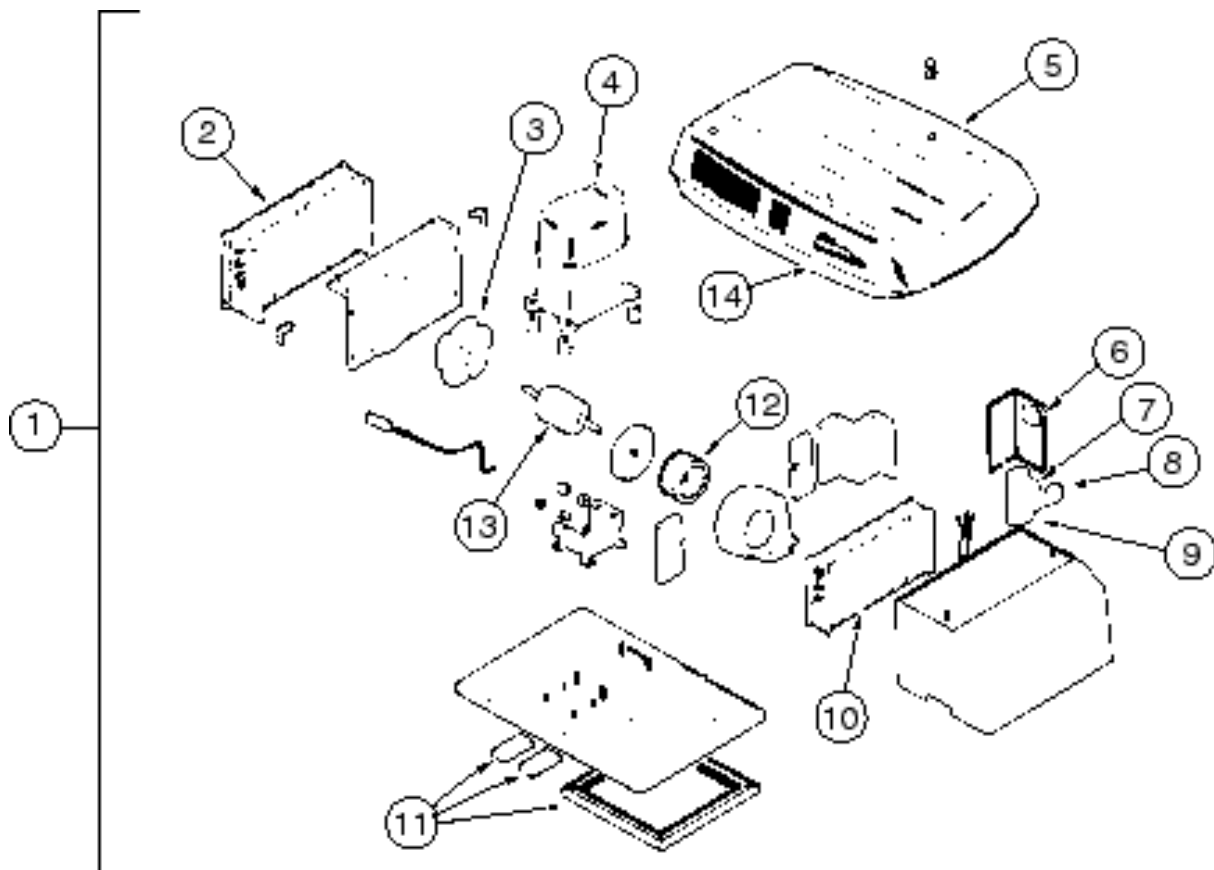
**WIPER & WASHER (REAR) GROUP**



**REAR WIPER & WASHER**

KEY	PART NUMBER	U/M	DESCRIPTION	VENDOR NO.
1	085721-03-000	EA	MOTOR - WIPER - 108 DEGREE - REAR WINDOW	
	085721-02-700	EA	ARM-DRIVE,F/REAR MTR.108'DEG	6211140LE25WJ
	085721-03-700	EA	PIVOT	62714-40-SH25WJ
	085721-03-701	EA	LINK - CONNECTING	LK721014
	085721-03-702	EA	BRACKET	620570-40-BK25WJ
	085721-03-703	EA	CLIP-SPRING	17815
2	061603-01-000	EA	GROMMET - SNAP - 3/16"ID - 3/8" HOLE - PLASTIC BLACK	
3	096931-01-000	EA	ARM - WIPER - 20"	
	096931-01-700	FT	HOSE-WIPER	XTU-66-0001
	096931-01-701	EA	NOZZLE-HARDWARE KIT	
4	097978-01-000	EA	BLADE - WIPER - FLEX 22 INCH	
5	045794-01-000	FT	HOSE - WASHER - WINDSHIELD - 5/32" ID - BLACK	
6	117766-02-000	EA	RESERVOIR/PUMP - WINDSHIELD WASHER	
	096057-02-000	EA	FITTING - WINDSHIELD WASHER	

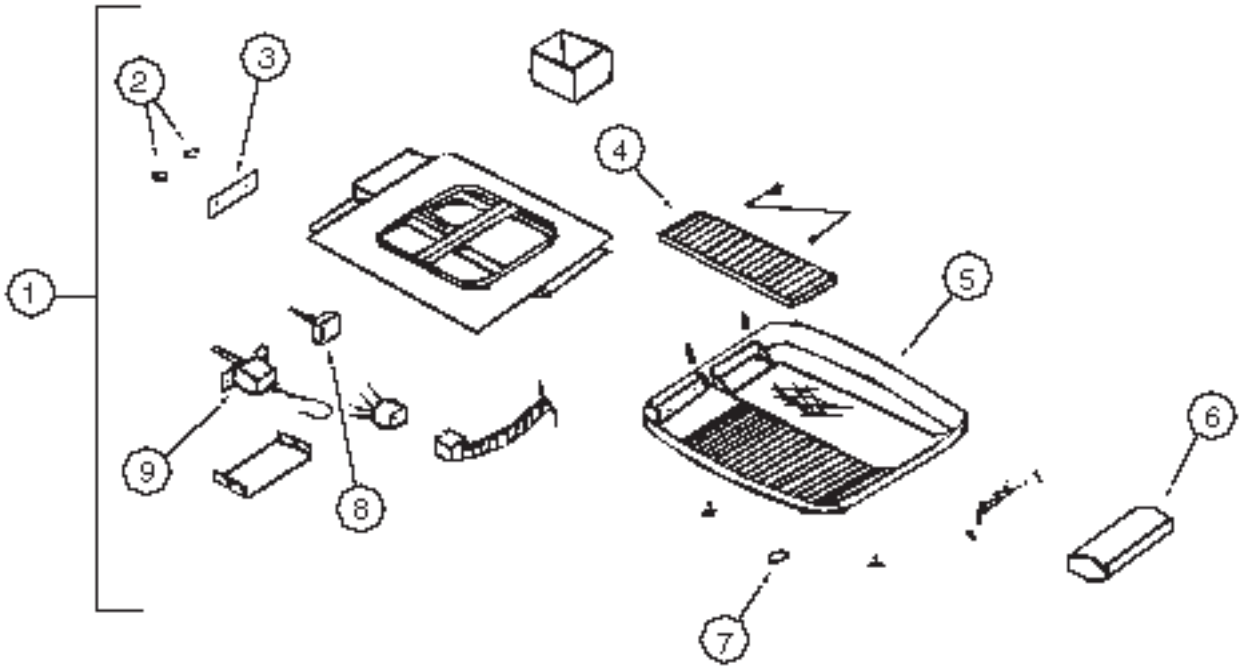
**COLEMAN  
MODEL 6727-736**



KEY	PART NUMBER	U/M	DESCRIPTION	VENDOR NO.
1	093306-01-02A	EA	A/C - ROOF - 7,100 BTU - ROTARY	
2	093306-01-711	EA	COIL - CONDENSER	14520701
3	093306-01-703	EA	FAN - 4 BLADE - 9" DIAMETER	67073321
4	093306-01-717	EA	COMPRESSOR - PANASONIC	1450-2019
	093306-01-719	EA	OVERLOAD	1450A0011
5	093306-01-722	EA	SHROUD - ARCTIC WHITE - NO LOGO	6727-5761
6	093306-01-721	EA	RELAY - START	1497-5051
7	093306-01-720	EA	CAPACITOR - START - 21-25 MFD/33 - COLEMAN	1497-3351
8	093306-01-718	EA	CAPACITOR - FAN - 5MFD/370V	1499-5421
9	108889-01-707	EA	CAPACITOR - RUN - COMPRESSOR - 25MFD/370	1499-5661
10	093306-01-713	EA	COIL - EVAPORATOR	14520601
11	037648-01-714	EA	GASKET PACKAGE	6759-3281
12	093306-01-706	EA	WHEEL - BLOWER - 6 5/16" X 2 7/8"	67073281
13	093306-01-705	EA	MOTOR - (115V1 6A60H2-RPM)	67273119
14	093306-01-701	EA	DECAL PACKAGE - LEFT & RIGHT	6798B3591



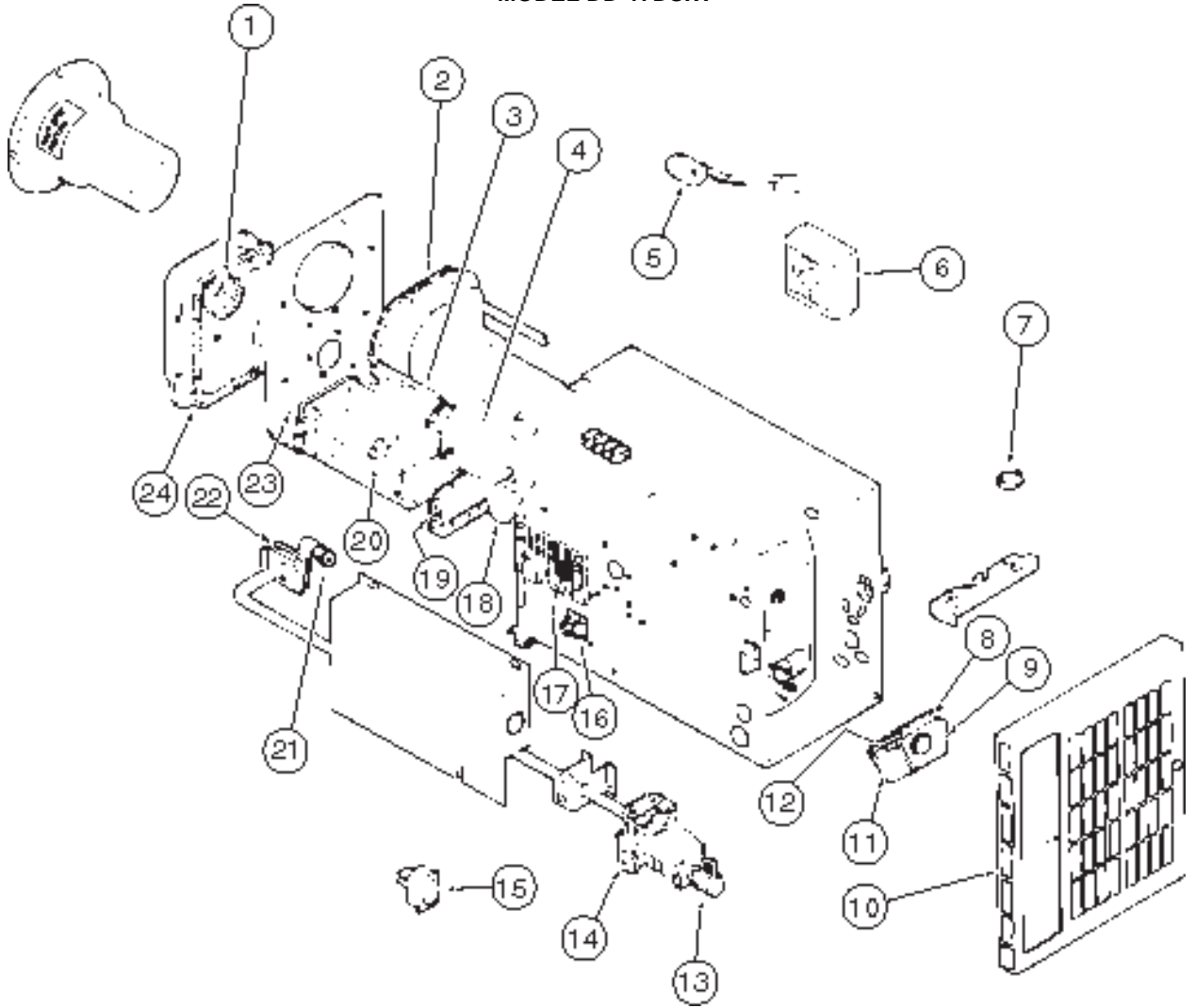
**COLEMAN  
MODEL 6727E713**



KEY	PART NUMBER	U/M	DESCRIPTION	VENDOR NO.
1	093307-03-000	EA	CEILING ASSEMBLY - COOL ONLY - WHITE	
2	076303-01-701	EA	KNOB - CONTROL	6733A3241
3	093306-01-709	EA	DECAL - SELECTOR - THERMOSTAT	6727A3341
4	093766-02-702	EA	FILTER - PACKAGE OF 2 - 6 X 14.5 X 1/8	67033303
5	093306-03-700	EA	SHROUD - CEILING - WHITE-DECAL	67273511
6	076303-01-708	EA	KNOB & BOLT PACKAGE	67275841
7	093307-01-700	EA	DECAL PACKAGE	6733A3331
8	093306-01-714	EA	SWITCH - SELECTOR	67273251
9	076303-01-710	EA	THERMOSTAT	67333411
	091227-01-700	EA	WASHER PACKAGE - PLASTIC	6250-3241 6703A3341



**SUBURBAN - 17,000 BTU  
MODEL DD-17DSIW**

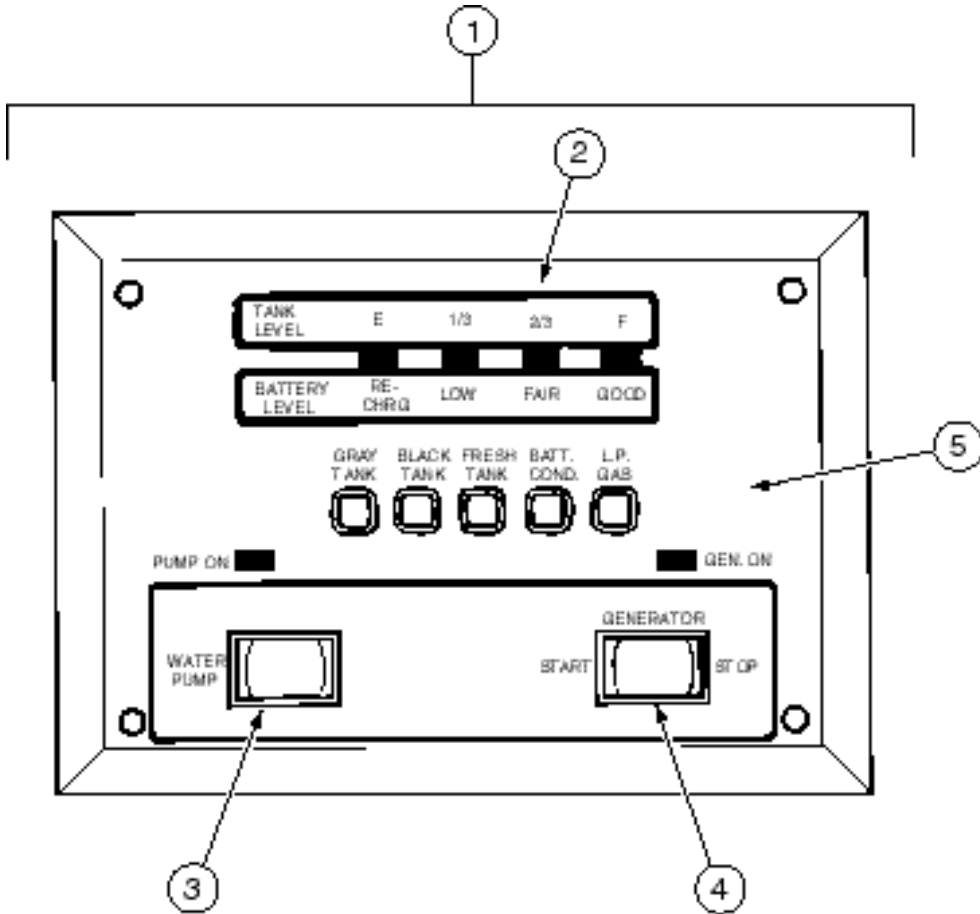


KEY	PART NUMBER	U/M	DESCRIPTION	VENDOR NO.
	101990-05-000	EA	FURNACE - 17,000 BTU - DUCTED	
1	101990-05-700	EA	GASKET - FRONT - COMBUSTION AIR	070862
2	101990-01-713	EA	GASKET - MOTOR	070849
3	101990-05-702	EA	MOTOR	231916
4	101990-01-703	EA	WHEEL - ROOM AIR	350125
5			N/A	
6	101990-01-720	EA	SWITCH - SAIL/NEW STYLE - BEND	231930
7			N/A	
8	101990-01-710	EA	SWITCH - LIMIT	231768
9	101990-01-718	EA	GASKET - BURNER DOOR - ACCESS	070850
10	101990-05-708	EA	DOOR - BURNER ACCESS	030767
11	101990-05-707	EA	GRILLE ASSEMBLY	030966
12	101990-05-706	EA	ELECTRODE	231934
13	101990-01-721	EA	GASKET - ELECTRODE	070851
14	092300-01-718	EA	ELBOW - 90 DEG	170374
15	101990-05-705	EA	VALVE	161071
16	101990-05-704	EA	SWITCH - ON/OFF	023251
17	101990-01-705	EA	RELAY - TIME DELAY	231769
18	098668-01-712	EA	BOARD-MODULE	520741
19	101990-05-703	EA	GASKET - BURNER - TUNNEL - END	070848
20	101990-01-711	EA	ORIFACE	530415
21	101990-01-717	EA	GASKET - MANIFOLD	070847
22	101990-01-702	EA	BURNER	010763
23	101990-01-722	EA	GASKET - BURNER TUNNEL	070859
24	101990-05-701	EA	GASKET - REAR - COMBUSTION AIR	070906
	101990-01-701	EA	WHEEL - COMBUSTION AIR	350126





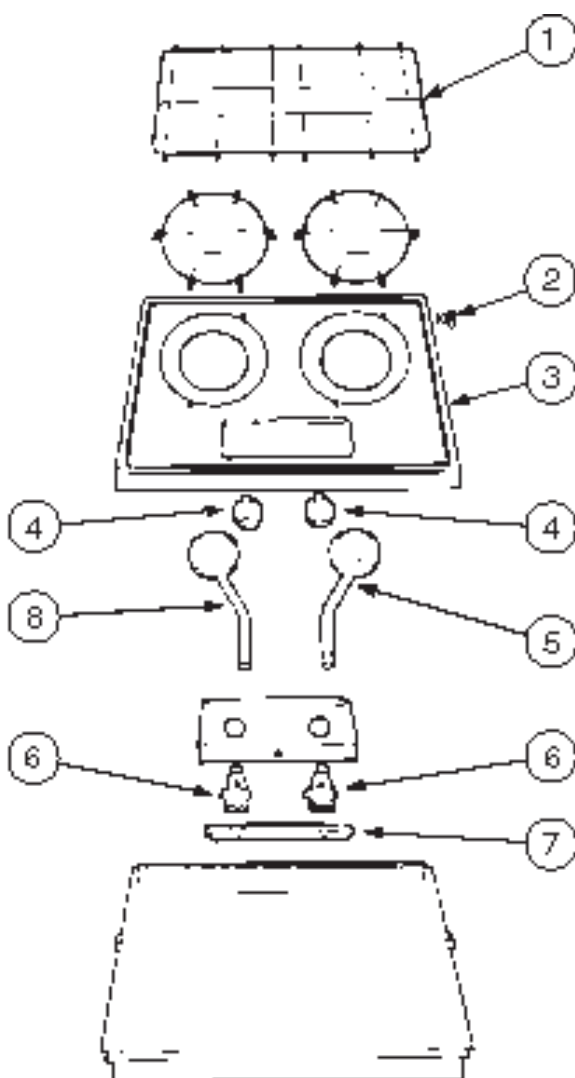
**MONITOR PANEL  
VENTLINE LA1023-00**



KEY	PART NUMBER	U/M	DESCRIPTION	VENDOR NO
1	114014-02-02A	EA	PANEL - MONITOR 2 TANK W/REMOTE	
2	114014-01-700	EA	OVERLAY-SILKSCREEN	CD212
3	096983-01-700	EA	SWITCH - ON/OFF	L0108-00
4	096983-01-702	EA	SWITCH - MOM/OFF/MOM/3 TERM	L0112-00
5	114014-01-701	EA	BOARD-CIRCUIT	5070-06SPC
	113566-01-701	EA	RESISTOR-TANK HARNESS	L7306



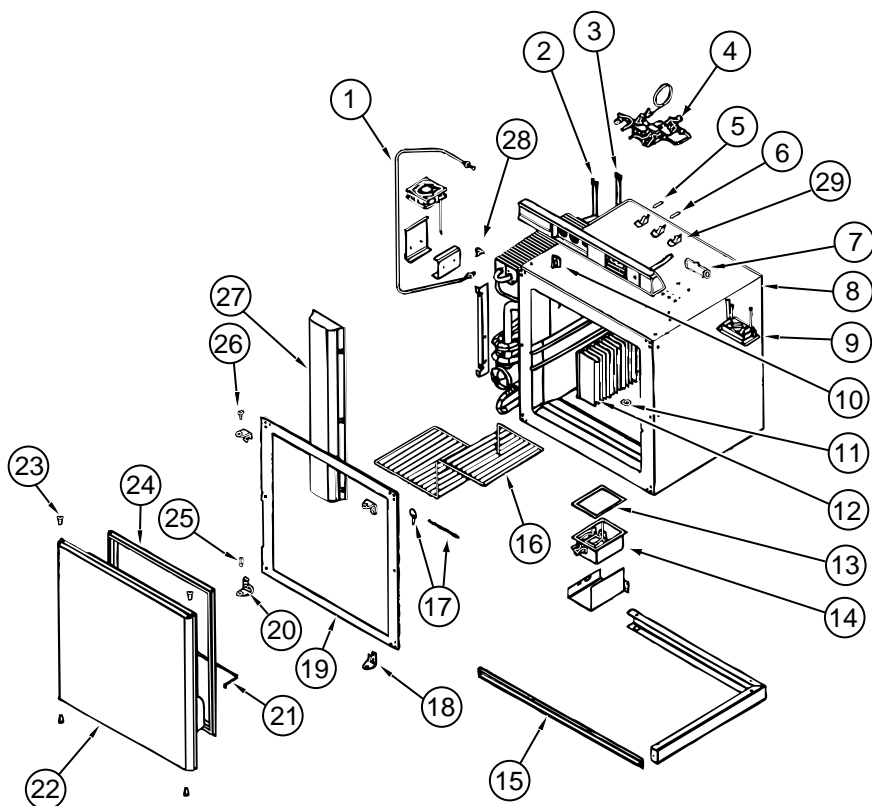
**WEDGEWOOD RANGE  
MODEL D26SG - ST**



KEY	PART NUMBER	U/M	DESCRIPTION	VENDOR NO.
	113947-02-03A	EA	RANGE - 2 BURNER W/COVER	
1	101593-01-700	EA	GRATE, DESIGNER STYLE	53304
2	101593-01-701	EA	THUMB SCREW	52537
3	113947-02-705	EA	COVER - STOVE TOP, LT GRA	56231
4	101593-01-703	EA	BURNER KNOB	53000
5	113947-02-702	EA	BURNER - RIGHT	56076
6	113947-02-700	EA	BURNER VALVE	56089
7	113948-02-702	EA	MANIFOLD	56079
8	113947-02-703	EA	BURNER - LEFT	56075
	107323-01-711	EA	CUSHION-GRATE, RUBBER	53008
	106689-01-704	EA	REGULATOR	51062
	113948-01-702	EA	DECAL- BURNER CONTROL	51454
	113948-02-705	EA	GROMMET - MOLDING 47.75"	51443

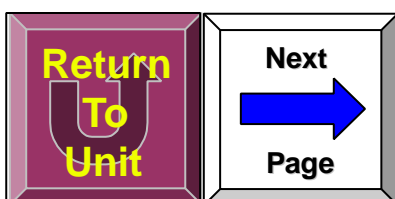


## REFRIGERATOR (CONTINUED)

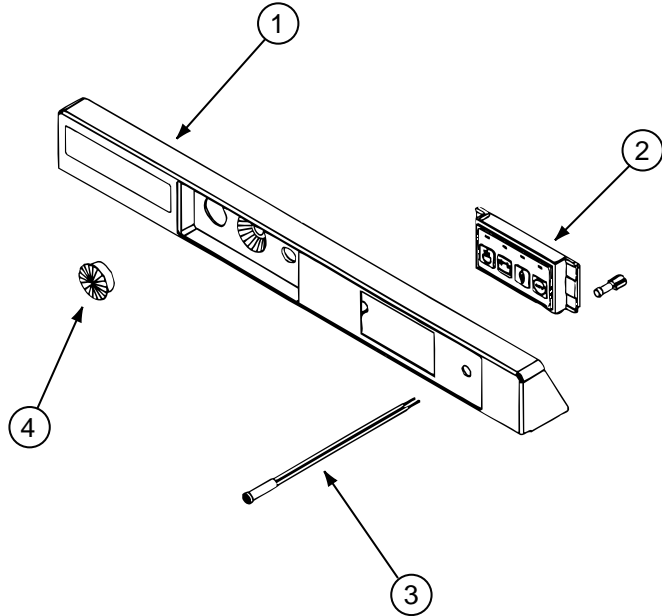


### NORCOLD REFRIGERATOR

KEY	PART NUMBER	U/M	DESCRIPTION	VENDOR NO.
	113737-01-04A	EA	REFRIGERATOR - SMALL SINGLE DOOR - 3 WAY - VW DARK GRAY	
1	113737-01-746	EA	TUBE-BURNER	617989
2	113737-01-722	EA	HEATER DC (3-WAY)	61745422
3	113737-01-721	EA	HEATER AC	61745322
4	113737-01-718	EA	CONTROL ASSY-THERMOSTAT	617998
5	113737-01-714	EA	FUSE 20 AMP (3-WAY)	61440522
6	113737-01-720	EA	FUSE 3 AMP (32V OR LESS)	61654622
7	113737-01-731	EA	BLOCK-TERMINAL	617979
8	113737-01-707	EA	CABINET-COOLING UNIT (FOAMED)	617993
9	113737-01-728	EA	RELIGHTER	617964
10	113737-01-740	EA	KNOB-THERMOSTAT	617971
10	113737-01-741	EA	SCREW	NSC0001
10	113737-02-702	EA	SYSTEM COVER - VW LIGHT GRAY	620299
10	113737-02-703	EA	DOOR ASSEMBLY - VW LIGHT GRAY	620297
10	113737-02-704	EA	DOOR LINER - VW LIGHT GRAY	620296
11	113737-01-705	EA	CLIP-FIN	61728722
12	113737-01-706	EA	FIN ASSEMBLY	617948
13	113737-01-748	EA	GASKET, BURNER BOX	617977
14	113737-01-749	EA	BURNER BOX ASSEMBLY	617937
15	113737-01-734	EA	GRILLE (AIR INLET BLK)	617938
16	113737-01-711	EA	SHELF L-SHAPED (WHITE)	618063
17	113737-01-752	EA	CHAIN (TRAVEL LATCH)	618047
17	113737-01-753	EA	PIN (TRAVEL LATCH)	618046
18	113737-01-725	EA	HINGE (LH BTM & RH TOP)	617911
19	113737-01-712	EA	BREAKER (BLACK TRIM)	617912
20	113737-01-724	EA	HINGE (RH BTM & LH TOP)	617910
21	113737-01-733	EA	DOOR-RAIL, WHITE POWDER	618064
23	113737-01-701	EA	BUSHING-HINGE	61742022
24	113737-01-704	EA	GASKET-DOOR, GRAY	617906
25	113737-01-710	EA	PIN-HINGE, BOTTOM	61550722
26	113737-01-708	EA	PIN-HINGE, TOP	61114600
28	113737-01-754	EA	THERMOSTAT (FAN 12V DC)	618093
29	113737-01-759	EA	FUSE HOLDER	61584222

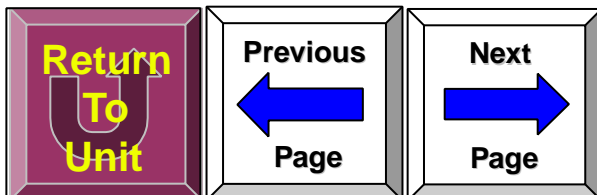


## REFRIGERATOR (CONTINUED)

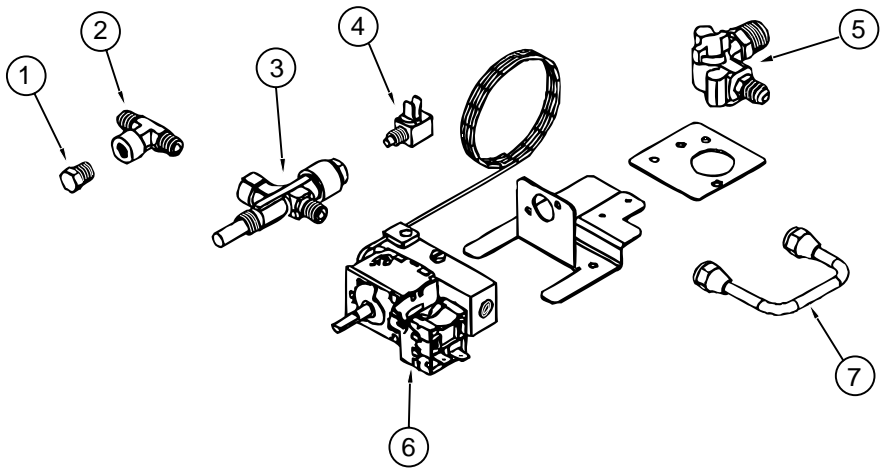


### NORCOLD REFRIGERATOR

KEY	PART NUMBER	U/M	DESCRIPTION	VENDOR NO.
	113737-01-04A	EA	REFRIGERATOR - SMALL SINGLE DOOR - 3 WAY - VW DARK GRAY	
1	113737-01-723	EA	PANEL-CONTROL	617913
2	113737-01-729	EA	SWITCH - SELECTION (MODE)	617945
3	113737-01-703	EA	LIGHT-FLAME INDICATORGRN RED	61609022
4	113737-01-713	EA	PLUG-HOLE, 1" BLACK	617981

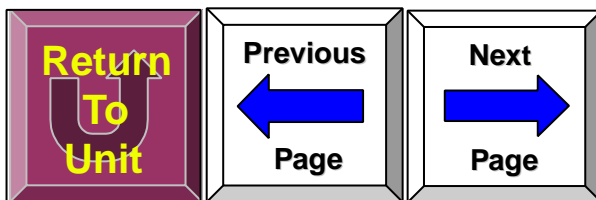


## REFRIGERATOR (CONTINUED)

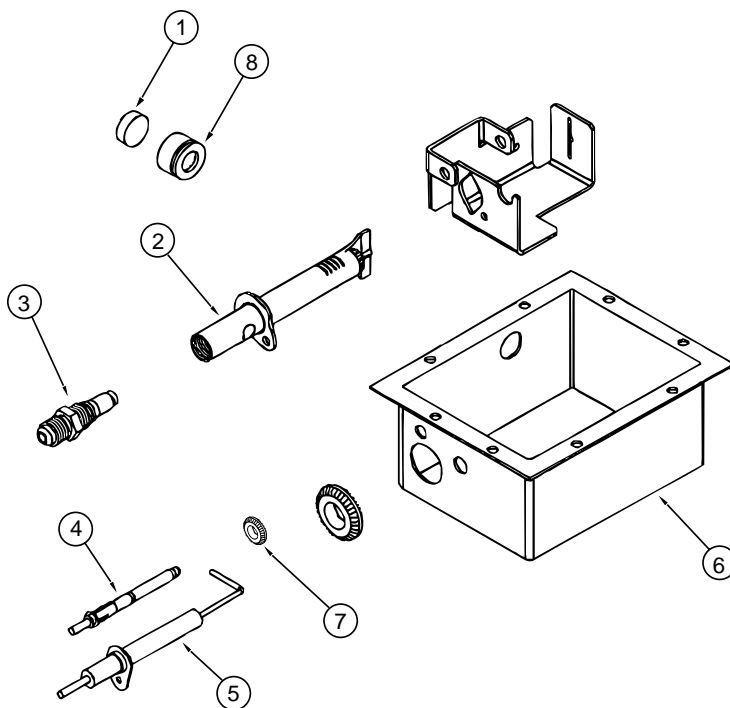


### NORCOLD REFRIGERATOR

KEY	PART NUMBER	U/M	DESCRIPTION	VENDOR NO.
	113737-01-04A	EA	REFRIGERATOR - SMALL SINGLE DOOR - 3 WAY - VW DARK GRAY	
1	113737-01-702	EA	PLUG 1/8" F/PRESSURE TAP	61445322
2	113737-01-716	EA	TAP-PRESSURE	61594422
3	113737-01-730	EA	VALVE - SAFETY IGNITION	617965
4	113737-01-709	EA	INTERRUPTER	61750522
5	113737-01-719	EA	VALVE-SHUT-OFF-MANUAL	617976
6	113737-01-735	EA	THERMOSTAT-GAS VALVE	617944
7	113737-01-750	EA	TUBE-UNION	61694622

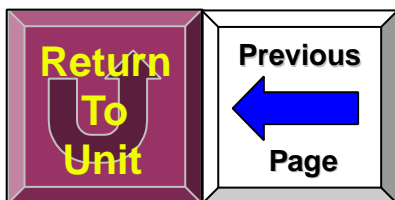


## REFRIGERATOR (CONTINUED)

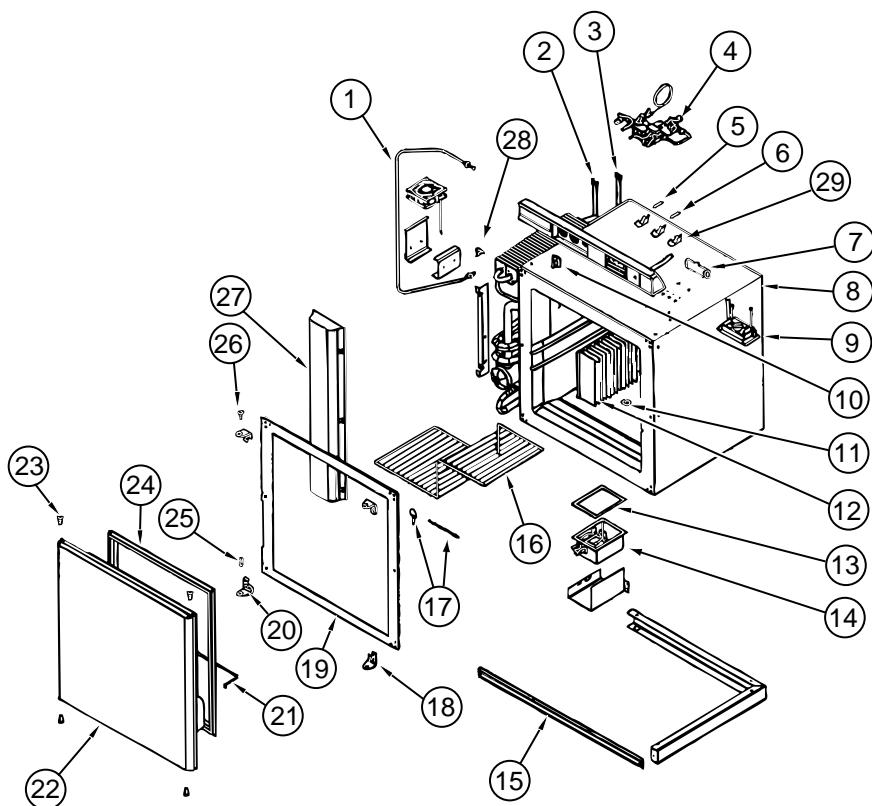


### NORCOLD REFRIGERATOR

KEY	PART NUMBER	U/M	DESCRIPTION	VENDOR NO.
	113737-01-04A	EA	REFRIGERATOR - SMALL SINGLE DOOR - 3 WAY - VW DARK GRAY	
1	113737-01-732	EA	GLASS-SIGHT	617995
2	113737-01-726	EA	BURNER ASSEMBLY	617936
3	113737-01-727	EA	ORIFICE-ADAPTER ASSEMBLY	61753137
4	113737-01-717	EA	THERMOCOUPLE	617983
5	113737-01-715	EA	ELECTRODE-SPARK IGNITION	617966
6	113737-01-747	EA	BOX-BOTTOM F/BURNER	617925
7	113737-01-755	EA	THERMOCOUPLE GROMMET	617997
8	113737-01-751	EA	GROMMET F/SIGHT GLASS	617933

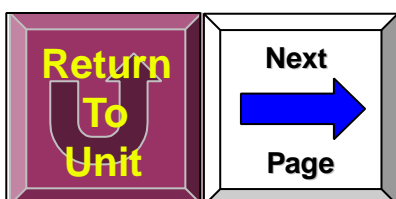


## REFRIGERATOR (CONTINUED)

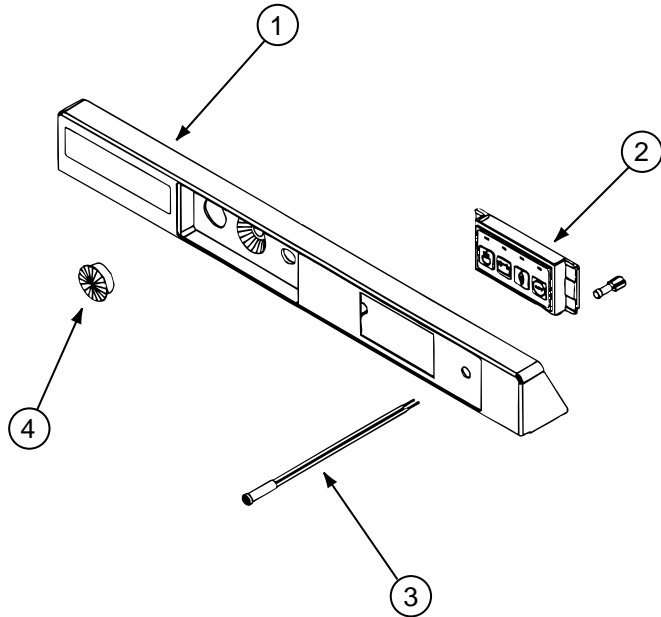


### NORCOLD REFRIGERATOR

KEY	PART NUMBER	U/M	DESCRIPTION	VENDOR NO.
	113737-04-04A	EA	REFRIGERATOR - ONE DOOR/3-WAY - VW LIGHT GRAY - HIGH ALT.	
1	113737-01-746	EA	TUBE-BURNER	617989
2	113737-01-722	EA	HEATER DC (3-WAY)	61745422
3	113737-01-721	EA	HEATER AC	61745322
4	113737-01-718	EA	CONTROL ASSY-THERMOSTAT	617998
5	113737-01-714	EA	FUSE 20 AMP (3-WAY)	61440522
6	113737-01-720	EA	FUSE 3 AMP (32V OR LESS)	61654622
7	113737-01-731	EA	BLOCK-TERMINAL	617979
8	113737-01-707	EA	CABINET-COOLING UNIT (FOAMED)	617993
9	113737-01-728	EA	RELIGHTER	617964
10	113737-01-740	EA	KNOB-THERMOSTAT	617971
10	113737-01-741	EA	SCREW #10 X 1/2"	NSC0001
10	113737-02-702	EA	SYSTEM COVER-VW LIGHT GRAY	620299
10	113737-02-703	EA	DOOR ASSEMBLY-VW LIGHT GRAY	620297
10	113737-02-704	EA	DOOR LINER-VW LIGHT GRAY	620296
11	113737-01-705	EA	CLIP-FIN	61728722
12	113737-01-706	EA	FIN ASSEMBLY	617948
13	113737-01-748	EA	GASKET-BURNER BOX-FELT	617977
14	113737-01-749	EA	BURNER BOX ASSEMBLY	617937
15	113737-01-734	EA	GRILLE (AIR INLET BLK)	617938
16	113737-01-711	EA	SHELF L-SHAPED (WHITE)	618063
17	113737-01-752	EA	CHAIN (TRAVEL LATCH)	618047
17	113737-01-753	EA	PIN (TRAVEL LATCH)	618046
18	113737-01-725	EA	HINGE (LH BTM & RH TOP)	617911
19	113737-01-712	EA	BREAKER (BLACK TRIM)	617912
20	113737-01-724	EA	HINGE (RH BTM & LH TOP)	617910
21	113737-01-733	EA	DOOR-RAIL, WHITE POWDER	618064
23	113737-01-701	EA	BUSHING-HINGE	61742022
24	113737-01-704	EA	GASKET-DOOR, GRAY	617906
25	113737-01-710	EA	PIN-HINGE, BOTTOM	61550722
26	113737-01-708	EA	PIN-HINGE, TOP	61114600
28	113737-01-754	EA	THERMOSTAT (FAN 12V DC)	618093
29	113737-01-759	EA	FUSE HOLDER	61584222

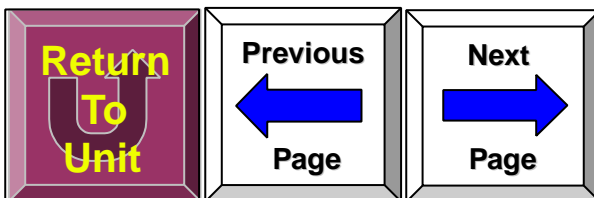


## REFRIGERATOR (CONTINUED)



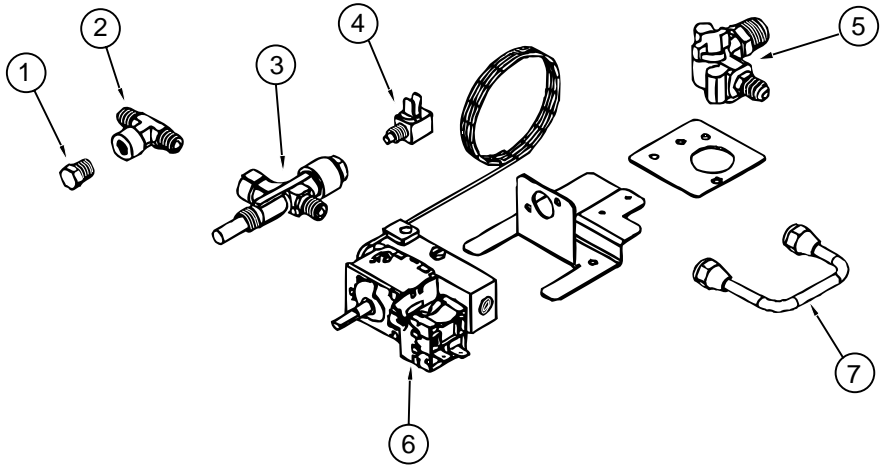
### NORCOLD REFRIGERATOR

KEY	PART NUMBER	U/M	DESCRIPTION	VENDOR NO.
	113737-04-04A	EA	REFRIGERATOR - SMALL SINGLE DOOR - 3 WAY - VW LIGHT GRAY	
1	113737-01-723	EA	PANEL-CONTROL	617913
2	113737-01-729	EA	SWITCH - SELECTION (MODE)	617945
3	113737-01-703	EA	LIGHT-FLAME INDICATORGRN RED	61609022
4	113737-01-713	EA	PLUG-HOLE, 1" BLACK	617981



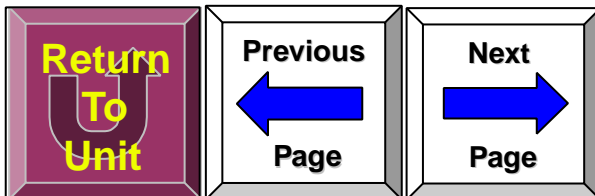


## REFRIGERATOR (CONTINUED)

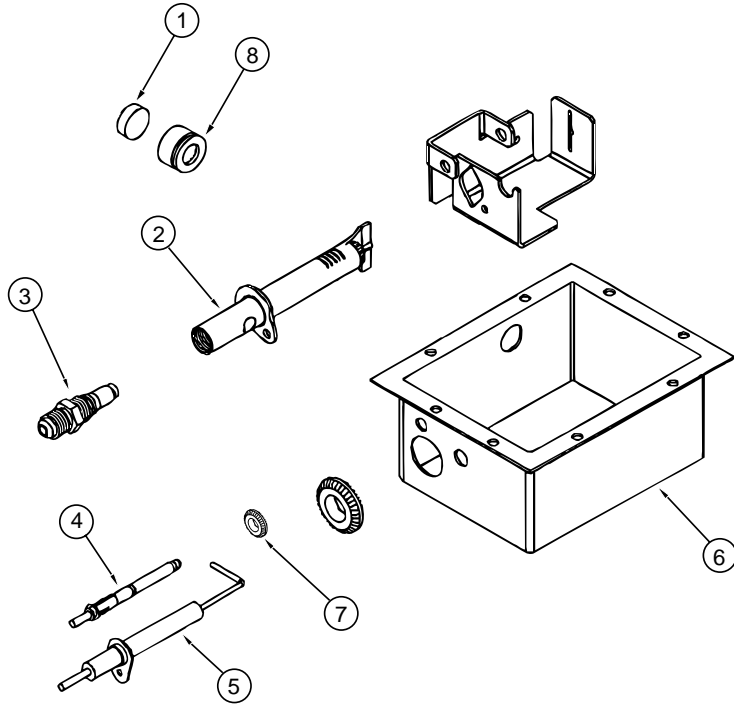


### NORCOLD REFRIGERATOR

KEY	PART NUMBER	U/M	DESCRIPTION	VENDOR NO.
	113737-04-04A	EA	REFRIGERATOR - SMALL SINGLE DOOR - 3 WAY - VW LIGHT GRAY	
1	113737-01-702	EA	PLUG 1/8" F/PRESSURE TAP	61445322
2	113737-01-716	EA	TAP-PRESSURE	61594422
3	113737-01-730	EA	VALVE - SAFETY IGNITION	617965
4	113737-01-709	EA	INTERRUPTER	61750522
5	113737-01-719	EA	VALVE-SHUT-OFF-MANUAL	617976
6	113737-01-735	EA	THERMOSTAT-GAS VALVE	617944
7	113737-01-750	EA	TUBE-UNION	61694622

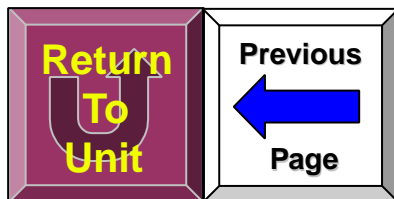


## REFRIGERATOR (CONTINUED)

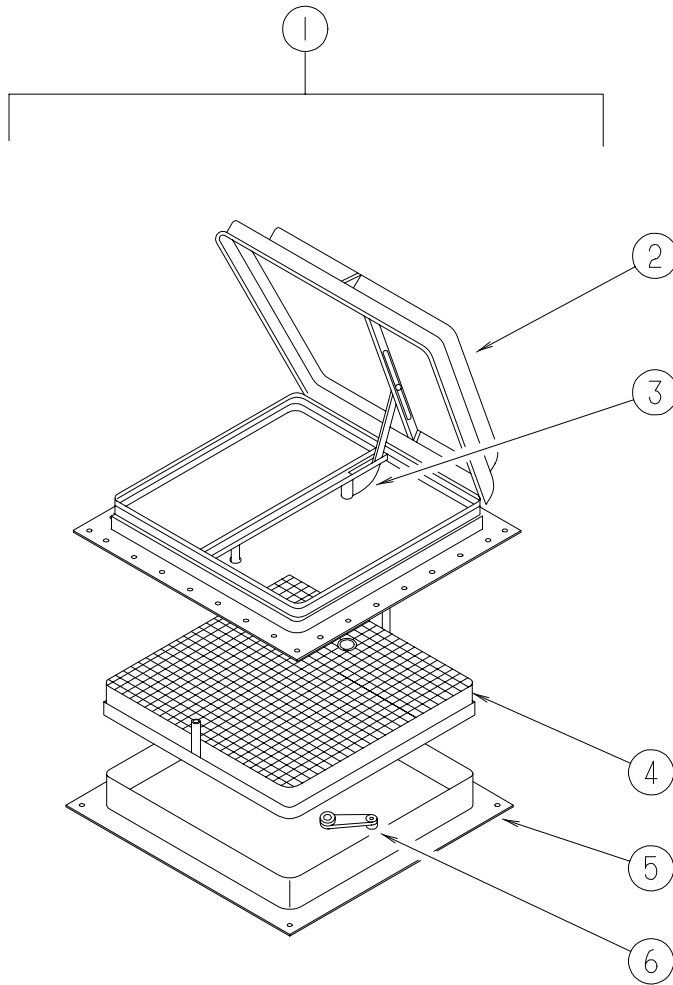


### NORCOLD REFRIGERATOR

KEY	PART NUMBER	U/M	DESCRIPTION	VENDOR NO.
	113737-04-04A	EA	REFRIGERATOR - SMALL SINGLE DOOR - 3 WAY - VW LIGHT GRAY	
1	113737-01-732	EA	GLASS-SIGHT	617995
2	113737-01-726	EA	BURNER ASSEMBLY	617936
3	113737-01-727	EA	ORIFICE-ADAPTER ASSEMBLY	61753137
4	113737-01-717	EA	THERMOCOUPLE	617983
5	113737-01-715	EA	ELECTRODE-SPARK IGNITION	617966
6	113737-01-747	EA	BOX-BOTTOM F/BURNER	617925
7	113737-01-755	EA	THERMOCOUPLE GROMMET	617997
8	113737-01-751	EA	GROMMET F/SIGHT GLASS	617933



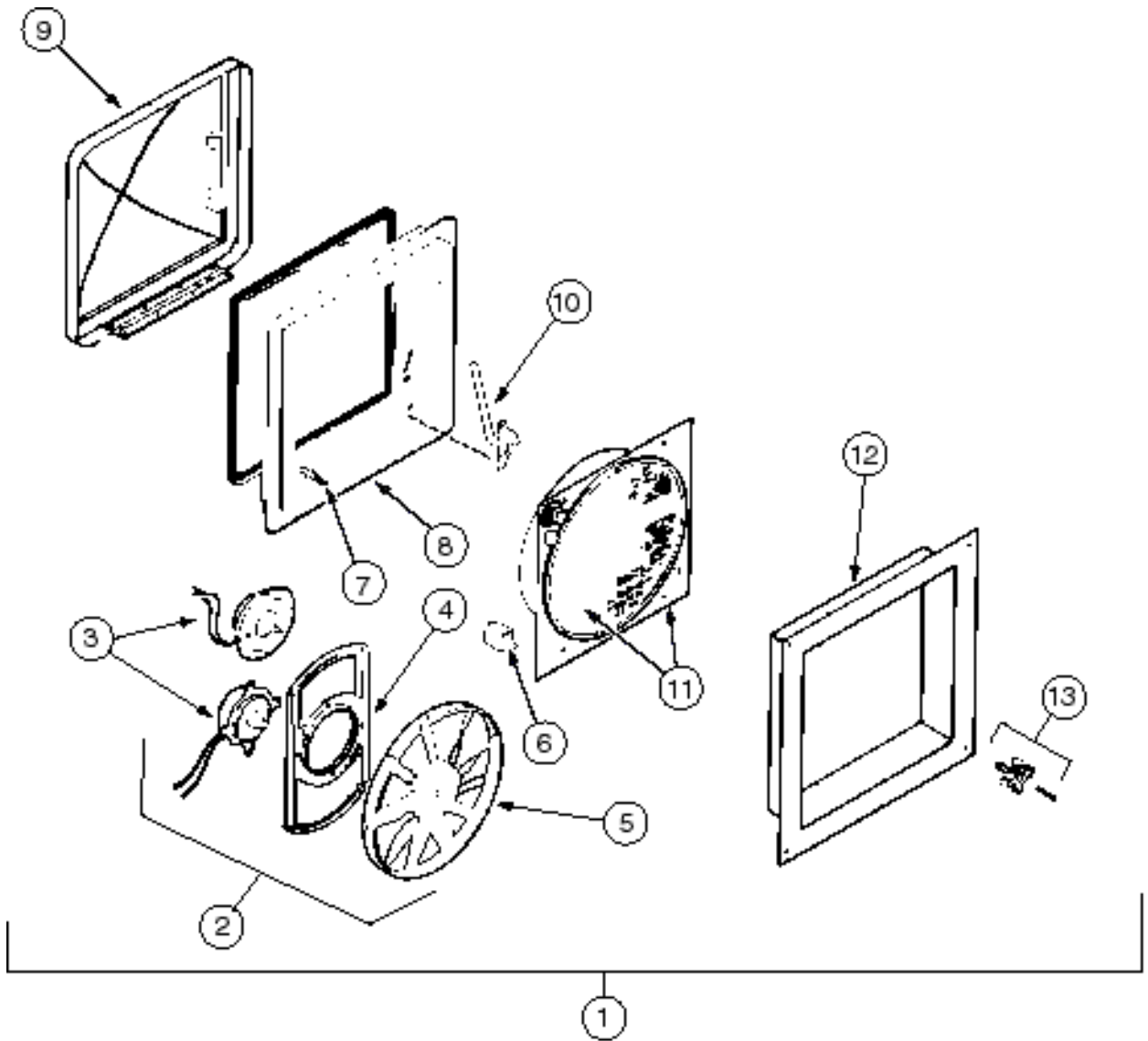
# ELIXIR



KEY	PART NUMBER	U/M	DESCRIPTION	VENDOR NO.
1	122882-01-01A	EA	VENT - ROOF - NONPOWERED - W/O INSIDE GARNISH	
2	064470-01-700	EA	COVER - VENT - W/O SLIDE BAR	J7291B
3	009440-01-000	EA	GEAR/ARM - LIFT - ROOF VENT COVER	
4	122882-01-701	EA	SCREEN	JRP-1124-B
5	122882-06-01A	EA	GARNISH - ROOF VENT - 1" TO 2.56"	
5	122882-07-01A	EA	GARNISH - ROOF VENT - 2.50" TO 4.12"	90128
6	122882-01-700	EA	HANDLE - CRANK - BLACK	JRP1291B
	064470-01-701	EA	SLIDE BAR - VENT LID	



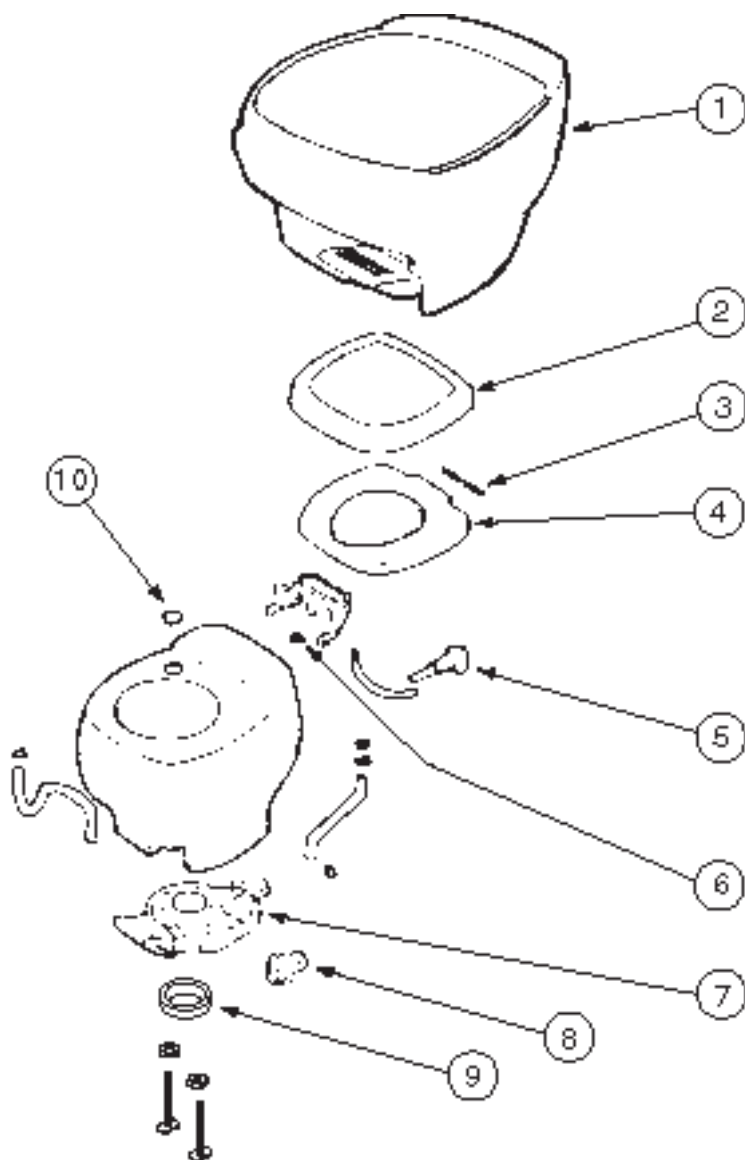
FANTASTIC  
MODEL 4000-1-WDW



KEY	PART NUMBER	U/M	DESCRIPTION	VENDOR NO.
1	123780-01-01A	EA	VENT - ROOF - 1" - W/FAN/POWER LIFT - W/O THERMOSTAT 4000-1-WDW	
2	084079-11-700	EA	MOTOR, BRKT., FAN BLADE, KIT	4017K-09
3	084079-01-705	EA	MOTOR	1080-00
4	084079-01-711	EA	H-MOLDING, MOTOR MOUNT	
5	084079-01-704	EA	BLADE-FAN	1070-00
6	084079-01-709	EA	SWITCH - MAIN - 3 SPEED	1031-05
7	084079-01-707	EA	SWITCH - SAFETY	1122.05
8	123780-05-700	EA	BASE - MAIN BRIGHT WHITE	1010K-81
9	123780-01-700	EA	COVER - VENT W/HINGE & SLIDE	1020K-81
10	084079-01-702	EA	ARM LIFT ASSEMBLY, MANUAL	101105
11	123780-01-702	EA	SCREEN W/FRAME	103581
12	123780-03-700	EA	GARNISH - INT. 3"-4" BRT/WHT	2040-81
12	123780-01-701	EA	GARNISH - INT 3/4-1" BRT/WHT	0040-81
13	084079-01-703	EA	KNOB-LIFT, W/EXT. & SCREW	1140K-00
	009440-01-000	EA	GEAR-ARM-ROOF VENT 705221K38	
	084079-01-706	EA	PLUG, 12 VOLT	1090



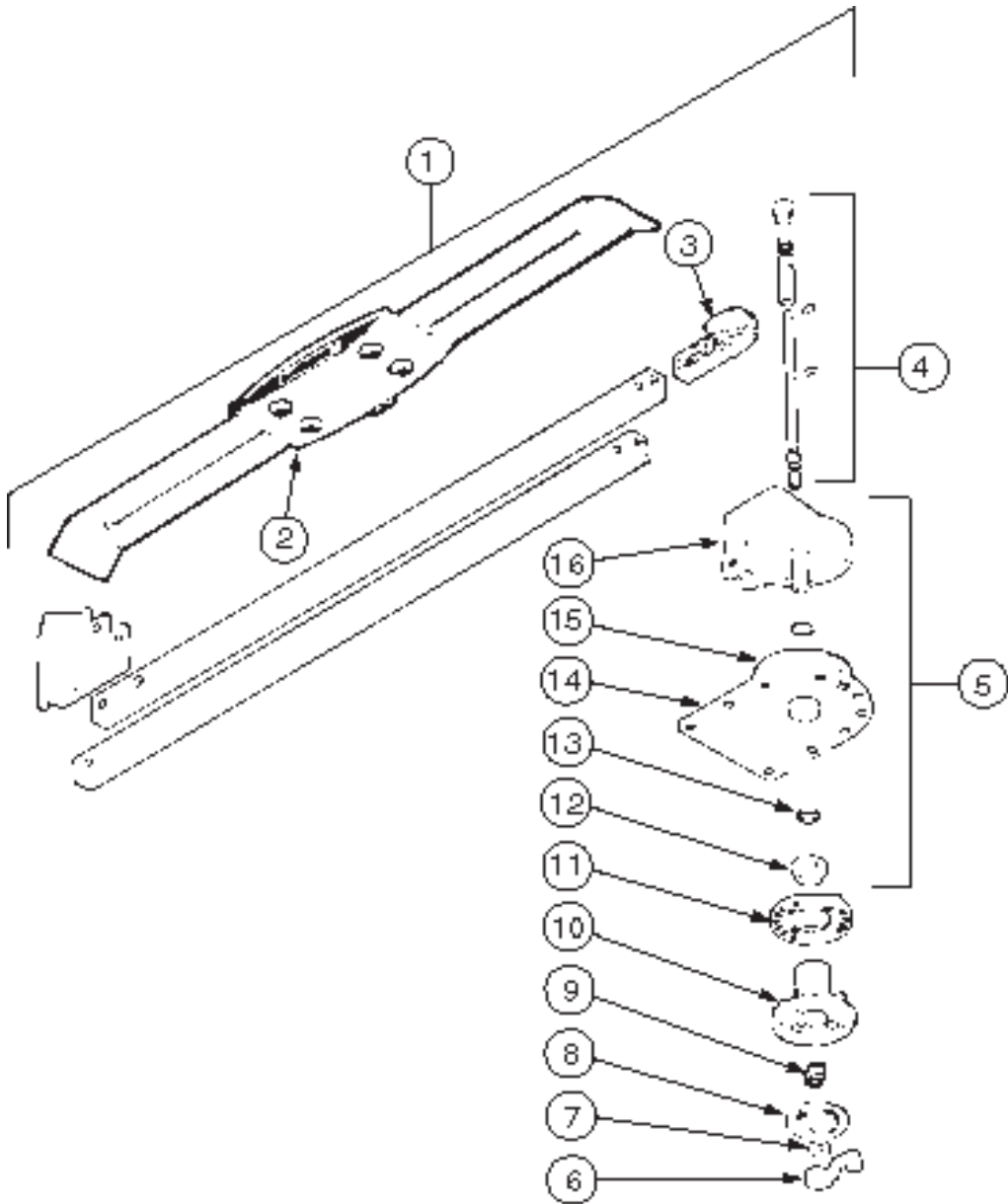
**THETFORD  
MODEL STARLITE  
MODEL - 20900-AM SL - SH WHITE**



KEY	PART NUMBER	U/M	DESCRIPTION	VENDOR NO.
1	064076-03-000	EA	TOILET - 11.25" TALL - IVORY - WATERSAVER	
2	064076-03-700	EA	COVER - SEAT - TOILET - IVORY	2092362
3	039341-02-707	EA	PIN - HINGE	12986
4	064076-03-701	EA	SEAT	1656462
5	067487-01-701	EA	WATER SAVER PACKAGE	08993
6	067487-01-702	EA	CLAMP	03752
7	064076-03-703	EA	MECHANISM - FLUSHING	2420362
8	064076-01-705	EA	VALVE - BALL - REPLACEMENT PACKAGE	09868
9	039341-02-705	EA	SEAL & BOLT PKG - W/O FLANGE	08975
10	039341-03-704	EA	PLUG-HOLE - TOILET -WHITE	03895-10
	064076-03-702	EA	BREAKER - VACUUM - WHITE	2070262



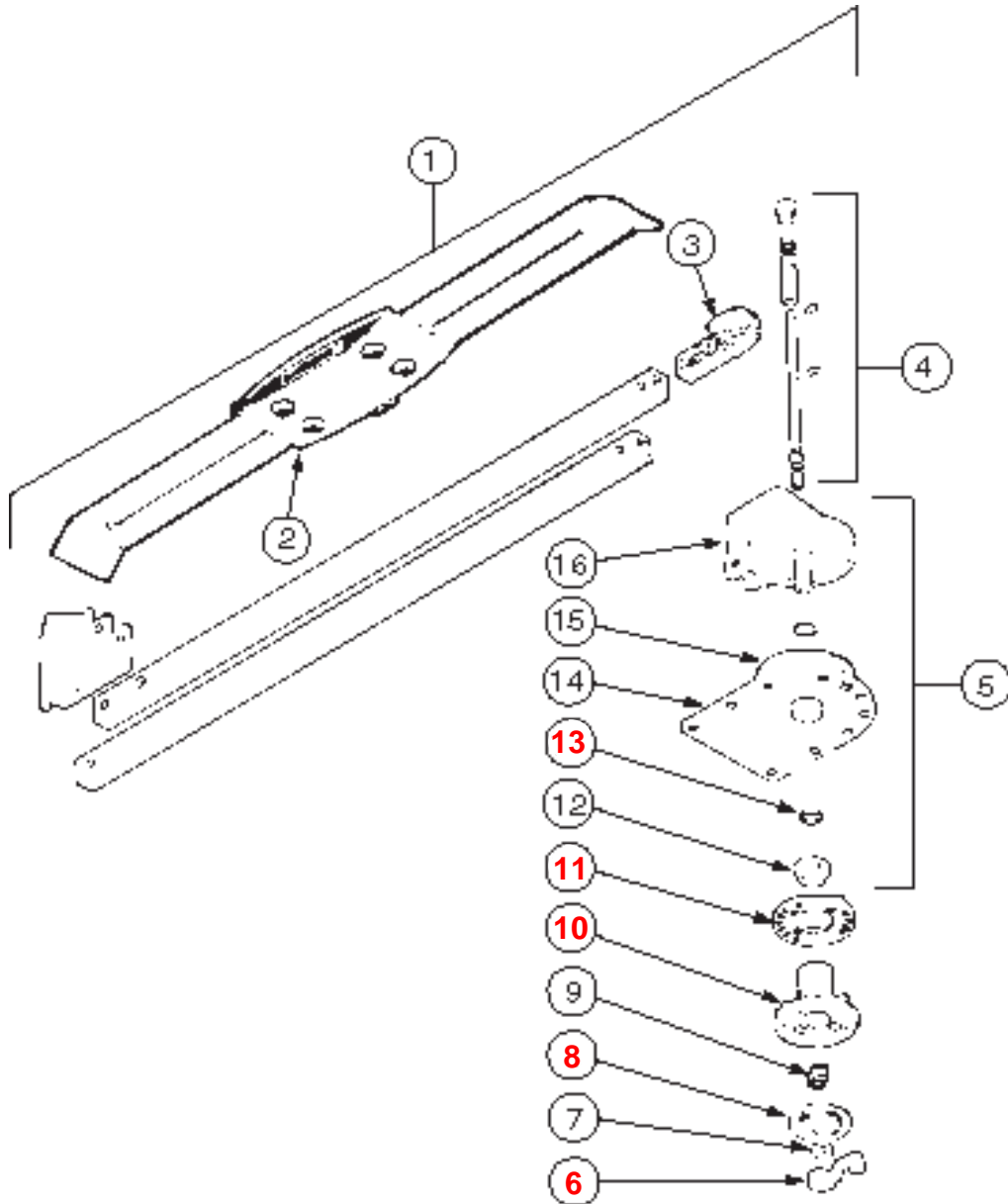
WINEGARD  
MODEL RV-7184



KEY	PART NUMBER	U/M	DESCRIPTION	VENDOR NO.
1	076319-24-000	EA	ANTENNA - TV ROOF MOUNT - 25.5" MAST	
2	076319-01-700	EA	HEAD - ANTENNA - AMPLIFIED	RVSA U/V
3	076319-01-701	EA	GEAR - ELEVATING - PLASTIC	2200046
4	076319-01-702	EA	SHAFT ASM - ELEVATING	RVP-400A
5	076319-01-711	EA	BASE & LIFT ASM	2762802
6	076319-01-706	EA	CRANK-ELEVATING W/SET SCREW	2750897
7	076319-01-705	EA	GROMMET - NYLON - 7/8"ID	3200658
8	076319-01-708	EA	DECAL-CRANK	5413002
9	076319-01-707	EA	SPRING - HANDLE	5160822
10	076319-25-700	EA	DIRECTIONAL HANDLE(WHITE)	3200612
11	076319-01-709	EA	PLATE - CEILING - (IVORY)	3200621
11	076319-01-712	EA	PLATE - CEILING	3200608
12	076319-01-715	EA	NUT (GEAR HOUSING)	2200047
13	076319-01-704	EA	BEARING - NYLON - 1.25" O.D.	3200657
14	076319-01-713	EA	BASE PLATE	3100523
15	076319-01-703	EA	BEARING - NYLON - 5"OD	3200656
16	076319-01-714	EA	HOUSING - ROTATING GEAR	2200049
	076319-01-716	EA	TUBING, ELEVATING	RP-2900



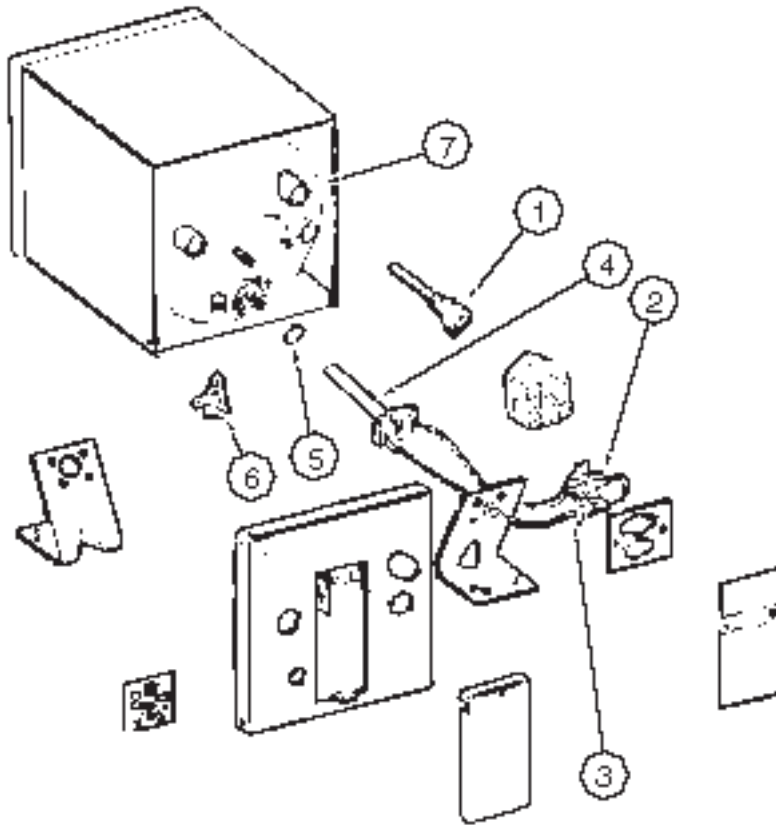
**WINEGARD  
INTERIOR HARDWARE KIT**



KEY	PART NUMBER	U/M	DESCRIPTION	VENDOR NO.
	076319-25-000	EA	KIT - HARDWARE INTERIOR	
6	076319-01-706	EA	CRANK-ELEVATING W/SET SCREW	2750897
8	076319-01-708	EA	DECAL-CRANK	5413002
10	076319-25-700	EA	DIRECTIONAL HANDLE(WHITE)	3200612
11	076319-25-701	EA	PLATE - CEILING(WHITE)	3200609
13	120233-01-709	EA	WASHER-NYLON	RP-2658
	120233-01-710	EA	HANDLE-CRANK	RP-6795



**ATWOOD  
MODEL EHM4 - SM**

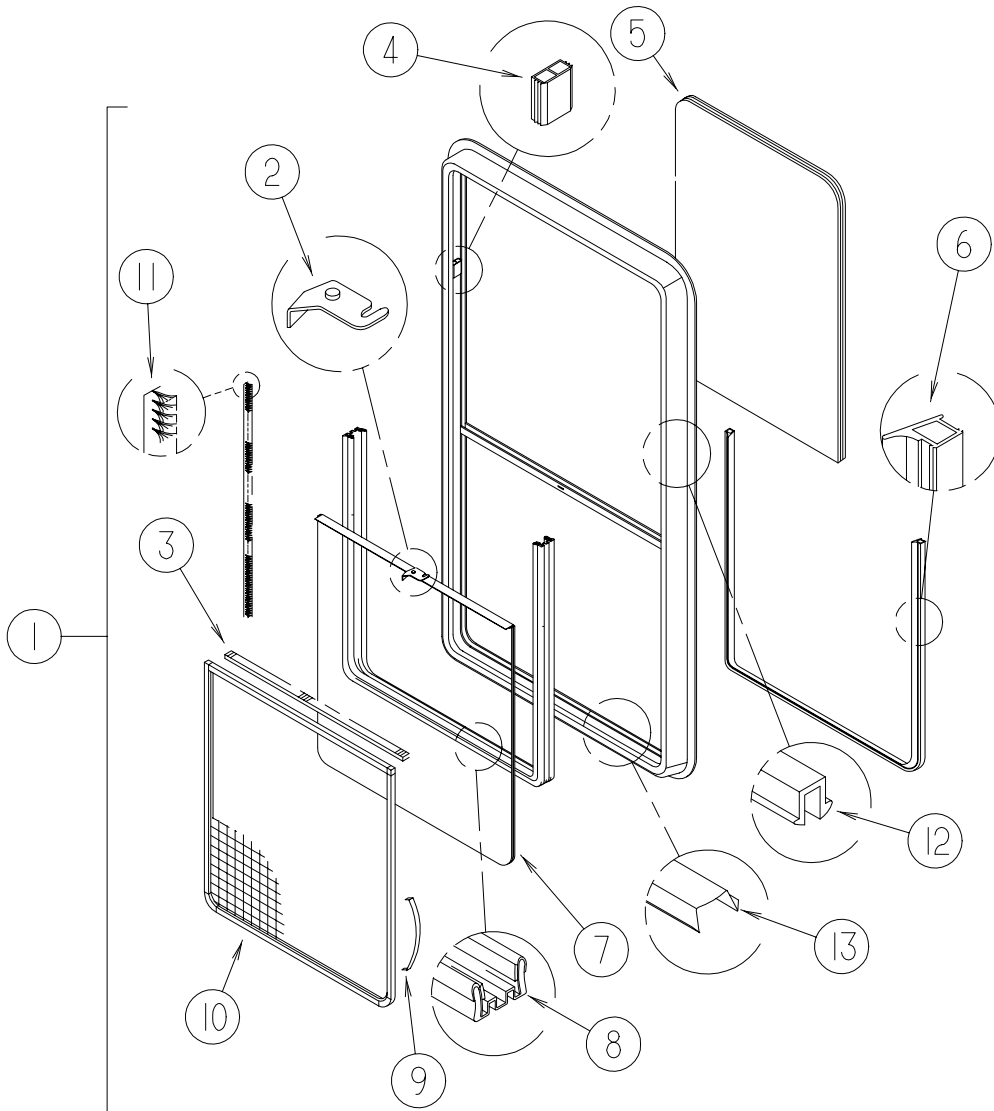


KEY	PART NUMBER	U/M	DESCRIPTION	VENDOR NO.
	113122-01-000	EA	WATER HEATER - ELECTRIC - 4 GALLON	
1	051391-01-704	EA	VALVE - RELIEF - 1/2" FITTING	91604
2	074034-01-700	EA	SWITCH	92942
3	074034-01-701	EA	THERMOSTAT	92943
4	074034-01-702	EA	ELEMENT - IMMERSION - 1500 W	93089
5	074034-01-703	EA	GASKET	92679
6	074034-01-704	EA	VALVE - DRAIN - PETCOCK - NADA	93755
7	113122-01-700	EA	TANK - INNER	92245





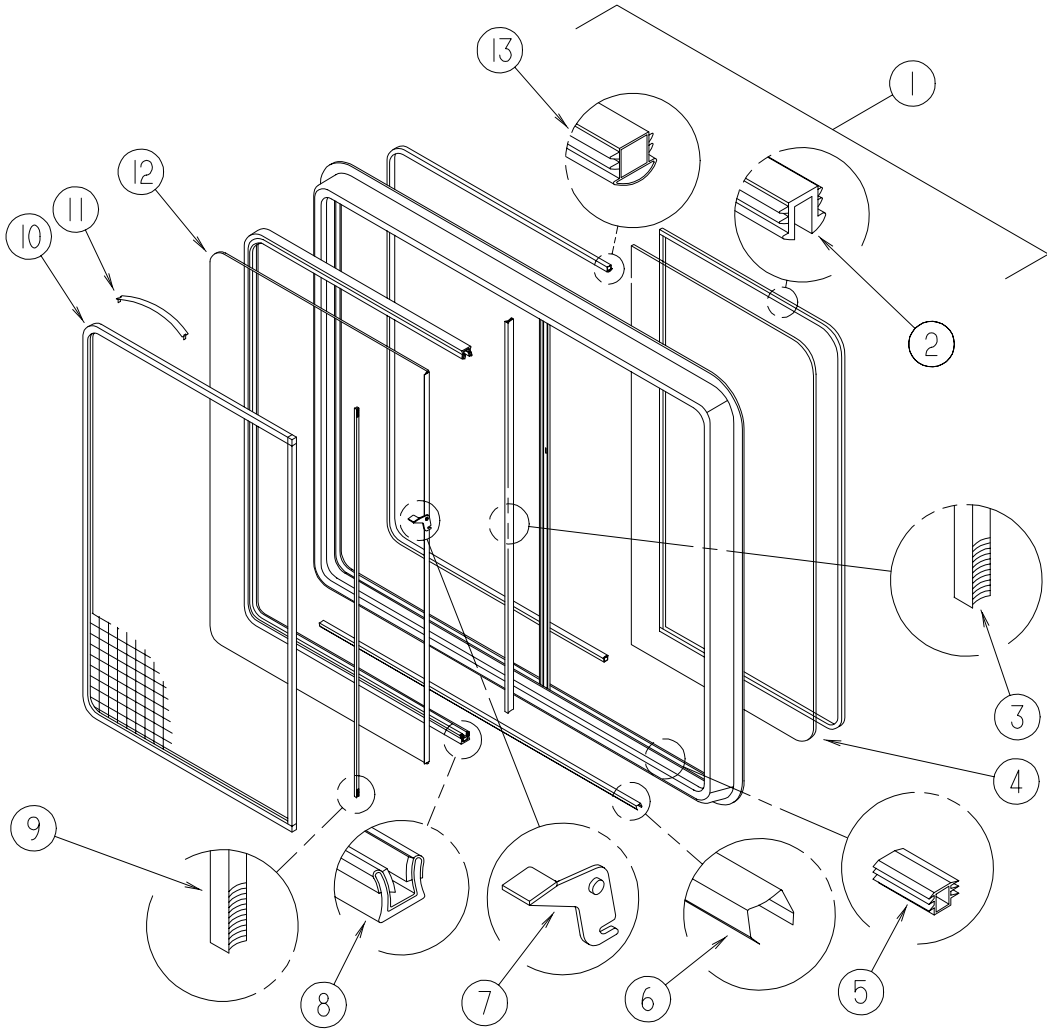
**WINDOW - SLIDER  
EXCEL H464-G1W66**



KEY	PART NUMBER	U/M	DESCRIPTION	VENDOR NO.
1	098644-10-01A	EA	WINDOW - VERTICAL SLIDER W/TRIM - TINTED - 25" X 27"	
2	098644-01-700	EA	LATCH - REPAIR KIT (BLACK)	B801-CK
3	098644-01-706	FT	WEATHERSTRIP - GLASS	122-016543
4	098644-01-719	EA	STOP - SLIDER GLASS	132-014203
5	098644-10-702	EA	GLASS - STATIONARY	106-025019
6	098644-01-716	EA	PLUG - FILLER	132-014470
7	098644-10-701	EA	GLASS - SLIDING - W/SASH & LATCH	H464-G9
8	098644-01-708	FT	CHANNEL - RUN - PIERCED	122-016543
9	098644-01-713	EA	CLIP - SCREEN - METAL	226-016966
10	098644-10-700	EA	SCREEN ASSEMBLY - W/SEALS & CLIPS	410-019683
11	098644-01-711	EA	WEATHERSTRIP - SCREEN - BLACK	171-016965
12	098644-01-705	FT	GLAZING - STRIP	132-010231
13	098644-01-710	FT	TRACK - SCREEN SPACER - 12'	132-017135
	098644-01-717	FT	SPLINE - SCREEN	132-004716
	098644-10-703	EA	RETAINER - TRIM	CW78-66



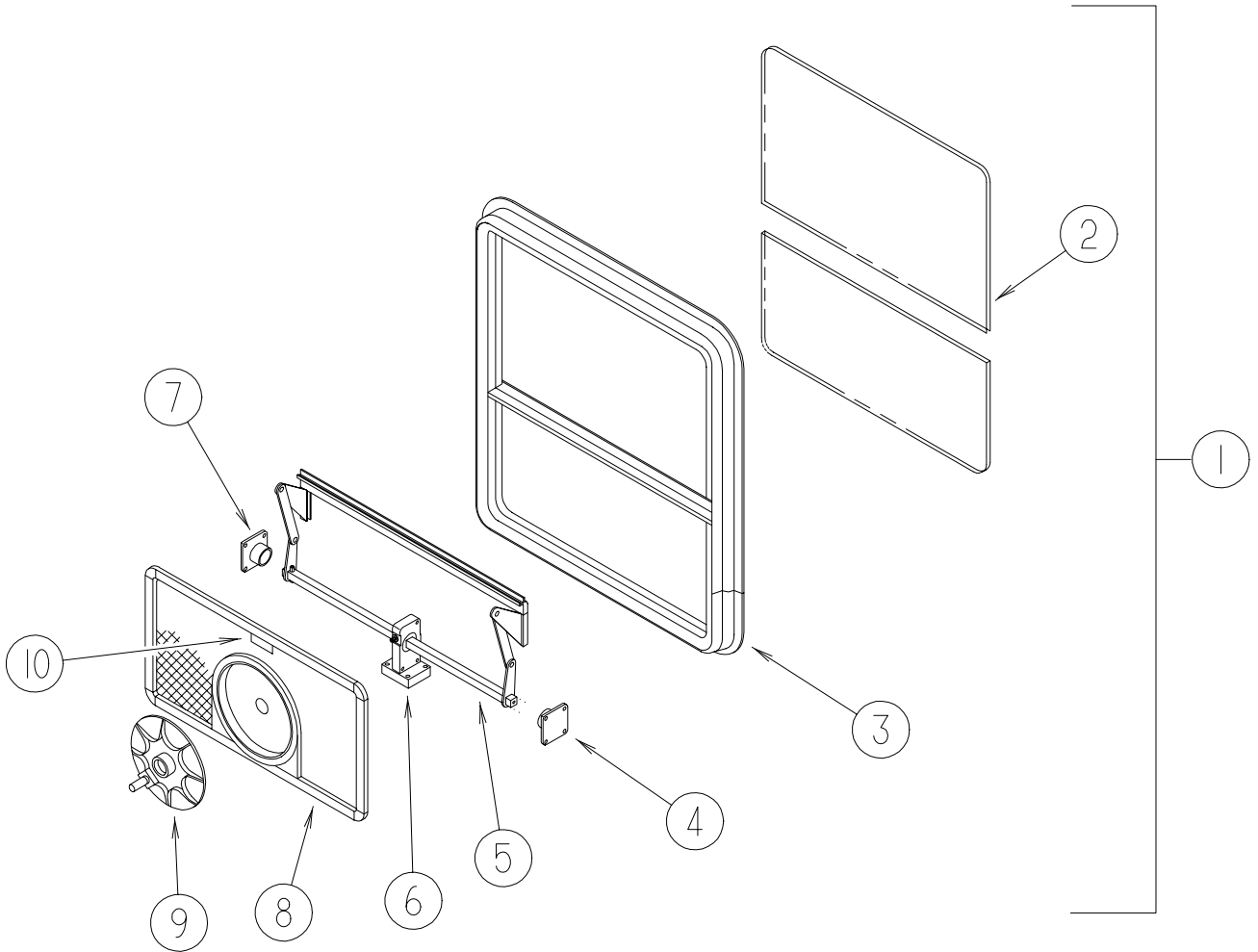
# THERMOPANE



KEY	PART NUMBER	U/M	DESCRIPTION	VENDOR NO.
1	098647-46-01A	EA	WINDOW - PASS HORIZ SLIDER W/TRIM - TINTED - 15.2" X 18.3"	
2	098644-01-705	FT	GLAZING - STRIP	132-010231
3	098644-01-706	FT	WEATHERSTRIP - GLASS	171-010668
4	098647-46-700	EA	GLASS - STATIONARY	106-011181
5	098644-01-719	EA	STOP - SLIDER GLASS	132-014203
6	098644-01-710	FT	TRACK - SCREEN SPACER 12'	132-017135
7	098644-01-700	EA	LATCH - REPAIR KIT (BLACK)	B801-CK
8	098644-01-708	FT	CHANNEL - RUN PIERCED	122-016543
9	098644-01-711	FT	WEATHERSTRIP - SCREEN BLACK	171-016965
10	098647-46-702	EA	SCREEN ASM - W/SEALS & CLIPS	410-025286
11	125582-01-701	EA	CLIP - SCREEN - PLASTIC	130005153
11	098644-01-713	EA	CLIP - SCREEN - METAL	226-016966
12	098647-46-701	EA	GLASS-SLIDING W/SASH & LATCH	B809-G9
13	098644-01-716	FT	PLUG - FILLER	132-014470
	098644-01-717	FT	SPLINE - SCREEN	132-004716
	098647-46-703	EA	RETAINER - TRIM	V409-66



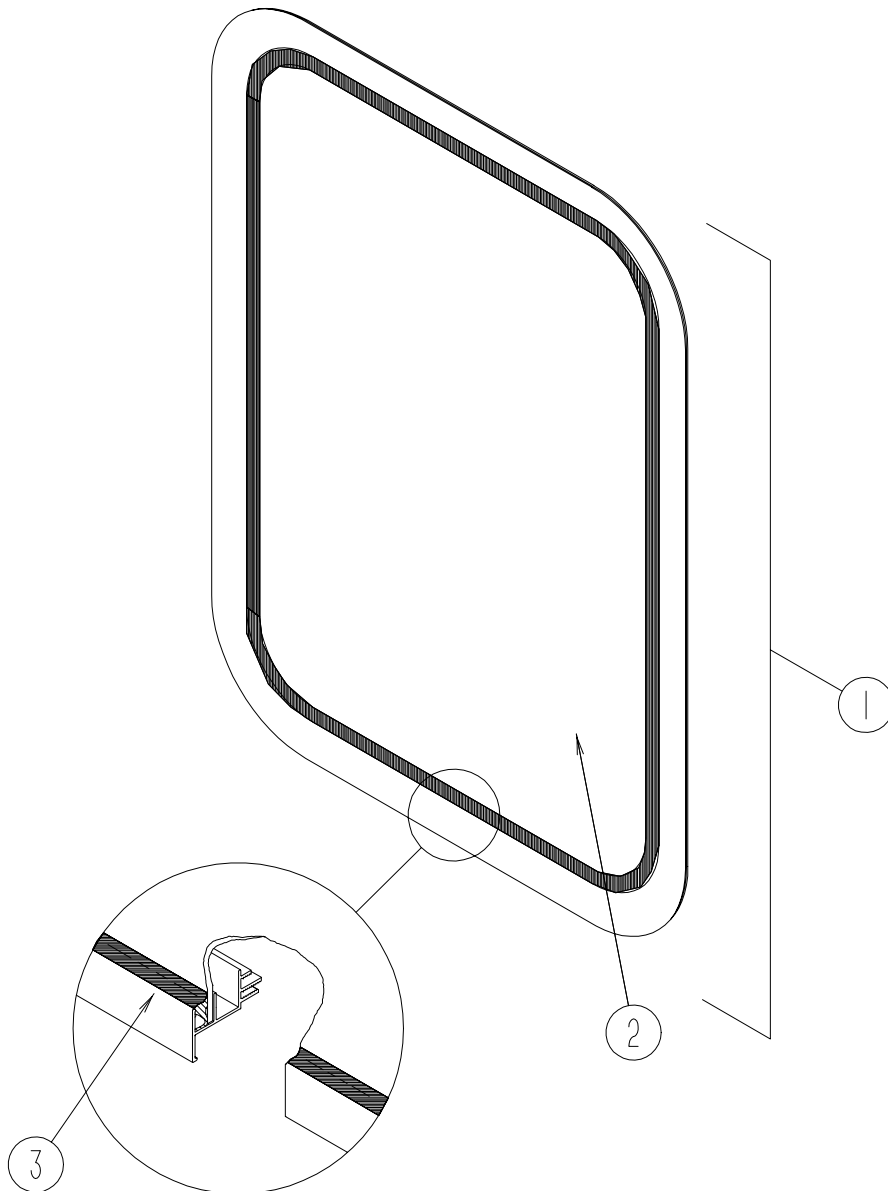
## SINGLE TIPOUT



KEY	PART NUMBER	U/M	DESCRIPTION	VENDOR NO.
1	104691-07-01A	EA	WINDOW - SINGLE TIPOUT - TINTED - 27" X 25" - OFF/WHT TRIM	
2	104691-07-701	EA	GLASS - STATIONARY	106-018753
3	100322-01-703	FT	VINYL - GLAZING - BUTYL	132-010723
4	100322-01-715	EA	SUPPORT - TORQUE BAR - RH	130-015979
5	104691-15-703	EA	OPERATOR & BAR ASSEMBLY	CH56-15
6	112519-01-702	EA	OPERATOR - VENT	410-016123
7	100322-01-714	EA	SUPPORT - TORQUE BAR - LH	130-015978
8	104691-07-702	EA	SCREEN ASSEMBLY - W/SEALS & CLIPS	410-018755
9	100322-01-718	EA	HANDLE - DIAL	410-016081
10	112519-01-706	EA	CLIP - SCREEN	CH21-50
	100322-01-701	FT	SEAL - VENT	122-016071
	100322-01-702	EA	WEATHERSTRIP - HORIZONTAL RAIL	132-015976
	100322-01-704	EA	TAPE - BUTYL	154-016083
	104691-07-700	EA	GLASS - VENT ASSEMBLY - LOWER	CH78-D9
	116976-01-702	FT	FILLER - PLUG	132-016065



# THERMOPANE



KEY	PART NUMBER	U/M	DESCRIPTION
1	117053-01-F45	EA	WINDOW - PICTURE - 60% TINTING - 17.1" X 24.8"
2	002181-28-000	EA	GLASS - PICTURE - 23.9" X 16.19"
3	087561-01-000	FT	SEAL - GLASS - EXTERIOR - .5" WIDE - VINYL BLACK
	114507-02-01A	EA	FRAME - WINDOW - INSIDE

