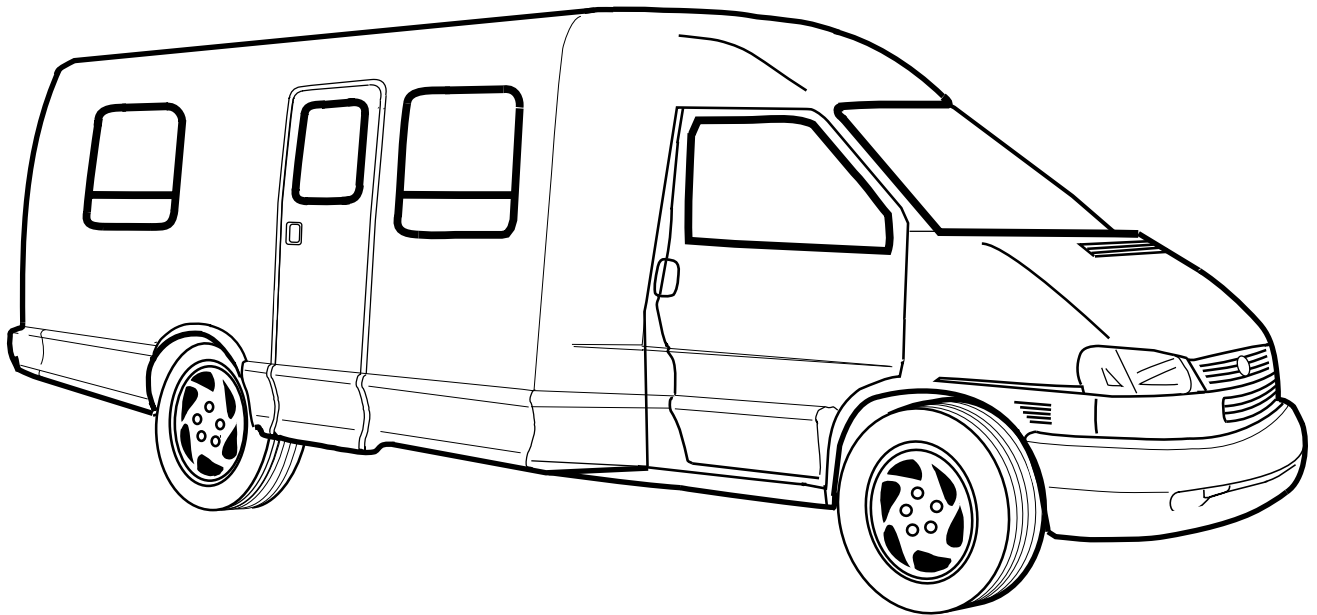
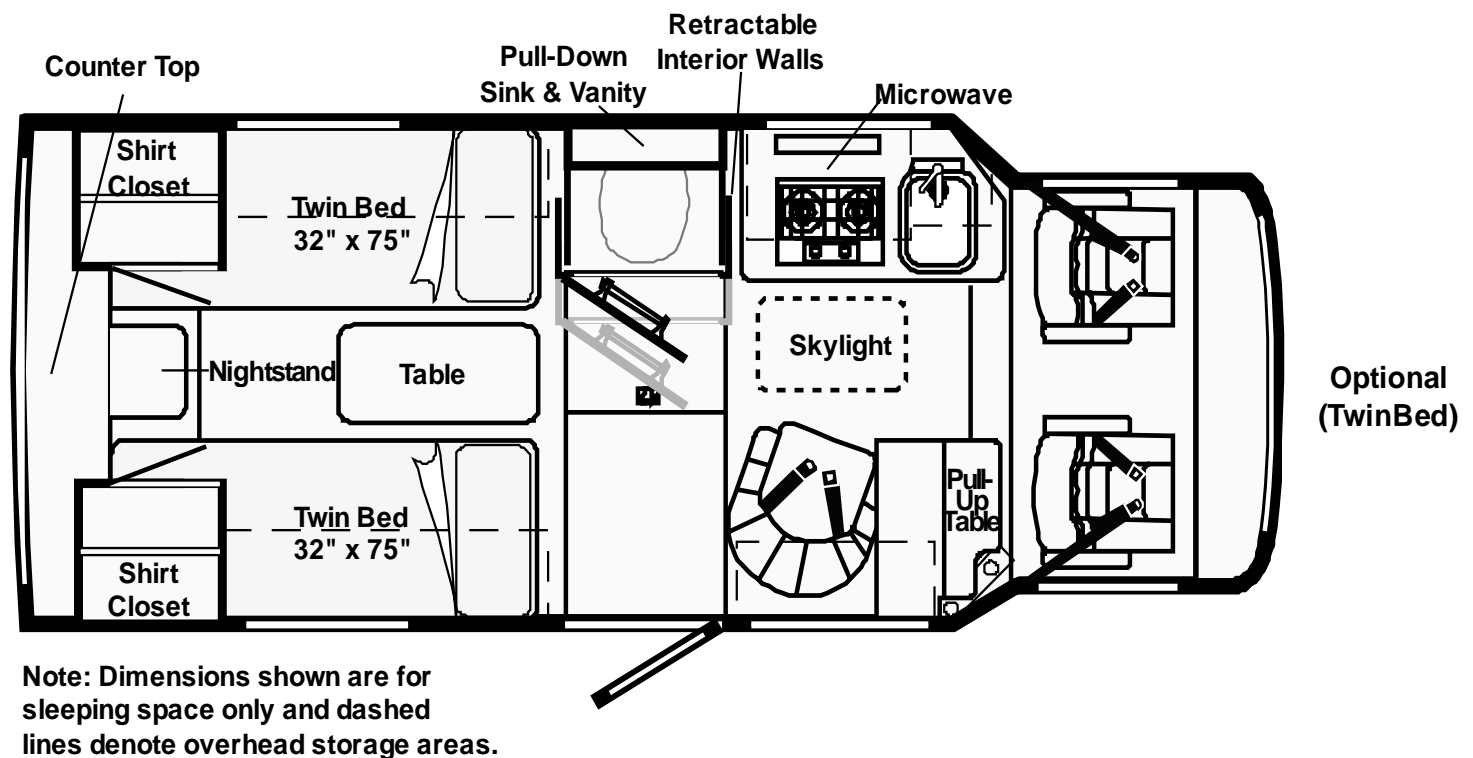
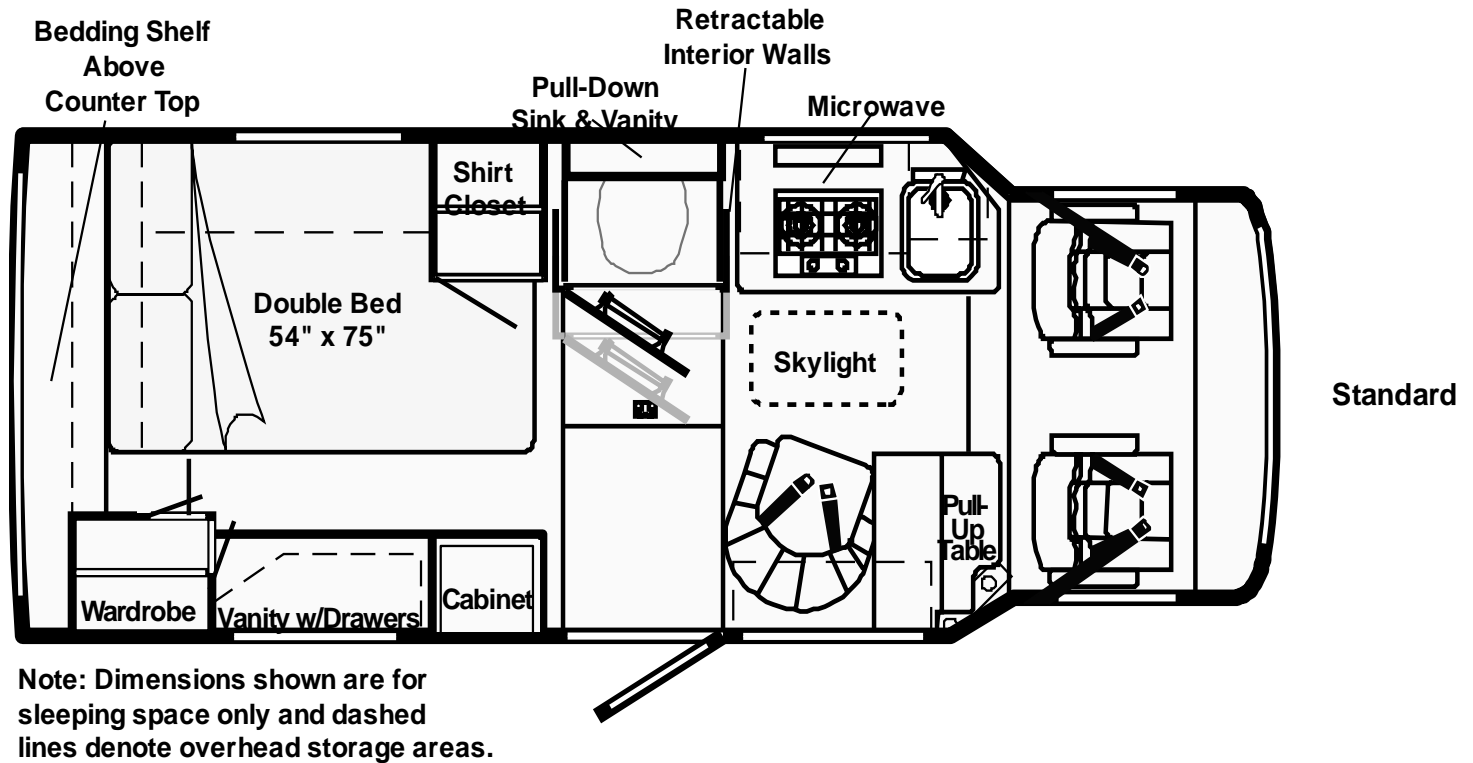


# **2001 RIALTA**

**200 SERIES  
WASHED MAPLE  
M91 GRAY FLANNEL  
M93 CANYON SPRUCE**



# 2001 RV222FD



FLOORPLAN

# CONTENTS

<b>FLOORPLAN</b> .....	<b>2</b>
<b>ACCESSORIES GROUP</b> .....	<b>6</b>
OPERATORS MANUAL .....	6
<b>APPLIANCE GROUP</b> .....	<b>7</b>
APPLIANCES .....	7
COMPONENT PARTS FOR APPLIANCE .....	8
113736-02-01A .....	8
113737-01,02,03 & 04-04A .....	8
113947-02-03A .....	13
114014-02-02A .....	14
<b>AUDIO VIDEO GROUP</b> .....	<b>15</b>
RADIO SYSTEM .....	15
COMPONENT PARTS FOR RADIO SYSTEM .....	16
127517-05-000 .....	16
TELEPHONE .....	17
TV & VCR .....	17
COMPONENT PARTS FOR TV & VCR .....	18
076319-24-000 .....	18
076319-25-000 .....	19
<b>BATH GROUP</b> .....	<b>20</b>
CABINETS .....	20
<b>BEDROOM GROUP</b> .....	<b>22</b>
TWIN CABINETS .....	22
DOUBLE CABINETS .....	24
TABLE .....	26
<b>CHASSIS GROUP</b> .....	<b>27</b>
FRAME .....	27
FRONT END .....	31
EXHAUST .....	32
HITCH .....	33
REAR BUMPER .....	33
EMISSIONS SYSTEM .....	34
SPARE TIRE .....	35
SUSPENSION .....	36
COMPONENT PARTS FOR SUSPENSION .....	37
100293-03-000 .....	37
112033-02-000 .....	37
WHEEL, TIRE, COVERS &/OR LINERS .....	38
COMPONENT PARTS FOR WHEEL, TIRE, COVERS &/OR LINERS .....	39
134261-01-01A .....	39
BRAKE .....	40
BRAKELINE .....	41
<b>CURTAIN &amp; CUSHION GROUP</b> .....	<b>42</b>
NOTICE .....	42
CUSHION LAYOUT .....	43
BUCKET SEATS .....	44
LOUNGE CHAIR .....	46
WINDOW TREATMENT .....	47
HARDWARD .....	48
ACCESSORIES .....	50
FABRICS .....	51
<b>DRIVERS COMPARTMENT GROUP</b> .....	<b>52</b>
DASH .....	52
FRONT INTERIOR .....	52

# CONTENTS (CONTINUED)

<b>ELECTRICAL GROUP</b> .....	<b>53</b>
12V BODY WIRING .....	53
FRONT END WIRING .....	55
COMPONENT PARTS FOR LIGHTS & SWITCHES .....	56
008089-02-000 .....	56
087202-02-000 .....	56
087694-01-000 .....	56
098024-01-03A .....	56
098024-03-02A .....	56
098024-05-02A .....	56
CIRCUIT BREAKERS & FUSES .....	57
CONVERTER, INVERTER, LOAD CENTERS .....	57
110V WIRING .....	58
BOXES & CORDS .....	59
WIRE ASSEMBLIES .....	59
CONNECTORS & CONDUIT .....	59
BOOTS, SOLENOIDS, RELAYS & MISCELLANEOUS .....	59
<b>EXTERIOR BODY GROUP</b> .....	<b>60</b>
GRAPHICS & PAINT .....	60
PANELS .....	62
VALANCE DOOR PIECE PARTS .....	64
COMPONENT PARTS FOR VALANCE DOOR PIECE PARTS .....	65
110506-59-000 - 110506-59-009 .....	65
RUNNING BOARDS .....	66
MIRRORS .....	66
STRUCTURAL COMPONENTS .....	67
<b>EXTERIOR DOORS &amp; COMPARTMENTS GROUP</b> .....	<b>68</b>
ENTRY .....	68
SCREEN .....	69
LATCH - ENTRY .....	70
COMPONENT PARTS FOR LATCH - ENTRY .....	71
113636-01-01A .....	71
<b>GALLEY GROUP</b> .....	<b>72</b>
CABINETS .....	72
<b>GENERATOR GROUP</b> .....	<b>73</b>
GAS .....	73
<b>HEATING &amp; A/C GROUP</b> .....	<b>74</b>
FURNACE .....	74
COMPONANT PARTS FOR FURNACE .....	75
101990-05-000 .....	75
REAR HEATER .....	76
COMPONENT PARTS FOR REAR HEATER .....	77
084405-01-000 .....	77
ROOF .....	78
COMPONANT PARTS FOR ROOF .....	79
093306-01-02A .....	79
093307-03-000 .....	80
AUXILIARY OVERHEAD A/C .....	81
COMPONANT PARTS FOR AUXILIARY OVERHEAD A/C .....	82
113245-01-000 .....	82
113245-02-000 .....	83
<b>INTERIOR FINISH GROUP</b> .....	<b>84</b>
MOLDINGS & TRIMS .....	84
PANELING & LAMINATES .....	90
ACCESSORIES .....	90
COMPONENT PARTS FOR ACCESSORIES .....	91
094499-02-000 .....	91
FLOOR COVERINGS .....	92
HARDWARE .....	93
<b>LABELS GROUP</b> .....	<b>102</b>

# CONTENTS (CONTINUED)

<b>LP GROUP</b> .....	<b>129</b>
LP SYSTEM .....	129
COMPONENT PARTS FOR LP SYSTEM .....	130
074039-04-000 .....	130
<b>LOUNGE GROUP</b> .....	<b>131</b>
CABINETS & TABLE .....	131
<b>SEALANTS &amp; FASTENERS GROUP</b> .....	<b>132</b>
SEALANTS & ADHESIVES .....	132
BOLTS, NUTS AND WASHERS .....	133
SCREWS .....	136
CLAMPS, CLIPS, GROMMETS, RIVETS & PLUGS .....	140
MISCELLANEOUS FASTENERS .....	141
<b>WATER &amp; SEWAGE GROUP</b> .....	<b>142</b>
DRAINAGE SYSTEM .....	142
COMPONENT PARTS FOR DRAINAGE SYSTEM .....	144
064076-03-000 .....	144
070916-01-000 .....	145
WATER SYSTEM .....	146
COMPONENT PARTS FOR WATER SYSTEM .....	153
098607-01-000 .....	153
110506-59-000 - 110506-59-009 .....	153
113122-01-000 .....	153
<b>WINDOW &amp; VENTS GROUP</b> .....	<b>154</b>
WINDOW & VENT LAYOUT .....	154
COMPONENT PARTS FOR WINDOWS & VENT LAYOUT .....	155
098644-10-02A .....	155
104691-07-02A .....	156
098647-46-02A .....	157
104691-07-02A .....	158
123780-01-01A .....	159
<b>WINDSHIELD &amp; WIPER GROUP</b> .....	<b>160</b>
WIPER .....	160
COMPONENT PARTS FOR WIPER .....	161
085721-03-000 .....	161
096931-01-000 .....	161

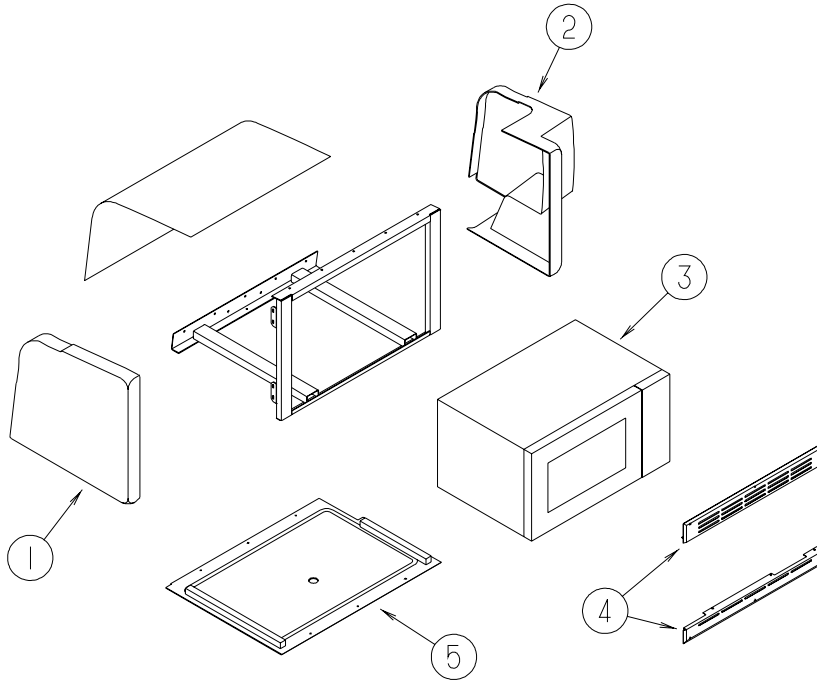
**ACCESSORIES GROUP**  
**OPERATORS MANUAL**

<b>KEY</b>	<b>PART NUMBER</b>	<b>U/M</b>	<b>DESCRIPTION</b>
	132000-02-001	EA	MANUAL/OWNER - RIALTA - 2001
	129079-01-01A	EA	CASE - VINYL/BLACK-EXPANDABLE ACCORDION SIDES-7"WX9"HX14"L
	135326-01-000	DW	TOP LEVEL-H, 2001

## APPLIANCE GROUP APPLIANCES

KEY	PART NUMBER	U/M	DESCRIPTION
*	113737-01-04A	EA	REFRIGERATOR - SMALL SINGLE DOOR - 3 WAY - VW LT GRAY
*	113737-04-04A	EA	REFRIGERATOR - ONE DOOR/3-WAY - VW LIGHT GRAY - HIGH ALT.
*	113736-02-01A	EA	VENT KIT - REFRIGERATOR
	086297-04-000	EA	GRILL - REFRIGERATOR VENT - VW LT GRAY
	054450-01-000	EA	LEVEL - REFRIGERATOR
*	113947-02-03A	EA	RANGE TOP - 2 BURNER W/COVER - VW LIGHT GRAY
*	114014-02-02A	EA	PANEL - MONITOR 2 TANK W/REMOTE
	119159-01-02B	EA	BRACKET - TIEDOWN - REFRIGERATOR - RIGHT HAND
	119159-02-02B	EA	BRACKET - TIEDOWN - REFRIGERATOR - LEFT HAND

**\*COMPONENT PARTS LISTED LATER IN THIS GROUP**

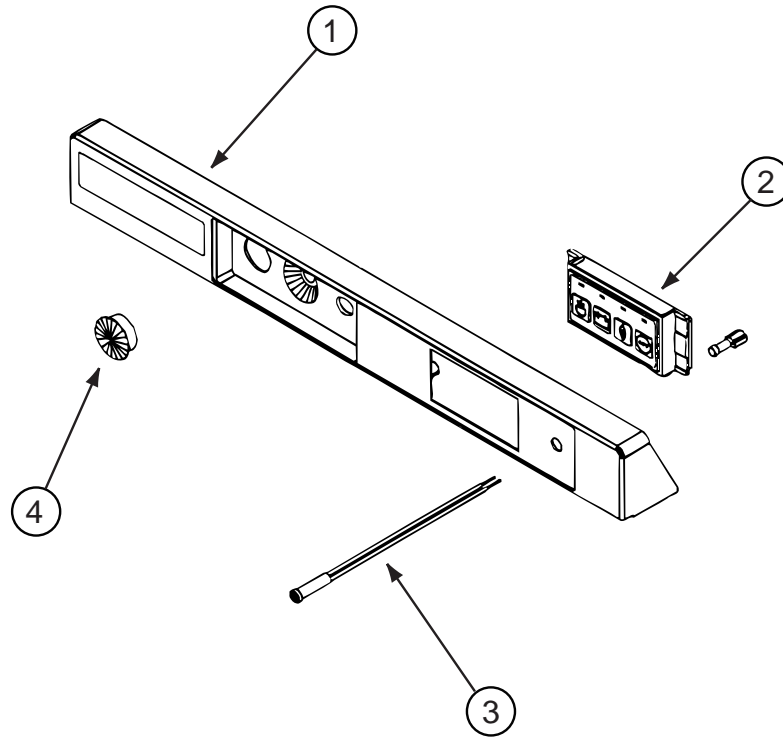


KEY	PART NUMBER	U/M	DESCRIPTION
1	119132-09-K77	EA	END CAP - OVERHEAD
2	119132-10-K77	EA	END CAP - OVERHEAD
3	128527-06-000	EA	OVEN - MICROWAVE W/TRIM KIT- 1 CU.FT.- NON CONVECTION
4	128642-03-000	EA	TRIM KIT W/VENT- MICROWAVE .9 CU.FT. - SAMSUNG - 2.1" HIGH
5	119142-02-04B	EA	PANEL - MICROWAVE BOTTOM - BLACK

**APPLIANCE GROUP (CONTINUED)**  
**COMPONENT PARTS FOR APPLIANCE**

113736-02-01A

KEY	PART NUMBER	U/M	DESCRIPTION	VENDOR NO.
	113736-02-01A	EA	VENT KIT - REFRIGERATOR	
	113736-01-700	EA	COVER-VENT	617920
	113736-01-701	EA	DISC-INSERT - F/VENT COVER	617921
	113736-01-702	EA	PLATE-BACKING METAL	617922
	113736-01-703	EA	GASKET-VENT TERMINAL	617924
	113736-01-704	EA	HOUSING-VENT TERMINAL	617923

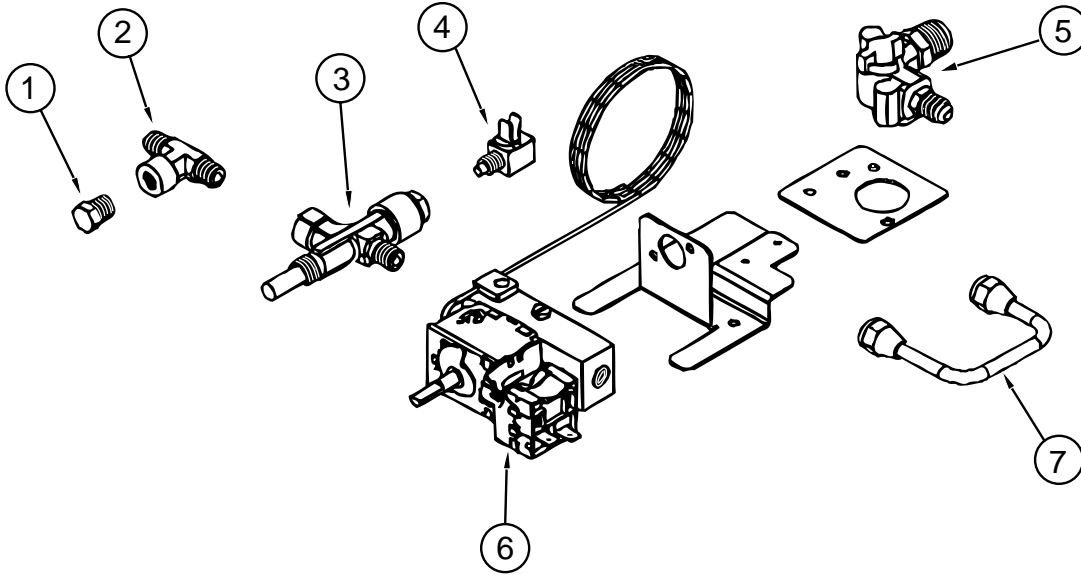


113737-01,02,03 & 04-04A

KEY	PART NUMBER	U/M	DESCRIPTION	VENDOR NO.
1	113737-01-723	EA	PANEL-CONTROL	617913
2	113737-01-729	EA	SWITCH - SELECTION (MODE)	617945
3	113737-01-703	EA	LIGHT-FLAME INDICATORGRN RED	61609022
4	113737-01-713	EA	PLUG-HOLE, 1" BLACK	617981



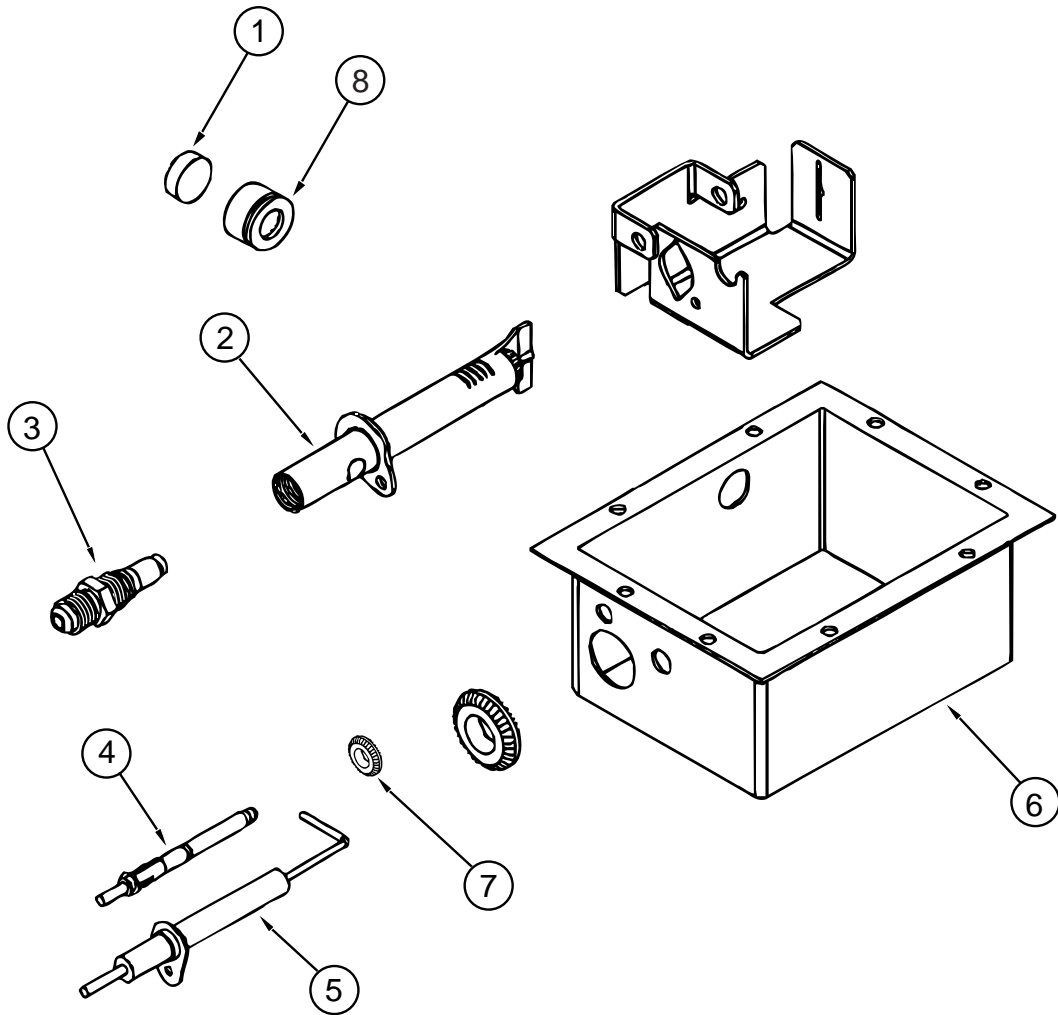
**APPLIANCE GROUP (CONTINUED)**  
**COMPONENT PARTS FOR APPLIANCE (CONTINUED)**



**113737-01,02,03 & 04-04A (CONTINUED)**

<b>KEY</b>	<b>PART NUMBER</b>	<b>U/M</b>	<b>DESCRIPTION</b>	<b>VENDOR NO.</b>
1	113737-01-702	EA	PLUG 1/8i F/PRESSURE TAP	61445322
2	113737-01-716	EA	TAP-PRESSURE	61594422
3	113737-01-730	EA	VALVE - SAFETY IGNITION	617965
4	113737-01-709	EA	INTERRUPTER	61750522
5	113737-01-719	EA	VALVE - SHUT-OFF - MANUAL	617976
6	113737-01-735	EA	THERMOSTAT - GAS VALVE	617944
7	113737-01-750	EA	TUBE-UNION	61694622

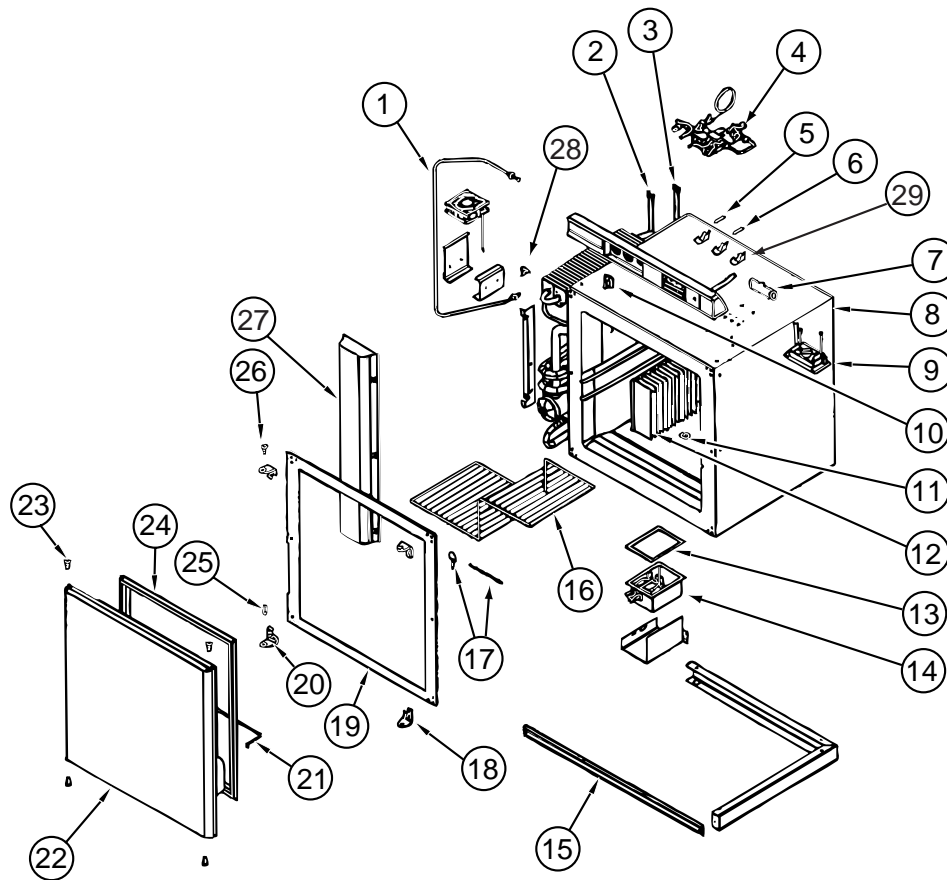
**APPLIANCE GROUP (CONTINUED)**  
**COMPONENT PARTS FOR APPLIANCE (CONTINUED)**



**113737-01,02,03 & 04-04A (CONTINUED)**

KEY	PART NUMBER	U/M	DESCRIPTION	VENDOR NO.
1	113737-01-732	EA	GLASS-SIGHT	617995
2	113737-01-726	EA	BURNER ASSEMBLY	617936
3	113737-01-727	EA	ORIFICE-ADAPTER ASSEMBLY	61753137
4	113737-01-717	EA	THERMOCOUPLE	617983
5	113737-01-715	EA	ELECTRODE-SPARK IGNITION	617966
6	113737-01-747	EA	BOX-BOTTOM F/BURNER	617925
7	113737-01-755	EA	RUBBER GROMMET	617997
8	113737-01-751	EA	GROMMET F/SIGHT GLASS	617933

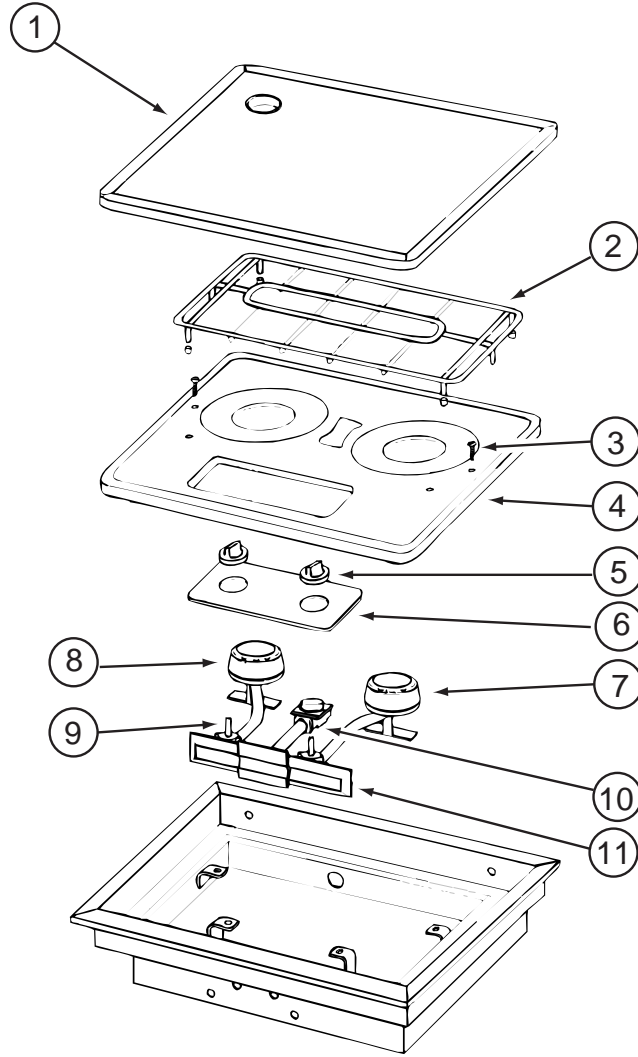
**APPLIANCE GROUP (CONTINUED)**  
**COMPONENT PARTS FOR APPLIANCE (CONTINUED)**



**113737-01-04A, 113737-02-04A, 113737-03-04A, 113737-04-04A (CONTINUED)**

KEY	PART NUMBER	U/M	DESCRIPTION	VENDOR NO.
1	113737-01-746	EA	TUBE-BURNER	617989
2	113737-01-722	EA	HEATER DC (3-WAY)	61745422
3	113737-01-721	EA	HEATER AC	61745322
4	113737-01-718	EA	CONTROL ASSY-THERMOSTAT	617998
5	113737-01-714	EA	FUSE 20 AMP (3-WAY)	61440522
6	113737-01-720	EA	FUSE 3 AMP (32V OR LESS)	61654622
7	113737-01-731	EA	BLOCK-TERMINAL	617979
8	113737-01-707	EA	CABINET-COOLING UNIT (FOAMED)	617993
9	113737-01-728	EA	RELIGHTER	617964
10	113737-01-740	EA	KNOB-THERMOSTAT	617971
10	113737-01-741	EA	SCREW #10 X 1/2"	NSC0001
11	113737-01-705	EA	CLIP-FIN	61728722
12	113737-01-706	EA	FIN ASSEMBLY	617948
13	113737-01-748	EA	GASKET-BURNER BOX-FELT	617977
14	113737-01-749	EA	BURNER BOX ASSEMBLY	617937
15	113737-01-734	EA	GRILLE (AIR INLET BLK)	617938
16	113737-01-711	EA	SHELF L-SHAPED (WHITE)	618063
17	113737-01-752	EA	CHAIN (TRAVEL LATCH)	618047
17	113737-01-753	EA	PIN (TRAVEL LATCH)	618046
18	113737-01-725	EA	HINGE (LH BTM & RH TOP)	617911
19	113737-01-712	EA	BREAKER (BLACK TRIM)	617912
20	113737-01-724	EA	HINGE (RH BTM & LH TOP)	617910
21	113737-01-733	EA	DOOR-RAIL, WHITE POWDER	618064
22	113737-02-703	EA	DOOR ASSEMBLY-VW LIGHT GRAY	620297
22	113737-02-704	EA	DOOR LINER-VW LIGHT GRAY	620296
23	113737-01-701	EA	BUSHING-HINGE	61742022
24	113737-01-704	EA	GASKET-DOOR, GRAY	617906
25	113737-01-710	EA	PIN-HINGE, BOTTOM	61550722
26	113737-01-708	EA	PIN-HINGE, TOP	61114600
27	113737-02-702	EA	SYSTEM COVER-VW LIGHT GRAY	620299
28	113737-01-754	EA	THERMOSTAT (FAN 12V DC)	618093
29	113737-01-759	EA	FUSE HOLDER	61584222

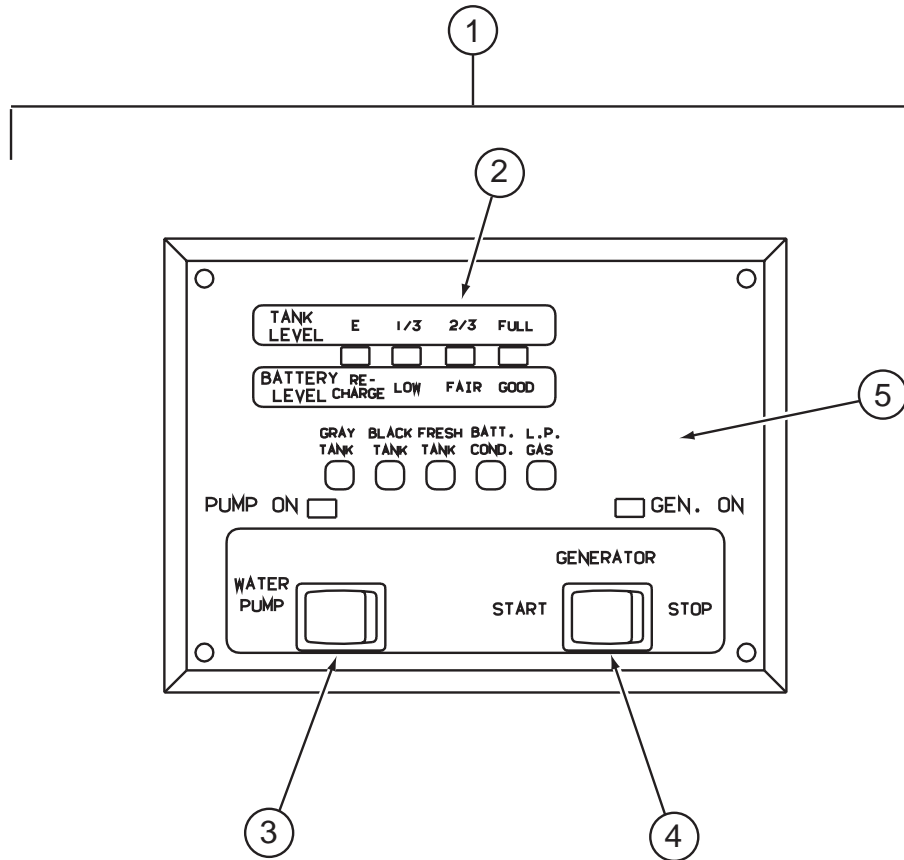
**APPLIANCE GROUP (CONTINUED)**  
**COMPONENT PARTS FOR APPLIANCE (CONTINUED)**



113947-02-03A

KEY	PART NUMBER	U/M	DESCRIPTION	VENDOR NO.
1	113947-02-705	EA	COVER - STOVE TOP/LT GRAY	56231
2	101593-01-700	EA	GRATE, DESIGNER STYLE	53304
3	101593-01-701	EA	SCREW-THUMB	52537
5	101593-01-703	EA	KNOB-BURNER	53000
6	113948-01-702	EA	DECAL-BURNER CONTROL	51454
7	113947-02-702	EA	BURNER - RIGHT	56076
8	113947-02-703	EA	BURNER - LEFT	56075
9	113947-02-700	EA	VALVE - BURNER	56089
10	106689-01-704	EA	REGULATOR-EXTREME PRESSURE	51062
11	113948-02-702	EA	MANIFOLD	56079
	107323-01-711	EA	CUSHION - GRATE BOOTS-RUBBER	53008
	113948-02-705	EA	GROMMET/MOLDING 47.75"	52453

**APPLIANCE GROUP (CONTINUED)**  
**COMPONENT PARTS FOR APPLIANCE (CONTINUED)**



**114014-02-02A**

KEY	PART NUMBER	U/M	DESCRIPTION	VENDOR NO
1	114014-02-02A	EA	PANEL - MONITOR 2 TANK W/REMOTEVENTLINE	LA1023-00
2	114014-02-701	EA	OVERLAY SILKSCREEN	CD0343-00
3	096983-01-702	EA	SWITCH - MOM/OFF/MOM/3 TERM	L0112-00
4	096983-01-700	EA	SWITCH - ON/OFF	L0108-00
5	114014-02-702	EA	BOARD-CIRCUIT	L5098-06
	114014-02-700	EA	CHASSIS	CD0213-06

**AUDIO VIDEO GROUP**  
**RADIO SYSTEM**

KEY	PART NUMBER	U/M	DESCRIPTION
	094097-01-000	EA	SPEAKER - RADIO/TV - W/O GRILLE - 5.25" DIAMETER
	074979-01-000	EA	SHIELD - SPEAKER - BACK - MOLDED PLASTIC - 8" X 9" FROM: 00-00-00 THRU: 06-30-00
	089340-02-000	EA	GRILLE - SPEAKER - 6.5" SQUARE - W/O DELUXE SOUND
	124881-01-000	EA	AMPLIFIER - AUDIO - W/DELUXE SOUND
	124883-02-000	EA	SPEAKER - CUBE - W/BRACKET - W/DELUXE SOUND
	124883-03-000	EA	SPEAKER - CUBE - W/O CASE - W/DELUXE SOUND
	124883-04-000	EA	SPEAKER - GRILLE - F/CUBE - W/DELUXE SOUND
	124884-01-000	EA	SPEAKER - 6" X 9" - SUB-WOOFER - W/DELUXE SOUND
	124885-01-000	EA	GRILLE - SPEAKER - 6" X 9" - SUB-WOOFER - W/DELUXE SOUND
	124885-01-000	EA	GRILLE - SPEAKER - 6" X 9" - SUB-WOOFER
	114365-02-000	EA	ADAPTER - RADIO - POWER/SPEAKERS - W/FRONT TV OR DASH RADIO
	114366-01-000	EA	ADAPTER - RADIO - ANTENNA - W/FRONT TV OR DASH RADIO
*	127517-05-000	EA	RADIO - AM/FM STEREO/CD PLAYER - SONY CDX-C4005X - DASH RADIO W/CD FROM: 00-00-00 THRU: 04-19-01
	127517-08-000	EA	RADIO - AM/FM STEREO - CD PLAYER - SONY CDX-L550X - DASH RADIO W/CD FROM: 04-20-01 THRU: 99-99-99
	097460-15-000	EA	RADIO - AM/FM CASSETTE/CD - SONY XR-C2200 - DASH RADIO W/CASSETTE

**\*COMPONENT PARTS LISTED LATER IN THIS GROUP**

**AUDIO VIDEO GROUP (CONTINUED)**  
**COMPONENT PARTS FOR RADIO SYSTEM**

127517-05-000

<b>KEY</b>	<b>PART NUMBER</b>	<b>U/M</b>	<b>DESCRIPTION</b>	<b>VENDOR NO.</b>
	127517-05-000	EA	RADIO - AM/FM STEREO/CD PLAYER - SONY CDX-C4005X	
	127517-05-700	EA	REMOTE-WIRED	RMX4S

## AUDIO VIDEO GROUP (CONTINUED)

### TELEPHONE

KEY	PART NUMBER	U/M	DESCRIPTION
	093901-03-000	EA	PLATE - TV COAX - EXTERIOR - 1.8" X 2.5"

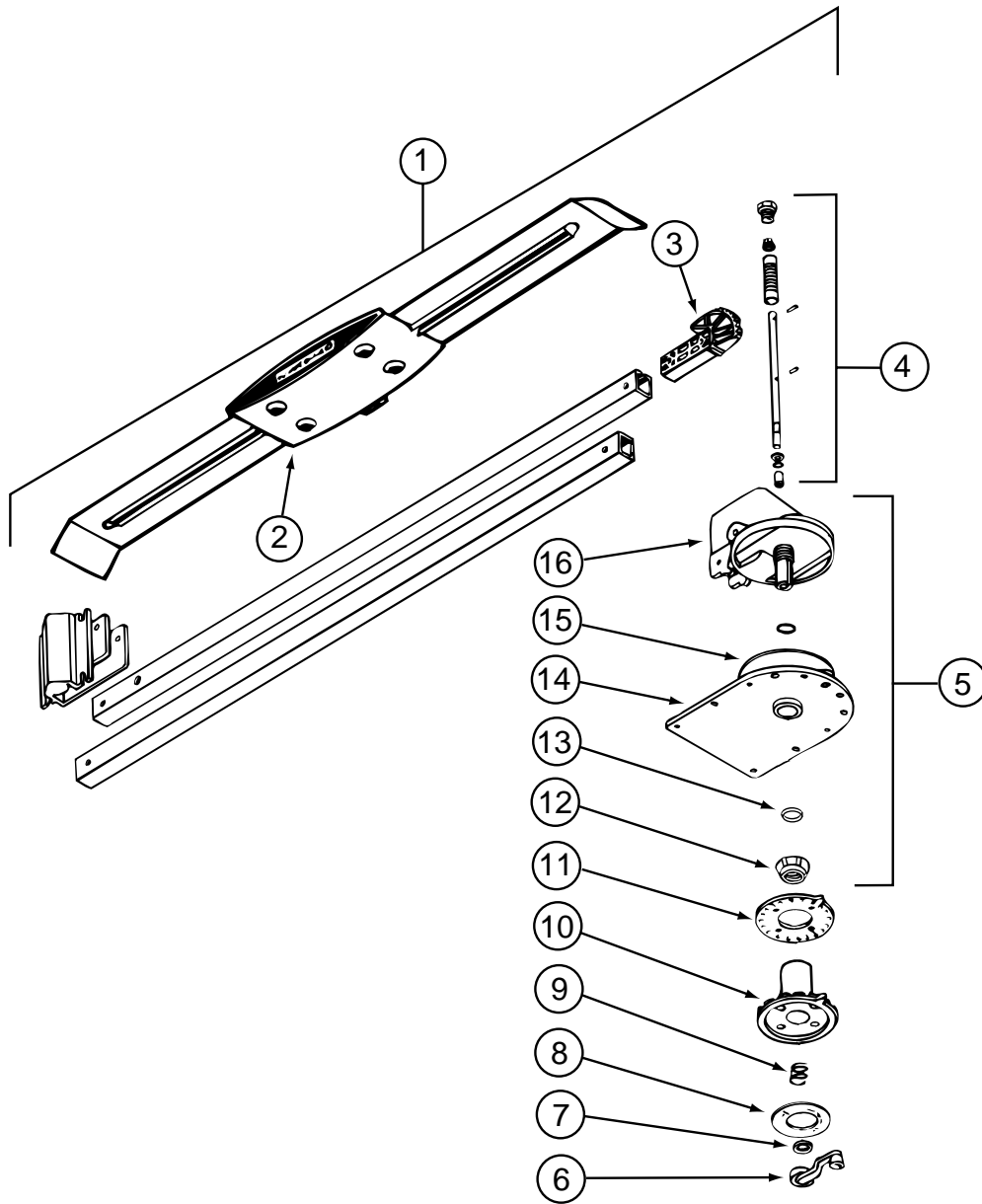
### TV & VCR

KEY	PART NUMBER	U/M	DESCRIPTION
	076319-03-000	FT	CABLE - COAXIAL - 75 OHM
	076319-12-000	EA	CONNECTOR - COAXIAL - ONE PIECE
	076319-06-000	EA	ADAPTER - CABLE ROOF PLATE
*	076319-24-000	EA	ANTENNA - TV ROOF MOUNT - 25.5" MAST
*	076319-25-000	EA	KIT - HARDWARE INTERIOR
	082134-01-000	EA	ADAPTER - TV - CABLE TO CABLE
	082136-01-000	EA	NUT - HEX JAM - 3/8-32
	086777-02-000	EA	WALLPLATE - TV CABLE - W/ANTENNA SWITCH - BLACK

**\*COMPONENT PARTS LISTED LATER IN THIS GROUP**



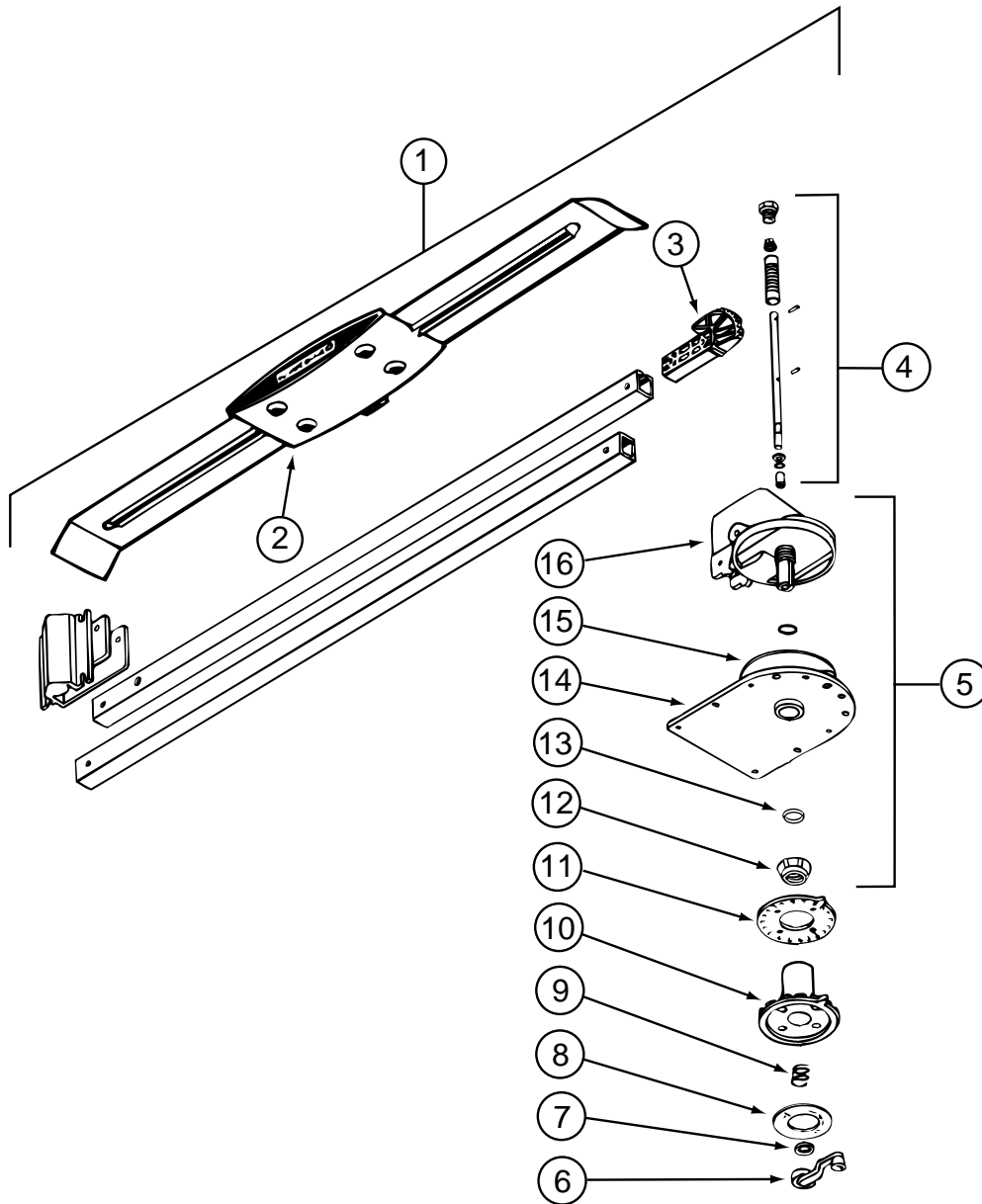
**AUDIO VIDEO GROUP (CONTINUED)**  
**COMPONENT PARTS FOR TV & VCR**



**076319-24-000**

KEY	PART NUMBER	U/M	DESCRIPTION	VENDOR NO.
1	076319-24-000	EA	ANTENNA - TV ROOF MOUNT - 25.5" MAST	
2	076319-01-700	EA	HEAD-ANTENNA, AMPLIFIED	RVSA U/V
3	076319-01-701	EA	GEAR-ELEVATING, PLASTIC	2200046
4	076319-01-702	EA	SHAFT ASM-ELEVATING	RP-4000
5	076319-01-711	EA	BASE & LIFT ASM	2762802
6			CONTACT WINNEBAGO PART SALES FOR THIS COMPONENT	
7	076319-01-705	EA	GROMMET-NYLON, 7/8"ID	3200658
8	076319-01-708	EA	DECAL-CRANK	5413002
9	076319-01-707	EA	SPRING-HANDLE	2160822
10	076319-25-700	EA	DIRECTIONAL HANDLE(WHITE)	3200612
11	076319-01-712	EA	PLATE - CEILING	3200608
11	076319-01-709	EA	PLATE-CEILING (IVORY)	3200621
12	076319-01-715	EA	NUT (GEAR HOUSING)	2200047
13	076319-01-704	EA	BEARING-NYLON, 1.25"OD	3200657
14	076319-01-713	EA	PLATE-BASE, STEEL	3100523
15	076319-01-703	EA	BEARING-NYLON, 5" OD	3200656
16	076319-01-714	EA	HOUSING, ROTATING GEAR	2200049
	076319-01-716	EA	TUBING, ELEVATING	RP-2900

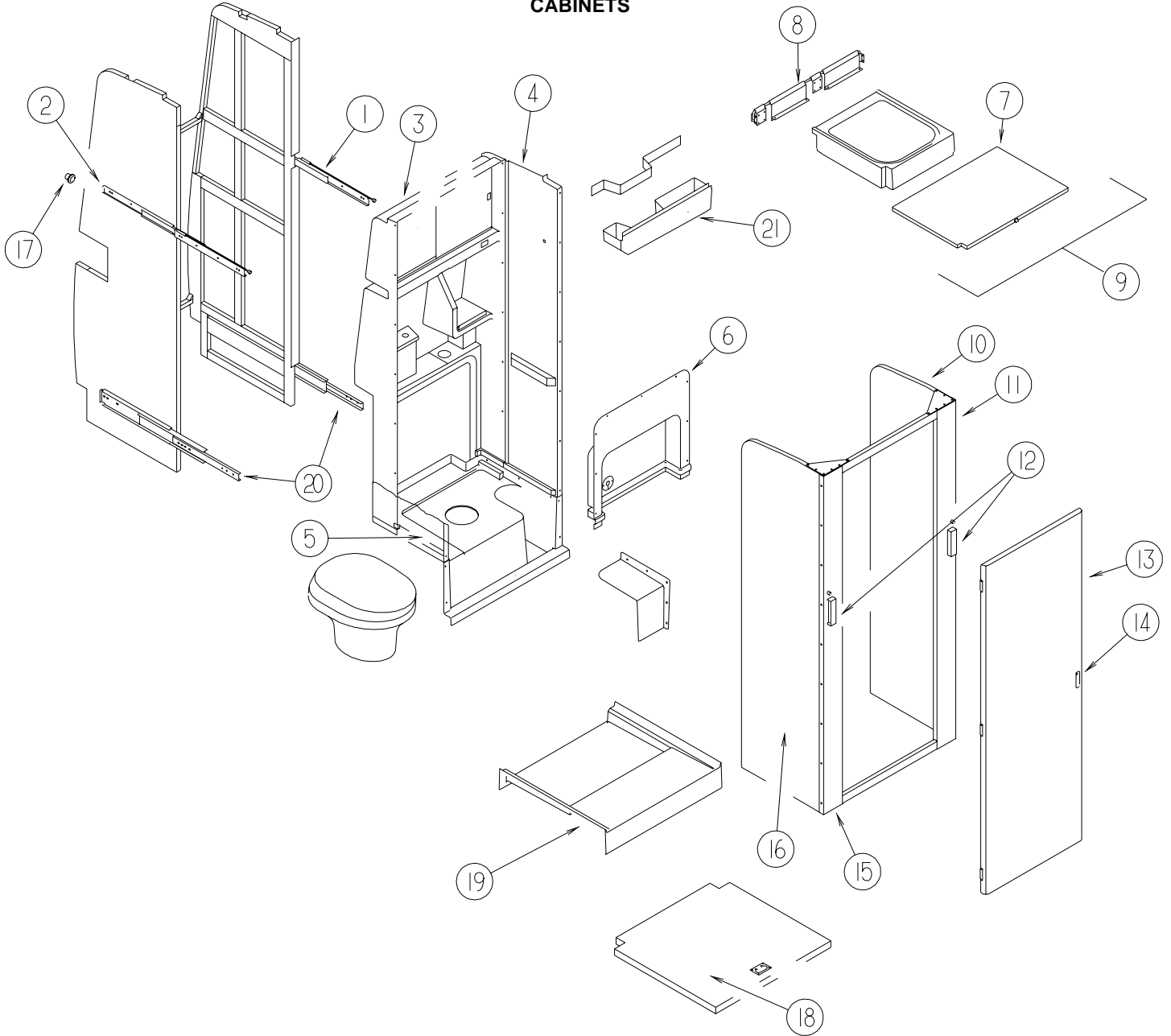
**AUDIO VIDEO GROUP (CONTINUED)**  
**COMPONENT PARTS FOR TV & VCR (CONTINUED)**



**076319-25-000**

KEY	PART NUMBER	U/M	DESCRIPTION	VENDOR NO.
	076319-25-000	EA	KIT - HARDWARE INTERIOR	
2 THRU 5			SEE PARTS TO ANTENNA	
6	076319-01-706	EA	CRANK-ELEVATING W/SET SCREW	2750897
6	120233-01-710	EA	HANDLE-CRANK	RP-6795
7			SEE PARTS TO ANTENNA	
8	076319-01-708	EA	DECAL-CRANK	5413002
9	076319-01-707	EA	SPRING-HANDLE	2160822
10	076319-25-700	EA	DIRECTIONAL HANDLE(WHITE)	3200612
11	076319-25-701	EA	PLATE - CEILING(WHITE)	3200609
12			SEE PARTS TO ANTENNA	
13	120233-01-709	EA	WASHER-NYLON	RP-2658
14 THRU 16			SEE PARTS TO ANTENNA	

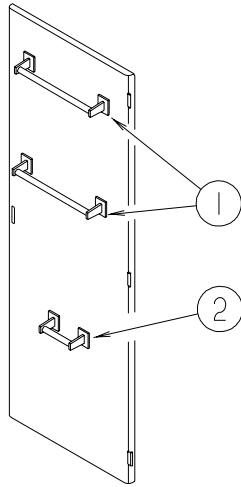
## BATH GROUP CABINETS



KEY	PART NUMBER	U/M	DESCRIPTION
1	116173-01-000	EA	SLIDE - LOCKING - LEFT HAND FACING CABINET
2	116173-02-000	EA	SLIDE - LOCKING - RIGHT HAND FACING CABINET
3	111950-01-02A	EA	SURROUND - SHOWER/BACK - VW LIGHT GRAY
4	111986-01-02A	EA	SURROUND - SHOWER/RIGHT HAND SIDE - VW LIGHT GRAY
5	111986-03-02A	EA	SURROUND - SHOWER/LEFT HAND SIDE - VW LIGHT GRAY
6	112151-01-02A	EA	COVER - DRAINAGE ACCESS - VW LIGHT GRAY
7	113183-02-K76	EA	PANEL - DOOR/SINK
	127346-01-02A	EA	PLUG - HOLE - 3/4" DIAMETER - STEEL
8	113982-01-K76	EA	HINGE - FOLD UP SINK W/DOOR PANEL
	086235-03-000	EA	BEARING - SNAPIN - 5/16ID X 5/16
9	M06944-02-K76	EA	BATH SINK/FOLD UP - W/DOOR ATTACHED
10	113929-01-L90	EA	CABINET - WALL - BATH SLIDER - W/O HARDWARE (M91)
10	113929-01-L92	EA	CABINET - WALL - BATH SLIDER - W/O HARDWARE (M93)
11	116246-01-03A	EA	CORNER - BATH/RH - VW LT GRAY
12	074762-01-000	EA	PULL - CABINET - 4.8" X .9" - BLACK PLASTIC
13	113756-01-K76	EA	DOOR - BATH

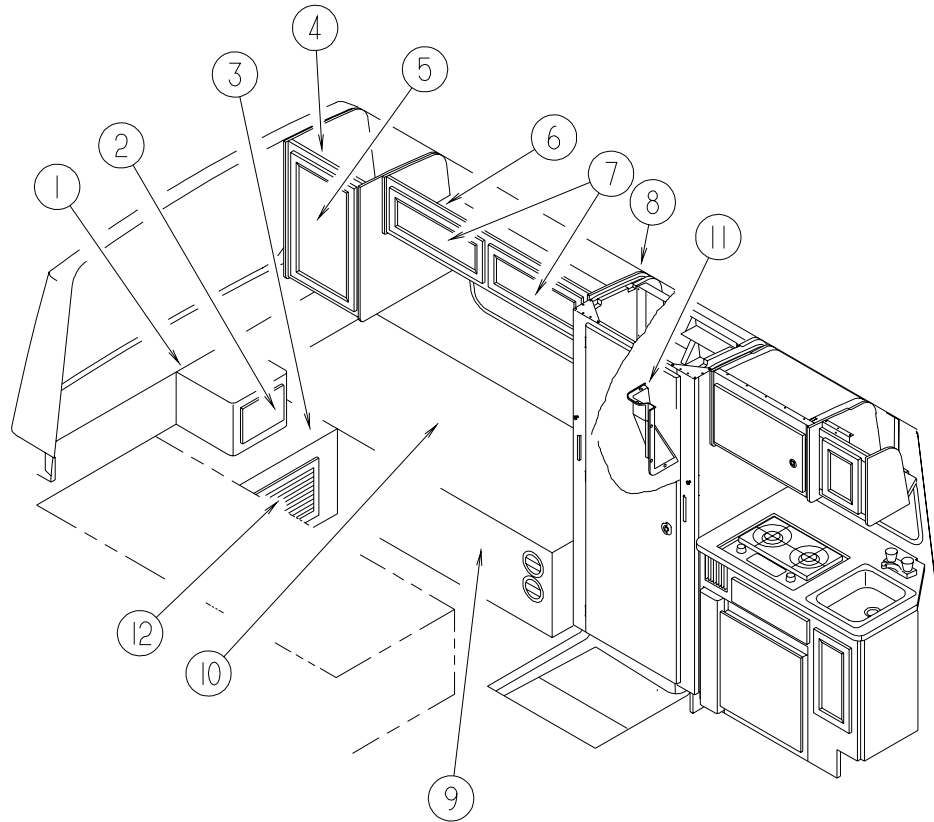
**BATH GROUP (CONTINUED)**  
**CABINETS (CONTINUED)**

KEY	PART NUMBER	U/M	DESCRIPTION
14	058335-03-000	EA	LATCH - W/O LOCK - BATHROOM DOOR BLACK
15	116246-02-03A	EA	CORNER - BATH/LH - VW LT GRAY
16	113929-02-L90	EA	CABINET - WALL - BATH SLIDER - W/O HARDWARE (M91)
16	113929-02-L92	EA	CABINET - WALL - BATH SLIDER - W/O HARDWARE (M93)
17	116044-01-000	EA	BUMPER - MOLDED
18	113092-02-M91	EA	COVER - SHOWER PAN - 24.5" X 25.5"
18	P13092-02-000	EA	COVER - SHOWER PAN - W/O CARPET - 24.5" X 25.5"
19	118605-01-02A	EA	SHOWER PAN - W/STRAINER - VW LIGHT GRAY
	114974-01-000	EA	CONNECTOR - HULL - W/STRAINER
20	116174-01-000	EA	SLIDE - FULL EXTENDED
21	114898-01-02A	FT	VINYL - 1.6" X 38.1" - VW LIGHT GRAY



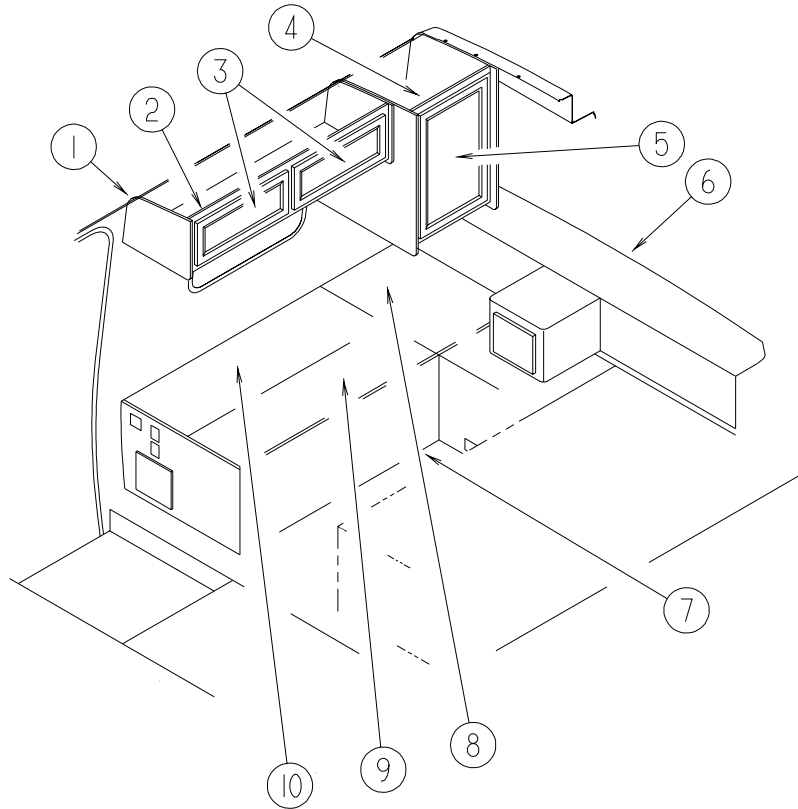
DKEY	PART NUMBER	U/M	DESCRIPTION
1	075453-03-000	EA	BRACKET - TOWEL BAR - BRASS - 2 PER PACK
1	075453-04-000	EA	ROD - F/TOWEL BAR - 18" BRASS - W/O END BRACKETS
2	075452-02-000	EA	HOLDER - TOILET TISSUE - BRASS

## BEDROOM GROUP TWIN CABINETS



KEY	PART NUMBER	U/M	DESCRIPTION
1	P33858-01-L91	EA	CABINET - NIGHTSTAND - W/COUNTERTOP - W/O DOOR/DRAWER/HDW
2	P34767-86-M91	EA	DRAWER - PENCIL EDGE - 7.6"W X 13.7"D-W/O SLIDES/HARDWARE
3	133131-06-M91	EA	COUNTERTOP - LAMINATED
4	119590-01-J80	EA	CABINET - SHIRT CLOSET - LEFT HAND - W/O DOORS/HARDWARE
5	134783-D3-M91	EA	DOOR - RAIL/SOLID PANEL - 15.3" X 25.5" - W/O HARDWARE
6	124889-01-J80	EA	CABINET - OVERHEAD/REAR/LEFT HAND - W/O DOORS/HARDWARE
6	124889-02-J80	EA	CABINET - OVERHEAD/REAR/LEFT HAND - W/O DOORS/HARDWARE - W/SOUND SYSTEM
7	134783-05-M91	EA	DOOR - RAIL/SOLID PANEL - 10.1" X 25.1" - W/O HARDWARE
8	119132-02-J80	EA	END CAP - OVERHEAD
9	P24936-01-J80	EA	CABINET/BASE - TWIN BED/LEFT HAND - W/O DOOR/DRAWER/HDW
9	P24936-02-K77	EA	CABINET/BASE - TWIN BED/LEFT HAND - W/O DOOR/DRAWER/HDW - W/SOUND SYSTEM
10	M07592-11-000	EA	TOP - TWIN BED - W/O HARDWARE
11	119690-01-03A	EA	COVER - PIPE - VW LT GRAY
12	093614-02-02A	EA	GRILLE - AIR RETURN - 9.9" X 9.9" - BEIGE

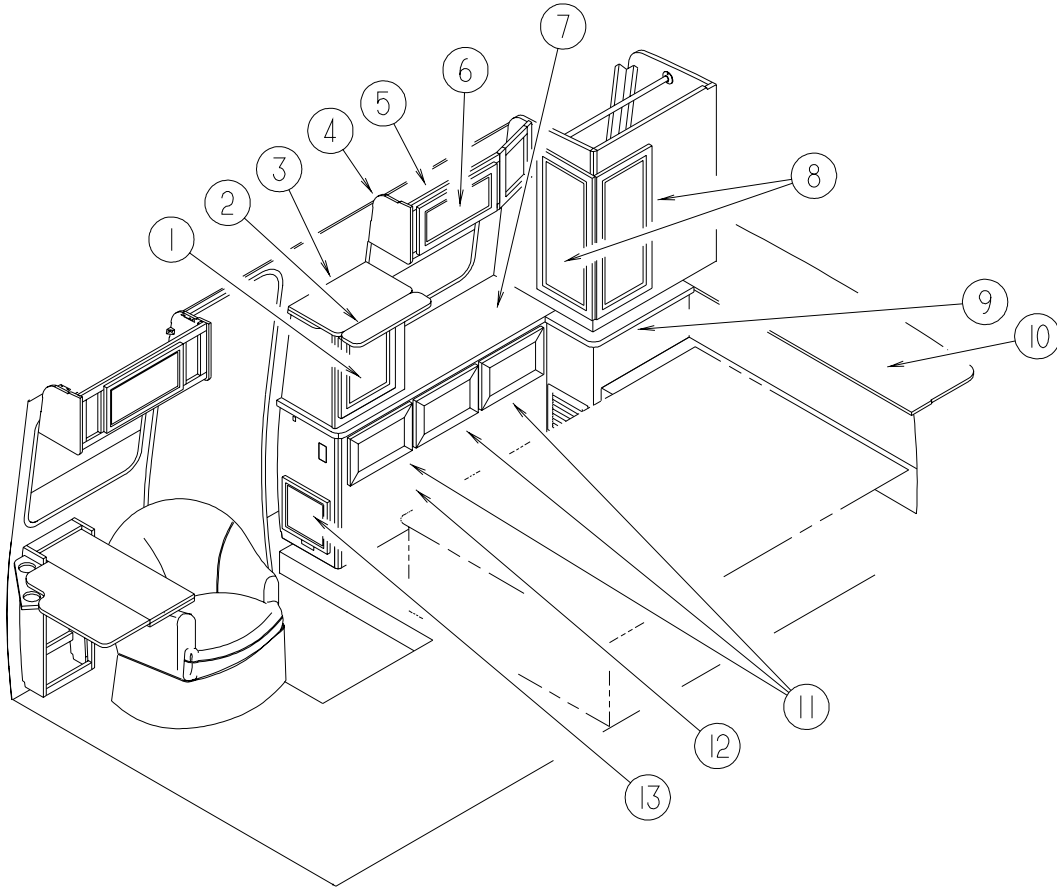
**BEDROOM GROUP (CONTINUED)**  
**TWIN CABINETS (CONTINUED)**



KEY	PART NUMBER	U/M	DESCRIPTION
1	119132-05-J80	EA	END CAP - OVERHEAD
2	124890-01-J80	EA	CABINET - OVERHEAD/REAR/RIGHT HAND - W/O DOORS/HARDWARE
2	124890-02-J80	EA	CABINET - OVERHEAD/REAR/RIGHT HAND - W/O DOORS/HARDWARE - <a href="#">W/SOUND SYSTEM</a>
3	134783-05-M91	EA	DOOR - RAIL/SOLID PANEL - 10.1" X 25.1" - W/O HARDWARE
4	119589-01-J80	EA	CABINET - SHIRT CLOSET - RIGHT HAND - W/O DOORS/HARDWARE
5	134783-D3-M91	EA	DOOR - RAIL/SOLID PANEL - 15.3" X 25.5" - W/O HARDWARE
6	124953-01-H70	EA	CABINET - SHELF/REAR - W/O HARDWARE
6	133131-64-M91	EA	CABINET/SHELF - BACK WALL - W/O HARDWARE
7	P24937-02-K77	EA	CABINET/BASE - TWIN BED/RIGHT HAND - W/O D00R/DRAWER/HDW
8	M07592-12-000	EA	TOP - TWIN BED - W/O HARDWARE
9	M07592-13-H70	EA	TOP - TWIN BED - W/O HARDWARE
10	M07592-14-000	EA	TOP - TWIN BED - W/O HARDWARE

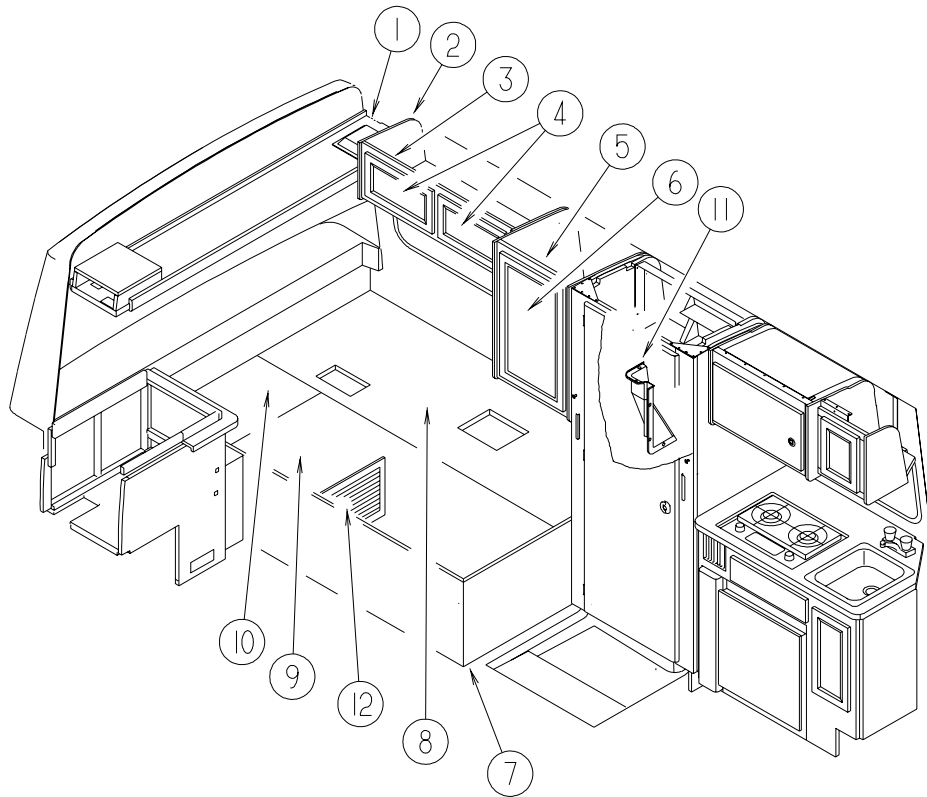
## BEDROOM GROUP (CONTINUED)

### DOUBLE CABINETS



KEY	PART NUMBER	U/M	DESCRIPTION
1	134783-D6-M91	EA	DOOR - RAIL/SOLID - 14.3" X 17.9" - W/O HARDWARE
2	133131-72-M91	EA	COUNTERTOP - LAMINATED
3	133131-69-M91	EA	COUNTERTOP - LAMINATED
4	119132-07-J80	EA	END CAP - OVERHEAD
5	125022-01-J80	EA	CABINET - OVERHEAD/REAR/RIGHT HAND - W/O DOORS/HARDWARE
6	134783-53-M91	EA	DOOR - RAIL/SOLID PANEL - 10" X 19.1" - W/O HARDWARE
7	133131-67-M91	EA	COUNTERTOP - LAMINATED
8	134783-D4-M91	EA	DOOR - RAIL/SOLID - 13.6" X 30.3" - W/O HARDWARE
9	133131-68-M91	EA	COUNTERTOP - LAMINATED
10	124953-01-H70	EA	CABINET - SHELF/REAR - W/O HARDWARE
	133131-63-M91	EA	CABINET/SHELF - BACK WALL - W/O HARDWARE
11	P34767-85-M91	EA	DRAWER - PENCIL EDGE - 13.1"W X 13.8"D-W/O SLIDES/HARDWARE
12	125023-02-M91	EA	CABINET - VANITY - W/COUNTERTOP - W/O DOORS/DRAWERS/HDW
13	134783-D5-M91	EA	DOOR - RAIL/SOLID - 9.8" X 12" - W/O HARDWARE

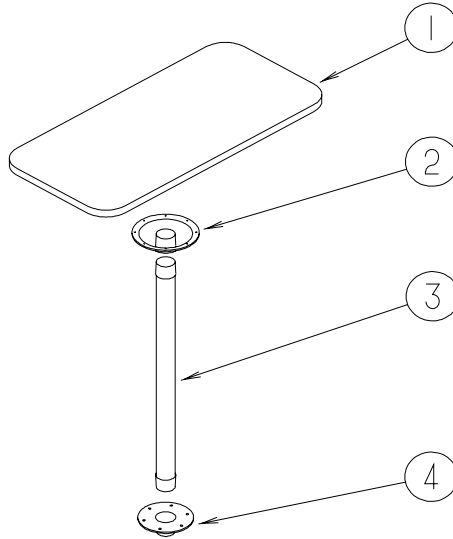
**BEDROOM GROUP (CONTINUED)**  
**DOUBLE CABINETS (CONTINUED)**



KEY	PART NUMBER	U/M	DESCRIPTION
1	125053-01-L93	EA	CABINET - OVERHEAD REAR - W/O DOORS/HARDWARE (M93)
1	125053-01-M91	EA	CABINET - OVERHEAD REAR - W/O DOORS/HARDWARE (M91)
2	119132-02-J80	EA	END CAP - OVERHEAD
3	124929-01-J80	EA	CABINET - OVERHEAD/LEFT HAND - W/O DOORS/HARDWARE
4	134783-53-M91	EA	DOOR - RAIL/SOLID PANEL - 10" X 19.1" - W/O HARDWARE
5	119095-01-J80	EA	CABINET - SHIRT CLOSET - LEFT HAND - W/O DOORS/DRAWERS/HDW
6	134783-D3-M91	EA	DOOR - RAIL/SOLID PANEL - 15.3" X 25.5" - W/O HARDWARE
7	P24938-01-J80	EA	CABINET/BASE - DOUBLE BED - W/O DOOR/DRAWER/HARDWARE
7	P24938-02-K77	EA	CABINET/BASE - DOUBLE BED - W/O DOOR/DRAWER/HARDWARE - <a href="#">W/SOUND SYSTEM</a>
8	M07592-08-000	EA	TOP - DOUBLE BED - W/O HARDWARE
9	M07592-10-H70	EA	TOP - DOUBLE BED - W/O HARDWARE
10	M07592-09-000	EA	TOP - DOUBLE BED - W/O HARDWARE
11	119479-01-03A	EA	COVER - PIPE - VW LT GRAY
12	093614-02-02A	EA	GRILLE - AIR RETURN - 9.9" X 9.9" - BEIGE

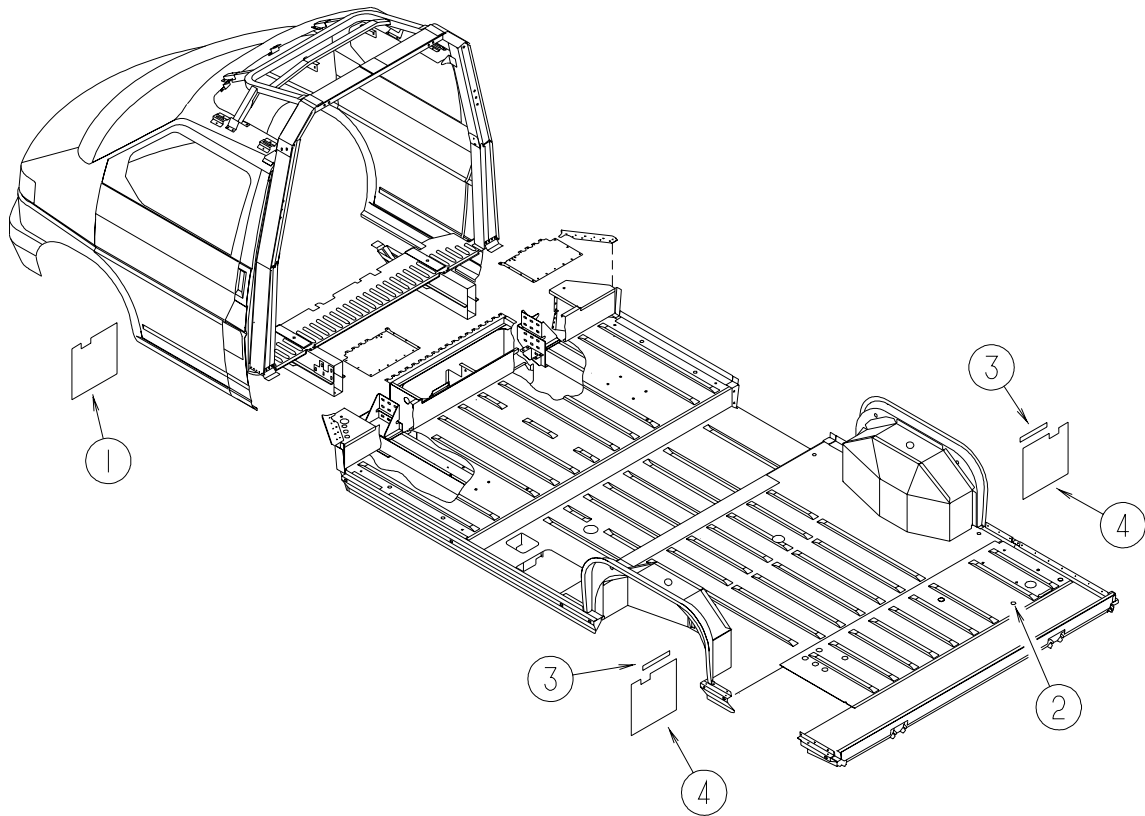


**BEDROOM GROUP (CONTINUED)**  
**TABLE**



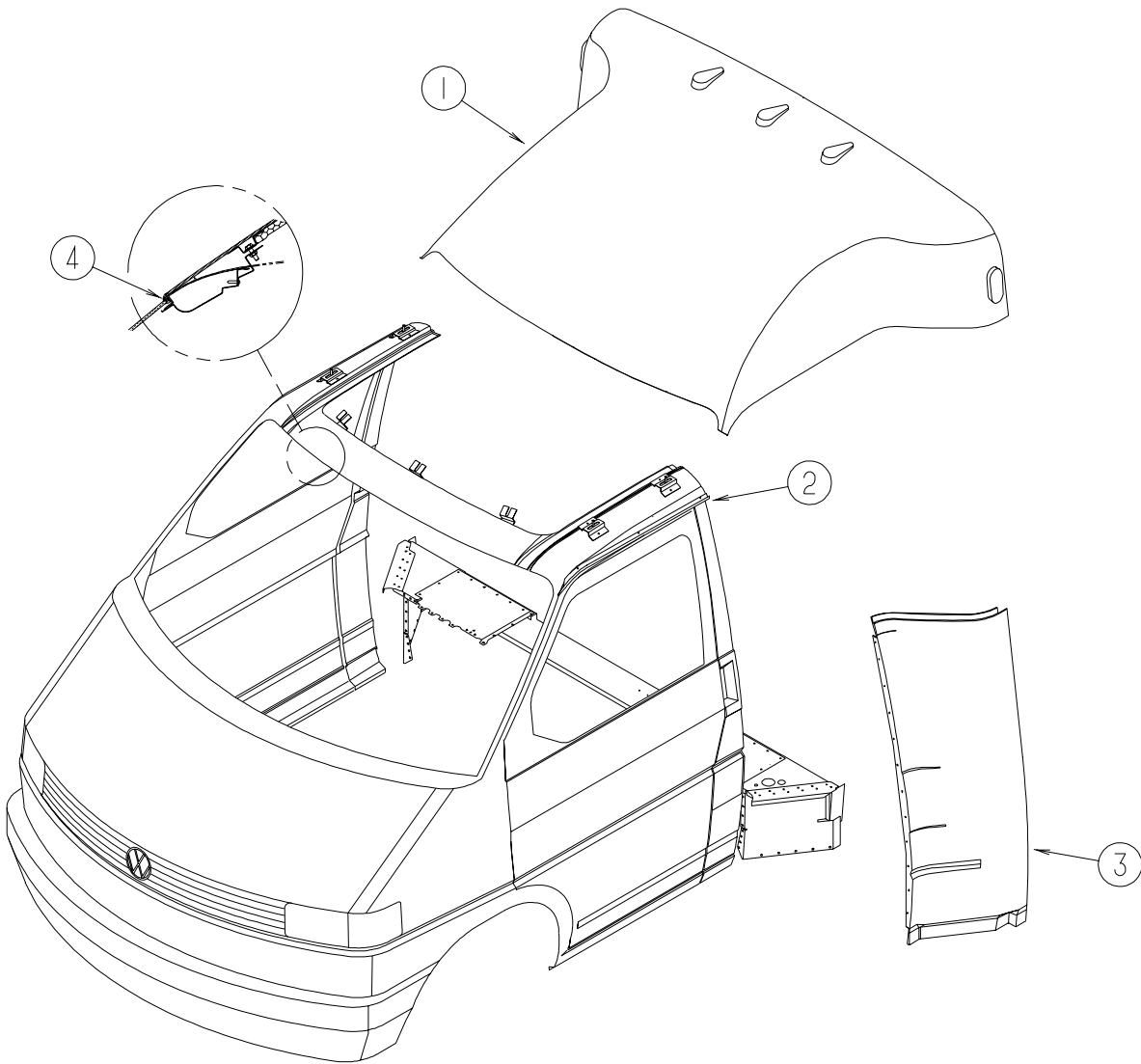
KEY	PART NUMBER	U/M	DESCRIPTION
1	130969-03-M91	EA	TABLE TOP ONLY
2	009040-03-000	EA	BASE - TABLE/RAISED - TABLE MOUNTED
3	009040-09-000	EA	LEG - PEDESTAL TABLE - 31.5"
4	041194-01-000	EA	BASE - TABLE/FLUSH - FLOOR MOUNTED
5	081298-15-M91	EA	TABLE ASM-DINETTE
	062046-01-000	EA	CLIP - LEG - PEDESTAL - 1.7" X 2.2" - DIA FROM 2 - 2.5"
	077968-01-000	EA	RETAINER - NYLON - .5" X 1.6"
	076840-04-000	EA	HOLD DOWN CORD - BUNGEE 10"
	042438-02-000	EA	DOWEL - WOOD - 2" X 2"

## CHASSIS GROUP FRAME



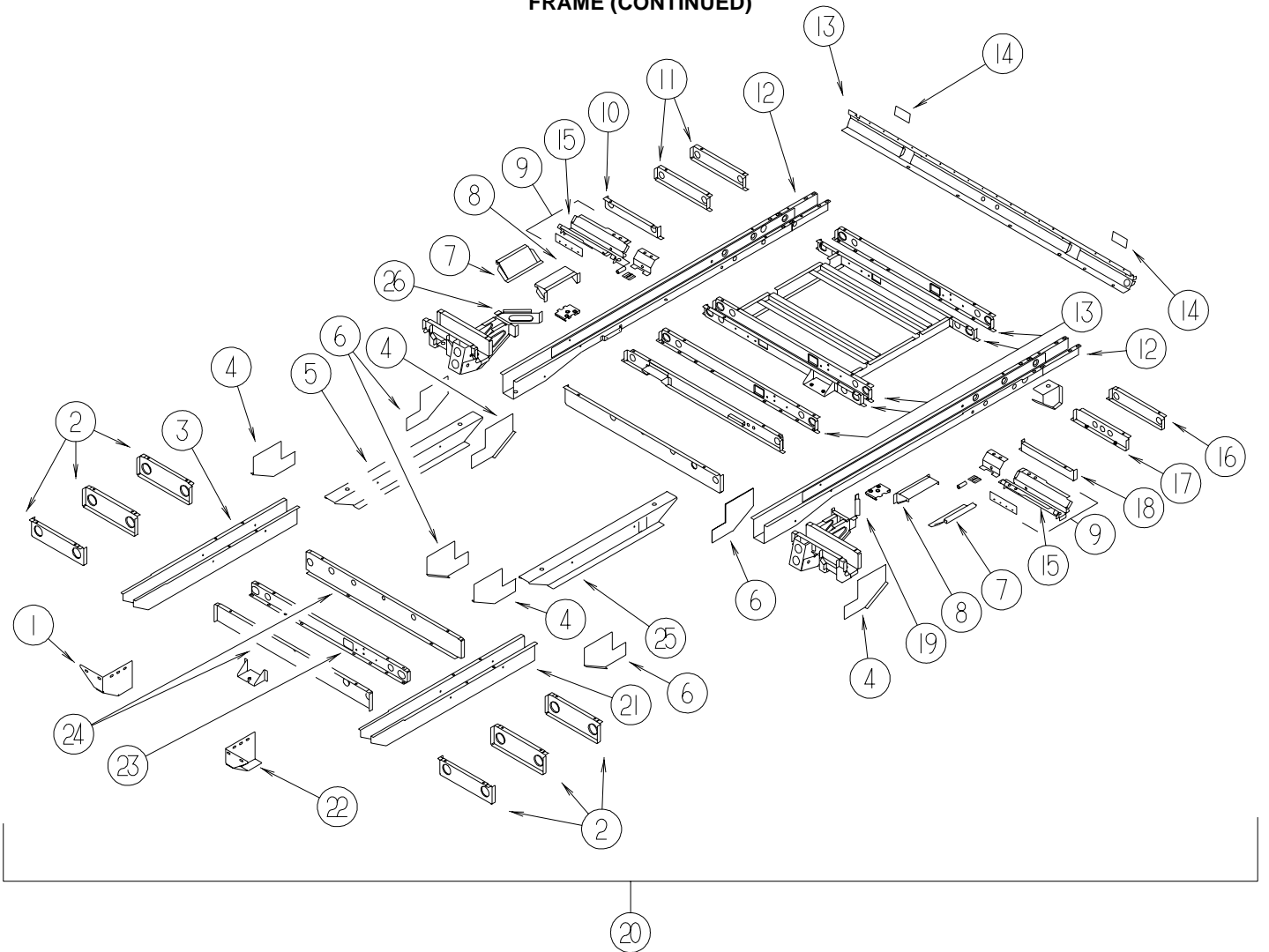
KEY	PART NUMBER	U/M	DESCRIPTION
1	073905-03-000	EA	MUD FLAP - FRONT - 12.2" X 7.9"
2	074487-02-000	EA	PLUG - HOLE - .375 - .093 - .171 THICK
3	073913-01-000	EA	RETAINER - MUDFLAP - METAL
4	073905-01-000	EA	MUD FLAP - REAR - 10.1" X 9.3"
5	120293-01-02B	EA	RETAINER - MUDFLAP - E-COATED
6	120299-01-01A	EA	ROCK GUARD - RUBBER - 5" X 14"

**CHASSIS GROUP (CONTINUED)**  
**FRAME (CONTINUED)**



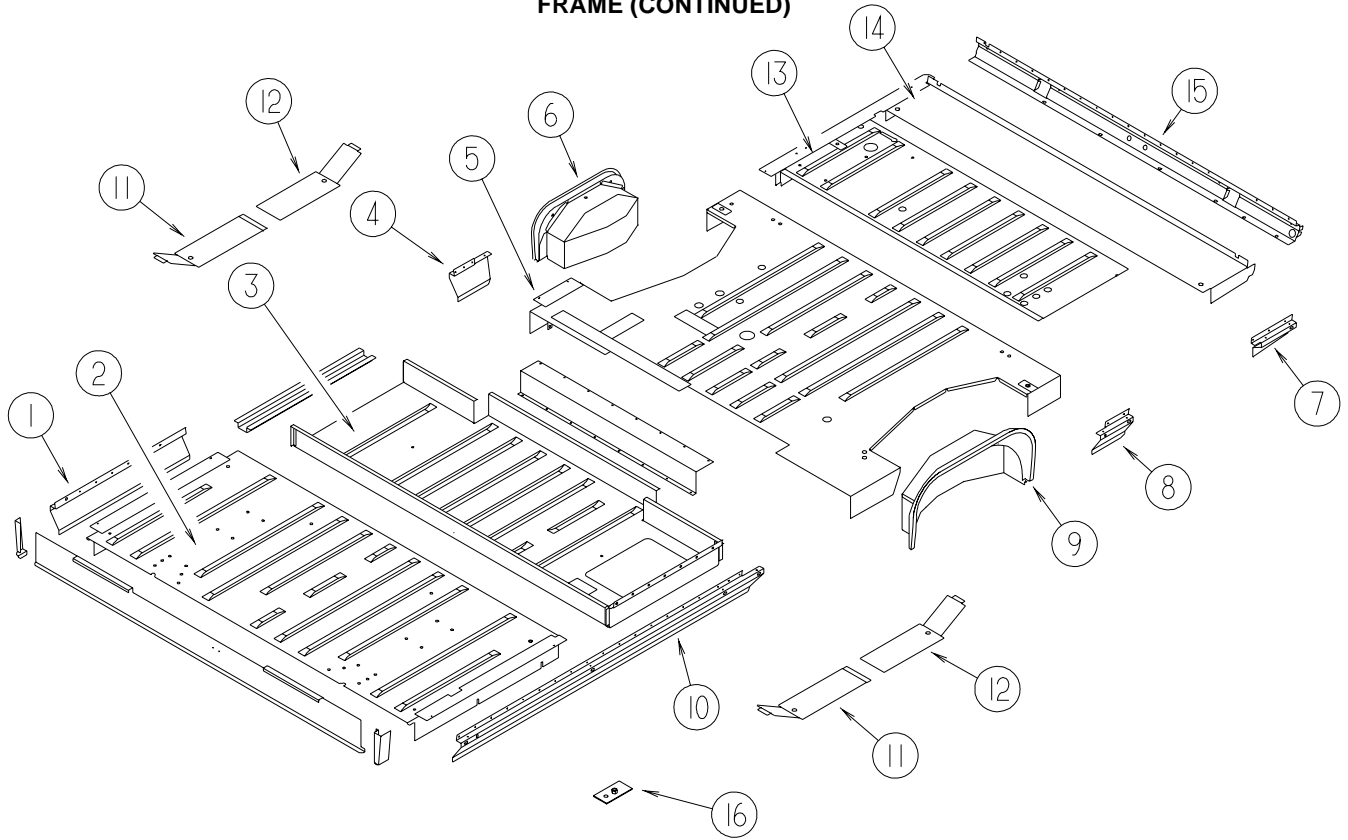
KEY	PART NUMBER	U/M	DESCRIPTION
1	111207-06-K76	EA	CAP - ROOF/FRONT
	111215-02-000	EA	PLATE/CLAMP - FRONT CAP
2	115022-02-01A	EA	RAIL - DRIP - RIGHT HAND
	115022-01-01A	EA	RAIL - DRIP - LEFT HAND
3	111276-04-F45	EA	PANEL - TRANSITION - LEFT - STEEL/FIBERGLASS - VW WHITE
	111276-03-F45	EA	PANEL - TRANSITION - RIGHT - STEEL/FIBERGLASS - VW WHITE
4	112127-02-000	FT	MOLDING - REVEAL - WINDOW

## CHASSIS GROUP (CONTINUED) FRAME (CONTINUED)



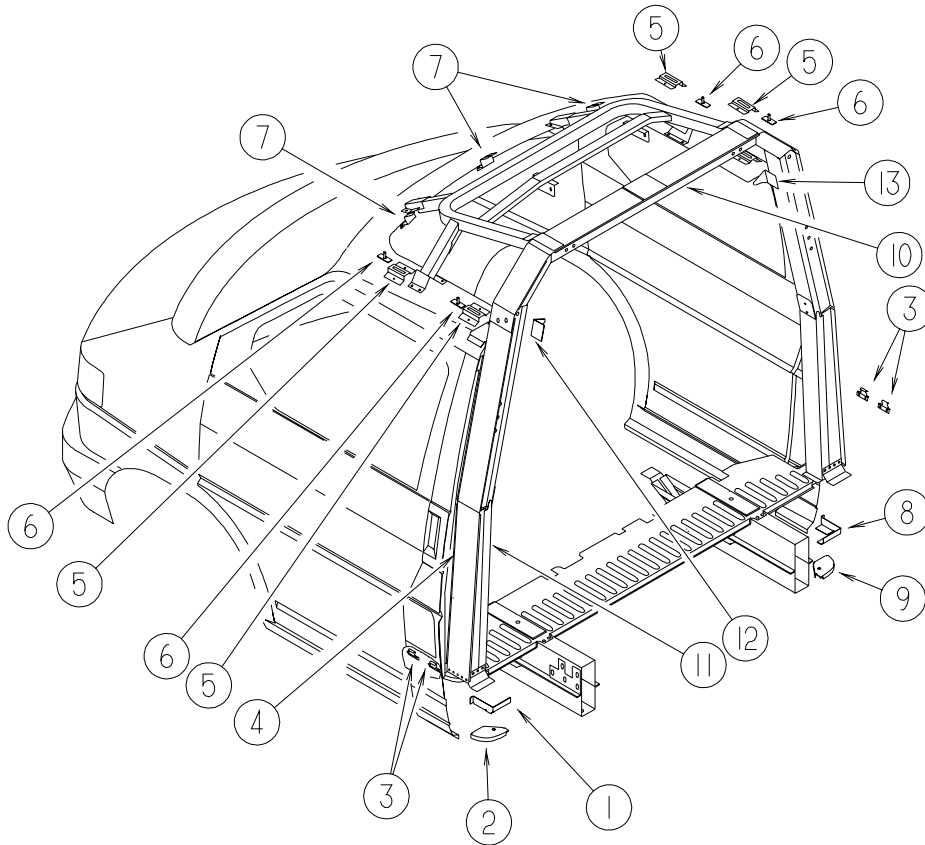
KEY	PART NUMBER	U/M	DESCRIPTION
1	117866-01-01B	EA	BRACKET - FRAME - FLOOR - MILL - RIGHT HAND
2	130309-01-01B	EA	OUTRIGGER - FRONT, MILL
3	117865-03-01B	EA	RAIL ASM - FRAME - FRONT - RIGHT HAND - MILL
4	071223-01-000	EA	GUSSET - FRAME - LOWER RIGHT HAND
5	126977-02-01B	EA	RAIL - FRAME - LOWER - MILL
6	071223-02-000	EA	GUSSET - FRAME - LOWER - LEFT HAND
7	112314-01-000	EA	REINFORCEMENT - WHEELHOUSE
8	112315-01-000	EA	OUTRIGGER - WHEELHOUSE - REAR
9	071162-01-000	EA	STRUT-SPRING MTG
10	071232-02-000	EA	OUTRIGGER - REAR - PASSENGER - 15.5" - STEEL
11	071232-01-000	EA	OUTRIGGER - REAR - RIGHT HAND
12	071220-01-000	EA	RAIL - FRAME - REAR
13	071229-01-000	EA	CROSSMEMBER - REAR - CENTER - 45" LONG - STEEL
14	070579-13-000	EA	PLATE - ANCHOR - W/1/5" WELD NUT - 2.5" X 3.3"
15	112357-01-000	EA	BRACE ASM - STRUT - REAR
16	112726-01-01B	EA	OUTRIGGER - GENERATOR - MILL
17	112726-03-01B	EA	OUTRIGGER ASM - GENERATOR - RIGHT HAND - MILL
18	112726-04-01B	EA	OUTRIGGER ASM - GENERATOR - LEFT HAND - MILL
19	071188-02-000	EA	BRACKET - SPRING MOUNT - FRONT - DRIVER SIDE
20	N/A		FRAME ASM-FLOOR,REAR,MILL
21	117865-03-01B	EA	RAIL ASM - FRAME - FRONT - RIGHT HAND - MILL
22	117866-02-01B	EA	BRACKET - FRAME - FLOOR - MILL - LEFT HAND
23	071774-01-000	EA	CROSSMEMBER - FRONT
24	071226-01-000	EA	CROSSMEMBER - STEPBOX
25	126977-01-01B	EA	RAIL - FRAME - LOWER - MILL
26	071188-01-000	EA	BRACKET - SPRING MOUNT - FRONT - PASSENGER SIDE

**CHASSIS GROUP (CONTINUED)**  
**FRAME (CONTINUED)**



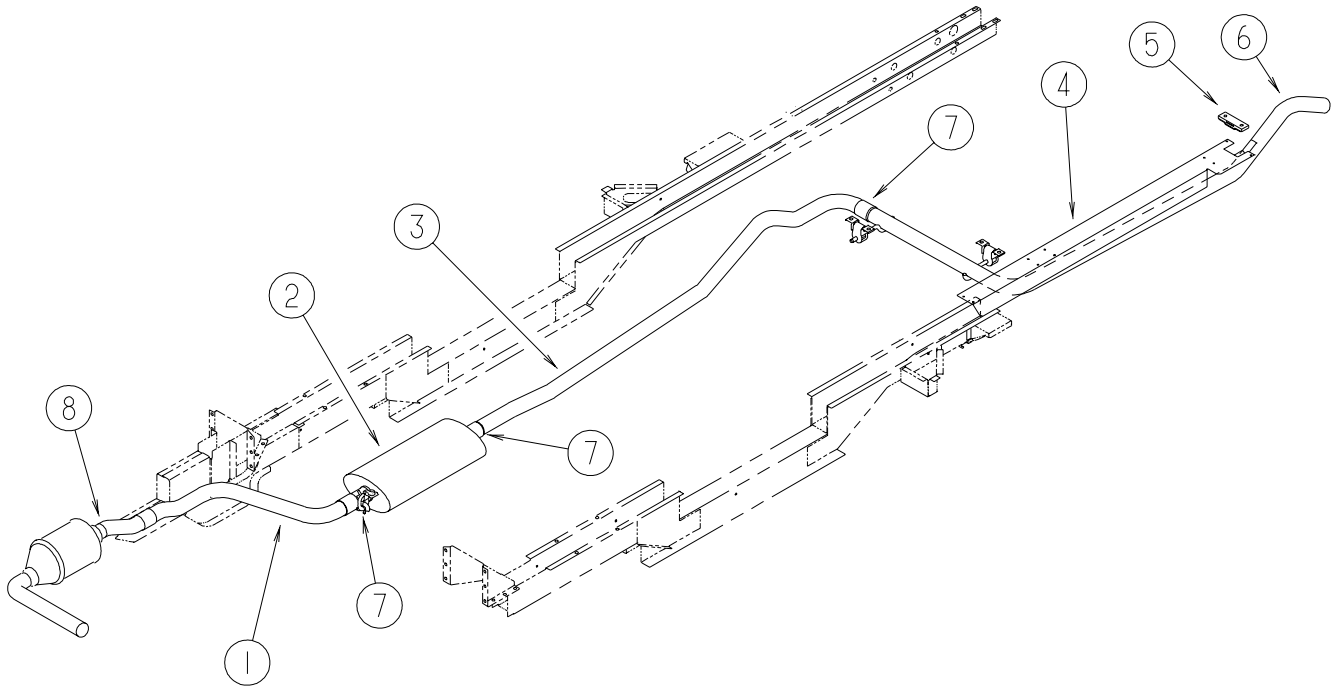
KEY	PART NUMBER	U/M	DESCRIPTION
1	113600-01-01B	EA	ROCKER ASM - FRONT,RH,MILL
2	110695-01-000	EA	PANEL - FLOOR - FRONT
3	112883-01-01B	EA	PANEL - FLOOR - LOWER - MILL
4	113601-01-01B	EA	ROCKER ASM - CENTER - RH - MILL
5	112222-01-000	EA	PANEL - FLOOR - REAR
6	112345-01-000	EA	WHEELHOUSE W/SHOCK MOUNT - REAR PASSENGER SIDE - STEEL
7	122954-01-01B	EA	ROCKER - REAR - LEFT HAND
8	113005-01-01B	EA	ROCKER - REAR - LEFT HAND
9	112345-02-000	EA	WHEELHOUSE W/SHOCK MOUNT - REAR DRIVER SIDE - STEEL
10	071366-01-000	EA	ROCKER ASM - FRONT - LH
11	071212-01-000	EA	PLATE-RAIL,LOWER
12	071729-01-000	EA	PLATE-RAIL,LOWER RT
13	122969-01-01B	EA	PANEL-FLOOR,REAR,MILL
14	122962-02-01B	EA	PANEL ASM-FLOOR,REAR,MILL
15	072382-01-000	EA	CROSSMEMBER ASM-REAR
16	070579-06-000	EA	PLATE - ANCHOR - W/7/16" WELD NUT - 1.5" X 3.3"
16	070579-11-000	EA	PLATE - ANCHOR - W/7/16" WELD NUT - 1.5" X 8.9"

**CHASSIS GROUP (CONTINUED)**  
**FRONT END**



KEY	PART NUMBER	U/M	DESCRIPTION
1	111541-02-000	EA	BRACKET-PILLAR,B,BOTTOM
2	111542-02-000	EA	BRACKET-PILLAR,B,BOTTOM
3	073050-04-000	EA	MOUNTING CLIP - VALANCE PANEL
4	112538-02-000	EA	PILLAR - LEFT HAND
	112538-01-000	EA	PILLAR - RIGHT HAND
5	111210-01-000	EA	CHANNEL-HAT,MOUNT,CAP
6	111215-02-000	EA	PLATE ASM-CLAMP,CAP
7	111211-01-000	EA	BRACKET-MOUNT,CAP,FRONT
8	111541-01-000	EA	BRACKET-PILLAR,B,BOTTOM
9	111542-01-000	EA	BRACKET-PILLAR,B,BOTTOM
10	112220-01-02B	EA	SUPPORT ASM-ROOF
11	111127-02-02B	EA	ANGLE-PILLAR,B E-COAT - LEFT HAND
	111127-01-02B	EA	ANGLE-PILLAR,B E-COAT - RIGHT HAND
12	111142-01-02B	EA	GUSSET-PILLAR,B E-COAT
13	111142-02-02B	EA	GUSSET-PILLAR,B E-COAT

**CHASSIS GROUP (CONTINUED)**  
**EXHAUST**

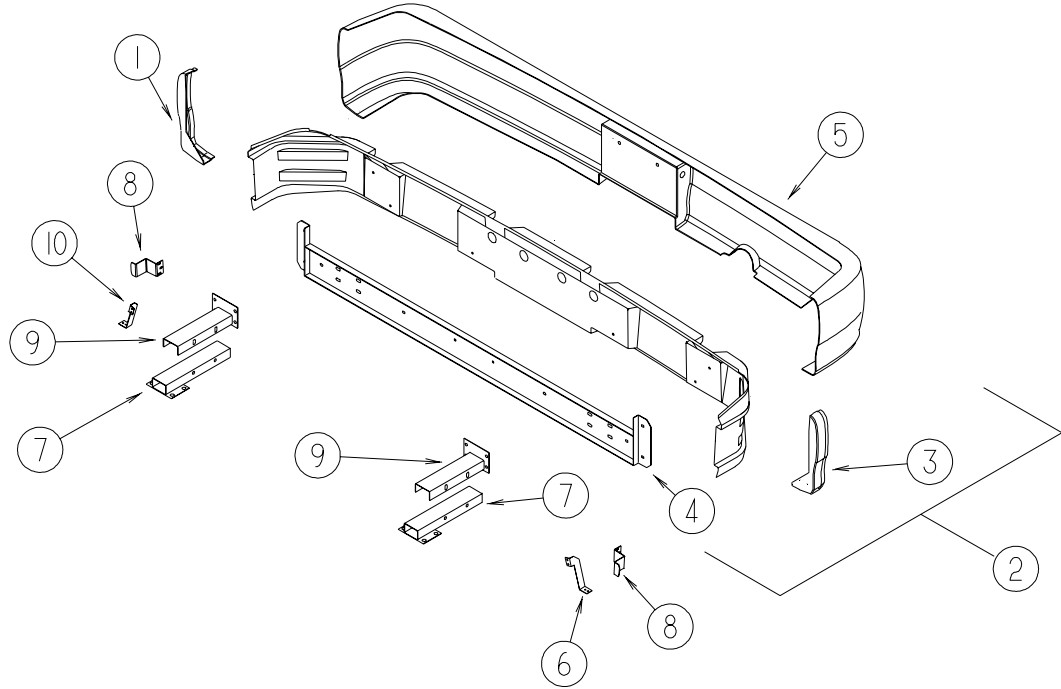


KEY	PART NUMBER	U/M	DESCRIPTION
1	113098-02-000	EA	PIPE - EXHAUST/FRONT
2	121261-01-000	EA	MUFFLER - FRONT
3	113099-01-000	EA	PIPE - EXHAUST/ MIDDLE
4	125075-01-09B	EA	SHIELD - EXHAUST/TAIL PIPE - GALVANIZED
5	095190-01-000	EA	HANGER - EXHAUST - 4" X 1.4"
6	113097-02-000	EA	PIPE - EXHAUST/TAIL
7	082716-01-000	EA	CLAMP - EXHAUST - 2"
8	082716-02-000	EA	CLAMP - EXHAUST - 2.24"

## CHASSIS GROUP (CONTINUED)

### HITCH

KEY	PART NUMBER	U/M DESCRIPTION
1	130339-06-000	EA HITCH RECEIVER - BOLT ON CLASS I

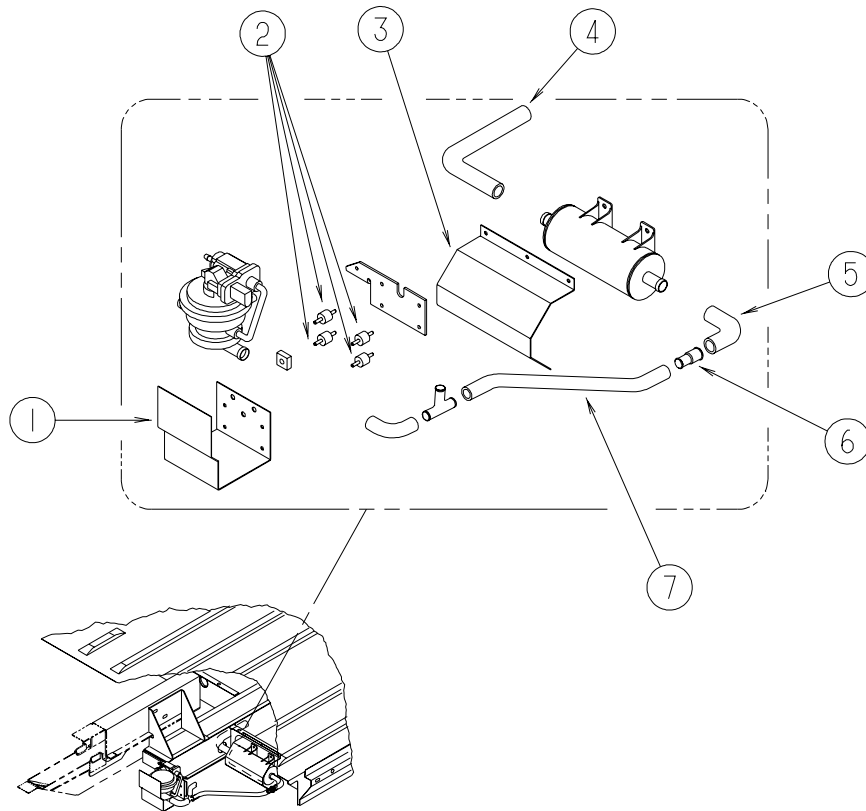


### REAR BUMPER

KEY	PART NUMBER	U/M DESCRIPTION
1	130623-01-02A	EA CAP - BUMPER END - PASSENGER - BLACK
2	130621-01-K76	EA BUMPER - REAR
3	130623-02-02A	EA CAP - BUMPER END - DRIVER - BLACK
4	087108-02-000	EA SUPPORT - BUMPER/REAR
5	130624-01-02A	EA BUMPER - REAR - OUTER
6	131451-02-02B	EA BRACKET - BUMPER SUPPORT/OUTER - E-COATED
7	115947-01-02B	EA SUPPORT - LOWER - BUMPER/REAR
8	131505-01-02B	EA SUPPORT-REAR BMPR END,UPR,EC,*99 H-SERIES
9	115944-01-02B	EA SUPPORT - UPPER - BUMPER/REAR
10	131451-01-02B	EA BRACKET - BUMPER SUPPORT/OUTER - E-COATED

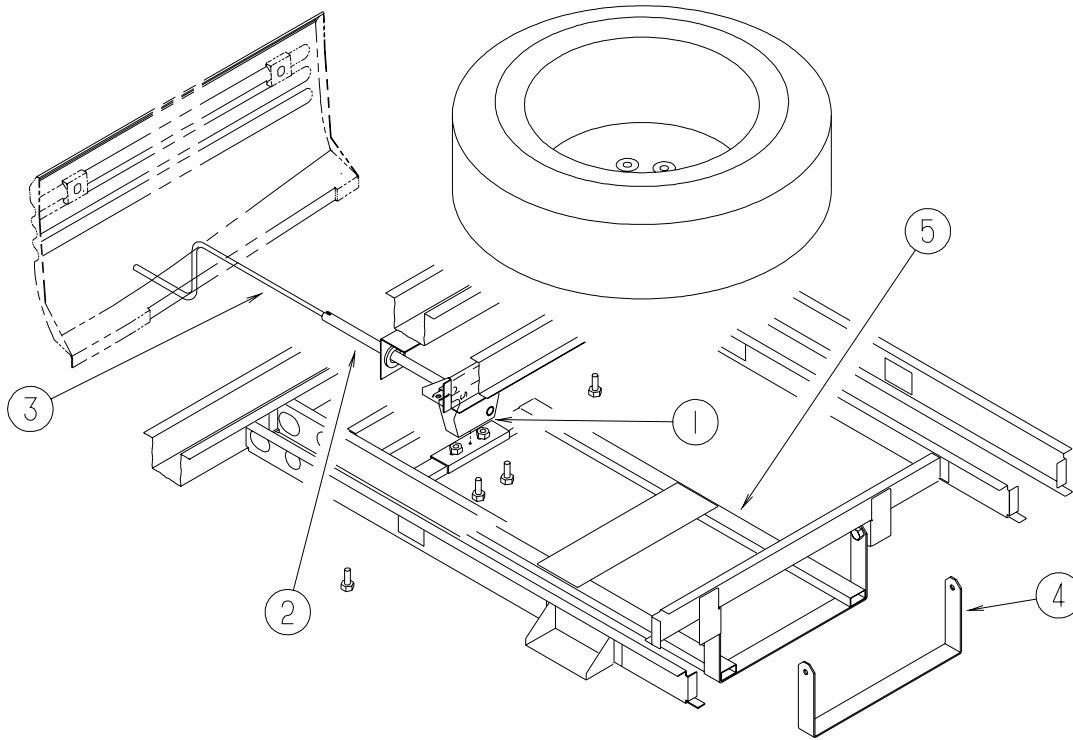


**CHASSIS GROUP (CONTINUED)**  
**EMISSIONS SYSTEM**



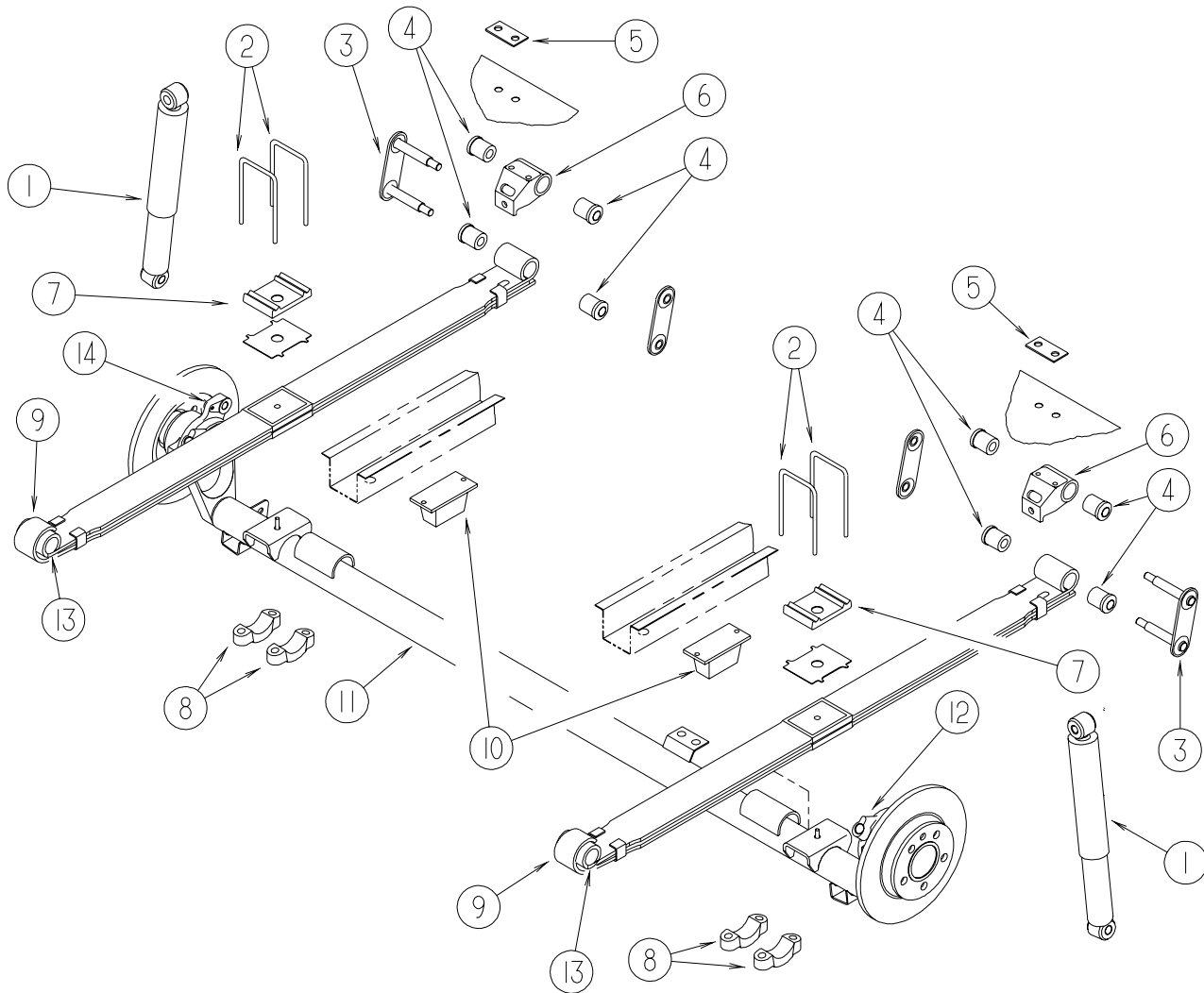
KEY	PART NUMBER	U/M	DESCRIPTION
1	126991-02-02B	EA	COVER ASM-PUMP,E-COAT
2	128106-01-000	EA	MOUNT-RUBBER
3	130547-01-02B	EA	SHIELD-FILTER,E-COAT
4	079059-02-000	EA	HOSE - 90 DEGREE - .61" ID X 4" X 6"
5	083081-01-000	EA	HOSE - FORMED - 90 DEGREES - 5/8" ID
6	130307-01-000	EA	FITTING - REDUCE - HOSE - 1/2-5/8
7	125187-02-000	FT	HOSE - FUEL - LOW PERMEABILITY - 12.7" ID - FORDCHASSIS GROUP (CONTINUED)

**CHASSIS GROUP (CONTINUED)**  
**SPARE TIRE**



KEY	PART NUMBER	U/M	DESCRIPTION
1	093267-03-000	EA	HOIST - SPARE TIRE - #100 LB
2	093375-15-000	EA	EXTENSION - TIRE HOIST
	113007-04-000	EA	PIN - SPRING - .007" X 1.25"
3	093376-02-000	EA	HANDLE - CRANK - TIRE HOIST
	114376-01-000	EA	PIN - DRIVE - .156 X .750 - TYPE E - TIRE HOIST
4	116350-02-01B	EA	BRACKET - SPARE TIRE - E-COATED
5	124645-01-02B	EA	CRADLE - SPARE TIRE

## CHASSIS GROUP (CONTINUED) SUSPENSION



KEY	PART NUMBER	U/M	DESCRIPTION
1*	112033-02-000	EA	SHOCK ABSORBER - REAR VW H-BODY - NEW DESIGN
2	112410-01-000	EA	BOLT-U - REAR SPRING
3	112560-01-000	EA	SHACKLE - SPRING - REAR
4	112503-01-000	EA	BUSHING - SPRING - REAR
5	071231-01-000	EA	PLATE - FLOOR DOUBLER
6	112415-01-000	EA	SUPPORT - SHACKLE - REAR
7	112414-01-000	EA	PLATE - SPRING CLAMP
8	112413-01-000	EA	BRACKET - U BOLT - REAR SUSPENSION
9	134195-01-000	EA	SPRING - REAR LEAF W/O BUSHINGS
10	113876-01-000	EA	PAD - JOUNCE - REAR SPRING
11	120493-01-01A	EA	AXLE - REAR - DISC BRAKE
12	129847-02-000	EA	CALIPER - BRAKE - PAIR - UNFILLED
			FROM: 00-00-00 THRU: 02-20-00
12	134564-02-000	EA	CALIPER - BRAKE - LEFT HAND - UNFILLED
			FROM: 02-21-00 THRU: 99-99-99
13	116712-01-000	EA	BUSHING - SPRING - FRONT
14	129847-02-000	EA	CALIPER - BRAKE - PAIR - UNFILLED
			FROM: 00-00-00 THRU: 02-20-00
14	134564-01-000	EA	CALIPER - BRAKE - RIGHT HAND - UNFILLED
			FROM: 02-21-00 THRU: 99-99-99
*	100293-03-000	EA	AIR SPRING KIT - W/O WARNING LIGHT SYSTEM - RIALTA

\*COMPONENT PARTS LISTED LATER IN THIS GROUP

**CHASSIS GROUP (CONTINUED)**  
**COMPONENT PARTS FOR SUSPENSION**

**100293-03-000**

<b>KEY</b>	<b>PART NUMBER</b>	<b>U/M</b>	<b>DESCRIPTION</b>	<b>VENDOR NO.</b>
	100293-03-000	EA	AIR SPRING KIT - VW H-BODY	3-TiS T-9W-2
	100293-03-700	EA	BAG - PRECHARGED KIT LT. VW	RK-W2L
	100293-03-701	EA	BAG - PRECHARGED KIT RT. VW	RK-W2R

**112033-02-000**

<b>KEY</b>	<b>PART NUMBER</b>	<b>U/M</b>	<b>DESCRIPTION</b>	<b>VENDOR NO.</b>
	112033-02-000	EA	SHOCK ABSORBER - REAR VW H-BODY - NEW DESIGN	
	112033-02-700	EA	SHOCK ABSORBER RR(PAIRS ONLY)	

## CHASSIS GROUP (CONTINUED)

### WHEEL, TIRE, COVERS &/OR LINERS

KEY	PART NUMBER	U/M	DESCRIPTION
	116271-03-000	EA	TIRE - 195/70 R15 C 104/102R - FRONT & SPARE
	116209-01-000	EA	WRENCH - LUG - .75"
	116271-04-000	EA	TIRE - 215/70 R15 C 109/107R - CONTINENTAL VANCO-8 - REARS
*	134261-01-01A	EA	COVER - WHEEL/15" - SET OF 4
	114387-02-000	EA	HANDLE - JACK - SCREW - 1 PIECE
	114387-03-000	EA	JACK - SCREW - 4000 LB
	077030-02-000	EA	EXTENSION - VALVE STEM - 1.25"
	051377-04-000	EA	VALVE STEM - .5" X 2"

\*COMPONENT PARTS LISTED LATER IN THIS GROUP

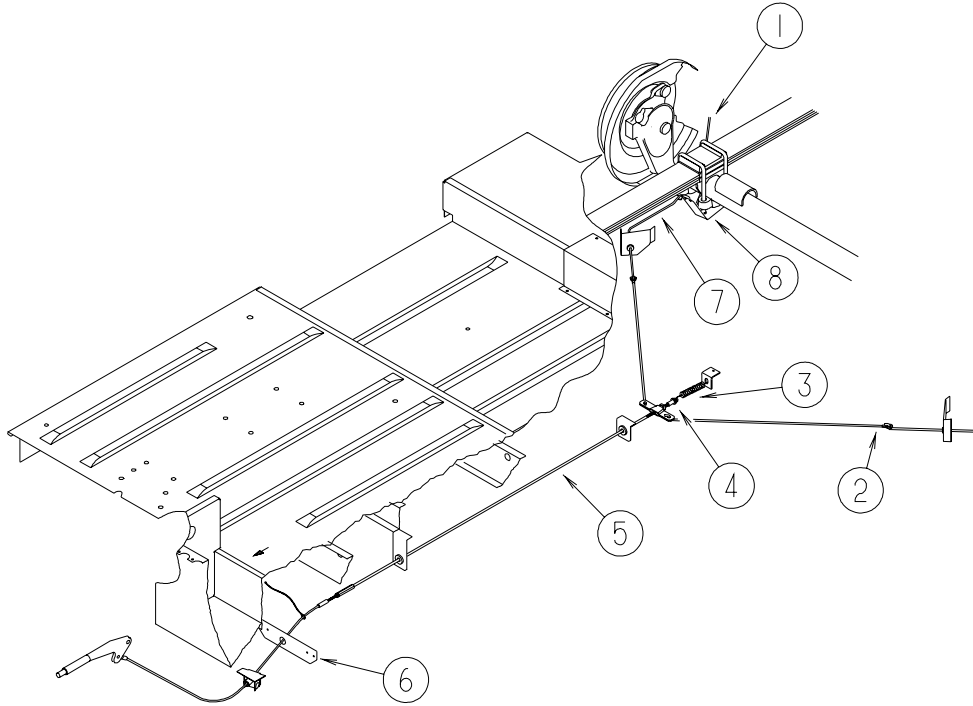
**CHASSIS GROUP (CONTINUED)**  
**COMPONENT PARTS FOR WHEEL, TIRE, COVERS &/OR LINERS**

134261-01-01A

<b>KEY</b>	<b>PART NUMBER</b>	<b>U/M</b>	<b>DESCRIPTION</b>	<b>VENDOR NO.</b>
	134261-01-01A	EA	COVER - WHEEL/15" - SET OF 4	
	134261-01-700	EA	WHEEL COVER 15" 1 ONLY	KAPER II #CF80-525

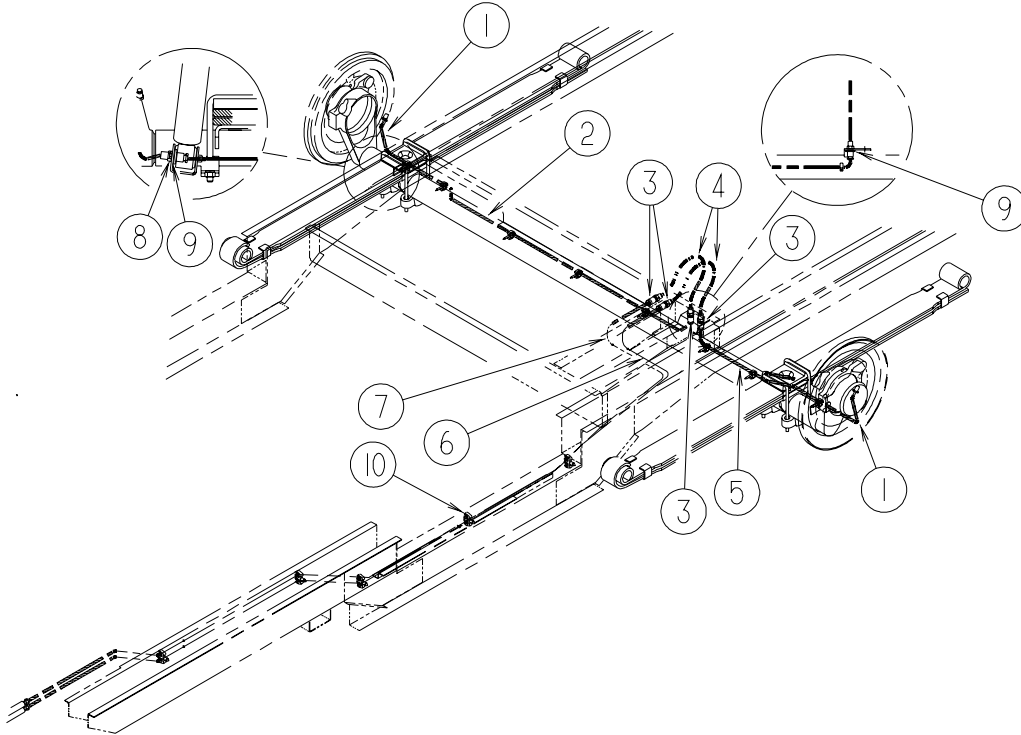
## CHASSIS GROUP (CONTINUED)

### BRAKE



KEY	PART NUMBER	U/M	DESCRIPTION
1	123961-01-000	EA	CLIP - CABLE - PARK BRAKE
2	123956-01-000	EA	ROD - CONNECTING - PARK BRAKE
3	124053-01-000	EA	SPRING - PARK BRAKE
4	123960-01-000	EA	SPRING - RETAINER - PARK BRAKE
4	123958-01-000	EA	NUT - PARK BRAKE
5	120406-02-02B	EA	ROD - THREADED - PARK BRAKE
6	119693-01-02B	EA	BRACKET - PARK BRAKE - E-COATED
6	121406-01-01A	EA	BUSHING - THREADED - 2 PIECE NYLON
7	123954-01-000	EA	CABLE - REAR PARK BRAKE W/DISC BRAKES
8	130075-01-02B	EA	BRACKET - PARK BRAKE CABLE/LEFT HAND - E-COATED
8	130075-02-02B	EA	BRACKET - PARK BRAKE CABLE/RIGHT HAND - E-COATED

**CHASSIS GROUP (CONTINUED)**  
**BRAKELINE**



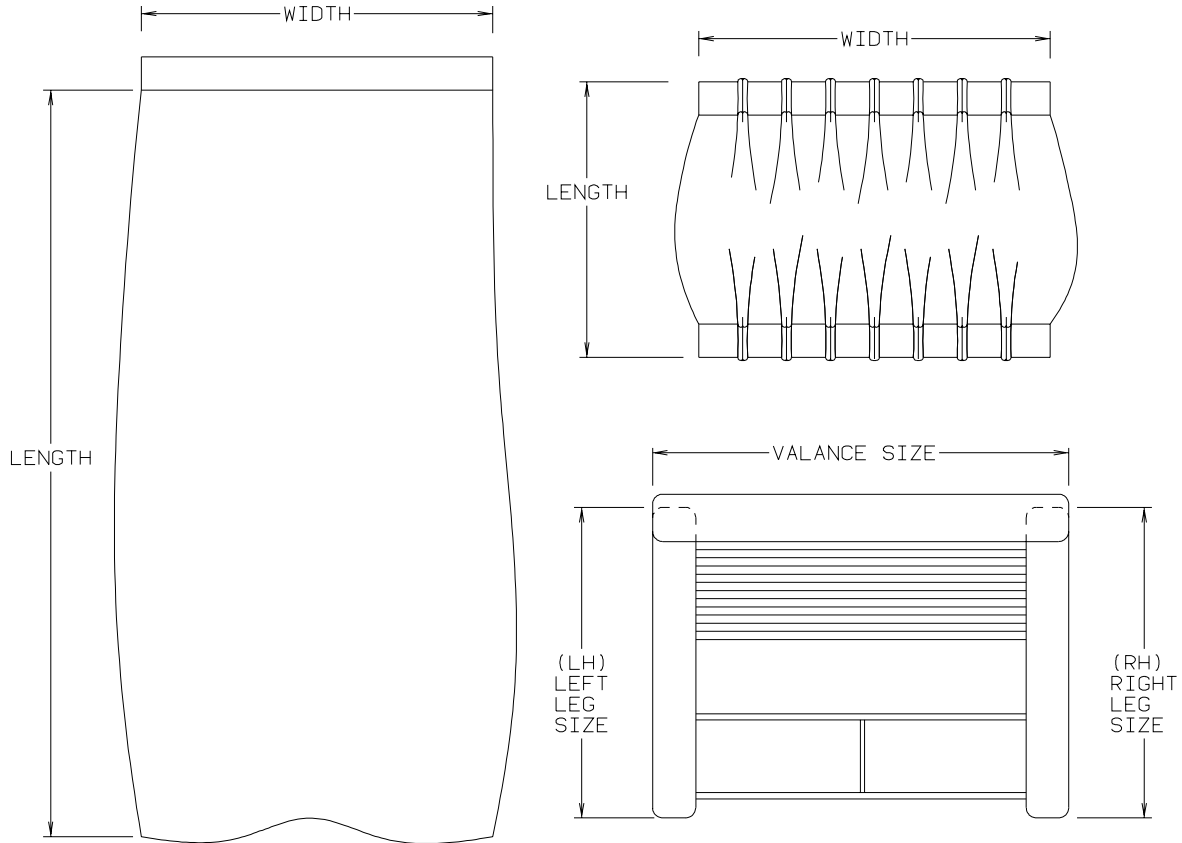
KEY	PART NUMBER	U/M	DESCRIPTION
1	125522-01-000	EA	HOSE ASM-BRAKE LINE
2	121592-01-000	EA	REAR RH BRAKE LINE FOR VW H-BODY WITH REAR DISC BRAKES
3	112638-02-000	EA	CLIP - SPRING - BRAKE HOSE
4	112638-01-000	EA	HOSE - BRAKE LINE/REAR
5	121592-02-000	EA	REAR LH BRAKE LINE FOR THE VW H-BODY WITH REAR DISC BRAKES
6	112640-05-000	EA	BRAKE LINE ASM-FRONT
7	112640-06-000	EA	BRAKE LINE ASM-FRONT
8	125486-01-02B	EA	BRACKET-RETAINING,BRAKE LINE
9	125523-01-000	EA	CLIP-RETAINER,BRAKE LINE
10	088258-02-000	EA	CLIP - RETAINING - FUEL LINE SINGLE



## CURTAIN & CUSHION GROUP

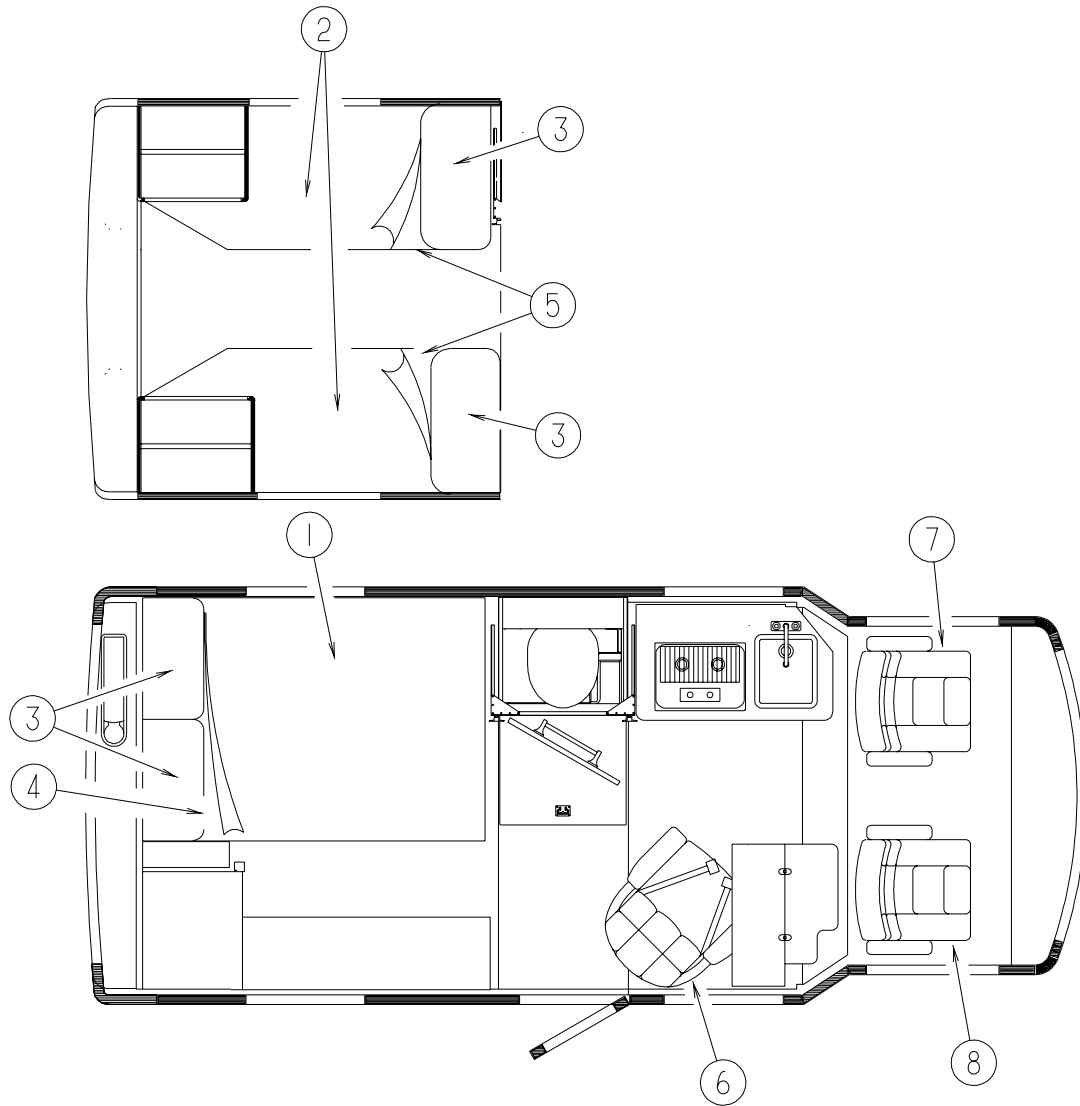
### NOTICE

IN ORDER TO ASSIST OUR PARTS SALES DEPT. IN PROVIDING INTERIOR SOFTWARE ITEMS, PLEASE INCLUDE THE SERIAL NUMBER AND THE COLOR CODE NUMBER FROM THE VEHICLE CERTIFICATION LABEL WHEN ORDERING. THIS LABEL IS LOCATED ON THE LEFT SIDEWALL AT THE END OF THE DASH (A-BODY), OR ON THE DRIVER'S DOOR LATCH PLATE (C-BODY). AN EXAMPLE OF A COLOR CODE NUMBER IS B07, WHICH DESIGNATES AN OVERALL COLOR SCHEME OF A PARTICULAR UNIT. THE COLOR LISTED AFTER THE ITEM DESCRIPTION ON THE MICROFICHE, INDICATES THE OVERALL UNIT COLOR. ORDER THE ITEM YOU DESIRE ACCORDING TO UNIT COLOR CODE. IF ALL COLORS USE THE SAME ITEM NO COLOR CODE WILL BE NOTED.



NOTE: USE THIS ILLUSTRATION WHEN DETERMINING LENGTH AND WIDTH MEASUREMENTS FOR CURTAINS. YOU WILL NOTE THE WIDTH MEASUREMENT IS TAKEN ON THE TOP OF THE CURTAIN WITH THE CURTAIN FULLY EXTENDED. THE LENGTH MEASUREMENT IS TAKEN FROM TOP TO BOTTOM. LEFT AND RIGHT WINDOW LEGS ARE DETERMINED WHEN FACING THE WINDOW.

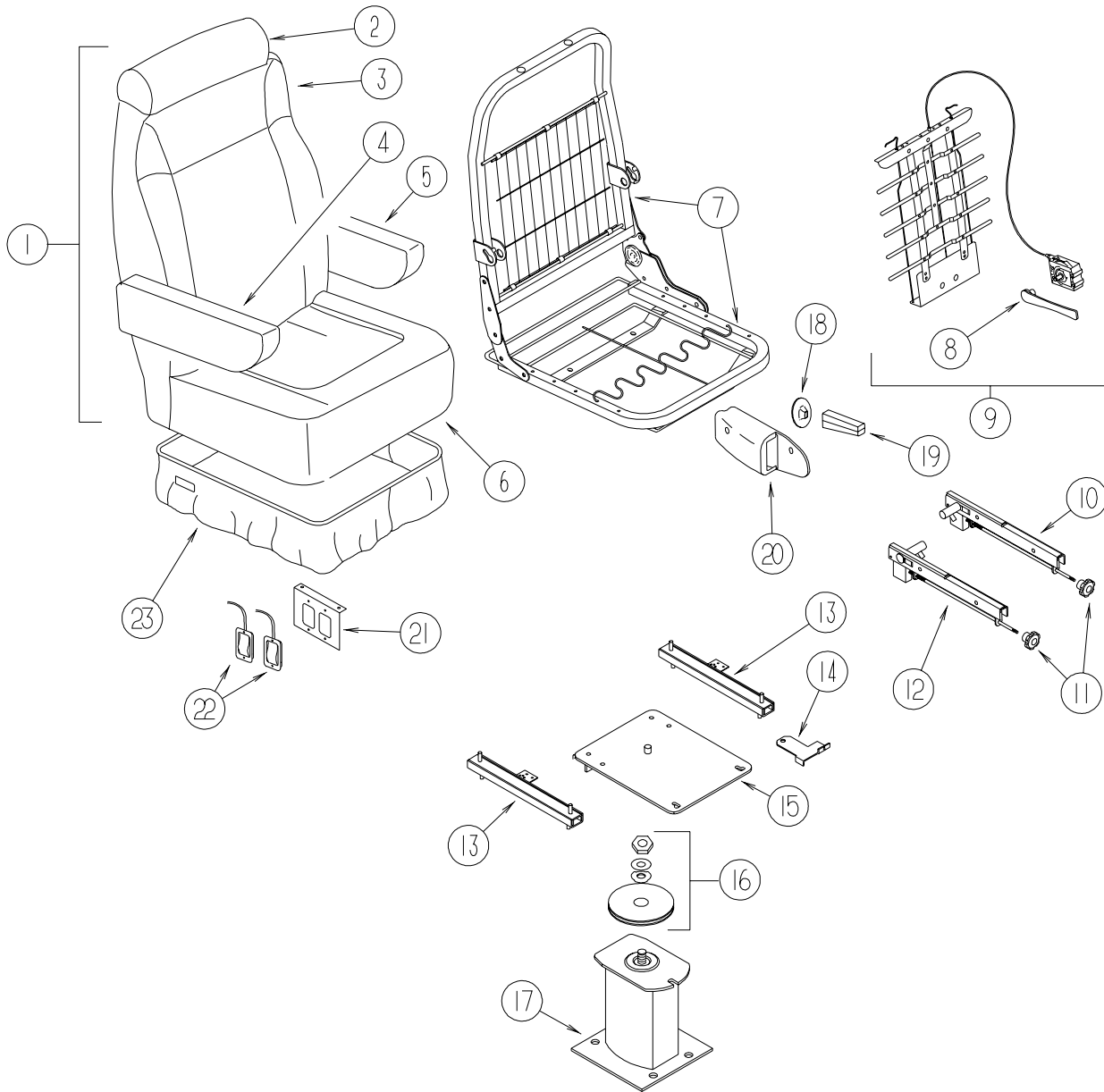
**CURTAIN & CUSHION GROUP (CONTINUED)**  
**CUSHION LAYOUT**



KEY	PART NUMBER	U/M	DESCRIPTION
1	101123-17-000	EA	MATTRESS - FOAM - 54" X 74" X 5"
2	101123-33-000	EA	MATTRESS - FOAM - 32" X 75" X 5"
3	111863-08-M91	EA	PILLOW SHAM - 20" X 30" (M91)
3	111863-08-L93	EA	PILLOW SHAM - 20" X 30" (M93)
4	117067-13-M91	EA	COVER - FITTED SHEET - 54" X 75" X 5" (M91)
4	117067-13-L93	EA	COVER - FITTED SHEET - 54" X 75" X 5" (M93)
5	117067-06-M91	EA	COVER - FITTED SHEET - RIGHT CUT - 32" X 75" X 5". (M91)
5	117067-06-L93	EA	COVER - FITTED SHEET - RIGHT CUT - 32" X 75" X 5". (M93)
6	115470-02-M91	EA	CHAIR - SWIVEL
7	127540-08-M91	EA	SEAT - BUCKET - DRIVER - W/LUMBAR SUPPORT/ARMREST (M91)
7	127540-08-L92	EA	SEAT - BUCKET - DRIVER - W/LUMBAR SUPPORT/ARMREST (M93)
7	127851-01-M91	EA	SEAT - BUCKET - W/LUMBAR SUPPORT/ARMREST - LEATHER
8	127540-13-M91	EA	SEAT - BUCKET - PASSENGER - W/ARMREST (M91)
8	127540-13-L92	EA	SEAT - BUCKET - PASSENGER - W/ARMREST (M93)
8	127851-03-M91	EA	SEAT - BUCKET - PASSENGER - W/ARMREST - LEATHER

## CURTAIN & CUSHION GROUP (CONTINUED)

### BUCKET SEATS

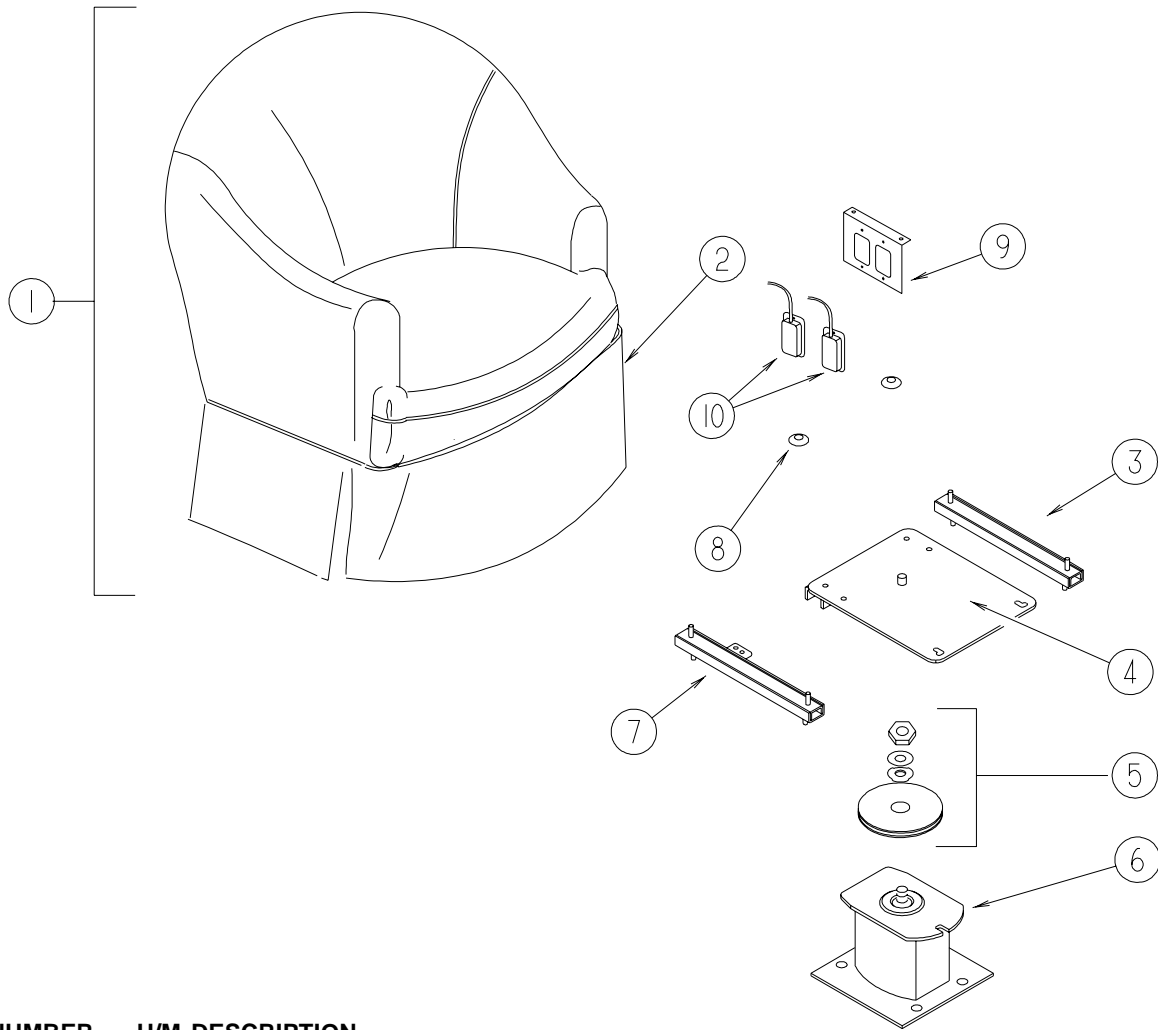


KEY	PART NUMBER	U/M	DESCRIPTION
1	127540-08-M91	EA	SEAT - BUCKET - DRIVER - W/LUMBAR SUPPORT/ARMREST (M91)
1	127540-08-L92	EA	SEAT - BUCKET - DRIVER - W/LUMBAR SUPPORT/ARMREST (M93)
1	127851-01-M90	EA	SEAT - BUCKET - DRIVER - W/LUMBAR/ARMREST - LEATHER
1	127540-13-M91	EA	SEAT - BUCKET - PASSENGER - W/ARMREST (M91)
1	127540-13-L92	EA	SEAT - BUCKET - PASSENGER - W/ARMREST (M93)
1	127851-03-M90	EA	SEAT - BUCKET - PASSENGER - W/ARMREST - LEATHER
	056264-01-000	EA	SWITCH - LEAF ACTUATOR - CABINET DOOR JAMB - PASSENGER ONLY
2	119509-01-K86	EA	HEADREST - BUCKET SEAT
2	119509-03-K76	EA	HEADREST - BUCKET SEAT - LEATHER
2	P19509-01-K86	EA	COVER - HEADREST
2	P19509-03-K76	EA	COVER - HEADREST - LEATHER
	113977-12-000	EA	HEADREST INSERT - W/O LOCK
	113977-13-000	EA	HEADREST INSERT - W/ LOCK

**CURTAIN & CUSHION GROUP (CONTINUED)**  
**BUCKET SEAT (CONTINUED)**

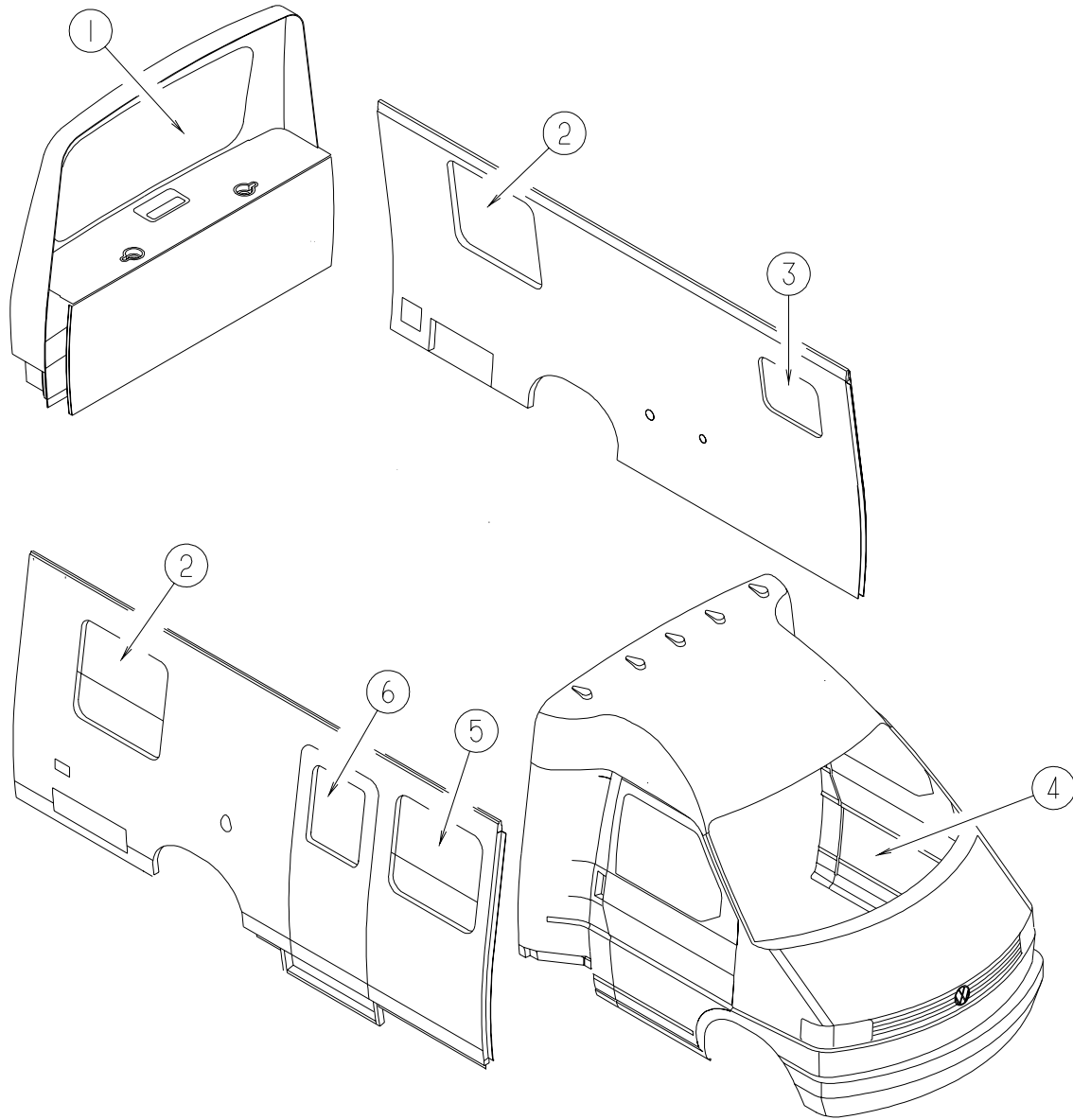
KEY	PART NUMBER	U/M	DESCRIPTION
3	M05962-75-M91	EA	COVER - BACK (M91)
3	M05962-75-L92	EA	COVER - BACK (M93)
3	M05962-76-M90	EA	COVER - BACK - LEATHER
4	129666-05-K76	EA	ARMREST - RIGHT HAND
4	129716-01-K76	EA	ARMREST - RIGHT HAND - LEATHER
	P29666-05-K76	EA	COVER - ARMREST/RIGHT HAND
	P29716-01-K76	EA	COVER - ARMREST/RIGHT HAND - LEATHER
	130699-01-000	EA	ARMREST/MOLDED - RIGHT - W/O COVER
5	129666-06-K76	EA	ARMREST - LEFT HAND
5	129716-02-K76	EA	ARMREST - LEFT HAND - LEATHER
	P29666-06-K76	EA	COVER - ARMREST/LEFT HAND
	P29716-02-K76	EA	COVER - ARMREST/LEFT HAND - LEATHER
	130699-02-000	EA	ARMREST/MOLDED - LEFT - W/O COVER
6	M05962-52-M91	EA	COVER - SEAT (M91)
6	M05962-52-L92	EA	COVER - SEAT (M93)
6	M05962-77-M90	EA	COVER - SEAT - LEATHER
	089323-01-000	FT	STRIP - POLYETHYLENE - J-CHANNEL
7	134532-02-000	EA	FRAME/SEAT - BACK/NARROW/RIGHT - DRIVER
7	134532-03-000	EA	FRAME/SEAT - BACK/NARROW/LEFT - PASSENGER
8	122611-02-701	EA	LUMBAR - LEVER
9	122611-02-000	EA	LUMBAR - W/LEVER
10	122622-05-000	EA	BRACKET - ARMREST - LEFT HAND
11	122622-06-000	EA	KNOB - W/3/8" THREAD INSERT
12	122622-04-000	EA	BRACKET - ARMREST - RIGHT HAND
13	131566-04-000	EA	SLIDE - DOUBLE LOCKING
	119952-07-000	EA	WIRE - LATCH RELEASE/ROTARY
14	117125-01-02B	EA	BRACKET - CABLE MOUNT - ADJUSTER W/LOCK
15	107921-08-000	EA	PLATE - TOP PEDESTAL - W/O SEAT BELT BAR
			FROM: 00-00-00 THRU: 09-30-00
15	107921-20-000	EA	PLATE-TOP PEDESTAL-W/O SEAT BELT BAR-PLATE F/LOCK MECHANISM
			FROM: 00-00-00 THRU: 09-30-00
15	133408-07-000	EA	TOP PLATE - W/O BAR
			FROM: 10-01-00 THRU: 99-99-99
15	133408-15-000	EA	TOP PLATE
			FROM: 10-01-00 THRU: 99-99-99
16	107921-06-000	EA	BEARING KIT - PEDESTAL
17	107921-12-000	EA	PEDESTAL/FLOOR MOUNTED - 6" - DRIVER
			FROM: 00-00-00 THRU: 09-30-00
17	133408-12-000	EA	PEDESTAL/SEAT - DRIVER - H-BODY
			FROM: 10-01-00 THRU: 99-99-99
17	107921-19-000	EA	PEDESTAL/FLOOR MOUNTED - 6" PASS - W/PLATE F/LOCKING MECH
			FROM: 00-00-00 THRU: 09-30-00
17	133408-13-000	EA	PEDESTAL/SEAT - PASSENGER - H-BODY
			FROM: 10-01-00 THRU: 99-99-99
18	080730-09-000	EA	SHIELD - RECLINER HANDLE
19	080730-08-000	EA	HANDLE - RECLINER
20	080730-11-000	EA	SHIELD - RUBBER BOOT
21	127159-02-02B	EA	BRACKET - SEAT RELEASE - DUAL REMOTE
22	108049-04-000	EA	CABLE - W/SWITCHES - W/26" MINI LEVER ACTION
	108049-02-000	EA	CLIP - CABLE/PEDESTAL
	116104-04-02B	EA	BRACKET - ZEE W/HOLES - 3.2" - E-COATED
23	071126-41-K77	EA	SKIRT - SINGLE - 7" W/SLOT

**CURTAIN & CUSHION GROUP (CONTINUED)**  
**LOUNGE CHAIR**



KEY	PART NUMBER	U/M	DESCRIPTION
1	115470-02-M91	EA	CHAIR - SWIVEL (M91)
1	115470-02-L93	EA	CHAIR - SWIVEL (M93)
1	115470-03-L91	EA	CHAIR - SWIVEL - LEATHER
1	P15470-02-M91	EA	COVER - CHAIR (M91)
1	P15470-02-L93	EA	COVER - CHAIR (M93)
1	P15470-03-L91	EA	COVER - CHAIR - LEATHER
2	P07977-03-M91	EA	COVER - SKIRT - DIPLOMAT CHAIR (M91)
2	P07977-03-L93	EA	COVER - SKIRT - DIPLOMAT CHAIR (M93)
2	P07977-01-K77	EA	COVER - SKIRT - LEATHER
3	119952-01-000	EA	SLIDE/SEAT - HEAVY DUTY NON LOCKING
4	107921-08-000	EA	PLATE - TOP PEDESTAL - W/O SEAT BELT BAR
			FROM: 00-00-00 THRU: 09-30-00
4	133408-07-000	EA	TOP PLATE - W/O BAR
			FROM: 10-01-00 THRU: 99-99-99
5	107921-06-000	EA	BEARING KIT - PEDESTAL
6	107921-15-000	EA	PEDESTAL/FLOOR MOUNTED - 9.75"
			FROM: 00-00-00 THRU: 09-30-00
6	133408-11-000	EA	PEDESTAL - 9.75"
			FROM: 10-01-00 THRU: 99-99-99
7	119952-03-000	EA	SLIDE/SEAT - HEAVY DUTY LOCKING - 2 STUDS
8	007221-01-000	EA	SPACER - SEAT/ADJUSTER
9	127159-02-02B	EA	BRACKET - SEAT RELEASE - DUAL REMOTE
10	108049-04-000	EA	CABLE - W/MINI LEVER ACTION SWITCH - 28" SHEATH/30" CABLE
	117125-01-02B	EA	BRACKET - CABLE MOUNT - ADJUSTER W/LOCK
	108049-02-000	EA	CLIP - CABLE/PEDESTAL
	007021-01-000	EA	SEAT BELT - 2" X 90" - BLACK

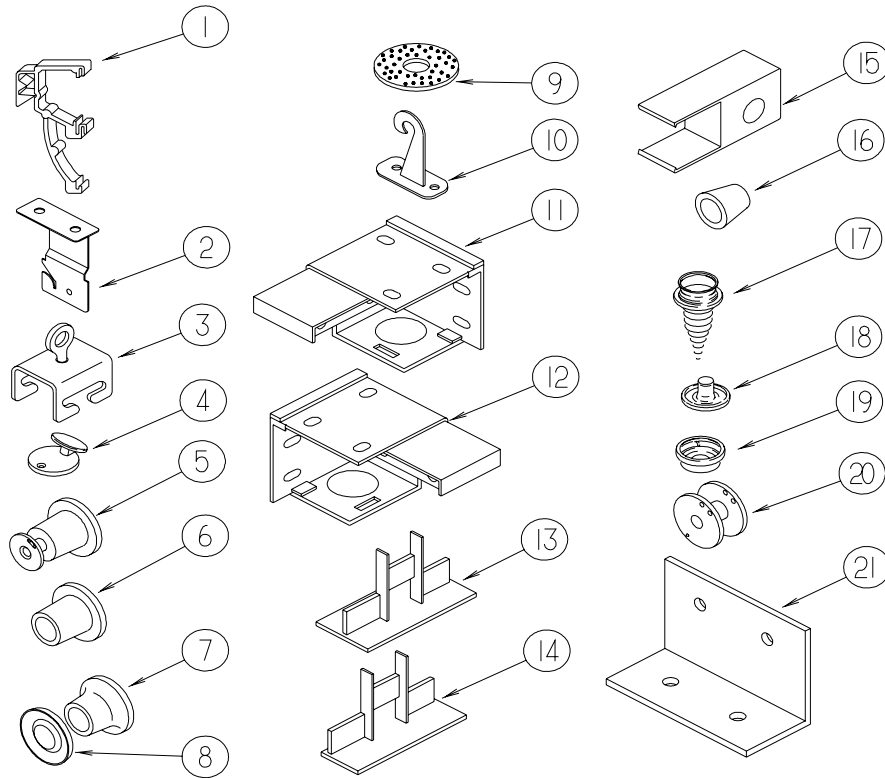
**CURTAIN & CUSHION GROUP (CONTINUED)**  
**WINDOW TREATMENT**



KEY	PART NUMBER	U/M	DESCRIPTION
1	119405-06-K77	EA	BLIND - MICRO PLEAT - 61" X 32"
2	113637-32-M91	EA	VALANCE - ROSEANNE - 30.5" (M91)
2	113637-32-L92	EA	VALANCE - ROSEANNE - 30.5" (M93)
2	119405-15-K77	EA	BLIND - MICRO PLEAT - 28" X 26.5"
3	111861-14-01A	EA	BLIND - MINI - 21" X 17.5" - ALABASTER PEARL
	109353-09-01A	EA	BLIND - SLAT - 21" - ALABASTER PEARL
4	077591-14-H70	EA	CURTAIN - 26" X 114"
5	113637-32-M91	EA	VALANCE - ROSEANNE - 30.5"
5	119405-15-K77	EA	BLIND - MICRO PLEAT - 28" X 26.5"
6	113637-33-M91	EA	VALANCE - ROSEANNE - 30" (M91)
6	113637-33-L93	EA	VALANCE - ROSEANNE - 30" (M93)
6	084755-39-E01	EA	SHADE - PULL - 26.25"
	117640-03-G47	EA	CURTAIN - SHOWER - RIGHT HAND/INSIDE LOOKING OUT
	117640-04-G47	EA	CURTAIN - SHOWER - LEFT HAND/INSIDE LOOKING OUT
	057534-02-000	EA	TIEBACK/TIEDOWN - 3" CLEAR PLASTIC

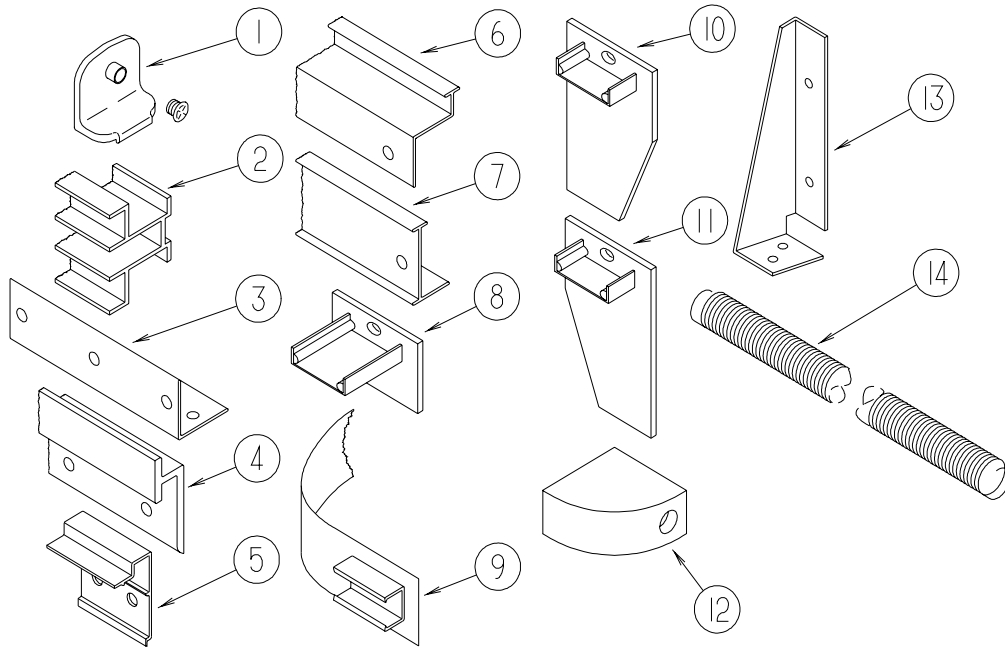
## CURTAIN & CUSHION GROUP (CONTINUED)

### HARDWARE



KEY	PART NUMBER	U/M	DESCRIPTION
1	109353-04-000	EA	CLIP - VALANCE SLAT MOUNTING - CLEAR PLASTIC
2	084434-01-000	EA	BRACKET - MOUNTING - ROLLER SHADE - 1 3/8"
	096843-01-000	EA	SPRING - REWIND/ROLLER SHADE
3	009702-01-000	EA	END STOP - CURTAIN CARRIER - L ROD
4	102555-03-000	EA	CLEAT - BLIND CORD - MILKY WHITE PLASTIC
5	097592-02-000	EA	SPOOL - CORD - ELEVATED BLIND HOLDUP - LARGE - CLEAR
6	094896-02-000	EA	GROMMET - CORD/PLEATED BLIND - NYLON - GRAY
7	046867-03-000	EA	GROMMET - HANDY BUTTON #3
8	046867-02-000	EA	WASHER - HANDY BUTTON #3
9	103242-01-000	EA	VELCRO HOOK - BEIGE 7/8" ROUND W/CENTER HOLE
9	103242-02-000	EA	VELCRO HOOK - BLACK 7/8" ROUND W/CENTER HOLE
10	109441-03-000	EA	BRACKET/HOOK - BLIND HOLD DOWN - CLOUDY
11	083170-01-000	EA	BRACKET/BLIND - LEFT SIDE WHEN FACING WINDOW - CLEAR
12	083170-02-000	EA	BRACKET/BLIND - RIGHT SIDE WHEN FACING WINDOW - CLEAR
13	094907-04-000	EA	END CAP - PLEATED BLIND/BOTTOM - RH & LH
14	094907-02-000	EA	END CAP - PLEATED BLIND/TOP - PLASTIC - GRAY
15	101033-02-000	EA	END CAP - LOW PROFILE TRACK - CLEAR
16	097564-03-000	EA	HANDLE - KNOB - E-Z LIFT SHADE - TAN
16	097564-05-000	EA	HANDLE - KNOB - E-Z LIFT SHADE - TEAL
16	097564-06-000	EA	HANDLE - KNOB - E-Z LIFT SHADE - ALABASTER
16	097564-08-000	EA	HANDLE - KNOB - E-Z LIFT SHADE - PLUM
17	029130-01-000	EA	SCREW - SNAP STUD - #8-16 X 3/8" LONG
17	029130-03-000	EA	SCREW - SNAP STUD - #8-16 X 1" LONG
18	029155-01-000	EA	CAP - SNAP - 5/32" OUTSIDE DIAMETER OF PIN
19	029156-01-000	EA	SOCKET - SNAP - 9/16" O.D.
20	097592-01-000	EA	SPOOL - CORD - ELEVATED BLIND HOLDUP - SMALL - CLEAR
21	083125-07-000	EA	BRACE - ANGLE/COUCH - 2.5" - OFF WHITE
21	083125-08-000	EA	BRACE - WINDOW MOUNT - .75" - OFF WHITE

**CURTAIN & CUSHION GROUP (CONTINUED)**  
**HARDWARD (CONTINUED)**



KEY	PART NUMBER	U/M	DESCRIPTION
1	106544-01-000	EA	PULL - SHADE/BRASS
	106544-01-001	EA	SCREW - SHADE/BRASS
2	101033-03-000	FT	TRACK/WALL - 101" - WHITE
2	101033-08-000	EA	TRACK/WALL - 75"
2	101033-09-000	EA	TRACK/WALL - 32"
3	105648-01-02A	EA	BRACE - VALANCE - OFF/WHITE - 14"
3	075943-10-000	EA	BRACE - VALANCE - 20" - OFF WHITE
4	127254-03-02A	EA	TRACK/WRAPAROUND - PASSENGER - ANTELOPE - F SERIES
4	127254-03-03A	EA	TRACK/WRAPAROUND - PASSENGER - TITANIUM - F SERIES
4	127254-04-02A	EA	TRACK/WRAPAROUND - DRIVER - ANTELOPE - F SERIES
4	127254-04-03A	EA	TRACK/WRAPAROUND - DRIVER - TITANIUM - F SERIES
4	133235-01-03A	EA	TRACK - CURTAIN/LEFT HAND - CADDY CREAM - P SERIES
4	133236-01-03A	EA	TRACK - CURTAIN/RIGHT HAND - CADDY CREAM - P SERIES
5	097565-01-000	EA	BRACKET - MOUNTING/PLEATED BLIND
6	105450-14-01A	EA	TRACK - CURTAIN - 90° - OFF WHITE - 300 SERIES
7	009700-04-002	EA	TRACK - CURTAIN - L SHAPED - 15.5' - OFF WHITE - 400 SERIES
7	126456-03-02A	EA	TRACK/WRAPAROUND - PASSENGER - ANTELOPE - L & G SERIES
7	126456-03-03A	EA	TRACK/WRAPAROUND - PASSENGER - TITANIUM - L SERIES
7	126456-04-02A	EA	TRACK/WRAPAROUND - DRIVER - ANTELOPE - L & G SERIES
7	126456-04-03A	EA	TRACK/WRAPAROUND - DRIVER - TITANIUM - L-SERIES
7	118896-05-03A	EA	TRACK/WRAPAROUND - PASSENGER - CADDY CREAM - Q-SERIES
7	118897-04-03A	EA	TRACK/WRAPAROUND - DRIVER - CADDY CREAM - Q-SERIES
8	094907-06-000	EA	HARDWARE - END CAP - E-Z LIFT - TOP
9	101031-01-000	YD	TAPE/GLIDE - 4.25" SPACING
10	094907-05-700	EA	END CAP-RH BOTTOM BLIND
11	094907-05-701	EA	END CAP-LH BOTTOM BLIND
12	132504-01-M91	EA	BRACKET/SHADE - LAMINATED - W/EDGE BAND MOLDING - RIALTA SERIES
13	076827-02-000	EA	BRACKET/LEG - 2.9" X 1.8" - TRIANGULAR - LEFT/E-COATED
14	097591-01-000	EA	SPRING - EXTENSION/PLEATED BLIND
	097593-02-000	FT	CORD - BLIND - PLEATED - GRAY
	097593-06-000	FT	CORD - BLIND - PLEATED - PEWTER
	097593-07-000	FT	CORD - BLIND - PLEATED - PALE JADE
	097593-10-000	FT	CORD - BLIND - PLEATED - VANILLA



## CURTAIN & CUSHION GROUP (CONTINUED)

### ACCESSORIES

KEY	PART NUMBER	U/M	DESCRIPTION
	114259-01-01A	EA	SEAT BELT - PASSENGER/COMPANION - 3 POINT
	057534-02-000	EA	TIEBACK - CLEAR PLASTIC - 3"
	079349-04-K86	YD	WELT - NARROW
	057534-02-000	EA	TIEBACK - CLEAR PLASTIC - 3"
	089275-01-000	FT	STRIP - 3/4" X 96" - CLEAR POLYETHYLENE

**CURTAIN & CUSHION GROUP (CONTINUED)**  
FABRICS

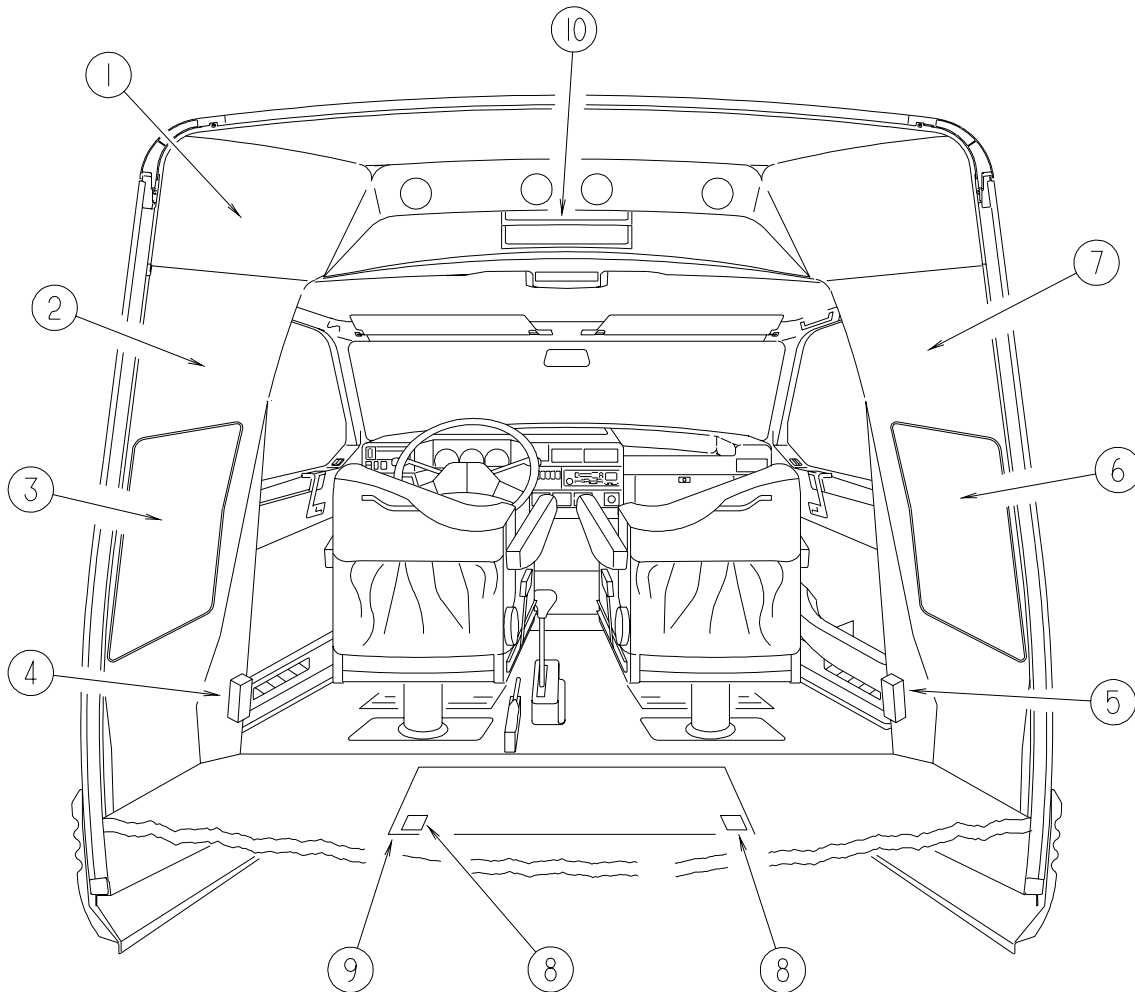
<b>FAMILY</b>	<b>N90/N91 GRAY FLANNEL</b>	<b>N92/N93 LAUREL MIST</b>
<b>2002 Rialta</b>	521 W/ADJ. ARMS	521 W/ADJ. ARMS
<b>BUCKET</b>	*DRIVER'S W/LUMBAR	*DRIVER'S W/LUMBAR
	126883-D7-000	126883-78-000
	<b>550 W/ADJ. ARMS</b>	<b>550 W/ADJ. ARMS</b>
	*OPT. LEATH. - ALLANTE GRAY	*OPT. LEATH. - ALLANTE GRAY
	079680-30-000	079680-30-000
<b>DINETTE</b>	<b>EURO</b>	<b>EURO</b>
	126883-D7-000	126883-78-000
	<b>720 LEATHER</b>	<b>720 LEATHER</b>
	*OPT. LEATH. - ALLANTE GRAY	*OPT. LEATH. - ALLANTE GRAY
	079680-30-000	079680-30-000
<b>SOFA</b>	<b>EURO</b>	<b>EURO</b>
	126883-D7-000	126883-78-000
	<b>720 LEATHER</b>	<b>720 LEATHER</b>
	*OPT. LEATH. - ALLANTE GRAY	*OPT. LEATH. - ALLANTE GRAY
	079680-30-000	079680-30-000
<b>LOUNGE CHAIR</b>	<b>SIERRA</b>	<b>SIERRA</b>
	126883-D7-000	126883-78-000
	<b>SIERRA</b>	<b>SIERRA</b>
	*OPT. LEATH. - ALLANTE GRAY	*OPT. LEATH. - ALLANTE GRAY
	079680-30-000	079680-30-000
<b>LOUNGE WINDOWS</b>	<b>ROSEANNE VALANCE</b>	<b>ROSEANNE VALANCE</b>
	126883-D7-000	126883-78-000
	OVERLAY/UNDERLAY	OVERLAY/UNDERLAY
	*OPT. LEATH. - ALLANTE GRAY	*OPT. LEATH. - ALLANTE GRAY
	079680-30-000	079680-30-000
<b>FWA</b>	<b>CLOUDS CHROME</b>	<b>CLOUDS CHROME</b>
	072333-88-000	072333-88-000
<b>DRAPERY LINING</b>	087272-03-000	087272-03-000
<b>MICRO PLEATS</b>	094911-61-000	094911-61-000
	CHROME	CHROME
<b>GALLEY BLINDS</b>	ALABASTER PEARL	ALABASTER PEARL
<b>DINETTE TRIM &amp; TRANS. PANEL</b>	079680-30-000	079680-30-000
<b>SHOWER CURT.</b>	075244-10-000 VANILLA	075244-10-000 VANILLA
<b>BEDCOVER</b>	126883-D7-000	126883-78-000
<b>BED PILLOW</b>	QUILTED W/.5" NON-GATH. WELT 126883-D7-000	QUILTED W/.5" NON-GATH. WELT 126883-78-000
<b>CEILINGS</b>	113979-12-01A	113979-12-01A
<b>FLOOR MATS</b>	096060-J9-000 CARPET 102695-24-000 TAPE	096060-J4-000 CARPET 102695-20-000 TAPE

# DRIVERS COMPARTMENT GROUP

## DASH

KEY PART NUMBER U/M DESCRIPTION

DASH ELECTRICAL COMPONENTS ARE LISTED IN THE ELECTRICAL GROUP

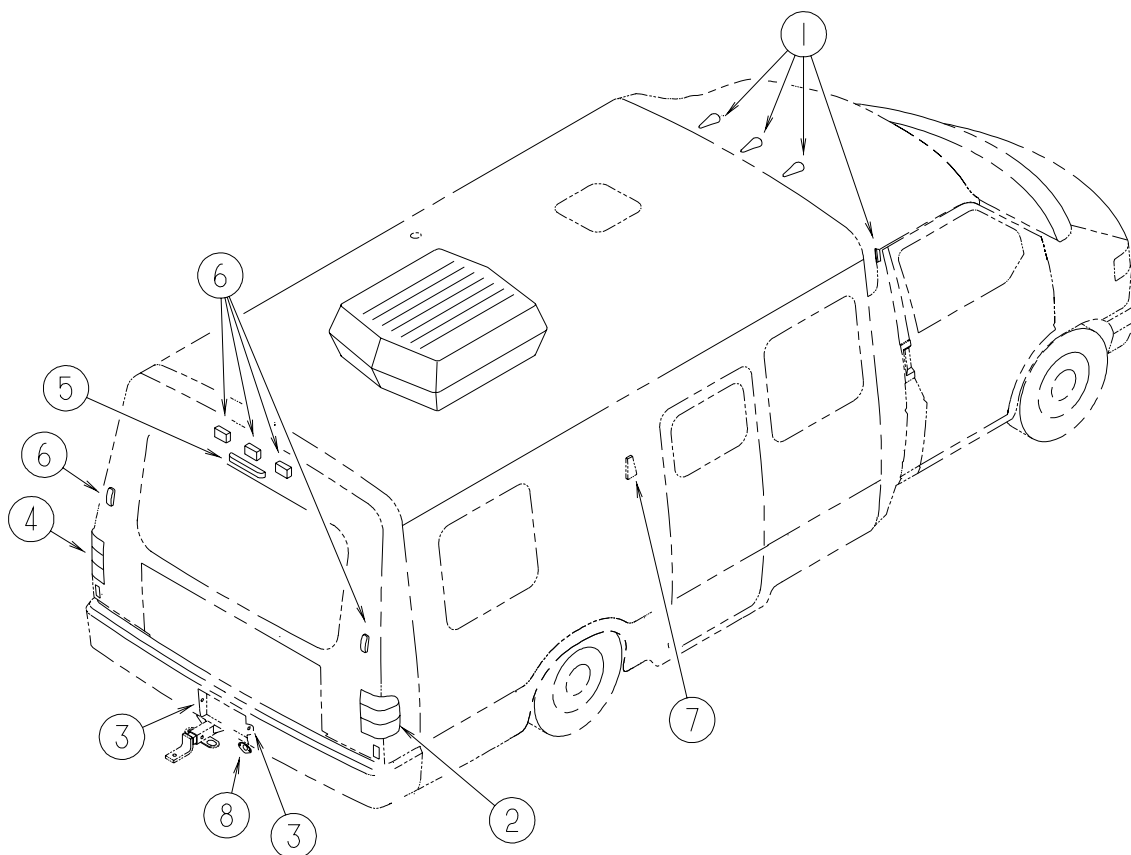


### FRONT INTERIOR

KEY	PART NUMBER	U/M	DESCRIPTION
1	117256-03-03A	EA	HEADLINER - CAB - ABS PLASTIC - VW LIGHT GRAY - <b>W/O OPTIONAL CUTOUTS</b>
	117256-07-03A	EA	HEADLINER - CAB - ABS PLASTIC - VW LIGHT GRAY
1	117256-11-03A	EA	HEADLINER - CAB - ABS PLASTIC - VW LIGHT GRAY - <b>W/DELUXE SOUND</b>
2	P27844-02-02A	EA	PANEL - TRANSITION/INNER - VW LIGHT GRAY
3	117555-02-M91	EA	PANEL - TRANSITION - LEFT HAND (M91)
3	117555-02-L92	EA	PANEL - TRANSITION - LEFT HAND (M93)
4	128914-01-01A	EA	COVER - RETRACTOR - DRIVER SIDE - BLACK
5	128914-02-01A	EA	COVER - RETRACTOR - PASSENGER SIDE - BLACK
6	117555-01-M91	EA	PANEL - TRANSITION - RIGHT HAND (M91)
6	117555-01-M91	EA	PANEL - TRANSITION - RIGHT HAND (M93)
7	P27844-01-02A	EA	PANEL - TRANSITION/INNER - VW LIGHT GRAY
8	097111-02-04A	EA	POCKET - LOCK - REAR DOOR
9	P18892-01-M91	EA	LID - COMPARTMENT/BATTERY - W/CARPET
	118892-01-F45	EA	LID - BATTERY COMPARTMENT - W/O CARPET - 6" X 30.3"
	064075-07-000	FT	SEAL - BULB - W/WIRED U CHANNEL - .3" X .5" CHANNEL-BLACK
	102330-01-000	EA	LATCH - VISE ACTION/KEY OPERATED
	102328-01-000	EA	KEY - BARREL - NICKEL PLATED
10	109918-01-05A	EA	VENT - RETURN AIR - 12.3" X 5.5" - BLACK
10	109918-03-01A	EA	VENT - RETURN AIR - 12.3" X 2.75" - BLACK
	115381-01-01A	EA	MAT - FLOOR - DRIVER - GRAY/BLACK
	115381-02-01A	EA	MAT - FLOOR - PASSENGER - GRAY/BLACK

# ELECTRICAL GROUP

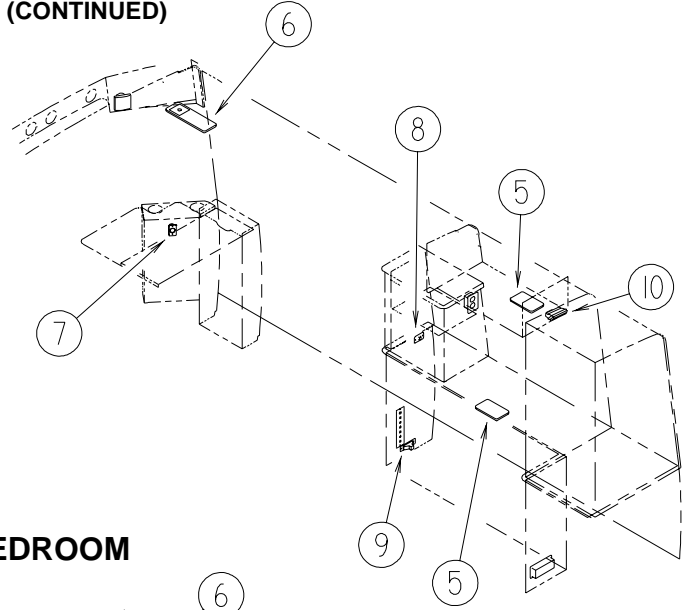
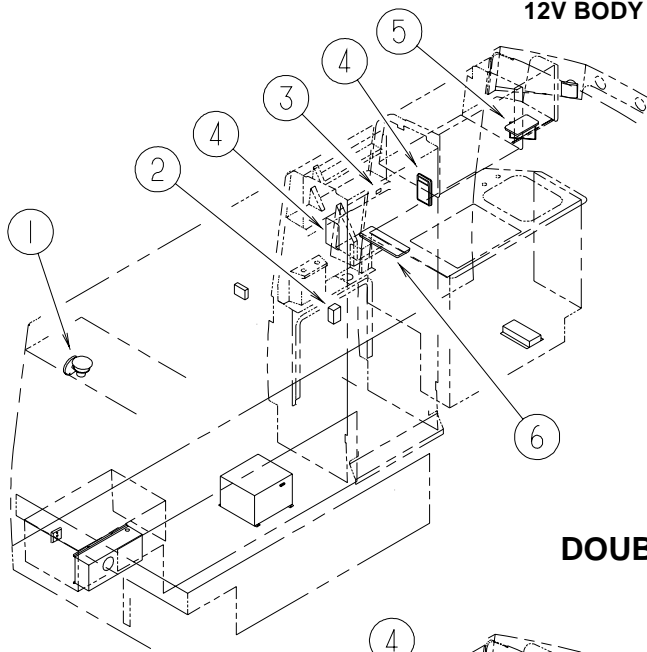
## 12V BODY WIRING



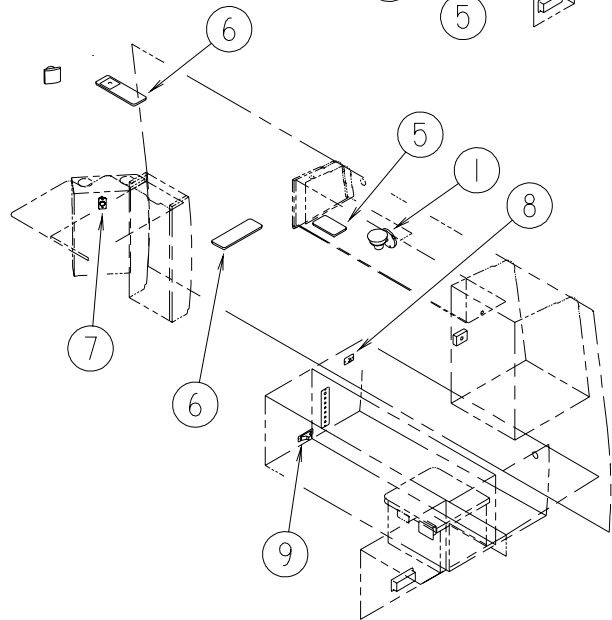
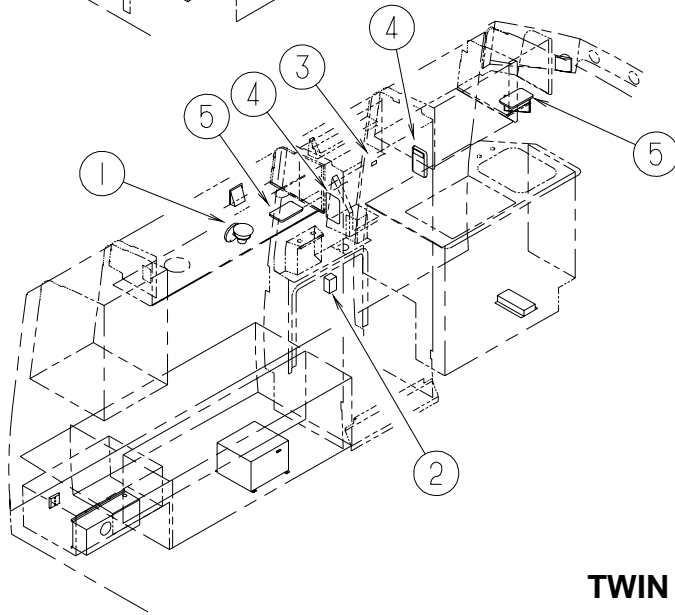
KEY	PART NUMBER	U/M	DESCRIPTION
1	113709-01-000	EA	LAMP - CLEARANCE - AMBER
2	112126-03-000	EA	LAMP - REAR/RIGHT HAND
2	112709-01-000	EA	SOCKET - TURN LIGHT
2	112709-02-000	EA	SOCKET - BACK-UP LIGHT
2	112709-03-000	EA	SOCKET - BRAKE LIGHT/MARKER LIGHT
2	112707-01-000	EA	BULB - 12 VOLT - #3156 - 2.10 AMP
2	112708-01-000	EA	BULB - 12 VOLT - #3157 - .59/2.10 AMP
2	113778-03-02B	EA	BRACKET - TAIL LAMP - 6.4" LONG - E-COATED
3	087201-01-000	EA	LIGHT - HALF ROUND - 1" X 1.7" - PLASTIC - BLACK
4	112126-04-000	EA	LAMP - REAR/LEFT HAND
4	112709-01-000	EA	SOCKET - TURN LIGHT
4	112709-02-000	EA	SOCKET - BACK-UP LIGHT
4	112709-03-000	EA	SOCKET - BRAKE LIGHT/MARKER LIGHT
4	112707-01-000	EA	BULB - 12 VOLT - #3156 - 2.10 AMP
4	112708-01-000	EA	BULB - 12 VOLT - #3157 - .59/2.10 AMP
4	113778-03-02B	EA	BRACKET - TAIL LAMP - 6.4" LONG - E-COATED
5	111102-01-000	EA	BASE - MARKER LAMP
5	111102-03-000	EA	LENS - RED - MARKER LAMP
5	036196-01-000	EA	BULB - 12V - #194 - .27 AMP - BAYONETTE
6	121950-01-000	EA	LIGHT - BRAKE - CENTER MOUNT
FROM: 00-00-00 THRU: 10-01-00			
6	136916-01-000	EA	LIGHT - CENTER BRAKE - L.E.D.
FROM: 10-02-00 THRU: 99-99-99			
7*	008089-01-000	EA	LIGHT-PORCH, RECESSED
	008215-01-000	EA	BULB - 12 VOLT - #1003 - .94 AMP
	091981-01-000	EA	GASKET - PORCH LIGHT
7*	008089-02-000	EA	LIGHT - PORCH - RECESSED - CANADIAN
	008214-01-000	EA	BULB - 12 VOLT - #67 - .59 AMP
8	113589-01-000	EA	CONNECTOR - PLUG - TRAILER

**\*COMPONENT PARTS LISTED LATER IN THIS GROUP**

**ELECTRICAL GROUP (CONTINUED)**  
**12V BODY WIRING (CONTINUED)**



**DOUBLE BEDROOM**



**TWIN BEDROOM**

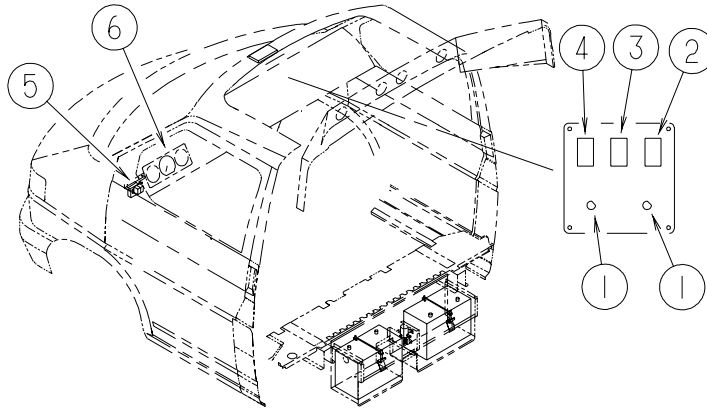
KEY	PART NUMBER	U/M	DESCRIPTION
1	065202-37-000	EA	LAMP - WALL - BRASS SHORT - UL/CSA
1	117805-01-000	EA	BULB - 12 VOLT - NUMBER 921F - 1/4 AMPS
1	119429-01-K77	EA	SPACER - WOODEN
	119429-03-03A	EA	SPACER - LAMP - MAPLE
2	108356-02-01A	EA	COVER/ACTUATOR SWITCH - 2 ROWS DIMPLES- CONTURA II - BLACK FROM: 05-05-00 THRU: 99-99-99 FROM: 00-00-00 THRU: 12-03-00
2	108356-14-01A	EA	COVER/ACTUATOR SWITCH - 3 GROOVES FROM: 12-04-00 THRU: 99-99-99
2	108357-08-000	EA	SWITCH - ROCKER - DPDT - 0N/NONE/ON - 6 TERMINAL FROM: 00-00-00 THRU: 12-03-00
2	108357-15-000	EA	SWITCH - ROCKER - DPDT - ON/NONE/ON FROM: 12-04-00 THRU: 99-99-99
3	108356-10-01A	EA	COVER/ACTUATOR SWITCH - 2 ROWS DIMPLES W/LENS-SHOWER DRAIN
3	108357-14-000	EA	SWITCH - ROCKER - SPST - W/LIGHT - ON/OFF - 4 TERMINAL
4*	098024-01-03A	EA	LIGHT - DOME - 1 BULB - WHITE
	008218-01-000	EA	BULB - 12 VOLT - #1141 - 1.44 AMP
5*	098024-05-02A	EA	LIGHT - DOME - 1 BULB - SKYLITE/OPTI CLEAR
	008218-01-000	EA	BULB - 12 VOLT - #1141 - 1.44 AMP
6*	098024-03-02A	EA	LIGHT - DOME - 2 BULB - WHITE
	008218-01-000	EA	BULB - 12 VOLT - #1141 - 1.44 AMP

## ELECTRICAL GROUP (CONTINUED)

### 12V BODY WIRING (CONTINUED)

KEY	PART NUMBER	U/M	DESCRIPTION
7	111386-01-04B	EA	PLATE - RECEPTACLE - 12 VOLT - BLACK
	111414-01-000	EA	RECEPTACLE/SOCKET - 12 VOLT
8	079364-01-000	EA	SWITCH - ON/OFF ROCKER - 2 TERMINAL - BROWN
			FROM: 00-00-00 THRU: 01-07-01
	079364-04-000	EA	SWITCH - ON/OFF ROCKER - 2 TERMINAL - BLACK
			FROM: 01-08-01 THRU: 99-99-99
	098351-01-01A	EA	PLATE/SWITCH - 1 GANG - POLISHED BRASS - W/O LABEL
9	061424-01-000	EA	LIGHT - AISLE - 12 VOLT - RECTANGULAR
	036196-01-000	EA	BULB - 12V - #194 - .27 AMP - BAYONETTE
10*	087694-01-000	EA	LIGHT - WARDROBE/CLOSET - W/SWITCH

**\*COMPONENT PARTS LISTED LATER IN THIS GROUP**



### FRONT END WIRING

KEY	PART NUMBER	U/M	DESCRIPTION
1*	087202-02-000	EA	SWITCH - 4 POSITION - W/O KNOB/BEZEL - 5 TERMINAL
1	090977-01-000	EA	KNOB - ROTARY SWITCH/SLIP ON - REAR HEATER/DASH/REAR PANEL
2	108355-01-000	EA	HOUSING - SWITCH
2	108356-07-01A	EA	COVER/ACTUATOR SWITCH - 2 ROWS DIMPLES - AUX START - BLACK
2	108357-09-000	EA	SWITCH - ROCKER - SPDT - ON/NONE/MOM - 3 TERMINAL
3	108355-01-000	EA	HOUSING - SWITCH
3	108356-08-01A	EA	COVER/ACTUATOR SWITCH - 2 ROWS DIMPLES W/LENS - REAR-BLACK
3	108357-12-000	EA	SWITCH - ROCKER - DPST W/LIGHT - MOM/NONE/OFF-7 TERMINAL
4	108355-01-000	EA	HOUSING - SWITCH
4	108356-09-01A	EA	COVER/ACTUATOR SWITCH - 2 ROWS DIMPLES W/LENS - WASH/BLACK
4	108357-13-000	EA	SWITCH - ROCKER - DPDT - W/LIGHT-MOM/ON-OFF/OFF-7 TERMINAL
5	114965-01-000	EA	RELAY/TIMER MOD - 12 V/2 AMP - DELAY OFF 10 MIN-RR DEFROST
6	132227-01-000	EA	CLUSTER - INSTRUMENT PANEL - KILOMETERS/CANADA - GAS

**\*COMPONENT PARTS LISTED LATER IN THIS GROUP**

**ELECTRICAL GROUP (CONTINUED)**  
**COMPONENT PARTS FOR LIGHTS & SWITCHES**

**008089-01-000 & 008089-02-000**

<b>KEY</b>	<b>PART NUMBER</b>	<b>U/M</b>	<b>DESCRIPTION</b>	
	008089-01-700	EA	LENS-LIGHT, RECESSED, PORCH	DECO

**087202-02-000**

<b>KEY</b>	<b>PART NUMBER</b>	<b>U/M</b>	<b>DESCRIPTION</b>	<b>VENDOR NO.</b>
	087202-02-000	EA	SWITCH - 4 POSITION - W/O KNOB/BEZEL - 5 TERMINAL	
	087202-01-701	EA	KNOB-SWITCH, ROTARY	062-0104
	087202-01-702	EA	PLATE F/ROTARY SWITCH	062-0105

**087694-01-000**

<b>KEY</b>	<b>PART NUMBER</b>	<b>U/M</b>	<b>DESCRIPTION</b>	<b>VENDOR NO.</b>
	087694-01-000	EA	LIGHT - WARDROBE/CLOSET - W/SWITCH	
	087694-01-700	EA	BULB	GE561

**098024-01-03A**

<b>KEY</b>	<b>PART NUMBER</b>	<b>U/M</b>	<b>DESCRIPTION</b>	<b>VENDOR NO.</b>
	098024-01-03A	EA	LIGHT - DOME - 1 BULB - WHITE	
	098024-01-700	EA	LENS-LIGHT	807877

**098024-03-02A**

<b>KEY</b>	<b>PART NUMBER</b>	<b>U/M</b>	<b>DESCRIPTION</b>	<b>VENDOR NO.</b>
	098024-03-02A	EA	LIGHT - DOME - 2 BULB - WHITE	
	098024 01 700	EA	LENS-LIGHT	807877

**098024-05-02A**

<b>KEY</b>	<b>PART NUMBER</b>	<b>U/M</b>	<b>DESCRIPTION</b>	<b>VENDOR NO.</b>
	098024-05-02A	EA	LIGHT - DOME - 1 BULB - SKYLITE/OPTI CLEAR	
	098024-01-701	EA	LENS - OPTI CLEAR - SKYLITE	809902

## ELECTRICAL GROUP (CONTINUED)

### CIRCUIT BREAKERS & FUSES

KEY	PART NUMBER	U/M	DESCRIPTION
	062901-05-000	EA	FUSE - 15 AMP - AUTOMOTIVE
	062901-06-000	EA	FUSE - 20 AMP - AUTOMOTIVE
	062901-07-000	EA	FUSE - 25 AMP - AUTOMOTIVE
	083209-02-000	EA	CIRCUIT BREAKER - 15/15 AMP - 120 VOLT
	083209-06-000	EA	CIRCUIT BREAKER - 30/15 AMP - 120 VOLT
	083209-07-000	EA	CIRCUIT BREAKER - 20/20 AMP - 120 VOLT
	097611-01-000	EA	CIRCUIT BREAKER - 10 AMP - 12 VOLT
	108567-01-000	EA	CIRCUIT BREAKER - 40 AMP - 12 VOLT - TYPE II
	008233-01-000	EA	FUSE - 12 VOLT - 6 AMP
	092786-06-000	EA	BUSS BAR
	093654-01-000	EA	CIRCUIT BREAKER - 6 AMP - 12 VOLT - PUSH BUTTON - WHITE
	093654-02-000	EA	CIRCUIT BREAKER - 15 AMP - 12 VOLT - PUSH BUTTON - WHITE
	093654-03-000	EA	CIRCUIT BREAKER - 20 AMP - 12 VOLT - PUSH BUTTON - WHITE
	111683-01-000	EA	FUSE - HOLDER - GLASS - 1/4" X 1 1/4"

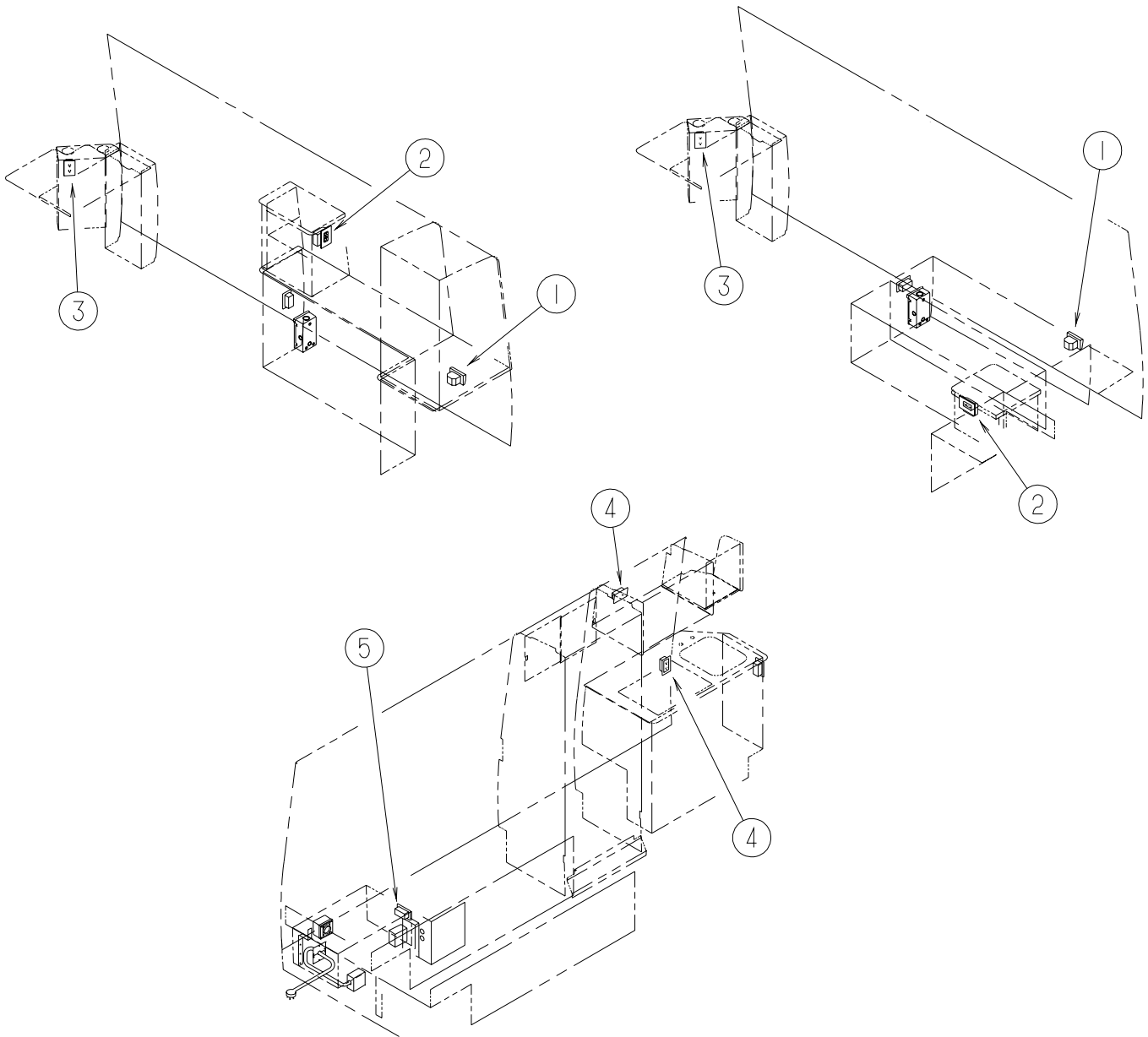
### CONVERTER, INVERTER, LOAD CENTERS

KEY	PART NUMBER	U/M	DESCRIPTION
	109677-01-000	EA	LOAD CENTER - 120 VOLT - 40 AMP
	123058-02-000	EA	CONVERTER - 45 AMP - ELECTRONIC - 4 1/8"H X 7"W X 12 3/8"L



## ELECTRICAL GROUP (CONTINUED)

### 110V WIRING



KEY	PART NUMBER	U/M	DESCRIPTION
1	131826-01-01A	EA	RECEPTACLE - EXTERIOR - W/COVER/GASKET - WHITE
2	084076-02-000	EA	RECEPTACLE - GFI - 15 AMP/125 VOLT - BROWN - W/COVER
3	058708-01-000	EA	RECEPTACLE - ELECTRIC - DOUBLE - BROWN
4	058707-01-000	EA	RECEPTACLE - ELECTRIC - SINGLE - BROWN
5	058708-05-000	EA	RECEPTACLE - ELECTRIC - SINGLE - BROWN

## ELECTRICAL GROUP (CONTINUED)

### BOXES & CORDS

KEY	PART NUMBER	U/M	DESCRIPTION
	008054-02-000	EA	CORD - POWER - 10/3 WIRE - 30 AMP - 35'
	008289-01-000	EA	BOX - ELECTRIC/STEEL - 1/2" & 3/4" KNOCKOUTS - 4" X 4"
	008294-01-000	EA	COVER - ELECTRIC BOX - BLANK/STEEL - 4" X 4" - GRAY
	008294-02-000	EA	COVER - ELECTRICAL BOX - BLANK/STEEL - 4" X 4" - CANADIAN
	009426-01-000	EA	HATCH - POWER CORD - WHITE
	091910-01-000	EA	BOX - ELECTRIC - 3.8" X 3.5" X 1.8" - PLASTIC
	091910-02-000	EA	BOX - ELECTRIC - 2.2" X 3.5" X 1.8" - PLASTIC
	092985-02-000	EA	BRACKET - POWER CORD

### WIRE ASSEMBLIES

KEY	PART NUMBER	U/M	DESCRIPTION
	093057-04-000	EA	WIRE ASSEMBLY - POWER LOCK ENTRANCE
	096449-01-000	EA	WIRE ASSEMBLY - WATER TANK TO MONITOR PANEL
	096450-02-000	EA	WIRE F/SENSORS - BLACK WATER - 59"
	096451-06-000	EA	WIRE F/SENSORS - GREY WATER - 23.6"
	103494-04-000	EA	WIRE ASM-WATER PUMP SWITCH
	124843-01-000	EA	WIRE ASSEMBLY - SPEAKER ADAPTER
	124882-03-000	EA	WIRE ASSEMBLY - AMPLIFIER

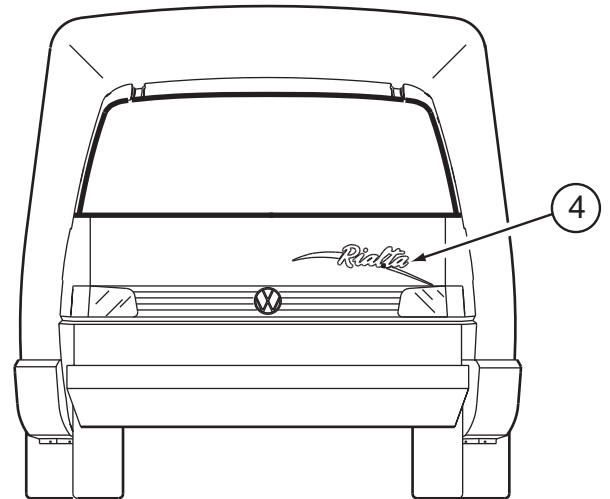
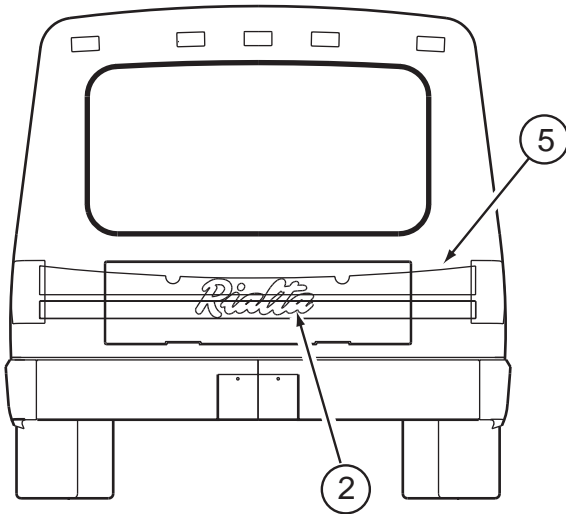
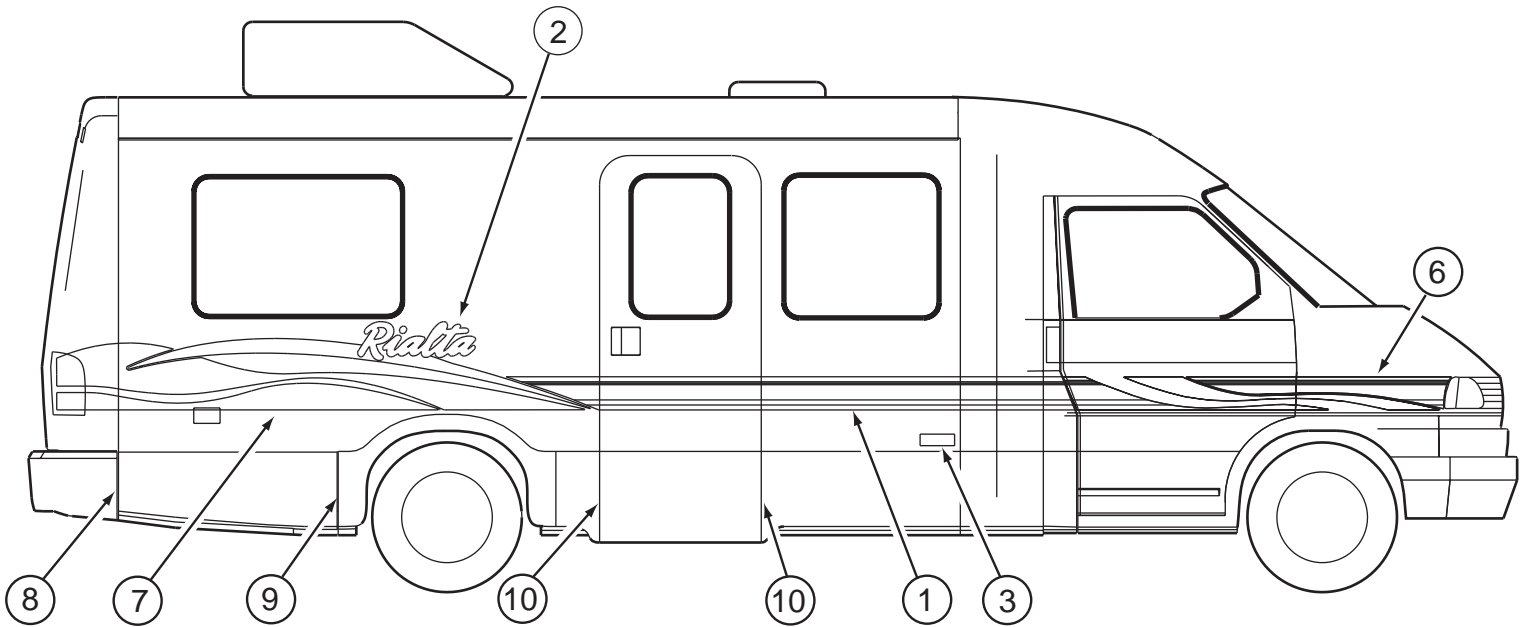
### CONNECTORS & CONDUIT

KEY	PART NUMBER	U/M	DESCRIPTION
	008313-01-000	EA	CONNECTOR - WIRE NUT - INSULATED - YELLOW
	008348-01-000	EA	TERMINAL - RING - 3/8" STUD 2 GA. WIRE
	008355-01-000	EA	CONNECTOR - CABLE CLAMPING - 3/4"
	008356-01-000	EA	CONNECTOR - PLASTIC - 3/8" AVG
	008356-02-000	EA	CONNECTOR - PLASTIC - 21/32
	008394-01-000	FT	CONDUIT - FLEXIBLE - 1/2"
	041953-01-000	FT	CONDUIT - CONVOLUTE SLIT - .5" ID - POLYETHYLENE
	041953-03-000	FT	CONDUIT - CONVOLUTE SLIT - 1" ID (CLOTHES ROD COVER)
	041953-05-000	FT	CONDUIT - CONVOLUTE SOLID - .62" ID - POLYETHYLENE
	041953-06-000	FT	CONDUIT - CONVOLUTE SLIT - .4" ID - POLYETHYLENE
	041953-07-000	FT	CONDUIT - CONVOLUTE SLIT - .25" ID - POLYETHYLENE
	041953-08-000	FT	CONDUIT - CONVOLUTE SLIT - 1.5" ID - POLYETHYLENE
	041953-09-000	FT	CONDUIT - CONVOLUTE SLIT - .5" ID - NYLON
	058028-01-000	EA	CONNECTOR - ELECTRICAL PIGTAIL - NYLON - CLEAR
	088267-01-000	EA	TERMINAL - FEMALE - 1/4
	088473-01-000	EA	HOUSING - PIN - 12 CAVITY (3 ROWS OF 4)
	088475-01-000	EA	PIN - CONNECTOR - 14-20 AWG
	098261-02-000	EA	SOCKET - CONNECTOR - WEATHERPACK - 14-18 AWG
	098262-01-000	EA	SEAL - CONNECTOR - WEATHERPACK
	098264-01-000	EA	HOUSING - 2 PIN - WEATHER PACK - MALE W/FEMALE PINS

### BOOTS, SOLENOIDS, RELAYS & MISCELLANEOUS

KEY	PART NUMBER	U/M	DESCRIPTION
	008188-01-000	EA	SOLENOID - 3 POST - BATTERY CHANGE OVER
	063912-02-000	EA	RELAY - CANISTER - SPDT
	065450-08-000	EA	TIEDOWN - BATTERY

## EXTERIOR BODY GROUP GRAPHICS & PAINT



KEY	PART NUMBER	U/M	DESCRIPTION
1	094434-03-02A	FT	FILM - OVERLAY - 5.7"
2	133594-01-02A	EA	DECAL - LOGO - RIALTA/LARGE - VW WHITE/BERRYWOOD
3	132664-01-01A	EA	DECAL - LOGO/DOMED - 'WINNEBAGO' - GOLD/BLACK - PLASTIC
4	133595-01-02A	EA	DECAL - RIALTA W/SLASH - VW WHITE/BERRYWOOD/GRAYSTONE
5	133593-01-02A	EA	DECAL - BACKWALL - BERRYWOOD/LT GOLD
6	133591-01-02A	EA	DECAL - WAVES W/STRIPE - FRONT/RIGHT - BRY/LGLD/CHMP/GRY
	133591-02-02A	EA	DECAL - WAVES W/STRIPE - FRONT/LEFT - BRY/LGLD/CHMP/GRY
7	133592-01-02A	EA	DECAL - WAVES - RIGHT - LT GOLD/BERRYWOOD/GRAYSTONE
	133592-02-02A	EA	DECAL - WAVES - LEFT - LT GOLD/BERRYWOOD/GRAYSTONE
8	132325-01-04A	EA	DECAL - VALANCE/DOOR END - SMALL/PASSENGER - BERRYWOOD - <a href="#">W/BERRYWOOD PAINT</a>
8	132325-01-03A	EA	DECAL - VALANCE/DOOR END - SMALL/PASSENGER - SAHARA GRAY - <a href="#">W/SAHARA GRAY PAINT</a>
	132325-02-04A	EA	DECAL - VALANCE/DOOR END - SMALL/DRIVER - BERRYWOOD - <a href="#">W/BERRYWOOD PAINT</a>
	132325-02-03A	EA	DECAL - VALANCE/DOOR END - SMALL/DRIVER - SAHARA GRAY - <a href="#">W/SAHARA GRAY PAINT</a>
9	132324-01-04A	EA	DECAL - VALANCE/DOOR END - LARGE/PASSENGER - BERRYWOOD - <a href="#">W/BERRYWOOD PAINT</a>
9	132324-01-03A	EA	DECAL - VALANCE/DOOR END - LARGE/PASSENGER - SAHARA GRAY - <a href="#">W/SAHARA GRAY PAINT</a>
	132324-02-04A	EA	DECAL - VALANCE/DOOR END - LARGE/DRIVER - BERRYWOOD - <a href="#">W/BERRYWOOD PAINT</a>
	132324-02-03A	EA	DECAL - VALANCE/DOOR END - LARGE/DRIVER - SAHARA GRAY - <a href="#">W/SAHARA GRAY PAINT</a>

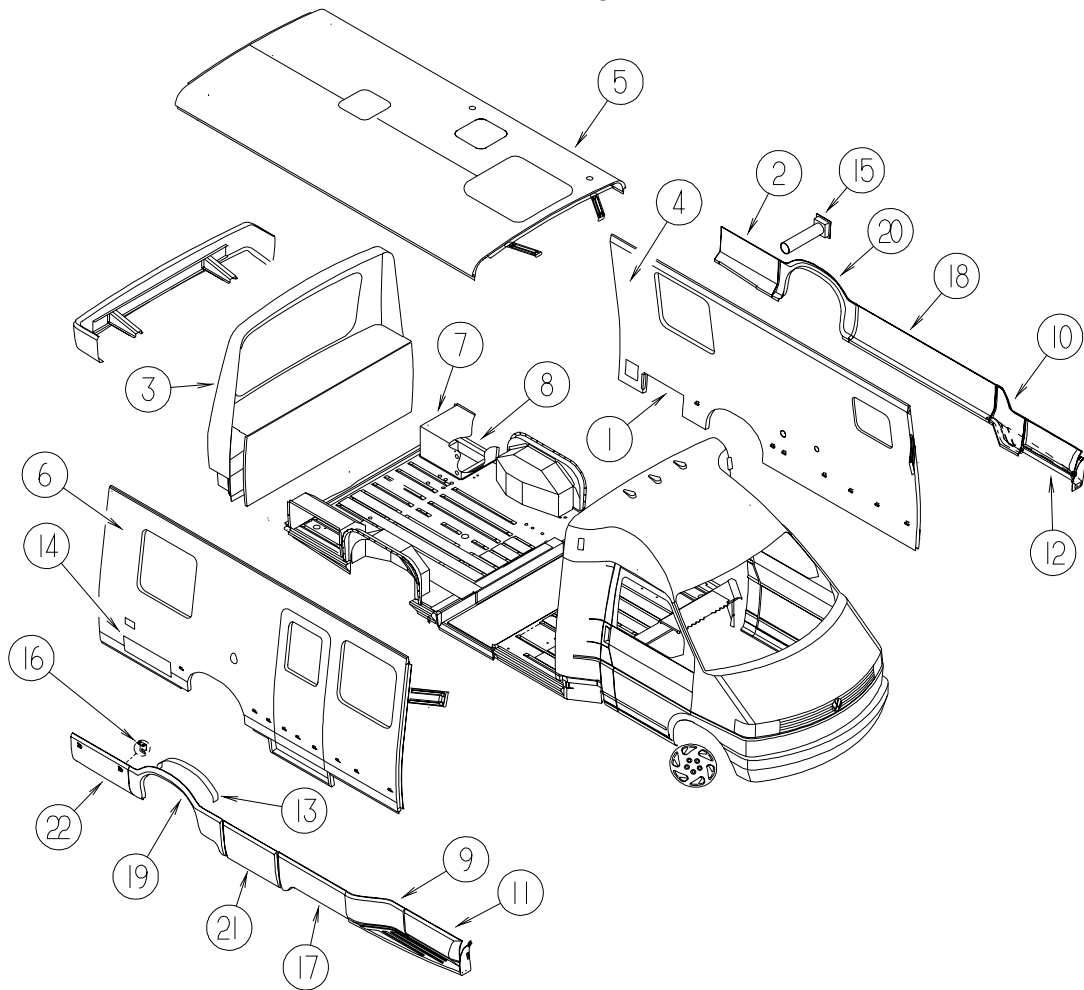
**EXTERIOR BODY GROUP (CONTINUED)**  
**GRAPHICS & PAINT (CONTINUED)**

<b>KEY</b>	<b>PART NUMBER</b>	<b>U/M</b>	<b>DESCRIPTION</b>
10	131730-01-04A	EA	DECAL - VALANCE/PANEL - PASSENGER END - BERRYWOOD METALLIC - W/BERRYWOOD PAINT
10	131730-01-03A	EA	DECAL - VALANCE/PANEL - PASSENGER END - SAHARA GRAY - <a href="#">W/SAHARA GRAY PAINT</a>
	131730-02-04A	EA	DECAL - VALANCE/PANEL - DRIVER END - BERRYWOOD METALLIC - <a href="#">W/BERRYWOOD PAINT</a>
	131730-02-03A	EA	DECAL - VALANCE/PANEL - DRIVER END - SAHARA GRAY - <a href="#">W/SAHARA GRAY PAINT</a>
	093681-14-27A	FT	FILM - 1.5" - BERRYWOOD - <a href="#">W/BERRYWOOD PAINT</a>
	093681-14-26A	FT	FILM - 1.5" - <a href="#">W/SAHARA GRAY PAINT</a>
	041561-03-000	EA	PAINT - 16 OUNCE SPRAY - OFF WHITE
	109506-11-000	EA	FILM - URETHANE - 2" X 36 YDS

**DUPONT COLOR CODES**

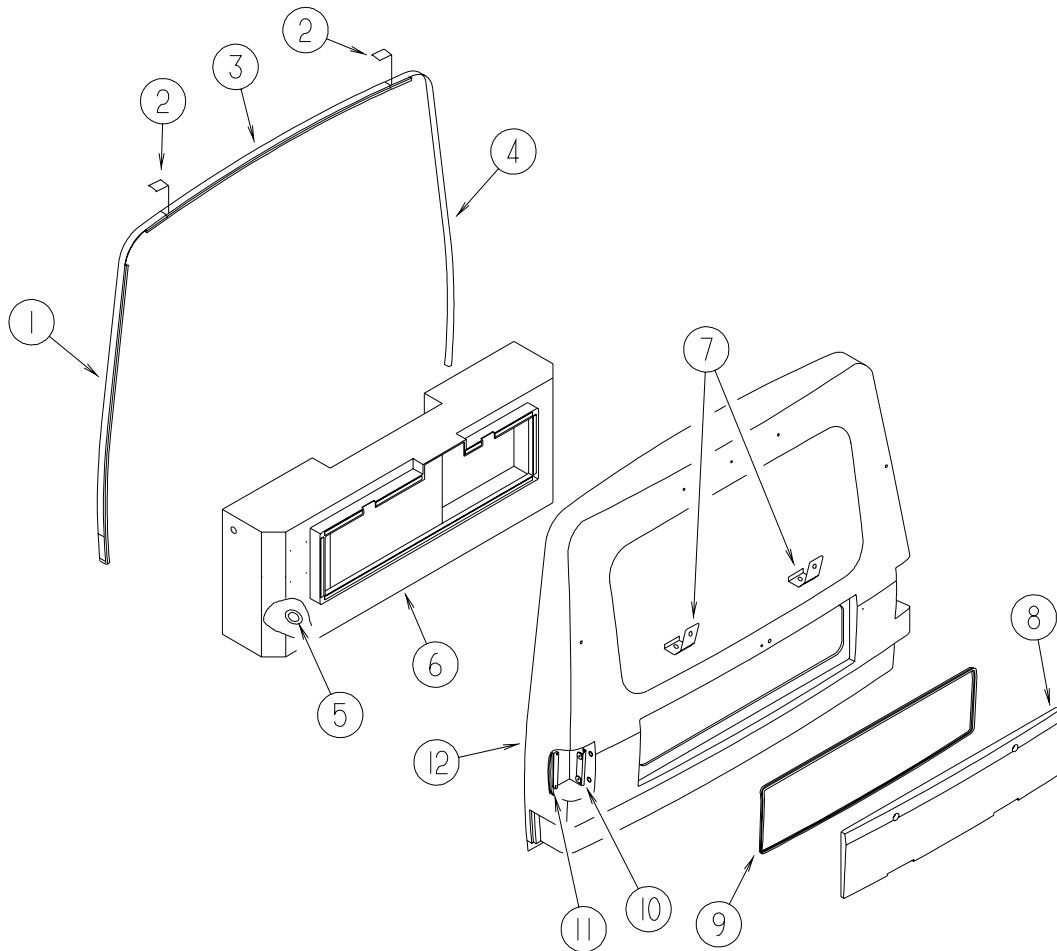
VW WHITE	W9670
BERRYWOOD MET.	RM055
SAHARA GRAY MET.	M1024U
GRAYSTONE MET.II	MM436
LT.GOLD MET.	YM209
CHAMPAGNE STAR MET.	MM081

## EXTERIOR BODY GROUP (CONTINUED) PANELS



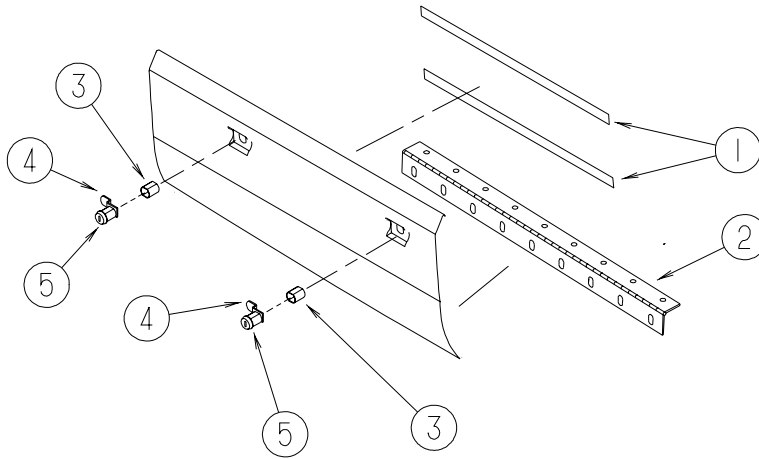
KEY	PART NUMBER	U/M	DESCRIPTION
1	113752-03-01A	EA	JAMB/TRIM - GENERATOR - VW WHITE - <a href="#">W/GENERATOR</a>
1	113752-01-01A	EA	JAMB/TRIM - GENERATOR - VW WHITE - <a href="#">WO/GENERATOR</a>
2	130833-09-L90	EA	VALANCE/DOOR - REAR/DRIVER - 14.6" X 38.2" X 12.8" - <a href="#">W/GENERATOR</a>
2	130833-08-K76	EA	VALANCE/DOOR - REAR/DRIVER - 14.6" X 38.2" X 12.8" - <a href="#">WO/GENERATOR</a>
3	P30529-01-K76	EA	CAP - REAR - W/O ANGLE
4	M08651-06-L91	EA	SIDEWALL - DRIVER - W/O WINDOWS/TRIMS - F/TWIN BED (M91)
4	M08651-06-L93	EA	SIDEWALL - DRIVER - W/O WINDOWS/TRIMS - F/TWIN BED (M93)
4	M08651-05-L91	EA	SIDEWALL - DRIVER - W/O WINDOWS/TRIMS - F/DOUBLE BED (M91)
4	M08651-05-L93	EA	SIDEWALL - DRIVER - W/O WINDOWS/TRIMS - F/DOUBLE BED (M93)
5	P24810-01-M91	EA	ROOF - W/O LIGHTS/VENTS - W/WIRING
6	135848-01-M91	EA	SIDEWALL - PASSENGER - W/O WINDOWS/TRIMS
6	135848-01-M93	EA	SIDEWALL - PASSENGER - W/O WINDOWS/TRIMS
7	112818-01-02B	EA	COMPARTMENT - REAR - LEFT HAND
8	112808-03-02B	EA	ROCKER ASSEMBLY- REAR/DRIVER - E-COATED
9	130611-03-K76	EA	VALANCE/PANEL - TRANSITION/PASSENGER
10	130611-04-K76	EA	VALANCE/PANEL - TRANSITION/DRIVER
11	130612-03-K76	EA	VALANCE/PANEL - CAB DOOR/PASSENGER - W/O HARDWARE
12	130612-04-K76	EA	VALANCE/PANEL - CAB DOOR/DRIVER - W/O HARDWARE
13	113012-02-01A	EA	TRIM - WHEELWELL - REAR - MILL
14	113753-01-01A	EA	JAMB/TRIM - LP - VW WHITE
15	123664-01-01A	EA	COMPARTMENT - SEWER HOSE
16	127289-01-02B	EA	BRACKET - LOCK CATCH - RH - E-COAT
16	127289-02-02B	EA	BRACKET - LOCK CATCH - LH - E-COAT
17	130645-04-K76	EA	VALANCE/PANEL - FRONT/PASSENGER - W/O HARDWARE
18	130645-05-K76	EA	VALANCE/PANEL - FRONT/DRIVER - W/O HARDWARE
19	130648-03-K76	EA	VALANCE/WHEEL LIP - PASSENGER
20	130648-04-K76	EA	VALANCE/WHEEL LIP - DRIVER
21	130649-02-K76	EA	VALANCE/PANEL - ENTRY DOOR - 26.6" X 16.6" - BLACK
22	130833-10-L90	EA	VALANCE/DOOR - REAR/PASSENGER - 14.6" X 38.2" X 12.8"

**EXTERIOR BODY GROUP (CONTINUED)**  
**PANELS (CONTINUED)**



KEY	PART NUMBER	U/M	DESCRIPTION
1	112544-02-01A	EA	TRIM - SIDEWALL TO REAR CAP - LEFT HAND
2	086754-10-000	EA	CAP - TRIM - VW WHITE
3	112548-01-01A	EA	TRIM - ROOF TO REAR CAP - <b>CANADIAN</b>
4	112544-01-01A	EA	TRIM - SIDEWALL TO REAR CAP - RIGHT HAND
5	009426-01-000	EA	HATCH - POWER CORD - WHITE
6	130527-02-01A	EA	COMPARTMENT/LUGGAGE - REAR
6	130527-03-01A	EA	COMPARTMENT/LUGGAGE - REAR
7	127124-02-02B	EA	BRACKET - DOOR - REAR - E-COATED
8	124392-02-K76	EA	DOOR - COMPARTMENT/REAR - W/O HARDWARE
	076767-05-000	EA	CABLE - STAINLESS STEEL - 15.5"
	124242-01-02A	EA	HINGE - TRUNK DOOR - VW WHITE
	131035-01-000	EA	LOCK/COMPRESSION TYPE - KEYED W/CAM & HARDWARE - W/O KEY
	131035-60-000	EA	CAM - LOCK - COMPRESSION
9	107721-07-000	FT	SEAL - ACCESS DOOR - .9" WIDE X 1.1" HIGH
10	113777-01-02B	EA	BRACKET - TAIL LAMP - 7.7" LONG - E-COATED
11	113689-01-02B	EA	BRACKET - TAIL LAMP - RH - E-COATED
11	113689-02-02B	EA	BRACKET - TAIL LAMP - LH - E-COATED
12	P30529-01-K76	EA	CAP - REAR - W/O ANGLE

**EXTERIOR BODY GROUP (CONTINUED)**  
**VALANCE DOOR PIECE PARTS**



KEY	PART NUMBER	U/M	DESCRIPTION
1	134867-01-000	FT	SEAL - 3/4 X 1 1/4 - PSA ONE SIDE
2	112246-06-01A	EA	HINGE - VALANCE DOOR - VW WHITE
2	112246-05-01A	EA	HINGE - VALANCE DOOR - VW WHITE
3	107997-51-005	EA	SPACER - DOOR LOCK .6" DEEP
4	110506-68-000	EA	CAM - LATCHING - DOG LEGGED 1.3" LONG
5	110506-55-000	EA	CASE/CYLINDER - TWIST LOCK - W/O CAM - 1.25" - 597312AA1
5	110506-52-000	EA	CASE/CYLINDER - LOCKING - W/O CAM/KEY - .65" - 702370
5	110506-52-001	EA	CASE/CYLINDER - LOCKING - W/O CAM/KEY - .65" - 702371
5	110506-52-002	EA	CASE/CYLINDER - LOCKING - W/O CAM/KEY - .65" - 702372
5	110506-52-003	EA	CASE/CYLINDER - LOCKING - W/O CAM/KEY - .65" - 702373
5	110506-52-004	EA	CASE/CYLINDER - LOCKING - W/O CAM/KEY - .65" - 702374
5	110506-52-005	EA	CASE/CYLINDER - LOCKING - W/O CAM/KEY - .65" - 702375
5	110506-52-006	EA	CASE/CYLINDER - LOCKING - W/O CAM/KEY - .65" - 702376
5	110506-52-007	EA	CASE/CYLINDER - LOCKING - W/O CAM/KEY - .65" - 702377
5	110506-52-008	EA	CASE/CYLINDER - LOCKING - W/O CAM/KEY - .65" - 702378
5	110506-52-009	EA	CASE/CYLINDER - LOCKING - W/O CAM/KEY - .65" - 702379
*	110506-59-000	EA	KEYS - SET OF TWO 596720
*	110506-59-001	EA	KEYS - SET OF TWO 596721
*	110506-59-002	EA	KEYS - SET OF TWO 596722
*	110506-59-003	EA	KEYS - SET OF TWO 596723
*	110506-59-004	EA	KEYS - SET OF TWO 596724
*	110506-59-005	EA	KEYS - SET OF TWO 596725
*	110506-59-006	EA	KEYS - SET OF TWO 596726
*	110506-59-007	EA	KEYS - SET OF TWO 596727
*	110506-59-008	EA	KEYS - SET OF TWO 596728
*	110506-59-009	EA	KEYS - SET OF TWO 596729
	130444-01-01A	EA	CAP - KEY IDENTIFIER - GREEN

**\*COMPONENT PARTS LISTED LATER IN THIS GROUP**

**EXTERIOR BODY GROUP (CONTINUED)**  
**COMPONENT PARTS FOR VALANCE DOOR PIECE PARTS**

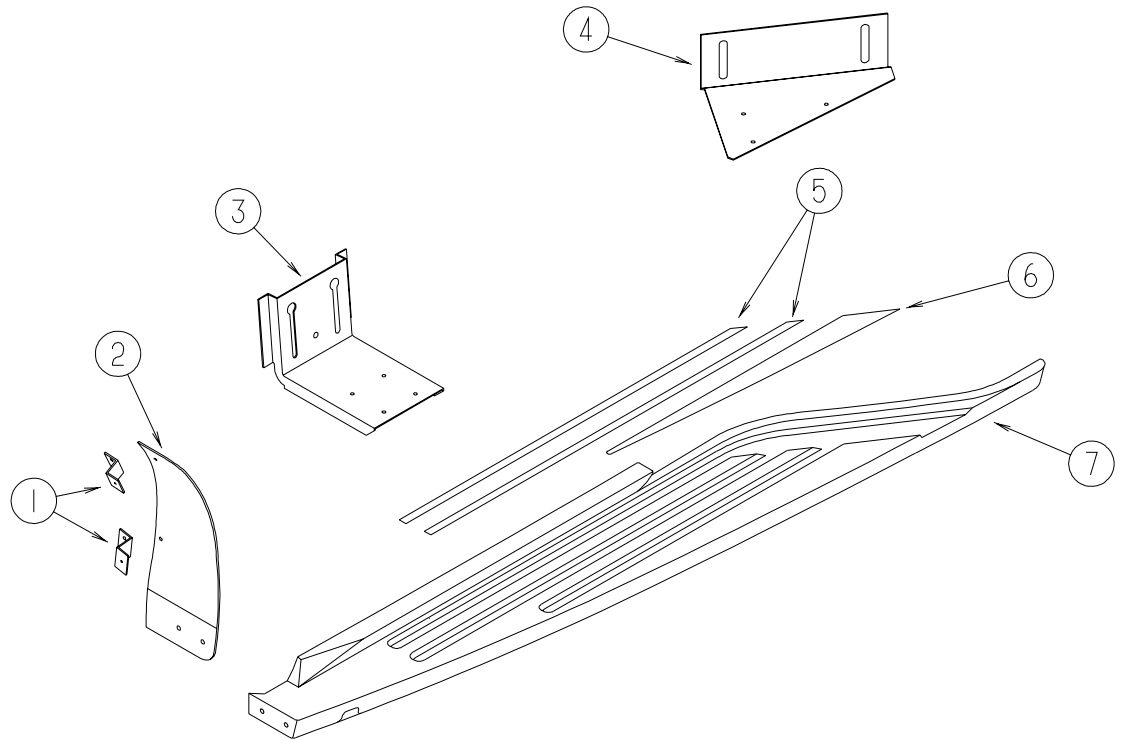
110506-59-000 - 110506-59-009

<b>KEY</b>	<b>PART NUMBER</b>	<b>U/M</b>	<b>DESCRIPTION</b>	<b>VENDOR NO .</b>
	110506-40-700	EA	HDWE KIT	596950AAL
	110506-59-701	EA	KEY BLANK (GOLD)	

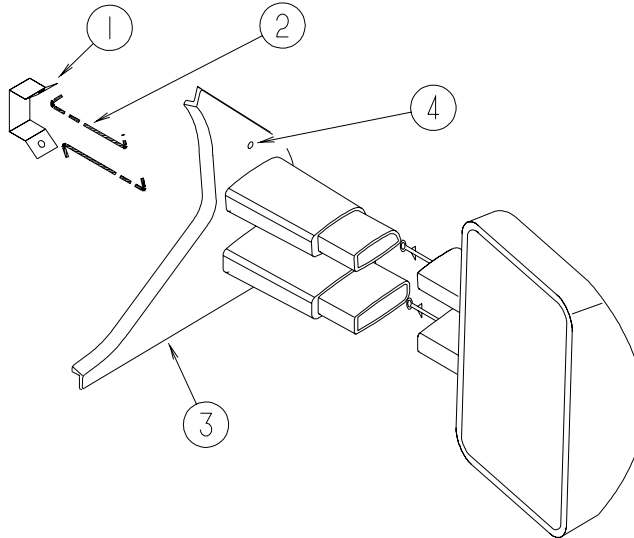


## EXTERIOR BODY GROUP (CONTINUED)

### RUNNING BOARDS



KEY	PART NUMBER	U/M	DESCRIPTION
1	112507-01-02B	EA	BRACKET - MUD FLAP - FRONT
2	131135-02-02A	EA	SUPPORT - MUD FLAP - LEFT HAND - VW WHITE
	131135-01-02A	EA	SUPPORT - MUD FLAP - RIGHT HAND - VW WHITE
3	131573-01-02B	EA	BRACKET ASM-RUNNING BD,E-C - *99 200 SERIES
4	131574-01-02B	EA	BRACKET - RUNNING BOARD - DRIVER REAR - E-COATED
	131574-02-02B	EA	BRACKET - RUNNING BOARD - PASSENGER REAR - E-COATED
5	038327-05-000	EA	TAPE - ANTI SLIP - 5/8"X 60' - BLACK
6	102570-06-000	EA	MAT - ANTI SLIP - UPPER/LEFT HAND
	102570-05-000	EA	MAT - ANTI SLIP - UPPER/RIGHT HAND
7	130613-04-K76	EA	RUNNING BOARD - FIBERGLASS/DRIVER - VW WHITE
	130613-03-K76	EA	RUNNING BOARD - FIBERGLASS/PASSENGER - VW WHITE



### MIRRORS

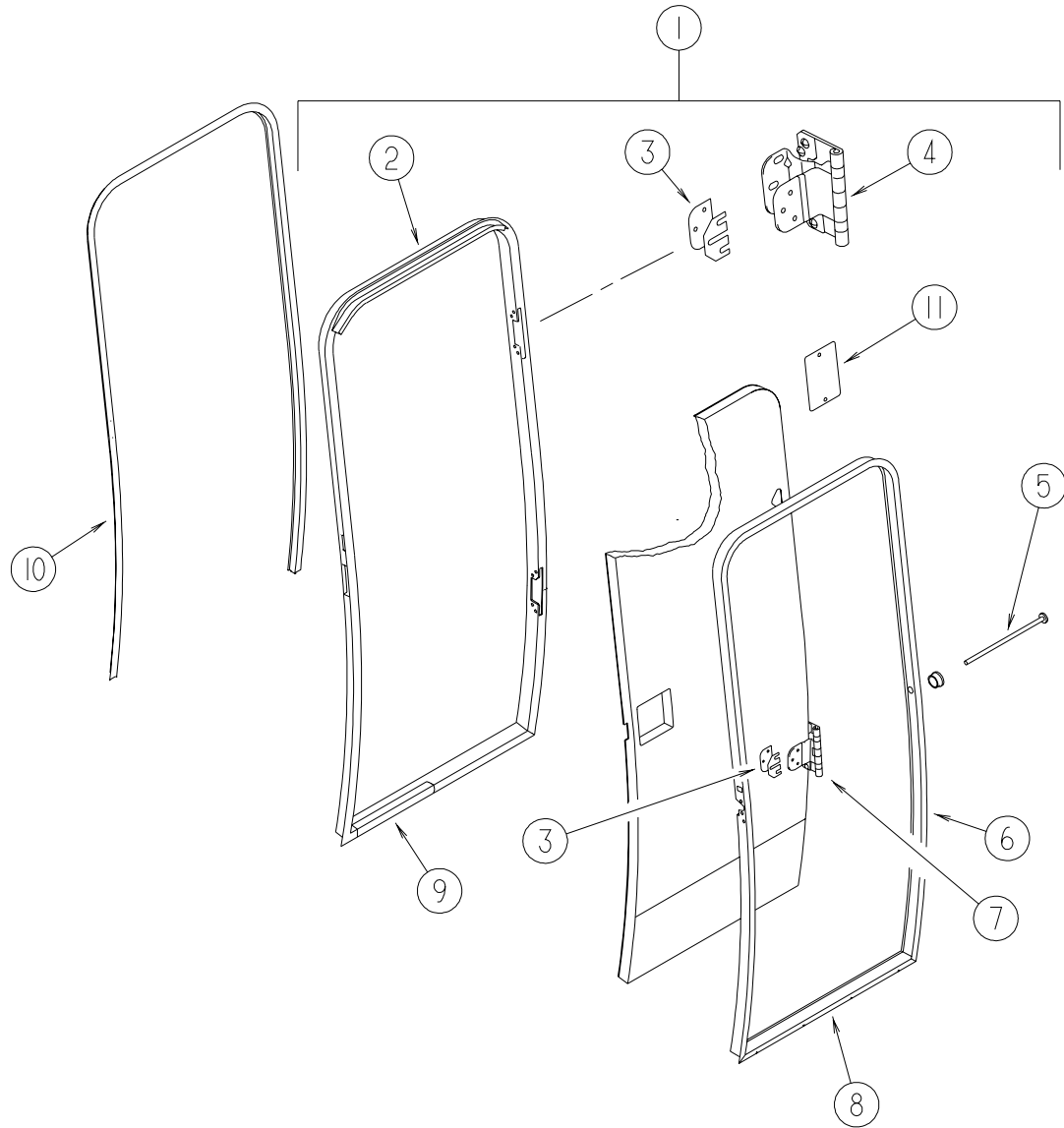
KEY	PART NUMBER	U/M	DESCRIPTION
1	115334-01-02B	EA	HOOK - BRACKET - MIRROR
2	115752-02-01A	EA	MIRROR ROD - 3.3" LONG
3	114494-01-03A	EA	BRACKET - MIRROR - PASSENGER - VW WHITE
3	114494-02-03A	EA	BRACKET - MIRROR - DRIVER - VW WHITE
4	127984-01-01A	EA	SCREW - EXTERIOR MIRROR - VW WHITE

## EXTERIOR BODY GROUP (CONTINUED)

### STRUCTURAL COMPONENTS

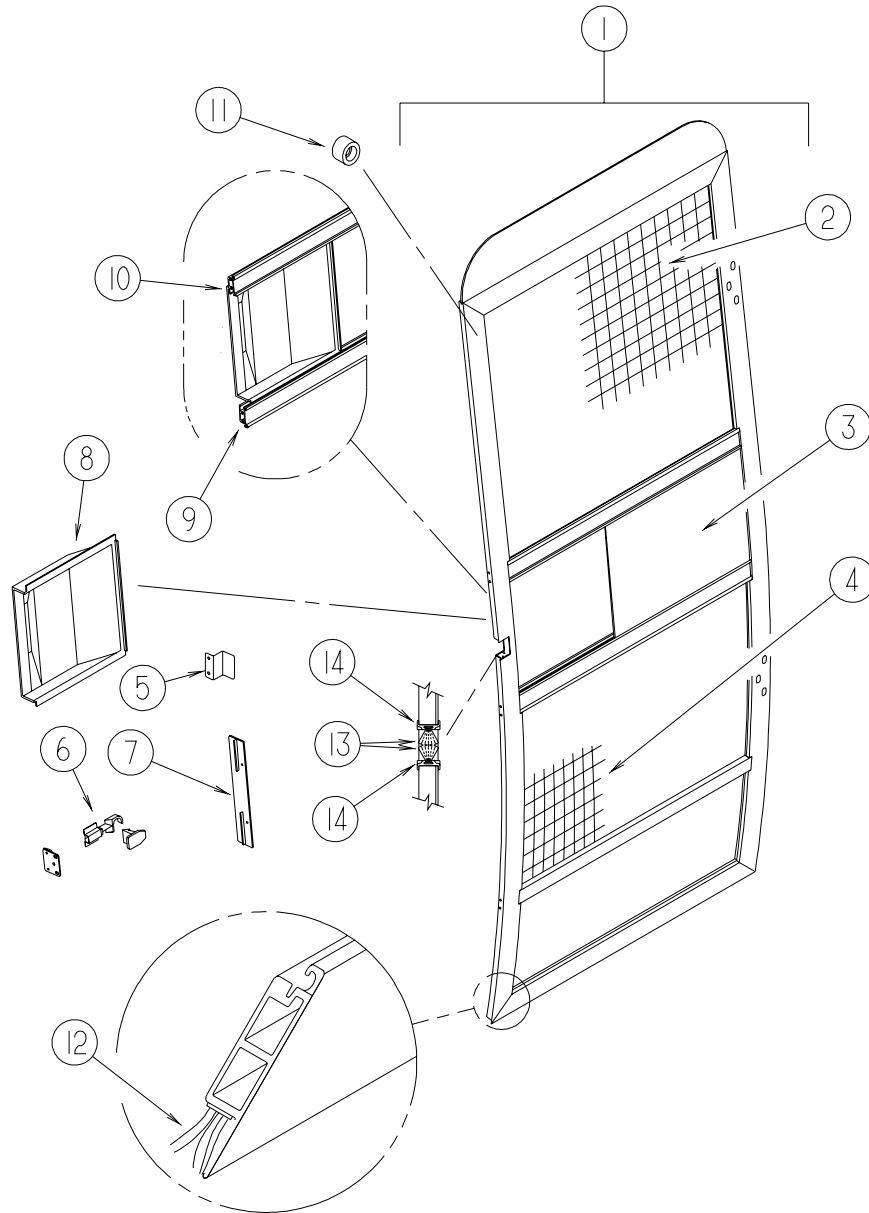
KEY	PART NUMBER	U/M	DESCRIPTION
	000870-10-000	SF	STYROFOAM - 3/4" X 48" X 121" - PLANED
	002754-01-001	EA	ANGLE - EXTRUDED - 3/4" X 3/4" X 16' - MILL ALUMINUM
	089297-01-000	SF	PLYWOOD - LUAN - OVERLAY GRADE - 4' X 8'
	090897-51-001	EA	TUBE - EXTRUDED - SIDEWALL - REAR
	092321-01-000	FT	INSULATION - FIBERGLASS W/FOIL BACKING - 1/2" T X 28.38" W
	100619-01-000	BF	FOAM - EXPANDED POLYSTYRENE - 1.34" X 48" X 96"
	100619-04-000	BF	FOAM - EXPANDED POLYSTYRENE - .5" X 48" X 96"
	100619-06-000	EA	FOAM - EXPANDED POLYSTYRENE-.9" X 20.4" X 63.4" (EA = 8BF)
	100619-07-000	EA	FOAM - EXPANDED POLYSTYRENE - .63" X 48" X 96" (EA = 20BF)

**EXTERIOR DOORS & COMPARTMENTS GROUP**  
**ENTRY**



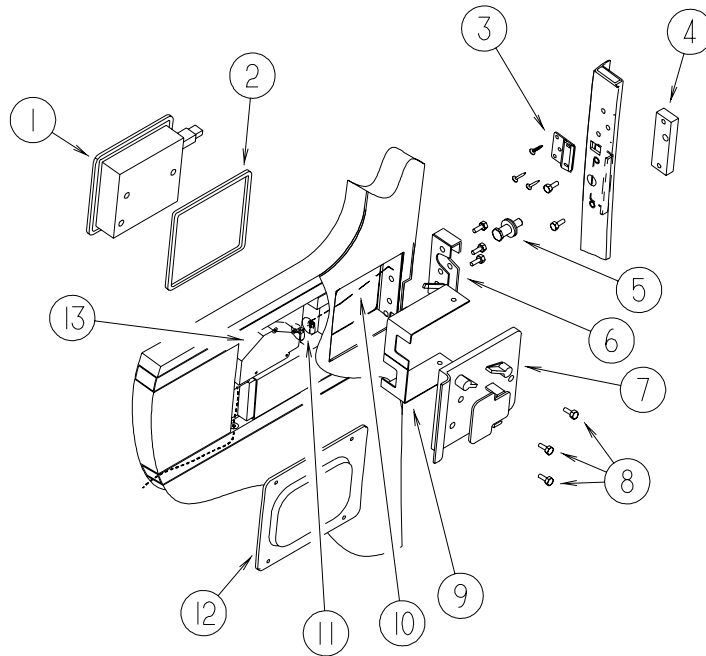
KEY	PART NUMBER	U/M	DESCRIPTION
1	P13594-02-L90	EA	DOOR - ENTRY - W/SCREEN DOOR - W/O WINDOW (M91)
1	P13594-02-L92	EA	DOOR - ENTRY - W/SCREEN DOOR - W/O WINDOW (M93)
2	113642-01-F45	EA	JAMB - DOOR/ENTRY
	044582-39-000	EA	CAP-DRIP JAMB MTD,MILL
	111536-03-000	FT	SEAL - ENTRY DOOR
3	113668-01-01A	EA	GASKET - HINGE - DOOR
4	113460-01-02A	EA	HINGE - ENTRANCE DOOR/UPPER
5	077222-01-000	EA	SPRING - WIRE GUARD - ENTRY DOOR
6	137168-02-M90	EA	TRIM - ENTRY DOOR
7	113461-01-02A	EA	HINGE - ENTRANCE DOOR/LOWER
8	113395-02-01A	EA	TRIM - ENTRY DOOR/BOTTOM - VW WHITE
9	038327-01-000	EA	TAPE - ANTI-SLIP - 2" X 60'
10	137167-01-M90	EA	TRIM - ENTRY DOOR - UPPER
11	113680-01-01A	EA	COVER - ACCESS - DOOR HINGE
	116111-02-01A	EA	SCREW - TAPTITE - 1/4-20 X 3/8 PPH - ZINC

**EXTERIOR DOORS & COMPARTMENTS GROUP (CONTINUED)**  
**SCREEN**



KEY	PART NUMBER	U/M	DESCRIPTION
1	113621-01-01A	EA	DOOR - SCREEN
2	002293-02-000	SF	SCREEN - 26" - CHARCOAL
3	016454-12-000	EA	INSERT - SCREEN DOOR - CENTER
4	002293-02-000	SF	SCREEN - 26" - CHARCOAL
5	116485-01-03B	EA	BRACKET - SCREEN DOOR - OFF WHITE
6	110529-01-000	EA	LATCH - BULLET - SCREEN DOOR
7	079087-02-000	EA	STRIKE - SLIDER W/LIP FOR ELBOW CATCH-1.5" X 8.6" - OFF WHT
8	079086-02-000	EA	SLIDER - SCREEN DOOR
9	002294-01-000	FT	SPLINE - SCREENING - .135" X .138"
10	078777-08-000	FT	CHANNEL - SLIDER
11	120863-07-000	EA	BUMPER - RUBBER - .7" DIA X .7" THICK
12	075673-05-000	FT	SEAL - PILE - ADHESIVE BACK - BLACK
13	075673-04-000	FT	SEAL - PILE - ADHESIVE BACK
14	113616-01-01A	FT	EXTRUDED - VINYL - SEAL TRACK - 7'

**EXTERIOR DOORS & COMPARTMENTS GROUP (CONTINUED)**  
**LATCH - ENTRY**



KEY	PART NUMBER	U/M	DESCRIPTION
1*	113636-01-01A	EA	LATCH/PADDLE - ENTRY W/DEADBOLT - W/KEYS - OFF WHITE
1	130444-01-01A	EA	CAP - KEY IDENTIFIER - GREEN
2	113669-01-01A	EA	GASKET - LATCH - DOOR
3	113750-01-04B	EA	PLATE - LATCH STRIKER
4	113636-05-01A	EA	NUT - CAGED
5	092927-03-000	EA	STRIKER - ROUND - JAMB MOUNTED
6	113636-03-01A	EA	LATCH - SINGLE ROTOR
7	113636-02-01A	EA	PLATE - INSIDE - W/DEADBOLT
8	111203-06-01A	EA	SCREW - MOUNTING/PLATE - ZINC
9	115750-01-02B	EA	BRACKET - LATCH - DOOR
10	113834-01-01A	EA	ROD - DOOR LATCH - POWER
11	114209-01-01A	EA	PUSHNUT - CAP - 1/8" - WHITE
12	113960-01-01A	EA	COVER - ACTUATOR - POWER LOCK
13	117050-01-000	EA	POWER DOOR LOCK MOTOR/ACTUATOR - NEW STYLE VW #701959781

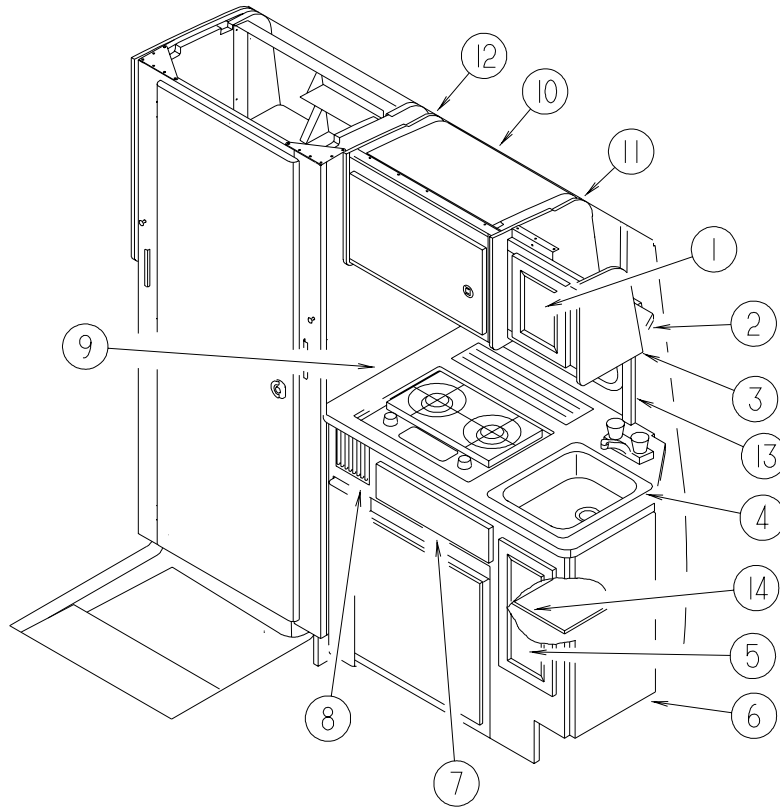
**\*COMPONENT PARTS LISTED LATER IN THIS GROUP**

**EXTERIOR DOORS & COMPARTMENTS GROUP (CONTINUED)**  
**COMPONENT PARTS FOR LATCH - ENTRY**

113636-01-01A

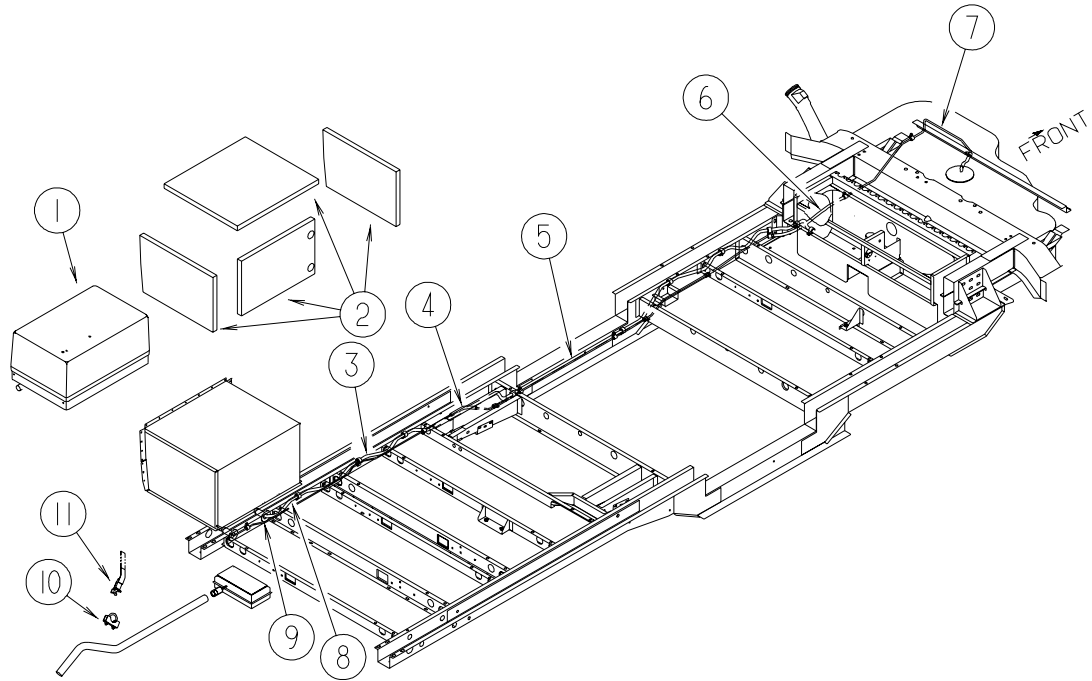
<b>KEY</b>	<b>PART NUMBER</b>	<b>U/M</b>	<b>DESCRIPTION</b>	<b>VENDOR NO .</b>
	113636-01-01A	EA	LATCH/PADDLE - ENTRY W/DEADBOLT - W/KEYS - OFF WHITE	
	045017-11-701	EA	KEY (F) BLANK - TM201-250	14264-01-2001
	113636-01-700	EA	KEY BLANK/D-BOLT TRI 0-099	14264-03-2001

## GALLEY GROUP CABINETS



KEY	PART NUMBER	U/M	DESCRIPTION
1	134783-D2-M91	EA	DOOR - RAIL/SOLID PANEL - 9.8" X 13" - W/O HARDWARE
2	119213-01-J80	EA	CABINET - GALLEY/OVERHEAD - W/O DOORS/HARDWARE
3	119132-03-J80	EA	END CAP - OVERHEAD
4	126545-01-M90	EA	COVER - SINK
5	134783-53-M91	EA	DOOR - RAIL/SOLID PANEL - 10" X 19.1" - W/O HARDWARE
6	136125-01-M91	EA	CABINET - GALLEY - W/O COUNTERTOP/DOORS/DRAWERS/HARDWARE
7	P34767-87-M91	EA	DRAWER - PENCIL EDGE - 13.1"W X 17.7"D - W/O SLIDES/HARDWARE
8	109918-02-04A	EA	VENT - RETURN AIR - 6.1" X 5.5" - VW LIGHT GRAY
9	132601-71-M90	EA	COUNTERTOP - LAMINATED - PLATINUM METALCRAFT
10	M07494-25-K77	EA	CABINET - OVERHEAD/MICROWAVE - W/O DOORS/HARDWARE
	119142-02-04B	EA	PANEL - MICROWAVE BOTTOM - BLACK
11	119132-10-K77	EA	END CAP - OVERHEAD
12	119132-09-K77	EA	END CAP - OVERHEAD
13	074700-05-000	EA	COVER - PIPE - VW LT GRAY PLASTIC
14	136125-11-M91	EA	SHELF - W/PLASTIC EDGE MOLDING

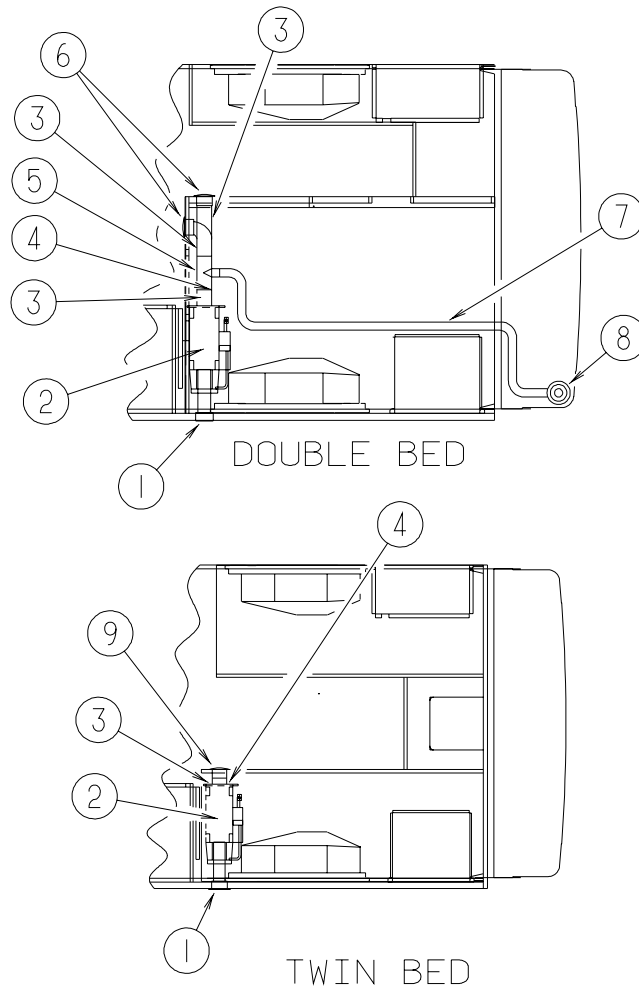
# GENERATOR GROUP GAS



KEY	PART NUMBER	U/M	DESCRIPTION
1	132918-01-000	EA	GENERATOR - 2.8 KW - MICROLITE
2	007067-01-000	SF	INSULATION - FIBERGLASS - 1" THICK X 4'-INCREMENTS 4 SF
3	113378-02-000	EA	FUEL LINE - GENERATOR - REAR
4	128139-03-000	FT	HOSE - FUEL - LOW PERMEABILITY - 1/4" DIAMETER
5	113378-04-000	EA	FUEL LINE - GENERATOR - MIDDLE
6	128139-01-000	FT	HOSE - FUEL - LOW PERMEABILITY
7	113378-01-000	EA	FUEL LINE - GENERATOR - FRONT
8	128139-03-000	FT	HOSE - FUEL - LOW PERMEABILITY - 1/4" DIAMETER
9	084884-01-000	EA	PLUG - BRASS - 3/8"
10	007131-01-000	EA	HANGER - TAILPIPE - 6 SLOTS
11	007125-03-000	EA	CLAMP - MUFFLER - 1.5" DIAMETER



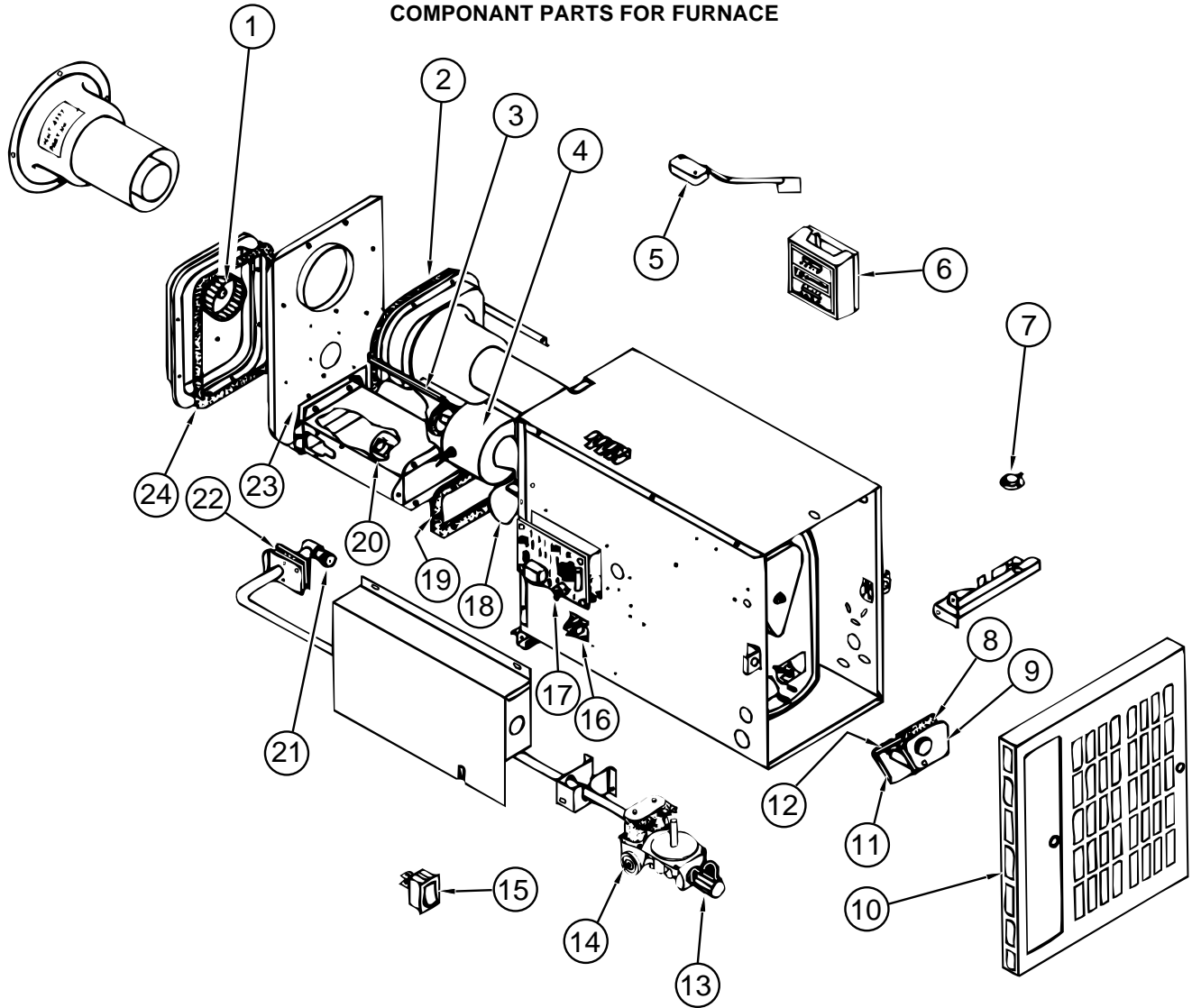
## HEATING & A/C GROUP FURNACE



KEY	PART NUMBER	U/M	DESCRIPTION
1	101990-02-000	EA	VENT - FURNACE - OUTSIDE - 4-6"
2*	101990-05-000	EA	FURNACE - 17,000 BTU - DUCTED
3	009198-01-000	FT	DUCT - HEAT - FLEXIBLE - 4" ID X 25'
4	069636-02-000	EA	CONNECTOR - DUCT - 4" ID
5	089367-02-000	EA	TEE - 4" X 2" X 4"
6	069636-02-000	EA	CONNECTOR - DUCT - 4" ID
7	009198-02-000	FT	DUCT - HEAT - FLEXIBLE - 2" ID X 25'
8	125527-01-01A	EA	REGISTER - REDUCING 2" DIAMETER
8	056464-09-000	EA	REGISTER W/DAMPER - 4" DIAMETER - PLASTIC - BEIGE
	115764-01-01A	EA	THERMOSTAT - FURNACE
	009200-01-000	EA	TAPE - FURNACE - 1 1/2"

\* COMPONENT PARTS LISTED LATER IN THIS GROUP

**HEATING & A/C GROUP (CONTINUED)**  
**COMPONANT PARTS FOR FURNACE**

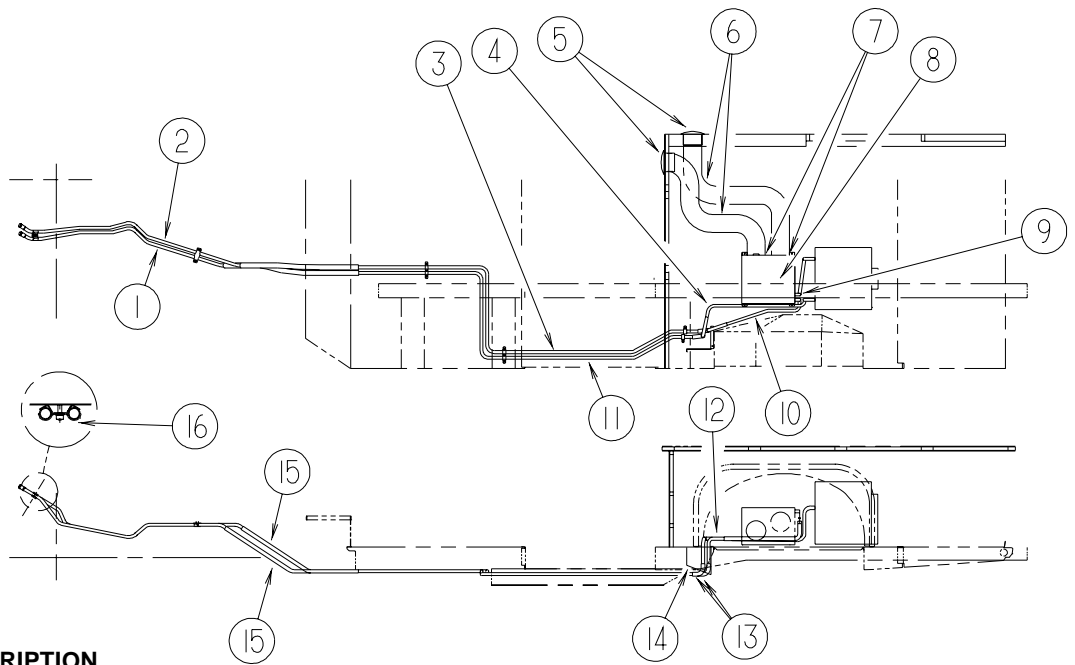


101990-05-000

KEY	PART NUMBER	U/M	DESCRIPTION	VENDOR NO.
	101990-05-000	EA	FURNACE - 17,000 BTU - DUCTED	
1	101990-01-701	EA	WHEEL-COMBUSTION AIR	350126
2	101990-05-700	EA	GASKET, COMBUSTION AIR-FRONT	070862
3	101990-01-713	EA	GASKET-MOTOR	070849
4	101990-05-702	EA	MOTOR	231916
5	101990-01-720	EA	SWITCH - SAIL/NEW STYLE-BEND	231930
6	115764-01-01A	EA	THERMOSTAT-FURNACE	*SUBURBAN 161154
7	101990-01-710	EA	SWITCH - LIMIT	231768
8	101990-01-718	EA	GASKET-BURNER DOOR, ACCESS	070850
9	101990-05-708	EA	DOOR, BURNER ACCESS	030767
10	101990-05-707	EA	GRILLE ASSEMBLY	030966
11	101990-05-706	EA	ELECTRODE	231934
12	101990-01-721	EA	GASKET-ELECTRODE	070851
13	092300-01-718	EA	ELBOW 90'	170374
14	101990-05-705	EA	VALVE	161071
15	101990-05-704	EA	SWITCH - ON/OFF	23251
16	101990-01-705	EA	RELAY-TIME DELAY	231769
17	098668-01-712	EA	BOARD-MODULE	520741
18	101990-01-703	EA	WHEEL-ROOM AIR	350125
19	101990-05-703	EA	GASKET, BURNER TUNNEL-END	070848
20	101990-01-702	EA	BURNER	010763
21	101990-01-711	EA	ORIFICE	530415
22	101990-01-717	EA	GASKET-MANIFOLD	070847
23	101990-01-722	EA	GASKET-BURNER TUNNEL	070859
24	101990-05-701	EA	GASKET, COMBUSTION AIR-REAR	070906

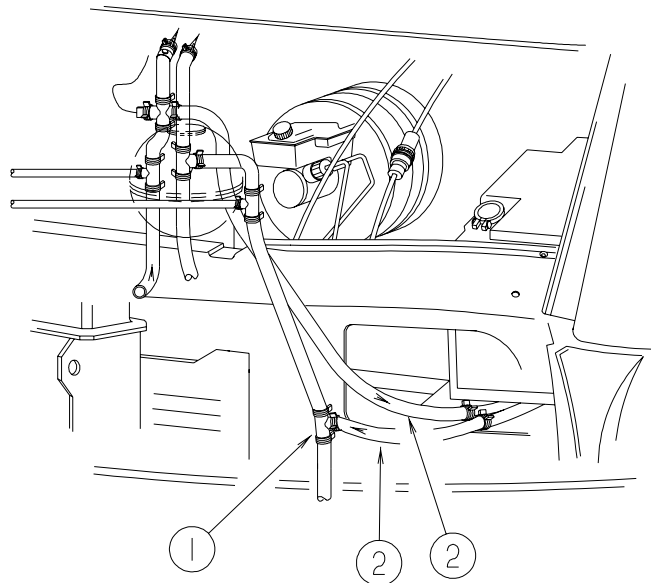
## HEATING & A/C GROUP (CONTINUED)

### REAR HEATER



KEY	PART NUMBER	U/M	DESCRIPTION
1	113842-02-000	EA	PIPE-MOTOR AID,FRONT RT
2	113842-03-000	EA	PIPE-MOTOR AID,FRONT LT
3	119081-02-000	EA	TUBE - MOTOR AID - 72.4"
4	007108-01-000	FT	HOSE - HEATER - 5/8" ID - HI-TEMP
5	056464-09-000	EA	REGISTER W/DAMPER - 4" DIAMETER - PLASTIC - BEIGE
6	009198-01-000	FT	DUCT - HEAT - FLEXIBLE - 4" ID X 25'
7	069636-02-000	EA	CONNECTOR - DUCT - 4" ID
8*	084405-01-000	EA	HEATER - REAR/DUCTED - W/MOTOR AID
9	079059-02-000	EA	HOSE - 90 DEGREE - .61" ID X 4" X 6"
10	007108-01-000	FT	HOSE - HEATER - 5/8" ID - HI-TEMP
11	119081-01-000	EA	TUBE - MOTOR AID - 71.2"
12	119082-01-000	EA	TUBE-MOTOR AID,90 DEGREES
13	083081-01-000	EA	HOSE - FORMED - 90 DEGREES - 5/8" ID
14	084190-01-000	EA	GUARD - MOTOR AID - 5.9" X 5.7" X 5.3" - ANGLED/GALV STEEL
15	007108-01-000	FT	HOSE - HEATER - 5/8" ID - HI-TEMP
16	134002-01-000	EA	CLAMP - PIPE - DOUBLE - 5/8" DIAMETER

\* COMPONENT PARTS LISTED LATER IN THIS GROUP



KEY	PART NUMBER	U/M	DESCRIPTION
1	076776-02-000	EA	TEE - BEADED - 3/4 X 3/4 X 3/4
2	007108-02-000	FT	HOSE - HEATER - 3/4" ID - HI-TEMP

**HEATING & A/C GROUP (CONTINUED)**  
**COMPONENT PARTS FOR REAR HEATER**

**084405-01-000**

<b>KEY</b>	<b>PART NUMBER</b>	<b>U/M</b>	<b>DESCRIPTION</b>	<b>VENDOR NO.</b>
	084405-01-000	EA	HEATER - REAR/DUCTED - W/MOTOR AID	
	084405-01-700	EA	CORE-HEATER	FT200229
	084405-01-701	EA	FAN BLADES	HV029931
	084405-01-702	EA	MOTOR ASSEMBLY, 12 VOLT	RV010348

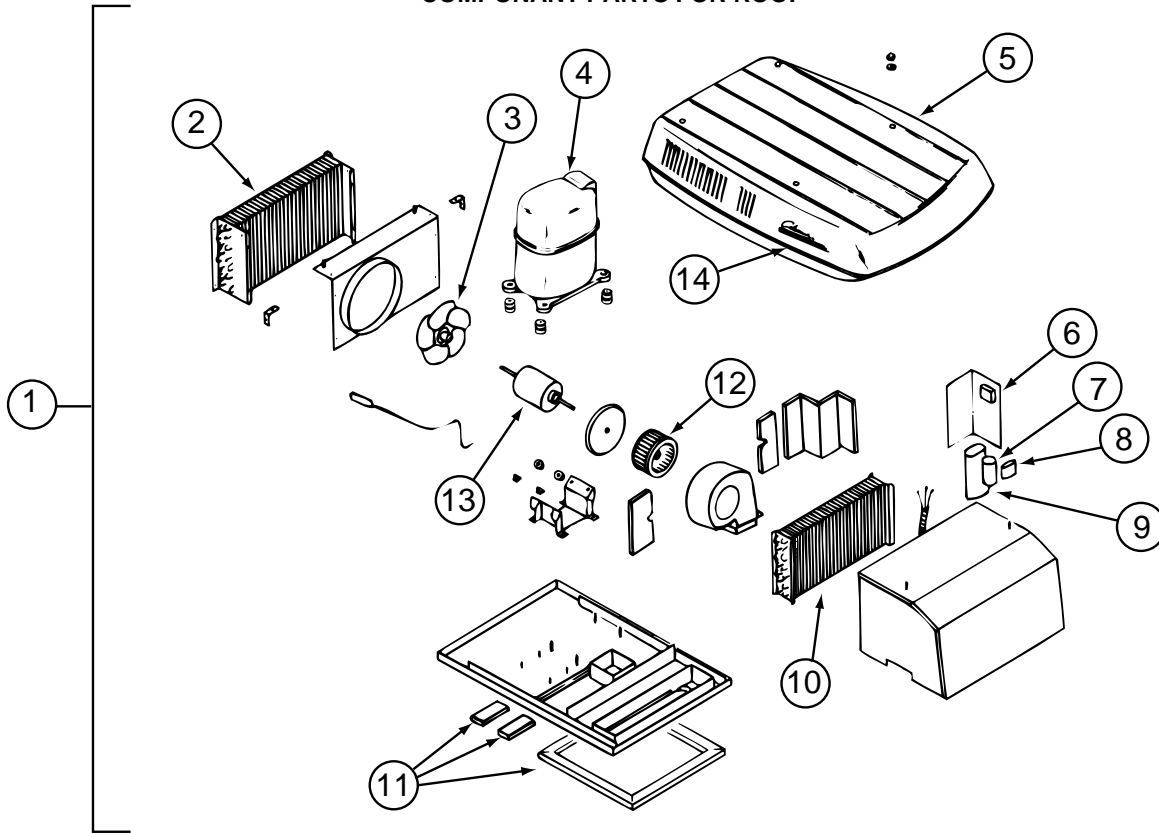
**HEATING & A/C GROUP (CONTINUED)**  
**ROOF**

<b>KEY</b>	<b>PART NUMBER</b>	<b>U/M</b>	<b>DESCRIPTION</b>
*	093306-01-02A	EA	A/C - ROOF - 7100 BTU - ROTARY - WHITE FROM: 00-00-00 THRU: 06-03-01
	093306-01-03A	EA	A/C - ROOF - 7100 BTU - POLAR WHITE - 6727-731 FROM: 06-04-01 THRU: 99-99-99
*	093307-03-000	EA	CEILING ASSEMBLY - COOL ONLY - WHITE
	102289-01-000	EA	SPRING - SCREW - ROOF A/C GASKET

\* **COMPONENT PARTS LISTED LATER IN THIS GROUP**

## HEATING & A/C GROUP (CONTINUED)

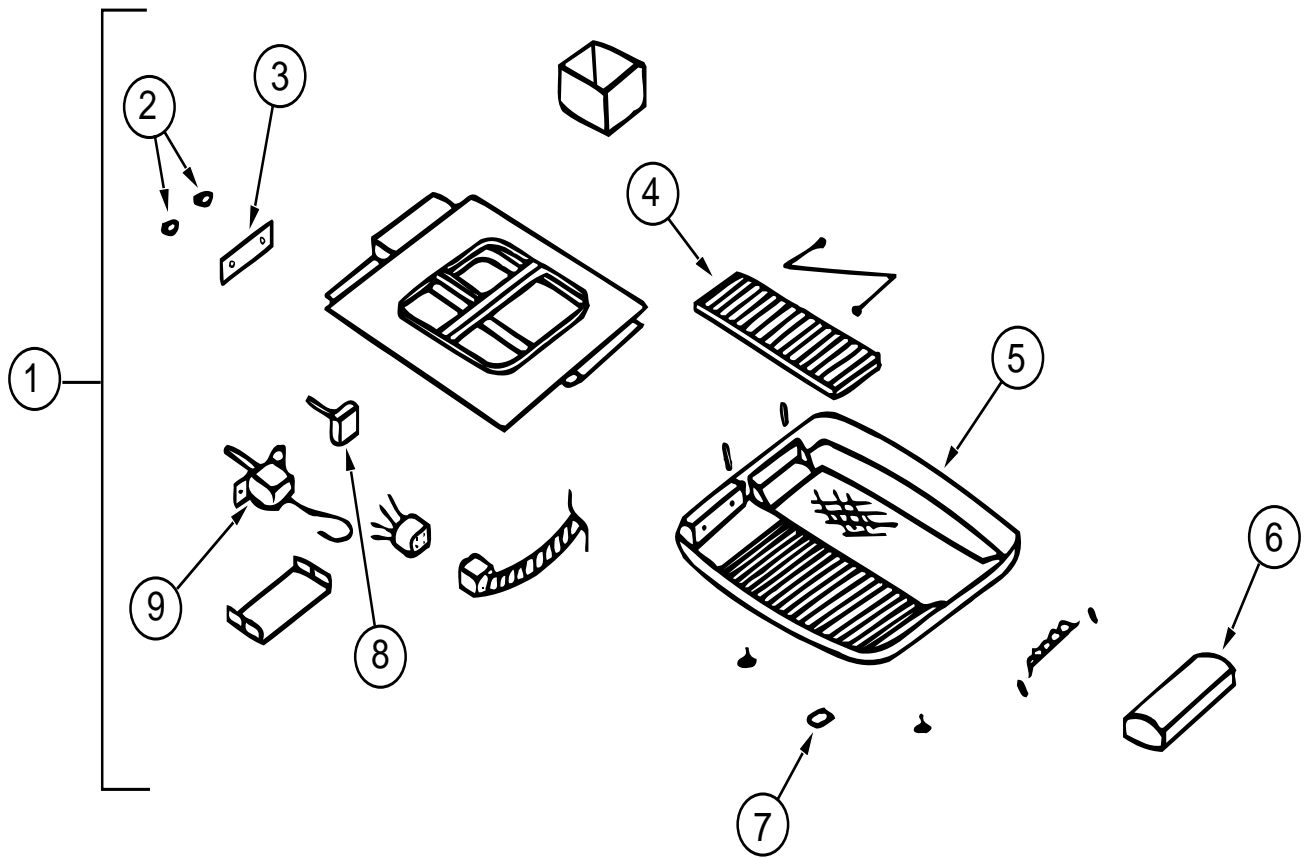
### COMPONANT PARTS FOR ROOF



#### 093306-01-02A

KEY	PART NUMBER	U/M	DESCRIPTION	VENDOR NO.
1	093306-01-02A	EA	A/C - ROOF - 7100 BTU - ROTARY - WHITE	
2	093306-01-711	EA	COIL-CONDENSER	1452-0701
3	093306-01-703	EA	FAN-4 BLADE. 9" DIAMETER	6707-3321
4	093306-01-717	EA	COMPRESSOR-PANASONIC	1450-2019
5	093306-01-722	EA	SHROUD, ARCTIC WHITE,NO LOGO	6727-5761
6	093306-01-721	EA	RELAY-START	1497-5051
7	093306-01-720	EA	CAPACITOR-START, 21-25 MFD33	1497-3351
8	093306-01-719	EA	OVERLOAD	1450A0011
9	093306-01-718	EA	CAPACITOR-FAN, 5MFD 370 V	1499-5421
9	108889-01-707	EA	CAPACITOR-RUN,COMP-25MFD/370	1499-5661
10	093306-01-713	EA	COIL-EVAPORATOR	1452-0601
11	037648-01-714	EA	GASKET PACKAGE	8332-3301
12	093306-01-706	EA	WHEEL-BLOWER,6 5/16X2 7/8	6707-3281
13	093306-01-705	EA	MOTOR(115V1.6A60H2-RPM	6727-3119
14	093306-01-701	EA	DECAL PACKAGE, LEFT & RIGHT	6798B3591

**HEATING & A/C GROUP (CONTINUED)**  
**COMPONANT PARTS FOR ROOF (CONTINUED)**

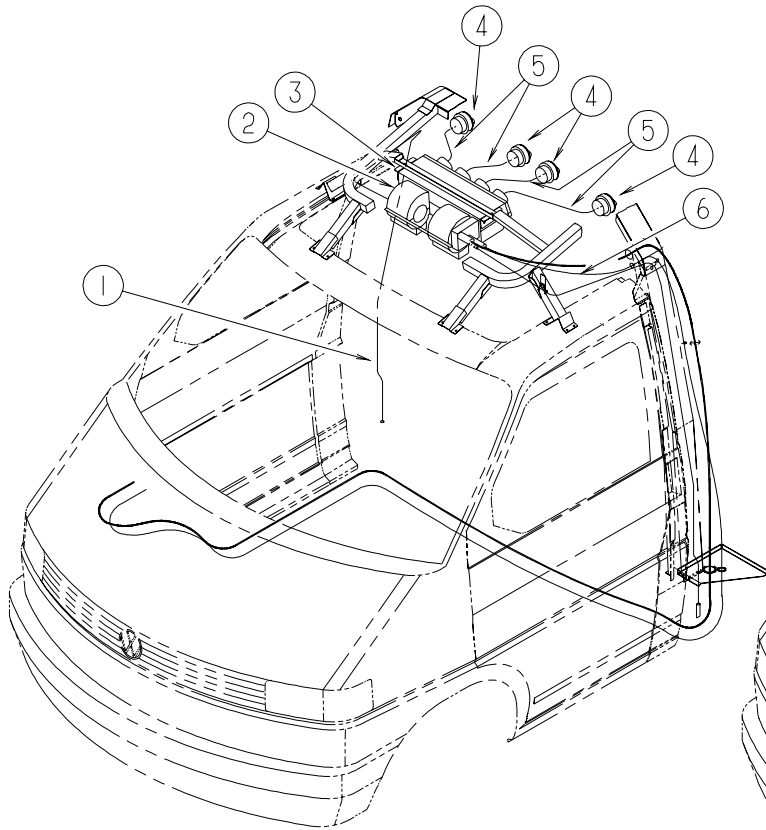


093307-03-000

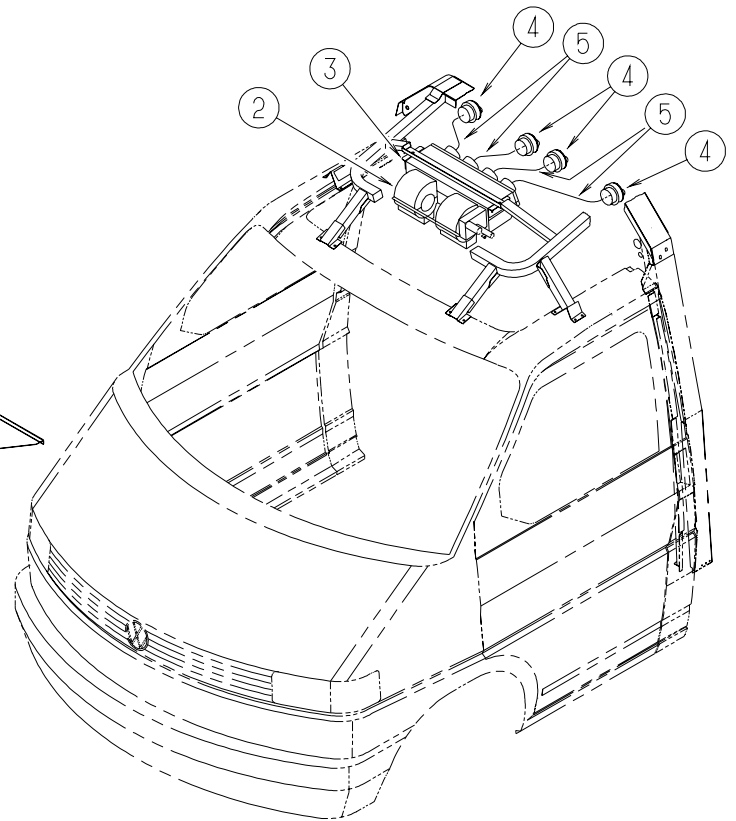
KEY	PART NUMBER	U/M	DESCRIPTION	VENDOR NO.
1	093307-03-000	EA	CEILING ASSEMBLY - COOL ONLY - WHITE	
2	076303-01-710	EA	THERMOSTAT	6733-3411
3	093306-01-714	EA	SWITCH - SELECTOR	6727-3251
4	093766-02-702	EA	FILTER-PKG OF 2-5 X14.5 X1/8	6703-3303
5	076303-01-701	EA	KNOB-CONTROL	6733A3241
6	093307-03-700	EA	SHROUD - CEILING - WHITE	6727-3521
7	076303-01-708	EA	KNOB & BOLT PKG	6727-5841
8	093307-01-700	EA	DECAL PKG	6733A3331
	091227-01-700	EA	WASHER PKG., PLASTIC	6250-3241 6703A3341
	093306-01-709	EA	DECAL-SELECTOR, THERMOSTAT	6727A3341

## HEATING & A/C GROUP (CONTINUED)

### AUXILIARY OVERHEAD A/C



WITH A/C



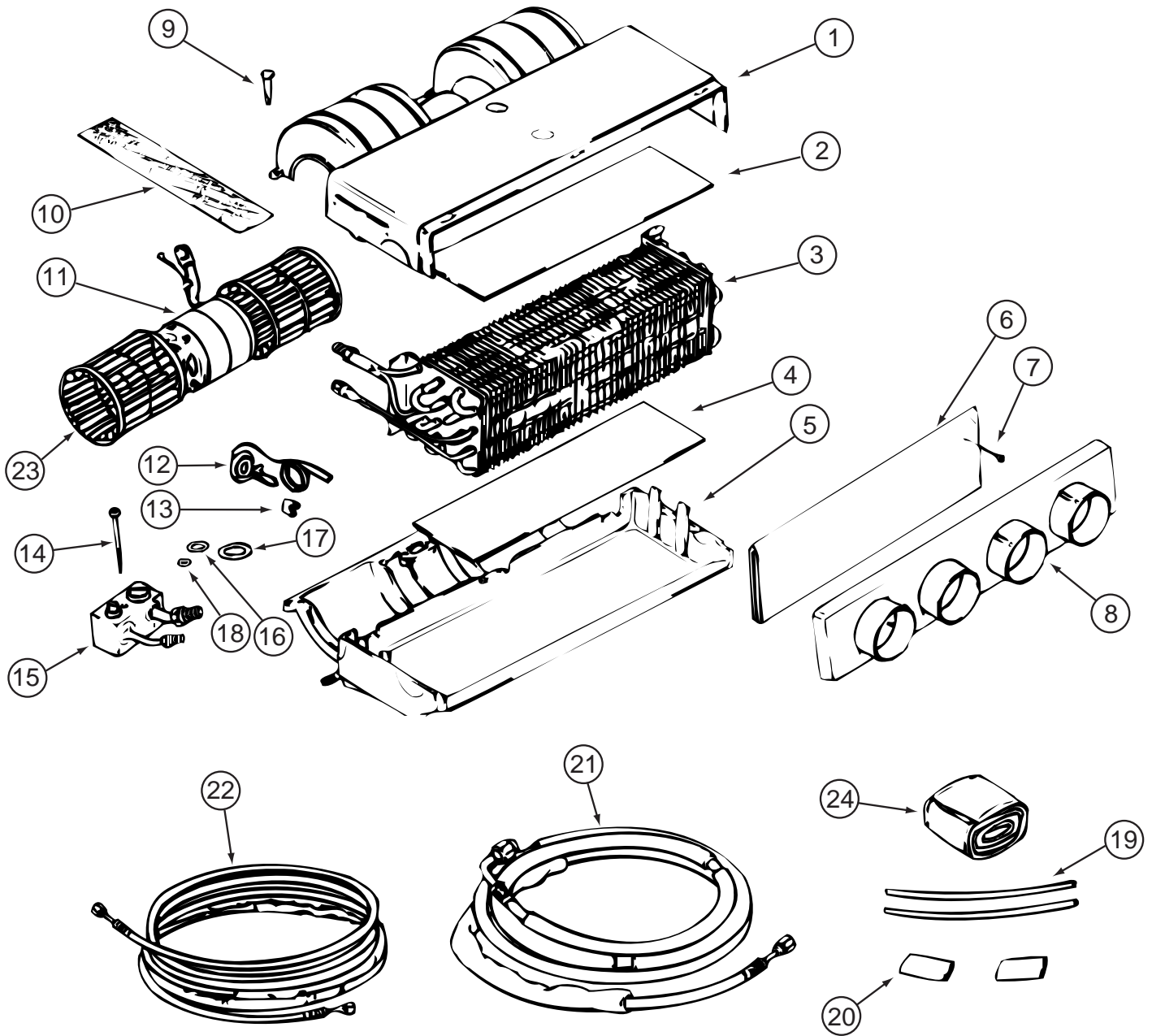
WITHOUT A/C

1	112932-01-000	EA	TUBE-DRAIN,A/C,COPPER,RH
2*	113245-01-000	EA	EVAPORATOR/AC - OVERHEAD (W/AC)
2*	113245-02-000	EA	BLOWER - OVERHEAD (W/O AC)
3	112083-01-000	EA	BRACKET - ROOF SUPPORT
4	113244-01-01A	EA	LOUVER - BALL - 3" - BLACK
5	007281-01-000	EA	HOSE - FLEXIBLE PVC - 2.5" ID X 50'
6	112932-02-000	EA	TUBE-DRAIN,A/C,COPPER,LH

\* COMPONENT PARTS LISTED LATER IN THIS GROUP



**HEATING & A/C GROUP (CONTINUED)**  
**COMPONANT PARTS FOR AUXILIARY OVERHEAD A/C**

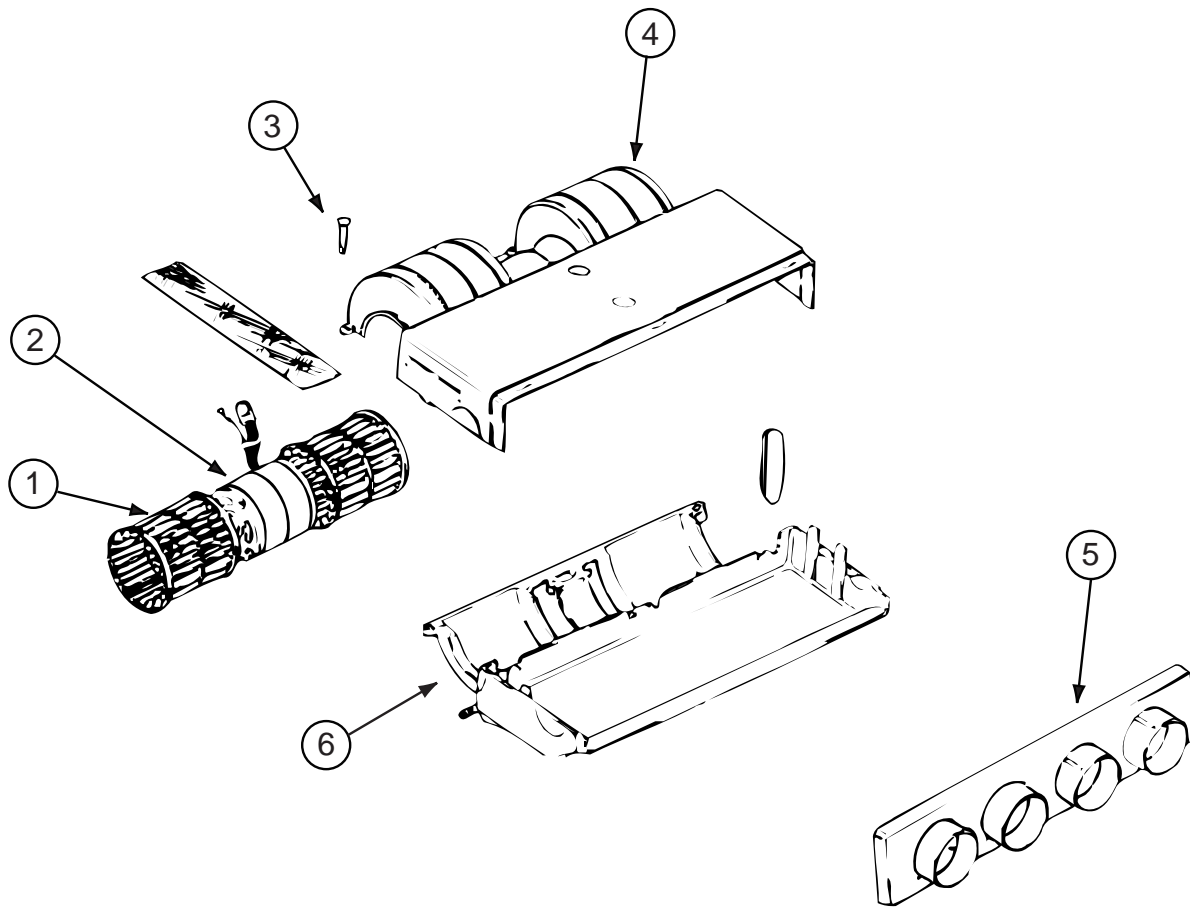


113245-01-000

KEY	PART NUMBER	U/M	DESCRIPTION	VENDOR NO.
1	113245-01-717	EA	CASE, TOP ONLY	062-0139
3	113245-01-705	EA	COIL-EVAPORATOR, (H) BODY VW	041-0034
5	113245-01-716	EA	CASE, BOTTOM W/90 DEG ELBOWS	062-140
6	113245-01-713	EA	SCREEN-CONDENSATION	045-0173
7	113245-01-714	EA	PIN-SCREEN RETAINER	062-0164
8	113245-01-703	EA	BEZEL- W/4 OUTLETS	062-0142
9	113245-01-701	EA	PIN PLASTIC	062-0027
11	113245-01-704	EA	MOTOR-BLOWER, 12V, 3 SPEED, DBL	030-0028
12	113245-01-706	EA	VALVE-EXPANSION, 134A 5 TON	034-0026
15	113245-01-712	EA	FITTING BLOCK WINN (H)	050-0129
16	103930-17-702	EA	O-RING #10	045-0127
17	113245-01-710	EA	O-RING, #12	045-0128
18	113245-01-711	EA	O-RING #6	045-0129
19	113245-01-718	FT	HOSE - DRAIN - 1/2"	051-0002
21	113245-01-709	EA	HOSE ASM #10 EVAPORATOR/COMP	085-0116
22	113245-01-708	EA	HOSE ASM #6 EVAPORATOR/DRIER	085-0115
23	113245-01-700	EA	WHEELBLOWER W/CLIP	062-00183
	113245-01-702	EA	COVER-SLOT	062-0141

CONTACT WINNEBAGO PART SALES FOR UNLISTED COMPONENTS

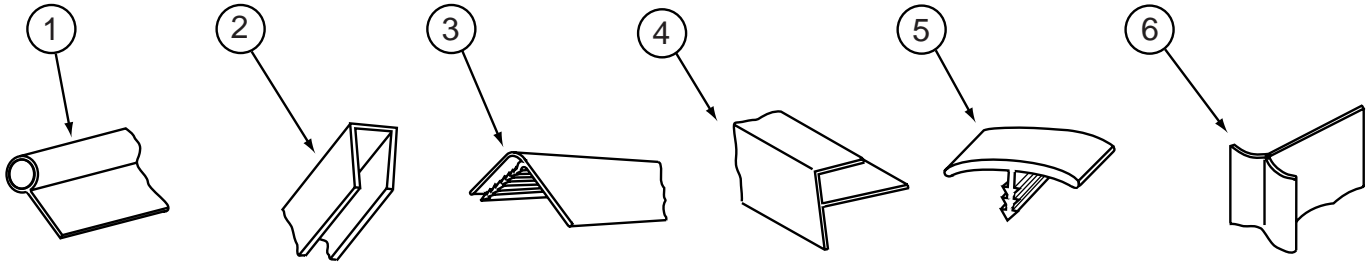
**HEATING & A/C GROUP (CONTINUED)**  
**COMPONANT PARTS FOR AUXILIARY OVERHEAD A/C (CONTINUED)**



113245-02-000

KEY	PART NUMBER	U/M	DESCRIPTION	VENDOR NO.
	113245-02-000	EA	BLOWER - OVERHEAD	
1	113245-01-700	EA	WHEELBLOWER W/CLIP	062-00183
2	113245-01-704	EA	MOTOR-BLOWER, 12V, 3 SPEED, DBL	030-0028
3	113245-01-701	EA	PIN PLASTIC	062-0027
4	113245-01-717	EA	CASE, TOP ONLY	062-0139
5	113245-01-703	EA	BEZEL- W/4 OUTLETS	062-0142
6	113245-01-716	EA	CASE, BOTTOM W/90 DEG ELBOWS	062-140

**INTERIOR FINISH GROUP  
MOLDINGS & TRIMS**

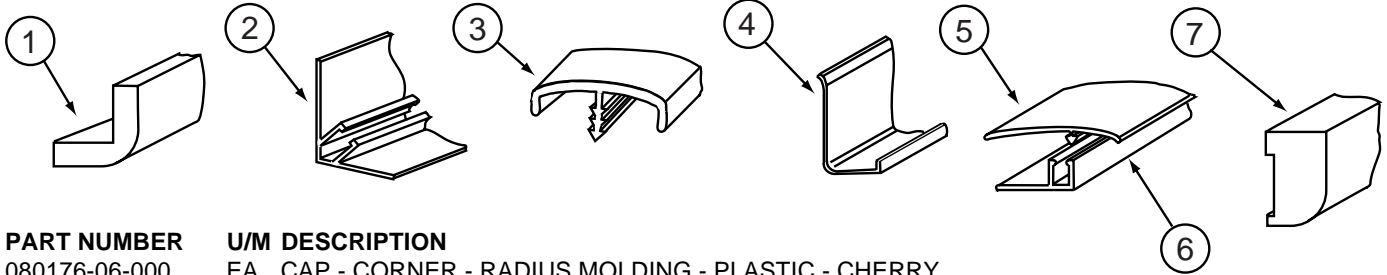


**WASHED MAPLE**

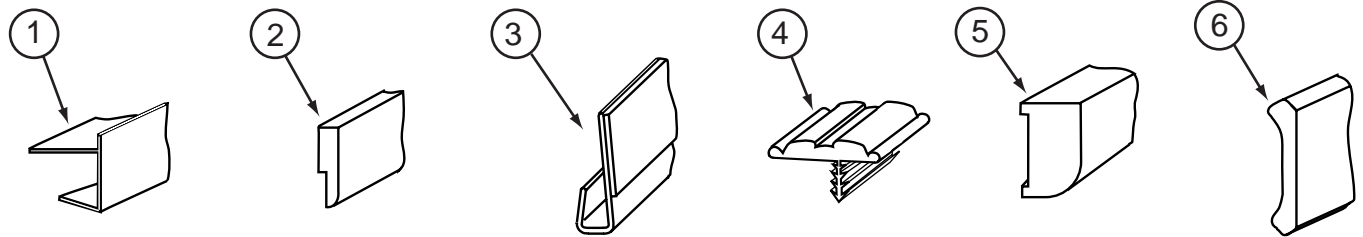
KEY	PART NUMBER	U/M	DESCRIPTION
1	009767-12-000	FT	WELTING - ANTIQUE WHITE
1	009767-17-000	FT	WELTING - PORTSMOUTH OAK
2	009778-18-000	FT	U-CHANNEL - 1" - CHERRY WOOD/CHERRY STAIN
2	009778-27-000	FT	U-CHANNEL - 1" - WASHED MAPLE
2	009778-30-000	FT	U-CHANNEL - 1" - VILLAGE OAK
2	009778-31-000	FT	U-CHANNEL - 1" - GRADY BROWN
2	009778-32-000	FT	U-CHANNEL - 1" - PORTSMOUTH OAK
2	009778-34-000	FT	U-CHANNEL - 1" - CONCERT CHERRY
2	070504-03-000	FT	U-CHANNEL - PLASTIC - .9" X 96" - GRADY BROWN
2	070504-18-000	FT	U-CHANNEL - PLASTIC - .13" X 84" - IVORY
2	070504-30-000	FT	U-CHANNEL - PLASTIC - .13" X 96" - CHERRY
2	070504-42-000	FT	U-CHANNEL - PLASTIC - .13" X 84" - BEIGE ILLUSION
2	070504-50-000	FT	U-CHANNEL - PLASTIC - .13" X 84" - WASHED MAPLE
2	070504-51-000	FT	U-CHANNEL - PLASTIC - .9" X 84" - WASHED MAPLE
2	070504-54-000	FT	U-CHANNEL - PLASTIC - .9" X 96" - VILLAGE OAK
2	070504-57-000	FT	U-CHANNEL - PLASTIC - .6" X 84" - PORTSMOUTH OAK
2	070504-58-000	FT	U-CHANNEL - PLASTIC - .8" X 84" - PORTSMOUTH OAK
2	070504-61-000	FT	U-CHANNEL - PLASTIC - .8" X 84" - CONCERT CHERRY
3	009809-28-000	EA	MOLDING - CORNER - OUTSIDE - 1" X 84" - CHERRY
3	009809-30-000	EA	MOLDING - CORNER - OUTSIDE - 1" X 84" - BEIGE ILLUSION
3	009809-31-000	EA	MOLDING - CORNER - OUTSIDE - 1" X 84" - WASHED MAPLE
3	009809-32-000	EA	MOLDING - CORNER - OUTSIDE - 1" X 84" - PORTSMOUTH OAK
3	009809-33-000	EA	MOLDING - CORNER - OUTSIDE - 1" X 84" - CONCERT CHERRY
4	009812-24-000	EA	MOLDING - CORNER - 1/2" W/1/4"CHAN X 108" - IVORY PLASTIC
4	009812-31-000	EA	MOLDING - CORNER - 1/2" W/1/4"CHAN X 84" - BEIGE ILLUSION
4	009812-33-000	EA	MOLDING - CORNER - 1/2" W/1/4"CHAN X 84" - WASHED MAPLE
4	009812-34-000	EA	MOLDING - CORNER - 1/2" W/1/4"CHAN X 84" - VW LIGHT GRAY
4	009812-35-000	EA	MOLDING - CORNER - 1/2" W/1/4"CHAN X 84" - PORTSMOUTH OAK
4	009812-36-000	EA	MOLDING - CORNER - 1/2" W/1/4"CHAN X 84" - CONCERT CHERRY
5	009815-09-000	FT	MOLDING-T - W/EDGE LIP - 3/4" FACE - IVORY
5	009815-10-000	FT	MOLDING-T - W/EDGE LIP - 3/4" FACE - BEIGE ILLUSION
5	105709-01-000	FT	MOLDING-T - W/EDGE LIP - 3/4" FACE - IVORY
5	105709-02-000	FT	MOLDING-T - W/EDGE LIP - 3/4" FACE - BEIGE ILLUSION
6	022992-11-000	FT	MOLDING - REVERSE COVE - T-SHAPED - IVORY
6	022992-14-000	FT	MOLDING - REVERSE COVE - T-SHAPED - BRIGHT WHITE
6	022992-15-000	FT	MOLDING - REVERSE COVE - T-SHAPED - VW GRAY

**INTERIOR FINISH GROUP (CONTINUED)**  
**MOLDINGS & TRIMS (CONTINUED)**

**WASHED MAPLE**



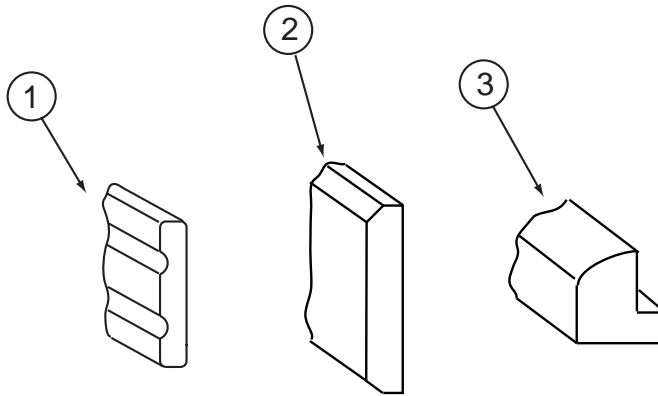
KEY	PART NUMBER	U/M	DESCRIPTION
1	080176-06-000	EA	CAP - CORNER - RADIUS MOLDING - PLASTIC - CHERRY
1	080176-08-000	EA	CAP - CORNER - RADIUS MOLDING - PLASTIC - WASHED MAPLE
2	081521-02-007	EA	MOUNT - METAL MOLDING - F/RADIUS CORNER MOLDING - 151.5"
3	083620-09-000	FT	MOLDING-T - W/EDGE LIP - 7/8" FACE - MODERN IVORY
3	083620-19-000	FT	MOLDING-T - W/EDGE LIP - 7/8" FACE - WASHED MAPLE
3	083620-20-000	FT	MOLDING-T - W/EDGE LIP - 7/8" FACE - PORTSMOUTH OAK
3	083620-21-000	FT	MOLDING-T - W/EDGE LIP - 7/8" FACE - CONCERT CHERRY
3	104676-02-06A	FT	MOLDING-T - W/EDGE LIP - 11/16" FACE - WASHED MAPLE
3	104676-02-08A	FT	MOLDING-T - W/EDGE LIP - 11/16" FACE - PORTSMOUTH OAK
3	104676-02-09A	FT	MOLDING-T - W/EDGE LIP - 11/16" FACE - CONCERT CHERRY
4	085746-04-000	FT	TRIM-J - CARPET 1.2" X .5" ANGLE - 12' LONG - OFF WHITE
5	086229-12-000	EA	BATTEN - 1.5" OFFSET X 97.01" IVORY
6	086229-11-000	EA	RETAINER - OFFSET - 97.01"
7	126204-D2-134	EA	MOLDING - VINYL WRAPPED - .7" X 1.6" X 84" - WASHED MAPLE
7	126204-F2-134	EA	MOLDING - VINYL WRAPPED - .7" X 2.5" X 84" - WASHED MAPLE
7	126204-F2-438	EA	MOLDING - VINYL WRAPPED - .7" X 2.6" X 84" - WASHED MAPLE



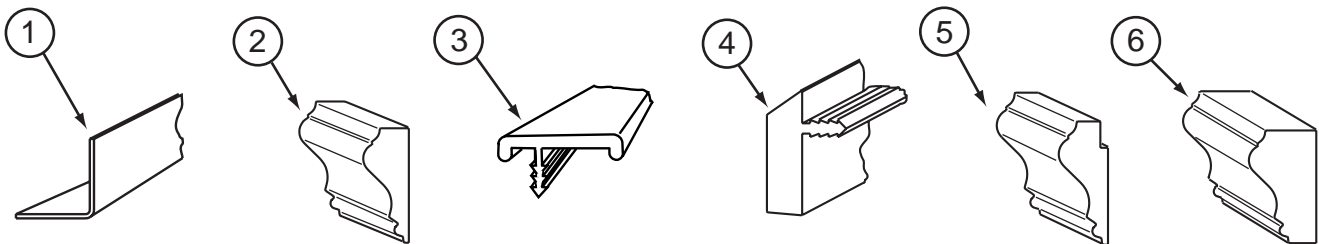
KEY	PART NUMBER	U/M	DESCRIPTION
1	103186-01-07A	FT	MOLDING - PLASTIC - 3/8" U-CHANNEL-3/4"FACE-BEIGE ILLUS
1	103186-01-08A	FT	MOLDING - PLASTIC - 3/8" U-CHANNEL-3/4"FACE-WASHED MAPLE
1	103186-01-09A	FT	MOLDING - PLASTIC - 3/8" U-CHANNEL-3/4"FACE-PORTSMOUTH OAK
1	103186-01-10A	FT	MOLDING - PLASTIC - 3/8" U-CHANNEL-3/4"FACE-CONCERT CHERRY
1	103186-02-08A	FT	MOLDING - PLASTIC - 1" U-CHANNEL-1 3/8"FACE-WASHED MAPLE
1	103186-02-09A	FT	MOLDING - PLASTIC - 1" U-CHANNEL-1 3/8"FACE-PORTSMOUTH OAK
1	103186-02-10A	FT	MOLDING - PLASTIC - 1" U-CHANNEL-1 3/8"FACE-CONCERT CHERRY
2	105004-01-08A	EA	MOLDING - VINYL WRAPPED - 1" X 96" - WASHED MAPLE
2	105004-01-09A	EA	MOLDING-PAPER WRAP - 1" X 96" - PORTSMOUTH OAK
2	105004-01-10A	EA	MOLDING-PAPER WRAP - 1" X 96" - CHERRY - SALEM CHERRY
2	105004-01-11A	EA	MOLDING-PAPER WRAP - 1" X 96" - WASHED MAPLE
2	105004-01-12A	EA	MOLDING - VINYL WRAPPED - 1" X 96" - PORTSMOUTH OAK
3	109332-02-01A	FT	TRIM-J - W/O ADHESIVE - BRASS
3	109332-02-03A	FT	TRIM-J - W/O ADHESIVE - SALEM CHERRY
3	109332-02-05A	FT	TRIM-J - W/O ADHESIVE - WASHED MAPLE
3	109332-02-06A	FT	TRIM-J - W/O ADHESIVE - PORTSMOUTH OAK
4	109736-02-01A	FT	MOLDING-T/OFFSET - W/EDGE LIP - 1" FACE - NAT OAK/BRASS
5	134185-B2-438	EA	MOLDING - .7" X 1" X 96" - PORTSMOUTH OAK
5	134185-D2-134	EA	MOLDING - .7" X 1.5" X 83" - PORTSMOUTH OAK
5	134185-D2-743	EA	MOLDING - .7" X 1.6" X 96" -PORTSMOUTH OAK
5	134185-F2-438	EA	MOLDING - .7" X 2.5" X 96" -PORTSMOUTH OAK
5	134185-F2-743	EA	MOLDING - .7" X 2.5" X 108"-PORTSMOUTH OAK
5	137895-D2-134	EA	MOLDING - VINYL WRAPPED - .7" X 1.6" X 84" -PORTSMOUTH OAK
5	137895-F2-743	EA	MOLDING - VINYL WRAPPED - .7" X 1.6" X 84" -PORTSMOUTH OAK
6	113794-01-02A	FT	MOLDING - CROWN - 3.5" - CHERRY
6	113794-02-02A	FT	MOLDING - CROWN - 1.8" - CHERRY
6	113794-01-03A	FT	MOLDING - CROWN - 3.5" - MAPLE
6	113794-02-03A	FT	MOLDING - CROWN - 1.8" - MAPLE

**INTERIOR FINISH GROUP (CONTINUED)**  
**MOLDINGS & TRIMS (CONTINUED)**

**WASHED MAPLE**



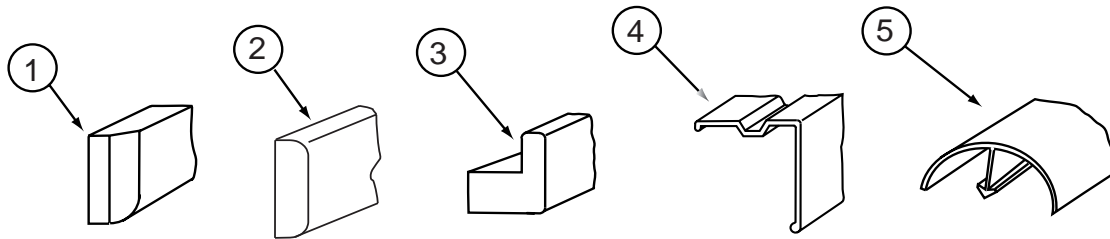
KEY	PART NUMBER	U/M	DESCRIPTION
1	116951-15-K09	EA	MOLDING - TRIM - 1.7" X 11"
1	116951-15-M07	EA	MOLDING - TRIM - 1.7" X 11"
1	134156-01-06A	EA	MOLDING - PAPER WRAP -.7" X 3.8" X 33.8" - WASHED MAPLE
1	134156-01-05A	EA	MOLDING - PAPER WRAP -.7" X 3.8" X 33.8" - CONCERT CHERRY
1	134156-01-04A	EA	MOLDING - PAPER WRAP -.7" X 3.8" X 33.8" - PORTSMOUTH OAK
1	134156-02-06A	EA	MOLDING - PAPER WRAP -.7" X 3.8" X 32.9" - WASHED MAPLE
1	134156-02-05A	EA	MOLDING - PAPER WRAP -.7" X 3.8" X 32.9" - CONCERT CHERRY
1	134156-02-04A	EA	MOLDING - PAPER WRAP -.7" X 3.8" X 32.9" - PORTSMOUTH OAK
1	134156-03-06A	EA	MOLDING - PAPER WRAP -.7" X 3.4" X 28.3" - WASHED MAPLE
1	134156-03-05A	EA	MOLDING - PAPER WRAP -.7" X 3.4" X 28.3" - SALEM CHERRY
1	134156-03-04A	EA	MOLDING - PAPER WRAP -.7" X 3.4" X 28.3" - PORTSMOUTH OAK
1	134156-03-03A	EA	MOLDING - VINYL WRAP -.7" X 3.4" X 28.3" - WASHED MAPLE
1	134156-03-08A	EA	MOLDING - VINYL WRAP -.7" X 3.4" X 28.3" - PORTSMOUTH OAK
2	132647-01-04A	EA	MOLDING/TRIM - DASH - PORTSMOUTH OAK - PAPER
2	132647-01-05A	EA	MOLDING/TRIM - DASH - PORTSMOUTH OAK - VINYL
3	132443-01-02A	FT	MOLDING - COUNTERTOP - WASHED MAPLE
3	132443-01-03A	FT	MOLDING - COUNTERTOP - CHERRY - SALEM CHERRY



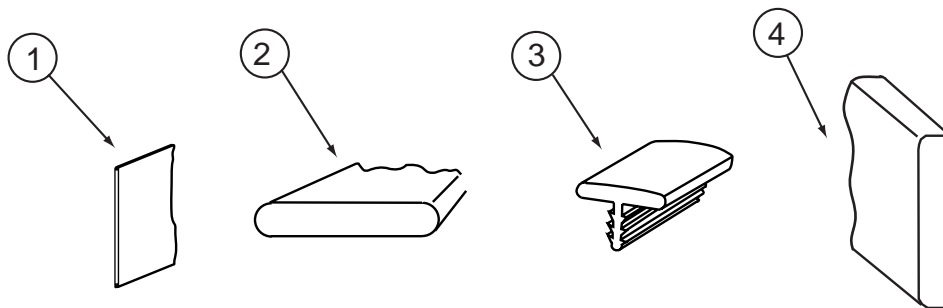
KEY	PART NUMBER	U/M	DESCRIPTION
1	130262-01-000	EA	PROTECTOR - CORNER SAVER - .7" X .7"
2	131923-01-01A	FT	MOLDING - CROWN - ASH
2	131923-01-02A	FT	MOLDING - CROWN - CHERRY
2	131923-01-03A	FT	MOLDING - CROWN - HARD WHITE MAPLE
3	119520-01-01A	FT	MOLDING-T - 1" - W/EDGE LIPS (OFF/WHITE-CREAM)
4	130247-01-02A	FT	MOLDING-T/OFF SET - 1.3" FACE - WASHED MAPLE
4	130247-01-04A	FT	MOLDING-T/OFF SET - 1.3" FACE - PORTSMOUTH OAK
4	130247-01-05A	FT	MOLDING-T/OFF SET - 1.3" FACE - CONCERT CHERRY
5	131923-02-01A	FT	MOLDING - PICTURE - ASH
5	131923-02-02A	FT	MOLDING - PICTURE - CHERRY
5	131923-02-03A	FT	MOLDING - PICTURE - HARD WHITE MAPLE
6	131923-03-01A	FT	MOLDING - CROWN - DIVIDER - ASH
6	131923-03-02A	FT	MOLDING - CROWN - DIVIDER - CHERRY
6	131923-03-03A	FT	MOLDING - CROWN - DIVIDER - HARD WHITE MAPLE

**INTERIOR FINISH GROUP (CONTINUED)**  
**MOLDINGS & TRIMS (CONTINUED)**

**WASHED MAPLE**



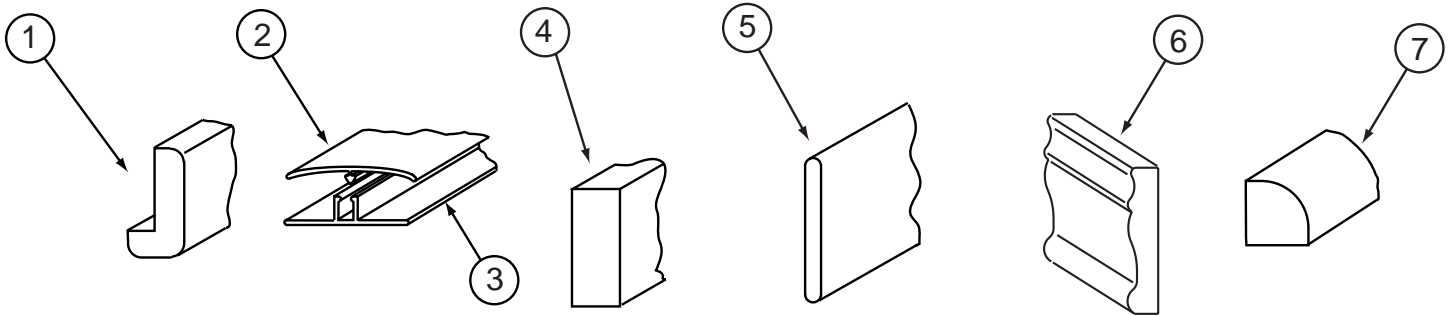
KEY	PART NUMBER	U/M	DESCRIPTION
1	100659-01-J40	EA	MOLDING/TRIM - VINYL FLOOR - WASHED MAPLE
1	100659-30-M42	EA	MOLDING/TRIM - VINYL FLOOR - PORTSMOUTH OAK II
1	100659-27-M70	EA	MOLDING/TRIM - VINYL FLOOR - CHERRY III
2	100818-01-08A	EA	MOLDING - VINYL WRAPPED - 1.6" X .4" X 84"-WASHED MAPLE
2	100818-01-09A	EA	MOLDING - VINYL WRAPPED - 1.6" X .4" X 84" - PORTSMOUTH OAK
2	100818-01-10A	EA	MOLDING - VINYL WRAPPED - 1.6" X .4" X 84" - SALEM CHERRY
2	100818-01-11A	EA	MOLDING - VINYL WRAPPED - 1.6" X .4" X 84" - WASHED MAPLE
2	100818-01-12A	EA	MOLDING - VINYL WRAPPED - 1.6" X .4" X 84"-PORTSMOUTH OAK
3	100819-01-08A	EA	MOLDING - VINYL WRAPPED-L-SHAPED-1.5"X1.5"X84" - WASHED MAPLE
3	100819-01-09A	EA	MOLDING - VINYL WRAPPED-L-SHAPED-1.5"X1.5"X84"-PRTSMTH OAK
3	100819-01-10A	EA	MOLDING - VINYL WRAPPED - L-SHAPED - 1.5"X1.5"X84" - SALEM CHERRY
3	100819-01-11A	EA	MOLDING - VINYL WRAPPED - L-SHAPED - 1.5"X1.5"X84" - WASHED MAPLE
3	100819-01-12A	EA	MOLDING - VINYL WRAPPED-L-SHAPED - 1.5" X 1.5" X 84" - OAK
4	093873-01-01A	EA	TRIM - CARPET - L-ANGLE 1.1" X 1.3" X 12' - GRAY VINYL
5	042357-25-000	EA	MOLDING - CORNER - RADIUS/PLASTIC - WASHED MAPLE
5	042357-26-000	EA	MOLDING - CORNER - RADIUS/PLASTIC - PORTSMOUTH OAK
5	042357-27-000	EA	MOLDING - CORNER - RADIUS/PLASTIC - CONCERT CHERRY



KEY	PART NUMBER	U/M	DESCRIPTION
1	101957-01-04A	EA	EXTRUDED - PLASTIC - SALEM CHERRY
2	120492-01-02A	FT	STRIP - TRIM - 1/2" WIDE - SALEM CHERRY
2	120492-01-06A	FT	STRIP - TRIM - 1/2" WIDE - WASHED MAPLE
3	104676-01-01A	FT	MOLDING-T - 5/16" RIGID GOLD
3	104676-02-06A	FT	MOLDING-T - W/EDGE LIP - 11/16" FACE - WASHED MAPLE
3	104676-02-08A	FT	MOLDING-T - W/EDGE LIP - 11/16" FACE - PORTSMOUTH OAK
3	104676-02-09A	FT	MMOLDING-T - W/EDGE LIP - 11/16" FACE - CONCERT CHERRY
4	091985-01-08A	FT	INSERT - TRIM - SOFT WHITE - 1"

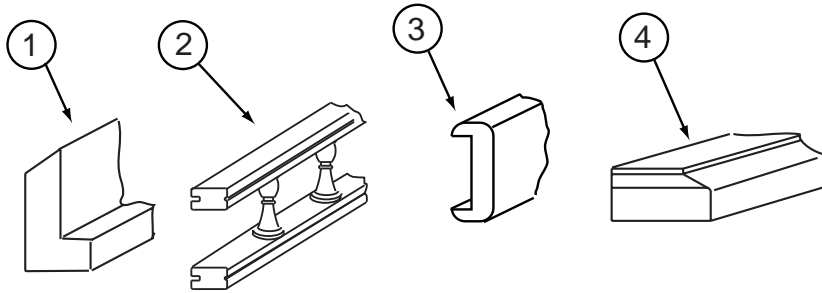
**INTERIOR FINISH GROUP (CONTINUED)**  
**MOLDINGS & TRIMS (CONTINUED)**

**WASHED MAPLE**



KEY	PART NUMBER	U/M	DESCRIPTION
1	077840-01-E41	EA	MOLDING - WALL CAP - 8' - SALEM CHERRY
1	077840-01-J70	EA	MOLDING - WALL CAP - 8' - WASHED MAPLE
1	077840-01-M30	EA	MOLDING - WALL CAP - 8' - PORTSMOUTH II
2	086229-04-000	EA	BATTEN - 1" X 92.24" - IVORY
2	086229-13-000	EA	BATTEN - 1" X 96" - IVORY
2	086229-19-000	EA	BATTEN - 1" X 98.4" - OFF WHITE
2	086229-20-000	EA	BATTEN - 1" X 96" - BEIGE
3	086229-01-000	EA	RETAINER - BATTEN - .75" X 92.1" - ANY COLOR
4	126205-D2-438	EA	LUMBER - VINYL WRAPPED - .7" X 1.5" X 96" - WASHED MAPLE
4	126205-E2-438	EA	LUMBER - VINYL WRAPPED - .7" X 2" X 96" - WASHED MAPLE
4	126205-F2-438	EA	LUMBER - VINYL WRAPPED - .7" X 2.5" X 96" - WASHED MAPLE
4	126205-G2-438	EA	LUMBER - STAINED - .7" X 3" X 96" - WASHED MAPLE
4	126205-J2-438	EA	LUMBER - VINYL WRAPPED - .7" X 5.5" X 96" - WASHED MAPLE
4	126205-R2-438	EA	LUMBER - VINYL WRAPPED - .7" X 3" X 96" - WASHED MAPLE
4	136045-G2-438	EA	LUMBER - PAPER WRAPPED - .7" X 3" X 96" - CHERRY
4	136045-H2-438	EA	LUMBER - PAPER WRAPPED - .7" X 3.5" X 96" - CHERRY
4	136045-D2-438	EA	LUMBER - PAPER WRAPPED - .7" X 1.5" X 96" - CHERRY
4	136045-A2-438	EA	LUMBER - PAPER WRAPPED - .7" X .7" X 96" - CHERRY
4	136045-E2-438	EA	LUMBER - PAPER WRAPPED - .7" X 2" X 96" - CHERRY
4	136045-F2-438	EA	LUMBER - PAPER WRAPPED - .7" X 2.6" X 96" - CHERRY
4	134184-A2-438	EA	LUMBER - .7" X .75" X 96" - PORTSMOUTH OAK
4	134184-D2-438	EA	LUMBER - .7" X 1.5" X 96" - PORTSMOUTH OAK
4	134184-E2-438	EA	LUMBER - .7" X .62" X 96" - PORTSMOUTH OAK
4	134184-F2-438	EA	LUMBER - .7" X 2.5" X 96" - PORTSMOUTH OAK
4	134184-G2-438	EA	LUMBER - .7" X 3" X 96" - PORTSMOUTH OAK
4	134184-H2-438	EA	LUMBER - .7" X .75" X 96" - PORTSMOUTH OAK
4	134184-J2-438	EA	LUMBER - .7" X 5.5" X 96" - PORTSMOUTH OAK
4	134184-R2-438	EA	LUMBER - .7" X 3" X 96" - PORTSMOUTH OAK
4	137894-A2-438	EA	LUMBER - VINYL WRAPPED - .7" X .75" X 96" - PORTSMOUTH OAK
4	137894-D2-438	EA	LUMBER - VINYL WRAPPED - .7" X 1.5" X 96" - PORTSMOUTH OAK
4	137894-E2-438	EA	LUMBER - VINYL WRAPPED - .7" X 2" X 96" - PORTSMOUTH OAK
4	137894-F2-438	EA	LUMBER - VINYL WRAPPED - .7" X 2.5" X 96" - PORTSMOUTH OAK
4	137894-G2-438	EA	LUMBER - VINYL WRAPPED - .7" X 3" X 96" - PORTSMOUTH OAK
4	137894-H2-438	EA	LUMBER - VINYL WRAPPED - .7" X 3.5" X 96" - PORTSMOUTH OAK
4	137894-J2-438	EA	LUMBER - VINYL WRAPPED - .7" X 5.5" X 96" - PORTSMOUTH OAK
4	137894-R2-438	EA	LUMBER - VINYL WRAPPED - .7" X 3" X 96" - PORTSMOUTH OAK
5	127842-01-01A	FT	SEAL - SIGHT SHIELD - 2" BLACK
6	100182-01-L81	EA	TRIM - RAIL - PORTSMOUTH OAK
6	100182-01-K37	EA	TRIM - RAIL - SALEM CHERRY
6	100182-10-E41	EA	TRIM - CHAIR RAIL - 2.5" X 8' EACH - WOOD - SALEM CHERRY
6	100182-10-J70	EA	TRIM - CHAIR RAIL - 2.5" X 8' EACH - WOOD - WASHED MAPLE
6	100182-10-M95	EA	TRIM - CHAIR RAIL - 2.5" X 8' EACH - WOOD
7	109410-16-JQ0	EA	MOLDING - TRIM - WASHED MAPLE
7	109410-01-M53	EA	MOLDING - TRIM - 8' - PORTSMOUTH OAK

**INTERIOR FINISH GROUP (CONTINUED)**  
**MOLDINGS & TRIMS (CONTINUED)**



KEY	PART NUMBER	U/M	DESCRIPTION
1	111235-03-E37	EA	MOLDING - COUNTERTOP - 1" X 8' - ASH WOOD - UNSTAINED
1	111235-03-E41	EA	MOLDING - COUNTERTOP - 1" X 8' - CHERRY WOOD - UNSTAINED
1	111235-03-H56	EA	MOLDING - COUNTERTOP - 1" X 8' - WHITE MAPLE - UNSTAINED
2	111775-01-07A	EA	RAIL - DECORATIVE/PLASTIC SPINDLES - 8' - PORTSMOUTH OAK
2	111775-01-06A	EA	RAIL - DECORATIVE/PLASTIC SPINDLES - 71.9" - WASHED MAPLE
2	111775-01-03A	EA	RAIL - DECORATIVE/PLASTIC SPINDLES - 6' - SALEM CHERRY
2	137108-01-02A	EA	RAIL - DECORATIVE - SALEM CHERRY
2	137108-01-03A	EA	RAIL - DECORATIVE - WASHED MAPLE
2	137108-01-07A	EA	RAIL - DECORATIVE - PORTSMOUTH OAK
3	078323-06-M22	EA	MOLDING - CAP/WALL - 79.6" - PORTSMOUTH OAK
4	P34052-01-M52	EA	TRIM/TABLE - 29.7" - SALEM CHERRY
4	P34052-01-M76	EA	TRIM/TABLE - 29.7" - PORTSMOUTH OAK
4	P34052-01-M84	EA	TRIM/TABLE - 29.7" - WASHED MAPLE
4	P34052-02-M52	EA	TRIM/TABLE - 24" - SALEM CHERRY
4	P34052-02-M76	EA	TRIM/TABLE - 24" - PORTSMOUTH OAK
4	P34052-02-M84	EA	TRIM/TABLE - 24" - WASHED MAPLE



**INTERIOR FINISH GROUP (CONTINUED)**  
**PANELING & LAMINATES**

<b>KEY</b>	<b>PART NUMBER</b>	<b>U/M</b>	<b>DESCRIPTION</b>
	000846-01-000	SF	PLYWOOD - 5/16" X 48" X 96" - CD GRADE
	074498-65-000	SF	LAMINATE - PLASTIC - MEDIUM GRAY - 4' X 8'
	074498-82-000	SF	LAMINATE - PLASTIC - WASHED MAPLE - 4' X 8'
	074498-93-000	SF	LAMINATE - PLASTIC - PLAT METAL - 4' X 8'
	076325-71-000	FT	MOLDING - EDGE BAND - 1 5/16" X .038" - GRAY
	076325-72-000	FT	MOLDING - EDGE BAND - .93" X .024" - GREY
	085284-G7-000	FT	BATT TAPE - ADHESIVE BACKED - DURNHAM MULTI (M91)
	085284-G6-000	FT	BATT TAPE - ADHESIVE BACKED - COSMOS/SKY (M93)
	088272-J8-000	SF	PANELING - DURNHAM MULTI - 4' X 7' (M91)
	088272-J7-000	SF	PANELING - COSMOS/SKY - 4' X 7' (M93)
	088272-H9-000	SF	PANELING - PEBBLE EMBOSSED - WHITE - 4' X 7'
	088272-J1-000	SF	PANELING - DENVER CLOUD - VW LIGHT GRAY - 48" X 84"
	088272-J2-000	SF	PANELING - BOSSANOVA/EMBOSSSED - LT GRAY - 48" X 84"
	126339-01-000	SF	BOARD - WHEAT - 60" X 72"

**ACCESSORIES**

<b>KEY</b>	<b>PART NUMBER</b>	<b>U/M</b>	<b>DESCRIPTION</b>
	072852-01-000	EA	DETECTOR - SMOKE - W/9 VOLT BATTERY - US
	072852-02-000	EA	DETECTOR - SMOKE - W/9 VOLT BATTERY - CANADIAN
	094499-03-000	EA	EXTINGUISHER/FIRE - DRY - 10BC - W/GAUGE - W/O BRACKET
*	094499-02-000	EA	EXTINGUISHER/FIRE - DRY - 10BC - W/GAUGE - CANADIAN
	094499-04-000	EA	STRAP - FIRE EXTINGUISHER MOUNTING - METAL
	058331-B0-000	EA	MIRROR - SAFETY GLASS - 12.6" X 12.6"
	125136-02-000	EA	CO DETECTOR - GAS MODEL - 9 VOLT
	096764-02-000	FT	SLIPNOT - ANTISLIP - 1 1/2" WIDE (180' ROLLS) - WHITE

**\*COMPONENT PARTS LISTED LATER IN THIS GROUP**

**INTERIOR FINISH GROUP (CONTINUED)**  
**COMPONENT PARTS FOR ACCESSORIES**

094499-02-000

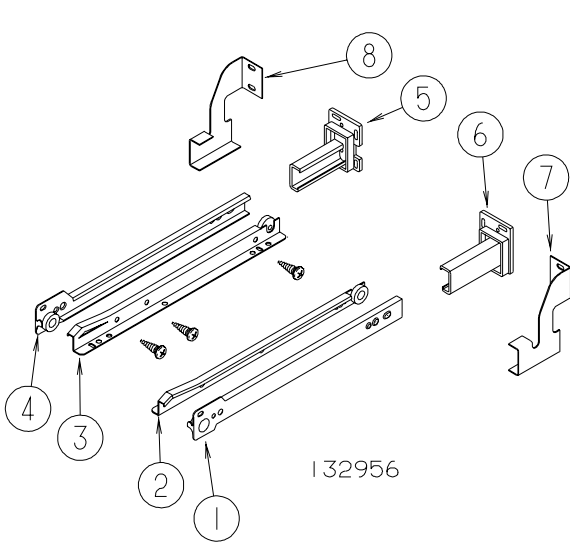
<b>KEY</b>	<b>PART NUMBER</b>	<b>U/M</b>	<b>DESCRIPTION</b>	<b>VENDOR NO</b>
	094499-02-000	EA	EXTINGUISHER/FIRE - DRY - 1A10BC - CANADIAN	
	094499-01-700	EA	BRACKET MTG. W/PLAS. STRAP	294039

## INTERIOR FINISH GROUP (CONTINUED)

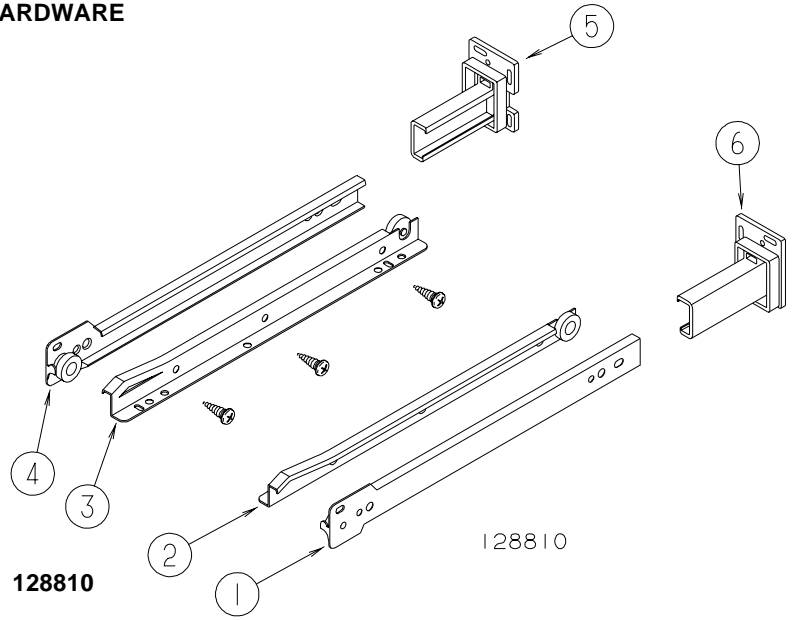
### FLOOR COVERINGS

KEY	PART NUMBER	U/M	DESCRIPTION
	096060-J9-000	SY	CARPET - OVERCAST - INCREMENTS OF 4 SQ YARDS (M91)
	096060-H8-000	SY	CARPET - SPRUCE - INCREMENTS OF 4 SY YDS (M93)

**INTERIOR FINISH GROUP (CONTINUED)**  
**HARDWARE**



132956



128810

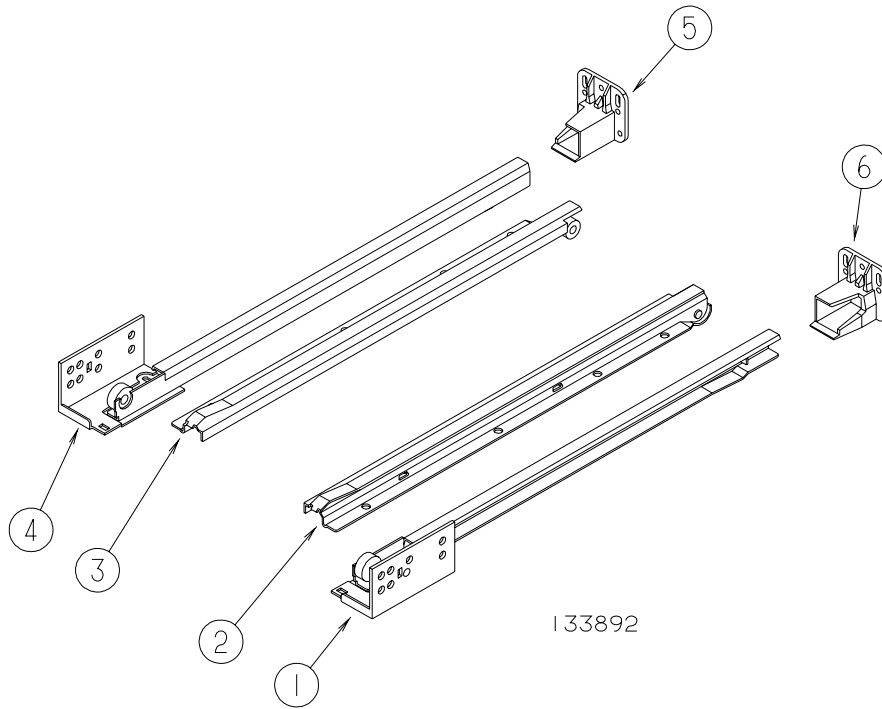
**128810**

KEY	PART NUMBER	U/M	DESCRIPTION
1	128810-02-01A	EA	SLIDE - DRAWER - 12" - RIGHT CABINET
1	128810-06-01A	EA	SLIDE - DRAWER - 14" - RIGHT CABINET
1	128810-10-01A	EA	SLIDE - DRAWER - 16" - RIGHT CABINET
1	128810-14-01A	EA	SLIDE - DRAWER - 18" - RIGHT CABINET
1	128810-18-01A	EA	SLIDE - DRAWER - 20" - RIGHT CABINET
1	128810-22-01A	EA	SLIDE - DRAWER - 22" - RIGHT CABINET
1	128810-26-01A	EA	SLIDE - DRAWER - 24" - RIGHT CABINET
2	128810-04-01A	EA	SLIDE - DRAWER - 12" - RIGHT DRAWER
2	128810-08-01A	EA	SLIDE - DRAWER - 14" - RIGHT DRAWER
2	128810-12-01A	EA	SLIDE - DRAWER - 16" - RIGHT DRAWER
2	128810-16-01A	EA	SLIDE - DRAWER - 18" - RIGHT DRAWER
2	128810-20-01A	EA	SLIDE - DRAWER - 20" - RIGHT DRAWER
2	128810-24-01A	EA	SLIDE - DRAWER - 22" - RIGHT DRAWER
2	128810-28-01A	EA	SLIDE - DRAWER - 24" - RIGHT DRAWER
3	128810-03-01A	EA	SLIDE - DRAWER - 12" - LEFT DRAWER
3	128810-07-01A	EA	SLIDE - DRAWER - 14" - LEFT DRAWER
3	128810-11-01A	EA	SLIDE - DRAWER - 16" - LEFT DRAWER
3	128810-15-01A	EA	SLIDE - DRAWER - 18" - LEFT DRAWER
3	128810-19-01A	EA	SLIDE - DRAWER - 20" - LEFT DRAWER
3	128810-23-01A	EA	SLIDE - DRAWER - 22" - LEFT DRAWER
3	128810-27-01A	EA	SLIDE - DRAWER - 24" - LEFT DRAWER
4	128810-01-01A	EA	SLIDE - DRAWER - 12" - LEFT CABINET
4	128810-05-01A	EA	SLIDE - DRAWER - 14" - LEFT CABINET
4	128810-09-01A	EA	SLIDE - DRAWER - 16" - LEFT CABINET
4	128810-13-01A	EA	SLIDE - DRAWER - 18" - LEFT CABINET
4	128810-17-01A	EA	SLIDE - DRAWER - 20" - LEFT CABINET
4	128810-21-01A	EA	SLIDE - DRAWER - 22" - LEFT CABINET
4	128810-25-01A	EA	SLIDE - DRAWER - 24" - LEFT CABINET
5	128811-01-01A	EA	BACKSOCKET - ADJUSTABLE - LEFT
6	128811-02-01A	EA	BACKSOCKET - ADJUSTABLE RIGHT

**132956 DINETTE CABINET DRAWERS**

KEY	PART NUMBER	U/M	DESCRIPTION
1	132956-02-01A	EA	SLIDE - DRAWER - 37.5" - RIGHT CABINET
1	132956-06-01A	EA	SLIDE - DRAWER - RIGHT CABINET - 32"
2	132956-08-01A	EA	SLIDE - DRAWER - 32" - RIGHT DRAWER
2	132956-04-01A	EA	SLIDE - DRAWER - 37.5" - RIGHT DRAWER
3	132956-07-01A	EA	SLIDE - DRAWER - 32" - LEFT DRAWER
3	132956-03-01A	EA	SLIDE - DRAWER - 37.5" - LEFT DRAWER
4	132956-05-01A	EA	SLIDE - DRAWER - 32" - LEFT CABINET
4	132956-01-01A	EA	SLIDE - DRAWER - 37.5" - LEFT CABINET
5	128811-01-01A	EA	BACKSOCKET - ADJUSTABLE - LEFT
6	128811-02-01A	EA	BACKSOCKET - ADJUSTABLE RIGHT
7	134649-01-02B	EA	SUPPORT - BACKSOCKET - E-COATED
8	134649-02-02B	EA	SUPPORT - BACKSOCKET - E-COATED

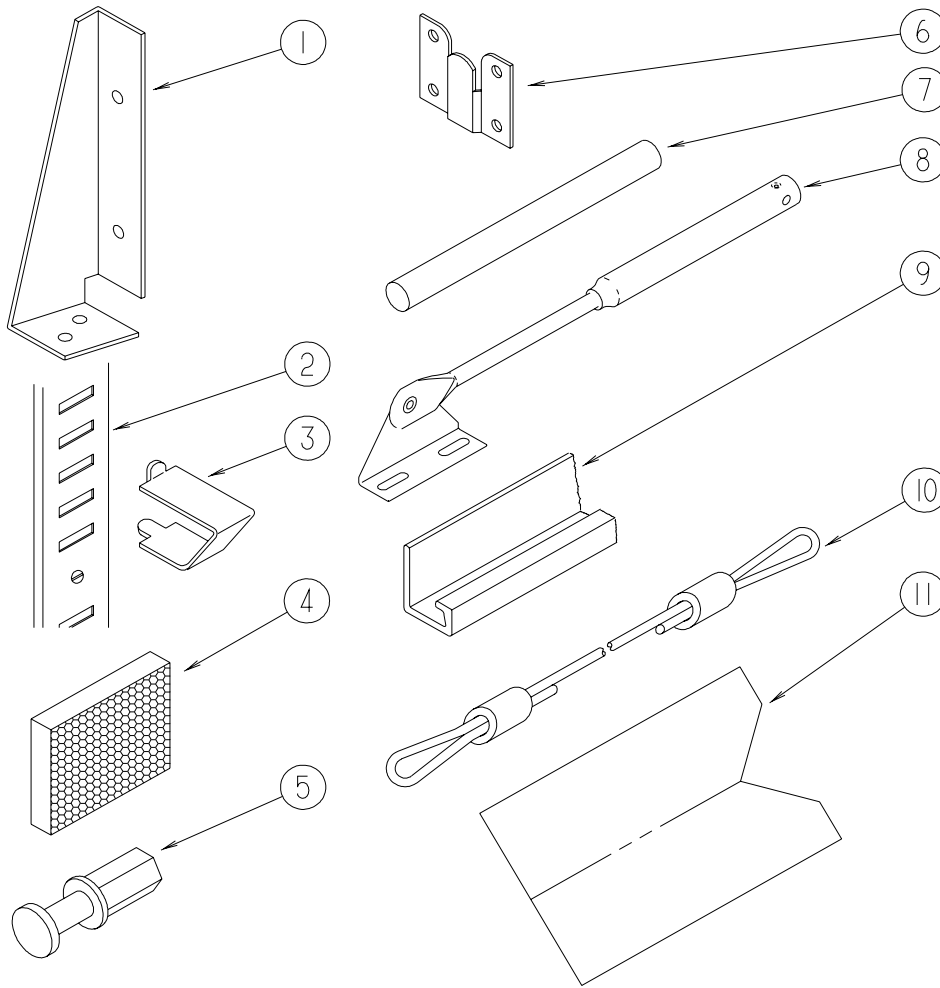
**INTERIOR FINISH GROUP (CONTINUED)**  
**HARDWARE (CONTINUED)**



**133892 CONCEALED RUNNER DRAWERS**

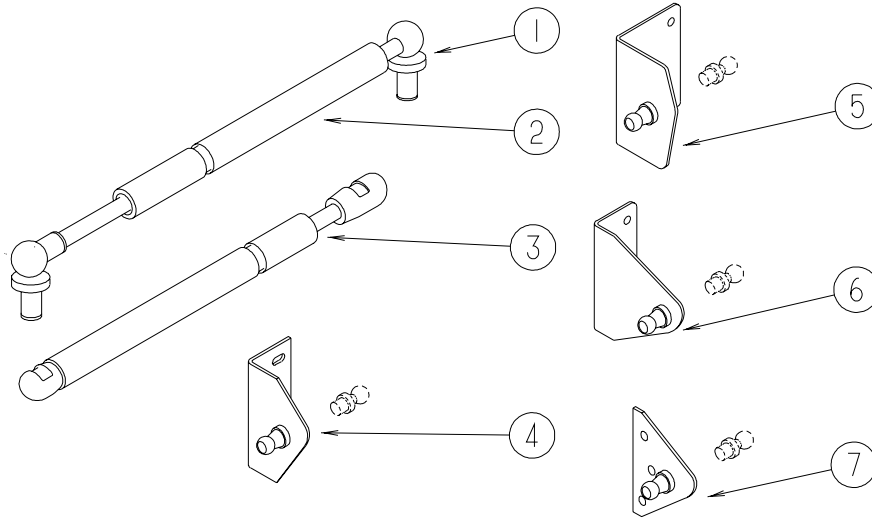
KEY	PART NUMBER	U/M	DESCRIPTION
1	133892-02-01A	EA	SLIDE - DRAWER - RIGHT CABINET - 16"
2	133892-04-01A	EA	SLIDE - DRAWER - RIGHT DRAWER - 16"
2	133892-05-01A	EA	SLIDE - DRAWER - 9"
3	133892-03-01A	EA	SLIDE - DRAWER - LEFT DRAWER - 16"
4	133892-01-01A	EA	SLIDE - DRAWER - LEFT CABINET - 16"
5	133907-02-01A	EA	BACKSOCKET - LEFT HAND
6	133907-01-01A	EA	BACKSOCKET - RIGHT HAND

**INTERIOR FINISH GROUP (CONTINUED)**  
**HARDWARE (CONTINUED)**



KEY	PART NUMBER	U/M	DESCRIPTION
1	076827-02-000	EA	BRACKET - 2.9" X 1.8" - TRIANGLE
2	098980-01-000	EA	PILASTER - ADJUSTABLE SHELF - 18"
2	098980-02-000	EA	PILASTER - ADJUSTABLE SHELF - 12"
2	098980-03-000	EA	PILASTER - ADJUSTABLE SHELF - 9"
2	098980-04-000	EA	PILASTER - ADJUSTABLE SHELF - 48"
2	098980-05-000	EA	PILASTER - ADJUSTABLE SHELF - 15"
2	098980-06-000	EA	PILASTER - ADJUSTABLE SHELF - 24"
3	098979-01-000	EA	CLIP - ADJUSTABLE SHELF
4	122717-06-01A	FT	PAD - NON-SKID - PSA - 5"W
4	122717-08-01A	EA	PAD - NON-SKID - PSA - 7.2"W
5	092652-01-000	EA	GUIDE WHEEL/DOOR - TOP MOUNT
6	130120-01-01A	EA	BRACKET - MOUNTING/MIRROR
7	042438-01-000	EA	DOWEL - WOOD - CLOTHES ROD - 1" X 4'
7	042438-02-000	EA	DOWEL - WOOD - 2" X 2"
7	042438-06-000	EA	DOWEL - WOOD - 1.5" X 26"
8	074493-02-000	EA	SUPPORT - PISTON SPRING - CABINET DOOR - 26 LBS
8	074493-03-000	EA	SUPPORT - PISTON SPRING - CABINET DOOR - 12 LBS
8	074493-04-000	EA	SUPPORT - PISTON SPRING - CABINET DOOR - 32 LBS
9	118933-01-01A	EA	SUPPORT - HINGE LOCK
10	076767-01-000	EA	CABLE - STEEL - 12"
10	076767-04-000	EA	CABLE - SUPPORT - 5.9" STAINLESS STEEL
10	076767-05-000	EA	CABLE - STAINLESS STEEL - 15.5"
10	076767-14-000	EA	CABLE - STAINLESS STEEL - 14.9"
10	076767-15-000	EA	CABLE - STAINLESS STEEL - 9.8"
11	114739-01-01A	EA	PAD - NON SKID - PSA - 4"W - 1 EACH=PAIR

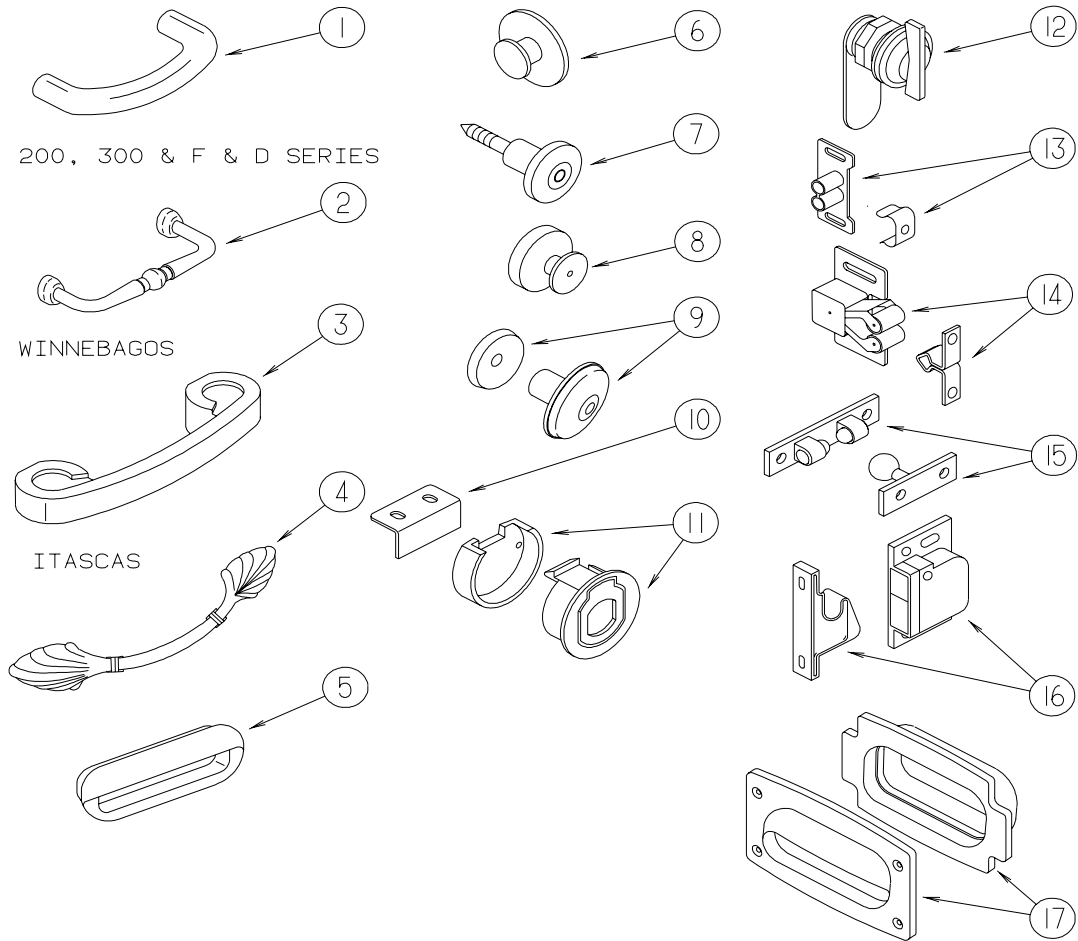
**INTERIOR FINISH GROUP (CONTINUED)**  
**HARDWARE (CONTINUED)**



KEY	PART NUMBER	U/M	DESCRIPTION
1	057460-02-000	EA	BALL STUD - F/GAS SPRING .39" - 5/16"-18
2	057460-04-000	EA	SPRING/GAS - BALL STUD STYLE - 120 PI - iSPD6209i
3	107796-06-000	EA	SPRING/GAS - 12" COMPRESSED/20" EXTENDED - 120 LB.
3	107796-08-000	EA	SPRING/GAS - 11" COMPRESSED/17" EXTENDED - 60 LB.
3	107796-09-000	EA	SPRING/GAS - 5.5" COMPRESSED/7.5" EXTENDED - 40 LB.
3	107796-15-000	EA	SPRING/GAS - 24" COMPRESSED/40" EXTENDED - 15 LB.
3	107796-16-000	EA	SPRING/GAS - 6.4" COMPRESSED/9.6" EXTENDED - 65 LB.
4	126263-02-02B	EA	BRACKET - GAS SPRING W/BALL STUD - E-COATED
5	126263-05-02B	EA	BRACKET - GAS SPRING W/BALL STUD - E-COATED
5	126263-06-02B	EA	BRACKET - GAS SPRING W/BALL STUD - E-COATED
6	126263-10-02B	EA	BRACKET - GAS SPRING W/BALL STUD - E-COATED
6	126263-13-02B	EA	BRACKET - GAS SPRING W/BALL STUD - E-COATED
7	126263-08-02B	EA	BRACKET - GAS SPRING W/BALL STUD - E-COATED

**INTERIOR FINISH GROUP (CONTINUED)**  
**HARDWARE (CONTINUED)**

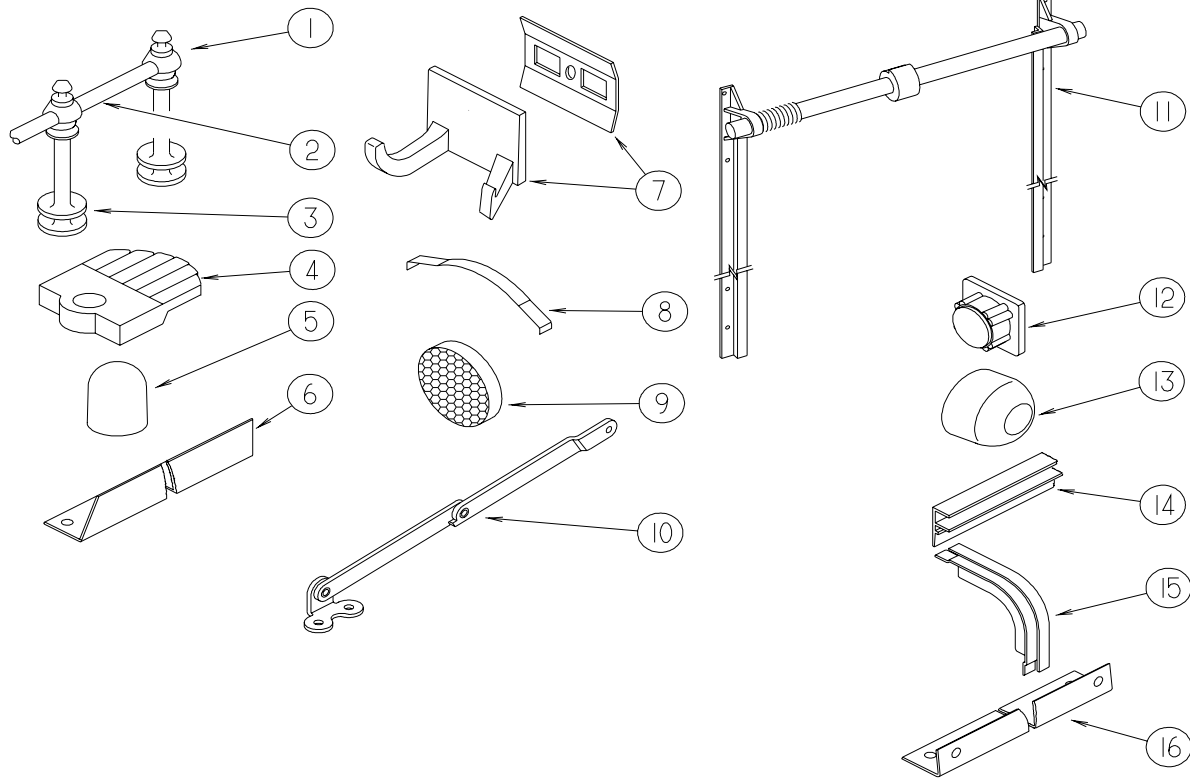
**200 SERIES**



KEY	PART NUMBER	U/M	DESCRIPTION
1	131964-01-01A	EA	PULL - DOOR/DRAWER - POLISHED BRASS
2	131963-01-01A	EA	PULL - DOOR/DRAWER - POLISHED BRASS
3	131962-01-01A	EA	PULL - DOOR/DRAWER - POLISHED BRASS
4	117923-01-01A	EA	PULL - CABINET - BURNISHED BRASS - 5.5"
4	131965-01-01A	EA	PULL - CABINET - BURNISHED BRASS - 6.3"
5	080736-01-000	EA	PULL - RECESSED - 1.25" X 4" - OAK
6	125221-01-01A	EA	PULL - MIRROR - W/ROUND HANDLE
7	113800-01-000	EA	KNOB - CABINET - BRASS
8	133313-01-01A	EA	PULL - DOOR/DRAWER - BURNISHED BRASS
8	133313-01-02A	EA	PULL - DOOR/DRAWER - BRIGHT BRASS
9	117978-01-01A	EA	KNOB - DOOR - BRIGHT BRASS
10	113375-02-01A	EA	STRIKE - DOOR - CHROME
11	113375-05-01A	EA	LATCH - SLAM - BACK - .8" THICK
11	113375-06-01A	EA	LATCH - SLAM - FACE - .7" THICK
12	100710-01-01A	EA	LOCK - GLASS DOOR/TWIST TYPE - BRASS
13	009021-01-000	EA	CATCH - GRILLE - NYLON
13	009021-02-000	EA	STRIKE - SPRING STEEL
14	093586-03-000	EA	CATCH - SPRING ROLLER - .377"
14	093586-04-000	EA	STRIKE - SPRING STEEL - 1.14"
14	093586-05-000	EA	STRIKE - SPRING STEEL - .943"
14	093586-06-000	EA	CATCH - SPRING ROLLER - .236"
15	084451-01-000	EA	CATCH & LATCH - 1.7" - BRASS
16	117095-01-01A	EA	LATCH - DOOR - GRABBER W/KEEPER - PLASTIC - BLK-5 LB PULL
16	117095-02-01A	EA	LATCH - DOOR - GRABBER W/KEEPER - PLASTIC - BLK-10 LB PULL
17	133607-01-01A	EA	PULL - LATCH - BLACK PLASTIC

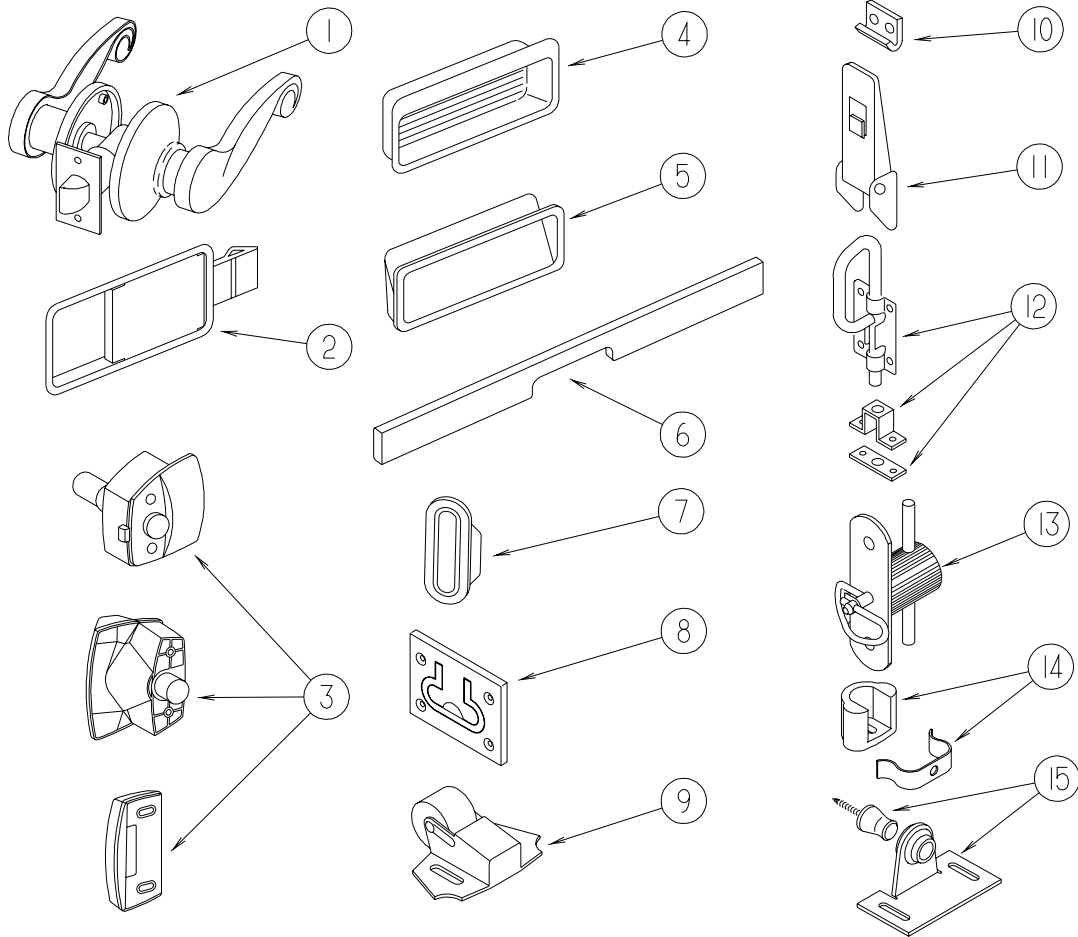


**INTERIOR FINISH GROUP (CONTINUED)**  
**HARDWARE (CONTINUED)**



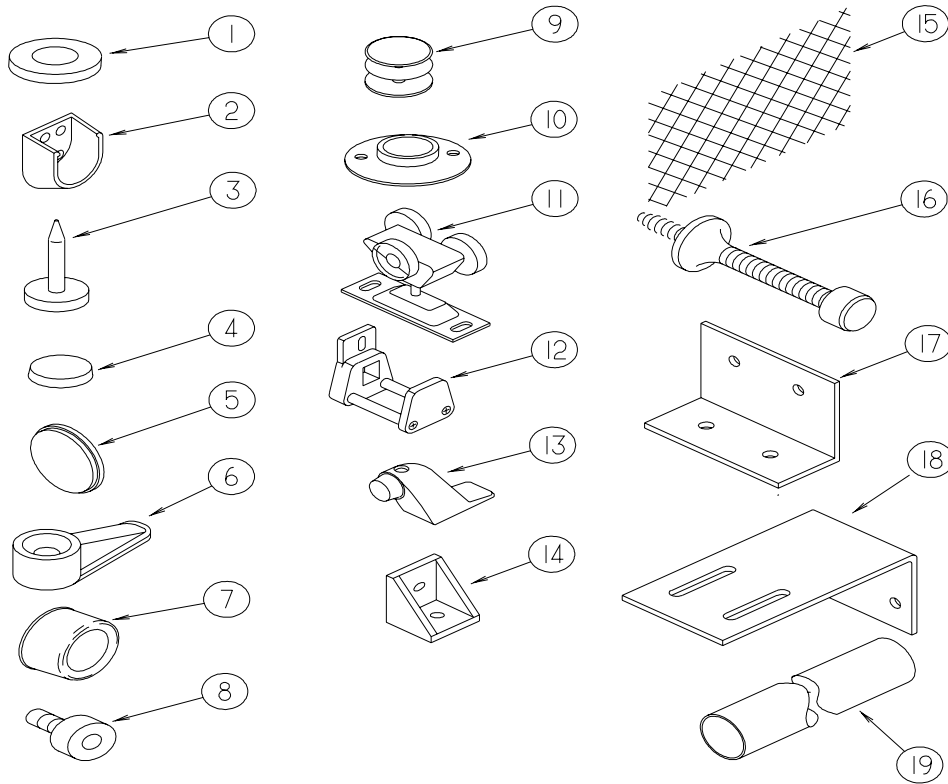
KEY	PART NUMBER	U/M	DESCRIPTION
1	084070-03-000	EA	POST - END - 2.4" - BRASS
2	084071-05-000	EA	ROD - BRASS - 15"
2	084071-08-000	EA	ROD - BRASS - 9.3"
2	084071-19-000	EA	ROD - BRASS - 7.1"
2	084071-20-000	EA	ROD - BRASS - 9.8"
2	084071-22-000	EA	ROD - BRASS - 15.3"
2	084071-23-000	EA	ROD - BRASS - 13.1" NEW STYLE/STEEL ROD W/BRASS PLATING
2	084071-24-000	EA	ROD - BRASS - 3.8"
2	084071-27-000	EA	ROD - BRASS - 2.7"
2	084071-28-000	EA	ROD - BRASS - 6"
2	084071-30-000	EA	ROD - BRASS - 11.6"
2	084071-31-000	EA	ROD - BRASS - 14.08"
2	084071-33-000	EA	ROD - BRASS - 20.4"
3	084070-01-000	EA	POST - CENTER - 2.4" - BRASS
4	009089-01-000	EA	CLIP - MIRROR
5	039984-01-000	EA	CAP - ROUND - VINYL - .28" ID X .62" - BLACK
6	114693-01-01A	EA	SUPPORT - BLACK - RIGHT HAND
6	114693-02-01A	EA	SUPPORT - BLACK - LEFT HAND
7	104174-01-000	EA	HOOK - ROBE - DOUBLE
8	115541-01-000	EA	SPRING - DOOR - SLIDING
9	122717-01-01A	EA	PAD - NON SKID - 4" DIAMETER ROUND
9	122717-04-01A	EA	PAD - NON SKID - 3" DIAMETER ROUND
10	084412-01-000	EA	SUPPORT/HINGE KIT (LEFT & RIGHT HINGES)
11	130787-01-000	EA	TRACK - TAMBOUR DOOR/SPRING - 15.9"
11	130787-02-000	EA	TRACK - TAMBOUR DOOR/SPRING - 24"
11	130787-03-000	EA	TRACK - TAMBOUR DOOR/SPRING - 30"
12	110550-01-000	EA	CAP - TUBE .9" SQUARE
13	117046-01-000	EA	BUMPER - RUBBER/ROUND END - .9"
13	117046-02-000	EA	BUMPER - RUBBER/ROUND END - 1.5"
14	093622-01-000	EA	TRACK - DOOR - TAMBOUR - PLASTIC - 8' LENGTHS
15	093623-01-000	EA	CORNER - TRACK - TAMBOUR DOOR
16	106699-01-01A	EA	BRACKET F/TV INSTALLATION - OVERHEAD CABINET
16	106699-03-02B	EA	BRACKET F/TV INSTALLATION - OVERHEAD CABINET - E-COATED
16	106699-04-02B	EA	BRACKET F/TV INSTALLATION - OVERHEAD CABINET - E-COATED

**INTERIOR FINISH GROUP (CONTINUED)**  
**HARDWARE (CONTINUED)**



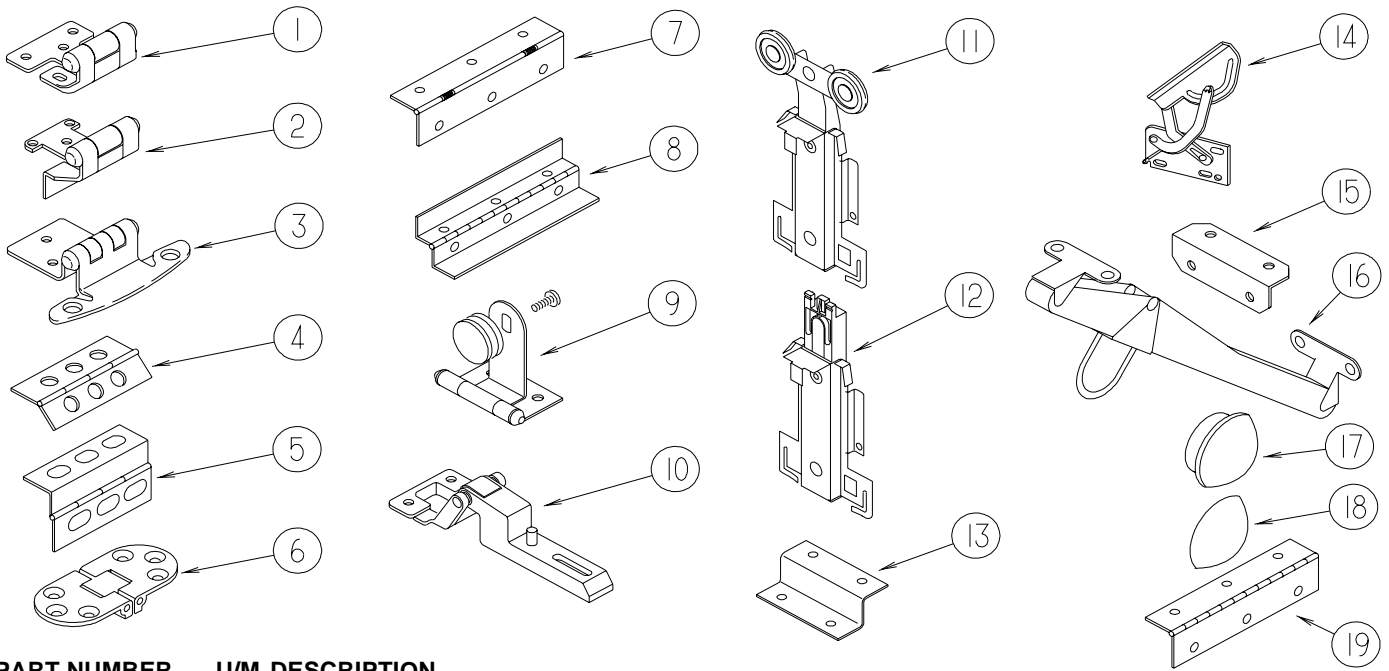
KEY	PART NUMBER	U/M DESCRIPTION
1	111155-05-01A	EA LOCK - PRIVACY/LOCKING - S SHAPED - POLISHED BRASS
1	111155-06-01A	EA LOCK - PASSAGE/NON-LOCKING - S SHAPED - POLISHED BRASS
2	127349-01-01A	EA LATCH - PADDLE
3	058335-03-000	EA LATCH W/O LOCK - BATHROOM DOOR BLACK
4	124311-01-01A	EA HANDLE - RECESSED - BRASS
5	115994-01-01A	EA HANDLE - POCKET
5	139136-01-01A	EA HANDLE - RECESSED - BRASS
6	P26866-06-L81	EA HANDLE - DOOR/TAMBOUR - 18.6" - ASH/PORTSMOUTH II - PORTSMOUTH OAK
6	P26866-06-J30	EA HANDLE - DOOR/TAMBOUR - 18.6" - CHERRY/CHERRY III - SALEM CHERRY
6	P26866-09-M95	EA HANDLE - DOOR/TAMBOUR - 14.7" - ASH/PORTSMOUTH II - PORTSMOUTH OAK
6	P26866-09-KQ1	EA HANDLE - DOOR/TAMBOUR - 14.7" - CHERRY/CHERRY III - SALEM CHERRY
6	P26866-10-K13	EA HANDLE - DOOR/TAMBOUR - 11.6" - CHERRY/CHERRY III - SALEM CHERRY
6	P26866-10-K09	EA HANDLE - DOOR/TAMBOUR - 11.6" - MAPLE/WASHED MAPLE - WASHED MAPLE
6	P26866-10-M07	EA HANDLE - DOOR/TAMBOUR - 11.6" - ASH/PORTSMOUTH OAK - PORTSMOUTH OAK
6	P26866-10-K07	EA HANDLE - DOOR/TAMBOUR - 11.6" - ASH/WATERFORD OAK - PORTSMOUTH OAK
7	098410-01-01A	EA PULL - FINGER - OVAL - BRASS
8	072871-01-000	EA PULL - FLUSH - CHROME
9	109403-01-000	EA CATCH - SINGLE ROLLER - SCREEN DOOR
10	116975-02-01A	EA KEEPER/STRIKE - BLACK - NEW STYLE
11	116975-01-01A	EA LATCH - W/O STRIKE - BLACK - NEW STYLE
12	103256-01-000	EA LATCH COMPLETE (SLIDE)
13	098196-01-000	EA LATCH - 1/4 TURN - T-BAR
14	129703-01-01A	EA CATCH ASSEMBLY (SPRING)
15	009013-01-000	EA CATCH - BULLDOG - MALE/FEMALE

**INTERIOR FINISH GROUP (CONTINUED)**  
**HARDWARE (CONTINUED)**



KEY	PART NUMBER	U/M	DESCRIPTION
1	100707-01-000	EA	SPACER - GLASS DOOR - .8" DIA - .3" HOLE - PLASTIC
2	113236-01-01A	EA	BRACKET - CLOTHES - ROD
3	102194-01-000	EA	GUIDE - PLASTIC - 1" (HEAD/PIN)
4	023320-01-000	EA	PAD - FELT 3/8" DIAMETER
4	004354-01-000	EA	BUMPER - RUBBER - .5" DIA - BROWN
5	120760-01-000	EA	RUBBER BUMPER - CLEAR - .1" THICK X .8" DIAMETER
5	081914-01-000	EA	BUMPER - RUBBER - ROUND - 1/2" DIA. X 1/8" THICK
6	083204-03-000	EA	BUTTON - RETAINING MIRROR 5/16" TIP
7	069726-02-000	EA	BUMPER - .88" OD X .40" THICK - BLACK
8	079921-01-000	EA	ROLLER - NYLON - W/STEEL SHAFT - BARBED
9	081114-02-000	EA	CAP - INSERT - ROUND 1" DIAMETER - WHITE
10	009112-01-000	EA	FLANGE - PLASTIC - 1" CLOTHES ROD - OFF WHITE
11	103874-01-000	EA	HANGER - SLIDING DOOR
12	064467-01-000	EA	GUIDE - POCKET - SLIDING DOOR - WALL MOUNTED
13	103257-01-000	EA	STOP - DOOR
14	065740-01-000	EA	BRACE - CABINET/CORNER - PLASTIC
15	118200-01-01A	SF	MESH - PLASTIC 1/2" - 48" X LENGTH = SF - BLACK
15	118200-07-01A	SF	MESH - PLASTIC 1/2" - 10.5" X 24.7" - BLACK
15	118200-10-01A	SF	MESH - PLASTIC 1/2" - 11.4" X 13" - BLACK
16	103194-01-000	EA	STOP - BATH DOOR
17	132871-02-02B	EA	BRACKET/L-ANGLE W/HOLES - 1.9" X 2.8" - E-COATED
17	080668-07-000	EA	ANGLE-JOINT,135 DEGREES
18	083125-07-000	EA	BRACE - ANGLE/COUCH - 2.5" - OFF WHITE
19	102075-01-02A	EA	ROD - SHOWER CURTAIN - 1" OD X 33.5" - SOFT WHITE
19	102075-06-02A	EA	ROD - SHOWER CURTAIN - 1" OD X 33.5" - SOFT WHITE
19	102075-09-02A	EA	ROD - SHOWER CURTAIN - 3/4"OD X 29.5" - SOFT WHITE
19	102075-10-02A	EA	ROD - SHOWER CURTAIN - 1" OD X 46.3" - SOFT WHITE
19	102075-16-02A	EA	ROD - SHOWER CURTAIN - 3/4"OD X 34.2" - SOFT WHITE
19	102075-17-02A	EA	ROD - SHOWER CURTAIN - 1" OD X 39.3" - SOFT WHITE
19	102075-18-02A	EA	ROD - SHOWER CURTAIN - 1" OD X 38.9" - SOFT WHITE

**INTERIOR FINISH GROUP (CONTINUED)**  
**HARDWARE (CONTINUED)**



KEY	PART NUMBER	U/M	DESCRIPTION
1	113676-01-01A	EA	HINGE - OVERLAY - VARIABLE
2	113677-01-01A	EA	HINGE - SELF CLOSING
3	108138-01-000	EA	HINGE - BURNISHED BRASS
3	108138-03-000	EA	HINGE - BRIGHT BRASS
	000G13-06-08G	EA	SCREW - 6-20 X .50 PFH - ANTIQUE BRASS
4	009059-01-000	EA	HINGE - DOOR - 2" X 1.4" - BRASS
4	009059-02-000	EA	HINGE - DOOR - 2" X 2.7" - BRASS
5	134099-02-01A	EA	HINGE - PIANO - WRAP AROUND - 29.5" - BRASS PLATED
5	136652-01-01A	EA	HINGE - PIANO - BLACK
5	136652-02-01A	EA	HINGE - PIANO
6	111535-01-000	EA	HINGE - TABLE/FOLDING
7	102920-01-01A	EA	HINGE - SPRING LOADED - BRASS
8	135538-01-01A	EA	HINGE - PIANO - FULL WRAP - BRASS PLATED
8	135538-02-01A	EA	HINGE - PIANO - FULL WRAP - STOCKER BRASS
8	135538-03-01A	EA	HINGE - PIANO - FULL WRAP - STOCKER BRASS
9	100711-01-01A	EA	HINGE - GLASS DOOR
10	114443-01-01A	EA	HINGE - CABINET DOOR
11	107390-02-000	EA	CORNER HANGER (DOUBLE ROLLER W/BACKET) (SOLD AS 1 EACH)
12	107391-01-000	EA	GUIDE - BOTTOM - BY-PASS (4 USED PER DOOR)
13	101926-01-02A	EA	BRACKET - ZEE - 2" - BLACK
14	108126-01-000	EA	TRAY HINGE SET (QTY. 2 PER SET)
15	016604-01-000	EA	BRACE - ANGLE - 2 1/2" - UNPAINTED METAL
15	016604-05-000	EA	BRACE - ANGLE - 2 1/2" - OFF WHITE METAL
15	016604-07-000	EA	BRACE - ANGLE - 2 1/2" - VW GRAY
16	104181-01-01A	EA	SUPPORT - LEAF 5.3" EXTENDS TO 7.5" - SAFETY RING - METAL
17	074045-07-000	EA	PLUG - NATURAL - 3/8" DOWEL-1/2" HEAD - COLONIAL WOOD
17	074045-08-000	EA	PLUG - OAK - 3/8" DOWEL-1/2" HEAD - SALEM CHERRY
17	074045-12-000	EA	PLUG - OAK - 3/8" DOWEL-1/2" HEAD - WASHED MAPLE
17	074045-13-000	EA	PLUG - OAK - 3/8" DOWEL-1/2" HEAD - PORTSMOUTH OAK
17	042356-01-000	EA	PLUG - MAHOGANY - 3/8" DOWEL X 1/2" HEAD
18	057671-01-000	EA	COVER - SCREW - OFF WHITE - #8
18	057671-13-000	EA	COVER - SCREW - DARK GRAY - #8
18	057671-15-000	EA	COVER - SCREW - #8 - BRIGHT WHITE
18	057671-16-000	EA	COVER - SCREW - #8 - SOFT WHITE
19	041389-18-000	EA	HINGE - PIANO - 1 1/2" X 19" - OFF WHITE
19	041389-25-000	EA	HINGE - PIANO - 1 1/2" X 55" - UNPAINTED
19	041389-35-000	EA	HINGE - PIANO - 31" - OFF WHITE
19	084413-01-000	EA	HINGE - 1" X 72" - ALUMINUM - W/HOLES
19	084625-06-000	EA	HINGE - ALUMINUM - W/HOLES - 17.2" - OFF/WHITE
19	110496-01-01A	EA	HINGE - BRASS
19	114278-02-000	EA	HINGE - CONTINUOUS - 3" WIDE

## LABELS GROUP

SEWAGE

**KEY PART NUMBER U/M DESCRIPTION**  
006187-01-000 EA LABEL - SEWAGE

WASTE WATER

**KEY PART NUMBER U/M DESCRIPTION**  
006188-01-000 EA LABEL - WASTE WATER

### WARNING

THIS SYSTEM IS DESIGNED FOR USE WITH PROPANE ONLY  
DO NOT CONNECT NATURAL GAS TO THIS SYSTEM

**BEFORE TURNING ON PROPANE:**

- (A) BE CERTAIN APPLIANCES ARE CERTIFIED FOR PROPANE AND ARE EQUIPPED WITH CORRECT BURNING ORIFICES.
- (B) MAKE CERTAIN ALL PROPANE CONNECTIONS ARE TIGHT BY TESTING WITH SOAPY WATER. ALL APPLIANCE VALVES ARE TURNED OFF, AND ANY UNCONNECTED OUTLETS ARE CAPPED.

**AFTER TURNING ON PROPANE:**

- (A) LIGHT ALL PILOT LIGHTS
- (B) ALL CONNECTIONS, INCLUDING THOSE AT THE APPLIANCES, REGULATORS AND CYLINDERS SHOULD BE LEAK-TESTED PERIODICALLY WITH SOAPY WATER BY THE OCCUPANT. NEVER USE A LIGHTED MATCH OR OTHER FLAME WHEN CHECKING FOR LEAKS.
- (C) DO NOT LEAVE SYSTEM TURNED ON OF CONTAINERS CONNECTED UNTIL THE SYSTEM HAS BEEN PROVEN TO BE FREE OF LEAKS.
- (D) COOKING APPLIANCES SHOULD NOT BE USED FOR SPACE HEATING.
- (E) WHEN THE CONTAINERS ARE DISCONNECTED THE PROPANE SUPPLY LINE SHOULD BE CAPPED OR PLUGGED.

### AVERTISSEMENT

CETTE INSTALLATION EST CONÇUE POUR LE PROPANE SEULEMENT  
NE PAS L'ALIMENTER EN GAZ NATUREL

**AVANT LA MISE EN SERVICE:**

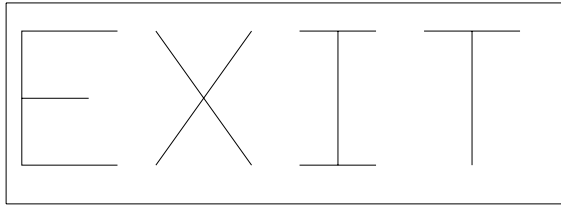
- (A) S'ASSURER QUE LES APPAREILS SONT CERTIFIÉS POUR LE PROPANE ET MUNIS D'ORIFICES DE BRÛLEUR APPROPRIÉS.
- (B) VÉRIFIER L'ÉTANCHEITÉ DE TOUS LES RACCORDEMENTS AU PROPANE. LA PERMÉABILITÉ DE TOUS LES ROBINETS D'APPAREILS ET L'OBTURATION DE TOUTES LES SORTIES NON RACCORDEES.

**APRÈS LA MISE EN SERVICE:**

- (A) ALLUMER TOUTES LES VEILLEUSES.
- (B) L'OCCUPANT DOIT ÉPROUVER PÉRIODIQUEMENT L'ÉTANCHEITÉ DE TOUS LES RACCORDEMENTS Y COMPRIS CEUX AUX APPAREILS, AUX DÉTENDEURS ET AUX BOUTEILLES, EN Y APPLIQUANT DE L'EAU SAVONNEUSE NE JAMAIS SE SERVIR D'UNE ALLUMETTE OU AUTRE POUR LA DÉTECTION DES FUITES.
- (C) NE PAS LAISSER L'ALIMENTATION OUVERTE NI LES RÉCIPIENTS RACCORDES AVANT D'AVOIR COMPLÉTÉ L'ÉPREUVE D'ÉTANCHEITÉ AU PROPANE DE L'INSTALLATION.
- (D) LES APPAREILS DE CUISSON NE DOIVENT PAS ÊTRE UTILISÉS POUR LE CHAUFFAGE DES LOCAUX.
- (E) LORSQUE LES RÉCIPIENTS SONT DÉCONNECTÉS, L'ALIMENTATION DE PROPANE DOIT ÊTRE OBTURÉE OU SCELLÉE.

**KEY PART NUMBER U/M DESCRIPTION**  
023769-01-000 EA LABEL - WARNING - LPG - CANADIAN

## LABELS GROUP (CONTINUED)



**KEY PART NUMBER U/M DESCRIPTION**  
039290-01-000 EA LABEL - WARNING - EXIT

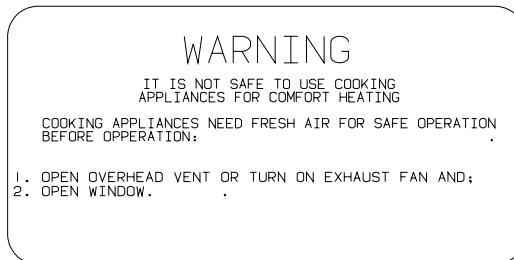


**KEY PART NUMBER U/M DESCRIPTION**  
040944-01-000 EA LABEL - ENTRANCE DOOR - iOPENi

"TO ENSURE A SUPPLY OF FRESH AIR TO OCCUPANTS, OPEN VENTILATORS WHEN FUEL BURNING RANGE, FUEL BURNING CARRY-ON APPLIANCES AND/OR FUEL-BURNING LIGHTS ARE IN OPERATION."  
"COOKING APPLIANCES SHOULD NOT BE USED FOR SPACE HEATING PURPOSES"

DE MANIERE A ASSURE UNE ALIMENTATION EN AIR FRAIS AUX OCCUPANTS, OUVRIR LES VENTILATEURS LORSQUE LA CUISINIÈRE, LES APPAREILS DE CHAUFFAGE PORTABLES ET/OU LES LAMPES DE COMBUSTION D'HUILE SONT EN FONCTIONNEMENT.  
LES APPAREILS DE CUSSON NE DOIVENT PAS SERVIR AU CHAUFFAGES DES LOCAUX.

**KEY PART NUMBER U/M DESCRIPTION**  
050222-01-000 EA LABEL - STOVE VENT - CANADIAN  
134540-01-01A EA LABEL - WARNING - STOVE/HEATING - CSA - BLACK ON CLEAR



**KEY PART NUMBER U/M DESCRIPTION**  
050225-01-000 EA LABEL - WARNING - STOVE VENT - US  
134539-01-01A EA LABEL - WARNING - STOVE/HEATING - US - BLACK ON CLEAR

## LABELS GROUP (CONTINUED)

### CAUTION

THIS MOTOR HOME HAS BEEN DESIGNED, MANUFACTURED AND TESTED WITH CONCERN FOR THE PROTECTION OF IT'S OCCUPANTS. WE RECOMMEND YOU PERFORM THE FOLLOWING INSPECTIONS FOR YOUR SAFETY AND THE SAFETY OF YOUR PASSENGERS BEFORE STARTING YOUR VEHICLE.

1. LP GAS SYSTEM- TURN OFF AT TANK FOR TRAVELING. TEST FOR LEAKS UPON ARRIVAL AT DESTINATION. BEFORE LIGHTING PILOTS.
2. WHEELS- INSPECT FOR DAMAGE AND CHECK LUG NUTS FOR TIGHTNESS.
3. TIRES- INSPECT FOR WEAR AND DAMAGE AND CHECK FOR RECOMMENDED AIR PRESSURE.
4. LIGHTING- TEST FOR PROPER OPERATION OF ALL INTERIOR AND EXTERIOR LIGHTS INCLUDING DASH LIGHTS, HEADLIGHTS, TAIL LIGHTS, BRAKE LIGHTS, CLEARANCE LIGHTS AND TURN SIGNALS.
5. EXITS- INSPECT RELEASE MECHANISM ON EMERGENCY EXIT WINDOW. TEST BOTH LOCKS ON MAIN ENTRANCE DOOR FOR EASE OF OPERATION AND INSTRUCT PASSENGERS HOW TO USE BOTH MEANS OF EXIT.
6. SEAT BELTS- DIRECT PASSENGERS TO DESIGNATED SEATS AND REQUIRE USE OF SEAT BELTS.
7. APPLIANCES- TURN OFF AND LATCH OR LOCK DOORS WHERE PROVIDED.
8. LOOSE PARCELS- STORE SECURELY.
9. UTILITY SUPPLY LINES- DISCONNECT ALL ELECTRIC, SEWER AND WATER LINES AND SECURE PROPERLY.
10. ENTRANCE DOOR STEP- PLACE IN RETRACTED POSITION FOR TRAVELING.

READ YOUR MOTOR HOME AND CHASSIS OWNER'S  
MANUAL FOR FURTHER PRECAUTIONS

KEY	PART NUMBER	U/M DESCRIPTION
	056259-01-000	EA LABEL - SAFETY CHECK LIST

UNLEADED FUEL ONLY

KEY	PART NUMBER	U/M DESCRIPTION
	062043-01-000	EA LABEL - FUEL - UNLEADED

**WARNING** DISCONNECT BATTERIES BEFORE  
CONNECTING EXTERNAL CHARGING EQUIPMENT.

KEY	PART NUMBER	U/M DESCRIPTION
	065748-01-000	EA LABEL - CAUTION - BATTERY CHARGING

AVERTISSEMENT : DEBRANCHER LES BATTERIES AVANT  
DE BRANCHER TOUT EQUIPEMENT DE CHARGE EXTERIEUR.

KEY	PART NUMBER	U/M DESCRIPTION
	065748-02-000	EA LABEL - WARNING - BATTERY/FRENCH - CANADIAN

## LABELS GROUP (CONTINUED)

DIESEL FUEL ONLY

**KEY PART NUMBER U/M DESCRIPTION**  
068383-01-000 EA LABEL - DIESEL FUEL

VEHICLE EMISSION CONTROL INFORMATION

THIS VEHICLE CONFORMS TO U.S. EPA REGULATIONS APPLICABLE TO XXXX MODEL YEAR NEW VEHICLES.

072887-01-000-2 CATALYST

**KEY PART NUMBER U/M DESCRIPTION**  
072887-11-000 EA LABEL - EPA - 2000 MODEL YEAR

### IF YOU SMELL GAS

1. EXTINGUISH ANY OPEN FLAME, PILOT LIGHTS AND ALL SMOKING MATERIALS.
2. DO NOT TOUCH ELECTRICAL SWITCHES.
3. SHUT OFF THE GAS SUPPLY AT THE TANK VALVE(S) OR GAS SUPPLY CONNECTION.
4. OPEN DOORS AND OTHER VENTILATING OPENINGS.
5. LEAVE THE AREA UNTIL ODDR CLEARS.
6. HAVE THE GAS SYSTEM CHECKED AND LEAKAGE SOURCE CORRECTED BEFORE USING AGAIN.

**KEY PART NUMBER U/M DESCRIPTION**  
073998-01-000 EA LABEL - LPG ODOR WARNING

WARNING: TEST SMOKE DETECTOR OPERATION AFTER VEHICLE HAS BEEN IN STORAGE, BEFORE EACH TRIP AND AT LEAST ONCE PER WEEK DURING USE.

**KEY PART NUMBER U/M DESCRIPTION**  
077956-01-000 EA LABEL - WARNING - SMOKE DETECTOR

DO NOT FILL LP-GAS CONTAINER(S) TO MORE THAN 80% OF CAPACITY.

**KEY PART NUMBER U/M DESCRIPTION**  
079965-01-000 EA LABEL - LPG - 80% CAPACITY

### WARNING

MUST BE STOWED IN LATCHED POSITION WHILE VEHICLE IS IN MOTION

**KEY PART NUMBER U/M DESCRIPTION**  
079966-01-000 EA LABEL - WARNING - STOWED - MOTION



## LABELS GROUP (CONTINUED)



**KEY PART NUMBER U/M DESCRIPTION**  
 083588-01-000 EA LABEL - ON/OFF - WATER HEATER



**KEY PART NUMBER U/M DESCRIPTION**  
 083588-02-000 EA LABEL - ON/OFF - ENGINE HEATER

<b>CAUTION</b>	TO HELP AVOID PERSONAL INJURY DURING REMOVAL OF FUEL FILLER CAP, SLOWLY LOOSEN CAP 1/2 TURN TO ALLOW ANY FUEL PRESSURE TO BE RELIEVED BEFORE TURNING CAP FURTHER.
FUEL SPRAY MAY CAUSE PERSONAL INJURY	STOP ADDING FUEL AFTER FIRST SHUTOFF BY AUTOMATIC NOZZLE WHEN TANK IS NEARLY FULL. DO NOT OVERFILL FUEL TANK. SEE OWNERS MANUAL FOR ADDITIONAL INFORMATION. PRINTED IN U.S.A. <span style="float: right;">WLC PT NO 15611763</span>

**KEY PART NUMBER U/M DESCRIPTION**  
 087207-05-000 EA LABEL - FUEL CAP REMOVAL



**KEY PART NUMBER U/M DESCRIPTION**  
 087236-01-000 EA LABEL - CABLE - INPUT

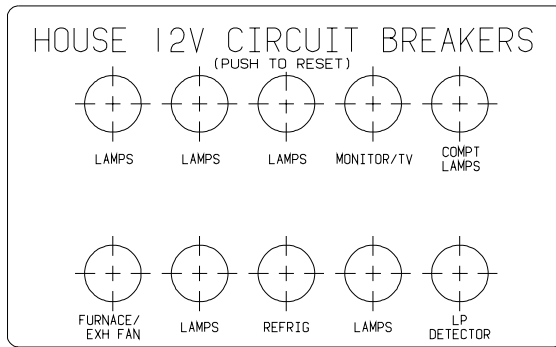


**KEY PART NUMBER U/M DESCRIPTION**  
 087236-02-000 EA LABEL - TV OUTLET

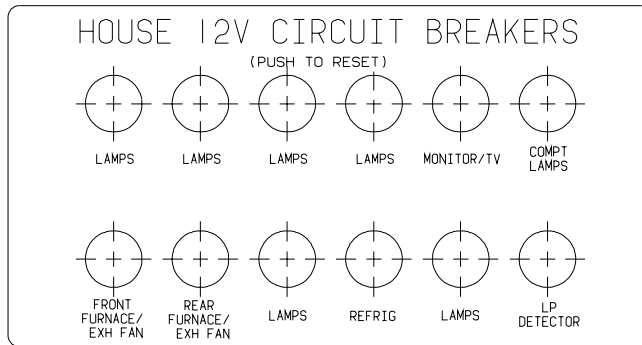
AIR CONDITIONING CIRCUIT.  
 THIS CONNECTION IS FOR  
 AIR CONDITIONERS RATED 110-  
 125 VOLT AC, 60 HZ, 16  
 AMPERES MAXIMUM. DO NOT  
 EXCEED CIRCUIT RATING.

**KEY PART NUMBER U/M DESCRIPTION**  
 091243-01-000 EA LABEL - A/C COVER (AIR CONDITIONING CIRCUIT ETC.)

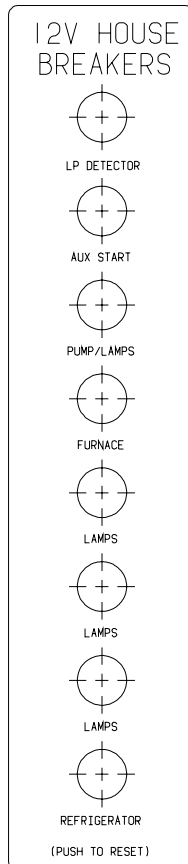
## LABELS GROUP (CONTINUED)



KEY	PART NUMBER	U/M DESCRIPTION
	092547-06-000	EA LABEL - CIRCUIT BREAKER

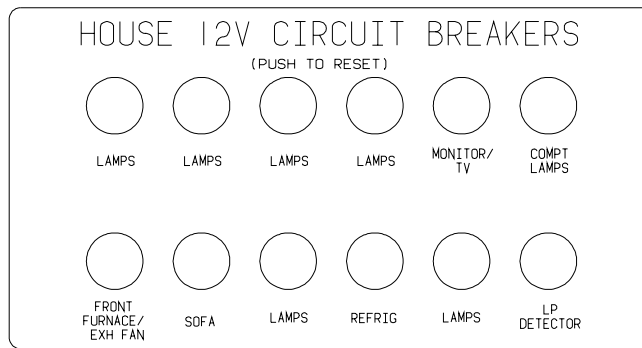


KEY	PART NUMBER	U/M DESCRIPTION
	092547-07-000	EA LABEL - CIRCUIT BREAKER

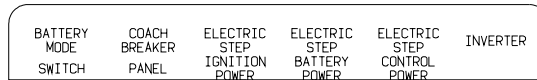


KEY	PART NUMBER	U/M DESCRIPTION
	092547-08-000	EA LABEL - CIRCUIT BREAKER

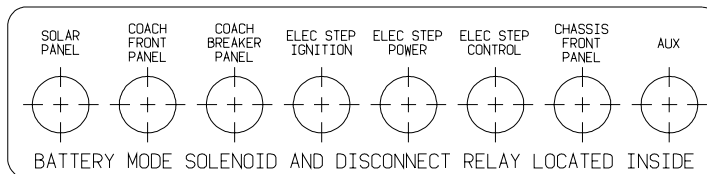
## LABELS GROUP (CONTINUED)



**KEY PART NUMBER U/M DESCRIPTION**  
 092547-10-000 EA LABEL - CIRCUIT BREAKER



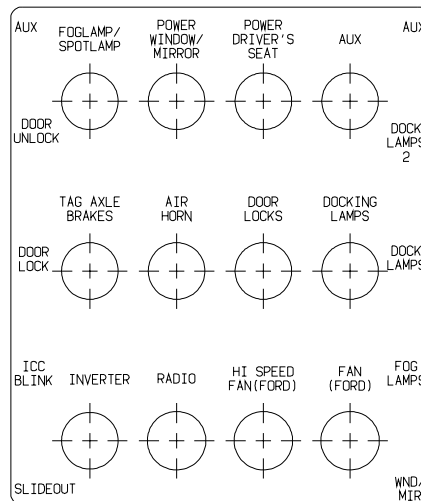
**KEY PART NUMBER U/M DESCRIPTION**  
 093236-08-000 EA LABEL - CIRCUIT BREAKER



**KEY PART NUMBER U/M DESCRIPTION**  
 093236-13-000 EA LABEL - CIRCUIT BREAKER



**KEY PART NUMBER U/M DESCRIPTION**  
 093236-15-000 EA LABEL - CIRCUIT BREAKER

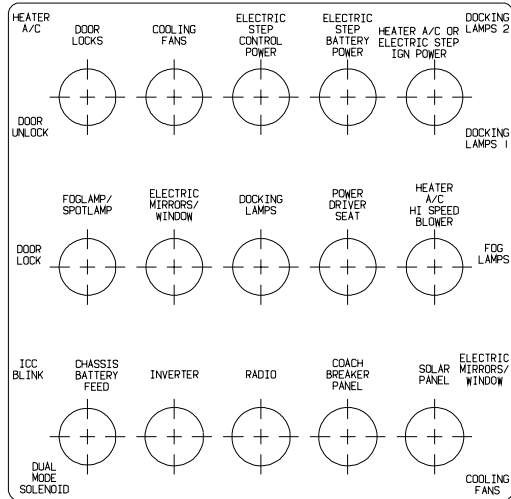


**KEY PART NUMBER U/M DESCRIPTION**  
 093236-16-000 EA LABEL - CIRCUIT BREAKER

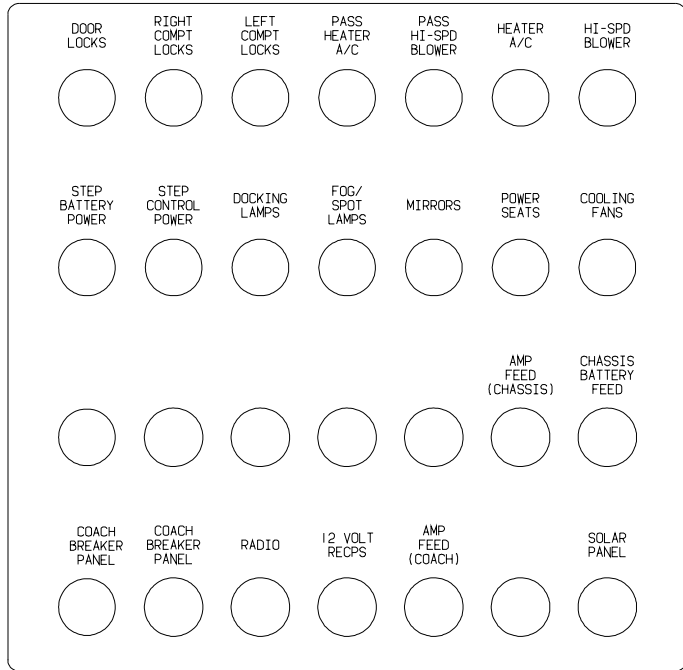
## LABELS GROUP (CONTINUED)

BATTERY MODE SWITCH	COACH BREAKER PANEL	ELECTRIC STEP IGNITION POWER	ELECTRIC STEP BATTERY POWER	ELECTRIC STEP CONTROL POWER	INVERTER	SLIDEOUT POWER
---------------------	---------------------	------------------------------	-----------------------------	-----------------------------	----------	----------------

**KEY PART NUMBER U/M DESCRIPTION**  
 093236-18-000 EA LABEL - CIRCUIT BREAKER



**KEY PART NUMBER U/M DESCRIPTION**  
 093236-19-000 EA LABEL - CIRCUIT BREAKER



**KEY PART NUMBER U/M DESCRIPTION**  
 093236-20-000 EA LABEL - CIRCUIT BREAKER

SLIDEOUT CONTROL	BATTERY MODE SWITCH	COACH BREAKER PANEL	ELECTRIC STEP IGNITION POWER	ELECTRIC STEP BATTERY POWER	ELECTRIC STEP CONTROL POWER	INVERTER
------------------	---------------------	---------------------	------------------------------	-----------------------------	-----------------------------	----------

**KEY PART NUMBER U/M DESCRIPTION**  
 093236-21-000 EA LABEL - CIRCUIT BREAKER

## LABELS GROUP (CONTINUED)

SUB - MAIN	DISHWASHER	RECPs 1	RECPs 2	RECPs 3	MICROWAVE
------------	------------	---------	---------	---------	-----------

**KEY PART NUMBER U/M DESCRIPTION**  
 095721-20-000 EA LABEL - CONTROL CENTER W/INVERTER

A / C CIRCUIT 1	MAIN	MAIN	A / C CIRCUIT 2	I N V E R T E R / C H A R G E R	R E F F R I G / V A C C U U M	W A S H E R / D R Y E R	W A T E R  H E A T E R	
-----------------------	------	------	-----------------------	--	---	--	---	--

**KEY PART NUMBER U/M DESCRIPTION**  
 095721-22-000 EA LABEL - CONTROL CENTER - 50AMP

A / C CIRCUIT 1	MAIN		R E F F R I G / C O N V	M I C R O W A V E		R E C P S  1	R E C P S  2	
-----------------------	------	--	--	---	--	--------------------------------	--------------------------------	--

**KEY PART NUMBER U/M DESCRIPTION**  
 095721-25-000 EA LABEL - CONTROL CENTER - 30 AMP

A / C CIRCUIT 1	MAIN	MAIN	A / C CIRCUIT 2	R E F F R I G / C O N V	M I C R O W A V E	R E C P S  1	R E C P S  2	R E C P S  3	W A S H E R / D R Y E R	
-----------------------	------	------	-----------------------	--	---	--------------------------------	--------------------------------	--------------------------------	--	--

**KEY PART NUMBER U/M DESCRIPTION**  
 095721-26-000 EA LABEL - CONTROL CENTER - 30 AMP - CANADIAN

A / C CIRCUIT 1	MAIN	A / C CIRCUIT 2	R E F F R I G / C O N V	M I C R O W A V E	R E C P S  1	R E C P S  2	R E C P S  3		
-----------------------	------	-----------------------	--	---	--------------------------------	--------------------------------	--------------------------------	--	--

**KEY PART NUMBER U/M DESCRIPTION**  
 095721-27-000 EA LABEL - CONTROL CENTER - 30 AM

## LABELS GROUP (CONTINUED)

A / C C I R C U I T 1	M A I N	A / C C I R C U I T 2	R E F F R I G / C O N V	M I C R O W A V E	R E C P S 1	R E C P S 2	R E C P S 3	W A S H E R / D R Y E R	W A T E R H E A T E R	
-----------------------------	---------	-----------------------------	-------------------------	-------------------	----------------	----------------	----------------	-------------------------	--------------------------	--

**KEY PART NUMBER U/M DESCRIPTION**  
 095721-31-000 EA LABEL - CONTROL CENTER - 30 AMP - US

A / C C I R C U I T 1	M A I N	A / C C I R C U I T 2	I N V E R T E R / C H A R G E R	R E F F R I G E R A T O R	W A S H E R / D R Y E R	W A T E R H E A T E R	
-----------------------------	---------	-----------------------------	------------------------------------	---------------------------	-------------------------	--------------------------	--

**KEY PART NUMBER U/M DESCRIPTION**  
 095721-32-000 EA LABEL - CONTROL CENTER - 30 AMP W/INVERTER

A / C C I R C U I T 1	M A I N	M A I N	A / C C I R C U I T 2	R E F F R I G / C O N V	M I C R O W A V E	R E C P S 1	R E C P S 2	R E C P S 3	W A S H E R / D R Y E R	W A T E R H E A T E R
-----------------------------	---------	---------	-----------------------------	-------------------------	-------------------	----------------	----------------	----------------	-------------------------	--------------------------

**KEY PART NUMBER U/M DESCRIPTION**  
 095721-33-000 EA LABEL - CONTROL CENTER - 50 AMP - US

A / C C I R C U I T 1	M A I N	M A I N	A / C C I R C U I T 2	I N V E R T E R /	C H A R G E R	R E F F R I G E R A T O R	W A S H E R / D R Y E R	W A T E R H E A T E R	
-----------------------------	---------	---------	-----------------------------	-------------------	---------------	---------------------------	-------------------------	--------------------------	--

**KEY PART NUMBER U/M DESCRIPTION**  
 095721-34-000 EA LABEL - CONTROL CENTER - 50 AMP

M A I N	M I C R O W A V E	G F I / R E C P S	R E F F R / C O N V	W A T E R H T R	A / C
---------	-------------------	-------------------	---------------------	--------------------	-------

**KEY PART NUMBER U/M DESCRIPTION**  
 095721-38-000 EA LABEL - CONTROL CENTER - 30 AMP - US

## LABELS GROUP (CONTINUED)

AUTOMOTIVE AND COACH  
CIRCUIT BREAKERS

KEY	PART NUMBER	U/M DESCRIPTION
	098379-01-000	EA LABEL - CIRCUIT BREAKER - FRONT BOX

CIRCUIT BREAKERS  
AND AUTOMOTIVE  
FUSE PANEL

KEY	PART NUMBER	U/M DESCRIPTION
	098379-03-000	EA LABEL - ELECTRICAL BOX - FRONT

BATTERY MODE  
SOLENOID AND  
RELAYS

KEY	PART NUMBER	U/M DESCRIPTION
	098379-04-000	EA LABEL - ELECTRICAL BOX - SIDE

UNLEADED  
FUEL ONLY

KEY	PART NUMBER	U/M DESCRIPTION
	098641-01-000	EA LABEL - FUEL - UNLEADED - DASH

FOR AWNING INSTALLATION  
CONTACT YOUR MOTORHOME  
DEALERSHIP

KEY	PART NUMBER	U/M DESCRIPTION
	099509-01-000	EA LABEL - AWNING INSTALLATION

WARNING  
THIS VEHICLE, LIKE OTHER  
VEHICLES, MAY CONTAIN SMALL  
AMOUNTS OF ONE OR MORE  
SUBSTANCES WHICH ARE LISTED  
BY THE STATE OF CALIFORNIA  
FOR CAUSING CANCER OR  
REPRODUCTIVE TOXICITY.

KEY	PART NUMBER	U/M DESCRIPTION
	099689-01-000	EA LABEL - WARNING - CANCER/TOXICITY

## LABELS GROUP (CONTINUED)

THIS CHAIR IS NOT INTENDED  
FOR OCCUPANCY WHEN VEHICLE  
IS IN MOTION AND MUST BE  
RETURNED TO STOWED POSITION

**KEY PART NUMBER U/M DESCRIPTION**  
102267-01-000 EA LABEL - NO OCCUPANCY - US

DTS ISICE SIEGE N/EST PAS  
DESTINE A ETRE OCCUPE LORSQUE  
LE VEHICULE EST EN MOUVEMENT  
ET IL FAUT QUE LE RANGER

THIS CHAIR IS NOT INTENDED  
FOR OCCUPANCY WHEN VEHICLE  
IS IN MOTION AND MUST BE  
RETURNED TO STOWED POSITION

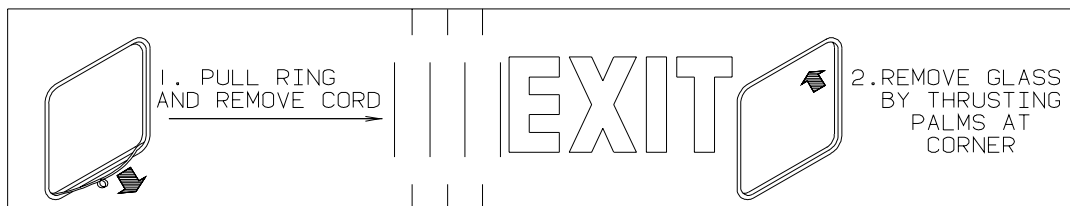
**KEY PART NUMBER U/M DESCRIPTION**  
102267-02-000 EA LABEL - NO OCCUPANCY - CSA

NOTE: TUNE ANTENNA  
PER MANUFACTURER'S  
DIRECTIONS. FAILURE TO  
COMPLY COULD RESULT IN  
DAMAGE TO CB.

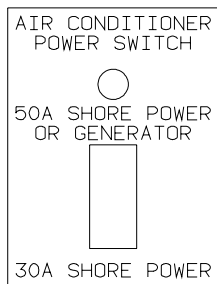
CB POWER PROVISION

RED +12 V  
BLACK GROUND  
COAX ANTENNA  
(SEE REVERSE ALSO)

**KEY PART NUMBER U/M DESCRIPTION**  
104678-01-000 EA LABEL - CB PREP



**KEY PART NUMBER U/M DESCRIPTION**  
107571-01-000 EA LABEL - EXIT/ESCAPE WINDOW



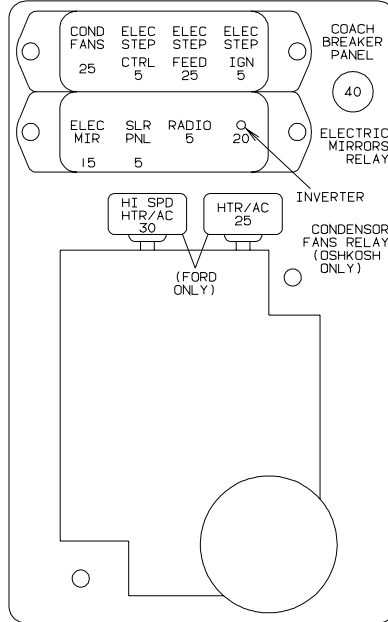
**KEY PART NUMBER U/M DESCRIPTION**  
109051-02-000 EA LABEL - SWITCH - 50 AMP POWER



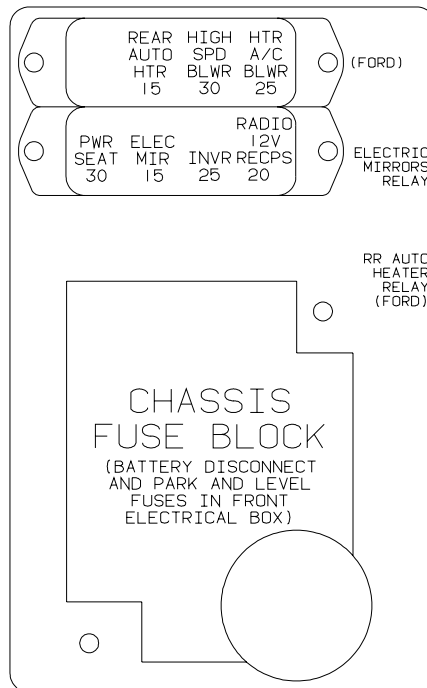
## LABELS GROUP (CONTINUED)

DO NOT USE HITCH BEFORE  
READING OWNERS MANUAL REGARDING  
VEHICLE LOADING AND TOWING

KEY	PART NUMBER	U/M DESCRIPTION
	111104-01-000	EA LABEL - HITCH - READ MANUAL - WHITE
	111104-02-000	EA LABEL - HITCH - READ MANUAL - BLACK



KEY	PART NUMBER	U/M DESCRIPTION
	111537-07-000	EA LABEL - FUSES

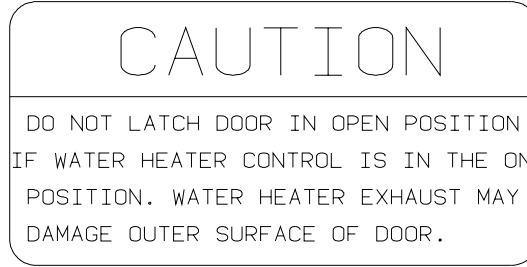


KEY	PART NUMBER	U/M DESCRIPTION
	111537-08-000	EA LABEL - FUSES

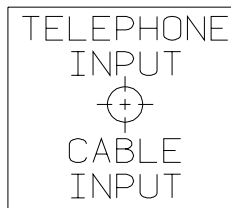
## LABELS GROUP (CONTINUED)

WARNING: CONTAINS "CFC" A SUBSTANCE WHICH HARMS PUBLIC HEALTH AND ENVIRONMENT BY DESTROYING OZONE IN THE UPPER ATMOSPHERE.

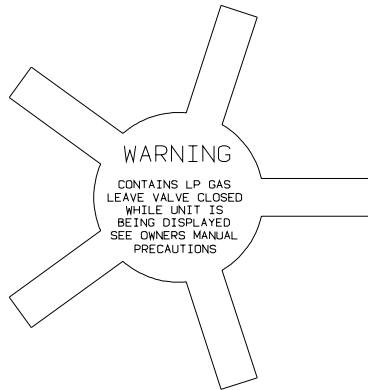
**KEY PART NUMBER U/M DESCRIPTION**  
111802-01-000 EA LABEL - CFC WARNING



**KEY PART NUMBER U/M DESCRIPTION**  
113402-01-000 EA LABEL - CAUTION - WATER HEATER EXHAUST



**KEY PART NUMBER U/M DESCRIPTION**  
114866-02-000 EA LABEL - PHONE & CABLE INPUT - WHITE/CLEAR BACKGROUND  
114866-03-000 EA LABEL - PHONE & CABLE INPUT - BLACK/CLEAR BACKGROUND

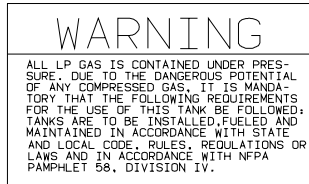


**KEY PART NUMBER U/M DESCRIPTION**  
115600-01-000 EA LABEL - WARNING LPG VALVE

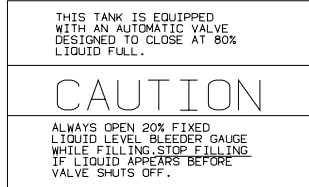
WARNING: REPLACE TIRE ONLY WITH ONE OF EXACTLY SAME TYPE AND RATING. DO NOT REPLACE WITH PASSENGER CAR TIRE. SEE OPERATOR'S MANUAL FOR MORE INFORMATION CALL WINNEBAGO OWNER RELATIONS AT 1-800-537-1885.

**KEY PART NUMBER U/M DESCRIPTION**  
115869-01-000 EA LABEL - WARNING - TIRE

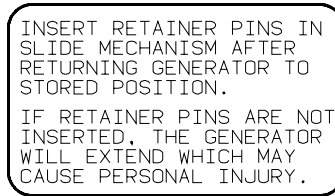
## LABELS GROUP (CONTINUED)



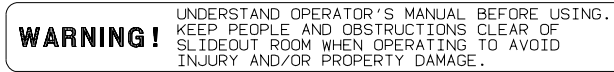
**KEY PART NUMBER U/M DESCRIPTION**  
 116112-01-000 EA LABEL - WARNING - LP



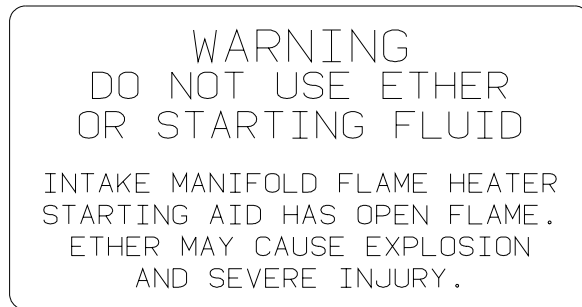
**KEY PART NUMBER U/M DESCRIPTION**  
 116113-01-000 EA LABEL - CAUTION - LP



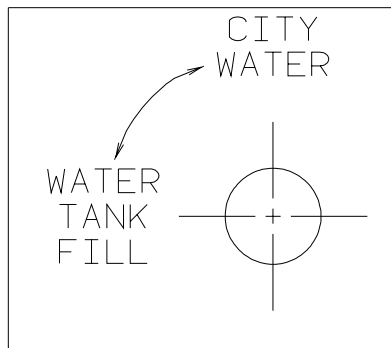
**KEY PART NUMBER U/M DESCRIPTION**  
 116273-01-000 EA LABEL - WARNING - GENERATOR



**KEY PART NUMBER U/M DESCRIPTION**  
 1 116549-01-000 EA LABEL - WARNING - SLIDEOUT

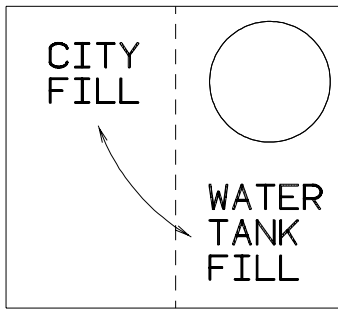


**KEY PART NUMBER U/M DESCRIPTION**  
 116756-01-000 EA LABEL - WARNING ETHER/STARTING

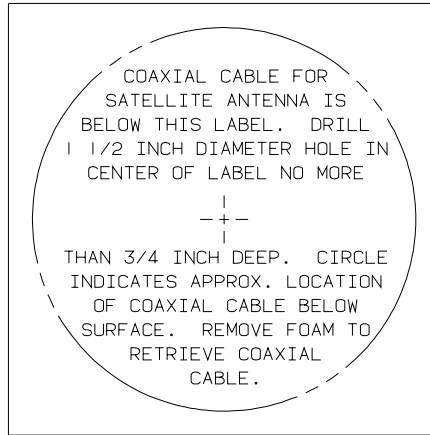


**KEY PART NUMBER U/M DESCRIPTION**  
 117629-03-000 EA LABEL - WATER PUMP/FILL-BLK LETTERS/CLEAR BACKGROUND-.31"

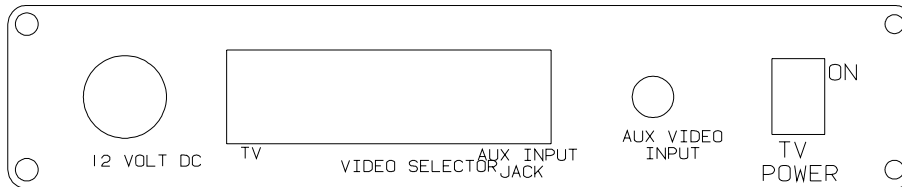
## LABELS GROUP (CONTINUED)



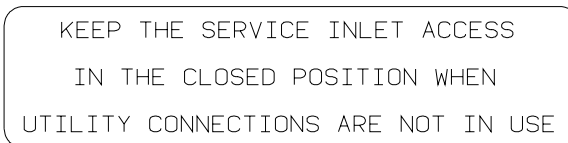
**KEY PART NUMBER** 117629-04-000 **U/M DESCRIPTION**  
EA LABEL - CITY WATER/TANK FILL



**KEY PART NUMBER** 120431-01-000 **U/M DESCRIPTION**  
EA LABEL - LOCATION - COAXIAL CABLE/SATELLITE ANTENNA



**KEY PART NUMBER** 120677-01-000 **U/M DESCRIPTION**  
EA LABEL - TV



**KEY PART NUMBER** 123562-01-000 **U/M DESCRIPTION**  
EA LABEL - SERVICE/UTILITY ACCESS

## LABELS GROUP (CONTINUED)

WARNING

ALL PILOT LIGHTS, APPLIANCES AND THIER  
IGNITORS (SEE OPERATING INSTRUCTIONS) SHALL  
BE TURNED OFF DURING REFUELING OF MOTOR  
FUEL TANKS AND/OR LP GAS CONTAINERS

KEY	PART NUMBER	U/M	DESCRIPTION
	124519-01-01A	EA	LABEL - WARNING/REFUELING - BLACK ON CLEAR
	124519-01-02A	EA	LABEL - WARNING/REFUELING - WHITE ON CLEAR

WARNING :

ALL PILOT LIGHTS AND APPLIANCES SHALL BE TURNED  
OFF DURING REFUELING OF MOTOR FUEL TANKS AND/  
OR PROPANE CONTAINERS.

AVERTISSEMENT :

FERMER TOUTES LES VEILLEUSES AINSI QUE TOUTS LES  
APPAREILS LORSQU'ON FAIT LE PLEIN DES RESERVOIRS  
À CARBURANT OU À PROPANE.

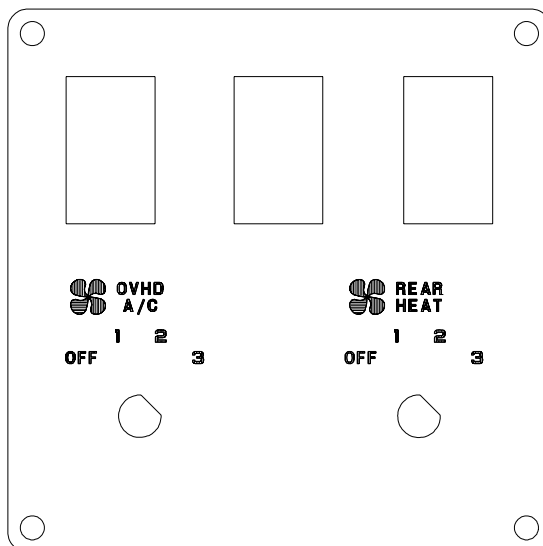
124519-02

KEY	PART NUMBER	U/M	DESCRIPTION
	124519-02-01A	EA	LABEL - WARNING/REFUELING - BLACK ON CLEAR - CSA
	124519-02-02A	EA	LABEL - WARNING/REFUELING - WHITE ON CLEAR - CSA

LP-GAS SYSTEM  
THIS GAS PIPING SYSTEM IS  
DESIGNED FOR USE OF  
LIQUIFIED PETROLEUM GAS  
ONLY. DO NOT CONNECT  
NATURAL GAS TO THIS  
SYSTEM.  
SECURE CAP INLET(S) WHEN NOT  
CONNECTED FOR USE. AFTER TURNING  
ON GAS, EXCEPT AFTER NORMAL  
CONTAINER REPLACEMENT, TEST GAS  
PIPING AND CONNECTIONS TO  
APPLIANCES FOR LEAKAGE WITH SOAPY  
WATER OR BUBBLE SOLUTION. DO NOT  
USE PRODUCTS THAT CONTAIN AMMONIA  
OR CLORINE.

124520

KEY	PART NUMBER	U/M	DESCRIPTION
	124520-01-01A	EA	LABEL - LP GAS ONLY - BLACK ON CLEAR
	124520-01-02A	EA	LABEL - LP GAS ONLY - WHITE ON CLEAR



KEY	PART NUMBER	U/M	DESCRIPTION
	124572-01-000	EA	LABEL - SWITCHES

## LABELS GROUP (CONTINUED)

THIS CONNECTION IS FOR  
(B) VOLT AC,60 HZ(CYCLES)  
(A) AMPERE SUPPLY

DO NOT CONNECT TO  
HIGHER VOLTAGE

KEY	PART NUMBER	U/M	DESCRIPTION
	125306-01-01A	EA	LABEL - ELECTRICAL ENTRANCE - 110V 30AMP - BLACK ON CLEAR
	125306-03-01A	EA	LABEL - ELECTRICAL ENTRANCE - 100 V 30 AMP-BLACK ON CLEAR
	125306-01-02A	EA	LABEL - ELECTRICAL ENTRANCE - 110 V 30 AMP - WHITE ON CLEAR

THIS CONNECTION IS FOR  
(B) VOLT AC,3-POLE,4 WIRE  
60 HZ(CYCLES),(A) AMPERE SUPPLY

DO NOT CONNECT TO  
HIGHER VOLTAGE

KEY	PART NUMBER	U/M	DESCRIPTION
	125306-04-01A	EA	LABEL-ELECTRICAL ENTRANCE-120/240V 50 AMP-BLACK ON CLEAR
	125306-04-02A	EA	LABEL - ELECTRICAL ENTRANCE-120/240V 50 AMP-WHITE ON CLEAR

REMOVE PRIMARY TIRE HANGER BEFORE USING  
SPARE TIRE HOIST-SEE OWNERS MANUAL - PERSONAL  
INJURY MAY RESULT IF NOT FOLLOWED

KEY	PART NUMBER	U/M	DESCRIPTION
	126024-01-01A	EA	LABEL - TIRE HANGER REMOVAL

# GRAY HOLDING TANK

KEY	PART NUMBER	U/M	DESCRIPTION
	126247-01-000	EA	LABEL - GRAY HOLDING TANK-WHITE LETTERS/CLEAR BACKGROUND
	126247-05-000	EA	LABEL - GRAY HOLDING TANK-BLACK LETTERS/CLEAR BACKGROUND

# BLACK HOLDING TANK

KEY	PART NUMBER	U/M	DESCRIPTION
	126247-02-000	EA	LABEL - BLACK HOLDING TANK-WHITE LETTERS/BLACK BACKGROUND
	126247-06-000	EA	LABEL - BLACK HOLDING TANK-BLACK LETTERS/CLEAR BACKGROUND

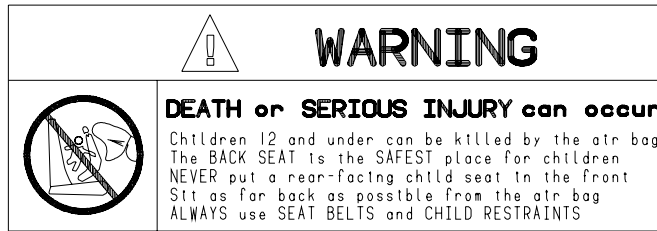
**LABELS GROUP (CONTINUED)**

EXTERIOR SHOWER

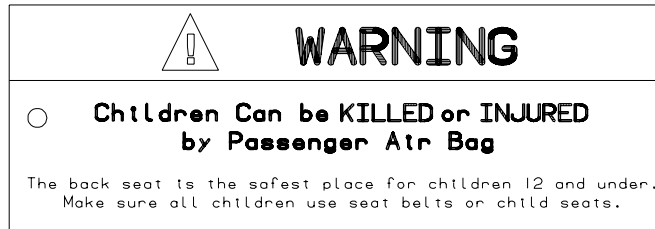
**KEY PART NUMBER U/M DESCRIPTION**  
126248-03-000 EA LABEL - EXTERIOR SHOWER

CITY WATER FILL

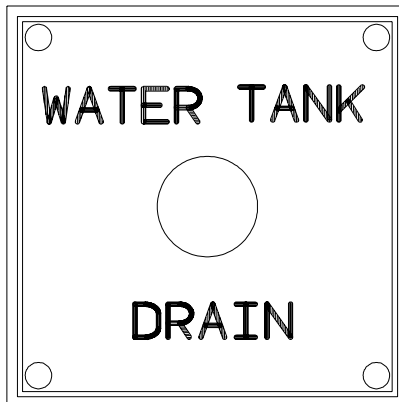
**KEY PART NUMBER U/M DESCRIPTION**  
126249-03-000 EA LABEL - CITY WATER FILL-BLK LETTER/CLEAR BACKGROUND-.31"H



**KEY PART NUMBER U/M DESCRIPTION**  
126611-01-000 EA LABEL - AIR BAG - VISOR



**KEY PART NUMBER U/M DESCRIPTION**  
126612-01-000 EA LABEL - HANG TAG - AIR BAG - DASH



**KEY PART NUMBER U/M DESCRIPTION**  
127170-01-000 EA LABEL - WATER TANK DRAIN

**LABELS GROUP (CONTINUED)**

**WARNING**  
 ROOF SURFACE MAY BE SLIPPERY  
 ESPECIALLY WHERE MOISTURE IS PRESENT  
 SLIPPING MAY RESULT IN PERSONAL INJURY.

128218-01

**KEY PART NUMBER** 128218-01-01A  
**U/M DESCRIPTION** EA LABEL - WARNING - SLIPPERY ROOF

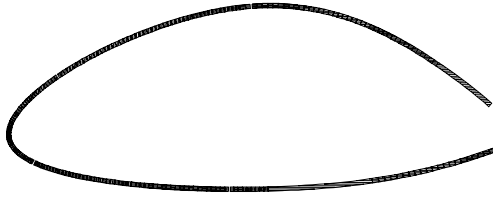
ENTRANCE DOOR PROP ROD  
 THIS ROD IS DESIGNED TO PROP THE  
 ENTRANCE DOOR OPEN WHEN THE PATIO  
 AWNING ARM IS ATTACHED TO THE  
 SIDEWALL AND THE AWNING IS EX-  
 TENDED.  
 HOOK ONE END OF ROD INTO LOOP ON  
 DOOR AND OTHER END INTO LOOP ON THE  
 SIDEWALL AS SHOWN.

(THIS LABEL TO BE REMOVED BY RETAIL OWNER ONLY)

**KEY PART NUMBER** 128658-01-000  
**U/M DESCRIPTION** EA LABEL - PROP ROD - ENTRY DOOR

**WARNING**  
 POTABLE WATER ONLY  
 SANITIZE, FLUSH, AND  
 DRAIN BEFORE USING.  
 SEE INSTRUCTION MANUAL

**KEY PART NUMBER** 128725-01-01A  
**U/M DESCRIPTION** EA LABEL - POTABLE WATER ONLY



**ATTENTION**  
 REMEMBER TO DETACH THE OTHER  
 TRAVEL LATCH LOCATED IN  
 GALLEY CABINET BEFORE EXTENDING  
 THIS ROOM.

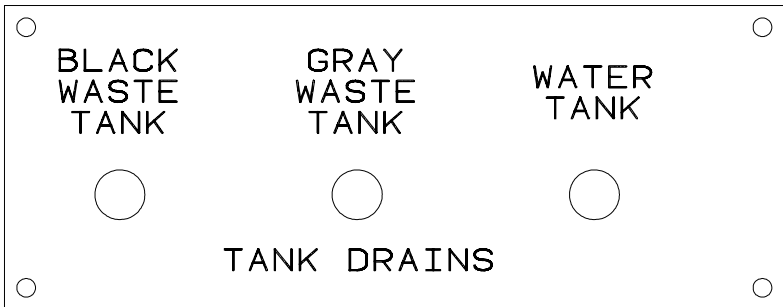
**KEY PART NUMBER** 129033-01-000  
**U/M DESCRIPTION** EA LABEL - HANG TAG - TRAVEL LATCH - 1.5î X3î

TOW VEHICLE RATING MAY BE LESS THAN HITCH RATING.  
 MAXIMUM VERTICAL HITCH LOAD: 350 LBS  
 DO NOT EXCEED REAR AXLE RATING.  
 SEE OWNER'S MANUAL FOR ADDITIONAL INFORMATION.

**KEY PART NUMBER** 129669-01-01A  
 129669-02-01A  
 129669-02-02A  
**U/M DESCRIPTION** EA LABEL - HITCH/VEHICLE RATE - 350 - WHITE ON CLEAR  
 EA LABEL - HITCH/VEHICLE RATE - 500 - WHITE ON CLEAR  
 EA LABEL - HITCH/VEHICLE RATE - 500 - BLACK ON CLEAR

BLACK WASTE TANK      GRAY WASTE TANK      WATER TANK

TANK DRAINS



**KEY PART NUMBER** 130166-01-000  
**U/M DESCRIPTION** EA LABEL - DRAIN



**LABELS GROUP (CONTINUED)**

H  
O  
S  
E  
  
S  
T  
O  
R  
A  
G  
E

**KEY PART NUMBER U/M DESCRIPTION**  
130167-02-000 EA LABEL - HOSE STORAGE

WASTE TANK FLUSH

**KEY PART NUMBER U/M DESCRIPTION**  
130168-01-000 EA LABEL - WASTE TANK FLUSH

MONITOR WATER  
PANEL LIGHT PUMP

**KEY PART NUMBER U/M DESCRIPTION**  
130170-01-000 EA LABEL - SWITCH PANEL - BLK/CLEAR BACKGROUND-1.8"H X 5.9"L

LIGHTS WATER  
PUMP

**KEY PART NUMBER U/M DESCRIPTION**  
130170-02-000 EA LABEL - SWITCH PANEL - BLK/CLEAR BACKGROUND-1.4H X 3.9"L  
117628-02-000 EA LABEL - SWITCH - WATER PUMP/LIGHTS-WHITE/CLEAR BACKGROUND

WATER  
PUMP

**KEY PART NUMBER U/M DESCRIPTION**  
130170-03-000 EA LABEL - PANEL SWITCH

## LABELS GROUP (CONTINUED)

CAUTION:  
OPEN A WINDOW OR VENT WHILE  
OPERATING DRYER. IT IS DANGEROUS  
TO CREATE A NEGATIVE AIR PRESSURE  
INSIDE A VEHICLE CONTAINING  
FUEL-BURNING APPLIANCES

**KEY PART NUMBER U/M DESCRIPTION**  
130670-01-01A EA LABEL - CAUTION DRYER VENTING - BLACK ON CLEAR

PUSH TO  
RELEASE  
GENERATOR  
SLIDE ASM

**KEY PART NUMBER U/M DESCRIPTION**  
131779-01-01A EA LABEL - GENERATOR

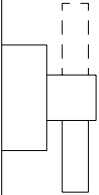
OPEN ○  
DRAIN  
CLOSED ○

**KEY PART NUMBER U/M DESCRIPTION**  
133423-01-01A EA LABEL - DRAIN

WATER HEATER BY-PASS      NORMAL OPERATION

**KEY PART NUMBER U/M DESCRIPTION**  
133424-01-01A EA LABEL - BYPASS - WATER HEATER

WINTERIZATION



NORMAL OPERATION

**KEY PART NUMBER U/M DESCRIPTION**  
133425-01-01A EA LABEL - VALVE - WINTERIZATION

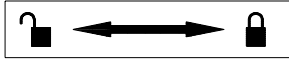
JACKS DOWN

**KEY PART NUMBER U/M DESCRIPTION**  
133533-01-01A EA LABEL - JACKS DOWN - CLEAR W/WHITE LETTERING

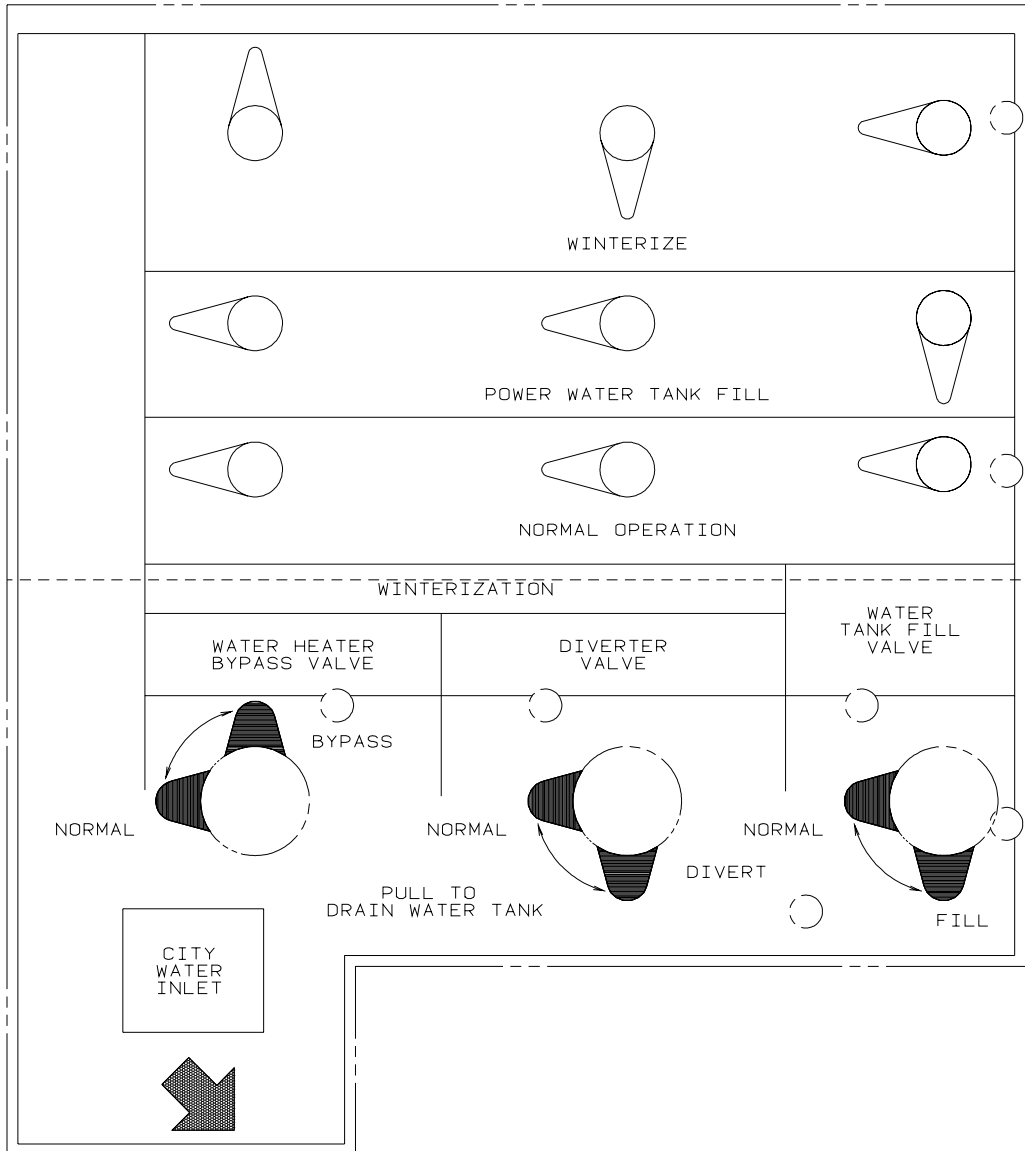
**LABELS GROUP (CONTINUED)**

CHECK ANTENNA

**KEY PART NUMBER U/M DESCRIPTION**  
 133533-02-01A EA LABEL - CHECK ANTENNA - CLEAR W/WHITE LETTERING

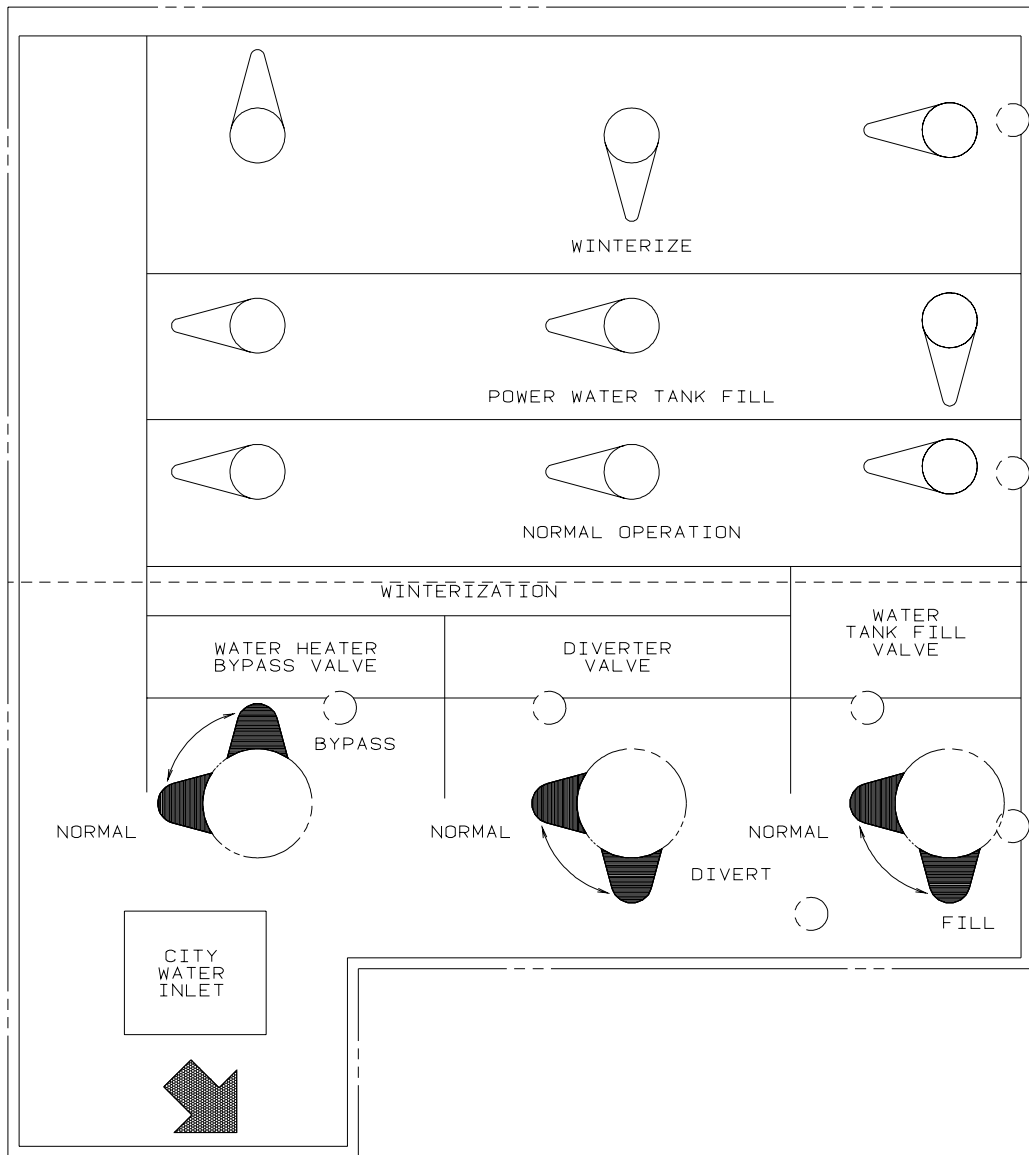


**KEY PART NUMBER U/M DESCRIPTION**  
 133533-03-01A EA LABEL - LOCK/UNLOCK - BLACK/WHITE



**KEY PART NUMBER U/M DESCRIPTION**  
 133629-01-01A EA LABEL - WATER CENTER

## LABELS GROUP (CONTINUED)



KEY	PART NUMBER	U/M DESCRIPTION
	133629-02-01A	EA LABEL - WATER CENTER - BLACK/CLEAR

THIS SEAT IS NOT INTENDED  
FOR OCCUPANCY WHEN  
VEHICLE IS IN MOTION

KEY	PART NUMBER	U/M DESCRIPTION
	134538-01-01A	EA LABEL - OCCUPANCY - NO SEAT BELT - BLACK ON CLEAR - US

## LABELS GROUP (CONTINUED)

DST ISICE SIEGE N/EST PAS DESTINE A ETRE OCCUPE LORSQUE LE VEHICULE EST IN MOVUVEMENT	THIS SEAT IS NOT INTENDED FOR OCCUPANCY WHILE VEHICLE IS IN MOTION
---	--

KEY	PART NUMBER	U/M DESCRIPTION
	134538-02-01A	EA LABEL - OCCUPANCY - NO SEAT BELT - BLACK ON CLEAR - CSA

HOLDING TANK HEATER

TURN OFF WHEN NOT IN USE  
SEE OPERATOR'S MANUAL

KEY	PART NUMBER	U/M DESCRIPTION
	134563-01-01A	EA LABEL - SWITCH - HEATER

THIS VEHICLE MAY INCLUDE MERCURY-CONTAINING DEVICES INSTALLED BY THE MANUFACTURER:

FLUORESCENT TUBES, RANGES WITH OVEN, HWH LEVEL SENSING UNIT.

REMOVE DEVICES BEFORE VEHICLE DISPOSAL UPON REMOVAL OF  
DEVICES: PLEASE REUSE, RECYCLE, OR DISPOSE AS HAZARDOUS WASTE

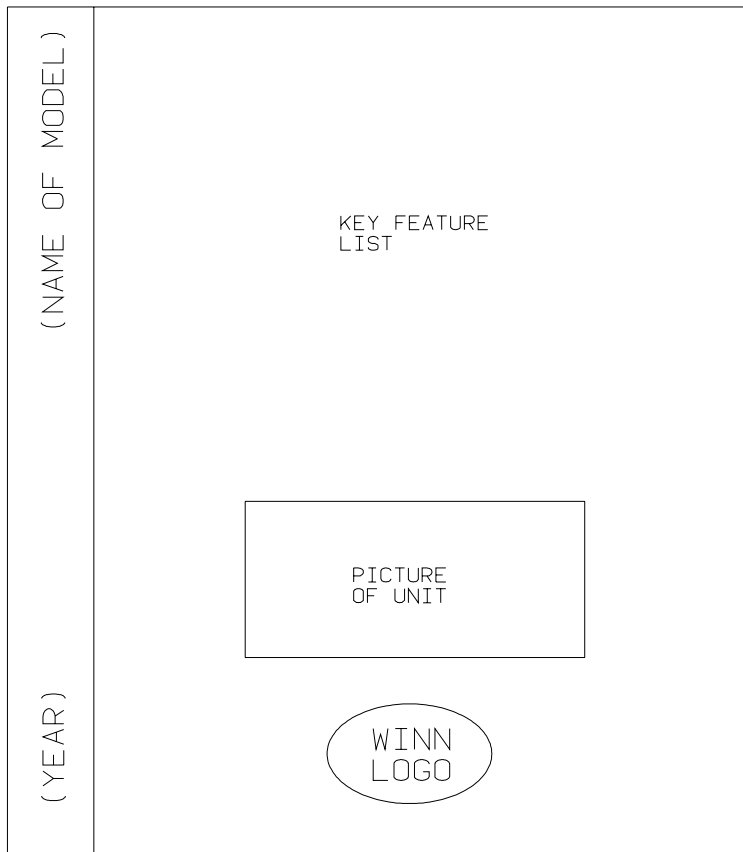
135869-01A

KEY	PART NUMBER	U/M DESCRIPTION
	135869-01-01A	EA LABEL - MERCURY CONTENT - BLACK ON CLEAR

LIQUID SOAP

KEY	PART NUMBER	U/M DESCRIPTION
	136047-01-01A	EA LABEL - LIQUID SOAP

## LABELS GROUP (CONTINUED)



KEY	PART NUMBER	U/M	DESCRIPTION
	136164-01-01A	EA	STICKET - STATIC CLING - MINNIE
	136164-01-02A	EA	STICKER - STATIC CLING - MINNIE WINNIE
	136164-01-03A	EA	STICKER - STATIC CLING - BRAVE SE
	136164-01-04A	EA	STICKER - STATIC CLING - BRAVE
	136164-01-05A	EA	STICKER - STATIC CLING - ADVENTURER
	136164-01-06A	EA	STICKER - STATIC CLING - CHIEFTAIN
	136164-01-07A	EA	STICKER - STATIC CLING - JOURNEY
	136164-01-08A	EA	STICKER - STATIC CLING - SUNDANCER
	136164-01-09A	EA	STICKER - STATIC CLING - SUNRISE SE
	136164-01-10A	EA	STICKER - STATIC CLING - SUNRISE
	136164-01-11A	EA	STICKER - STATIC CLING - SUNCRUISER
	136164-01-12A	EA	STICKER - STATIC CLING - SUNFLYER
	136164-01-13A	EA	STICKER - STATIC CLING - HORIZON
	136164-01-14A	EA	STICKER - STATIC CLING - RIALTA
	136164-01-15A	EA	STICKER - STATIC CLING - ADVANTAGE
	136164-01-16A	EA	STICKER - STATIC CLING - FREEDOM
	136164-01-17A	EA	STICKER - STATIC CLING - KEY FEATURE

**LT - AIR BAGS - RT**

KEY	PART NUMBER	U/M	DESCRIPTION
	136360-01-01A	EA	LABEL - AIR BAGS

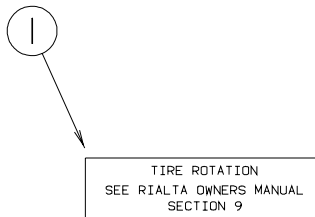
## LABELS GROUP (CONTINUED)

A / C  C I R C U I T  1	M A I N	M A I N	A / C  C I R C U I T  2	I N V E R T E R /  C H A R G E R	R E F R I G / V A C U U M	W A S H E R / D R Y E R	W A T E R  H E A T E R	
---	------------------	------------------	---	--	---	--	---	--

**KEY PART NUMBER U/M DESCRIPTION**  
 093236-22-000 EA LABEL - CIRCUIT BREAKER

DOOR LOCK	DOOR UNLOCK	RIGHT COMPT DOOR LOCK	RIGHT COMPT DOOR UNLOCK	LEFT COMPT DOOR LOCK	LEFT COMPT DOOR UNLOCK	AUX START SOLENOID	AMP SOURCE
POWER MIRRORS	HEATER BLOWER	PASS HEATER BLOWER	FOG LAMPS	DOCKING LAMPS	DOCKING LAMPS SWITCH TRIGGER	COOLING FANS	

**KEY PART NUMBER U/M DESCRIPTION**  
 136161-01-01A EA LABEL - RELAY - MATTE BLACK/WHITE LETTERS



**KEY PART NUMBER U/M DESCRIPTION**  
 1 129684-01-000 EA LABEL - TIRE ROTATION

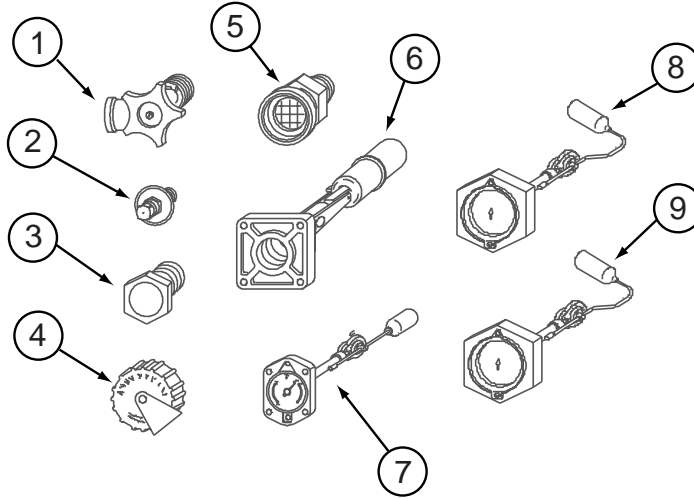
**LP GROUP**  
**LP SYSTEM**

<b>KEY</b>	<b>PART NUMBER</b>	<b>U/M</b>	<b>DESCRIPTION</b>
	010265-01-000	EA	ELBOW - BRASS - 90 DEGREE - 3/8"F X 1/2"FPT
	010323-01-000	EA	ADAPTER - BRASS - 3/8"F X 1/2"MPT
	010329-01-000	EA	ADAPTER - BRASS - 1/2"F X 1/2"MPT
	024250-01-000	EA	ADAPTER - BRASS - 3/8"F X 1/2"FPT
	040440-02-000	EA	TRANSMITTER - DIAL/BOLT-ON - 0-90 OHM 2 TERM(POWER/GROUND) FROM: 00-00-00 THRU: 07-16-00
	040440-03-000	EA	TRANSMITTER - DIAL/SNAP-ON - 0-90 OHM 2 TERM(POWER/GROUND) FROM: 07-17-00 THRU: 99-99-99
*	074039-04-000	EA	TANK - LP - 28 LB - BOTTOM MOUNT - 10" DIAMETER X 23" LONG
	010252-01-000	EA	ELBOW - BRASS - 90 DEGREE - 3/8"F X 1/2"MPT
	106150-03-000	EA	REGULATOR -TWO STAGE-7/8-14 UNS2A LH INLET/3/8" FPT OUTLET
	010377-02-000	EA	NUT - BRASS - 3/8" FLARE - FORGED
	010380-02-000	EA	NUT - BRASS - 1/2" FLARE - FORGED
	103613-03-000	EA	DETECTOR - LP GAS - W/O SHUT-OFF VALVE

**\*COMPONENT PARTS LISTED LATER IN THIS GROUP**



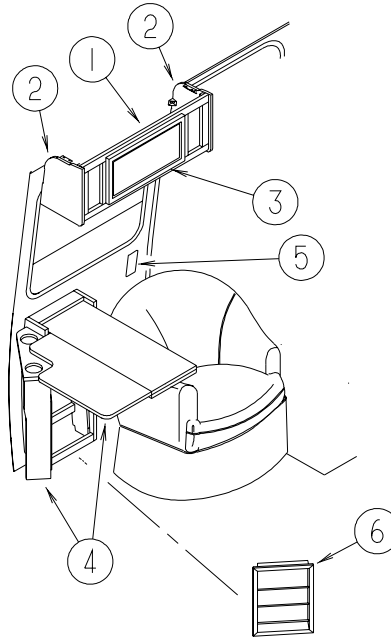
**LP GROUP (CONTINUED)**  
**COMPONENT PARTS FOR LP SYSTEM**



**074039-04-000**

KEY	PART NUMBER	U/M	DESCRIPTION	VENDOR NO.
	074039-04-000	EA	TANK - LP - 28 LB - BOTTOM MOUNT - 10" DIAMETER X 23" LONG	
1	040421-01-708	EA	HANDWHEEL-SERVICE VALVE	G-1015-A
1	040421-01-712	EA	VALVE,SERV. W/O VAPOR RELIEF	29000853
2	040421-01-700	EA	VALVE-LIQUID LEVEL, 20%	G-1013
3	040421-01-713	EA	VALVE-RELIEF 1" W/SPRING 7"	29000587
4	040421-01-702	EA	CAP-FILL VALVE, PLASTIC	G-1014-A
5	040421-01-701	EA	VALVE-FILL-SHORT, LP	7547B
6	074039-04-700	EA	VALVE-80% FILL W/AUTO STOP	LVTL290C9010
7			NOT WHAT IS ILLUSTRATED HERE	
8			NOT WHAT IS ILLUSTRATED HERE	
9			NOT WHAT IS ILLUSTRATED HERE	
	074039-04-701	EA	FLOAT/SCREW IN-SNAP ON DIAL	SG10C000140
	040421-01-706	EA	DIAL-VISIBLE FACE, LP TANK	MA-8 ROCHST
	074039-01-700	EA	FLOAT/BOLT ON-SCREW ON DIAL	SG10C0000027

**LOUNGE GROUP  
CABINETS & TABLE**



KEY	PART NUMBER	U/M	DESCRIPTION
1	124888-01-J80	EA	CABINET - OVERHEAD/FRONT/RIGHT HAND - W/O DOORS/HARDWARE
2	119132-07-J80	EA	END CAP - OVERHEAD
3	134783-53-M91	EA	DOOR - RAIL/SOLID PANEL - 10" X 19.1" - W/O HARDWARE
4	137164-01-M91	EA	CABINET/TABLE COMPLETE
5	113680-01-01A	EA	COVER - ACCESS - DOOR HINGE
6	131096-52-M91	EA	POCKET - MAGAZINE

# SEALANTS & FASTENERS GROUP

## SEALANTS & ADHESIVES

KEY	PART NUMBER	U/M	DESCRIPTION
	004001-05-000	EA	EPOXY ADHESIVE (CLEAR)
	004006-01-700	EA	ADHESIVE - 5 GALLON - NATIONAL STARCH
	004020-01-000	QT	ADHESIVE - ABS CEMENT - QUART
	010405-02-000	EA	TAPE - THREAD SEALING 3/8"
	034552-15-000	EA	SILICONE - TUBE - W/O NOZZLE - BRIGHT WHITE
	053766-06-000	EA	BEDDING COMPOUND - TUBE - CLEAR
	053766-08-000	EA	BEDDING COMPOUND - TUBE - GRAY
	062917-03-000	EA	ADHESIVE - LOCTITE 242
	063642-01-000	FT	TAPE - ADHESIVE - .4" X 1.5" X 180"
	067788-01-000	EA	ADHESIVE - SPRAY - 3M - 19.5 AEROSOL CAN
	069640-01-000	FT	SEALER - RIBBON - 1/4" DIAMETER X 30' - BLACK
	069640-02-000	FT	SEALER - TAPE - .13"THICK X .5"WIDE X 60' - GRAY
	069640-03-000	FT	SEALER - TAPE - .13"THICK X .75"WIDE X 60' - BLACK
	069640-07-000	FT	SEALER - TAPE - .09"THICK X 2"WIDE X 45' - GRAY
	069640-09-000	FT	SEALER - TAPE - .032"THICK X 2.50"WIDE X 80' - GRAY
	069640-10-000	FT	SEALER - TAPE - .03"THICK X 1.50"WIDE X 90' - GRAY
	069640-11-000	FT	SEALER - TAPE - .19"THICK X .38"WIDE X 40' - BLACK
	069640-13-000	FT	SEALER - TAPE - .03"THICK X 2"WIDE X 45' - BLACK
	069640-14-000	FT	SEALER - TAPE - .06"THICK X 1"WIDE X 100' - GRAY
	069640-15-000	FT	SEALER - TAPE - .06"THICK X .38"WIDE X 100' - GRAY
	069640-17-000	FT	SEALER - TAPE - .03"THICK X 1"WIDE X 90' - GRAY
	069640-18-000	FT	SEALER - TAPE - .50"THICK X 1/8"WIDE X 60' - BRIGHT WHITE
	069640-19-000	FT	SEALER - TAPE - .75"THICK X 1/8"WIDE X 60'- BRIGHT WHITE
	069640-20-000	FT	SEALER - TAPE - .50" THICK X 1/8" WIDE X 60'-BRIGHT WHITE
	069640-21-000	FT	SEALER - TAPE - .50" THICK X 1/16" WIDE X 100'-BRIGHT WHT
	069640-22-000	FT	SEALER - TAPE - .25" THICK X 1/32" WIDE X 100'- BRIGHT WHT
	069640-23-000	FT	SEALER - TAPE - 1/16" THICK X 3/4" WIDE X 100'-BRIGHT WHT
	069640-25-000	FT	SEALER - TAPE - .06" THICK X 3.5" WIDE X 50' - GRAY
	069640-26-000	FT	SEALER - TAPE - 1/16" X 2" X 50' - BRIGHT WHITE
	069640-27-000	FT	SEALER - TAPE - 1/16" X 2 1/4" X 50' - BRIGHT WHITE
	072889-01-000	EA	SEALANT - URETHANE - BLACK - TUBE
	072889-11-000	EA	SEALANT - URETHANE - GRAY - TUBE
	076314-02-000	FT	TAPE - CARPET SEAM - HEAT-BOND - 4" WIDE
	076322-01-000	FT	TAPE - DOUBLE COATED/ADHESIVE BACK - .025"THK X .75"W X18'
	076322-02-000	FT	TAPE - DOUBLE COATED/ADHESIVE BACK - .045"THK X 1"W X 9'
	076322-03-000	FT	TAPE - DOUBLE COATED/ADHESIVE BACK - .045"THK X .50"W X 9'
	076322-04-000	FT	TAPE-DOUBLE COATED/ADHESIVE BK-.05"THK X .8"W X 108' - WHT
	076322-05-000	FT	TAPE - DOUBLE COATED/ADHESIVE BACK - .045"THK X .75"W X 9'
	076322-07-000	FT	TAPE - DOUBLE COATED/ADHESIVE BACK - .045"THK X .50"W X 9'
	076322-11-000	FT	TAPE - DOUBLE COATED/ADHESIVE BACK - .020"THK X 1"W X 9'
	086276-01-000	EA	TAPE - DOUBLE SIDED - 1/2"
	087211-01-000	GL	PROMOTER - ADHESIVE
	088479-01-000	EA	TAPE - ALUMINUM - 3"
	090340-01-000	FT	SEAL - FOAM - CLOSED CELL - 1/4" X 1/2" X 50'
	091255-02-000	FT	SEAL - ADHESIVE BACKED/FOAM - 3/64" THICK X 3/16" WIDE
	091255-03-000	FT	SEAL - ADHESIVE BACKED/FOAM - 1/4" THICK X 1/4" WIDE
	094401-03-000	EA	SEALER - BODY SEAM - BLACK
	094401-04-000	EA	SEALER - BODY SEAM - CLEAR
	098408-01-000	FT	SEAL - SPONGE RUBBER - CLOSED CELL
	099069-01-000	FT	SEAL - RUBBER - CLOSED SPONGE - .5" WIDE X .12" THICK -BLK
	099418-01-000	FT	SEAL - D-SECTION/ADHESIVE BACK - .44î X .44î - BLK RUBBER
	099952-01-000	FT	CORE - SEAL - BULB SUPPORT
	100128-02-000	FT	SEAL - FOAM/ADHESIVE BACK - .37" WIDE X .37" THICK
	102352-01-000	EA	SEALER - PUMPABLE - TUBE - BLACK
	102352-02-000	EA	SEALER - PUMPABLE - TUBE - BLACK
	104692-01-000	FT	SEAL - ADHESIVE BACKED FOAM - 3/4" THICK X 3/4" WIDE X 25'
	104692-03-000	FT	SEAL - ADHESIVE BACKED FOAM - 1" THICK X 1 3/4" WIDE X 15'
	106206-01-000	EA	SEALER - PUMPABLE - TUBE - BLACK - MANUS
	107828-01-000	EA	SEALANT - SB - 190 EVERSEAL
	108353-01-000	FT	SEAL - FOAM - 5/16" X 1/2" - ADHESIVE BACKED
	109506-12-000	EA	FILM/ABRASION-RESISTANT - TRANSPARENT - 1î DIA.
	110274-01-000	FT	TAPE - DOUBLE SIDED/FOAM - .45" X 1" X 216' - BLACK
	111940-02-000	LB	SEALER - PUTTY - THUMBING
	112864-01-000	FT	SEAL - FOAM/BUTYL COVERED - 3/8"

## SEALANTS & FASTENERS GROUP (CONTINUED)

### SEALANTS & ADHESIVES (CONTINUED)

KEY	PART NUMBER	U/M	DESCRIPTION
	112864-02-000	FT	FOAM - BUTYL COVERED 5/16"
	112901-01-000	EA	ADHESIVE - PLEXUS - 400 ML CARTRIDGE
	112901-02-000	EA	ADHESIVE - PLEXUS - 50ML
	112901-03-000	EA	ADHESIVE - PLEXUS - MA300 - 50ML - WHITE
	112902-01-000	EA	NOZZLE - ELEMENT - 3/8 X 24
	112902-03-000	EA	NOZZLE - ELEMENT - 1/4 X 6
	113366-01-000	EA	ADHESIVE - INSTANT
	120074-02-02A	EA	SEALANT - SILICONE - SOFT WHITE
	120074-02-03A	EA	SEALANT - SILICONE - SMOKY WHITE
	120534-01-01A	EA	TAPE - SCOTCH - 3M - 1/2" FINE LINE
	123244-01-000	FT	TAPE - DOUBLE SIDED/FOAM - 5/64" THICK X 3/4" WIDE
	123244-02-000	FT	TAPE - DOUBLE SIDED/FOAM - 5/64" THICK X 1/2" WIDE X 108'
	123816-01-000	FT	TAPE - DOUBLE SIDED - 1" X 100'
	123816-02-000	FT	TAPE - DOUBLE SIDED - 1/2" X 1 1/3" X 100'
	123816-03-000	FT	TAPE - DOUBLE SIDED - 1/2" X 3/4" X 100'
	123816-04-000	FT	TAPE - DOUBLE SIDED - 6" X 750'
	123995-03-000	EA	ADHESIVE-TILE,FLOOR
	126427-01-000	EA	ADHESIVE - ALL PURPOSE - ABS/PVC
	126427-02-000	EA	PRIMER - CLEANER - FLEX PIPING
	131137-01-000	YD	TAPE - ADHESIVE - DOUBLE SIDED
	131264-01-02A	EA	SILICONE - W/O NOZZLE - CLEAR
	131264-01-01A	EA	SILICONE - W/O NOZZLE - BLACK
	131264-02-01A	EA	SILICONE - W/O NOZZLE - VW GRAY - BATH ONLY
	131264-03-01A	EA	SILICONE - SELF LEVELING - W/O NOZZLE - BRIGHT WHITE
	131264-04-01A	EA	SILICONE - CLEAR - ADHESIVE
	131384-01-000	EA	ADHESIVE - JETWELD
	900390-01-000	EA	NOZZLE - SILICONE TUBE - 2.5" LONG
	900390-03-000	EA	NOZZLE - SILICONE TUBE - 4.3" LONG

### BOLTS, NUTS AND WASHERS

KEY	PART NUMBER	U/M	DESCRIPTION
	OMC04K-06-016	EA	BOLT - HEX - M06 X 1 X 016
	OMC05K-08-055	EA	BOLT - HEX - M08 X 1.25 X 2.2
	OMC13K-14-070	EA	BOLT - HEX - M14 X 2 X 2 3/4
	OMC31K-08-020	EA	BOLT - HEX - SERRATED FLANGE - M8 X 020
	OMC32K-10-030	EA	BOLT - HEX - SERRATED FLANGE - M10 X 1.50
	OMC54K-14-035	EA	BOLT-HEX M14X2,00X035 10.9 - C-TECH DIN 931,10.9
	OMD16K-10-000	EA	NUT - HEX PREV TORQUE M10 X 1 1/2 CLASS 8
	OMD39K-12-000	EA	NUT - HEX W/NYLON LOCK - M12 X 1 3/4
	OMD40K-14-000	EA	NUT - HEX W/NYLON LOCK - M14 X 2.00
	OMD74K-14-000	EA	NUT - HEX - PREVIOUS TORQUE - M14 X 2
	OMD77K-12-000	EA	NUT - HEX - PREVIOUS TORQUE - M12 X 1.75
	OME06K-12-300	EA	WASHER - FLAT - 12 ID X 30 OD
	OME06K-14-280	EA	WASHER - FLAT - 14 ID X 28.00 OD
	000C12-04-08B	EA	BOLT - HEX - 1/4-20 X 1/2 - GRADE #5 - ZINC
	000C12-04-12A	EA	BOLT - HEX - 1/4-20 X 3/4 - PLAIN 5
	000C12-04-40B	EA	BOLT - HEX - 1/4-20 X 2 1/2 - GRADE 5 ZINC
	000C12-05-12B	EA	BOLT - HEX - 5/16-18 X 3/4 - GRADE #5 - ZINC
	000C12-05-16B	EA	BOLT - HEX - 5/16-18 X 1 - GRADE #5 - ZINC
	000C12-05-64B	EA	BOLT - HEX - 5/16-18 X 4
	000C12-06-128	EA	BOLT - HEX - 3/8 - 16 X 8 - ZINC 5
	000C12-06-16B	EA	BOLT - HEX - 3/8-16 X 1 - GRADE #5 - ZINC
	000C12-06-20B	EA	BOLT - HEX - 3/8 - 16 X 1 1/4 - ZINC #5
	000C12-06-24B	EA	BOLT - HEX - 3/8-16 X 1 1/2 - ZINC #5
	000C12-06-44B	EA	BOLT - HEX - 3/8-16 X 2 3/4 - GRADE 5 - ZINC
	000C12-07-20B	EA	BOLT - HEX - 7/16-14 X 1 1/4 - GRADE #5 - ZINC
	000C12-07-24B	EA	BOLT - HEX - 7/16-14 X 1 3/4 - GRADE #5 - ZINC
	000C12-08-16B	EA	BOLT - HEX - 1/2-13 X 1" - GRADE #5 - ZINC
	000C12-08-24B	EA	BOLT - HEX - 1/2-13 X 1 1/2 - GRADE #3 - ZINC
	000C12-08-28B	EA	BOLT - HEX - 1/2-13 X 1 3/4 - GRADE #5 - ZINC
	000C12-10-24B	EA	BOLT - HEX - 5/8-11 X 1 1/2 - GRADE #5 - ZINC
	000C13-07-24B	EA	BOLT - HEX - 7/16-20 X 1 1/2 - GRADE #5
	000C13-07-40B	EA	BOLT - HEX - 7/16-20 X 2 1/2 - GRADE #5 - ZINC
	000C13-07-48B	EA	BOLT - HEX - 7/16-20 X 3 - GRADE #5 - ZINC
	000C14-07-20B	EA	BOLT - HEX - 7/16-14 X 1 1/4 - GRADE #8 - ZINC

## SEALANTS & FASTENERS GROUP (CONTINUED)

### BOLTS, NUTS AND WASHERS (CONTINUED)

KEY	PART NUMBER	U/M	DESCRIPTION
	000C14-07-28B	EA	BOLT - HEX - 7/16-14 X 1 3/4 - GRADE #8 - ZINC
	000C14-08-64B	EA	BOLT - HEX - 1/2-13X4 ZN 8
	000C14-10-24K	EA	BOLT - HEX - 5/8-11 X 1 1/2 - GRADE #8 - ZINC
	000C14-10-32K	EA	BOLT - HEX - 5/8"-11 X 2 - GRADE #8 - ZINC
	000C18-05-40A	EA	BOLT - ELEVATOR - 5/16-18 X 2 1/2 - PL
	000C18-06-48B	EA	BOLT - ELEVATOR - 3/8-16 X 3 - GRADE 5 - ZINC
	000C18-06-56A	EA	BOLT - ELEVATOR - 3/8-16 X 3 1/2 - GRADE 5
	000C26-04-10B	EA	BOLT - HEX - SERRATED FLANGE - 1/4-20 X 5/8 - ZINC
	000C26-04-14B	EA	BOLT - HEX - SERRATED FLANGE - 1/4-20 X 7/8 - ZINC
	000C26-04-18B	EA	BOLT - HEX - SERRATED FLANGE - 1/4-20 X 1 1/8 - ZINC
	000C26-05-129	EA	BOLT - HEX - SERRATED FLANGE - 5/16-18 X 3/4
	000C26-05-12B	EA	BOLT - HEX - SERRATED FLANGE - 5/16-18 X 3/4 - ZINC
	000C26-05-16B	EA	BOLT - HEX - SERRATED FLANGE - 5/16-18 X 1 - ZINC
	000C26-05-20B	EA	BOLT - HEX - SERRATED FLANGE - 5/16-18 X 1 1/4 - ZINC
	000C26-05-249	EA	BOLT - HEX - SERRATED FLANGE - 5/16-18 X 1 1/2
	000C26-06-12B	EA	BOLT - HEX - SERRATED FLANGE - 3/8-16 X 3/4 - ZINC
	000C26-06-16B	EA	BOLT - HEX - SERRATED FLANGE - 3/8-16 X 1 - ZINC
	000C26-06-20B	EA	BOLT - HEX, SER FLG 3/8 - 16 X 1 1/4 - ZN
	000C26-06-28B	EA	BOLT - HEX - SERRATED FLANGE - 3/8-16 X 1 3/4 - ZINC
	000C26-06-40B	EA	BOLT - HEX - SERRATED FLANGE - 3/8-16 X 2 1/2 - ZINC
	000C26-08-24B	EA	BOLT - HEX - SERRATED FLANGE - 1/2-13 X 1 1/2 - ZINC
	000C26-08-28B	EA	BOLT - HEX - SERRATED FLANGE - 1/2-13 X 1 3/4 - ZINC
	000C26-08-40B	EA	BOLT - HEX - SERRATED FLANGE-1/2-13 X 2 1/2-GRADE #5 ZINC
	000C27-04-40B	EA	BOLT - CARRIAGE - 1/4-20 X 2 1/2 - ZINC
	000C27-05-16B	EA	BOLT - CARRIAGE - 5/16-18 X 1.0 - ZINC
	000C27-05-44I	EA	BOLT-CARR,5/16-18X2.75" - BLACK ZINC
	000C27-07-40B	EA	BOLT - CARRIAGE - 7/16-14 X 2.50 - GRADE 5
	000C27-10-32B	EA	BOLT - CARRIAGE - 5/8-11 X 2
	000D16-07-00B	EA	NUT - HEX - 7/16-14 - ZINC
	000D18-08-00B	EA	NUT - HEX JAMB - 1/2-13 - ZINC
	000D24-10-00B	EA	NUT - HEX - SELF LOCKING - 10-32 ZINC
	000D28-10-00B	EA	NUT - HEX - W/NYLON LOCK - 10-32 ZINC
	000D29-04-00B	EA	NUT - HEX - SELF LOCKING - 1/4 X 20 - ZINC
	000D29-05-00B	EA	NUT - HEX - LOCKING W/SERRATED FLANGE-NYLON WASHER INSERT
	000D29-06-00B	EA	NUT - HEX - W/NYLON LOCK - 3/8-16 - ZINC
	000D29-09-00B	EA	NUT - HEX - SELF LOCKING - 9/16-12 - ZINC
	000D30-07-00B	EA	NUT - HEX LOCK,NYLON 7/16X20
	000D34-04-00B	EA	NUT - HEX - LOCKING - 1/4-20 ZINC
	000D34-06-00B	EA	NUT - HEX - LOCKING - 3/8-16 GRADE C - ZINC
	000D39-04-00B	EA	NUT - HEX - LOCKING W/SERRATED FLANGE - 1/4-20 - ZINC
	000D39-05-00B	EA	NUT - HEX - LOCKING W/SERRATED FLANGE - 5/16-18 - ZINC
	000D39-06-00B	EA	NUT - HEX - LOCKING W/SERRATED FLANGE - 3/8-18 - ZINC
	000D39-06-00D	EA	NUT - HEX - LOCKING W/SERRATED FLANGE - 3/8"-16 BLACK
	000D39-07-00B	EA	NUT - HEX - LOCKING W/SERRATED FLANGE - 7/16-14 - ZINC
	000D39-08-00B	EA	NUT - HEX - LOCKING W/SERRATED FLANGE - 1/2-13 - ZINC
	000D39-09-00B	EA	NUT - HEX - SERRATED FLANGE LK 9/16-12 - GRADE #5 - ZINC
	000D44-04-00B	EA	NUT - HEX - LOCKING W/SERRATED FLANGE - 1/4-28 - ZINC
	000D44-07-00B	EA	NUT - HEX - LOCKING W/SERRATED FLANGE - 7/16-20 - ZINC
	000D44-08-00B	EA	NUT - HEX - SERRATED FLANGE - 1/2-20 - GRADE #5 - ZINC
	000D46-04-00A	EA	NUT - HEX - WELD - 1/4-20 - PLAIN
	000D58-06-00A	EA	NUT - HEX - WELD 3/8-16 - PLAIN
	000D65-08-00B	EA	NUT - HEX - LOCKING W/SERRATED FLANGE - 8-32 - ZINC
	000D67-07-00B	EA	NUT - HEX - LOCKING - 7/16-13 ZINC
	000D67-10-00B	EA	NUT - HEX - LOCK - 5/8-11 - ZINC
	000D73-07-00C	EA	NUT - HEX FLANGE - 7/16-14 - GRADE 6
	000D73-08-00C	EA	NUT - HEX FLANGE - 1/2-13
	000D75-09-00B	EA	NUT - HEX LOCKING - 9/16-12 - ZINC
	000D76-06-00B	EA	NUT - HEX FLANGE - 3/8-16
	000E11-04-00F	EA	WASHER - LOCKING - 1/4 MED SPLIT - STAINLESS STEEL
	000E11-07-00B	EA	WASHER - LOCKING - 7/16 MED SPLIT - ZINC
	000E11-08-00B	EA	WASHER - LOCKING - 1/2 MED SPLIT - ZINC
	000E13-17-00B	EA	WASHER - FLAT - 3/8 AR - ZINC
	000E13-18-00B	EA	WASHER - FLAT - 3/8 WIDE - ZINC
	000E13-18-00K	EA	WASHER - FLAT - 3/8 WIDE - YELLOW CHROMATE

## SEALANTS & FASTENERS GROUP (CONTINUED)

### BOLTS, NUTS AND WASHERS (CONTINUED)

KEY	PART NUMBER	U/M	DESCRIPTION
	000E13-20-00B	EA	WASHER - FLAT - 7/16 WIDE - ZINC
	000E13-21-00B	EA	WASHER - FLAT - 1/2 NARROW - ZINC
	000E13-22-00B	EA	WASHER - FLAT - 1/2 WIDE - ZINC
	000E13-26-00B	EA	WASHER - FLAT - 5/8 WIDE - ZINC
	000E14-10-00B	EA	WASHER - LOCKING - #10 EXTERNAL TOOTH - ZINC
	000E16-07-00B	EA	WASHER - HARDENED - 7/16" - FLAT - ZINC
	000E16-08-00B	EA	WASHER - HARDENED - 1/2 - FLAT - ZINC
	000E16-10-00B	EA	WASHER - HARDENED - 5/8 - FLAT - ZINC
	000G45-04-16F	EA	BOLT - LAG - 1/4"-9 X 1" - STAINLESS STEEL HEX HEAD
	000G45-05-16B	EA	BOLT - LAG - 5/16-9 X 1 - ZINC
	000G62-08-24B	EA	SCREW - SF/DR - 8-18 X 1 1/2 PFH
	002329-01-000	EA	WASHER-FLAT, 9/32" ID X 5/8" OD - NYLON
	005081-01-000	EA	NUT - SPEED - C-TYPE - #8 SCREW
	040921-03-000	EA	NUT - SPEED - U TYPE - #10
	040921-04-000	EA	NUT - SPEED - U TYPE - #8-.59" LENGTH X .44" WIDTH
	040921-05-000	EA	NUT - SPEED - U-TYPE - 8-.67" X .44" WIDE
	040921-09-000	EA	NUT - SPEED - U TYPE - #8
	041322-01-000	EA	WASHER - FLANGE - 15/32 ID X 2 3/8 OD - F/SEAT BELT MTG
	044364-01-000	EA	NUT - SPEED - FLAT - RECTANGULAR - SELF LOCKING/ONE PIECE
	044364-02-000	EA	NUT - SPEED - FLAT - ROUND
	044533-01-000	EA	WASHER - PLASTIC - 1 3/8" OD - FOR BUTTONS
	051387-06-000	EA	BOLT - CARRIAGE W/O HOLE - 5/16-18 X 9.5 - ZINC
	058716-02-000	EA	WASHER - FLAT NYLON
	058716-03-000	EA	WASHER - FLAT/NYLON - .500 X 1 1/4 X 060
	064081-03-000	EA	NUT - WING 3/8-16 - W/WELD NUT
	068938-03-000	EA	BEARING - SNAP IN - .38"ID - TYPE 7
	077071-01-000	EA	WASHER - FENDER - 3/16 ID X 1 OD
	083163-06-000	EA	PUSHNUT - FLAT TYPE 3/8 STUD - FORD ONLY
	084406-01-000	EA	NUT - CAPPED - CROSS RECESSED - BLACK - 1/4-20 THD
	087234-01-000	EA	NUT - JACK - 1/4 X 20 THD - MOLLY
	087718-01-000	EA	MONOBOLT - STEEL - 3/16 DIAMETER
	088787-12-000	EA	STUD - WELD - 1/4 - 20 X 1.0 LG - MN
	095076-01-000	EA	WASHER - FL - 1/2"ID X 2"OD X 1/8"
	102333-01-06A	EA	BOLT - CARRIAGE - 7/16-14 STAINLESS STEEL CAP
	102333-02-01A	EA	BOLT - CARRIAGE - 1/4-20
	102378-01-02A	EA	WASHER - BLACK
	102540-02-000	EA	SEAL - SCREW
	103020-02-000	EA	BOLT-U - #8-32 - GRADE 5 ZINC
	104369-01-000	EA	NUT - HEX - HEAVY - 5/8-11 UNC
	106166-01-000	EA	BOLT/COLLARED HANGER - 8-32 X 1"
	106648-01-000	EA	CAP - STUD - .120 TO .130 DIAMETER
	106956-03-000	EA	BOLT - HEX TAP - 1/2-12NC X 3 - GRADE 5 - FULL THREAD/ZINC
	106956-08-000	EA	BOLT - HEX TAP - 1/2-13NC X 4 - GRADE 5 - FULL THREAD/ZINC
	107393-02-000	EA	BOLT - SHOULDER - 3/8" SOCKETHEAD
	107397-01-000	EA	WASHER - FENDER - .25" ID X 1" OD
	108067-03-000	EA	STUD - WELD - 1/4 - 20 X 1/2 CD
	109917-01-000	EA	WASHER - 1.5" X 1.25"
	109917-02-000	EA	WASHER - 1.25" X .75"
	109917-03-000	EA	WASHER - 1" X .50"
	109917-04-000	EA	WASHER - 1" X .75"
	113985-01-000	EA	BOLT - FLANGE - M10-1.5 X 40CL10.9
	113985-02-000	EA	BOLT - FLANGE - M10-1 1/2 X 30CL 10.9
	114259-05-000	EA	BOLT - 7/16-20X1.25 W/WASHER
	116672-01-000	EA	NUT - SPEED
	120506-01-01A	EA	RIVET - PLASTIC - 3/16 DIAMETER
	128444-01-000	EA	WASHER - SPRING - CONICAL
	131377-01-000	EA	NUT-HEX HEAD W/WASHER-1/4-20 X 2" STEEL W/3/4" OD WASHER
	134775-01-000	EA	BOLT - CARRIAGE - 1/2-13 X 4" FULL THROAT-GRADE #5-ZINC/CL
	135092-01-01A	EA	BOLT - HEX - SERRATED FLANGE - 1/2-20 X 1 3/4-GRADE 5 ZINC
	135092-02-01A	EA	BOLT - HEX - SERRATED FLANGE - 1/2-20 X 2 1/2-GRADE 5 ZINC
	135092-04-01A	EA	BOLT - HEX - SERRATED FLANGE - 1/2-20 X 4 1/2 GRADE 5 ZINC

# SEALANTS & FASTENERS GROUP (CONTINUED)

## SCREWS

KEY	PART NUMBER	U/M	DESCRIPTION
	0G1106-06-160	EA	SCREW - 6-20 X 3/8 PPH
	0G1106-08-240	EA	SCREW - 6-20 X 1/2 PPH - VW LIGHT GRAY
	0G1108-08-250	EA	SCREW - 8-18 X 1/2 PPH
	0G1108-12-240	EA	SCREW - 8-18 X 3/4 PPH - VW LIGHT GRAY
	0G1108-16-240	EA	SCREW - 8-18 X 1.00 PPS - VW LIGHT GRAY
	0G1206-12-110	EA	SCREW - 6-20 X .75 POH - HAMPTON TAN
	0G1208-12-170	EA	SCREW - 8-18 X 3/4 POH - BRIGHT WHITE
	0G1306-08-130	EA	SCREW-6-20X1/2 PFH TAUPE
	0G1308-10-240	EA	SCREW - 8-18 X 5/8 PFH - VW LIGHT GRAY
	0G3804-22-180	EA	SCREW - MACHINE - 1/4-20 X 1 3/8 PFH - BLACK
	0G3908-08-160	EA	SCREW - SF/DR - 8-18 X 1/2 PPH - VW WHITE
	0G3908-08-240	EA	SCREW - SF/DR - 8-18 X 1/2 PPH - VW LIGHT GRAY
	0G3908-08-170	EA	SCREW - SF/DR - 8-18 X 1/2 PPH - BRIGHT WHITE
	0G3908-12-250	EA	SCREW - SF/DR - 8-18 X 3/4 PPH - DARK GRAY
	0G3908-12-240	EA	SCREW - SF/DR - 8-18 X .75 PPH - VW LIGHT GRAY
	0G3908-16-250	EA	SCREW - SF/DR - 8-18 X 1.00 PPH
	0G3908-16-170	EA	SCREW - SF/DR - 8-18 X 1 PPH - BRIGHT WHITE
	0G3908-20-170	EA	SCREW - SF/DR - 8-18 X 1 1/4 PPH - BRIGHT WHITE
	0G3908-24-170	EA	SCREW - SF/DR - 8-18 X 1 1/2 PPH - BRIGHT WHITE
	0G3910-10-240	EA	SCREW - SF/DR - 10-16 X 5/8 PPH - VW LIGHT GRAY
	0G3910-10-160	EA	SCREW - SF/DR - 10-16 X 5/8 PPH - VW WHITE
	0G3910-12-240	EA	SCREW - SF/DR - 10-16 X .75 PPH - VW LIGHT GRAY
	0G3910-12-170	EA	SCREW - SF/DR - 10-16 X 3/4 PPH - BRIGHT WHITE
	0G3910-12-270	EA	SCREW - SF/DR - 10-16 X .75 PPH - TITANIUM
	0G3910-20-310	EA	SCREW - SF/DR - 10-16 X 1 1/4 PPH - CADDY CREAM
	0G3910-20-270	EA	SCREW - SF/DR - 10-16 X 1.25 - PPH - TITANIUM
	0G3910-20-260	EA	SCREW - SF/DR - 10-16 X 1.25 PPH - ALLANTE ANTELOPE
	0G3910-32-240	EA	SCREW - SF/DR - 10-16 X 2.00 PPH - VW LIGHT GRAY
	0G5508-08-250	EA	SCREW - SF/DR - 8-18 X 1/2 PWH - VW DARK GRAY
	0G5508-08-110	EA	SCREW - SF/DR - 8-18 X .5 PWH
	0G5508-12-110	EA	SCREW - SF/DR - 8-18 X 3/4 PWH - HAMPTON TAN
	0G5508-12-310	EA	SCREW - SF/DR - 8-18 X 3/4 PWH - CADDY CREAM
	0G5508-12-270	EA	SCREW - SF/DR - 8-18 X 3/4 PWH - TITANIUM
	0G5508-12-260	EA	SCREW - SF/DR - 8-18 X 3/4 PWH - ALLANTE ANTELOPE
	0G5508-12-240	EA	SCREW - SF/DR - 8-18 X 3/4 PWH - VW LIGHT GRAY
	0G5508-12-170	EA	SCREW - SF/DR - 8-18 X 3/4 PWH - BRIGHT WHITE
	0G5508-16-270	EA	SCREW - SF/DR - 8-18 X 1 PWH ZINC - INTERIOR TITANIUM
	0G5508-16-260	EA	SCREW - SF/DR - 8-18 X 1 PWH ZINC - INTERIOR ANTELOPE
	0G5508-16-250	EA	SCREW - SF/DR - 8-18 X 1 PWH - VW DARK GRAY
	0G5508-16-310	EA	SCREW - SF/DR - 8-18 X 1 PWH - CADDY CREAM
	0G6008-16-170	EA	SCREW - SF/DR - 8-18 X 1 POH - BRIGHT WHITE
	0G6710-08-130	EA	SCREW - 10-12 X 1/2 PPH - TAUPE
	0G6710-08-110	EA	SCREW - 10-12 X 1/2 PPH - HAMPTON TAN
	0G6710-08-250	EA	SCREW - 10-12 X .50 PPH
	0G6710-08-240	EA	SCREW - 10-12 X 1/2 PPH TAUPE - VW LIGHT GRAY
	0G6710-08-170	EA	SCREW - 10-12 X 1/2 PPH - BRIGHT WHITE
	0G6710-12-170	EA	SCREW - 10-12 X 3/4 PPH - BRIGHT WHITE
	0G6806-16-170	EA	SCREW - 6-18 X 1 POH - BRIGHT WHITE
	0G6810-24-170	EA	SCREW - 10-12 X 1.5 POH - BRIGHT WHITE
	0G6810-24-280	EA	SCREW - 10-12 X 1 1/2 POH - SOFT WHITE
	0MD34K-04-000	EA	NUT - HEX W/NYLON LOK - M4 X .70
	000C20-05-28F	EA	SCREW - 5/16-18 X 1 3/4 FLAT SOC - STAINLESS STEEL
	000G11-06-06B	EA	SCREW - 6-20 X 3/8 PPH - ZINC
	000G11-06-24B	EA	SCREW - 6-20 X 1 1/2 PPH ZINC
	000G11-06-10J	EA	SCREW - 6-20 X 5/8 PPH - BRASS
	000G11-06-10B	EA	SCREW - 6-20 X 5/8 PPH - ZINC
	000G11-06-08B	EA	SCREW - 6-20 X 1/2 PPH - ZINC
	000G11-06-18B	EA	SCREW - 6-20 X 1 1/8 PPH - ZINC
	000G11-07-08B	EA	SCREW - 7-19 X 1/2 PPH - ZINC
	000G11-08-08T	EA	SCREW - 8-18 X 1/2 PPH - FLUOROCARBON COATING
	000G11-08-06J	EA	SCREW - 8-18 X 3/8 PPH BRASS
	000G11-08-06B	EA	SCREW - 8-18 X 3/8 PPH - ZINC
	000G11-08-20B	EA	SCREW - 8-18 X 1 1/4 PPH - ZINC
	000G11-08-10B	EA	SCREW - 8-18 X 1/2 PPH - ZINC

## SEALANTS & FASTENERS GROUP (CONTINUED)

### SCREWS (CONTINUED)

KEY	PART NUMBER	U/M	DESCRIPTION
	000G11-08-16B	EA	SCREW - 8-18 X 1 PPH - ZINC
	000G11-08-16S	EA	SCREW - 8-18 X 1 PPH - OFF WHITE
	000G11-08-12T	EA	SCREW - 8-18 X 3/4 PPH - BLACK MAGNESIUM
	000G11-08-12P	EA	SCREW - 8-18 X 3/4 PPH - DARK BROWN
	000G11-08-12D	EA	SCREW - 8-18 X 3/4 PPH - BLACK PHOSPHATE
	000G11-08-12B	EA	SCREW - 8-18 X 3/4 PPH - ZINC
	000G11-10-12S	EA	SCREW - 10-16 X 3/4 PPH - OFF WHITE
	000G11-10-12D	EA	SCREW - 10-16 X 3/4 PPH - BLACK
	000G11-10-16B	EA	SCREW - 10-16 X 1 PPH - ZINC
	000G11-10-40B	EA	SCREW - 10-16 X 2 1/2 PPH CADMIUM
	000G12-06-12J	EA	SCREW - 6-20 X .75 POH - BRASS
	000G12-06-08T	EA	SCREW - 6-20 X 1/2 POH - BLACK
	000G12-08-12S	EA	SCREW - 8-18 X 3/4 POH - OFF WHITE
	000G12-08-283	EA	SCREW-8-18X1.75 POH - BUFF
	000G13-05-10B	EA	SCREW - 5-12 X 5/8 PFH - ZINC
	000G13-06-06I	EA	SCREW - 6-20 X 3/8 PFH - BLACK ZINC
	000G13-06-06B	EA	SCREW - 6-20 X 3/8 PFH - ZINC
	000G13-06-24J	EA	SCREW - 6-20 X 1 1/2 PFH - BRASS
	000G13-06-16S	EA	SCREW - 6-20 X 1 PFH - OFF WHITE
	000G13-06-16J	EA	SCREW - 6-20 X 1 PFH - BRASS
	000G13-06-10J	EA	SCREW - 6-20 X 5/8 PFH - BRASS
	000G13-06-10G	EA	SCREW - 6-20 X 5/8 PFH - ANTIQUE BRASS
	000G13-06-08G	EA	SCREW - 6-20 X 1/2 PFH - ANTIQUE BRASS
	000G13-06-08B	EA	SCREW - 6-20 X 1/2 PFH - ZINC
	000G13-07-10H	EA	SCREW - 7-19 X 5/8 PFH - BLACK
	000G13-07-12B	EA	SCREW - 7-19 X 3/4 PFH - ZINC
	000G13-08-16B	EA	SCREW - 8-18 X 1 PFH - ZINC
	000G13-08-109	EA	SCREW - 8-18 X 5/8 PFH
	000G13-08-10S	EA	SCREW - 8-18 X 5/8 PFH - OFF WHITE
	000G13-08-10B	EA	SCREW - 8-18 X 5/8 PFH - ZINC
	000G13-08-24B	EA	SCREW - 8-18 X 1 1/2 PFH - ZINC
	000G13-10-16I	EA	SCREW - 10-16 X 1 PFH - BLACK
	000G16-04-24B	EA	SCREW - MACHINE - 1/4-20 X 1 1/2 PPH
	000G18-08-12B	EA	SCREW - MACHINE - 8-32 X 3/4 PPH - ZINC
	000G18-08-20B	EA	SCREW - MACHINE - 8-32 X 1 1/4 PPH - ZINC
	000G18-08-22B	EA	SCREW - MACHINE - 8-32 X 1 3/8 PPH - ZINC
	000G18-08-24B	EA	SCREW - MACHINE - 8-32 X 1 1/2 PPH - ZINC
	000G19-10-10B	EA	SCREW - MACHINE - 10-32 X 5/8 - PPH - ZINC
	000G19-10-08B	EA	SCREW - MACHINE - 10-32 X 1/2 PPH - ZINC
	000G19-10-20B	EA	SCREW - MACHINE - 10-32 X 1 1/2 PPH - ZINC
	000G19-10-12F	EA	SCREW - MACHINE - 10-32 X 3/4 PPH - STAINLESS STEEL
	000G32-10-06B	EA	SCREW - 10-32 X 3/8 PPH - ZINC
	000G36-10-12T	EA	SCREW - 10-24X 3/4 PFH TYPE 23 - BLACK
	000G37-08-12B	EA	SCREW - 8-18 X 3/4 PPH
	000G37-08-089	EA	SCREW - 8 X 18 X 1/2 PPH - FLUOROCARBON SILVER
	000G38-04-16D	EA	SCREW - MACHINE - 1/4-20 X 1 PFN - BLACK
	000G39-06-08B	EA	SCREW - SF/DR - 6-18 X 1/2 - ZINC
	000G39-06-10T	EA	SCREW - SF/DR - 6-20 X 5/8 PPH - BLACK
	000G39-06-16T	EA	SCREW - SF/DR - 6-20 X 1 PPH - BLACK
	000G39-08-08S	EA	SCREW - SF/DR - 8-18 X 1/2 PPH - OFF WHITE
	000G39-08-08B	EA	SCREW - SF/DR - 8-18 X 1/2 PPH - ZINC
	000G39-08-06B	EA	SCREW - SF/DR - 8-18 X 3/8 PPH - ZINC
	000G39-08-32B	EA	SCREW - SF/DR - 8-18 X 2 PPH - ZINC
	000G39-08-24T	EA	SCREW - SF/DR - 8-18 X 1 1/2 PPH - BLACK
	000G39-08-24S	EA	SCREW - SF/DR - 8-18 X 1 1/2 - OFF WHITE
	000G39-08-24B	EA	SCREW - SF/DR - 8-18 X 1 1/2 PPH - ZINC
	000G39-08-16T	EA	SCREW - SF/DR - 6-20 X 1 PPH - BLACK
	000G39-08-16B	EA	SCREW - SF/DR - 8-18 X 1 PPH - ZINC
	000G39-08-12T	EA	SCREW - SF/DR - 8-18 X 3/4 PPH - BLACK
	000G39-08-12B	EA	SCREW - SF/DR - 8-18 X 3/4 PPH - ZINC
	000G39-08-083	EA	SCREW - SF/DR - 8-18 X 1/2 PAH - BUFF
	000G39-08-08T	EA	SCREW - SF/DR - 8-18 X 1/2 PPH - BLACK
	000G39-10-088	EA	SCREW - SF/DR - 10-16 X 1/2 PPH - FLEX FLUOROCARBON
	000G39-10-08B	EA	SCREW - SF/DR - 10-16 X 1/2 PPH - ZINC



**SEALANTS & FASTENERS GROUP (CONTINUED)**  
**SCREWS (CONTINUED)**

<b>KEY</b>	<b>PART NUMBER</b>	<b>U/M</b>	<b>DESCRIPTION</b>
	000G39-10-48T	EA	SCREW - SF/DR - 10-16 X 3 PPH - BLACK
	000G39-10-48B	EA	SCREW - SF/DR - 10-16 X 3 - PPH - ZINC
	000G39-10-40D	EA	SCREW - SF/DR - 10-16 X 2 1/2 PPH - BLACK
	000G39-10-32I	EA	SCREW - SELF TAPPING - 10-16 X 2 PPH - BLACK
	000G39-10-32B	EA	SCREW - SF/DR - 10-16 X 2 - PPH - ZINC
	000G39-10-209	EA	SCREW - SF/DR - 10-16 X 1 1/4 PPH - FLUOROCARBON SILVER
	000G39-10-20T	EA	SCREW - SF/DR - 10-16 X 1 1/4 PPH - BLACK
	000G39-10-20B	EA	SCREW - SF/DR - 10-16 X 1 1/4 PPH - ZINC
	000G39-10-169	EA	SCREW - SF/DR - 10-16 X 1 PPH - FLUOROCARBON SILVER
	000G39-10-129	EA	SCREW - SF/DR - 10-16 X 3/4 PPH - FLUOROCARBON SILVER
	000G39-10-123	EA	SCREW-SF/DR,10-16X.75 PPH - BUFF
	000G39-10-12T	EA	SCREW - SF/DR - 10-16 X 3/4 - BLACK
	000G39-10-12S	EA	SCREW - SF/DR - 10-16 X 3/4 PPH - OFF WHITE
	000G39-10-12R	EA	SCREW - SF/DR - 10-16 X .75 PPH - BEIGE
	000G39-10-12R	EA	SCREW - SF/DR - 10-16 X .75 PPH - BEIGE
	000G39-10-12B	EA	SCREW - SF/DR - 10-16 X 3/4 PPH - ZINC
	000G39-10-10T	EA	SCREW - SF/DR - 10-16 X 5/8 - BLACK
	000G39-10-10B	EA	SCREW - SF/DR - 10-16 X 5/8 - ZINC
	000G39-12-12E	EA	SCREW - SF/DR - 12-14 X 3/4 PPH - CHROME
	000G42-04-16B	EA	SCREW - SF/DR - 1/4-14 X 1 HWH - ZINC
	000G42-04-20B	EA	SCREW - SF/DR - 1/4-14 X 1 1/4 - ZINC
	000G42-04-24B	EA	SCREW - SF/DR - 1/4-14 X 1 1/2 - ZINC
	000G46-08-24T	EA	SCREW - MACHINE - 8-32 X 1 1/2 PFH - BLACK
	000G50-04-12B	EA	SCREW - MACHINE - 1/4-20 X 3/4 PPH - ZINC
	000G50-04-08B	EA	SCREW - MACHINE - 1/4-20 X 1/2 PTH - ZINC
	000G50-04-06B	EA	SCREW - MACHINE - 1/4-20 X 3/8 PTH - ZINC
	000G51-06-12B	EA	SCREW - 6-20 X 3/4 PTH - ZINC
	000G52-06-06B	EA	SCREW - MACHINE - 6-32 X 3/8 PTN - ZINC
	000G52-06-05B	EA	SCREW - MACHINE - 6-32 X 5/16 PTH ZINC
	000G52-08-18B	EA	SCREW - MACHINE - 8-32 X 1 1/8 PTH - ZINC
	000G52-08-06B	EA	SCREW - MACHINE - 8-32 X 3/8 PTH - ZINC
	000G54-04-20B	EA	SCREW - 1/4-20 X 1 1/4 PTH - TYPE 23 - ZINC PLATED
	000G54-04-14B	EA	SCREW - 1/4-20 X 7/8 PTH - TYPE 23 - ZINC PLATED
	000G55-08-12S	EA	SCREW - SF/DR - 8-18 X 3/4 PWH - OFF WHITE
	000G55-08-12M	EA	SCREW - SF/DR - 8-19 X .75 PWH - GRAY
	000G55-08-16S	EA	SCREW - SF/DR - 8-18 X 1 PWH - WILLOW
	000G55-08-162	EA	SCREW - SF/DR - 8-18 X 1.00 - BEIGE
	000G55-08-16T	EA	SCREW - SF/DR - 8-18 X 1 PWH - BLACK
	000G55-08-16S	EA	SCREW - SF/DR - 8-18 X 1.00 - PWH - OFF WHITE
	000G55-08-125	EA	SCREW - SF/DR - 8-18 X 3/4 PWH - WILLOW
	000G55-08-124	EA	SCREW - SF/DR - 8-18 X 3/4 PWH - ASH GRAY
	000G56-10-24J	EA	SCREW - WOOD - 10-13 X 1 1/2 POH - BRIGHT BRASS
	000G56-12-48B	EA	SCREW - WOOD - 12-11 X 3 POH - SPECIAL HARDENED
	000G57-10-24K	EA	SCREW - 10-12 X 1.5" PFH - CHROME
	000G57-14-72B	EA	SCREW-14-10-X4-1/2 PFH ZN GENERAL MOTORHOMES
	000G57-14-64B	EA	SCREW - 14-10 X 4 PFH ZINC
	000G60-08-16E	EA	SCREW - SF/DR - 8-1 X 1 POH - CHROME
	000G60-08-22B	EA	SCREW - SF/DR - 8-18 X 1.38 POH - ZINC
	000G60-08-20F	EA	SCREW - SF/DR - 8-19X1.25 POH
	000G60-10-20B	EA	SCREW - SF/DR - 10-16 X 1 1/4 POH - ZINC
	000G60-10-16J	EA	SCREW - SF/DR - 10-16 X 1 POH - BRIGHT BRASS
	000G60-10-28T	EA	SCREW - SF/DR - 10-16 X 1 3/4 - BLACK
	000G60-10-209	EA	SCREW - SF/DR - 10-16 X 1 1/4 POH - SILVER STALGAARD
	000G67-08-32B	EA	SCREW - 8-15 X 2 PPH - ZINC
	000G67-10-12B	EA	SCREW - 10-12 X 3/4 PPH - ZINC
	000G67-10-10T	EA	SCREW - 10-12 X 5/8 PPH - BLACK
	000G67-10-10S	EA	SCREW - 10-12 X 5/8 PPH - OFF WHITE
	000G67-10-10P	EA	SCREW - 10-12 X 5/8 PPH - DARK BROWN
	000G67-10-10D	EA	SCREW - 10-12 X 5/8 PPH - BLACK - TYPE A
	000G67-10-10B	EA	SCREW - 10-12 X 5/8 PPH - ZINC - TYPE A
	000G67-10-08S	EA	SCREW - 10-12 X 1/2 PPH - OFF WHITE
	000G67-10-08B	EA	SCREW - 10-12 X 1/2 PPH - ZINC
	000G67-10-48B	EA	SCREW - 10-12 X 3 PPH - ZINC
	000G67-10-36T	EA	SCREW - 10-12 X 2 1/4 - PPH - BLACK

**SEALANTS & FASTENERS GROUP (CONTINUED)**  
**SCREWS (CONTINUED)**

<b>KEY</b>	<b>PART NUMBER</b>	<b>U/M</b>	<b>DESCRIPTION</b>
	000G67-10-32B	EA	SCREW - 10-12 X 2 PPH - ZINC
	000G67-10-28B	EA	SCREW - 10-12 X 1 3/4 PPH - ZINC
	000G67-10-24S	EA	SCREW - 10-12 X 1 1/2 PPH - OFF WHITE
	000G67-10-24B	EA	SCREW - 10-12 X 1 1/2 PPH - ZINC
	000G67-10-20D	EA	SCREW - 10-12 X 1 1/4 PPH - BLACK
	000G67-10-16B	EA	SCREW - 10-12 X 1 PPH - ZINC
	000G67-10-12S	EA	SCREW - 10-12 X 3/4 PPH - WILLOW
	000G67-10-08R	EA	SCREW - 10-12 X 1/2 PPH - BEIGE - TYPE A
	000G67-10-12R	EA	SCREW - 10-12 X 3/4 PPH - BEIGE
	000G67-10-12P	EA	SCREW - 10-12 X 3/4 PPH - DARK BROWN
	000G68-06-10G	EA	SCREW - 6-18 X 5/8 POH - ANTIQUE BRASS
	000G68-06-12J	EA	SCREW - 6-18 X 3/4 POH - BRASS
	000G68-06-12S	EA	SCREW - 6-18 X 3/4 POH
	000G68-06-12B	EA	SCREW - 6-18 X 3/4 POH - ZINC & CLEAR
	000G68-06-10J	EA	SCREW - 6-18 X 5/8 POH - BRASS
	000G68-10-20I	EA	SCREW - 10-12 X 1 1/4 POH - BLACK
	029130-05-000	EA	SCREW - SNAP STUD - #8-16 X 5/8 <sup>1</sup> LONG
	049465-01-000	EA	SCREW - 10-16 PTH W/WASHER - DARK BROWN
	049465-03-000	EA	SCREW - 10-16 X 1 POH W/WASHER - OFF WHITE
	049465-04-000	EA	SCREW - 10-16 X 1 PTH W/WASHER - BEIGE
	049465-13-000	EA	SCREW-10+16X1 PTH W/WASHER - *ASH GRAY
	049465-17-000	EA	SCREW - 10-16 X 1 POH W/WASHER - BRIGHT WHITE
	049465-18-000	EA	SCREW - 10-16 X 1 POH W/WASHER - VW GRAY
	049465-22-000	EA	SCREW - 10-16 X 1 1/2 POH W/WASHER - SABLE
	049465-23-000	EA	SCREW - 10-16 X 1.5 POH W/WASHER - VW LIGHT GRAY
	054434-02-000	EA	SCREW - SF/DR - 10-16 X 2 - ZINC
	054434-03-000	EA	SCREW - SF/DR - 10-16 X 2 - PWH - ZINC - W/O WINGS
	075908-01-000	EA	SCREW - MACHINE - 10-32 X .56 PTH - EXTERNAL TOOTH - ZINC
	076790-01-000	EA	SCREW - 6-20 X 1 1/4 PPH - BLACK
	076790-03-000	EA	SCREW - 6-20 X 1 PPH - BLACK
	076790-05-000	EA	SCREW - 6-20 X 1/2 PPH - BLACK - THREAD CUTTING/WOOD
	083554-01-000	EA	SCREW - DRYWALL - 8 X 1 1/4
	083554-04-000	EA	SCREW - DRYWALL - 8 X 2 1/2
	087721-01-000	EA	SCREW - FLAT HEAD - TAPPING - 1/4 X 1 1/4 LONG - ZINC
	090033-02-000	EA	SCREW - 1/4-20 X 5/8 - ROUND WASHER HEAD - OFF/WHITE
	091230-06-000	EA	SCREW-MACH,8-32X3/4 POH SS - BRIGHT WHITE
	097974-01-000	EA	SCREW - PARTICLE BOARD - 7-9 X 3/4 PPH
	101618-01-000	EA	SCREW - 1/4-20 X 3/4 HEX - TAPPING - STALGARD TYPE F
	105126-01-000	EA	SCREW - MACHINE - 8-32 X 1 PPH TAPTIT
	110460-05-02A	EA	SCREW - MACHINE - 10-24 X 2 1/2 PFH - WHITE
	113563-01-01A	EA	SCREW - 8 X 5/8 LONG SHOULDER/WASHER HEAD
	117478-01-04A	EA	SCREW - 8-18 X 3/4 PPH W/WASHER - VW LIGHT GRAY
	118383-01-09A	EA	RETAINER/RECESSED - F/.22" SCREW - GLACIER
	118383-01-05A	EA	RETAINER/RECESSED - F/.22" SCREW - VW LIGHT GRAY
	118383-01-04A	EA	RETAINER/RECESSED - F/.22" SCREW - BRIGHT WHITE
	118383-01-06A	EA	RETAINER/RECESSED - F/.22" SCREW - ALLANTE ANTELOPE
	118383-02-05A	EA	RETAINER/RECESSED - F/.27" SCREW - VW LIGHT GRAY
	118383-02-06A	EA	RETAINER/RECESSED - F/.27" SCREW - ALLANTE ANTELOPE
	118383-02-09A	EA	RETAINER/RECESSED - F/.27" SCREW - GLACIER
	118383-02-04A	EA	RETAINER/RECESSED - F/.27" SCREW - BRIGHT WHITE
	118383-03-05A	EA	RETAINER/RECESSED - F/.32" SCREW - VW LT. GRAY
	118383-03-09A	EA	RETAINER/RECESSED - F/.32" SCREW - GLACIER
	118383-04-04A	EA	CAP - F/RECESSED RETAINER - BRIGHT WHITE
	118383-04-05A	EA	CAP - F/RECESSED RETAINER - VW LIGHT GRAY
	118383-04-09A	EA	CAP - F/RECESSED RETAINER - GLACIER
	118383-04-06A	EA	CAP - F/RECESSED RETAINER - ALLANTE ANTELOPE
	126458-01-01A	EA	SCREW - 8-18 X 1/2 - PRWH - BLACK
	129967-01-01A	EA	SCREW - MACHINE - 8-32 X 3/4 PH STAINLESS STEEL
	130245-01-01A	EA	SCREW - EUROPEAN M6.3 X 10
	134126-01-01A	EA	SCREW/NAIL - HEX HEAD - 3/4"
	134126-02-01A	EA	SCREW/NAIL - HEX HEAD - 1 1/4"
	140040-01-000	EA	SCREW - 1/4-20X1 - BUTTON HEAD SOCKET - W/LOCTITE

## SEALANTS & FASTENERS GROUP (CONTINUED)

### CLAMPS, CLIPS, GROMMETS, RIVETS & PLUGS

KEY	PART NUMBER	U/M	DESCRIPTION
	000F10-04-16B	EA	PIN - COTTER - 1/8 X 1 - ZINC
	000F10-06-32B	EA	PIN - COTTER - 3/16" X 2" - ZINC
	000H14-04-04A	EA	RIVET - MANDREL BLIND - 1/8 X .400
	000H14-06-14R	EA	RIVET - MANDREL BLIND - 3/16 - CHERRY
	000H14-06-06R	EA	RIVET-MANDREL BLIND,3/16 AL - CHERRY BSP-66
	000H14-06-03R	EA	RIVET - MANDREL BLIND - 3/16 ALUMINUM
	000H16-04-06R	EA	RIVET - POP ALUMINUM - 1/8 X .313 - .375
	000H16-06-10R	EA	RIVET - POP ALUMINUM - 3/16 X .501-.625
	007161-01-000	EA	CLAMP - HOSE - SPRING TYPE - 1/2"
	008384-01-000	EA	GROMMET - SNAP - 3/4 DIAMETER - NYLON
	008386-01-000	EA	GROMMET - SNAP - 3/8" DIAMETER - NYLON
	010495-01-000	EA	CLAMP - CABLE - 9/16"
	010495-02-000	EA	CLAMP - CABLE - 3/8"
	010495-04-000	EA	CLAMP - CABLE - 11/16" - WHITE
	010497-01-000	EA	CLAMP - CLOSED - 5/8" ID
	010497-03-000	EA	CLAMP - CLOSED - 1" ID - CUSHIONED
	010497-04-000	EA	CLAMP - CLOSED - 1 5/8" ID
	010497-05-000	EA	CLAMP - CLOSED - 1/2" ID
	010497-07-000	EA	CLAMP - CLOSED - 3/8" ID
	010497-08-000	EA	CLAMP - CLOSED - .125" ID
	010499-01-000	EA	CLAMP - CLOSED - 3/8" ID
	016188-03-000	EA	GROMMET - L/P LINE - 3/8" HOLE X 2 1/2" LONG - RUBBER
	016188-04-000	EA	GROMMET - L/P LINE - 1/2" HOLE X 2 1/2" LONG - RUBBER
	016188-05-000	EA	GROMMET - L/P LINE - 3/8" HOLE X 1 1/4" LONG - RUBBER
	016188-06-000	EA	GROMMET - L/P LINE - 3/8" X 31 1/4" LONG
	016188-07-000	EA	GROMMET - L/P LINE - 1/2" X 3 1/4" LONG
	023942-01-000	EA	GROMMET - RUBBER - 2" OD
	034141-02-000	EA	PLUG/NYLON - .38" - BLACK
	056134-01-000	EA	HOLDER - RING - 3.6" DIAMETER - METAL
	056134-02-000	EA	HOLDER - RING - 1.8" DIAMETER - METAL
	061420-01-000	EA	PLUG/PLASTIC - 1 3/4" DIAMETER - BROWN
	061420-04-000	EA	PLUG/PLASTIC - 1 1/4" DIAMETER
	061420-05-000	EA	PLUG/PLASTIC - 1 1/2" DIAMETER
	061420-08-000	EA	PLUG/PLASTIC - 2 1/2" DIAMETER
	061420-09-000	EA	PLUG/PLASTIC - 1.00" - DIAMETER
	061420-10-000	EA	PLUG/PLASTIC - 1 1/2" DIAMETER - BLACK
	061420-15-000	EA	PLUG/PLASTIC - 2" DIAMETER - BLACK
	061420-16-000	EA	PLUG/PLASTIC - 2 1/8" DIAMETER
	062401-01-000	EA	CLAMP - HOSE - WORMGEAR - .25" - 1"
	062401-02-000	EA	CLAMP - HOSE - WORMGEAR - 1.56" - 2.5"
	062401-03-000	EA	CLAMP - HOSE - WORMGEAR - .22" - 1"
	062401-04-000	EA	CLAMP - HOSE - WORMGEAR - .69" - 1.25"
	062401-05-000	EA	CLAMP - HOSE - WORMGEAR - 2" - 3" ID
	062401-06-000	EA	CLAMP - HOSE - WORMGEAR - .22" - .62" ID
	062401-07-000	EA	CLAMP - HOSE - WORMGEAR - 5"-7"
	062401-09-000	EA	CLAMP - HOSE - WORMGEAR - 2.8" - 3.75"
	062401-11-000	EA	CLAMP - HOSE - WORMGEAR - 3.50" - 4.50"
	062401-12-000	EA	CLAMP - HOSE - WORMGEAR - .79" X 1.26"
	071015-11-000	EA	GROMMET - RUBBER - 1"ID FITS .12 MATERIAL - BLACK
	071015-13-000	EA	GROMMET - RUBBER - .62" ID X 1" OD W/.09" GROOVE - BLACK
	071015-19-000	EA	GROMMET - RUBBER - .38 ID - FITS .06 MATERIAL - BLACK
	071015-22-000	EA	GROMMET - RUBBER - .62" ID X 1.12" OD W/.19" GROOVE - BLACK
	071015-26-000	EA	GROMMET - RUBBER - 1.5" ID X 2.1" OD W/.06" GROOVE-BLACK
	071015-29-000	EA	GROMMET - RUBBER - .3" ID X 1.3"OD W/.12" GROOVE - BLACK
	071015-30-000	EA	GROMMET - RUBBER - .31" ID X .81" OD W/.12" GROOVE-BLACK
	071015-39-000	EA	GROMMET - .75 ID FITS .06 MTL
	075148-02-000	EA	CLAMP - GROUNDING - BRONZE SCREWS
	077955-01-000	EA	CLIP/J - 3/8" - VINYL COATED
	080211-03-000	EA	CLIP - XMAS TREE W/PANEL RETAINING HEAD - 3/4" SHANK
	080734-02-000	EA	CLIP - WIRE NYLON
	081211-03-000	EA	PLUG/PLASTIC - .50 DIAMETER - BLACK
	081211-04-000	EA	PLUG/PLASTIC - .46 DIAMETER - BLACK
	083609-01-000	EA	CLAMP - WIRE - DUAL - EQUAL DIAMETERS - 5/8"
	083610-01-000	EA	CLAMP - WIRE - DUAL - UNEQUAL DIAMETERS - 3/4" & 1 1/4"

## SEALANTS & FASTENERS GROUP (CONTINUED)

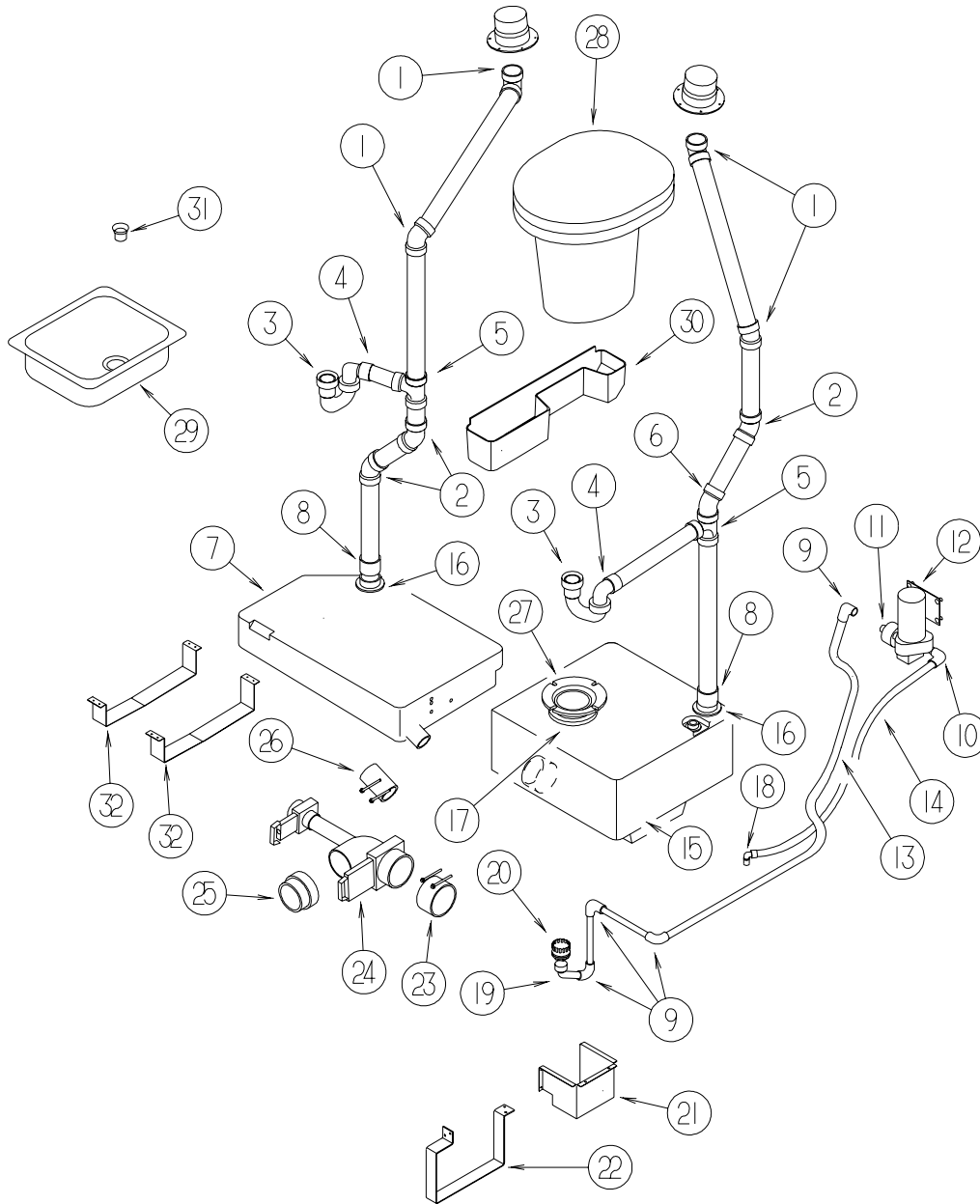
### CLAMPS, CLIPS, GROMMETS, RIVETS & PLUGS (CONTINUED)

KEY	PART NUMBER	U/M	DESCRIPTION
	083610-02-000	EA	CLAMP - WIRE - DUAL - UNEQUAL DIAMETERS - 3/4" & 2"
	083610-03-000	EA	CLAMP - WIRE - DUAL - EQUAL DIAMETERS - 2" & 2"
	088756-01-000	EA	GROMMET - WEB - 1 1/8 i.i.d.
	091952-01-000	EA	CLIP - GRIPPER - 1"
	091952-02-000	EA	CLIP - GRIPPER - 3/4"
	094362-02-000	EA	CLIP - XMAS TREE - BINDER HEAD - .9" LONG
	094362-05-000	EA	CLIP - XMAS TREE - ROUND HEAD - 1.4" LONG
	094362-06-000	EA	CLIP - XMAS TREE - FLAT HEAD - .745-.755 HEAD DIAMETER
	114208-03-000	EA	GROMMET - EDGE LINER - FITS 2 1/2"
	114208-04-000	EA	GROMMET - EDGE LINER - FITS 1"
	114208-05-000	EA	GROMMET - EDGE LINER - FITS 2"
	118626-01-01A	EA	RIVET - POP - ALUMINUM - 3/16 X .08 - .375
	118626-02-01A	EA	RIVET - POP - ALUMINUM - 3/16 X .500 - .750
	137014-01-02A	EA	GROMMET - CABLE - BROWN

### MISCELLANEOUS FASTENERS

KEY	PART NUMBER	U/M	DESCRIPTION
	008343-01-000	EA	TIE - WIRE - 6"
	008343-02-000	EA	TIE - WIRE - 14"
	008343-03-000	EA	TIE - WIRE - 7 1/2" - BLACK
	029094-04-000	YD	VELCRO TAPE - LOOP - 1" WIDE - BLACK
	029096-03-000	YD	VELCRO TAPE - HOOK - 1" WIDE - BLACK
	029096-04-000	YD	VELCRO TAPE - HOOK - 1" WIDE - BLACK
	048394-02-000	YD	VELCRO TAPE - HOOK - ADHESIVE BACK - 3/4" WIDE - BEIGE
	085774-01-000	FT	FASTENER - DUAL LOCK - 1" WIDE - ADHESIVE BACK - BLACK
	085774-02-000	FT	FASTENER - DUAL HOOK - 1" WIDE - ADHESIVE BACK - BLACK
	085774-03-000	FT	FASTENER - DUAL LOCK - 1/2" WIDE - ADHESIVE BACK - BLACK
	085774-04-000	FT	FASTENER - DUAL HOOK - 1/2" WIDE - ADHESIVE BACK - BLACK
	088792-02-000	YD	VELCRO TAPE - LOOP - 3/4" - ADHESIVE BACK - BEIGE
	088792-04-000	YD	VELCRO TAPE - HOOK - 5/8" - NON-ADHESIVE BACK - WHITE
	088792-05-000	YD	VELCRO TAPE - LOOP - 5/8" - NON-ADHESIVE BACK - WHITE
	094362-07-000	EA	CLIP - XMAS TREE - FLAT HEAD
	108046-01-000	EA	CABLE TIE - SCREW MOUNT 8"
	108046-02-000	EA	CABLE TIE - SCREW MOUNT 15"
	110943-02-000	FT	FELT STRIP - 3/8" - ADHESIVE BACK - WHITE
	113133-02-01A	EA	RIVET - POP - ALUMINUM - 3/16 X .252 - .504 - BLACK
	115361-01-01A	EA	PLUG/PLASTIC - 1/2" DIAMETER
	123816-04-000	FT	TAPE - DOUBLE SIDED - 6" X 750'
	127960-01-01A	EA	RETAINER - 3/8" - STAINLESS STEEL

## WATER & SEWAGE GROUP DRAINAGE SYSTEM



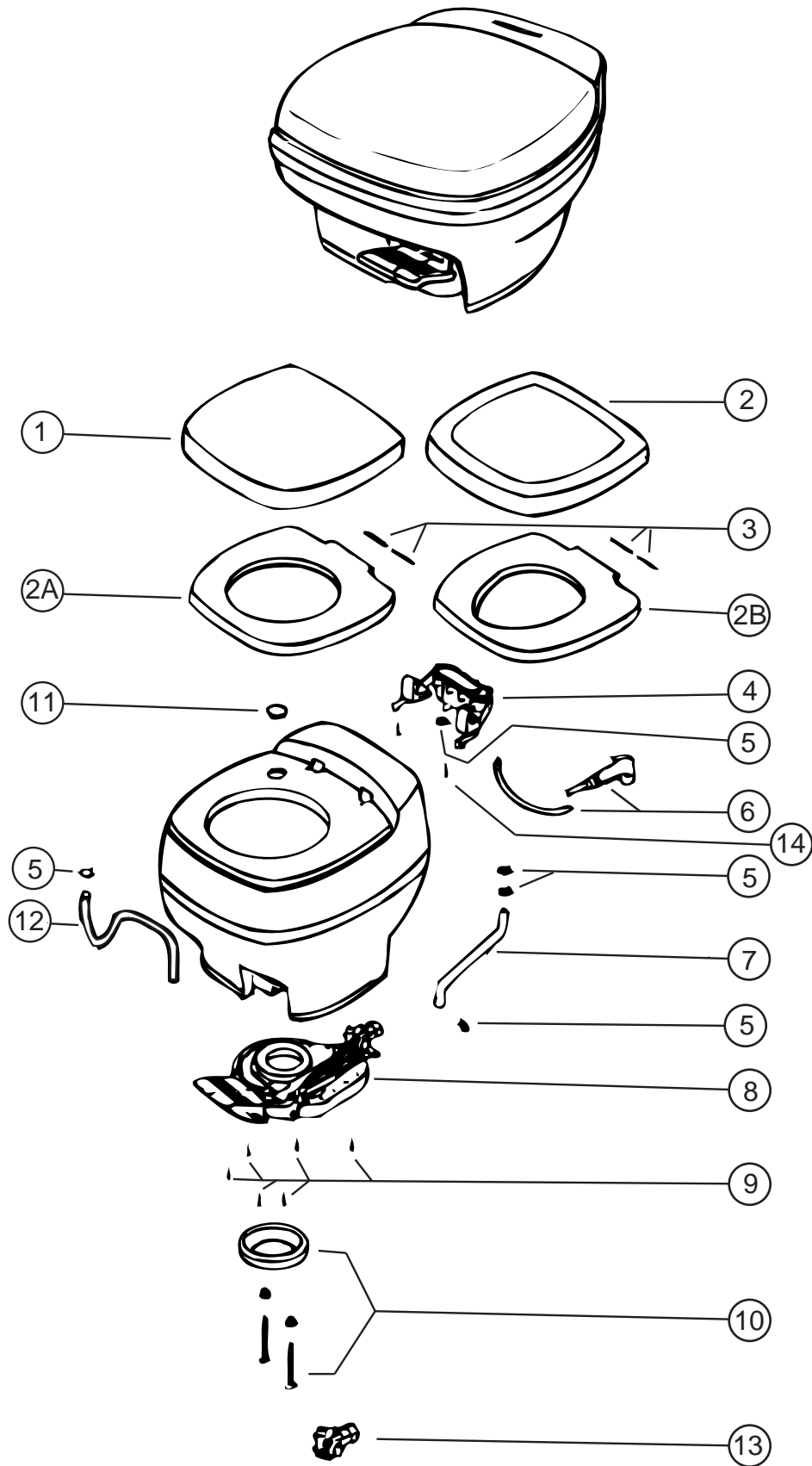
KEY	PART NUMBER	U/M	DESCRIPTION
	083558-06-000	EA	VENT - ROOF PLUMBING PIPE - COVERED
1	010005-01-000	EA	ELBOW - 22.5 DEGREE - 1 1/2" HUB X HUB - PLASTIC
2	010006-01-000	EA	ELBOW - 45 DEGREE - 1 1/2" HUB X HUB - PLASTIC
3	107538-01-000	EA	P-TRAP - PLASTIC - 1 1/4" W/EXTENSION ARM
3	011071-01-000	EA	P-TRAP - PLASTIC - 1 1/2" - CSA
	011069-03-000	EA	TAILPIECE - TUB/SHOWER - 1 1/2" X 1 3/4" - PLASTIC
4	109571-01-000	EA	ADAPTER - P-TRAP - 1 1/2"P X 1 1/4"MPT
5	010071-01-000	EA	TEE - SANITARY - 1 1/2" HUB X HUB X HUB - PLASTIC
6	010051-01-000	EA	ELBOW - 45 DEGREE - 1 1/2" SPIGOT X HUB - PLASTIC
7	118979-01-700	EA	TANK - HOLDING - 6.4 GALLON W/1.5" OUTLET NIPPLE
	039861-01-000	EA	SENDING UNIT - W/SCREW - WASHER - WELL NUT/TERMINAL RING
8	010115-01-000	EA	COUPLING - 1 1/2" HUB X HUB - PLASTIC
9	114429-01-000	EA	ELBOW - 1/2"P X 1/2"P - W/SHOWER OPTION
10	123150-01-000	EA	ELBOW - 1/2 FPT X 1/2 BARB - SWIVEL - W/SHOWER OPTION
10	114427-02-000	EA	PLUG - W/COMP NUT - 1/2" PLASTIC PIPE/1/2" FLAIR-IT - W/O SHOWER OPTION
11	114966-01-000	EA	FILTER - IN LINE - TWIST ON - 1/2" - W/SHOWER OPTION
12	098607-01-000	EA	PUMP - WATER - W/.5" MPT FITTING - FLOW 2.8 GPM - W/SHOWER OPTION

**WATER & SEWAGE GROUP (CONTINUED)**  
**DRAINAGE SYSTEM (CONTINUED)**

KEY	PART NUMBER	U/M	DESCRIPTION
13	124188-01-000	FT	TUBING - PEX - 1/2" ID X 20' - BLUE(COLD)
14	112176-01-000	FT	TUBING - VINYL - REINFORCED - 1/2" ID
15	111884-02-000	EA	TANK - HOLDING - 13 GALLON - W/FITTINGS
15	111884-01-000	EA	TANK - HOLDING - 13 GALLON - W/O FITTINGS
	039861-01-000	EA	SENDING UNIT - W/SCREW - WASHER - WELL NUT/TERMINAL RING
16	061607-01-000	EA	GROMMET - HOLDING TANK - 1 1/2" NPS
17	061607-02-000	EA	GROMMET - HOLDING TANK - 3" NPS
18	111223-04-000	EA	ELBOW - 1/2" MPT X 1/2" BARB - PLASTIC - W/SHOWER OPTION
19	114429-06-000	EA	ELBOW - SWIVEL - 1/2" P X 3/4" FPT - W/SHOWER OPTION
20	114974-01-000	EA	CONNECTOR - HULL - W/STRAINER - W/SHOWER OPTION
21	114987-01-09B	EA	PANEL - COVER - SUMP - BOTTOM - GALVANIZED
21	114988-01-09B	EA	PANEL - COVER - SUMP - GALVANIZED
	092321-01-000	FT	INSULATION - FIBERGLASS W/FOIL BACKING
22	117271-01-02B	EA	SHROUD - DRAINAGE
23	078406-01-000	EA	COUPLER - RUBBER - W/CLAMPS - 3" X 3"
24*	070916-01-000	EA	VALVE - DUAL DUMP - W/CAP - 3" X 1 1/2"
25	062416-01-000	EA	ADAPTER - SEWER HOSE TO 3" PIPE
			FROM: 00-00-00 THRU: 06-10-01
	010201-01-000	EA	HOSE - SEWER - 3" ID X 8'
			FROM: 00-00-00 THRU: 06-10-01
	139513-01-000	EA	HOSE - SEWER - 3" X 10' - W/ADAPTER
			FROM: 06-11-01 THRU: 99-99-99
26	089355-01-000	EA	COUPLER - RUBBER - 1 1/2" X 1 1/2"
27	063641-01-000	EA	FLANGE - CLOSET - 4" X 3"
28*	064076-03-000	EA	TOILET - STARLITE - LOW - WHITE
29	011029-03-000	EA	SINK - STAINLESS STEEL - SINGLE W/RAILS
	066437-02-000	EA	STRAINER - W/BASKET - GALLEY SINK - 2.6" OD
30	112114-01-02A	EA	BASIN - CATCH - LAVATORY - VW LIGHT GRAY
31	106116-01-01A	EA	STRAINER/PLASTIC - STOPPER/TAILPIECE/GASKET & NUT-LAVATORY
32	118980-02-02B	EA	BRACKET-TANK,HOLDING,E-CT - *95 V221RC
33	109571-02-000	EA	ADAPTER - 1 1/2" HUB X 1 1/2" MPT

\* COMPONENT PARTS LISTED LATER IN THIS GROUP

**WATER & SEWAGE GROUP (CONTINUED)**  
COMPONENT PARTS FOR DRAINAGE SYSTEM



**WATER & SEWAGE GROUP (CONTINUED)**  
**COMPONENT PARTS FOR DRAINAGE SYSTEM (CONTINUED)**

**064076-03-000 (CONTINUED)**

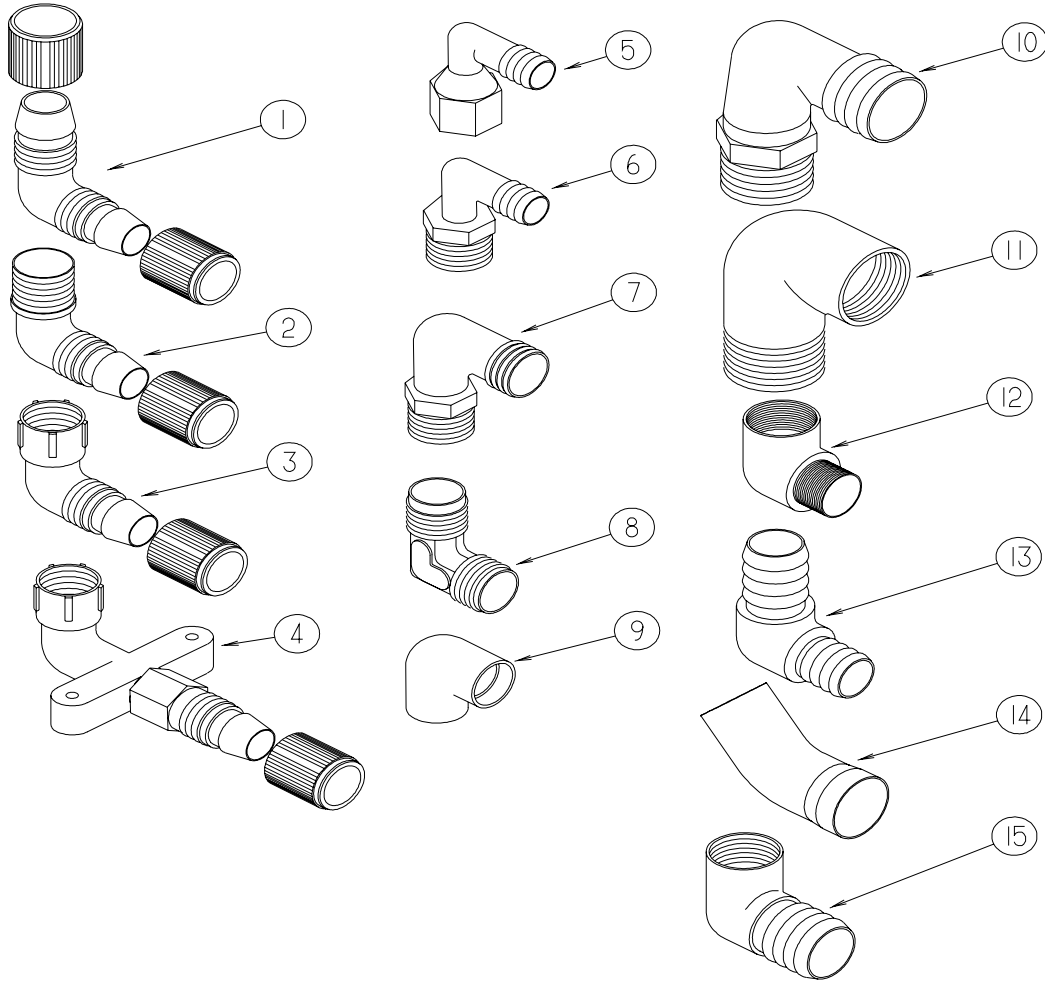
<b>KEY</b>	<b>PART NUMBER</b>	<b>U/M</b>	<b>DESCRIPTION</b>	<b>VENDOR NO.</b>
	064076-03-000	EA	TOILET - STARLITE - LOW - WHITE	
1	064076-03-700	EA	COVER-SEAT,TOILET-WHITE	2092362
2	064076-03-701	EA	RING-SEAT - TOILET/WHITE	656462
3	039341-02-707	EA	PIN-HINGE	2986
4	064076-03-702	EA	BREAKER-VACUUM - PKG(WHITE)	2070262
5			CONTACT WINNEBAGO PART SALES FOR THIS COMPONENT	
6	067487-01-701	EA	WATER SAVER PKG.	08993
7			CONTACT WINNEBAGO PART SALES FOR THIS COMPONENT	
8	064076-03-703	EA	MECHANISM - WHITE	2420362
9			CONTACT WINNEBAGO PART SALES FOR THIS COMPONENT	
10	039341-02-705	EA	SEAL & BOLT PKG-W/O FLANGE	08975
11	064076-03-704	EA	PLUG - HOLE - WHITE	0389562
12			CONTACT WINNEBAGO PART SALES FOR THIS COMPONENT	
13	064076-01-705	EA	VALVE-BALL REPLACEMENT PKG	09868
14			CONTACT WINNEBAGO PART SALES FOR THIS COMPONENT	

**070916-01-000**

<b>KEY</b>	<b>PART NUMBER</b>	<b>U/M</b>	<b>DESCRIPTION</b>	<b>VENDOR NO.</b>
	070916-01-000	EA	VALVE - DUAL DUMP - W/CAP - 3" X 1 1/2"	
	070916-01-700	EA	VALVE ONLY (WASTE) 3"	T1003BU
	070916-01-701	EA	VALVE ONLY (WASTE)1 1/2"	T1001BU

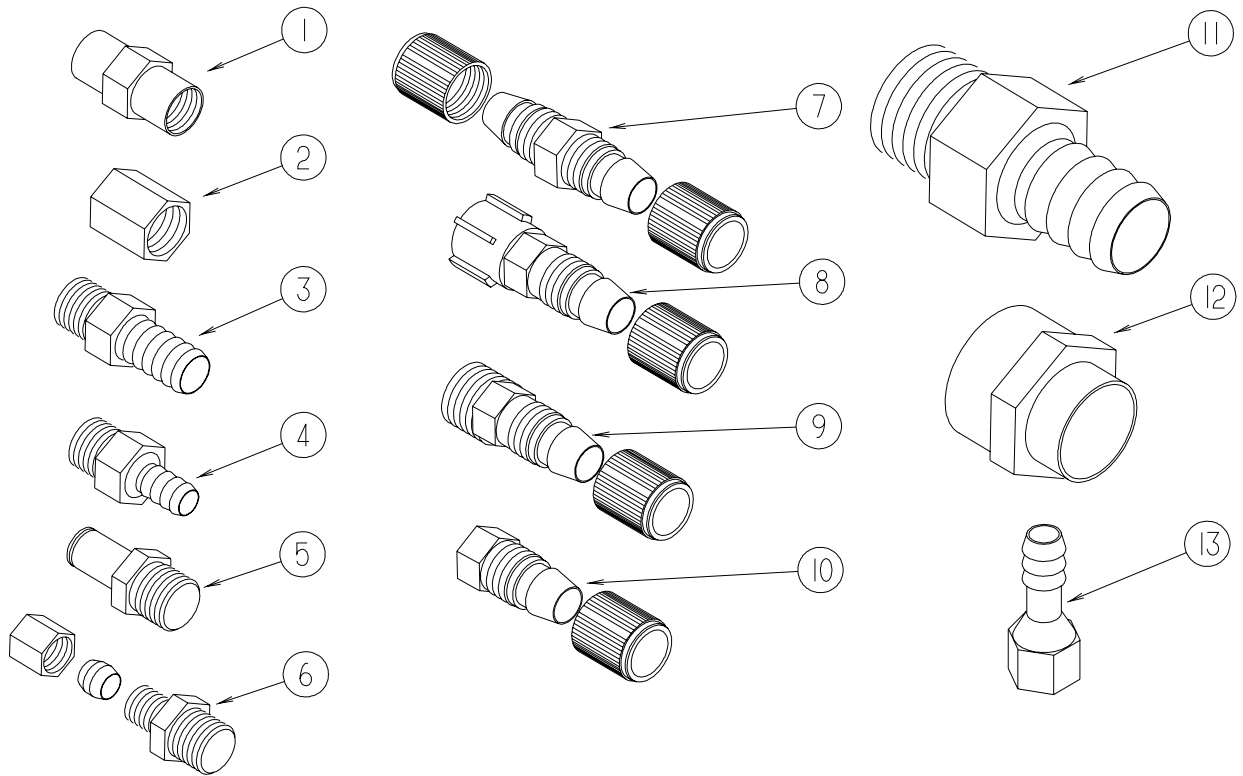


**WATER & SEWAGE GROUP (CONTINUED)**  
**WATER SYSTEM**



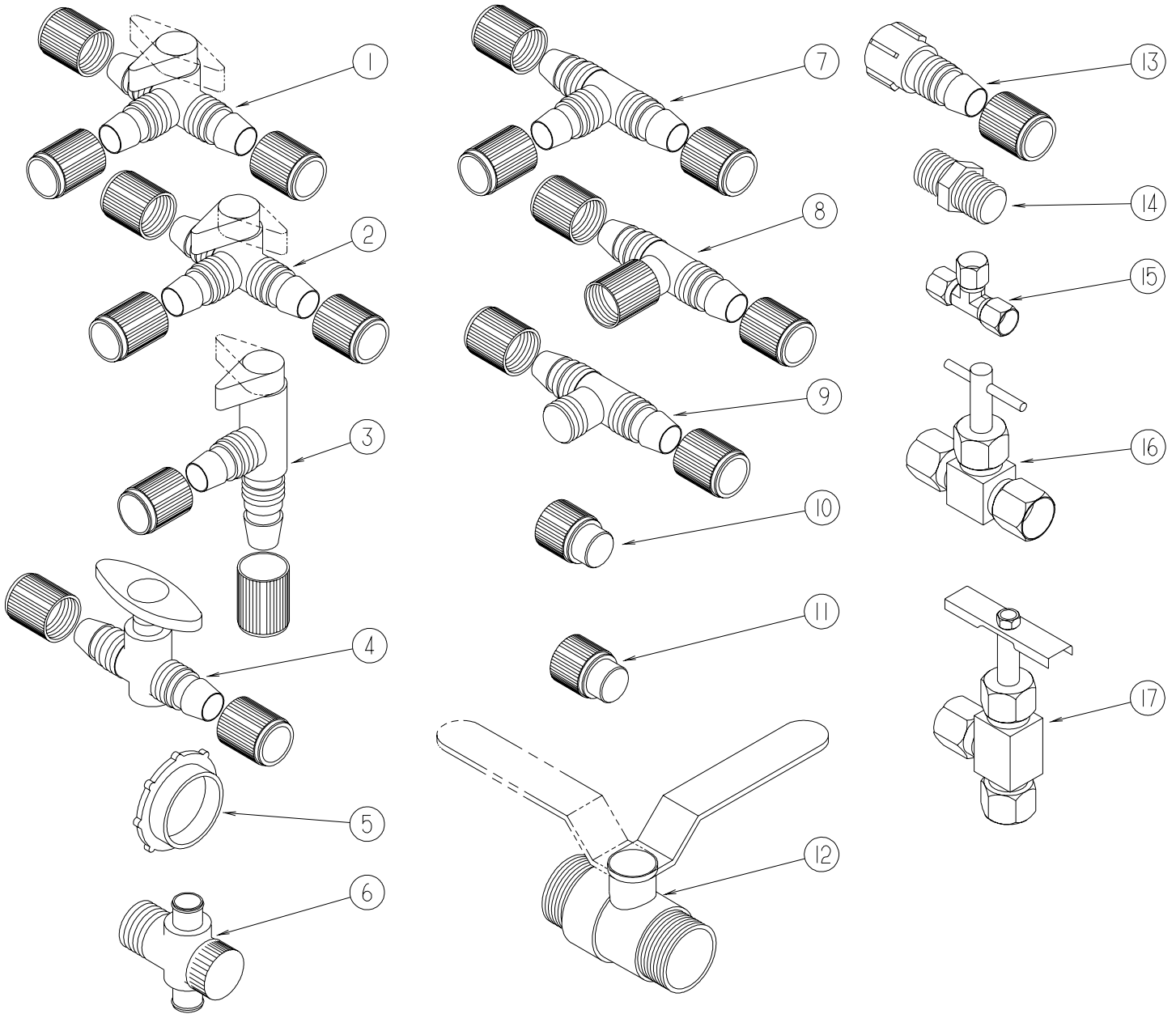
KEY	PART NUMBER	U/M	DESCRIPTION
1	114429-01-000	EA	ELBOW - 1/2"P X 1/2"P
2	114429-02-000	EA	ELBOW - 1/2"P X 1/2"MPT
2	114429-04-000	EA	ELBOW - 1/2"P X 3/8"MPT
2	114429-05-000	EA	ELBOW - 1/2"P X 3/4"MPT
3	114429-03-000	EA	ELBOW - SWIVEL - 1/2"P X 1/2"FPT
3	114429-06-000	EA	ELBOW - SWIVEL - 1/2"P X 3/4"FPT
3	114429-08-000	EA	ELBOW - SWIVEL - 1/2"MPT X 1/2"FPT SWIVEL
4	114429-07-000	EA	ELBOW - 1/2"P X 1/2"FPT
4	114429-09-000	EA	ELBOW - 1/2"P X 1/2"FPT DROP EAR
5	123150-01-000	EA	ELBOW - 1/2 FPT X 1/2 BARB - SWIVEL
6	035539-01-000	EA	ELBOW - 3/8 MPT X 3/8 BARB - PLASTIC
7	010219-01-000	EA	ELBOW - 1 1/4 MPT X 1 1/4 BARB - WATER FILL - PLASTIC
8	039808-03-000	EA	ELBOW - 1/2" MPT X 1/2" MPT - PLASTIC
9	133837-01-000	EA	ELBOW - 1 1/2" X 90 DEGREE - DOUBLE SLIP
10	111223-03-000	EA	ELBOW - 3/4" MPT X 1/2" BARB - PLASTIC
10	111223-04-000	EA	ELBOW - 1/2" MPT X 1/2" BARB - PLASTIC
11	132484-01-000	EA	ELBOW - PLASTIC - 90 DEGREE - 1MPT X 1FPT
12	065318-02-000	EA	ELBOW - 90 DEGREE - 3/8" MPT TO 3/8" FPT
13	132781-01-000	EA	ELBOW - 1.3" BARB X 1.3" BARB - 90 DEGREE - PLASTIC
14	010009-01-000	EA	ELBOW - 90 DEGREE - 1/4 BEND - 1 1/2" PLASTIC
15	132782-01-000	EA	ELBOW - 1"FPT X 1.3" BARB - 90 DEGREE - PLASTIC

**WATER & SEWAGE GROUP (CONTINUED)**  
**WATER SYSTEM (CONTINUED)**



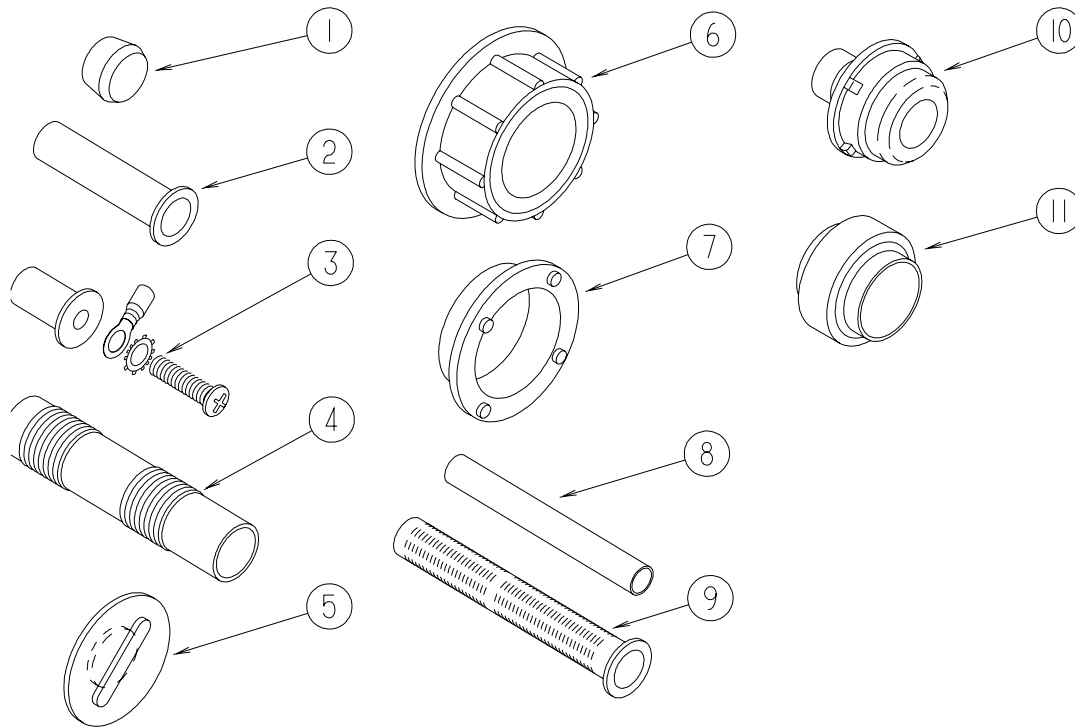
KEY	PART NUMBER	U/M	DESCRIPTION
1	132148-01-000	EA	CONNECTOR - 1/2" X 1/2" MPT - BRASS
2	101814-01-000	EA	COUPLING - FEMALE - 1/2" X 1/2" FPT - GRAY
3	118809-02-000	EA	ADAPTER - 1/2" MPT X 1/2" BARB - PLASTIC
4	010224-01-000	EA	ADAPTER - HOSE TO PIPE - 3/8 MPT X 3/8 BARB - PLASTIC
5	090338-03-000	EA	FITTING - HOSE - 3/4"ID - 2" LENGTH - BRASS
6	103798-01-000	EA	CONNECTOR - 1/4 OD X 3/8 MPT
7	114430-01-000	EA	ADAPTER - 1/2"P X 1/2"P
8	114430-02-000	EA	ADAPTER - SWIVEL - 1/2"P X 1/2"FPT
9	114430-03-000	EA	ADAPTER - 1/2"P X 1/2"MPT
10	114430-06-000	EA	ADAPTER - 1/2"P X 3/8"FPT
10	114430-08-000	EA	ADAPTER - 1/2"P X 3/4"MPT
11	044927-01-000	EA	ADAPTER - HOSE TO PIPE-1 1/4 MPTX1 1/4 BARB-BLACK PLASTIC
12	133835-01-000	EA	ADAPTER - REDUCING - 1 1/2" X 1 1/4"
13	123152-01-000	EA	ADAPTER - 1/2 FPT X 1/2 BARB - SWIVEL

**WATER & SEWAGE GROUP (CONTINUED)**  
**WATER SYSTEM (CONTINUED)**



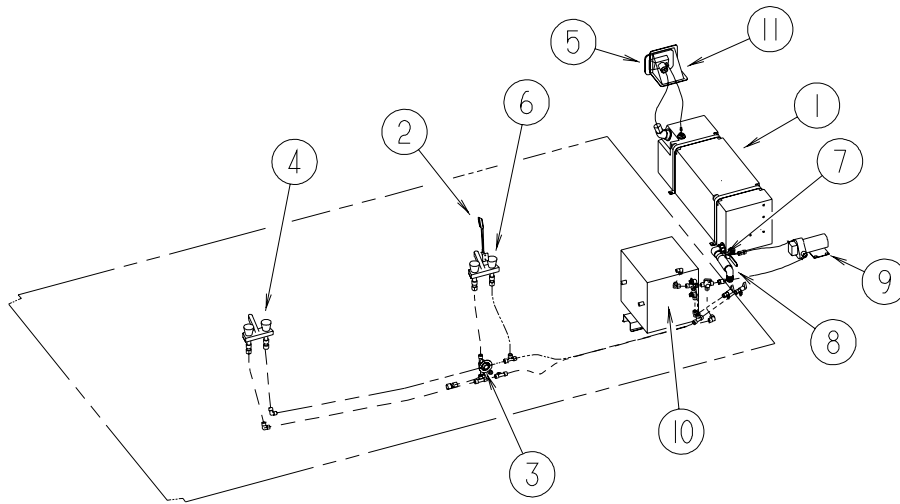
KEY	PART NUMBER	U/M	DESCRIPTION
1	114431-01-000	EA	VALVE - 180 DEGREE/CENTER DRAIN - 1/2"P - THREE WAY
2	114431-02-000	EA	VALVE - WATER BYPASS - 1/2"P - THREE WAY (WATER HEATER)
3	114431-03-000	EA	VALVE - 90 DEGREE DRAIN - 1/2"P
4	114431-04-000	EA	VALVE - ìINLINE SHUT-OFFî - 1/2"P
5	120069-01-000	EA	PLUG - 3" - POLYETHYLENE MPT
6	128974-01-01A	EA	VALVE - SHOWER HEAD/WATER SAVER (ON/OFF) - BRIGHT BRASS
7	114428-01-000	EA	TEE - 1/2"P X 1/2"P X 1/2"P
8	114428-02-000	EA	TEE - SWIVEL - 1/2"P X 1/2"P X 1/2"FPT
9	114428-03-000	EA	TEE - 1/2"P X 1/2"P X 1/2"MPT
10	113697-01-000	EA	CAP - 3/8 FTG
11	114427-01-000	EA	CAP - 1/2" - FOR CAPPING FLAIR-IT MALE FITTINGS
12	132483-01-000	EA	VALVE - BALL - 1" - THREADED ENDS
13	114427-02-000	EA	PLUG - W/COMP NUT - 1/2" PLASTIC PIPE/1/2" FLAIR-IT
14	110438-02-000	EA	VALVE - CHECK - BRASS - 1/2 MPT X 1/2 MPT
15	118423-01-000	EA	FITTING - BRASS-TEE - 1/4C X 1/4C X 1/4C
16	120868-01-000	EA	VALVE - NEEDLE - 1/4" COMPRESSION X 1/4" COMPRESSION
17	114431-05-000	EA	VALVE - NEEDLE - 1/8" MPT X 1/4" COMPRESSION (ICE MAKER)

**WATER & SEWAGE GROUP (CONTINUED)**  
**WATER SYSTEM (CONTINUED)**



KEY	PART NUMBER	U/M	DESCRIPTION
1	111888-01-000	EA	FERRULE - PLASTIC - .250 ID X .375 OD
2	111888-02-000	EA	INSERT - BRASS - 1/4 COMP
3	039861-01-000	EA	SENDING UNIT - W/SCREW - WASHER - WELL NUT/TERMINAL RING
4	079381-01-000	FT	TUBING - RIBBED FLEXIBLE - WATER FILL - 1.4" I.D.
5	049032-01-000	EA	PATCH - SPINWELD - 3/8" - PLASTIC
6	120069-01-000	EA	PLUG - 3" - POLYETHYLENE MPT
6	042989-03-000	EA	FITTING - SPINWELD - 1 1/4"NPT - PLASTIC
6	042989-04-000	EA	FITTING - SPINWELD - 3/8"FPT - PLASTIC
6	042989-05-000	EA	FITTING - SPINWELD - 1/2"FPT - PLASTIC
6	042989-07-000	EA	FITTING - SPINWELD - 1 1/2"FPT - PLASTIC
6	042989-08-000	EA	FITTING - SPINWELD - 1"FPT - PLASTIC
7	120070-01-000	EA	FITTING - SPINWELD - PLASTIC 3" FPT
8	124188-01-000	FT	TUBING - PEX - 1/2" ID X 20' - BLUE(COLD)
8	124188-02-000	FT	TUBING - PEX - 1/2" ID X 20' - RED(HOT)
8	112176-01-000	FT	TUBING - VINYL - REINFORCED - 1/2" ID
8	074462-02-000	FT	TUBING - VINYL - 3/8 ID X 20' - CLEAR
8	039800-04-000	FT	TUBING - POLYBUTYL - 1/4"OD
9	077954-02-000	EA	FILTER - WATER TANK - W/SCREEN IN TANK
10	114966-01-000	EA	FILTER - IN LINE - TWIST ON - 1/2"
11	133889-01-000	EA	UNION - 1 1/2 DOUBLE SLIP - PVC

**WATER & SEWAGE GROUP (CONTINUED)**  
**WATER SYSTEM (CONTINUED)**

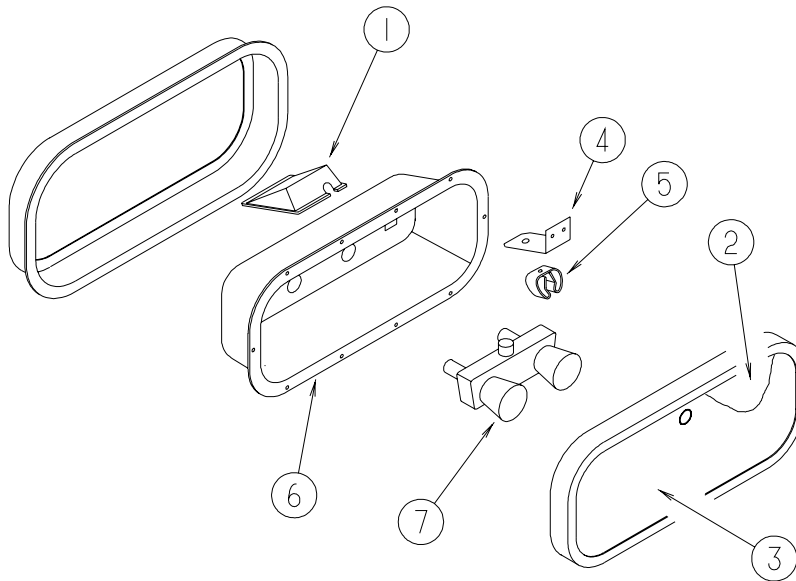


KEY	PART NUMBER	U/M	DESCRIPTION
1	074510-10-000	EA	TANK/WATER - 16 GALLON W/FITTINGS - 33.5" X 11.4" X 10.6"
	042989-03-000	EA	FITTING - SPINWELD - 1 1/4"NPT - PLASTIC
	042989-04-000	EA	FITTING - SPINWELD - 3/8"FPT - PLASTIC
	042989-05-000	EA	FITTING - SPINWELD - 1/2"FPT - PLASTIC
	042989-08-000	EA	FITTING - SPINWELD - 1"FPT - PLASTIC
	049032-01-000	EA	PATCH - SPINWELD - 3/8" - PLASTIC
	074510-01-000	EA	TANK/WATER - 16 GALLON W/O FITTINGS- 33.5" X 11.4" X 10.6"
2	131383-01-02A	EA	SHOWER HEAD - W/60" HOSE & BRACKET - WHITE
2	131383-02-02A	EA	SHOWER HEAD - W/60" HOSE & BRACKET - WHITE - CSA
3	010230-06-000	EA	FILL - CITY WATER - W/CHECK VALVE - MPT - BRUSHED ALUM
4	113798-01-01A	EA	FAUCET - GALLEY - SINGLE CONTROL
5	081240-20-000	EA	WATER FILL - W/DOOR - LOCKABLE - W/O LOCK - BRT WHT
			FROM: 00-00-00 THRU: 04-02-01
5	137169-01-02A	EA	FILL/WATER - GRAVITY - WHITE
			FROM: 04-03-01 THRU: 99-99-99
	137169-02-01A	EA	WASHER - GRAVITY WATERFILL
			FROM: 04-03-01 THRU: 99-99-99
	110506-33-000	EA	LOCK ASM-KEYED,14.58MM
			FROM: 00-00-00 THRU: 05-31-01
*	110506-59-000	EA	KEYS - SET OF TWO
*	110506-59-001	EA	KEYS - SET OF TWO
*	110506-59-002	EA	KEYS - SET OF TWO
*	110506-59-003	EA	KEYS - SET OF TWO
*	110506-59-004	EA	KEYS - SET OF TWO
*	110506-59-005	EA	KEYS - SET OF TWO
*	110506-59-006	EA	KEYS - SET OF TWO
*	110506-59-007	EA	KEYS - SET OF TWO
*	110506-59-008	EA	KEYS - SET OF TWO
*	110506-59-009	EA	KEYS - SET OF TWO
	110506-52-000	EA	CASE/CYLINDER - LOCKING - W/O CAM/KEY - .65" - 702370
	110506-52-001	EA	CASE/CYLINDER - LOCKING - W/O CAM/KEY - .65" - 702371
	110506-52-002	EA	CASE/CYLINDER - LOCKING - W/O CAM/KEY - .65" - 702372
	110506-52-003	EA	CASE/CYLINDER - LOCKING - W/O CAM/KEY - .65" - 702373
	110506-52-004	EA	CASE/CYLINDER - LOCKING - W/O CAM/KEY - .65" - 702374
	110506-52-005	EA	CASE/CYLINDER - LOCKING - W/O CAM/KEY - .65" - 702375
	110506-52-006	EA	CASE/CYLINDER - LOCKING - W/O CAM/KEY - .65" - 702376
	110506-52-007	EA	CASE/CYLINDER - LOCKING - W/O CAM/KEY - .65" - 702377
	110506-52-008	EA	CASE/CYLINDER - LOCKING - W/O CAM/KEY - .65" - 702378
	110506-52-009	EA	CASE/CYLINDER - LOCKING - W/O CAM/KEY - .65" - 702379
	110506-76-000	EA	CAM - LOCK

**WATER & SEWAGE GROUP (CONTINUED)**  
**WATER SYSTEM (CONTINUED)**

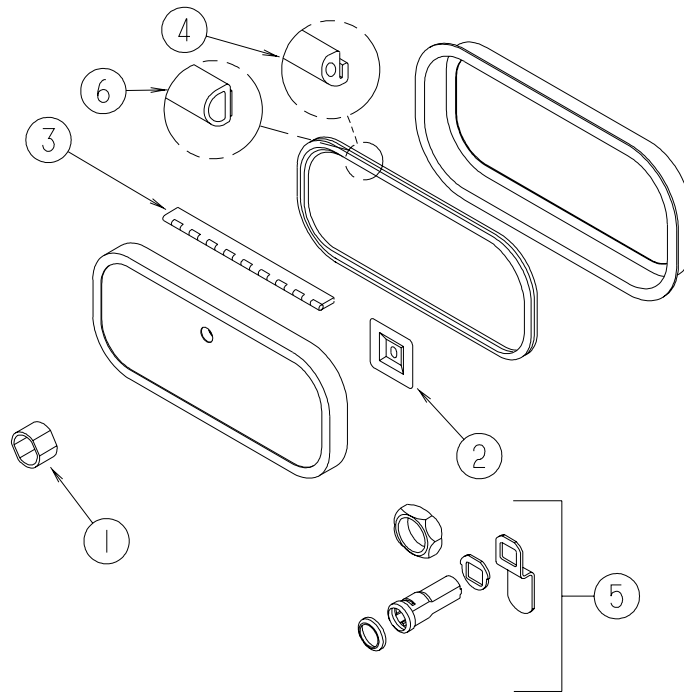
KEY	PART NUMBER	U/M	DESCRIPTION
	110506-A3-000	EA	LOCK - KEYED
			FROM: 06-01-00 THRU: 99-99-99
	110506-52-000	EA	CASE/CYLINDER - LOCKING - W/O CAM/KEY - .65" - 702370
	110506-52-001	EA	CASE/CYLINDER - LOCKING - W/O CAM/KEY - .65" - 702371
	110506-52-002	EA	CASE/CYLINDER - LOCKING - W/O CAM/KEY - .65" - 702372
	110506-52-003	EA	CASE/CYLINDER - LOCKING - W/O CAM/KEY - .65" - 702373
	110506-52-004	EA	CASE/CYLINDER - LOCKING - W/O CAM/KEY - .65" - 702374
	110506-52-005	EA	CASE/CYLINDER - LOCKING - W/O CAM/KEY - .65" - 702375
	110506-52-006	EA	CASE/CYLINDER - LOCKING - W/O CAM/KEY - .65" - 702376
	110506-52-007	EA	CASE/CYLINDER - LOCKING - W/O CAM/KEY - .65" - 702377
	110506-52-008	EA	CASE/CYLINDER - LOCKING - W/O CAM/KEY - .65" - 702378
	110506-52-009	EA	CASE/CYLINDER - LOCKING - W/O CAM/KEY - .65" - 702379
	110506-77-000	EA	CAM - LOCK
6	115000-01-02A	EA	FAUCET - LAVATORY/SHOWER - WHITE/CLEAR HANDLES
7	132483-01-000	EA	VALVE - BALL - 1" - THREADED ENDS
8	132782-01-000	EA	ELBOW - 1" FPT X 1.3" BARB - 90 DEGREE - PLASTIC
9*	098607-01-000	EA	PUMP - WATER - W/.5" MPT FITTING - FLOW 2.8 GPM
10*	113122-01-000	EA	WATER HEATER - EHM4 (ELECTRICAL/MOTOR AID) - 4 GAL
11	022756-03-000	EA	COVER - A/C - OFF WHITE PLASTIC

**\*COMPONENT PARTS LISTED LATER IN THIS GROUP**



KEY	PART NUMBER	U/M	DESCRIPTION
1	054250-05-000	EA	SUPPORT-DIMMER SWITCH, O/W
	054250-04-000	EA	COVER/ANGLED - W/O HOLE 3.6" X 4.5" - PLASTIC
2	121577-04-01A	EA	PLATE - EXTERIOR SHOWER - BRIGHT WHITE
3	126945-06-M91	EA	DOOR/STORAGE - W/O HARDWARE - 18.3" X 9.3"
	081801-AF-000	EA	HINGE - ALUMINUM - 2" X 12.2"
	107997-51-001	EA	SPACER - DOOR LOCK - .6" DEEP
4	NOT USED	EA	BRACKET - SQUEEGEE - BRIGHT WHITE
5	NOT USED	EA	CLIP - GRIPPER - 3/4"
6	121473-01-01A	EA	COMPARTMENT - SHOWER - EXTERIOR
7	075241-06-000	EA	FAUCET - SHOWER/BRIGHT WHITE - 1/2" MPT X 1.9" INLET PIPES
	131383-01-02A	EA	SHOWER HEAD - W/60" HOSE & BRACKET - WHITE

**WATER & SEWAGE GROUP (CONTINUED)**  
**WATER SYSTEM (CONTINUED)**



KEY	PART NUMBER	U/M	DESCRIPTION
1	107997-51-001	EA	SPACER - DOOR LOCK - .6" DEEP
2	NOT USED		
3	081801-AF-000	EA	HINGE - ALUMINUM - 2" X 12.2"
4	106850-02-000	EA	SEAL-E - SPONGE RUBBER - .43" X .75"
5*	110506-59-000	EA	KEYS - SET OF TWO
5*	110506-59-001	EA	KEYS - SET OF TWO
5*	110506-59-002	EA	KEYS - SET OF TWO
5*	110506-59-003	EA	KEYS - SET OF TWO
5*	110506-59-004	EA	KEYS - SET OF TWO
5*	110506-59-005	EA	KEYS - SET OF TWO
5*	110506-59-006	EA	KEYS - SET OF TWO
5*	110506-59-007	EA	KEYS - SET OF TWO
5*	110506-59-008	EA	KEYS - SET OF TWO
5*	110506-59-009	EA	KEYS - SET OF TWO
5	110506-40-700	EA	HDWE KIT 596950AAL
5	110506-54-009	EA	CASE/CYLINDER - LOCKING - W/O CAM/KEY - 1.25" - 703179
5	110506-54-008	EA	CASE/CYLINDER - LOCKING - W/O CAM/KEY - 1.25" - 703178
5	110506-54-007	EA	CASE/CYLINDER - LOCKING - W/O CAM/KEY - 1.25" - 703177
5	110506-54-006	EA	CASE/CYLINDER - LOCKING - W/O CAM/KEY - 1.25" - 703176
5	110506-54-005	EA	CASE/CYLINDER - LOCKING - W/O CAM/KEY - 1.25" - 703175
5	110506-54-004	EA	CASE/CYLINDER - LOCKING - W/O CAM/KEY - 1.25" - 703174
5	110506-54-003	EA	CASE/CYLINDER - LOCKING - W/O CAM/KEY - 1.25" - 703173
5	110506-54-002	EA	CASE/CYLINDER - LOCKING - W/O CAM/KEY - 1.25" - 703172
5	110506-54-001	EA	CASE/CYLINDER - LOCKING - W/O CAM/KEY - 1.25" - 703171
5	110506-54-000	EA	CASE/CYLINDER - LOCKING - W/O CAM/KEY - 1.25" - 703170
5	110506-66-000	EA	CAM - LATCHING - DOG LEGGED 1.5" LONG
6	112160-02-000	FT	SEAL - D SECTION - .2 X .31 - FOAM RUBBER

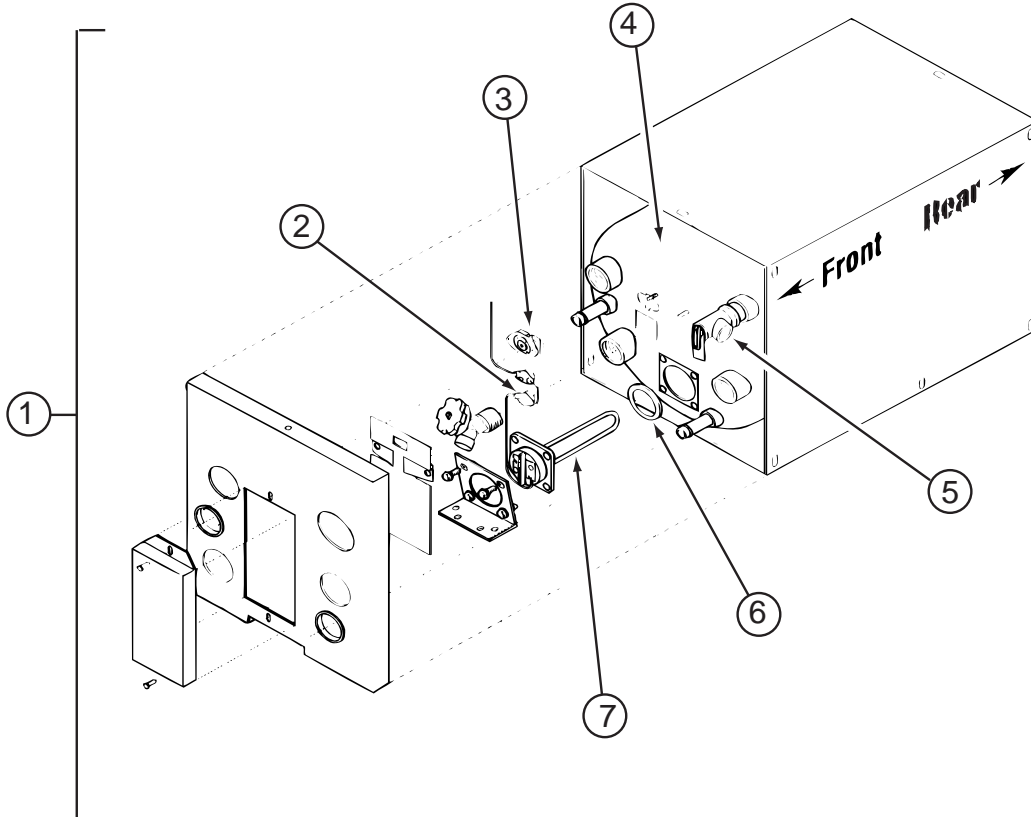
**WATER & SEWAGE GROUP (CONTINUED)**  
**COMPONENT PARTS FOR WATER SYSTEM**

**098607-01-000**

KEY	PART NUMBER	U/M	DESCRIPTION	VENDOR NO
	098607-01-000	EA	PUMP - WATER - W/.5" MPT FITTING - FLOW 2.8 GPM	
	098607-01-702	EA	DIAPHRAGM/DRIVE ASSEMBLY KIT	94-238-04
	098607-01-703	EA	VALVE KIT	94-232-00
	098607-01-705	EA	VALVE-CHECK, KIT	94-237-00
	098607-01-706	EA	HOUSING, W/SWITCH ONLY	94-231-20
	098607-01-707	EA	MOTOR W/BASEPLATE	11-148-04

**110506-59-000 - 110506-59-009**

KEY	PART NUMBER	U/M	DESCRIPTION	VENDOR NO .
	110506-40-700	EA	HDWE KIT	596950AAL
	110506-59-701	EA	KEY BLANK (GOLD)	



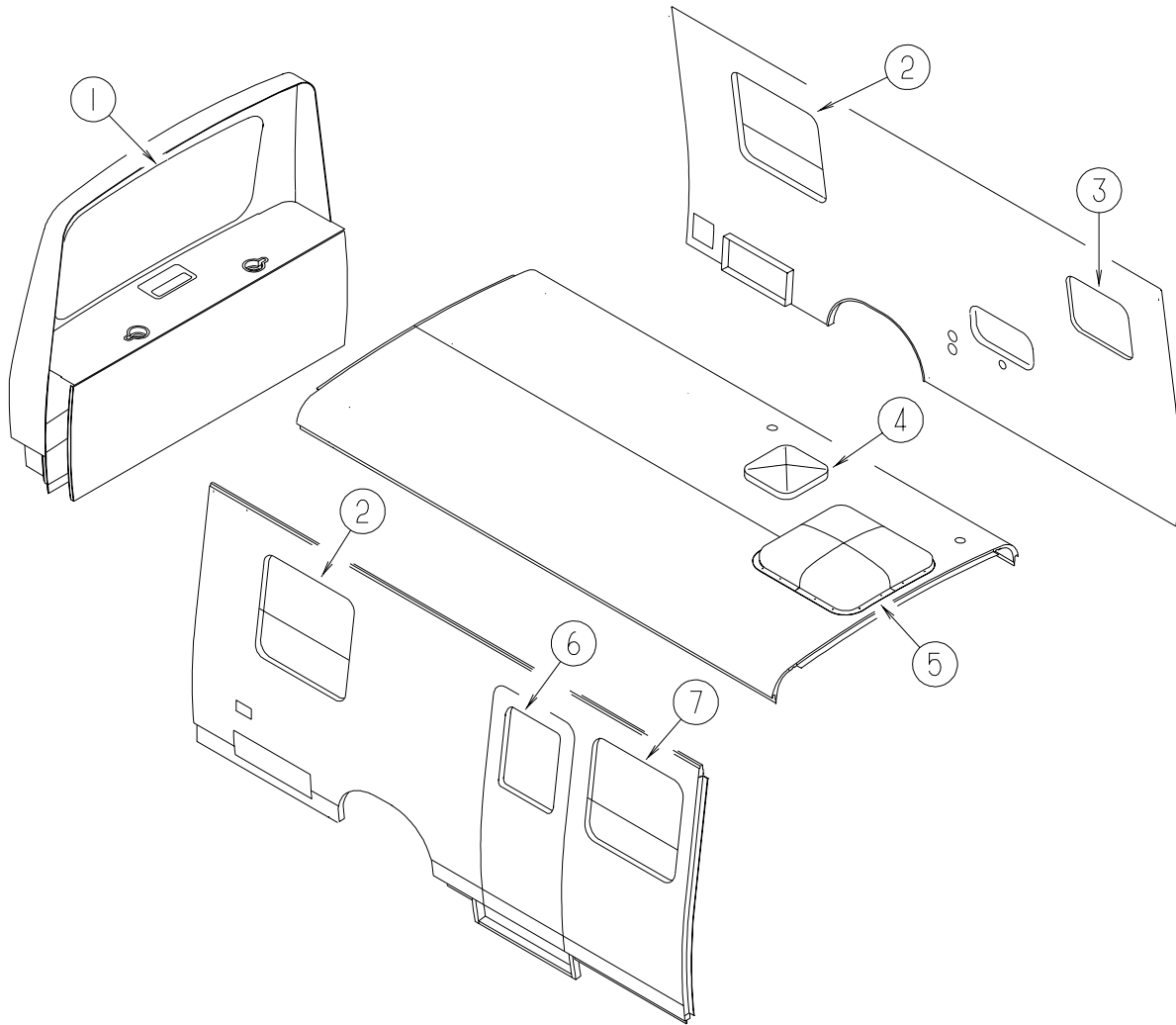
**113122-01-000**

KEY	PART NUMBER	U/M	DESCRIPTION	VENDOR NO.
1	113122-01-000	EA	WATER HTR ATWOOD EHM4SM	ELECT ONLY
3	074034-01-700	EA	THERMOSTAT/ECO SW-HI(OUTPUT)	90037
4	113122-01-700	EA	TANK-INNER, EHM4-SM	92248
5	051391-01-704	EA	VALVE-RELIEF, 1/2" FITTING	91604
6	074034-01-703	EA	GASKET (110V)	92679
7	074034-01-702	EA	HEATING ELEMENT/GASKET 110 V	91580 BOLT/SCREW ON



## WINDOW & VENTS GROUP

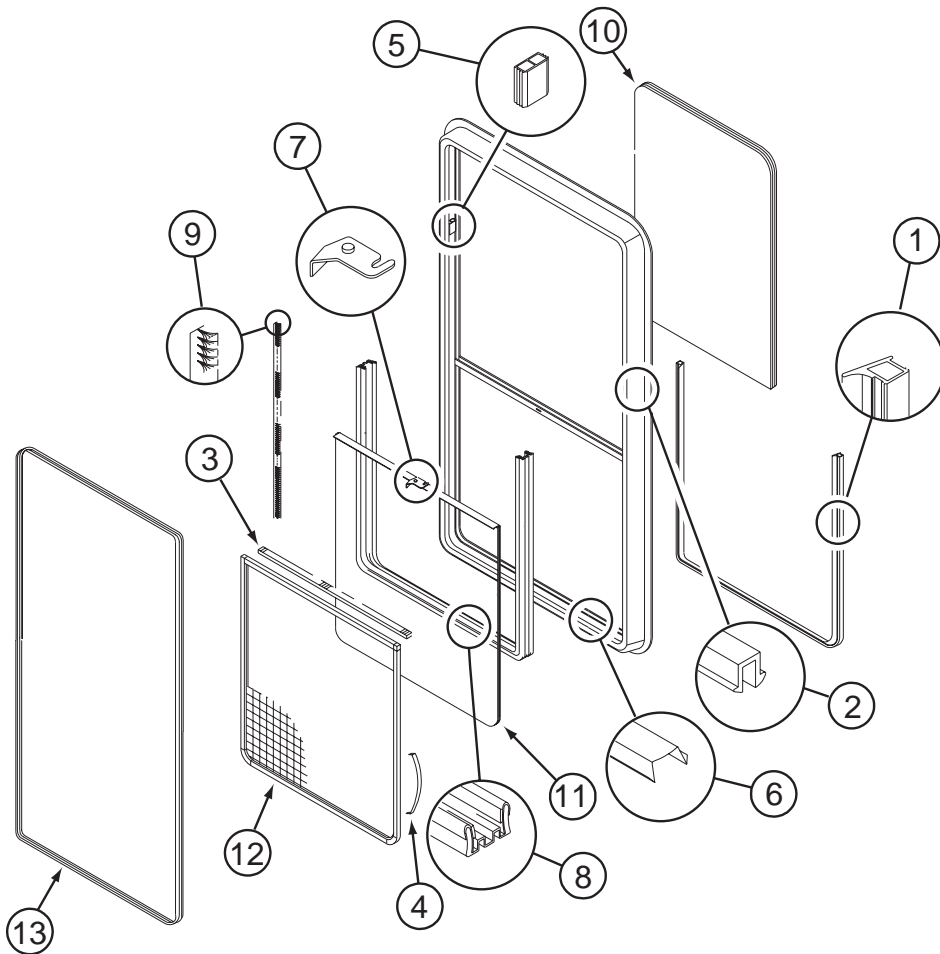
### WINDOW & VENT LAYOUT



KEY	PART NUMBER	U/M	DESCRIPTION
1	084886-05-000	EA	WINDOW - REAR ESCAPE W/DEFROSTER - 58.6" X 29"
1	084423-03-000	EA	WEATHERSTRIP - VULCANIZED - 1/2" W/LIP X 14'- BLACK RUBBER
2*	104691-07-02A	EA	WINDOW - SINGLE TIPOUT - TINTED - 27" X 25" - BLACK TRIM
2	002324-02-000	FT	U-CHANNEL - WEATHERSTRIP W/FUZZ - F/1/8" GLASS
3*	098647-46-02A	EA	WINDOW - DRIVER HORIZ SLIDER W/TRIM - TINTED-15.2" X 18.3"
4*	123780-01-01A	EA	FANTASTIC VENT - 1" ROOF - W/FAN - W/O THERMOSTAT/PWR LIFT
5	114495-02-02A	EA	PANEL - INNER SKYLIGHT - 28.6" X 30"
5	114496-02-02A	EA	PANEL - OUTER SKYLIGHT - 30.2" X 31.6"
6	117053-01-F45	EA	WINDOW - PICTURE - 60% TINTING - 17.1" X 24.8"
6	114507-02-01A	EA	FRAME - WINDOW/INSIDE
6	087561-01-000	FT	SEAL - GLASS - EXTERIOR - .5" WIDE - VINYL BLACK
6	002181-28-000	EA	GLASS - PICTURE WINDOW - 24"W X 16.3"H
7*	098644-10-02A	EA	WINDOW - VERTICAL SLIDER W/TRIM - TINTED - 25" X 27"

\*COMPONENT PARTS LISTED LATER IN THIS GROUP

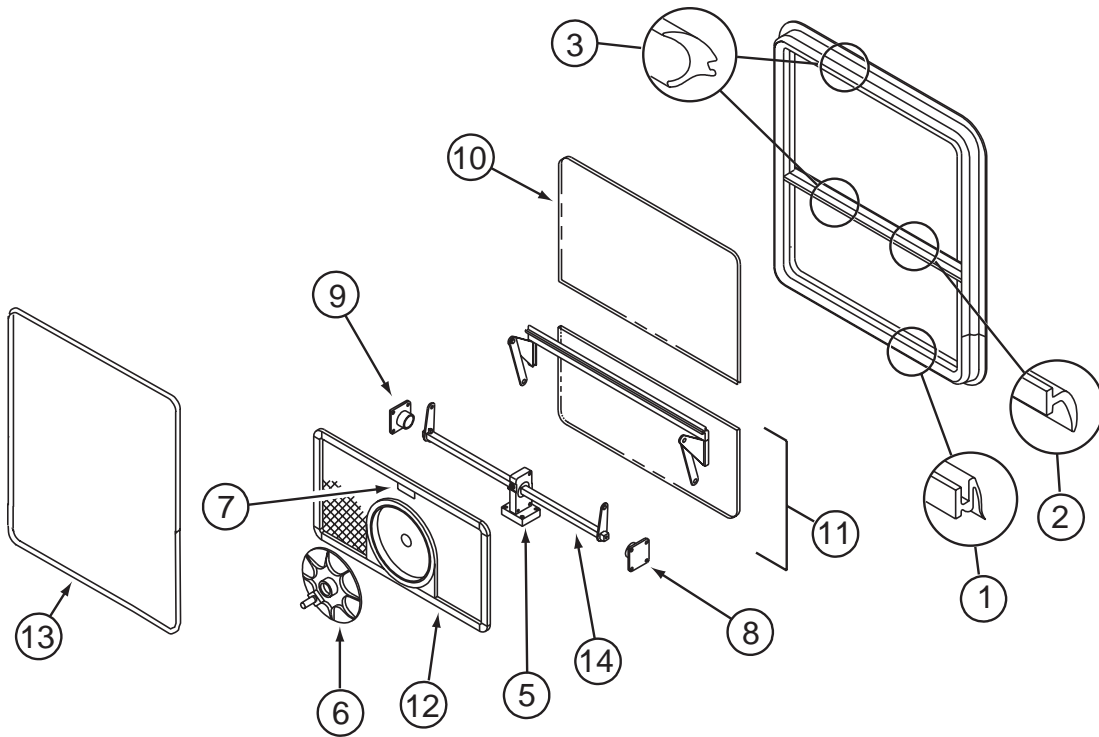
**WINDOW & VENTS GROUP (CONTINUED)**  
**COMPONENT PARTS FOR WINDOWS & VENT LAYOUT**



**098644-10-02A**

KEY	PART NUMBER	U/M	DESCRIPTION	VENDOR NO.
	098644-10-02A	EA	WINDOW - VERTICAL SLIDER W/TRIM - TINTED - 25" X 27"	
1	098644-01-716	FT	PLUG - FILLER	132-014470
2	098644-01-705	FT	GLAZING - STRIP	132-010231
3	098644-01-706	FT	WEATHERSTRIP - GLASS	171-010668
4	098644-01-713	EA	CLIP - SCREEN - METAL	226-016966
4	125582-01-701	EA	CLIP - SCREEN - PLASTIC	130-005153
5	098644-01-719	EA	STOP - SLIDER GLASS	132-014203
6	098644-01-710	FT	TRACK - SCREEN SPACER 12'	132-017135
7	098644-01-700	EA	LATCH - REPAIR KIT (BLACK)	B801-CK
8	098644-01-708	FT	CHANNEL - RUN PIERCED	122-016543
9	098644-01-711	FT	WEATHERSTRIP - SCREEN BLACK	171-016965
10	098644-10-702	EA	GLASS - STATIONARY	106-025019
11	098644-10-701	EA	GLASS - SLIDING W/SASH/LATCH	H464-G9
12	098644-10-700	EA	SCREEN ASM - W/SEALS & CLIPS	410-019683
13	098644-10-704	EA	RETAINER - TRIM	CH78-66
	098644-01-717	FT	SPLINE - SCREEN	132-004716

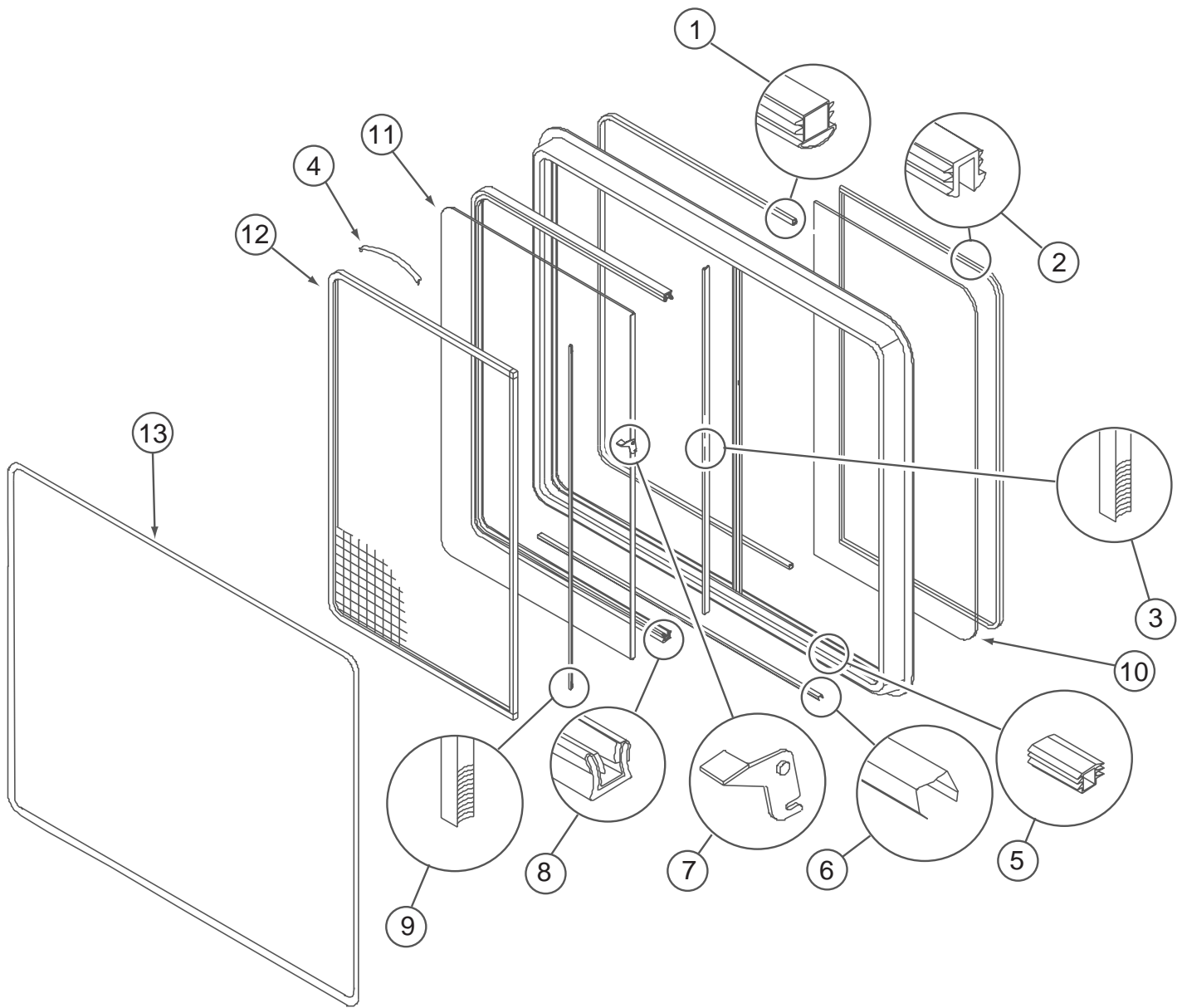
**WINDOW & VENTS GROUP (CONTINUED)**  
**COMPONENT PARTS FOR WINDOWS & VENT LAYOUT (CONTINUED)**



**104691-07-02A**

KEY	PART NUMBER	U/M	DESCRIPTION	VENDOR NO.
	104691-07-02A	EA	WINDOW - SINGLE TIPOUT - TINTED - 27" X 25" - BLACK TRIM	
1	116976-01-702	FT	FILLER PLUG	132-016065
2	100322-01-701	FT	SEAL-VENT	122-016071
3	100322-01-702	EA	WEATHERSTRIP-HORIZ RAIL-148"	132-019631
	100322-01-703	FT	VINYL-GLAZING, BUTYL	132-010723
5	112519-01-702	EA	OPERATOR-VENT-CENTER SUPPORT	410-016123
6	100322-01-718	EA	HANDLE-DIAL	410-016081
7	112519-01-706	EA	CLIP-SCREEN	CH21-50
8	100322-01-714	EA	SUPPORT-TORQUE BAR, LH	130-015978
9	100322-01-715	EA	SUPPORT-TORQUE BAR, RH	130-015979
	100322-01-704	FT	TAPE-BUTYL	154-025932
10	104691-07-701	EA	GLASS - STATIONARY	106-018753
11	104691-07-700	EA	GLASS-VENT ASM., TIPOUT LWR	CH78-D9
12	104691-07-702	EA	SCREEN ASM - W/SEALS & CLIPS	410-018755
13	104691-07-704	EA	RETAINER - TRIM	CH78-59
14	104691-15-703	EA	OPERATOR & BAR ASSEMBLY	CH56-15

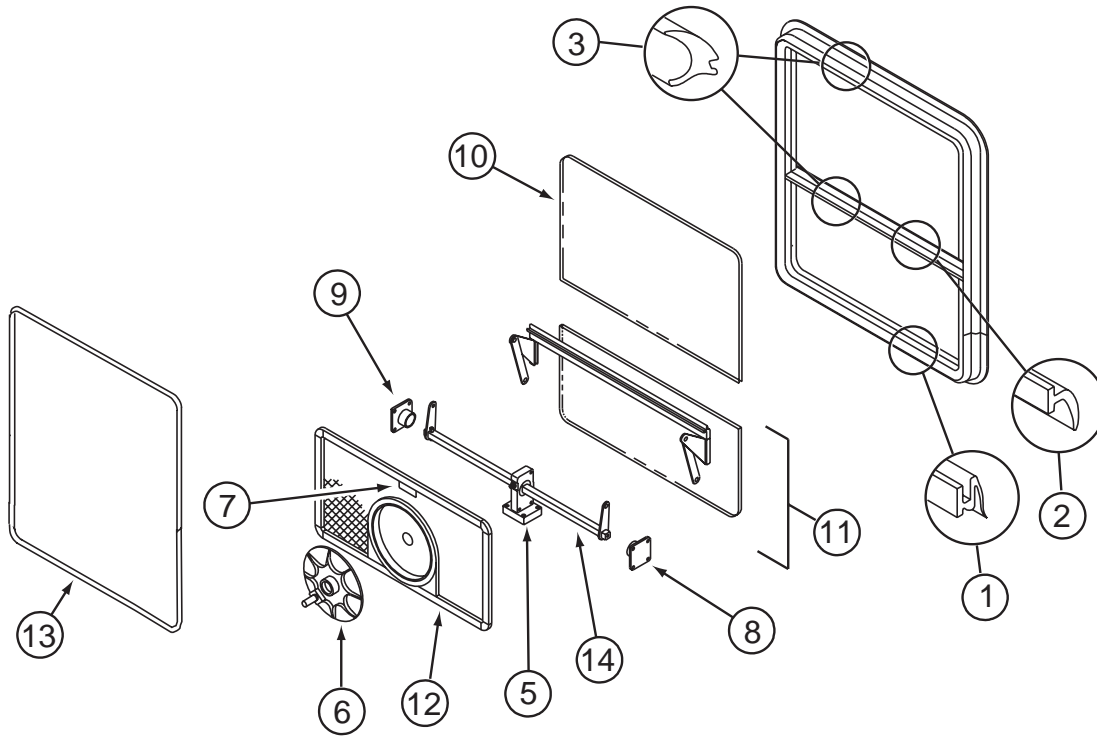
**WINDOW & VENTS GROUP (CONTINUED)**  
**COMPONENT PARTS FOR WINDOWS & VENT LAYOUT (CONTINUED)**



**098647-46-02A**

KEY	PART NUMBER	U/M	DESCRIPTION	VENDOR NO.
	098647-46-02A	EA	WINDOW - DRIVER HORIZ SLIDER W/TRIM - TINTED-15.2" X 18.3"	
1	098644-01-716	FT	PLUG - FILLER	132-014470
2	098644-01-705	FT	GLAZING - STRIP	132-010231
3	098644-01-706	FT	WEATHERSTRIP - GLASS	171-010668
4	098644-01-713	EA	CLIP - SCREEN - METAL	226-016966
4	125582-01-701	EA	CLIP - SCREEN - PLASTIC	130-0
5	098644-01-719	EA	STOP - SLIDER GLASS	132-014203
6	098644-01-710	FT	TRACK - SCREEN SPACER 12'	132-017135
7	098644-01-700	EA	LATCH - REPAIR KIT (BLACK)	B801-CK
8	098644-01-708	FT	CHANNEL - RUN PIERCED	122-016543
9	098644-01-711	FT	WEATHERSTRIP - SCREEN BLACK	171-016965
10	098647-46-700	EA	GLASS - STATIONARY	106-011181
11	098647-46-701	EA	GLASS-SLIDING W/SASH & LATCH	B809-G9
12	098647-46-702	EA	SCREEN ASM - W/SEALS & CLIPS	410-025286
13	098647-46-704	EA	RETAINER - TRIM	H409-66
	098644-01-717	FT	SPLINE - SCREEN	132-004716

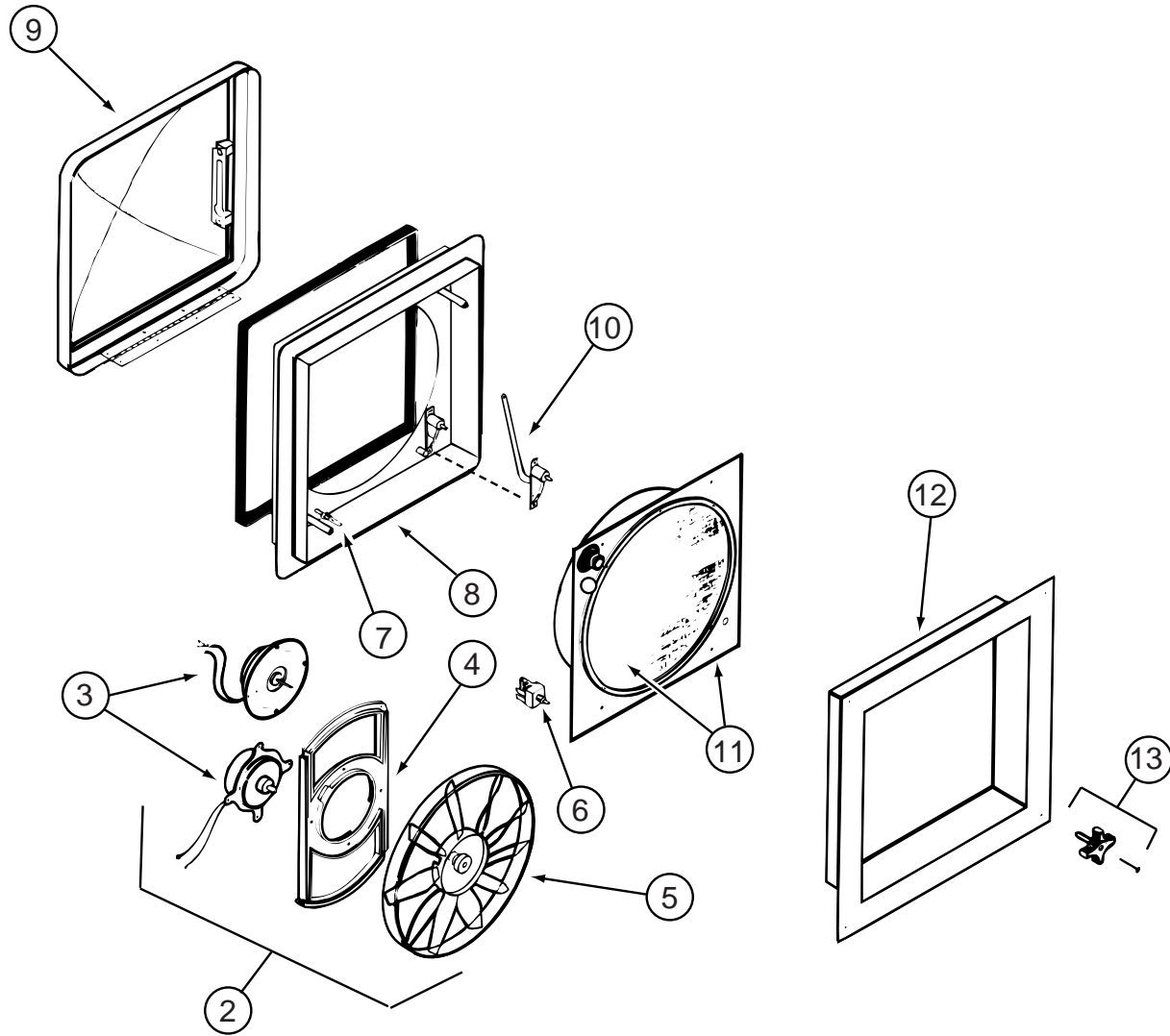
**WINDOW & VENTS GROUP (CONTINUED)**  
**COMPONENT PARTS FOR WINDOWS & VENT LAYOUT (CONTINUED)**



**104691-07-02A**

KEY	PART NUMBER	U/M	DESCRIPTION	VENDOR NO.
	104691-07-02A	EA	WINDOW - SINGLE TIPOUT - TINTED - 27" X 25" - BLACK TRIM	
1	116976-01-702	FT	FILLER PLUG	132-016065
2	100322-01-701	FT	SEAL-VENT	122-016071
3	100322-01-702	EA	WEATHERSTRIP-HORIZ RAIL-148"	132-019631
	100322-01-703	FT	VINYL-GLAZING, BUTYL	132-010723
5	112519-01-702	EA	OPERATOR-VENT-CENTER SUPPORT	410-016123
6	100322-01-718	EA	HANDLE-DIAL	410-016081
7	112519-01-706	EA	CLIP-SCREEN	CH21-50
8	100322-01-714	EA	SUPPORT-TORQUE BAR, LH	130-015978
9	100322-01-715	EA	SUPPORT-TORQUE BAR, RH	130-015979
	100322-01-704	FT	TAPE-BUTYL	154-025932
10	104691-07-701	EA	GLASS - STATIONARY	106-018753
11	104691-07-700	EA	GLASS-VENT ASM., TIPOUT LWR	CH78-D9
12	104691-07-702	EA	SCREEN ASM - W/SEALS & CLIPS	410-018755
13	104691-07-704	EA	RETAINER - TRIM	CH78-59
14	104691-15-703	EA	OPERATOR & BAR ASSEMBLY	CH56-15

**WINDOW & VENTS GROUP (CONTINUED)**  
**COMPONENT PARTS FOR WINDOWS & VENT LAYOUT (CONTINUED)**

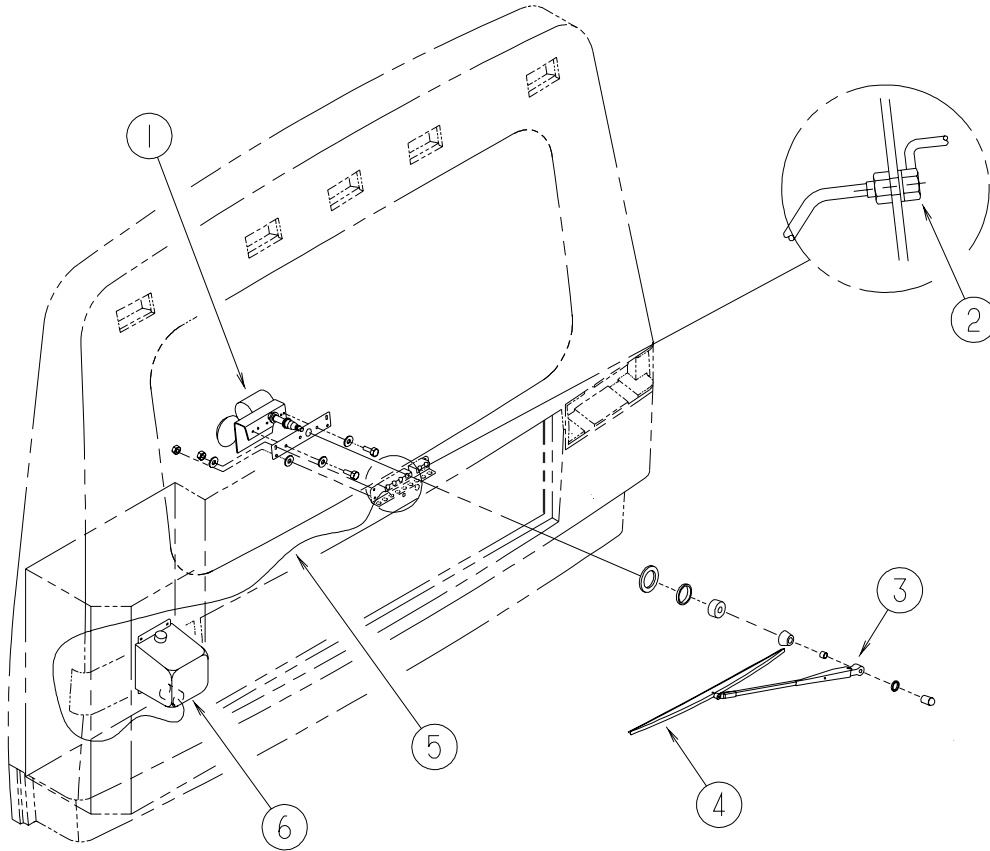


**123780-01-01A**

<b>KEY</b>	<b>PART NUMBER</b>	<b>U/M</b>	<b>DESCRIPTION</b>	<b>VENDOR NO.</b>
2	084079-11-700	EA	MOTOR, BRKT., FAN BLADE, KIT	4017K-09
3	084079-01-705	EA	MOTOR	1080-00
4	084079-01-711	EA	H-MOLDING, MOTOR MOUNT	
5	084079-01-704	EA	BLADE-FAN	1070-00
6	084079-01-709	EA	SWITCH - MAIN - 3 SPEED	1031-05
7	084079-01-707	EA	SWITCH - SAFETY	1122.05
8	123780-05-700	EA	BASE - MAIN BRIGHT WHITE	1010K-81
9	123780-01-700	EA	COVER - VENT W/HINGE & SLIDE	1020K-81
10	084079-01-702	EA	ARM LIFT ASSEMBLY, MANU	101105
11	123780-01-703	EA	SCREEN ASM. 15-25MM W/SWITCH	1030BT-81
11	123780-01-702	EA	SCREEN W/FRAME	103581
12	123780-01-701	EA	GARNISH - INT 3/4-1" BRT/WHT	0040-81
13	084079-01-703	EA	KNOB-LIFT, W/EXT. & SCR	1140K-00
	084079-01-706	EA	PLUG, 12 VOLT	1090

# WINDSHIELD & WIPER GROUP

## WIPER



KEY	PART NUMBER	U/M	DESCRIPTION
1*	085721-03-000	EA	MOTOR - WIPER - 108 DEGREE - REAR WINDOW
	104346-01-000	EA	WIPER MOTOR- iCHEV CHASSISi/COAST TO PARK W/GRN & RED WIRE
2	096057-02-000	EA	FITTING - WINDSHIELD WASHER
3*	096931-01-000	EA	ARM - WIPER - 20"
4	097978-01-000	EA	BLADE - WIPER - FLEX 22 INCH
5	045794-01-000	FT	HOSE - WASHER - WINDSHIELD - 5/32" ID - BLACK
6	117766-02-000	EA	RESERVOIR/PUMP - WINDSHIELD WASHER

**\*COMPONENT PARTS LISTED LATER IN THIS GROUP**

**WINDSHIELD & WIPER GROUP (CONTINUED)**  
**COMPONENT PARTS FOR WIPER**

**085721-03-000**

<b>KEY</b>	<b>PART NUMBER</b>	<b>U/M</b>	<b>DESCRIPTION</b>	<b>VENDOR NO.</b>
	085721-03-000	EA	MOTOR - WIPER - 108 DEGREE - REAR WINDOW	
	085721-02-700	EA	ARM-DRIVE,F/REAR MTR.108iDEG	6211140LE25WJ
	085721-03-700	EA	PIVOT	62714-40-SH25WJ
	085721-03-701	EA	LINK - CONNECTING	LK721014
	085721-03-702	EA	BRACKET	620570-40-BK25WJ
	104346-01-000	EA	MOTOR-WIPER	63012-20-M012WJ

**096931-01-000**

<b>KEY</b>	<b>PART NUMBER</b>	<b>U/M</b>	<b>DESCRIPTION</b>	<b>VENDOR NO.</b>
	096931-01-000	EA	ARM - WIPER - 20"	
	096931-01-700	FT	HOSE-WIPER	XTU-66-0001
	096931-01-701	EA	NOZZLE-HARDWARE KIT	
	096931-01-702	EA	NUT	52695-40-NT27WC
	096931-01-703	EA	SCREW-SHORT	52696-40-SC27WC
	096931-01-704	EA	SCREW-LONG	52697-40-SC27WC
	096931-01-705	EA	CAP-PLASTIC	52699-40-CP27WC
	096931-01-706	EA	NOZZLE-SPRAY	52698-40-NZ27WC