

US & CANADIAN

X-X FOR DRAINAGE CALLOUTS SEE DWG NO. 116229-01-000

5. EXPOSED PIPE ABOVE ROOF TO BE PAINTED 37163-01-000.
4. ALL EXTERIOR OPENINGS AROUND PIPE TO BE SEALED WITH 69637-01-000.
3. ALL PIPE AND FITTINGS TO BE ASSEMBLED WITH SOLVENT 4020-01-000.
2. SLOPE OF TRAP ARM MUST BE 6 PER 305.
1. SLOPE OF HORIZONTAL PIPING TO BE 6 PER 305 MIN.

- (10) USE WITHOUT SHOWER.
- (9) USE WITH SHOWER.
- (8) VENT PIPE MUST PROJECT 51 MM MIN AND 63.5 MM MAX ABOVE ROOF FOR PROPER FIT AND FUNCTION.
- (7) SEE DWG 61607-01-000 FOR INSTALLATION OF GROMMET.
- 6. FOR CAN UNITS EACH HOLDING TANK SHALL HAVE A CSA APPROVAL STAMPED NEAR THE IAMPO APPROVAL.

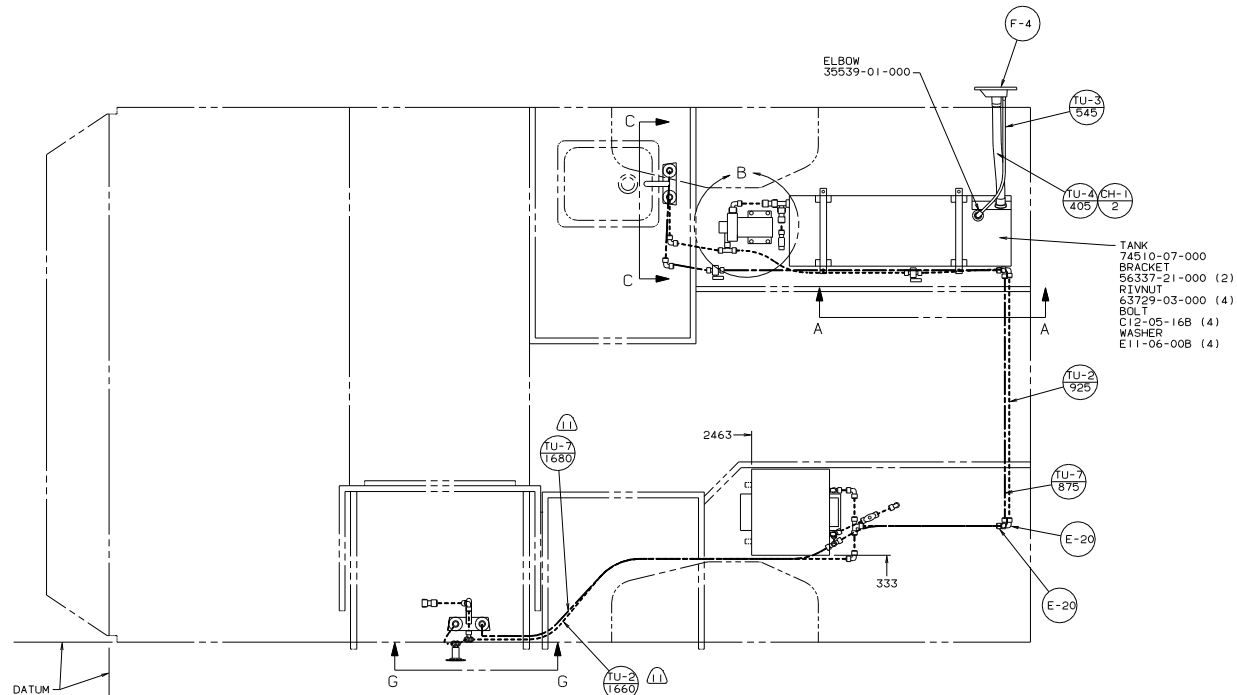
- (13) NOT USED ON CANADIAN UNITS.
- (12) CANADIAN.
- (11) USE SCRAP CLOSED CELL NEOPRENE FOR 77075-01-02 OR -03 ON HAT CHANNELS FOR VIBRATION DAMPENING.

221 RD US/CANADIAN

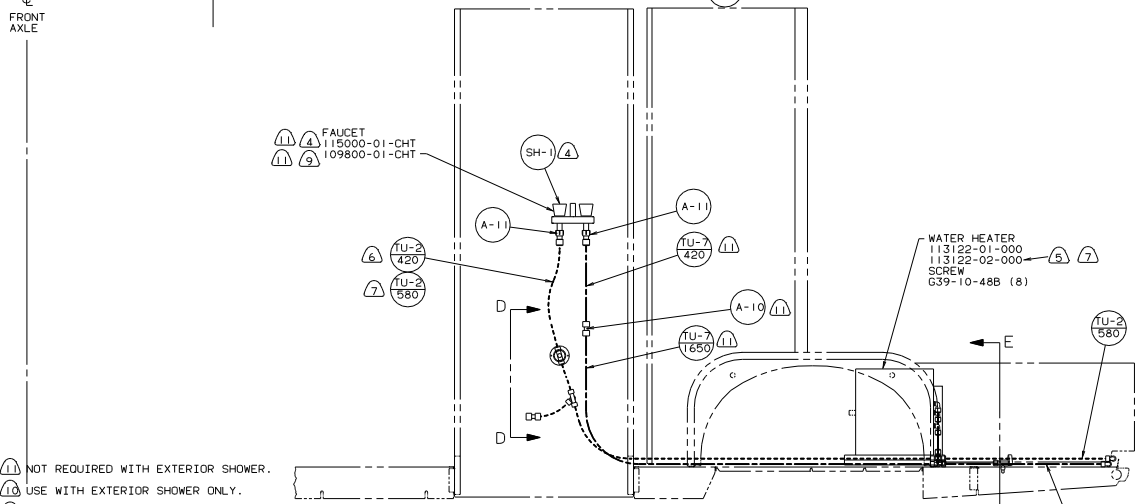
WINNEBAGO 94 H-SERIES	
DATE	UNSPECIFIED TOLERANCES ARE:
CHG	WHOLE DIMS (IN) ± 1:15
FR	ONE-PLACE (IN) ± .01
DR	TWO-PLACE (IN) ± .005
FIN	ANGLE
CON	THIRD ANGLE PROJECTION
LANE NO. W2213	TITLE: DRAINAGE SYSTEM INSTL
DWG NO. 112097	





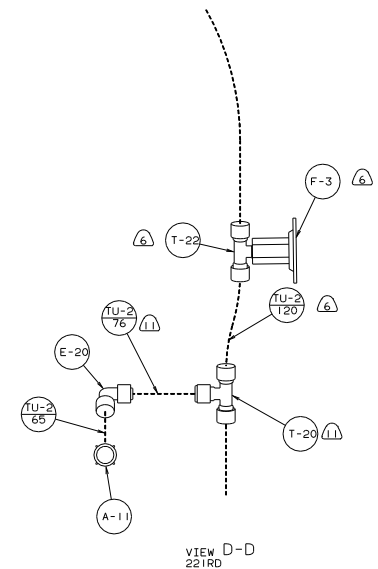


- TANK 74510-07-000
- BRACKET 56337-21-000 (2)
- RIVNUT 63729-03-000 (4)
- BOLT C12-05-16B (4)
- WASHER E11-06-00B (4)



- (1) FAUCET 115000-01-CHT
- (2) 109800-01-CHT

- WATER HEATER 113122-01-000
- 113122-02-000
- SCREW 639-10-48B (8)



FOR WATER CALLOUTS SEE DWG NO. 116230-01-000

- (1) NOT REQUIRED WITH EXTERIOR SHOWER.
- (2) USE WITH EXTERIOR SHOWER ONLY.
- (3) USE WITHOUT SHOWER SUMP SYSTEM.
- (4) PLUG DRAIN HOLES IN FLOOR WITHOUT WATER HEATER.
- (5) USE WITH W.I.E. EXPORT PREP PACKAGE.
- (6) NOT USED WITH W.I.E. EXPORT PREP PACKAGE.
- (7) USE WITH 220V WATER HEATER PACKAGE.
- (8) USE WITH SHOWER SUMP SYSTEM.

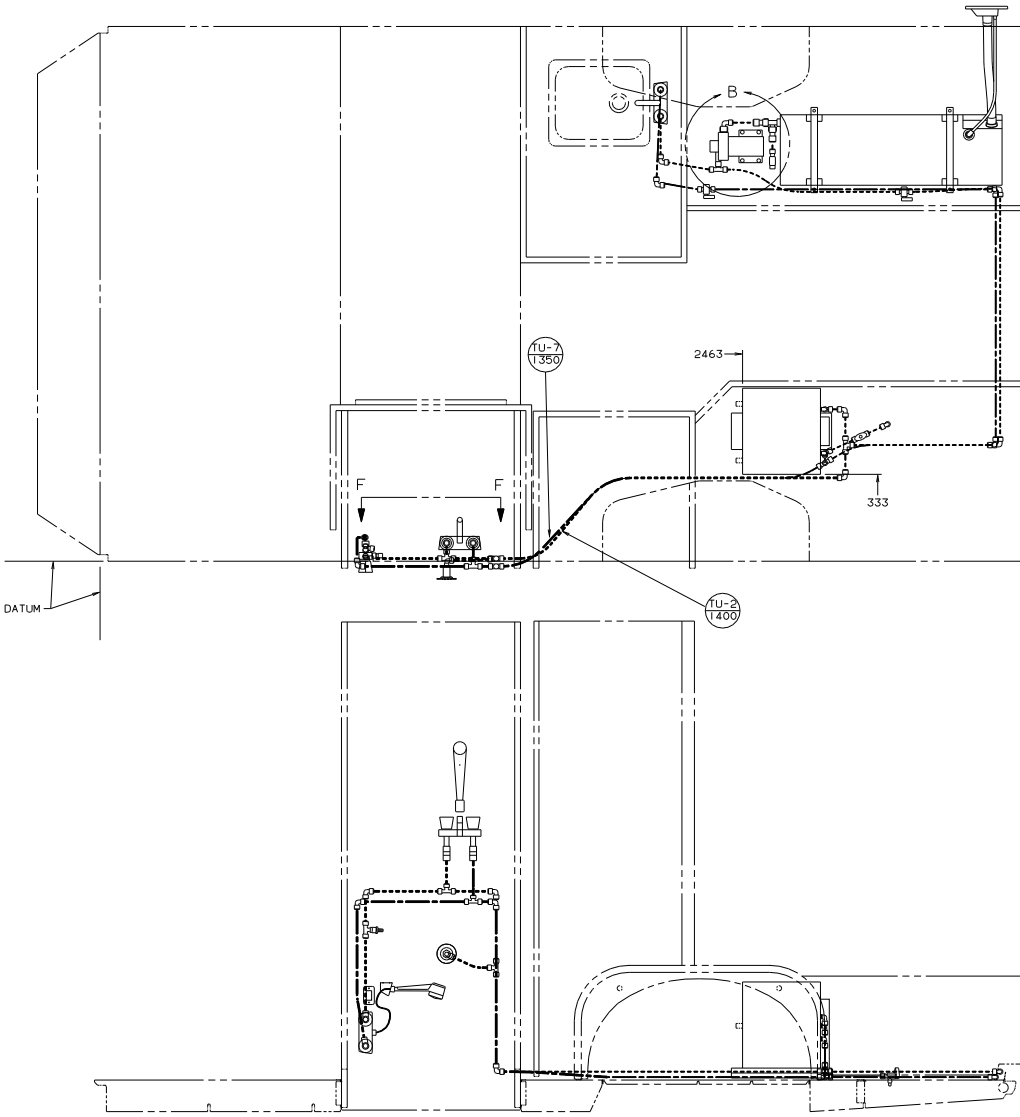
3. ALL TUBING TO BE SECURED AT 1200 INTERVALS MAXIMUM WITH CLAMP 10495-01-000 OR CLIP 91951-01-000 AND SCREW G67-10-12B.
2. TUBING TO BE INSTALLED WITH SUFFICIENT SLOPE TO PROVIDE DRAINAGE TO NEAREST VALVE.
1. PLASTIC FITTINGS TO BE SEALED WITH SEALANT 84456-01-000.

LEGEND	
HOT	—————
COLD	-----

<b>WINNERAGO</b>		96 H-SERIES
DATE: MW2213	TITLE: WATER SYSTEM INSTL	
DWG NO: 116230-01-000	SHEET 1 OF 4	REV 1
UNSPECIFIED TOLERANCES ARE: MATERIAL: HOLE DIM (IN) ± .01 ONE-PLATE (IN.XI) ± .01 TWO-PLATE (IN.XI) ± .01 ANGLE ± .5 THRU HOLES PROJECTION ± .01		
ALL DIMENSIONS ARE IN MILLIMETERS		



H  
G  
F  
E  
D  
C  
B  
A



FRONT AXLE

DATUM

TU-7  
1350

2463

333

TU-2  
1400

96 221RD  
JAPAN EXPORT

TITLE: WATER SYSTEM INSTL	
30 MET SCALE DRAWING	SIZE 1:1
SHEET 3 of 4	DWG NO 112612

