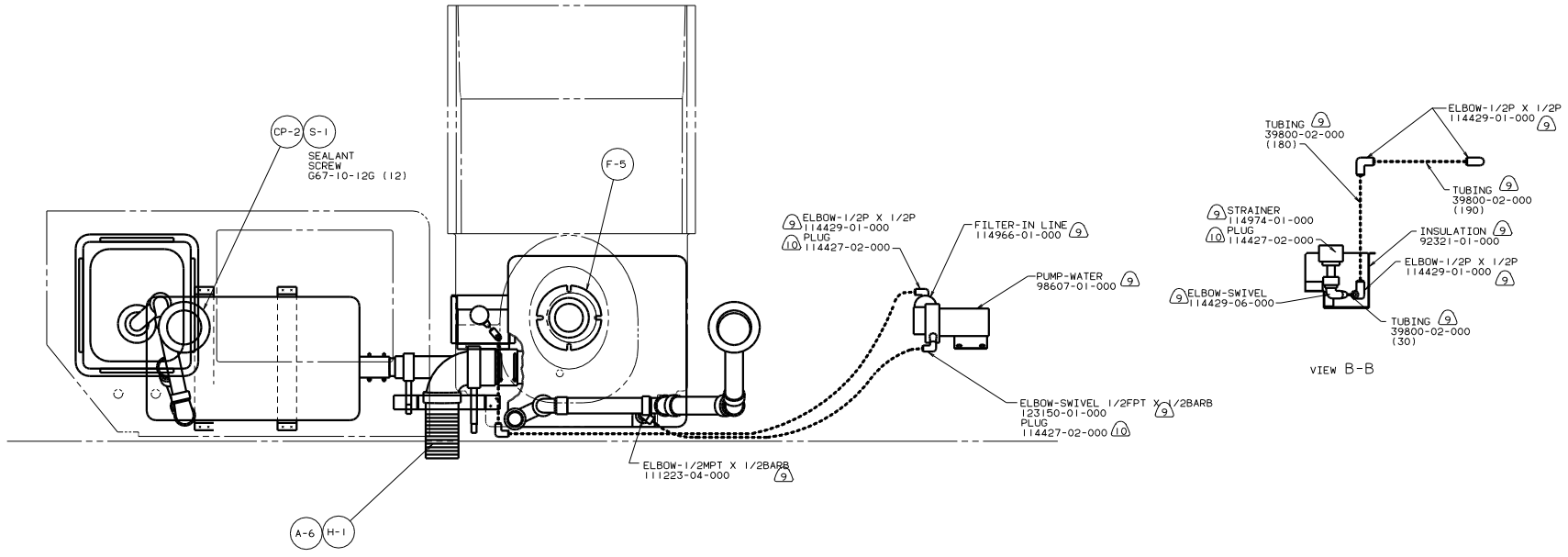


- 5. EXPOSED PIPE ABOVE ROOF TO BE PAINTED 37163-01-000.
- 4. ALL EXTERIOR OPENINGS AROUND PIPE TO BE SEALED WITH 69637-01-000.
- 3. ALL PIPE AND FITTINGS TO BE ASSEMBLED WITH SOLVENT 4020-01-000.
- 2. SLOPE OF TRAP ARM MUST BE 6 PER 305.
- 1. SLOPE OF HORIZONTAL PIPING TO BE 6 PER 305 MIN.

- (10) 1A7 SHOWER PACKAGE WITHOUT.
- (9) 1A0 SHOWER PACKAGE.
- (8) VENT PIPE MUST PROJECT 51 MM MIN AND 63.5 MM MAX ABOVE ROOF FOR PROPER FIT AND FUNCTION.
- (7) SEE DWG 61607-01-000 FOR INSTALLATION OF GROMMET.
- 6. FOR CANADIAN UNITS EACH HOLDING TANK SHALL HAVE A CSA APPROVAL STAMPED NEAR THE TAMPO APPROVAL.

- 13. SECURE PIPES TO CABINET USING WIRE TIE 108046-02-000 AND SCREW G67-10-12U (8).
- (12) NOT USED ON CANADIAN UNIT.
- (11) USE SCRAP CLOSED CELL NEOPRENE FROM 77075-01-02 OR -03 ON BRACKETS FOR VIBRATION DAMPENING.

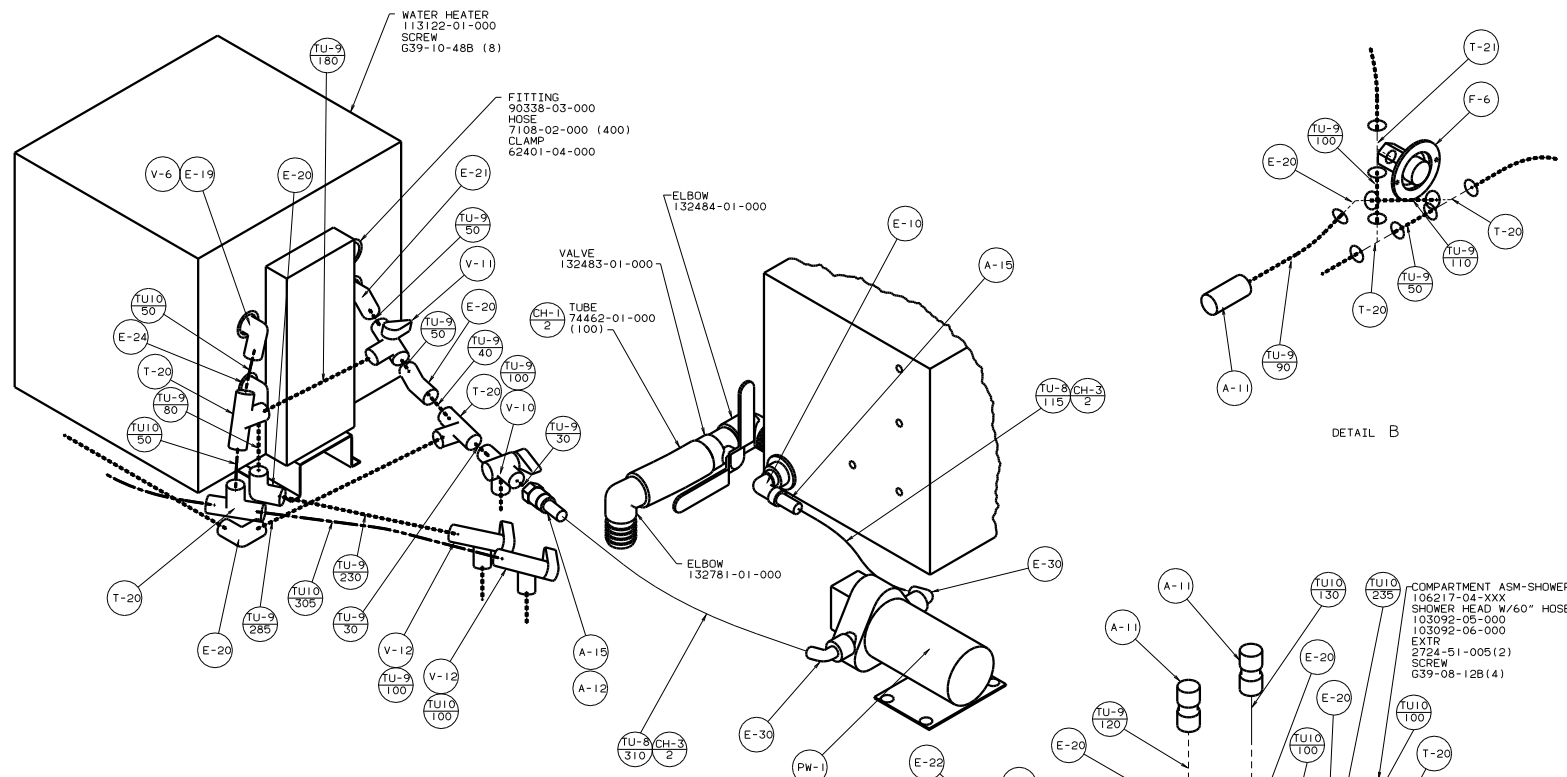
PART NO.		DATE		UNAPPROVED TOLERANCES ARE:		MATERIAL	
CHP	DATE	WHOLE OR 1/2	±	ONE-PLACE (1X.01)	±		
P/E	DATE	TWO-PLACE (1X.00)	±				
M/E	DATE	THREE-PLACE (1X.000)	±				
CDR	DATE	THREE-PLACE (1X.000)	±				
DRAWING NO. 2221R16		TITLE: DRAINAGE SYSTEM INSTL		SHEET 1 OF 2		126232	
SCALE: NONE		Dwg No. 126232		REF: 119111			



VIEW A-A

VIEW B-B





VIEW A-A

