

5. EXPOSED PIPE ABOVE ROOF TO BE PAINTED 37163-01-000.
 4. ALL EXTERIOR OPENINGS AROUND PIPE TO BE SEALED WITH 69637-01-000.
 3. ALL PIPE AND FITTINGS TO BE ASSEMBLED WITH SOLVENT 4020-01-000.
 2. SLOPE OF TRAP ARM MUST BE 6 PER 305.
 1. SLOPE OF HORIZONTAL PIPING TO BE 6 PER 305 MIN.

9. USE SCRAP CLOSED CELL NEOPRENE FROM 77075-01,-02 OR -03 ON HAT CHANNELS FOR VIBRATION DAMPENING.
 8. VENT PIPE MUST PROJECT 51 MIN AND 63.5 MAX ABOVE ROOF FOR PROPER FIT AND FUNCTION.
 7. SEE DWG 61607-01-000 FOR INSTALLATION OF GROMMET.
 6. FOR CAN UNITS EACH HOLDING TANK SHALL HAVE A CSA APPROVAL STAMPED NEAR THE IAMPO APPROVAL.
 10. SECURE PIPES TO CABINET USING WIRE TIE 108046-02-000 AND SCREW G67-10-12U (8).

FOR DRAINAGE CALLOUTS SEE DWG NO. 116229-01-000

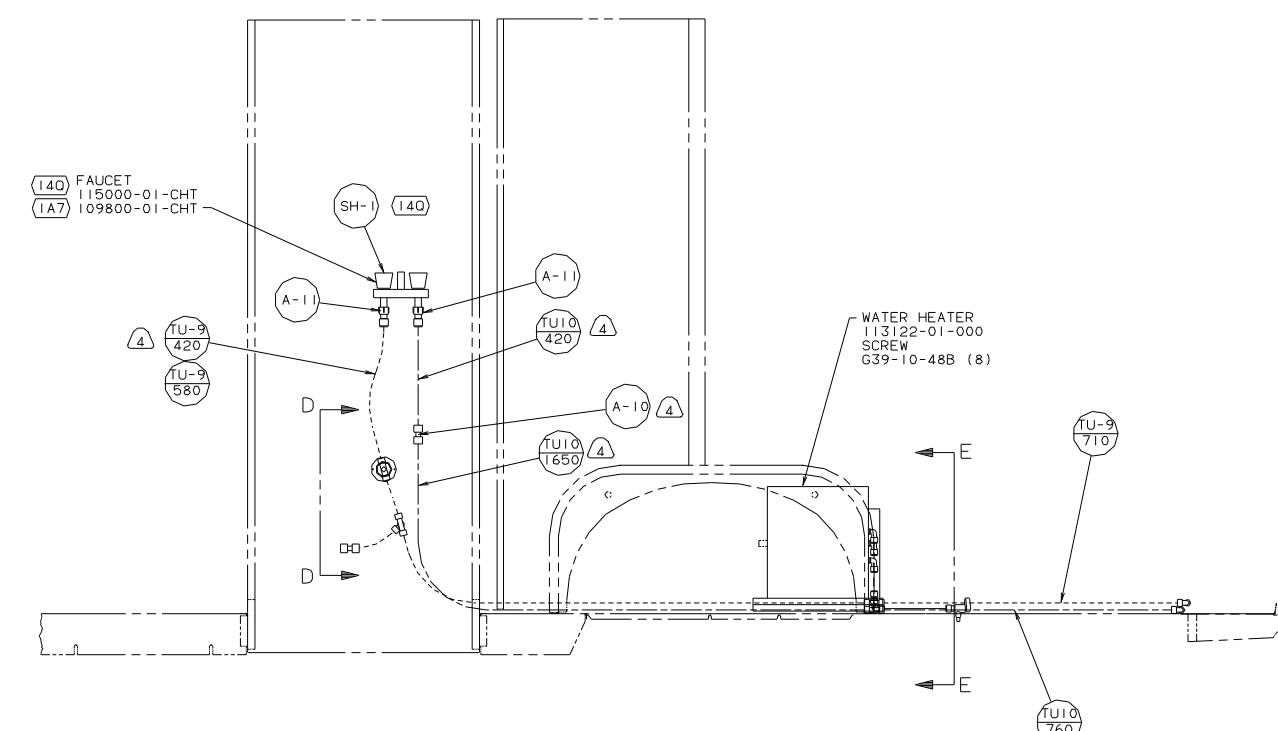
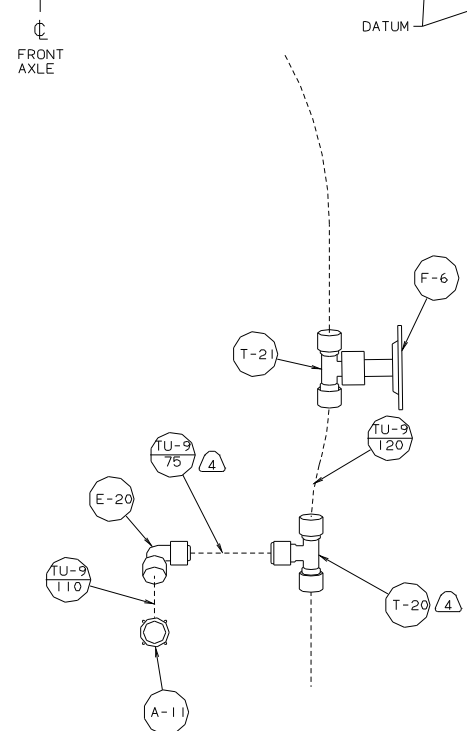
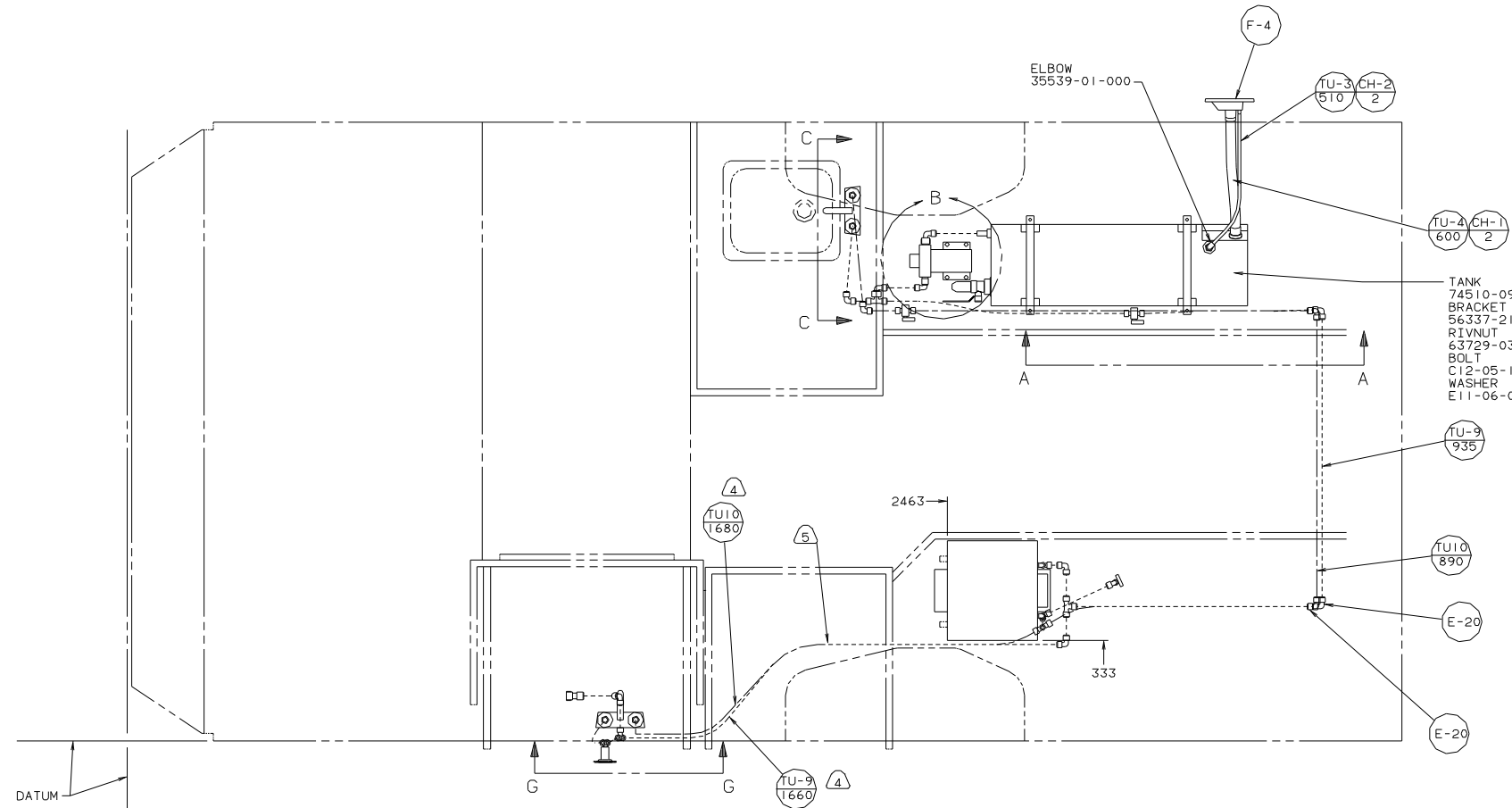
222 RD US/CANADIAN

(265) CODES/STANDARDS-CSA/CMVSS
 (1B1) CODES STANDARDS/USA
 (1A7) SHOWER PACKAGE-WITHOUT
 (140) SHOWER PACKAGE

COPYRIGHT 2002 WINNEBAGO INDUSTRIES, INC. WINNEBAGO 03 2220D	
DTR	DATE UNINSPECTED TOLERANCES ARE:
CHR	DATE WHOLE DIM (XX) ± .3
P E	DATE ONE-PLACE (X.X) ± .1
M E	DATE TWO-PLACE (X.XX) ± .05
DNR	DATE THIRD ANGLE PROJECTION

LAYOUT NO: 200GEN TITLE: DRAINAGE SYSTEM INSTL
 DIA # SCALE: NONE DO NOT SCALE DRAWING SIZE DWG NO: 141598
 ALL DIMENSIONS ARE IN MILLIMETERS SHEET 1 OF 1 FILE NO: 141598

REF: 131308 G | 07/09/02



- NOTES:
- ④ NOT REQUIRED WITH EXTERIOR SHOWER.
 - 3. ALL TUBING TO BE SECURED AT 1200 INTERVALS MAXIMUM WITH CLAMP 10495-01-000 OR CLIP 91951-01-000 AND SCREW G67-10-12B.
 - 2. TUBING TO BE INSTALLED WITH SUFFICIENT SLOPE TO PROVIDE DRAINAGE TO NEAREST VALVE.
 - 1. PLASTIC FITTINGS TO BE SEALED WITH SEALANT 84456-01-000.

⑤ WRAP WATER LINES WITH INSULATION 105290-01-000 ANY PLACE THEY ARE IN CONTACT WITH MOTOR AID LINES. FASTEN WITH WIRE TIES.

- ⑥4R EXTERIOR WASH STATION
- ①A7 SHOWER PACKAGE-WITHOUT
- ①40 SHOWER PACKAGE

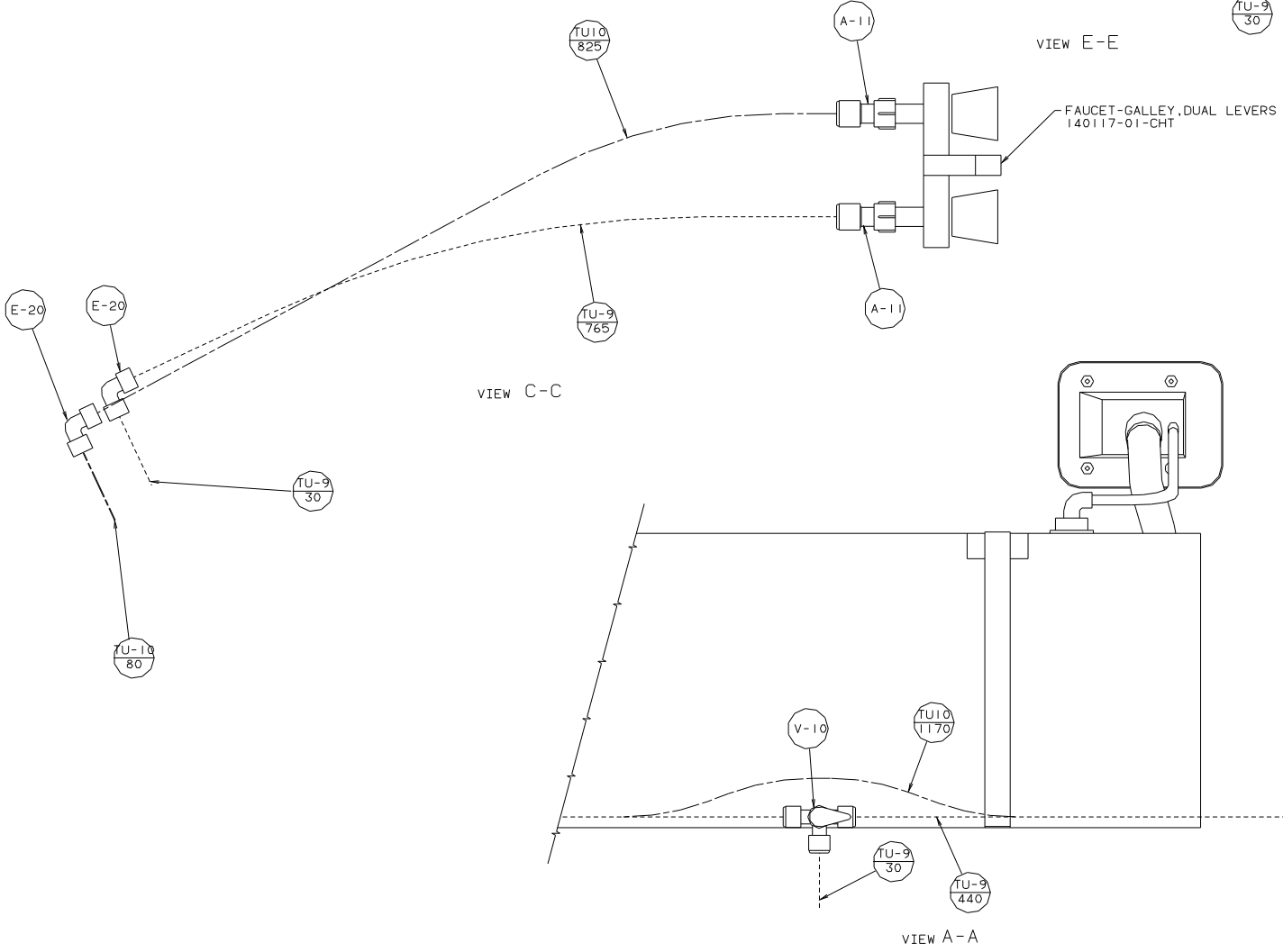
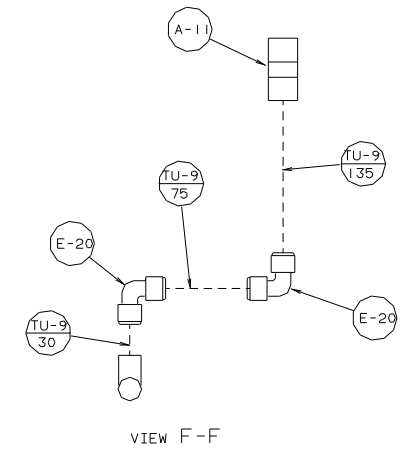
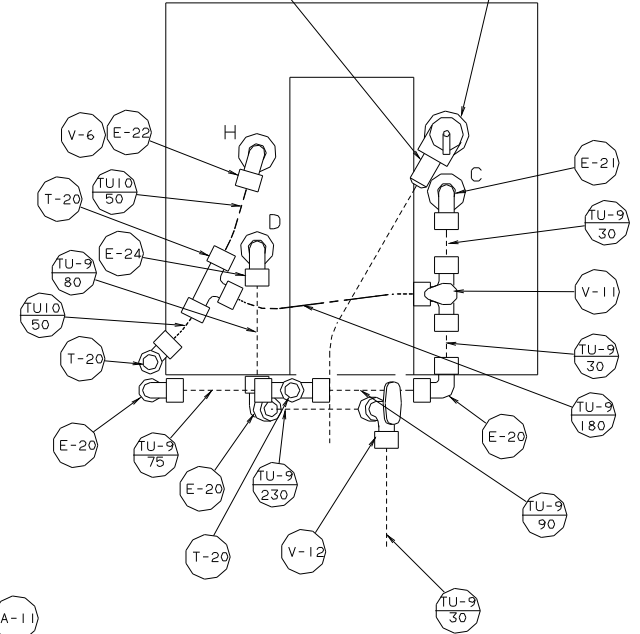
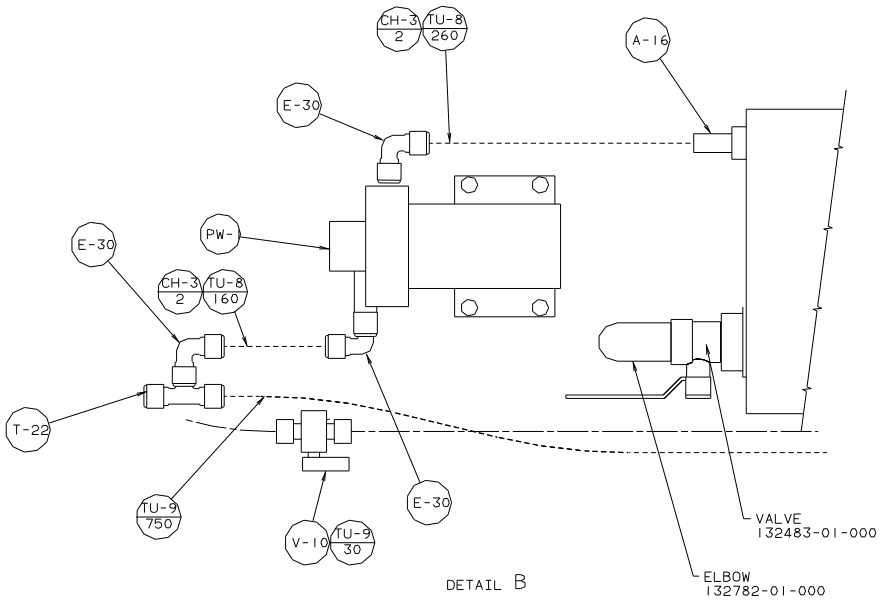
FOR WATER CALLOUTS SEE DWG NO. 116230-01-000

LEGEND	
HOT	-----
COLD	-----

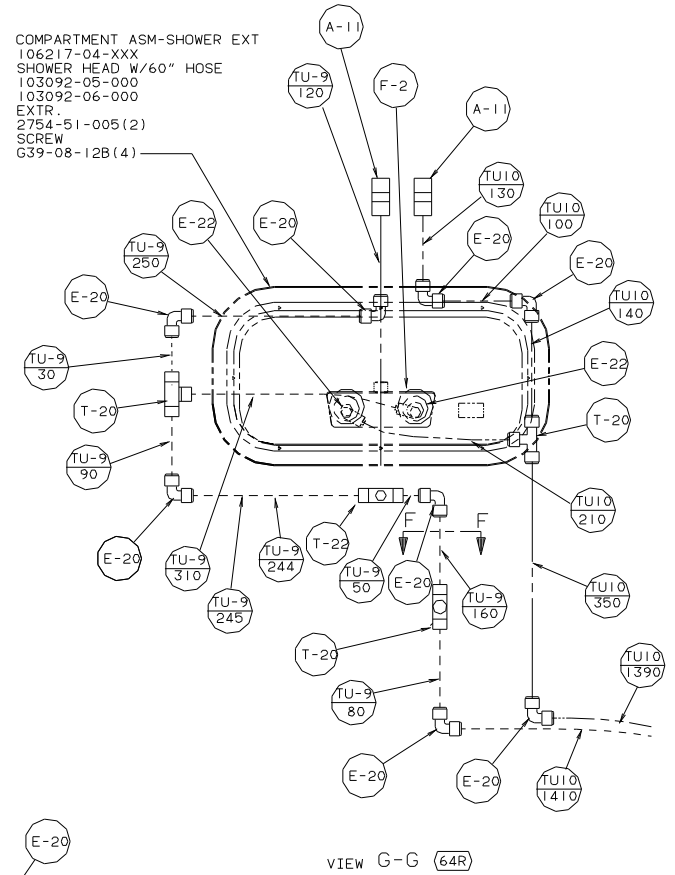
COPYRIGHT 2002 WINNEBAGO INDUSTRIES, INC.		WINNEBAGO		03 2220D	
DTR	DATE	UNSPECIFIED TOLERANCES ARE:	MATERIAL:		
CHR	DATE	ANGLE DIM (X)	+		
P E	DATE	ONE-PLACE (X, XX)	+		
M E	DATE	TWO-PLACE (X, XX)	+		
DNR	DATE	THIRD ANGLE PROJECTION	+		
LAYOUT NO	2220D	TITLE:	WATER SYSTEM INSTL		
DIA #	SCALE: NONE	DO NOT SCALE DRAWINGS	SHEET	NO	
ALL DIMENSIONS ARE IN MILLIMETERS		SHEET	1		OF 2
REF: 133334		1		REV 08/02	

FITTING-BRASS
90338-03-000
HOSE
7108-02-000
(400)
CLAMP
62401-04-000

RELIEF VALVE
(SUPPLIED WITH
WATER HEATER)



COMPARTMENT ASM-SHOWER EXT
106217-04-XXX
SHOWER HEAD W/60" HOSE
103092-05-000
103092-06-000
EXTR.
2754-51-005 (2)
SCREW
G39-08-12B (4)



03 222QD

TITLE:		WATER SYSTEM INSTL	
DO NOT SCALE DRAWING	SIZE	DWG NO	141140
SHEET 2 OF 2	1E	NO	