

TABLE OF CONTENTS

2002 RIALTA/EUROVAN/SUNSTAR/VISTA "H-BODY" WIRING DIAGRAM BOOK

Wiring Diagram – Auto Lamps	Page 1-4
Wiring Installation – Front End	5-6

Rialta 222QD

Wiring Diagram – Body, 12 Volt	7-9
Wiring Diagram – Body, 110 Volt	10
Wiring Installation – Body, 12 Volt.....	11-13
Wiring Installation – Body, 110 Volt.....	14-18

Rialta 222FD

Wiring Diagram – Body, 12 Volt	19-23
Wiring Diagram – Body, 110 Volt	24
Wiring Installation – Body, 12 Volt.....	25-28
Wiring Installation – Body, 110 Volt.....	29-32

Rialta 222HD

Wiring Diagram – Body, 12 Volt	33-35
Wiring Diagram – Body, 110 Volt	36
Wiring Installation – Body, 12 Volt.....	37-38
Wiring Installation – Body, 110 Volt.....	39-41

Wiring Installation – Exterior Lamps.....	42
---	----

Sunstar/Vista 221B

Wiring Diagram – Body, 12 Volt.....	43-47
Wiring Diagram – Body, 110 Volt.....	48-49
Wiring Installation – Body, 12 Volt	50-53
Wiring Installation – Body, 110 Volt	54-57
Wiring Installation – Chassis.....	58
Wiring Installation – Exterior Lamps	59-60

Eurovan

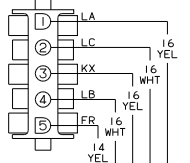
Wiring Diagram – Body.....	61-62
Wiring Installation – Body – 110 Volt US	63
Wiring Installation – Body – 110 Volt Canadian	64
Wiring Installation – Body – 12 Volt	65-67

Radio Install – All.....	68
--------------------------	----

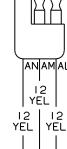
Appendix

Electrical Parts Identification List	A1-A7
Wiring Identification Guide.....	B1-B41

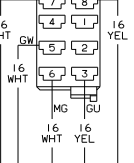
CONNECTS TO WIRE ASM-ADAPTER, RADIO (SHT 3, H-8) (LOCATED BEHIND RADIO)



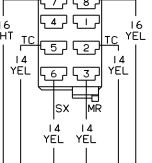
CONNECTS TO OVHD A/C (LOCATED IN FRONT CAB OVHD)



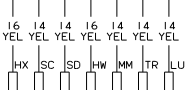
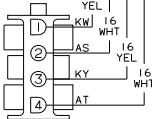
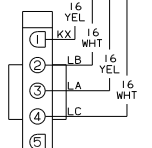
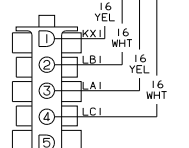
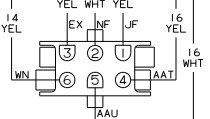
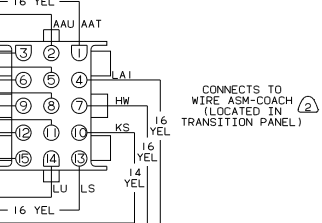
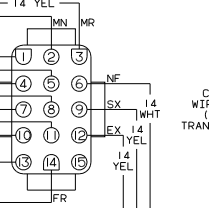
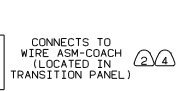
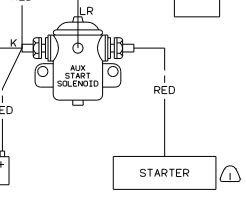
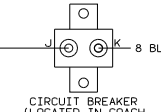
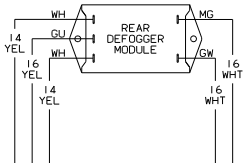
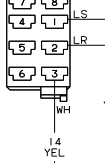
CONNECTS TO REAR WINDOW DEFOGGER SWITCH



CONNECTS TO REAR WIPER/WASHER SWITCH



CONNECTS TO AUX START SWITCH



WIRING DIAGRAM-LEFT, FRONT (WIRE ASM 135730)

CONNECTS TO WIRE ASM-AMP, DLX SOUND (LOCATED IN LEFT TRANSITION PANEL)

CONNECTS TO RADIO SPEAKER JUNCTION (LOCATED IN LEFT TRANSITION PANEL)

CONNECTS TO WIRE ASM-AMP, DLX SOUND (LOCATED IN LEFT TRANSITION PANEL)

CONNECTS TO VOLKSWAGEN WIRE ASM-TAIL LAMPS

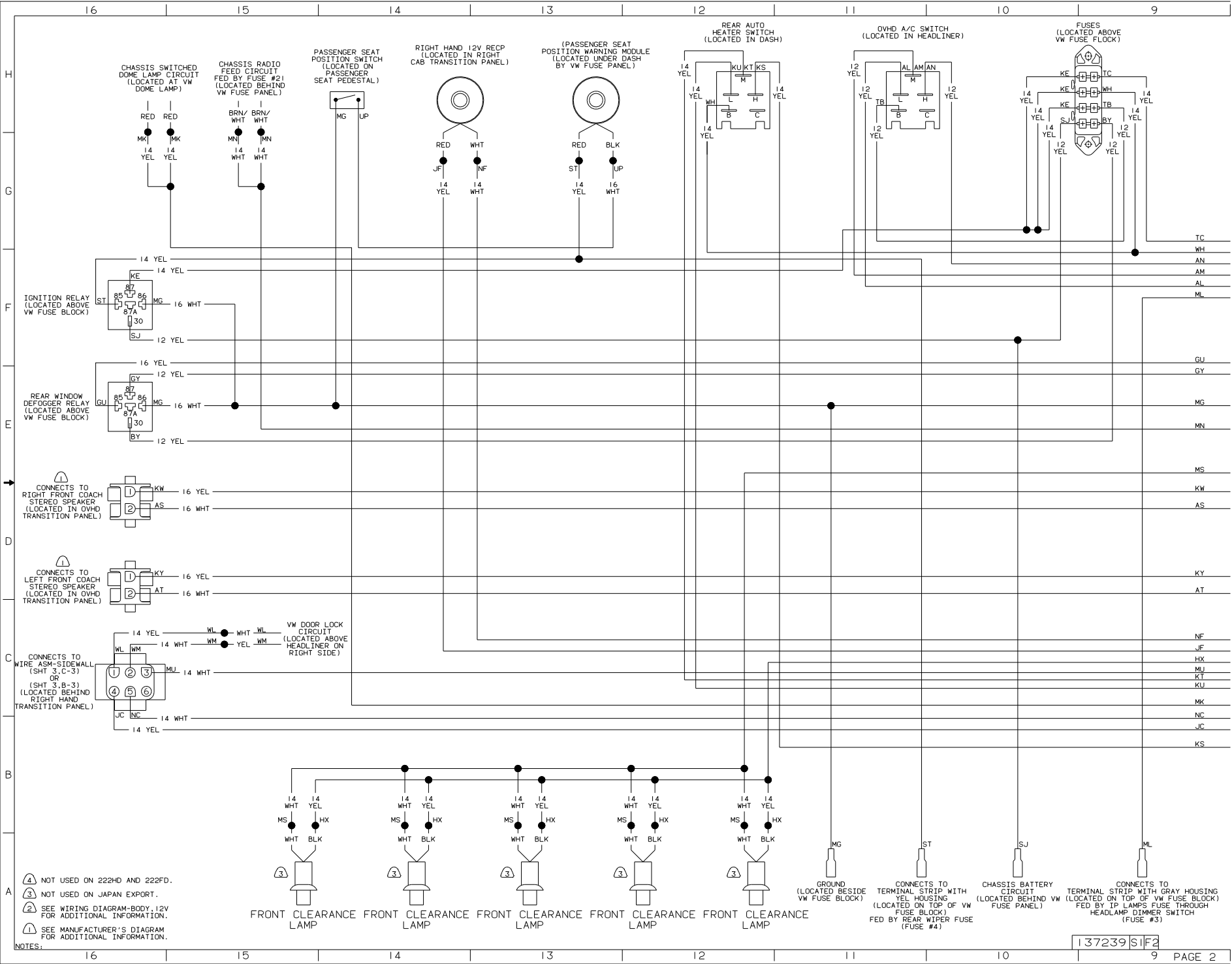
WINNEAGO 02 200-SER

DATE	UNDESIGNED TOLERANCES ARE:	MATERIAL
DATE	ONE-PLACE (1X, 1X)	
DATE	TWO-PLACE (2X, 2X)	
DATE	THREE-PLACE (3X, 3X)	
DATE	FOUR-PLACE (4X, 4X)	
DATE	FIVE-PLACE (5X, 5X)	
DATE	SIX-PLACE (6X, 6X)	
DATE	SEVEN-PLACE (7X, 7X)	
DATE	EIGHT-PLACE (8X, 8X)	
DATE	NINE-PLACE (9X, 9X)	
DATE	TEN-PLACE (10X, 10X)	
DATE	ELEVEN-PLACE (11X, 11X)	
DATE	TWELVE-PLACE (12X, 12X)	
DATE	THIRTEEN-PLACE (13X, 13X)	
DATE	FOURTEEN-PLACE (14X, 14X)	
DATE	FIFTEEN-PLACE (15X, 15X)	
DATE	SIXTEEN-PLACE (16X, 16X)	
DATE	SEVENTEEN-PLACE (17X, 17X)	
DATE	EIGHTEEN-PLACE (18X, 18X)	
DATE	NINETEEN-PLACE (19X, 19X)	
DATE	TWENTY-PLACE (20X, 20X)	

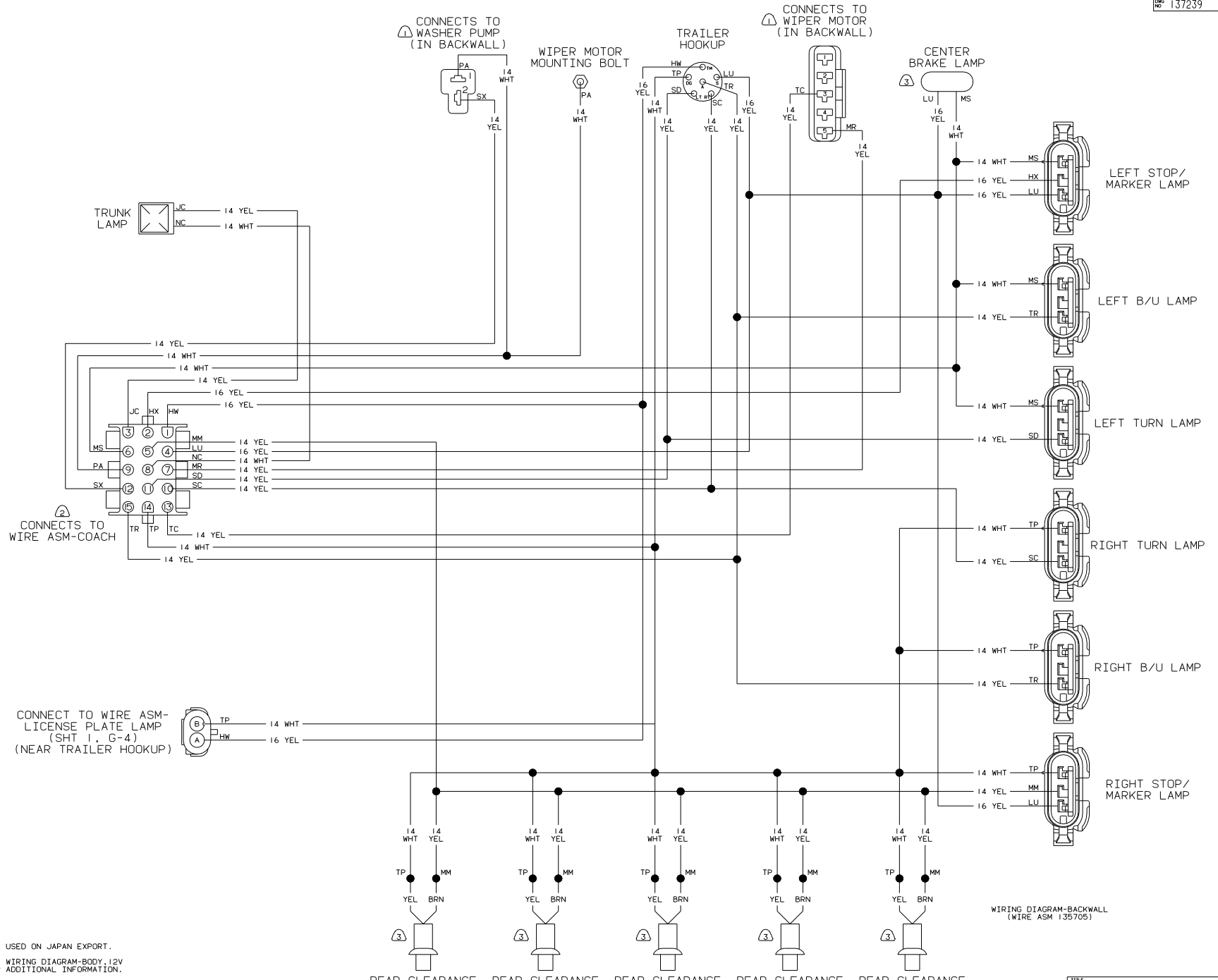
WIRING DIAGRAM-AUTO, LAMPS

SHEET 1 OF 3 I F NO 137239

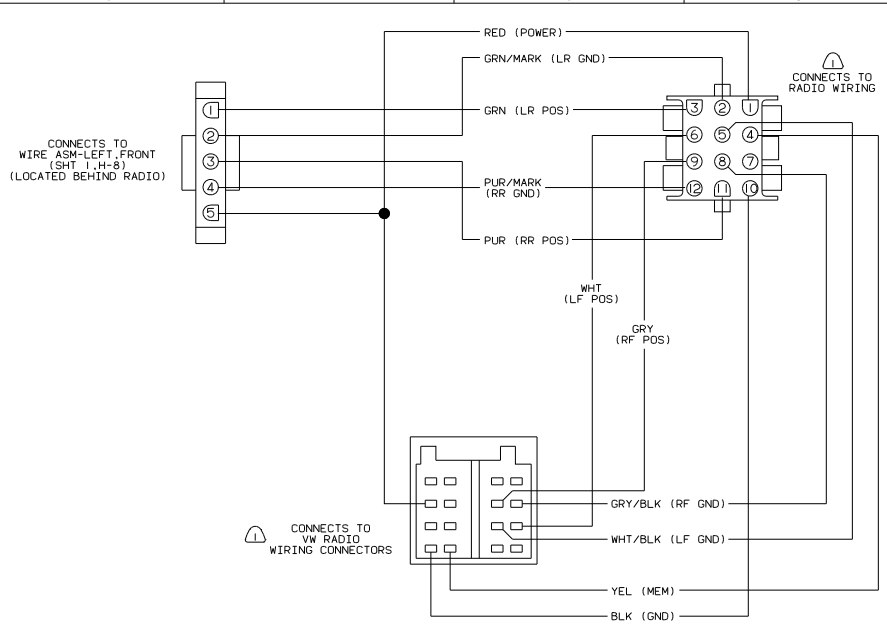
REF: 135821 A | PAGE 1



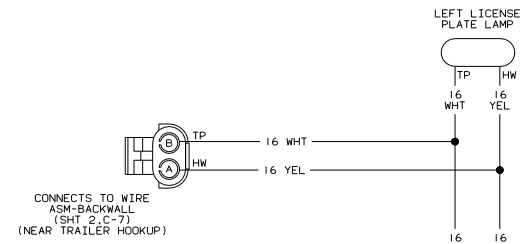
- NOTES:
- ④ NOT USED ON 222HD AND 222FD.
 - ③ NOT USED ON JAPAN EXPORT.
 - ② SEE WIRING DIAGRAM-BODY, 12V FOR ADDITIONAL INFORMATION.
 - ① SEE MANUFACTURER'S DIAGRAM FOR ADDITIONAL INFORMATION.



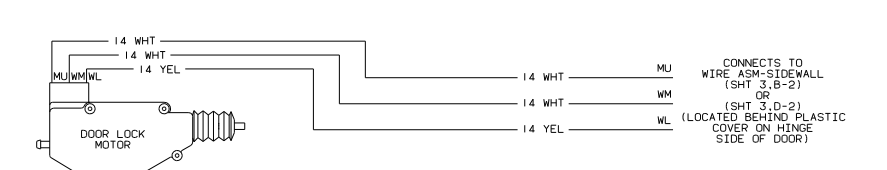
- NOTES:
- ③ NOT USED ON JAPAN EXPORT.
 - ② SEE WIRING DIAGRAM-BODY, 12V FOR ADDITIONAL INFORMATION.
 - ① SEE MANUFACTURER'S DIAGRAM FOR ADDITIONAL INFORMATION.



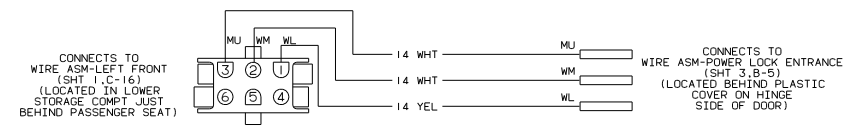
WIRING DIAGRAM-ADAPTER,RADIO
(WIRE ASM 114365-02)



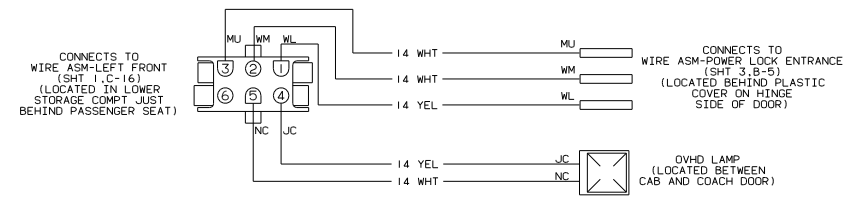
WIRING DIAGRAM LICENSE PLATE LAMPS
(WIRE ASM 113731-02 US/CA)
(WIRE ASM-113731-01 JAPAN EXPORT)



WIRING DIAGRAM-POWER LOCK ENTRANCE
(WIRE ASM 93057-04)

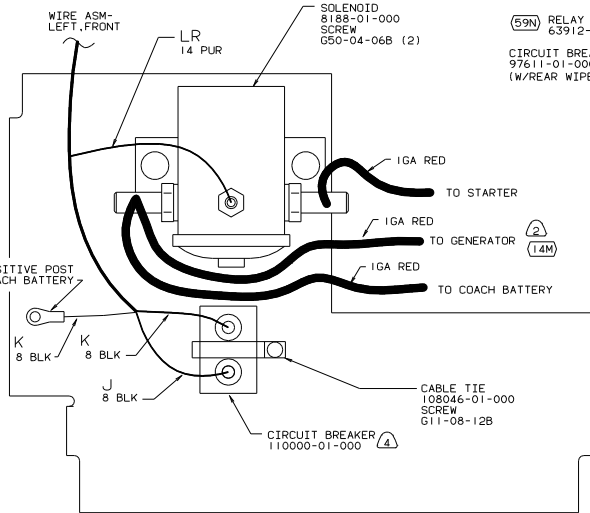


WIRING DIAGRAM-SIDEWALL
(WIRE ASM 135846-01)
222HD & 222FD ONLY

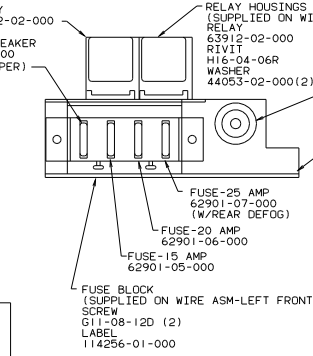
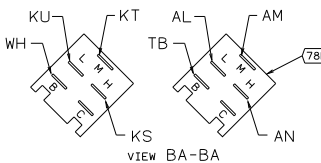
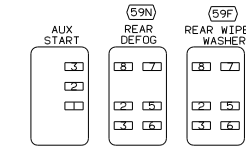


WIRING DIAGRAM-SIDEWALL
(WIRE ASM 135846-02)
2220D ONLY

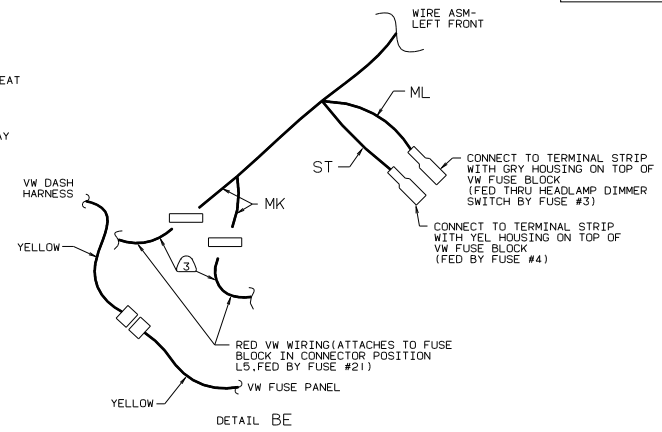
NOTES: SEE MANUFACTURER'S DIAGRAM FOR ADDITIONAL INFORMATION.



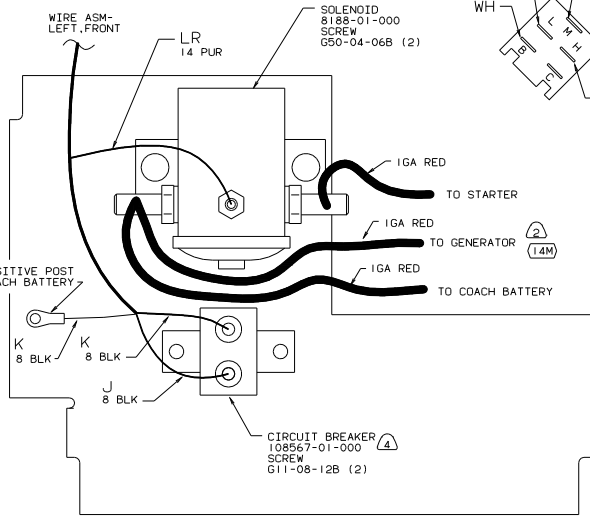
VIEW BD-BD (SHELL ONLY)



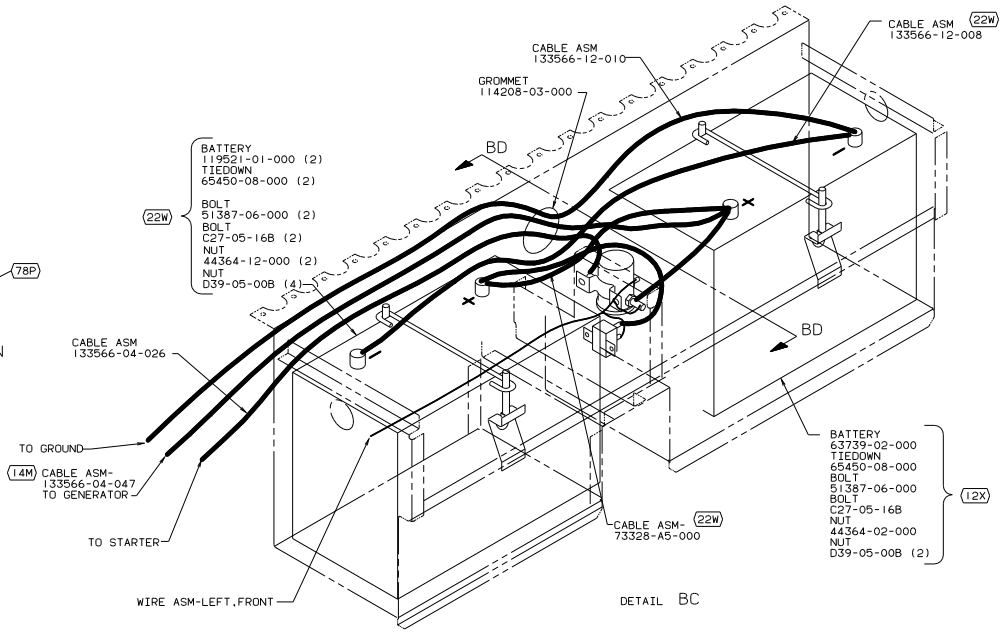
VIEW BB-BB



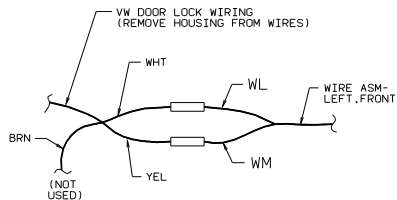
DETAIL BE



VIEW BD-BD (ALL BUT SHELL)



DETAIL BC

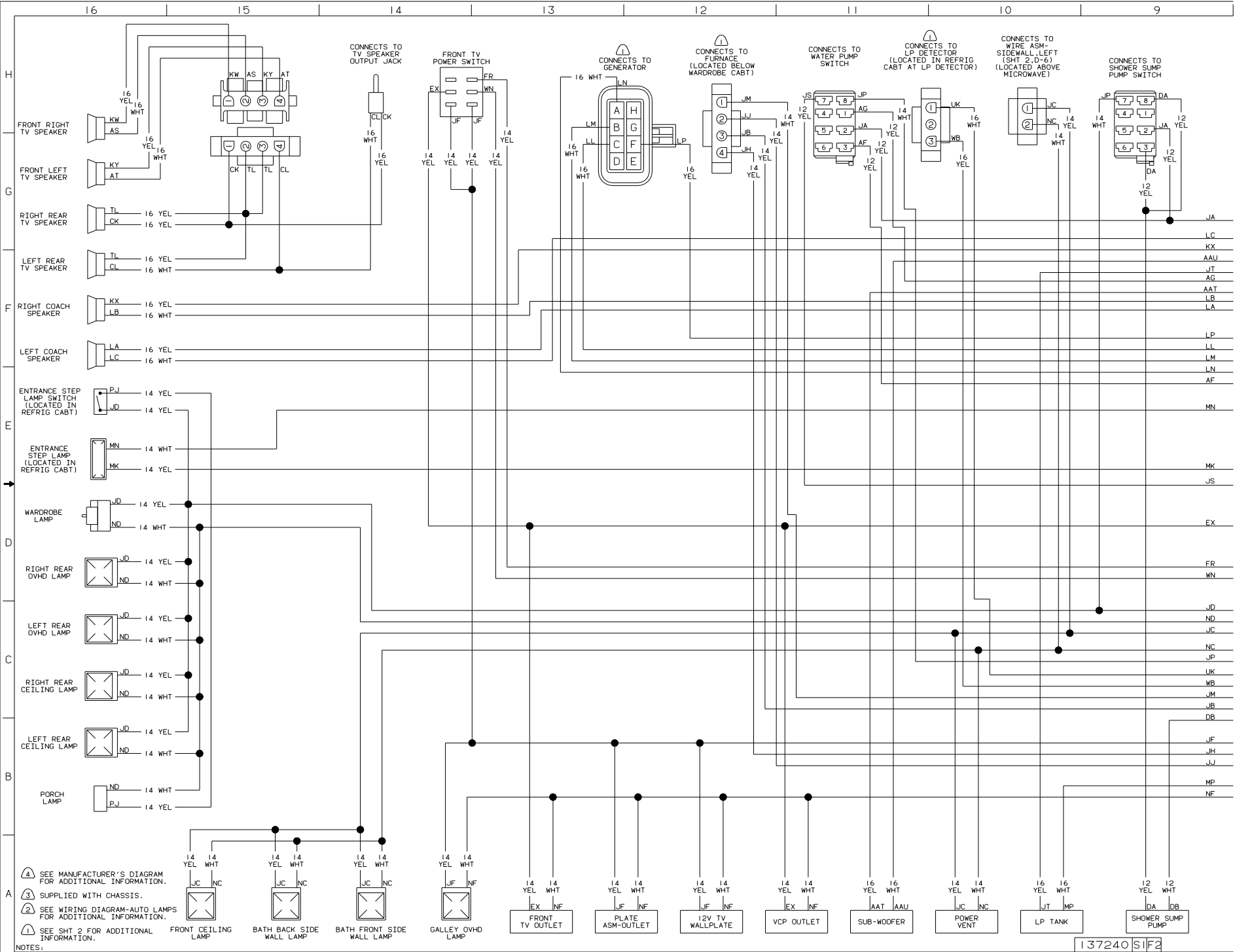


DETAIL BF

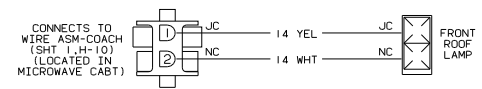
- ④ SEAL SEAMS AND TOP OF CIRCUIT BREAKER WITH SEALANT 117082-01-000. MINIMIZE CONTACT OF SEALANT WITH ELECTRICALLY CONDUCTIVE SURFACES.
- ③ CUT WIRE AND RECONNECT AS SHOWN.
- ② SEE GENERATOR INSTL FOR ADDITIONAL INFOAITION.
- ① SEE WIRING INSTL-BODY FOR ADDITIONAL INFOAITION.

- (78P) A/C AUXILIARY AUTOMTIVE
- (59N) WINDOW REAR DEFOGGER/DEFROST
- (59F) WINDOW REAR WIPER/WASHER
- (265) CODES/STANDARDS-CSA/CMVSS
- (22W) BATTERY-TWO
- (1B1) CODES STANDARDS/USA
- (14M) GENERATOR-3,000W-GENERAC GAS
- (12X) BATTERY-ONE

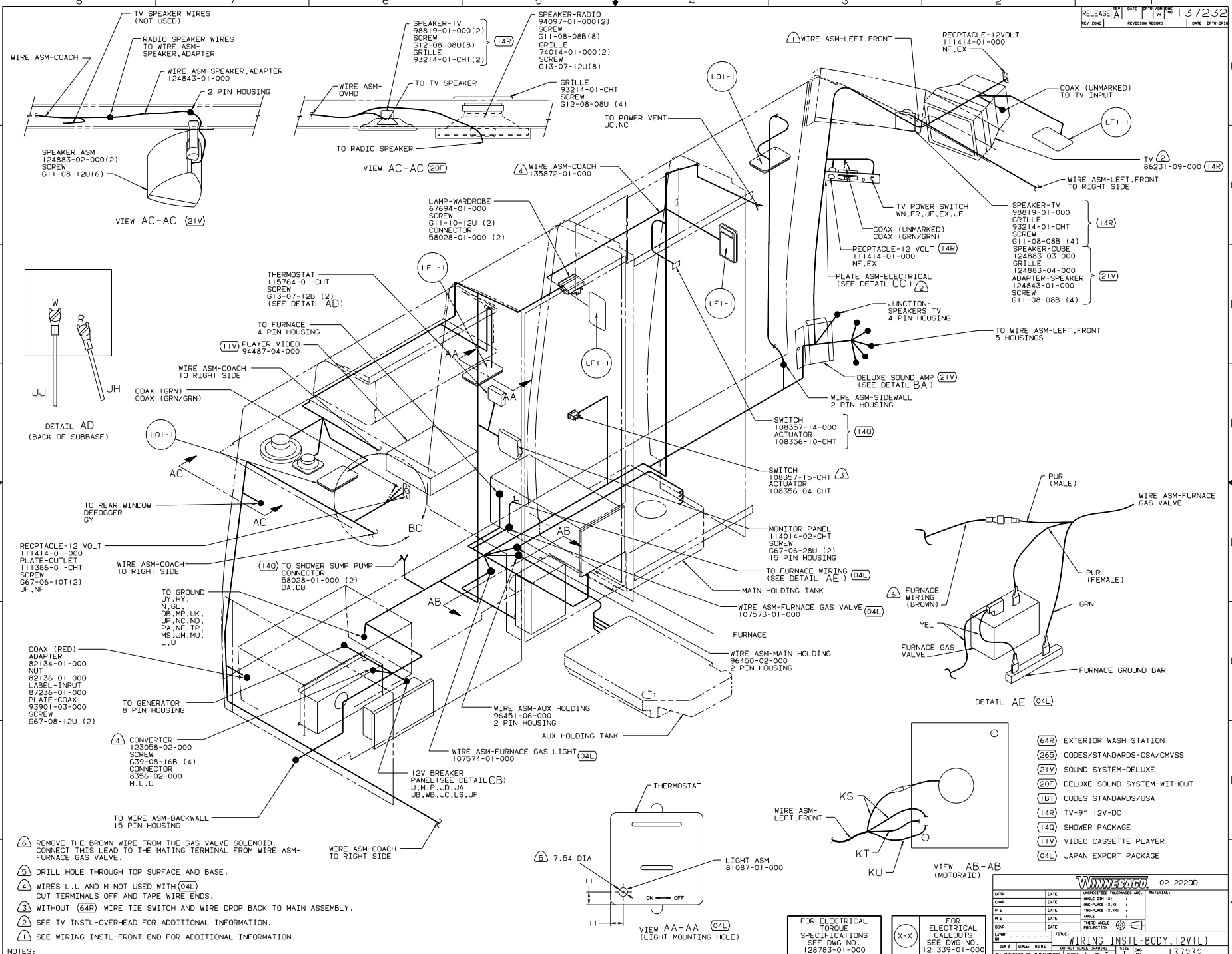
02 200 SERIES (1B1) (265)



- NOTES:
- ④ SEE MANUFACTURER'S DIAGRAM FOR ADDITIONAL INFORMATION.
 - ③ SUPPLIED WITH CHASSIS.
 - ② SEE WIRING DIAGRAM-AUTO LAMPS FOR ADDITIONAL INFORMATION.
 - ① SEE SHT 2 FOR ADDITIONAL INFORMATION.



WIRING DIAGRAM-ROOF,FRONT
(WIRE ASM 119112)



- ① REMOVE THE BROWN WIRE FROM THE GAS VALVE SOLENOID. CONNECT THIS LEAD TO THE MATING TERMINAL FROM WIRE ASM-FURNACE GAS VALVE.
- ② DRILL HOLE THROUGH TOP SURFACE AND BASE.
- ③ WIRES L,U AND M NOT USED WITH (04L) CUT TERMINALS OFF AND TAPE WIRE ENDS.
- ④ WITHOUT (64R) WIRE TIE SWITCH AND WIRE DROP BACK TO MAIN ASSEMBLY.
- ⑤ SEE TV INSTL-OVERHEAD FOR ADDITIONAL INFORMATION.
- ⑥ SEE WIRING INSTL-FRONT END FOR ADDITIONAL INFORMATION.

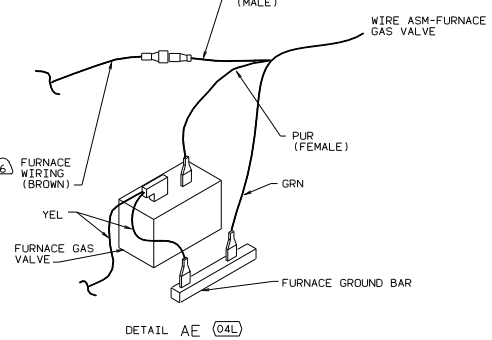
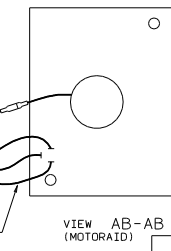
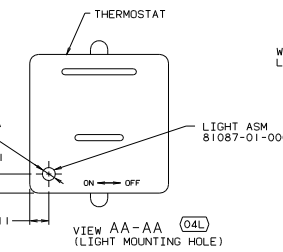
- (64R) EXTERIOR WASH STATION
- (26S) CODES/STANDARDS-CSA/CMVSS
- (21V) SOUND SYSTEM-DELUXE
- (20F) DELUXE SOUND SYSTEM-WITHOUT
- (1B1) CODES STANDARDS/USA
- (14R) TV-9" 12V-DC
- (14D) SHOWER CASSETTE PLAYER
- (11V) VIDEO CASSETTE PLAYER
- (04L) JAPAN EXPORT PACKAGE

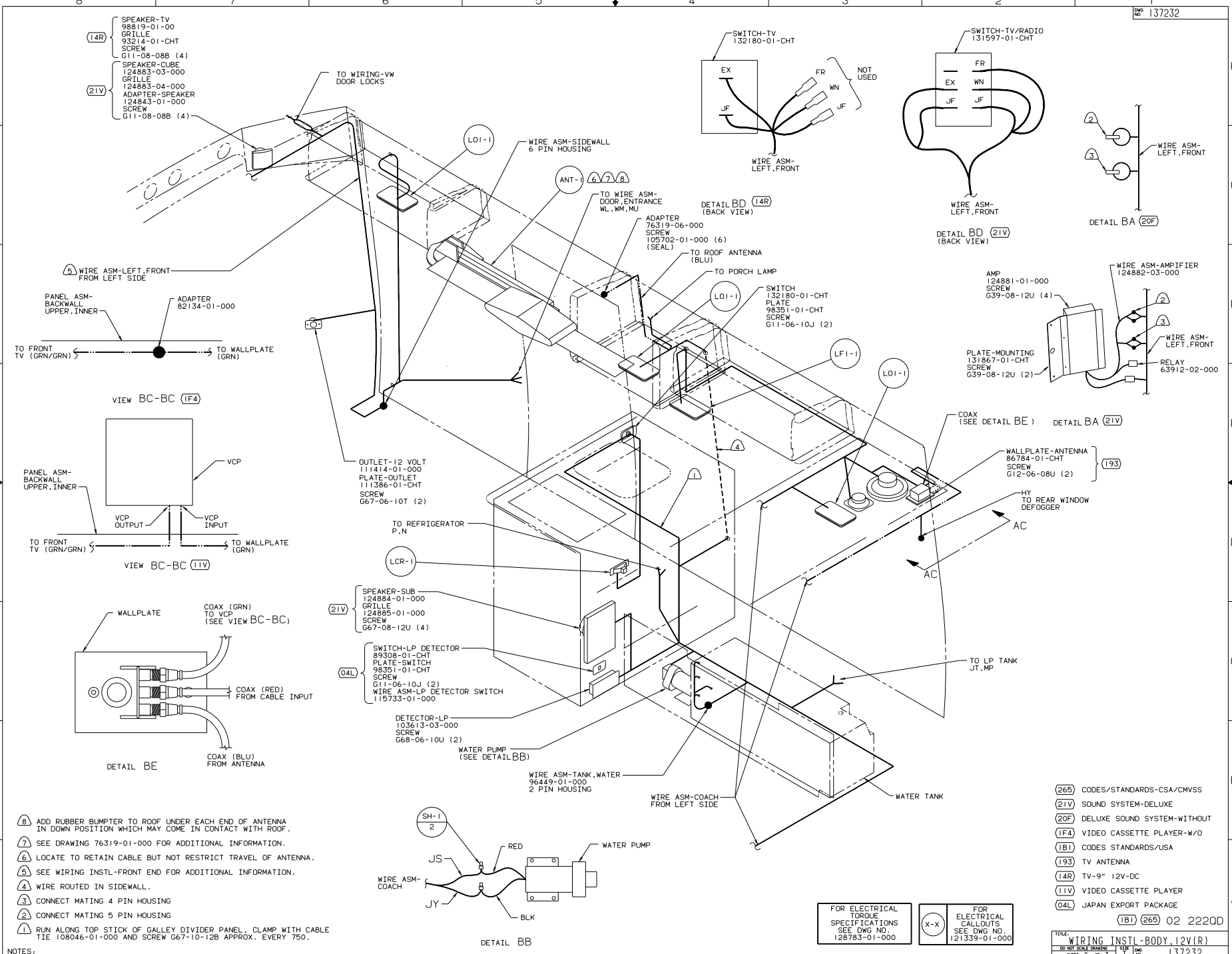
DATE	DESCRIPTION	BY	CHKD

WIRING INSTL-BODY 12V(1L)
 SHEET 1 OF 3
 137232

FOR ELECTRICAL TORQUE SPECIFICATIONS SEE DWG NO. 128783-01-000

X-X FOR ELECTRICAL CALLOUTS SEE DWG NO. 1215329-01-000





8
7
6
5
4
3
2
1

H
G
F
E
D
C
B
A

NOTES:

- ⑧ ADD RUBBER BUMPER TO ROOF UNDER EACH END OF ANTENNA IN DOWN POSITION WHICH MAY COME IN CONTACT WITH ROOF.
- ⑦ SEE DRAWING 76319-01-000 FOR ADDITIONAL INFORMATION.
- ⑥ LOCATE TO RETAIN CABLE BUT NOT RESTRICT TRAVEL OF ANTENNA.
- ⑤ SEE WIRING INSTL-FRONT END FOR ADDITIONAL INFORMATION.
- ④ WIRE ROUTED IN SIDEWALL.
- ③ CONNECT MATING 4 PIN HOUSING
- ② CONNECT MATING 5 PIN HOUSING
- ① RUN ALONG TOP STICK OF GALLEY DIVIDER PANEL. CLAMP WITH CABLE TIE 108046-01-000 AND SCREW G67-10-12B APPROX. EVERY 750.

- ②65 CODES/STANDARDS-CSA/CMVSS
- ②1V SOUND SYSTEM-DELUXE
- ②0F DELUXE SOUND SYSTEM-WITHOUT
- ①F4 VIDEO CASSETTE PLAYER-W/O
- ①B1 CODES STANDARDS/USA
- ①93 TV ANTENNA
- ①4R TV-9" 12V-DC
- ①1V VIDEO CASSETTE PLAYER
- ①4L JAPAN EXPORT PACKAGE
- ①B1 ②65 02 2220D

FOR ELECTRICAL TORQUE SPECIFICATIONS SEE DWG NO. 128783-01-000

X-X

FOR ELECTRICAL CALLOUTS SEE DWG NO. 121339-01-000

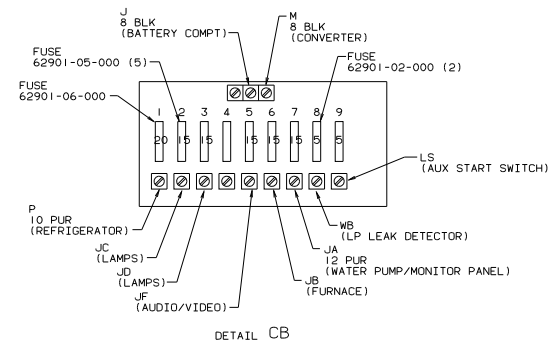
TITLE: WIRING INSTL-BODY 12V(R)

NO SCALE DRAWING

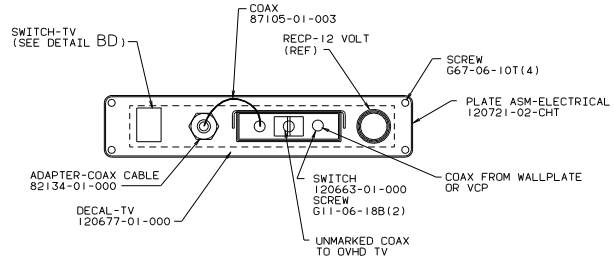
SHEET 2 OF 3

DATE

137232



DETAIL CB



DETAIL CC (BACK VIEW)

(265) CODES/STANDARDS-CSA/CMVSS

(1B1) CODES STANDARDS/USA

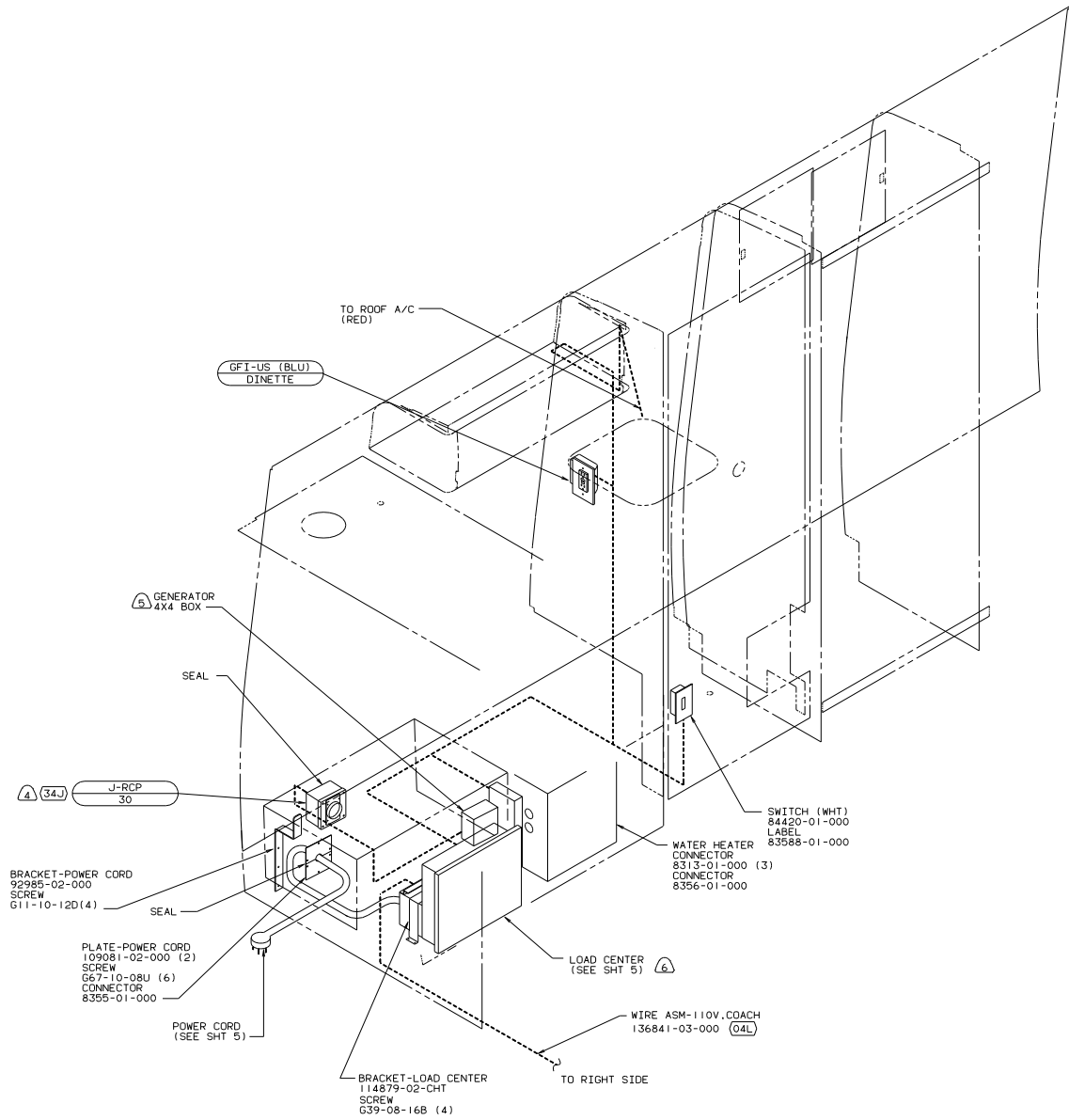
(04L) JAPAN EXPORT PACKAGE

(1B1) (265) (04L) 02 22200

FOR ELECTRICAL TORQUE SPECIFICATIONS SEE DWG NO 128783-01-000

TITLE: WIRING INSTL-BODY, 12V(EXT)
 DWG NO 137232
 SHEET 3 OF 3

NOTES:



- ⑥ LOCATE LOAD CENTER WITHIN DINETTE SEAT FACE.
 - ⑤ SEE GENERATOR INSTL FOR ADDITIONAL INFORMATION.
 - ④ INSTALL RCP WITH GROUND TOWARD BOTTOM OF VEHICLE.
3. ALL GROUND WIRES TO BE COVERED WITH TUBING 8041-02-000.
2. ALL WIRES ARE TO BE CLAMPED WITH CLAMP 10497-05-000 WITHIN 200 OF OUTLET BOXES. USE SCREW G67-10-12B.
1. ALL WIRES TO BE CLAMPED WITH CLAMP 10495-01-000 OR CLIP 80734-01-000 EVERY 600. USE SCREW G67-10-12B UNLESS OTHERWISE SPECIFIED.

NOTES:

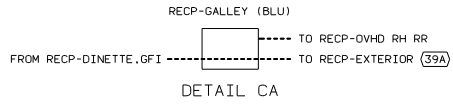
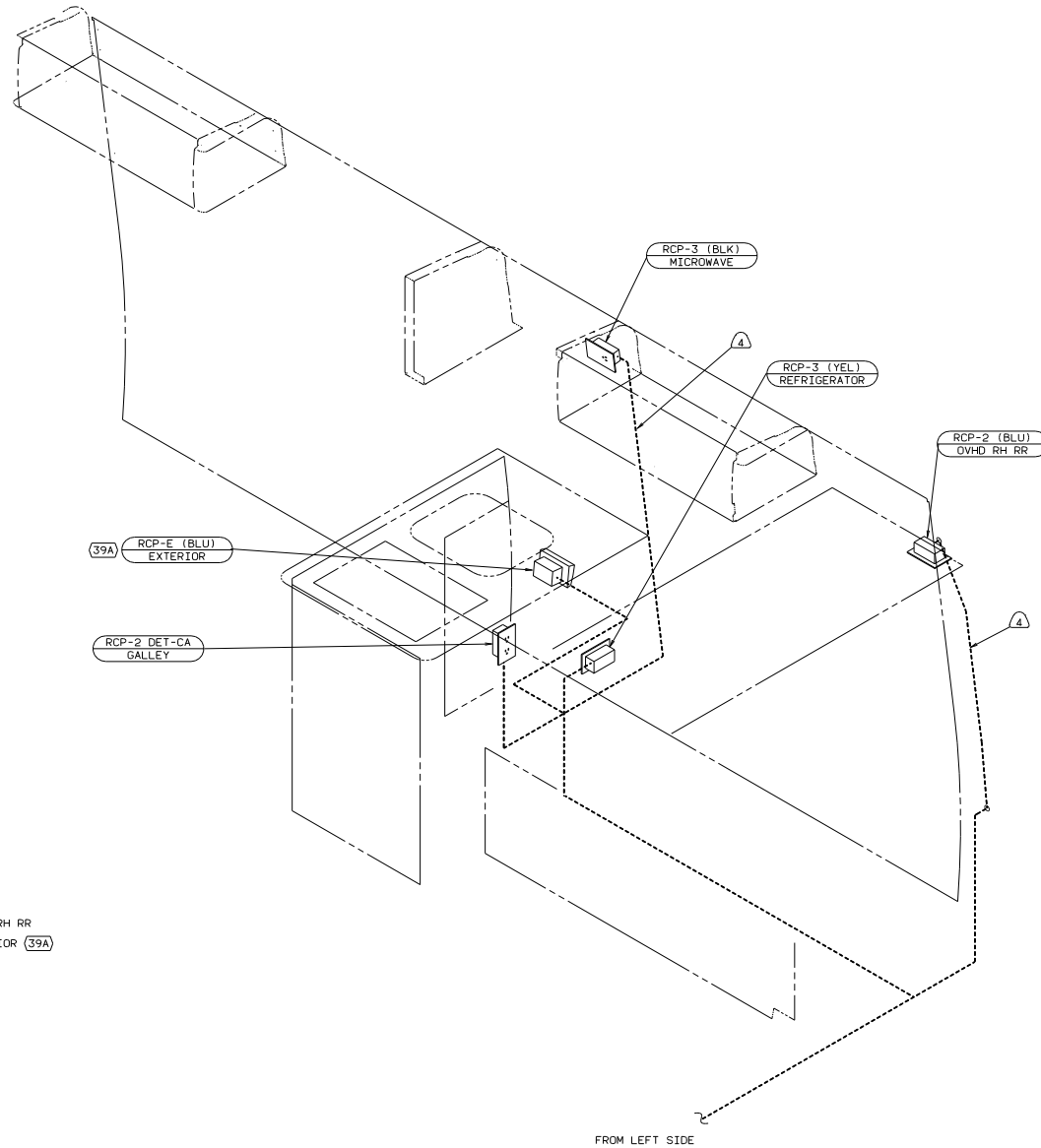
- ③4J GEN-2.8KW GENERAC 100V
- ②9K A/C ROOF-ONE 7,100 BTU
- ①20 ELECTRICAL SYSTEM 30 AMP
- ①4L JAPAN EXPORT PACKAGE

FOR ELECTRICAL TORQUE SPECIFICATIONS SEE DWG NO. 128783-01-000

FOR ELECTRICAL CALLOUTS SEE DWG NO. 121339-01-000

①4L ①20 ②9K 01 2220D

WIRING INSTL-BODY, 110V(L30JPN)



- NOTES:
- ④ ROUTE WIRE THRU SIDEWALL.
 - 3. ALL GROUND WIRES TO BE COVERED WITH TUBING 8041-02-000.
 - 2. ALL WIRES ARE TO BE CLAMPED WITH CLAMP 10497-05-000 WITHIN 200 OF OUTLET BOXES. USE SCREW G67-10-12B.
 - 1. ALL WIRES TO BE CLAMPED WITH CLAMP 10495-01-000 OR CLIP 80734-01-000 EVERY 600. USE SCREW G67-10-12B UNLESS OTHERWISE SPECIFIED.

FOR ELECTRICAL TORQUE SPECIFICATIONS SEE DWG NO. 128783-01-000

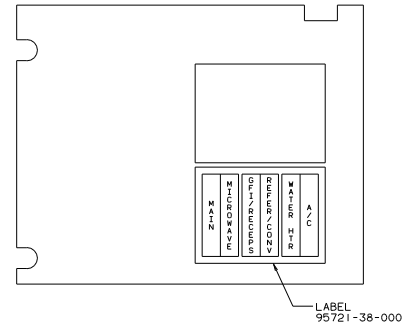
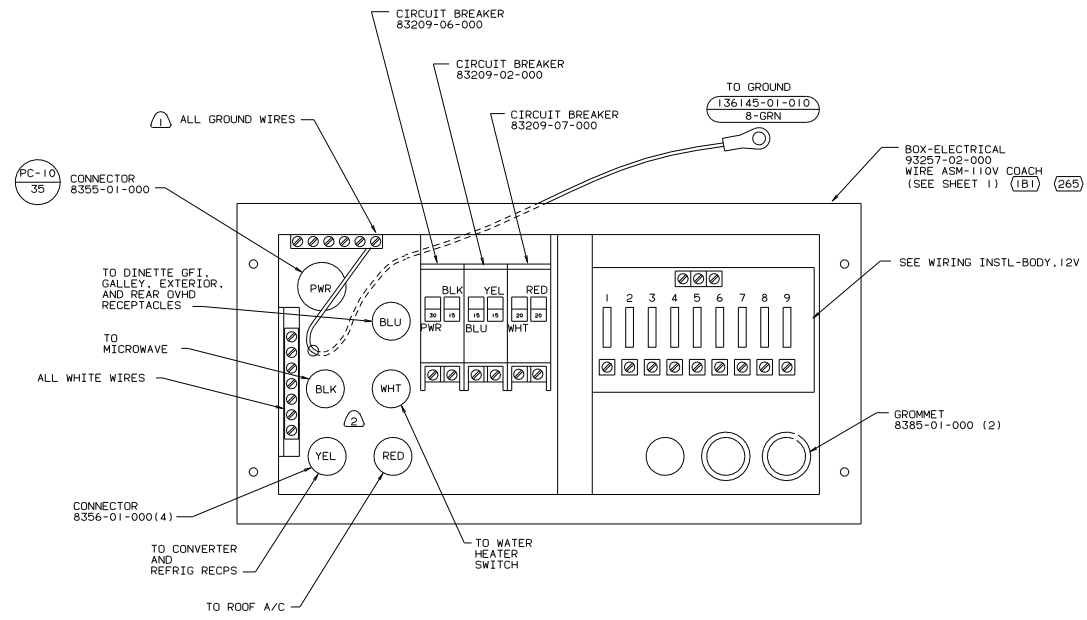
FOR ELECTRICAL CALLOUTS SEE DWG NO. 121339-01-000



- ④4L JAPAN EXPORT PACKAGE
- ③9A EXT RECEPTACLE DPLX 120VAC
- ①2D ELECTRICAL SYSTEM 30 AMP
- ②65 CODES/STANDARDS-CSA/CMVSS
- ①B1 CODES STANDARDS/USA

①B1 ②65 ①2D 02 2220D

THRU: WIRING INSTL-BODY.110V(R30)
 DO NOT SCALE DRAWING SHEET 3 OF 5 I.F. NO. 137236



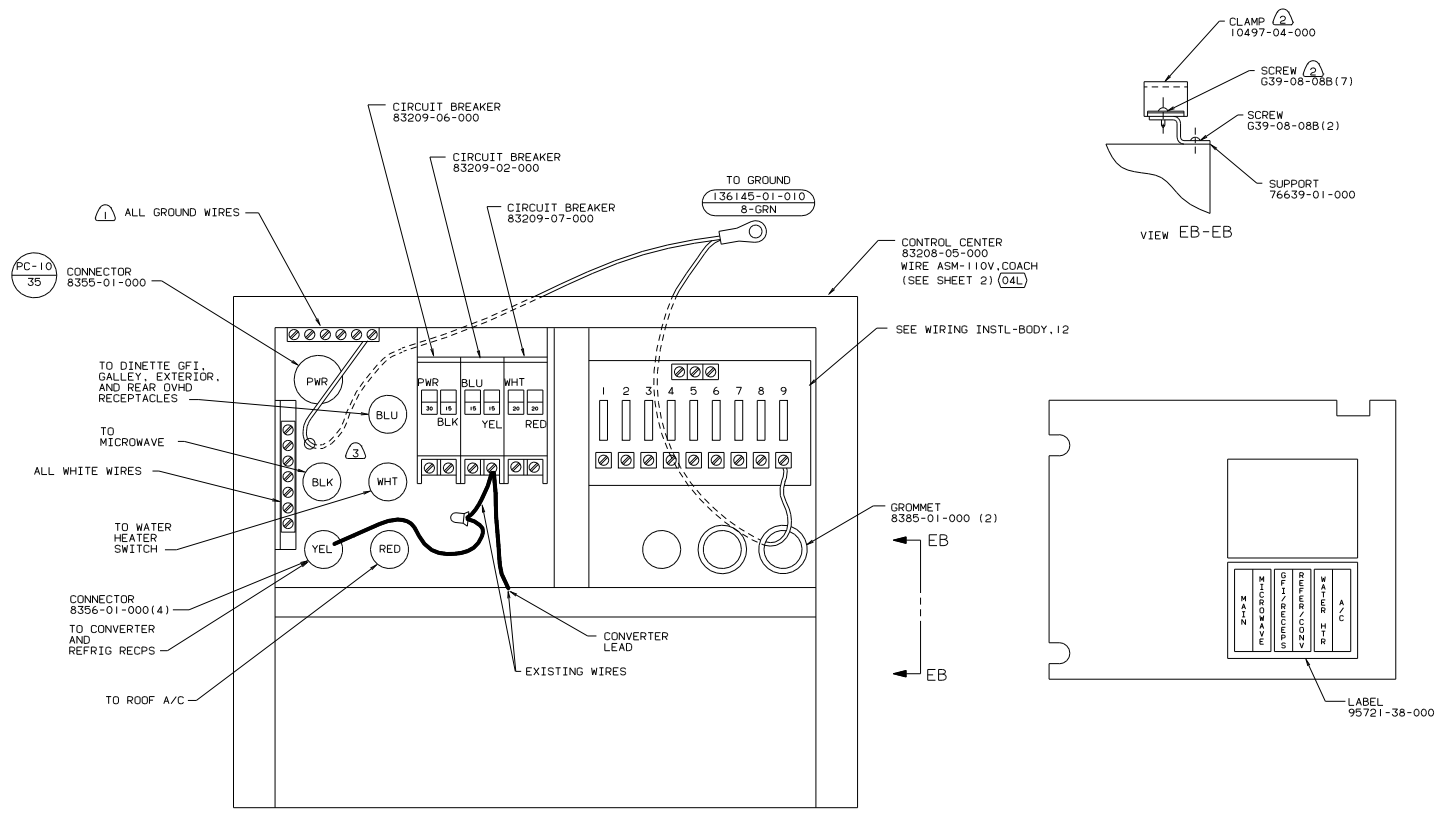
2 110V CABLES IN LOAD CENTER SHALL BE 200 LONG.
 1 ALL GROUND WIRES TO BE COVERED WITH TUBING 8041-02-000.

FOR ELECTRICAL TORQUE SPECIFICATIONS SEE DWG NO. 128783-01-000

(X-X) FOR ELECTRICAL CALLOUTS SEE DWG NO. 121339-01-000

(120) ELECTRICAL SYSTEM 30 AMP
 (265) CODES/STANDARDS-CSA/CMVSS
 (1B1) CODES STANDARDS/USA
 (1B1) (120) (265) 02 2220D

TITLE: WIRING INSTL-BODY.110V(LC30)
 DWG NO: 137236
 SHEET 4 OF 5



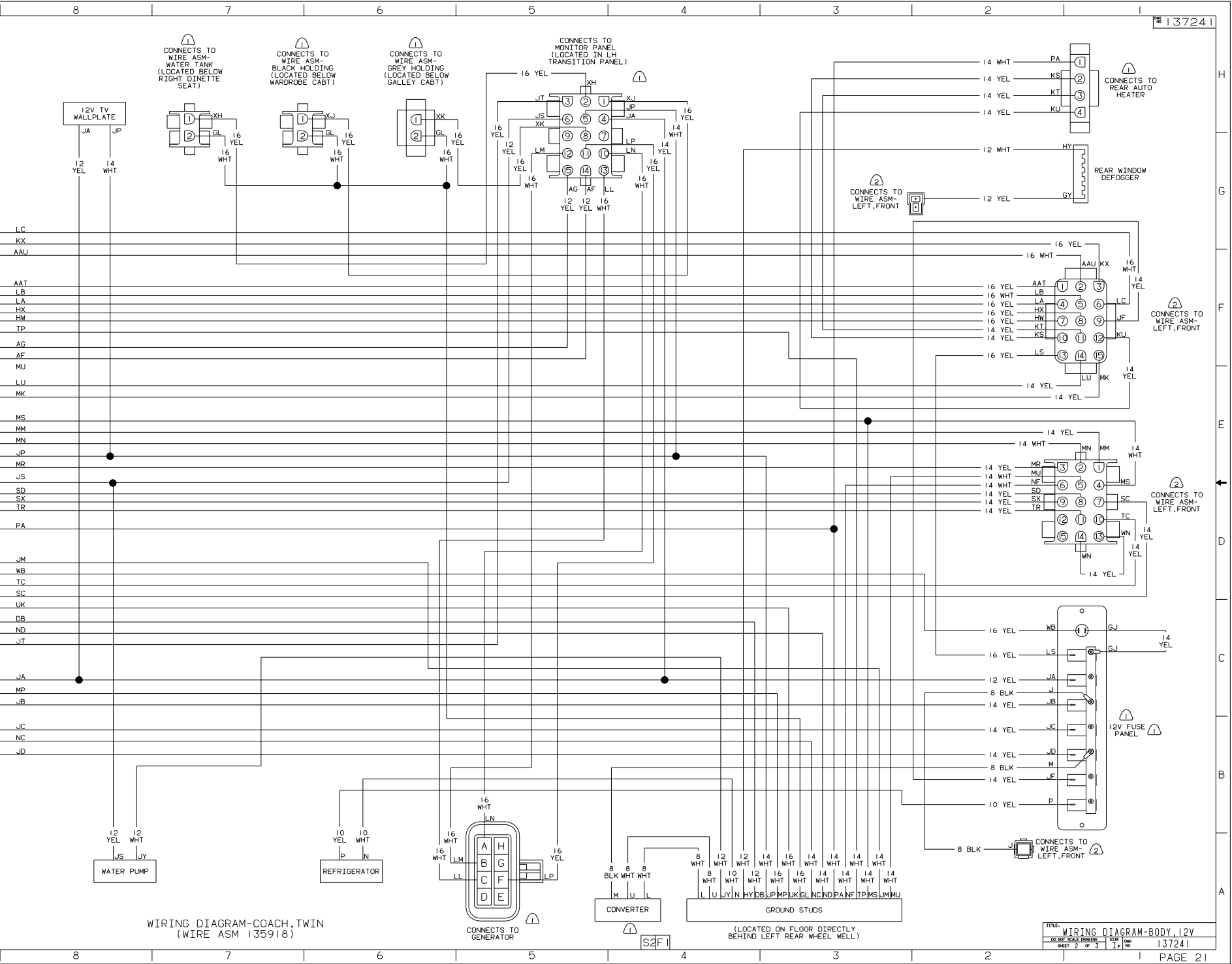
- NOTES:
- ③ 110V CABLES IN LOAD CENTER SHALL BE 200 LONG.
 - ② FASTEN ALL WIRES TO SUPPORT. USE ONE SCREW PER CLAMP.
 - ① ALL GROUND WIRES TO BE COVERED WITH TUBING 8041-02-000.

FOR ELECTRICAL TORQUE SPECIFICATIONS SEE DWG NO. 128783-01-000	X-X	FOR ELECTRICAL CALLOUTS SEE DWG NO. 121339-01-000
--	-----	--

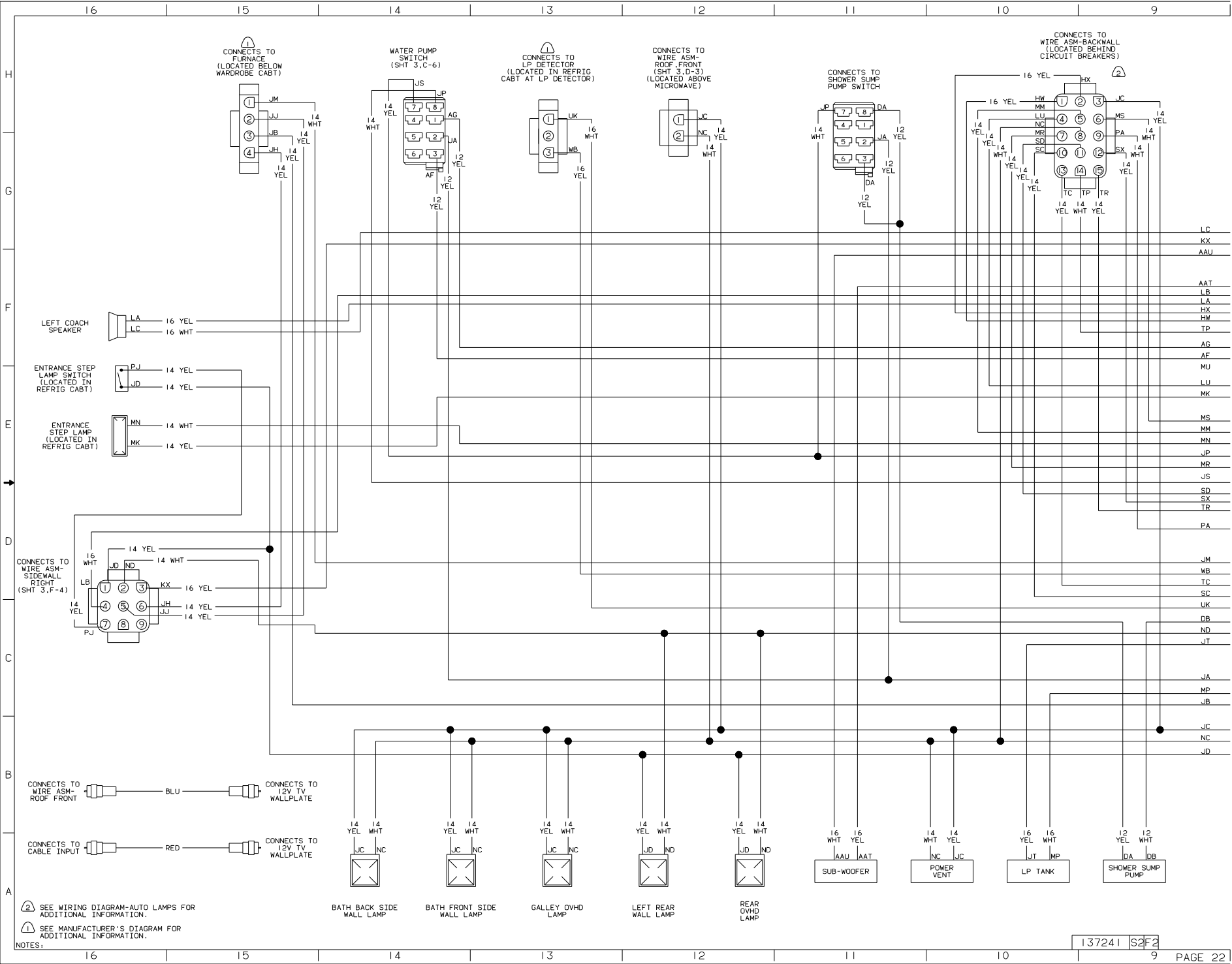
①20 ELECTRICAL SYSTEM 30 AMP
 ①4L JAPAN EXPORT PACKAGE

①4L ①20 02 2220D

WIRING INSTL-BODY (LC30JPN)
 SHEET 5 OF 5



WIRING DIAGRAM-COACH TWIN (WIRE ASM 135918)



CONNECTS TO FURNACE (LOCATED BELOW WARDROBE CABT)

WATER PUMP SWITCH (SHT 3.C-6)

CONNECTS TO LP DETECTOR (LOCATED IN REFRIG CABT AT LP DETECTOR)

CONNECTS TO WIRE ASM-ROOF-FRONT (SHT 3.D-3) (LOCATED ABOVE MICROWAVE)

CONNECTS TO SHOWER SUMP PUMP SWITCH

CONNECTS TO WIRE ASM-BACKWALL (LOCATED BEHIND CIRCUIT BREAKERS)

LEFT COACH SPEAKER
LA 16 YEL
LC 16 WHT

ENTRANCE STEP LAMP SWITCH (LOCATED IN REFRIG CABT)
PJ 14 YEL
JD 14 YEL

ENTRANCE STEP LAMP (LOCATED IN REFRIG CABT)
MN 14 WHT
MK 14 YEL

CONNECTS TO WIRE ASM-SIDEWALL RIGHT (SHT 3.F-4)
LB 16 WHT
ND 14 WHT
KX 16 YEL
JH 14 YEL
JJ 14 YEL

CONNECTS TO WIRE ASM-ROOF-FRONT
BLU
CONNECTS TO 12V TV WALLPLATE

CONNECTS TO CABLE INPUT
RED
CONNECTS TO 12V TV WALLPLATE

BATH BACK SIDE WALL LAMP

BATH FRONT SIDE WALL LAMP

GALLEY OVHD LAMP

LEFT REAR WALL LAMP

REAR OVHD LAMP

SUB-WOOFER

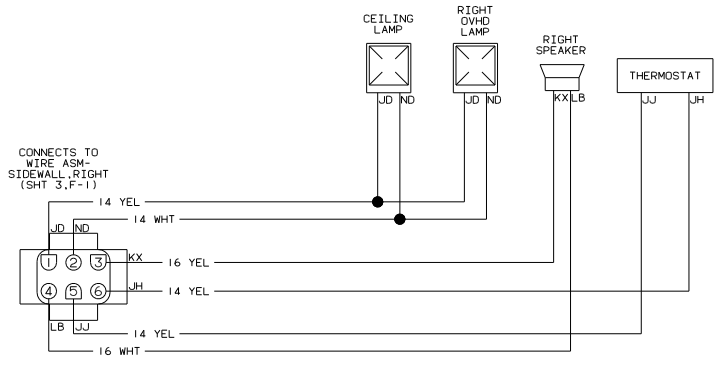
POWER VENT

LP TANK

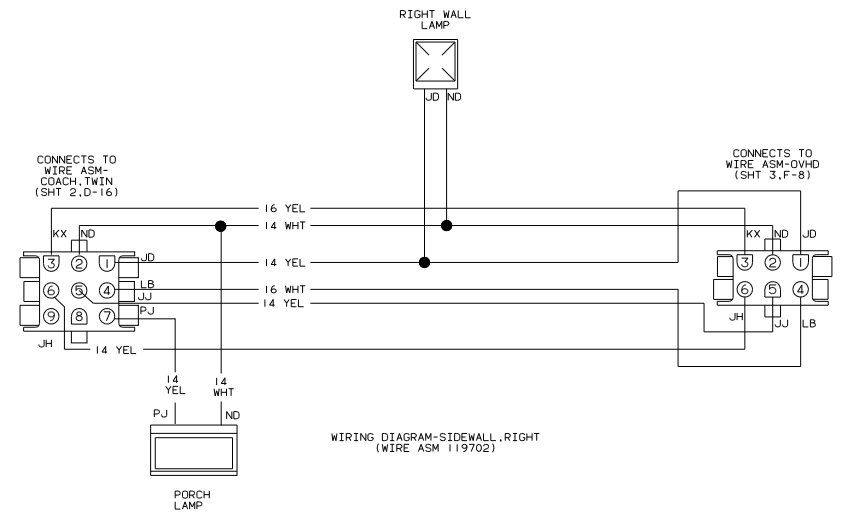
SHOWER SUMP PUMP

NOTES:
(2) SEE WIRING DIAGRAM-AUTO LAMPS FOR ADDITIONAL INFORMATION.
(1) SEE MANUFACTURER'S DIAGRAM FOR ADDITIONAL INFORMATION.

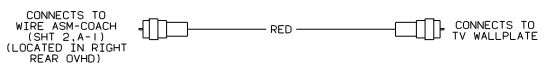
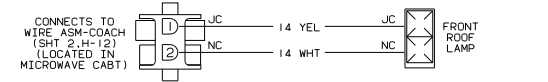
137241 S2F2



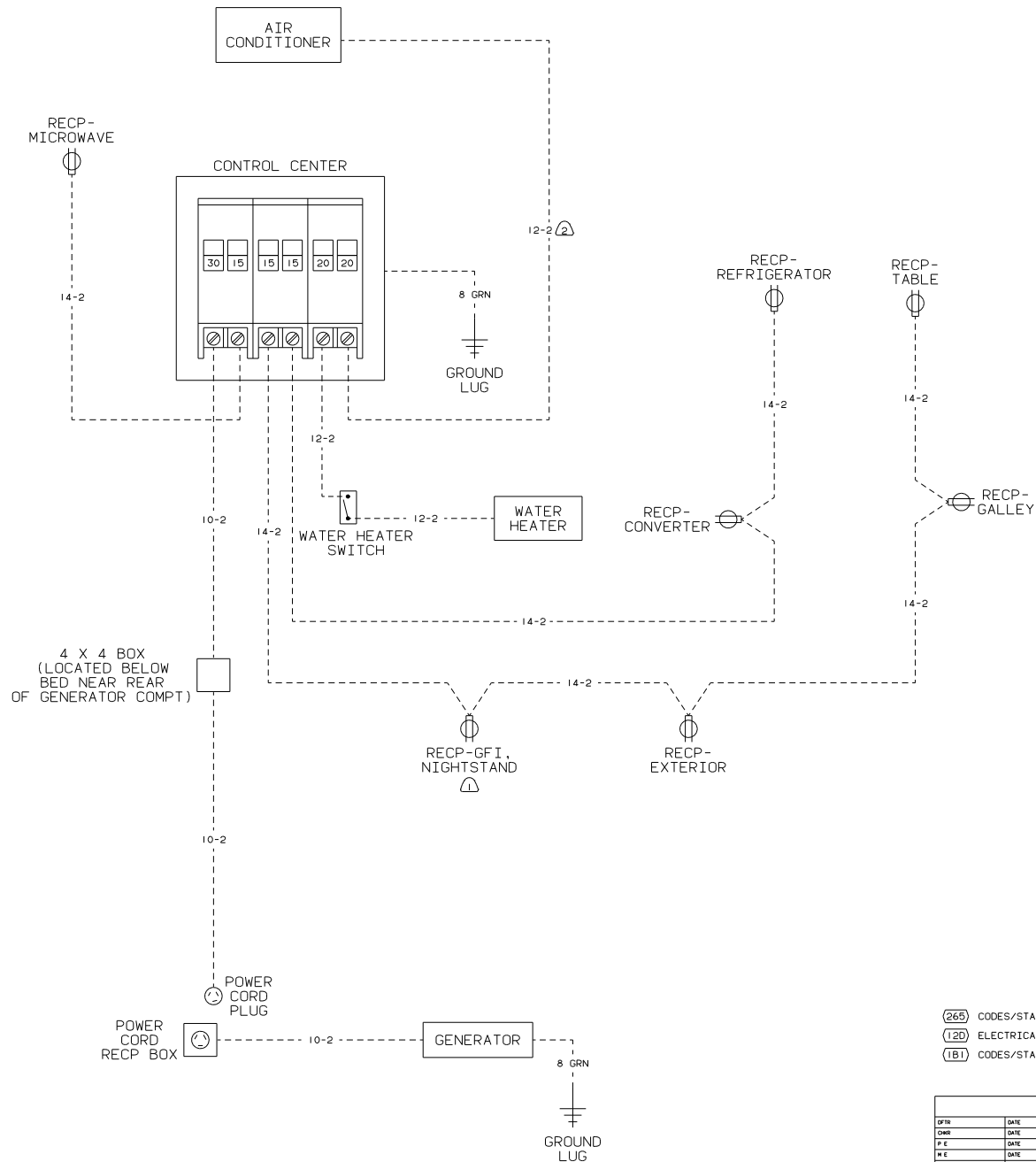
WIRING DIAGRAM-OVHD (WIRE ASM 119701)



WIRING DIAGRAM-SIDEWALL, RIGHT (WIRE ASM 119702)



WIRING DIAGRAM-ROOF, FRONT (WIRE ASM 133878)



NOTES:
 (2) WIRE ROUTED THRU ROOF.
 (1) ALL OUTLETS DOWN STREAM AND INCLUDING THIS OUTLET ARE GROUND FAULT CIRCUIT INTERRUPT PROTECTED.

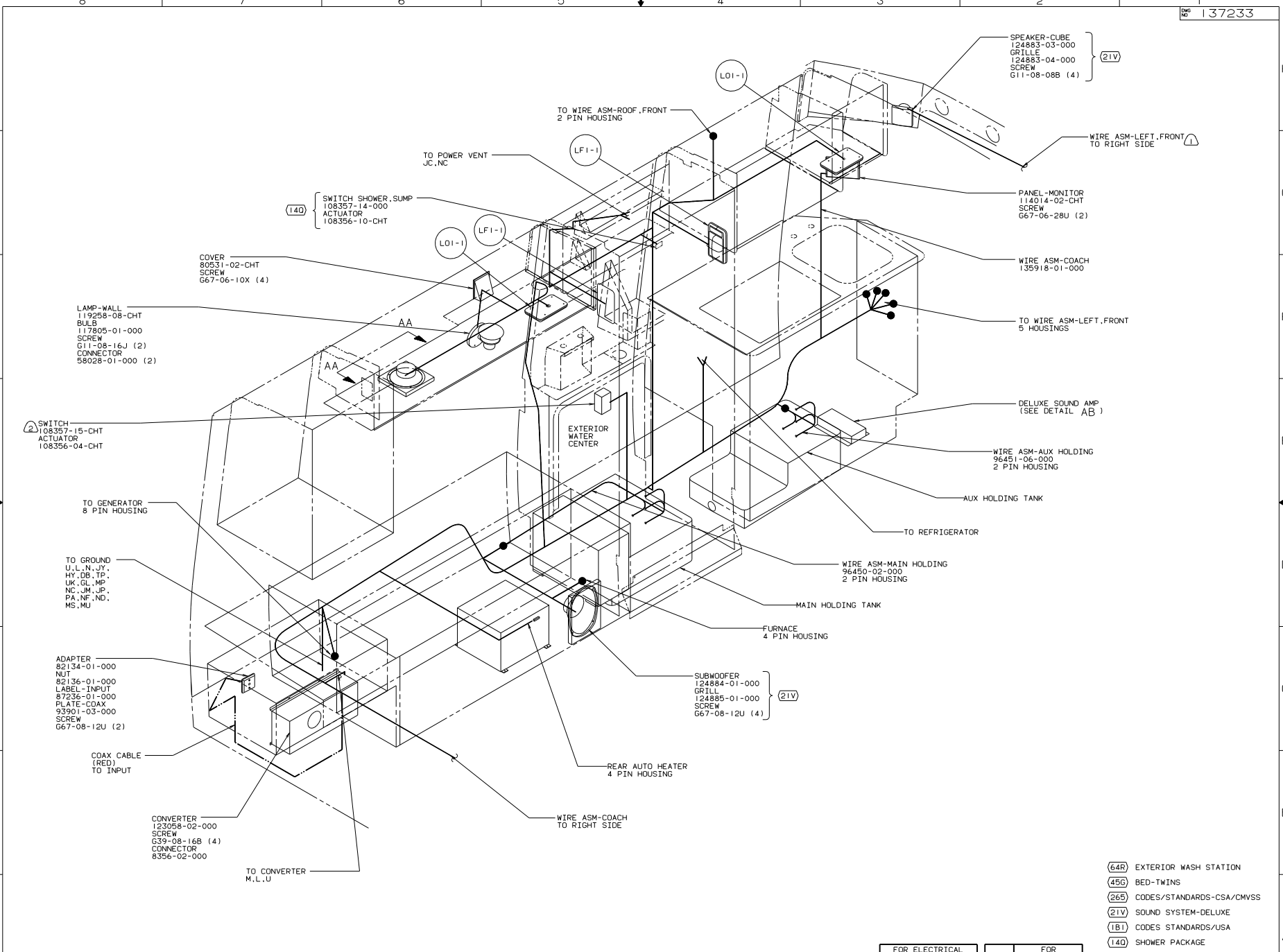
- (265) CODES/STANDARDS-CSA/CMVSS
- (120) ELECTRICAL SYSTEM 30 AMP
- (1B1) CODES/STANDARDS USA

(120) (1B1) (265)

WINNEBAGO 02 222FD

DATE	UNSPECIFIED TOLERANCES ARE:	MATERIAL
DATE	UNSPECIFIED TOLERANCES ARE:	MATERIAL
DATE	UNSPECIFIED TOLERANCES ARE:	MATERIAL
DATE	UNSPECIFIED TOLERANCES ARE:	MATERIAL
DATE	UNSPECIFIED TOLERANCES ARE:	MATERIAL
DATE	UNSPECIFIED TOLERANCES ARE:	MATERIAL

WIRING DIAGRAM-BODY, 110V
 SHEET 1 OF 1 I.E. NO. 137246
 ALL DIMENSIONS ARE IN MILLIMETERS



(2) SWITCH
108357-15-CHT
ACTUATOR
108356-04-CHT

LAMP-WALL
119258-08-CHT
BULB
117805-01-000
SCREW
G11-08-16J (2)
CONNECTOR
58028-01-000 (2)

COVER
80531-02-CHT
SCREW
667-06-10X (4)

(140) SWITCH SHOWER, SUMP
108357-14-000
ACTUATOR
108356-10-CHT

SPEAKER-CUBE
124883-03-000
GRILLE
124883-04-000
SCREW
G11-08-08B (4) (21V)

TO WIRE ASM-ROOF, FRONT
2 PIN HOUSING

TO POWER VENT
JC, NC

WIRE ASM-LEFT, FRONT
TO RIGHT SIDE

PANEL-MONITOR
114014-02-CHT
SCREW
G67-06-28U (2)

WIRE ASM-COACH
135918-01-000

TO WIRE ASM-LEFT, FRONT
5 HOUSINGS

DELUXE SOUND AMP
(SEE DETAIL AB)

WIRE ASM-AUX HOLDING
96451-06-000
2 PIN HOUSING

AUX HOLDING TANK

TO REFRIGERATOR

WIRE ASM-MAIN HOLDING
96450-02-000
2 PIN HOUSING

MAIN HOLDING TANK

FURNACE
4 PIN HOUSING

SUBWOOFER
124884-01-000
GRILLE
124885-01-000
SCREW
G67-08-12U (4) (21V)

REAR AUTO HEATER
4 PIN HOUSING

WIRE ASM-COACH
TO RIGHT SIDE

CONVERTER
123058-02-000
SCREW
G39-08-16B (4)
CONNECTOR
6356-02-000

TO CONVERTER
M.L.U.

COAX CABLE
(RED)
TO INPUT

ADAPTER
82134-01-000
NUT
82136-01-000
LABEL-INPUT
87236-01-000
PLATE-COAX
93901-03-000
SCREW
G67-08-12U (2)

TO GENERATOR
8 PIN HOUSING

TO GROUND
U.L, N.Y.
HY, DB, TP
UK, GL, MP
ND, JM, JP
PA, NF, ND
MS, MU

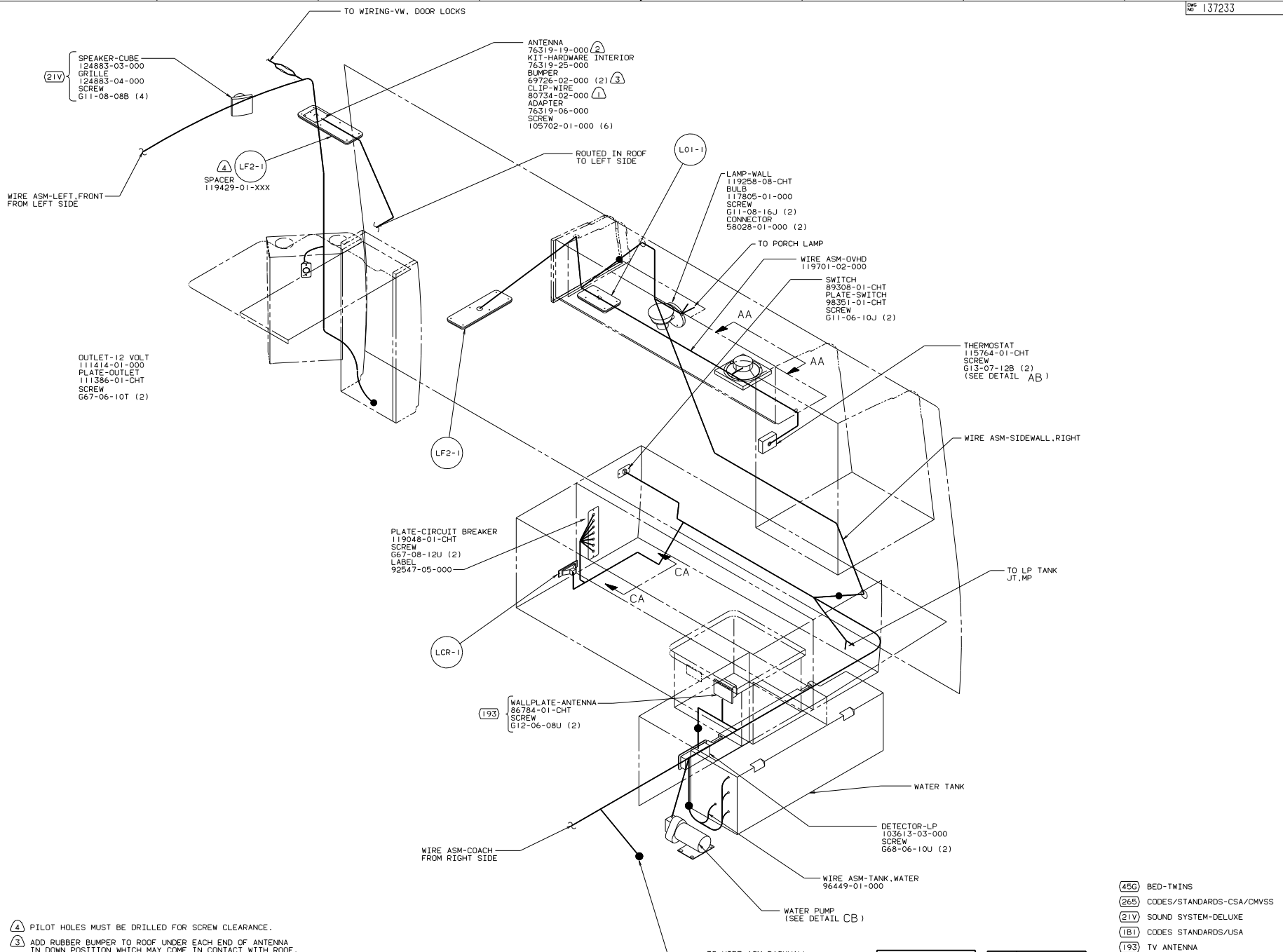
- (64R) EXTERIOR WASH STATION
- (45G) BED-TWINS
- (26S) CODES/STANDARDS-CSA/CMVSS
- (21V) SOUND SYSTEM-DELUXE
- (1B1) CODES STANDARDS/USA
- (140) SHOWER PACKAGE

(2) WITHOUT (64R) WIRE TIE SWITCH AND WIRE DROP BACK TO MAIN ASM.
(1) SEE DRAWING INSTL-FRONT END FOR ADDITIONAL INFORMATION.

FOR ELECTRICAL
TORQUE
SPECIFICATIONS
SEE DWG NO
128783-01-000

(X-X)
FOR
ELECTRICAL
CALLOUTS
SEE DWG NO
121339-01-000

(1B1) (26S) (45G) 02 222FD
TITLE: WIRING INSTL-BODY, 12V(L)
DWG NO: 137233
SHEET 2 OF 4



- ④ PILOT HOLES MUST BE DRILLED FOR SCREW CLEARANCE.
- ③ ADD RUBBER BUMPER TO ROOF UNDER EACH END OF ANTENNA IN DOWN POSITION WHICH MAY COME IN CONTACT WITH ROOF.
- ② SEE DRAWING 76319-01-000 FOR ADDITIONAL INFORMATION.
- ① LOCATE TO RETAIN CABLE BUT NOT RESTRICT TRAVEL OF ANTENNA.

NOTES:

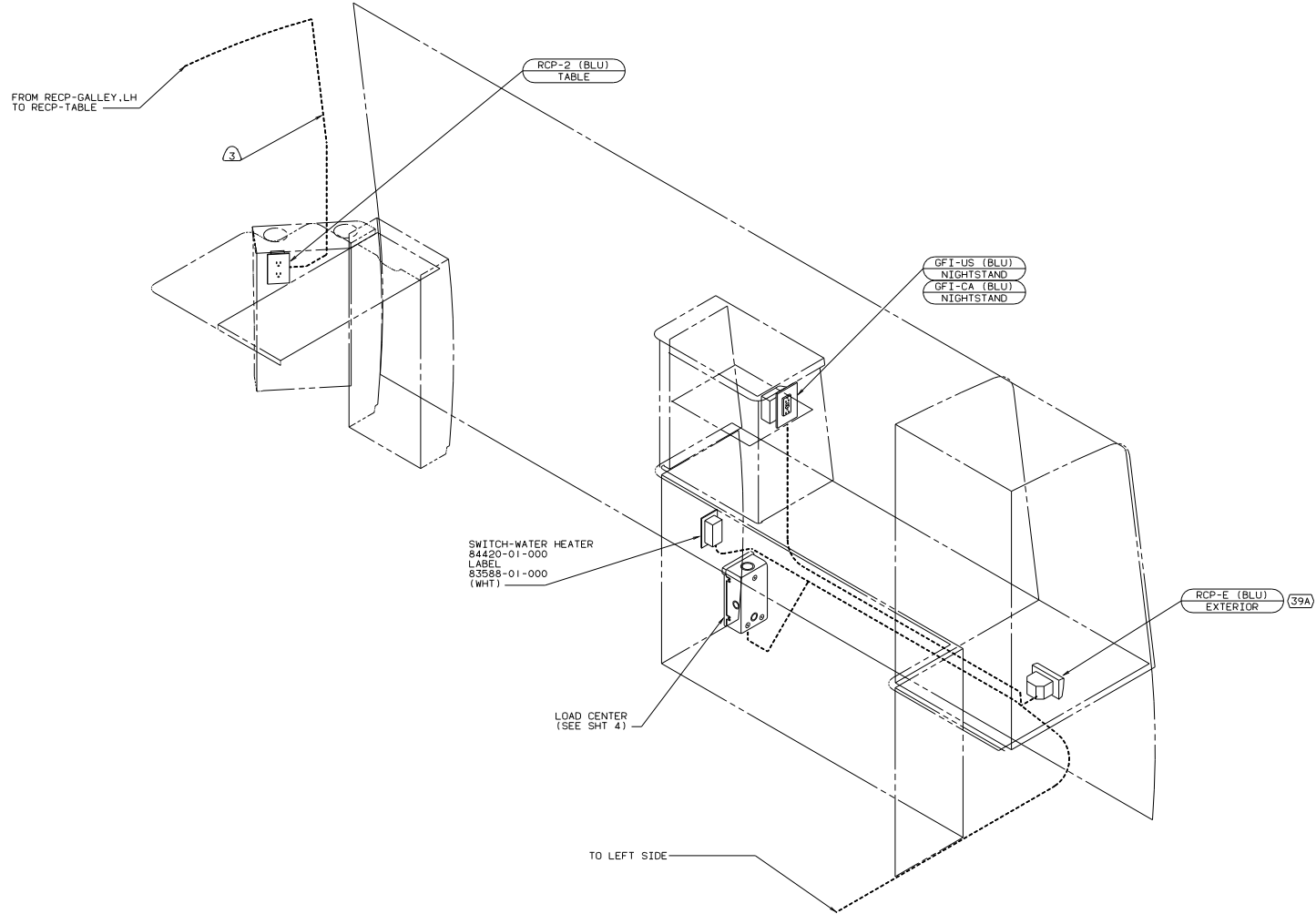
- (456) BED-TWINS
- (265) CODES/STANDARDS-CSA/CMVSS
- (21V) SOUND SYSTEM-DELUXE
- (1B1) CODES STANDARDS/JSA
- (193) TV ANTENNA

(1B1) (265) (456) 02 222FD

FOR ELECTRICAL
TORQUE
SPECIFICATIONS
SEE DWG NO.
128783-01-000

FOR
ELECTRICAL
CALLOUTS
SEE DWG NO.
121339-01-000

TITLE: WIRING INSTL-BODY, 12V (R)
DWG NO. 137233
SHEET 4 OF 4



- 3 WIRE ROUTED BEHIND TRANSITION PANEL.
2. ALL WIRES ARE TO BE CLAMPED WITH CLAMP 10497-05-000 WITHIN 200 OF OUTLET BOXES. USE SCREW G67-10-12B.
1. ALL WIRES TO BE CLAMPED WITH CLAMP 10495-01-000 OR CLIP 80734-01-000 EVERY 600. USE SCREW G67-10-12B UNLESS OTHERWISE SPECIFIED.

- 39A EXT RECEPTACLE DPLX 120VAC
- 012 BED-DOUBLE-CORNER
- 12D ELECTRICAL SYSTEM 30 AMP
- 265 CODES/STANDARDS-CSA/CMVSS
- 1B1 CODES STANDARDS/USA

FOR ELECTRICAL TORQUE SPECIFICATIONS SEE DWG NO. 128783-01-000

FOR ELECTRICAL CALLOUTS SEE DWG NO. 121339-01-000

1B1 265 12D 012 02 222FD

WIRING INSTL-BODY.L110V(R30)

FROM RECP-GALLEY
TO RECP-TABLE

RCP-2 (BLU)
TABLE

(3)

SWITCH-WATER HEATER
84420-01-000
LABEL
83588-01-000
(WHT)

LOAD CENTER
(SEE SHT 4)

RCP-E (BLU)
EXTERIOR (39A)

TO LEFT SIDE

GFI-US (BLU)
NIGHTSTAND
GFI-CA (BLU)
NIGHTSTAND

(15G)

- NOTES:
- (3) WIRE ROUTED BEHIND TRANSITION PANEL.
 - 2. ALL WIRES ARE TO BE CLAMPED WITH CLAMP 10497-05-000 WITHIN 200 OF OUTLET BOXES. USE SCREW G67-10-12B.
 - 1. ALL WIRES TO BE CLAMPED WITH CLAMP 10495-01-000 OR CLIP 80734-01-000 EVERY 600. USE SCREW G67-10-12B UNLESS OTHERWISE SPECIFIED.

- (45G) BED-TWINS
- (39A) EXT RECEPTACLE DPLX 120VAC
- (12D) ELECTRICAL SYSTEM 30 AMP
- (265) CODES/STANDARDS-CSA/CMVSS
- (1B1) CODES STANDARDS/USA

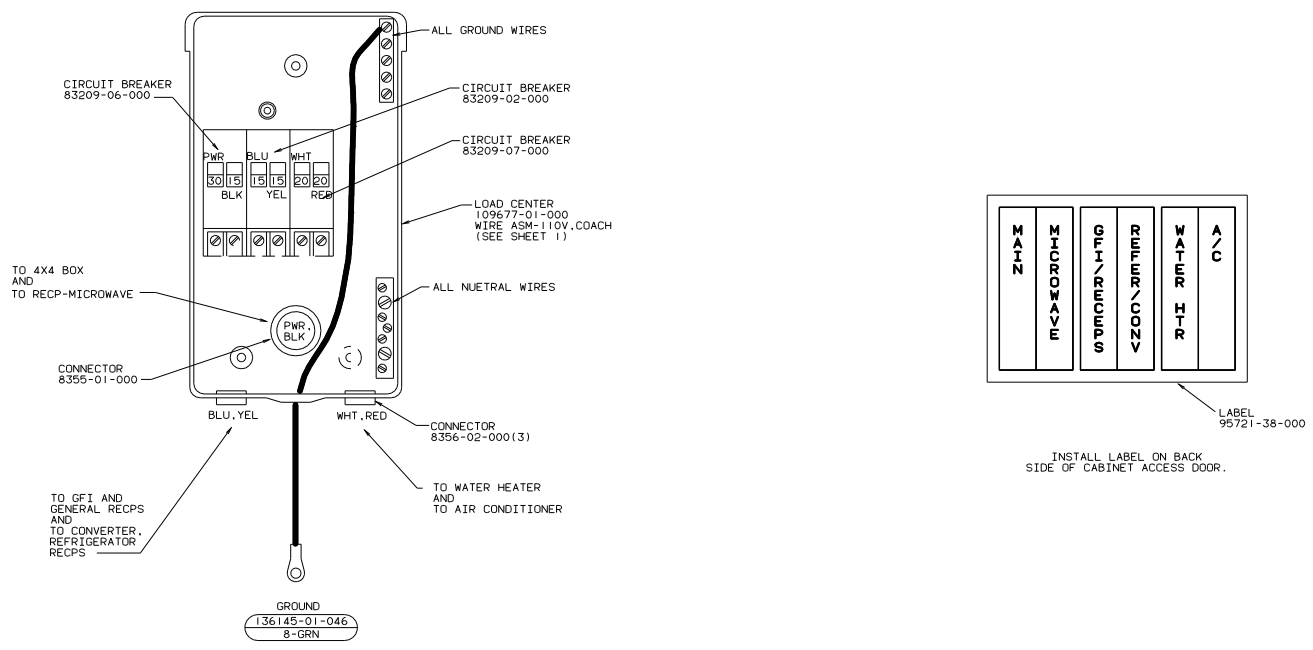
FOR ELECTRICAL
TORQUE
SPECIFICATIONS
SEE DWG NO
128783-01-000

FOR
ELECTRICAL
CALLOUTS
SEE DWG NO.
121339-01-000

(1B1) (265) (12D) (45G) 02 222FD

WIRING INSTL-BODY.L110V(R30)

NO. 137237 SHEET 3 OF 4



1. ALL CABLES SHALL BE COVERED WITH CONDUIT-CONVOLUTE, SLIT 41953-01-000, UNLESS OTHERWISE SPECIFIED, 600 LESS THAN CABLE LENGTH.

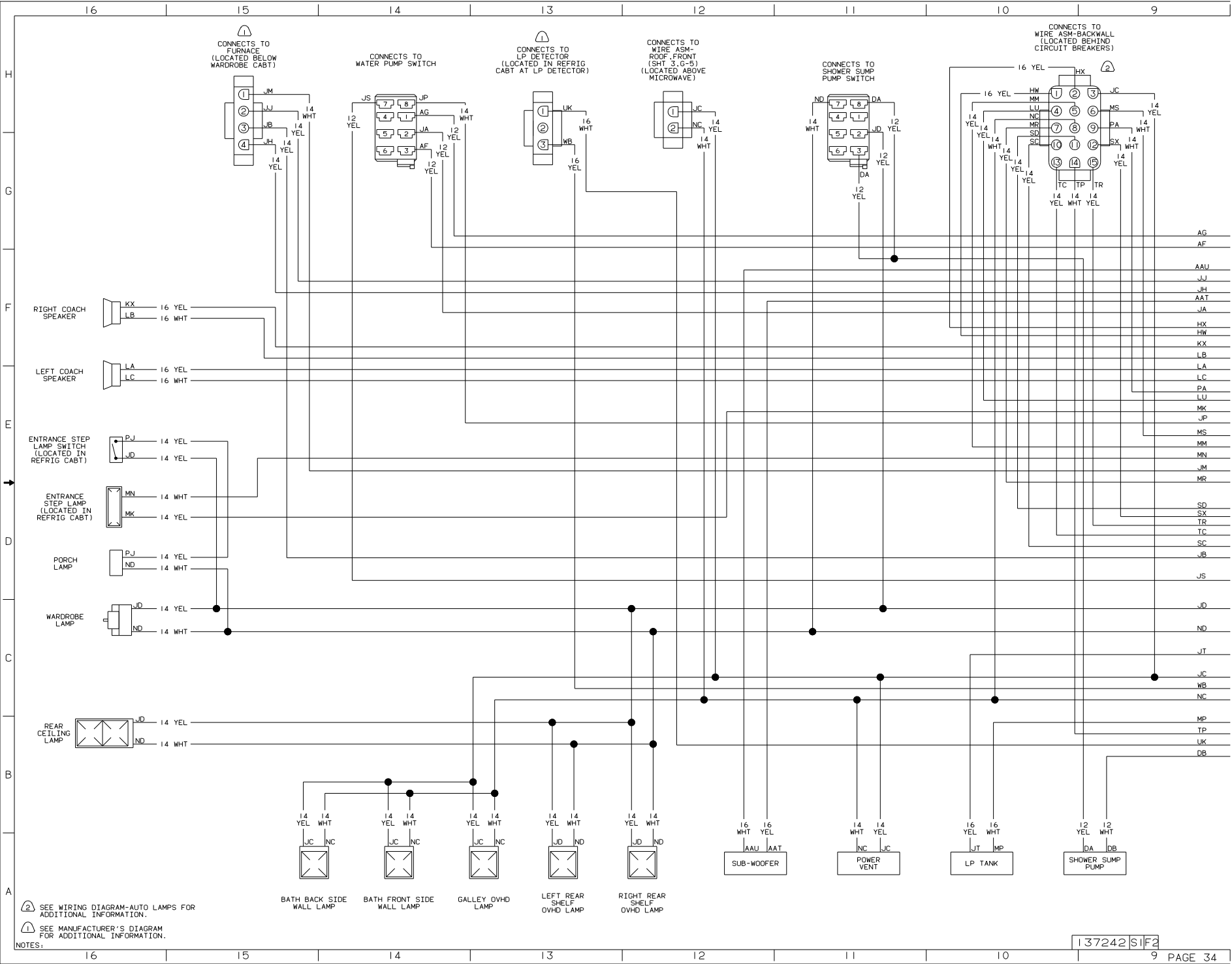
NOTES:

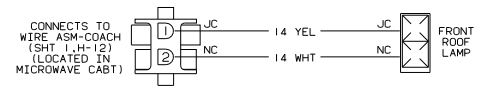
- (45G) BED-TWINS
- (265) CODES/STANDARDS-CSA/CMVSS
- (1B1) CODES STANDARDS/USA
- (12D) ELECTRICAL SYSTEM 30 AMP
- (012) BED-DOUBLE-CORNER

FOR ELECTRICAL TORQUE SPECIFICATIONS SEE DWG NO. 128783-01-000

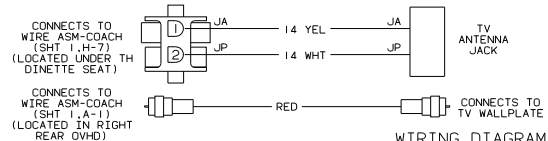
FOR ELECTRICAL CALLOUTS SEE DWG NO. 121339-01-000

(012) (12D) (1B1) (265) (45G) 02 222FD
 TITLE: WIRING INSTL-BODY(LC30)
 DO NOT SCALE DRAWING SHEET 4 OF 4 I.F. No. 137237



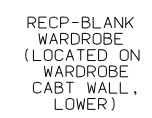
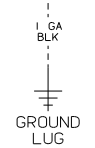
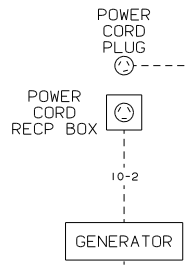
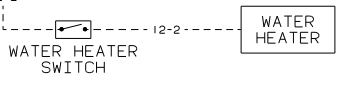
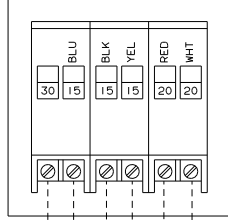


WIRING DIAGRAM-ROOF,FRONT
(WIRE ASM 119112)



WIRING DIAGRAM-SIDEWALL
(WIRE ASM 111451-03)

CONTROL CENTER



- (265) CODES/STANDARDS-CSA/CMVSS
- (181) CODES/STANDARDS USA
- (120) ELECTRICAL SYSTEM 30 AMP

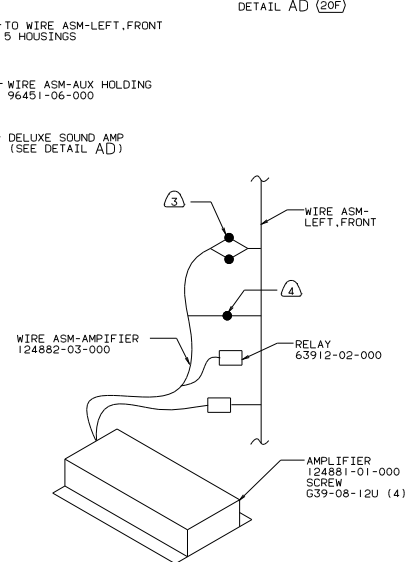
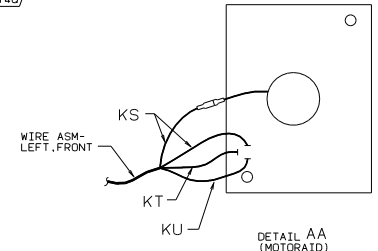
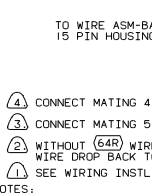
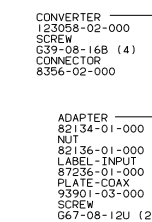
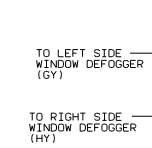
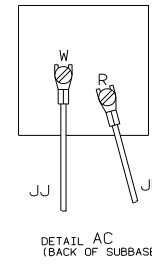
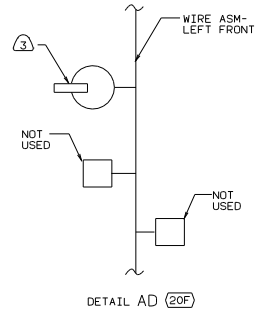
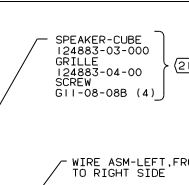
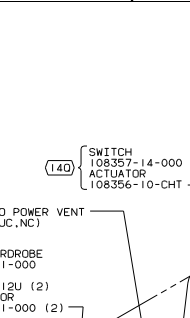
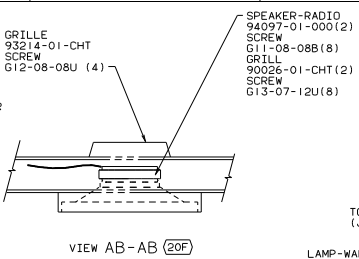
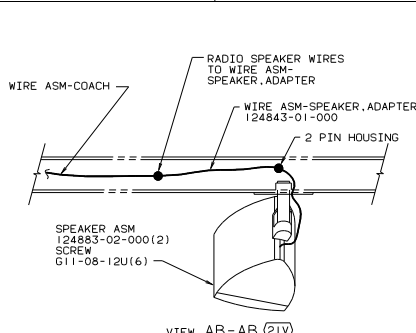
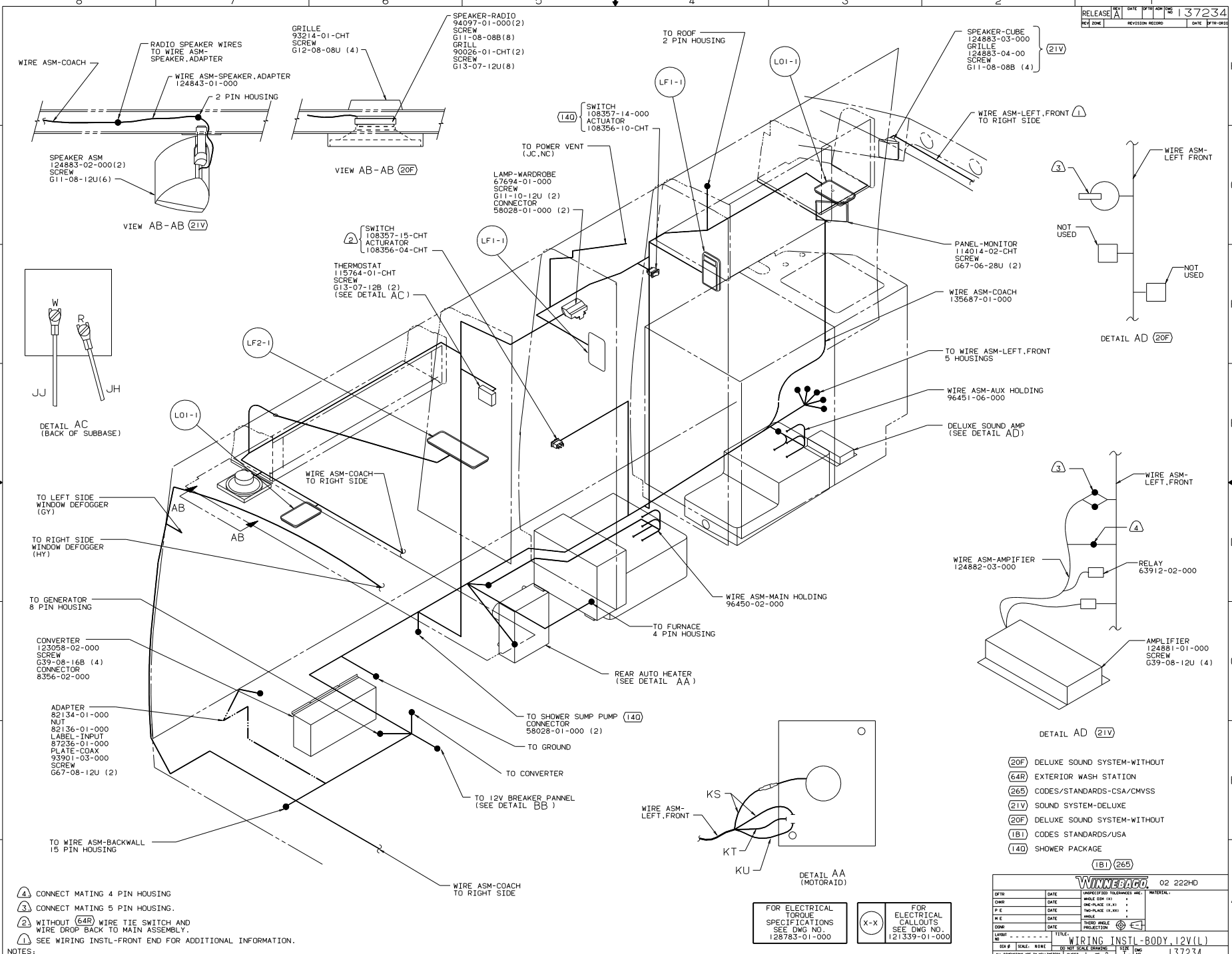
(120) (181) (265)

WINNEBAGO 02 222HD

DATE	UNSPECIFIED TOLERANCES ARE:	MATERIAL:
DATE	UNLESS OTHERWISE SPECIFIED	
DATE	UNLESS OTHERWISE SPECIFIED	
DATE	UNLESS OTHERWISE SPECIFIED	
DATE	UNLESS OTHERWISE SPECIFIED	
DATE	UNLESS OTHERWISE SPECIFIED	
DATE	UNLESS OTHERWISE SPECIFIED	
DATE	UNLESS OTHERWISE SPECIFIED	

WIRING DIAGRAM-BODY, 110V
 SHEET 1 OF 1 I.E. NO 137245

- NOTES:
- ③ WIRE ROUTED THRU SIDEWALL.
 - ② WIRE ROUTED THRU ROOF.
 - ⚠ ALL OUTLETS DOWN STREAM AND INCLUDING THIS OUTLET ARE GROUND FAULT CIRCUIT INTERRUPT PROTECTED.

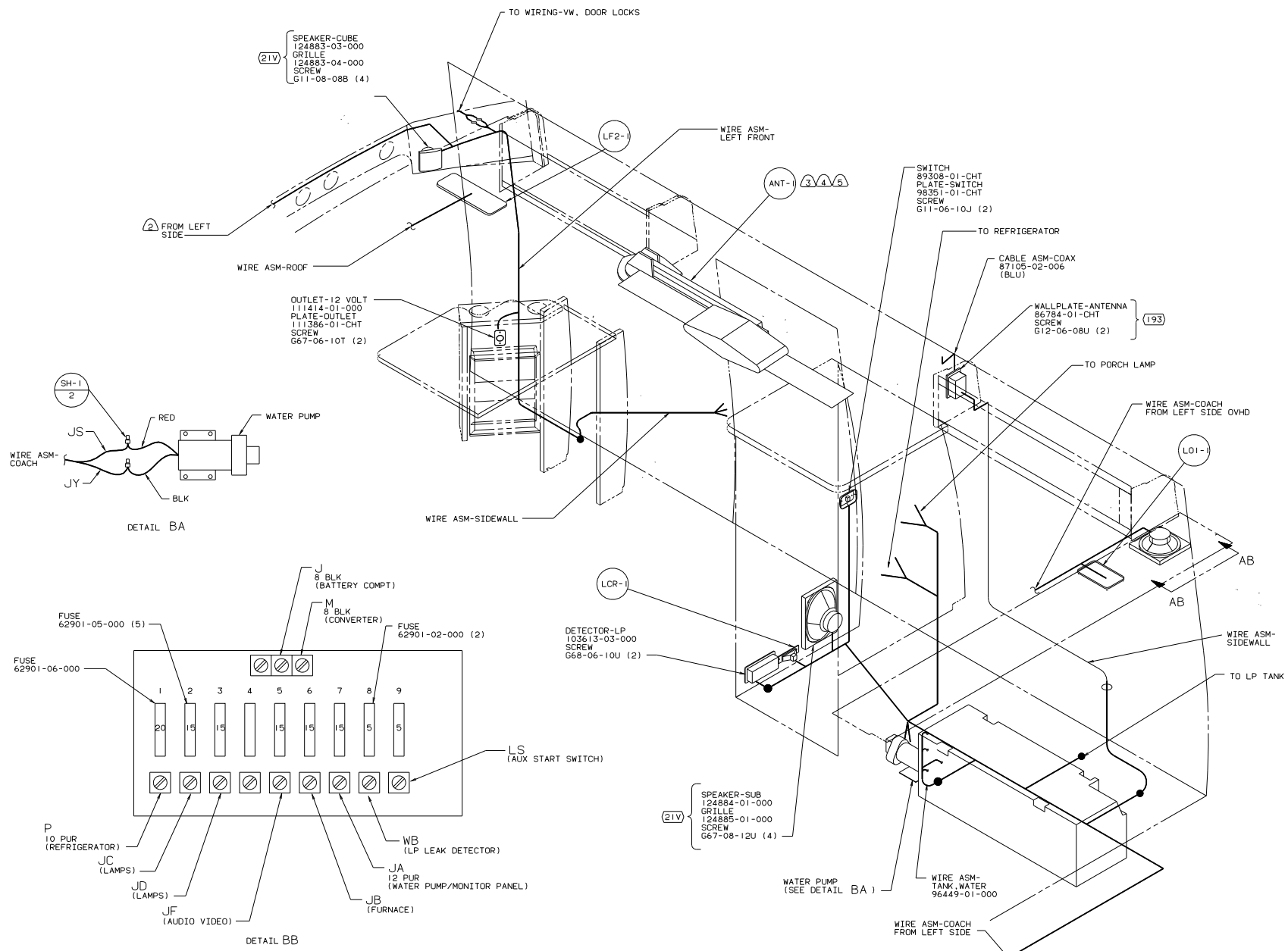


- (20F) DELUXE SOUND SYSTEM-WITHOUT
- (64R) EXTERIOR WASH STATION
- (26S) CODES/STANDARDS-CSA/CMSS
- (21V) SOUND SYSTEM-DELUXE
- (20F) DELUXE SOUND SYSTEM-WITHOUT
- (1B1) CODES STANDARDS/USA
- (14D) SHOWER PACKAGE

NOTES:
 (4) CONNECT MATING 4 PIN HOUSING
 (3) CONNECT MATING 5 PIN HOUSING.
 (2) WITHOUT (64R) WIRE TIE SWITCH AND WIRE DROP BACK TO MAIN ASSEMBLY.
 (1) SEE WIRING INSTL-FRONT END FOR ADDITIONAL INFORMATION.

FOR ELECTRICAL TORQUE SPECIFICATIONS SEE DWG NO. 128783-01-000
 X-X FOR ELECTRICAL CALLOUTS SEE DWG NO. 121339-01-000

WIRING INSTL-BODY 12V(1)		02 22HD
DATE	UNDESIGNED TOLERANCES ARE:	MATERIAL
DATE	UNLESS SHOWN:	
DATE	ONE-PLACE (1X, 1X)	
DATE	TWO-PLACE (1X, 1X)	
DATE	THREE-PLACE (1X, 1X)	
DATE	FOUR-PLACE (1X, 1X)	
DATE	FIVE-PLACE (1X, 1X)	
DATE	SIX-PLACE (1X, 1X)	
DATE	SEVEN-PLACE (1X, 1X)	
DATE	EIGHT-PLACE (1X, 1X)	
DATE	NINE-PLACE (1X, 1X)	
DATE	TEN-PLACE (1X, 1X)	
DATE	ELEVEN-PLACE (1X, 1X)	
DATE	TWELVE-PLACE (1X, 1X)	
DATE	THIRTEEN-PLACE (1X, 1X)	
DATE	FOURTEEN-PLACE (1X, 1X)	
DATE	FIFTEEN-PLACE (1X, 1X)	
DATE	SIXTEEN-PLACE (1X, 1X)	
DATE	SEVENTEEN-PLACE (1X, 1X)	
DATE	EIGHTEEN-PLACE (1X, 1X)	
DATE	NINETEEN-PLACE (1X, 1X)	
DATE	TWENTY-PLACE (1X, 1X)	
DATE	TWENTY-ONE PLACE (1X, 1X)	
DATE	TWENTY-TWO PLACE (1X, 1X)	
DATE	TWENTY-THREE PLACE (1X, 1X)	
DATE	TWENTY-FOUR PLACE (1X, 1X)	
DATE	TWENTY-FIVE PLACE (1X, 1X)	
DATE	TWENTY-SIX PLACE (1X, 1X)	
DATE	TWENTY-SEVEN PLACE (1X, 1X)	
DATE	TWENTY-EIGHT PLACE (1X, 1X)	
DATE	TWENTY-NINE PLACE (1X, 1X)	
DATE	THIRTY PLACE (1X, 1X)	
DATE	THIRTY-ONE PLACE (1X, 1X)	
DATE	THIRTY-TWO PLACE (1X, 1X)	
DATE	THIRTY-THREE PLACE (1X, 1X)	
DATE	THIRTY-FOUR PLACE (1X, 1X)	
DATE	THIRTY-FIVE PLACE (1X, 1X)	
DATE	THIRTY-SIX PLACE (1X, 1X)	
DATE	THIRTY-SEVEN PLACE (1X, 1X)	
DATE	THIRTY-EIGHT PLACE (1X, 1X)	
DATE	THIRTY-NINE PLACE (1X, 1X)	
DATE	FOURTY PLACE (1X, 1X)	
DATE	FOURTY-ONE PLACE (1X, 1X)	
DATE	FOURTY-TWO PLACE (1X, 1X)	
DATE	FOURTY-THREE PLACE (1X, 1X)	
DATE	FOURTY-FOUR PLACE (1X, 1X)	
DATE	FOURTY-FIVE PLACE (1X, 1X)	
DATE	FOURTY-SIX PLACE (1X, 1X)	
DATE	FOURTY-SEVEN PLACE (1X, 1X)	
DATE	FOURTY-EIGHT PLACE (1X, 1X)	
DATE	FOURTY-NINE PLACE (1X, 1X)	
DATE	FIFTY PLACE (1X, 1X)	

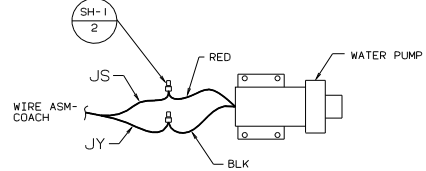


(21V) SPEAKER-CUBE
124883-03-000
GRILLE
124885-04-000
SCREW
G11-08-08B (4)

SWITCH
89308-01-CHT
PLATE-SWITCH
98351-01-CHT
SCREW
G11-06-10J (2)

CABLE ASM-COAX
87105-02-006
(BLU)

WALLPLATE-ANTENNA
86784-01-CHT
SCREW
G12-06-08U (2) (193)

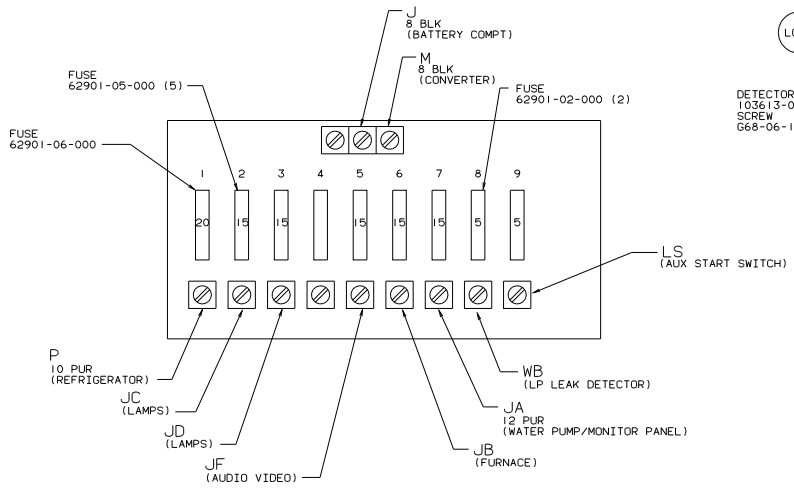


DETAIL BA

OUTLET-12 VOLT
1114-01-000
PLATE-OUTLET
111386-01-CHT
SCREW
G67-06-10T (2)

DETECTOR-LP
103613-03-000
SCREW
G68-06-10U (2)

(21V) SPEAKER-SUB
124884-01-000
GRILLE
124885-01-000
SCREW
G67-08-12U (4)



DETAIL BB

- ⑤ ADD RUBBER BUMPER TO ROOF UNDER EACH END OF ANTENNA IN DOWN POSITION WHICH MAY COME IN CONTACT WITH ROOF.
- ④ SEE DRAWING 76319-01-000 FOR ADDITIONAL INFORMATION.
- ③ LOCATE TO RETAIN CABLE BUT NOT RESTRICT TRAVEL OF ANTENNA.
- ② SEE WIRING INSTL-FRONT END FOR ADDITIONAL INFORMATION.
- ① WIRE ROUTED IN SIDEWALL.

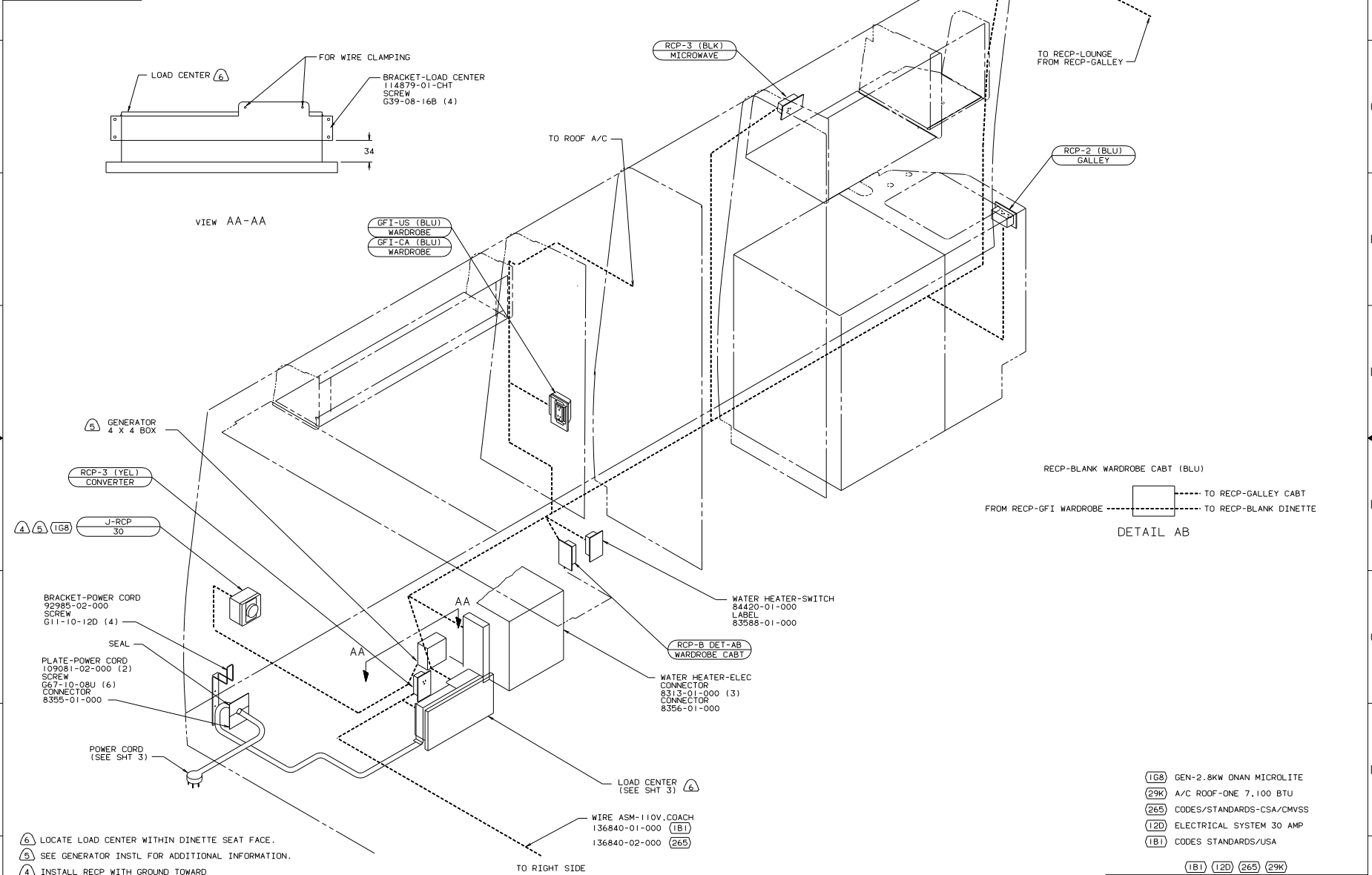
NOTES:

- (265) CODES/STANDARDS-CSA/CMVSS
- (21V) SOUND SYSTEM-DELUXE
- (181) CODES STANDARDS/USA
- (193) TV ANTENNA
- (181) (265) 02 222HD

FOR ELECTRICAL TORQUE SPECIFICATIONS SEE DWG NO 128783-01-000

FOR ELECTRICAL CALLOUTS SEE DWG NO 121339-01-000

DWG NO.	FEATURE
137238-01	-----
137238-11	(181)(120)
137238-15	(265)(120)



- (6) LOCATE LOAD CENTER WITHIN DINETTE SEAT FACE.
- (5) SEE GENERATOR INSTL FOR ADDITIONAL INFORMATION.
- (4) INSTALL RECP WITH GROUND TOWARD BOTTOM OF VEHICLE.
3. ALL GROUND WIRES TO BE COVERED WITH TUBING 8041-02-000.
2. ALL WIRES ARE TO BE CLAMPED WITH CLAMP 10497-05-000 WITHIN 200 OF OUTLET BOXES. USE SCREW G67-10-12B.
1. ALL WIRES TO BE CLAMPED WITH CLAMP 10495-01-000 OR CLIP 80734-01-000 EVERY 600. USE SCREW G67-10-12B UNLESS OTHERWISE SPECIFIED.

- (1G8) GEN-2.8KW ONAN MICROLITE
- (29K) A/C ROOF-ONE 7,100 BTU
- (265) CODES/STANDARDS-CSA/CMVSS
- (120) ELECTRICAL SYSTEM 30 AMP
- (1B1) CODES STANDARDS/USA

FOR ELECTRICAL TORQUE SPECIFICATIONS SEE DWG NO. 128783-01-000

(X-X)

FOR ELECTRICAL CALLOUTS SEE DWG NO. 121339-01-000

(1B1) (120) (265) (29K)

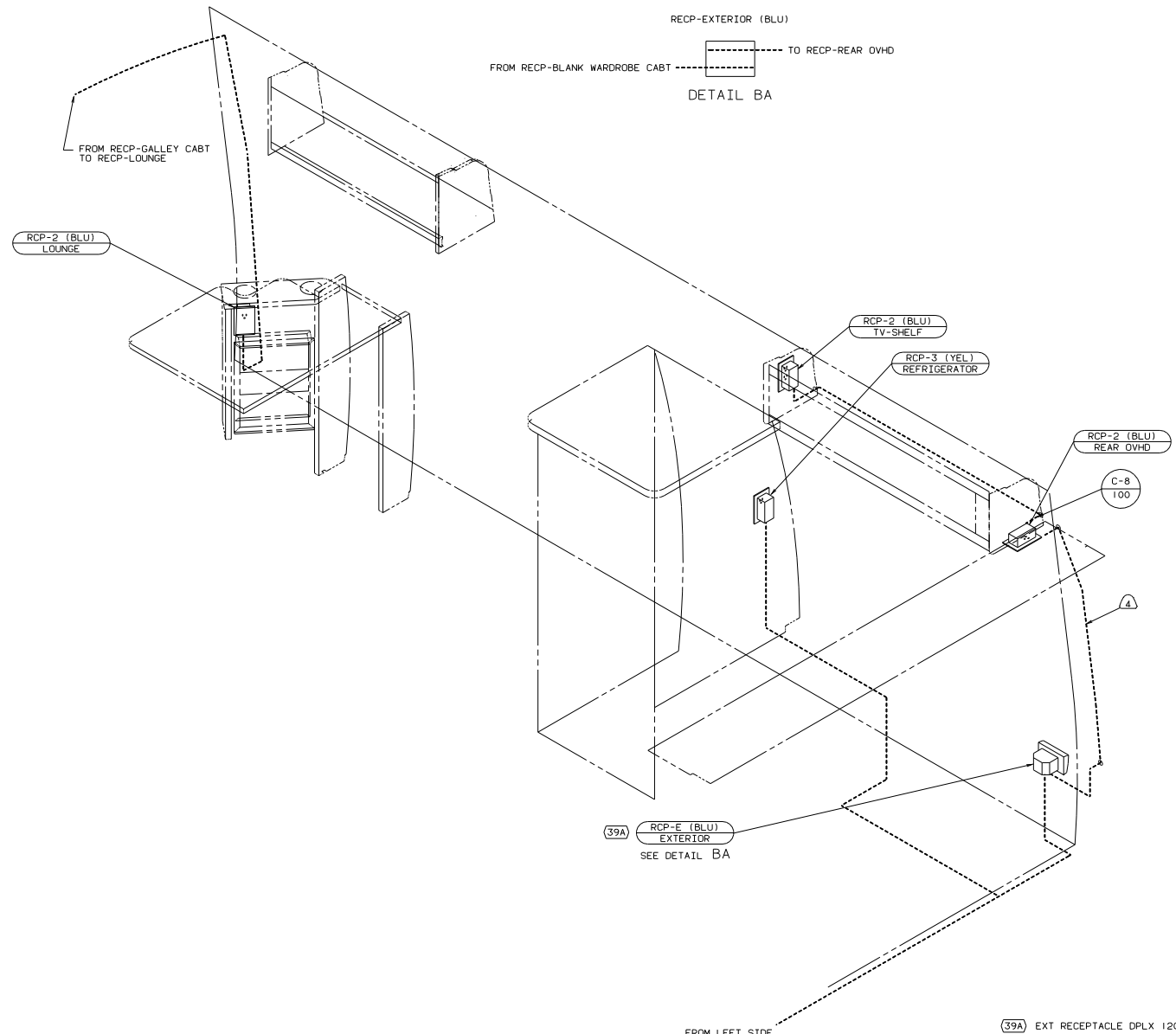
WINNEBAGO 02 222HD

DATE	UNSPECIFIED TOLERANCES ARE:	MATERIAL
DATE	UNLESS OTHERWISE SPECIFIED	
DATE	ONE-PLACE (1X, 1X)	
DATE	TWO-PLACE (2X, 2X)	
DATE	THREE-PLACE (3X, 3X)	
DATE	FOUR-PLACE (4X, 4X)	
DATE	FIVE-PLACE (5X, 5X)	
DATE	SIX-PLACE (6X, 6X)	
DATE	SEVEN-PLACE (7X, 7X)	
DATE	EIGHT-PLACE (8X, 8X)	
DATE	NINE-PLACE (9X, 9X)	
DATE	TEN-PLACE (10X, 10X)	
DATE	ELEVEN-PLACE (11X, 11X)	
DATE	TWELVE-PLACE (12X, 12X)	

WIRING INSTL-BODY.110V(L30)

SHEET 1 OF 3

REF: 135685 E | PAGE 39



- 4 ROUTE WIRE THRU SIDEWALL.
3. ALL GROUND WIRES TO BE COVERED WITH TUBING 8041-02-000.
2. ALL WIRES ARE TO BE CLAMPED WITH CLAMP 10497-05-000 WITHIN 200 OF OUTLET BOXES. USE SCREW G67-10-12B.
1. ALL WIRES TO BE CLAMPED WITH CLAMP 10495-01-000 OR CLIP 80734-01-000 EVERY 600. USE SCREW G67-10-12B UNLESS OTHERWISE SPECIFIED.

NOTES:

(39A) RCP-E (BLU)
EXTERIOR
SEE DETAIL BA

FROM LEFT SIDE

- (39A) EXT RECEPTACLE DPLX 120VAC
- (265) CODES/STANDARDS-CSA/CMVSS
- (12D) ELECTRICAL SYSTEM 30 AMP
- (1B1) CODES STANDARDS/USA

FOR ELECTRICAL
TORQUE
SPECIFICATIONS
SEE DWG NO.
126783-01-000

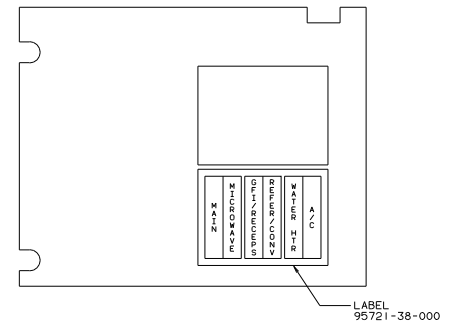
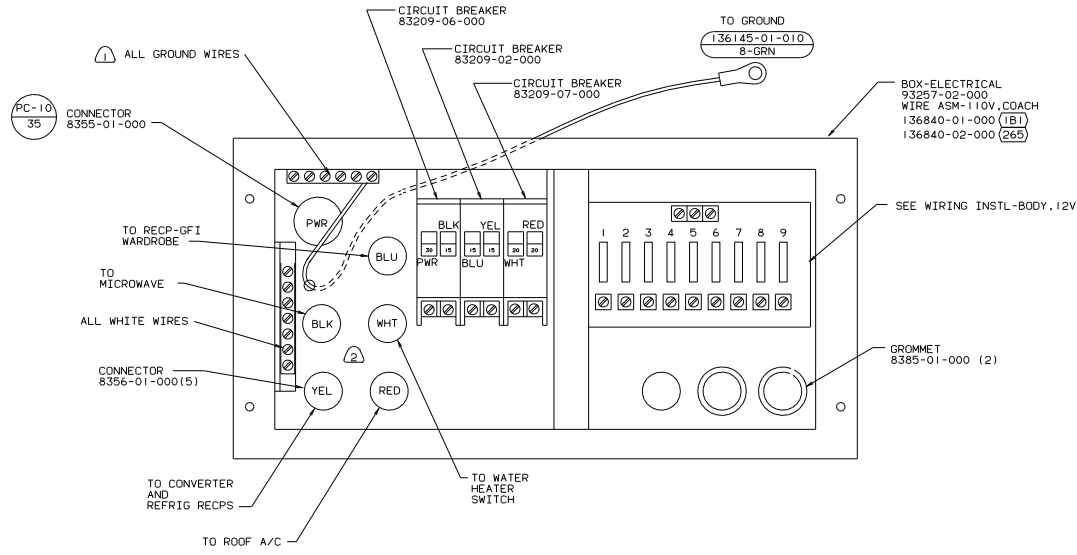
FOR
ELECTRICAL
CALLOUTS
SEE DWG NO.
121339-01-000

(X-X)

(1B1) (12D) (265) 02 222HD

WIRING INSTL-BODY.110V(R30)

DO NOT SCALE DIMENSIONS SHEET 2 OF 3 I.F. NO 137238



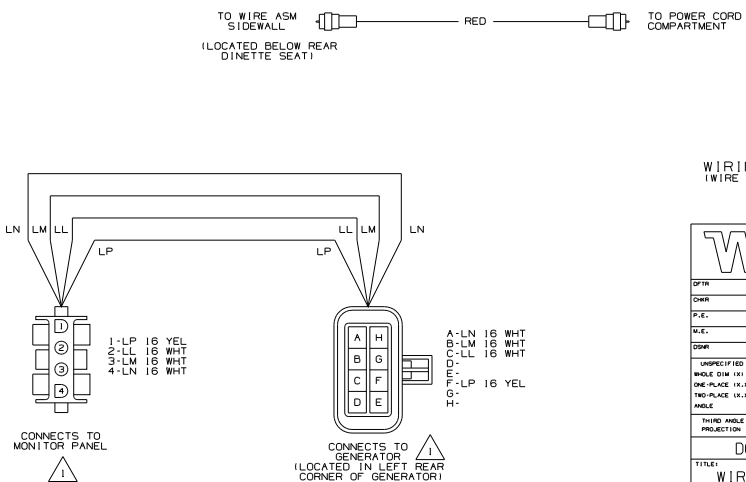
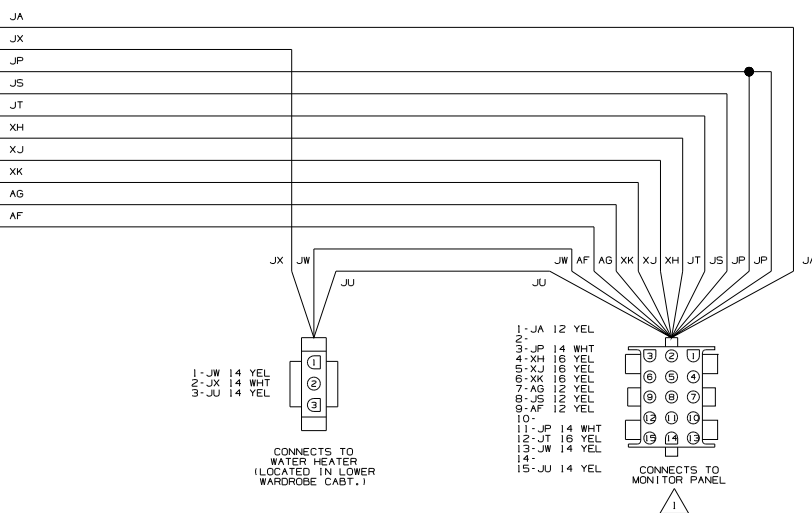
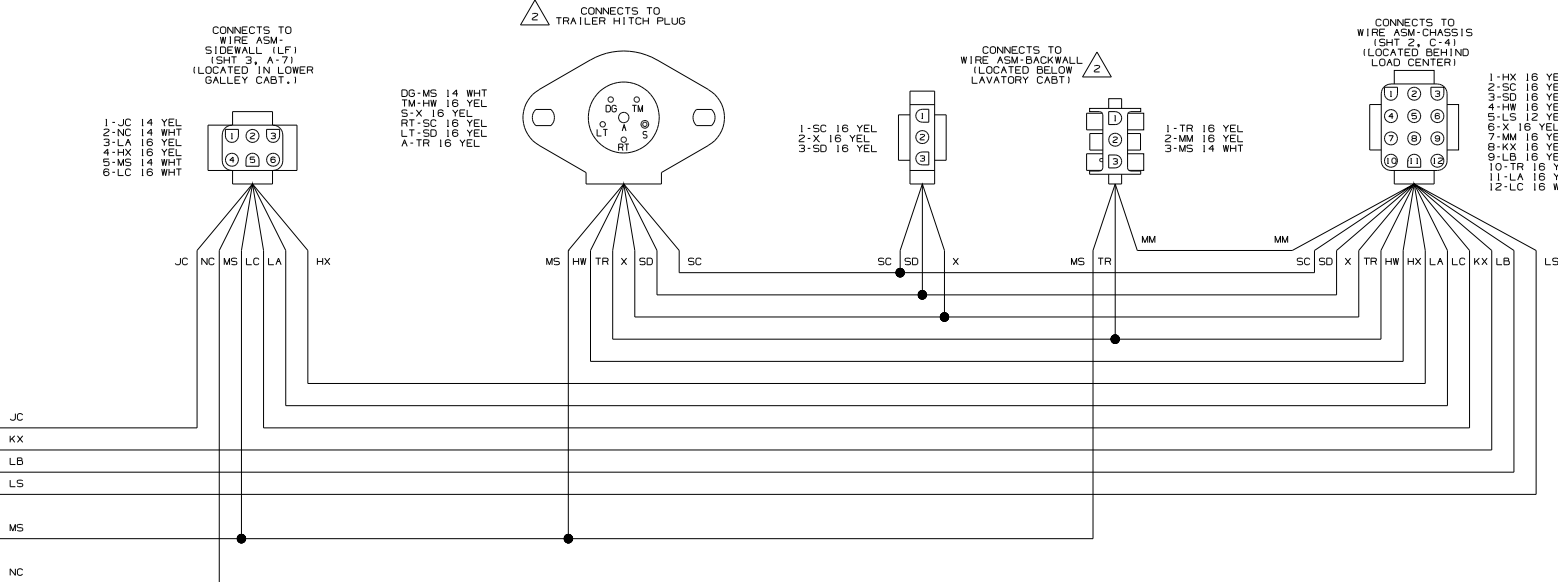
2 110V CABLES IN LOAD CENTER SHALL BE 200 LONG.
 1 ALL GROUND WIRES TO BE COVERED WITH TUBING 8041-02-000.

(265) CODES/STANDARDS-CSA/CMVSS
 (12D) ELECTRICAL SYSTEM 30 AMP
 (1B1) CODES STANDARDS/USA
 (1B1) (12D) (265) 02 222HD

FOR ELECTRICAL TORQUE SPECIFICATIONS SEE DWG NO. 128783-01-000

FOR ELECTRICAL CALLOUTS SEE DWG NO. 121339-01-000

WIRING INSTL-BODY.110V(LC30)
 SHEET 3 OF 3



WIRING DIAGRAM-COACH (WIRE ASM 139491)

WINNEBAGO

DTR DATE 08/14/01
 DWR ALL DIMENSIONS ARE IN MILLIMETERS
 P.E.
 M.E.
 DSR FIRST USED 02 221B
 UNSPECIFIED TOLERANCES ARE:
 UNLESS OTHERWISE SPECIFIED:
 ONE-PLACE (X.XX) ± .05
 TWO-PLACE (X.XXX) ± .01
 ANGLE ± .5°
 THIRD ANGLE PROJECTION

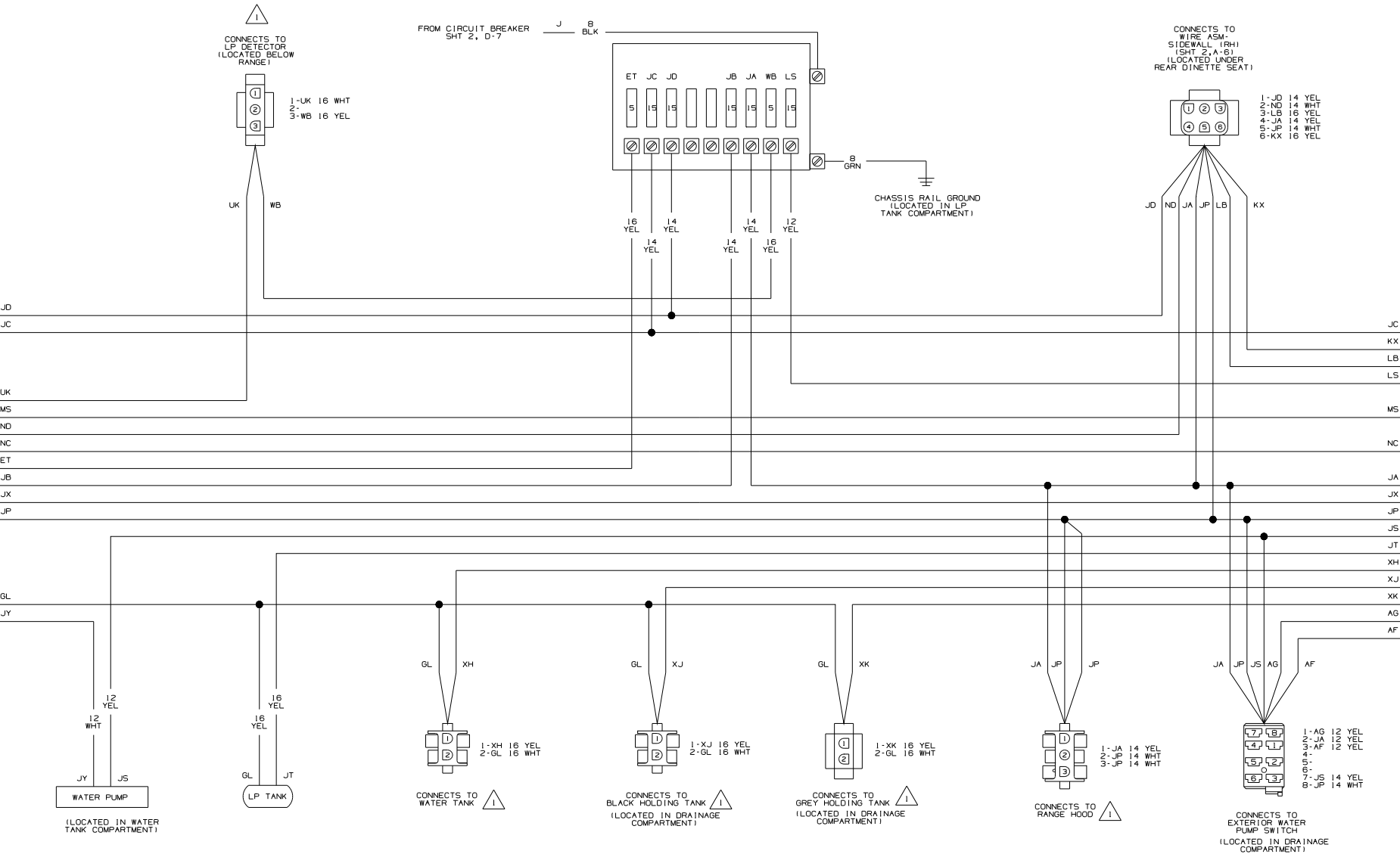
DO NOT SCALE DRAWING

TITLE: WIRING DIAGRAM-BODY, 12V

SHEET 1 OF 3 PART NO 139488

REF: 1 PAGE 43

12V FUSE PANEL



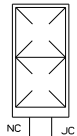
D

C

B

A

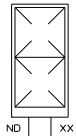
GALLEY OVHD LAMP



NC JC

14 WHT
14 YEL

LOUNGE CEILING LAMP



ND XX

14 WHT
14 YEL

GALLEY CEILING LAMP SWITCH



XX JD

14 YEL
14 YEL

BATH CEILING SWITCH



JC PE

14 YEL
14 YEL

CONNECTS TO WIRE ASM-ROOF (SHT 3, D-5) (LOCATED IN BACK OF MICROWAVE CABT.)



1- WHT-PE 14 YEL
2- NC 14 WHT
3-

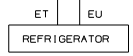
PE NC

CONNECTS TO WIRE ASM-ROOF (SHT 3, D-8) (LOCATED IN BACK OF MICROWAVE CABT.)



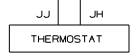
1- JD 14 YEL
2- ND 14 WHT

JD ND



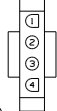
ET EU

16 WHT
16 YEL



JJ JH

14 YEL
14 YEL



1- JM 14 WHT
2- JJ 14 YEL
3- JB 14 YEL
4- JH 14 YEL

CONNECTS TO FURNACE (LOCATED BELOW REAR DINETTE SEAT)

16 WHT 14 WHT 14 WHT 14 WHT 16 WHT

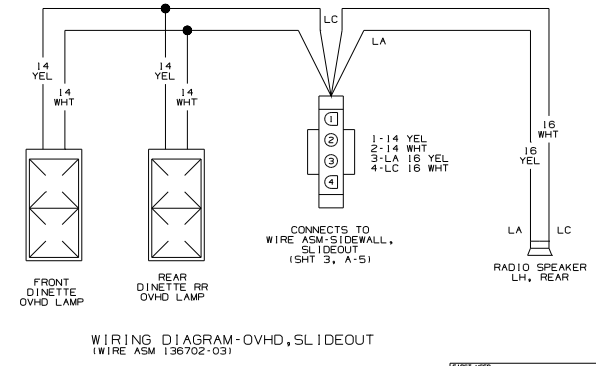
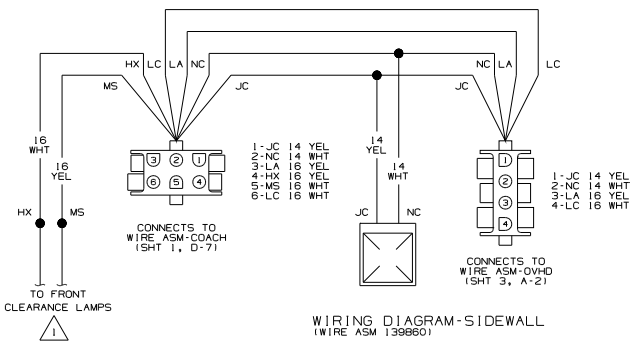
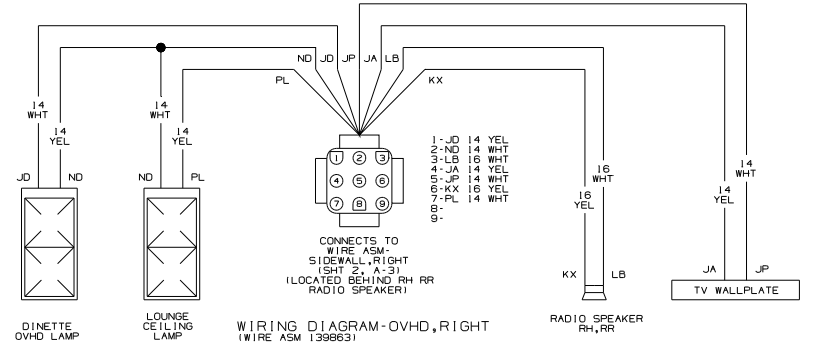
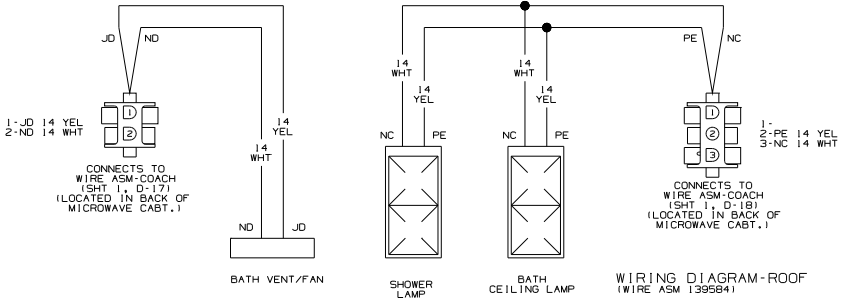
JM EU UK MS ND NC JX JP GL JY

GROUND

CHASSIS RAIL GROUND (LOCATED IN L.P. TANK COMPARTMENT)

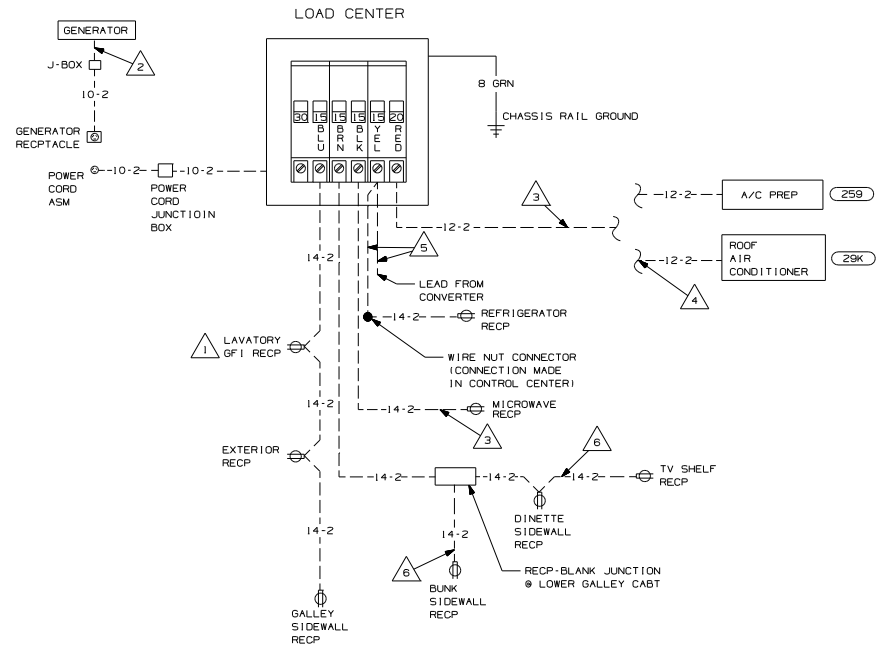
2 SEE WIRING DIAGRAM-AUTO LAMPS.
1 SEE MANUFACTURES DIAGRAM.

NOTES:



1 SEE WIRING DIAGRAM-AUTO LAMPS

FIRST USED	02 221B
TITLE:	DO NOT SCALE DRAWING
WIRING DIAGRAM-BODY, 12V	
SHEET 3	PART NO 139488



- (29K) A/C ROOF-ONE 7,000 BTU
- (259) A/C ROOF-W/THOUT
- (265) CODES/STANDARDS-CSA/CMVSS
- (120) ELECTRICAL SYSTEM 30 AMP
- (39A) EXT RECEPTACLE DPLX 120VAC
- (1B1) CODES/STANDARDS USA

- (6) WIRE LAID UP IN SIDEWALL.
- (5) LEAD SUPPLIED WITH CONVERTER.
- (4) WIRE ROUTED THRU ROOF.
- (3) WIRE ROUTED THRU SIDEWALL.
- (2) WIRE ROUTED THRU SEALED CONDUIT.
- (1) ALL OUTLETS DOWN STREAM AND INCLUDING THIS OUTLET ARE GROUND FAULT INTERRUPT PROTECTED.

NOTES:

WINNERBAGO

DRN: D.DILLY	ORIG. DATE: 05/22/01
DRN: ELECTRICAL GROUP	ALL DIMENSIONS ARE IN MILLIMETERS
P.E.: N.VLANTES	FIRST USED
W.E.: B.STRICKER	02 221B
DRN: G.SCHULZ	

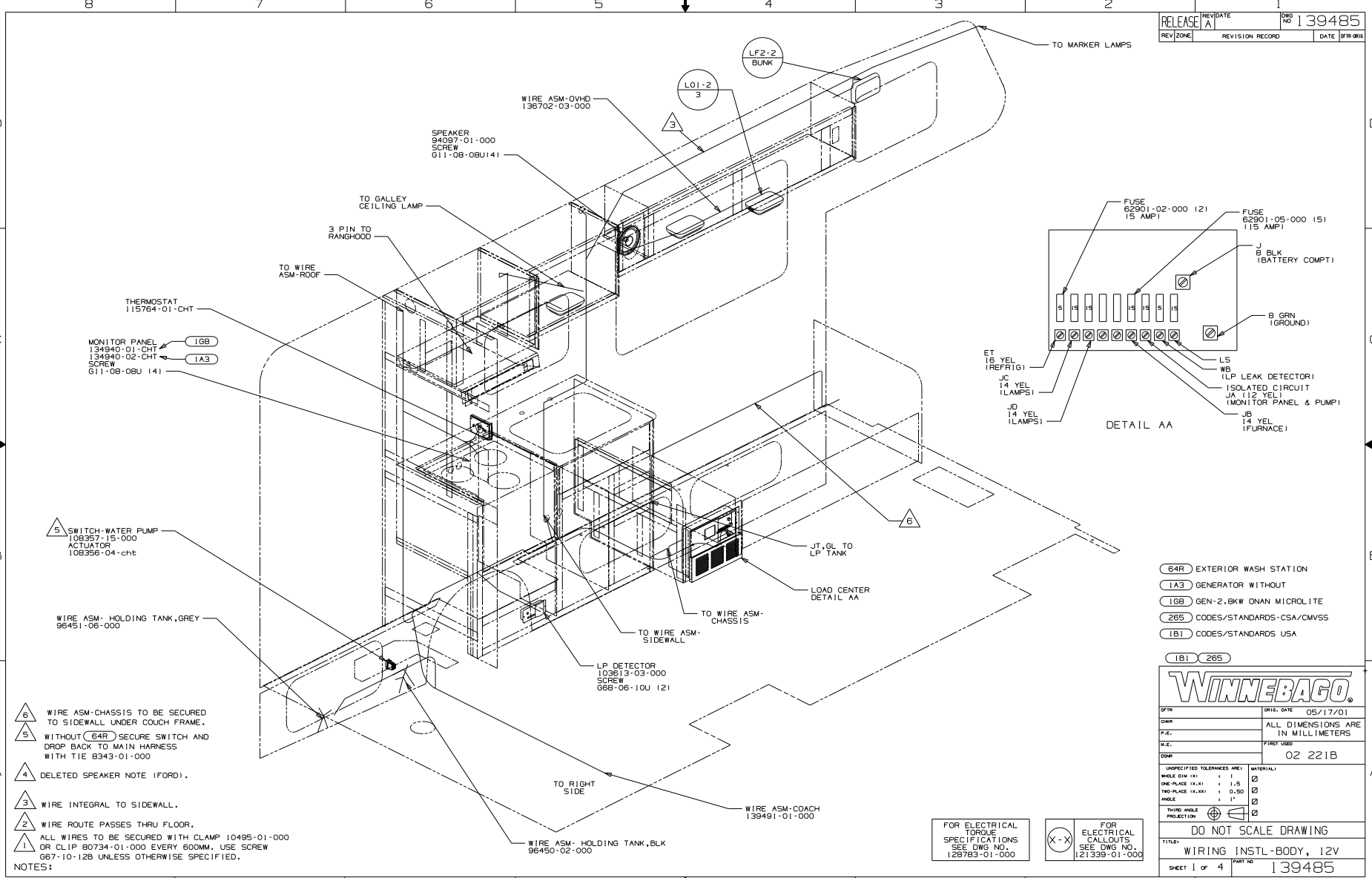
UNSPECIFIED TOLERANCES ARE:
 HOLE DIA (+.01) 0
 ONE-PLACE (+.01) 0
 TWO-PLACE (+.01) 0
 HOLE 0

THIRD ANGLE PROJECTION

DO NOT SCALE DRAWING

TITLE:
 WIRING DIAGRAM-BODY, 110V

SHEET 1 of 2 PART NO 139489



- A** DELETED SPEAKER NOTE (IFORD).
- 2** WIRE INTEGRAL TO SIDEWALL.
- 3** WIRE ROUTE PASSES THRU FLOOR.
- 4** ALL WIRES TO BE SECURED WITH CLAMP 10495-01-000 OR CLIP 80734-01-000 EVERY 600MM. USE SCREW G67-10-12B UNLESS OTHERWISE SPECIFIED.
- 5** WITHOUT **64R** SECURE SWITCH AND ACTUATOR TO MAIN HARNESS WITH TIE B343-01-000
- 6** WIRE ASM-CHASSIS TO BE SECURED TO SIDEWALL UNDER COUCH FRAME.
- 7** SWITCH-WATER PUMP 108357-15-000 ACTUATOR 108356-04-CHT

- 64R** EXTERIOR WASH STATION
- 1A3** GENERATOR WITHOUT
- 1B8** GEN-2, BKW ONAN MICROLITE
- 265** CODES/STANDARDS-CSA/CMVSS
- 1B1** CODES/STANDARDS USA

WINNEBAGO

DATE: 05/17/01
 ORG. DATE: 05/17/01
 ALL DIMENSIONS ARE IN MILLIMETERS

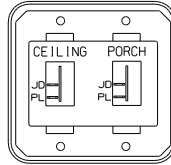
UNSPECIFIED TOLERANCES ARE:
 FINISH DIM (XX) ± .1
 ONE-PLACE (X.XX) ± 1.5
 TWO-PLACE (X.XXX) ± 0.50
 HOLE ± .1
 THIRD ANGLE PROJECTION

DO NOT SCALE DRAWING

TITLE: WIRING INSTL-BODY, 12V
 SHEET 1 of 4 PART NO 139485

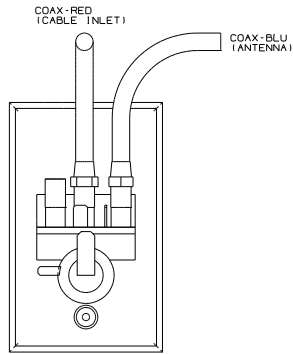
FOR ELECTRICAL TORQUE SPECIFICATIONS SEE DWG NO. 128793-01-000

FOR ELECTRICAL CALLOUTS SEE DWG NO. 121339-01-000

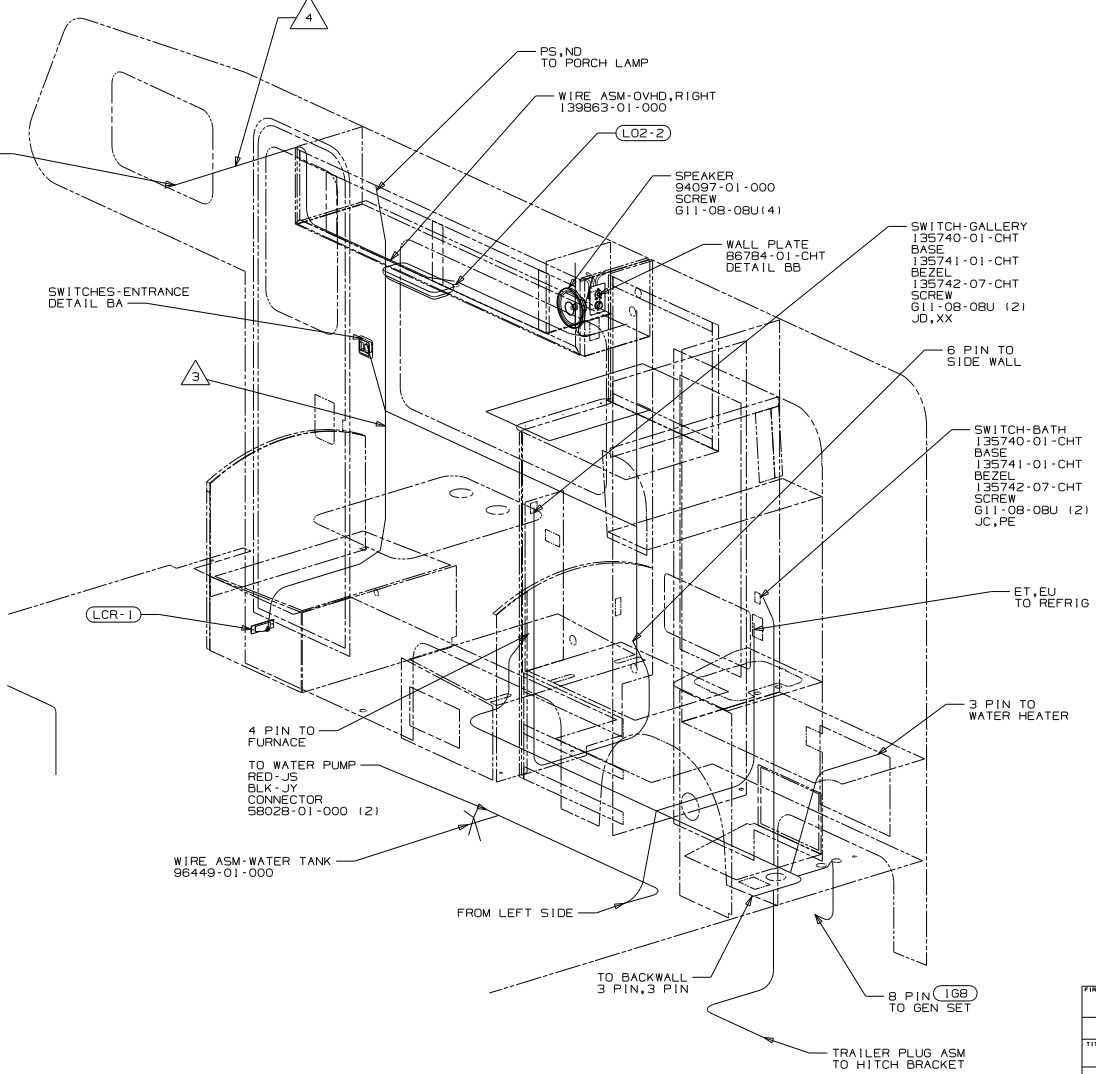


SWITCH-ROCKER
135740-01-CHT (2)
SWITCH-BASE
135741-02-CHT
SWITCH-BEZEL
135742-19-CHT
SCREW
G11-08-0BU (4)

DETAIL BA

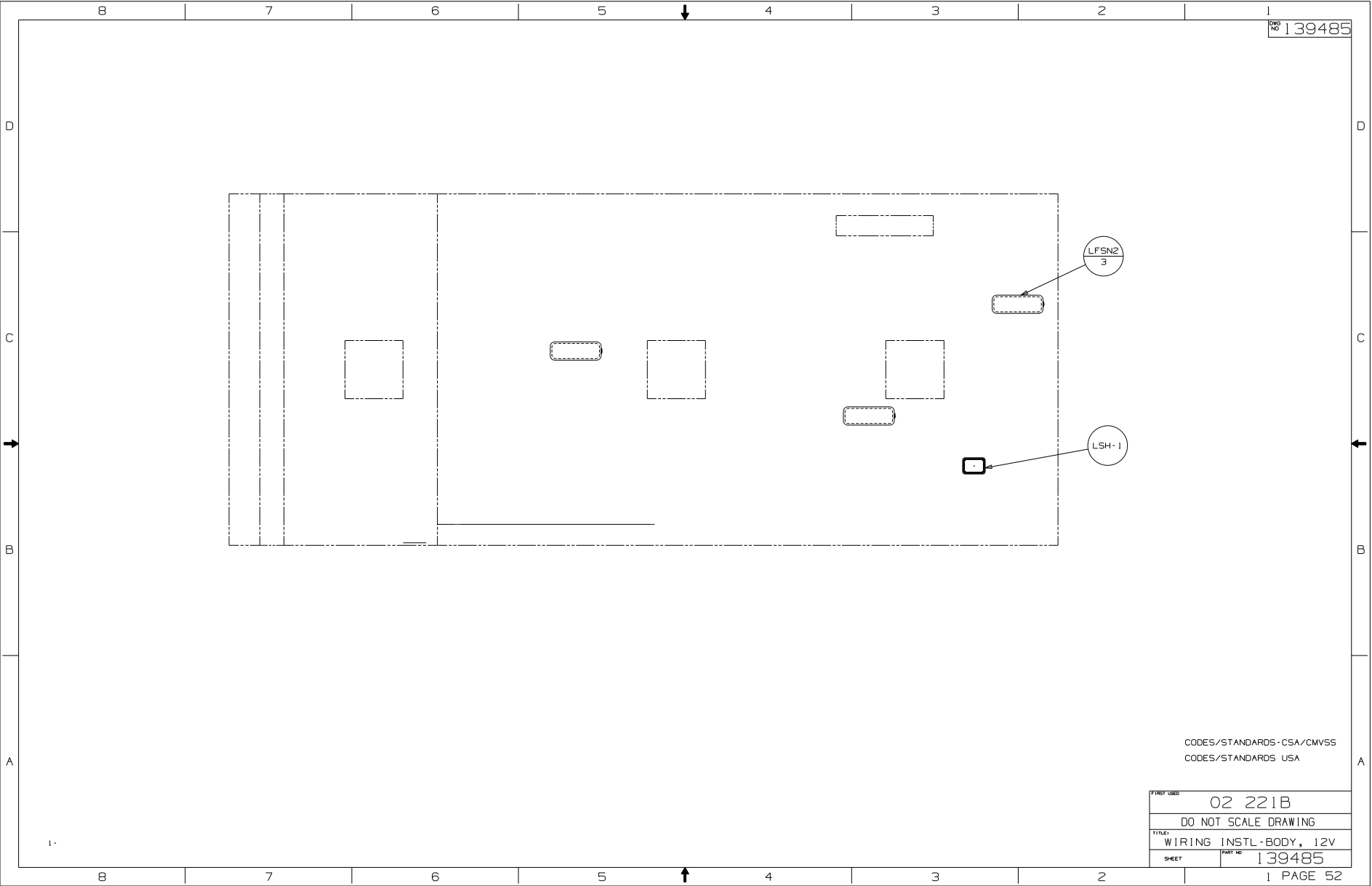


DETAIL BB



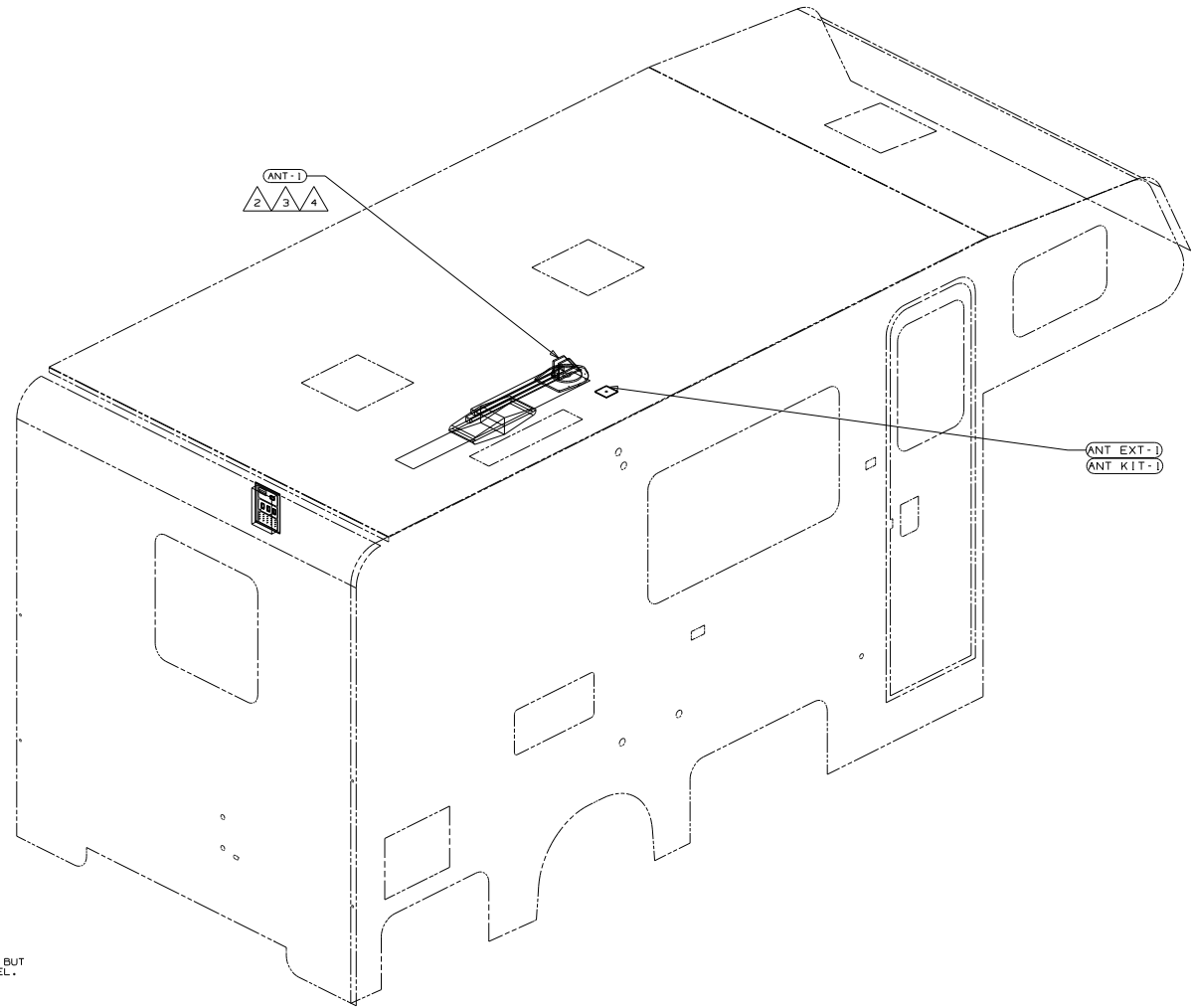
- 5 USE ONE OF THE SPEAKERS PROVIDED IN THE KIT. SEND THE SCREWS TTN IN THE KIT TO THE SURPLUS STORE. SEND THE KIT WIRE ASM-PIGTAIL TO WIRE PREP TO BE INCORPORATED INTO A WIRE ASM.
- 4 ROUTE WIRES THRU ROOF
- 3 WIRE INTEGRAL TO SIDEWALL.
- 2 WIRE ROUTE PASSES THRU FLOOR.
- 1 ALL WIRES TO BE SECURED WITH CLAMP 10495-01-000 OR CLIP 80734-01-000 EVERY 600MM. USE SCREW 667-10-12B UNLESS OTHERWISE SPECIFIED.

GEN-2,BKW ONAN MICROLITE CODES/STANDARDS-CSA/CMVSS CODES/STANDARDS USA	
FIRST USED	02 221B
DO NOT SCALE DRAWING	
TITLE	WIRING INSTL-BODY, 12V
SHEET	PART NO 139485



CODES/STANDARDS - CSA/CMVSS
CODES/STANDARDS USA

FIRST USED	02 221B
DO NOT SCALE DRAWING	
TITLE:	WIRING INSTL - BODY, 12V
SHEET	PART NO 139485



LOCATE CLAMP TO RETAIN CABLE BUT NOT TO RESTRICT ANTENNA TRAVEL. SEE DRAWING 76319-01-000 FOR INSTALLATION OF TV ANTENNA.

ADD RUBBER BUMPER TO ROOF UNDER EACH END OF ANTENNA IN DOWN POSITION WHICH MAY COME INTO CONTACT WITH ROOF.

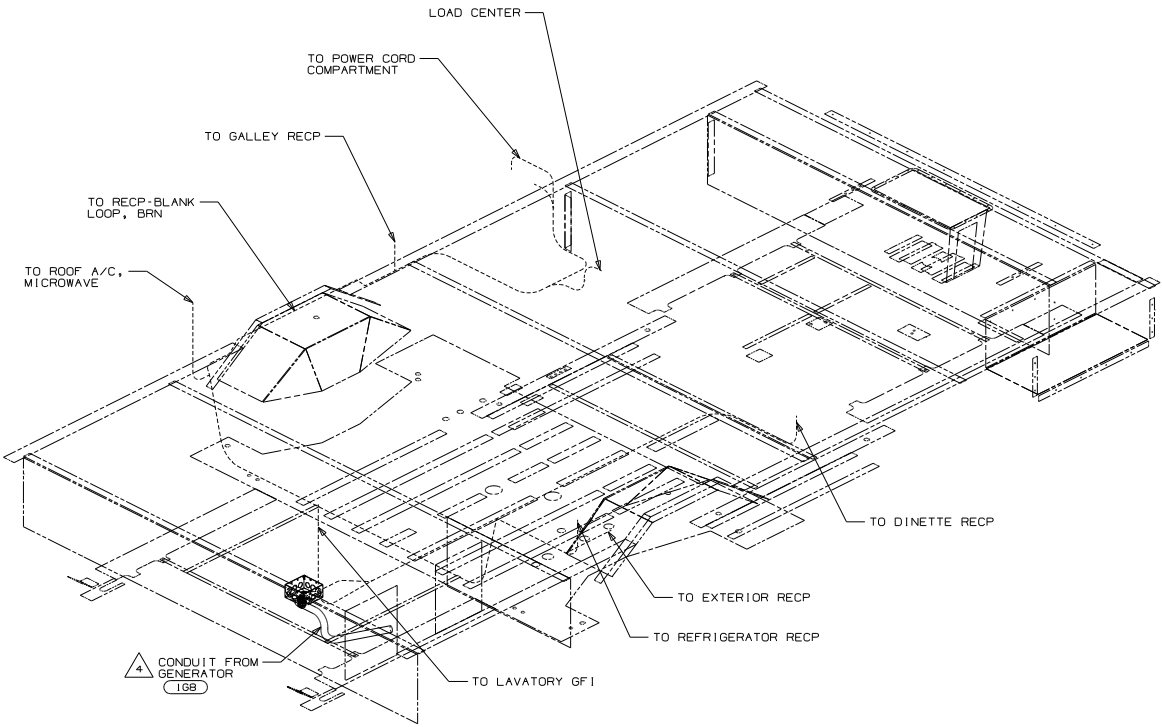
1 CONNECTOR-PLUG, TRAILER 113589-01-000 TO BE SUPPLIED LOOSE IN COACH WITH TRAILER TOW PACKAGE.

CODES/STANDARDS - CSA/CMVSS
CODES/STANDARDS USA

FIRST USED	02 221B
DO NOT SCALE DRAWING	
TITLE	WIRING INSTL - BODY, 12V
SHEET	PART NO 139485

DRAWING NO.	FEATURE
139486-01	-----
139486-11	(1B1) (120)
139486-15	(265) (120)

RELEASE ^{REV} A ^{REV} NO 139486
 REVISION RECORD DATE 078-018



- (168) GEN-2, 8KW ONAN-GAS-MICROLITE
 - (120) ELECTRICAL SYSTEM-30 AMP
 - (265) CODES/STANDARDS-CSA
 - (1B1) CODES/STANDARDS-USA
- (1B1) (265) (120)

- △ SEE THE GENERATOR INSTALLATION FOR ADDITIONAL INFORMATION.
- ALL GROUND WIRES ARE TO BE COVERED WITH TUBING 8041-02-000.
 - ALL 110V WIRES ARE TO BE CLAMPED WITHIN 200 MM OF ANY BOX OR FITTING.
 - ALL WIRES TO BE SECURED WITH CLAMP 10495-01-000 OR CLIP 80734-01-000 EVERY 600 MM. USE SCREW 667-10-12B UNLESS OTHERWISE SPECIFIED.

FOR ELECTRICAL TORQUE SPECIFICATIONS SEE DWG NO. 128793-01-000

FOR ELECTRICAL CALLOUTS SEE DWG NO. 121339-01-000

WINNEBAGO

ORIG. DATE 05/17/01
 ALL DIMENSIONS ARE IN MILLIMETERS
 FIRST USED 02 221B

WHOLE DIM (X)
 ONE-PLACE (X,XX)
 TWO-PLACE (X,XXX)
 HOLE

THIRD ANGLE PROJECTION

MATERIAL:

DO NOT SCALE DRAWING

TITLE: WIRING INSTL-BODY, 110V
 SHEET 1 of 4 PART NO 139486

REF:137265 1 PAGE 54

CLAMP
10497-01-000
SCREW
G11-10-10B

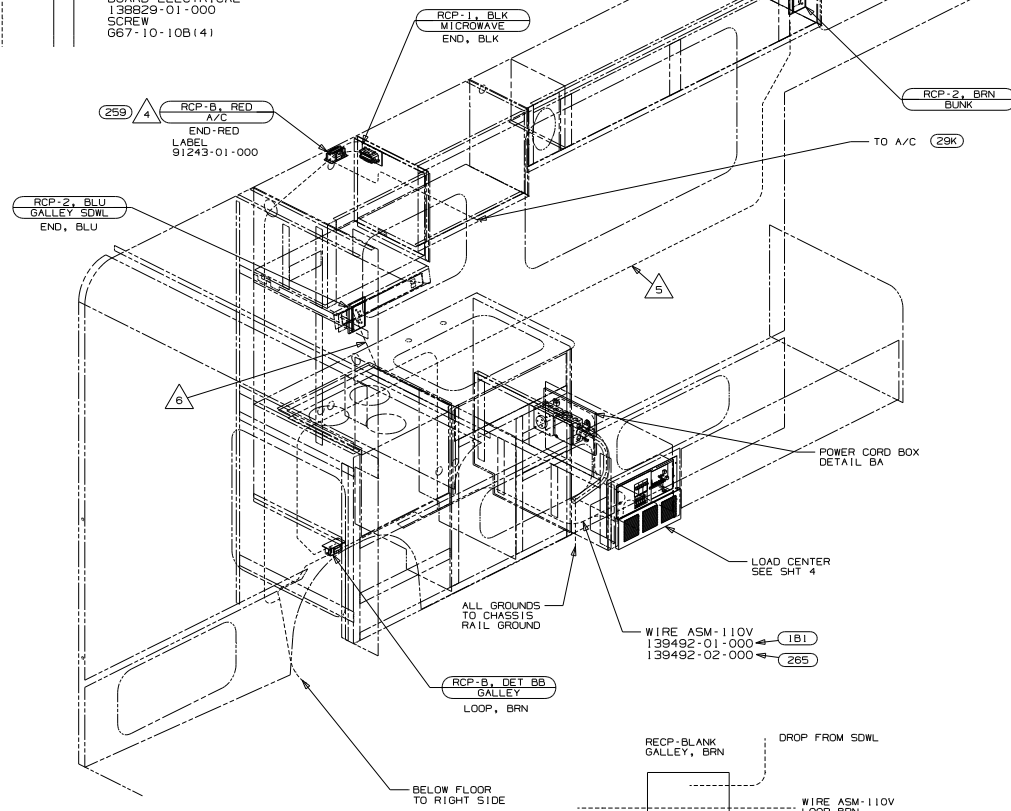
10 AWG UNMARKED
TO LOAD CENTER

CLAMP
10497-05-000(2)
SCREW
G11-10-10B(2)

BOARD-ELECTRICAL
138829-01-000
SCREW
G67-10-10B(4)

7 1GB J-RCP
30
CONNECTIONS
BLK - GOLD
WHT - SILVER
BARE - GRN

DETAIL BA



- 8 SECURE WIRE DROP BACK ALONG MAIN BUNDLE WITH (321)
- 7 INSTALL THE RECEPTACLE WITH THE GROUND OPENING TO THE OUTBOARD SIDE OF THE VEHICLE.
- 6 ROUTE WIRE THRU SOWL.
- 5 WIRE ROUTED IN SOWL.
- 4 TRIM WIRE TO LENGTH AND TERMINATE IN JUNCTION.

3. ALL GROUND WIRES TO BE COVERED WITH TUBING 8041-02-000.
2. ALL WIRING TO BE SECURED WITHIN 200 OF OUTLET BOXES.
- 1 ALL WIRES TO BE CLAMPED WITH CLAMP 10495-01-000 OR CLIP 80734-01-000 EVERY 1200. USE SCREW G67-10-12B UNLESS OTHERWISE SPECIFIED.

NOTES:

- (321) GENERATOR PREP KIT
- (29K) A/C-ROOF, 7100 BTU
- (1GB) GENERATOR 2.8KW GAS ONAN MICRO
- (1A3) GENERATOR-WITHOUT
- (12D) ELECTRICAL SYSTEM 30 AMP
- (259) A/C ROOF-WITHOUT
- (265) CODES/STANDARDS-CSA/CMVSS
- (1B1) CODES/STANDARDS USA

DETAIL BB

FOR ELECTRICAL TORQUE SPECIFICATIONS SEE DWG NO. 128793-01-000

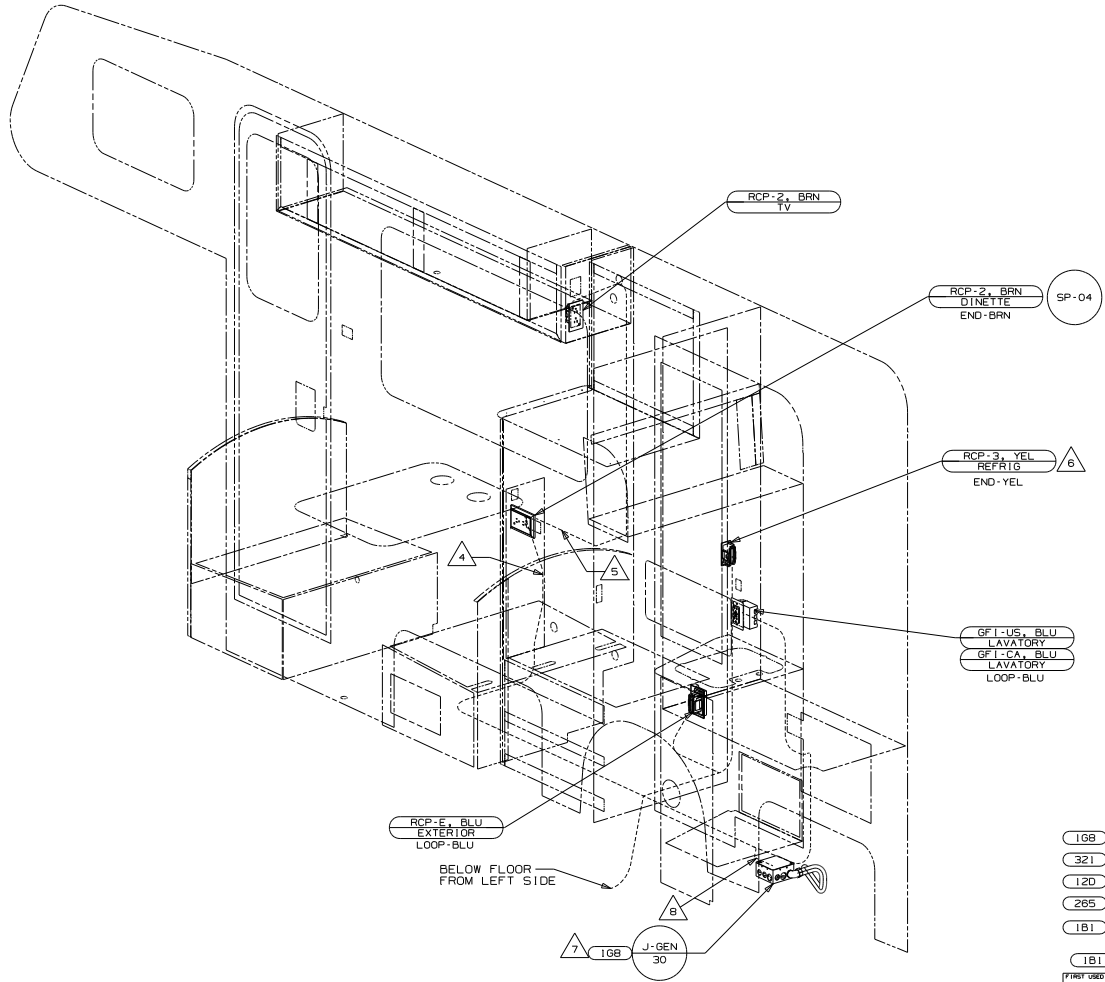
FOR ELECTRICAL CALLOUTS SEE DWG NO. 121339-01-000

FIRST USED 02 221B

DO NOT SCALE DRAWING

TITLE: WIRING INSTL-BODY, 110V

SHEET 2 PART NO 139486



- 8 SECURE WIRE DROP BACK ALONG MAIN BUNDLE WITH (321)
 - 7 SEE GENERATOR INSTL. FOR ADDITIONAL INFORMATION.
 - 6 LOCATE RECEPTACLE ON REFRIGERATOR TIEDOWN BRACKET.
 - 5 WIRE ROUTED IN SIDEWALL.
 - 4 ROUTE WIRE THRU SIDEWALL.
3. ALL GROUND WIRES TO BE COVERED WITH TUBING 8041-02-000.
 2. ALL WIRING TO BE SECURED WITHIN 200 OF OUTLET BOXES.
 1. ALL WIRES TO BE CLAMPED WITH CLAMP 10495-01-000 OR CLIP 80734-01-000 EVERY 1200. USE SCREW 667-10-12B UNLESS OTHERWISE SPECIFIED.

NOTES:

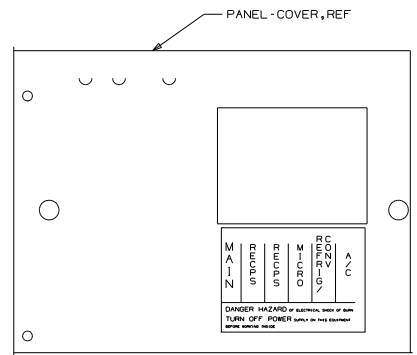
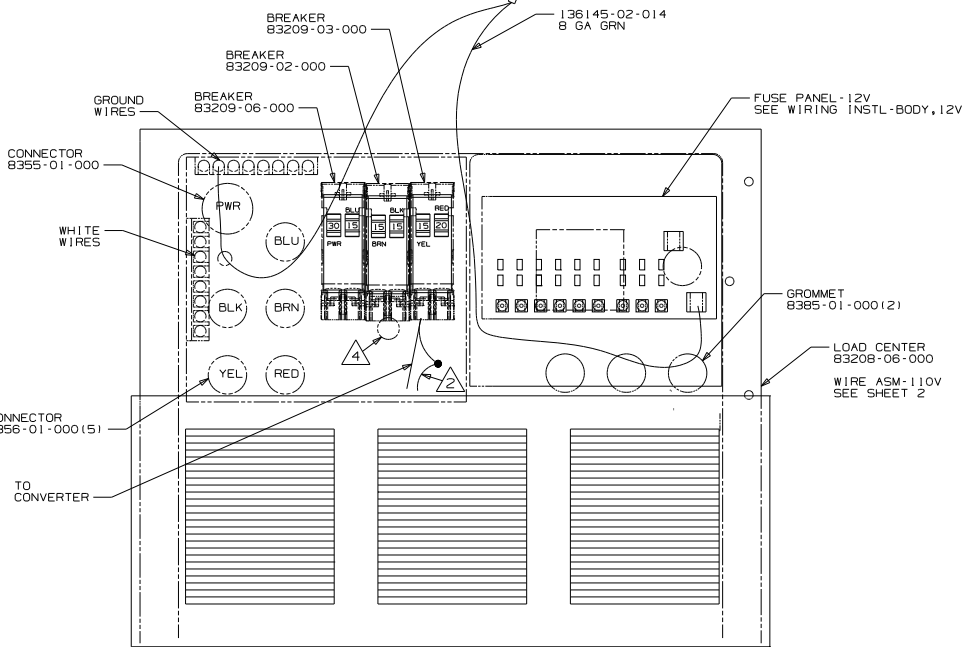
- (168) GENERATOR 2.6KW, GAS ONAN MICRO
- (321) GENERATOR PREP KIT
- (120) ELECTRICAL SYSTEM 30 AMP
- (265) CODES/STANDARDS -CSA/CMVSS
- (181) CODES/STANDARDS USA

181	265	120
FIRST USED		
02 221B		
DO NOT SCALE DRAWING		
TITLE: WIRING INSTL-BODY, 110V		
SHEET 3	PART NO 139486	

FOR ELECTRICAL TORQUE SPECIFICATIONS SEE DWG NO. 128793-01-000

FOR ELECTRICAL CALLOUTS SEE DWG NO. 121339-01-000





- NOTES:
- 1. COVER ALL GROUND WIRES WITH TUBING 8041-02-000.
 - 2. MAKE CONNECTIONS TO PROVIDED CONVERTER LEAD WITH SUPPLIED NUT CONNECTOR.
 - 3. SEE WIRING DIAGRAM-BODY,110V FOR CIRCUIT LAYOUTS.
 - 4. SECURE WIRE BUNDLE TO LOAD CENTER- BACK SIDE- WITH WIRE TIE 116673-01-000, USING EXISTING HOLE.

- 120 ELECTRICAL SYSTEM-30 AMP
- 265 CODES/STANDARDS-CSA
- 1B1 CODES/STANDARDS-USA

1B1 265 120

FIRST USED	02 221B
DO NOT SCALE DRAWING	
TITLE:	WIRING INSTL-BODY, 110V
SHEET 4	PART NO 139486

FOR ELECTRICAL TORQUE SPECIFICATIONS SEE DWG NO. 128793-01-000

FOR ELECTRICAL CALLOUTS SEE DWG NO. 121339-01-000



WIRE ASM-CHASSIS
 139490-01-000

SWITCH-AUX START
 108357-09-000
 ACTUATOR-SWITCH
 108355-07-CHT
 PLATE
 81994-07-000
 NUT
 11272-01-CHT (2)

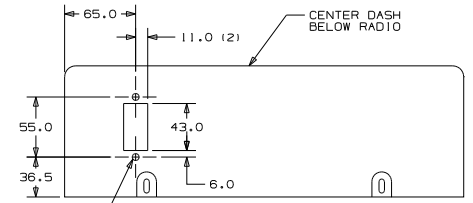
5 PIN HOUSING
 TO RADIO CONNECTION

GRY/BLK - HX
 BLK/GRN - SC
 BLK/WHT - SD
 GRY/GRN - HW
 GRY/RED - WM
 BLK/BLU - TR
 BLK/RED - X
 CONNECTIONS FOR
 TAIL LAMP WIRING

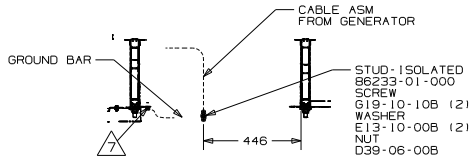
DETAIL AC

J 8 BLK
 TO LOAD CTR
 12 PIN
 TO WIRE
 ASM-COACH

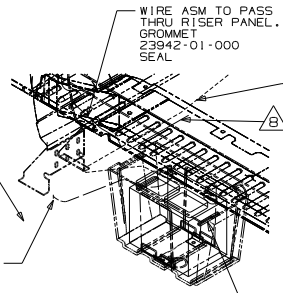
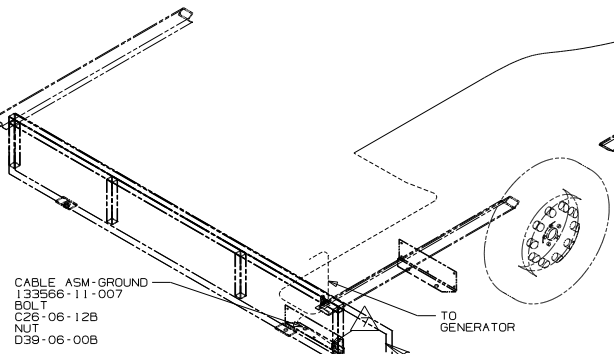
BATTERY COMPARTMENT
 SEE DETAIL AB



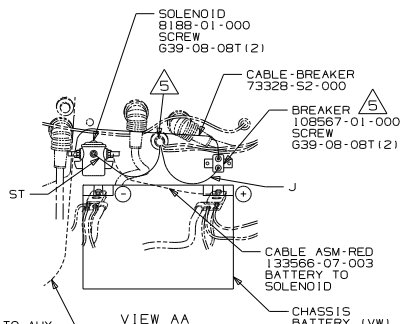
VIEW AD-AD



VIEW AE



DETAIL AB



VIEW AA

FOR ELECTRICAL
 TORQUE
 SPECIFICATIONS
 SEE DWG NO.
 128783-01-000

FOR ELECTRICAL
 CALLOUTS
 SEE DWG NO.
 121339-01-000

- (ICB) VOLKSWAGEN-7275 GVWR
- (12X) BATTERY-ONE
- (265) CODES/STANDARDS-CSA
- (1B1) CODES/STANDARDS-USA

(1B1) (265) (ICB) (12X)

WINNEBAGO

ORIG. DATE 04/18/01
 DWG NO. ALL DIMENSIONS ARE IN MILLIMETERS
 P.E. FIRST USED
 V.E.
 DWG NO. 02 221B

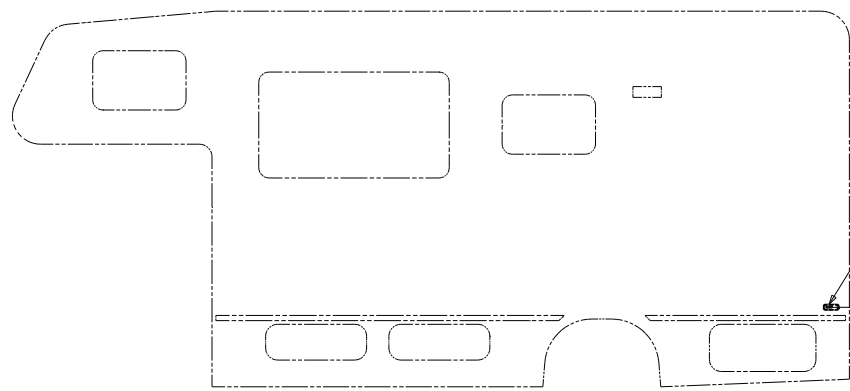
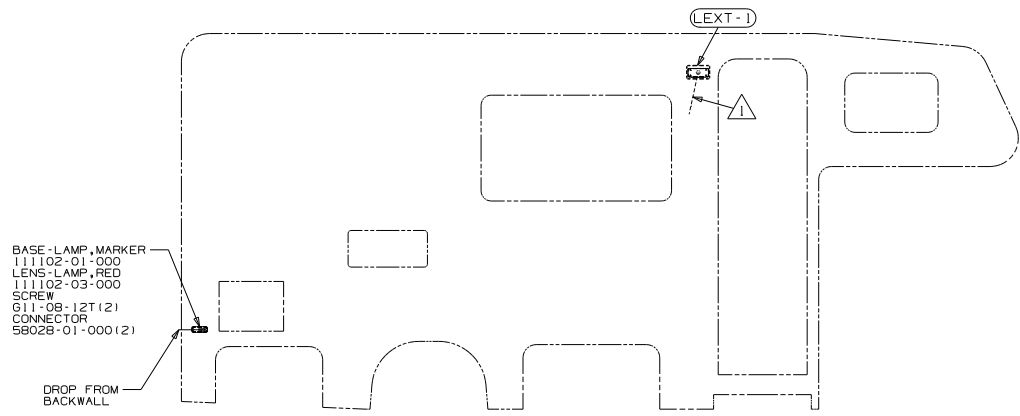
UNSPECIFIED TOLERANCES ARE:
 HOLE DIA (H) ± .04
 ONE-PLACE (H,XX) ± .04
 TWO-PLACE (H,XX) ± .04
 HOLE DIA (H) ± .04

THIRD ANGLE PROJECTION

DO NOT SCALE DRAWING

TITLE: WIRING INSTL-CHASSIS
 SHEET 1 of 1 PART NO 139487

- NOTES:
1. LEGEND, ---- VW WIRING, — WINNEBAGO WIRING, - - - - - CABLE.
 2. SECURE TUBING 41953-09-000 OVER ALL WIRING IN CONTACT WITH ANY SHARP EDGES.
 3. SECURE WIRE ASM'S AND CABLES WITH WIRE TIE 8343-01-000 OR 116673-01-000 AT NOT MORE THAN 600 MM CENTER ALONG ENTIRE ROUTED PATH.
 4. ROUTE WIRES THRU DASH PANEL USING THE EXISTING GROMMET FOR VW WIRING.
 5. THE LOCATION OF THE BATTERY LEAD WHEN CONNECTED TO THE CIRCUIT BREAKER IS CRITICAL FOR PROPER OPERATION.
 6. WIRE ASM IS ROUTED THRU STEP WELL, BEHIND INSERT PANEL, UNDER FLOOR MATT, AROUND WHEEL WELL, TO THE EXISTING VW FUSE PANEL, AND THRU EXISTING VW WIRE GROMMET.
 7. SECURE GROUND CABLE UNDER GENERATOR MOUNTING BOLT.
 8. NEW ROUTING FOR VOLKSWAGEN TAIL LAMPS WIRING.



NOTES:
 1 WIRE IS INTEGRAL TO SIDEWALL

FOR ELECTRICAL TORQUE SPECIFICATIONS SEE DWG NO. 128783-01-000

X-X FOR ELECTRICAL CALLOUTS SEE DWG NO. 121339-01-000

(285) CODES/STANDARDS CSA
 (1B1) CODES/STANDARDS USA
 (1B1) (285)

WINNEBAGO

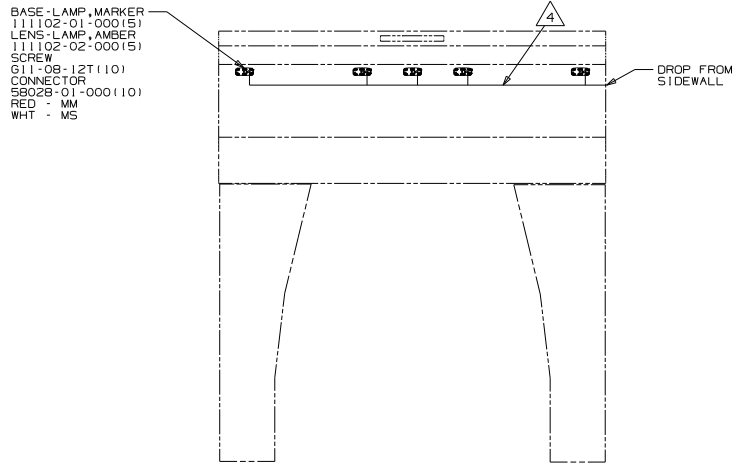
DFR ORG. DATE 05/31/01
 DWR ALL DIMENSIONS ARE IN MILLIMETERS
 P.E.
 V.E. FIRST USED
 DWR 02 221B

UNSPECIFIED TOLERANCES ARE:
 HOLE DIA (.XX) ± .01
 ONE-PLACE (.X.XX) ± .01
 TWO-PLACE (.X.XXX) ± .005
 HOLE ± .01

MATERIAL:
 THIRD ANGLE PROJECTION

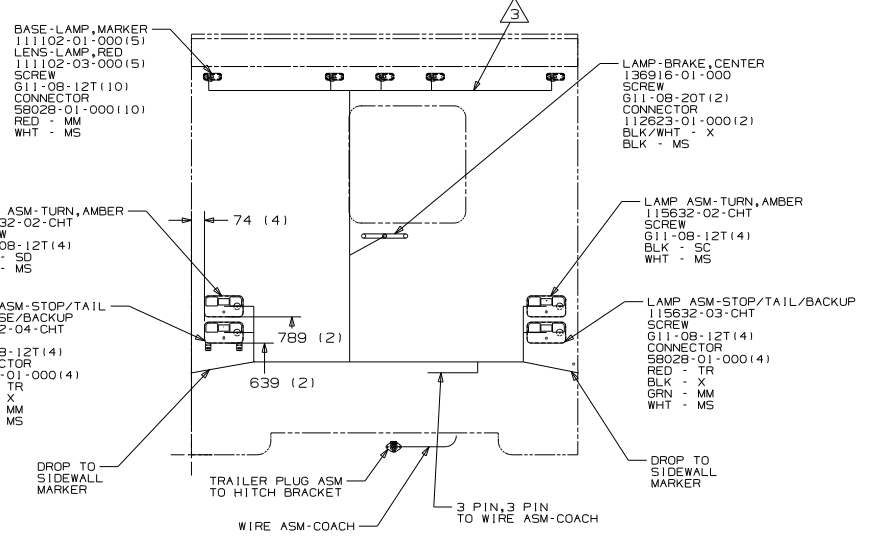
DO NOT SCALE DRAWING

TITLE: WIRING INSTL-EXTERIOR LAMPS
 SHEET 1 of 2 PART NO 139484
 REF: 1 PAGE 59



BASE-LAMP, MARKER
 111102-01-000(5)
 LENS-LAMP, AMBER
 111102-02-000(5)
 SCREW
 G11-08-12T(10)
 CONNECTOR
 S8028-01-000(10)
 RED - MM
 WHT - MS

DROP FROM SIDEWALL



BASE-LAMP, MARKER
 111102-01-000(5)
 LENS-LAMP, RED
 111102-03-000(5)
 SCREW
 G11-08-12T(10)
 CONNECTOR
 S8028-01-000(10)
 RED - MM
 WHT - MS

LAMP-BRAKE, CENTER
 138916-01-000
 SCREW
 G11-08-20T(2)
 CONNECTOR
 112623-01-000(2)
 BLK/WHT - X
 BLK - MS

LAMP ASM-TURN, AMBER
 115632-02-CHT
 SCREW
 G11-08-12T(4)
 BLK - SD
 WHT - MS

LAMP ASM-TURN, AMBER
 115632-02-CHT
 SCREW
 G11-08-12T(4)
 BLK - SC
 WHT - MS

LAMP ASM-STOP/TAIL
 LICENSE/BACKUP
 115632-04-CHT
 SCREW
 G11-08-12T(4)
 CONNECTOR
 S8028-01-000(4)
 RED - TR
 BLK - X
 GRN - MM
 WHT - MS

LAMP ASM-STOP/TAIL/BACKUP
 115632-03-CHT
 SCREW
 G11-08-12T(4)
 CONNECTOR
 S8028-01-000(4)
 RED - TR
 BLK - X
 GRN - MM
 WHT - MS

DROP TO SIDEWALL MARKER

TRAILER PLUG ASM TO HITCH BRACKET

WIRE ASM-COACH

3 PIN, 3 PIN TO WIRE ASM-COACH

DROP TO SIDEWALL MARKER

- 4 WIRE IS INTEGRAL TO ROOF ASM.
- 3 WIRE IS INTEGRAL TO BACKWALL.

- 2 SEE WIRING INSTL-BODY, 12V FOR ADDITIONAL INFORMATION.
- 1 CONNECTOR-PLUG, TRAILER 113589-01-000 TO BE SUPPLIED LOOSE IN COACH WITH TRAILER TOW PACKAGE.

NOTES:

265 CODES/STANDARDS CSA
 1B1 CODES/STANDARDS USA

1B1 265

FIRST USED 02 221B

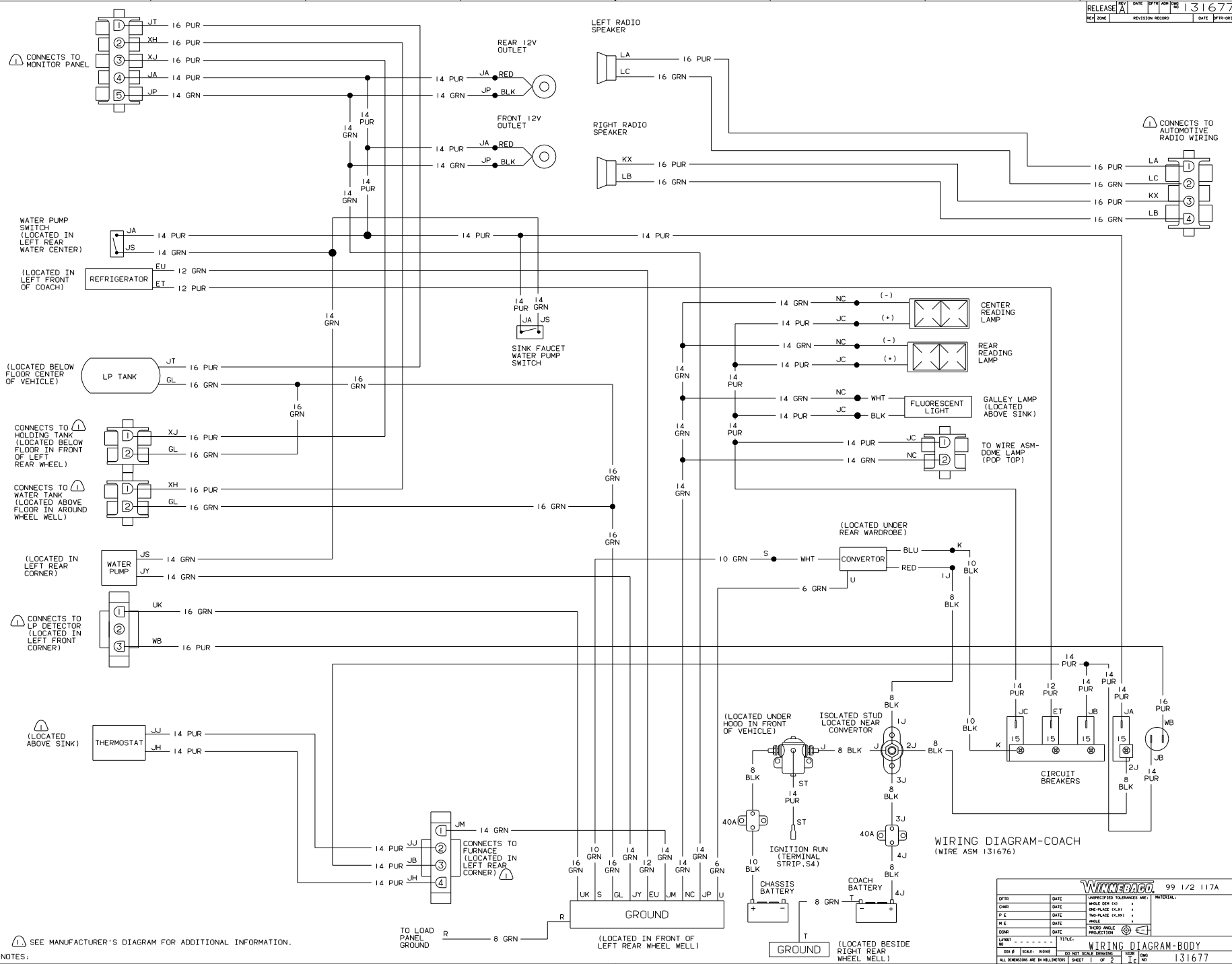
DO NOT SCALE DRAWING

TITLE: WIRING INSTL-EXTERIOR LAMPS

SHEET 2 PART NO 139484

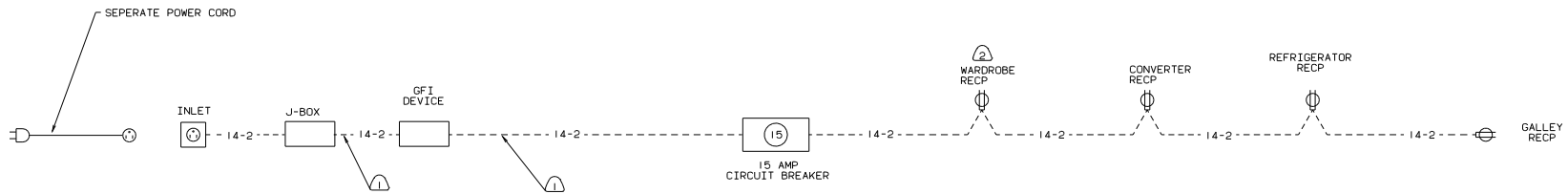
FOR ELECTRICAL TORQUE SPECIFICATIONS SEE DWG NO. 128783-01-000

X-X FOR ELECTRICAL CALLOUTS SEE DWG NO. 121339-01-000

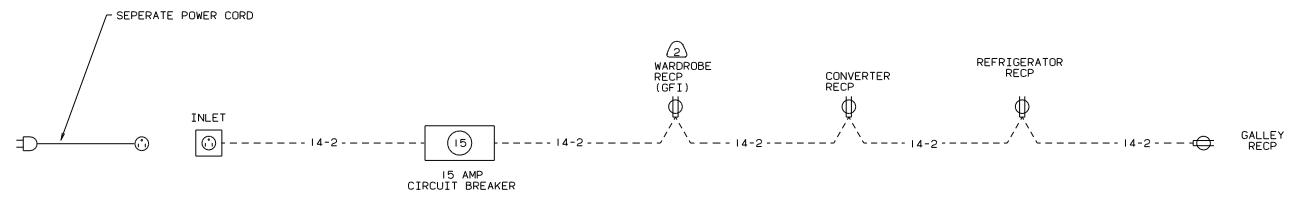


WIRING DIAGRAM-COACH
 (WIRE ASM 131676)

DATE		UNSPECIFIED TOLERANCES ARE:	99 1/2 117A
DATE	DATE	1/16" UNLESS OTHERWISE SPECIFIED	
DATE	DATE	1/32" UNLESS OTHERWISE SPECIFIED	
DATE	DATE	1/64" UNLESS OTHERWISE SPECIFIED	
DATE	DATE	1/128" UNLESS OTHERWISE SPECIFIED	
DATE	DATE	1/256" UNLESS OTHERWISE SPECIFIED	
DATE	DATE	1/512" UNLESS OTHERWISE SPECIFIED	
DATE	DATE	1/1024" UNLESS OTHERWISE SPECIFIED	
DATE	DATE	1/2048" UNLESS OTHERWISE SPECIFIED	
DATE	DATE	1/4096" UNLESS OTHERWISE SPECIFIED	
DATE	DATE	1/8192" UNLESS OTHERWISE SPECIFIED	
DATE	DATE	1/16384" UNLESS OTHERWISE SPECIFIED	
DATE	DATE	1/32768" UNLESS OTHERWISE SPECIFIED	
DATE	DATE	1/65536" UNLESS OTHERWISE SPECIFIED	
DATE	DATE	1/131072" UNLESS OTHERWISE SPECIFIED	
DATE	DATE	1/262144" UNLESS OTHERWISE SPECIFIED	
DATE	DATE	1/524288" UNLESS OTHERWISE SPECIFIED	
DATE	DATE	1/1048576" UNLESS OTHERWISE SPECIFIED	
DATE	DATE	1/2097152" UNLESS OTHERWISE SPECIFIED	
DATE	DATE	1/4194304" UNLESS OTHERWISE SPECIFIED	
DATE	DATE	1/8388608" UNLESS OTHERWISE SPECIFIED	
DATE	DATE	1/16777216" UNLESS OTHERWISE SPECIFIED	
DATE	DATE	1/33554432" UNLESS OTHERWISE SPECIFIED	
DATE	DATE	1/67108864" UNLESS OTHERWISE SPECIFIED	
DATE	DATE	1/134217728" UNLESS OTHERWISE SPECIFIED	
DATE	DATE	1/268435456" UNLESS OTHERWISE SPECIFIED	
DATE	DATE	1/536870912" UNLESS OTHERWISE SPECIFIED	
DATE	DATE	1/1073741824" UNLESS OTHERWISE SPECIFIED	
DATE	DATE	1/2147483648" UNLESS OTHERWISE SPECIFIED	
DATE	DATE	1/4294967296" UNLESS OTHERWISE SPECIFIED	
DATE	DATE	1/8589934592" UNLESS OTHERWISE SPECIFIED	
DATE	DATE	1/17179869184" UNLESS OTHERWISE SPECIFIED	
DATE	DATE	1/34359738368" UNLESS OTHERWISE SPECIFIED	
DATE	DATE	1/68719476736" UNLESS OTHERWISE SPECIFIED	
DATE	DATE	1/137438953472" UNLESS OTHERWISE SPECIFIED	
DATE	DATE	1/274877906944" UNLESS OTHERWISE SPECIFIED	
DATE	DATE	1/549755813888" UNLESS OTHERWISE SPECIFIED	
DATE	DATE	1/1099511627776" UNLESS OTHERWISE SPECIFIED	
DATE	DATE	1/2199023255552" UNLESS OTHERWISE SPECIFIED	
DATE	DATE	1/4398046511104" UNLESS OTHERWISE SPECIFIED	
DATE	DATE	1/8796093022208" UNLESS OTHERWISE SPECIFIED	
DATE	DATE	1/17592186044416" UNLESS OTHERWISE SPECIFIED	
DATE	DATE	1/35184372088832" UNLESS OTHERWISE SPECIFIED	
DATE	DATE	1/70368744177664" UNLESS OTHERWISE SPECIFIED	
DATE	DATE	1/140737488355328" UNLESS OTHERWISE SPECIFIED	
DATE	DATE	1/281474976710656" UNLESS OTHERWISE SPECIFIED	
DATE	DATE	1/562949953421312" UNLESS OTHERWISE SPECIFIED	
DATE	DATE	1/1125899906842624" UNLESS OTHERWISE SPECIFIED	
DATE	DATE	1/2251799813685248" UNLESS OTHERWISE SPECIFIED	
DATE	DATE	1/4503599627370496" UNLESS OTHERWISE SPECIFIED	
DATE	DATE	1/9007199254740992" UNLESS OTHERWISE SPECIFIED	
DATE	DATE	1/18014398509481984" UNLESS OTHERWISE SPECIFIED	
DATE	DATE	1/36028797018963968" UNLESS OTHERWISE SPECIFIED	
DATE	DATE	1/72057594037927936" UNLESS OTHERWISE SPECIFIED	
DATE	DATE	1/144115188075855872" UNLESS OTHERWISE SPECIFIED	
DATE	DATE	1/288230376151711744" UNLESS OTHERWISE SPECIFIED	
DATE	DATE	1/576460752303423488" UNLESS OTHERWISE SPECIFIED	
DATE	DATE	1/1152921504606846976" UNLESS OTHERWISE SPECIFIED	
DATE	DATE	1/2305843009213693952" UNLESS OTHERWISE SPECIFIED	
DATE	DATE	1/4611686018427387904" UNLESS OTHERWISE SPECIFIED	
DATE	DATE	1/9223372036854775808" UNLESS OTHERWISE SPECIFIED	
DATE	DATE	1/18446744073709551616" UNLESS OTHERWISE SPECIFIED	
DATE	DATE	1/36893488147419103232" UNLESS OTHERWISE SPECIFIED	
DATE	DATE	1/73786976294838206464" UNLESS OTHERWISE SPECIFIED	
DATE	DATE	1/147573952589676412928" UNLESS OTHERWISE SPECIFIED	
DATE	DATE	1/295147905179352825856" UNLESS OTHERWISE SPECIFIED	
DATE	DATE	1/590295810358705651712" UNLESS OTHERWISE SPECIFIED	
DATE	DATE	1/1180591620717411303424" UNLESS OTHERWISE SPECIFIED	
DATE	DATE	1/2361183241434822606848" UNLESS OTHERWISE SPECIFIED	
DATE	DATE	1/4722366482869645213696" UNLESS OTHERWISE SPECIFIED	
DATE	DATE	1/9444732965739290427392" UNLESS OTHERWISE SPECIFIED	
DATE	DATE	1/18889465931478580854784" UNLESS OTHERWISE SPECIFIED	
DATE	DATE	1/37778931862957161709568" UNLESS OTHERWISE SPECIFIED	
DATE	DATE	1/75557863725914323419136" UNLESS OTHERWISE SPECIFIED	
DATE	DATE	1/151115727451828646838272" UNLESS OTHERWISE SPECIFIED	
DATE	DATE	1/302231454903657293676544" UNLESS OTHERWISE SPECIFIED	
DATE	DATE	1/604462909807314587353088" UNLESS OTHERWISE SPECIFIED	
DATE	DATE	1/1208925819614629174706176" UNLESS OTHERWISE SPECIFIED	
DATE	DATE	1/2417851639229258349412352" UNLESS OTHERWISE SPECIFIED	
DATE	DATE	1/4835703278458516698824704" UNLESS OTHERWISE SPECIFIED	
DATE	DATE	1/9671406556917033397649408" UNLESS OTHERWISE SPECIFIED	
DATE	DATE	1/19342813113834066795298816" UNLESS OTHERWISE SPECIFIED	
DATE	DATE	1/38685626227668133590597632" UNLESS OTHERWISE SPECIFIED	
DATE	DATE	1/77371252455336267181195264" UNLESS OTHERWISE SPECIFIED	
DATE	DATE	1/154742504910672534362390528" UNLESS OTHERWISE SPECIFIED	
DATE	DATE	1/309485009821345068724781056" UNLESS OTHERWISE SPECIFIED	
DATE	DATE	1/618970019642690137449562112" UNLESS OTHERWISE SPECIFIED	
DATE	DATE	1/1237940039285380274899242224" UNLESS OTHERWISE SPECIFIED	
DATE	DATE	1/2475880078570760549798484448" UNLESS OTHERWISE SPECIFIED	
DATE	DATE	1/4951760157141521099596968896" UNLESS OTHERWISE SPECIFIED	
DATE	DATE	1/9903520314283042199193937792" UNLESS OTHERWISE SPECIFIED	
DATE	DATE	1/19807040628566084398387875776" UNLESS OTHERWISE SPECIFIED	
DATE	DATE	1/39614081257132168796775751552" UNLESS OTHERWISE SPECIFIED	
DATE	DATE	1/79228162514264337593551503104" UNLESS OTHERWISE SPECIFIED	
DATE	DATE	1/158456325028528675187103006208" UNLESS OTHERWISE SPECIFIED	
DATE	DATE	1/316912650057057350374206012416" UNLESS OTHERWISE SPECIFIED	
DATE	DATE	1/633825300114114700748412024832" UNLESS OTHERWISE SPECIFIED	
DATE	DATE	1/1267650600228229401496824049664" UNLESS OTHERWISE SPECIFIED	
DATE	DATE	1/2535301200456458802993648099328" UNLESS OTHERWISE SPECIFIED	
DATE	DATE	1/5070602400912917605987296198656" UNLESS OTHERWISE SPECIFIED	
DATE	DATE	1/10141204801825835211974592397312" UNLESS OTHERWISE SPECIFIED	
DATE	DATE	1/20282409603651670423949184794624" UNLESS OTHERWISE SPECIFIED	
DATE	DATE	1/4056481920730334084789836949248" UNLESS OTHERWISE SPECIFIED	
DATE	DATE	1/8112963841460668169579673898496" UNLESS OTHERWISE SPECIFIED	
DATE	DATE	1/1622592768292133632915934796992" UNLESS OTHERWISE SPECIFIED	
DATE	DATE	1/3245185536584267265831869593984" UNLESS OTHERWISE SPECIFIED	
DATE	DATE	1/6490371073168534531663739187968" UNLESS OTHERWISE SPECIFIED	
DATE	DATE	1/12980742146370669063274773775936" UNLESS OTHERWISE SPECIFIED	
DATE	DATE	1/25961484292741338126549547551872" UNLESS OTHERWISE SPECIFIED	
DATE	DATE	1/51922968585482676253099095103648" UNLESS OTHERWISE SPECIFIED	
DATE	DATE	1/103845937170965352506198190207296" UNLESS OTHERWISE SPECIFIED	
DATE	DATE	1/207691874341930705012396380414592" UNLESS OTHERWISE SPECIFIED	
DATE	DATE	1/415383748683861410024792760829184" UNLESS OTHERWISE SPECIFIED	
DATE	DATE	1/830767497367722820049585521658368" UNLESS OTHERWISE SPECIFIED	
DATE	DATE	1/166153499473544564009917104316672" UNLESS OTHERWISE SPECIFIED	
DATE	DATE	1/332306998947089128019834208633344" UNLESS OTHERWISE SPECIFIED	
DATE	DATE	1/664613997894178256039668417266688" UNLESS OTHERWISE SPECIFIED	
DATE	DATE	1/132922799578835651207933683453376" UNLESS OTHERWISE SPECIFIED	
DATE	DATE	1/265845599157671302415867366906752" UNLESS OTHERWISE SPECIFIED	
DATE	DATE	1/531691198315342604831734733813504" UNLESS OTHERWISE SPECIFIED	
DATE	DATE	1/1063382396630685209635468467627008" UNLESS OTHERWISE SPECIFIED	
DATE	DATE	1/2126764793261370419270936935254016" UNLESS OTHERWISE SPECIFIED	
DATE	DATE	1/4253529586522740838541873870508032" UNLESS OTHERWISE SPECIFIED	
DATE	DATE	1/8507059173045481677083747741016064" UNLESS OTHERWISE SPECIFIED	
DATE	DATE	1/17014118346090963354167494882032128" UNLESS OTHERWISE SPECIFIED	
DATE	DATE	1/34028236692181926708334989764064256" UNLESS OTHERWISE SPECIFIED	
DATE	DATE	1/68056473384363853416669979528128512" UNLESS OTHERWISE SPECIFIED	
DATE	DATE	1/1361129467687277068333399590562560256" UNLESS OTHERWISE SPECIFIED	
DATE	DATE	1/2722258935374554136666799181125120512" UNLESS OTHERWISE SPECIFIED	
DATE	DATE	1/54445178707491082733335983622502401024" UNLESS OTHERWISE SPECIFIED	
DATE	DATE	1/10889035741498216546667196724504802048" UNLESS OTHERWISE SPECIFIED	
DATE	DATE	1/21778071482996433093334393449009604096" UNLESS OTHERWISE SPECIFIED	
DATE	DATE	1/43556142965992866186668786898019208192" UNLESS OTHERWISE SPECIFIED	
DATE	DATE	1/87112285931985732373337573796038416384" UNLESS OTHERWISE SPECIFIED	
DATE	DATE	1/174224571863971446746675147592076832768" UNLESS OTHERWISE SPECIFIED	
DATE	DATE	1/348449143727942893493350295184153665536" UNLESS OTHERWISE SPECIFIED	
DATE	DATE	1/696898287455885786986700590368307331072" UNLESS OTHERWISE SPECIFIED	
DATE	DATE	1/139379657491177157397340118073661462144" UNLESS OTHERWISE SPECIFIED	
DATE	DATE	1/278759314982354314794680236147322924288" UNLESS OTHERWISE SPECIFIED	
DATE	DATE	1/557518629964708629589360472294645848576" UNLESS OTHERWISE SPECIFIED	
DATE	DATE	1/1115037259929417259179720944589291697152" UNLESS OTHERWISE SPECIFIED	
DATE	DATE	1/2230074519858834518359441889178583394304" UNLESS OTHERWISE SPECIFIED	
DATE	DATE	1/4460149039717669036718883778357166788608" UNLESS OTHERWISE SPECIFIED	
DATE	DATE	1/89202980794353380734377675567143337721728" UNLESS OTHERWISE SPECIFIED	
DATE	DATE	1/17840596158870676146875535113428667544352" UNLESS OTHERWISE SPECIFIED	
DATE	DATE	1/35681192317741352293751070226857334887104" UNLESS OTHERWISE SPECIFIED	
DATE	DATE	1/71362384635482704587502140453714669774208" UNLESS OTHERWISE SPECIFIED	
DATE	DATE	1/142724769270965409175004280907433395484416" UNLESS OTHERWISE SPECIFIED	
DATE	DATE	1/285449538541930818350008561814866789168832" UNLESS OTHERWISE SPECIFIED	
DATE	DATE	1/570899077083861636700017123629733833737664" UNLESS OTHERWISE SPECIFIED	
DATE	DATE	1/114179815416772327340003427259467666747528" UNLESS OTHERWISE SPECIFIED	
DATE	DATE	1/2283596308335446546800068551189353334951556" UNLESS OTHERWISE SPECIFIED	
DATE	DATE	1/4567192616670893093600137032378706669903112" UNLESS OTHERWISE SPECIFIED	
DATE	DATE	1/9134385233341786187200274064757413339806224" UNLESS OTHERWISE SPECIFIED	
DATE	DATE	1/1826877046668357237440054813514826667961248" UNLESS OTHERWISE SPECIFIED	
DATE	DATE	1/365375409333671447488010962702965334392256" UNLESS OTHERWISE SPECIFIED	
DATE	DATE	1/730750818667342894976021925405930668784512" UNLESS OTHERWISE SPECIFIED	
DATE	DATE	1/1461501637334685789952043910811813375680256" UNLESS OTHERWISE SPECIFIED	
DATE	DATE	1/2923003274669371579904087821623626751360512" UNLESS OTHERWISE SPECIFIED	
DATE	DATE	1/5846006549338743159808175643247253502721024" UNLESS OTHERWISE SPECIFIED	
DATE	DATE	1/11692013098677486319616311286494507005442048" UNLESS OTHERWISE SPECIFIED	
DATE	DATE	1/23384026197354972639232622572989014010884096" UNLESS OTHERWISE SPECIFIED	
DATE	DATE	1/46768052394709945278465245145978028021768192" UNLESS OTHERWISE SPECIFIED	
DATE	DATE	1/93536104789419890556930490291956056043536384" UNLESS OTHERWISE SPECIFIED	
DATE	DATE	1/187072209578839781113860980583912112087072768" UNLESS OTHERWISE SPECIFIED	
DATE	DATE	1/374144419157679562227721961167824224174145536" UNLESS OTHERWISE SPECIFIED	
DATE	DATE	1/748288838315359124455443922335648448348291072" UNLESS OTHERWISE SPECIFIED	
DATE	DATE	1/1496577676310718248910887446671296896696582144" UNLESS OTHERWISE SPECIFIED	
DATE	DATE	1/2993155352621436497821774893342593793393164288" UNLESS OTHERWISE SPECIFIED	
DATE	DATE	1/5986310705242872995643549786685187586786328576" UNLESS OTHERWISE SPECIFIED	
DATE	DATE	1/11972621410485745991287099573370375173572657152" UNLESS OTHERWISE SPECIFIED	
DATE	DATE	1/2394524282097149198257419914674075034714531424" UNLESS OTHERWISE SPECIFIED	
DATE	DATE	1/4789048564194298396514839829348150069428862848" UNLESS OTHERWISE SPECIFIED	
DATE	DATE	1/957809712838859679302967965869630138885772576" UNLESS OTHERWISE SPECIFIED	
DATE	DATE	1/191561942567771934660593591739326027777545152" UNLESS OTHERWISE SPECIFIED	
DATE	DATE	1/383123885135543869321187183478652055555090304" UNLESS OTHERWISE SPECIFIED	
DATE	DATE	1/766247770271087738642374366957304111110180608" UNLESS OTHERWISE SPECIFIED	
DATE	DATE	1/15324955405421	



USA



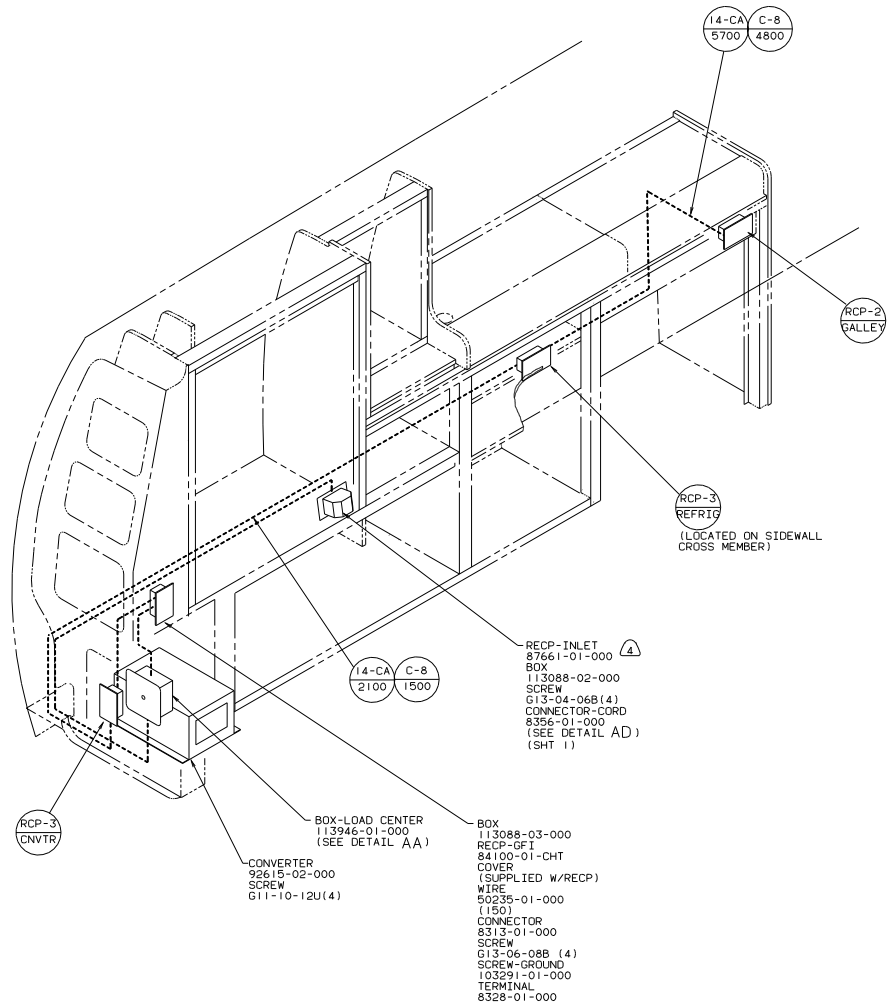
CAN

- ① ALL OUTLETS DOWN STREAM AND INCLUDING THIS OUTLET ARE GROUND FAULT CIRCUIT INTERRUPT PROTECTED.
- ② VENDOR SUPPLIED WIRE.

NOTES:

110V WIRING
99 1/2 117A

TITLE		WIRING DIAGRAM-BODY	
DO NOT SCALE DRAWING	DATE	DWG NO	131677
SHEET 2 OF 2	IF	NO	



- 4 CORD-POWER 87660-01-000 TO BE PROVIDED LOOSE, STORED IN RH REAR COMPT.
3. ALL GROUND WIRES TO BE COVERED WITH TUBING 8041-02-000.
2. ALL 110V WIRES ARE TO BE CLAMPED WITH CLAMP 104-05-000 WITHIN 200 OF OUTLET BOXES. USE SCREW G67-10-12B.
1. ALL WIRES TO BE CLAMPED WITH CLAMP 10495-01-000 OR CLIP 80734-01-000 EVERY 500. USE SCREW G67-10-12B UNLESS OTHERWISE SPECIFIED.

NOTES:

(265) CODES/STANDARDS-CSA/CMVSS

110V LEFT SIDE (CAN)

99 1/2 117A

(X-X)
FOR ELECTRICAL CALLOUTS SEE DWG NO. 121339-01-000

FOR ELECTRICAL TORQUE SPECIFICATIONS SEE DWG NO. 128783-01-000

TITLE: WIRING INSTL-BODY 110 CA
DO NOT SCALE DRAWING SHEET 2 OF 5 I.F. NO 131675



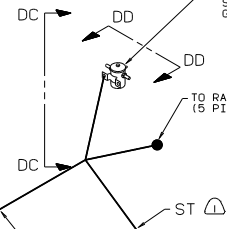
VIEW CA-CA

INTERIOR PANEL

LAMP-GALLEY
127327-01-CHT
CONNECTOR
58028-01-000(2)
SCREW
G39-08-12U (2)

LF1-1

SOLENOID-SEALED
8158-01-000
SCREW
G39-08-08T (2)



75 REF TO REFRIGERATOR (EU,ET)

WIRE ASM-COACH
131676-01-000

PANEL-MONITOR
113566-03-CHT
SCREW
G11-08-08U (8)

DETECTOR-LP
103613-02-000
SCREW
G68-06-10U (2)

FAUCET-SINK, SWITCHED
JA,JS

TO LP TANK SENSOR (JT, GL)

THERMOSTAT
130974-01-CHT (JA, JJ)
SCREW
G11-08-12U (4)

PUMP-WATER
JA,JS
SCREW
G11-08-12U (2)
(SEE DETAIL DG)

WIRE ASM-TANK
96450-05-000

TO RIGHT SIDE (THRU UPPER HEADER)

WIRE ASM-TANK
96449-01-000

TO FURNACE
4 PIN HOUSING

STUD-ISOLATED
86233-01-000
BUSH
77479-02-000
SCREW
G39-08-12B (2)
NUT
D39-06-00B

FURNACE

TO CONVERTOR (SEE DETAIL DA)
(SHT 4)

WITH FURNACE

RECP-12V
111414-01-000
PLATE
111396-01-CHT
SCREW
G11-08-08U (2)
(SEE DETAIL DB)

TO RIGHT SIDE ALONG ROOF PILLAR

WIRE ASM-POP TOP

SWITCH-WATER PUMP
89308-01-CHT
PLATE
98351-01-CHT
SCREW
G11-08-08U (2)

PLATE-CIRCUIT BREAKER
113957-01-CHT
SCREW
G11-08-08U (2)
(SEE DETAIL DF)
(SHT 4)

TO GROUND STUD (D-PILLAR)
(SEE DETAIL DE)
(SHT 4)

LABEL
114751-01-000 (US)
114751-02-000 (CAN)

TO CONVERTOR (CASE GROUND)

BUMPER-RUBBER, DOOR
116688-01-000 (2)
SCREW
G11-08-16U (2)

PANEL-CIRCUIT BREAKER
121155-01-CHT (US)
121155-02-CHT (CAN)
SCREW
G11-08-08U (6)
NUT-J
63253-07-000 (6)

(265) CODES/STANDARDS-CSA/CMVSS
(1B1) CODES/STANDARDS USA
12V LEFT SIDE

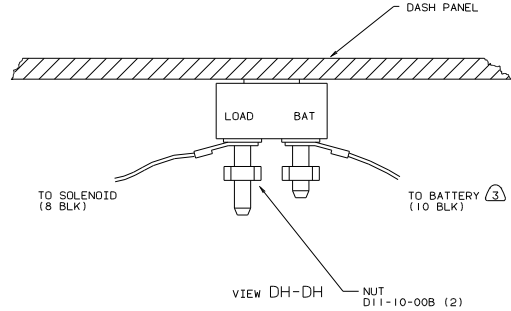
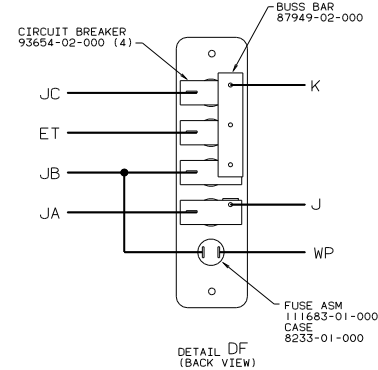
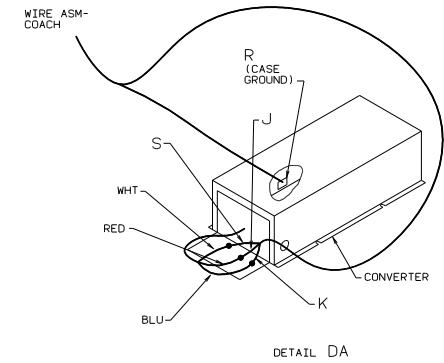
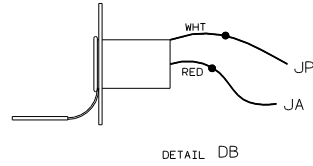
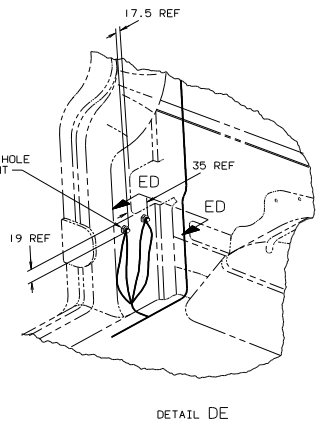
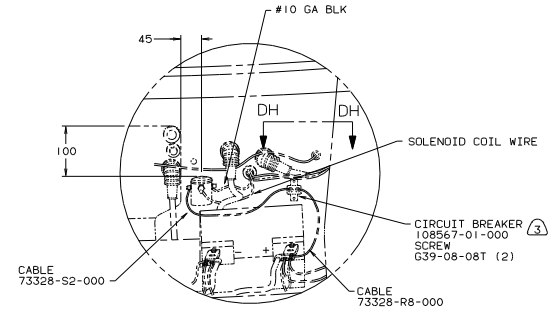
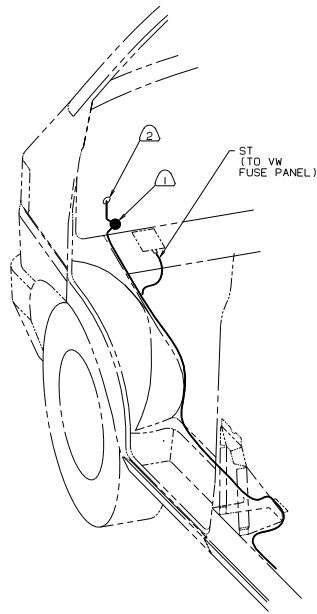
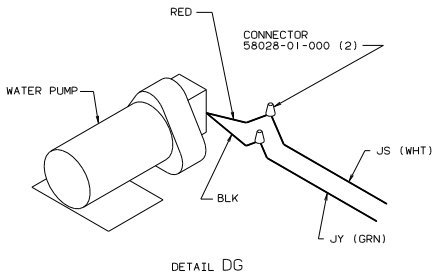
99 1/2 117A

2) ALL WIRES TO PASS THRU SLEEVE IN BOOT.
1. CONNECTS TO YELLOW TERMINAL STRIP BLOCK, LOCATED BEHIND VW FUSE BLOCK ASM, FUSE S4.

(X-X) FOR ELECTRICAL CALLOUTS SEE DWG NO. 121339-01-000

FOR ELECTRICAL TORQUE SPECIFICATIONS SEE DWG NO. 128783-01-000

WIRING INSTL-BODY (12V L)
DO NOT SCALE DRAWING
SHEET 3 OF 5



- NOTES:
- (3) LOCATION OF BATTERY LEAD ON CIRCUIT BREAKER IS CRITICAL FOR CORRECT OPERATION.
 - (2) ROUTE WIRE THROUGH FIREWALL WITH EXISTING VW WIRES.
 - (1) FUSE TO BE SECURED TO VW FUSE PANEL.

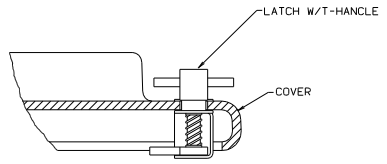
(265) CODES/STANDARDS-CSA/CMVSS
 (1B1) CODES/STANDARDS USA

12V DETAILS
 99 1/2 117A

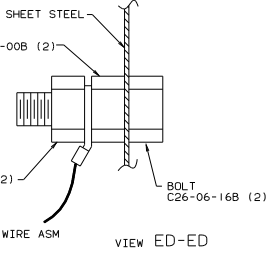
(X-X) FOR ELECTRICAL CALLOUTS SEE DWG NO. 121539-01-000

FOR ELECTRICAL TORQUE SPECIFICATIONS SEE DWG NO. 128783-01-000

TITLE: WIRING INSTL-BODY (12V DTLs)
 DWG NO: 131675
 SHEET 4 OF 5



DETAIL EA-EA



VIEW ED-ED

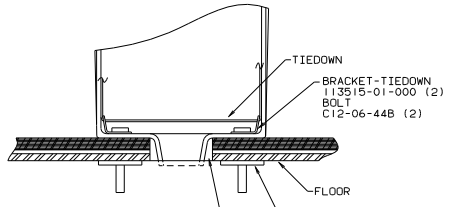
- LAMP-HEADLINER 112643-02-000(2)
- TRIM 112642-02-000(2)
- CONNECTOR 58028-01-000(4)
- SCREW G13-04-06B(8)

- DETECTOR-CO2 112320-01-000
- SCREW G11-08-12U (4)

- DETECTOR-SMOKE 72882-01-000(US)
- 72852-02-000(CAN)
- 72852-03-000(OREGON)
- LABEL 77956-01-000
- SCREW G13-07-12B(2)

TRAILING EDGE SKYLIGHT DEPRESSION

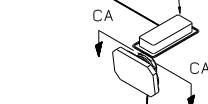
155



DETAIL EB-EB

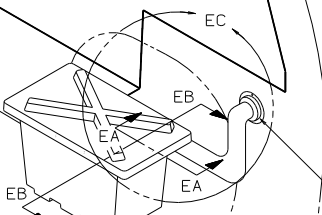
- WASHER E13-18-00B (2)
- NUT D39-06-00B (2)

- CONDUIT 41953-07-000 (150)



WIRE ASM-COACH (REF)

FROM RIGHT SIDE



- VENT-SIDEWALL 89048-01-CHT
- HOSE 114667-01-000(760)
- CLAMP 62401-02-000(2)
- SCREW G39-10-10T(2)

- BATTERY 63739-02-000
- WASHER E13-10-00B(2)
- TIEDOWN 84993-01-000
- COVER-BATTERY BOX 113514-01-CHT
- BOX-BATTERY SINGLE 111394-01-CHT
- LATCH-GRIP, ADJUSTABLE 113517-01-000
- RIVET H15-06-06R(2)
- SEAL 64075-07-000 (1335)

- BOLT C12-06-20B
- NUT D14-06-00B (2)
- GROUND STUD OPEN HOLE TO 3/8 GRIND PAINT

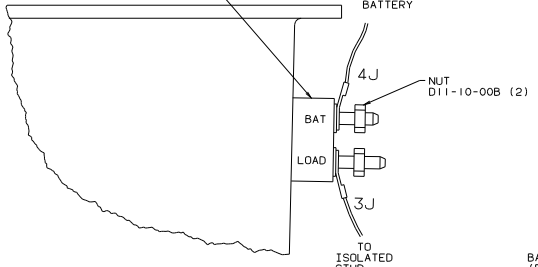
BATTERY BOX (REF)

- BATTERY CABLES TO BATTERY POSTS CONNECTOR 8353-01-000
- SEAL

DETAIL EC

- 3 1 CIRCUIT BREAKER 108567-01-000
- RIVET H16-06-10R (2)
- BOOT 77479-02-000

TO COACH BATTERY



VIEW EE-EE

- NUT D11-10-00B (2)

TO ISOLATED STUD

- 442 ENT CTR INTERIOR W/CASSETTE
- 265 CODES/STANDARDS-CSA/CMVSS
- 1B1 CODES/STANDARDS USA

12V RIGHT SIDE (US/CAN)

99 1/2 117A

- 3 LOCATION OF BATTERY LEAD ON CIRCUIT BREAKER IS CRITICAL FOR CORRECT OPERATION.
- 2 BOTH WIRES TO PASS THRU SLEEVE IN BOOT.
- 1 LOCATION OF COACH BATTERY CIRCUIT BREAKER IS CRITICAL FOR CORRECT OPERATION.

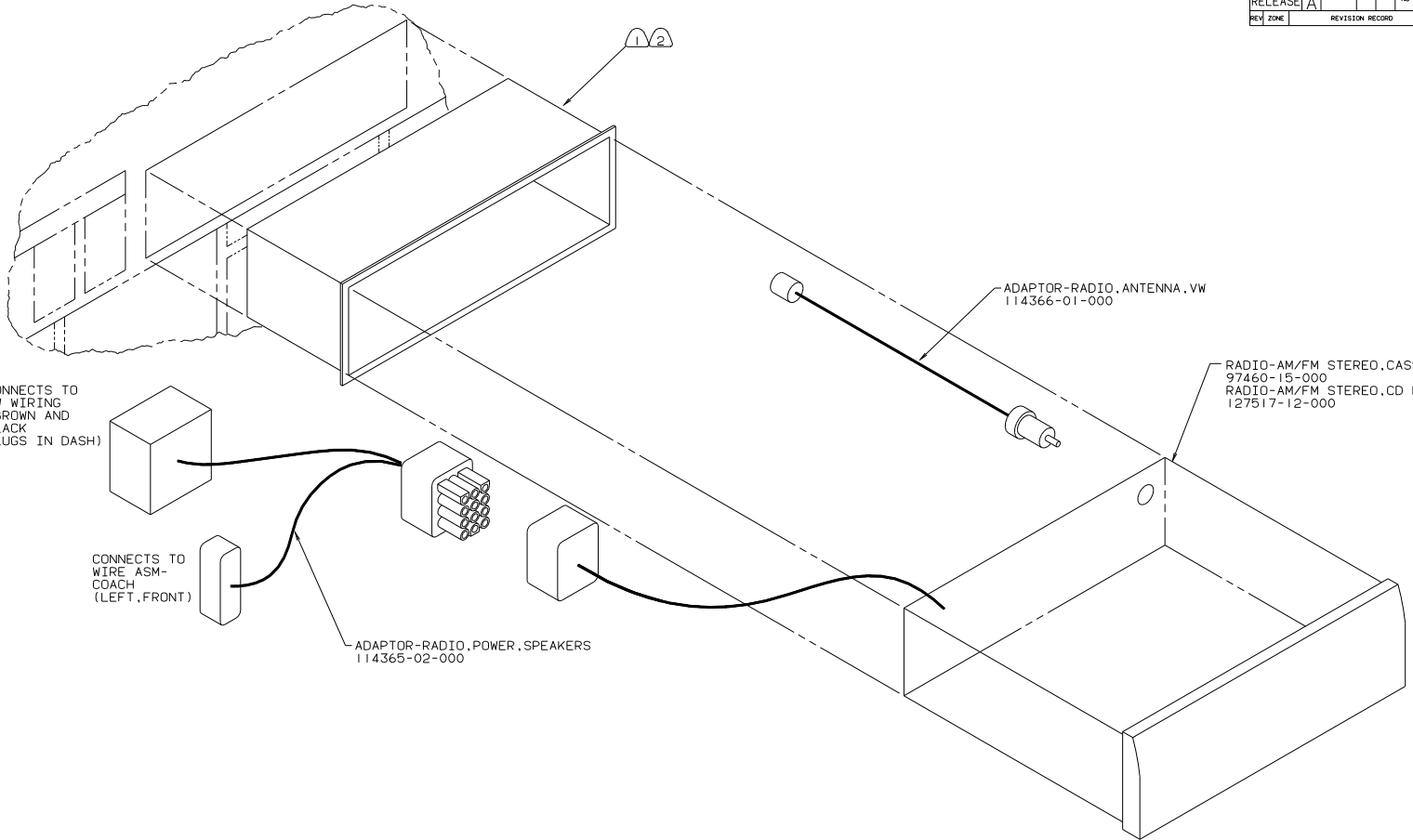
NOTES:

(X-X) FOR ELECTRICAL CALLOUTS SEE DWG NO. 121339-01-000

FOR ELECTRICAL TORQUE SPECIFICATIONS SEE DWG NO. 128783-01-000

WIRING INSTL-BODY (12V RH)
 SHEET 5 OF 5

DWG NO	SHT
137566-01	1
137566-02	2
137566-03	3
137566-04	4
137566-05	5
137566-06	6
137566-07	7



(24N) RADIO-AM/FM/CASSETTE
 (19V) RADIO-AM/FM STEREO CD PLAYER

H-BODY & B-VAN

- NOTES:
- (2) BEND TABS ON ALL 4 SIDES TO SECURE MOUNTING BRACKET TO DASH OPENING.
 - (1) SUPPLIED WITH RADIO.

LAYOUT NO		TITLE: RADIO INSTL	
DIA #	SCALE: NONE	DO NOT SCALE DRAWING	SHEET 1 OF 7
ALL DIMENSIONS ARE IN MILLIMETERS		SIZE	DWG NO 137566

2 REF 135297-G | PAGE 68

WINNEBAGO 02 MOTORHOMES

DFT#	DATE	UNSPECIFIED TOLERANCES ARE:	MATERIAL:
CHR	DATE	WHOLE DIM (XX) +	
P E	DATE	ONE-PLACE (X.XX) +	
M E	DATE	TWO-PLACE (X.XX) +	
DGNR	DATE	ANGLE	
	DATE	THIRD ANGLE PROJECTION	

TERMINALS

NO.	PART NUMBER	DESCRIPTION
B-1	50003-01	TERMINAL-PIN, 16-14 GA.,.156 DIA
B-2	50004-01	TERMINAL-RECP, 16-14 GA.,.156 DIA
B-11	50003-02	TERMINAL-PIN, 16-14 GA.,.180 DIA
B-12	50004-02	TERMINAL-RECP, 16-14 GA.,.180 DIA
WP-1	106950-01	TERMINAL-PIN, 16-14 GA
WP-2	106950-02	TERMINAL-PIN, 10-12 GA
WP-3	106950-03	TERMINAL-PIN, 8 GA
R-1	35416-01	TERMINAL-RING, 8 GA, #10 STUD
R-2	35416-02	TERMINAL-RING, 6 GA, #10 STUD
R-3	35416-03	TERMINAL-RING, 12-10 GA, #10 STUD
R-4	35416-04	TERMINAL-RING, 16-14 GA, #10 STUD
R-5	37018-01	TERMINAL-RING, 12-10 GA, 5/16 STUD
R-6	102777-01	TERMINAL-RING, #6 STUD, 14 GA
R-7	102777-02	TERMINAL-RING, #6 STUD, 10 GA
R-8	102777-03	TERMINAL-RING, #6 STUD, 8 GA
R-9	33787-01	TERMINAL-RING, 14 GA, #10 STUD
R-60	8325-01	TERMINAL-RING, 16-14 GA, 1/4 STUD
R-61	8326-01	TERMINAL-RING, 16-14 GA, 3/8 STUD
R-62	8327-01	TERMINAL-RING, 16-14 GA, #10 STUD
R-63	8328-01	TERMINAL-RING, 12-10 GA, #10 STUD
R-64	8328-02	TERMINAL-RING, 12-10 GA, 3/8 STUD
R-65	8329-01	TERMINAL-RING, 8 GA, 3/8 STUD
R-66	8331-01	TERMINAL-RING, 4 GA, 3/8 STUD
R-67	8332-01	TERMINAL-RING, 6 GA, 1/4 STUD
R-68	8332-02	TERMINAL-RING, 10 GA, 1/4 STUD
R-69	8350-01	TERMINAL-RING, 6 GA, 3/8 STUD
R-70	99275-02	TERMINAL-RING, 8 GA, 7/16 STUD
R-71	101397-01	TERMINAL-RING, 16-14 GA, #10 STUD
R-91	88791-01	TERMINAL-RING, 1/0 GA, 3/8, 90 DEG.
R-92	88791-02	TERMINAL-RING, 2 GA, 3/8, 90 DEG
R-93	8348-01	TERMINAL-RING, 2 GA, 3/8 STUD
R-94	99275-01	TERMINAL-RING, 1/0 GA, 7/16 STUD
RF-51	7944-01	TERMINAL-RING, 12-10 GA, #8 STUD
RF-52	7945-01	TERMINAL-RING, 16-14 GA, #8 STUD
TR-1	47443-01	TERMINAL-RECP, 16-14 GA, .25, INS
TR-2	47443-02	TERMINAL-RECP, 12-10 GA, .25, INS
TR-11	47443-03	TERMINAL-RECP, 16-14 GA, .19, INS
TR-12	47443-04	TERMINAL-RECP, 16-14 GA, .11, INS
TR-21	80015-01	TERMINAL-RECP, 22-18 GA, .250, 90 DEG
TR-22	80015-02	TERMINAL-RECP, 16-14 GA, .190, 90 DEG
TR-23	80015-03	TERMINAL-RECP, 16-14 GA, .250, 90 DEG
TR-51	7940-01	TERMINAL-RECP, 16-14 GA, .25, UNINS
TR-52	23809-01	TERMINAL-RECP, 16-14 GA, .19, UNINS
TR-53	23809-02	TERMINAL-RECP, 18-20 GA, .25, UNINS
TR-54	49270-01	TERMINAL-RECP, 18-20 GA, .19, UNINS
TT-1	85745-02	TERMINAL-TAB, 16-14 GA, .25, INS
TT-51	7942-01	TERMINAL-TAB, 16-14 GA, .25, UNINS
TT-52	7943-01	TERMINAL-TAB, 12-10 GA, .25, UNINS

SPLICES

NO.	PART NUMBER	DESCRIPTION
BS-1	31876-01	SPLICE-BUTT, 16-14 GA, BLUE
BS-2	31876-02	SPLICE-BUTT, 12-10 GA, YELLOW
BS-3	31876-03	SPLICE-BUTT, 22-18 GA, RED
BS-SB	100070-01	SPLICE-BUTT, 14-16 GA, SHRINK, BLUE
BS-RB	112823-01	SPLICE-BUTT, 14-22 GA, REDUCER
S-1	7946-01	SPLICE, 4000-10000 CMA
S-2	23808-01	SPLICE, 12000-18000 CMA
SH-1	58028-01	SPLICE-HAT
S-10	101173-01	SPLICE-BARREL, 26300 CMA

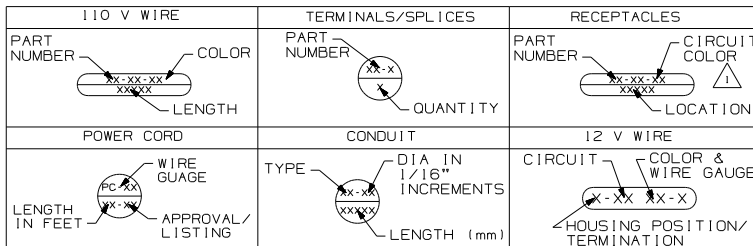
NO.	PART NUMBER	DESCRIPTION
SP-1	90986-02	PLUG ASM-ELECTRIC STEP
SP-2	142524-01-000	HOUSING-4 PIN
	098261-01-000	SOCKET-CONNECTOR
	098262-07-000	SEAL-CONNECTOR
	098261-02-000 (3)	SOCKET-CONNECTOR
098262-01-000 (3)	SEAL-CONNECTOR	
HR-1	63910-01	HOUSING-RELAY
MP-8	125323-02	HOUSING-PIN, 8 CAVITY
MP-10	125323-01	HOUSING-PIN, 10 CAVITY
MPP	125324-01	TERMINAL-MALE, M/P, 150
CAV-1	125325-01	SEAL-CAVITY, 150-SERIES M/P
CON-3	98262-03	SEAL-CONNECTOR
LS-8	125323-03	LOCK-SECONDARY 8 POSITION
LS-10	125323-04	LOCK-SECONDARY 10 POSITION
H-8	108355-01	HOUSING-SWITCH
I-2	7956-02	SHRINK WRAP .375 DIA
I-5	7956-05	SHRINK WRAP .25 DIA

NO.	PART NUMBER	DESCRIPTION
GEN-1	125323-02-000	HOUSING-8 POSN, MALE, 150 SERIES
	125324-01-000 (4)	TERMINAL-MALE, M/P, 150
	098262-03-000 (4)	SEAL-CONNECTOR
	125325-01-000 (4)	SEAL-CAVITY, 150 SERIES M/P
125323-03-000	LOCK-SECONDARY 8 POSITION	
GEN-2	125323-01-000	HOUSING-10 POSN, MALE, 150 SERIES
	125324-01-000 (5)	TERMINAL-MALE, M/P, 150
	098262-03-000 (5)	SEAL-CONNECTOR
	125325-01-000 (5)	SEAL-CAVITY, 150 SERIES M/P
125323-04-000	LOCK-SECONDARY 10 POSITION	

HOUSINGS AND TERMINALS

NO.	PART NUMBER	DESCRIPTION
HS-2	88474-10	HOUSING-SOCKET, 2 CAVITY
HS-3	88474-09	HOUSING-SOCKET, 3 CAVITY
HS-4	88474-08	HOUSING-SOCKET, 4 CAVITY
HS-5	88474-07	HOUSING-SOCKET, 5 CAVITY
HS-6	88474-06	HOUSING-SOCKET, 6 CAVITY
HS-7	88474-05	HOUSING-SOCKET, 6 CAVITY
HS-9	88474-03	HOUSING-SOCKET, 9 CAVITY
HS-12	88474-01	HOUSING-SOCKET, 12 CAVITY
HS-15	88474-02	HOUSING-SOCKET, 15 CAVITY
HP-2	88473-10	HOUSING-PIN, 2 CAVITY
HP-3	88473-09	HOUSING-PIN, 3 CAVITY
HP-4	88473-08	HOUSING-PIN, 4 CAVITY
HP-5	88473-07	HOUSING-PIN, 5 CAVITY
HP-6	88473-06	HOUSING-PIN, 6 CAVITY
HP-7	88473-05	HOUSING-PIN, 6 CAVITY
HP-8	88473-04	HOUSING-PIN, 8 CAVITY
HP-9	88473-03	HOUSING-PIN, 9 CAVITY
HP-12	88473-01	HOUSING-PIN, 12 CAVITY
HP-15	88473-02	HOUSING-PIN, 15 CAVITY
HS2HA	137208-01	HOUSING-SOCKET, 2 CAVITY-HIGH AMP
HP2HA	137207-01	HOUSING-PIN, 2 CAVITY-HIGH AMP
TS-1	88476-01	SOCKET-CONNECTOR, 16-14 GA
TS-2	88476-02	SOCKET-CONNECTOR, 12-10 GA
TP-1	88475-01	PIN-CONNECTOR, 16-14 GA
TP-2	88475-02	PIN-CONNECTOR, 12-10 GA
TS-HA	137210-01	SOCKET-CONNECTOR, 10AWG HIGH AMP
TP-HA	137209-01	PIN-CONNECTOR, 10AWG HIGH AMP

BALLOON CALLOUT LEGEND



WINNEBAGO

DATE: 10/17/95
 ALL DIMENSIONS ARE IN MILLIMETERS
 FIRST USED: 96 MH'S

UNSPECIFIED TOLERANCES ARE:
 HOLE DIA: .015
 ONE-PLACE: .015
 TWO-PLACE: .015
 HOLE: .015

DO NOT SCALE DRAWING

TITLE: PART LISTING-ELECT. TERMS
 SHEET 1 of 7 PART NO 121339

FOR RECP-BLANK, DET-X DENOTES DETAIL VIEW.

WIRE-SINGLE INS CONDUCTOR, STRANDED

NO.	PART NUMBER	DESCRIPTION
16-Y 16-W	89360-01 89360-02	WIRE, 16 GA. YELLOW WIRE, 16 GA. WHITE
14-Y 14-W	48554-02 48554-04	WIRE, 14 GA. YELLOW WIRE, 14 GA. WHITE
12-Y 12-W	48555-02 48555-04	WIRE, 12 GA. YELLOW WIRE, 12 GA. WHITE
10-Y 10-W	8000-03 8000-05	WIRE, 10 GA. YELLOW WIRE, 10 GA. WHITE
8-B 8-G	8005-01 8005-03	WIRE, 8 GA. BLACK WIRE, 8 GA. GREEN
6-B 6-G	70065-01 70065-03	WIRE, 6 GA. BLACK WIRE, 6 GA. GREEN
18-WX	121015-01	WIRE, 18 GA. WHITE, XLPE
16-YX 16-WX	116675-01 116675-02	WIRE, 16 GA. YELLOW, XLPE WIRE, 16 GA. WHITE, XLPE
14-YX 14-WX	98586-01 98586-02	WIRE, 14 GA. YELLOW, XLPE WIRE, 14 GA. WHITE, XLPE
12-YX 12-WX	98609-01 98609-02	WIRE, 12 GA. YELLOW, XLPE WIRE, 12 GA. WHITE, XLPE
10-YX 10-WX	116676-03 116676-04	WIRE, 10 GA. YELLOW, XLPE WIRE, 10 GA. WHITE, XLPE
8-BX 8-GX	116674-01 116674-02	WIRE, 8 GA. BLACK, XLPE WIRE, 8 GA. GREEN, XLPE
6-BX 6-GX	116687-01 116687-02	WIRE, 6 GA. BLACK, XLPE WIRE, 6 GA. GREEN, XLPE

RECEPTACLES

NO.	PART NUMBER	DESCRIPTION
RCP-1	86738-02-CHT	RECEPTACLE-SINGLE, FLUSH MOUNT
RCP-2	86738-01-CHT	RECEPTACLE-DOUBLE, FLUSH MOUNT
RCP-3	58707-01-000	RECEPTACLE-SINGLE, SURFACE MOUNT
RCP-B	58707-02-000	RECEPTACLE-BLANK, JUNCTION
RCP-E	131826-01-CHT	INCLUDES COVER & GASKET

WIRE-NM SHEATHED CABLE

NO.	PART NUMBER	DESCRIPTION
14 UL	8027-01-000	WIRE 14-2 ROMEX W/GROUND (UL)
14 CA	8023-02-000	WIRE 14-2 ROMEX W/GROUND (CAN)
12 UL	8026-01-000	WIRE 12-2 ROMEX W/GROUND (UL)
12 CA	8023-01-000	WIRE 12-2 ROMEX W/GROUND (CAN)
12-3 UL	8026-03-000	WIRE 12-3 ROMEX W/GROUND (UL)
12-3 CA	8023-03-000	WIRE 12-3 ROMEX W/GROUND (CAN)
10 UL	8022-01-000	WIRE 10-2 ROMEX W/GROUND (UL)
10 CA	24743-01-000	WIRE 10-2 ROMEX W/GROUND (CAN)
6-3 UL	108914-01-000	WIRE 6-3 ROMEX W/GROUND (UL)
6-3 CA	113136-01-000	WIRE 6-3 ROMEX W/GROUND (CAN)
6-2 UL	108914-02-000	WIRE 6-2 ROMEX W/GROUND (UL)
4-3 UL	128375-01-000	WIRE 4-3 ROMEX W/GROUND (UL)
4-3 CA	128375-01-000	WIRE 4-3 ROMEX W/GROUND (CAN)

POWER CORDS

NO.	PART NUMBER	DESCRIPTION
PC-10 28	8054-01-000	POWER CORD 10 GA, 30 AMP, 28 FT. (UL/CA)
PC-10 35	8054-02-000	POWER CORD 10 GA, 30 AMP, 35 FT. (UL/CA)
PC-10 30-CA	8052-01-000	SUPERCEDED BY 8054-01-000
PC-6 36	108934-01-000	POWER CORD 6 GA, 50 AMP, 36 FT. (UL/CA)
PC-6 36-FX	108934-02-000	POWER CORD 6 GA, 50 AMP, 36 FT. (UL/CSA) SUPERFLEX
PC-6 36-CA	113096-01-000	SUPERCEDED BY 108934-02-000

CIRCUIT COLOR LEGEND

110V CIRCUIT	WIRE COLOR	COAXIAL CIRCUIT
A/C CIRCUIT 1	RED	CABLE INPUT W/O SPLITTER
A/C CIRCUIT 2	GRN	REAR TV W/O SPLITTER
GENERAL RECPS 1	BLU	ANTENNA
GENERAL RECPS 2	BRN	FRONT TV
GENERAL RECPS 3	PUR	VCR INPUT
GENERAL RECPS 4	GRY	
REFRIGERATOR/ CONVERTER	YEL	EXT ENT CTR
MICROWAVE	BLK	AUX INPUT
WATER HEATER	WHT	
WASHER/DRYER	GLD	
DISHWASHER	SIL	
	ORG	SATELLITE PLATE INPUT
	ORG/ORG	SATELLITE PLATE OUTPUT
	RED/RED	CABLE INPUT W/SPLITTER
	GRN/GRN	REAR TV W/SPLITTER
	PUR/PUR	VCR OUTPUT

CONDUIT

NO.	PART NUMBER	DESCRIPTION	TEMP.
C-4	41953-07-000	CONDUIT-CONVOLUTE,SLIT .25"ID	190°
C-6	41953-06-000	CONDUIT-CONVOLUTE,SLIT .38"ID	190°
C-8	41953-01-000	CONDUIT-CONVOLUTE,SLIT .50"ID	190°
C-10	41953-02-000	CONDUIT-CONVOLUTE,SLIT .63"ID	190°
C-16	41953-03-000	CONDUIT-CONVOLUTE,SLIT 1.0"ID	190°
CX-8	41953-09-000	CONDUIT-CONVOLUTE,SLIT .50"ID	370°
CX-12	41953-10-000	CONDUIT-CONVOLUTE,SLIT .75"ID	370°
CX-16	41953-11-000	CONDUIT-CONVOLUTE,SLIT 1.0"ID	370°
CX-20	41953-13-000	CONDUIT-CONVOLUTE,SLIT 1.25"ID	370°
CX-24	41953-14-000	CONDUIT-CONVOLUTE,SLIT 1.50"ID	370°
CN-10	41953-05-000	CONDUIT-CONVOLUTE,NOT SLIT .63"ID	190°
CN-16	41953-12-000	CONDUIT-CONVOLUTE,NOT SLIT 1.0"ID	190°







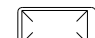
BATTERY CABLE LEGEND

COLOR	DESCRIPTION
PURPLE	CHASSIS BATTERY TO SOLENOID
BLUE	HYDRAULIC JACKS PUMP
RED	BATTERY TO STARTER
GREEN	BATTERY TO GENERATOR
YELLOW	COACH BATTERY TO SOLENOID



FIRST USED 96 MH'S
DO NOT SCALE DRAWING
TITLE: PART LISTING-ELECT. TERMS
SHEET 2 PART NO 121339

121339


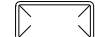

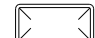

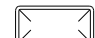
LAMP ASM-PACKAGE ,PANCAKE

NO	PART NUMBER	DESCRIPTION
LF1-1	LAMP 98024-01-CHT SCREW G11-08-16U (4) CONNECTOR 58028-01-000 (2)	LAMP ASM, FROSTED LENS, 1 BULB W/SWITCH PROGRESSIVE DYNAMICS INC. 
LF2-1	LAMP 98024-03-CHT SCREW G11-08-16U (6) CONNECTOR 58028-01-000 (2)	LAMP ASM, FROSTED LENS, 2 BULB W/SWITCH PROGRESSIVE DYNAMICS INC. 
L01-1	LAMP 98024-05-CHT SCREW G11-08-16U (4) CONNECTOR 58028-01-000 (2)	LAMP ASM, OPTI CLEAR LENS, 1 BULB W/SWITCH PROGRESSIVE DYNAMICS INC. 
L02-1	LAMP 98024-06-CHT SCREW G11-08-16U (6) CONNECTOR 58028-01-000 (2)	LAMP ASM, OPTI CLEAR LENS, 2 BULB W/SWITCH PROGRESSIVE DYNAMICS INC. 
LF1N1	LAMP 98024-07-CHT SCREW G11-08-16U (4) CONNECTOR 58028-01-000 (2)	LAMP ASM, FROSTED LENS, 1 BULB W/O SWITCH PROGRESSIVE DYNAMICS INC. 
LF2N1	LAMP 98024-08-CHT SCREW G11-08-16U (6) CONNECTOR 58028-01-000 (2)	LAMP ASM, FROSTED LENS, 2 BULB W/O SWITCH PROGRESSIVE DYNAMICS INC. 
LFSN1	LAMP 98024-09-CHT SCREW G11-08-16U (6) CONNECTOR 58028-01-000 (2)	LAMP ASM, SINGLE FROSTED LENS, 2 BULB W/O SWITCH PROGRESSIVE DYNAMICS INC. 




LAMP ASM-PACKAGE ,HALOGEN

NO	PART NUMBER	DESCRIPTION
HAL	LAMP 123775-01-CHT SCREW (SUPPLIED) CONNECTOR 58028-01-000 (2)	LAMP ASM-HALOGEN, READING 1 BULB 
HAL-S	LAMP 123775-01-CHT SPACER 123775-02-CHT SCREW G13-06-16U (3) CONNECTOR 58028-01-000 (2)	LAMP ASM-HALOGEN, READING WITH 3/4" SPACER 1 BULB 

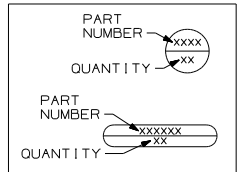
LAMP ASM-PACKAGE ,PANCAKE

NO	PART NUMBER	DESCRIPTION
LF1-2	LAMP 137417-01-CHT SCREW G11-08-16U (4) CONNECTOR 58028-01-000 (2)	LAMP ASM, FROSTED LENS, 1 BULB W/SWITCH PROGRESSIVE DYNAMICS INC. 
LF2-2	LAMP 137417-04-CHT SCREW G11-08-16U (6) CONNECTOR 58028-01-000 (2)	LAMP ASM, FROSTED LENS, 2 BULB W/SWITCH PROGRESSIVE DYNAMICS INC. 
L01-2	LAMP 137417-02-CHT SCREW G11-08-16U (4) CONNECTOR 58028-01-000 (2)	LAMP ASM, OPTI CLEAR LENS, 1 BULB W/SWITCH PROGRESSIVE DYNAMICS INC. 
L02-2	LAMP 137417-05-CHT SCREW G11-08-16U (6) CONNECTOR 58028-01-000 (2)	LAMP ASM, OPTI CLEAR LENS, 2 BULB W/SWITCH PROGRESSIVE DYNAMICS INC. 
LF1N2	LAMP 137417-03-CHT SCREW G11-08-16U (4) CONNECTOR 58028-01-000 (2)	LAMP ASM, FROSTED LENS, 1 BULB W/O SWITCH PROGRESSIVE DYNAMICS INC. 
LFSN2	LAMP 137417-06-CHT SCREW G11-08-16U (6) CONNECTOR 58028-01-000 (2)	LAMP ASM, SINGLE FROSTED LENS, 2 BULB W/O SWITCH PROGRESSIVE DYNAMICS INC. 

LAMP ASM-PACKAGE ,PORCH

NO	PART NUMBER	DESCRIPTION
LEXT-1	LAMP 97917-01-CHT SCREW G67-10-129 (4) CONNECTOR 58028-01-000 (2)	LAMP ASM-PORCH, SURFACE MOUNT BARGMAN 
LEXT-2UL	LAMP 8089-01-000 SCREW G68-06-10E (2) CONNECTOR 58028-01-000 (2)	LAMP ASM-PORCH, RECESSED UL LIST JRV PROD 
LEXT-2CA	LAMP 8089-02-000 SCREW G68-06-10E (2) CONNECTOR 58028-01-000 (2)	LAMP ASM-PORCH, RECESSED CAN LIST JRV PROD 

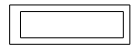
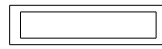
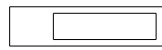
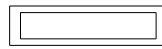
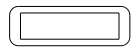
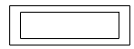
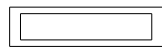
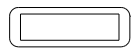
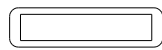
LEGEND

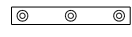
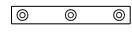
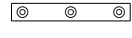
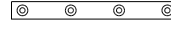

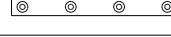


FIRST USED	96 MH'S
DO NOT SCALE DRAWING	
TITLE: PART LISTING-ELECT. TERMS	
SHEET 3	PART NO 121339


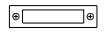

LAMP ASM-PACKAGE, FLUORESCENT

LAMP ASM-PACKAGE, MAKEUP LAMP

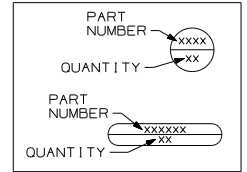
NO	PART NUMBER	DESCRIPTION
FLU-1	LAMP 91936-02-CHT SCREW G11-08-12U (4) CONNECTOR 58028-01-000 (2)	LAMP ASM-FLUORESCENT 12" 2 BULB W/SWITCH THIN-LITE 
FLU-2	LAMP 91936-01-CHT SCREW G11-08-12U (4) CONNECTOR 58028-01-000 (2)	LAMP ASM-FLUORESCENT 18" 2 BULB W/SWITCH THIN-LITE 
FLU-3	LAMP 127327-01-CHT SCREW G11-08-12U (2) CONNECTOR 58028-01-000 (2)	LAMP ASM-FLUORESCENT 18" 1-1/2" BULB W/SWITCH THIN-LITE 
FLU-4	LAMP 130338-01-CHT SCREW G11-08-12U (4) CONNECTOR 58028-01-000 (2)	LAMP ASM-FLUORESCENT 18" 2 BULB SURFACE MOUNT W/SWITCH THIN-LITE 
FLU-5	LAMP 91936-06-CHT SCREW G11-08-12U (4) CONNECTOR 58028-01-000 (2)	LAMP ASM-FLUORESCENT 12" 2 BULB W/SWITCH THIN-LITE  CUTOUT-122 X 336
FLUN1	LAMP 91936-04-CHT SCREW G11-08-12U (4) CONNECTOR 58028-01-000 (2)	LAMP ASM-FLUORESCENT 12" 2 BULB W/O SWITCH THIN-LITE 
FLUN2	LAMP 91936-03-CHT SCREW G11-08-12U (4) CONNECTOR 58028-01-000 (2)	LAMP ASM-FLUORESCENT 18" 2 BULB W/O SWITCH THIN-LITE 
FLUN3	LAMP 91936-07-CHT SCREW G11-08-12U (4) CONNECTOR 58028-01-000 (2)	LAMP ASM-FLUORESCENT 12" 2 BULB W/O SWITCH THIN-LITE  CUTOUT-122 X 336
FLUN4	LAMP 91936-05-CHT SCREW G11-08-12U (6) CONNECTOR 58028-01-000 (2)	LAMP ASM-FLUORESCENT 18" 2 BULB W/O SWITCH THIN-LITE  CUTOUT-122 X 480

NO	PART NUMBER	DESCRIPTION
LMU3-1	LAMP 110235-01-CHT SCREW W/SPACER (SUPPLIED) CONNECTOR 58028-01-000 (2)	LAMP ASM-MAKEUP (W/O MIRROR) 3 BULB (SUPPLIED) PROGRESSIVE DYNAMICS 
LMM3-2	LAMP 123774-03-CHT SCREW (SUPPLIED) CONNECTOR 58028-01-000 (2)	LAMP ASM-MAKEUP (W/MIRROR) 3 BULB GUSTOFSON 
LMU3-2	LAMP 138116-01-CHT SCREW (SUPPLIED) BULB 123918-01-000 (3) CONNECTOR 58028-01-000 (2)	LAMP ASM-MAKEUP (W/O MIRROR) 3 BULB GUSTOFSON 
LMU4-1	LAMP 110235-02-CHT SCREW G11-08-16U (2) BULB 123918-01-000 (4) CONNECTOR 58028-01-000 (2)	LAMP ASM-MAKEUP (W/O MIRROR) 4 BULB PROGRESSIVE DYNAMICS 
LMU4-2	LAMP 138116-02-CHT SCREW (SUPPLIED) BULB 123918-01-000 (4) CONNECTOR 58028-01-000 (2)	LAMP ASM-MAKEUP (W/O MIRROR) 4 BULB GUSTOFSON 
LMM4-2	LAMP 123774-01-CHT SCREW G11-08-16U (2) BULB 123918-01-000 (4) CONNECTOR 58028-01-000 (2)	LAMP ASM-MAKEUP (W/MIRROR) 4 BULB GUSTOFSON 

LAMP ASM-PACKAGE, OTHER

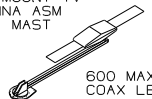
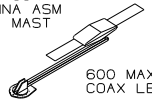
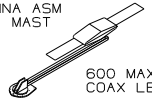
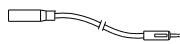
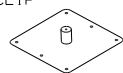
NO	PART NUMBER	DESCRIPTION
LSH-1	LAMP 121935-01-CHT SCREW G11-08-16U (4) CONNECTOR 58028-01-000 (2)	LAMP ASM-SHOWER PROGRESSIVE DYNAMICS INC. 
LCR-1	LAMP 61424-01-000 SCREW G11-08-12U (4) CONNECTOR 58028-01-000 (2)	LAMP ASM-COURTESY, AISLE RAMCO (RECTANGULAR) 
LCS-1	LAMP 108354-01-CHT SCREW G11-08-12U (4) CONNECTOR 58028-01-000 (2)	LAMP ASM-COURTESY, AISLE ITC MARINE (SQUARE) 

LEGEND

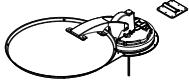
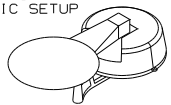


FIRST USED 96 MH'S
DO NOT SCALE DRAWING
TITLE: PART LISTING-ELECT. TERMS
SHEET 4 PART NO 121339

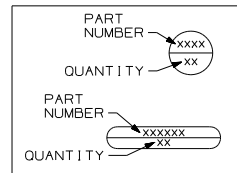
ANTENNA ASM-PACKAGE

NO	PART NUMBER	DESCRIPTION
ANT-1	ANTENNA 76319-24-000 HARDWARE - INTERIOR 76319-25-000 BUMPER 69726-02-000 (2) CLIP 80734-02-000	ROOF MOUNT TV ANTENNA ASM 25.5" MAST  600 MAX COAX LENGTH
ANT-2	ANTENNA 76319-23-000 HARDWARE - INTERIOR 76319-25-000 BUMPER 69726-02-000 (2) ADAPTER SUPPLIED W/ANTENNA	ROOF MOUNT TV ANTENNA ASM 44.5" MAST  600 MAX COAX LENGTH
ANT-2W	ANTENNA 76319-23-000 HARDWARE - INTERIOR 76319-25-000 BUMPER 69726-02-000 (2) ADAPTER SUPPLIED W/ANTENNA WEDGE 76319-26-000	ROOF MOUNT TV ANTENNA ASM 44.5" MAST  600 MAX COAX LENGTH
ANTEXT-1	CABLE ASM-EXTENS 77069-02-000	RADIO ANTENNA CABLE EXTENSION 2400MM USABLE LENGTH 
ANTKIT-1	ADAPTER-PLATE 76319-06-000 SCREW G11-08-0BT (6) CLIP-WIRE 80734-02-000 SCREW G11-08-0BT	PLATE ASM-ADAPTERS CABLE ROOF MOUNTING PLATE W/ CABLE-CABLE ADAPTER, FITTINGS, AND CABLE RETAINING CLIP 

SATELLITE DISH INSTL

NO	PART NUMBER	DESCRIPTION
DM-1	SATELLITE DISH 137135-02-000 SCREW G67-10-12B (8) PLATE & BRACKET (SUPPLIED) SCREW G67-10-12B (10)	SATELLITE DISH ANTENNA ASM MANUAL SETUP 
DA-1	SATELLITE DISH 141454-01-CHT SCREW G67-10-12B (16) PLATE & BRACKET (SUPPLIED) SCREW G67-10-12B (10)	SATELLITE DISH ANTENNA ASM AUTOMATIC SETUP 

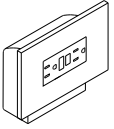
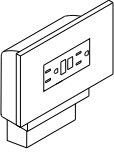
LEGEND



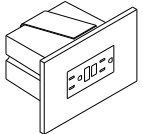
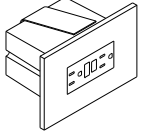
FIRST USED	96 MH'S
DO NOT SCALE DRAWING	
TITLE: PART LISTING-ELECT. TERMS	
SHEET 5	PART NO 121339

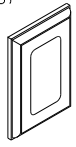
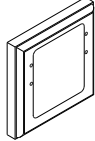
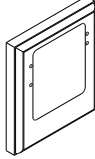
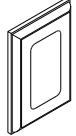
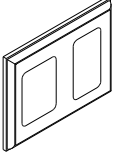
SPACERS

RECEPTACLE PACKAGE - GF I

NO	PART NUMBER	DESCRIPTION
GF1 US	RECEPTACLE 84100-01-CHT BOX 91910-02-000 COVER SUPPLIED W/ RECEPTACLE WIRE-BONDING 133678-03-000 SCREW G13-07-12B (4) CONNECTOR 8313-01-000	GF1 RECEPTACLE WITH COVER AND BOX FOR US APPLICATION 
GF1 CAN	RECEPTACLE 84100-01-CHT BOX 91910-01-000 COVER SUPPLIED W/ RECEPTACLE WIRE-BONDING 133678-03-000 SCREW G13-07-12B (4) CONNECTOR 8313-01-000	GF1 RECEPTACLE WITH COVER AND BOX FOR CANADA APPLICATION 

RECEPTACLE PACKAGE - GF I

NO	PART NUMBER	DESCRIPTION
GF1-L US	RECEPTACLE 84100-01-CHT BOX 133070-01-000 COVER SUPPLIED W/ RECEPTACLE WIRE-BONDING 133678-03-000 SCREW G13-07-12B (4) CONNECTOR 8313-01-000	GF1 RECEPTACLE WITH COVER AND BOX FOR US APPLICATION 
GF1-L CAN	RECEPTACLE 84100-01-CHT BOX 133070-02-000 COVER SUPPLIED W/ RECEPTACLE WIRE-BONDING 133678-03-000 SCREW G13-07-12B (4) CONNECTOR 8313-01-000	GF1 RECEPTACLE WITH COVER AND BOX FOR CANADA APPLICATION 

NO	PART NUMBER	DESCRIPTION
SP-01	SPACER 102568-01-XXX	STANDARD 110V RECEPTACLE SPACER (WOOD) 
SP-02	SPACER 102568-02-XXX	WOOD SPACER FOR CEILING MOUNTED A/C PREP BOX (US) 
SP-03	SPACER 102568-03-XXX	WOOD SPACER FOR CEILING MOUNTED A/C PREP BOX (CANADA) 
SP-04	SPACER 133713-01-XXX	STANDARD 110V RECEPTACLE SPACER (WOOD) 
SP-21	SPACER 126052-01-XXX	WOOD SPACER FOR 1 - 110V RECEPTACLE AND 1 - REAR TV (12V) JACK 

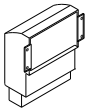
LEGEND

MISC.	SPACER
PART NUMBER XXXX LISTING XXX	XXXX PART NUMBER

FIRST USED 96 MH'S
DO NOT SCALE DRAWING
TITLE: PART LISTING-ELECT. TERMS
SHEET 6 PART NO 121339
PAGE A-6

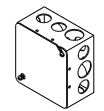
PREP-A/C, RECESSED (W/OUT FACTORY A/C)

NO	PART NUMBER	DESCRIPTION
PREP A/C-US	BOX 91910-02-000	BOX AND EQUIPMENT USED FOR A/C PREP (W/OUT FACTORY A/C). US APPLICATION (RECESSED IN ROOF)
	COVER 84099-02-CHT	
	LABEL 91243-01-000	
	SCREW G67-10-12B (4)	
	CONNECTOR 8313-01-000 (3)	
PREP A/C-CAN	BOX 91910-01-000	BOX AND EQUIPMENT USED FOR A/C PREP (W/OUT FACTORY A/C). CANADA APPLICATION (RECESSED IN ROOF)
	COVER 84099-02-CHT	
	LABEL 91243-01-000	
	SCREW G67-10-12B (4)	
	CONNECTOR 8313-01-000 (3)	



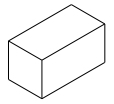
CONNECTION BOX, GENERATOR SERVICE FEED

NO	PART NUMBER	DESCRIPTION
J-GEN 30	BOX 8289-01-000	BOX AND EQUIPMENT USED FOR CONNECTING THE GENERATOR LEADS TO THE SERVICE ENTRANCE WIRES (US & CA APPLICATION)
	COVER 8294-01-000	
J-GEN 30-US	SCREW G67-10-10B (2)	
	WIRE ASM-GROUND 133678-02-000	
J-GEN 30-CA	WIRE NUT-GREY 8314-01-000 (3)	
	SCREW-GRND 103291-01-000	
	CONNECTOR-WIRE 8356-01-000	



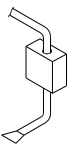
PREP-A/C, SURFACE (W/OUT FACTORY A/C)

NO	PART NUMBER	DESCRIPTION
PREP SURF	BOX 93603-01-000	SURFACE MOUNT, US AND CANADA, BOX AND EQUIPMENT FOR A/C PREP (W/OUT FACTORY A/C). TYPICALLY LOCATED ON OVERHEAD CABINET INNER WALL OR ON CEILING.
	COVER 53337-01-000	
	LABEL 91243-01-000	
	SCREW-GRND 103291-01-000	
	WIRE-BONDING 8019-01-000	
	SCREW G11-08-12B (2)	
	TERMINAL 8328-01-000	
	CONNECTOR 8313-01-000 (2)	
	CONNECTOR 8311-01-000	



CONNECTION BOX-POWER CORD

NO	PART NUMBER	DESCRIPTION
J-PC 30	BOX 8289-01-000	CONNECTION BOX IN POWER CORD COMPT FOR POWER CORD (US & CA APPLICATION)
	COVER 8294-01-000	
J-PC 30-US	SCREW G67-10-10B (2)	
	WIRE ASM-GROUND 133678-02-000	
J-PC 30-CA	CONNECTOR 8314-01-000 (3)	
	SCREW-GRND 103291-01-000	
	CONNECTOR 8356-02-000	
	CONNECTOR (PC) 8355-01-000	

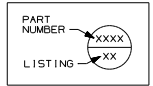


CONNECTION BOX-GENERATOR RECEPTACLE

NO	PART NUMBER	DESCRIPTION
J-RCP 30	BOX 8289-01-000	CONNECTION BOX IN POWER CORD COMPT FOR THE GENERATOR RECEPTACLE (US & CA APPLICATION)
	RECEPTACLE 24924-02-000	
J-RCP 30-US	COVER 69238-01-000	
	SCREW G67-10-10B (2)	
J-RCP 30-CA	WIRE ASM-GROUND 133678-02-000	
	WIRE ASM-GROUND 133678-04-000	
	SCREW-GRND 103291-01-000	
	CONNECTOR 8314-01-000	



LEGEND



FIRST USED	96 MH'S
TITLE:	DO NOT SCALE DRAWING
PART LISTING-ELECT. TERMS	
SHEET 7	PART NO 121339

CODE GA/COLOR	FROM	TO
A 14 YEL	GALLEY CEILING LAMP SWITCH	GALLEY CEILING LAMP
B 12 YEL	OVERCURRENT PROTECTION (30A BREAKER TYPICAL)	POWER PASSENGER SEAT ("BUDDY SEAT")
C 12 WHT	POWER PASSENGER SEAT	GROUND
D 14 YEL	SHOWER OVHD LAMP SWITCH SEE WIRE PF, START OF 97	SHOWER OVHD LAMP
E 095038-01-	PHONE INPUT JACK	REAR PHONE JACK
F 095038-01-	PHONE INPUT JACK	EXTERIOR PHONE JACK
G 12/ 10 YEL	OVERCURRENT PROTECTION (30A BREAKER TYPICAL)	HIGH SPEED HEATER FAN (USE 10 IF OVER 6' RUN)
H 095038-01-	PHONE INPUT JACK	FRONT PHONE JACK
J 6 BLK	OVERCURRENT PROTECTION (45 OR 55A BREAKER TYP)	COACH 12V PANEL/ CONVERTER BATTERY CHARGE
K 6 BLK	OVERCURRENT PROTECTION (45 OR 55A BREAKER TYP)	COACH 12V PANEL
L 6 GRN	CONVERTER 45 OR 55 AMP	GROUND
M 6 BLK	OVERCURRENT PROTECTION (45 OR 50A BREAKER)	CONVERTER BATTERY CHARGE
N 10 WHT	REFRIGERATOR	GROUND
P 10YEL(BLK)	OVERCURRENT PROTECTION (20A FUSE TYPICAL)	REFRIGERATOR (3 WAY)
R 8 GRN	REFRIGERATOR CHASSIS	GROUND
S 8 OR 6 GRN	GROUND BAR (LEFT SIDE)	CHASSIS GROUND

CODE GA/COLOR	FROM	TO
T 8 OR 6 GRN	GROUND BAR (RIGHT SIDE)	CHASSIS GROUND
U 6 GRN	CONVERTER CHASSIS	GROUND
W 8 GRN	- GROUND STUD	- GROUND STUD
X 14 YEL	- CHASSIS BRAKE LAMP CIRCUIT	- CENTER MOUNT BRAKE LAMP
Y 16 YEL	VOLUME CONTROL	RADIO/TV SPEAKER
AA 16 WHT	SERVICE ENGINE SOON LAMP	VEHICLE SERVICE ENGINE SOON LAMP CIRCUIT
AB 16 WHT	WATER TANK LEVEL SENSORS	GROUND
AC 16 WHT	MAIN HOLDING TANK SENSORS (BLACK WATER)	GROUND
AD 16 WHT	AUXILIARY HOLDING TANK #1 (GRAY WATER)	GROUND
AE 16 WHT	AUXILIARY HOLDING TANK #2 (GRAY WATER)	GROUND
AF 12 YEL	WATER PUMP SWITCH #1	MONITOR PANEL WATER PUMP SWITCH
AG 12 YEL	WATER PUMP SWITCH #1	MONITOR PANEL WATER PUMP SWITCH
AH 14 YEL	OVERCURRENT PROTECTION (10A FUSE TYPICAL)	BRAKE LAMP SWITCH WARNING LAMP (IGNITION RUN/START FED)
AJ 12 WHT	CHASSIS GROUND	BODY GROUND
AK 12 WHT	CHASSIS GROUND	BODY GROUND
AL 12 YEL	HEATER CONTROL (LOW SPEED)	BLOWER MOTOR (LOW SPEED)

CODE GA/COLOR	FROM	TO
AM 12YEL(WHT)	HEATER CONTROL (MEDIUM/LOW SPEED)	BLOWER MOTOR (MEDIUM/LOW SPEED)
AN 12 YEL	HEATER CONTROL (MEDIUM/HIGH SPEED)	BLOWER MOTOR (MEDIUM/HIGH SPEED)
AP 14 YEL	IGNITION SWITCH ACCESSORY FEED	OVERCURRENT PROTECTION (15A FUSE TYPICAL)
AR 14 WHT	HORN, FOG LAMPS	GROUND
AS 16 WHT	DASH RADIO	RIGHT FRONT SPEAKER (NEGATIVE)
AT 16 WHT	DASH RADIO	LEFT FRONT SPEAKER (NEGATIVE)
AU 16 YEL	OVERCURRENT PROTECTION (15A BREAKER TYPICAL)	FRONT CARGO LAMP SWITCH (IGNITION ACCESSORY FED)
AW 16 YEL	FRONT CARGO LAMP SWITCH	REAR CARGO LAMP SWITCH
AX 16 YEL	FRONT CARGO LAMP SWITCH	REAR CARGO LAMP SWITCH
AY 16 YEL	REAR CARGO LAMP SWITCH	CARGO LAMPS
BA 14 WHT	WINDSHIELD WIPER MOTOR	GROUND
BB 16 YEL	OVERCURRENT PROTECTION (6A BREAKER TYPICAL)	INSTRUMENT PANEL GAUGES (IGNITION ACCESSORY FED)
BC 14 WHT	INDICATOR LAMPS	GROUND
BD 14 YEL	OVERCURRENT PROTECTION (10A FUSE TYPICAL)	BRAKE LAMP SWITCH
BE 12 WHT	BLOWER MOTOR	GROUND
BF 14 WHT	WASHER BOTTLE PUMP/HORN	GROUND

CODE GA/COLOR	FROM	TO
BG 14 YEL	FUEL SENDER	FUEL GAUGE
BH 14 YEL	RUN ONLY POWER RELAY	ENGINE WIRING
BJ 16 YEL	OVERCURRENT PROTECTION (10A FUSE TYPICAL)	ENGINE WIRING (IGNITION RUN/START FED)
BK 14 YEL	OVERCURRENT PROTECTION (10A FUSE TYPICAL)	HORN RELAY FEED
BL 16 WHT	CIGAR LIGHTER	GROUND
BM 16 YEL	CHASSIS BATTERY POWER	CIGAR LIGHTER
BN 16 YEL	ACCESSORY POWER	SPOTLAMP
BP 14 WHT	POWER MIRROR	GROUND
BR 14 YEL	POWER MIRROR (RIGHT SIDE)	POWER MIRROR CONTROL SWITCH
BS 14 YEL	POWER MIRROR HEAT SWITCH	POWER MIRRORS
BT 14 YEL	POWER MIRROR (LEFT SIDE)	POWER MIRROR CONTROL SWITCH
BU 14 YEL	RUN ONLY POWER	POWER MIRROR HEAT/ CONTROL SWITCHES
BW 12 YEL	IGNITION SWITCH	ACCESSORY CIRCUIT FEED
BX 12YEL(ORN)	IGNITION SWITCH RUN ONLY SOURCE	GENERAL(TURN, BACK UP,DASH IGNITION CIRCUIT,ETC)
BY 12YEL/8BLK	OVERCURRENT PROTECTION (16GA FUSELINK)(8GA PASSTHRU)	CHASSIS BATTERY SOURCE(AUTO AC BLOWER,POWER DRIVER SEAT,ETC)
CA 12 YEL	OVERCURRENT PROTECTION (16GA FUSELINK TYPICAL)	CHASSIS BATTERY SOURCE

CODE GA/COLOR	FROM	TO
CB 12 YEL	IGNITION SWITCH START SOURCE	START CIRCUIT SOURCE
CC 16 YEL	ALTERNATOR	ALTERNATOR WARNING LAMP
CD 16 YEL	OIL PRESSURE WARNING SENDER	OIL PRESSURE WARNING LAMP
CE 16 YEL	WATER TEMPERATURE WARNING SENDER	WATER TEMPERATURE WARNING LAMP
CF 14 YEL	REAR TV JACK	POWER FEED SWITCH
CG 14 YEL	CLUTCH/NEUTRAL SWITCH	START ISOLATION RELAY
CH 14 YEL	START RELAY	ENGINE WIRING
CJ 14 YEL	WINDSHIELD WIPER/WASHER CONTROL SWITCH	WINDSHIELD WASHER PUMP
CK 16 YEL	TELEVISION	SPEAKER (POSITIVE)
CL 16 WHT	TELEVISION	SPEAKER (NEGATIVE)
CM 10 YEL	OVERCURRENT PROTECTION (15A BREAKER TYPICAL)	INVERTER FEED
CN 10 WHT	INVERTER	GROUND
CP 12 WHT	INVERTER CHASSIS	GROUND
CR 16 WHT	VEHICLE CHECK ENGINE LAMP CIRCUIT	CHECK ENGINE LAMP
CS 16 WHT	REMOTE THERMOSTAT (RC TERM/ORG EXPORT AIR)	GROUND
CT 16 YEL	DAYTIME RUNNING LAMP MODULE OUTPUT(PIN 30)	LOW BEAM HEADLAMP CIRCUIT

CODE GA/COLOR	FROM	TO
CU 16 YEL	DAYTIME RUNNING LAMP MODULE ENABLE(PIN 85)	RUN/START CIRCUIT
CW 14 YEL	DAYTIME RUNNING LAMP MODULE POWER(PIN 87A)	CHASSIS BATTERY POWER
CX 16 WHT	DAYTIME RUNNING LAMP MODULE GROUND(PIN 87)	GROUND
CY 16 YEL	DAYTIME RUNNING LAMP MODULE HIGH BEAM DISABLE(PIN 86)	HIGH BEAM HEADLAMP CIRCUIT
DA 12 YEL	SHOWER SUMP SYSTEM PUMP SWITCH	SHOWER SUMP SYSTEM PUMP
DB 12 WHT	SHOWER SUMP SYSTEM PUMP	GROUND
DC 16 YEL	REAR ROOF AIR CONDITIONER EXHAUST CIRCUIT	THERMOSTAT
DD 16 YEL	REAR ROOF AIR CONDITIONER COOL CIRCUIT	THERMOSTAT (Y TERM-EXPORT AIR/YEL)
DE 16 YEL	REAR ROOF AIR CONDITIONER HIGH SPEED FAN CIRCUIT	THERMOSTAT (H TERM-EXPORT AIR/BLU)
DF 16 YEL	REAR ROOF AIR CONDITIONER LOW SPEED FAN CIRCUIT	THERMOSTAT (G TERM-EXPORT AIR/RED)
DG 12YEL(GRY)	IGNITION SWITCH	ACCESSORY/RUN FEED
DH 14 YEL	EMERGENCY SHUTDOWN GAUGE	FUEL SOLENOID (DIESEL ENGINE)
DJ 16 YEL	TV/RADIO SPEAKER SWITCHING RELAY OUTPUT	LEFT REAR SPEAKER POSITIVE
DK 16 WHT	TV/RADIO SPEAKER SWITCHING RELAY OUTPUT	LEFT REAR SPEAKER NEGATIVE
DL 16 YEL	TV/RADIO SPEAKER SWITCHING RELAY OUTPUT	RIGHT REAR SPEAKER POSITIVE
DM 16 WHT	TV/RADIO SPEAKER SWITCHING RELAY OUTPUT	RIGHT REAR SPEAKER NEGATIVE

CODE GA/COLOR	FROM	TO
DN 10 YEL	BATTERY DISCONNECT RELAY	CIRCUIT BREAKER SLIDEOUT ROOM CIRCUIT BRKR
DP 14 YEL	TV/RADIO SPEAKER FEED SELECT SWITCH	TV/RADIO SPEAKER SWITCHING RELAY COIL INPUT OR AMPLIFIER
DR 16 YEL	SLIDEOUT ROOM SWITCH (ROOM ONE EXTEND)	HWH WIRING (ROOM ONE EXTEND)
DS 10 WHT	SLIDEOUT ROOM CONTROL SWITCH	GROUND
DT 16 YEL	SLIDEOUT ROOM RELAY (PIN 30)	SLIDEOUT ROOM CONTROL SWITCH
DJ 16 YEL	SLIDEOUT ROOM SWITCH(G OR M) (ROOM ONE RETRACT)	HWH WIRING (ROOM ONE RETRACT)
DW 16 WHT	SLIDEOUT ROOM SWITCH (G) (SWITCHED GROUND TO PUMP)	HWH WIRING (SWITCHED GROUND TO PUMP)
DX 16 WHT	HWH WIRING (G) (GROUND)	SLIDEOUT ROOM SWITCH (GROUND)
DY 16 WHT	HWH WIRING (G) (JACK SENSE)	SLIDEOUT ROOM RELAY SWITCHED GROUND)
EA 16 YEL	HWH WIRING (G) (ACCESSORY POWER)	SLIDEOUT ROOM RELAY (ACCESSORY POWER)
EB 16 YEL	SLIDEOUT ROOM RELAY (G) (SWITCHED ACCESSORY POWER)	FRT/RR SLIDEOUT ROOM SWITCH (SWITCHED EXTEND/RETRACT PWR)
EC 10 YEL	CHASSIS BATTERY POWER SOURCE (BATTERY MODE SOLENOID POST)	THRU FUSE TO AMP SOURCE SELECT RELAY(PIN 87)(OPTION 21V,95 Q)
ED 10 YEL	COACH BATTERY POWER SOURCE (BATTERY MODE SOLENOID POST)	THRU FUSE TO AMP SOURCE SELECT RELAY(PIN 87A)(OPTION 21V,95Q)
EE 16 YEL	AIR RIDE SUSPENSION LEFT DOWN SWITCH POSITION	AIR RIDE SUSPENSION LEFT HEIGHT CONTROL BOX
EF 16 YEL	AIR RIDE SUSPENSION LEFT UP SWITCH POSITION	AIR RIDE SUSPENSION LEFT HEIGHT CONTROL BOX
EG 16 WHT	AIR RIDE SUSPENSION WIRE ASM GROUND	AIR RIDE SUSPENSION CONTROL LAMP GROUNDS

CODE GA/COLOR	FROM	TO
EH 16 YEL	AIR RIDE SUSPENSION RIGHT DOWN SWITCH POSITION	AIR RIDE SUSPENSION RIGHT HEIGHT CONTROL BOX
EJ 16 YEL	AIR RIDE SUSPENSION RIGHT UP SWITCH POSITION	AIR RIDE SUSPENSION RIGHT HEIGHT CONTROL BOX
EK 16 YEL	AIR RIDE SUSPENSION AUTO MODE SWITCH POSITION	AIR RIDE SUSPENSION HEIGHT CONTROL BOXES
EL 16 YEL	RUN ONLY POWER	AIR RIDE SUSPENSION AUTO/MANUAL MODE SWITCH
EM 16 YEL	AIR RIDE SUSPENSION COMPRESSOR	COMPRESSOR ON WARNING LAMP
EN 16 YEL	AIR RIDE SUSPENSION MANUAL MODE SWITCH POSITION	LEVEL CONTROL SWITCHES AND INDICATOR LAMP
EP 14 YEL	OVERCURRENT PROTECTION (15A BREAKER TYPICAL)	SPOTLAMP
ER 16 YEL	OVERCURRENT PROTECTION (6A BREAKER TYPICAL)	ELECTRIC STEP KILL SWITCH
ES 16 YEL	ELECTRIC STEP KILL SWITCH	ELECTRIC STEP
ET 16 YEL	OVERCURRENT PROTECTION (6A BREAKER TYPICAL)	REFRIGERATOR (2 WAY)
EU 16 WHT	REFRIGERATOR (2 WAY)	GROUND
EW 14 YEL	FUEL HEATER SWITCH	FUEL HEATER (DIESEL ENGINE)
EX 14 YEL	TELEVISION POWER SWITCH	TELEVISION WALL PLATE
EY 12YELLTBLU	OVERCURRENT PROTECTION (16GA FUSELINK TYPICAL)	IGNITION SWITCH FEED #2
FA 14 YEL	DRIVER'S DOOR PASSENGER SIDE POWER WINDOW SWITCH(DOWN,PIN2)	PASSENGER'S POWER WINDOW SWITCH(PIN 2)
FB 14 YEL	DRIVER'S DOOR PASSENGER SIDE POWER WINDOW SWITCH(UP,PIN 4)	PASSENGER'S POWER WINDOW SWITCH(PIN 4)

CODE GA/COLOR	FROM	TO
FC 14 YEL	PASSENGER'S DOOR POWER WINDOW SWITCH(DOWN,PIN 1)	PASSENGER'S DOOR POWER WINDOW MOTOR(DOWN)
FD 14 YEL	PASSENGER'S DOOR POWER WINDOW SWITCH(UP,PIN 5)	PASSENGER'S DOOR POWER WINDOW MOTOR(UP)
FG 10 YEL	AMPLIFIER POWER SOURCE SELECT RELAY (PIN 30)	AMPLIFIER POWER FEED (DELUXE SOUND SYSTEM,95 LUXOR)
FH 10 WHT	AMPLIFIER (DELUXE SOUND SYSTEM,95 LUXOR)	GROUND
FJ 12 YEL	WATER PUMP SWITCH #2 (THREE SWITCH SYSTEM)	WATER PUMP SWITCH #1 (THREE SWITCH SYSTEM)
FK 12 YEL	WATER PUMP SWITCH #2 (THREE SWITCH SYSTEM)	WATER PUMP SWITCH #1 (THREE SWITCH SYSTEM)
FL 14 YEL	SECOND PORCH LAMP SWITCH	SECOND PORCH LAMP
FM 14 WHT	SOLENOID MOUNTING BOLT	GROUND
FN 16 YEL	SOURCE SELECTOR SWITCH (DELUXE SOUND SYSTEM,95 LUXOR)	AMP & EQUALIZER REMOTE TRIGGER (DELUXE SOUND SYSTEM,95 LUXOR)
FP 16 YEL	EXHAUST BRAKE SWITCH (DIESEL PUSHER CHASSIS)	CHASSIS EXHAUST BRAKE HARNESS & BRAKE ON DASH INDICATOR LAMP
FR 14 YEL	FORD RUN/ACCESSORY IGNITION CIRCUIT(WHT/PUR,10A FUSED)	DOCKING LAMPS, RELAY TRIGGER, REAR MONITOR CAMERA FEED
FS 14 YEL	DOCKING LAMPS RELAY(PIN 87)	DOCKING LAMPS
FT 14 WHT	DOCKING LAMPS	GROUND
FU 14 YEL	AUTOMOTIVE AIR WIRING	FORD A/C COMPRESSOR CLUTCH SWITCH CIRCUIT
FW 14 YEL	DOCKING LAMPS SWITCH	DOCKING LAMPS RELAY(PIN 30)
FX 12YELLTBLU	OVERCURRENT PROTECTION (30A BRKR OR FUSE)	POWER DRIVER SEAT (I E ,6 WAY)

CODE GA/COLOR	FROM	TO
FY 12 WHT	POWER DRIVER SEAT (I E ,6 WAY)	GROUND
GA 14 YEL	WATER SYSTEM WINTERIZATION SWITCH	WINTERIZATION VALVE
GB 14 YEL	WATER HEATER BYPASS SWITCH	WATER HEATER BYPASS VALVE
GC 16 YEL	SLIDEOUT ROOM SPDT SWITCH (M) (SWITCHED WIRE)	HWH WIRING (SWITCHED WIRE)
GD 16 YEL	WIPER CONTROL MODULE	WIPER MOTOR (S TERMINAL)
GE 16 YEL	SWITCHED DOME LAMP FEED	DOME LAMP
GF 16 WHT	COMMON REAR CHANNEL SPEAKER RETURN	REAR SPEAKERS
GG 16 YEL	RADIO REMOTE TRIGGER (DELUXE SOUND OPTION)	SOURCE SELECTOR SWITCH (LUXOR)
GH 14 WHT	GLOW PLUG WAIT LAMP (DIESEL ENGINE)	ENGINE SENDER
GJ 16 YEL	COACH BATTERY POWER (UPSTREAM OF DISCONNECT)	LP DETECTOR AND/OR SOLAR PANEL WIRING OVERCURRENT PROTECTION
GK 14 YEL	AIR HORN SWITCH	CHASSIS HORN
GL 16 WHT	WATER/HOLDING TANKS LEVEL SENSORS	GROUND
GM 16 YEL	JET AIR RIDE SUSPENSION PRESSURE SENSORS	CHECK REAR AIR SUSPENSION DASH WARNING LAMP
GN 16 YEL	REAR TV SPEAKER OUTPUT (POSITIVE)	REAR TV SPEAKER (POSITIVE)
GP 16 WHT	REAR TV SPEAKER OUTPUT (NEGATIVE)	REAR TV SPEAKER (NEGATIVE)
GR 14 YEL	THERMOSTATICALLY CONTROLLED ROOF VENT (SEND)	THERMOSTAT (RETURN)

CODE GA/COLOR	FROM	TO
GS 14 YEL	THERMOSTATICALLY CONTROLLED ROOF VENT (RETURN)	THERMOSTAT (RETURN)
GT 16 YEL	RADIO POWER SWITCH (MEMORY FEED)	RADIO (MEMORY FEED)
GU 16 YEL	DEFOG MODULE OUTPUT	DEFOG RELAY, INDICATOR LAMP
GW 16 WHT	DEFOG SWITCH ON/OFF	DEFOG MODULE ON/OFF
GX 16/12 WHT	STEP COVER SWITCH (REF AAA-16/KA-12)	GROUND
GY 12 YEL	DEFOG RELAY	DEFOG UNIT
HA 14 YEL	READING LAMPS SWITCH (93 VANS)	READING LAMPS
HB 14 YEL	MOOD LAMPS SWITCH (93 VANS)	MOOD LAMPS
HC 14 YEL	12V POWER SOURCE (93 VANS)	OVERCURRENT PROTECTION (15A FUSE TYPICAL)
HD 14 YEL	SOFA SLIDE MOTOR POSITIVE (94 VANS)	SOFA MONOPLEX CONTROLLER
HE 14 WHT	SOFA SLIDE MOTOR NEGATIVE (94 VANS)	SOFA MONOPLEX CONTROLLER
HF 14 YEL	SOFA RECLINE MOTOR POSITIVE (94 VANS)	SOFA MONOPLEX CONTROLLER
HG 14 WHT	SOFA RECLINE MOTOR NEGATIVE (94 VANS)	SOFA MONOPLEX CONTROLLER
HH 16 YEL	SOFA MONOPLEX SWITCH (94 VANS)	SOFA MONOPLEX CONTROLLER
HJ 16 WHT	SOFA MONOPLEX SWITCH (94 VANS)	GROUND
HK 14 WHT	SOFA MONOPLEX CONTROLLER (94 VANS)	GROUND

CODE GA/COLOR	FROM	TO
HL 14 YEL	FLOOD LAMP SWITCH (94 VANS)	FLOOD LAMP
HM 16 YEL	REAR TV SPEAKER OUTPUT (POSITIVE)	REAR TV SPEAKER (POSITIVE)
HN 16 WHT	REAR TV SPEAKER OUTPUT (NEGATIVE)	REAR TV SPEAKER (NEGATIVE)
HP 16 YEL	OVERCURRENT PROTECTION (94 VANS)	REAR AC
HR 14 YEL	SWITCH (94 1200 MODEL VAN)	12VOLT RECEPTACLE
HS 16 YEL	SOLAR PANEL (1HS INDICATOR TO BATTERY)	COACH BATTERY THRU OVERCURRENT PROTECTION
HT 16 WHT	SOLAR PANEL (1HT INDICATOR TO GROUND)	GROUND
HU 16 YEL	GENERATOR SWITCH (LED)	GENERATOR (POSITION B)
HW 16 YEL	LICENSE PLATE LAMP FEED	LICENSE PLATE LAMP
HX 16 YEL	CHASSIS CLEARANCE LAMP CRT #2	CLEARANCE/MARKER LAMPS
HY 12 WHT	DEFOG UNIT	GROUND
JA 14 YEL	OVERCURRENT PROTECTION (15A FUSE/BREAKER TYPICAL)	WATER PUMP, MONITOR PANEL, ETC ("CLEAN CIRCUIT", REF JP)
JB 14 YEL	OVERCURRENT PROTECTION (15A FUSE/BREAKER TYPICAL)	FURNACE, ROOF VENT, ETC (REF JM)
JC 14 YEL	OVERCURRENT PROTECTION (15A FUSE/BREAKER TYPICAL)	COACH LIGHTING, ETC CIRCUIT #1 (REF NC)
JD 14 YEL	OVERCURRENT PROTECTION (15A FUSE/BREAKER TYPICAL)	COACH LIGHTING, ETC CIRCUIT #2 (REF ND)
JE 14 YEL	OVERCURRENT PROTECTION (15A FUSE/BREAKER TYPICAL)	COACH LIGHTING, ETC CIRCUIT #3 (REF NE)

CODE GA/COLOR	FROM	TO
JF 14 YEL	OVERCURRENT PROTECTION (15A FUSE/BREAKER TYPICAL)	COACH LIGHTING, ETC CIRCUIT #4 (REF NF)
JG 14 YEL	OVERCURRENT PROTECTION (15A FUSE/BREAKER TYPICAL)	COACH LIGHTING, ETC(ALT CLEAN) CIRCUIT #5 (REF JN)
JH 14 YEL	MAIN FURNACE (12V POWER)	MAIN FURNACE THERMOSTAT
JJ 14 YEL	MAIN FURNACE (HEAT)	MAIN FURNACE THERMOSTAT
JK 14 YEL	AUXILIARY FURNACE	AUXILIARY FURNACE THERMOSTAT
JL 14 YEL	AUXILIARY FURNACE	AUXILIARY FURNACE THERMOSTAT
JM 14 WHT	MAIN FURNACE	GROUND
JN 14 WHT	COACH LIGHTING CIRCUIT #5 (REF JG)	GROUND(ALTERNATE CLEAN CIRCUIT FOR LINEAR CONVERTER)
JP 14 WHT	CLEAN CIRCUIT DEVICES (REF JA)	GROUND
JR 16 YEL	MONITOR PANEL	LP TANK #2 LEVEL SENSOR
JS 12 YEL	MONITOR PANEL WATER PUMP SWITCH	WATER PUMP
JT 16 YEL	MONITOR PANEL	LP TANK #1 LEVEL SENSOR
JU 14 YEL	MONITOR PANEL WATER HEATER SWITCH	WATER HEATER (BLU)
JW 14 YEL	MONITOR PANEL WATER HEATER SWITCH	WATER HEATER (BRN)
JX 14 WHT	WATER HEATER	GROUND
JY 12 WHT	WATER PUMP	GROUND

CODE GA/COLOR	FROM	TO
KA 10 YEL	OVERCURRENT PROTECTION (25A BREAKER TYPICAL)	ELECTRIC STEP BATTERY POWER
KB 10 YEL	OVERCURRENT PROTECTION (25A BREAKER TYPICAL)	ELECTRIC STEP KILL SWITCH (OLD STEP WIRING STYLE)
KC 10 YEL	ELECTRIC STEP KILL SWITCH (OLD STEP WIRING STYLE)	ELECTRIC STEP
KD 18 WHT	ELECTRIC STEP DOOR JAMB SWITCH	ELECTRIC STEP
KE 14 YEL	RUN ONLY POWER SOURCE	GENERAL PURPOSE(RELAY TRIGGER, REAR AUTO HTR,DRL,MONITOR,ETC)
KF 16 WHT	COACH BATTERY DISCONNECT RELAY SWITCH	GROUND
KG 14 YEL	POWER LIFT VENT (BLU)	POWER LIFT SWITCH(UP)
KH 14 YEL	POWER LIFT VENT (RED)	POWER LIFT SWITCH(DOWN)
KJ 14 YEL	POWER LIFT VENT (BLK)	FAN SWITCH
KK 16 YEL	REAR STEREO	RIGHT SPEAKER (POSITIVE)
KL 16 WHT	REAR STEREO	RIGHT SPEAKER (NEGATIVE)
KM 14 YEL	POWER LIFT VENT LAMP	LAMP SWITCH
KN 16 YEL	REAR STEREO	LEFT SPEAKER (POSITIVE)
KP 16 WHT	REAR STEREO	LEFT SPEAKER (NEGATIVE)
KR 14 WHT	REAR STEREO ANTENNA	GROUND
KS 14 YEL	REAR AUTO HEATER SWITCH (HIGH SPEED)	REAR AUTO HEATER

CODE GA/COLOR	FROM	TO
KT 14 YEL	REAR AUTO HEATER SWITCH (MEDIUM SPEED)	REAR AUTO HEATER
KU 14 YEL	REAR AUTO HEATER SWITCH (LOW SPEED)	REAR AUTO HEATER
KW 16 YEL	DASH RADIO	RIGHT FRONT SPEAKER (POSITIVE)
KX 16 YEL	DASH RADIO	RIGHT REAR SPEAKER (POSITIVE)
KY 16 YEL	DASH RADIO	LEFT FRONT SPEAKER (POSITIVE)
LA 16 YEL	DASH RADIO	LEFT REAR SPEAKER (POSITIVE)
LB 16 WHT	DASH RADIO	RIGHT REAR SPEAKER (NEGATIVE)
LC 16 WHT	DASH RADIO	LEFT REAR SPEAKER (NEGATIVE)
LD 14 YEL	IGNITION SWITCH ACCESSORY POWER SOURCE	GENERAL PURPOSE(AUX FANS,RELAY TRIGGER,ETC)
LE 14 YEL	AUXILIARY DEFROST FANS SWITCH (HIGH SPEED)	AUXILIARY DEFROST FANS (BLK)
LF 14 YEL	AUXILIARY DEFROST FANS SWITCH (LOW SPEED)	AUXILIARY DEFROST FANS (RED)
LG 16 YEL	COACH BATTERY DISCONNECT RELAY (TERMINAL I)	COACH BATTERY DISCONNECT RELAY SWITCH
LH 16 YEL	COACH BATTERY DISCONNECT RELAY (TERMINAL S)	COACH BATTERY DISCONNECT RELAY SWITCH
LJ 16 YEL	COACH BATTERY DISCONNECT RELAY BATTERY SIDE FUSE FEED	COACH BATTERY DISCONNECT RELAY SWITCH
LK 16 YEL	COACH BATTERY DISCONNECT RELAY LOAD SIDE FUSE FEED	COACH BATTERY DISCONNECT RELAY SWITCH/INDICATOR LAMP
LL 16 WHT	GENERATOR SWITCH (START)	GENERATOR (RED)

CODE GA/COLOR	FROM	TO
LM 16 WHT	GENERATOR SWITCH (STOP)	GENERATOR (ORN)
LN 16 WHT	GENERATOR SWITCH/INDICATOR (GROUND)	GENERATOR (GRN)
LP 16 YEL	GENERATOR SWITCH/INDICATOR (RUN)	GENERATOR (BLU)
LR 14 YEL	BATTERY MODE SWITCH (AUX START SWITCH)	BATTERY MODE SOLENOID (AUX START SOLENOID)
LS 12 YEL	OVERCURRENT PROTECTION 20A BREAKER TYPICAL,COACH FEED	GENERAL PURPOSE(BATTERY MODE, RADIO POWER,BATTERY CONDITION)
LT 16 YEL	BATTERY CONDITION SWITCH	VOLTMETER (POWER FEED)
LU 14 YEL	CHASSIS BRAKE LAMP CIRCUIT	VEHICLE BRAKES, TAG AXLE CONTROL MODULE,ETC
LW 14 YEL	WIPER CONTROL MODULE (PARK)	WINDSHIELD WIPER MOTOR (FRONT)
LX 14 YEL	WIPER CONTROL MODULE (LOW SPEED)	WINDSHIELD WIPER MOTOR (FRONT)
LY 14 YEL	WIPER CONTROL MODULE (HIGH SPEED)	WINDSHIELD WIPER MOTOR (FRONT)
MA 14 YEL	WIPER CONTROL MODULE (WASHER BOTTLE PUMP)	WINDSHIELD WASHER BOTTLE PUMP (FRONT)
MB 14 YEL	CHASSIS WINDSHIELD WIPER FEED CIRCUIT	OVERCURRENT PROTECTION (6A BREAKER TYPICAL)
MC 16 WHT	INSTRUMENT PANEL LAMPS	GROUND
MD 14 YEL	OVERCURRENT PROTECTION (15A BREAKER TYPICAL)	REMOTE MIRROR RELAY/POWER WINDOW FEED
ME 14 YEL	OVERCURRENT PROTECTION (15A BREAKER TYPICAL)	AIR HORN RELAY FEED/ MARKER LAMPS RELAY FEED
MF 14 YEL	OVERCURRENT PROTECTION (15A BREAKER TYPICAL)	FOG LAMP RELAY FEED/ SPOT LAMP FEED

CODE GA/COLOR	FROM	TO
MG 14 WHT	GENERAL PURPOSE(RELAYS,DASH DEVICES,ETC)	GROUND
MH 16 WHT	CHASSIS CHOKE LAMP INDICATOR CIRCUIT	CHOKE LAMP
MJ 14 YEL	CHASSIS WINDSHIELD WIPER FEED CIRCUIT	WIPER CONTROL MODULE (POWER FEED)
MK 14 YEL	CHASSIS BATTERY POWER FEED CIRCUIT	GENERAL PURPOSE(CIGAR LIGHTER, DOME/COURTESY LAMPS,ETC)
ML 16 YEL	CHASSIS INSTRUMENT PANEL LAMPS FEED CIRCUIT	INSTRUMENT PANEL LAMPS
MM 14 YEL	CHASSIS CLEARANCE LAMP CRT #1 (BRN TYPICAL)	CLEARANCE/MARKER LAMPS
MN 14 WHT	DOME LAMP SWITCHED GROUND	DOME LAMP SWITCH(DOOR JAMB, INSTRUMENT PANEL SWITCH,ETC)
MP 18/16 WHT	ELEC STEP DOOR JAMB SWITCH, LP TANK SENDER, ETC	GROUND
MR 14 YEL	REAR WINDOW WIPER SWITCH (LOW SPEED)	REAR WINDOW WIPER MOTOR (LOW SPEED)
MS 14 WHT	CLEARANCE/MARKER LAMPS	GROUND
MT 8 WHT	ELECTRIC STEP	GROUND
MU 14 WHT	GENERAL PURPOSE(CIGAR LIGHTER, DOME LAMPS,12 V OUTLETS,ETC)	GROUND
MW 16 YEL	VEHICLE CHECK ENGINE LAMP CIRCUIT	CHECK ENGINE LAMP
MX 16 YEL	WINDSHIELD WIPER SWITCH	WIPER RELAY
MY 14 YEL	VEHICLE HEADLAMP FEED CIRCUIT	DIMMER MODULE
NA 14 YEL	VEHICLE HEADLAMP LOW BEAM CIRCUIT	DIMMER MODULE

CODE GA/COLOR	FROM	TO
NB 14 YEL	VEHICLE HEADLAMP HIGH BEAM CIRCUIT	DIMMER MODULE
NC 14 WHT	COACH LIGHTING CIRCUIT #1 (REF JC)	GROUND
ND 14 WHT	COACH LIGHTING CIRCUIT #2 (REF JD)	GROUND
NE 14 WHT	COACH LIGHTING CIRCUIT #3 (REF JE)	GROUND
NF 14 WHT	COACH LIGHTING CIRCUIT #4 (REF JF)	GROUND
NG 16 YEL	FOG LAMPS SWITCH	FOG LAMPS RELAY
NH 14 YEL	FOG LAMPS RELAY	FOG LAMPS
NJ 16 YEL	CHASSIS HORN FEED CIRCUIT	AIR HORN SWITCH
NK 14 YEL	AIR HORN SWITCH	AIR HORN AIR TANK AIR RELEASE VALVE
NL 14 YEL	AR HORN RELAY	AIR HORN AIR COMPRESSOR
NM 14 YEL	OVERCURRENT PROTECTION (15A FUSE TYPICAL)	COACH LIGHTING CIRCUIT #6 (REF PM)
NN 16 YEL	LEFT POWER MIRROR MOTOR (HORIZONTAL CONTROL,YEL)	POWER MIRROR CONTROL SWITCH
NR 16 YEL	LEFT POWER MIRROR (VERTICAL CONTROL, WHT)	POWER MIRROR CONTROL SWITCH
NS 14 YEL	POWER MIRROR HEATER SWITCH	POWER MIRRORS (RED)
NT 14 YEL	POWER MIRROR RELAY	POWER MIRROR CONTROL SWITCH
NU 14 YEL	AISLE LAMPS SWITCH #1	AISLE LAMPS SWITCH #2

CODE GA/COLOR	FROM	TO
NW 14 YEL	FRONT COMPARTMENT LAMPS SWITCH	COMPARTMENT LAMPS
NX 14 YEL	INTERSTATE COMMERCE COMMITTEE COURTESY BLINK SWITCH	CLEARANCE LAMPS
NY 14 YEL	AISLE LAMPS SWITCH #1	AISLE LAMPS SWITCH #2
PA 14 WHT	REAR AUTO HEATER	GROUND
PB 14 WHT	REAR WINDOW WIPER MOTOR	GROUND
PC 14 YEL	BEDROOM CEILING LAMP SWITCH	BEDROOM CEILING LAMP
PD 14 YEL	MAKE UP LAMP #1 SWITCH	MAKE UP LAMP #1
PE 14 YEL	BATH CEILING LAMP SWITCH	BATH CEILING LAMP
PF 14 YEL	SHOWER LAMP SWITCH WIRE D WAS FIRST USED ON C'S	SHOWER LAMP
PG 14 YEL	WARDROBE LAMP SWITCH	WARDROBE LAMP
PH 14 YEL	AISLE LAMPS SWITCH	AISLE LAMPS
PJ 14 YEL	PORCH LAMP SWITCH	PORCH LAMP
PK 14 YEL	STRIP LAMP SWITCH	STRIP LAMP
PL 14 YEL	FRONT CEILING LAMP SWITCH	FRONT CEILING LAMP
PM 14 WHT	COACH LIGHTING CIRCUIT #6 (REF NM)	GROUND
PN 16 WHT	RIGHT POWER MIRROR (COMMON,BLK)	POWER MIRROR CONTROL SWITCH

CODE GA/COLOR	FROM	TO
PP 16 YEL	RIGHT POWER MIRROR (HORIZONTAL CONTROL, YEL)	POWER MIRROR CONTROL SWITCH
PR 16 YEL	RIGHT POWER MIRROR (VERTICAL CONTROL, WHT)	POWER MIRROR CONTROL SWITCH
PS 14 YEL	MAP LAMP SWITCH	MAP LAMP
PT 14 YEL	BEVERAGE TRAY LAMP SWITCH	BEVERAGE TRAY LAMP
PU 14 YEL	DUMP LAMP SWITCH	DUMP LAMP
PW 14 YEL	OVERCURRENT PROTECTION (15A BREAKER TYPICAL)	POWER DOOR LOCK/UNLOCK RELAY (PIN 30)
PX 16 YEL	POWER DOOR LOCK SWITCH (LOCK) (PIN 1)	POWER DOOR LOCK RELAY (PIN 86)
PY 16 WHT	POWER DOOR LOCK SWITCH (UNLOCK) (PIN 5)	POWER DOOR UNLOCK RELAY (PIN 86)
RA 14 YEL	VEHICLE LEFT FRONT TURN SIGNAL CIRCUIT	LEFT FRONT TURN SIGNAL/MARKER LAMP
RB 14 YEL	VEHICLE RIGHT FRONT TURN SIGNAL CIRCUIT	RIGHT FRONT TURN SIGNAL/MARKER LAMP
RC 14 WHT	FRONT AUTOMOTIVE LAMPS(TURN, MARKER,ETC)	GROUND
RD 14 YEL	OVERCURRENT PROTECTION (15 A FUSE TYPICAL)	HAZARD FLASHER, HORN RELAY
RE 12 YEL	RADIATOR FAN RELAY#1 (COMMON)	RADIATOR FAN #1
RF 12 YEL	RADIATOR FAN RELAY #2 (COMMON)	RADIATOR FAN #2
RG 14 WHT	RADIATOR FAN THERMOSTAT SWITCH	RADIATOR FAN RELAYS (COILS,TRIGGER)
RH 12YEL(BLK)	OVERCURRENT PROTECTION (25A BREAKER TYPICAL)	RADIATOR FAN RELAY #1 (NORMALLY OPEN)

CODE GA/COLOR	FROM	TO
RJ 12YEL(BLK)	OVERCURRENT PROTECTION (25A BREAKER TYPICAL)	RADIATOR FAN RELAY #2 (NORMALLY OPEN)
RK 12 WHT	RADIATOR FAN #1	GROUND
RL 12 WHT	RADIATOR FAN #2	GROUND
RM 14 WHT	VEHICLE IGNITION SWITCH GROUND DURING START CIRCUIT	BULB CHECK(LOW TAG AIR,PARK BRAKE,ETC)
RN 14 YEL	AUTOMOTIVE AIR CONDITIONER THERMOSTAT CUTOFF SWITCH	AUTOMOTIVE AIR CONDITIONER COMPRESSOR CLUTCH
RP 14 YEL	AUTOMOTIVE AIR CONDITIONER COOLANT FAN CONTROL	COOLANT FAN RELAY
RR 14 YEL	BRAKE LAMP SWITCH	TURN SIGNAL SWITCH
RS 14 YEL	HEADLAMP SWITCH INSTRUMENT PANEL LAMP FEED SWITCH	OVERCURRENT PROTECTION (5A FUSE TYPICAL)
RT 14 YEL	HORN RELAY (COMMON)	HORN
RU 14 YEL	HORN RELAY (COIL)	HORN SWITCH
RW 14 YEL	HAZARD FLASHER	TURN SIGNAL SWITCH
RX 14 YEL	EUL WARNING LAMP	EUL MODULE
RY 14 WHT	INSTRUMENT CLUSTER/ EUL MODULE	GROUND
SA 14 YEL	ENGINE WATER TEMPERATURE SENDER	ENGINE WATER TEMPERATURE GAUGE
SB 14 YEL	ENGINE OIL PRESSURE SENDER	ENGINE OIL PRESSURE GAUGE
SC 14 YEL	VEHICLE RIGHT REAR TURN SIGNAL/BRAKE LAMP CIRCUIT	RIGHT REAR TURN SIGNAL/ BRAKE LAMPS

CODE GA/COLOR	FROM	TO
SD 14 YEL	VEHICLE LEFT REAR TURN SIGNAL/BRAKE LAMP CIRCUIT	LEFT REAR TURN SIGNAL/ BRAKE LAMPS
SE 16YEL(WHT)	SPEED SENSOR (TWISTED PAIR)	SPEEDOMETER AND SPEED CONTROL MODULE
SF 16WHT(BLK)	SPEED SENSOR (TWISTED PAIR)	SPEEDOMETER AND SPEED CONTROL MODULE
SG 14 YEL	IGNITION SWITCH START FEED	GENERAL(NEUTRAL SAFETY SWITCH, FUEL PUMP RELAY COIL,ETC)
SH 14 YEL	IGNITION SWITCH RUN/START FEED	GENERAL(IGNITION COIL RELAY NORMALLY OPEN CONTACT,ETC)
SJ 12YEL(BLK)	OVERCURRENT PROTECTION (16GA FUSELINK TYPICAL)	CHASSIS BATTERY FEED
SK 12YEL(WHT)	OVERCURRENT PROTECTION (16GA FUSELINK TYPICAL)	CHASSIS BATTERY HEADLAMP SWITCH FEED #1
SL 12YEL(BLU)	OVERCURRENT PROTECTION (16GA FUSELINK TYPICAL)	CHASSIS BATTERY IGNITION SWITCH FEED #1
SM 12YEL(BLK)	OVERCURRENT PROTECTION (16GA FUSELINK TYPICAL)	RADIATOR FAN #1 CIRCUIT BREAKER FEED
SN 12YEL(BLK)	OVERCURRENT PROTECTION (16GA FUSELINK TYPICAL)	RADIATOR FAN #2 CIRCUIT BREAKER FEED
SP 14 YEL	HEADLAMP SWITCH MARKER CIRCUIT FEED	OVERCURRENT PROTECTION (15A FUSE TYPICAL)
SR 12YEL(BRN)	IGNITION SWITCH RUN ONLY FEED	OVERCURRENT PROTECTION (15A FUSE TYPICAL)
SS 12YEL(WHT)	IGNITION SWITCH ACCESSORY FEED	OVERCURRENT PROTECTION (15A FUSE TYPICAL)
ST 14 YEL	OVERCURRENT PROTECTION (15A FUSE TYPICAL)	URNS/BACK UP CIRCUIT FEED
SU	STARTER SOLENOID BATTERY TERMINAL	ALTERNATOR BATTERY TERMINAL
SW 14 YEL	TURN SIGNAL FLASHER	TURN SIGNAL SWITCH

CODE GA/COLOR	FROM	TO
SX 14 YEL	REAR WINDOW WASHER SWITCH	REAR WINDOW WASHER BOTTLE PUMP
SY 14 YEL	IGNITION COIL	TACHOMETER
TA 14 YEL	OVERCURRENT PROTECTION (15A FUSE TYPICAL)	IGNITION RUN ONLY GENERAL FEED (RADIATOR FAN RELAY COIL,ETC)
TB 12 YEL	OVERCURRENT PROTECTION (25A FUSE TYPICAL)	IGNITION RUN ONLY GENERAL FEED (AUTO AC BLOWER(NOT HIGH),ETC)
TC 14 YEL	OVERCURRENT PROTECTION (15A FUSE TYPICAL)	IGNITION RUN ONLY GENERAL FEED (DOOR LOCKS,REAR WIPER,ETC)
TD 14 YEL	OVERCURRENT PROTECTION (15A FUSE TYPICAL)	CHASSIS BATTERY GENERAL FEED
TE 16 WHT	GENERATOR	GENERATOR LOW OIL INDICATOR LAMP
TF 16 YEL	GENERATOR	GENERATOR LOW OIL INDICATOR LAMP
TG 16 YEL	TELEVISION	SPEAKER RIGHT (POSITIVE)
TH 16 WHT	TELEVISION	SPEAKER RIGHT (NEGATIVE)
TJ 16 YEL	TELEVISION	SPEAKER LEFT (POSITIVE)
TK 16 WHT	TELEVISION	SPEAKER LEFT (NEGATIVE)
TL 16 YEL	FRONT RIGHT TV SPEAKER NEGATIVE,SERIES CONNECTION	FRONT LEFT TV SPEAKER POSITIVE,SERIES CONNECTION
TM 16 WHT	STEP COVER SWITCH	STEP COVER SOLENOID MOVES STEP OUT
TN 14 YEL	STARTER SOLENOID BATTERY TERMINAL	ALTERNATOR REGULATOR
TP 14 WHT	REAR AUTOMOTIVE LAMPS(TURN, MARKER,ETC)	GROUND

CODE GA/COLOR	FROM	TO
TR 14 YEL	VEHICLE BACK UP CIRCUIT FEED	BACK UP LAMPS
TS 14 YEL	STARTER SOLENOID (I TERMINAL)	ENGINE WIRING (IGNITION MODULE)
TT 14 YEL	NEUTRAL SAFETY SWITCH	STARTER SOLENOID (S TERMINAL)
TU 14 WHT	IGNITION COIL RELAY (COIL)	GROUND
TW 14 YEL	IGNITION SWITCH START/RUN FEED	IGNITION COIL
TX 14 YEL	IGNITION COIL RELAY (COMMON)	IGNITION COIL
TY 14 YEL	ALTERNATOR (T TERMINAL)	CHOKE HEATER
UA 14 YEL	FUEL PUMP FUSE	OIL PRESSURE CUTOOUT SWITCH/ FUEL PUMP RELAY(NO),ETC
UB 14 YEL	INERTIA SWITCH (FUEL PUMP SHUTOFF)	FUEL PUMP RELAY (NORMALLY CLOSED)
UC 14 YEL	FUEL PUMP RELAY (COMMON)	FUEL PUMP
UD 16 WHT	FUEL GAUGE	FUEL SENDER
UE 14 YEL	INERTIA SWITCH (FUEL PUMP SHUTOFF)	OIL PRESSURE CUTOFF SWITCH
UF 14 WHT	FUEL PUMP	GROUND
UG 14 WHT	FUEL PUMP RELAY (COIL)	GROUND
UH 16 YEL	LP DETECTOR (SHUTOFF SYSTEM,YEL)	LP SAFETY VALVE
UJ 16 YEL	LP DETECTOR (SHUTOFF SYSTEM,YEL)	LP SAFETY SWITCH

CODE GA/COLOR	FROM	TO
UK 16 WHT	LP DETECTOR (BLK)(REF WB)	GROUND
UL 16 WHT	EUL LAMP	EUL MODULE
UM 16 WHT	DOOR JAMB DOME LAMP SWITCH	GROUND
UN 16 WHT	SEAT BELT LAMP	EUL MODULE
UP 16 YEL	SEAT BELT LAMP	SEAT BELT BUZZER
UR 16 WHT	PARK BRAKE SWITCH	PARK BRAKE LAMP
US 16 YEL	OVERCURRENT PROTECTION (6A BREAKER TYPICAL)	COACH BATTERY FEED TO BATTERY CONDITION SWITCH
UT 14 YEL	DOOR JAMB DOME LAMP SWITCH (SWITCH POSITIVE)	DOME LAMP
UU 16 YEL	WATER HEATER	VACUUM VALVE SOLENOID
UW 16 WHT	VACUUM VALVE SOLENOID	GROUND
UX 16 YEL	LP DETECTOR #2 (SHUTOFF SYSTEM, YEL)	LP SAFETY VALVE
UY 16 YEL	LP DETECTOR #2 (SHUTOFF SYSTEM, YEL)	LP SAFETY VALVE
WA 14 YEL	EXTERIOR SERVICE LAMP SWITCH	EXTERIOR SERVICE LAMP
WB 16 YEL	OVERCURRENT PROTECTION (6A BREAKER TYPICAL)	LP DETECTOR (REF UK)
WC 14 YEL	OVERCURRENT PROTECTION (15A BREAKER TYPICAL)	COMPARTMENT LAMPS (REF WE)
WD 14 WHT	AISLE LAMPS	GROUND

CODE GA/COLOR	FROM	TO
WE 14 WHT	COMPARTMENT LAMPS (REF WC)	GROUND
WF 12YEL(WHT)	OVERCURRENT PROTECTION (30A BREAKER TYPICAL)	PARK BRAKE COMPRESSOR SOENOID
WG 12YEL(BLK)	OVERCURRENT PROTECTION (30A BREAKER TYPICAL)	IGNITION RELAY
WH 14 YEL	OVERCURRENT PROTECTION (15A BREAKER TYPICAL)	IGNITION SWITCH RUN ONLY FEED
WJ 12 YEL	OVERCURRENT PROTECTION (20A BREAKER TYPICAL)	IGNITION SWITCH ACCESSORY FEED RELAY
WK 14 YEL	OVERCURRENT PROTECTION (15A BREAKER TYPICAL)	IGNITION SWITCH ACCESSORY FEED
WL 14 YEL	POWER DOOR LOCK RELAY (PIN 30)	POWER DOOR LOCK MOTOR(S) (LOCK)
WM 14 WHT	POWER DOOR UNLOCK RELAY (PIN 30)	POWER DOOR LOCK MOTOR(S) (UNLOCK)
WN 16 YEL	RADIO POWER SWITCH (ACCESSORY POWER)	DASH RADIO (ACCESSORY POWER)
WP 10 YEL	OVERCURRENT PROTECTION (25A BREAKER TYPICAL)	FRONT PANEL LOADS(INVERTER, RADIO)(96 M-SERIES)
WR 14 YEL	OVERCURRENT PROTENTION (15A BREAKER TYPICAL)	POWER SEAT LIFT SWITCH
WS 14 WHT	POWER SEAT LIFT SWITCH	GROUND
WT 14 YEL	POWER SEAT LIFT SWITCH (UP)	MOTOR (POSITIVE UP)
WU 14 WHT	POWER SEAT LIFT SWITCH (DOWN)	MOTOR (POSITIVE DOWN)
WW 14 WHT	SPOT LAMP SWITCH	GROUND
WX 14 YEL	HALLWAY CEILING LAMP SWITCH	HALLWAY CEILING LAMP

CODE GA/COLOR	FROM	TO
WY 10 WHT	AUTOMOTIVE AIR CONDITIONER MOTOR	GROUND
XA 12/10 YEL	VEHICLE AUTOMOTIVE AIR FEED CIRCUIT	AUTOMOTIVE AIR CONDITIONER BLOWER (USE 10 IF OVER 6')
XB 14 YEL	DRIVER'S DOOR POWER WINDOW SWITCH(PIN 5)	DRIVER'S DOOR POWER WINDOW MOTOR(POSITIVE UP)
XC 14 WHT	DRIVER'S DOOR POWER WINDOW SWITCH(PIN 1)	DRIVER'S DOOR POWER WINDOW MOTOR(POSITIVE DOWN)
XD 16 WHT	MONITOR PANEL	HOLDING TANK LEVEL SENSOR (FULL)
XE 16 WHT	MONITOR PANEL	HOLDING TANK LEVEL SENSOR (3/4)
XF 16 WHT	MONITOR PANEL	HOLDING TANK LEVEL SENSOR (1/2)
XG 16 WHT	MONITOR PANEL	HOLDING TANK LEVEL SENSOR (1/4)
XH 16 YEL	MONITOR PANEL	WATER TANK LEVEL SENSOR
XJ 16 YEL	MONITOR PANEL	BLACK HOLDING LEVEL SENSOR (MAIN TANK)
XK 16 YEL	MONITOR PANEL	GRAY AUXILIARY HOLDING TANK #1 LEVEL SENSOR (AUX TANK #1)
XL 16 YEL	MONITOR PANEL	GRAY AUXILIARY HOLDING TANK #2 LEVEL SENSOR (AUX TANK #2)
XM 14 YEL	OVERCURRENT PROTECTION (18GA FUSELINK TYPICAL)	IGNITION START RELAY
XN 16 YEL	FRONT ROOF AIR CONDITIONER (EXHAUST)	THERMOSTAT (EX TERMINAL)
XP 16 YEL	FRONT ROOF AIR CONDITIONER (COOL)	THERMOSTAT (Y TERMINAL)(Y EXPORT AIR)
XR 16 YEL	FRONT ROOF AIR CONDITIONER (HIGH SPEED BLOWER)	THERMOSTAT (GH TERMINAL)(H EXPORT AIR)

CODE GA/COLOR	FROM	TO
XS 16 YEL	FRONT ROOF AIR CONDITIONER (LOW SPEED BLOWER)	THERMOSTAT (GL TERMINAL)(G EXPORT AIR)
XT 14 YEL	IGNITION START RELAY #1 (NORMALLY CLOSED CONTACT)	IGNITION START RELAY #2 (COMMON CONTACT)
XU 14 YEL	DINETTE OVHD LAMP SWITCH	DINETTE OVHD LAMP
XW 14 WHT	IGNITION SWITCH ACCESSORY FEED RELAY CIRCUIT	GROUND
XX 14 YEL	GALLEY LAMP SWITCH	GALLEY LAMP
XY 14 YEL	MAKE UP LAMP #2 SWITCH	MAKE UP LAMP #2
YA 14 YEL	TAG AXLE PRESSURE CONTROL SWITCH	COMPRESSOR SOLENOID/ SOLENOID AIR VALVE
YB 14 WHT	LOW AIR PRESSURE SWITCH	GROUND
YC 10YEL(BLU)	OVERCURRENT PROTECTION (30A BREAKER TYPICAL)	TAG AXLE COMPRESSOR SOLENOID
YD 14 WHT	TAG AXLE MOUNTING PLATE SCREW	GROUND
YE 10 WHT	TAG AXLE COMPRESSOR	GROUND
YF 12 WHT	TAG AXLE BRAKE CONTROL MODULE/BRAKE MAGNET	GROUND
YG 12YEL(BLK)	OVERCURRENT PROTECTION (20A BREAKER TYPICAL)	TAG AXLE BRAKE CONTROL MODULE
YH 12YEL(BLU)	TAG AXLE BRAKE CONTROL MODULE	TAG AXLE BRAKE MAGNET
YJ 10YEL(WHT)	TAG AXLE COMPRESSOR SOLENOID	TAG AXLE COMPRESSOR
YK 14 YEL	BEDROOM CEILING LAMP SWITCH#1 (2 SWITCH SYSTEM)	BEDROOM CEILING LAMP SWITCH #2 (2 SWITCH SYSTEM)

CODE GA/COLOR	FROM	TO
YL 14 YEL	BEDROOM CEILING LAMP SWITCH #1 (2 SWITCH SYSTEM)	BEDROOM CEILING LAMP SWITCH #2 (2 SWITCH SYSTEM)
YM 14 YEL	HALLWAY CEILING LAMP SWITCH #1 (2 SWITCH SYSTEM)	HALLWAY CEILING LAMP SWITCH #2 (2 SWITCH SYSTEM)
YN 14 YEL	HALLWAY CEILING LAMP SWITCH #1 (2 SWITCH SYSTEM)	HALLWAY CEILING LAMP SWITCH #2 (2 SWITCH SYSTEM)
YP 14 YEL	VALANCE LAMP SWITCH #1 (2 SWITCH SYSTEM)	VALANCE LAMP SWITCH #2 (2 SWITCH SYSTEM)
YR 14 YEL	VALANCE LAMP SWITCH #1 (2 SWITCH SYSTEM)	VALANCE LAMP SWITCH #2 (2 SWITCH SYSTEM)
YS 14 YEL	VALANCE LAMP SWITCH	VALANCE LAMP
YT 14 YEL	FRONT VALANCE LAMP SWITCH	FRONT VALANCE LAMP
YU 14 YEL	REAR VALANCE LAMP SWITCH	REAR VALANCE LAMP
YW 14 WHT	DOOR BELL SWITCH	DOOR BELL
YX 14 YEL	IGNITION SWITCH RUN/START FEED	ALTERNATOR WARNING LAMP
YY 14 YEL	ALTERNATOR VOLTAGE REGULATOR	ALTERNATOR WARNING LAMP
AAA 16 WHT	STEP COVER SWITCH (REF GX)	STEP COVER SOLENOID MOVES STEP IN
AAB 14 YEL	DINETTE READING LAMPS	DINETTE READING LAMP SWITCH
AAC 14 YEL	LOUNGE READING LAMPS	LOUNGE READING LAMP SWITCH
AAD 14 YEL	FORD CHASSIS TRAILER MARKER LAMP CIRCUIT (BR/WHT)	TRAILER CONNECTOR SOCKET MARKER LAMPS
AAE 14 YEL	FORD CHASSIS TRAILER BACKUP LAMP CIRCUIT (BLK/LT GRN)	TRAILER CONNECTOR SOCKET BACKUP LAMPS

CODE GA/COLOR	FROM	TO
AAF 14 YEL	FORD CHASSIS TRAILER LEFT TURN/BRAKE LAMP CIRCUIT (YEL)	TRAILER CONNECTOR SOCKET LEFT TURN/BRAKE LAMP
AAG 14 YEL	FORD CHASSIS TRAILER RIGHT TURN/BRAKE LAMP CIRCUIT (DKG)	TRAILER CONNECTOR SOCKET RIGHT TURN/BRAKE LAMP
AAH 14 YEL	BATH-VENT,POWER	BATH-VENT, THERMOSTAT
AAJ 14 YEL	BATH-VENT,POWER	BATH-VENT, THERMOSTAT
AAK 16 WHT	SWITCH-WATER PUMP (MULTIPLEX SYSTEM)	LATCHING RELAY (WITH 4 OR MORE SWITCHES)
AAL 16 WHT	SWITCH-WATER PUMP (MULTIPLEX SYSTEM)	GROUND
AAM 14 YEL	CHASSIS SUPPLIED WIRE ASM (DARK BLUE)(GM)	RIGHT TAIL LAMP PARK (WIE)
AAN 14 YEL	CHASSIS SUPPLIED WIRE ASM (PURPLE) (GM)	LEFT TAIL LAMP PARK (WIE)
AAP 10 YEL	55 AMP BREAKER JUMPER WIRE	30 AMP BREAKER
AAR 14 YEL	TV/RADIO SPEAKER FEED SELECTOR SWITCH	TV SPEAKER AMPLIFIER
AAS 16 YEL	TV SPEAKER (NEGATIVE) BEDROOM SPEAKERS IN SERIES	TV SPEAKER (POSITIVE)
AAT 16 YEL	AMPLIFIER POSITIVE OUT (AAU NEGATIVE)	FRONT WOOFER (WITH DELUXE SOUND SYSTEM)
AAU 16 WHT	AMPLIFIER NEGATIVE OUT (AAT POSITIVE)	FRONT WOOFER (WITH DELUXE SOUND SYSTEM)
AAW 16 YEL	AMPLIFIER POSITIVE OUT (AAX NEGATIVE)	REAR WOOFER (WITH DELUXE SOUND SYSTEM)
AAX 16 WHT	AMPLIFIER NEGATIVE OUT (AAW POSITIVE)	REAR WOOFER (WITH DELUXE SOUND SYSTEM)
AAZ 10 YEL	SLIDEOUT ROOM CONTROL SWITCH	SLIDEOUT DRIVE MOTOR LEAD #1

CODE GA/COLOR	FROM	TO
AAZ 10 YEL	SLIDEOUT ROOM CONTROL SWITCH	SLIDEOUT DRIVE MOTOR LEAD #2
BBA 16 WHT	SLIDEOUT WIRING (PARK BRAKE SW)(SWITCHED GRD)	SLIDEOUT ROOM RELAY (GROUND TERMINAL)
BBB 16 YEL	SLIDEOUT ROOM CIRCUIT BREAKER (6 AMP)	SLIDEOUT ROOM RELAY (PIN 86 & 87)
BBC 16 YEL	LOAD SHEDDER MONITOR PANEL (RED WIRE)	LOAD SHEDDER CONTROL BOARD (RED WIRE)
BBD 16 YEL	LOAD SHEDDER MONITOR PANEL (BLUE WIRE)	LOAD SHEDDER CONTROL BOARD (BLUE WIRE)
BBE 16 YEL	LOAD SHEDDER MONITOR PANEL (BLACK WIRE)	LOAD SHEDDER CONTROL BOARD (BLACK WIRE)
BBF 16 YEL	LOAD SHEDDER MONITOR PANEL (GRAY WIRE)	LOAD SHEDDER CONTROL BOARD (GRAY WIRE)
BBG 14 YEL	DINETTE CEILING LAMP SWITCH	DINETTE CEILING LAMP
BBH 16 YEL	REAR COMPRESSOR SIGNAL REAR THERMOSTAT	LOAD SHEDDER CONTROL BOARD
BBJ 16 YEL	LOAD SHEDDER CONTROL BOARD	REAR A/C (COOL)
BBK 12 WHT	JET AIR/TAG AXLE WIRING	GROUND, CHASSIS
BBL 14 YEL	OVHD SWITCH	OVHD HALOGEN LAMPS
BBM 16 YEL	SLIDEOUT ROOM SWITCH (ROOM TWO EXTEND)	HWH WIRING (ROOM TWO EXTEND)
BBN 16 YEL	SLIDEOUT ROOM SWITCH (ROOM TWO RETRACT)	HWH WIRING (ROOM TWO RETRACT)
BBP 14 YEL	ICC COURTESY BLINK SWITCH	ICC COURTESY BLINK RELAY
BBR 14 YEL	ICC COURTESY BLINK RELAY	CLEARANCE LAMPS

CODE GA/COLOR	FROM	TO
BBS 14 YEL	CHASSIS FUSE PANEL	ICC COURTESY BLINK RELAY
BBT 14 YEL	DOCKING LAMP SWITCH TRIGGER RELAY	DOCKING LAMP SWITCH
BBU 12 YEL	DOCKING LAMP CIRCUIT BREAKER	DOCKING LAMP RELAY
BBW 14 YEL	FORD LEFT HAND LOW BEAM CIRCUIT	LEFT HAND LOW BEAM
BBX 14 YEL	FORD RIGHT HAND LOW BEAM CIRCUIT	RIGHT HAND LOW BEAM
BBY 14 YEL	SWITCH-MONITOR PANEL (IN EXT WATER CENTER)	EXTERIOR MONITOR PANEL (IN EXT WATER CENTER)
BBZ 14 YEL	OVERCURRENT PROTECTION (15A FUSE/BREAKER TYPICAL)	AUXILIARY FURNACE (CCA)
CCA 14 WHT	AUXILIARY FURNACE	GROUND
CCB 16 YEL	EXTERIOR MONITOR PANEL	WATER TANK LEVEL SENSOR
CCC 16 YEL	EXTERIOR MONITOR PANEL	MAIN HOLDING TANK LEVEL SENSOR
CCD 16 YEL	EXTERIOR MONITOR PANEL	AUX HOLDING TANK LEVEL SENSOR
CCE 14 YEL	COMPARTMENT LAMP SWITCH	COMPARTMENT LAMP
CCF 14 YEL	COMPARTMENT LAMP SWITCH	COMPARTMENT LAMP
CCG 14 YEL	COMPARTMENT LAMP SWITCH	COMPARTMENT LAMP
CCH 14 YEL	COMPARTMENT LAMP SWITCH	COMPARTMENT LAMP
CCJ 14 YEL	COMPARTMENT LAMP SWITCH	COMPARTMENT LAMP

CODE GA/COLOR	FROM	TO
CCK 14 YEL	COMPARTMENT LAMP SWITCH	COMPARTMENT LAMP
CCL 14 YEL	COMPARTMENT LAMP SWITCH	COMPARTMENT LAMP
CCM 14 YEL	COMPARTMENT LAMP SWITCH	COMPARTMENT LAMP
CCN 16 YEL	THERMOSTATE LOW SPEED FAN SIGNAL	CENTRAL AIR AND LOAD SHEDDER
CCP 16 YEL	LOAD SHEDDER COMPRESSOR TWO CONTROL RELAY	CENTRAL A/C COMPRESSOR TWO
CCR 14 YEL	SWITCH-MONITOR PANEL (IN EXT WATER CENTER)	EXTERIOR MONITOR PANEL (IN EXT WATER CENTER)
CCS 16 YEL	NOISE FILTER	RADIO POWER INPUT
CCT 16 YEL	REAR RIGHT TV SPEAKER NEGATIVE,SERIES CONNECTION	REAR LEFT TV SPEAKER POSITIVE,SERIES CONNECTION
CCU 16 YEL	GM DOME LAMP POWER	DOME LAMP
CCW 12 YEL	DUAL MODE SOLENOID (CHASSIS SIDE)	FUSE HOLDER (30 AMP)
CCX 16 YEL	ORG WIRE ON AIR COMPRESSOR	AIR PRESSURE SWITCH ON AIR TANK
CCY 16 YEL	HWH WIRING (BATTERY POWER)	SLIDEOUT ROOM SWITCH (POSITIVE)
CCZ 16 YEL	HWH WIRING (SWITCHED BATTERY POWER)	FRT/RR SLIDEOUT ROOM SWITCH (SWITCHED EXTEND/RETRACT PWR)
DDA 16 YEL	HWH WIRING (PUMP RELAY CONTROL)	SLIDEOUT ROOM SWITCH (POSITIVE)
ddb 14 YEL	REAR AUTO HEATER CIRCUIT BREAKER	REAR AUTO HEATER RELAY (POWER)
DDC 14 YEL	REAR AUTO HEATER RELAY (SWITCHED POWER)	REAR AUTO HEATER SWITCH (COMMON TERMINAL)

CODE GA/COLOR	FROM	TO
DDD 14 YEL	MODULE-CHARGE CONTROL RELAY OUTPUT	AUX-START SOLENOID RELAY
DDE 14 YEL	AUX-START SOLENOID RELAY	AUX-START SOLENOID
DDF 10 YEL	HEATER BLOWER CIRCUIT BREAKER	HEATER BLOWER RELAY
DDG 10 YEL	CIRCUIT BREAKER BUSS BAR	CHASSIS BATTERY FEED CIRCUIT BREAKER
DDH 14 YEL	FREIGHTLINER RUN ONLY TRIGGER CIRCUIT	HEATER BLOWER RELAY
DDJ 14 YEL	FREIGHTLINER PARKING BRAKE TRIGGER CIRCUIT	HWH WIRE ASM-PARKING BRAKE SENSOR WIRE
DDK 16 YEL	HWH WIRING (PUMP RELAY CONTROL)	REAR SLIDEOUT ROOM SWITCH (POSITIVE)
DDL 14 WHT	FRONT LEFT AUTOMOTIVE LAMPS	GROUND
DDM 14 WHT	FRONT RIGHT AUTOMOTIVE LAMPS	GROUND
DDN 16 YEL	TIMER MODULE	CHECK ANTENNA LIGHT
DDP 12 YEL	OVERCURRENT PROTECTION (20A BREAKER TYPICAL)	INVERTER FEED (INVERTER NUMBER 2)
DDR 12 WHT	INVERTER (INVERTER NUMBER 2)	GROUND
DDS 12 WHT	INVERTER CHASSIS (INVERTER NUMBER 2)	GROUND
DDT 12 YEL	POWER COMPT DOOR LOCK RELAY (RIGHT SIDE)	POWER COMPT DOOR LOCK MOTOR(S) (RIGHT SIDE)
DDU 12 WHT	POWER COMPT DOOR UNLOCK RELAY (RIGHT SIDE)	POWER COMPT LOCK MOTOR(S) (UNLOCK) (RIGHT SIDE)
DDV 12 YEL	POWER COMPT DOOR LOCK RELAY (LEFT SIDE)	POWER COMPT LOCK MOTOR(S) (LOCK) (LEFT SIDE)

CODE GA/COLOR	FROM	TO
DDW 12 WHT	POWER COMPT DOOR UNLOCK RELAY (LEFT SIDE)	POWER COMPT LOCK MOTOR(S) (UNLOCK) (LEFT SIDE)
DDX 12 YEL	OVERCURRENT PROTECTION (20A BREAKER TYPICAL)	POWER COMPT DOOR LOCK/ UNLOCK RELAY (RIGHT SIDE)
DDY 12 YEL	OVERCURRENT PROTECTION (20A BREAKER TYPICAL)	POWER COMPT DOOR LOCK/ UNLOCK RELAY (LEFT SIDE)
DDZ 12 YEL	POWER COMPT DOOR LOCK SWITCH (LOCK) (PIN 1)	POWER COMPT DOOR LOCK RELAY (PIN 86)
EEA 12 WHT	POWER COMPT DOOR LOCK SWITCH (UNLOCK) (PIN 5)	POWER COMPT DOOR UNLOCK RELAY (PIN 86)
EEB 12 WHT	POWER COMPT DOOR LOCK RELAYS (LEFT SIDE)	GROUND
EEC 12 YEL	25 AMP BREAKER IN 12 VOLT PANEL	SOFA RECLINER SWITCH SOFA 4-WAY RECLINER
EED 12 WHT	SOFA RECLINER SWITCH SOFA 4-WAY RECLINER	GROUND
EEE 14 YEL	OVERCURRENT PROTECTION (15A BREAKER TYPICAL)	12V POWER JACK
EEF 14 WHT	12V POWER JACK	GROUND
EEG 12 WHT	POWER COMPT DOOR LOCK RELAYS (RIGHT SIDE)	GROUND
EEH 12 YEL	SOFA RECLINER SWITCH EXTEND	SOFA RECLINER MOTOR SOFA 4-WAY
EEJ 12 YEL	SOFA RECLINER SWITCH RETRACT	SOFA RECLINER MOTOR SOFA 4-WAY
E EK 16 YEL	AUDIO AMPLIFIER	LH FRT SPKR (+)
EEL 16 WHT	AUDIO AMPLIFIER	LH FRT SPKR (-)
EEM 16 YEL	AUDIO AMPLIFIER	RH FRT SPKR (+)

CODE GA/COLOR	FROM	TO
EEN 16 WHT	AUDIO AMPLIFIER	RH FRT SPKR (-)
E EP 16 YEL	AUDIO AMPLIFIER	LH RR SPKR (+)
EER 16 WHT	AUDIO AMPLIFIER	LH RR SPKR (-)
EES 16 YEL	AUDIO AMPLIFIER	RH RR SPKR (+)
EET 16 WHT	AUDIO AMPLIFIER	RH RR SPKR (-)
EEU 16 YEL	AUDIO AMPLIFIER	CTR CHANNEL SPKR (+)
EEW 16 WHT	AUDIO AMPLIFIER	CTR CHANNEL SPKR (-)
EEX 12/10 YEL	PASSENGER AUTO A/C FEED CIRCUIT	PASSENGER AUTO A/C BLOWER (USE 10 IF OVER 6')
E EY 10 WHT	PASSENGER AUTO A/C MOTOR	GROUND
EEZ 12/10 YEL	OVERCURRENT PROTECTION (30A BREAKER TYPICAL)	PASSENGER HI-SPEED HEATER FAN (USER 10 IF OVER 6')
FFA 10 YEL	PASSENGER HEATER BLOWER CIRCUIT BREAKER	PASSENGER HEATER BLOWER RELAY
FFB 10 YEL	OVERCURRENT PORTECTION (30A BREAKER TYPICAL)	POWER LOUNGE CHAIR
FFC 10 WHT	POWER LOUNGE CHAIR	GROUND
FFD 12 YEL	OVERCURRENT PROTECTION (30A BREAKER TYPICAL)	AWNING CONTROL BOX (12V POSITIVE)
FFE 12 WHT	AWNING CONTROL BOX	GROUND
FFF 12 YEL	AWNING CONTROL BOX	DOOR AWNING (MOTOR POSITIVE)

CODE GA/COLOR	FROM	TO
FFG 12 WHT	DOOR AWNING (MOTOR GROUND)	AWNING CONTROL BOX
FFH 12 YEL	AWNING CONTROL BOX	PATIO AWNING (MOTOR POSITIVE)
FFJ 12 WHT	PATIO AWNING (MOTOR GROUND)	AWNING CONTROL BOX
FFK 16 YEL	AWNING CONTROL BOX	DOOR AWNING SWITCH (EXTEND)
FFL 16 YEL	DOOR AWNING SWITCH (COMMON)	AWNING CONTROL BOX
FFM 16 YEL	AWNING CONTROL BOX	DOOR AWNING SWITCH (RETRACT)
FFN 16 YEL	AWNING CONTROL BOX	PATIO AWNING SWITCH (EXTEND)
FFP 16 YEL	PATIO AWNING SWITCH (COMMON)	AWNING CONTROL BOX
FFR 16 YEL	AWNING CONTROL BOX	PATIO AWNING SWITCH (RETRACT)
FFS 14 WHT	RELAY (PIN 30)	AWNING CONTROL BOX
FFT 14 WHT	PATIO AWNING SWITCH	AWNING CONTROL BOX
FFU 16 YEL	AWNING SELECTOR SWITCH (DOOR AWNING)	AWNING CONTROL SWITCH (DOOR AWNING)
FFV 16 YEL	AWNING SELECTOR SWITCH (PATIO AWNING)	AWNING CONTROL SWITCH (PATIO AWNING)
FFW 14 YEL	LOUNGE LAMPS SWITCH #1	LOUNGE LAMPS SWITCH #2
FFX 14 YEL	LOUNGE LAMPS SWITCH #1	LOUNGE LAMPS SWITCH #2
FFY 14 YEL	CEILING FAN SWITCH	CEILING FAN

CODE GA/COLOR	FROM	TO
FFZ 14 YEL	OVERCURRENT PROTECTION (15A FUSE/BREAKER TYPICAL)	COACH LIGHTING, ETC CIRCUIT #7 (REF GGA)
GGA 14 WHT	COACH LIGHTING (REF-FFZ)	GROUND
GGB 14 YEL	POWER LIFT VENT	POWER LIFT SWITCH (UP)
GGC 14 YEL	POWER LIFT VENT	POWER LIFT SWITCH (DOWN)
GGD 16 YEL	CONTROL MODULE	OPERATOR PANEL (STOP)
GGE 16 YEL	CONTROL MODULE	OPERATOR PANEL (GRN LED)
GGF 16 YEL	CONTROL MODULE	OPERATOR PANEL (RED LED)
GGG 16 YEL	CONTROL MODULE	FRONT ENCODER (SIGNAL)
GGH 16 YEL	CONTROL MODULE	FRONT ENCODER (+)
GGJ 16 WHT	CONTROL MODULE	FRONT ENCODER (-)
G GK 16 YEL	CONTROL MODULE	REAR ENCODER (SIGNAL)
GGL 16 YEL	CONTROL MODULE	REAR ENCODER (+)
GGM 16 WHT	CONTROL MODULE	REAR ENCODER (-)
GGN 12 YEL	CONTROL MODULE	SLIDEOUT ACTUATOR DRIVE LEAD #1
GGP 12 YEL	CONTROL MODULE	SLIDEOUT ACTUATOR DRIVE LEAD #2
GGR 16 YEL	FRONT ROOF HEAT PUMP	THERMOSTAT (W TERMINAL)

CODE GA/COLOR	FROM	TO
GGG 16 YEL	REAR ROOF HEAT PUMP	THERMOSTAT (W TERMINAL)
GGT 12 YEL	SOFA RECLINER SWITCH EXTEND	SOFA RECLINER MOTOR SOFA 4-WAY
GGU 12 YEL	SOFA RECLINER SWITCH RETRACT	SOFA RECLINER MOTOR SOFA 4-WAY
GGV 14 WHT	GPS (BLACK WIRE)	GROUND
GGW 16 YEL	GPS (GREEN/WHITE WIRE)	VEHICLE SPEED SENSOR (CHASSIS SUPPLIED)
GGX 14 YEL	10 OHM RESISTOR *	BEDROOM CEILING FAN (LOW SPEED)
GGY 14 YEL	BATHROOM VENT SWITCH	BATHROOM VENT
GGZ 14 YEL	BEDROOM VENT SWITCH	BEDROOM VENT
HHA 14 YEL	OVERCURRENT PROTECTION (15A FUSE/BREAKER TYPICAL)	COACH VENTS/LAMPS (REF HHB)
HHB 14 WHT	COACH VENTS/LAMPS (REF HHA)	GROUND
HHC 12 YEL	STEP COVER SWITCH	STEP COVER MOTOR
HHD 12 YEL	STEP COVER SWITCH	STEP COVER MOTOR
HHE 16 YEL	SLIDEOUT ROOM SWITCH (ROOM THREE EXTEND)	HWH WIRING (ROOM THREE EXTEND)
HHF 16 YEL	SLIDEOUT ROOM SWITCH (ROOM THREE RETRACT)	HWH WIRING (ROOM THREE RETRACT)
HHG 16 YEL	SLIDEOUT ROOM SWITCH (ROOM FOUR EXTEND)	HWH WIRING (ROOM FOUR EXTEND)
HHH 16 YEL	SLIDEOUT ROOM SWITCH (ROOM FOUR RETRACT)	SLIDEOUT ROOM SWITCH (ROOM FOUR RETRACT)

CODE GA/COLOR	FROM	TO
HHJ 14 YEL	110V WATER HEATER TRIGGER SWITCH	WATER HEATER RELAY
HHK 16 YEL	DRIVER'S POWER SUNVISOR SWITCH	DRIVER'S POWER SUNVISOR
HHL 16 YEL	DRIVER'S POWER SUNVISOR SWITCH	DRIVER'S POWER SUNVISOR
HHM 16 YEL	PASS POWER SUNVISOR SWITCH	PASS POWER SUNVISOR
HHN 16 YEL	PASS POWER SUNVISOR SWITCH	PASS POWER SUNVISOR
HHP 14 YEL	HOT WATER HEAT CONTROL BOARD (F1)	ZONE 1 FAN SPEED SWITCH
HHR 14 YEL	ZONE 1 FAN SPEED SWITCH	ZONE 1 AIR FAN HEATER
HHS 16 YEL	HOT WATER HEAT CONTROL BOARD (TC)	ZONE 2 & 3 THERMOSTAT
HHT 16 YEL	HOT WATER HEAT CONTROL BOARD (T2)	ZONE 2 THERMOSTAT
HHU 14 YEL	HOT WATER HEAT CONTROL BOARD (F2)	ZONE 2 FAN SPEED SWITCH
HHV 14 YEL	ZONE 2 FAN SPEED SWITCH	ZONE 2 AIR FAN HEATER
HHW 16 YEL	HOT WATER HEAT CONTROL BOARD (T3)	ZONE 3 THERMOSTAT
HHX 14 YEL	HOT WATER HEAT CONTROL BOARD (F3)	ZONE 3 AIR FAN HEATER
HHY 16 WHT	AWNING CONTROL BOX	WIND SENSOR (NEGATIVE)
HHZ 16 YEL	AWNING CONTROL BOX	WIND SENSOR (POSITIVE)
JJA 16 YEL	AWNING CONTROL BOX	WIND SENSOR TEMPERATURE OUTPUT

CODE GA/COLOR	FROM	TO
JJB 16 YEL	AWNING CONTROL BOX	WIND SENSOR SPEED OUTPUT