



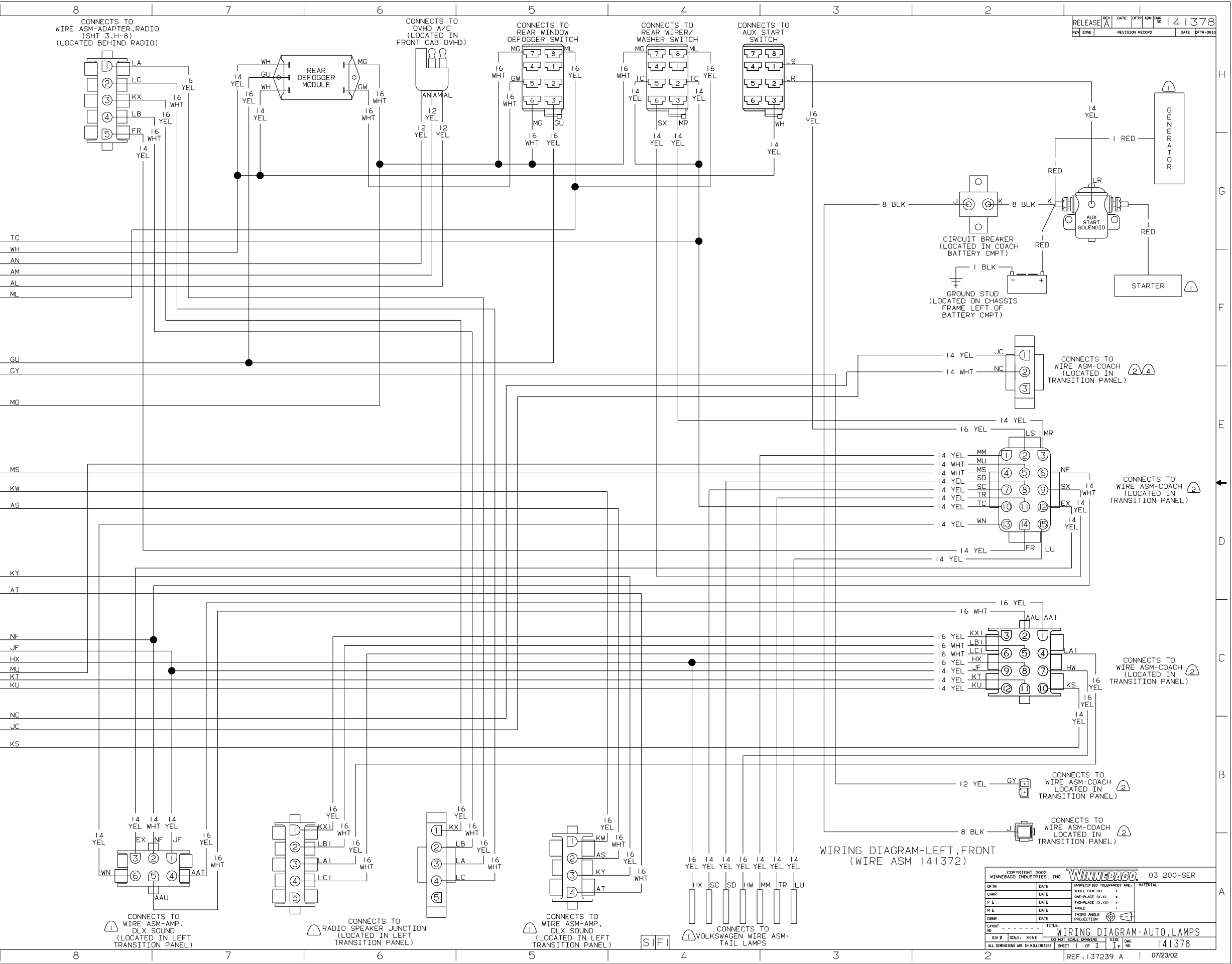
DANGER

Danger of electrical shock, burns or death. Always remove all power sources before attempting any repair, service or diagnostic work. Power can be present from shore power, generator, inverter or battery. All power sources must be disabled and secured before performing any service.



CAUTION

If you lack the skills, tools or equipment to perform diagnostic or repair work leave such work to an authorized Winnebago Industries dealer or other qualified shop.



CONNECTS TO WIRE ASM-ADAPTER,RADIO (SHT 3,H-8) (LOCATED BEHIND RADIO)

CONNECTS TO OVHD A/C (LOCATED IN FRONT CAB OVHD)

CONNECTS TO REAR WINDOW DEFOGGER SWITCH

CONNECTS TO REAR WIPER/WASHER SWITCH

CONNECTS TO AUX START SWITCH

CIRCUIT BREAKER (LOCATED IN COACH BATTERY CMPT)
 GROUND STUD (LOCATED ON CHASSIS FRAME LEFT OF BATTERY CMPT)

STARTER

GENERATOR

CONNECTS TO WIRE ASM-COACH (LOCATED IN TRANSITION PANEL)

CONNECTS TO WIRE ASM-COACH (LOCATED IN TRANSITION PANEL)

CONNECTS TO WIRE ASM-COACH (LOCATED IN TRANSITION PANEL)

CONNECTS TO WIRE ASM-COACH (LOCATED IN TRANSITION PANEL)

CONNECTS TO WIRE ASM-COACH (LOCATED IN TRANSITION PANEL)

WIRING DIAGRAM-LEFT,FRONT (WIRE ASM 141372)

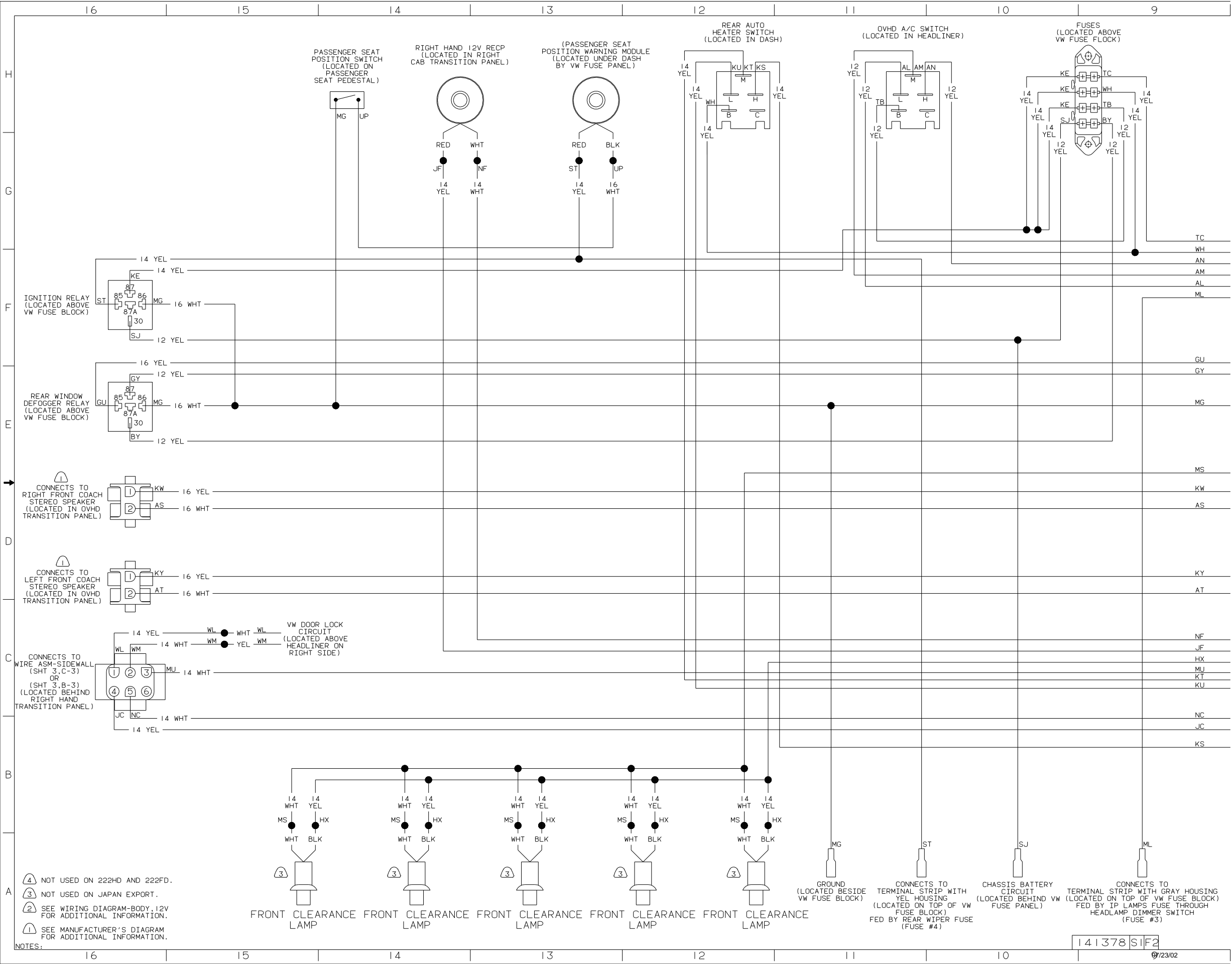
CONNECTS TO WIRE ASM-AMP, DLX SOUND (LOCATED IN LEFT TRANSITION PANEL)

CONNECTS TO RADIO SPEAKER JUNCTION (LOCATED IN LEFT TRANSITION PANEL)

CONNECTS TO WIRE ASM-AMP, DLX SOUND (LOCATED IN LEFT TRANSITION PANEL)

CONNECTS TO VOLKSWAGEN WIRE ASM-TAIL LAMPS

COPYRIGHT 2002 WINNEBAGO INDUSTRIES, INC. WINNEBAGO 03 200-SER	
DATE	UNSPECIFIED TOLERANCES ARE:
DATE	ANGLE
DATE	ONE-PLACE (X.X)
DATE	TWO-PLACE (X.XX)
DATE	THIRD ANGLE PROJECTION
DATE	THIRD ANGLE PROJECTION
TITLE: WIRING DIAGRAM-AUTO,LAMPS	
LAYOUT NO	SIZE
DIA #	SCALE: NONE
DO NOT SCALE DIMENSIONS	NO
ALL DIMENSIONS ARE IN MILLIMETERS	SHEET 1 OF 3
REF: 137239 A	07/23/02



- NOTES:
- ④ NOT USED ON 222HD AND 222FD.
 - ③ NOT USED ON JAPAN EXPORT.
 - ② SEE WIRING DIAGRAM-BODY, 12V FOR ADDITIONAL INFORMATION.
 - ① SEE MANUFACTURER'S DIAGRAM FOR ADDITIONAL INFORMATION.

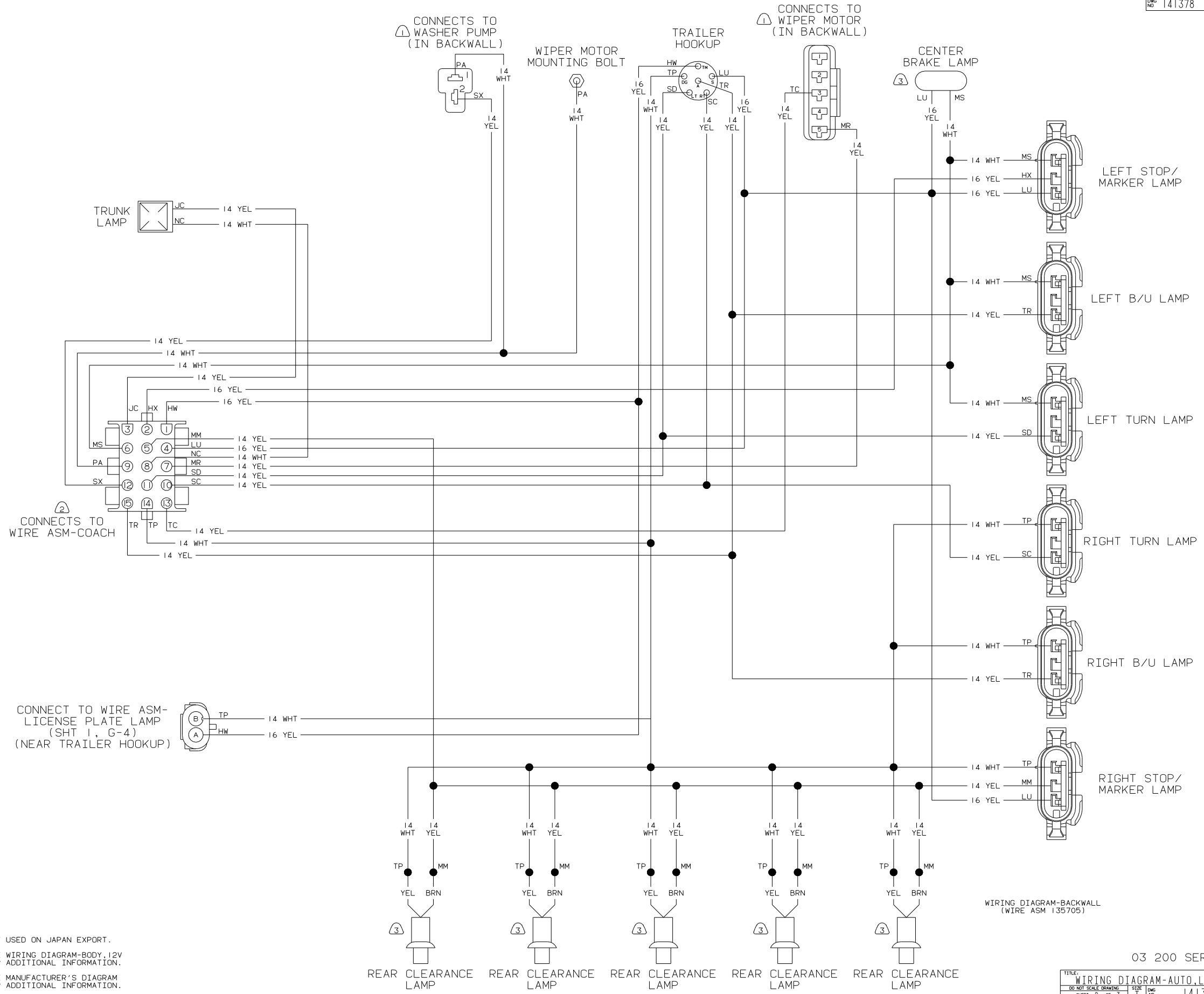
FRONT CLEARANCE LAMP FRONT CLEARANCE LAMP FRONT CLEARANCE LAMP FRONT CLEARANCE LAMP FRONT CLEARANCE LAMP

GROUND
(LOCATED BESIDE
VW FUSE BLOCK)

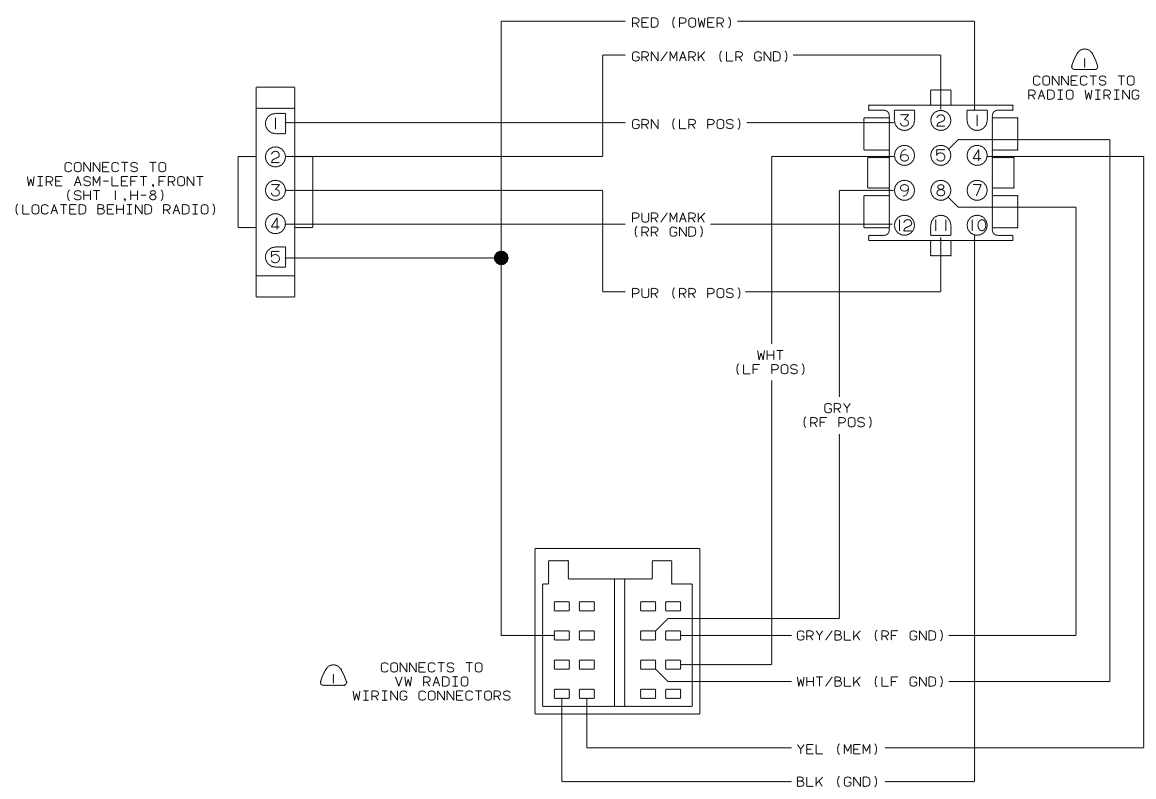
CONNECTS TO
TERMINAL STRIP WITH
YEL HOUSING
(LOCATED ON TOP OF VW
FUSE BLOCK)
FED BY REAR WIPER FUSE
(FUSE #4)

CHASSIS BATTERY
CIRCUIT
(LOCATED BEHIND VW
FUSE PANEL)

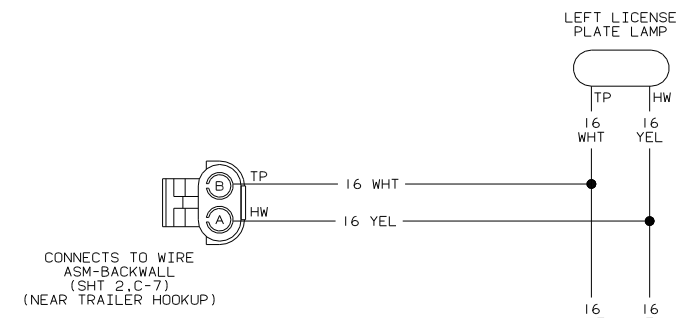
CONNECTS TO
TERMINAL STRIP WITH GRAY HOUSING
(LOCATED ON TOP OF VW FUSE BLOCK)
FED BY IP LAMPS FUSE THROUGH
HEADLAMP DIMMER SWITCH
(FUSE #3)



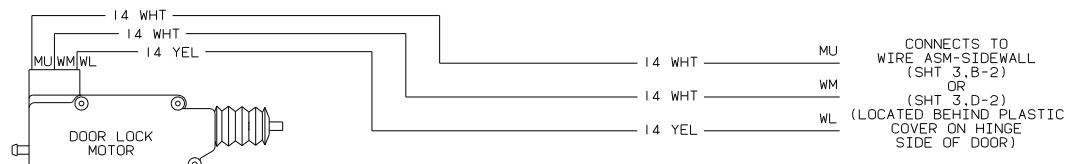
- NOTES:
- ③ NOT USED ON JAPAN EXPORT.
 - ② SEE WIRING DIAGRAM-BODY, 12V FOR ADDITIONAL INFORMATION.
 - ① SEE MANUFACTURER'S DIAGRAM FOR ADDITIONAL INFORMATION.



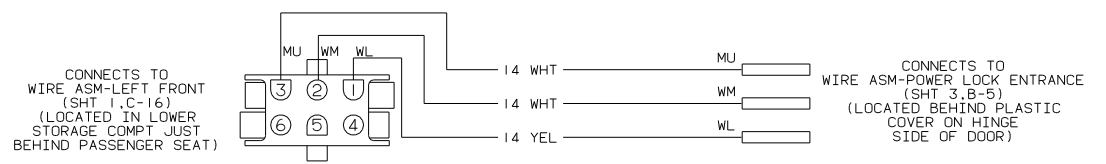
WIRING DIAGRAM-ADAPTER,RADIO (WIRE ASM 114365-02)



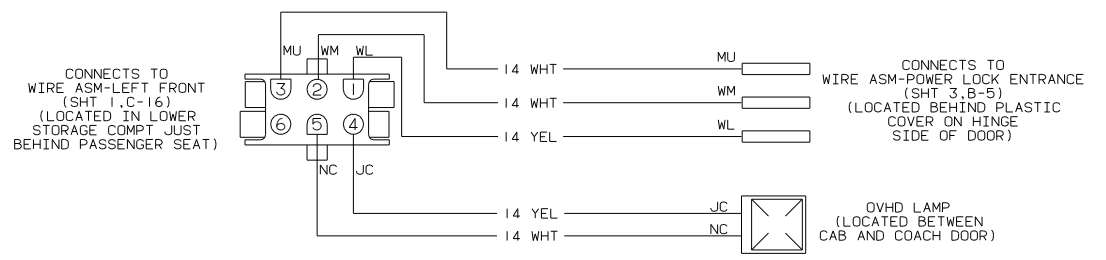
WIRING DIAGRAM LICENSE PLATE LAMPS (WIRE ASM 113731-02 US/CA) (WIRE ASM-113731-01 JAPAN EXPORT)



WIRING DIAGRAM-POWER LOCK ENTRANCE (WIRE ASM 93057-04)



WIRING DIAGRAM-SIDEWALL (WIRE ASM 135846-01) 222HD & 222FD ONLY



WIRING DIAGRAM-SIDEWALL (WIRE ASM 135846-02) 222GD ONLY

NOTES: SEE MANUFACTURER'S DIAGRAM FOR ADDITIONAL INFORMATION.