



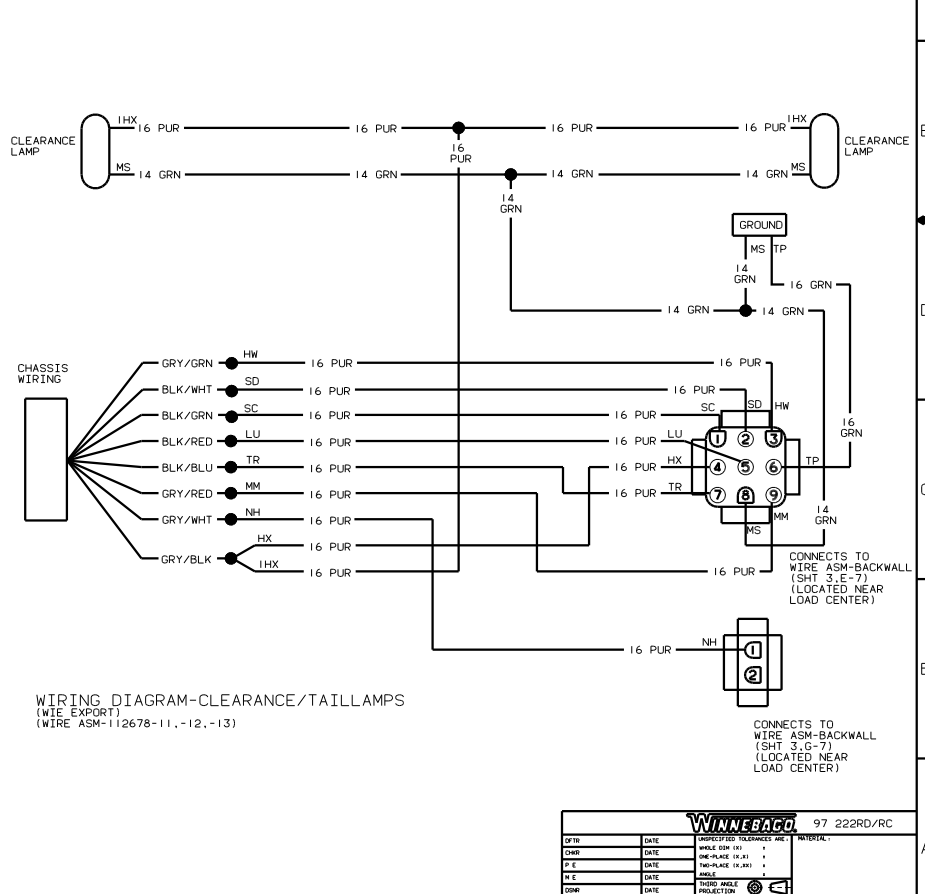
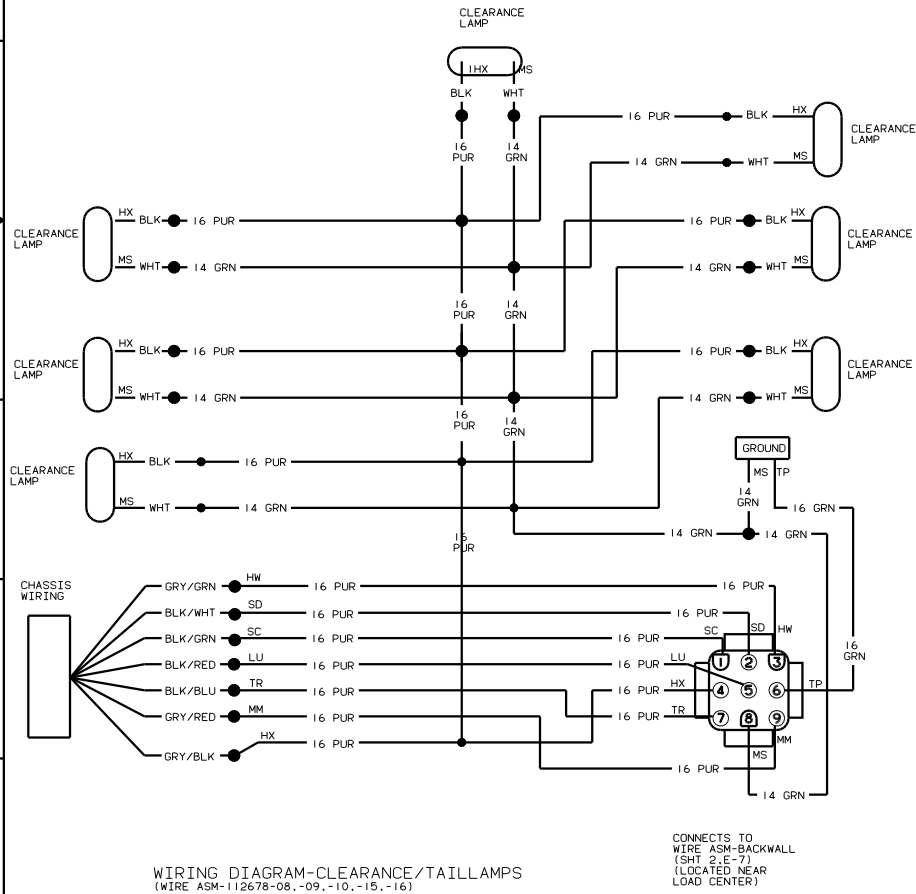
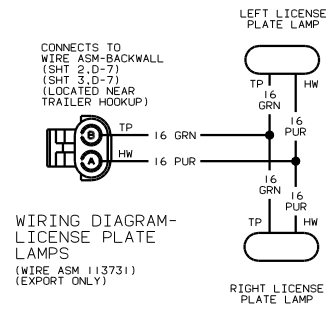
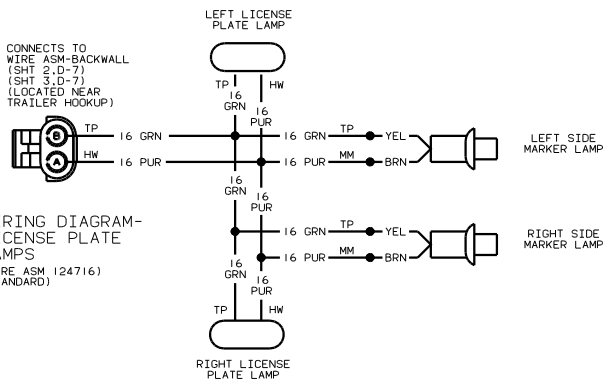
**DANGER**

**Danger of electrical shock, burns or death.** Always remove all power sources before attempting any repair, service or diagnostic work. Power can be present from shore power, generator, inverter or battery. All power sources must be disabled and secured before performing any service.



**CAUTION**

If you lack the skills, tools or equipment to perform diagnostic or repair work leave such work to an authorized Winnebago Industries dealer or other qualified shop.

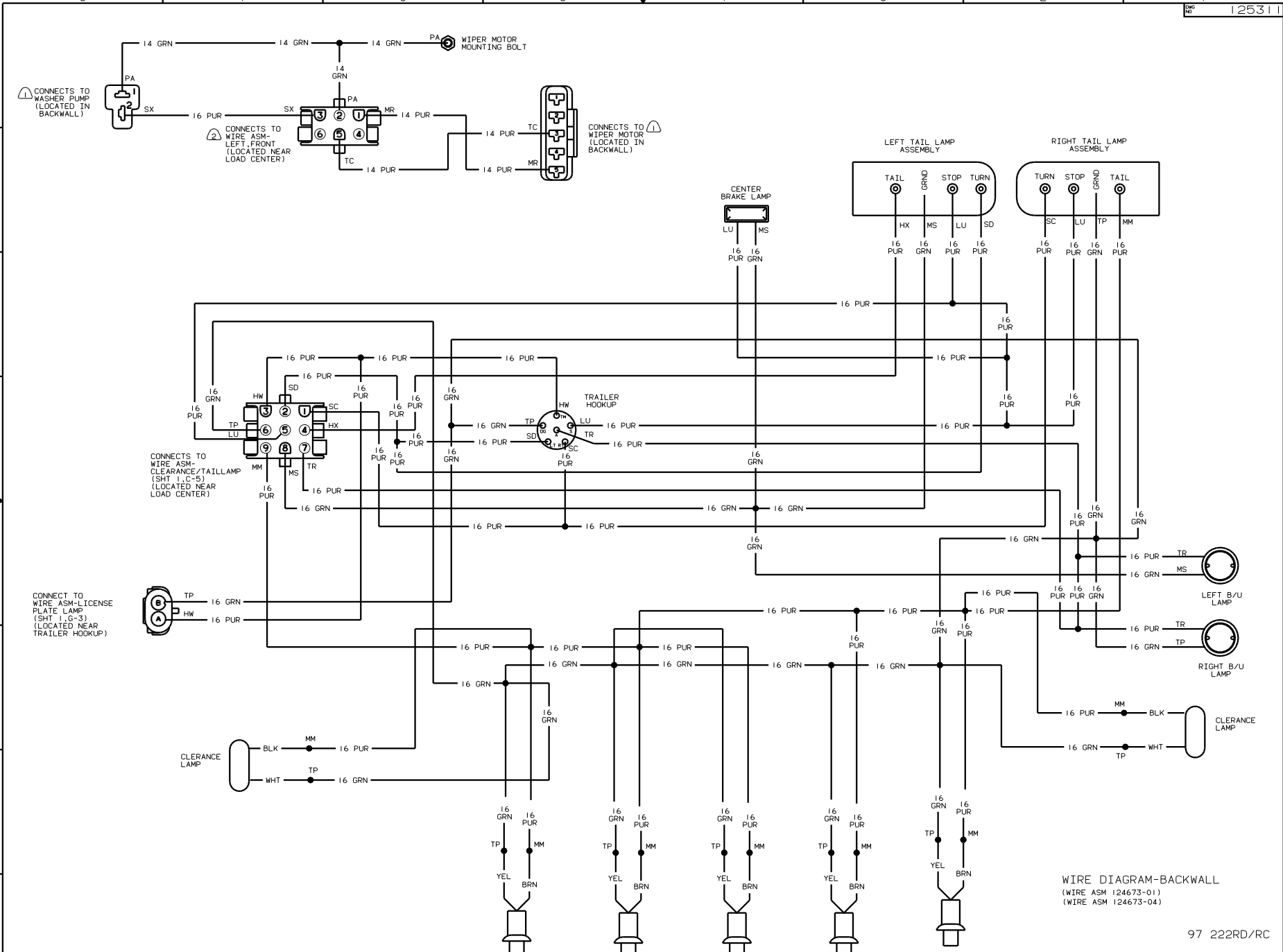


OF IN		DATE	UNSPECIFIED TOLERANCES ARE:	INVERTICAL
CHP	DATE	ONE-PLACE (19.21)		
PIE	DATE	ONE-PLACE (19.20)		
P/E	DATE	ANGLE		
CDR	DATE	THIRD ANGLE PROJECTION		
LAYOUT NO. -----		TITLE		
REV #		SCALE	NOTE	DO NOT SCALE DIMENSIONS
ALL DIMENSIONS ARE IN MILLIMETERS		SHEET 1	OF 3	1.6

WINNEBAGO 97 222RD/RC

WIRING DIAGRAM-AUTO LAMPS

125311

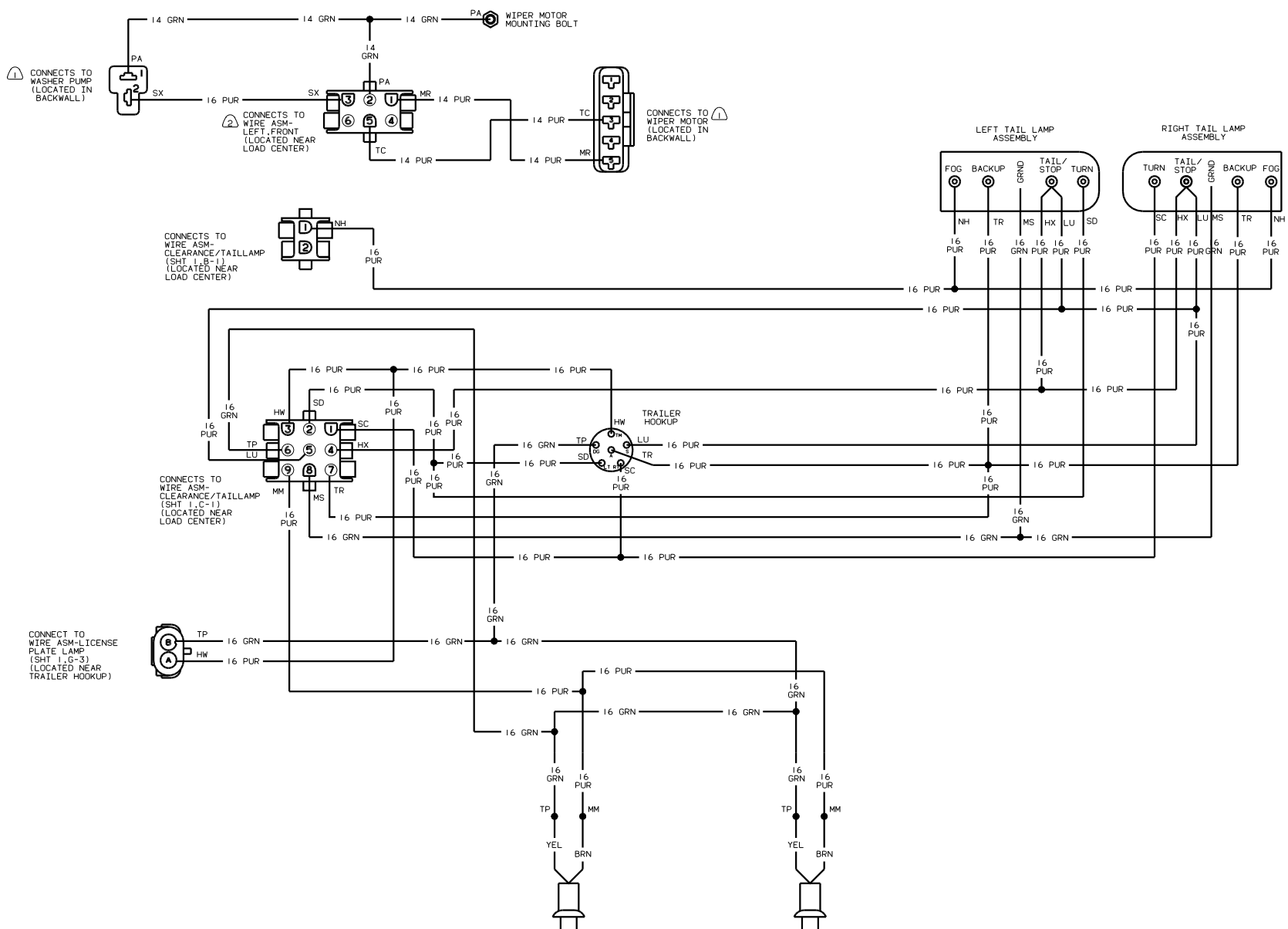


WIRE DIAGRAM-BACKWALL  
 (WIRE ASM 124673-01)  
 (WIRE ASM 124673-04)

97 222RD/RC

- ② SEE WIRING DIAGRAM-BODY FOR ADDITIONAL INFORMATION.
- ① SEE MANUFACTURER'S DIAGRAM FOR ADDITIONAL INFORMATION.

FILE NO	WIRING DIAGRAM-AUTO LAMPS
DO NOT SCALE DRAWING	REV 1.0
SHEET 2 OF 3	125311



WIRE DIAGRAM-BACKWALL  
(WIE EXPORT)  
(WIRE ASM 124673-02)

NOTES:

(2) SEE WIRING DIAGRAM-BODY FOR ADDITIONAL INFORMATION.

(1) SEE MANUFACTURER'S DIAGRAM FOR ADDITIONAL INFORMATION.

TITLE		WIRING DIAGRAM-AUTO LAMPS	
DATE	BY	DATE	BY
11/16/05	J.E.	11/16/05	J.E.
SHEET 3 OF 3		125311	