



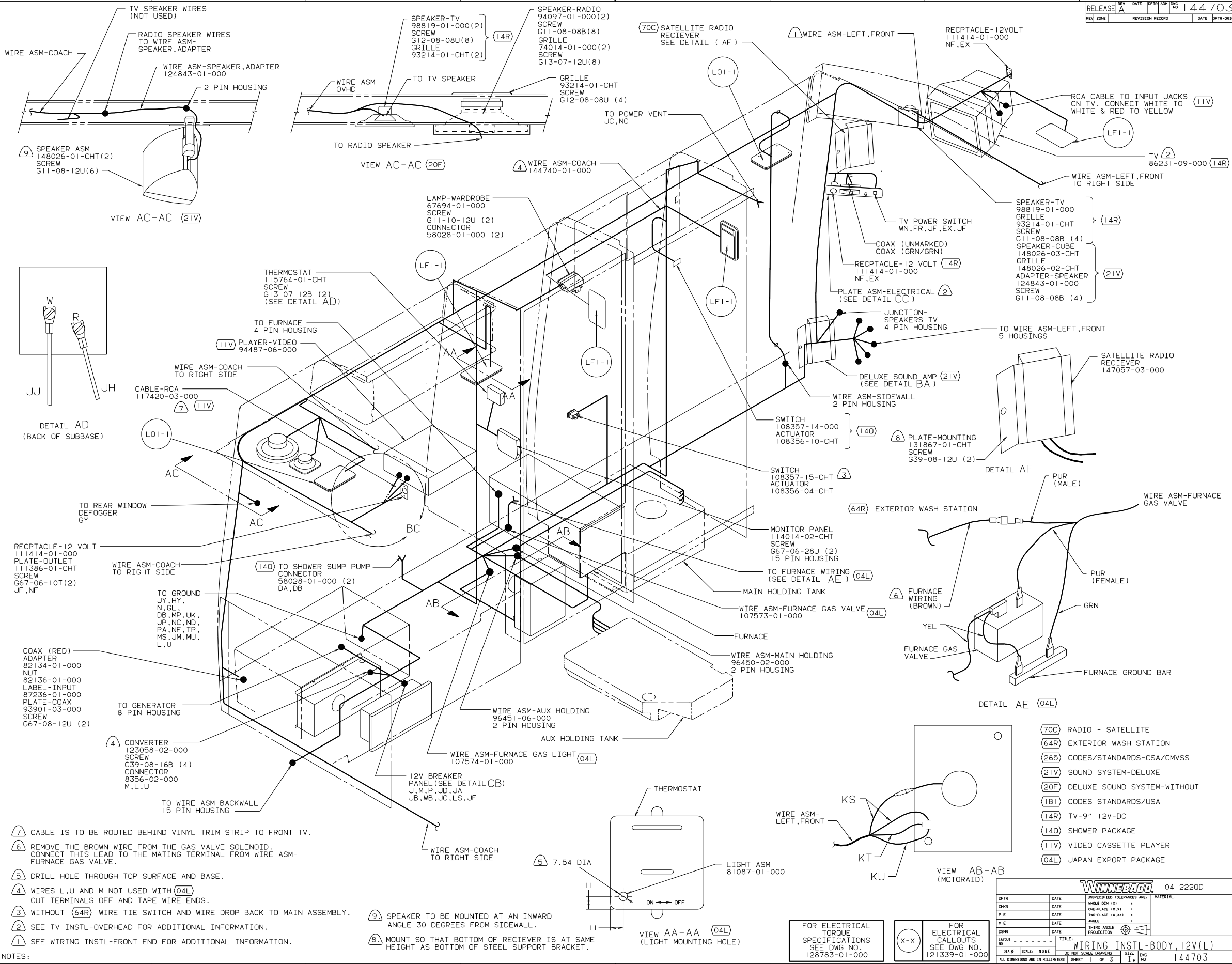
DANGER

Danger of electrical shock, burns or death. Always remove all power sources before attempting any repair, service or diagnostic work. Power can be present from shore power, generator, inverter or battery. All power sources must be disabled and secured before performing any service.



CAUTION

If you lack the skills, tools or equipment to perform diagnostic or repair work leave such work to an authorized Winnebago Industries dealer or other qualified shop.



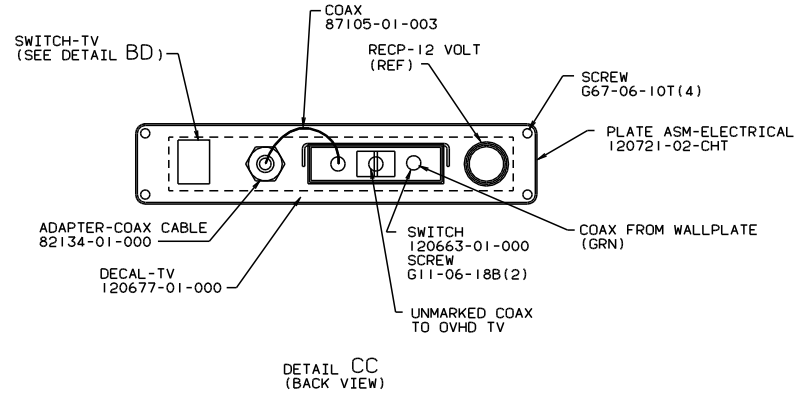
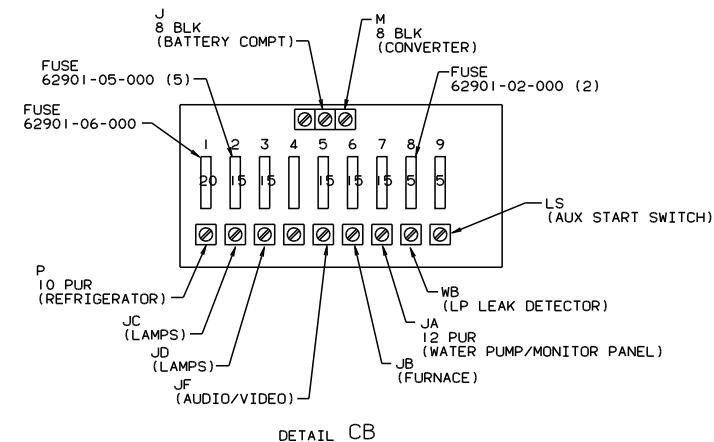
- NOTES:
- 7 CABLE IS TO BE ROUTED BEHIND VINYL TRIM STRIP TO FRONT TV.
 - 6 REMOVE THE BROWN WIRE FROM THE GAS VALVE SOLENOID. CONNECT THIS LEAD TO THE MATING TERMINAL FROM WIRE ASM-FURNACE GAS VALVE.
 - 5 DRILL HOLE THROUGH TOP SURFACE AND BASE.
 - 4 WIRES L,U AND M NOT USED WITH (04L) CUT TERMINALS OFF AND TAPE WIRE ENDS.
 - 3 WITHOUT (64R) WIRE TIE SWITCH AND WIRE DROP BACK TO MAIN ASSEMBLY.
 - 2 SEE TV INSTL-OVERHEAD FOR ADDITIONAL INFORMATION.
 - 1 SEE WIRING INSTL-FRONT END FOR ADDITIONAL INFORMATION.

- 9 SPEAKER TO BE MOUNTED AT AN INWARD ANGLE 30 DEGREES FROM SIDEWALL.
- 8 MOUNT SO THAT BOTTOM OF RECIEVER IS AT SAME HEIGHT AS BOTTOM OF STEEL SUPPORT BRACKET.

FOR ELECTRICAL TORQUE SPECIFICATIONS SEE DWG NO. 128783-01-000

FOR ELECTRICAL CALLOUTS SEE DWG NO. 121339-01-000

WINNERGO		04 2220D
DATE	UNSPECIFIED TOLERANCES ARE:	MATERIAL:
CHGR	ANGLE DIM (X)	
P E	ONE-PLACE (X,X)	
M E	TWO-PLACE (X,XX)	
DNDR	THIRD ANGLE PROJECTION	
LAYOUT NO.	TITLE:	
DIA #	SCALE: NONE	DO NOT SCALE DIMENSIONS
		SIZE: DWG NO. 144703
		SHEET 1 OF 3



FOR ELECTRICAL TORQUE SPECIFICATIONS SEE DWG NO. 128783-01-000

- (265) CODES/STANDARDS-CSA/CMVSS
- (1B1) CODES STANDARDS/USA
- (04L) JAPAN EXPORT PACKAGE
- (1B1) (265) (04L) 04 2220D

TITLE		WIRING INSTL-BODY, 12V(EXT)	
DD	REV	DATE	NO
3	3		144703

NOTES: