



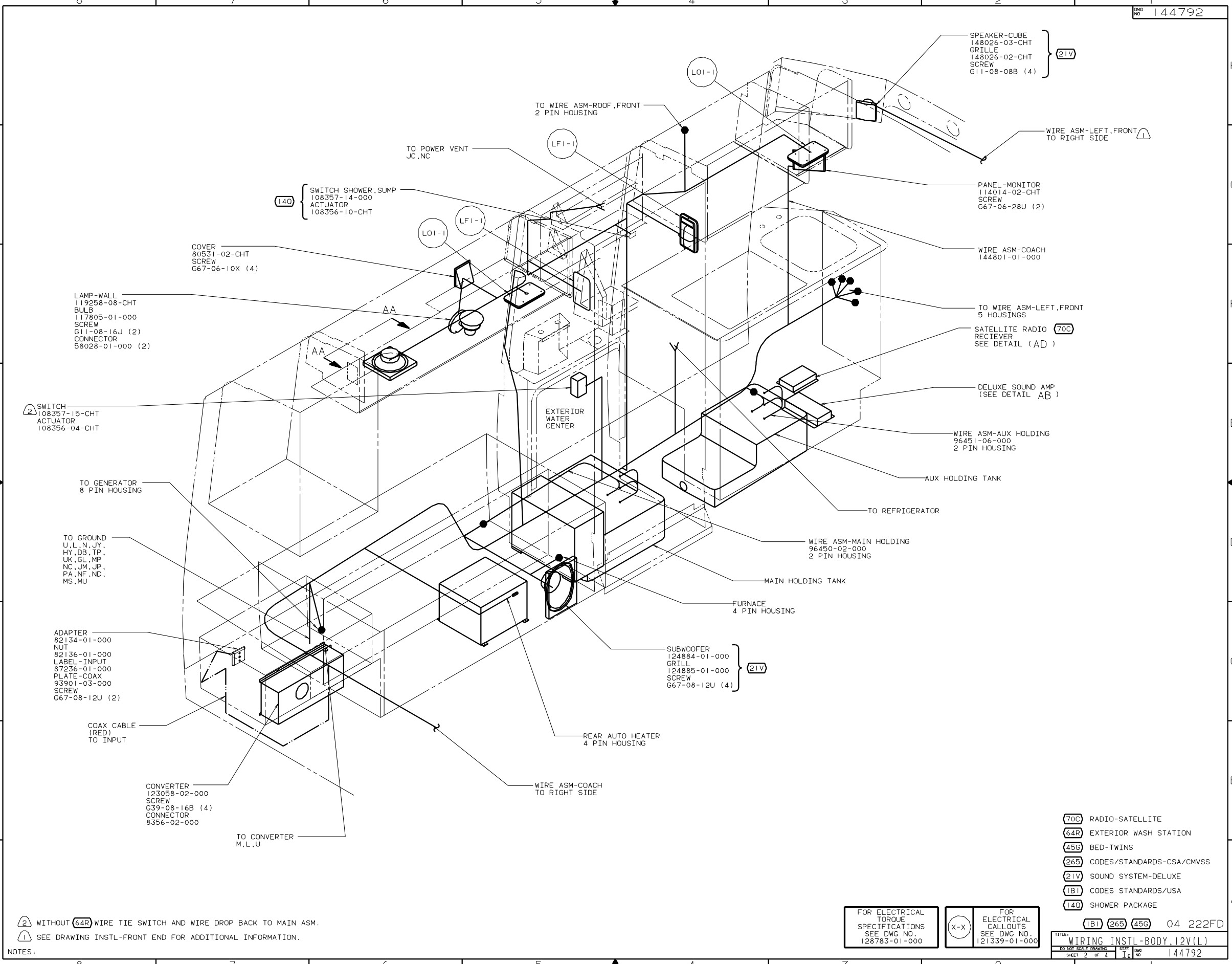
DANGER

Danger of electrical shock, burns or death. Always remove all power sources before attempting any repair, service or diagnostic work. Power can be present from shore power, generator, inverter or battery. All power sources must be disabled and secured before performing any service.



CAUTION

If you lack the skills, tools or equipment to perform diagnostic or repair work leave such work to an authorized Winnebago Industries dealer or other qualified shop.



(140) SWITCH SHOWER, SUMP
108357-14-000
ACTUATOR
108356-10-CHT

SPEAKER-CUBE
148026-03-CHT
GRILLE
148026-02-CHT
SCREW
G11-08-08B (4) (21V)

LAMP-WALL
119258-08-CHT
BULB
117805-01-000
SCREW
G11-08-16J (2)
CONNECTOR
58028-01-000 (2)

(2) SWITCH
108357-15-CHT
ACTUATOR
108356-04-CHT

PANEL-MONITOR
114014-02-CHT
SCREW
G67-06-28U (2)

COVER
80531-02-CHT
SCREW
G67-06-10X (4)

WIRE ASM-COACH
144801-01-000

TO WIRE ASM-LEFT, FRONT
5 HOUSINGS

SATELLITE RADIO
RECIEVER
SEE DETAIL (AD) (70C)

DELUXE SOUND AMP
(SEE DETAIL AB)

WIRE ASM-AUX HOLDING
96451-06-000
2 PIN HOUSING

AUX HOLDING TANK

TO REFRIGERATOR

WIRE ASM-MAIN HOLDING
96450-02-000
2 PIN HOUSING

MAIN HOLDING TANK

FURNACE
4 PIN HOUSING

SUBWOOFER
124884-01-000
GRILLE
124885-01-000
SCREW
G67-08-12U (4) (21V)

REAR AUTO HEATER
4 PIN HOUSING

WIRE ASM-COACH
TO RIGHT SIDE

CONVERTER
123058-02-000
SCREW
G39-08-16B (4)
CONNECTOR
8356-02-000

TO CONVERTER
M.L.U

COAX CABLE
(RED)
TO INPUT

ADAPTER
82134-01-000
NUT
82136-01-000
LABEL-INPUT
87236-01-000
PLATE-COAX
93901-03-000
SCREW
G67-08-12U (2)

TO GROUND
U.L., N.J.,
HY, DB, TP,
UK, GL, MP,
NC, JM, JP,
PA, NF, ND,
MS, MU

TO GENERATOR
8 PIN HOUSING

TO POWER VENT
JC, NC

TO WIRE ASM-ROOF, FRONT
2 PIN HOUSING

WIRE ASM-LEFT, FRONT
TO RIGHT SIDE (1)

- (70C) RADIO-SATELLITE
- (64R) EXTERIOR WASH STATION
- (45G) BED-TWINS
- (265) CODES/STANDARDS-CSA/CMVSS
- (21V) SOUND SYSTEM-DELUXE
- (1B1) CODES STANDARDS/USA
- (140) SHOWER PACKAGE

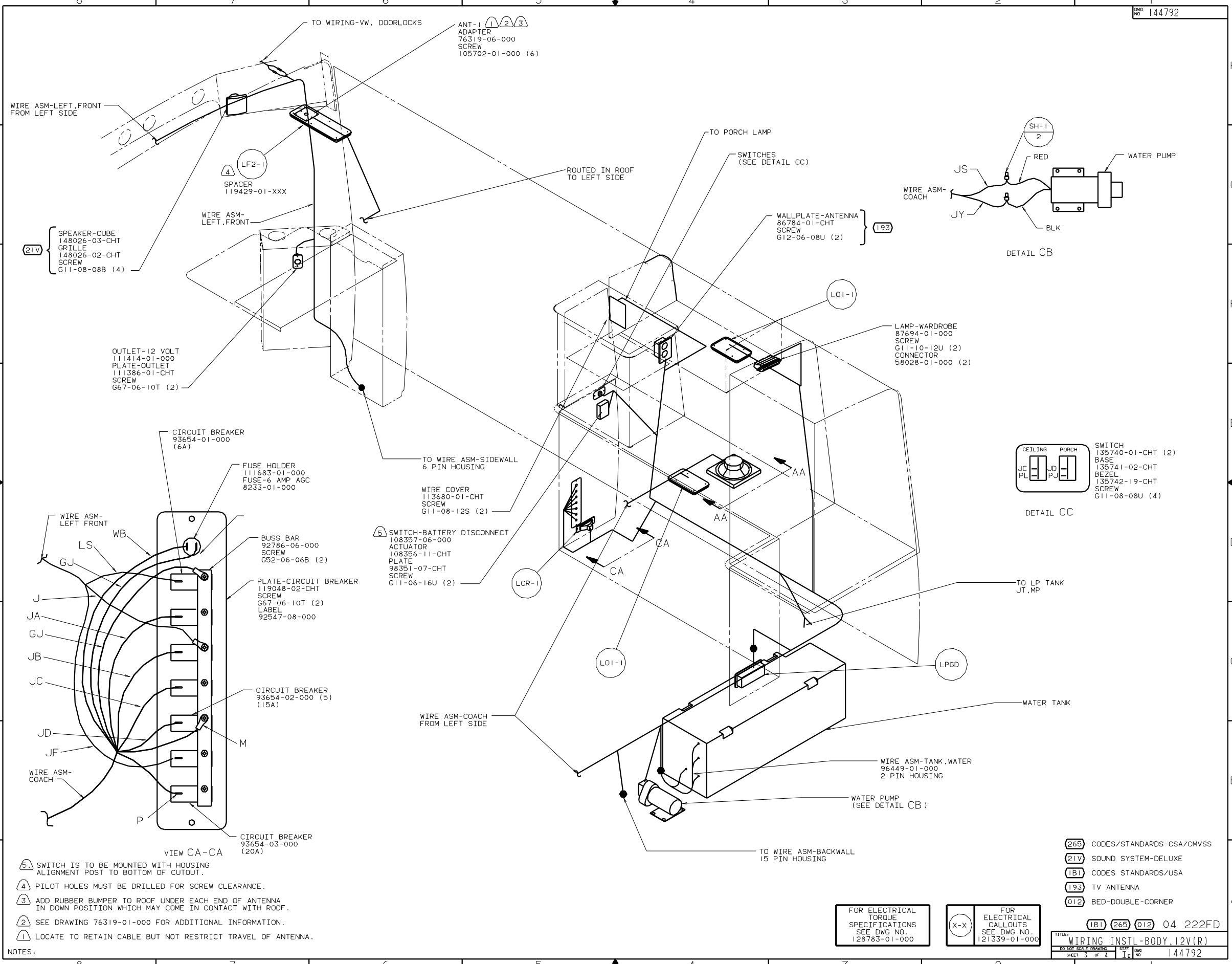
(2) WITHOUT (64R) WIRE TIE SWITCH AND WIRE DROP BACK TO MAIN ASM.
 (1) SEE DRAWING INSTL-FRONT END FOR ADDITIONAL INFORMATION.

FOR ELECTRICAL
TORQUE
SPECIFICATIONS
SEE DWG NO.
128783-01-000

FOR
ELECTRICAL
CALLOUTS
SEE DWG NO.
121339-01-000

(1B1) (265) (45G) 04 222FD

TITLE: WIRING INSTL-BODY, 12V(L)
 DWG NO 144792
 SHEET 2 OF 4

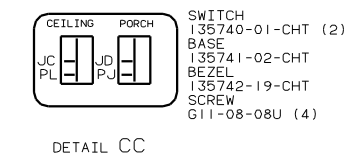
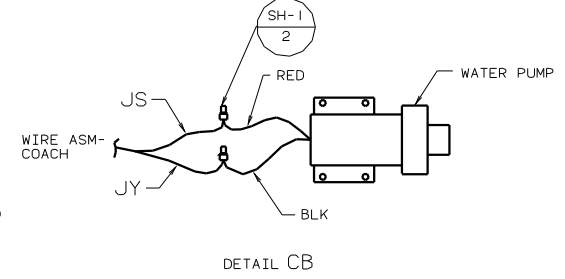


- (21V) SPEAKER-CUBE 148026-03-CHT
GRILLE 148026-02-CHT
SCREW G11-08-08B (4)

WIRE ASM-LEFT, FRONT FROM LEFT SIDE

LF2-1
SPACER 119429-01-XXX

ANT-1
ADAPTER 76319-06-000
SCREW 105702-01-000 (6)

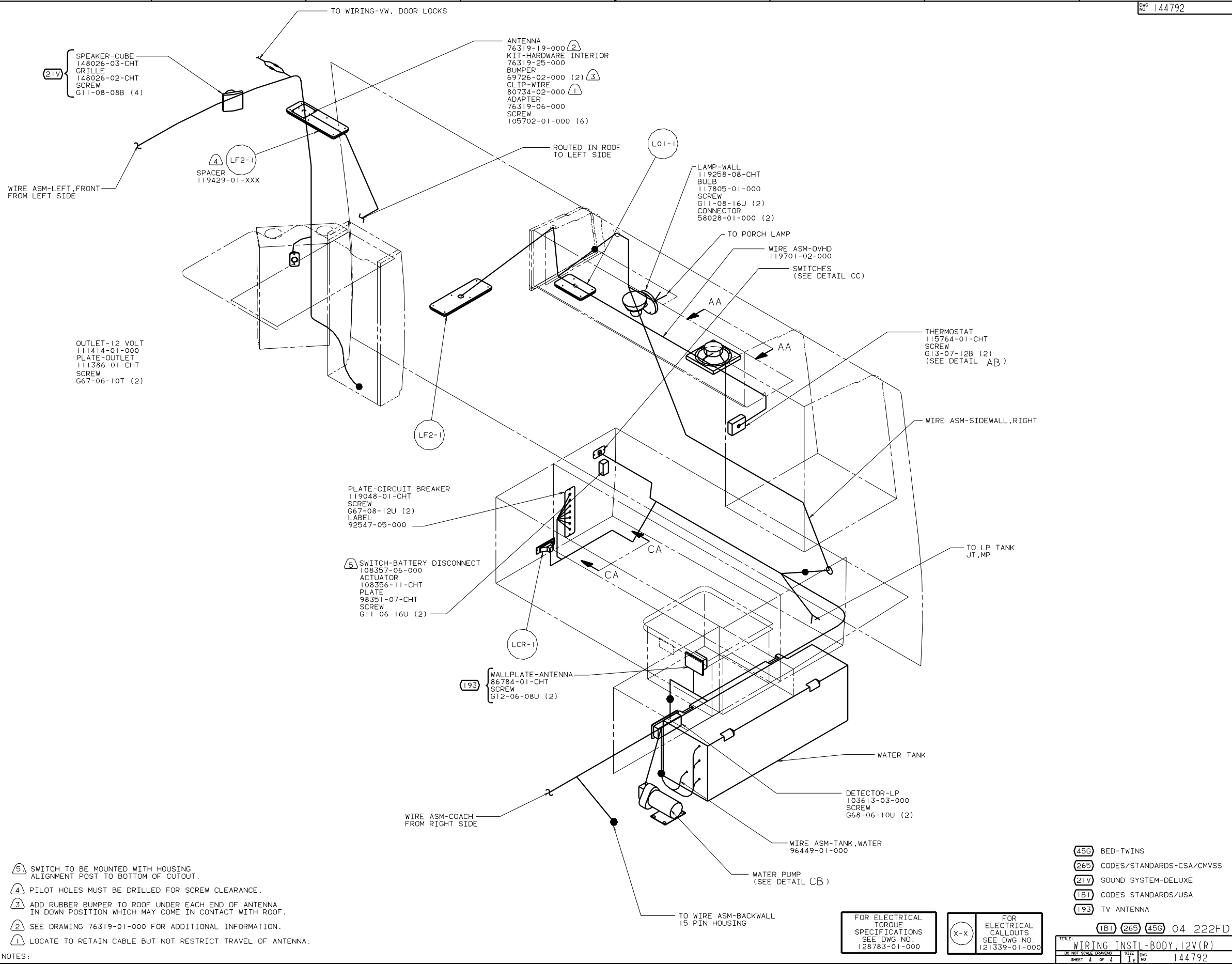


- NOTES:
- (5) SWITCH IS TO BE MOUNTED WITH HOUSING ALIGNMENT POST TO BOTTOM OF CUTOUT.
 - (4) PILOT HOLES MUST BE DRILLED FOR SCREW CLEARANCE.
 - (3) ADD RUBBER BUMPER TO ROOF UNDER EACH END OF ANTENNA IN DOWN POSITION WHICH MAY COME IN CONTACT WITH ROOF.
 - (2) SEE DRAWING 76319-01-000 FOR ADDITIONAL INFORMATION.
 - (1) LOCATE TO RETAIN CABLE BUT NOT RESTRICT TRAVEL OF ANTENNA.

FOR ELECTRICAL TORQUE SPECIFICATIONS SEE DWG NO. 128783-01-000

FOR ELECTRICAL CALLOUTS SEE DWG NO. 121339-01-000

- (265) CODES/STANDARDS-CSA/CMVSS
- (21V) SOUND SYSTEM-DELUXE
- (1B1) CODES STANDARDS/USA
- (193) TV ANTENNA
- (012) BED-DOUBLE-CORNER



(21V) SPEAKER-CUBE
148026-03-CHT
GRILLE
148026-02-CHT
SCREW
G11-08-08B (4)

ANTENNA
76319-19-000 (2) (2)
KIT-HARDWARE INTERIOR
76319-25-000
BUMPER
69726-02-000 (2) (3)
CLIP-WIRE
80734-02-000 (1)
ADAPTER
76319-06-000
SCREW
105702-01-000 (6)

(4) L02-1
SPACER
119429-01-XXX

WIRE ASM-LEFT,FRONT
FROM LEFT SIDE

ROUTED IN ROOF
TO LEFT SIDE

L01-1

LAMP-WALL
119258-08-CHT
BULB
117805-01-000
SCREW
G11-08-16J (2)
CONNECTOR
58028-01-000 (2)

TO PORCH LAMP

WIRE ASM-OVHD
119701-02-000

SWITCHES
(SEE DETAIL CC)

OUTLET-12 VOLT
111414-01-000
PLATE-OUTLET
111386-01-CHT
SCREW
G67-06-10T (2)

THERMOSTAT
115764-01-CHT
SCREW
G13-07-12B (2)
(SEE DETAIL AB)

WIRE ASM-SIDEWALL,RIGHT

PLATE-CIRCUIT BREAKER
119048-01-CHT
SCREW
G67-08-12U (2)
LABEL
92547-05-000

(5) SWITCH-BATTERY DISCONNECT
108357-06-000
ACTUATOR
108356-11-CHT
PLATE
98351-07-CHT
SCREW
G11-06-16U (2)

TO LP TANK
JT,MP

(193) WALLPLATE-ANTENNA
86784-01-CHT
SCREW
G12-06-08U (2)

WATER TANK

DETECTOR-LP
103613-03-000
SCREW
G68-06-10U (2)

WIRE ASM-COACH
FROM RIGHT SIDE

WIRE ASM-TANK, WATER
96449-01-000

WATER PUMP
(SEE DETAIL CB)

TO WIRE ASM-BACKWALL
15 PIN HOUSING

- NOTES:
- (5) SWITCH TO BE MOUNTED WITH HOUSING ALIGNMENT POST TO BOTTOM OF CUTOUT.
 - (4) PILOT HOLES MUST BE DRILLED FOR SCREW CLEARANCE.
 - (3) ADD RUBBER BUMPER TO ROOF UNDER EACH END OF ANTENNA IN DOWN POSITION WHICH MAY COME IN CONTACT WITH ROOF.
 - (2) SEE DRAWING 76319-01-000 FOR ADDITIONAL INFORMATION.
 - (1) LOCATE TO RETAIN CABLE BUT NOT RESTRICT TRAVEL OF ANTENNA.

FOR ELECTRICAL TORQUE SPECIFICATIONS SEE DWG NO. 128783-01-000

FOR ELECTRICAL CALLOUTS SEE DWG NO. 121339-01-000

- (45G) BED-TWINS
- (265) CODES/STANDARDS-CSA/CMVSS
- (21V) SOUND SYSTEM-DELUXE
- (1B1) CODES STANDARDS/USA
- (193) TV ANTENNA

(1B1) (265) (45G) 04 222FD

TITLE: WIRING INSTL-BODY,12V(R)	
DO NOT SCALE DRAWING	FILE NO
SHEET 4 OF 4	144792