



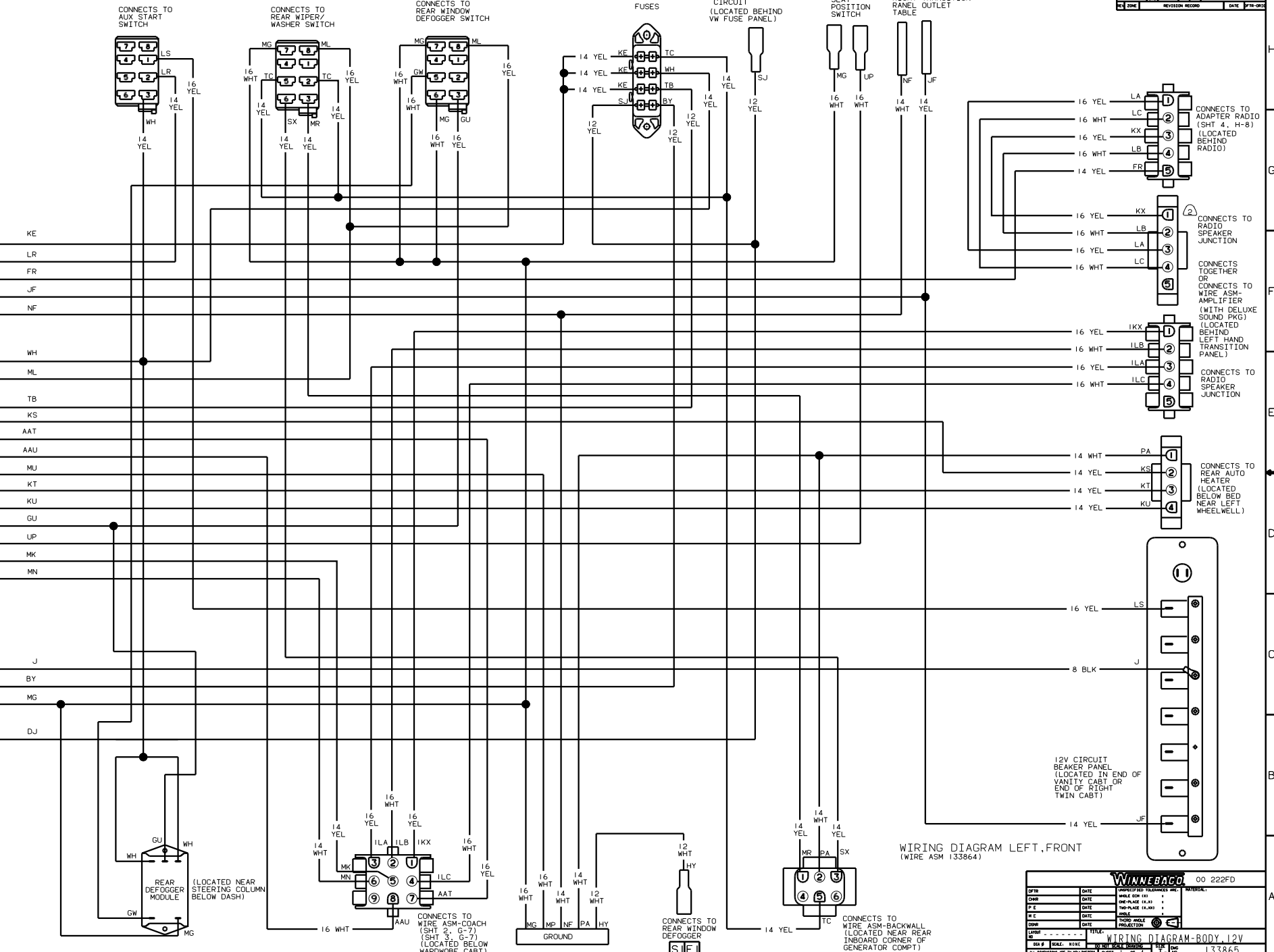
**DANGER**

**Danger of electrical shock, burns or death.** Always remove all power sources before attempting any repair, service or diagnostic work. Power can be present from shore power, generator, inverter or battery. All power sources must be disabled and secured before performing any service.



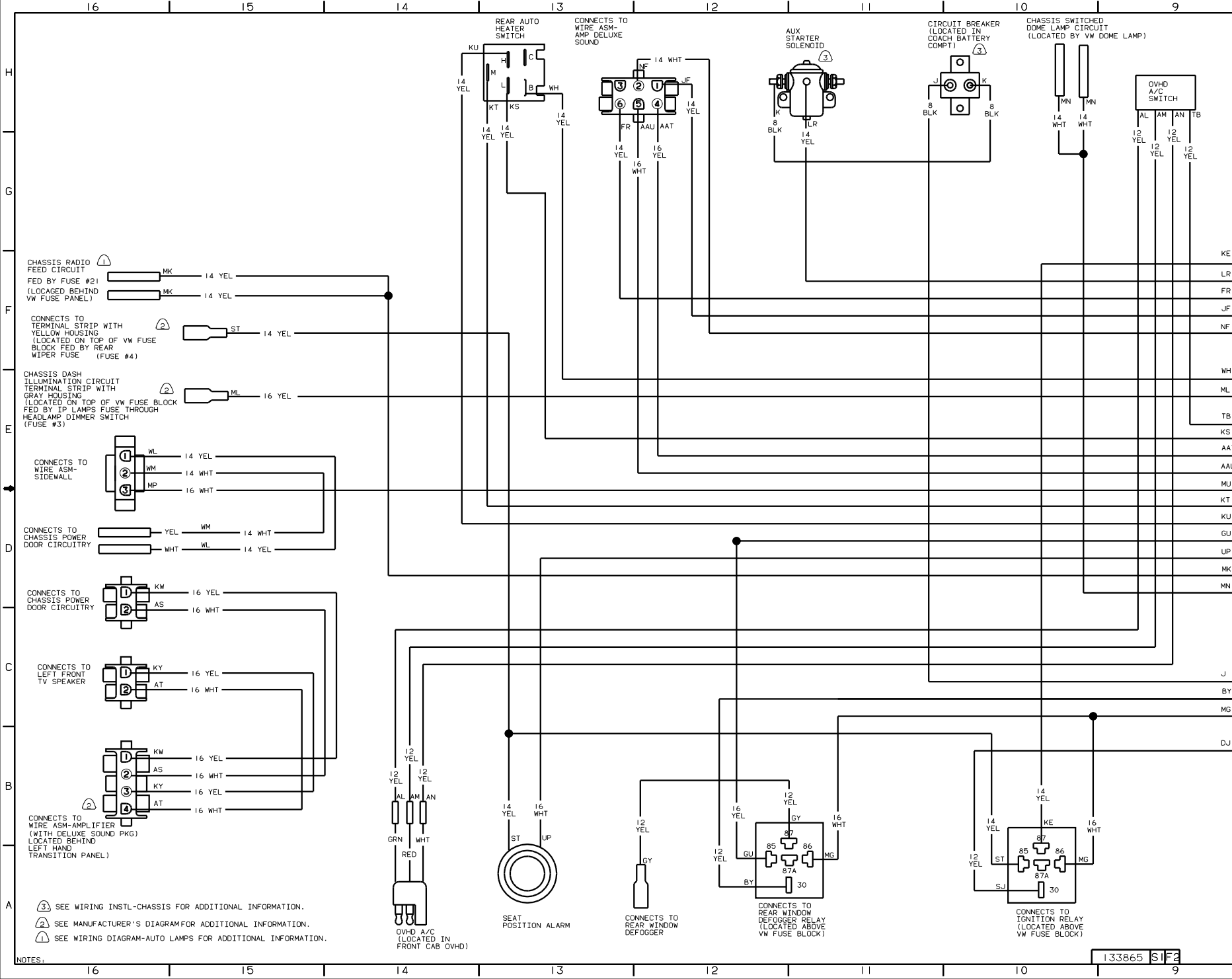
**CAUTION**

If you lack the skills, tools or equipment to perform diagnostic or repair work leave such work to an authorized Winnebago Industries dealer or other qualified shop.



WIRING DIAGRAM LEFT, FRONT  
 (WIRE ASM 133864)

<b>WINNEBAGO</b>		00 222FD
DATE	UNPROCESSED TELEGRAMS INC.	MATERIAL:
CHR	DATE	WIRE ASM (H)
DTE	DATE	ONE-PLACE (L,R)
M.C.	DATE	TWO-PLACE (L,R)
DND	DATE	THIRD WHEEL PROTECTION
LAYER NO	TITLE	
001 #	SCALE: NONE	001001001001001001
WIRING DIAGRAM-BODY, 12V		133865
ALL DIMENSIONS ARE IN MILLIMETERS		SHEET 1 OF 4



CHASSIS RADIO FEED CIRCUIT  
 FED BY FUSE #21  
 (LOCATED BEHIND VW FUSE PANEL)

CONNECTS TO TERMINAL STRIP WITH YELLOW HOUSING (LOCATED ON TOP OF VW FUSE BLOCK FED BY REAR WIPER FUSE (FUSE #4))

CHASSIS DASH ILLUMINATION CIRCUIT  
 TERMINAL STRIP WITH GRAY HOUSING (LOCATED ON TOP OF VW FUSE BLOCK FED BY IP LAMPS FUSE THROUGH HEADLAMP DIMMER SWITCH (FUSE #3))

CONNECTS TO WIRE ASM-SIDEWALL

CONNECTS TO CHASSIS POWER DOOR CIRCUITRY

CONNECTS TO CHASSIS POWER DOOR CIRCUITRY

CONNECTS TO LEFT FRONT TV SPEAKER

CONNECTS TO WIRE ASM-AMPLIFIER (WITH DELUXE SOUND PKG) LOCATED BEHIND LEFT HAND TRANSITION PANEL)

- ③ SEE WIRING INSTL-CHASSIS FOR ADDITIONAL INFORMATION.
- ② SEE MANUFACTURER'S DIAGRAM FOR ADDITIONAL INFORMATION.
- ① SEE WIRING DIAGRAM-AUTO LAMPS FOR ADDITIONAL INFORMATION.

NOTES:

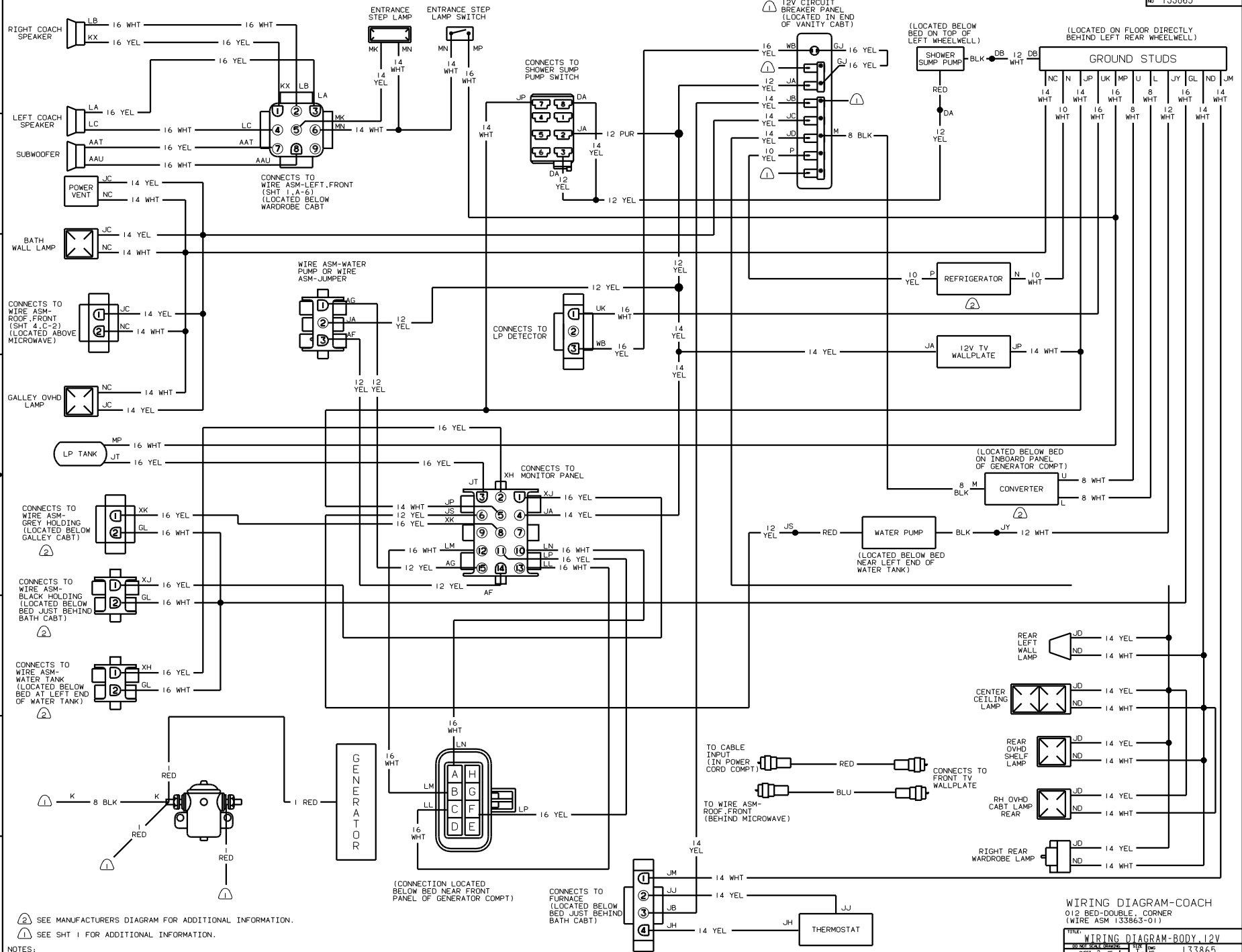
OVHD A/C SWITCH (LOCATED IN FRONT CAB OVHD)

SEAT POSITION ALARM

CONNECTS TO REAR WINDOW DEFOGGER

CONNECTS TO REAR WINDOW DEFOGGER RELAY (LOCATED ABOVE VW FUSE BLOCK)

CONNECTS TO IGNITION RELAY (LOCATED ABOVE VW FUSE BLOCK)



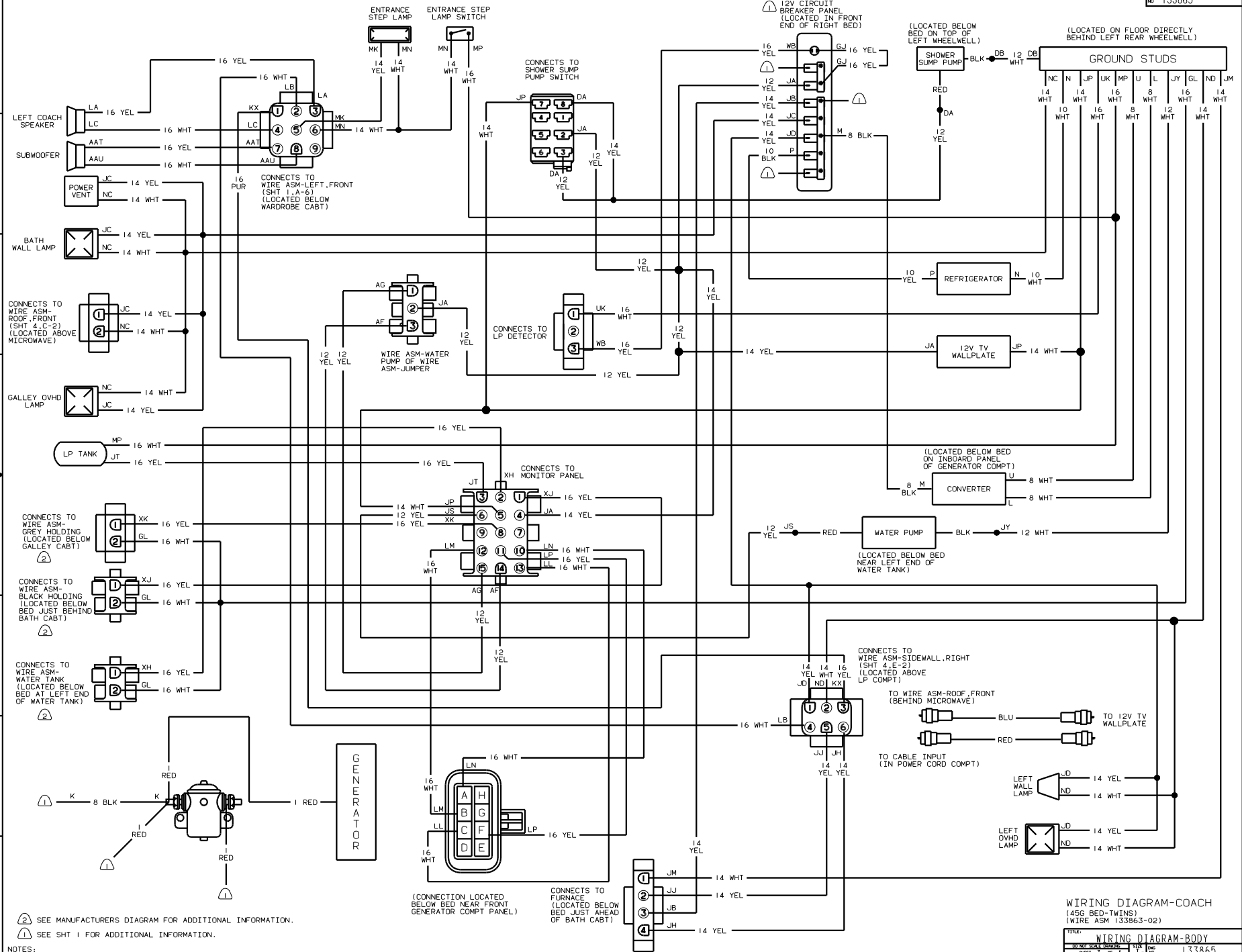
② SEE MANUFACTURERS DIAGRAM FOR ADDITIONAL INFORMATION.  
 ⚠ SEE SHT 1 FOR ADDITIONAL INFORMATION.

WIRING DIAGRAM-COACH  
 012 BED-DOUBLE, CORNER  
 (WIRE ASM 133863-01)

WIRING DIAGRAM-BODY, 12V

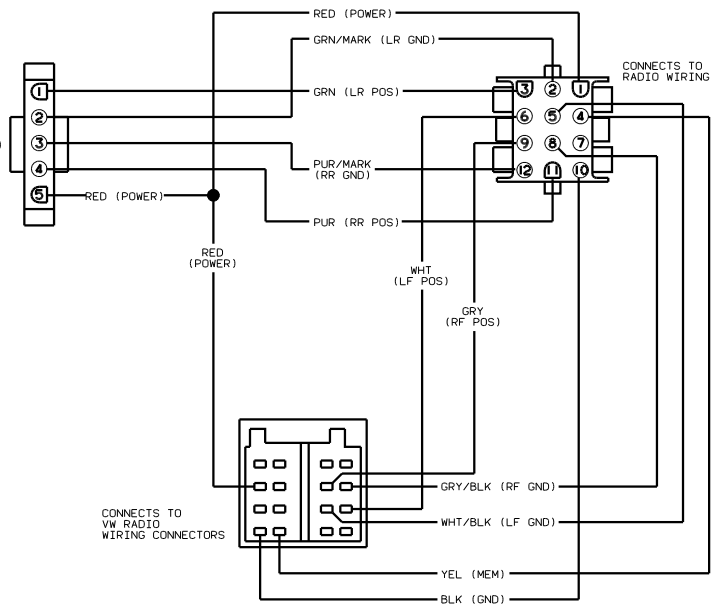
NO. OF SHEETS	NO. OF SHEETS
2 OF 4	1 OF 1

133865

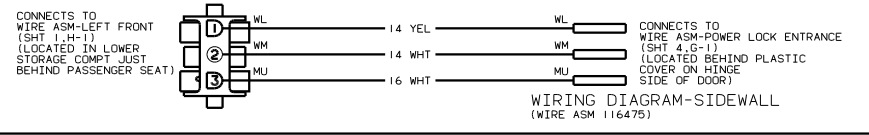


NOTES:  
 (2) SEE MANUFACTURERS DIAGRAM FOR ADDITIONAL INFORMATION.  
 (1) SEE SHT 1 FOR ADDITIONAL INFORMATION.

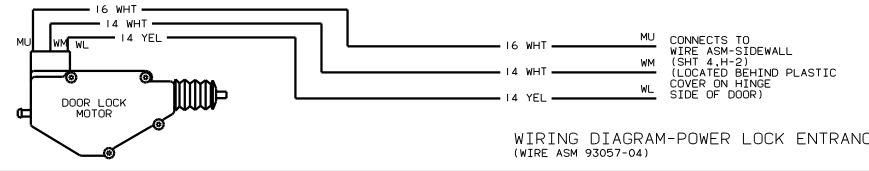
WIRING DIAGRAM-COACH  
 (456 BED-TWIN)  
 (WIRE ASM 133863-02)  
 TITLE: WIRING DIAGRAM-BODY  
 SHEET 3 OF 4



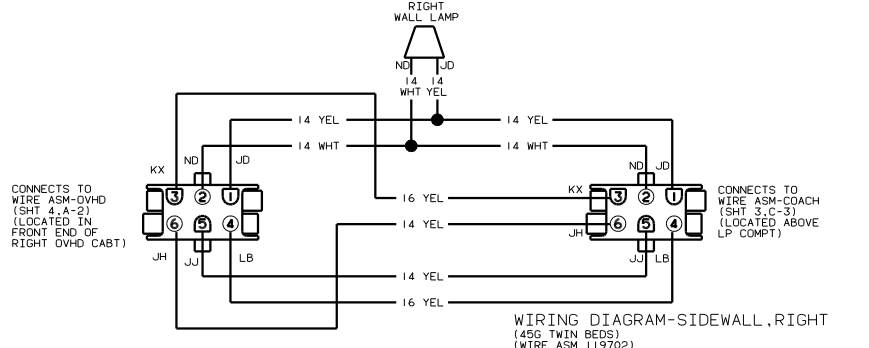
WIRING DIAGRAM-ADAPTER,RADIO  
(WIRE ASM 114365-02)



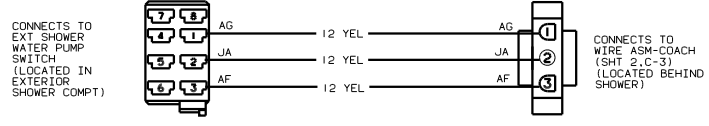
WIRING DIAGRAM-SIDEWALL  
(WIRE ASM 116475)



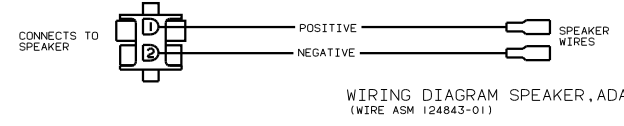
WIRING DIAGRAM-POWER LOCK ENTRANCE  
(WIRE ASM 93057-04)



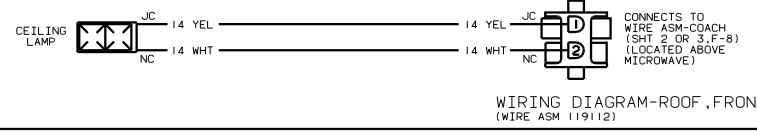
WIRING DIAGRAM-SIDEWALL,RIGHT  
(45G TWIN BEDS)  
(WIRE ASM 119702)



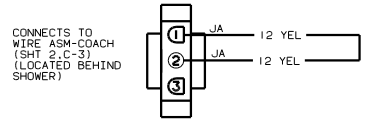
WIRING DIAGRAM WATER PUMP,SWITCH  
(WIRE ASM 103494-04)  
(WITH 64R EXTERIOR WASH STATION)



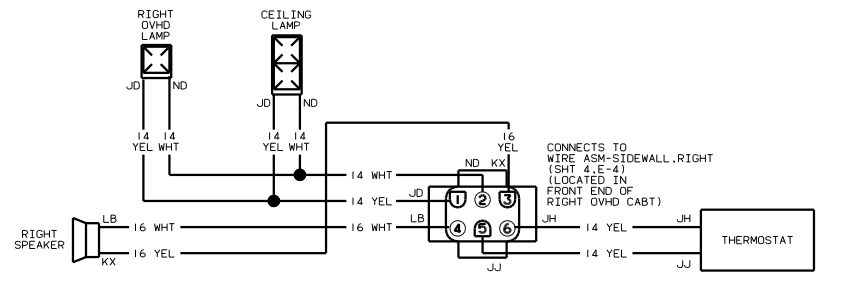
WIRING DIAGRAM SPEAKER,ADAPTER  
(WIRE ASM 124843-01)



WIRING DIAGRAM-ROOF,FRONT  
(WIRE ASM 119112)



WIRING DIAGRAM-JUMPER  
(WIRE ASM 103493)  
(WITHOUT 64R EXTERIOR WASH STATION)



WIRING DIAGRAM-OVHD  
(45G BED TWINS)  
(WIRE ASM 119701-02)