



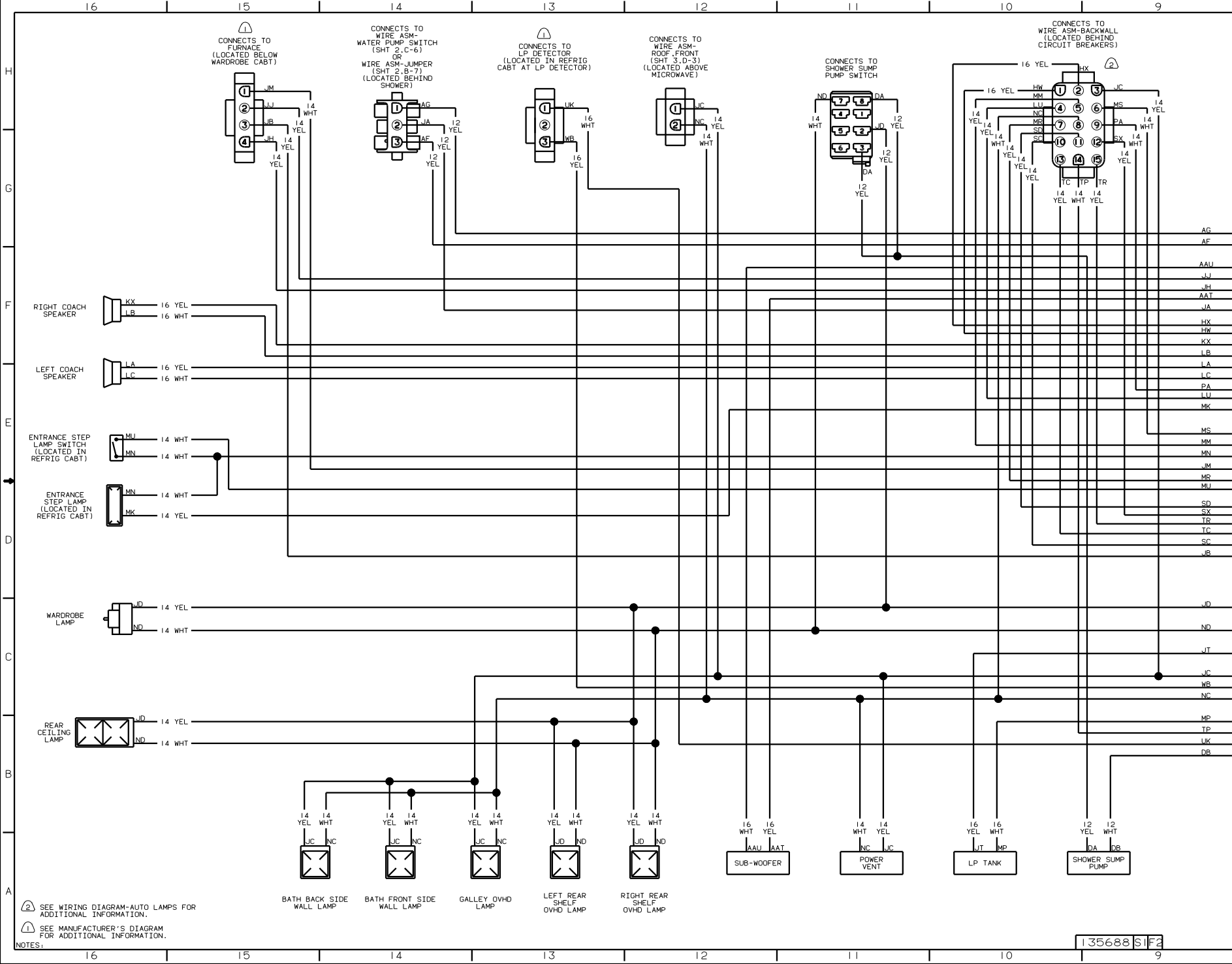
DANGER

Danger of electrical shock, burns or death. Always remove all power sources before attempting any repair, service or diagnostic work. Power can be present from shore power, generator, inverter or battery. All power sources must be disabled and secured before performing any service.



CAUTION

If you lack the skills, tools or equipment to perform diagnostic or repair work leave such work to an authorized Winnebago Industries dealer or other qualified shop.



CONNECTS TO FURNACE (LOCATED BELOW WARDROBE CABT)

CONNECTS TO WIRE ASM- WATER PUMP SWITCH (SHT 2, C-6) OR WIRE ASM- JUMPER (SHT 2, B-7) (LOCATED BEHIND SHOWER)

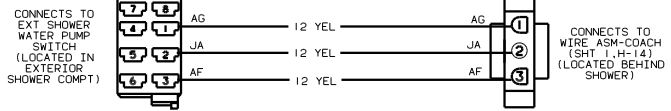
CONNECTS TO LP DETECTOR (LOCATED IN REFRIG CABT AT LP DETECTOR)

CONNECTS TO WIRE ASM- ROOF, FRONT (SHT 3, D-3) (LOCATED ABOVE MICROWAVE)

CONNECTS TO SHOWER SUMP PUMP SWITCH

CONNECTS TO WIRE ASM-BACKWALL (LOCATED BEHIND CIRCUIT BREAKERS)

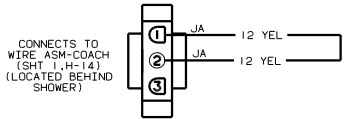
2 SEE WIRING DIAGRAM-AUTO LAMPS FOR ADDITIONAL INFORMATION.
 1 SEE MANUFACTURER'S DIAGRAM FOR ADDITIONAL INFORMATION.



CONNECTS TO
EXT SHOWER
WATER PUMP
SWITCH
(LOCATED IN
EXTERIOR
SHOWER COMPT)

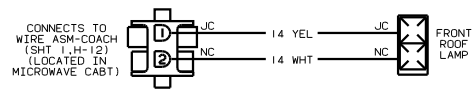
CONNECTS TO
WIRE ASM-COACH
(SHT 1, H-14)
(LOCATED BEHIND
SHOWER)

WIRING DIAGRAM WATER PUMP, SWITCH
(WIRE ASM 103494-04)
(WITH EXTERIOR SHOWER)



CONNECTS TO
WIRE ASM-COACH
(SHT 1, H-14)
(LOCATED BEHIND
SHOWER)

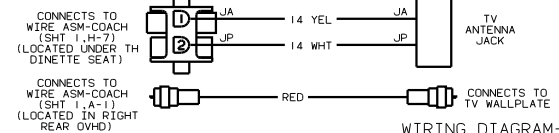
WIRING DIAGRAM-JUMPER
(WIRE ASM 103493)
(WITHOUT EXTERIOR SHOWER)



CONNECTS TO
WIRE ASM-COACH
(SHT 1, H-12)
(LOCATED IN
MICROWAVE CABT)

FRONT
ROOF
LAMP

WIRING DIAGRAM-ROOF, FRONT
(WIRE ASM 119112)



CONNECTS TO
WIRE ASM-COACH
(SHT 1, H-7)
(LOCATED UNDER TH
DINETTE SEAT)

TV
ANTENNA
JACK

CONNECTS TO
WIRE ASM-COACH
(SHT 1, A-1)
(LOCATED IN RIGHT
REAR OVHD)

WIRING DIAGRAM-SIDEWALL
(WIRE ASM 111451-03)