



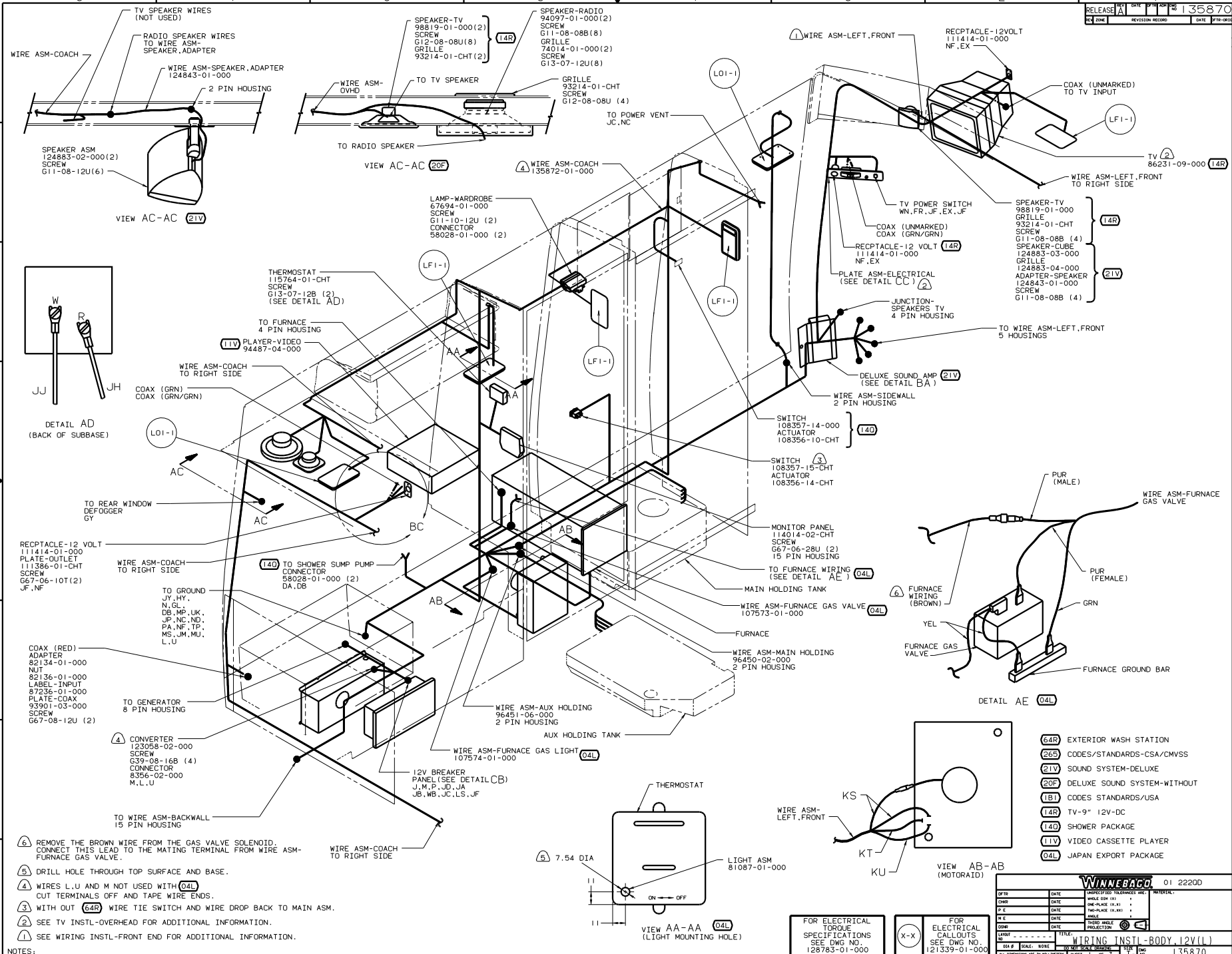
DANGER

Danger of electrical shock, burns or death. Always remove all power sources before attempting any repair, service or diagnostic work. Power can be present from shore power, generator, inverter or battery. All power sources must be disabled and secured before performing any service.



CAUTION

If you lack the skills, tools or equipment to perform diagnostic or repair work leave such work to an authorized Winnebago Industries dealer or other qualified shop.

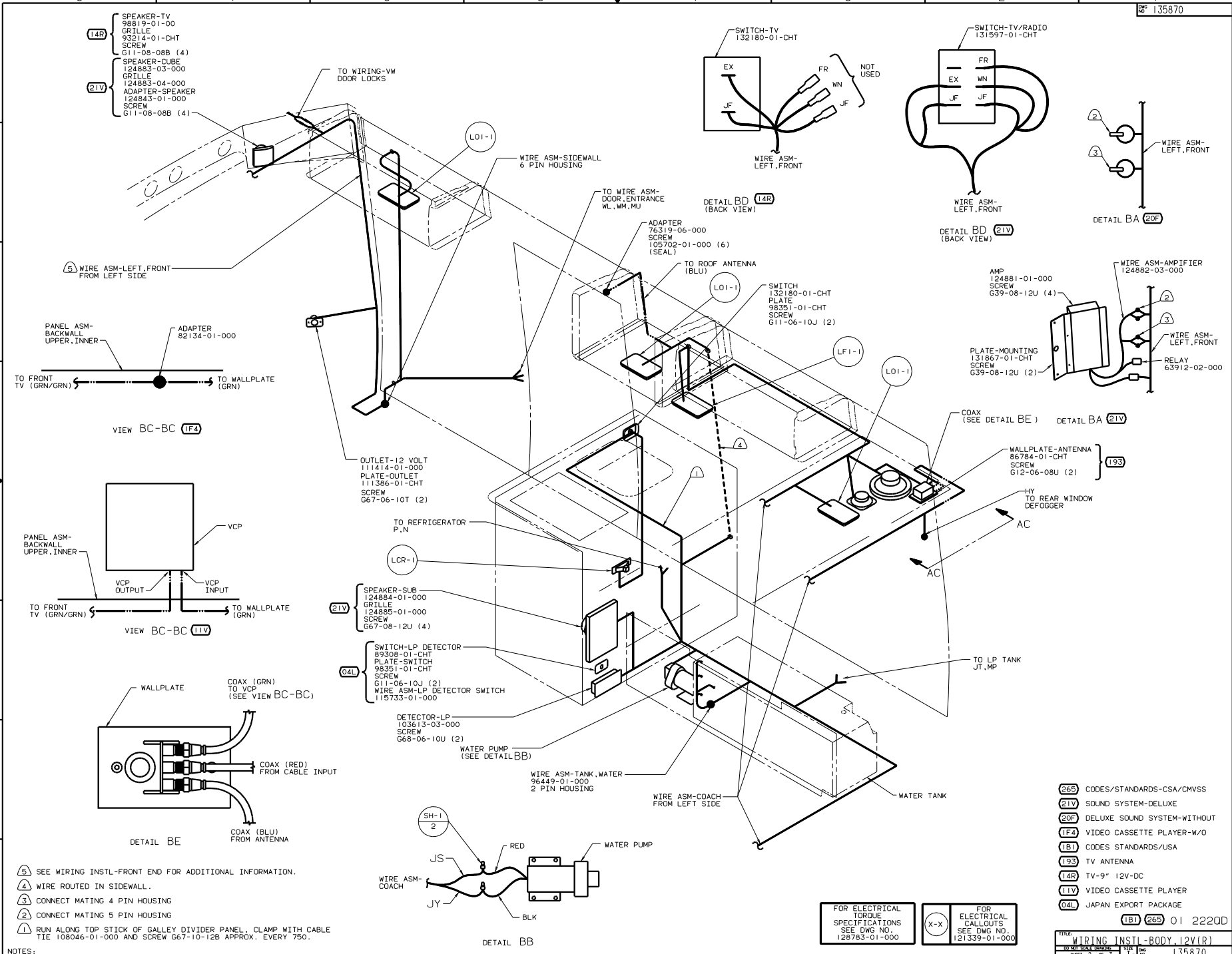


NOTES:
 ① SEE WIRING INSTL-FRONT END FOR ADDITIONAL INFORMATION.
 ② SEE TV INSTL-OVERHEAD FOR ADDITIONAL INFORMATION.
 ③ WITH OUT (64R) WIRE TIE SWITCH AND WIRE DROP BACK TO MAIN ASM.
 ④ WIRES L,U AND M NOT USED WITH (04L) CUT TERMINALS OFF AND TAPE WIRE ENDS.
 ⑤ DRILL HOLE THROUGH TOP SURFACE AND BASE.
 ⑥ REMOVE THE BROWN WIRE FROM THE GAS VALVE SOLENOID. CONNECT THIS LEAD TO THE MATING TERMINAL FROM WIRE ASM-FURNACE GAS VALVE.

⑥4R EXTERIOR WASH STATION
 ②6B CODES/STANDARDS-CSA/CMVSS
 ②IV SOUND SYSTEM-DELUXE
 ②0F DELUXE SOUND SYSTEM-USA
 ①8I CODES STANDARDS/USA
 ①4R TV-9" 12V-DC
 ①4D SHOWER PACKAGE
 ①1V VIDEO CASSETTE PLAYER
 ①04L JAPAN EXPORT PACKAGE

WINNEBAGO 01 22200
 TITLE: WIRING INSTL-BODY, 12V(L)
 SHEET 1 OF 3
 REF: 133422 B I 135870

FOR ELECTRICAL TORQUE SPECIFICATIONS SEE DWG NO. 128753-01-000
 FOR ELECTRICAL CALLOUTS SEE DWG NO. 121339-01-000



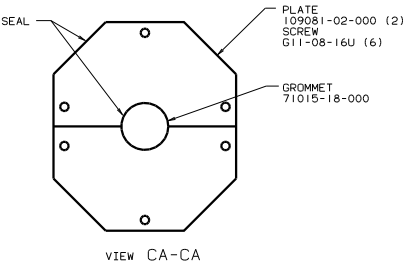
NOTES:

- ⑤ SEE WIRING INSTL-FRONT END FOR ADDITIONAL INFORMATION.
- ④ WIRE ROUTED IN SIDEWALL.
- ③ CONNECT MATING 4 PIN HOUSING
- ② CONNECT MATING 5 PIN HOUSING
- ① RUN ALONG TOP STICK OF GALLEY DIVIDER PANEL. CLAMP WITH CABLE TIE 108046-01-000 AND SCREW G67-10-12B APPROX. EVERY 750.

- ②65 CODES/STANDARDS-CSA/CMVSS
- ②1V SOUND SYSTEM-DELUXE
- ②0F DELUXE SOUND SYSTEM-WITHOUT
- ①F4 VIDEO CASSETTE PLAYER-W/O
- ①B1 CODES STANDARDS/USA
- ①93 TV ANTENNA
- ①4R TV-9" 12V-DC
- ①1V VIDEO CASSETTE PLAYER
- ①04L JAPAN EXPORT PACKAGE
- ①B1 ②65 01 2220D

FOR ELECTRICAL TORQUE SPECIFICATIONS SEE DWG NO. 128783-01-000

X-X FOR ELECTRICAL CALLOUTS SEE DWG NO. 121339-01-000



- ③ ③ ③ LAMP-CLEARANCE, RED 111102-01-000 (5)
- LAMP-MARKER, LENS, RED 111102-03-000 (5)
- SCREW G39-08-12U (EXT) (10)

- ⑤ ⑥ ⑦ LAMP ASM-CENTER BRAKE 136916-01-000
- SCREW G11-08-20T (2)
- BLK/WHT - YEL
- BLK - WHT

WIRE ASM-BACKWALL 135705-01-000

LF1-1

TO WIPER MOTOR 5 PIN HOUSING

TO WASHER PUMP 2 PIN HOUSING

- ⑤ ⑥ TO WIRE ASM-LICENSE PLATE LAMP 2 PIN HOUSING

CONNECTOR-SOCKET, TRAILER SCREW 101618-01-000 (2)

- ① INSTALL WITH WIRES TOWARDS ROOF.
- ⑩ ADD RUBBER BUMPTER TO ROOF UNDER EACH END OF ANTENNA IN DOWN POSITION WHICH MAY COME IN CONTACT WITH ROOF.
- ⑨ SEE DRAWING 76319-01-000 FOR ADDITIONAL INFORMATION.
- ⑧ LOCATE TO RETAIN CABLE BUT NOT RESTRICT TRAVEL OF ANTENNA.
- ⑦ ON INTERIOR OF CAP, GRIND OFF TIP OF SCREW PRIOR TO SEALING (TO PROVIDE INNER LINER CLEARANCE).

- ⑥ TIE BACK UNUSED WIRES WITH ④4L
- ⑤ NOT USED WITH ④4L
- ④ SEE WIRING INSTL-FRONT END FOR ADDITIONAL INFORMATION.
- ③ DELETE ALL CLEARANCE LAMPS WITH ④4L

② LOCATE ON CENTER OF HOLE IN CAP ASM-REAR.

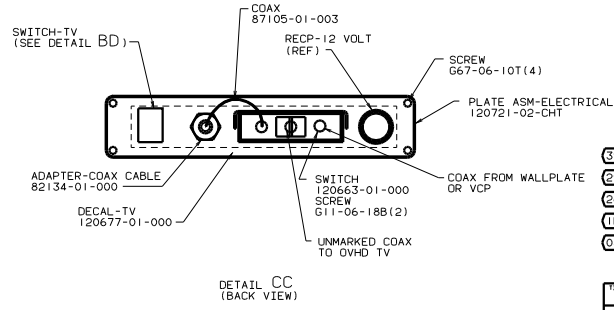
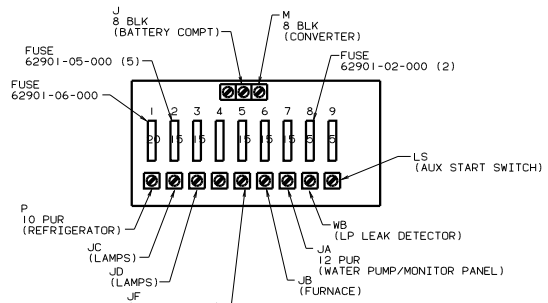
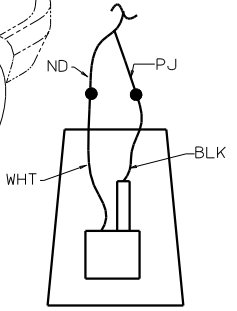
FOR ELECTRICAL TORQUE SPECIFICATIONS SEE DWG NO. 128783-01-000

NOTES:

④ WIRE ASM-LEFT, FRONT

④ TO VOLKSWAGEN WIRE ASM-TAIL LAMPS

LAMP-CLEARANCE, AMBER 113709-01-000 (5)
SCREW G11-08-12T (10)
CONNECTOR 58028-01-000 (10)



- LAMP ASM 112126-03-000 (RH)
- 112126-04-000 (LH)
- SOCKET-LAMP 112709-01-000 (2)
- 112709-02-000 (2)
- 112709-03-000 (2)
- BULB 112707-01-000 (4)
- 112708-01-000 (2)
- BRACKET ASM-TAIL LAMP 113778-03-000 (2)
- SCREW G39-10-209 (4)
- GROMMET 23942-01-000 (2)

ANT-1 ⑧ ⑨ ⑩

LEXT 2UL LEXT 2CA ⑪

SEE DETAIL CD FOR WIRING CONNECTIONS

- ③⑤V EXPORT ROOF AIR-7.00 BTU, 220VAC
- ②③K A/C ROOF-ONE 7,100 BTU
- ②⑤S CODES/STANDARDS-CSA/CMVSS
- ①B1 CODES STANDARDS/USA
- ④4L JAPAN EXPORT PACKAGE

①B1 ②⑤S ④4L 01 2220D

WIRING INSTL-BODY, 12V (EXT)

135870