



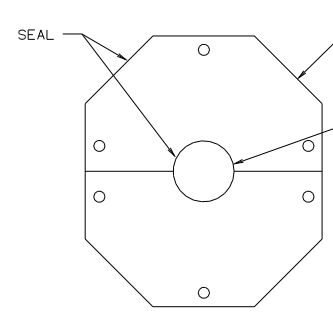
DANGER

Danger of electrical shock, burns or death. Always remove all power sources before attempting any repair, service or diagnostic work. Power can be present from shore power, generator, inverter or battery. All power sources must be disabled and secured before performing any service.

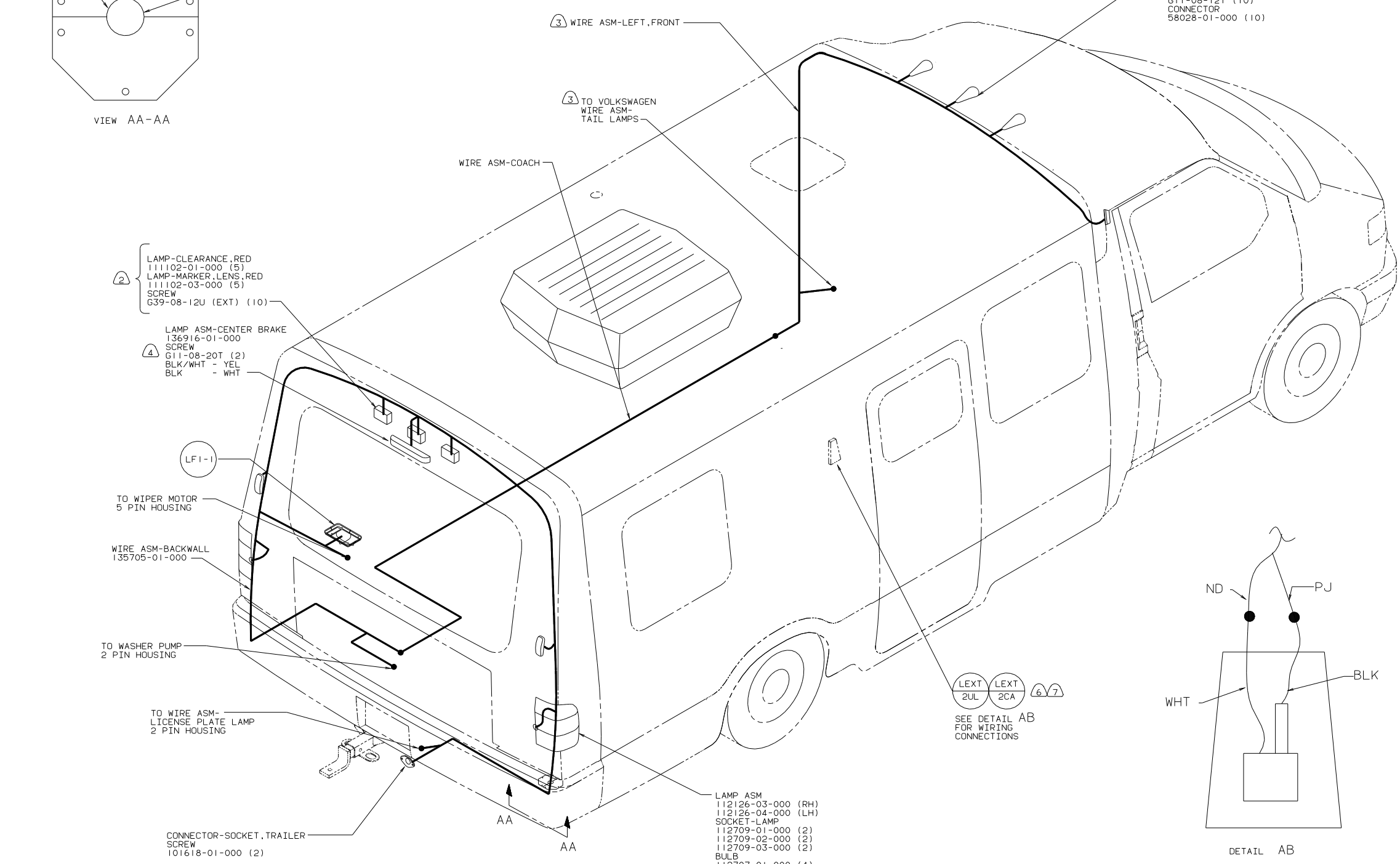


CAUTION

If you lack the skills, tools or equipment to perform diagnostic or repair work leave such work to an authorized Winnebago Industries dealer or other qualified shop.



VIEW AA-AA



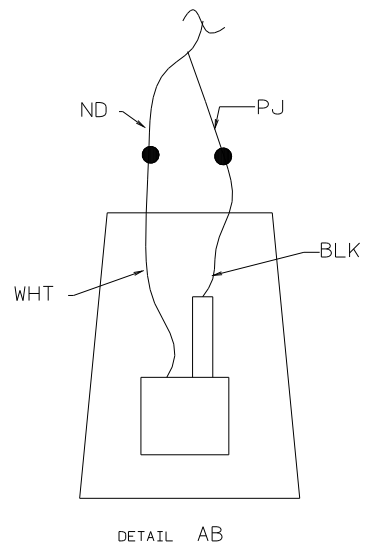
LAMP-CLEARANCE, AMBER (5)
 113709-01-000 (5)
 SCREW G11-08-12T (10)
 CONNECTOR 58028-01-000 (10)

2 LAMP-CLEARANCE, RED 111102-01-000 (5)
 LAMP-MARKER, LENS, RED 111102-03-000 (5)
 SCREW G39-08-12U (EXT) (10)

4 LAMP ASM-CENTER BRAKE 136916-01-000
 SCREW G11-08-20T (2)
 BLK/WHT - YEL
 BLK - WHT

LEX 2UL LEX 2CA 6 7
 SEE DETAIL AB FOR WIRING CONNECTIONS

LAMP ASM
 112126-03-000 (RH)
 112126-04-000 (LH)
 SOCKET-LAMP
 112709-01-000 (2)
 112709-02-000 (2)
 112709-03-000 (2)
 BULB
 112707-01-000 (4)
 112708-01-000 (2)
 BRACKET ASM-TAIL LAMP
 113778-03-000 (2)
 SCREW
 G39-10-209 (4)
 GROMMET
 23942-01-000 (2)



- 7 INSTALL WITH WIRE TOWARD ROOF.
- 6 NOT USED ON THE 222S.
- 5 CONNECT WIRE HX (YEL) TO RED WIRE AND WIRE MS (WHT) TO WHT WIRE.
- 4 ON INTERIOR OF CAP, GRIND OFF TIP OF SCREW PRIOR TO SEALING (TO PROVIDE INNER LINER CLEARANCE).
- 3 SEE WIRING INSTL-FRONT END FOR ADDITIONAL INFORMATION.
- 2 LOCATE ON CENTER OF HOLE IN CAP ASM-REAR.

1. CONNECTOR-PLUG, TRAILER 113589-01-000 TO BE SUPPLIED LOOSE IN COACH WITH TRAILER TOW PACKAGE.

NOTES:

X-X FOR ELECTRICAL CALLOUTS SEE DWG NO. 121339-01-000
 FOR ELECTRICAL TORQUE SPECIFICATIONS SEE DWG NO. 128783-01-000

| | | | |
|--|-------------|-----------------------------|-----------------------------|
| COPYRIGHT 2002 WINNEBAGO INDUSTRIES, INC. WINNEBAGO 03 200 SERIES | | MATERIAL: | |
| DTR | DATE | UNSPECIFIED TOLERANCES ARE: | |
| CHR | DATE | ANGLE DIM (X) | + |
| P E | DATE | ONE-PLACE (X, XI) | + |
| M E | DATE | TWO-PLACE (X, XXI) | + |
| DSNR | DATE | THIRD ANGLE PROJECTION | ☑ |
| LAYOUT NO | ----- | TITLE | WIRING INSTL-EXTERIOR LAMPS |
| DIA # | SCALE: NONE | DO NOT SCALE DRAWING | SIZE NO 141399 |
| ALL DIMENSIONS ARE IN MILLIMETERS | | SHEET | OF 1 |
| REF: 137595 B | | 07/23/02 | |