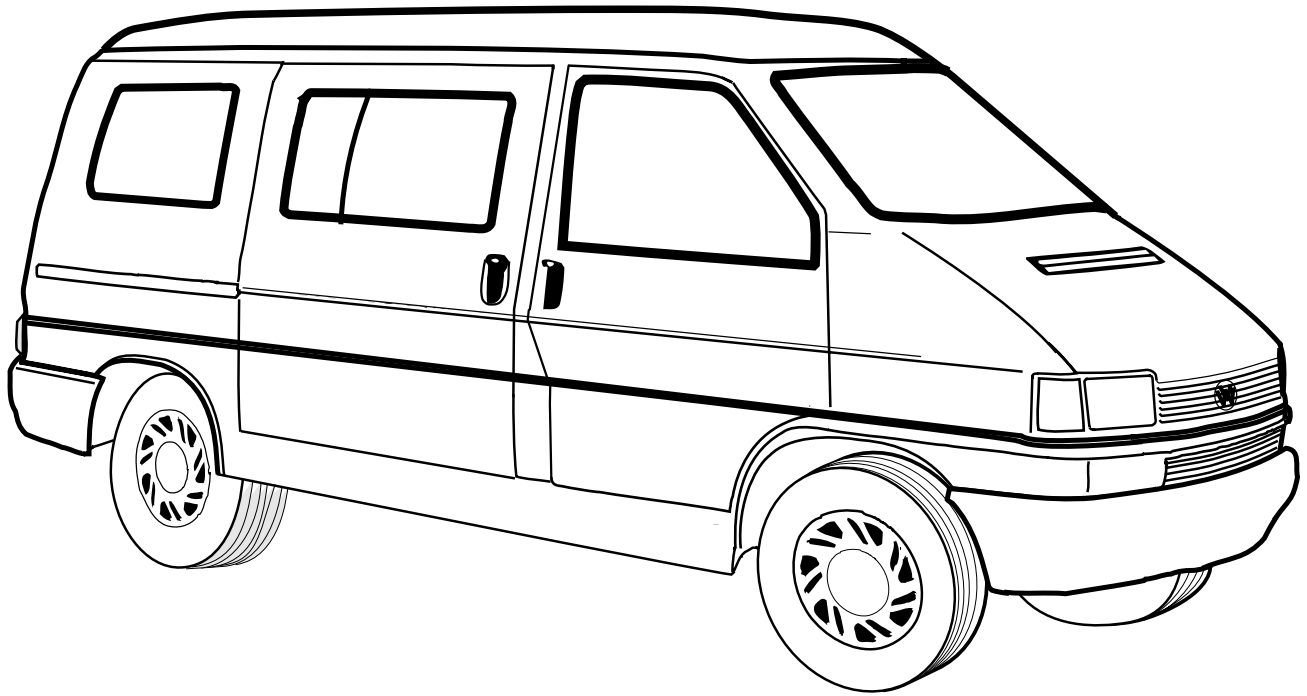


**2001 / 2002 / 2003**

**B VAN**

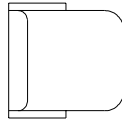
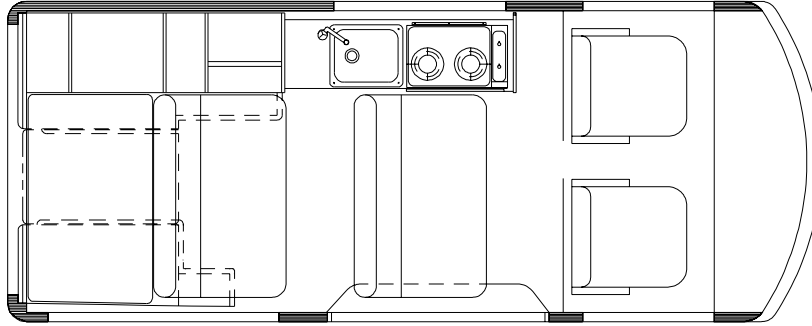
**M80 GREY ORBIT / N80 GREY ORBIT /  
P44 GREY ORBIT**



# 2001 / 2002 / 2003

# EV117A

## FLOORPLAN



# CONTENTS

<b>FLOORPLAN</b> .....	<b>2</b>
<b>ACCESSORIES GROUP</b> .....	<b>5</b>
OPERATORS MANUAL .....	5
<b>APPLIANCE GROUP</b> .....	<b>6</b>
APPLIANCES .....	6
113566-03-01A .....	7
113735-01-01A .....	7
113737-01,02,03 & 04-04A .....	8
113948-02-01A .....	11
113948-03-01A .....	12
<b>AUDIO VIDEO GROUP</b> .....	<b>13</b>
RADIO SYSTEM .....	13
<b>CHASSIS GROUP</b> .....	<b>14</b>
BATTERY BOX .....	14
CHASSIS MODIFICATIONS .....	15
<b>CURTAIN &amp; CUSHION GROUP</b> .....	<b>16</b>
NOTICE .....	16
CURTAIN & CUSHION LAYOUT .....	17
COMPANION SEATS .....	18
COUCH .....	19
HARDWARE .....	21
ACCESSORIES .....	22
FABRICS .....	22
<b>DINETTE GROUP</b> .....	<b>23</b>
TABLE .....	23
<b>ELECTRICAL GROUP</b> .....	<b>24</b>
12V BODY WIRING .....	24
COMPONENT PARTS FOR LIGHTS & SWITCHES .....	25
098024-01-04A .....	25
CIRCUIT BREAKERS & FUSES .....	26
CONVERTER, INVERTER, LOAD CENTERS .....	26
110V WIRING .....	26
BOXES & CORDS .....	27
WIRE ASSEMBLIES .....	27
CONNECTORS & CONDUIT .....	27
BOOTS, SOLENOIDS, RELAYS & MISCELLANEOUS .....	27
<b>EXTERIOR BODY GROUP</b> .....	<b>28</b>
GRAPHICS & PAINT .....	28
POPTOP .....	29
COMPONENT PARTS FOR POPTOP .....	32
113686-02-01A .....	32
STRUCTURAL COMPONENTS .....	33
<b>GALLEY GROUP</b> .....	<b>34</b>
CABINETS .....	34
<b>HEATING &amp; A/C GROUP</b> .....	<b>35</b>
FURNACE .....	35
COMPONENT PARTS FOR FURNACE .....	36
075697-05-000 .....	36
<b>INTERIOR FINISH GROUP</b> .....	<b>38</b>
INTERIOR LAYOUT .....	38
MOLDINGS & TRIMS .....	41
PANELING & LAMINATES .....	41
ACCESSORIES .....	41
COMPONENT PARTS FOR ACCESSORIES .....	42
094499-02-000 .....	42
FLOOR COVERINGS .....	43
HARDWARE .....	43
<b>LABELS GROUP</b> .....	<b>44</b>

# CONTENTS (CONTINUED)

<b>LP GROUP</b> .....	<b>50</b>
LP SYSTEM .....	50
<b>SEALANTS &amp; FASTENERS GROUP</b> .....	<b>51</b>
SEALANTS & ADHESIVES .....	51
BOLTS, NUTS AND WASHERS .....	51
SCREWS .....	51
CLAMPS, CLIPS, GROMMETS, RIVETS & PLUGS .....	52
MISCELLANEOUS FASTENERS .....	52
<b>WATER &amp; SEWAGE GROUP</b> .....	<b>53</b>
DRAINAGE SYSTEM .....	53
COMPONENT PARTS FOR DRAINAGE SYSTEM .....	54
114112-01-000 .....	54
WATER SYSTEM .....	55
<b>WINDOW &amp; VENTS GROUP</b> .....	<b>56</b>
WINDOW & VENT LAYOUT .....	56
COMPONENT PARTS FOR WINDOWS & VENT LAYOUT .....	57
112519-01-01A .....	57
112520-01-01A .....	57
112521-01-01A .....	57
113349-01-000 .....	57

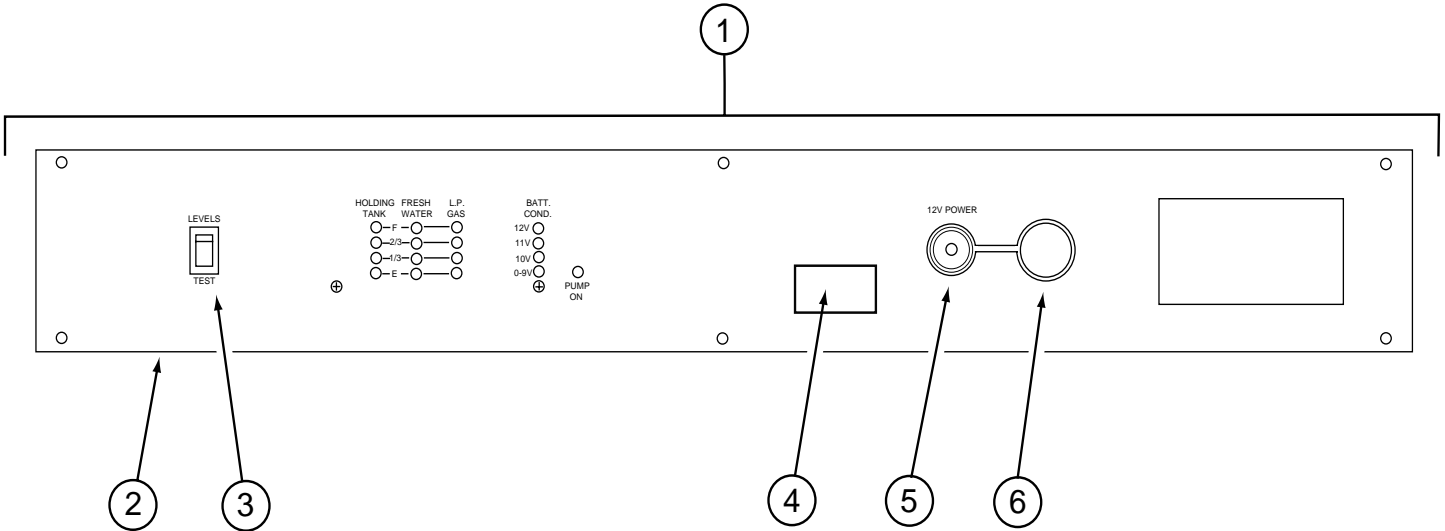
**ACCESSORIES GROUP**  
**OPERATORS MANUAL**

<b>KEY</b>	<b>PART NUMBER</b>	<b>U/M</b>	<b>DESCRIPTION</b>
	132000-01-U01	EA	MANUAL/OWNER - EUROVAN - 2001
	132000-01-U02	EA	MANUAL/OWNER - EUROVAN - 2002
	092318-02-000	EA	BINDER - 3 RING - EUROVAN CAMPER
	092319-03-000	EA	POCKET PAGE - W/SIDE ZIPLOCK

**APPLIANCE GROUP**  
**APPLIANCES**

<b>KEY</b>	<b>PART NUMBER</b>	<b>U/M</b>	<b>DESCRIPTION</b>
	115522-01-000	EA	LABEL - HANG TAG - REFRIGERATOR
	054450-01-000	EA	LEVEL - REFRIGERATOR
*	113735-01-01A	EA	VENT - REFRIGERATOR
*	113737-02-04A	EA	REFRIGERATOR - ONE DOOR/3-WAY - VW LIGHT GRAY
*	113948-02-01A	EA	RANGE TOP - 2 BURNER W/COVER
			FROM: 00-00-00 THRU: 03-08-01
*	113948-03-01A	EA	RANGE TOP - 2 BURNER W/O COVER
			FROM: 03-09-01 THRU: 99-99-99
	113948-04-01A	EA	RANGE TOP - 2 BURNER W/COVER
			FROM: 03-09-01 THRU: 04-19-01
	113948-04-02A	EA	RANGE TOP - 2 BURNER W/COVER - BLACK/GRAY
			FROM: 04-20-01 THRU: 99-99-99
	114959-01-02B	EA	BRACKET - LATCH - RANGE
*	113566-03-01A	EA	PANEL - MONITOR - 1 TANK
<b>*COMPONENT PARTS LISTED LATER IN THIS GROUP</b>			

**APPLIANCE GROUP (CONTINUED)**  
**COMPONENT PARTS FOR APPLIANCE (CONTINUED)**



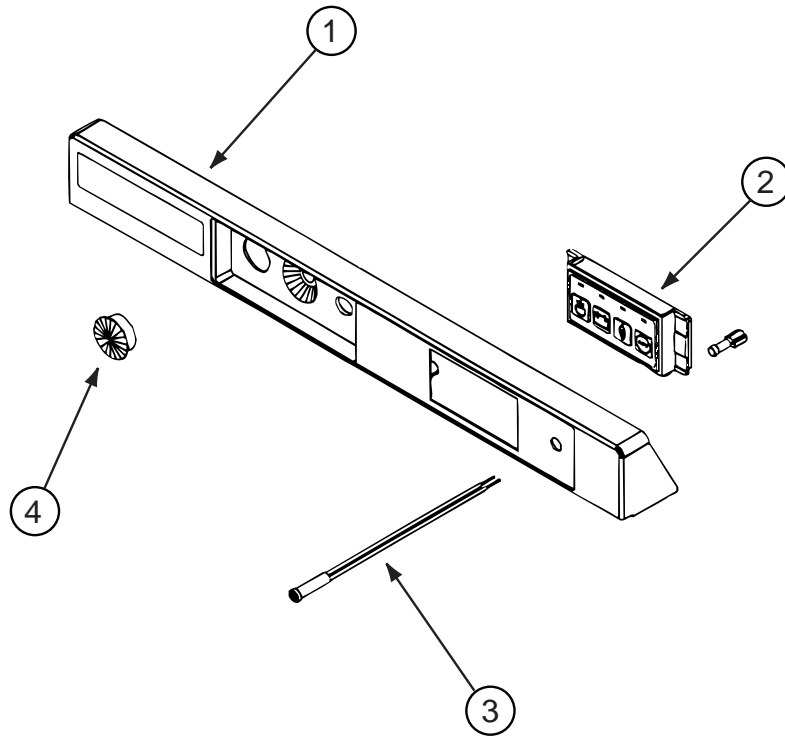
**113566-03-01A**

KEY	PART NUMBER	U/M	DESCRIPTION	VENDOR NO.
1	113566-03-01A	EA	PANEL - MONITOR - 1 TANK VENTLINE	LA1032-OO
2	113566-03-703	EA	SILKSCREENED CHASSIS	CD0438-00
3	113566-01-707	EA	SWITCH - OFF/MOM	L0111-00
4	113566-03-702	EA	LABEL	L0451-00
5	113566-03-705	EA	RECEPTACLE - 12V	L0444-01
6	113566-03-704	EA	CAP - RUBBER 12V RECEPTACLE	L0444-02
	113566-03-700	EA	HARNESS	L7702-00
	113566-03-701	EA	PC BOARD	L5099-122

**113735-01-01A**

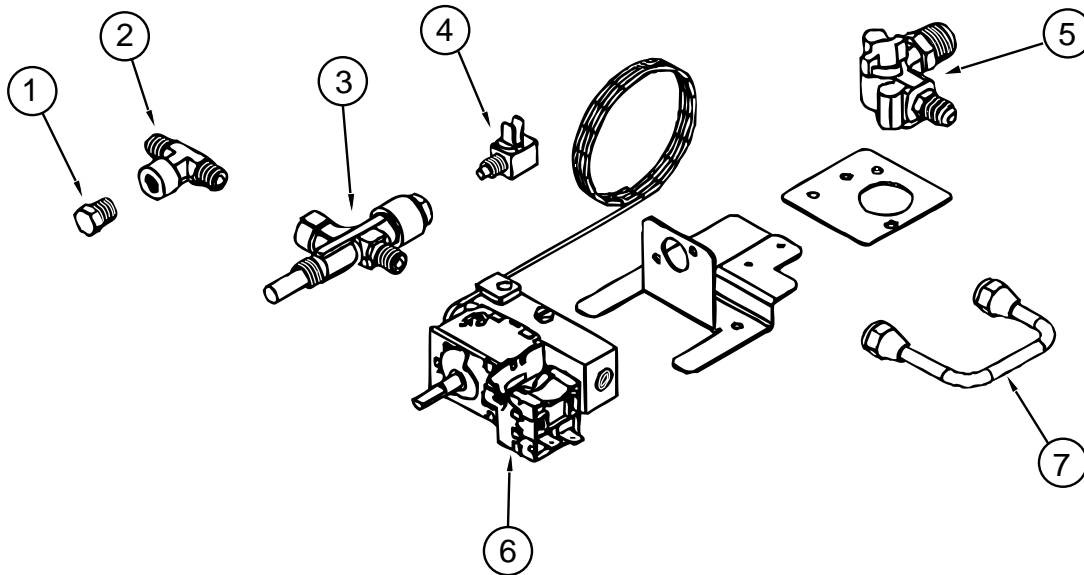
KEY	PART NUMBER	U/M	DESCRIPTION	VENDOR NO.
	113736-01-700	EA	COVER-VENT	617920
	113736-01-701	EA	DISC-INSERT - F/VENT COVER	617921
	113736-01-702	EA	PLATE-BACKING METAL	617922
	113736-01-703	EA	GASKET-VENT TERMINAL	617924
	113736-01-704	EA	HOUSING-VENT TERMINAL	617923

**APPLIANCE GROUP (CONTINUED)**  
**COMPONENT PARTS FOR APPLIANCE (CONTINUED)**



**113737-01,02,03 & 04-04A**

KEY	PART NUMBER	U/M	DESCRIPTION	VENDOR NO.
1	113737-01-723	EA	PANEL-CONTROL	617913
2	113737-01-729	EA	SWITCH - SELECTION (MODE)	617945
3	113737-01-703	EA	LIGHT-FLAME INDICATORGRN RED	61609022
4	113737-01-713	EA	PLUG-HOLE, 1" BLACK	617981

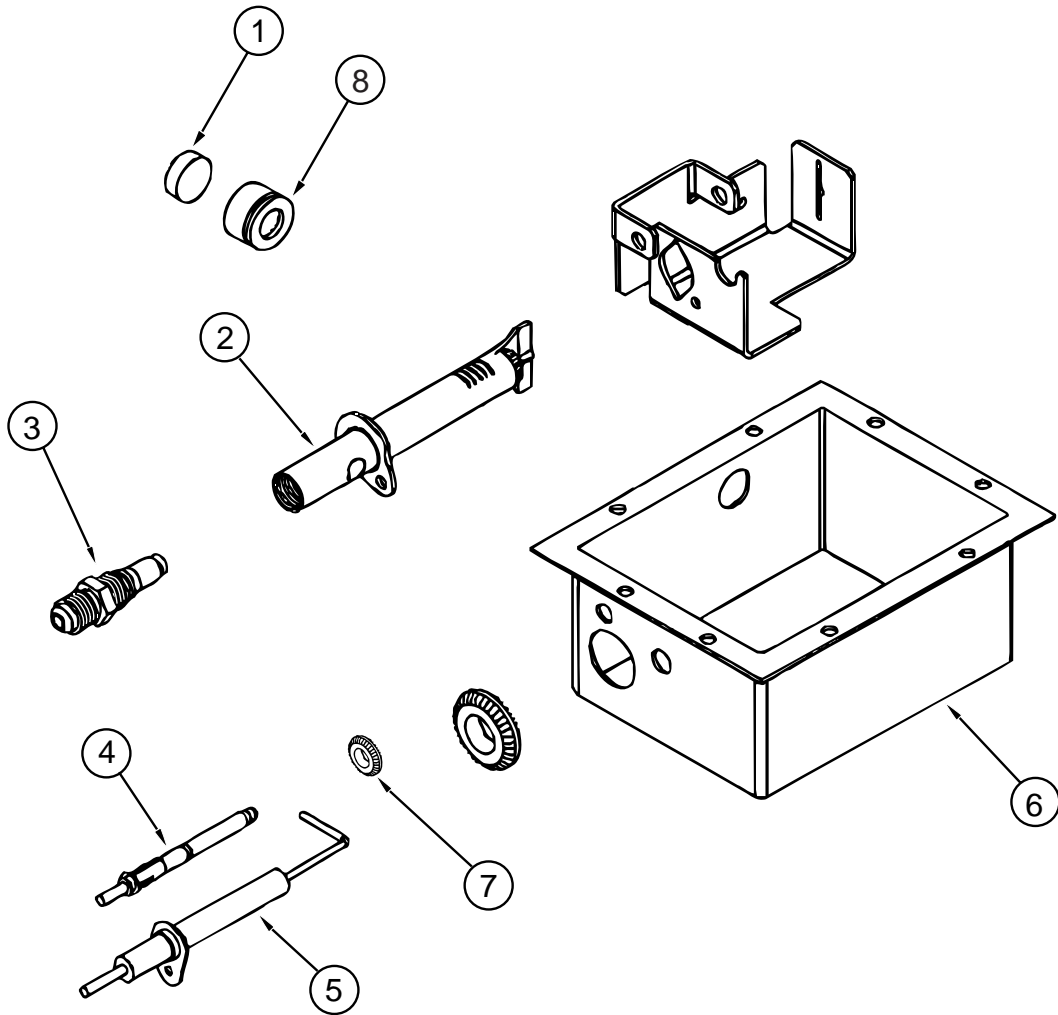


**113737-01,02,03 & 04-04A (CONTINUED)**

KEY	PART NUMBER	U/M	DESCRIPTION	VENDOR NO.
1	113737-01-702	EA	PLUG 1/8i F/PRESSURE TAP	61445322
2	113737-01-716	EA	TAP-PRESSURE	61594422
3	113737-01-730	EA	VALVE - SAFETY IGNITION	617965
4	113737-01-709	EA	INTERRUPTER	61750522
5	113737-01-719	EA	VALVE - SHUT-OFF - MANUAL	617976
6	113737-01-735	EA	THERMOSTAT - GAS VALVE	617944
7	113737-01-750	EA	TUBE-UNION	61694622



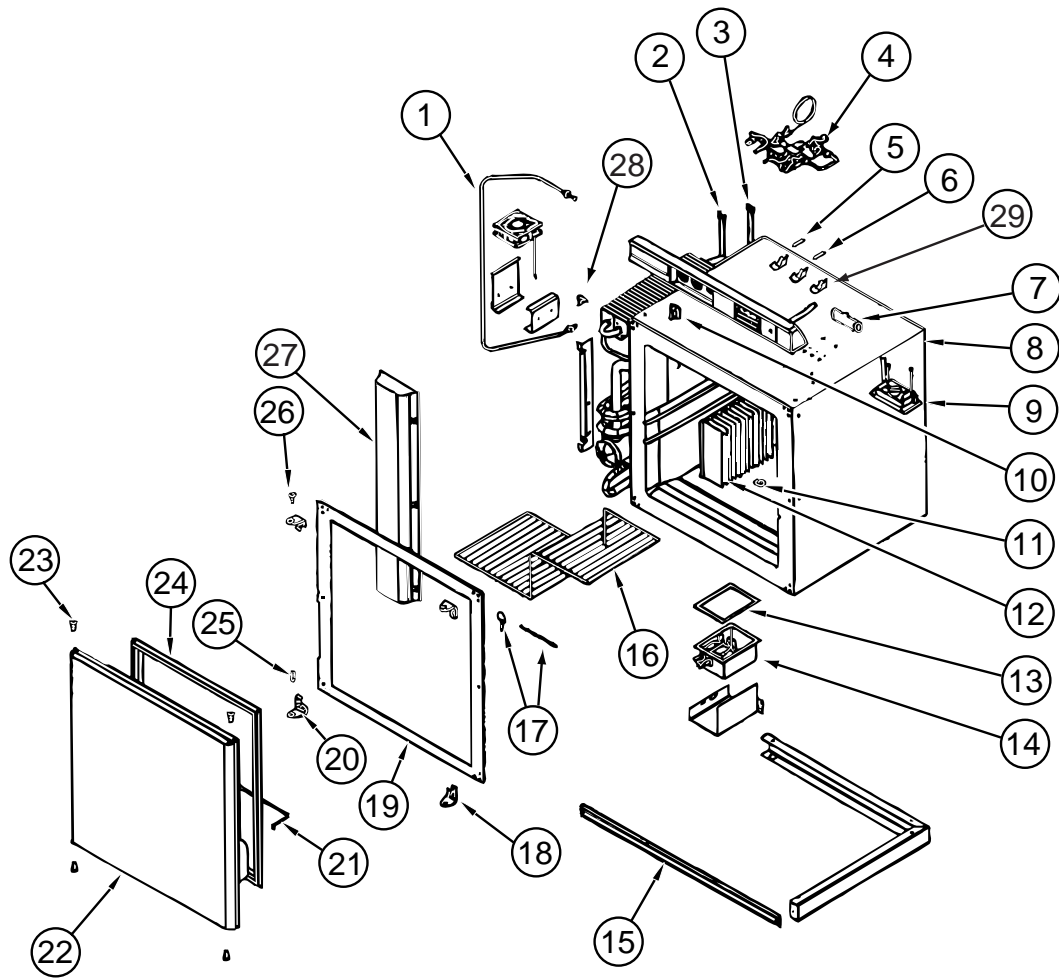
**APPLIANCE GROUP (CONTINUED)**  
**COMPONENT PARTS FOR APPLIANCE (CONTINUED)**



**113737-01,02,03 & 04-04A (CONTINUED)**

KEY	PART NUMBER	U/M	DESCRIPTION	VENDOR NO.
1	113737-01-732	EA	GLASS-SIGHT	617995
2	113737-01-726	EA	BURNER ASSEMBLY	617936
3	113737-01-727	EA	ORIFICE-ADAPTER ASSEMBLY	61753137
4	113737-01-717	EA	THERMOCOUPLE	617983
5	113737-01-715	EA	ELECTRODE-SPARK IGNITION	617966
6	113737-01-747	EA	BOX-BOTTOM F/BURNER	617925
7	113737-01-755	EA	RUBBER GROMMET	617997
8	113737-01-751	EA	GROMMET F/SIGHT GLASS	617933

**APPLIANCE GROUP (CONTINUED)**  
**COMPONENT PARTS FOR APPLIANCE (CONTINUED)**



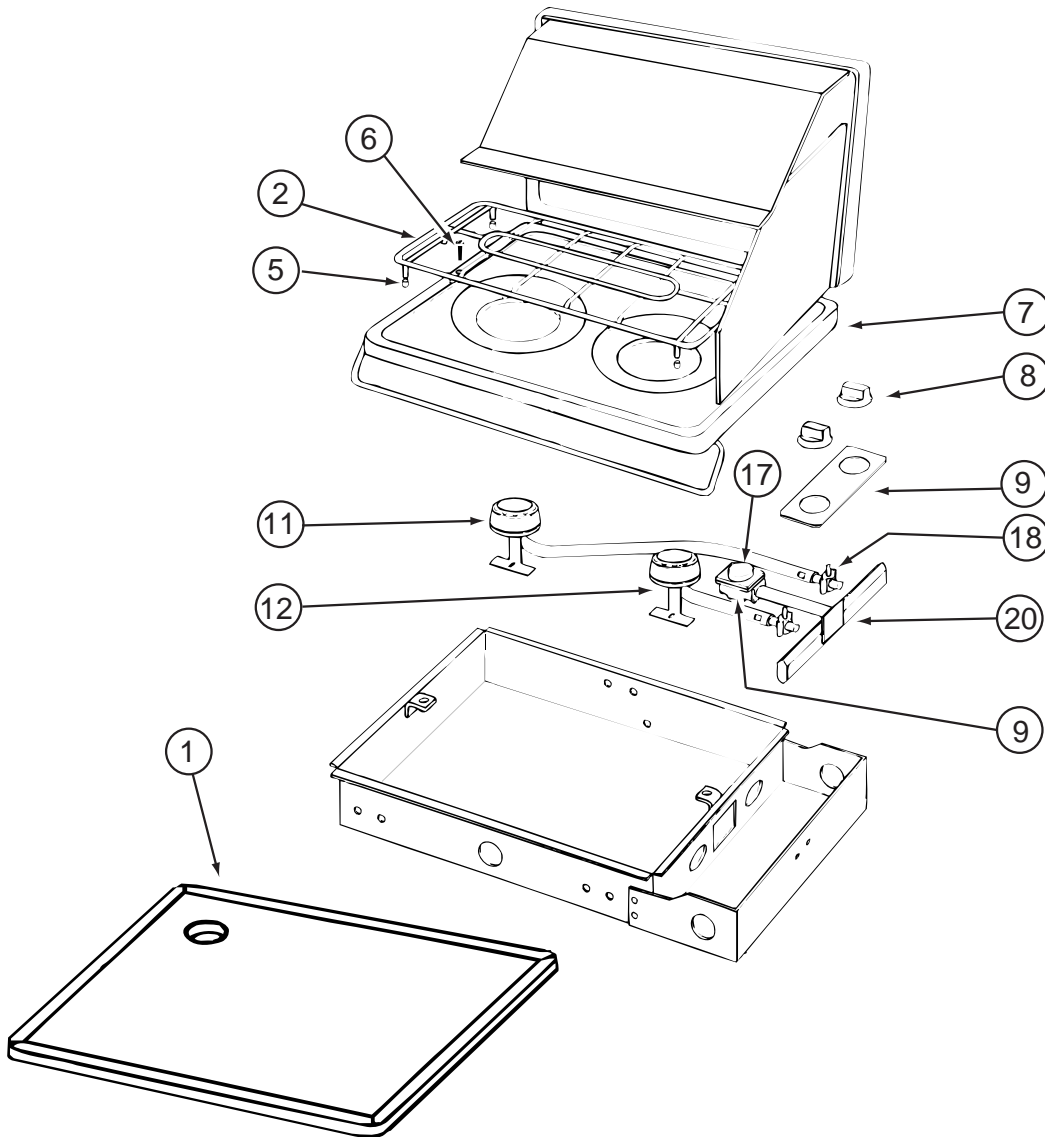
**113737-01,02,03 & 04-04A (CONTINUED)**

KEY	PART NUMBER	U/M	DESCRIPTION	VENDOR NO.
1	113737-01-746	EA	TUBE-BURNER	617989
2	113737-01-722	EA	HEATER DC (3-WAY)	61745422
3	113737-01-721	EA	HEATER AC	61745322
4	113737-01-718	EA	CONTROL ASSY-THERMOSTAT	617998
5	113737-01-714	EA	FUSE 20 AMP (3-WAY)	61440522
6	113737-01-720	EA	FUSE 3 AMP (32V OR LESS)	61654622
7	113737-01-731	EA	BLOCK-TERMINAL	617979
8	113737-01-707	EA	CABINET-COOLING UNIT (FOAMED)	617993
9	113737-01-728	EA	RELIGHTER	617964
10	113737-01-740	EA	KNOB-THERMOSTAT	617971
10	113737-01-741	EA	SCREW #10 X 1/2"	NSC0001
10	113737-02-702	EA	SYSTEM COVER-VW LIGHT GRAY	620299
10	113737-02-703	EA	DOOR ASSEMBLY-VW LIGHT GRAY	620297
10	113737-02-704	EA	DOOR LINER-VW LIGHT GRAY	620296
11	113737-01-705	EA	CLIP-FIN	61728722
12	113737-01-706	EA	FIN ASSEMBLY	617948
13	113737-01-748	EA	GASKET-BURNER BOX-FELT	617977
14	113737-01-749	EA	BURNER BOX ASSEMBLY	617937
15	113737-01-734	EA	GRILLE (AIR INLET BLK)	617938
16	113737-01-711	EA	SHELF L-SHAPED (WHITE)	618063
17	113737-01-752	EA	CHAIN (TRAVEL LATCH)	618047
17	113737-01-753	EA	PIN (TRAVEL LATCH)	618046
18	113737-01-725	EA	HINGE (LH BTM & RH TOP)	617911
19	113737-01-712	EA	BREAKER (BLACK TRIM)	617912
20	113737-01-724	EA	HINGE (RH BTM & LH TOP)	617910
21	113737-01-733	EA	DOOR-RAIL, WHITE POWDER	618064
23	113737-01-701	EA	BUSHING-HINGE	61742022
24	113737-01-704	EA	GASKET-DOOR, GRAY	617906

**APPLIANCE GROUP (CONTINUED)**  
**COMPONENT PARTS FOR APPLIANCE (CONTINUED)**

113737-01,02,03 & 04-04A (CONTINUED)

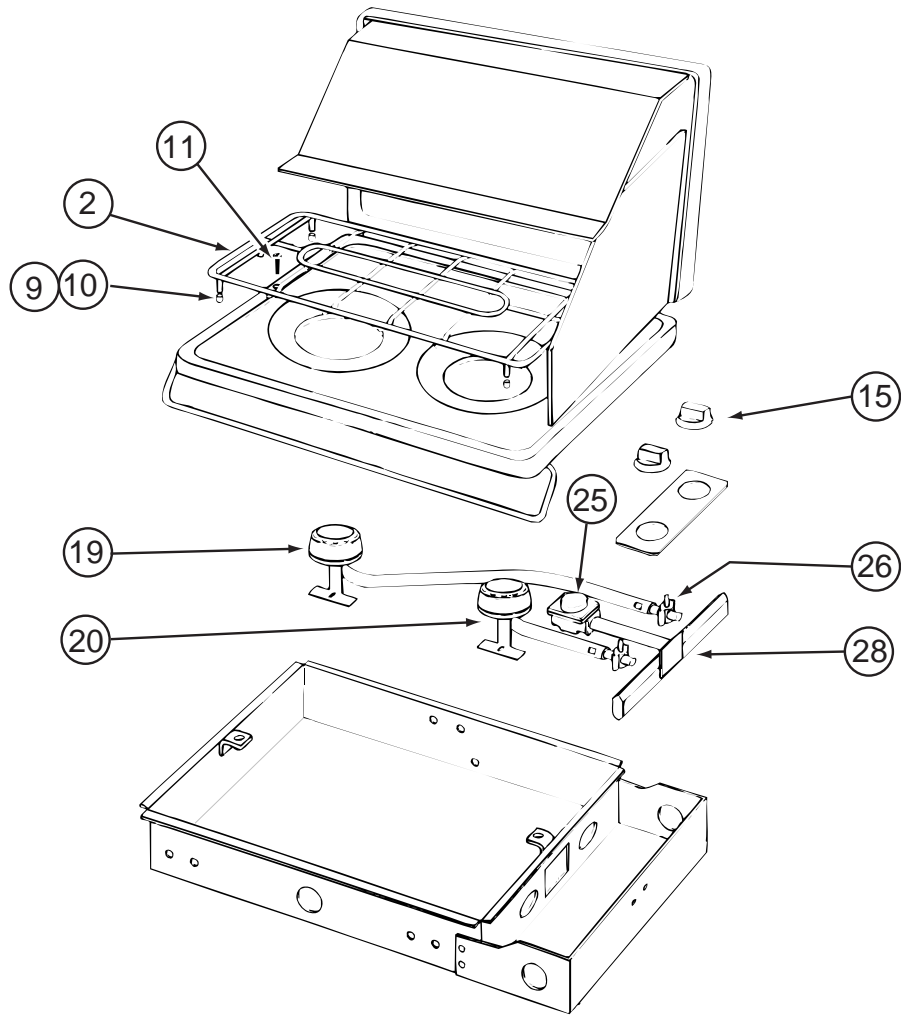
KEY	PART NUMBER	U/M	DESCRIPTION	VENDOR NO.
25	113737-01-710	EA	PIN-HINGE, BOTTOM	61550722
26	113737-01-708	EA	PIN-HINGE, TOP	61114600
28	113737-01-754	EA	THERMOSTAT (FAN 12V DC)	618093
29	113737-01-759	EA	FUSE HOLDER	61584222



113948-02-01A

KEY	PART NUMBER	U/M	DESCRIPTION	VENDOR NO.
1	113947-01-707	EA	COVER - STOVE TOP, TAUPE	52446& ANTI RATTLE
	113947-02-701	EA	COVER - STOVE TOP (GRAY)	56204
2	101593-01-700	EA	GRATE, DESIGNER STYLE	53304
5	107323-01-711	EA	CUSHION - GRATE BOOTS-RUBBER	53008
6	101593-01-701	EA	SCREW-THUMB	52537
7	113947-01-703	EA	COVER-RANGE TOP, GRATE & BAR	51443
8	101593-01-703	EA	KNOB-BURNER	53000
9	101593-01-702	EA	TOP-COOK,BRUSHED CHROME D25C	53305
9	113948-01-702	EA	DECAL-BURNER CONTROL	51454
11	113948-02-704	EA	BURNER - RIGHT HAND	56078
12	113948-02-703	EA	BURNER - LEFT HAND	56077
17	106689-01-704	EA	REGULATOR-EXTREME PRESSURE	51062
	113947-01-702	EA	MOLDING-ANTI RATTLE,SHORT	52454
18	113948-02-701	EA	VALVE - BURNER	56090
20	113948-02-702	EA	MANIFOLD	56079
	113948-02-705	EA	GROMMET/MOLDING 47.75"	52453

**APPLIANCE GROUP (CONTINUED)**  
**COMPONENT PARTS FOR APPLIANCE (CONTINUED)**



**113948-03-01A**

<b>KEY</b>	<b>PART NUMBER</b>	<b>U/M</b>	<b>DESCRIPTION</b>	<b>VENDOR NO.</b>
2	101593-01-700	EA	GRATE, DESIGNER STYLE	53304
9	107323-01-711	EA	CUSHION - GRATE BOOTS-RUBBER	53008
10	107323-01-701	EA	CLIP-GRATE	53301
11	101593-01-701	EA	SCREW-THUMB	52537
15	101593-01-703	EA	KNOB-BURNER	53000
19	113947-02-703	EA	BURNER - LEFT	56075
20	113947-02-702	EA	BURNER - RIGHT	56076
25	106689-01-704	EA	REGULATOR-EXTREME PRESSURE	51062
26	113948-02-701	EA	VALVE - BURNER	56090
28	113948-02-702	EA	MANIFOLD	56079
	051391-01-705	EA	FASTENER-CAMLOCK	92609

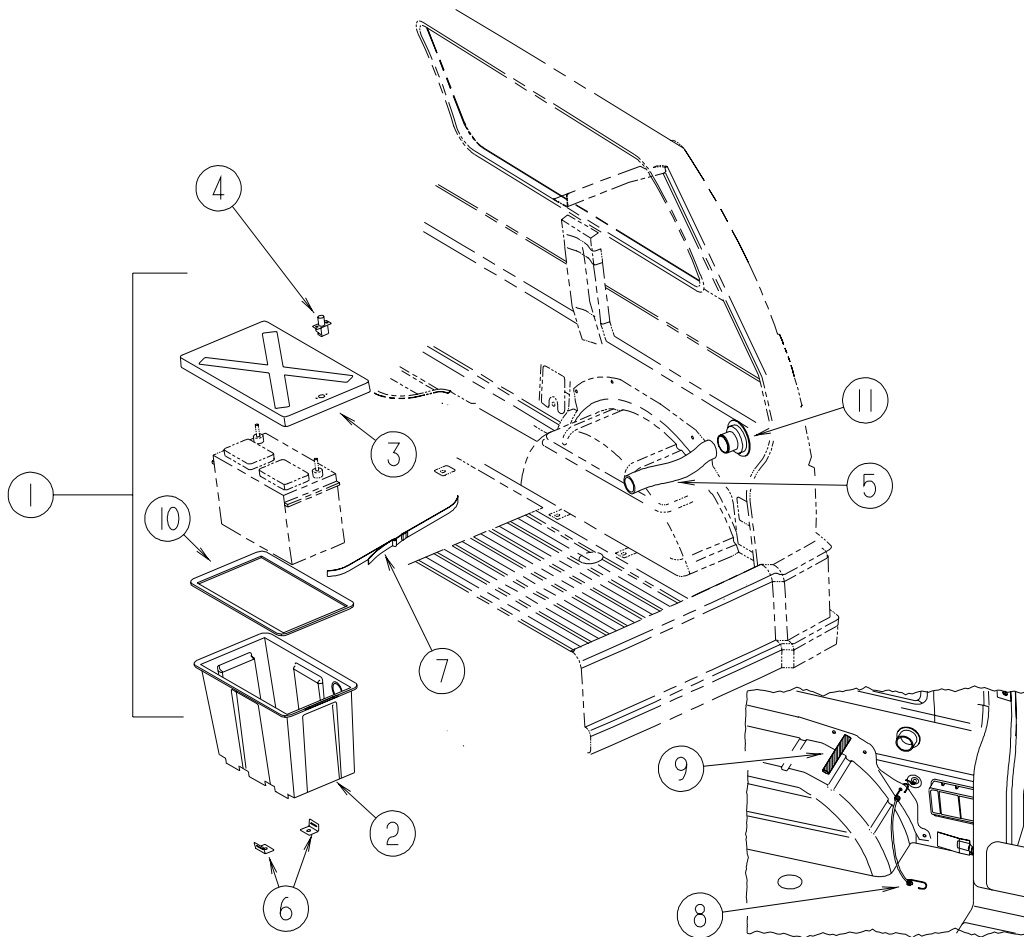
CONTACT WINNEBAGO PART SALES FOR UNLISTED COMPONENTS

**AUDIO VIDEO GROUP**  
**RADIO SYSTEM**

<b>KEY</b>	<b>PART NUMBER</b>	<b>U/M</b>	<b>DESCRIPTION</b>
	127517-05-000	EA	RADIO - AM/FM STEREO/CD PLAYER - SONY CDX-C4005X - <a href="#">DASH</a> FROM: 00-00-00 THRU: 04-29-01
	127517-08-000	EA	RADIO - AM/FM STEREO - CD PLAYER - SONY CDX-L550X - <a href="#">DASH</a> FROM: 04-30-01 THRU: 99-99-99
	097460-15-000	EA	RADIO - AM/FM CASSETTE/CD - SONY XR-C2200 - <a href="#">DASH - 2001 ONLY</a>
	110469-01-000	EA	SPEAKER - 4" X 6" OVAL - COAXIAL
	110470-01-01A	EA	GRILLE - 4" X 6" OVAL SPEAKER - BLACK
	114365-02-000	EA	ADAPTER - RADIO - POWER/SPEAKERS
	114366-01-000	EA	ADAPTER - RADIO - ANTENNA

**\*COMPONENT PARTS LISTED LATER IN THIS GROUP**

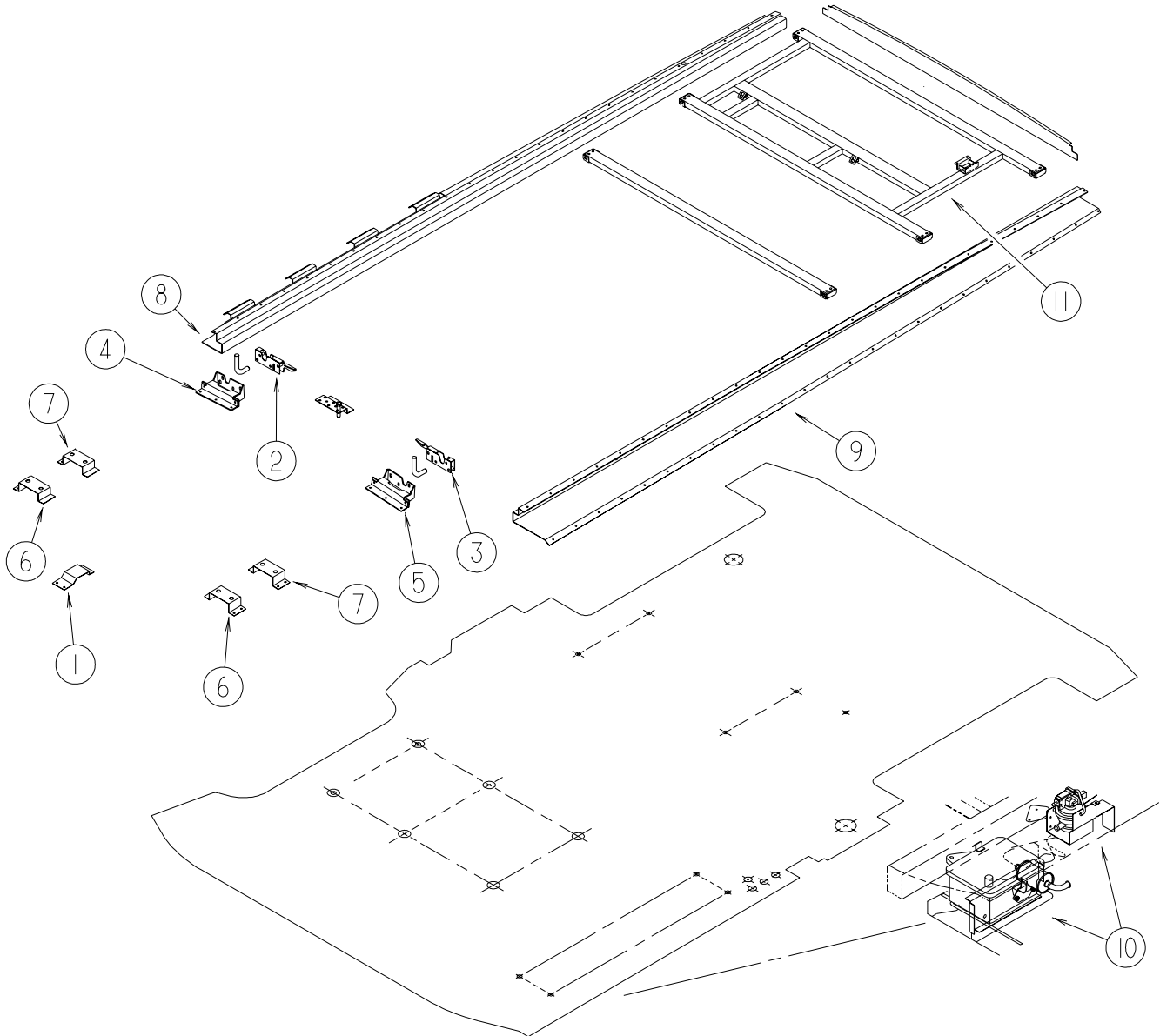
## CHASSIS GROUP BATTERY BOX



KEY	PART NUMBER	U/M	DESCRIPTION
1	P11394-01-000	EA	BOX - BATTERY & LID ASSEMBLY
2	111394-01-000	EA	BOX - BATTERY - SINGLE
3	113514-01-000	EA	COVER - BATTERY BOX
4	113517-01-000	EA	LATCH - GRIP - ADJUSTABLE
5	114667-01-000	FT	HOSE - 2" ID - FLEXIBLE
6	113515-01-04B	EA	BRACKET - BATTERY TIEDOWN - BLACK
7	084993-01-000	EA	STRAP - BATTERY - 43.2" LONG
8	076840-03-000	EA	HOLD DOWN CORD - BUNGEE 13"
9	112091-01-000	FT	SEAL/D - NEOPRENE - HEAT ACTIVE ADHESIVE - .9"
10	064075-07-000	FT	SEAL - BULB - W/WIRED U CHANNEL - .3" X .5" CHANNEL-BLACK
11	024990-08-000	EA	OUTLET - DEFROSTER - W/O SWIVEL - 4" OD X 3" RO - WHITE

## CHASSIS GROUP (CONTINUED)

### CHASSIS MODIFICATIONS



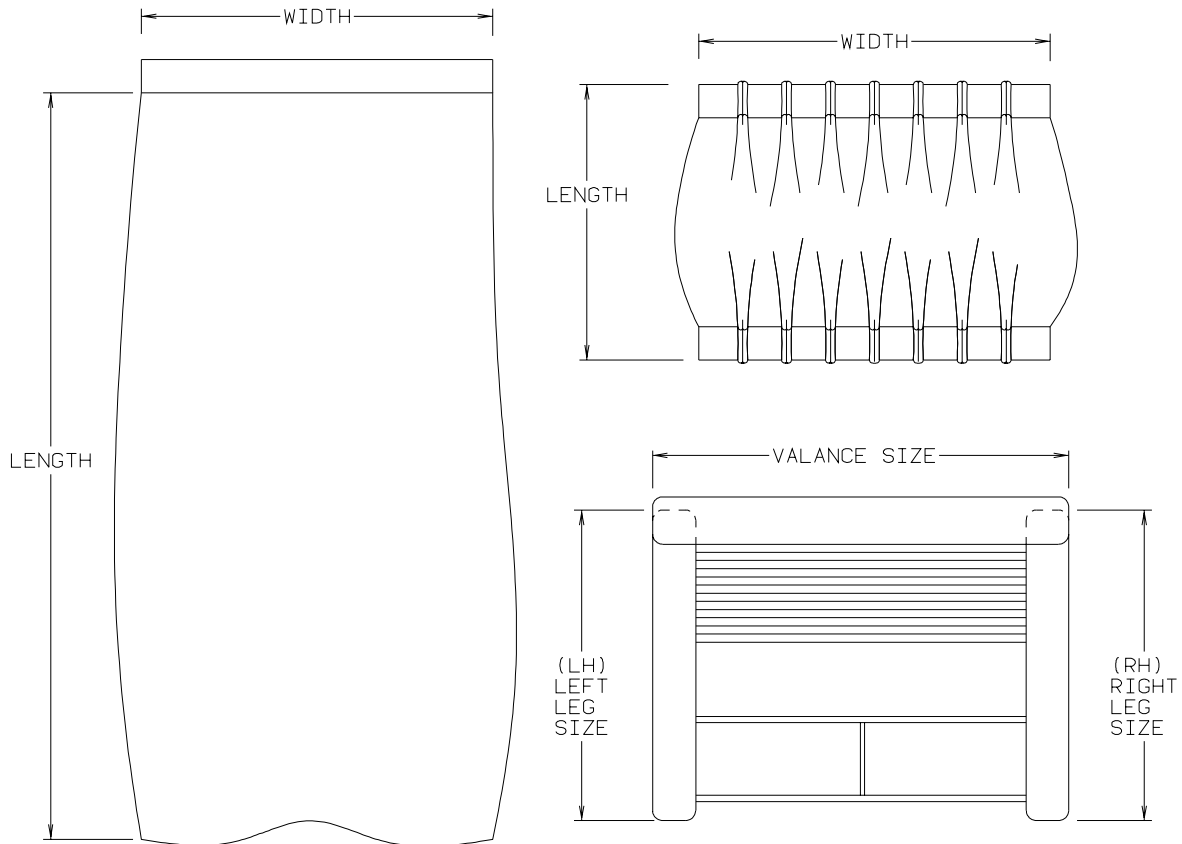
KEY	PART NUMBER	U/M	DESCRIPTION
1	113691-01-02B	EA	CHANNEL - HAT
2	113833-01-000	EA	LATCH - ROTARY - RIGHT HAND
3	113833-02-000	EA	LATCH - ROTARY - LEFT HAND
4	114219-01-02B	EA	BRACKET - CATCH - POP TOP - RIGHT HAND
5	114219-02-02B	EA	BRACKET - CATCH - POP TOP - LEFT HAND
6	116966-02-02B	EA	CHANNEL - HAT
7	116966-04-02B	EA	CHANNEL - HAT
8	123172-01-06B	EA	SUPPORT - ROOF - PASSENGER
	123172-01-01B	EA	SUPPORT - ROOF - PASSENGER
9	123172-02-06B	EA	SUPPORT - ROOF - DRIVER
	123172-02-01B	EA	SUPPORT - ROOF - DRIVER
10	128139-03-000	FT	HOSE - FUEL - LOW PERMEABILITY - 1/4" DIAMETER FROM: 00-00-00 THRU: 03-13-01
10	024138-01-000	FT	HOSE - FUEL - 5/16" ID FROM: 03-14-01 THRU: 99-99-99
10	125187-02-000	FT	HOSE - FUEL - LOW PERMEABILITY - 12.7" ID - FORD
11	137065-01-02B	EA	SUPPORT - ROOF - FRONT - E-COATED

## CURTAIN & CUSHION GROUP

### NOTICE

IN ORDER TO ASSIST OUR PARTS SALES DEPT. IN PROVIDING INTERIOR SOFTWARE ITEMS, PLEASE INCLUDE THE SERIAL NUMBER AND THE COLOR CODE NUMBER FROM THE VEHICLE CERTIFICATION LABEL WHEN ORDERING. THIS LABEL IS LOCATED ON THE LEFT SIDEWALL AT THE END OF THE DASH (A-BODY), OR ON THE DRIVER'S DOOR LATCH PLATE (C-BODY).

AN EXAMPLE OF A COLOR CODE NUMBER IS B07, WHICH DESIGNATES AN OVERALL COLOR SCHEME OF A PARTICULAR UNIT. THE COLOR LISTED AFTER THE ITEM DESCRIPTION ON THE MICROFICHE, INDICATES THE OVERALL UNIT COLOR. ORDER THE ITEM YOU DESIRE ACCORDING TO UNIT COLOR CODE. IF ALL COLORS USE THE SAME ITEM NO COLOR CODE WILL BE NOTED.

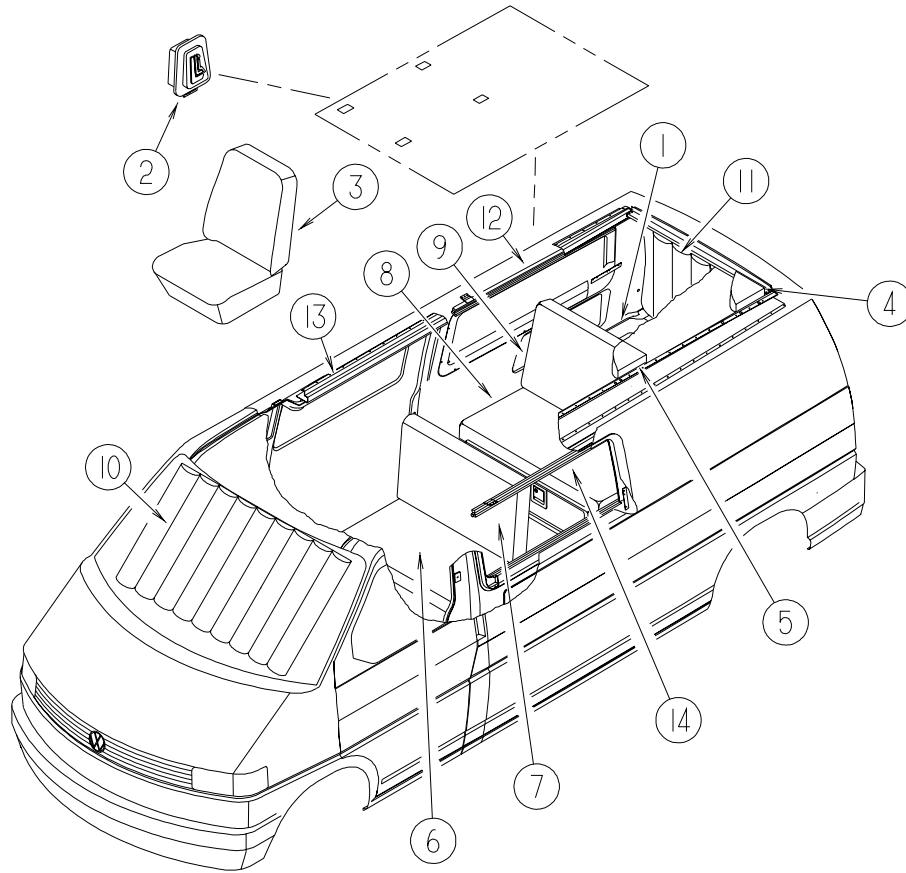


NOTE: USE THIS ILLUSTRATION WHEN DETERMINING LENGTH AND WIDTH MEASUREMENTS FOR CURTAINS. YOU WILL NOTE THE WIDTH MEASUREMENT IS TAKEN ON THE TOP OF THE CURTAIN WITH THE CURTAIN FULLY EXTENDED. THE LENGTH MEASUREMENT IS TAKEN FROM TOP TO BOTTOM. LEFT AND RIGHT WINDOW LEGS ARE DETERMINED WHEN FACING THE WINDOW.



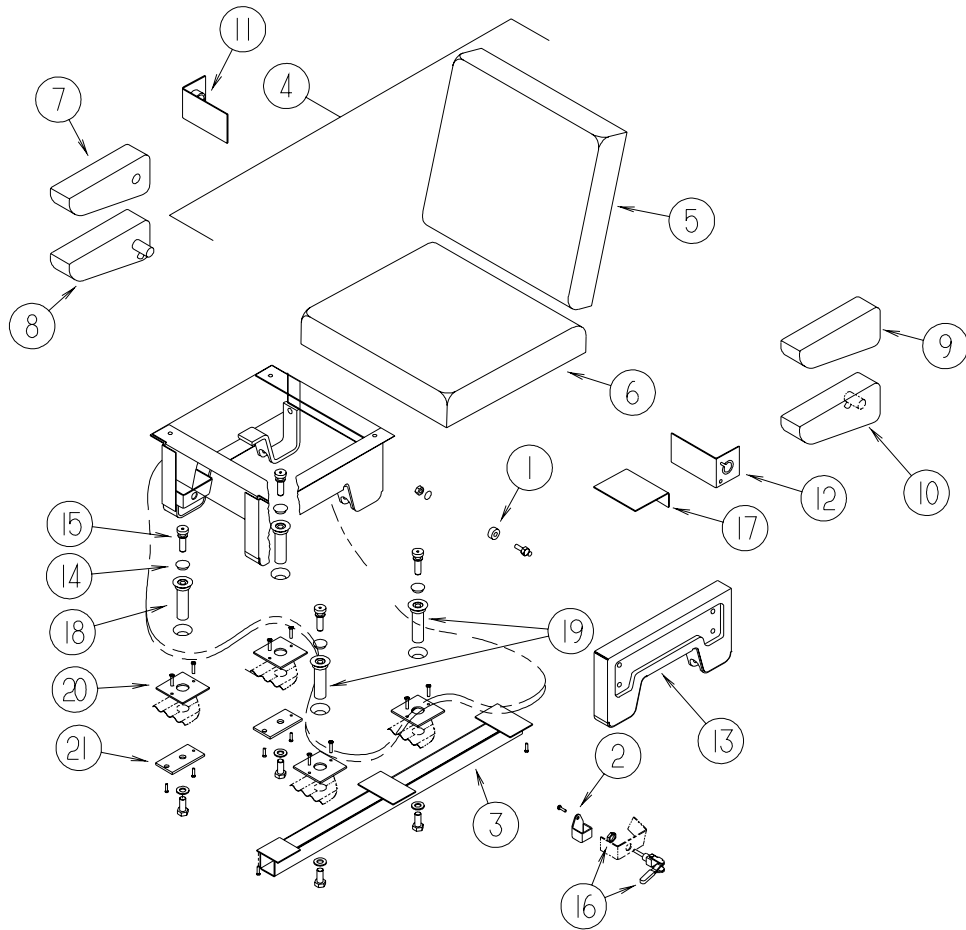
## CURTAIN & CUSHION GROUP (CONTINUED)

### CURTAIN & CUSHION LAYOUT



KEY	PART NUMBER	U/M	DESCRIPTION
1	114282-01-K72	EA	CUSHION - TRIFOLD - 2" X 9" X 32" X 32" X 43"
	P14282-01-K72	EA	COVER/LOWER REAR - TRI-FOLD - 70.5" X 43" X 2"
2	137117-01-01A	EA	BEZEL - ANCHOR/TETHER - GRAY
	M07510-03-P44	EA	COMPANION SEAT - CENTER - COMPLETE W/BASE - <b>INCLUDES KEY 3</b>
3	128826-01-K72	EA	SEAT - COMPANION BUCKET - W/ARMRESTS
4	114281-01-K72	EA	CUSHION - UPPER SLEEPER - 2" X 43" X 37"
	P14281-01-K72	EA	COVER - OVERHEAD CUSHION - 37" X 43" X 2"
	108452-B7-000	EA	FOAM-UPPER SLEEPER VW
5	114281-02-K72	EA	CUSHION - UPPER SLEEPER - 2" X 18.5" X 43"
	P14281-02-K72	EA	COVER - SLEEPER - UPPER - 2" X 18.5" X 43"
	108452-B8-000	EA	FOAM-TRI-FOAM VW PC1
	108452-B9-000	EA	FOAM-TRI-FOAM VW PC2&3
	130486-01-01A	EA	STOP - BOARD - BUNK - VW GRAY
	M07510-02-P44	EA	COUCH - CENTER OPTION - COMPLETE W/BASE - <b>INCLUDES KEY 6 &amp; 7</b>
6	114513-11-K72	EA	CUSHION/SEAT - CENTER SOFA/OPTION - B-VAN
7	114513-12-K72	EA	CUSHION/BACK - CENTER SOFA/OPTION - B-VAN
8	114513-05-K72	EA	CUSHION/SEAT - REAR SOFA/STANDARD - B-VAN
9	114513-06-K72	EA	CUSHION/BACK - REAR SOFA/STANDARD - B-VAN
10	077591-13-F35	EA	CURTAIN - VELCRO TOP - 36" X 100"
11	114515-01-F35	EA	CURTAIN - TAPE TOP/BOTTOM - 24.5" X 65"
12	119405-01-FA5	EA	BLIND - MICRO PLEAT - 46.5" X 17"
13	119405-02-FA5	EA	BLIND - MICRO PLEAT - 40" X 19"
14	119405-03-FA5	EA	BLIND - MICRO PLEAT - 41" X 20"

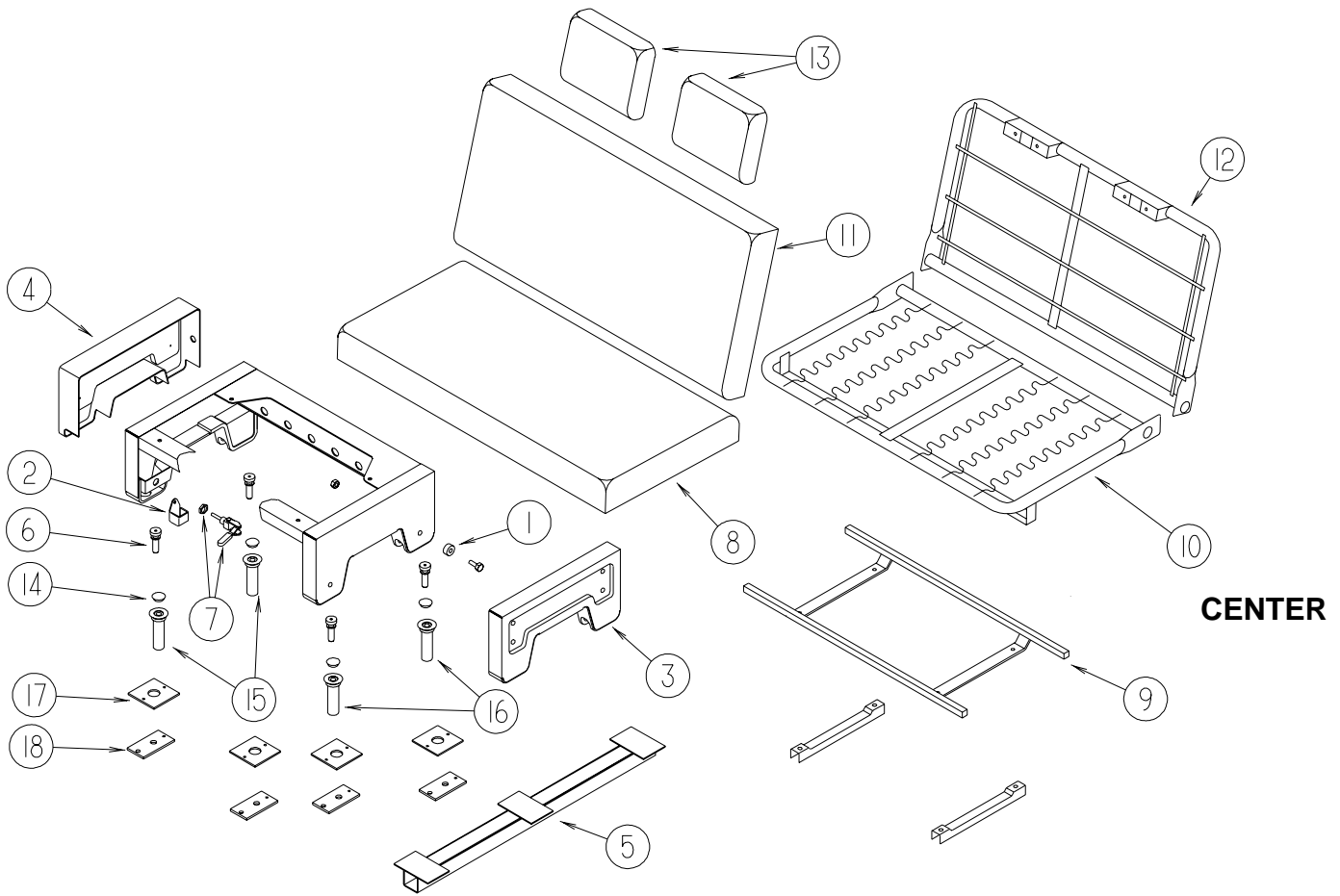
## CURTAIN & CUSHION GROUP (CONTINUED) COMPANION SEATS



KEY	PART NUMBER	U/M DESCRIPTION
1	113739-01-000	EA ROLLER - SEAT
2	121512-01-02B	EA LATCH - SEAT - E-COATED
3	117188-02-02B	EA CHANNEL - SEAT - E-COATED
4	128826-01-K72	EA SEAT - COMPANION BUCKET - W/ARMRESTS
5	128826-02-K75	EA SEAT BACK - BUCKET SEAT
6	128826-03-K75	EA SEAT BOTTOM - BUCKET SEAT
7	128826-04-K75	EA ARMREST - RIGHT HAND
	P28826-04-K75	EA COVER - ARMREST/RIGHT HAND
8	130188-01-000	EA BRACKET - ARMREST/RIGHT HAND - W/FOAM
9	128826-05-K75	EA ARMREST - LEFT HAND
	P28826-05-K75	EA COVER - ARMREST/LEFT HAND
10	130188-02-000	EA BRACKET - ARMREST/LEFT HAND - W/FOAM
11	128181-01-01B	EA BRACKET - ARMREST/RIGHT HAND
12	128181-02-01B	EA BRACKET - ARMREST/LEFT HAND
13	131420-03-02A	EA PANEL - SEAT/CENTER - VW LIGHT GRAY
14	120270-01-01A	EA PLUG - SEAT
	124755-01-000	EA WRENCH - ALLEN 1/4 HEX - LONG ARM
15	117387-01-01A	EA RETAINER - BOLT - SEAT
16	118570-01-01A	EA CLAMP - SEAT
17	131402-01-02A	EA PANEL - SEAT - CENTER BACK - VW LIGHT GRAY
18	117388-01-01A	EA RETAINER - SEAT
19	117388-02-01A	EA RETAINER - SEAT
20	117191-01-01B	EA PLATE - RETAINER - MILL FINISH
21	117191-02-01B	EA PLATE - RETAINER - MILL FINISH

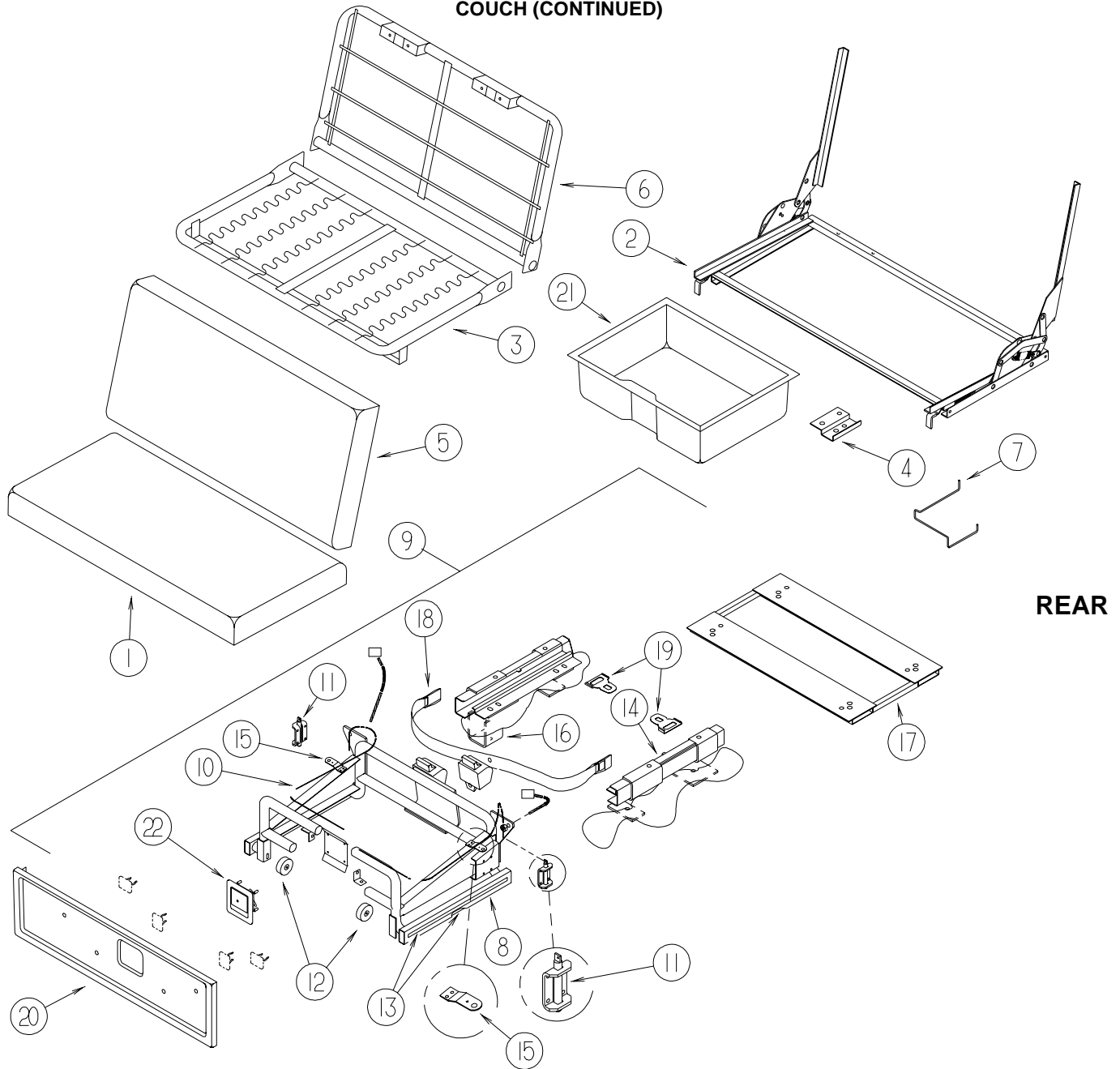
## CURTAIN & CUSHION GROUP (CONTINUED)

### COUCH



KEY	PART NUMBER	U/M	DESCRIPTION
1	113739-01-000	EA	ROLLER - SEAT
2	121512-01-02B	EA	LATCH - SEAT - E-COATED
3	131420-02-02A	EA	PANEL - SEAT/CENTER - LEFT HAND - VW LIGHT GRAY
4	131420-01-02A	EA	PANEL - SEAT/CENTER - RIGHT HAND - VW LIGHT GRAY
	113977-06-000	EA	PLASTIC - HINGE COVER - PASSENGER
	113977-07-000	EA	PLASTIC - HINGE COVER - DRIVER
5	117188-01-02B	EA	CHANNEL - SEAT - E-COATED
6	117387-01-01A	EA	RETAINER - BOLT - SEAT
6	124755-01-000	EA	WRENCH - ALLEN 1/4 HEX - LONG ARM
7	118570-01-01A	EA	CLAMP - SEAT
8	114513-11-K72	EA	CUSHION/SEAT - CENTER SOFA/OPTION - B-VAN
	P14513-11-K72	EA	COVER/SEAT - CENTER SOFA/OPTION - B-VAN
9	123201-01-01A	EA	FRAME - BENCH SEAT BASE W/SLIDE
10	123201-03-01A	EA	FRAME - BENCH SEAT
11	114513-12-K72	EA	CUSHION/BACK - CENTER SOFA/OPTION - B-VAN
	P14513-12-K72	EA	COVER/BACK - CENTER SOFA/OPTION - B-VAN
12	123201-02-01A	EA	FRAME - BENCH BACK
13	114514-02-K72	EA	HEADREST - B-VAN
	P14514-02-K72	EA	COVER - HEADREST - B-VAN
	113977-12-000	EA	HEADREST INSERT - W/O LOCK
	113977-13-000	EA	HEADREST INSERT - W/LOCK
	114791-02-000	EA	FRAME-HEADREST,B-VAN - PLYFOAM
14	120270-01-01A	EA	PLUG - SEAT
15	117388-01-01A	EA	RETAINER - SEAT
16	117388-02-01A	EA	RETAINER - SEAT
17	117191-01-01B	EA	PLATE - RETAINER - MILL FINISH - 4 USED
18	117191-02-01B	EA	PLATE - RETAINER - MILL FINISH - 4 USED

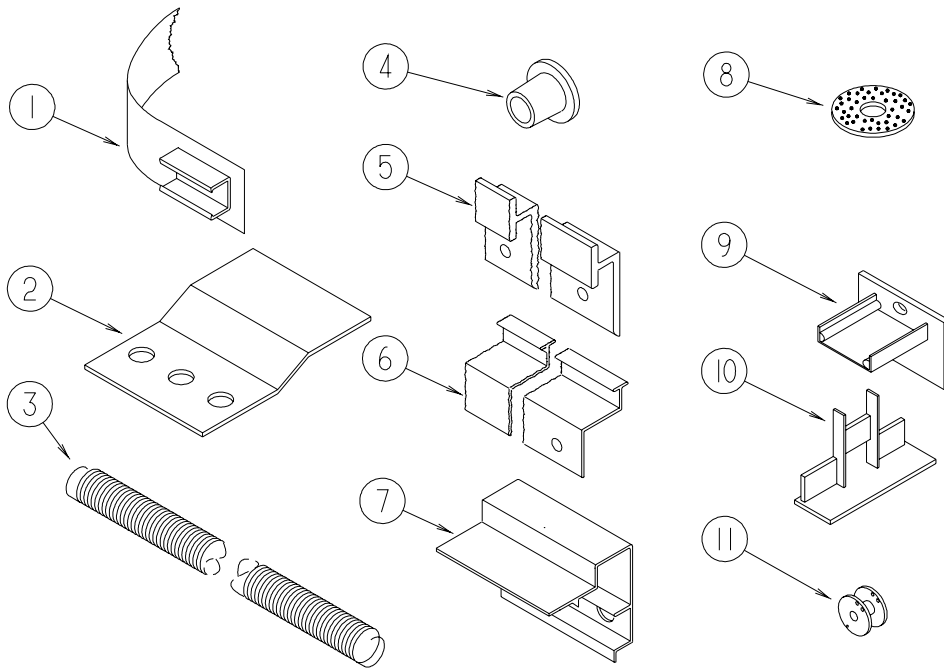
**CURTAIN & CUSHION GROUP (CONTINUED)**  
**COUCH (CONTINUED)**



KEY	PART NUMBER	U/M	DESCRIPTION
1	114513-05-K72	EA	CUSHION/SEAT - REAR SOFA/STANDARD - B-VAN
	P14513-05-H75	EA	COVER/SEAT - REAR SOFA/STANDARD - B-VAN
2	122556-01-01A	EA	FRAME - BASE - SOFA/BED 42"
3	122556-03-01A	EA	FRAME - SEAT - SOFA/BED 42"
4	122556-04-01A	EA	LOCK - JACK KNIFE SEAT
5	114513-06-K72	EA	CUSHION/BACK - REAR SOFA/STANDARD - B-VAN
	P14513-06-H75	EA	COVER/BACK - REAR SOFA/STANDARD - B-VAN
	114514-01-H75	EA	HEADREST - B-VAN
	P14514-01-H75	EA	COVER - HEADREST - B-VAN
6	122556-02-01A	EA	FRAME - BACK - SOFA/BED 42"
7	122556-05-01A	EA	PROP ROD - JACK-KNIFE SEAT
8	113433-02-11B	EA	FRAME - SEATBASE, REAR
9	113454-02-K72	EA	SEAT - REAR
10	113670-03-000	EA	CABLE ASM-RELEASE,SEAT - CABLE MFG & ASM
11	113673-01-000	EA	LATCH - SLAM - SEAT SLIDE
12	113739-01-000	EA	ROLLER - SEAT
13	113797-01-01A	EA	STRIP - BLACK PLASTIC W/SELF ADHESIVE-.13" X .75" X 19.26"

## CURTAIN & CUSHION GROUP (CONTINUED) COUCH (CONTINUED)

KEY	PART NUMBER	U/M	DESCRIPTION
14	113797-02-01A	EA	STRIP - BLACK PLASTIC W/SELF ADHESIVE-.25" X .75" X 6.45"
	113797-03-01A	EA	STRIP - BLACK PLASTIC W/SELF ADHESIVE-.19" X .75" X 19.26"
15	114833-02-02B	EA	BRACKET - CABLE - STRIKER - E-COATED
16	114920-01-11B	EA	SUPPORT - SEAT - FRONT/RIGHT HAND
17	115138-01-11B	EA	MOUNT - REAR SEAT
18	116055-01-01A	EA	BELT - RETAINER/SEAT
19	116056-01-01A	EA	BRACKET - SEAT BELT
20	115807-01-K72	EA	PANEL - SEAT/REAR
21	131412-01-02A	EA	COMPARTMENT - STORAGE/SEAT - VW LIGHT GRAY
22	112949-02-06A	EA	LATCH - PADDLE NON-LOCKING - VW LT GRAY

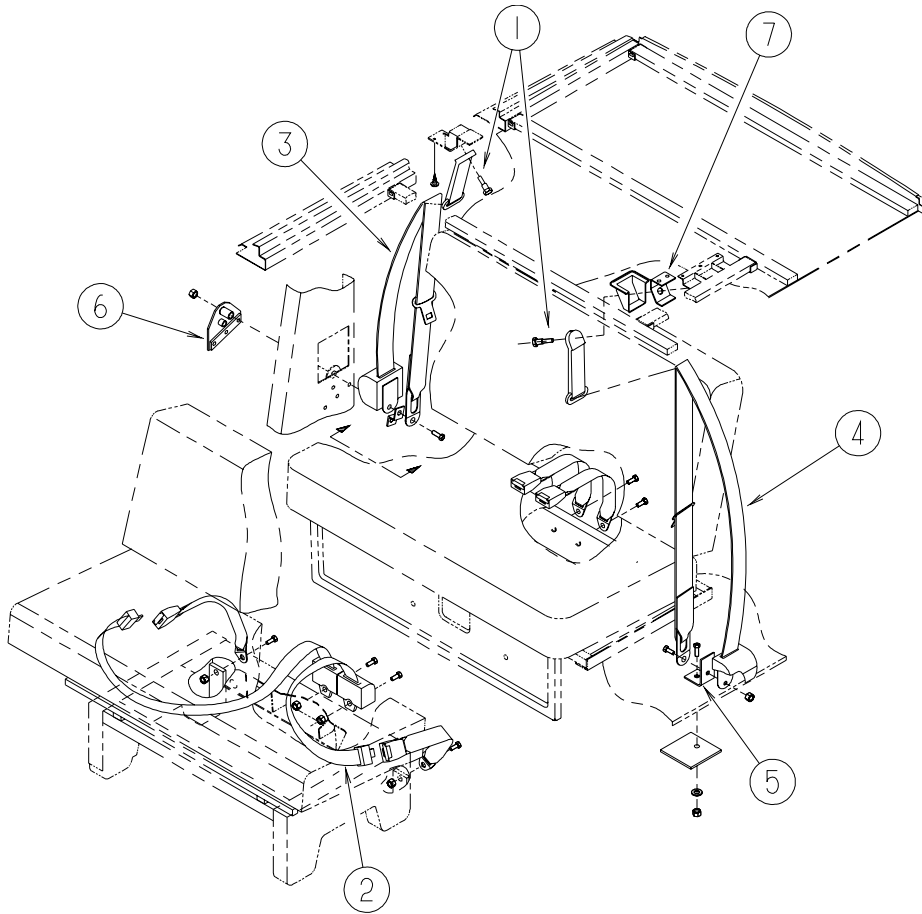


### HARDWARE

KEY	PART NUMBER	U/M	DESCRIPTION	
1	101031-01-000	YD	TAPE/GLIDE - 4.25" SPACING	
2	113620-01-02B	EA	BRACKET - MOUNTING SHADE	
3	097591-01-000	EA	SPRING - EXTENSION/PLEATED BLIND	
4	094896-02-000	EA	GROMMET - CORD/PLEATED BLIND - NYLON - GRAY	
5	101033-03-000	FT	TRACK/WALL - 101" - WHITE	
6	101032-02-000	EA	TRACK - CURTAIN - UPPER - 4'	
7	097565-01-000	EA	BRACKET - MOUNTING - PLEATED BLIND	
7	097565-02-000	EA	BRACKET - MOUNTING	
8	103242-02-000	EA	VELCRO HOOK - BLACK 7/8" ROUND W/CENTER HOLE	
9	094907-06-000	EA	END CAP - PLEATED BLIND/TOP	
10	094907-05-700	EA	END CAP-RH BOTTOM BLIND	PART SALES
10	094907-05-701	EA	END CAP-LH BOTTOM BLIND	PART SALES
11	097592-01-000	EA	SPOOL - CORD - ELEVATED BLIND HOLDUP - SMALL - CLEAR	
	097593-06-000	FT	CORD - BLIND - PLEATED - PEWTER	

## CURTAIN & CUSHION GROUP (CONTINUED)

### ACCESSORIES

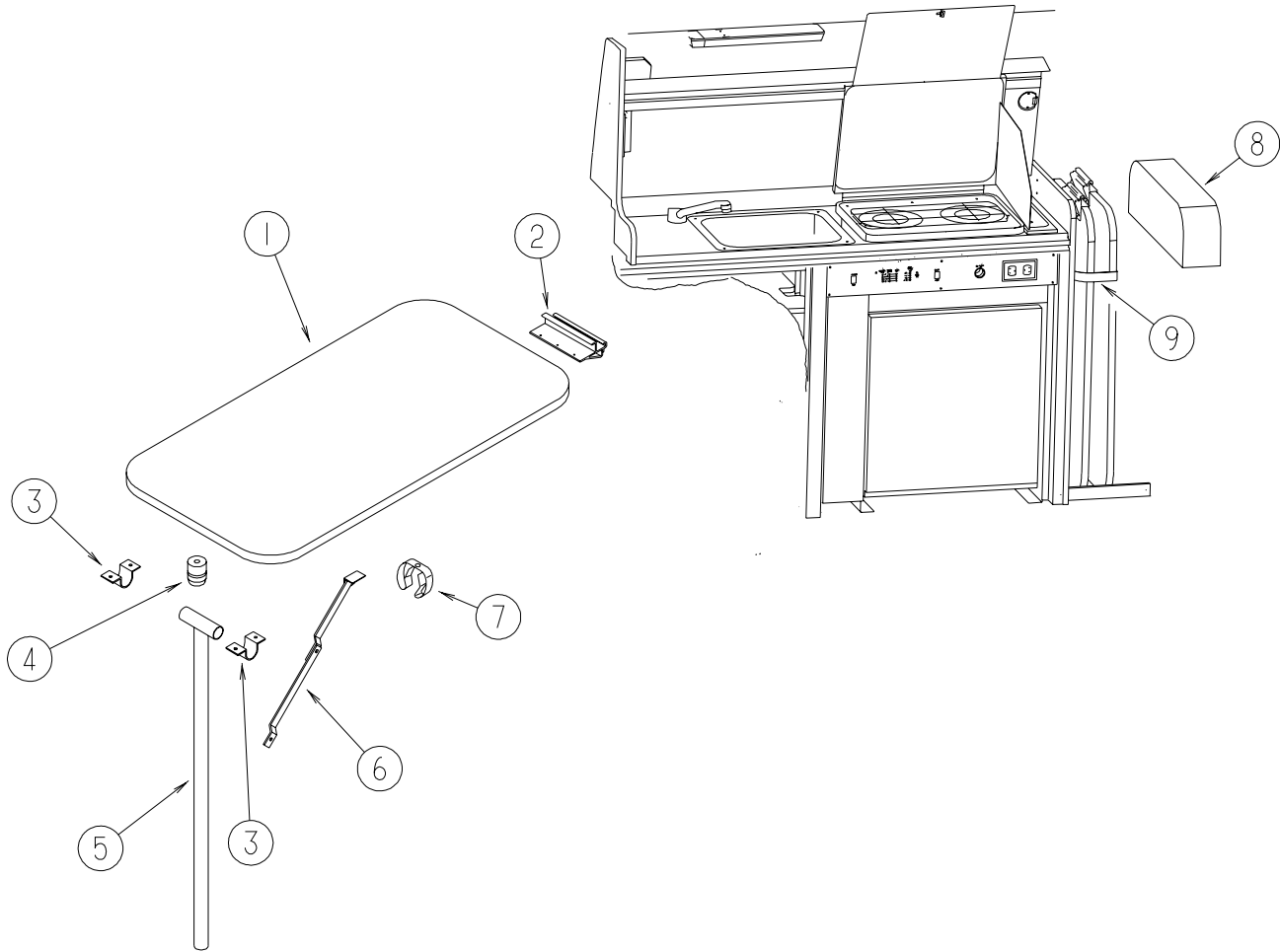


KEY	PART NUMBER	U/M	DESCRIPTION
1	109146-01-000	EA	BOLT - SHOULDER/SEAT BELT
2	118350-01-02A	EA	SEAT BELT - 2 POINT - PASSENGER - GRAY
3	118351-01-02A	EA	SEAT BELT - 3 POINT - PASSENGER - GRAY
4	118351-02-02A	EA	SEAT BELT - 3 POINT - DRIVER - GRAY
5	118352-01-01A	EA	BRACKET - ANGLE - SEAT BELT
6	123547-01-02B	EA	ANCHOR - SEAT BELT
7	131404-01-02A	EA	COVER - BRACKET - SEAT BELT

### FABRICS

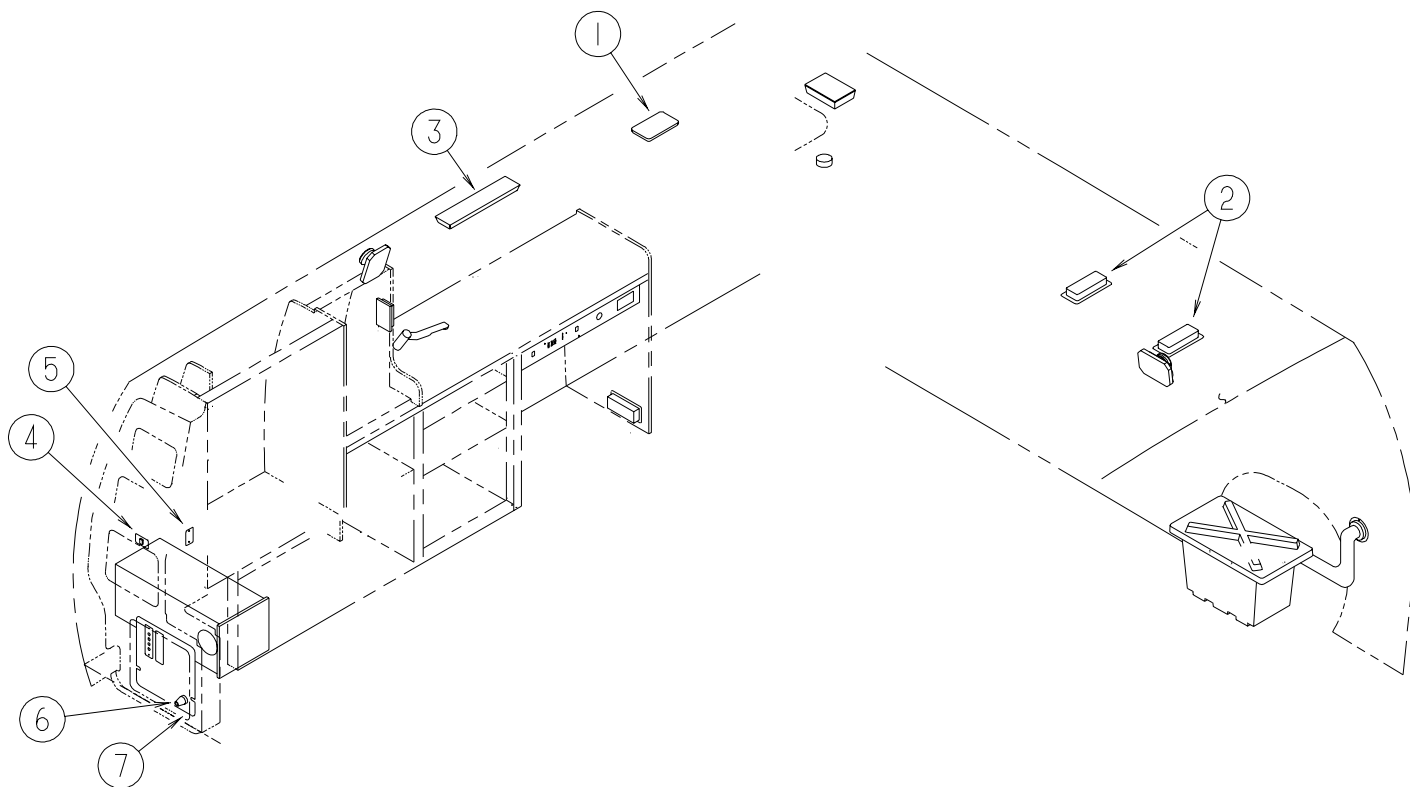
KEY	PART NUMBER	U/M	DESCRIPTION
	072333-88-000	YD	FABRIC - CURTAIN - TEXTURED PLAIN - 54" - CHROME
	087272-03-000	YD	LINING - DRAPERY - 54" - IVORY
	094911-61-000	YD	FABRIC - PEATED - CHROME - 1/2"
	096861-37-000	YD	FABRIC - STAR/COAL
	103907-01-06A	YD	VINYL - EXPANDED - VW DARK GREY - 54"
	108446-R0-000	MT	FABRIC - GERMAN
	126883-90-000	MT	FABRIC - FLANNEL GRAY
	126883-91-000	MT	FABRIC - ORBIT
	126883-93-000	MT	FABRIC - ORBIT

# DINETTE GROUP TABLE



KEY	PART NUMBER	U/M	DESCRIPTION	
1	130102-01-01A	EA	TABLE TOP ONLY - VW GRAY	FROM: 00-00-00 THRU: 04-22-01
1	130102-01-02A	EA	TABLE TOP ONLY - DOVE MORAIN	FROM: 04-23-01 THRU: 99-99-99
2	114013-01-03A	EA	SUPPORT - TABLE - VW LT GRAY	
3	064050-08-000	EA	HINGE - TABLE LEG	
4	117047-01-000	EA	BUMPER - RUBBER - WASHER INSERT	
4	097872-11-000	EA	DOWEL - WOOD - 1" DIAMETER X 1.38" LONG - WASHED MAPLE	
4	097872-04-000	EA	DOWEL - WOOD - 1" DIA X 1.38" LONG - UNFINISHED	
5	024276-29-000	EA	LEG - TABLE - W/O HARDWARE	
6	024282-01-000	EA	BRACE SET (RH/LH) - TABLE LEG - HINGED	
7	091952-01-000	EA	CLIP - GRIPPER - 1"	
8	117239-01-K72	EA	COVER - B-VAN TABLE	
9	115168-01-000	EA	STRAP - 3 PIECE RETAINING	

## ELECTRICAL GROUP 12V BODY WIRING



KEY	PART NUMBER	U/M	DESCRIPTION
1*	098024-01-04A	EA	LIGHT - DOME - 1 BULB - SKYLITE - GRAY
	008218-01-000	EA	BULB - 12 VOLT - #1141 - 1.44 AMP
2	112642-02-05A	EA	TRIM RING - DOUBLE LIGHT
2	112643-02-000	EA	LIGHT - DOUBLE SWIVEL
3	127327-01-01A	EA	LAMP - FLUORESCENT - BLACK/THIN LITE
4	079364-04-000	EA	SWITCH - ON/OFF ROCKER - 2 TERMINAL - BLACK
4	098351-01-02A	EA	PLATE/SWITCH - 1 GANG - CHROME - W/O LABEL
5	111386-01-04B	EA	PLATE - RECEPTACLE - 12 VOLT - BLACK
5	111414-01-000	EA	RECEPTACLE/SOCKET - 12 VOLT
6	116688-01-000	EA	BUMPER - RUBBER
7	121155-01-01A	EA	PLATE - CIRCUIT BREAKER - STAINLESS STEEL

**\*COMPONENT PARTS LISTED LATER IN THIS GROUP**



**ELECTRICAL GROUP (CONTINUED)**  
**COMPONENT PARTS FOR LIGHTS & SWITCHES**

098024-01-04A

<b>KEY</b>	<b>PART NUMBER</b>	<b>U/M</b>	<b>DESCRIPTION</b>	<b>VENDOR NO.</b>
	098024-01-04A	EA	LIGHT - DOME - 1 BULB - SKYLITE - GRAY	PD 771HF
	098024-01-701	EA	LENS - OPTI CLEAR - SKYLITE	809902

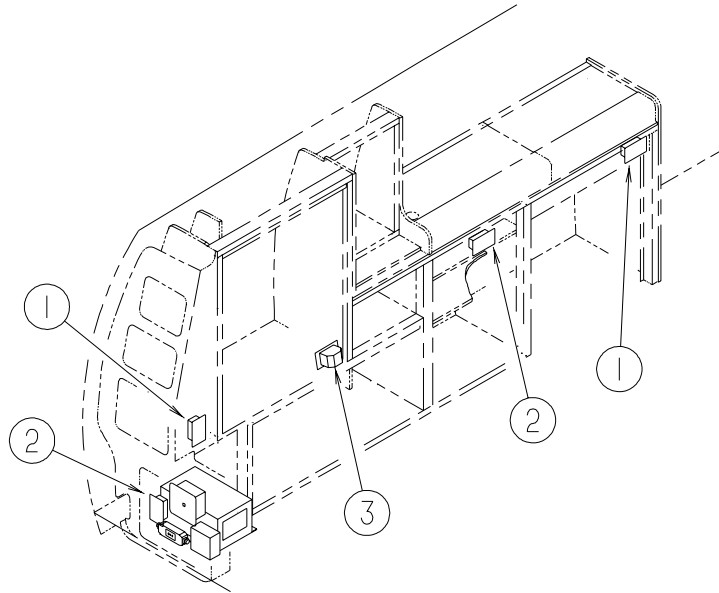
## ELECTRICAL GROUP (CONTINUED)

### CIRCUIT BREAKERS & FUSES

KEY	PART NUMBER	U/M	DESCRIPTION
	008233-01-000	EA	FUSE - 12 VOLT - 6 AMP
	093654-02-000	EA	CIRCUIT BREAKER - 15 AMP - 12 VOLT - PUSH BUTTON - WHITE
	108567-01-000	EA	CIRCUIT BREAKER - 40 AMP - 12 VOLT - TYPE II
	111683-01-000	EA	FUSE - HOLDER - GLASS - 1/4" X 1 1/4"
	113520-01-000	EA	BREAKER - CIRCUIT - 15AMP - SWITCHED
	121155-01-01A	EA	PLATE - CIRCUIT BREAKER - STAINLESS STEEL

### CONVERTER, INVERTER, LOAD CENTERS

KEY	PART NUMBER	U/M	DESCRIPTION
	092615-02-000	EA	CONVERTER-20 AMP W/CHARGER - MAGNETEK 3220CPX



### 110V WIRING

KEY	PART NUMBER	U/M	DESCRIPTION
1	058708-03-000	EA	RECEPTACLE - ELECTRIC - DOUBLE - BLACK
1	084076-04-000	EA	RECEPTACLE - GFI - 15 AMP - 125 VOLT - BLACK - CANADA
2	058707-01-000	EA	RECEPTACLE - ELECTRIC - SINGLE - BROWN
3	087661-01-000	EA	OUTLET - SINGLE - EXTERIOR

## ELECTRICAL GROUP (CONTINUED)

### BOXES & CORDS

KEY	PART NUMBER	U/M	DESCRIPTION
	008289-01-000	EA	BOX - ELECTRIC/STEEL - 1/2" & 3/4" KNOCKOUTS - 4" X 4"
	008294-01-000	EA	COVER - ELECTRIC BOX - BLANK/STEEL - 4" X 4" - GRAY
	084993-01-000	EA	STRAP - BATTERY - 43.2" LONG
	087660-01-000	EA	CORD - POWER - 15 AMP - 3 WIRE - 25 FOOT
	112522-01-000	EA	CORD - POWER - 15 AMP - W/GFI ASM
	113088-01-000	EA	BOX - ELECTRIC - 3" X 2" X 2.75"
	113946-01-000	EA	BOX - ELECTRICAL - 110 VOLT

### WIRE ASSEMBLIES

KEY	PART NUMBER	U/M	DESCRIPTION
	096449-01-000	EA	WIRE ASSEMBLY - WATER TANK TO MONITOR PANEL
	096450-05-000	EA	WIRE F/SENSORS - BLACK WATER - 23.6"

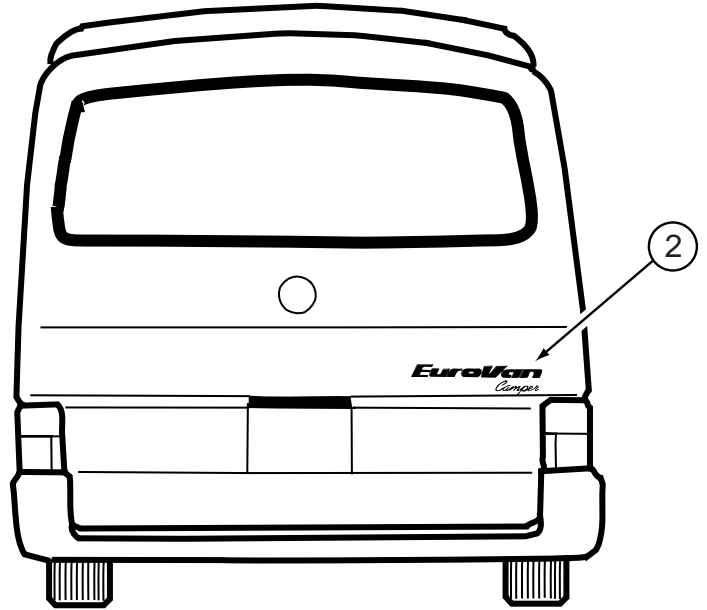
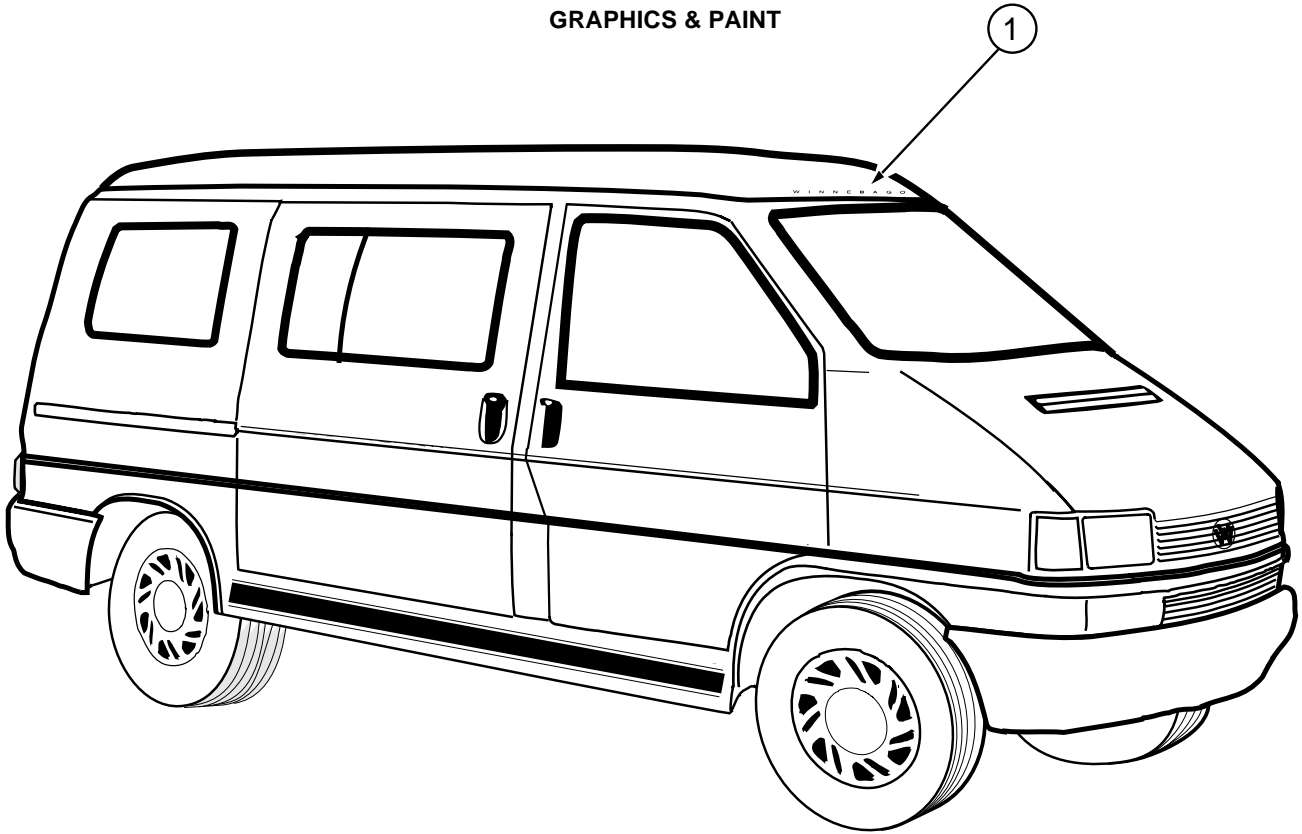
### CONNECTORS & CONDUIT

KEY	PART NUMBER	U/M	DESCRIPTION
	007956-05-000	EA	INSULATOR - SHRINK - 1/4" ID X 1 1/2"
	008311-01-000	EA	CONNECTOR - WIRE NUT - INSULATED - RED
	008313-01-000	EA	CONNECTOR - WIRE NUT - INSULATED - YELLOW
	008314-01-000	EA	CONNECTOR - WIRE NUT - INSULATED - GRAY
	008328-01-000	EA	TERMINAL - RING - 12/10 WIRE - #10 STUD FIT
	008356-01-000	EA	CONNECTOR - PLASTIC - 3/8" AVG
	035416-04-000	EA	TERMINAL - RING - #10 STUD FIT - INSULATED BARREL #16/14
	041953-01-000	FT	CONDUIT - CONVOLUTE SLIT - .5" ID - POLYETHYLENE
	041953-01-000	FT	CONDUIT - CONVOLUTE SLIT - .5" ID - POLYETHYLENE
	041953-03-000	FT	CONDUIT - CONVOLUTE SLIT - 1" ID (CLOTHES ROD COVER)
	041953-07-000	FT	CONDUIT - CONVOLUTE SLIT - .25" ID - POLYETHYLENE
	047443-01-000	EA	TERMINAL - .250 RECEPTACLE FIT - INSULATED - 16/14 AWG
	047443-02-000	EA	TERMINAL - .250 RECEPTACLE FIT - INSULATED - 12/10 AWG
	058028-01-000	EA	CONNECTOR - ELECTRICAL PIGTAIL - NYLON - CLEAR
	077479-02-000	EA	BOOT - BATTERY TERMINAL - SINGLE CABLE
	080015-02-000	EA	RECEPTACLE - FLAG - .185 - 16/14 GAUGE
	080015-03-000	EA	RECEPTACLE - FLAG - .250 - 14/16 GAUGE
	087949-02-000	EA	BUSS BAR - 3 POSITION - .6" X 2.4"
	088473-01-000	EA	HOUSING - PIN - 12 CAVITY (3 ROWS OF 4)
	088473-06-000	EA	HOUSING - PIN - 6 CAVITY (2 ROWS OF 3)
	088473-08-000	EA	HOUSING - PIN - 4 CAVITY - IN-LINE
	088473-09-000	EA	HOUSING - PIN - 3 CAVITY - IN-LINE
	088474-01-000	EA	HOUSING - SOCKET - 12 CAVITY
	088474-03-000	EA	HOUSING - SOCKET - 9 CAVITY
	088474-06-000	EA	HOUSING - SOCKET - 6 CAVITY
	088474-07-000	EA	HOUSING - SOCKET - 5 CAVITY
	088474-10-000	EA	HOUSING - SOCKET - 2 CAVITY
	088475-01-000	EA	PIN - CONNECTOR - 14-20 AWG
	088476-01-000	EA	TERMINAL - ELECTRICAL
	102777-02-000	EA	TERMINAL - RING - #6 STUD - 10 AWG
	113452-01-000	FT	SEAL/TRIM - FRONT - VINYL W/WIRE CARRIER - .020"
	114667-01-000	FT	HOSE - 2" ID - FLEXIBLE
	116811-01-000	EA	TERMINAL - .110 RECEPTACLE - 16-14 AWG

### BOOTS, SOLENOIDS, RELAYS & MISCELLANEOUS

KEY	PART NUMBER	U/M	DESCRIPTION
	008188-01-000	EA	SOLENOID - 3 POST - BATTERY CHANGE OVER

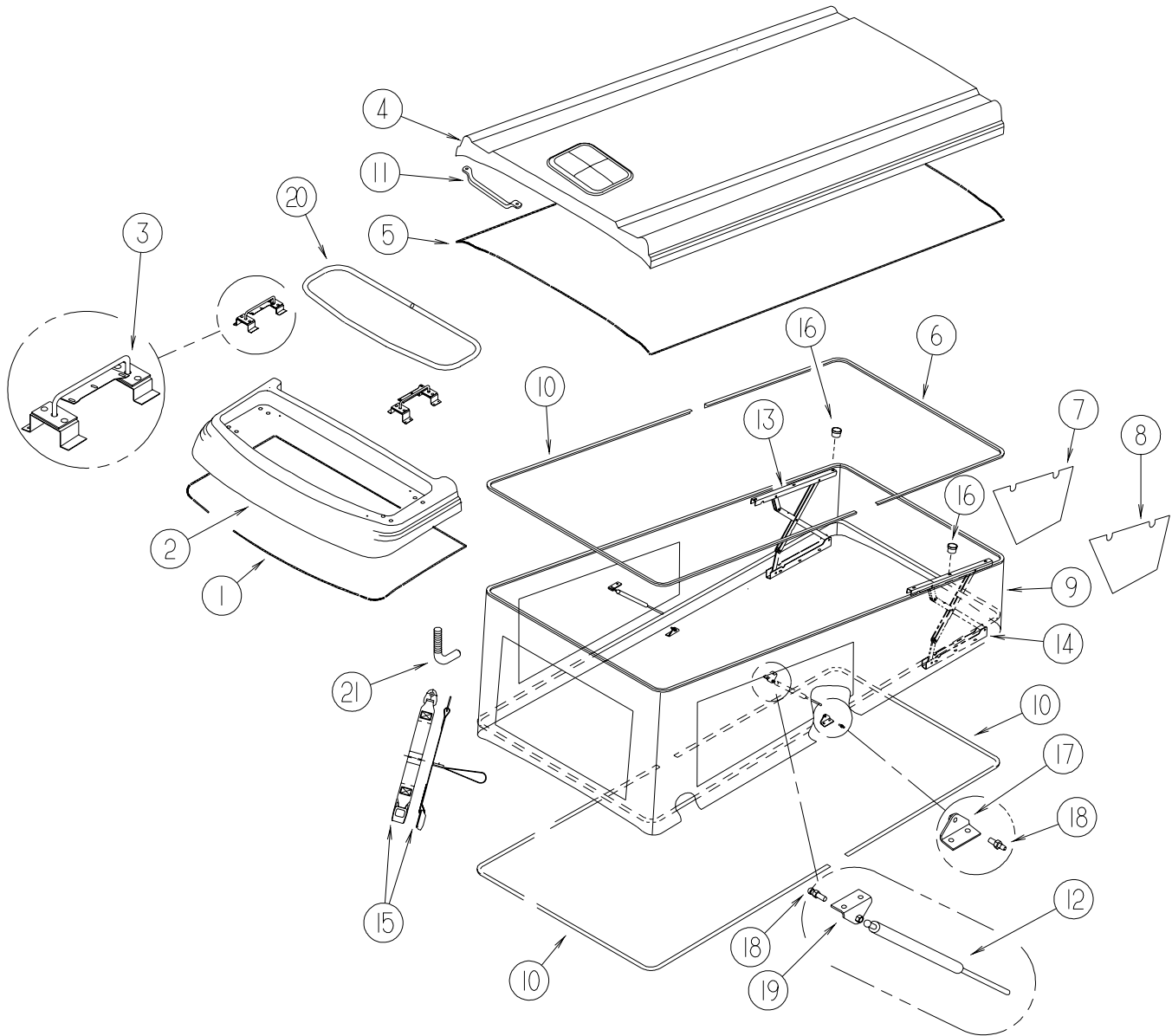
EXTERIOR BODY GROUP  
GRAPHICS & PAINT



KEY	PART NUMBER	U/M	DESCRIPTION
1	124420-01-01A	EA	DECAL - LOGO WINNEBAGO INDUSTRIES
2	115300-01-01A	EA	DECAL - EUROVAN CAMPER

## EXTERIOR BODY GROUP (CONTINUED)

### POPTOP

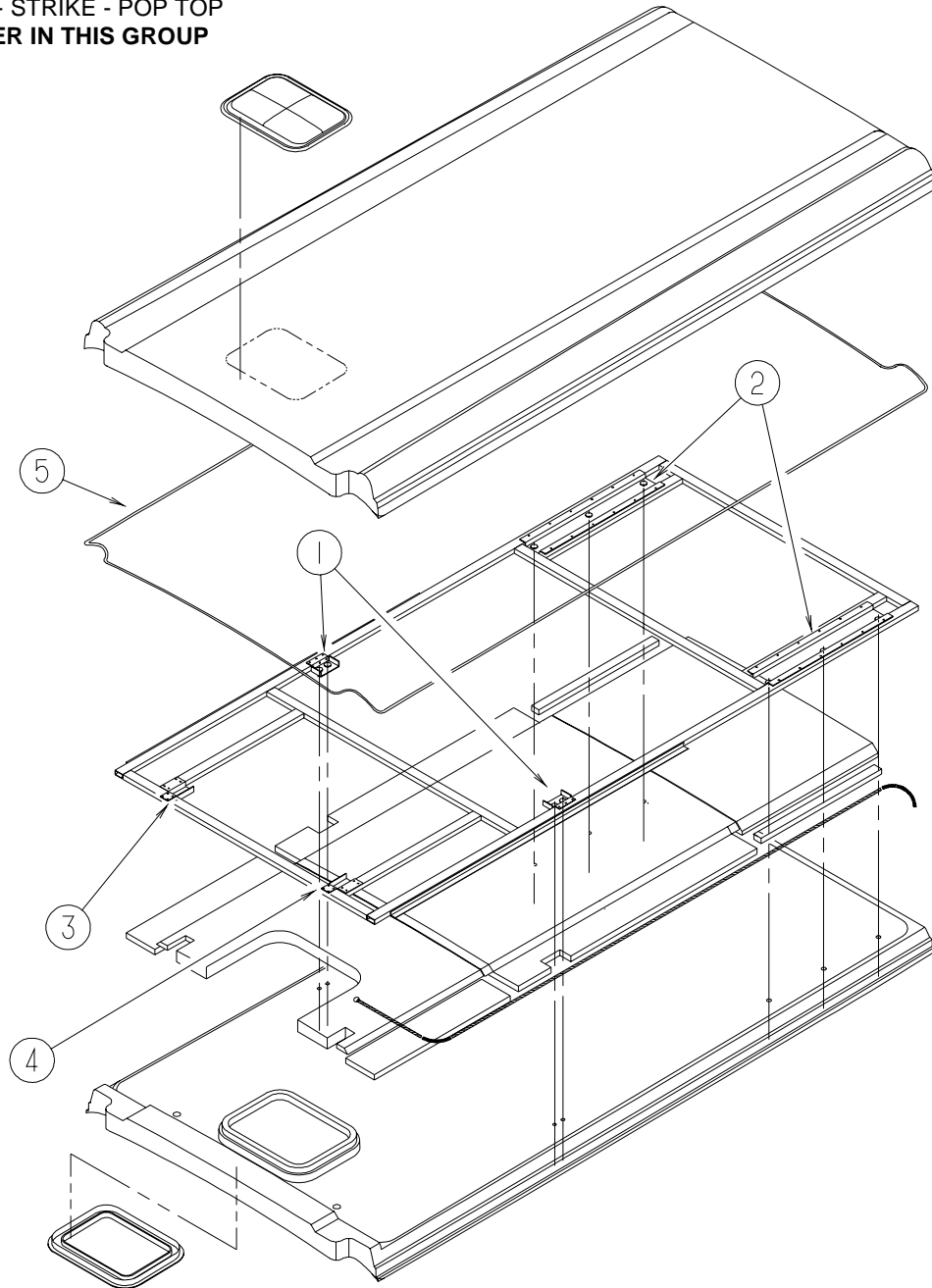


KEY	PART NUMBER	U/M	DESCRIPTION
1	113452-01-000	FT	SEAL/TRIM - FRONT - VINYL W/WIRE CARRIER - .020"
2	113077-01-01A	EA	CAP - ROOF - POP TOP/FRONT
3	128836-01-04B	EA	BRACKET - TIEDOWN/CARGO - BLACK
4	P18788-01-K72	EA	POP TOP - REAR - W/O CANVAS
5	131559-01-000	FT	SEAL - BULB - POP TOP
6	113969-01-02A	EA	FRAME - HOLD DOWN/POP TOP - 49.3" X 51" - ASH GRAY FROM: 00-00-00 THRU: 11-19-00
6	113969-01-03A	EA	FRAME - HOLD DOWN/POP TOP - 49.3" X 51" - VW LT GRAY FROM: 11-20-00 THRU: 99-99-99
7	116092-03-000	EA	COVER - HINGE/VINYL - RIGHT HAND
8	116092-04-000	EA	COVER - HINGE/VINYL - LEFT HAND
9*	113686-02-01A	EA	POP TOP - CANVAS - PIGMENT GRAY
10	113969-02-02A	EA	FRAME - HOLD DOWN/POP TOP - 47.7" X 50.9" - ASH GRAY FROM: 00-00-00 THRU: 11-19-00
10	113969-02-03A	EA	FRAME - HOLD DOWN/POP TOP - 47.7" X 50.9" - VW LT GRAY FROM: 11-20-00 THRU: 99-99-99

**EXTERIOR BODY GROUP (CONTINUED)**  
**POPTOP (CONTINUED)**

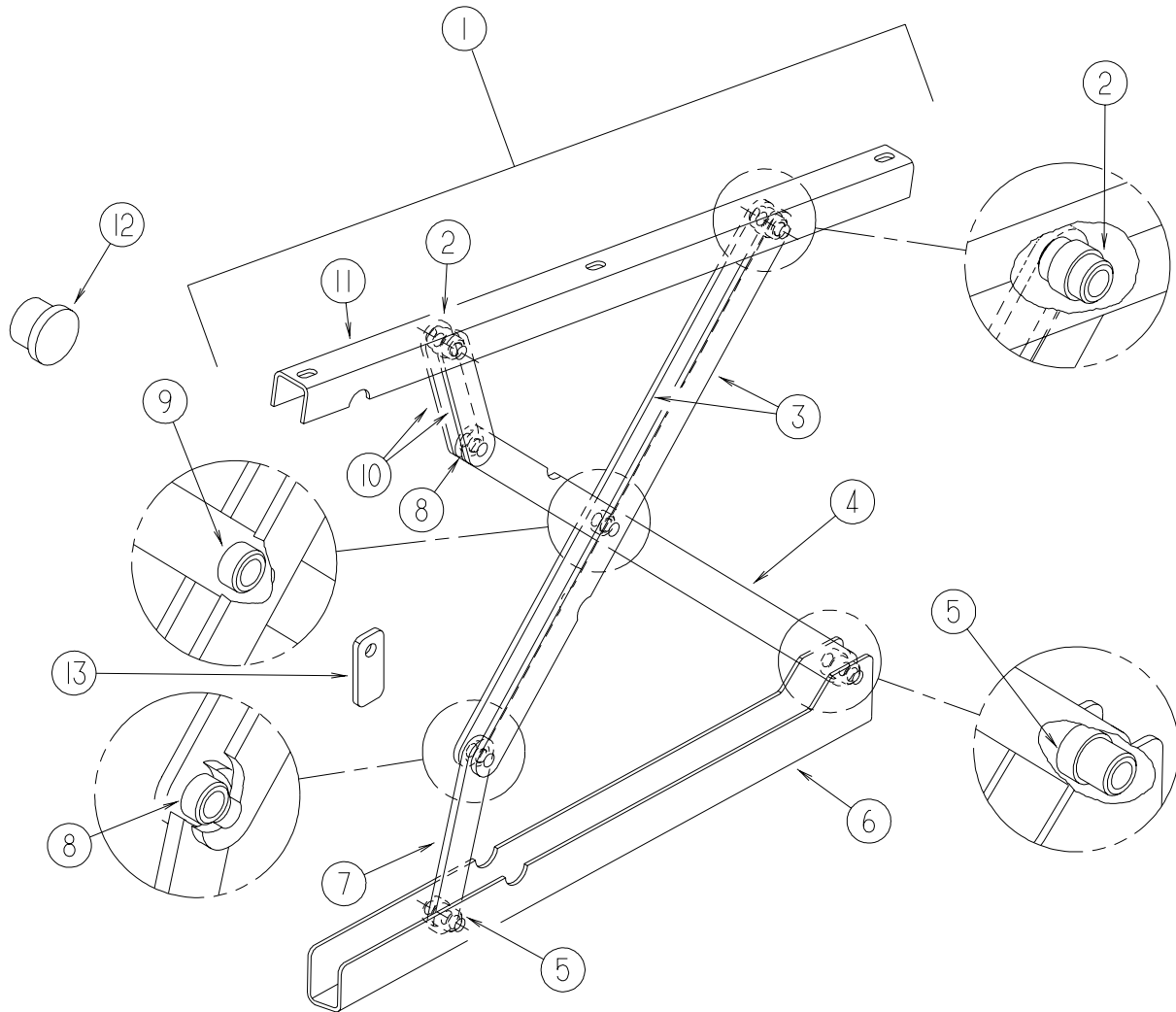
<b>KEY</b>	<b>PART NUMBER</b>	<b>U/M</b>	<b>DESCRIPTION</b>
11	009126-03-000	EA	HANDLE - ASSIST - BLACK TEXTURED
12	108998-06-000	EA	SPRING - GAS - POP TOP
13	113013-03-04B	EA	HINGE - SCISSOR - POP TOP/RIGHT HAND
14	113013-04-04B	EA	HINGE - SCISSOR - POP TOP/LEFT HAND
15	115461-01-000	EA	BELT - SAFETY STRAP
16	116071-01-01A	EA	PLUG - PLASTIC/CAP
17	114268-04-02B	EA	BRACKET-GAS SPRING E-COAT - *99 1/2 EV117A
18	108998-09-000	EA	BALL STUD - 13MM BALL - 5/16-18
19	114268-05-02B	EA	BRACKET-GAS SPRING E-COAT - *99 1/2 EV117A
20	128834-02-01A	EA	RACK/ROOF - CARGO - VW WHITE
21	113033-01-04B	EA	ROD - STRIKE - POP TOP

**\*COMPONENT PARTS LISTED LATER IN THIS GROUP**



<b>KEY</b>	<b>PART NUMBER</b>	<b>U/M</b>	<b>DESCRIPTION</b>
1	113773-02-02B	EA	BRACKET - LIFT CYLINDER
2	113774-02-02B	EA	BRACKET - LIFT MECHANISM
3	118384-03-04B	EA	BRACKET - STRIKE - POP TOP
4	118384-04-04B	EA	BRACKET - STRIKE - POP TOP
5	131559-01-000	FT	SEAL - BULB - POP TOP

**EXTERIOR BODY GROUP (CONTINUED)**  
**POPTOP (CONTINUED)**



KEY	PART NUMBER	U/M	DESCRIPTION
1	113013-03-04B	EA	HINGE - SCISSOR - POP TOP/RIGHT HAND
1	113013-04-04B	EA	HINGE - SCISSOR - POP TOP/LEFT HAND
2	113030-02-000	EA	BUSHING - BRONZE - HINGE - CENTER FLANGE
3	113017-03-04B	EA	LINK - POP TOP - LONG - BLACK
4	113017-04-04B	EA	LINK - POP TOP - LONG - BLACK
5	113030-03-000	EA	BUSHING - BRONZE HINGE - END FLANGE
6	113014-03-04B	EA	CHANNEL - POP TOP - LOWER/RIGHT HAND
6	113014-04-04B	EA	CHANNEL - POP TOP - LOWER/LEFT HAND
7	113016-04-04B	EA	LINK - POP TOP - SHORT - BLACK
8	113030-01-000	EA	BUSHING - BRONZE - HINGE
9	113030-04-000	EA	BUSHING - BRONZE HINGE - PLAIN
10	113016-03-04B	EA	LINK - POP TOP - SHORT - BLACK
11	113015-02-04B	EA	CHANNEL-POP TOP,UPPER, BLK
12	116071-01-01A	EA	PLUG - PLASTIC/CAP
13	116550-01-04B	EA	PLATE-W/HOLE BLK

**EXTERIOR BODY GROUP (CONTINUED)**  
**COMPONENT PARTS FOR POPTOP**

113686-02-01A

<b>KEY</b>	<b>PART NUMBER</b>	<b>U/M</b>	<b>DESCRIPTION</b>	<b>VENDOR NO.</b>
	113686-01-700	EA	REPAIR KIT (CANVAS & SCREEN)	
	113686-01-702	EA	SCREEN REPLACEMENT FRONT	897

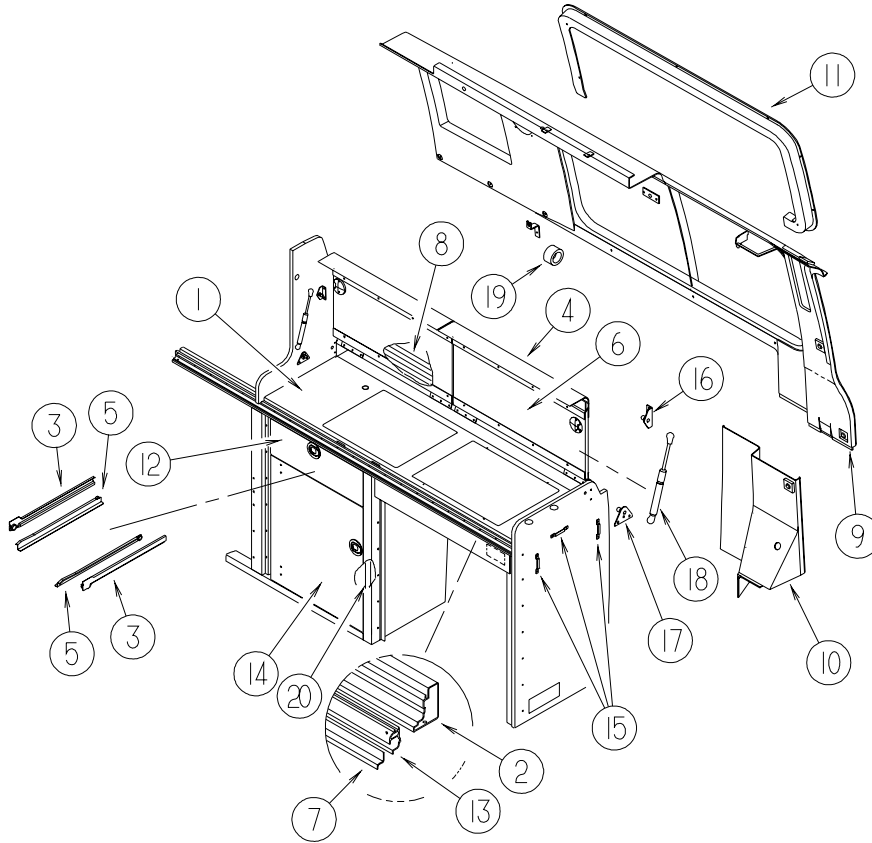


## EXTERIOR BODY GROUP (CONTINUED)

### STRUCTURAL COMPONENTS

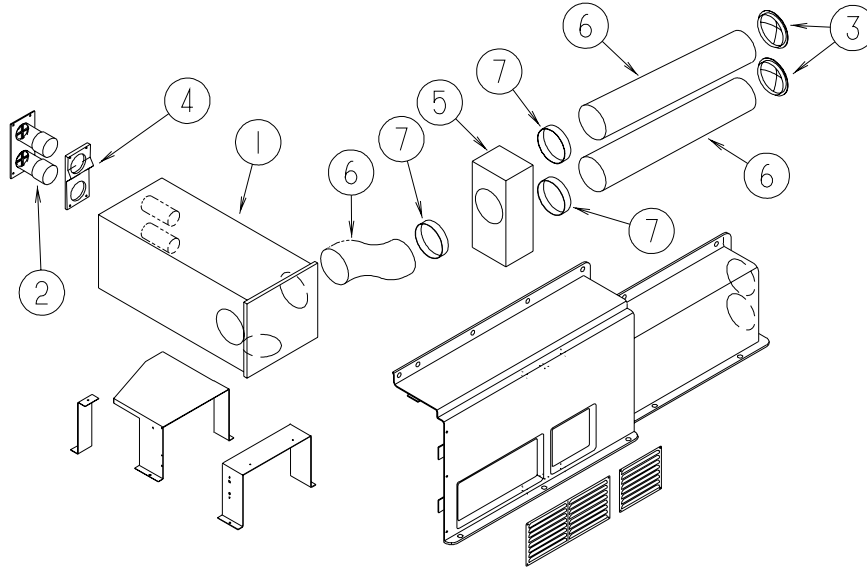
KEY	PART NUMBER	U/M	DESCRIPTION
	002754-01-001	EA	ANGLE - EXTRUDED - 3/4" X 3/4" X 16' - MILL ALUMINUM
	068716-01-001	EA	BRACE - 90 DEGREE - L-ANGLE - 16'
	100619-01-000	BF	FOAM - EXPANDED POLYSTYRENE - 1.34" X 48" X 96"
	100619-05-000	BF	FOAM - EXPANDED POLYSTYRENE - .75" X 48" X 96"-1.5 DENSITY

## GALLEY GROUP CABINETS



KEY	PART NUMBER	U/M	DESCRIPTION
1	113295-04-01A	EA	COUNTERTOP-FORMED,SST
2	131439-01-01A	EA	TUBE/HINGE - GALLEY TOP - VW LIGHT GRAY
3	134669-01-01A	EA	SLIDE - DRAWER - 16" RIGHT HAND/LEFT HAND CABINET
4	115040-01-03A	EA	COVE - GALLEY - VW LT GRAY
5	134669-02-01A	EA	SLIDE - DRAWER - 16" RIGHT HAND/LEFT HAND DRAWER
6	130103-28-01A	EA	PANEL - GALLEY LID
6	130103-28-02A	EA	PANEL ASM-GALLEY,LID
			FROM: 00-00-00 THRU: 04-22-01
			FROM: 04-23-01 THRU: 99-99-99
7	113793-01-03A	EA	STRIP-Z - VW LT GRAY
8	114436-01-04A	EA	MESH/GRILLE - REFRIGERATOR - 47.7" X 3" - VW LIGHT GRAY
9	131416-01-02A	EA	PANEL - TRIM - UPPER/FRONT/LEFT HAND - VW LIGHT GRAY
10	131414-01-02A	EA	PANEL - TRIM - LOWER/FRONT/LEFT HAND - VW LIGHT GRAY
11	131419-02-02A	EA	PANEL - TRIM - WINDOW/INNER/LEFT HAND - VW LIGHT GRAY
12	M06947-02-K72	EA	DRAWER - 14.2"W X 8.7"D - W/O SLIDES/HARDWARE
			FROM: 00-00-00 THRU: 04-22-01
12	M06947-02-M80	EA	DRAWER - 14.2"W X 8.7"D - W/O SLIDES/HARDWARE
			FROM: 04-23-01 THRU: 99-99-99
	135025-01-02A	EA	DRAWER
			FROM: 04-23-01 THRU: 99-99-99
13	114082-01-03A	EA	TUBE - GALLEY - HORIZONTAL - VW LT GRAY
14	112774-04-K75	EA	DOOR - FLUSH MOUNT - 17.3" X 20.4" - W/O MIRROR/HARDWARE
			FROM: 00-00-00 THRU: 04-22-01
14	112774-04-M80	EA	DOOR - FLUSH MOUNT - 17.3" X 20.4" - W/O MIRROR/HARDWARE
			FROM: 04-23-01 THRU: 99-99-99
15	064219-01-000	EA	RETAINER - CHECK STRAP
16	107796-10-000	EA	BRACKET - GAS SPRING - 90 DEGREE SMALL
17	107796-05-000	EA	BRACKET - SUPPORT - GAS SPRING TO BED - FLAT (LOWER)
18	107796-09-000	EA	SPRING/GAS - 5.5" COMPRESSED/7.5" EXTENDED - 40 LB.
19	117047-01-000	EA	BUMPER - RUBBER - WASHER INSERT
20	002328-02-000	EA	BLOCK - WINDSHIELD - .062" X .5" X .98"

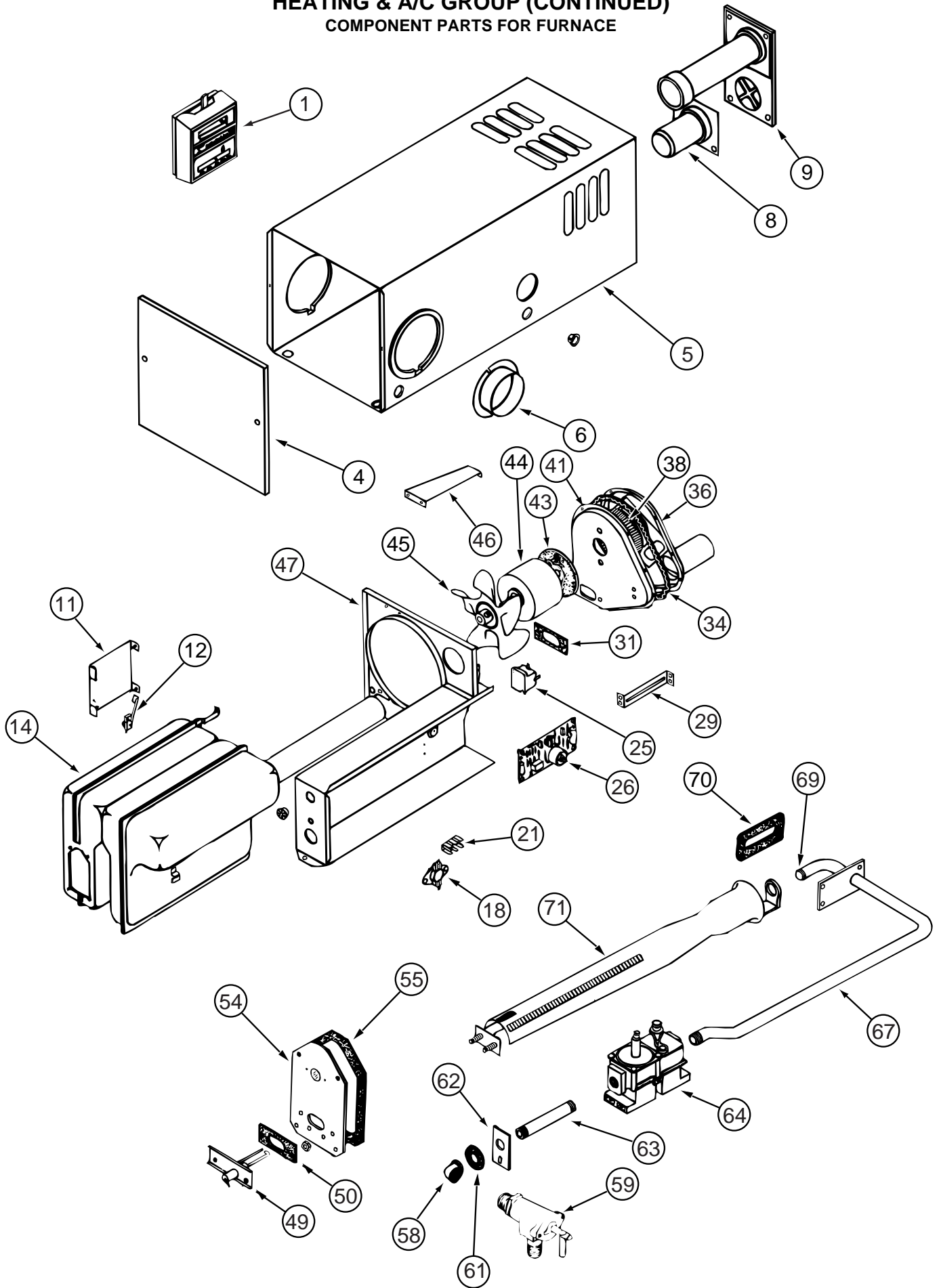
## HEATING & A/C GROUP FURNACE



KEY	PART NUMBER	U/M	DESCRIPTION
1*	075697-05-000	EA	FURNACE - DUCTED - FORCED AIR
2	075697-06-000	EA	TUBE - FURNACE INTAKE
3	056464-07-000	EA	REGISTER W/O DAMPER - 4" DIAMETER - PLASTIC - BLACK
4	110735-01-01A	EA	SPACER - FURNACE VENT
5	113379-01-000	EA	BOX - DIVERTER - FURNACE 4"
	113667-01-01A	EA	THERMOSTAT - HEAT ONLY
6	009198-01-000	FT	DUCT - HEAT - FLEXIBLE - 4" ID X 25'
7	069636-02-000	EA	CONNECTOR - DUCT - 4" ID

**\*COMPONENT PARTS LISTED LATER IN THIS GROUP**

**HEATING & A/C GROUP (CONTINUED)**  
**COMPONENT PARTS FOR FURNACE**



075697-05-000

**HEATING & A/C GROUP (CONTINUED)**  
**COMPONENT PARTS FOR FURNACE (CONTINUED)**

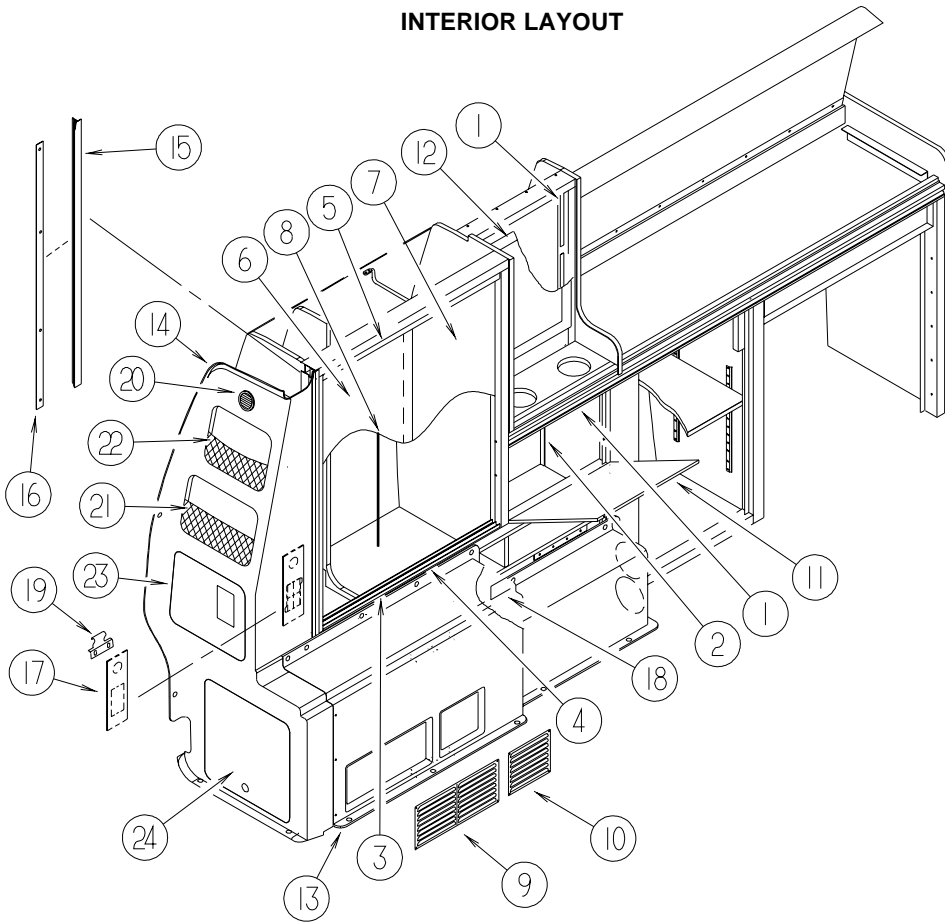
**075697-05-000 (CONTINUED)**

<b>KEY</b>	<b>PART NUMBER</b>	<b>U/M</b>	<b>DESCRIPTION</b>	<b>VENDOR NO.</b>
4	075697-05-700	EA	CABINET-FRONT	100960
6	075696-02-703	EA	COLLAR-DUCT	50715
8	075696-02-736	EA	TUBE-INTAKE ASSEMBLY	50906
9	075697-01-701	EA	VENT CAP & EXHAUST ASM 20SE	260098
12	075697-05-701	EA	MICROSWITCH ASSEMBLY	230933
18	075697-04-700	EA	SWITCH - LIMIT	230621
25	074466-01-702	EA	RELAY, TIME DELAY	230625
26	098668-01-712	EA	BOARD-MODULE	520741
38	074035-01-706	EA	WHEEL, COMBUSTION AIR	350082
44	075697-05-702	EA	MOTOR - BLOWER 12 VOLT	230616
45	075697-04-702	EA	WHEEL-ROOM AIR	350083
49	075697-01-708	EA	ELECTRODE-SGL PROBE 92 ON UP	231931
50	092300-01-704	EA	GASKET-ELECTRODE	70163
54	075697-04-704	EA	DOOR-BURNER ACCESS	30621
55	069634-01-732	EA	GASKET, BURNER ACCESS DOOR	70398
61	075696-02-721	EA	GASKET-GAS INLET PIPE	70432
64	069634-01-729	EA	VALVE-GAS-JOHNSON	161078
69	075697-05-705	EA	ORFICE, MAIN BURNER	180225
70	075697-01-709	EA	GASKET-MANIFOLD	70449
71	075697-05-706	EA	BURNER ASSEMBLY	10614

CONTACT WINNEBAGO PART SALES FOR UNLISTED COMPONENTS

# INTERIOR FINISH GROUP

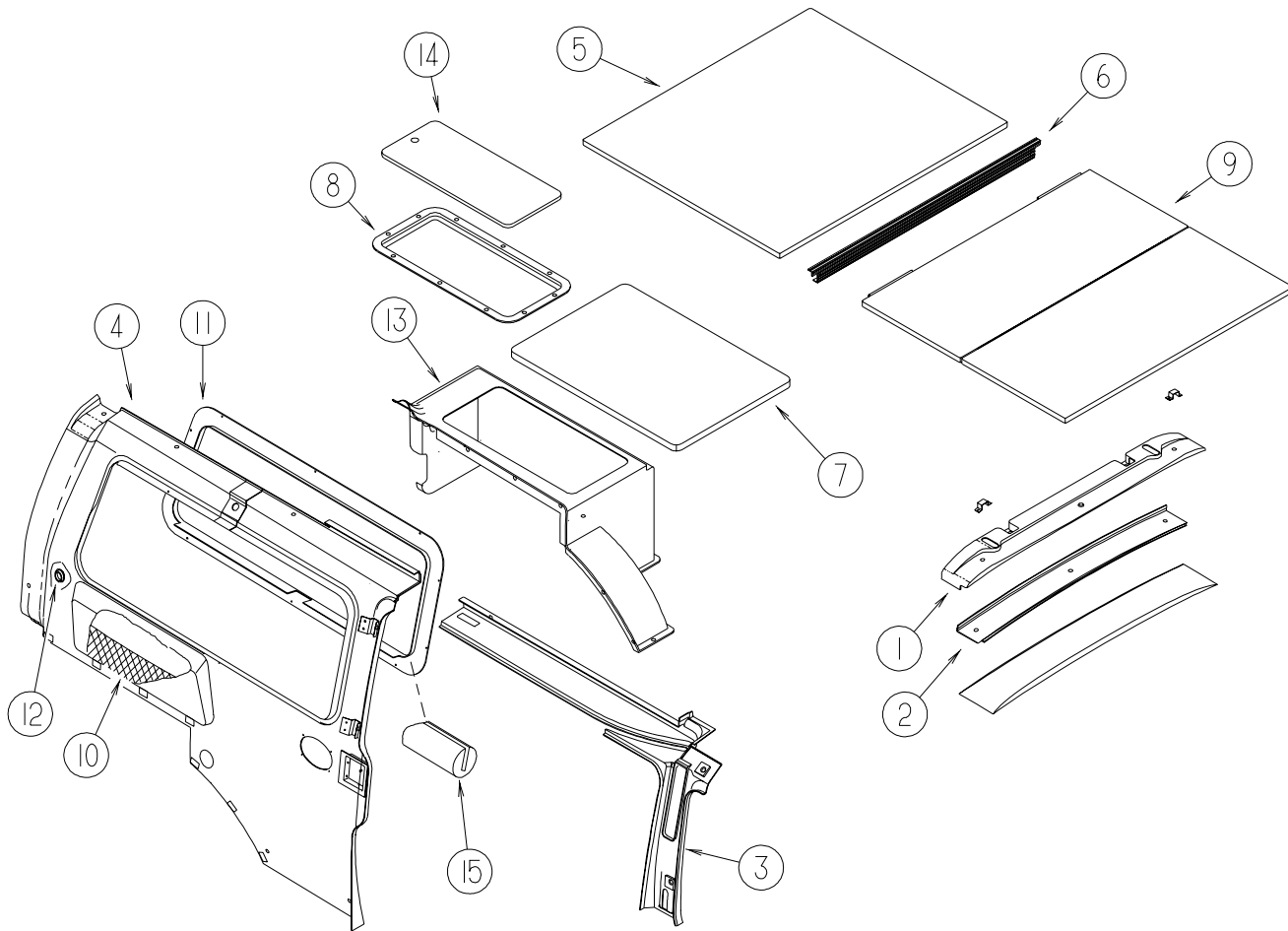
## INTERIOR LAYOUT



KEY	PART NUMBER	U/M	DESCRIPTION
1	002328-02-000	EA	BLOCK - WINDSHIELD - .062" X .5" X .98"
2	114673-01-02B	EA	COVER/PIPE - E-COATED
3	113797-05-01A	EA	STRIP - BLACK PLASTIC W/SELF ADHESIVE- .13" X .7" X 26.1"
4	116698-01-03A	EA	TRACK - DOOR/SLIDING - LOWER - VW LT GRAY
5	116699-01-04A	EA	TRACK - DOOR/SLIDING - UPPER - VW LT GRAY
6	130103-14-01A	EA	DOOR - WARDROBE/LEFT HAND - W/O HARDWARE
			FROM: 00-00-00 THRU: 04-22-01
6	130103-14-02A	EA	DOOR - WARDROBE/LEFT HAND - W/O HARDWARE
			FROM: 04-23-01 THRU: 99-99-99
7	130103-15-01A	EA	DOOR - WARDROBE/RIGHT HAND - W/O HARDWARE
			FROM: 00-00-00 THRU: 04-22-01
7	130103-15-02A	EA	DOOR - WARDROBE/RIGHT HAND - W/O HARDWARE
			FROM: 04-23-01 THRU: 99-99-99
8	114128-05-01A	EA	CORD - ELASTIC - BARB TIP
9	109918-01-05A	EA	VENT - RETURN AIR - 12.3" X 5.5" - BLACK
10	109918-02-01A	EA	VENT - RETURN AIR - 6.2" X 5.5" - BLACK
11	112774-02-H75	EA	DOOR - CABINET - FLUSH MOUNT - 9.4" X 14.8"
			FROM: 00-00-00 THRU: 04-22-01
11	112774-02-M80	EA	DOOR - CABINET - FLUSH MOUNT - 9.4" X 14.8"
			FROM: 04-23-01 THRU: 99-99-99
12	131500-01-K72	EA	DOOR - MIRRORED
			FROM: 00-00-00 THRU: 04-22-01
	112774-05-K75	EA	DOOR - FLUSH MOUNT - 13.1" X 15.5" - W/O MIRROR/HARDWARE
			FROM: 00-00-00 THRU: 04-22-01
12	131500-01-M80	EA	DOOR - MIRRORED - 13.3" X 15.6" - W/O HARDWARE
			FROM: 04-23-01 THRU: 99-99-99
	112774-05-M80	EA	DOOR - FLUSH MOUNT - 13.1" X 15.5" - W/O MIRROR/HARDWARE
			FROM: 04-23-01 THRU: 99-99-99
13	P19687-04-K72	EA	PANEL - BED - LOWER LEFT HAND - W/FURNACE
14	M09348-01-K72	EA	PANEL - REAR LEFT HAND COMPARTMENT
	131406-01-02A	EA	PANEL - COMPARTMENT - REAR/LEFT HAND - VW LIGHT GRAY
14	M09348-02-K72	EA	PANEL - REAR LEFT HAND COMPARTMENT - CANADIAN
	131406-02-02A	EA	PANEL - COMPARTMENT - REAR/LEFT HAND - VW LIGHT GRAY - CAN - CANADIAN

**INTERIOR FINISH GROUP (CONTINUED)**  
**INTERIOR LAYOUT (CONTINUED)**

KEY	PART NUMBER	U/M	DESCRIPTION
15	118288-01-03A	EA	TRIM - CABINET - VW LT GRAY
	119686-11-03A	EA	BACKING - SCREW - VW LIGHT GRAY
16	119686-12-03A	EA	BACKING - SCREW - FLAT EDGE - VW LIGHT GRAY
17	119686-13-03A	EA	BACKING - SCREW - OUTLET - VW LIGHT GRAY
18	119686-14-03A	EA	BACKING - SCREW - ADJOINING PART - VW LIGHT GRAY
19	073050-03-000	EA	MOUNTING CLIP - VALANCE PANEL
20	024990-05-000	EA	OUTLET - DEFROSTER - W/SWIVEL - 2" SLEEVE/4" OD
21	114127-04-01A	EA	WEBBING - BARB TIP
21	114128-04-01A	EA	CORD - ELASTIC - BARB TIP
22	114127-03-01A	EA	WEBBING - BARB TIP
22	114128-02-01A	EA	CORD - ELASTIC - BARB TIP
23	131410-01-02A	EA	PANEL - COVER - WATER FILL - VW LIGHT GRAY
24	131411-01-02A	EA	DOOR - ELECTRICAL CENTER - VW LIGHT GRAY
	110506-40-700	EA	HARDWARE PACKAGE-CYLINDER/CASE
	110506-50-000	EA	CASE/CYLINDER - TWIST LATCH - W/O CAM - .65" - 596952
	110506-74-000	EA	CAM - LATCHING - STRAIGHT 1.9"
	009065-01-000	EA	HINGE - ALUMINUM - 1 1/2" X 96" - UNPAINTED
	069726-02-000	EA	BUMPER - .88" OD X .40" THICK - BLACK

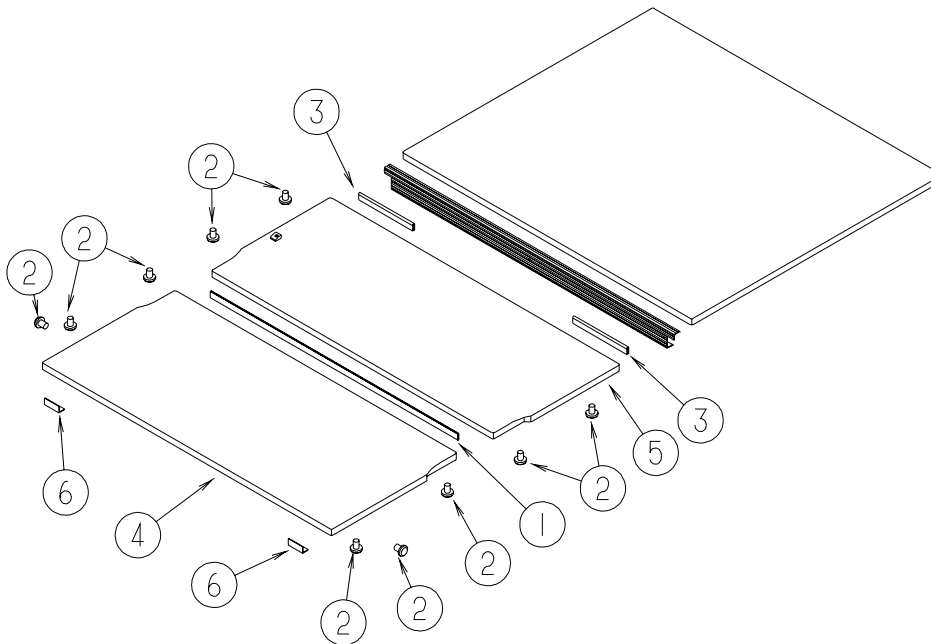


KEY	PART NUMBER	U/M	DESCRIPTION
1	131413-01-02A	EA	PANEL - TRIM - HEADER/UPPER - VW LIGHT GRAY
2	131413-02-02A	EA	PANEL - TRIM - HEADER/LOWER - VW LIGHT GRAY
3	131415-01-02A	EA	PANEL - TRIM - UPPER/FRONT/RIGHT HAND - VW/LIGHT GRAY
4	131405-01-02A	EA	PANEL - TRIM - REAR/UPPER/RIGHT HAND - VW LIGHT GRAY
4	131405-02-01A	EA	PANEL - TRIM - UPPER/REAR/RIGHT HAND - VW LIGHT GRAY - <a href="#">W/INTERIOR ENTERTAINMENT</a>
5	114265-01-H75	EA	SLEEPERBOARD - REAR UPPER
			FROM: 00-00-00 THRU: 04-22-01
5	114265-01-M80	EA	SLEEPERBOARD - REAR UPPER
			FROM: 04-23-01 THRU: 99-99-99

## INTERIOR FINISH GROUP (CONTINUED)

### INTERIOR LAYOUT (CONTINUED)

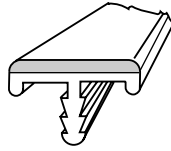
KEY	PART NUMBER	U/M	DESCRIPTION	
6	115494-01-03A	EA	TRIM - BEDBOARD - UPPER - VW LT GRAY	
7	114266-01-H75	EA	SLEEPERBOARD - LOWER	
				FROM: 00-00-00 THRU: 04-22-01
7	114266-01-M80	EA	SLEEPERBOARD - LOWER	
				FROM: 04-23-01 THRU: 99-99-99
8	131409-01-02A	EA	TRIM - PANEL - BED/LOWER - VW LIGHT GRAY	
9	P29910-01-K72	EA	SLEEPERBOARD - FRONT/UPPER - W/O HINGE ATTACHED	
				FROM: 00-00-00 THRU: 04-22-01
9	P29910-01-M80	EA	SLEEPERBOARD ASM-UPPER,FRONT	
				FROM: 04-23-01 THRU: 99-99-99
10	114127-02-01A	EA	WEBBING - BARB TIP	
10	114128-01-01A	EA	CORD - ELASTIC - BARB TIP	
11	131419-01-02A	EA	PANEL - TRIM - WINDOW/INNER/RIGHT HAND - VW LIGHT GRAY	
12	061420-12-000	EA	PLUG/PLASTIC - 1.50" DIAMETER - RED	
13	111902-02-K72	EA	PANEL - LOWER RIGHT HAND BED	
14	114059-01-H75	EA	DOOR - BATTERY BOX	
				FROM: 00-00-00 THRU: 04-22-01
14	114059-01-M80	EA	DOOR - BATTERY BOX	
				FROM: 04-23-01 THRU: 99-99-99
15	115870-01-000	FT	SEAL - TRIM - EDGE	



KEY	PART NUMBER	U/M	DESCRIPTION	
1	115476-03-04A	EA	HINGE - CONTINUOUS W/HOLES - VW LIGHT GRAY	
	115476-03-01A	EA	HINGE - CONTINUOUS W/HOLES - UNPAINTED	
2	116044-01-000	EA	BUMPER - MOLDED	
3	129753-01-01A	EA	HINGE - SPRING LOADED - 19" X 19" - BLACK	
4	130101-01-01A	EA	PANEL - SLEEPERBOARD FRONT	
				FROM: 00-00-00 THRU: 04-22-01
4	130101-01-02A	EA	PANEL - SLEEPERBOARD FRONT	
				FROM: 04-23-01 THRU: 99-99-99
5	130101-02-01A	EA	PANEL - SLEEPERBOARD REAR	
				FROM: 00-00-00 THRU: 04-22-01
5	130101-02-02A	EA	PANEL - SLEEPERBOARD REAR	
				FROM: 04-23-01 THRU: 99-99-99
6	130162-01-01A	EA	SLIDE - CABINET	



**INTERIOR FINISH GROUP (CONTINUED)**  
**MOLDINGS & TRIMS**



<b>KEY</b>	<b>PART NUMBER</b>	<b>U/M DESCRIPTION</b>
1	113757-02-01A	FT T-MOLDING - BULB

**PANELING & LAMINATES**

<b>KEY</b>	<b>PART NUMBER</b>	<b>U/M DESCRIPTION</b>
	076325-71-000	FT MOLDING - EDGE BAND - 1 5/16" X .038" - GRAY
	076325-72-000	FT MOLDING - EDGE BAND - .93" X .024" - GREY

**ACCESSORIES**

<b>KEY</b>	<b>PART NUMBER</b>	<b>U/M DESCRIPTION</b>
	072852-01-000	EA DETECTOR - SMOKE - W/9 VOLT BATTERY - US
	094499-03-000	EA EXTINGUISHER/FIRE - DRY - 10BC - W/GAUGE - W/O BRACKET
	072852-02-000	EA DETECTOR - SMOKE - W/9 VOLT BATTERY - CANADIAN
*	094499-02-000	EA EXTINGUISHER/FIRE - DRY - 10BC - W/GAUGE - CANADIAN
	064781-07-000	EA HOLDER/CUP - TWO STEP - BLACK
	118718-01-01A	EA HOLDER/DRINK - COLLAPSIBLE MUG - BLACK PLASTIC
	125136-02-000	EA CO DETECTOR - GAS MODEL - 9 VOLT
	058331-D1-000	EA MIRROR - SAFETY GLASS - 7.9" X 12.5"

**\*COMPONENT PARTS LISTED LATER IN THIS GROUP**

**INTERIOR FINISH GROUP (CONTINUED)**  
**COMPONENT PARTS FOR ACCESSORIES**

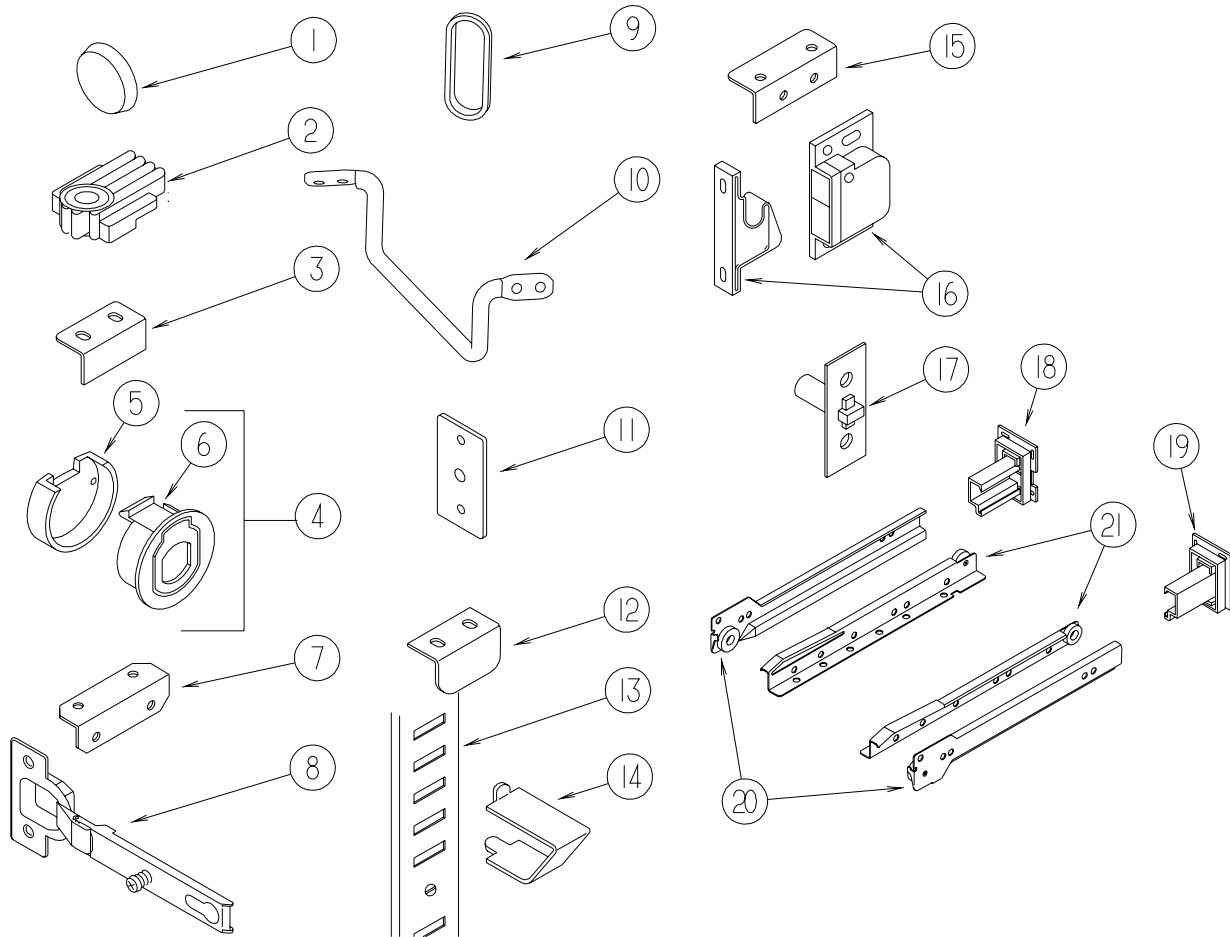
094499-02-000

<b>KEY</b>	<b>PART NUMBER</b>	<b>U/M</b>	<b>DESCRIPTION</b>	<b>VENDOR NO</b>
	094499-02-000	EA	EXTINGUISHER/FIRE - DRY - 1A10BC - CANADIAN	
	094499-01-700	EA	BRACKET MTG. W/PLAS. STRAP	294039

## INTERIOR FINISH GROUP (CONTINUED)

### FLOOR COVERINGS

**KEY PART NUMBER U/M DESCRIPTION**  
 042720-14-000 SY VINYL - FLOOR COVERING - 6' WIDE - CAPRI - SILVER GRAY



### HARDWARE

KEY	PART NUMBER	U/M	DESCRIPTION
1	004354-01-000	EA	BUMPER - RUBBER - .5" DIA - BROWN
2	009089-01-000	EA	CLIP - MIRROR
3	113375-02-01A	EA	STRIKE - DOOR - CHROME
4	113375-01-03A	EA	LATCH - SLAM - CABINET - DARK GRAY
5	113375-03-03A	EA	LATCH - SLAM - BACK
6	113375-04-03A	EA	LATCH - SLAM - FACE
7	016604-01-000	EA	BRACE - ANGLE - 2 1/2" - UNPAINTED METAL
7	016604-09-000	EA	BRACE - ANGLE - VW LIGHT GRAY
8	114443-01-01A	EA	HINGE - CABINET DOOR
9	114967-01-01A	EA	PULL - FINGER
10	114066-01-04B	EA	ROD - WARDROBE - BLACK
11	114959-01-02B	EA	BRACKET - LATCH - RANGE
12	116532-01-02A	EA	STRIKE - DOOR - VW LIGHT GRAY
13	098980-02-000	EA	PILASTER - ADJUSTABLE SHELF - 12"
14	098979-01-000	EA	CLIP - ADJUSTABLE SHELF
15	117522-01-02B	EA	STRIKER - DOOR/WARDROBE
16	117095-01-01A	EA	LATCH - DOOR - GRABBER W/KEEPER - PLASTIC - BLK-5 LB PULL
17	116611-01-01A	EA	CATCH - ROLLER - NYLON
18	128811-01-01A	EA	BACKSOCKET - ADJUSTABLE - LEFT
19	128811-02-01A	EA	BACKSOCKET - ADJUSTABLE - RIGHT
20	134669-01-01A	EA	SLIDE - DRAWER - 16" RIGHT HAND/LEFT HAND CABINET
21	134669-02-01A	EA	SLIDE - DRAWER - 16" RIGHT HAND/LEFT HAND DRAWER

## LABELS GROUP

### WARNING

THIS SYSTEM IS DESIGNED FOR USE WITH PROPANE ONLY  
DO NOT CONNECT NATURAL GAS TO THIS SYSTEM

#### BEFORE TURNING ON PROPANE:

- (A) BE CERTAIN APPLIANCES ARE CERTIFIED FOR PROPANE AND ARE EQUIPPED WITH CORRECT BURNING ORIFICES.
- (B) MAKE CERTAIN ALL PROPANE CONNECTIONS ARE TIGHT BY TESTING WITH SOAPY WATER. ALL APPLIANCE VALVES ARE TURNED OFF, AND ANY UNCONNECTED OUTLETS ARE CAPPED.

#### AFTER TURNING ON PROPANE:

- (A) LIGHT ALL PILOT LIGHTS
- (B) (B) ALL CONNECTIONS, INCLUDING THOSE AT THE APPLIANCES, REGULATORS AND CYLINDERS SHOULD BE LEAK-TESTED PERIODICALLY WITH SOAPY WATER BY THE OCCUPANT. NEVER USE A LIGHTED MATCH OR OTHER FLAME WHEN CHECKING FOR LEAKS.
- (C) DO NOT LEAVE SYSTEM TURNED ON OF CONTAINERS CONNECTED UNTIL THE SYSTEM HAS BEEN PROVEN TO BE FREE OF LEAKS.
- (D) COOKING APPLIANCES SHOULD NOT BE USED FOR SPACE HEATING.
- (E) WHEN THE CONTAINERS ARE DISCONNECTED THE PROPANE SUPPLY LINE SHOULD BE CAPPED OR PLUGGED.

### AVERTISSEMENT

CETTE INSTALLATION EST CONÇUE POUR LE PROPANE SEULEMENT  
NE PAS L'ALIMENTER EN GAZ NATUREL

#### AVANT LA MISE EN SERVICE:

- (A) S'ASSURER QUE LES APPAREILS SONT CERTIFIÉS POUR LE PROPANE ET MUNIS D'ORIFICES DE BRÛLEUR APPROPRIÉS.
- (B) VÉRIFIER L'ÉTANCHEITÉ DE TOUTS LES RACCORDEMENTS AU PROPANE, LA PERMÉABILITÉ DE TOUTS LES ROBINETS D'APPAREILS ET L'OBTURATION DE TOUTES LES SORTIES NON RACCORDEES.

#### APRÈS LA MISE EN SERVICE:

- (A) ALLUMER TOUTES LES VEILLEUSES.
- (B) L'OCCUPANT DOIT ÉPROUVER PÉRIODIQUEMENT L'ÉTANCHEITÉ DE TOUTS LES RACCORDEMENTS Y COMPRIS CEUX AUX APPAREILS, AUX DÉTENDEURS ET AUX BOUTEILLES, EN Y APPLIQUANT DE L'EAU SAVONNEUSE. NE JAMAIS SE SERVIR D'UNE ALLUMETTE OU AUTRE POUR LA DÉTECTION DES FUITES.
- (C) NE PAS LAISSER L'ALIMENTATION OUVERTE NI LES RÉCIPIENTS RACCORDES AVANT D'AVOIR COMPLÉTÉ L'ÉPREUVE D'ÉTANCHEITÉ AU PROPANE DE L'INSTALLATION.
- (D) LES APPAREILS DE CUISSON NE DOIVENT PAS ÊTRE UTILISÉS POUR LE CHAUFFAGE DES LOCAUX.
- (E) LORSQUE LES RÉCIPIENTS SONT DÉCONNECTÉS, L'ALIMENTATION DE PROPANE DOIT ÊTRE OBTURÉE OU SCELLÉE.

KEY	PART NUMBER	U/M	DESCRIPTION
	023769-01-000	EA	LABEL - WARNING - LPG - CANADIAN

### CAUTION

THIS MOTOR HOME HAS BEEN DESIGNED, MANUFACTURED AND TESTED WITH CONCERN FOR THE PROTECTION OF IT'S OCCUPANTS. WE RECOMMEND YOU PERFORM THE FOLLOWING INSPECTIONS FOR YOUR SAFETY AND THE SAFETY OF YOUR PASSENGERS BEFORE STARTING YOUR VEHICLE.

1. LP GAS SYSTEM- TURN OFF AT TANK FOR TRAVELING. TEST FOR LEAKS UPON ARRIVAL AT DESTINATION. BEFORE LIGHTING PILOTS.
2. WHEELS- INSPECT FOR DAMAGE AND CHECK LUG NUTS FOR TIGHTNESS.
3. TIRES- INSPECT FOR WEAR AND DAMAGE AND CHECK FOR RECOMMENDED AIR PRESSURE.
4. LIGHTING- TEST FOR PROPER OPERATION OF ALL INTERIOR AND EXTERIOR LIGHTS INCLUDING DASH LIGHTS, HEADLIGHTS, TAIL LIGHTS, BRAKE LIGHTS, CLEARANCE LIGHTS AND TURN SIGNALS.
5. EXITS- INSPECT RELEASE MECHANISM ON EMERGENCY EXIT WINDOW, TEST BOTH LOCKS ON MAIN ENTRANCE DOOR FOR EASE OF OPERATION AND INSTRUCT PASSENGERS HOW TO USE BOTH MEANS OF EXIT.
6. SEAT BELTS- DIRECT PASSENGERS TO DESIGNATED SEATS AND REQUIRE USE OF SEAT BELTS.
7. APPLIANCES- TURN OFF AND LATCH OR LOCK DOORS WHERE PROVIDED.
8. LOOSE PARCELS- STORE SECURELY.
9. UTILITY SUPPLY LINES- DISCONNECT ALL ELECTRIC, SEWER AND WATER LINES AND SECURE PROPERLY.
10. ENTRANCE DOOR STEP- PLACE IN RETRACTED POSITION FOR TRAVELING.

READ YOUR MOTOR HOME AND CHASSIS OWNER'S  
MANUAL FOR FURTHER PRECAUTIONS

KEY	PART NUMBER	U/M	DESCRIPTION
	056259-01-000	EA	LABEL - SAFETY CHECK LIST

## LABELS GROUP (CONTINUED)

**WARNING** DISCONNECT BATTERIES BEFORE  
CONNECTING EXTERNAL CHARGING EQUIPMENT.

**KEY PART NUMBER U/M DESCRIPTION**  
065748-01-000 EA LABEL - CAUTION - BATTERY CHARGING

AVERTISSEMENT : DEBRANCHER LES BATTERIES AVANT  
DE BRANCHER TOUT EQUIPEMENT DE CHARGE EXTERIEUR.

**KEY PART NUMBER U/M DESCRIPTION**  
065748-02-000 EA LABEL - WARNING - BATTERY/FRENCH - CANADIAN

### IF YOU SMELL GAS

1. EXTINGUISH ANY OPEN FLAME, PILOT LIGHTS AND ALL SMOKING MATERIALS.
2. DO NOT TOUCH ELECTRICAL SWITCHES.
3. SHUT OFF THE GAS SUPPLY AT THE TANK VALVE(S) OR GAS SUPPLY CONNECTION.
4. OPEN DOORS AND OTHER VENTILATING OPENINGS.
5. LEAVE THE AREA UNTIL ODOR CLEARS.
6. HAVE THE GAS SYSTEM CHECKED AND LEAKAGE SOURCE CORRECTED BEFORE USING AGAIN.

**KEY PART NUMBER U/M DESCRIPTION**  
1 073998-01-000 EA LABEL-LPG ODOR WARNING

WARNING: TEST SMOKE DETECTOR  
OPERATION AFTER VEHICLE HAS BEEN IN  
STORAGE, BEFORE EACH TRIP AND AT  
LEAST ONCE PER WEEK DURING USE.

**KEY PART NUMBER U/M DESCRIPTION**  
077956-01-000 EA LABEL - WARNING - SMOKE DETECTOR

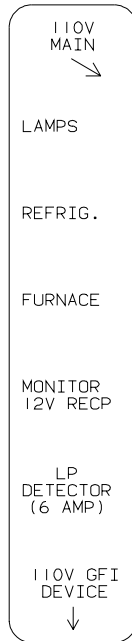
WARNING  
THIS VEHICLE, LIKE OTHER  
VEHICLES, MAY CONTAIN SMALL  
AMOUNTS OF ONE OR MORE  
SUBSTANCES WHICH ARE LISTED  
BY THE STATE OF CALIFORNIA  
FOR CAUSING CANCER OR  
REPRODUCTIVE TOXICITY.

**KEY PART NUMBER U/M DESCRIPTION**  
099689-01-000 EA LABEL - WARNING - CANCER/TOXICITY

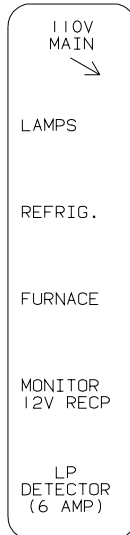
WARNING: CONTAINS "CFC" A SUBSTANCE WHICH HARMS  
PUBLIC HEALTH AND ENVIRONMENT BY DESTROYING  
OZONE IN THE UPPER ATMOSPHERE.

**KEY PART NUMBER U/M DESCRIPTION**  
111802-01-000 EA LABEL - CFC WARNING

## LABELS GROUP (CONTINUED)



KEY	PART NUMBER	U/M	DESCRIPTION
	114751-01-000	EA	LABEL - ELECTRICAL



KEY	PART NUMBER	U/M	DESCRIPTION
	114751-02-000	EA	LABEL - ELECTRICAL - CANADIAN

# NO ART AVAILABLE

KEY	PART NUMBER	U/M	DESCRIPTION
	077956-01-000	EA	LABEL - WARNING - SMOKE DETECTOR

## LABELS GROUP (CONTINUED)



**KEY PART NUMBER U/M DESCRIPTION**  
116474-01-000 EA LABEL - EXIT - ESCAPE HATCH



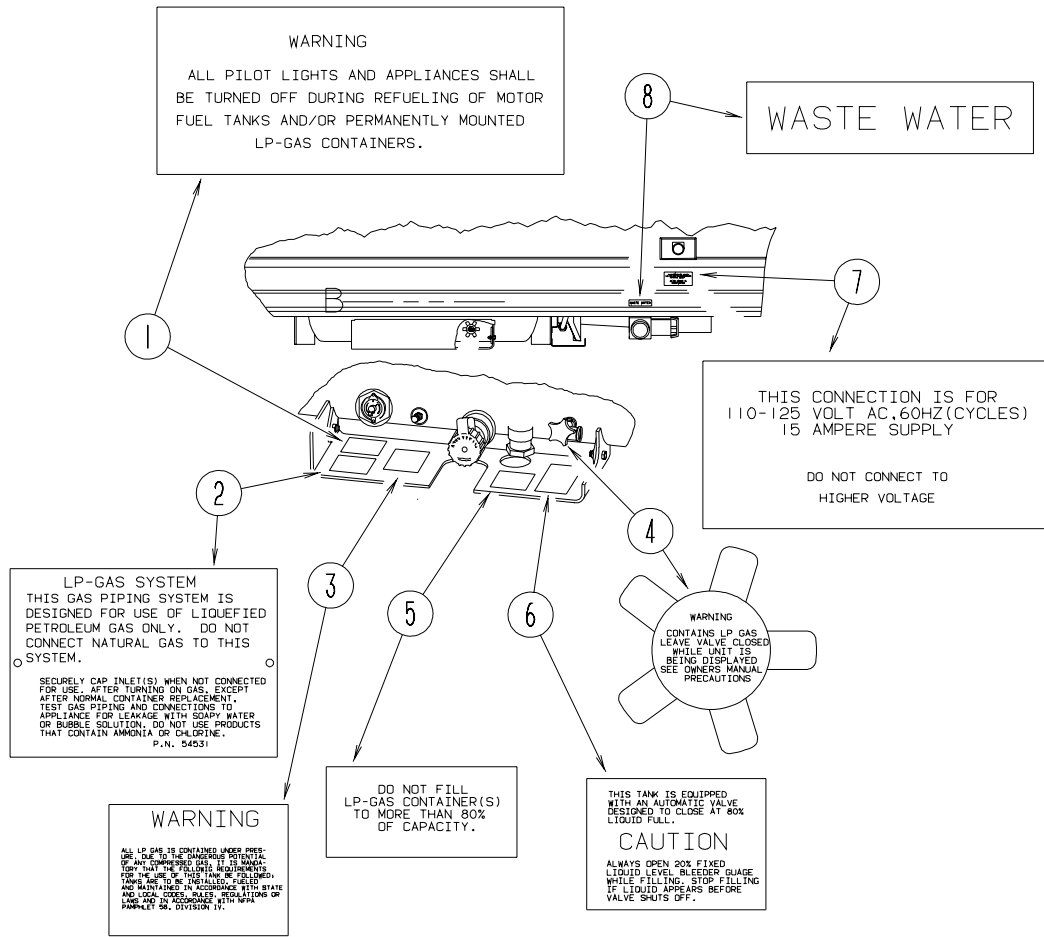
**KEY PART NUMBER U/M DESCRIPTION**  
116474-02-000 EA LABEL - EXIT - ESCAPE HATCH

### WARNINGS


- 1) TO ENSURE PROTECTION AGAINST ELECTRIC SHOCK, TEST THE DEVICE BEFORE EACH USE. WHEN TEST BUTTON IS PUSHED IN, THE INDICATOR LIGHT SHOULD GO OFF. REACTIVATE THE DEVICE BY PUSHING THE RESET BUTTON IN. IF THE INDICATOR LIGHT GOES ON, THE DEVICE IS READY FOR USE. DO NOT USE THE DEVICE, IF THE INDICATOR LIGHT DOES NOT GO ON WHEN RESET OR IF THE INDICATOR LIGHT REMAINS ON WHEN THE TEST BUTTON IS PUSHED IN.
- 2) THIS DEVICE DOES NOT GUARD AGAINST ELECTRIC SHOCK RESULTING FROM DEFECTS OR FAULTS IN ANY WIRING SUPPLYING POWER TO THIS DEVICE OR FROM CONTACT WITH BOTH CIRCUIT CONDUCTORS.

**KEY PART NUMBER U/M DESCRIPTION**  
119549-01-000 EA LABEL - GFCI

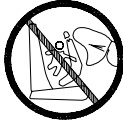
## LABELS GROUP (CONTINUED)



KEY	PART NUMBER	U/M	DESCRIPTION
1	124519-01-01A	EA	LABEL - WARNING/REFUELING - BLACK ON CLEAR
1	124519-02-01A	EA	LABEL - WARNING/REFUELING - BLACK ON CLEAR - CSA
2	124520-01-01A	EA	LABEL - LP GAS ONLY - BLACK ON CLEAR
3	116112-01-000	EA	LABEL- WARNING - LP
4	115600-01-000	EA	LABEL - WARNING LPG VALVE
5	079965-01-000	EA	LABEL - LPG - 80% CAPACITY
6	116113-01-000	EA	LABEL - CAUTION - LP
7	125306-02-01A	EA	LABEL - ELECTRICAL ENTRANCE - 110 VOLT 15 AMP
8	NOT USED		



### WARNING




**DEATH or SERIOUS INJURY can occur**

Children 12 and under can be killed by the air bag  
The **BACK SEAT** is the **SAFEST** place for children  
**NEVER** put a rear-facing child seat in the front  
Sit as far back as possible from the air bag  
**ALWAYS** use **SEAT BELTS** and **CHILD RESTRAINTS**

KEY	PART NUMBER	U/M	DESCRIPTION
	126611-01-000	EA	LABEL - AIR BAG - VISOR



## LABELS GROUP (CONTINUED)

	<b>WARNING</b>
<p>○ <b>Children Can be KILLED or INJURED by Passenger Air Bag</b></p> <p>The back seat is the safest place for children 12 and under. Make sure all children use seat belts or child seats.</p>	

**KEY PART NUMBER U/M DESCRIPTION**  
126612-01-000 EA LABEL - HANG TAG - AIR BAG - DASH

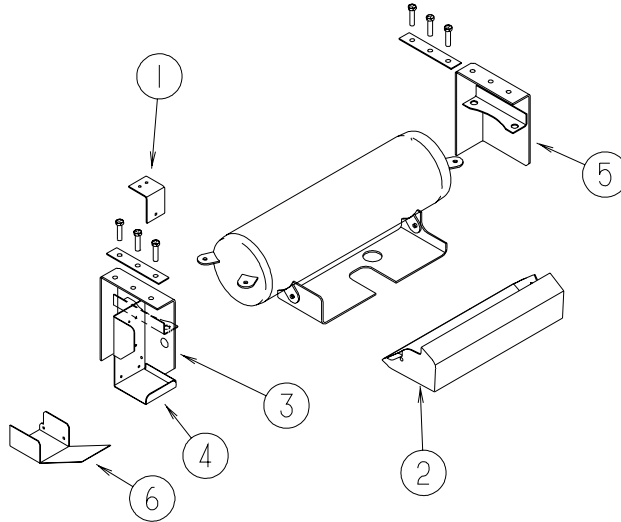
<p><b>WARNING</b></p> <p>IT IS NOT SAFE TO USE COOKING APPLICANCES FOR COMFORT HEATING</p> <p>COOKING APPLICANCES NEED FRESH AIR FOR SAFE OPERATION BEFORE OPERATION.</p> <p>1. OPEN OVERHEAD VENT OR TURN ON EXHAUST FAN AND; 2. OPEN WINDOW.</p>
--

**KEY PART NUMBER U/M DESCRIPTION**  
134539-01-01A EA LABEL - WARNING - STOVE/HEATING - BLACK ON CLEAR

<p>TO ENSURE A SUPPLY OF FRESH AIR TO OCCUPANTS, OPEN VENTILATORS WHEN FUEL BURNING RANGE, FUEL BURNING CARRY-ON APPLIANCES AND/OR FUEL- BURNING LIGHTS ARE IN OPERATION.</p> <p>COOKING APPLIANCES SHOULD NOT BE USED FOR SPACE HEATING PURPOSES</p>	<p>DE MANIERE A ASSURE UNE ALIMENTATION EN AIR FRAIS AUX OCCUPANTS, OUVRIR LES VENTILATEURS LORSQUE LA CUISINIERE, LES APPAREILS DE CHAUFFAGE PORTABLES ET/OU LES LAMPES DE COMBUSTION D'HUILE SONT EN FONCTIONNEMENT.</p> <p>LES APPAREILS DE CUSSON NE DOIVENT PAS SERVIR AU CHAUFFAGES DES LOCAUX.</p>
---	---

**KEY PART NUMBER U/M DESCRIPTION**  
134540-01-01A EA LABEL - WARNING - STOVE/HEATING - BLACK ON CLEAR - CANADIAN

**LP GROUP**  
**LP SYSTEM**



KEY	PART NUMBER	U/M	DESCRIPTION
	010251-01-000	EA	ELBOW - BRASS - 90 DEGREE - 3/8"F X 3/8"MPT
	010252-01-000	EA	ELBOW - BRASS - 90 DEGREE - 3/8"F X 1/2"MPT
	010323-01-000	EA	ADAPTER - BRASS - 3/8"F X 1/2"MPT
	010377-02-000	EA	NUT - BRASS - 3/8" FLARE - FORGED
	036522-01-000	EA	CAP-BRASS, 3/8 FLARE SEAL
	040440-03-000	EA	TRANSMITTER - DIAL/SNAP-ON - 0-90 OHM 2 TERM(POWER/GROUND)
	045703-07-000	EA	HOSE - LP - 3/8"ID X 10" - 3/8"MPT X 1/2"F SWIVEL - U.S.
	045703-08-000	EA	HOSE - LP - 3/8"ID X 10" - 3/8"MPT X 1/2"F SWIVEL - CANADA
	057042-01-000	EA	ADAPTER - CROSS 1/2"PIPE
	065318-02-000	EA	ELBOW - 90 DEGREE - 3/8" MPT TO 3/8" FPT
	103613-03-000	EA	DETECTOR - LP GAS - W/O SHUT-OFF VALVE
	105658-01-000	EA	COMPARTMENT - LP REGULATOR
	106150-02-000	EA	REGULATOR - TWO STAGE - 1/4" FPT INLET/3/8" FPT OUTLET
	111218-01-000	EA	HOSE - HI PRESSURE - LP W/POL
	136856-01-000	EA	TANK-LP - 20 LB - 8" DIAMETER X 23.5 LENGTH
	136856-01-700	EA	GUARD/SHIELD F/GAUGES
1	116154-01-02B	EA	ANGLE - SUPPORT - LP TANK
2	128719-01-01A	EA	COVER - LP TANK - BLACK
			FROM: 00-00-00 THRU: 01-28-01
2	138468-01-01A	EA	COVER - LP TANK - BLACK
			FROM: 01-29-01 THRU: 99-99-99
3	136942-01-02B	EA	BRACKET - LP SUPPORT - E-COATED
4	136928-01-01B	EA	BRACKET - REGULATOR - LP
5	138321-02-02B	EA	SUPPORT - LP TANK - E-COATED
6	138575-01-02B	EA	SHIELD - LP - 5" X 9.3" - E-COATED

# SEALANTS & FASTENERS GROUP

## SEALANTS & ADHESIVES

KEY	PART NUMBER	U/M	DESCRIPTION
	076322-01-000	FT	TAPE-DOUBLE COATED/ADHESIVE BK-.03"THK X .8"W X 216' - WHT
	076322-02-000	FT	TAPE-DOUBLE COATED/ADHESIVE BK-.05"THK X 1"W X 108' - WHT
	076322-03-000	FT	TAPE-DOUBLE COATED/ADHESIVE BK-.05"THK X .5"W X 108' - WHT
	076322-05-000	FT	TAPE-DOUBLE COATED/ADHESIVE BK-.05"THK X .8"W X 108' - WHT
	087211-01-000	GL	PROMOTER - ADHESIVE - GALLON
	090340-01-000	FT	SEAL - FOAM - CLOSED CELL - 1/4" X 1/2" X 50'
	100128-02-000	FT	SEAL - FOAM/ADHESIVE BACK - .37" WIDE X .37" THICK
	112864-01-000	FT	SEAL - FOAM/BUTYL COVERED - 3/8" X 35'
	112864-02-000	FT	FOAM - BUTYL COVERED 5/16" X 44'
	112901-02-000	EA	ADHESIVE - PLEXUS - MA330 - 50ML - GRAY
	113366-01-000	EA	ADHESIVE - INSTANT - 1 OZ
	115933-01-000	FT	TAPE - 1/64" X 3/8" X 100'

## BOLTS, NUTS AND WASHERS

KEY	PART NUMBER	U/M	DESCRIPTION
	000C12-05-16B	EA	BOLT - HEX - 5/16-18 X 1 - GRADE #5 - ZINC
	000C12-06-16B	EA	BOLT - HEX - 3/8-16 X 1 - GRADE #5 - ZINC
	000C12-06-44B	EA	BOLT - HEX - 3/8-16 X 2 3/4 - GRADE 5 - ZINC
	000C12-06-24B	EA	BOLT - HEX - 38-16 X 1 1/2 - ZINC #5
	000C12-08-104	EA	BOLT - HEX - 1/2-13 X 6.5 - GRADE #5
	000C12-08-16B	EA	BOLT - HEX - 1/2-13 X 1 - GRADE #5 - ZINC
	000C12-10-24B	EA	BOLT - HEX - 5/8-11 X 1 1/2 - GRADE #5 - ZINC
	000C26-05-129	EA	BOLT - HEX - SERRATED FLANGE - 5/16-18 X 3/4
	000C26-05-12B	EA	BOLT - HEX - SERRATED FLANGE - 5/16-18 X 3/4 - ZINC
	000C26-05-249	EA	BOLT - HEX - SERRATED FLANGE - 5/16-18 X 1 1/2
	000C26-05-24F	EA	BOLT - HEX - SERRATED FLANGE-5/16-18 X 1.5-STAINLESS STEEL
	000C26-06-16B	EA	BOLT - HEX - SERRATED FLANGE - 3/8-16 X 1 - ZINC
	000C26-06-12B	EA	BOLT - HEX - SERRATED FLANGE - 3/8-16 X 3/4 - ZINC
	000C27-05-44I	EA	BOLT-CARR,5/16-18X2.75" - BLACK ZINC
	000D29-04-00B	EA	NUT - HEX - SELF LOCKING - 1/4 X 20 - ZINC
	000D29-06-00B	EA	NUT - HEX - W/NYLON LOCK - 3/8-16 - ZINC
	000D34-06-00B	EA	NUT - HEX - LOCKING - 3/8-16 GRADE C - ZINC
	000D39-04-00B	EA	NUT - HEX - LOCKING W/SERRATED FLANGE - 1/4-20 - ZINC
	000D39-06-00B	EA	NUT - HEX - LOCKING W/SERRATED FLANGE - 3/8-18 - ZINC
	000D44-07-00B	EA	NUT - HEX - LOCKING W/SERRATED FLANGE - 7/16-20 - ZINC
	000D58-06-00A	EA	NUT - HEX - WELD 3/8-16 - PLAIN
	000D75-08-00B	EA	NUT - HEX LK - 1/2-13 GRADE B
	000E13-17-00B	EA	WASHER - FLAT - 3/8 AR - ZINC
	000E13-18-00B	EA	WASHER - FLAT - 3/8 WIDE - ZINC
	000E13-26-00B	EA	WASHER - FLAT - 5/8 WIDE - ZINC
	044364-01-000	EA	NUT - SPEED - FLAT - RECTANGULAR - SELF LOCKING/ONE PIECE
	058716-02-000	EA	WASHER - FLAT NYLON
	063253-07-000	EA	NUT - J - #8A - .120 - .130 PNL THK
	087718-01-000	EA	MONOBOLT - STEEL - 3/16 DIAMETER
	107393-02-000	EA	BOLT - SHOULDER - 3/8" SOCKETHEAD
	116672-01-000	EA	NUT - SPEED

## SCREWS

KEY	PART NUMBER	U/M	DESCRIPTION
	0G1106-06-160	EA	SCREW - 6-20 X 3/8 PPH
	0G1106-08-240	EA	SCREW - 6-20 X 1/2 PPH - VW LIGHT GRAY
	0G1108-08-250	EA	SCREW - 8-18 X 1/2 PPH
	0G1108-12-240	EA	SCREW - 8-18 X 3/4 PPH - VW LIGHT GRAY
	0G1108-16-240	EA	SCREW - 8-18 X 1.00 PPS - VW LIGHT GRAY
	0G1110-10-150	EA	SCREW - 10-16 X 5/8 PPH
	0G3908-08-240	EA	SCREW - SF/DR - 8-18 X 1/2 PPH - VW LIGHT GRAY
	0G3908-08-160	EA	SCREW - SF/DR - 8-18 X 1/2 PPH - VW WHITE
	0G3908-12-250	EA	SCREW - SF/DR - 8-18 X 3/4 PPH - DARK GRAY
	0G3908-12-240	EA	SCREW - SF/DR - 8-18 X .75 PPH - VW LIGHT GRAY
	0G3910-10-160	EA	SCREW - SF/DR - 10-16 X 5/8 PPH - VW WHITE
	0G3910-12-240	EA	SCREW - SF/DR - 10-16 X .75 PPH - VW LIGHT GRAY
	0G3910-32-240	EA	SCREW - SF/DR - 10-16 X 2.00 PPH - VW LIGHT GRAY
	0G5508-12-240	EA	SCREW - SF/DR - 8-18 X 3/4 PWH - VW LIGHT GRAY
	000G11-06-06B	EA	SCREW - 6-20 X 3/8 PPH - ZINC
	000G11-08-08T	EA	SCREW - 8-18 X 1/2 PPH - FLUOROCARBON COATING
	000G11-08-06J	EA	SCREW - 8-18 X 3/8 PPH BRASS
	000G11-08-06B	EA	SCREW - 8-18 X 3/8 PPH - ZINC

**SEALANTS & FASTENERS GROUP (CONTINUED)**  
**SCREWS (CONTINUED)**

<b>KEY</b>	<b>PART NUMBER</b>	<b>U/M</b>	<b>DESCRIPTION</b>
	000G11-08-16B	EA	SCREW - 8-18 X 1 PPH - ZINC
	000G11-08-12T	EA	SCREW - 8-18 X 3/4 PPH - BLACK MAGNESIUM
	000G11-08-12P	EA	SCREW - 8-18 X 3/4 PPH - DARK BROWN
	000G11-08-12B	EA	SCREW - 8-18 X 3/4 PPH - ZINC
	000G11-10-16B	EA	SCREW - 10-16 X 1 PPH - ZINC
	000G11-10-12D	EA	SCREW - 10-16 X 3/4 PPH - BLACK
	000G13-06-08B	EA	SCREW - 6-20 X 1/2 PFH - ZINC
	000G13-07-12B	EA	SCREW - 7-19 X 3/4 PFH - ZINC
	000G19-10-12F	EA	SCREW - MACHINE - 10-32 X 3/4 PPH - STAINLESS STEEL
	000G39-06-10T	EA	SCREW - SF/DR - 6-20 X 5/8 PPH - BLACK
	000G39-08-08T	EA	SCREW - SF/DR - 8-18 X 1/2 PPH - BLACK
	000G39-08-08B	EA	SCREW - SF/DR - 8-18 X 1/2 PPH - ZINC
	000G39-08-16B	EA	SCREW - SF/DR - 8-18 X 1 PPH - ZINC
	000G39-08-12T	EA	SCREW - SF/DR - 8-18 X 3/4 PPH - BLACK
	000G39-08-12B	EA	SCREW - SF/DR - 8-18 X 3/4 PPH - ZINC
	000G39-10-08B	EA	SCREW - SF/DR - 10-16 X 1/2 PPH - ZINC
	000G39-10-169	EA	SCREW - SF/DR - 10-16 X 1 PPH - FLUOROCARBON SILVER
	000G39-10-129	EA	SCREW - SF/DR - 10-16 X 3/4 PPH - FLUOROCARBON SILVER
	000G39-10-12B	EA	SCREW - SF/DR - 10-16 X 3/4 PPH - ZINC
	000G39-10-10B	EA	SCREW - SF/DR - 10-16 X 5/8 - ZINC
	000G51-06-12B	EA	SCREW - 6-20 X 3/4 PTH - ZINC
	000G55-08-16T	EA	SCREW - SF/DR - 8-18 X 1 PWH - BLACK
	000G55-08-12S	EA	SCREW - SF/DR - 8-18 X 3/4 PWH - OFF WHITE
	000G62-10-24I	EA	SCREW - SF/DR - 10-16 X 1/5 PFH - BLACK ZINC
	000G67-10-20D	EA	SCREW - 10-12 X 1 1/4 PPH - BLACK
	000G67-10-16B	EA	SCREW - 10-12 X 1 PPH - ZINC
	000G67-10-12P	EA	SCREW - 10-12 X 3/4 PPH - DARK BROWN
	000G67-10-12B	EA	SCREW - 10-12 X 3/4 PPH - ZINC
	000G67-10-10B	EA	SCREW - 10-12 X 5/8 PPH - ZINC - TYPE A
	000G68-06-10G	EA	SCREW - 6-18 X 5/8 POH - ANTIQUE BRASS
	049465-23-000	EA	SCREW - 10-16 X 1.5 POH W/WASHER - VW LIGHT GRAY
	054434-02-000	EA	SCREW - SF/DR - 10-16 X 2 - ZINC
	101618-01-000	EA	SCREW - 1/4-20 X 3/4 HEX - TAPPING - STALGARD TYPE F
	118383-01-05A	EA	RETAINER/RECESSED - F/.22" SCREW - VW LIGHT GRAY
	118383-02-05A	EA	RETAINER/RECESSED - F/.27" SCREW - VW LIGHT GRAY
	118383-03-05A	EA	RETAINER/RECESSED - F/.32" SCREW - VW LT. GRAY
	118383-04-05A	EA	CAP - F/RECESSED RETAINER - VW LIGHT GRAY

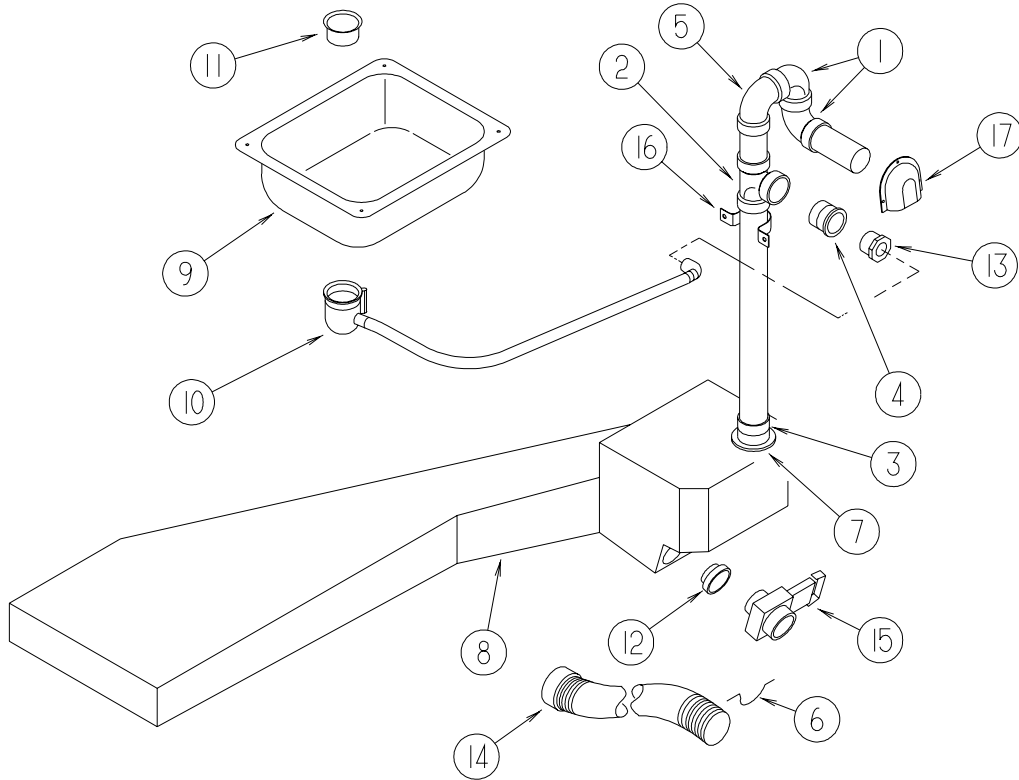
**CLAMPS, CLIPS, GROMMETS, RIVETS & PLUGS**

<b>KEY</b>	<b>PART NUMBER</b>	<b>U/M</b>	<b>DESCRIPTION</b>
	000H14-04-04A	EA	RIVET - MANDREL BLIND - 1/8 X .400
	000H14-06-06R	EA	RIVET-MANDREL BLIND,3/16 AL - CHERRY BSP-66
	000H16-06-10R	EA	RIVET - POP ALUMINUM - 3/16 X .501-.625
	007161-01-000	EA	CLAMP - HOSE - SPRING TYPE - 1/2"
	010497-03-000	EA	CLAMP - CLOSED - 1" ID - CUSHIONED
	016188-03-000	EA	GROMMET - L/P LINE - 3/8" HOLE X 2 1/2" LONG - RUBBER
	061420-12-000	EA	PLUG/PLASTIC - 1.50" DIAMETER - RED
	062401-01-000	EA	CLAMP - HOSE - WORMGEAR - .25" - 1"
	062401-02-000	EA	CLAMP - HOSE - WORMGEAR - 1.56" - 2.5"
	062401-04-000	EA	CLAMP - HOSE - WORMGEAR - .69" - 1.25"
	062401-06-000	EA	CLAMP - HOSE - WORMGEAR - .22" - .62" ID
	062401-11-000	EA	CLAMP - HOSE - WORMGEAR - 3.50" - 4.50"
	071015-39-000	EA	GROMMET - .75 ID FITS .06 MTL
	075148-02-000	EA	CLAMP - GROUNDING - BRONZE SCREWS
	091952-01-000	EA	CLIP - GRIPPER - 1"

**MISCELLANEOUS FASTENERS**

<b>KEY</b>	<b>PART NUMBER</b>	<b>U/M</b>	<b>DESCRIPTION</b>
	029094-04-000	YD	VELCRO TAPE - LOOP - 1" WIDE - BLACK
	029096-04-000	YD	VELCRO TAPE - HOOK - 1" WIDE - BLACK
	048394-02-000	YD	VELCRO TAPE - HOOK - ADHESIVE BACK - 3/4" WIDE - BEIGE
	085774-03-000	FT	FASTENER - DUAL LOCK - 1/2" WIDE - ADHESIVE BACK - BLACK
	085774-04-000	FT	FASTENER - DUAL HOOK - 1/2" WIDE - ADHESIVE BACK - BLACK
	088792-02-000	YD	VELCRO TAPE - LOOP - 3/4" - ADHESIVE BACK - BEIGE
	088792-05-000	YD	VELCRO TAPE - LOOP - 5/8" - NON-ADHESIVE BACK - WHITE
	110943-02-000	FT	FELT STRIP - 3/8" - ADHESIVE BACK - WHITE

## WATER & SEWAGE GROUP DRAINAGE SYSTEM



KEY	PART NUMBER	U/M	DESCRIPTION
1	010051-01-000	EA	ELBOW - 45 DEGREE - 1 1/2" SPIGOT X HUB - PLASTIC
2	010071-02-000	EA	TEE - PLASTIC - 1 1/2 W/BAFFLE - H X H X H
3	010115-01-000	EA	COUPLING - 1 1/2" HUB X HUB - PLASTIC
4	010122-01-000	EA	BUSHING/PLASTIC - REDUCER - 1 1/2"SMTH X 1 1/4"THD - BLACK
5	034250-01-000	EA	ELBOW - 90 DEGREE - LONG TURN - 1 1/2" HUB X HUB - ABS
6	121114-01-01A	EA	GUARD - DRAINAGE
7	061607-01-000	EA	GROMMET - HOLDING TANK - 1 1/2" NPS
8	136952-01-000	EA	TANK - HOLDING
9	011029-03-000	EA	SINK - STAINLESS STEEL - SINGLE W/RAILS
10	053770-01-000	EA	P TRAP - PLASTIC - SPECIAL
11	066437-02-000	EA	STRAINER - W/BASKET - GALLEY SINK - 2.6" OD
12	109571-02-000	EA	ADAPTER - 1 1/2" HUB X 1 1/2" MPT
13	111221-01-000	EA	BUSHING - PLASTIC - 1 1/4 MPT X 3/4 FPT
14	114111-01-000	EA	HOSE - SEWER - 1.5"
15*	114112-01-000	EA	VALVE - WASTE - 1.5"
16	136949-01-02B	EA	STRAP-TANK,REAR ,E-CT - *01 117A
17	111222-01-01A	EA	COVER - VENT - DRAINAGE

\*COMPONENT PARTS LISTED LATER IN THIS GROUP

**WATER & SEWAGE GROUP (CONTINUED)**  
**COMPONENT PARTS FOR DRAINAGE SYSTEM**

114112-01-000

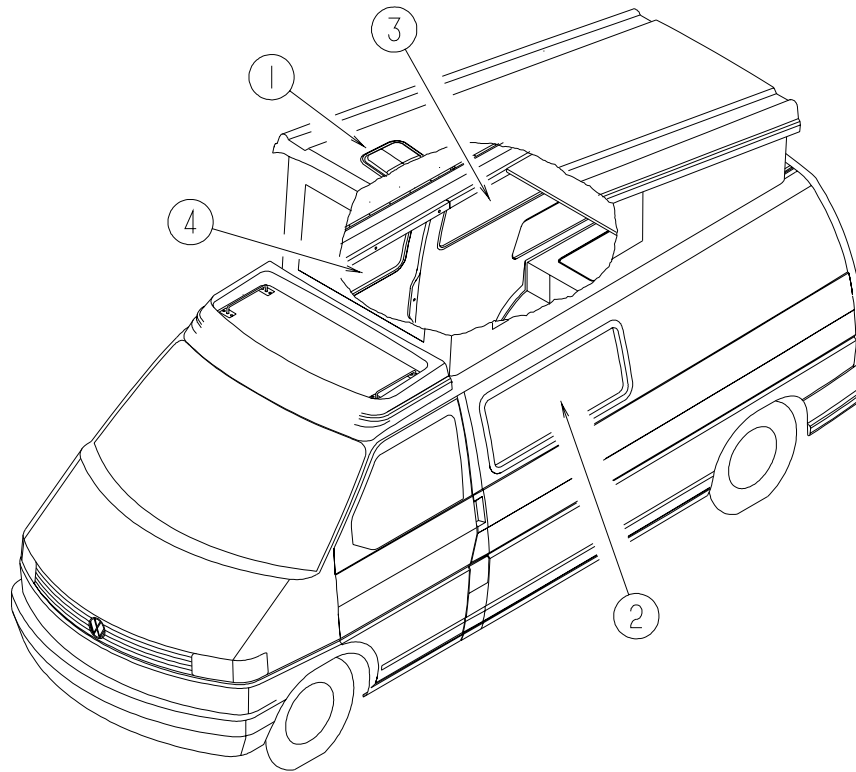
<b>KEY</b>	<b>PART NUMBER</b>	<b>U/M</b>	<b>DESCRIPTION</b>	<b>VENDOR NO.</b>
	114112-01-000	EA	VALVE - WASTE - 1.5"	
	114112-01-700	EA	VALVE CAP ONLY	I 2890

## WATER & SEWAGE GROUP (CONTINUED)

### WATER SYSTEM

KEY	PART NUMBER	U/M	DESCRIPTION
	111227-01-000	EA	TEE - BARB - 3/8"
	113698-01-000	EA	VALVE - DRAIN LINE - 3/8"
	007108-02-000	FT	HOSE - HEATER - 3/4" ID - HI-TEMP
	115029-01-000	FT	HOSE - WATER - 3/8 ID
	131596-02-000	EA	FITTING - BRASS - 5/16 X 5/15 BARB
	039861-01-000	EA	SENDING UNIT - W/SCREW - WASHER - WELL NUT/TERMINAL RING
	010219-01-000	EA	ELBOW - 1 1/4 MPT X 1 1/4 BARB - WATER FILL - PLASTIC
	035539-01-000	EA	ELBOW - 3/8 MPT X 3/8 BARB - PLASTIC
	111223-01-000	EA	ELBOW - PLASTIC - 3/4 MPT X 3/4 BARB
	010224-01-000	EA	ADAPTER - HOSE TO PIPE - 3/8 MPT X 3/8 BARB - PLASTIC
	053771-01-000	FT	TUBING - VINYL DRAIN - 3/4 ID
	074462-02-000	FT	TUBING - VINYL - 3/8 ID X 20' - CLEAR
	079381-01-000	FT	TUBING - RIBBED FLEXIBLE - WATER FILL - 1.4" ID
	077954-02-000	EA	FILTER - WATER TANK - W/SCREEN IN TANK
	122524-02-000	EA	TANK - WATER - 13 GALLON - W/FITTINGS
	122524-01-000	EA	TANK - WATER - 13 GALLON - W/O FITTINGS
	042989-03-000	EA	FITTING - SPINWELD - 1 1/4"NPT - PLASTIC
	042989-04-000	EA	FITTING - SPINWELD - 3/8"FPT - PLASTIC
	049032-01-000	EA	PATCH - SPINWELD - 3/8" - PLASTIC
	081240-20-000	EA	WATER FILL - W/DOOR - LOCKABLE - W/O LOCK - BRT WHT
			FROM: 00-00-00 THRU: 04-02-01
	137169-01-03A	EA	FILL/WATER - GRAVITY - LIGHT GRAY
			FROM: 04-03-01 THRU: 99-99-99
	137169-02-01A	EA	ADAPTER/LOCK - (WASHER) F/GRAVITY WATERFILL
			FROM: 04-03-01 THRU: 99-99-99
	110506-40-700	EA	HARDWARE PACKAGE-CYLINDER/CASE
	110506-50-000	EA	CASE/CYLINDER - TWIST LATCH - W/O CAM - .65" - 596952
	110506-76-000	EA	CAM - LOCK
			FROM: 00-00-00 THRU: 05-31-01
	110506-77-000	EA	CAM - LOCK
			FROM: 06-01-01 THRU: 99-99-99
	111224-01-01A	EA	SHOWER HEAD - HAND HELD/BLACK HANDLE W/HOSE
	111224-02-01A	EA	GUIDE - HOSE
	111225-01-000	EA	PUMP - WATER FLOW - 1.0 GPM
	121732-01-01A	EA	FAUCET - SINK - SINGLE

**WINDOW & VENTS GROUP**  
**WINDOW & VENT LAYOUT**



<b>KEY</b>	<b>PART NUMBER</b>	<b>U/M</b>	<b>DESCRIPTION</b>
1*	113349-01-000	EA	VENT - ROOF
2*	112519-01-01A	EA	WINDOW - TIPOUT
3*	112520-01-01A	EA	WINDOW - HORIZONTAL SLIDER
4*	112521-01-01A	EA	WINDOW - STATIONARY

**\*COMPONENT PARTS LISTED LATER IN THIS GROUP**



**WINDOW & VENTS GROUP (CONTINUED)**  
**COMPONENT PARTS FOR WINDOWS & VENT LAYOUT**

**112519-01-01A**

<b>KEY</b>	<b>PART NUMBER</b>	<b>U/M</b>	<b>DESCRIPTION</b>	<b>VENDOR NO.</b>
	098644-01-716	FT	PLUG - FILLER	132-014470
	100322-01-701	FT	SEAL-VENT	122-016071
	100322-01-702	EA	WEATHERSTRIP-HORIZ RAIL-148"	132-019631
	100322-01-703	FT	VINYL-GLAZING, BUTYL	132-010723
	100322-01-704	FT	TAPE-BUTYL	154-025932
	100322-01-714	EA	SUPPORT-TORQUE BAR, LH	130-015978
	100322-01-715	EA	SUPPORT-TORQUE BAR, RH	130-015979
	100322-01-717	EA	E-RING	245-015975
	100322-01-718	EA	HANDLE-DIAL	410-016081
	112519-01-700	EA	VENT GLASS W/SEALS & TRIMS	CH89-G9
	112519-01-701	EA	LEVER SUB. ASSEMBLY, OPERATOR	CH21-29
	112519-01-702	EA	OPERATOR-VENT-CENTER SUPPORT	410-016123
	112519-01-703	EA	GLASS - STATIONARY 62% GRAY	106-018875
	112519-01-704	EA	LINK SUB - ASSEMBLY	CH19-28
	112519-01-705	EA	SCREEN ASM - W/SEALS & CLIPS	410-018890
	112519-01-706	EA	CLIP-SCREEN	CH21-50
	112519-01-707	EA	RETAINER - TRIM	CH89-47

**112520-01-01A**

<b>KEY</b>	<b>PART NUMBER</b>	<b>U/M</b>	<b>DESCRIPTION</b>	<b>VENDOR NO.</b>
	098644-01-700	EA	LATCH - REPAIR KIT (BLACK)	B801-CK
	098644-01-705	FT	GLAZING - STRIP	132-010231
	098644-01-706	FT	WEATHERSTRIP - GLASS	171-010668
	098644-01-713	EA	CLIP - SCREEN - METAL	226-016966
	098644-01-716	FT	PLUG - FILLER	132-014470
	112520-01-700	EA	GLASS - STATIONARY LWR	106-018878 62%GRAY
	112520-01-701	EA	GLASS/SLIDING W/SASH & LATCH	H419-G9L
	112520-01-702	EA	HANDLE PULL, F/SLIDING GLASS	B218-11
	112520-01-704	EA	GLASS - STATIONARY .62% GRAY	106-018877
	112520-01-705	EA	SCREEN ASSEMBLY W/SEALS	H419-03R
	112520-01-706	EA	WEATHERSTRIP-SCREEN, (FUZZY)	171-017245
	098644-01-708	FT	CHANNEL - RUN PIERCED	122-016543
	112520-01-708	EA	TRIM MOLDING (SWEPT)	H419-51R

**112521-01-01A**

<b>KEY</b>	<b>PART NUMBER</b>	<b>U/M</b>	<b>DESCRIPTION</b>	<b>VENDOR NO.</b>
	098644-01-705	FT	GLAZING - STRIP	132-010231
	112521-01-700	EA	GLASS - STATIONARY- 62% GRAY	106-018874
	112521-01-701	EA	RETAINER - TRIM	H418-61

**113349-01-000**

<b>KEY</b>	<b>PART NUMBER</b>	<b>U/M</b>	<b>DESCRIPTION</b>	<b>VENDOR NO.</b>
	113349-01-700	EA	COVER	4-130-031111
	113349-01-701	EA	TRIM RING	4-130-031112
	113349-01-703	EA	HANDLE	4-130-030603
	113349-01-704	EA	HINGE-RETAINER	3-130-031114
	113349-01-705	EA	SPRING	1-227-030795
	113349-01-706	EA	SPRING	1-225-030794
	113349-01-707	EA	SCREW - RETAINING	274-0161069