

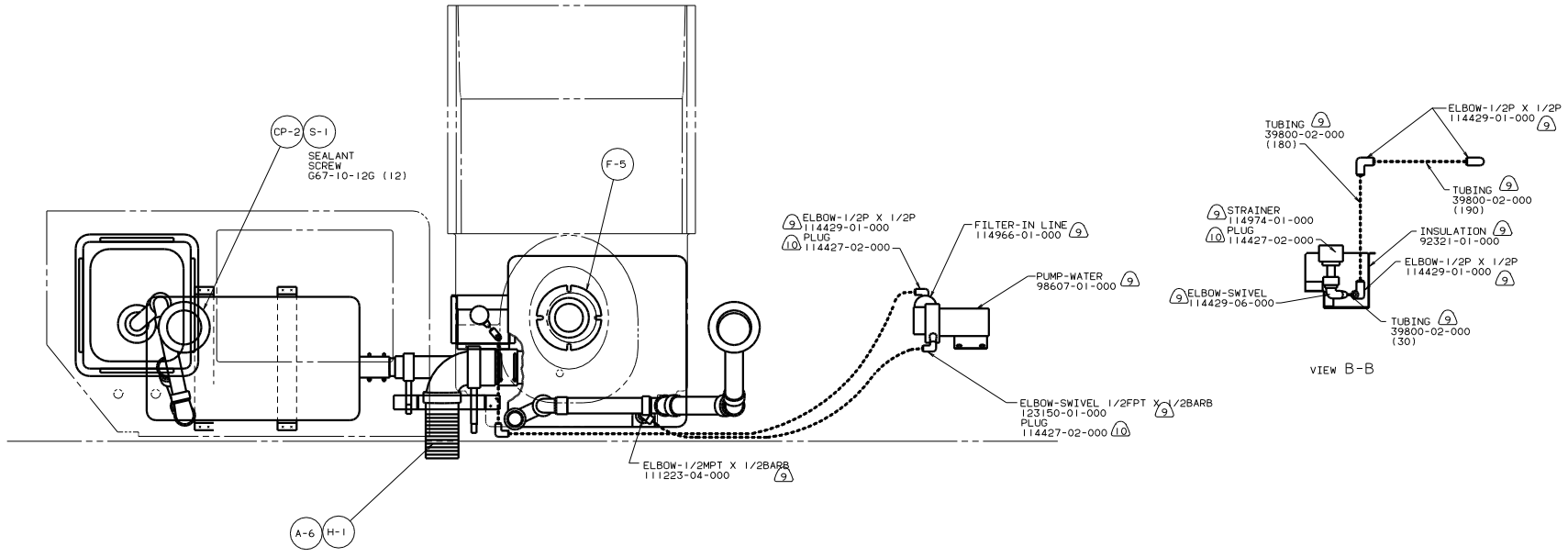
- 5. EXPOSED PIPE ABOVE ROOF TO BE PAINTED 37163-01-000.
 - 4. ALL EXTERIOR OPENINGS AROUND PIPE TO BE SEALED WITH 69637-01-000.
 - 3. ALL PIPE AND FITTINGS TO BE ASSEMBLED WITH SOLVENT 4020-01-000.
 - 2. SLOPE OF TRAP ARM MUST BE 6 PER 305.
 - 1. SLOPE OF HORIZONTAL PIPING TO BE 6 PER 305 MIN.
- NOTES:
- (10) 1A7 SHOWER PACKAGE WITHOUT.
 - (9) 1A0 SHOWER PACKAGE.
 - (8) VENT PIPE MUST PROJECT 51 MM MIN AND 63.5 MM MAX ABOVE ROOF FOR PROPER FIT AND FUNCTION.
 - (7) SEE DWG 61607-01-000 FOR INSTALLATION OF GROMMET.
 - 6. FOR CANADIAN UNITS EACH HOLDING TANK SHALL HAVE A CSA APPROVAL STAMPED NEAR THE TAMPO APPROVAL.

- 13. SECURE PIPES TO CABINET USING WIRE TIE 108046-02-000 AND SCREW 667-10-12U (8).
- (12) NOT USED ON CANADIAN UNIT.
- (11) USE SCRAP CLOSED CELL NEOPRENE FROM 77075-01-02 OR -03 ON BRACKETS FOR VIBRATION DAMPENING.

FOR DRAINAGE CALCULATIONS SEE DWG NO. 116229-01-000

222RC/RT US/CANADIAN
 181 CODE STANDARDS-USA
 265 CODE STANDARDS-CSA

222IR16		TITLE: DRAINAGE SYSTEM INSTL	
DATE	DATE	UNDESIGNED TOLERANCES ARE:	MATERIAL:
DATE	DATE	WHOLE DIM (1)	F
DATE	DATE	ONE-PLACE (1)	F
DATE	DATE	TWO-PLACE (1)	F
DATE	DATE	THREE-PLACE (1)	F
DATE	DATE	FOUR-PLACE (1)	F
DATE	DATE	FIVE-PLACE (1)	F
DATE	DATE	SIX-PLACE (1)	F
DATE	DATE	SEVEN-PLACE (1)	F
DATE	DATE	EIGHT-PLACE (1)	F
DATE	DATE	NINE-PLACE (1)	F
DATE	DATE	TEN-PLACE (1)	F
DATE	DATE	ELEVEN-PLACE (1)	F
DATE	DATE	TWELVE-PLACE (1)	F
DATE	DATE	THIRTEEN-PLACE (1)	F
DATE	DATE	FOURTEEN-PLACE (1)	F
DATE	DATE	FIFTEEN-PLACE (1)	F
DATE	DATE	SIXTEEN-PLACE (1)	F
DATE	DATE	SEVENTEEN-PLACE (1)	F
DATE	DATE	EIGHTEEN-PLACE (1)	F
DATE	DATE	NINETEEN-PLACE (1)	F
DATE	DATE	TWENTY-PLACE (1)	F
DATE	DATE	TWENTY-ONE PLACE (1)	F
DATE	DATE	TWENTY-TWO PLACE (1)	F
DATE	DATE	TWENTY-THREE PLACE (1)	F
DATE	DATE	TWENTY-FOUR PLACE (1)	F
DATE	DATE	TWENTY-FIVE PLACE (1)	F
DATE	DATE	TWENTY-SIX PLACE (1)	F
DATE	DATE	TWENTY-SEVEN PLACE (1)	F
DATE	DATE	TWENTY-EIGHT PLACE (1)	F
DATE	DATE	TWENTY-NINE PLACE (1)	F
DATE	DATE	THIRTY PLACE (1)	F
DATE	DATE	THIRTY-ONE PLACE (1)	F
DATE	DATE	THIRTY-TWO PLACE (1)	F
DATE	DATE	THIRTY-THREE PLACE (1)	F
DATE	DATE	THIRTY-FOUR PLACE (1)	F
DATE	DATE	THIRTY-FIVE PLACE (1)	F
DATE	DATE	THIRTY-SIX PLACE (1)	F
DATE	DATE	THIRTY-SEVEN PLACE (1)	F
DATE	DATE	THIRTY-EIGHT PLACE (1)	F
DATE	DATE	THIRTY-NINE PLACE (1)	F
DATE	DATE	FOURTY PLACE (1)	F
DATE	DATE	FOURTY-ONE PLACE (1)	F
DATE	DATE	FOURTY-TWO PLACE (1)	F
DATE	DATE	FOURTY-THREE PLACE (1)	F
DATE	DATE	FOURTY-FOUR PLACE (1)	F
DATE	DATE	FOURTY-FIVE PLACE (1)	F
DATE	DATE	FOURTY-SIX PLACE (1)	F
DATE	DATE	FOURTY-SEVEN PLACE (1)	F
DATE	DATE	FOURTY-EIGHT PLACE (1)	F
DATE	DATE	FOURTY-NINE PLACE (1)	F
DATE	DATE	FIFTY PLACE (1)	F
DATE	DATE	FIFTY-ONE PLACE (1)	F
DATE	DATE	FIFTY-TWO PLACE (1)	F
DATE	DATE	FIFTY-THREE PLACE (1)	F
DATE	DATE	FIFTY-FOUR PLACE (1)	F
DATE	DATE	FIFTY-FIVE PLACE (1)	F
DATE	DATE	FIFTY-SIX PLACE (1)	F
DATE	DATE	FIFTY-SEVEN PLACE (1)	F
DATE	DATE	FIFTY-EIGHT PLACE (1)	F
DATE	DATE	FIFTY-NINE PLACE (1)	F
DATE	DATE	SIXTY PLACE (1)	F
DATE	DATE	SIXTY-ONE PLACE (1)	F
DATE	DATE	SIXTY-TWO PLACE (1)	F
DATE	DATE	SIXTY-THREE PLACE (1)	F
DATE	DATE	SIXTY-FOUR PLACE (1)	F
DATE	DATE	SIXTY-FIVE PLACE (1)	F
DATE	DATE	SIXTY-SIX PLACE (1)	F
DATE	DATE	SIXTY-SEVEN PLACE (1)	F
DATE	DATE	SIXTY-EIGHT PLACE (1)	F
DATE	DATE	SIXTY-NINE PLACE (1)	F
DATE	DATE	SEVENTY PLACE (1)	F
DATE	DATE	SEVENTY-ONE PLACE (1)	F
DATE	DATE	SEVENTY-TWO PLACE (1)	F
DATE	DATE	SEVENTY-THREE PLACE (1)	F
DATE	DATE	SEVENTY-FOUR PLACE (1)	F
DATE	DATE	SEVENTY-FIVE PLACE (1)	F
DATE	DATE	SEVENTY-SIX PLACE (1)	F
DATE	DATE	SEVENTY-SEVEN PLACE (1)	F
DATE	DATE	SEVENTY-EIGHT PLACE (1)	F
DATE	DATE	SEVENTY-NINE PLACE (1)	F
DATE	DATE	EIGHTY PLACE (1)	F
DATE	DATE	EIGHTY-ONE PLACE (1)	F
DATE	DATE	EIGHTY-TWO PLACE (1)	F
DATE	DATE	EIGHTY-THREE PLACE (1)	F
DATE	DATE	EIGHTY-FOUR PLACE (1)	F
DATE	DATE	EIGHTY-FIVE PLACE (1)	F
DATE	DATE	EIGHTY-SIX PLACE (1)	F
DATE	DATE	EIGHTY-SEVEN PLACE (1)	F
DATE	DATE	EIGHTY-EIGHT PLACE (1)	F
DATE	DATE	EIGHTY-NINE PLACE (1)	F
DATE	DATE	NINETY PLACE (1)	F
DATE	DATE	NINETY-ONE PLACE (1)	F
DATE	DATE	NINETY-TWO PLACE (1)	F
DATE	DATE	NINETY-THREE PLACE (1)	F
DATE	DATE	NINETY-FOUR PLACE (1)	F
DATE	DATE	NINETY-FIVE PLACE (1)	F
DATE	DATE	NINETY-SIX PLACE (1)	F
DATE	DATE	NINETY-SEVEN PLACE (1)	F
DATE	DATE	NINETY-EIGHT PLACE (1)	F
DATE	DATE	NINETY-NINE PLACE (1)	F
DATE	DATE	HUNDRED PLACE (1)	F



CP-2 S-1
SEALANT
SCREW
G67-10-12G (12)

F-5

ELBOW-1/2P X 1/2P
114429-01-000
PLUG
114427-02-000

FILTER-IN LINE
114966-01-000

PUMP-WATER
98607-01-000

ELBOW-SWIVEL 1/2FPT X 1/2BARB
123150-01-000
PLUG
114427-02-000

ELBOW-1/2MPT X 1/2BARB
111223-04-000

TUBING
39800-02-000
(180)

ELBOW-1/2P X 1/2P
114429-01-000

TUBING
39800-02-000
(190)

STRAINER
114974-01-000
PLUG
114427-02-000

INSULATION
92321-01-000

ELBOW-1/2P X 1/2P
114429-01-000

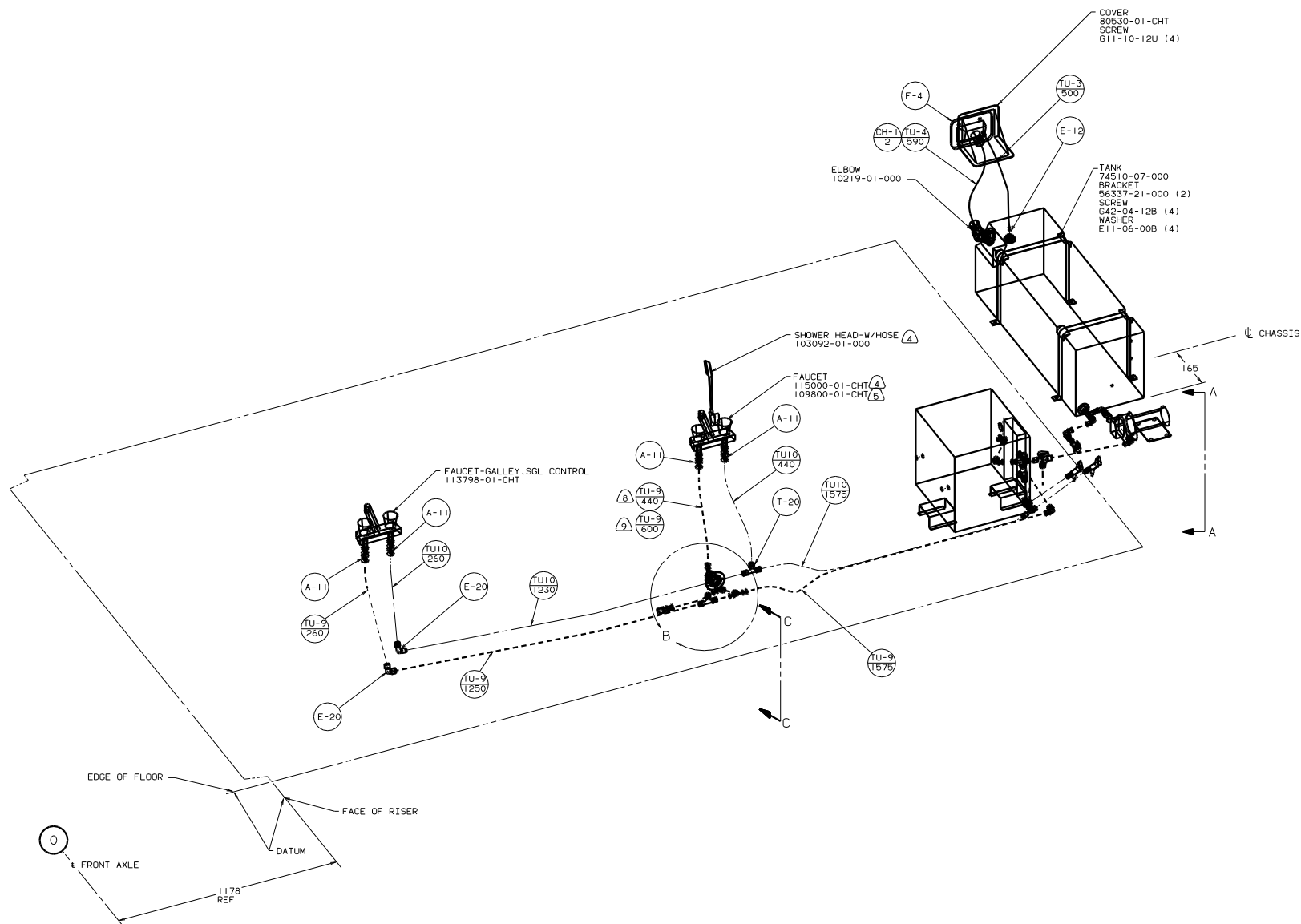
TUBING
39800-02-000
(30)

ELBOW-SWIVEL
114429-06-000

VIEW B-B

A-6 H-1

VIEW A-A

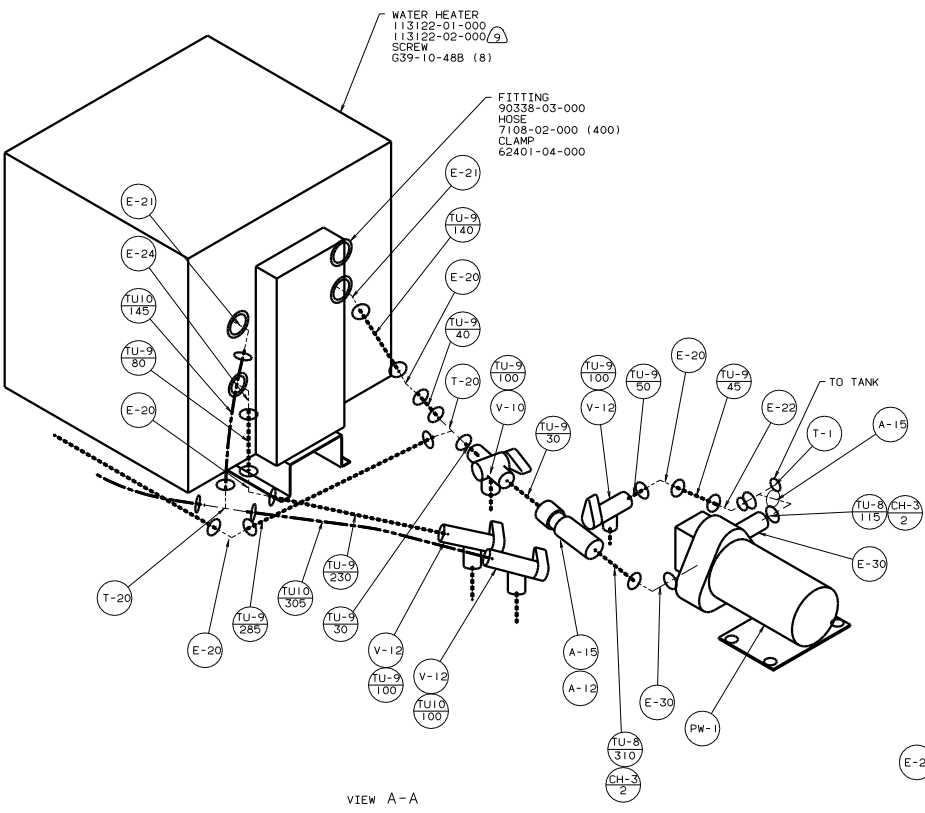


- (7) USE WITHOUT EXTERIOR SHOWER.
 - (A) USE WITH EXTERIOR SHOWER ONLY.
 - (S) USE WITHOUT SHOWER SUMP SYSTEM.
 - (A) USE WITH SHOWER SUMP SYSTEM.
 - (1) USE ON 98 MODELS.
 - (10) USE ON 97 MODELS.
 - (9) USE WITH WIE EXPORT PREP PACKAGE.
 - (A) USE WITHOUT W.I.E. EXPORT PREP PACKAGE.
3. ALL TUBING TO BE SECURED AT 1200 INTERVALS MAXIMUM WITH CLAMP 10495-01-000 OR CLIP 91951-01-000 AND SCREW G67-10-12B.
2. TUBING TO BE INSTALLED WITH SUFFICIENT SLOPE TO PROVIDE DRAINAGE TO NEAREST VALVE.
1. PLASTIC FITTINGS TO BE SEALED WITH SEALANT 84456-01-000

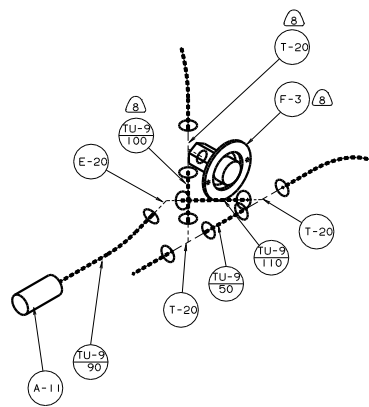
FOR WATER CALLOUTS SEE DWG NO. 116230-01-000

LEGEND	
HOT	—————
COLD	—————

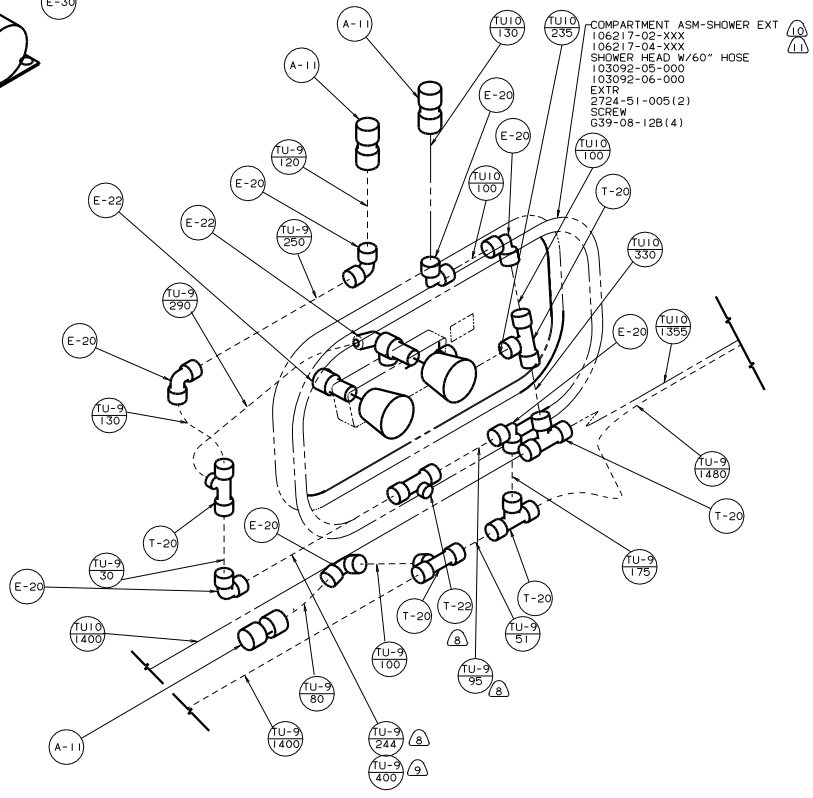
		96 221RC	
		UNDESIGNED TOLERANCES ARE:	
DATE	DATE	ONE PLACE (X.X)	ONE PLACE (X.X)
DATE	DATE	TWO PLACE (X.XX)	TWO PLACE (X.XX)
DATE	DATE	THREE PLACE (X.XXX)	THREE PLACE (X.XXX)
DATE	DATE	FOUR PLACE (X.XXXX)	FOUR PLACE (X.XXXX)
DATE	DATE	FIVE PLACE (X.XXXXX)	FIVE PLACE (X.XXXXX)
DATE	DATE	SIX PLACE (X.XXXXXX)	SIX PLACE (X.XXXXXX)
DATE	DATE	SEVEN PLACE (X.XXXXXXX)	SEVEN PLACE (X.XXXXXXX)
DATE	DATE	EIGHT PLACE (X.XXXXXXX)	EIGHT PLACE (X.XXXXXXX)
DATE	DATE	NINE PLACE (X.XXXXXXX)	NINE PLACE (X.XXXXXXX)
DATE	DATE	TEN PLACE (X.XXXXXXX)	TEN PLACE (X.XXXXXXX)
DATE	DATE	ELEVEN PLACE (X.XXXXXXX)	ELEVEN PLACE (X.XXXXXXX)
DATE	DATE	TWELVE PLACE (X.XXXXXXX)	TWELVE PLACE (X.XXXXXXX)
DATE	DATE	THIRTEEN PLACE (X.XXXXXXX)	THIRTEEN PLACE (X.XXXXXXX)
DATE	DATE	FOURTEEN PLACE (X.XXXXXXX)	FOURTEEN PLACE (X.XXXXXXX)
DATE	DATE	FIFTEEN PLACE (X.XXXXXXX)	FIFTEEN PLACE (X.XXXXXXX)
DATE	DATE	SIXTEEN PLACE (X.XXXXXXX)	SIXTEEN PLACE (X.XXXXXXX)
DATE	DATE	SEVENTEEN PLACE (X.XXXXXXX)	SEVENTEEN PLACE (X.XXXXXXX)
DATE	DATE	EIGHTEEN PLACE (X.XXXXXXX)	EIGHTEEN PLACE (X.XXXXXXX)
DATE	DATE	NINETEEN PLACE (X.XXXXXXX)	NINETEEN PLACE (X.XXXXXXX)
DATE	DATE	TWENTY PLACE (X.XXXXXXX)	TWENTY PLACE (X.XXXXXXX)
DATE	DATE	TWENTY ONE PLACE (X.XXXXXXX)	TWENTY ONE PLACE (X.XXXXXXX)
DATE	DATE	TWENTY TWO PLACE (X.XXXXXXX)	TWENTY TWO PLACE (X.XXXXXXX)
DATE	DATE	TWENTY THREE PLACE (X.XXXXXXX)	TWENTY THREE PLACE (X.XXXXXXX)
DATE	DATE	TWENTY FOUR PLACE (X.XXXXXXX)	TWENTY FOUR PLACE (X.XXXXXXX)
DATE	DATE	TWENTY FIVE PLACE (X.XXXXXXX)	TWENTY FIVE PLACE (X.XXXXXXX)
DATE	DATE	TWENTY SIX PLACE (X.XXXXXXX)	TWENTY SIX PLACE (X.XXXXXXX)
DATE	DATE	TWENTY SEVEN PLACE (X.XXXXXXX)	TWENTY SEVEN PLACE (X.XXXXXXX)
DATE	DATE	TWENTY EIGHT PLACE (X.XXXXXXX)	TWENTY EIGHT PLACE (X.XXXXXXX)
DATE	DATE	TWENTY NINE PLACE (X.XXXXXXX)	TWENTY NINE PLACE (X.XXXXXXX)
DATE	DATE	THIRTY PLACE (X.XXXXXXX)	THIRTY PLACE (X.XXXXXXX)
DATE	DATE	THIRTY ONE PLACE (X.XXXXXXX)	THIRTY ONE PLACE (X.XXXXXXX)
DATE	DATE	THIRTY TWO PLACE (X.XXXXXXX)	THIRTY TWO PLACE (X.XXXXXXX)
DATE	DATE	THIRTY THREE PLACE (X.XXXXXXX)	THIRTY THREE PLACE (X.XXXXXXX)
DATE	DATE	THIRTY FOUR PLACE (X.XXXXXXX)	THIRTY FOUR PLACE (X.XXXXXXX)
DATE	DATE	THIRTY FIVE PLACE (X.XXXXXXX)	THIRTY FIVE PLACE (X.XXXXXXX)
DATE	DATE	THIRTY SIX PLACE (X.XXXXXXX)	THIRTY SIX PLACE (X.XXXXXXX)
DATE	DATE	THIRTY SEVEN PLACE (X.XXXXXXX)	THIRTY SEVEN PLACE (X.XXXXXXX)
DATE	DATE	THIRTY EIGHT PLACE (X.XXXXXXX)	THIRTY EIGHT PLACE (X.XXXXXXX)
DATE	DATE	THIRTY NINE PLACE (X.XXXXXXX)	THIRTY NINE PLACE (X.XXXXXXX)
DATE	DATE	FOURTY PLACE (X.XXXXXXX)	FOURTY PLACE (X.XXXXXXX)
DATE	DATE	FOURTY ONE PLACE (X.XXXXXXX)	FOURTY ONE PLACE (X.XXXXXXX)
DATE	DATE	FOURTY TWO PLACE (X.XXXXXXX)	FOURTY TWO PLACE (X.XXXXXXX)
DATE	DATE	FOURTY THREE PLACE (X.XXXXXXX)	FOURTY THREE PLACE (X.XXXXXXX)
DATE	DATE	FOURTY FOUR PLACE (X.XXXXXXX)	FOURTY FOUR PLACE (X.XXXXXXX)
DATE	DATE	FOURTY FIVE PLACE (X.XXXXXXX)	FOURTY FIVE PLACE (X.XXXXXXX)
DATE	DATE	FOURTY SIX PLACE (X.XXXXXXX)	FOURTY SIX PLACE (X.XXXXXXX)
DATE	DATE	FOURTY SEVEN PLACE (X.XXXXXXX)	FOURTY SEVEN PLACE (X.XXXXXXX)
DATE	DATE	FOURTY EIGHT PLACE (X.XXXXXXX)	FOURTY EIGHT PLACE (X.XXXXXXX)
DATE	DATE	FOURTY NINE PLACE (X.XXXXXXX)	FOURTY NINE PLACE (X.XXXXXXX)
DATE	DATE	FIFTY PLACE (X.XXXXXXX)	FIFTY PLACE (X.XXXXXXX)
DATE	DATE	FIFTY ONE PLACE (X.XXXXXXX)	FIFTY ONE PLACE (X.XXXXXXX)
DATE	DATE	FIFTY TWO PLACE (X.XXXXXXX)	FIFTY TWO PLACE (X.XXXXXXX)
DATE	DATE	FIFTY THREE PLACE (X.XXXXXXX)	FIFTY THREE PLACE (X.XXXXXXX)
DATE	DATE	FIFTY FOUR PLACE (X.XXXXXXX)	FIFTY FOUR PLACE (X.XXXXXXX)
DATE	DATE	FIFTY FIVE PLACE (X.XXXXXXX)	FIFTY FIVE PLACE (X.XXXXXXX)
DATE	DATE	FIFTY SIX PLACE (X.XXXXXXX)	FIFTY SIX PLACE (X.XXXXXXX)
DATE	DATE	FIFTY SEVEN PLACE (X.XXXXXXX)	FIFTY SEVEN PLACE (X.XXXXXXX)
DATE	DATE	FIFTY EIGHT PLACE (X.XXXXXXX)	FIFTY EIGHT PLACE (X.XXXXXXX)
DATE	DATE	FIFTY NINE PLACE (X.XXXXXXX)	FIFTY NINE PLACE (X.XXXXXXX)
DATE	DATE	SIXTY PLACE (X.XXXXXXX)	SIXTY PLACE (X.XXXXXXX)
DATE	DATE	SIXTY ONE PLACE (X.XXXXXXX)	SIXTY ONE PLACE (X.XXXXXXX)
DATE	DATE	SIXTY TWO PLACE (X.XXXXXXX)	SIXTY TWO PLACE (X.XXXXXXX)
DATE	DATE	SIXTY THREE PLACE (X.XXXXXXX)	SIXTY THREE PLACE (X.XXXXXXX)
DATE	DATE	SIXTY FOUR PLACE (X.XXXXXXX)	SIXTY FOUR PLACE (X.XXXXXXX)
DATE	DATE	SIXTY FIVE PLACE (X.XXXXXXX)	SIXTY FIVE PLACE (X.XXXXXXX)
DATE	DATE	SIXTY SIX PLACE (X.XXXXXXX)	SIXTY SIX PLACE (X.XXXXXXX)
DATE	DATE	SIXTY SEVEN PLACE (X.XXXXXXX)	SIXTY SEVEN PLACE (X.XXXXXXX)
DATE	DATE	SIXTY EIGHT PLACE (X.XXXXXXX)	SIXTY EIGHT PLACE (X.XXXXXXX)
DATE	DATE	SIXTY NINE PLACE (X.XXXXXXX)	SIXTY NINE PLACE (X.XXXXXXX)
DATE	DATE	SEVENTY PLACE (X.XXXXXXX)	SEVENTY PLACE (X.XXXXXXX)
DATE	DATE	SEVENTY ONE PLACE (X.XXXXXXX)	SEVENTY ONE PLACE (X.XXXXXXX)
DATE	DATE	SEVENTY TWO PLACE (X.XXXXXXX)	SEVENTY TWO PLACE (X.XXXXXXX)
DATE	DATE	SEVENTY THREE PLACE (X.XXXXXXX)	SEVENTY THREE PLACE (X.XXXXXXX)
DATE	DATE	SEVENTY FOUR PLACE (X.XXXXXXX)	SEVENTY FOUR PLACE (X.XXXXXXX)
DATE	DATE	SEVENTY FIVE PLACE (X.XXXXXXX)	SEVENTY FIVE PLACE (X.XXXXXXX)
DATE	DATE	SEVENTY SIX PLACE (X.XXXXXXX)	SEVENTY SIX PLACE (X.XXXXXXX)
DATE	DATE	SEVENTY SEVEN PLACE (X.XXXXXXX)	SEVENTY SEVEN PLACE (X.XXXXXXX)
DATE	DATE	SEVENTY EIGHT PLACE (X.XXXXXXX)	SEVENTY EIGHT PLACE (X.XXXXXXX)
DATE	DATE	SEVENTY NINE PLACE (X.XXXXXXX)	SEVENTY NINE PLACE (X.XXXXXXX)
DATE	DATE	EIGHTY PLACE (X.XXXXXXX)	EIGHTY PLACE (X.XXXXXXX)
DATE	DATE	EIGHTY ONE PLACE (X.XXXXXXX)	EIGHTY ONE PLACE (X.XXXXXXX)
DATE	DATE	EIGHTY TWO PLACE (X.XXXXXXX)	EIGHTY TWO PLACE (X.XXXXXXX)
DATE	DATE	EIGHTY THREE PLACE (X.XXXXXXX)	EIGHTY THREE PLACE (X.XXXXXXX)
DATE	DATE	EIGHTY FOUR PLACE (X.XXXXXXX)	EIGHTY FOUR PLACE (X.XXXXXXX)
DATE	DATE	EIGHTY FIVE PLACE (X.XXXXXXX)	EIGHTY FIVE PLACE (X.XXXXXXX)
DATE	DATE	EIGHTY SIX PLACE (X.XXXXXXX)	EIGHTY SIX PLACE (X.XXXXXXX)
DATE	DATE	EIGHTY SEVEN PLACE (X.XXXXXXX)	EIGHTY SEVEN PLACE (X.XXXXXXX)
DATE	DATE	EIGHTY EIGHT PLACE (X.XXXXXXX)	EIGHTY EIGHT PLACE (X.XXXXXXX)
DATE	DATE	EIGHTY NINE PLACE (X.XXXXXXX)	EIGHTY NINE PLACE (X.XXXXXXX)
DATE	DATE	NINETY PLACE (X.XXXXXXX)	NINETY PLACE (X.XXXXXXX)
DATE	DATE	NINETY ONE PLACE (X.XXXXXXX)	NINETY ONE PLACE (X.XXXXXXX)
DATE	DATE	NINETY TWO PLACE (X.XXXXXXX)	NINETY TWO PLACE (X.XXXXXXX)
DATE	DATE	NINETY THREE PLACE (X.XXXXXXX)	NINETY THREE PLACE (X.XXXXXXX)
DATE	DATE	NINETY FOUR PLACE (X.XXXXXXX)	NINETY FOUR PLACE (X.XXXXXXX)
DATE	DATE	NINETY FIVE PLACE (X.XXXXXXX)	NINETY FIVE PLACE (X.XXXXXXX)
DATE	DATE	NINETY SIX PLACE (X.XXXXXXX)	NINETY SIX PLACE (X.XXXXXXX)
DATE	DATE	NINETY SEVEN PLACE (X.XXXXXXX)	NINETY SEVEN PLACE (X.XXXXXXX)
DATE	DATE	NINETY EIGHT PLACE (X.XXXXXXX)	NINETY EIGHT PLACE (X.XXXXXXX)
DATE	DATE	NINETY NINE PLACE (X.XXXXXXX)	NINETY NINE PLACE (X.XXXXXXX)
DATE	DATE	HUNDRED PLACE (X.XXXXXXX)	HUNDRED PLACE (X.XXXXXXX)



VIEW A-A



DETAIL B



VIEW C-C
WITH EXTERIOR SHOWER

TITLE		95 221RC	
WATER SYSTEM INSTL			
30	NO SCALE	REV	
2	OF 2	1E	119075