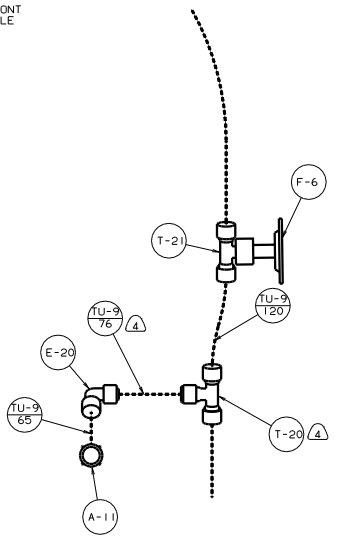
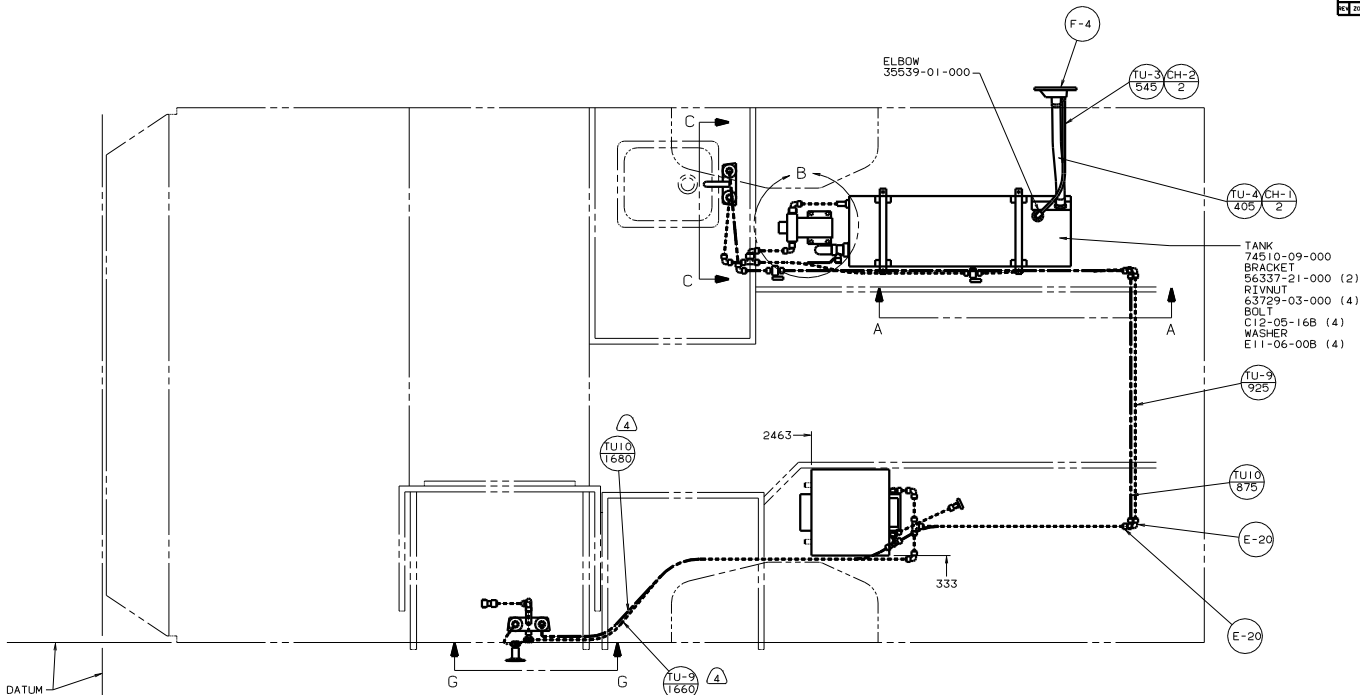


5. EXPOSED PIPE ABOVE ROOF TO BE PAINTED 37163-01-000.
 4. ALL EXTERIOR OPENINGS AROUND PIPE TO BE SEALED WITH 69637-01-000.
 3. ALL PIPE AND FITTINGS TO BE ASSEMBLED WITH SOLVENT 4020-01-000.
 2. SLOPE OF TRAP ARM MUST BE 6 PER 305.
 1. SLOPE OF HORIZONTAL PIPING TO BE 6 PER 305 MIN.
- (9) USE SCRAP CLOSED CELL NEOPRENE FROM 77075-01-.02 OR -03 ON HAT CHANNELS FOR VIBRATION DAMPENING.
 - (8) VENT PIPE MUST PROJECT 51 MIN AND 63.5 MAX ABOVE ROOF FOR PROPER FIT AND FUNCTION.
 - (7) SEE DWG 61607-01-000 FOR INSTALLATION OF GROMMET.
 6. FOR CAN UNITS EACH HOLDING TANK SHALL HAVE A CSA APPROVAL STAMPED NEAR THE IAMPO APPROVAL.
 10. SECURE PIPES TO CABINET USING WIRE TIE 108046-02-000 AND SCREW 667-10-12U (8).

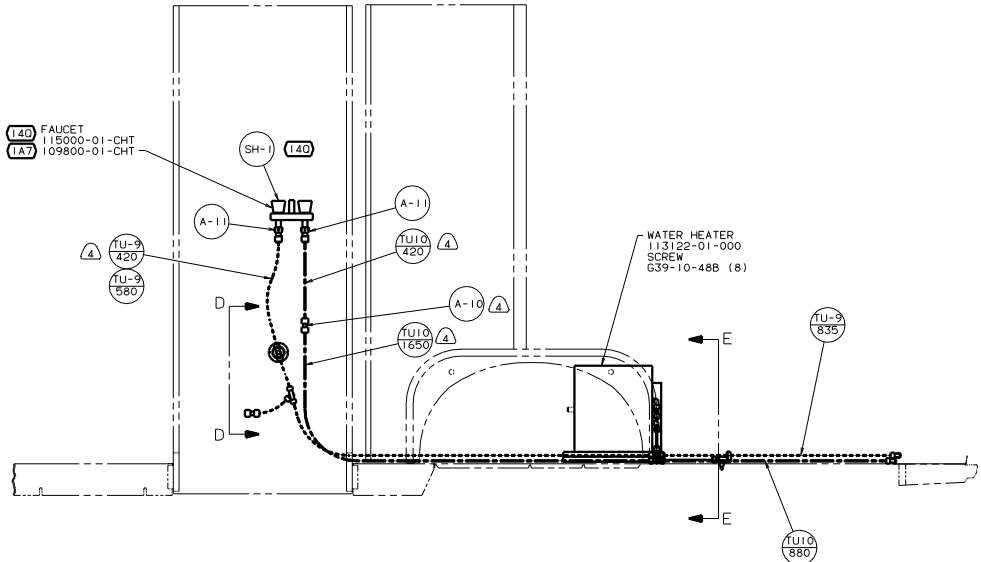
222 RD US/CANADIAN

(265) CODES/STANDARDS-CSA/CMVSS
 (1B1) CODES STANDARDS/USA
 (1A7) SHOWER PACKAGE-WITHOUT
 (140) SHOWER PACKAGE

LAYOUT NO. 2006EN		TITLE: DRAINAGE SYSTEM INSTL	
DATE	DATE	UNDESIGNED TECHNIQUES ARE:	MATERIAL:
CHKD	DATE	WELD ORN (1)	1/8
DWG	DATE	ONE-PLATE (1)	1/8
D/E	DATE	TWO-PLATE (1)	1/8
DATE	DATE	ANGLE	
DATE	DATE	INDIC. W/OUT	
DATE	DATE	PRODUCTION	
SCALE: NONE	TO THE SCALE SHOWN	SHEET 1 OF 1	DWG NO. 131308



VIEW D-D



- NOT REQUIRED WITH EXTERIOR SHOWER.
- ALL TUBING TO BE SECURED AT 1200 INTERVALS MAXIMUM WITH CLAMP 10495-01-000 OR CLIP 91951-01-000 AND SCREW G67-10-12B.
 - TUBING TO BE INSTALLED WITH SUFFICIENT SLOPE TO PROVIDE DRAINAGE TO NEAREST VALVE.
 - PLASTIC FITTINGS TO BE SEALED WITH SEALANT 84456-01-000.

- 64R EXTERIOR WASH STATION
- 1A7 SHOWER PACKAGE-WITHOUT
- 140 SHOWER PACKAGE

X-X	FOR WATER CALLOUTS SEE DWG NO. 116230-01-000	LEGEND	
		HOT	-----
		COLD	*****

WINNEBAGO		00 22200
DATE	UNDESIGNED TOLERANCES ARE:	MATERIAL
DATE	WHOLE DIM (IN)	F
DATE	ONE-PLACE (IN.XI)	.
DATE	TWO-PLACE (IN.XX)	..
DATE	THREE-PLACE (IN.XXX)	...
DATE	ANGLE	
DATE	INDUS. WELD	
DATE	PROTECTION	
LAYOUT NO. 22200	TITLE WATER SYSTEM INSTL	
DWG #	SCALE	NOTE
1	1:1	NO NET SCALE CHANGING
SHEET 1	OF 2	REV B

